

COMMON ITEMS FICHE WINNEBAGO & ITASCA 1984 - 1988

INTRODUCTION

This fiche is organized to aid in ease of information retrieval. Information is presented in alphabetical order for ease of location.

To use this fiche, refer to the table of contents located at the top right corner of each page. Locate the group you need, then refer to the index at the lower right corner of each page to obtain the grid location of the item.

Be sure to check the model number and rating of various units to ensure you are locating the proper information.

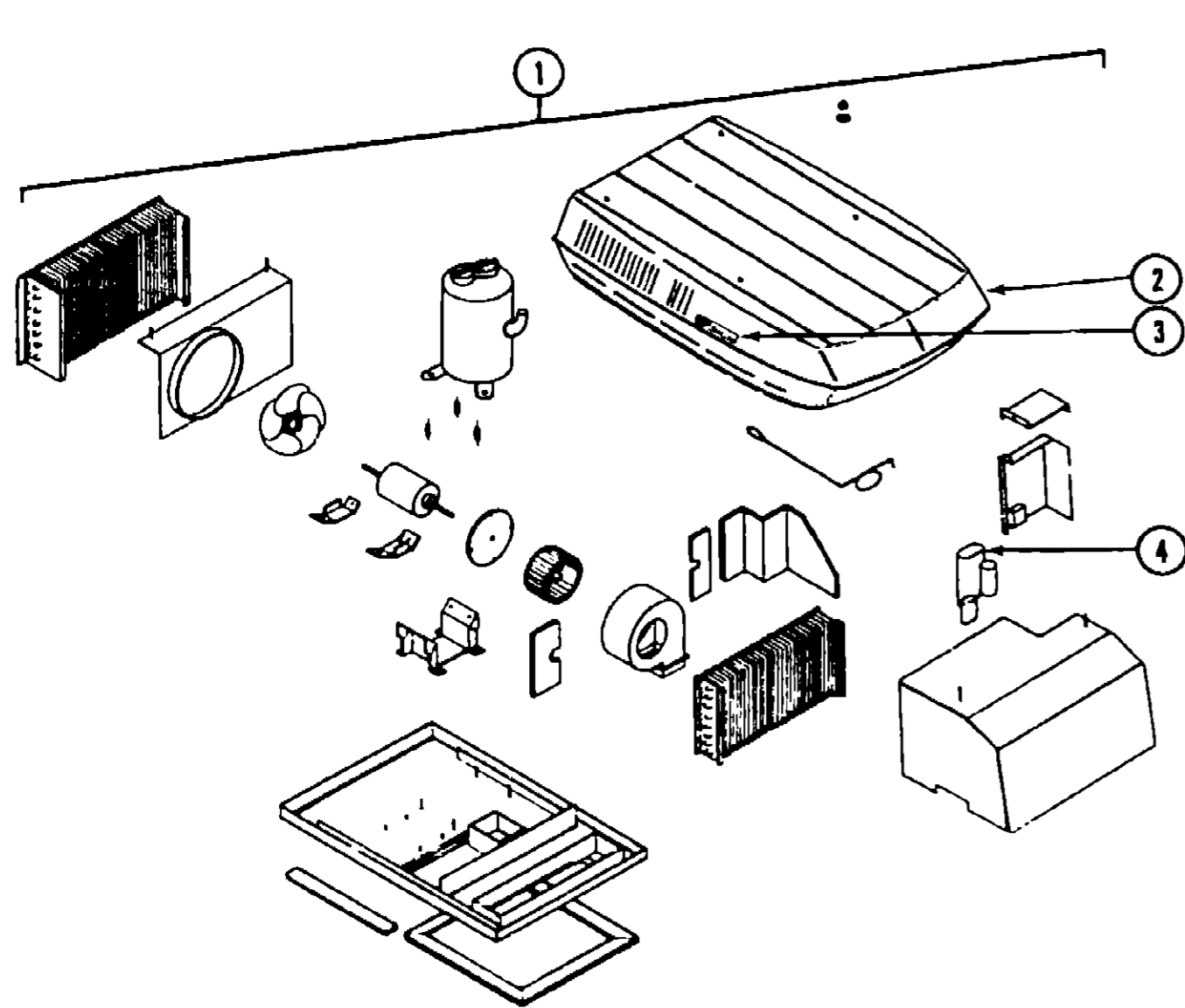
The illustrations of various items are provided for clarification. Only keyed items for which part numbers are provided (on the illustration) may be purchased from Winnebago Industries.

1984-1988 COMMON ITEMS FICHE TABLE OF CONTENTS

Introduction	A-01 - A-02
Air Conditioner	A-03 - A-09
Auto Air Conditioning	C-23 - C-24
Chassis Maintenance Kit	H-03 - H-04
Control Center	C-21 - C-22
Electric Motor Home Step	H-01
Furnace	A-11 - B-04
Interior/Exterior Screws & Fasteners	B-07 - B-08
Holding Tanks	D-01 - D-24
Mirrors - Exterior	B-05 - B-06
Range Hood	B-09 - B-15
Refrigerator	F-01 - G-23
Roof Vent	C-13 - C-19
Speed Control	E-01 - E-16
Toilet	B-19 - B-24
TV Antenna	B-17 - B-18
Water Heater	E-17 - E-24
Water Tanks	C-01 - C-11

AIR CONDITIONER GROUP

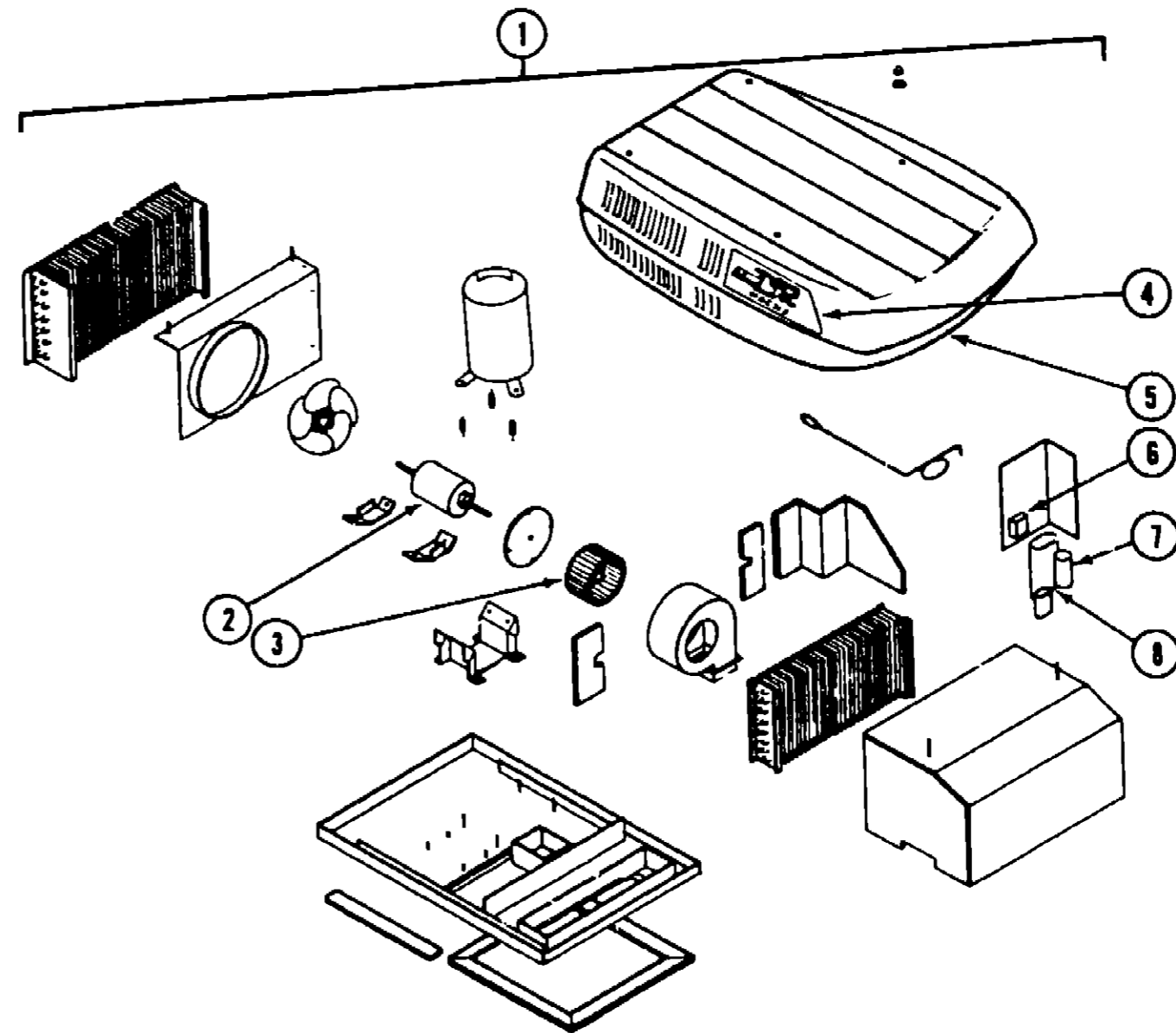
AIR CONDITIONER - COLEMAN - 7,100 BTU - MINI MACH ROTARY
MODEL - 6727-707



Key	Part Number	U/M	Description	Vendor No.
1	076303-01-000	EA	Air Conditioner - Roof Mount - Rotary w/o Inside Shroud	
2	076303-01-700	EA	Shroud Asm	(6707-3371)
3	076303-01-705	EA	Decal (Rotary Mini Mach)	(6707-3471)
4	073742-02-704	EA	Run Capacitor (Compressor)	(1499-4661)

AIR CONDITIONER GROUP (CONTINUED)

AIR CONDITIONER - COLEMAN - 13,500 BTU - MACH III ROTARY
MODELS 6759A703 AND 6759A707



Key	Part Number	U/M	Description	Vendor No.
1	073742-01-000	EA	Air Conditioner - Roof Mount - Rotary w/o Inside Shroud - White	
1	073742-02-000	EA	Air Conditioner - Roof Mount - Rotary w/o Inside Shroud - Gray	
2	073742-02-701	EA	Motor - 115 Volt - 2.8 Amp	(6757-3119)
3	073742-01-705	EA	Impellor - 7" x 2.80"	(6701-3271)
4	073742-01-700	EA	Decal Package (TSR Mach III) (White Shroud)	(1539-0141)
4	073742-02-705	EA	Decal Package (TSR Mach III) (Gray Shroud)	(1539-0731)
5	053903-01-700	EA	Shroud Asm - White	(6703A3881)
5	073742-02-700	EA	Shroud Asm. - Gray	(6759-5231)
6	073742-02-703	EA	Start Relay	(6247-3071)
7	073742-02-702	EA	Start Capacitor (47-56 MFD)	(6703-3521)
8	073742-02-704	EA	Run Capacitor (Compressor)	(1499-4661)

1984-1988 COMMON ITEMS FICHE TABLE OF CONTENTS

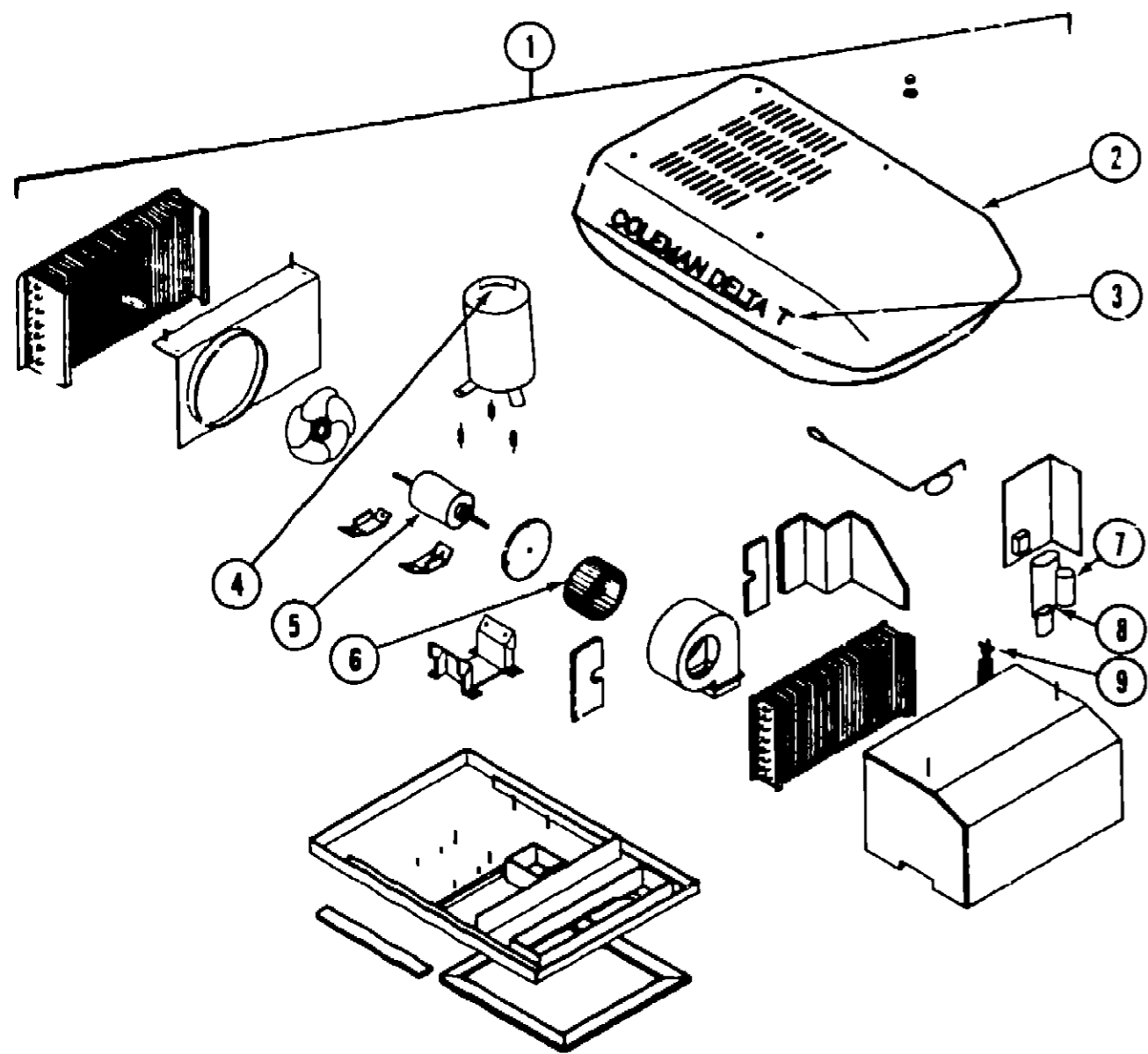
Introduction	A-01 - A-02
Air Conditioner	A-03 - A-09
Auto Air Conditioning	C-23 - C-24
Chassis Maintenance Kit	H-03 - H-04
Control Center	C-21 - C-22
Electric Motor Home Step	H-01
Furnace	A-11 - B-04
Interior/Exterior Screws & Fasteners	B-07 - B-08
Holding Tanks	D-01 - D-24
Mirrors - Exterior	B-05 - B-06
Range Hood	B-09 - B-15
Refrigerator	F-01 - G-23
Roof Vent	C-13 - C-19
Speed Control	E-01 - E-16
Toilet	B-19 - B-24
TV Antenna	B-17 - B-18
Water Heater	E-17 - E-24
Water Tanks	C-01 - C-11

AIR CONDITIONER GROUP INDEX

7,100 BTU - Mini Mach Rotary	A-03
13,500 BTU - Mach III Rotary	A-04
13,500 BTU - Delta T Rotary	A-05
13,500 BTU - Delta TX Rotary	A-06
Inside Shroud - 7,100 Mini Mach	A-07
Inside Shroud - 13,500 Mach III	A-08
Inside Shroud - 13,500 Delta T & TX	A-09

AIR CONDITIONER GROUP (CONTINUED)

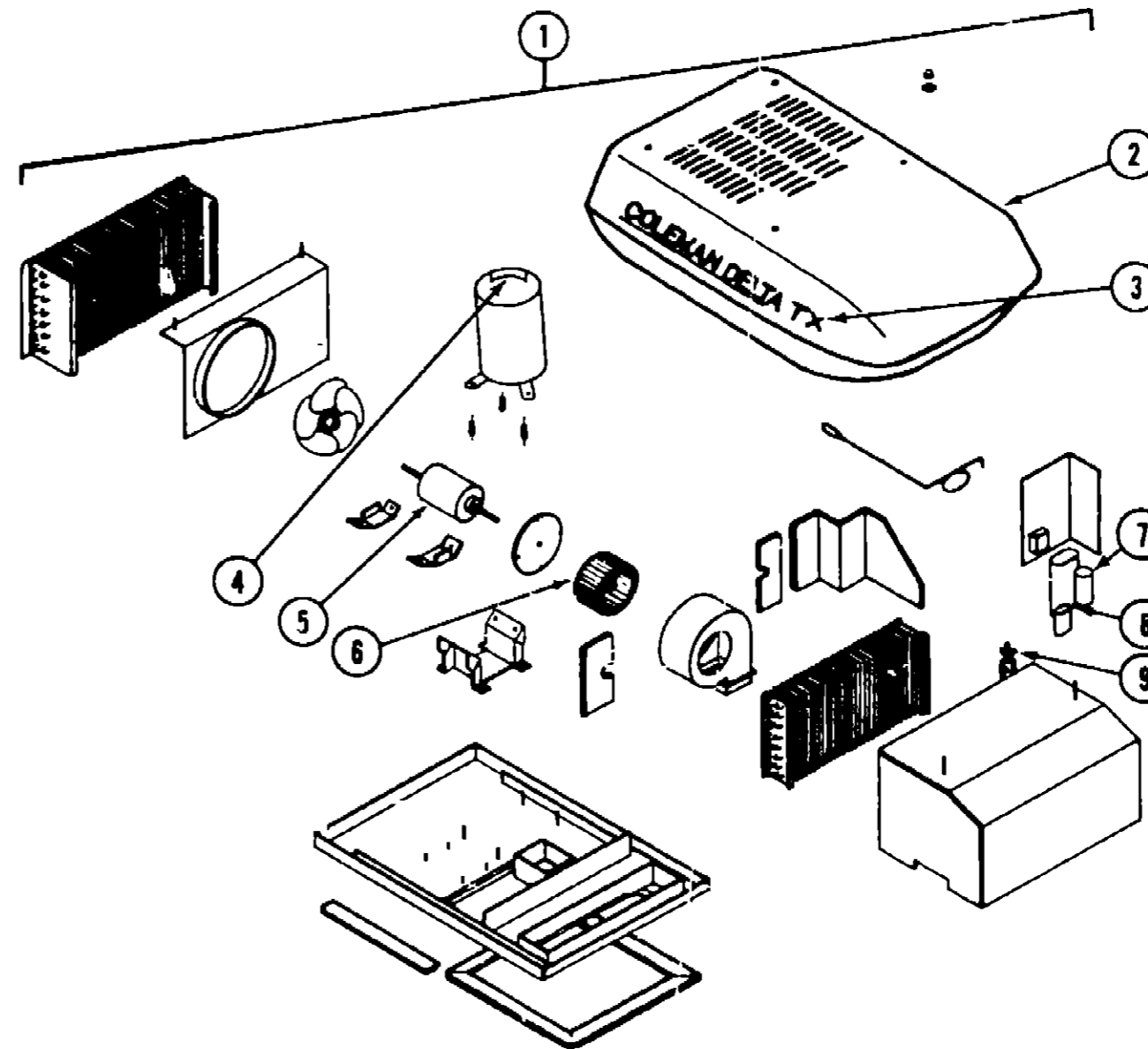
AIR CONDITIONER - COLEMAN — 13,500 BTU - DELTA T ROTARY
MODELS 6769 AND 6769-708



Key	Part Number	U/M	Description	Vendor No.
1	081606-01-000	EA	Air Conditioner - Roof Mount - Delta T - Rotary - w/o Inside Shroud - Beige/Bronze	
1	081606-02-000	EA	Air Conditioner - Roof Mount - Delta T - Rotary - w/o Inside Shroud - Gray/Gray	
2	081606-01-700	EA	Shroud Asm - Beige/Bronze	(6769-5281)
2	081606-02-700	EA	Shroud Asm - Gray/Gray	(6769-5221)
3	C31696-01-714	EA	Decal Package (Delta "T")	(1539-0861)
4	081606-01-702	EA	Overload	(6749A3531)
5	081606-01-703	EA	Motor - 115 Volt - 2 8 Amp	(6769B3119)
6	073742-01-705	EA	Impellor	(6701-3271)
7	073742-02-702	EA	Start Capacitor (60-100 MFD)	(6703-3521)
8	073742-02-704	EA	Run Capacitor (Compressor)	(1499-4661)
9	081606-01-713	EA	Conduit & Wiring Asm (8 Wires)	(6769-5461)

AIR CONDITIONER GROUP (CONTINUED)

AIR CONDITIONER - COLEMAN - 13,500 BTU - DELTA TX ROTARY
MODELS 6769-702 AND 6769-708



Key	Part Number	U/M	Description	Vendor No.
1	081606-01-000	EA	Air Conditioner - Roof Mount - Delta TX - Rotary - w/o Inside Shroud - Beige/Bronze	
1	081606-02-000	EA	Air Conditioner - Roof Mount - Delta TX - Rotary - w/o Inside Shroud - Gray/Gray	
2	081606-01-700	EA	Shroud Asm - Beige/Bronze	(6769-5281)
2	081606-02-700	EA	Shroud Asm - Gray/Gray	(6769-5221)
3	081606-01-701	EA	Decal Package (Delta "TX")	(1539-0851)
4	081606-01-702	EA	Overload	(6749A3531)
5	081606-01-710	EA	Motor - 115 Volt - 2 1 Amp	(6767-5019)
6	081606-01-711	EA	Impellor	(6767-3201)
7	073742-02-702	EA	Start Capacitor (88-108 MFD)	(6703-3521)
8	073742-02-704	EA	Run Capacitor (Compressor)	(1499-4661)
9	081606-01-713	EA	Conduit & Wiring Asm (8 Wires)	(6769-5461)

1984-1988 COMMON ITEMS FICHE TABLE OF CONTENTS

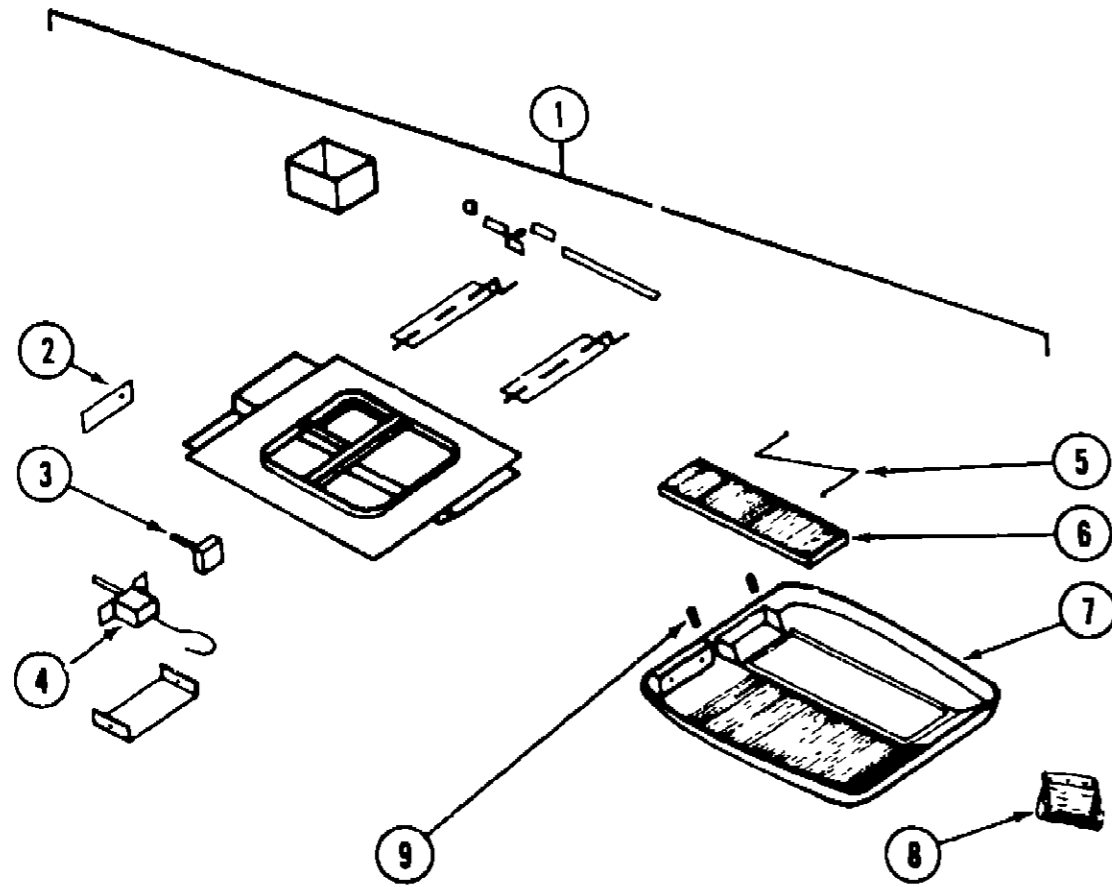
Introduction	A-01 - A-02
Air Conditioner	A-03 - A-09
Auto Air Conditioning	C-23 - C-24
Chassis Maintenance Kit	H-03 - H-04
Control Center	C-21 - C-22
Electric Motor Home Step	H-01
Furnace	A-11 - B-04
Interior/Exterior Screws & Fasteners	B-07 - B-08
Holding Tanks	D-01 - D-24
Mirrors - Exterior	B-05 - B-06
Range Hood	B-09 - B-15
Refrigerator	F-01 - G-23
Roof Vent	C-13 - C-19
Speed Control	E-01 - E-16
Toilet	B-19 - B-24
TV Antenna	B-17 - B-18
Water Heater	E-17 - E-24
Water Tanks	C-01 - C-11

AIR CONDITIONER GROUP INDEX

7,100 BTU - Mini Mach Rotary	A-03
13,500 BTU - Mach III Rotary	A-04
13,500 BTU - Delta T Rotary	A-05
13,500 BTU - Delta TX Rotary	A-06
Inside Shroud - 7,100 Mini Mach	A-07
Inside Shroud - 13,500 Mach III	A-08
Inside Shroud - 13,500 Delta T & TX	A-09

AIR CONDITIONER GROUP (CONTINUED)

CEILING ASM. - 7,100 BTU - MINI MACH - 6727-707
COLEMAN AIR CONDITIONER

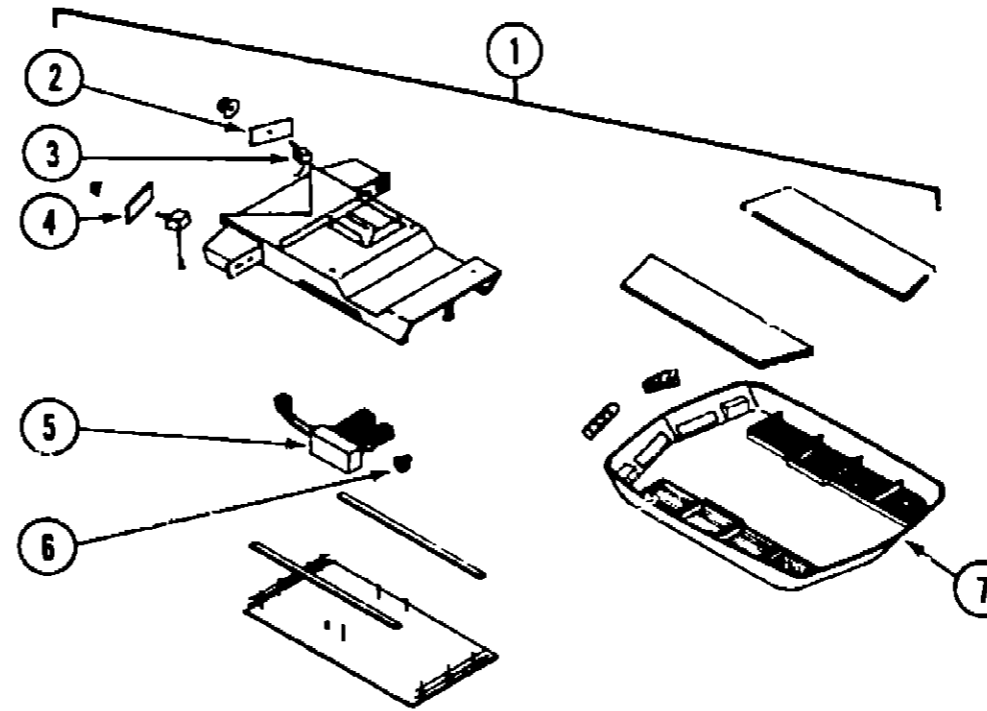


Key	Part Number	U/M	Description
1	076304-01-000	EA	Shroud Asm - Inside Ceiling - Roof Air - Cool Only
1	076305-01-000	EA	Shroud Asm - Inside Ceiling - Roof Air - Heat & Cool
2	076303-01-703	EA	Control Decal
3	076303-01-709	EA	Selector Switch
4	076303-01-710	EA	Thermostat
5	076303-01-706	EA	Elastic Cord
6	076303-01-707	EA	Filter (6" x 14 3/4" x 1/2")
7	076303-01-704	EA	Ceiling Shroud
8	076303-01-708	EA	Single Part Package
9	076303-01-701	EA	Control Knob
	076303-01-702	EA	Control Selector Decal
			Not illustrated

Vendor No.
(6727-3251)
(6733-3411)
(6700-320)
(6703-A3151)
(6733-3571)
(6733-584)
(6733-3241)
(6759-3481)

AIR CONDITIONER GROUP (CONTINUED)

CEILING ASM. - 13,500 BTU - MACH III - 6759A703 AND 6759A707
COLEMAN AIR CONDITIONER



Key	Part Number	U/M	Description
1	073743-01-000	EA	Shroud Asm - Inside Ceiling - Roof Air - Cool Only
1	073744-01-000	EA	Shroud Asm - Inside Ceiling - Roof Air - Cool & Heat
2	073742-01-702	EA	Decal (Cool Only)
2	073742-01-703	EA	Decal (Heat & Cool)
3	073742-01-701	EA	Selector Switch (5 Terminal)
4	073742-01-704	EA	Decal - Thermostat - TSR
5	081606-01-707	EA	Heat Element
6	081606-01-708	EA	Limit Switch
7	081606-01-712	EA	Ceiling Shroud (Ivory)

Vendor No.
(6759-3431)
(6759-3491)
(6759-3251)
(6759-3481)
(6703B3291)
(6703-3041)
(6769-5061)

1964-1968 COMMON ITEMS FICHE TABLE OF CONTENTS

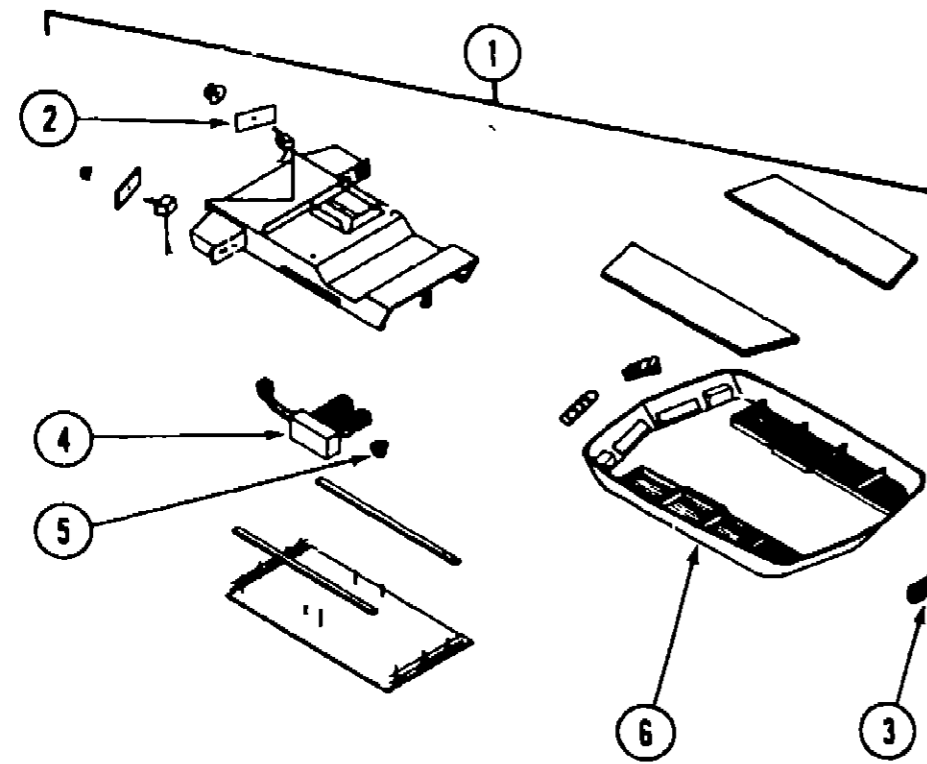
Introduction	A-01 - A-02
Air Conditioner	A-03 - A-09
Auto Air Conditioning	C-23 - C-24
Chassis Maintenance Kit	H-03 - H-04
Control Center	C-21 - C-22
Electric Motor Home Step	H-01
Furnace	A-11 - B-04
Interior/Exterior Screws & Fasteners	B-07 - B-08
Holding Tanks	D-01 - D-24
Mirrors - Exterior	B-05 - B-06
Range Hood	B-09 - B-15
Refrigerator	F-01 - G-23
Roof Vent	C-13 - C-19
Speed Control	E-01 - E-16
Toilet	B-19 - B-24
TV Antenna	B-17 - B-18
Water Heater	E-17 - E-24
Water Tanks	C-01 - C-11

AIR CONDITIONER GROUP INDEX

7,100 BTU - Mini Mach Rotary	A-03
13,500 BTU - Mach III Rotary	A-04
13,500 BTU - Delta T Rotary	A-05
13,500 BTU - Delta TX Rotary	A-06
Inside Shroud - 7,100 Mini Mach	A-07
Inside Shroud - 13,500 Mach III	A-08
Inside Shroud - 13,500 Delta T & TX	A-09

AIR CONDITIONER GROUP (CONTINUED)

CEILING ASM. - 13,500 BTU - DELTA T - DELTA TX - 6769-702 AND 6769-708
COLEMAN AIR CONDITIONER



Key	Part Number	U/M	Description	Vendor No.
1	081606-04-000	EA	Ceiling Asm - Heat/Cool - Ivory	
1	081606-03-000	EA	Ceiling Asm - Cool/Only - Ivory	
2	081606-01-704	EA	Decal (Off-Fan-Cool)	(1539-1031)
2	081606-01-705	EA	Decal (Off-Fan-Cool-Heat)	(1539-1071)
3	081606-01-709	EA	Logo (Delta T) (Delta TX)	(6769-3491)
4	081606-01-707	EA	Heat Element	(6703B3291)
5	081606-01-708	EA	Limit Switch	(6703-3041)
6	081606-01-712	EA	Ceiling Stroud (Ivory)	(6769-5061)

1984-1988 COMMON ITEMS FICHE TABLE OF CONTENTS

Introduction	A-01 - A-02
Air Conditioner	A-03 - A-09
Auto Air Conditioning	C-23 - C-24
Chassis Maintenance Kit	H-03 - H-04
Control Center	C-21 - C-22
Electric Motor Home Step	H-01
Furnace	A-11 - B-04
Interior/Exterior Screws & Fasteners	B-07 - B-08
Holding Tanks	D-01 - D-24
Mirrors - Exterior	B-05 - B-06
Range Hood	B-09 - B-15
Refrigerator	F-01 - G-23
Roof Vent	C-13 - C-19
Speed Control	E-01 - E-16
Toilet	B-19 - B-24
TV Antenna	B-17 - B-18
Water Heater	E-17 - E-24
Water Tanks	C-01 - C-11

AIR CONDITIONER GROUP INDEX

7,100 BTU - Mini Mach Rotary	A-03
13,500 BTU - Mach III Rotary	A-04
13,500 BTU - Delta T Rotary	A-05
13,500 BTU - Delta TX Rotary	A-06
Inside Shroud - 7,100 Mini Mach	A-07
Inside Shroud - 13,500 Mach III	A-08
Inside Shroud - 13,500 Delta T & TX	A-09

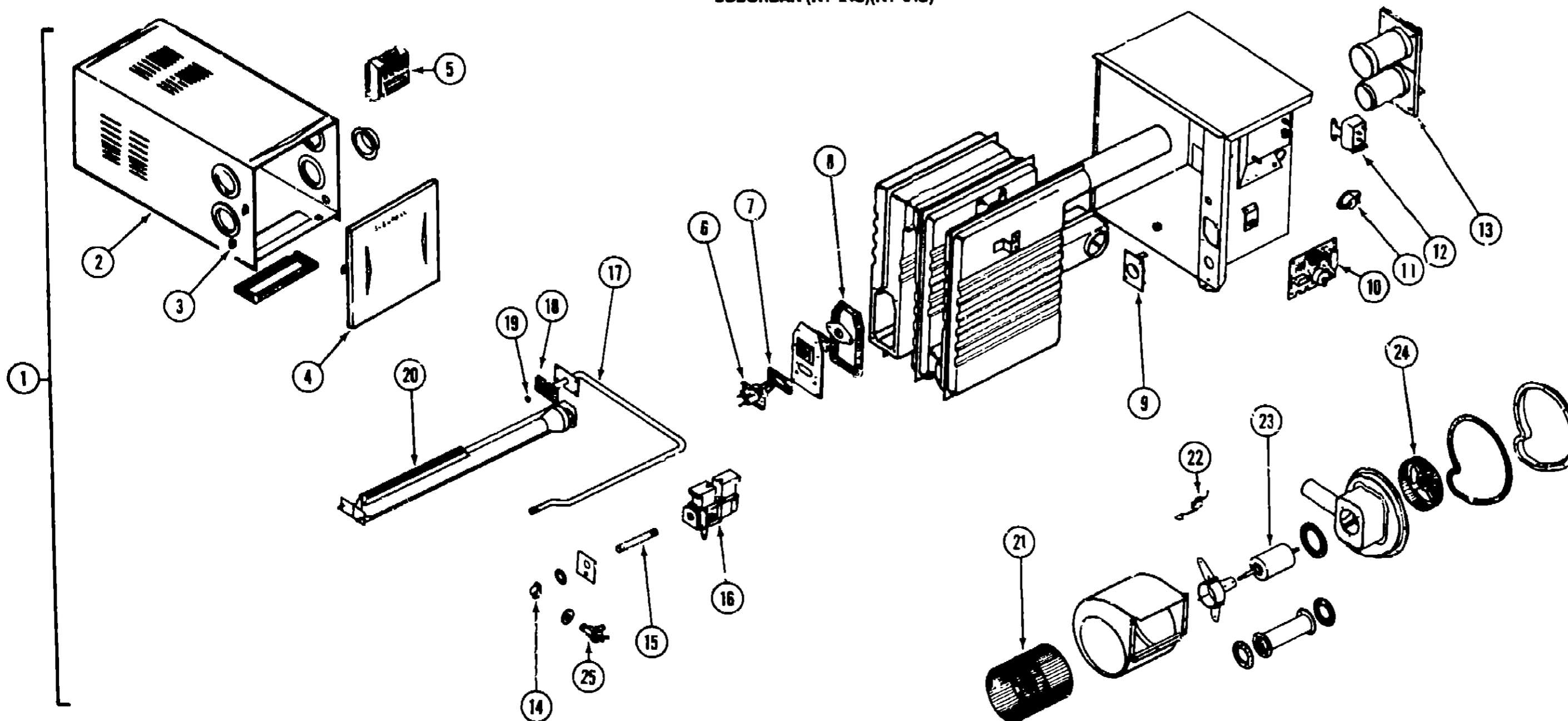
FURNACE GROUP
SUBURBAN (NT-24S)(NT-34S)

1984-1988 COMMON ITEMS FICHE
TABLE OF CONTENTS

Introduction	A-01 - A-02
Air Conditioner	A-03 - A-09
Auto Air Conditioning	C-23 - C-24
Chassis Maintenance Kit	H-03 - H-04
Control Center	C-21 - C-22
Electric Motor Home Step	H-01
Furnace	A-11 - B-04
Interior/Exterior Screws & Fasteners	B-07 - B-08
Holding Tanks	D-01 - D-24
Mirrors - Exterior	B-05 - B-06
Range Hood	B-09 - B-15
Refrigerator	F-01 - G-23
Roof Vent	C-13 - C-19
Speed Control	E-01 - E-16
Toilet	B-19 - B-24
TV Antenna	B-17 - B-18
Water Heater	E-17 - E-24
Water Tanks	C-01 - C-11

FURNACE GROUP INDEX

Suburban - 24,000 BTU - NT24S	A-11 - A-12
Suburban - 34,000 BTU - NT34S	A-11 - A-12
Suburban - 24,000 BTU - NT24M	A-13 - A-14
Suburban - 34,000 BTU - NT34L	A-13 - A-14
Suburban - 20,000 BTU - NT20SE	A-15 - A-16
Suburban - 20,000 BTU - NT20LE	A-15 - A-16
Suburban - 30,000 BTU - NT30K	A-17 - A-18
Suburban - 45,000 BTU - NT45S	A-19 - A-20
Duo-Therm 20,000 BTU 900 Series	A-21 - A-23
Duo-Therm 30,000 BTU 901 Series	A-24 - B-02
Hydroflame - 12,000 BTU	B-03 - B-04

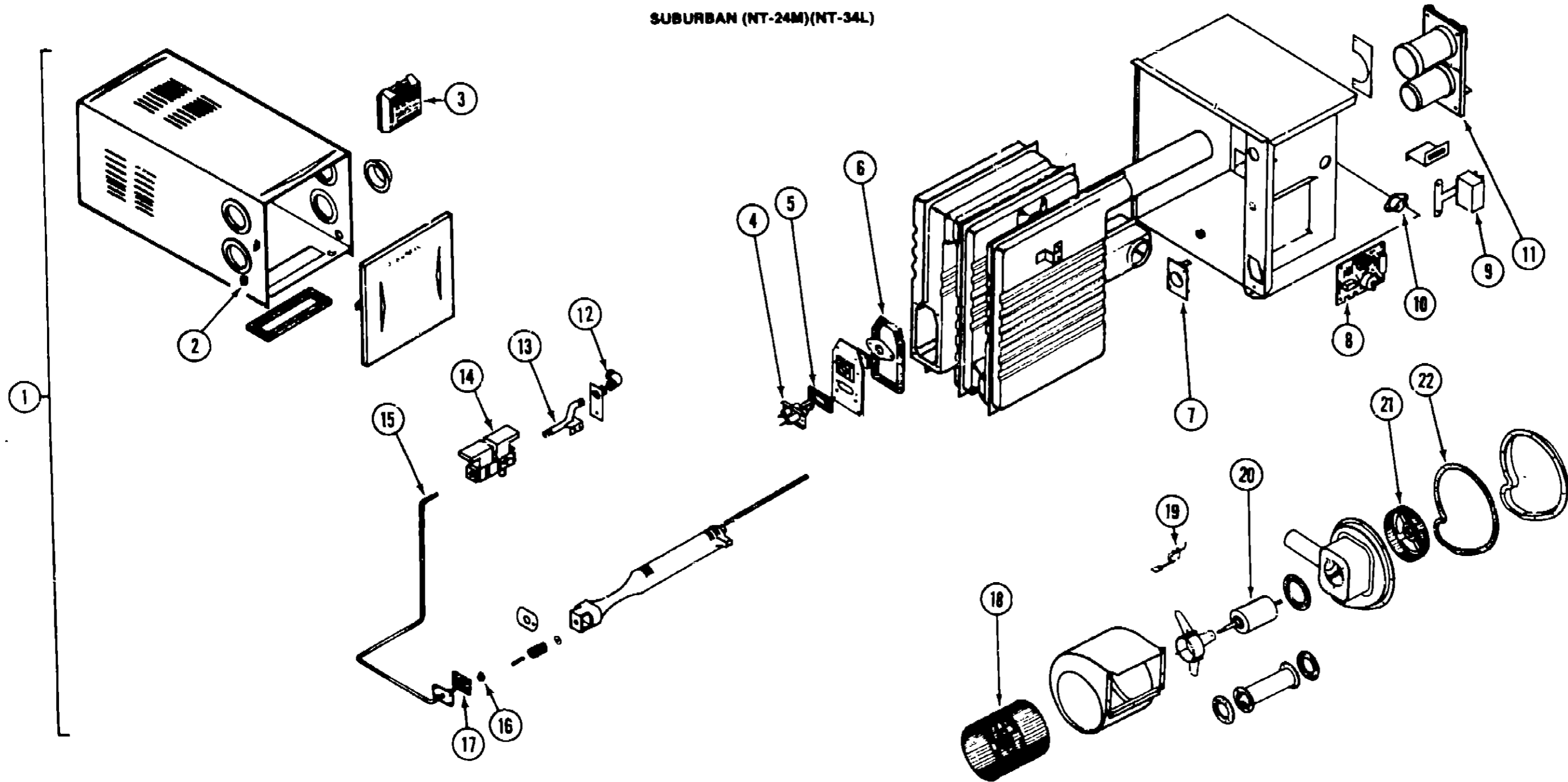


Key	Part Number	U/M	Description	NT-24S	NT-34S	Vendor No.
1	075695-01-000	EA	Furnace Asm	X		
1	075696-01-000	EA	Furnace Asm		X	
2	075695-01-711	EA	Cabinet Asm	X	X	(X100962)
3	069634-01-702	EA	Tinnerman Nut	X	X	(121373)
4	075695-01-710	EA	Cabinet Front	X	X	(100808)
5	075695-01-700	EA	Thermostat	X	X	(160818)
6	075695-01-701	EA	Electrode Asm	X	X	(230833)
*	074035-01-715	EA	Electrode Wire	X	X	(230350)
7	069634-01-705	EA	Gasket	X	X	(070163)
8	069634-01-732	EA	Gasket	X	X	(070398)
9	069633-01-700	EA	Limit Switch	X	X	(230496)
10	069634-01-706	EA	Module Board	X	X	(230587)
11	069634-01-707	EA	Fan Switch	X	X	(231202)
12	069634-01-708	EA	Thermostat Relay	X	X	(230530)
13	075695-01-702	EA	Vent Cap Asm.	X	X	(2260111)
*			Not illustrated			

Key	Part Number	U/M	Description	NT-24S	NT-34S	Vendor No.
14	069634-01-709	EA	Elbow - 90°	X	X	(170082)
15	075695-01-703	EA	Gas Inlet Pipe	X	X	(170758)
16	069634-01-729	EA	Valve	X	X	(160832)
17	075695-01-704	EA	Manifold Asm	X	X	(X170757)
18	069634-01-712	EA	Manifold Gasket	X	X	(070408)
19	069633-01-701	EA	Orifice (NT-24S)	X		(180215)
19	069634-01-720	EA	Orifice (NT-34S)		X	(0180222)
20	075695-01-705	EA	Burner Asm.	X	X	(1010619)
21	075695-01-706	EA	Room Air Wheel	X	X	(350076)
22	075695-01-708	EA	Microswitch (NT-24S)	X		(X230510)
22	075695-01-709	EA	Microswitch (NT-34S)		X	(230509)
23	069633-01-703	EA	Motor (NT-24S)	X		(230741)
23	075695-01-707	EA	Motor (NT-34S)		X	(230744)
24	074466-01-706	EA	Combustion Wheel	X	X	(350069)
25	069634-01-716	EA	Manual Shut-Off Valve	X	X	(160740)

FURNACE GROUP (CONTINUED)

SUBURBAN (NT-24M)(NT-34L)



1984-1988 COMMON ITEMS FICHE TABLE OF CONTENTS

Introduction	A-01 - A-02
Air Conditioner	A-03 - A-09
Auto Air Conditioning	C-23 - C-24
Chassis Maintenance Kit	H-03 - H-04
Control Center	C-21 - C-22
Electric Motor Home Step	H-01
Furnace	A-11 - B-04
Interior/Exterior Screw & Fasteners	B-07 - B-08
Holding Tanks	D-01 - D-24
Mirrors - Exterior	B-05 - B-06
Range Hood	B-09 - B-15
Refrigerator	F-01 - G-23
Roof Vent	C-13 - C-19
Speed Control	E-01 - E-16
Toilet	B-19 - B-24
TV Antenna	B-17 - B-18
Water Heater	E-17 - E-24
Water Tanks	C-01 - C-11

FURNACE GROUP INDEX

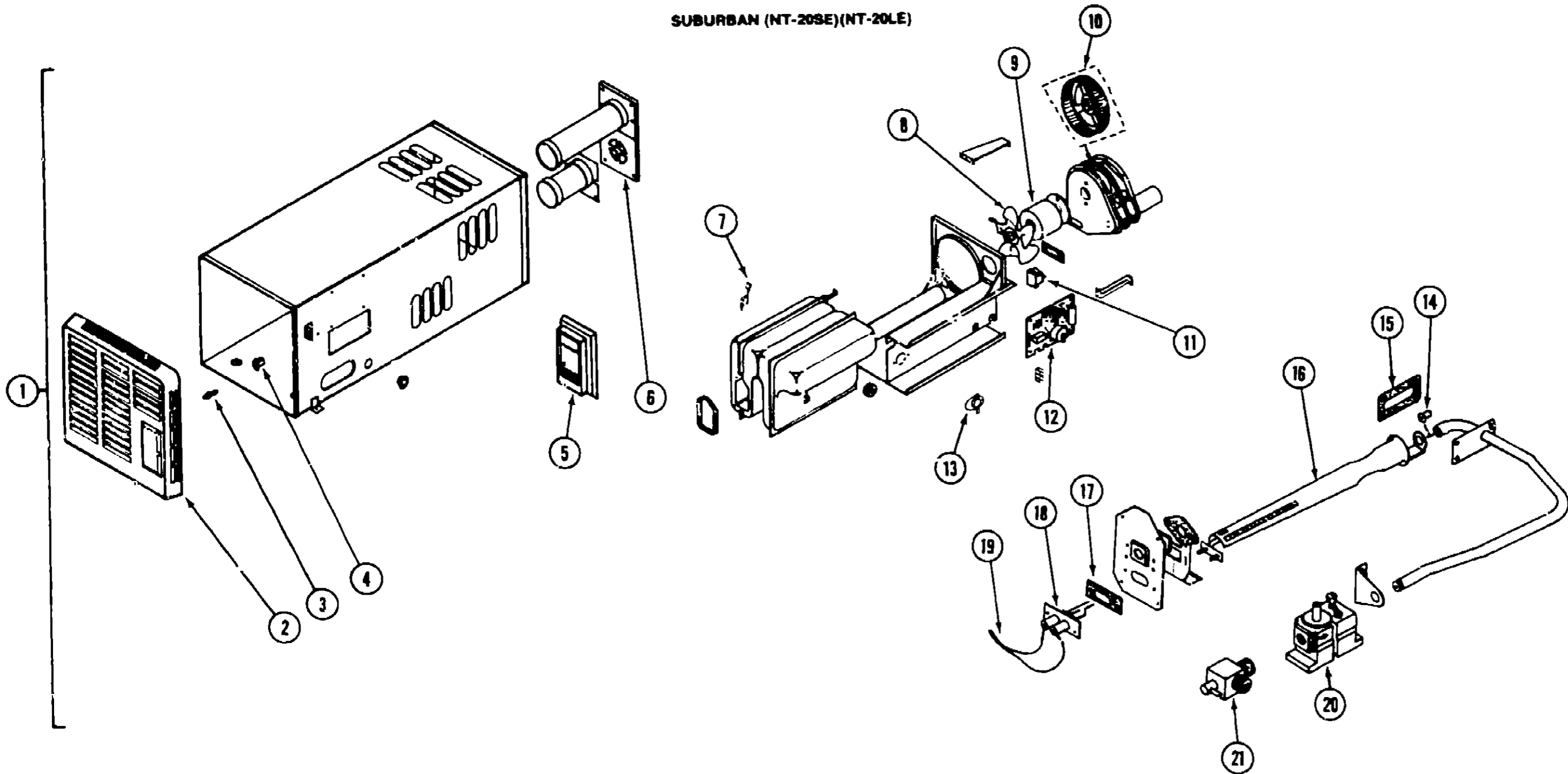
Suburban - 24,000 BTU - NT24S	A-1* - A-12
Suburban - 34,000 BTU - NT34S	A-11 - A-12
Suburban - 24,000 BTU - NT24M	A-13 - A-14
Suburban - 34,000 BTU - NT34L	A-13 - A-14
Suburban - 20,000 BTU - NT20SE	A-15 - A-16
Suburban - 30,000 BTU - NT20LE	A-15 - A-16
Suburban - 30,000 BTU - NT30K	A-17 - A-18
Suburban - 45,000 BTU - NT45S	A-19 - A-20
Duo-Therm 20,000 BTU 900 Series	A-21 - A-23
Duo-Therm 30,000 BTU 901 Series	A-24 - B-02
Hydroflame - 12,000 BTU	B-03 - B-04

Key	Part Number	U/M	Description	NT-24M	NT-34L	Vendor No.
1	069633-01-000	EA	Furnace Asm	X		
1	069634-01-000	EA	Furnace Asm		X	
2	069634-01-702	EA	Tinnerman	X	X	(121378)
3	069634-01-723	EA	Thermostat	X	X	(160813)
4	069634-01-704	EA	Electrode	X	X	(230495)
5	069634-01-705	EA	Gasket	X	X	(070163)
6	069634-01-732	EA	Gasket	X	X	(070398)
7	069633-01-700	EA	Limit Switch	X		(230496)
7	069634-01-717	EA	Limit Switch		X	(230612)
8	069634-01-706	EA	Module Board	X	X	(230587)
9	069634-01-708	EA	Thermostat Relay	X	X	(230530)
10	069634-01-707	EA	Fan Switch	X	X	(321202)
11	069633-01-705	EA	Vent Cap & Tube Asm	X	X	(2260093)
12	069634-01-709	EA	90° Elbow	X	X	(170382)

Key	Part Number	U/M	Description	NT-24M	NT-34L	Vendor No.
13	069634-01-731	EA	Gas Inlet Pipe Asm	X	X	(170772)
14	069634-01-729	EA	Valve	X	X	(160832)
15	069634-01-730	EA	Manifold Pipe Asm	X	X	(X170771)
16	069633-01-701	EA	Orifice	X		(180215)
16	069634-01-720	EA	Orifice		X	(0180222)
17	069634-01-712	EA	Manifold Gasket	X	X	(070408)
18	069634-01-713	EA	Room Air Wheel	X	X	(350076)
19	069633-01-702	EA	Microswitch Asm	X	X	(2230747)
20	069633-01-703	EA	Motor	X		(230741)
20	069634-01-722	EA	Motor		X	(230744)
21	069634-01-714	EA	Combustion Air Wheel	X	X	(350077)
22	069634-01-715	EA	Gasket	X	X	(070386)
.	069634-01-716	EA	Manual Shut-Off Valve	X	X	(160740)
.			Not illustrated			

FURNACE GROUP (CONTINUED)

SUBURBAN (NT-20SE)(NT-20LE)



1984-1988 COMMON ITEMS FICHE TABLE OF CONTENTS

Introduction	A-01 - A-02
Air Conditioner	A-03 - A-09
Auto Air Conditioning	C-23 - C-24
Chassis Maintenance Kit	H-03 - H-04
Control Center	C-21 - C-22
Electric Motor Home Step	H-01
Furnace	A-11 - B-04
Interior/Exterior Screw & Fasteners	B-07 - B-08
Holding Tanks	D-01 - D-24
Mirrors - Exterior	B-05 - B-06
Range Hood	B-09 - B-15
Refrigerator	F-01 - G-23
Roof Vent	C-13 - C-19
Speed Control	E-01 - E-16
Toilet	B-19 - B-24
TV Antenna	B-17 - B-18
Water Heater	E-17 - E-24
Water Tanks	C-01 - C-11

FURNACE GROUP INDEX

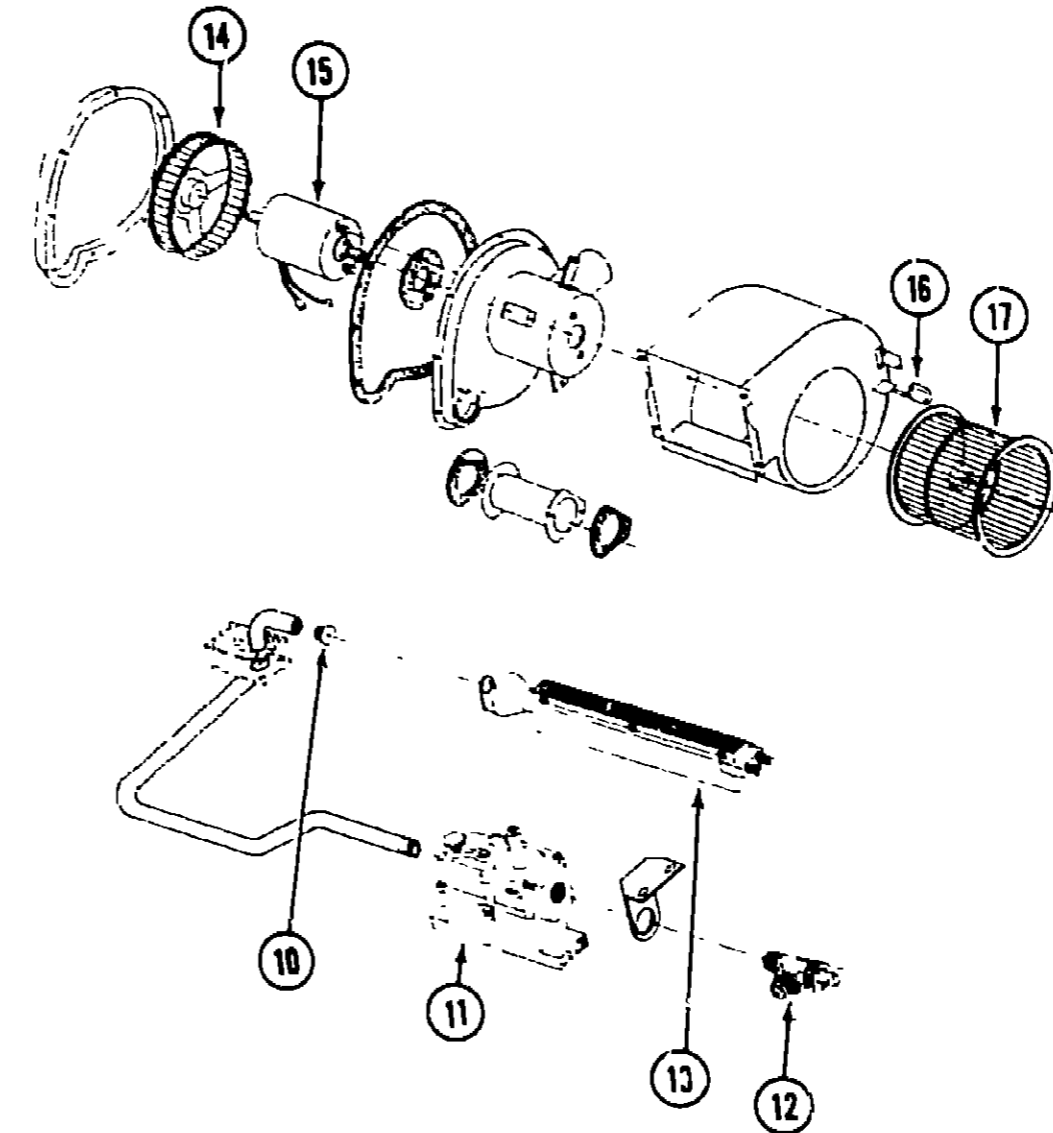
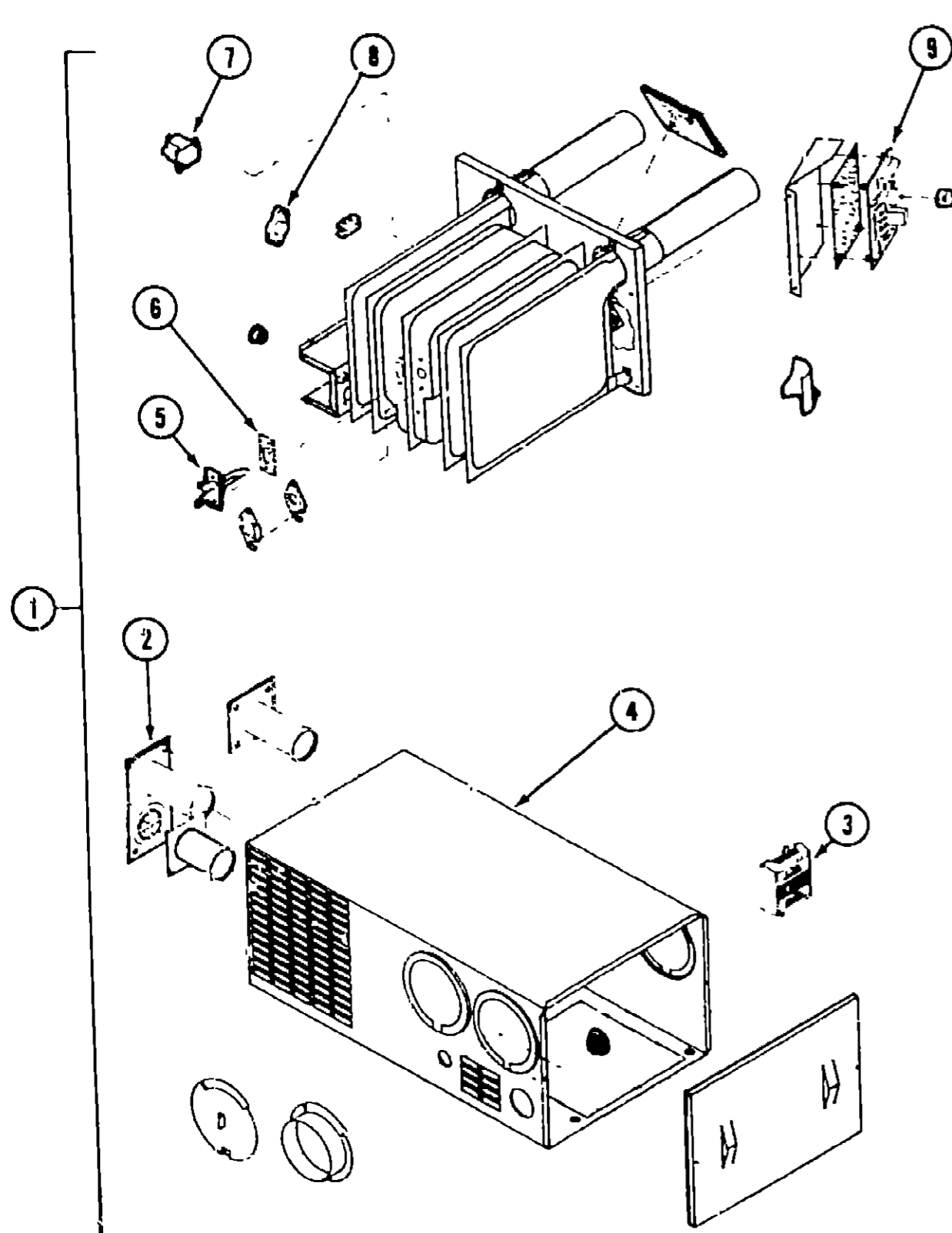
Suburban - 24,000 BTU - NT24S	A-11 - A-12
Suburban - 34,000 BTU - NT34S	A-11 - A-12
Suburban - 24,000 BTU - NT24M	A-13 - A-14
Suburban - 34,000 BTU - NT34L	A-13 - A-14
Suburban - 20,000 BTU - NT20SE	A-15 - A-16
Suburban - 20,000 BTU - NT20LE	A-15 - A-16
Suburban - 30,000 BTU - NT30K	A-17 - A-18
Suburban - 45,000 BTU - NT45S	A-19 - A-20
Duo-Therm 20,000 BTU 900 Series	A-21 - A-23
Duo-Therm 30,000 BTU 901 Series	A-24 - B-02
Hydroflame - 12,000 BTU	B-03 - B-04

Key	Part Number	U/M	Description	NT-20S	NT-20L	Vendor No.
1	075597-01-000	EA	Furnace Asm	X		
1	074035-01-000	EA	Furnace Asm		X	
2	075697-01-704	EA	Cabinet Front	X		(030520)
2	074035-01-700	EA	Cabinet Front		X	(X030490)
3	074035-01-701	EA	Strike	X	X	(150065)
4	074035-01-702	EA	Catch	X	X	(150064)
5	075697-01-700	EA	Thermostat	X		(160819)
5	069634-01-723	EA	Thermostat		X	(160813)
6	075697-01-701	EA	Vent Cap Asm	X		(260110)
6	074035-01-703	EA	Vent Cap Asm		X	(X260098)
7	074035-01-704	EA	Microswitch	X	X	(X230538)
8	074035-01-714	EA	Impeller	X	X	(350083)
9	074035-01-705	EA	Motor	X	X	(230634)
10	074035-01-706	EA	Combustion Air Wheel	X	X	(350082)
11	074466-01-702	EA	Time Delay Relay	X	X	(230625)

Key	Part Number	U/M	Description
12	069634-01-706	EA	Module Board
13	074035-01-707	EA	Limit Switch
14	074035-01-709	EA	Orifice
15	074035-01-710	EA	Manifold Gasket
16	074035-01-711	EA	Burner
17	069634-01-705	EA	Gasket
18	074035-01-712	EA	Electrode
19	074035-01-715	EA	Wire Electrode
20	074035-01-713	EA	Valve
21	069634-01-716	EA	Manual Shut-Off Valve

NT-20S	NT-20L	Vendor No.
X	X	(230587)
X	X	(230834)
X	X	(180231)
X	X	(070449)
X	X	(X010614)
X	X	(070163)
X	X	(230820)
X	X	(200350)
X	X	(160832)
X	X	(160740)

FURNACE GROUP (CONTINUED)
SUBURBAN (NT-30K)



Key	Part Number	U/M	Description
1	090039-01-000	EA	Furnace Asm (30,000 BTU)
2	090039-02-000	EA	Vent Kit - Flat/Curved Wall - Vertical Fit
2	090039-03-000	EA	Vent Kit - Curved Wall (3 Tube) Slant Fit
2	090039-04-000	EA	Vent Kit - Curved Wall (2 Tube) Slant Fit
3	074466-01-717	EA	Thermostat
4	090039-01-700	EA	Cabinet Asm
5	090039-01-701	EA	Electrode
6	069634-01-705	EA	Electrode Gasket
7	074466-01-702	EA	Time Delay Relay
8	090039-01-702	EA	Limit Switch
9	069634-01-706	EA	Module Board
10	090039-01-703	EA	Orifice - Main Burner
11	074035-01-713	EA	Valve
12	069634-01-716	EA	Valve - Manual Shut Off
13	090039-01-704	EA	Burner Asm
14	090039-01-705	EA	Wheel - Combustion Air
15	090039-01-706	EA	Motor Asm
16	075695-01-709	EA	Microswitch Asm.
17	090039-01-707	EA	Wheel - Room Air

1984-1988 COMMON ITEMS FICHE
TABLE OF CONTENTS

Introduction	A-01 - A-02
Air Conditioner	A-03 - A-09
Auto Air Conditioning	C-23 - C-24
Chassis Maintenance Kit	H-03 - H-04
Control Center	C-21 - C-22
Electric Motor Home Step	H-01
Furnace	A-11 - B-04
Interior/Exterior Screw & Fasteners	B-07 - B-08
Holding Tanks	D-01 - D-24
Mirrors - Exterior	B-05 - B-06
Range Hood	B-09 - B-15
Refrigerator	F-01 - G-23
Roof Vent	C-13 - C-19
Speed Control	E-01 - E-16
Toilet	B-19 - B-24
TV Antenna	B-17 - B-18
Water Heater	E-17 - E-24
Water Tanks	C-01 - C-11

FURNACE GROUP INDEX

Suburban - 24,000 BTU - NT24S	A-11 - A-12
Suburban - 34,000 BTU - NT34S	A-11 - A-12
Suburban - 24,000 BTU - NT24M	A-13 - A-14
Suburban - 34,000 BTU - NT34L	A-13 - A-14
Suburban - 20,000 BTU - NT20SE	A-15 - A-16
Suburban - 20,000 BTU - NT20LE	A-15 - A-16
Suburban - 30,000 BTU - NT30K	A-17 - A-18
Suburban - 45,000 BTU - NT45S	A-19 - A-20
Duo-Therm 20,000 BTU 900 Series	A-21 - A-23
Duo-Therm 30,000 BTU 901 Series	A-24 - B-02
Hydroflame - 12,000 BTU	B-03 - B-04
Vendor No.	(121224)
	(X101087)
	(231168)
	(070163)
	(230625)
	(231204)
	(230587)
	(180193)
	(160832)
	(160740)
	(X010693)
	(350036)
	(231166)
	(X230509)
	(350105)

FURNACE GROUP (CONTINUED)

SUBURBAN (NT-45S)

1984-1988 COMMON ITEMS FICHE TABLE OF CONTENTS

Introduction	A-01 - A-02
Air Conditioner	A-03 - A-09
Auto Air Conditioning	C-23 - C-24
Chassis Maintenance Kit	H-03 - H-04
Control Center	C-21 - C-22
Electric Motor Home Step	H-01
Furnace	A-11 - B-04
Interior/Exterior Screw & Fasteners	B-07 - B-08
Holding Tanks	D-01 - D-24
Mirrors - Exterior	B-05 - B-06
Range Hood	B-03 - B-15
Refrigerator	F-01 - G-23
Roof Vent	C-13 - C-19
Speed Control	E-01 - E-16
Toilet	B-19 - B-24
TV Antenna	B-17 - B-18
Water Heater	E-17 - E-24
Water Tanks	C-01 - C-11

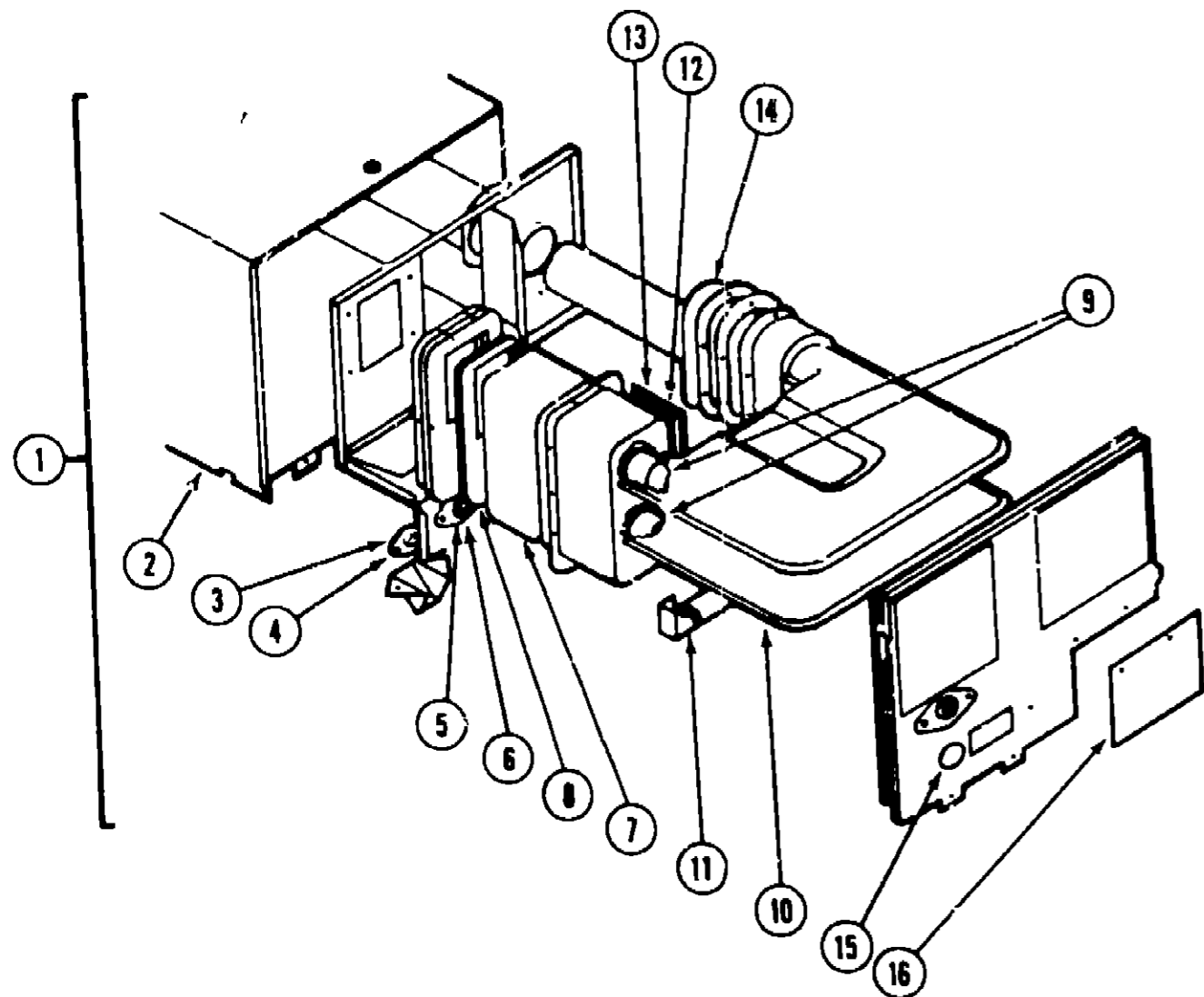
FURNACE GROUP INDEX

Suburban - 24,000 BTU - NT24S	A-11 - A-12
Suburban - 34,000 BTU - NT34S	A-11 - A-12
Suburban - 24,000 BTU - NT24M	A-13 - A-14
Suburban - 34,000 BTU - NT34L	A-13 - A-14
Suburban - 20,000 BTU - NT20SE	A-15 - A-16
(160843) Suburban - 20,000 BTU - NT20LE	A-15 - A-16
(X100966) Suburban - 30,000 BTU - NT30K	A-17 - A-18
(X100942) Suburban - 45,000 BTU - NT45S	A-19 - A-20
(260105) Duo-Therm 20,000 BTU 900 Series	A-21 - A-23
(070163) Duo-Therm 30,000 BTU 901 Series	A-24 - B-02
(230832) Hydroflame - 12,000 BTU	B-03 - B-04
(230496)	
(230625)	
(180215)	
(170082)	
(130740)	
(170671)	
(160840)	
(350080)	
(230784)	
(070335)	
(070420)	
(070406)	
(230772)	
(350069)	
(070439)	
(350079)	
(230587)	

Key	Part Number	U/M	Description
1	074466-01-900	EA	Furnace Asm. - Direct Ignition (45000 BTU)
2	074466-01-717	EA	Thermostat
3	074466-01-719	EA	Cabinet Asm.
4	074466-01-721	EA	Front Cabinet Panel
5	074466-01-714	EA	Vent Cap Asm
6	069634-01-705	EA	Electrode Gasket
7	074466-01-716	EA	Electrode Asm
8	069633-01-700	EA	Limit Switch
9	074466-01-702	EA	Relay - Time Delay
10	069633-01-701	EA	Orifice - Main Burner
11	069634-01-709	EA	Pipe Elbow - 90°
12	069634-01-716	EA	Valve - Manual Shut Off
13	074466-01-720	EA	Gas Inlet Pipe
14	074466-01-716	EA	Valve - 12 Volt (LP Ga. On'y)
15	074466-01-703	EA	Blower Wheel - Room Air
16	074466-01-704	EA	Microswitch & Paddle Asm
17	074466-01-708	EA	Blower Bushing
18	074466-01-709	EA	Gasket - Combustion Air Crossover
19	074466-01-712	EA	Gasket - Combustion Air Housing
20	074466-01-705	EA	Motor
21	074466-01-706	EA	Blower Wheel - Combustion Air
22	074466-01-710	EA	Gasket - Blower Motor
23	074466-01-707	EA	Blower Wheel - Room Air
24	069634-01-706	EA	Module Board

FURNACE GROUP (CONTINUED)

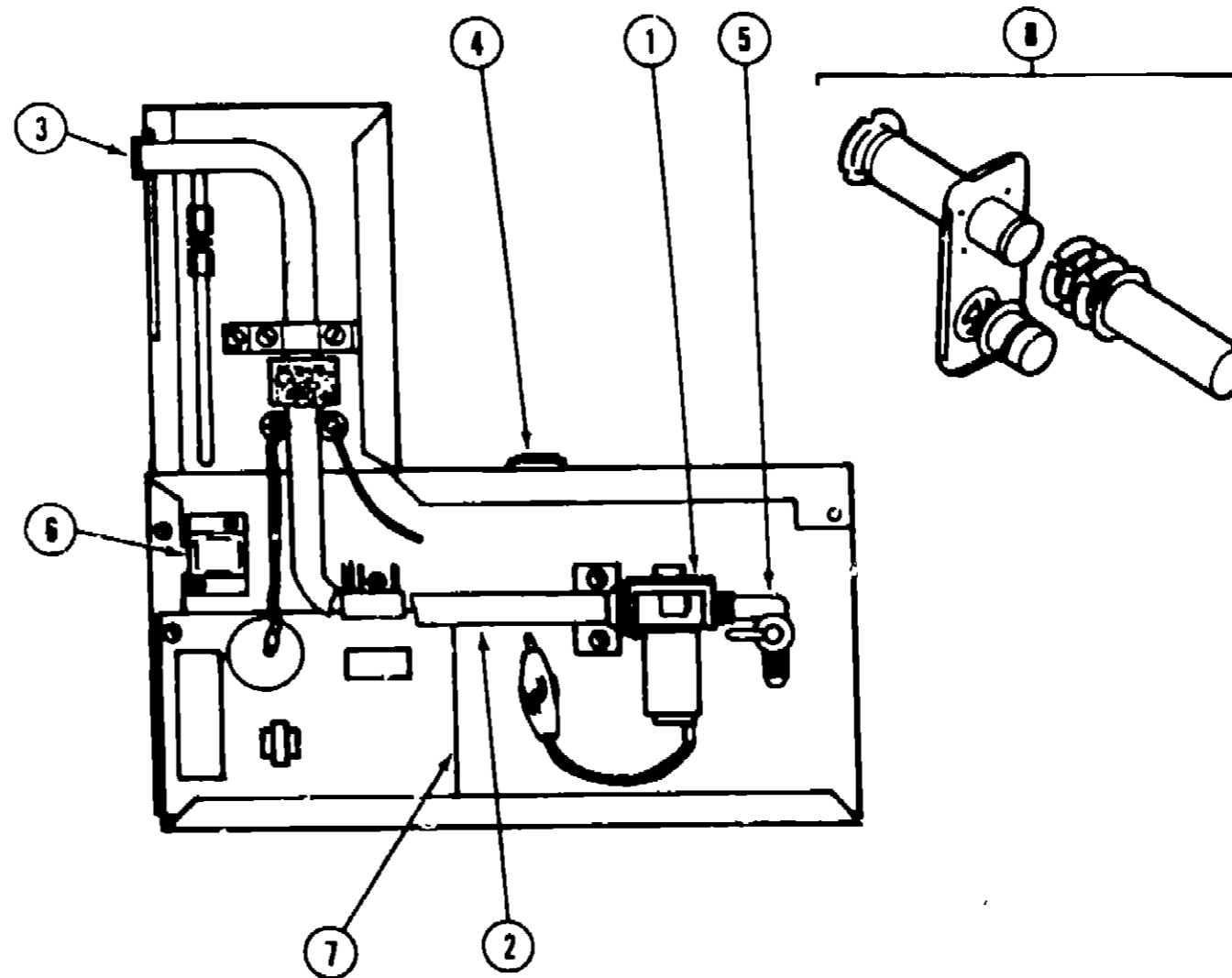
DUO-THERM 900 (HEAT CHAMBER)



Key	Part Number	U/M	Description	Vendor No.
1	078182-01-000	EA	Furnace Asm - 20,000 BTU - w/Electric Ignition - UL	
1	078182-04-000	EA	Furnace Asm - 20,000 BTU - w/Electric Ignition - CGA	
2	078182-01-700	EA	Casing	(3-18125)
3	078182-01-701	EA	Sight Glass - Small	(3-17846)
4	078182-01-702	EA	Sight Glass Retainer - Small	(3-17919)
5	078182-01-703	EA	Sight Glass - Large	(3-2818)
6	078182-01-704	EA	Sight Glass Gasket	(E-114563)
7	078182-01-705	EA	Burner Lox Liner	(3-17887)
8	078182-01-706	EA	Liner Cover	(3-17888)
9	078182-01-707	EA	Heat Chamber Collar (2 Req.)	(3-17942)
10	078182-01-708	EA	Heat Chamber	(3-18070)
11	078182-01-709	EA	Air Adjustment Bracket	(3-17869)
12	078182-01-710	EA	Pilot Igniter Asm (Includes Orifice)	(3-18450-1)
13	078182-01-711	EA	Pilot Orifice - 014	(3-16082-003)
14	078182-01-712	EA	Gasket Set - Heat Chamber	(13-14453-006)
14	078182-01-713	EA	Flue Box	(3-18075)
15	078182-01-714	EA	Plug Button	(3-11401-003)
16	078182-01-715	EA	Control Access Box	(3-18025)
-	Not illustrated			

FURNACE GROUP (CONTINUED)

DUO-THERM 900 (CONTROL BOX, VENT ASM. & THERMOSTAT)



Key	Part Number	U/M	Description	Vendor No.
1	078182-01-730	EA	Gas Control - Dual Operator For Models w/Suffix 111, 311 & 511	(3-18195)
2	078182-01-731	EA	Burner Pipe - For Models w/Suffix 111, 311 & 511	(3-17814-002)
3	078182-01-732	EA	Main Orifice - 90020	(6-111255-055)
3	078182-01-733	EA	Main Orifice - 90030	(6-111255-052)
4	078182-01-734	EA	Auto Limit Switch - 190° F. - For 90020	(3-14549-015)
4	078182-01-735	EA	Auto Limit Switch - 210° F. - For 90030	(3-14549-017)
5	078182-01-736	EA	Shutoff Valve	(3-16943)
6	078182-01-737	EA	Blower Relay - Time Delay	(3-14437)
7	078182-01-738	EA	Ignition Module Board	(3-15526)
8	078182-01-739	EA	Vent Asm - Complete	(3-18246)
-	078182-01-740	EA	Thermostat - Wall	(3-8092-002)
-	Not illustrated			

1984-1988 COMMON ITEMS FICHE TABLE OF CONTENTS

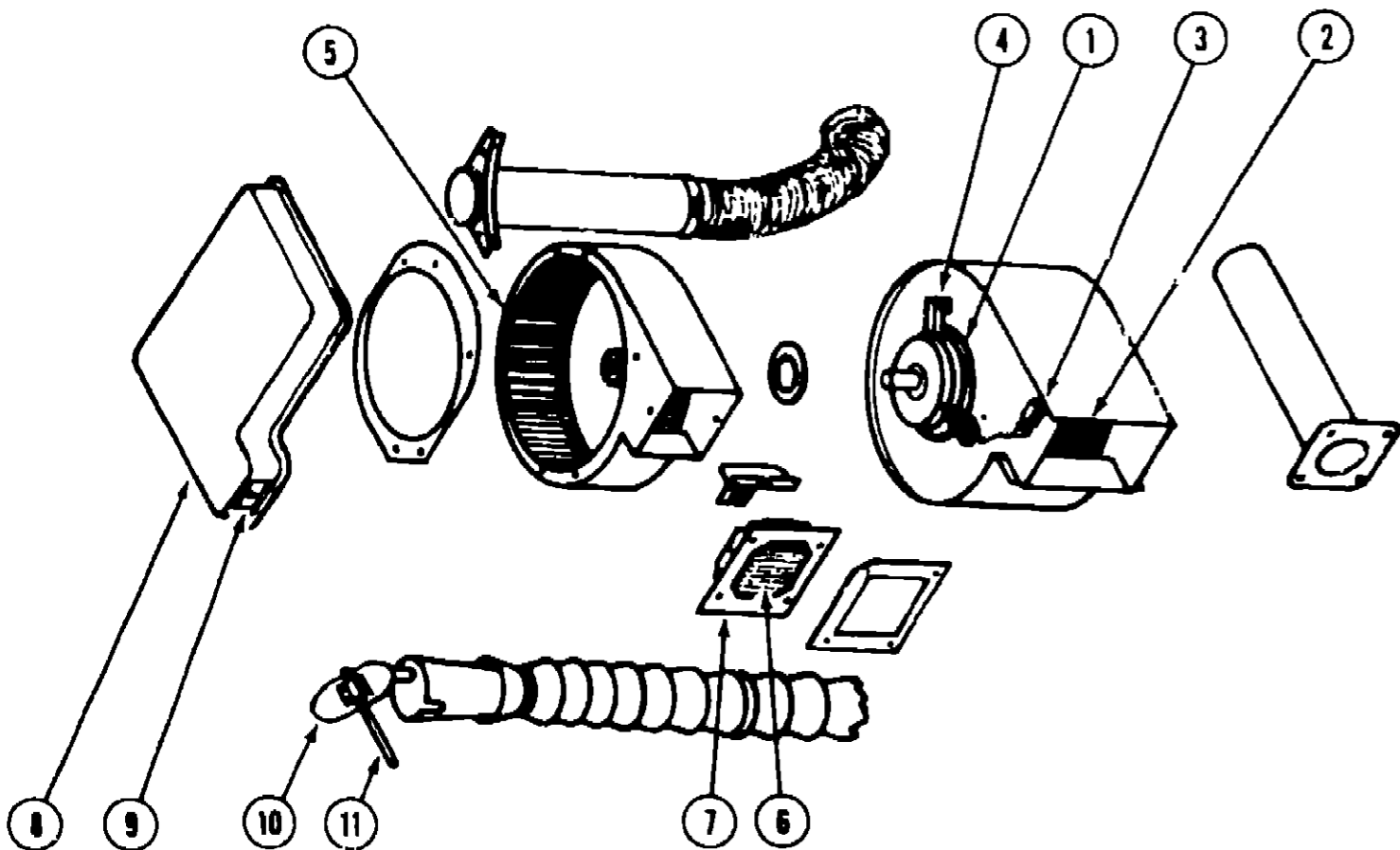
Introduction	A-01 - A-02
Air Conditioner	A-03 - A-09
Auto Air Conditioning	C-23 - C-24
Chassis Maintenance Kit	H-03 - H-04
Control Center	C-21 - C-22
Electric Motor Home Step	H-01
Furnace	A-11 - B-04
Interior/Exterior Screw & Fasteners	B-07 - B-08
Holding Tanks	D-01 - D-24
Mirrors - Exterior	B-05 - B-06
Range Hood	B-09 - B-15
Refrigerator	F-01 - G-23
Roof Vent	C-13 - C-19
Speed Control	E-01 - E-16
Toilet	B-19 - B-24
TV Antenna	B-17 - B-18
Water Heater	E-17 - E-24
Water Tanks	C-01 - C-11

FURNACE GROUP INDEX

Suburban - 24,000 BTU - NT24S	A-11 - A-12
Suburban - 34,000 BTU - NT34S	A-11 - A-12
Suburban - 24,000 BTU - NT24M	A-13 - A-14
Suburban - 34,000 BTU - NT34L	A-13 - A-14
Suburban - 20,000 BTU - NT20SE	A-15 - A-16
Suburban - 20,000 BTU - NT20LE	A-15 - A-16
Suburban - 30,000 BTU - NT30K	A-17 - A-18
Suburban - 45,000 BTU - NT45S	A-19 - A-20
Duo-Therm 20,000 BTU 900 Series	A-21 - A-23
Duo-Therm 30,000 BTU 901 Series	A-24 - B-02
Hydroflame - 12,000 BTU	B-03 - B-04

FURNACE GROUP (CONTINUED)

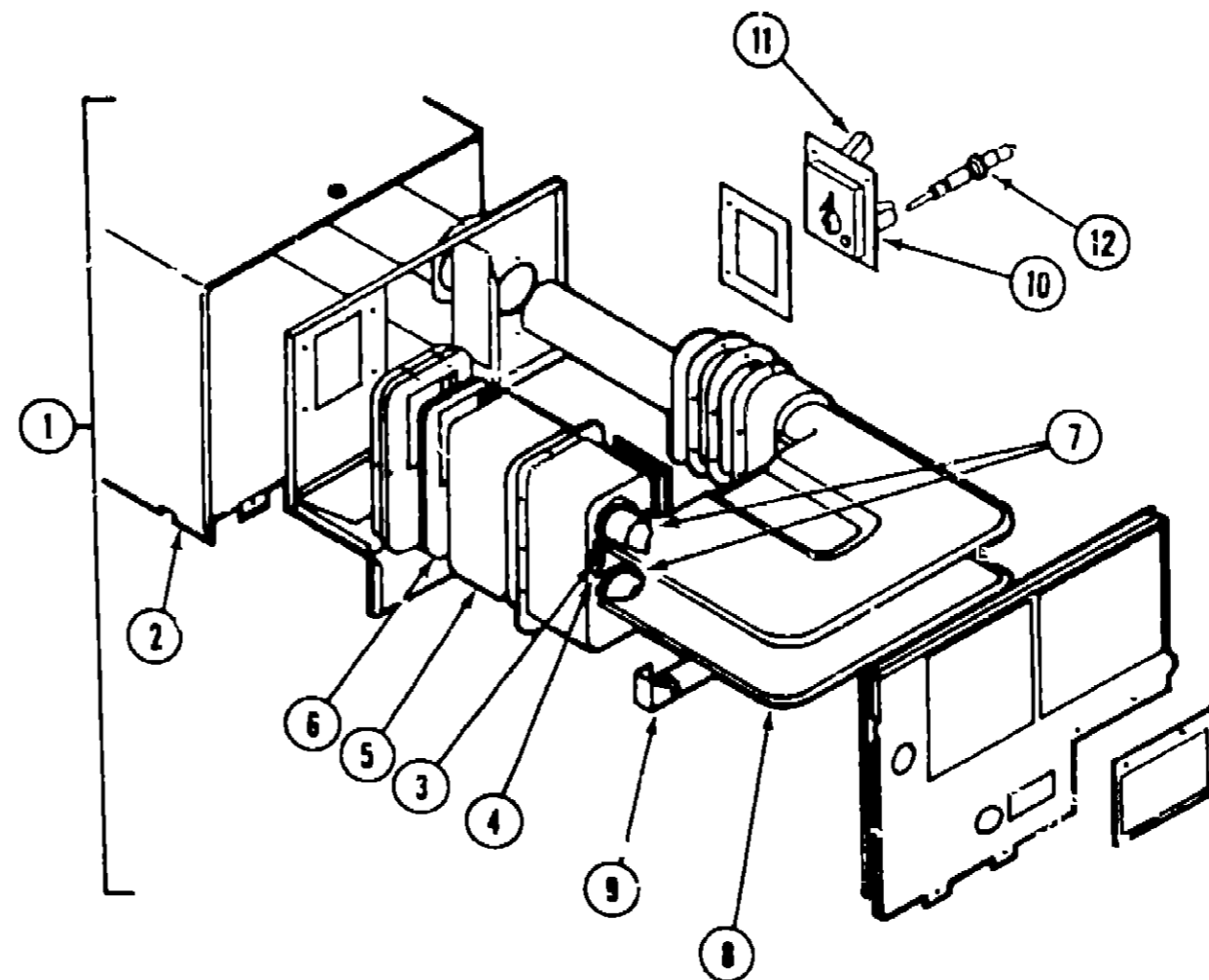
DUO-THERM 900 (BLOWER SECTION)



Key	Part Number	U/M	Description	Vendor No.
1	078182-01-716	EA	Motor - 90020 (Including Gasket Set)	(13-18030)
1	078182-01-717	EA	Motor - 90025, 90030 (Including Gasket Set)	(13-17461)
*	078182-01-718	EA	Gasket Set - Blower Asm	(13-14453-005)
2	078182-01-719	EA	Blower Wheel - Circulating Air	(3-18049)
3	078182-01-720	EA	Air Prover Switch	(3-14346)
4	078182-01-721	EA	Motor Mounting Grommet (3 Req)	(6-107779-001)
5	078182-01-722	EA	Blower Wheel - Combustion Air	(3-17566)
6	078182-01-723	EA	Burner Head	(3-18009-001)
*	078182-01-724	EA	Burner Head Gasket	(3-17988)
7	078182-01-725	EA	Burner Mounting Flange	(3-17872)
8	078182-01-726	EA	Pre-Mix Chamber	(3-18076-001)
9	078182-01-727	EA	Burner Pipe Gasket	(3-17884)
10	078182-01-728	EA	Air Shutter Disc	(3-18156)
11	078182-01-729	EA	Air Shutter Rod	(3-17420)
*			Not illustrated	

FURNACE GROUP (CONTINUED)

DUO-THERM 901 (HEAT CHAMBER)



Key	Part Number	U/M	Description	Vendor No.
1	078182-03-000	EA	Furnace Asm - 30,000 BTU - w/Electric Ignition - UL	
1	078182-06-000	EA	Furnace Asm - 30,000 BTU - w/Electric Ignition - CGA	
2	078182-03-703	EA	Casing	(3-18487)
3	078182-01-701	EA	Sight Glass - Small	(3-17846)
4	078182-01-702	EA	Sight Glass Retainer - Small	(3-17919)
5	078182-03-704	EA	Burner Box Liner	(3-18873)
6	078182-01-706	EA	Liner Cover	(3-17888)
7	078182-01-707	EA	Heat Chamber Collar (2 Req)	(3-17942)
8	078182-03-705	EA	Heat Chamber Kit	(13-17715-004)
9	078182-03-706	EA	Air Adjustment Bracket	(3-18653)
10	078182-03-700	EA	Pilot Igniter Asm (Includes Orifice)	(20127-001)
11	078182-03-707	EA	Pilot Orifice - 010	(3-16082-004)
12	078182-03-708	EA	Sensor Probe w/Nut	(3-18831)
*	078182-01-712	EA	Gasket Set - Heat Chamber	(13-14453-006)
*			Not illustrated	

1984-1988 COMMON ITEMS FICHE TABLE OF CONTENTS

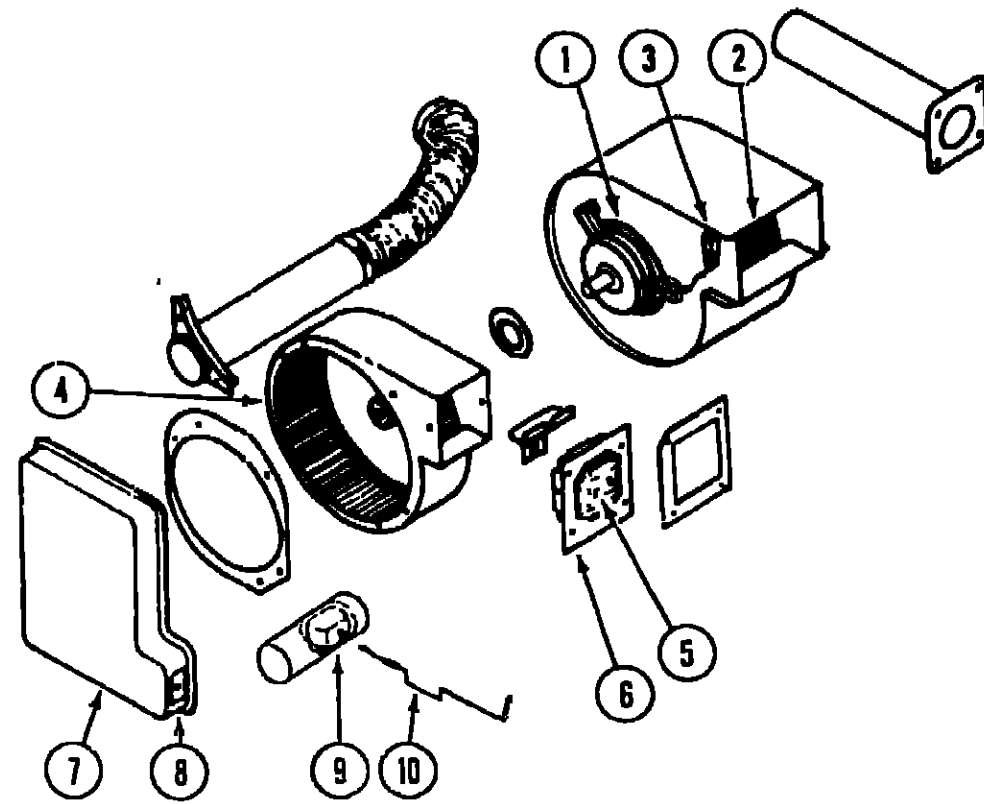
Introduction	A-01 - A-02
Air Conditioner	A-03 - A-09
Auto Air Conditioning	C-23 - C-24
Chassis Maintenance Kit	H-03 - H-04
Control Center	C-21 - C-22
Electric Motor Home Step	H-01
Furnace	A-11 - B-04
Interior/Exterior Screw & Fasteners	B-07 - B-08
Holding Tanks	D-01 - D-24
Mirrors - Exterior	B-05 - B-06
Range Hood	B-09 - B-15
Refrigerator	F-01 - G-23
Roof Vent	C-13 - C-19
Speed Control	E-01 - E-16
Toilet	B-19 - B-24
TV Antenna	B-17 - B-18
Water Heater	E-17 - E-24
Water Tanks	C-01 - C-11

FURNACE GROUP INDEX

Suburban - 24,000 BTU - NT24S	A-11 - A-12
Suburban - 34,000 BTU - NT34S	A-11 - A-12
Suburban - 24,000 BTU - NT24M	A-13 - A-14
Suburban - 34,000 BTU - NT34L	A-13 - A-14
Suburban - 20,000 BTU - NT20SE	A-15 - A-16
Suburban - 20,000 BTU - NT20LE	A-15 - A-16
Suburban - 30,000 BTU - NT30K	A-17 - A-18
Suburban - 45,000 BTU - NT45S	A-19 - A-20
Duo-Therm 20,000 BTU 900 Series	A-21 - A-23
Duo-Therm 30,000 BTU 901 Series	A-24 - B-02
Hydrolame - 12,000 BTU	B-03 - B-04

FURNACE GROUP (CONTINUED)

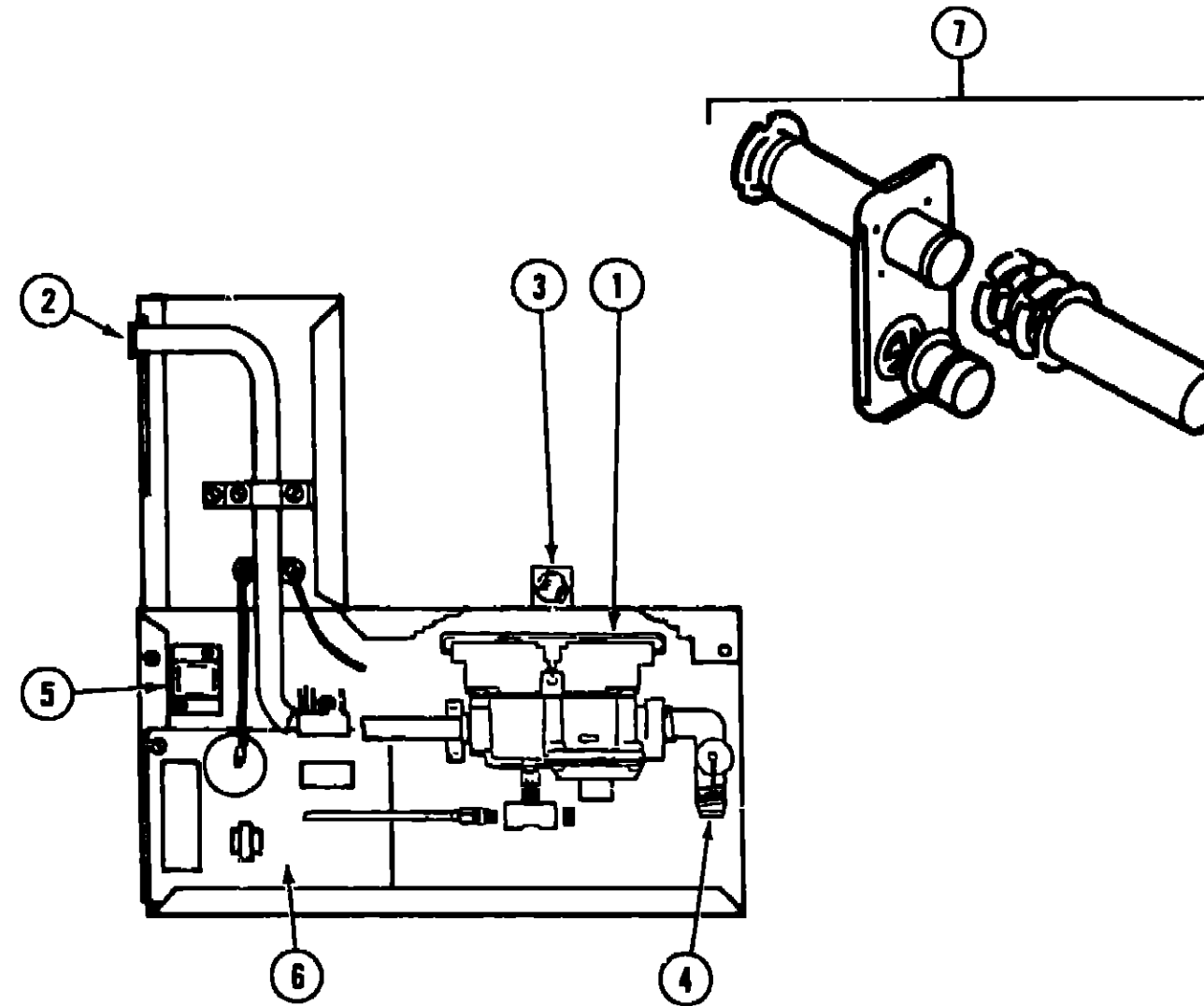
DUO-THERM 901 (BLOWER SECTION)



Key	Part Number	U/M	Description	Vendor No.
1	078182-03-701	EA	Motor (Including Gasket Set)	(13-18642)
1	078182-01-717	EA	Motor - 90025 90030 (Including Gasket Set)	(13-17461)
•	078182-01-718	EA	Gasket Set - Blower Asm	(13-14453-005)
2	078182-01-719	EA	Blower Wheel - Circulating Air	(3-18049)
3	078182-01-720	EA	Air Prover Switch	(3-14346)
4	078182-01-722	EA	Blower Wheel - Combustion Air	(3-17566)
5	078182-01-723	EA	Burner Head	(3-18709-001)
•	078182-01-724	EA	Burner Head Gasket	(3-17988)
6	078182-01-725	EA	Burner Mounting Flange	(3-17872)
7	078182-01-726	EA	Pre-Mix Chamber	(3-18076-001)
8	078182-01-727	EA	Burner Pipe Gasket	(3-17884)
9	078182-01-742	EA	Air Shutter Ball (90120 25)	(3-18646-003)
9	078182-03-709	EA	Air Shutter Ball (90130)	(318646-002)
10	078182-03-710	EA	Air Shutter Rod	(3-18645)
•	Not illustrated			

FURNACE GROUP (CONTINUED)

DUO-THERM 901 (CONTROL BOX, VENT ASM. & THERMOSTAT)



Key	Part Number	U/M	Description	Vendor No.
1	078182-03-715	EA	Gas Control	(3-18746-001)
2	078182-03-711	EA	Main Orifice - 90130	(20016-052)
2	078182-01-743	EA	Main Orifice - 90120	(20016-055)
3	078182-03-712	EA	Auto Limit Switch - L200/90130	(318266-001)
3	078182-03-716	EA	Auto Limit Switch - L180/90120	(318266-003)
4	078182-01-736	EA	Shutoff Valve	(3-16943)
5	078182-01-737	EA	Blower Relay - Time Delay	(3-14437)
6	078182-03-714	EA	Ignition Module Board (002 Models)	(318585)
6	078182-03-702	EA	Ignition Module Board (001 Models)	(3-18816)
7	078182-03-703	EA	Vent Asm - Complete	(3-18719)
•	078182-01-740	EA	Thermostat - Wall	(3-8092-002)
•	Not illustrated			

1984-1988 COMMON ITEMS FICHE TABLE OF CONTENTS

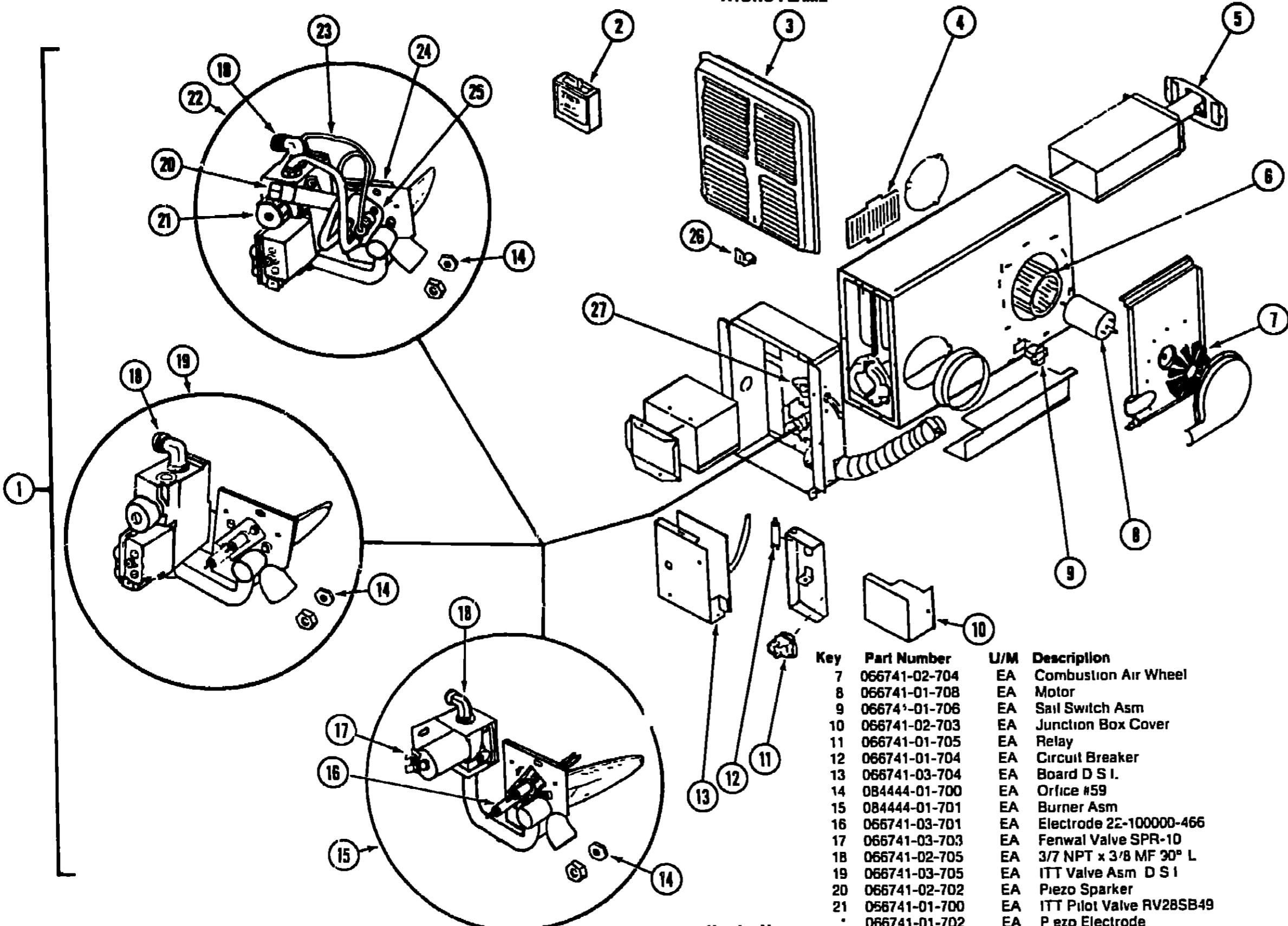
Introduction	A-01 - A-02
Air Conditioner	A-03 - A-09
Auto Air Conditioning	C-23 - C-24
Chassis Maintenance Kit	H-03 - H-04
Control Center	C-21 - C-22
Electric Motor Home Step	H-01
Furnace	A-11 - B-04
Interior/Exterior Screw & Fasteners	B-07 - B-08
Holding Tanks	D-01 - D-24
Mirrors - Exterior	B-05 - B-06
Range Hood	B-09 - B-15
Refrigerator	F-01 - G-23
Roof Vent	C-13 - C-19
Speed Control	E-01 - E-16
Toilet	B-19 - B-24
TV Antenna	B-17 - B-18
Water Heater	E-17 - E-24
Water Tanks	C-01 - C-11

FURNACE GROUP INDEX

Suburban - 24,000 BTU - NT24S	A-11 - A-12
Suburban - 34,000 BTU - NT34S	A-11 - A-12
Suburban - 24,000 BTU - NT24M	A-13 - A-14
Suburban - 34,000 BTU - NT34L	A-13 - A-14
Suburban - 20,000 BTU - NT20SE	A-15 - A-16
Suburban - 20,000 BTU - NT20LE	A-15 - A-16
Suburban - 30,000 BTU - NT30K	A-17 - A-18
Suburban - 45,000 BTU - NT45S	A-19 - A-20
Duo-Therm 20,000 BTU 900 Series	A-21 - A-23
Duo-Therm 30,000 BTU 901 Series	A-24 - B-02
Hydroflame - 12,000 BTU	B-03 - B-04

FURNACE GROUP (CONTINUED)

HYDRO FLAME



Key	Part Number	U/M	Description
1	084444-01-000	EA	Furnace Asm (12000 BTU)
2	066741-01-714	EA	Thermostat
3	066741-01-711	EA	Front Door Panel Asm
4	066741-02-707	EA	Blower Grill Cover
5	066741-01-713	EA	Vent Cap Asm
6	066741-02-704	EA	Air Wheel

Vendor No.
(123082)
(279066)
(1444)
(279073)
(179055)

Key	Part Number	U/M	Description
7	066741-02-704	EA	Combustion Air Wheel
8	066741-01-708	EA	Motor
9	066741-01-706	EA	Sail Switch Asm
10	066741-02-703	EA	Junction Box Cover
11	066741-01-705	EA	Relay
12	066741-01-704	EA	Circuit Breaker
13	066741-03-704	EA	Board D S I.
14	084444-01-700	EA	Orifice #59
15	084444-01-701	EA	Burner Asm
16	066741-03-701	EA	Electrode 22-100000-466
17	066741-03-703	EA	Fenwal Valve SPR-10
18	066741-02-705	EA	3/7 NPT x 3/8 MF 30° L
19	066741-03-705	EA	ITT Valve Asm D S I
20	066741-02-702	EA	Piezo Sparker
21	066741-01-700	EA	ITT Pilot Valve RV28SB49
.	066741-01-702	EA	Piezo Electrode
22	066741-02-706	EA	ITT Pilot Control & Burner Asm
23	066741-01-701	EA	Jade Thermocouple TN2-14
24	066741-01-709	EA	Gasket - Burner Plate
25	066741-01-710	EA	Gasket - Pilot
26	066741-01-712	EA	Roller Catch
27	066741-01-703	EA	Limit Switch

Not illustrated

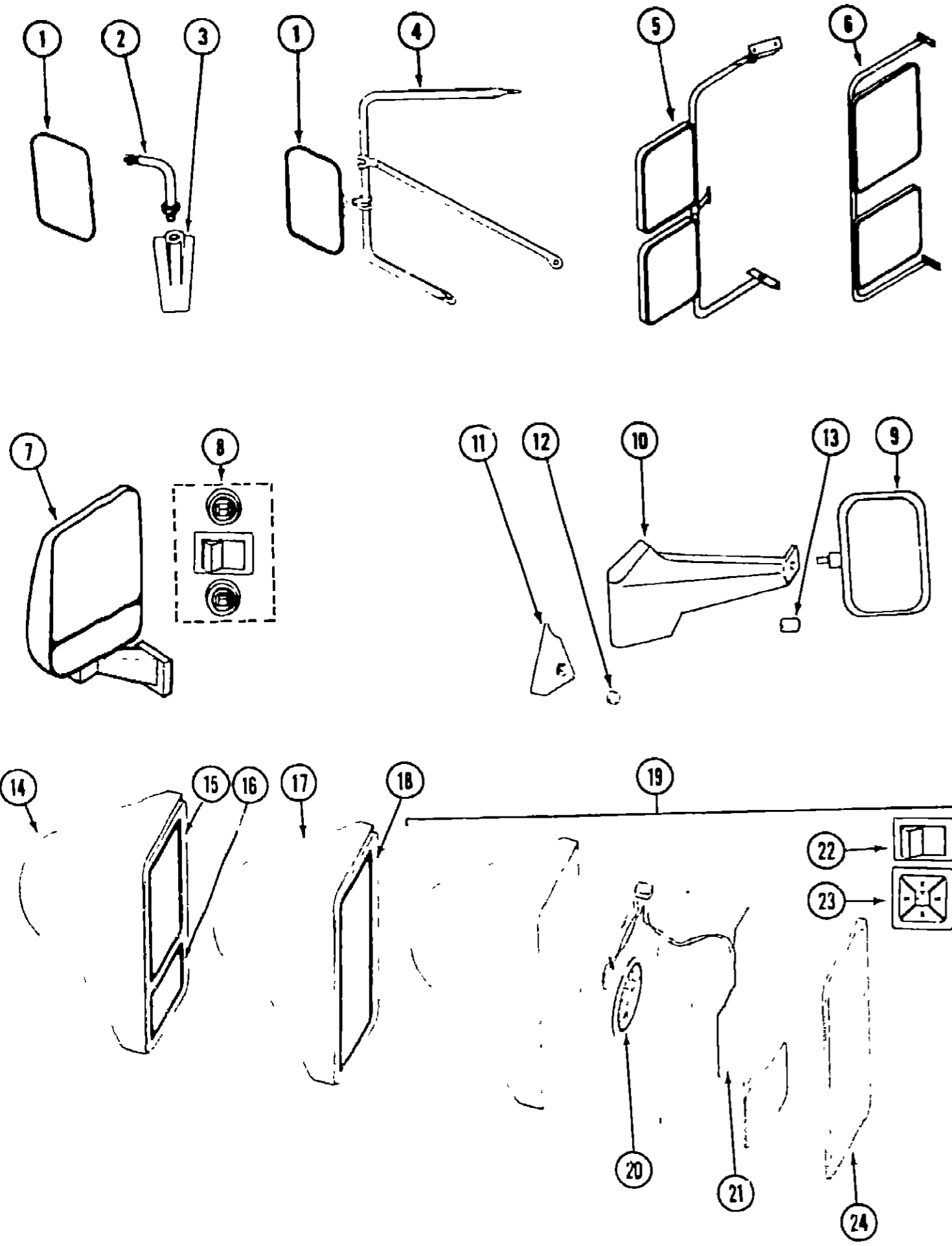
1984-1988 COMMON ITEMS FICHE TABLE OF CONTENTS

Introduction	A-01 - A-02
Air Conditioner	A-03 - A-09
Auto Air Conditioning	C-23 - C-24
Chassis Maintenance Kit	H-03 - H-04
Control Center	C-21 - C-22
Electric Motor Home Step	H-01
Furnace	A-11 - B-04
Interior/Exterior Screw & Fasteners	B-07 - B-08
Holding Tanks	D-01 - D-24
Mirrors - Exterior	B-05 - B-06
Range Hood	B-09 - B-15
Refrigerator	F-01 - G-23
Roof Vent	C-13 - C-19
Speed Control	E-01 - E-16
Toilet	B-19 - B-24
TV Antenna	B-17 - B-18
Water Heater	E-17 - E-24
Water Tanks	C-01 - C-11

FURNACE GROUP INDEX

Suburban - 24,000 BTU - NT24S	A-11 - A-12
Suburban - 34,000 BTU - NT34S	A-11 - A-12
Suburban - 24,000 BTU - NT24M	A-13 - A-14
Suburban - 34,000 BTU - NT34L	A-13 - A-14
Suburban - 20,000 BTU - NT20SE	A-15 - A-16
Suburban - 20,000 BTU - NT20LE	A-15 - A-16
Suburban - 30,000 BTU - NT30K	A-17 - A-18
Suburban - 45,000 BTU - NT45S	A-19 - A-20
Duo-Therm 20,000 BTU 900 Series	A-21 - A-23
Duo-Therm 30,000 BTU 901 Series	A-24 - B-02
Hydroflame - 12,000 BTU	B-03 - B-04
Vendor No.	
(124020)	
(124092)	
(279076)	
(179008)	
(124059)	
(125054)	
(178098)	
(1268)	
(2011)	
(124060)	
(123078)	
(123054)	
(279081)	
(125035)	
(127034)	
(125061)	
(279077)	
(125063)	
(179016)	
(127029)	
(179028)	
(127037)	

EXTERIOR MIRROR GROUP



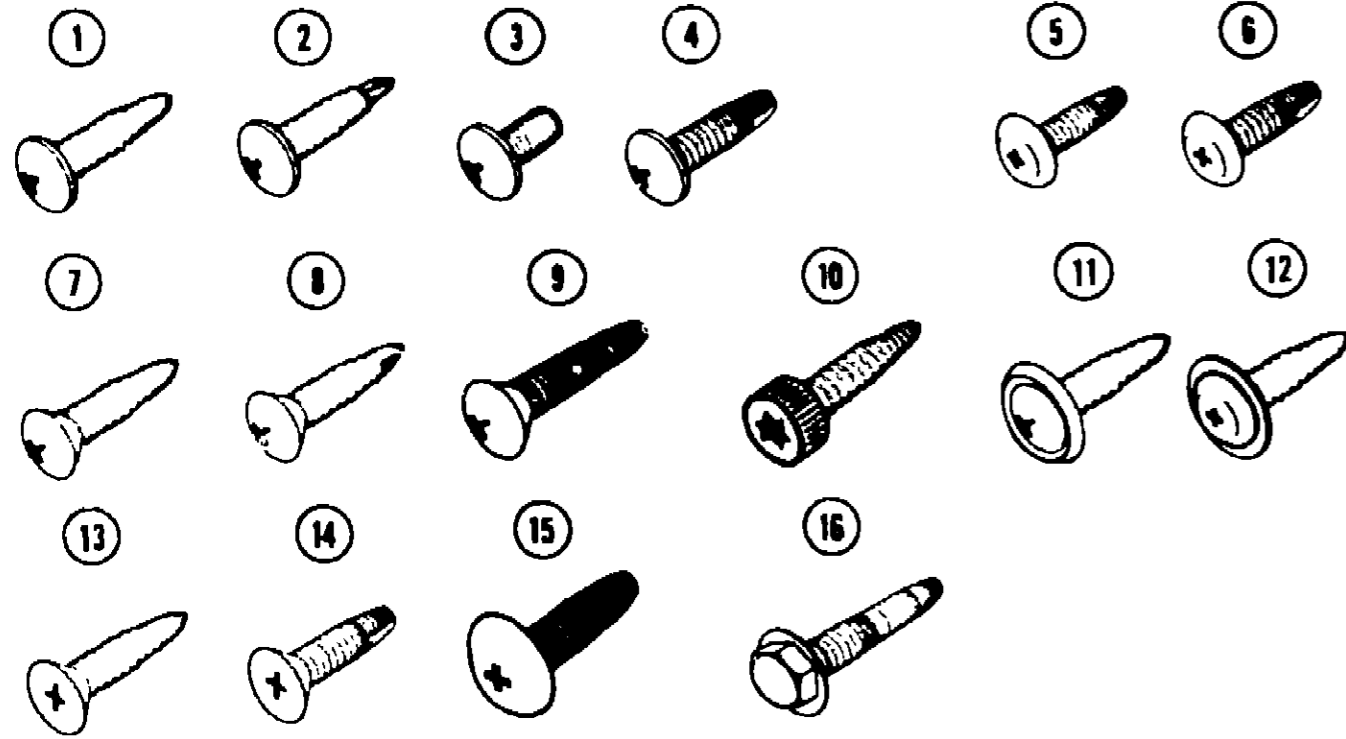
Key	Part Number
1	049347-01-000
1	049347-02-000
2	049348-03-000
3	049944-04-000
4	062047-01-000
4	062047-02-000
5	084445-01-000
5	084445-02-000
6	077966-01-000
6	077966-02-000
7	086260-01-000
7	086260-02-000
7	086259-01-000
7	086259-02-000
8	086253-03-000
9	072883-01-000
9	072883-02-000
10	072854-03-000
10	072854-04-000
11	R77010-25-863
11	R77010-25-852
12	R77040-02-387
13	072883-03-000
14	077051-03-000
14	077051-04-000
15	077051-03-700
16	077051-03-701
16	077051-04-701
17	077051-01-000
17	077051-02-000
18	077051-04-700
19	086261-01-000
19	086261-02-000
20	086261-01-701
21	086261-01-700
22	087695-01-000
23	088246-01-000
24	077051-03-702

U/M	Description
EA	Mirror Head - 7 1/2" x 10 1/2" - Stainless Steel
EA	Mirror Head - 7 1/2 x 10 1/2 - Off White
EA	Arm - Low Mount Mirror - Black
EA	Bracket - Mirror - Outside - Black
EA	Arm - West Coast Mirror - Stainless Steel
EA	Arm - West Coast Mirror - Off White
EA	Mirror Asm - Exterior - Right Hand
EA	Mirror Asm - Exterior - Left Hand
EA	Mirror - Wide Angle - Stainless Steel - Passenger
EA	Mirror - Wide Angle - Stainless Steel - Driver
EA	Mirror Asm. - Exterior w/Convex - Passenger
EA	Mirror Asm. - Exterior w/Convex - Driver
EA	Mirror Asm. - Exterior w/Remote Control - Passenger
EA	Mirror Asm. - Exterior w/Remote Control - Driver
EA	Remote Switch Asm
EA	Mirror Head - 5 5" x 8" - Driver - Black
EA	Mirror Head - 5 5" x 8" - w/Convex - Driver - Passenger - Black
EA	Arm - Exterior Mirror - Driver - Black
EA	Arm - Exterior Mirror - Passenger - Black
EA	Stationary Trim - Mirror - Passenger - Black
EA	Stationary Trim - Mirror - Driver - Black
EA	Plug
EA	Slotted Nut Cap - 5/16" - 24 - Black
EA	Mirror Asm. - w/Convex - Passenger (P-Body)
EA	Mirror Asm. - w/Convex - Drivers (P-Body)
EA	Mirror - 7 8" x 7 12" (P-Body)
EA	Mirror - Convex w/Bezel - Passenger (P-Body)
EA	Mirror - Convex w/Bezel - Drivers (P-Body)
EA	Mirror Asm. - Passenger (P-Body)
EA	Mirror Asm - Driver (P-Body)
EA	Mirror Asm - 7 8" x 12.12" (P-Body)
EA	Mirror Asm - w/Remote Control & Defrost - Passenger (P-Body)
EA	Mirror Asm. - w/Remote Control & Defrost - Driver (P-Body)
EA	Common Gear Motor Asm (P-Body)
EA	Common Flat Glass w/Heat Element (P-Body)
EA	Mirror Heater Switch (P-Body)
EA	Mirror Remote Control Asm (P-Body)
EA	Common Snap Bezel

1984-1988 COMMON ITEMS FICHE TABLE OF CONTENTS

Introduction	A-01 - A-02
Air Conditioner	A-03 - A-09
Auto Air Conditioning	C-23 - C-24
Chassis Maintenance Kit	H-03 - H-04
Control Center	C-21 - C-22
Electric Motor Home Step	H-01
Furnace	A-11 - B-04
Interior/Exterior Screws & Fasteners	B-07 - B-08
Holding Tanks	D-01 - D-24
Mirrors - Exterior	B-05 - B-06
Range Hood	B-09 - B-15
Refrigerator	F-01 - G-23
Roof Vent	C-13 - C-19
Speed Control	E-01 - E-16
Toilet	B-19 - B-24
TV Antenna	B-17 - B-18
Water Heater	E-17 - E-24
Water Tanks	C-01 - C-11

INTERIOR/EXTERIOR SCREWS & FASTENERS



ABBREVIATIONS

POH - Philip Oval Head
 PFH - Philip Flat Head
 PTH - Philip Trus Head
 PPH - Philip Pan Head
 HWH - Hex Washer Head

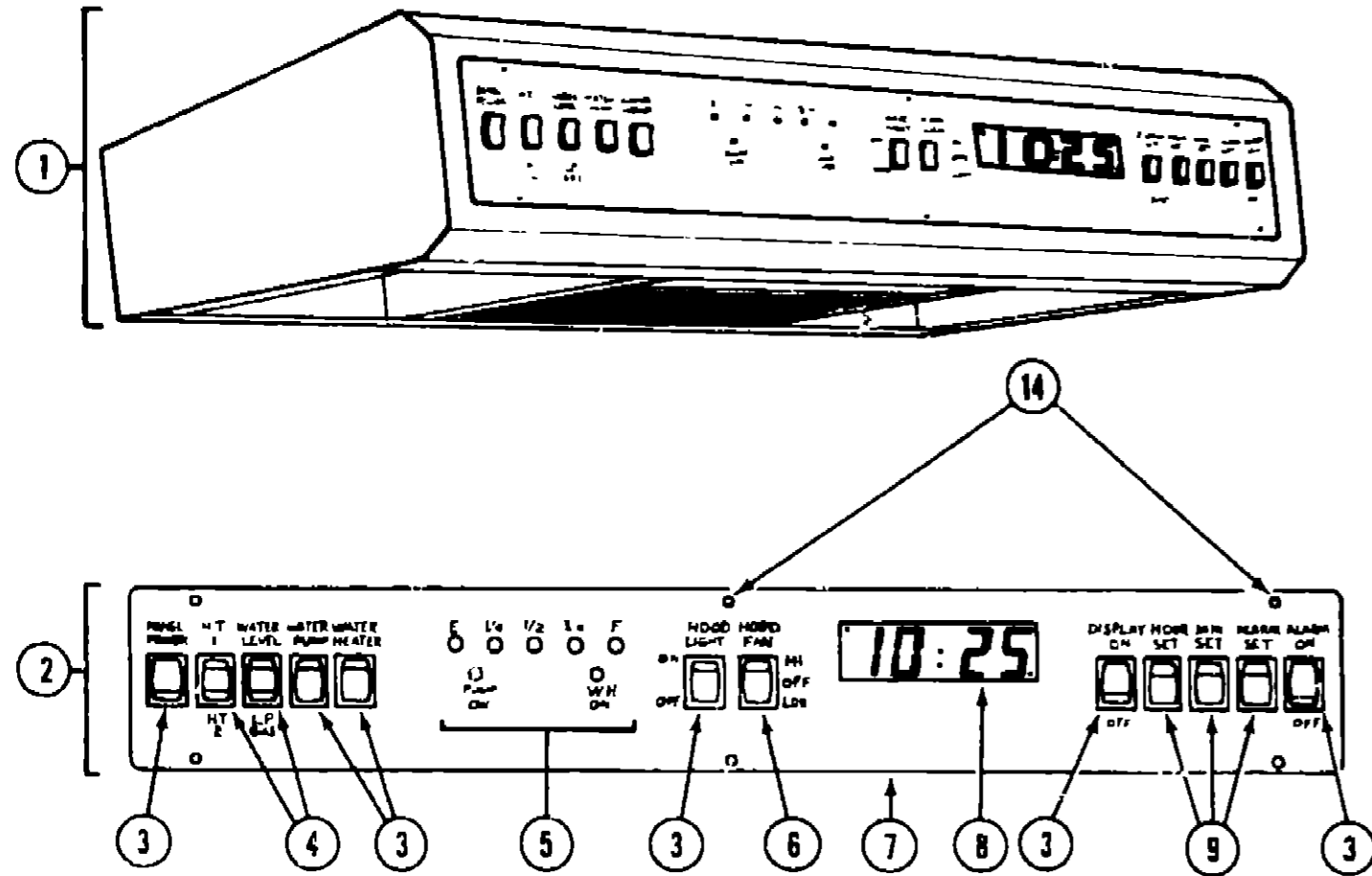
Key	Part Number	U/M	Description
1	000G11-04-10B	EA	Screw #4 - 24 x 5/8" PPH - Zinc
1	000G11-07-08B	EA	Screw #7 - 19 x 1/2" PPH - Zinc
1	000G11-08-06B	EA	Screw #8 - 18 x 3/8" PPH - Zinc
1	000G11-08-12B	EA	Screw #8 - 18 x 3/4" PPH - Zinc
1	000G11-08-12D	EA	Screw #8 - 18 x 3/4" PPH - Black
1	000G11-08-12P	EA	Screw #8 - 18 x 3/4" PPH - Dark Brown
1	000G11-08-12R	EA	Screw #8 - 18 x 3/4" PPH - Beige
1	000G11-08-12S	EA	Screw #8 - 18 x 3/4" PPH - Off White
1	000G11-08-12X	EA	Screw #8 - 18 x 3/4" PPH - Gray
1	000G11-08-16R	EA	Screw #8 - 18 x 1" PPH - Gray
1	000G11-08-16S	EA	Screw #8 - 18 x 1" PPH - Off White
1	000G11-08-24R	EA	Screw #8 - 18 x 1 1/2" PPH - Beige
1	000G11-08-24S	EA	Screw #8 - 18 x 1 1/2" PPH - Off White
1	000G11-10-08B	EA	Screw #10 - 16 x 1/2" PPH - Zinc
1	000G11-10-08P	EA	Screw #10 - 16 x 1/2" PPH - Dark Brown
1	000G11-10-12B	EA	Screw #10 - 16 x 3/4" PPH - Zinc
1	000G11-10-12R	EA	Screw #10 - 16 x 3/4" - Beige
1	000G11-10-12S	EA	Screw #10 - 16 x 3/4" PPH - Off White
1	000G11-10-16B	EA	Screw #10 - 16 x 1" PPH - Zinc
1	000G11-10-40B	EA	Screw #10 - 16 x 2 1/2" - PPH - CAD
1	000G67-06-28P	EA	Screw #6 - 18 x 1 3/4" PPH - Brown
1	000G67-08-32B	EA	Screw #8 - 15 x 2" PPH - Zinc
1	000G67-10-08R	EA	Screw #10 - 12 x 1.2" PPH - Beige
1	000G67-10-10B	EA	Screw #10 - 12 x 5/8" PPH - Zinc

Key	Part Number	U/M	Description
1	000G67-10-10R	EA	Screw #10 - 12 x 5/8" PPH - Beige
1	000G67-10-12B	EA	Screw #10 - 12 x 3/4" PPH - Zinc
1	000G67-10-12E	EA	Screw #10 - 12 x 3/4" PPH - Chrome
1	000G67-10-12P	EA	Screw #10 - 12 x 3/4" PPH - Dark Brown
1	000G67-10-16P	EA	Screw #10 - 12 x 1" PPH - Dark Brown
1	000G67-10-16B	EA	Screw #10 - 12 x 1" PPH - Zinc
1	000G67-10-20B	EA	Screw #10 - 12 x 1 1/4" PPH - Zinc
1	000G67-10-24B	EA	Screw #10 - 12 x 1 1/2" PPH - Zinc
1	000G67-10-32B	EA	Screw #10 - 12 x 2" PPH - Zinc
1	000G67-10-48B	EA	Screw #10 - 12 x 3" PPH - Zinc
2	000G39-08-08B	EA	Screw #8 - Self Drilling - 18 x 1/2" PPH - Zinc
2	000G39-08-12B	EA	Screw #8 - Self Drilling - 18 x 3/4" PPH - Zinc
2	000G39-08-12R	EA	Screw #8 - Self Drilling - 18 x 3/4" PPH - Beige
2	000G39-08-12T	EA	Screw #8 - Self Drilling - 18 x 3/4" PPH - Black
2	000G39-08-16E	EA	Screw #8 - Self Drilling - 18 x 1" PPH - Chrome
2	000G39-08-16P	EA	Screw #8 - Self Drilling - 18 x 1" PPH - Dark Brown
2	000G39-08-16R	EA	Screw #8 - Self Drilling - 18 x 1" PPH - Beige
2	000G39-08-16S	EA	Screw #8 - Self Drilling - 18 x 1" PPH - Off White
2	000G39-08-16T	EA	Screw #8 - Self Drilling - 18 x 1" PPH - Black
2	000G39-08-16X	EA	Screw #8 - Self Drilling - 18 x 1" PPH - Gray
2	000G39-08-24S	EA	Screw #8 - Self Drilling - 18 x 1 1/2" PPH - Off White
2	000G39-10-10R	EA	Screw #10 - Self Drilling - 16 x 5/8" PPH - Beige
2	000G39-10-10S	EA	Screw #10 - Self Drilling - 16 x 5/8" PPH - Off White
2	000G39-10-12D	EA	Screw #10 - Self Drilling - 16 x 3/4" PPH - Black
2	000G39-10-12P	EA	Screw #10 - Self Drilling - 16 x 3/4" PPH - Dark Brown
2	000G39-10-12S	EA	Screw #10 - Self Drilling - 16 x 3/4" PPH - Off White
2	000G39-12-12E	EA	Screw #10 - Self Drilling - 14 x 3/4" PPH - Chrome
3	000G19-10-08B	EA	Screw #10 - Machine - 32 x 1/2" PPH - Zinc
3	000G19-10-12F	EA	Screw #10 - Machine - 32 x 3/4" PPH - Stainless Steel
3	000G19-10-20B	EA	Screw #10 - Machine - 32 x 1 1/4" PPH - Zinc
5	000G52-08-24B	EA	Screw 1/4 - 20 x 1 1/4" PTH - Zinc
6	000G54-04-20B	EA	Screw 1/4 - 20 x 1 1/4" PTH - Zinc
6	000G54-04-22B	EA	Screw 1/4 - 20 x 1 3/8" PTH - Zinc
7	000G12-06-08T	EA	Screw #6 - 20 x 1/2" POH - Black
7	000G12-08-12R	EA	Screw #8 - 18 x 3/4" POH - Beige
7	000G12-08-28R	EA	Screw #8 - 18 x 1 3/4" POH - Beige
7	000G12-08-28S	EA	Screw #8 - 18 x 1 3/4" POH - Off White
7	000G12-10-24E	EA	Screw #10 - 16 x 1 1/2" POH - Chrome
9	000G27-10-16D	EA	Screw #10 - Machine - 32 x 1" POH - Black
10	079382-01-000	EA	Screw #8 - 18 x 1" Star Socket - Black
11	049465-03-000	EA	Screw #10 - 16 x 1" POH - Off White
12	000G55-08-12W	EA	Screw #8 - Self Drilling - 18 x 3/4" PTH - Brown
12	049465-01-000	EA	Screw #10 - 16 x 1" PTH - Dark Brown
12	049465-04-000	EA	Screw #10 - 16 x 1" PTH - Beige
12	049465-05-000	EA	Screw #10 - 16 x 1" PTH - Gray
13	000G57-05-16J	EA	Screw #5 - 20 x 1" PFH - Brass
13	000G13-06-08B	EA	Screw #6 - 20 x 1/2" PFH - Zinc
13	000G13-06-12P	EA	Screw #6 - 20 x 3/4" PFH - Dark Brown
13	000G13-06-16R	EA	Screw #6 - 20 x 1" PFH - Beige
13	000G13-10-12B	EA	Screw #10 - 16 x 3/4" PFH - Zinc
14	000G36-10-12E	EA	Screw #10 - 24 x 3/4" PFH - Chrome
15	000G53-04-06B	EA	Screw 1/4 - 20 x 3/8" PPH
15	000G50-04-12B	EA	Screw 1/4 - 20 x 3/4" PPH - Zinc
15	000G19-10-12B	EA	Screw #10 - 32 x 3/4" PPH - Zinc
16	050778-01-000	EA	Screw 1/4 - 14 x 3/8" HWH w/Seal - Black (Windows)

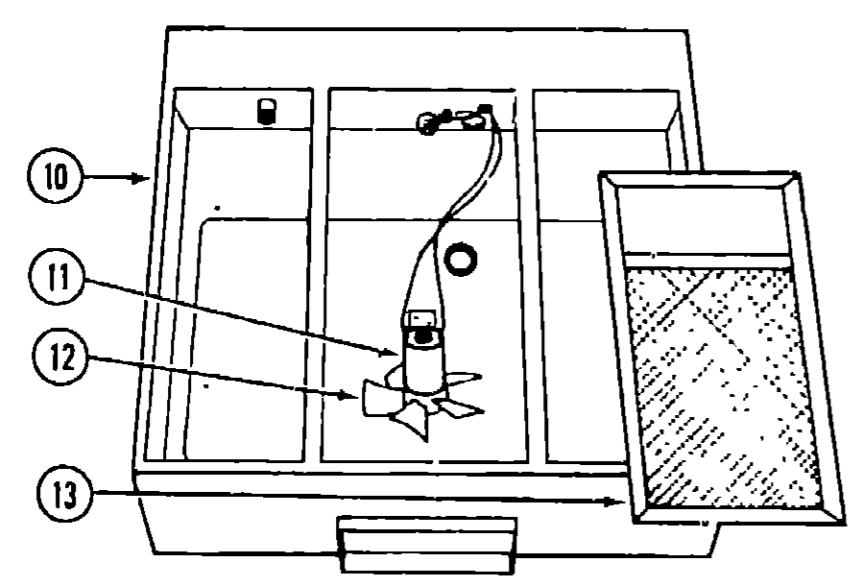
1984-1988 COMMON ITEMS FICHE TABLE OF CONTENTS

Introduction	A-01 - A-02
Air Conditioner	A-03 - A-09
Auto Air Conditioning	C-23 - C-24
Chassis Maintenance Kit	H-03 - H-04
Control Center	C-21 - C-22
Electric Motor Home Step	H-01
Furnace	A-11 - B-04
Interior/Exterior Screws & Fasteners	B-07 - B-08
Holding Tanks	D-01 - D-24
Mirrors - Exterior	B-05 - B-06
Range Hood	B-09 - B-15
Refrigerator	F-01 - G-23
Roof Vent	C-13 - C-19
Speed Control	E-01 - E-16
Toilet	B-19 - B-24
TV Antenna	B-17 - B-18
Water Heater	E-17 - E-24
Water Tanks	C-01 - C-11

RANGE HOOD GROUP
LVS RANGE HOOD (W/2 HOLDING TANKS)



Key	Part Number	U/M	Description
1	079353-01-003	EA	Range Hood w/Monitor Panel
2	079353-01-705	EA	Monitor Panel Asm
3	075470-01-702	EA	Power Switch (SPST Detent)
4	075470-01-705	EA	Power Switch (SPDT Momentary)
5	079353-01-704	EA	Tank Circuit Board
6	075470-01-704	EA	Fan Switch (SPDT Detent)
7	079353-01-707	EA	Monitor Face Plate - Black
8	072351-02-700	EA	Clock Asm.
9	075470-01-703	EA	Power Switch (SPST Momentary)
10	079353-01-706	EA	Vent Hood Chassis
11	079353-01-703	FA	Motor
12	079353-01-701	FA	fan blade
13	079353-01-702	EA	Filter & Lens
14	NOTE	EA	Screw
.	Not available		



1984-1988 COMMON ITEMS FICHE
TABLE OF CONTENTS

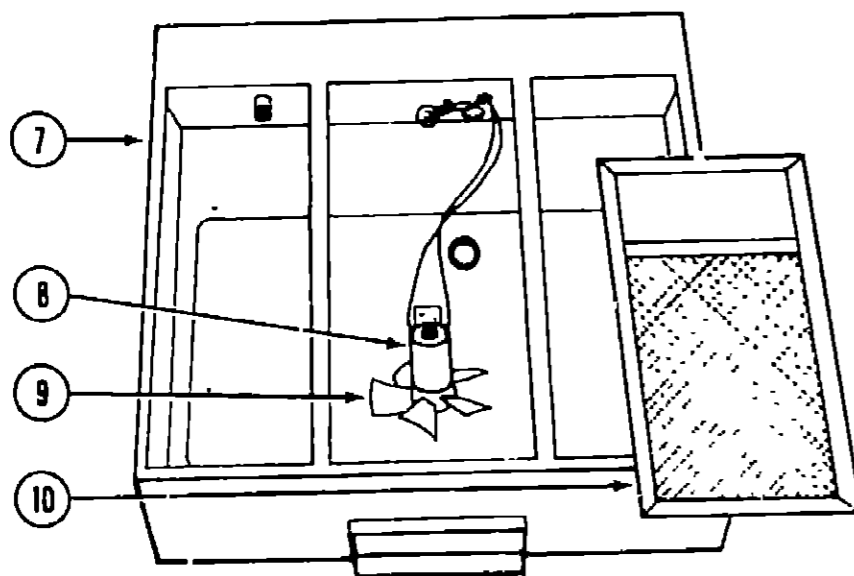
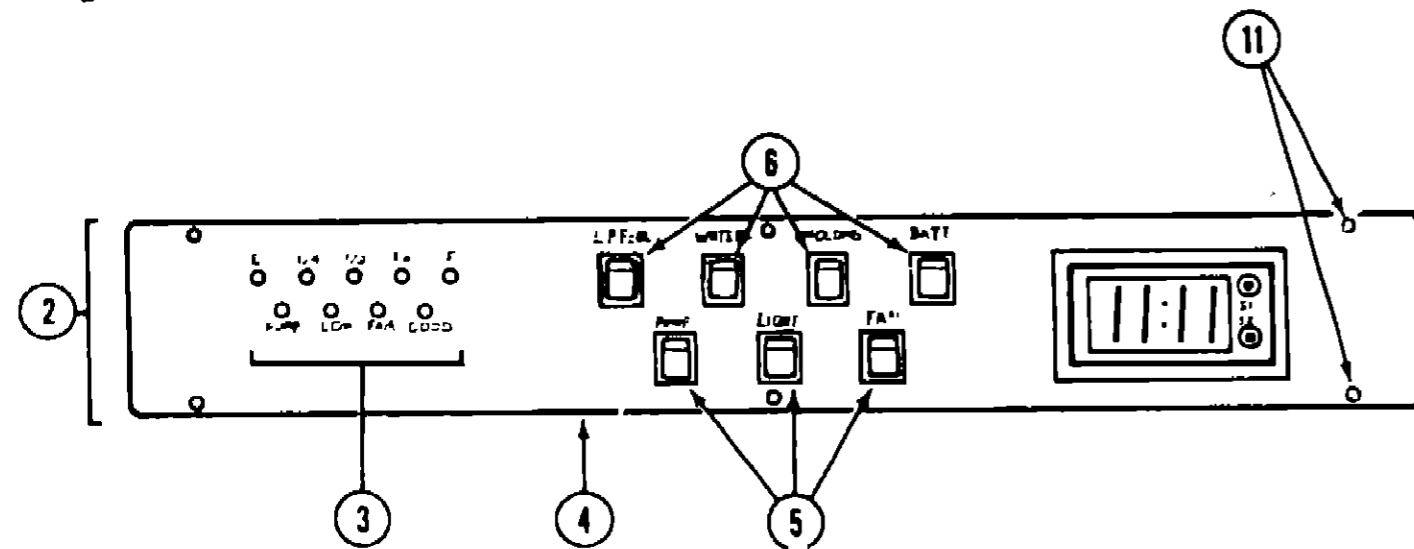
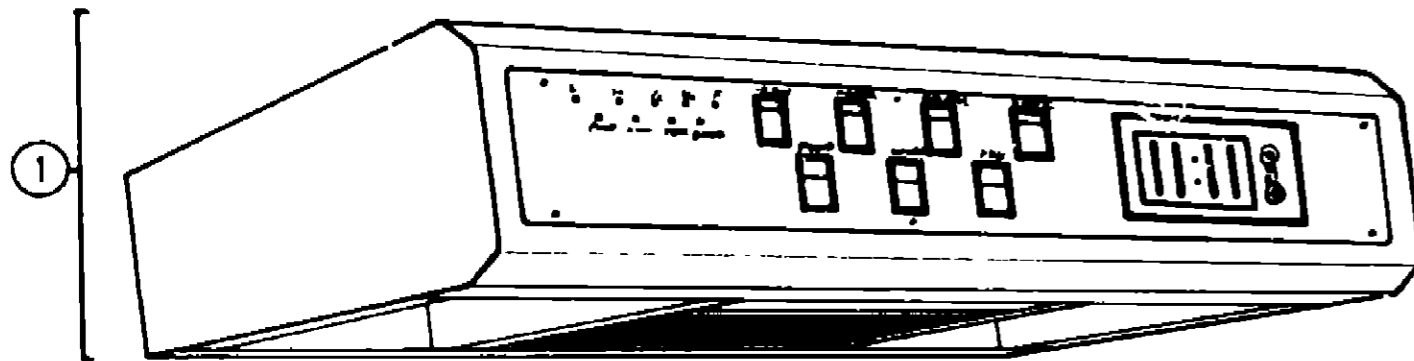
Vendor No.		
(1251)	Introduction	A-01 - A-02
(1013)	Air Conditioner	A-03 - A-09
(1014)	Auto Air Conditioning	C-23 - C-24
(5062)	Chassis Maintenance Kit	H-03 - H-04
(1015)	Control Center	C-21 - C-22
(1244)	Electric Motor Home Step	H-01
(2005)	Furnace	A-11 - B-04
(1016)	Interior/Exterior Screws & Fasteners	B-07 - B-08
(1245)	Holding Tanks	D-01 - D-24
(586)	Mirrors - Exterior	B-05 - B-06
(284)	Range Hood	B-09 - B-15
(585)	Refrigerator	F-01 - G-23
	Roof Vent	C-13 - C-19
	Speed Control	E-01 - E-16
	Toilet	B-19 - B-24
	TV Antenna	B-17 - B-18
	Water Heater	E-17 - E-24
	Water Tanks	C-01 - C-11

RANGE HOOD GROUP INDEX

w/2 Holding Tanks - LVS	B-09 - B-10
w/1 Holding Tank - LVS	B-11 - B-12
w/3 Holding Tanks - LVS	B-13 - B-14
w/2 Holding Tanks - Jensen	B-15

RANGE HOOD GROUP (CONTINUED)

LVS RANGE HOOD (W/1 HOLDING TANK)



Key	Part Number	U/M	Description
1	079353-05-000	EA	Range Hood w/Monitor Panel
2	079353-05-700	EA	Monitor Panel Asm
3	079353-05-701	EA	Tank Circuit Board
4	079353-05-702	EA	Monitor Face Plate
5	075470-01-702	EA	Power Switch (SPST Detent)
6	075470-01-703	EA	Power Switch (CPST Momentary)
7	079353-01-706	EA	Vent Hood Chassis
8	079353-01-703	EA	Motor
9	079353-01-701	EA	Fan Blade
10	079353-01-702	EA	Filter & Lens
11	NOTE	EA	Screw
			Not available

Vendor No.

(1396)
(5044)
(1397)
(RP-1013)
(RP1016)
(1245)
(586)
(284)
(585)

1984-1988 COMMON ITEMS FICHE TABLE OF CONTENTS

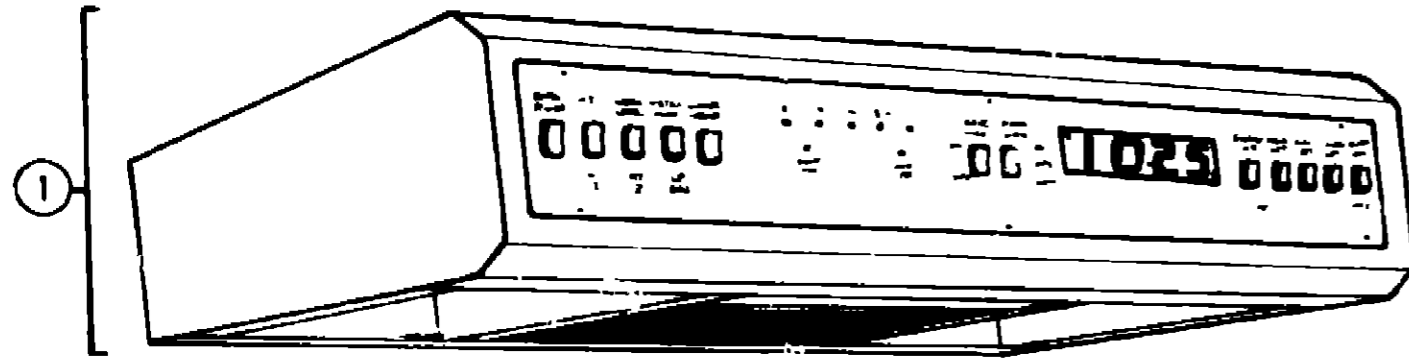
Introduction	A-01 - A-02
Air Conditioner	A-03 - A-09
Auto Air Conditioning	C-23 - C-24
Chassis Maintenance Kit	H-03 - H-04
Control Center	C-21 - C-22
Electric Motor Home Step	H-01
Furnace	A-11 - E-01
Interior/Exterior Screws & Fasteners	B-07 - B-08
Holding Tanks	D-01 - D-24
Mirrors - Exterior	B-05 - B-06
Range Hood	B-09 - B-15
Refrigerator	F-01 - G-23
Roof Vent	C-13 - C-19
Speed Control	E-01 - E-16
Toilet	B-19 - B-24
TV Antenna	B-17 - B-18
Water Heater	E-17 - E-24
Water Tanks	C-01 - C-11

RANGE HOOD GROUP INDEX

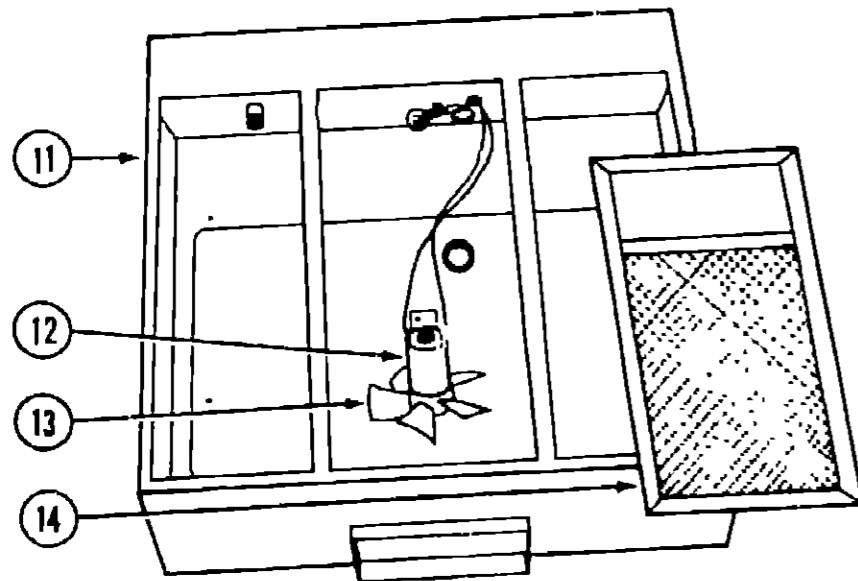
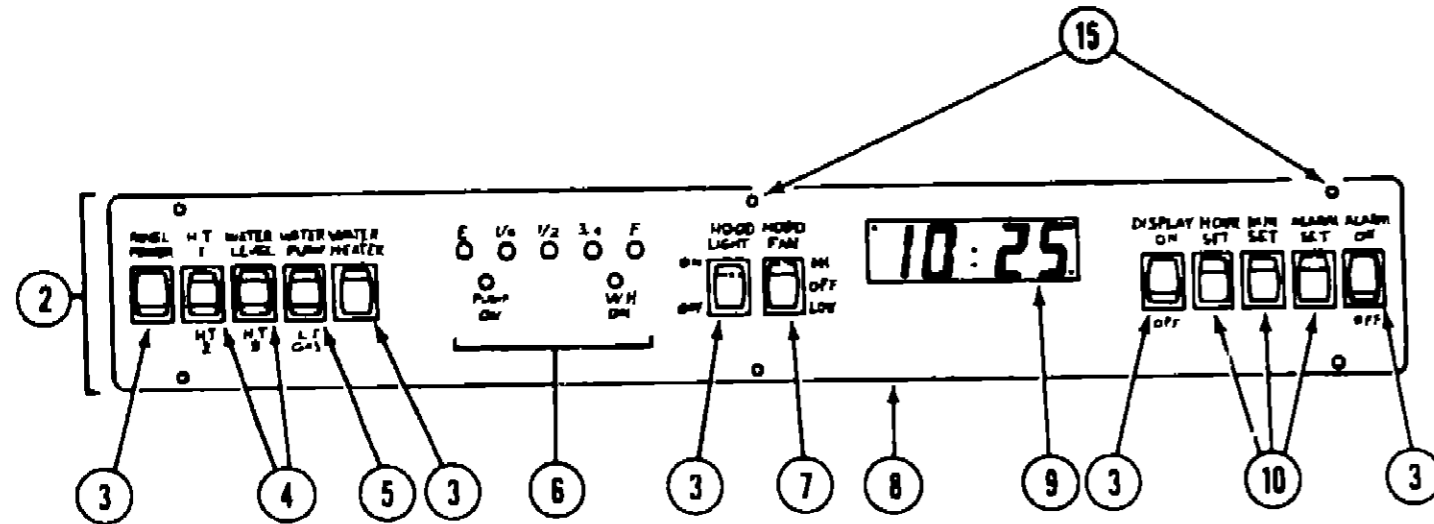
w/2 Holding Tanks - LVS	B-09 - B-10
w/1 Holding Tank - LVS	B-11 - B-12
w/3 Holding Tanks - LVS	B-13 - B-14
w/2 Holding Tanks - Jensen	B-15

RANGE HOOD GROUP (CONTINUED)

LVS RANGE HOOD (W/3 HOLDING TANKS)



Key	Part Number	U/M	Description
1	079353-03-000	EA	Range Hood w/Monitor Panel
2	079353-03-702	EA	Monitor Panel Asm.
3	075470-01-702	EA	Power Switch (SPST Detent)
4	075470-01-705	EA	Power Switch (SPDT Momentary)
5	079353-03-700	EA	Power Switch - LP & Water Pump
6	079353-03-701	EA	Tank Circuit Board
7	075470-01-704	EA	Fan Switch (SPDT Detent)
8	079353-01-707	E/	Monitor Face Plate - Black
9	072351-02-700	EA	Clock Asm
10	075470-01-703	EA	Power Switch (SPST Momentary)
11	079353-03-703	EA	Vent Hood Chassis
12	079353-01-703	EA	Motor
13	079353-01-701	EA	Fan Blade
14	079353-01-702	EA	Filter & Lens
15	NOTE	EA	Screw
			Not available



1984-1988 COMMON ITEMS FICHE TABLE OF CONTENTS

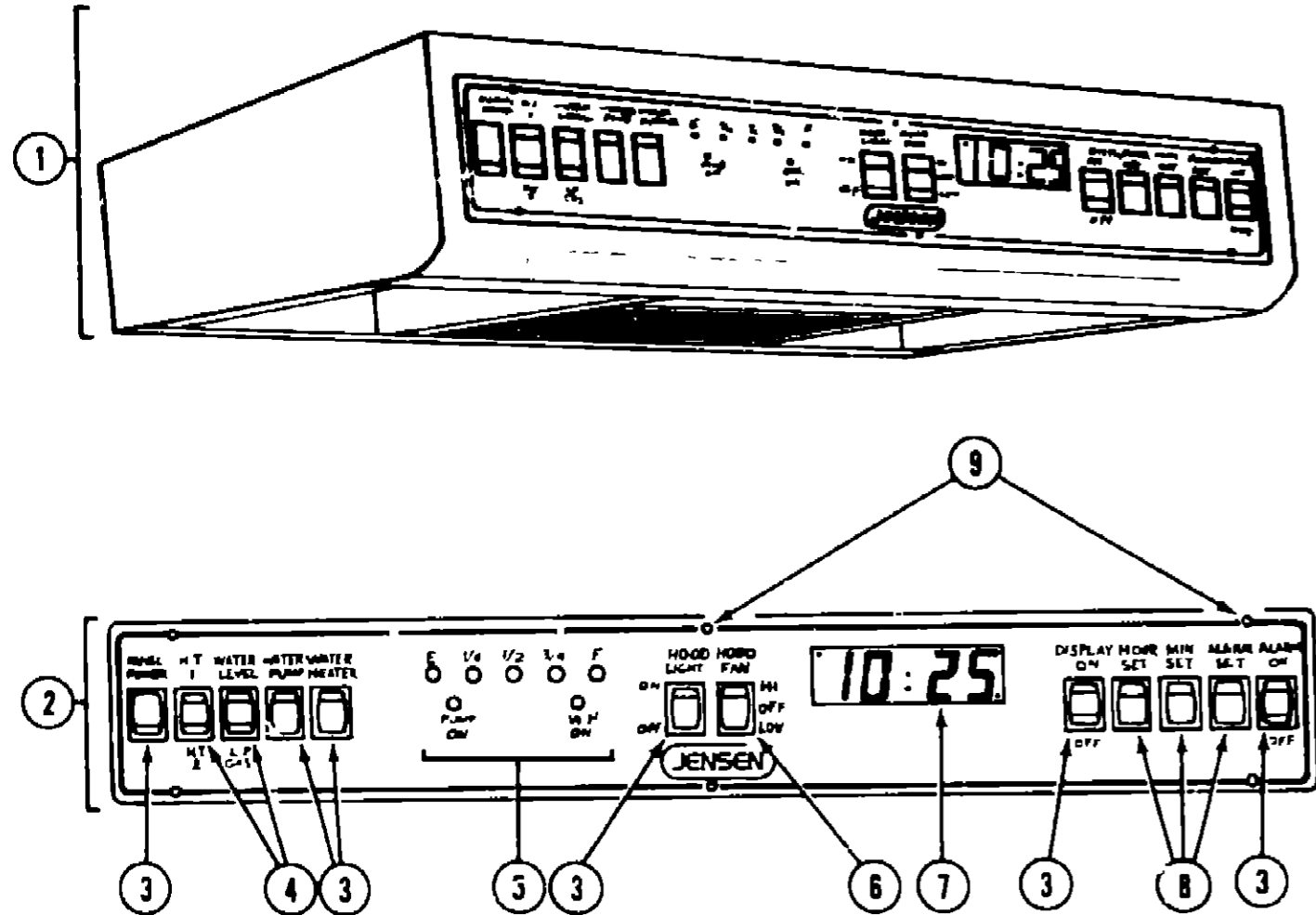
Vendor No.	Item	Page
(1451)	Introduction	A-01 - A-02
(RP-1013)	Air Conditioner	A-03 - A-09
(RP1014)	Auto Air Conditioning	C-23 - C-24
(113)	Chassis Maintenance Kit	H-03 - H-04
(5032)	Control Center	C-21 - C-22
(RP1015)	Electric Motor Home Step	H-01
(1244)	Furnace	A-11 - B-04
(2007)	Interior/Exterior Screw & Fasteners	B-07 - B-08
(RP1016)	Holding Tanks	D-01 - D-24
(1445)	Mirrors - Exterior	B-05 - B-06
(586)	Range Hood	B-09 - B-15
(284)	Refrigerator	F-01 - G-23
(585)	Roof Vent	C-13 - C-19
	Speed Control	E-01 - E-16
	Toilet	B-19 - B-24
	TV Antenna	B-17 - B-18
	Water Heater	E-17 - E-24
	Water Tanks	C-01 - C-11

RANGE HOOD GROUP INDEX

w/2 Holding Tanks - LVS	B-09 - B-10
w/1 Holding Tank - LVS	B-11 - B-12
w/3 Holding Tanks - LVS	B-13 - B-14
w/2 Holding Tanks - Jensen	B-15

RANGE HOOD GROUP (CONTINUED)

JENSEN RANGE HOOD (POWERED)



Key	Part Number	U/M	Description	Vendor No.
1	075470-01-000	EA	Range Hood w/Monitor Panel	
2	075470-01-708	EA	Monitor Panel Asm	(RP1010)
3	075470-01-702	EA	Power Switch (SPST Detent)	(RP-1013)
4	075470-01-705	EA	Power Switch (SPDT Momentary)	(RP1014)
5	075470-01-700	EA	Tank Circuit Board	(RP1012)
6	075470-01-704	EA	Fan Switch (SPDT Detent)	(RP1015)
7	075470-01-701	EA	Clock Asm	(RP1011)
8	075470-01-703	EA	Power Switch (SPST Momentary)	(RP1016)
9	075470-01-706	EA	Rivet	(RP1009)

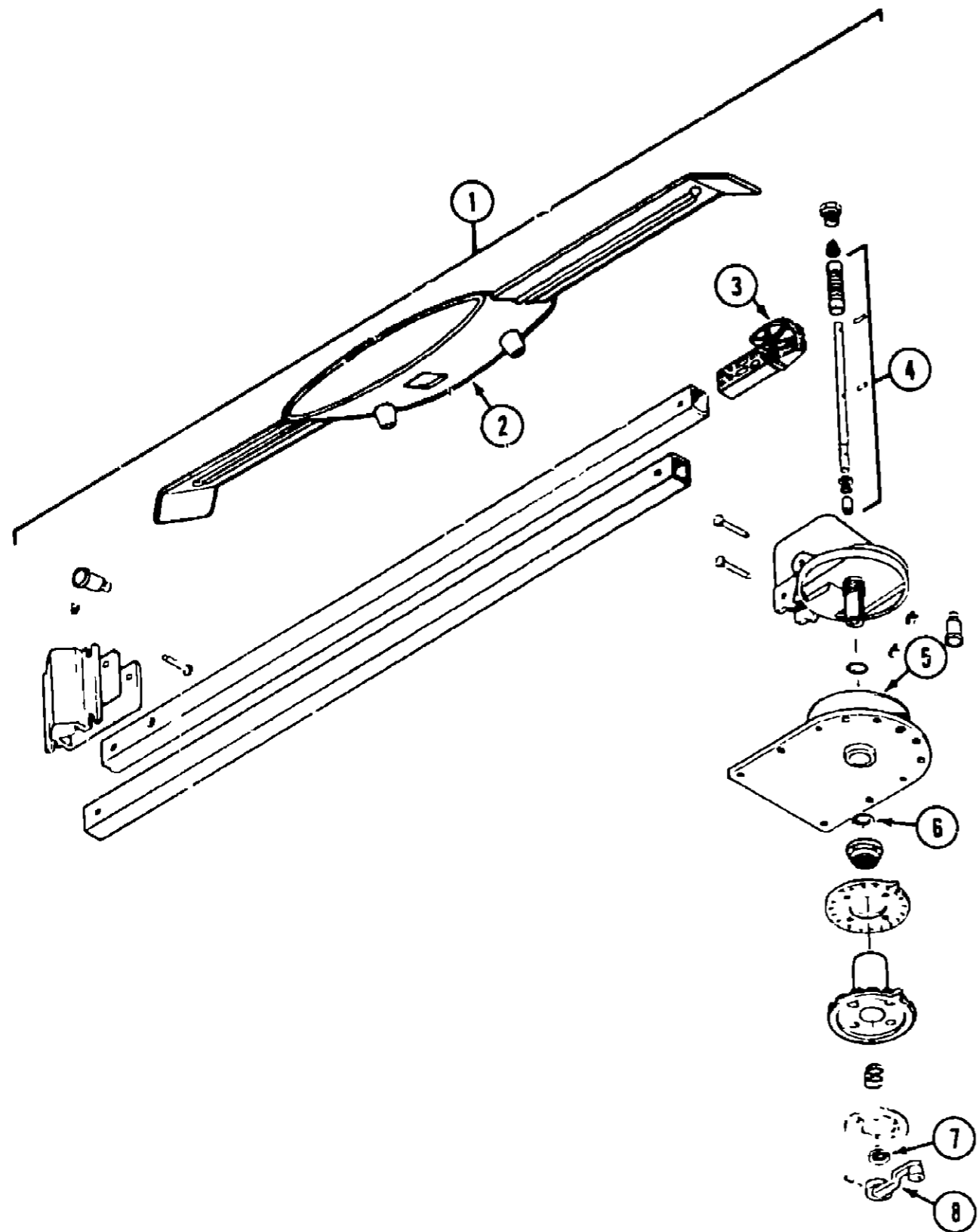
1984-1988 COMMON ITEMS FICHE TABLE OF CONTENTS

Introduction	A-01 - A-02
Air Conditioner	A-03 - A-09
Auto Air Conditioning	C-23 - C-24
Chassis Maintenance Kit	H-03 - H-04
Control Center	C-21 - C-22
Electric Motor Home Stop	H-01
Furnace	A-11 - B-04
Interior/Exterior Screws & Fasteners	B-07 - B-08
Holding Tanks	D-01 - D-24
Mirrors - Exterior	B-05 - B-06
Repair Kit	B-09 - B-15
Refrigerator	F-01 - G-23
Rout Vent	C-13 - C-19
Speed Control	E-01 - E-16
Toilet	B-19 - B-24
TV Antenna	B-17 - B-18
Water Heater	E-17 - E-24
Water Tanks	C-01 - C-11

RANGE HOOD GROUP INDEX

w/2 Holding Tanks - LVS	B-09 - B-10
w/1 Holding Tank - LVS	B-11 - B-12
w/3 Holding Tanks - LVS	B-13 - B-14
w/2 Holding Tanks - Jensen	B-15

**TV ANTENNA
WINEGARD - ROOF MOUNT**



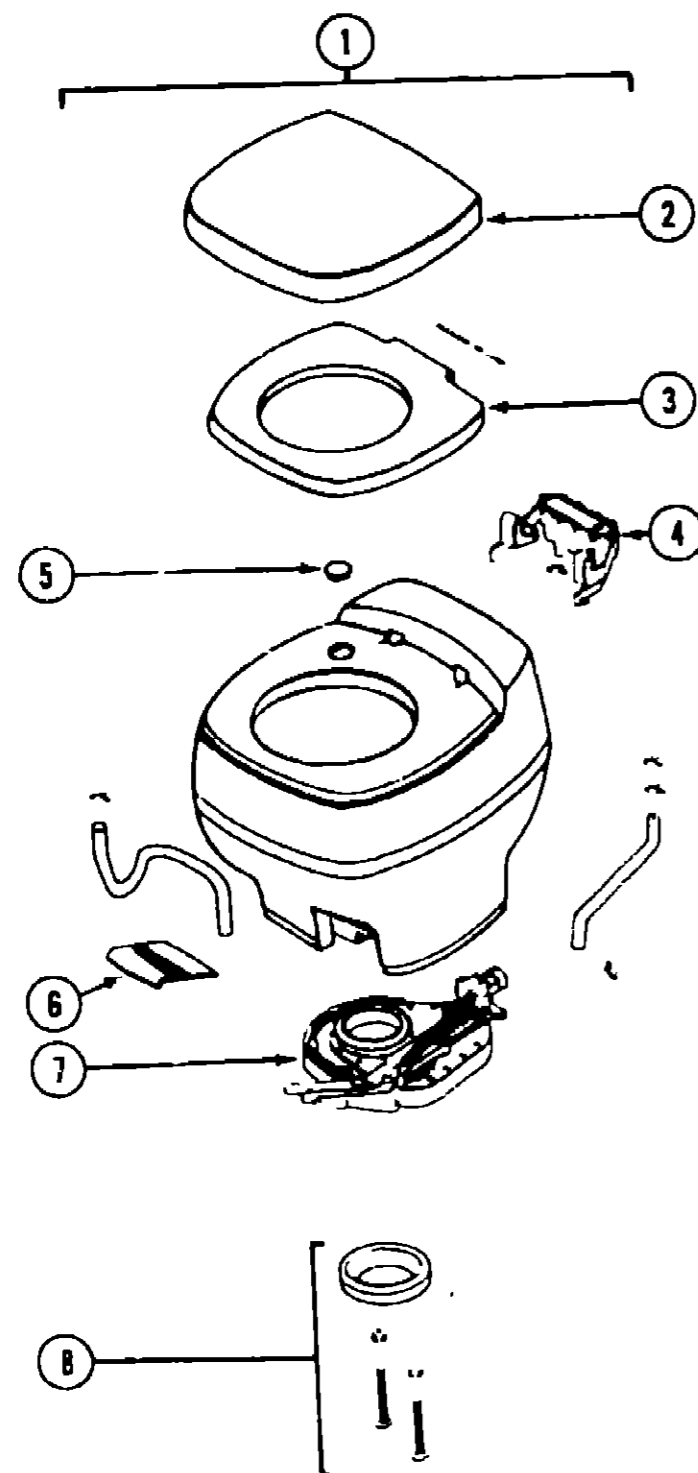
Key	Part Number	U/M	Description	Vendor No.
1	076319-01-000	EA	TV Antenna - 44" Mast	
1	076319-02-000	EA	TV Antenna - 23 5" Mast	
2	076319-01-700	EA	RVSA-U-V Sensor Antenna	(2080250)
3	076319-01-701	EA	Elevating Gear	(5200002)
4	076319-01-702	EA	Shaft Elevating Asm	(2764036)
5	076319-01-703	EA	Nylon Bearing - 5"	(3200656)
6	076319-01-704	EA	Nylon Bearing	(3200657)
7	076319-01-705	EA	Nylon Bearing	(3200658)
8	076319-01-706	EA	Elevating Crank w/Set Screw	(5755100)
9	086772-02-000	EA	Outside Receptacle - Cable TV - Beige	
9	086778-03-000	EA	Outside Receptacle - Cable TV - Gray	
	086778-04-000	EA	Receptacle Gasket - Cable TV	
10	086756-01-000	EA	2 Way TV Splitter (Coaxial)	
11	076319-03-000	FT	Coaxial Cable - 75 OHM	(CL-270)
12	076319-04-000	EA	Connector & Ferrule	(F-59BL)
13	076319-06-000	EA	Cable Adaptor - Roof Plate	(RPJ-1)
14	076319-08-000	EA	Wallplate/Receptacle - Ivory	(TG7701)
14	076319-09-000	EA	Wallplate/Receptacle - Brown	(TG7711)
15	086777-03-000	EA	Wallplate/Power Supply - Ivory	
15	086777-04-000	EA	Wallplate/Power Supply - Brown	
16	086777-01-000	EA	Wallplate - Antenna/Cable - Ivory	
16	086777-02-000	EA	Wallplate - Antenna/Cable - Brown	
17	076319-10-000	EA	Ferrule	(F56/F5)
18	076319-11-000	EA	Adaptor - Coax w/Splitter	(MSJ-6)
*	Not illustrated			

**1984-1988 COMMON ITEMS FICHE
TABLE OF CONTENTS**

Introduction	A-01 - A-02
Air Conditioner	A-03 - A-09
Auto Air Conditioning	C-23 - C-24
Chassis Maintenance Kit	H-03 - H-04
Control Center	C-21 - C-22
Electric Motor Home Step	H-01
Furnace	A-11 - B-04
Interior/Exterior Screws & Fasteners	B-07 - B-08
Holding Tanks	D-01 - D-24
Mirrors - Exterior	B-05 - B-06
Range Hood	B-09 - B-15
Refrigerator	F-01 - G-23
Roof Vent	C-13 - C-19
Speed Control	E-01 - E-16
Toilet	B-19 - B-24
TV Antenna	B-17 - B-18
Water Heater	E-17 - E-24
Water Tanks	C-01 - C-11

TOILET GROUP

THETFORD MODEL (50 & 8420SH)



Key	Part Number	U/M	Description
1	064076-01-000	EA	Toilet Complete w/Lid - Ivory
1	039341-02-000	EA	Toilet Complete w/Lid - Ivory
*	039341-02-704	EA	Seat & Cover Set - Ivory
2	039341-02-700	EA	Seat Cover - Ivory
3	039341-02-701	EA	Seat Ring - Ivory
4	700011-14-003	EA	Vacuum Breaker
5	039341-02-703	EA	Hole Plug
6	039341-02-702	EA	Petal
7	039341-01-700	EA	Mechanism
8	039341-02-705	EA	Mounting Package
*	Not illustrated		

50	8420	Vendor No.
X		
	X	
X	X	(08855)
X	X	(037151)
X	X	(081021)
X	X	(038895-101)
X	X	(036351)
X	X	(15283)
X	X	(08975)

1984-1988 COMMON ITEMS FICHE TABLE OF CONTENTS

Introduction:	A-01 - A-02
Air Conditioner	A-03 - A-08
Auto Air Conditioning	C-23 - C-24
Chassis Maintenance Kit	H-03 - H-04
Control Center	C-21 - C-22
Electric Motor Home Step	H-01
Furnace	A-11 - B-04
Interior/Exterior Screw & Fasteners	B-07 - B-08
Holding Tanks	D-01 - D-24
Mirrors - Exterior	B-05 - B-06
Range Hood	B-09 - B-15
Refrigerator	F-01 - G-23
Roof Vent	C-13 - C-19
Speed Control	E-01 - E-16
Toilet	B-19 - B-24
TV Antenna	B-17 - B-18
Water Heater	E-17 - E-24
Water Tanks	C-01 - C-11

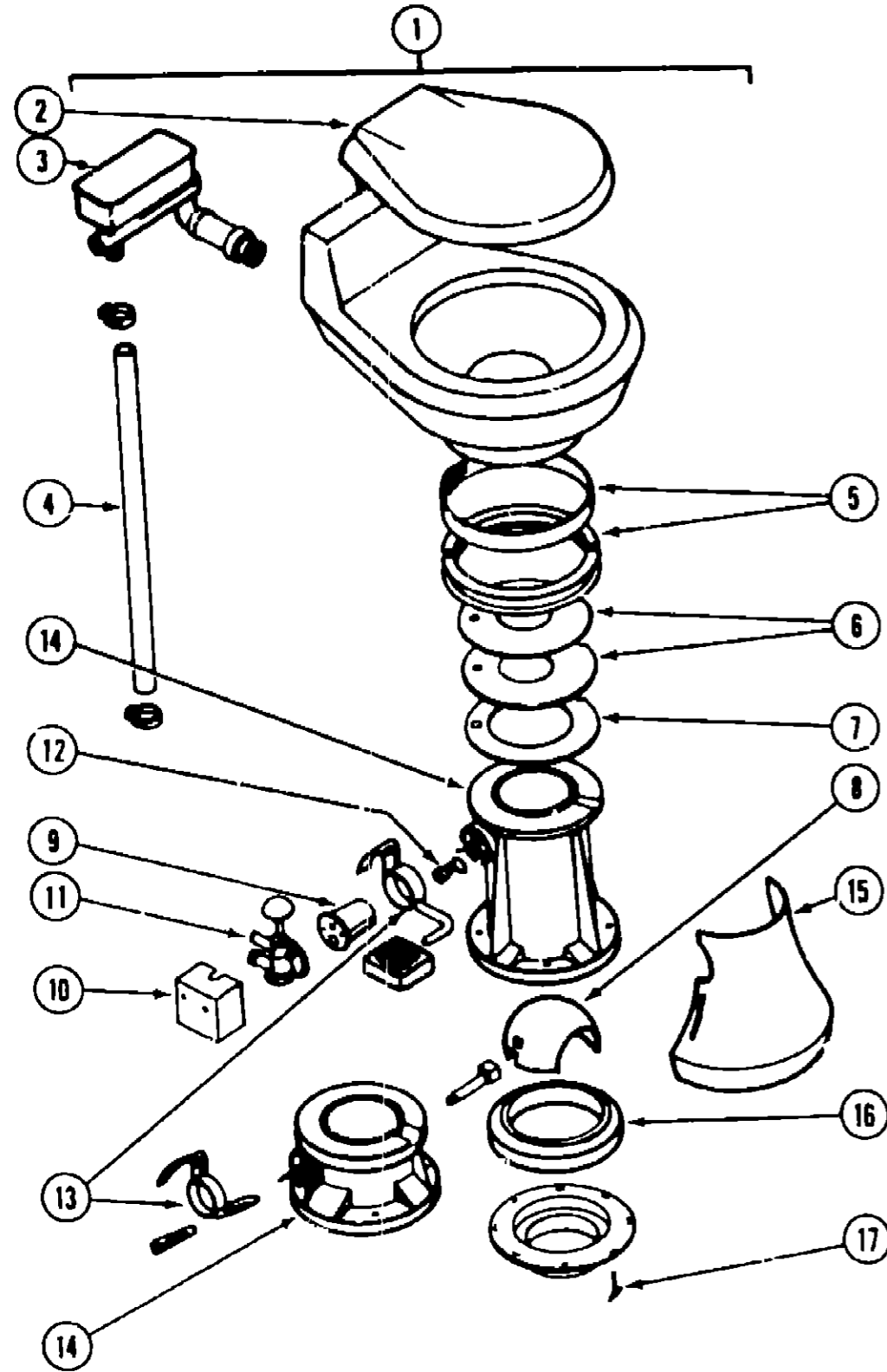
TOILET GROUP INDEX

Thetford - 50	B-19 - B-20
Thetford - 8420SH	B-19 - B-20
Traveler - 510	B-21 - B-22
Traveler - 511	B-21 - B-22
Thetford Aqua Magic IV	B-23 - B-24

TOILET GROUP (CONTINUED)

TRAVELER (510 & 511)

1984-1988 COMMON ITEMS FICHE TABLE OF CONTENTS



Key	Part Number	U/M	Description	510	511
1	085330-01-000	EA	Toilet - China - Shorty - Bone		X
1	085330-02-000	EA	Toilet - China - Regular - Bone	X	
2	085330-01-700	EA	Seat Asm - Bone	X	X
3	085330-01-701	EA	Vacuum Breaker Kit	X	X
4	085330-01-702	EA	Universal Tubing Kit	X	X
5	085330-01-703	EA	Half Clamps & Ring Kit - Bone	X	X
6	085330-01-704	EA	Rubber Seals & Teflon Kit	X	X
7	085330-01-705	EA	Plastic Seal Support	X	X
8	085330-01-706	EA	Ball Shaft & Cartridge Kit	X	X
9	085330-01-707	EA	Spring Cartridge Asm	X	X
10	085330-01-708	EA	Valve Cover w/Screws Kit - Bone	X	X
11	085330-01-709	EA	Water Valve Kit	X	X
12	085330-01-710	EA	Drain Plug & Cap w/Seals Kit	X	X
13	085330-01-711	EA	Flush Lever w/Cover - Black		X
13	085330-02-701	EA	Flush Lever w/Cover - Bone	X	
14	085330-02-700	EA	Base Asm - Bone	X	
14	085330-01-712	EA	Base Asm - Bone		X
15	085330-01-713	EA	Shroud - Bone	X	
16	085330-01-714	EA	Floor Flange Seal	X	X
17	085330-01-715	EA	Floor Bolt Kit	X	X

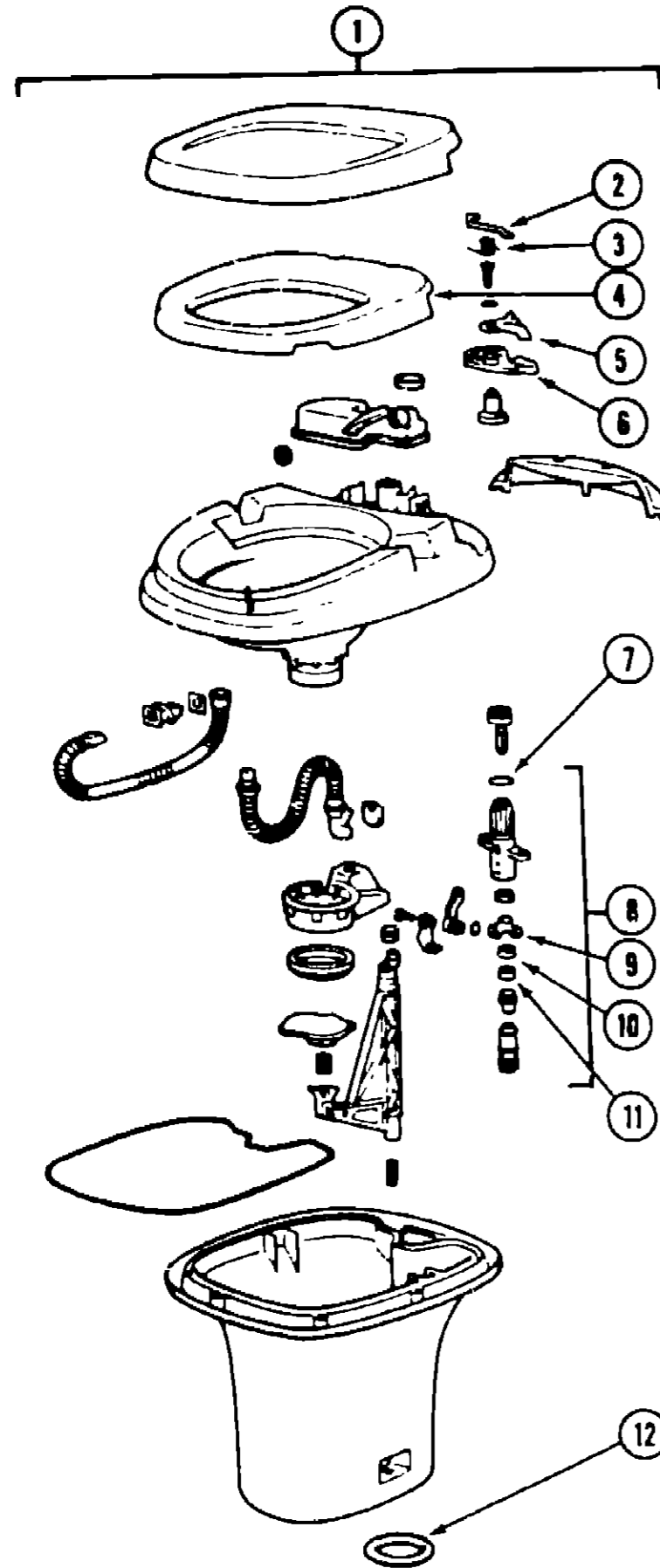
Vendor No.	Introduction	A-01 - A-02
	Air Conditioner	A-03 - A-09
(390340217)	Auto Air Conditioning	C-23 - C-24
(385319065)	Chassis Maintenance Kit	H-03 - H-04
(385315902)	Control Center	C-21 - C-22
(385310048)	Electric Motor Home Step	H-01
(385316140)	Furnace	A-11 - B-04
(390346405)	Interior/Exterior Screw & Fasteners	B-07 - B-08
(381236096)	Holding Tanks	D-01 - D-24
(385310073)	Mirrors - Exterior	B-05 - B-06
(385314349)	Range Hood	B-09 - B-15
(381230198)	Refrigerator	F-01 - G-23
(390340234)	Roof Vent	C-13 - C-19
(385310044)	Speed Control	E-01 - E-16
(385310083)	Toilet	B-19 - B-24
(390340124)	TV Antenna	B-17 - B-18
(390343892)	Water Heater	E-17 - E-24
(385315057)	Water Tanks	C-01 - C-11

TOILET GROUP INDEX

Thetford - 50	B-19 - B-20
Thetford - B420SH	B-19 - B-20
Traveler - 510	B-21 - B-22
Traveler - 511	B-21 - B-22
Thetford Aqua Magic IV	B-23 - B-24

TOILET GROUP (CONTINUED)

THETFORD AQUA MAGIC IV



Key	Part Number	U/M	Description
1	063740-01-000	EA	Toilet Complete - Aqua Magic IV (High)
1	067487-01-000	EA	Toilet Complete - Aqua Magic IV (Low)
2	063740-01-710	EA	Water Valve Link
3	063740-01-711	EA	Lever Return Spring
4	063740-01-705	EA	Seat
5	063740-01-700	EA	Water Lever
6	063740-01-701	EA	Flush Lever
7	063740-01-713	EA	Seal
8	063740-01-714	EA	Water Valve Asm.
9	063740-01-712	EA	Ball
10	063740-01-709	EA	Flow Control Seal
11	063740-01-704	EA	Fitting Retainer
12	063740-01-707	EA	Closet Flange Seal
.	063740-01-706	EA	Closet Bolt Package
.	Not illustrated		

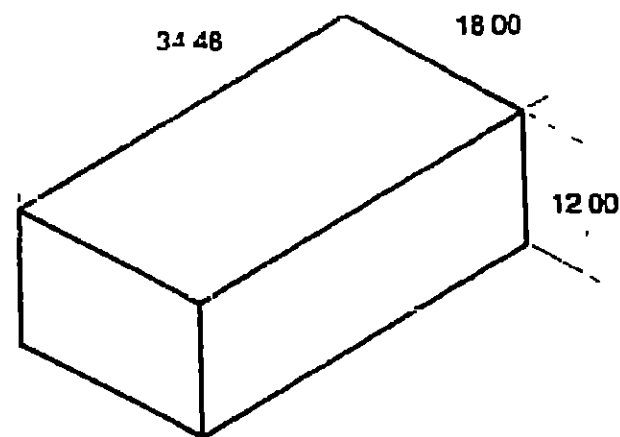
1984-1988 COMMON ITEMS FICHE TABLE OF CONTENTS

Vendor No.		
(12513)	Introduction	A-01 - A-02
(12523)	Air Conditioner	A-03 - A-09
(12447)	Auto Air Conditioning	C-23 - C-24
(12514)	Chassis Maintenance Kit	H-03 - H-04
(12515)	Control Center	C-21 - C-22
(12502)	Electric Motor Home Step	H-01
(12492)	Furnace	A-11 - B-04
(12494)	Interior/Exterior Screw & Fasteners	B-07 - B-08
(12498)	Holding Tanks	D-01 - D-24
(12852)	Mirrors - Exterior	B-05 - B-06
(02125)	Range Hood	B-09 - B-15
(12524)	Refrigerator	F-01 - G-23
	Roof Vent	C-13 - C-19
	Speed Control	E-01 - E-16
	Toilet	B-19 - B-24
	TV Antenna	B-17 - B-18
	Water Heater	E-17 - E-24
	Water Tanks	C-01 - C-11

TOILET GROUP INDEX

Thetford - 50	B-19 - B-20
Thetford - 8420SH	B-19 - B-20
Traveler - 510	B-21 - B-22
Traveler - 511	B-21 - B-22
Thetford Aqua Magic IV	B-23 - B-24

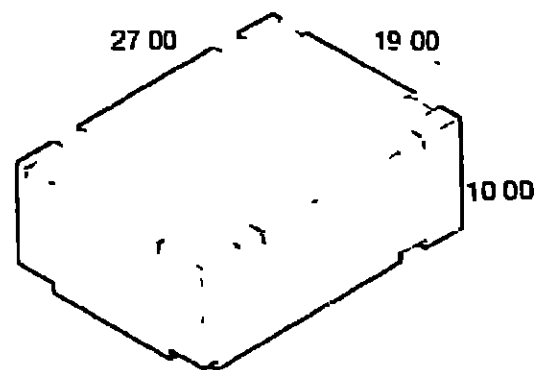
WATER TANK GROUP



Key	Part Number	U/M	Description
	045195-01-000	EA	Water Tank - Plastic - w/o Fittings - 30 Gal
01	045195-02-000	EA	Water Tank - Plastic - w/Fittings - 30 Gal

1986 WINNEBAGO	1987 WINNEBAGO	1988 WINNEBAGO
01 WF426RT	01 WF426RT	01 WF426RT

1986 ITASCA	1987 ITASCA	1988 ITASCA
01 IF426RT	01 IF426RT	01 IF426RT

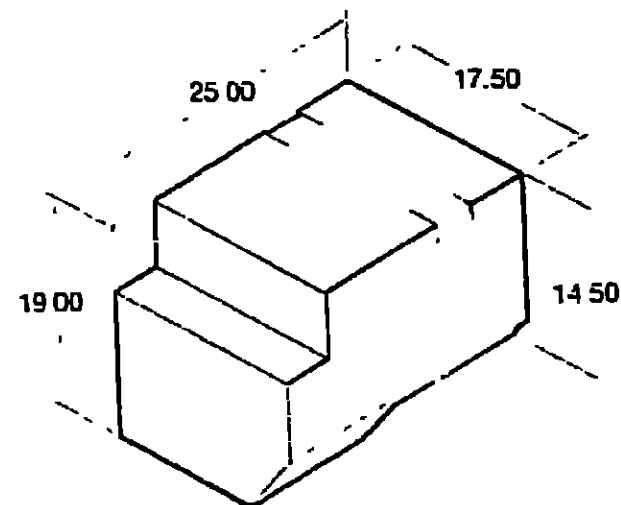


Key	Part Number	U/M	Description
	053520-01-000	EA	Water Tank - Plastic - w/o Fittings - 20 Gal
01	053520-02-000	EA	Water Tank - Plastic - w/Fittings - 20 Gal
02	053520-03-000	EA	Water Tank - Plastic - w/Fittings - 20 Gal
03	053520-04-000	EA	Water Tank - Plastic - w/Fittings - 20 Gal
04	053520-05-000	EA	Water Tank - Plastic - w/Fittings - 20 Gal
05	053520-06-000	EA	Water Tank - Plastic - w/Fittings - 20 Gal

1984 WINNEBAGO	1985 WINNEBAGO	1986 WINNEBAGO	1987 WINNEBAGO	1988 WINNEBAGO
03 WCN33RU	04 WC424RC	02 WC/F424RC	04 WC/F424RC	04 WC/F424RC
04 WC424RC	03 WCN33RU	03 WCN33RU	03 WCN33RU	03 WCN33RU
04 WCN23RG (Dinette)	04 WCN23RG (Dinette)	04 WCN23RG		
05 WCN23RG (Couch)	05 WCN23RG (Couch)			

1984 ITASCA	1985 ITASCA	1986 ITASCA	1987 ITASCA	1988 ITASCA
03 ICN33RU	04 IC424RC	02 IC/F424RC	04 IC/F424RC	04 IC/F424RC
04 IC424RC	03 ICN33RU	03 ICN33RU	03 ICN33RU	03 ICN33RU
04 ICN23RG (Dinette)	04 ICN23RG (Dinette)	04 ICN23RG		
05 ICN23RG (Couch)	05 ICN23RG (Couch)			

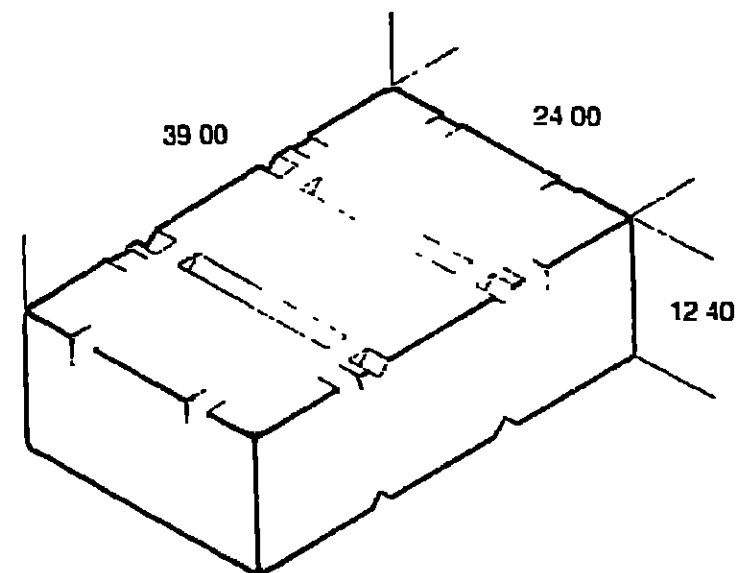
WATER TANK GROUP (CONTINUED)



Key	Part Number	U/M	Description
	057053-01-000	EA	Water Tank - Plastic - w/o Fittings - 28 Gal
01	057053-02-000	EA	Water Tank - Plastic - w/Fittings - 28 Gal

1984 WINNEBAGO	1985 WINNEBAGO	1986 WINNEBAGO	1987 WINNEBAGO	1988 WINNEBAGO
01 WC420RG	01 WC420RG	01 WC420RG	01 WC420EG 01 WC420RG	01 WC420EG 01 WC/F420RG

1984 ITASCA	1985 ITASCA	1986 ITASCA	1987 ITASCA	1988 ITASCA
01 IC420RG	01 IC420RG	01 IC420RG	01 IC420EG 01 IC420RG	01 IC420EG 01 IC420RG



Key	Part Number	U/M	Description
	067333-01-000	EA	Water Tank - Plastic - w/o Fittings - 51 Gal
01	067333-02-000	EA	Water Tank - Plastic - w/Fittings - 51 Gal

1984 WINNEBAGO
01 WCN26RB
01 WCN26RH

1984 ITASCA
01 ICN26RB
01 ICN26RH

1984-1988 COMMON ITEMS FICHE TABLE OF CONTENTS

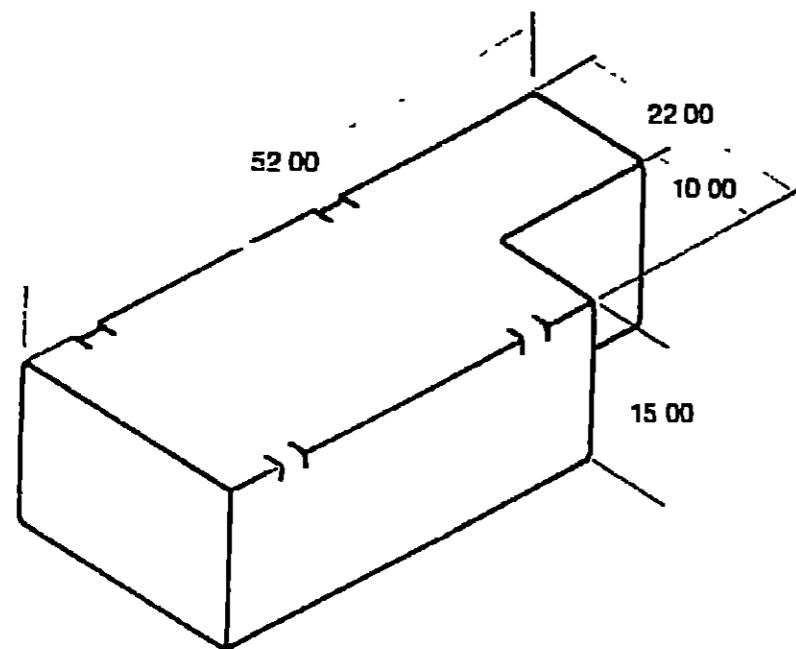
Introduction	A-01 - A-02
Air Conditioner	A-03 - A-09
Auto Air Conditioning	C-23 - C-24
Chassis Maintenance Kit	H-03 - H-04
Control Center	C-21 - C-22
Electric Motor Home Step	H-01
Furnace	A-11 - B-04
Interior/Exterior Screw & Fasteners	B-07 - B-08
Holding Tanks	D-01 - D-24
Mirrors - Exterior	B-05 - B-06
Range Hood	B-09 - B-15
Refrigerator	F-01 - G-23
Roof Vent	C-13 - C-19
Speed Control	E-01 - E-16
Toilet	B-19 - B-24
TV Antenna	B-17 - B-18
Water Heater	E-17 - E-24
Water Tanks	C-01 - C-11

WATER TANK GROUP INDEX

Water Tanks - Plastic

C-01 - C-11

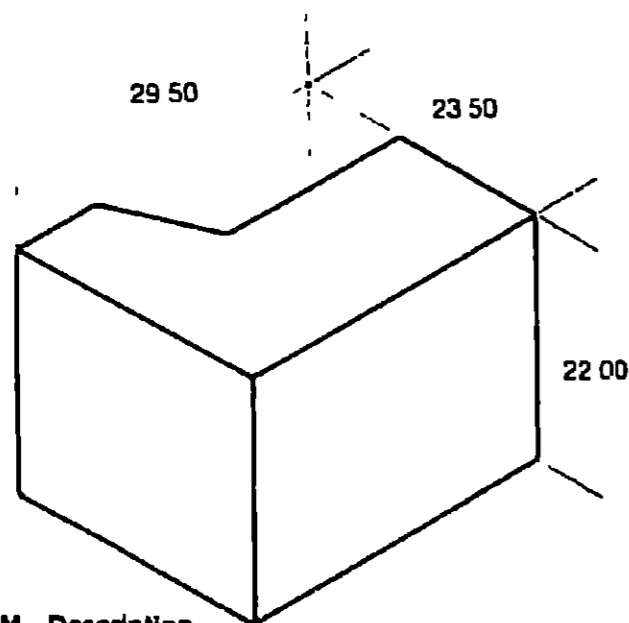
WATER TANK GROUP (CONTINUED)



Key	Part Number	U/M	Description
	071811-01-000	EA	Water Tank - Plastic - w/o Fittings - 63 Gal
01	071811-02-000	EA	Water Tank - Plastic w/Fittings - 63 Gal

1984 WINNEBAGO
01 WCN30RT

1984 ITASCA
01 ICN30RT

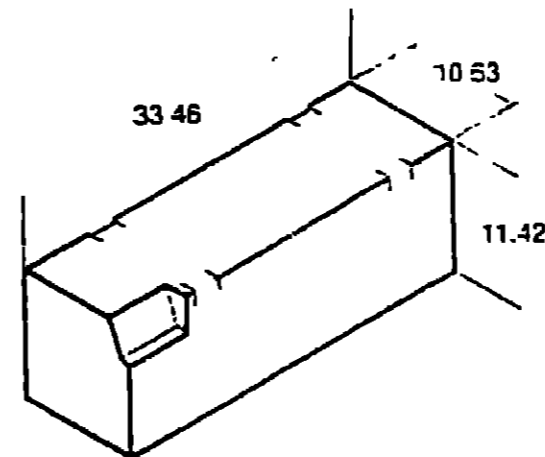


Key	Part Number	U/M	Description
	072444-01-000	EA	Water Tank - Plastic - w/o Fittings - 47 Gal
01	072444-02-000	EA	Water Tank - Plastic - w Fittings - 47 Gal
02	072444-03-000	EA	Water Tank - Plastic - w/Fittings - 47 Gal

1984 WINNEBAGO	1985 WINNEBAGO	1986 WINNEBAGO	1987 WINNEBAGO	1988 WINNEBAGO
01 WCN22RC	01 WCN22RC	01 WCN22RC	01 WCN22RC	01 WCN22RC
02 WCN33RU	02 WCN33RU	02 WCN33RU	02 WCN33RU	02 WCN33RU

1984 ITASCA	1985 ITASCA	1986 ITASCA	1987 ITASCA	1988 ITASCA
01 ICN22RC	01 ICN22RC	01 ICN22RC	01 ICN22RC	01 ICN22EC
02 ICN33RU	02 ICN33RU	02 ICN33RU	02 ICN33RU	02 ICN33RU
			01 ICN22EC	

WATER TANK GROUP (CONTINUED)



Key	Part Number	U/M	Description
	074510-01-000	EA	Water Tank - Plastic - w/o Fittings - 16 Gal
01	074510-02-000	EA	Water Tank - Plastic - w/Fittings - 16 Gal
02	074510-03-000	EA	Water Tank - Plastic - w/Fittings - 16 Gal
03	074510-04-000	EA	Water Tank - Plastic - w/Fittings - 16 Gal
04	074510-05-000	EA	Water Tank - Plastic - w/Fittings - 16 Gal
05	074510-06-000	EA	Water Tank - Plastic - w/Fittings - 15 Gal

1984 WINNEBAGO	1985 WINNEBAGO	1986 WINNEBAGO	1987 WINNEBAGO	1988 WINNEBAGO
-----------------------	-----------------------	-----------------------	-----------------------	-----------------------

02 WC424RC	02 WC424RC	03 WC F424RC	02 WF424RC	01 WR220RD
02 WCN23RG (Dinette)	03 WCN23RG (Dinette)	02 WCN23RG	04 WR220RC	02 WC F424RC
03 WCN23RG (Couch)	04 WCN23RG (Couch)	01 WR220RD	01 WR220RD	
	01 WR220RD			

1984 ITASCA	1985 ITASCA	1986 ITASCA	1987 ITASCA	1988 ITASCA
02 IC424RC	02 IC424RC	03 IC/F424RC	02 IF424RC	01 IR220RD
02 ICN23RG (Dinette)	03 ICN23RG (Dinette)	02 ICN23RG	04 IR220RC	02 IC F424RC
03 ICN23RG (Couch)	04 ICN23RG (Couch)	01 IR220RD	01 IR220RD	
	01 IC220RD			

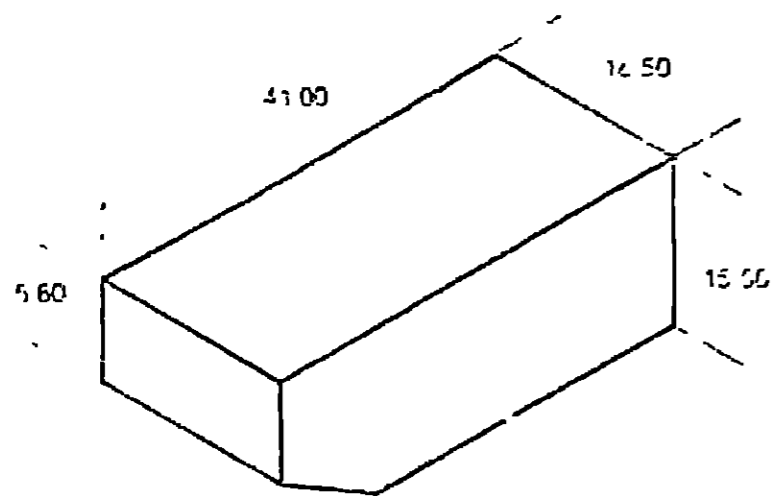
1984-1988 COMMON ITEMS FICHE TABLE OF CONTENTS

Introduction	A-01 - A-02
Air Conditioner	A-03 - A-03
Auto Air Conditioning	C-23 - C-24
Chassis Maintenance Kit	H-03 - H-04
Control Center	C-21 - C-22
Electric Motor Home Step	H-01
Furnace	A-11 - B-04
Interior Exterior Screws & Fasteners	B-07 - B-08
Holding Tanks	D-01 - D-24
Mirrors - Exterior	B-05 - B-06
Range Hood	B-08 - B-15
Refrigerator	F-01 - G-23
Roof Vent	C-13 - C-19
Speed Control	E-01 - E-16
Toilet	B-19 - B-24
TV Antenna	B-17 - B-18
Water Heater	E-17 - E-24
Water Tanks	C-01 - C-11

WATER TANK GROUP INDEX

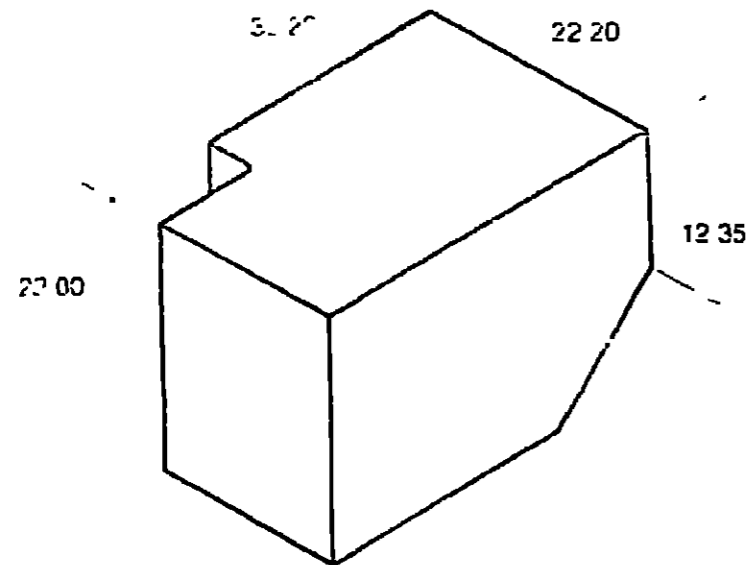
Water Tanks - Plastic	C-01 - C-11
-----------------------	-------------

WATER TANK GROUP (CONTINUED)



Key	Part Number	U/M	Description
	075185-01-000	EA	Water Tank - Plastic - w/ Fittings - 45 Gal
01	075185-02-000	EA	Water Tank - Plastic - w/ Fittings - 45 Gal
02	075185-03-000	EA	Water Tank - Plastic - w/ Fittings - 45 Gal
03	075185-04-000	EA	Water Tank - Plastic - w/ Fittings - 45 Gal

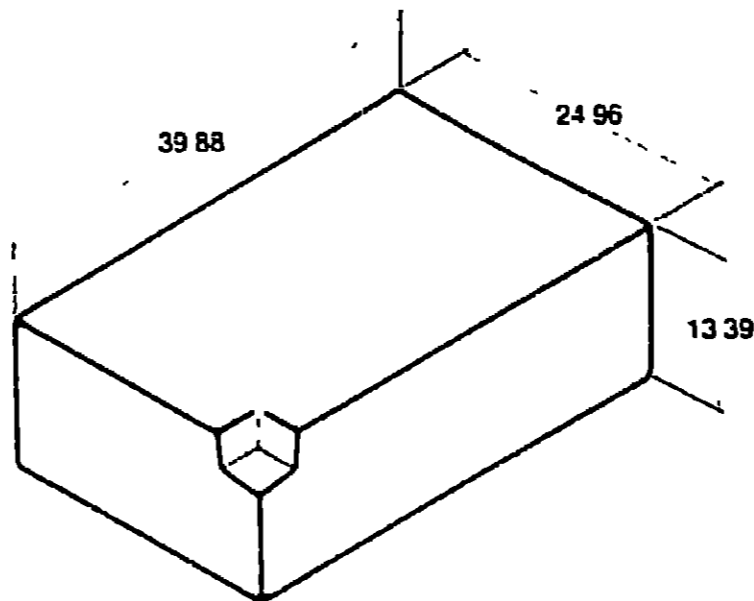
Year	Model	Part Number
1984	WINNEBAGO	02 WCN27RU
1985	WINNEBAGO	02 WCN27RU
1986	WINNEBAGO	03 WCN27RU
1987	WINNEBAGO	03 WCN27RU
1988	WINNEBAGO	03 WCN27RU
1984	ITASCA	02 ICN27RU
1985	ITASCA	02 ICN27RU
1986	ITASCA	01 ICN27RU
1987	ITASCA	02 ICN27RU
1988	ITASCA	03 ICN27RU



Key	Part Number	U/M	Description
	075550-01-000	EA	Water Tank - Plastic - w/o Fittings - 53 Gal
01	075550-02-000	EA	Water Tank - Plastic - w/ Fittings - 58 Gal
02	075550-03-000	EA	Water Tank - Plastic - w/ Fittings - 58 Gal

Year	Model	Part Number
1985	WINNEBAGO	02 WCP31RC 01 WCN30RC
1986	WINNEBAGO	01 WCN30RC
1987	WINNEBAGO	01 WCN30RC
1985	ITASCA	02 ICP31RC 01 ICN30RC
1986	ITASCA	01 ICN30RC
1987	ITASCA	01 ICN30RC

WATER TANK GROUP (CONTINUED)



Key	Part Number	U/M	Description
	076625-01-000	EA	Water Tank - Plastic - w/o Fittings - 54 Gal.
01	076625-02-000	EA	Water Tank - Plastic - w/ Fittings - 54 Gal
02	076625-03-000	EA	Water Tank - Plastic - w/ Fittings - 54 Gal
03	076625-04-000	EA	Water Tank - Plastic - w/ Fittings - 54 Gal

Year	Model	Part Number	Description
1984	WINNEBAGO	01 WCP31RT	(Twin Bed)
		02 WCP31RT	(Double Bed)
1985	WINNEBAGO	01 WCP31RT	(Twin Bed)
		02 WCP31RT	(Double Bed)
		01 WCP34RU	(Twin Bed)
		02 WCP34RU	(Double Bed)
1986	WINNEBAGO	03 WCP31RT	
		02 WCP34RU	
		01 WCP34DU	(Twin Bed)
		02 WCP34DU	(Double Bed)
1987	WINNEBAGO	03 WCP31RT	
		02 WCP34RU	
1988	WINNEBAGO	02 WCP34RU X1	
		02 WCP34RU X2	
1984	ITASCA	01 ICP31RT	(Twin Bed)
		02 ICP31RT	(Double Bed)
1985	ITASCA	01 ICP31RT	(Twin Bed)
		02 ICP31RT	(Double Bed)
		01 ICP34RU	(Twin Bed)
		02 ICP34RU	(Double Bed)
1986	ITASCA	03 ICP31RT	
		02 ICP34RU	
		01 ICP34DU	(Twin Bed)
		02 ICP34DU	(Double Bed)
1987	ITASCA	03 ICP31RT	
		02 ICP34RU	
1988	ITASCA	02 ICP34RU X1	
		02 ICP34RU X2	

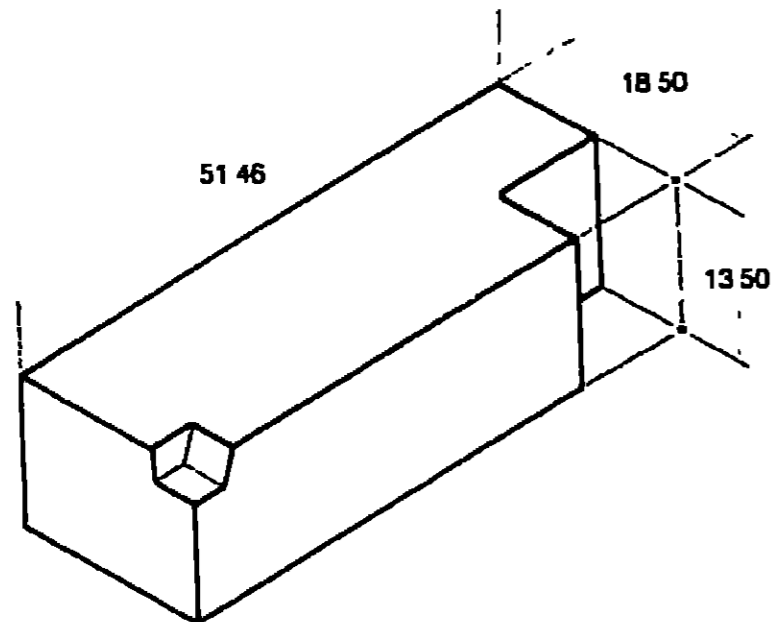
**1984-1988 COMMON ITEMS FICHE
TABLE OF CONTENTS**

Introduction	A-01 - A-02
Air Conditioner	A-03 - A-09
Auto Air Conditioning	C-23 - C-24
Chassis Maintenance Kit	H-03 - H-04
Control Center	C-21 - C-22
Electric Motor Home Step	H-01
Furnace	A-11 - B-04
Interic./Exterior Screw & Fasteners	B-07 - B-08
Holding Tanks	D-01 - D-24
Mirrors - Exterior	B-05 - B-06
Range Hood	B-09 - B-15
Refrigerator	F-01 - G-23
Roof Vent	C-13 - C-19
Speed Control	E-01 - E-16
Toilet	B-19 - B-24
TV Antenna	B-17 - B-18
Water Heater	E-17 - E-24
Water Tanks	C-01 - C-11

WATER TANK GROUP INDEX

Water Tanks - Plastic	C-01 - C-11
-----------------------	-------------

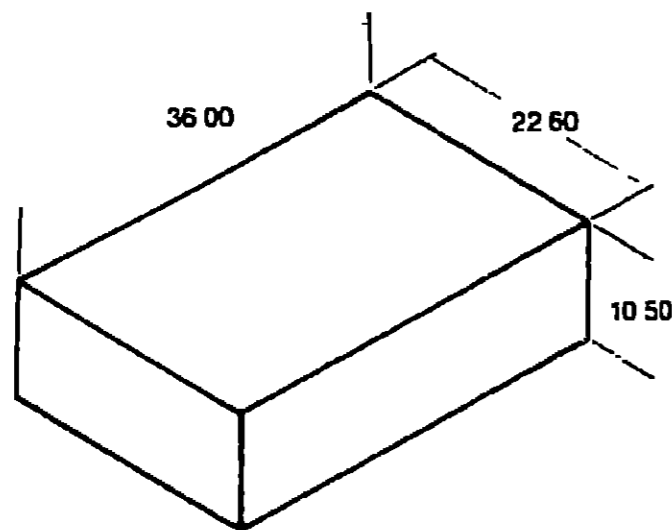
WATER TANK GROUP (CONTINUED)



Key	Part Number	U/M	Description
	077589-01-000	EA	Water Tank - Plastic - w/o Fittings - 49 Gal
01	077589-02-000	EA	Water Tank - Plastic - w/Fittings - 49 Gal.

1985 WINNEBAGO	1986 WINNEBAGO	1987 WINNEBAGO	1988 WINNEBAGO
01 WCP28RU T1	01 WCP28RU	01 WCP28RU	01 WCP28EU
01 WCP28RU T2			

1985 ITASCA	1986 ITASCA	1987 ITASCA	1988 ITASCA
01 ICP28RU T1	01 ICP28RU	01 ICP28RU	01 ICP28EU
01 ICP28RU T2			

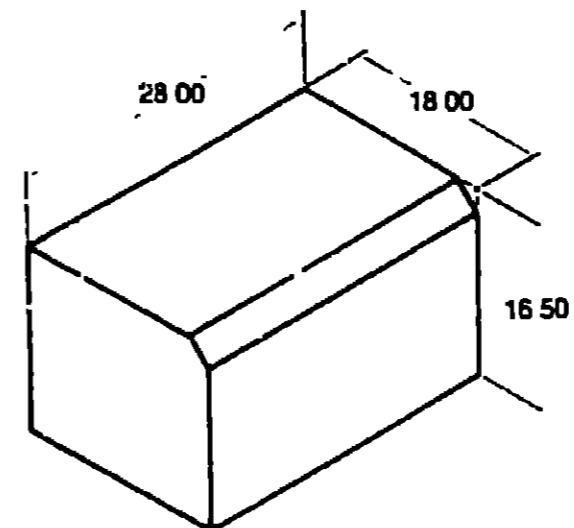


Key	Part Number	U/M	Description
	077908-01-000	EA	Water Tank - Plastic - w/o Fittings - 35 Gal
01	077908-02-000	EA	Water Tank - Plastic - w/Fittings - 35 Gal

1985 WINNEBAGO	1986 WINNEBAGO
01 WF426RU	01 WF426RU

1985 ITASCA	1986 ITASCA
01 IF426RU	01 IF426RU

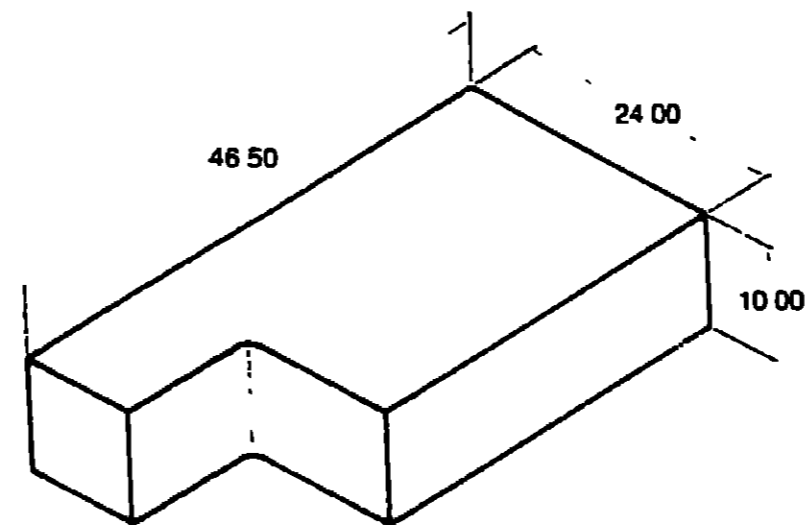
WATER TANK GROUP (CONTINUED)



Key	Part Number	U/M	Description
	077989-01-000	EA	Water Tank - Plastic - w/o Fittings - 35 Gal
01	077989-02-000	EA	Water Tank - Plastic - w/Fittings - 35 Gal
02	077989-03-000	EA	Water Tank - Plastic - w/Fittings - 35 Gal

1985 WINNEBAGO	1986 WINNEBAGO	1987 WINNEBAGO	1988 WINNEBAGO
02 WC/F421RB	02 WC421RB	02 WC/F421RB	02 WC/F421RB
01 WC424RB	01 WC424RB	01 WC/F424RB	01 WC/F424RB

1985 ITASCA	1986 ITASCA	1987 ITASCA	1988 ITASCA
02 IC/F421RB	02 IC421RB	02 IC/F421RB	02 IC/F421RB
01 WC424RB	01 IC424RB	01 IC/F424RB	01 IC/F424RB



Key	Part Number	U/M	Description
	078252-01-000	EA	Water Tank - Plastic - w/o Fittings - 40 Gal
01	078252-02-000	EA	Water Tank - Plastic - w/Fittings - 40 Gal
02	078252-03-000	EA	Water Tank - Plastic - w/Fittings - 40 Gal
03	078252-04-000	EA	Water Tank - Plastic - w/Fittings - 40 Gal
04	078252-05-000	EA	Water Tank - Plastic - w/Fittings - 40 Gal

1985 WINNEBAGO	1986 WINNEBAGO	1987 WINNEBAGO	1988 WINNEBAGO
01 WCN26PH	03 WCN27RT	01 WCN26RH	02 WCN27RT
01 WCN26RB	01 WCN26RH	02 WCN27RT	04 WCP26ET
		04 WCP26ET	

1985 ITASCA	1986 ITASCA	1987 ITASCA	1988 ITASCA
01 ICN26RH	03 ICN27RT	01 ICN26RH	02 ICN26RT
01 ICN26RB	01 ICN26RH	02 ICN27RT	04 ICP26ET
		04 ICP26ET	

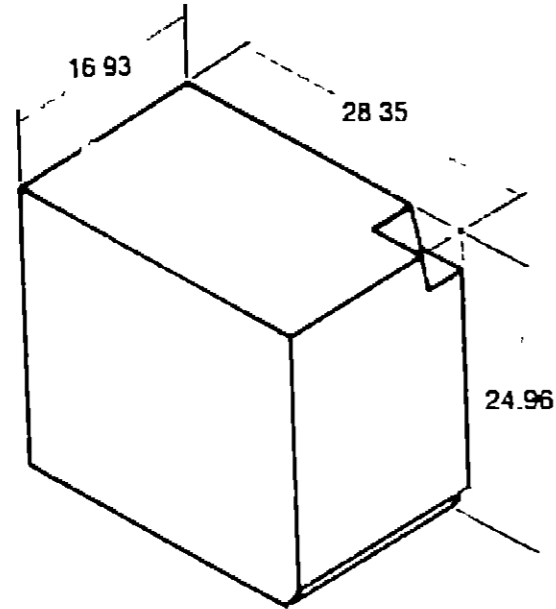
1984-1988 COMMON ITEMS FICHE TABLE OF CONTENTS

Introduction	A-01 - A-02
Air Conditioner	A-03 - A-09
Auto Air Conditioning	C-23 - C-24
Chassis Maintenance Kit	H-03 - H-04
Control Center	C-21 - C-22
Electric Motor Home Step	H-01
Furnace	A-11 - B-04
Interior/Exterior Screw & Fasteners	B-07 - B-08
Holding Tanks	D-01 - D-24
Mirrors - Exterior	B-05 - B-06
Range Hood	B-09 - B-15
Refrigerator	F-01 - G-23
Roof Vent	C-13 - C-19
Speed Control	E-01 - E-18
Toilet	B-19 - B-24
TV Antenna	B-17 - B-18
Water Heater	E-17 - E-24
Water Tanks	C-01 - C-11

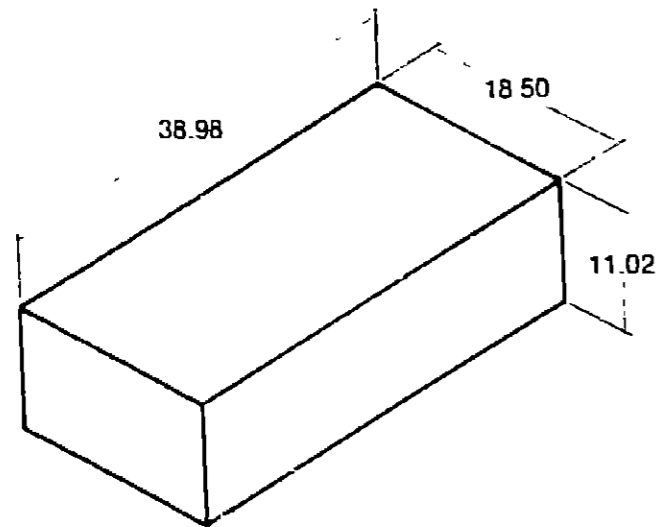
WATER TANK GROUP INDEX

Water Tanks - Plastic	C-01 - C-11
-----------------------	-------------

WATER TANK GROUP (CONTINUED)

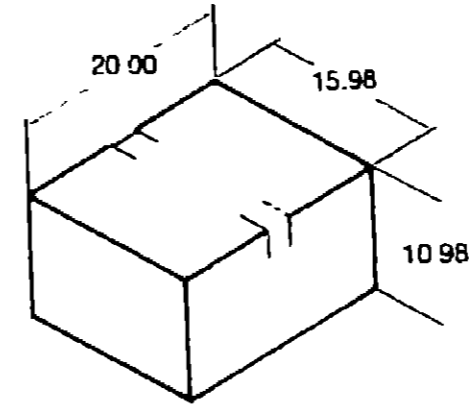


Key	Part Number	U/M	Description
	081189-01-000	EA	Water Tank - Plastic - w/o Fittings - 48 Gal.
01	081189-02-000	EA	Water Tank - Plastic - w/Fittings - 48 Gal.
1985 WINNEBAGO	1986 WINNEBAGO	1987 WINNEBAGO	1988 WINNEBAGO
01 WCN31RT	01 WCN31RT	01 WC/JN31RT 01 WJN32RQ	01 WCN31RT 01 WCP32RQ X1 01 WCP32RQ X2
1985 ITASCA	1986 ITASCA	1987 ITASCA	1988 ITASCA
01 ICN31RT	01 ICN31RT	01 IC/JN31RT 01 IJN32RQ	01 ICN31RT 01 ICP32RQ X1 01 ICP32RQ X2

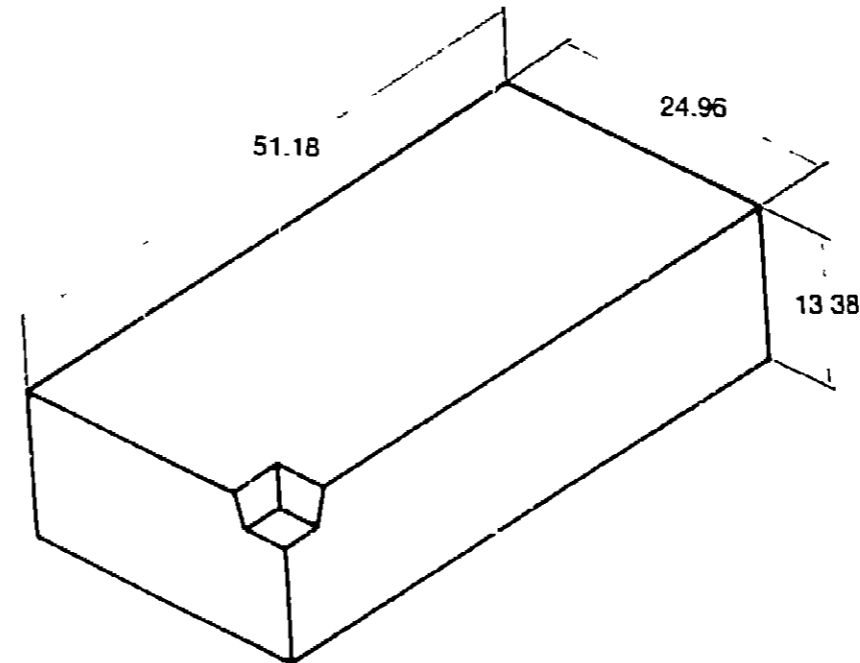


Key	Part Number	U/M	Description
	081767-01-000	EA	Water Tank - Plastic - w/o Fittings - 34 Gal.
01	081767-02-000	EA	Water Tank - Plastic w/Fittings - 34 Gal.
1986 WINNEBAGO			
01 WC/F424RS			
1986 ITASCA			
01 IC/F424RS			

WATER TANK GROUP (CONTINUED)



Key	Part Number	U/M	Description
	084677-01-000	EA	Water Tank - Plastic - w/o Fittings - 14 Gal.
01	084677-02-000	EA	Water Tank - Plastic - w/Fittings - 14 Gal.
1986 WINNEBAGO	1987 WINNEBAGO	1988 WINNEBAGO	
01 WT319RB	01 WT319RB	01 WT319RB 01 WT319RK	
1986 ITASCA	1987 ITASCA	1988 ITASCA	
01 IT319RB	01 IT319RB	01 IT319RB 01 IT319RK	



Key	Part Number	U/M	Description
	085189-01-000	EA	Water Tank - Plastic - w/o Fittings - 70 Gal.
01	085189-02-000	EA	Water Tank - Plastic - w/Fittings - 70 Gal.
02	085189-03-000	EA	Water Tank - Plastic - w/Fittings - 70 Gal.
1987 WINNEBAGO	1988 WINNEBAGO		
01 WCP37RQ	01 WCP37RQ		
1987 ITASCA	1988 ITASCA		
01 ICP37RQ	01 ICP37RQ		

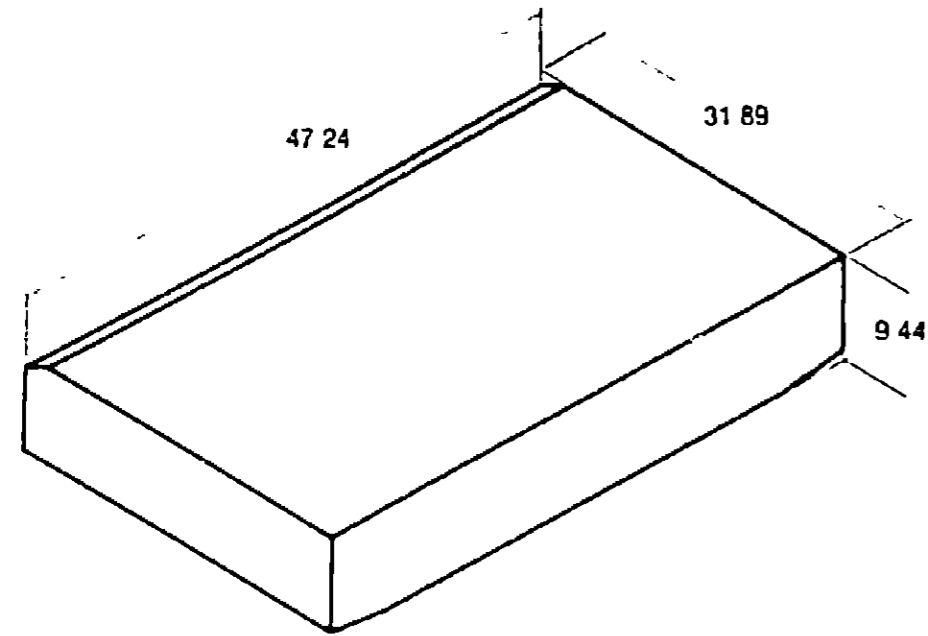
1984-1988 COMMON ITEMS FICHE TABLE OF CONTENTS

Introduction	A-01 - A-02
Air Conditioner	A-03 - A-09
Auto Air Conditioning	C-23 - C-24
Chassis Maintenance Kit	H-03 - H-03
Control Center	C-21 - C-22
Electric Motor Home Step	H-01
Furnace	A-11 - B-04
Interior/Exterior Screw & Fasteners	B-07 - B-08
Holding Tanks	D-01 - D-24
Mirrors - Exterior	B-05 - B-06
Range Hood	B-09 - B-15
Refrigerator	F-01 - G-23
Roof Vent	C-13 - C-19
Speed Control	E-01 - E-16
Toilet	B-19 - B-24
TV Antenna	B-17 - B-18
Water Heater	E-17 - E-24
Water Tanks	C-01 - C-11

WATER TANK GROUP INDEX

Water Tanks - Plastic	C-01 - C-11
-----------------------	-------------

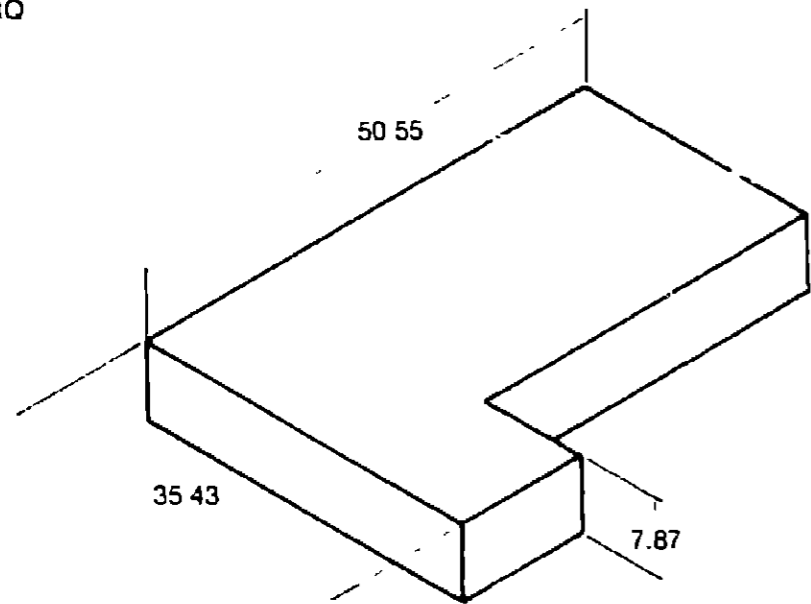
WATER TANK GROUP (CONTINUED)



Key	Part Number	U/M	Description
	089180-01-000	EA	Water Tank - Plastic - w/o Fittings - 60 Gal
01	089180-02-000	EA	Water Tank - Plastic - w/Fittings - 60 Gal
02	089180-03-000	EA	Water Tank - Plastic - w/Fittings - 60 Gal.

1968 WINNEBAGO
 01 WC/JM31RQ
 02 WCJM34RQ

1968 ITASCA
 01 IC/JM31RQ
 02 IC/JM34RQ



Key	Part Number	U/M	Description
	089198-01-000	EA	Water Tank - Plastic - w/o Fittings - 44 Gal
01	089198-02-000	EA	Water Tank - Plastic - w/Fittings - 44 Gal

1966 WINNEBAGO
 01 WCM27RQ

1968 ITASCA
 01 ICM27RQ

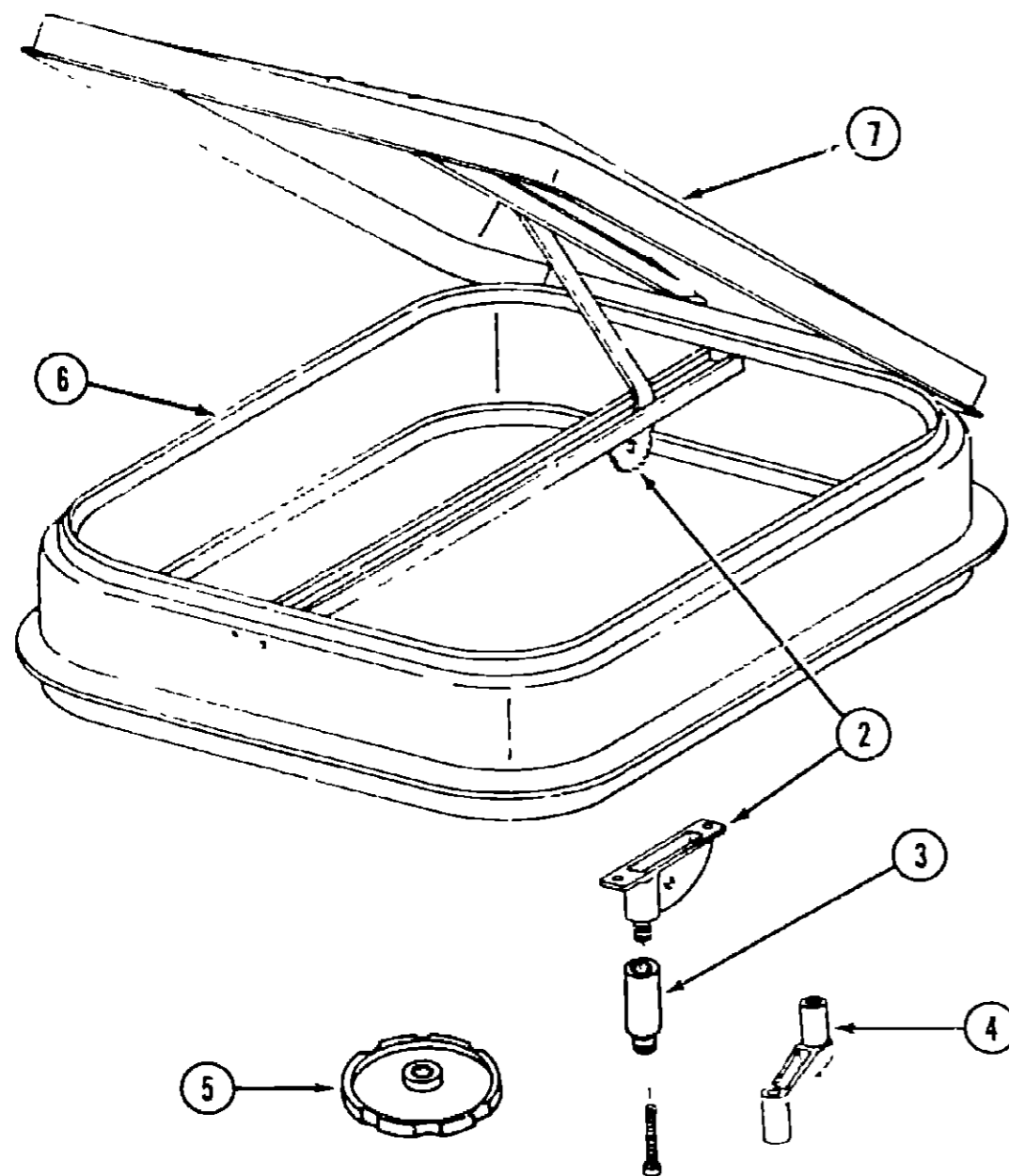
**1964-1968 COMMON ITEMS FICHE
 TABLE OF CONTENTS**

Introduction	A-01 - A-02
Air Conditioner	A-03 - A-09
Auto Air Conditioning	C-23 - C-24
Chassis Maintenance Kit	H-03 - H-04
Control Center	C-21 - C-22
Electric Motor Home Step	H-01
Furnace	A-11 - B-04
Interior/Exterior Screw & Fasteners	B-07 - B-08
Holding Tanks	D-01 - D-24
Mirrors - Exterior	B-05 - B-06
Range Hood	B-09 - B-15
Refrigerator	F-01 - G-23
Roof Vent	C-13 - C-19
Speed Control	E-01 - E-16
Toilet	B-19 - B-24
TV Antenna	B-17 - B-18
Water Heater	E-17 - E-24
Water Tanks	C-01 - C-11

WATER TANK GROUP INDEX

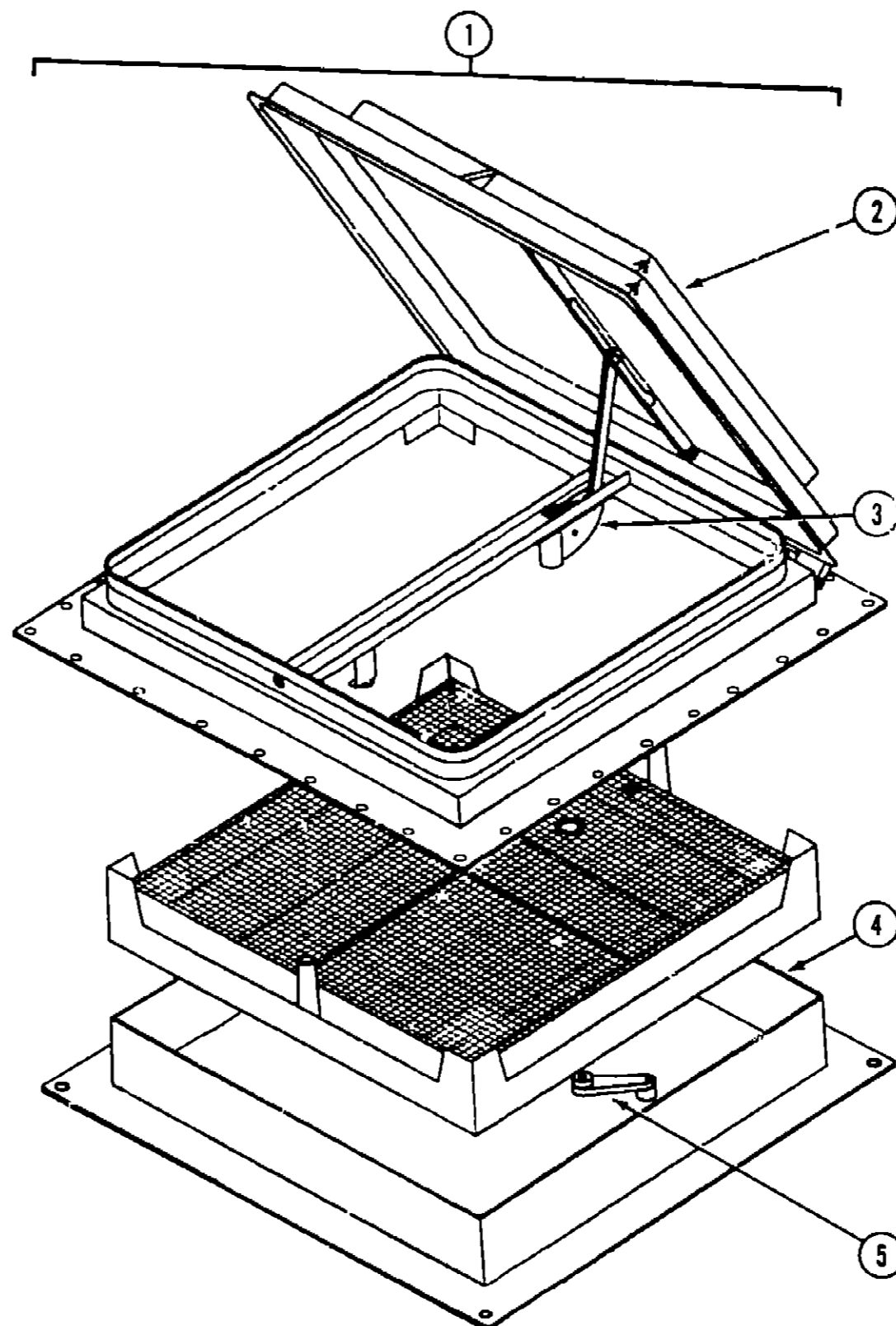
Water Tanks - Plastic C-01 - C-11

ROOF VENT GROUP
NON-POWER ROOF VENT - WINNEBAGO



Key	Part Number	U/M	Description
1	048835-01-000	EA	Roof Vent Asm - w/o Screen (Flat Roof)
1	090395-01-X11	EA	Roof Vent Asm - w/o Screen (Flat Roof) Beige
1	075056-01-000	EA	Roof Vent Asm - w/o Screen (Radius Roof)
1	090392-01-X19	EA	Roof Vent Asm. - w/o Screen (Radius Roof) Beige
2	009440-01-000	EA	Lift Mechanism Asm
3	009439-03-000	EA	Extension
4	009439-01-000	EA	Crank
5	009439-02-000	EA	Knob
6	002825-01-000	EA	Weather Strip
7	055218-01-000	EA	Cover Asm. - Roof Vent
*	078786-01-T03	EA	Screen Asm. - Charcoal - w/Beige Trim
* Not illustrated (not included in vent assembly)			

ROOF VENT GROUP (CONTINUED)
NON-POWER ROOF VENT - JENSEN



Key	Part Number	U/M	Description
1	064470-01-000	EA	Roof Vent - Complete
2	064469-03-702	EA	Roof Vent Lid - White
3	064469-03-706	EA	Lift Mechanism
4	064469-03-705	EA	Garnish - Vent Trim
5	009439-01-000	EA	Crank

Vendor No.
(290-WH)
(1022)
(1021)

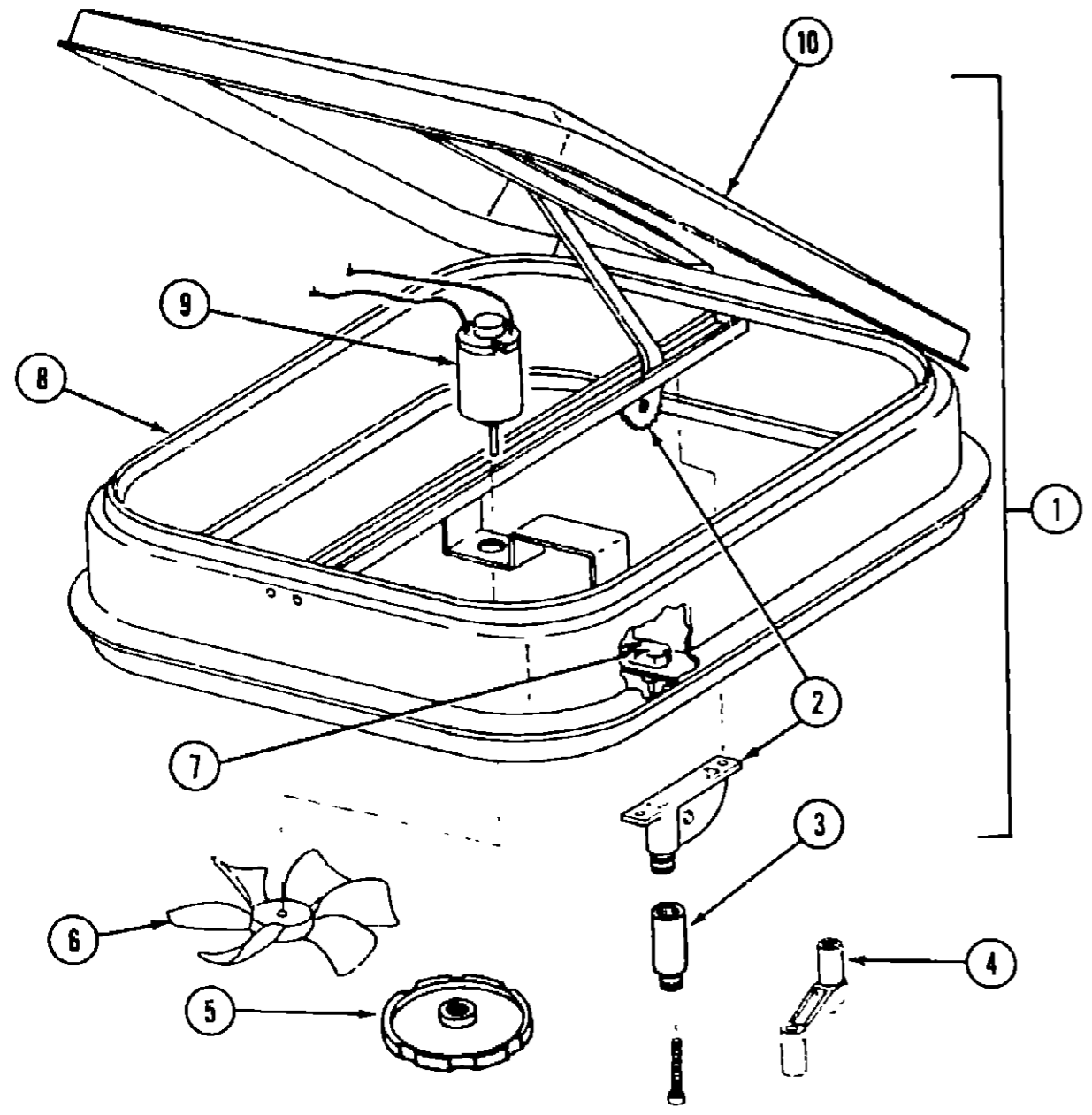
1984-1988 COMMON ITEMS FICHE
TABLE OF CONTENTS

Introduction	A-01 - A-02
Air Conditioner	A-03 - A-09
Auto Air Conditioning	C-23 - C-24
Chassis Maintenance Kit	H-03 - H-04
Control Center	C-21 - C-22
Electric Motor Home Step	H-01
Furnace	A-11 - B-04
Interior/Exterior Screw & Fasteners	B-07 - B-08
Holding Tanks	D-01 - D-24
Mirrors - Exterior	B-05 - B-06
Range Hood	B-09 - B-15
Refrigerator	F-01 - G-23
Roof Vent	C-13 - C-19
Speed Control	E-01 - E-16
Toilet	B-19 - B-24
TV Antenna	B-17 - B-18
Water Heater	E-17 - E-24
Water Tanks	C-01 - C-11

ROOF VENT GROUP INDEX

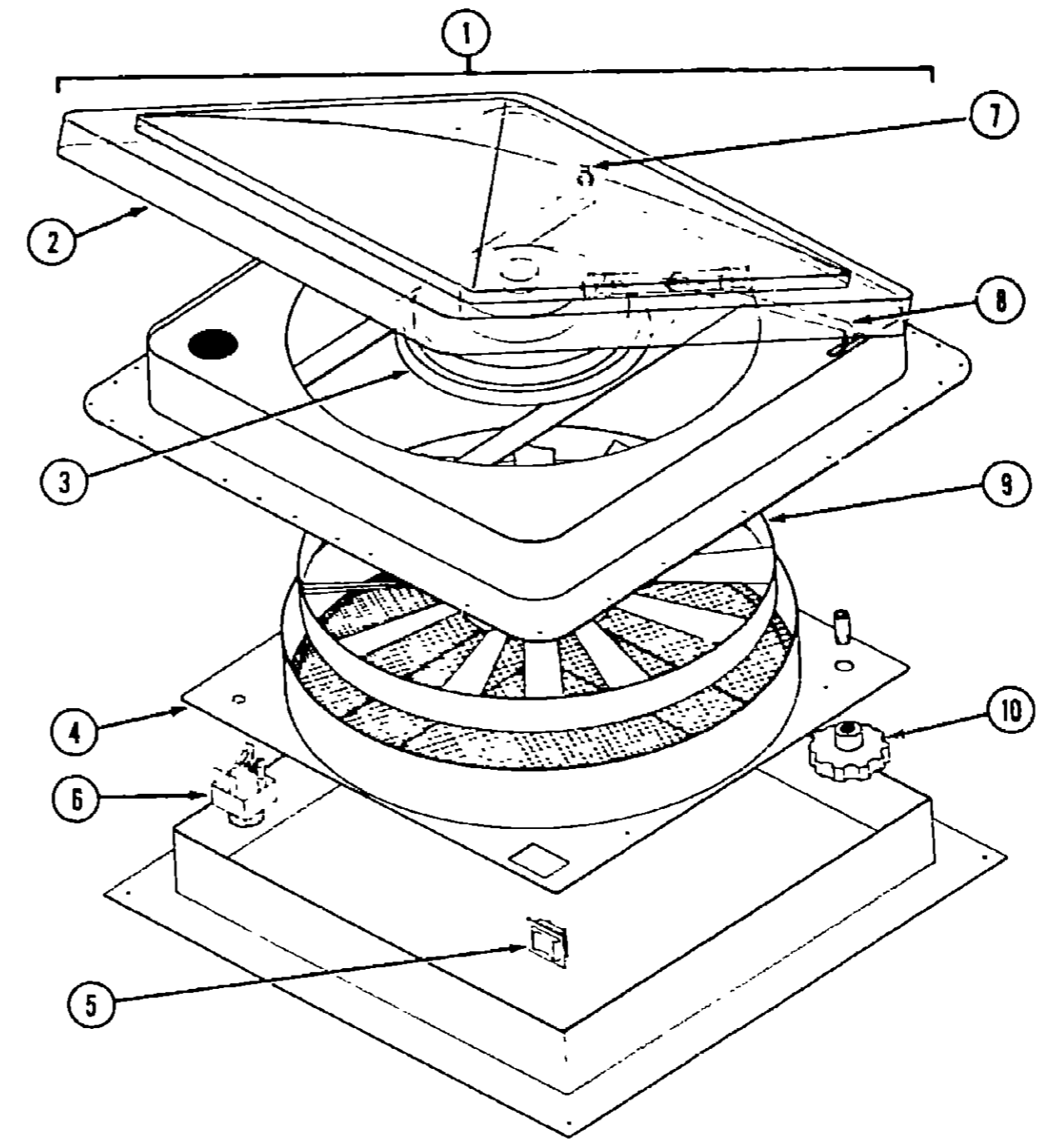
Power Roof Vent - Jensen (Plastic Body)	C-17
Power Roof Vent - Jensen (Metal Body)	C-18
Power Roof Vent CSA - Jensen (Metal Body)	C-19
Power Roof Vent - Winnebago (Fantastic)	C-15
Power Roof Vent w/12" Fan	C-16
Non-Power Roof Vent - Winnebago	C-13
Non-Power Roof Vent - Jensen	C-14

ROOF VENT GROUP (CONTINUED)
POWER ROOF VENT - WINNEBAGO



Key	Part Number	U/M	Description
1	079537-01-000	EA	Roof Vent Asm - w/o Screen (Radius Roof)
1	090393-01-X11	EA	Roof Vent Asm - w/o Screen (Radius Roof) Beige
1	048789-01-000	EA	Roof Vent Asm - w/o Screen (Flat Roof)
1	090394-01-X11	EA	Roof Vent Asm - w/o Screen (Flat Roof) Beige
2	009440-01-000	EA	Lift Mechanism Asm
3	009439-03-000	EA	Extension
4	009439-01-000	EA	Crank
5	009439-02-000	EA	Knob
6	048649-01-000	EA	Fan
7	008195-01-000	EA	Switch - Push Button - 12 Volt
8	002925-01-000	EA	Weatherstrip Seal
9	048648-01-000	EA	Motor - 12 Volt
10	051384-01-000	EA	Roof Vent Lid - White
*	078785-01-T03	EA	Screen Asm - Charcoal - w/Beige Trim
* Not illustrated (not included in vent assembly)			

ROOF VENT GROUP (CONTINUED)
POWER ROOF VENT W/12" FAN (FANTASIC)



Key	Part Number	U/M	Description	Vendor No.
1	084079-01-000	EA	Ceiling Vent - Power Exhaust	(1020)
2	084079-01-700	EA	Vent Cover	(1080)
3	084079-01-705	EA	Motor	(1030)
4	084079-01-701	EA	Screen Asm	(1100)
5	084079-01-709	EA	3 Speed Switch	(1130)
6	084079-01-708	EA	Reverse Switch	(1120)
7	084079-01-707	EA	Safety Switch	(1050)
8	084079-01-702	EA	Arm Lift Asm	(1070)
9	084079-01-704	EA	Fan	(1060)
10	084079-01-703	EA	Crank Knob	(1090)
*	084079-01-706	EA	12 Volt Wire Plug	(1140)
*	084079-01-710	EA	Wall Thermostat	
* Not illustrated				

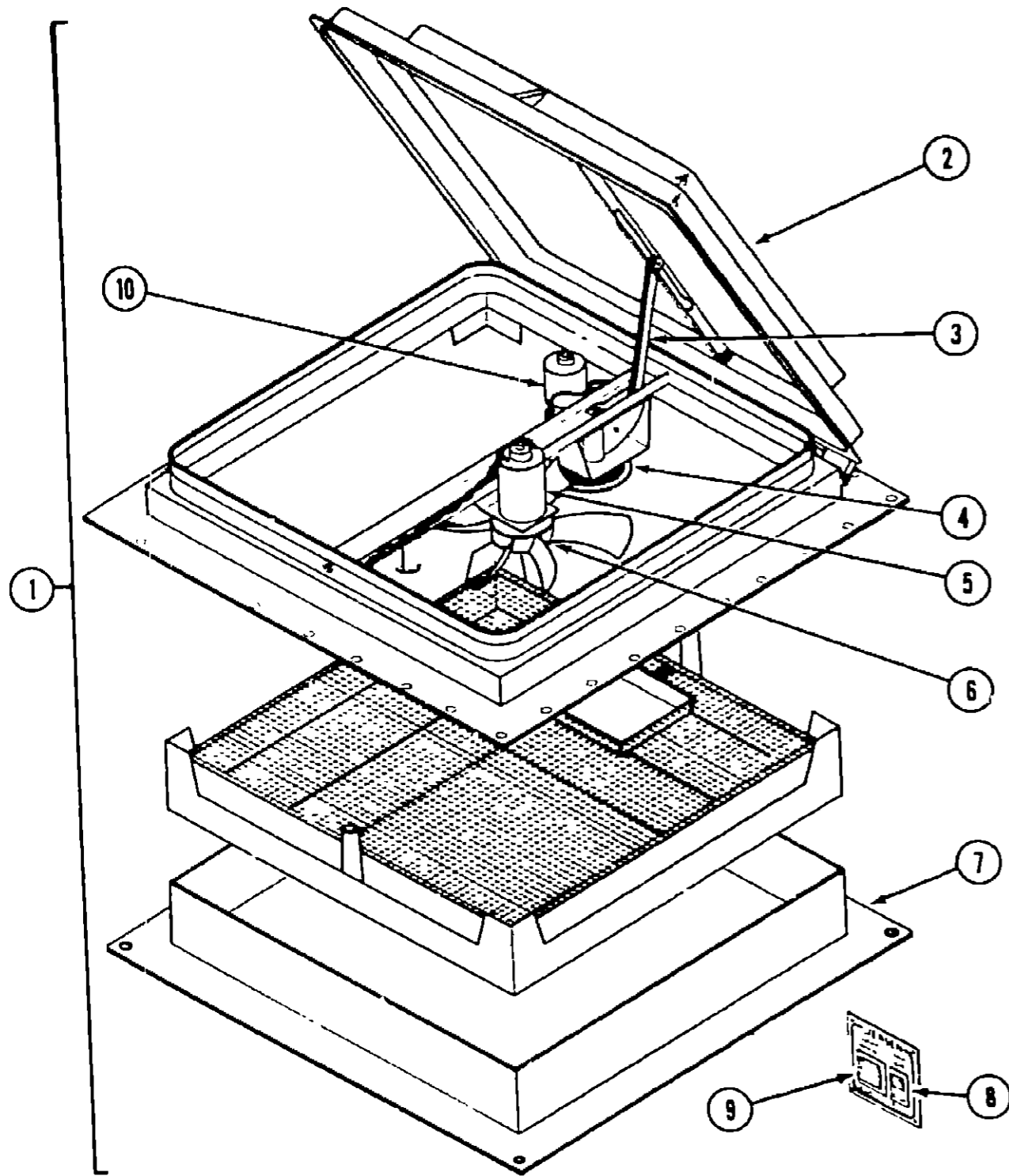
1984-1988 COMMON ITEMS FICHE
TABLE OF CONTENTS

Introduction	A-01 - A-02
Air Conditioner	A-03 - A-09
Auto Air Conditioning	C-23 - C-24
Chassis Maintenance Kit	H-03 - H-04
Control Center	C-21 - C-22
Electric Motor Home Step	H-01
Furnace	A-11 - B-04
Interior/Exterior Screws & Fasteners	B-07 - B-08
Holding Tanks	D-01 - D-24
Mirrors - Exterior	B-05 - B-06
Range Hood	B-09 - B-15
Refrigerator	F-01 - G-23
Roof Vent	C-13 - C-19
Speed Control	E-01 - E-10
Toilet	B-19 - B-24
TV Antenna	B-17 - B-18
Water Heater	E-17 - E-24
Water Tanks	C-01 - C-11

ROOF VENT GROUP INDEX

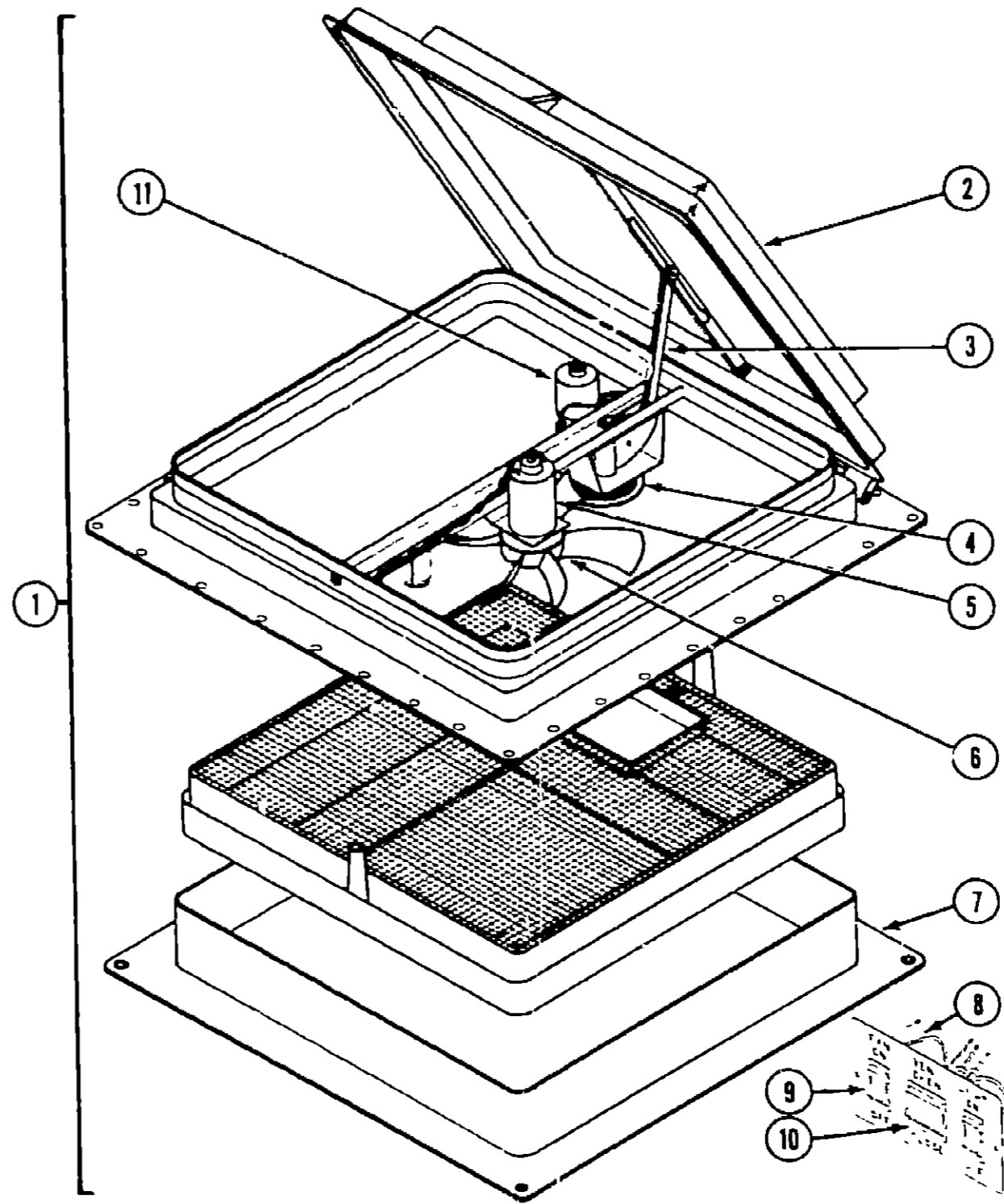
Power Roof Vent - Jensen (Plastic Body)	C-17
Power Roof Vent - Jensen (Metal Body)	C-18
Power Roof Vent CSA - Jensen (Metal Body)	C-19
Power Roof Vent - Winnebago	C-15
Power Roof Vent w/12" Fan (Fantastic)	C-16
Non-Power Roof Vent - Winnebago	C-13
Non-Power Roof Vent - Jensen	C-14

ROOF VENT GROUP (CONTINUED)
POWER ROOF & LIFT VENT - JENSEN (PLASTIC BODY)



Key	Part Number	U/M	Description	Vendor No.
1	064469-06-000	EA	Power Roof Vent - Complete (Plastic Body)	
2	064469-03-702	EA	Roof Vent Lid - White	(290-WH)
3	064469-03-706	EA	Lift Mechanism	(1022)
4	064469-03-708	EA	Drive Gear	(1024)
5	048648-01-000	EA	Motor Asm	
6	048649-01-000	EA	Fan Blade	
7	064469-03-705	EA	Garnish - Vent Trim	(1021)
8	064469-03-701	EA	Switch - On/Off	(1028)
9	064469-03-700	EA	Switch - On/Off/On	(1027)
10	064469-03-707	EA	Motor - Lift	(1023)

ROOF VENT GROUP (CONTINUED)
POWER ROOF & LIFT VENT - JENSEN (METAL BODY)



Key	Part Number	U/M	Description	Vendor No.
1	064469-07-000	EA	Power Vent Asm - Complete (Metal Body)	
2	064469-03-702	EA	Roof Vent Lid - White	(290-WH)
3	064469-03-706	EA	Lift Mechanism	(1022)
4	064469-03-708	EA	Drive Gear	(1024)
5	048648-01-000	EA	Motor Asm	
6	048649-01-000	EA	Fan Blade	
7	064469-07-700	EA	Garnish - Vent Trim	
8	064469-03-711	EA	Switches & Panel Asm	
9	064469-03-701	EA	Switch - On/Off	(1028)
10	064469-03-700	EA	Switch - On/Off/On	(1027)
11	064469-03-707	EA	Motor - Lift	(1023)

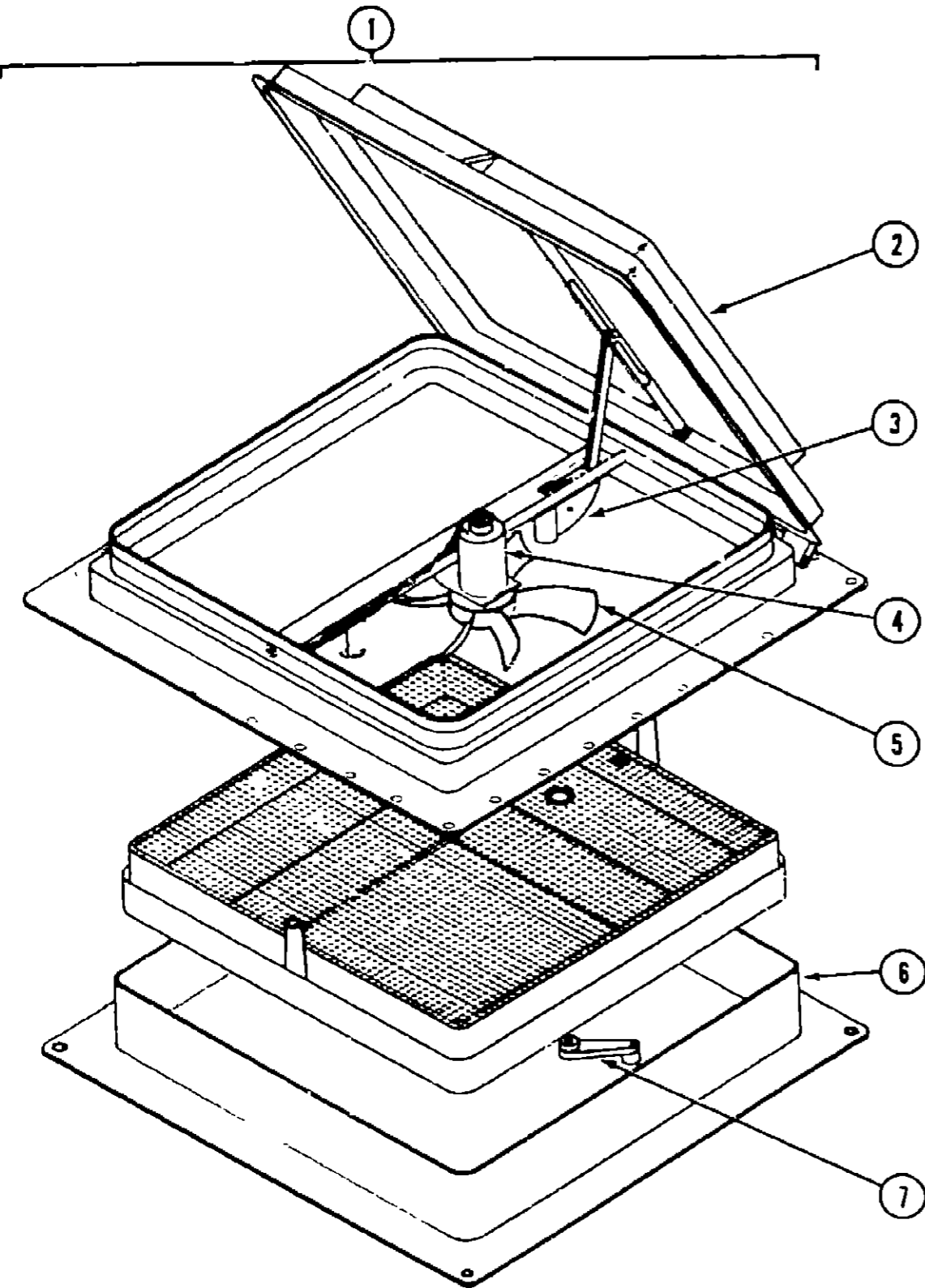
1984-1988 COMMON ITEMS FICHE
TABLE OF CONTENTS

Introduction	A-01 - A-02
Air Conditioner	A-03 - A-09
Auto Air Conditioning	C-23 - C-24
Chassis Maintenance Kit	H-03 - H-04
Control Center	C-21 - C-22
Electric Motor Home Step	H-01
Furnace	A-11 - B-04
Interior/Exterior Screws & Fasteners	B-07 - B-08
Holding Tanks	D-01 - D-24
Mirrors - Exterior	B-05 - B-06
Range Hood	B-09 - B-15
Refrigerator	F-01 - G-23
Roof Vent	C-13 - C-19
Speed Control	E-01 - E-16
Toilet	B-19 - B-24
TV Antenna	B-17 - B-18
Water Heater	E-17 - E-24
Water Tanks	C-01 - C-11

ROOF VENT GROUP INDEX

Power Roof Vent - Jensen (Plastic Body)	C-17
Power Roof Vent - Jensen (Metal Body)	C-18
Power Roof Vent CSA - Jensen (Metal Body)	C-19
Power Roof Vent - Winnebago	C-15
Power Roof Vent w/12" Fan (Fantastic)	C-16
Non-Power Roof Vent - Winnebago	C-13
Non-Power Roof Vent - Jensen	C-14

ROOF VENT GROUP (CONTINUED)
POWER ROOF VENT C.S.A. - JENSEN (METAL BODY)



Key	Part Number	U/M	Description	Vendor No.
1	064469-08-000	EA	Power Vent Asm - Complete (Metal Body)	(290-WH)
2	064469-03-702	EA	Roof Vent Lid - White	(1022)
3	064469-03-706	EA	Lift Mechanism	
4	048648-01-000	EA	Motor Asm	
5	048649-01-000	EA	Fan Blade	
6	064469-07-700	EA	Garnish - Vent Trim	
7	009439-01-000	EA	Crank	

1984-1988 COMMON ITEMS FICHE
TABLE OF CONTENTS

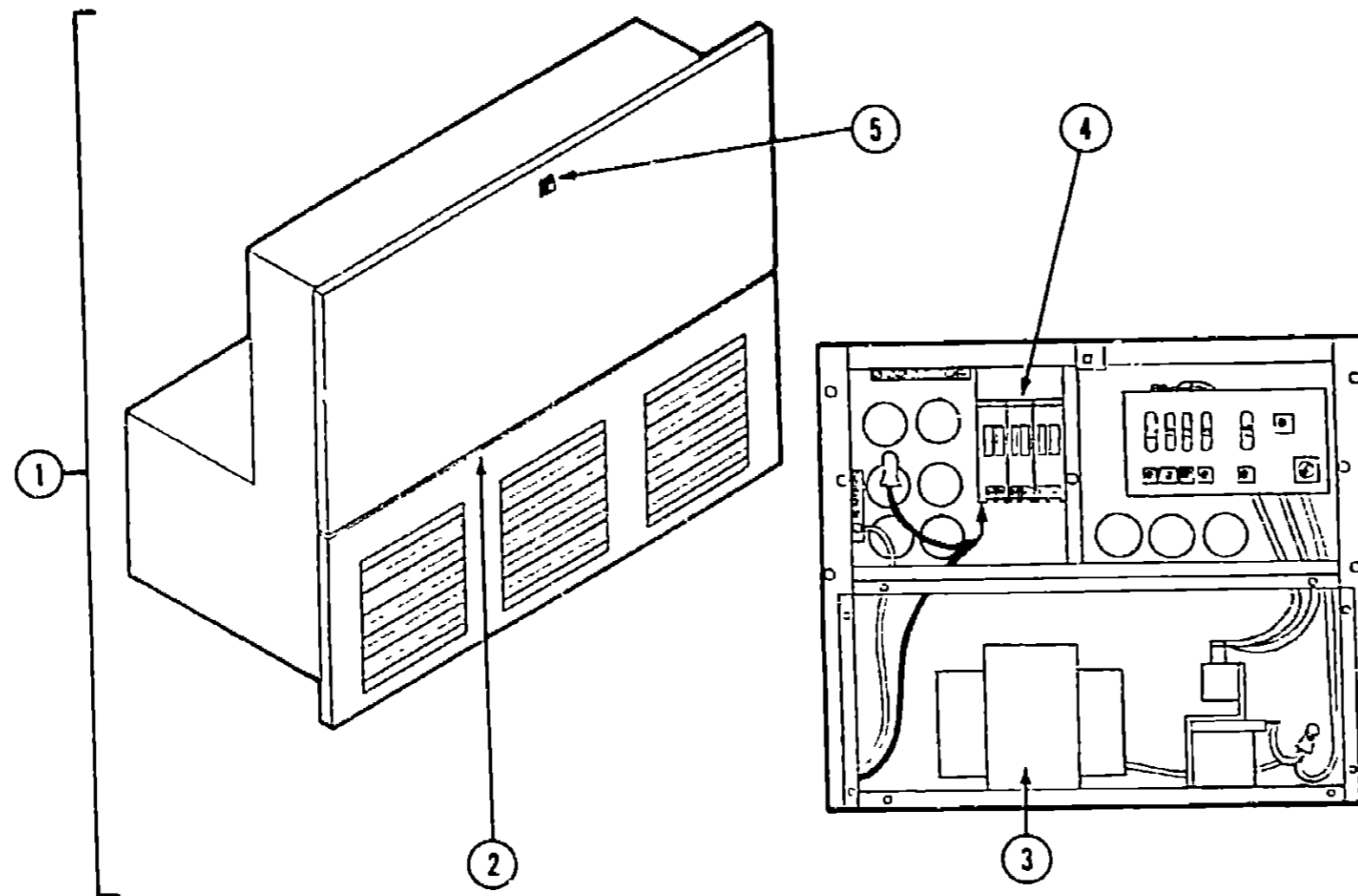
Introduction	A-01 - A-02
Air Conditioner	A-03 - A-09
Auto Air Conditioning	C-23 - C-24
Chassis Maintenance Kit	H-03 - H-04
Control Center	C-21 - C-22
Electric Motor Home Step	H-01
Furnace	A-11 - B-04
Interior/Exterior Screws & Fasteners	B-07 - B-08
Holding Tanks	D-01 - D-24
Mirrors - Exterior	B-05 - B-06
Range Hood	B-09 - B-15
Refrigerator	F-01 - G-23
Roof Vent	C-13 - C-19
Speed Control	E-01 - E-16
Toilet	B-19 - B-24
TV Antenna	B-17 - B-18
Water Heater	E-17 - E-24
Water Tanks	C-01 - C-11

ROOF VENT GROUP INDEX

Power Roof Vent - Jensen (Plastic Body)	C-17
Power Roof Vent - Jensen (Metal Body)	C-18
Power Roof Vent CSA - Jensen (Metal Body)	C-19
Power Roof Vent - Winnebago	C-15
Power Roof Vent w/12" Fan (Fantastic)	C-16
Non-Power Roof Vent - Winnebago	C-13
Non-Power Roof Vent - Jensen	C-14

CONTROL CENTER GROUP

B & W CONTROL CENTER



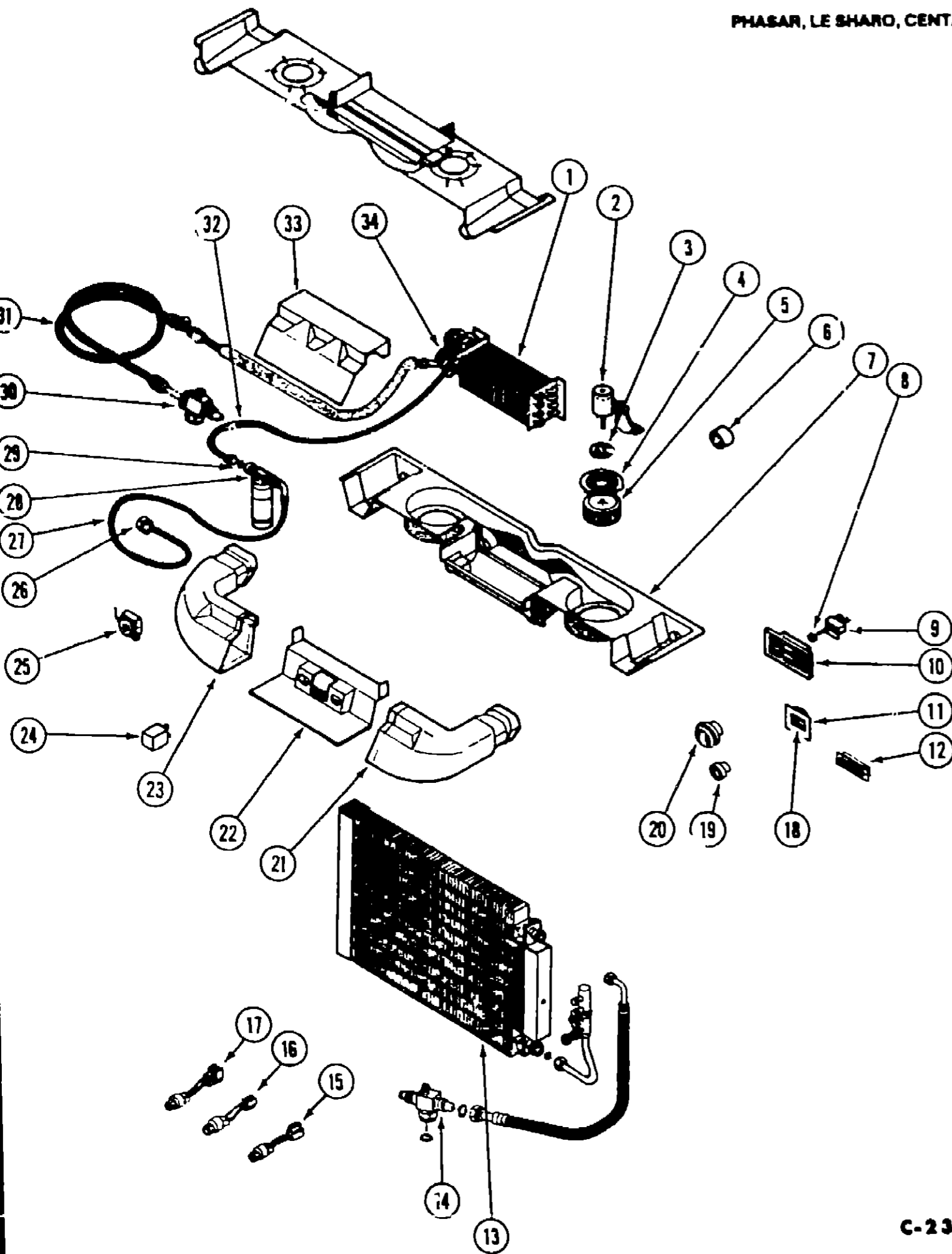
1984-1988 COMMON ITEMS FICHE TABLE OF CONTENTS

Introduction	A-01 - A-02
Air Conditioner	A-03 - A-09
Auto Air Conditioning	C-23 - C-24
Chassis Maintenance Kit	H-03 - H-04
Control Center	C-21 - C-22
Electric Motor Home Step	H-01
Furnace	A-11 - B-04
Interior/Exterior Screws & Fasteners	B-07 - B-08
Holding Tanks	D-01 - D-24
Mirrors - Exterior	B-05 - B-06
Range Hood	B-09 - B-15
Refrigerator	F-01 - G-23
Roof Vent	C-13 - C-19
Speed Control	E-01 - E-16
Toilet	B-19 - B-24
TV Antenna	B-17 - B-18
Water Heater	E-17 - E-24
Water Tanks	C-01 - C-11

Key	Part Number	U/M	Description	Vendor No.
1	083208-01-000	EA	Control Center - 32A 120V/12V - UL/CSA - Brown	
1	083208-02-000	EA	Control Center - 45A 120V/12V - UL/CSA - Brown	
1	083208-03-000	EA	Control Center - 45A 120V/12V - UL Only - Brown	
1	083208-04-000	EA	Control Center - 32A 120V/12V - UL/CSA - Gray	
2	071278-01-700	EA	Door w/Catch	(6332CNI)
3	071278-01-701	EA	Converter Module	(6332CNI)
4	071279-01-000	EA	Circuit Breaker - 15A 120V	(P115)
4	071279-02-000	EA	Circuit Breaker - 15/15A 120V	(P1515)
4	071279-03-000	EA	Circuit Breaker - 15/20A 120V	(P1520)
4	071279-04-000	EA	Circuit Breaker - 30A 120V	(P130)
4	071279-05-000	EA	Circuit Breaker - 20A 120V	(P120)
4	071279-06-000	EA	Circuit Breaker - 30/15A 120V	(P3015)
4	071279-07-000	EA	Circuit Breaker - 20/20A 120V	(P2020)
5	071278-01-703	EA	Door Catch	(PR6372)
*	071278-01-702	EA	Label - 45 Amp	(F/6345)
*	Not illustrated			

AUTO AIR CONDITIONING

PHASAR, LE SHARO, CENTAURI & UTILITY VAN

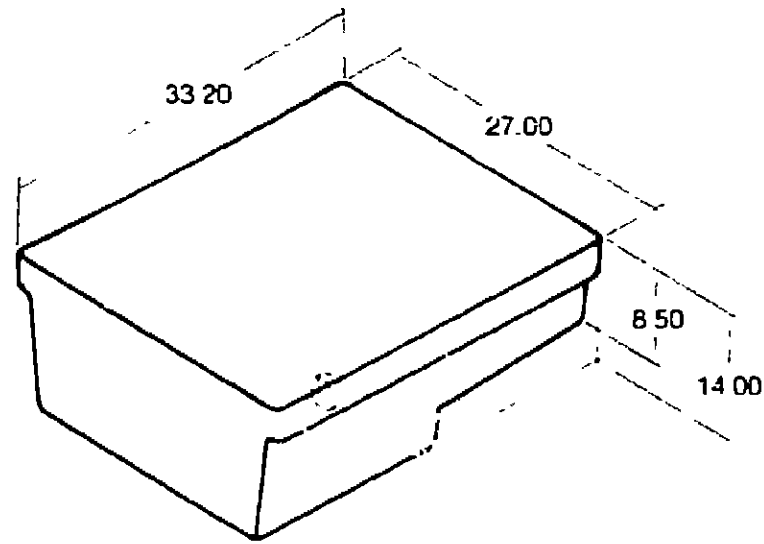


Key	Part Number	U/M	Description
1	075789-01-700	EA	Evaporator Coil
2	075739-01-701	EA	Blower Motor
3	075789-03-703	EA	Vibration Illuminator
4	075789-01-720	EA	Motor Mount
5	075789-01-702	EA	Blower Wheel - CCW Rotation
6	075789-01-703	EA	Blower Wheel - CW Rotation
7	075789-01-719	EA	Flexible Coupling
8	075789-01-726	EA	Bottom Case - Sub Asm
9	075789-01-710	EA	Knobs - Control Panel
10	075789-01-707	EA	Fan Switch
11	075789-03-702	EA	Face Plate - Escutcheon Louver & Switch
12	075789-01-714	EA	Escutcheon Louver
13	075789-01-731	EA	Escutcheon Vane Asm. - Side Vent
14	075790-01-703	EA	Condenser Asm. A/C - Turbo
15	072341-01-716	EA	Discharge Valve - 1/2"
16	075790-03-702	EA	Low Pressure Switch (Cut-Out)
17	075790-03-701	EA	Low Pressure Switch (Fan)
18	075790-03-700	EA	Hi Pressure Switch
19	075789-01-715	EA	Louver
20	075789-01-709	EA	Louver Asm. - 2"
21	075789-01-708	EA	Louver Asm. - 3"
22	075789-01-727	EA	Plenum - Right Side
23	075789-01-728	EA	Plenum - Bottom
24	075789-01-730	EA	Plenum - Left Side
25	075789-01-712	EA	Relay
26	075789-03-701	EA	Thermostat
27	075789-01-711	EA	Aeroquip Fitting
28	075789-03-705	EA	Hose Asm - Liquid - Condenser Receiver (0986089)
29	075789-03-700	EA	Receiver - Drier
30	075789-01-718	EA	O Ring - Aeroquip Fitting
31	075789-01-716	EA	Service Valve
32	075789-03-706	EA	Suction Hose Asm - #10
33	075789-03-704	EA	Hose Asm - Liquid - #6 TXU Rec
34	075789-01-729	EA	Plenum - Top
.	075789-01-705	EA	Expansion Valve
.			Not illustrated

1984-1988 COMMON ITEMS FICHE TABLE OF CONTENTS

Vendor No.		
(0560420)	Introduction	A-01 - A-02
(1120213)	Air Conditioner	A-03 - A-09
(1300206)	Auto Air Conditioning	C-23 - C-24
(0252078)	Chassis Maintenance Kit	H-03 - H-04
(0252070)	Control Center	C-21 - C-22
(0252071)	Electric Motor Home Step	H-01
(101217)	Furnace	A-11 - B-04
(0765317)	Interior/Exterior Screws & Fasteners	B-07 - B-08
(0883118)	Holding Tanks	D-01 - D-24
(0883483)	Mirrors - Exterior	E-05 - B-06
(1701628)	Range Hood	B-09 - B-15
(1701261)	Refrigerator	F-01 - G-23
(1701642)	Roof Vent	C-13 - C-19
(0519295)	Speed Control	E-01 - E-16
(0548325)	Toilet	B-19 - B-24
(0885104)	TV Antenna	B-17 - B-18
(0885104)	Water Heater	E-17 - E-24
(0885102)	Water Tanks	C-01 - C-11
(1800249)		
(1800343)		
(1800342)		
(0765327)		
(0765321)		
(0765323)		
(1331146)		
(1247333)		
(0058336)		
(1273120)		
(0543513)		
(0548324)		
(0986088)		
(0986090)		
(0765322)		
(1298417)		

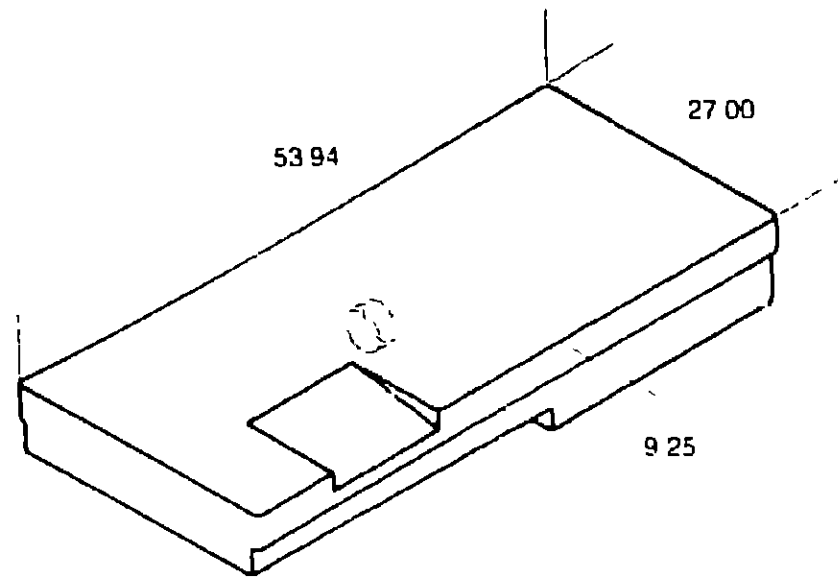
HOLDING TANK GROUP



Key Part Number U/M Description
 C54033-01-000 EA Holding Tank - Plastic - w/o Fittings - 32 Gal

Used as a sewage tank
 *Used as a gray water tank

1985 WINNEBAGO WC/F421RB	1986 WINNEBAGO WC/F421RB	1987 WINNEBAGO WC421RB WF421RB	1988 WINNEBAGO WC/F421RB
1985 ITASCA IC/F421RB	1986 ITASCA IC/F421RB	1987 ITASCA IC421RB IF421RB	1988 ITASCA IC/F421RB

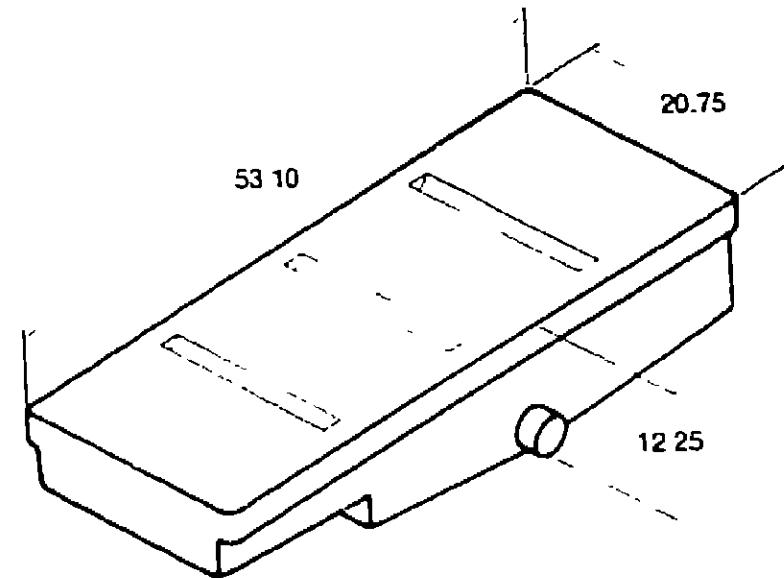


Key Part Number U/M Description
 061804-01-000 EA Holding Tank - Plastic - w/o Fittings - 36 Gal

Used as a sewage tank
 *Used as a gray water tank

1984 WINNEBAGO • WCN30RT
1984 ITASCA • ICN30RT

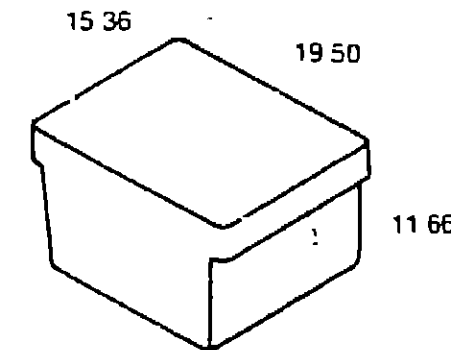
HOLDING TANK GROUP (CONTINUED)



Key Part Number U/M Description
 061805-01-000 EA Holding Tank - Plastic - w/o Fittings - 40 Gal

Used as a sewage tank
 *Used as a gray water tank

1984 WINNEBAGO • WCN27RU • WCN33RU WCN30RT	1985 WINNEBAGO • WCN27RU • WCN33RU	1986 WINNEBAGO • WCN27RU • WCN33RU	1987 WINNEBAGO • WCN33RU • WCN27RU	1988 WINNEBAGO • WCN27RU • WCN33RU
1984 ITASCA • ICN27RU • ICN33RU ICN30RT	1985 ITASCA • ICN27RU • ICN33RU	1986 ITASCA • ICN27RU • ICN33RU	1987 ITASCA • ICN33RU • ICN27RU	1988 ITASCA • ICN27RU • ICN33RU



Key Part Number U/M Description
 06436B-01-000 EA Holding Tank - Plastic - w/o Fittings - 12 Gal

Used as a sewage tank
 *Used as a gray water tank

1984 WINNEBAGO WC420RG	1985 WINNEBAGO WC420RG
1984 ITASCA IC420RG	1985 ITASCA IC420RG

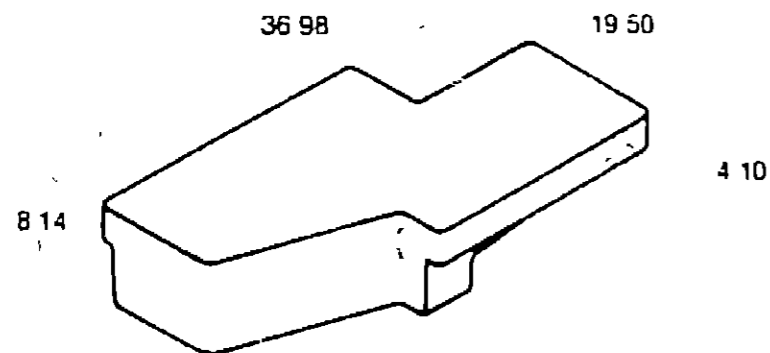
1984-1988 COMMON ITEMS FICHE TABLE OF CONTENTS

Introduction	A-01 - A-02
Air Conditioner	A-03 - A-09
Auto Air Conditioning	C-23 - C-24
Chassis Maintenance Kit	H-03 - H-04
Control Center	C-21 - C-22
Electric Motor Home Step	H-01
Furnace	A-11 - B-04
Interior/Exterior Screws & Fasteners	B-07 - B-08
Holding Tanks	D-01 - D-24
Mirrors - Exterior	B-05 - B-06
Range Hood	B-09 - B-15
Refrigerator	F-01 - G-23
Roof Vent	C-13 - C-19
Speed Control	E-01 - E-16
Toilet	B-19 - B-24
TV Antenna	B-17 - B-18
Water Heater	E-17 - E-24
Water Tanks	C-01 - C-11

HOLDING TANK GROUP INDEX

Holding Tanks - Plastic D-01 - D-24

HOLDING TANK GROUP (CONTINUED)

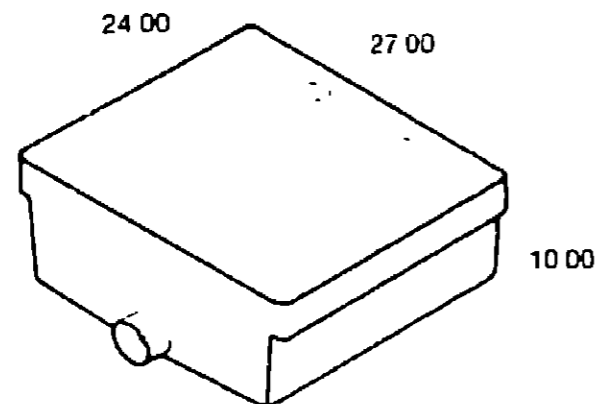


Key Part Number U/M Description
 064370-01-000 EA Holding Tank - Plastic - w/o Fittings - 12 Gal

Used as a sewage tank
 *Used as a gray water tank

1984 WINNEBAGO 1985 WINNEBAGO
 • WC420RG • WC420RG

1984 ITASCA 1985 ITASCA
 • IC420RG • IC420RG



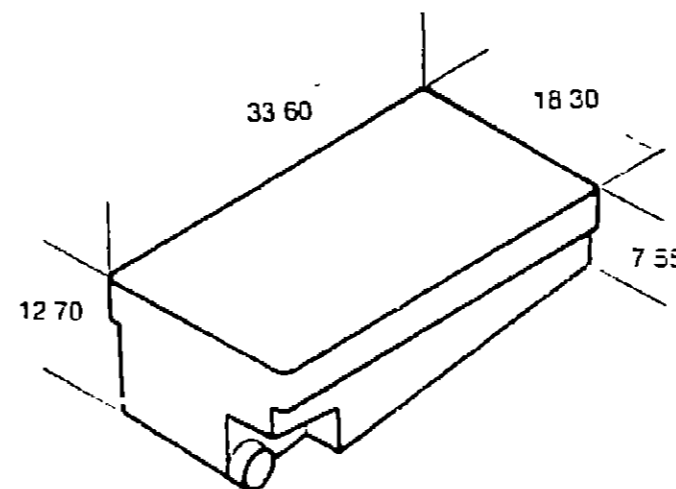
Key Part Number U/M Description
 064592-01-000 EA Holding Tank - Plastic - w/o Fittings - 25 Gal

Used as a sewage tank
 *Used as a gray water tank

1984 WINNEBAGO 1985 WINNEBAGO 1986 WINNEBAGO 1987 WINNEBAGO 1988 WINNEBAGO
 • WCN22RC • WCN22RC • WCN22RC • WCN22RC • WCN22RC

1984 ITASCA 1985 ITASCA 1986 ITASCA 1987 ITASCA 1988 ITASCA
 • ICN22RC • ICN22RC • ICN22RC • ICN22EC • ICN22RC
 • ICN22RC • ICN22RC

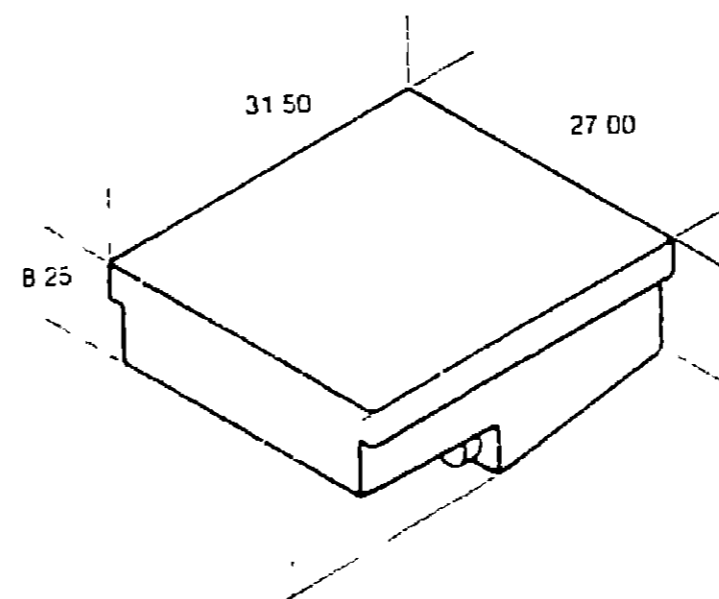
HOLDING TANK GROUP (CONTINUED)



Key Part Number U/M Description
 068519-01-000 EA Holding Tank - Plastic - w/o Fittings - 29 Gal

Used as a sewage tank
 *Used as a gray water tank

1984 WINNEBAGO
 WC723RB



Key Part Number U/M Description
 072388-01-000 EA Holding Tank - Plastic - w/o Fittings - 32 Gal

Used as a sewage tank
 *Used as a gray water tank

1984 WINNEBAGO 1985 WINNEBAGO 1986 WINNEBAGO 1987 WINNEBAGO 1988 WINNEBAGO
 WCN22RC WCN22RC WCN22RC WCN22RC WCN22RC

1984 ITASCA 1985 ITASCA 1986 ITASCA 1987 ITASCA 1988 ITASCA
 ICN22RC ICN22RC ICN22RC ICN22EC ICN22RC
 ICN22EC

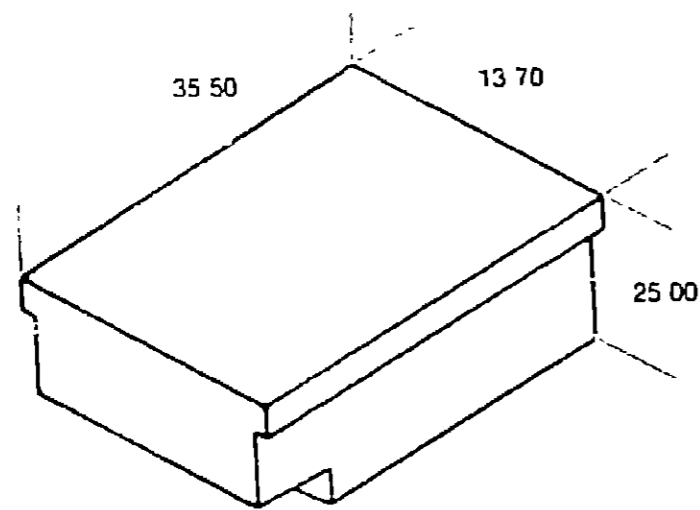
1984-1988 COMMON ITEMS FICHE TABLE OF CONTENTS

Introduction	A-01 - A-02
Air Conditioner	A-03 - A-09
Auto Air Conditioning	C-23 - C-24
Chassis Maintenance Kit	H-03 - H-04
Control Center	C 21 - C-22
Electric Motor Home Step	H-01
Furnace	A-11 - B-04
Interior/Exterior Screws & Fasteners	B-07 - B-08
Holding Tanks	D-01 - D-24
Mirrors - Exterior	B-05 - B-06
Range Hood	B-09 - B-15
Refrigerator	F-01 - G-23
Roof Vent	C-13 - C-19
Speed Control	E-01 - E-16
Toilet	B-19 - B-24
TV Antenna	B-17 - B-18
Water Heater	E-17 - E-24
Water Tanks	C-01 - C-11

HOLDING TANK GROUP INDEX

Holding Tanks - Plastic	D-01 - D-24
-------------------------	-------------

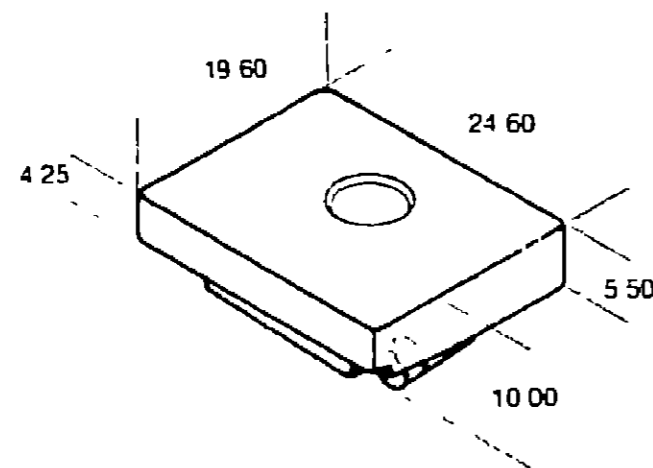
HOLDING TANK GROUP (CONTINUED)



Key Part Number U/M Description
 074175-01-000 EA Holding Tank - Plastic - w/o Fittings - 44 Gal

Used as a sewage tank
 *Used as a gray water tank

Year	Model	Part Number	Year	Model	Part Number	Year	Model	Part Number
1984	WINNEBAGO	WCN27RU	1985	WINNEBAGO	WCN27RU	1986	WINNEBAGO	WCN30RC
		WCN33RU			WCN30RC			WCN27RU
		WCN30RC			WCN33RU			WCN30RC
1984	ITASCA	ICN27RU	1985	ITASCA	ICN27RU	1986	ITASCA	ICN27RU
		ICN33RU			ICN33RU			ICN33RU
								ICN30RC

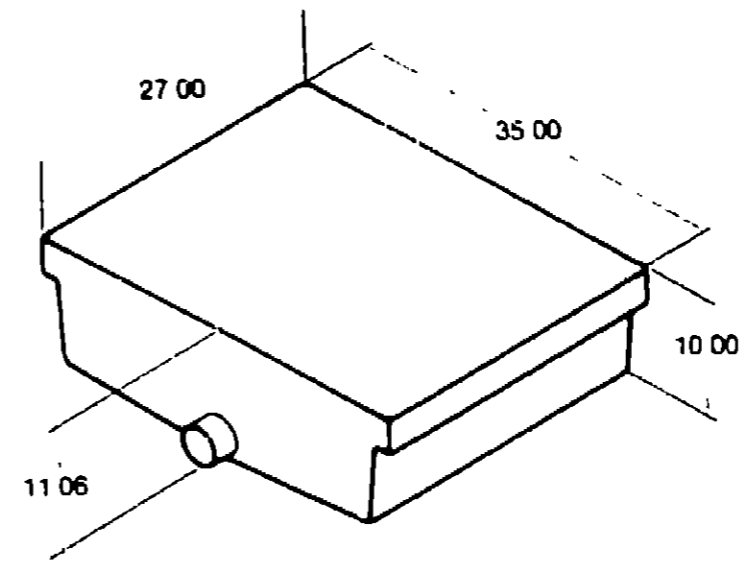


Key Part Number U/M Description
 074300-01-000 EA Holding Tank - Plastic - w/o Fittings - 13 Gal

Used as a sewage tank
 *Used as a gray water tank

Year	Model	Part Number	Year	Model	Part Number	Year	Model	Part Number
1985	WINNEBAGO	WR220RD	1986	WINNEBAGO	WR220RD	1987	WINNEBAGO	WR220RD
		WT319RB			WT319RB			WT319RB
								WT319RB
1985	ITASCA	IR220RD	1986	ITASCA	IR220RD	1987	ITASCA	IR220RD
		IT319RB			IT319RB			IT319RB
								IT319RB

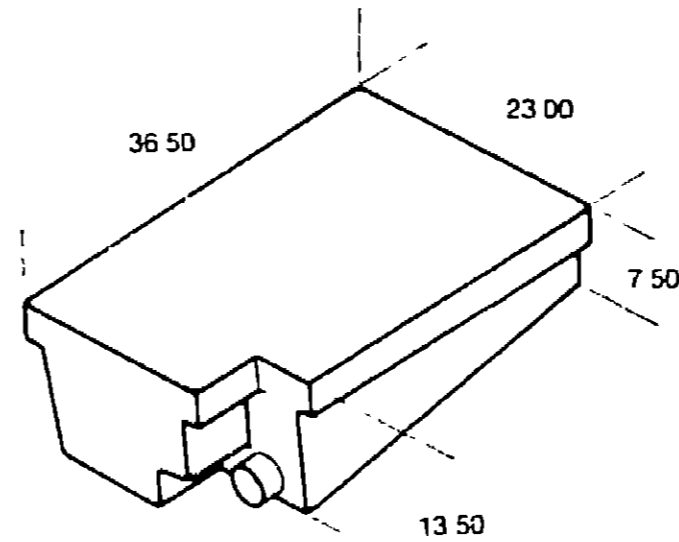
HOLDING TANK GROUP (CONTINUED)



Key Part Number U/M Description
 074861-01-000 EA Holding Tank - Plastic - w/o Fittings - 35 Gal

Used as a sewage tank
 *Used as a gray water tank

Year	Model	Part Number	Year	Model	Part Number	Year	Model	Part Number
1984	WINNEBAGO	WC424RC	1985	WINNEBAGO	WC424RC	1986	WINNEBAGO	WC/F424RS
								WC/F424RC
								WC/F424RC
1984	ITASCA	IC424RC	1985	ITASCA	IC424RC	1986	ITASCA	IC/F424RS
								IC/F424RC
								IC/F424RC



Key Part Number U/M Description
 074870-01-000 EA Holding Tank - Plastic - w/o Fittings - 30 Gal

Used as a sewage tank
 *Used as a gray water tank

Year	Model	Part Number	Year	Model	Part Number	Year	Model	Part Number
1984	WINNEBAGO	WC424RC	1985	WINNEBAGO	WC424RB	1986	WINNEBAGO	WC424RB
					WC424RC			WC/F424RB
								WC/F424RC
								WC/F424RC
1984	ITASCA	IC424RC	1985	ITASCA	IC424RB	1986	ITASCA	IC424RB
					IC424RC			IC/F424RS
								IC/F424RC

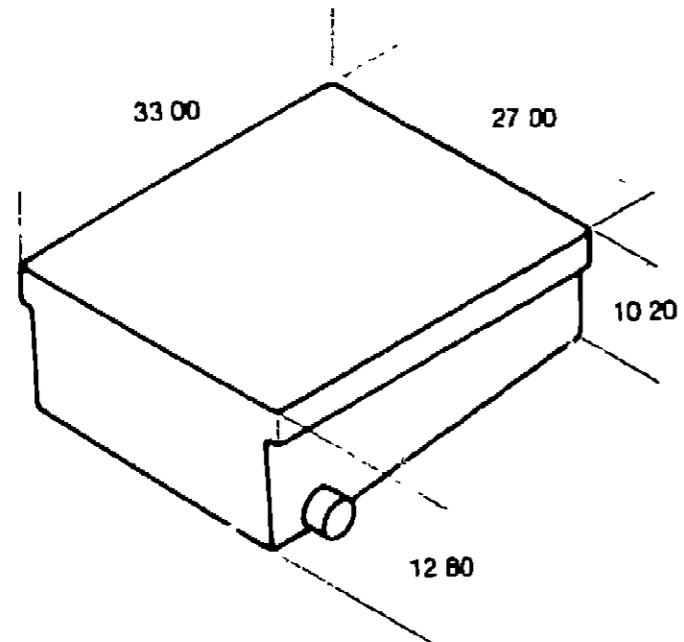
1984-1988 COMMON ITEMS FICHE TABLE OF CONTENTS

Introduction	A-01 - A-02
Air Conditioner	A-03 - A-09
Auto Air Conditioning	C-23 - C-24
Chassis Maintenance Kit	H-03 - H-04
Control Center	C-21 - C-22
Electric Motor Home Step	H-01
Furnace	A-11 - B-04
Interior/Exterior Screws & Fasteners	B-07 - B-08
Holding Tanks	D-01 - D-24
Mirrors - Exterior	B-05 - B-06
Range Hood	B-09 - B-15
Refrigerator	F-01 - G-23
Roof Vent	C-13 - C-19
Speed Control	E-01 - E-16
Toilet	B-19 - B-24
TV Antenna	B-17 - B-18
Water Heater	E-17 - E-24
Water Tanks	C-01 - C-11

HOLDING TANK GROUP INDEX

Holding Tanks - Plastic D-01 - D-24

HOLDING TANK GROUP (CONTINUED)

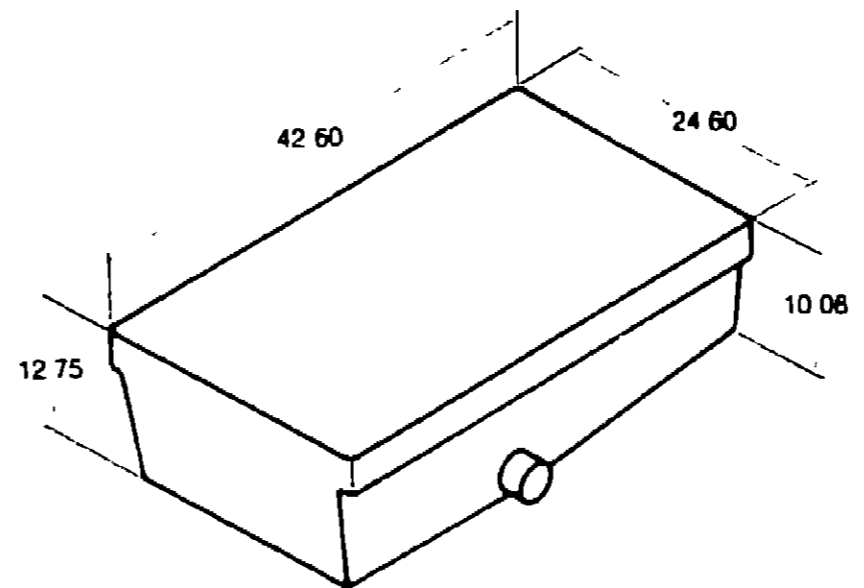


Key: Part Number U/M Description
 075298-01-000 EA Holding Tank - Plastic - w/o Fittings - 37 Gal

Used as a sewage tank
 *Used as a gray water tank

1984 WINNEBAGO WCN26RB WCN26RH	1985 WINNEBAGO WCN26RH WCN26RB	1986 WINNEBAGO WF426RT WCN26RH	1987 WINNEBAGO * WF426RT WCN26RH WC/F424RB	1988 WINNEBAGO WF424RB * WF426RT
1984 ITASCA ICN26RB ICN26RH	1985 ITASCA ICN26RH ICN26RB IC424RB	1986 ITASCA IF426RT ICN26RH IC424RB	1987 ITASCA * IF426RT ICN26RH IC/F424RB	1988 ITASCA IF424RB * IF426RT

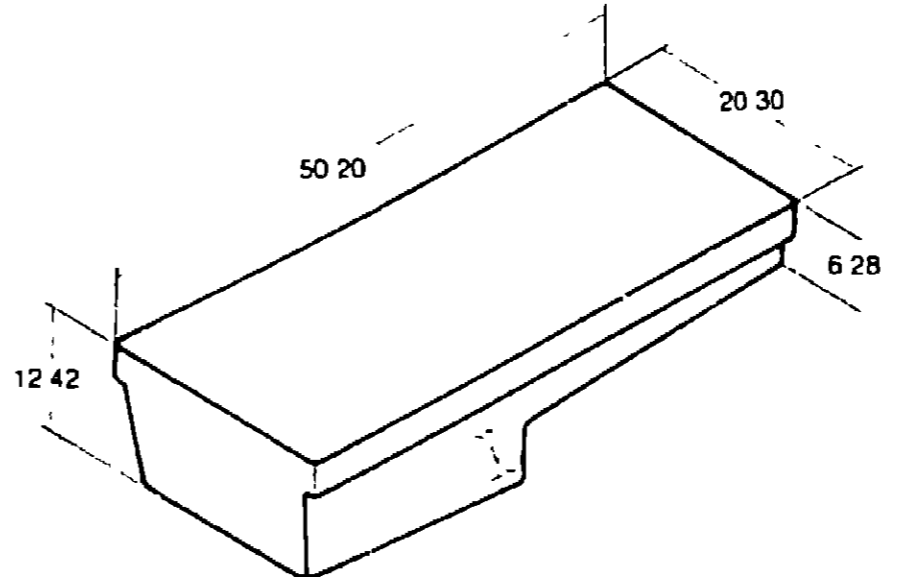
HOLDING TANK GROUP (CONTINUED)



Key: Part Number U/M Description
 075551-31-000 EA Holding Tank - Plastic - w/o Fittings - 42 Gal.

Used as a sewage tank
 *Used as a gray water tank

1984 WINNEBAGO * WCN30RC	1985 WINNEBAGO * WCP31RC * WCN30RC	1986 WINNEBAGO * WCN30RC	1987 WINNEBAGO * WCN30RC
1987 ITASCA * ICN30RC			



Key: Part Number U/M Description
 075589-01-000 EA Holding Tank - Plastic - w/o Fittings - 33 Gal

Used as a sewage tank
 *Used as a gray water tank

1984 WINNEBAGO * WCN26RH * WCN26RB	1985 WINNEBAGO * WCN26RH * WCN26RB	1986 WINNEBAGO * WCN26RH	1987 WINNEBAGO * WCN26RH
1984 ITASCA * ICN26RH * ICN26RB	1985 ITASCA * ICN26RH * ICN26RB	1986 ITASCA * ICN26RH	1987 ITASCA * ICN26RH

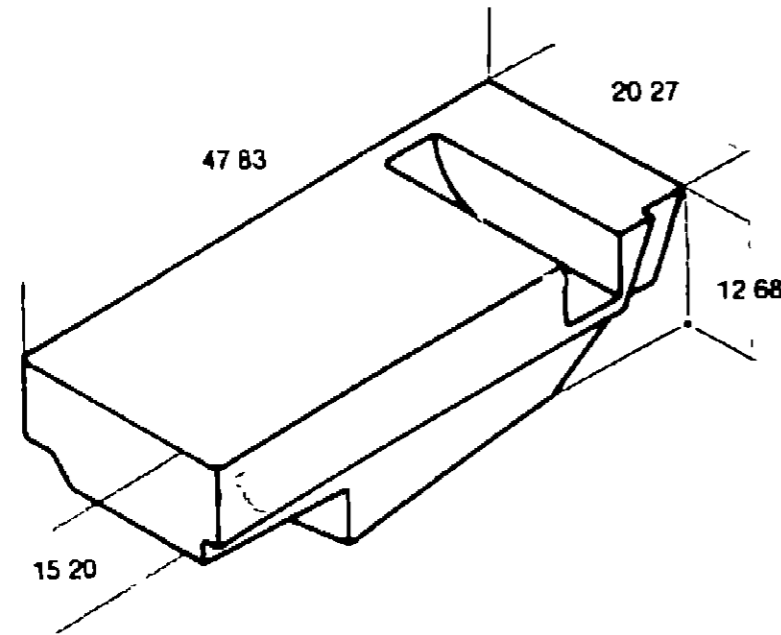
1984-1988 COMMON ITEMS FICHE TABLE OF CONTENTS

Introduction	A-01 - A-02
Air Conditioner	A-03 - A-09
Auto Air Conditioning	C-23 - C-24
Chassis Maintenance Kit	H-03 - H-04
Control Center	C-21 - C-22
Electric Motor Home Step	H-01
Furnace	A-11 - B-04
Interior/Exterior Screw & Fasteners	B-07 - B-08
Holding Tanks	D-01 - D-24
Mirrors - Exterior	B-05 - B-06
Range Hood	B-09 - B-15
Refrigerator	F-01 - G-23
Roof Vent	C-13 - C-19
Speed Control	E-01 - E-16
Toilet	B-19 - B-24
TV Antenna	B-17 - B-18
Water Heater	E-17 - E-24
Water Tanks	C-01 - C-11

HOLDING TANK GROUP INDEX

Holding Tanks - Plastic	D-01 - D-24
-------------------------	-------------

HOLDING TANK GROUP (CONTINUED)

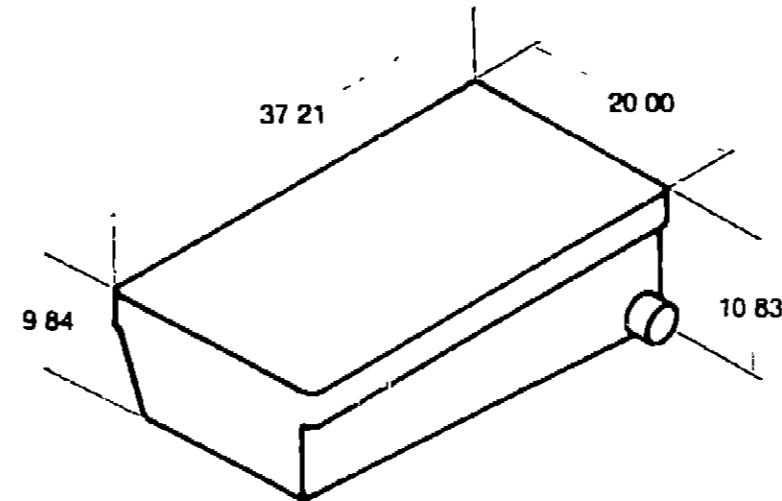


Key Part Number U/M Description
 076573-01-000 EA Holding Tank - Plastic - w/o Fittings - 40 Gal

Used as a sewage tank
 *Used as a gray water tank

1984 WINNEBAGO WCP31RT	1985 WINNEBAGO WCP34RU WCP31RT	1986 WINNEBAGO WCP34DU WCP28RU WCP34RU	1987 WINNEBAGO WCP34RU	1988 WINNEBAGO WCP28EU WCP34RU X1 WCP34RU X2
1984 ITASCA ICP31RT	1985 ITASCA ICP34RU ICP31RT ICP28RU	1986 ITASCA ICP34DU ICP28RU ICP34RU	1987 ITASCA ICP28RU ICP34RU	1988 ITASCA ICP28EU ICP34RU X1 ICP34RU X2

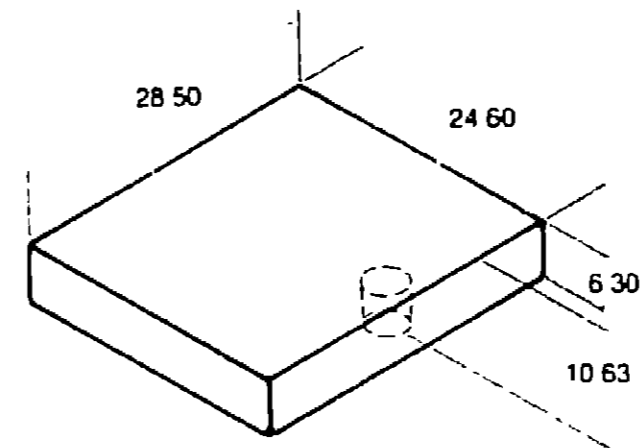
HOLDING TANK GROUP (CONTINUED)



Key Part Number U/M Description
 076574-01-000 EA Holding Tank - Plastic - w/o Fittings - 28 Gal

Used as a sewage tank
 *Used as a gray water tank

1985 WINNEBAGO * WCN31RT	1986 WINNEBAGO * WCP31RT * WCN31RT	1987 WINNEBAGO * WCP31RT * WC/JN31RT	1988 WINNEBAGO * WCP32RQ * WJP32RQ * WCN31RT * WJN31RT
1985 ITASCA * ICN31RT	1986 ITASCA * ICP31RT * ICN31RT	1987 ITASCA * ICF31RT * IC/JN31RT	1988 ITASCA * ICF32RQ * IJP32RQ * ICN31RT * IJN31RT



Key Part Number U/M Description
 076651-01-000 EA Holding Tank - Plastic - w/o Fittings - 16 Gal.

Used as a sewage tank
 *Used as a gray water tank

1985 WINNEBAGO
* WCP31RT

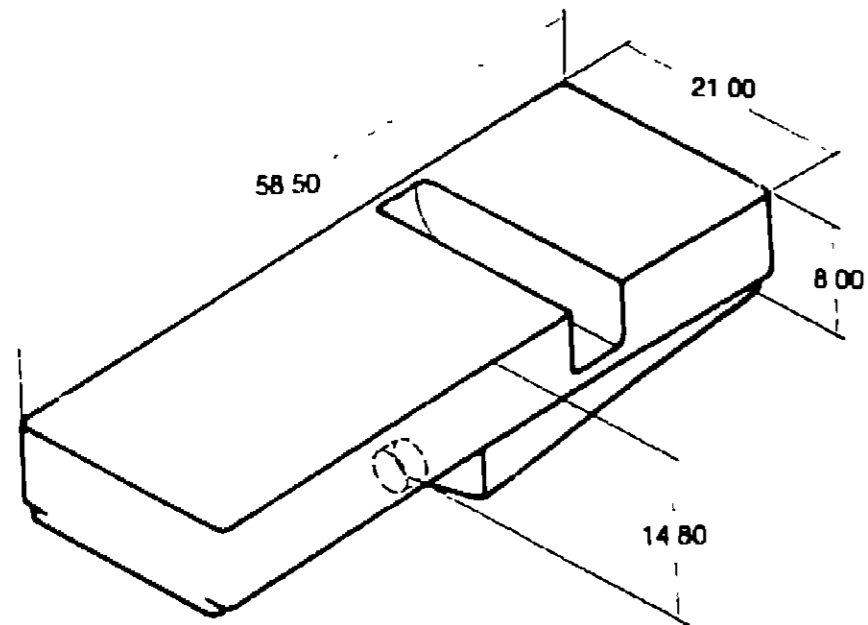
1984-1988 COMMON ITEMS FICHE TABLE OF CONTENTS

Introduction	A-01 - A-02
Air Conditioner	A-03 - A-09
Auto Air Conditioning	C-23 - C-24
Chassis Maintenance Kit	H-03 - H-04
Control Center	C-21 - C-22
Electric Motor Home Step	H-01
Furnace	A-11 - B-04
Interior/Exterior Screws & Fasteners	B-07 - B-08
Holding Tanks	D-01 - D-24
Mirrors - Exterior	B-05 - B-06
Range Hood	B-09 - B-15
Refrigerator	F-01 - G-23
Roof Vent	C-13 - C-19
Speed Control	E-01 - E-16
Toilet	B-19 - B-24
TV Antenna	B-17 - B-18
Water Heater	E-17 - E-24
Water Tanks	C-01 - C-11

HOLDING TANK GROUP INDEX

Holding Tanks - Plastic	D-01 - D-24
-------------------------	-------------

HOLDING TANK GROUP (CONTINUED)

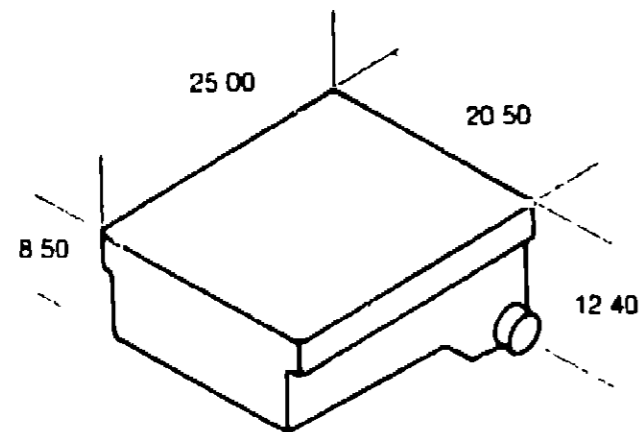


Key	Part Number	U/M	Description
	076834-01-000	EA	Holding Tank - Plastic - w/o Fittings - 40 Gal

Used as a sewage tank
 *Used as a gray water tank

1984 WINNEBAGO WCN23RG	1985 WINNEBAGO WCN23RG	1986 WINNEBAGO WCN23RG
---------------------------	---------------------------	---------------------------

1984 ITASCA ICN23RG	1985 ITASCA ICN23RG	1986 ITASCA ICN23RG
------------------------	------------------------	------------------------



Key	Part Number	U/M	Description
	076345-01-000	EA	Holding Tank - Plastic - w/o Fittings - 20 Gal

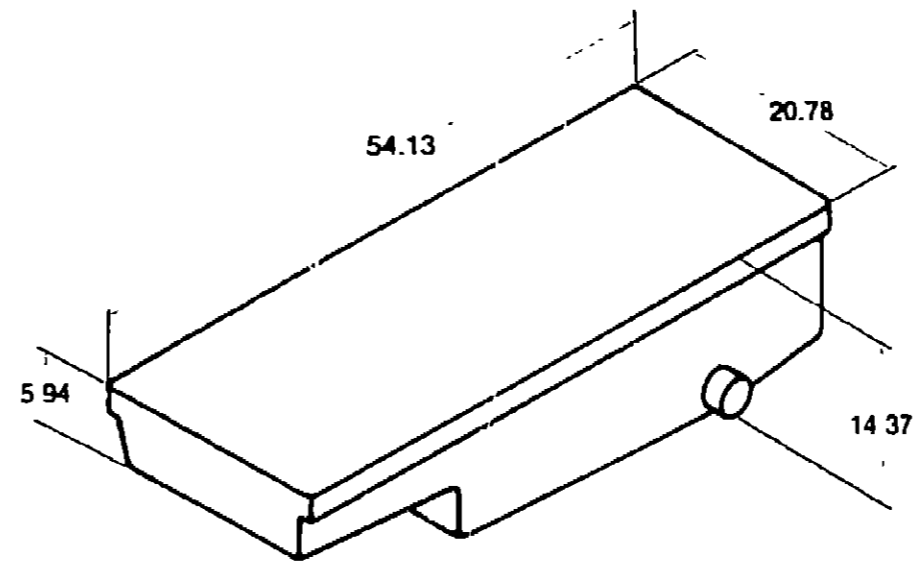
Used as a sewage tank
 *Used as a gray water tank

1984 WINNEBAGO * WCN23RG	1985 WINNEBAGO * WCN23RG	1986 WINNEBAGO * WCN23RG
-----------------------------	-----------------------------	-----------------------------

1984 ITASCA * ICN23RG	1985 ITASCA * ICN23RG	1986 ITASCA * ICN23RG
--------------------------	--------------------------	--------------------------

D-11

HOLDING TANK GROUP (CONTINUED)

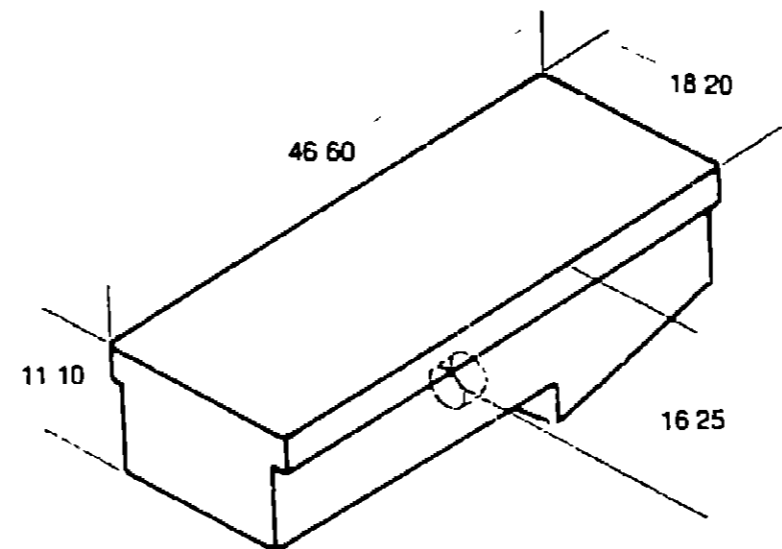


Key	Part Number	U/M	Description
	077460-01-000	EA	Holding Tank - Plastic - w/o Fittings - 40 Gal

Used as a sewage tank
 *Used as a gray water tank

1985 WINNEBAGO * WCP34RU	1986 WINNEBAGO * WCP34DU * WCP34RU	1987 WINNEBAGO * WCP34RU	1988 WINNEBAGO * WCP34RU X1 * WCP34RU X2 * WCP28EU
-----------------------------	--	-----------------------------	---

1985 ITASCA * ICP34RU ICP28RU T1	1986 ITASCA * ICP34DU * ICP28RU * ICP34RU	1987 ITASCA * ICP28RU * ICP34RU	1988 ITASCA * ICP34RU X1 * ICP34RU X2 * ICP28EU
--	--	---------------------------------------	--



Key	Part Number	U/M	Description
	077877-01-000	EA	Holding Tank - Plastic - w/o Fittings - 35 Gal

Used as a sewage tank
 *Used as a gray water tank

1985 WINNEBAGO WF426RU	1986 WINNEBAGO WF426RU
---------------------------	---------------------------

1985 ITASCA IF426RU	1986 ITASCA IF426RU
------------------------	------------------------

1984-1988 COMMON ITEMS FICHE TABLE OF CONTENTS

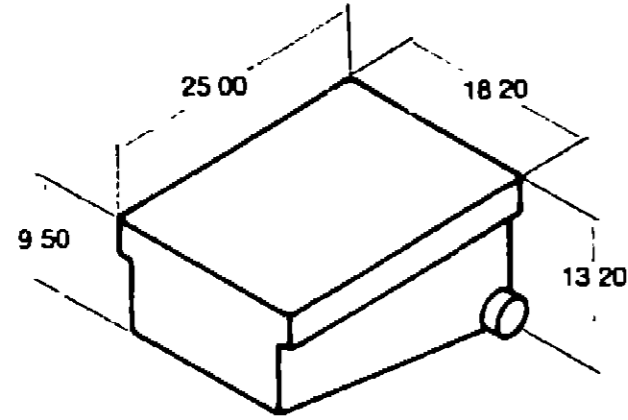
Introduction	A-01 - A-02
Air Conditioner	A-03 - A-09
Auto Air Conditioning	C-23 - C-24
Chassis Maintenance Kit	H-03 - H-04
Control Center	C-21 - C-22
Electric Motor Home Step	H-01
Furnace	A-11 - B-04
Interior/Exterior Screws & Fasteners	B-07 - B-08
Holding Tanks	D-01 - D-24
Mirrors - Exterior	B-05 - B-06
Range Hood	B-09 - B-15
Refrigerator	F-01 - G-23
Roof Vent	C-13 - C-19
Speed Control	E-01 - E-16
Toilet	B-19 - B-24
TV Antenna	B-17 - B-18
Water Heater	E-17 - E-24
Water Tanks	C-01 - C-11

HOLDING TANK GROUP INDEX

Holding Tanks - Plastic	D-01 - D-24
-------------------------	-------------

D-12

HOLDING TANK GROUP (CONTINUED)

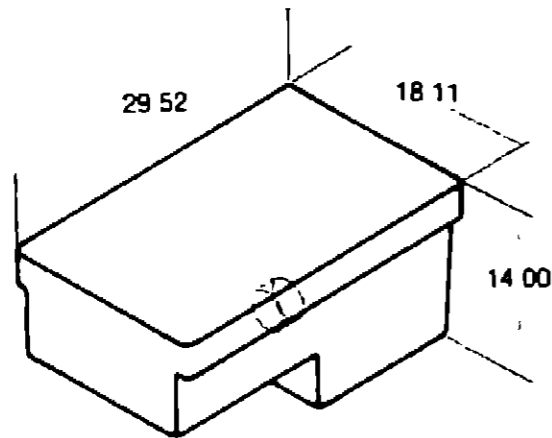


Key Part Number U/M Description
 077878-01-000 EA Holding Tank - Plastic - w/o Fittings - 20 Gal

Used as a sewage tank
 *Used as a gray water tank

1985 WINNEBAGO 1986 WINNEBAGO
 * WF426RU * WF426RU

1985 ITASCA 1986 ITASCA
 * IF426RU * IF426RU



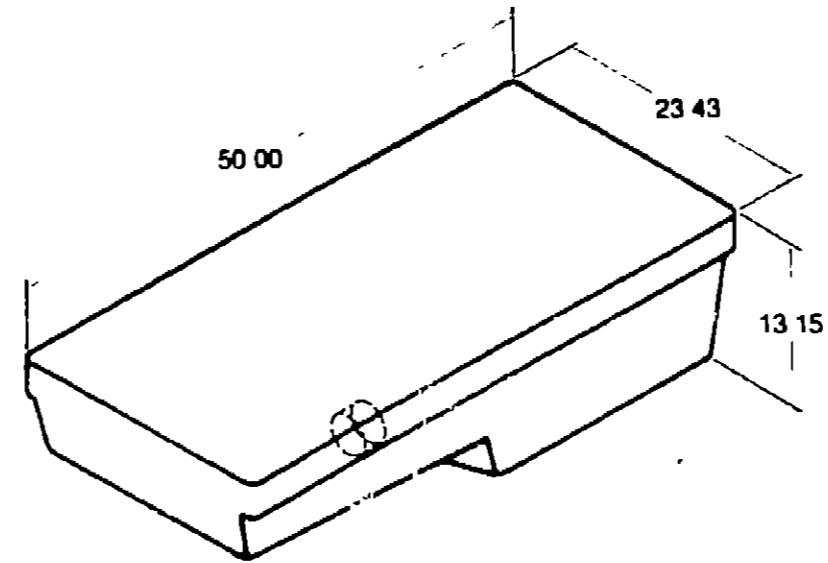
Key Part Number U/M Description
 080492-01-000 EA Holding Tank - Plastic - w/o Fittings - 21 Gal

Used as a sewage tank
 *Used as a gray water tank

1985 WINNEBAGO 1986 WINNEBAGO 1987 WINNEBAGO 1988 WINNEBAGO
 * WC/F421RB * WC/F421RB * WC421RB * WF421RB

1985 ITASCA 1986 ITASCA 1987 ITASCA 1988 ITASCA
 * IC/F421RB * IC/F421RB * IC421RB * IF421RB

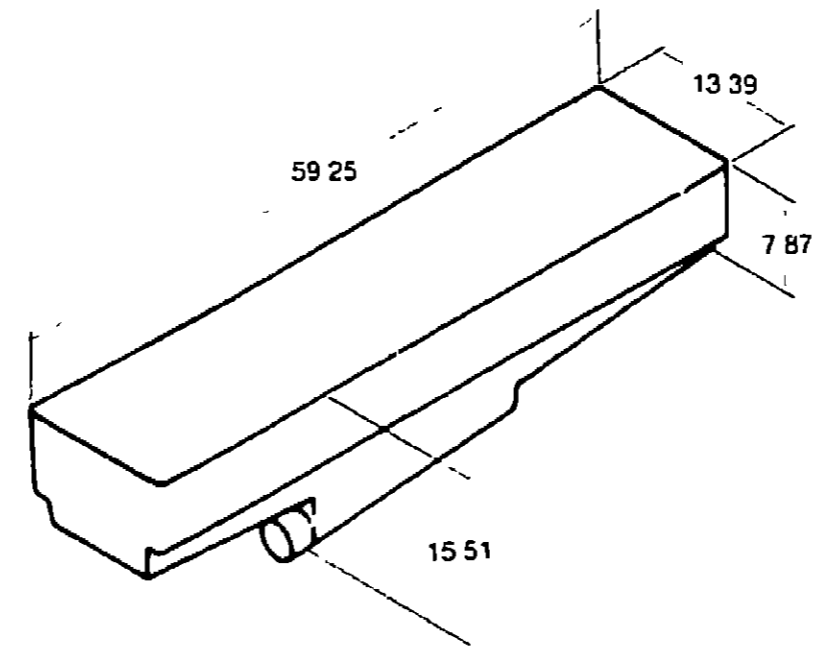
HOLDING TANK GROUP (CONTINUED)



Key Part Number U/M Description
 080582-01-000 EA Holding Tank - Plastic - w/o Fittings - 45 Gal

Used as a sewage tank
 *Used as a gray water tank

1985 WINNEBAGO
 WCP31RC



Key Part Number U/M Description
 081149-01-000 EA Holding Tank - Plastic - w/o Fittings - 28 Gal

Used as a sewage tank
 *Used as a gray water tank

1985 WINNEBAGO 1986 WINNEBAGO 1987 WINNEBAGO 1988 WINNEBAGO
 WCN31RT WCP31RT WC/JN31RT WCN31RT
 WCN31RT WCN31RT WCP31RT WJN31RT

1985 ITASCA 1986 ITASCA 1987 ITASCA 1988 ITASCA
 ICN31RT ICP31RT IC/JN31RT ICN31RT
 ICN31RT ICP31RT ICP31RT IJN31RT

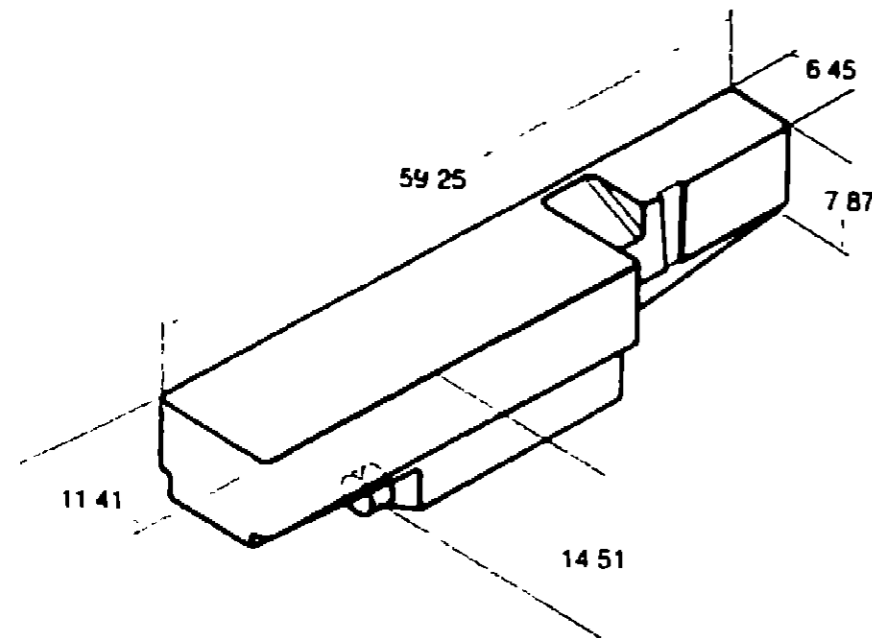
**1984-1988 COMMON ITEMS FICHE
 TABLE OF CONTENTS**

Introduction	A-01 - A-02
Air Conditioner	A-03 - A-09
Auto Air Conditioning	C-23 - C-24
Chassis Maintenance Kit	H-03 - H-04
Control Center	C-21 - C-22
Electric Motor Home Step	H-01
Furnace	A-11 - B-04
Interior/Exterior Screw & Fasteners	B-07 - B-08
Holding Tanks	D-01 - D-24
Mirrors - Exterior	B-05 - B-06
Range Hood	B-09 - B-15
Refrigerator	F-01 - G-23
Roof Vent	C-13 - C-19
Speed Control	E-01 - E-16
Toilet	B-19 - B-24
TV Antenna	B-17 - B-18
Water Heater	E-17 - E-24
Water Tanks	C-01 - C-11

HOLDING TANK GROUP INDEX

Holding Tanks - Plastic	D-01 - D-24
-------------------------	-------------

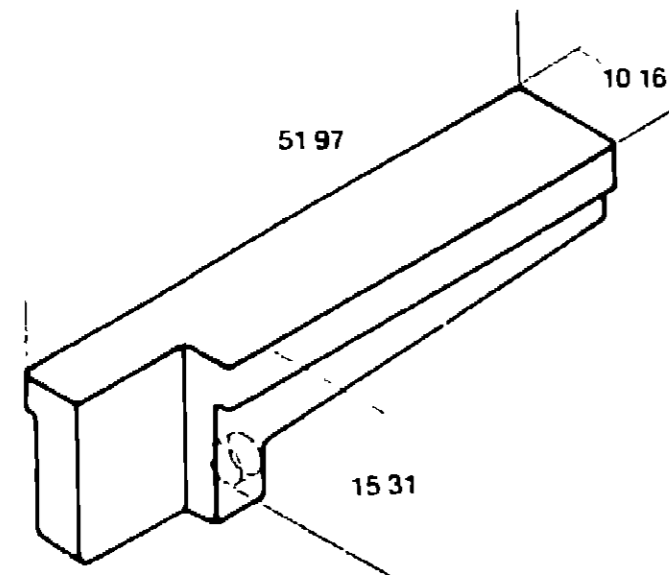
HOLDING TANK GROUP (CONTINUED)



Key	Part Number	U/M	Description
	081185-01-000	EA	Holding Tank - Plastic - w/o Fittings - 21 Gal

Used as a sewage tank
 *Used as a gray water tank

Year	Model	Part Number	Description
1985	WINNEBAGO	WCP31RT	1985 WINNEBAGO
1986	WINNEBAGO	WCP31RT	1986 WINNEBAGO
1987	WINNEBAGO	WCP31RT	1987 WINNEBAGO
1988	WINNEBAGO	WCP31RT	1988 WINNEBAGO
1985	ITASCA	ICN31RT	1985 ITASCA
1986	ITASCA	ICN31RT	1986 ITASCA
1987	ITASCA	ICN31RT	1987 ITASCA
1988	ITASCA	ICN31RT	1988 ITASCA

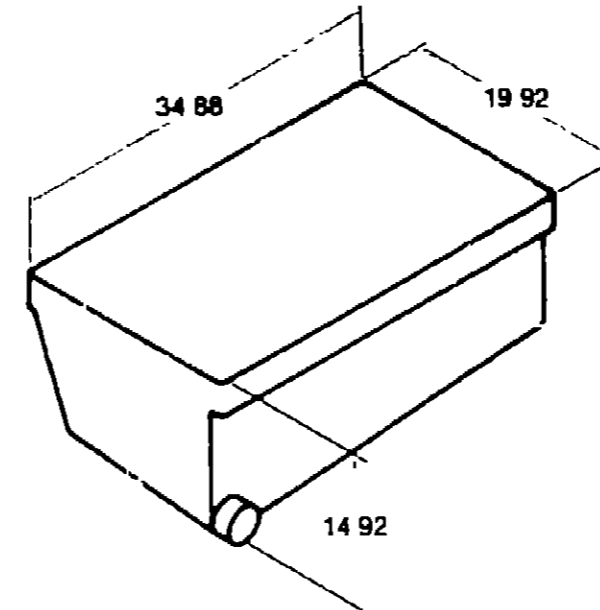


Key	Part Number	U/M	Description
	083039-01-000	EA	Holding Tank - Plastic - w/o Fittings - 18 Gal

Used as a sewage tank
 *Used as a gray water tank

Year	Model	Part Number	Description
1986	WINNEBAGO	WCP26ET	1986 WINNEBAGO
1987	WINNEBAGO	WCP26ET	1987 WINNEBAGO
1988	WINNEBAGO	WCP26ET	1988 WINNEBAGO
1986	ITASCA	ICP26ET	1986 ITASCA
1987	ITASCA	ICP26ET	1987 ITASCA
1988	ITASCA	ICP26ET	1988 ITASCA

HOLDING TANK GROUP (CONTINUED)



Key	Part Number	U/M	Description
	083040-01-000	EA	Holding Tank - Plastic - w/o Fittings - 25 Gal

Used as a sewage tank
 *Used as a gray water tank

Year	Model	Part Number	Description
1986	WINNEBAGO	WCP26ET	1986 WINNEBAGO
1987	WINNEBAGO	WCP26ET	1987 WINNEBAGO
1988	WINNEBAGO	WCP26ET	1988 WINNEBAGO
1986	ITASCA	ICP26ET	1986 ITASCA
1987	ITASCA	ICP26ET	1987 ITASCA
1988	ITASCA	ICP26ET	1988 ITASCA

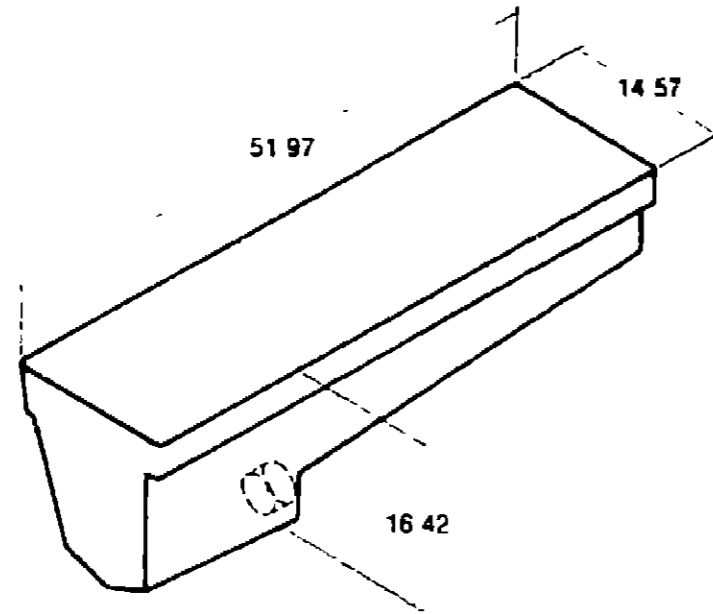
1984-1988 COMMON ITEMS FICHE TABLE OF CONTENTS

Introduction	A-01 - A-02
Air Conditioner	A-03 - A-09
Auto Air Conditioning	C-23 - C-24
Chassis Maintenance Kit	H-03 - H-04
Control Center	C-21 - C-22
Electric Motor Home Step	H-01
Furnace	A-11 - B-04
Interior/Exterior Screw & Fasteners	B-07 - B-08
Holding Tanks	D-01 - D-24
Mirrors - Exterior	B-05 - B-06
Range Hood	B-09 - B-15
Refrigerator	F-01 - G-23
Roof Vent	C-13 - C-19
Speed Control	E-01 - E-16
Toilet	B-19 - B-24
TV Antenna	B-17 - B-18
Water Heater	E-17 - E-24
Water Tanks	C-01 - C-11

HOLDING TANK GROUP INDEX

Holding Tanks - Plastic	D-01 - D-24
-------------------------	-------------

HOLDING TANK GROUP (CONTINUED)



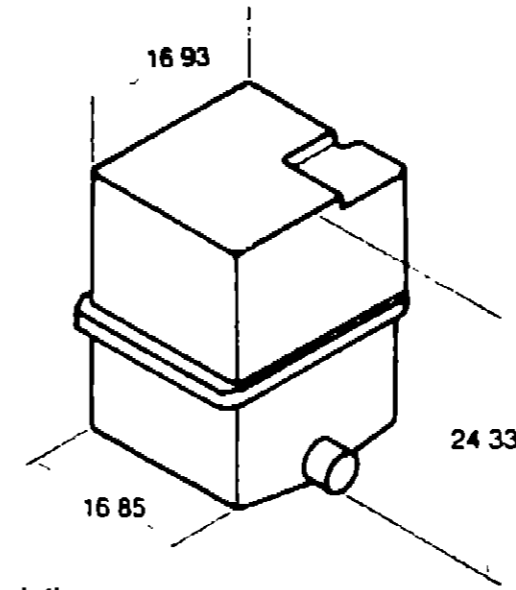
Key Part Number U/M Description
 083041-01-000 EA Holding Tank - Plastic - w/o Fittings - 30 Gal

Used as a sewage tank
 *Used as a gray water tank

1986 WINNEBAGO	1987 WINNEBAGO	1988 WINNEBAGO
WF426RT	WC420EG	WF424RT
WCN27RT	WF426RT	WCN27RT
WCP26ET	WCN27RT	WCP26ET
	WCP26ET	WC420EG

1986 ITASCA	1987 ITASCA	1988 ITASCA
IF426RT	IC420EG	IF424RT
ICN27RT	IC426RT	ICN27RT
	ICN27RT	ICP26ET
	ICP26ET	IC420EG

HOLDING TANK GROUP (CONTINUED)

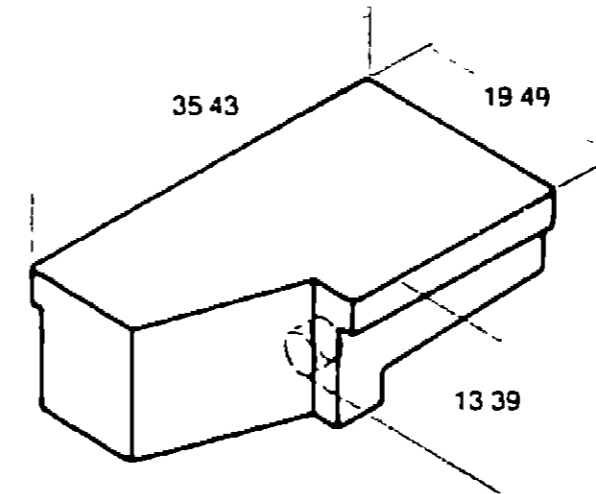


Key Part Number U/M Description
 083268-01-000 EA Holding Tank - Plastic - w/o Fittings - 25 Gal

Used as a sewage tank
 *Used as a gray water tank

1986 WINNEBAGO	1987 WINNEBAGO	1988 WINNEBAGO
WC420RG	WC420RG	WC420RG
		WF420RG

1986 ITASCA	1987 ITASCA	1988 ITASCA
IC420RG	IC420RG	IC420RG
		IF420RG



Key Part Number U/M Description
 083269-01-000 EA Holding Tank - Plastic - w/o Fittings - 25 Gal

Used as a sewage tank
 *Used as a gray water tank

1986 WINNEBAGO	1987 WINNEBAGO	1988 WINNEBAGO
* WC420RG	* WC420RG	* WC420RG
		* WF420RG

1986 ITASCA	1987 ITASCA	1988 ITASCA
* IC420RG	* IC420RG	* IC420RG
		* IF420RG

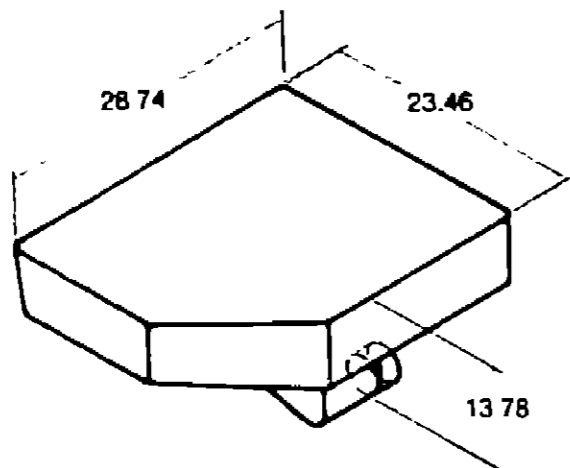
1984-1988 COMMON ITEMS FICHE TABLE OF CONTENTS

Introduction	A-01 - A-02
Air Conditioner	A-03 - A-09
Auto Air Conditioning	C-23 - C-24
Chassis Maintenance Kit	H-03 - H-04
Control Center	C-21 - C-22
Electric Motor Home Step	H-01
Furnace	A-11 - B-04
Interior/Exterior Screw & Fasteners	B-07 - B-08
Holding Tanks	D-01 - D-24
Mirrors - Exterior	B-05 - B-06
Range Hood	B-09 - B-15
Refrigerator	F-01 - G-23
Roof Vent	C-13 - C-19
Speed Control	E-01 - E-16
Toilet	B-19 - B-24
TV Antenna	B-17 - B-18
Water Heater	E-17 - E-24
Water Tanks	C-01 - C-11

HOLDING TANK GROUP INDEX

Holding Tanks - Plastic	D-01 - D-24
-------------------------	-------------

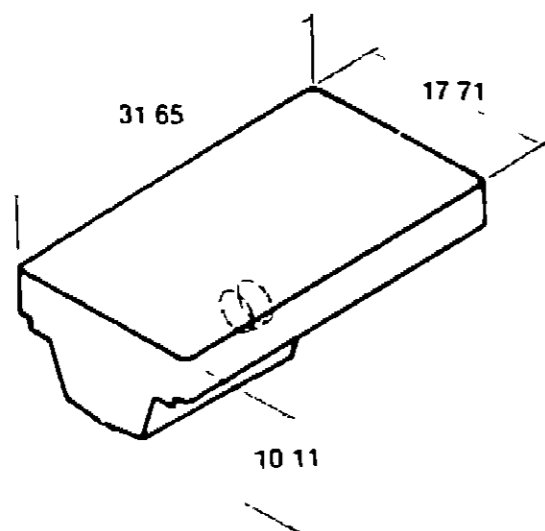
HOLDING TANK GROUP (CONTINUED)



Key Part Number U/M Description
 083456-01-000 EA Holding Tank - Plastic - w/o Fittings - 17 Gal

Used as a sewage tank
 *Used as a gray water tank

- | | | |
|----------------------------------|----------------------------------|----------------------------------|
| 1986 WINNEBAGO
WR220RC | 1987 WINNEBAGO
WR220RC | 1988 WINNEBAGO
WR220RD |
| 1986 ITASCA
IR220RC | 1987 ITASCA
IR220RC | 1988 ITASCA
IR220RD |

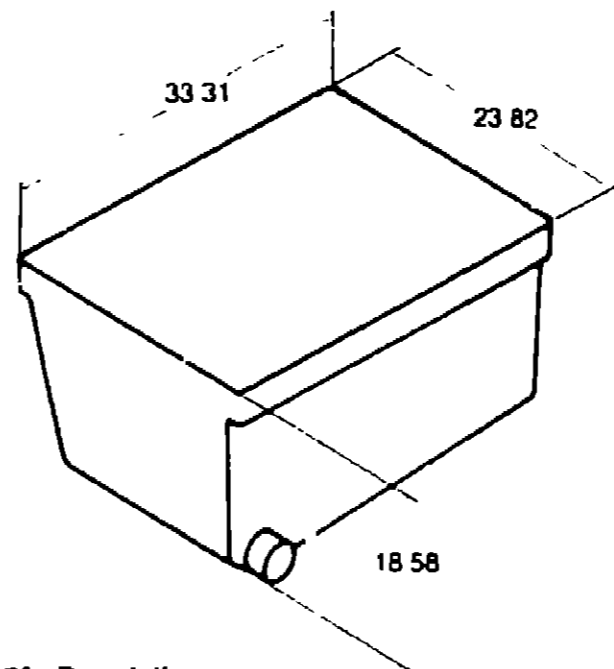


Key Part Number U/M Description
 084679-01-000 EA Holding Tank - Plastic - w/o Fittings - 11.5 Gal

Used as a sewage tank
 *Used as a gray water tank

- | | | |
|------------------------------------|------------------------------------|---|
| 1986 WINNEBAGO
* WT319RB | 1987 WINNEBAGO
* WT319RB | 1988 WINNEBAGO
* WT319RB
* WT319RK |
| 1986 ITASCA
* IT319RB | 1987 ITASCA
* IT319RB | 1988 ITASCA
* IT319RB
* IT319RK |

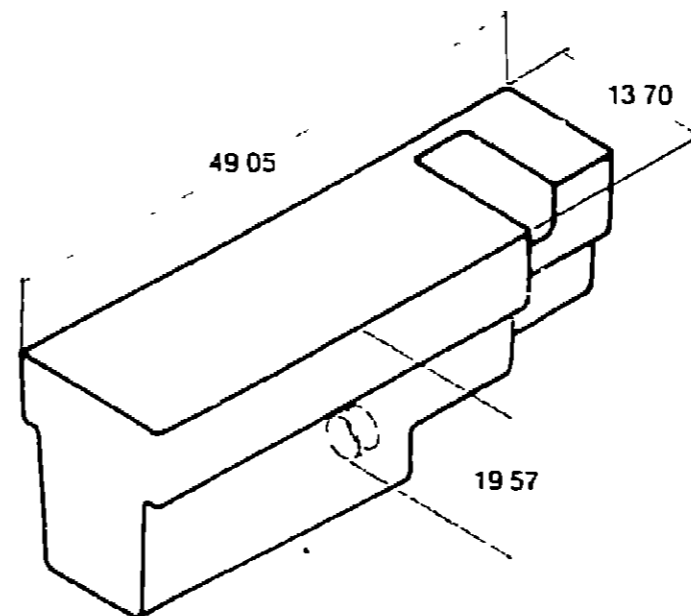
HOLDING TANK GROUP (CONTINUED)



Key Part Number U/M Description
 084983-01-000 EA Holding Tank - Plastic - w/o Fittings - 40 Gal.

Used as a sewage tank
 *Used as a gray water tank

- | | |
|------------------------------------|------------------------------------|
| 1987 WINNEBAGO
* WCP37RQ | 1988 WINNEBAGO
* WCP37RQ |
| 1987 ITASCA
* ICP37RQ | 1988 ITASCA
* ICP37RQ |



Key Part Number U/M Description
 084985-01-000 EA Holding Tank - Plastic - w/o Fittings - 34 Gal

Used as a sewage tank
 *Used as a gray water tank

- | | |
|----------------------------------|----------------------------------|
| 1987 WINNEBAGO
WCP37RQ | 1988 WINNEBAGO
WCP37RQ |
| 1987 ITASCA
ICP37RQ | 1988 ITASCA
ICP37RQ |

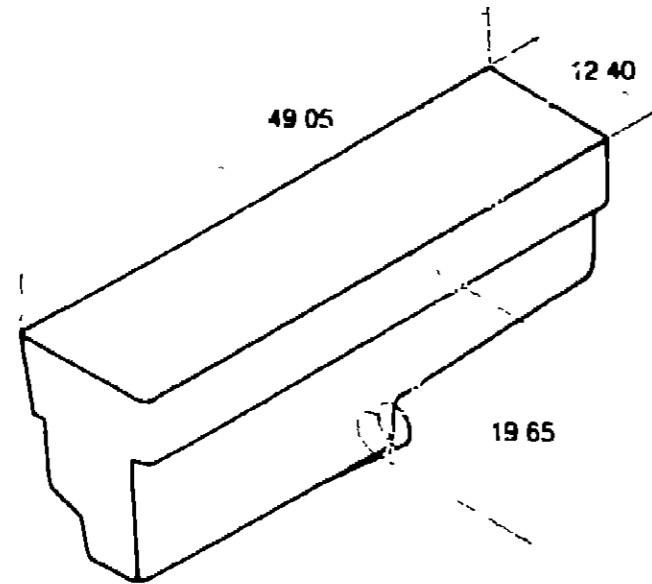
**1984-1988 COMMON ITEMS FICHE
 TABLE OF CONTENTS**

Introduction	A-01 - A-02
Air Conditioner	A-03 - A-09
Auto Air Conditioning	C-23 - C-24
Chassis Maintenance Kit	H-03 - H-04
Control Center	C-21 - C-22
Electric Motor Home Step	H-01
Furnace	A-11 - B-04
Interior/Exterior Screw & Fasteners	B-07 - B-08
Holding Tanks	D-01 - D-24
Mirrors - Exterior	B-05 - B-06
Range Hood	B-09 - B-15
Refrigerator	F-01 - G-23
Roof Vent	C-13 - C-19
Speed Control	E-01 - E-16
Toilet	B-19 - B-24
TV Antenna	B-17 - B-18
Water Heater	E-17 - E-24
Water Tanks	C-01 - C-11

HOLDING TANK GROUP INDEX

Holding Tanks - Plastic	D-01 - D-24
-------------------------	-------------

HOLDING TANK GROUP (CONTINUED)

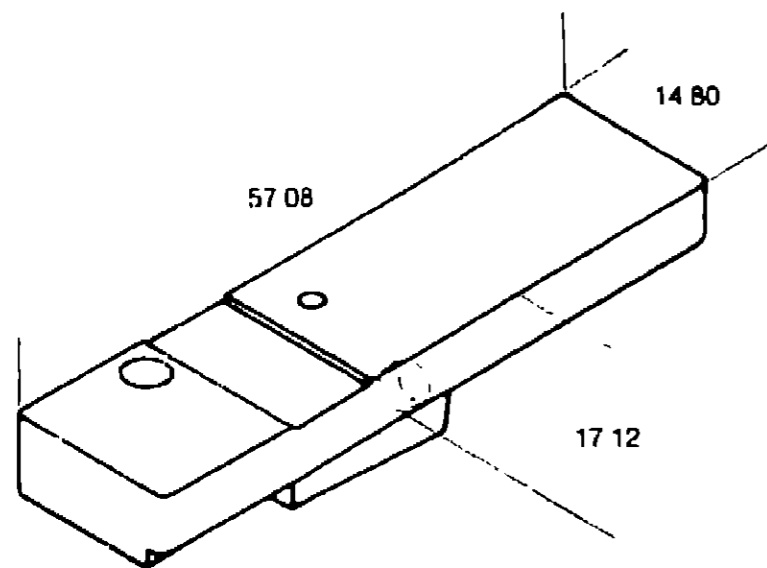


Key	Part Number	U/M	Description
	085183-01-000	EA	Holding Tank - Plastic - w/o Fittings - 26 Gal

Used as a sewage tank
 *Used as a gray water tank

1987 WINNEBAGO 1987 WINNEBAGO
 * WCP37RO * WCP37RO

1987 ITASCA 1988 ITASCA
 * ICP37RO * ICP37RO



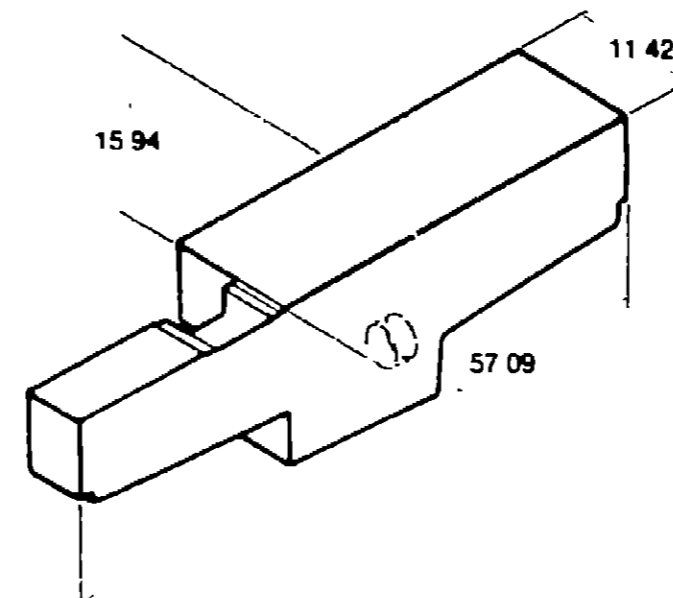
Key	Part Number	U/M	Description
	088384-01-000	EA	Holding Tank - Plastic - w/o Fittings - 32 Gal.

Used as a sewage tank
 *Used as a gray water tank

1988 WINNEBAGO
 * WCP32RO
 * WJP32RO

1988 ITASCA
 * ICP32RO
 * IJP32RO

HOLDING TANK GROUP (CONTINUED)

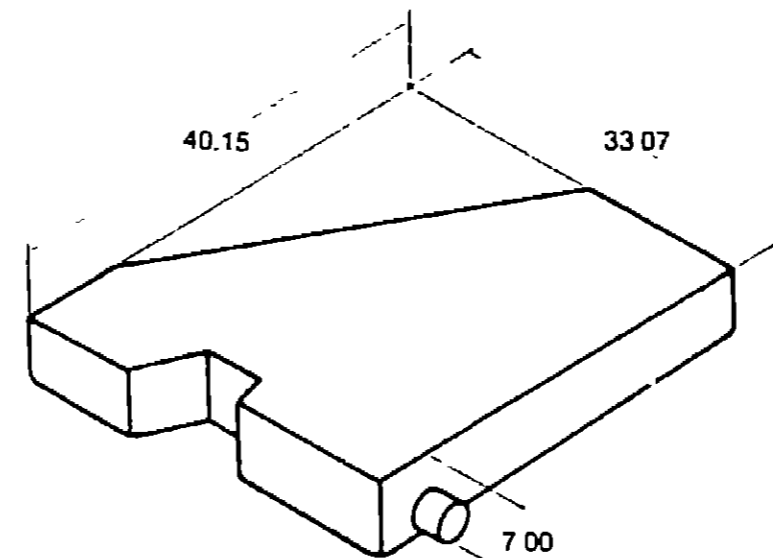


Key	Part Number	U/M	Description
	088385-01-000	EA	Holding Tank - Plastic - w/o Fittings - 24 Gal

Used as a sewage tank
 *Used as a gray water tank

1988 WINNEBAGO
 * WCP32RO
 * WJP32RO

1988 ITASCA
 * ICP32RO
 * IJP32RO



Key	Part Number	U/M	Description
	088671-01-000	EA	Holding Tank - Plastic - w/o Fittings - 27 Gal

Used as a sewage tank
 *Used as a gray water tank

1988 WINNEBAGO
 WCM31RO
 WCM34RO
 WJM34RO
 WJM31RO

1988 ITASCA
 ICM31RO
 ICM34RO
 IJM34RO
 IJM31RO

1984-1988 COMMON ITEMS FICHE TABLE OF CONTENTS

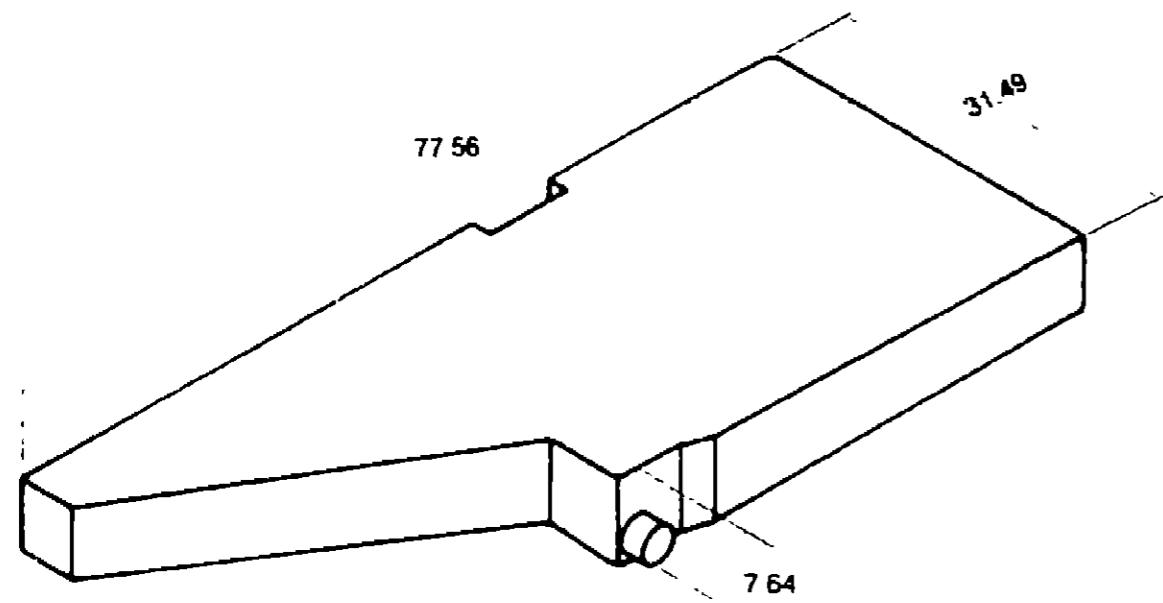
Introduction	A-01 - A-02
Air Conditioner	A-03 - A-09
Auto Air Conditioning	C-23 - C-24
Chassis Maintenance Kit	H-03 - H-04
Control Center	C-21 - C-22
Electric Motor Home Step	H-01
Furnace	A-11 - B-04
Interior/Exterior Screws & Fasteners	B-07 - B-08
Holding Tanks	D-01 - D-24
Mirrors - Exterior	B-05 - B-06
Range Hood	B-09 - B-15
Refrigerator	F-01 - G-23
Roof Vent	C-13 - C-19
Speed Control	E-01 - E-16
Toilet	B-19 - B-24
TV Antenna	B-17 - B-18
Water Heater	E-17 - E-24
Water Tanks	C-01 - C-11

HOLDING TANK GROUP INDEX

Holding Tanks - Plastic	D-01 - D-24
-------------------------	-------------

HOLDING TANK GROUP (CONTINUED)

HOLDING TANK GROUP (CONTINUED)

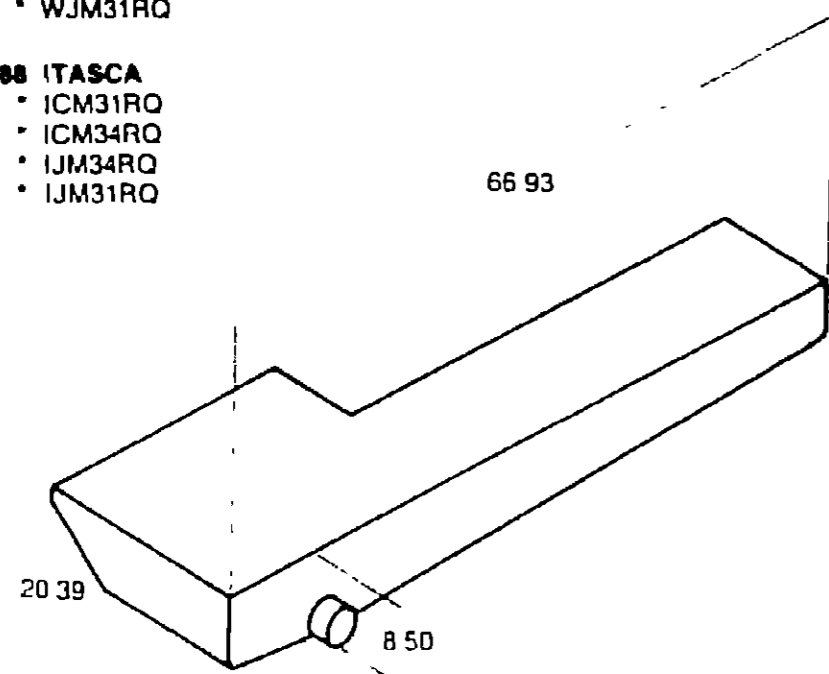


Key	Part Number	U/M	Description
	088672-01-000	EA	Holding Tank - Plastic - w/o Fittings - 55 Gal.

Used as a sewage tank
 *Used as a gray water tank

- | | |
|-----------------------|-----------------------|
| 1987 WINNEBAGO | 1988 WINNEBAGO |
| * WJN32RQ | * WCM31RQ |
| | * WCM34RQ |
| | * WJM34RQ |
| | * WJM31RQ |

- | | |
|--------------------|--------------------|
| 1987 ITASCA | 1988 ITASCA |
| * IJN32RQ | * ICM31RQ |
| | * ICM34RQ |
| | * IJM34RQ |
| | * IJM31RQ |

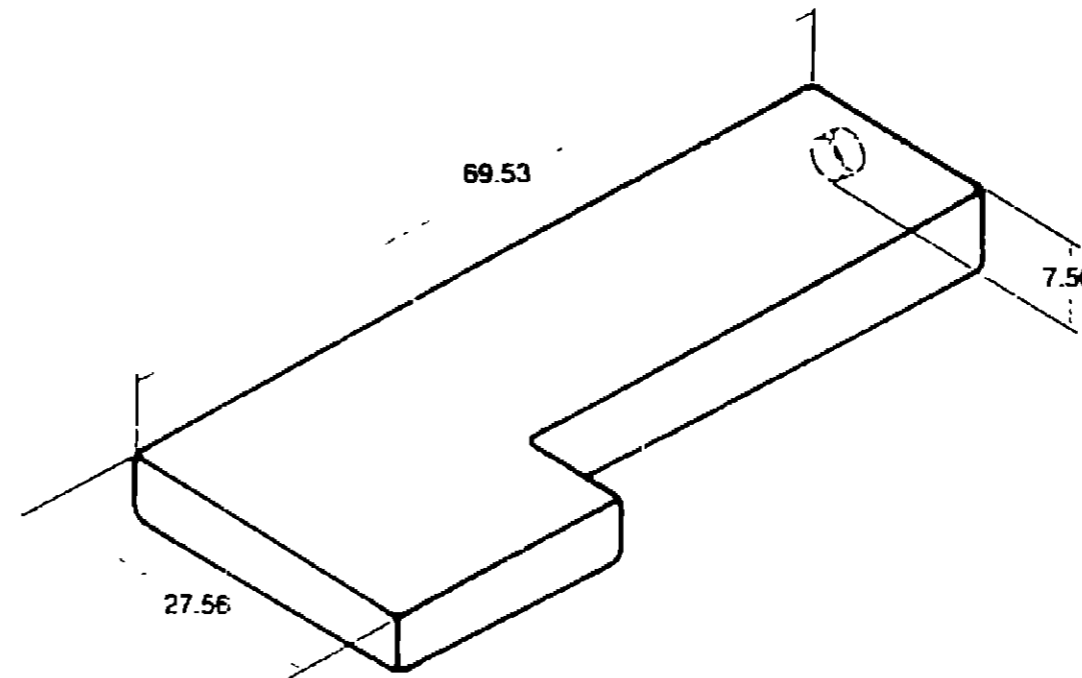


Key	Part Number	U/M	Description
	089066-01-000	EA	Holding Tank - Plastic - w/o Fittings - 28 Gal.

Used as a sewage tank
 *Used as a gray water tank

- 1988 WINNEBAGO**
 * WCM27RQ

- 1988 ITASCA**
 * ICM27RQ



Key	Part Number	U/M	Description
	089067-01-000	EA	Holding Tank - Plastic - w/o Fittings - 38 Gal.

Used as a sewage tank
 *Used as a gray water tank

- 1988 WINNEBAGO**
 * WCM27RQ

- 1988 ITASCA**
 * ICM27RQ

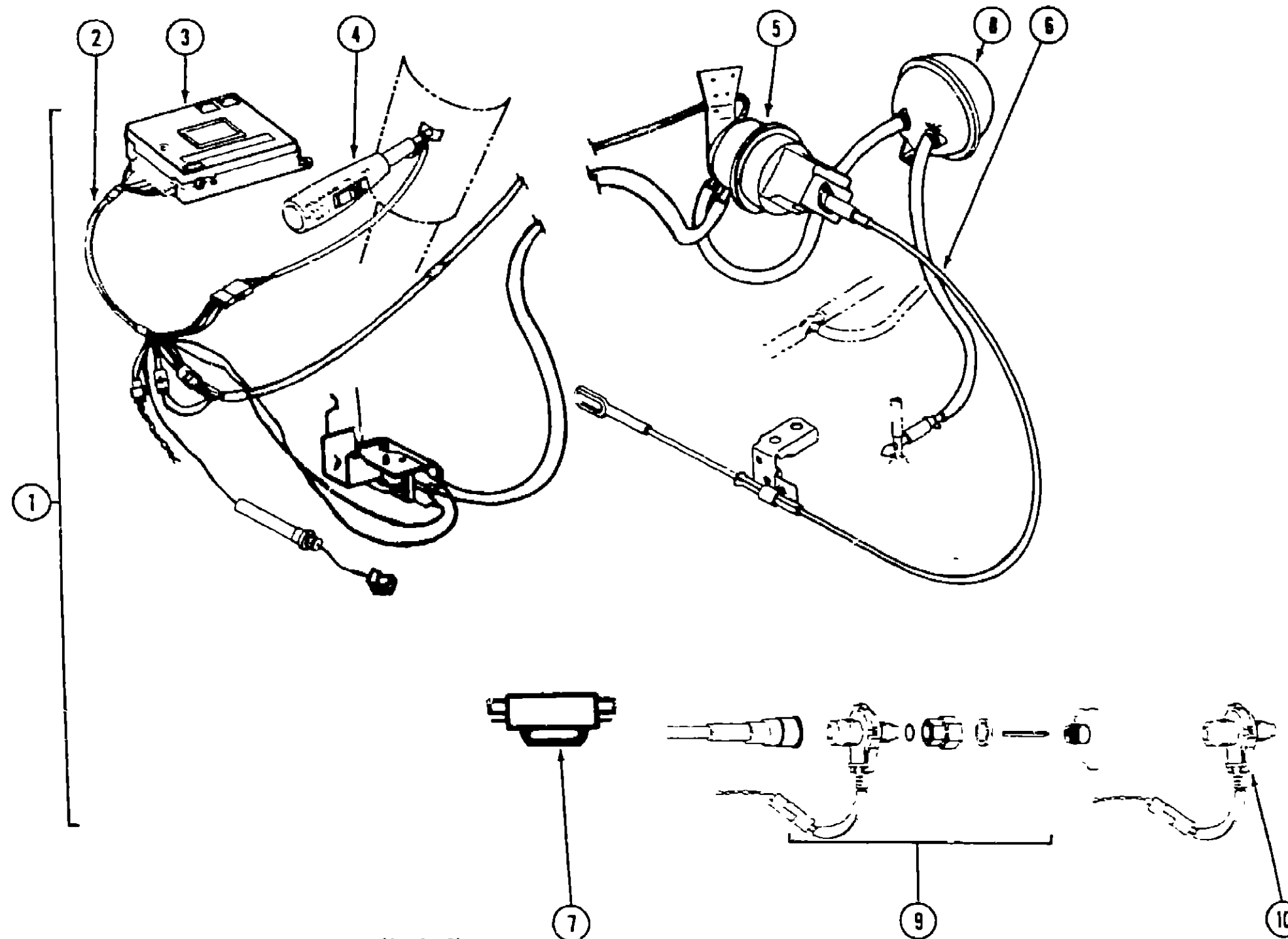
**1984-1988 COMMON ITEMS FICHE
 TABLE OF CONTENTS**

Introduction	A-01 - A-02
Air Conditioner	A-03 - A-09
Auto Air Conditioning	C-23 - C-24
Chassis Maintenance Kit	H-03 - H-04
Control Center	C-21 - C-22
Electric Motor Home Step	H-01
Furnace	A-11 - B-04
Interior/Exterior Screws & Fasteners	B-07 - B-08
Holding Tanks	D-01 - D-24
Mirrors - Exterior	B-05 - B-06
Range Hood	B-09 - B-15
Refrigerator	F-01 - G-23
Roof Vent	C-13 - C-19
Speed Control	E-01 - E-16
Toilet	B-19 - B-24
TV Antenna	B-17 - B-18
Water Heater	E-17 - E-24
Water Tanks	C-01 - C-11

HOLDING TANK GROUP INDEX

Holding Tanks - Plastic	D-01 - D-24
-------------------------	-------------

SPEED CONTROL GROUP
ELECTRONIC SPEED CONTROL (A & C BODIES)
W/BROWN CONTROL BOX



Key	Part Number	U/M	Description	Vendor No.
1	069629-01-000	EA	Speed Control Asm w/o Engagement Switch	
2	069629-01-703	EA	Wire Harness - Main	(59C-0202U)
3	069629-01-700	EA	Control Box (Brown)	(57C08X05-R)
4	069629-01-702	EA	Engagement Switch	(59C-08X26-F)
5	059778-01-705	EA	Servo	(55D-08X01-R)
6	059778-01-706	EA	Servo Cable	(59C-01781)
7	069629-01-701	EA	Release Valve	(59C-02161)
8	059778-01-712	EA	Vacuum Reservoir	(59C-01771D)
9	069629-01-704	EA	Signal Generator Asm	(59L-08X221P)
10	079372-01-700	EA	Signal Generator	(59L-08X221P)

1984-1988 COMMON ITEMS FICHE
TABLE OF CONTENTS

Introduction	A-01 - A-02
Air Conditioner	A-03 - A-09
Auto Air Conditioning	C-23 - C-24
Chassis Maintenance Kit	H-03 - H-04
Control Center	C-21 - C-22
Electric Motor Home Step	H-01
Furnace	A-11 - B-04
Interior/Exterior Screws & Fasteners	B-07 - B-09
Holding Tanks	D-01 - D-24
Mirrors - Exterior	B-05 - B-06
Range Hood	B-09 - B-15
Refrigerator	F-01 - G-23
Roof Vent	C-13 - C-19
Speed Control	E-01 - E-16
Toilet	B-19 - B-24
TV Antenna	B-17 - B-18
Water Heater	E-17 - E-24
Water Tanks	C-01 - C-11

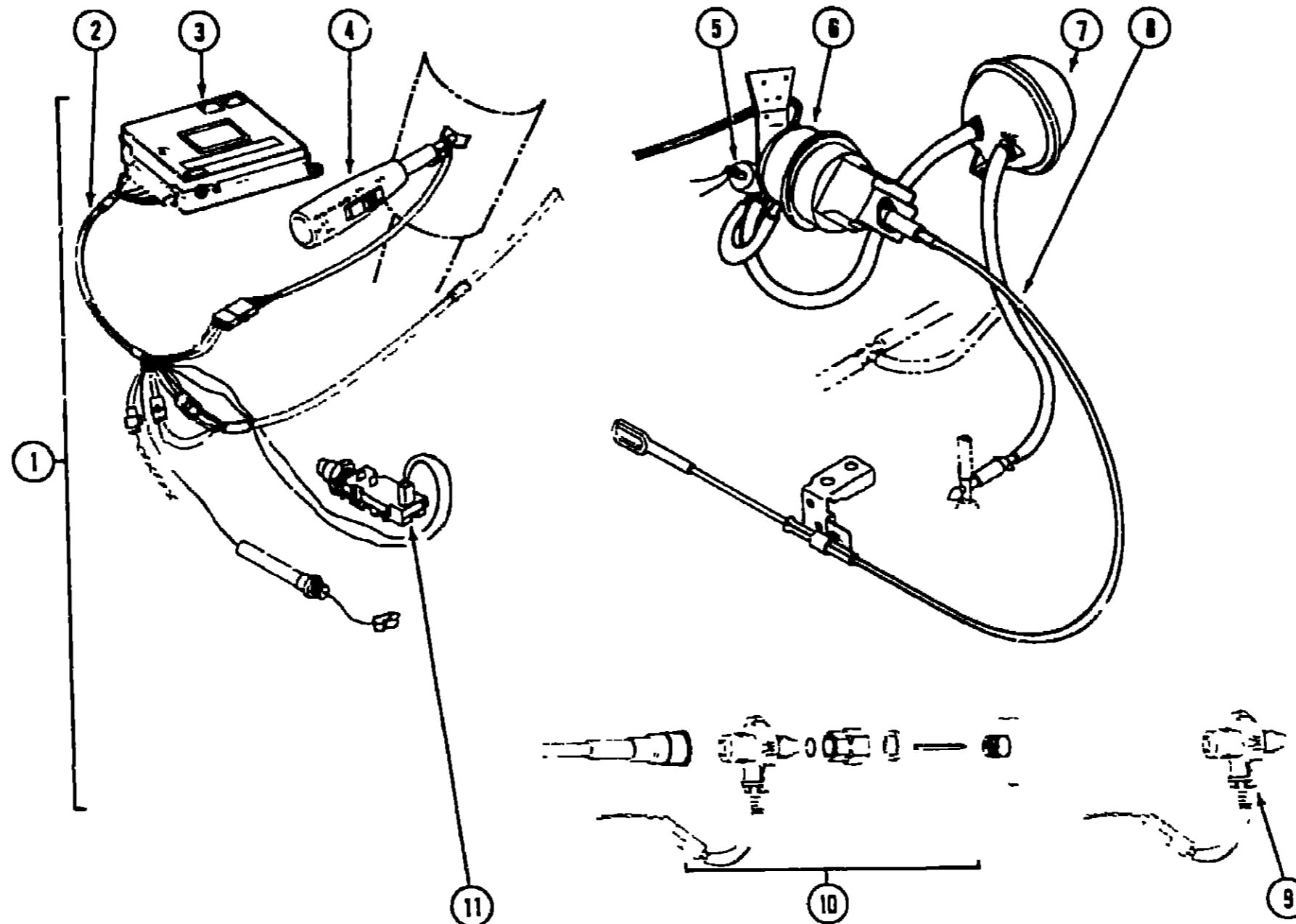
SPEED CONTROL GROUP INDEX

A&C Bodies w/Brown Cont. Box	E-01 - E-02
A&C Bodies w/Gray Control Box	E-03 - E-04
Phasar Le Sharo Centauri & Utility Van - Gas Engine	E-05 - E-06
Phasar Le Sharo Centauri & Utility Van - Diesel Engine	E-07 - E-08
6.2 L Diesel A-Body	E-09 - E-10
Dana Smart Stick	E-11 - E-12
ARA Smart Stick	E-13 - E-14
Toyota	E-15 - E-16

SPEED CONTROL GROUP (CONTINUED)

ELECTRONIC SPEED CONTROL (A & C BODIES)

W/GRAY CONTROL BOX



Key	Part Number	U/M	Description	Vendor No
1	083212-04-006	EA	Speed Control Asm w/o Engagement Switch	
2	083212-01-702	EA	Wire harness - Main	(59D-02542)
3	083212-01-700	EA	Control Box (Gray)	(57C-08X07-R)
4	083212-02-000	EA	Engagement Switch (A Body)	(59C-09Y28F)
4	083212-03-000	EA	Engagement Switch (C-Body)	(59L-08X51F)
5	083212-01-705	EA	Release Valve	(59C-02297)
6	083212-04-702	EA	Servo Assembly - Mount Ready	(53D-11111-R)
7	059778-01-712	EA	Vacuum Tank	(59C-01771D)
8	059778-01-706	EA	Servo Cable	(59C-01781)
9	069629-01-704	EA	Signal Generator Asm	(59L-08X221P)
10	069629-01-706	EA	Signal Generator	(59D-02392-1)
11	083212-01-704	EA	Cruise Release Switch	(59C-02543)

1984-1988 COMMON ITEMS FICHE TABLE OF CONTENTS

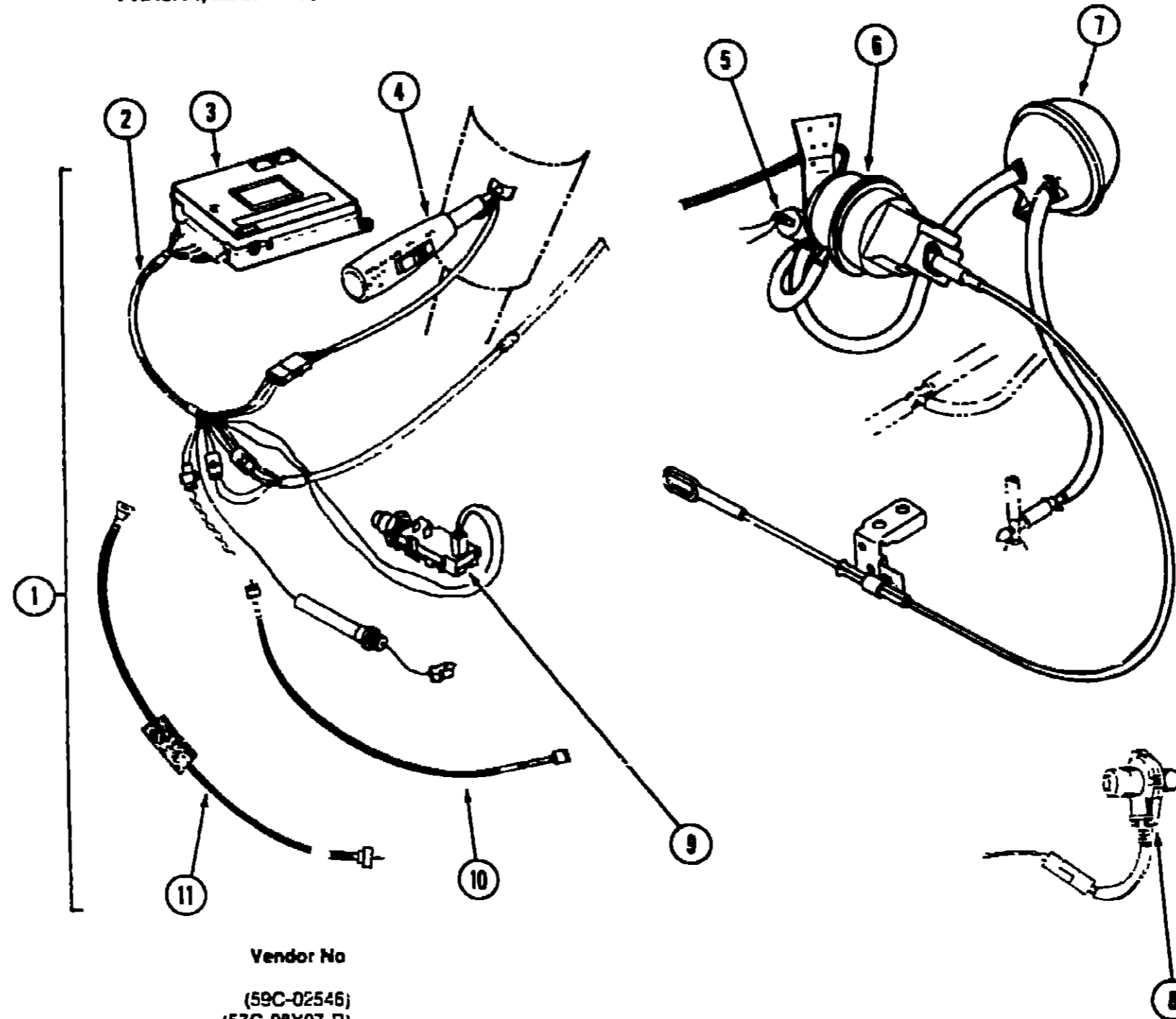
Introduction	A-01 - A-02
Air Conditioner	A-03 - A-09
Auto Air Conditioning	C-23 - C-24
Chassis Maintenance Kit	H-03 - H-04
Control Center	C-21 - C-22
Electric Motor Home Step	H-01
Furnace	A-11 - B-04
Interior/Exterior Screw & Fasteners	B-07 - B-08
Holding Tanks	D-01 - D-24
Mirrors - Exterior	B-05 - B-06
Range Hood	B-09 - B-15
Refrigerator	F-01 - G-23
Roof Vent	C-13 - C-19
Speed Control	E-01 - E-16
Toilet	B-19 - B-24
TV Antenna	B-17 - B-18
Water Heater	E-17 - E-24
Water Tanks	C-01 - C-11

SPEED CONTROL GROUP INDEX

A&C Bodies w/Brown Cont. Box	E-01 - E-02
A&C Bodies w/Gray Control Box	E-03 - E-04
Phasar, Le Sharo, Centauri & Utility Van - Gas Engine	E-05 - E-06
Phasar, Le Sharo, Centauri & Utility Van - Diesel Engine	E-07 - E-08
6.2 L Diesel A-Body	E-09 - E-10
Dana Smart Stick	E-11 - E-12
ARA Smart Stick	E-13 - E-14
Toyota	E-15 - E-16

SPEED CONTROL GROUP (CONTINUED)

ELECTRONIC SPEED CONTROL (GAS ENGINE)
PHASAR, LE SHARO, CENTAURI & UTILITY VAN



Key	Part Number	U/M	Description	Vendor No
1	083211-02-000	EA	Speed Control Complete	(59C-02546)
2	083211-01-700	EA	Main Wire Harness	(57C-08X07-R)
3	083212-01-700	EA	Control Box (Gray)	(58C-13901-F)
4	073999-01-704	EA	Control Lever	(59C-02297)
5	083217-01-705	EA	Release Valve	(59C-01771D)
6	083211-01-702	EA	Servo Asm. w. Cable	(59C-02538)
7	059776-01-712	EA	Vacuum Reservoir	(59D-02392-1)
8	079972-01-700	EA	Signal Generator	
9	077000-01-517	EA	Kickdown Switch	
10	072106-04-000	EA	Lower Speedometer Cable	
11	072103-05-000	EA	Upper Speedometer Cable	
	083211-01-700	EA	Main Wire Harness Extension	
	079972-01-703	EA	Kickdown Switch	
			Not illustrated	

1984-1988 COMMON ITEMS FICHE TABLE OF CONTENTS

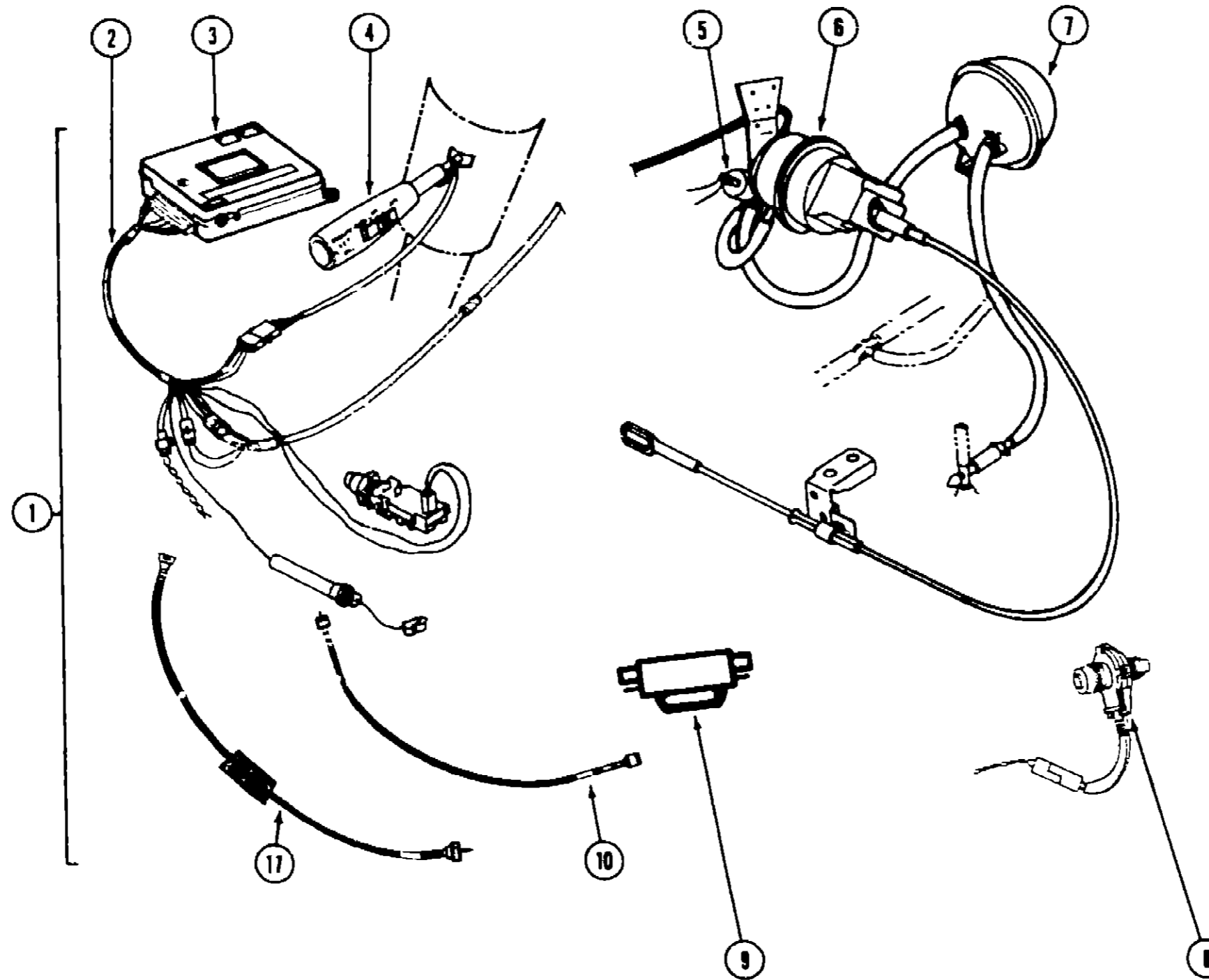
Introduction	A-01 - A-02
Air Conditioner	A-03 - A-09
Auto Air Conditioning	C-23 - C-24
Chassis Maintenance Kit	H-03 - H-04
Control Center	C-21 - C-22
Electric Motor Home Step	H-01
Furnace	A-11 - B-04
Interior/Exterior Screw & Fasteners	B-07 - B-08
Holding Tanks	D-01 - D-24
Mirrors - Exterior	B-05 - B-06
Range Hood	B-08 - B-15
Refrigerator	F-01 - G-23
Roof Vent	C-13 - C-19
Speed Control	E-01 - E-16
Toilet	B-19 - B-24
TV Antenna	B-17 - B-18
Water Heater	E-17 - E-24
Water Tanks	C-01 - C-11

SPEED CONTROL GROUP INDEX

A&C Bodies w/Brown Control Box	E-01 - E-02
A&C Bodies w/Gray Control Box	E-03 - E-04
Phasar, Le Sharo, Centauri & Utility Van - Gas Engine	E-05 - E-06
Phasar, Le Sharo, Centauri & Utility Van - Diesel Engine	E-07 - E-08
6.2 L Diesel A-Body	E-09 - E-10
Dana Smart Stick	E-11 - E-12
ARA Smart Stick	E-13 - E-14
Toyota	E-15 - E-16

SPEED CONTROL GROUP (CONTINUED)

ELECTRONIC SPEED CONTROL (DIESEL ENGINE)
PHASAR, LE SHARO, CENTAURI & UTILITY VAN.



Key	Part Number	U/M	Description	Vendor No
1	083556-01-000	EA	Speed Control Asm	
2	083556-01-700	EA	Wire Harness - Main	(59C-02546)
3	083212-01-700	EA	Control Box (Gray)	(57C-09X07-R)
4	073999-01-704	EA	Engagement Switch	(58C-13901-F)
5	083212-01-705	EA	Release Valve	(59C-02297)
6	083556-01-701	EA	Servo w/Cable	(53C-11108-R)
7	059778-01-712	EA	Vacuum Tank	(59C-01771D)
8	079972-01-700	EA	Signal Generator	(59D-02392-1)
9	069629-01-701	EA	Electric Switch	(59C-02161)
10	073999-01-700	EA	Speedometer Cable - Lower	(59C-02269)
11	073999-01-701	EA	Speedometer Cable - Upper	(59C-02265)

1984-1988 COMMON ITEMS FICHE TABLE OF CONTENTS

Introducer	A-01 - A-02
Air Conditioner	A-03 - A-09
Auto Air Conditioning	C-23 - C-24
Chassis Maintenance Kit	H-03 - H-04
Control Center	C-21 - C-22
Electric Motor Home Step	H-01
Furnace	A-11 - B-04
Interior/Exterior Screw & Fasteners	B-07 - B-08
Holding Tanks	D-01 - D-24
Mirrors - Exterior	B-05 - B-06
Range Hood	B-09 - B-15
Refrigerator	F-01 - G-23
Roof Vent	C-13 - C-19
Speed Control	E-01 - E-16
Toilet	B-19 - B-24
TV Antenna	B-17 - B-18
Water Heater	E-17 - E-24
Water Tanks	C-01 - C-11

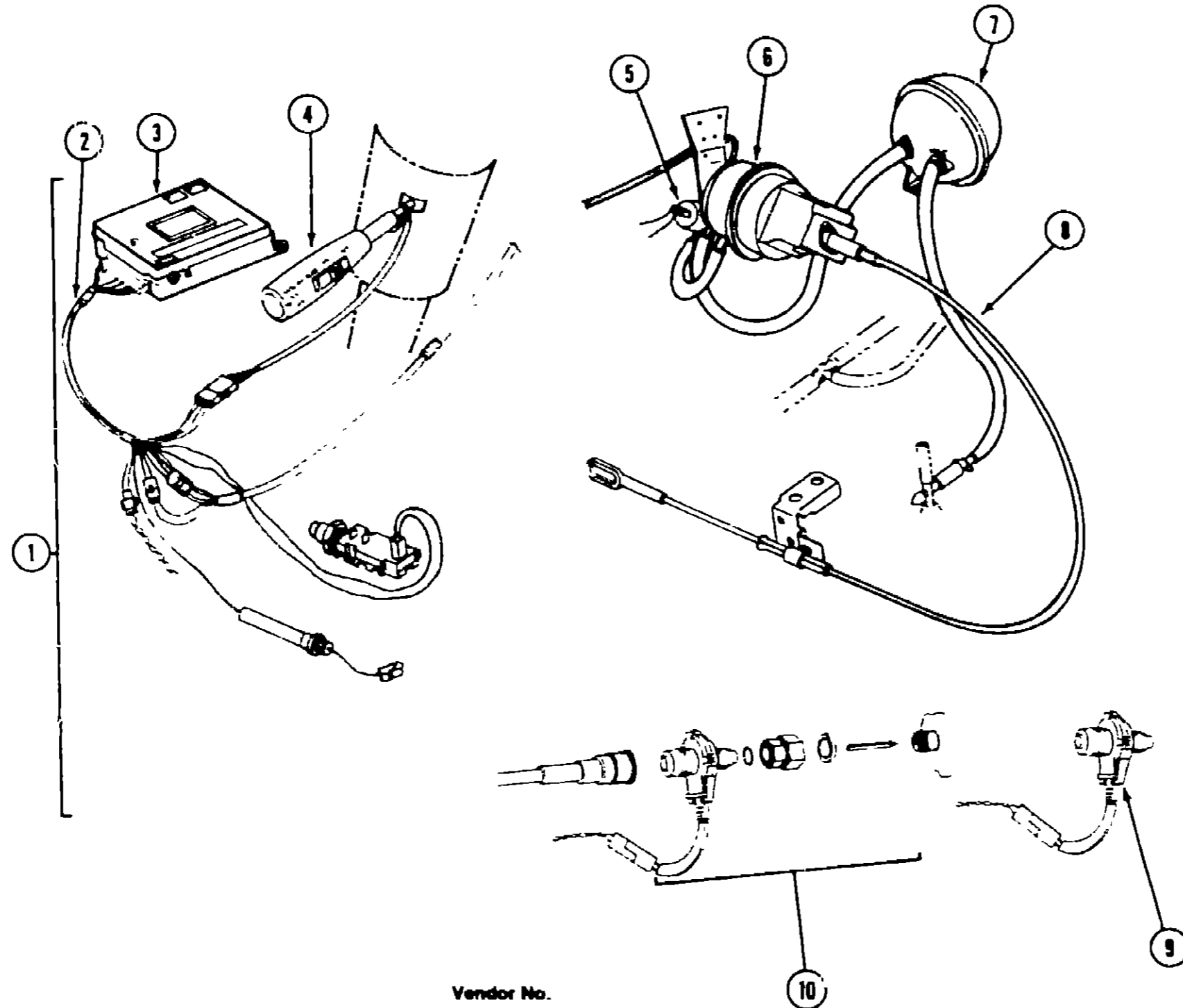
SPEED CONTROL GROUP INDEX

A&C Bodies w/Brown Cont. Box	E-01 - E-02
A&C Bodies w/Gray Control Box	E-03 - E-04
Phasar, Le Sharo, Centauri & Utility Van - Gas Engine	E-05 - E-06
Phasar, Le Sharo, Centauri & Utility Van - Diesel Engine	E-07 - E-08
6.2 L Diesel A-Body	E-09 - E-10
Dana Smart Stick	E-11 - E-12
ARA Smart Stick	E-13 - E-14
Toyota	E-15 - E-16

SPEED CONTROL GROUP (CONTINUED)

ELECTRONIC SPEED CONTROL (6.2L DIESEL A-BODY)

1984-1988 COMMON ITEMS FICHE TABLE OF CONTENTS



Key	Part Number	U/M	Description	Vendor No.
1	072366-01-000	EA	Speed Control Asm	
2	083212-01-702	EA	Wire Harness - Main	(59D-02542)
3	083212-01-700	EA	Control Box (Gray)	(57C-08X07-R)
4	083212-U2-000	EA	Engagement Switch	(58C-08X28-F)
5	083212-01-705	EA	Release Valve	(59C-02297)
6	059778-01-705	EA	Servo	(53D-08X01-R)
7	072366-01-702	EA	Vacuum Tank	(59B02117)
8	059778-01-705	EA	Servo Cable	(59C-01781)
9	069629-01-706	EA	Signal Generator	(59D-02392-1)
10	069629-01-704	EA	Signal Generator Asm	(59L-08X221P)

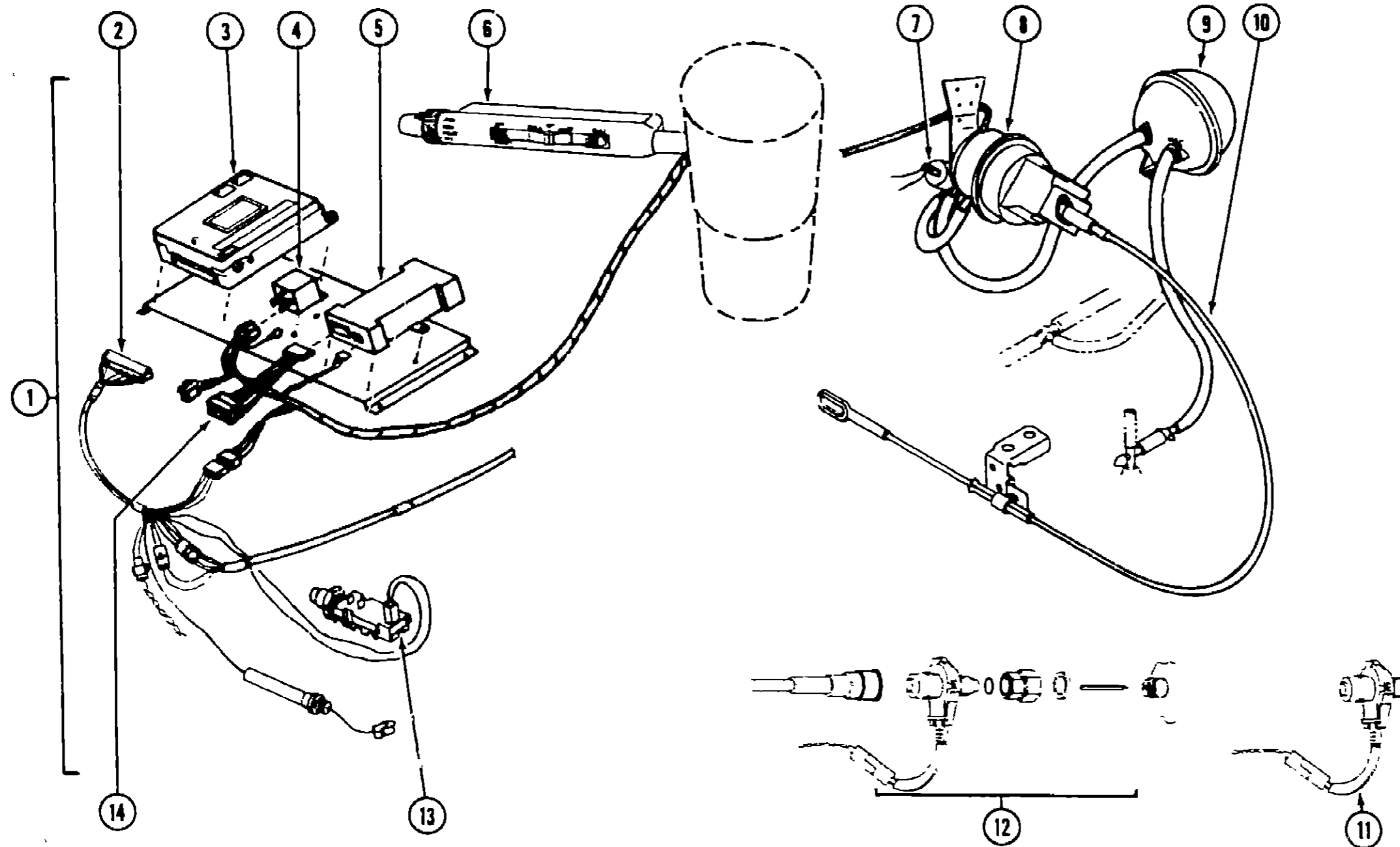
Introduction	A-01 - A-02
Air Conditioner	A-03 - A-09
Auto Air Conditioning	C-23 - C-24
Chassis Maintenance Kit	H-03 - H-04
Control Center	C-21 - C-22
Electric Motor Home Step	H-01
Furnace	A-11 - B-04
Interior/Exterior Screw & Fasteners	B-07 - B-08
Holding Tanks	D-01 - D-24
Mirrors - Exterior	B-05 - B-06
Range Hood	B-09 - B-15
Refrigerator	F-01 - G-23
Roof Vent	C-13 - C-19
Speed Control	E-01 - E-16
Toilet	B-19 - B-24
TV Antenna	B-17 - B-18
Water Heater	E-17 - E-24
Water Tanks	C-01 - C-11

SPEED CONTROL GROUP INDEX

A&C Bodies w/Brown Control Box	E-01 - E-02
A&C Bodies w/Gray Control Box	E-03 - E-04
Phasar, Le Sharo, Centauri & Utility Van - Gas Engine	E-05 - E-06
Phasar, Le Sharo, Centauri & Utility Van - Diesel Engine	E-07 - E-08
6.2 L Diesel A-Body	E-09 - E-10
Dana Smart Stick	E-11 - E-12
ARA Smart Stick	E-13 - E-14
Toyota	E-15 - E-16

SPEED CONTROL GROUP (CONTINUED)

DANA SMART STICK



Key	Part Number	U/M	Description	Vendor No.
1	083212-06-000	EA	Speed Control Asm - Complete	
2	083212-04-701	EA	Wire Harness - Main	(59D-02570)
3	083212-01-700	EA	Control Box (Gray)	(57C-08X07-R)
4	083212- 6-703	EA	Light Relay	(55B-01070)
5	083212-06-701	EA	Wiper Module (Black)	(66C-00624)
6	083212-16-700	EA	Engagement Switch & Lever Asm	(58D-11101F)
7	083212-11-705	EA	Release Valve	(59C-02297)
8	083212-04-702	EA	Servo Asm	(53D-11111-R)
9	059778-01-712	EA	Vacuum Tank	(59C-01771D)
10	083211-01-703	EA	Servo Cable	(59C-02538)
11	069629-01-706	EA	Signal Generator	(59D-02392-1)
12	069629-01-704	EA	Signal Generator Asm	(59L-08X221P)
13	083212-01-704	EA	Stop Lamp/Cruise Release Switch	(59C-02543)
14	083212-06-702	EA	Wire Harness Asm - Wiper Input	(66B-00056)

1984-1988 COMMON ITEMS FICHE TABLE OF CONTENTS

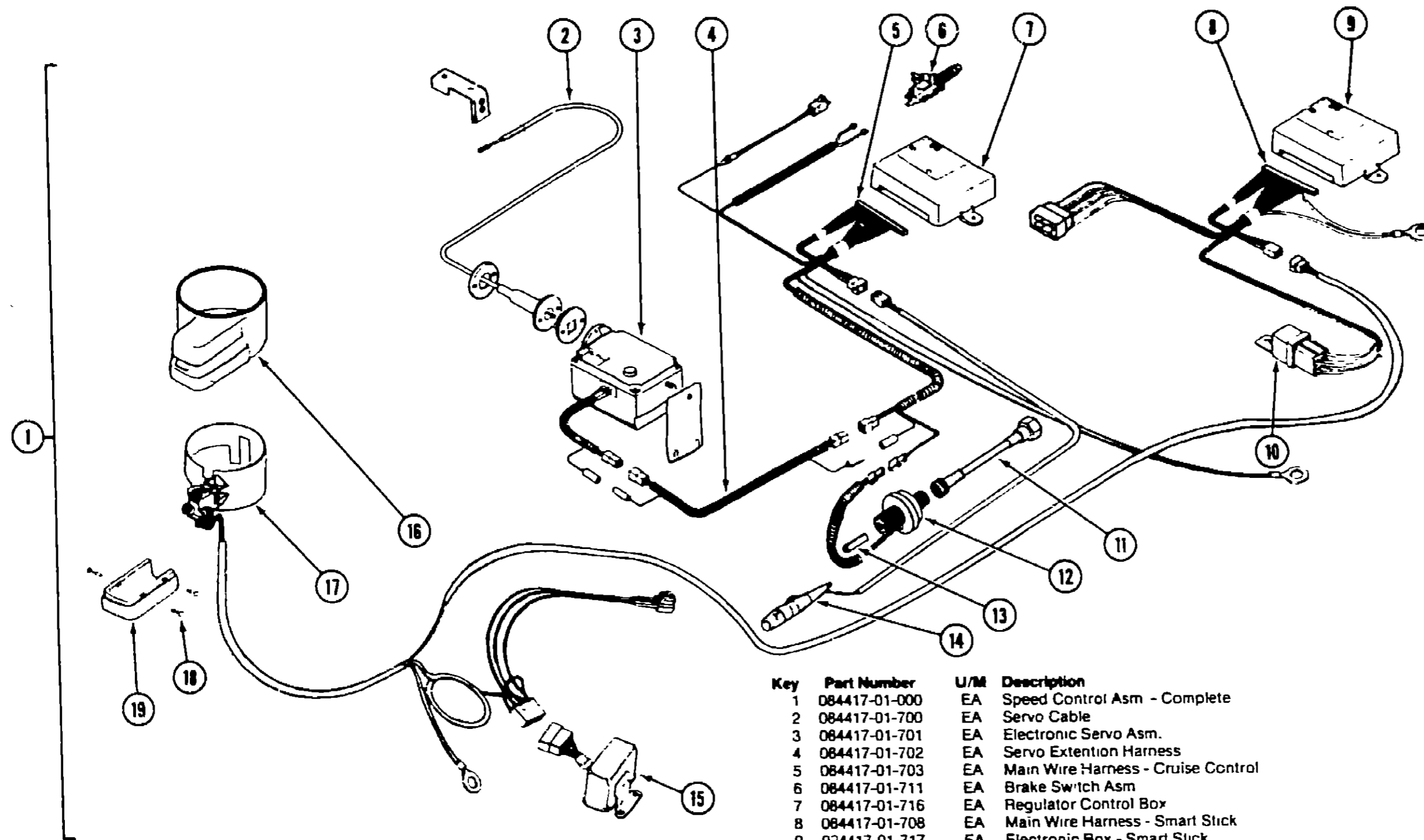
Introduction	A-01 - A-02
Air Conditioner	A-03 - A-09
Auto Air Conditioning	C-23 - C-24
Chassis Maintenance Kit	H-03 - H-04
Control Center	C-21 - C-22
Electric Motor Home Step	H-01
Furnace	A-11 - B-04
Interior/Exterior Screws & Fasteners	B-07 - B-08
Holding Tanks	D-01 - D-24
Mirrors - Exterior	B-05 - B-06
Range Hood	B-09 - B-15
Refrigerator	F-01 - G-23
Roof Vent	C-13 - C-19
Speed Control	E-01 - E-16
Toilet	B-19 - B-24
TV Antenna	B-17 - B-18
Water Heater	E-17 - E-24
Water Tanks	C-01 - C-11

SPEED CONTROL GROUP INDEX

A&C Bodies w/Brown Control Box	E-01 - E-02
A&C Bodies w/Gray Control Box	E-03 - E-04
Phasar, Le Sharo, Centauri & Utility Van - Gas Engine	E-05 - E-06
Phasar, Le Sharo, Centauri & Utility Van - Diesel Engine	E-07 - E-08
6.2 L Diesel A-Body	E-09 - E-10
Dana Smart Stick	E-11 - E-12
ARA Smart Stick	E-13 - E-14
Toyota	E-15 - E-16

SPEED CONTROL GROUP (CONTINUED)

ARA SMART STICK



Key	Part Number	U/M	Description
1	084417-01-000	EA	Speed Control Asm - Complete
2	084417-01-700	EA	Servo Cable
3	084417-01-701	EA	Electronic Servo Asm.
4	084417-01-702	EA	Servo Extension Harness
5	084417-01-703	EA	Main Wire Harness - Cruise Control
6	084417-01-711	EA	Brake Switch Asm
7	084417-01-716	EA	Regulator Control Box
8	084417-01-708	EA	Main Wire Harness - Smart Stick
9	084417-01-717	EA	Electronic Box - Smart Stick
10	084417-01-709	EA	Relay - 12V DC OPDT
11	084417-01-706	EA	Speedometer Cable
12	084417-01-705	EA	Signal Generator
13	084417-01-713	EA	Paddle Adapter
14	084417-01-710	EA	Relay
15	084417-01-707	EA	Control Arm w/Wire Loom
16	084417-01-721	EA	Shroud - Steering Column - Top
17	084417-01-720	EA	Mounting Bracket - GM Switch Asm.
18	084417-01-719	EA	Nylon Snap Rivet
19	084417-01-722	EA	Shroud - Steering Column - Bottom
	084417-01-712	EA	Tester - Regulator Control Box
	084417-01-715	EA	Tester - Electronic Box - Smart Stick
			Not illustrated

1984-1988 COMMON ITEMS FICHE TABLE OF CONTENTS

Introduction	A-01 - A-02
Air Conditioner	A-03 - A-09
Auto Air Conditioning	C-23 - C-24
Chassis Maintenance Kit	H-03 - H-04
Control Center	C-21 - C-22
Electric Motor Home Step Furnace	H-01
Furnace	A-11 - B-04
Interior/Exterior Screws & Fasteners	B-07 - B-08
Holding Tanks	D-01 - D-24
Mirrors - Exterior	B-05 - B-06
Range Hood	B-09 - B-15
Refrigerator	F-01 - G-23
Roof Vent	C-13 - C-19
Speed Control	E-01 - E-16
Toilet	B-19 - B-24
TV Antenna	B-17 - B-18
Water Heater	E-17 - E-24
Water Tanks	C-01 - C-11

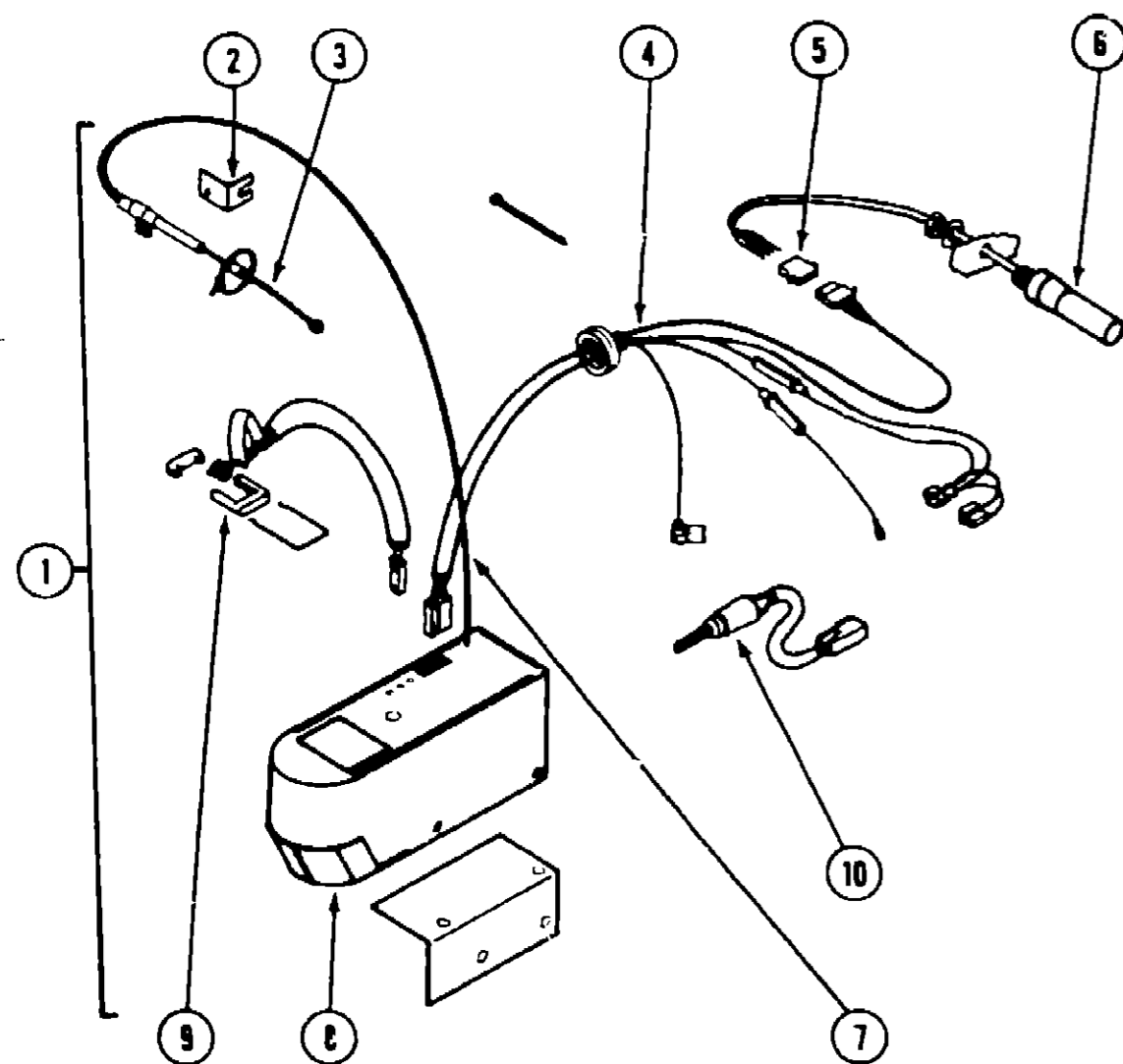
SPEED CONTROL GROUP INDEX

A&C Bodies w/Brown Cont Box	E-01 - E-02
A&C Bodies w/Gray Control Box	E-03 - E-04
Phasar, Le Sharo, Centauri & Utility Van - Gas Engine	E-05 - E-06
Phasar, Le Sharo, Centauri & Utility Van - Diesel Engine	E-07 - E-08
6 2 L Diesel A-Body	E-09 - E-10
Dana Smart Stick	E-11 - E-12
ARA Smart Stick	E-13 - E-14
Toyota	E-15 - E-16

Vendor No.	
(2701294)	
(2701238)	
(2701645)	
(2701576)	
(2701623)	
(2701197)	
(2701577)	
(2700073)	
(2700131)	
(2700159)	
(2701572)	
(2700904)	
(2700084)	
(2701444)	
(2700820)	
(2701575)	
(2700780)	
(2700821)	
(3000216)	
(3000218)	

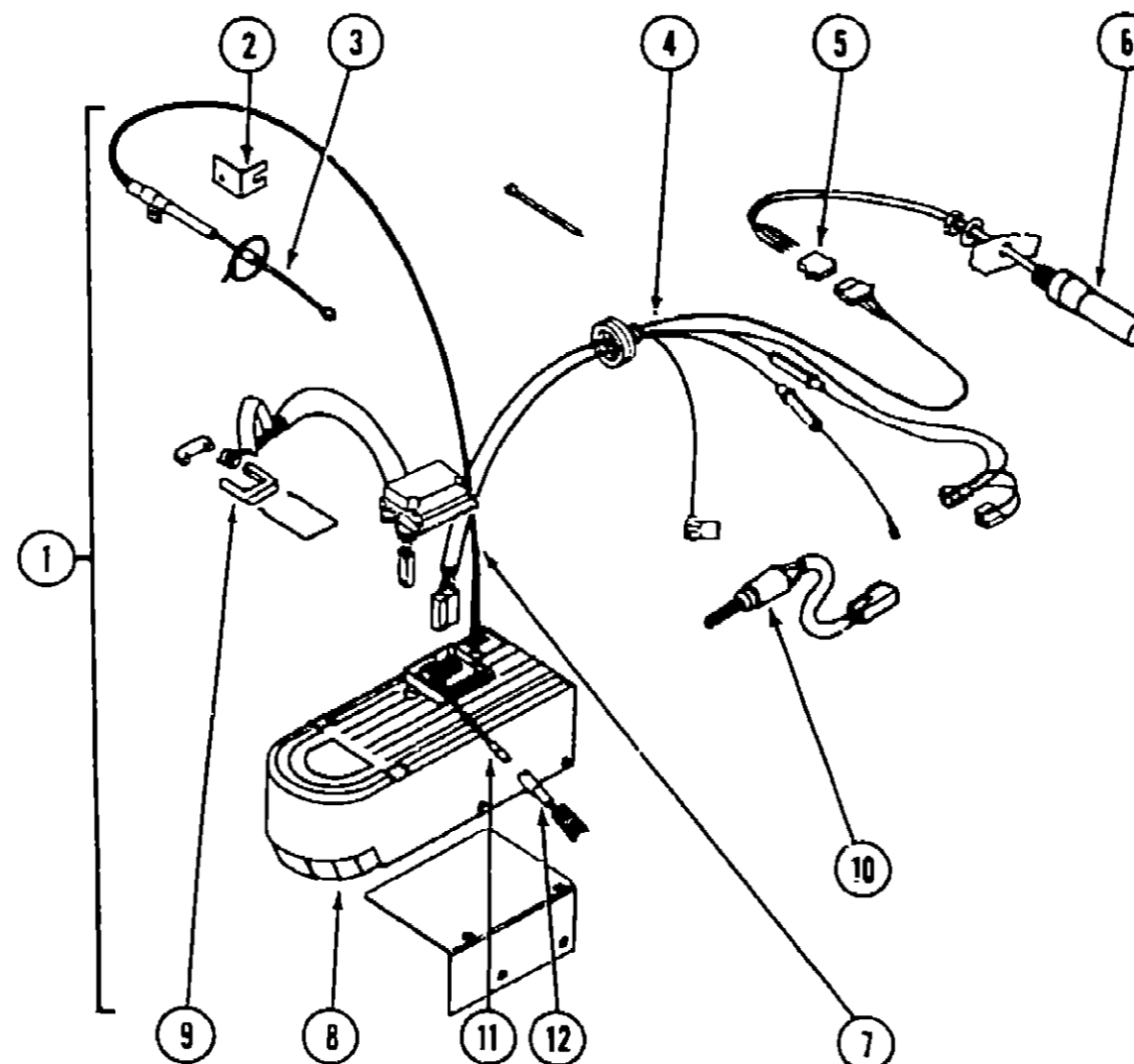
SPEED CONTROL GROUP (CONTINUED)

ELECTRONIC SPEED CONTROL (TOYOTA)



SERIAL NO. 1 THRU 63889

Key	Part Number	U/M	Description	Vendor No.
1	084438-01-000	EA	Speed Control Complete	
2	084438-01-701	EA	Cable Bracket	(59A02455)
3	084438-01-702	EA	Cable Asm - Throttle Loop	(59B02456)
4	084438-01-703	EA	Wiring Harness	(59C02451)
5	084438-01-706	EA	4 Pin Connector	(58A00753)
6	084438-01-705	EA	Control Switch	(58D08X09GD/L)
7	084438-01-707	EA	Cable	(596-02457)
8	084438-01-700	EA	Regulator Asm - Control Box	(56L-13325-P)
9	084438-01-704	EA	Spark Plug Current Sensor	(56L-13314A)
10	084438-02-000	EA	Clutch Switch - Speed Control	



SERIAL NO. 64961 -

Key	Part Number	U/M	Description	Vendor No.
1	084438-03-000	EA	Speed Control Complete	
2	084438-01-701	EA	Cable Bracket	(59A02455)
3	084438-01-702	EA	Cable Asm. - Throttle Loop	(59B02456)
4	084438-01-703	EA	Wiring Harness	(59C02451)
5	084438-01-706	EA	4 Pin Connector	(58A00753)
6	084438-01-705	EA	Control Switch	(58D08X09GD/L)
7	084438-01-707	EA	Cable	(596-02457)
8	084438-03-701	EA	Regulator Asm - Control Box	(250-3216)
9	084438-01-704	EA	Spark Plug Current Sensor	(56L-13314A)
10	084438-02-000	EA	Clutch Switch - Speed Control	
11	084438-03-702	EA	Neutral Safety Pigtail	(250-3257)
12	084438-03-703	EA	Neutral Safety Wire Asm	(250-3264)

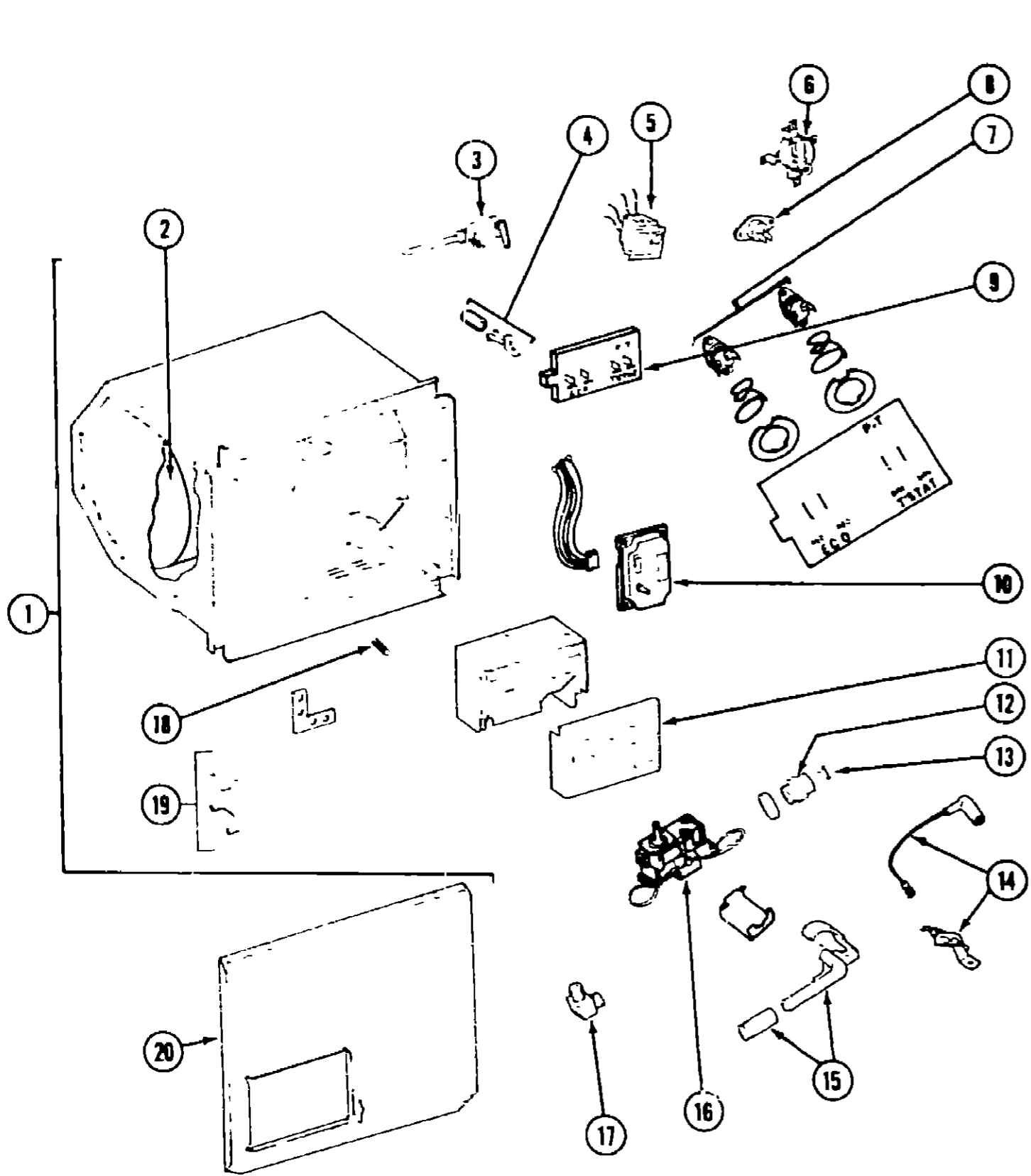
1984-1988 COMMON ITEMS FICHE TABLE OF CONTENTS

Introduction	A-01 - A-02
Air Conditioner	A-03 - A-09
Auto Air Conditioning	C-23 - C-24
Chassis Maintenance Kit	H-03 - H-04
Control Center	C-21 - C-22
Electric Motor Home Step	H-01
Furnace	A-11 - B-04
Interior/Exterior Screws & Fasteners	B-07 - B-08
Holding Tanks	D-01 - D-24
Mirrors - Exterior	B-05 - B-06
Range Hood	B-09 - B-15
Refrigerator	F-01 G-23
Roof Vent	C-13 - C-19
Speed Control	E-01 - E-16
Toilet	B-19 - B-24
TV Antenna	B-17 - B-18
Water Heater	E-17 - E-24
Water Tanks	C-01 - C-11

SPEED CONTROL GROUP INDEX

A&C Bodies w/Brown Control Box	E-01 - E-02
A&C Bodies w/Gray Control Box	E-03 - E-04
Phasar, Le Sharo, Centauri & Utility Van - Gas Engine	E-05 - E-06
Phasar, Le Sharo, Centauri & Utility Van - Diesel Engine	E-07 - E-08
6 2 L Diesel A-Body	E-09 - E-10
Dana Smart Stick	E-11 - E-12
ARA Smart Stick	E-13 - E-14
Toyota	E-15 - E-16

WATER HEATER GROUP
ATWOOD - W/MOTOR AID - ELECTRIC IGNITION - GH63E



Key	Part Number	U/M	Description
1	051393-01-000	EA	Water Heater - GH63E - Electric Ignition w/Motor
2	051393-01-714	EA	Tank - Inner
3	051391-01-704	EA	Valve - Relief 1/2" Fitting
4	051391-01-705	EA	Fastener - Cam Lock
5	051393-01-701	EA	Switch Package
6	051393-01-702	EA	ECO Switch - Energy Cut Off
7	051391-04-701	EA	Thermostat - 12V DC - 120° Preset
8	051393-01-703	EA	Thermostat - 12V DC - 140° Preset
9	051391-04-702	EA	Front Mount ECO & 140° Thermostat
10	051393-01-704	EA	Circuit Board
11	051391-01-706	EA	Grille - Exhaust
12	051393-01-705	EA	Fitting - Orifice
13	051391-01-710	EA	Orifice - Burner
14	051393-01-706	EA	Probe and Spark Assembly
15	051391-01-708	EA	Main Burner
16	051393-01-708	EA	Valve - Dual Solenoid
17	051393-01-709	EA	Fitting - Elbow
18	051391-01-715	EA	Drain Plug
19	051391-01-700	EA	Hinge Kit w/Clip - Access Door
20	052009-01-000	EA	Access Door - Water Heater - Off White
20	052009-02-000	EA	Access Door - Water Heater - Beige
20	052009-03-000	EA	Access Door - Water Heater - Gray
.	051391-01-714	EA	Elbow - 45 x 3/8 F x 3/8 MPT - On Gas Thermostat
.			Not illustrated

1984-1988 COMMON ITEMS FICHE
TABLE OF CONTENTS

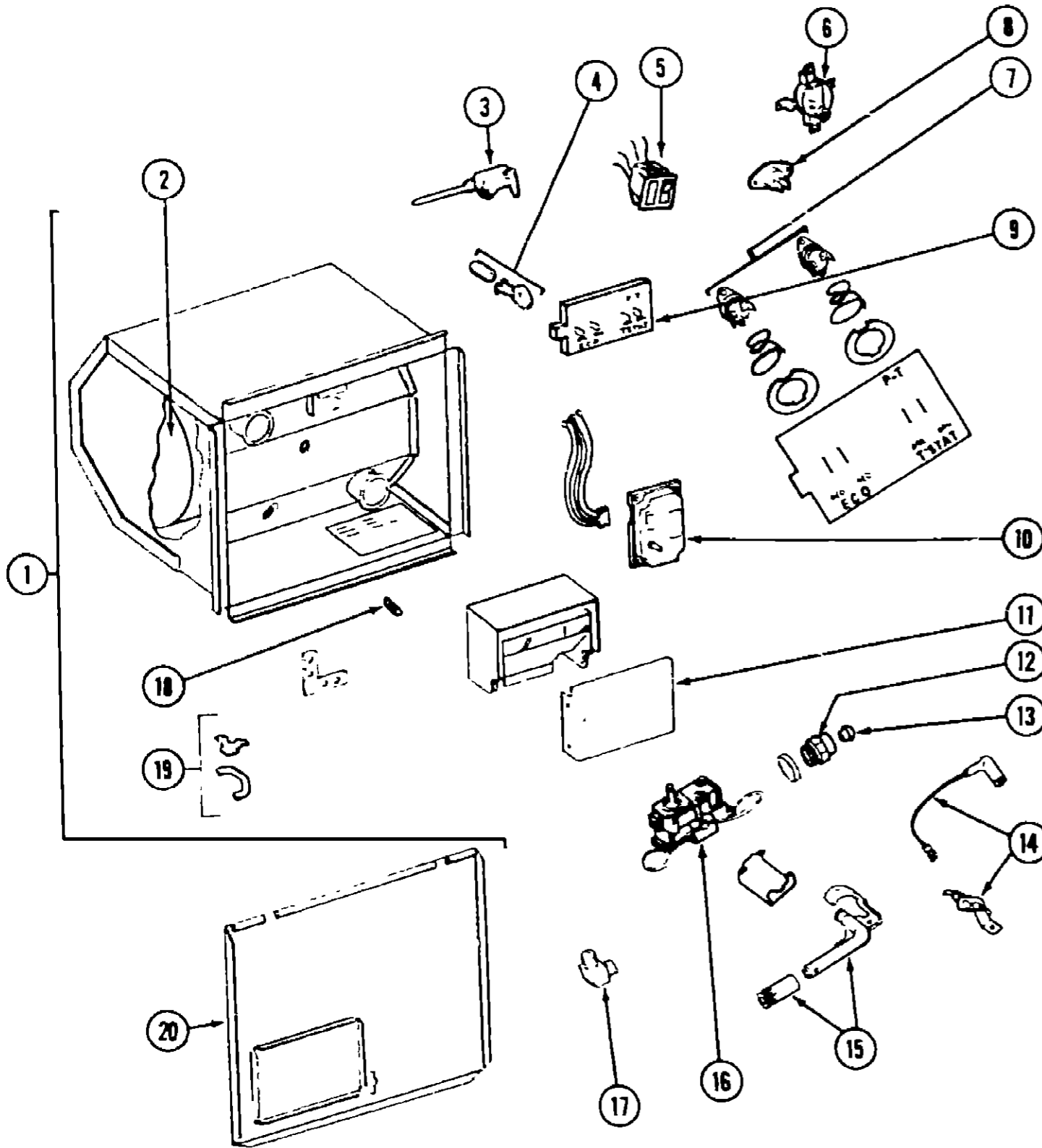
Vendor No.	Introduction	A-01 - A-02
(914081)	Air Conditioner	A-03 - A-09
(91604)	Auto Air Conditioning	C-23 - C-24
(92609)	Chassis Maintenance Kit	H-03 - H-04
(91959)	Control Center	C-21 - C-22
(91951)	Electric Motor Home Step	H-01
(91470)	Furnace	A-11 - B-04
(91952)	Interior/Exterior Screws & Fasteners	B-07 - B-08
(91447)	Holding Tanks	D-01 - D-24
(91420)	Mirrors - Exterior	B-05 - B-06
(92787)	Range Hood	B-09 - B-15
(91925)	Refrigerator	F-01 - G-23
(92742)	Roof Vent	C-13 - C-19
(91944)	Speed Control	E-01 - E-16
(92615)	Toilet	B-19 - B-24
(91926)	TV Antenna	B-17 - B-18
(93736)	Water Heater	E-17 - E-24
(91561)	Water Tanks	C-01 - C-11
(92568&92)		
(91044)		

WATER HEATER GROUP INDEX

Atwood - GH63E - Motor Aid - Elec Ign.	E-17 - E-18
Atwood - G6A3E - w/Elec. Ign	E-19 - E-20
Atwood - G6A3 - w/o Motor Aid	E-21 - E-22
Atwood - G4SM - w/o Motor Aid	E-23 - E-24

WATER HEATER GROUP (CONTINUED)

ATWOOD - W/MOTOR AID - ELECTRIC IGNITION - G6A3E



Key	Part Number	U/M	Description
1	051391-03-000	EA	Water Heater - G6A3E - Electric Ignition w/Motor
2	051393-03-700	EA	Tank - Inner
3	051391-01-704	EA	Valve - Relief 1/2" Fitting
4	051391-01-705	EA	Fastener - Cam Lock
5	051393-01-701	EA	Switch Package
6	051393-01-702	EA	ECO Switch - Energy Cut Off
7	051391-04-701	EA	Thermostat - 12V DC - 120° Preset
8	051393-01-703	EA	Thermostat - 12V DC - 140° Preset
9	051391-04-702	EA	Front Mount ECO & 140° Thermostat
10	051393-01-704	EA	Circuit Board
11	051391-01-706	EA	Grille - Exhaust
12	051393-01-705	EA	Fitting - Orifice
13	051391-01-710	EA	Orifice - Burner
14	051393-01-706	EA	Probe and Spark Assembly
15	051391-01-708	EA	Main Burner
16	051393-01-708	EA	Valve - Dual Solenoid
17	051393-01-709	EA	Fitting - Elbow
18	051391-01-715	EA	Drain Plug
19	051391-01-700	EA	Hinge Kit w/Clip - Access Door
20	052009-01-000	EA	Access Door - Water Heater - Off White
20	052009-02-000	EA	Access Door - Water Heater - Beige
20	052009-03-000	EA	Access Door - Water Heater - Gray
.	051391-01-714	EA	Elbow - 45 x 3/8 F x 3/8 MPT - On Gas Thermostat
.			Not illustrated

1984-1988 COMMON ITEMS FICHE TABLE OF CONTENTS

Vendor No.	Item	Code
	Introduction	A-01 - A-02
(91409)	Air Conditioner	A-03 - A-09
(91604)	Auto Air Conditioning	C-23 - C-24
(92609)	Chassis Maintenance Kit	H-03 - H-04
(91959)	Control Center	C-21 - C-22
(91951)	Electric Motor Home Step	H-01
(91470)	Furnace	A-11 - B-04
(91952)	Interior/Exterior Screw & Fasteners	B-07 - B-08
(91447)	Holding Tanks	D-01 - D-24
(91420)	Mirrors - Exterior	B-05 - B-06
(92787)	Range Hood	B-03 - B-15
(91925)	Refrigerator	F-01 - G-23
(92742)	Roof Vent	C-13 - C-19
(91944)	Speed Control	E-01 - E-16
(92615)	Toilet	B-19 - B-24
(91926)	TV Antenna	B-17 - B-18
(93736)	Water Heater	E-17 - E-24
(91561)	Water Tanks	C-11 - C-11
(92568&92)		
(91044)		

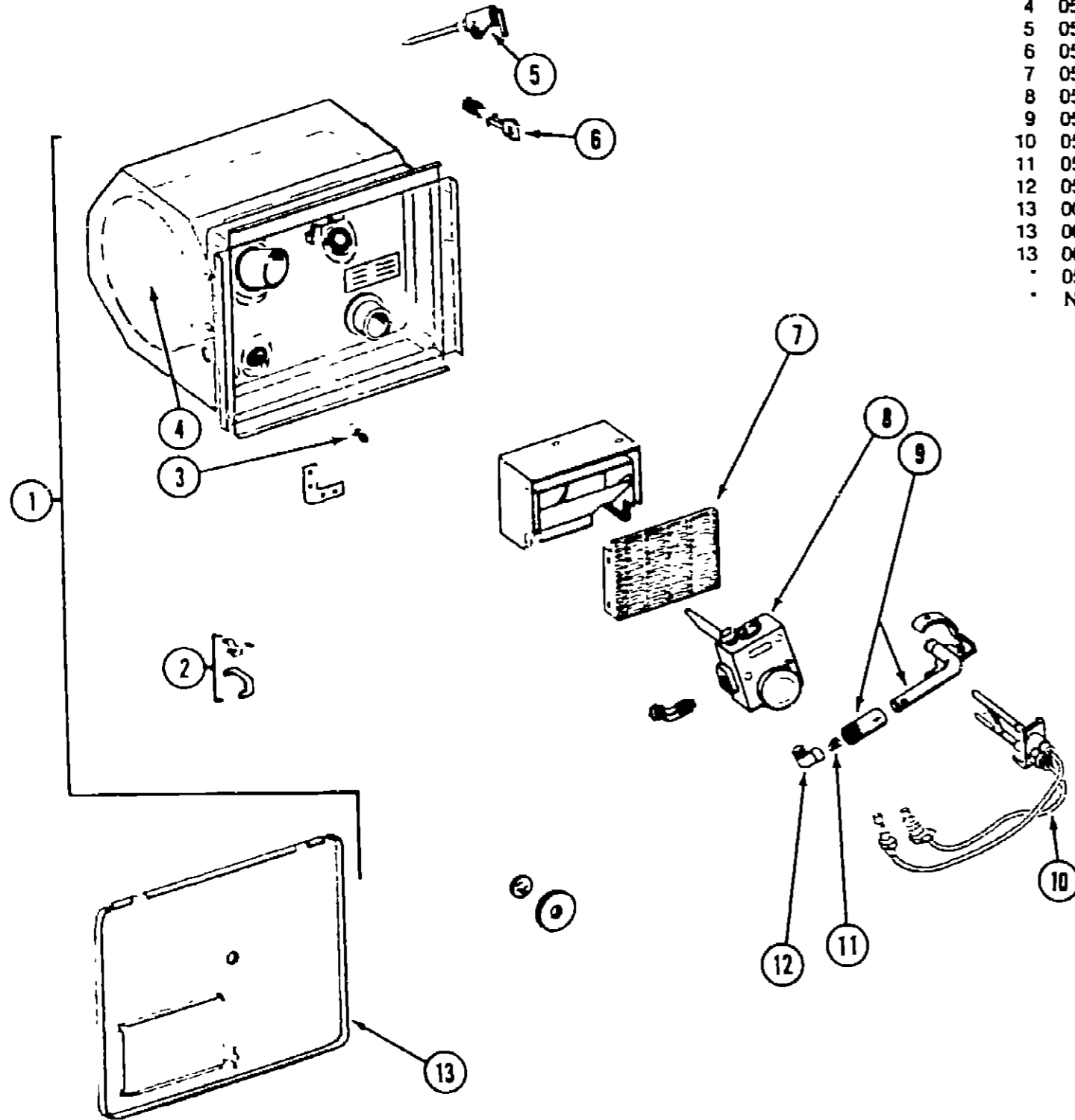
WATER HEATER GROUP INDEX

Atwood - GH63E - Motor Aid - Elec Ign.	E-17 - E-18
Atwood - G6A3E - w/Elec Ign	E-19 - E-20
Atwood - G6A3 - w/o Motor Aid	E-21 - E-22
Atwood - G4SM - w/o Motor Aid	E-23 - E-24

WATER HEATER GROUP (CONTINUED)

ATWOOD W/O MOTOR AID - G6A3

Key	Part Number	U/M	Description
1	051391-01-000	EA	Water Heater (G6A3) w/o Access Door
2	051391-01-700	EA	Hinge Kit w/Clip
3	051391-01-715	EA	Drain Plug
4	051391-01-702	EA	Tank - Inner
5	051391-01-704	EA	Valve - Relief 1/2"
6	051391-01-705	EA	Cam Lock Fastener
7	051391-01-706	EA	Grille - Exhaust
8	051391-01-712	EA	Thermostat
9	051391-01-708	EA	Main Burner
10	051391-01-709	EA	Pilot - Safety
11	051391-01-710	EA	Orifice - Main Burner
12	051391-01-711	EA	Elbow - Main Burner Orifice
13	003182-01-000	EA	Access Door - Water Heater - White
13	003182-02-000	EA	Access Door - Water Heater - Beige
13	003182-03-000	EA	Access Door - Water Heater - Off White
.	051391-01-714	EA	Elbow - 45 x 3/8 F x 3/8 MPT - On Gas Thermostat
.			Not illustrated



1964-1968 COMMON ITEMS FICHE TABLE OF CONTENTS

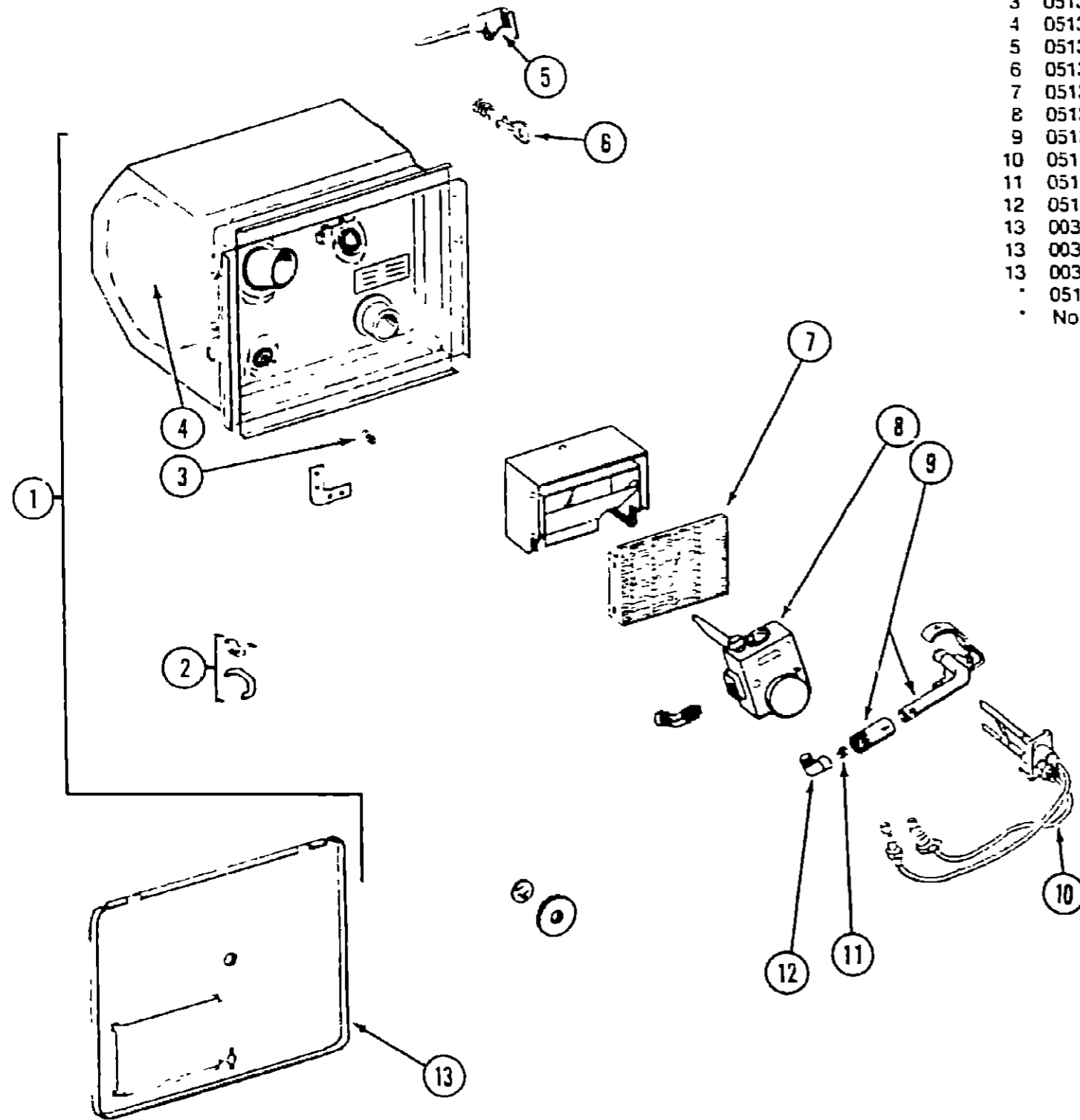
Vendor No.	Item	Code
	Introduction	A-01 - A-02
(92568&92)	Air Conditioner	A-03 - A-09
(91561)	Auto Air Conditioning	C-23 - C-24
(91412)	Chassis Maintenance Kit	H-03 - H-04
(91604)	Control Center	C-21 - C-22
(92609)	Electric Motor Home Step	H-01
(92787)	Furnace	A-11 - B-04
(91043)	Interior/Exterior Screw & Fasteners	B-07 - B-08
(92615)	Holding Tanks	D-01 - D-24
(91214)	Mirrors - Exterior	B-05 - B-06
(92742)	Range Hood	B-09 - B-15
(92741)	Refrigerator	F-01 - G-23
	Roof Vent	C-13 - C-19
(91044)	Speed Control	E-01 - E-16
	Toilet	B-19 - B-24
	TV Antenna	B-17 - B-18
	Water Heater	E-17 - E-24
	Water Tanks	C-01 - C-11

WATER HEATER GROUP INDEX

Atwood - GH63E - Motor Aid - Elec Ign	E-17 - E-18
Atwood - G6A3E - w/Elec Ign	E-19 - E-20
Atwood - G6A3 - w/o Motor Aid	E-21 - E-22
Atwood - G4SM - w/o Motor Aid	E-23 - E-24

WATER HEATER GROUP (CONTINUED)

ATWOOD W/O MOTOR AID - G4SM



Key	Part Number	U/M	Description
1	051391-02-000	EA	Water Heater (G4SM) w/o Access Door
2	051391-01-700	EA	Hinge Kit w/Clip
3	051391-01-715	EA	Drain Plug
4	051391-02-700	EA	Tank - Inner
5	051391-01-704	EA	Valve - Relief 1/2"
6	051391-01-705	EA	Cam Lock Fastener
7	051391-01-706	EA	Grille - Exhaust
8	051391-01-712	EA	Thermostat
9	051391-01-706	EA	Main Burner
10	051391-01-709	EA	Pilot - Safety
11	051391-01-710	EA	Orifice - Main Burner
12	051391-01-711	EA	Elbow - Main Burner Orifice
13	003182-01-000	EA	Access Door - Water Heater - White
13	003182-02-000	EA	Access Door - Water Heater - Beige
13	003182-03-000	EA	Access Door - Water Heater - Off White
.	051391-01-714	EA	Elbow - 45 x 3/8 F x 3/8 MPT - On Gas Thermostat
.			Not illustrated

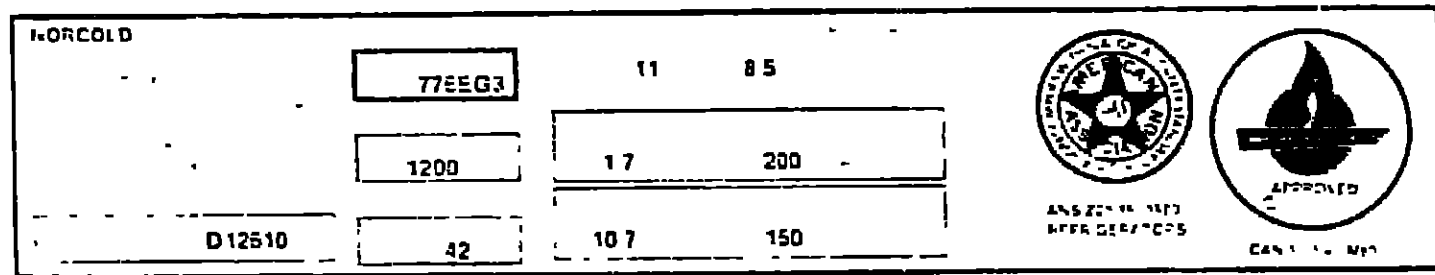
1984-1988 COMMON ITEMS FICHE TABLE OF CONTENTS

Vendor No.		
(92558&92)	Introduction	A-01 - A-02
(91561)	Air Conditioner	A-03 - A-09
(91414)	Auto Air Conditioning	C-23 - C-24
(91604)	Chassis Maintenance Kit	H-03 - H-04
(92509)	Control Center	C-21 - C-22
(92787)	Electric Motor Home Step	H-01
(91043)	Furnace	A-11 - B-04
(92615)	Interior/Exterior Screw & Fasteners	B-07 - B-08
(92742)	Holding Tanks	D-01 - D-24
(927-1)	Mirrors - Exterior	B-05 - B-06
	Range Hood	B-09 - B-15
	Refrigerator	F-01 - G-23
(91044)	Roof Vent	C-13 - C-19
	Speed Control	E-01 - E-16
	Toilet	B-19 - B-24
	TV Antenna	B-17 - B-18
	Water Heater	E-17 - E-24
	Water Tanks	C-01 - C-11

WATER HEATER GROUP INDEX

Atwood - GH63E - Motor Aid - Elec Ign	E-17 - E-18
Atwood - G6A3E - w/Elec Ign	E-19 - E-20
Atwood - G6A3 - w/o Motor Aid	E-21 - E-22
Atwood - G4SM - w/o Motor Aid	E-23 - E-24

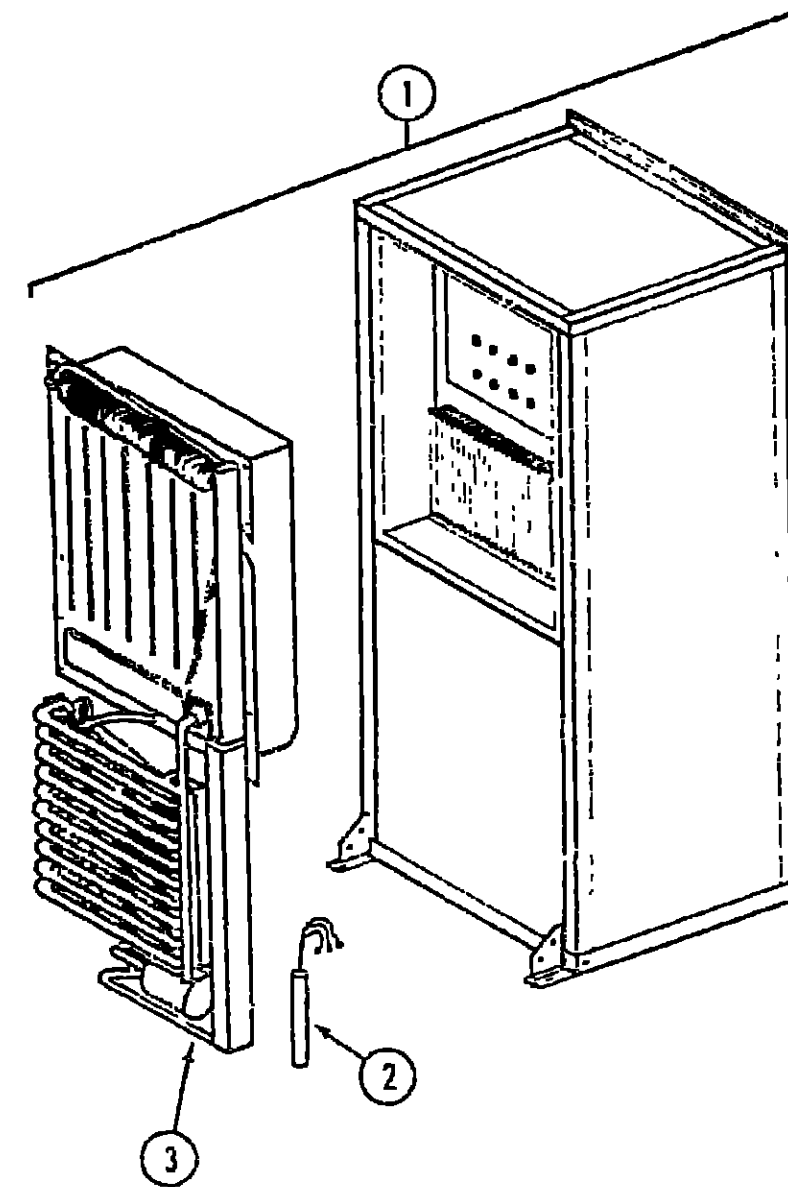
REFRIGERATOR GROUP
NORCOLD IDENTIFICATION LABEL



The model number of the refrigerator is necessary for ordering replacement parts. The model number is located on the refrigerator identification label shown above. (See bold outlined box.)

The label is located on the face of the refrigerator cabinet assembly either at the top or bottom of one of the door openings.

REFRIGERATOR GROUP (CONTINUED)
NORCOLD 776EG2 776EG3 778EG3



Key	Part Number	U/I	Description	776 EG2	776 EG3	778 EG3	Vendor No
1	054473-01-000	EA	Refrigerator Asm - Complete	X			
1	054473-02-000	EA	Refrigerator Asm - Complete		X		
1	074471-01-000	EA	Refrigerator Asm - Complete			X	
2	054473-01-703	EA	Heater	X			(614709)
2	054471-02-702	EA	Heater		X		(614400)
2	054472-02-703	EA	Heater			X	(514399)
3	054473-02-710	EA	Cooling Unit	X	X		(614414)
3	054472-01-705	EA	Cooling Unit			X	(614383)

1984-1988 COMMON ITEMS FICHE
TABLE OF CONTENTS

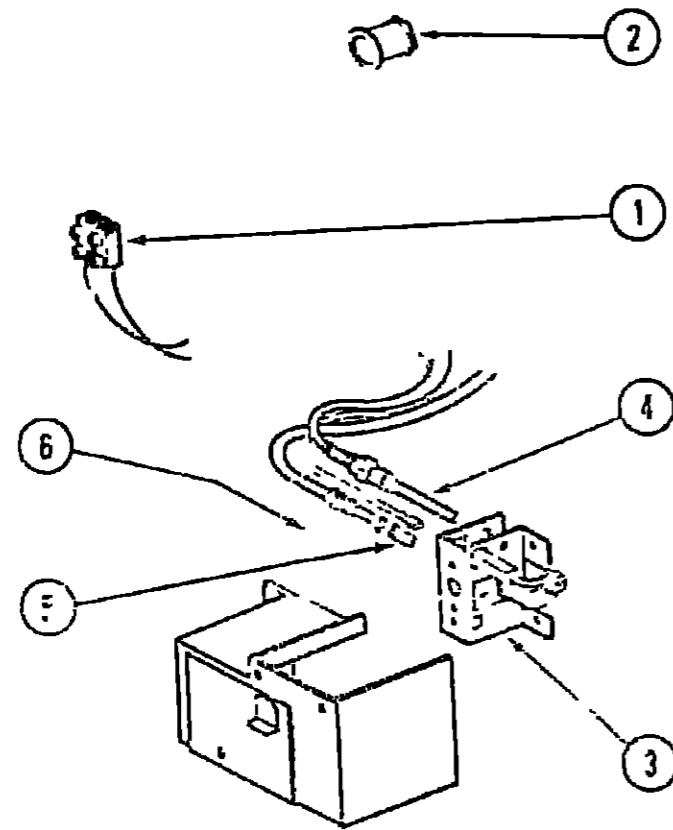
Introduction	A-01 - A-02
Air Conditioner	A-03 - A-09
Auto Air Conditioning	C-23 - C-24
Chassis Maintenance Kit	H-03 - H-04
Control Center	C-21 - C-22
Electric Motor Home Step	H-01
Furnace	A-11 - B-04
Interior Exterior Screws & Fasteners	B-07 - B-09
Holding Tanks	D-01 - D-24
Mirrors - Exterior	B-05 - B-06
Range Hood	B-09 - B-15
Refrigerator	F-01 - G-23
Roof Vent	C-13 - C-19
Speed Control	E-01 - E-16
Toilet	B-19 - B-24
TV Antenna	B-17 - B-18
Water Heater	E-17 - E-24
Water Tanks	C-01 - C-11

REFRIGERATOR GROUP INDEX

Norcold - Identification Label	F-01
Norcold - 776EG2 776EG3 778EG3	F-02 - F-07
Norcold - 839EG3 8310EG3	F-08 - F-15
Norcold - 876EG3	F-16 - F-23
Norcold - 858EG3 866EG3	F-24 - G-08
Norcold - 875EG2 875EG3	G-09 - G-13
Norcold - DC254	G-14 - G-16
Dometic - Ice Maker	G-17 - G-18
Domestic - 2 Refrigerator	G-19 - G-23

REFRIGERATOR GROUP (CONTINUED)

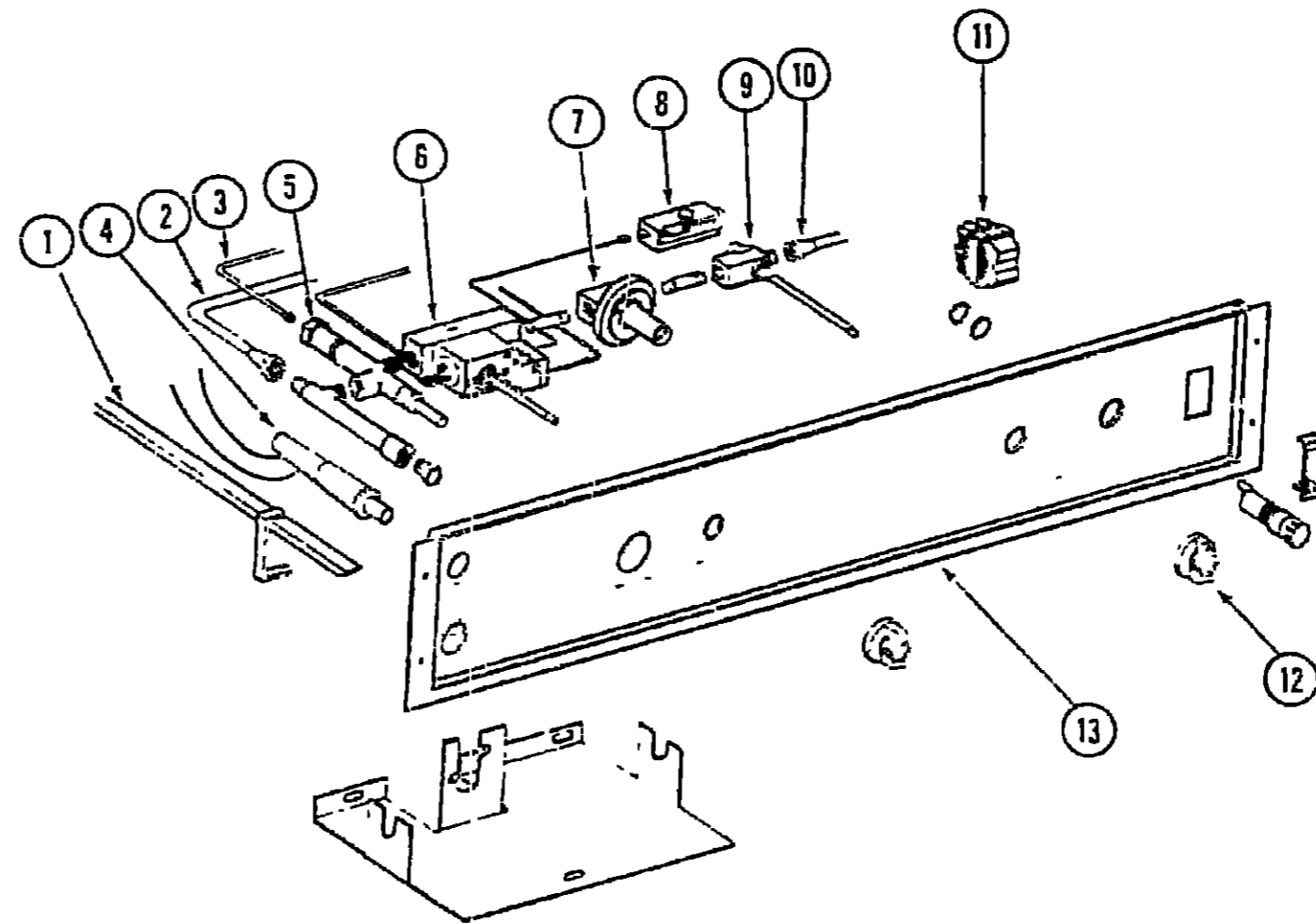
NORCOLD REAR BURNER CONTROL 776EG2 776EG3 778EG3



Key	Part Number	U/I*	Description	776 EG2	776 EG3	778 EG3	Vendor No.
1	064472-01-705	EA	Terminal Block	X	X	X	(614372)
2	064472-01-710	EA	Burner Tube Fitting	X	X	X	(614352)
3	064472-02-702	EA	Burner Asm	X	X	X	(614520)
4	064472-01-703	EA	Thermocouple	X	X	X	(614353)
5	064472-01-702	EA	Orifice	X	X		(614521)
5	064472-01-702	EA	Orifice			X	(614521)
6	064472-01-701	EA	Burner Tube	X	X	X	(614350)

REFRIGERATOR GROUP (CONTINUED)

NORCOLD CONTROL PANEL - LOWER 776EG2 776EG3 778EG3



Key	Part Number	U/I*	Description	776 EG2	776 EG3	778 EG3	Vendor No.
1	064472-01-703	EA	Flame Valve		X		(614392)
1	064472-01-704	EA	Flame Valve			X	(614397)
2	064472-01-701	EA	Burner Tube	X	X	X	(614350)
3	064472-01-703	EA	Thermocouple	X	X	X	(614353)
4	064472-01-712	EA	Spark Ignitor	X	X	X	(614358)
5	064472-01-705	EA	Safety Valve	X	X	X	(614377)
6	064472-01-702	EA	Thermostat	X	X	X	(614376)
7	064472-01-715	EA	Regulator	X	X	X	(614378)
8	064472-01-717	EA	Micro Switch	X	X	X	(614582)
9	064472-01-751	EA	Gas Cock	X	X	X	(614381)
10	064472-01-711	EA	Inlet Tube	X	X	X	(614361)
11	064472-02-709	EA	3-Way Switch		X	X	(614391)
12	064472-01-715	EA	Knob	X	X	X	(614393)
13	064472-01-713	EA	Control Panel			X	(614335)
13	064473-01-704	EA	Control Panel	X	X		(614337)

1984-1988 COMMON ITEMS FICHE TABLE OF CONTENTS

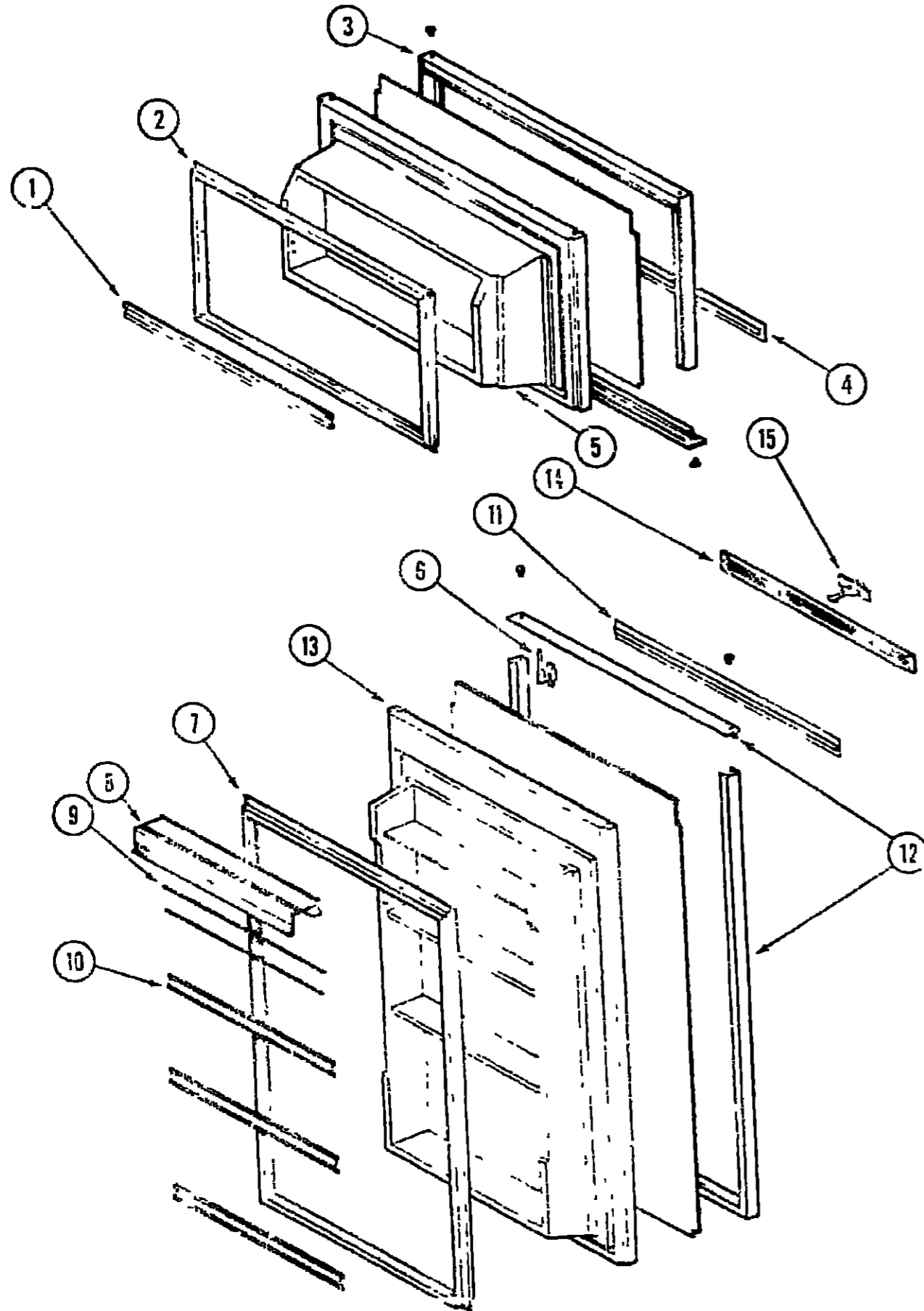
Introduction	A-01 - A-02
Air Conditioner	A-03 - A-09
Auto Air Conditioning	C-23 - C-24
Chassis Maintenance Kit	H-03 - H-04
Control Center	C-21 - C-22
Electric Motor Home Step	H-01
Furnace	A-11 - B-04
Interior Exterior Screw & Fasteners	B-07 - B-08
Holding Tanks	D-01 - D-24
Micros - Exterior	B-05 - B-06
Range Hood	B-09 - B-15
Refrigerator	F-01 - G-23
Roof Vent	C-13 - C-19
Speed Control	E-01 - E-16
Torque	B-19 - B-24
TV Antenna	B-17 - B-18
Water Heater	E-17 - E-24
Water Tanks	C-01 - C-11

REFRIGERATOR GROUP INDEX

Norcold - Identification Label	F-01
Norcold - 776EG2 776EG3 778EG3	F-02 - F-07
Norcold - 838EG3 8310EG3	F-08 - F-15
Norcold - 876EG3	F-16 - F-23
Norcold - 868EG3 855EG3	F-24 - G-08
Norcold - 875EG2 875EG3	G-09 - G-13
Norcold - DC254	G-14 - G-16
Domestic - Ice Maker	G-17 - G-18
Domestic - 2 Refrigerator	G-19 - G-23

REFRIGERATOR GROUP (CONTINUED)

NORCOLD - UPPER & LOWER DOOR 776EG2 776EG3 778EG3



Key	Part Number	U/M	Description	776 EG2	776 EG3	778 EG3
1	054472-01-739	EA	Door Shelf Trim Asm			X
2	054472-01-703	EA	Door Gasket Upper			X
3	054472-02-700	EA	Door Frame Upper Asm			X
4	054472-01-741	EA	Decorative Door Strip Asm			X
5	075217-01-745	EA	Door Liner Foamed Asm			X
6	064472-02-723	EA	Travel Latch Asm			X
7	064473-01-721	EA	Door Gasket	X	X	
7	064472-01-745	EA	Door Gasket			X
8	064473-01-720	EA	Dairy Keeper Door	X	X	
8	064472-01-744	EA	Dairy Keeper Door			X
9	064473-01-722	EA	Connector Rod	X	X	
9	064472-01-746	EA	Connector Rod			X
10	064473-01-724	EA	Door Shelf Trim Asm	X	X	
10	064472-01-739	EA	Door Shelf Trim Asm			X
11	064472-01-735	EA	Decorative Trim Asm			X
12	064473-02-701	EA	Door Frame Asm	X	X	
13	075217-01-747	EA	Door Liner Foamed Asm			X
14	064472-02-726	EA	Trim - Center Slide Lock	X	X	
15	064472-02-729	EA	Travel Latch	X	X	

1984-1988 COMMON ITEMS FICHE TABLE OF CONTENTS

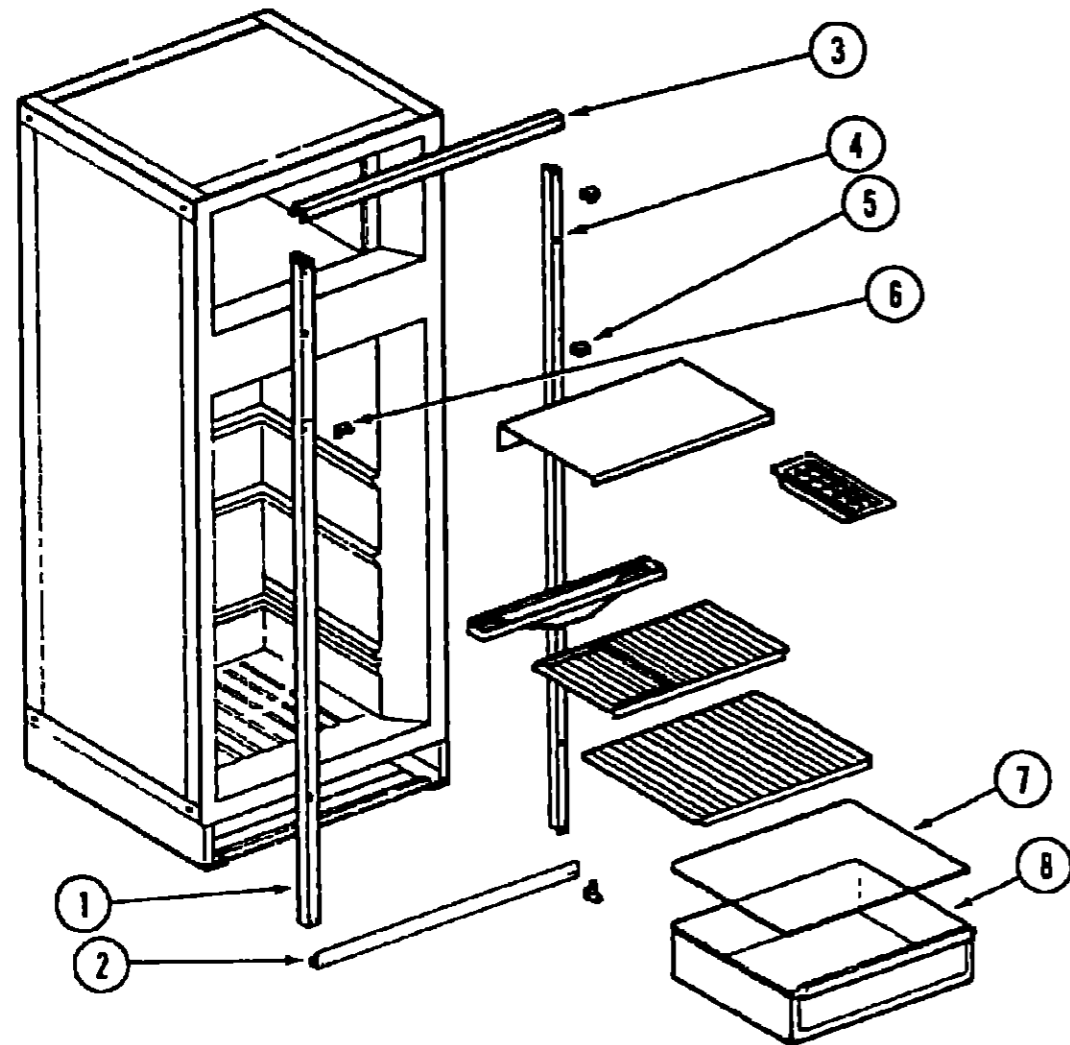
Vendor No.	Item	Item
(614739)	Introduction	A-01 - A-02
(613520-3)	Air Conditioner	A-03 - A-09
(615041)	Auto Air Conditioning	C-23 - C-24
(614137-23)	Chassis Maintenance Kit	H-03 - H-04
(614905)	Control Center	C-21 - C-22
(615119)	Electric Motor Home Step	H-01
(613514-30)	Furnace	A-11 - B-04
(614668)	Interior/Exterior Screws & Fasteners	B-07 - B-08
(614720)	Holding Tanks	D-01 - D-24
(614679)	Mirrors - Exterior	B-05 - B-06
(614721)	Range Hood	B-09 - B-15
(614711)	Refrigerator	F-01 - G-23
(614138-23)	Roof Vent	C-13 - C-19
(613505-30)	Speed Control	E-01 - E-16
(614906)	Toilet	B-19 - B-24
(615190-22)	TV Antenna	B-17 - B-18
(61518922)	Water Heater	E-17 - E-24
	Water Tanks	C-01 - C-11

REFRIGERATOR GROUP INDEX

Norcold - Identification Label	F-01
Norcold - 776EG2 776EG3 778EG3	F-02 - F-07
Norcold - 838EG3 8310EG3	F-08 - F-15
Norcold - 876EG3	F-16 - F-23
Norcold - 868EG3 866EG3	F-24 - G-08
Norcold - 875EG2 875EG3	G-09 - G-13
Norcold - DC254	G-14 - G-16
Dometic - Ice Maker	G-17 - G-18
Dometic - 2' Refrigerator	G-19 - G-23

REFRIGERATOR GROUP (CONTINUED)

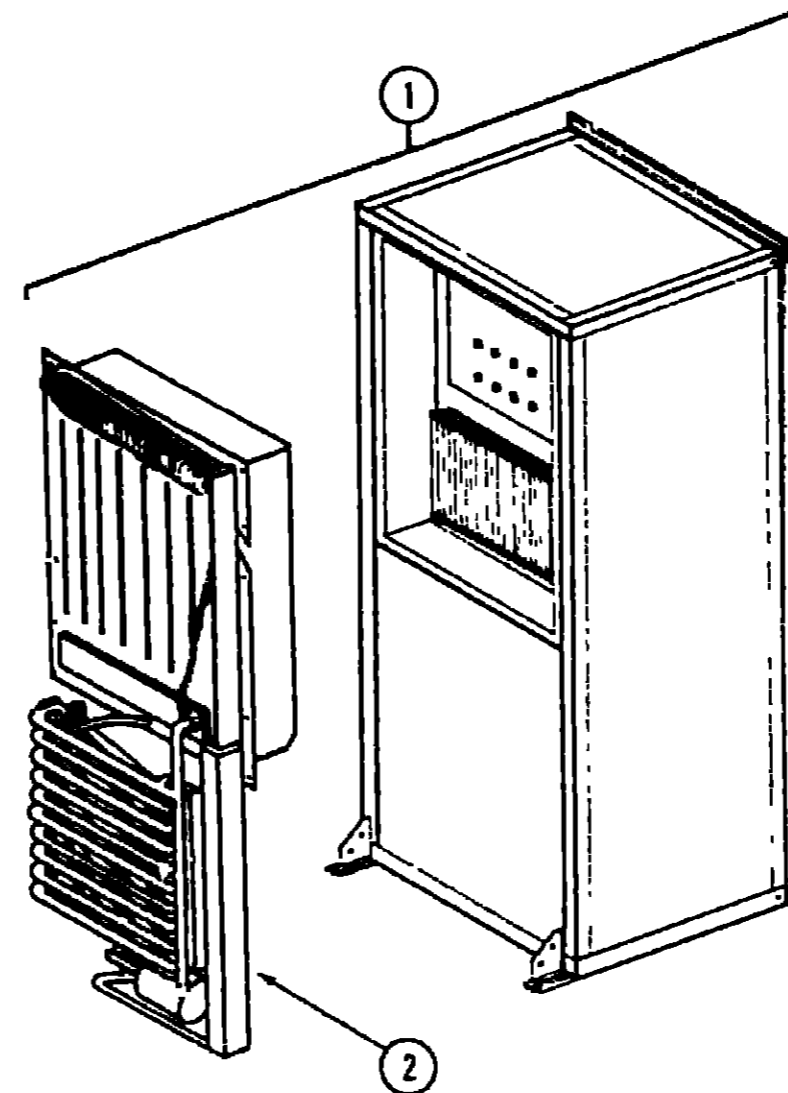
NORCOLD CABINET ASM. 776EG2 776EG3 778EG3



Key	Part Number	U/M	Description	776 EG2	776 EG3	778 EG3	Vendor No
1	064473-01-712	EA	Breaker Strip - LH	X	X		(613833-32)
1	064472-02-719	EA	Breaker Strip - LH			X	(613820-23)
2	064473-01-710	EA	Bottom Trim	X	X		(613525-23)
2	064472-02-717	EA	Bottom Trim			X	(613503-23)
3	064473-02-704	EA	Top Breaker Strip	X	X		(613526-23)
3	064472-02-716	EA	Top Breaker Strip			X	(613614-23)
4	064473-01-711	EA	Breaker Strip Right	X	X		(613832-32)
4	064472-01-725	EA	Breaker Strip Right			X	(613819-32)
5	064472-01-727	EA	Hinge Bracket - Upper Right	X	X	X	(613526)
6	064472-01-728	EA	Hinge Bracket - Upper Left	X	X	X	(613529)
7	064473-01-714	EA	Crisper Cover	X	X		(613518)
7	064472-01-731	EA	Crisper Cover			X	(613376)
8	064473-01-716	EA	Crisper Drawer	X	X		(615191)
8	064472-01-733	EA	Crisper Drawer			X	(614588-31)

REFRIGERATOR GROUP (CONTINUED)

NORCOLD 838EG3 8310EG3



Key	Part Number	U/M	Description	838 EG3	8310 EG3	Vendor No
1	075217-01-003	EA	Refrigerator Asm - Complete	X		
1	075218-01-000	EA	Refrigerator Asm - Complete		X	
2	064472-02-715	EA	Cooling Unit	X		(614383)
2	074471-01-729	EA	Cooling Unit		X	(614999)

1984-1988 COMMON ITEMS FICHE TABLE OF CONTENTS

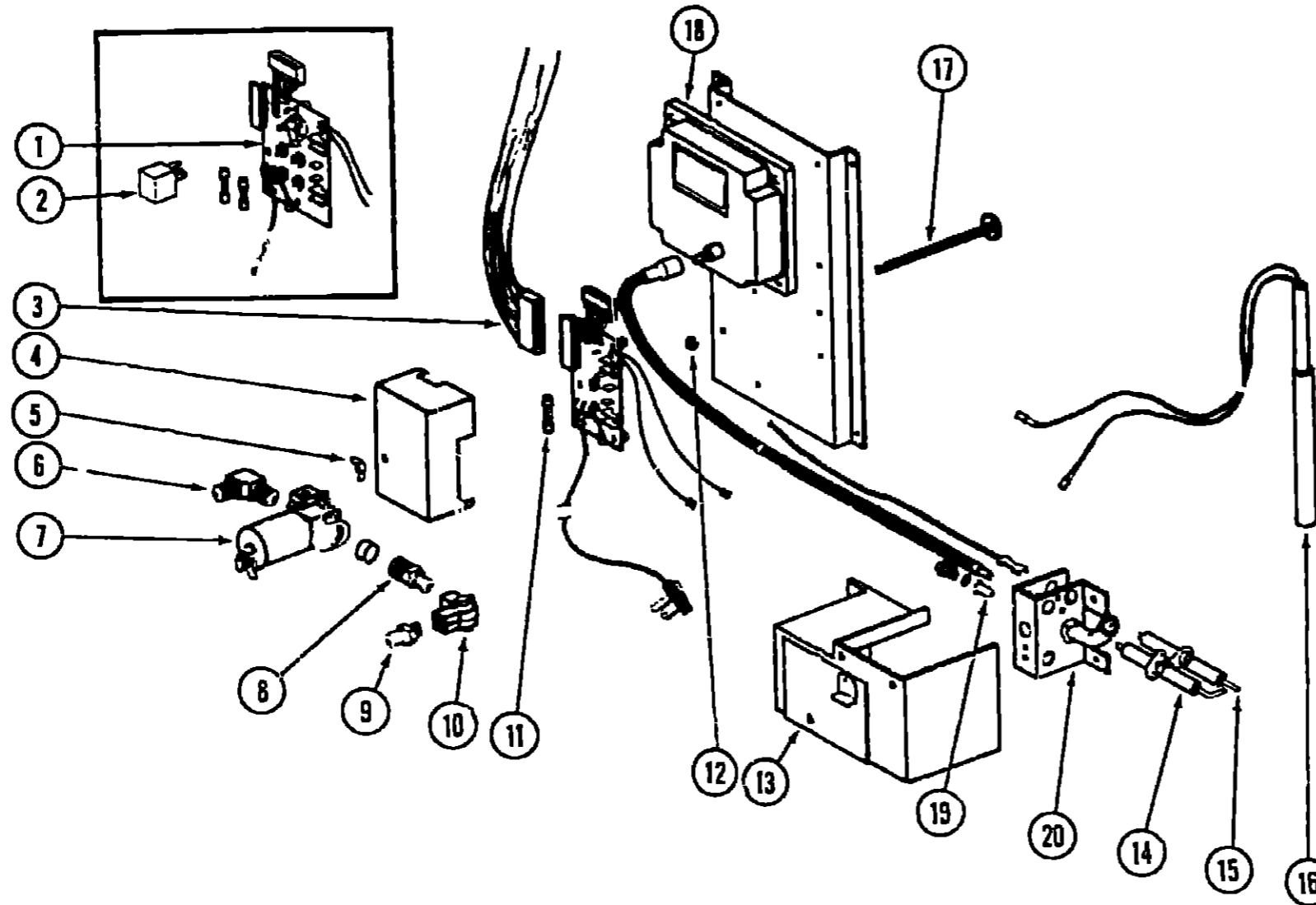
Introduction	A-01 - A-02
Air Conditioner	A-03 - A-09
Auto Air Conditioning	C-23 - C-24
Chassis Maintenance Kit	H-03 - H-04
Control Center	C-21 - C-22
Electric Motor Home Step	H-01
Furnace	A-11 - B-04
Interior/Exterior Screws & Fasteners	B-07 - B-08
Holding Tanks	D-01 - D-24
Mirrors - Exterior	B-05 - B-06
Range Hood	B-09 - B-15
Refrigerator	F-01 - G-23
Roof Vent	C-13 - C-19
Speed Control	E-01 - E-16
Toilet	B-19 - B-24
TV Antenna	B-17 - B-18
Water Heater	E-17 - E-24
Water Tanks	C-01 - C-11

REFRIGERATOR GROUP INDEX

Norcold - Identification Label	F-01
Norcold - 776EG2 776EG3 778EG3	F-02 - F-07
Norcold - 838EG3 8310EG3	F-08 - F-15
Norcold - 876EG3	F-16 - F-23
Norcold - 868EG3 866EG3	F-24 - G-08
Norcold - 875EG2 875EG3	G-09 - G-13
Norcold - DC254	G-14 - G-16
Domestic - Ice Maker	G-17 - G-18
Domestic - 2 Refrigerator	G-19 - G-23

REFRIGERATOR GROUP (CONTINUED)

NORCOLD CONTROL BRACKET ASM. 838EG3 8310EG3



Key	Part Number	U/M	Description
1	075217-01-726	EA	Interface Board
2	R77005-81-129	EA	Relay
3	075217-01-744	EA	Wiring Cable (8)
3	075218-01-708	EA	Wiring Cable (10)
4	075217-01-728	EA	Interface Board Cover
5	075217-01-741	EA	Wing Nut
6	075217-01-729	EA	Outlet Fitting
7	075217-01-730	EA	Gas Valve
8	075217-01-731	EA	Nipple
9	075217-01-732	EA	Inlet Fitting
10	075217-01-733	EA	Shut Off Cock

Vendor No.	Key	Part Number	U/M	Description
(615282)	11	075217-01-734	EA	Fuses - 3 Amp
(7700590792)	12	075217-01-742	EA	Hex Nut
(615274)	13	075217-01-746	EA	Baffle Asm
(615276)	14	075217-01-735	EA	Ignition Electrode
(615349)	15	075217-01-736	EA	Sensing Electrode
(615359)	16	075217-01-739	EA	Heater
(615257)	17	075217-01-740	EA	Screw
(615271)	18	075217-01-737	EA	Control Module
(615393)	19	075217-01-748	EA	Orifice
(615256)	20	075217-01-749	EA	Burner
(615392)				

1984-1988 COMMON ITEMS FICHE TABLE OF CONTENTS

Introduction	A-01 - A-02
Air Conditioner	A-03 - A-09
Auto Air Conditioning	C-23 - C-24
Chassis Maintenance Kit	H-03 - H-04
Control Center	C-21 - C-22
Electric Motor Home Step	H-01
Furnace	A-11 - B-04
Interior/Exterior Screws & Fasteners	B-07 - B-08
Holding Tanks	D-01 - D-24
Mirrors - Exterior	B-05 - B-06
Range Hood	B-09 - B-15
Refrigerator	F-01 - G-23
Roof Vent	C-13 - C-19
Speed Control	E-01 - E-16
Toilet	B-19 - B-24
TV Antenna	B-17 - B-18
Water Heater	E-17 - E-24
Water Tanks	C-01 - C-11

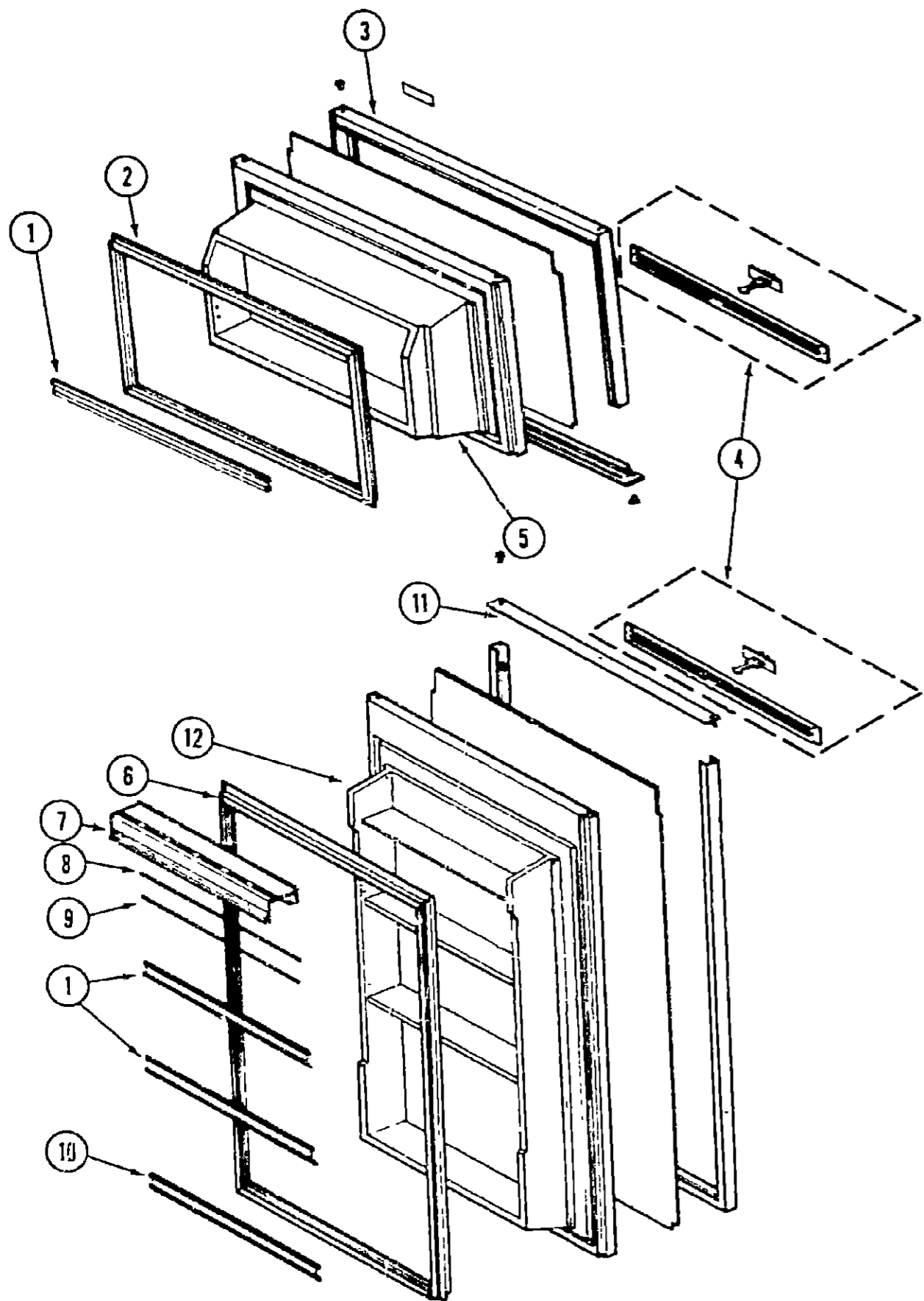
REFRIGERATOR GROUP INDEX

Norcold - Identification Label	F-01
Norcold - 776EG2 776EG3 778EG3	F-02 - F-07
Norcold - 838EG3 8310EG3	F-08 - F-15
Norcold - 876EG3	F-16 - F-23
Norcold - 868EG3 866EG3	F-24 - G-C8
Norcold - 875EG2 875EG3	G-09 - G-13
Norcold - DC254	G-14 - G-16
Dometic - Ice Maker	G-17 - G-18
Dometic - 2' Refrigerator	G-19 - G-23

Vendor No.
(615388)
(615359)
(6149-75)
(615247)
(615248)
(615263)
(615360)
(615250)
(615326)
(615370)

REFRIGERATOR GROUP (CONTINUED)

NORCOLD - UPPER & LOWER DOOR 838EG3 8310EG3



Key	Part Number	U/M	Description
1	075217-01-700	EA	Door Shelf Trim Asm.
2	075217-01-701	EA	Door Gasket
2	075218-01-700	EA	Door Gasket
3	064472-02-700	EA	Door Frame Asm
3	075217-01-702	EA	Door Frame Asm
4	088248-01-703	EA	Decor Trim
4	088248-01-702	EA	Travel Latch
5	075217-01-745	EA	Door Liner Foamed Asm
5	075218-01-709	EA	Door Liner Foamed Asm
6	075217-01-704	EA	Door Gasket
6	075218-01-701	EA	Door Gasket
7	064472-01-744	EA	Dairy Keeper Door
8	064472-01-746	EA	Connector Rod
8	075218-01-702	EA	Connector Rod
9	064472-01-747	EA	Door Rail
10	064472-01-739	EA	Door Shelf Trim Asm.
11	064472-02-701	EA	Door Frame Asm
11	075218-01-703	EA	Door Frame Asm
12	075217-01-747	EA	Door Liner - Foamed Asm
12	075218-01-710	EA	Door Liner - Foamed Asm

838 EG3	8310 EG3
X	X
X	
	X
X	
	X
X	X
X	X
X	
X	
X	
	X
	X
X	
X	
X	
X	
X	
X	
X	
	X
	X
X	
X	
	X
	X

Vendor No.
(615223)
(615321/
(615323)
(615041)
(614982)
(615188)
(615189)
(614705)
(614858)
(615320)
(615322)
(614720)
(614721)
(614989)
(613132)
(614739)
(615040)
(614981)
(614906)
(614796)

1984-1988 COMMON ITEMS FICHE TABLE OF CONTENTS

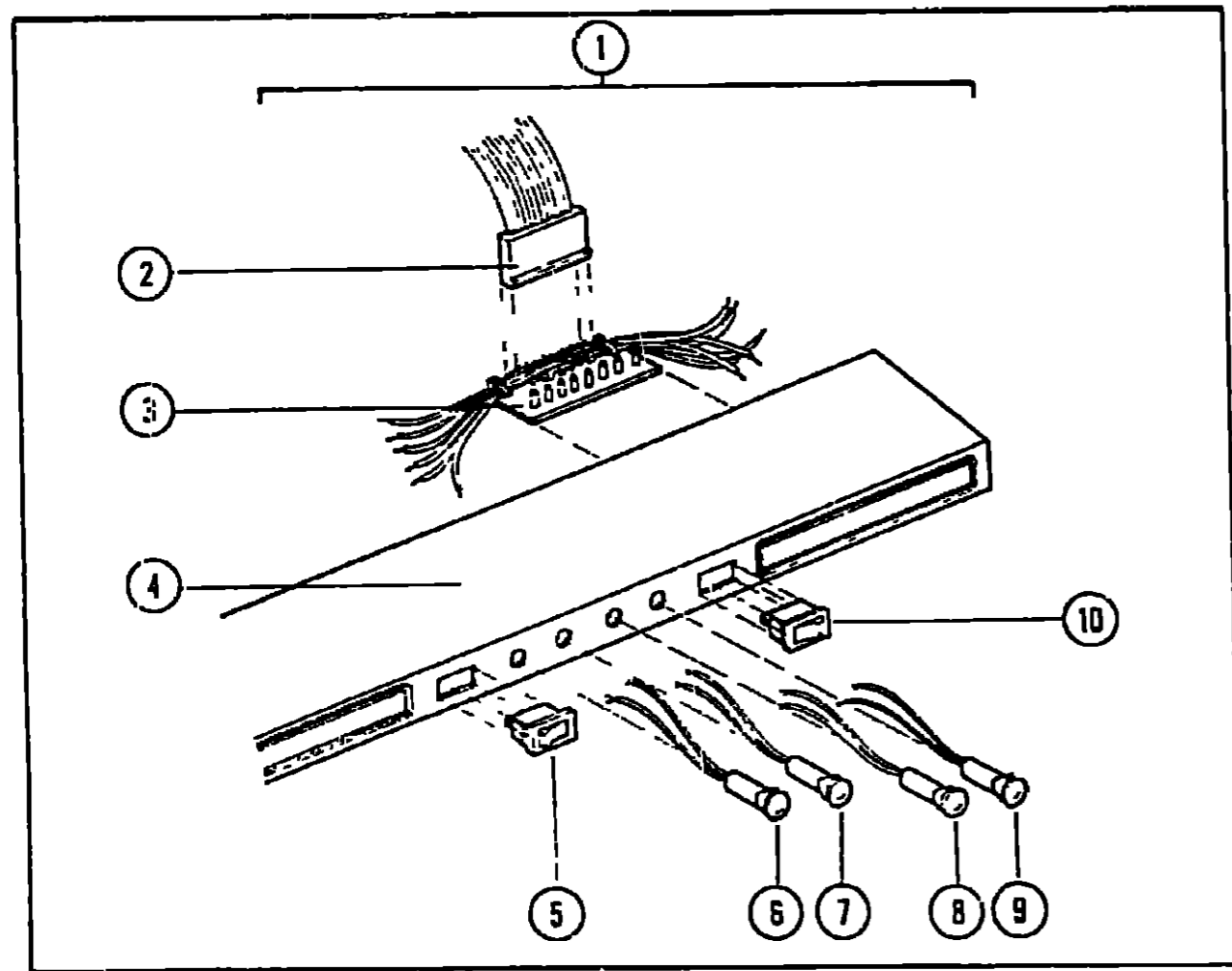
Introduction	A-01 - A-02
Air Conditioner	A-03 - A-09
Auto Air Conditioning	C-23 - C-24
Chassis Maintenance Kit	H-03 - H-04
Control Center	C-21 - C-22
Electric Motor Home Step	H-01
Furnace	A-11 - B-04
Interior/Exterior Screws & Fasteners	B-07 - B-08
Holding Tanks	D-01 - D-24
Mirrors - Exterior	B-05 - B-06
Range Hood	B-09 - B-15
Refrigerator	F-01 - G-23
Roof Vent	C-13 - C-19
Speed Control	E-01 - E-16
Toilet	B-19 - B-24
TV Antenna	B-17 - B-18
Water Heater	E-17 - E-24
Water Tanks	C-01 - C-11

REFRIGERATOR GROUP INDEX

Norcold - Identification Label	F-01
Norcold - 776EG2 776EG3 778EG3	F-02 - F-07
Norcold - 838EG3 8310EG3	F-08 - F-15
Norcold - 876EG3	F-16 - F-23
Norcold - 868EG3 866EG3	F-24 - G-08
Norcold - 875EG2 875EG3	G-09 - G-13
Norcold - DC254	G-14 - G-16
Dometic - Ice Maker	G-17 - G-18
Dometic - 2' Refrigerator	G-19 - G-23

REFRIGERATOR GROUP (CONTINUED)

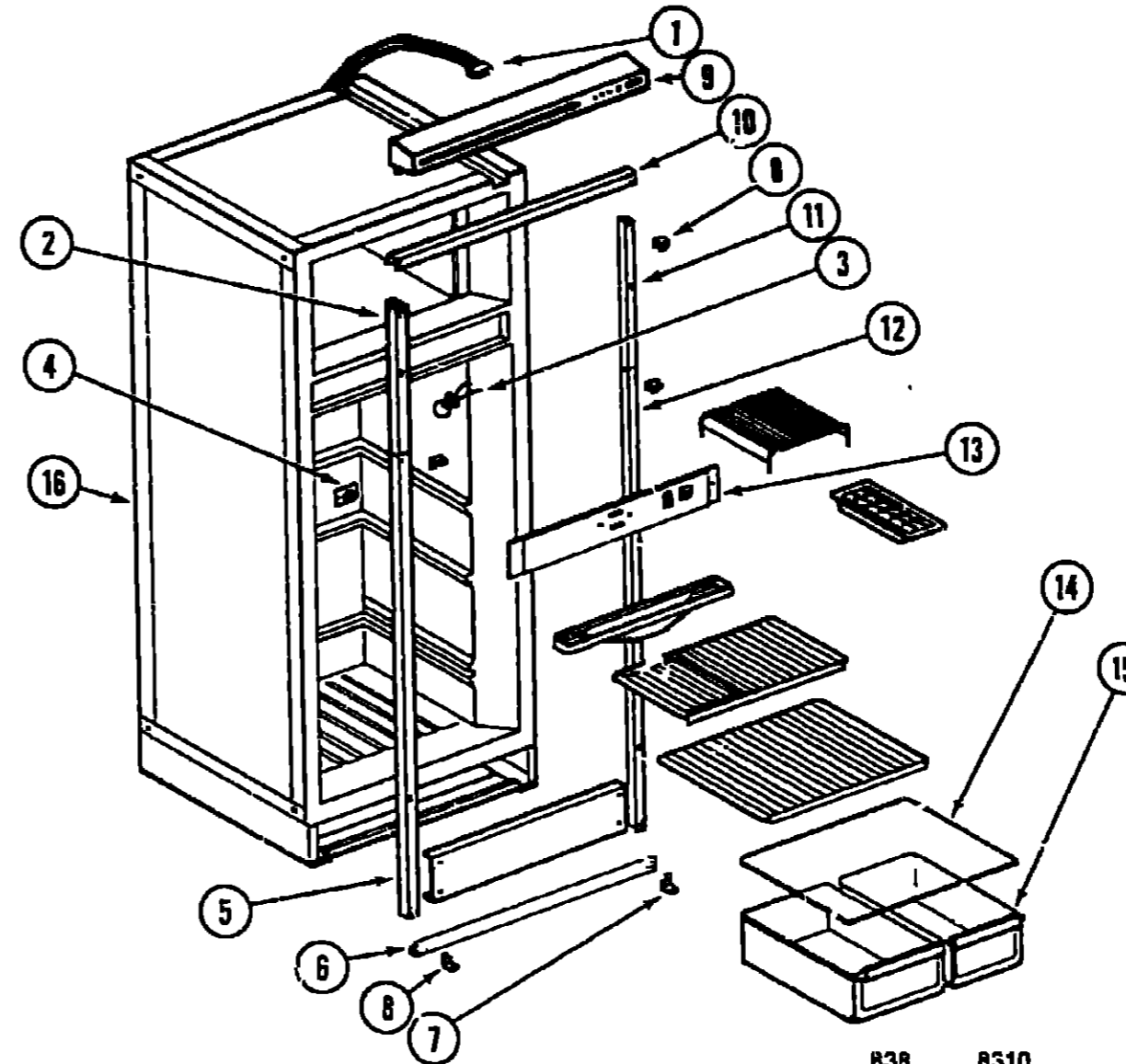
NORCOLD EYEBROW PANEL 838EG3 8310EG3



Key	Part Number	U/M	Description	838 EG3	8310 EG3	Vendor No.
1	075217-01-710	EA	Eye brow Asm	X	X	(615374)
2	075217-01-744	EA	Wiring Cable	X		(615274)
2	075218-01-708	EA	Wiring Cable		X	(615276)
3	075217-01-719	EA	Eye brow Board	X	X	(615284)
4	075217-01-720	EA	Eye brow Panel	X	X	(615272)
5	075217-01-738	EA	Rocker Switch - 3 Position	X	X	(615259)
6	075217-01-721	EA	Indicator Lamp - Amber	X	X	(615268)
7	075217-01-722	EA	Indicator Lamp - Green	X	X	(615265)
8	075217-01-723	EA	Indicator Lamp - Red	X	X	(615266)
8	075217-01-724	EA	Indicator Lamp - Blue	X	X	(615267)
8	075217-01-725	EA	Rocker Switch - 2 Position	X	X	(615258)

REFRIGERATOR GROUP (CONTINUED)

NORCOLD CABINET ASM. 838EG3 8310EG3



Key	Part Number	U/M	Description	838 EG3	8310 EG3	Vendor No.
1	075217-01-744	EA	Wiring Cable	X		(615274)
1	075218-01-708	EA	Wiring Cable		X	(615276)
2	074471-01-722	EA	Top Breaker Strip - LH		X	(614932)
3	075217-01-707	EA	D C. Light Bulb	X	X	(614602)
3	075217-01-708	EA	Lamp Socket	X	X	(615231)
4	075217-01-714	EA	Thermostat Asm	X	X	(615262)
5	054472-02-719	EA	Breaker Strip - LH	X		(613820-23)
5	074471-01-723	EA	Bottom Breaker Strip - LH		X	(614930)
6	064472-02-717	EA	Bottom Trim	X		(613603-23)
6	075218-01-705	EA	Bottom Breaker Strip		X	(614908)
7	064472-01-728	EA	Hinge	X	X	(613529)
8	064472-01-727	EA	Hinge	X	X	(613528)
9	075217-01-710	EA	Eye brow Asm	X	X	(615374)
10	075217-01-711	EA	Top Breaker Strip	X	X	(615304)
11	074471-01-725	EA	Top Breaker Strip - RH		X	(614931)
12	064472-01-725	EA	Breaker Strip - RH	X		(613819-32)
12	074471-01-726	EA	Lower Breaker Strip - RH		X	(614929)
13	075218-01-707	EA	Divider Front Asm		X	(615347)
13	075217-01-716	EA	Divider Front Asm	X		(614492)
14	064472-01-731	EA	Crisper Cover	X	X	(613376)
15	075217-01-713	EA	Crisper Drawer	X	X	(615180)
16	075217-01-706	EA	Cabinet Urethane Asm	X		(615353)
16	075218-01-701	EA	Cabinet Urethane Asm		X	(615340)
16	075217-01-715	EA	Thermostat Knob	X	X	(614097)
	Not illustrated					

1984-1988 COMMON ITEMS FICHE TABLE OF CONTENTS

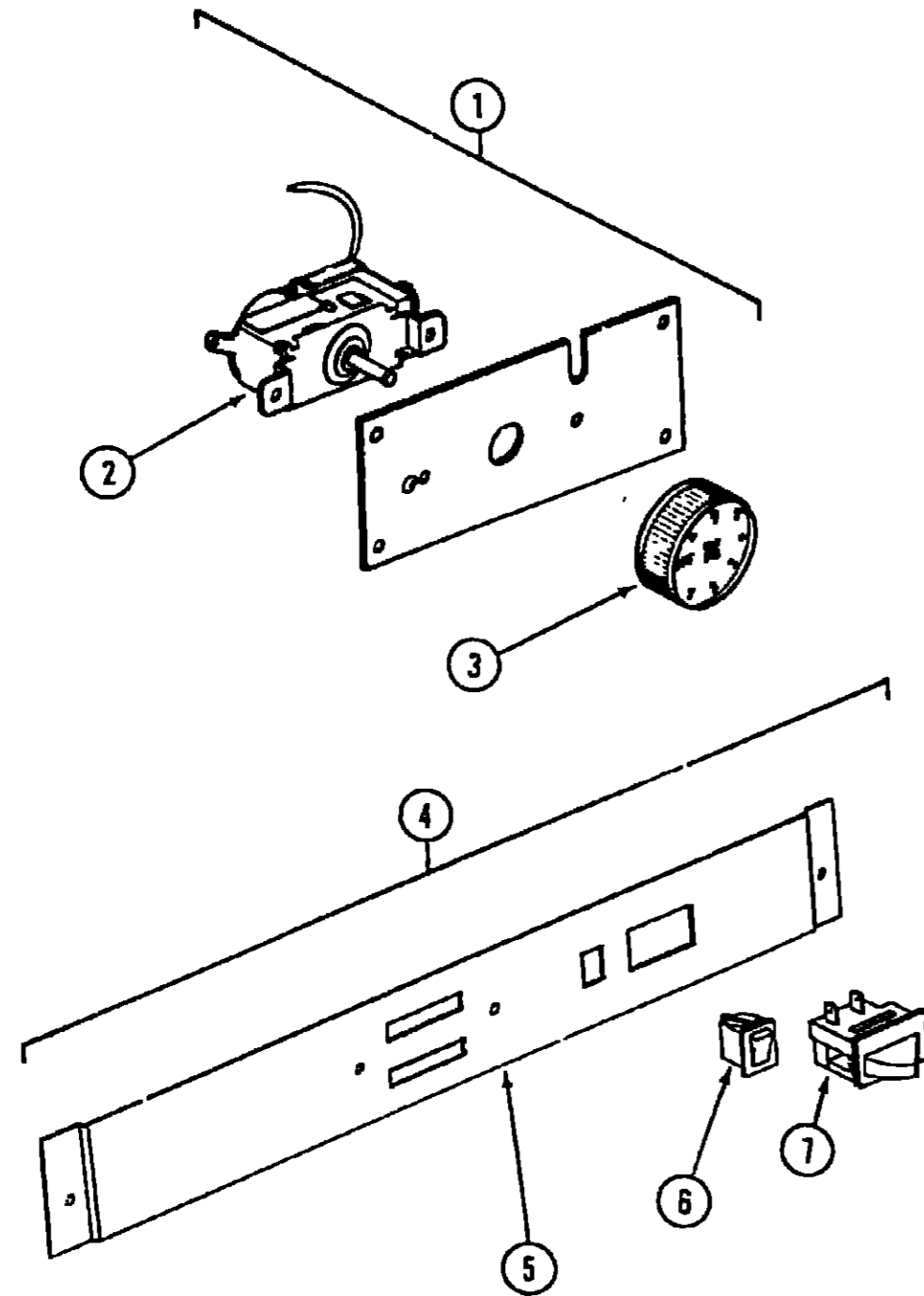
Introduction	A-01 - A-02
Air Conditioner	A-03 - A-09
Auto Air Conditioning	C-23 - C-24
Chassis Maintenance Kit	H-03 - H-04
Control Center	C-21 - C-22
Electric Motor Home Step	H-01
Furnace	A-11 - B-04
Interior/Exterior Screws & Fasteners	B-07 - B-08
Holding Tanks	D-01 - D-24
Mirrors - Exterior	B-05 - B-06
Range Hood	B-09 - B-15
Refrigerator	F-01 - G-23
Roof Vent	C-13 - C-19
Speed Control	E-01 - E-16
Toilet	B-19 - B-24
TV Antenna	B-17 - B-18
Water Heater	E-17 - E-24
Water Tanks	C-01 - C-11

REFRIGERATOR GROUP INDEX

Norcold - Identification Label	F-01
Norcold - 776EG2 776EG3 775EG3	F-02 - F-07
Norcold - 838EG3 8310EG3	F-08 - F-15
Norcold - 876EG3	F-16 - F-23
Norcold - 868EG3 866EG3	F-24 - G-08
Norcold - 875EG2 875EG3	G-09 - G-13
Norcold - DC254	G-14 - G-16
Dometic - Ice Maker	G-17 - G-18
Dometic - 2' Refrigerator	G-19 - G-23

REFRIGERATOR GROUP (CONTINUED)

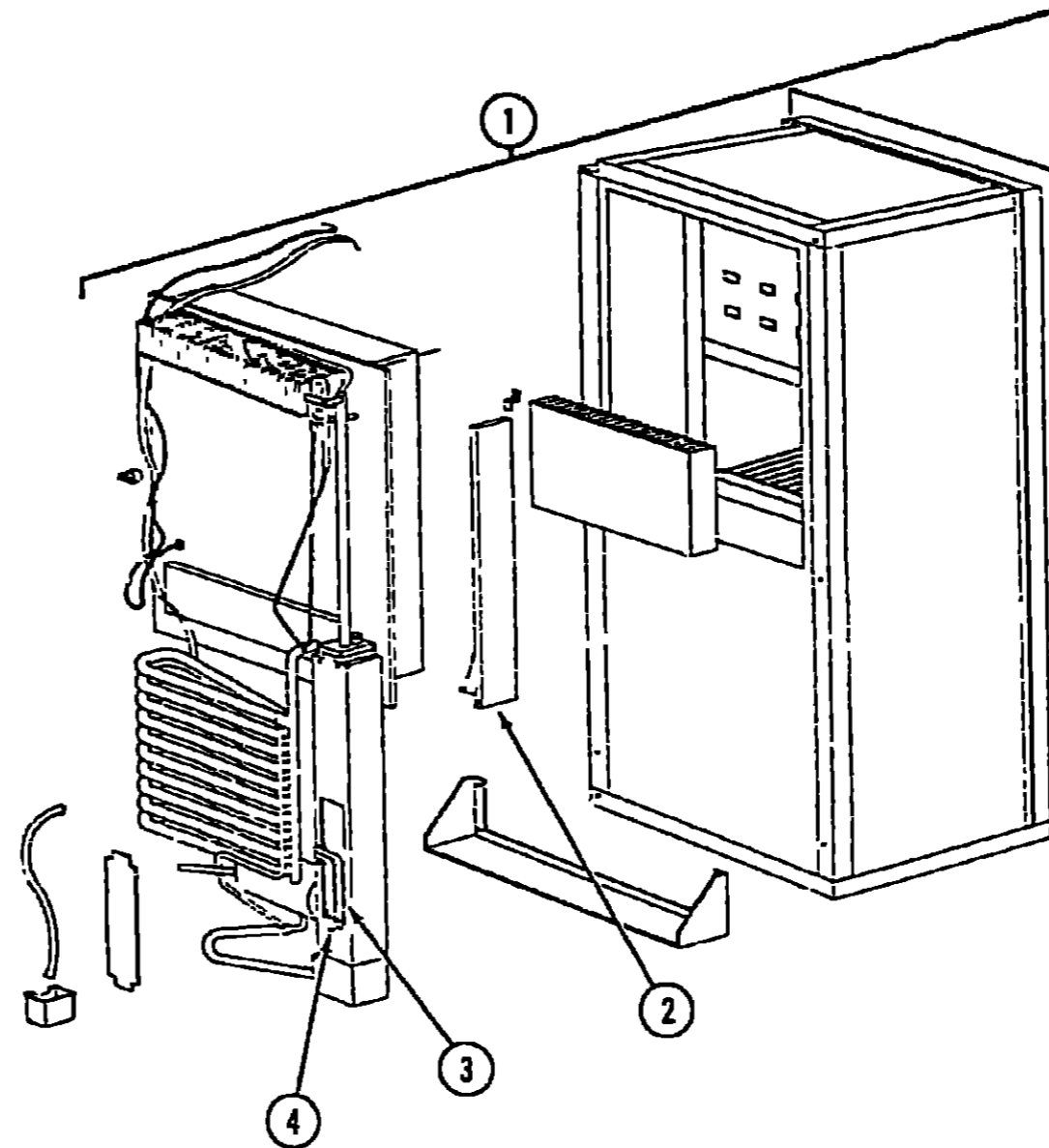
NORCOLD - THERMOSTAT & DIVIDER FRONT 838EG3 8310EG3



Key	Part Number	U/M	Description	838 EG3	8310 EG3	Vendor No.
1	075217-01-709	EA	Thermostat Asm	X	X	(615368)
2	075217-01-714	EA	Thermostat	X	X	(615262)
3	075217-01-715	EA	Thermostat Knob	X	X	(614097)
4	075217-01-712	EA	Divider Front Asm	X		(615363)
4	075218-01-706	EA	Divider Front Asm		X	(615352)
5	075217-01-716	EA	Divider Front Panel	X		(614492)
5	075218-01-707	EA	Divider Front Panel		X	(615347)
6	075217-01-717	EA	Humidity Switch	X	X	(615351)
7	075217-01-718	EA	Light Switch	X	X	(615227)

REFRIGERATOR GROUP (CONTINUED)

NORCOLD 876EG3



Key	Part Number	U/M	Description	Vendor No.
1	088248-01-000	EA	Refrigerator Asm - Complete	
2	064473-03-719	EA	Flue	(616162)
3	088248-01-710	EA	Heater DC (Horizontal) (3-Way)	(615628)
4	088248-01-709	EA	Heater AC (Horizontal)	(615627)

1984-1988 COMMON ITEMS FICHE TABLE OF CONTENTS

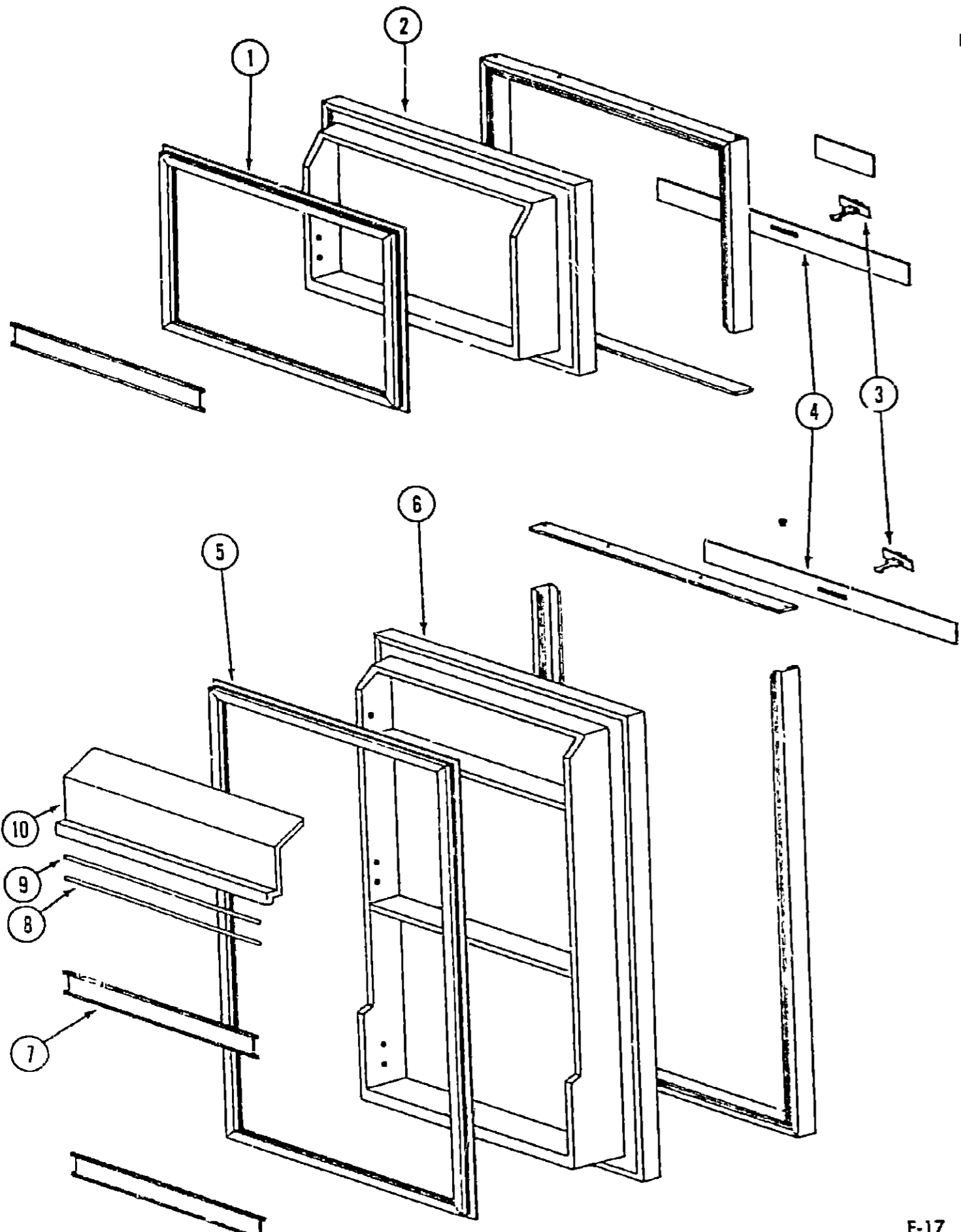
Introduction	A-01 - A-02
Air Conditioner	A-03 - A-09
Auto Air Conditioning	C-23 - C-24
Chassis Maintenance Kit	H-03 - H-04
Control Center	C-21 - C-22
Electric Motor Home Step	H-01
Furnace	A-11 - B-04
Interior/Exterior Screw & Fasteners	B-07 - B-08
Holding Tanks	D-01 - D-24
Mirrors - Exterior	B-05 - B-06
Range Hood	B-09 - B-15
Refrigerator	F-01 - G-23
Roof Vent	C-13 - C-19
Speed Control	E-01 - E-16
Toilet	B-19 - B-24
TV Antenna	B-17 - B-18
Water Heater	E-17 - E-24
Water Tanks	C-01 - C-11

REFRIGERATOR GROUP INDEX

Norcold - Identification Label	F-01
Norcold - 776EG2 776EG3 778EG3	F-02 - F-07
Norcold - 838EG3 8310EG3	F-08 - F-15
Norcold - 876EG3	F-16 - F-23
Norcold - 868EG3 866EG3	F-24 - G-08
Norcold - 875EG2 875EG3	G-09 - G-13
Norcold - DC254	G-14 - G-16
Dometic - Ice Maker	G-17 - G-18
Dometic - 2' Refrigerator	G-19 - G-23

REFRIGERATOR GROUP (CONTINUED)

NORCOLD UPPER & LOWER DOOR 876EG3



Key	Part Number	U/M	Description
1	075217-01-701	EA	Upper Door Gasket - Almond
2	075217-01-745	EA	Foamed Upper Door Liner
3	068248-01-702	EA	Middle Travel Latch
4	088248-01-705	EA	Decorative Door Trim - w/o Center Door Latch
4	088248-01-703	EA	Decorative Door Trim - w/Center Door Latch
5	075217-01-704	EA	Lower Door Gasket - Almond
6	075217-01-747	EA	Foamed Lower Door Liner - Almond
7	075217-01-705	EA	Door Shelf Trim
8	064472-01-747	EA	Door Rail
9	064472-01-746	EA	Connector Rod
10	064472-01-744	EA	Dairy Keeper Door

1984-1988 COMMON ITEMS FICHE TABLE OF CONTENTS

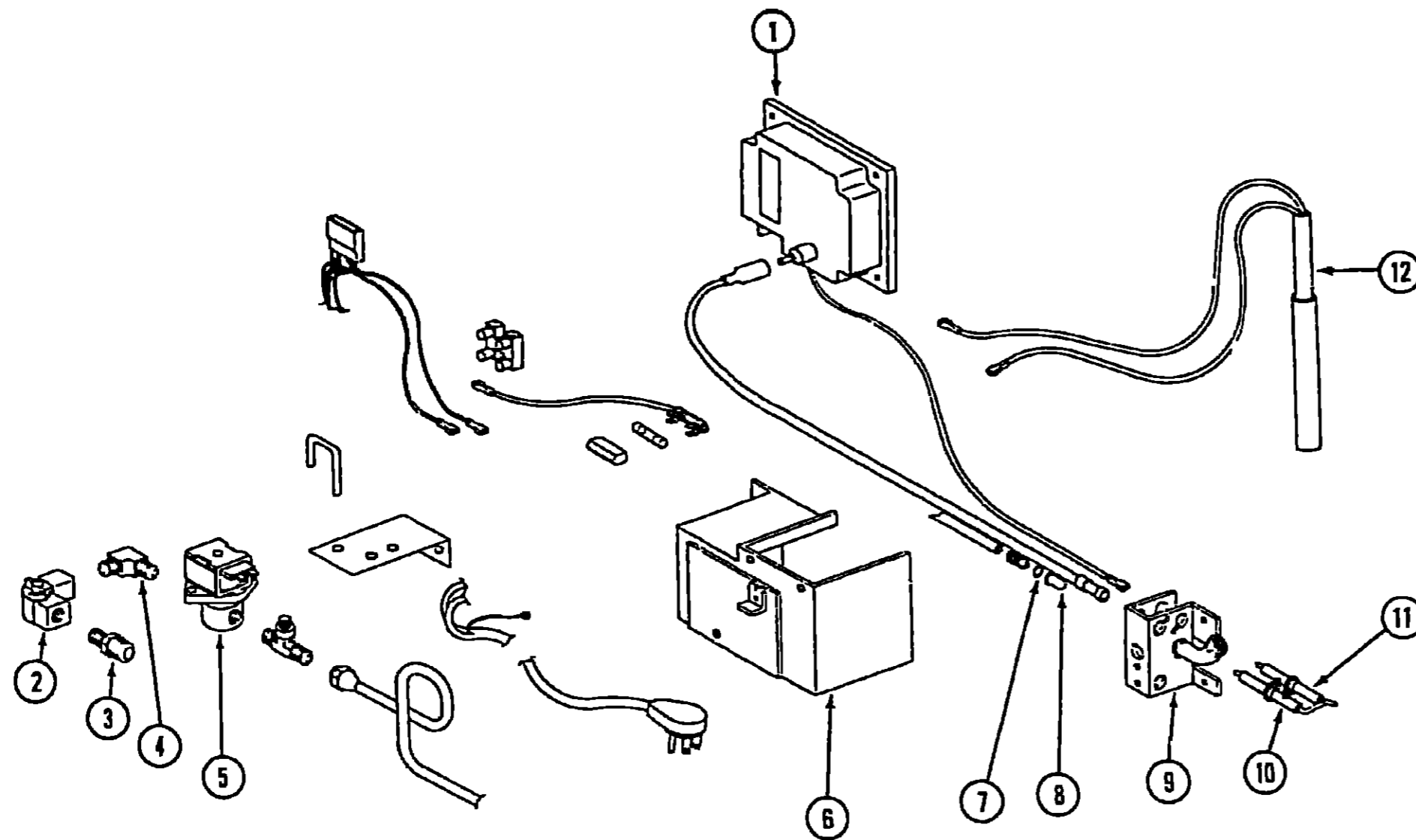
Vendor No.		
(615321)		
(614905)	Introduction	A-01 - A-02
(615189)	Air Conditioner	A-03 - A-09
(615984)	Auto Air Conditioning	C-23 - C-24
(615188)	Chassis Maintenance Kit	H-03 - H-04
(615320)	Control Center	C-21 - C-22
(614906)	Electric Motor Home Step	H-01
(615223)	Furnace	A-11 - B-04
(613132)	Interior/Exterior Screw & Fasteners	B-07 - B-08
(614721)	Holding Tanks	D-01 - D-24
(614720)	Mirrors - Exterior	B-05 - B-06
	Range Hood	B-09 - B-15
	Refrigerator	F-01 - G-23
	Roof Vent	C-13 - C-19
	Speed Control	E-01 - E-16
	Toilet	B-19 - B-24
	TV Antenna	B-17 - B-18
	Water Heater	E-17 - E-24
	Water Tanks	C-01 - C-11

REFRIGERATOR GROUP INDEX

Norcold - Identification Label	F-01
Norcold - 776EG2 776EG3 778EG3	F-02 - F-07
Norcold - 838EG3 8310EG3	F-08 - F-15
Norcold - 876EG3	F-16 - F-23
Norcold - 868EG3 866EG3	F-24 - G-08
Norcold - 875EG2 875EG3	G-09 - G-13
Norcold - DC254	G-14 - G-16
Dometic - Ice Maker	G-17 - G-18
Dometic - 2' Refrigerator	G-19 - G-23

REFRIGERATOR GROUP (CONTINUED)

NORCOLD CONTROL ASM. 876EG3 (STANDARD BURNER)



Key	Part Number	U/M	Description	Vendor No.
1	075217-01-737	EA	Ignition Control Module (Channel)	(615495)
2	084880-01-715	EA	Manual Shut Off Valve	(615392)
3	084880-01-713	EA	Male Connector - Inlet Fitting	(615256)
4	084880-01-719	EA	Brass Elbow	(615533)
5	084880-01-718	EA	Gas Valve	(615518)
6	084880-01-708	EA	Baffle Asm	(614975)
7	074471-01-703	EA	Orifice Gasket	(614751)
8	084880-01-705	EA	Orifice	(614522)
9	084880-01-714	EA	Burner (No Electrodes)	(615370)
10	084880-01-710	EA	Ignition Electrode	(615247)
11	084880-01-711	EA	Sensor Electrode	(615248)
12	064472-01-705	EA	Heater (2-Way)	(614713)
12	084880-01-707	EA	Heater (3-Way)	(615263)

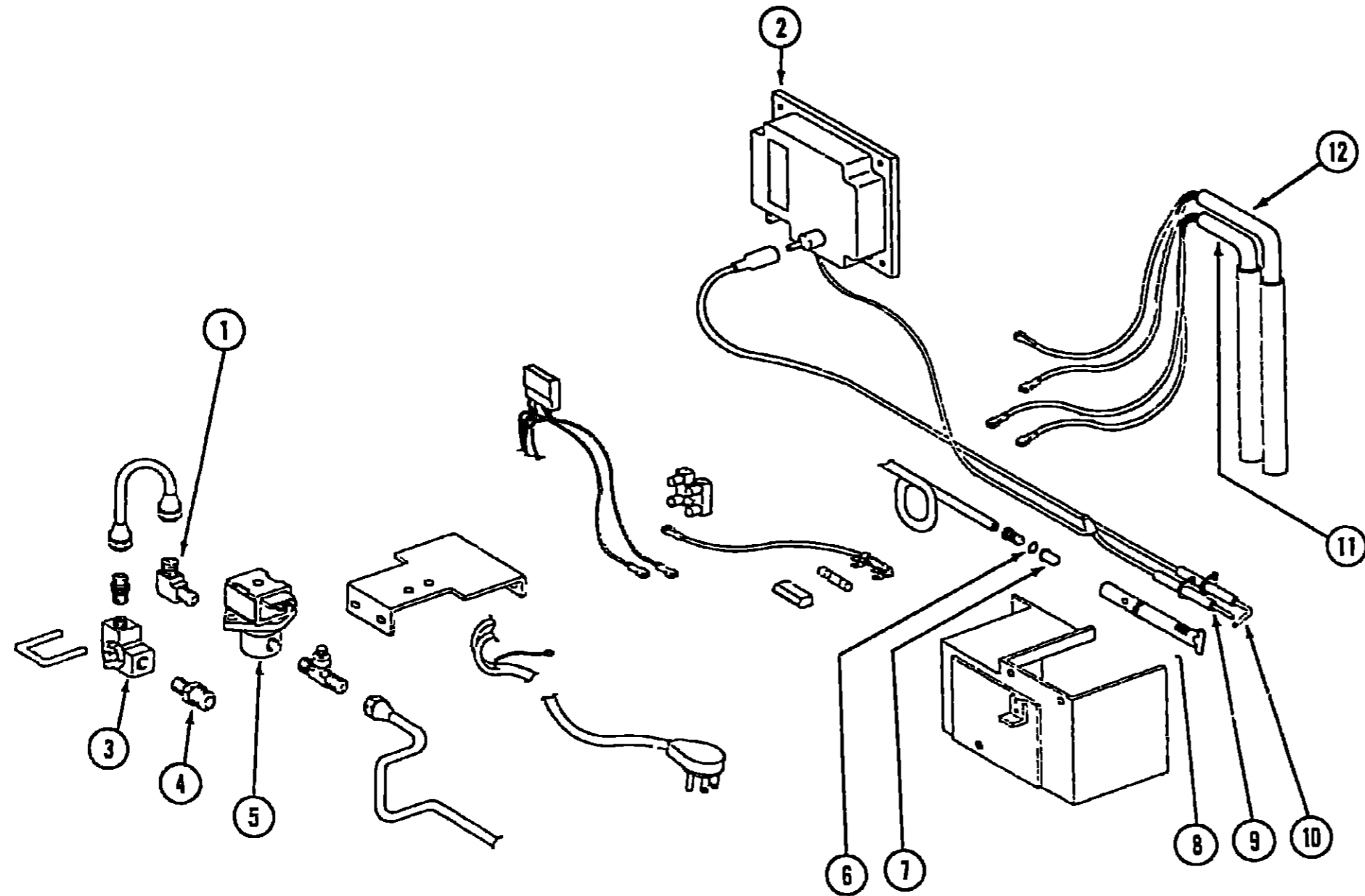
1984-1988 COMMON ITEMS FICHE TABLE OF CONTENTS

Introduction	A-01 - A-02
Air Conditioner	A-03 - A-09
Auto Air Conditioning	C-23 - C-24
Chassis Maintenance Kit	H-03 - H-04
Control Center	C-21 - C-22
Electric Motor Home Step	H-01
Furnace	A-11 - B-04
Interior/Exterior Screw & Fasteners	B-07 - B-08
Holding Tanks	D-01 - D-24
Mirrors - Exterior	B-05 - B-06
Range Hood	B-09 - B-15
Refrigerator	F-01 - G-23
Roof Vent	C-13 - C-19
Speed Control	E-01 - E-16
Toilet	B-19 - B-24
TV Antenna	B-17 - B-18
Water Heater	E-17 - E-24
Water Tanks	C-01 - C-11

REFRIGERATOR GROUP INDEX

Norcold - Identification Label	F-01
Norcold - 776EG2 776EG3 778EG3	F-02 - F-07
Norcold - 838EG3 831GEG3	F-08 - F-15
Norcold - 876EG3	F-16 - F-23
Norcold - 868EG3 866EG3	F-24 - G-03
Norcold - 875EG2 875EG3	G-09 - G-13
Norcold - DC254	G-14 - G-16
Dometic - Ice Maker	G-17 - G-18
Dometic - 2' Refrigerator	G-19 - G-23

REFRIGERATOR GROUP (CONTINUED)
NORCOLD CONTROL ASM. 876EG3 (HORIZONTAL BURNER)



Key	Part Number	U/M	Description	Vendor No.
1	084880-01-719	EA	Brass Elbow (Asco)	(615533)
2	075217-01-737	EA	Ignition Control Module (Channel)	(615495)
3	084880-01-715	EA	Manual Shut Off Valve	(615392)
4	084880-01-713	EA	Male Connector - Inlet Fitting	(615256)
5	084880-01-718	EA	Gas Valve	(615518)
6	074471-01-703	EA	Orifice Gasket	(614751)
7	084880-01-705	EA	Orifice	(614522)
8	058248-01-706	EA	Burner (Horizontal Burner)	(615881)
9	038248-01-707	EA	Sensor Electrode (Horizontal Burner)	(615733)
10	058248-01-708	EA	Spark Electrode (Horizontal Burner)	(615732)
11	038248-01-709	EA	Heater - AC (Horizontal Burner)	(615627)
12	058248-01-710	EA	Heater - DC (Horizontal Burner)	(615628)

1984-1988 COMMON ITEMS FICHE
TABLE OF CONTENTS

Introduction	A-01 - A-02
Air Conditioner	A-03 - A-09
Auto Air Conditioning	C-23 - C-24
Chassis Maintenance Kit	H-03 - H-04
Control Center	C-21 - C-22
Electric Motor Home Step	H-01
Furnace	A-11 - B-04
Interior/Exterior Screw & Fasteners	B-07 - B-08
Holding Tanks	D-01 - D-24
Mirrors - Exterior	B-05 - B-06
Range Hood	B-09 - B-15
Refrigerator	F-01 - G-23
Roof Vent	C-13 - C-19
Speed Control	E-01 - E-16
Toilet	B-19 - B-24
TV Antenna	B-17 - B-18
Water Heater	E-17 - E-24
Water Tanks	C-01 - C-11

REFRIGERATOR GROUP INDEX

Norcold - Identification Label	F-01
Norcold - 776EG2 776EG3 778EG3	F-02 - F-07
Norcold - 838EG3 8310EG3	F-08 - F-15
Norcold - 876EG3	F-16 - F-23
Norcold - 868EG3 866EG3	F-24 - G-08
Norcold - 875EG2 875EG3	G-09 - G-13
Norcold - DC254	G-14 - G-16
Dometic - Ice Maker	G-17 - G-18
Dometic - 2' Refrigerator	G-19 - G-23

REFRIGERATOR GROUP (CONTINUED)

NORCOLD CABINET ASM. 876EG3

REFRIGERATOR GROUP (CONTINUED)

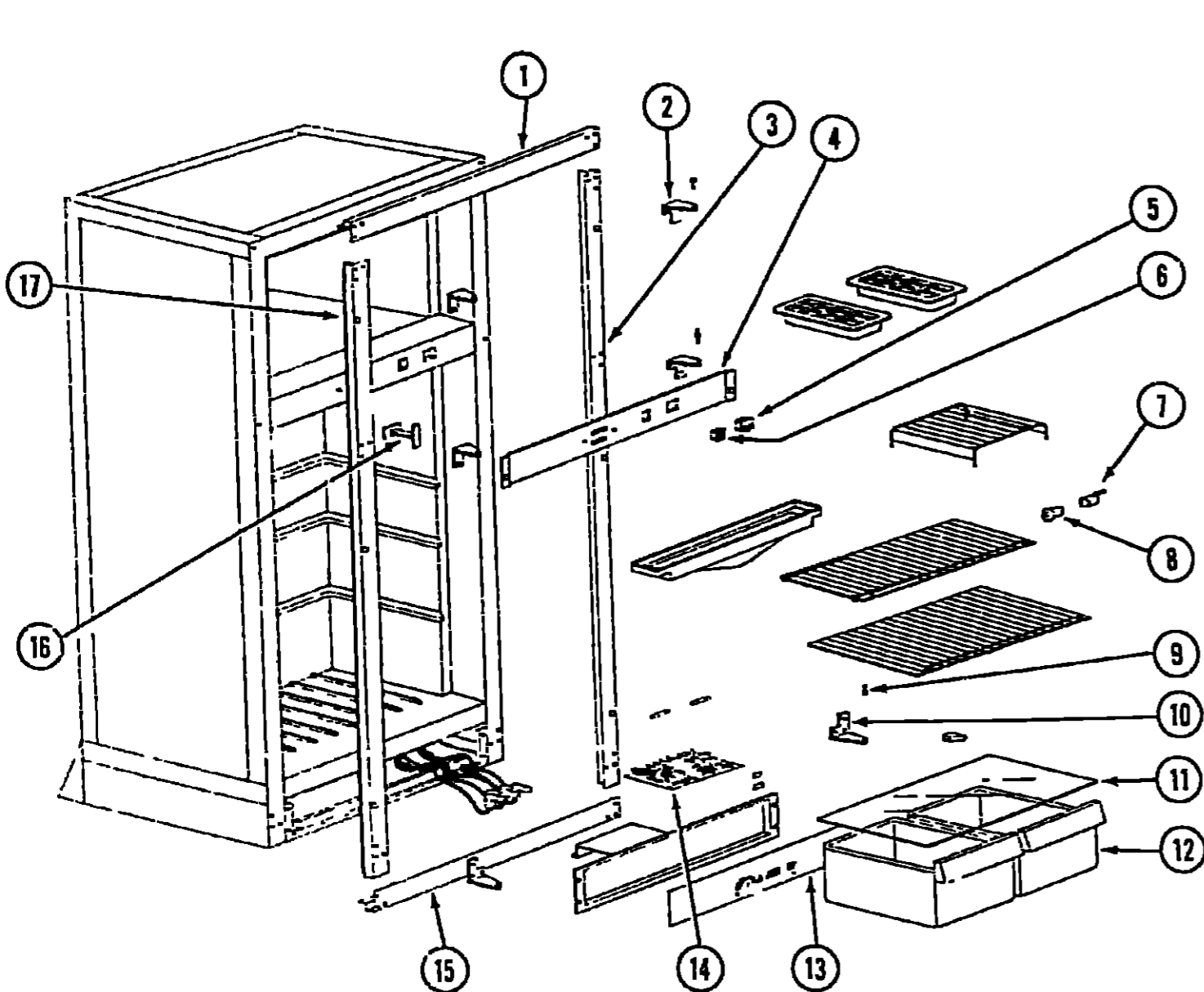
NORCOLD 866EG3 866EG3

1984-1988 COMMON ITEMS FICHE TABLE OF CONTENTS

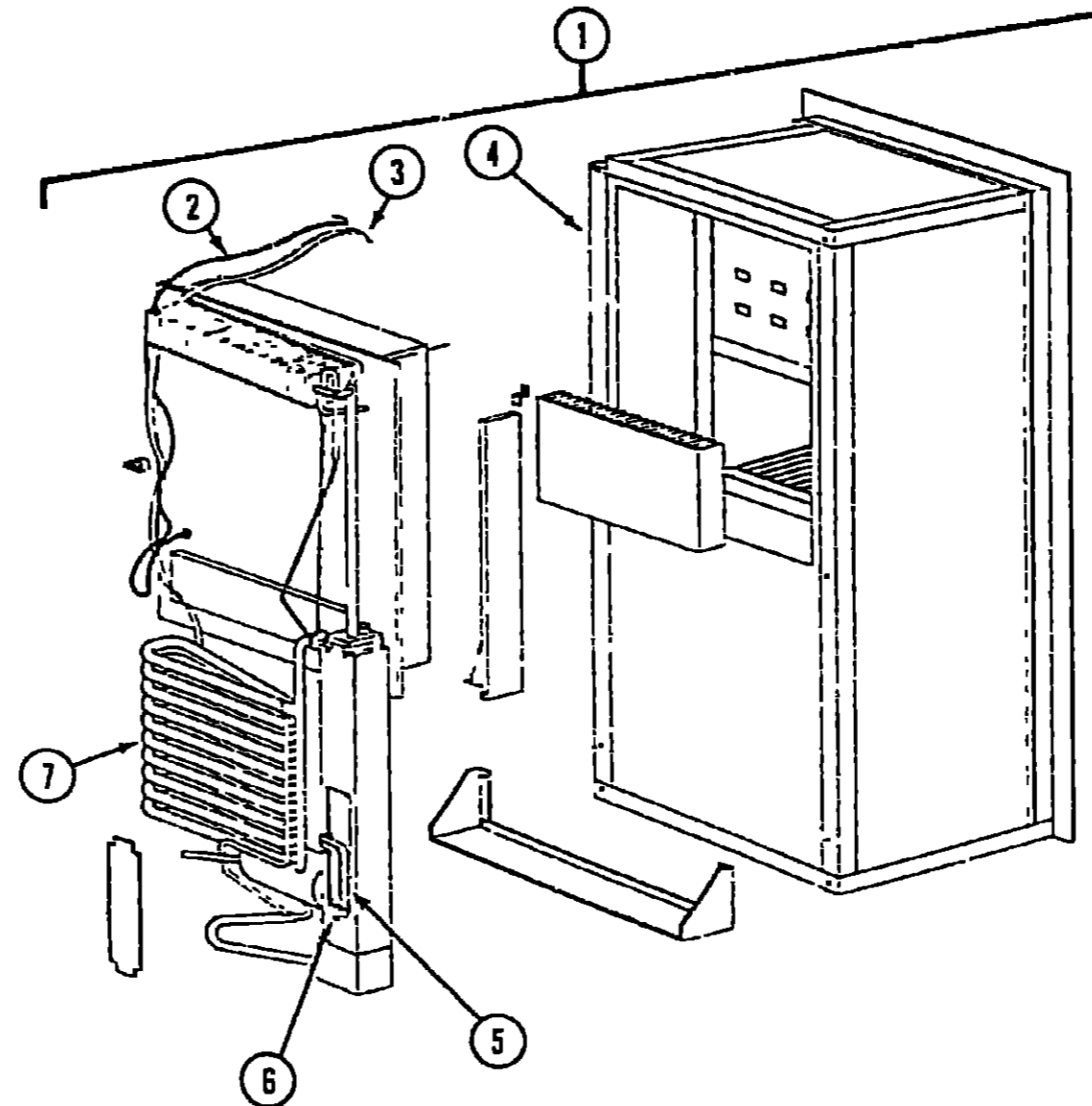
Introduction	A-01 - A-02
Air Conditioner	A-03 - A-09
Auto Air Conditioning	C-23 - C-24
Chassis Maintenance Kit	H-01 - H-04
Control Center	C-21 - C-22
Electric Motor Home Step	H-01
Furnace	A-11 - B-24
Interior/Exterior Screw & Fasteners	B-07 - B-08
Holding Tanks	D-01 - D-24
Mirrors - Exterior	B-05 - B-06
Range Hood	B-09 - B-15
Refrigerator	F-01 - G-23
Roof Vent	C-13 - C-19
Speed Control	E-01 - E-16
Toilet	B-19 - B-24
TV Antenna	B-17 - B-18
Water Heater	E-17 - E-24
Water Tanks	C-01 - C-11

REFRIGERATOR GROUP INDEX

Norcold - Identification Label	F-01
Norcold - 776EG2 776EG3 778EG3	F-02 - F-07
Norcold - 838EG3 8310EG3	F-08 - F-15
Norcold - 876EG3	F-16 - F-23
Norcold - 866EG3 866EG3	F-24 - G-08
Norcold - 875EG2 875EG3	G-09 - G-13
Norcold - DC254	G-14 - G-16
Domestic - Ice Maker	G-17 - G-18
Domestic - 2 Refrigerator	G-19 - G-23



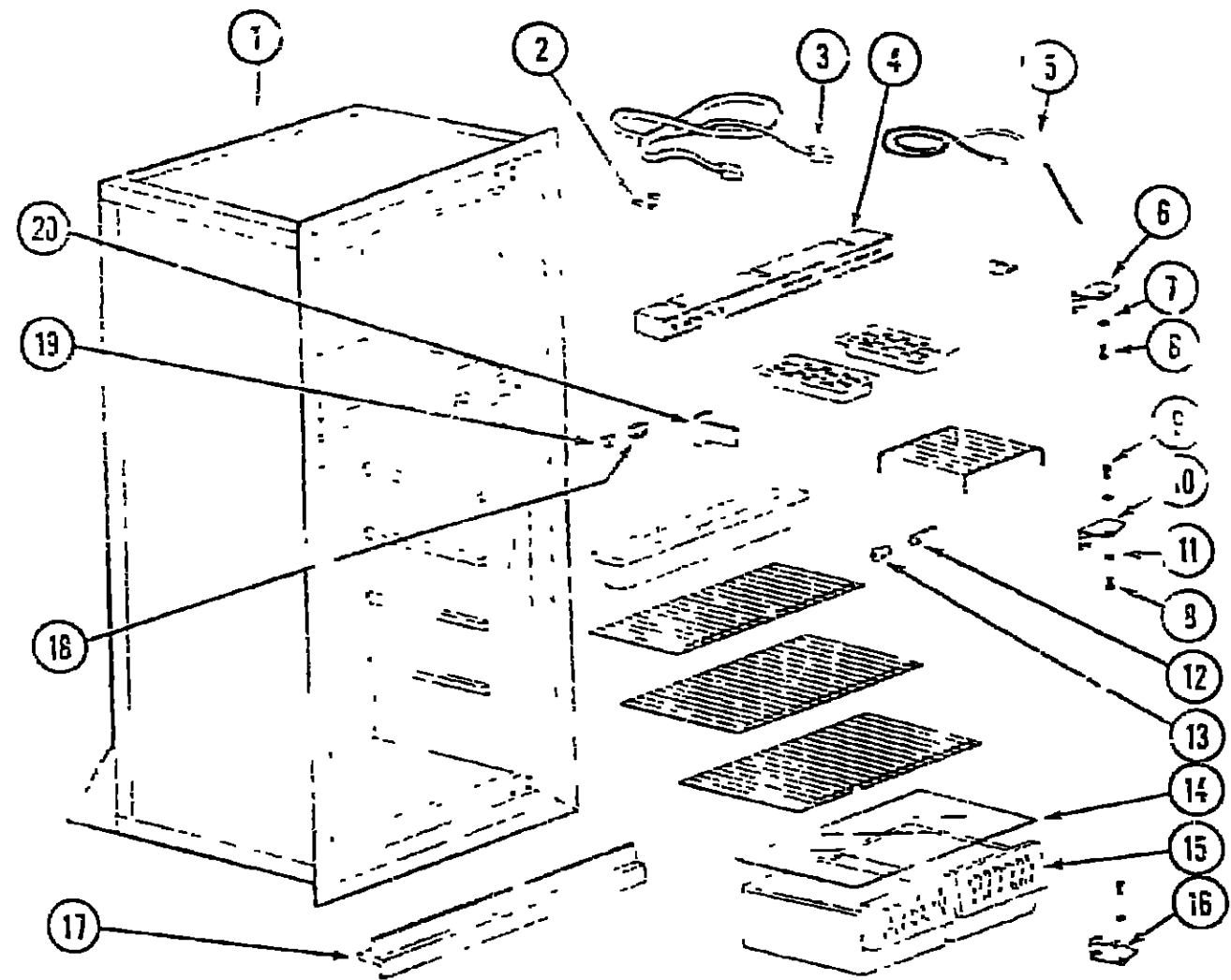
Key	Part Number	U/M	Description	Vendor No.
1	064472-01-726	EA	Top Breaker Strip - Brown	(613514)
2	064472-01-727	EA	Hinge	(613528)
3	064472-02-718	EA	Breaker Strip - Brown	(613319)
4	064472-01-721	EA	Divider Front - Brown	(614492)
5	084880-01-736	EA	Light Switch - Black	(615810)
6	075217-01-718	EA	Light Switch - Almond	(615227)
7	084880-01-709	EA	Lamp Socket	(615231)
8	084880-01-706	EA	DC Light Bulb	(614602)
9	064472-03-700	EA	Hinge Pin - Bottom	(615507)
10	064472-01-728	EA	Hinge	(613529)
11	064472-01-731	EA	Crisper Cover - Glass Shelf	(613376)
12	075217-1-713	EA	Crisper - Almond	(615180)
13	088248-01-701	EA	Control Panel Insert	(616039)
14	088248-01-700	EA	P C Board (3-Way)	(616028)
15	064472-01-724	EA	Bottom Breaker Strip - Brown	(613603)
16	064472-01-726	EA	Swing Travel Latch Asm	(615963)
17	064472-02-719	EA	Breakerstrip - Brown	(613320)



Key	Part Number	U/M	Description	866 EG3	866 EG3	Vendor No.
1	084879-01-000	EA	Refrigerator Complete	X	X	
1	084880-01-000	EA	Refrigerator Complete	X	X	(616211)
2	084880-01-753	EA	Thermostat Sensor	X	X	(616162)
3	064473-03-709	EA	Flue Horizontal Burner	X	X	(616161)
3	084880-03-701	EA	Flue Horizontal Burner	X	X	(615799)
4	084880-01-702	EA	Foamed Cabinet Asm	X	X	(615800)
4	084879-01-703	EA	Foamed Cabinet Asm	X	X	(615628)
5	088248-01-710	EA	Heater DC (Horizontal) (3-Way)	X	X	(615627)
6	088248-01-709	EA	Heater AC (Horizontal)	X	X	(615263)
7	084880-01-707	EA	Heater (3-Way)	X	X	(616152)
7	084879-03-700	EA	Cooling Unit (Horizontal Burner)	X	X	(616155)
7	084880-03-701	EA	Cooling Unit (Horizontal Burner)	X	X	(614738)
7	084879-01-700	EA	Cooling Unit (Standard Burner)	X	X	(614983)
7	084880-01-700	EA	Cooling Unit (Standard Burner)	X	X	
.	Not illustrated					

REFRIGERATOR GROUP (CONTINUED)

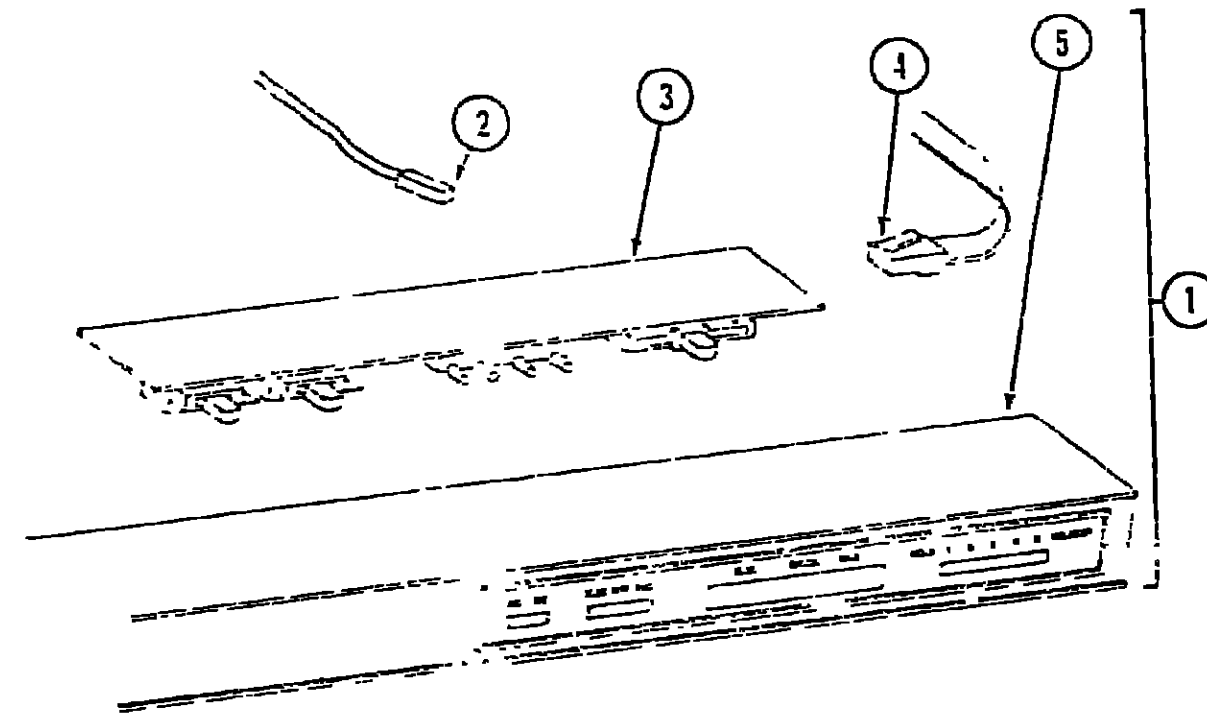
NORCOLD CABINET ASM 0848EG3 656EG3



Key	Part Number	U/M	Description	558 EG3	656 EG3	Vendor No.
1	084879-01-703	EA	Foamed Cabinet Asm		X	(615500)
1	084880-01-702	EA	Foamed Cabinet Asm		X	(615799)
2	084880-01-747	EA	Ho's Plug	X	X	(615820)
3	084850-01-746	EA	Cable	X	X	(615715)
4	084850-01-752	EA	Eyebrow Asm (3-Way)	X	X	(615765)
5	084850-01-753	EA	Thermostat Sensor	X	X	(616211)
6	084850-01-734	EA	Hinge Bracket Asm - Fr	X	X	(615508)
7	084850-01-749	EA	Hinge Bushing	X	X	(615807)
8	084850-01-731	EA	Hinge Pin	X	X	(615781)
9	084850-01-744	EA	Hinge Pin Shim - Center Hinge	X	X	(615657)
10	084850-01-726	EA	Hinge Bracket - Center Hinge	X	X	(615665)
11	084850-01-745	FA	Hinge Bushing - Center Hinge	X	X	(615673)
12	084850-01-700	EA	Lamp Socket	X	X	(615251)
13	084850-01-711	EA	DC Light Club	X	X	(615570)
14	084850-01-712	EA	Crisper Cover	X	X	(61554)
15	084850-01-730	EA	Crisper	X	X	(615713)
16	084850-01-735	EA	Hinge Bracket Asm - Left Hand	X	X	(615579)
17	084880-01-742	EA	Lower Seal Trim	X	X	(615354)
18	084850-01-736	EA	Light Switch - Black	X	X	(615810)
19	084850-01-741	EA	Rocker Switch - Black	X	X	(615943)
20	084880-01-732	EA	Door Latch	X	X	(615785)
	084880-02-700	EA	Lower Flange	X	X	(616221)
	084880-03-702	EA	Hinge Pin - Top Bottom Female	X	X	(615806)
	084850-01-748	EA	Snap In Plug - Installation Ho's	X	X	(615797)
	Not illustrated					

REFRIGERATOR GROUP (CONTINUED)

NORCOLD EYEBROW ASM 0848EG3 656EG3



Key	Part Number	U/M	Description
1	084850-01-752	EA	Eyebrow Asm (3-Way)
2	084850-01-753	EA	Thermostat Sensor
3	084850-01-743	EA	P C Board (3-Way) (At Eyebrow Asm)
4	084850-01-746	EA	Cable (From P C Board to Power Supply Board)
5	084850-01-729	EA	Eyebrow (3-Way) (P C Board Housing)

1984-1988 COMMON ITEMS FICHE TABLE OF CONTENTS

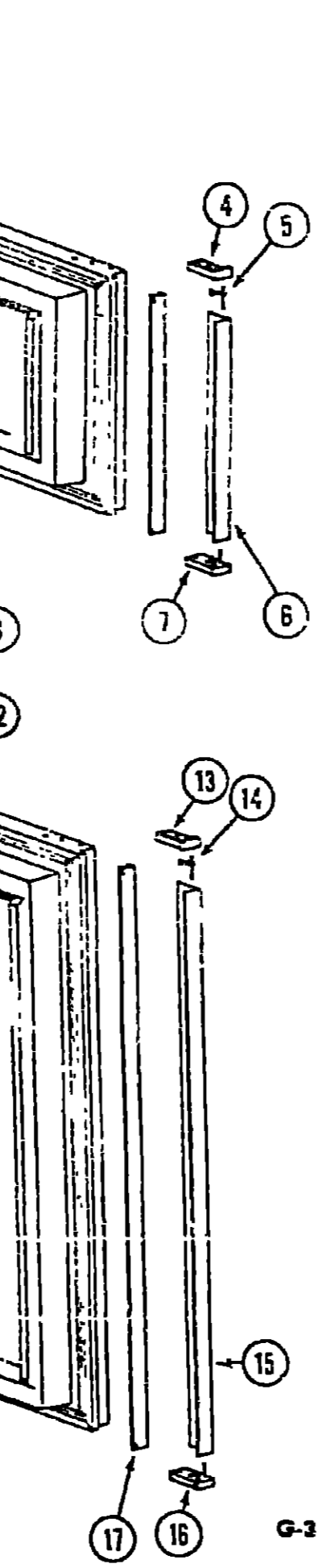
Introduction	A-01 - A-02
Air Conditioner	A-03 - A-09
Auto Air Conditioning	C-23 - C-24
Chassis Maintenance Kit	H-03 - H-04
Control Center	C-21 - C-22
Electric Motor Home Step	H-01
Furnace	A-11 - B-04
Interior Exterior Screws & Fasteners	B-07 - B-08
Heating Tanks	D-01 - D-24
Mirrors - Exterior	B-05 - B-06
Range Hood	B-09 - B-15
Refrigerator	F-01 - G-23
Roof Vent	C-13 - C-19
Speed Control	E-01 - E-16
Toilet	E-19 - B-24
TV Antenna	B-17 - B-18
Water Heater	E-17 - E-24
Water Tanks	C-01 - C-11

REFRIGERATOR GROUP INDEX

Norcold - Identification Label	F-01
Norcold - 776EG2 776EG3 776EG3	F-02 - F-07
Norcold - 838EG3 8310EG3	F-08 - F-15
Norcold - 876EG3	F-16 - F-23
Norcold - 868EG3 656EG3	F-24 - G-03
Norcold - 875EG2 875EG3	G-09 - G-13
Norcold - DC254	G-14 - G-16
Dometic - Ice Maker	G-17 - G-18
Dometic - 2 Refrigerator	G-19 - G-23

REFRIGERATOR GROUP (CONTINUED)

NORCOLD UPPER & LOWER DOOR 866EG3 866EG3



Key	Part Number	U/I	Description	868 EG3	866 EG3
1	054380-01-727	EA	Upper Door Gasket - Almond	X	Y
2	054550-01-725	EA	Hinge Plate - RH Top	X	X
3	034550-01-737	EA	Foamed Upper Door Liner (Includes Frame)	X	X
4	034550-01-739	EA	End Cap - Spring Catch	X	X
5	034550-01-720	EA	Spring (For Door Handle)	X	X
6	034550-01-751	EA	Lower Door Handle	X	X
7	034550-01-740	EA	End Cap - Stop Catch	X	X
8	034550-01-724	EA	Hinge Plate - RH Bottom	X	X
9	034550-01-753	EA	Door Shelf Bins	X	X
10	034579-01-701	EA	Lower Door Gasket - Almond	X	X
11	034550-01-725	EA	Hinge Plate - RH Top	X	X
12	034579-01-704	EA	Foamed Lower Door Liner (Includes Frame)	X	X
12	034550-01-703	EA	Foamed Lower Door Liner (Includes Frame)	X	X
13	034550-01-739	EA	End Cap (Spring Catch)	X	X
14	034550-01-720	EA	Spring (For Door Handle)	X	X
15	034579-01-702	EA	Lower Door Handle	X	X
15	034550-01-701	EA	Lower Door Handle	X	X
16	034550-01-740	EA	End Cap - Stop Catch	X	X
17	034579-01-705	EA	Panel Holder - Lower Door	X	X
17	034550-01-705	EA	Panel Holder - 866 Lower Door	X	X
18	034550-01-724	EA	Hinge Plate - RH Bottom	X	X
19	034550-01-750	EA	Door Shelf Bins	X	X
20	034550-01-733	EA	Door Keeper	X	X

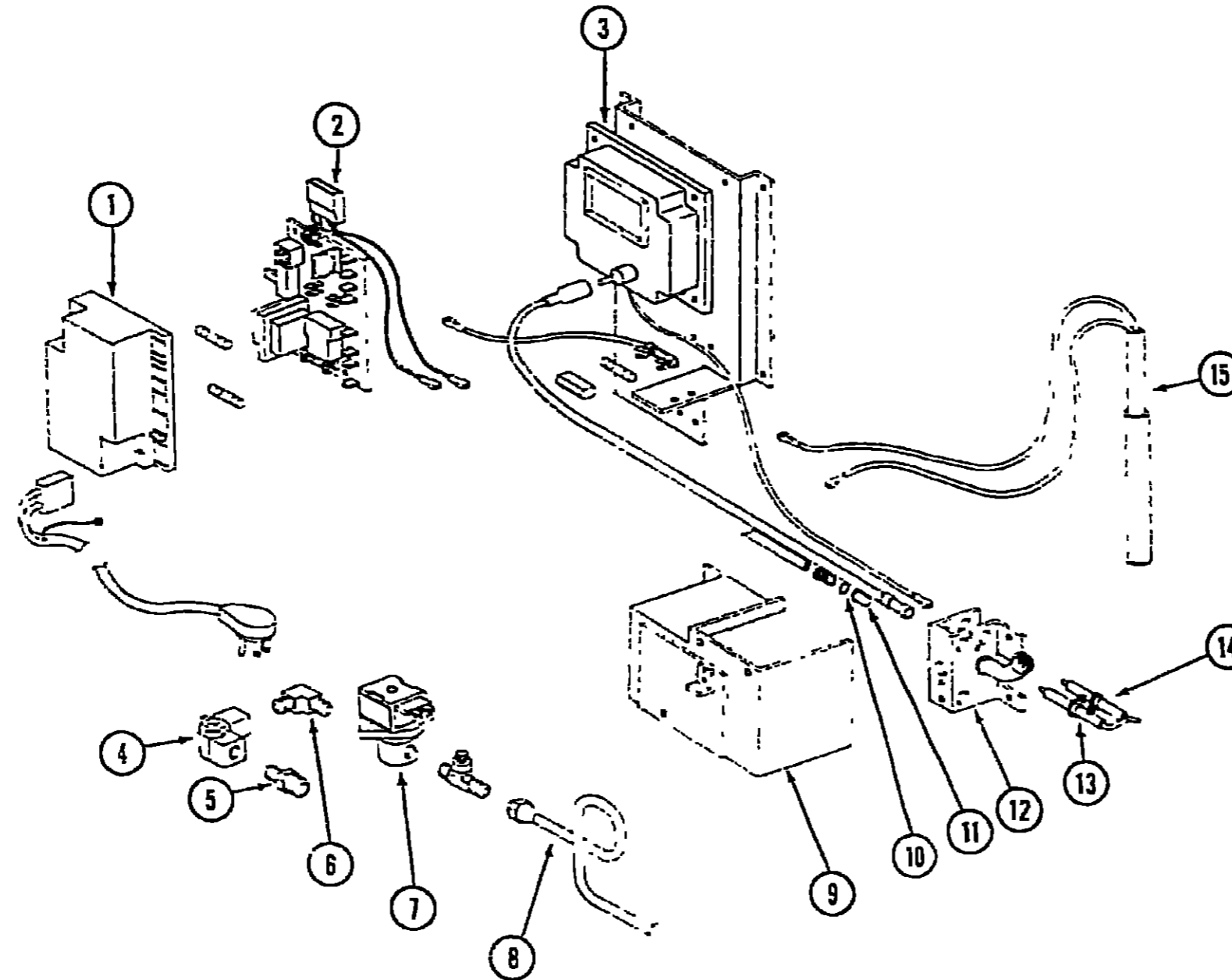
1984-1988 COMMON ITEMS FICHE TABLE OF CONTENTS

Vendor No.	Item	Code
(615678)	Introduction	A-01 - A-02
(615624)	Air Conditioning	A-03 - A-09
(615546)	Auto Air Conditioning	C-23 - C-24
(615937)	Chassis Maintenance Kit	H-03 - H-04
(615558)	Control Center	C-21 - C-22
(615755)	Electric Motor Home Step	H-01
(615938)	Furnace	A-11 - B-04
(615551)	Interior Exterior Screws & Fasteners	B-07 - B-08
(615540)	Holding Tanks	D-01 - D-24
(615573)	Mirrors - Exterior	B-05 - B-05
(615520)	Range Hood	B-09 - B-15
(615519)	Refrigerator	F-01 - G-23
(615517)	Roof Vent	C-13 - C-19
(615937)	Speed Control	E-01 - E-16
(615558)	Toilet	B-19 - B-24
(615758)	TV Antenna	B-17 - B-18
(615757)	Water Heater	E-17 - E-24
(615938)	Water Tanks	C-01 - C-11

REFRIGERATOR GROUP INDEX

Norcold - Identification Label	F-01
Norcold - 776EG2 776EG3 776EG3	F-02 - F-07
Norcold - 638EG3 631CEG3	F-08 - F-15
Norcold - 876EG3	F-16 - F-23
Norcold - 868EG3 866EG3	F-24 - G-05
Norcold - 875EG2 875EG3	G-09 - G-13
Norcold - DC254	G-14 - G-16
Dometic - Ice Maker	G-17 - G-16
Dometic - 2 Refrigerator	G-19 - G-23

REFRIGERATOR GROUP (CONTINUED)
NORCOLD CONTROL ASM. 868EG3 866EG3 (STANDARD BURNER)



Key	Part Number	U M	Description	Vendor No.
1	084580-01-721	EA	Power Supply Cover	(615633)
2	084580-01-723	EA	Power Supply Board (3-Way)	(615550)
3	084580-01-717	EA	Ignition Control Module (Channel)	(615495)
3	084580-01-712	EA	Ignition Control Module (Perwal)	(615495)
4	084680-01-715	EA	Manual Shut Off Valve	(615392)
5	084580-01-713	EA	Male Connector (Inlet Fitting)	(615256)
6	084580-01-719	EA	Brass Fitting (Asco)	(615533)
7	084580-01-718	EA	Gas Valve (Asco)	(615518)
8	084580-01-716	EA	Burner Tube (Asco) Standard Burner	(615432)
9	084880-01-708	EA	Baffle Asm. (Standard Burner)	(614975)
10	074471-01-703	EA	Orifice Gasket	(614751)
11	084580-01-705	EA	Orifice	(614522)
12	084580-01-714	EA	Burner (No Electrodes) (Standard Burner)	(61537C)
13	084580-01-710	EA	Ignition Electrode (Standard Burner)	(615247)
14	084580-01-711	EA	Sensor Electrode (Standard Burner)	(615248)
15	084880-01-707	EA	Heater (3-Way) (Standard Burner)	(615263)

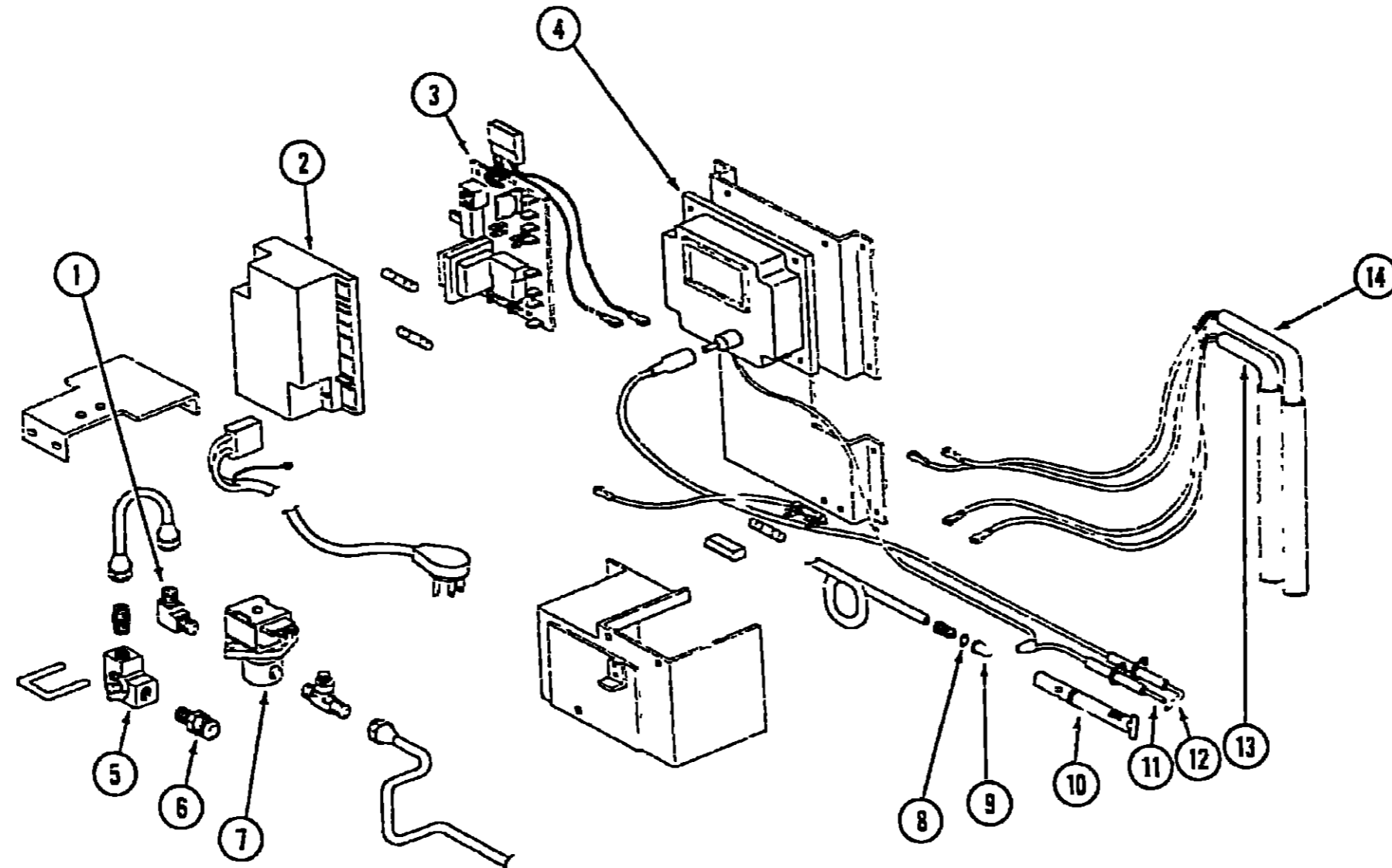
1984-1988 COMMON ITEMS FICHE
TABLE OF CONTENTS

Introduction	A-01 - A-02
Air Conditioner	A-03 - A-09
Auto Air Conditioning	C-23 - C-24
Chassis Maintenance Kit	H-03 - H-04
Control Center	C-21 - C-22
Electric Motor Home Step	H-01
Furnace	A-11 - B-04
Interior Exterior Screw & Fasteners	B-07 - B-08
Holding Tanks	D-01 - D-24
Mirrors - Exterior	B-05 - B-06
Range Hood	B-09 - B-15
Refrigerator	F-01 - G-23
Roof Vent	C-13 - C-19
Speed Control	E-01 - E-16
Toilet	B-19 - B-24
TV Antenna	B-17 - B-18
Water Heater	E-17 - E-24
Water Tanks	C-01 - C-11

REFRIGERATOR GROUP INDEX

Norcold - Identification Label	F-01
Norcold - 776EG2 776EG3 778EG3	F-02 - F-07
Norcold - 838EG3 8310EG3	F-08 - F-15
Norcold - 876EG3	F-16 - F-23
Norcold - 868EG3 866EG3	F-24 - G-08
Norcold - 875EG2 875EG3	G-09 - G-13
Norcold - DC254	G-14 - G-16
Dometic - Ice Maker	G-17 - G-18
Dometic - 2 Refrigerator	G-19 - G-23

REFRIGERATOR GROUP (CONTINUED)
NORCOLD CONTROL ASM. 868EG3 866EG3 (HORIZONTAL BURNER)



Key	Part Number	U/M	Description	Vendor No.
1	084860-01-719	EA	Brass Elbow	(615533)
2	084860-01-721	EA	Power Supply Cover	(615630)
3	064860-01-723	EA	Power Supply Board (3-Way)	(615650)
4	064860-01-717	EA	Control Module (Channel)	(615495)
4	064860-01-712	EA	Control Module (Fenwal)	(615250)
5	084860-01-715	EA	Manual Shut Off Valve	(615392)
6	084860-01-713	EA	Male Connector (inlet Fitting)	(615256)
7	084830-01-718	EA	Gas Valve (Asco)	(615518)
8	074471-01-703	EA	Orifice Gasket	(614751)
9	084880-01-705	EA	Orifice	(614522)
10	088248-01-706	EA	Burner (Horizontal Burner)	(615881)
11	088248-01-707	EA	Sensor Electrode (Horizontal Burner)	(615733)
12	088248-01-708	EA	Spark Electrode (Horizontal Burner)	(615732)
13	088248-01-709	EA	Heater AC (Horizontal Burner)	(615627)
14	088248-01-710	EA	Heater DC Horizontal Burner (3-Way)	(615628)

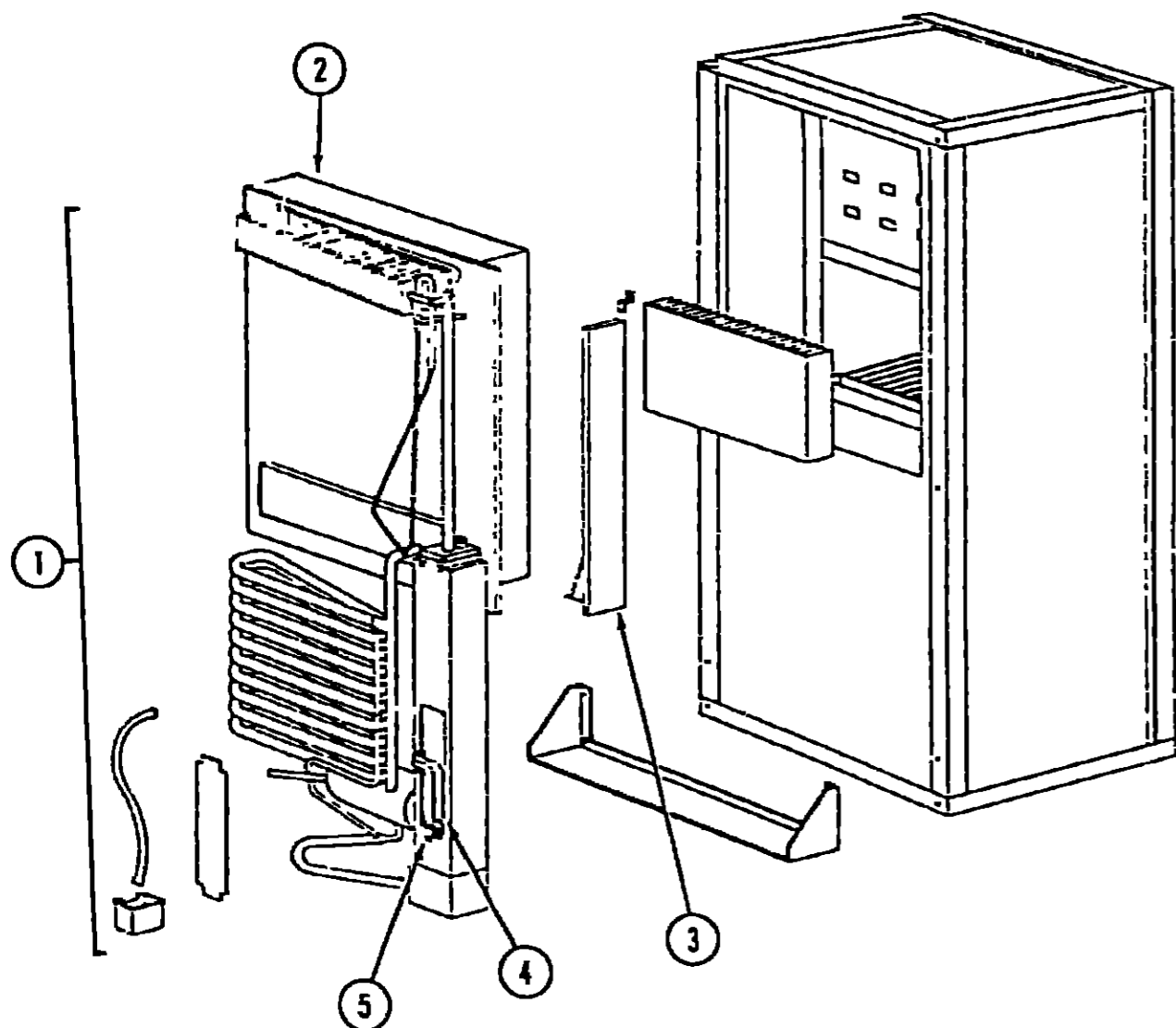
1984-1988 COMMON ITEMS FICHE
TABLE OF CONTENTS

Introduction	A-01 - A-02
Air Conditioner	A-03 - A-09
Auto Air Conditioning	C-23 - C-24
Chassis Maintenance Kit	H-03 - H-04
Control Center	C-21 - C-22
Electric Motor Home Step	H-01
Furnace	A-11 - B-04
Interior Exterior Screw & Fasteners	B-07 - B-08
Holding Tanks	D-01 - D-24
Mirrors - Exterior	B-05 - B-06
Range Hood	B-09 - B-15
Refrigerator	F-01 - G-23
Roof Vent	C-13 - C-19
Speed Control	E-01 - E-16
Toilet	B-19 - B-24
TV Antenna	B-17 - B-18
Water Heater	E-17 - E-24
Water Tanks	C-01 - C-11

REFRIGERATOR GROUP INDEX

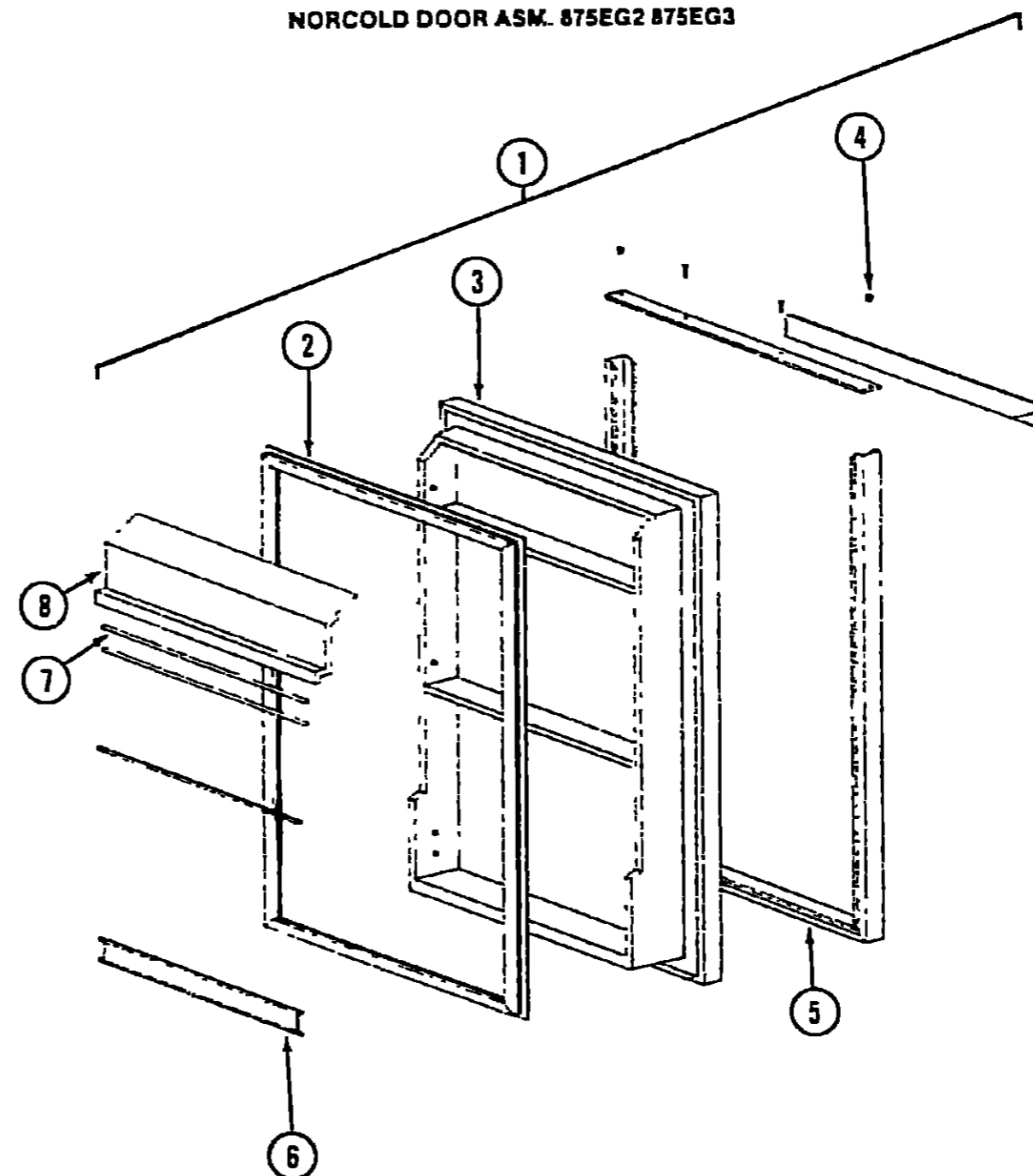
Norcold - Identification Label	F-01
Norcold - 776EG2 776EG3 778EG3	F-02 - F-07
Norcold - 838EG3 8310EG3	F-08 - F-15
Norcold - 876EG3	F-16 - F-23
Norcold - 868EG3 856EG3	F-24 - G-08
Norcold - 875EG2 875EG3	G-09 - G-13
Norcold - DC254	G-14 - G-16
Dometic - Ice Maker	G-17 - G-18
Dometic - 2 Refrigerator	G-19 - G-23

**REFRIGERATOR GROUP (CONTINUED),
NORCOLD 875EG2 875EG3**



Key	Part Number	U/M	Description	875 EG2	875 EG3	Vendor No.
1	064473-03-000	EA	Refrigerator Asm - Complete	X		
1	064473-04-000	EA	Refrigerator Asm - Complete		X	
2	064473-03-718	EA	Cooling Unit	X	X	(616148)
3	064473-03-719	EA	Flue (Horizontal Burner)	X	X	(616162)
4	064473-03-702	EA	Heater - DC - 3 Way (Horizontal Burner)		X	(615626)
5	064473-03-701	EA	Heater - AC (Horizontal Burner)	X	X	(615625)

**REFRIGERATOR GROUP (CONTINUED)
NORCOLD DOOR ASM. 875EG2 875EG3**



Key	Part Number	U/M	Description	875 EG2	875 EG3	Vendor No.
1	064473-01-725	EA	Door Asm	X	X	(614523)
2	064473-03-704	EA	Door Gasket - Almond	X	X	(615319)
3	064473-03-705	EA	Foamed Door Liner	X	X	(613505)
4	046955-01-702	EA	Hinge Bushing	X	X	(613127)
5	064473-03-706	EA	Door Frame - Brown	X	X	(615577)
6	064473-03-707	EA	Door Sheil Trim Asm.	X	X	(615222)
7	064473-03-708	EA	Connector Rod - Dairy Door	X	X	(614679)
8	064473-01-720	EA	Dairy Door	X	X	(614668)

**1984-1988 COMMON ITEMS FICHE
TABLE OF CONTENTS**

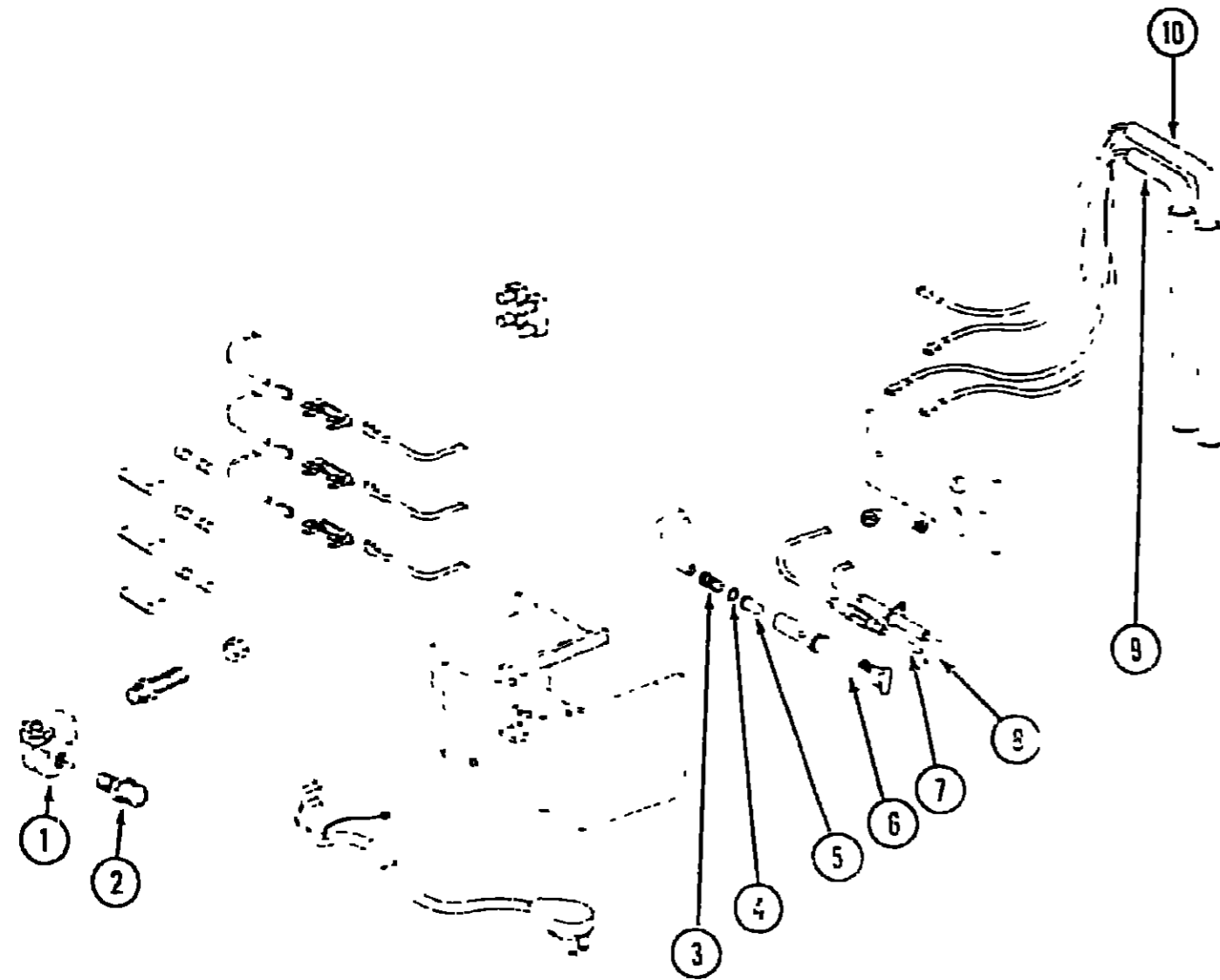
Introduction	A-01 - A-02
Air Conditioner	A-03 - A-09
Auto Air Conditioning	C-23 - C-24
Chassis Maintenance Kit	H-03 - H-04
Control Center	C-21 - C-22
Electric Motor Home Step	H-01
Furnace	A-11 - B-04
Interior, Exterior Screw & Fasteners	B-07 - B-08
Holding Tanks	D-01 - D-24
Mirror - Exterior	R-05 - B-06
Range Hood	B-09 - B-15
Refrigerator	F-01 - G-23
Roof Vent	C-13 - C-19
Speed Control	E-01 - E-16
Toilet	B-19 - B-24
TV Antenna	B-17 - B-18
Water Heater	E-17 - E-24
Water Tanks	C-01 - C-11

REFRIGERATOR GROUP INDEX

Norcold - Identification Label	F-01
Norcold - 776EG2 776EG3 778EG3	F-02 - F-07
Norcold - 838EG3 8310EG3	F-08 - F-15
Norcold - 876EG3	F-16 - F-23
Norcold - 868EG3 866EG3	F-24 - G-08
Norcold - 875EG2 875EG3	G-09 - G-13
Norcold - DC254	G-14 - G-16
Dometic - Ice Maker	G-17 - G-18
Dometic - 2 Refrigerator	G-19 - G-23

REFRIGERATOR GROUP (CONTINUED)

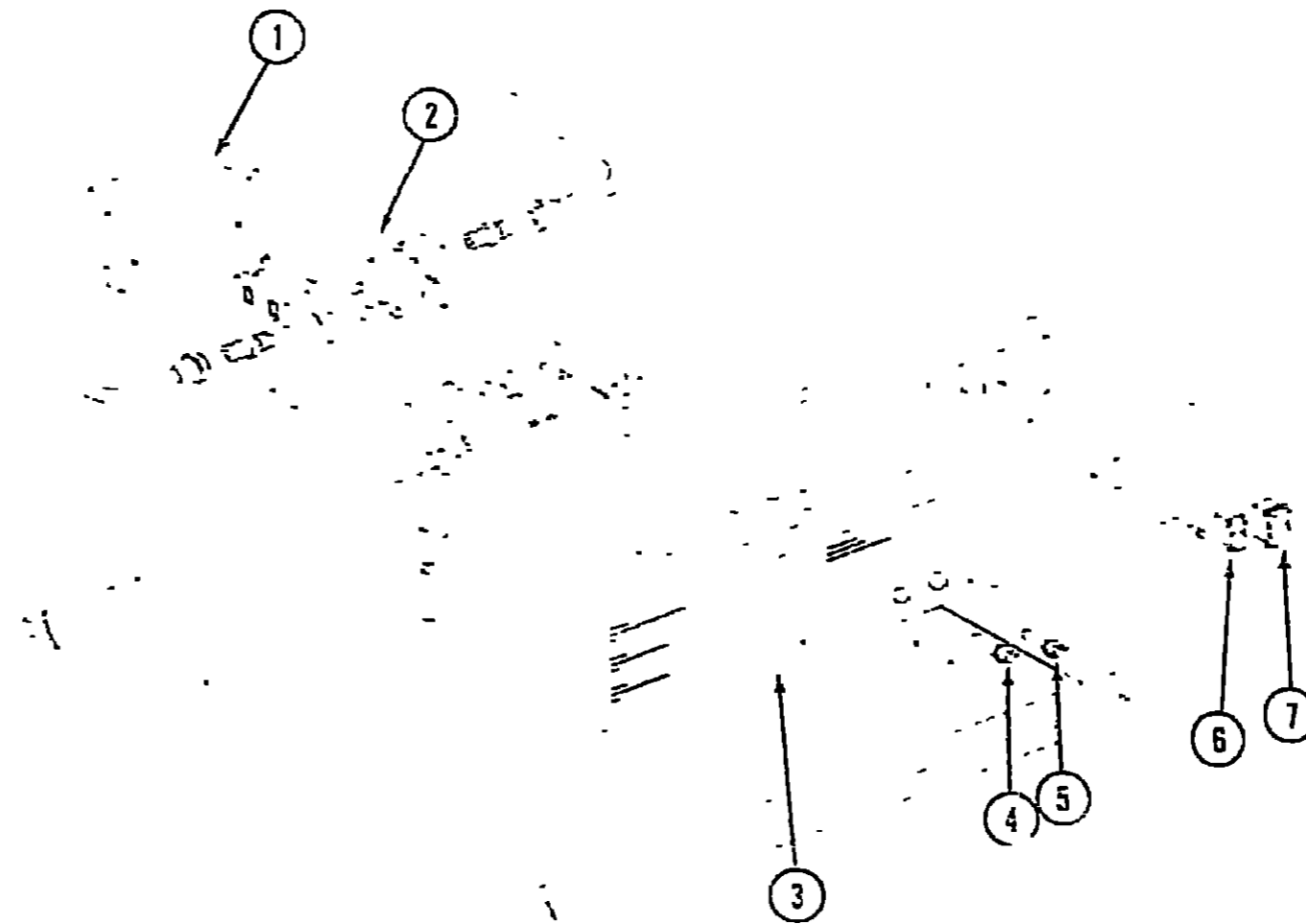
NORCOLD REAR CONTROL ASM. 875EG2 875EG3



Key	Part Number	U/M	Description	875 EG2	875 EG3	Vendor No
1	084850-01-715	EA	Manual Shut Off Valve	X	X	(615392)
2	084880-01-713	EA	Male Connector - Inlet	X	X	(615255)
3	064473-03-703	EA	Fitting	X	X	(614455)
4	074471-01-703	EA	Orifice Gasket	X	X	(614751)
5	064473-01-702	EA	Orifice	X	X	(614521)
6	088248-01-706	EA	Burner	X	X	(615531)
7	064472-01-700	EA	Thermocouple	X	X	(614353)
8	064473-03-700	EA	Electrode Asm	X	X	(616075)
9	064473-03-701	EA	Heater - AC	X	X	(615525)
10	064473-03-702	EA	Heater - DC		X	(615526)

REFRIGERATOR GROUP (CONTINUED)

NORCOLD CONTROL PANEL - LOWER 875EG2 875EG3



Key	Part Number	U/M	Description	875 EG2	875 EG3	Vendor No
1	064473-03-720	EA	Relighter	X	X	(616059)
2	064473-03-721	EA	Combination Control (Sourdillon)	X	X	(616094)
3	064472-01-700	EA	Thermocouple	X	X	(614353)
3	064473-03-722	EA	Control Panel	X	X	(616121)
4	064473-03-715	EA	Thermostat Knob	X	X	(616114)
5	064473-03-714	EA	Mode Selector Knob	X	X	(616117)
6	084880-01-741	EA	Rocker Switch	X	X	(616118)
7	064473-03-716	EA	Rocker Switch	X	X	(615943)
	Not illustrated					(616113)

1981-1988 COMMON ITEMS FIG TABLE OF CONTENTS

Introduction	A-02
Air Conditioning	A-1 - A-03
Auto Air Conditioning	C-23 - C-24
Chassis Maintenance Kit	H-03 - H-04
Control Center	C-01 - C-22
Electric Motor Home Step	I-01
Furnace	A-1 - A-04
Interior Exterior Screw & Fasteners	B-07 - B-08
Holding Tanks	D-01 - D-24
Mirrors - Exterior	B-05 - B-05
Range Hood	E-13 - E-15
Refrigerator	F-01 - F-23
Roof Vent	C-13 - C-12
Speed Control	E-01 - E-16
Toilet	B-19 - B-24
TV Antenna	B-17 - B-18
Water Heater	E-17 - E-24
Water Tanks	C-01 - C-11

REFRIGERATOR GROUP INDEX

Norcold - Identification Label	F-01
Norcold - 776EG2 776EG3 778EG3	F-02 - F-07
Norcold - 838EG3 8310EG3	F-08 - F-15
Norcold - 876EG3	F-16 - F-23
Norcold - 868EG3 866EG3	F-24 - G-03
Norcold - 875EG2 875EG3	G-09 - G-13
Norcold - DC254	G-14 - G-16
Dometic - Ice Maker	G-17 - G-18
Dometic - 2 Refrigerator	G-19 - G-23

REFRIGERATOR GROUP (CONTINUED)

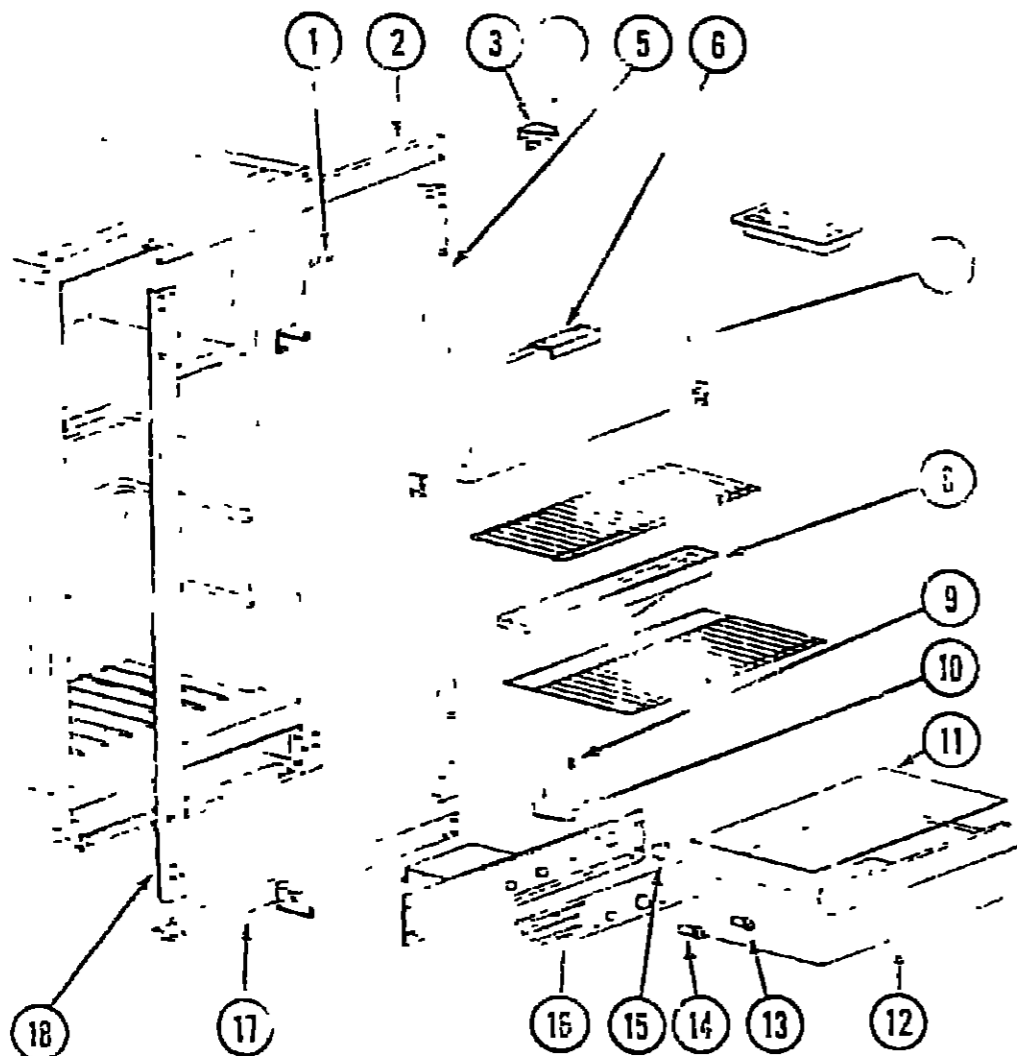
NORCOLD CAD 7754 875EG2 875EG3

REFRIGERATOR GROUP (CONTINUED)

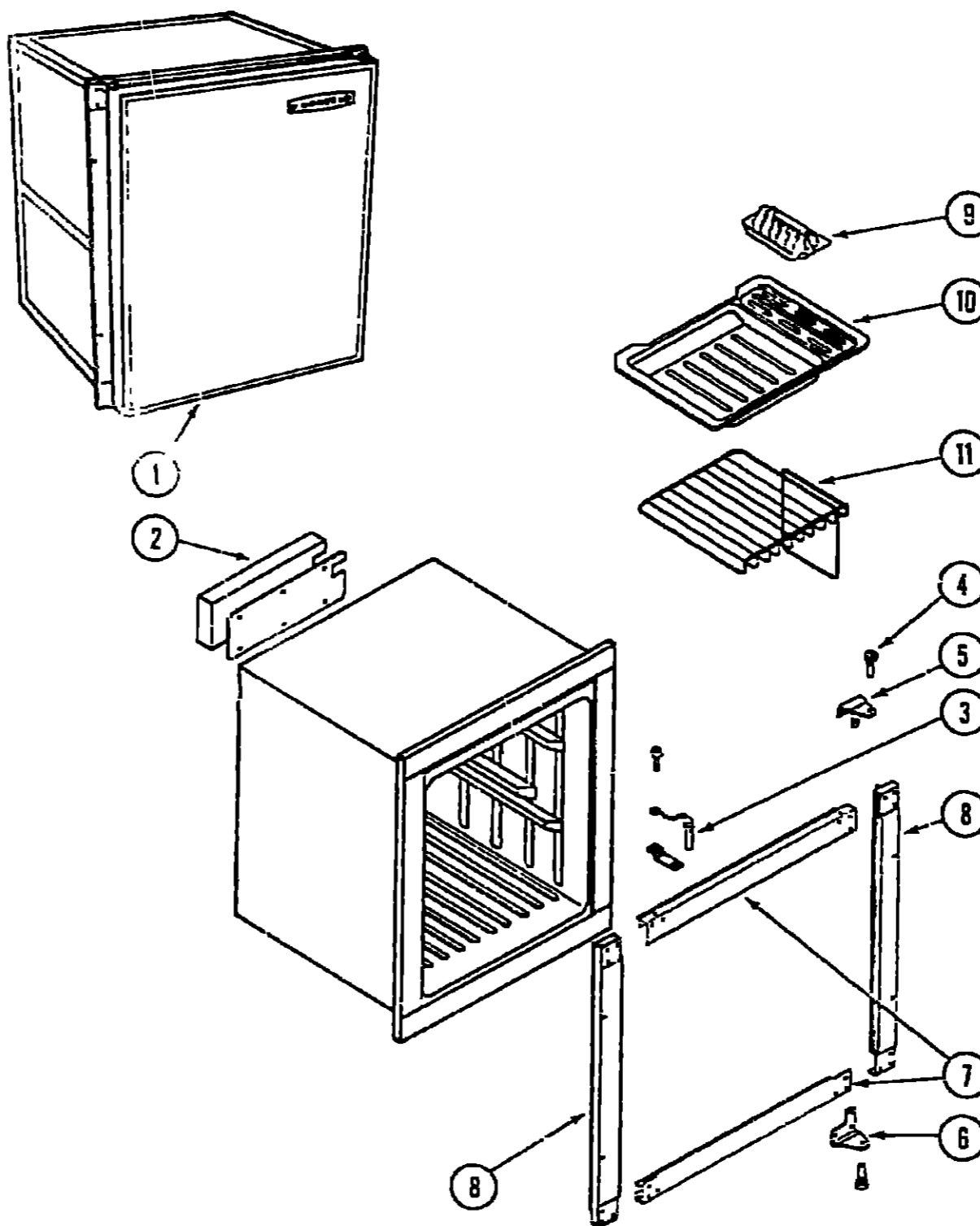
NORCOLD - DC254

**1984-1988 COMMON ITEMS FICHE
TABLE OF CONTENTS**

Introduction	A-01 - A-02
Air Conditioner	A-03 - A-09
Auto Air Conditioning	C-23 - C-24
Chassis Maintenance Kit	H-03 - H-04
Control Center	C-21 - C-22
Electric Motor Home Step	H-01
Furnace	A-11 - B-04
Interior Exterior Screw & Fasteners	B-07 - B-08
Holding Tanks	D-01 - D-24
Mirrors - Exterior	B-05 - B-06
Range Hood	B-09 - B-15
Refrigerator	F-01 - G-23
Roof Vent	C-13 - C-19
Speed Control	E-01 - E-16
Toilet	B-19 - B-24
TV Antenna	B-17 - B-18
Water Heater	E-17 - E-24
Water Tanks	C-01 - C-11



Key	Part Number	U/M	Description	875 EG2	875 EG3	Vendor No.
1	054473-03-710	EA	Pin & Chamber Travel Lock	X	X	(615231)
2	054473-01-702	EA	Top Breaker Strip	X	X	(613533)
3	054472-01-727	EA	Hinge Bracket - Upper Right	X	X	(613523)
4	040955-01-713	EA	Hinge Pin - Top	X	X	(611145)
5	054473-03-710	EA	Right Hand Breaker Strip	X	X	(613832)
6	054473-03-711	EA	Handle - Freezer Door	X	X	(61592)
7	054473-03-712	EA	Evaporator Door Asm	X	X	(615245)
8	054473-01-713	EA	Drip Trap	X	X	615442
9	054472-03-700	EA	Hinge Pin - Bottom	X	X	515507
10	054472-01-728	EA	Hinge Bracket - Upper Left	X	X	513529
11	054473-01-714	EA	Casing Cover	X	X	513510
12	054473-01-715	EA	Crisper	X	X	(515191)
13	054473-03-714	EA	Mode Selector Knob	X	X	(616118)
14	054473-03-715	EA	Thermostat Knob	X	X	(616117)
15	054473-01-741	EA	Rocker Switch	X	X	(616116)
16	054473-03-716	EA	Rocker Switch	X	X	(616115)
17	054473-03-722	EA	Control Panel Insert	X	X	516121
18	054473-03-717	EA	Control Panel Insert	X	X	(616114)
19	054473-01-710	EA	Bottom Breaker Strip - Brown	X	X	(513525)
20	054473-01-712	EA	Left Hand Breaker Strip - Brown	X	X	(613633)



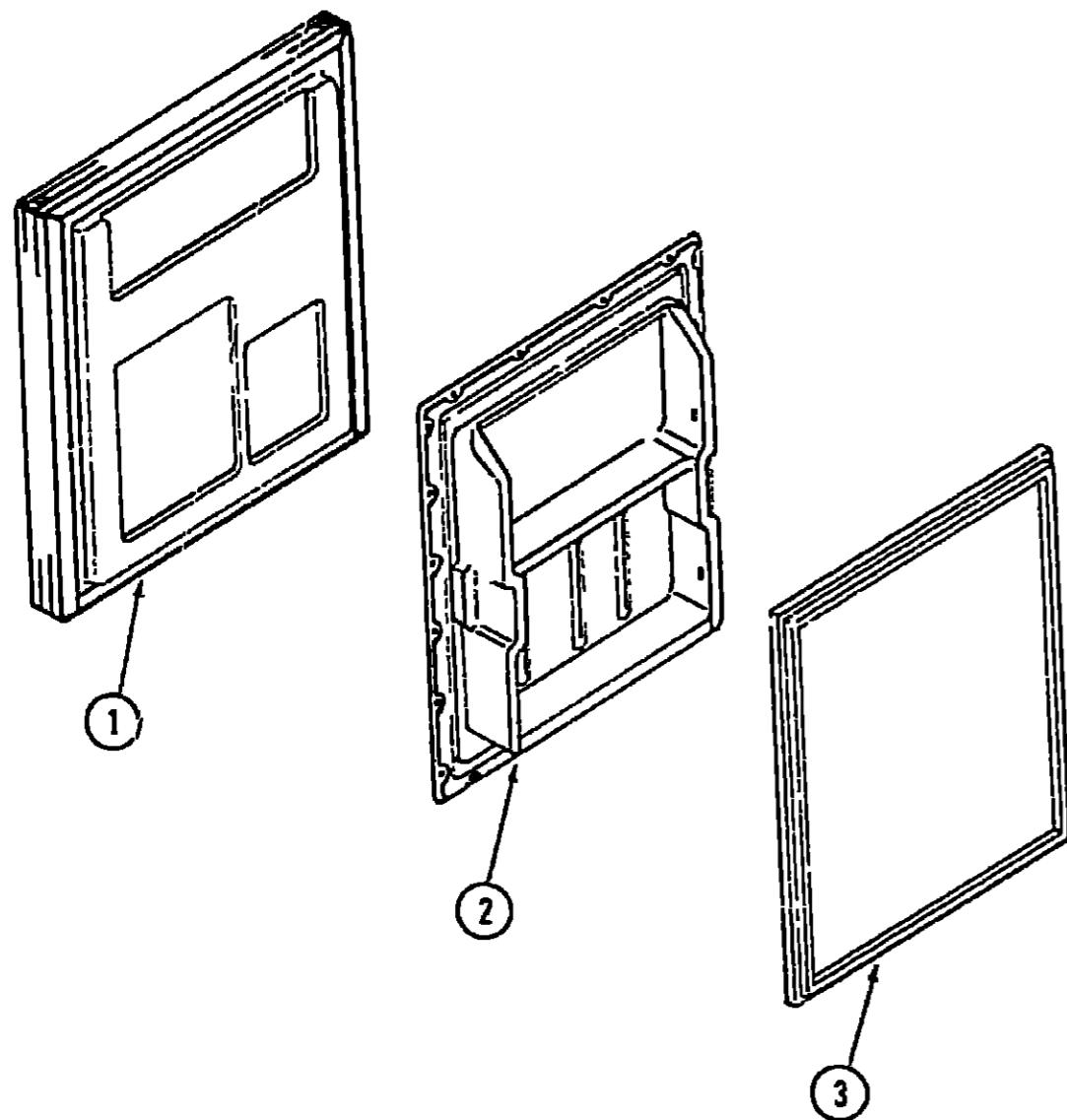
Key	Part Number	U/M	Description	Vendor No.
1	074038-01-010	EA	Refrigerator Asm - Complete	
2	074038-01-710	EA	Heat Insulator	(439003700)
3	074038-01-711	EA	Travel Pin Asm	(160201400)
4	074038-01-712	EA	Hinge Pin	(505502300)
5	074038-01-713	EA	Hinge	(322118800)
6	074038-01-714	EA	Hinge	(322118900)
7	074038-01-715	EA	Frame	(32300580)
8	074038-01-716	EA	Frame	(323005900)
9	074038-01-717	EA	Ice Cube Tray	(160200900)
10	074038-01-718	EA	Drainage Pan	(433001401)
11	074038-01-719	EA	Shell	(523001300)

REFRIGERATOR GROUP INDEX

Norcold - Identification Label	F-01
Norcold - 776EG2 776EG3 776EG3	F-02 - F-07
Norcold - 835EG3 8310EG3	F-08 - F-15
Norcold - 876EG3	F-16 - F-23
Norcold - 868EG3 868EG3	F-24 - G-08
Norcold - 875EG2 875EG3	G-09 - G-13
Norcold - DC254	G-14 - G-16
Dometic - Ice Maker	G-17 - G-18
Dometic - 2' Refrigerator	G-19 - G-23

REFRIGERATOR GROUP (CONTINUED)

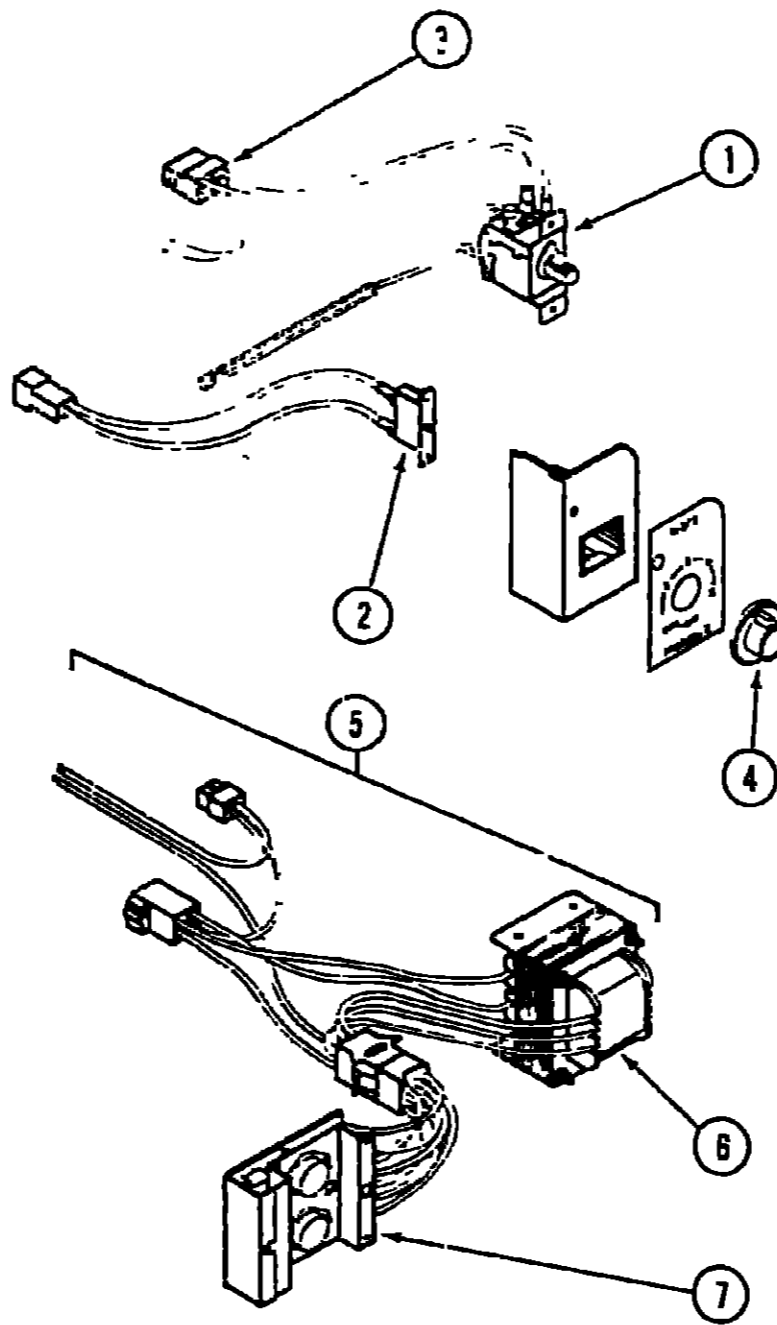
NORCOLD - DC254



Key	Part Number	U/M	Description
1	074038-01-707	EA	Frame Asm
2	074038-01-703	EA	Door Liner
3	074038-01-709	EA	Gasket

REFRIGERATOR GROUP (CONTINUED)

NORCOLD - DC254



Key	Part Number	U/M	Description	Vendor No.
1	074038-01-704	EA	Thermostat	(1670907503)
2	074038-01-720	EA	Circuit Breaker	(433100510)
3	074038-01-721	EA	Cord Asm	(414801200)
4	074038-01-705	EA	Thermostat Dial	
5	074038-01-701	EA	Oscillator	
6	074038-01-702	EA	Transformer Asm	
7	074038-01-703	EA	Oscillator Asm	
8	074038-01-700	EA	Cooling Unit	
9	074038-01-705	EA	Thermostat Holder	

**1984-1988 COMMON ITEMS FICHE
TABLE OF CONTENTS**

Introduction	A-01 - A-02
Air Conditioner	A-03 - A-09
Auto Air Conditioning	C-23 - C-24
Chassis Maintenance Kit	H-03 - H-04
Control Center	C-21 - C-22
Electric Motor Home Step	H-01
Furnace	A-11 - B-04
Interior/Exterior Screw & Fasteners	B-07 - B-08
Holding Tanks	D-01 - D-24
Mirrors - Exterior	B-05 - B-06
Range Hood	B-09 - B-15
Refrigerator	F-01 - G-23
Roof Vent	C-13 - C-19
Speed Control	E-01 - E-16
Toilet	B-19 - B-24
TV Antenna	B-17 - B-18
Water Heater	E-17 - E-24
Water Tanks	C-01 - C-11

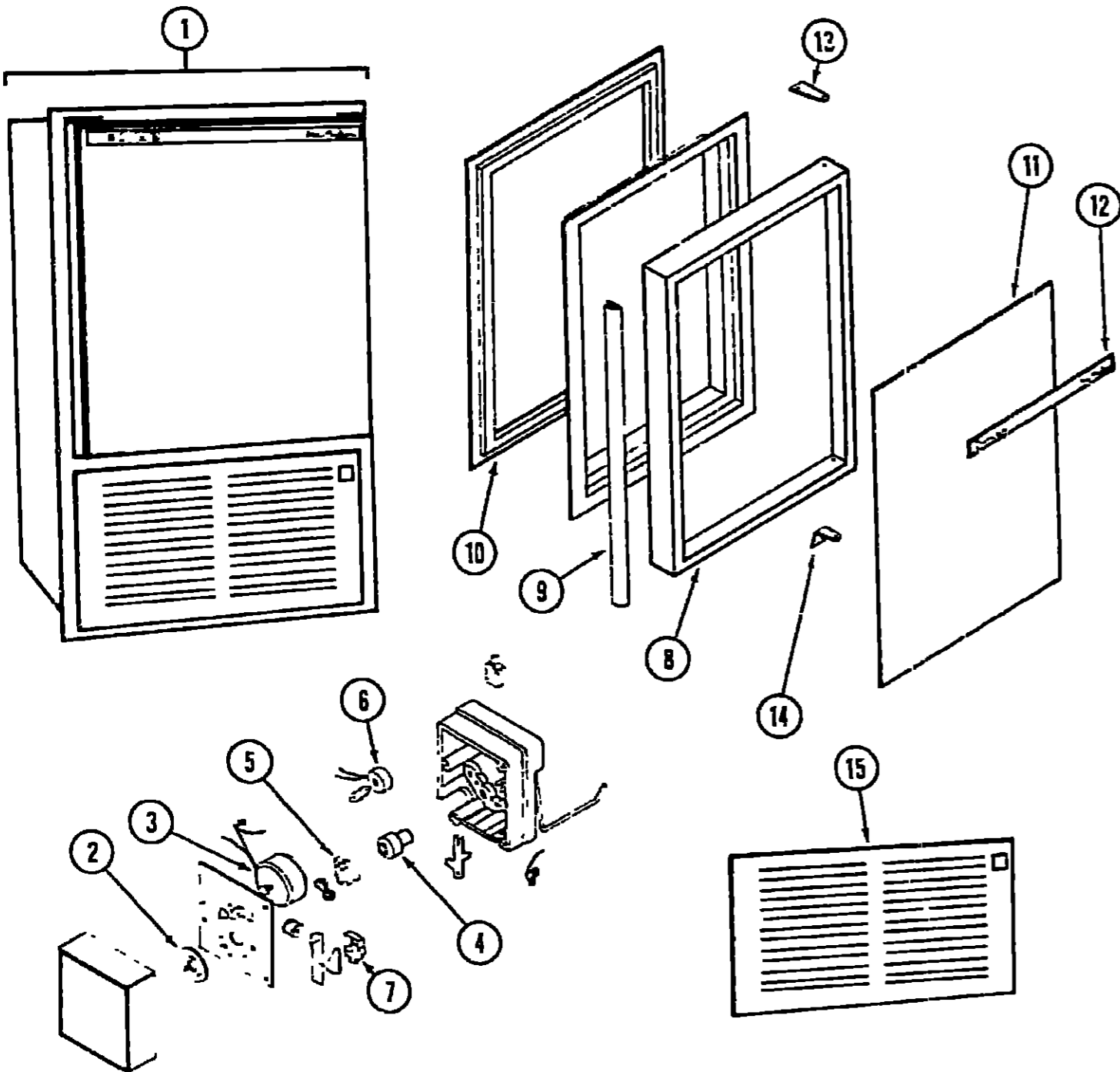
REFRIGERATOR GROUP INDEX

Norcold - Identification Label	F-01
Norcold - 776EG2 776EG3 778EG3	F-02 - F-07
Norcold - 838EG3 8310EG3	F-03 - F-15
Norcold - 876EG3	F-16 - F-23
Norcold - 888EG3 856EG3	F-24 - G-08
Norcold - 875EG2 875EG3	G-09 - G-13
Norcold - DC254	G-14 - G-16
Dometic - Ice Maker	G-17 - G-18
Dometic - 2' Refrigerator	G-19 - G-23

Vendor No.
(603200920)
(603604000)
(191214900)
(160203210)
(160103620)
(130003520)
(163004800)
(161001100)
(320200000)

REFRIGERATOR GROUP (CONTINUED)

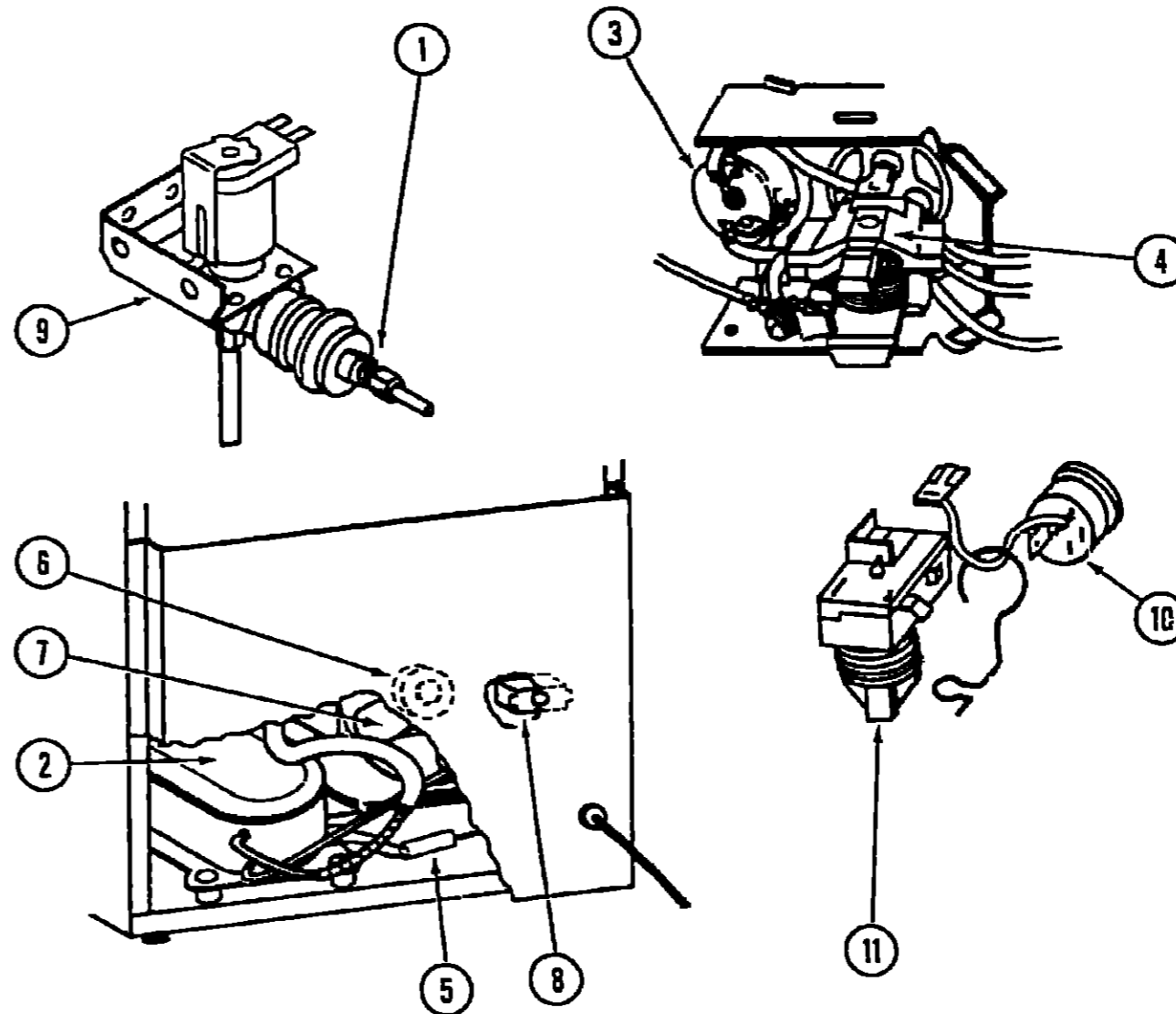
ICE MAKER - DOMETIC



Key	Part Number	U/M	Description	Vendor No.
1	076799-01-000	EA	Ice Maker - Complete	
2	076799-01-710	EA	Gear	(0023101)
3	076799-01-711	EA	Motor	(0023102)
4	076799-01-712	EA	Cam	(0023106)
5	076799-01-713	EA	Switch (SPDT)	(0023108)
6	055699-01-714	EA	Limit Switch	(0023109)
7	076799-01-715	EA	Switch (SPDT)	(0023110)
8	076799-01-700	EA	Door Frame	(0023229)
9	076799-01-701	EA	Hinge	(0023230)
10	076799-01-728	EA	Door Gasket	(0023231)
11	076799-01-702	EA	Outer Door Panel	(0023233)
12	076799-01-703	EA	Name Plate	(0023501)
13	076799-01-704	FA	Pivot Hinge - Top	(0023215)
14	076799-01-705	EA	Pivot Hinge - Bottom	(0023235)
15	076799-01-706	EA	Grille	(0023325)

REFRIGERATOR GROUP (CONTINUED)

ICE MAKER - DOMETIC



Key	Part Number	U/M	Description	Vendor No.
1	076799-01-722	EA	Water Line Connection	(0023405)
2	076799-01-723	EA	Compressor (Tecumseh)	(0023435)
2	076799-01-727	EA	Compressor (Matsushita)	(0023712)
3	076799-01-724	EA	Overload (Tecumseh)	(0023436)
4	076799-01-725	EA	Relay (Tecumseh)	(0023410)
5	076799-01-726	EA	Dryer	(0023411)
6	076799-01-717	EA	Fan Motor	(0023415)
7	076799-01-718	EA	Fan Blade	(0023416)
8	076799-01-719	EA	Control	(0023454-8)
9	076799-01-716	EA	Solenoid Valve	(0023421)
10	076799-01-721	EA	Overload (Matsushita)	(0023714)
11	076799-01-720	EA	Relay (Matsushita)	(0023713)

1984-1988 COMMON ITEMS FICHE TABLE OF CONTENTS

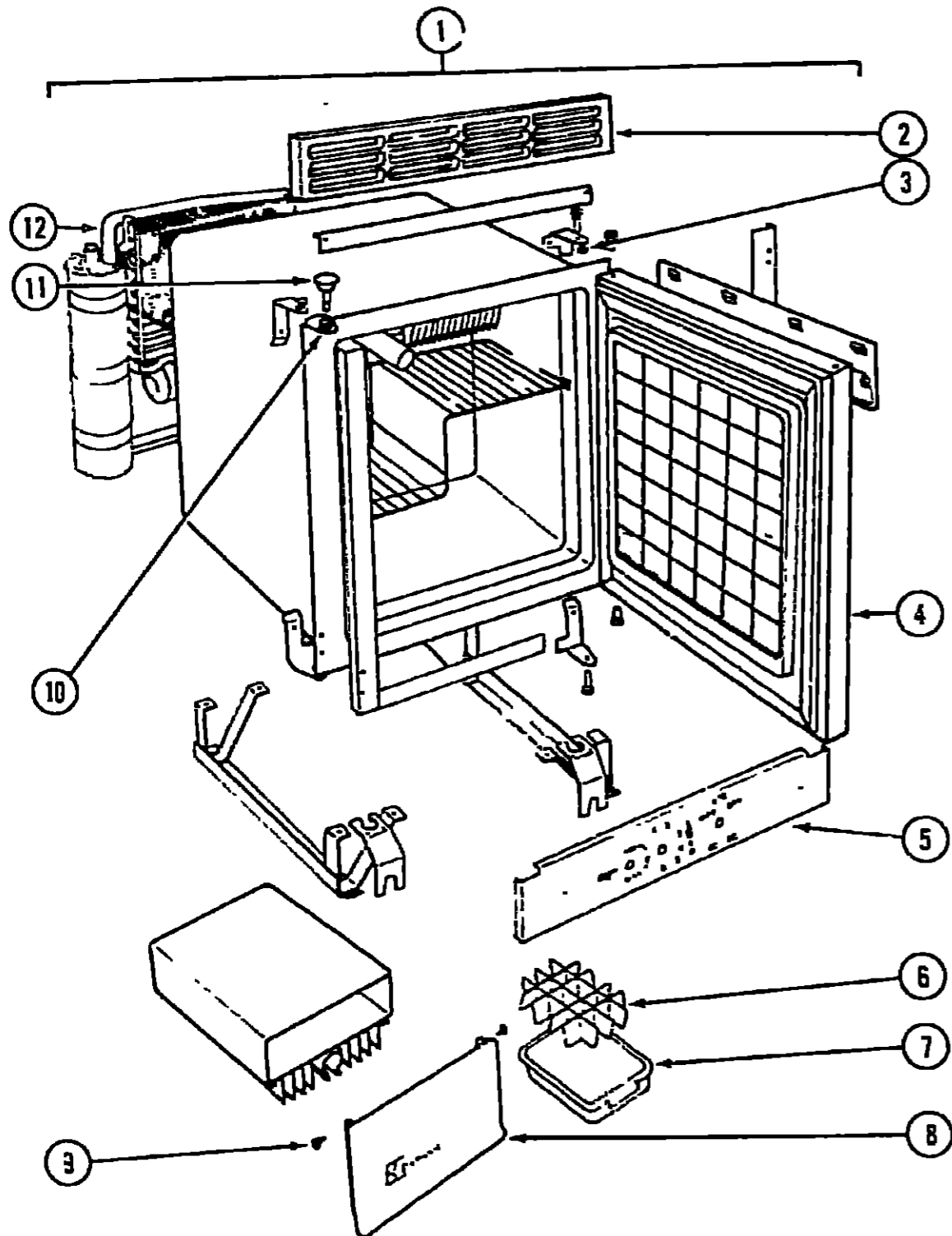
Introduction	A-01 - A-02
Air Conditioner	A-03 - A-09
Auto Air Conditioning	C-23 - C-24
Chassis Maintenance Kit	H-03 - H-04
Control Center	C-21 - C-22
Electric Motor Home Step	H-01
Furnace	A-11 - B-04
Interior/Exterior Screw & Fasteners	B-07 - B-08
Holding Tanks	D-01 - D-24
Mirrors - Exterior	B-05 - B-05
Range Hood	B-09 - B-15
Refrigerator	F-01 - G-23
Roof Vent	C-13 - C-19
Speed Control	E-01 - E-16
Toilet	B-19 - B-24
TV Antenna	B-17 - B-18
Water Heater	E-17 - E-24
Water Tanks	C-01 - C-11

REFRIGERATOR GROUP INDEX

Norcold - Identification Label	F-01
Norcold - 776EG2 776EG3 778EG3	F-02 - F-07
Norcold - 838EG3 8310EG3	F-03 - F-15
Norcold - 876EG3	F-16 - F-23
Norcold - 865EG3 866EG3	F-24 - G-03
Norcold - 875EG2 875EG3	G-09 - G-13
Norcold - DC254	G-14 - G-16
Dometic - Ice Maker	G-17 - G-18
Dometic - 2' Refrigerator	G-19 - G-23

REFRIGERATOR GROUP (CONTINUED)

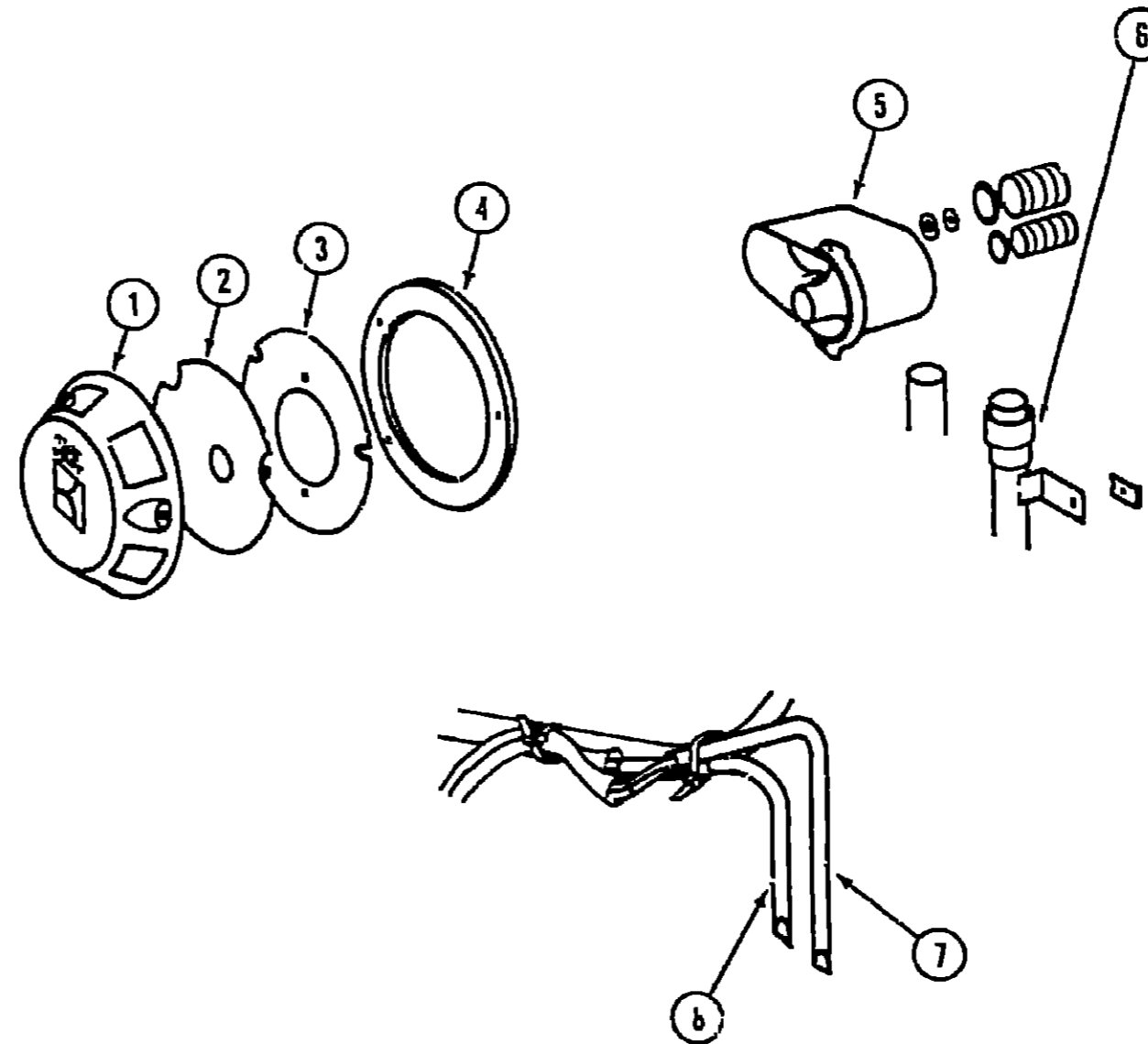
DOMETIC CABINET ASM. (2')



Key	Part Number	U/M	Description	Vendor No.
1	082676-01-000	EA	Refrigerator Asm - Complete	(2900603-03/2)
2	082676-01-700	EA	Ventilator	(2904096-00/1)
3	082676-01-701	EA	Nut	(2903354-00/4)
4	082676-01-709	EA	Door	(2904432-00/2)
5	082676-01-710	EA	Control Fascia Panel	(0342108-00/0)
6	082676-01-704	EA	Ice Tray Divider	(0342107-00/0)
7	082676-01-705	EA	Ice Tray Cover	(2904360-01/9)
8	082676-01-702	EA	Door For Cold Chamber	(2902497-01/3)
9	082676-01-703	EA	Hinge Pin For Cold Chamber Door	(2904047-01/2)
10	082676-01-708	EA	Retainer For Travel Catch	(2901509-02/2)
11	082676-01-706	EA	Locking Pin For Travel Latch	(2904433-00/6)
12	082676-01-713	EA	Cooling Unit	

REFRIGERATOR GROUP (CONTINUED)

DOMETIC FLUE TERMINAL & ELECTRIC HEATERS (2')



Key	Part Number	U/M	Description	Vendor No.
1	082676-01-714	EA	Outer Cover	(2902749-00/7)
2	082676-01-715	EA	Separator Disc	(2902752-00/1)
3	082676-01-716	EA	Locating Plate	(2902751-00/3)
4	082676-01-717	EA	Sealing Ring	(2904603-00/4)
5	082676-01-718	EA	Casting - Flue Terminal	(2902750-00/5)
6	082676-01-719	EA	Sealing Sleeve (Inlet)	(2902769-00/5)
7	082676-01-711	EA	Heater - 12V - 95W	(2902192-12/5)
8	082676-01-712	EA	Heater - 110V - 95W	(2902295-02/4)

1984-1988 COMMON ITEMS FICHE TABLE OF CONTENTS

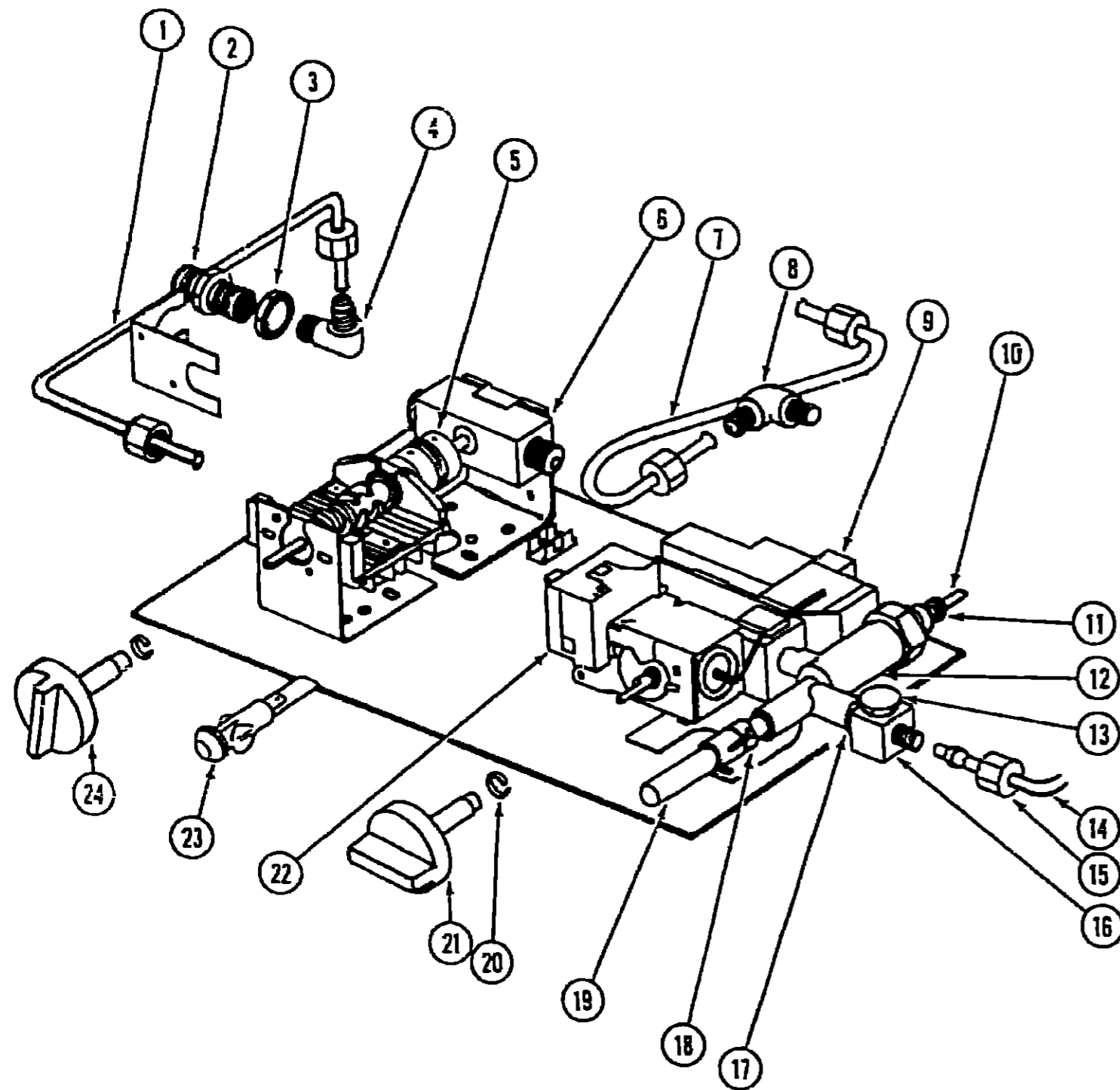
Introduction	A-01 - A-02
Air Conditioner	A-03 - A-09
Auto Air Conditioning	C-23 - C-24
Chassis Maintenance Kit	H-03 - H-04
Control Center	C-21 - C-22
Electric Motor Home Step	H-01
Furnace	A-11 - B-04
Interior/Exterior Screw & Fasteners	B-07 - B-08
Holding Tanks	D-01 - D-24
Mirrors - Exterior	B-05 - B-06
Range Hood	B-09 - B-15
Refrigerator	F-01 - G-23
Roof Vent	C-13 - C-19
Speed Control	E-01 - E-16
Toilet	B-19 - B-24
TV Antenna	B-17 - B-18
Water Heater	E-17 - E-24
Water Tanks	C-01 - C-11

REFRIGERATOR GROUP INDEX

Norcold - Identification Label	F-01
Norcold - 776EG2 776EG3 778EG3	F-02 - F-07
Norcold - 838EG3 8310EG3	F-03 - F-15
Norcold - 876EG3	F-16 - F-23
Norcold - 868EG3 866EG3	F-24 - G-08
Norcold - 875EG2 875EG3	G-09 - G-13
Norcold - DC254	G-14 - G-16
Dometic - Ice Maker	G-17 - G-18
Dometic - 2' Refrigerator	G-19 - G-23

REFRIGERATOR GROUP (CONTINUED)

DOMETIC GAS & ELECTRIC CONTROLS (2')



Key	Part Number	U/M	Description
1	082676-01-720	EA	Gas Inlet Pipe Complete
2	082676-01-721	EA	Inlet Adaptor
3	082676-01-722	EA	Locknut For Inlet Adaptor
4	082676-01-723	EA	Elbow Adaptor
5	082676-01-724	EA	Universal Coupling
6	082676-01-725	EA	Gas Cock
7	082676-01-726	EA	Gas Connection Pipe Complete
8	082676-01-727	EA	Elbow Adaptor
9	082676-01-728	EA	Re-Ignitor - Electronic
10	082676-01-729	EA	Thermocouple
11	082676-01-730	EA	Locknut For Thermocouple
12	082676-01-731	EA	Flame Failure Device
13	082676-01-732	EA	Screw Plug
14	082676-01-733	EA	Gas Pipe - Flame Failure Device To Burner
15	082676-01-734	EA	Union Nut (Gas Pipe To Flame Failure Device)
16	082676-01-735	EA	Housing for Plug Screw
17	082676-01-736	EA	Locknut For Housing
18	082676-01-737	EA	Clip For Dash Button
19	082676-01-738	EA	Push Button w. Clip - Flame Failure Device
20	082676-01-739	EA	Clip For Control Knob
21	082676-01-740	EA	Control Knob Complete - Gas/Electric Thermostat
22	082676-01-741	EA	Thermostat - V61 - Gas/Electric
23	082676-01-742	EA	Indicator Light For Ignitor
24	082676-01-743	EA	Control Knob Complete - Selector Switch

Vendor No.
(2904451-00/8)
(2902784-00/4)
(2902783-00/6)
(2902696-00/1)
(2904445-00/0)
(2904452-00/6)
(2904450-00/0)
(2904601-00/8)
(2904136-00/5)
(2902551-02/3)
(2902535-00/0)
(2903955-00/9)
(0169380-00/3)
(2904449-00/2)
(2901369-00/5)
(173214-00/8)
(2903768-00/6)
(2903769-00/4)
(2900685-00/3)
(2903530-07/5)
(207199-02/5)
(2903722-01/1)
(2903530-09/1)

1984-1988 COMMON ITEMS FICHE TABLE OF CONTENTS

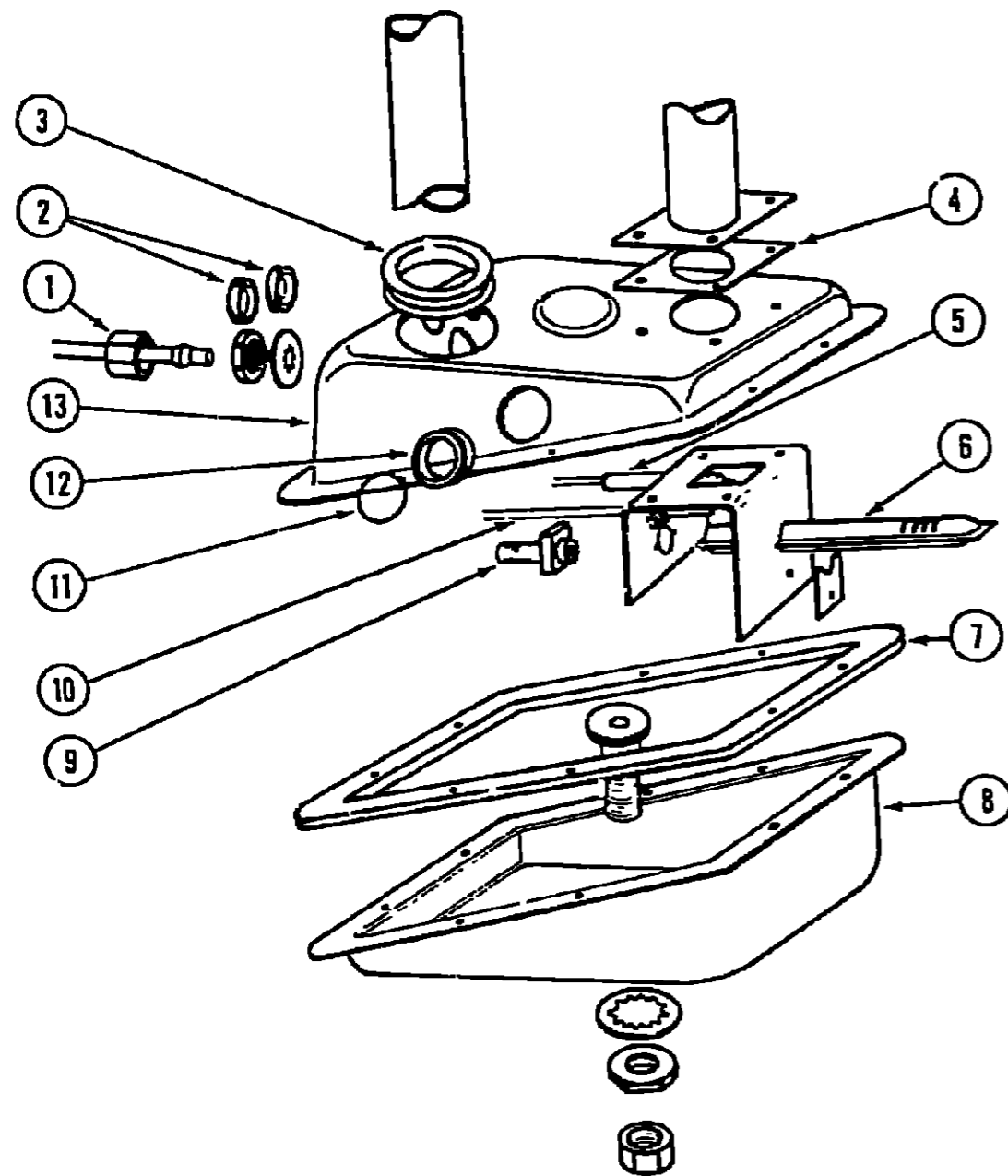
Introduction	A-01 - A-02
Air Conditioner	A-03 - A-09
Auto Air Conditioning	C-23 - C-24
Chassis Maintenance Kit	H-03 - H-04
Control Center	C-21 - C-22
Electric Motor Home Step	H-01
Furnace	A-11 - B-04
Interior Exterior Screws & Fasteners	B-07 - B-09
Holding Tanks	D-01 - D-24
Mirrors - Exterior	B-05 - B-06
Range Hood	B-09 - B-15
Refrigerator	F-01 - G-23
Roof Vent	C-13 - C-19
Speed Control	E-01 - E-16
Toilet	B-19 - B-24
TV Antenna	E-17 - B-18
Water Heater	E-17 - E-24
Water Tanks	C-01 - C-11

REFRIGERATOR GROUP INDEX

Norcold - Identification Label	F-01
Norcold - 776EG2 776EG3 778EG3	F-02 - F-07
Norcold - 838EG3 8310EG3	F-08 - F-15
Norcold - 876EG3	F-16 - F-23
Norcold - 868EG3 866EG3	F-24 - G-08
Norcold - 875EG2 875EG3	G-09 - G-13
Norcold - DC254	G-14 - G-16
Dometic - Ice Maker	G-17 - G-18
Dometic - 2' Refrigerator	G-19 - G-23

REFRIGERATOR GROUP (CONTINUED)

DOMETIC BURNER ASM. (2')



Key	Part Number	U/M	Description	Vendor No.
1	082676-01-744	EA	Union Nut	(2902553-01/3)
2	082676-01-745	EA	Seal For Thermocouple & Igniter Electrode	(2904463-00/3)
3	082676-01-746	EA	Seal For Burner Box	(2902708-00/3)
4	082676-01-747	EA	Gasket - Ceramic Fibre - Burner Box To Boiler	(2904454-00/2)
5	082676-01-748	EA	Electrode	(2904147-02/8)
6	082676-01-749	EA	Burner Tube	(2903403-00/0)
7	082676-01-750	EA	Gasket - Silicon Rubber - For Burner Box	(2904425-00/2)
8	082676-01-751	EA	Burner Box - Bottom Half	(2904415-00/3)
9	082676-01-753	EA	Jet - Complete - Size F	(2902540-05/9)
10	082676-01-752	EA	Thermocouple	(2902551-02/3)
11	082676-01-755	EA	Sight Glass	(2904551-00/8)
12	082676-01-754	EA	Grommet For Sight Glass	(2904552-00/6)
13	082676-01-756	EA	Burner Box - Top Half	(2904415-01/1)

1984-1988 COMMON ITEMS FICHE TABLE OF CONTENTS

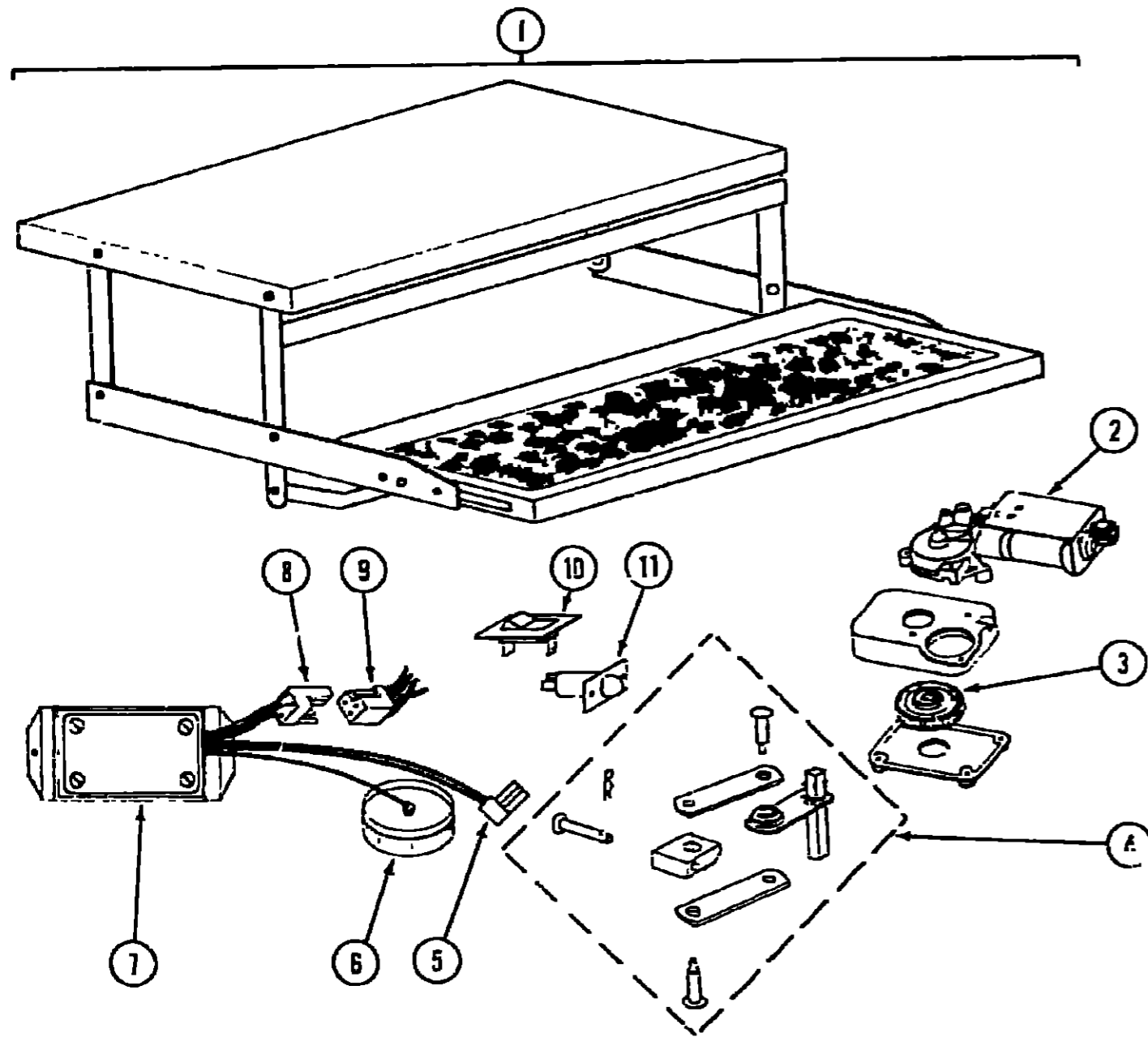
Introduction	A-01 - A-02
Air Conditioner	A-03 - A-09
Auto Air Conditioning	C-23 - C-24
Chassis Maintenance Kit	H-03 - H-04
Control Center	C-21 - C-22
Electric Motor Home Step	H-01
Furnace	A-11 - B-04
Interior/Exterior Screws & Fasteners	B-07 - B-08
Holding Tanks	D-01 - D-24
Mirrors - Exterior	B-05 - B-06
Range Hood	B-09 - B-15
Refrigerator	F-01 - G-23
Roof Vent	C-13 - C-19
Speed Control	E-01 - E-16
Toilet	B-19 - B-24
TV Antenna	B-17 - B-18
Water Heater	E-17 - E-24
Water Tanks	C-01 - C-11

REFRIGERATOR GROUP INDEX

Norcold - Identification Label	F-01
Norcold - 776EG2 776EG3 778EG3	F-02 - F-07
Norcold - 838EG3 8310EG3	F-08 - F-15
Norcold - 876EG3	F-16 - F-23
Norcold - 868EG3 866EG3	F-24 - G-08
Norcold - 875EG2 875EG3	G-09 - G-13
Norcold - DC254	G-14 - G-16
Dometic - Ice Maker	G-17 - G-18
Dometic - 2 Refrigerator	G-19 - G-23

ELECTRIC MOTOR HOME STEP

KWIKEE (ONE STEP)



Key	Part Number	U/M	Description	Vendor No.
1	075461-01-000	EA	Step Asm - Electric w/Light	
2	075461-01-700	EA	Motor (Delco)	(6020-001)
3	075461-01-710	EA	Drive Gear	(6020-007)
4	075461-01-711	EA	Drive Link	(2000-028-1)
5	075461-01-709	EA	90° Plug w/Wires	(6020-030)
6	075461-01-707	EA	Step Light	(6020-011)
7	075461-01-704	EA	Control Unit - Understep	(8300)
8	075461-01-708	EA	4 Way Plug w/Wires	(6020-003)
9	075461-01-705	EA	4 Way Plug w/Wires	(6020-002)
10	075461-01-706	EA	Kill Switch	(6020-010)
11	075461-01-703	EA	Door Switch	(6020-015)

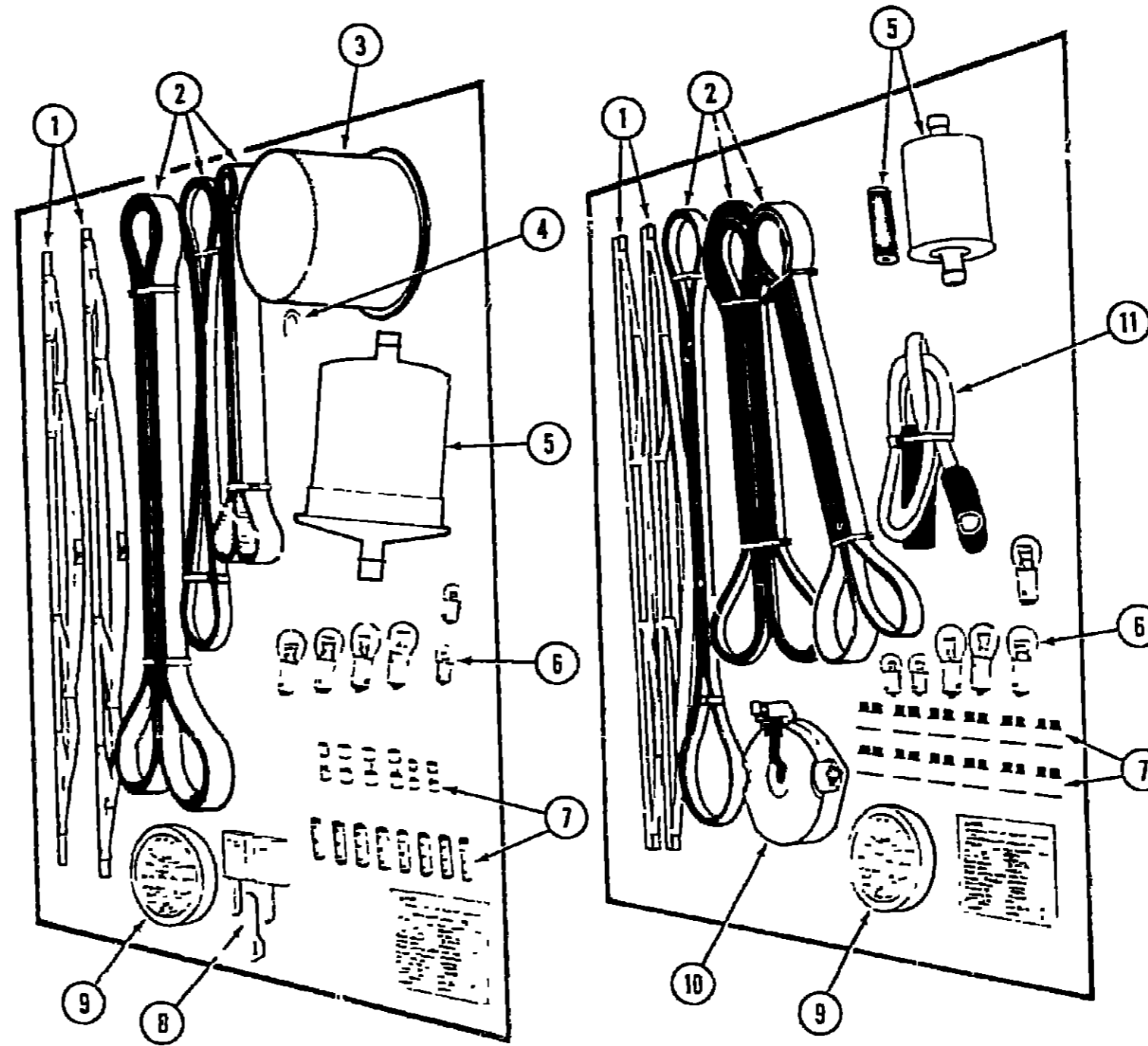
1984-1988 COMMON ITEMS FICHE TABLE OF CONTENTS

Introduction	A-01 - A-02
Air Conditioner	A-03 - A-09
Auto Air Conditioning	C-23 - C-24
Chassis Maintenance Kit	H-03 - H-04
Control Center	C-21 - C-22
Electric Motor Home Step	H-01
Furnace	A-11 - B-04
Interior Exterior Screws & Fasteners	B-07 - B-08
Holding Tanks	D-01 - D-24
Mirrors - Exterior	B-05 - B-06
Range Hood	B-09 - B-10
Refrigerator	F-01 - G-23
Roof Vent	C-13 - C-19
Speed Control	E-01 - E-16
Toilet	B-19 - B-24
TV Antenna	B-17 - B-18
Water Heater	E-17 - E-24
Water Tanks	C-01 - C-11

CHASSIS MAINTENANCE KIT GROUP

KIT NO. & UNIT LISTING

Kit No.	Part Number	Description
A	693300-GA-000	H-Body - Gas (132 C I) 2.2 Liter - Engine Serial No 1 thru 4645
B	693300-GB-000	H-Body - Gas (132 C I) 2.2 Liter - Engine Serial No 4645 —
C	693300-DC-000	H-Body - Diesel (126 C I) 2.0 Liter - Engine Serial No 1 —
1	693300-01-000	Chevrolet 1987 (454 C I) 7.4 Liter
2	693300-02-000	Chevrolet 1985 (454 C I) 7.4 Liter w/Serpentine Belts
3	693300-03-000	Chevrolet 1979 - 1985 (454 C I) 7.4 Liter
4	693300-04-000	Chevrolet (All A-Body) 6.2 Liter - Diesel
5	693300-05-000	Chevrolet 1987 (350 C I) 5.7 Liter (Campsite)
6	693300-06-000	Chevrolet 1987 (350 C I) Liter w/Single Air Pump (C-Body)
7	693300-07-000	Chevrolet 1986 (350 C I) 5.7 Liter (C-Body)
8	693300-08-000	Chevrolet 1985 (350 C I) 5.7 Liter (C-Body)
9	693300-09-000	Chevrolet 1984 (350 C I) 5.7 Liter (C-Body)
10	693300-10-000	Chevrolet 1983 (350 C I) 5.7 Liter (C-Body)
11	693300-11-000	Chevrolet 1982 (350 C I) 5.7 Liter (C-Body)
12	693300-12-000	Chevrolet 1981 (350 C I) 5.7 Liter (C-Body)
13	693300-13-000	Chevrolet 1980 (350 C I) 5.7 Liter (C-Body)
14	693300-14-000	Chevrolet 1979 (350 C I) 5.7 Liter (C-Body)
15	693300-15-000	Ford 1987 (460 C I) John Deere (A-Body)
16	693300-16-000	Ford 1987 (460 C I) (C-Body)
17	693300-17-000	Ford 1985 - 1986 (460 C I) (C-Body)
18	693300-18-000	Ford 1985 - 1986 (351 C I) (C-Body)
19	693300-19-000	Ford 1985 - 1986 (460 C I) California (A or C-Body)
20	693300-20-000	Chevrolet 1987 - 1988 (454 C I) 7.4 Liter - w/ Dual Air Fans in Front of Radiator
21	693300-21-000	Ford 1988 (460 C I) John Deere (A-Body)
22	693300-22-000	Ford 1988 (460 C I) w/Sanden Air Conditioning (C-Body)



ITEMS INCLUDED IN KITS

Key	Description
1	Wiper Blade
2	Engine Belts
3	Oil Filter (H-Body)
4	Oil Drain Plug Seal (H-Body)
5	Fuel Filters
6	Bulbs

Key	Description
7	Fuses
8	Key Blanks (H-Body)
9	Black Tape
10	Ignition Rotor (Ford & Chevy Gas)
11	Ignition Wire (Ford & Chevy Gas)
-	Wire Ties
-	Not Illustrated

NOTE: Kits may not include all of the items from this list

1984-1988 COMMON ITEMS FICHE TABLE OF CONTENTS

Introduction	A-01 - A-C2
Air Conditioner	A-03 - A-09
Auto Air Conditioning	C-23 - C-24
Chassis Maintenance Kit	H-03 - H-04
Control Center	C-21 - C-22
Electric Motor Home Step	H-01
Furnace	A-11 - B-04
Interior/Exterior Screws & Fasteners	B-07 - B-08
Holding Tanks	D-01 - D-24
Mirrors - Exterior	B-05 - B-06
Range Hood	B-09 - B-15
Refrigerator	F-01 - G-23
Roof Vent	C-13 - C-19
Speed Control	E-01 - E-16
Toilet	B-19 - B-24
TV Antenna	B-17 - B-18
Water Heater	E-17 - E-24
Water Tanks	C-01 - C-11