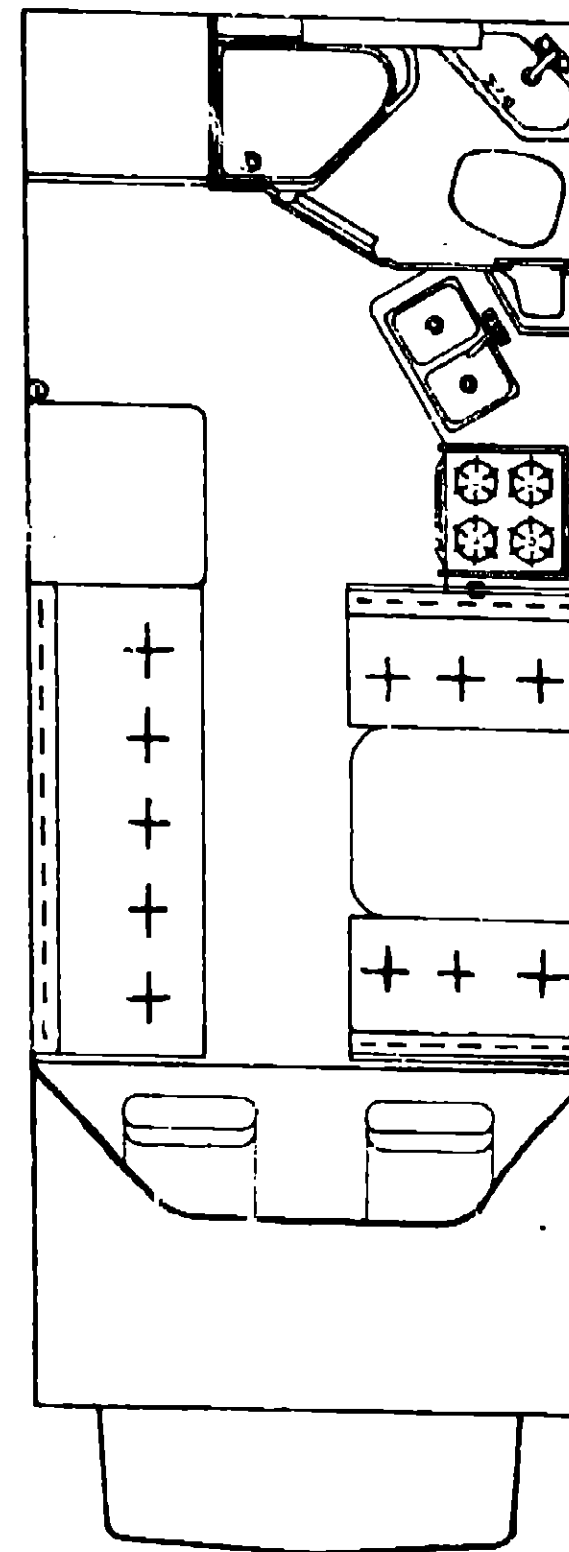


# 1982 WC823RB P2

**NOTE:**

A model revision number has been incorporated into the unit serial number to reflect any changes made during the model year. When ordering replacement parts, refer to the sixth and seventh digits of the unit serial number to assure that the proper part is ordered. These changes will be classified as a **N-2** or **N-3**, and will be included behind the item description. The unit serial number is found on the vehicle certification label, which is located on the left sidewall at the end of the dash (**A-Body**), or on the drivers door latch plate (**C-Body**).



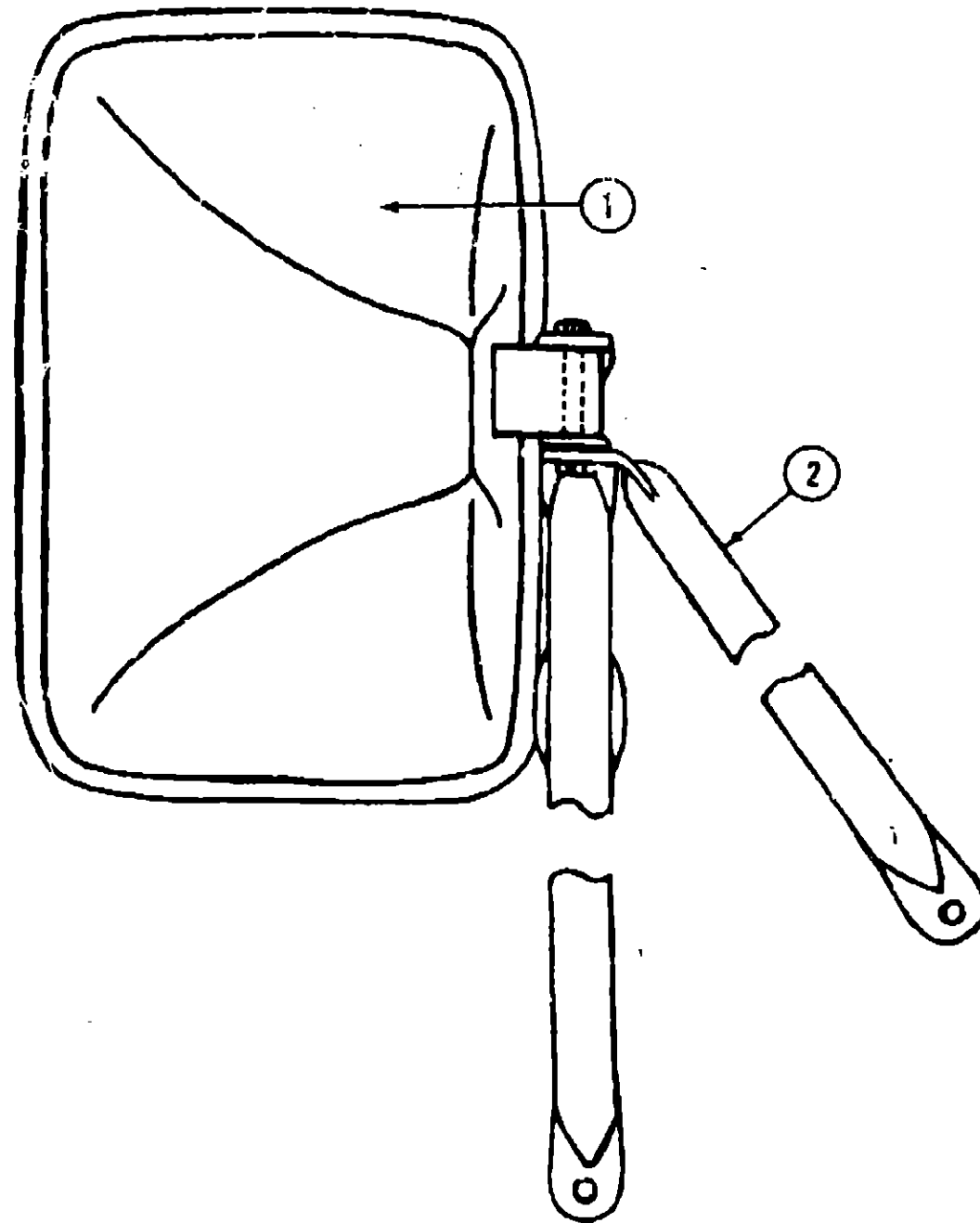
## 1982 WINNEBAGO TABLE OF CONTENTS

WC621RB N2	A-1 - B-18
WC723RH N1, WC723RH N2	B-19 - D-10
WC823RB P2	D-11 - F-2
WCF22RB N2	F-3 - H-10
WCF26RB N2	H-11 - J-18

## 1982 WC823RB P2 INDEX

Floor Plan	D-11 - D-12
Accessories Group	D-13 - D-15
Bath Group	D-16
Chassis Group	D-17
Curtain, Cushion & Pad Group	D-18 - D-23
Dinette Group	D-24
Driver's Compartment Group	E-1 - E-2
Electrical Group	E-3 - E-5
Exterior Body Group	E-6 - E-11
Galley Group	E-12
Heating & Air Conditioning Group	E-13
Interior Finish Group	E-14 - E-15
LP Group	E-16
Lounge Group	E-17
Water & Sewage Group	E-18
Window, Vent & Exterior Door Group	E-19 - F-2

**ACCESSORIES GROUP**



**EXTERIOR MIRRORS**

Key	Part Number	U/M	Description
1	066431-02-000	EA	Mirror Head - 6.75" x 10.25"
2	066431-09-000	EA	Arm - Exterior Mirror - Stainless Steel - Right
2	066431-10-000	EA	Arm - Exterior Mirror - Stainless Steel - Left
.	006043-01-000	EA	Mirror - Convex - Adhesive Back
.			Not illustrated

**ACCESSORIES GROUP (CONTINUED)**

**RADIOS AND RELATED COMPONENTS**

Key	Part Number	U/M	Description
	064787-01-000	EA	Radio - AM/FM/MPX - w/Cassette
	007004-01-000	EA	Antenna - Radio - Cab Mount
	048153-01-000	EA	Antenna - CB - Camper Style
	064791-01-000	EA	Speaker - Recessed - 5 1/4" x 10 oz.
	064792-01-000	EA	Grille - Speaker - 5 1/4"
	064790-01-000	EA	Speaker - 4" x 6" - Oval

**GENERATOR AND COMPONENTS**

Key	Part Number	U/M	Description
	054427-01-000	EA	Generator - 3.0 kw - Onan - AJ
	701629-03-000	EA	Package - Onan Installation
	057652-01-000	EA	Muffler - Generator - AJ
	052014-01-000	EA	Elbow Exhaust - 90°

**MISCELLANEOUS ACCESSORIES**

Key	Part Number	U/M	Description
	006053-01-000	EA	Antenna - TV - Braund Deluxe
	006050-01-000	EA	Jack - TV - Ivory
	041944-03-000	EA	Fire Extinguisher - Dry Chemical w/Bracket
	054185-19-000	EA	Owner's Manual - 1983 - Winnebago & Itasca
	063739-01-000	EA	Battery - 12V - 80 Amp. - Gould
	017516-01-000	EA	Mud Flap - Black - 14" x 18" w/Holes
	064089-01-000	EA	Mud Flap - Front Splash Guard - Black
	007038-01-000	EA	Mat - Door - Black Rubber - 10 1/2" x 26"
	073322-01-000	EA	Cover - Spare Tire - 29" - Beige
	069629-01-000	EA	Speed Control - Chev. - Dana
	069580-01-000	EA	Lug Wrench - 1" x 1 1/4" x 16.3"
	069580-02-000	EA	Leverage Bar - Lug Wrench - 22"

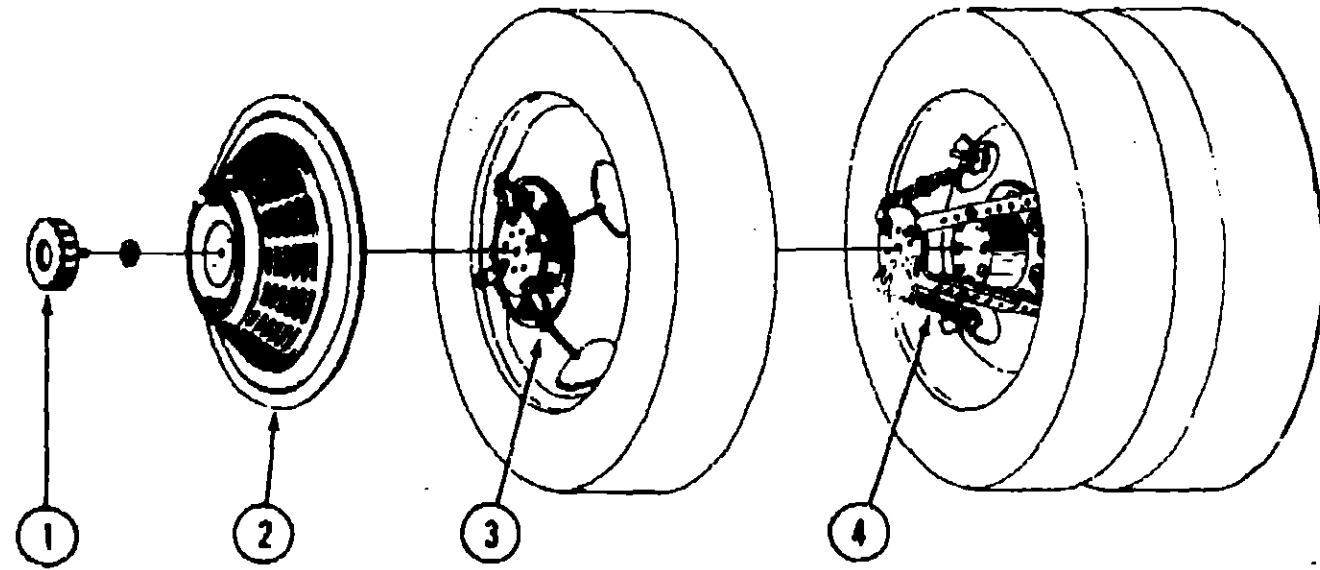
**1982 WINNEBAGO  
TABLE OF CONTENTS**

WC621RB N2	A-1 - B-18
WC723RH N1, WC723RH N2	B-19 - D-10
WC823RB P2	D-11 - F-2
WCF22RB N2	F-3 - H-10
WCF26RE N2	H-11 - J-18

**1982 WC823RB P2 INDEX**

Floor Plan	D-11 - D-12
Accessories Group	D-13 - D-15
Bath Group	D-16
Chassis Group	D-17
Curtain, Cushion & Pad Group	D-18 - D-23
Dinette Group	D-24
Driver's Compartment Group	E-1 - E-2
Electrical Group	E-3 - E-5
Exterior Body Group	E-6 - E-11
Galley Group	E-12
Heating & Air Conditioning Group	E-13
Interior Finish Group	E-14 - E-15
LP Group	E-16
Lounge Group	E-17
Water & Sewage Group	E-18
Window, Vent & Exterior Door Group	E-19 - F-2

**ACCESSORIES GROUP (CONTINUED)**



**WHEEL COVERS AND MOUNTING HARDWARE**

Key	Part Number	U/M	Description
1	064082-02-000	EA	Retaining Nut - Delmet - Wheel Cover
2	073426-01-700	EA	Wheel Cover - Bolt On - 16" or 16.5" - Delmet (1)
3	073426-04-700	EA	Retention Bracket Asm. - Wheel Cover Support - Heavy Duty - Front (1)
4	073426-04-701	EA	Retention Bracket Asm. - Wheel Cover Support - Heavy Duty - Rear (1)
*	073426-04-000	EA	Retention Bracket Asm. - Wheel Cover Support - Heavy Duty (Set/4)
**	031396-04-000	EA	Wheel Cover - 16" - Clip On
*	Not illustrated		
**	The illustrated parts breakdown for this item is provided on the Common Items Fiche.		

**BATH GROUP**

**BATH CABINETS AND HARDWARE**

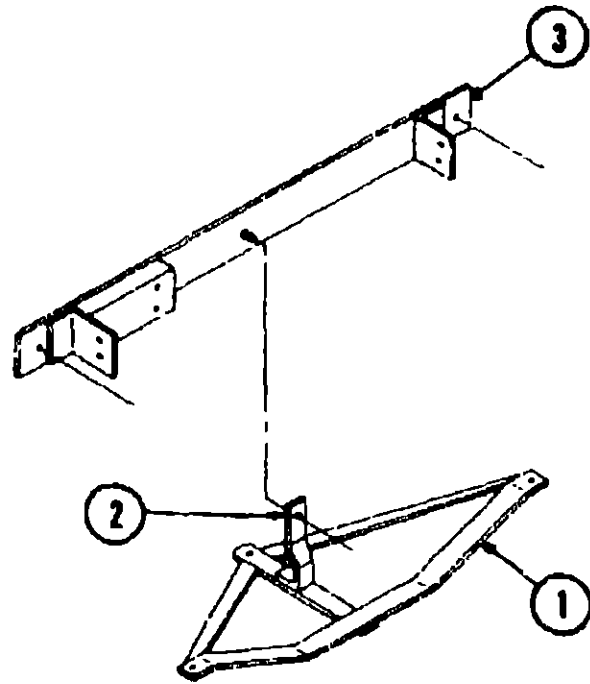
Key	Part Number	U/M	Description
	068747-01-000	EA	Cabinet Asm. - Lavatory
	069852-54-P07	EA	Door Asm. - 10.3" x 23" - w/o Hardware
	068574-01-P13	EA	Door Asm. - Bath - 23" x 71" - w/o Hardware
	069852-41-P07	EA	Door Asm. - Wardrobe Cabinet - 21.1" x 47.9" - w/o Hardware
	073521-12-P07	EA	Door Asm. - Wardrobe Cabinet - 10.3" x 18" - w/o Hardware - Right
	073521-11-P07	EA	Door Asm. - Wardrobe Cabinet - 10.3" x 18" - w/o Hardware - Left
	068561-01-000	EA	Sink - Lavatory
	068755-01-000	EA	Cabinet Asm. - Medicine
	069852-55-P07	EA	Door Asm. - Medicine Cabinet - 10.3" x 16.8" - w/o Hardware
	046112-02-000	EA	Mirror - Wall - 24" x 30"
	046113-01-000	EA	Mirror Mounting - Rosette - Plastic
	057898-01-000	EA	Hidden Latch - Cabinet Door
	057898-02-000	EA	Strike - Hidden Latch - Cabinet Door
	058335-02-000	EA	Bath Door Latch
	068495-01-000	EA	Rack - Shelf - Bath Door
	068495-02-000	EA	Rack - Towel - Bath Door
	068521-01-000	EA	Tray - Storage - Lower Bath Door
	M00799-02-000	EA	Shower Pan w/Strainer
	071210-01-000	EA	Panel - Backwall - Shower Pan - Plastic
	071211-01-000	EA	Cover - Soap Dish - Shower Pan Backwall Panel - Plastic
	066435-01-000	EA	Nut Strainer
	066436-01-000	EA	Slip Nut - 1.5" Tailpiece
	066440-01-000	EA	Strainer w/Rubber Washer
	069735-01-000	EA	Washer - Tailpiece - 1.5" Plastic
	009134-01-000	EA	Holder - Tissue
**	069777-01-000	EA	Valance - Window - Plastic
**	011056-01-000	EA	Faucet - Lavatory USA
**	011056-02-000	EA	Faucet - Lavatory CSA
**	011083-01-000	EA	Tail Piece - 1 1/4" x 5" - Plastic w/Stopper
**	011048-02-000	EA	Shower Head - w/60" Hose
**	011069-02-000	EA	Tailpiece - 1 1/2" x 1 1/4" x 4" - Brass
**	059783-01-000	EA	Clothes Rod - Aluminum - Slotted - 7'
**	071448-01-000	EA	Wedge - Dome Light - Beige Plastic
**	057671-01-000	EA	Screw Cover - #8 (Antique White)
**	011059-03-000	EA	Faucet - Shower USA
**	011059-01-000	EA	Faucet - Shower CSA
**	039341-02-000	EA	Toilet - Thetford Aqua Magic - Ivory - 8420 SH
**	The illustrated parts breakdown for this item is provided in the Common Items Fiche.		

**1982 WINNEBAGO  
TABLE OF CONTENTS**

WC621RB N2	A-1 - B-18
WC723RH N1, WC723RH N2	B-19 - D-10
WC823RB P2	D-11 - F-2
WCF22RB N2	F-3 - H-10
WCF26RB N2	H-11 - J-18

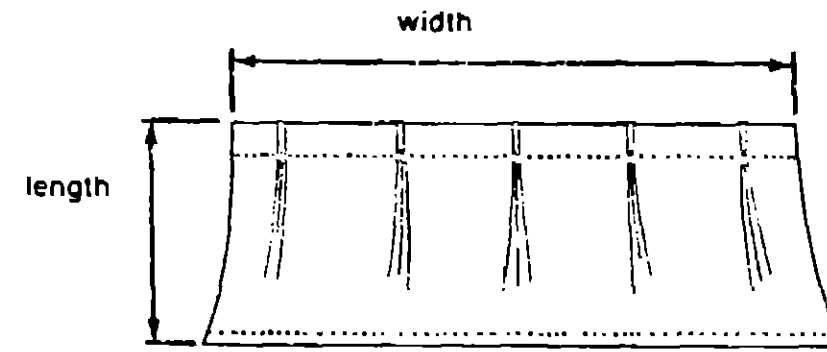
## CHASSIS GROUP

Key	Part Number	U/M	Description
	070925-01-000	EA	Wheel Well - Plastic - Left or Right Rear
	049912-01-000	EA	Step Asm. Assist - Cab
	068738-01-000	EA	Step Asm. - Entrance Door
	017516-01-000	EA	Mud Flap - 14" x 18"
	064089-01-000	EA	Mud Flap - Front Splash Guard - Black
	069209-01-000	EA	Box - Power Cord
	070917-01-000	EA	Tire - Radial - LT215/85R16D - Black
	064962-02-000	EA	Wheel - 6.00 x 16.0 - Chevy
	072304-01-000	EA	Spare Tire Carrier
	069619-01-000	EA	Spare Tire Support Arm - Right
	069620-01-000	EA	Spare Tire Support Arm - Left
	047441-01-000	EA	Battery Terminal - Horizontal Lug
	007131-01-000	EA	Hanger - Tail Pipe
	059784-02-000	EA	Controller - Wiper - Intermittent
	040784-01-000	EA	Blade Asm. - Windshield Wiper
	056551-01-000	EA	Arm - Windshield Wiper
	068631-01-000	EA	Bracket - Bumper - Front and Rear
	068688-01-000	EA	Bracket Asm. - Front Bumper - Right
	068688-02-000	EA	Bracket Asm. - Front Bumper - Left
	068639-03-000	EA	Bumper - Rear - Contoured - Anodized
	068686-03-000	EA	Bumper - Front - Contoured - Anodized
	047743-01-000	EA	Spacer - Rear Spring - Axle Stop



Key	Part Number	U/M	Description
1	068656-01-000	EA	Trailer Hitch Asm. - w/o Support
2	034824-03-000	EA	Support - Trailer Hitch
3	068657-01-000	EA	Bracket - Bumper Mount - Rear

## CURTAIN, CUSHION & PAD GROUP

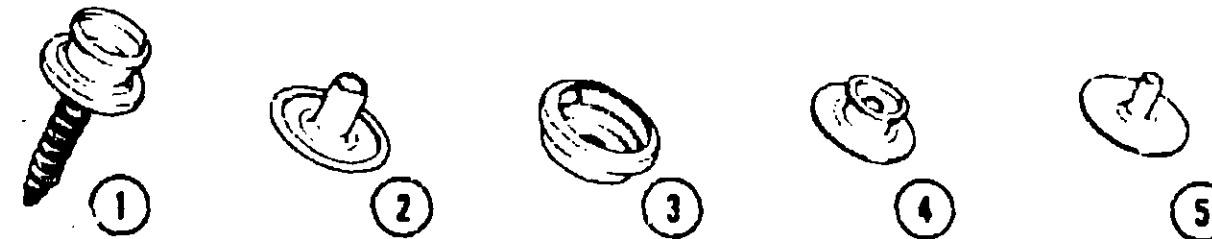


### NOTE:

Use this illustration when determining length and width measurements for curtains. You will note the width measurement is taken on the top of the curtain with the curtain fully extended. The length measurement is taken from top to bottom.

### CURTAIN HARDWARE

Key	Part Number	U/M	Description
	037872-02-000	EA	Bracket - Curtain Rod
	037872-01-000	EA	Rod - Curtain - Extension - 48" - 84"
	050788-02-000	EA	Center Support - Curtain Rod
	056784-01-000	EA	Pull - Window Shade - Antique Brass
	056001-01-000	EA	Bracket - Shade - Left
	056002-01-000	EA	Bracket - Shade - Right
	009107-01-000	EA	Guide - Nylon Snap - Curtain
	052327-05-009	EA	Track - Curtain - Beige Alum. - 76" w/Holes
	053272-05-005	EA	Track - Curtain - Beige Alum. - Ceiling Mount - 72" w/Holes
	073671-01-000	EA	Track - Curtain - Beige Alum. - Front Overhead Bunk
	069270-01-000	EA	Track - Shower Curtain - "L" Rod - Beige Alum.
	009701-01-000	EA	Curtain Carrier - "L" Rod
	009702-01-000	EA	End Stop - "L" Rod
	056115-01-000	YD	Tape - Plastic - Clear w/Guides
	056116-01-000	FT	Track - Curtain - Plastic - Brown
	048394-01-000	YD	Tape - Hook - 1" x 25 Yd. - Beige
	048395-01-000	YD	Tape - Loop - 1" x 25 Yd. - Beige



Key	Part Number	U/M	Description
1	029130-01-000	EA	Socket - Snap Fastener
2	029155-01-000	EA	Cap - Snap - .156" Dia. x .17" Barrel
3	029156-01-000	EA	Socket - Snap Fastener
4	029092-01-000	EA	Stud - Nickel Finish
5	029093-01-000	EA	Eyelet - Nickel Finish

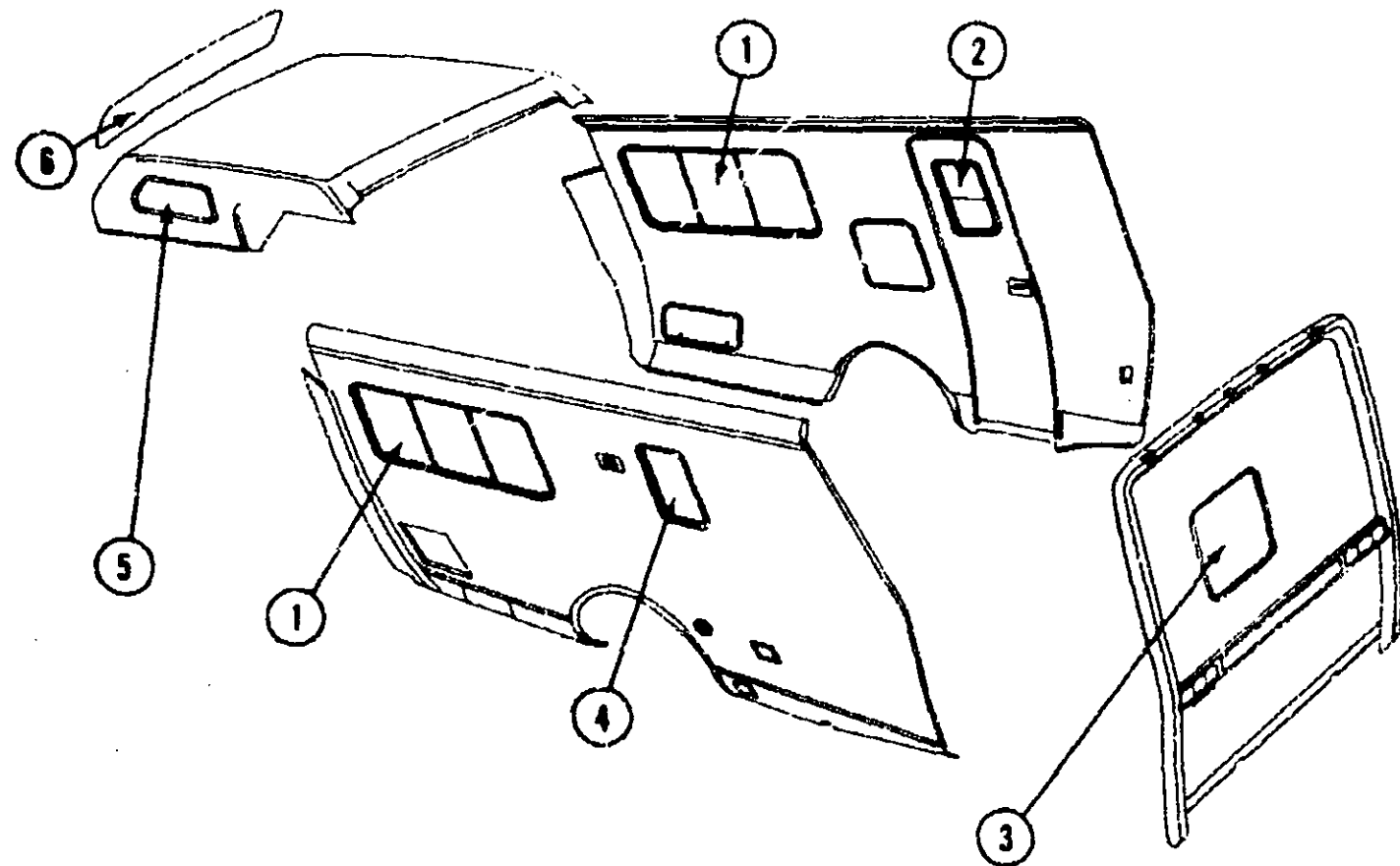
## 1982 WINNEBAGO TABLE OF CONTENTS

WC621RB N2	A-1 - B-18
WC723RH N1, WC723RH N2	B-19 - D-10
WC823RB P2	D-11 - F-2
WCF22RB N2	F-3 - H-10
WCF26RB N2	H-11 - J-18

## 1982 WC823RB P2 INDEX

Floor Plan	D-11 - D-12
Accessories Group	D-13 - D-15
Bath Group	D-16
Chassis Group	D-17
Curtain, Cushion & Pad Group	D-18 - D-23
Dinette Group	D-24
Driver's Compartment Group	E-1 - E-2
Electrical Group	E-3 - E-5
Exterior Body Group	E-6 - E-11
Galley Group	E-12
Heating & Air Conditioning Group	E-13
Interior Finish Group	E-14 - E-15
LP Group	E-16
Lounge Group	E-17
Water & Sewage Group	E-18
Window, Vent & Exterior Door Group	E-19 - F-2

**CURTAIN, CUSHION & PAD GROUP (CONTINUED)**



**CURTAINS, VALANCES, SHADES AND TIEBACKS**

Key	Part Number	U/M	Description
1	066226-04-P13	EA	Curtain w/Snap Top - 26" x 45" - Beige (P15)
1	066226-04-P14	EA	Curtain w/Snap Top - 26" x 45" - Burgundy
1	064915-07-P13	EA	Valance Asm. - 5" x 77.5" - Blue
1	064915-07-P14	EA	Valance Asm. - 5" x 77.5" - Burgundy
1	064915-07-P15	EA	Valance Asm. - 5" x 77.5" - Rust
1	067790-02-000	EA	Blinds - 68" x 27" Drop
2	073226-04-P13	EA	Curtain w/Snap Top and Bottom - 25.75" x 12" - Beige (P15)
2	073226-04-P14	EA	Curtain w/Snap Top and Bottom - 25.75" x 12" - Burgundy
3	069777-01-000	EA	Valance - Plastic - Light Oak
3	065522-06-000	EA	Shade - 33.25" x 38" - Bath
4	073226-06-P13	EA	Curtain w/Snap Top and Bottom - 24" x 9" - Beige (P15)
4	073226-06-P14	EA	Curtain w/Snap Top and Bottom - 24" x 9" - Burgundy
4	067780-01-000	EA	Blinds - 15" x 24" Drop
5	073304-06-P13	EA	Curtain w/Snap Top and Bottom - 19.5" x 20" - Beige (P15)
5	073304-06-P14	EA	Curtain w/Snap Top and Bottom - 19.5" x 20" - Burgundy
6	073226-05-P13	EA	Curtain w/Snap Top and Bottom - 17.5" x 42" - Beige (P15)
6	073226-05-P14	EA	Curtain w/Snap Top and Bottom - 17.5" x 42" - Burgundy
.	064913-09-P13	EA	Curtain w/Snap Top - Privacy - 25" x 86" - Beige (P15)
.	064913-09-P14	EA	Curtain w/Snap Top - Privacy - 25" x 86" - Burgundy
.	059900-07-P13	EA	Curtain Asm. - Wraparound - 24" x 62" - Beige (P15)
.	059900-07-P14	EA	Curtain Asm. - Wraparound - 24" x 62" - Burgundy
.	073260-06-P13	EA	Tie Back - Curtain - 2" x 18" - Blue
.	073260-06-P14	EA	Tie Back - Curtain - 2" x 18" - Burgundy
.	073260-06-P15	EA	Tie Back - Curtain - 2" x 18" - Rust
.			Not illustrated

**CURTAIN, CUSHION & PAD GROUP (CONTINUED)**

**BUCKET SEATS**

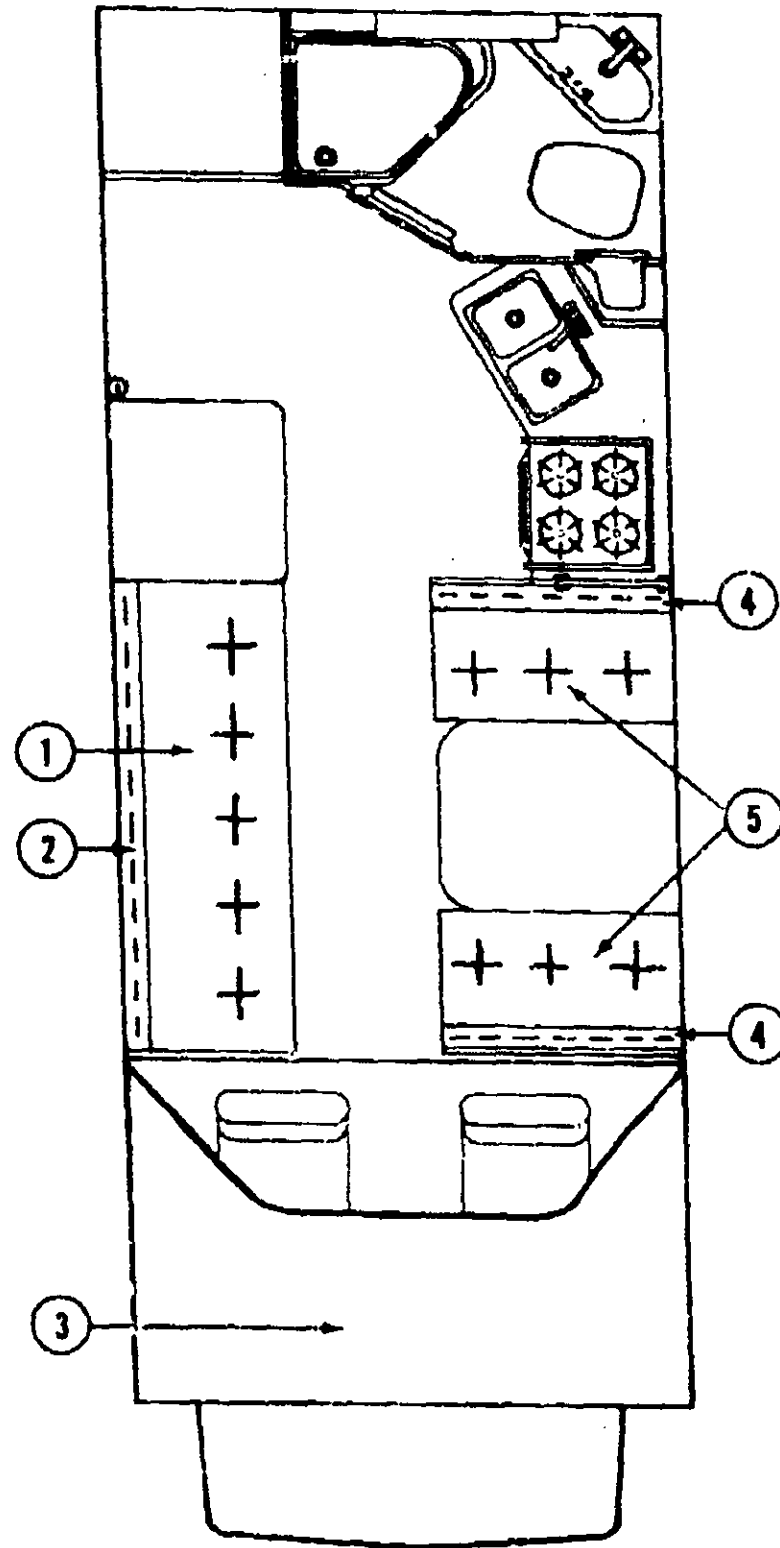
Key	Part Number	U/M	Description
	069651-01-P13	EA	Seat Asm. - Single Bucket - Low Back - w/Quilting - Blue
	069651-01-P14	EA	Seat Asm. - Single Bucket - Low Back - w/Quilting - Burgundy
	069651-01-P15	EA	Seat Asm. - Single Bucket - Low Back - w/Quilting - Rust
	M00605-01-P13	EA	Cover - Back - Low Back - Blue
	M00605-01-P14	EA	Cover - Back - Low Back - Burgundy
	M00605-01-P15	EA	Cover - Back - Low Back - Rust
	M00604-01-P13	EA	Cover - Bottom - Low Back - Blue
	M00604-01-P14	EA	Cover - Bottom - Low Back - Burgundy
	M00604-01-P15	EA	Cover - Bottom - Low Back - Rust
	072460-02-P13	EA	Seat Asm. - Single Bucket - Narrow Square Back - Youth Bed - Right - Blue
	072460-02-P14	EA	Seat Asm. - Single Bucket - Narrow Square Back - Youth Bed - Right - Burgundy
	072460-02-P15	EA	Seat Asm. - Single Bucket - Narrow Square Back - Youth Bed - Right - Rust
	072460-01-P13	EA	Seat Asm. - Single Bucket - Narrow Square Back - Youth Bed - Left - Blue
	072460-01-N14	EA	Seat Asm. - Single Bucket - Narrow Square Back - Youth Bed - Left - Burgundy
	072460-01-P15	EA	Seat Asm. - Single Bucket - Narrow Square Back - Youth Bed - Left - Rust
	M00784-06-P13	EA	Cover - Back - Narrow Square Back - Youth Bed - Blue
	M00784-06-P14	EA	Cover - Back - Narrow Square Back - Youth Bed - Burgundy
	M00784-06-P15	EA	Cover - Back - Narrow Square Back - Youth Bed - Rust
	M00784-05-P13	EA	Cover - Bottom - Narrow Square Back - Youth Bed - Blue
	M00784-05-P14	EA	Cover - Bottom - Narrow Square Back - Youth Bed - Burgundy
	M00784-05-P15	EA	Cover - Bottom - Narrow Square Back - Youth Bed - Rust
	070553-01-P13	EA	Cushion Asm. - Wedge - Youth Bed - Blue
	070553-01-P14	EA	Cushion Asm. - Wedge - Youth Bed - Burgundy
	070553-01-P15	EA	Cushion Asm. - Wedge - Youth Bed - Rust
	M70553-01-P13	EA	Cover - Wedge - Youth Bed - Blue
	M70553-01-P14	EA	Cover - Wedge - Youth Bed - Burgundy
	M70553-01-P15	EA	Cover - Wedge - Youth Bed - Rust
	071122-11-P13	EA	Armrest Asm. - w/Cover - Right - Blue
	071122-11-P14	EA	Armrest Asm. - w/Cover - Right - Burgundy
	071122-11-P15	EA	Armrest Asm. - w/Cover - Right - Rust
	071122-12-P13	EA	Armrest Asm. - w/Cover - Left - Blue
	071122-12-P14	EA	Armrest Asm. - w/Cover - Left - Burgundy
	071122-12-P15	EA	Armrest Asm. - w/Cover - Left - Rust
	071123-06-P13	EA	Cover - Armrest - Right or Left - Blue
	071123-06-P14	EA	Cover - Armrest - Right or Left - Burgundy
	071123-06-P15	EA	Cover - Armrest - Right or Left - Rust

**1982 WINNEBAGO  
TABLE OF CONTENTS**

WC621RB N2	A-1 - B-18
WC723RH N1, WC723RH N2	B-19 - D-10
WC823RB P2	D-11 - F-2
WCF22RB N2	F-3 - H-10
WCF26RB N2	H-11 - J-18

**1982 WC823RB P2 INDEX**

Floor Plan	D-11 - D-12
Accessories Group	D-13 - D-15
Bath Group	D-16
Chassis Group	D-17
Curtain, Cushion & Pad Group	D-18 - D-23
Dinette Group	D-24
Driver's Compartment Group	E-1 - E-2
Electrical Group	E-3 - E-5
Exterior Body Group	E-6 - E-11
Galley Group	E-12
Heating & Air Conditioning Group	E-13
Interior Finish Group	E-14 - E-15
LP Group	E-16
Lounge Group	E-17
Water & Sewage Group	E-18
Window, Vent & Exterior Door Group	E-19 - F-2



FOLD DOWN COUCH CUSHIONS

Key	Part Number	U/M	Description
1	072431-02-P13	EA	Cushion Asm. - Fold Down Couch Bottom - Blue
1	072431-02-P14	EA	Cushion Asm. - Fold Down Couch Bottom - Burgundy
1	072431-02-P15	EA	Cushion Asm. - Fold Down Couch Bottom - Rust
	M72431-02-P13	EA	Cover - Fold Down Couch Bottom - Blue
	M72431-02-P14	EA	Cover - Fold Down Couch Bottom - Burgundy
	M72431-02-P15	EA	Cover - Fold Down Couch Bottom - Rust
2	072432-02-P13	EA	Cushion Asm. - Fold Down Couch Back - Blue
2	072432-02-P14	EA	Cushion Asm. - Fold Down Couch Back - Burgundy
2	072432-02-P15	EA	Cushion Asm. - Fold Down Couch Back - Rust
	M72432-02-P13	EA	Cover - Fold Down Couch Back - Blue
	M72432-02-P14	EA	Cover - Fold Down Couch Back - Burgundy
	M72432-02-P15	EA	Cover - Fold Down Couch Back - Rust

OVERHEAD BUNK CUSHIONS

Key	Part Number	U/M	Description
3	073310-01-P13	EA	Cushion Asm. - Front Bunk - 2 fold - 20" x 34" x 77" x 5" - Blue
3	073310-01-P14	EA	Cushion Asm. - Front Bunk - 2 fold - 20" x 34" x 77" x 5" - Burgundy
3	073310-01-P15	EA	Cushion Asm. - Front Bunk - 2 fold - 20" x 34" x 77" x 5" - Rust
	M73310-01-P13	EA	Cover - Front Bunk Cushion - 20" x 34" x 77" x 5" - Blue
	M73310-01-P14	EA	Cover - Front Bunk Cushion - 20" x 34" x 77" x 5" - Burgundy
	M73310-01-P15	EA	Cover - Front Bunk Cushion - 20" x 34" x 77" x 5" - Rust

DINETTE CUSHIONS

Key	Part Number	U/M	Description
4	072430-03-P13	EA	Cushion - Dinette Back - 19.25" x 38" x 5" - Blue
4	072430-03-P14	EA	Cushion - Dinette Back - 19.25" x 38" x 5" - Burgundy
4	072430-03-P15	EA	Cushion - Dinette Back - 19.25" x 38" x 5" - Rust
	M72430-03-P13	EA	Cover - Dinette Back Cushion - 19.25" x 38" x 5" - Blue
	M72430-03-P14	EA	Cover - Dinette Back Cushion - 19.25" x 38" x 5" - Burgundy
	M72430-03-P15	EA	Cover - Dinette Back Cushion - 19.25" x 38" x 5" - Rust
5	072430-04-P13	EA	Cushion - Dinette Bottom - 17.5" x 38" x 5" - Blue
5	072430-04-P14	EA	Cushion - Dinette Bottom - 17.5" x 38" x 5" - Burgundy
5	072430-04-P15	EA	Cushion - Dinette Bottom - 17.5" x 38" x 5" - Rust
	M72430-04-P13	EA	Cover - Dinette Bottom Cushion - 17.5" x 38" x 5" - Blue
	M72430-04-P14	EA	Cover - Dinette Bottom Cushion - 17.5" x 38" x 5" - Burgundy
	M72430-04-P15	EA	Cover - Dinette Bottom Cushion - 17.5" x 38" x 5" - Rust

1982 WINNEBAGO  
TABLE OF CONTENTS

WC621RB N2	A-1 - B-18
WC723RH N1, WC723RH N2	B-19 - D-10
WC823RB P2	D-11 - F-2
WCF22RB N2	F-3 - H-10
WCF26RB N2	H-11 - J-18

1982 WC823RB P2 INDEX

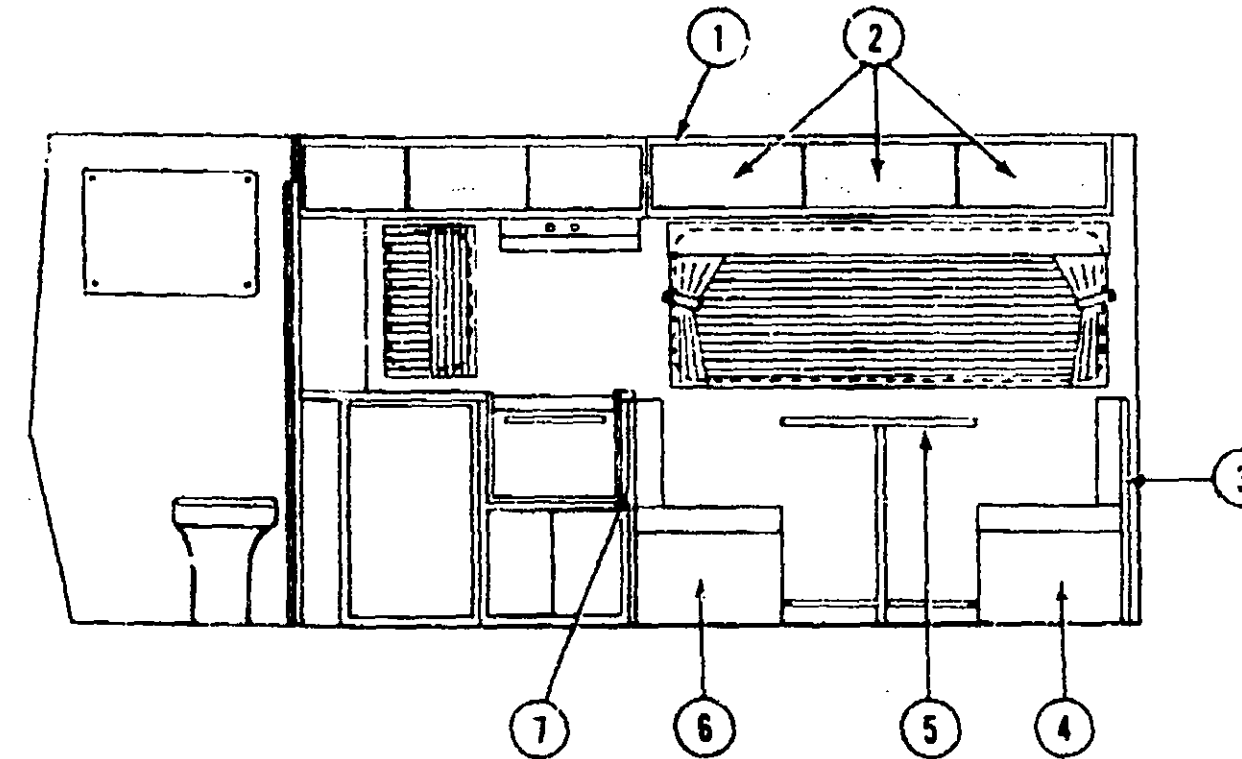
Floor Plan	D-11 - D-12
Accessories Group	D-13 - D-15
Bath Group	D-16
Chassis Group	D-17
Curtain, Cushion & Pad Group	D-18 - D-23
Dinette Group	D-24
Driver's Compartment Group	E-1 - E-2
Electrical Group	E-3 - E-5
Exterior Body Group	E-6 - E-11
Galley Group	E-12
Heating & Air Conditioning Group	E-13
Interior Finish Group	E-14 - E-15
LP Group	E-16
Lounge Group	E-17
Water & Sewage Group	E-18
Window, Vent & Exterior Door Group	E-19 - F-2

**CURTAIN, CUSHION & PAD GROUP (CONTINUED)**

**FABRICS AND TRIMS**

Key	Part Number	U/M	Description
	072333-04-000	YD	Fabric - Drapery - Beige (P13) (P15)
	069728-04-000	YD	Fabric - Drapery - Burgundy (P14)
	072334-04-000	YD	Fabric - Upholstery - Checked - Steel/Blue (P13)
	072334-03-000	YD	Fabric - Upholstery - Checked - Garnet/Burgundy (P14)
	072334-05-000	YD	Fabric - Upholstery - Checked - Cinnebar/Rust (P15)
	072334-11-000	YD	Fabric - Upholstery - Plain - Steel/Blue (P13)
	072334-10-000	YD	Fabric - Upholstery - Plain - Garnet/Burgundy (P14)
	072334-12-000	YD	Fabric - Upholstery - Plain - Cinnebar/Rust (P15)
	038421-01-000	YD	Ticking - Mattress - Gold
	052859-01-N01	FT	Trim Asm. - Accent - Medium Almond Vinyl
	070502-01-000	YD	Vinyl - Non Expanded - 12 Gauge Film - Medium Almond
	053552-01-N07	EA	Assist Handle - Entry Door - Medium Almond Vinyl
	071127-03-P13	EA	Button Asm. - Fabric - #65 - Square - Blue
	071127-03-P14	EA	Button Asm. - Fabric - #65 - Square - Burgundy
	071127-03-P15	EA	Button Asm. - Fabric - #65 - Square - Rust
	075269-01-P13	EA	Button Asm. - Fabric - #65 - Square with 3/4" Stud - Blue
	075269-01-P14	EA	Button Asm. - Fabric - #65 - Square with 3/4" Stud - Burgundy
	075269-01-P15	EA	Button Asm. - Fabric - #65 - Square with 3/4" Stud - Rust

**DINETTE GROUP**



**1982 WINNEBAGO  
TABLE OF CONTENTS**

WC621RB N2	A-1 - B-18
WC723RH N1, WC723RH N2	B-19 - D-10
WC823RB P2	D-11 - F-2
WCF22RB N2	F-3 - H-10
WCF26RB N2	H-11 - J-18

**CONVENTIONAL DINETTE AND OVERHEAD CABINERY**

Key	Part Number	U/M	Description
1	073655-06-P13	EA	Cabinet Asm. - Dinette Overhead - w/o Doors or Hardware
2	069852-55-P07	EA	Door Asm. - Dinette Overhead Cabinet - 10.3" x 16.8" - w/o Hardware
3	M00988-02-P13	EA	Cabinet Asm. - Dinette Back - Right Hand
4	M00987-02-P13	EA	Cabinet Asm. - Dinette Seat - Right Hand
5	M75191-01-P13	EA	Table Asm. - Dinette - w/o Hardware - Polomino (P14) (P15)
6	M00987-01-P13	EA	Cabinet Asm. - Dinette Seat - Left Hand
7	M00988-01-P13	EA	Cabinet Asm. - Dinette Back - Left Hand
*	074549-04-P13	EA	Pad Asm. - Dinette Back - Left - Blue
*	074549-04-P14	EA	Pad Asm. - Dinette Back - Left - Burgundy
*	074549-04-P15	EA	Pad Asm. - Dinette Back - Left - Rust
*	074549-05-P13	EA	Pad Asm. - Dinette Back - Right - Blue
*	074549-05-P14	EA	Pad Asm. - Dinette Back - Right - Burgundy
*	074549-05-P15	EA	Pad Asm. - Dinette Back - Right - Rust
*	053200-05-000	EA	Bracket - Upper Wall Mount - Beige - 23.5"
*	053201-03-000	EA	Bracket - Table Mount - 23"
*	024275-05-000	EA	Rod - Table Lift - 8" x 23.5"
*	024281-07-000	EA	Bracket - Lower Wall Mount - Beige - 22.12"
*	024276-10-000	EA	Leg Asm. - Table - Beige - 28.38"
**	064050-01-000	EA	Hinge - Table Leg
**	024282-01-000	EA	Brace - Table Leg
**	024283-01-000	EA	Clip - 1" O.D. Tube
*	049493-03-000	EA	Catch - Table Leg - Mounts on Floor - Beige
*			Not illustrated
**	The illustrated parts breakdown for this item is provided on the Common Items Fiche.		

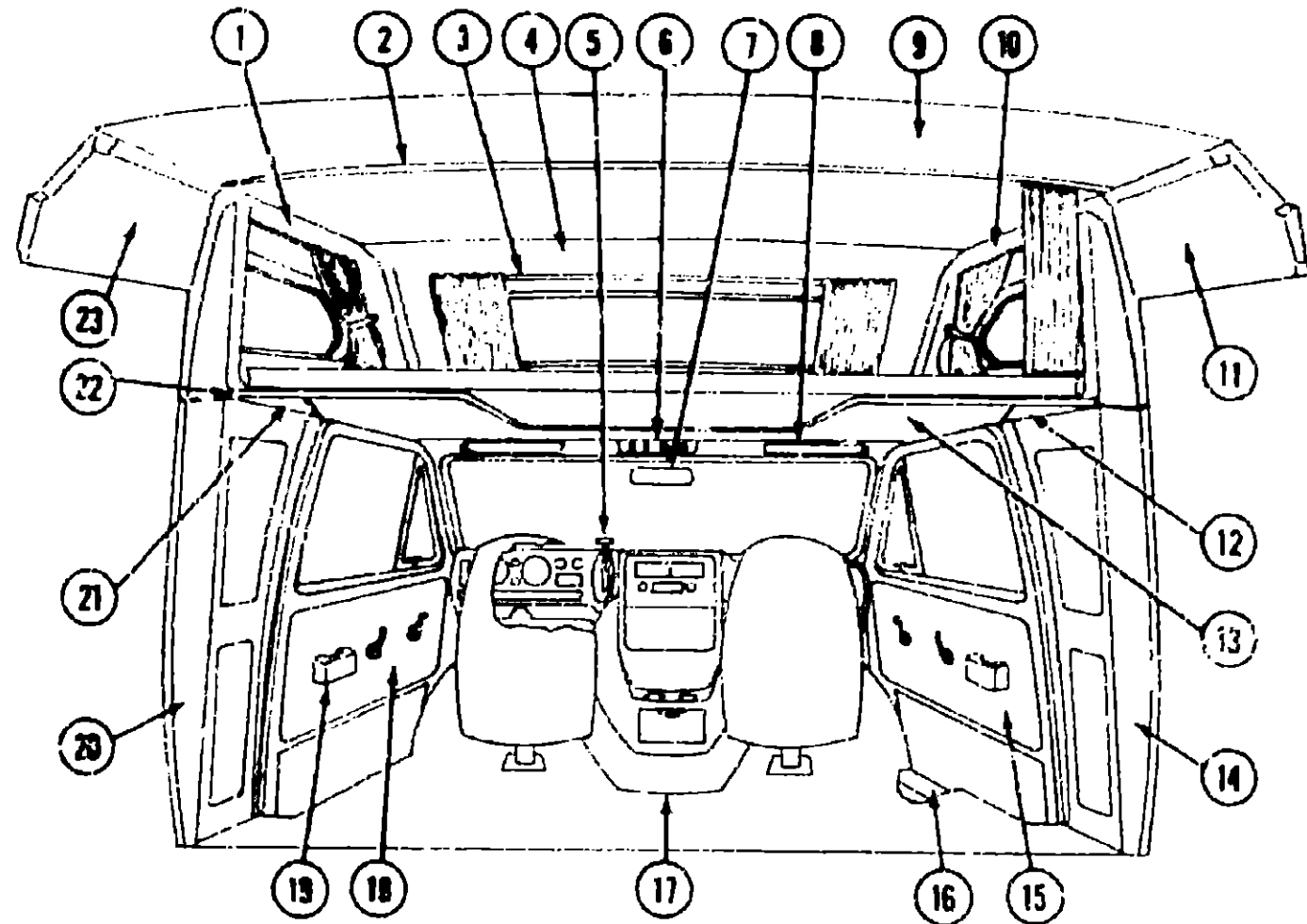
**1982 WC823RB P2 INDEX**

Floor Plan	D-11 - D-12
Accessories Group	D-13 - D-15
Bath Group	D-16
Chassis Group	D-17
Curtain, Cushion & Pad Group	D-18 - D-23
Dinette Group	D-24
Driver's Compartment Group	E-1 - E-2
Electrical Group	E-3 - E-5
Exterior Body Group	E-6 - E-11
Galley Group	E-12
Heating & Air Conditioning Group	E-13
Interior Finish Group	E-14 - E-15
LP Group	E-16
Lounge Group	E-17
Water & Sewage Group	E-18
Window, Vent & Exterior Door Group	E-19 - F-2

**DRIVER'S COMPARTMENT GROUP**

**DRIVER'S COMPARTMENT GROUP (CONTINUED)**

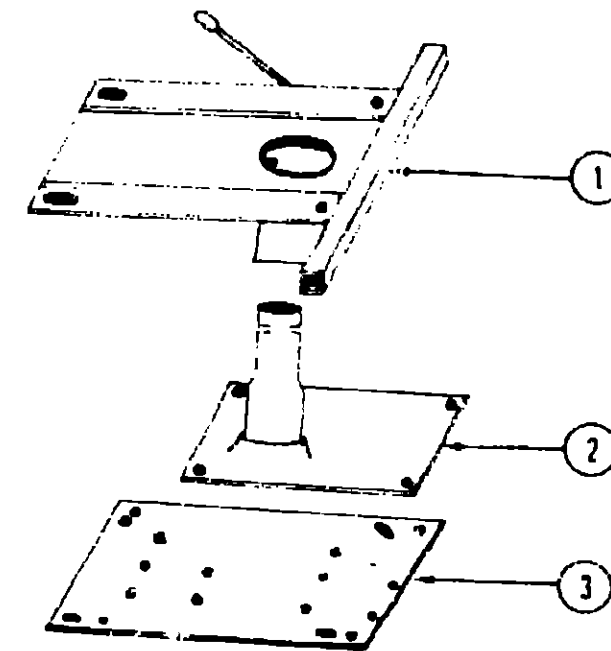
**MISCELLANEOUS DRIVER'S COMPARTMENT COMPONENTS (CONT)**



**MISCELLANEOUS DRIVER'S COMPARTMENT COMPONENTS**

Key	Part Number	U/M	Description
1	072765-02-000	EA	Panel - Front Side Cap - Plastic - Left
2	053272-05-005	EA	Track - Curtain - Beige Alum. - Ceiling Mount - 72" w/Holes
3	073671-01-000	EA	Track - Curtain - Beige Alum.
4	072764-01-000	EA	Panel - Front Cap - Plastic
5	701631-01-000	EA	Shifting Knob and Button - Transmission Control
•	701632-01-000	EA	Retainer - Shifting Knob - Transmission Control
•	066501-01-000	EA	Shifter Asm. - Modified
•	052744-04-000	EA	Bezel - Transmission Control
6	049360-09-000	EA	Overhead Console (Voltmeter, Battery Switch, Hourmeter, Generator Switch and Light)
•	049360-10-000	EA	Overhead Console (Hourmeter, Generator Switch and Light)
•	049360-11-000	EA	Overhead Console (Voltmeter, Battery Switch and Light)
•	049360-13-000	EA	Overhead Console (Light)
7	040714-01-000	EA	Mirror - Inside Rear View
•	067490-01-000	EA	Button - Mirror - Rear View Support
8	056802-04-000	EA	Sunvisor Asm. - Medium Almond - Right and Left
9	073931-01-P13	EA	Headliner Asm. - Ceiling
10	072755-01-000	EA	Panel - Front Side Cap - Plastic - Right
•	072766-01-000	EA	Panel - Trim - Roof Transition - Beige Plastic
11	072767-01-000	EA	Panel - Trim - Plastic - Right
12	073511-02-P13	EA	Pad Asm. - Headliner Filler - Beige Vinyl - Right
13	M53719-01-P13	EA	Headliner Asm. - Beige Vinyl
•	071615-01-P13	EA	Pad Asm. - Headliner - Over Door - Beige Vinyl - Left
•	071615-02-P13	EA	Pad Asm. - Headliner - Over Door - Beige Vinyl - Right
•			No illustrated

Key	Part Number	U/M	Description
14	072768-01-000	EA	Panel Asm. - Wingwall Transition - Plastic - Inner Right Hand
15	059491-01-P13	EA	Side Panel - Cab Door - Right - Blue
15	059491-01-P14	EA	Side Panel - Cab Door - Right - Burgundy
15	059491-01-P15	EA	Side Panel - Cab Door - Right - Rust
16	044860-01-000	EA	Mat - Door Step - Rubber - Black - Left Hand
16	044860-02-000	EA	Mat - Door Step - Rubber - Black - Right Hand
17	071645-01-000	EA	Motor Cover - w/o Carpet
•	048223-01-000	EA	Bracket - Motor Cover
•	056671-01-000	EA	Ashtray Asm.
•	056673-04-000	EA	Cover - Ashtray/Lighter - Plastic
18	059492-01-P13	EA	Side Panel - Cab Door - Left - Blue
18	059492-01-P14	EA	Side Panel - Cab Door - Left - Burgundy
18	059492-01-P15	EA	Side Panel - Cab Door - Left - Rust
19	056581-04-000	EA	Armrest Asm. - Cab Door - Medium Almond
20	072768-02-000	EA	Panel Asm. - Wingwall Transition - Plastic - Inner Left Hand
21	073511-03-P13	EA	Pad Asm. - Headliner Filler - Beige Vinyl - Left
22	072287-01-P13	EA	Panel Asm. - Steeple Board
•	062859-01-N01	FT	Trim Asm. - Accent - Beige Vinyl
23	072767-02-000	EA	Panel - Trim - Plastic - Left
•	M00498-01-000	EA	Dash Asm.
•	056602-01-000	EA	Panel Asm. - Dash - Right
•	056603-01-000	EA	Panel Asm. - Dash - Left - Drivers
•	070524-01-000	EA	Pad - Dash - Medium Dark Almond
•	064781-02-000	EA	Glass Holder - 3.47" O.D. - Beige Plastic
•	045795-03-000	EA	Glass Holder - 4.12" O.D. - Beige Plastic
•			Not illustrated



**BUCKET SEAT PEDESTAL AND SEAT BELT**

Key	Part Number	U/M	Description
1	069585-06-000	EA	Plate - Top - Pedestal Asm. - Bucket Seat
2	069585-03-000	EA	Plate - Sub - Pedestal Asm. - Bucket Seat
3	069585-02-000	EA	Plate - Base - Pedestal Asm. - Bucket Seat
•	069585-05-000	EA	Hardware Kit - Bolt/Acorn Nut - 4 Ea. - Pedestal Asm.
•	069246-01-000	EA	Adjuster Asm. - Seat w/ Lock
•	069246-02-000	EA	Adjuster Asm. - Seat w/o Lock
•	068601-01-000	EA	Recliner Drive - Left Side
•	068601-02-000	EA	Recliner Drive - Right Side
•	068601-10-000	EA	Hand Wheel - Recliner Drive - Black Plastic
•	056271-02-000	EA	Belt Asm. - Bucket Seat - 2" x 72" - Black
•	007021-01-000	EA	Belt Asm. - Bucket Seat - 2" x 90" - Black
•			Not illustrated

**1982 WINNEBAGO  
TABLE OF CONTENTS**

WC621RB N2	A-1 - B-18
WC723RH N1, WC723RH N2	B-19 - D-10
WC823RB P2	D-11 - F-2
WCF22RB N2	F-3 - H-10
WCF26RB N2	H-11 - J-18

**1982 WC823RB P2 INDEX**

Floor Plan	D-11 - D-12
Accessories Group	D-13 - D-15
Bath Group	D-16
Chassis Group	D-17
Curtain, Cushion & Pad Group	D-18 - D-23
Dinette Group	D-24
Driver's Compartment Group	E-1 - E-2
Electrical Group	E-3 - E-5
Exterior Body Group	E-6 - E-11
Galley Group	E-12
Heating & Air Conditioning Group	E-13
Interior Finish Group	E-14 - E-15
I.P. Group	E-16
Lounge Group	E-17
Water & Sewage Group	E-18
Window, Vent & Exterior Door Group	E-19 - F-2



## ELECTRICAL GROUP

### BULBS

Key	Part Number	U/M	Description
	037935-01-000	EA	Bulb - 1157
	037936-01-000	EA	Bulb - 1157 A
	038010-01-000	EA	Bulb - 1143
	063914-01-000	EA	Bulb - 1139
	008103-01-000	EA	Bulb - 53
	008213-01-000	EA	Bulb - 57
	008214-01-000	EA	Bulb - 67
	008215-01-000	EA	Bulb - 1003
	008216-01-000	EA	Bulb - 1034
	008217-01-000	EA	Bulb - 1073
	008218-01-000	EA	Bulb - 1141
	008220-01-000	EA	Bulb - 12V - 25W
	036196-02-000	EA	Bulb - 194A

### FUSES AND CIRCUIT BREAKERS

Key	Part Number	U/M	Description
	056473-01-000	EA	Fuse - Slow Blow - 6 1/4 Amp.
	008233-01-000	EA	Fuse - 12 Volt - 6 Amp.
	008234-01-000	EA	Fuse - 12 Volt - 10 Amp.
	008235-01-000	EA	Fuse - 12 Volt - 15 Amp.
	008236-01-000	EA	Fuse - 12 Volt - 20 Amp.
	008248-01-000	EA	Fuse - 110 Volt - 30 Amp. - AGU
	008252-01-000	EA	Fuse - 110 Volt - 50 Amp.
	008208-01-000	EA	Circuit Breaker - 12 Volt - 40 Amp.
	008211-01-000	EA	Circuit Breaker - 12 Volt - 6 Amp.
	008268-01-000	EA	Circuit Breaker - 12 Volt - 30 Amp. w/Mount
	033573-01-000	EA	Circuit Breaker - 12 Volt - 20 Amp. w/Mount
	040051-01-000	EA	Circuit Breaker - 110 Volt - 20 Amp. - TQL
	033573-02-000	EA	Circuit Breaker - 12 Volt - 15 Amp. - w/Mount
	008297-01-000	EA	Circuit Breaker - TQP 120
	008293-01-000	EA	Circuit Breaker - TQP 130
	008299-01-000	EA	Circuit Breaker - TQP 115
	071279-01-000	EA	Circuit Breaker - 120 Volt - 15 Amp.
	071279-02-000	EA	Circuit Breaker - 120 Volt - 15/15 Amp.
	071279-04-000	EA	Circuit Breaker - 120 Volt - 30 Amp.

### INTERIOR LIGHTS

Key	Part Number	U/M	Description
	024418-01-000	EA	Lamp Asm. - Map/Gauge/Aisle
	061424-01-000	EA	Light - 12 V Receptacle - Aisle - IP
	068937-01-000	EA	Light - Dome - Surface w/Switch
	068937-02-000	EA	Light - Dome - Surface w/o Switch
	068621-01-000	EA	Light - Dome & 2 Swivel
	033508-02-000	EA	Light - Dome - Ivory - Single - US
	033508-03-000	EA	Light - Dome - Ivory - Single - CSA
	033509-02-000	EA	Light - Dome - Ivory - Double - US
	033509-03-000	EA	Light - Dome - Ivory - Double - CSA
	056288-01-000	EA	Light - Dome - Overhead Console

## ELECTRICAL GROUP (CONTINUED)

### EXTERIOR LIGHTS

Key	Part Number	U/M	Description
	007309-01-000	EA	Light - Step Well
	058031-01-000	EA	Tail Lamp Asm. - 3 Bulb - Chrome
	059540-01-000	EA	Bracket - License Plate
	058031-01-700	EA	Lens - Tail Lamp - Amber
	058031-01-701	EA	Lens - Tail Lamp - Red
	058031-01-702	EA	Lens - Tail Lamp - Back Up
	042405-03-000	EA	Base - Rectangular Clearance Light
	042405-01-000	EA	Lens - Clearance Light - Red w/Reflex
	042405-04-000	EA	Lens - Clearance Light - Red w/o Reflex
	042405-02-000	EA	Lens - Clearance Light - Amber w/Reflex
	042405-05-000	EA	Lens - Clearance Light - Amber w/o Reflex
	008089-01-000	EA	Light - Porch - Recessed
	008089-01-700	EA	Lens - Recessed Porch Light
	067789-01-000	EA	Socket Asm. - Lamp - Front Marker
	067784-01-000	EA	Lamp Asm. - Parking - Left Hand
	067784-02-000	EA	Lamp Asm. - Parking - Right Hand
	008092-01-700	EA	Reflector - Stick On - Rectangular - Red
	008093-01-700	EA	Reflector - Stick On - Rectangular - Amber

### MISCELLANEOUS ELECTRICAL COMPONENTS

Key	Part Number	U/M	Description
	047338-01-000	EA	Isolator - Dual Battery
	063739-01-000	EA	Battery - 12 Volt - 80 Amp - Gould
	008188-01-000	EA	Solenoid - Dual Battery - Relay
	046775-01-000	EA	Valve - Gas - Change Over
	024459-03-000	EA	Gauge - Voltmeter - w/o Bracket
	024462-01-000	EA	Switch - Battery Condition
	031035-01-000	EA	Gauge - Hour Meter - Generator
	024976-01-000	EA	Switch - Generator - w/o Circuit Board
	024460-01-000	EA	Gauge - Vacuum
	068068-01-000	EA	Load Center - 120V - 3 CRT
	039950-01-702	EA	Circuit Board - Control Center
	024451-01-000	EA	Switch - Battery - Changeover
	046885-01-000	EA	Plaque - Switch Mounting - Battery & Fuel
	059754-03-000	EA	Switch - Wiper - Intermittent
	072351-01-000	EA	Control Panel Complete - Water/Double Sewage Clock - w/LP Alarm - Refrigerator
	048812-04-000	EA	Control Panel - Basic
	048812-09-000	EA	Control Panel - Insert w/LP Alarm Clock - Refrigerator Light & Sensor
	048812-12-000	EA	Refrigerator Sensor - Refrigerator Alarm
	039861-01-000	EA	Sending Unit - Wemac
	031720-01-000	EA	Spacer - Receptacle - Brown Plastic - CSA
	049360-09-000	EA	Overhead Console (Voltmeter, Battery Switch, Hourmeter, Generator Switch and Light)
	049360-10-000	EA	Overhead Console (Hourmeter, Generator Switch and Light)
	049360-11-000	EA	Overhead Console (Voltmeter, Battery Switch and Light)
	049360-13-000	EA	Overhead Console (Light)
	071278-01-000	EA	Control Center - 32 Amp. - 120 Volt/12 Volt

## 1982 WINNEBAGO TABLE OF CONTENTS

WC621RB N2	A-1 - B-18
WC723RH N1, WC723RH N2	B-19 - D-10
WC823RB P2	D-11 - F-2
WCF22RB N2	F-3 - H-10
WCF26RB N2	H-11 - J-18

## 1982 WC823RB P2 INDEX

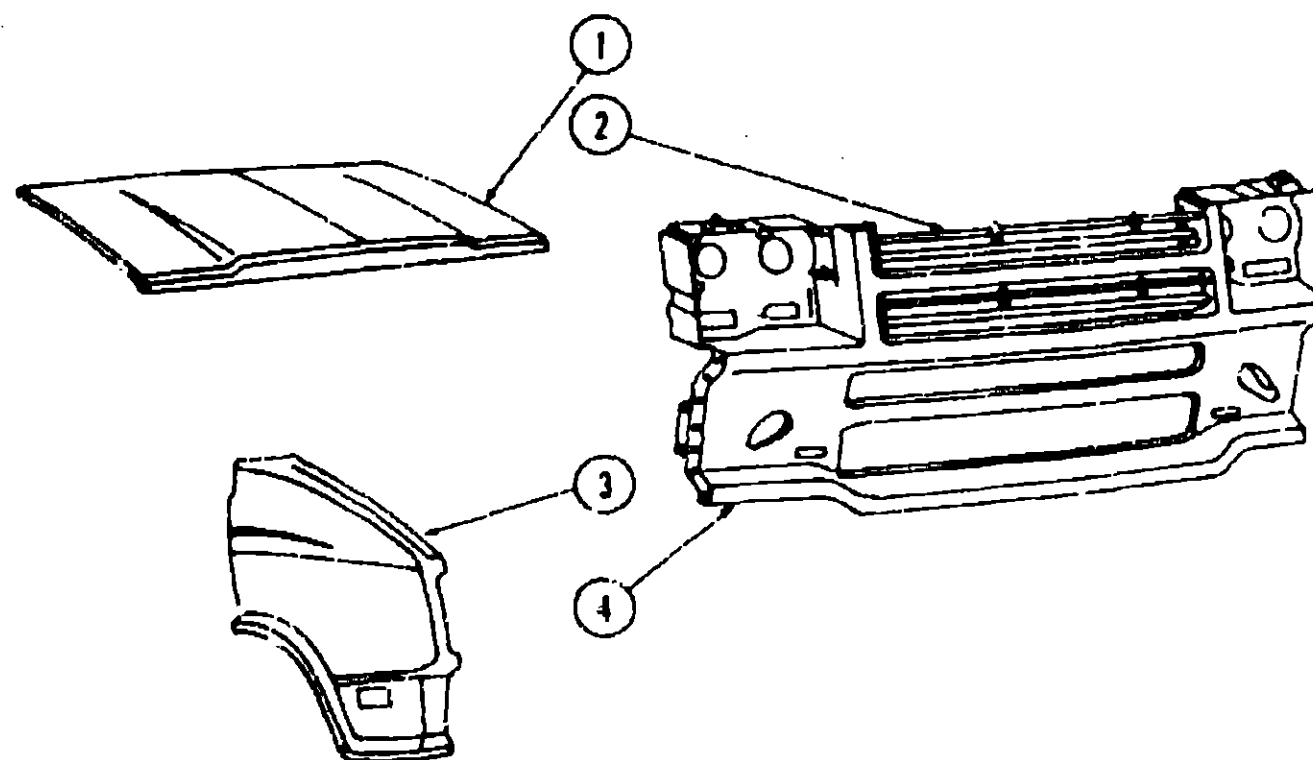
Floor Plan	D-11 - D-12
Accessories Group	D-13 - D-15
Bath Group	D-16
Chassis Group	D-17
Curtain, Cushion & Pad Group	D-18 - D-23
Dinette Group	D-24
Driver's Compartment Group	E-1 - E-2
Electrical Group	E-3 - E-5
Exterior Body Group	E-6 - E-11
Galley Group	E-12
Heating & Air Conditioning Group	E-13
Interior Finish Group	E-14 - E-15
LP Group	E-16
Lounge Group	E-17
Water & Sewage Group	E-18
Window, Vent & Exterior Door Group	E-19 - F-2

## ELECTRICAL GROUP (CONTINUED)

### WIRE, SWITCHES AND RECEPTACLES

Key	Part Number	U/M	Description
	008024-01-000	FT	Wire - 18.5 Bonded - Orange/White/Yellow/Blue/Brown
	008277-01-000	EA	Holder - Fuse - Black - Panel Mount
	008195-01-000	EA	Switch - Push Button - 12 Volt
	008077-01-000	EA	Plaque - Compressor Switch
	008054-01-000	EA	Cord - Power - 10-3 30 Amp. - 25' - UL
	024571-04-000	EA	Cover Plate - Receptacle - Jumbo Ivory Plastic
	039342-01-000	EA	Receptacle - Duplex Brown - T Junction
	024571-01-000	EA	Cover Plate - Receptacle - Jumbo Steel Brown
	008294-01-000	EA	Cover Plate - Brown Steel - 4" x 4"
	008288-01-000	EA	Box - Electrical - Plastic - 3" x 3 1/2"
	008289-01-000	EA	Box - Electrical - Steel - 4" x 4"
	039343-01-000	EA	Cap - End - Receptacle
	008162-01-000	EA	Switch - Double Toggle - Spade Brown
	008183-01-000	EA	Switch - Toggle - Brown
	031144-01-000	EA	Switch - Center Off - DPDT - Black 30A
	054532-01-000	EA	Housing Pin Asm. - 6 Position
	064398-01-000	EA	Housing Asm. - Trailer Receptacle - Female
	064399-01-000	EA	Housing Asm. - Trailer Pin - Male
	064450-01-000	EA	Housing Asm. - Trailer Plug - Male
	008164-01-000	EA	Cover Plate - Switch - Brown
	024924-01-000	EA	Receptacle - Power Cord
	008058-01-000	EA	Adaptor - Power Cord
	047353-01-000	EA	Cover - Receptacle - Ground Fault
	053126-01-000	EA	Receptacle - Ground Fault - Interrupter - 124 Volt - Brown
	058707-01-000	EA	Receptacle - Single - Brown - Thomas & Betts
	058708-01-000	EA	Receptacle - Duplex - Brown - Thomas & Betts
	058048-01-000	EA	Cover - Electrical - Rain Tight (Exterior)
	008157-01-000	EA	Receptacle - Single (Exterior)
	056264-01-000	EA	Switch - Leaf Actuator
	031968-01-000	EA	Contact - Plug

## EXTERIOR BODY GROUP



EXTERIOR BODY PANELS (FRONT)

Key	Part Number	U/M	Description
1	069912-01-000	EA	Hood Asm.
*	057896-02-000	EA	Hinge Asm. - Hood
*	058723-01-000	EA	Hood Latch Asm.
*	068974-03-000	EA	Bracket Asm. - Hood Hinge - Right Hand
*	068974-04-000	EA	Bracket Asm. - Hood Hinge - Left Hand
*	069071-02-000	EA	Hood Prop Rod
*	062628-01-000	EA	Clip - Prop Rod
*	067785-01-000	EA	Bezel - Headlamp - Left - Chrome
2	070607-01-000	EA	Grille Asm.
*	067785-02-000	EA	Bezel - Headlamp - Right - Chrome
*	049185-01-000	EA	Capsule Asm. - Headlamp Rectangular - Left - High/Low Beam
*	049186-01-000	EA	Capsule Asm. - Headlamp Rectangular - Right - High/Low Beam
*	067786-01-000	EA	Capsule Asm. - Headlamp Rectangular - Left - High Beam
*	067787-01-000	EA	Capsule Asm. - Headlamp Rectangular - Right - High Beam
*	050030-01-000	EA	Wire Housing Asm. - Headlamp
*	054863-02-000	EA	Panel - Wheel House - Front Half - Right
*	054863-01-000	EA	Panel - Wheel House - Front Half - Left
3	068908-01-000	EA	Fender - Right Hand
*	068908-02-000	EA	Fender - Left Hand
4	068910-01-000	EA	Front Panel Asm. - Fiberglass - w/o Grille & Headlamps
*			Not illustrated

## 1982 WINNEBAGO TABLE OF CONTENTS

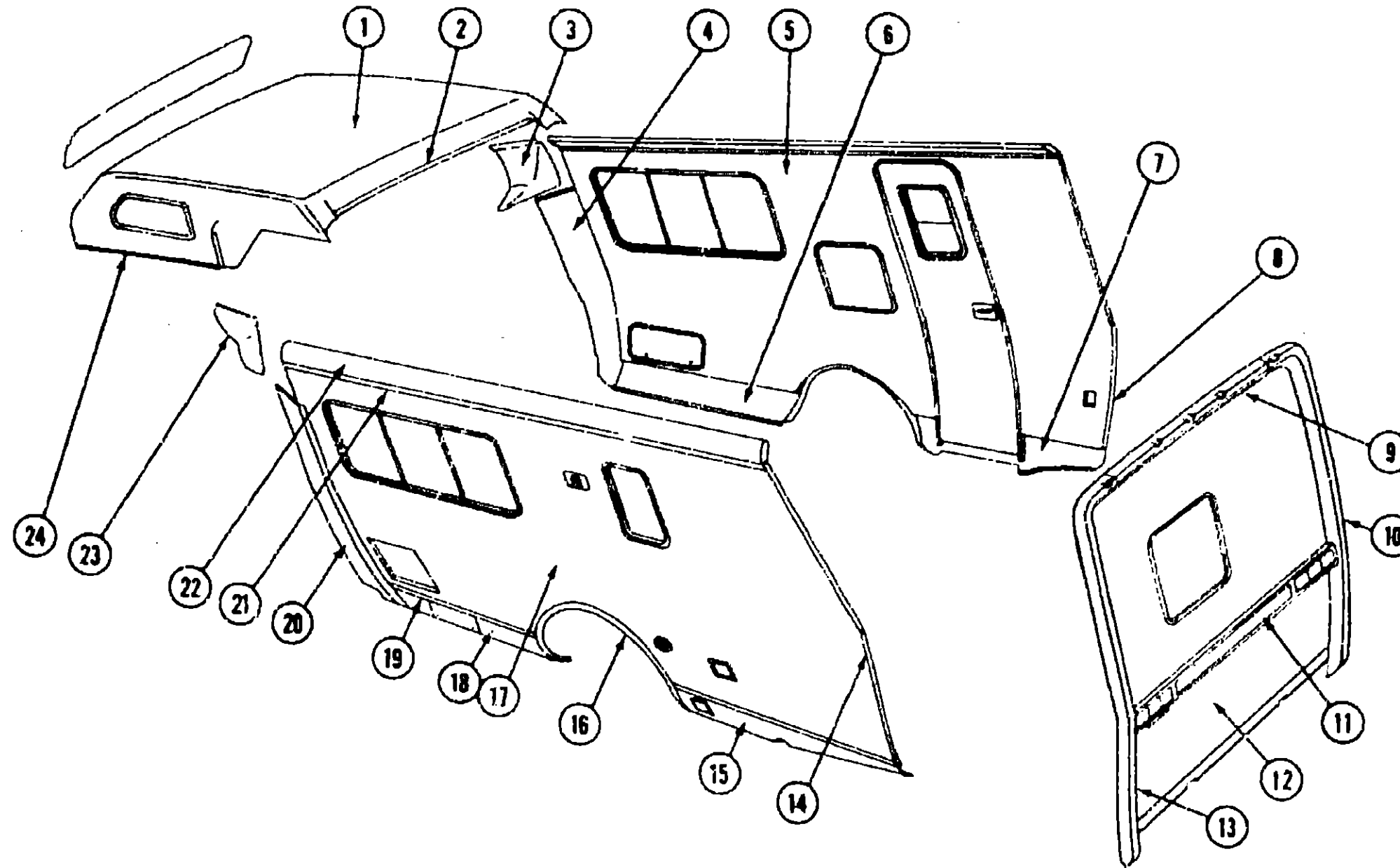
WC621RB N2	A-1 - B-18
WC723RH N1, WC723RH N2	B-19 - D-10
WC823RB P2	D-11 - F-2
WCF22RB N2	F-3 - H-10
WCF26RB N2	H-11 - J-18

## 1982 WC823RB P2 INDEX

Floor Plan	D-11 - D-12
Accessories Group	D-13 - D-15
Bath Group	D-16
Chassis Group	D-17
Curtain, Cushion & Pad Group	D-18 - D-23
Dinette Group	D-24
Driver's Compartment Group	E-1 - E-2
Electrical Group	E-3 - E-5
Exterior Body Group	E-6 - E-11
Galley Group	E-12
Heating & Air Conditioning Group	E-13
Interior Finish Group	E-14 - E-15
LP Group	E-16
Lounge Group	E-17
Water & Sewage Group	E-18
Window, Vent & Exterior Door Group	E-19 - F-2

# EXTERIOR BODY GROUP (CONTINUED)

## EXTERIOR BODY PANELS AND SHEET ALUMINUM



Key	Part Number	U/M	Description
1	072793-01-000	EA	Panel Asm. - Front Sleeper Cap - Beige
2	062396-02-000	EA	Trim - Roof/Front Cap
3	072794-01-000	EA	Panel Asm. - Upper Transition Wingwall - Outer - Right
4	068915-01-000	EA	Panel Asm. - Transition Wingwall - Outer - Right Hand
5	072914-01-P13	EA	Sidewall Asm. - Right (P14) (P15)
6	M00968-01-000	EA	Valance Panel Asm. - Right Front
7	M00969-01-000	EA	Valance Panel Asm. - Right Rear
8	069775-01-000	EA	Trim - Backwall Cap - Beige - Right
9	068920-01-000	EA	Panel Asm. - Backwall - Upper - Roof Line - Beige
10	068922-01-000	EA	Panel Asm. - Backwall - Right Hand - Beige
11	068924-01-000	EA	Panel Asm. - Backwall - Lower - Taillights - Beige
12	068768-01-P13	EA	Backwall Asm.
12	068768-01-P14	EA	Backwall Asm.
12	068768-01-P15	EA	Backwall Asm.
13	068922-02-000	EA	Panel Asm. - Backwall - Left Hand - Beige
14	069775-02-000	EA	Trim - Backwall Cap - Beige - Left
15	M00967-01-000	EA	Valance Panel Asm. - Left Rear

Key	Part Number	U/M	Description
16	071474-01-000	EA	Fender Trim - Rear Wheel Well - Left & Right
17	072912-01-P13	EA	Sidewall Asm. - Left
17	072912-01-P14	EA	Sidewall Asm. - Left
17	072912-01-P15	EA	Sidewall Asm. - Left
	M00948-01-P13	EA	Roof Asm. (P14) (P15)
18	M00966-01-000	EA	Valance Panel Asm. - Left Front
19	069221-17-000	EA	Trim - Sidewall - 92.38" - Beige w/o Insert
	001030-12-002	EA	Insert - Feature Strip - Beige - 17"
20	068915-02-000	EA	Panel Asm. - Transition Wingwall - Outer - Left Hand
21	069217-03-000	EA	Trim - Sidewall - 163" - Beige w/o Insert
	072942-01-000	EA	Insert - Upper Sidewall Trim - Beige
	073644-05-000	EA	End Cap - Upper Sidewall Trim
22	071618-01-000	EA	Trim - Roof/Sidewall Joint - 155" - Left
	071619-01-000	EA	Trim - Roof/Sidewall Joint - 165" - Right
23	072794-03-000	EA	Panel Asm. - Upper Transition Wingwall - Outer - Left
24	072918-01-000	EA	Trim - Front Sleeper Panel - Beige
	000668-01-000	EA	Styrofoam - 3/4" x 24" x 96"
	000870-01-000	EA	Styrofoam - 1 1/2" x 24" x 96"
	039155-38-001	EA	Alum. - Beige - .024" x 48" x 240" - Smooth
			Not illustrated

## 1982 WINNEBAGO TABLE OF CONTENTS

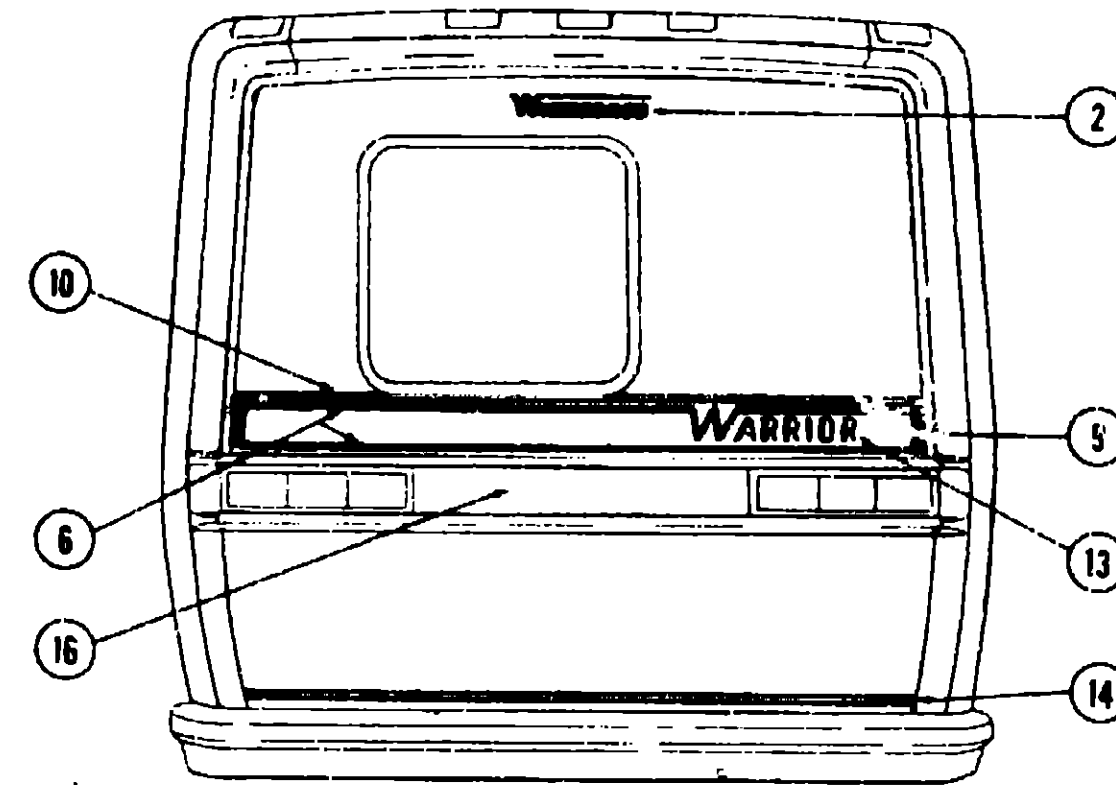
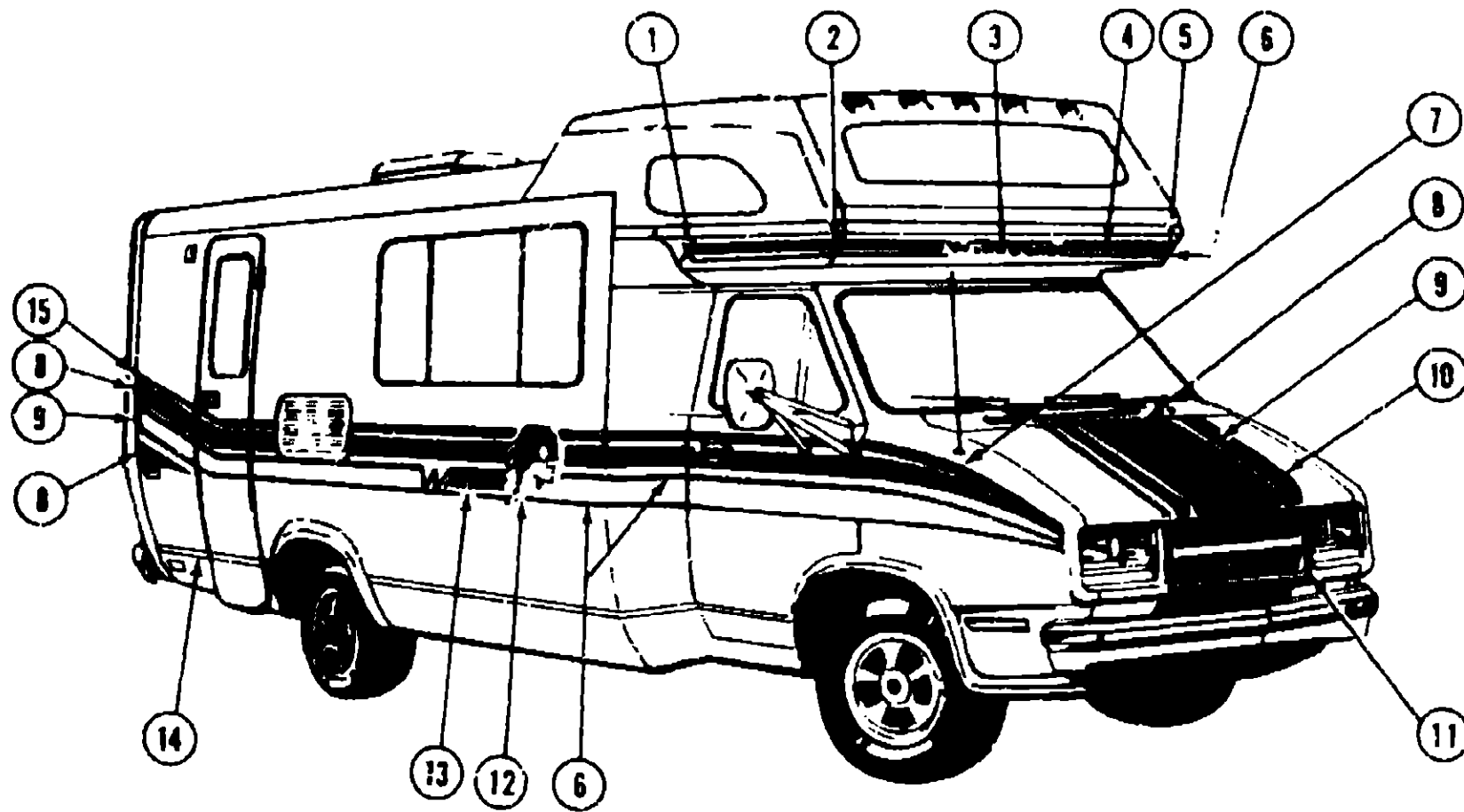
WC621RB N2	A-1 - B-18
WC723RH N1, WC723RH N2	B-19 - D-10
WC823RB P2	D-11 - F-2
WCF22RB N2	F-3 - H-10
WCF26RB N2	H-11 - J-18

## 1982 WC823RB P2 INDEX

Floor Plan	D-11 - D-12
Accessories Group	D-13 - D-15
Bath Group	D-16
Chassis Group	D-17
Curtain, Cushion & Pad Group	D-18 - D-23
Dinette Group	D-24
Driver's Compartment Group	E-1 - E-2
Electrical Group	E-3 - E-5
Exterior Body Group	E-6 - E-11
Galley Group	E-12
Heating & Air Conditioning Group	E-13
Interior Finish Group	E-14 - E-15
LP Group	E-16
Lounge Group	E-17
Water & Sewage Group	E-18
Window, Vent & Exterior Door Group	E-19 - F-2

## EXTERIOR BODY GROUP (CONTINUED)

### LABELS, DECALS AND EXTERIOR PAINT



### 1982 WINNEBAGO TABLE OF CONTENTS

WC621RB N2	A-1 - B-18
WC723RH N1, WC723RH N2	B-19 - D-10
WC823RB P2	D-11 - F-2
WCF22RB N2	F-3 - H-10
WCF26RB N2	H-11 - J-18

Key	Part Number	U/M	Description
1	073411-01-000	EA	Decal - Bunk Side - "X" - Right - Dark Brown/Burgundy
•	073411-02-000	EA	Decal - Bunk Side - "X" - Left - Dark Brown/Burgundy
2	073412-01-000	EA	Decal - Bunk Corner - Right Hand - Dark Brown/Burgundy
3	050313-19-000	EA	Decal - Logo - Winnebago - 2.8" High x 22" - Burgundy
4	041273-40-000	FT	Decal - Striping - 2.8" - Burgundy
5	073412-02-000	EA	Decal - Bunk Corner - Left Hand - Dark Brown/Burgundy
6	011273-38-000	FT	Decal - Striping - .75" - Dark Brown
7	068618-03-000	EA	Decal - Striping - Side Fender - Right - Light Blue Metallic
•	068618-04-000	EA	Decal - Striping - Side Fender - Left - Light Blue Metallic
8	072870-03-000	EA	Paint - Burgundy Metallic - Acrylic Enamel - Aerosol 16 oz. (45761 Dupont)
•	044486-01-000	EA	Paint - Beige - Acrylic Enamel - 1 Gallon (7633A Dupont)
•	044486-03-000	EA	Paint - Beige - Acrylic Enamel - 16 oz. Aerosol (7633A Dupont)
•	044486-04-000	EA	Paint - Beige - Acrylic Lacquer - 1 Gallon
9	041273-37-000	FT	Decal - Striping - 2" - Dark Brown
10	065217-18-000	FT	Decal - Double 1/4" Stripes Premasked 1/4" Apart - Light Blue Metallic
11	068617-02-000	EA	Decal - Striping - .50"/1.00" Radius - Light Blue Metallic
12	068620-01-000	EA	Decal - Warrior Head - Right Hand - Black
•	068620-02-000	EA	Decal - Warrior Head - Left Hand - Black
13	068618-02-000	EA	Decal - Warrior - Dark Brown
14	065217-17-000	FT	Decal - Double 1/4" Stripes Premasked 1/4" Apart - Dark Brown/Burgundy
15	041273-39-000	FT	Decal - Striping - 1.5" - Light Blue Metallic
16	069643-01-000	EA	Decal - Brushed Al. on Lexan
•	Not illustrated		

Key	Part Number	U/M	Description
	006040-01-000	EA	Tag - Gas Refueling Warning
	006062-01-000	EA	Tag - Electrical - 110 Volt Connection
	006023-01-000	EA	Label - Water Only
	006025-01-000	EA	Label - Gas
	006028-01-000	EA	Label - Drain Caps - 2" x 3"
	006031-01-000	EA	Label - Potable Water Only
	006064-01-000	EA	Label - Seat w/o Seatbelt
	006187-01-000	EA	Label - Sewage
	006188-01-000	EA	Label - Waste Water
	006199-01-000	EA	Label - Exit - Escape Window
	057467-01-000	EA	Label - Warning - Exterior Loading Limit
	061417-01-000	EA	Label - Fuel
	047731-01-000	EA	Label - Emergency Exit
	050225-01-000	EA	Label - Warning - Stove Vent - U.S.
	054531-01-000	EA	Label - LP Gas Only
	065960-01-000	EA	Logo - LP Power
	065962-01-000	EA	Logo - Winnebago LPG

### 1982 WC823RB P2 INDEX

Floor Plan	D-11 - D-12
Accessories Group	D-13 - D-15
Bath Group	D-16
Chassis Group	D-17
Curtain, Cushion & Pad Group	D-18 - D-23
Dinette Group	D-24
Driver's Compartment Group	E-1 - E-2
Electrical Group	E-3 - E-5
Exterior Body Group	E-6 - E-11
Galley Group	E-12
Heating & Air Conditioning Group	E-13
Interior Finish Group	E-14 - E-15
LP Group	E-16
Lounge Group	E-17
Water & Sewage Group	E-18
Window, Vent & Exterior Door Group	E-19 - F-2

## EXTERIOR BODY GROUP (CONTINUED)

### MISCELLANEOUS EXTERNALLY MOUNTED PARTS

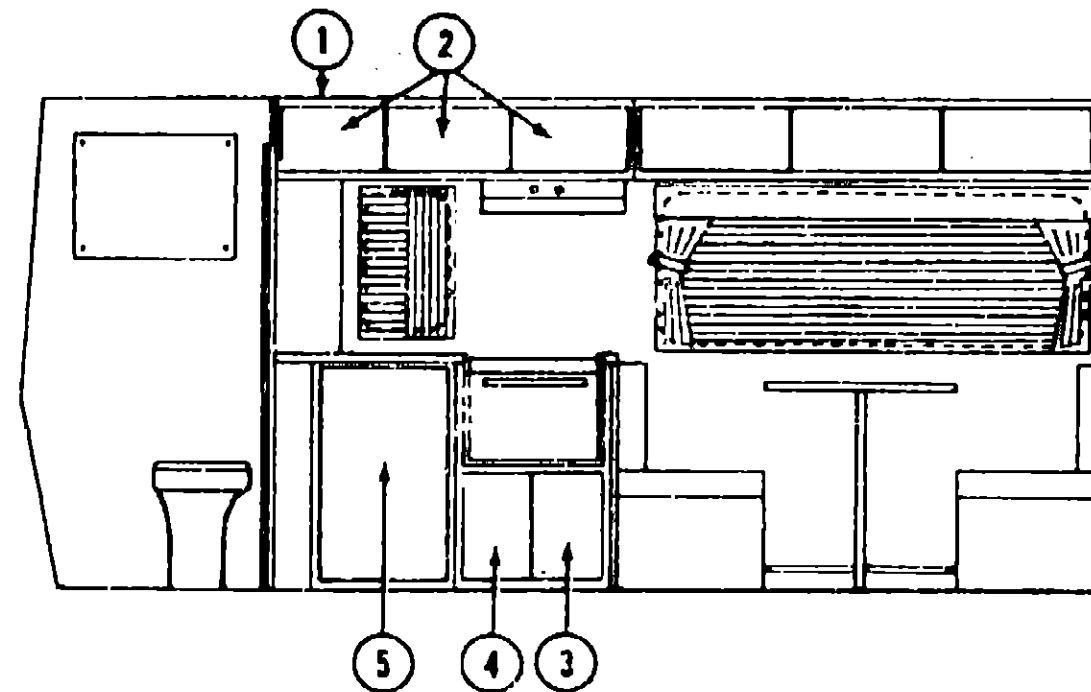
Key	Part Number	U/M	Description
**	011129-01-000	EA	Plumbing Seal - Roof Vent - 1 1/2"
	010230-03-000	EA	Fill - City Water - Recessed - Beige
	056908-02-000	EA	Water Fill - Lockable - Beige
**	048789-01-000	EA	Vent Asm. - Roof Powered - w/o Screen - Alum.
**	048835-01-000	EA	Vent Asm. - Roof Non Powered - w/o Screen - Alum.
	065103-02-000	EA	Cover - Refrigerator Vent - 9.88" x 20.5" - Plastic
	065103-01-000	EA	Base - Frame - Refrigerator Vent w/o Cover
	008089-01-000	EA	Light - Porch - Recessed
	068888-01-000	EA	Shroud - Fuel Fill - Angled
	068895-01-000	EA	Shroud - Fuel Fill - w/Fill Hole
	071834-01-000	EA	Shroud - Furnace Vent

\*\* The illustrated parts breakdown for this item is provided on the Common Items Fiche.

### SEALANTS, ADHESIVES AND FASTENERS

Key	Part Number	U/M	Description
	034552-06-000	EA	Sealant - Off White Silicone
	034552-04-000	EA	Sealant - Beige Silicone
	034552-02-000	EA	Sealant - Clear Silicone
	039518-01-000	EA	Sealant - Black Silicone
	069637-01-000	EA	Sealant - Weatherbar 404 Tube
	002707-02-000	FT	Tape - Sealer - 5/16" x 1/2"
	009200-01-000	EA	Tape - Furnace - 1 1/2"
	071422-01-000	FT	Weather Stripping - Roof Vent
	002825-01-000	FT	Weather Stripping - Roof Vent
	062337-01-000	EA	Adhesive - 3M - 1300 Tube
	004005-01-000	GL	Adhesive - Swifts - Green - Glue (Sidewalls)
	004012-01-000	GL	Adhesive - 3M - 4475 Tube
	004020-01-000	QT	Adhesive - ABS Cement (Plastic Fittings)
	029051-01-000	EA	Adhesive - Spray Vinyl
	000G66-08-12R	EA	Screw - #8 - 18 x 3/4" SDPH - Beige
	000G66-03-16R	EA	Screw - #8 - 18 x 1" SDPH - Beige
	000G64-08-16R	EA	Screw - #8 - 18 x 1" SDPH - SF/DR - Beige
	053766-01-000	EA	Bedding Compound - Tube Black - Schnee Morehead
	069640-02-000	FT	Tape - 1/2" x 1/8" x 50' - Gray - 3M
	069640-01-000	FT	Tape - 1/4" Bead x 20' - Gray - 3M
	069640-03-000	FT	Tape - 3/4" x 1/8" x 50' - Gray - 3M
	069640-04-000	FT	Tape - 2" x 3/32" x 45' - Gray - 3M

## GALLEY GROUP



### GALLEY CABINETRY

Key	Part Number	U/M	Description
	1 070894-03-P13	EA	Cabinet Asm. - Galley Overhead - w/o Doors or Hardware
	2 069852-55-P07	EA	Door Asm. - Galley Overhead - 10.3" x 16.8" - w/o Hardware
	3 073521-14-P07	EA	Door Asm. - Galley Cabinet - 10.9" x 18" - w/o Hardware - Right
	4 073521-13-P07	EA	Door Asm. - Galley Cabinet - 10.9" x 18" w/o Hardware - Left
	5 069852-56-P07	EA	Door Asm. - Galley Cabinet - 21.3" x 32.6" - w/o Hardware
	068700-01-000	EA	Drawer Asm. - Plastic - Galley Cabinet - 13" x 20" - w/o Hardware
	M00962-01-P13	EA	Countertop Asm. - Galley Cabinet - Palomino (P14) (P15)
	M00954-01-P13	EA	Countertop Asm. - Refrigerator - Palomino (P14) (P15)
			Not illustrated

### GALLEY HARDWARE AND APPLIANCES

Key	Part Number	U/M	Description
**	068615-02-000	EA	Sink - Double - Stainless Steel w/Bolts
**	011053-01-000	EA	Faucet - 8" - Swing Spout - U.S.
	011053-02-000	EA	Faucet - 8" - Swing Spout - CSA
	009145-02-000	EA	Bracket - Splatter Guard
**	067051-02-000	EA	Stove Splatter Guard - Safety Glass
**	066437-01-000	EA	Strainer - Sink - w/Basket
**	049930-03-000	EA	Hood - Stove - Powered - Black Face - US
**	049930-04-000	EA	Hood - Stove - Powered - Black Face - CSA
	053333-01-000	EA	Hood - Stove - Non Power - Black Face - US
	053333-02-000	EA	Hood - Stove - Non Power - Black Face - CSA
	064473-02-000	EA	Refrigerator - 3 Way - 6 cu. ft. Norcold
	054450-01-000	EA	Level - Refrigerator
	055282-03-000	EA	Range - 4 Burner - Small Oven - Black - Magic Chef
	069022-01-000	EA	Slide - Drawer - Left
	069022-02-000	EA	Slide - Drawer - Right

\*\* The illustrated parts breakdown for this item is provided on the Common Items Fiche.

## 1982 WINNEBAGO TABLE OF CONTENTS

WC621RB N2	A-1 - B-18
WC723RH N1, WC723RH N2	B-19 - D-10
WC823RB P2	D-11 - F-2
WCF22RB N2	F-3 - H-10
WCF26RB N2	H-11 - J-18

## 1982 WC823RB P2 INDEX

Floor Plan	D-11 - D-12
Accessories Group	D-13 - D-15
Bath Group	D-16
Chassis Group	D-17
Curtain, Cushion & Pad Group	D-18 - D-23
Dinette Group	D-24
Driver's Compartment Group	E-1 - E-2
Electrical Group	E-3 - E-5
Exterior Body Group	E-6 - E-11
Galley Group	E-12
Heating & Air Conditioning Group	E-13
Interior Finish Group	E-14 - E-15
LP Group	E-16
Lounge Group	E-17
Water & Sewage Group	E-18
Window, Vent & Exterior Door Group	E-19 - F-2

## HEATING & AIR CONDITIONING GROUP

Key	Part Number	U/M	Description
	074025-01-000	EA	A/C - Compressor Mount Package - 350 C.I.D.
	072343-01-000	EA	A/C - Compressor/Clutch - A.R.A.
	073716-01-000	EA	A/C - Condenser Asm. - 350 C.I.D. - A.R.A.
	056455-02-000	EA	A/C - Evaporator Asm. - A.R.A.
	058119-03-000	EA	Control Asm. - Heater
	058119-04-000	EA	Control Asm. - Heater/Air Conditioner
	007106-01-000	FT	Hose - Heater - 5/8" ID
	007106-02-000	FT	Hose - Heater - 3/4" ID
	056464-01-000	EA	Register w/Damper - 4" Round
	009198-01-000	EA	Duct - Flexible - 4" I.D. x 25'
	031604-01-000	EA	Bonnet - Heat Register
	069634-01-723	EA	Thermostat - Wall Mount - Suburban
	009200-01-000	EA	Tape - Furnace - 1 1/2"
	023146-01-000	EA	Clamp - Screw Type - 4"
	069633-01-705	EA	Vent Package - Furnace - Suburban
	069634-01-724	EA	Door - Furnace - Front
	039633-01-000	EA	Furnace - 24,000 BTU - w/Direct Ignition
	073743-01-000	EA	Shroud Asm. - Ceiling - Inside - Roof Air - Cool Only 13,500 BTU - Coleman
	073744-01-000	EA	Shroud Asm. - Ceiling - Inside - Roof Air - Heat and Cool 13,500 BTU - Coleman
	073742-01-000	EA	Air Conditioner - 110 Volt - Roof Air 13,500 BTU - Rotary

## INTERIOR FINISH GROUP

### PANELING AND COUNTERTOP MATERIALS

Key	Part Number	U/M	Description
	068344-03-000	SF	Paneling - 772 Birch - 48" x 96" (32SF)
	072336-07-000	SF	Paneling - Decor String Stripe - Brown/Navy - 48" x 84" (28SF) (P13)
	072336-02-000	SF	Paneling - Decor String Stripe - Brown/Burgundy - 48" x 84" (28SF) (P14)
	072336-08-000	SF	Paneling - Decor String Stripe - Brown/Rust - 48" x 84" (28SF) (P15)
	068344-06-000	SF	Paneling - Wall - Suede Craft - 48" x 84" (28SF) (P13, P14, P15)
	069731-01-000	SF	Plastic Laminate - Palomino - 48" x 96" (32SF) (P13, P14, P15)
	069731-01-019	SF	Plastic Laminate - Palomino - 1.19" x 96" (32SF) (P13, P14, P15)

### INTERIOR MOLDINGS AND TRIMS

Key	Part Number	U/M	Description
	047354-06-000	EA	Batt Strip - Suede Beige - 8' (P13, P14, P15)
	069733-19-000	EA	Batt Strip - Decor String Stripe - Brown/Navy - 8' (P13)
	069733-08-000	EA	Batt Strip - Decor String Stripe - Brown/Burgundy - 8' (P14)
	069733-20-000	EA	Batt Strip - Decor String Stripe - Brown/Rust - 8' (P15)
	009812-10-000	FT	Molding - Corner - Outside .50"
	022992-03-000	FT	Molding - Reverse Cove - Sandalwood
	009767-06-000	FT	Wetling - Beige
	009778-03-000	FT	U-Channel - 1" - Light Brown
	072768-02-000	EA	Panel Asm. - Wingwall Transition - Plastic - Inner Left Hand
	072768-01-000	EA	Panel Asm. - Wingwall Transition - Plastic - Inner Right Hand
	052859-01-N01	FT	Trim Asm. - Accent - Medium Almond Vinyl (Beige)

### CABINETS AND TABLE HARDWARE

Key	Part Number	U/M	Description
**	057898-01-000	EA	Hidden Latch - Cabinet Door
**	057898-02-000	EA	Strike - Hidden Latch - Cabinet Door
	053331-02-000	EA	Hinge - Cabinet Door - Overlay - Flat Black
	053331-01-000	EA	Hinge - Cabinet Door - Overlay - Antique Brass
	009112-01-000	EA	Flange - 1" - Closet Rod
	024276-10-000	EA	Leg Asm. - Table - Beige - 29.75"
**	024282-01-000	EA	Brace - Table Leg
**	064050-01-000	EA	Hinge - Table Leg
	053201-03-000	EA	Bracket - Table Mount - 23"
**	024283-01-000	EA	Clip - 1" O.D. Tube
	024275-05-000	EA	Rod - Table Lift - Beige - 8" x 23.5"
	024281-07-000	EA	Bracket - Table Lift - Lower Wall Mount - Beige
	049493-03-000	EA	Catch - Table Leg - Mounts on Floor
	053200-05-000	EA	Bracket - Table Lift - Upper Wall Mount - Beige
	045795-03-000	EA	Glass Holder - Beige Plastic
**	069022-01-000	EA	Slide - Drawer - Left
**	069022-02-000	EA	Slide - Drawer - Right
	009021-01-000	EA	Nylon Catch
**	009021-02-000	EA	Strike - Nylon Catch

\*\* The illustrated parts breakdown for this item is provided on the Common Items Fiche.

## 1982 WINNEBAGO TABLE OF CONTENTS

WC621RB N2	A-1 - B-18
WC723RH N1, WC723RH N2	B-19 - D-10
WC823RB P2	D-11 - F-2
WCF22RB N2	F-3 - H-10
WCF26RB N2	H-11 - J-18

## 1982 WC823RB P2 INDEX

Floor Plan	D-11 - D-12
Accessories Group	D-13 - D-15
Bath Group	D-16
Chassis Group	D-17
Curtain, Cushion & Pad Group	D-18 - D-23
Dinette Group	D-24
Driver's Compartment Group	E-1 - E-2
Electrical Group	E-3 - E-5
Exterior Body Group	E-6 - E-11
Galley Group	E-12
Heating & Air Conditioning Group	E-13
Interior Finish Group	E-14 - E-15
LP Group	E-16
Lounge Group	E-17
Water & Sewage Group	E-18
Window, Vent & Exterior Door Group	E-19 - F-2

## INTERIOR FINISH GROUP (CONTINUED)

### CURTAIN HARDWARE

Key	Part Number	U/M	Description
	056001-01-000	EA	Bracket - Shade - Left
	056002-01-000	EA	Bracket - Shade - Right
	009107-01-000	EA	Guide - Nylon Snap - Curtain
	052327-05-009	EA	Track - Curtain - Beige Alum. - 76" w/Holes
	053272-05-005	EA	Track - Curtain - Beige Alum. - Ceiling Mount - 72" w/Holes
	073671-01-000	EA	Track - Curtain - Beige Alum. - Front Overhead Bunk
	069270-01-000	EA	Track - Shower Curtain - "L" Rod - Beige Alum.
	009701-01-000	EA	Carrier - "L" Rod - Curtain
	009702-01-000	EA	End Stop - "L" Rod - Curtain
	037872-01-000	EA	Rod - Curtain - Double Extension - 48" - 84"
	037872-02-000	EA	Bracket - Curtain Rod
	050788-02-000	EA	Center Support - Curtain Rod
	056784-01-000	EA	Pull - Window Shade - Antique Brass
	048394-01-000	YD	Tape - Hook - 1" x 25 yd. - Beige
	048395-01-000	YD	Tape - Loop - 1" x 25 yd. - Beige

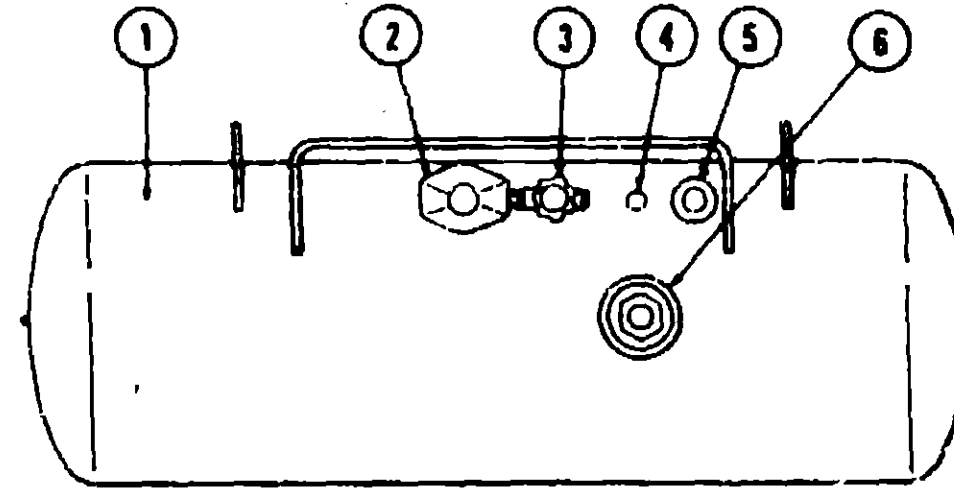
### FABRICS AND FLOOR COVERINGS

Key	Part Number	U/M	Description
	072333-04-000	YD	Fabric - Drapery - Beige (P13) (P15)
	069728-04-000	YD	Fabric - Drapery - Burgundy (P14)
	072334-04-000	YD	Fabric - Upholstery - Checked - Steel/Blue (P13)
	072334-03-000	YD	Fabric - Upholstery - Checked - Garnet/Burgundy (P14)
	072334-05-000	YD	Fabric - Upholstery - Checked - Cinnebar/Rust (P15)
	072334-11-000	YD	Fabric - Upholstery - Plain - Steel/Blue (P13)
	072334-10-000	YD	Fabric - Upholstery - Plain - Garnet/Burgundy (P14)
	072334-12-000	YD	Fabric - Upholstery - Plain - Cinnebar/Rust (P15)
	038421-01-000	YD	Ticking - Mattress - Gold
	070502-01-000	YD	Vinyl - Nonexpanded - 12 Gauge Film - Medium Almond (Beige)
	072860-04-000	SY	Carpet - Blue (P13)
	069720-08-000	SY	Carpet - Burgundy (P14)
	068340-06-000	SY	Carpet - Rust (P15)

### MISCELLANEOUS PARTS

Key	Part Number	U/M	Description
	053552-01-007	EA	Handle Asm. - Interior Assist - Medium Almond Vinyl
	041944-03-000	EA	Fire Extinguisher - w/Bracket - 5BC
	054185-19-000	EA	Owner's Manual - 1983 - Winnebago & Itasca
	007038-01-000	EA	Door Mat - Black Rubber - 10 1/2" x 26" w/Winnebago Logo

## LP GROUP



Key	Part Number	U/M	Description
	074140-01-000	EA	Tank Asm. - LP - 10" x 23" - 28 Pound
	074142-01-000	EA	Tank Asm. - LP - 13" x 44" - 80 Pound
	074143-02-000	EA	Tank Asm. - LP - 14" x 40" - 85 Pound - Dual Draw
	058703-01-000	EA	Cover - Regulator - 2 Stage
	058705-01-000	EA	Regulator - Two Stage - LP Gas
	040421-01-703	EA	Valve - Vapor Relief
	040421-01-700	EA	Gauge - Liquid Level - 20% LP
	040421-01-701	EA	Valve - Filler - LP
	040421-01-702	EA	Cap - Plastic Fill Valve
	040421-01-707	EA	Gauge - Float - w/Visible Dial - 80° Pound Tank
	065741-01-000	EA	Gauge - Diaphragm Pressure
	040421-01-706	EA	Dial - Visible Face - Float Gauge (Tank w/o Electric Transmitter)
	040440-01-000	EA	Dial - Transmitter - 0 - 9C Ohm (Float Gauge)
	045703-03-000	EA	Hose Asm. - LP - 3/8" I.D. x 4"
	047737-02-000	EA	Support - LP Tank - 89.25"
	053112-01-000	EA	Support - LP Tank - 2" x 2" x 8"
			Not illustrated

### WINN AIR LAMDI-HARTOG (C-BODY)

Key	Part Number	U/M	Description
	065279-01-000	EA	Relief Valve - Hydrostatic
	065287-02-000	EA	Valve - Gasoline Shut-Off
	065820-02-000	EA	Hose Asm. - High Pressure - 36"
	065820-01-000	EA	Hose Asm. - High Pressure - 95"
	067290-01-001	EA	Hose - Vapor 5/8" x 51"
	068050-07-000	EA	LP Mixer
	068163-01-000	EA	Strap - Converter Brace
	065959-01-000	EA	Housing - LP Instrumentation
	068240-01-000	EA	Support Brace - Converter
	035927-01-002	EA	Steel Rod - Threaded - 1/4" - 20 x 9"
	068143-01-000	EA	Tube Asm. - Converter - Copper w/Flare Nuts - 5/16" x 270° Bend
	065959-01-000	EA	Housing - LP Instrumentation
	065802-01-000	EA	Gauge - LP Level w/Hardware
	068050-05-000	EA	Switch - LP/Gas Changeover
	068050-01-000	EA	Converter - LP
	068050-02-000	EA	LP Lock Off
	068050-03-000	EA	Switch - LP - Vacuum Safety

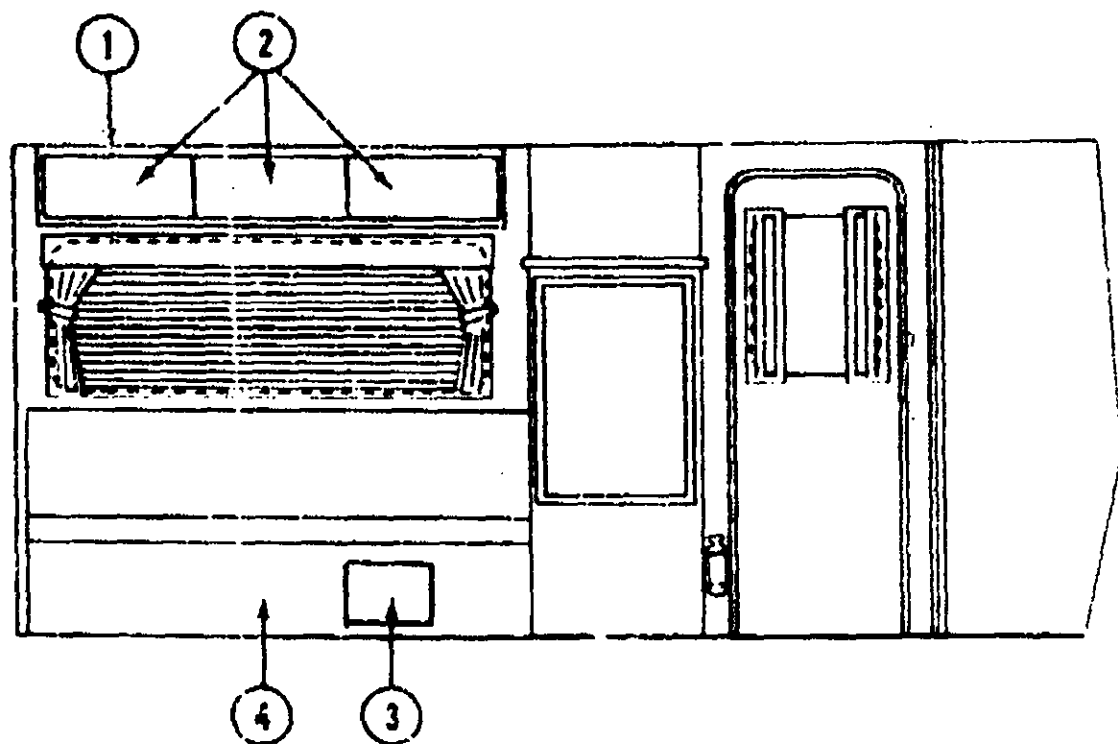
## 1982 WINNEBAGO TABLE OF CONTENTS

WC621RB N2	A-1 - B-18
WC723RH N1, WC723RH N2	B-19 - D-10
WC623RB P2	D-11 - F-2
WCF22RB N2	F-3 - H-10
WCF26RB N2	H-11 - J-18

## 1982 WC823RB P2 INDEX

Floor Plan	D-11 - D-12
Accessories Group	D-13 - D-15
Bath Group	D-16
Chassis Group	D-17
Curtain, Cushion & Pad Group	D-18 - D-23
Dinette Group	D-24
Driver's Compartment Group	E-1 - E-2
Electrical Group	E-3 - E-5
Exterior Body Group	E-6 - E-11
Galley Group	E-12
Heating & Air Conditioning Group	E-13
Interior Finish Group	E-14 - E-15
LP Group	E-16
Lounge Group	E-17
Water & Sewage Group	E-18
Window, Vent & Exterior Door Group	E-19 - F-2

## LOUNGE GROUP



FOLD DOWN COUCH AND OVERHEAD CABINET

Key	Part Number	U/M	Description
1	073655-05-P13	EA	Cabinet Asm. - Lounge Overhead - w/o Doors or Hardware
2	069852-55-P07	EA	Door Asm. - Lounge Overhead Cabinet - 10.3" x 16.8" - w/o Hardware
3	M69856-04-P13	EA	Door Asm. - Furnace w/Mesh Insert - 12.9" x 17.9" - w/o Hardware
*	072369-02-000	EA	Gold Mesh - 13.8" x 8.8" - Furnace Grille
4	M72813-01-P13	EA	Cabinet Asm. - Couch - w/o Door or Hardware
*	072708-02-000	EA	Frame Asm. - Fold Down Couch
			Not illustrated

## WATER & SEWAGE GROUP

### PLUMBING REPAIR PARTS

Key	Part Number	U/M	Description
	045729-01-000	EA	Pump - Water - 2.8 G.P.M. - Direct Drive - Shurflo - US
	045729-02-000	EA	Pump - Water - 2.8 G.P.M. - Direct Drive - Shurflo - CSA
	039647-02-000	EA	Filter - Water Pump - 1/2" MPT
	039647-03-000	EA	Filter - Water Pump - 1/2" Flare
**	052962-01-000	EA	Valve - Stool - 90° 1/2 F x 3/8 MPT
**	039818-01-000	EA	Riser Asm. - 3/8" O.D. x 24" Tube
**	039818-04-000	EA	Riser Asm. - 3/8" O.D. x 72" Tube
**	039818-05-000	EA	Riser Asm. - 3/8" O.D. x 48" Tube
	035539-01-000	EA	Elbow - Plastic - 3/8 MPT x 3/8 Barb
	052952-01-000	EA	Nut - Plastic - 1/2 F
	052953-01-000	EA	Nut - Faucet - 1/2 Tube x 1/2 FPT
	052954-01-000	EA	Adapter - Nose Cone - 3/8 or 1/2
	052958-01-000	EA	Tee - Plastic - 1/2 F x 1/2 F x 1/2 F
	052959-02-000	EA	Connector - Plastic - 1/2 F x 1/2 MPT
	052959-03-000	EA	Connector - Plastic - 1/2 F x 3/8 MPT
	052960-01-000	EA	Drain Valve - Line - 1/2 F x 1/2 F
	052961-01-000	EA	Header - 1/2 F x 1/2 F x 1/2 F
	004020-01-000	QT	Adhesive - ABS Cement
**	010201-01-000	EA	Hose - Sewer - 3" x 8 ft. w/Clamp
	062415-01-000	EA	Cap - Sewer - 3"
	062416-01-000	EA	Hose - Adapter - 3"
	062417-01-000	EA	Adapter - Termination - 3"
	062418-01-000	EA	Valve - 3" w/o Handle
	062421-01-000	EA	Valve - 1 1/2" - w/Handle
	010006-01-000	EA	Elbow - Plastic - 1 1/2" x 45° H x H
	010008-01-000	EA	Elbow - Plastic - 1 1/2" x 90° x Long Turn
	010134-01-000	EA	Adapter - Plastic - 1 1/2" M x MPT
**	063341-01-000	EA	Ring - Closet - Plastic - 4" F x 3" Spigot - 2 3/4"
**	011091-01-000	EA	Waste - Continuous - Double Sink - 11 7/8"
**	053335-01-000	EA	P-Trap - Plastic - 1 1/4"
**	010071-01-000	EA	Tee - Plastic - 1 1/2" x 1 1/2" H x 1 1/2" H
**	052955-01-000	EA	Tee - Plastic - 1/2" F x 1/2" F x 1/2 MPT
**	010091-01-000	EA	Wye - Plastic - 3" x 45° - H x H x H
**	010121-01-000	EA	Bushing - Plastic - 1 1/2" S x 1 1/4" H
**	031126-01-000	EA	Elbow - Plastic - 3" x 90° x Long Turn
**	010133-01-000	EA	Adapter - Trap - Plastic - 1 1/2" H x MPT
**	050780-01-000	EA	Coupler - Rubber - 3" x 3"
	010219-01-000	EA	Elbow - 1 1/4 Barb x 1 1/4 MPT - 90°
	044928-01-000	FT	Tubing - Flex - 1 1/4" ID x 10" Long
	054535-01-000	EA	Vent - Mechanical - Trap Arm
	061607-01-000	EA	Grommet - Rubber - Holding Tank - 1 1/2" NPS
	061607-02-000	EA	Grommet - Rubber - Holding Tank - 3" NPS
	010197-01-000	FT	Pipe - ABS Plastic - 3" x 240"
	065979-01-000	EA	Compartment Asm. - Sewer Hose
	052957-02-000	EA	Elbow - Plastic - 1/2" F x 1/2" MPT
	052957-03-000	EA	Elbow - Plastic - 1/2" F x 1/4" MPT
	061607-02-000	EA	Grommet - Holding Tank - 3" NPS
**	046524-01-000	EA	Kit - Plastic Fittings - Holding Tank
**	046524-02-000	EA	Kit - Plastic Fittings - Water Tank
**			The illustrated parts breakdown for this item is provided on the Common Items Fiche.

### HOLDING TANKS AND WATER HEATERS

Key	Part Number	U/M	Description
	071327-02-000	EA	Tank Asm. - Water - 32 Gallon w/Fittings
	071327-01-000	EA	Tank Asm. - Water - 32 Gallon w/o Fittings
	071271-02-000	EA	Tank Asm. - Holding - 31 Gallon (Sewage) w/Fittings
	071271-01-000	EA	Tank Asm. - Holding - 31 Gallon (Sewage) w/o Fittings
	051391-02-000	EA	Water Heater - 4 Gallon w/o Motor Aid - Atwood G4-SM

## 1982 WINNEBAGO TABLE OF CONTENTS

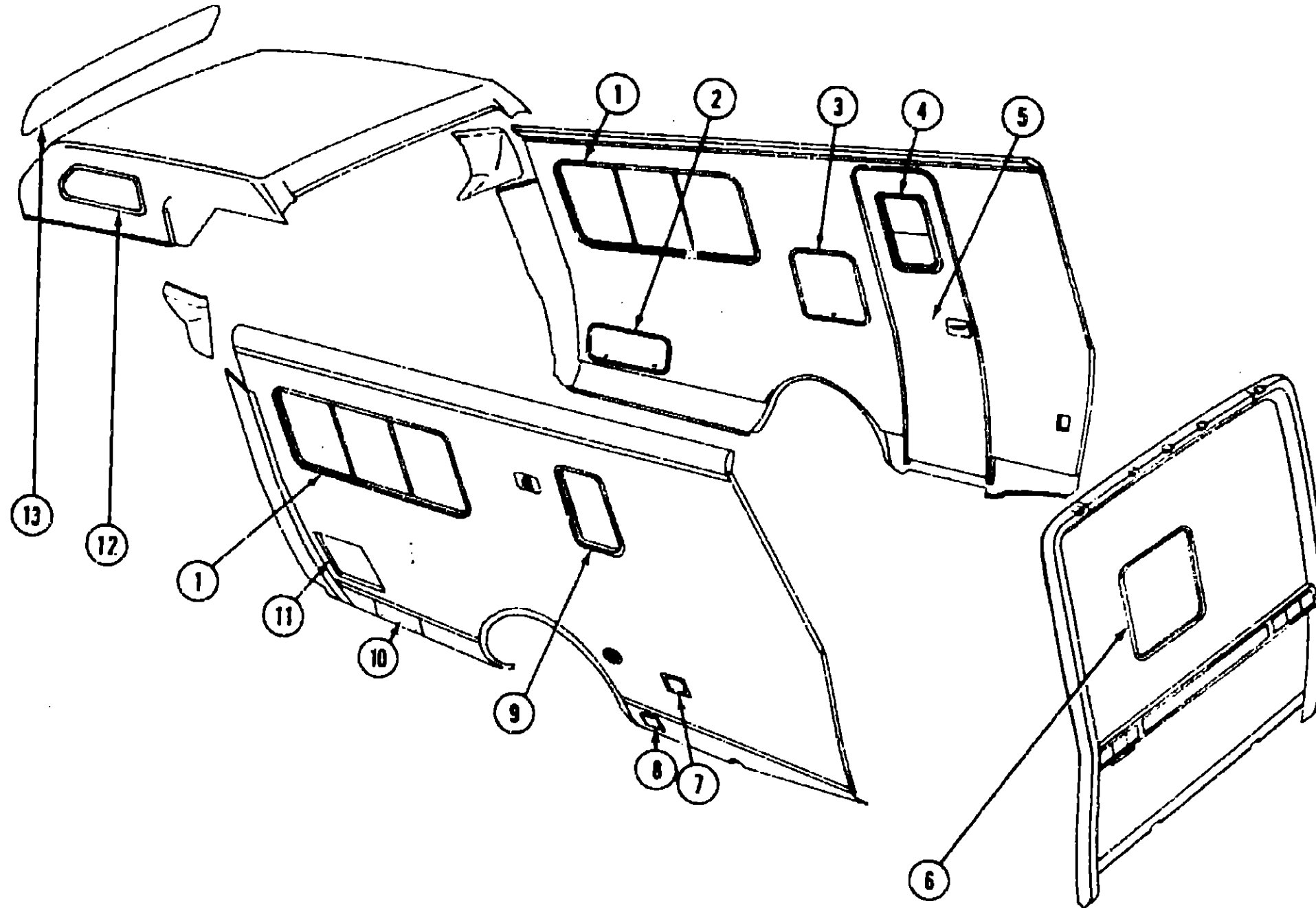
WC821RB N2	A-1 - B-18
WC723RH N1, WC723RH N2	B-19 - D-10
WC823RB P2	D-11 - F-2
WCF22RB N2	F-3 - H-10
WCF26RB N2	H-11 - J-18

## 1982 WC823RB P2 INDEX

Floor Plan	D-11 - D-12
Accessories Group	D-13 - D-15
Bath Group	D-16
Chassis Group	D-17
Curtain, Cushion & Pad Group	D-18 - D-23
Dinette Group	D-24
Driver's Compartment Group	E-1 - E-2
Electrical Group	E-3 - E-5
Exterior Body Group	E-6 - E-11
Galley Group	E-12
Heating & Air Conditioning Group	E-13
Interior Finish Group	E-14 - E-15
LP Group	E-16
Lounge Group	E-17
Water & Sewage Group	E-18
Window, Vent & Exterior Door Group	E-19 - F-2



# WINDOW, VENT & EXTERIOR DOOR GROUP



## 1982 WINNEBAGO TABLE OF CONTENTS

WC621RD N2	A-1 - B-18
WC723RH N1, WC723RH N2	B-19 - D-10
WC823RB P2	D-11 - F-2
WCF22RB N2	F-3 - H-10
WCF26RB N2	H-11 - J-18

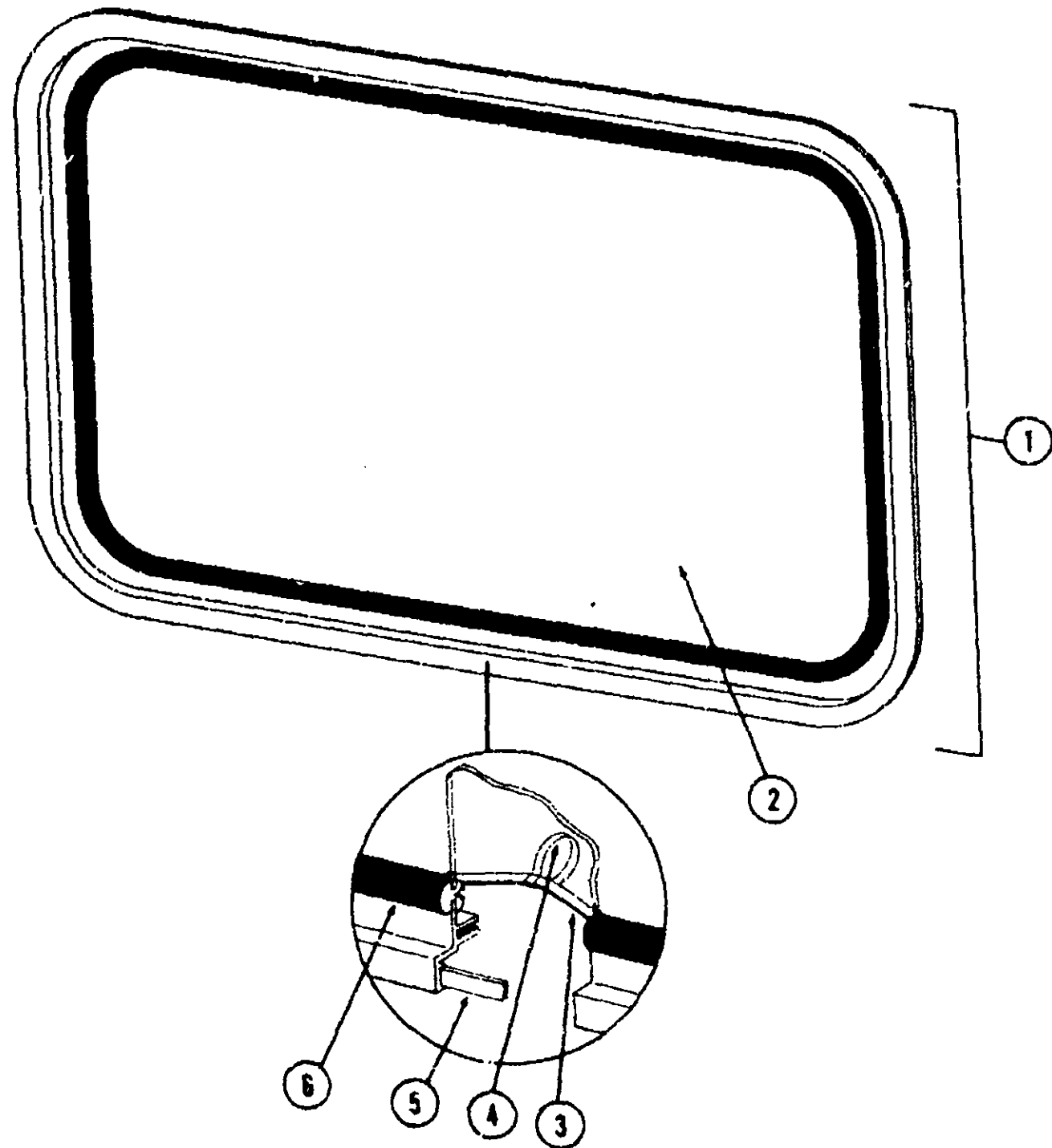
### WINDOWS AND ACCESS DOORS

Key	Part Number	U/M	Description
1	066785-03-000	EA	Window Asm. - Single Slider - 25" x 16.5" (w/o inside frame)
2	064842-02-000	EA	Door Asm. - Luggage - Beige - w/Key Lock
2	064841-02-000	EA	Door Asm. - Generator - Beige - w/Twist Lock
3	059247-05-000	EA	Door Asm. - Refrigerator Access - Beige - w/Twist Lock
4	069383-01-000	EA	Window Asm. - Entrance Door - 17.8" x 23" (w/o Inside Frame)
5	M69341-02-P13	EA	Door Asm. - Entry - w/Latch and Hinges
6	020751-03-000	EA	Window Asm. - Rear Escape - 23" x 29" (w/o Inside Frame)
7	NOTE	EA	Door Asm. - Power Cord (See Access Doors)
8	NOTE	EA	Door Asm. - Power Cord (See Access Doors)
9	041875-02-000	EA	Window Asm. - Picture - 13" x 23" (w/o inside frame)
9	074853-01-000	EA	Window Asm. - Vertical Slider - 13" x 21" (w/o inside frame)
10	068958-01-000	EA	Door Asm. - LP Storage - Valance Panel - Beige
11	052009-02-000	EA	Door Asm. - Water Heater - Beige
12	072873-02-000	EA	Window Asm. - Bunk - Slanted Slider - Left
	072873-01-000	EA	Window Asm. - Bunk - Slanted Slider - Right
13	054557-01-000	EA	Glass - Upper Front Cap
	Not illustrated		

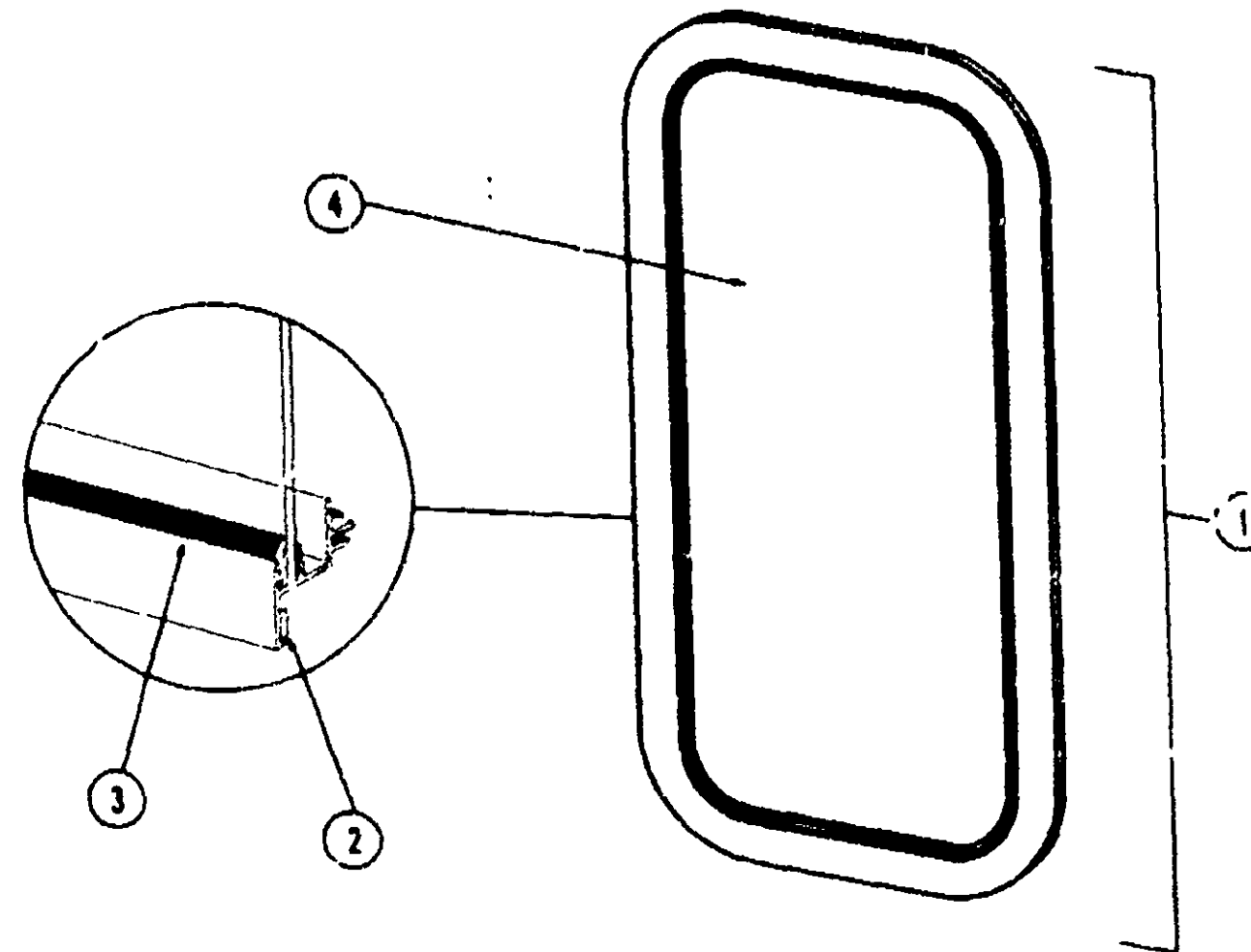
### 1982 WC823RB P2 INDEX

Floor Plan	D-11 - D-12
Accessories Group	D-13 - D-15
Bath Group	D-16
Chassis Group	D-17
Curtain, Cushion & Pad Group	D-18 - D-23
Dinette Group	D-24
Driver's Compartment Group	E-1 - E-2
Electrical Group	E-3 - E-5
Exterior Body Group	E-6 - E-11
Galley Group	E-12
Heating & Air Conditioning Group	E-13
Interior Finish Group	E-14 - E-15
LP Group	E-16
Lounge Group	E-17
Water & Sewage Group	E-18
Window, Vent & Exterior Door Group	E-19 - F-2

**WINDOW, VENT & EXTERIOR DOOR GROUP (CONTINUED)**



**WINDOW, VENT & EXTERIOR DOOR GROUP (CONTINUED)**



**1982 WINNEBAGO  
TABLE OF CONTENTS**

WC621RB N2	A-1 - B-18
WC723RH N1, WC723RH N2	B-19 - D-10
WC823RB P2	D-11 - F-2
WCF22RB N2	F-3 - H-10
WCF26RB N2	H-11 - J-18

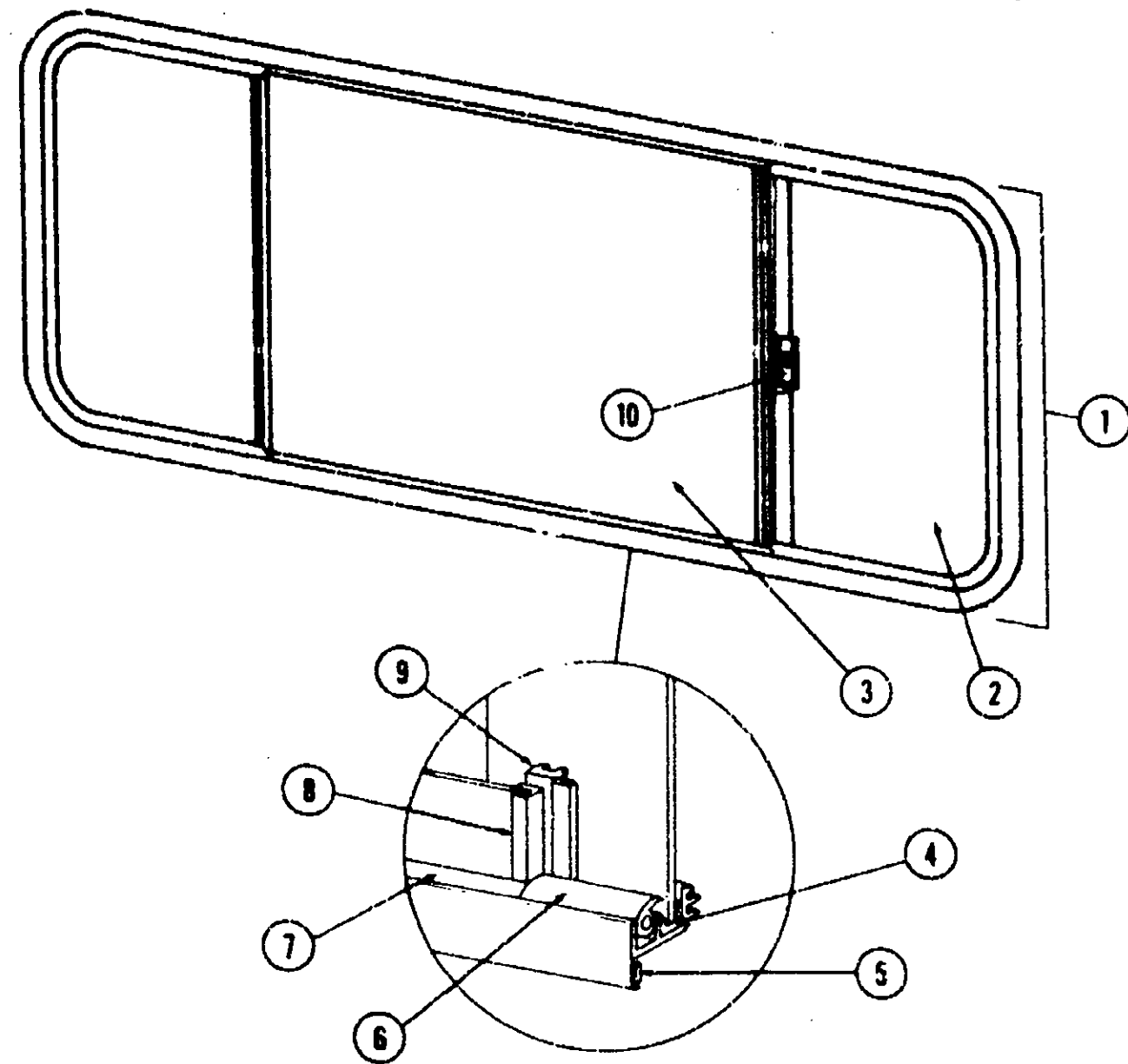
**1982 WC823RB P2 INDEX**

Floor Plan	D-11 - D-12
Accessories Group	D-13 - D-15
Bath Group	D-16
Chassis Group	D-17
Curtain, Cushion & Pad Group	D-18 - D-23
Dinette Group	D-24
Driver's Compartment Group	E-1 - E-2
Electrical Group	E-3 - E-5
Exterior Body Group	E-6 - E-11
Galley Group	E-12
Heating & Air Conditioning Group	E-13
Interior Finish Group	E-14 - E-15
LP Group	E-16
Lounge Group	E-17
Water & Sewage Group	E-18
Window, Vent & Exterior Door Group	E-19 - F-2

Key	Part Number	U/M	Description
1	020751-03-000	EA	Window Asm. - Rear Escape - 23" x 29" - Black Anod. (w/o inside frame)
2	002174-01-000	EA	Glass - 1/8" x 19.6" x 25.9"
3	002285-01-000	FT	Filler - Weatherstrip - Black
4	020395-01-000	EA	Pull Ring - Escape Window
5	069640-01-000	FT	Tape - 1/4" Bead x 20' - Gray - 3M
6	002282-01-000	FT	Weatherstrip - .125" Window
	020749-05-000	EA	Frame - Inside - Escape Window - 23" x 29" Beige (not included in assembly)
	006199-01-000	EA	Label - Exit - Escape Window
			Not illustrated

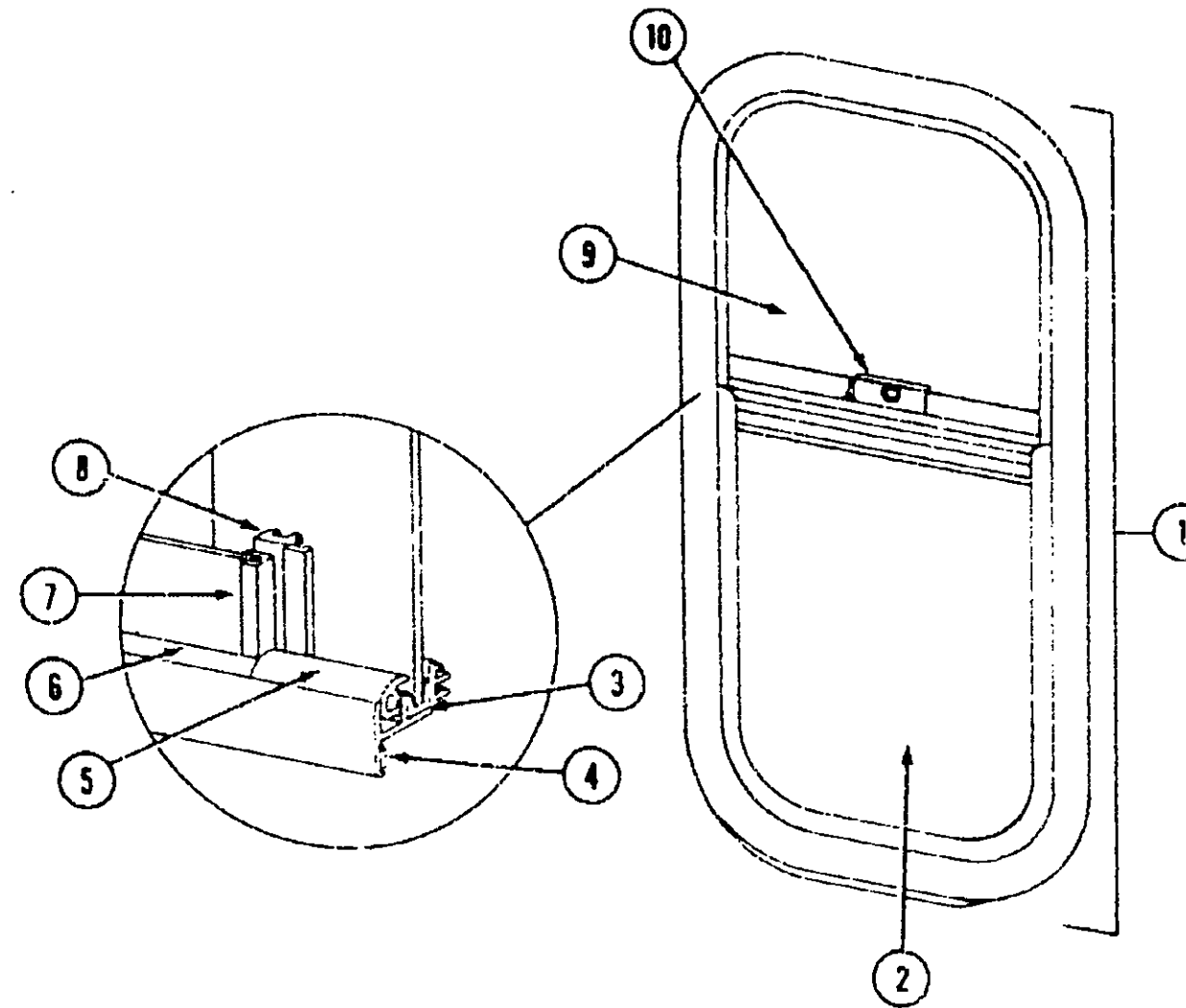
Key	Part Number	U/M	Description
1	041875-02-000	EA	Window Asm. - Picture - 13" x 23" - Black (w/o inside frame)
2	069640-01-000	FT	Tape - 1/4" Bead x 20' - Gray - 3M
3	002309-02-000	FT	Spline - Glass - 1/2" - Black
4	002181-01-000	EA	Glass - .115" x 22" x 22"
	041696-15-000	EA	Frame - Inside - Window - Beige (not included in assembly)
			Not illustrated

**WINDOW, VENT & EXTERIOR DOOR GROUP (CONTINUED)**



Key	Part Number	U/M	Description
1	066785-03-000	EA	Window Asm. - Single Slider - 25" x 65" (w/o inside frame)
2	067609-06-000	EA	Inside Frame - Beige (not included in assembly)
3	066726-02-000	EA	Glass - Stationary - 1/8" x 21" x 24"
4	066727-02-000	EA	Glass - Sliding - 1/8" x 25.5" x 24"
5	002324-02-000	FT	Channel - Weatherstrip - Glass
6	069640-01-000	FT	Tape - 1/4" Bead x 20' - Gray - 3M
7	057374-02-000	FT	Extr. - Vinyl - Window Seal - Black
8	002309-02-000	FT	Spline - Glass - 1/8" Material - Black
9	069886-03-003	EA	Extr. - Holder - Glass Seal - 23.19" - Black
10	069896-02-000	EA	Mullion - Slider Window - 23" - Black
.	047369-01-700	EA	Latch - Window - Plastic w/Fastener
.	002293-01-000	SF	Screen - Window - 26" - Gray
.	002298-01-000	FT	Spline - .130 Dia. - Gray (Screen)
.	042076-01-000	FT	Seal - Fin - Pile - .34"
.			Not illustrated

**WINDOW, VENT & EXTERIOR DOOR GROUP (CONTINUED)**



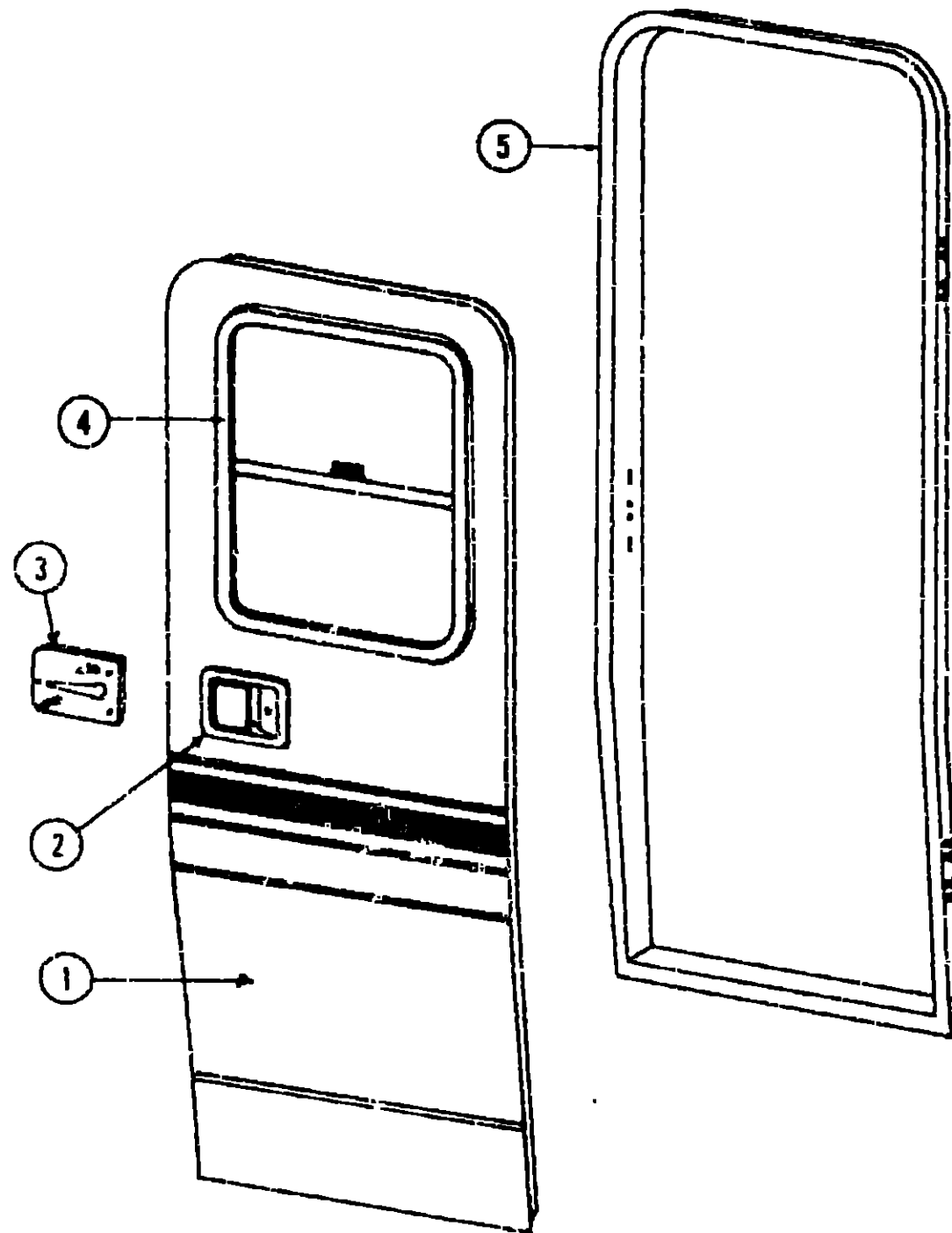
Key	Part Number	U/M	Description
1	074853-01-000	EA	Window Asm. - Vertical Slider - 13" x 21" - Black (w/o inside frame)
2	067609-15-000	EA	Inside Frame - Vertical Slider - Beige (not included in assembly)
3	074837-01-000	EA	Glass - Sliding - 1/8" x 12.04" x 10.88"
4	002324-02-000	FT	Channel - Weatherstrip - Glass Run
5	069640-01-000	FT	Tape - 1/4" Bead x 20' - Gray - 3M
6	002309-02-000	FT	Spline - Glass - 1/8" Material - Black
7	057374-02-000	FT	Extr. - Vinyl - Window Seal - Black
8	069886-03-012	EA	Extr. - Holder - Glass Seal - 11.18" - Black
9	069896-04-000	EA	Mullion - Slider Window - Black
10	074836-01-000	EA	Glass - Stationary - 1/8" x 12.04" x 10.88"
.	047369-01-700	EA	Latch - Window - Plastic w/Fastener
.	023713-02-000	EA	Cover - Plastic Weephole - Black
.	002293-01-000	SF	Screen - Window - 26" - Gray
.	002298-01-000	FT	Spline - .130 Dia. - Gray (Screen)
.			Not illustrated

**1982 WINNEBAGO  
TABLE OF CONTENTS**

WC621RB N2	A-1 - B-18
WC723RH N1, WC723RH N2	B-19 - D-10
WC823RB P2	D-11 - F-2
WCF22RB N2	F-3 - H-10
WCF26RB N2	H-11 - J-18

**1982 WC823RB P2 INDEX**

Floor Plan	D-11 - D-12
Accessories Group	D-13 - D-15
Bath Group	D-16
Chassis Group	D-17
Curtain, Cushion & Pad Group	D-18 - D-23
Dinette Group	D-24
Driver's Control Group	E-1 - E-2
Electrical Group	E-3 - E-5
Exterior Body Group	E-6 - E-11
Galley Group	E-12
Heating & Air Conditioning Group	E-13
Interior Finish Group	E-14 - E-15
LP Group	E-16
Lounge Group	E-17
Water & Sewage Group	E-18
Window, Vent & Exterior Door Group	E-19 - F-2



Key	Part Number	U/M	Description
1	M69341-C2-P13	EA	Door Asm. - Entry - w/Latch and Hinges
2	045017-01-000	EA	Paddle Asm. - Door Lock - Exterior
	045017-01-700	EA	Lock Cylinder w/Keys - Lynor
	039539-01-000	EA	Striker Bolt - Entry Door
	039540-01-000	EA	Latch Claw - Entry Door
3	039979-01-000	EA	Plate - Lock - Inside - Including Inside Handle
	052186-01-000	EA	Lock Asm. - Complete - Lynor
4	069383-01-000	EA	Window Asm. - Vertical Slider - w/o Inside Frame
	068742-01-000	EA	Glass - Vertical Top - 1/8" x 17.4" x 11.5"
	068743-01-000	EA	Glass - Vertical Slider - 1/8" x 17.5" x 12.6"
	047369-01-700	EA	Latch - Window - Plastic w/Fastener
	068752-01-000	EA	Inside Frame - Vertical Slider
5	068675-01-000	EA	Jamb Asm. - Entry Door - Beige
	064075-01-000	FT	Seal - Entry Door Jamb - Rubber
	068723-01-000	EA	Hinge Asm. - Entry Door - Lower
	058720-01-000	EA	Hinge Asm. - Entry Door - Upper
			Not illustrated

ACCESS DOORS

Key	Part Number	U/M	Description
	064842-02-000	EA	Door Asm. - Luggage - Beige - w/Key Lock
	059247-05-000	EA	Door Asm. - Refrigerator Access - Beige - w/Twist Lock
	064841-02-000	EA	Door Asm. - Generator - Beige - w/Twist Lock
	052009-02-000	EA	Door Asm. - Water Heater - Beige
	047305-01-000	EA	Lock Asm. - Key Type w/Clip
	042442-01-000	EA	Lock Asm. - Twist Type (Power Cord)
	042441-01-000	EA	Lock Asm. - Key Type (Gas Fill)
	009003-01-000	EA	Lock Asm. - Twist Type - Metal
	068958-01-000	EA	Door Asm. - LP Storage - Valance Panel - Beige
	052423-02-000	EA	Door - Fuel Fill - Beige
	052424-02-000	EA	Door Jamb - Power Cord & Fuel Fill - Beige
	054543-02-000	EA	Door Hatch - Power Cord - Beige
	063742-02-000	EA	Door - Power Cord - Beige
	041312-01-000	FT	Door Seal - e/Section
	054530-01-000	EA	Door Stop
	052743-02-000	EA	Ballie - Generator Door

VENTS

Key	Part Number	U/M	Description
	065103-01-000	EA	Frame - Base - Refrigerator Vent (w/o cover)
	065103-02-000	EA	Cover - Vent - Refrigerator
	049352-02-000	EA	Vent - Stove Hood - Outside - Beige
**	048789-01-000	EA	Vent Asm. - Roof Powered - w/o Screen - Alum.
**	048835-01-000	EA	Vent Asm. - Roof Nonpowered - w/o Screen - Alum.
	016335-03-000	EA	Screen Asm. - Roof Vent - Nonpowered
	048695-03-000	EA	Screen Asm. - Roof Vent - Powered
**	The illustrated parts breakdown for this item is provided on the Common Items Fiche		

WINDSHIELD

Key	Part Number	U/M	Description
	040795-02-000	EA	Glass Asm. - Windshield - Tinted

1982 WINNEBAGO  
TABLE OF CONTENTS

WC621RB N2	A-1 - B-13
WC723RH N1, WC723RH N2	B-19 - D-10
WC823RB P2	D-11 - F-2
WCF22RB N2	F-3 - H-10
WCF26RB N2	H-11 - J-18

1982 WC823RB P2 INDEX

Floor Plan	D-11 - D-12
Accessories Group	D-13 - D-15
Bath Group	D-16
Chassis Group	D-17
Curtain, Cushion & Pad Group	D-18 - D-23
Dinette Group	D-24
Driver's Compartment Group	E-1 - E-2
Electrical Group	E-3 - E-5
Exterior Body Group	E-6 - E-11
Galley Group	E-12
Heating & Air Conditioning Group	E-13
Interior Finish Group	E-14 - E-15
LP Group	E-16
Lounge Group	E-17
Water & Sewage Group	E-18
Window, Vent & Exterior Door Group	E-19 - F-2