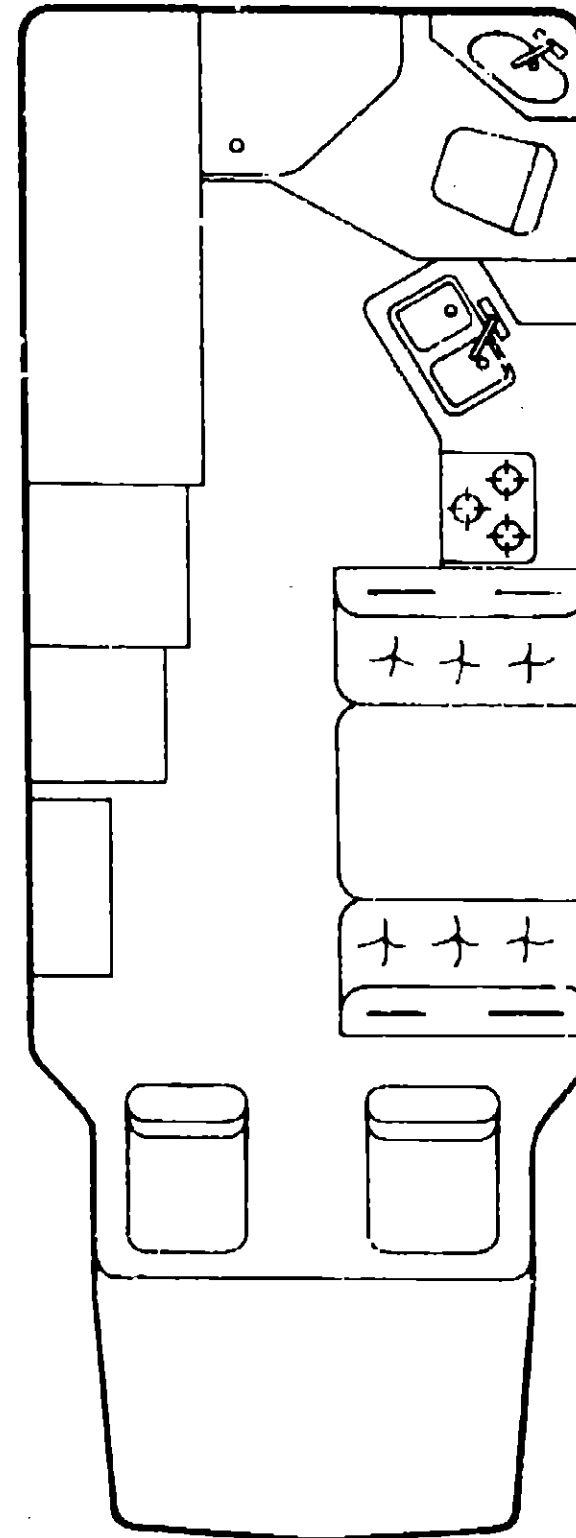


1982 WC723RH N1 WC723RH N2

NOTE:

A model revision number has been incorporated into the unit serial number to reflect any changes made during the model year. When ordering replacement parts, refer to the sixth and seventh digits of the unit serial number to assure that the proper part is ordered. These changes will be classified as a **N-2** or **N-3**, and will be included behind the item description. The unit serial number is found on the vehicle certification label, which is located on the left sidewall at the end of the dash (**A-Body**), or on the drivers door latch plate (**C-Body**).



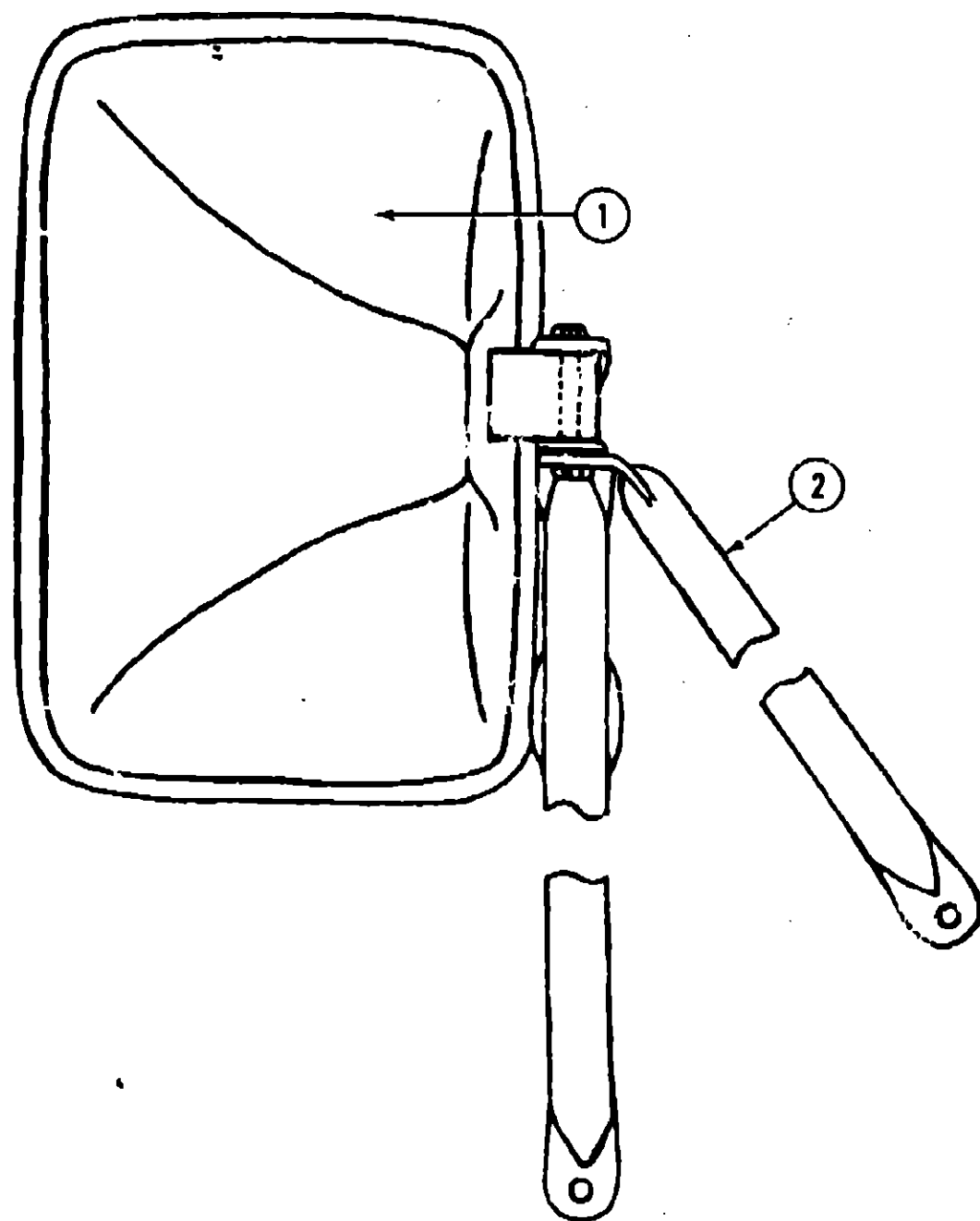
1982 WINNEBAGO TABLE OF CONTENTS

WC621RB N2	A-1 - B-18
WC723RH N1, WC723RH N2	B-19 - D-10
WC823RB P2	D-11 - F-2
WCF22RB N2	F-3 - H-10
WCF26RB N2	H-11 - J-18

1982 WC723RH N1 N2 INDEX

Floor Plan	B-19 - B-20
Accessories Group	B-21 - B-23
Bath Group	B-24
Chassis Group	C-1
Curtain, Cushion & Pad Group	C-2 - C-6
Dinette Group	C-7
Driver's Compartment Group	C-8 - C-9
Electrical Group	C-10 - C-12
Exterior Body Group	C-13 - C-18
Galley Group	C-19
Heating & Air Conditioning Group	C-20
Interior Finish Group	C-21 - C-22
LP Group	C-23
Lounge Group	C-24
Water & Sewage Group	D-1
Window, Vent & Exterior Door Group	D-2 - D-10

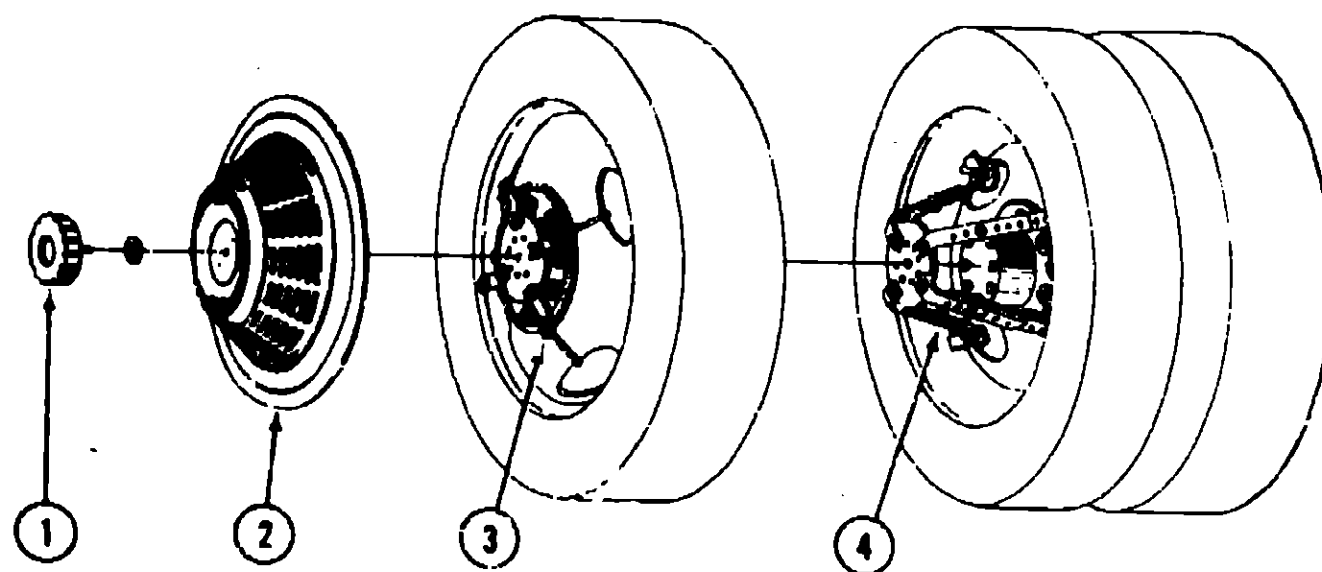
ACCESSORIES GROUP



EXTERIOR MIRRORS

Key	Part Number	U/M	Description
1	066431-02-000	EA	Mirror Head - 6.75" x 10.25"
2	066431-09-000	EA	Arm - Exterior Mirror - Stainless Steel - Right
2	066431-10-000	EA	Arm - Exterior Mirror - Stainless Steel - Left
.	066043-01-000	EA	Mirror - Convex - Adhesive Back
.			Not illustrated

ACCESSORIES GROUP (CONTINUED)



WHEEL COVERS AND MOUNTING HARDWARE

Key	Part Number	U/M	Description
1	064032-02-000	EA	Retaining Nut - Delmet - Wheel Cover
2	073426-01-700	EA	Wheel Cover - Bolt On - 16" or 16.5" - Delmet (1)
3	073426-03-700	EA	Retention Bracket Asm. - Wheel Cover Support - Light Duty - Front (1)
4	073426-03-701	EA	Retention Bracket Asm. - Wheel Cover Support - Light Duty - Rear (1)
.	073426-03-000	EA	Retention Bracket Asm. - Wheel Cover Support - Light Duty (Set/4)
**	031398-03-000	EA	Wheel Cover - 16.5" - Clip On
.			Not illustrated

The illustrated parts breakdown for this item is provided on the Common Items File.

RADIOS AND RELATED COMPONENTS

Key	Part Number	U/M	Description
	064787-01-000	EA	Radio - AM/FM/MPX - w/Cassette
	007004-01-000	EA	Antenna - Radio - Cab Mount
	048153-01-000	EA	Antenna - CB - Camper Style
	064791-01-000	EA	Speaker - Recessed - 5 1/4" x 10 oz.
	064792-01-000	EA	Grille - Speaker - 5 1/4"
	064793-01-000	EA	Speaker - 4" x 6" - Oval

GENERATOR AND COMPONENTS

Key	Part Number	U/M	Description
	054427-01-000	EA	Generator - 3.0 kw - Onan - AJ
	701629-03-000	EA	Package - Onan Installation
	057652-01-000	EA	Muffler - Generator - AJ
	052014-01-000	EA	Elbow Exhaust - 90°

**1982 WINNEBAGO
TABLE OF CONTENTS**

WC621RB N2	A-1 - B-18
WC723RH N1, WC723RH N2	B-19 - D-10
WC823RB P2	D-11 - F-2
WCF22RB N2	F-3 - H-10
WCF26RB N2	H-11 - J-18

1982 WC723RH N1 N2 INDEX

Floor Plan	B-19 - B-20
Accessories Group	B-21 - B-23
Bath Group	B-24
Chassis Group	C-1
Curtain, Cushion & Fad Group	C-2 - C-5
Dinette Group	C-7
Driver's Compartment Group	C-8 - C-9
Electrical Group	C-10 - C-12
Exterior Body Group	C-13 - C-18
Galley Group	C-19
Heating & Air Conditioning Group	C-20
Interior Finish Group	C-21 - C-22
LP Group	C-23
Lounge Group	C-24
Water & Sewage Group	D-1
Window, Vent & Exterior Door Group	D-2 - D-10

ACCESSORIES GROUP (CONTINUED)

MISCELLANEOUS ACCESSORIES

Key	Part Number	U/M	Description
	006053-01-000	EA	Antenna - TV - Braund Deluxe
	006093-01-000	EA	Jack - TV - Brown
	041944-03-000	EA	Fire Extinguisher - Dry Chemical w/Bracket
	054185-14-000	EA	Owner's Manual - 1982 - Winnebago & Itasca
	063739-01-000	EA	Battery - 12V - 20 Amp - Gould
	017516-01-000	EA	Mud Flap - Black - 14" x 18" w/Holes
	064089-01-000	EA	Mud Flap - Front Splash Guard - Black
	007038-01-000	EA	Mat - Door - Black Rubber - 10 1/2" x 26"
	040466-10-000	EA	Cover - Spare Tire - 29" - Beige
	069629-01-000	EA	Speed Control - Chev - Dana
	069580-03-000	EA	Lug Wrench - 7/8" x 1 1/16" x 15 3/4"
	069580-02-000	EA	Leverage Bar - Lug Wrench - 22"

BATH GROUP

BATH CABINETS AND HARDWARE

Key	Part Number	U/M	Description
	068747-01-000	EA	Cabinet Asm. - Lavatory
	068726-02-N19	EA	Door Asm - 10" x 23" - w/o Hardware
	068574-01-P13	EA	Door Asm - Bath - 23" x 71" - w/o Hardware
	068561-01-000	EA	Sink - Lavatory
	068755-01-000	EA	Cabinet Asm. - Medicine
	068726-01-N19	EA	Door Asm - Medicine Cabinet - 10" x 17 5/8" - w/o Hardware
	046112-02-000	EA	Mirror - Wall - 24" x 30"
	046113-01-000	EA	Mirror Mounting - Rosette - Plastic
	057671-01-000	EA	Screws Cover - #8
	071448-01-000	EA	Wedge - Dome Light - Beige Plastic
	057898-01-000	EA	Hidden Latch - Cabinet Door
	057898-02-000	EA	Strike - Hidden Latch - Cabinet Door
	058335-02-000	EA	Bath Door Latch
	068495-01-000	EA	Rack - Shelf - Bath Door
	068495-02-000	EA	Rack - Towel - Bath Door
	068521-01-000	EA	Tray - Storage - Lower Bath Door
	M00799-01-000	EA	Shower Pan w/Strainer
	071210-01-000	EA	Panel - Backwall - Shower Pan - Plastic
	071211-01-000	EA	Cover - Soap Dish - Shower Pan Backwall Panel - Plastic
	C09134-01-000	EA	Holder - Tissue
	069777-01-000	EA	Valance - Window - Plastic
**	011056-01-000	EA	Faucet - Lavatory USA
	011056-02-000	EA	Faucet - Lavatory CSA
	011083-01-000	EA	Tail Piece - 1 1/4" x 5" - Plastic w/Stopper
	011048-02-000	EA	Shower Head - w/60" Hose
	011069-02-000	EA	Tailpiece - 1 1/2" x 1 1/4" x 4" - Brass
	059783-01-000	EA	Clothes Rod - Aluminum - Slotted - 7'
	011059-03-000	EA	Faucet - Shower USA
	011059-01-000	EA	Faucet - Shower CSA
**	039341-02-000	EA	Toilet - Thetford Aqua Magic - Ivory - 8420 SH
**	The illustrated parts breakdown for this item is provided in the Common Items Fiche		

1982 WINNEBAGO TABLE OF CONTENTS

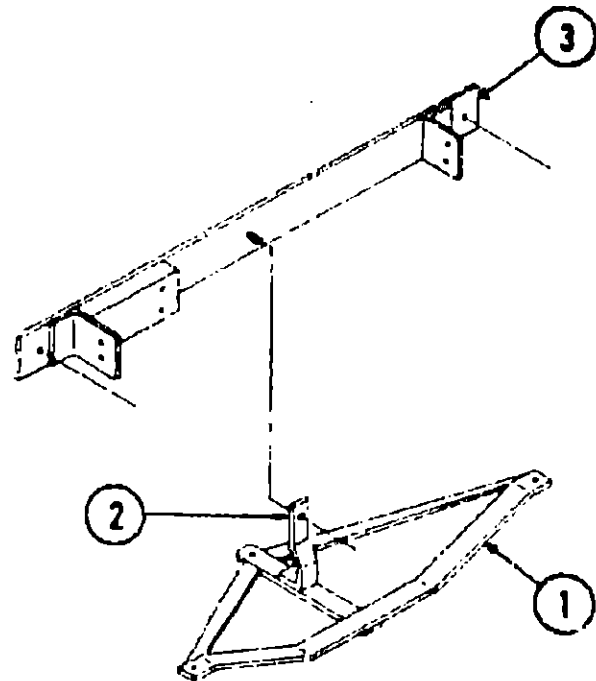
WC621RB N2	A-1 - B-18
WC723RH N1, WC723RH N2	B-19 - D-10
WC823RB P2	D-11 - F-2
WCF22RB N2	F-3 - H-10
WCF25RB N2	H-11 - J-18

1982 WC723RH N1 N2 INDEX

Floor Plan	B-19 - B-20
Accessories Group	B-21 - B-23
Bath Group	B-24
Chassis Group	C-1
Curtain, Cushion & Pad Group	C-2 - C-6
Dinette Group	C-7
Driver's Compartment Group	C-8 - C-9
Electrical Group	C-10 - C-12
Exterior Body Group	C-13 - C-18
Galley Group	C-19
Heating & Air Conditioning Group	C-20
Interior Finish Group	C-21 - C-22
LP Group	C-23
Lounge Group	C-24
Water & Sewage Group	D-1
Window, Vent & Exterior Door Group	D-2 - D-10

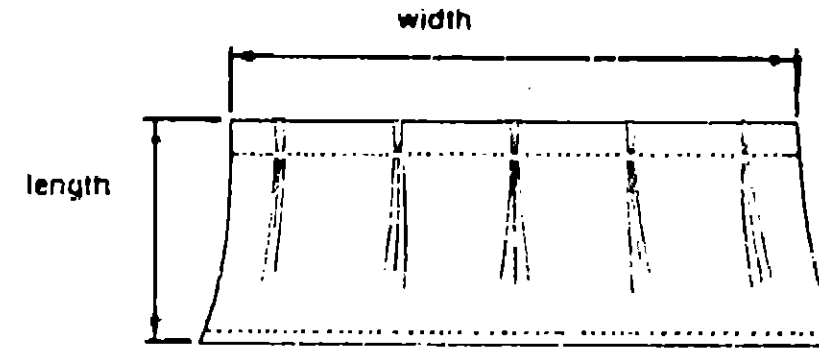
CHASSIS GROUP

Key	Part Number	U/M	Description
	066648-01-000	EA	Wheel Well - Plastic - Left or Right Rear
	049912-01-000	EA	Step Asm. Assist - Cab
	066738-01-000	EA	Step Asm. - Entrance Door
	017516-01-000	EA	Mud Flap - 14" x 18"
	064069-01-000	EA	Mud Flap - Front Splash Guard - Black
	069209-01-000	EA	Box - Power Cord
	057664-02-000	EA	Tire - 8.75 x 16.5 - 10 Ply - Black Tubeless
	070906-01-000	EA	Wheel - 6.75 x 16.5 - Chevy
	069618-01-000	EA	Spare Tire Carrier
	069519-01-000	EA	Spare Tire Support Arm - Right
	069620-01-000	EA	Spare Tire Support Arm - Left
	047441-01-000	EA	Battery Terminal - Horizontal Lug
	007131-01-000	EA	Hanger - Tail Pipe
	059784-02-000	EA	Controller - Wiper - Intermittent
	040784-01-000	EA	Blade Asm. - Windshield Wiper
	056551-01-000	EA	Arm - Windshield Wiper
	058658-01-000	EA	Bracket Asm. - Front Dumper - Right
	068688-02-000	EA	Bracket Asm. - Front Bumper - Left
	068539-03-000	EA	Bumper - Rear - Contoured - Anodized
	068686-03-000	EA	Bumper - Front - Contoured - Anodized
	047743-01-000	EA	Spacer - Rear Spring - Axle Stop

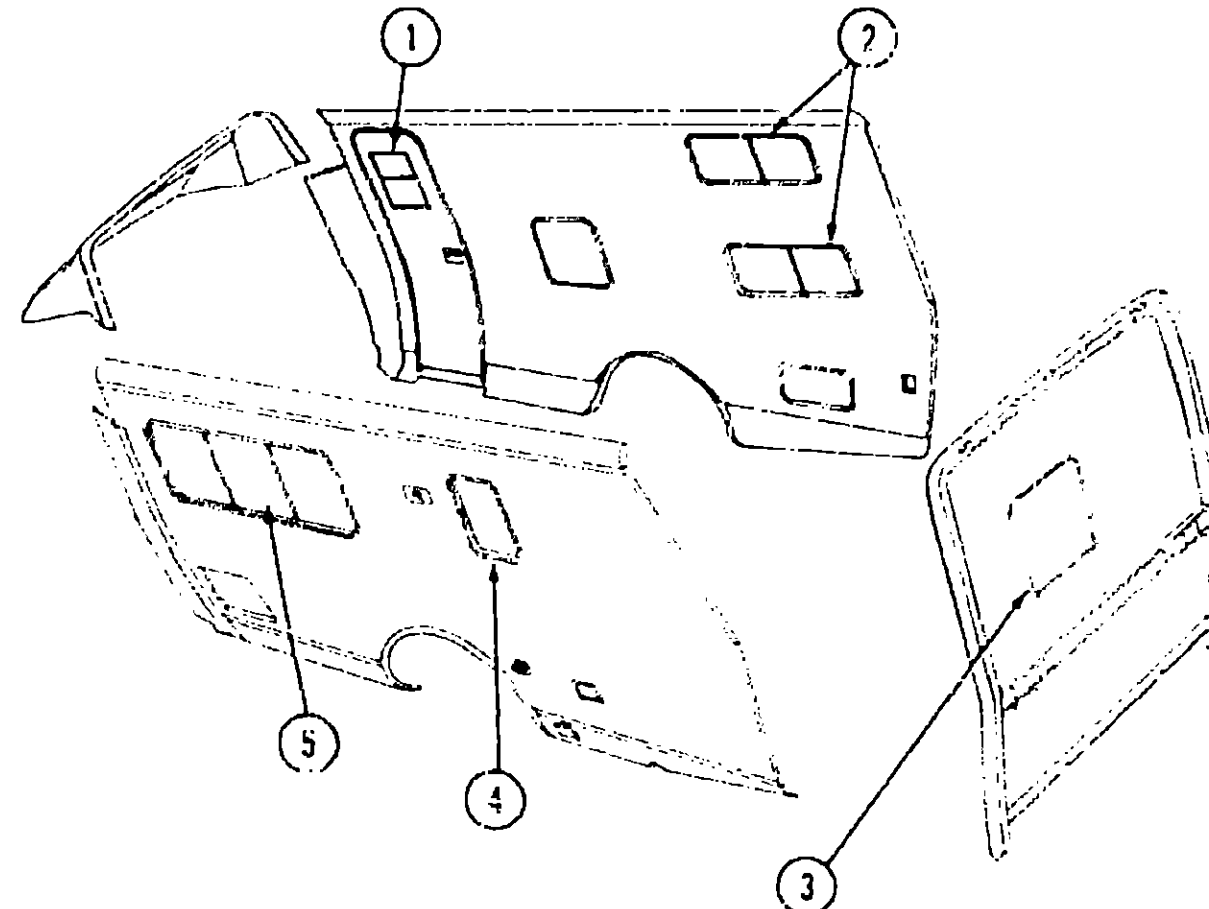


Key	Part Number	U/M	Description
1	068655-01-000	EA	Trailer Hitch Asm. - w/o Support
2	064824-03-000	EA	Support - Trailer Hitch
3	068657-01-000	EA	Bracket - Bumper Mount - Rear

CURTAIN, CUSHION & PAD GROUP



NOTE:
Use this illustration when determining length and width measurements for curtains. You will note the width measurement is taken on the top of the curtain with the curtain fully extended. The length measurement is taken from top to bottom.



CURTAINS, VALANCES, SHADES AND TIEBACKS

Key	Part Number	U/M	Description
1	054045-30-N19	EA	Curtain w/Snap Top and Bottom - 25.75" x 12" Coffee/Dark Brown
1	054045-30-N20	EA	Curtain w/Snap Top and Bottom - 25.75" x 12" Molasses/Dark Cream (N33)
2	054045-31-N19	EA	Curtain w/Snap Top and Bottom - 18" x 26" - Coffee/Dark Brown
2	054045-31-N20	EA	Curtain w/Snap Top and Bottom - 18" x 26" - Molasses/Dark Cream (N33)
3	069777-01-000	EA	Valance - Plastic - Light Oak
3	065522-06-000	EA	Shade - 33.25" x 38" - Bath
4	054045-28-N19	EA	Curtain w/Snap Top and Bottom - 24" x 9" - Coffee/Dark Brown
4	054045-28-N20	EA	Curtain w/Snap Top and Bottom - 24" x 9" - Molasses/Dark Cream (N33)
4	067780-01-000	EA	Blinds - 15" x 24" Drop
*	059900-07-N19	EA	Curtain Asm. - Wraparound - 24" x 62" - Coffee/Dark Brown
*	059900-07-N20	EA	Curtain Asm. - Wraparound - 24" x 62" - Molasses/Dark Cream (N33)
*			Not illustrated

1982 WINNEBAGO TABLE OF CONTENTS

WC621RB N2	A-1 - B-18
WC723RH N1, WC723RH N2	B-19 - D-10
WC823RE P2	D-11 - F-2
WCF22RB N2	F-3 - H-10
WCF26RB N2	H-11 - J-18

1982 WC723RH N1 N2 INDEX

Floor Plan	B-19 - B-20
Accessories Group	B-21 - B-23
Bath Group	B-24
Chassis Group	C-1
Curtain, Cushion & Pad Group	C-2 - C-6
Dinette Group	C-7
Driver's Compartment Group	C-8 - C-9
Electrical Group	C-10 - C-12
Exterior Body Group	C-13 - C-16
Galley Group	C-19
Heating & Air Conditioning Group	C-20
Interior Finish Group	C-21 - C-22
LP Group	C-23
Lounge Group	C-24
Water & Sewage Group	D-1
Window, Vent & Exterior Door Group	D-2 - D-10

CURTAIN, CUSHION & PAD GROUP (CONTINUED)

CURTAINS, VALANCES, SHADES AND TIEBACKS (CONTINUED)

Key	Part Number	U/M	Description
5	066226-04-N19	EA	Curtain w/Snap Top - 26" x 45" - Coffee/Dark Brown
5	066226-04-N20	EA	Curtain w/Snap Top - 26" x 45" - Molasses/Dark Cream (N33)
5	054915-04-N33	EA	Valance Asm. - 5" x 77.5" - Rust
5	064915-04-N19	EA	Valance Asm. - 5" x 77.5" - Beige
5	064915-04-N20	EA	Valance Asm. - 5" x 77.5" - Blue
5	067780-02-000	EA	Blinds - 68" x 27" Drop
•	054051-51-N19	EA	Curtain w/Snap Top - Upper Bunk - 27" x 95" - Coffee/Dark Brown
•	054051-51-N20	EA	Curtain w/Snap Top - Upper Bunk - 27" x 95" - Molasses/Dark Cream (N33)
•	054051-52-N19	EA	Curtain w/Snap Top - Lower Bunk - 31" x 70" - Coffee/Dark Brown
•	054051-52-N20	EA	Curtain w/Snap Top - Lower Bunk - 31" x 70" - Molasses/Dark Cream (N33)
•	054048-08-N19	EA	Tie Back - Curtain - 2" x 18" - Beige
•	054048-08-N20	EA	Tie Back - Curtain - 2" x 18" - Blue
•	054048-08-N33	EA	Tie Back - Curtain - 2" x 18" - Rust
•			Not illustrated

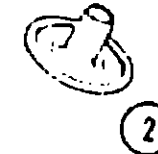
FABRICS AND TRIMS

Key	Part Number	U/M	Description
	069728-02-000	YD	Fabric - Drapery - Coffee/Dark Brown (N19)
	064393-05-000	YD	Fabric - Drapery - Molasses/Dark Cream (N20) (N33)
	068338-17-000	YD	Fabric - Upholstery - Plain - Beige/Caramel (N19)
	068338-18-000	YD	Fabric - Upholstery - Plain - Navy (N20)
	068338-26-000	YD	Fabric - Upholstery - Plain - Rust (N33)
	068338-15-000	YD	Fabric - Upholstery - Checked - Beige/Caramel (N19)
	068338-16-000	YD	Fabric - Upholstery - Checked - Navy (N20)
	066338-49-000	YD	Fabric - Upholstery - Checked - Rust (N33)
	038421-01-000	YD	Tickings - Mattress - Gold
	052859-01-N01	FT	Trim Asm. - Accent - Medium Almond Vinyl
	070502-01-000	YD	Vinyl - Non expanded - 12 Gauge Film - Medium Almond
	M00045-02-N33	EA	Button Asm. - Upholstery - #45 - Rust
	M00045-02-N19	EA	Button Asm. - Upholstery - #45 - Beige
	M00045-02-N20	EA	Button Asm. - Upholstery - #45 - Blue
	070578-01-N33	EA	Button Asm. - Upholstery - Screw Stud - #30 - Rust
	070578-01-N19	EA	Button Asm. - Upholstery - Screw Stud - #30 - Beige
	070578-01-N20	EA	Button Asm. - Upholstery - Screw Stud - #30 - Blue
	053552-01-N07	EA	Assist Handle - Entry Door - Medium Almond Vinyl

CURTAIN, CUSHION & PAD GROUP (CONTINUED)

CURTAIN HARDWARE

Key	Part Number	U/M	Description
	037872-02-000	EA	Bracket - Curtain Rod
	037872-01-000	EA	Rod - Curtain - Extension - 48" - 84"
	050788-02-000	EA	Center Support - Curtain Rod
	056784-01-000	EA	Pull - Window Shade - Antique Brass
	056001-01-000	EA	Bracket - Shade - Left
	056002-01-000	EA	Bracket - Shade - Right
	009107-01-000	EA	Guide - Nylon Snap - Curtain
	052327-05-009	EA	Track - Curtain - Beige Alum. - 76" w/Holes
	053272-05-005	EA	Track - Curtain - Beige Alum. - Upper Bunk Mount - 72" w/Holes
	056289-06-000	EA	Track - Curtain - Beige Alum. - Ceiling Mount - w/90° Bend
	069270-01-000	EA	Track - Shower Curtain - "L" Rod - Beige Alum.
	009701-01-000	EA	Carrier - "L" Rod - Curtain
	009702-01-000	EA	End Stop - "L" Rod - Curtain
	048394-01-000	YD	Tape - Hook - 1" x 25 Yd. - Beige
	048395-01-000	YD	Tape - Loop - 1" x 25 Yd. - Beige



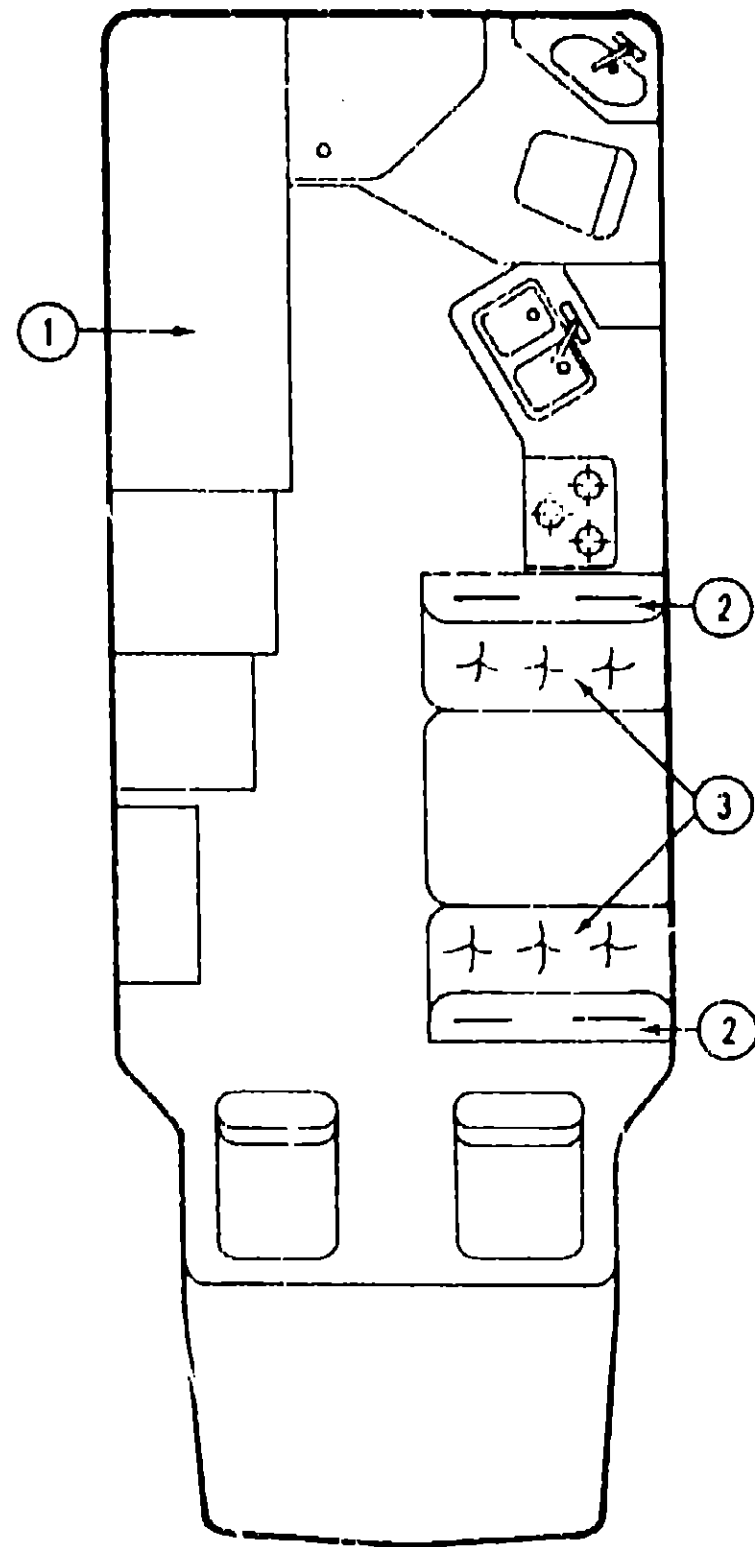
Key	Part Number	U/M	Description
1	029130-01-000	EA	Socket - Snap Fastener
2	029155-01-000	EA	Cap - Snap - .56" Dia. x .17" Barrel
3	029156-01-000	EA	Socket - Snap Fastener
4	029092-01-000	EA	Stud - Nickel Finish
5	029093-01-000	EA	Eyelet - Nickel Finish

**1982 WINNEBAGO
TABLE OF CONTENTS**

WC621RB N2	A-1 - B-18
WC723RH N1, WC723RH N2	B-19 - D-10
WC823RB P2	D-11 - F-2
WCF22RB N2	F-3 - H-10
WCF26RB N2	H-11 - J-18

1982 WC723RH N1 N2 INDEX

Floor Plan	B-19 - B-20
Accessories Group	B-21 - B-23
Bath Group	B-24
Chassis Group	C-1
Curtain, Cushion & Pad Group	C-2 - C-6
Dinette Group	C-7
Driver's Compartment Group	C-8 - C-9
Electrical Group	C-10 - C-12
Exterior Body Group	C-13 - C-18
Galley Group	C-19
Heating & Air Conditioning Group	C-20
Interior Finish Group	C-21 - C-22
LP Group	C-23
Lounge Group	C-24
Water & Sewage Group	D-1
Window, Vent & Exterior Door Group	D-2 - D-10



REAR BUNK CUSHIONS

Key	Part Number	U/M	Description
1	068579-13-000	EA	Mattress - Side Bunk - 26 1/2" x 76 1/2" x 3 1/2"
	M68579-13-000	EA	Cover - Side Bunk Mattress - 26 1/2" x 76 1/2" x 3 1/2"

DINETTE CUSHIONS

Key	Part Number	U/M	Description
2	068773-04-N33	EA	Cushion - Dinette Back - 20" x 40" x 5" - Rust
2	068773-04-N19	EA	Cushion - Dinette Back - 20" x 40" x 5" - Beige
2	068773-04-N20	EA	Cushion - Dinette Back - 20" x 40" x 5" - Blue
	M68773-04-N33	EA	Cover - Dinette Back Cushion - 20" x 40" x 5" - Rust
	M68773-04-N19	EA	Cover - Dinette Back Cushion - 20" x 40" x 5" - Beige
	M68773-04-N20	EA	Cover - Dinette Back Cushion - 20" x 40" x 5" - Blue
3	068773-03-N33	EA	Cushion - Dinette Bottom - 17" x 40" x 5" - Rust
3	068773-03-N19	EA	Cushion - Dinette Bottom - 17" x 40" x 5" - Beige
3	068773-03-N20	EA	Cushion - Dinette Bottom - 17" x 40" x 5" - Blue
	M68773-03-N33	EA	Cover - Dinette Bottom Cushion - 17" x 40" x 5" - Rust
	M68773-03-N19	EA	Cover - Dinette Bottom Cushion - 17" x 40" x 5" - Beige
	M68773-03-N20	EA	Cover - Dinette Bottom Cushion - 17" x 40" x 5" - Blue

OVERHEAD SIDE BUNK

Key	Part Number	U/M	Description
	069894-02-000	EA	Mattress - Side Overhead Bunk - 25" x 71.5" x 3"
	M69894-02-000	EA	Cover - Side Overhead Bunk Mattress - 25" x 71.5" x 3"

BUCKET SEATS

Key	Part Number	U/M	Description
	069651-01-N33	EA	Seat Asm. - Single Bucket - Low Back - w/Quilting - Rust
	069651-01-N19	EA	Seat Asm. - Single Bucket - Low Back - w/Quilting - Beige
	069651-01-N20	EA	Seat Asm. - Single Bucket - Low Back - w/Quilting - Blue
	M00605-01-N33	EA	Cover - Back - Low Back - Rust
	M00605-01-N19	EA	Cover - Back - Low Back - Beige
	M00605-01-N20	EA	Cover - Back - Low Back - Blue
	M00604-01-N33	EA	Cover - Bottom - Low Back - Rust
	M00604-01-N19	EA	Cover - Bottom - Low Back - Beige
	M00604-01-N20	EA	Cover - Bottom - Low Back - Blue
	070574-06-N33	EA	Seat Asm. - Single Bucket - Narrow Square Back - Youth Bed - Right - Rust
	070574-06-N19	EA	Seat Asm. - Single Bucket - Narrow Square Back - Youth Bed - Right - Beige
	070574-06-N20	EA	Seat Asm. - Single Bucket - Narrow Square Back - Youth Bed - Right - Blue
	070574-05-N33	EA	Seat Asm. - Single Bucket - Narrow Square Back - Youth Bed - Left - Rust
	070574-05-N19	EA	Seat Asm. - Single Bucket - Narrow Square Back - Youth Bed - Left - Beige
	070574-05-N20	EA	Seat Asm. - Single Bucket - Narrow Square Back - Youth Bed - Left - Blue
	M00784-02-N33	EA	Cover - Back - Narrow Square Back - Youth Bed - Rust
	M00784-02-N19	EA	Cover - Back - Narrow Square Back - Youth Bed - Beige
	M00784-02-N20	EA	Cover - Back - Narrow Square Back - Youth Bed - Blue
	M00784-01-N33	EA	Cover - Bottom - Narrow Square Back - Youth Bed - Rust
	M00784-01-N19	EA	Cover - Bottom - Narrow Square Back - Youth Bed - Beige
	M00784-01-N20	EA	Cover - Bottom - Narrow Square Back - Youth Bed - Blue
	070553-01-N33	EA	Cushion Asm. - Wedge - Youth Bed - Rust
	070553-01-N19	EA	Cushion Asm. - Wedge - Youth Bed - Beige
	070553-01-N20	EA	Cushion Asm. - Wedge - Youth Bed - Blue
	M70553-01-N33	EA	Cover - Wedge - Youth Bed - Rust
	M70553-01-N19	EA	Cover - Wedge - Youth Bed - Beige
	M70553-01-N20	EA	Cover - Wedge - Youth Bed - Blue
	071122-09-N33	EA	Armrest Asm. - w/Cover - Right - Rust
	071122-09-N19	EA	Armrest Asm. - w/Cover - Right - Beige
	071122-09-N20	EA	Armrest Asm. - w/Cover - Right - Blue
	071122-10-N33	EA	Armrest Asm. - w/Cover - Left - Rust
	071122-10-N19	EA	Armrest Asm. - w/Cover - Left - Beige
	071122-10-N20	EA	Armrest Asm. - w/Cover - Left - Blue
	071123-05-N33	EA	Cover - Armrest - Right or Left - Rust
	071123-05-N19	EA	Cover - Armrest - Right or Left - Beige
	071123-05-N20	EA	Cover - Armrest - Right or Left - Blue

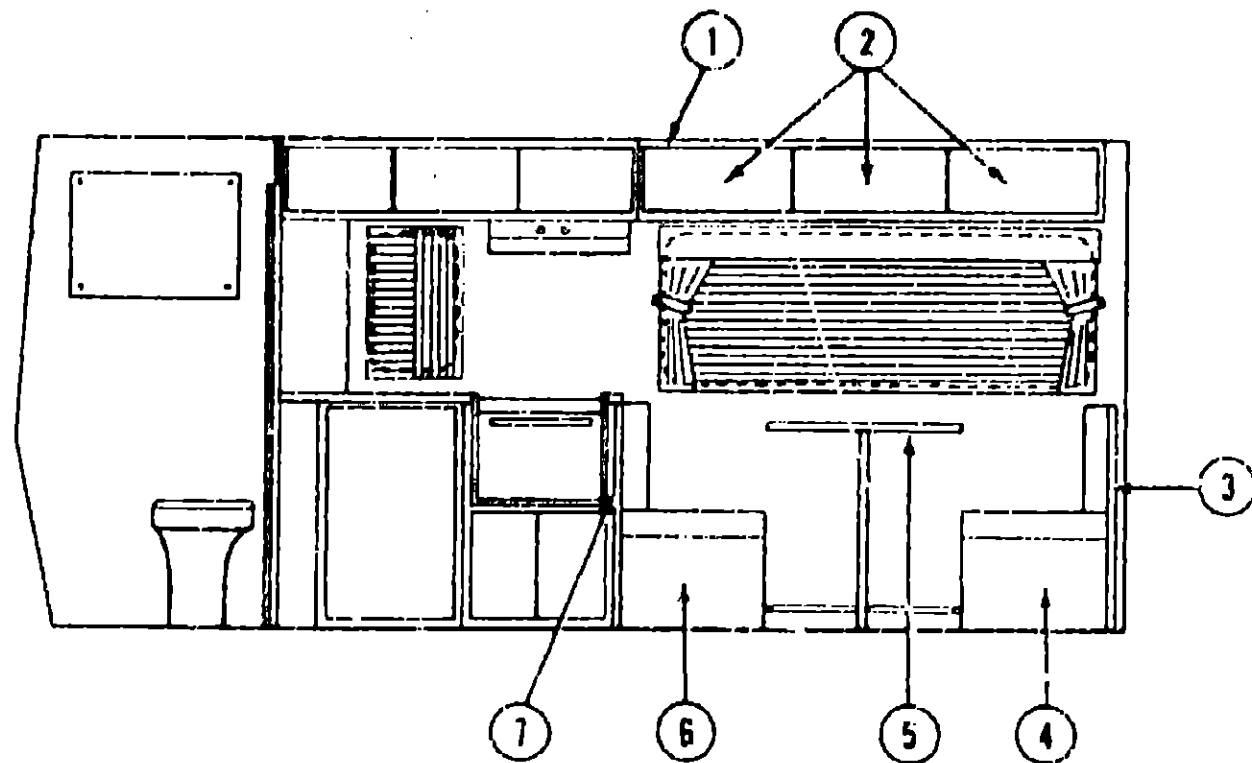
**1982 WINNEBAGO
TABLE OF CONTENTS**

WC621RB N2	A-1 - B-18
WC723RH N1, WC723RH N2	B-19 - D-10
WCB23RB P2	D-11 - F-2
WCF22RB N2	F-3 - H-10
WCF26RB N2	H-11 - J-18

1982 WC723RH N1 N2 INDEX

Floor Plan	B-19 - B-20
Accessories Group	B-21 - B-23
Bath Group	B-24
Chassis Group	C-1
Curtain, Cushion & Pad Group	C-2 - C-6
Dinette Group	C-7
Driver's Compartment Group	C-8 - C-9
Electrical Group	C-10 - C-12
Exterior Body Group	C-13 - C-18
Galley Group	C-19
Heating & Air Conditioning Group	C-20
Interior Finish Group	C-21 - C-22
LP Group	C-23
Lounge Group	C-24
Water & Sewage Group	D-1
Window, Vent & Exterior Door Group	D-2 - D-10

DINETTE GROUP



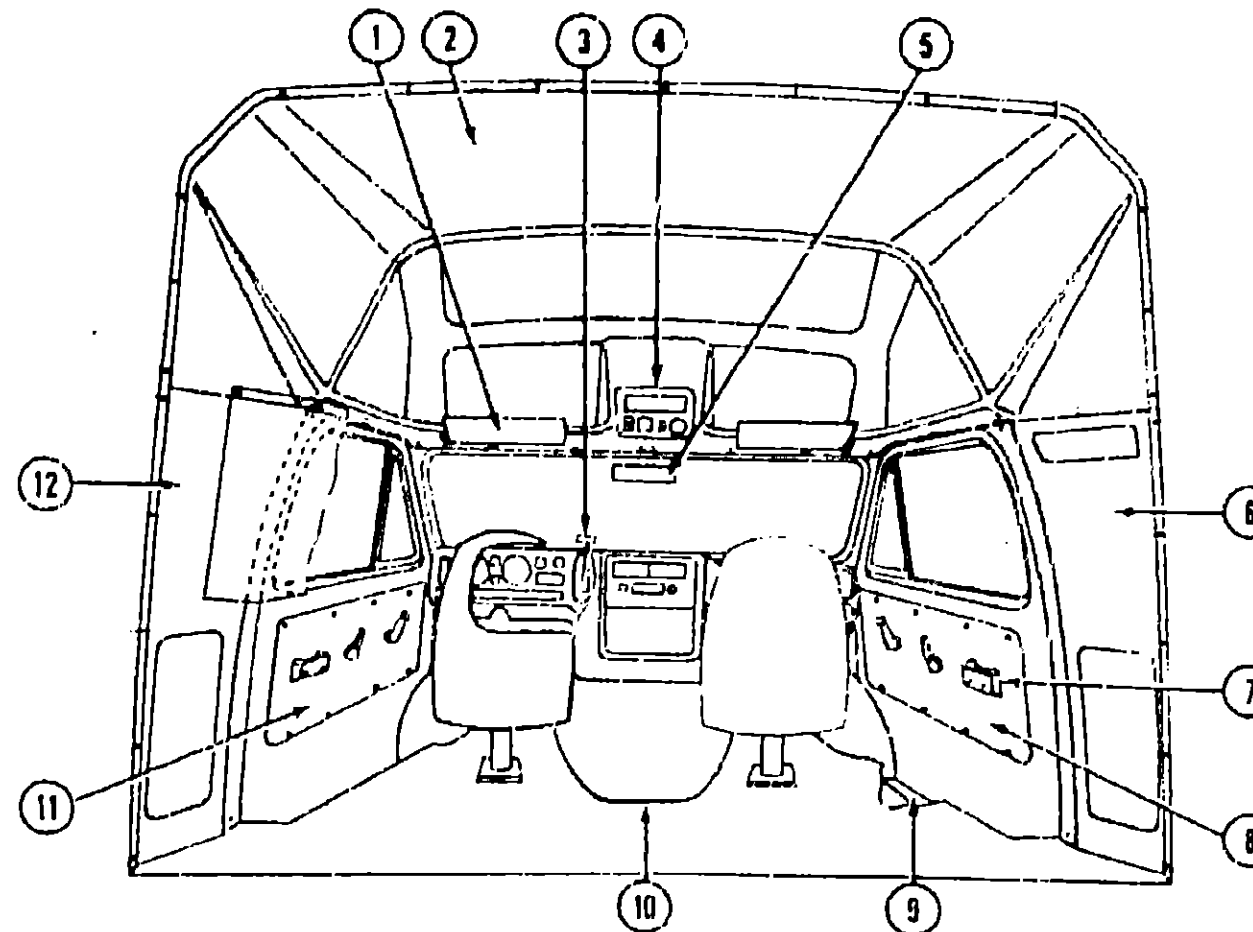
CONVENTIONAL DINETTE AND OVERHEAD CABINETRY

Key	Part Number	U/M	Description
1	068907-01-N19	EA	Cabinet Asm. - Dinette Overhead - w/o Doors or Hardware
2	068725-02-N19	EA	Door Asm. - Dinette Overhead Cabinet - 10" x 23" - w/o Hardware
3	068971-01-N19	EA	Cabinet Asm. - Dinette Back - Right Hand
4	M68975-01-N19	EA	Cabinet Asm. - Dinette Seat - Right Hand
5	M68982-01-N19	EA	Table Asm. - Dinette - w/o Hardware - Mocha Brown
5	M68982-01-N20	EA	Table Asm. - Dinette - w/o Hardware - Paper Bag Brown (N33)
6	M72634-01-N19	EA	Cabinet Asm. - Dinette Seat - Left Hand
7	068972-01-N19	EA	Cabinet Asm. - Dinette Back - Left Hand
.	053200-05-000	EA	Bracket - Upper Wall Mount - Beige - 23.5"
.	053201-03-000	EA	Bracket - Table Mount - 23"
.	024275-05-000	EA	Rod - Table Lift - 8" x 23.5"
.	024281-07-000	EA	Bracket - Lower Wall Mount - Beige - 22.12"
.	024276-10-000	EA	Leg Asm. - Table - Beige - 28.38"
**	064050-01-000	EA	Hinge - Table Leg
**	024282-01-000	EA	Brace - Table Leg
**	024283-01-000	EA	Clip - 1" O.D. Tube
.	049493-03-000	EA	Catch - Table Leg - Mounts on Floor - Beige
.			Not illustrated
**	The illustrated parts breakdown for this item is provided on the Common Items Fiche.		

DINETTE OVERHEAD SIDE BUNK

Key	Part Number	U/M	Description
	069890-02-N19	EA	Bunk Asm. - Overhead - 72"
	069868-01-000	EA	Strap - Bunk Asm.
	070526-02-000	EA	Cabinet Asm. - Overhead Bunk
	069875-01-000	EA	Door Asm. - Overhead Bunk Cabinet - Sliding
	069647-01-000	EA	Spring - Torsion - Right Hand
	069647-02-000	EA	Spring - Torsion - Left Hand
	071165-02-000	EA	Panel Asm. - Center - Overhead Bunk Cabinet
	007021-01-000	EA	Belt Asm. - Seat - 2" x 90"
	070632-01-000	EA	Support - Seat Belt
	042541-02-000	EA	Latch Asm. - Chrome - w/o Strike
	042541-03-000	EA	Strike - Chrome Latch

DRIVER'S COMPARTMENT GROUP



MISCELLANEOUS DRIVER'S COMPARTMENT COMPONENTS

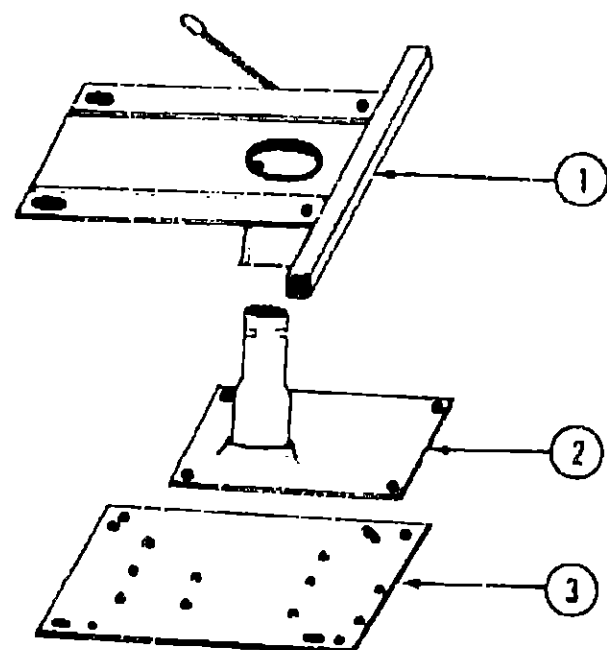
Key	Part Number	U/M	Description
1	056302-04-000	EA	Sunvisor Asm. - Medium Almond - Right and Left
2	068951-01-000	EA	Panel Asm. - Upper Front Cap - Plastic - Inner
3	701631-01-000	EA	Shifting Knob and Button - Transmission Control
.	701632-01-000	EA	Retainer - Shifting Knob - Transmission Control
.	066501-01-000	EA	Shifter Asm. - Modified
.	052744-04-000	EA	Bezel - Transmission Control
4	069213-04-000	EA	Bezel - Instrument - Overhead Console (Voltmeter, Battery Switch, Generator Switch, Hourmeter, Dual Battery Switch, Travel Center)
.	059213-03-000	EA	Bezel - Instrument - Overhead Console (Generator Switch, Hourmeter, Dual Battery Switch)
.	064956-01-000	EA	Panel - Travel Center - Black
5	040714-01-000	EA	Mirror - Inside Rear View
.	067490-01-000	EA	Button - Mirror - Rear View Support
6	068950-01-000	EA	Panel Asm. - Wingwall Transition - Plastic - Inner Right Hand
7	056581-04-000	EA	Armrest Asm. - Cab Door - Medium Almond Vinyl
8	059491-01-N19	EA	Side Panel - Cab Door - Right - Beige
8	059491-01-N20	EA	Side Panel - Cab Door - Right - Blue
8	059491-01-N33	EA	Side Panel - Cab Door - Right - Rust
9	044860-01-000	EA	Mat - Door Step - Rubber - Black - Left Hand
9	044860-02-000	EA	Mat - Door Step - Rubber - Black - Right Hand
10	071645-01-000	EA	Motor Cover - w/o Carpet
.	048223-01-000	EA	Bracket - Motor Cover
.	056671-01-000	EA	Ashtray Asm.
.	056673-04-000	EA	Cover - Ashtray/Lighter - Plastic
11	059492-01-N20	EA	Side Panel - Cab Door - Left - Blue
11	059492-01-N33	EA	Side Panel - Cab Door - Left - Rust
11	059492-01-N19	EA	Side Panel - Cab Door - Left - Beige
12	058950-02-000	EA	Panel Asm. - Wingwall Transition - Plastic - Inner Left Hand
.	M00498-01-000	EA	Dash Asm.
.	056602-01-000	EA	Panel Asm. - Dash - Right
.	056603-01-000	EA	Panel Asm. - Dash - Left - Drivers
.	070524-01-000	EA	Pad - Dash - Medium Dark Almond
.	045795-01-000	EA	Glass Holder - Dark Brown Plastic
.			Not illustrated

1982 WINNEBAGO TABLE OF CONTENTS

WC621RB N2	A-1 - B-18
WC723RH N1, WC723RH N2	B-19 - D-10
WC823RB P2	D-11 - F-2
WCF22RB N2	F-3 - H-10
WCF26RB N2	H-11 - J-18

1982 WC723RH N1 N2 INDEX

Floor Plan	B-19 - B-20
Accessories Group	B-21 - B-23
Bath Group	B-24
Chassis Group	C-1
Curtain, Cushion & Pad Group	C-2 - C-6
Dinette Group	C-7
Driver's Compartment Group	C-8 - C-9
Electrical Group	C-10 - C-12
Exterior Body Group	C-13 - C-18
Galley Group	C-19
Heating & Air Conditioning Group	C-20
Interior Finish Group	C-21 - C-22
LP Group	C-23
Lounge Group	C-24
Water & Sewage Group	D-1
Window, Vent & Exterior Door Group	D-2 - D-10



BUCKET SEAT PEDESTAL AND SEAT BELT

Key	Part Number	U/M	Description
1	069585-06-000	EA	Plate - Top - Pedestal Asm. - Bucket Seat
2	069585-03-000	EA	Plate - Sub - Pedestal Asm. - Bucket Seat
3	069585-02-000	EA	Plate - Base - Pedestal Asm. - Bucket Seat
*	069585-05-000	EA	Hardware Kit - Bolt/Anchor Nut - 4 Pcs. - Pedestal Asm.
*	059246-01-000	EA	Adjuster Asm. - Seat w/Lock
*	059246-02-000	EA	Adjuster Asm. - Seat w/o Lock
*	007019-01-000	EA	Belt Asm. - Bucket Seat - 2" x 84" - Black
*	060601-01-000	EA	Recliner Drive - Left Side
*	068601-02-000	EA	Recliner Drive - Right Side
*	068601-10-000	EA	Hand Wheel - Recliner Drive - Black Plastic
*			Not illustrated

BULBS

Key	Part Number	U/M	Description
	037935-01-000	EA	Bulb - 1157
	037936-01-000	EA	Bulb - 1157 A
	038010-01-000	EA	Bulb - 1143
	063914-01-000	EA	Bulb - 1139
	006103-01-000	EA	Bulb - 53
	008213-01-000	EA	Bulb - 57
	008214-01-000	EA	Bulb - 67
	008215-01-000	EA	Bulb - 1003
	008216-01-000	EA	Bulb - 1034
	008217-01-000	EA	Bulb - 1073
	008218-01-000	EA	Bulb - 1141
	008220-01-000	EA	Bulb - 12V - 25W
	036196-02-000	EA	Bulb - 194A

FUSES AND CIRCUIT BREAKERS

Key	Part Number	U/M	Description
	056473-01-000	EA	Fuse - Slow Blow - 6 1/4 Amp.
	008233-01-000	EA	Fuse - 12 Volt - 6 Amp.
	008234-01-000	EA	Fuse - 12 Volt - 10 Amp.
	008235-01-000	EA	Fuse - 12 Volt - 15 Amp.
	008236-01-000	EA	Fuse - 12 Volt - 20 Amp.
	008248-01-000	EA	Fuse - 110 Volt - 30 Amp. - AGU
	008252-01-000	EA	Fuse - 110 Volt - 50 Amp.
	008208-01-000	EA	Circuit Breaker - 12 Volt - 40 Amp.
	008211-01-000	EA	Circuit Breaker - 12 Volt - 6 Amp.
	008268-01-000	EA	Circuit Breaker - 12 Volt - 30 Amp. w/Mount
	033573-01-000	EA	Circuit Breaker - 12 Volt - 20 Amp. w/Mount
	040031-01-000	EA	Circuit Breaker - 110 Volt - 20 Amp. - TGL
	033573-02-000	EA	Circuit Breaker - 12 Volt - 15 Amp. - w/Mount
	008297-01-000	EA	Circuit Breaker - TQP 120
	008293-01-000	EA	Circuit Breaker - TQP 130
	008299-01-000	EA	Circuit Breaker - TQP 115
	071279-01-000	EA	Circuit Breaker - 120 Volt - 15 Amp.
	071279-02-000	EA	Circuit Breaker - 120 Volt - 15/15 Amp.
	071279-04-000	EA	Circuit Breaker - 120 Volt - 30 Amp.

INTERIOR LIGHTS

Key	Part Number	U/M	Description
	024418-01-000	EA	Lamp Asm. - Map/Gauge/Aisle
	061424-01-000	EA	Light - 12 V Receptacle - Aisle - IP
	068937-01-000	EA	Light - Dome - Surface w/Switch
	068937-02-000	EA	Light - Dome - Surface w/o Switch
	068621-01-000	EA	Light - Dome & 2 Swivel
	033508-02-000	EA	Light - Dome - Ivory - Single - US
	033508-03-000	EA	Light - Dome - Ivory - Single - CSA
	033509-02-000	EA	Light - Dome - Ivory - Double - US
	033509-03-000	EA	Light - Dome - Ivory - Double - CSA

**1982 WINNEBAGO
TABLE OF CONTENTS**

WC621RB N2	A-1 - B-18
WC723RH N1, WC723RH N2	B-19 - D-10
WC823RB P2	D-11 - F-2
WCF22RB N2	F-3 - H-10
WCF26RB N2	H-11 - J-18

1982 WC723RH N1 N2 INDEX

Floor Plan	B-19 - B-20
Accessories Group	B-21 - B-23
Bath Group	B-24
Chassis Group	C-1
Curtain, Cushion & Pad Group	C-2 - C-6
Dinette Group	C-7
Driver's Compartment Group	C-8 - C-9
Electrical Group	C-10 - C-12
Exterior Body Group	C-13 - C-18
Galley Group	C-19
Heating & Air Conditioning Group	C-20
Interior Finish Group	C-21 - C-22
LP Group	C-23
Lounge Group	C-24
Water & Sewage Group	D-1
Window, Vent & Exterior Door Group	D-2 - D-10

ELECTRICAL GROUP (CONTINUED)

EXTERIOR LIGHTS

Key	Part Number	U/M	Description
	007309-01-000	EA	Light - Step Well
	058031-01-000	EA	Tail Lamp Asm. - 3 Bulb - Chrome
	059540-01-000	EA	Bracket - License Plate
	058031-01-700	EA	Lens - Tail Lamp - Amber
	058031-01-701	EA	Lens - Tail Lamp - Red
	058031-01-702	EA	Lens - Tail Lamp - Back Up
	042405-03-000	EA	Base - Rectangular Clearance Light
	042405-01-000	EA	Lens - Clearance Light - Red w/Reflex
	042405-04-000	EA	Lens - Clearance Light - Red w/o Reflex
	042405-02-000	EA	Lens - Clearance Light - Amber w/Reflex
	042405-05-000	EA	Lens - Clearance Light - Amber w/o Reflex
	008089-01-000	EA	Light - Porch - Recessed
	008089-01-700	EA	Lens - Recessed Porch Light
	057789-01-000	EA	Socket Asm. - Lamp - Front Marker
	067784-01-000	EA	Lamp Asm. - Parking - Left Hand
	067784-02-000	EA	Lamp Asm. - Parking - Right Hand
	008092-01-700	EA	Reflector - Stick On - Rectangular - Red
	008093-01-700	EA	Reflector - Stick On - Rectangular - Amber

MISCELLANEOUS ELECTRICAL COMPONENTS

Key	Part Number	U/M	Description
	047338-01-000	EA	Isolator - Dual Battery
	063739-01-000	EA	Battery - 12 Volt - 80 Amp. - Gould
	008188-01-000	EA	Solenoid - Dual Battery - Relay
	046775-01-000	EA	Valve - Gas - Change Over
	024459-03-000	EA	Gauge - Voltmeter - w/o Bracket
	024462-01-000	EA	Switch - Battery Condition
	031035-01-000	EA	Gauge - Hour Meter - Generator
	024971-01-000	EA	Switch - Generator - w/o Circuit Board
	024460-01-000	EA	Gauge - Vacuum
	068068-01-000	EA	Load Center - 120V - 3 CRT
	039950-01-702	EA	Circuit Board - Control Center
	024461-01-000	EA	Switch - Battery - Changeover
	046885-01-000	EA	Plaque - Switch Mounting - Battery & Fuel
	059784-03-000	EA	Switch - Wiper - Intermittent
	072351-01-000	EA	Control Panel Complete - Water/Double Sewage Clock - w/LP Alarm - Refrigerator
	048811-01-000	EA	Control Panel - Basic
	048812-01-000	EA	Control Panel - Insert w/LP Alarm Clock - Refrigerator Light & Sensor
	048812-12-000	EA	Refrigerator Sensor - Refrigerator Alarm
	050101-01-000	EA	Sending Unit - Wemac
	057735-01-000	EA	Spacer - Receptacle - Brown Plastic - CSA
	057713-03-000	EA	Bezel - Instrument - Overhead Console (Generator Switch, Hourmeter, Dual Battery Switch)
	057713-04-000	EA	Bezel - Instrument - Overhead Console (Voltmeter, Battery Switch, Generator Switch, Hourmeter, Dual Battery Switch, Travel Center)
	064955-01-000	EA	Panel - Travel Center - Black
	071278-01-000	EA	Control Center - 32 Amp. - 120 Volt/12 Volt

ELECTRICAL GROUP (CONTINUED)

WIRE, SWITCHES AND RECEPTACLES

Key	Part Number	U/M	Description
	008024-01-000	FT	Wire - 18.5 Bonded - Orange/White/Yellow/Blue/Brown
	008277-01-000	EA	Holder - Fuse - Black - Panel Mount
	008195-01-000	EA	Switch - Push Button - 12 Volt
	006077-01-000	EA	Plaque - Compressor Switch
	008054-01-000	EA	Cord - Power - 10-3 30 Amp. - 25' - UL
	024571-04-000	EA	Cover Plate - Receptacle - Jumbo Ivory Plastic
	039342-01-000	EA	Receptacle - Duplex Brown - T Junction
	024571-01-000	EA	Cover Plate - Receptacle - Jumbo Steel Brown
	008294-01-000	EA	Cover Plate - Brown Steel - 4" x 4"
	008288-01-000	EA	Box - Electrical - Plastic - 3" x 3 1/2"
	008289-01-000	EA	Box - Electrical - Steel - 4" x 4"
	039343-01-000	EA	Cap - End - Receptacle
	008162-01-000	EA	Switch - Double Toggle - Spade Brown
	008163-01-000	EA	Switch - Toggle - Brown
	031144-01-000	EA	Switch - Center Off - DPDT - Black 30A
	054532-01-000	EA	Housing Pin Asm. - 6 Position
	064398-01-000	EA	Housing Asm. - Trailer Receptacle - Female
	064399-01-000	EA	Housing Asm. - Trailer Pin - Male
	064450-01-000	EA	Housing Asm. - Trailer Plug - Male
	008164-01-000	EA	Cover Plate - Switch - Brown
	024924-01-000	EA	Receptacle - Power Cord
	008058-01-000	EA	Adaptor - Power Cord
	047353-01-000	EA	Cover - Receptacle - Ground Fault
	053126-01-000	EA	Receptacle - Ground Fault - Interrupter - 124 Volt - Brown
	058707-01-000	EA	Receptacle - Single - Brown - Thomas & Belts
	058708-01-000	EA	Receptacle - Duplex - Brown - Thomas & Belts
	058048-01-000	EA	Cover - Electrical - Rain Tight (Exterior)
	008157-01-000	EA	Receptacle - Single (Exterior)
	056264-01-000	EA	Switch - Leaf Actuator
	031968-01-000	EA	Contact - Plug

1982 WINNEBAGO TABLE OF CONTENTS

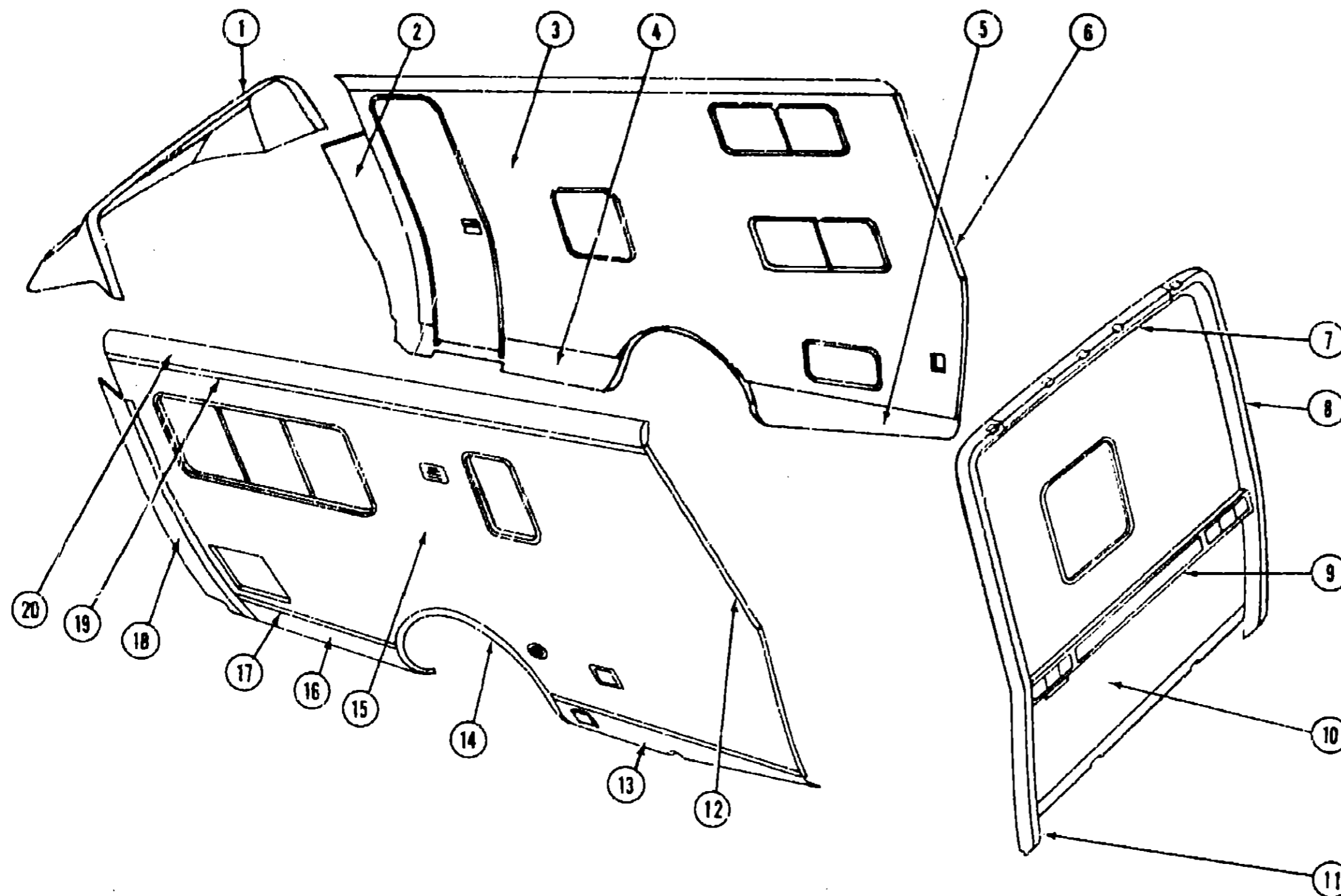
WC621RB N2	A-1 - B-18
WC723RH N1, WC723RH N2	B-19 - D-10
WC823RB P2	D-11 - F-2
WCF22RB N2	F-3 - H-10
WCF26RB N2	H-11 - J-18

1982 WC723RH N1 N2 INDEX

Floor Plan	B-19 - B-20
Accessories Group	B-21 - B-23
Bath Group	B-24
Chassis Group	C-1
Curtain, Cushion & Pad Group	C-2 - C-6
Dinette Group	C-7
Driver's Compartment Group	C-8 - C-9
Electrical Group	C-10 - C-12
Exterior Body Group	C-13 - C-18
Galley Group	C-19
Heating & Air Conditioning Group	C-20
Interior Finish Group	C-21 - C-22
LP Group	C-23
Lounge Group	C-24
Water & Sewage Group	D-1
Window, Vent & Exterior Door Group	D-2 - D-10

EXTERIOR BODY GROUP

EXTERIOR BODY PANELS AND SHEET ALUMINUM



1982 WINNEBAGO TABLE OF CONTENTS

WC621RB N2	A-1 - B-18
WC723RH N1, WC723RH N2	B-19 - D-10
WC823RB P2	D-11 - F-2
WCF22RB N2	F-3 - H-10
WCF26RB N2	H-11 - J-18

1982 WC723RH N1 N2 INDEX

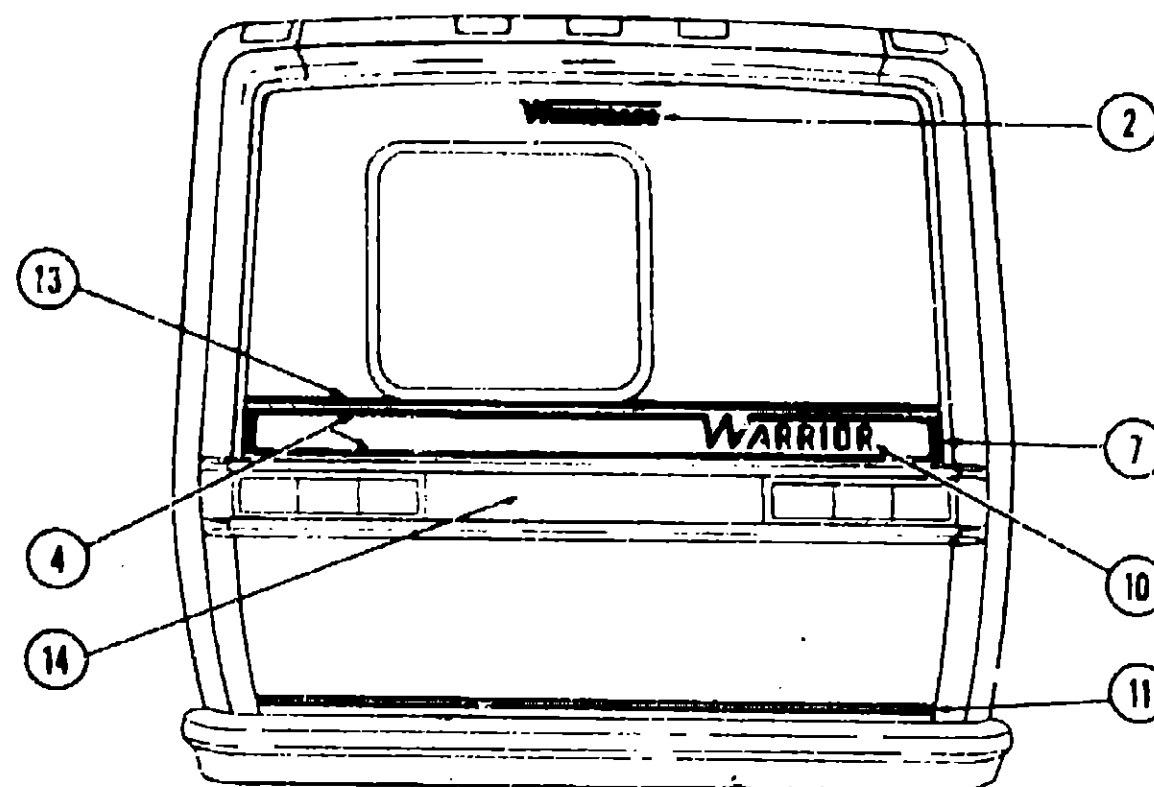
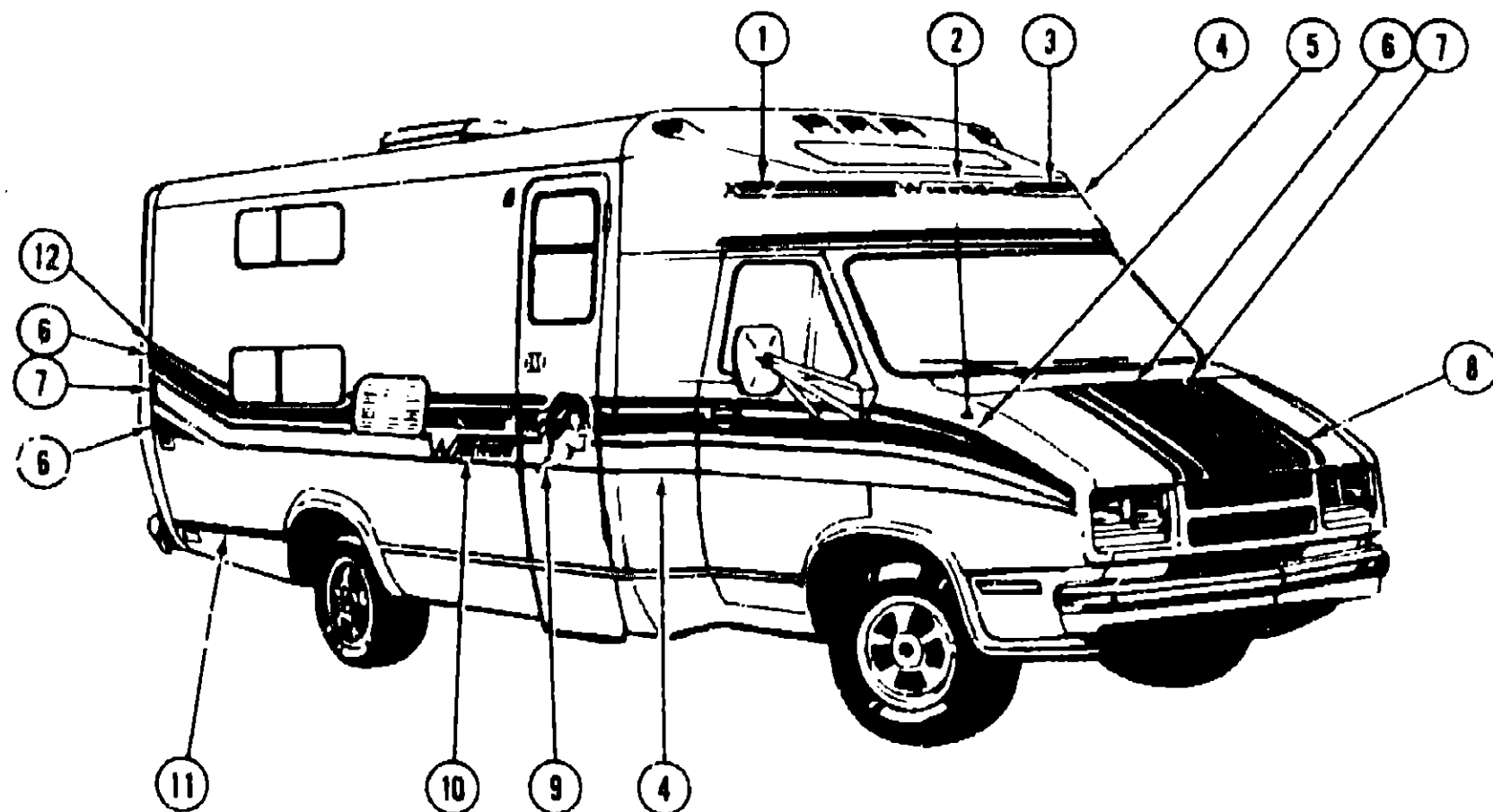
Floor Plan	B-19 - B-20
Accessories Group	B-21 - B-23
Bath Group	B-24
Chassis Group	C-1
Curtain, Cushion & Pad Group	C-2 - C-6
Dinette Group	C-7
Driver's Compartment Group	C-8 - C-9
Electrical Group	C-10 - C-12
Exterior Body Group	C-13 - C-18
Galley Group	C-19
Heating & Air Conditioning Group	C-20
Interior Finish Group	C-21 - C-22
LP Group	C-23
Lounge Group	C-24
Water & Sewage Group	D-1
Window, Vent & Exterior Door Group	D-2 - D-10

Key	Part Number	U/M	Description
1	068917-01-000	EA	Panel Asm. - Front Cap - Beige
2	068915-01-000	EA	Panel Asm. - Transition Wingwall - Outer - Right Hand
3	069550-01-N19	EA	Sidewall Asm. - Right
4	M00642-01-000	EA	Valance Panel Asm. - Right Front
5	M00643-01-000	EA	Valance Panel Asm. - Right Rear
6	069775-01-000	EA	Trim - Backwall Cap - Right - Beige
7	068920-01-000	EA	Panel Asm. - Backwall - Upper - Roof Line - Beige
8	068922-01-000	EA	Panel Asm. - Backwall - Right Hand - Beige
9	068924-01-000	EA	Panel Asm. - Backwall - Lower - Taillights - Beige
10	068768-01-N19	EA	Backwall Asm. - Brown
10	068768-01-N20	EA	Backwall Asm. - Blue
10	068768-01-N33	EA	Backwall Asm. - Rust
11	068922-02-000	EA	Panel Asm. - Backwall - Left Hand - Beige
12	069775-02-000	EA	Trim - Backwall Cap - Left - Beige
13	M00595-01-000	EA	Valance Panel Asm. - Left Rear

Key	Part Number	U/M	Description
14	068919-01-000	EA	Fender Trim - Rear Wheel Well - Left & Right
15	069006-01-N19	EA	Sidewall Asm. - Left - Brown
15	069006-01-N20	EA	Sidewall Asm. - Left - Blue
15	069006-01-N33	EA	Sidewall Asm. - Left - Rust
	M00651-01-N19	EA	Roof Asm.
16	M00594-01-000	EA	Valance Panel Asm. - Left Front
17	069221-17-000	EA	Trim - Sidewall - 92.38" - Beige w/o Insert
18	068915-02-000	EA	Panel Asm. - Transition Wingwall - Outer - Left Hand
19	069217-01-000	EA	Trim - Sidewall - 163" - Beige - w/o Insert
	001030-12-002	EA	Insert - Feature Strip - Beige - 17'
20	069192-07-000	EA	Trim - Roof/Sidewall Joint - 165" - Left
	069192-03-000	EA	Trim - Roof/Sidewall Joint - 165" - Right
	000868-01-000	EA	Styrofoam - 3/4" x 24" x 96"
	000870-01-000	EA	Styrofoam - 1 1/2" x 24" x 96"
	039155-38-001	EA	Alum. - Beige - .024" x 48" x 240" - Smooth
			Not illustrated

EXTERIOR BODY GROUP (CONTINUED)

LABELS, DECALS AND EXTERIOR PAINT



1982 WINNEBAGO TABLE OF CONTENTS

WC621RB N2	A-1 - B-18
WC723RH N1, WC723RH N2	B-19 - D-10
WC823RB P2	D-11 - F-2
WCF22RB N2	F-3 - H-10
WCF26RB N2	H-11 - J-18

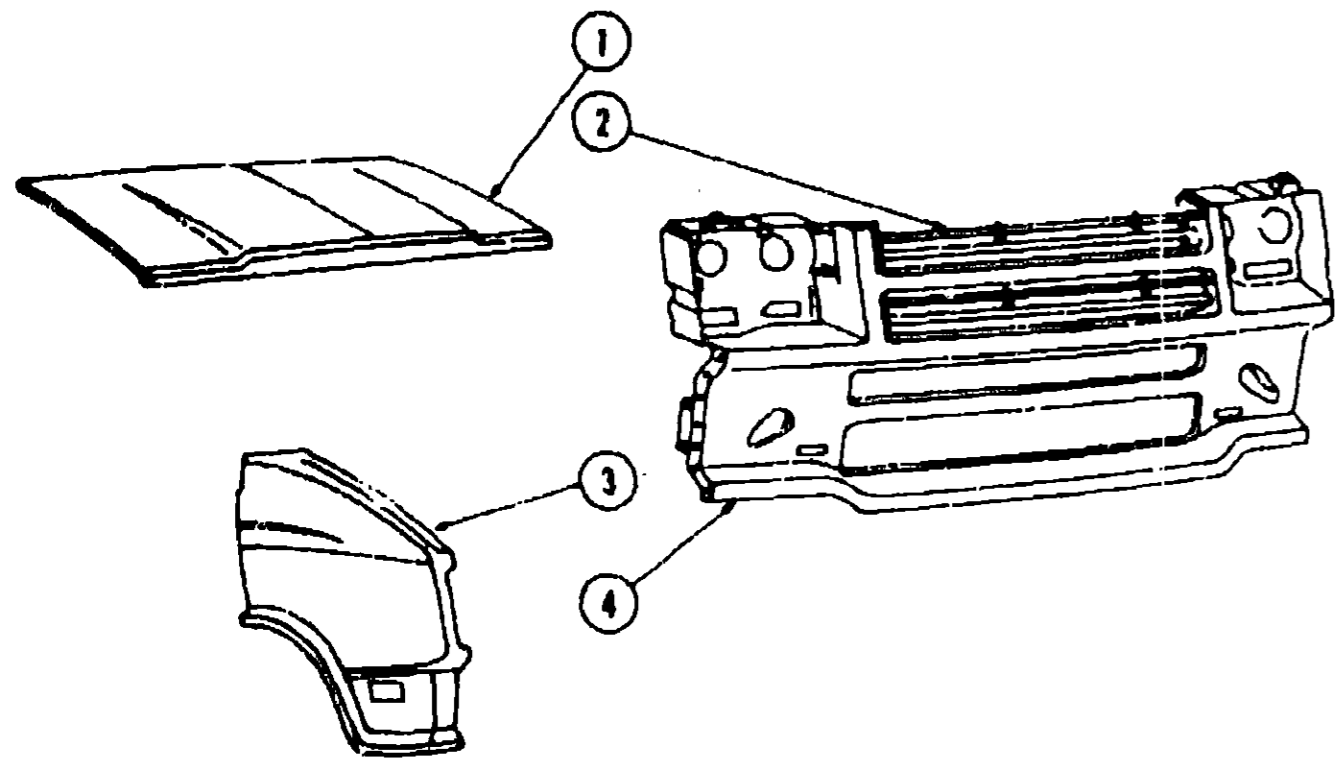
Key	Part Number	U/M	Description
1	068619-01-000	EA	Decal - Front Cap - Right Hand
2	050313-07-000	EA	Decal - Logo - Winnebago - 2.8" High x 22"
3	068619-02-000	EA	Decal - Front Cap - Left Hand
4	041273-24-000	FT	Decal - Striping - .75" - Dark Blue
5	068618-01-000	EA	Decal - Striping - Side Fender - Right
6	068618-02-000	EA	Decal - Striping - Side Fender - Left
6	057773-03-000	EA	Paint - Med. Copper Metallic - Acrylic Enamel - Aerosol 16 oz. (44184 Dupont)
6	045681-01-000	EA	Paint - Gloss Black - Acrylic Enamel - 1 Gallon (99A Dupont)
6	045681-03-000	EA	Paint - Gloss Black - Acrylic Enamel - 16 oz. Aerosol (99A Dupont)
6	044486-01-000	EA	Paint - Beige - Acrylic Enamel - 1 Gallon (7633A Dupont)
6	044486-03-000	EA	Paint - Beige - Acrylic Enamel - 16 oz. Aerosol (7633A Dupont)
6	044486-04-000	EA	Paint - Beige - Acrylic Lacquer - 1 Gallon
7	041273-23-000	FT	Decal - Striping - 2" - Dark Blue
8	068617-01-000	EA	Decal - Striping - Hood - .50/100" Radius - Camel Metallic
9	068620-01-000	EA	Decal - Warrior Head - Right Hand
9	068620-02-000	EA	Decal - Warrior Head - Left Hand
10	068616-01-000	EA	Decal - Warrior - Dark Blue Metallic
11	065217-06-000	FT	Film - Multi Stripe - .75" (Georgia Clay) (Dark Blue)
12	041273-28-000	FT	Decal - Striping 1.5" - Camel Metallic
13	065217-07-000	FT	Film - Multi Stripe - .75" - Camel Metallic
14	069643-01-000	EA	Decal - Brushed Al. on Lexan

Key	Part Number	U/M	Description
	006040-01-000	EA	Tag - Gas Refueling Warning
	006062-01-000	EA	Tag - Electrical - 110 Volt Connection
	006023-01-000	EA	Label - Water Only
	006025-01-000	EA	Label - Gas
	006028-01-000	EA	Label - Drain Caps - 2" x 3"
	006031-01-000	EA	Label - Potable Water Only
	006034-01-000	EA	Label - Seat w/o Seatbelt
	006187-01-000	EA	Label - Sewage
	006188-01-000	EA	Label - Waste Water
	006199-01-000	EA	Label - Exit - Escape Window
	057467-01-000	EA	Label - Warning - Exterior Loading Limit
	061417-01-000	EA	Label - Fuel
	047731-01-000	EA	Label - Emergency Exit
	050225-01-000	EA	Label - Warning - Stove Vent - U.S.
	054531-01-000	EA	Label - LP Gas Only
	065960-01-000	EA	Logo - LP Power
	065962-01-000	EA	Logo - Winnebago LPG

1982 WC723RH N1 N2 INDEX

Floor Plan	B-19 - B-20
Accessories Group	B-21 - B-23
Bath Group	B-24
Chassis Group	C-1
Curtain, Cushion & Pad Group	C-2 - C-6
Dinette Group	C-7
Driver's Compartment Group	C-8 - C-9
Electrical Group	C-10 - C-12
Exterior Body Group	C-13 - C-18
Galley Group	C-19
Heating & Air Conditioning Group	C-20
Interior Finish Group	C-21 - C-22
LP Group	C-23
Lounge Group	C-24
Water & Sewage Group	D-1
Window, Vent & Exterior Door Group	D-2 - D-10

EXTERIOR BODY GROUP (CONTINUED)



EXTERIOR BODY PANELS (FRONT)

Key	Part Number	U/M	Description
1	068912-01-000	EA	Hood Asm.
•	057896-02-000	EA	Hinge Asm. - Hood
•	058723-01-000	EA	Hood Latch Asm.
•	068974-03-000	EA	Bracket Asm. - Hood Hinge - Right Hand
•	068974-04-000	EA	Bracket Asm. - Hood Hinge - Left Hand
•	069071-02-000	EA	Hood Prop Rod
•	052628-01-000	EA	Clip - Prop Rod
•	067785-01-000	EA	Bezel - Headlamp - Left - Chrome
2	070607-01-000	EA	Grill Asm.
•	067785-02-000	EA	Bezel - Headlamp - Right - Chrome
•	049105-01-000	EA	Capsule Asm. - Headlamp Rectangular - Left - High/Low Beam
•	049186-01-000	EA	Capsule Asm. - Headlamp Rectangular - Right - High/Low Beam
•	067786-01-000	EA	Capsule Asm. - Headlamp Rectangular - Left - High Beam
•	067787-01-000	EA	Capsule Asm. - Headlamp Rectangular - Right - High Beam
•	050030-01-000	EA	Wire Housing Asm. - Headlamp
•	054863-02-000	EA	Panel - Wheel House - Front Half - Right
•	054863-01-000	EA	Panel - Wheel House - Front Half - Left
3	068908-01-000	EA	Fender - Right Hand
•	068908-02-000	EA	Fender - Left Hand
4	068910-01-000	EA	Front Panel Asm. - Fiberglass - w/o Grill & Headlamps
•			Not illustrated

EXTERIOR BODY GROUP (CONTINUED)

MISCELLANEOUS EXTERNALLY MOUNTED PARTS

Key	Part Number	U/M	Description
**	011129-01-000	EA	Plumbing Seal - Roof Vent - 1 1/2"
**	010230-03-000	EA	Fill - City Water - Recessed - Beige
**	058808-02-000	EA	Water Fill - Lockhole - Beige
**	048789-01-000	EA	Vent Asm. - Roof Powered - w/o Screen - Alum.
**	048835-01-000	EA	Vent Asm. - Roof Non Powered - w/o Screen - Alum.
**	065103-02-000	EA	Cover - Refrigerator Vent - 9.88" x 20.5" - Plastic
**	065103-01-000	EA	Frame Asm. - Refrigerator Vent - 8.19" x 22.94" - Plastic
**	008089-01-000	EA	Light - Porch - Recessed
**	068888-01-000	EA	Shroud - Fuel Fill - Angled
**	068895-01-000	EA	Shroud - Fuel Fill - w/ Fill Hole
**	The illustrated parts breakdown for this item is provided on the Common Items Fiche.		

SEALANTS, ADHESIVES AND FASTENERS

Key	Part Number	U/M	Description
	034552-06-000	EA	Sealant - Off White Silicone
	034552-04-000	EA	Sealant - Beige Silicone
	034552-02-000	EA	Sealant - Clear Silicone
	039518-01-000	EA	Sealant - Black Silicone
	069637-01-000	EA	Sealant - Weatherban 404 Tube
	002707-02-000	FT	Tape - Sealer - 5/16" x 1/2"
	009200-01-000	EA	Tape - Furnace - 1 1/2"
	002825-01-000	FT	Weather Stripping - Roof Vent
	002337-01-000	EA	Adhesive - 3M - 1300 Tube
	004005-01-000	GL	Adhesive - Swifts - Green - Glue (Sidewalls)
	004012-01-000	GL	Adhesive - 3M - 4475 Tube
	004020-01-000	QT	Adhesive - ABS Cement (Plastic Fittings)
	029051-01-000	EA	Adhesive - Spray Vinyl
	000G66-08-12R	EA	Screw - #8 - 18 x 3/4" SDPH - Beige
	000G66-08-16R	EA	Screw - #8 - 18 x 1" SDPH - Beige
	000G64-08-16R	EA	Screw - #8 - 18 x 1" SDPH - SF/DR - Beige
	053766-01-000	EA	Bedding Compound - Tube Black - Schnee Morehead
	069640-02-000	FT	Tape - 1/2" x 1/8" x 50' - Gray - 3M
	069640-01-000	FT	Tape - 1/4" Bead x 20' - Gray - 3M
	069640-03-000	FT	Tape - 3/4" x 1/8" x 50' - Gray - 3M
	069640-04-000	FT	Tape - 2" x 3/32" x 45' - Gray - 3M

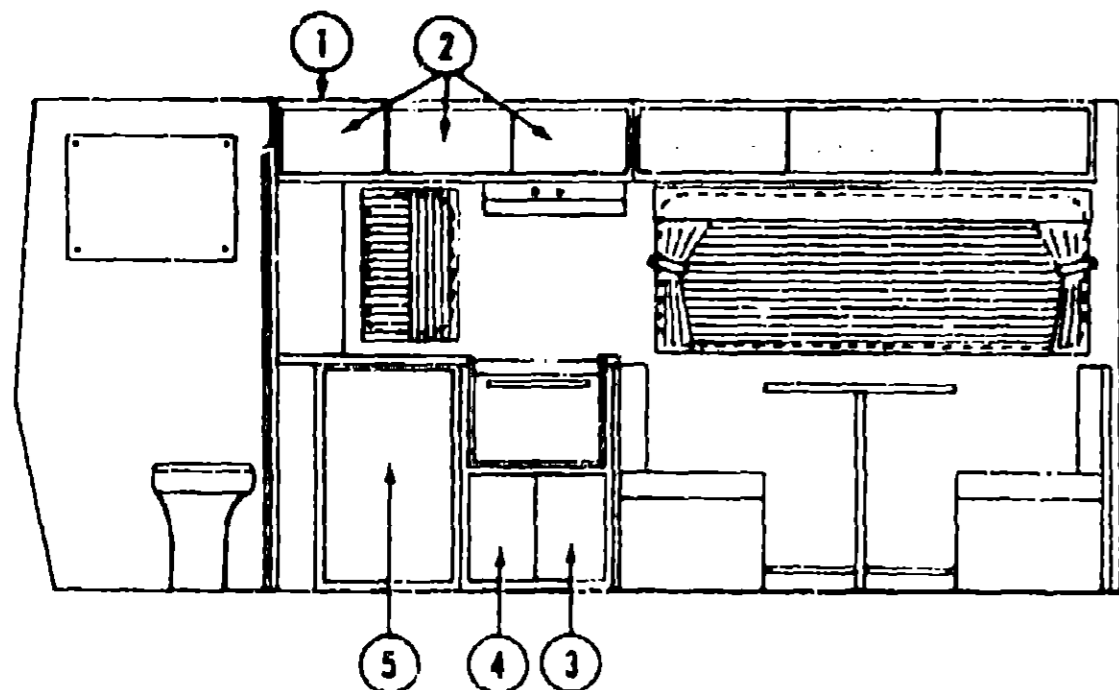
**1982 WINNEBAGO
TABLE OF CONTENTS**

WC621RB N2	A-1 - B-18
WC723RH N1, WC723RH N2	B-19 - D-10
WC823RB P2	D-11 - F-2
WCF22RB N2	F-3 - H-10
WCF26RB N2	H-11 - J-18

1982 WC723RH N1 N2 INDEX

Floor Plan	B-19 - B-20
Accessories Group	B-21 - B-23
Bath Group	B-24
Chassis Group	C-1
Curtain, Cushion & Pad Group	C-2 - C-6
Dinette Group	C-7
Driver's Compartment Group	C-8 - C-9
Electrical Group	C-10 - C-12
Exterior Body Group	C-13 - C-18
Galley Group	C-19
Heating & Air Conditioning Group	C-20
Interior Finish Group	C-21 - C-22
LP Group	C-23
Lounge Group	C-24
Water & Sewage Group	D-1
Window, Vent & Exterior Door Group	D-2 - D-10

GALLEY GROUP



GALLEY CABINETRY

Key	Part Number	U/M	Description
1	068998-01-N19	EA	Cabinet Asm. - Galley Overhead - w/o Doors or Hardware
2	068726-01-N19	EA	Door Asm. - Galley Overhead - 10" x 17.5" - w/o Hardware
3	068726-04-N19	EA	Door Asm. - Galley Cabinet - 10" x 17.5" - w/o Hardware - Right
4	068726-07-N19	EA	Door Asm. - Galley Cabinet - w/Steel Spacer - 10" x 17.5" w/o Hardware - Left
5	068726-05-N19	EA	Door Asm. - Galley Cabinet - 21.5" x 33.5" - w/o Hardware
*	068700-01-000	EA	Drawer Asm. - Plastic - Galley Cabinet - 13" x 20" - w/o Hardware
*	M00655-02-N19	EA	Countertop Asm. - Galley Cabinet - Over Range - Dual Faucet - Brown
*	M00655-02-N20	EA	Countertop Asm. - Galley Cabinet - Oven Range - Dual Faucet Paper Bag Brown (N33)
*	M00772-01-N20	EA	Countertop Asm. - Refrigerator - Paper Bag Brown (N33)
*	M00772-01-N19	EA	Countertop Asm. - Refrigerator - Brown
*	068726-04-N19	EA	Door Asm. - Refrigerator Cabinet - 10" x 17.5" - w/o Hardware - Right
*	068726-03-N19	EA	Door Asm. - Refrigerator Cabinet - 10" x 17.5" - w/o Hardware - Left
*			Not illustrated

GALLEY HARDWARE AND APPLIANCES

Key	Part Number	U/M	Description
**	068615-02-000	EA	Sink - Double - Stainless Steel w/Bolts
**	011053-01-000	EA	Faucet - 8" - Swing Spout - U.S.
**	011053-02-000	EA	Faucet - 8" - Swing Spout - CSA
**	009145-02-000	EA	Bracket - Splatter Guard
**	067051-02-000	EA	Stove Splatter Guard - Safety Glas.
**	066437-01-000	EA	Strainer - Sink - w/Basket
**	049930-03-000	EA	Hood - Stove - Powered - Black Face - US
**	049930-04-000	EA	Hood - Stove - Powered - Black Face - CSA
**	053333-01-000	EA	Hood - Stove - Non Power - Black Face - US
**	053333-02-000	EA	Hood - Stove - Non Power - Black Face - CSA
**	064473-02-000	EA	Refrigerator - 3 Way - 6 cu. ft. Norcold
**	054450-01-000	EA	Level - Refrigerator
**	067754-01-000	EA	Range - 3 Burner - Small Oven - Black - Magic Chef
**	069022-01-000	EA	Slide - Drawer - Left
**	069022-02-000	EA	Slide - Drawer - Right

** The illustrated parts breakdown for this item is provided on the Common Items Fiche.

HEATING AND AIR CONDITIONING GROUP

Key	Part Number	U/M	Description
	051758-01-000	EA	A/C - Compressor Mount Package - 350 C.I.D.
	051770-01-000	EA	A/C - Compressor - Rotolock - 10.3"
	056460-01-000	EA	A/C - Condenser Asm. - 350 C.I.D. C-Body
	058455-01-000	EA	A/C - Evaporator Asm.
	024998-01-000	EA	A/C - Clutch - 6" Drive
	058119-04-000	EA	Control Asm. - Heater/Air Conditioner
	007108-01-000	FT	Hose - Heater - 5/8" ID
	007108-02-000	FT	Hose - Heater - 3/4" ID
	056464-01-000	EA	Register w/Damper - 4" Round
	009198-01-000	EA	Duct - Flexible - 4" I.D. x 25'
	031804-01-000	EA	Bonnet - Heat Register
	066741-01-714	EA	Thermostat - Horizontal Wall Mount
	009200-01-000	EA	Tape - Furnace - 1 1/2"
	023146-01-000	EA	Clamp - Screw Type - 4"
	066741-01-713	EA	Vent Package - Furnace
	066741-01-711	EA	Door - Furnace - Front
	066741-03-000	EA	Furnace - 19,500 BTU - w/Direct Ignition
**	049775-02-000	EA	Shroud Asm. - Ceiling - Inside - Roof Air - Cool Only 13,500 BTU - Coleman
**	049776-01-000	EA	Shroud Asm. - Ceiling - Inside - Roof Air - Heat and Cool 13,500 BTU - Coleman
	063903-01-000	EA	Air Conditioner - 110 Volt - Roof Air 13,500 BTU - Rotary

** The illustrated parts breakdown for this item is provided on the Common Items Fiche.

**1982 WINNEBAGO
TABLE OF CONTENTS**

WC621RB N2	A-1 - B-18
WC723RH N1, WC723RH N2	B-19 - D-10
WC823RB P2	D-11 - F-2
WCF22RB N2	F-3 - H-10
WCF26RB N2	H-11 - J-18

1982 WC723RH N1 N2 INDEX

Floor Plan	B-19 - B-20
Accessories Group	B-21 - B-23
Bath Group	B-24
Chassis Group	C-1
Curtain, Cushion & Pad Group	C-2 - C-6
Dinette Group	C-7
Driver's Compartment Group	C-8 - C-9
Electrical Group	C-10 - C-12
Exterior Body Group	C-13 - C-18
Galley Group	C-19
Heating & Air Conditioning Group	C-20
Interior Finish Group	C-21 - C-22
LP Group	C-23
Lounge Group	C-24
Water & Sewage Group	D-1
Window, Vent & Exterior Door Group	D-2 - D-10

INTERIOR FINISH GROUP

PANELING AND COUNTERTOP MATERIALS

Key	Part Number	U/M	Description
	068344-03-000	SF	Paneling - 772 Birch - 48" x 96" (32SF)
	068343-12-000	SF	Paneling - Decor Suede Arca - Brown - 48" x 84" (28SF) (N19)
	068343-13-000	SF	Paneling - Decor Suede Arca - Blue - 48" x 84" (28SF) (N20)
	068343-14-000	SF	Paneling - Decor Suede Arca - Rust - 48" x 84" (28SF) (N33)
	068344-06-000	SF	Paneling - Wall - Suede Craft - 48" x 84" (28SF) (N19, N20, N33)
	068341-03-000	SF	Plastic Laminate - Paper Bag Brown - 48" x 96" (32SF) (N20, N33)
	068341-04-000	SF	Plastic Laminate - Mocha Brown - 48" x 96" (32SF) (N19)
	068341-03-019	EA	Plastic Laminate - Paper Bag Brown - 1.19" x 96" (N20, N33)
	068341-04-019	EA	Plastic Laminate - Mocha Brown - 1.19" x 96" (N19)

INTERIOR MOLDINGS AND TRIMS

Key	Part Number	U/M	Description
	047354-06-000	EA	Batt Strip - Suede Beige - 8' - (N19, N20, N33)
	068345-06-000	EA	Batt Strip - Decorative Arcs - Brown - 8' - (N19)
	068345-07-000	EA	Batt Strip - Decorative Arcs - Blue - 8' - (N20)
	068345-08-000	EA	Batt Strip - Decorative Arcs - Rust - 8' - (N33)
	009812-10-000	FT	Molding - Corner - Outside .50"
	022992-03-000	FT	Molding - Reverse Cove - Sandalwood
	009767-06-000	FT	Molding - beige
	009778-03-000	FT	U-Channel - 1" - Light Brown
	068950-02-000	EA	Panel Asm. - Wingwall Transition - Plastic - Inner Left Hand
	068950-01-000	EA	Panel Asm. - Wingwall Transition - Plastic - Inner Right Hand
	052859-01-N01	FT	Trim Asm. - Accent - Medium Almond Vinyl (Beige)

CABINETRY AND TABLE HARDWARE

Key	Part Number	U/M	Description
**	057898-01-000	EA	Hidden Latch - Cabinet Door
**	057898-02-000	EA	Strike - Hidden Latch - Cabinet Door
	053351-02-000	EA	Hinge - Cabinet Door - Overlay - Flat Black
	009021-01-000	EA	Catch - Nylon
	009021-02-000	EA	Strike - Nylon Catch
	009112-01-000	EA	Flange - 1" - Closet Rod
	069022-01-000	EA	Slide - Drawer - Left
	069022-02-000	EA	Slide - Drawer - Right
	024276-10-000	EA	Leg Asm. - Table - Beige - 29.75"
**	024282-01-000	EA	Brace - Table Leg
	024275-05-000	EA	Rod - Table Lift - Beige - 8" x 23.5"
	024281-07-000	EA	Bracket - Table Lift - Lower Wall Mount - Beige
	049493-03-000	EA	Catch - Table Leg - Mounts on Floor
	053200-05-000	EA	Bracket - Table Lift - Upper Wall Mount - Beige
	053201-03-000	EA	Bracket - Table Mount - 23"
**	064050-01-000	EA	Hinge - Table Leg
**	024283-01-000	EA	Clip - 1" O.D. Tube
**	045795-01-000	EA	Glass Holder - Dark Brown Plastic

** The illustrated parts breakdown for this item is provided on the Common Items Fiche.

INTERIOR FINISH GROUP (CONTINUED)

CURTAIN HARDWARE

Key	Part Number	U/M	Description
	052327-05-009	EA	Track - Curtain - Beige Alum. - 76" w/Holes
	053272-05-005	EA	Track - Curtain - Beige Alum. - Upper Bunk Mount - 70" w/Holes
	058289-06-000	EA	Track - Curtain - Beige Alum. - Ceiling Mount - w/ 3" End
	069270-01-000	EA	Track - Shower Curtain - "L" Rod - Beige Alum.
	056001-01-000	EA	Bracket - Shade - Left
	056002-01-000	EA	Bracket - Shade - Right
	009107-01-000	EA	Guide - Nylon Snap - Curtain
	009701-01-000	EA	Carrier - "L" Rod - Curtain
	009702-01-000	EA	End Stop - "L" Rod - Curtain
	037872-01-000	EA	Rod - Curtain - Double Extension - 48" - 84"
	037872-02-000	EA	Bracket - Curtain Rod
	050788-02-000	EA	Center Support - Curtain Rod
	056784-01-000	EA	Pull - Window Shade - Antique Brass
	048394-01-000	YD	Tape - Hook - 1" x 25 yd. - Beige
	048395-01-000	YD	Tape - Loop - 1" x 25 yd. - Beige

FABRICS AND FLOOR COVERINGS

Key	Part Number	U/M	Description
	059728-02-000	YD	Fabric - Drapery - Coffee/Dark Brown (N19)
	064393-05-000	YD	Fabric - Drapery - Molasses/Dark Cream (N20) (N33)
	068338-17-000	YD	Fabric - Upholstery - Plain - Beige/Caramel (N19)
	068338-18-000	YD	Fabric - Upholstery - Plain - Navy (N20)
	068338-26-000	YD	Fabric - Upholstery - Plain - Rust (N33)
	068338-15-000	YD	Fabric - Upholstery - Checked - Beige/Caramel (N19)
	068338-16-000	YD	Fabric - Upholstery - Checked - Navy (N20)
	068338-49-000	YD	Fabric - Upholstery - Checked - Rust (N33)
	038421-01-000	YD	Ticking - Mattress - Gold
	070502-01-000	YD	Vinyl - Nonexpanded - 12 Gauge Film - Medium Almond (Beige)
	069730-03-000	SY	Carpet - Pecan

MISCELLANEOUS PARTS

Key	Part Number	U/M	Description
	053552-01-N07	EA	Handle Asm. - Interior Assist - Medium Almond Vinyl
	041944-03-000	EA	Fire Extinguisher - w/Bracket - 5BC
	054185-14-000	EA	Owner's Manual - 1982 - Winnebago & Itasca
	007038-01-000	EA	Door Mat - Black Rubber - 10 1/2" x 26" w/Winnebago Logo

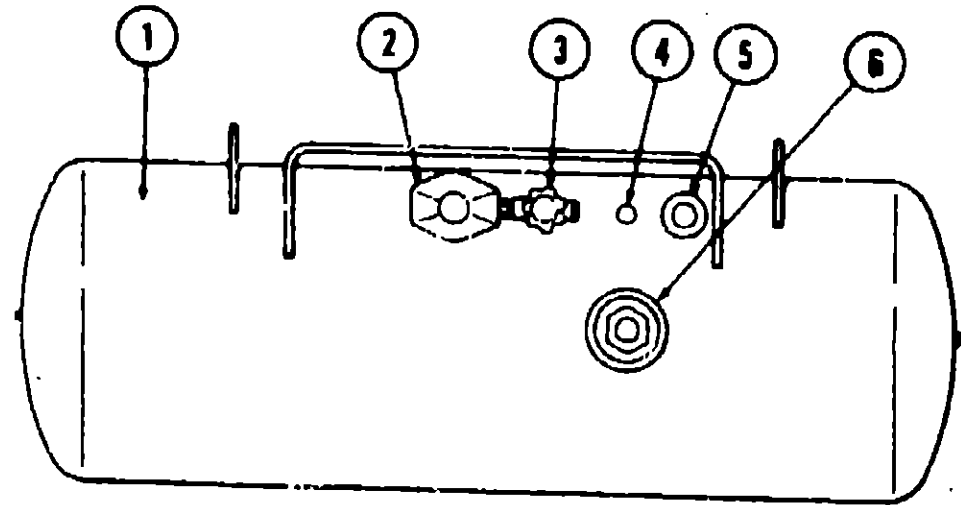
**1982 WINNEBAGO
TABLE OF CONTENTS**

WC821RB N2	A-1 - B-18
WC723RH N1, WC723RH N2	B-19 - D-10
WC823RB P2	D-11 - F-2
WCF22RB N2	F-3 - H-10
WCF26RB N2	H-11 - J-18

1982 WC723RH N1 N2 INDEX

Floor Plan	B-19 - B-20
Accessories Group	B-21 - B-23
Bath Group	B-24
Chassis Group	C-1
Curtain, Cushion & Pad Group	C-2 - C-6
Dirlette Group	C-7
Driver's Compartment Group	C-8 - C-9
Electric Group	C-10 - C-12
Exterior Body Group	C-13 - C-18
Galley Group	C-19
Heating & Air Conditioning Group	C-20
Interior Finish Group	C-21 - C-22
I.P. Group	C-23
Lounge Group	C-24
Water & Sewage Group	D-1
Window, Vent & Exterior Door Group	D-2 - D-10

LP GROUP

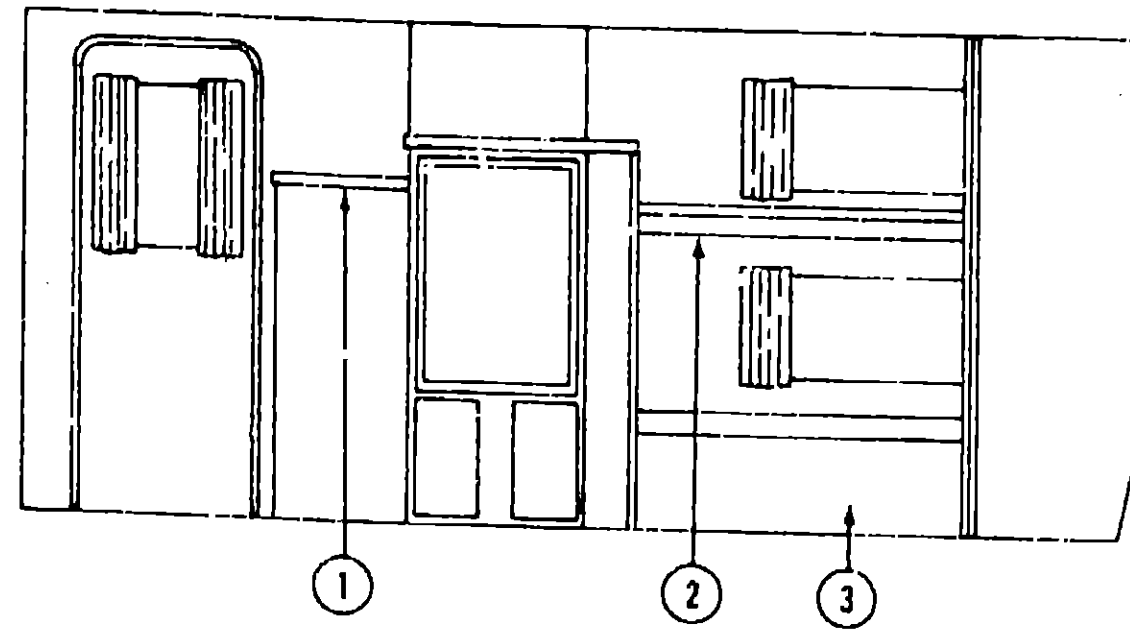


Key	Part Number	U/M	Description
1	062026-01-000	EA	Tank Asm. - LP - 10" x 23" - 28 Pound
1	063378-01-000	EA	Tank Asm. - LP - 13" x 44" - 80 Pound
1	065275-01-000	EA	Tank Asm. - LP - 14" x 40" - 65 Pound - Dual Draw
2	058706-01-000	EA	Cover - Regulator - 2 Stage
.	058705-01-000	EA	Regulator - Two Stage - LP Gas
3	040421-01-703	EA	Valve - Vapor Relief
4	040421-01-700	EA	Gauge - Liquid Level - 20% LP
5	040421-01-701	EA	Valve - Filler - LP
.	040421-01-702	EA	Cap - Plastic Fill Valve
6	040421-01-707	EA	Gauge - Float - w/Visible Dial - 80° Pound Tank
.	040421-01-706	EA	Dial - Visible Face - Float Gauge (Tank w/o Electric Transmitter)
.	040440-01-000	EA	Dial - Transmitter - 0 - 90 Ohm (Float Gauge)
.	045703-03-000	EA	Hose Asm. - LP - 3/8" I.D. x 4"
.	047737-02-000	EA	Support - LP Tank - 89.25"
.	053112-01-000	EA	Support - LP Tank - 2" x 2" x 8"
.			Not illustrated

WINN AIR LANDI-HARTOG (C-BODY)

Key	Part Number	U/M	Description
	065279-01-000	EA	Relief Valve - Hydrostatic
	065287-02-000	EA	Valve - Gasoline Shut-Off
	065820-02-000	EA	Hose Asm. - High Pressure - 36"
	065820-01-000	EA	Hose Asm. - High Pressure - 95"
	067290-01-001	EA	Hose - Vapor 5/8" x 51"
	068050-07-000	EA	LP Mixer
	068163-01-000	EA	Strap - Converter Brace
	068240-01-000	EA	Support Brace - Converter
	035927-01-002	EA	Steel Rod - Threaded - 1/4" - 20 x 9"
	068143-01-000	EA	Tube Asm. - Converter - Copper w/Flare Nuts - 5/16" x 270° Bend
	065959-01-000	EA	Housing - LP Instrumentation
	065802-01-000	EA	Gauge - LP Level w/Hardware
	068050-05-000	EA	Switch - LP/Gas Changeover
	068050-01-000	EA	Converter - LP
	068050-02-000	EA	LP Lock Off
	068050-03-000	EA	Switch - LP - Vacuum Safety

LOUNGE GROUP



WARDROBE AND REAR BUNK CABINETS

Key	Part Number	U/M	Description
1	M00644-01-N19	EA	Countertop Asm. - Wardrobe Cabinet - Brown
1	M00644-01-N20	EA	Countertop Asm. - Wardrobe Cabinet - Paper Bag Brown (N3's)
.	068580-01-N19	EA	Door Asm. - Wardrobe Cabinet - 21" x 48" - w/o Hardware
2	069431-01-N19	EA	Bunk Board Asm. - Rear Bunk w/Beige Rail
3	069419-01-N19	EA	Cabinet Asm. - Rear Bunk - Lower
.			Not illustrated

**1982 WINNEBAGO
TABLE OF CONTENTS**

WC621RB N2	A-1 - B-18
WC723RH N1, WC723RH N2	B-19 - D-10
WC823F3 P2	D-11 - F-2
WCF22RB N2	F-3 - H-10
WCF26RB N2	H-11 - J-18

1982 WC723RH N1 N2 INDEX

Floor Plan	E-19 - D-20
Accessories Group	B-21 - B-23
Bath Group	B-24
Chassis Group	C-1
Curtain, Cushion & Pad Group	C-2 - C-6
Dinette Group	C-7
Driver's Compartment Group	C-8 - C-9
Electrical Group	C-10 - C-12
Exterior Body Group	C-13 - C-18
Galley Group	C-19
Heating & Air Conditioning Group	C-20
Interior Finish Group	C-21 - C-22
LP Group	C-23
Lounge Group	C-24
Water & Sewage Group	D-1
Window, Vent & Exterior Door Group	D-2 - D-10

WATER AND SEWAGE GROUP

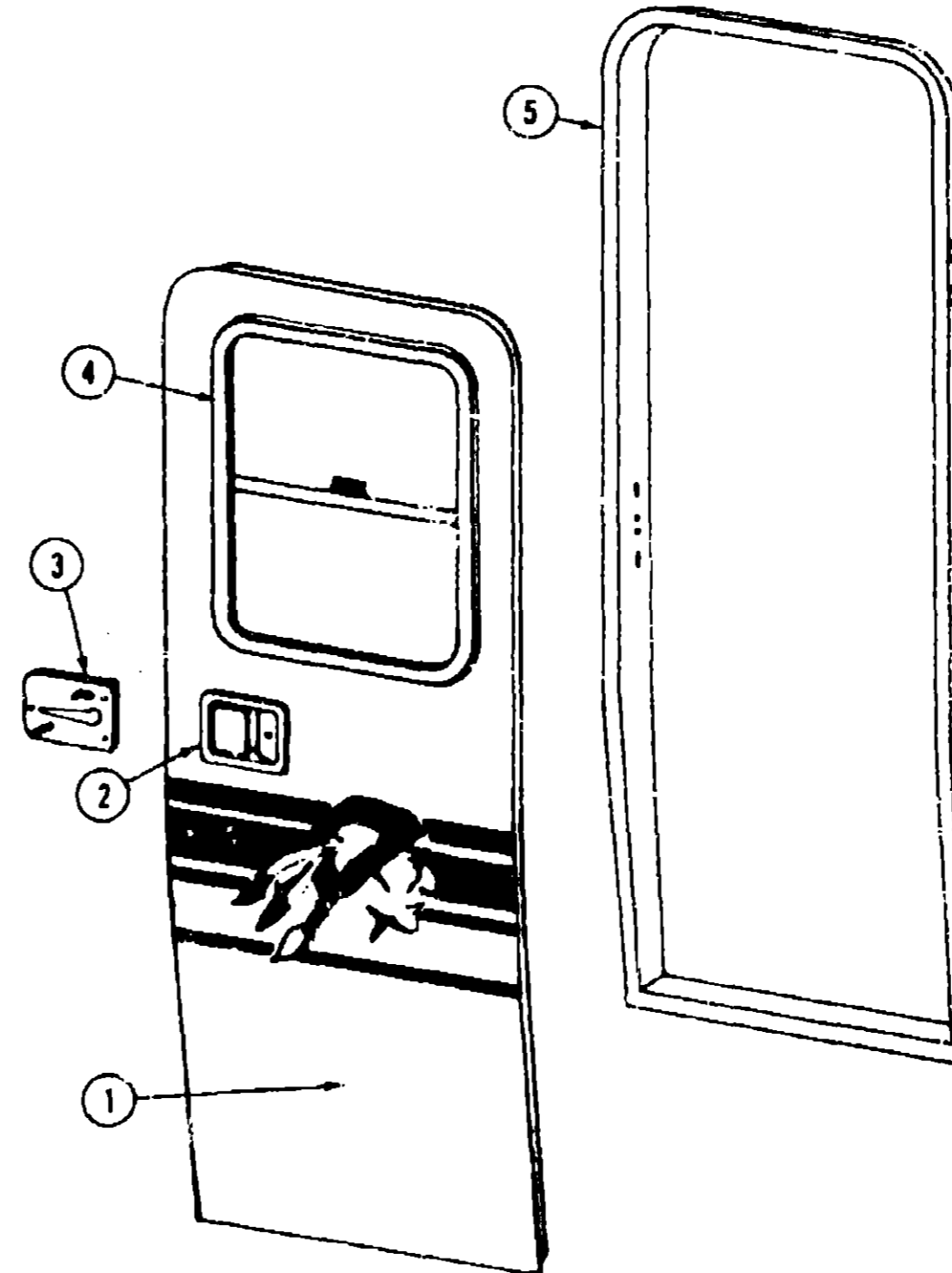
PLUMBING REPAIR PARTS

Key	Part Number	U/M	Description
	045729-01-000	EA	Pump - Water - 2.8 G.P.M. - Direct Drive - Shurflo - US
	045729-02-000	EA	Pump - Water - 2.8 G.P.M. - Direct Drive - Shurflo - CSA
	039647-02-000	EA	Filter - Water Pump - 1/2" MPT
	039647-03-000	EA	Filter - Water Pump - 1/2" Flare
**	052962-01-000	EA	Valve - Stool - 90° 1/2 F x 3/8 MPT
**	039818-01-000	EA	Riser Asm. - 3/8" O.D. x 24" Tube
**	039818-04-000	EA	Riser Asm. - 3/8" O.D. x 72" Tube
**	039818-05-000	EA	Riser Asm. - 3/8" O.D. x 48" Tube
	035539-01-000	EA	Elbow - Plastic - 3/8 MPT x 3/8 Barb
	052952-01-000	EA	Nut - Plastic - 1/2 F
	052953-01-000	EA	Nut - Faucet - 1/2 Tube x 1/2 FPT
	052954-01-000	EA	Adapter - Nose Cone - 3/8 or 1/2
	052958-01-000	EA	Tee - Plastic - 1/2 F x 1/2 F x 1/2 F
	052959-02-000	EA	Connector - Plastic - 1/2 F x 1/2 MPT
	052959-03-000	EA	Connector - Plastic - 1/2 F x 3/8 MPT
	052960-01-000	EA	Drain Valve - Line - 1/2 F x 1/2 F
	052961-01-000	EA	Header - 1/2 F x 1/2 F x 1/2 F
**	004020-01-000	GT	Adhesive - ABS Cement
**	010201-01-000	EA	Hose - Sewer - 3" x 8 ft. w/Clamp
	062415-01-000	EA	Cap - Sewer - 3"
	062416-01-000	EA	Hose - Adapter - 3"
	062417-01-000	EA	Adapter - Termination - 3"
	062418-01-000	EA	Valve - 3" w/o Handle
	062421-01-000	EA	Valve - 1 1/2" - w/Handle
	010006-01-000	EA	Elbow - Plastic - 1 1/2" x 45° H x H
	010008-01-000	EA	Elbow - Plastic - 1 1/2" x 90° x Long Turn
	010134-01-000	EA	Adapter - Plastic - 1 1/2" M x MPT
	063341-01-000	EA	Ring - Closet - Plastic - 4" F x 3" Spigot - 2 3/4"
**	011091-01-000	EA	Waste - Continuous - Double Sink - 11 7/8"
**	053335-01-000	EA	P-Trap - Plastic - 1 1/4"
**	010071-01-000	EA	Tee - Plastic - 1 1/2" H x 1 1/2" H x 1 1/2" H
**	052955-01-000	EA	Tee - Plastic - 1/2" F x 1/2" F x 1/2 MPT
**	010091-01-000	EA	Wye - Plastic - 3" x 45° - H x H x H
**	010121-01-000	EA	Bushing - Plastic - 1 1/2" S x 1 1/4" H
**	031126-01-000	EA	Elbow - Plastic - 3" x 90° x Long Turn
**	010133-01-000	EA	Adapter - Trap - Plastic - 1 1/2" H x MPT
**	050780-01-000	EA	Coupler - Rubber - 3" x 3"
	010219-01-000	EA	Elbow - 1 1/4 Barb x 1 1/4 MPT - 90°
	044928-01-000	FT	Tubing - Flex - 1 1/4" ID x 10" Long
	054535-01-000	EA	Vent - Mechanical - Trap Arm
	061607-01-000	EA	Grommet - Rubber - Holding Tank - 1 1/2" NPS
	061607-02-000	EA	Grommet - Rubber - Holding Tank - 1" NPS
	010197-01-000	FT	Pipe - ABS Plastic - 3" x 240"
	065979-01-000	EA	Compartment Asm. - Sewer Hose
**	052957-02-000	EA	Elbow - Plastic - 1/2" F x 1/2" MPT
**	052957-03-000	EA	Elbow - Plastic - 1/2" F x 1/4" MPT
**	061607-02-000	EA	Grommet - Holding Tank - 3" NPS
**	046524-01-000	EA	Kit - Plastic Fittings - Holding Tank
**	046524-02-000	EA	Kit - Plastic Fittings - Water Tank

HOLDING TANKS AND WATER HEATERS

Key	Part Number	U/M	Description
	068520-02-000	EA	Tank Asm. - Water - 20 Gallon w/Fittings
	068520-01-000	EA	Tank Asm. - Water - 20 Gallon w/o Fittings
	068519-01-000	EA	Tank Asm. - Holding - 20 Gallon (Sewage) w/o Fittings
	068519-02-000	EA	Tank Asm. - Holding - 20 Gallon (Sewage) w/Fittings
	051391-02-000	EA	Water Heater - 4 Gallon w/o Motor Aid - Atwood G4-SM

WINDOW, VENT & EXTERIOR DOOR GROUP



Key	Part Number	U/M	Description
1	M69341-02-N19	EA	Door Asm. - Entry - w/Latch and Hinges
2	045017-01-000	EA	Paddle Asm. - Door Lock - Exterior
*	045017-01-700	EA	Lock Cylinder w/Keys - Lynor
*	039539-01-000	EA	Striker Bolt - Entry Door
*	039540-01-000	EA	Latch Claw - Entry Door
3	039979-01-000	EA	Plate - Lock - Inside - Including Inside Handle
*	052186-01-000	EA	Lock Asm. - Complete - Lynor
4	069383-01-000	EA	Window Asm. - Vertical Slider - w/o Inside Frame
*	068742-01-000	EA	Glass - Vertical Top - 1/8" x 17.4" x 11.5"
*	068743-01-000	EA	Glass - Vertical Slider - 1/8" x 17.5" x 12.6"
*	047369-01-700	EA	Latch - Window - Plastic w/Fastener
*	068752-01-000	EA	Inside Frame - Vertical Slider
5	068675-01-000	EA	Jamb Asm. - Entry Door - Beige
*	064075-01-000	FT	Seal - Entry Door Jamb - Rubber
*	068723-01-000	EA	Hinge Asm. - Entry Door - Lower
*	068720-01-000	EA	Hinge Asm. - Entry Door - Upper
*			Not illustrated

1982 WINNEBAGO TABLE OF CONTENTS

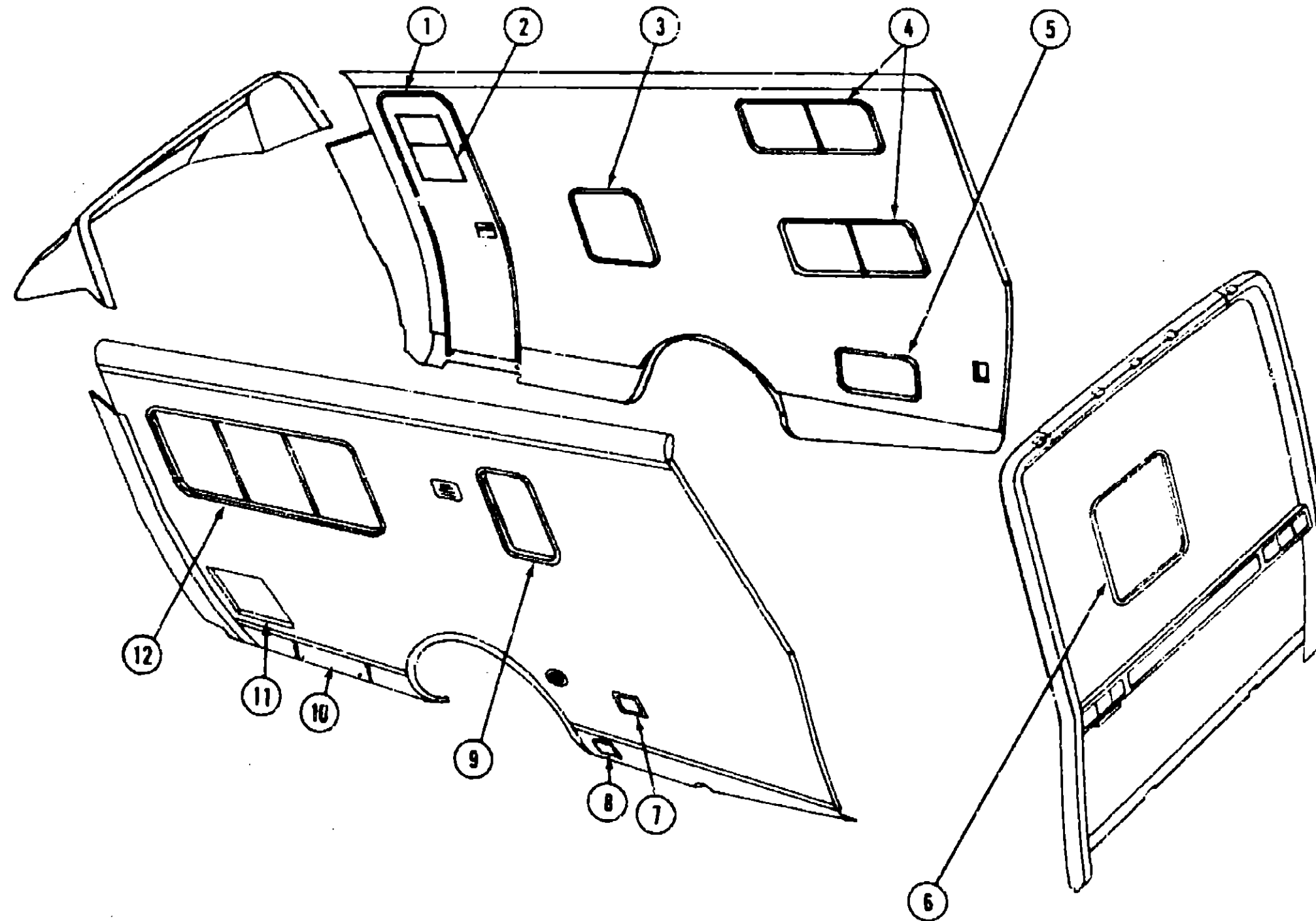
WC621RB N2	A-1 - B-18
WC723RH N1, WC723RH N2	B-19 - D-10
WC823RB P2	D-11 - F-2
WCF22RB N2	F-3 - H-10
WCF26RB N2	H-11 - J-18

1982 WC723RH N1 N2 INDEX

Floor Plan	B-19 - B-20
Accessories Group	B-21 - B-23
Bath Group	B-24
Chassis Group	C-1
Curtain, Cushion & Pad Group	C-2 - C-6
Dinette Group	C-7
Driver's Compartment Group	C-8 - C-9
Electrical Group	C-10 - C-12
Exterior Body Group	C-13 - C-18
Galley Group	C-19
Heating & Air Conditioning Group	C-20
Interior Finish Group	C-21 - C-22
LP Group	C-23
Lounge Group	C-24
Water & Sewage Group	D-1
Window, Vent & Exterior Door Group	D-2 - D-10

WINDOW, VENT & EXTERIOR DOOR GROUP (CONTINUED)

WINDOWS AND ACCESS DOORS



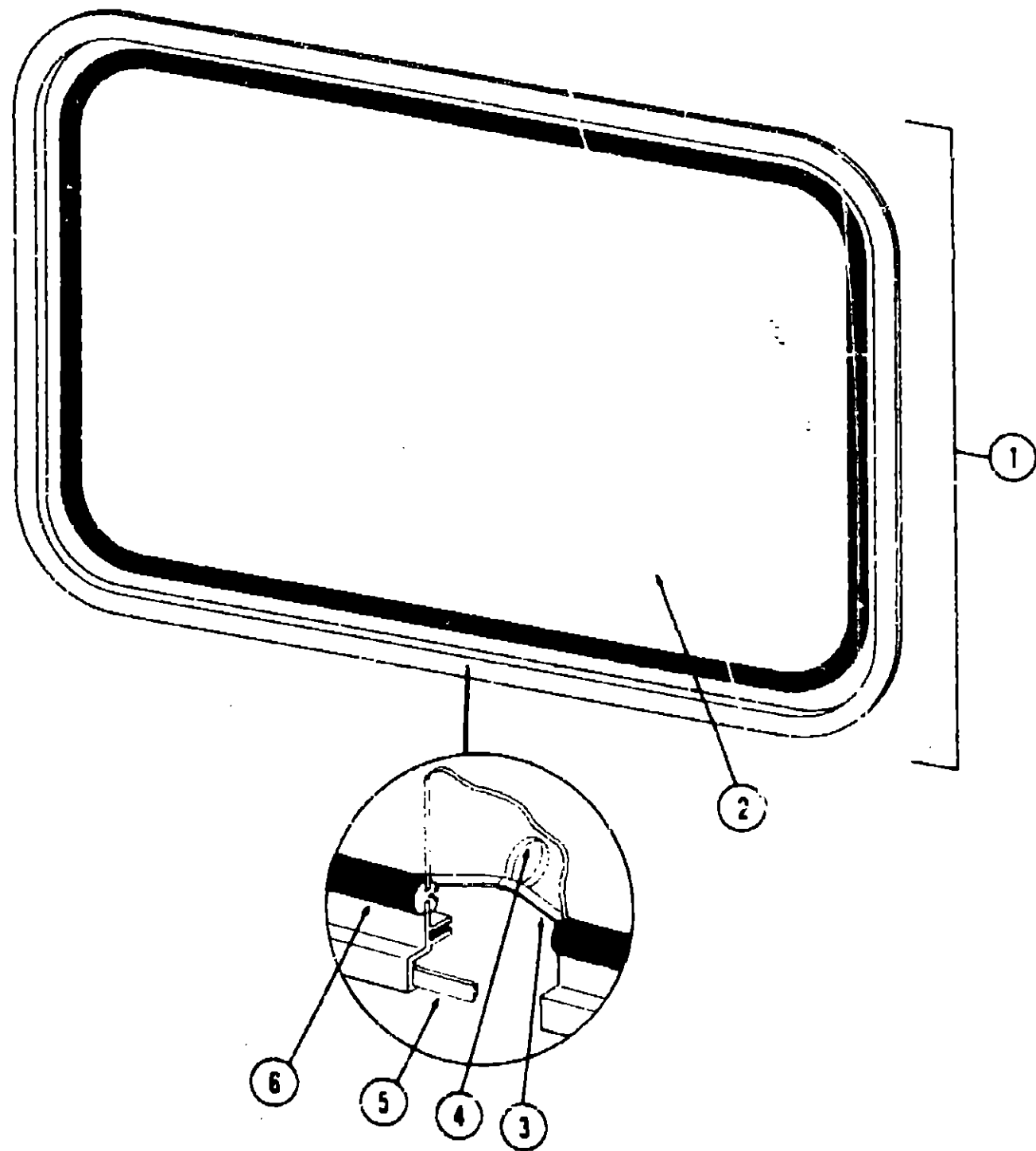
Key	Part Number	U/M	Description
1	M89341-02-N19	EA	Door Asm. - Entry - w/Latch and Hinges
2	069383-01-000	EA	Window Asm. - Entrance Door - 17.8" x 23" (w/o Inside Frame)
3	059247-05-000	EA	Door Asm. - Refrigerator Access - Beige - w/Twist Lock
4	045556-05-000	EA	Window Asm. - Right Slider - 15" x 40" (w/o Inside Frame)
5	064842-02-000	EA	Door Asm. - Luggage - Beige - w/Key Lock
5	064841-02-000	EA	Door Asm. - Generator - Beige - w/Twist Lock
6	020751-03-000	EA	Window Asm. - Rear Escape - 23" x 29" (w/o Inside Frame)
7	NOTE	EA	Door Asm. - Fuel Fill (See Access Doors)
8	NOTE	EA	Door Asm. - Power Cord (See Access Doors)
9	041875-02-000	EA	Window Asm. - Picture - 13" x 23" (w/o Inside Frame)
10	068958-01-000	EA	Door Asm. - LP Storage - Valance Panel - Beige
11	052009-02-000	EA	Door Asm. - Water Heater - Beige
12	066785-03-000	EA	Window Asm. - Single Slider - 25" x 65" (w/o Inside Frame)

1982 WINNEBAGO TABLE OF CONTENTS

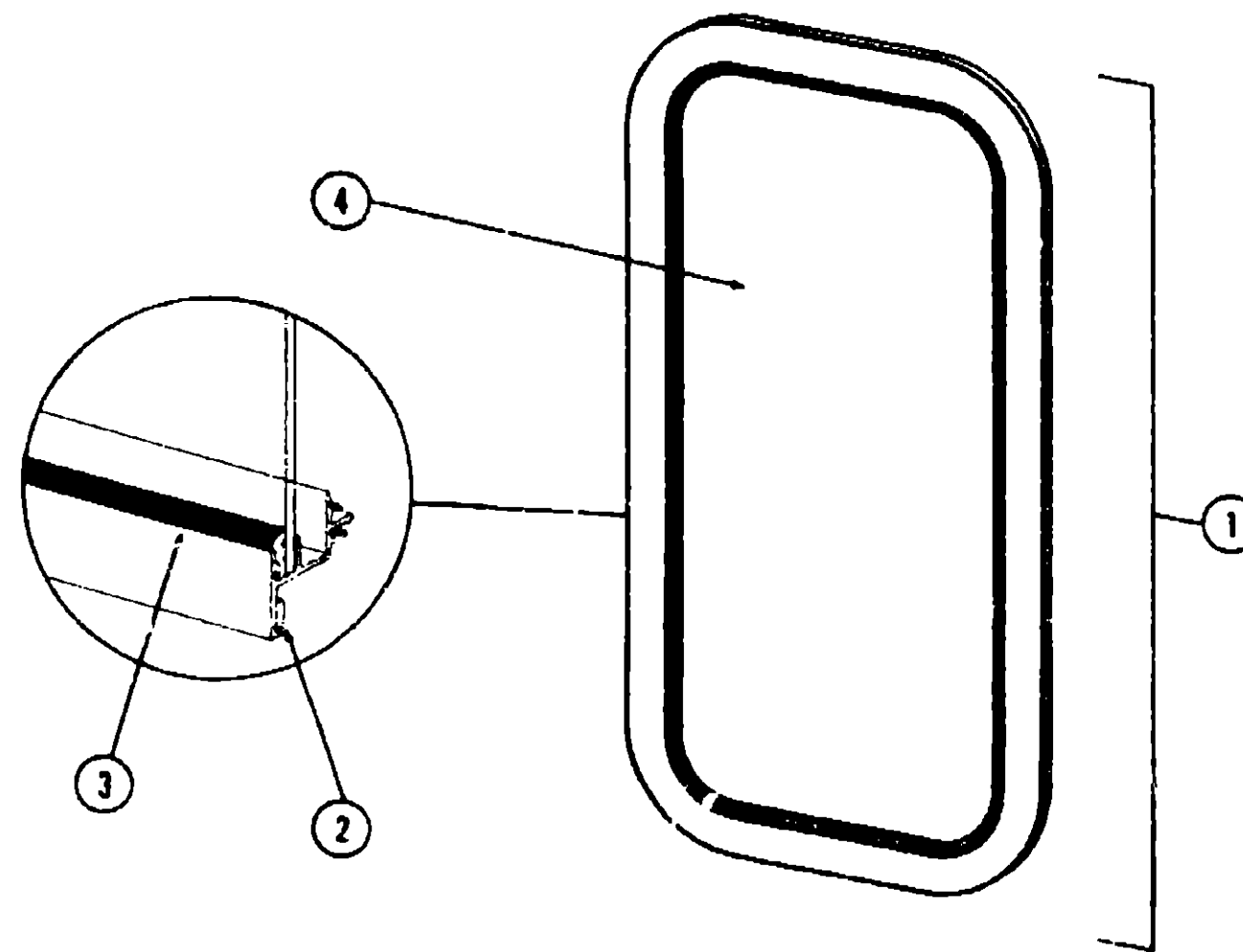
WC621RB N2	A-1 - B-18
WC723RH N1, WC723RH N2	B-19 - D-10
WC823RB P2	D-11 - F-2
WCF22RB N2	F-3 - H-10
WCF26RB N2	H-11 - J-18

1982 WC723RH N1 N2 INDEX

Floor Plan	B-19 - B-20
Accessories Group	B-21 - B-23
Bath Group	B-24
Chassis Group	C-1
Curtain, Cushion & Pad Group	C-2 - C-6
Dinette Group	C-7
Driver's Compartment Group	C-8 - C-9
Electrical Group	C-10 - C-12
Exterior Body Group	C-13 - C-18
Galley Group	C-19
Heating & Air Conditioning Group	C-20
Interior Finish Group	C-21 - C-22
LP Group	C-23
Lounge Group	C-24
Water & Sewage Group	D-1
Window, Vent & Exterior Door Group	D-2 - D-10



Key	Part Number	U/M	Description
1	020751-03-000	EA	Window Asm. - Rear Escape - 23" x 29" - Black Anod. (w/o inside frame)
2	002174-01-000	EA	Glass - 1/8" x 19.6" x 25.9"
3	002285-01-000	FT	Filler - Weathers'rip - Black
4	020395-01-000	EA	Pull Ring - Escape Window
5	069640-01-000	FT	Tape - 1/4" Bead x 20' - Gray - 3M
6	002282-01-000	FT	Weatherstrip - .125" Window
-	020749-05-000	EA	Frame - Inside - Escape Window - 23" x 29" Beige (not included in assembly)
-	006199-01-000	EA	Label - Exit - Escape Window
-			Not illustrated



Key	Part Number	U/M	Description
1	041875-02-000	EA	Window Asm. - Picture - 13" x 23" - Black (w/o inside frame)
2	069640-01-000	FT	Tape - 1/4" Bead x 20' - Gray - 3M
3	002309-02-000	FT	Spilne - Glass - 1/8" - Black
4	002181-01-000	EA	Glass - .115" x 12" x 22"
-	041696-15-000	EA	Frame - Inside - Window - Beige (not included in assembly)
-			Not illustrated

1982 WINNEBAGO
TABLE OF CONTENTS

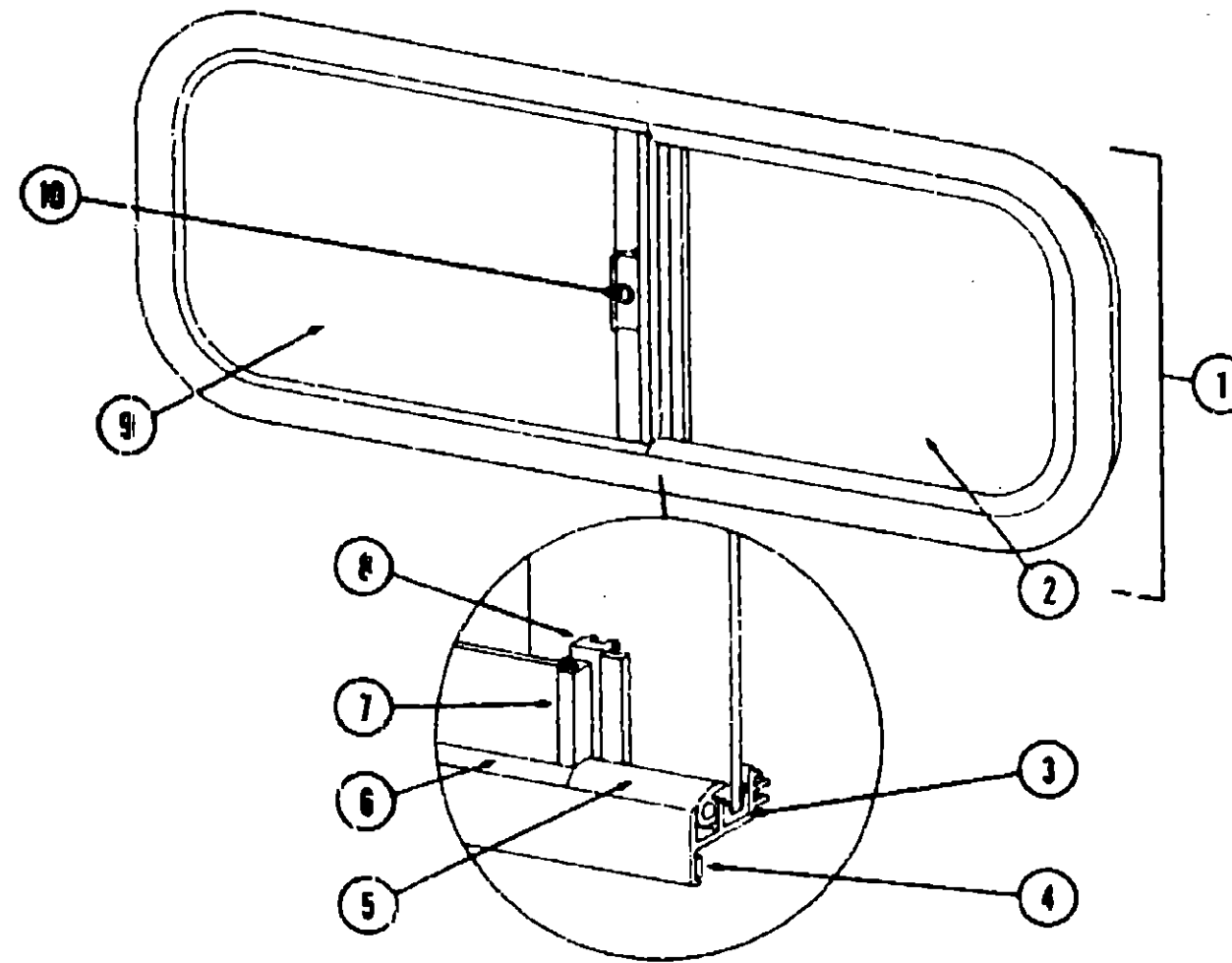
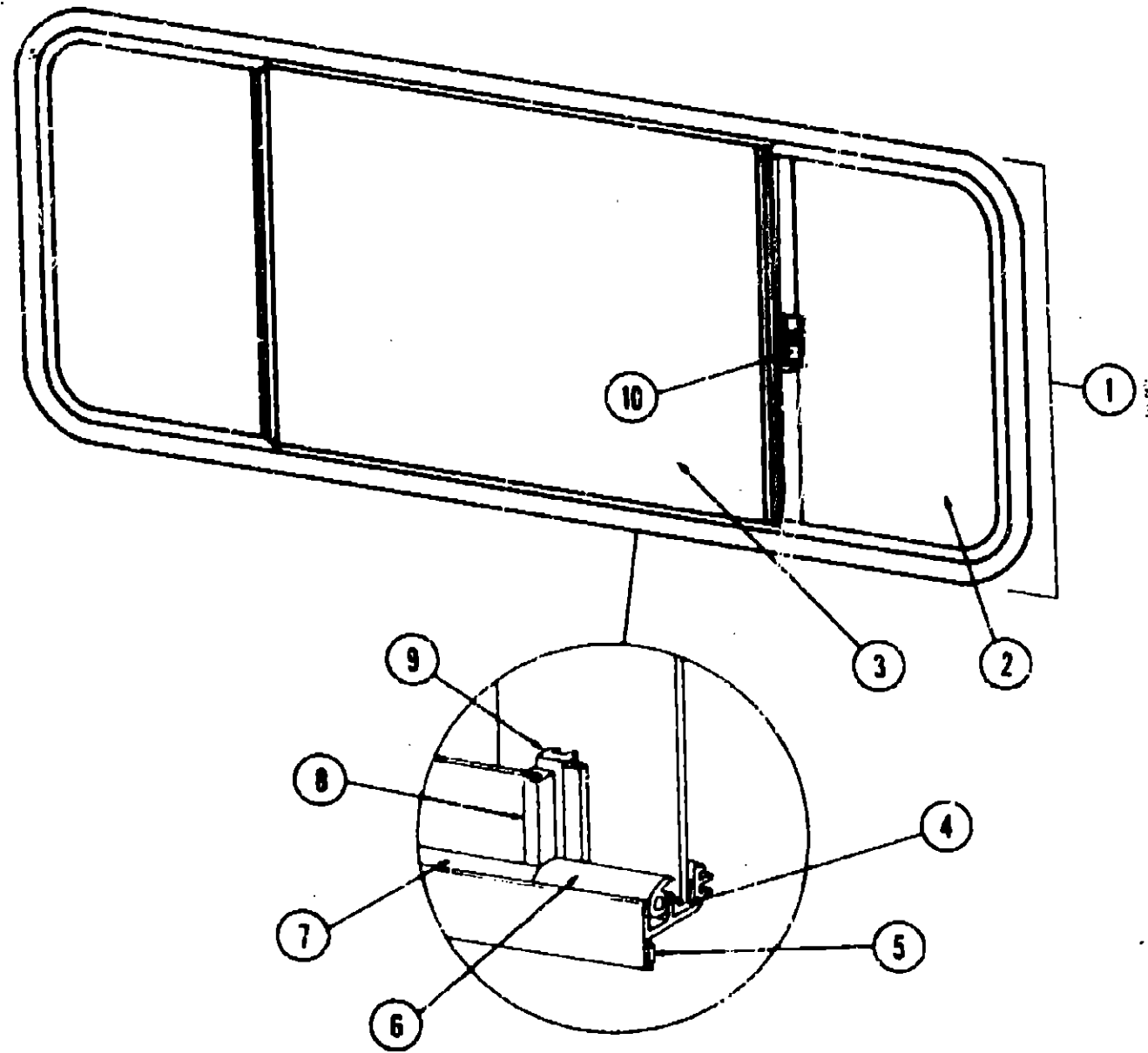
WC621RB N2	A-1 - B-18
WC723RH N1, WC723RH N2	B-19 - D-10
WC623RB P2	D-11 - F-2
WCF22RB N2	F-3 - H-10
WCF26RB N2	H-11 - J-18

1982 WC723RH N1 N2 INDEX

Floor Plan	B-19 - B-20
Accessories Group	B-21 - B-23
Bath Group	B-24
Chassis Group	C-1
Curtain, Cushion & Pad Group	C-2 - C-6
Dinette Group	C-7
Driver's Compartment Group	C-8 - C-9
Electrical Group	C-10 - C-12
Exterior Body Group	C-13 - C-18
Galley Group	C-19
Heating & Air Conditioning Group	C-20
Interior Finish Group	C-21 - C-22
LP Group	C-23
Lounge Group	C-24
Water & Sewage Group	D-1
Window, Vent & Exterior Door Group	D-2 - D-10

WINDOW, VENT & EXTERIOR DOOR GROUP (CONTINUED)

WINDOW, VENT & EXTERIOR DOOR GROUP (CONTINUED)



**1982 WINNEBAGO
TABLE OF CONTENTS**

WC621RB N2	A-1 - B-18
WC723RH N1, WC723RH N2	B-19 - D-10
WC823RB P2	D-11 - F-2
WCF22RB N2	F-3 - H-10
WCF26RB N2	H-11 - J-18

Key	Part Number	U/M	Description
1	066785-03-00C	EA	Window Asm. - Single Slider - 25" x 65"
.	067609-06-000	EA	Inside Frame - Beige (not included in assembly)
2	066726-02-000	EA	Glass - Stationary - 1/8" x 21" x 24"
3	066727-02-000	EA	Glass - Sliding - 1/8" x 25.5" x 24"
4	002324-02-000	FT	Channel - Weatherstrip - Glass
5	069640-01-000	FT	Tape - 1/4" Bead x 20' - Gray - 3M
6	057374-02-000	FT	Extr. Vinyl - Window Seal - Black
7	002309-02-000	FT	Spline - Glass - 1/8" Material - Black
8	069886-03-003	EA	Extr. - Holder - Glass Seal - 23.19" - Black
9	069896-02-000	EA	Mullion - Slider Window - Black
10	047389-01-700	EA	Latch - Window - Plastic w/Fastener
.	002293-01-000	SF	Screen - Window - 26" - Gray
.	002298-01-000	FT	Spline - .130 Dia. - Gray (Screen)
.	042076-01-000	FT	Seal - Fin - Pile - .34"
.			Not illustrated

Key	Part Number	U/M	Description
1	045556-05-000	EA	Window Asm. - Right Slider - 15" x 40"
.	017451-04-000	EA	Inside Frame - Beige (not included in assembly)
2	048324-02-000	EA	Glass - Sliding - 1/8" x 14.4" x 19"
3	002324-02-000	FT	Channel - Weatherstrip - Glass
4	069640-01-000	FT	Tape - 1/4" Bead x 20' - Gray - 3M
5	057374-02-000	FT	Extr. Vinyl - Window Seal - Black
6	002309-02-000	FT	Spline - Glass - 1/8" Material - Black
7	069886-03-007	EA	Extr. - Holder - Glass Seal - 13.6" - Black
8	069896-06-000	EA	Mullion - Slider Window - Black
9	002207-C2-000	EA	Glass - Stationary - 1/8" x 14.4" x 21.32"
10	047389-01-700	EA	Latch - Window - Plastic - w/Fastener
.	002291-01-000	SF	Screen - Window - 16" - Gray
.	002298-01-000	FT	Spline - .130 Dia. - Gray (Screen)
.	073740-01-000	FT	Seal - Fin - Pile - .46"
.			Not illustrated

1982 WC723RH N1 N2 INDEX

Floor Plan	B-19 - B-20
Accessories Group	B-21 - B-23
Bath Group	B-24
Chassis Group	C-1
Curtain, Cushion & Pad Group	C-2 - C-6
Dinette Group	C-7
Driver's Compartment Group	C-8 - C-9
Electrical Group	C-10 - C-12
Exterior Body Group	C-13 - C-18
Galley Group	C-19
Heating & Air Conditioning Group	C-20
Interior Finish Group	C-21 - C-22
LP Group	C-23
Lounge Group	C-24
Water & Sewage Group	D-1
Window, Vent & Exterior Door Group	D-2 - D-10

WINDOW, VENT & EXTERIOR DOOR GROUP (CONTINUED)

ACCESS DOORS

Key	Part Number	U/M	Description
	064842-02-000	EA	Door Asm. - Luggage - Beige - w/Key Lock
	059247-05-000	EA	Door Asm. - Refrigerator Access - Beige - w/Twist Lock
	064841-02-000	EA	Door Asm. - Generator - Beige - w/Twist Lock
	052009-02-000	EA	Door Asm. - Water Heater - Beige
	047305-01-000	EA	Lock Asm. - Key Type w/Clip
	042442-01-000	EA	Lock Asm. - Twist Type (Power Cord)
	042441-01-000	EA	Lock Asm. - Key Type (Gas Fill)
	009003-01-000	EA	Lock Asm. - Twist Type - Metal
	068958-01-000	EA	Door Asm. - LP Storage - Valance Panel - Beige
	052423-02-000	EA	Door - Fuel Fill - Beige
	052424-02-000	EA	Door Jamb - Power Cord & Fuel Fill - Beige
	054543-02-000	EA	Door Hatch - Power Cord - Beige
	063742-02-000	EA	Door - Power Cord - Beige
	041312-01-000	FT	Door Seal - e/Section
	054530-01-000	EA	Door Stop
	052743-02-000	EA	Baffle - Generator Door

VENTS

Key	Part Number	U/M	Description
	065103-01-000	EA	Frame - Base - Refrigerator Vent (w/o cover)
	065103-02-000	EA	Cover - Vent - Refrigerator
	049352-02-000	EA	Vent - Stove Hood - Outside - Beige
**	048789-01-000	EA	Vent Asm. - Roof Powered - w/o Screen - Alum.
**	048835-01-000	EA	Vent Asm. - Roof Nonpowered - w/o Screen - Alum.
	016335-03-000	EA	Screen Asm. - Roof Vent - Nonpowered
	049695-03-000	EA	Screen Asm. - Roof Vent - Powered
**	The illustrated parts breakdown for this item is provided on the Common Items Fiche.		

WINDSHIELD

Key	Part Number	U/M	Description
	040795-02-000	EA	Glass Asm. - Windshield - Tinted

1982 WINNEBAGO TABLE OF CONTENTS

WC621RB N2	A-1 - B-18
WC723RH N1, WC723RH N2	B-19 - D-10
WC823RB P2	D-11 - F-2
WCF22RB N2	F-3 - H-10
WCF26RB N2	H-11 - J-18

1982 WC723RH N1 N2 INDEX

Floor Plan	B-19 - B-20
Accessories Group	B-21 - B-23
Bath Group	B-24
Chassis Group	C-1
Curtain, Cushion & Pad Group	C-2 - C-6
Dinette Group	C-7
Driver's Compartment Group	C-8 - C-9
Electrical Group	C-10 - C-12
Exterior Body Group	C-13 - C-18
Galley Group	C-19
Heating & Air Conditioning Group	C-20
Interior Finish Group	C-21 - C-22
LP Group	C-23
Lounge Group	C-24
Water & Sewage Group	D-1
Window, Vent & Exterior Door Group	D-2 - D-10