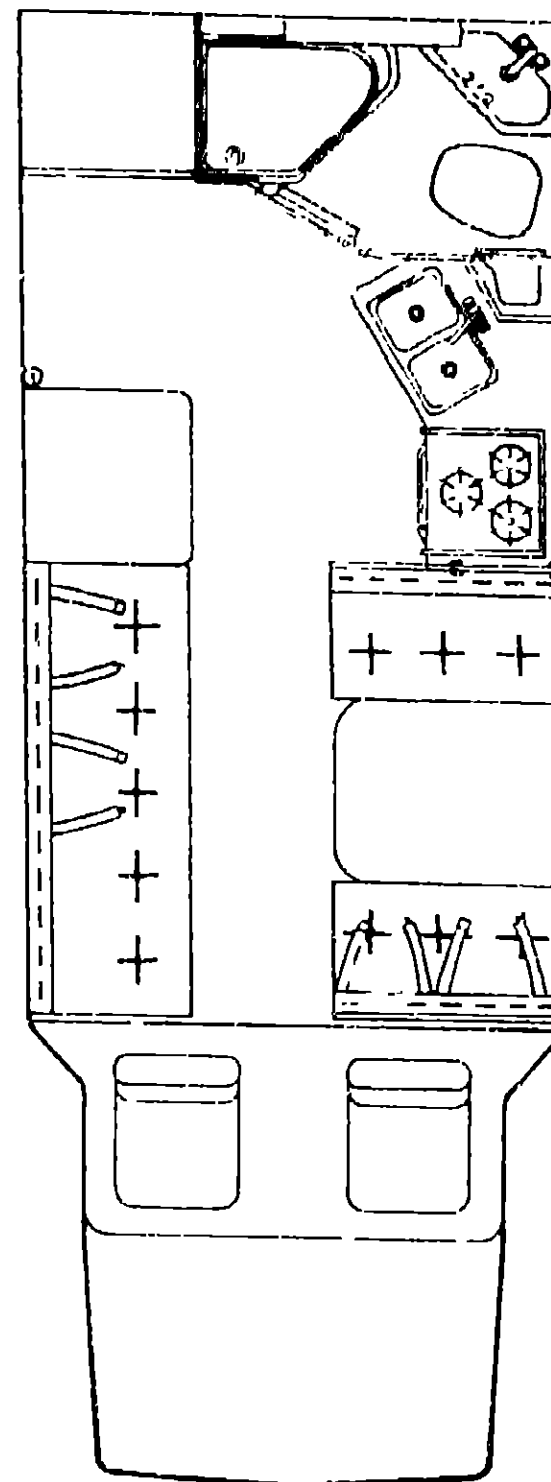


# 1982 WC723RB N1 WC723RB N2

## NOTE

A model revision number has been incorporated into the unit serial number to reflect any changes made during the model year. When ordering replacement parts, refer to the sixth and seventh digits of the unit serial number to assure that the proper part is ordered. These changes will be classified as a **N-2** or **N-3** and will be included behind the item description. The unit serial number is found on the vehicle certification label, which is located on the left sidewall at the end of the dash (**A-Body**) or on the drivers door latch plate (**C-Body**).



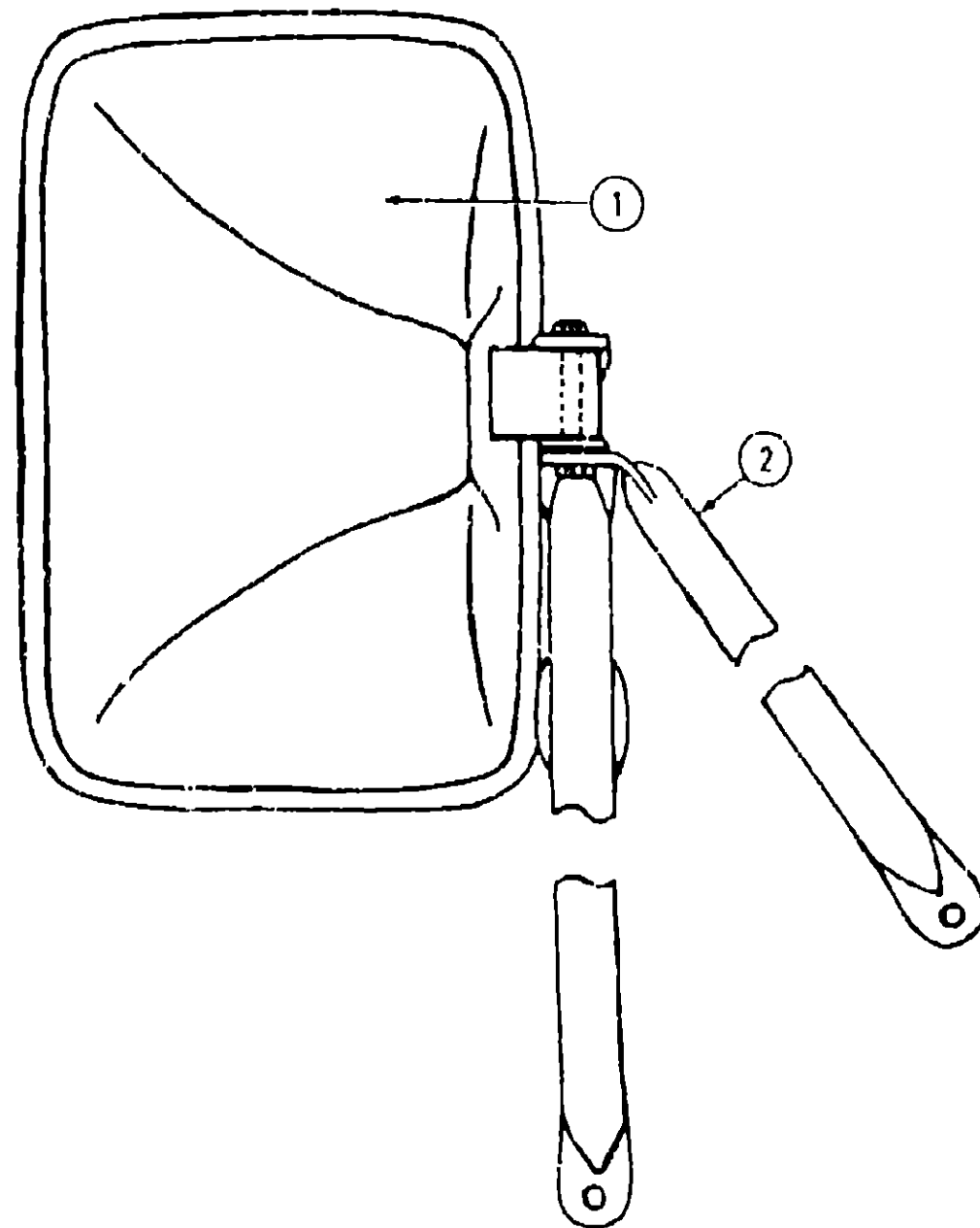
## 1982 WINNEBAGO TABLE OF CONTENTS

Introduction	A-1
Abbreviations	A-1
Alphabetical Index	A-2 - A-4
WC420RG N2	A-5 - B-24
WC723RB N1, WC723RB N2	C-1 - D-12
WCF26RH N2	D-13 - F 18
WCN27RB N2	F-19 - H 24
WCN29RT N2	I-1 - K-6

## 1982 WC723RB N1, WC723RB N2 INDEX

Floor Plan	C-1 - C-2
Accessories Group	C-3 - C-4
Bath Group	C-5
Chassis Group	C-6
Curtain, Cushion & Pad Group	C-7 - C-10
Dinette Group	C-11
Driver's Compartment Group	C-12 - C-13
Electrical Group	C-14 - C-16
Exterior Body Group	C-17 - C-22
Galley Group	C-23
Heating & Air Conditioning Group	C-24
Interior Finish Group	D-1 - D-2
LP Group	D-3
Lounge Group	D-4
Water & Sewage Group	D-5
Window Vent & Exterior Door Group	D-6 - D-12

**ACCESSORIES GROUP**



Key	Part Number	U/M	Description
1	066431-02-000	EA	Mirror Head - 6 75" x 10 25"
2	066431-09-000	EA	Arm - West Coast Mirror - Stainless Steel - Right
3	066431-10-000	EA	Arm - West Coast Mirror - Stainless Steel - Left

**ACCESSORIES GROUP (CONTINUED)**

**RADIOS AND RELATED COMPONENTS**

Key	Part Number	U/M	Description
	064787-01-000	EA	Radio - AM/FM/MPX - w/Cassette
	064786-01-000	EA	Radio - AM/FM/MPX - w/8 Track
	007004-01-000	EA	Antenna - Radio - Cab Mount
	048153-01-000	EA	Antenna - CB - Camper Style
	064791-01-000	EA	Speaker - Recessed - 5 1/4" x 10 oz
	064792-01-000	EA	Grille - Speaker - 5 1/4"

**GENERATOR AND COMPONENTS**

Key	Part Number	U/M	Description
	054427-01-000	EA	Generator - 3.0 kw - Onan - AJ
	701629-02-000	EA	Package - Onan Installation
	057652-01-000	EA	Muffler - Generator - AJ
	052014-01-000	EA	Elbow Exhaust - 90°

**MISCELLANEOUS ACCESSORIES**

Key	Part Number	U/M	Description
	006053-01-000	EA	Antenna - TV - Braund Deluxe
	006093-01-000	EA	Jack - TV - Brown
	041944-03-000	EA	Fire Extinguisher - Dry Chemical w/Bracket
	054185-14-000	EA	Owner's Manual - 1982 - Winnebago & Itasca
	063739-01-000	EA	Battery - 12V Aux 90 Amp
	017516-01-000	EA	Mud Flap - Black - 14' x 18" w/Holes
	064089-01-000	EA	Mud Flap - Front Splash Guard - Black
	007038-01-000	EA	Mat - Door - Black Rubber - 10 1/2" x 26"
	040466-10-000	EA	Cover - Spare Tire - 29" - Beige
**	031396-03-000	EA	Wheel Cover - 16 5" - Chrome
	069629-01-000	EA	Speed Control - Chev - Dana

\*\* The illustrated parts breakdown for this item is provided on the Common Items Fiche

**1982 WINNEBAGO  
TABLE OF CONTENTS**

Introduction	A-1
Abbreviations	A-1
Alphabetical Index	A-2 - A-4
WC420H N2	A-5 - B-24
WC723RB N1, WC723RB N2	C-1 - D-12
WCF26RH N2	D-13 - F-18
WCN27RB N2	F-19 - H-24
WCN29RT N2	I-1 - K-6

**1982 WC723RB N1, WC723RB N2 INDEX**

Floor Plan	C-1 - C-2
Accessories Group	C-3 - C-4
Bath Group	C-5
Chassis Group	C-6
Curtain, Cushion & Pad Group	C-7 - C-10
Dinette Group	C-11
Driver's Compartment Group	C-12 - C-13
Electrical Group	C-14 - C-16
Exterior Body Group	C-17 - C-22
Galley Group	C-23
Heating & Air Conditioning Group	C-24
Interior Finish Group	D-1 - D-2
LP Group	D-3
Lounge Group	D-4
Water & Sewage Group	D-5
Window, Vent & Exterior Door Group	D-6 - D-12

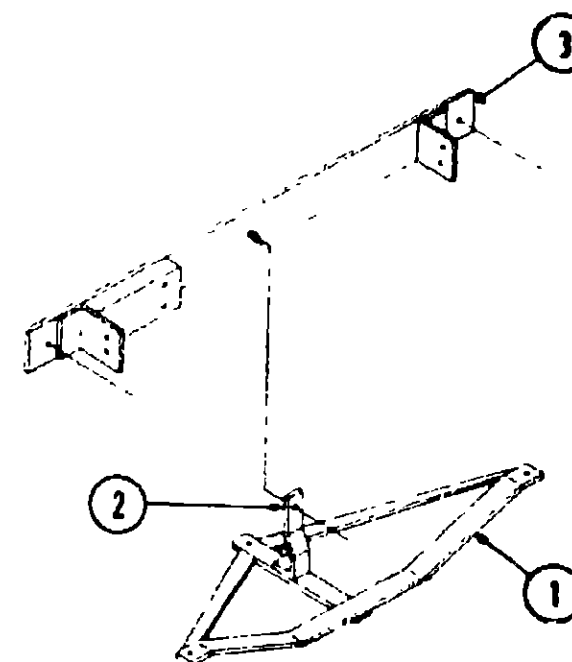
## BATH GROUP

Key	Part Number	U/M	Description
	068747-01-000	EA	Cabinet Asm - Lavatory
	068726-06-N19	EA	Door Asm - 10" x 23" - w/o Hardware
	068574-01-N19	EA	Door Asm - Bath - 23" x 71" - w/o Hardware
	068580-01-N19	EA	Door Asm - Wardrobe Cabinet - 21" x 48" - w/o Hardware
	068726-03-N19	EA	Door Asm - Wardrobe Cabinet - 10" x 17 5" - w/o Hardware - Right
	068726-04-N19	EA	Door Asm - Wardrobe Cabinet - 10" x 17 5" - w/o Hardware - Left
	068561-01-000	EA	Sink - Lavatory
	068755-01-000	EA	Cabinet Asm - Medicine
	068726-01-N19	EA	Door Asm - Medicine Cabinet - 10" x 17 5" - w/o Hardware
	046112-02-000	EA	Mirror - Wall - 24" x 30"
	057898-01-000	EA	Hidden Latch - Cabinet Door
	057898-02-000	EA	Strike - Hidden Latch - Cabinet Door
	058335-02-000	EA	Bath Door Latch
	068495-01-000	EA	Rack - Shelf - Bath Door
	068495-02-000	EA	Rack - Towel - Bath Door
	068521-01-000	EA	Tray - Storage - Lower Bath Door
	071210-01-000	EA	Panel - Backwall - Shower Pan - Plastic
	071211-01-000	EA	Cover - Soap Dish - Shower Pan Backwall Panel - Plastic
	009134-01-000	EA	Holder - Tissue
	069777-01-000	EA	Valance - Window - Plastic
**	011056-01-000	EA	Faucet - Lavatory US
	011056-02-000	EA	Faucet - Lavatory CSA
	011083-01-000	EA	Plug w/Chain - 1 1/4"
**	011048-02-000	EA	Shower Head - w/60" Hose
**	011070-01-000	EA	Tailpiece - 1 1/4" x 6" - Brass
	059783-01-000	EA	Clothes Rod - Aluminum - Slotted - 7'
	M00799-01-000	EA	Shower Pan w/Strainer
**	011059-03-000	EA	Faucet - Shower USA
**	011059-01-000	EA	Faucet - Shower CSA
**	039341-02-000	EA	Toilet - Thetford Aqua Magic - Ivory - 84" SH

\*\* The illustrated parts breakdown for this item is provided in the Common Items Fiche

## CHASSIS GROUP

Key	Part Number	U/M	Description
	068648-01-000	EA	Wheel Well - Plastic - Left or Right Rear
	049912-01-000	EA	Step Asm Assist - Cab
	068738-01-000	EA	Step Asm - Entrance Door
	017516-01-000	EA	Mud Flap - 14" x 18" - w/Holes
	064089-01-000	EA	Mud Flap - Front Splash Guard - Black
	064213-01-000	EA	Box - Power Cord
	057664-02-000	EA	Tire - 8.75 x 16.5 - 10 Ply - Black Tubelens
	070906-01-000	FA	Wheel - 6.75 x 16.5 - Chevy
	069618-01-000	EA	Spare Tire Carrier
	069619-01-000	EA	Spare Tire Support Arm - Right
	069620-01-000	EA	Spare Tire Support Arm - Left
	040466-10-000	EA	Tire Cover - 29" - Beige
	047441-01-000	EA	Battery Terminal - Horizontal Lug
	001131-01-000	EA	Hanger - Tail Pipe
	059784-02-000	FA	Controller - Wiper - Intermittent
	040784-01-000	EA	Blade Asm - Windshield Wiper
	068688-01-000	EA	Bracket Asm - Front Bumper - Right
	068688-02-000	EA	Bracket Asm - Front Bumper - Left
	068639-02-000	EA	Bumper - Rear - Contoured - Beige
	068639-03-000	EA	Bumper - R. L. - Contoured - Anodized
	068686-02-000	EA	Bumper - Front - Contoured - Beige
	068686-03-000	EA	Bumper - Front - Contoured - Anodized
	047743-01-000	EA	Spacer - Rear Spring - Axle Stop



Key	Part Number	U/M	Description
1	068656-01-000	EA	Trailer Hitch Asm - w/o Support
2	064824-03-000	EA	Support - Trailer Hitch
3	068657-01-000	EA	Bracket - Bumper Mount - Rear

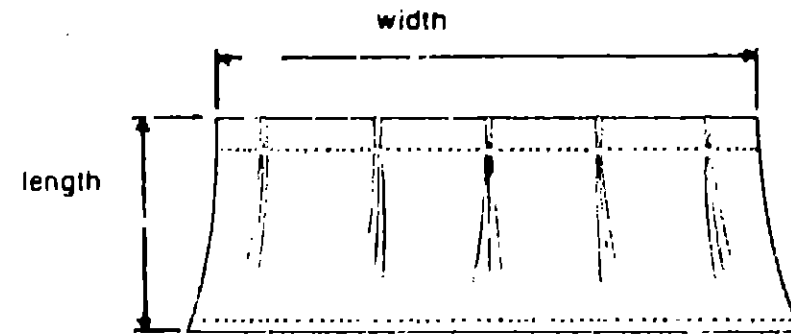
## 1982 WINNEBAGO TABLE OF CONTENTS

Introduction	A-1
Abbreviations	A-1
Alphabetical Index	A-2 - A-4
WC420RG N2	A-5 - B-24
WC723RB N1, WC723RB N2	C-1 - D-12
WCF28RH N2	D-13 - F-18
WCN27RB N2	F-19 - H-24
WCN29RT N2	I-1 - K-6

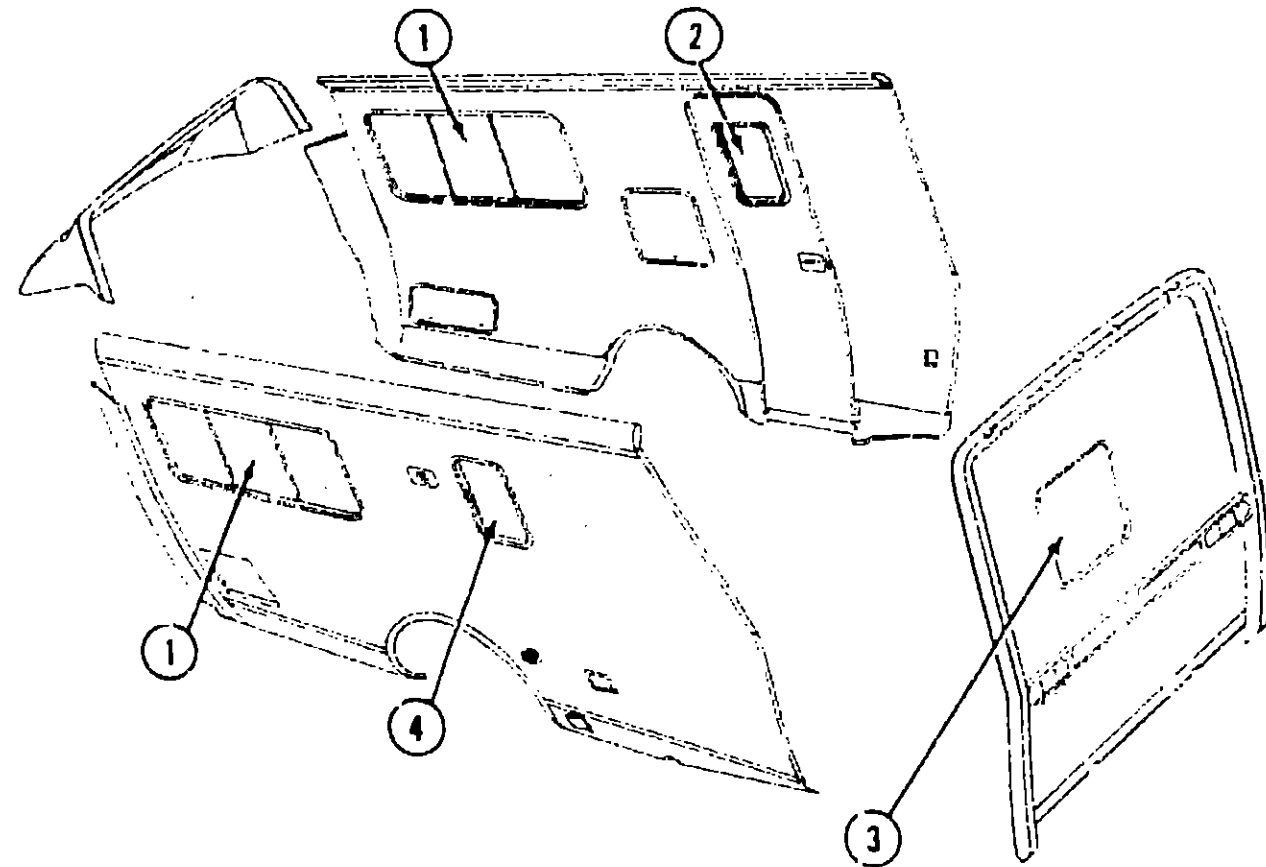
## 1982 WC723RB N1, WC723RB N2 INDEX

Floor Plan	C-1 - C-2
Accessories Group	C-3 - C-4
Bath Group	C-5
Chassis Group	C-6
Curtain Cushion & Pad Group	C-7 - C-10
Dinette Group	C-11
Driver's Compartment Group	C-12 - C-13
Electrical Group	C-14 - C-16
Exterior Body Group	C-17 - C-22
Galley Group	C-23
Heating & Air Conditioning Group	C-24
Interior Finish Group	D-1 - D-2
LP Group	D-3
Lounge Group	D-4
Water & Sewage Group	D-5
Window, Vent & Exterior Door Group	D-6 - D-12

# CURTAIN, CUSHION AND PAD GROUP



**NOTE:**  
Use this illustration when determining length and width measurements for curtains. You will note the width measurement is taken on the top of the curtain with the curtain fully extended. The length measurement is taken from top to bottom.



## CURTAINS, VALANCES, SHADES AND TIEBACKS

Key	Part Number	U/M	Description
1	066226-04-N19	EA	Curtain w/Snap Top - 26" x 45" - Dark Brown
1	066226-04-N20	EA	Curtain w/Snap Top - 26" x 45" - Beige (N33)
1	064915-04-N33	EA	Valance Asm. - 5" x 77.5" - Rust
1	064915-04-N19	EA	Valance Asm. - 5" x 77.5" - Beige
1	064915-04-N20	EA	Valance Asm. - 5" x 77.5" - Blue
1	067780-02-000	EA	Blinds - 68" x 27" Drop
2	054045-30-N19	EA	Curtain w/Snap Top and Bottom - 25.75" x 12" - Dark Brown
2	054045-30-N20	EA	Curtain w/Snap Top and Bottom - 25.75" x 12" - Beige (N33)
3	069777-01-000	EA	Valance - Plastic - Light Oak
3	065522-06-000	EA	Shade - 33.25" x 38" - Bath

# CURTAIN, CUSHION AND PAD GROUP (CONTINUED)

## CURTAINS, VALANCES, SHADES AND TIEBACKS (CONTINUED)

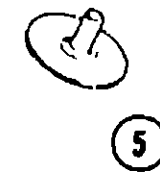
Key	Part Number	U/M	Description
4	054045-28-N19	EA	Curtain w/Snap Top and Bottom - 24" x 9" - Dark Brown
4	054045-28-N20	EA	Curtain w/Snap Top and Bottom - 24" x 9" - Beige (N33)
4	067780-01-000	EA	Blinds - 15" x 24" Drop
•	059900-07-N19	EA	Curtain Asm. - Wraparound - 24" x 62" - Dark Brown
•	059900-07-N20	EA	Curtain Asm. - Wraparound - 24" x 62" - Beige (N33)
•	054048-08-N33	EA	Tie Back - Curtain - 2" x 18" - Rust
•	054048-08-N19	EA	Tie Back - Curtain - 2" x 18" - Beige
•	054048-08-N20	EA	Tie Back - Curtain - 2" x 18" - Blue
•			Not illustrated

## FABRICS AND TRIMS

Key	Part Number	U/M	Description
	069728-02-000	YD	Fabric - Drapery - Coffee - Dark Brown (N19)
	064393-05-000	YD	Fabric - Drapery - Super Satin (N20) (N33)
	068338-17-000	YD	Fabric - Upholstery - Beige/Caramel (N19)
	068338-18-000	YD	Fabric - Upholstery - Navy (N20)
	068338-33-000	YD	Fabric - Upholstery - Rust (N33)
	038421-01-000	YD	Ticking - Mattress - Gold
	052859-01-N01	FT	Trim Asm. - Accent - Medium Almond Vinyl
	070502-01-000	YD	Vinyl - Nonexpanded - 12 Gauge Film - Medium Almond
	M00045-02-N33	EA	Button Asm. - Upholstery - #45 - Rust
	M00045-02-N19	EA	Button Asm. - Upholstery - #45 - Beige
	M00045-02-N20	EA	Button Asm. - Upholstery - #45 - Blue
	070578-01-N33	EA	Button Asm. - Upholstery - Screw Stud - #30 - Rust
	070578-01-N19	EA	Button Asm. - Upholstery - Screw Stud - #30 - Beige
	070578-01-N20	EA	Button Asm. - Upholstery - Screw Stud - #30 - Blue
	053552-01-N07	EA	Assist Handle - Entry Door - Medium Almond Vinyl

## CURTAIN HARDWARE

Key	Part Number	U/M	Description
	037872-02-000	EA	Bracket - Curtain Rod
	056784-01-000	EA	Pull - Window Shade - Antique Brass
	056001-01-000	EA	Bracket - Shade - Left
	056002-01-000	EA	Bracket - Shade - Right
	009107-01-000	EA	Guide - Nylon Snap - Curtain
	018031-46-000	EA	Track - Curtain - "L" Rod - Alum. Extr. - 182"
	009701-01-000	EA	Carrier - "L" Rod - Curtain
	009702-01-000	EA	End Stop - "L" Rod - Curtain
	056115-01-000	YD	Tape - Plastic - Clear w/Guides
	056116-01-000	FT	Track - Curtain - Plastic - Brown
	048394-01-000	YD	Tape - Hook - 1" x 25 yd. - Beige
	048395-01-000	YD	Tape - Loop - 1" x 25 yd. - Beige



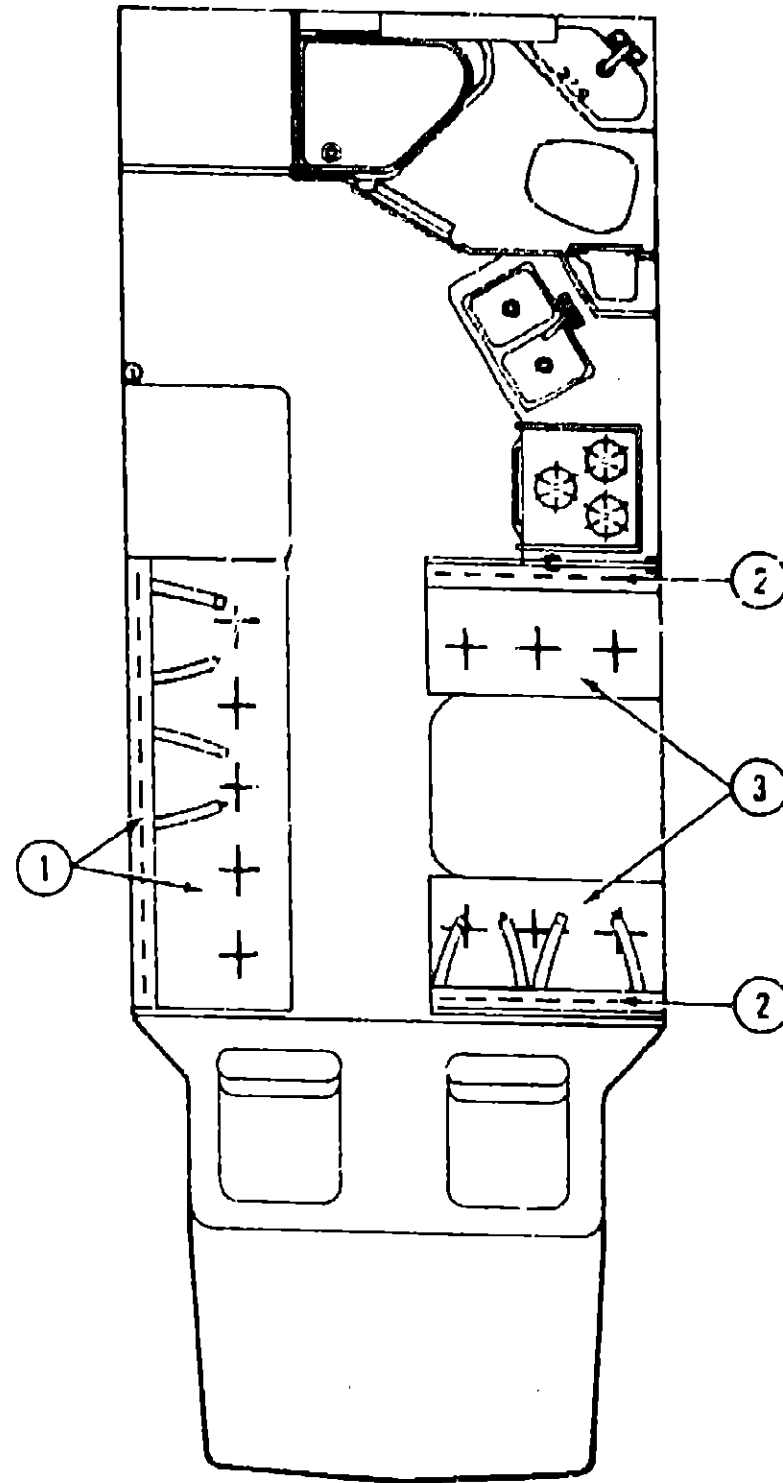
Key	Part Number	U/M	Description
1	029130-01-000	EA	Socket - Snap Fastener
2	029155-01-000	EA	Cap - Snap - .156" Dia. x .17" Barrel
3	029156-01-000	EA	Socket - Snap Fastener
4	029032-01-000	EA	Stud - Nickel Finish
5	029083-01-000	EA	Eyelet - Nickel Finish

## 1982 WINNEBAGO TABLE OF CONTENTS

Introduction	A-1
Abbreviations	A-1
Alphabetical Index	A-2 - A-4
WC420RG N2	A-5 - B-24
WC723RB N1, WC723RB N2	C-1 - D-12
WCF26RH N2	D-13 - F-18
WCN27RB N2	F-19 - H-24
WCN29RT N2	I-1 - K-6

## 1982 WC723RB N1, WC723RB N2 INDEX

Floor Plan	C-1 - C-2
Accessories Group	C-3 - C-4
Bath Group	C-5
Chassis Group	C-6
Curtain, Cushion & Pad Group	C-7 - C-10
Dinette Group	C-11
Driver's Compartment Group	C-12 - C-13
Electrical Group	C-14 - C-16
Exterior Body Group	C-17 - C-22
Galley Group	C-23
Heating & Air Conditioning Group	C-24
Interior Finish Group	D-1 - D-2
LP Group	D-3
Lounge Group	D-4
Water & Sewage Group	D-5
Window, Vent & Exterior Door Group	D-6 - D-12



CONVERTIBLE BED CUSHIONS

Key	Part Number	U/M	Description
1	068797-03-N33	EA	Cushion Asm. - 21" x 21" x 76" x 5" - Rust
1	068797-03-N19	EA	Cushion Asm. - 21" x 21" x 76" x 5" - Beige
1	068797-03-N20	EA	Cushion Asm. - 21" x 21" x 76" x 5" - Blue
	M68797-03-N33	EA	Cover - 21" x 21" x 76" x 5" - Rust
	M68797-03-N19	EA	Cover - 21" x 21" x 76" x 5" - Beige
	M68797-03-N20	EA	Cover - 21" x 21" x 76" x 5" - Blue

DINETTE CUSHIONS

Key	Part Number	U/M	Description
2	068773-04-N33	EA	Cushion - Dinette Back - 20" x 40" x 5" - Rust
2	068773-04-N19	EA	Cushion - Dinette Back - 20" x 40" x 5" - Beige
2	068773-04-N20	EA	Cushion - Dinette Back - 20" x 40" x 5" - Blue
	M68773-04-N33	EA	Cover - Dinette Back Cushion - 20" x 40" x 5" - Rust
	M68773-04-N19	EA	Cover - Dinette Back Cushion - 20" x 40" x 5" - Beige
	M68773-04-N20	EA	Cover - Dinette Back Cushion - 20" x 40" x 5" - Blue
3	068773-03-N33	EA	Cushion - Dinette Bottom - 17" x 40" x 5" - Rust
3	068773-03-N19	EA	Cushion - Dinette Bottom - 17" x 40" x 5" - Beige
3	068773-03-N20	EA	Cushion - Dinette Bottom - 17" x 40" x 5" - Blue
	M68773-03-N33	EA	Cover - Dinette Bottom Cushion - 17" x 40" x 5" - Rust
	M68773-03-N19	EA	Cover - Dinette Bottom Cushion - 17" x 40" x 5" - Beige
	M68773-03-N20	EA	Cover - Dinette Bottom Cushion - 17" x 40" x 5" - Blue

OVERHEAD SIDE BUNK

Key	Part Number	U/M	Description
	069894-02-000	EA	Mattress - Side Overhead Bunk - 25" x 71.5" x 3"
	M69894-02-000	EA	Cover - Side Overhead Bunk Mattress - 25" x 71.5" x 3"

BUCKET SEATS

Key	Part Number	U/M	Description
	069651-01-N33	EA	Seat Asm. - Single Bucket - Low Back - w/Quilting - Rust
	069651-01-N19	EA	Seat Asm. - Single Bucket - Low Back - w/Quilting - Beige
	069651-01-N20	EA	Seat Asm. - Single Bucket - Low Back - w/Quilting - Blue
	M00605-01-N33	EA	Cover - Back - Low Back - Rust
	M00605-01-N19	EA	Cover - Back - Low Back - Beige
	M00605-01-N20	EA	Cover - Back - Low Back - Blue
	M00604-01-N33	EA	Cover - Bottom - Low Back - Rust
	M00604-01-N19	EA	Cover - Bottom - Low Back - Beige
	M00604-01-N20	EA	Cover - Bottom - Low Back - Blue
	070574-05-N33	EA	Seat Asm. - Single Bucket - Narrow Square Back - Youth Bed - Right - Rust
	070574-05-N19	EA	Seat Asm. - Single Bucket - Narrow Square Back - Youth Bed - Right - Beige
	070574-05-N20	EA	Seat Asm. - Single Bucket - Narrow Square Back - Youth Bed - Right - Blue
	070574-06-N33	EA	Seat Asm. - Single Bucket - Narrow Square Back - Youth Bed - Left - Rust
	070574-06-N19	EA	Seat Asm. - Single Bucket - Narrow Square Back - Youth Bed - Left - Beige
	070574-06-N20	EA	Seat Asm. - Single Bucket - Narrow Square Back - Youth Bed - Left - Blue
	M00784-02-N33	EA	Cover - Back - Narrow Square Back - Youth Bed - Rust
	M00784-02-N19	EA	Cover - Back - Narrow Square Back - Youth Bed - Beige
	M00784-02-N20	EA	Cover - Back - Narrow Square Back - Youth Bed - Blue
	M00784-01-N33	EA	Cover - Bottom - Narrow Square Back - Youth Bed - Rust
	M00784-01-N19	EA	Cover - Bottom - Narrow Square Back - Youth Bed - Beige
	M00784-01-N20	EA	Cover - Bottom - Narrow Square Back - Youth Bed - Blue
	070553-01-N33	EA	Cushion Asm. - Wedge - Youth Bed - Rust
	070553-01-N19	EA	Cushion Asm. - Wedge - Youth Bed - Beige
	070553-01-N20	EA	Cushion Asm. - Wedge - Youth Bed - Blue
	M70553-01-N33	EA	Cover - Wedge - Youth Bed - Rust
	M70553-01-N19	EA	Cover - Wedge - Youth Bed - Beige
	M70553-01-N20	EA	Cover - Wedge - Youth Bed - Blue
	071122-09-N33	EA	Armrest Asm. - w/Cover - Right - Rust
	071122-09-N19	EA	Armrest Asm. - w/Cover - Right - Beige
	071122-09-N20	EA	Armrest Asm. - w/Cover - Right - Blue
	071122-10-N33	EA	Armrest Asm. - w/Cover - Left - Rust
	071122-10-N19	EA	Armrest Asm. - w/Cover - Left - Beige
	071122-10-N20	EA	Armrest Asm. - w/Cover - Left - Blue
	071123-05-N33	EA	Cover - Armrest - Right or Left - Rust
	071123-05-N19	EA	Cover - Armrest - Right or Left - Beige
	071123-05-N20	EA	Cover - Armrest - Right or Left - Blue

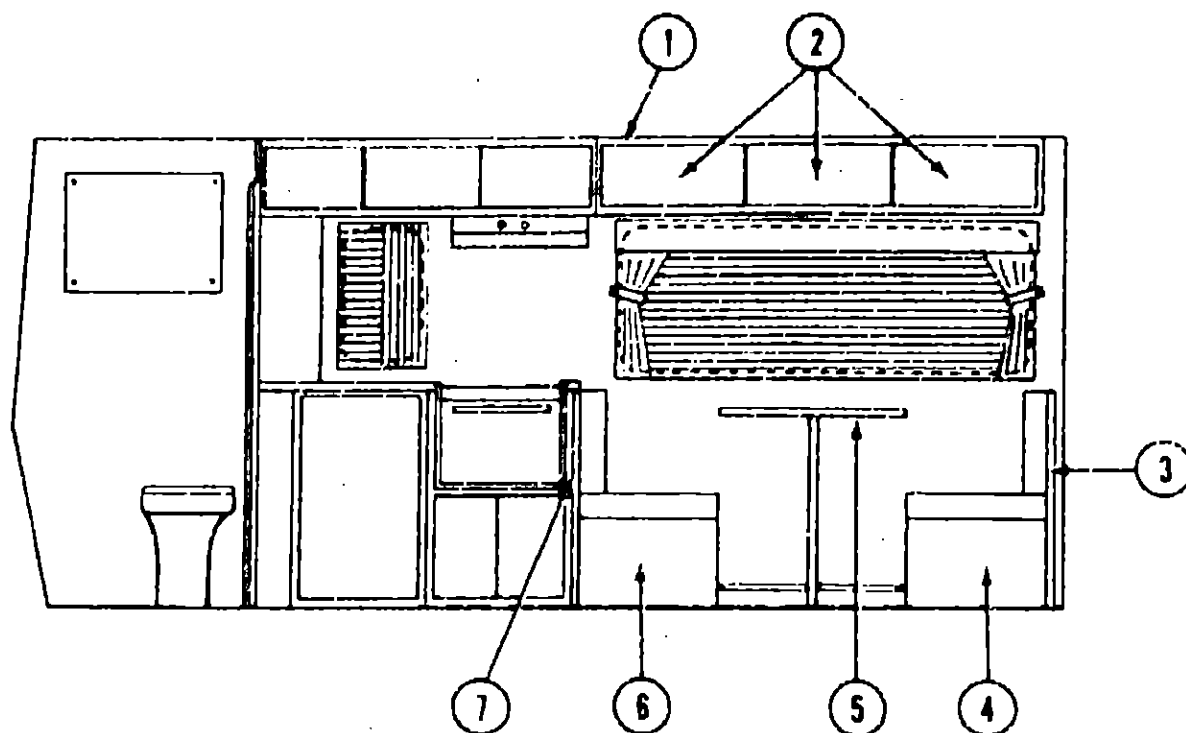
1982 WINNEBAGO  
TABLE OF CONTENTS

Introduction	A-1
Abbreviations	A-1
Alphabetical Index	A-2 - A-4
WC420RG N2	A-5 - B-24
WC723RB N1, WC723RB N2	C-1 - D-12
WCF26RH N2	D-13 - F-18
WCN27RB N2	F-19 - H-24
WCN29RT N2	I-1 - K-6

1982 WC723RB N1, WC723RB N2 INDEX

Floor Plan	C-1 - C-2
Accessories Group	C-3 - C-4
Bath Group	C-5
Chassis Group	C-6
Curtain, Cushion & Pad Group	C-7 - C-10
Dinette Group	C-11
Driver's Compartment Group	C-12 - C-13
Electrical Group	C-14 - C-16
Exterior Body Group	C-17 - C-22
Galley Group	C-23
Heating & Air Conditioning Group	C-24
Interior Finish Group	D-1 - D-2
LP Group	D-3
Lounge Group	D-4
Water & Sewage Group	D-5
Window, Vent & Exterior Door Group	D-6 - D-12

## DINETTE GROUP



CONVENTIONAL DINETTE AND OVERHEAD CABINERY

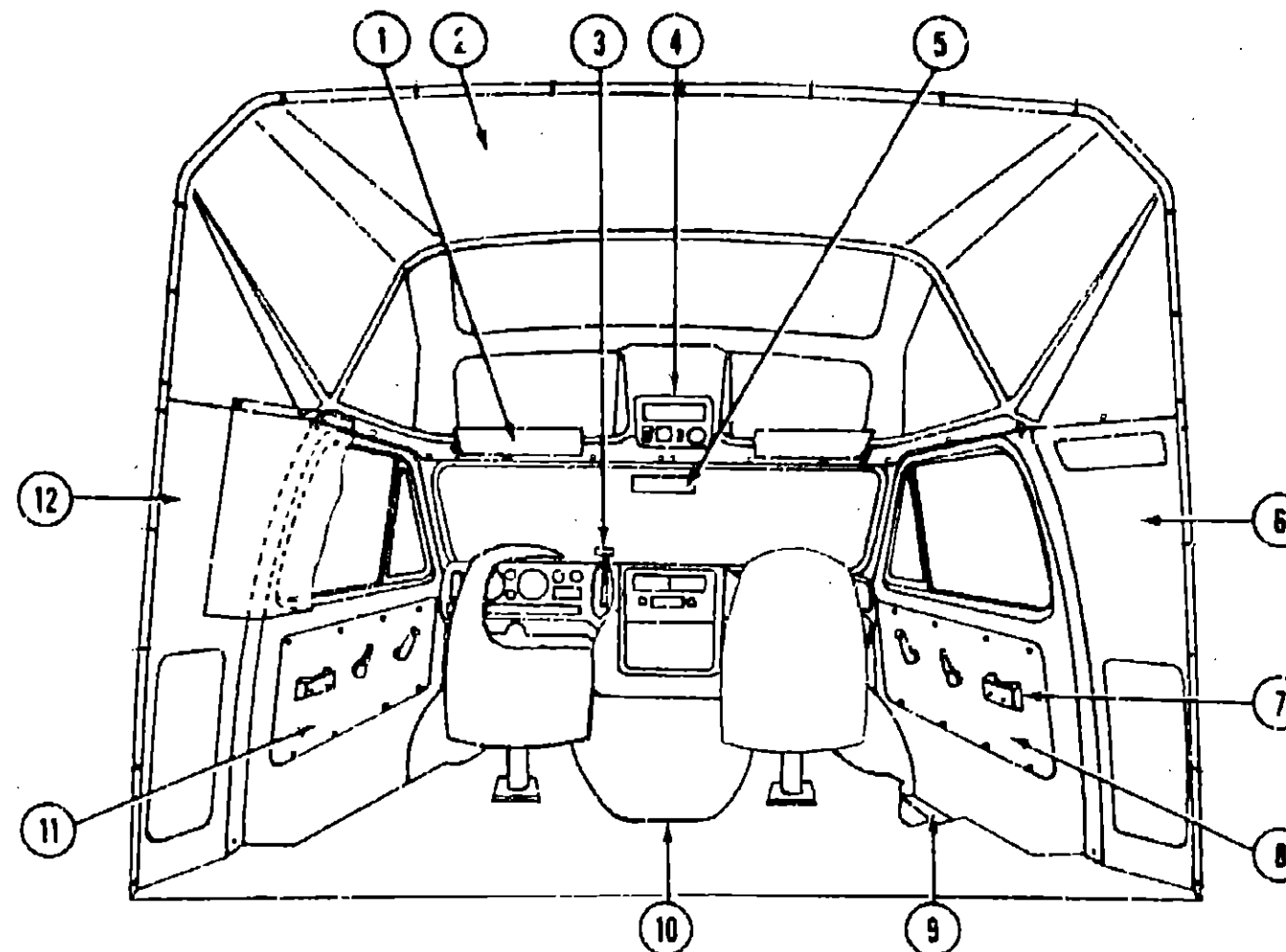
Key	Part Number	U/M	Description
1	068907-01-N19	EA	Cabinet Asm. - Dinette Overhead - w/o Doors or Hardware
2	068726-02-N19	EA	Door Asm. - Dinette Overhead Cabinet - 10" x 23" - w/o Hardware
3	068971-01-N19	EA	Cabinet Asm. - Dinette Back - Right Hand
4	M68975-01-N19	EA	Cabinet Asm. - Dinette Seat - Right Hand
5	M68982-01-N19	EA	Table Asm. - Dinette - w/o Hardware - Mocha Brown
5	M68982-01-N20	EA	Table Asm. - Dinette - w/o Hardware - Paper Bag Brown (N33)
6	M72634-01-N19	EA	Cabinet Asm. - Dinette Seat - Left Hand
7	068972-01-N19	EA	Cabinet Asm. - Dinette Back - Left Hand
•	053200-05-000	EA	Bracket - Upper Wall Mount - Beige - 23.5"
•	053201-03-000	EA	Bracket - Table Mount - 23"
•	024275-05-000	EA	Rod - Table Lift - 8" x 23.5"
•	024281-07-000	EA	Bracket - Lower Wall Mount - Beige - 22.12"
•	024276-10-000	EA	Leg Asm. - Table - Beige - 28.38"
••	064050-01-000	EA	Hinge - Table Leg
••	024282-01-000	EA	Brace - Table Leg
••	024283-01-000	EA	Clip - 1" O.D. Tube
•	049493-03-000	EA	Catch - Table Leg - Mounts on Floor - Beige
••			Not illustrated

The illustrated parts breakdown for this item is provided on the Common Items Fiche.

## DINETTE OVERHEAD SIDE BUNK

Key	Part Number	U/M	Description
	063890-02-N19	EA	Bunk Asm. - Overhead - 72"
	069888-01-000	EA	Strap - Bunk Asm.
	070526-02-000	EA	Cabinet Asm. - Overhead Bunk
	069875-01-000	EA	Door Asm. - Overhead Bunk Cabinet - Sliding
	069847-01-000	EA	Spring - Torsion - Right Hand
	069847-02-000	EA	Spring - Torsion - Left Hand
	071165-02-000	EA	Panel Asm. - Center - Overhead Bunk Cabinet
	007021-01-000	EA	Belt Asm. - Seat - 2" x 91"
	070632-01-000	EA	Support - Seat Belt

## DRIVER'S COMPARTMENT GROUP



Key	Part Number	U/M	Description
1	056802-04-000	EA	Sunvisor Asm. - Medium Almond - Right and Left
2	068951-01-000	EA	Panel Asm. - Upper Front Cap - Plastic - Inner
3	701631-01-000	EA	Shifting Knob and Button - Transmission Control
•	701632-01-000	EA	Retainer - Shifting Knob - Transmission Control
•	066501-01-000	EA	Shifter Asm. - Modified
4	069213-04-000	EA	Bezel - Instrument - Overhead Console (Vollmeter, Battery Switch, Generator Switch, Hourmeter, Dual Battery Switch, Travel Center)
•	069213-03-000	EA	Bezel - Instrument - Overhead Console (Generator Switch, Hourmeter, Dual Battery Switch)
•	064956-01-000	EA	Panel - Travel Center - Black
5	040714-01-000	EA	Mirror - Inside Rear View
•	067490-01-000	EA	Button - Mirror - Rear View Support
6	068950-01-000	EA	Panel Asm. - Wingwall Transition - Plastic - Inner Right Hand
7	056581-04-000	EA	Armrest Asm. - Cab Door - Medium Almond
8	059491-01-N19	EA	Side Panel - Cab Door - Right - Beige
8	059491-01-N20	EA	Side Panel - Cab Door - Right - Blue
8	059491-01-N33	EA	Side Panel - Cab Door - Right - Rust
9	044860-01-000	EA	Mat - Door Step - Rubber - Black - Left Hand
9	044860-02-000	EA	Mat - Door Step - Rubber - Black - Right Hand
10	071645-01-000	EA	Motor Cover - w/o Carpet
•	048223-01-000	EA	Bracket - Motor Cover
11	059492-01-N20	EA	Side Panel - Cab Door - Left - Blue
11	059492-01-N33	EA	Side Panel - Cab Door - Left - Rust
11	059492-01-N19	EA	Side Panel - Cab Door - Left - Beige
12	068950-02-000	EA	Panel Asm. - Wingwall Transition - Plastic - Inner Left Hand
•	M00498-01-000	EA	Dash Asm.
•	056602-01-000	EA	Panel Asm. - Dash - Right
•	056603-01-000	EA	Panel Asm. - Dash - Left - Drivers
•	070524-01-000	EA	Pad - Dash - Medium Dark Almond
•	045785-01-000	EA	Glass Holder - Dark Brown Plastic
•	007019-01-000	EA	Belt Asm. - Seat - 2" x 84" - Black
•			Not illustrated

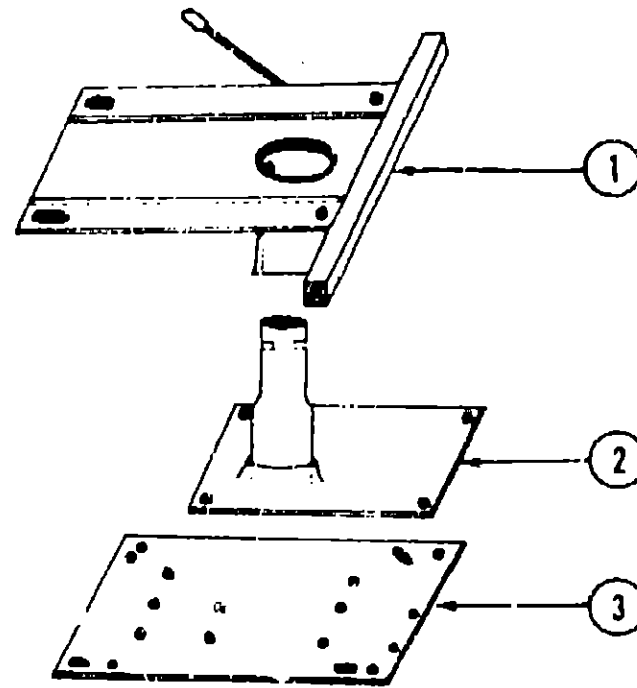
## 1982 WINNEBAGO TABLE OF CONTENTS

Introduction	A-1
Abbreviations	A-1
Alphabetical Index	A-2 - A-4
WC420RG N2	A-5 - B-24
WC723RB N1, WC723RB N2	C-1 - D-12
WCF28RH N2	D-13 - F-18
WCN27RB N2	F-19 - H-24
WCN29RT N2	I-1 - K-6

## 1982 WC723RB N1, WC723RB N2 INDEX

Floor Plan	C-1 - C-2
Accessories Group	C-3 - C-4
Bath Group	C-5
Chassis Group	C-6
Curtain, Cushion & Pad Group	C-7 - C-10
Dinette Group	C-11
Driver's Compartment Group	C-12 - C-13
Electrical Group	C-14 - C-16
Exterior Body Group	C-17 - C-22
Galley Group	C-23
Heating & Air Conditioning Group	C-24
Interior Finish Group	D-1 - D-2
LP Group	D-3
Lounge Group	D-4
Water & Sewage Group	D-5
Window, Vent & Exterior Door Group	D-6 - D-12

**DRIVER'S COMPARTMENT GROUP (CONTINUED)**



Key	Part Number	U/M	Description
1	069585-06-000	EA	Plate - Top - Pedestal Asm. - Bucket Seat
2	069585-03-000	EA	Plate - Sub - Pedestal Asm. - Bucket Seat
3	069585-02-000	EA	Plate - Base - Pedestal Asm. - Bucket Seat
.	069585-05-000	EA	Hardware Kit - Bolt/Acorn Nut - 4 Ea. - Pedestal Asm.
.			Not illustrated

**ELECTRICAL GROUP**

**BULBS**

Key	Part Number	U/M	Description
	037935-01-000	EA	Bulb - 1157
	037938-01-000	EA	Bulb - 1157 A
	038010-01-000	EA	Bulb - 1143
	008103-01-000	EA	Bulb - 53
	008213-01-000	EA	Bulb - 57
	008214-01-000	EA	Bulb - 67
	008215-01-000	EA	Bulb - 1003
	008216-01-000	EA	Bulb - 1034
	008217-01-000	EA	Bulb - 1073
	008218-01-000	EA	Bulb - 1141
	008220-01-000	EA	Bulb - 12V - 25/W
	036196-02-000	EA	Bulb - 194A

**FUSES AND CIRCUIT BREAKERS**

Key	Part Number	U/M	Description
	056473-01-000	EA	Fuse - Slow Blow - 5 1/4 Amp.
	008233-01-000	EA	Fuse - 12 Volt - 6 Amp.
	008234-01-000	EA	Fuse - 12 Volt - 10 Amp.
	008235-01-000	EA	Fuse - 12 Volt - 15 Amp.
	008236-01-000	EA	Fuse - 12 Volt - 20 Amp.
	008248-01-000	EA	Fuse - 110 Volt - 30 Amp. - AGU
	008252-01-000	EA	Fuse - 110 Volt - 50 Amp.
	008208-01-000	EA	Circuit Breaker - 12 Volt - 40 Amp.
	008211-01-000	EA	Circuit Breaker - 12 Volt - 6 Amp.
	008268-01-000	EA	Circuit Breaker - 12 Volt - 30 Amp. w/Mount
	033573-01-000	EA	Circuit Breaker - 12 Volt - 20 Amp. w/Mount
	040051-01-000	EA	Circuit Breaker - 110 Volt - 20 Amp. - TQL
	033573-02-000	EA	Circuit Breaker - 12 Volt - 15 Amp. - w/Mount
	008297-01-000	EA	Circuit Breaker - TQP 120
	008293-01-000	EA	Circuit Breaker - TQP 130
	008299-01-000	EA	Circuit Breaker - TQP 115

**INTERIOR LIGHTS**

Key	Part Number	U/M	Description
	064778-01-000	EA	Light - Dome - Off White - Double Jensen
	064778-02-000	EA	Light - Dome - Off White - Single Jensen
	024418-01-000	EA	Lamp Asm. - Map/Gauge/Aisle
	061424-01-000	EA	Light - 12 V Receptacle - Aisle - IP
	068937-01-000	EA	Light - Dome - Surface w/Switch
	068937-02-000	EA	Light - Dome - Surface w/o Switch
	068621-01-000	EA	Light - Dome & 2 Swivel
	033508-02-000	EA	Light - Dome - Ivory - Single
	033509-02-000	EA	Light - Dome - Ivory - Double

**1982 WINNEBAGO  
TABLE OF CONTENTS**

Introduction	A-1
Abbreviations	A-1
Alphabetical Index	A-2 - A-4
WC420RG N2	A-5 - B-24
WC723RB N1, WC723RB N2	C-1 - D-12
WCF26RH N2	D-13 - F-18
WCN27RB N2	F-19 - H-24
WCN29RT N2	I-1 - K-6

**1982 WC723RB N1, WC723RB N2 INDEX**

Floor Plan	C-1 - C-2
Accessories Group	C-3 - C-4
Bath Group	C-5
Chassis Group	C-6
Curtain, Cushion & Pad Group	C-7 - C-10
Dinette Group	C-11
Driver's Compartment Group	C-12 - C-13
Electrical Group	C-14 - C-16
Exterior Body Group	C-17 - C-22
Galley Group	C-23
Heating & Air Conditioning Group	C-24
Interior Finish Group	D-1 - D-2
LP Group	D-3
Lounge Group	D-4
Water & Sewage Group	D-5
Window, Vent & Exterior Door Group	D-6 - D-12

**ELECTRICAL GROUP (CONTINUED)**

**EXTERIOR LIGHTS**

Key	Part Number	U/M	Description
	007309-01-000	EA	Light - Step Well
	058031-01-000	EA	Tail Lamp Asm. - 3 Bulb - Chrome
	059540-01-000	EA	Bracket - License Plate
	058031-01-700	EA	Lens - Tail Lamp - Amber
	058031-01-701	EA	Lens - Tail Lamp - Red
	058031-01-702	EA	Lens - Tail Lamp - Back Up
	042405-03-000	EA	Base - Rectangular Clearance Light
	042405-01-000	EA	Lens - Clearance Light - Red w/Reflex
	042405-04-000	EA	Lens - Clearance Light - Red w/o Reflex
	042405-02-000	EA	Lens - Clearance Light - Amber w/Reflex
	042405-05-000	EA	Lens - Clearance Light - Amber w/o Reflex
	008089-01-000	EA	Light - Porch - Recessed
	008089-01-700	EA	Lens - Recessed Porch Light
	067789-01-000	EA	Socket Asm. - Lamp - Front Marker
	067784-01-000	EA	Lamp Asm. - Parking - Left Hand
	067784-02-000	EA	Lamp Asm. - Parking - Right Hand

**MISCELLANEOUS ELECTRICAL COMPONENTS**

Key	Part Number	U/M	Description
	047338-01-000	EA	Isolator - Dual Battery
	047389-01-700	EA	Battery - 12 Volt - 105 Amp. Deep Cycle - Dry
	057099-01-000	EA	Battery - 12 Volt - Maintenance Free
	008188-01-000	EA	Solenoid - Dual Battery - Relay
	046775-01-000	EA	Valve - Gas - Change Over
	024459-03-000	EA	Gauge - Voltmeter - w/o Bracket
	024462-01-000	EA	Switch - Battery Condition
	031035-01-000	EA	Gauge - Hour Meter - Generator
	024976-01-000	EA	Switch - Generator - w/o Circuit Board
	024460-01-000	EA	Gauges - Vacuum
	068068-01-000	EA	Load Center - 120V - 3 CRT
	039950-01-702	EA	Circuit Board - Control Center
	024461-01-000	EA	Switch - Battery - Changeover
	046885-01-000	EA	Plaque - Switch Mounting
	072351-01-000	EA	Control Panel Complete - Water/Double Sewage Clock - w/LP Alarm - Refrigerator
	048812-04-000	EA	Control Panel - Basic
	048812-09-000	EA	Control Panel - Insert w/LP Alarm Clock - Refrigerator Light & Sensor
	039861-01-000	EA	Sending Unit - Wemac
	031720-01-000	EA	Spacer - Receptacle - Brown Plastic - CSA
	046885-01-000	EA	Plaque - Battery & Fuel
	069213-03-000	EA	Bezel - Instrument - Overhead Console
	069213-04-000	EA	Bezel - Instrument - Overhead Console - Full Panel
	064956-01-000	EA	Panel - Travel Center - Black

**ELECTRICAL GROUP (CONTINUED)**

**WIRE, SWITCHES AND RECEPTACLES**

Key	Part Number	U/M	Description
	008024-01-000	FT	Wire - 18.5 Bonded - Orange/White/Yellow/Blue/Brown
	008277-01-000	EA	Holder - Fuse - Black - Panel Mount
	009195-01-000	EA	Switch - Push Button - 12 Volt
	006077-01-000	EA	Plaque - Compressor Switch
	008054-01-000	EA	Cord - Power - 10-3 30 Amp. - 25' - UL
	024571-04-000	EA	Cover Plate - Receptacle - Jumbo Ivory Plastic
	039342-01-000	EA	Receptacle - Duplex Brown - T Junction
	024571-01-000	EA	Cover Plate - Receptacle - Jumbo Steel Brown
	008294-01-000	EA	Cover Plate - Brown Steel - 4" x 4"
	008288-01-000	EA	Box - Electrical - Plastic - 3" x 3 1/2"
	008289-01-000	EA	Box - Electrical - Steel - 4" x 4"
	039343-01-000	EA	Cap - End - Receptacle
	008162-01-000	EA	Switch - Double Toggle - Spade Brown
	008163-01-000	EA	Switch - Toggle - Brown
	031144-01-000	EA	Switch - Center Off - DPDT - Black 30A
	054532-01-000	EA	Housing Pin Asm. - 6 Position
	064398-01-000	EA	Housing Asm. - Trailer Receptical - Female
	064399-01-000	EA	Housing Asm. - Trailer Pin - Male
	064450-01-000	EA	Housing Asm. - Trailer Plug - Male
	008164-01-000	EA	Cover Plate - Switch - Brown
	024924-01-000	EA	Receptacle - Power Cord
	008058-01-000	EA	Adaptor - Power Cord
	047353-01-000	EA	Cover - Receptacle - Ground Fault
	053126-01-000	EA	Receptacle - Ground Fault - Interrupter - 124 Volt - Brown
	058707-01-000	EA	Receptacle - Single - Brown - Thomas & Belts
	058708-01-000	EA	Receptacle - Duplex - Brown - Thomas & Belts
	058048-01-000	EA	Cover - Electrical - Rain Tight (Exterior)
	008157-01-000	EA	Receptacle - Single (Exterior)
	061405-02-000	EA	Plate - Receptacle - Duplex - Pewter
	061406-02-000	EA	Plate - Single Switch - Pewter
	061407-02-000	EA	Plate - Double Switch - Pewter
	056264-01-000	EA	Switch - Leaf Actuator
	031968-01-000	EA	Contact - Plug

**1982 WINNEBAGO  
TABLE OF CONTENTS**

Introduction	A-1
Abbreviations	A-1
Alphabetical Index	A-2 - A-4
WC420RG N2	A-5 - B-24
WC723RB N1, WC723RB N2	C-1 - D-12
WCF26RH N2	D-13 - F-18
WCN27RB N2	F-19 - H-24
WCN29RT N2	I-1 - K-6

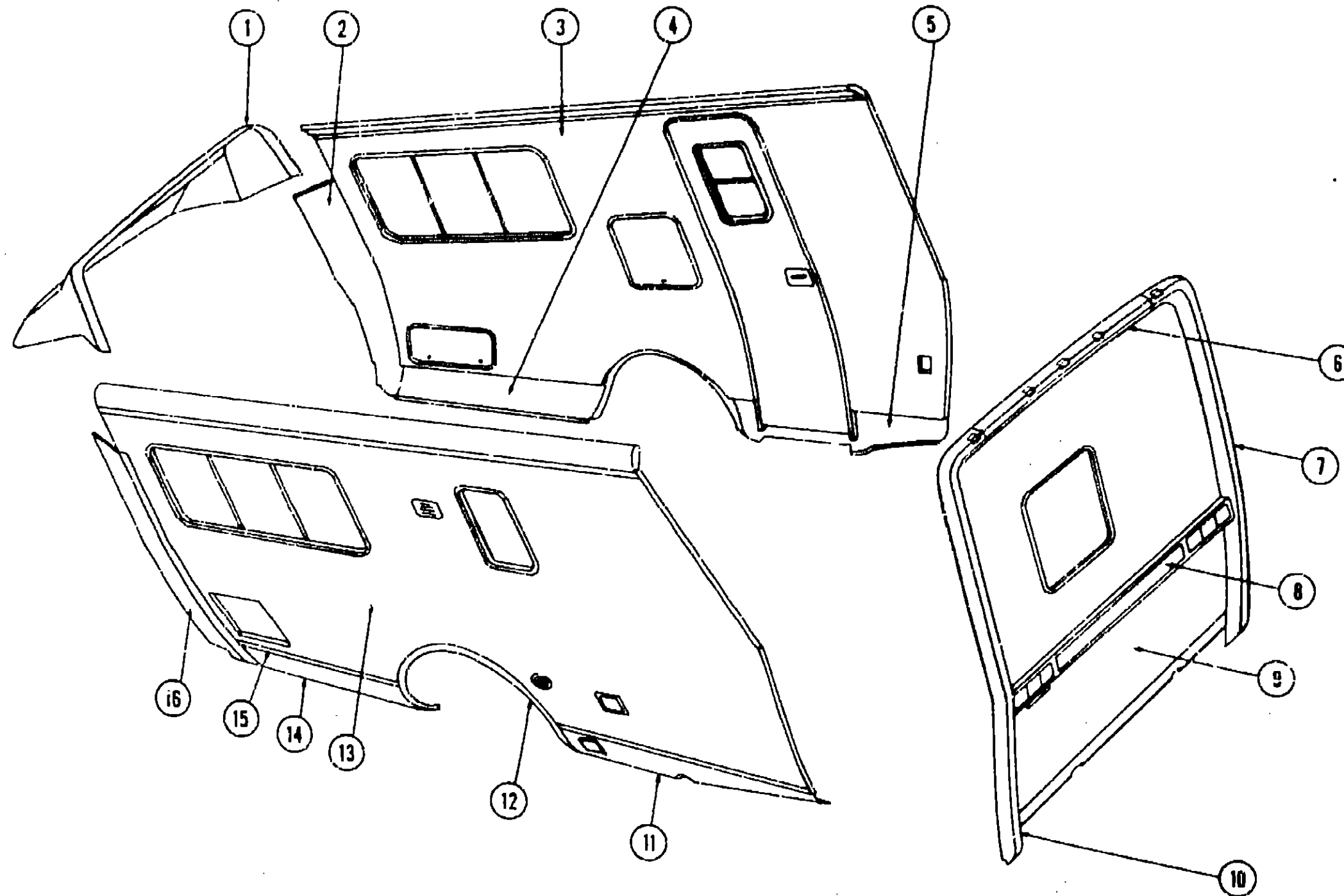
**1982 WC723RB N1, WC723RB N2 INDEX**

Floor Plan	C-1 - C-2
Accessories Group	C-3 - C-4
Bath Group	C-5
Chassis Group	C-6
Curtain, Cushion & Pad Group	C-7 - C-10
Dinette Group	C-11
Driver's Compartment Group	C-12 - C-13
Electrical Group	C-14 - C-16
Exterior Body Group	C-17 - C-22
Galley Group	C-23
Heating & Air Conditioning Group	C-24
Interior Finish Group	D-1 - D-2
LP Group	D-3
Lounge Group	D-4
Water & Sewage Group	D-5
Window, Vent & Exterior Door Group	D-6 - D-12



# EXTERIOR BODY GROUP

## EXTERIOR BODY PANELS AND SHEET ALUMINUM



Key	Part Number	U/M	Description
1	068917-01-000	EA	Panel Asm. - Front Cap - Beige
2	068915-01-000	EA	Panel Asm. - Transition Wingwall - Outer - Right Hand
3	069015-01-N19	EA	Sidewall Asm. - Right
4	M00596-01-000	EA	Valance Panel Asm. - Right Front
5	M00597-01-000	EA	Valance Panel Asm. - Right Rear
6	068920-01-000	EA	Panel Asm. - Backwall - Upper - Roof Line - Beige
7	068922-01-000	EA	Panel Asm. - Backwall - Right Hand - Beige
8	068924-01-000	EA	Panel Asm. - Backwall - Lower - Taillights - Beige
9	068768-01-N19	EA	Backwall Asm. - Brown
9	068768-01-N20	EA	Backwall Asm. - Blue
9	068768-01-N33	EA	Backwall Asm. - Rust
10	068922-02-000	EA	Panel Asm. - Backwall - Left Hand - Beige
11	M00595-01-000	EA	Valance Panel Asm. - Left Rear

C-17

Key	Part Number	U/M	Description
12	068919-01-000	EA	Fender Trim - Rear Wheel Well - Left & Right
13	069006-01-N19	EA	Sidewall Asm. - Left - Brown
13	069006-01-N20	EA	Sidewall Asm. - Left - Blue
13	069006-01-N33	EA	Sidewall Asm. - Left - Rust
	M68770-01-N19	EA	Roof Asm.
14	M00594-01-000	EA	Valance Panel Asm. - Left Front
15	052650-01-003	EA	Trim - Sidewall - 150"
16	068915-02-000	EA	Panel Asm. - Transition Wingwall - Outer - Left Hand
	000868-01-000	EA	Styrofoam - 3/4" x 24" x 96"
	000870-01-000	EA	Styrofoam - 1 1/2" x 24" x 96"
	039155-38-001	EA	Alum. - Beige - .024" x 45" x 240" - Smooth
	069775-01-000	EA	Trim - Backwall Cap - Right - Beige
	069775-02-000	EA	Trim - Backwall Cap - Left - Beige
			Not illustrated

C-18

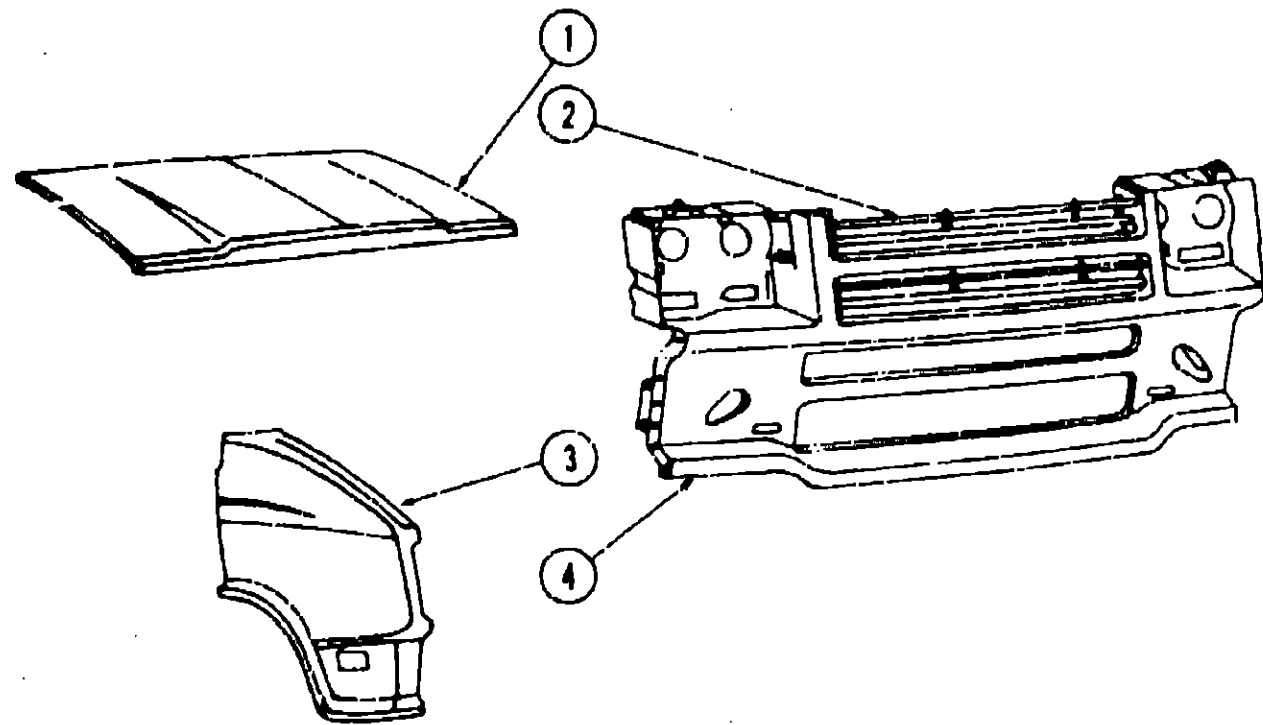
## 1982 WINNEBAGO TABLE OF CONTENTS

Introduction	A-1
Abbreviations	A-1
Alphabetical Index	A-2 - A-4
WC420RG N2	A-5 - B-24
WC723RB N1, WC723RB N2	C-1 - D-12
WCF26RH N2	D-13 - F-18
WCN27RB N2	F-19 - H-24
WCN29RT N2	I-1 - K-6

## 1982 WC723RB N1, WC723RB N2 INDEX

Floor Plan	C-1 - C-2
Accessories Group	C-3 - C-4
Bath Group	C-5
Chassis Group	C-8
Curtain, Cushion & Pad Group	C-7 - C-10
Dinette Group	C-11
Driver's Compartment Group	C-12 - C-13
Electrical Group	C-14 - C-16
Exterior Body Group	C-17 - C-22
Galley Group	C-23
Heating & Air Conditioning Group	C-24
Interior Finish Group	D-1 - D-2
LP Group	D-3
Lounge Group	D-4
Water & Sewage Group	D-5
Window, Vent & Exterior Door Group	D-6 - D-12

**EXTERIOR BODY GROUP (CONTINUED)**



**EXTERIOR BODY PANELS (FRONT)**

Key	Part Number	U/M	Description
1	068912-01-000	EA	Hood Asm.
.	057896-01-000	EA	Hinge Asm. - Hood
.	058723-01-000	EA	Hood Latch Asm.
.	068974-03-000	EA	Bracket Asm. - Hood Hinge - Right Hand
.	068974-04-000	EA	Bracket Asm. - Hood Hinge - Left Hand
.	067785-01-000	EA	Bezel - Headlamp - Left - Chrome
2	070607-01-000	EA	Grill Asm.
.	067785-02-000	EA	Bezel - Headlamp - Right - Chrome
.	049185-01-000	EA	Capsule Asm. - Headlamp Rectangular - Left - High/Low Beam
.	049186-01-000	EA	Capsule Asm. - Headlamp Rectangular - Right - High/Low Beam
.	067786-01-000	EA	Capsule Asm. - Headlamp Rectangular - Left - High Beam
.	067787-01-000	EA	Capsule Asm. - Headlamp Rectangular - Right - High Beam
.	050030-01-000	EA	Wire Housing Asm. - Headlamp
.	054863-02-000	EA	Panel - Wheel House - Front Half - Right
.	054863-01-000	EA	Panel - Wheel House - Front Half - Left
3	068908-01-000	EA	Fender - Right Hand
.	068908-02-000	EA	Fender - Left Hand
4	068910-01-000	EA	Front Panel Asm. - Fiberglass - w/o Grill & Headlamps
.			Not illustrated

**EXTERIOR BODY GROUP (CONTINUED)**

**MISCELLANEOUS EXTERNALLY MOUNTED PARTS**

Key	Part Number	U/M	Description
**	011129-01-000	EA	Plumbing Seal - Roof Vent - 1 1/2"
	010230-03-000	EA	Fill - City Water - Recessed - Beige
	058808-02-000	EA	Water Fill - Lockable - Beige
	048729-01-000	EA	Vent Asm. - Roof Powered - Unan
	048835-01-000	EA	Vent Asm. - Roof Non Powered - Unan
	065103-02-000	EA	Cover - Refrigerator Vent - Plastic
	065103-01-000	EA	Base - Frame - Refrigerator Vent w/o Cover
	068089-01-000	EA	Light - Porch - Recessed

\*\* The illustrated parts breakdown for this item is provided on the Common Items Fiche.

**SEALANTS, ADHESIVES AND FASTENERS**

Key	Part Number	U/M	Description
	034552-06-000	EA	Sealant - Off White Silicone
	034552-04-000	EA	Sealant - Beige Silicone
	034552-02-000	EA	Sealant - Clear Silicone
	069637-01-000	EA	Sealant - Weatherban 404 Tube
	004346-02-000	EA	Sealant - White Silicone
	002707-02-000	FT	Tape - Sealer - 5/16" x 1/2"
	009200-01-000	EA	Tape - Furnace - 1 1/2"
	004353-01-000	FT	Tape - Gasket - 1/8" x 3/4" - White
	002825-01-000	FT	Weather Stripping - Roof Vent
	002337-01-000	EA	Adhesive - 3M - 1300 Tube
	004005-01-000	GL	Adhesive - Swifts - Green - Glue (Sidewalls)
	004012-01-000	GL	Adhesive - 3M - 4475 Tube
	004020-01-000	QT	Adhesive - ABS Cement (Plastic Fittings)
	029051-01-000	EA	Adhesive - Spray Vinyl
	042401-01-000	EA	Screw - #8 - 18 x 3/4" SDPH - Beige
	042403-01-000	EA	Screw - #8 - 18 x 1" SDPH - Beige
	053766-01-000	EA	Bedding Compound - Tube Black - Schnee Morehead
	069640-02-000	FT	Tape - 1/2" x 1/8" x 30' - Gray - 3M
	069640-01-000	FT	Tape - 1/4" Bead x 20' - Gray - 3M
	069640-03-000	FT	Tape - 3/4" x 1/8" x 30' - Gray - 3M
	069640-04-000	FT	Tape - 2" x 3/32" x 45' - Gray - 3M

**1982 WINNEBAGO  
TABLE OF CONTENTS**

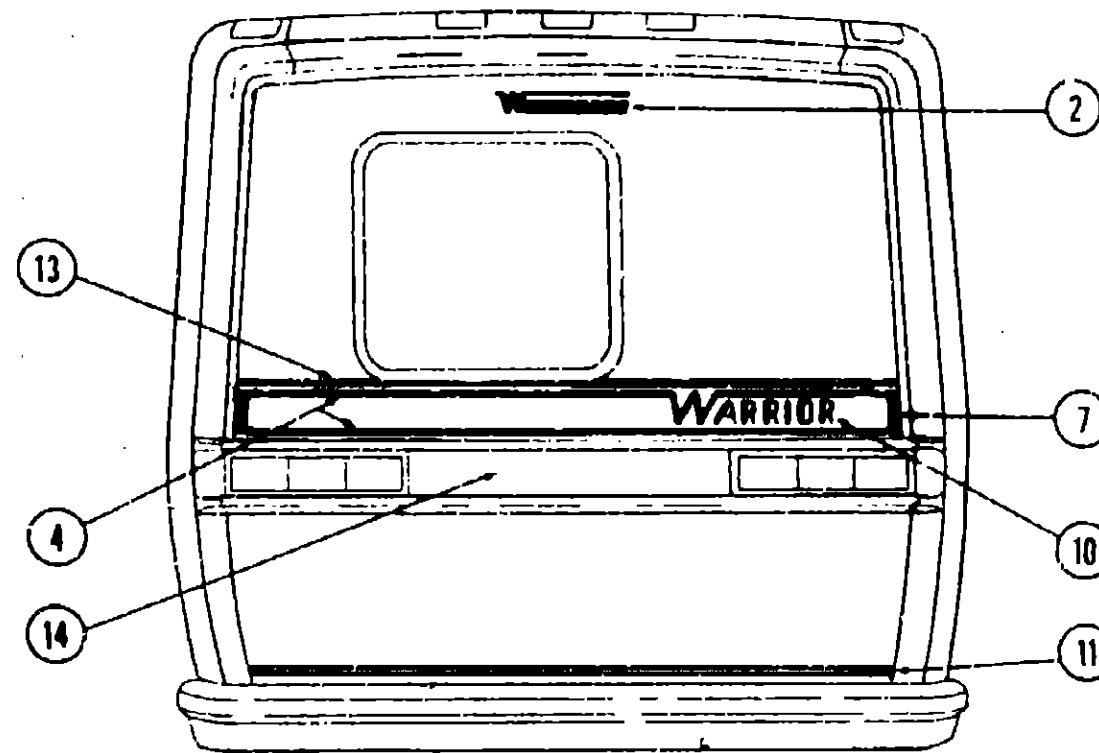
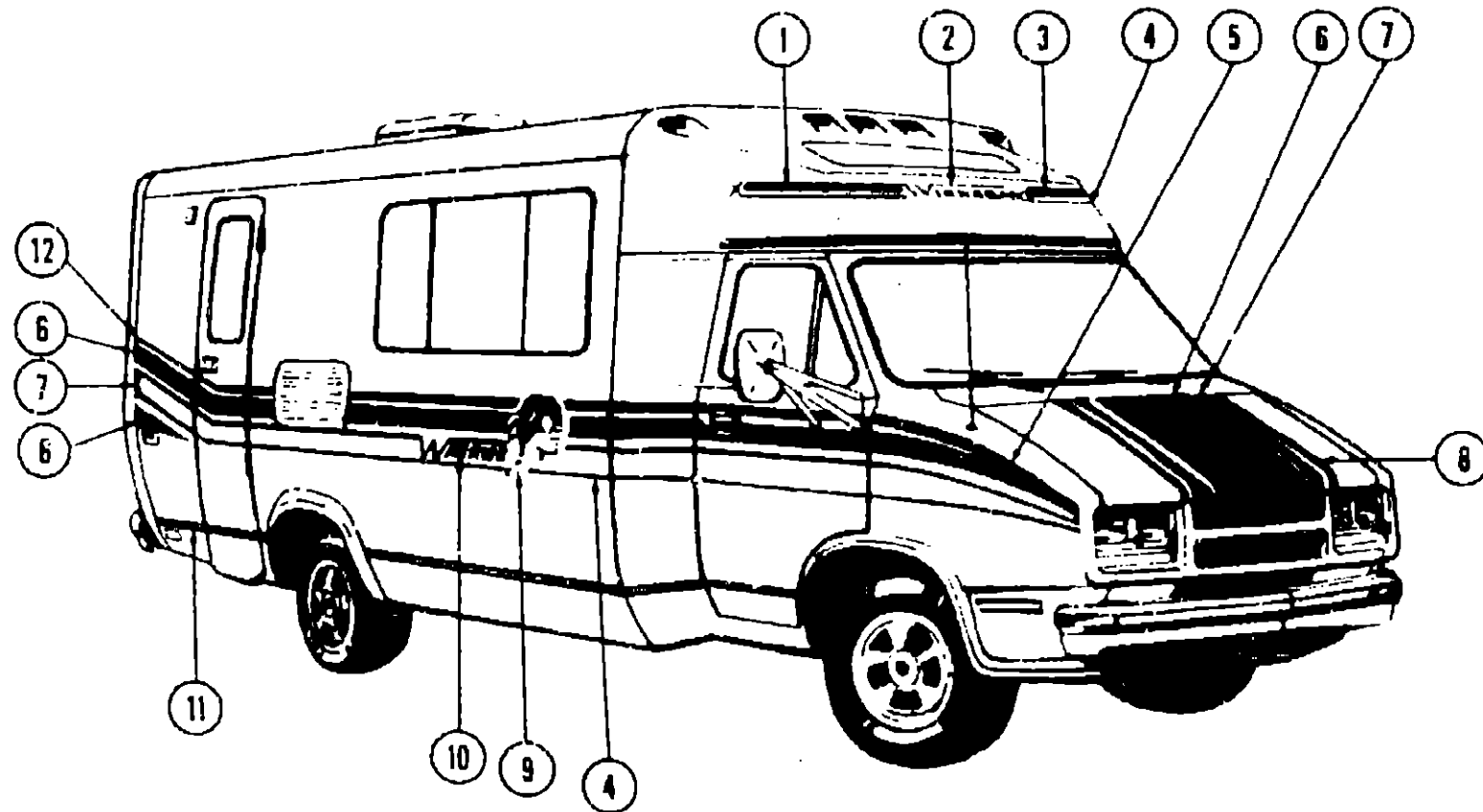
Introduction	A-1
Abbreviations	A-1
Alphabetical Index	A-2 - A-4
WC420RG N2	A-5 - B-24
WC723RB N1, WC723RB N2	C-1 - D-12
WCF26RH N2	D-13 - F-18
WCN27RB N2	F-19 - H-24
WCN29RT N2	I-1 - K-6

**1982 WC723RB N1, WC723RB N2 INDEX**

Floor Plan	C-1 - C-2
Accessories Group	C-3 - C-4
Bath Group	C-5
Chassis Group	C-6
Curtain, Cushion & Pad Group	C-7 - C-10
Dinette Group	C-11
Driver's Compartment Group	C-12 - C-13
Electrical Group	C-14 - C-16
Exterior Body Group	C-17 - C-22
Galley Group	C-23
Heating & Air Conditioning Group	C-24
Interior Finish Group	D-1 - D-2
LP Group	D-3
Lounge Group	D-4
Water & Sewage Group	D-5
Window, Vent & Exterior Door Group	D-6 - D-12

# EXTERIOR BODY GROUP (CONTINUED)

## LABELS, DECALS AND EXTERIOR PAINT



Key	Part Number	U/M	Description
1	068619-01-000	EA	Decal - Front Cap - Right Hand
2	050313-07-000	EA	Decal - Logo - Winnebago - 2.8" High x 22"
3	068619-02-000	EA	Decal - Front Cap - Left Hand
4	041273-24-000	FT	Decal - Striping - .75" - Dark Blue
5	068618-01-000	EA	Decal - Striping - Side Fender - Right
6	068618-02-000	EA	Decal - Striping - Side Fender - Left
6	067773-02-000	EA	Paint - Med. Copper Metallic - Acrylic Enamel - Aerosol 16 oz (44184 Dupont)
•	045681-01-000	EA	Paint - Gloss Black - Acrylic Enamel - 1 Gallon (99A Dupont)
•	045681-03-000	EA	Paint - Gloss Black - Acrylic Enamel - 16 oz. Aerosol (99A Dupont)
•	044486-01-000	EA	Paint - Beige - Acrylic Enamel - 1 Gallon (7633A Dupont)
•	044496-03-000	EA	Paint - Beige - Acrylic Enamel - 16 oz. Aerosol (7633A Dupont)
•	044486-04-000	EA	Paint - Beige - Acrylic Lacquer - 1 Gallon
7	041273-23-000	FT	Decal - Striping - 2" - Dark Blue
8	068617-01-000	EA	Decal - Striping - Hood - .50/100" Radius - Camel Metallic
9	068620-01-000	EA	Decal - Warrior Head - Right Hand
•	068620-02-000	EA	Decal - Warrior Head - Left Hand
10	068616-01-000	EA	Decal - Warrior - Dark Blue Metallic
11	065217-06-000	FT	Film - Multi Stripe - .75" (Georgia Clay) (Dark Blue)
12	041273-28-000	FT	Decal - Striping 1.5" - Camel Metallic
13	065217-07-000	FT	Film - Multi Stripe - .75" - Camel Metallic
14	069643-01-000	EA	Decal - Brushed Al. on Lexan
•			Not illustrated

Key	Part Number	U/M	Description
	006040-01-000	EA	Tag - Gas Refueling Warning
	006062-01-000	EA	Tag - Electrical - 110 Volt Connection
	006023-01-000	EA	Label - Water Only
	006025-01-000	EA	Label - Gas
	006028-01-000	EA	Label - Drain Caps - 2" x 3"
	006031-01-000	EA	Label - Potable Water Only
	006064-01-000	EA	Label - Seat w/o Seatbelt
	006187-01-000	EA	Label - Sewage
	006188-01-000	EA	Label - Waste Water
	006198-01-000	EA	Label - Exit - Escape Window
	057467-01-000	EA	Label - Warning - Exterior Loading Limit
	061417-01-000	EA	Label - Fuel
	047731-01-000	EA	Label - Emergency Exit
	050225-01-000	EA	Label - Warning - Stove Vent - U.S.
	054531-01-000	EA	Label - LP Gas Only
	008092-01-000	EA	Reflector - Stick On - Rectangular - Red
	008093-01-000	EA	Reflector - Stick On - Rectangular - Amber

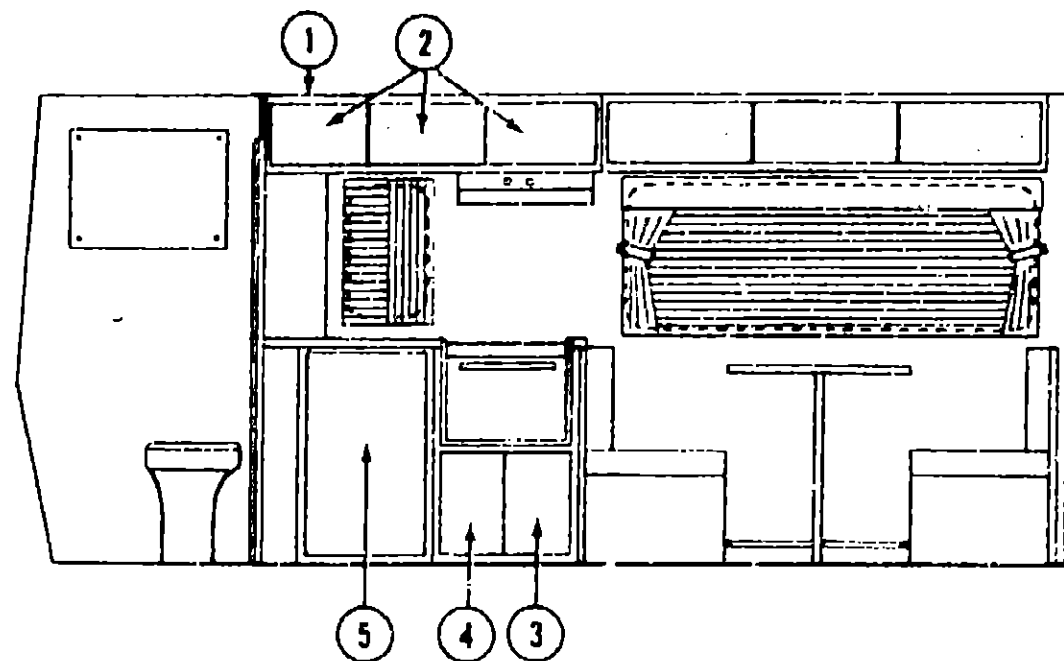
## 1982 WINNEBAGO TABLE OF CONTENTS

Introduction	A-1
Abbreviations	A-1
Alphabetical Index	A-2 - A-4
WC420RG N2	A-5 - B-24
WC723RB N1, WC723RB N2	C-1 - D-12
WCF26RH N2	D-13 - F-18
WCN27RB N2	F-19 - H-24
WCN29RT N2	I-1 - K-6

## 1982 WC723RB N1, WC723RB N2 INDEX

Floor Plan	C-1 - C-2
Accessories Group	C-3 - C-4
Bath Group	C-5
Chassis Group	C-6
Curtain, Cushion & Pad Group	C-7 - C-10
Dinette Group	C-11
Driver's Compartment Group	C-12 - C-13
Electrical Group	C-14 - C-16
Exterior Body Group	C-17 - C-22
Galley Group	C-23
Heating & Air Conditioning Group	C-24
Interior Finish Group	D-1 - D-2
LP Group	D-3
Lounge Group	D-4
Water & Sewage Group	D-5
Window, Vent & Exterior Door Group	D-6 - D-12

## GALLEY GROUP



## GALLEY CABINETRY

Key	Part Number	U/M	Description
1	068998-01-N19	EA	Cabinet Asm. - Galley Overhead - w/o Doors or Hardware
2	068726-01-N19	EA	Door Asm. - Galley Overhead - 10" x 17.5" - w/o Hardware
3	068726-04-N19	EA	Door Asm. - Galley Cabinet - 10" x 17.5" - w/o Hardware - Right
4	068726-07-N19	EA	Door Asm. - Galley Cabinet - w/Steel Spacer - 10" x 17.5" w/o Hardware - Left
5	068726-05-N19	EA	Door Asm. - Galley Cabinet - 21.5" x 33.5" - w/o Hardware
	068700-01-000	EA	Drawer Asm. - Plastic - Galley Cabinet - 13" x 20" - w/o Hardware
	M00654-01-M19	EA	Countertop Asm. - Galley Cabinet - Hot Plate - Brown
	M00654-01-M20	EA	Countertop Asm. - Galley Cabinet - Hot Plate - Paper Bag Brown (M33)
	M00655-01-M19	EA	Countertop Asm. - Galley Cabinet - Oven Range - Single Faucet - Brown
	M00655-01-M20	EA	Countertop Asm. - Galley Cabinet - Oven Range - Single Faucet - Paper Bag Brown (M33)
	M00655-02-N19	EA	Countertop Asm. - Galley Cabinet - Oven Range - Dual Faucet - Brown
	M00655-02-N20	EA	Countertop Asm. - Galley Cabinet - Oven Range - Dual Faucet - Paper Bag Brown (N33)
	M00769-01-N20	EA	Countertop Asm. - Refrigerator - Paper Bag Brown (N33)
	M00769-01-N19	EA	Countertop Asm. - Refrigerator - Brown
	068726-04-N19	EA	Door Asm. - Refrigerator Cabinet - 10" x 17.5" - w/o Hardware - Right
	068726-03-N19	EA	Door Asm. - Refrigerator Cabinet - 10" x 17.5" - w/o Hardware - Left
			Not illustrated

## GALLEY HARDWARE AND APPLIANCES

Key	Part Number	U/M	Description
	068615-02-000	EA	Sink - Double - Stainless Steel w/Bolts
**	011053-01-000	EA	Faucet - 8" - Swing Spout - U.S.
	011053-02-000	EA	Faucet - 8" - Swing Spout - CSA
	067488-01-000	EA	Pump - Hand - Galley - Chrome
**	067051-02-000	EA	Stove Splatter Guard - Safety Glass
	066437-01-000	EA	Strainer - Sink - w/Basket
	049930-03-000	EA	Hood - Stove - Powered - Black Face
	053333-01-000	EA	Hood - Stove - Non Power - Black Face
	064473-02-000	EA	Refrigerator - 3 Way - 6 cu. ft. Norcold
	054450-01-000	EA	Level - Refrigerator
	067754-01-000	EA	Range - 3 Burner - Small Oven - Black - Magic Chef
	056913-02-000	EA	Range - 2 Burner - Permanent - No Oven
	069022-01-000	EA	Slide - Drawer - Left
**	069022-02-000	EA	Slide - Drawer - Right

## HEATING AND AIR CONDITIONING GROUP

Key	Part Number	U/M	Description
	051768-01-000	EA	A/C - Compressor Mount Package - 350 C.I.D.
	051770-01-000	EA	A/C - Compressor - Rotolock - 10.3"
	056460-01-000	EA	A/C - Condenser Asm. - 350 C.I.D. C-Body
	056455-01-000	EA	A/C - Evaporator Asm
	024996-01-000	EA	A/C - Clutch - 6" Drive
	058119-04-000	EA	Control Asm. - Heater/Air Conditioner
	007108-01-000	FT	Hose - Heater - 5/8" ID
	007108-02-000	FT	Hose - Heater - 3/4" ID
	069385-01-000	EA	Shroud - Water Heater
	056464-01-000	EA	Register w/Damper - 4" Round
	009198-01-000	EA	Duct - Flexible - 4" I.D. x 25'
	031604-01-000	EA	Bonnet - Heat Register
	066741-01-714	EA	Thermostat - Horizontal Wall Mount
	009200-01-000	EA	Tape - Furnace - 1 1/2"
	023145-01-000	EA	Clamp - Screw Type - 4"
	050784-01-000	EA	Vent Package - Furnace - 3-6" Wall
	066741-01-711	EA	Door - Furnace - Front
	066741-03-000	EA	Furnace - 19,500 BTU - w/Direct Ignition
**	049775-02-000	EA	Shroud Asm. - Ceiling - Inside - Roof Air - Cool Only 13,500 BTU - Coleman
**	045776-01-000	EA	Shroud Asm. - Ceiling - Inside - Roof Air - Heat and Cool 13,500 BTU - Coleman
	063903-01-000	EA	Air Conditioner - 110 Volt - Roof Air 13,500 BTU - Rotary

\*\* The illustrated parts breakdown for this item is provided on the Common Items Fiche.

## 1982 WINNEBAGO TABLE OF CONTENTS

Introduction	A-1
Abbreviations	A-1
Alphabetical Index	A-2 - A-4
WC420RG N2	A-5 - B-24
WC723RB N1, WC723RB N2	C-1 - D-12
WCF26RH N2	D-13 - F-18
WCN27RB N2	F-19 - H-24
WCN29RT N2	I-1 - K-6

## 1982 WC723RB N1, WC723RB N2 INDEX

Floor Plan	C-1 - C-2
Accessories Group	C-3 - C-4
Bath Group	C-5
Chassis Group	C-6
Curtain, Cushion & Pad Group	C-7 - C-10
Dinette Group	C-11
Driver's Compartment Group	C-12 - C-13
Electrical Group	C-14 - C-16
Exterior Body Group	C-17 - C-22
Galley Group	C-23
Heating & Air Conditioning Group	C-24
Interior Finish Group	D-1 - D-2
LP Group	D-3
Lounge Group	D-4
Water & Sewage Group	D-5
Window, Vent & Exterior Door Group	D-6 - D-12

## INTERIOR FINISH GROUP

### PANELING AND COUNTERTOP MATERIALS

Key	Part Number	U/M	Description
	068344-04-000	SF	Paneling - 772 Birch - 48" x 96" (32SF)
	068343-12-000	SF	Paneling - Decor Suede Arcs - Brown - 48" x 96" (32SF) (N19)
	068343-13-000	SF	Paneling - Decor Suede Arcs - Blue - 48" x 96" (32SF) (N20)
	068343-14-000	SF	Paneling - Decor Suede Arcs - Rust - 48" x 96" (32SF) (N33)
	068344-06-000	SF	Paneling - Wall - Suede Craft - 48" x 96" (32SF) (N19, N20, N33)
	068341-03-000	SF	Plastic Laminate - Paper Bag Brown - 48" x 96" (32SF) (N20, N33)
	068341-04-000	SF	Plastic Laminate - Mocha Brown - 48" x 96" (32SF) (N19)

### INTERIOR MOLDINGS AND TRIMS

Key	Part Number	U/M	Description
	047354-06-000	EA	Ball Strip - Suede Beige (N19, N20, N33)
	068345-06-000	EA	Ball Strip - Decorative Arcs - Brown (N19)
	068345-07-000	EA	Ball Strip - Decorative Arcs - Blue (N20)
	068345-08-000	EA	Ball Strip - Decorative Arcs - Rust (N33)
	009812-10-000	FT	Molding - Corner - Outside 50"
	022992-03-000	FT	Molding - Reverse Cove - Sandalwood
	009767-06-000	FT	Wetling - Beige
	009778-03-000	FT	U-Channel - 1" - Light Brown
	068950-02-000	EA	Panel Asm. - Wingwall Transition - Plastic - Inner Left Hand
	068950-01-000	EA	Panel Asm. - Wingwall Transition - Plastic - Inner Right Hand
	052859-01-N01	FT	Trim Asm. - Accent - Medium Almond - Vinyl

### CABINETS AND TABLE HARDWARE

Key	Part Number	U/M	Description
**	057898-01-000	EA	Hidden Latch - Cabinet Door
**	057898-02-000	EA	Strike - Hidden Latch - Cabinet Door
	053331-02-000	EA	Hinge - Cabinet Door - Overlay - Flat Black
	009112-01-000	EA	Flange - 1" - Closet Rod
	024276-10-000	EA	Leg Asm. - Table - Beige - 29 7/8"
	024282-01-000	EA	Brace - Table Leg
	069022-01-000	EA	Slide - Drawer - Left
	069022-02-000	EA	Slide - Drawer - Right
	024275-05-000	EA	Rod - Table Lift - Beige - 8" x 23 5/8"
	024281-07-000	EA	Bracket - Table Lift - Lower Wall Mount - Beige
	049493-03-000	EA	Catch - Table Leg - Mounts on Floor
	053200-05-000	EA	Bracket - Table Lift - Upper Wall Mount - Beige
	045795-03-000	EA	Glass Holder - Light Oak - Plastic

\*\* The illustrated parts breakdown for this item is provided on the Common Items Fiche

## INTERIOR FINISH GROUP (CONTINUED)

### CURTAIN HARDWARE

Key	Part Number	U/M	Description
	058001-01-000	EA	Bracket - Shade - Left
	058001-01-000	EA	Bracket - Shade - Right
	009107-01-000	EA	Guide - Nylon Snap - Curtain
	018031-48-000	EA	Track - Curtain - "L" Rod - Alum. Extr. - 182"
	009701-01-000	EA	Carrier - "L" Rod - Curtain
	009702-01-000	EA	End Stop - "L" Rod - Curtain
	056115-01-000	YD	Tape - Plastic - Clear - w/Guides
	056116-01-000	FT	Track - Curtain - Brown Plastic
	037872-01-000	EA	Rod - Curtain - Double Extension - 48" x 84"
	037872-02-000	EA	Bracket - Curtain Rod
	056784-01-000	EA	Pull - Window Shade - Antique Brass
	048394-01-000	YD	Tape - Hook - 1" x 25 yd. - Beige
	048395-01-000	YD	Tape - Loop - 1" x 25 yd. - Beige

### FABRICS AND FLOOR COVERINGS

Key	Part Number	U/M	Description
	069728-02-000	YD	Fabric - Drapery - Coffee - Dark Brown (N19)
	064393-05-000	YD	Fabric - Drapery - Satin - Beige (N20) (N33)
	068338-17-000	YD	Fabric - Upholstery - Beige/Caramel (N19)
	068338-18-000	YD	Fabric - Upholstery - Navy (N20)
	068338-26-000	YD	Fabric - Upholstery - Rust (N33)
	038421-01-000	YD	Ticking - Mattress - Gold
	070502-01-000	YD	Vinyl - Nonexpanded - 12 Gauge Film - Medium Almond
	069730-03-000	SY	Carpet - Pecan

### MISCELLANEOUS PARTS

Key	Part Number	U/M	Description
	053552-01-N07	EA	Handle Asm. - Interior Assist - Medium Almond Vinyl
	041944-01-700	EA	Fire Extinguisher - w/Bracket - Dry Chemical
	041944-03-000	EA	Fire Extinguisher - w/Bracket - 5BC (Calif.)
	054185-14-000	EA	Owner's Manual - 1982 - Winnebago & Itasca
	007038-01-000	EA	Door Mat - Black Rubber - 10 1/2" x 26" w/Winnebago Logo

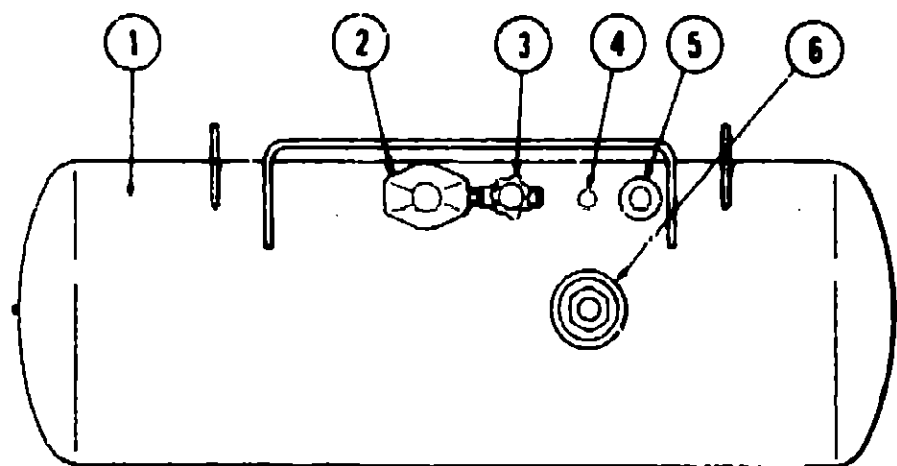
## 1982 WINNEBAGO TABLE OF CONTENTS

Introduction	A-1
Abbreviations	A-1
Alphabetical Index	A-2 - A-4
WC420RG N2	A-5 - B-24
WC723RB N1, WC723RB N2	C-1 - D-12
WCF26RH N2	D-13 - F-18
WCN27RB N2	F-19 - H-24
WCN29RT N2	I-1 - K-6

## 1982 WC723RB N1, WC723RB N2 INDEX

Floor Plan	C-1 - C-2
Accessories Group	C-3 - C-4
Bath Group	C-5
Chassis Group	C-6
Curtain, Cushion & Pad Group	C-7 - C-10
Dinette Group	C-11
Driver's Compartment Group	C-12 - C-13
Electrical Group	C-14 - C-16
Exterior Body Group	C-17 - C-22
Galley Group	C-23
Heating & Air Conditioning Group	C-24
Interior Finish Group	D-1 - D-2
LP Group	D-3
Lounge Group	D-4
Water & Sewage Group	D-5
Window, Vent & Exterior Door Group	D-6 - D-12

## LP GROUP

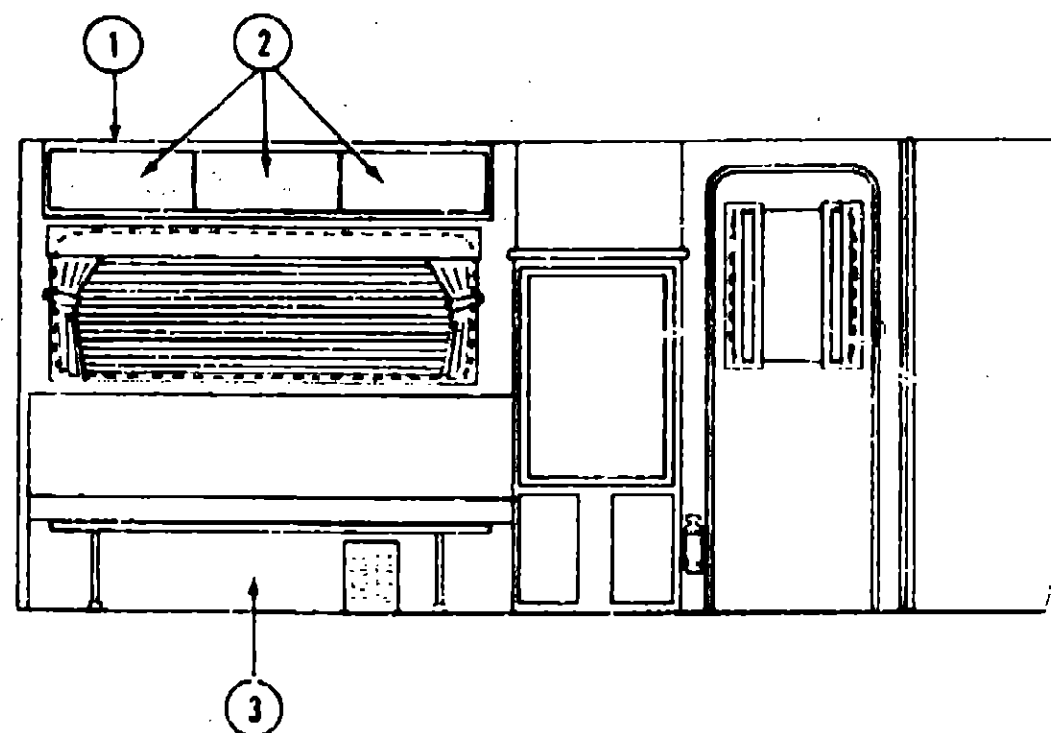


Key	Part Number	U/M	Description
1	062026-01-000	EA	Tank Asm. - LP - 10" x 23" - 28 Pound
1	063378-01-000	EA	Tank Asm. - LP - 13" x 44" - 80 Pound
1	065275-01-000	EA	Tank Asm. - LP - 14" x 40" - Dual Draw
2	058706-01-000	EA	Cover - Regulator - 2 Stage
2	058705-01-000	EA	Regulator - Two Stage - LP Gas
3	040421-01-703	EA	Valve - Vapor Relief
4	040421-01-700	EA	Gauge - Liquid Level - 20% LP
5	040421-01-701	EA	Valve - Filler - LP
5	040421-01-702	EA	Cap - Plastic Fill Valve
6	040421-01-707	EA	Gauge - Float - w/Visible Dial - 80 <sup>3</sup> Pound Tank
6	040421-01-706	EA	Dial - Visible Face - Float Gauge ( Tank w/o Electric Transmitter)
6	040440-01-000	EA	Dial - Transmitter - 0 - 90 Ohm (Float Gauge)
6	045703-03-000	EA	Hose Asm. - LP - 3/8" I.D. x 4"
6	047737-02-000	EA	Support - LP Tank - 89.25"
6	053112-01-000	EA	Support - LP Tank - 2" x 2" x 8"
6	Not illustrated		

### WINN AIR LANDI-HARTOG (C-RODY)

Key	Part Number	U/M	Description
	065279-01-000	EA	Relief Valve - Hydrostatic
	065287-02-000	EA	Valve - Gasoline Shut-Off
	065820-02-000	EA	Hose Asm. - High Pressure - 36"
	065820-01-000	EA	Hose Asm. - High Pressure - 95"
	067290-01-001	EA	Hose - Vapor 5/8" x 51"
	068050-04-000	EA	LP Mixer
	068163-01-000	EA	Strap - Converter Brace
	068197-01-000	EA	Instrument Asm. - LP
	068240-01-000	EA	Support Brace - Converter
	035927-01-002	EA	Steel Rod - Threaded - 1/4" - 20 x 9"
	068143-01-000	EA	Tube Asm. - Converter - Copper w/Flare Nuts - 5/16" x 270° Bend
	065802-01-000	EA	Gauge - LP Level w/Hardware
	068050-05-000	EA	Switch - LP/Gas Changeover
	068050-01-000	EA	Converter - LP
	068050-02-000	EA	LP Lock Off
	068050-03-000	EA	Switch - LP - Vacuum Safety

## LOUNGE GROUP



### CONVERTIBLE COUCH AND OVERHEAD CABINET

Key	Part Number	U/M	Description
1	068907-01-N19	EA	Cabinet Asm. - Lounge Overhead - w/o Doors or Hardware
2	068726-02-N19	EA	Door Asm. - Lounge Overhead Cabinet - 10" x 23" - w/o Hardware
3	089003-01-N19	EA	Cabinet Asm. - Couch - w/o Door or Hardware
3	058875-02-000	EA	Leg Asm. (2 per couch)
3	022517-01-000	EA	End Cap - Leg - 1" x 1" - Brown
3	053163-01-000	EA	Bracket - Couch Slide
3	053347-01-000	EA	Wire - Pin - Spring - 3/32"
3	053348-01-000	EA	Steel Pin - 1/4" x 4" - 3/32" Hole
3	054398-01-000	EA	Bracket - Center Support - Lester Lounge - Brown
3	Not illustrated		

## 1982 WINNEBAGO TABLE OF CONTENTS

Introduction	A-1
Abbreviations	A-1
Alphabetical Index	A-2 - A-4
WC420FG N2	A-5 - B-24
WC723RB N1, WC723RB N2	C-1 - D-12
WCF26RH N2	D-13 - F-18
WCN27RB N2	F-19 - H-24
WCN29RT N2	I-1 - K-6

### 1982 WC723RB N1, WC723RB N2 INDEX

Floor Plan	C-1 - C-2
Accessories Group	C-3 - C-4
Bath Group	C-5
Chassis Group	C-6
Curtain, Cushion & Pad Group	C-7 - C-10
Dinette Group	C-11
Driver's Compartment Group	C-12 - C-13
Electrical Group	C-14 - C-16
Exterior Body Group	C-17 - C-22
Galley Group	C-23
Heating & Air Conditioning Group	C-24
Interior Finish Group	D-1 - D-2
LP Group	D-3
Lounge Group	D-4
Water & Sewage Group	D-5
Window, Vent & Exterior Door Group	D-6 - D-12

# WATER AND SEWAGE GROUP

## PLUMBING REPAIR PARTS

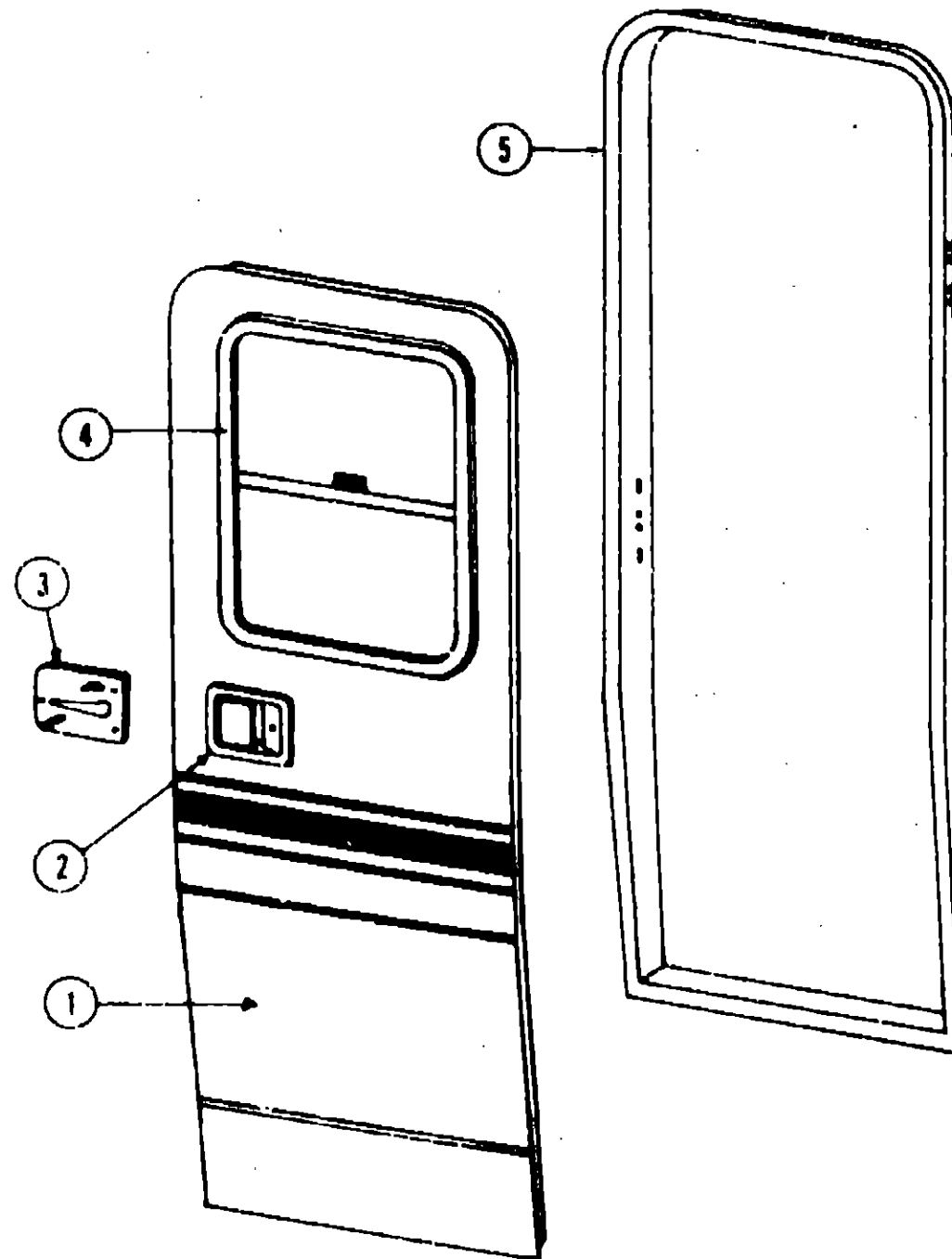
Key	Part Number	U/M	Description
..	063646-01-000	EA	Pump - Water - 2.8 G.P.M. - Direct Drive - US
..	063646-02-000	EA	Pump - Water - 2.8 G.P.M. - Direct Drive - CSA
..	045729-01-000	EA	Pump - Water - 2.8 G.P.M. - Direct Drive - Shurflo - US
..	045729-02-000	EA	Pump - Water - 2.8 G.P.M. - Direct Drive - Shurflo - CSA
..	039647-02-000	EA	Filter - Water Pump - 1/2" MPT
..	039647-03-000	EA	Filter - Water Pump - 1/2" Flare
..	052962-01-000	EA	Valve - Stool - 90° 1/2 F x 3/8 MPT
..	039818-01-000	EA	Riser Asm. - 3/8" O.D. x 24" Tube
..	039818-02-000	EA	Riser Asm. - 3/8" O.D. x 36" Tube
..	039818-04-000	EA	Riser Asm. - 3/8" O.D. x 72" Tube
..	039818-05-000	EA	Riser Asm. - 3/8" O.D. x 48" Tube
..	035539-01-000	EA	Elbow - Plastic - 3/8 MPT x 3/8 Barb
..	052952-01-000	EA	Nut - Plastic - 1/2 F
..	052953-01-000	EA	Nut - Faucet - 1/2 Tube x 1/2 FPT
..	052954-01-000	EA	Adapter - Nose Cone - 3/8 or 1/2
..	052958-01-000	EA	Tee - Plastic - 1/2 F x 1/2 F x 1/2 F
..	052959-02-000	EA	Connector - Plastic - 1/2 F x 1/2 MPT
..	052959-03-000	EA	Connector - Plastic - 1/2 F x 3/8 MPT
..	052960-01-000	EA	Drain Valve - Line - 1/2 F x 1/2 F
..	052961-01-000	EA	Header - 1/2 F x 1/2 F x 1/2 F
..	004020-01-000	QT	Adhesive - ABS Cement
..	010201-01-000	EA	Hose - Sewer - 3" x 8 ft. w/Clamp
..	062415-01-000	EA	Cap - Sewer - 3"
..	062416-01-000	EA	Hose - Adapter - 3"
..	062417-01-000	EA	Adapter - Termination - 3"
..	062418-01-000	EA	Valve - 3" w/o Handle
..	062421-01-000	EA	Valve - 1 1/2" - w/Handle
..	010006-01-000	EA	Elbow - Plastic - 1 1/2" x 45° H x H
..	010008-01-000	EA	Elbow - Plastic - 1 1/2" x 90° x Long Turn
..	010134-01-000	EA	Adapter - Plastic - 1 1/2" M x MPT
..	063341-01-000	EA	Ring - Closet - Plastic - 4" F x 3" Spigot - 2 3/4"
..	011091-01-000	EA	Waste - Continuous - Double Sink - 11 7/8"
..	053335-01-000	EA	P-Trap - Plastic - 1 1/4"
..	010071-01-000	EA	Tee - Plastic - 1 1/2" H x 1 1/2" H x 1 1/2" H
..	052955-01-000	EA	Tee - Plastic - 1/2" F x 1/2" F x 1/2 MPT
..	010091-01-000	EA	Wye - Plastic - 3" x 45° - H x H x H
..	010121-01-000	EA	Bushing - Plastic - 1 1/2" S x 1 1/4" H
..	031126-01-000	EA	Elbow - Plastic - 3" x 90° x Long Turn
..	010133-01-000	EA	Adapter - Trap - Plastic - 1 1/2" H x MPT
..	050780-01-000	EA	Coupler - Rubber - 3" x 3"
..	010219-01-000	EA	Elbow - 1 1/4 Barb x 1 1/4 MPT - 90°
..	044928-01-000	FT	Tubing - Flex - 1 1/4" ID x 10" Long
..	054535-01-000	EA	Vent - Mechanical - Trap Arm
..	061607-01-000	EA	Grommet - Rubber - Holding Tank - 1 1/2" NPS
..	061607-02-000	EA	Grommet - Rubber - Holding Tank - 3" NPS
..	010197-01-000	FT	Pipe - ABS Plastic - 3" x 240"
..	065979-01-000	EA	Compartment Asm. - Sewer Hose
..	052957-02-000	EA	Elbow - Plastic - 1/2" F x 1/2" MPT
..	052957-03-000	EA	Elbow - Plastic - 1/2" F x 1/4" MPT
..	061607-02-000	EA	Grommet - Holding Tank - 3" NPS
..	046524-01-000	EA	Kit - Plastic Fittings - Holding Tank
..	046524-02-000	EA	Kit - Plastic Fittings - Water Tank

The illustrated parts breakdown for this item is provided on the Common Items Fiche.

## HOLDING TANKS AND WATER HEATERS

Key	Part Number	U/M	Description
..	068520-02-000	EA	Tank Asm. - Water - 20 Gallon w/Fittings
..	068520-01-000	EA	Tank Asm. - Water - 20 Gallon w/o Fittings
..	068519-01-000	EA	Tank Asm. - Holding - 20 Gallon (Sewage) w/o Fittings
..	051391-02-000	EA	Water Heater - 4 Gallon w/o Motor Aid - Atwood G4-SM

# WINDOW, VENT AND EXTERIOR DOOR GROUP



Key	Part Number	U/M	Description
1	M68341-02-N19	EA	Door Asm. - Entry - w/Latch and Hinges
2	045017-01-000	EA	Paddle Asm. - Door Lock - Exterior
..	045017-01-700	EA	Lock Cylinder w/Keys - Lynor
..	039539-01-000	EA	Striker Bolt - Entry Door
..	039540-01-000	EA	Latch Claw - Entry Door
3	039979-01-000	EA	Plate - Lock - Inside - Including Inside Handle
..	052188-01-000	EA	Lock Asm. - Complete - Lynor
4	069383-01-000	EA	Window Asm. - Vertical Slider - w/o Inside Frame
..	068742-01-000	EA	Glass - Vertical Top - 1/8" x 17.4" x 11.5"
..	068743-01-000	EA	Glass - Vertical Slider - 1/8" x 17.5" x 12.6"
..	047369-01-700	EA	Latch - Window - Plastic w/Fastener
..	068752-01-000	EA	Inside Frame - Vertical Slider
5	068675-01-000	EA	Jamb Asm. - Entry Door - Beige
..	064075-01-000	FT	Seal - Entry Door Jamb - Rubber
..	068723-01-000	EA	Hinge Asm. - Entry Door - Lower
..	068720-01-000	EA	Hinge Asm. - Entry Door - Upper
..	..	..	Not illustrated

## 1982 WINNEBAGO TABLE OF CONTENTS

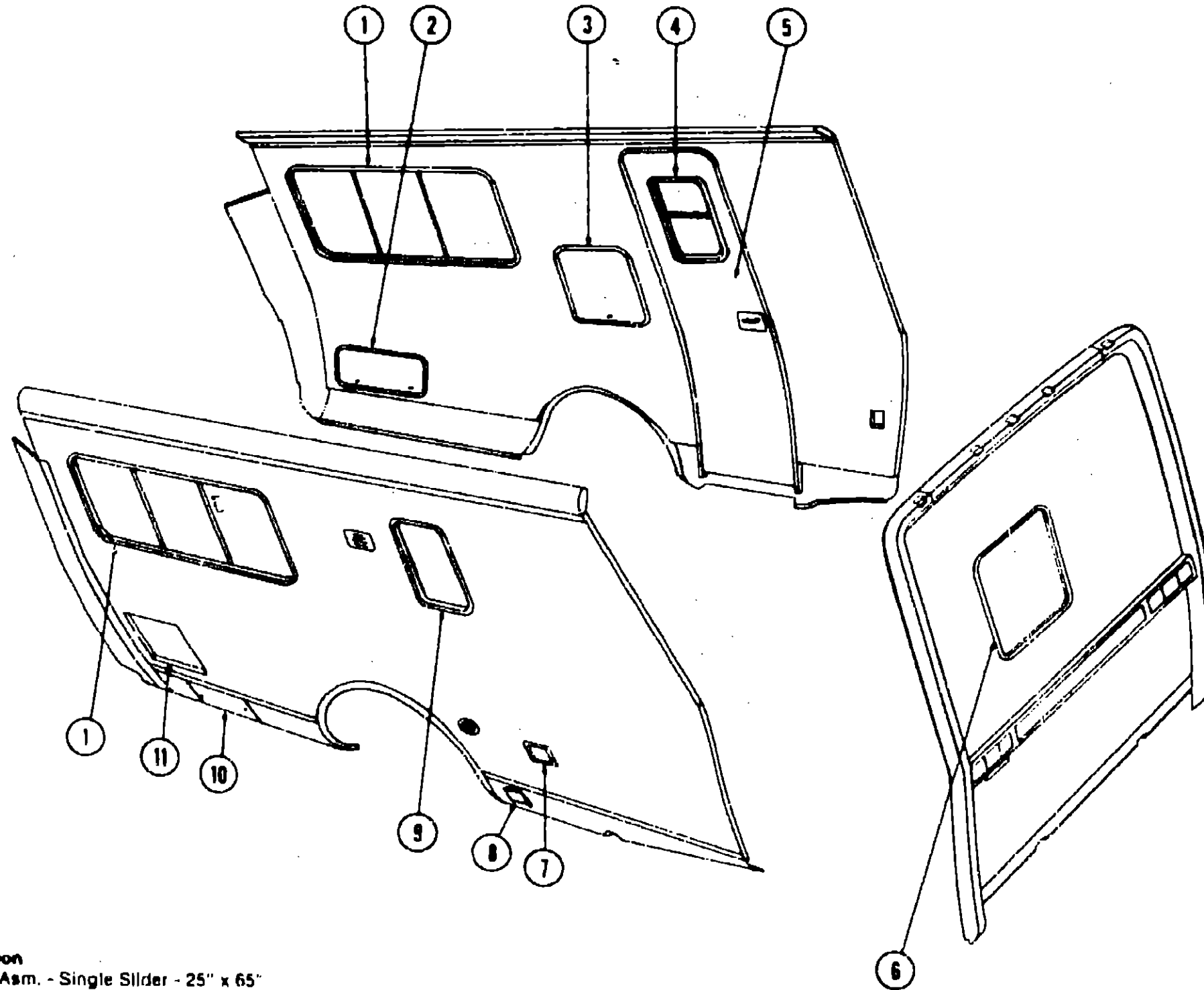
Introduction	A-1
Abbreviations	A-1
Alphabetical Index	A-2 - A-4
WC420RG N2	A-5 - B-24
WC723RB N1, WC723RB N2	C-1 - D-12
WCF26RH N2	D-13 - F-18
WCN27RB N2	F-19 - H-24
WCN29RT N2	I-1 - K-6

## 1982 WC723RB N1, WC723RB N2 INDEX

Floor Plan	C-1 - C-2
Accessories Group	C-3 - C-4
Bath Group	C-5
Chassis Group	C-6
Curtain, Cushion & Pad Group	C-7 - C-10
Dinette Group	C-11
Driver's Compartment Group	C-12 - C-13
Electrical Group	C-14 - C-16
Exterior Body Group	C-17 - C-22
Galley Group	C-23
Heating & Air Conditioning Group	C-24
Interior Finish Group	D-1 - D-2
LP Group	D-3
Lounge Group	D-4
Water & Sewage Group	D-5
Window, Vent & Exterior Door Group	D-6 - D-12

# WINDOW, VENT AND EXTERIOR DOOR GROUP (CONTINUED)

## WINDOWS AND ACCESS DOORS



Key	Part Number	U/M	Description
1	066785-03-000	EA	Window Asm. - Single Slider - 25" x 65"
2	064842-02-000	EA	Door Asm. - Luggage - Beige - w/Key Lock
2	064841-02-000	EA	Door Asm. - Generator - Beige - w/Twist Lock
3	059247-05-000	EA	Door Asm. - Refrigerator Access - Beige - w/Twist Lock
4	069383-01-000	EA	Window Asm. - Entrance Door - 17.8" x 23" (w/o Inside Frame)
5	M89341-02-N19	EA	Door Asm. - Entry - w/Latch and Hinges
6	020751-03-000	EA	Window Asm. - Rear Escape - 23" x 29" (w/o Inside Frame)
7	NOTE	EA	Door Asm. - Power Cord (See Access Doors)
8	NOTE	EA	Door Asm. - Fuel Fill (See Access Doors)
9	041875-02-000	EA	Window Asm. - Picture - 13" x 23" (w/o Inside Frame)
10	068957-01-000	EA	Door Asm. - Beige - w/Twist Lock
11	052009-02-000	EA	Door Asm. - Water Heater - Beige

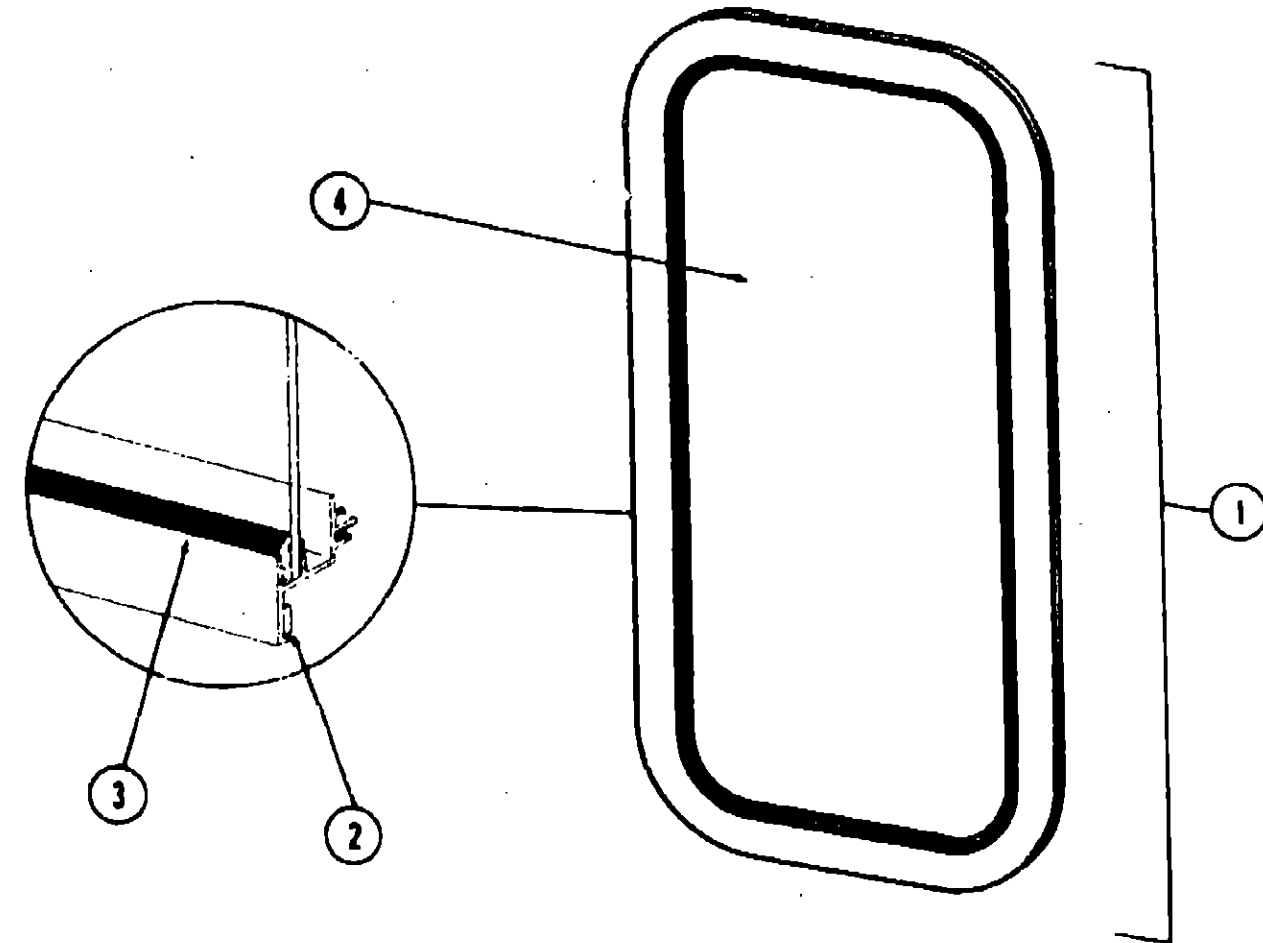
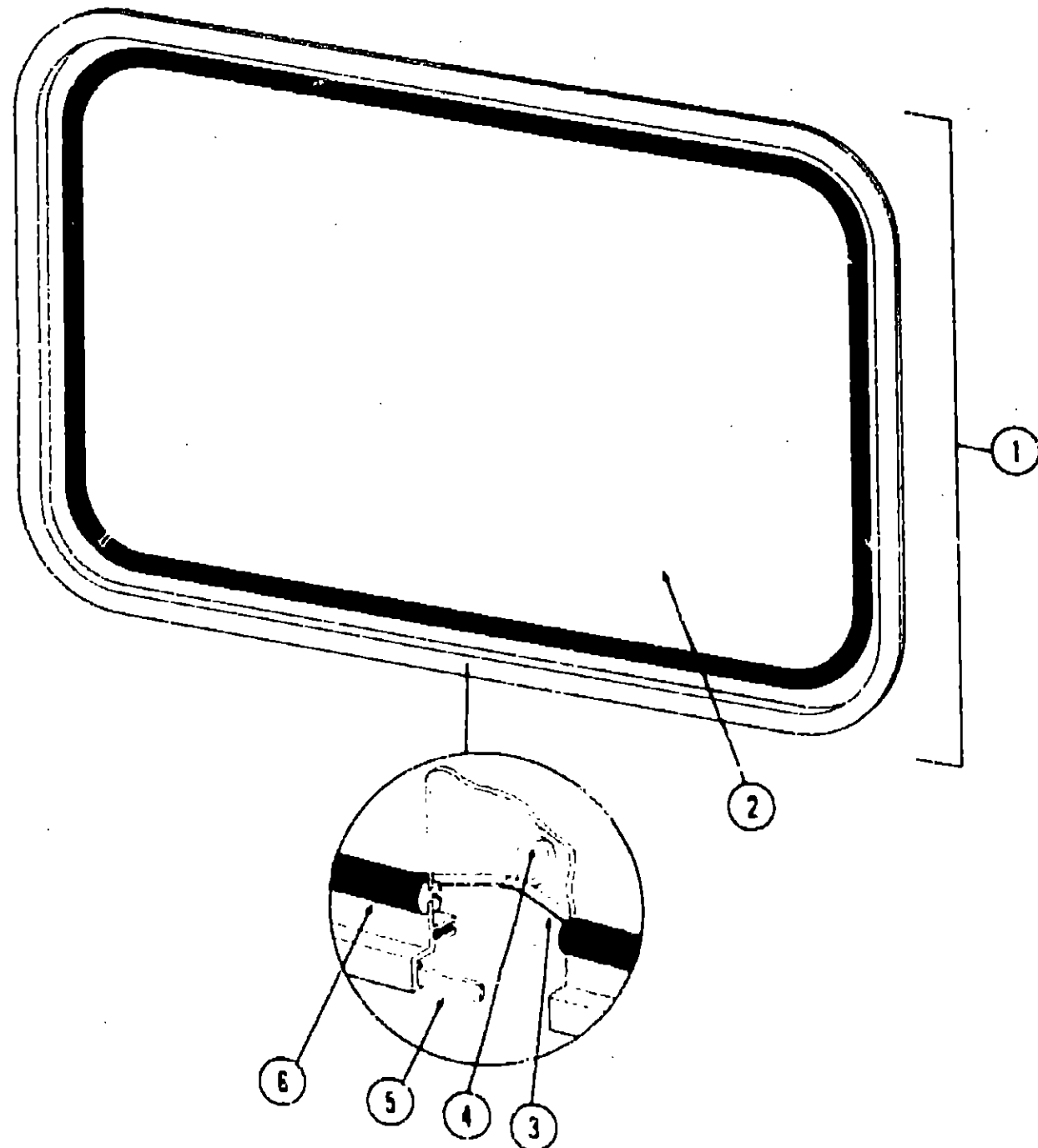
## 1982 WINNEBAGO TABLE OF CONTENTS

Introduction	A-1
Abbreviations	A-1
Alphabetical Index	A-2 - A-4
WC420RG N2	A-5 - B-24
WC723RB N1, WC723RB N2	C-1 - D-12
WCF26RH N2	D-13 - F-18
WCN27RB N2	F-19 - H-24
WCN29RT N2	I-1 - K-6

## 1982 WC723RB N1, WC723RB N2 INDEX

Floor Plan	C-1 - C-2
Accessories Group	C-3 - C-4
Bath Group	C-5
Chassis Group	C-6
Curtain, Cushion & Pad Group	C-7 - C-10
Dinette Group	C-11
Driver's Compartment Group	C-12 - C-13
Electrical Group	C-14 - C-18
Exterior Body Group	C-17 - C-22
Galley Group	C-23
Heating & Air Conditioning Group	C-24
Interior Finish Group	D-1 - D-2
LP Group	D-3
Lounge Group	D-4
Water & Sewage Group	D-5
Window, Vent & Exterior Door Group	D-6 - D-12





Key	Part Number	U/M	Description
1	020751-03-000	EA	Window Asm. - Rear Escape - 23" x 29" - Black Anod (w/o inside frame)
2	002174-01-000	EA	Glass - 1/8" x 19.6" x 25.9"
3	002285-01-000	FT	Filler - Weatherstrip - Black
4	020395-01-000	EA	Pull Ring - Escape Window
5	069640-01-000	FT	Tape - 1/4" Bead x 20' - Gray - 3M
6	002282-01-000	FT	Weatherstrip - .125" Window
*	020749-05-000	EA	Frame - Inside - Escape Window - 23" x 29" Beige (not included in assembly)
*	006199-01-000	EA	Label - Exit - Escape Window
*	Not illustrated		

Key	Part Number	U/M	Description
1	041875-02-000	EA	Window Asm. - Picture - 13" x 13" - Black (w/o inside frame)
2	069640-01-000	FT	Tape - 1/4" Bead x 20' - Gray - 3M
3	002309-02-000	FT	Spine - Glass - 1/8" - Black
4	002181-01-000	EA	Glass - .115" x 12" x 22"
*	041896-15-000	EA	Frame - Inside - Window - Beige (not included in assembly)
*	Not illustrated		

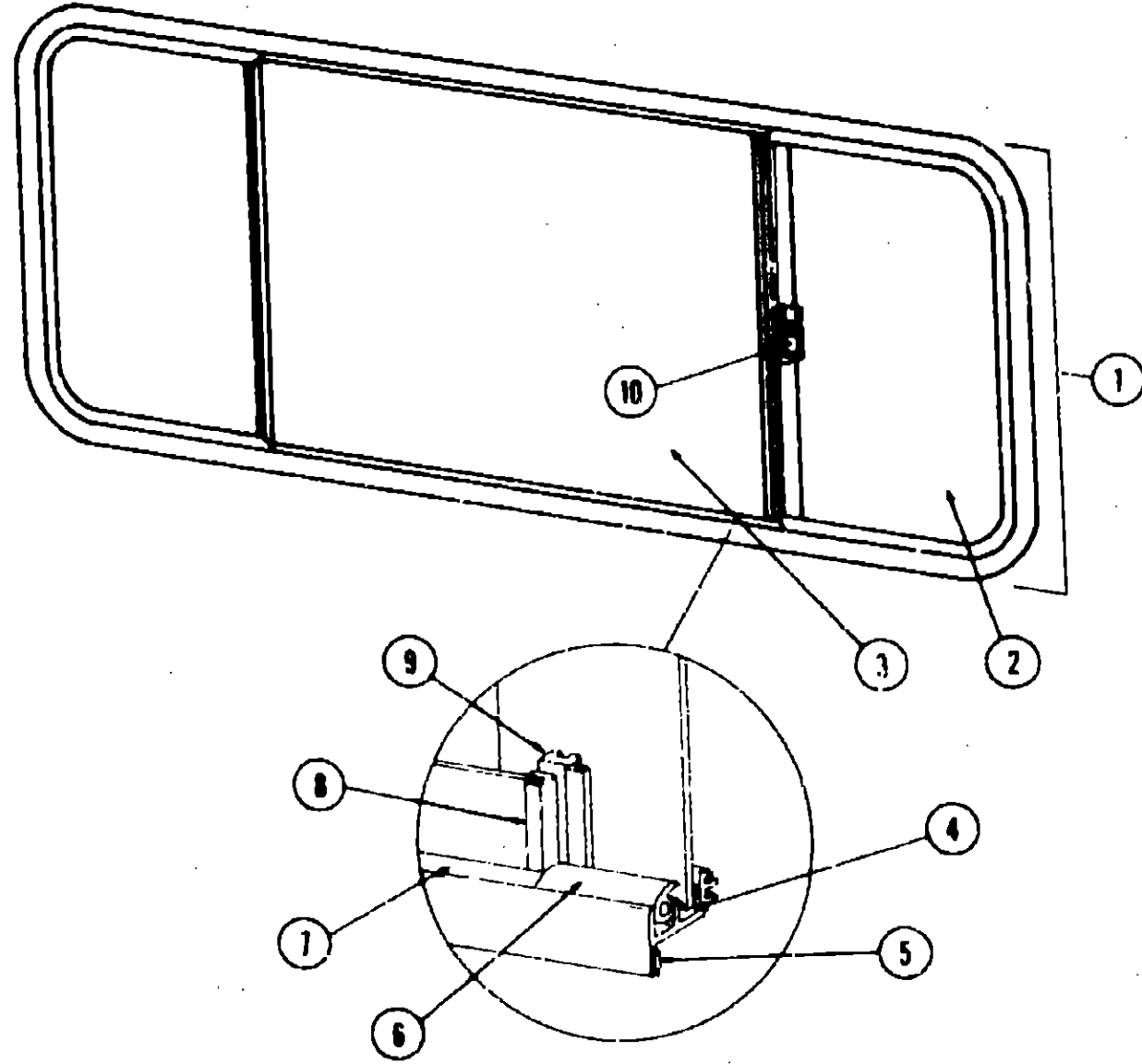
1982 WINNEBAGO  
TABLE OF CONTENTS

Introduction	A-1
Abbreviations	A-1
Alphabetical Index	A-2 - A-4
WC420RG N2	A-5 - B-24
WC723RB N1, WC723RB N2	C-1 - D-12
WCF26RH N2	D-13 - F-18
WCN27RB N2	F-19 - H-24
WCN29RT N2	I-1 - K-6

1982 WC723RB N1, WC723RB N2 INDEX

Floor Plan	C-1 - C-2
Accessories Group	C-3 - C-4
Bath Group	C-5
Chassis Group	C-6
Curtain, Cushion & Pad Group	C-7 - C-10
Dinette Group	C-11
Driver's Compartment Group	C-12 - C-13
Electrical Group	C-14 - C-16
Exterior Body Group	C-17 - C-22
Galley Group	C-23
Heating & Air Conditioning Group	C-24
Interior Finish Group	D-1 - D-2
LP Group	D-3
Lounge Group	D-4
Water & Sewage Group	D-5
Window, Vent & Exterior Door Group	D-6 - D-12

**WINDOW, VENT AND EXTERIOR DOOR GROUP (CONTINUED)**



Key	Part Number	U/M	Description
1	066785-03-000	EA	Window Asm. - Single Slider - 25" x 65"
.	042133-14-000	EA	Inside Frame - Beige (not included in assembly)
2	066726-02-000	EA	Glass - Stationary - 1/8" x 21" x 24"
3	066727-02-000	EA	Glass - Sliding - 1/8" x 25.5" x 24"
4	002324-02-000	FT	Channel - 1/2" Leatherstrip - Glass
5	069640-01-000	FT	Tape - 1/4" Bead x 20" - Gray - 3M
6	057374-02-000	FT	Extr. Vinyl - Window Seal - Black
7	002309-02-000	FT	Spline - Glass - 1/8" Material - Black
8	069666-03-003	EA	Extr. - Holder - Glass Seal - 23.19" - Black
9	069396-02-000	EA	Mullion - Sliding Window - 23" - Black
10	047369-01-700	EA	Latch - Window - Plastic w/Fastener
.	002293-01-000	SF	Screen - Window - 25" - Gray
.	002296-01-000	FT	Spline - .130 Dia. - Gray (Screen)
.	042076-01-000	FT	Seal - Fin - Pile - .14"
.			Not illustrated

**WINDOW, VENT AND EXTERIOR DOOR GROUP (CONTINUED)**

**ACCESS DOORS**

Key	Part Number	U/M	Description
	042442-01-000	EA	Lock Asm. - Twist Type (Power Cord)
	064042-02-000	EA	Door Asm. - Luggage - Beige - w/Key Lock
	059247-05-000	EA	Door Asm. - Refrigerator Access - Beige - w/Twist Lock
	064841-02-000	EA	Door Asm. - Generator - Beige - w/Twist Lock
	052009-02-000	EA	Door Asm. - Water Heater - Beige
	047305-01-000	EA	Lock Asm. - Key Type w/Clip
	042441-01-000	EA	Lock Asm. - Key Type (Gas Filler)
	052423-02-000	EA	Door - Fuel Fill - Beige
	068958-01-000	EA	Door Asm. - LP Storage - Valance Panel - Beige
	009003-01-000	EA	Lock Asm. - Twist Type - Metal
	052424-02-000	EA	Door Jamb - Power Cord & Fuel Fill - Beige
	054543-02-000	EA	Door Hatch - Power Cord - Beige
	063742-02-000	EA	Door - Power Cord - Beige
	041312-01-000	FT	Door Seal - e/Section

**VENTS**

Key	Part Number	U/M	Description
	065103-01-000	EA	Frame - Base - Refrigerator Vent (w/o cover)
	065103-02-000	EA	Cover - Vent - Refrigerator
	049352-02-000	EA	Vent - Stove Hood - Outside - Beige
	048789-01-000	EA	Vent Asm. - Roof Powered - UNAN
	048835-01-000	EA	Vent Asm. - Roof Nonpowered - UNAN

**WINDSHIELD**

Key	Part Number	U/M	Description
	040795-02-000	EA	Glass Asm. - Windshield - Tinted

**1982 WINNEBAGO  
TABLE OF CONTENTS**

Introduction	A-1
Abbreviations	A-1
Alphabetical Index	A-2 - A-4
WC420RG N2	A-5 - B-24
WC723RB N1, WC723RB N2	C-1 - D-12
WCF26RH N2	D-13 - F-18
WCN27RB N2	F-19 - H-24
WCN29RT N2	I-1 - K-6

**1982 WC723RB N1, WC723RB N2 INDEX**

Floor Plan	C-1 - C-2
Accessories Group	C-3 - C-4
Bath Group	C-5
Chassis Group	C-6
Curtain, Cushion & Pad Group	C-7 - C-10
Dinette Group	C-11
Driver's Compartment Group	C-12 - C-13
Electrical Group	C-14 - C-16
Exterior Body Group	C-17 - C-22
Galley Group	C-23
Heating & Air Conditioning Group	C-24
Interior Finish Group	D-1 - D-2
LP Group	D-3
Lounge Group	D-4
Water & Sewage Group	D-5
Window, Vent & Exterior Door Group	D-6 - D-12