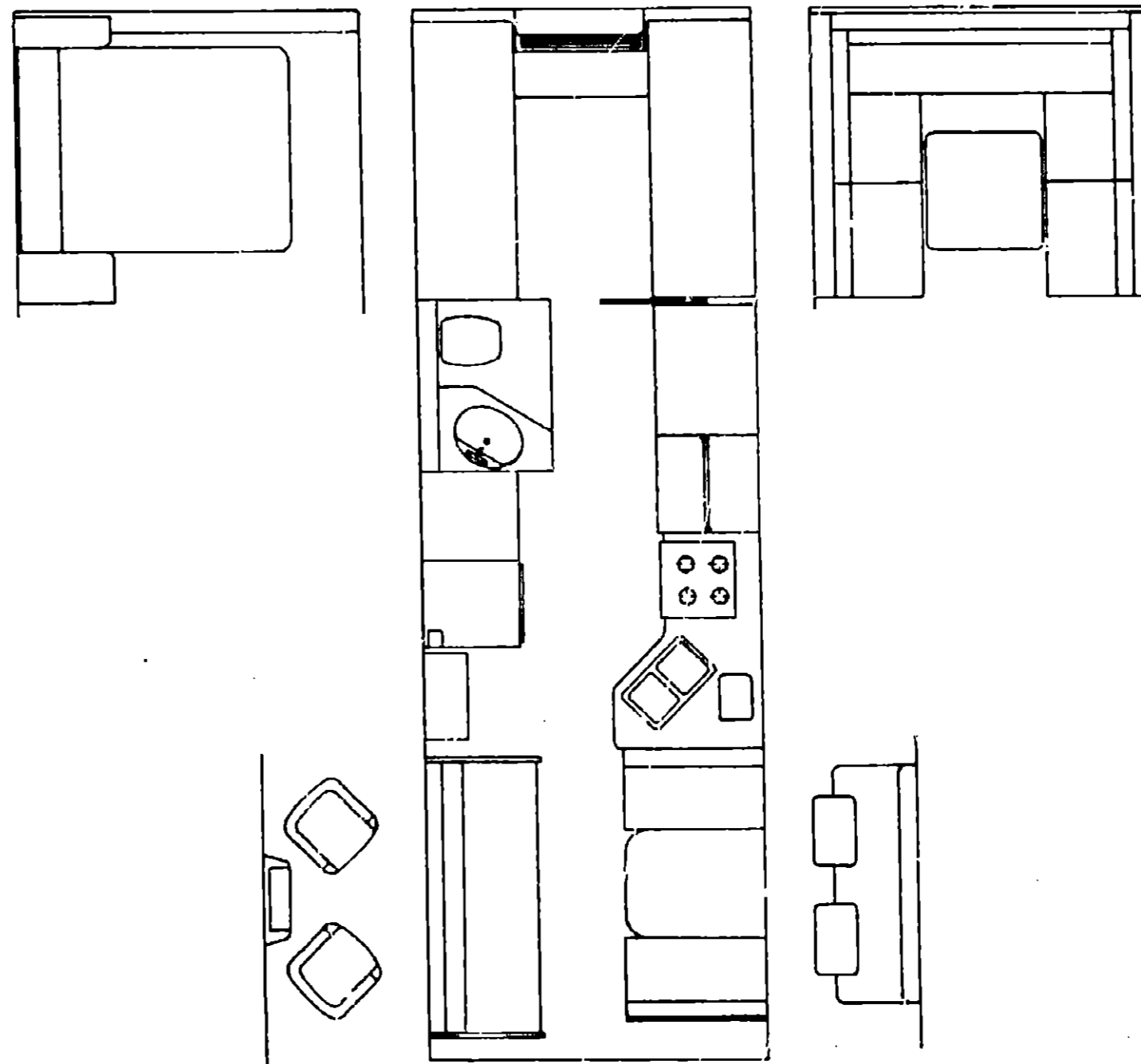


1982 ICN29RT N2

NOTE:

A model revision number has been incorporated into the unit serial number to reflect any changes made during the model year. When ordering replacement parts, refer to the sixth and seventh digits of the unit serial number to assure that the proper part is ordered. These changes will be classified as a **N-2** or **N-3**, and will be included behind the item description. The unit serial number is found on the vehicle certification label, which is located on the left sidewall at the end of the dash (**A-Body**), or on the drivers door latch plate (**C-Body**).



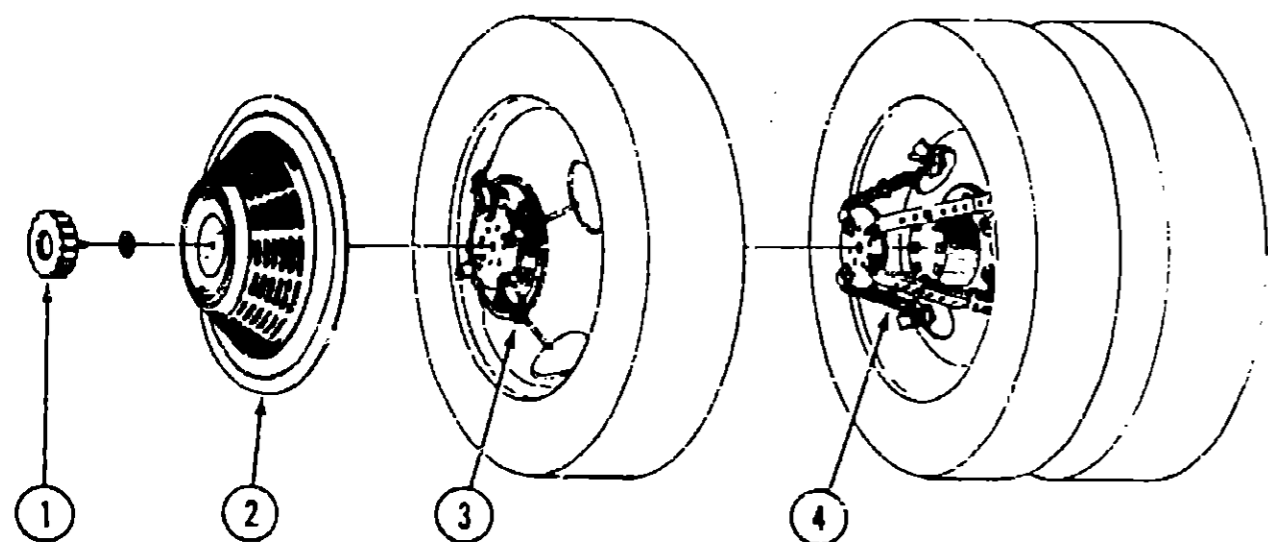
**1982 ITASCA
TABLE OF CONTENTS**

Introduction	A-1
Abbreviations	A-1
Alphabetical Index	A-2 - A-4
ICF22RB N2	A-5 - C-12
ICF26RH N2	C-13 - E-20
ICF26RB N2	E-21 - H-4
ICN27RB N2	H-5 - J-12
ICN29RT N2	J-13 - L-22

1982 ICN29RT N2 INDEX

Floor Plan	J-13 - J-14
Accessories Group	J-15 - J-17
Bath Group	J-18 - J-19
Chassis Group	J-20 - J-21
Curtain, Cushion & Pad Group	J-22 - K-6
Dinette Group	K-7 - K-8
Driver's Compartment Group	K-9 - K-12
Electrical Group	K-13 - K-15
Exterior Body Group	K-16 - K-20
Galley Group	K-21 - K-22
Heating & Air Conditioning Group	K-23
Interior Finish Group	K-24 - L-1
LP Group	L-2
Lounge Group	L-3 - L-5
Water & Sewage Group	L-6 - L-7
Window, Vent & Exterior Door Group	L-8 - L-22

ACCESSORIES GROUP



WHEEL COVER AND MOUNTING HARDWARE

Key	Part Number	U/M	Description
1	054082-02-000	EA	Retaining Nut - Delmet - Wheel Cover
2	073426-02-700	EA	Wheel Cover - Bolt On - 19.5" - Delmet (1)
3	073426-05-700	EA	Retention Bracket Asm. - Wheel Cover Support - Heavy Duty - Front (1)
4	073426-05-701	EA	Retention Bracket Asm. - Wheel Cover Support - Heavy Duty - Rear (1)
*	073426-05-000	EA	Retention Bracket Asm. - Wheel Cover Support - Heavy Duty (Set /4)
**	031395-02-000	EA	Wheel Cover - 19.5" - Clip On
*			Not illustrated
**			The illustrated parts breakdown for this item is provided on the Common Items Fiche.

GENERATORS AND INSTALLATION KITS

Key	Part Number	U/M	Description
	053753-01-000	EA	Generator - 3.5 kw Kohler
	069229-01-000	EA	Generator - 4.5 kw Kohler - US & CSA
**	051911-01-000	EA	Generator - 7.0 kw Kohler - US
	053756-01-000	EA	Generator - 7.0 kw Kohler - CSA
**	054433-01-000	EA	Generator - Onan - 6.5 kw NH
	701629-02-000	EA	Installation Package - Onan & Kohler
	024732-01-001	EA	Tailpipe - 1 1/2" x 23"
	067753-01-000	EA	Muffler - Generator - w/Spark Arrestor
	057652-01-000	EA	Muffler - Generator - 3.0 AJ
	740313-57-000	EA	Tray - Generator - 6.5 kw - Onan
	740313-72-000	EA	Tray - Generator - 3.0 kw - Onan
**			The illustrated parts breakdown for this item is provided on the Common Items Fiche.

ACCESSORIES GROUP (CONTINUED)

RADIOS AND RELATED COMPONENTS

Key	Part Number	U/M	Description
	064791-01-000	EA	Speaker - Recessed - 5 1/4"
	031105-01-000	EA	Antenna - Radio - Side Mount
	031105-01-700	EA	Holder - Antenna - Radio - Upper
	044328-01-000	EA	Switch - Fader - Speaker Balance
	064792-01-000	EA	Grille - Speaker - 5 1/4"
	064794-01-000	EA	Trim Plate - AM Radio
	054785-01-000	EA	Radio - AM
	064786-01-000	EA	Radio - AM/FM/MPX - w/8 Track
	064787-01-000	EA	Radio - AM/FM/MPX - w/Cassette
	064788-01-000	EA	Radio - AM/FM Digital - w/Cassette
	064789-01-000	EA	Radio - AM/FM Digital - w/8 Track
	056014-01-000	EA	Radio - AM/FM - Stereo Cassette
	065124-01-000	EA	Wiring - Power Adapter

MISCELLANEOUS ACCESSORIES

Key	Part Number	U/M	Description
	054185-14-000	EA	Owners Manual - Itasca & Winnebago
	006053-01-000	EA	Antenna - TV Braun Delux
	006093-01-000	EA	Jack - TV - Brown (Antenna)
	017516-01-000	EA	Mud Flap - Black - 14" x 18" w/Holes
	041944-03-000	EA	Fire Extinguisher - w/Bracket - 5 BC
	052771-02-000	EA	Oven - Microwave - Magic Chef MW207
	053287-07-000	EA	Bracket Asm. - Microwave - Right
	053287-08-000	EA	Bracket Asm. - Microwave - Left
	067125-01-000	EA	Star-doff (Support) Rack & Ladder
	067203-01-000	EA	Ladder Asm.
	067203-02-000	EA	Rack Asm. - Luggage
	067130-01-000	EA	Ladder Step
	067166-01-000	EA	End Cap - Ladder Step
	064093-01-000	EA	Luggage Carrier Assembly - 14" x 30" x 60"
	039881-01-000	EA	Catch and Strike - Luggage Carrier
	040069-01-000	EA	Door Mat - Black Rubber - 10 1/2" x 26"
	069629-01-000	EA	Speed Control Package - Electric - Chevrolet - Dana
	072852-01-000	EA	Smoke Detector w/9 Volt Battery
	055285-01-000	EA	Vacuum Cleaner - Built In - Tevis Campbell
	055285-01-700	EA	Accessories Kit - Standard - Tevis Campbell
	055285-01-701	EA	Filter - 10 per Consumer Package - Tevis Campbell
	061613-01-000	EA	Clock - Batt. Round Gold Face
	065116-01-000	EA	Mirror - West Coast - Double Mirror - Right
	065116-02-000	EA	Mirror - West Coast - Double Mirror - Left

1982 ITASCA TABLE OF CONTENTS

Introduction	A-1
Abbreviations	A-1
Alphabetical Index	A-2 - A-4
ICF22RB N2	A-5 - C-12
ICF26RH N2	C-13 - E-20
ICF26RB N2	E-21 - H-4
ICN27RB N2	H-5 - J-12
ICN29RT N2	J-13 - L-22

1982 ICN29RT N2 INDEX

Floor Plan	J-13 - J-14
Accessories Group	J-15 - J-17
Bath Group	J-18 - J-19
Chassis Group	J-20 - J-21
Curtain, Cushion & Pad Group	J-22 - K-6
Dinette Group	K-7 - K-8
Driver's Compartment Group	K-9 - K-12
Electrical Group	K-13 - K-15
Exterior Body Group	K-16 - K-20
Galley Group	K-21 - K-22
Heating & Air Conditioning Group	K-23
Interior Finish Group	K-24 - L-1
LP Group	L-2
Lounge Group	L-3 - L-5
Water & Sewage Group	L-6 - L-7
Window, Vent & Exterior Door Group	L-8 - L-22

ACCESSORIES GROUP (CONTINUED)

FRONT BUNK AND HARDWARE

Key	Part Number	U/M	Description
	058300-01-N07	EA	Cabinet Asm. - Front Overhead
	058844-01-M07	EA	Bunk Board Asm. - Front Overhead - w/Brown Rails
	058844-02-N01	EA	Bunk Board Asm. - Front Overhead - w/Off White Rails
	053773-01-000	EA	Support - Overhead Bunk - Brown - Right
	053773-02-000	EA	Support - Overhead Bunk - Brown - Left
	040071-02-000	EA	Support - Bunk - Seat Belt
	039516-03-000	EA	Catch - Bunk - Off White
	039516-02-000	EA	Catch - Bunk - Brown
	023812-26-000	EA	Rail - Bunk - 80" - Off White
	023812-22-000	EA	Rail - Bunk - 80" - Brown
	053774-02-000	EA	Torsion Rod - Overhead Bunk - Brown
	041322-01-000	EA	Washer - Flat - 15/32" I.D. x 2 3/8" O.D. - Seat Belt
	058948-01-N07	EA	Pad Asm. - Front Side Overhead - Right - Beige Vinyl
	058948-01-M04	EA	Pad Asm. - Front Side Overhead - Right - Acorn Vinyl
	058948-02-N07	EA	Pad Asm. - Front Side Overhead - Left - Beige Vinyl
	058948-02-M04	EA	Pad Asm. - Front Side Overhead - Left - Acorn Vinyl
	058948-03-N07	EA	Pad Asm. - Front Side Overhead - Driver Door - Beige Vinyl
	058948-03-M04	EA	Pad Asm. - Front Side Overhead - Driver Door - Acorn Vinyl
	048394-01-000	YD	Tape Hook - 1" x 25 YD - Beige
	048395-01-000	YD	Tape Loop - 1" x 25 YD - Beige
	007021-01-000	EA	Belt Asm. - Seat - 2" x 90" - Black

BATH GROUP

BATH CABINETRY

Key	Part Number	U/M	Description
	C51941-01-M07	EA	Cabinet Asm. - Lavatory - w/o Countertop, Doors or Hardware
	061940-01-N07	EA	Countertop Asm. - Lavatory Cabinet - Plastic Oak (N10) (N11) (N12)
	063224-18-N07	EA	Door Asm. - Rolled - Lavatory Cabinet - 20.9" x 28"
	M70661-01-N07	EA	Cabinet Asm. - Medicine - w/o Doors or Hardware
	069859-02-N07	EA	Door Asm. - Medicine Cabinet - w/Mirror - 16.1" x 30.1" - w/o Hardware
	069852-19-N07	EA	Door Asm. - Medicine Cabinet - 11.5" x 20.7" - w/o Hardware
	M00823-03-N07	EA	Door Asm. - Bathroom - 74.2" x 23" - w/o Towel Rack or Hardware
	069859-03-N07	EA	Door Asm. - Wardrobe - 16.1" x 46.1" - w/Mirror w/o Hardware
	M69856-03-N07	EA	Door Asm. - Furnace - 22.2" x 14.7" - w/o Hardware
	062906-01-000	EA	Door Asm. - Shower - Folding - Complete w/Frame
	M65889-01-N07	EA	Door Asm. - Sliding - 28" x 74.1" - w/o Hardware
	069859-04-N07	EA	Door Asm. - Fixed Wall Mirror - 30.1" x 23.1"

BATH HARDWARE

Key	Part Number	U/M	Description
**	011056-01-000	EA	Faucet - Lavatory - U.S.
**	011056-02-000	EA	Faucet - Lavatory - C.S.A.
	058640-01-000	EA	Sink - Oval - Ivory Plastic
**	031558-01-000	EA	Faucet - Tub and Shower - Metal
	031558-03-000	EA	Faucet - Tub and Shower - Plastic
	011048-02-000	EA	Shower Head - w/60" Hose
	011069-02-000	EA	Tailpiece - 1 1/2" x 1 1/4" x 4" - Brass
	009134-01-000	EA	Holder - Tissue
	058331-01-000	EA	Mirror - Safety Glass - 19" x 26"
	009151-01-000	EA	Warp Guard - 48"
	072369-01-000	EA	Mesh - Furnace Door - Gold Aluminum - 14.5" x 10.1"
	058331-04-000	EA	Mirror - Safety Glass - 12" x 42"
	058331-05-000	EA	Mirror - Safety Glass - 12" x 26"
	058335-02-000	EA	Latch - Bathroom Door
	071817-01-000	EA	Track - Sliding Door
	009156-01-000	EA	Hanger - Sliding Door
	058034-01-000	EA	Latch - Sliding Door
	009112-01-000	EA	Flange - 1" - Closet Rod
**	039341-02-000	EA	Toilet - Thetford Aqua Magic - Ivory - 8420 SH
	066436-01-000	EA	Nut - Slip - 1.5" Tailpiece
	066435-01-000	EA	Nut - Strainer
	066729-01-000	EA	Strainer - Tub - Shower Drain
	009133-01-000	EA	Towel Bar
	023449-01-000	EA	Towel Bar Supports
**	The illustrated parts breakdown for this item is provided on the Common Items Fiche.		

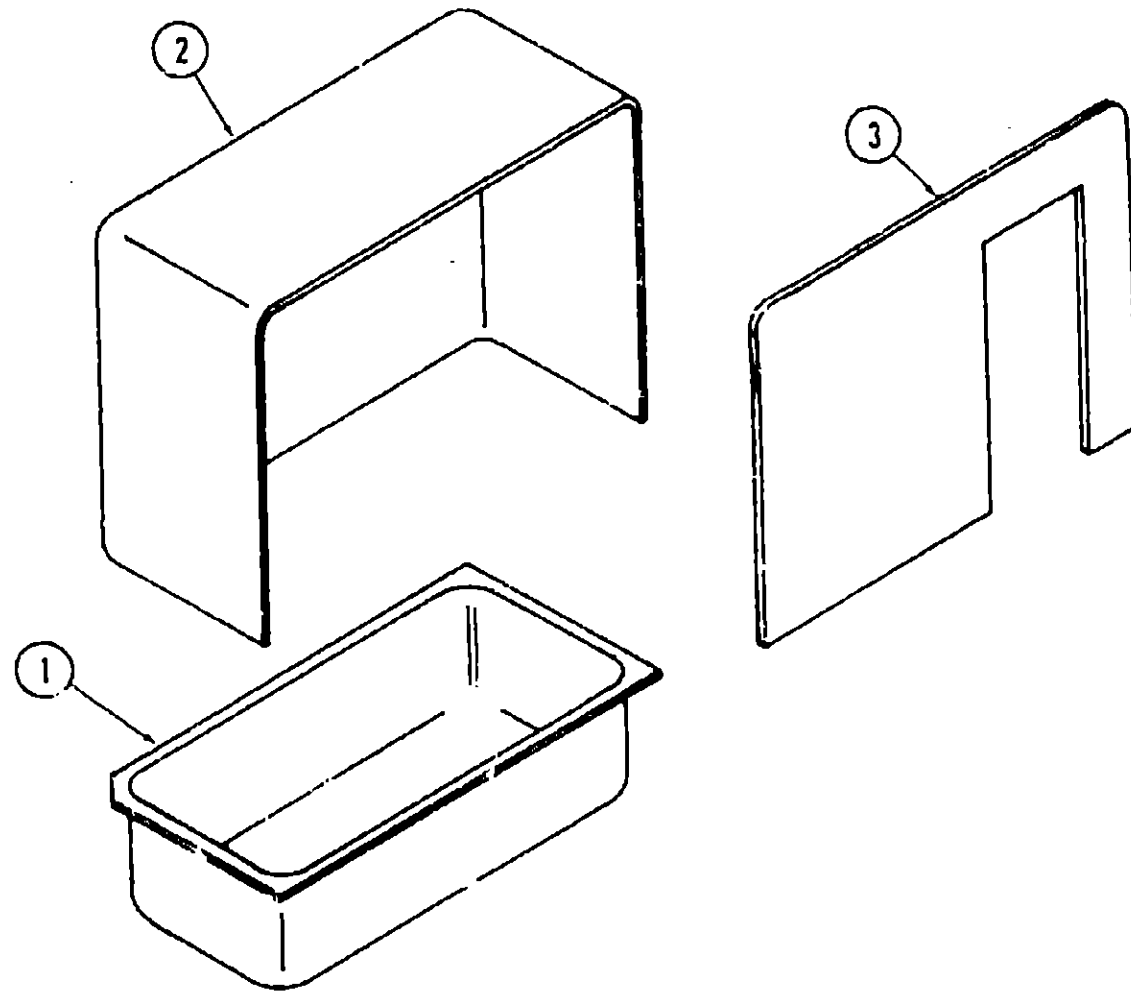
**1982 ITASCA
TABLE OF CONTENTS**

Introduction	A-1
Abbreviations	A-1
Alphabetical Index	A-2 - A-4
ICF22RB N2	A-5 - C-12
ICF26RH N2	C-13 - E-20
ICF26RB N2	E-21 - H-4
ICN27RB N2	H-5 - J-12
ICN29RT N2	J-13 - L-22

1982 ICN29RT N2 INDEX

Floor Plan	J-13 - J-14
Accessories Group	J-15 - J-17
Bath Group	J-18 - J-19
Chassis Group	J-20 - J-21
Curtain, Cushion & Pad Group	J-22 - K-6
Dinette Group	K-7 - K-8
Driver's Compartment Group	K-9 - K-12
Electrical Group	K-13 - K-15
Exterior Body Group	K-16 - K-20
Galley Group	K-21 - K-22
Heating & Air Conditioning Group	K-23
Interior Finish Group	K-24 - L-1
LP Group	L-2
Lounge Group	L-3 - L-5
Water & Sewage Group	L-6 - L-7
Window, Vent & Exterior Door Group	L-8 - L-22

BATH GROUP (CONTINUED)



Key	Part Number	U/M	Description
1	062246-01-000	EA	Bathtub Bottom - Ivory Plastic
2	062249-01-000	EA	Bathtub Rear - Ivory Plastic
3	062247-01-000	EA	Bathtub Front - Ivory Plastic

CHASSIS GROUP

CHASSIS GROUP ICN29RT

Key	Part Number	U/M	Description
	058790-01-000	EA	Gas Fill - w/Vent (N2)
	068624-01-000	EA	Gas Fill - w/Vent (N3)
	524611-04-000	EA	Cap - Gas - Pressure - 1.5" Chrome
	024138-01-000	EA	Hose - Fuel - 5/16" I.D. SAE 30RI
	024141-01-000	FT	Hose Rubber - 1/2" I.D.
	007134-01-000	EA	Clamp - Hose - Spring Type - 9/16"
	063383-01-000	EA	Tank - Fuel - 69.7" Gallon
	057038-02-000	EA	Sending Unit - Fuel - 90 Ohm.
	063386-03-000	EA	Strap - Fuel Tank Mounting
	063386-02-000	EA	Hanger - Fuel Tank Mounting
	062401-02-000	EA	Clamp - Worm Gear - 15/16" to 1 5/16"
	062401-03-000	EA	Clamp - Worm Drive - .22" - 1" I.D.
	050227-01-000	EA	Canistor Asm. - Vapor - 2 Stage - 3 Port
	007111-01-000	FT	Hose - Fuel - 2 1/4" I.D. SAE 30RI
	024490-01-000	EA	Power Cord Box - Plastic
	055374-01-000	EA	Wheel Well - Plastic
	740513-57-000	EA	Tray - Generator - Onan - 6.5 kw
	052431-01-000	EA	Tray - Luggage Compartment (Replaces Generator Tray)
	022655-02-000	EA	Tailpipe - 2 1/4" x 8" - Chevy
	007125-06-000	EA	Clamp Asm. - Muffler - 2 1/4"
	017516-01-000	EA	Mud Flap - Black - 14" x 18" w/Holes
	051697-01-000	EA	Bracket - Battery Tie Down
	048594-01-000	EA	Battery Tray Asm.
	047441-01-000	EA	Terminal - Battery - Horizontal Lug - Chevy
	024652-01-700	EA	Step Asm. - Entry
	048474-01-000	EA	Bumper - Rear - Chrome
	022150-01-000	EA	Bracket - Bumper - Rear - Chevy
	058401-01-000	EA	Hood Board - Upper - Right - Steel
	058404-01-000	EA	Hood Board - Upper - Left - Steel
	050818-01-000	EA	Cover - Radiator - Rear
	056817-01-000	EA	Cover - Radiator - Rear Back - (Fan Shroud)
	058200-01-000	EA	Bumper - Front - Chrome
	005200-01-000	EA	Bolt - Carriage - 7/16" - 14 x 1 1/4" SST.
	058439-01-000	EA	Bracket - Front Bumper - Black
	058416-01-000	EA	Bar - Front Bumper - Black
	060977-02-000	EA	Step Asm. - Upper Driver Door - Black
	063976-02-000	EA	Step Asm. - Lower Driver Door - Black
	044967-01-000	EA	Shield - Heat Muffler
	058423-01-000	EA	Bracket - Bumper - Front - Left - Chevy
	058425-02-000	EA	Bracket - Bumper - Front - Right - Chevy
	058832-01-000	EA	Filler - Radiator Cover
	047743-01-000	EA	Spacer - Rear Spring/Axle Stop - Chevy
	007131-01-000	EA	Hanger - Tail Pipe
	007324-01-000	EA	Tire - 800 x 19.5 - Radial
	051759-01-000	EA	Tire - 800 x 19.5 - 10 Ply Poly.
	052165-03-000	EA	Shock Cord - Rubber - 24" - (Spare Tire)
	061661-01-000	EA	Bracket - Tire Cover - Chevy
	064598-03-000	EA	Bracket - Tire Carrier
	064963-01-000	EA	Rim - Wheel - 19.5" x 6.75" - Chevy
	052242-05-N10	EA	Spare Tire Cover - Plastic

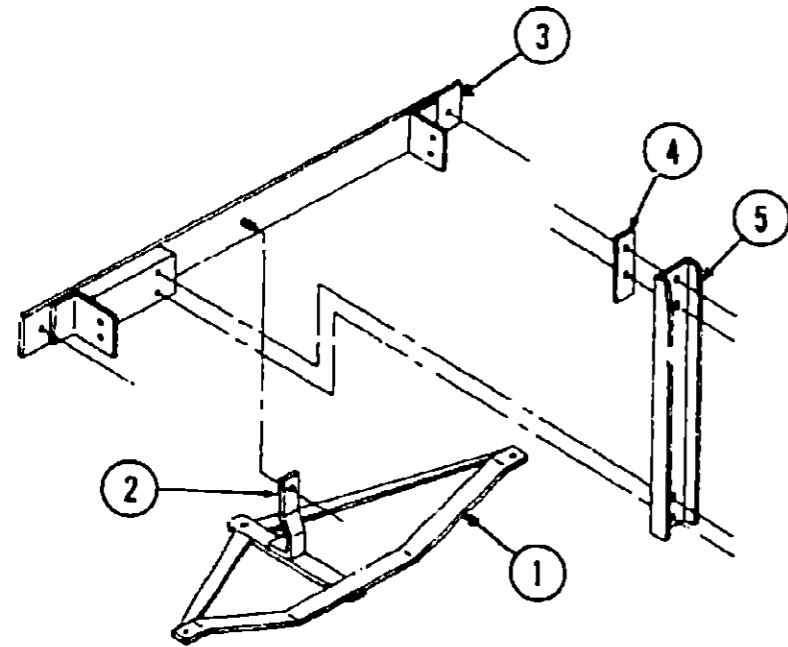
1962 ITASCA TABLE OF CONTENTS

Introduction	A-1
Abbreviations	A-1
Alphabetical Index	A-2 - A-4
ICF22RB N2	A-5 - C-12
ICF26RH N2	C-13 - E-20
ICF26RB N2	E-21 - H-4
ICN27RB N2	H-5 - J-12
ICN29RT N2	J-13 - L-22

1962 ICN29RT N2 INDEX

Floor Plan	J-13 - J-14
Accessories Group	J-15 - J-17
Bath Group	J-18 - J-19
Chassis Group	J-20 - J-21
Curtain, Cushion & Pad Group	J-22 - K-6
Dinette Group	K-7 - K-8
Driver's Compartment Group	K-9 - K-12
Electrical Group	K-13 - K-15
Exterior Body Group	K-16 - K-20
Galley Group	K-21 - K-22
Heating & Air Conditioning Group	K-23
Interior Finish Group	K-24 - L-1
LP Group	L-2
Lounge Group	L-3 - L-5
Water & Sewage Group	L-6 - L-7
Window, Vent & Exterior Door Group	L-8 - L-22

CHASSIS GROUP (CONTINUED)

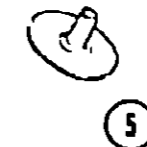
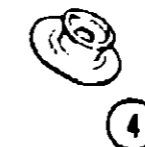


Key	Part Number	U/M	Description
1	J64833-01-000	EA	Trailer Hitch Asm. - With Support
2	064824-02-000	EA	Support - Trailer Hitch
3	064601-02-000	EA	Bracket - Bumper Mount - Rear
4	040974-01-000	EA	Bracket - Spare Tire - Retaining Bar - 2" x 6.75"
5	059670-03-000	EA	Bracket - U-Channel - 27.12" - Tire Carrier

CURTAIN, CUSHION AND PAD GROUP

CURTAIN HARDWARE

Key	Part Number	U/M	Description
	053272-01-001	EA	Track - Curtain - Alum. 16" - w/Holes
	056116-01-000	EA	Track - Curtain - Brown Plastic
	059430-01-000	EA	Track - Curtain - Front Wraparound (2 per unit) - 32.8" x 45.2" - Brown
	059430-02-000	EA	Track - Curtain - Front Wraparound - 32.8" x 89.1" (w/Drivers Door) Brown
	059430-03-000	EA	Track - Curtain - Front Wraparound (2 per unit) - 32.8" x 45.2" - Beige
	059430-04-000	EA	Track - Curtain - Front Wraparound - 32.8" x 89.1" (w/Drivers Door) Beige
	056001-01-000	EA	Bracket - Shade - Left
	056002-01-000	EA	Bracket - Shade - Right
	009107-01-000	EA	Guide - Nylon Snap - Curtain
	018031-42-000	EA	Track - Curtain - "L" Rod - Alum. (Extr. - 90"
	009701-01-000	EA	Carrier - "L" Rod - Curtain
	009702-01-000	EA	End Stop - "L" Rod - Curtain
	056784-01-000	EA	Pull - Window Shade - Antique Brass
	039175-01-000	EA	Curtain Rod - Ext. 48" - 84"
	039175-02-000	EA	Bracket - Curtain Rod
	056115-01-000	YD	Tape - Clear Plastic - w/Guides
	048394-01-000	YD	Tape - Hook - 1" x 25 YD - Beige
	048395-01-000	YD	Tape - Loop - 1" x 25 YD - Beige
	055003-01-000	EA	Bracket Drapery Retainer - Right
	056003-02-000	EA	Bracket Drapery Retainer - Left



Key	Part Number	U/M	Description
1	029130-01-000	EA	Socket - Snap Fastener
2	029155-01-000	EA	Cap - Snap - .156" Dia. x .17" Barrel
3	029156-01-000	EA	Socket - Snap Fastener
4	029092-01-000	EA	Stud - Nickel Finish
5	029093-01-000	EA	Eyelet - Nickel Finish

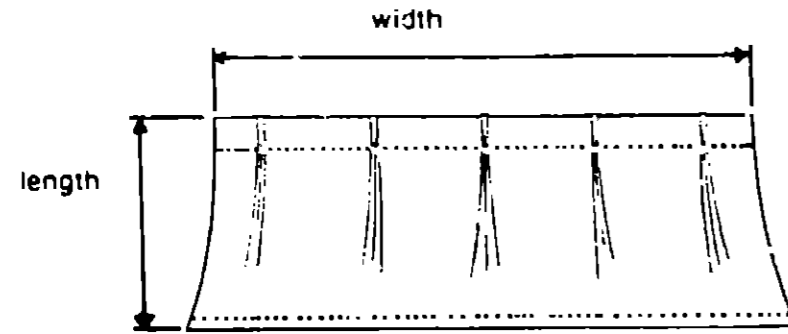
**1982 ITASCA
TABLE OF CONTENTS**

Introduction	A-1
Abbreviations	A-1
Alphabetical Index	A-2 - A-4
ICF22RB N2	A-5 - C-12
ICF26RH N2	C-13 - E-20
ICF26RB N2	E-21 - H-4
ICN27RB N2	H-5 - J-12
ICN29RT N2	J-13 - L-22

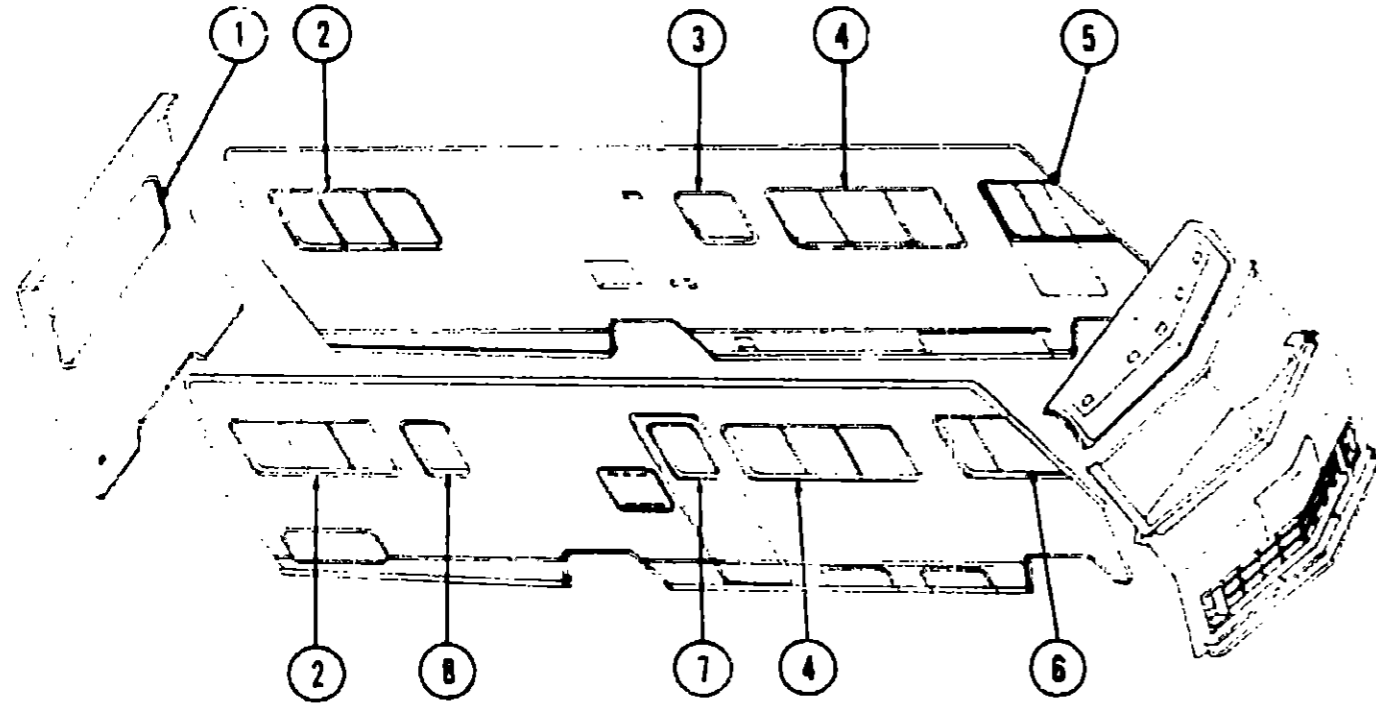
1982 ICN29RT N2 INDEX

Floor Plan	J-13 - J-14
Accessories Group	J-15 - J-17
Bath Group	J-18 - J-19
Chassis Group	J-20 - J-21
Curtain, Cushion & Pad Group	J-22 - K-6
Dinette Group	K-7 - K-8
Driver's Compartment Group	K-9 - K-12
Electrical Group	K-13 - K-15
Exterior Body Group	K-16 - K-20
Galley Group	K-21 - K-22
Heating & Air Conditioning Group	K-23
Interior Finish Group	K-24 - L-1
LP Group	L-2
Lounge Group	L-3 - L-5
Water & Sewage Group	L-6 - L-7
Window, Vent & Exterior Door Group	L-8 - L-22

CURTAIN, CUSHION AND PAD GROUP (CONTINUED)



NOTE:
Use this illustration when determining length and width measurements for curtains. You will note the width measurement is taken on the top of the curtain with the curtain fully extended. The length measurement is taken from top to bottom.



CURTAIN, VALANCE, SHADES & TIEBACKS

Key	Part Number	U/M	Description
1	070652-03-N10	EA	Curtain w/Tape Top - 29" x 45" - Rust
1	070652-03-N11	EA	Curtain w/Tape Top - 29" x 45" - Burgundy
1	070652-03-N09	EA	Curtain w/Tape Top - 29" x 45" - Walnut/Golden Brown (N12)
1	071445-01-N10	EA	Curtain - Pleated - 31.5" x 15" (used w/Woven Wood Shade) Rust
1	071445-01-N11	EA	Curtain - Pleated - 31.5" x 15" (used w/Woven Wood Shade) Burgundy
1	071445-01-N09	EA	Curtain - Pleated - 31.5" x 15" (used w/Woven Wood Shade) Walnut/Golden Brown (N12)
1	070651-05-N10	EA	Valance Asm. - 5.75" x 81" Stapled - Rear - Rust
1	070651-05-N11	EA	Valance Asm. - 5.75" x 81" Stapled - Rear - Burgundy
1	070651-05-N09	EA	Valance Asm. - 5.75" x 81" Stapled - Rear - Walnut/Golden Brown (N12)
1	070651-13-N10	EA	Valance Asm. - 6" x 82" Stapled - Rear - Rust
1	070651-13-N11	EA	Valance Asm. - 6" x 82" Stapled - Rear - Burgundy
1	070651-13-N09	EA	Valance Asm. - 6" x 82" Stapled - Rear - Walnut/Golden Brown (N12)
1	069738-28-000	EA	Shade - Woven Wood - 29" x 72" - Rust
1	069738-29-000	EA	Shade - Woven Wood - 29" x 72" - Burgundy
1	069738-30-000	EA	Shade - Woven Wood - 29" x 72" - Cocoa
1	065522-13-000	EA	Shade Asm. - 72.25" x 38"

CURTAIN, CUSHION AND PAD GROUP (CONTINUED)

CURTAINS, VALANCES, SHADES & TIEBACKS (CONT)

Key	Part Number	U/M	Description
2	070652-03-N10	EA	Curtain w/Tape Top - 29" x 45" - Rust
2	070652-03-N11	EA	Curtain w/Tape Top - 29" x 45" - Burgundy
2	070652-03-N09	EA	Curtain w/Tape Top - 29" x 45" - Walnut/Golden Brown (N12)
2	071445-01-N10	EA	Curtain - Pleated - 31.5" x 15" (used w/Woven Wood Shade) Rust
2	071445-01-N11	EA	Curtain - Pleated - 31.5" x 15" (used w/Woven Wood Shade) Burgundy
2	071445-01-N09	EA	Curtain - Pleated - 31.5" x 15" (used w/Woven Wood Shade) Walnut/Golden Brown (N12)
2	070651-06-N10	EA	Valance Asm. - 5.75" x 69" Stapled - Rear Sides - Rust
2	070651-06-N11	EA	Valance Asm. - 5.75" x 69" Stapled - Rear Sides - Burgundy
2	070651-06-N09	EA	Valance Asm. - 5.75" x 69" Stapled - Rear Sides - Walnut/Golden Brown (N12)
2	070651-14-N10	EA	Valance Asm. - 6" x 70" Stapled - Rear Sides - Rust
2	070651-14-N11	EA	Valance Asm. - 6" x 70" Stapled - Rear Sides - Burgundy
2	070651-14-N09	EA	Valance Asm. - 6" x 70" Stapled - Rear Sides - Walnut/Golden Brown (N12)
2	069738-37-000	EA	Shade - Woven Wood - 31" x 60" - Rust
2	069738-38-000	EA	Shade - Woven Wood - 31" x 60" - Burgundy
2	069738-39-000	EA	Shade - Woven Wood - 31" x 60" - Cocoa
2	065522-11-000	EA	Shade Asm. - 60.25" x 38"
3	056484-42-N10	EA	Curtain w/Tape Top - 21.5" x 9" - Rust
3	056484-42-N11	EA	Curtain w/Tape Top - 21.5" x 9" - Burgundy
3	056484-42-N09	EA	Curtain w/Tape Top - 21.5" x 9" - Walnut/Golden Brown (N12)
3	070651-07-N10	EA	Valance Asm. - 5.75" x 34" Stapled - Galley - Rust
3	070651-07-N11	EA	Valance Asm. - 5.75" x 34" Stapled - Galley - Burgundy
3	070651-07-N09	EA	Valance Asm. - 5.75" x 34" Stapled - Galley - Walnut/Golden Brown (N12)
3	069738-49-000	EA	Shade - Woven Wood - 23" x 23" - Rust
3	069738-50-000	EA	Shade - Woven Wood - 23" x 23" - Burgundy
3	069738-51-000	EA	Shade - Woven Wood - 23" x 23" - Cocoa
3	065522-03-000	EA	Shade Asm. - 25.25" x 30"
4	070652-03-N10	EA	Curtain w/Tape Top - 29" x 45" - Rust
4	070652-03-N11	EA	Curtain w/Tape Top - 29" x 45" - Burgundy
4	070652-03-N09	EA	Curtain w/Tape Top - 29" x 45" - Walnut/Golden Brown (N12)
4	071445-01-N10	EA	Curtain - Pleated - 31.5" x 15" (used w/Woven Wood Shade) Rust
4	071445-01-N11	EA	Curtain - Pleated - 31.5" x 15" (used w/Woven Wood Shade) Burgundy
4	071445-01-N09	EA	Curtain - Pleated - 31.5" x 15" (used w/Woven Wood Shade) Walnut/Golden Brown (N12)
4	070651-03-N10	EA	Valance Asm. - 5.75" x 78" Stapled - Lounge - Rust
4	070651-03-N11	EA	Valance Asm. - 5.75" x 78" Stapled - Lounge - Burgundy
4	070651-03-N09	EA	Valance Asm. - 5.75" x 78" Stapled - Lounge - Walnut/Golden Brown (N12)
4	070651-11-N10	EA	Valance Asm. - 6" x 80" Stapled - Lounge - Rust
4	070651-11-N11	EA	Valance Asm. - 6" x 80" Stapled - Lounge - Burgundy
4	070651-11-N09	EA	Valance Asm. - 6" x 80" Stapled - Lounge - Walnut/Golden Brown (N12)
4	069738-34-000	EA	Shade - Woven Wood - 31" x 69" - Rust
4	069738-35-000	EA	Shade - Woven Wood - 31" x 69" - Burgundy
4	069738-36-000	EA	Shade - Woven Wood - 31" x 69" - Cocoa
4	065522-12-000	EA	Shade Asm. - 69.25" x 38"
5	059900-05-N10	EA	Curtain w/Snaps - 29" x 35" - w/Drivers Door - Rust
5	059900-05-N11	EA	Curtain w/Snaps - 29" x 35" - w/Drivers Door - Burgundy
5	059900-05-N09	EA	Curtain w/Snaps - 29" x 35" - w/Drivers Door - Walnut/Golden Brown (N12)

**1982 ITASCA
TABLE OF CONTENTS**

Introduction	A-1
Abbreviations	A-1
Alphabetical Index	A-2 - A-4
ICF22RB N2	A-5 - C-12
ICF26RH N2	C-13 - E-20
ICF26RB N2	E-21 - H-4
ICN27RB N2	H-5 - J-12
ICN29RT N2	J-13 - L-22

1982 ICN29RT N2 INDEX

Floor Plan	J-13 - J-14
Accessories Group	J-15 - J-17
Bath Group	J-18 - J-19
Chassis Group	J-20 - J-21
Curtain, Cushion & Pad Group	J-22 - K-6
Dinette Group	K-7 - K-8
Driver's Compartment Group	K-9 - K-12
Electrical Group	K-13 - K-15
Exterior Body Group	K-16 - K-20
Galley Group	K-21 - K-22
Heating & Air Conditioning Group	K-23
Interior Finish Group	K-24 - L-1
LP Group	L-2
Lounge Group	L-3 - L-5
Water & Sewage Group	L-6 - L-7
Window, Vent & Exterior Door Group	L-8 - L-22

CURTAIN, CUSHION AND PAD GROUP (CONTINUED)

CURTAIN, CUSHION AND PAD GROUP (CONTINUED)

CURTAINS, VALANCES, SHADES & TIEBACKS (CONT)

Key	Part Number	U/M	Description
6	054051-43-N10	EA	Curtain w/Snaps - 27.5" x 125" - Front Wraparound - w/Drivers Door - Rust
6	054051-43-N11	EA	Curtain w/Snaps - 27.5" x 125" - Front Wraparound - w/Drivers Door - Burgundy
6	054051-43-N09	EA	Curtain w/Snaps - 27.5" x 125" - Front Wraparound - w/Drivers Door - Walnut/Golden Brown (N12)
*	054051-41-N10	EA	Curtain w/Snaps - 27.5" x 81" - Front Wraparound - w/o Drivers Door (2 required) Rust
*	054051-41-N11	EA	Curtain w/Snaps - 27.5" x 81" - Front Wraparound - w/o Drivers Door (2 required) Burgundy
*	054051-41-N09	EA	Curtain w/Snaps - 27.5" x 81" - Front Wraparound - w/o Drivers Door (2 required) Walnut/Golden Brown (N12)
*	054051-22-N10	EA	Curtain w/Snap Top - Bunk Privacy - 22" x 96" - Rust
*	054051-22-N11	EA	Curtain w/Snap Top - Bunk Privacy - 22" x 96" - Burgundy
*	054051-22-N09	EA	Curtain w/Snap Top - Bunk Privacy - 22" x 96" - Walnut/Golden Brown (N12)
7	054051-48-N10	EA	Curtain w/Snap Top - 29" x 37" - Rust
7	054051-48-N11	EA	Curtain w/Snap Top - 29" x 37" - Burgundy
7	054051-48-N09	EA	Curtain w/Snap Top - 29" x 37" - Walnut/Golden Brown (N12)
8	056484-41-N10	EA	Curtain w/Tape Top - 29" x 9" - Rust
8	056434-41-N11	EA	Curtain w/Tape Top - 29" x 9" - Burgundy
8	056484-41-N09	EA	Curtain w/Tape Top - 29" x 9" - Walnut/Golden Brown (N12)
8	070651-08-N10	EA	Valance Asm. - 5.75" x 29" Stapled - Bath - Rust
8	070651-08-N11	EA	Valance Asm. - 5.75" x 29" Stapled - Bath - Burgundy
8	070651-08-N09	EA	Valance Asm. - 5.75" x 29" Stapled - Bath - Walnut/Golden Brown (N12)
8	069738-52-000	EA	Shade - Woven Wood - 21" x 29" - Rust
8	069738-53-000	EA	Shade - Woven Wood - 21" x 29" - Burgundy
8	069738-54-000	EA	Shade - Woven Wood - 21" x 29" - Cocoa
8	065522-02-000	EA	Shade Asm. - 21.25" x 38"
*	066959-06-N07	EA	Curtain - Sheers - 27.5" x 52" - (N10) (N11) (N12)
*	054048-05-N10	EA	Tie Back Asm. - Curtain - 2" x 18" - Coffee/Rust
*	054048-05-N11	EA	Tie Back Asm. - Curtain - 2" x 18" - Coffee/Burgundy
*	054048-05-N12	EA	Tie Back Asm. - Curtain - 2" x 18" - Walnut/Coffee
*	054048-01-N10	EA	Tie Back Asm. - Curtain - 2" x 14" - Rust
*	054048-01-N11	EA	Tie Back Asm. - Curtain - 2" x 14" - Burgundy
*	054048-01-N12	EA	Tie Back Asm. - Curtain - 2" x 14" - Brown
*	057534-01-000	EA	Tie Back - Clear Plastic - 6"
*	057534-03-000	EA	Tie Back - Clear Plastic - 7.5"
*			Not illustrated

FABRICS AND TRIMS

Key	Part Number	U/M	Description
	059728-03-000	YD	Fabric - Drapery - Rust (N10)
	069728-04-000	YD	Fabric - Drapery - Burgundy (N11)
	068339-03-000	YD	Fabric - Drapery - Walnut (N12)
	069728-05-000	YD	Curtain Sheers - Champagne
	069727-10-000	YD	Fabric - Upholstery - Rust (N10)
	069727-11-000	YD	Fabric - Upholstery - Burgundy (N11)
	069727-12-000	YD	Fabric - Upholstery - Cocoa (N12)
	038421-01-000	YD	Fabric - Ticking - Mattress - Gold
	057093-01-M07	EA	Button Asm. - Covered #60 - Nail - Brown Vinyl
	057093-01-N07	EA	Button Asm. - Covered #50 - Nail - Beige Vinyl
	052859-01-M07	FT	Trim Asm. - Accent - Acorn Brown Vinyl
	059859-01-N01	FT	Trim Asm. - Medium Almond Vinyl (Beige)
	053327-01-000	YD	Vinyl - Non Expanded - 27 oz. - Acorn Brown
	053327-02-000	YD	Vinyl - Expanded - 28 oz. Acorn Brown
	053327-03-000	YD	Vinyl - Non Support - 16 Gauge Film - Acorn Brown
	070502-01-000	YD	Vinyl - Medium Almond
	069857-02-N10	EA	Button Asm. - Cloth - #36 - Rust
	069857-02-N11	EA	Button Asm. - Cloth - #36 - Burgundy
	069857-02-N12	EA	Button Asm. - Cloth - #36 - Cocoa
	057550-01-N07	EA	Button Asm. - Nail - #36 - Beige Vinyl
	057550-03-N07	EA	Button Asm. - Nail - #36 - Short - Beige Vinyl
	057550-03-M07	EA	Button Asm. - Nail - #36 - Acorn Brown Vinyl
	057550-05-M07	EA	Button Asm. - Nail - #36 - Acorn Brown Vinyl
	071127-02-M07	EA	Button Asm. - Square - #65 - Beige Vinyl
	071127-01-N10	EA	Button Asm. - Square - #65 - Rust
	071127-01-N11	EA	Button Asm. - Square - #65 - Burgundy
	071127-01-N12	EA	Button Asm. - Square - #65 - Cocoa
	M00045-07-N10	EA	Button Asm. - Cloth - #36 - Hook Back - Rust
	M00045-07-N11	EA	Button Asm. - Cloth - #36 - Hook Back - Burgundy
	M00045-07-N12	EA	Button Asm. - Cloth - #36 - Hook Back - Cocoa
	063345-02-N07	EA	Pad Asm. - End Cap - Dinette Overhead - Beige Vinyl - Left
	063345-02-M07	EA	Pad Asm. - End Cap - Dinette Overhead - Brown Vinyl - Left
	058444-04-M07	EA	Pad Asm. - End Cap - Dinette Overhead - Brown Vinyl - Right
	058444-04-N07	EA	Pad Asm. - End Cap - Dinette Overhead - Beige Vinyl - Right
	058444-03-N07	EA	Pad Asm. - End Cap - Front Lounge Overhead - Beige Vinyl - Left
	058444-03-M07	EA	Pad Asm. - End Cap - Front Lounge Overhead - Brown Vinyl - Left
	063345-01-M07	EA	Pad Asm. - End Cap - Front Lounge Overhead - Brown Vinyl - Right
	063345-01-N07	EA	Pad Asm. - End Cap - Front Lounge Overhead - Beige Vinyl - Right
	059414-01-000	EA	Pad - Sidewall Trim - Drivers - Brown Vinyl
	059414-03-000	EA	Pad - Sidewall Trim - Drivers - Beige Vinyl
	059414-03-M07	EA	Pad - Map Pocket - Drivers - Brown Vinyl
	059467-03-N07	EA	Pad - Map Pocket - Drivers - Beige Vinyl
	059414-02-000	EA	Pad - Sidewall Trim - Passenger - Brown Vinyl
	059414-04-000	EA	Pad - Sidewall Trim - Passenger - Beige Vinyl
	059467-04-M07	EA	Pad - Map Pocket - Passenger - Brown Vinyl
	059467-04-N07	EA	Pad - Map Pocket - Passenger - Beige Vinyl
	058948-01-M07	EA	Pad Asm. - Front Side Overhead - Right - Brown Vinyl
	058948-01-N07	EA	Pad Asm. - Front Side Overhead - Right - Beige Vinyl
	058948-02-M07	EA	Pad Asm. - Front Side Overhead - Left - Brown Vinyl
	058948-02-N07	EA	Pad Asm. - Front Side Overhead - Left - Beige Vinyl
	058948-03-M07	EA	Pad Asm. - Front Side Overhead - Left - w/Drivers Door - Brown Vinyl
	058948-03-N07	EA	Pad Asm. - Front Side Overhead - Left - w/Drivers Door - Beige Vinyl
	061947-01-M07	EA	Pad Asm. - Rear Lounge - Overhead - Drivers Side - Brown Vinyl
	061947-01-N07	EA	Pad Asm. - Rear Lounge - Overhead Cabinet - Left - Beige Vinyl
	061960-01-M07	EA	Pad Asm. - Wemac Panel - Brown Vinyl
	061960-01-N07	EA	Pad Asm. - Wemac Panel - Beige Vinyl

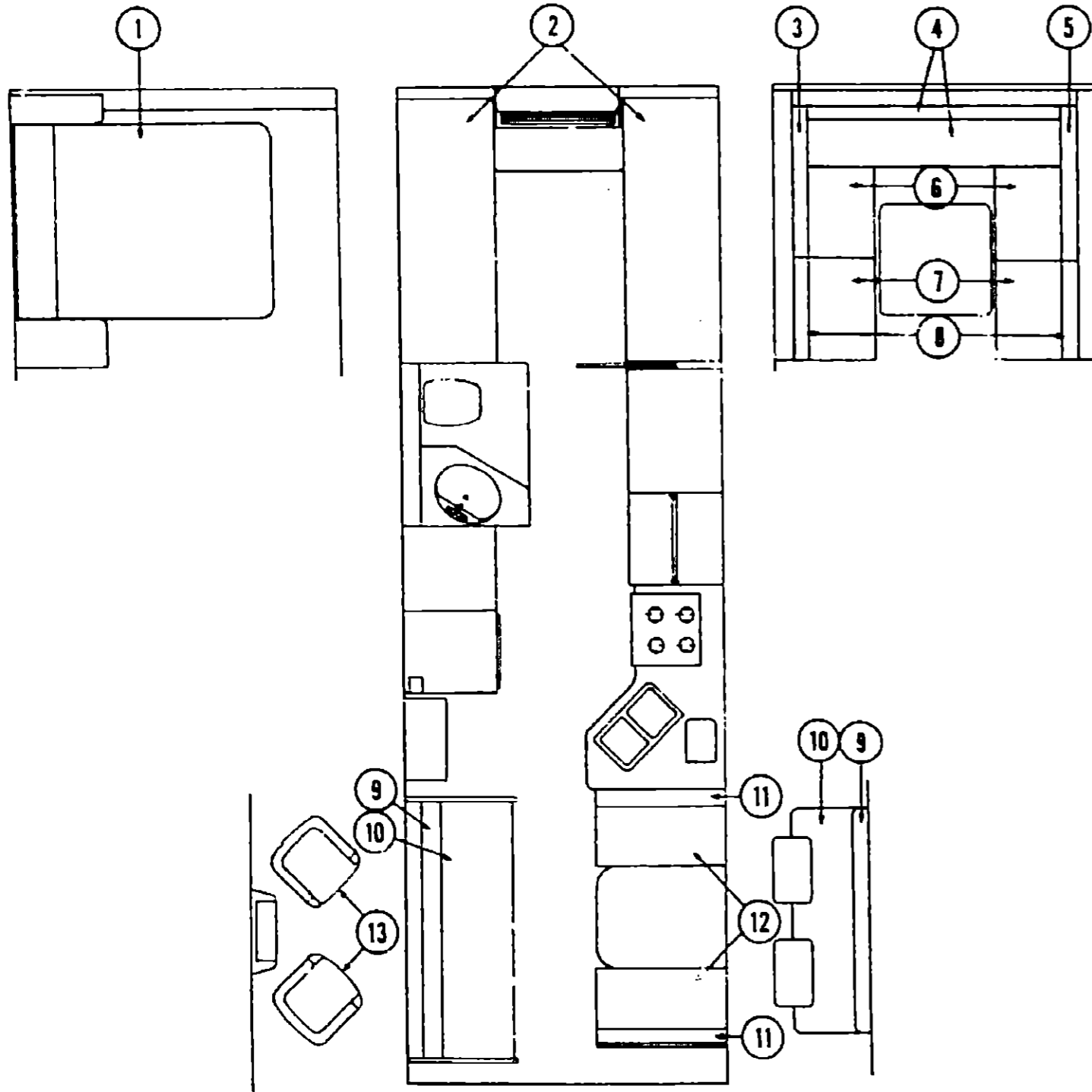
**1982 ITASCA
TABLE OF CONTENTS**

Introduction	A-1
Abbreviations	A-1
Alphabetical Index	A-2 - A-4
ICF22RB N2	A-5 - C-12
ICF26RH N2	C-13 - E-20
ICF26RB N2	E-21 - H-4
ICN27RB N2	H-5 - J-12
ICN29RT N2	J-13 - L-22

1982 ICN29RT N2 INDEX

Floor Plan	J-13 - J-14
Accessories Group	J-15 - J-17
Bath Group	J-18 - J-19
Chassis Group	J-20 - J-21
Curtain, Cushion & Pad Group	J-22 - K-6
Dinette Group	K-7 - K-8
Driver's Compartment Group	K-9 - K-12
Electrical Group	K-13 - K-15
Exterior Body Group	K-16 - K-20
Galley Group	K-21 - K-22
Heating & Air Conditioning Group	K-23
Interior Finish Group	K-24 - L-1
LP Group	L-2
Lounge Group	L-3 - L-5
Water & Sewage Group	L-6 - L-7
Window, Vent & Exterior Door Group	L-8 - L-22

CURTAIN, CUSHION AND PAD GROUP (CONTINUED)



SINGLE AND DOUBLE PAD MATTRESS

Key	Part Number	U/M	Description
1	058709-02-000	EA	Mattress - Inner Spring - Sealy - 54" x 75"
2	058709-01-000	EA	Mattress - Inner Spring - Sealy - 30" x 75"
3	066343-03-N07	EA	Bedspread - 92" x 82.5"
4	070653-01-N07	EA	Bedspread - Twin Fitted
5	070654-01-N07	EA	Pillow Cover - Sham - 20" x 26"
6	Not illustrated		

CURTAIN, CUSHION AND PAD GROUP (CONTINUED)

HORSESHOE LOUNGE CUSHIONS

Key	Part Number	U/M	Description
3	068897-03-N10	EA	Cushion - Lounge Back - 16" x 39" x 35" x 5" - Rust - Right
3	068897-03-N11	EA	Cushion - Lounge Back - 16" x 39" x 35" x 5" - Burgundy - Right
3	068897-03-N12	EA	Cushion - Lounge Back - 16" x 39" x 35" x 5" - Cocoa - Right
	M68897-03-N10	EA	Cover - Cushion - 16" x 39" x 35" x 5" - Rust - Right
	M68897-03-N11	EA	Cover - Cushion - 16" x 39" x 35" x 5" - Burgundy - Right
	M68897-03-N12	EA	Cover - Cushion - 16" x 39" x 35" x 5" - Cocoa - Right
4	068797-05-N10	EA	Cushion - Lester Lounge - Back & Bottom - 76" - Rust
4	068797-05-N11	EA	Cushion - Lester Lounge - Back & Bottom - 76" - Burgundy
4	068797-05-N12	EA	Cushion - Lester Lounge - Back & Bottom - 76" - Cocoa
	M68797-05-N10	EA	Cover - Lester Lounge - Back & Bottom - 76" - Rust
	M68797-05-N11	EA	Cover - Lester Lounge - Back & Bottom - 76" - Burgundy
	M68797-05-N12	EA	Cover - Lester Lounge - Back & Bottom - 76" - Cocoa
	065985-01-N10	EA	Cushion - Lounge Back - 8" x 76" x 4.5" - Rust
	065985-01-N11	EA	Cushion - Lounge Back - 8" x 76" x 4.5" - Burgundy
	065985-01-N12	EA	Cushion - Lounge Back - 8" x 76" x 4.5" - Cocoa
	065986-01-N10	EA	Cover - Cushion - 8" x 76" x 4.5" - Rust
	065986-01-N11	EA	Cover - Cushion - 8" x 76" x 4.5" - Burgundy
	065986-01-N12	EA	Cover - Cushion - 8" x 76" x 4.5" - Cocoa
5	068897-04-N10	EA	Cushion - Lounge Back - 16" x 39" x 35" x 5" - Rust - Left
5	068897-04-N11	EA	Cushion - Lounge Back - 16" x 39" x 35" x 5" - Burgundy - Left
5	068897-04-N12	EA	Cushion - Lounge Back - 16" x 39" x 35" x 5" - Cocoa - Left
	M68897-04-N10	EA	Cover - Cushion - 16" x 39" x 35" x 5" - Rust - Left
	M68897-04-N11	EA	Cover - Cushion - 16" x 39" x 35" x 5" - Burgundy - Left
	M68897-04-N12	EA	Cover - Cushion - 16" x 39" x 35" x 5" - Cocoa - Left
6	068898-04-N10	EA	Cushion - Lounge Seat - 24" x 15" x 5.5" - Rust
6	068898-04-N11	EA	Cushion - Lounge Seat - 24" x 15" x 5.5" - Burgundy
6	068898-04-N12	EA	Cushion - Lounge Seat - 24" x 15" x 5.5" - Cocoa
	M68898-04-N10	EA	Cover - Cushion - 24" x 15" x 5.5" - Rust
	M68898-04-N11	EA	Cover - Cushion - 24" x 15" x 5.5" - Burgundy
	M68898-04-N12	EA	Cover - Cushion - 24" x 15" x 5.5" - Cocoa
7	068898-05-N10	EA	Cushion - Lounge Seat - 24" x 32" x 5.5" - Rust
7	068898-05-N11	EA	Cushion - Lounge Seat - 24" x 32" x 5.5" - Burgundy
7	068898-05-N12	EA	Cushion - Lounge Seat - 24" x 32" x 5.5" - Cocoa
	M68898-05-N10	EA	Cover - Cushion - 24" x 32" x 5.5" - Rust
	M68898-05-N11	EA	Cover - Cushion - 24" x 32" x 5.5" - Burgundy
	M68898-05-N12	EA	Cover - Cushion - 24" x 32" x 5.5" - Cocoa
8	068898-06-N10	EA	Cushion - Lounge Back - 16" x 32" x 5" - Rust
8	068898-06-N11	EA	Cushion - Lounge Back - 16" x 32" x 5" - Burgundy
8	068898-06-N12	EA	Cushion - Lounge Back - 16" x 32" x 5" - Cocoa
	M68898-06-N10	EA	Cover - Cushion - 16" x 32" x 5" - Rust
	M68898-06-N11	EA	Cover - Cushion - 16" x 32" x 5" - Burgundy
	M68898-06-N12	EA	Cover - Cushion - 16" x 32" x 5" - Cocoa

SPRUNG COUCH CUSHIONS

Key	Part Number	U/M	Description
9	070655-01-N10	EA	Cushion Asm. - Sprung Couch - Back - 76" - Rust
9	070655-01-N11	EA	Cushion Asm. - Sprung Couch - Back - 76" - Burgundy
9	070655-01-N12	EA	Cushion Asm. - Sprung Couch - Back - 76" - Cocoa
	M70655-01-N10	EA	Cover - Sprung Couch Back - 76" - Rust
	M70655-01-N11	EA	Cover - Sprung Couch Back - 76" - Burgundy
	M70655-01-N12	EA	Cover - Sprung Couch Back - 76" - Cocoa
10	070656-01-N10	EA	Cushion Asm. - Sprung Couch - Bottom - 76" - Rust
10	070656-01-N11	EA	Cushion Asm. - Sprung Couch - Bottom - 76" - Burgundy
10	070656-01-N12	EA	Cushion Asm. - Sprung Couch - Bottom - 76" - Cocoa
	M70656-01-N10	EA	Cover - Sprung Couch Bottom - 76" - Rust
	M70656-01-N11	EA	Cover - Sprung Couch Bottom - 76" - Burgundy
	M70656-01-N12	EA	Cover - Sprung Couch Bottom - 76" - Cocoa

**1982 ITASCA
TABLE OF CONTENTS**

Introduction	A-1
Abbreviations	A-1
Alphabetical Index	A-2 - A-4
ICF22RB N2	A-5 - C-12
ICF26RH N2	C-13 - E-20
ICF26RB N2	E-21 - H-4
ICN27RB N2	H-5 - J-12
ICN29RT N2	J-13 - L-22

1982 ICN29RT N2 INDEX

Floor Plan	J-13 - J-14
Accessories Group	J-15 - J-17
Bath Group	J-18 - J-19
Chassis Group	J-20 - J-21
Curtain, Cushion & Pad Group	J-22 - K-6
Dinette Group	K-7 - K-8
Driver's Compartment Group	K-9 - K-12
Electrical Group	K-13 - K-15
Exterior Body Group	K-16 - K-20
Galley Group	K-21 - K-22
Heating & Air Conditioning Group	K-23
Interior Finish Group	K-24 - L-1
LP Group	L-2
Lounge Group	L-3 - L-5
Water & Sewage Group	L-6 - L-7
Window, Vent & Exterior Door Group	L-8 - L-22

CURTAIN, CUSHION AND PAD GROUP (CONTINUED)

DINETTE CUSHIONS

Key	Part Number	U/M	Description
11	068772-04-N10	EA	Cushion - Dinette Back - 19.2" x 38" x 5" - Rust
11	068772-04-N11	EA	Cushion - Dinette Back - 19.2" x 38" x 5" - Burgundy
11	068772-04-N12	EA	Cushion - Dinette Back - 19.2" x 38" x 5" - Cocoa
	M68772-04-N10	EA	Cover - Dinette Back Cushion - 19.2" x 3" x 5" - Rust
	M68772-04-N11	EA	Cover - Dinette Back Cushion - 19.2" x 3" x 5" - Burgundy
	M68772-04-N12	EA	Cover - Dinette Back Cushion - 19.2" x 3" x 5" - Cocoa
12	068772-03-N10	EA	Cushion - Dinette Bottom - 17.5" x 38" x 5" - Rust
12	068772-03-N11	EA	Cushion - Dinette Bottom - 17.5" x 38" x 5" - Burgundy
12	068772-03-N12	EA	Cushion - Dinette Bottom - 17.5" x 38" x 5" - Cocoa
	M68772-03-N10	EA	Cover - Dinette Bottom Cushion - 17.5" x 38" x 5" - Rust
	M68772-03-N11	EA	Cover - Dinette Bottom Cushion - 17.5" x 38" x 5" - Burgundy
	M68772-03-N12	EA	Cover - Dinette Bottom Cushion - 17.5" x 38" x 5" - Cocoa

SWIVEL CHAIRS

Key	Part Number	U/M	Description
13	069848-02-N10	EA	Swivel Chair - Complete - High Back - Rust
13	069848-02-N11	EA	Swivel Chair - Complete - High Back - Burgundy
13	069848-02-N12	EA	Swivel Chair - Complete - High Back - Cocoa
	035036-01-000	EA	Plate - Swivel Chair
	035036-02-000	EA	Base w/Legs - Swivel Chair

BUCKET SEATS

Key	Part Number	U/M	Description
	070809-01-N10	EA	Seat Asm. - Single Bucket - Mid Range w/Armrests and Skirt - Rust
	070809-01-N11	EA	Seat Asm. - Single Bucket - Mid Range w/Armrests and Skirt - Burgundy
	070809-01-N12	EA	Seat Asm. - Single Bucket - Mid Range w/Armrests and Skirt - Cocoa
	M00762-02-N10	EA	Cover - Back - Single Bucket - Mid Range - Rust
	M00762-02-N11	EA	Cover - Back - Single Bucket - Mid Range - Burgundy
	M00762-02-N12	EA	Cover - Back - Single Bucket - Mid Range - Cocoa
	M00762-01-N10	EA	Cover - Bottom - Single Bucket - Rust
	M00762-01-N11	EA	Cover - Bottom - Single Bucket - Burgundy
	M00762-01-N12	EA	Cover - Bottom - Single Bucket - Cocoa
	071126-01-N07	EA	Skirt - Single Bucket - Almond Vinyl (N10) (N11) (N12)
	070810-01-N10	EA	Seat Asm. - Double Bucket - Mid Range - w/Armrests and Skirt - Rust
	070810-01-N11	EA	Seat Asm. - Double Bucket - Mid Range - w/Armrests and Skirt - Burgundy
	070810-01-N12	EA	Seat Asm. - Double Bucket - Mid Range - w/Armrests and Skirt - Cocoa
	M00763-02-N10	EA	Cover - Back - Double Bucket - Mid Range - Rust
	M00763-02-N11	EA	Cover - Back - Double Bucket - Mid Range - Burgundy
	M00763-02-N12	EA	Cover - Back - Double Bucket - Mid Range - Cocoa
	M00763-01-N10	EA	Cover - Bottom - Double Bucket - Rust
	M00763-01-N11	EA	Cover - Bottom - Double Bucket - Burgundy
	M00763-01-N12	EA	Cover - Bottom - Double Bucket - Cocoa
	071690-01-N07	EA	Skirt - Double Bucket - Almond Vinyl (N10) (N11) (N12)
	071122-01-N10	EA	Armrest Asm. - Right - Rust
	071122-01-N11	EA	Armrest Asm. - Right - Burgundy
	071122-01-N12	EA	Armrest Asm. - Right - Cocoa
	071122-02-N10	EA	Armrest Asm. - Left - Rust
	071122-02-N11	EA	Armrest Asm. - Left - Burgundy
	071122-02-N12	EA	Armrest Asm. - Left - Cocoa
	071123-01-N10	EA	Cover - Armrest - Right or Left - Rust
	071123-01-N11	EA	Cover - Armrest - Right or Left - Burgundy
	071123-01-N12	EA	Cover - Armrest - Right or Left - Cocoa

CURTAIN, CUSHION AND PAD GROUP (CONTINUED)

OVERHEAD BUNK CUSHIONS

Key	Part Number	U/M	Description
	055021-33-N10	EA	Cushion Asm. - Front Bunk - 47" x 79.2" x 4" - Rust
	055021-33-N11	EA	Cushion Asm. - Front Bunk - 47" x 79.2" x 4" - Burgundy
	055021-33-N12	EA	Cushion Asm. - Front Bunk - 47" x 79.2" x 4" - Cocoa
	055022-35-N10	EA	Cover - Front Bunk Cushion - 47" x 79.2" x 4" - Rust
	055022-35-N11	EA	Cover - Front Bunk Cushion - 47" x 79.2" x 4" - Burgundy
	055022-35-N12	EA	Cover - Front Bunk Cushion - 47" x 79.2" x 4" - Cocoa

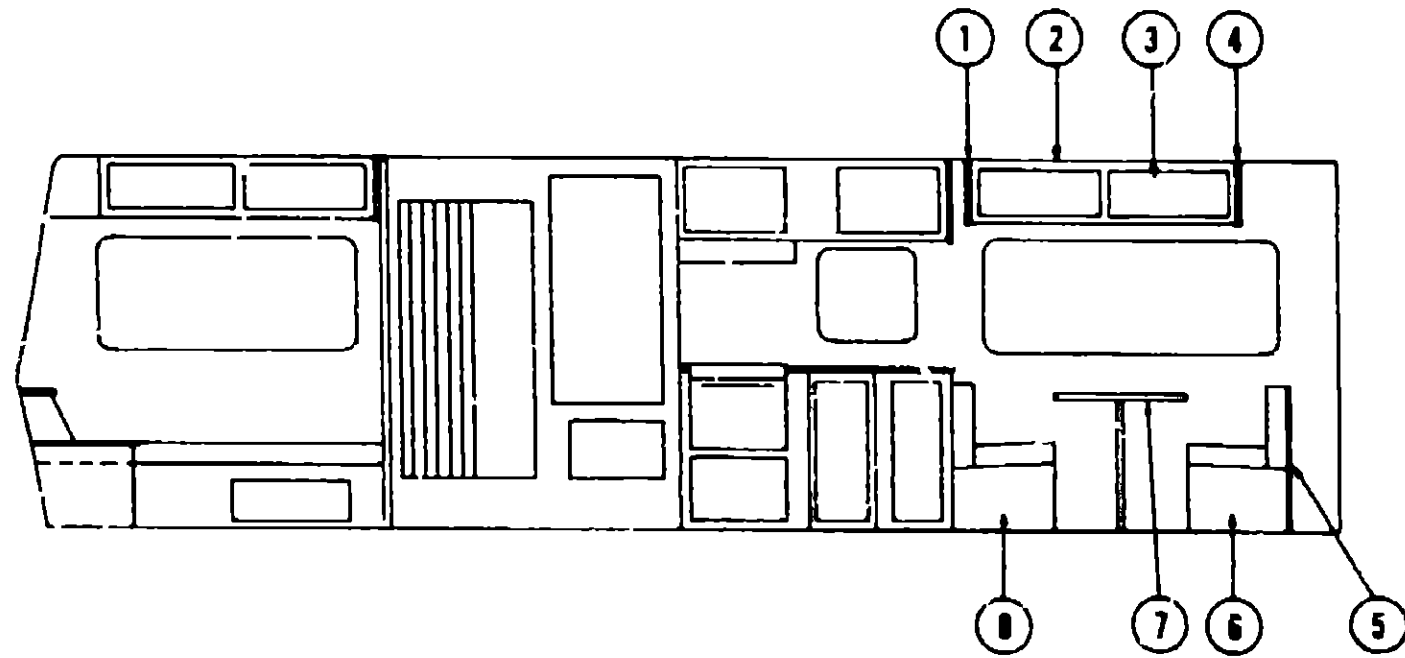
**1982 ITASCA
TABLE OF CONTENTS**

Introduction	A-1
Abbreviations	A-1
Alphabetical Index	A-2 - A-4
ICF22RB N2	A-5 - C-12
ICF26RH N2	C-13 - E-20
ICF26RB N2	E-21 - H-4
ICN27RB N2	H-5 - J-12
ICN29RT N2	J-13 - L-22

1982 ICN29RT N2 INDEX

Floor Plan	J-13 - J-14
Accessories Group	J-15 - J-17
Bath Group	J-18 - J-19
Chassis Group	J-20 - J-21
Curtain, Cushion & Pad Group	J-22 - K-6
Dinette Group	K-7 - K-8
Driver's Compartment Group	K-9 - K-12
Electrical Group	K-13 - K-15
Exterior Body Group	K-16 - K-20
Galley Group	K-21 - K-22
Heating & Air Conditioning Group	K-23
Interior Finish Group	K-24 - L-1
LP Group	L-2
Lounge Group	L-3 - L-5
Water & Sewage Group	L-6 - L-7
Window, Vent & Exterior Door Group	L-8 - L-22

DINETTE GROUP



CONVENTIONAL DINETTE AND OVERHEAD CABINERY

Key	Part Number	U/M	Description
1	063345-02-M07	EA	Pad Asm. - End Cap - Dinette Overhead - Left - Brown Vinyl
1	063345-02-N07	EA	Pad Asm. - End Cap - Dinette Overhead - Left - Beige Vinyl
2	070670-02-N07	EA	Cabinet Asm. - Dinette Overhead - w/o Doors or Hardware
3	069852-05-N07	EA	Door Asm. - Dinette Overhead Cabinets - 11.3" x 23" - w/o Hardware
4	058444-04-M07	EA	Pad Asm. - End Cap - Dinette Overhead - Right - Brown Vinyl
4	058444-04-N07	EA	Pad Asm. - End Cap - Dinette Overhead - Right - Beige Vinyl
5	M00761-01-N07	EA	Cabinet Asm. - Dinette Seat Back - Right (Front)
6	M00760-01-N07	EA	Cabinet Asm. - Dinette Seat - Right (Front)
7	053191-07-N07	EA	Table Asm. - Dinette - w/o Hardware - Plastic Oak (N10) (N11) (N12)
8	065484-01-N07	EA	Cabinet Asm. - Dinette Seat - Left Rear
.	053200-05-000	EA	Bracket - Upper Wall Mount - 23.5" - Beige
**	053200-01-000	EA	Bracket - Upper Wall Mount - 23.5" - Brown
**	053201-01-000	EA	Bracket - Table Mount - 23" - Brown
**	053201-03-000	EA	Bracket - Table Mount - 23" - Clear Anod.
.	024275-05-000	EA	Rod - Table Lift - 8" x 23.5" - Beige
**	024275-01-000	EA	Rod - Table Lift - 8" x 23.5" - Brown
.	024281-07-000	EA	Bracket - Lower Wall Mount - 22.12" - Beige
**	024281-03-000	EA	Bracket - Lower Wall Mount - 22.12" - Brown
.	024276-08-000	EA	Leg Asm. - Table - 29.5" - Beige
**	024276-04-000	EA	Leg Asm. - Table - 29.5" - Brown
.	064050-01-000	EA	Hinge - Table Leg
**	024282-01-000	EA	Brace - Table Leg
**	024283-01-000	EA	Clip - 1" O.D. Tube
**	049493-02-000	EA	Catch - Table Leg - Mounts on Floor - Brown
.	049493-03-000	EA	Catch - Table Leg - Mounts on Floor - Beige
.			Not illustrated

** The illustrated parts breakdown for this item is provided on the Common Items Fiche.

DINETTE GROUP (CONTINUED)

SPRUNG COUCH AND PEDESTAL TABLE

Key	Part Number	U/M	Description
	M70672-01-N07	EA	Cabinet Face - Sprung Couch - w/o Door or Hardware
	057618-01-N07	EA	Panel End - Sprung Couch - Right
	059750-01-N07	EA	Panel End - Sprung Couch - Left (Galley)
	069852-15-N07	EA	Door Asm. - Couch Cabinet - 11.7" x 57.2" - w/o Hardware
	057468-02-000	EA	Frame Asm. - Sprung Couch - Right
	057468-03-000	EA	Frame Asm. - Sprung Couch - Left
	057468-04-000	EA	Frame Rail - Sprung Couch (2 per couch)
	057469-01-000	EA	Leg Asm. - Sprung Couch (2 per couch)
	053248-02-N07	EA	Table Asm. - Pedestal - w/o Hardware - Plastic Oak (N10) (N11) (N12)
	009040-02-000	EA	Leg - Pedestal Table - 27.5" x 2.25" O.D. - Chrome
	009040-03-000	EA	Base - Table Leg - Mounts on Table
	041194-01-000	EA	Base - Table Leg - Mounts in Floor
	056093-01-N07	EA	Plug Asm. - Pedestal Table - Russet Red (N10)
	056093-01-N11	EA	Plug Asm. - Pedestal Table - Winesap
	056093-01-N12	EA	Plug Asm. - Pedestal Table - Special Pecan
	062046-01-000	EA	Clip - Pedestal Leg

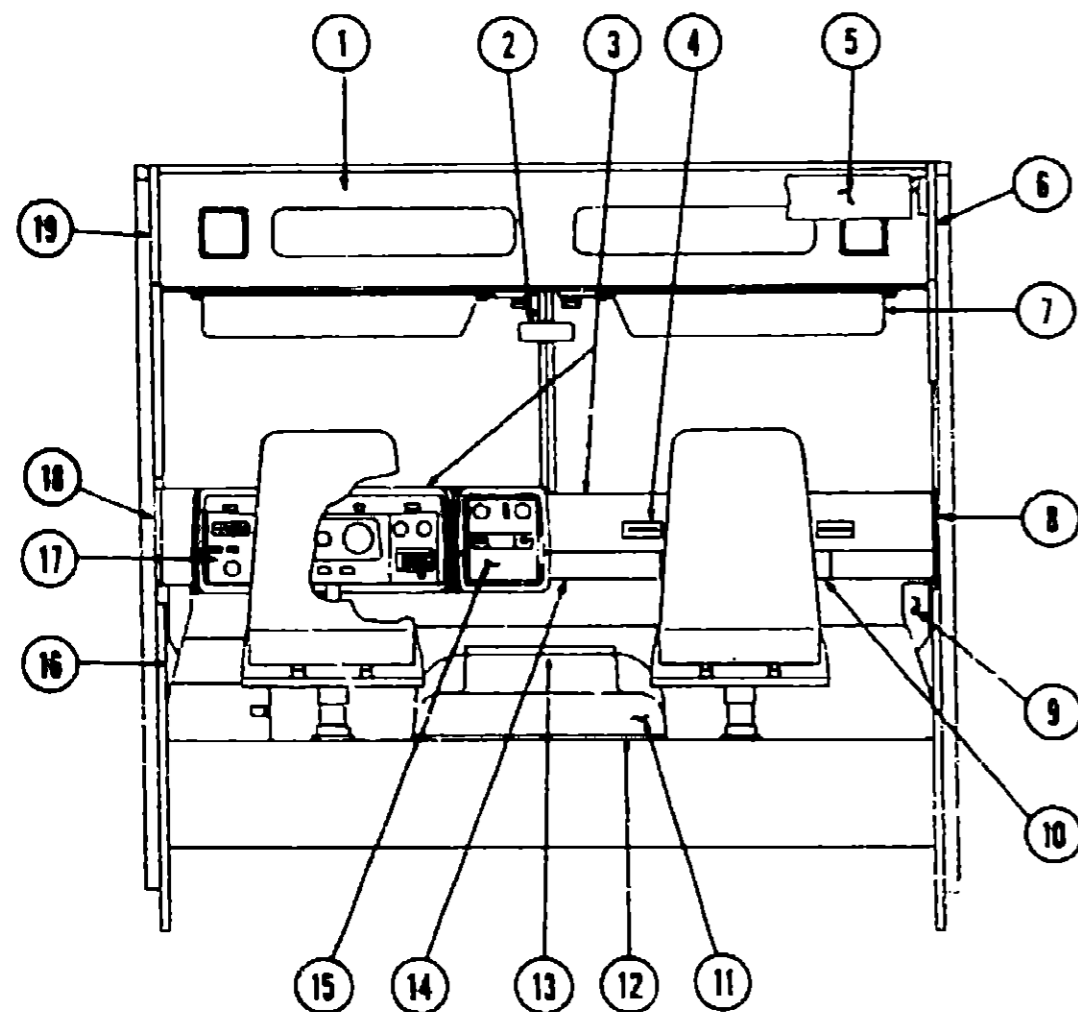
1982 ITASCA TABLE OF CONTENTS

Introduction	A-1
Abbreviations	A-1
Alphabetical Index	A-2 - A-4
ICF22RB N2	A-5 - C-12
ICF26RH N2	C-13 - E-20
ICF26RB N2	E-21 - H-4
ICN27RB N2	H-5 - J-12
ICN29RT N2	J-13 - L-22

1982 ICN29RT N2 INDEX

Floor Plan	J-13 - J-14
Accessories Group	J-15 - J-17
Bath Group	J-18 - J-19
Chassis Group	J-20 - J-21
Curtain, Cushion & Pad Group	J-22 - K-6
Dinette Group	K-7 - K-8
Driver's Compartment Group	K-9 - K-12
Electrical Group	K-13 - K-15
Exterior Body Group	K-16 - K-20
Galley Group	K-21 - K-22
Heating & Air Conditioning Group	K-23
Interior Finish Group	K-24 - L-1
LP Group	L-2
Lounge Group	L-3 - L-5
Water & Sewage Group	L-6 - L-7
Window, Vent & Exterior Door Group	L-8 - L-22

DRIVER'S COMPARTMENT GROUP



MISCELLANEOUS DRIVER'S COMPARTMENT COMPONENTS

Key	Part Number	U/M	Description
1	058300-01-N07	EA	Cabinet Asm. - Front Overhead
2	040714-01-000	EA	Mirror - Inside - Rear View - Glare Proof
*	067490-01-000	EA	Button - Mirror - Rear View - Support
3	M00671-02-000	EA	Dash Asm. - Complete w/Gauges and Switches - Chevy
*	022548-04-000	EA	Pad - Dash - Right - Dark Brown
*	023242-06-000	EA	Pad - Dash - Left - Dark Brown
*	024990-02-000	EA	Outlet - Defroster w/Swivel - 2" Dark Brown
4	039044-01-000	EA	Louver Asm. - A/C Adjustable
5	058844-01-M07	EA	Bunk Board Asm. - Front Overhead - w/Brown Rails
5	058844-02-N31	EA	Bunk Board Asm. - Front Overhead - w/Off White Rails
6	058948-01-N07	EA	Pad Asm. - Front Side Overhead - Right - Beige Vinyl
6	058948-01-M04	EA	Pad Asm. - Front Side Overhead - Right - Brown Vinyl
7	056508-02-N07	EA	Sunvisor Asm. - Right & Left - Almond Vinyl - w/o Mirror
7	056508-02-M04	EA	Sunvisor Asm. - Right & Left - Acorn Vinyl - w/o Mirror
*	040695-02-000	EA	Clip - Sunvisor
*	068601-01-000	EA	Recliner Drive Asm. - Bucket Seat - Left Side
*	068601-02-000	EA	Recliner Drive Asm. - Bucket Seat - Right Side
*	061350-01-000	EA	Windshield Trim - Interior - "A" Post - Dark Brown Plastic - Left
*	061350-02-000	EA	Windshield Trim - Interior - "A" Post - Dark Brown Plastic - Right
*	061350-03-000	EA	Windshield Trim - Interior - "A" Post - Light Oak Plastic - Right
*	061350-04-000	EA	Windshield Trim - Interior - "A" Post - Light Oak Plastic - Left
8	059414-04-000	EA	Pad - Sidewall Trim - Passenger - Beige Vinyl
8	059414-02-000	EA	Pad - Sidewall Trim - Passenger - Brown Vinyl
*			Not illustrated

DRIVER'S COMPARTMENT GROUP (CONTINUED)

Key	Part Number	U/M	Description
9	072811-01-000	EA	Panel - Side - Passenger - Light Oak Plastic (N3)
9	059197-02-000	EA	Panel - Side - Passenger - Light Oak Plastic (N2)
9	072811-02-000	EA	Panel - Side - Passenger - Dark Brown Plastic (N3)
9	059197-01-000	EA	Panel - Side - Passenger - Dark Brown Plastic (N2)
*	059467-04-N07	EA	Pad - Map Pocket - Passenger - Beige Vinyl
*	059467-04-M07	EA	Pad - Map Pocket - Passenger - Brown Vinyl
10	022219-01-000	EA	Glove Compartment Door
*	023892-01-000	EA	Glove Compartment Box - Black Fiberboard
*	009118-01-000	EA	Glove Compartment Twist Lock
*	024598-01-000	EA	Glove Compartment Hinge - 1 1/16" x 19"
*	034309-01-000	EA	Glove Compartment Chain - Door
11	067213-02-000	EA	Motor Cover - Fiberglass - Dual Fuel - Chevy
12	035368-02-000	EA	Seal - Motor Cover - Alum. - Brown
12	035368-04-000	EA	Seal - Motor Cover - Alum. - Beige
*	039623-01-000	FT	Seal - Cover - Engine - Neoprene
*	052783-02-000	EA	Seal - Cover - Motor - Upper - Brown - Chevy
*	052783-03-000	EA	Seal - Cover - Motor - Upper - Beige - Chevy
*	039857-01-000	EA	Latch - Rubber - Draw Handle - 5 3/4" w/Strike
*	039856-01-000	EA	Latch - Rubber - Draw Handle - 3" w/Strike
*	042541-01-000	EA	Latch Asm. - w/Strike - Chrome
13	061378-01-N01	EA	Beverage Tray Asm. - Oak Laminate (N10) (N11) (N12)
14	023834-01-000	EA	Panel - Knee Kick - Bottom of Dash
*	055000-02-000	EA	Tray - Utensil - Light Oak - Plastic
*	055000-01-000	EA	Tray - Utensil - Dark Brown - Plastic
*	045795-03-000	EA	Glass Holder - Light Oak Plastic
*	045795-01-000	EA	Glass Holder - Dark Brown Plastic
15	050344-03-000	EA	Bezel - Entertainment Center No. 2 - w/Cut Out for Clock & Radio
15	067337-02-000	EA	Bezel - Entertainment Center No. 6 - w/Cut Out for Radio
15	067338-02-000	EA	Bezel - Entertainment Center No. 7 - w/Cut Out for Radio, Hourmeter and Generator Start Stop Switch
15	050345-04-000	EA	Bezel - Entertainment Center No. 3 - w/Cut Out for Radio, Clock, Hourmeter and Generator Start Stop Switch
*	037308-01-000	EA	Dash Clock
16	059198-05-000	EA	Panel - Side - Drivers - Light Oak Plastic
16	059198-02-000	EA	Panel - Side - Drivers - Dark Brown Plastic
16	064499-02-000	EA	Panel - Drivers Door - Inner - Light Oak Plastic
16	064499-01-000	EA	Panel - Drivers Door - Inner - Brown Plastic
*	059467-03-N07	EA	Pad - Map Pocket - Drivers - Beige Vinyl
*	059467-03-M07	EA	Pad - Map Pocket - Drivers - Brown Vinyl
*	050796-01-000	EA	Pocket - Ash Tray - Plastic
*	050797-01-000	EA	Ash Tray - Plastic
*	046386-01-000	EA	Ashtray Asm. - Flush Mount - Chrome
17	039847-08-000	EA	Bezel - Control Panel - Chevy
*	052367-01-000	EA	Cigarette Lighter Asm. - 12 Volt
*	007041-01-000	EA	Bezel - Cigarette Lighter
*	061424-01-000	EA	Lamp Asm. - Map/Gauge
*	061400-01-000	EA	Assist Strap - 12" - Light Brown
*	061400-03-000	EA	Assist Strap - 12" - Medium Almond
18	059414-03-000	EA	Pad - Sidewall Trim - Drivers - Beige Vinyl
18	059414-01-000	EA	Pad - Sidewall Trim - Drivers - Brown Vinyl
19	058948-02-N07	EA	Pad Asm. - Front Overhead Cabinet - Left - Beige Vinyl
19	058948-02-M04	EA	Pad Asm. - Front Overhead Cabinet - Left - Brown Vinyl
19	058948-03-N07	EA	Pad Asm. - Front Overhead Cabinet - Driver Door - Beige Vinyl
19	058948-03-M04	EA	Pad Asm. - Front Overhead Cabinet - Driver Door - Brown Vinyl
*	040519-01-000	EA	Boot - Rubber Steering Column
*	040520-01-000	EA	Boot Retainer - Steering Column
*	054499-01-000	EA	Support - Dimmer Switch
*	024849-01-000	EA	Damper Asm. - Fresh Air
*			Not illustrated

**1962 ITALCA
TABLE OF CONTENTS**

Introduction	A-1
Abbreviations	A-1
Alphabetical Index	A-2 - A-4
ICF22RB N2	A-5 - C-12
ICF26RH N2	C-13 - E-20
ICF26RB N2	E-21 - H-4
ICN27RB N2	H-5 - J-12
ICN29RT N2	J-13 - L-22

1962 ICN29RT N2 INDEX

Floor Plan	J-13 - J-14
Accessories Group	J-15 - J-17
Bath Group	J-18 - J-19
Chassis Group	J-20 - J-21
Curtain, Cushion & Pad Group	J-22 - K-6
Dinette Group	K-7 - K-8
Driver's Compartment Group	K-9 - K-12
Electrical Group	K-13 - K-15
Exterior Body Group	K-16 - K-20
Galley Group	K-21 - K-22
Heating & Air Conditioning Group	K-23
Interior Finish Group	K-24 - L-1
LP Group	L-2
Lounge Group	L-3 - L-5
Water & Sewage Group	L-6 - L-7
Window, Vent & Exterior Door Group	L-8 - L-22

DRIVER'S COMPARTMENT GROUP (CONTINUED)

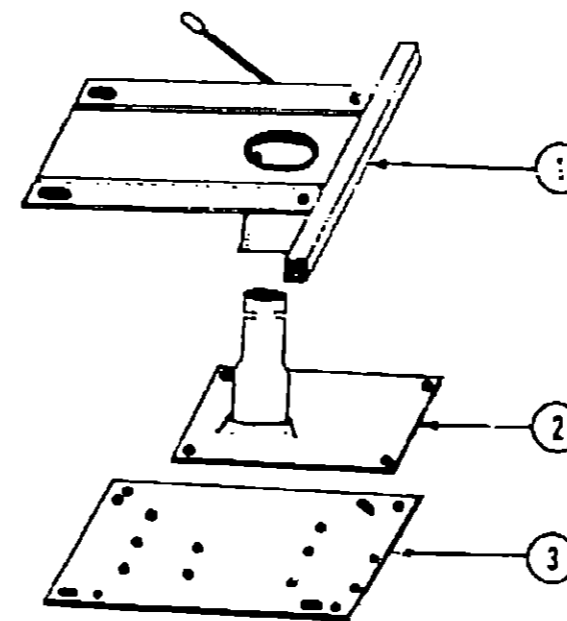
DASH SWITCHES AND GAUGES

Key	Part Number	U/M	Description
	024461-01-000	EA	Switch - Battery
	024462-01-000	EA	Switch - Battery Condition
	024464-02-000	EA	Switch - Battery - Dual Boost
	024463-01-000	EA	Switch - Blinker
	024464-01-000	EA	Switch - Washer
	024465-01-000	EA	Switch - Fuel
	024467-01-000	EA	Switch - Wiper
	024976-01-000	EA	Switch - Generator w/o Circuit Board
	037387-01-000	EA	Switch - Generator w/Circuit Board
	024459-03-000	EA	Gauge - Voltmeter
	024460-03-000	EA	Gauge - Vacuum - Black Bezel
	031035-01-000	EA	Gauge - Generator Hourmeter
	031376-01-000	EA	Control Asm. - Heater - 3 Speed
	055279-01-000	EA	Control Asm. - Heater A/C - 3 Speed
	072341-01-710	EA	Control Asm. - Heater A/C - A.R.A.

FRONT BUNK AND HARDWARE

Key	Part Number	U/M	Description
	058300-01-N07	EA	Cabinet Asm. - Front Overhead
	058844-01-M07	EA	Bunk Board Asm. - Front Overhead - w/Brown Rails
	058844-02-N07	EA	Bunk Board Asm. - Front Overhead - w/Off White Rails
	053773-01-000	EA	Support - Overhead Bunk - Brown - Right
	053773-02-000	EA	Support - Overhead Bunk - Brown - Left
	040071-02-000	EA	Support - Bunk - Seat Belt
	039516-03-000	EA	Catch - Bunk - Off White
	039516-02-000	EA	Catch - Bunk - Brown
	023812-26-000	EA	Rail - Bunk - 80" - Off White
	023812-22-000	EA	Rail - Bunk - 80" - Brown
	053774-02-000	EA	Torsion Rod - Overhead Bunk - Brown
	041322-01-000	EA	Washer - Flat - 15/32" I.D. x 2 3/8" O.D. - Seat Belt
	058948-01-N07	EA	Pad Asm. - Front Side Overhead - Right - Beige Vinyl
	058948-01-M04	EA	Pad Asm. - Front Side Overhead - Right - Brown Vinyl
	058948-02-N07	EA	Pad Asm. - Front Side Overhead - Left - Beige Vinyl
	058948-02-M04	EA	Pad Asm. - Front Side Overhead - Left - Brown Vinyl
	058948-03-N07	EA	Pad Asm. - Front Side Overhead - Driver Door - Beige Vinyl
	058948-03-M04	EA	Pad Asm. - Front Side Overhead - Driver Door - Brown Vinyl
	048394-01-000	YD	Tape Hook - 1" x 25 YD - Beige
	048395-01-000	YD	Tape Loop - 1" x 25 YD - Beige
	007021-01-000	EA	Belt Asm. - Seat - 2" x 90" - Black

DRIVER'S COMPARTMENT GROUP (CONTINUED)



BUCKET SEAT PEDESTAL AND SEAT BELTS

Key	Part Number	U/M	Description
1	069585-04-000	EA	Plate - Top - Pedestal Asm. - Single - Bucket Seat
1	069585-10-000	EA	Plate - Top - Pedestal Asm. - Double Bucket Seat
2	069585-08-000	EA	Plate - Sub - Pedestal Asm. - Bucket Seat
3	069585-07-000	EA	Plate - Base - Pedestal Asm. - Bucket Seat
*	069585-05-000	EA	Hardware Kit - Bolt/Acorn Nut - 4 ea. - Pedestal Asm.
*	007019-01-000	EA	Belt Asm. - Seat - 2" x 84" - Black
*	041322-01-000	EA	Washer - Flat 15/32" I.D. x 2 3/8" O.D. - Seat Belt
*	007021-01-000	EA	Belt Asm. - Seat - 2" x 90" - Black
*	007222-01-000	EA	Belt Asm. - Seat - 2" x 60" - Black
*	043910-01-000	EA	Bracket Asm. - Seat Belt
*	058375-01-000	EA	Bracket - Seat Belt - Washer
*	069246-01-000	EA	Adjuster Asm. - Seat w/Lock
*	069246-02-000	EA	Adjuster Asm. - Seat w/o Lock
*			Not illustrated

**1982 ITASCA
TABLE OF CONTENTS**

Introduction	A-1
Abbreviations	A-1
Alphabetical Index	A-2 - A-4
ICF22RB N2	A-5 - C-12
ICF26RH N2	C-13 - E-20
ICF26RB N2	E-21 - H-4
ICN27RB N2	H-5 - J-12
ICN29RT N2	J-13 - L-22

1982 ICN29RT N2 INDEX

Floor Plan	J-13 - J-14
Accessories Group	J-15 - J-17
Bath Group	J-18 - J-19
Chassis Group	J-20 - J-21
Curtain, Cushion & Pad Group	J-22 - K-6
Dinette Group	K-7 - K-8
Driver's Compartment Group	K-9 - K-12
Electrical Group	K-13 - K-15
Exterior Body Group	K-16 - K-20
Galley Group	K-21 - K-22
Heating & Air Conditioning Group	K-23
Interior Finish Group	K-24 - L-1
LP Group	L-2
Lounge Group	L-3 - L-5
Water & Sewage Group	L-6 - L-7
Window, Vent & Exterior Door Group	L-8 - L-22

ELECTRICAL GROUP

BULBS

Key	Part Number	U/M	Description
	037935-01-000	EA	Bulb - 1157
	063914-01-000	EA	Bulb - 1139
	068103-01-000	EA	Bulb - 53
	003213-01-000	EA	Bulb - 57
	008214-01-000	EA	Bulb - 67
	008215-01-000	EA	Bulb - 1003
	008216-01-000	EA	Bulb - 1034
	008217-01-000	EA	Bulb - 1073
	008218-01-000	EA	Bulb - 1141
	008220-01-000	EA	Bulb - 12V - 25W
	036196-01-000	EA	Bulb - 194

FUSES AND CIRCUIT BREAKER

Key	Part Number	U/M	Description
	056473-02-000	EA	Fuse - Slow Blow - 5 Amp. - 32 Volt Capacity
	056473-01-000	EA	Fuse - Slow Blow - 6 1/4 Amp.
	008233-01-000	EA	Fuse - 12 Volt - 6 Amp.
	008234-01-000	EA	Fuse - 12 Volt - 10 Amp.
	046893-01-000	EA	Fuse - 12 Volt - 13 Amp.
	008235-01-000	EA	Fuse - 12 Volt - 15 Amp.
	008236-01-000	EA	Fuse - 12 Volt - 20 Amp.
	008248-01-000	EA	Fuse - 110 Volt - 30 Amp. - AGU
	008252-01-000	EA	Fuse - 110 Volt - 50 Amp.
	008208-01-000	EA	Circuit Breaker - 12 Volt - 40 Amp.
	008211-01-000	EA	Circuit Breaker - 12 Volt - 6 Amp.
	003268-01-000	EA	Circuit Breaker - 12 Volt - 30 Amp. w/Mount
	033573-02-000	EA	Circuit Breaker - 12 Volt - 15 Amp. w/Mount
	033573-01-000	EA	Circuit Breaker - 12 Volt - 20 Amp. w/Mount
	040551-01-000	EA	Circuit Breaker - 110 Volt - 20 Amp. TQL
	071279-01-000	EA	Circuit Breaker - 120 Volt - 15 Amp.
	008273-03-000	EA	Circuit Breaker - 15/20 Amp. TQL
	008299-01-000	EA	Circuit Breaker - 115 Amp. TQL
	008297-01-000	EA	Circuit Breaker - 120 Amp. TQL
	008293-01-000	EA	Circuit Breaker - 130 Amp. TQL

EXTERIOR LIGHTS

Key	Part Number	U/M	Description
	007309-01-000	EA	Light - Step Well
	058030-01-000	EA	Tail Lamp Asm. - 3 Bulb - Chrome - Right
	058030-02-000	EA	Tail Lamp Asm. - 3 Bulb - Chrome - Left
	058030-01-702	EA	Lens - Tail Lamp - Amber
	058030-01-700	EA	Lens - Tail Lamp - Red
	058030-01-701	EA	Lens - Tail Lamp - Back Up
	059036-01-000	EA	Bracket - Tail Lamp
	059540-01-000	EA	Bracket - License Plate
	062742-01-000	EA	Wedge - Tail Lamp w/License Plate - Gray - Left
	062741-03-000	EA	Wedge - Tail Lamp - Gray - Right
	042405-03-000	EA	Base - Rectangular Clearance Light
	042405-01-000	EA	Lens - Clearance Light - Red w/Reflex
	042405-04-000	EA	Lens - Clearance Light - Red w/o Reflex
	042405-02-000	EA	Lens - Clearance Light - Amber w/Reflex
	042405-05-000	EA	Lens - Clearance Light - Amber w/o Reflex
	008089-01-000	EA	Light - Porch - Recessed
	008092-01-700	EA	Reflector - Stick On - Rectangular - Red
	008093-01-700	EA	Reflector - Stick On - Rectangular - Amber

ELECTRICAL GROUP (CONTINUED)

INTERIOR LIGHTS

Key	Part Number	U/M	Description
	033506-02-000	EA	Light - Dome - Ivory - 1 Bulb - US - Progressive Dynamics, Inc.
	033506-03-000	EA	Light - Dome - Ivory - 1 Bulb - CSA - Progressive Dynamics, Inc.
	033509-02-000	EA	Light - Dome - Ivory - 2 Bulb - US - Progressive Dynamics, Inc.
	033509-03-000	EA	Light - Dome - Ivory - 2 Bulb - CSA - Progressive Dynamics, Inc.
	061424-01-000	EA	Light - 12 V Receptacle - Aisle - IP
	024418-01-000	EA	Lamp Asm. - Map/Gauge/Aisle
	053348-01-000	EA	Light - High Intensity - Brown
	007309-01-000	EA	Light - Step Well

WINDSHIELD WIPER AND WASHER

Key	Part Number	U/M	Description
**	056006-02-000	EA	Washer Asm. - Windshield
**	057653-01-000	EA	Arm - Windshield Wiper - 18" - Black
	067191-02-000	EA	Motor Asm. - Windshield Wiper - 2 Speed
	067192-01-000	EA	Link Asm. - Connecting - Left
	067193-01-000	EA	Link Asm. - Connecting - Right
**	049464-02-000	EA	Blade - Windshield Wiper - 20" Black
**	067190-01-000	EA	Shaft and Pivot Asm.
**	The illustrated parts breakdown for this item is provided on the Common Items Fiche.		

WIRE, SWITCHES AND RECEPTACLES

Key	Part Number	U/M	Description
	008024-01-000	FT	Wire - 18.5 Bonded - Orange/White/Yellow/Blue/Brown
	008025-01-000	FT	Wire - 18.5 Bonded - Orange/White/Yellow/Blue/Green
	008026-01-000	FT	Wire - 18.5 Bonded - Blue/Red/Yellow/Orange/White
	008030-01-000	FT	Wire - 18.4 Bonded - Red/Blue/Orange/Green
	008277-01-000	EA	Holder - Fuse - Black - Panel Mount
	008195-01-000	EA	Switch - Push Button - 12 Volt
	006077-01-000	EA	Plaque - Compressor Switch
	008054-01-000	EA	Cord - Power - 10-3 30 Amp. - 25' - UL
	009052-01-000	EA	Cord - Power - 10-3 30 Amp. - 25' - CSA
	024571-03-000	EA	Cover Plate - Receptacle - Jumbo Plastic - Brown
	024571-04-000	EA	Cover Plate - Receptacle - Jumbo Plastic - Ivory
	058028-01-000	EA	Connector - Pigtail - Clear - Nylon
	008162-01-000	EA	Switch - Double Toggle - Spade Brown
	008163-01-000	EA	Switch - Toggle Brown
	056264-01-000	EA	Switch - Leaf Actuator
	063912-01-000	EA	Relay - Canister Spot w/Ground
	008164-01-000	EA	Cover Plate - Switch - Brown
	024924-02-000	EA	Receptacle - Power Cord
	069238-01-000	EA	Cover - Electrical - 4 x 4 Box
	008058-01-000	EA	Adaptor - Power Cord
	053126-01-000	EA	Receptacle - Ground Fault Interrupter - 125 Volt - Ivory
	053126-02-000	EA	Receptacle - Ground Fault Interrupter - 125 Volt - Brown
	058707-01-000	EA	Receptacle - Single - Brown - Thomas & Belts
	058709-01-000	EA	Receptacle - Duplex - Brown - Thomas & Belts
	008157-01-000	EA	Receptacle - Duplex - Brown (Exterior Backwall)
	058048-01-000	EA	Cover - Electrical Box - 4.5" x 2.75" - Rain Tight (Exterior)
	008294-02-000	EA	Cover - Steel - Flat Blank 4" x 4"
	006288-01-000	EA	Box - Electrical - Plastic - 3" x 3.5"
	008289-01-000	EA	Box - Electrical - Steel - 4 x 4 - 1/2 & 3/4 UL
	051395-01-000	EA	Housing Asm. - Trailer Receptacle
	064399-01-000	EA	Housing Asm. - Trailer Pin
	064450-01-000	EA	Housing Asm. - Trailer Plug
	035417-01-000	EA	Terminal - Pin Receptacle .125 Dia.
	054532-01-000	EA	Housing - Pin - 6 Position
	031968-01-000	EA	Contact - Plug - Brass - Tin Plated
	035290-17-000	EA	Cable Asm. - Battery - 1 AWG Strand - 282"
	054865-01-000	EA	Wire Asm. - Generator Switch
	068622-02-000	EA	Fuse Block - 8 Circuits

1982 ITASCA TABLE OF CONTENTS

Introduction	A-1
Abbreviations	A-1
Alphabetical Index	A-2 - A-4
ICF22RB N2	A-5 - C-12
ICF26RH N2	C-13 - E-20
ICF28RB N2	E-21 - H-4
ICN279B N2	H-5 - J-12
ICN28RT N2	J-13 - L-22

1982 ICN28RT N2 INDEX

Floor Plan	J-13 - J-14
Accessories Group	J-15 - J-17
Bath Group	J-18 - J-19
Chassis Group	J-20 - J-21
Curtain, Cushion & Pad Group	J-22 - K-6
Dineite Group	K-7 - K-8
Driver's Compartment Group	K-9 - K-12
Electrical Group	K-13 - K-15
Exterior Body Group	K-16 - K-20
Galley Group	K-21 - K-22
Heating & Air Conditioning Group	K-23
Interior Finish Group	K-24 - L-1
LP Group	L-2
Lounge Group	L-3 - L-5
Water & Sewage Group	L-6 - L-7
Window, Vent & Exterior Door Group	L-8 - L-22

ELECTRICAL GROUP (CONTINUED)

MISCELLANEOUS ELECTRICAL COMPONENTS

Key	Part Number	U/M	Description
	047338-01-000	EA	Insulator - Dual Battery
	063739-01-000	EA	Battery - 12 Volt - 80 Amp. Gould
	006188-01-000	EA	Solenoid - Dual Battery - Relay
	054544-01-000	EA	Control Center - 37 Amp - UL
	031720-01-000	EA	Spacer - Receptacle - Brown Plastic - CSA
	039950-01-702	EA	Circuit Board - Control Center
	024459-01-000	EA	Gauge - Voltmeter
	024462-01-000	EA	Switch - Battery Condition
	031035-01-000	EA	Gauge - Hourmeter - Generator
	024976-01-000	EA	Switch - Generator w/o Circuit Board
	024460-01-000	EA	Gauge Vacuum
	039861-01-000	EA	Sending Unit Kit - Wemac
	048812-12-000	EA	Refrigerator Sensor - Refrigerator Alarm
	048812-04-000	EA	Control Panel - Basic
	048812-09-000	EA	Control Panel - Insert - w/LP Alarm - Refrigerator
	072351-01-000	EA	Control Panel Complete - Water/Double Sewage - Clock - w/LP Alarm - Refrigerator
	071278-01-000	EA	Control Center - 32 Amp. - 120V/12V
	057044-01-000	EA	Control Center - 44 Amp. - CSA
	054545-01-000	EA	Control Center - 44 Amp. UL
	067762-01-000	EA	Converter - 40 Amp. w/Charger

EXTERIOR BODY GROUP

SEALANTS, ADHESIVES AND FASTENERS

Key	Part Number	U/M	Description
	034552-06-000	EA	Sealant - Off White Silicone
	034552-07-000	EA	Sealant - Gray Silicone
	034552-02-000	EA	Sealant - Clear Silicone
	069637-01-000	EA	Sealant - Weatherban 404 Tube - 3M
	009200-01-000	EA	Tape - Furnace - 1 1/2"
	004353-01-000	FT	Tape - Gasket - 1/8" x 3/4" - White
	002825-01-000	FT	Weather Stripping - Roof Vent
	002337-01-000	EA	Adhesive - 3M - 1300 Tube
	004005-01-000	GL	Adhesive - Swifts - Green - Glue (Sidewalls)
	004020-01-000	QT	Adhesive - ABS Cement (Plastic Fittings)
	029051-01-000	EA	Adhesive - Spray Vinyl
	042401-03-000	EA	Screw #8 - 18 x 3/4" SDPH - Beige
	042403-04-000	EA	Screw #8 - 18 x 1" SDPH - Beige
	053766-01-000	EA	Bedding Compound - Tube Black - Schnee Moxorehead
	069640-02-000	FT	Tape - 1/2" x 1/8" x 30' - Gray - 3M
	069640-01-000	FT	Tape - 1/4" Bead x 20' - Gray - 3M
	069640-03-000	FT	Tape - 3/4" x 1/8" x 30' - Gray - 3M
	069640-04-000	FT	Tape - 2" x 3/32" x 45' - Gray - 3M

MISCELLANEOUS EXTERNALLY MOUNTED PARTS

Key	Part Number	U/M	Description
**	011129-01-000	EA	Plumbing Seal - Roof Vent - 1 1/2"
	009126-01-000	EA	Assist Handle - Metal
	010230-04-000	EA	Fill - City Water - Recessed - Gray
	058808-03-000	EA	Water Fill - Lockable - Gray
	063303-04-000	EA	Shroud - Fuel Fill - Outside - Gray
	072310-01-000	EA	Shroud - Fuel Fill - Inside

** The illustrated parts breakdown for this items is provided on the Common Items Fiche.

1992 ITASCA TABLE OF CONTENTS

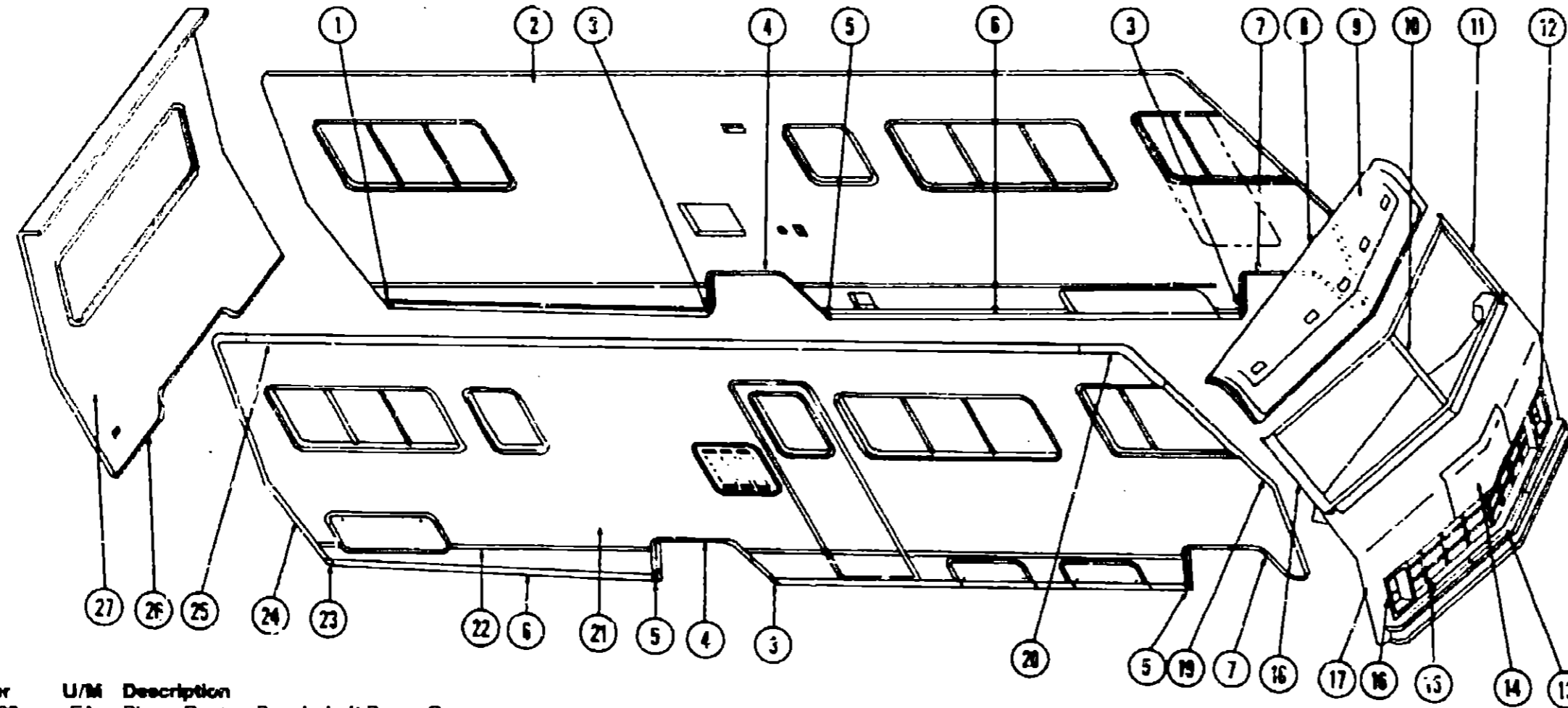
Introduction	A-1
Abbreviations	A-1
Alphabetical Index	A-2 - A-4
ICF22RB N2	A-5 - C-12
ICF23RH N2	C-13 - E-20
ICF26RB N2	E-21 - H-4
ICN27RB N2	H-5 - J-12
ICN29RT N2	J-13 - L-22

1992 ICN29RT N2 INDEX

Floor Plan	J-13 - J-14
Accessories Group	J-15 - J-17
Bath Group	J-18 - J-19
Chassis Group	J-20 - J-21
Curtain, Cushion & Pad Group	J-22 - K-6
Dinette Group	K-7 - K-8
Driver's Compartment Group	K-9 - K-12
Electrical Group	K-13 - K-15
Exterior Body Group	K-16 - K-20
Galley Group	K-21 - K-22
Heating & Air Conditioning Group	K-23
Interior Finish Group	K-24 - L-1
LP Group	L-2
Leunge Group	L-3 - L-5
Water & Sewage Group	L-6 - L-7
Window, Vent & Exterior Door Group	L-8 - L-22

EXTERIOR BODY GROUP (CONTINUED)

EXTERIOR BODY PANELS AND SHEET ALUMINUM



Key	Part Number	U/M	Description
1	059395-05-000	EA	Plug - Rocker Panel - Left Rear - Gray
2	M71118-02-N10	EA	Sidewall Asm. - Left
3	059185-05-000	EA	Plug - Rocker Panel - Wheelwell - Gray
4	058487-06-000	EA	Trim - Wheel Well - Rear - Gray
5	059185-06-000	EA	Plug - Rocker Panel - Wheel Well - Gray
6	039068-08-000	EA	Extr. - Rocker Panel - Gray
7	058543-06-000	EA	Trim - Wheel Well - Front - Gray
8	062396-01-000	EA	Trim - Roof/Front Cap
9	054957-02-000	EA	Cap - Plastic - Over Windshield - Gray
10	058288-01-000	EA	Trim - Molding - Windshield - Center
11	058289-01-000	EA	Trim - Contour - Windshield - Left
	058287-01-000	EA	Trim - Molding - Windshield - Upper/Lower
12	058320-01-000	EA	Housing - Headlamp - Left Hand
	070817-01-000	EA	Headlamp Bezel - Left
13	058392-03-000	EA	Panel Asm. - Front Lower - Gray (N2)
14	058678-03-700	EA	Access Panel - w/Hardware - Gray (N2)
14	M71666-03-000	EA	Access Panel - w/Hardware - Gray (N3)
15	059400-02-000	EA	Grille Asm.
	059123-01-000	EA	Trim - Grille - Upper
	059124-01-000	EA	Trim - Grille - Lower
16	05633-02-000	EA	Housing - Headlamp - Right Hand
	070817-02-000	EA	Headlamp Bezel - Right
17	056296-01-000	EA	Panel Asm. - Front Shroud (includes access panel and lower shroud) (N2)
17	M00877-01-000	EA	Panel Asm. - Front Shroud (includes access panel) (N3)
18	058285-02-000	EA	Trim - Contour - Windshield - Right
	042743-01-000	EA	Corner Support - Windshield - Lower - Steel
	042743-02-000	EA	Corner Support - Windshield - Upper - Steel
19	058899-05-000	EA	Trim - Fiberglass Panel - Right - Gray
	058899-06-000	EA	Trim - Fiberglass Panel - Left - Gray
20	058284-05-000	EA	Trim - Contour - Right Front Upper - Gray
	058284-06-000	EA	Trim - Contour - Left Front Upper - Gray
21	M71119-02-N10	EA	Sidewall Asm. - Right
			Not illustrated

Key	Part Number	U/M	Description
22	002444-02-001	EA	Feature Strip - Extr. - 14' - w/o Insert
	009731-01-000	EA	End Cap - Feature Strip Insert
	001030-01-100	EA	Insert - Feature Strip - Black - 17'
23	059395-06-000	EA	Plug - Rocker Panel - Right Rear - Gray
24	039964-05-000	EA	Trim - Contour - Right Rear - Gray
	039964-06-000	EA	Trim - Contour - Left Rear - Gray
25	034922-19-000	EA	Trim - Sidewall - Upper - Left or Right - Gray
26	063799-01-000	EA	Trim - Backwall - Lower - Left or Right
	064641-01-N07	EA	Roof Asm. (US)
27	065019-01-N10	EA	Backwall Asm.
	050826-02-000	EA	Rod - Hood Prop
	058752-01-000	EA	Hinge Asm. - Hood - Passenger Side
	058752-02-000	EA	Hinge Asm. - Hood - Drivers Side
	002773-02-001	EA	Extr. - U-Channel - 1.75" x 16' Anod.
	002365-02-001	EA	Extr. - U-Channel - 1" x 18'
	009717-01-002	EA	Extr. - Rail - Drip - 19'
	062556-03-001	EA	Extr. - Rail - Awning - 192.0" - Gray
	009085-01-000	EA	Hinge - Continuous - Al. 1 1/2" x 96" - Plain
	058722-01-000	EA	Pull Pin - Release Hinge (Access Panel)
	058761-01-000	EA	Striker - Hood Latch
	039155-36-001	EA	Alum. - Gray - Mesa II - .024" x 48" x 360"
	039155-36-002	EA	Alum. - Gray - Mesa II - .024" x 36" x 360"
	039155-36-003	EA	Alum. - Gray - Mesa II - .024" x 12" x 360"
	039155-33-001	EA	Alum. - Gray - Greyhound Design - 48" x 96"
	001054-03-003	EA	Alum. - Gray - No Design - 48" x 96"
	041487-01-001	EA	Alum. - Mill Finish - No Design (Roof) - 96" x 360"
	000868-01-000	SF	Styrofoam - 3/4" x 24" x 96"
	000870-01-000	SF	Styrofoam - 1 1/2" x 24" x 96"
			Not illustrated

K-17

NOTE: The raised portion of Mesa I is 1.657" wide.
The raised portion of Mesa II aluminum is .875" wide.

K-18

1982 ITASCA TABLE OF CONTENTS

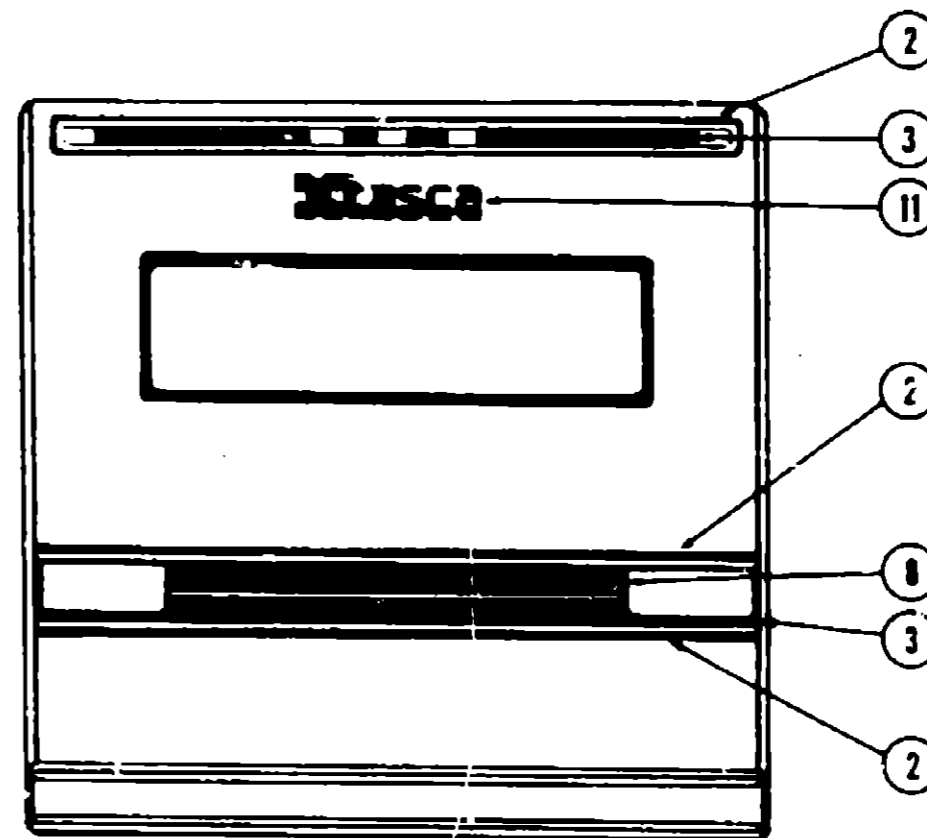
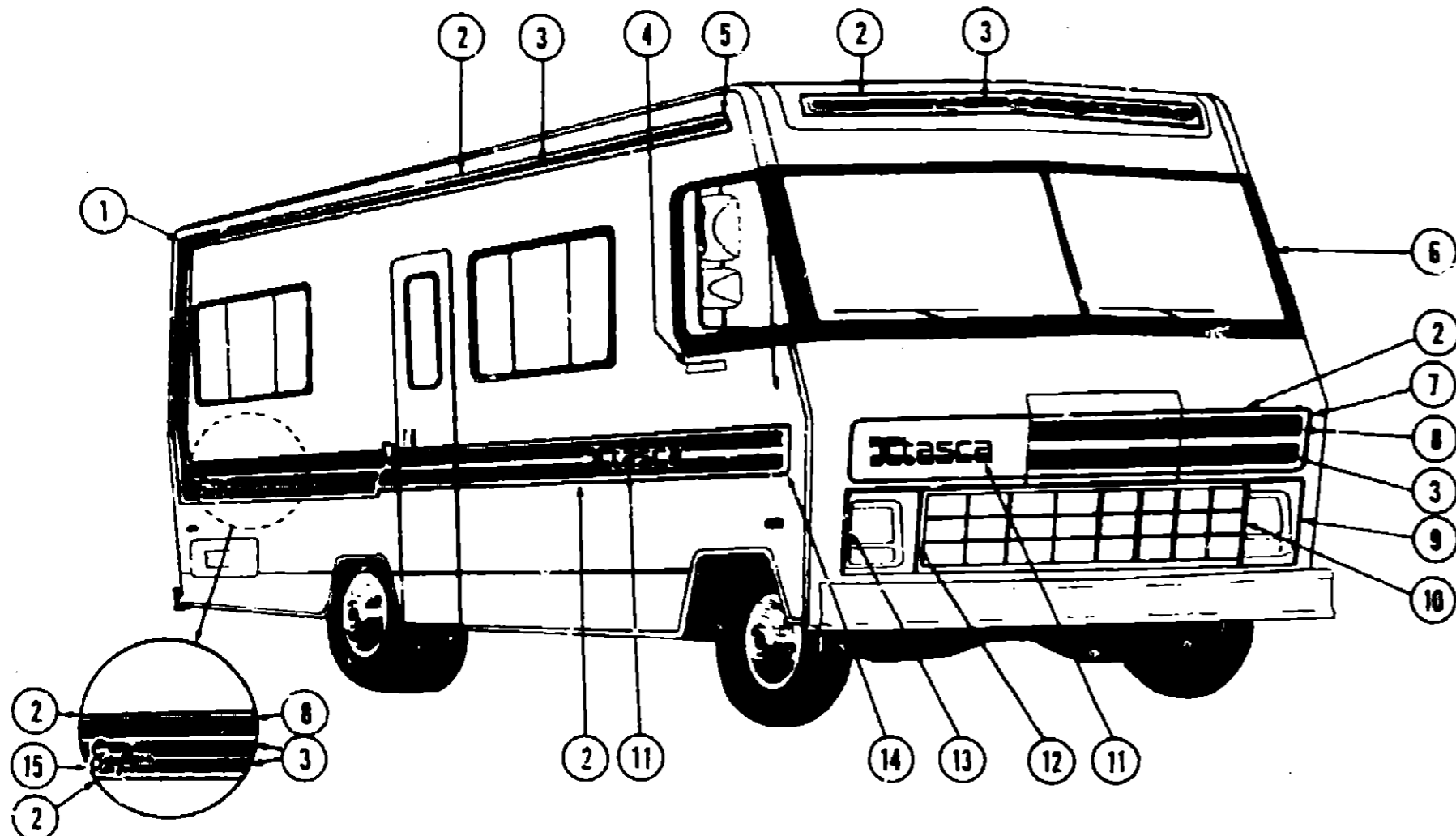
Introduction	A-1
Abbreviations	A-1
Alphabetical Index	A-2 - A-4
ICF22RB N2	A-5 - C-12
ICF26RH N2	C-13 - E-20
ICF26RB N2	E-21 - H-4
ICN27RB N2	H-5 - J-12
ICN29RT N2	J-13 - L-22

1982 ICN29RT N2 INDEX

Floor Plan	J-13 - J-14
Accessories Group	J-15 - J-17
Bath Group	J-18 - J-19
Chassis Group	J-20 - J-21
Curtain, Cushion & Pad Group	J-22 - K-6
Dinette Group	K-7 - K-8
Driver's Compartment Group	K-9 - K-12
Electrical Group	K-13 - K-15
Exterior Body Group	K-16 - K-20
Galley Group	K-21 - K-22
Heating & Air Conditioning Group	K-23
Interior Finish Group	K-24 - L-1
LP Group	L-2
Lounge Group	L-3 - L-5
Water & Sewage Group	L-6 - L-7
Window, Vent & Exterior Door Group	L-8 - L-22

EXTERIOR BODY GROUP (CONTINUED)

LABELS, DECALS AND EXTERIOR PAINT



1982 ITASCA TABLE OF CONTENTS

Introduction	A-1
Abbreviations	A-1
Alphabetical Index	A-2 - A-4
ICF22RB N2	A-5 - C-12
ICF26RH N2	C-13 - E-20
ICF26RB N2	E-21 - H-4
ICN27RB N2	H-5 - J-12
ICN29RT N2	J-13 - L-22

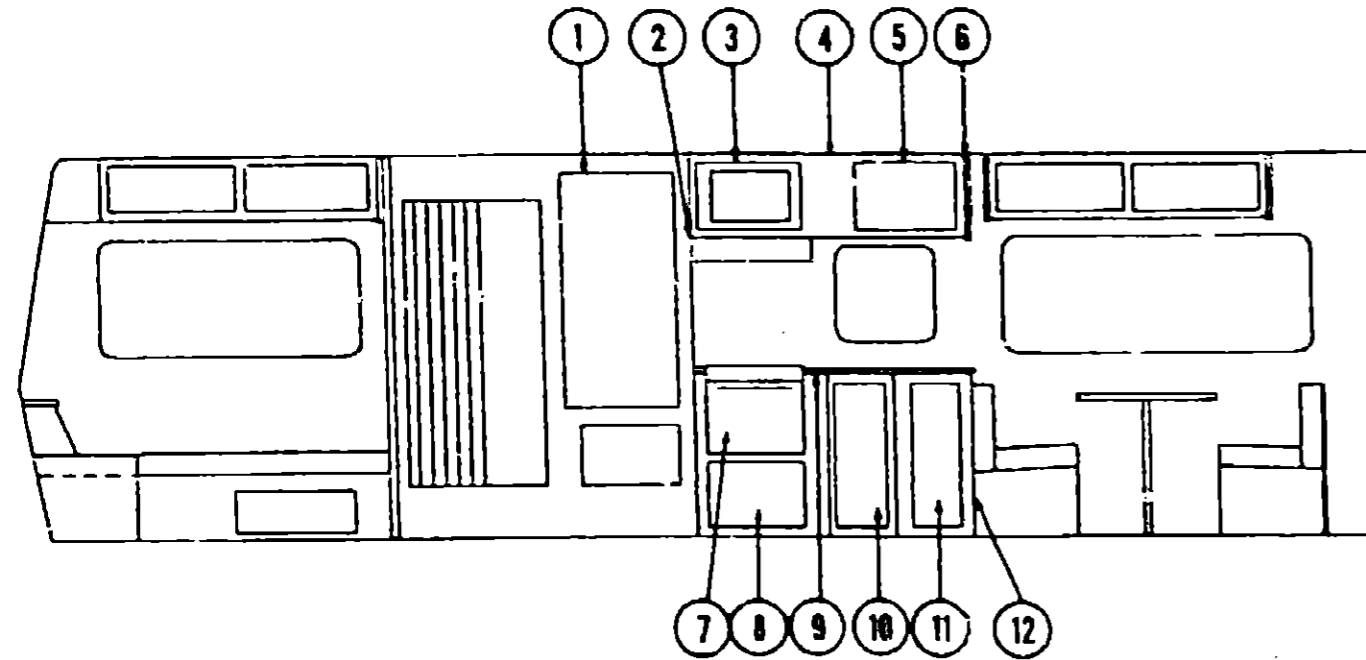
1982 ICN29RT N2 INDEX

Floor Plan	J-13 - J-14
Accessories Group	J-15 - J-17
Bath Group	J-18 - J-19
Chassis Group	J-20 - J-21
Curtain, Cushion & Pad Group	J-22 - K-6
Dinette Group	K-7 - K-8
Driver's Compartment Group	K-9 - K-12
Electrical Group	K-13 - K-15
Exterior Body Group	K-16 - K-20
Kelley Group	K-21 - K-22
Heating & Air Conditioning Group	K-23
Interior Finish Group	K-24 - L-1
LP Group	L-2
Lounge Group	L-3 - L-5
Water & Sewage Group	L-6 - L-7
Window, Vent & Exterior Door Group	L-8 - L-22

Key	Part Number	U/M	Description
1	065206-01-000	EA	Decal - Stripe - .75" - Rear Bend - Upper & Lower - Back
2	065205-01-000	FT	Tape - Premasked - 62" x .75" - Black
3	059354-03-000	EA	Paint - Bronze Met. - 16 oz. Aerosol (7864 Dupont) (N10)
3	065109-03-000	EA	Paint - Mahogany - 16 oz. Aerosol (44745 Dupont) (N11)
3	053759-03-000	EA	Paint - Tan Metallic - 16 oz. Aerosol (42846 Dupont) (N12)
	066734-03-000	EA	Paint - Candy Apple Red - 16 oz. Aerosol - Fade Color (4737 AM Dupont) (N11)
	069737-03-000	EA	Paint - Alpaca Brown - 16 oz. Aerosol - Fade Color (45700 AH Dupont) (N12)
4	072863-01-000	EA	Nameplate - Diesel 6.2 L
5	056251-01-000	EA	Decal - Front Side - Upper Right Hand
	056251-02-000	EA	Decal - Front Side - Upper Left Hand
6	045681-01-000	EA	Paint - Gloss Black - Acrylic Enamel - 1 Gallon (99A Dupont)
6	045681-03-000	EA	Paint - Gloss Black - Acrylic Enamel - 16 oz Aerosol (99A Dupont)
7	059374-03-000	EA	Decal - Stencil - C - 10.75" - Black - Left & Right
8	041273-27-000	FT	Decal - Stripe - 3.25" Gray Metallic
9	058435-01-000	EA	Decal - Headlamp - Outer - Drivers Side
10	058434-01-000	EA	Decal - Headlamp - Inner - Drivers Side
11	056004-11-000	EA	Decal - Logo - Itasca - 5.25" High
12	058434-02-000	EA	Decal - Headlamp - Inner - Passenger Side
13	058435-02-000	EA	Decal - Headlamp - Outer - Passenger Side
14	067795-01-000	EA	Decal - Stencil - Side/Front - Right Hand
	067795-02-000	EA	Decal - Stencil - Side/Front - Left Hand
	041273-29-000	FT	Decal - Stripe - 44" Black (Grill Asm.)
15	058718-01-000	EA	Decal - Sunflyer (Tire Cover)
			Not illustrated

Key	Part Number	U/M	Description
	006031-01-000	EA	Label - Potable Water Only
	006187-01-000	EA	Label - Sewage
	006188-01-000	EA	Label - Waste Water
	006199-01-000	EA	Label - Exit - Escape Window
	006028-01-000	EA	Label - Drain Cap - 2" x 3"
	040944-01-000	EA	Label - Open - Entrance Door
	047731-01-000	EA	Label - Emergency Exit
	054531-01-000	EA	Label - LP Gas Only
	061417-01-000	EA	Label - Fuel
	050225-01-000	EA	Label - Warning - Stove Vent - US
	006015-01-000	EA	Label - Patent Motor Home
	006064-01-000	EA	Label - Seal - w/o Seat Belt
	064378-01-000	EA	Label - Flying W w/Thermo Panel
	067798-01-000	EA	Label - Fuse Block - 8 Fuses
	057467-01-000	EA	Label - Exterior Loading Limit
	006040-01-000	EA	Tag - Gas - Refueling Warning
	006062-01-000	EA	Tag - Electrical - 110 V Connection
	065960-01-000	EA	Decal - Logo - LP Power
	065961-01-000	EA	Decal - Logo - Itasca - LPG
			Not illustrated

GALLEY GROUP



GALLEY CABINETRY AND APPLIANCES

Key	Part Number	U/M	Description
1	069859-03-N07	EA	Door Asm. - Wardrobe w/Mirror - 46.1" x 16.1" - w/o Hardware
2	046954-03-000	EA	Hood - Stove - w/Black Face - U.S.
2	046954-04-000	EA	Hood - Stove - w/Black Face - C.S.A.
3	052771-02-000	EA	Microwave - Magic Chef MW207
4	070630-01-N07	EA	Cabinet Asm. - Galley Overhead - w/o Doors or Hardware
5	069852-07-N07	EA	Door Asm. - Galley Overhead Cabinet - 15.7" x 23.2" - w/o Hardware
6	058442-01-N07	EA	End Cap - Pad - Galley Overhead - Beige Vinyl
6	058442-01-M07	EA	End Cap - Pad - Galley Overhead - Brown Vinyl
7	064782-01-000	EA	Range - 4 Burner - Black Chrome Top
8	069852-16-N07	EA	Door Asm. - Galley Cabinet - 12" x 21.6" - w/o Hardware
9	M00768-01-N07	EA	Countertop Asm. - Galley Cabinet - Plastic - Palomino (N08) (N09)
10	069852-18-N07	EA	Door Asm. - Galley Cabinet - 16.3" x 29.2" - w/o Hardware
11	069852-17-N07	EA	Door Asm. - Galley Cabinet - 11.6" x 29.2" - w/o Hardware
12	070659-01-N07	EA	Cabinet Asm. - Galley - w/o Doors, Drawers, Countertop or Hardware
	059915-01-N07	EA	Drawer Asm. - Galley Cabinet - 10.1" x 5" x 20" Deep
	059915-02-N07	EA	Drawer Asm. - Galley Cabinet - 10.1" x 5" x 14" Deep
	064472-02-000	EA	Refrigerator - AC/DC/Gas - 5.9 Cubic Feet - Norcold
	069852-27-N07	EA	Door Asm. - Wardrobe Cabinet - 16.7" x 47.1" - w/o Hardware
	069852-26-N07	EA	Door Asm. - Refrigerator Cabinet - 13.6" x 25.1" - w/o Hardware
	059913-05-N07	EA	Drawer Asm. - Refrigerator Cabinet - 19.8" x 23.5" x 20" Deep
	M69856-03-N07	EA	Door Asm. - Furnace - w/Mesh Insert - 17.6" x 13.2" - w/o Hardware
	042488-03-000	EA	Folding Door - Maple - 37" x 77 1/8"
			Not illustrated

GALLEY GROUP (CONTINUED)

GALLEY HARDWARE

Key	Part Number	U/M	Description
	058615-01-000	EA	Sink - Stainless Steel - Double w/Bolts
**	011053-01-000	EA	Faucet - 8" - Swing Spout - U.S.
**	011053-02-000	EA	Faucet - 8" - Swing Spout - C.S.A.
	065250-01-000	EA	Bracket Asm. - Tie Down - Refrigerator
**	011053-01-700	EA	Aerator - Swing Spout Faucet
**	066437-01-000	EA	Strainer - Sink - w/Basket
	053424-04-107	EA	Cover - Sink - Plastic - Palomino (N10) (N11) (N12)
	058334-01-000	EA	Wastebasket - 9 3/4" x 7" x 10" - White - Rubbermaid
	058841-01-N07	EA	Cover - Wastebasket - Plastic - Palomino (N10) (N11) (N12)
	059877-01-000	EA	Support - Wastebasket - White Plastic
	749045-01-740	EA	Cover - Bifold - Burner - Chrome
	064450-01-000	EA	Level - Refrigerator
	072369-01-000	EA	Insert - Furnace Door - 14.5" x 10" - Brass Mesh
	039873-01-000	EA	Catch and Strike - Furnace Door
	037688-01-000	FT	Drawer Guide - V Rail - Steel
	059753-01-000	EA	Drawer Slide - Left
	059753-02-000	EA	Drawer Slide - Right
**			The illustrated parts breakdown for this item is provided on the Common Items Fiche.

1982 ITASCA TABLE OF CONTENTS

Introduction	A-1
Abbreviations	A-1
Alphabetical Index	A-2 - A-4
ICF22RB N2	A-5 - C-12
ICF26RH N2	C-13 - E-20
ICF26RB N2	E-21 - H-4
ICN27RB N2	H-5 - I-12
ICN29RT N2	J-13 - L-22

1982 ICN29RT N2 INDEX

Floor Plan	J-13 - J-14
Accessories Group	J-15 - J-17
Bath Group	J-18 - J-19
Chassis Group	J-20 - J-21
Curtain, Cushion & Pad Group	J-22 - K-6
Dinette Group	K-7 - K-8
Driver's Compartment Group	K-9 - K-12
Electrical Group	K-13 - K-15
Exterior Body Group	K-16 - K-20
Galley Group	K-21 - K-22
Heating & Air Conditioning Group	K-23
Interior Finish Group	K-24 - L-1
LP Group	L-2
Lounge Group	L-3 - L-5
Water & Sewage Group	L-6 - L-7
Window, Vent & Exterior Door Group	L-8 - L-22

HEATING AND AIR CONDITIONING GROUP

AUTOMOTIVE HEATER AND AIR CONDITIONER

Key	Part Number	U/M	Description
	039044-01-000	EA	Louver Asm. - A/C Adjustable
	047046-01-000	EA	Motor 12 Volt - 3 Speed - Heater - Air Conditioner
	031043-01-000	EA	Valve - Heater - Water Flow Control
	033830-02-000	EA	Cable - Control - Flexible - 46"
	031169-02-000	EA	Cable - Control - Flexible - 48"
	031170-01-000	EA	Clamp - Cable - 3/16" Dia.
	024996-01-000	EA	Clutch - Magnetic - Compressor
	024999-01-000	EA	Compressor - Auto Air - 10.3" Cubic Inch
	048100-01-000	EA	Package - Compressor Mount 454 C.I.D.
	048801-01-000	EA	Condensor - Radiator Mount
	008267-01-000	EA	Switch - Air Conditioner
	024867-01-000	EA	Valve - Thermostatic Expansion
	024997-01-000	EA	Core - Heater
	024998-01-000	EA	Wheel - Blower - 4.72" O.D.
	031393-01-000	EA	Coil - Evaporator
	031001-01-000	EA	Blower Housing
	007076-01-000	FT	Hose - Flexible PVC - 2" I.D.
	007108-01-000	FT	Hose - Heater - 5/8" I.D. SAE 20R3
	007281-01-000	FT	Hose - Flexible PVC - 2 1/2" I.D.
	007139-01-000	EA	Clamp - Worm Drive - .69" - 1.25" I.D.
	007140-01-000	EA	Clamp - Hose - 2" - 3" Dia.
	033258-01-000	EA	Hose - Refrigerant - .50" I.D. x 34.50"
	034222-01-000	EA	Hose - Refrigerant - .31" I.D. x 26"
	034222-02-000	EA	Hose - Refrigerant - .31" I.D. x 32"
	031950-01-000	EA	Hose - Refrigerant - .34" I.D. x 30"
	031961-01-000	EA	Hose - Refrigerant - .31" I.D. x 14.75"
	031961-02-000	EA	Hose - Refrigerant - .31" I.D. x 19"
	049401-01-000	EA	Heater Asm. - Rear - Auxiliary
	049401-01-700	EA	Valve - Water Control - (Aux. Heater)
	049401-01-701	EA	Control Cable - (Aux. Heater)
	049401-01-702	EA	Motor Asm. - (Aux. Heater)
	049401-01-703	EA	Heater Core - (Aux. Heater)
	049401-01-704	EA	Switch - (Aux. Heater)
	058906-01-000	EA	Control Panel - (Auxiliary Heater)
	024868-01-000	EA	Receiver - Dehydrator
	031044-01-000	EA	Clamp - Receiver Dehydrator
	031962-01-000	EA	Bracket - Receiver Dehydrator
	048232-02-000	EA	Kit - Auto Air - 454 C.I.D. A-Body - Chevy
	024851-01-000	EA	Door Asm. - Defroster - A/C
	010227-01-000	EA	Tee - Plastic - Barb 5/8" or 3/4" Hose
	024855-01-000	EA	Duct Asm. - Fresh Air
	024849-01-000	EA	Damper Asm. - Fresh Air

FURNACES AND ROOF AIR CONDITIONERS

Key	Part Number	U/M	Description
	069634-01-000	EA	Furnace - 34,000 BTU - w/Direct Ignition NT-34L
	069198-01-000	EA	Duct - Flexible - 4" I.D. x 25'
	009200-01-000	EA	Tape - Furnace - 1 1/2"
	023146-01-000	EA	Clamp - Screw Type - 4"
	056464-01-000	EA	Heat Register - 4" - w/Damper
	056464-02-000	EA	Heat Register - 4" - w/o Damper
	059533-01-705	EA	Vent Package - Furnace - 3-5" Wall
	069634-01-723	EA	Thermostat - Horizontal Wall Mount
**	049775-02-000	EA	Shroud Asm. - Ceiling - Inside - Roof Air Cool Only - 13,500 BTU - Coleman
**	049776-01-000	EA	Shroud Asm. - Ceiling - Inside - Roof Air Heat and Cool Only - 13,500 BTU - Coleman
**	063903-01-000	EA	Air Conditioner - 115 Volt - Roof Mount - 13,500 BTU Rotary
**	The illustrated parts breakdown for this item is provided on the Common Items Fiche		

INTERIOR FINISH GROUP

PANELING AND COUNTERTOP MATERIALS

Key	Part Number	U/M	Description
	068344-05-000	SF	Paneling - 159 Elm - 48" x 96" (32 SF)
	068344-01-000	SF	Paneling - Wall - Sumatra 45" x 96" (32 SF)
	045963-01-000	SF	Paneling - 825 Buff - Ceiling - 48" x 94"
	068343-05-000	SF	Paneling - Decor - Bali - Bath - 48" x 96" (32 SF)
	069732-06-000	SF	Paneling - Decor - Misty Wheat - Bath - 48" x 96" (32 SF)
	069731-03-000	SF	Plastic Laminate - Light Oak - 48" x 96" (32 SF)
	069731-03-019	EA	Plastic Laminate - Light Oak - 1.19" x 96"
	069731-01-000	SF	Plastic Laminate - Palomino - 48" x 96" (32 SF)
	069731-01-019	EA	Plastic Laminate - Palomino - 1.19" x 96"

INTERIOR MOLDINGS AND TRIMS

Key	Part Number	U/M	Description
	024700-14-000	EA	Cover - Sidewall Roll Bar - Russet Oak
	024700-17-000	EA	Cover - Sidewall Roll Bar - Beige
	042430-01-000	EA	Molding - Shelf - Wood
	009812-08-000	FT	Molding - Outside Corner - .50"
	009767-05-000	FT	Wetling - Light Brown
	009815-03-000	FT	T-Molding - 75" - Light Brown
	022992-03-000	FT	Molding - Reverse Cove - Sandalwood
	009778-01-000	FT	U-Channel - 1" - Dark Brown
	008779-03-000	FT	U-Channel - 1 1/8" - Light Brown
	017768-05-000	FT	U-Channel - 3/16" - Light Brown
	070504-02-000	EA	U-Channel - .815" - Polyvinyl - Light Brown
	052859-01-M10	FT	Accent Trim - Acorn Brown Vinyl
	052859-01-N01	FT	Accent Trim - Medium Almond Vinyl (Beige)
	059352-01-000	FT	Insert - Vinyl - Style and Rail Door
	047354-01-000	EA	Batt Strip - Ceiling - 825 Buff - 8'
	058204-01-000	EA	Batt Strip - 159 Elm - 8'
	069733-06-000	EA	Batt Strip - Misty Wheat - 8'
	047354-04-000	EA	Batt Strip - Sumatra - 8'
	064382-01-000	FT	Extrusion - Plastic Trim - Rolled Door
	042356-01-000	EA	Plug - Button - Mahogany - 3/8" Diameter

FABRICS AND CARPET

Key	Part Number	U/M	Description
	069728-03-000	YD	Fabric - Drapery - Rust (N10)
	069728-04-000	YD	Fabric - Drapery - Burgundy (N11)
	068338-03-000	YD	Fabric - Drapery - Walnut/Golden Brown (N12)
	069728-05-000	YD	Fabric - Drapery - Curtain Sheers - Champagne
	038421-01-000	YD	Fabric - Ticking - Mattress - Gold
	069727-10-000	YD	Fabric - Upholstery - Rust (N10)
	069727-11-000	YD	Fabric - Upholstery - Burgundy (N11)
	069727-12-000	YD	Fabric - Upholstery - Cocoa (N12)
	053327-01-000	YD	Vinyl - Non Expanded - 27 oz. - Acorn Brown
	053327-02-000	YD	Vinyl - Expanded - 28 oz. - Acorn Brown
	053327-03-000	YD	Vinyl - Non Support - 16 Gauge Film - Acorn Brown
	070502-01-000	YD	Vinyl - Medium Almond (Beige)
	068340-06-000	SY	Carpet - Russet Red (N10)
	068340-05-000	SY	Carpet - Winesap (N11)
	069730-03-000	SY	Carpet - Special Pecan (N12)

1982 ITASCA TABLE OF CONTENTS

Introduction	A-1
Abbreviations	A-1
Alphabetical Index	A-2 - A-4
ICF22RB N2	A-5 - C-12
ICF25RH N2	C-13 - E-20
ICF26RB N2	E-21 - H-4
ICN27RB N2	H-5 - J-12
ICN29RT N2	J-13 - L-22

1982 ICN29RT INDEX

Floor Plan	J-13 - J-14
Accessories Group	J-15 - J-17
Bath Group	J-18 - J-19
Chassis Group	J-20 - J-21
Curtain, Cushion & Pad Group	J-22 - K-6
Dining Group	K-7 - K-8
Driver's Compartment Group	K-9 - K-12
Electrical Group	K-13 - K-15
Exterior Body Group	K-16 - K-20
Galley Group	K-21 - K-22
Heating & Air Conditioning Group	K-23
Interior Finish Group	K-24 - L-1
LP Group	L-2
Lounge Group	L-3 - L-5
Water & Sewage Group	L-6 - L-7
Window, Vent & Exterior Door Group	L-8 - L-22

INTERIOR FINISH GROUP (CONTINUED)

MISCELLANEOUS PARTS

Key	Part Number	U/M	Description
	053552-01-M07	EA	Handle Asm. - Interior Assist - Acorn Brown Vinyl
	053552-01-N07	EA	Handle Asm. - Interior Assist - Medium Almond Vinyl
	041944-03-000	EA	Fire Extinguisher - w/Bracket - 5BC
	054185-14-000	EA	Owner's Manual - Itasca - Winnebago
	007039-01-000	EA	Door Mat - Black Rubber - 10 1/2" x 26"

CURTAIN HARDWARE

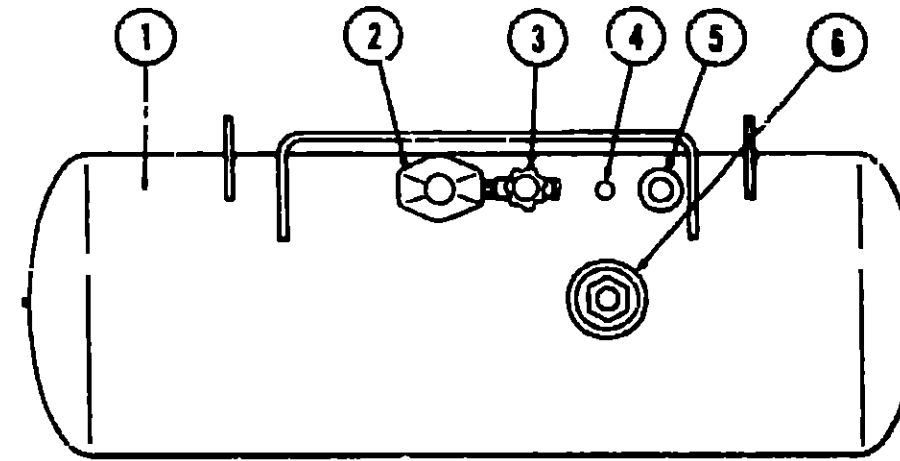
Key	Part Number	U/M	Description
	053272-01-001	EA	Track - Curtain - Alum. 16' - w/Holes
	056116-01-000	EA	Track - Curtain - Brown Plastic
	059430-01-000	EA	Track - Curtain - Front Wraparound (2 per unit) - 32.8" x 45.2" - Brown
	059430-02-000	EA	Track - Curtain - Front Wraparound - 32.8" x 89.1" (w/Drivers Door) - Brown
	059430-03-000	EA	Track - Curtain - Front Wraparound (2 per unit) - 32.8" x 45.2" - Beige
	059430-04-000	EA	Track - Curtain - Front Wraparound - 32.8" x 89.1" (w/Drivers Door) - Beige
	056001-01-000	EA	Bracket - Shade - Left
	056002-01-000	EA	Bracket - Shade - Right
	009107-01-000	EA	Guide - Nylon Strap - Curtain
	018031-42-000	EA	Track - Curtain - "L" Rod - Alum. Extr. - 90"
	009701-01-000	EA	Carrier - "L" Rod - Curtain
	009702-01-000	EA	End Stop - "L" Rod - Curtain
	056784-01-000	EA	Pull - Window Shade - Antique Brass
	039175-01-000	EA	Curtain Rod - Ext. 48" - 84"
	039175-02-000	EA	Bracket - Curtain Rod
	056115-01-000	YD	Tape - Clear Plastic - w/Guides
	048394-01-000	YD	Tape - Hook - 1" x 25 YD - Beige
	048395-01-000	YD	Tape - Loop - 1" x 25 YD - Beige
	056003-01-000	EA	Bracket - Drapery Retainer - Right
	056003-02-000	EA	Bracket - Drapery Retainer - Left

CABINERY AND TABLE HARDWARE

Key	Part Number	U/M	Description
	053200-05-000	EA	Bracket - Upper Wall Mount - Beige - 23.5"
**	053200-01-000	EA	Bracket - Upper Wall Mount - Brown - 23.5"
**	053201-03-000	EA	Bracket - Table Mount - 23"
	024275-05-000	EA	Rod - Table Lift - 8" x 23.5" - Beige
**	024275-01-000	EA	Rod - Table Lift - 8" x 23.5" - Brown
	024281-07-000	EA	Bracket - Lower Wall Mount - Beige - 22.12"
**	024281-03-000	EA	Bracket - Lower Wall Mount - Brown - 22.12"
	024276-08-000	EA	Leg Asm. - Table - Beige - 29.5"
**	024276-04-000	EA	Leg Asm. - Table - Brown - 29.5"
**	024277-03-000	EA	Hinge - Table Leg - Brown
**	024282-01-000	EA	Brace - Table Leg
**	024283-01-000	EA	Clip - 1" O.D. Tube
**	049493-02-000	EA	Catch - Table Leg - Mounts on Floor - Brown
**	049493-03-000	EA	Catch - Table Leg - Mounts on Floor - Beige
**	057898-01-000	EA	Latch - Hidden - Cabinet Door
**	057898-02-000	EA	Strike - Hidden Latch - Cabinet Door
**	009112-01-000	EA	Flange - 1" - Chrome - Closet Rod
**	059753-01-000	EA	Slide - Drawer - Left
**	059753-02-000	EA	Slide - Drawer - Right
**	037688-01-000	FT	Rail - Drawer
**	047744-01-000	EA	Kit - Drawer Glide
**	041434-01-000	EA	Hinge - Double Acting - Overhead Doors
**	057671-01-000	EA	Screw Cover - #6 - Off White
**	072369-01-000	EA	Mesh - Grill - Brass - 14.5" x 10"
**	009021-01-000	EA	Catch - Nylon - Furnace Door
**	009021-02-000	EA	Strike - Nylon Catch - Furnace Door

** The illustrated parts breakdown for this item is provided on the Common Items Fiche.

LP GROUP



Key	Part Number	U/M	Description
	063378-01-000	EA	Tank Asm. - LP - Frame Mount - 80 Pound - 13" x 44"
	066175-01-000	EA	Tank Asm. - LP - Frame Mount - 168 Pound - 16" x 60"
*	065741-01-000	EA	Detector - LP Gas Leak - Marshalltown Instruments
	058706-01-000	EA	Cover - Regulator - 2 Stage
*	058705-01-000	EA	Regulator - Two Stage - LP Gas
	040421-01-703	EA	Valve - Vapor Relief
	040421-01-700	EA	Gauge - Liquid Level - 20% LP
	040421-01-701	EA	Valve - Filler - LP
*	040421-01-702	EA	Cap - Plastic - Fill Valve
	040421-01-707	EA	Gauge - Float - w/Visible Dial - 80 Pound Tank
*	040421-01-706	EA	Dial - Visible Face - Float Gauge (Tank w/o Electric Transmitter)
*	040440-01-000	EA	Dial - Transmitter - 0 - 90 Ohm (Float Gauge)
*	045703-01-000	EA	Hose Asm. - LP - 3/8" I.D. x 24" - US
*	045703-02-000	EA	Hose Asm. - LP - 3/8" I.D. x 24" - CSA
*	045703-03-000	EA	Hose Asm. - LP - 3/8" I.D. x 14" - US
*	045703-04-000	EA	Hose Asm. - LP - 3/8" I.D. x 14" - CSA
*	047737-02-000	EA	Support - LP Tank - 89.25"
*	047737-03-000	EA	Support - LP Tank - 30.50"
*	053112-02-000	EA	Bracket - LP Support
*	Not illustrated		

WINN AIR WITH LANDI-HARTOG (3-BODY)

Key	Part Number	U/M	Description
	065279-01-000	EA	Relief Valve - Hydrostatic - Sherwood
	065287-02-000	EA	Valve - Gasoline Shut-Off
	065820-02-000	EA	Hose Asm. - High Pressure - 36"
	065820-03-000	EA	Hose Asm. - High Pressure - 71"
	065820-04-000	EA	Hose Asm. - High Pressure - 25"
	067290-01-001	EA	Hose - Vapor 5/8" x 51"
	068050-07-000	EA	LP Mixer (350 engine)
	068050-12-000	EA	LP Mixer (454 engine)
	058197-01-000	EA	Instrument Asm. - LP
	068144-01-000	EA	Bracket - Angle - Converter
	068142-01-000	EA	Tube Asm. - Converter - Copper w/Flare Nuts - 5/16" x 270° Bend
*	065802-01-000	EA	Gauge - LP Level w/Hardware
	058050-05-000	EA	Switch - LP/Gas Changeover
	068050-01-000	EA	Converter - LP
*	068050-02-000	EA	LP Lock Off
	068050-03-000	EA	Switch - LP - Vacuum Safety

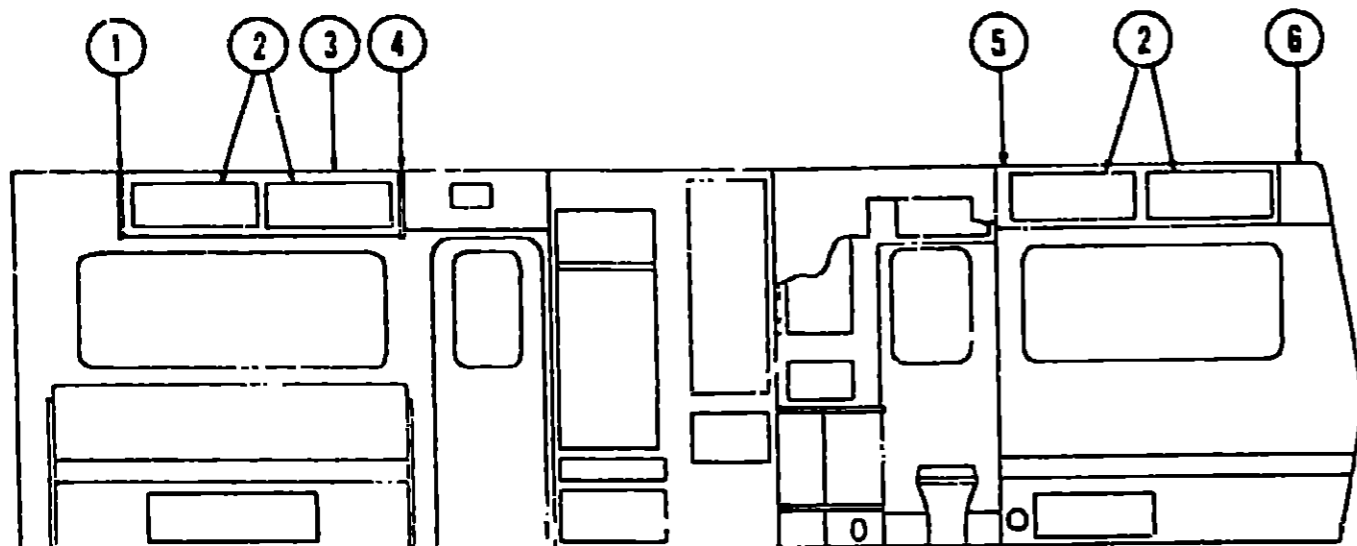
**1982 ITASCA
TABLE OF CONTENTS**

Introduction	A-1
Abbreviations	A-1
Alphabetical Index	A-2 - A-4
ICF22RB N2	A-5 - C-12
ICF26RH N2	C-13 - E-20
ICF26RB N2	E-21 - H-4
ICN27RB N2	H-5 - J-12
ICN29RT N2	J-13 - L-22

1982 ICN29RT N2 INDEX

Floor Plan	J-13 - J-14
Accessories Group	J-15 - J-17
Bath Group	J-18 - J-19
Chassis Group	J-20 - J-21
Curtain, Cushion & Pad Group	J-22 - K-6
Dinette Group	K-7 - K-9
Driver's Compartment Group	K-9 - K-12
Electrical Group	K-13 - K-15
Exterior Body Group	K-16 - K-20
Galley Group	K-21 - K-22
Heating & Air Conditioning Group	K-23
Interior Finish Group	K-24 - L-1
LP Group	L-2
Lounge Group	L-3 - L-5
Water & Sewage Group	L-6 - L-7
Window, Vent & Exterior Door Group	L-8 - L-22

LOUNGE GROUP



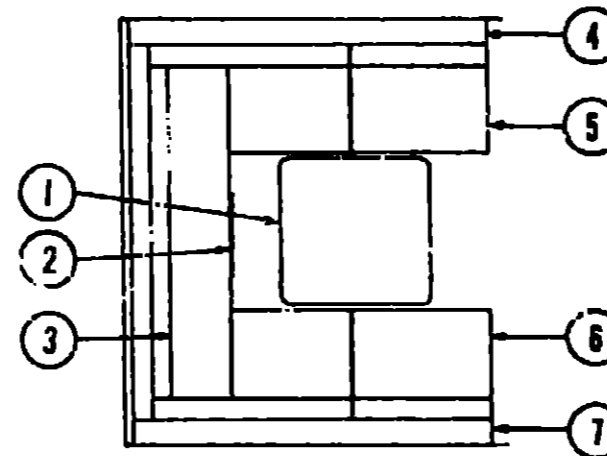
LOUNGE OVERHEAD CABINETRY

Key	Part Number	U/M	Description
1	058444-03-M07	EA	Pad Asm. - End Cap - Front Lounge Overhead - Brown Vinyl
1	058444-03-N07	EA	Pad Asm. - End Cap - Front Lounge Overhead - Beige Vinyl
2	069852-05-N07	EA	Door Asm. - Rear Overhead Cabinet - 11.3" x 28" - w/o Hardware
3	070670-01-N07	EA	Cabinet Asm. - Front Lounge Overhead - w/o Doors or Hardware
4	063345-01-M07	EA	Pad Asm. - End Cap - Front Lounge Overhead - Brown Vinyl
4	063345-01-N07	EA	Pad Asm. - End Cap - Front Lounge Overhead - Beige Vinyl
5	070669-01-N07	EA	Cabinet Asm. - Rear Overhead - Right Sidewall - w/o Doors or Hardware
5	070668-01-N07	EA	Cabinet Asm. - Rear Overhead - Left Sidewall - w/o Doors or Hardware
6	070662-01-N07	EA	Cabinet Asm. - Rear Overhead - Backwall - w/o Doors or Hardware
•	057550-05-M07	EA	Button Asm. - Nail - #36 - Brown Vinyl
•	057550-01-N07	EA	Button Asm. - Nail - #35 - Beige Vinyl
•	061947-01-N07	EA	Pad Asm. - End Cap - Rear Overhead - Left Sidewall - Beige Vinyl
•	061947-01-M07	EA	Pad Asm. - End Cap - Rear Overhead - Left Sidewall - Brown Vinyl
•			Not illustrated

DOUBLE BED W/NIGHT STAND

Key	Part Number	U/M	Description
	M70673-01-N07	EA	Cabinet Asm. - Nightstand - w/o Countertop
	M00767-01-N07	EA	Countertop Asm. - Nightstand Cabinet - Plastic Oak (N10) (N11) (N12)
	063446-01-N07	EA	Cabinet Asm. - Hamper Cabinet - w/o Countertop
	M63447-01-N07	EA	Countertop Asm. - Hamper Cabinet - Plastic Oak (N10) (N11) (N12)
	M70671-01-N07	EA	Cabinet Asm. - Double Bed Base - w/o Door or Hardware
	M70667-01-N07	EA	Cabinet Asm. - Double Bed Base - w/o Door or Hardware (w/Auto Heater Cut Out)
	063443-01-N07	EA	Cabinet Asm. - Bed - Top Double
	059913-04-N07	EA	Drawer - Nightstand Cabinet
	069852-25-N07	EA	Door Asm. - Double Bed Base - 18.9" x 10.7" - w/o Hardware

LOUNGE GROUP (CONTINUED)



HORSESHOE LOUNGE W/PEDESTAL TABLE

Key	Part Number	U/M	Description
1	053248-04-N07	EA	Table Asm. - Pedestal - 31.8" x 31.8" - w/o Hardware - Plastic Oak (N10) (N11) (N12)
2	069852-20-N07	EA	Door Asm. - Center Gaucho - 10.1" x 26" - w/o Hardware
3	M70663-01-N07	EA	Cabinet Asm. - Center Gaucho
4	063239-02-N07	EA	Cabinet Asm. - Hamper - Left
5	M70664-01-N07	EA	Cabinet Asm. - Gaucho - Left
6	M70693-01-N07	EA	Cabinet Asm. - Gaucho - Right
6	064650-01-N07	EA	Cabinet Asm. - Gaucho - Right - w/Auto Heater
7	063239-01-N07	EA	Cabinet Asm. - Hamper - Right
•	009040-03-000	EA	Base - Pedestal Table - Table Mount
•	041194-01-000	EA	Base - Pedestal Table - Floor Mount
•	056093-01-N07	EA	Plug Asm. - Pedestal Table - Rust (N10)
•	056093-01-N11	EA	Plug Asm. - Pedestal Table - Winesap
•	056093-01-N12	EA	Plug Asm. - Pedestal Table - Pecan
•	009040-02-000	EA	Leg - Pedestal Table - 2.25" O.D. x 27.5" - Chrome
•	062046-01-000	EA	Clip Pedestal Leg
•			Not illustrated

SWIVEL CHAIRS W/PULLOUT TABLE

Key	Part Number	U/M	Description
	M00675-35-N07	EA	Table Asm. - Foldout - Plastic Oak (N10) (N11) (N12)
	M00757-01-N07	EA	Panel - Side - Table Cabinet - Right or Left
	M00675-34-N07	EA	Countertop Asm. - Foldout Table Cabinet - Plastic Oak (N10) (N11) (N12)
	009044-01-000	EA	Table Leg - Fold Up
	035036-01-000	EA	Plate - Swivel Chair
	035036-02-000	EA	Base w/Leg - Swivel Chair
	024276-02-000	EA	Table Leg - Brown
	024276-11-000	EA	Table Leg - Beige
	024262-01-000	EA	Brace - Table Leg
	024283-01-000	EA	Clip - Table Leg
	064050-01-000	EA	Hinge - Table Leg
	049493-02-000	EA	Catch - Table Leg - Mounts on Floor - Brown
	049493-03-000	EA	Catch - Table Leg - Mounts on Floor - Beige

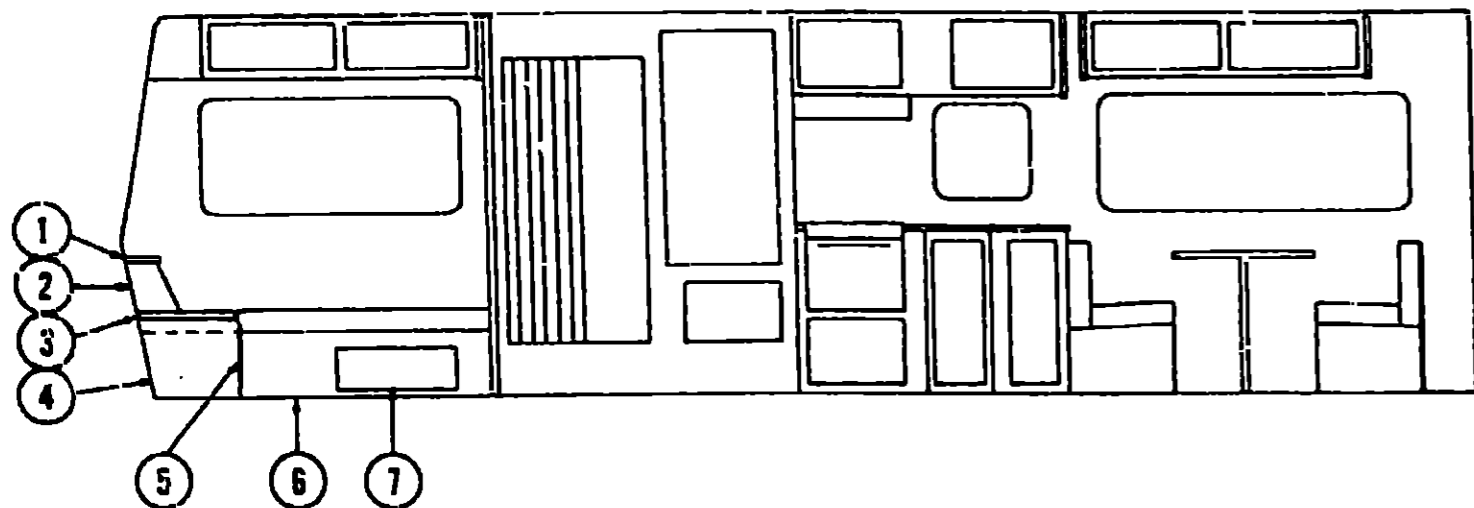
1982 ITASCA TABLE OF CONTENTS

Introduction	A-1
Abbreviations	A-1
Alphabetical Index	A-2 - A-4
ICF22RB N2	A-5 - C-12
ICF26RH N2	C-13 - E-20
ICF26RB N2	E-21 - H-4
ICN27RB N2	H-5 - J-12
ICN29RT N2	J-13 - L-22

1982 ICN29RT N2 INDEX

Floor Plan	J-13 - J-14
Accessories Group	J-15 - J-17
Bath Group	J-18 - J-19
Chassis Group	J-20 - J-21
Curtain, Cushion & Pad Group	J-22 - K-6
Dinette Group	K-7 - K-8
Driver's Compartment Group	K-9 - K-12
Electrical Group	K-13 - K-15
Exterior Body Group	K-16 - K-20
Galley Group	K-21 - K-22
Heating & Air Conditioning Group	K-23
Interior Finish Group	K-24 - L-1
LP Group	L-2
Lounge Group	L-3 - L-5
Water & Sewage Group	L-6 - L-7
Window, Vent & Exterior Door Group	L-8 - L-22

LOUNGE GROUP (CONTINUED)



TWIN BED CABINERY

Key	Part Number	U/M	Description
1	053999-01-N07	EA	Countertop Asm. - Nightstand Top - 23 1/2" x 8 1/2" - Plastic Palomino (N10) (N11) (N12)
2	M53976-01-700	EA	Cabinet Asm. - Nightstand Top - w/o Roll up Door & Countertop
	043255-01-000	FT	Track - Roll up Door - Brown Plastic
	043256-01-000	EA	Spiral - Roll up Door - Plastic - Right
	043256-02-000	EA	Spiral - Roll up Door - Plastic - Left
	063224-23-N07	EA	Door Asm. - Rolled - 19" x 12"
3	M00764-01-N07	EA	Countertop Asm. - Nightstand Base - 24 1/2" x 23 3/8" - Plastic Palomino (N10) (N11) (N12)
4	M70658-01-N07	EA	Cabinet Asm. - Nightstand Base - w/o Countertop, Doors or Hardware
5	069852-14-N07	EA	Door Asm. - Nightstand Cabinet - 20" x 16.2" - w/o Hardware
6	M70665-01-N07	EA	Cabinet Asm. - Twin Bed - Left - w/o Door or Hardware
	M70666-01-N07	EA	Cabinet Asm. - Twin Bed - Right - w/o Door or Hardware
7	069852-24-N07	EA	Door Asm. - Twin Bed Cabinet - 10.10" x 27.05" - w/o Hardware
			Not illustrated

SPRUNG COUCH AND PEDESTAL TABLE

Key	Part Number	U/M	Description
	M70672-01-N07	EA	Cabinet Face - Sprung Couch - w/o Door or Hardware
	057618-01-N07	EA	Panel End - Sprung Couch - Right or Left
	069852-15-N07	EA	Door Asm. - Couch Cabinet - 11.7" x 37.2" - w/o Hardware
	057468-02-000	EA	Frame Asm. - Sprung Couch - Right
	057468-03-000	EA	Frame Asm. - Sprung Couch - Left
	057468-04-000	EA	Frame Rail - Sprung Couch (2 per couch)
	057469-01-000	EA	Leg Asm. - Sprung Couch (2 per couch)
	053246-02-N07	EA	Table Asm. - Pedestal - w/o Hardware - Plastic Oak (N10) (N11) (N12)
	009040-02-000	EA	Leg - Pedestal Table - 27.5" x 2.25" O.D. - Chrome
	009040-03-000	EA	Base - Table Leg - Mounts on Table
	041194-01-000	EA	Base - Table Leg - Mounts in Floor
	056093-01-N07	EA	Plug Asm. - Pedestal Table - Russet Red (N10)
	056093-01-N11	EA	Plug Asm. - Pedestal Table - Winesap
	056093-01-N12	EA	Plug Asm. - Pedestal Table - Special Pecan
	062046-01-000	EA	Clip - Pedestal Leg

WATER AND SEWAGE GROUP

PLUMBING AND REPAIR PARTS

Key	Part Number	U/M	Description
	045729-01-000	EA	Pump - Water Flow - 2.8 G.P.M. UL
	045729-02-000	EA	Pump - Water Flow - 2.8 G.P.M. - CSA
	039647-03-000	EA	Filter - Water Pump - 1/2" Flare
**	063646-01-000	EA	Water Pump - 2.8 G.P.M. - Direct Drive - PAR - US
**	063646-02-000	EA	Water Pump - 2.8 G.P.M. - Direct Drive - PAR - CSA
	052952-01-000	EA	Nut - Plastic - 1/2 F
	052953-01-000	EA	Nut Faucet - 1/2 Tube x 1/2 FPT
	052954-01-000	EA	Adapter - Nose Cone - 3/8" or 1/2"
	052955-01-000	EA	Tee - Plastic - 1/2 F x 1/2 F x 1/2 MPT
	052957-01-000	EA	Elbow - Plastic - 1/2 F x 3/8 MPT
	052958-01-000	EA	Tee - Plastic - 1/2 F x 1/2 F x 1/2 F
	052959-03-000	EA	Connector - 1/2 F x 3/8 MPT - Plastic
	052960-01-000	EA	Drain Valve - 1/2 F x 1/2 F - Plastic
	052961-01-000	EA	Header - 1/2 F x 1/2 F x 1/2 F x 1/2 F
**	046524-02-000	EA	Kit - Water Tank Fittings - Blank Tank
**	046524-01-000	EA	Kit - Holding Tank Fittings - Blank Tank
**	010079-01-000	EA	Tee - Plastic - 1 1/2 H x 1 1/2 H x 1 1/4 H
**	010091-01-000	EA	Wye - Plastic - 3" x 45° H x H x H
**	010121-01-000	EA	Bushing - Plastic - 1 1/2 S x 1 1/4 H
	010006-01-000	EA	Elbow - Plastic - 1 1/2 x 45° H x H
**	010133-01-000	EA	Trap Adaptor - Plastic - 1 1/2 H x MPT
	010134-01-000	EA	Adapter - Plastic - 1 1/2 M x MPT
	062422-01-000	EA	Adapter - Offset Reducer - 3" x 1 1/2"
	010224-01-000	EA	Adapter - Plastic - 3/8 MPT x 3/8 Barb
	010000-01-000	EA	Elbow - Plastic - 1 1/4 x 45° H x H
	010197-01-000	EA	Pipe - Plastic - 3" x 240"
	031111-01-000	EA	Elbow - Plastic - 1 1/4 x 90° - Long Turn H x H
	056134-01-000	EA	Holder - Ring - Pipe Support
	062632-01-000	EA	Wye - 3" x 3" x 1 1/2" Slip
**	010201-01-000	EA	Sewer Hose - 3" x 8' w/Clamp
	062415-01-000	EA	Sewage Cap - 3"
	065979-01-000	EA	Compartment Asm. - Sewer Hose
	062416-01-000	EA	Hose Adapter - 3"
	062417-01-000	EA	Termination Adapter - 3"
	062418-01-000	EA	Valve - 3" - w/Handle
	062418-02-000	EA	Valve - 3" - w/o Handle
	052962-01-000	EA	Valve - Stool - 90° 1/2 F x 3/8 MPT
	062419-01-000	EA	Handle - 35" Extension - w/6" Adapter
	062419-02-000	EA	Handle - 53" Extension - w/6" Adapter
	063641-01-000	EA	Flange - Closet - 4" x 3" Sigot 2.75"
	010219-01-000	EA	Elbow - 1 1/4 Barb x 1 1/4 MPT 90°
	023441-01-000	EA	Tee - Plastic - 3/8 Barb
	035539-01-000	EA	Elbow - Plastic 3/8 MPT x 3/8 Barb
	044928-01-000	EA	Tubing - Flex - 1 1/4 I.D. x 10'
	062421-01-000	EA	Valve - 1 1/2" - w/Handle
	061607-01-000	EA	Grommet - Holding Tank Coupler - 1 1/2"
	061607-02-000	EA	Grommet - Holding Tank Coupler - 3"
	053335-01-000	EA	P-Trap - Plastic - 1 1/4 H x H - w: Union
**	011066-01-000	EA	P-Trap - 1 1/4" - Plastic
**	011091-01-000	EA	Waste - Continuous - Double Sink - 11 7/8"
	054535-01-000	EA	Vent - Mechanical - Trap Arm
	031126-02-000	EA	Elbow - 3" x 90° x Long Turn - CSA
**	050780-01-000	EA	Rubber Coupler - 3" x 3"
	004020-01-000	QT	Adhesive - ABS Cement
	037845-01-000	FT	Tape - Butyl - 3/16" - Bead - Black
**	039818-01-000	EA	Riser Asm. - 3/8" O.D. x 24" Tube
**	039818-02-000	EA	Riser Asm. - 3/8" O.D. x 36" Tube
**	039818-04-000	EA	Riser Asm. - 3/8" O.D. x 72" Tube
**	039818-05-000	EA	Riser Asm. - 3/8" O.D. x 48" Tube
**			The illustrated parts breakdown for this item is provided on the Common Items Fiche.

**1982 ITASCA
TABLE OF CONTENTS**

Introduction	A-1
Abbreviations	A-1
Alphabetical Index	A-2 - A-4
ICF22RB N2	A-5 - C-12
ICF26RH N2	C-13 - E-20
ICF26RP N2	E-21 - H-4
ICN2" HB N2	H-5 - J-12
ICN29RT N2	J-13 - L-22

1982 ICN29RT N2 INDEX

Floor Plan	J-13 - J-14
Accessories Group	J-15 - J-17
Bath Group	J-18 - J-19
Chassis Group	J-20 - J-21
Curtain, Cushion & Pad Group	J-22 - K-6
Dinette Group	K-7 - K-8
Driver's Compartment Group	K-9 - K-12
Electrical Group	K-13 - K-15
Exterior Body Group	K-16 - K-20
Galley Group	K-21 - K-22
Heating & Air Conditioning Group	K-23
Interior Finish Group	K-24 - L-1
LP Group	L-2
Lounge Group	L-3 - L-5
Water & Sewage Group	L-6 - L-7
Window, Vent & Exterior Door Group	L-8 - L-22

WATER AND SEWAGE GROUP (CONTINUED)

HOLDING TANKS AND WATER HEATERS

Key	Part Number	U/M	Description
	061804-02-000	EA	Tank Asm. - Holding - 36 Gallon - w/Fittings - Auxiliary
**	061804-01-000	FA	Tank Asm. - Holding - 36 Gallon - w/o Fittings - Auxiliary
	061805-02-000	EA	Tank Asm. - Holding - 40 Gallon - w/Fittings - Main
**	061805-01-000	EA	Tank Asm. - Holding - 40 Gallon - w/o Fittings - Main
	071811-02-000	EA	Tank Asm. - Water - Plastic - 63 Gallon - w/Fittings
	071811-01-000	EA	Tank Asm. - Water - Plastic - 63 Gallon - w/o Fittings
	051391-01-000	EA	Water Heater - w/o Motor Aid - G6A - 3
	071289-01-000	EA	Water Heater - Gas/Electric - w/o Motor Aid
	051393-01-000	EA	Water Heater - Motor Aid - Direct Ignition - GH6-3E
	024860-01-000	EA	Panel - Front Heater - A/C
**	The illustrated parts breakdown for this item is provided on the Common Items Fiche.		

WINDOW, VENT AND EXTERIOR DOOR GROUP

ACCESS DOORS

Key	Part Number	U/M	Description
	033333-41-000	EA	Door Asm. - Dual Fuel - 9" x 4.8" - Gray w/Twist Type Lock
	033333-29-000	EA	Door Asm. - Luggage - 9" x 48" - Gray w/Key Type Lock
	047233-03-000	EA	Door Asm. - Luggage - 14.5" x 36.8" - Gray w/Key Type Lock
	069762-05-000	EA	Door Asm. - Refrigerator Access - Gray w/Twist Type Lock
	042441-01-000	EA	Lock Asm. - Key Type - Gas Fill
	047305-01-000	EA	Lock Asm. - Key Type - w/Clip
	M00685-08-000	EA	Door Asm. - Generator - w/Twist Type Lock
	052181-02-000	EA	Baffle - Generator Door
	042442-01-000	EA	Lock Asm. - Twist Type - Power Cord
	052009-03-000	EA	Door Asm. - Water Heater - Gray
	041312-01-000	FT	Door Seal - Bulb - e Section
	052423-03-000	EA	Door - Fuel Fill - Gray
	052424-03-000	EA	Jamb - Fuel Fill/Power Cord - Gray
	063742-03-000	EA	Door - Power Cord - Gray
	054543-03-000	EA	Hatch - Power Cord Door - Gray
	033333-33-000	EA	Access Door - 25.3" x 9" - Gray w/Key Type Lock (Battery)
	054530-01-000	EA	Door Stop and Holder
	066007-02-000	EA	Door Asm. - w/Sewer Hose Compartment

WINDSHIELD

Key	Part Number	U/M	Description
	058272-01-000	EA	Frame Asm. - Windshield w/o Glass
	057459-01-000	EA	Glass - Windshield - Right or Left
	038886-01-000	EA	Tape - Butyl - .31" x .31" x 148"
	042743-01-000	EA	Corner - Windshield - Lower
	042743-02-000	EA	Corner - Windshield - Upper

VENTS

Key	Part Number	U/M	Description
	049352-03-000	EA	Vent - Stovehood - Outside - Gray
**	048789-01-000	EA	Vent Asm. - Roof - Powered - w/o Screen - Alum.
**	048835-01-000	EA	Vent Asm. - Roof - Non Powered - w/o Screen - Alum.
**	056119-01-000	EA	Vent Asm. - Roof - Powered/Lighted - Jensen - White
	064469-02-000	EA	Vent Asm. - Roof - Powered - 14" x 14" w/Screen - CSA
	016335-02-000	EA	Screen Asm. - Roof Vent - None Powered - Brown
	016335-04-000	EA	Screen Asm. - Roof Vent - None Powered - Off White
	048695-02-000	EA	Screen Asm. - Roof Vent - Powered - Brown
	048695-04-000	EA	Screen Asm. - Roof Vent - Powered - Off White
	071290-01-000	EA	Base - Refrigerator Roof Vent - Metal
	071290-02-000	EA	Cap - Refrigerator Roof Vent - Metal
	065103-01-000	EA	Base - Refrigerator Roof Vent - Plastic
	065103-02-000	EA	Cap - Refrigerator Roof Vent - Plastic
**	The illustrated parts breakdown for this item is provided on the Common Items Fiche.		

**1982 ITASCA
TABLE OF CONTENTS**

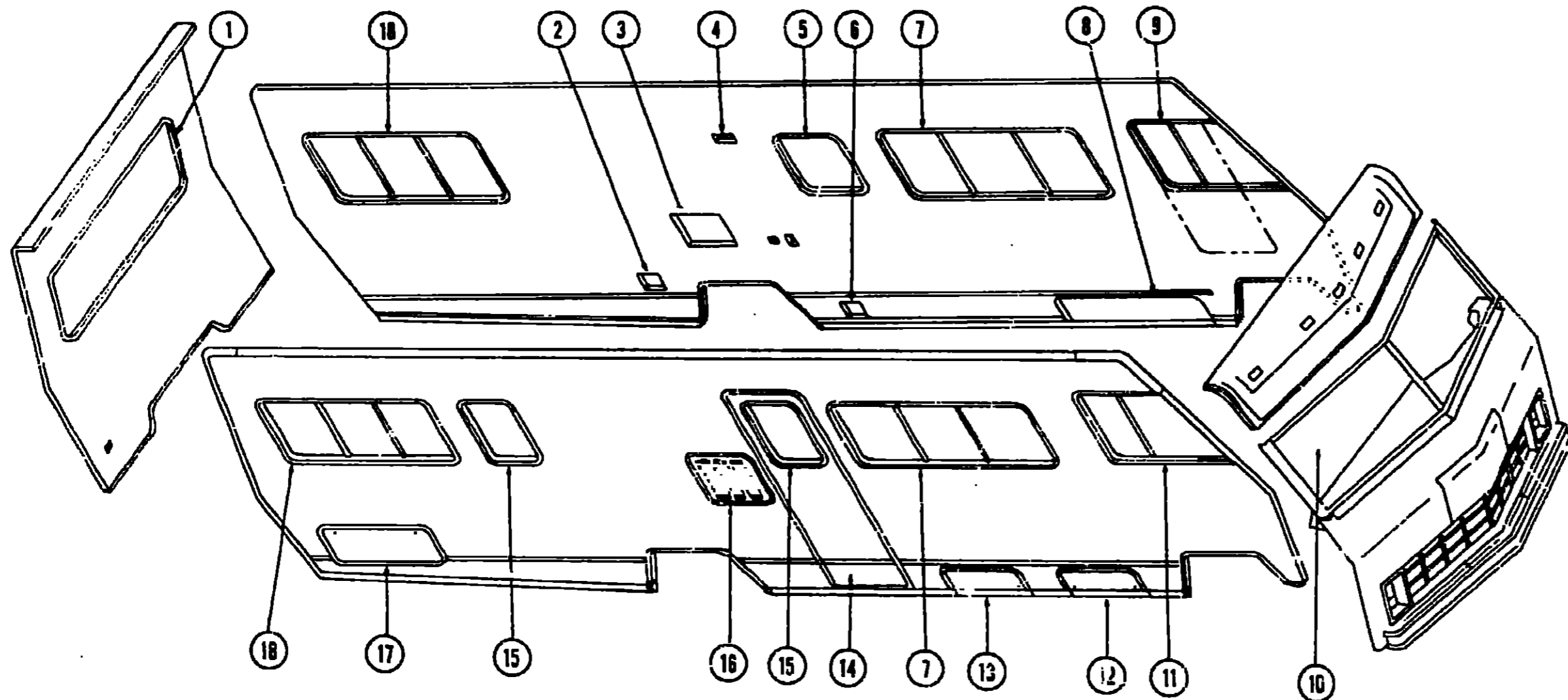
Introduction	A-1
Abbreviations	A-1
Alphabetical Index	A-2 - A-4
ICF22RB N2	A-5 - C-12
ICF26RH N2	C-13 - E-20
ICF26RB N2	E-21 - H-4
ICN27RB N2	H-5 - J-12
ICN29RT N2	J-13 - L-22

1982 ICN29RT N2 INDEX

Floor Plan	J-13 - J-14
Accessories Group	J-15 - J-17
Bath Group	J-18 - J-19
Chassis Group	J-20 - J-21
Curtain, Cushion & Pad Group	J-22 - K-6
Dinette Group	K-7 - K-8
Driver's Compartment Group	K-9 - K-12
Electrical Group	K-13 - K-15
Exterior Body Group	K-16 - K-20
Galley Group	K-21 - K-22
Heating & Air Conditioning Group	K-23
Interior Finish Group	K-24 - L-1
LP Group	L-2
Lounge Group	L-3 - L-5
Water & Sewage Group	L-6 - L-7
Window, Vent & Exterior Door Group	L-8 - L-22

WINDOW, VENT AND EXTERIOR DOOR GROUP (CONTINUED)

WINDOWS AND ACCESS DOORS



Key	Part Number	U/M	Description
1	020754-03-000	EA	Window Asm. - Escp; e - 23" x 68" Black Anod. (w/o inside frame)
2	NOTE	EA	Door Asm. - Fuel Fill (See Access Doors)
3	052009-03-000	EA	Door Asm. - Water Heater - Gray
4	049352-03-000	EA	Vent - Stovehood - Outside - Gray
5	056651-01-000	EA	Window Asm. - Picture - 20 3/4" x 20 3/4" - Black Anod. (w/o inside frame)
6	NOTE	EA	Door Asm. - Power Cord (See Access Doors)
7	066785-03-000	EA	Window Asm. - Single Slider - 25" x 65" - Black Anod. (w/o Inside frame)
8	033333-29-000	EA	Door Asm. - Luggage - 9" x 48" - Gray w/Key Lock
8	033333-41-000	EA	Door Asm. - Dual Fuel - 9" x 48" - Gray w/Twist Type Lock

Key	Part Number	U/M	Description
9	059046-02-000	EA	Window Asm. - Left Front Slant Slider - 23" x 39" - Black Anod. (w/o inside frame)
10	057459-01-000	EA	Glass - Windshield - Right or Left
11	059046-01-000	EA	Window Asm. - Right Front Slant Slider - 23" x 39" - Black Anod. (w/o inside frame)
12	033333-33-000	EA	Access Door - 25.3" x 9" - Gray w/Key Type Lock (Battery)
13	066007-03-000	EA	Door Asm. - w/Sewer Hose Compartment
14	M71138-02-000	EA	Door Asm. - Radius Entry w/Screen Door
15	041875-09-000	EA	Window Asm. - Picture - 17" x 25" - Black Anod. w/o Inside Frame
16	069762-05-000	EA	Door Asm. - Refrigerator Access Gray w/Twist Type Lock
17	M00685-09-000	EA	Door Asm. - Generator - Gray w/Twist Type Lock (w/o Baffle)
17	047233-03-000	EA	Door Asm. - Luggage - Gray w/Key Type Lock
18	066785-02-000	EA	Window Asm. - Single Slider - 25" x 56" - Black Anod. (w/o inside frame)

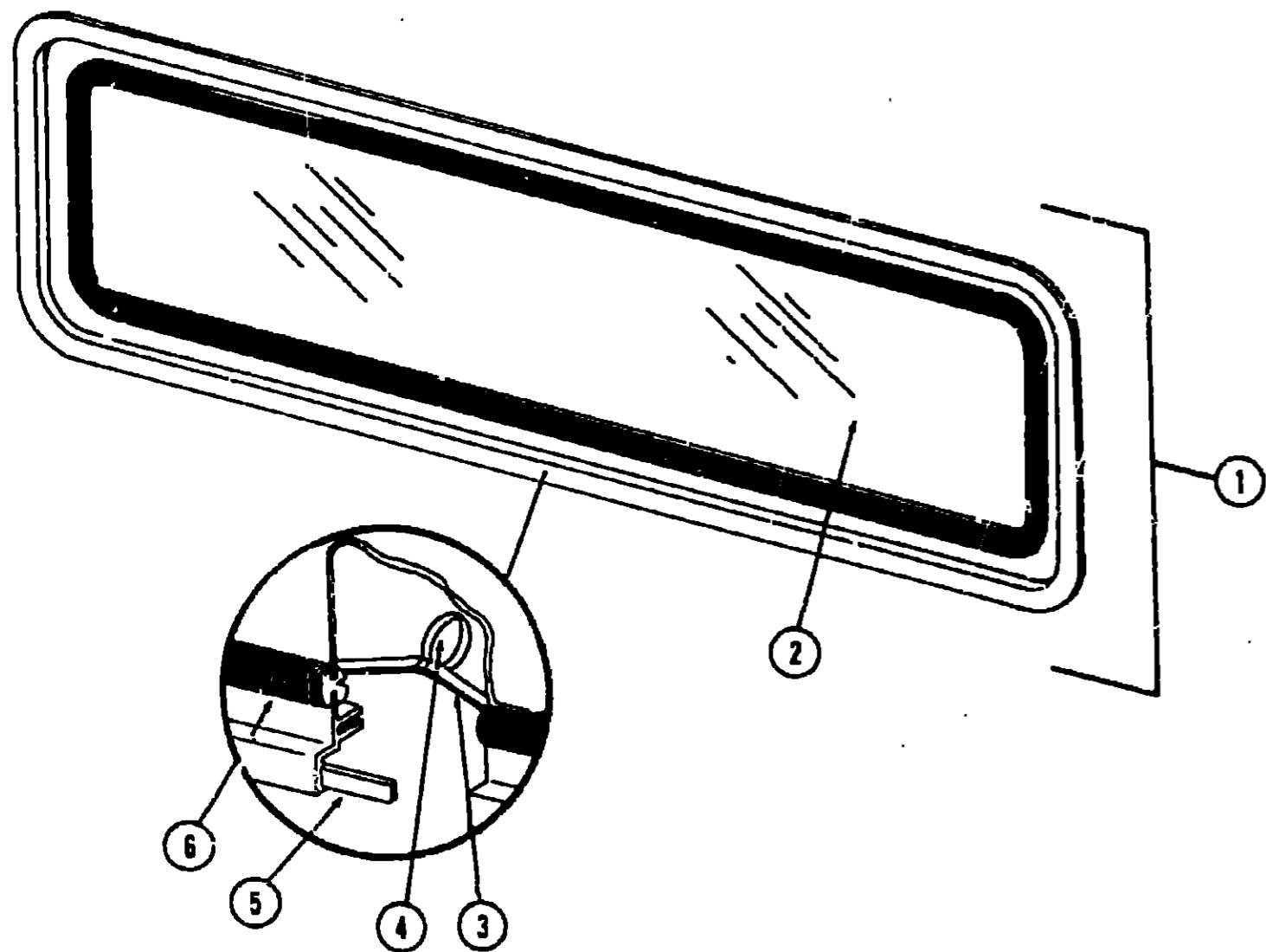
1982 ITASCA TABLE OF CONTENTS

Introduction	A-1
Abbreviations	A-1
Alphabetical Index	A-2 - A-4
ICF22RB N2	A-5 - C-12
ICF26RH N2	C-13 - E-20
ICF26RB N2	E-21 - H-4
ICN27R9 N2	H-5 - J-12
ICN29RT N2	J-13 - L-22

1982 ICN29RT N2 INDEX

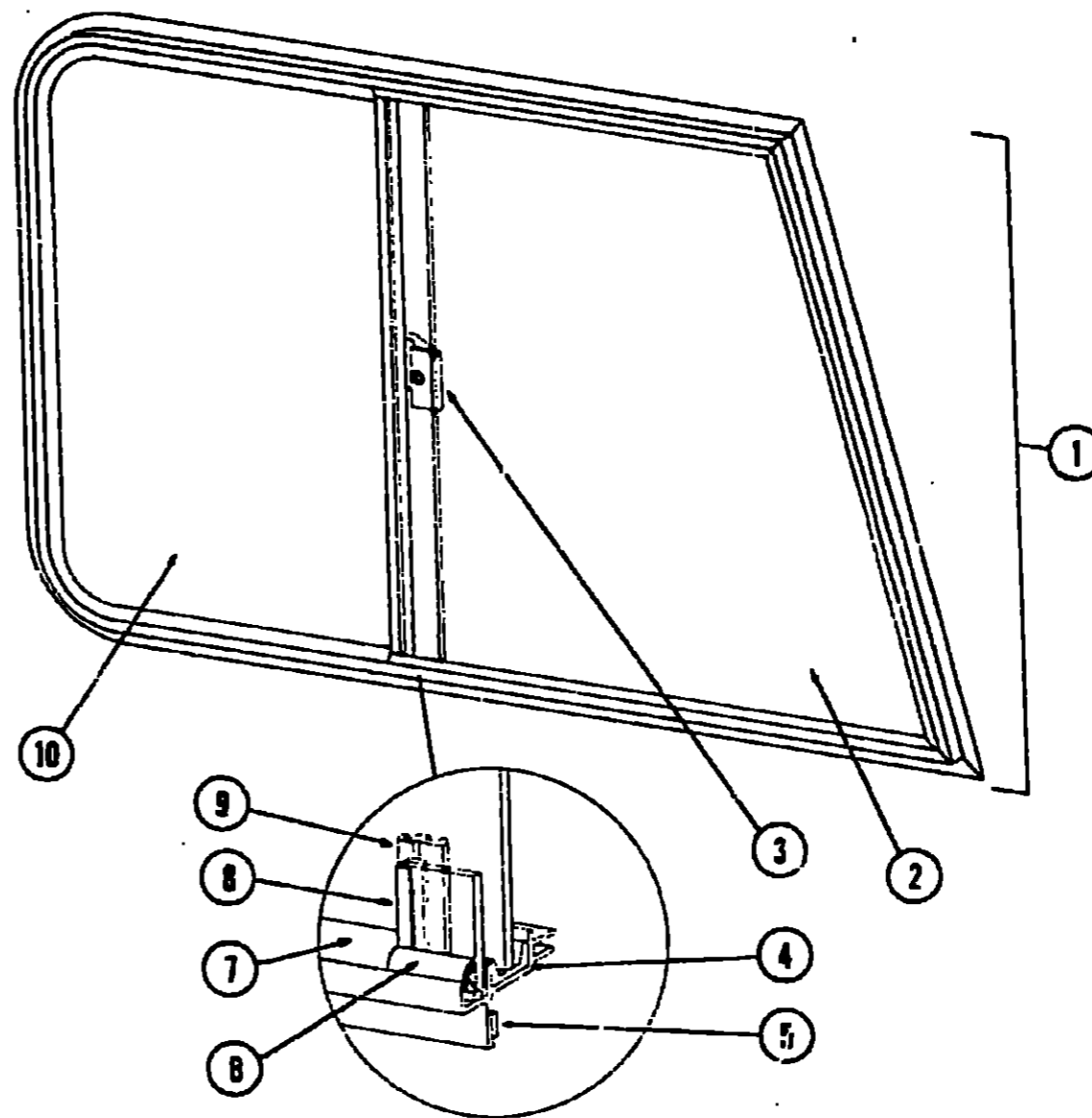
Floor Plan	J-13 - J-14
Accessories Group	J-15 - J-17
Bath Group	J-18 - J-19
Chassis Group	J-20 - J-21
Curtain, Cushion & Pad Group	J-22 - K-6
Dinette Group	K-7 - K-8
Driver's Compartment Group	K-9 - K-12
Electrical Group	K-13 - K-15
Exterior Body Group	K-16 - K-20
Galley Group	K-21 - K-22
Heating & Air Conditioning Group	K-23
Interior Finish Group	K-24 - L-1
LP Group	L-2
Lounge Group	L-3 - L-5
Water & Sewage Group	L-6 - L-7
Window, Vent & Exterior Door Group	L-8 - L-22

WINDOW, VENT AND EXTERIOR DOOR GROUP (CONTINUED)



Key	Part Number	U/M	Description
1	020754-03-000	EA	Window Asm. - Escape - 23" x 68" Black Anod. (w/o inside frame)
2	002178-01-000	EA	Glass - 1/8" x 19.61" x 64.80"
3	002285-01-000	FT	Weatherstrip - Filler - Black
4	020395-01-000	EA	Slip Ring - Pull
5	059640-01-000	FT	Tape - 1/4" Bead x 20' - Gray - 3M
6	002282-01-000	FT	Weatherstrip - Window .125" Black
	020752-03-000	EA	Inside Frame - Window - Escape - Brown (not included in assembly)
	042027-05-000	EA	Inside Frame - Window - Escape - Beige (not included in assembly)
	005199-01-000	EA	Label - Exit - Escape Window
			Not illustrated

WINDOW, VENT AND EXTERIOR DOOR GROUP (CONTINUED)



Key	Part Number	U/M	Description
1	059046-01-000	EA	Window Asm. - Right Front Slant Slider - 23" x 39" - Black Anod. (w/o inside frame)
	059046-02-000	EA	Window Asm. - Left Front Slant Slider - 23" x 39" - Black Anod. (w/o inside frame)
2	057656-01-000	EA	Glass - 3/16" x 24.88" x 25.3" - Stationary
3	047369-01-700	EA	Latch - Window - Plastic w/Fastener
	023320-01-000	EA	Foam Pad - 3/8" Dia. (used with plastic latch)
4	042077-01-000	FT	Channel - Weatherstrip - Glass Run - 3/16" Glass
5	069640-01-000	FT	Tape - 1/2" x 1/8" x 20' - Gray - 3M
6	050216-02-000	FT	Spline - 3/16" Glass
7	057374-02-000	FT	Extr. Vinyl - Window Seal - Black
8	002389-03-206	EA	Holder - Glass Seal - Black Anod. - 24.13"
9	057644-04-000	EA	Mullion - Window - Slant Slider
10	057657-01-000	EA	Glass - 3/16" x 24.88" x 14.70" - Sliding
	059042-01-000	EA	Inside Frame - Right Front Slant Slider - Brown (not included in assembly)
	059042-02-000	EA	Inside Frame - Left Front Slant Slider - Brown (not included in assembly)
	059042-03-000	EA	Inside Frame - Right Front Slant Slider - Beige (not included in assembly)
	059042-04-000	EA	Inside Frame - Left Front Slant Slider - Beige (not included in assembly)
	023713-02-000	EA	Cover - Weephole - Black Anod.
	055164-05-000	EA	Slider Screen Asm. - Right or Left - Black
	016310-03-000	EA	Handle - Slider Screen - Black
	002292-01-000	SF	Screen - Window - 20" - Gray
	002298-01-000	FT	Spline - Gray - .133" Dia.
			Not illustrated

1982 ITASCA
TABLE OF CONTENTS

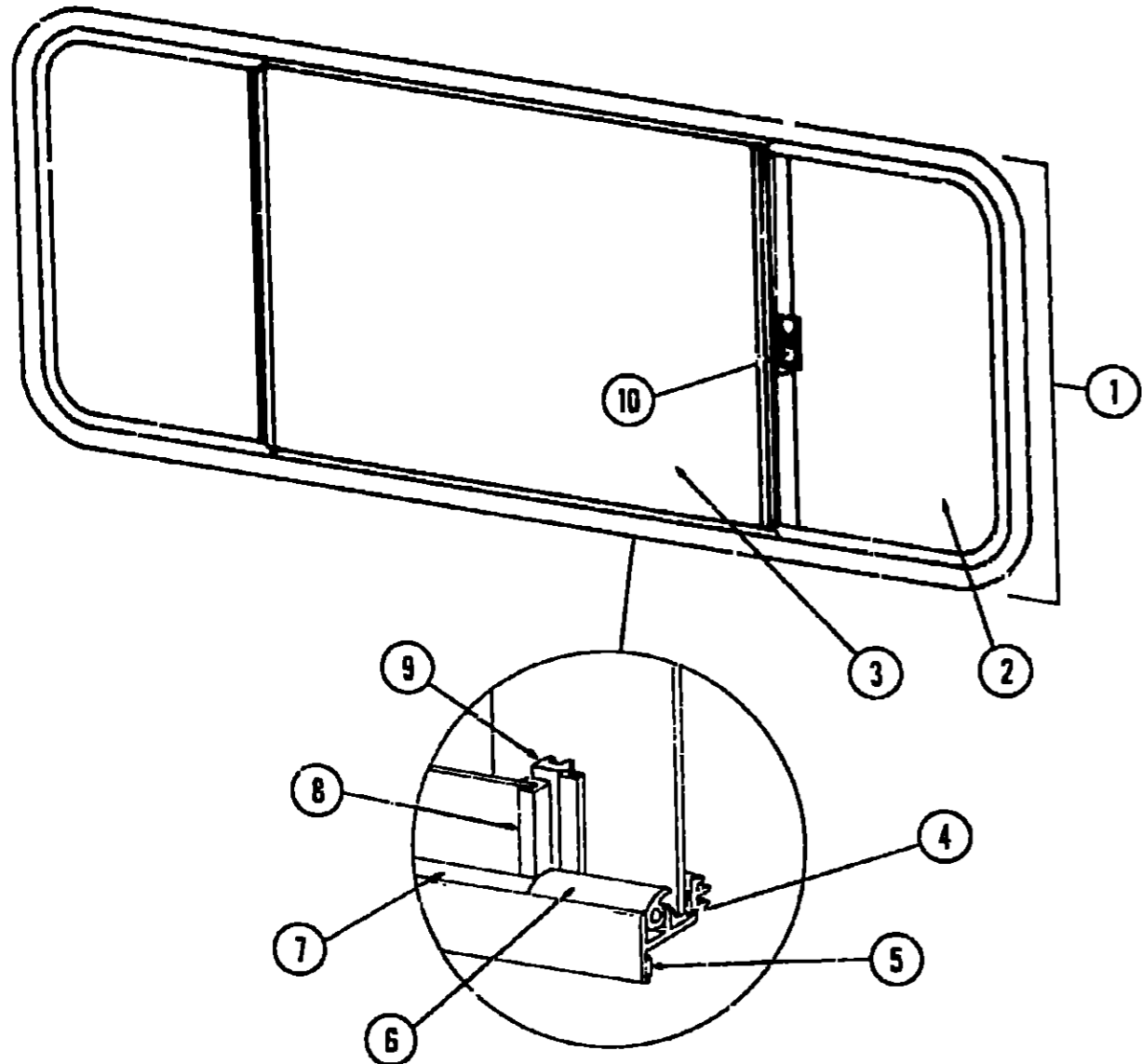
Introduction	A-1
Abbreviations	A-1
Alphabetical Index	A-2 - A-4
ICF22RB N2	A-5 - C-12
ICF26RH N2	C-13 - E-20
ICF26RB N2	E-21 - H-4
ICN27RB N2	H-5 - J-12
ICN29RT N2	J-13 - L-22

1982 ICN29RT N2 INDEX

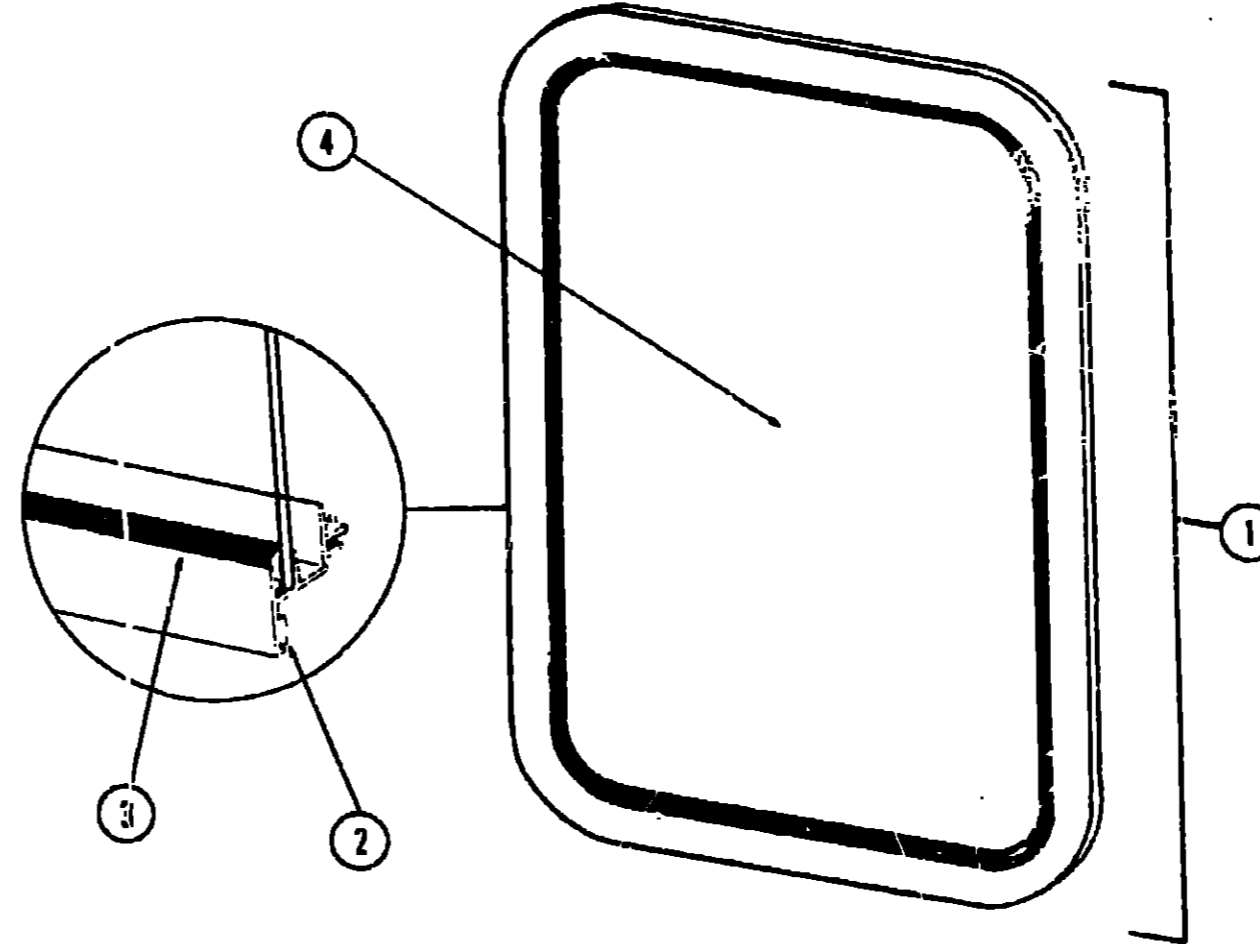
Floor Plan	J-13 - J-14
Accessories Group	J-15 - J-17
Bath Group	J-18 - J-19
Chassis Group	J-20 - J-21
Curtain, Cushion & Pad Group	J-22 - K-6
Dinette Group	K-7 - K-8
Driver's Compartment Group	K-9 - K-12
Electrical Group	K-13 - K-15
Exterior Body Group	K-16 - K-20
Galley Group	K-21 - K-22
Heating & Air Conditioning Group	K-23
Interior Finish Group	K-24 - L-1
LP Group	L-2
Lounge Group	L-3 - L-5
Water & Sewage Group	L-6 - L-7
Window, Vent & Exterior Door Group	L-8 - L-22

WINDOW, VENT AND EXTERIOR DOOR GROUP (CONTINUED)

WINDOW, VENT AND EXTERIOR DOOR GROUP (CONTINUED)



Key	Part Number	U/M	Description
1	066785-02-000	EA	Window Asm. - Single Slider - 25" x 56" - Black (w/o inside frame)
	042133-11-000	EA	Inside Frame - Brown (not included in assembly)
	067609-07-000	EA	Inside Frame - Beige (not included in assembly)
2	066726-01-000	EA	Glass - Stationary - 1/8" x 16.5" x 24"
3	066727-02-000	EA	Glass - Sliding - 1/8" x 25.5" x 24"
4	002324-02-000	FT	Channel - Weatherstrip - Glass
5	069640-01-000	FT	Tape - 1/4" Bead x 20' - Gray - 3M
6	057374-02-000	FT	Extr. Vinyl - Window Seal - Black
7	002309-02-000	FT	Spline - Glass - 1/8" Material - Black
8	069866-03-003	EA	Extr. - Holder - Glass Seal - 23.19" - Black
9	069895-02-000	EA	Mullion - Slider Window - 23" - Black
10	047369-01-000	EA	Latch - Window - Plastic w/Fastener
	002293-01-000	SF	Screen - Window - 26" - Gray
	002298-01-000	FT	Spline - .130 Dia. - Gray (Screen)
	042076-01-000	FT	Seal - Fin - Pile - .34"
			Not illustrated



Key	Part Number	U/M	Description
1	056651-01-000	EA	Window Asm. - Picture - 20 3/4" x 20 3/4" - Black (w/o inside frame)
2	069640-01-000	FT	Tape - 1/4" Bead x 20' - Gray - 3M
3	002309-02-000	FT	Spline - Glass - 1/8" - Black
4	002181-03-000	EA	Glass - 15" x 20.62" - Gray
	056650-01-000	EA	Inside Frame - Brown (not included in assembly)
	067609-11-000	EA	Inside Frame - Beige (not included in assembly)
			Not illustrated

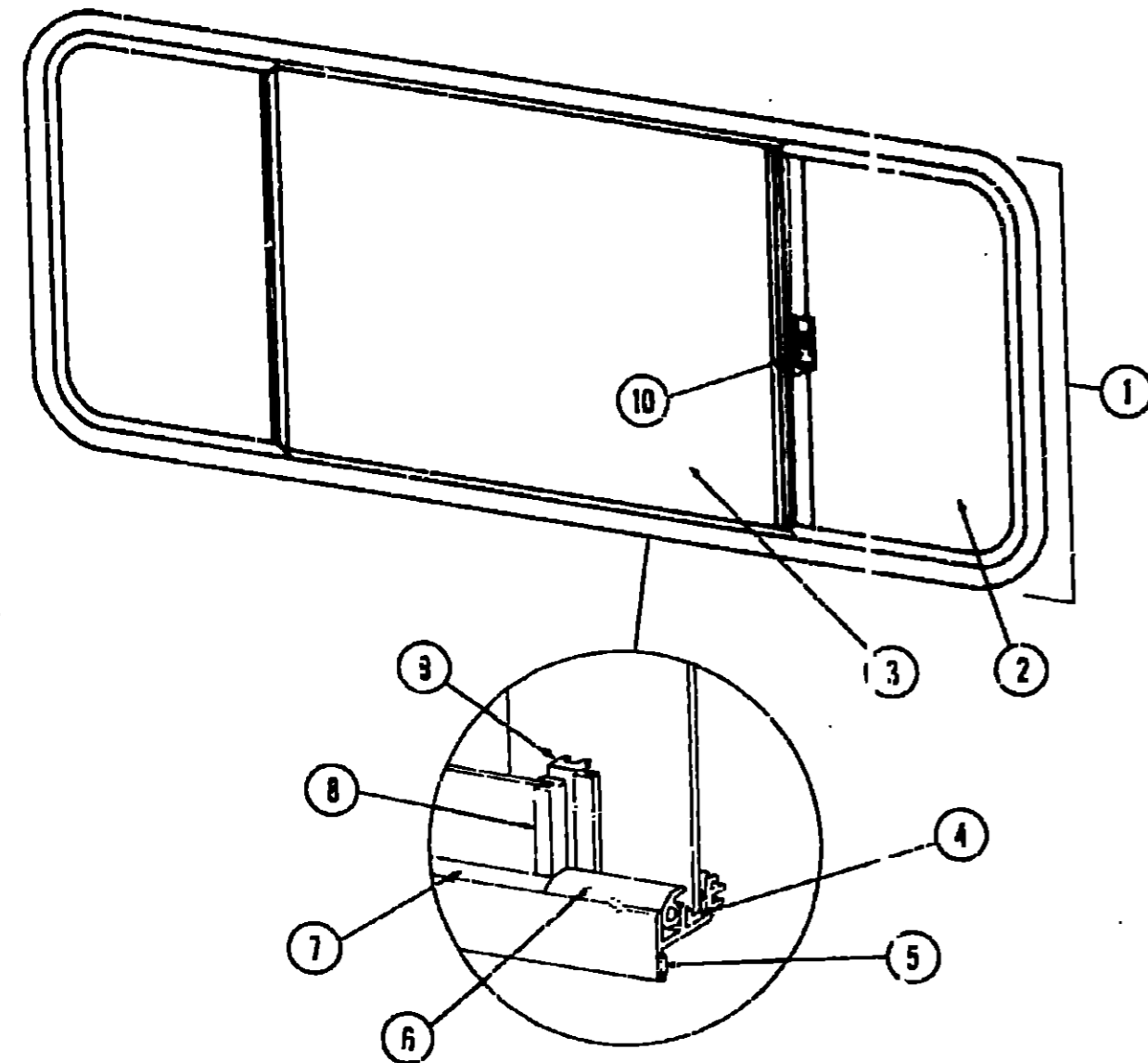
1982 ITASCA
TABLE OF CONTENTS

Introduction	A-1
Abbreviations	A-1
Alphabetical Index	A-2 - A-4
ICF22RB N2	A-5 - C-12
ICF26RH N2	C-13 - E-20
ICF26RB N2	E-21 - H-4
ICN27RB N2	H-5 - J-12
ICN29RT N2	J-13 - L-22

1982 ICN29RT N2 INDEX

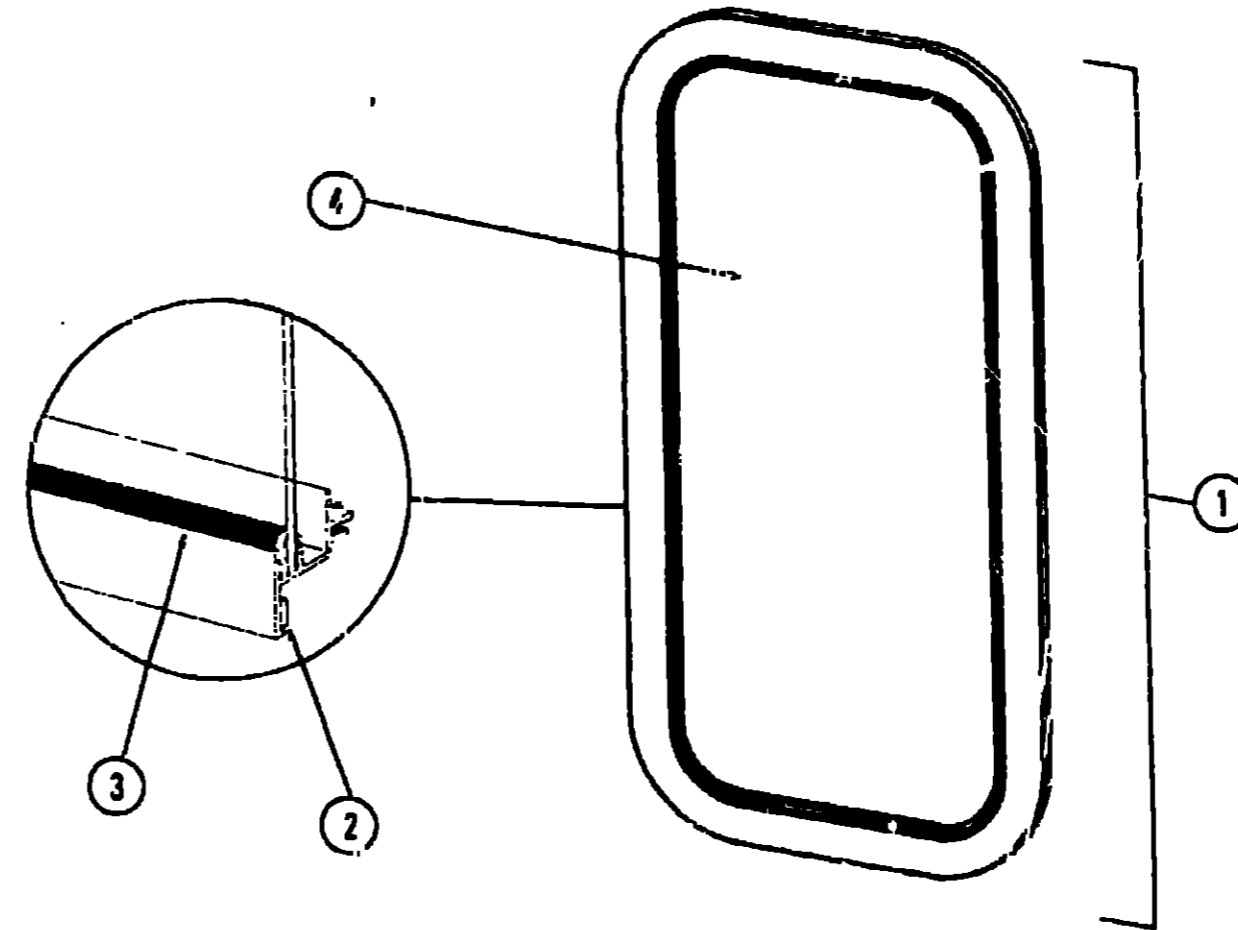
Floor Plan	J-13 - J-14
Accessories Group	J-15 - J-17
Bath Group	J-18 - J-19
Chassis Group	J-20 - J-21
Curtain, Cushion & Pad Group	J-22 - K-6
Dinette Group	K-7 - K-8
Driver's Compartment Group	K-9 - K-12
Electrical Group	K-13 - K-15
Exterior Body Group	K-16 - K-20
Galley Group	K-21 - K-22
Heating & Air Conditioning Group	K-23
Interior Finish Group	K-24 - L-1
LP Group	L-2
Lounge Group	L-3 - L-5
Water & Sewage Group	L-6 - L-7
Window, Vent & Exterior Door Group	L-8 - L-22

WINDOW, VENT AND EXTERIOR DOOR GROUP (CONTINUED)



Key	Part Number	U/M	Description
1	066785-03-000	EA	Window Asm. - Single Slider - 25" x 65" - Black (w/c inside frame)
•	042133-09-000	EA	Inside Frame - Brown (not included in assembly)
•	057609-06-000	EA	Inside Frame - Beige (not included in assembly)
2	066726-02-000	EA	Glass - Stationary - 1/8" x 21.3" x 24"
3	066727-02-000	EA	Glass - Sliding - 1/8" x 25.5" x 24"
4	002324-02-000	FT	Channel - Weatherstrip - Glass
5	069640-01-000	FT	Tape - 1/4" Bead x 20' - Gray - 3M
5	057374-02-000	FT	Extr. Vinyl - Window Seal - Black
7	002309-02-000	FT	Spline - Glass - 1/8" Material - Black
8	002390-03-002	EA	Extr. - Holder - Glass Seal - 23.19" - Black
9	041894-04-000	EA	Mullion - Slider Window - 25" - Black
10	047369-01-000	EA	Latch - Window - Plastic - w/Fastener
•	002293-01-000	SF	Screen - Window - 26" - Gray
•	002293-01-000	FT	Spline - .130" Dia. - Gray (Screen)
•	042076-01-000	FT	Seal - Fin - Pile .24"
•			Not illustrated

WINDOW, VENT AND EXTERIOR DOOR GROUP (CONTINUED)



Key	Part Number	U/M	Description
1	041875-09-000	EA	Window Asm. - Picture - 17" x 25" (w/o inside frame)
2	059640-01-000	FT	Tape - 1/4" Bead x 20' - Gray - 3M
3	002318-02-000	FT	Spline - Glass - 1/8" Black
4	002181-06-000	EA	Glass - TP - .115" x 16.25" x 24"
•	041896-12-000	EA	Inside Frame - Brown (not included in assembly)
•	057609-03-000	EA	Inside Frame - Beige (not included in assembly)
•			Not illustrated

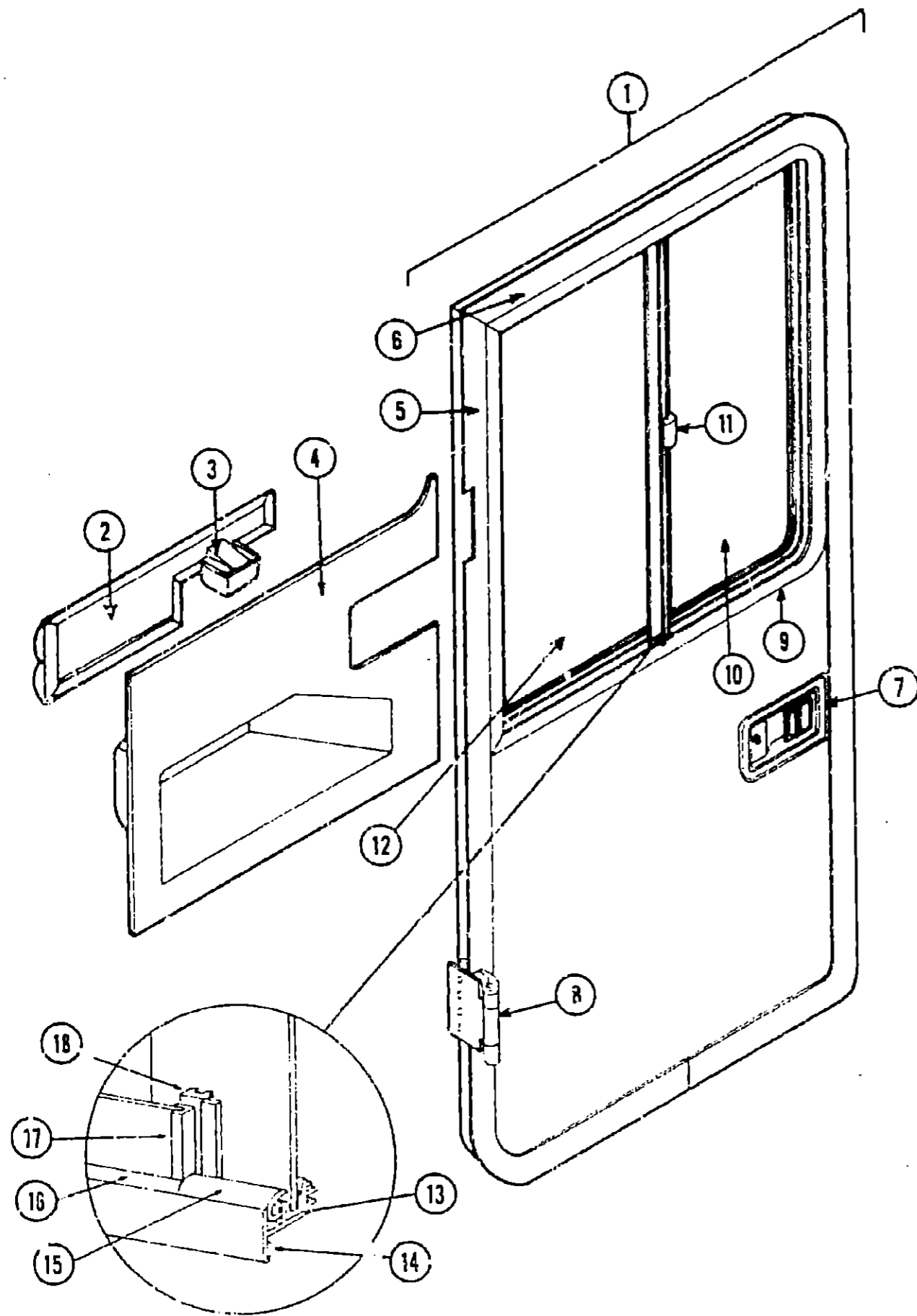
**1982 ITASCA
TABLE OF CONTENTS**

Introduction:	A-1
Abbreviations	A-1
Alphabetical Index	A-2 - A-4
ICF22RB N2	A-5 - C-12
ICF26RH N2	C-13 - E-20
ICF26RB N2	E-21 - H-4
ICN27RB N2	H-5 - J-12
ICN29RT N2	J-13 - L-22

1982 ICN29RT N2 INDEX

Floor Plan	J-13 - J-14
Accessories Group	J-15 - J-17
Bain Group	J-18 - J-19
Chassis Group	J-20 - J-21
Curtain, Cushion & Pad Group	J-22 - K-6
Dinette Group	K-7 - K-8
Driver's Compartment Group	K-9 - K-12
Electrical Group	K-13 - K-15
Exterior Body Group	K-16 - K-20
Galley Group	K-21 - K-22
Heating & Air Conditioning Group	K-23
Interior Finish Group	K-24 - L-1
LP Group	L-2
Lounge Group	L-3 - L-5
Water & Sewage Group	L-6 - L-7
Window, Vent & Exterior Door Group	L-8 - L-22

WINDOW, VENT AND EXTERIOR DOOR GROUP (CONTINUED)



DRIVER DOOR

Key	Part Number	U/M	Description
1	063991-03-000	EA	Door Asm. - Driver - Inner Panel - Brown
1	063991-06-N07	EA	Door Asm. - Driver - Inner Panel - Light Oak
2	064088-01-000	EA	Pad Asm. - Trim - Upper - Brown Vinyl
2	064088-02-000	EA	Pad Asm. - Trim - Upper - Beige Vinyl
.	061400-01-000	EA	Assist Strap - 12" - Light Brown Vinyl
.	061400-03-000	EA	Assist Strap - 12" - Almond Vinyl
3	046886-01-000	EA	Ashtray Asm. - Flush Mount - Chrome
4	064499-01-000	EA	Panel - Driver Door - Inner - Dark Brown Plastic
4	064499-02-000	EA	Panel - Driver Door - Inner - Light Oak
5	063350-01-000	EA	Trim - Door Frame - Front - Gray
6	063351-01-000	EA	Trim - Door Frame - Rear - Gray
7	045017-03-000	EA	Paddle - Door Lock - Exterior
.	045017-01-700	EA	Lock Cylinder w/Keys - Lynor
.	039979-02-000	EA	Inside Plate - Door Lock - w/Inside Handle
.	039540-02-000	EA	Latch Claw - Entry Door Lock
.	039738-01-000	EA	Deadbolt - Entrance Door Lock
.	039539-01-000	EA	Strike Bolt - Entrance Door (Jamb Mount)
.	063124-02-000	EA	Plate - Striker - 8 1/4" x 1" - Black
.	062879-01-000	EA	Jamb - Driver Door - Black Steel
.	064199-03-000	EA	Trim - Door Jamb - Rear - w/Drip Cap - Gray
.	064184-01-000	EA	Drip Cap - Driver Door
.	063358-01-000	EA	Trim - Door Jamb - Front - Gray
.	063768-01-000	EA	Sill Plate - Driver Door
8	063993-03-000	EA	Hinge Asm. - Driver Door - Lower - Gray
.	063993-04-000	EA	Hinge Asm. - Driver Door - Upper - Black
.	054580-01-000	EA	Check Strap - Driver Door - Seat Belt Webbing
.	054219-01-000	EA	Retainer - Driver Door - Check Strap
.	063886-02-000	EA	Assist Handle - Driver Door - Brown Steel Tube (2 required per door)
.	063886-03-000	EA	Assist Handle - Driver Door - Beige Steel Tube (2 required per door)
.	061075-01-000	EA	Bulb Seal - Driver Door - 145"
9	062982-01-000	EA	Window Asm. - Driver Door - Single Slider - 23" x 25.5" Black Anod. (w/o inside frame)
10	057657-02-000	EA	Glass - 3/16" x 24.88" x 12" - Sliding
11	047369-01-700	EA	Latch - Window - Plastic w/Fastener
12	002188-04-000	EA	Glass - 3/16" x 24.88" x 12" - Stationary
13	002324-02-000	FT	Channel - Weatherstrip - Glass Run - 1/8" Glass
14	069640-01-000	FT	Tape - 1/4" Bead x 20' - Gray - 3M
15	024090-02-000	FT	Seal - Window Channel - Black
16	002309-02-000	FT	Spline - Glass - Black
17	002389-03-204	EA	Holder - Glass Seat - Anod. Black - 25.14"
.	002288-01-000	FT	Weatherstrip - Glass Seal
18	057644-04-000	EA	Mullion - Slider Window - Black Anod.
.	063422-01-000	EA	Inside Frame - Driver Door Window - Brown
.	063422-02-000	EA	Inside Frame - Driver Door Window - Beige
.	023713-02-000	EA	Cover - Weephole - Black Plastic
.	055164-05-000	EA	Screen Asm. - Slider
.	002292-01-000	SF	Screen - Window - 20" - Gray
.	002298-01-000	FT	Spline - Gray - Screen - .130" Dia.
.	016310-03-000	EA	Screen Handle - Black Anod.
.	043485-02-000	FT	Screen Seal - Extr. Vinyl
.			Not illustrated

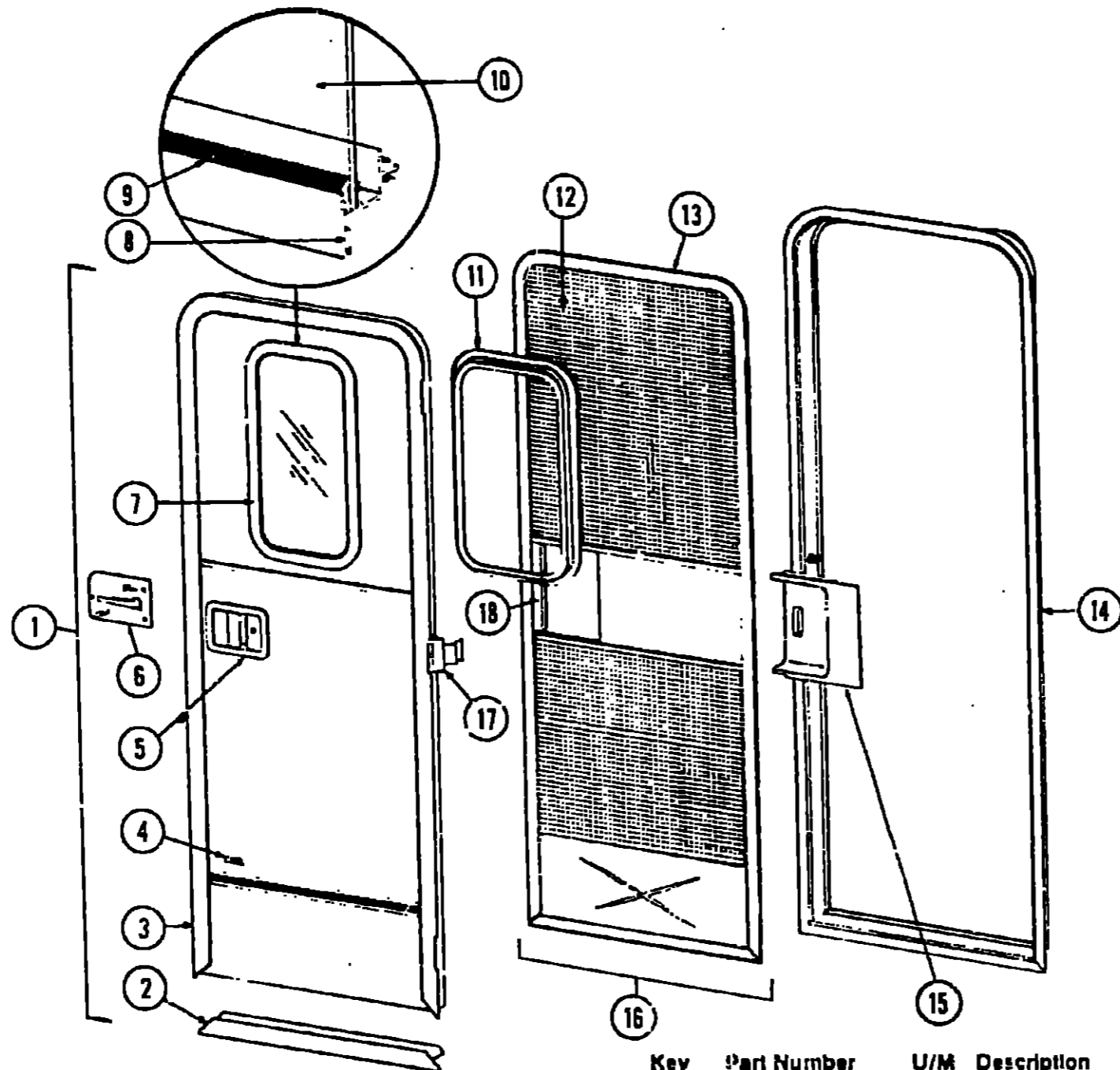
1982 ITASCA
TABLE OF CONTENTS

Introduction	A-1
Abbreviations	A-1
Alphabetical Index	A-2 - A-4
ICF22RB N2	A-5 - C-12
ICF26RH N2	C-13 - E-20
ICF26RB N2	E-21 - H-4
ICN27RB N2	H-5 - J-12
ICN29RT N2	J-13 - L-22

1982 ICN29RT N2 INDEX

Floor Plan	J-13 - J-14
Accessories Group	J-15 - J-17
Bath Group	J-18 - J-19
Chassis Group	J-20 - J-21
Curtain, Cushion & Pad Group	J-22 - K-6
Dinette Group	K-7 - K-8
Driver's Compartment Group	K-9 - K-12
Electrical Group	K-13 - K-15
Exterior Body Group	K-16 - K-20
Galley Group	K-21 - K-22
Heating & Air Conditioning Group	K-23
Interior Finish Group	K-24 - L-1
LP Group	L-2
Lounge Group	L-3 - L-5
Water & Sewage Group	L-6 - L-7
Window, Vent & Exterior Door Group	L-8 - L-22

WINDOW, VENT AND EXTERIOR DOOR GROUP (CONTINUED)



Key	Part Number	U/M	Description
1	M71136-02-000	EA	Door Asm. - Radius Entry w/Screen Door
2	039737-05-000	EA	Frame - Entry Door (Bottom Portion Only)
3	039736-06-000	EA	Frame - Entry Door (Except Bottom Portion)
4	054530-01-000	EA	Holder - Entry Door - Mounts on Sidewall
5	045017-01-000	EA	Paddle Asm. - Door Lock - Exterior
•	045017-01-700	EA	Lock Cylinder w/Keys
•	039529-01-000	EA	Striker Bolt - Entry Door
•	039540-01-000	EA	Latch Claw - Entry Door
6	039979-01-000	EA	Plate - Lock - Interior - Including Inside Handle
•	052186-01-000	EA	Lock Asm. - Complete - Lynor
7	041875-09-000	EA	Window Asm. - Picture - 17" x 25" - Black Anod. (w/o inside frame)
8	C69540-01-000	FT	Tape - 1/4" Bead x 20' - Gray - 3M
9	002369-02-000	EA	Spline - Glass - 1/8" Black
•	044582-06-000	EA	Cap - Drip Jamb - Mounted - Gray
10	002181-06-000	EA	Glass - Picture Window - 1/8" x 16.25" x 24" - Clear
11	067609-03-000	EA	Frame - Window - Inside - 17" x 25" - Beige
11	041696-12-000	EA	Frame - Window - Inside - 17" x 25" - Brown
12	002293-01-000	SF	Screen - Window - 26" - Gray
•	Not illustrated		

Key	Part Number	U/M	Description
13	056795-01-000	FT	Seal Tape - 1/8" x 3/8" - Press On
14	053171-05-000	EA	Jamb Asm. - Entry Door
•	059013-10-000	EA	Garnish - Entrance Door
15	015580-01-000	EA	Slider - Screen Door - Brown Plastic
15	015580-02-000	EA	Slider - Screen Door - Light Oak Plastic
16	053170-01-000	EA	Door Asm. - Screen - Brown
16	053170-05-000	EA	Door Asm. - Screen - Light Oak
•	002294-01-000	FT	Spline - .135" x .138" - Black
17	039520-01-000	EA	Hinge - Entry Door (3 used per door)
18	015581-01-000	EA	Cap - Screen Door - Brown Plastic
18	015581-02-000	EA	Cap - Screen Door - Light Oak Plastic
•	053552-01-M07	EA	Assist Handle - Brown Vinyl
•	053552-01-N07	EA	Assist Handle - Almond (Beige) Vinyl
•	049176-01-000	EA	Hedlok II - 3/4" Diameter - Screw Mount (Retains screen door to entry door)
•	049797-01-000	EA	Hedlok II - 1" Diameter - Screw Mount (Retains screen door to entry door)
•	06377-01-000	EA	Striker - Screen Door
•	07773-01-000	EA	Catch Asm. - Single Roller w/Strike - Screen Door
•	07773-01-000	FT	Seal - Jamb - Entry Door - Bulb Seal
•	07773-01-000	FT	Tubing - Polybutyl - 1/2" O.D. - Jamb
•	07773-01-000	EA	Catch - Elbow - Spring Loaded - Zink
•	J 018-01-000	EA	Catch Asm. - Single Roller
•	Not illustrated		

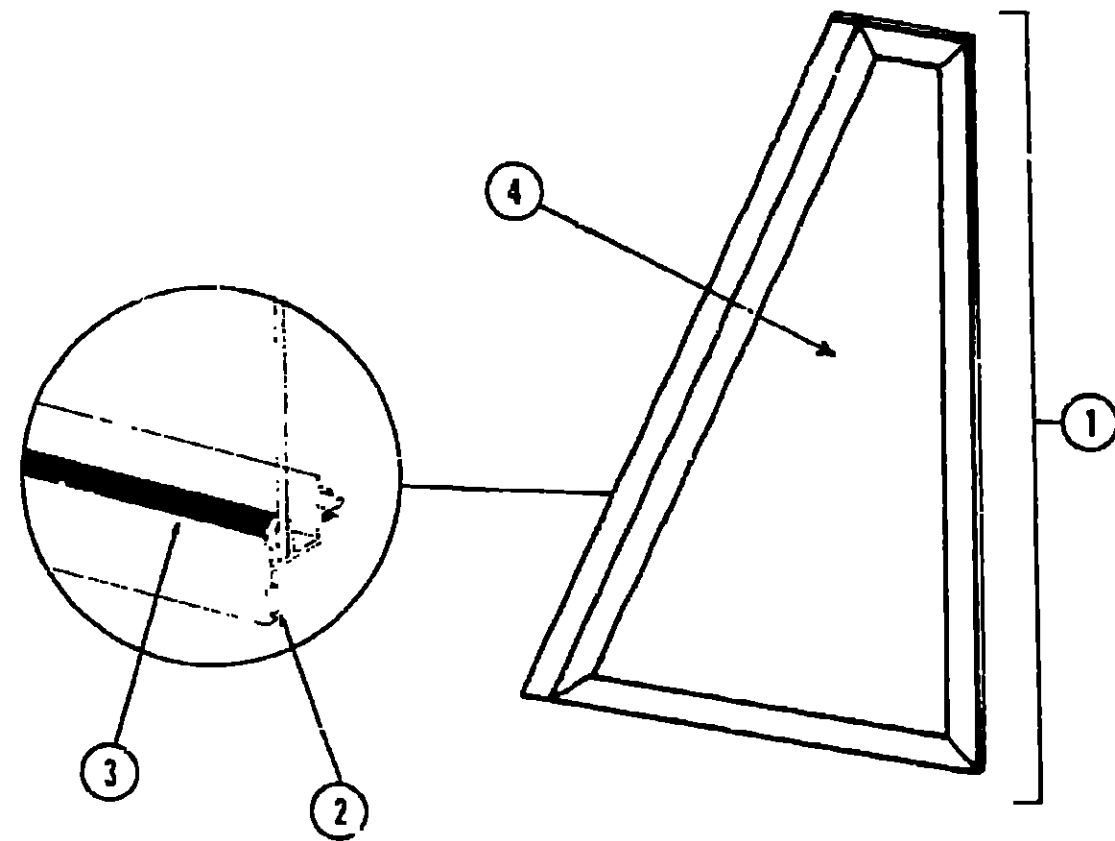
**1982 ITASCA
TABLE OF CONTENTS**

Introduction	A-1
Abbreviations	A-1
Alphabetical Index	A-2 - A-4
ICF22RB N2	A-5 - C-12
ICF26RH N2	C-13 - E-20
ICF26RB N2	E-21 - H-4
ICN27RB N2	H-5 - J-12
ICN29RT N2	J-13 - L-22

1982 ICN29RT N2 INDEX

Floor Plan	J-13 - J-14
Accessories Group	J-15 - J-17
Bath Group	J-18 - J-19
Chassis Group	J-20 - J-21
Curtain, Cushion & Pad Group	J-22 - K-6
Directive Group	K-7 - K-8
Driver's Compartment Group	K-9 - K-12
Electrical Group	K-13 - K-15
Exterior Body Group	K-16 - K-20
Galley Group	K-21 - K-22
Heating & Air Conditioning Group	K-23
Interior Finish Group	K-24 - L-1
LP Group	L-2
Lounge Group	L-3 - L-5
Water & Sewage Group	L-6 - L-7
Window, Vent & Exterior Door Group	L-8 - L-22

WINDOW, VENT AND EXTERIOR DOOR GROUP (CONTINUED)



Key	Part Number	U/M	Description
1	C32896-01-000	EA	Window Asm. - Stationary - Drivers Slant - 14" x 25.32" Black Anod. (w/o inside frame)
2	069640-01-000	FT	Tape - 1/4" Bead x 20' - Gray - 3M
3	002309-02-000	FT	Spline - Glass - 1/8" - Black
4	057656-02-000	EA	Glass - 3/16" x 24.88"
	063420-01-000	EA	Inside Frame - Front Slant Window - Brown (not included in assembly)
	063420-02-000	EA	Inside Frame - Front Slant Window - Beige (not included in assembly)
			Not illustrated

**1982 ITASCA
TABLE OF CONTENTS**

Introduction	A-7
Abbreviations	A-1
Alphabetical Index	A-2 - A-4
ICF22RB N2	A-5 - C-12
ICF26RH N2	C-13 - E-20
ICF26RB N2	E-21 - H-4
ICN27RB N2	H-5 - J-12
ICN29RT N2	J-13 - L-22

1982 ICN29RT N2 INDEX

Floor Plan	J-13 - J-14
Accessories Group	J-15 - J-17
Bath Group	J-18 - J-19
Chassis Group	J-20 - J-21
Curtain, Cushion & Pad Group	J-22 - K-6
Dinette Group	K-7 - K-8
Driver's Compartment Group	K-9 - K-12
Electrical Group	K-13 - K-15
Exterior Body Group	K-16 - K-20
Galley Group	K-21 - K-22
Heating & Air Conditioning Group	K-23
Interior Finish Group	K-24 - L-1
LP Group	L-2
Lounge Group	L-3 - L-5
Water & Sewage Group	L-6 - L-7
Window, Vent & Exterior Door Group	L-8 - L-22