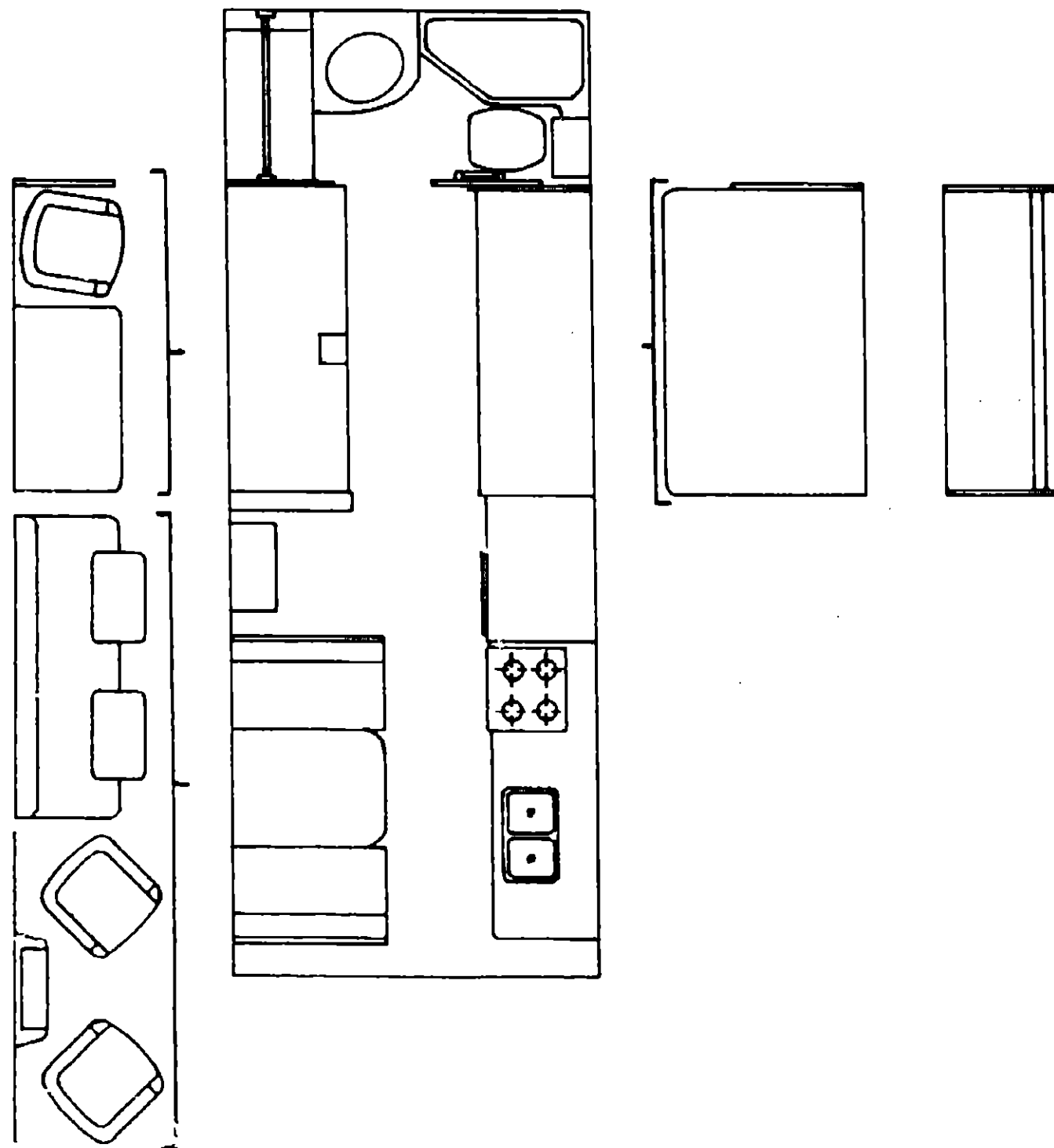


1982 ICN27RB N2

NOTE:

A model revision number has been incorporated into the unit serial number to reflect any changes made during the model year. When ordering replacement parts, refer to the sixth and seventh digits of the unit serial number to assure that the proper part is ordered. These changes will be classified as a **N-2** or **N-3**, and will be included behind the item description. The unit serial number is found on the vehicle certification label, which is located on the left sidewall at the end of the dash (**A-Body**), or on the drivers door latch plate (**C-Body**).



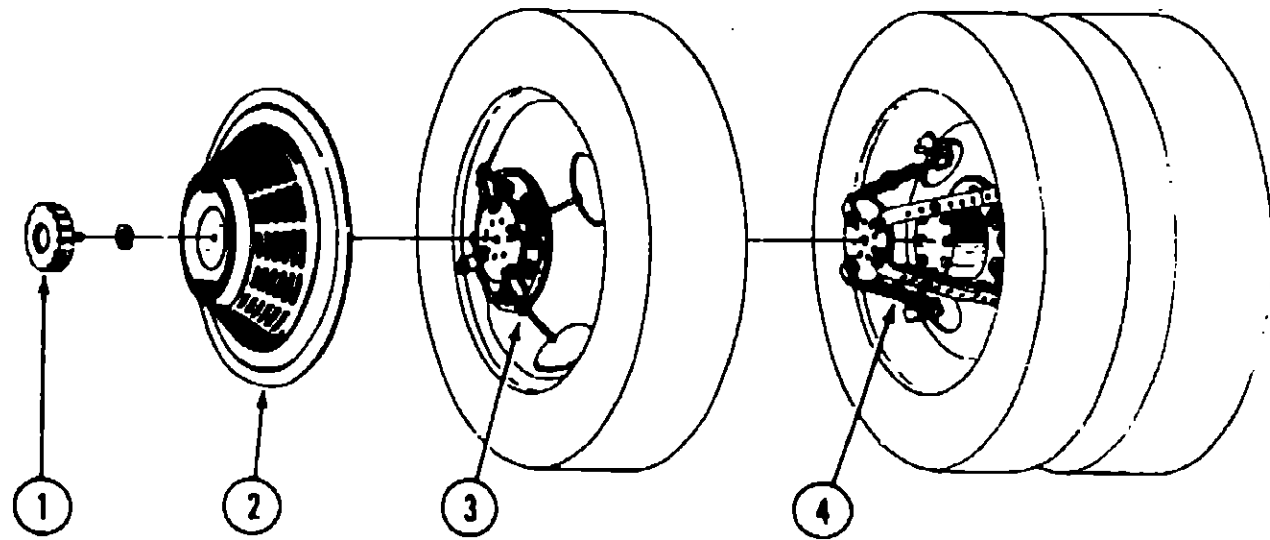
**1982 ITASCA
TABLE OF CONTENTS**

Introduction	A-1
Abbreviations	A-1
Alphabetical Index	A-2 - A-4
ICF22RB N2	A-5 - C-12
ICF26RH N2	C-13 - E-20
ICF26RB N2	E-21 - H-4
ICN27RB N2	H-5 - J-12
ICN29RT N2	J-13 - L-22

1982 ICN27RB N2 INDEX

Floor Plan	H-5 - H-6
Accessories Group	H-7 - H-9
Bath Group	H-10 - H-11
Chassis Group	H-12 - H-13
Curtain, Cushion & Pad Group	H-14 - H-21
Dinette Group	H-22 - H-24
Driver's Compartment Group	I-1 - I-4
Electrical Group	I-5 - I-7
Exterior Body Group	I-8 - I-12
Galley Group	I-13 - I-14
Heating & Air Conditioning Group	I-14 - I-15
Interior Finish Group	I-16 - I-17
LP Group	I-18
Lounge Group	I-19 - I-21
Water & Sewage Group	I-22
Window, Vent & Exterior Door Group	I-23 - J-12

ACCESSORIES GROUP



WHEEL COVER AND MOUNTING HARDWARE

Key	Part Number	U/M	Description
1	064082-02-000	EA	Retaining Nut - Delmet - Wheel Cover
2	073426-01-700	EA	Wheel Cover - Bolt On - 16" or 16.5" - Delmet (1)
3	073426-04-700	EA	Retention Bracket Asm. - Wheel Cover Support - Heavy Duty - Front (1)
4	073426-04-701	EA	Retention Bracket Asm. - Wheel Cover Support - Heavy Duty - Rear (1)
*	073426-04-000	EA	Retention Bracket Asm. - Wheel Cover Support - Heavy Duty (Set /4)
**	031396-04-000	EA	Wheel Cover - 16" - Clip On
*			Not illustrated
**			The illustrated parts breakdown for this item is provided on the Common Items Fiche.

ACCESSORIES GROUP (CONTINUED)

GENERATORS AND COMPONENTS

Key	Part Number	U/M	Description
	069229-01-000	EA	Generator - 4.5 kw - Kohler
	701629-01-000	EA	Kohler Installation Package
	024732-01-016	EA	Tailpipe - 1 1/2" O.D. x 43.5"
	067753-01-000	EA	Muffler - Generator - w/Spark Arrestor - Nelson
	740313-56-000	EA	Tray - Generator - 4.5 kw - Kohler

RADIOS AND RELATED COMPONENTS

Key	Part Number	U/M	Description
	031105-01-000	EA	Antenna - Radio - Side Mount
	031105-01-700	EA	Holder - Antenna - Radio - Upper
	064791-01-000	EA	Speaker - Recessed - 5 1/4"
	064792-01-000	EA	Grille - Speaker - 5 1/4"
	064794-01-000	EA	Trim Plate - AM Radio
	064785-01-000	EA	Radio - AM
	064786-01-000	EA	Radio - AM/FM MPX - w/8 Track
	064787-01-000	EA	Radio - AM/FM MPX - w/Cassette
	064788-01-000	EA	Radio - AM/FM Digital - w/Cassette
	064789-01-000	EA	Radio - AM/FM Digital - w/8 Track
	056014-01-000	EA	Radio - AM/FM - Stereo Cassette
	065124-01-000	EA	Wiring - Power Adapter

FRONT BUNK AND HARDWARE

Key	Part Number	U/M	Description
	058300-01-N07	EA	Cabinet Asm. - Front Overhead
	058844-01-M07	EA	Bunk Board Asm. - Front Overhead - w/Brown Rails
	058844-02-N07	EA	Bunk Board Asm. - Front Overhead - w/Off White Rails
	053773-01-000	EA	Support - Overhead Bunk - Brown - Right
	053773-02-000	EA	Support - Overhead Bunk - Brown - Left
	040071-02-000	EA	Support - Bunk - Seat Belt
	039516-03-000	EA	Catch - Bunk - Off White
	039516-02-000	EA	Catch - Bunk - Brown
	023812-26-000	EA	Rail - Bunk - 80" - Off White
	023812-22-000	EA	Rail - Bunk - 80" - Brown
	053774-02-000	EA	Torsion Rod - Overhead Bunk - Brown
	041322-01-000	EA	Washer - Flat - 15/32" I.D. x 2 3/8" O.D. - Seat Belt
	058948-01-N07	EA	Pad Asm. - Front Side Overhead - Right - Beige Vinyl
	058948-01-M04	EA	Pad Asm. - Front Side Overhead - Right - Brown Vinyl
	058948-02-N07	EA	Pad Asm. - Front Side Overhead - Left - Beige Vinyl
	058948-02-M04	EA	Pad Asm. - Front Side Overhead - Left - Brown Vinyl
	058948-03-N07	EA	Pad Asm. - Front Side Overhead - Driver Door - Beige Vinyl
	058948-03-M04	EA	Pad Asm. - Front Side Overhead - Driver Door - Brown Vinyl
	048394-01-000	YD	Tape Hook - 1" x 25 YD - Beige
	048395-01-000	YD	Tape Loop - 1" x 25 YD - Beige
	007021-01-000	EA	Seat Belt Asm. - 2" x 90" - Black

1982 ITASCA TABLE OF CONTENTS

Introduction	A-1
Abbreviations	A-1
Alphabetical Index	A-2 - A-4
ICF22RB N2	A-5 - C-12
ICF26RH N2	C-13 - E-20
ICF26RB N2	E-21 - H-4
ICN27RB N2	H-5 - J-12
ICN29RT N2	J-13 - L-22

1982 ICN27RB N2 INDEX

Floor Plan	H-5 - H-6
Accessories Group	H-7 - H-9
Bath Group	H-10 - H-11
Chassis Group	H-12 - H-13
Curtain, Cushion & Pad Group	H-14 - H-21
Dinette Group	H-22 - H-24
Driver's Compartment Group	I-1 - I-4
Electrical Group	I-5 - I-7
Exterior Body Group	I-8 - I-12
Galley Group	I-13 - I-14
Heating & Air Conditioning Group	I-14 - I-15
Interior Finish Group	I-16 - I-17
LP Group	I-18
Lounge Group	I-19 - I-21
Water & Sewage Group	I-22
Window, Vent & Exterior Door Group	I-23 - J-12

ACCESSORIES GROUP (CONTINUED)

MISCELLANEOUS ACCESSORIES

Key	Part Number	U/M	Description
	054185-14-000	EA	Owners Manual - 1982 - Itasca & Winnebago
	006053-01-000	EA	Antenna - TV Braund Delux
	006093-01-000	EA	Jack - TV - Brown (Antenna)
	017516-01-000	EA	Mud Flap - Black - 14" x 18" w/Holes
	041944-03-000	EA	Fire Extinguisher - w/Bracket - 5 BC
	052771-02-000	EA	Oven - Microwave - Magic Chef MW207
	053287-07-000	EA	Bracket Asm. - Microwave - Right
	053287-08-000	EA	Bracket Asm. - Microwave - Left
	067203-01-000	EA	Ladder Asm.
	067130-01-000	EA	Ladder Step
	067186-01-000	EA	End Cap - Ladder Step
	067203-02-000	EA	Luggage Rack Asm.
	064093-01-000	EA	Luggage Carrier Assembly - 14" x 30" x 60"
	039881-01-000	EA	Catch and Strike - Luggage Carrier
	072366-01-000	EA	Speed Control Package - Electric - Diesel - Dana
	069629-01-000	EA	Speed Control Package - Electric - Chevrolet - Dana
	072852-01-000	EA	Smoke Detector w/9 Volt Battery
	055285-01-000	EA	Vacuum Cleaner - Built In - Tevis Campbell
	055285-01-700	EA	Accessories Kit - Standard - Tevis Campbell
	055285-01-701	EA	Filter - 10 per Consumer Package - Tevis Campbell
	061613-01-000	EA	Clock - Batt. Round Gold Face
	065116-01-000	EA	Mirror - West Coast - Double Mirror - Right
	065116-02-000	EA	Mirror - West Coast - Double Mirror - Left
	034410-12-000	EA	Tire Cover - Vinyl - 32"

BATH GROUP

BATH CABINETS

Key	Part Number	U/M	Description
	M65894-01-N07	EA	Cabinet Asm. - Vanity - w/o Countertop & Doors
	063224-11-N07	EA	Door Asm. - Rolled - 12.4" x 24" - Lower
	063224-12-N07	EA	Door Asm. - Rolled - 16.1" x 24" - Upper
	065897-01-N07	EA	Countertop Asm. - Vanity Cabinet - Palomino (N10) (N11) (N12)
	M69833-01-N07	EA	Cabinet Asm. - Medicine - w/o Door or Hardware
	069859-02-N07	EA	Door Asm. - Medicine Cabinet w/Mirror - 16.1" x 30.1" - w/o Hardware
	072232-01-N07	EA	Pad Asm. - End - Medicine Cabinet - Beige Vinyl
	M70626-02-N07	EA	Cabinet Asm. - Linen/Hamper - w/o Doors or Hardware
	069852-09-N07	EA	Door Asm. - Linen Cabinet - 52.8" x 12.6" - w/o Hardware
	M65889-01-N07	EA	Door Asm. - Sliding - 74.1" x 28" - w/o Hardware
	069852-04-N07	EA	Door Asm. - Wardrobe Cabinet - 39.5" x 12.8" - w/o Hardware
	069859-01-N07	EA	Door Asm. - Wardrobe Cabinet w/Mirror - 59" x 16.1" - w/o Hardware

BATH HARDWARE

Key	Part Number	U/M	Description
**	011056-01-000	EA	Faucet - Lavatory - U.S.
**	011056-02-000	EA	Faucet - Lavatory - C.S.A.
**	011057-03-000	EA	Faucet - Tub and Shower
	058640-01-000	EA	Sink - Oval - Ivory Plastic
	011083-01-000	EA	Tail Piece - 1 1/4" x 5" - Plastic w/Stopper
**	011048-02-000	EA	Shower Head - w/60" Hose
	010495-01-000	EA	Hose Clamp - 9/16"
**	066729-01-000	EA	Strainer - Shower Pan & Tub
	009134-01-000	EA	Holder - Tissue
	009133-01-000	EA	Bar - Towel Rack - 12" - Plastic
	009133-02-000	EA	Bar - Towel Rack - 18" - Plastic
	023449-01-000	EA	Support - Chrome - Towel Rack
	006151-01-000	EA	Warp Guard - 48"
	033580-01-000	EA	Towel Ring - Chrome w/Plastic Ring
	058034-02-000	EA	Latch - Bathroom Door - w/o Lock
	009156-01-000	EA	Hanger - Sliding Door
	071817-01-000	EA	Track - Sliding Door - 48"
	064467-01-000	EA	Guide - Sliding Door - Mounts on Floor
	066435-01-000	EA	Nut - Strainer - Plastic
	009112-01-000	EA	Flange - 1" Closet Rod
	057671-01-000	EA	Screw Cover (No. 8)
	058331-02-000	EA	Mirror - Tempered Glass - 12" x 36"
	058331-05-000	EA	Mirror - Tempered Glass - 12" x 26"
	057534-01-000	EA	Tie Back - 6" - Clear Plastic
	071632-01-000	EA	Hamper Bag - Fabric
	066433-01-000	EA	Hook - Screw Back - Bright Finish
	039341-02-000	EA	Toilet - Thetford - Aqua Magic - Ivory - 8420 SH
	063740-01-000	EA	Toilet - Thetford - Aqua Magic IV - Ivory

** The illustrated parts breakdown for this item is provided on the Common Items Fiche.

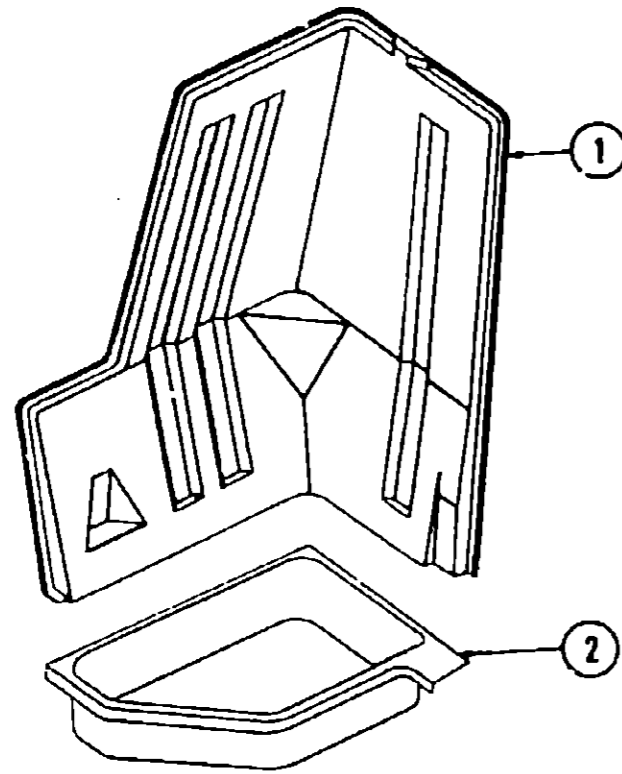
1982 ITASCA TABLE OF CONTENTS

Introduction	A-1
Abbreviations	A-1
Alphabetical Index	A-2 - A-4
ICF22RB N2	A-5 - C-12
ICF26RH N2	C-13 - E-20
ICF26RB N2	E-21 - H-4
ICN27RB N2	H-5 - J-12
ICN29RT N2	J-13 - L-22

1982 ICN27RB N2 INDEX

Floor Plan	H-5 - H-6
Accessories Group	H-7 - H-9
Bath Group	H-10 - H-11
Chassis Group	H-12 - H-13
Curtain, Cushion & Pad Group	H-14 - H-21
Dinette Group	H-22 - H-24
Driver's Compartment Group	I-1 - I-4
Electrical Group	I-5 - I-7
Exterior Body Group	I-8 - I-12
Galley Group	I-13 - I-14
Heating & Air Conditioning Group	I-14 - I-15
Interior Finish Group	I-16 - I-17
LP Group	I-18
Lounge Group	I-19 - I-21
Water & Sewage Group	I-22
Window, Vent & Exterior Door Group	I-23 - J-12

BATH GROUP (CONTINUED)



Key	Part Number	U/M	Description
1	069711-01-000	EA	Shower Stall
2	064552-02-000	EA	Shower Pan

CHASSIS GROUP

Key	Part Number	U/M	Description
	068624-01-000	EA	Gas Fill - w/Vent
	084456-02-000	EA	Tube - Fuel Vent - .5" O.D. x 46"
	024611-04-000	EA	Cap - Gas - Pressure - 1.50" Chrome
	024136-01-000	FT	Hose - Fuel - 5/16" I.D. SAE 30RI
	024141-01-000	FT	Hose Rubber - 1/2" I.D.
	007134-01-000	EA	Clamp - Hose - Spring Type - 9/16"
	067058-03-000	EA	Tank - Fuel - 69.7 Gallon
	057038-02-000	EA	Sending Unit - Fuel - 90 Ohm (454 Engine)
	057038-05-000	EA	Sending Unit - Fuel - 90 Ohm (Diesel Engine)
	063386-01-000	EA	Strap - Fuel Tank Mounting
	063386-02-000	EA	Hanger - Fuel Tank Mounting
	062401-01-000	EA	Clamp - Worm Gear - .25" - 1" I.D.
	062401-03-000	EA	Clamp - Worm Gear - .22" - 1" I.D.
	062401-04-000	EA	Clamp - Worm Gear - .89" - 1.25" I.D.
	062401-05-000	EA	Clamp - Worm Gear - 2" - 3" I.D.
	062401-06-000	EA	Clamp - Worm Gear - 4.06" - 5" I.D.
	062401-09-000	EA	Clamp - Worm Gear - 2.8" - 3.75" I.D.
	064091-01-000	EA	Hose - Fuel - 2" I.D. x 90° Bend
	061411-03-000	EA	Extension - Exhaust - 2.25" O.D. x 10.5" (454 Engine)
	022655-02-000	EA	Extension - Exhaust - 2.25" O.D. x 8" (Diesel Engine)
	007111-01-000	FT	Hose - Fuel - 2 1/4" I.D. SAE 30RI
	024490-01-000	EA	Power Cord Box - Plastic (N2)
	033499-03-000	EA	Power Cord Box - Plastic (N3)
	055080-01-000	EA	Wheel Well - Plastic
	740313-56-000	EA	Tray - Generator - Kohler - 4.5 kw
	052431-01-000	EA	Tray - Luggage
	007125-06-000	EA	Clamp Asm. - Muffler - 2.25"
	017516-01-000	EA	Mud Flap - Black - 14" x 18" w/Holes
	051697-01-000	EA	Bracket - Battery Tie Down
	048594-01-000	EA	Battery Tray Asm.
	047441-01-000	EA	Terminal - Battery - Horizontal Lug - Chevy
	024652-01-700	EA	Step Asm. - Entry
	022150-01-000	EA	Bracket - Bumper - Rear
	058401-01-000	EA	Hood Board - Upper - Right - Steel (N2)
	071654-01-000	EA	Hood Board - Upper - Right - Steel (N3)
	058404-01-000	EA	Hood Board - Upper - Left - Steel
	056818-01-000	EA	Cover - Radiator - Rear - Chevy (N2)
	056817-01-000	EA	Cover - Radiator - Rear Back (Fan Shroud) - Chevy (N2)
	071656-01-000	EA	Cover - Radiator - Rear - Chevy (N3)
	071657-01-000	EA	Cover - Radiator - Rear Back (Fan Shroud) - Chevy (N3)
	058200-01-000	EA	Bumper - Front - Chrome
	063326-01-700	EA	Bumper - Front - Primed
	045474-01-000	EA	Bumper - Rear - Chrome
	005200-01-000	EA	Bolt - Carriage - 7/16" - 14 x 1 1/4" SST
	058439-01-000	EA	Bracket - Front Bumper - Black
	063977-02-000	EA	Step Asm. - Upper Driver Door - Black
	063976-02-000	EA	Step Asm. - Lower Driver Door - Black
	044967-01-000	EA	Shield - Heat Muffler
	058425-01-000	EA	Bracket - Bumper - Front - Left - Chevy
	058425-02-000	EA	Bracket - Bumper - Front - Right - Chevy
	056832-01-000	EA	Filler - Radiator Cover (N2)
	072619-01-000	EA	Filler - Radiator Cover (N3)
	007131-01-000	EA	Hanger - Tail Pipe
	052165-03-000	EA	Shock Cord - Rubber - 24" (Spare Tire)
	040546-01-000	EA	Tire - 750 x 16 - 8 Ply Poly
	064962-02-000	EA	Rim - Wheel - 16 x 6.00 - Chevy
	050273-01-000	EA	Tire - 750 x 15" - 8 Ply Poly
	064225-02-000	EA	Hold Down - Spare Tire Carrier
	064179-01-000	EA	Tire Carrier - Side Compartment

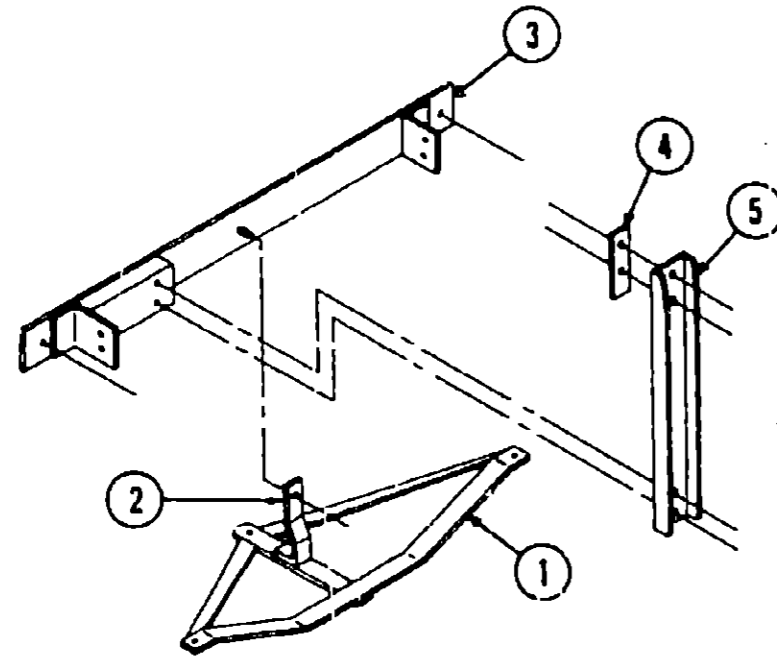
**1982 ITASCA
TABLE OF CONTENTS**

Introduction	A-1
Abbreviations	A-1
Alphabetical Index	A-2 - A-4
ICF22RE N2	A-5 - C-12
ICF26RH N2	C-13 - E-20
ICF26RB N2	E-21 - H-4
ICN27RB N2	H-5 - J-12
ICN29RT N2	J-13 - L-22

1982 ICN27RB N2 INDEX

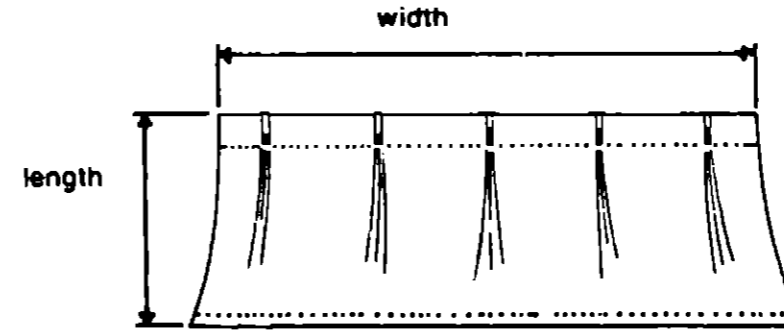
Floor Plan	H-5 - H-6
Accessories Group	H-7 - H-9
Bath Group	H-10 - H-11
Chassis Group	H-12 - H-13
Curtain, Cushion & Pad Group	H-14 - H-21
Dinette Group	H-22 - H-24
Driver's Compartment Group	I-1 - I-4
Electrical Group	I-5 - I-7
Exterior Body Group	I-8 - I-12
Galley Group	I-13 - I-14
Heating & Air Conditioning Group	I-14 - I-15
Interior Finish Group	I-16 - I-17
LP Group	I-18
Lounge Group	I-19 - I-21
Water & Sewage Group	I-22
Window, Vent & Exterior Door Group	I-23 - J-12

CHASSIS GROUP (CONTINUED)

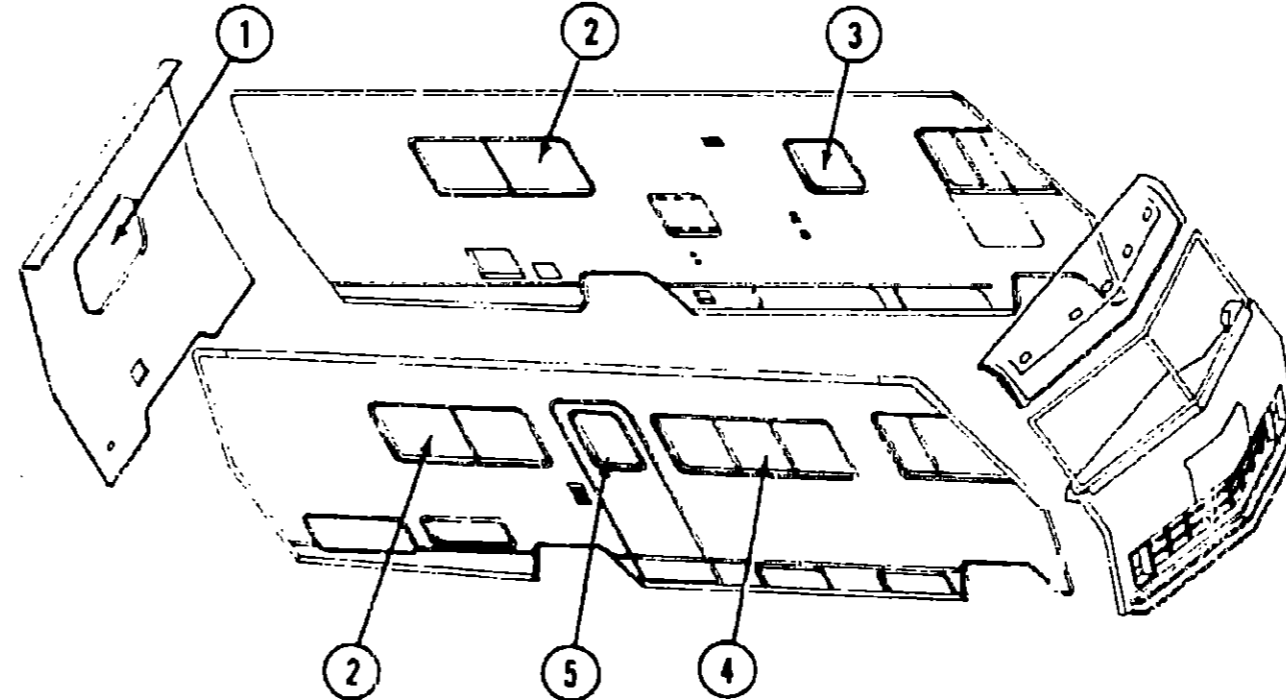


Key	Part Number	U/M	Description
1	064833-01-000	EA	Trailer Hitch Asm. - w/Support
2	064824-02-000	EA	Support - Trailer Hitch
3	064601-02-000	EA	Bracket - Bumper Mount - Rear
4	040974-01-000	EA	Bracket - Spare Tire - Retaining Bar - 2" x 6.75"
5	059670-03-000	EA	Bracket - U-Channel - 27.12" - Tire Carrier

CURTAIN, CUSHION & PAD GROUP



NOTE:
Use this illustration when determining length and width measurements for curtains. You will note the width measurement is taken on the top of the curtain with the curtain fully extended. The length measurement is taken from top to bottom.



CURTAINS, VALANCES, SHADES AND TIEBACKS

Key	Part Number	U/M	Description
1	056484-45-N10	EA	Curtain w/Tape Top - 25" x 12" - Rust
1	056484-45-N11	EA	Curtain w/Tape Top - 25" x 12" - Burgundy
1	056484-45-N01	EA	Curtain w/Tape Top - 25" x 12" - Walnut/Golden Brown (N12)
1	071445-01-N10	EA	Curtain - Pleated - 31.5" x 15" - Rust
1	071445-01-N11	EA	Curtain - Pleated - 31.5" x 15" - Burgundy
1	071445-01-N09	EA	Curtain - Pleated - 31.5" x 15" - Walnut/Golden Brown (N12)
1	070651-04-N10	EA	Valance Asm. - 5.75" x 42" Stapled - Bath - Rust
1	070651-04-N11	EA	Valance Asm. - 5.75" x 42" Stapled - Bath - Burgundy
1	070651-04-N09	EA	Valance Asm. - 5.75" x 42" Stapled - Bath - Walnut/Golden Brown (N12)
1	065522-06-000	EA	Shade Asm. - Vinyl - 33.25" x 38" (N10) (N11) (N12)
1	069738-46-000	EA	Shade - Woven Wood - 26" x 32" - Rust (N10)
1	069738-47-000	EA	Shade - Woven Wood - 26" x 32" - Burgundy (N11)
1	069738-48-000	EA	Shade - Woven Wood - 26" x 32" - Cocoa (N12)

1982 ITASCA TABLE OF CONTENTS

Introduction	A-1
Abbreviations	A-1
Alphabetical Index	A-2 - A-4
ICF22RB N2	A-5 - C-12
ICF26RH N2	C-13 - E-20
ICF26RB N2	E-21 - H-4
ICN27RB N2	H-5 - J-12
ICN29RT N2	J-13 - L-22

1982 ICN27RB N2 INDEX

Floor Plan	H-5 - H-6
Accessories Group	H-7 - H-9
Bath Group	H-10 - H-11
Chassis Group	H-12 - H-13
Curtain, Cushion & Pad Group	H-14 - H-21
Dinette Group	H-22 - H-24
Driver's Compartment Group	I-1 - I-4
Electrical Group	I-5 - I-7
Exterior Body Group	I-8 - I-12
Galley Group	I-13 - I-14
Heating & Air Conditioning Group	I-14 - I-15
Interior Finish Group	I-16 - I-17
LP Group	I-18
Lounge Group	I-19 - I-21
Water & Sewage Group	I-22
Window, Vent & Exterior Door Group	I-23 - J-12

CURTAIN, CUSHION AND PAD GROUP (CONTINUED)

CURTAIN, CUSHION AND PAD GROUP (CONTINUED)

CURTAINS, VALANCES, SHADES AND TIEBACKS (CONT)

CURTAINS, VALANCES, SHADES AND TIEBACKS (CONT)

Key	Part Number	U/M	Description
2	070652-02-N10	EA	Curtain w/Tape Top - 26" x 38" - Rust
2	070652-02-N11	EA	Curtain w/Tape Top - 26" x 38" - Burgundy
2	070652-02-N09	EA	Curtain w/Tape Top - 26" x 38" - Walnut/Golden Brown (N12)
2	071445-01-N10	EA	Curtain - Pleated - 31.5" x 15" - Rust
2	071445-01-N11	EA	Curtain - Pleated - 31.5" x 15" - Burgundy
2	071445-01-N09	EA	Curtain - Pleated - 31.5" x 15" - Walnut/Golden Brown (N12)
2	066959-05-N07	EA	Curtain - Sheer w/Rod Top - 24.5" x 42" - Champagne (N10) (N11) (N12)
2	070651-02-N10	EA	Valance Asm. - 5.75" x 68" Stapled - Rear Sides - Rust
2	070651-02-N11	EA	Valance Asm. - 5.75" x 68" Stapled - Rear Sides - Burgundy
2	070651-02-N09	EA	Valance Asm. - 5.75" x 68" Stapled - Rear Sides - Walnut/Golden Brown (N12)
2	070651-14-N10	EA	Valance Asm. - 6" x 70" Stapled - Rear Sides - Rust
2	070651-14-N11	EA	Valance Asm. - 6" x 70" Stapled - Rear Sides - Burgundy
2	070651-14-N09	EA	Valance Asm. - 6" x 70" Stapled - Rear Sides - Walnut/Golden Brown (N12)
2	065522-11-000	EA	Shade Asm. - Vinyl - 60.25" x 38" (N10) (N11) (N12)
2	069738-40-000	EA	Shade - Woven Wood - 27" x 60" - Rust (N10)
2	069738-41-000	EA	Shade - Woven Wood - 27" x 60" - Burgundy (N11)
2	069738-42-000	EA	Shade - Woven Wood - 27" x 60" - Cocoa (N12)
*	054051-53-N10	EA	Curtain w/Snap Top - Privacy - 60" x 74" - Rust
*	054051-53-N11	EA	Curtain w/Snap Top - Privacy - 60" x 74" - Burgundy
*	054051-53-N09	EA	Curtain w/Snap Top - Privacy - 60" x 74" - Walnut/Golden Brown (N12)
3	056484-42-N10	EA	Curtain w/Tape Top - 21.5" x 9" - Rust
3	056484-42-N11	EA	Curtain w/Tape Top - 21.5" x 9" - Burgundy
3	056484-42-N01	EA	Curtain w/Tape Top - 21.5" x 9" - Walnut/Golden Brown (N12)
3	071445-01-N10	EA	Curtain - Pleated - 31.5" x 15" - Rust
3	071445-01-N11	EA	Curtain - Pleated - 31.5" x 15" - Burgundy
3	071445-01-N09	EA	Curtain - Pleated - 31.5" x 15" - Walnut/Golden Brown (N12)
3	070651-01-N10	EA	Valance Asm. - 5.75" x 32" Stapled - Galley - Rust
3	070651-01-N11	EA	Valance Asm. - 5.75" x 32" Stapled - Galley - Burgundy
3	070651-01-N09	EA	Valance Asm. - 5.75" x 32" Stapled - Galley - Walnut/Golden Brown (N12)
3	065522-02-000	EA	Shade Asm. - Vinyl - 21.25" x 38" (N10) (N11) (N12)
3	069738-49-000	EA	Shade - Woven Wood - 23" x 23" - Rust (N10)
3	069738-50-000	EA	Shade - Woven Wood - 23" x 23" - Burgundy (N11)
3	069738-51-000	EA	Shade - Woven Wood - 23" x 23" - Cocoa (N12)
*	054051-22-N10	EA	Curtain w/Snap Top - Bunk Privacy - 22" x 96" - Rust
*	054051-22-N11	EA	Curtain w/Snap Top - Bunk Privacy - 22" x 96" - Burgundy
*	054051-22-N01	EA	Curtain w/Snap Top - Bunk Privacy - 22" x 96" - Walnut/Golden Brown (N12)
*	054051-41-N10	EA	Curtain w/Snaps - Front Wraparound - 27.5" x 81" - Rust
*	054051-41-N11	EA	Curtain w/Snaps - Front Wraparound - 27.5" x 81" - Burgundy
*	054051-41-N01	EA	Curtain w/Snaps - Front Wraparound - 27.5" x 81" - Walnut/Golden Brown (N12)
*	054051-43-N10	EA	Curtain w/Snaps - Front Wraparound - Drivers Door - 27.5" x 125" Rust
*	054051-43-N11	EA	Curtain w/Snaps - Front Wraparound - Drivers Door - 27.5" x 125" Burgundy
*	054051-43-N01	EA	Curtain w/Snaps - Front Wraparound - Drivers Door - 27.5" x 125" Walnut/Golden Brown (N12)
*	059900-05-N10	EA	Curtain w/Snaps - Drivers Door - 29" x 35" - Rust
*	059900-05-N11	EA	Curtain w/Snaps - Drivers Door - 29" x 35" - Burgundy
*	059900-05-N01	EA	Curtain w/Snaps - Drivers Door - 29" x 35" - Walnut/Golden Brown (N12)
4	070652-01-N10	EA	Curtain w/Tape Top - 28" x 45" - Rust
4	070652-01-N11	EA	Curtain w/Tape Top - 28" x 45" - Burgundy
4	070652-01-N09	EA	Curtain w/Tape Top - 28" x 45" - Walnut/Golden Brown (N12)
4	071445-01-N10	EA	Curtain - Pleated - 31.5" x 15" - Rust
4	071445-01-N11	EA	Curtain - Pleated - 31.5" x 15" - Burgundy
4	071445-01-N09	EA	Curtain - Pleated - 31.5" x 15" - Walnut/Golden Brown (N12)
4	066959-04-N07	EA	Curtain - Sheer w/Rod Top - 26.5" x 52" - Champagne (N10) (N11) (N12)
*			Not illustrated

Key	Part Number	U/M	Description
4	070651-03-N10	EA	Valance Asm. - 5.75" x 78" Stapled - Rust
4	070651-03-N11	EA	Valance Asm. - 5.75" x 78" Stapled - Burgundy
4	070651-03-N09	EA	Valance Asm. - 5.75" x 78" Stapled - Walnut/Golden Brown (N12)
4	070651-11-N10	EA	Valance Asm. - 6" x 80" Stapled - Rust
4	070651-11-N11	EA	Valance Asm. - 6" x 80" Stapled - Burgundy
4	070651-11-N09	EA	Valance Asm. - 6" x 80" Stapled - Walnut/Golden Brown (N12)
4	065522-12-000	EA	Shade Asm. - Vinyl - 69.25" x 38" (N10) (N11) (N12)
4	069738-34-000	EA	Shade - Woven Wood - 31" x 69" - Rust (N10)
4	069738-35-000	EA	Shade - Woven Wood - 31" x 69" - Burgundy (N11)
4	069738-36-000	EA	Shade - Woven Wood - 31" x 69" - Cocoa (N12)
5	054051-48-N10	EA	Curtain w/Snap Top - 29" x 37" - Rust
5	054051-48-N11	EA	Curtain w/Snap Top - 29" x 37" - Burgundy
5	054051-48-N01	EA	Curtain w/Snap Top - 29" x 37" - Walnut/Golden Brown (N12)
*	054046-01-N10	EA	Tie Back Asm. - Curtain - 2" x 14" - Rust
*	054048-01-N11	EA	Tie Back Asm. - Curtain - 2" x 14" - Burgundy
*	054048-01-N01	EA	Tie Back Asm. - Curtain - 2" x 14" - Walnut/Golden Brown (N12)
*	054048-05-N10	EA	Tie Back Asm. - Curtain - 2" x 18" - Rust
*	054048-05-N11	EA	Tie Back Asm. - Curtain - 2" x 18" - Burgundy
*	054048-05-N01	EA	Tie Back Asm. - Curtain - 2" x 18" - Walnut/Golden Brown (N12)
*	054048-08-N10	EA	Tie Back Asm. - Curtain - 2" x 18" - Ginger/Rust
*	054048-08-N11	EA	Tie Back Asm. - Curtain - 2" x 18" - Mauve/Burgundy
*	054048-08-N12	EA	Tie Back Asm. - Curtain - 2" x 18" - Cocoa/Brown
*	057534-01-000	EA	Tie Back - Clear Plastic - 6"
*	057534-03-000	EA	Tie Back - Clear Plastic - 7.5"
*			Not illustrated

**1982 ITASCA
TABLE OF CONTENTS**

Introduction	A-1
Abbreviations	A-1
Alphabetical Index	A-2 - A-4
ICF22RB N2	A-5 - C-12
ICF26RH N2	C-13 - E-20
ICF26RB N2	E-21 - H-4
ICN27RB N2	H-5 - J-12
ICN29RT N2	J-13 - L-22

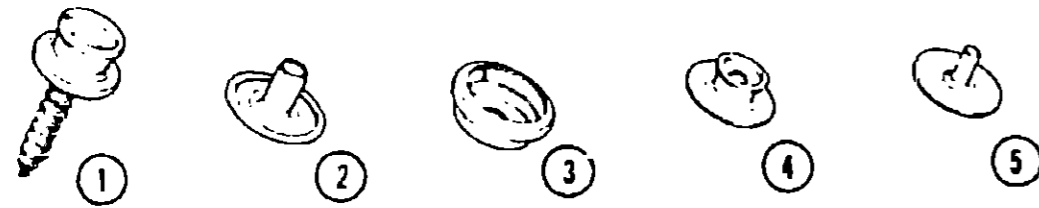
1982 ICN27RB N2 INDEX

Floor Plan	H-5 - H-6
Accessories Group	H-7 - H-9
Bath Group	H-10 - H-11
Chassis Group	H-12 - H-13
Curtain, Cushion & Pad Group	H-14 - H-21
Dinette Group	H-22 - H-24
Driver's Compartment Group	I-1 - I-4
Electrical Group	I-5 - I-7
Exterior Body Group	I-8 - I-12
Galley Group	I-13 - I-14
Heating & Air Conditioning Group	I-14 - I-15
Interior Finish Group	I-16 - I-17
LP Group	I-18
Lounge Group	I-19 - I-21
Water & Sewage Group	I-22
Window, Vent & Exterior Door Group	I-23 - J-12

CURTAIN, CUSHION & PAD GROUP (CONTINUED)

CURTAIN HARDWARE

Key	Part Number	U/M	Description
	052327-04-236	EA	Track - Curtain - Brown Alum. - 89" w/Holes
	053272-04-200	EA	Track - Curtain - Off White Alum. - 89" w/Holes
	052327-05-009	EA	Track - Curtain - Beige Alum. - 76" w/Holes
	056116-01-000	FT	Track - Curtain - Brown Plastic
	059430-01-000	EA	Track - Front Wraparound (2 per unit) - 32.8" x 45.2" - Brown
	059430-02-000	EA	Track - Front Wraparound (w/Drivers Door) - 32.8" x 89.1" - Brown
	059430-03-000	EA	Track - Front Wraparound (2 per unit) - 32.8" x 45.2" - Beige
	059430-04-000	EA	Track - Front Wraparound (w/Drivers Door) - 32.8" x 89.1" - Beige
	056001-01-000	EA	Bracket - Shade - Left
	056002-01-000	EA	Bracket - Shade - Right
	056003-01-000	EA	Bracket - Drapery Retainer - Right
	056003-02-000	EA	Bracket - Drapery Retainer - Left
	009107-01-000	EA	Guide - Nylon Snap - Curtain
	018031-46-000	EA	Track - Curtain - "L" Rod - Alum. Extr. - 182"
	009701-01-000	EA	Carrier - "L" Rod - Curtain
	009702-01-000	EA	End Stop - "L" Rod - Curtain
	056784-01-000	EA	Pull - Window Shade - Antique Brass
	039175-01-000	EA	Curtain Rod - Extension - 48" - 84"
	039175-02-000	EA	Bracket - Curtain Rod
	056115-01-000	YD	Tape - Clear Plastic - w/Guides
	048394-01-000	YD	Tape - Hook - 1" x 25 YD - Beige
	043395-01-000	YD	Tape - Loop - 1" x 25 YD - Beige



Key	Part Number	U/M	Description
1	029130-01-000	EA	Socket - Snap Fastener
2	029155-01-000	EA	Cap - Snap - .156" Dia. x .17" Barrel
3	029156-01-000	EA	Socket - Snap Fastener
4	029092-01-000	EA	Stud - Nickel Finish
5	029093-01-000	EA	Eyelet - Nickel Finish

CURTAIN, CUSHION & PAD GROUP (CONTINUED)

FABRICS, TRIMS AND PADS

Key	Part Number	U/M	Description
	069728-03-000	YD	Fabric - Drapery - Rust (N10)
	069728-04-000	YD	Fabric - Drapery - Burgundy (N11)
	068339-03-000	YD	Fabric - Drapery - Walnut/Golden Brown (N12)
	069728-05-000	YD	Curtain Sheers - Champagne (N10) (N11) (N12)
	069727-10-000	YD	Fabric - Upholstery - Ginger/Rust (N10)
	069727-11-000	YD	Fabric - Upholstery - Mauve/Burgundy (N11)
	069727-12-000	YD	Fabric - Upholstery - Cocoa/Brown (N12)
	052859-01-N01	FT	Trim Asm. - Accent - Almond Vinyl (Beige)
	052859-01-M10	FT	Trim Asm. - Accent - Acorn Brown Vinyl
	053327-01-000	YD	Vinyl - Non-Expanded - 27 oz. - Acorn Brown
	053327-02-000	YD	Vinyl - Expanded - 28 oz. - Acorn Brown
	053327-03-000	YD	Vinyl - Non Support - 10 Gauge Film - Acorn Brown
	070502-01-000	YD	Vinyl - Non-Expanded - 12 Gauge Film - Medium Almond (Beige)
	069857-02-N10	EA	Button Asm. - Nail - Joined Pivot - #36 - Ginger/Rust
	069857-02-N11	EA	Button Asm. - Nail - Joined Pivot - #36 - Mauve/Burgundy
	069857-02-N12	EA	Button Asm. - Nail - Joined Pivot - #36 - Cocoa/Brown
	057550-01-N10	EA	Button Asm. - Nail - #36 - Ginger/Rust
	057550-01-N11	EA	Button Asm. - Nail - #36 - Mauve/Burgundy
	057550-01-N12	EA	Button Asm. - Nail - #36 - Cocoa/Brown
	057550-03-N07	EA	Button Asm. - Nail - #36 - 7/8" Shank - Beige Vinyl
	057550-03-M04	EA	Button Asm. - Nail - #36 - 7/8" Shank - Brown Vinyl
	057550-05-M04	EA	Button Asm. - Nail - #36 - 3/8" Shank - Brown Vinyl
	057550-05-N07	EA	Button Asm. - Nail - #36 - 3/8" Shank - Beige Vinyl
	057093-01-M07	EA	Button Asm. - Covered #60 - Nail - Brown Vinyl
	057093-01-N07	EA	Button Asm. - Covered #60 - Nail - Beige Vinyl
	071127-02-N07	EA	Button Asm. - Square #65 - Beige Vinyl
	071127-01-N10	EA	Button Asm. - Square #65 - Ginger/Rust
	071127-01-N11	EA	Button Asm. - Square #65 - Mauve/Burgundy
	071127-01-N12	EA	Button Asm. - Square #65 - Cocoa/Brown
	M00045-07-N10	EA	Button Asm. - Cloth #65 - Back - Ginger/Rust
	M00045-07-N11	EA	Button Asm. - Cloth #65 - Back - Mauve/Burgundy
	M00045-07-N12	EA	Button Asm. - Cloth #65 - Back - Cocoa/Brown
	071846-02-N07	EA	Pad Asm. - End Cap - Dinette Overhead - Left - Beige Vinyl
	058444-03-M07	EA	Pad Asm. - End Cap - Dinette Overhead - Left - Brown Vinyl
	058444-04-M07	EA	Pad Asm. - End Cap - Dinette Overhead - Right - Brown Vinyl
	071846-01-N07	EA	Pad Asm. - End Cap - Dinette Overhead - Right - Beige Vinyl
	072232-01-N07	EA	Pad Asm. - End Cap - Medicine Cabinet - Beige Vinyl
	071847-04-N07	EA	Pad Asm. - End Cap - Galley Cabinet - Beige Vinyl
	058442-01-M01	EA	Pad Asm. - End Cap - Galley Cabinet - Brown Vinyl
	071847-03-N07	EA	Pad Asm. - End Cap - Rear Bunk Cabinet - Left - Beige Vinyl
	071846-06-N07	EA	Pad Asm. - End Cap - Lounge Overhead - Left - Beige Vinyl
	059414-01-000	EA	Pad - Sidewall Trim - Drivers - Brown Vinyl
	059414-03-000	EA	Pad - Sidewall Trim - Drivers - Beige Vinyl
	059467-03-M07	EA	Pad - Map Pocket - Drivers - Brown Vinyl
	059467-03-N07	EA	Pad - Map Pocket - Drivers - Beige Vinyl
	059414-02-000	EA	Pad - Sidewall Trim - Passenger - Brown Vinyl
	059414-04-000	EA	Pad - Sidewall Trim - Passenger - Beige Vinyl
	059467-04-M07	EA	Pad - Map Pocket - Passenger - Brown Vinyl
	059467-04-N07	EA	Pad - Map Pocket - Passenger - Beige Vinyl
	058948-01-M07	EA	Pad Asm. - Front Side Overhead - Right - Brown Vinyl
	058948-01-N07	EA	Pad Asm. - Front Side Overhead - Right - Beige Vinyl
	058948-02-M07	EA	Pad Asm. - Front Side Overhead - Left - Brown Vinyl
	058948-02-N07	EA	Pad Asm. - Front Side Overhead - Left - Beige Vinyl
	058948-03-M07	EA	Pad Asm. - Front Side Overhead - Left - w/Drivers Door - Brown Vinyl
	058948-03-N07	EA	Pad Asm. - Front Side Overhead - Left - w/Drivers Door - Beige Vinyl

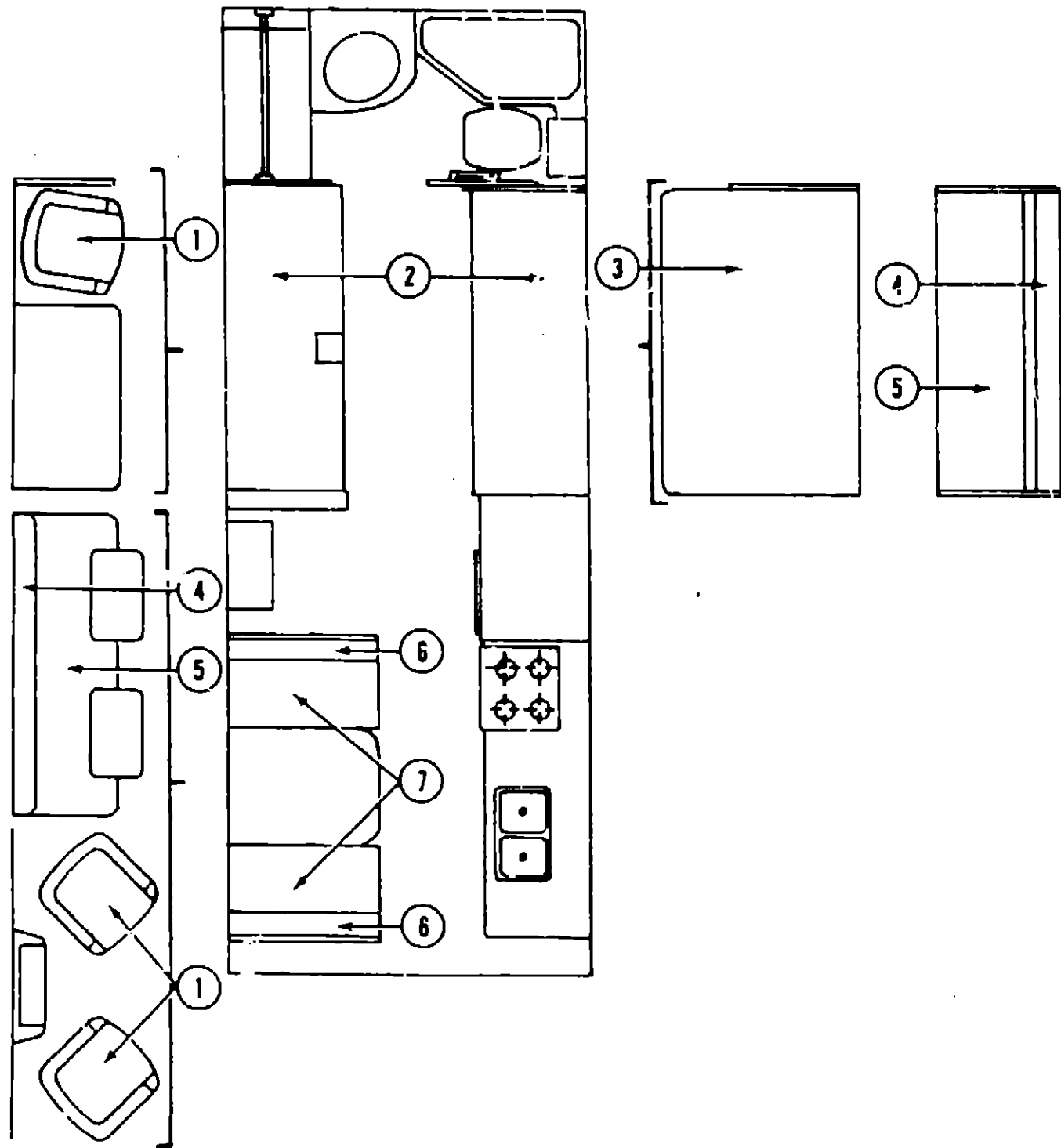
**1982 ITASCA
TABLE OF CONTENTS**

Introduction	A-1
Abbreviations	A-1
Alphabetical Index	A-2 - A-4
ICF22RB N2	A-5 - C-12
ICF26RH N2	C-13 - E-20
ICF26RB N2	E-21 - H-4
ICN27RB N2	H-5 - J-12
ICN29RT N2	J-13 - L-22

1982 ICN27RB N2 INDEX

Floor Plan	H-5 - H-6
Accessories Group	H-7 - H-9
Bath Group	H-10 - H-11
Chassis Group	H-12 - H-13
Curtain, Cushion & Pad Group	H-14 - H-21
Dinette Group	H-22 - H-24
Driver's Compartment Group	I-1 - I-4
Electrical Group	I-5 - I-7
Exterior Body Group	I-8 - I-12
Galley Group	I-13 - I-14
Heating & Air Conditioning Group	I-14 - I-15
Interior Finish Group	I-16 - I-17
LP Group	I-18
Lounge Group	I-19 - I-21
Water & Sewage Group	I-22
Window, Vent & Exterior Door Group	I-23 - J-12

CURTAIN, CUSHION & PAD GROUP (CONTINUED)



SWIVEL CHAIRS

Key	Part Number	U/M	Description
1	069848-02-N10	EA	Swivel Chair - Complete - High Back - Ginger/Rust
1	069848-02-N11	EA	Swivel Chair - Complete - High Back - Mauve/Burgundy
1	069848-02-N12	EA	Swivel Chair - Complete - High Back - Cocoa/Brown
.	035036-01-000	EA	Plate - Tilt and Swivel - Swivel Chair
.	035036-02-000	EA	Base w/Legs - Swivel Chair
.			Not illustrated

CURTAIN, CUSHION & PAD GROUP (CONTINUED)

SINGLE AND DOUBLE BED MATTRESS

Key	Part Number	U/M	Description
2	058709-C1-000	EA	Mattress - Inner Spring - Sealy - 30" x 75"
3	058709-03-000	EA	Mattress - Inner Spring - Sealy - 48" x 75"
.	070653-02-N07	EA	Bedspread - Double Fitted
.	070653-01-N07	EA	Bedspread - Twin Fitted
.	070654-01-N07	EA	Pillow Cover - Siam - 20" x 26"
.			No illustrated

SPRUNG COUCH CUSHIONS

Key	Part Number	U/M	Description
4	070655-01-N10	EA	Cushion Asm. - Sprung Couch - Back - 76" - Ginger/Rust
4	070655-01-N11	EA	Cushion Asm. - Sprung Couch - Back - 76" - Mauve/Burgundy
.	070655-01-N12	EA	Cushion Asm. - Sprung Couch - Back - 76" - Cocoa/Brown
.	M70655-01-N10	EA	Cover - Sprung Couch Back - 76" - Ginger/Rust
.	M70655-01-N11	EA	Cover - Sprung Couch Back - 76" - Mauve/Burgundy
.	M70655-01-N12	EA	Cover - Sprung Couch Back - 76" - Cocoa/Brown
5	070656-01-N10	EA	Cushion Asm. - Sprung Couch - Bottom - 76" - Ginger/Rust
5	070656-01-N11	EA	Cushion Asm. - Sprung Couch - Bottom - 76" - Mauve/Burgundy
5	070656-01-N12	EA	Cushion Asm. - Sprung Couch - Bottom - 76" - Cocoa/Brown
.	M70656-01-N10	EA	Cover - Sprung Couch Bottom - 76" - Ginger/Rust
.	M70656-01-N11	EA	Cover - Sprung Couch Bottom - 76" - Mauve/Burgundy
.	M70656-01-N12	EA	Cover - Sprung Couch Bottom - 76" - Cocoa/Brown

DINETTE CUSHIONS

Key	Part Number	U/M	Description
6	068772-04-N10	EA	Cushion - Dinette Back - 19.2" x 38" x 5" - Ginger/Rust
6	068772-04-N11	EA	Cushion - Dinette Back - 19.2" x 38" x 5" - Mauve/Burgundy
6	068772-04-N12	EA	Cushion - Dinette Back - 19.2" x 38" x 5" - Cocoa/Brown
.	M68772-04-N10	EA	Cover - Dinette Back Cushion - 19.2" x 38" x 5" - Ginger/Rust
.	M68772-04-N11	EA	Cover - Dinette Back Cushion - 19.2" x 38" x 5" - Mauve/Burgundy
.	M68772-04-N12	EA	Cover - Dinette Back Cushion - 19.2" x 38" x 5" - Cocoa/Brown
7	068772-03-N10	EA	Cushion - Dinette Bottom - 17.5" x 38" x 5" - Ginger/Rust
7	068772-03-N11	EA	Cushion - Dinette Bottom - 17.5" x 38" x 5" - Mauve/Burgundy
7	068772-03-N12	EA	Cushion - Dinette Bottom - 17.5" x 38" x 5" - Cocoa/Brown
.	M68772-03-N10	EA	Cover - Dinette Bottom Cushion - 17.5" x 38" x 5" - Ginger/Rust
.	M68772-03-N11	EA	Cover - Dinette Bottom Cushion - 17.5" x 38" x 5" - Mauve/Burgundy
.	M68772-03-N12	EA	Cover - Dinette Bottom Cushion - 17.5" x 38" x 5" - Cocoa/Brown

FRONT OVERHEAD BUNK CUSHIONS

Key	Part Number	U/M	Description
	055021-33-N10	EA	Cushion Asm. - Front Bunk - 47" x 79.2" x 4" - Ginger/Rust
	055021-33-N11	EA	Cushion Asm. - Front Bunk - 47" x 79.2" x 4" - Mauve/Burgundy
	055021-33-N12	EA	Cushion Asm. - Front Bunk - 47" x 79.2" x 4" - Cocoa/Brown
	055022-35-N10	EA	Cover - Front Bunk Cushion - 47" x 79.2" x 4" - Ginger/Rust
	055022-35-N11	EA	Cover - Front Bunk Cushion - 47" x 79.2" x 4" - Mauve/Burgundy
	055022-35-N12	EA	Cover - Front Bunk Cushion - 47" x 79.2" x 4" - Cocoa/Brown

REAR SIDE OVERHEAD BUNK CUSHIONS

Key	Part Number	U/M	Description
	05C897-14-000	EA	Cushion - Side Bunk - 13.5" x 13.5" x 75" x 2"
	M58697-14-000	EA	Cover - Side Bunk Cushion - 13.5" x 13.5" x 75" x 2"

**1982 ITASCA
TABLE OF CONTENTS**

Introduction	A-1
Abbreviations	A-1
Alphabetical Index	A-2 - A-4
ICF22RB N2	A-5 - C-12
ICF26RH N2	C-13 - E-20
ICF26RB N2	E-21 - H-4
ICN27RB N2	H-5 - J-12
ICN29RT N2	J-13 - L-22

1982 ICN27RB N2 INDEX

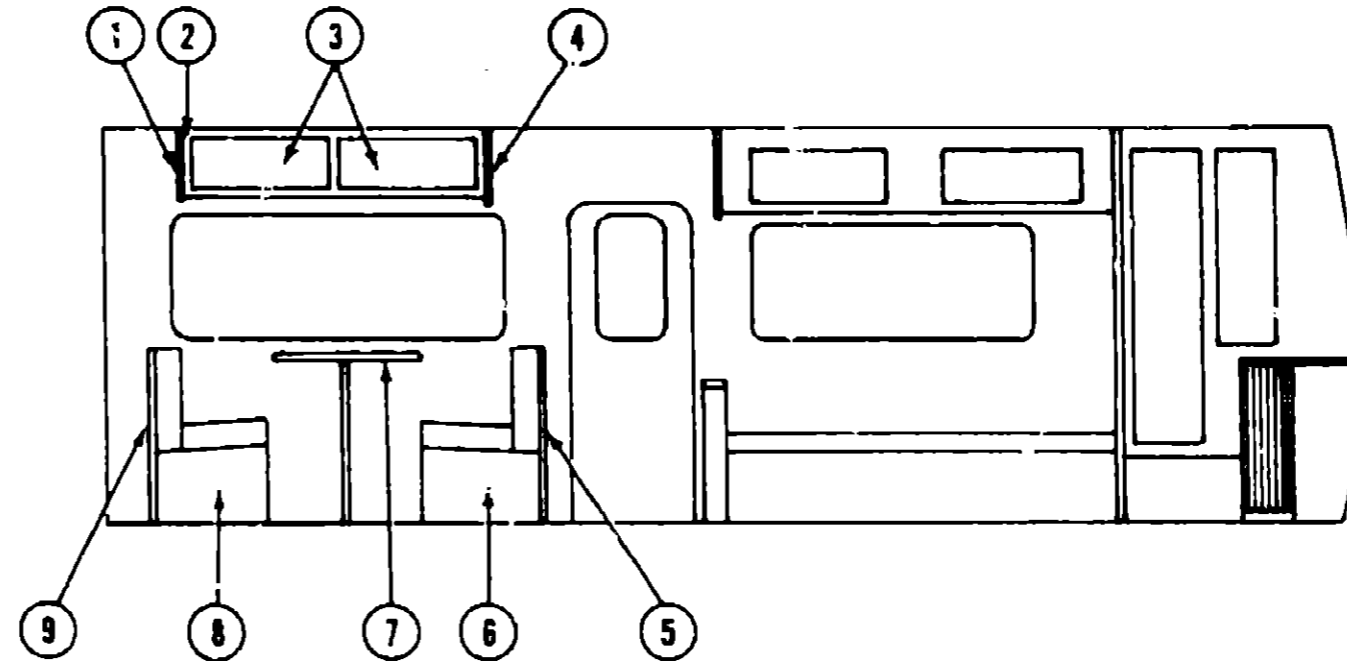
Floor Plan	H-5 - H-6
Accessories Group	H-7 - H-9
Bath Group	H-10 - H-11
Chassis Group	H-12 - H-13
Curtain, Cushion & Pad Group	H-14 - H-21
Dinette Group	H-22 - H-24
Driver's Compartment Group	I-1 - I-4
Electrical Group	I-5 - I-7
Exterior Body Group	I-8 - I-12
Galley Group	I-13 - I-14
Heating & Air Conditioning Group	I-14 - I-15
Interior Finish Group	I-16 - I-17
LP Group	I-18
Lounge Group	I-19 - I-21
Water & Sewage Group	I-22
Window, Vent & Exterior Door Group	I-23 - J-12

CURTAIN, CUSHION & PAD GROUP (CONTINUED)

BUCKET SEATS

Key	Part Number	U/M	Description
	070809-01-N10	EA	Seat Asm. - Single Bucket - Mid Range w/Armrests and Skirt Ginger/Rust
	070809-01-N11	EA	Seat Asm. - Single Bucket - Mid Range w/Armrests and Skirt Mauve/Burgundy
	070809-01-N12	EA	Seat Asm. - Single Bucket - Mid Range w/Armrests and Skirt Cocoa/Brown
	M00762-02-N10	EA	Cover - Back - Single Bucket - Mid Range - Ginger/Rust
	M00762-02-N11	EA	Cover - Back - Single Bucket - Mid Range - Mauve/Burgundy
	M00762-02-N12	EA	Cover - Back - Single Bucket - Mid Range - Cocoa/Brown
	M00762-01-N10	EA	Cover - Bottom - Single Bucket - Ginger/Rust
	M00762-01-N11	EA	Cover - Bottom - Single Bucket - Mauve/Burgundy
	M00762-01-N12	EA	Cover - Bottom - Single Bucket - Cocoa/Brown
	071126-01-N07	EA	Skirt - Single Bucket - Medium Almond Vinyl
	070810-01-N10	EA	Seat Asm. - Double Bucket - Mid Range w/Armrests and Skirt Ginger/Rust
	070810-01-N11	EA	Seat Asm. - Double Bucket - Mid Range w/Armrests and Skirt Mauve/Burgundy
	070810-01-N12	EA	Seat Asm. - Double Bucket - Mid Range w/Armrests and Skirt Cocoa/Brown
	M00763-02-N10	EA	Cover - Back - Double Bucket - Mid Range - Ginger/Rust
	M00763-02-N11	EA	Cover - Back - Double Bucket - Mid Range - Mauve/Burgundy
	M00763-02-N12	EA	Cover - Back - Double Bucket - Mid Range - Cocoa/Brown
	M00763-01-N10	EA	Cover - Bottom - Double Bucket - Ginger/Rust
	M00763-01-N11	EA	Cover - Bottom - Double Bucket - Mauve/Burgundy
	M00763-01-N12	EA	Cover - Bottom - Double Bucket - Cocoa/Brown
	071690-01-N07	EA	Skirt - Double Bucket - Medium Almond Vinyl
	071122-01-N10	EA	Armrest Asm. - Right - Ginger/Rust
	071122-01-N11	EA	Armrest Asm. - Right - Mauve/Burgundy
	071122-01-N12	EA	Armrest Asm. - Right - Cocoa/Brown
	071122-02-N10	EA	Armrest Asm. - Left - Ginger/Rust
	071122-02-N11	EA	Armrest Asm. - Left - Mauve/Burgundy
	071122-02-N12	EA	Armrest Asm. - Left - Cocoa/Brown
	071123-01-N10	EA	Cover - Armrest - Right or Left - Ginger/Rust
	071123-01-N11	EA	Cover - Armrest - Right or Left - Mauve/Burgundy
	071123-01-N12	EA	Cover - Armrest - Right or Left - Cocoa/Brown

DINETTE GROUP



CONVENTIONAL DINETTE AND OVERHEAD CABINERY

Key	Part Number	U/M	Description
1	071846-02-N07	EA	Pad Asm. - End Cap - Dinette Overhead - Left - Beige Vinyl
1	058444-03-M07	EA	Pad Asm. - End Cap - Dinette Overhead - Left - Brown Vinyl
2	070640-03-N07	EA	Cabinet Asm. - Dinette Overhead - w/o Door or Hardware
3	069852-05-N07	EA	Door Asm. - Dinette Overhead Cabinet - 11.3" x 28" - w/o Hardware
4	071846-01-N07	EA	Pad Asm. - End Cap - Dinette Overhead - Right - Beige Vinyl
4	058444-04-M07	EA	Pad Asm. - End Cap - Dinette Overhead - Right - Brown Vinyl
5	M00748-03-N07	EA	Cabinet Asm. - Dinette Seat Back - Right - w/o Door or Hardware
*	069852-22-N07	EA	Door Asm. - Dinette Seat Cabinet - 25.1" x 10.4" - w/o Hardware
6	M00747-03-N07	EA	Cabinet Asm. - Dinette Seat - Right
7	053191-07-N07	EA	Table Asm. - Dinette - w/o Hardware - Plastic Oak (N10) (N11) (N12)
*	053200-05-000	EA	Bracket - Upper Wall Mount - 23.5" - Beige
**	053200-01-000	EA	Bracket - Upper Wall Mount - 23.5" - Brown
**	053201-03-000	EA	Bracket - Table Mount - 23"
*	024275-05-000	EA	Rod - Table Lift - 8" x 23.5" - Beige
**	024275-01-000	EA	Rod - Table Lift - 8" x 23.5" - Brown
*	024281-07-000	EA	Bracket - Lower Wall Mount - 22.12" - Beige
**	024281-03-000	EA	Bracket - Lower Wall Mount - 22.12" - Brown
*	024276-08-000	EA	Leg Asm. - Table - 29.5" - Beige
**	024276-04-000	EA	Leg Asm. - Table - 29.5" - Brown
**	024277-02-000	EA	Hinge - Table Leg - Brown
**	024282-01-000	EA	Bracket - Table Leg
**	024283-01-000	EA	Clip - 1" O.D. Tube
**	049493-02-000	EA	Catch - Table Leg - Mounts on Floor - Brown
*	049493-03-000	EA	Catch - Table Leg - Mounts on Floor - Beige
**	064050-01-000	EA	Hinge - Table Leg
8	M00747-02-N07	EA	Cabinet Asm. - Dinette Seat - Left
9	M00748-02-N07	EA	Cabinet Asm. - Dinette Seat Back - Left
*			Not illustrated

** The illustrated parts breakdown for this item is provided on the Common Items Fiche.

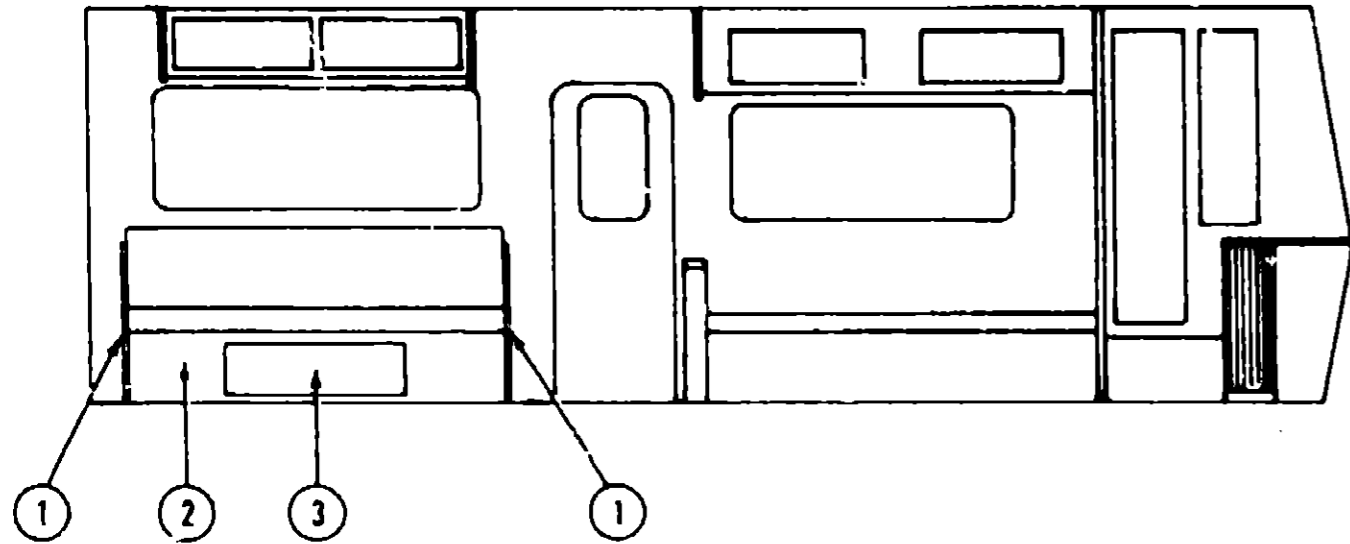
**1982 ITASCA
TABLE OF CONTENTS**

Introduction	A-1
Abbreviations	A-1
Alphabetical Index	A-2 - A-4
ICF22RB N2	A-5 - C-12
ICF26RH N2	C-13 - E-20
ICF26RB N2	E-21 - H-4
ICN27RB N2	H-5 - J-12
ICN25RT N2	J-13 - L-22

1982 ICN27RB N2 INDEX

Floor Plan	H-5 - H-8
Accessories Group	H-7 - H-9
Bath Group	H-10 - H-11
Chassis Group	H-12 - H-13
Curtain, Cushion & Pad Group	H-14 - H-21
Dinette Group	H-22 - H-24
Driver's Compartment Group	I-1 - I-4
Electrical Group	I-5 - I-7
Exterior Body Group	I-8 - I-12
Galley Group	I-13 - I-14
Heating & Air Conditioning Group	I-14 - I-15
Interior Finish Group	I-16 - I-17
LP Group	I-18
Lounge Group	I-19 - I-21
Water & Sewage Group	I-22
Window, Vent & Exterior Door Group	I-23 - J-12

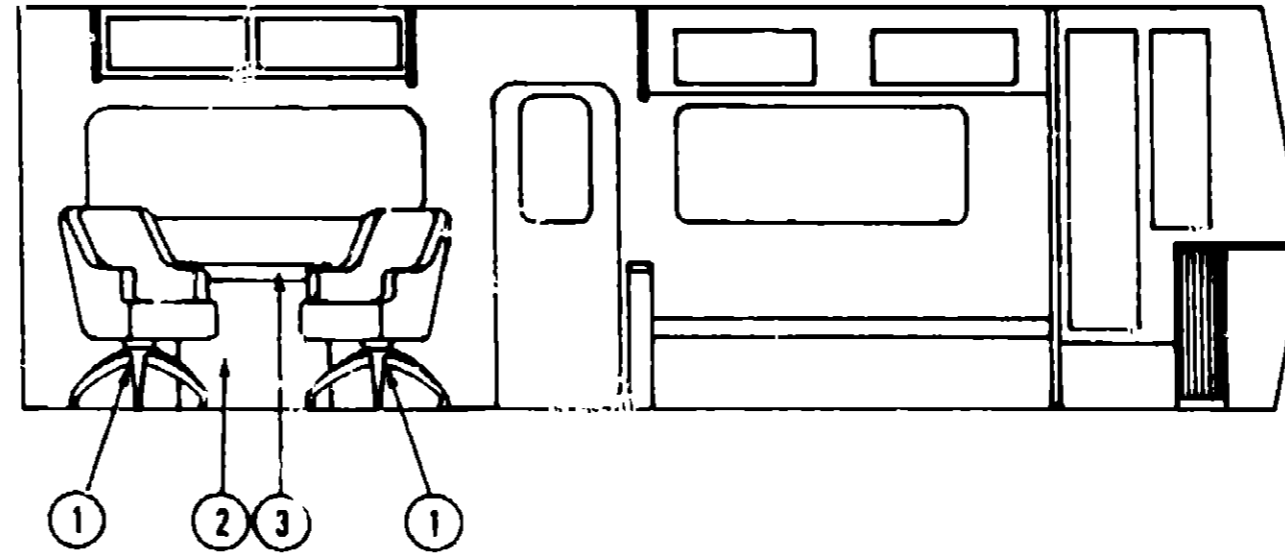
DINETTE GROUP (CONTINUED)



SPRUNG COUCH AND PEDESTAL TABLE (OPTION)

Key	Part Number	U/M	Description
1	057618-01-N07	EA	Panel End - Sprung Couch - Right & Left
2	M70672-01-N07	EA	Cabinet Face - Sprung Couch - w/o Door or Hardware
3	069852-15-N07	EA	Door Asm. - Couch Cabinet - 11.7" x 37.2" - w/o Hardware
.	057468-02-000	EA	Frame Asm. - Sprung Couch - Right
.	057468-03-000	EA	Frame Asm. - Sprung Couch - Left
.	057468-04-000	EA	Frame Rail - Sprung Couch (2 per couch)
.	057469-01-000	EA	Leg Asm. - Sprung Couch (2 per couch)
.	053248-02-N07	EA	Table Asm. - Pedestal - w/o Hardware - Plastic Oak (N10) (N11) (N12)
.	009040-02-000	EA	Leg - Pedestal Table - 27.5" x 2.25" O.D. - Chrome
.	009040-03-000	EA	Base - Table Leg - Mounts on Table
.	041194-01-000	EA	Base - Table Leg - Mounts in Floor
.	056093-01-N07	EA	Plug Asm. - Pedestal Table - Russet Red (N10)
.	056093-01-N11	EA	Plug Asm. - Pedestal Table - Winesap
.	056093-01-N12	EA	Plug Asm. - Pedestal Table - Special Pecan
.	062046-01-000	EA	Clip - Pedestal Leg
.			Not illustrated

DINETTE GROUP (CONTINUED)



SWIVEL CHAIRS W/FOLDOUT TABLE (OPTION)

Key	Part Number	U/M	Description
1	035032-02-000	EA	Base w/Leg - Swivel Chair
.	035036-01-000	EA	Plate - Tilt and Swivel - Swivel Chair
2	M00675-35-N07	EA	Table Asm. - Foldout - Plastic Oak (N10) (N11) (N12)
3	M00675-34-N07	EA	Countertop Asm. - Foldout Table - Cabinet - Plastic Oak (N10) (N11) (N12)
.	M00757-01-N07	EA	Panel - Side - Table Cabinet - Right or Left
.	024276-11-000	EA	Leg Asm. - Table - Beige - 25.18
.	024282-01-000	EA	Brace - Table Leg
.	024283-01-000	EA	Clip - Table Leg
.	009044-01-000	EA	Leg Asm. Complete - Fold up
.	048394-01-000	YD	Tape - Hook - 1" x 25 YD - Beige
.	043395-01-000	YD	Tape - Loop - 1" x 25 YD - Beige
.			Not illustrated

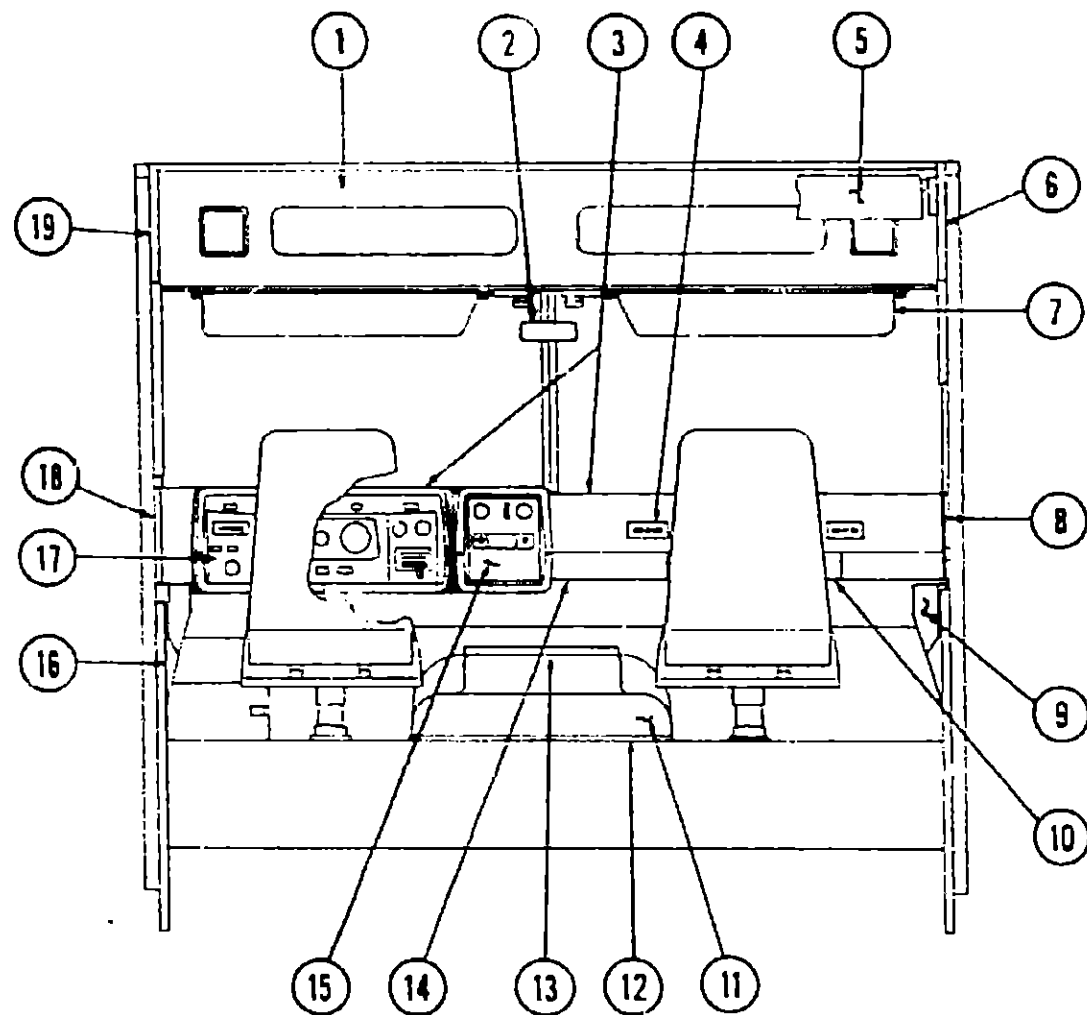
**1982 ITASCA
TABLE OF CONTENTS**

Introduction	A-1
Abbreviations	A-1
Alphabetical Index	A-2 - A-4
ICF22RB N2	A-5 - C-12
ICF26RH N2	C-13 - E-20
ICF26RB N2	E-21 - H-4
ICN27RH N2	H-5 - J-12
ICN29RT N2	J-13 - L-22

1982 ICN27RB N2 INDEX

Floor Plan	H-5 - H-8
Accessories Group	H-7 - H-9
Bath Group	H-10 - H-11
Chassis Group	H-12 - H-13
Curtain, Cushion & Pad Group	H-14 - H-21
Dinette Group	H-22 - H-24
Driver's Compartment Group	I-1 - I-4
Electrical Group	I-5 - I-7
Exterior Body Group	I-8 - I-12
Galley Group	I-13 - I-14
Heating & Air Conditioning Group	I-14 - I-15
Interior Finish Group	I-16 - I-17
LP Group	I-18
Lounge Group	I-19 - I-21
Water & Sewage Group	I-22
Window, Vent & Exterior Door Group	I-23 - J-12

DRIVER'S COMPARTMENT GROUP



MISCELLANEOUS DRIVER'S COMPARTMENT COMPONENTS

Key	Part Number	U/M	Description
1	058300-01-N07	EA	Cabinet Asm. - Front Overhead
2	040714-01-000	EA	Mirror - Inside - Rear View - Glare Proof
	067490-01-000	EA	Button - Mirror - Rear View - Support
3	M00671-01-000	EA	Dash Asm. - Complete w/Gauges and Switches - Chevy
	022548-04-000	EA	Pad - Dash - Right - Dark Brown
	023242-06-000	EA	Pad - Dash - Left - Dark Brown
	024990-02-000	EA	Outlet - Defroster w/Swivel - 2" Dark Brown
4	039044-01-000	EA	Louver Asm. - A/C Adjustable
5	058844-01-M07	EA	Bunk Board Asm. - Front Overhead - w/Brown Rails
5	058844-02-N07	EA	Bunk Board Asm. - Front Overhead - w/Off White Rails
6	058948-01-N07	EA	Pad Asm. - Front Side Overhead - Right - Beige Vinyl
6	058948-01-M04	EA	Pad Asm. - Front Side Overhead - Right - Brown Vinyl
7	056508-02-N07	EA	Sunvisor Asm. - Right & Left - Almond Vinyl - w/o Mirror
7	056508-02-M04	EA	Sunvisor Asm. - Right & Left - Acorn Vinyl - w/o Mirror
	040695-02-000	EA	Clip - Sunvisor
	061350-01-000	EA	Windshield Trim - Interior - "A" Post - Dark Brown Plastic - Left
	061350-02-000	EA	Windshield Trim - Interior - "A" Post - Dark Brown Plastic - Right
	061350-03-000	EA	Windshield Trim - Interior - "A" Post - Light Oak Plastic - Right
	061350-04-000	EA	Windshield Trim - Interior - "A" Post - Light Oak Plastic - Left
8	059414-04-000	EA	Pad - Sidewall Trim - Passenger - Beige Vinyl
8	059414-02-000	EA	Pad - Sidewall Trim - Passenger - Brown Vinyl
			Not illustrated

DRIVER'S COMPARTMENT GROUP (CONTINUED)

MISCELLANEOUS DRIVER'S COMPARTMENT COMPONENTS (CON'T)

Key	Part Number	U/M	Description
9	072811-01-000	EA	Panel - Side - Passenger - Light Oak Plastic (N3)
	059197-02-000	EA	Panel - Side - Passenger - Light Oak Plastic (N2)
9	072811-02-000	EA	Panel - Side - Passenger - Dark Brown Plastic (N3)
9	059197-01-000	EA	Panel - Side - Passenger - Dark Brown Plastic (N2)
	059467-04-N07	EA	Pad - Map Pocket - Passenger - Beige Vinyl
	059467-04-M07	EA	Pad - Map Pocket - Passenger - Brown Vinyl
10	022219-01-000	EA	Glove Compartment Door
	023892-01-000	EA	Glove Compartment Box - Black Fiberboard
	009118-01-000	EA	Glove Compartment Twist Lock
	024598-01-000	EA	Glove Compartment Hinge - 1 1/16" x 19"
	034309-01-000	EA	Glove Compartment Chain - Door
11	067213-02-000	EA	Motor Cover - Fiberglass - Chevy
12	035368-02-000	EA	Seal - Motor Cover - Alum. - Brown
12	035368-04-000	EA	Seal - Motor Cover - Alum. - Beige
	039623-01-000	FT	Seal - Cover - Engine - Neoprene
	052783-02-000	EA	Seal - Cover - Motor - Upper - Brown - Chevy
	052783-03-000	EA	Seal - Cover - Motor - Upper - Beige - Chevy
	039857-01-000	EA	Latch - Rubber - Draw Handle - 5 3/4" w/Strike
	039856-01-000	EA	Latch - Rubber - Draw Handle - 3" w/Strike
	042541-01-000	EA	Latch Asm. - w/Strike - Chrome
13	061378-01-N01	EA	Beverage Tray Asm. - Oak Laminate (N10) (N11) (N12)
14	023834-01-000	EA	Panel - Knee Kick - Bottom of Dash
	055000-02-000	EA	Tray - Utensil - Light Oak - Plastic
	055000-01-000	EA	Tray - Utensil - Dark Brown - Plastic
	045795-03-000	EA	Glass Holder - Light Oak Plastic
	045795-01-000	EA	Glass Holder - Dark Brown Plastic
15	050344-03-000	EA	Bezel - Entertainment Center No. 2 - w/Cut Out for Clock & Radio
15	067337-02-000	EA	Bezel - Entertainment Center No. 6 - w/Cut Out for Radio
15	067337-02-000	EA	Bezel - Entertainment Center No. 7 - w/Cut Out for Radio, Hourmeter and Generator Start Stop Switch
15	050345-04-000	EA	Bezel - Entertainment Center No. 3 - w/Cut Out for Radio, Clock, Hourmeter and Generator Start Stop Switch
	007308-01-000	EA	Dash Clock
16	059198-05-000	EA	Panel - Side - Drivers - Light Oak Plastic
16	059198-02-000	EA	Panel - Side - Drivers - Dark Brown Plastic
16	064499-02-000	EA	Panel - Drivers Door - Inner - Light Oak Plastic
16	064499-01-000	EA	Panel - Drivers Door - Inner - Brown Plastic
	059467-03-N07	EA	Pad - Map Pocket - Drivers - Beige Vinyl
	059467-03-M07	EA	Pad - Map Pocket - Drivers - Brown Vinyl
	050796-01-000	EA	Pocket - Ash Tray - Plastic
	050797-01-000	EA	Ash Tray - Plastic
	046886-01-000	EA	Ashtray Asm. - Flush Mount - Chrome
17	039847-08-000	EA	Bezel - Control Panel - Chevy
	052367-01-000	EA	Cigarette Lighter Asm. - 12 Volt
	007041-01-000	EA	Bezel - Cigarette Lighter
	061424-01-000	EA	Lamp Asm. - Map/Gauge
	061400-01-000	EA	Assist Strap - 12" - Light Brown Vinyl
	061400-03-000	EA	Assist Strap - 12" - Medium Almond Vinyl
18	059414-03-000	EA	Pad - Sidewall Trim - Drivers - Beige Vinyl
18	059414-01-000	EA	Pad - Sidewall Trim - Drivers - Brown Vinyl
19	058948-02-N07	EA	Pad Asm. - Front Overhead Cabinet - Left - Beige Vinyl
19	058948-02-M04	EA	Pad Asm. - Front Overhead Cabinet - Left - Brown Vinyl
19	058948-03-N07	EA	Pad Asm. - Front Overhead Cabinet - Driver Door - Beige Vinyl
19	058948-03-M04	EA	Pad Asm. - Front Overhead Cabinet - Driver Door - Brown Vinyl
	040519-01-000	EA	Bracket - Rubber Steering Column
	040520-01-000	EA	Bracket - Rubber Steering Column
	034499-01-000	EA	Support - Dimmer Switch
	024849-01-000	EA	Damper Asm. - Fresh Air
			Not illustrated

**1982 ITASCA
TABLE OF CONTENTS**

Introduction	A-1
Abbreviations	A-1
Alphabetical Index	A-2 - A-4
ICF22RB N2	A-5 - C-12
ICF26RH N2	C-13 - E-20
ICF26RB N2	E-21 - H-4
ICN27 RB N2	H-5 - J-12
ICN29RT N2	J-13 - L-22

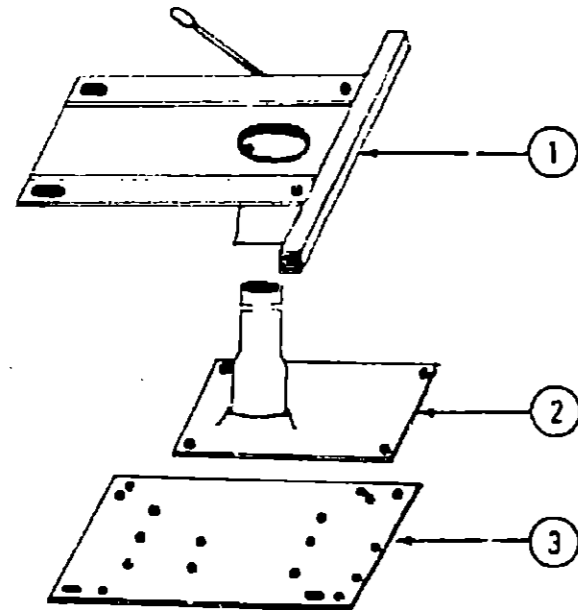
1982 ICN27RB N2 INDEX

Floor Plan	H-5 - H-6
Accessories Group	H-7 - H-9
Bath Group	H-10 - H-11
Chassis Group	H-12 - H-13
Curtain, Cushion & Pad Group	H-14 - H-21
Dinette Group	H-22 - H-24
Driver's Compartment Group	I-1 - I-4
Electrical Group	I-5 - I-7
Exterior Body Group	I-8 - I-12
Galley Group	I-13 - I-14
Heating & Air Conditioning Group	I-14 - I-15
Interior Finish Group	I-16 - I-17
LP Group	I-18
Lounge Group	I-19 - I-21
Water & Sewage Group	I-22
Window, Vent & Exterior Door Group	I-23 - J-12

DRIVER'S COMPARTMENT GROUP (CONTINUED)

DASH SWITCHES AND GAUGES

Key	Part Number	U/M	Description
	024461-01-000	EA	Switch - Battery
	024462-01-000	EA	Switch - Battery Condition
	024464-02-000	EA	Switch - Battery - Dual Boost
	024463-01-000	EA	Switch - Blinker
	024464-01-000	EA	Switch - Washer
	024465-01-000	EA	Switch - Fuel
	024467-01-000	EA	Switch - Wiper
	024976-01-000	EA	Switch - Generator w/o Circuit Board
	037387-01-000	EA	Switch - Generator w/Circuit Board
	024459-03-000	EA	Gauge - Voltmeter
	024460-03-000	EA	Gauge - Vacuum
	031035-01-000	EA	Gauge - Generator Hourmeter
	031376-01-000	EA	Control Asm. - Heater - 3 Speed
	055279-01-000	EA	Control Asm. - Heater A/C - 3 Speed
	072341-01-710	EA	Control Asm. - Heater A/C - A.R.A.



BUCKET SEAT PEDESTAL AND SEAT BELTS

Key	Part Number	U/M	Description
1	069585-04-000	EA	Plate - Top - Pedestal Asm. - Single - Bucket Seat
1	069585-10-000	EA	Plate - Top - Pedestal Asm. - Double Bucket Seat
2	069585-08-000	EA	Plate - Sub - Pedestal Asm. - Bucket Seat
3	069585-07-000	EA	Plate - Base - Pedestal Asm. - Bucket Seat
*	069585-05-000	EA	Hardware Kit - Bolt/Acorn Nut - 4 ea. - Pedestal Asm.
*	007019-01-000	EA	Belt Asm. - Seat - 2" x 84" - Black
*	041322-01-000	EA	Washer - Flat 15/32" I.D. x 2 3/8" O.D. - Seat Belt
*	007021-01-000	EA	Belt Asm. - Seat - 2" x 90" - Black
*	007222-01-000	EA	Belt Asm. - Seat - 2" x 60" - Black
*	043910-01-000	EA	Bracket Asm. - Seat Belt
*	058375-01-000	EA	Bracket - Seat Belt - Washer
*	059245-01-000	EA	Adjuster Asm. - Seat w/Lock
*	069246-02-000	EA	Adjuster Asm. - Seat w/o Lock
*			Not illustrated

DRIVER'S COMPARTMENT GROUP (CONTINUED)

FRONT BUNK AND HARDWARE

Key	Part Number	U/M	Description
	058300-01-N07	EA	Cabinet Asm. - Front Overhead
	058844-01-M07	EA	Bunk Board Asm. - Front Overhead - w/Brown Rails
	058844-02-N07	EA	Bunk Board Asm. - Front Overhead - w/Off White Rails
	053773-01-000	EA	Support - Overhead Bunk - Brown - Right
	053773-02-000	EA	Support - Overhead Bunk - Brown - Left
	040071-02-000	EA	Support - Bunk - Seat Belt
	039516-03-000	EA	Catch - Bunk - Off White
	039516-02-000	EA	Catch - Bunk - Brown
	023812-26-000	EA	Rail - Bunk - 80" - Off White
	023812-22-000	EA	Rail - Bunk - 80" - Brown
	053774-02-000	EA	Torsion Rod - Overhead Bunk - Brown
	041322-01-000	EA	Washer - Flat - 15/32" I.D. x 2 3/8" O.D. - Seat Belt
	058948-01-N07	EA	Pad Asm. - Front Side Overhead - Right - Beige Vinyl
	058948-01-M04	EA	Pad Asm. - Front Side Overhead - Right - Brown Vinyl
	058948-02-N07	EA	Pad Asm. - Front Side Overhead - Left - Beige Vinyl
	058948-02-M04	EA	Pad Asm. - Front Side Overhead - Left - Brown Vinyl
	058948-03-N07	EA	Pad Asm. - Front Side Overhead - Driver Door - Beige Vinyl
	058948-03-M04	EA	Pad Asm. - Front Side Overhead - Driver Door - Brown Vinyl
	048394-01-000	YD	Tape Hook - 1" x 25 YD - Beige
	048395-01-000	YD	Tape Loop - 1" x 25 YD - Beige
	007021-01-000	EA	Belt Asm. - Seat - 2" x 90" - Black

1982 ITASCA TABLE OF CONTENTS

Introduction	A-1
Abbreviations	A-1
Alphabetical Index	A-2 - A-4
ICF22RB N2	A-5 - C-12
ICF26RH N2	C-13 - E-20
ICF26RB N2	E-21 - H-4
ICN27RB N2	H-5 - J-12
ICN29RT N2	J-13 - L-22

1982 ICN27RB N2 INDEX

Floor Plan	H-5 - H-6
Accessories Group	H-7 - H-9
Bath Group	H-10 - H-11
Chassis Group	H-12 - H-13
Curtain, Cushion & Pad Group	H-14 - H-21
Dinette Group	H-22 - H-24
Driver's Compartment Group	I-1 - I-4
Electrical Group	I-5 - I-7
Exterior Body Group	I-8 - I-12
Galley Group	I-13 - I-14
Heating & Air Conditioning Group	I-14 - I-15
Interior Finish Group	I-16 - I-17
LP Group	I-18
Lounge Group	I-19 - I-21
Water & Sewage Group	I-22
Window, Vent & Exterior Door Group	I-23 - J-12

ELECTRICAL GROUP

BULBS

Key	Part Number	U/M	Description
	037935-01-000	EA	Bulb - 1157
	037936-01-000	EA	Bulb - 1157A
	037937-01-000	EA	Bulb - 1295
	063914-01-000	EA	Bulb - 1139
	008103-01-000	EA	Bulb - 53
	008213-01-000	EA	Bulb - 57
	008214-01-000	EA	Bulb - 67
	008215-01-000	EA	Bulb - 1003
	008216-01-000	EA	Bulb - 1034
	008217-01-000	EA	Bulb - 1073
	008218-01-000	EA	Bulb - 1141
	008220-01-000	EA	Bulb - 12V - 25W
	036196-01-000	EA	Bulb - 194
	036196-02-000	EA	Bulb - 194A
	067479-01-000	EA	Bulb - 1076

FUSES AND CIRCUIT BREAKER

Key	Part Number	U/M	Description
	056473-02-000	EA	Fuse - Slow Blow - 5 Amp. - 32 Volt Capacity
	056473-01-000	EA	Fuse - Slow Blow - 6 1/4 Amp.
	008233-01-000	EA	Fuse - 12 Volt - 6 Amp.
	008234-01-000	EA	Fuse - 12 Volt - 10 Amp.
	046893-01-000	EA	Fuse - 12 Volt - 13 Amp.
	008235-01-000	EA	Fuse - 12 Volt - 15 Amp.
	008236-01-000	EA	Fuse - 12 Volt - 20 Amp.
	008248-01-000	EA	Fuse - 110 Volt - 30 Amp. - AGU
	008252-01-000	EA	Fuse - 110 Volt - 50 Amp.
	008208-01-000	EA	Circuit Breaker - 12 Volt - 40 Amp.
	008211-01-000	EA	Circuit Breaker - 12 Volt - 6 Amp.
	008268-01-000	EA	Circuit Breaker - 12 Volt - 30 Amp. w/Mount
	033573-02-000	EA	Circuit Breaker - 12 Volt - 15 Amp. w/Mount
	033573-01-000	EA	Circuit Breaker - 12 Volt - 20 Amp. w/Mount
	040051-01-000	EA	Circuit Breaker - 110 Volt - 20 Amp. TQL
	071279-01-000	EA	Circuit Breaker - 120 Volt - 15 Amp.
	008273-03-000	EA	Circuit Breaker - 15/20 Amp. TQL
	008299-01-000	EA	Circuit Breaker - 115 Amp. TQL
	008297-01-000	EA	Circuit Breaker - 120 Amp. TQL
	008293-01-000	EA	Circuit Breaker - 130 Amp. TQL

WINDSHIELD WIPER AND WASHER

Key	Part Number	U/M	Description
**	056000-02-000	EA	Washer Asm. - Windshield
**	057653-01-000	EA	Arm - Windshield Wiper - 18" - Black
	067191-02-000	EA	Motor Asm. - Windshield Wiper - 2 Speed
	067192-01-000	EA	Link Asm. - Connecting - Left
	067193-01-000	EA	Link Asm. - Connecting - Right
**	049464-02-000	EA	Blade - Windshield Wiper - 20" - Black
**	049464-03-000	EA	Blade - Windshield Wiper - Flexible - 20" - Black
**	067190-01-000	EA	Shaft and Pivot Asm.

** The illustrated parts breakdown for this item is provided on the Common Items Fiche.

ELECTRICAL GROUP (CONTINUED)

WIRE, SWITCHES AND RECEPTACLES

Key	Part Number	U/M	Description
	008024-01-000	FT	Wire - 18.5 Bonded - Orange/White/Yellow/Blue/Brown
	008025-01-000	FT	Wire - 18.5 Bonded - Orange/White/Yellow/Blue/Green
	008028-01-000	FT	Wire - 18.5 Bonded - Blue/Red/Yellow/Orange/White
	008030-01-000	FT	Wire - 18.4 Bonded - Red/Blue/Orange/Green
	008277-01-000	EA	Holder - Fuse - Black - Panel Mount
	008195-01-000	EA	Switch - Push Button - 12 Volt
	006077-01-000	EA	Plaque - Compressor Switch
	008054-01-000	EA	Cord - Power - 10-3 30 Amp. - 25' - IJL
	008052-01-000	EA	Cord - Power - 10-3 30 Amp. - 25' - CSA
	024571-03-000	EA	Cover Plate - Receptacle - Jumbo Plastic - Brown
	024571-04-000	EA	Cover Plate - Receptacle - Jumbo Plastic - Ivory
	058028-01-000	EA	Connector - Pigtail - Clear - Nylon
	008162-01-000	EA	Switch - Double Toggle - Spade Brown
	008163-01-000	EA	Switch - Toggle Brown
	056264-01-000	EA	Switch - Leaf Actuator
	063912-01-000	EA	Relay - Canister Spot w/Ground
	008164-01-000	EA	Cover Plate - Switch - Brown
	024924-02-000	EA	Receptacle - Power Cord
	069238-01-000	EA	Cover - Electrical - 4 x 4 Box
	008058-01-000	EA	Adaptor - Power Cord
	053126-01-000	EA	Receptacle - Ground Fault Interrupter - 125 Volt - Ivory
	053126-02-000	EA	Receptacle - Ground Fault Interrupter - 125 Volt - Brown
	058707-01-000	EA	Receptacle - Single - Brown - Thomas & Belts
	058708-01-000	EA	Receptacle - Duplex - Brown - Thomas & Belts
	008157-01-000	EA	Receptacle - Duplex - Brown (Exterior Backwall)
	058048-01-000	EA	Cover - Electrical Box - 4.5" x 2.75" - Rain Tight (Exterior)
	008294-02-000	EA	Cover - Steel - Flat Blank 4" x 4"
	008288-01-000	EA	Box - Electrical - Plastic - 5" x 3.5"
	008239-01-000	EA	Box - Electrical - Steel - 4 x 4 - 1/2 & 3/4 UL
	054398-01-000	EA	Housing Asm. - Trailer Receptacle
	064399-01-000	EA	Housing Asm. - Trailer Pin
	064450-01-000	EA	Housing Asm. - Trailer Plug
	035417-01-000	EA	Terminal - Pin Receptacle .125 Dia.
	054532-01-000	EA	Housing - Pin - 6 Position
	031968-01-000	EA	Contact - Plug - Brass - Tin Plated
	035290-17-000	EA	Cable Asm. - Battery - 1 AWG Strand - 282"
	054865-01-000	EA	Wire Asm - Generator Switch

MISCELLANEOUS ELECTRICAL COMPONENTS

Key	Part Number	U/M	Description
	047338-01-000	EA	Insulator - Dual Battery
	063739-01-000	EA	Battery - 12 Volt - 80 Amp. Gould
	008188-01-000	EA	Solenoid - Dual Battery - Relay
	039950-01-702	EA	Circuit Board - Control Center
	024459-03-000	EA	Gauge - Voltmeter - w/o Bracket
	024462-01-000	EA	Switch - Battery Condition
	031035-01-000	EA	Gauge - Hourmeter - Generator
	024976-01-000	EA	Switch - Generator w/o Circuit Board
	024460-03-000	EA	Gauge - Vacuum - w/o Bracket
	039861-01-000	EA	Sending Unit Kit - Wemac
	048812-12-000	EA	Refrigerator Sensor - Refrigerator Alarm
	048812-04-000	EA	Control Panel - Basic
	048812-09-000	EA	Control Panel - Insert - w/LP Alarm - Refrigerator Light & Sensor
	072351-01-000	EA	Control Panel Complete - Water/Double Sewage - Clock - w/LP Alarm - Refrigerator
	067762-01-000	EA	Converter - 40 Amp. w/Charger
	024461-01-000	EA	Switch - Dual Battery
	071278-01-000	EA	Control Center - 32 Amp.

1982 ITASCA TABLE OF CONTENTS

Introduction	A-1
Abbreviations	A-1
Alphabetical Index	A-2 - A-4
ICF22RB N2	A-5 - C-12
ICF26RH N2	C-13 - E-20
ICF26RB N2	E-21 - H-4
ICN27RB N2	H-5 - J-12
ICN29RT N2	J-13 - L-22

1982 ICN27RB N2 INDEX

Floor Plan	H-5 - H-6
Accessories Group	H-7 - H-9
Bath Group	H-10 - H-11
Chassis Group	H-12 - H-13
Curtain, Cushion & Pad Group	H-14 - H-21
Dinette Group	H-22 - H-24
Driver's Compartment Group	I-1 - I-4
Electrical Group	I-5 - I-7
Exterior Body Group	I-8 - I-12
Galley Group	I-13 - I-14
Heating & Air Conditioning Group	I-14 - I-15
Interior Finish Group	I-16 - I-17
LP Group	I-18
Lounge Group	I-19 - I-21
Water & Sewage Group	I-22
Window, Vent & Exterior Door Group	I-23 - J-12

ELECTRICAL GROUP (CONTINUED)

EXTERIOR LIGHTS

Key	Part Number	U/M	Description
	007309-01-000	EA	Light - Step Well
	058030-01-000	EA	Tail Lamp Asm. - 3 Bulb - Chrome - Right
	058030-02-000	EA	Tail Lamp Asm. - 3 Bulb - Chrome - Left
	058030-01-700	EA	Lens - Tail Lamp - Red
	058030-01-701	EA	Lens - Tail Lamp - Back Up
	058030-01-702	EA	Lens - Tail Lamp - Amber
	059036-01-000	EA	Bracket - Tail Lamp
	059540-01-000	EA	Bracket - License Plate
	062742-01-000	EA	Wedge - Tail Lamp w/License Plate - Gray - Left
	062741-03-000	EA	Wedge - Tail Lamp - Gray - Right
	042405-03-000	EA	Base - Rectangular Clearance Light
	042405-01-000	EA	Lens - Clearance Light - Red w/Reflex
	042405-04-000	EA	Lens - Clearance Light - Red w/o Reflex
	042405-02-000	EA	Lens - Clearance Light - Amber w/Reflex
	042405-05-000	EA	Lens - Clearance Light - Amber w/o Reflex
	008092-01-700	EA	Reflector - Stick On - Rectangular - Red
	008093-01-700	EA	Reflector - Stick On - Rectangular - Amber

INTERIOR LIGHTS

Key	Part Number	U/M	Description
	033508-02-000	EA	Light - Dome - Ivory - 1 Bulb - US - Progressive Dynamics, Inc.
	033508-03-000	EA	Light - Dome - Ivory - 1 Bulb - CSA - Progressive Dynamics, Inc.
	033509-02-000	EA	Light - Dome - Ivory - 2 Bulb - US - Progressive Dynamics, Inc.
	033509-03-000	EA	Light - Dome - Ivory - 2 Bulb - CSA - Progressive Dynamics, Inc.
	061424-01-000	EA	Light - 12 V Receptacle - Aisle - IP
	024418-01-000	EA	Lamp Asm. - Map/Gauge/Aisle
	053345-01-000	EA	Light - High Intensity - Brown
	007309-01-000	EA	Light - Step Well

EXTERIOR BODY GROUP

SHEET ALUMINUM AND STYROFOAM

Key	Part Number	U/M	Description
	039155-36-001	EA	Alum. - Gray - Mesa II - .024" x 48" x 360"
	039155-36-002	EA	Alum. - Gray - Mesa II - .024" x 36" x 360"
	039155-36-003	EA	Alum. - Gray - Mesa II - .024" x 12" x 360"
	039155-33-001	EA	Alum. - Gray - Grayhound Design - 48" x 96"
	001054-03-003	EA	Alum. - Gray - No Design - 48" x 96"
	044487-01-001	EA	Alum. - Mill Finish - No Design (Roof) - 96" x 360"
	000868-01-000	SF	Styrofoam - 3/4" x 24" x 96"
	000870-01-000	SF	Styrofoam - 1 1/2" x 24" x 96"

NOTE: The raised portion of Mesa I aluminum is 1.657" wide.
The raised portion of Mesa II aluminum is .875" wide.

SEALANTS, ADHESIVES AND FASTENERS

Key	Part Number	U/M	Description
	034552-06-000	EA	Sealant - Off White Silicone
	034552-04-000	EA	Sealant - Beige Silicone
	034552-07-000	EA	Sealant - Dark Gray Silicone
	034552-02-000	EA	Sealant - Clear Silicone
	039518-01-000	EA	Sealant - Black Silicone
	069637-01-000	EA	Sealant - Weatherban 404 Tube - 3M
	004346-02-000	EA	Sealant - White Silicone
	009200-C1-000	EA	Tape - Furnace - 1 1/2"
	004353-01-000	FT	Tape - Gasket - 1/8" x 3/4" - White
	002825-01-000	FT	Weather Stripping - Roof Vent
	002337-01-000	EA	Adhesive - 3M - 1300 Tube
	004005-01-000	GL	Adhesive - Swifts - Green - Glue (Sidewalls)
	004020-01-000	QT	Adhesive - ABS Cement (Plastic Fittings)
	029051-01-000	EA	Adhesive - Spray Vinyl
	000G66-08-12M	EA	Screw #8 - 18 x 3/4" SDPH - Gray
	000G66-08-16M	EA	Screw #8 - 18 x 1" SDPH - Gray
	000G64-08-16M	EA	Screw #8 - 18 x 1" SDPH - SF/OR - Gray
	053766-01-000	EA	Bedding Compound - Tube Black - Schnee Moorehead
	069640-02-000	FT	Tape - 1/2" x 1/8" x 50' - Gray - 3M
	069640-01-000	FT	Tape - 1/4" Bead x 20' - Gray - 3M
	069640-03-000	FT	Tape - 3/4" x 1/8" x 50' - Gray - 3M
	069640-04-000	FT	Tape - 2" x 3/32" x 50' - Gray - 3M

MISCELLANEOUS EXTERNALLY MOUNTED PARTS

Key	Part Number	U/M	Description
**	011129-01-000	EA	Plumbing Seal - Roof Vent - 1 1/2"
	048817-01-000	EA	Assist Handle - w/Light
	048817-01-700	EA	Lens - Assist Handle
	010230-04-000	EA	Fill - City Water - Recessed - Gray
	058808-03-000	EA	Water Fill - Lockable - Gray
	064576-01-000	EA	Shroud - Fuel Fill - Rear

** The illustrated parts breakdown for this item is provided on the Common Items Fiche.

1982 ITASCA TABLE OF CONTENTS

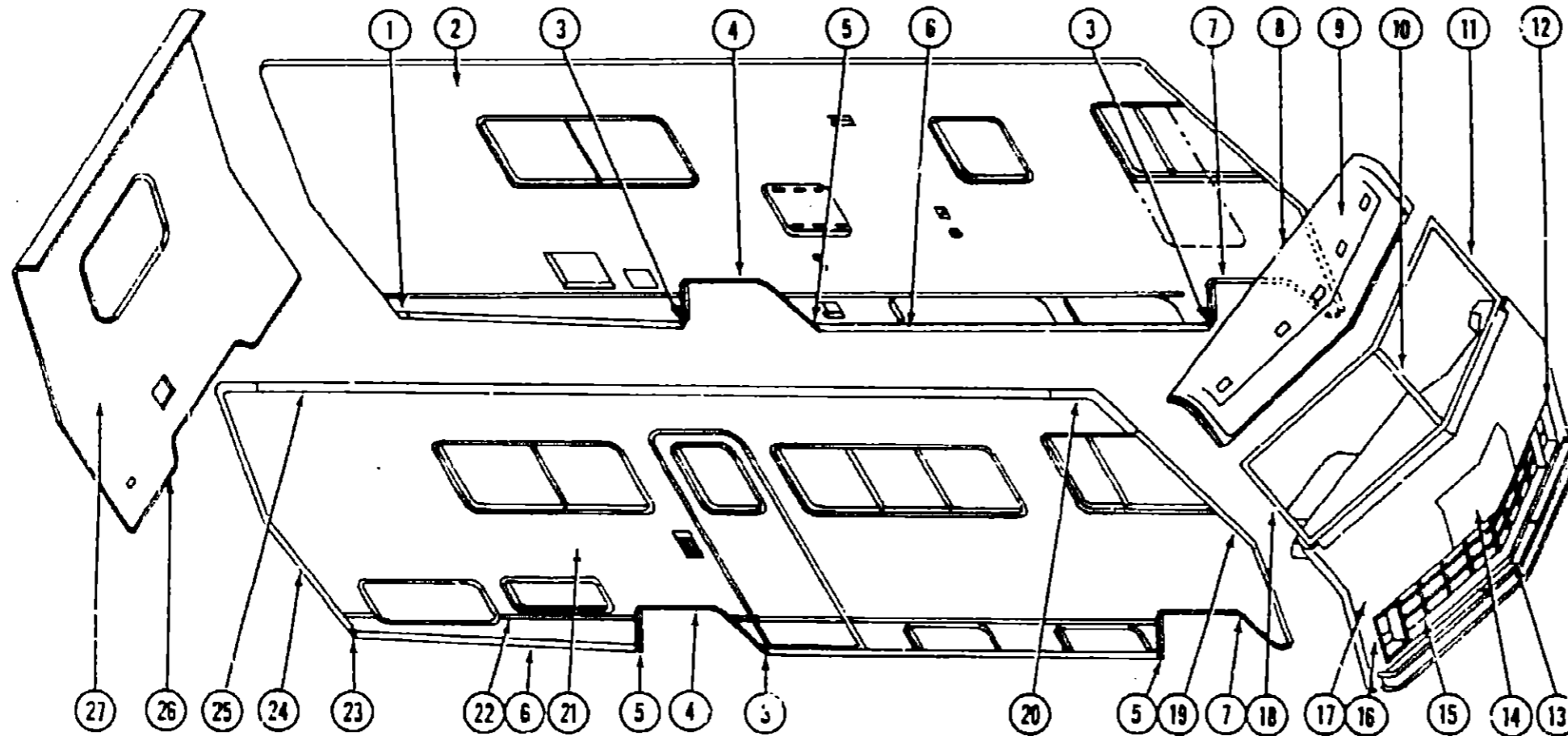
Introduction	A-1
Abbreviations	A-1
Alphabetical Index	A-2 - A-4
ICF22RB N2	A-5 - C-12
ICF26RH N2	C-13 - E-20
ICF26RB N2	E-21 - H-4
ICN27RB N2	H-5 - J-12
ICN29RT N2	J-13 - L-22

1982 ICN27RB N2 INDEX

Floor Plan	H-5 - H-6
Accessories Group	H-7 - H-9
Bath Group	H-10 - H-11
Chassis Group	H-12 - H-13
Curtain, Cushion & Pad Group	H-14 - H-21
Dinette Group	H-22 - H-24
Driver's Compartment Group	I-1 - I-4
Electrical Group	I-5 - I-7
Exterior Body Group	I-8 - I-12
Galley Group	I-13 - I-14
Heating & Air Conditioning Group	I-14 - I-15
Interior Finish Group	I-16 - I-17
LP Group	I-18
Lounge Group	I-19 - I-21
Water & Sewage Group	I-22
Window, Vent & Exterior Door Group	I-23 - J-12

EXTERIOR BODY GROUP (CONTINUED)

EXTERIOR BODY PANELS AND TRIM



Key	Part Number	U/M	Description
1	059395-05-000	EA	Plug - Rocker Panel - Left Rear - Gray
2	M69783-02-N10	EA	Sidewall Asm. - Left (N2)
2	M69783-04-N10	EA	Sidewall Asm. - Left (N3)
3	059185-05-000	EA	Plug - Rocker Panel - Wheelwell - Gray
4	058487-06-000	EA	Trim - Wheel Well - Rear - Gray
5	059185-06-000	EA	Plug - Rocker Panel - Wheel Well - Gray
6	039068-06-000	EA	Extr. - Rocker Panel - Gray
7	058543-06-000	EA	Trim - Wheel Well - Front - Gray
8	062396-01-000	EA	Trim - Roof/Front Cap
9	054957-02-000	EA	Cap - Fiberglass - Over Windshield - Gray
10	058288-01-000	EA	Trim - Molding - Windshield - Center
11	058289-01-000	EA	Trim - Contour - Windshield - Left
	058287-01-000	EA	Trim - Molding - Windshield - Upper/Lower
12	058320-01-000	EA	Housing - Headlamp - Left Hand
	070817-01-000	EA	Headlamp Bezel - Left
13	058392-03-000	EA	Panel Asm. - Front Lower - Gray (N2)
14	058678-03-700	EA	Access Panel - w/Hardware - Gray (N2)
14	M71666-03-000	EA	Access Panel - w/Hardware - Gray (N3)
15	059400-02-000	EA	Grille Asm. (N2)
15	059400-03-000	EA	Grille Asm. (N3)
	059123-01-000	EA	Trim - Grille - Upper
	059124-01-000	EA	Trim - Grille - Lower
16	058320-02-000	EA	Housing - Headlamp - Right Hand
	070817-02-000	EA	Headlamp Bezel - Right
17	058296-01-000	EA	Panel Asm. - Front Shroud - Primed (includes access panel and lower shroud) (N2)
17	M00877-01-000	EA	Panel Asm. - Front Shroud - Primed (includes access panel) (N3)
18	058289-02-000	EA	Trim - Contour - Windshield - Right
	042743-01-000	EA	Corner Support - Windshield - Lower - Steel
	042743-02-000	EA	Corner Support - Windshield - Upper - Steel
			Not illustrated

Key	Part Number	U/M	Description
19	058899-05-000	EA	Trim - Fiberglass Panel - Right - Gray
	058899-06-000	EA	Trim - Fiberglass Panel - Left - Gray
20	058284-06-000	EA	Trim - Contour - Right Front Upper - Gray
	058284-05-000	EA	Trim - Contour - Left Front Upper - Gray
21	M69784-02-N10	EA	Sidewall Asm. - Right
22	059576-01-000	EA	Feature Strip - Extr. Gray - 14' - w/o Insert
	009731-01-000	EA	End Cap - Feature Strip Insert
	001030-01-100	EA	Insert - Feature Strip - Black - 17'
23	059395-06-000	EA	Plug - Rocker Panel - Right Rear - Gray
24	039964-05-000	EA	Trim - Contour - Right Rear - Gray
	039964-06-000	EA	Trim - Contour - Left Rear - Gray
25	034922-20-000	EA	Trim - Sidewall - Upper - Left or Right - Gray
26	050406-05-000	EA	Trim - Backwall - Lower - Left or Right
	069785-01-N07	EA	Roof Asm.
27	065080-01-N10	EA	Backwall Asm.
	002776-02-001	EA	Extr. - U-Channel - 1.75" x 16' Anod.
	002365-02-001	EA	Extr. - U-Channel - 1" x 18'
	009717-01-002	EA	Extr. - Rail - Drip - 19'
	062556-03-001	EA	Extr. - Rail - Awning - 192 0"
	058826-01-000	EA	Rod - Hood Prop (N2)
	072917-01-000	EA	Rod - Hood Prop (N3)
	062628-01-000	EA	Clip - Prop Rod
	058752-01-000	EA	Hinge - Access Panel - Right
	058752-02-000	EA	Hinge - Access Panel - Left (N2)
	058752-03-000	EA	Hinge - Access Panel - Left (N3)
	009065-01-000	EA	Hinge - Continuous - Al. 1 1/2" x 96" - Plain
	058722-01-000	EA	Pull Pin - Release Hinge (Access Panel)
	058761-01-000	EA	Striker - Hood Latch
			Not illustrated

1982 ITASCA TABLE OF CONTENTS

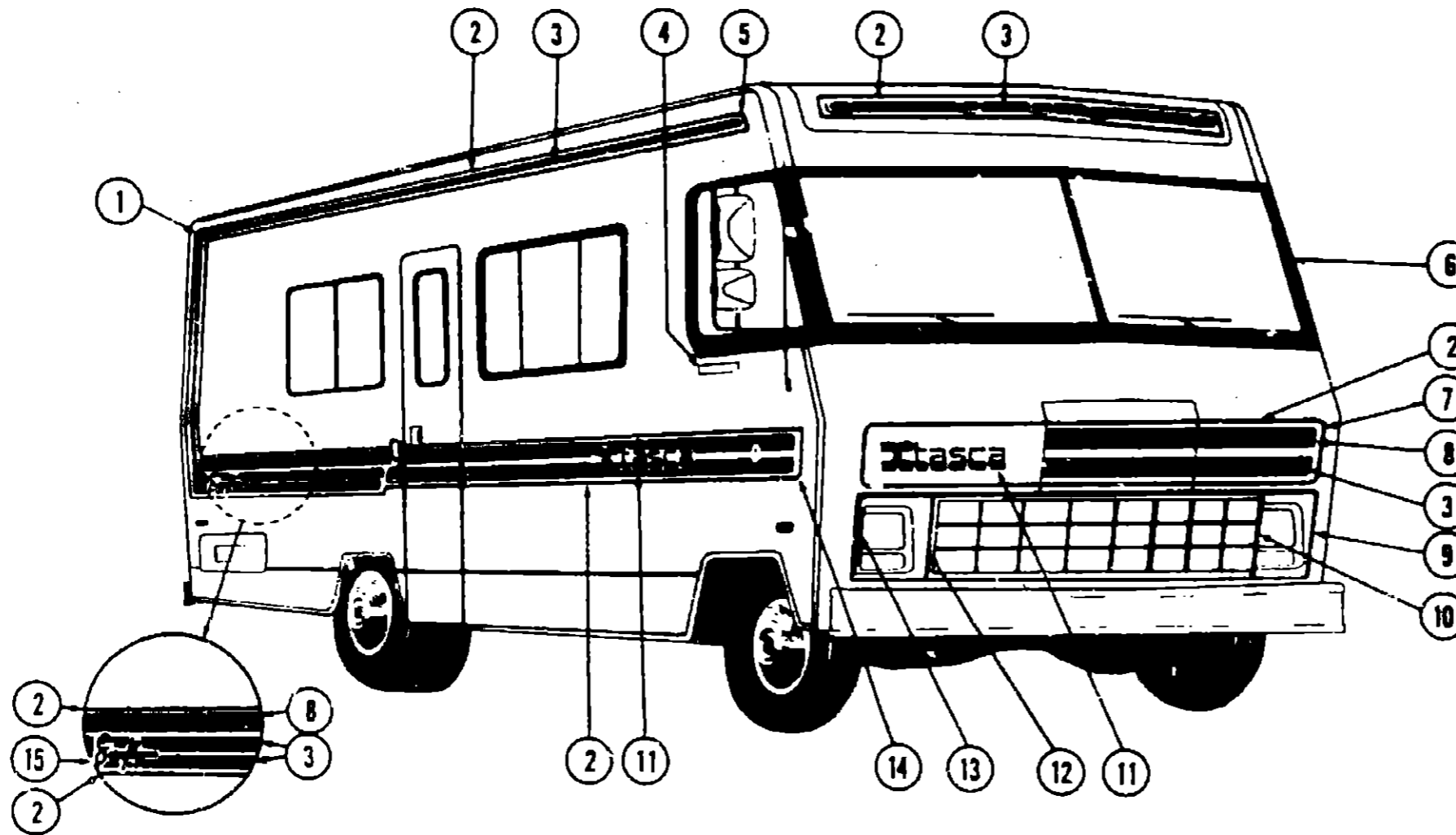
Introduction	A-1
Abbreviations	A-1
Alphabetical Index	A-2 - A-4
ICF22RB N2	A-5 - C-12
ICF26RH N2	C-13 - E-20
ICF26RB N2	E-21 - H-4
ICN27RB N2	H-5 - J-12
ICN29RT N2	J-13 - L-22

1982 ICN27RB N2 INDEX

Floor Plan	H-5 - H-6
Accessories Group	I-7 - H-9
Bath Group	H-10 - H-11
Chassis Group	H-12 - H-13
Curtain, Cushion & Pad Group	H-14 - H-21
Dinette Group	H-22 - H-24
Driver's Compartment Group	I-1 - I-4
Electrical Group	I-5 - I-7
Exterior Body Group	I-8 - I-12
Galley Group	I-13 - I-14
Heating & Air Conditioning Group	I-14 - I-15
Interior Finish Group	I-16 - I-17
LP Group	I-18
Lounge Group	I-19 - I-21
Water & Sewage Group	I-22
Window, Vent & Exterior Door Group	I-23 - J-12

EXTERIOR BODY GROUP (CONTINUED)

LABELS, DECALS AND EXTERIOR PAINT



Key	Part Number	U/M	Description
1	065206-01-000	EA	Decal - Stripe - .75" - Rear Bend - Upper & Lower - Black
2	065205-01-000	FT	Tape - Premasked - .62" x .75" - Black
3	059354-C3-000	EA	Paint - Bronze Metallic - Enamel - 16 oz. Aerosol (7864 Dupont) (N10)
3	065109-03-000	EA	Paint - Mahogany - Enamel - 16 oz. Aerosol (44745 Dupont) (N11)
3	053759-03-000	EA	Paint - Tan Metallic - Enamel - 16 oz. Aerosol (42846 Dupont) (N12)
•	053759-03-000	EA	Paint - Tan Metallic - Enamel - 16 oz. Aerosol (42846 Dupont) (Fade N1U)
•	066734-03-000	EA	Paint - Candy Apple Red - Enamel - 16 oz. Aerosol (4737 Dupont) (Fade N11)
•	069737-03-000	EA	Paint - Alpaca Brown - Enamel - 16 oz. Aerosol (45700 Dupont) (Fade N12)
4	072863-01-000	EA	Nameplate - Diesel 6.2L
5	056251-01-000	EA	Decal - Front Side - Upper Right Hand
•	056251-02-000	EA	Decal - Front Side - Upper Left Hand
6	045681-01-000	EA	Paint - Gloss Black - Acrylic Enamel - 1 Gallon (99A Dupont)
6	045681-03-000	EA	Paint - Gloss Black - Acrylic Enamel - 16 oz. Aerosol (99A Dupont)
7	059374-03-000	EA	Decal - Stencil - C - 10.75" - Black
8	041273-27-000	FT	Decal - Stripe - 3.25" - Gray Metallic
9	052435-02-000	EA	Decal - Headlamp Housing Face - Outer - Right Hand
10	058434-02-000	EA	Decal - Headlamp Housing Face - Inner - Right Hand
11	056004-11-000	EA	Decal - Logo - Itasca - 5.25" High
12	058434-01-000	EA	Decal - Headlamp Housing Face - Inner - Left Hand
13	058435-01-000	EA	Decal - Headlamp Housing Face - Outer - Left Hand
14	067795-01-000	EA	Decal - Stencil - C - 10.75" - Black - Right
•	067795-02-000	EA	Decal - Stencil - C - 10.75" - Black - Left
15	058718-01-000	EA	Decal - Sunflyer
•	058637-01-000	EA	Paint - Gray - Enamel - 1 Gallon (71537 Dupont)
•	058637-05-000	EA	Paint - Gray - Enamel - 16 oz. Aerosol (71537 Dupont)
•	066442-03-000	EA	Paint - Gray Metallic - Enamel - 16 oz. Aerosol (43492 Dupont)
•	041273-29-000	FT	Decal - Stripe - .44" - Black (Grille Asm.)
•	Not illustrated		

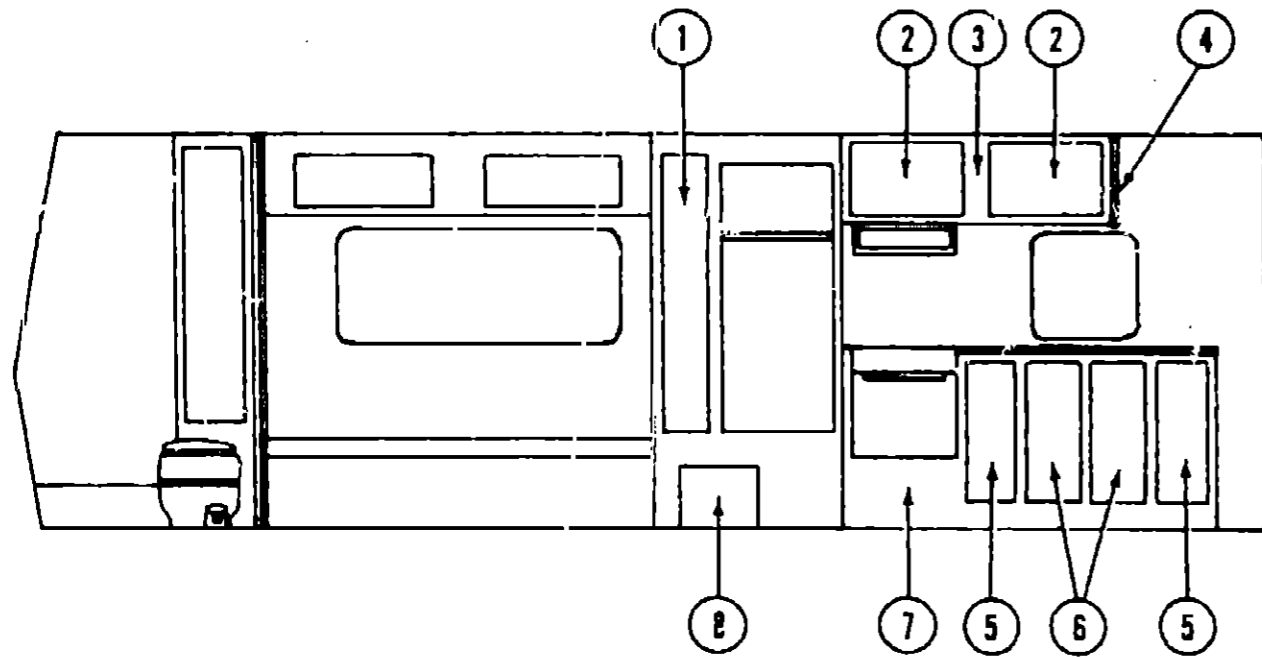
1982 ITASCA TABLE OF CONTENTS

Introduction	A-1
Abbreviations	A-1
Alphabetical Index	A-2 - A-4
ICF22RB N2	A-5 - C-12
ICF26RH N2	C-13 - E-20
ICF26RB N2	E-21 - H-4
ICN27RB N2	H-5 - J-12
ICN29RT N2	J-13 - L-22

1982 ICN27RB N2 INDEX

Floor Plan	H-5 - H-6
Accessories Group	H-7 - H-9
Bath Group	H-10 - H-11
Chassis Group	H-12 - H-13
Curtain, Cushion & Pad Group	H-14 - H-21
Dinette Group	H-22 - H-24
Driver's Compartment Group	I-1 - I-4
Electrical Group	I-5 - I-7
Exterior Body Group	I-8 - I-12
Galley Group	I-13 - I-14
Heating & Air Conditioning Group	I-14 - I-15
Interior Finish Group	I-16 - I-17
LP Group	I-18
Lounge Group	I-19 - I-21
Water & Sewage Group	I-22
Window, Vent & Exterior Door Group	I-23 - J-12

GALLEY GROUP



GALLEY CABINETRY

Key	Part Number	U/M	Description
1	069852-01-N07	EA	Door Asm. - Refrigerator Cabinet - 56.5" x 8.8" - w/o Hardware
2	069852-07-N07	EA	Door Asm. - Galley Overhead - 15.8" x 23.2" - w/o Hardware
3	070630-01-N07	EA	Cabinet Asm. - Galley Overhead - w/o End Pad, Doors or Hardware
4	071847-04-N07	EA	Pad Asm. - End - Galley Cabinet - Beige Vinyl
4	058442-01-M01	EA	Pad Asm. - End - Galley Cabinet - Brown Vinyl
5	069852-02-N07	EA	Door Asm. - Galley Cabinet - 28.2" x 11.7" - w/o Hardware
6	069852-03-N07	EA	Door Asm. - Galley Cabinet - 28.2" x 11.1" - w/o Hardware
7	M69793-01-N07	EA	Cabinet Asm. - Galley - w/o Doors, Drawers, Countertop or Hardware
*	M00681-01-N07	EA	Countertop Asm. - Galley Cabinet - Palomino (N10) (N11) (N12)
*	067195-01-000	EA	Drawer - Plastic - 10.5" x 17.5" x 5"
8	M69856-01-N07	EA	Door Asm. - Furnace - 14.2" x 18.6" - w/Gold Mesh
*	072369-01-000	EA	Gold Mesh - 10.1" x 14.5" - Furnace Grille
*	Not illustrated		

GALLEY GROUP (CONTINUED)

GALLEY HARDWARE AND APPLIANCES

Key	Part Number	U/M	Description
	053424-04-N07	EA	Sink Cover - Large - Palomino (N10) (N11) (N12)
**	068615-01-000	EA	Sink - Stainless Steel - Double w/Bolts
**	011053-01-000	EA	Faucet - Swing Spout - 8" - US
**	011053-02-000	EA	Faucet - Swing Spout - 8" - C.S.A.
**	066437-01-000	EA	Strainer - Sink
**	011053-01-700	EA	Aerator - Swing Spout Faucet
**	058334-01-000	EA	Wastebasket - 9 3/4" x 7" x 10" - White Rubbermaid
**	059877-01-000	EA	Support - Wastebasket - Plastic - Galley Mount
**	058478-01-000	EA	Support - Wastebasket - Metal - Door Mount
**	058441-01-N07	EA	Cover - Wastebasket - Palomino (N10) (N11) (N12)
**	064472-02-000	EA	Refrigerator - AC/DC/Gas - Norcold - 8'
**	052771-02-000	EA	Microwave Oven - Magic Chef - MW207
**	053287-07-000	EA	Bracket Asm. - Microwave - Right
**	053287-08-000	EA	Bracket Asm. - Microwave - Left
**	064782-01-000	EA	Range - 4 Burner - Small Oven - Magic Chef
**	749045-01-740	EA	Cover - Stovetop - Bifold - Chrome - Magic Chef
**	046954-03-000	EA	Hood - Stove - w/Black Face - U.S.
**	046954-04-000	EA	Hood - Stove - w/Black Face - C.S.A.
**	052932-01-J30	EA	Hinge Kit - Cabinet Door - Antique Brass
**	041939-01-000	EA	Hinge Kit - Double Acting - Overhead Door
**	057898-01-000	EA	Latch - Hidden - Cabinet Door
**	057898-02-000	EA	Strike - Hidden Latch - Cabinet Door
**	054450-01-000	EA	Level - Refrigerator

** The illustrated parts breakdown for this item is provided on the Common Items Fiche.

1982 ITASCA TABLE OF CONTENTS

Introduction	A-1
Abbreviations	A-1
Alphabetical Index	A-2 - A-4
ICF22RB N2	A-5 - C-12
ICF26RH N2	C-13 - E-20
ICF26RB N2	E-21 - H-4
ICN27RB N2	H-5 - J-12
ICN29RT N2	J-13 - L-22

1982 ICN27RB N2 INDEX

Floor Plan	H-5 - H-6
Accessories Group	H-7 - H-9
Bath Group	H-10 - H-11
Chassis Group	H-12 - H-13
Curtain, Cushion & Pad Group	H-14 - H-21
Dinette Group	H-22 - H-24
Driver's Compartment Group	I-1 - I-4
Electrical Group	I-5 - I-7
Exterior Body Group	I-8 - I-12
Galley Group	I-12 - I-14
Heating & Air Conditioning Group	I-14 - I-15
Interior Finish Group	I-16 - I-17
LP Group	I-18
Lounge Group	I-19 - I-21
Water & Sewage Group	I-22
Window, Vent & Exterior Door Group	I-23 - J-12

HEATING AND AIR CONDITIONING GROUP

FURNACES AND ROOF AIR CONDITIONER

Key	Part Number	U/M	Description
**	069634-01-000	EA	Furnace - 34,000 BTU - w/Direct Ignition - NT-34L
**	069633-01-000	EA	Furnace - 24,000 BTU - w/Direct Ignition - NT-24M
**	009198-01-000	FT	Duct - Flexible - 4" I.D. x 25'
**	056464-01-000	EA	Register - 4" Dia. - Plastic - w/Damper
**	056464-02-000	EA	Register - 4" Dia. - Plastic - w/o Damper
**	009200-01-000	EA	Tape - Furnace - 1 1/2"
**	023146-01-000	EA	Clamp - Screw Type - 4"
**	069633-01-705	EA	Vent Package - Furnace - Suburban
**	069634-01-723	EA	Thermostat - Wall Mount - Suburban
**	049775-02-000	EA	Shroud Asm. - Ceiling - Inside - Roof Air Cool Only - 13,500 BTU - Coleman
**	049776-01-000	EA	Shroud Asm. - Ceiling - Inside - Roof Air Heat and Cool - 13,500 BTU - Coleman
**	063903-01-000	EA	Air Conditioner - 110 Volt - Roof Mount - 13,500 BTU Rotary

** The illustrated parts breakdown for this item is provided on the Common Items Fiche.

HEATING AND AIR CONDITIONING GROUP (CONTINUED)

AUTOMOTIVE HEATER AND AIR CONDITIONER

Key	Part Number	U/M	Description
	072341-01-700	EA	Wheel - w/Retainer & Index Clip - A.R.A.
	072341-01-701	EA	Core - Heater - A.R.A.
	072341-01-702	EA	Coil - Evaporator - A.R.A.
	072341-01-703	EA	Valve - Expansion - A.R.A.
	072341-01-704	EA	Valve - Suction - A.R.A.
	072341-01-705	EA	Switch - Pressure - Low Cut Out - A.R.A.
	072341-01-706	EA	Resistor - A.R.A.
	072341-01-707	EA	Thermostat - A.R.A.
	072341-01-708	EA	Motor - Vacuum - A.R.A.
	072341-01-709	EA	Relay - w/Tab - Bosh - A.R.A.
	072341-01-710	EA	Control Asm. - Heater A/C - A.R.A.
	072341-01-711	EA	Cable - Bowden - 72" - A.R.A.
	072341-01-712	EA	Switch - Vacuum - A.R.A.
	072341-01-713	EA	Switch - Jumper Control - A.R.A.
	072341-01-714	EA	Valve - Heater - Water Flow Control - A.R.A.
	072341-04-000	EA	Heater/Evaporator Asm. - A.R.A.
	072342-01-000	EA	Condensor Asm. - A.R.A.
	072343-01-000	EA	Compressor/Clutch - A.R.A.
	072344-01-000	EA	Package - Compressor Mount - 454 Chevy
	074026-01-000	EA	Package - Compressor Mount - 6.2 L Diesel
	039044-01-000	EA	Louver Asm. - A/C Adjustable
	047046-01-000	EA	Motor 12 Volt - 3 Speed - Heater - Air Conditioner
	031043-01-000	EA	Valve - Heater - Water Flow Control
	033860-02-000	EA	Cable - Control - Flexible - 45"
	031170-01-000	EA	Clamp - Cable - 3/16" Dia.
	024996-01-000	EA	Clutch - Magnetic - Compressor
	024999-01-000	EA	Compressor - Auto Air - 10.3 Cubic Inch
	071291-01-000	EA	Package - Compressor Mount 454 C.I.D.
	048801-01-000	EA	Condensor - Radiator Mount
	031959-01-000	EA	Heater - A/C Asm. - Auto
	008267-01-000	EA	Switch - Air Conditioner
	024867-01-000	EA	Valve - Thermostatic Expansion
	024997-01-000	EA	Core - Heater
	024998-01-000	EA	Wheel - Blower - 4.72" O.D.
	031393-01-000	EA	Coil - Evaporator
	031001-01-000	EA	Blower Housing
	031000-01-000	EA	Case Asm. - Automotive Heater
	031376-01-000	EA	Control Asm. - Heater - 3 Speed
	055279-01-000	EA	Control Asm. - Heater A/C - 3 Speed
	055280-01-000	EA	Switch - Fan - 3 Speed - Control Asm. - Heater & A/C
	007076-01-000	FT	Hose - Flexible PVC - 2" I.D.
	007108-01-000	FT	Hose - Heater - 5/8" I.D. SAE 20R3
	007281-01-000	FT	Hose - Flexible PVC - 2 1/2" I.D.
	062401-04-000	EA	Clamp - Worm Drive - .69" - 1.25" I.D.
	033258-01-000	EA	Hose - Refrigerant - .50" I.D. x 34.50"
	031960-01-000	EA	Hose - Refrigerant - .34" I.D. x 30"
	031961-02-000	EA	Hose - Refrigerant - .31" I.D. x 19"
	049401-01-000	EA	Heater Asm. - Rear - Auxiliary
	049401-01-700	EA	Valve - Water Control (Aux. Heater)
	049401-01-701	EA	Control Cable (Aux. Heater)
	049401-01-702	EA	Motor Asm. (Aux. Heater)
	049401-01-703	EA	Heater Core (Aux. Heater)
	049401-01-704	EA	Switch (Aux. Heater)
	058906-02-000	EA	Control Panel - Beige (Auxiliary Rear Heater)
	058906-01-000	EA	Control Panel - Brown (Auxiliary Rear Heater)
	024868-01-000	EA	Receiver - Dehydrator
	031044-01-000	EA	Clamp - Receiver Dehydrator
	031962-01-000	EA	Bracket - Receiver Dehydrator
	048232-02-000	EA	Kit - Auto Air - 454 C.I.D. - A-Body - Chevy
	024851-01-000	EA	Door Asm. - Defroster - A/C
	010227-01-000	EA	Tee - Plastic - Barb 5/8" or 3/4" Hose
	024855-01-000	EA	Duct Asm. - Fresh Air
	024849-01-000	EA	Damper Asm. - Fresh Air

INTERIOR FINISH GROUP

PANELING AND COUNTERTOP MATERIALS

Key	Part Number	U/M	Description
	068344-05-000	SF	Paneling - 159 Elm - 48" x 96" (32 SF)
	068344-01-000	SF	Paneling - Wall - Sumatra - 48" x 96" (32 SF)
	068343-08-000	SF	Paneling - Decor - Bali - 48" x 96" (32 SF)
	045963-01-000	SF	Paneling - 825 Buff - Ceiling - 48" x 94"
	069731-03-000	SF	Plastic Laminate - Light Oak - 48" x 96" (32 SF)
	069731-01-000	SF	Plastic Laminate - Palomino - 48" x 96" (32 SF)
	069731-03-019	EA	Plastic Laminate - Light Oak - 1.19" x 96"
	069731-01-019	EA	Plastic Laminate - Palomino - 1.19" x 96"

INTERIOR MOLDINGS AND TRIMS

Key	Part Number	U/M	Description
	024700-14-000	EA	Cover - Sidewall Roll Bar - Russet Oak
	024700-17-000	EA	Cover - Sidewall Roll Bar - Beige
	039512-06-000	EA	Cover - Hat Section - Ivory
	047488-01-000	EA	Cover - Corner - Hat/Hat
	047489-01-000	EA	Cover - Corner - Tube/Tube
	042430-01-000	EA	Molding - Shelf - Wood
	009812-08-000	FT	Molding - Outside Corner - .50"
	009767-05-000	FT	Welting - Light Brown
	009815-03-000	FT	T-Molding - .75" - Light Brown
	022992-03-000	FT	Molding - Reverse Cove - Sandalwood
	009778-01-000	FT	U-Channel - 1" - Dark Brown
	009779-03-000	FT	U-Channel - 1 1/8" - Light Brown
	017768-05-000	FT	U-Channel - 3/16" - Light Brown
	052859-01-M10	FT	Accent Trim - Acorn Brown Vinyl
	052859-01-N01	FT	Accent Trim - Medium Almond (Beige) Vinyl
	059352-01-000	FT	Insert - Vinyl - Style and Rail Door
	047354-01-000	EA	Batt Strip - Ceiling - 825 Buff - 8'
	058204-01-000	EA	Batt Strip - 159 Elm - 8'
	047354-04-000	EA	Batt Strip - Sumatra - 8'
	068345-02-000	EA	Batt Strip - Bali - 8'
	054382-01-000	FT	Extrusion - Plastic Trim - Rolled Door
	042356-01-000	EA	Plug - Button - Mahogany - 3/8" Diameter

FABRICS AND CARPET

Key	Part Number	U/M	Description
	069728-03-000	YD	Fabric - Drapery - Rust (N10)
	069728-04-000	YD	Fabric - Drapery - Burgundy (N11)
	068339-03-000	YD	Fabric - Drapery - Walnut/Golden Brown (N12)
	069727-10-000	YD	Fabric - Upholstery - Ginger/Rust (N10)
	069727-11-000	YD	Fabric - Upholstery - Mauve/Burgundy (N11)
	069727-12-000	YD	Fabric - Upholstery - Cocoa/Brown (N12)
	069728-05-000	YD	Curtain Sheers - Champagne (N10) (N11) (N12)
	053327-01-000	YD	Vinyl - Non Expanded - 27 oz. - Acorn Brown
	053327-02-000	YD	Vinyl - Expanded - 28 oz. - Acorn Brown
	053327-03-000	YD	Vinyl - Non Support - 16 Gauge Film - Acorn Brown
	070502-01-000	YD	Vinyl - Medium Almond (Beige)
	068340-06-000	SY	Carpet - Russet Red (N10)
	068340-05-000	SY	Carpet - Winesap (N11)
	059730-03-000	SY	Carpet - Special Fecan (N12)

MISCELLANEOUS PARTS

Key	Part Number	U/M	Description
	053552-01-M07	EA	Handle Asm. - Interior Assist - Acorn Brown Vinyl
	053552-01-N07	EA	Handle Asm. - Interior Assist - Medium Almond Vinyl
	041944-03-000	EA	Fire Extinguisher - w/Bracket - 5BC
	054185-14-000	EA	Owner's Manual - Itasca & Winnebago
	040089-01-000	EA	Door Mat - Black Rubber - 10 1/2" x 26"

1982 ITABCA TABLE OF CONTENTS

Introduction	A-1
Abbreviations	A-1
Alphabetical Index	A-2 - A-4
ICF22RB N2	A-5 - C-12
ICF26RH N2	C-13 - E-20
ICF26RB N2	E-21 - H-4
ICN27RB N2	H-5 - J-12
ICN29RT N2	J-13 - L-22

1982 ICN27RB N2 INDEX

Floor Plan	H-5 - H-8
Accessories Group	H-7 - H-9
Bath Group	H-10 - H-11
Chassis Group	H-12 - H-13
Curtain, Cushion & Pad Group	H-14 - H-21
Dinette Group	H-22 - H-24
Driver's Compartment Group	I-1 - I-4
Electrical Group	I-5 - I-7
Exterior Body Group	I-8 - I-12
Galley Group	I-13 - I-14
Heating & Air Conditioning Group	I-14 - I-15
Interior Finish Group	I-16 - I-17
LP Group	I-18
Lounge Group	I-19 - I-21
Water & Sewage Group	I-22
Window, Vent & Exterior Door Group	I-23 - J-12

INTERIOR FINISH GROUP (CONTINUED)

CURTAIN HARDWARE

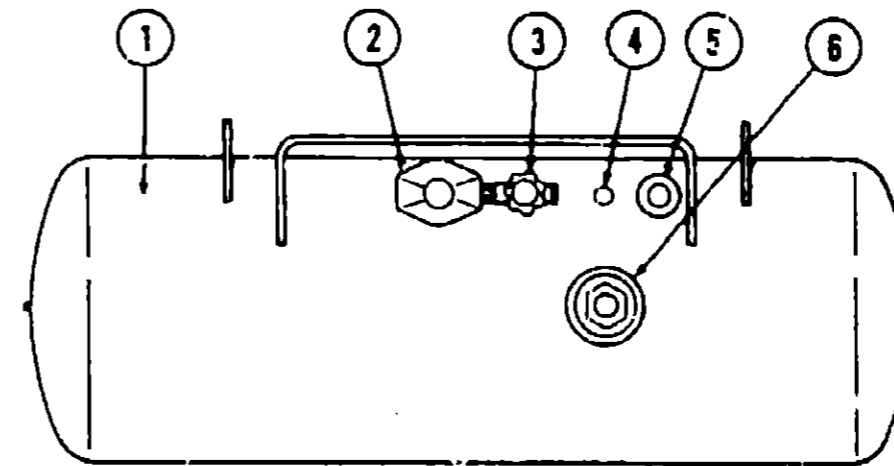
Key	Part Number	U/M	Description
	052327-04-236	EA	Track - Curtain - Brown Alum. - 89" w/Holes
	053272-04-200	EA	Track - Curtain - Off White Alum. - 89" w/Holes
	052327-05-009	EA	Track - Curtain - Beige Alum. - 76" w/Holes
	056116-01-000	FT	Track - Curtain - Brown Plastic
	059430-01-000	EA	Track - Curtain - Front Wraparound (2 per unit) - 32.8" x 45.2" - Brown
	059430-02-000	EA	Track - Curtain - Front Wraparound - 32.8" x 89.1" (w/Drivers Door) - Brown
	059430-03-000	EA	Track - Curtain - Front Wraparound (2 per unit) - 32.8" x 45.2" - Beige
	059430-04-000	EA	Track - Curtain - Front Wraparound - 32.8" x 89.1" (w/Drivers Door) - Beige
	056001-01-000	EA	Bracket - Shade - Left
	056002-01-000	EA	Bracket - Shade - Right
	056003-01-000	EA	Bracket - Drapery Retainer - Right
	056003-02-000	EA	Bracket - Drapery Retainer - Left
	009107-01-000	EA	Guide - Nylon Snap - Curtain
	018031-46-000	EA	Track - Curtain - "L" Rod - Alum. Extr. - 182"
	009701-01-000	EA	Carrier - "L" Rod - Curtain
	009702-01-000	EA	End Stop - "L" Rod - Curtain
	056784-01-000	EA	Pull - Window Shade - Antique Brass
	039175-01-000	EA	Curtain Rod - Ext. 48" - 84"
	039175-02-000	EA	Bracket - Curtain Rod
	056115-01-000	YD	Tape - Clear Plastic - w/Guides
	048394-01-000	YD	Tape - Hook - 1" x 25 YD - Beige
	048395-01-000	YD	Tape - Loop - 1" x 25 YD - Beige

CABINETRY AND TABLE HARDWARE

Key	Part Number	U/M	Description
	053200-05-000	EA	Bracket - Upper Wall Mount - Beige - 23.5"
**	053200-01-000	EA	Bracket - Upper Wall Mount - Brown - 23.5"
**	053201-03-000	EA	Bracket - Table Mount - 23"
**	024275-05-000	EA	Rod - Table Lift - 8" x 23.5" - Beige
**	024275-01-000	EA	Rod - Table Lift - 8" x 23.5" - Brown
**	024281-07-000	EA	Bracket - Lower Wall Mount - Beige - 22.12"
**	024281-03-000	EA	Bracket - Lower Wall Mount - Brown - 22.12"
**	024276-08-000	EA	Leg Asm. - Table - Beige - 29.5"
**	024276-04-000	EA	Leg Asm. - Table - Brown - 29.5"
**	024277-02-000	EA	Hinge - Table Leg - Brown
**	024282-01-000	EA	Brace - Table Leg
**	024283-01-000	EA	Clip - 1" O.D. Tube
**	049493-02-000	EA	Catch - Table Leg - Mounts on Floor - Brown
**	049493-03-000	EA	Catch - Table Leg - Mounts on Floor - Beige
**	057898-01-000	EA	Latch - Hidden - Cabinet Door
**	057898-02-000	EA	Strike - Hidden Latch - Cabinet Door
**	009112-01-000	EA	Flange - 1" - Chrome - Closet Rod
**	037688-01-000	FT	Rail - Drawer
**	047744-01-000	EA	Kit - Drawer Glide
**	057671-01-000	EA	Screw Cover - #8 - Off White
**	072369-01-000	EA	Mesh - Grill - Brass - 14.5" x 10.1"
**	066433-01-000	EA	Hook - Screw Back - Bright Finish
**	009040-02-000	EA	Leg - Pedestal Table - 27.5" x 2.25" O.D. - Chrome
**	009040-03-000	EA	Base - Table Leg - Mounts on Table
**	041194-01-000	EA	Base - Table Leg - Mounts in Floor
**	062046-01-000	EA	Clip - Leg Pedestal
**	058034-02-000	EA	Latch - Bathroom Door w/o Lock
**	009050-01-000	EA	Warp Guard - 64"
**	009051-01-000	EA	Warp Guard - 48"
**	009021-01-000	EA	Catch - Nylon - Furnace Door
**	009021-02-000	EA	Strike - Nylon Catch - Furnace Door
**	052932-01-J30	EA	Hinge Kit - Cabinet Door - Antique Brass
**	041939-01-000	EA	Hinge Kit - Double Acting - Overhead Door

The illustrated parts breakdown for this item is provided on the Common Items Fiche.

LP GROUP



Key	Part Number	U/M	Description
	063378-01-000	EA	Tank Asm. - LP - Frame Mount - 80 Pound - 13" x 44"
	066175-01-000	EA	Tank Asm. - LP - Frame Mount - 168 Pound - 16" x 60"
*	065741-01-000	EA	Detector - LP Gas Leak - Marshalltown Instruments
	058706-01-000	EA	Cover - Regulator - 2 Stage
*	058705-01-000	EA	Regulator - Two Stage - LP Gas
	040421-01-703	EA	Valve - Vapor Relief
	040421-01-700	EA	Gauge - Liquid Level - 20% LP
	040421-01-701	EA	Valve - Filler - LP
*	040421-01-702	EA	Cap - Plastic Fill Valve
	040421-01-707	EA	Gauge - Float - w/Visible Dial - 60 Pound Tank
*	040421-01-705	EA	Dial - Visible Face - Float Gauge (Tank w/o Electric Transmitter)
*	040440-01-000	EA	Dial - Transmitter - 0 - 90 Ohm (Float Gauge)
*	045703-01-000	EA	Hose Asm. - LP - 3/8" I.D. x 24" - US
*	045703-02-000	EA	Hose Asm. - LP - 3/8" I.D. x 24" - CSA
*	045703-03-000	EA	Hose Asm. - LP - 3/8" I.D. x 14" - US
*	045703-04-000	EA	Hose Asm. - LP - 3/8" I.D. x 14" - CSA
*	047737-02-000	EA	Support - LP Tank - 89.25"
*	047737-03-000	EA	Support - LP Tank - 30.50"
*	053112-02-000	EA	Bracket - LP Support
*			Not illustrated

WINN AIR WITH LANDI-HARTOG (A-BODY)

Key	Part Number	U/M	Description
	065279-01-000	EA	Relief Valve - Hydrostatic - Sherwood
	065287-02-000	EA	Valve - Gasoline Shut-Off
	065820-02-000	EA	Hose Asm. - High Pressure - 36"
	065820-03-000	EA	Hose Asm. - High Pressure - 71"
	065820-04-000	EA	Hose Asm. - High Pressure - 25"
	067290-01-001	EA	Hose - Vapor 5/8" x 51"
	068050-07-000	EA	LP Mixer (350 engine)
	068050-12-000	EA	LP Mixer (454 engine)
	068197-01-000	EA	Instrument Asm. - LP
	068144-01-000	EA	Bracket - Angle - Converter
	068142-01-000	EA	Tube Asm. - Converter - Copper w/Flare Nuts - 5/16" x 270° Bend
	065802-01-000	EA	Gauge - LP Level w/Hardware
	068050-05-000	EA	Switch - LP/Gas Changeover
	068050-01-000	EA	Converter - LP
	068050-02-000	EA	LP Lock Off
	068050-03-000	EA	Switch - LP - Vacuum Safety

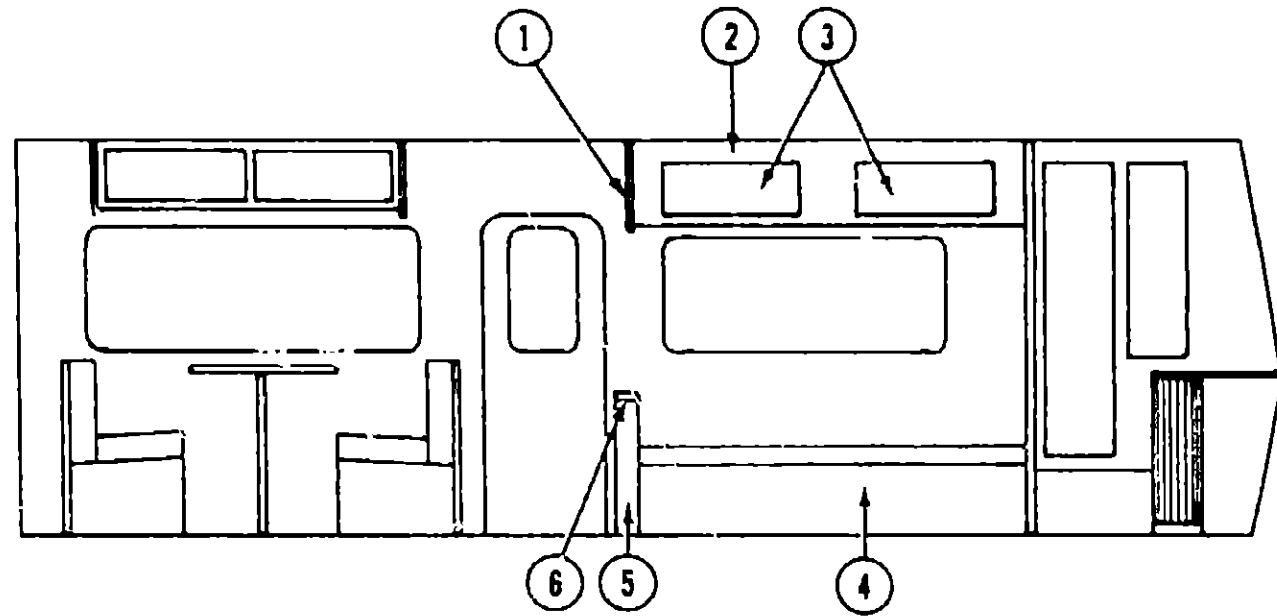
1982 ITASCA TABLE OF CONTENTS

Introduction	A-1
Abbreviations	A-1
Alphabetical Index	A-2 - A-4
ICF22RB N2	A-5 - C-12
ICF26RH N2	C-13 - E-20
ICF26RB N2	E-21 - H-4
ICN27RB N2	H-5 - J-12
ICN29RT N2	J-13 - L-22

1982 ICN27RB N2 INDEX

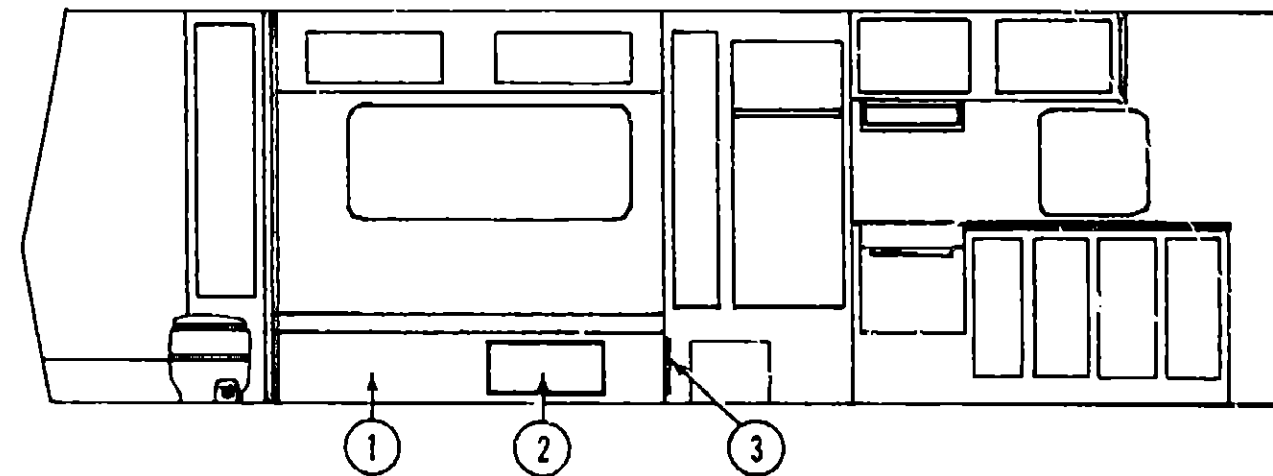
Floor Plan	H-5 - H-6
Accessories Group	H-7 - H-9
Bath Group	H-10 - H-11
Chassis Group	H-12 - H-13
Curtain, Cushion & Pad Group	H-14 - H-21
Dinette Group	H-22 - H-24
Driver's Compartment Group	I-1 - I-4
Electrical Group	I-5 - I-7
Exterior Body Group	I-8 - I-12
Galley Group	I-13 - I-14
Heating & Air Conditioning Group	I-14 - I-15
Interior Finish Group	I-16 - I-17
LP Group	I-18
Lounge Group	I-19 - I-21
Water & Sewage Group	I-22
Window, Vent & Exterior Door Group	I-23 - J-12

LOUNGE GROUP



TWIN BED AND OVERHEAD CABINERY

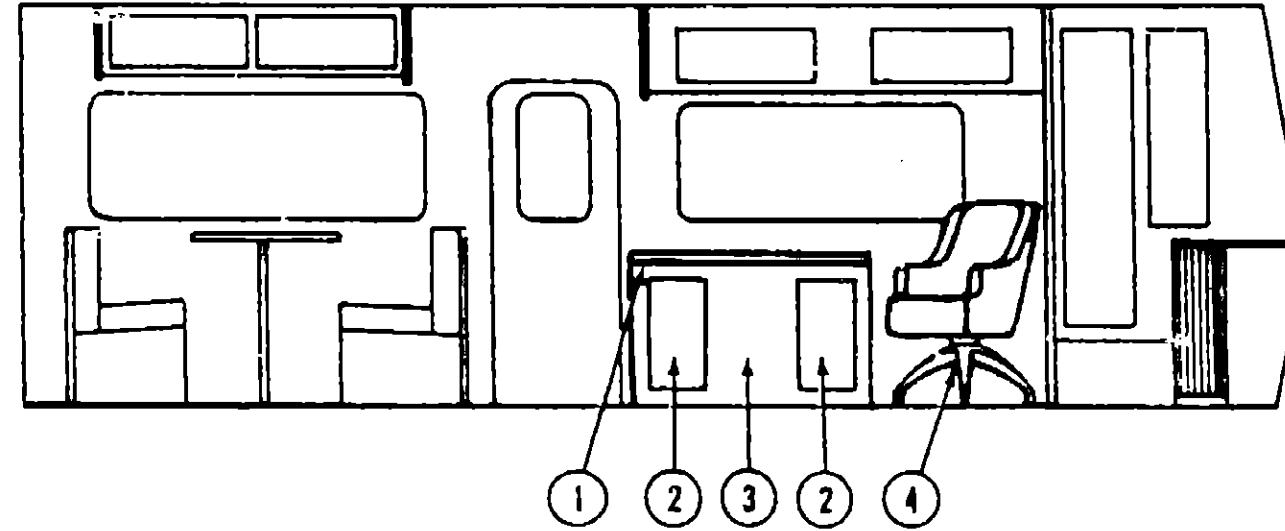
Key	Part Number	U/M	Description
1	071846-06-N07	EA	Pad Asm. - End Cap - Lounge Overhead - Left - Beige Vinyl
2	069831-02-N07	EA	Cabinet Asm. - Lounge Overhead - w/o Doors or Hardware - Right
*	069831-01-N07	EA	Cabinet Asm. - Lounge Overhead - w/o Doors or Hardware - Left
3	069852-05-N07	EA	Door Asm. - Lounge Overhead - 28.1" x 11.4" - w/o Hardware
4	069827-01-N07	EA	Cabinet Asm. - Twin Bed - Right
*	M69825-01-N07	EA	Cabinet Asm. - Twin Bed - w/o Door or Hardware - Left
*	069852-23-N07	EA	Door Asm. - Twin Bed Cabinet - 11.1" x 14.6" - w/o Hardware
5	069839-01-N07	EA	Cabinet Asm. - Armrest - w/o Countertop
6	M00755-01-N07	EA	Countertop Asm. - Armrest - Palomino (N10) (N11) (N12)
*			Not illustrated



DOUBLE BED (OPTION)

Key	Part Number	U/M	Description
1	M69884-01-N07	EA	Cabinet Asm. - Double Bed w/o Doors or Hardware
2	069852-13-000	EA	Door Asm. - Double Bed Cabinet - 30.6" x 11.1" - w/o Hardware
3	069852-23-000	EA	Door Asm. - Double Bed Cabinet - 11.1" x 14.6" - w/o Hardware

LOUNGE GROUP (CONTINUED)



SWIVEL CHAIR W/VANITY (OPTION)

Key	Part Number	U/M	Description
1	M00676-01-N07	EA	Countertop Asm. - Vanity Cabinet - Palomino (N10) (N11) (N12)
2	069852-28-N07	EA	Door Asm. - Vanity Cabinet - 24" x 11.7" - w/o Hardware
3	M71675-01-N07	EA	Cabinet Asm. - Vanity w/o Doors, Drawers or Hardware
*	067195-01-000	EA	Drawer - Plastic - 10.5" x 17.5" x 5"
4	035036-02-000	EA	Base w/Legs - Swivel Chair
*	035036-01-000	EA	Plate - Tilt and Swivel - Swivel Chair
*			Not illustrated

SIDE OVERHEAD BUNK CABINERY (OPTION)

Key	Part Number	U/M	Description
	M69841-01-N07	EA	Cabinet Asm. - Bunk Overhead - Left
	M69841-02-N07	EA	Cabinet Asm. - Bunk Overhead w/Strap - Right
	071847-03-N07	EA	Pad Asm. - End Cap - Rear Bunk Cabinet - Left - Beige Vinyl
	069852-06-N07	EA	Door Asm. - Bunk Overhead - 21.9" x 10.9" - w/o Hardware
	023812-04-000	EA	Rail - Bunk - 75" - Brown
	061604-01-000	EA	Slide Bolt - Antique Brass

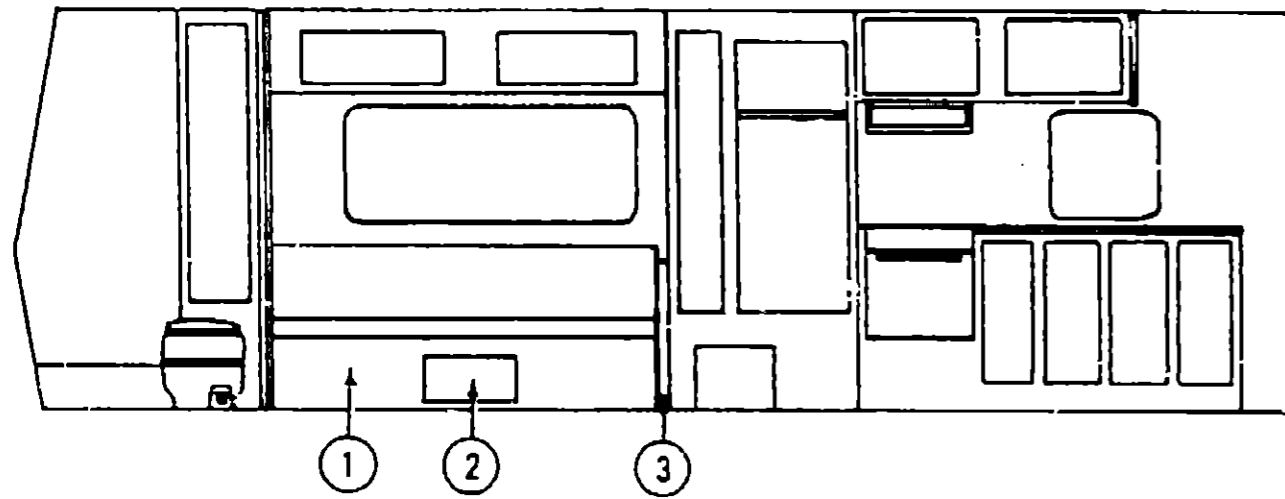
1982 ITASCA TABLE OF CONTENTS

Introduction	A-1
Abbreviations	A-1
Alphabetical Index	A-2 - A-4
ICF22RB N2	A-5 - C-12
ICF26RH N2	C-13 - E-20
ICF26RB N2	E-21 - H-4
ICN27RB N2	H-5 - J-12
ICN29RT N2	J-13 - L-22

1982 ICN27RB N2 INDEX

Floor Plan	H-5 - H-6
Accessories Group	H-7 - H-9
Bath Group	H-10 - H-11
Chassis Group	H-12 - H-13
Curtain, Cushion & Pad Group	H-14 - H-21
Dinette Group	H-22 - H-24
Driver's Compartment Group	I-1 - I-4
Electrical Group	I-5 - I-7
Exterior Body Group	I-8 - I-12
Galley Group	I-13 - I-14
Heating & Air Conditioning Group	I-14 - I-15
Interior Finish Group	I-16 - I-17
LP Group	I-18
Lounge Group	I-19 - I-21
Water & Sewage Group	I-22
Window, Vent & Exterior Door Group	I-23 - J-12

LOUNGE GROUP (CONTINUED)



SPRUNG COUCH (OPTION)

Key	Part Number	U/M	Description
1	M71641-01-N07	EA	Panel Asm. - Couch Face w/o Door or Hardware
2	069852-23-N07	EA	Door Asm. - Couch Cabinet - 11.1" x 14.6" - w/o Hardware
3	071642-01-N07	EA	End Panel - Sprung Couch - Right
*	057468-02-000	EA	Frame Asm. - Sprung Couch - Right
*	057468-03-000	EA	Frame Asm. - Sprung Couch - Left
*	057468-04-000	EA	Frame Rail - Sprung Couch (2 per couch)
*	057469-01-000	EA	Leg Asm. - Sprung Couch (2 per couch)
*			Not illustrated

WATER AND SEWAGE GROUP

PLUMBING AND REPAIR PARTS

Key	Part Number	U/M	Description
	045729-01-000	EA	Pump - Water - 2.8 G.P.M. - Direct Drive - Snurflo - US
	045729-02-000	EA	Pump - Water - 2.8 G.P.M. - Direct Drive - Snurflo - CSA
	039647-02-000	EA	Filter - Water Pump - 1/2" MPT
	039647-03-000	EA	Filter - Water Pump - 1/2" Flare
	052959-03-000	EA	Connector - 1/2 F x 3/8 MPT - Plastic
	052960-01-000	EA	Drain Valve - 1/2 F x 1/2 F - Plastic
	052961-01-000	EA	Header - 1/2 F x 1/2 F x 1/2 F x 1/2 F
**	046524-02-000	EA	Kit - Water Tank Fittings - Blank Tank
**	046524-01-000	EA	Kit - Holding Tank Fittings - Blank Tank
**	010079-01-000	EA	Tee - Plastic - 1 1/2 H x 1 1/2 H x 1 1/4 H
**	010121-01-000	EA	Bushing - Plastic - 1 1/2 S x 1 1/4 H
**	010133-01-000	EA	Trap Adaptor - Plastic - 1 1/2 H x MPT
**	010134-01-000	EA	Adapter - Plastic - 1 1/2 M x MPT
**	010201-01-000	EA	Sewer Hose - 3" x 8' w/Clamp
**	050780-01-000	EA	Coupler Rubber - 3" x 3"
	062415-01-000	EA	Cap - Sewer - 3"
	062416-01-000	EA	Hose Adapter - 3"
	062417-01-000	EA	Adapter - Termination - 3"
	062418-02-000	EA	Valve - 3" - w/o Handle
	062419-02-000	EA	Handle - Extension - w/6" Adapter
	062421-01-000	EA	Valve - 1 1/2" - w/Handle
**	011066-01-000	EA	P-Trap - 1 1/4" - Plastic
**	011091-01-000	EA	Waste - Continuous - Double Sink - 11 7/8"
	061607-01-000	EA	Grommet - Holding Tank Coupler - 1 1/2"
	061607-02-000	EA	Grommet - Holding Tank Coupler - 3"
	031126-01-000	EA	Elbow - 1/4 BD 3" x 90°
	031020-01-000	QT	Adhesive - ABS Cement
	037845-01-000	FT	Tape - Butyl - 3/16" - Bead - Black
	062422-01-000	EA	Adapter - Hose Offset - Reducer - 3" x 1 1/2"
	062627-01-000	EA	Valve - Dual - Offset - 3" x 1 1/2"
	063641-01-000	EA	Flange - Closet - 4" x 3" Spigot
	010224-01-000	EA	Adapter - Plastic - 3/8 MPT x 3/8 Barb
	007108-01-000	EA	Hose - Heater - 5/8"
	010194-01-000	FT	Pipe - Black - Plastic - 1.25" - ABS
	010195-01-000	FT	Pipe - Black - Plastic - 1.5" - ABS
	010197-01-000	FT	Pipe - Black - Plastic - 3" - ABS
**	039818-01-000	EA	Riser Asm. - 3/8" O.D. x 24" Tube
**	039818-04-000	EA	Riser Asm. - 3/8" O.D. x 72" Tube
**	039818-05-000	EA	Riser Asm. - 3/8" O.D. x 48" Tube
	071292-01-000	EA	Regulator - Water Pressure
**			The illustrated parts breakdown for this item is provided on the Common Items Fiche.

HOLDING TANKS AND WATER HEATERS

Key	Part Number	U/M	Description
	067333-02-000	EA	Tank Asm. - Water - 52 Gallon - w/Fittings
	057333-01-000	EA	Tank Asm. - Water - 52 Gallon - w/o Fittings
	064997-03-000	EA	Tank Asm. - Holding - 20 Gallon - w/Fittings
	064997-01-000	EA	Tank Asm. - Holding - 20 Gallon - w/o Fittings
*	064998-03-000	EA	Tank Asm. - Holding - 33 Gallon - w/Fittings
*	064998-05-000	EA	Tank Asm. - Holding - 33 Gallon - w/Fittings
*	064998-01-000	EA	Tank Asm. - Holding - 33 Gallon - w/o Fittings
**	051391-01-000	EA	Water Heater - w/o Motor Aid - G6A3
**	051393-01-000	EA	Water Heater - w/Motor Aid - GH6-3E
*			Check location of 3" Intake hole on tank.
**			The illustrated parts breakdown for this item is provided on the Common Items Fiche.

1982 ITASCA TABLE OF CONTENTS

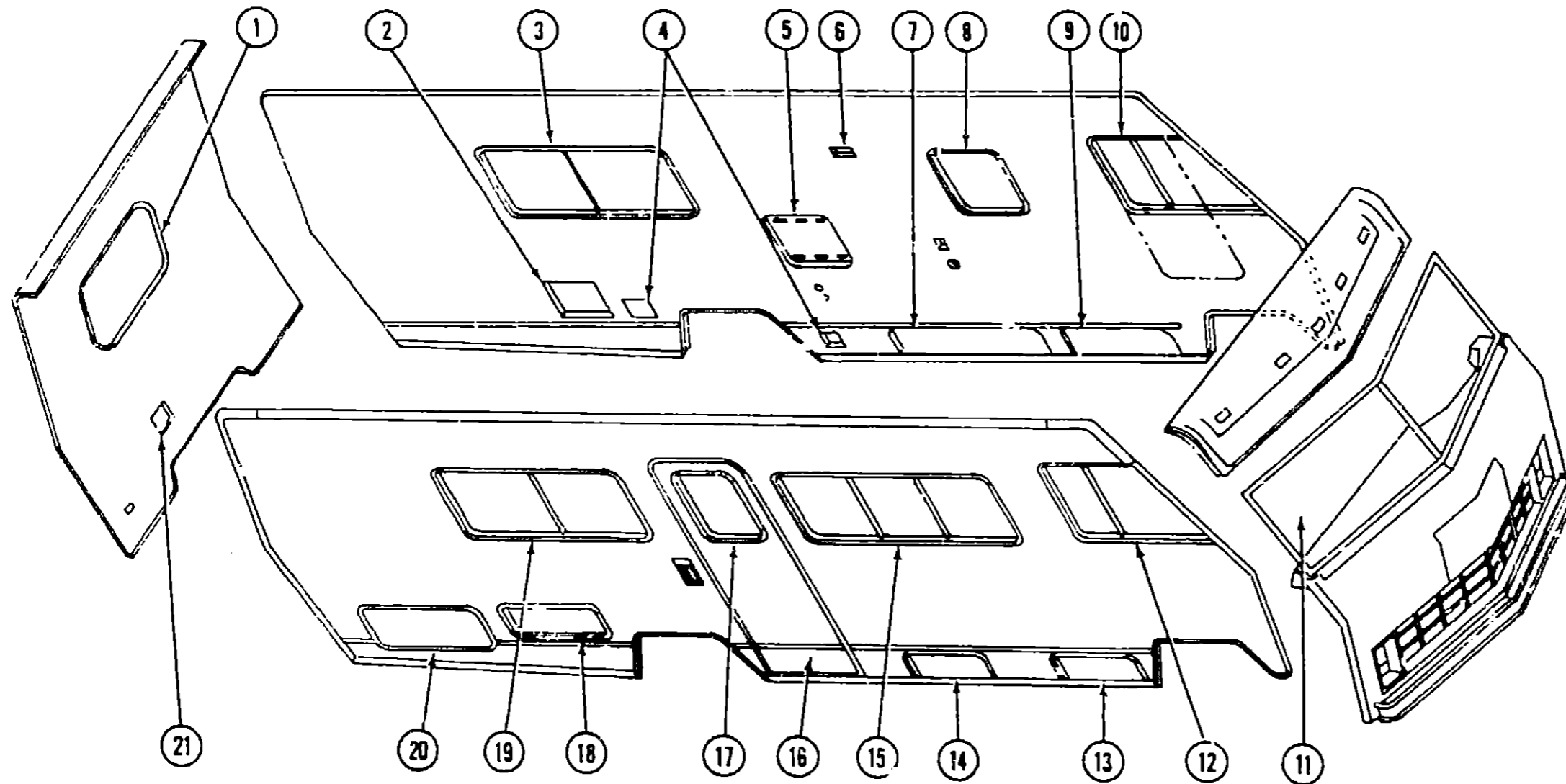
Introduction	A-1
Abbreviations	A-1
Alphabetical Index	A-2 - A-4
ICF22RB N2	A-5 - C-12
ICF26RH N2	C-13 - E-20
ICF26RB N2	E-21 - H-4
ICN27RB N2	H-5 - J-12
ICN29RT N2	J-13 - L-22

1982 ICN27RB N2 INDEX

Floor Plan	H-5 - H-6
Accessories Group	H-7 - H-9
Bath Group	H-10 - H-11
Chassis Group	H-12 - H-13
Curtain, Cushion & Pad Group	H-14 - H-21
Dinette Group	H-22 - H-24
Driver's Compartment Group	I-1 - I-4
Electrical Group	I-5 - I-7
Exterior Body Group	I-8 - I-12
Galley Group	I-13 - I-14
Heating & Air Conditioning Group	I-14 - I-15
Interior Finish Group	I-16 - I-17
LP Group	I-18
Lounge Group	I-19 - I-21
Water & Sewage Group	I-22
Window, Vent & Exterior Door Group	I-23 - J-12

WINDOW, VENT AND EXTERIOR DOOR GROUP

WINDOWS AND ACCESS DOORS



Key	Part Number	U/M	Description
1	020751-03-000	EA	Window Asm. - Rear Escape - 23" x 29" - Black Anod.
2	052009-03-000	EA	Door Asm. - Water Heater - Gray
3	048631-28-000	EA	Window Asm. - Left Single Slider - 23" x 56" - Black
4	NOTE	EA	Door Asm. - Power Cord (See Access: Doors)
5	069762-06-000	EA	Door Asm. - Refrigerator Access - Gray w/Twist Lock
6	049352-03-000	EA	Vent - Stovehood - Outside - Gray
7	033333-29-000	EA	Door Asm. - Luggage - 48" x 9" - Gray w/Key Lock
7	033333-41-000	EA	Door Asm. - Dual Fuel - 48" x 9" - Gray w/Twist Lock
8	055651-01-000	EA	Window Asm. - Picture 20 3/4" x 20 3/4" - Black
9	033333-46-000	EA	Door Asm. - Spare Tire Compartment - 34.5" x 9" - Gray w/Key Lock
10	059046-02-000	EA	Window Asm. - Left Front Slant Slider - 23" x 39" - Black Anod.
.			Not illustrated

Key	Part Number	U/M	Description
11	057459-01-000	EA	Glass - Windshield - Flat
12	059046-01-000	EA	Window Asm. - Right Front Slant Slider - 23" x 39" - Black Anod.
13	033333-33-000	EA	Door Asm. - Battery - 25.3" x 9" - Gray w/Key Lock
14	033333-31-000	EA	Door Asm. - Access - 25.3" x 9" - Gray w/Twist Lock
15	066785-03-000	EA	Window Asm. - Single Slider - 25" x 65" - Black Anod.
16	M71136-02-000	EA	Door Asm. - Radius Entry w/Screen Door
17	041875-09-000	EA	Window Asm. - Picture - 17" x 25" - Black Anod.
18	059727-03-000	EA	Door Asm. - Storage - Insulated - 29.9" x 10.36" - Gray w/Key Lock
19	048631-27-000	EA	Window Asm. - Right Single Slider - 23" x 56" - Black
20	047233-03-000	EA	Door Asm. - Luggage - 35.5" x 13" - Gray w/Key Lock
20	M07685-09-000	EA	Door Asm. - Generator - Gray w/Twist Lock
21	NOTE	EA	Door Asm. - Fuel Fill (See Access: Doors)

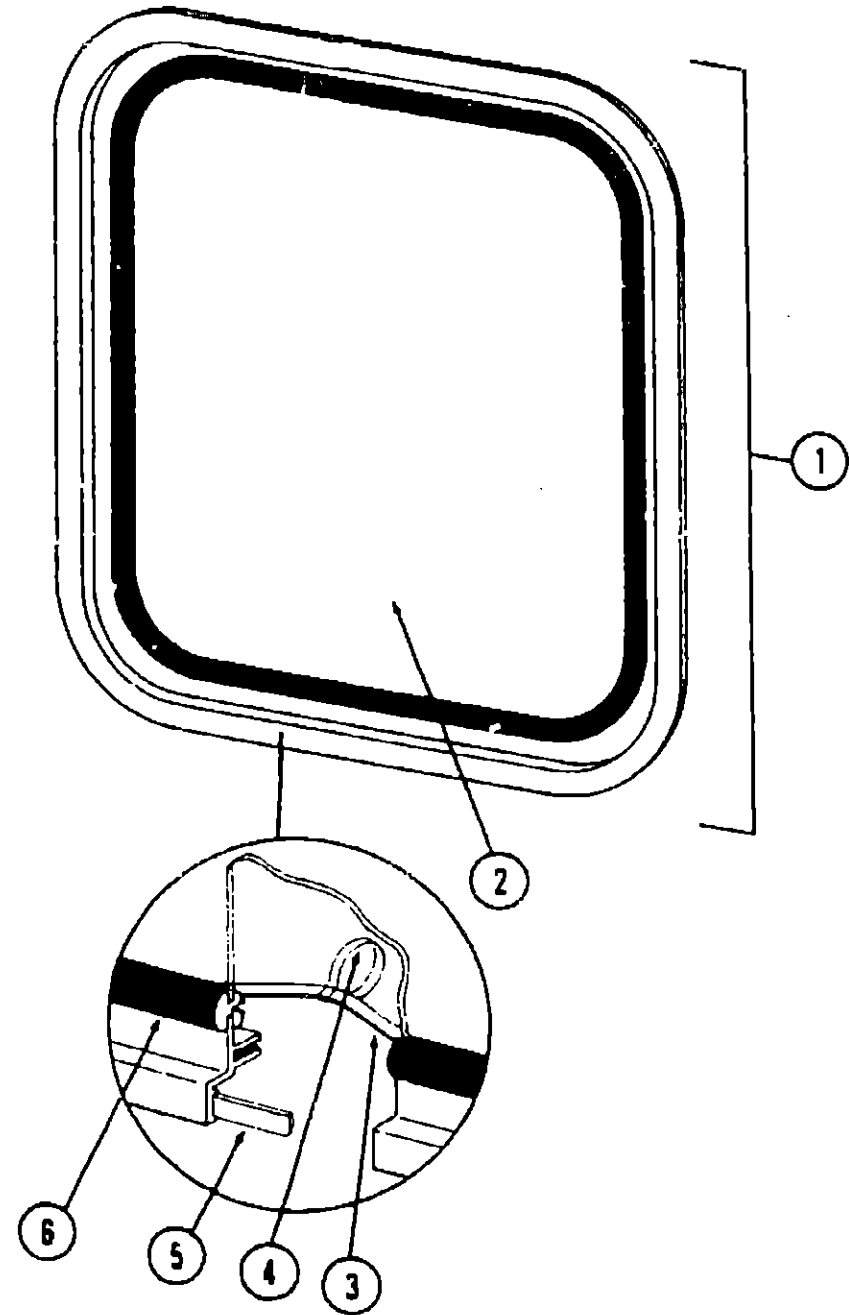
1982 ITASCA TABLE OF CONTENTS

Introduction	A-1
Abbreviations	A-1
Alphabetical Index	A-2 - A-4
ICF22RB N2	A-5 - C-12
ICF26RH N2	C-13 - E-20
ICF25RB N2	E-21 - H-4
ICN27RB N2	H-5 - J-12
ICN29RT N2	J-13 - L-22

1982 ICN27RB N2 INDEX

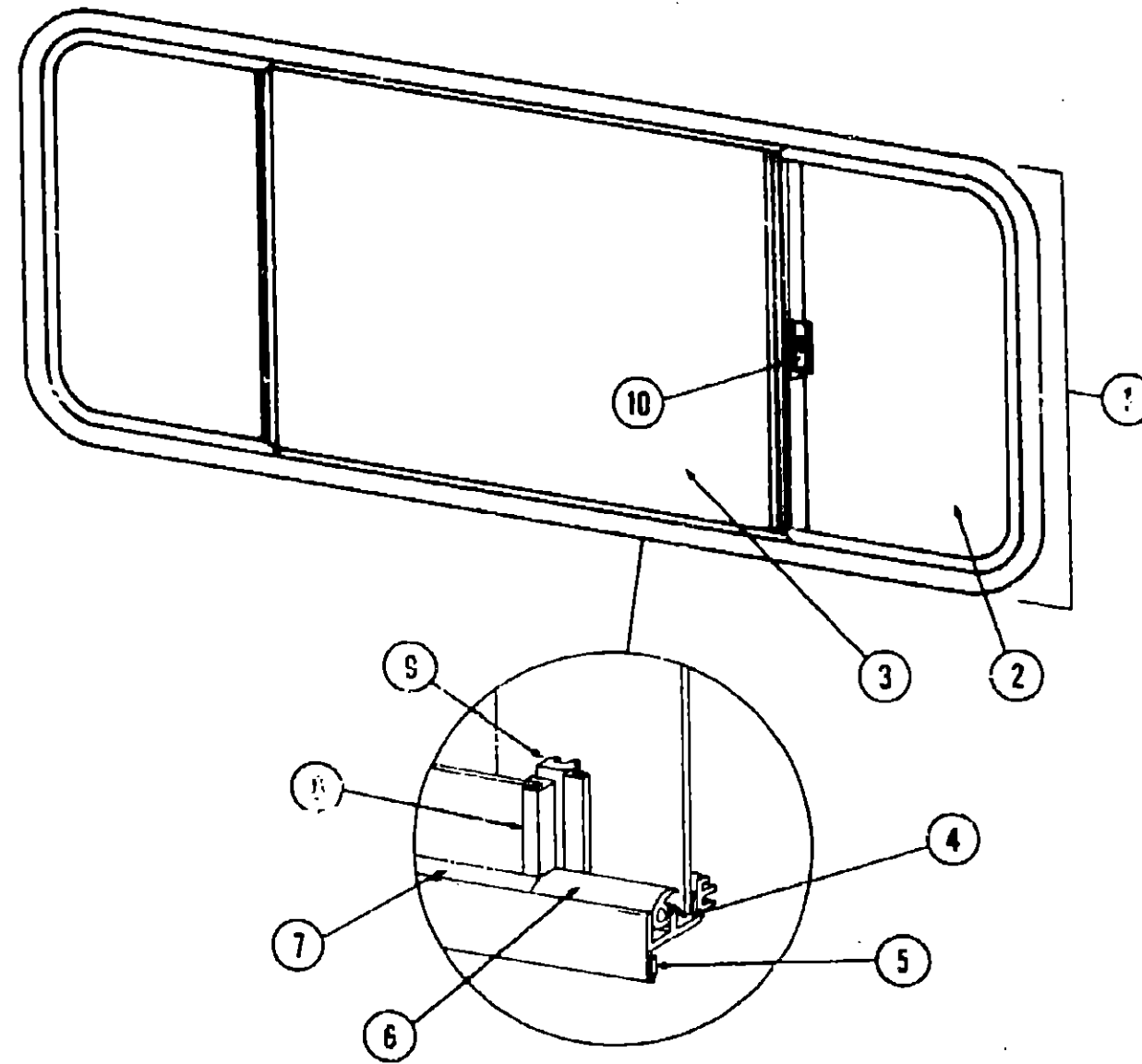
Floor Plan	H-5 - H-6
Accessories Group	H-7 - H-9
Bath Group	H-10 - H-11
Chassis Group	I-12 - H-13
Curtain, Cushion & Pad Group	H-14 - H-21
Dinette Group	H-22 - H-24
Driver's Compartment Group	I-1 - I-4
Electrical Group	I-5 - I-7
Exterior Body Group	I-8 - I-12
Galley Group	I-13 - I-14
Heating & Air Conditioning Group	I-14 - I-15
Interior Finish Group	I-16 - I-17
LP Group	I-18
Lounge Group	I-19 - I-21
Water & Sewage Group	I-22
Window, Vent & Exterior Door Group	I-23 - J-12

WINDOW, VENT AND EXTERIOR DOOR GROUP (CONTINUED)



Key	Part Number	U/M	Description
1	020751-03-000	EA	Window Asm. - Rect Escape - 23" x 29" - Black Anod. (w/o inside frame)
2	002174-01-000	EA	Glass - 1/8" x 19.6" x 25.9"
3	002285-01-000	FT	Filler - Weatherstrip - Black
4	020395-01-000	EA	Pull Ring - Escape Window
5	069640-01-000	FT	Tape - 1/4" Bead x 20' - Gray - 3M
6	002282-01-000	FT	Weatherstrip - .125" Window
	020749-03-000	EA	Frame - Inside - Escape Window - 23" x 29" Brown (not included in assembly)
	020749-05-000	EA	Frame - Inside - Escape Window - 23" x 29" Beige (not included in assembly)
	006199-01-000	EA	Label - Exit - Escape Window
			Not illustrated

WINDOW, VENT AND EXTERIOR DOOR GROUP (CONTINUED)



Key	Part Number	U/M	Description
1	066785-03-000	EA	Window Asm. - Single Slider - 25" x 65" - Black Anod. (w/o inside frame)
	042133-09-000	EA	Inside Frame - Brown (not included in assembly)
	067609-06-000	EA	Inside Frame - Beige (not included in assembly)
2	066726-02-000	EA	Glass - Stationary - 1/8" x 21.3" x 24"
3	066727-02-000	EA	Glass - Sliding - 1/8" x 12" x 24"
4	002324-02-000	FT	Channel - Weatherstrip - Glass
5	069640-01-000	FT	Tape - 1/4" Bead x 20' - Gray - 3M
6	057374-02-000	FT	Extr. Vinyl - Window Seal - Black
7	002309-02-000	FT	Spline - Glass - 1/8" Material - Black
8	002390-03-000	EA	Extr. - Holder - Glass Seal - 23.19" - Black
9	041894-04-000	EA	Mullion - Slider Window - 25" - Black
10	047369-01-700	EA	Latch - Window - Plastic - w/Fastener
	002293-01-000	SF	Screen - Window - 26" - Gray
	002298-01-000	FT	Spline - .130" Dia. - Gray (Screen)
	042076-01-000	FT	Seal - Fin - Pile .34"
			Not illustrated

1982 ITASCA
TABLE OF CONTENTS

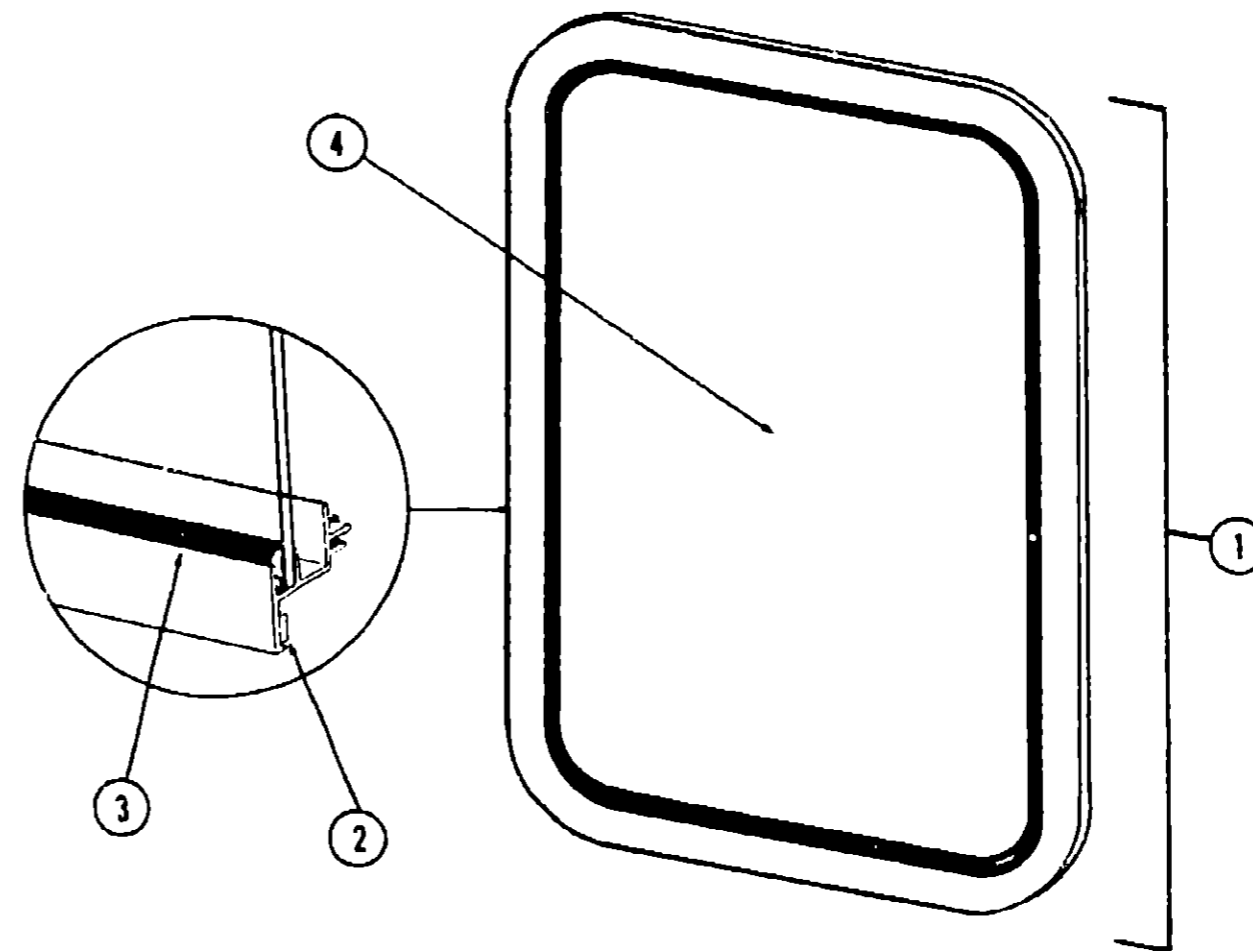
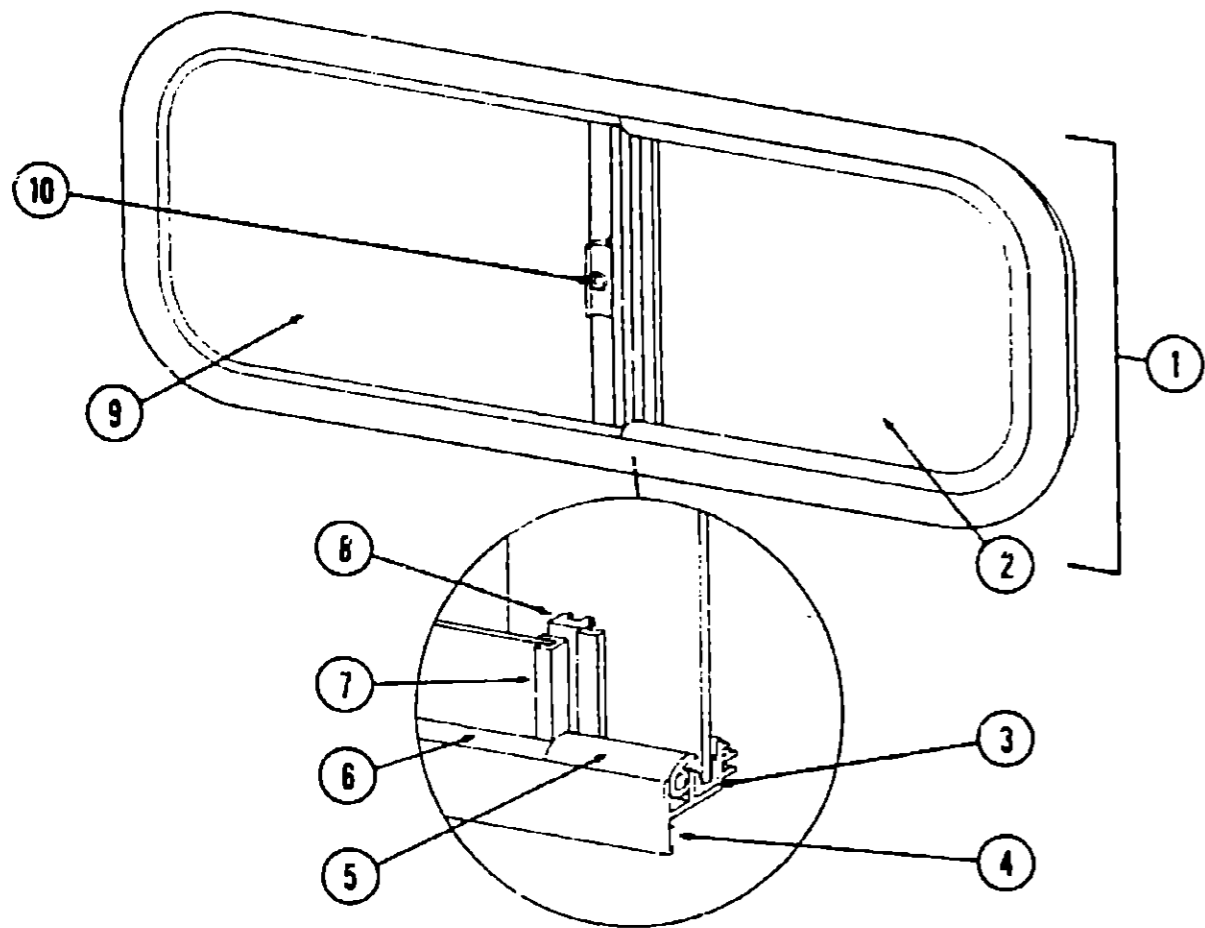
Introduction	A-1
Abbreviations	A-1
Alphabetical Index	A-2 - A-4
ICF22RB N2	A-5 - C-12
ICF26RH N2	C-13 - E-20
ICF26RB N2	E-21 - H-4
ICN27RB N2	H-5 - J-12
ICN29RT N2	J-13 - L-22

1982 ICN27RB N2 INDEX

Floor Plan	H-5 - H-8
Accessories Group	H-7 - H-9
Bath Group	H-10 - H-11
Chassis Group	H-12 - H-13
Curtain, Cushion & Pad Group	H-14 - H-21
Dinette Group	H-22 - H-24
Driver's Compartment Group	I-1 - I-4
Electrical Group	I-5 - I-7
Exterior Body Group	I-8 - I-12
Galley Group	I-13 - I-14
Heating & Air Conditioning Group	I-14 - I-15
Interior Finish Group	I-16 - I-17
LP Group	I-18
Lounge Group	I-19 - I-21
Water & Sewage Group	I-22
Window, Vent & Exterior Door Group	I-23 - J-12

WINDOW, VENT AND EXTERIOR DOOR GROUP (CONTINUED)

WINDOW, VENT AND EXTERIOR DOOR GROUP (CONTINUED)



Key	Part Number	U/M	Description
1	048631-27-000	EA	Window Asm. - Right Single Slider - 23" x 56" - Black (w/o inside frame)
1	048631-28-000	EA	Window Asm. - Left Single Slider - 23" x 56" - Black (w/o inside frame)
2	052593-02-000	EA	Glass - Sliding - 1/8" x 22" x 27 1/4" - Gray
3	002324-02-000	FT	Channel - Weatherstrip - Glass Run - 1/8" Glass
4	069640-01-000	FT	Tape - 1/4" Bead x 20' - Gray - 3M
5	057374-02-000	FT	Seal - Window Channel - Black
6	002309-02-000	FT	Spline - Glass - 1/8" - Black
7	018025-03-000	EA	Holder - Glass Seal
	002288-01-000	FT	Weatherstrip - Glass Seal - .30 Pile
8	041894-02-000	EA	Mullion - Black Anod.
	042076-01-000	FT	Weatherstrip - Mullion - .34 Pile
9	052595-02-000	EA	Glass - Stationary - 1/8" x 22" - 29.58" - Gray
10	047369-01-700	EA	Latch - Window - Plastic w/Fastener
	023320-01-000	EA	Foam Pad - 3/8" Dia. (use w/plastic latch)
	042133-07-000	EA	Inside Frame - Single Slider - Right or Left - 23" x 56" - Brown
	067663-05-000	EA	Inside Frame - Single Slider - Right or Left - 23" x 56" - Beige
	023713-02-000	EA	Weephole Cover - Black Plastic
	002293-01-000	SF	Screen - Window - 26" - Gray
	002298-01-000	FT	Spline - Screen - .13" Dia. - Gray
			Not illustrated

Key	Part Number	U/M	Description
1	056651-01-000	EA	Window Asm. - Picture 20 3/4" x 20 3/4" - Black (w/o inside frame)
2	069640-01-000	FT	Tape - 1/4" Bead x 20' - Gray - 3M
3	002309-02-000	FT	Spline - Glass - 1/8" - Black
4	002181-03-000	EA	Glass - .115" x 20.62" x 20.62" - Gray
	056650-01-000	EA	Frame - Inside - Window - Brown (not included in assembly)
	067609-11-000	EA	Frame - Inside - Window - Beige (not included in assembly)
			Not illustrated

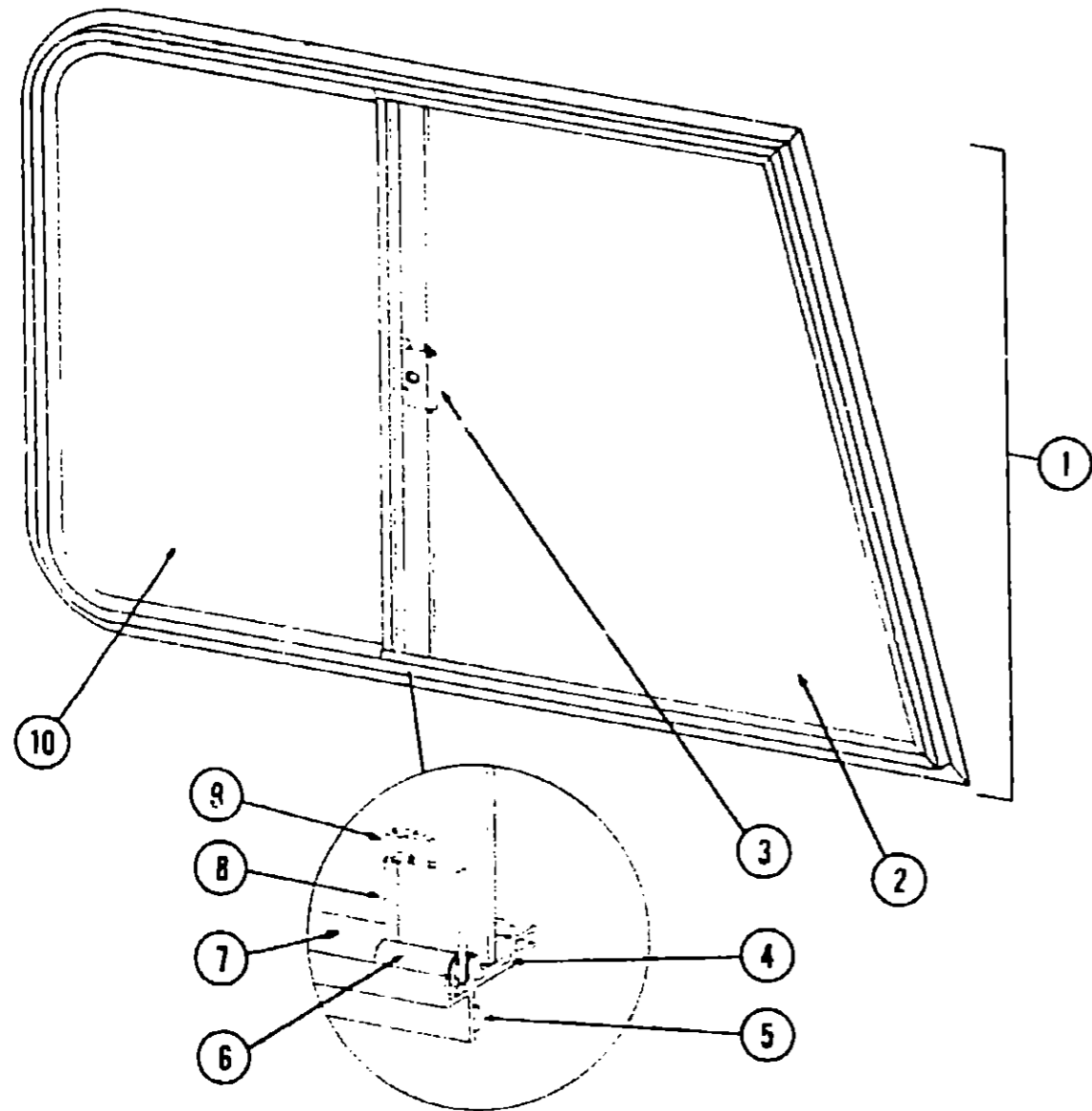
1982 ITASCA
TABLE OF CONTENTS

Introduction	A-1
Abbreviations	A-1
Alphabetical Index	A-2 - A-4
ICF22RB N2	A-5 - C-12
ICF26RH N2	C-13 - E-20
ICF26RB N2	E-21 - H-4
ICN27RB N2	H-5 - J-12
ICN29RT N2	J-13 - L-22

1982 ICN27RB N2 INDEX

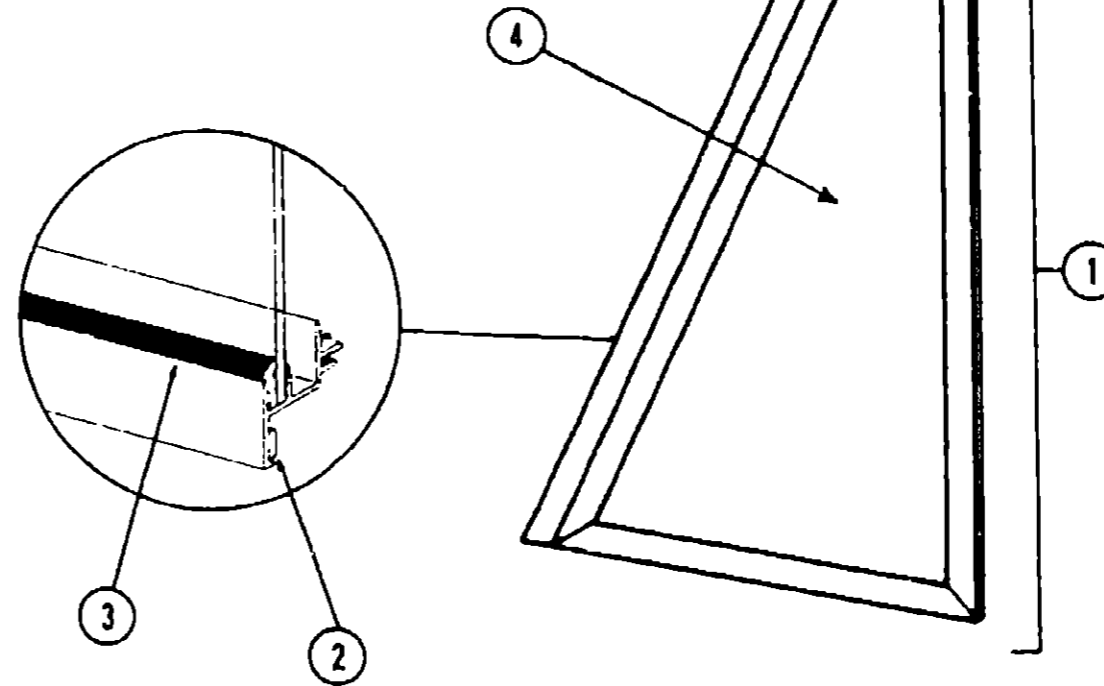
Floor Plan	H-5 - H-6
Accessories Group	H-7 - H-9
Bath Group	H-10 - H-11
Chassis Group	H-12 - H-13
Curtain, Cushion & Pad Group	H-14 - H-21
Dinette Group	H-22 - H-24
Driver's Compartment Group	I-1 - I-4
Electrical Group	I-5 - I-7
Exterior Body Group	I-8 - I-12
Galley Group	I-13 - I-14
Heating & Air Conditioning Group	I-14 - I-15
Interior Finish Group	I-16 - I-17
LP Group	I-18
Lounge Group	I-19 - I-21
Water & Sewage Group	I-22
Window, Vent & Exterior Door Group	I-23 - J-12

WINDOW, VENT AND EXTERIOR DOOR GROUP (CONTINUED)



Key	Part Number	U/M	Description
1	059046-01-000	EA	Window Asm. - Right Front Slant Slider - 23" x 39" - Black Anod. (w/o inside frame)
1	059046-02-000	EA	Window Asm. - Left Front Slant Slider - 23" x 39" - Black Anod. (w/o inside frame)
2	057656-01-000	EA	Glass - 3/16" x 24.88" x 25.30" - Stationary
3	047359-01-700	EA	Latch - Window - Plastic w/Fastener
	023320-01-000	EA	Foam Pad - 3/8" Dia. (used with plastic latch)
4	042077-01-000	FT	Channel - Weatherstrip - Glass Run - 3/16" Glass
5	069640-02-000	FT	Tape - 1/2" x 1/8" x 30' - Gray - 3M
6	050216-02-000	FT	Spline - 3/16" Glass
7	057374-02-000	FT	Extr. Vinyl - Window Seal - Black
8	002389-03-206	EA	Holder - Glass Seal - Black Anod. - 24.13"
9	057544-04-000	EA	Mullion - Window - Slant Slider
10	057657-01-000	EA	Glass - 3/16" x 24.88" x 14.70" - Sliding
	059042-01-000	EA	Inside Frame - Right Front Slant Slider - Brown (not included in assembly)
	059042-02-000	EA	Inside Frame - Left Front Slant Slider - Brown (not included in assembly)
	059042-03-000	EA	Inside Frame - Right Front Slant Slider - Beige (not included in assembly)
	059042-04-000	EA	Inside Frame - Left Front Slant Slider - Beige (not included in assembly)
	023713-02-000	EA	Cover - Weephole - Black Anod.
	055164-05-000	EA	Slider Screen Asm. - Right or Left - Black
	016310-03-000	EA	Handle - Slider Screen - Black
	002292-01-000	SF	Screen - Window - 20" - Gray
	002298-01-000	FT	Spline - Gray - .130" Dia.
			Not illustrated

WINDOW, VENT AND EXTERIOR DOOR GROUP (CONTINUED)



Key	Part Number	U/M	Description
1	062896-01-000	EA	Window Asm. - Stationary - Drivers Slant - 14" x 25.32" Black Anod. (w/o inside frame)
2	069640-01-000	FT	Tape - 1/4" Bead x 20' - Gray - 3M
3	002309-02-000	FT	Spline - Glass - 1/8" - Black
4	057656-02-000	EA	Glass - 3/16" x 24.88" x 13.66"
	063420-01-000	EA	Frame - Inside - Front Slant Window - Brown (not included in assembly)
	063420-02-000	EA	Frame - Inside - Front Slant Window - Beige (not included in assembly)
			Not illustrated

1982 ITASCA
TABLE OF CONTENTS

Introduction	A-1
Abbreviations	A-1
Alphabetical Index	A-2 - A-4
ICF22RB N2	A-5 - C-12
ICF26RH N2	C-13 - E-20
ICF26RB N2	E-21 - H-4
ICN27RB N2	H-5 - J-12
ICN29RT N2	J-13 - L-22

1982 ICN27RB P.2 INDEX

Floor Plan	H-5 - H-6
Accessories Group	H-7 - H-9
Bath Group	H-10 - H-11
Chassis Group	H-12 - H-13
Curtain, Cushion & Pad Group	H-14 - H-21
Dinette Group	H-22 - H-24
Driver's Compartment Group	I-1 - I-4
Electrical Group	I-5 - I-7
Exterior Body Group	I-8 - I-12
Galley Group	I-13 - I-14
Heating & Air Conditioning Group	I-14 - I-15
Interior Finish Group	I-16 - I-17
LP Group	I-18
Lounge Group	I-19 - I-21
Water & Sewage Group	I-22
Window, Vent & Exterior Door Group	I-23 - J-12

WINDOW, VENT AND EXTERIOR DOOR GROUP (CONTINUED)

DRIVER DOOR

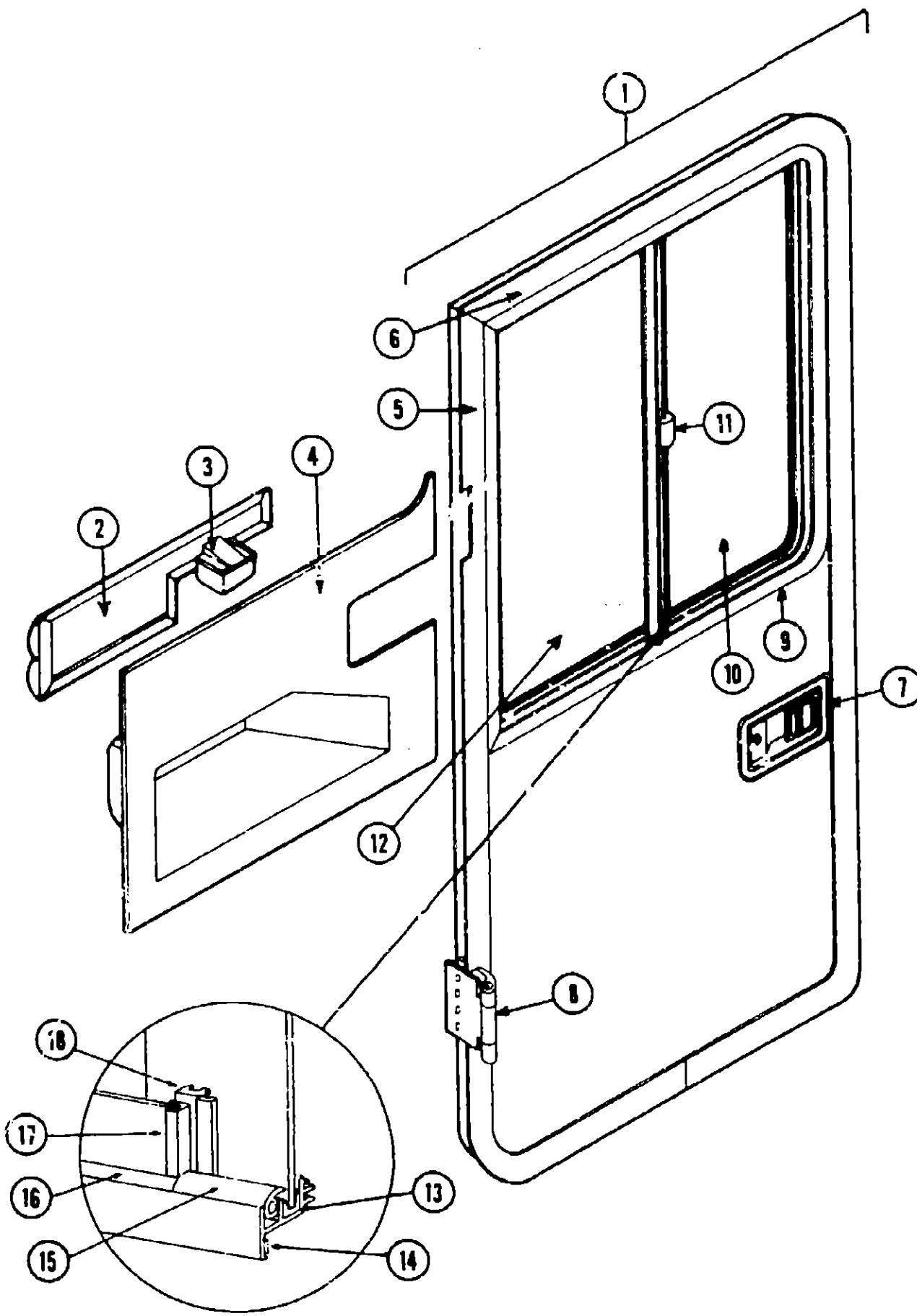
Key	Part Number	U/M	Description
1	063991-06-N07	EA	Door Asm. - Driver - Gray
2	064088-02-000	EA	Pad Asm. - Trim - Upper - Beige Vinyl - Drivers Door
2	064088-01-000	EA	Pad Asm. - Trim - Upper - Brown Vinyl - Drivers Door
.	061400-01-000	EA	Assist Strap - 12" - Light Brown Vinyl
.	061400-03-000	EA	Assist Strap - 12" - Beige Vinyl
3	046886-01-000	EA	Ashtray Asm. - Flush Mount - Chrome
4	064499-02-000	EA	Panel - Driver Door - Inner - Light Oak Plastic
4	064499-01-000	EA	Panel - Driver Door - Inner - Dark Brown Plastic
5	063350-03-000	EA	Trim - Door Frame - Front - Gray
6	063351-03-000	EA	Trim - Door Frame - Rear - Gray
7	045017-03-000	EA	Paddle - Door Lock - Exterior
.	045017-01-700	EA	Lock Cylinder w/Keys - Lynor
.	039979-02-000	EA	Inside Plate - Door Lock - w/Inside Handle
.	039540-02-000	EA	Latch Claw - Entry Door Lock
.	039738-01-000	EA	Deadbolt - Entrance Door Lock
.	039539-01-000	EA	Strike Bolt - Entrance Door (Jamb Mount)
.	063124-02-000	EA	Plate - Striker - 8 1/4" x 1" - Black
.	062879-02-000	EA	Jamb - Driver Door - Black Steel
.	064199-03-000	EA	Trim - Door Jamb - Rear - w/Drip Cap - Gray
.	064184-01-000	EA	Drip Cap - Driver Door
.	063358-03-000	EA	Trim - Door Jamb - Front - Gray
.	063768-01-000	EA	Sill Plate - Driver Door
8	063993-03-000	EA	Hinge Asm. - Driver Door - Gray
8	063993-04-000	EA	Hinge Asm. - Driver Door - Black
.	064580-01-000	EA	Check Strap - Driver Door - Seat Belt Webbing
.	064219-01-000	EA	Retainer - Driver Door Check Strap
.	063886-03-000	EA	Assist Handle - Driver Door - Beige Steel Tube (2 required per door)
.	063886-02-000	EA	Assist Handle - Driver Door - Brown Steel Tube (2 required per door)
.	064075-01-000	EA	Bulb Seal - Driver Door - 145"
9	062982-01-000	EA	Window Asm. - Driver Door - Single Slider - 23" x 25.5" Black Anod. (w/o inside frame)
10	057657-02-000	EA	Glass - 3/16" x 24.88" x 12" - Sliding
11	047369-01-700	EA	Latch - Window - Plastic w/Fastener
12	002188-04-000	EA	Glass - 3/16" x 24.88" x 12" - Stationary
13	042077-01-000	FT	Channel - Weatherstrip - Glass Run - 1/8" Glass
14	069640-01-000	FT	Tape - 1/4" Bead x 20' - Gray - 3M
15	041928-02-000	FT	Seal - Window Channel - Black
16	050216-02-000	FT	Spline - Glass - Black
17	002389-03-206	EA	Holder - Glass Seal - Anod. Black - 24.13"
.	002288-01-000	FT	Weatherstrip - Glass Seal
18	057644-04-000	EA	Mullion - Slider Window - Black Anod.
.	063422-02-000	EA	Frame - Inside - Driver Door Window - Beige
.	063422-01-000	EA	Frame - Inside - Driver Door Window - Brown
.	023713-02-000	EA	Cover - Weephole - Black Plastic
.	055164-06-000	EA	Screen Asm. - Slider
.	002292-01-000	SF	Screen - Window - 20" - Gray
.	002298-01-000	FT	Spline - Gray - Screen - .130" Dia.
.	016310-03-000	EA	Screen Handle - Black Anod.
.	043485-02-000	FT	Screen Seal - Extr. Vinyl
.	063976-02-000	EA	Step Asm. - Lower - Door
.	063977-04-000	EA	Step Asm. - Upper - Door
.			Not illustrated

1982 ITASCA TABLE OF CONTENTS

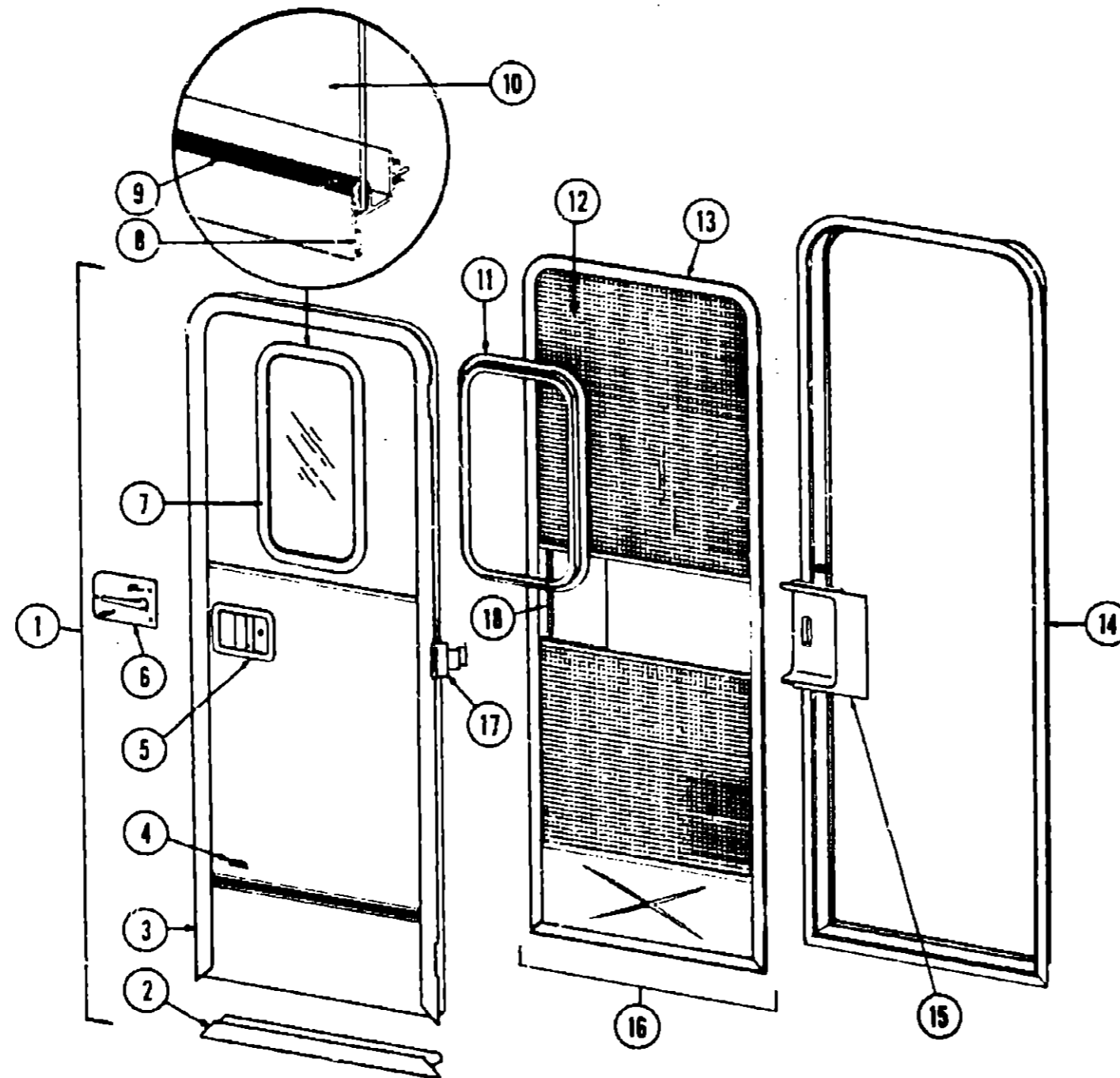
Introduction	A-1
Abbreviations	A-1
Alphabetical Index	A-2 - A-4
ICF22RB N2	A-5 - C-12
ICF26RH N2	C-13 - E-20
ICF23RB N2	E-21 - H-4
ICN27RB N2	H-5 - J-12
ICN29RT N2	J-13 - L-22

1982 ICN27RB N2 INDEX

Floor Plan	H-5 - H-6
Accessories Group	H-7 - H-9
Bath Group	H-10 - H-11
Chassis Group	H-12 - H-13
Curtain, Cushion & Pad Group	H-14 - H-21
Dinette Group	H-22 - H-24
Driver's Compartment Group	I-1 - I-4
Electrical Group	I-5 - I-7
Exterior Body Group	I-8 - I-12
Galley Group	I-13 - I-14
Heating & Air Conditioning Group	I-14 - I-15
Interior Finish Group	I-16 - I-17
LP Group	I-18
Lounge Group	I-19 - I-21
Water & Sewage Group	I-22
Window, Vent & Exterior Door Group	I-23 - J-12



WINDOW, VENT AND EXTERIOR DOOR GROUP (CONTINUED)



Key	Part Number	U/M	Description
1	M71136-02-000	EA	Door Asm. - Radius Entry w/Screen Door
2	039737-06-000	EA	Frame - Entry Door (Bottom Portion Only)
3	039736-05-000	EA	Frame - Entry Door (Except Bottom Portion)
4	054530-01-000	EA	Holder Asm. - Entry Door
5	045017-01-000	EA	Paddle Asm. - Door Lock - Exterior
•	045017-01-700	EA	Lock Cylinder w/Keys - Lynor
•	039539-01-000	EA	Striker Bolt - Entry Door
•	039540-01-000	EA	Latch Claw - Entry Door
•	039738-01-000	EA	Dead Bolt - Entry Door
6	039979-01-000	EA	Plate - Lock - Inside - Including Inside Handle
•	052186-01-000	EA	Lock Asm. - Complete - Lynor
7	041875-09-000	EA	Window Asm. - Picture - 17" x 25" - Black Anod. (inside frame not included in assembly)
8	069640-01-000	FT	Tape - 1/4" Bead x 20' - Gray - 3M
9	002309-02-000	FT	Spline - Glass - 1/8" Black
10	002181-06-000	EA	Glass - Picture Window - 1/8" x 16.25" x 24" - Gray
11	067809-03-000	EA	Frame - Window - Inside - 17" x 25" - Beige
•	041896-12-000	EA	Frame - Window - Inside - 17" x 25" - Brown
•			Not illustrated

Key	Part Number	U/M	Description
12	002293-01-000	SF	Screen - Window - 26" - Gray
13	056795-01-000	FT	Seal Tape - 1/8" x 3/8" - Press On
14	053171-05-000	EA	Jamb Asm. - Entry Door
15	015580-01-000	EA	Slider - Screen Door - Brown Plastic
•	015580-02-000	EA	Slider - Screen Door - Light Oak Plastic
16	053170-01-000	EA	Door Asm. - Screen w/Brown Trim
•	053170-05-000	EA	Door Asm. - Screen w/Light Oak Trim
17	039520-01-000	EA	Hinge - Entry Door (3 used per door)
18	015581-01-000	EA	Cap - Screen Door - Brown Plastic
•	015581-02-000	EA	Cap - Screen Door - Light Oak Plastic
•	049176-01-000	EA	Hedlok II - 3/4" Diameter - Screw Mount (Retains screen door to entry door)
•	049797-01-000	EA	Hedlok II - 1" Diameter - Screw Mount (Retains screen door to entry door)
•	009016-01-000	EA	Catch - Elbow - Spring Loaded - Screen Door
•	039863-01-000	EA	Catch Asm. - Single Roller w/Strike - Screen Door
•	051330-01-000	FT	Seal - Bulb - Rubber
•	038800-03-000	FT	Tubing - Polybutyl - 3/8" O.D. - Jamb
•	044582-06-000	EA	Drip Cap - Jamb Mounted - Gray
•			Not illustrated

1982 ITASCA
TABLE OF CONTENTS

Introduction	A-1
Abbreviations	A-1
Alphabetical Index	A-2 - A-4
ICF22RB N2	A-5 - C-12
ICF26RH N2	C-13 - E-20
ICF26RB N2	E-21 - H-4
ICN27RB N2	H-5 - J-12
ICN29RT N2	J-13 - L-22

1982 ICN27RB N2 INDEX

Floor Plan	H-5 - H-6
Accessories Group	H-7 - H-9
Bath Group	H-10 - H-11
Chassis Group	H-12 - H-13
Curtain, Cushion & Pad Group	H-14 - H-21
Dinette Group	H-22 - H-24
Driver's Compartment Group	I-1 - I-4
Electrical Group	I-5 - I-7
Exterior Body Group	I-8 - I-12
Galley Group	I-13 - I-14
Heating & Air Conditioning Group	I-14 - I-15
Interior Finish Group	I-16 - I-17
LP Group	I-18
Lounge Group	I-19 - I-21
Water & Sewage Group	I-22
Window, Vent & Exterior Door Group	I-23 - J-12

WINDOW, VENT AND EXTERIOR DOOR GROUP (CONTINUED)

ACCESS DOORS

Key	Part Number	U/M	Description
	047233-03-000	EA	Door Asm. - Luggage - 35.5" x 13" - Gray w/Key Lock
	059727-03-000	EA	Door Asm. - Storage - Insulated - 29.9" x 10.36" - Gray w/Key Lock
	069762-06-000	EA	Door Asm. - Refrigerator Access - Gray w/Twist Lock
	033333-31-000	EA	Door Asm. - Access - 25.3" x 9" - Gray w/Twist Lock
	033333-29-000	EA	Door Asm. - Luggage - 48" x 9" - Gray w/Key Lock
	033333-41-000	EA	Door Asm. - Dual Fuel - 48" x 9" - Gray w/Twist Lock
	033333-33-000	EA	Door Asm. - Battery - 25.3" x 9" - Gray w/Key Lock
	033333-46-000	EA	Door Asm. - Spare Tire Compartment - 34.5" x 9" - Gray w/Key Lock
	052009-03-000	EA	Door Asm. - Water Heater - Gray
	M00685-09-000	EA	Door Asm. - Generator - Gray w/Twist Lock
	052181-02-000	EA	Baffle - Generator Door
	052423-03-000	EA	Door - Fuel Fill - Gray
	052424-03-000	EA	Jamb - Power Cord/Fuel Fill Door - Gray
	063742-03-000	EA	Door - Power Cord - Gray
	054543-03-000	EA	Hatch - Power Cord Door - Gray
	054530-01-000	EA	Door Holder
	042441-01-000	EA	Lock Asm. - Key Type - Gas Fill
	047305-01-000	EA	Lock Asm. - Key Type w/Clip
	009003-01-000	EA	Lock Asm. - Twist Type w/Clip

WINDSHIELD

Key	Part Number	U/M	Description
	057459-01-000	EA	Glass - Windshield - Flat
	058272-01-000	EA	Frame Asm. - Windshield
	038886-01-000	EA	Tape - Butyl - .31" x .31" x 148"

VENTS

Key	Part Number	U/M	Description
	065103-02-000	EA	Cover - Refrigerator Vent - 9.88" x 20.5" - Plastic
	065103-01-000	EA	Frame Asm. - Refrigerator Vent - 8.17" x 22.94" - Plastic
	071290-02-000	EA	Cover - Refrigerator Vent - 11 5/8" x 24 3/4" - Galv. Steel
	071290-01-000	EA	Frame Asm. - Refrigerator Vent - 7.5" x 26.5" - Galv. Steel
	049352-03-000	EA	Vent - Stovehood - Outside - Gray
**	048789-01-000	EA	Vent Asm. - Roof - Powered - w/o Screen - Alum.
**	048835-01-000	EA	Vent Asm. - Roof - Non Powered - w/o Screen - Alum.
	016335-02-000	EA	Screen Asm. - Roof Vent - Non Powered - Brown
	016335-04-000	EA	Screen Asm. - Roof Vent - Non Powered - Off White
	048695-02-000	EA	Screen Asm. - Roof Vent - Powered - Brown
	048695-04-000	EA	Screen Asm. - Roof Vent - Powered - Off White
**	The illustrated parts breakdown for this item is provided on the Common Items Fiche.		

1982 ITASCA TABLE OF CONTENTS

Introduction	A-1
Abbreviations	A-1
Alphabetical Index	A-2 - A-4
ICF22RB N2	A-5 - C-12
ICF26RH N2	C-13 - E-20
ICF26HB N2	E-21 - H-4
ICN27RB N2	H-5 - J-12
ICN29RT N2	J-13 - L-22

1982 ICN27RB N2 INDEX

Floor Plan	H-5 - H-6
Accessories Group	H-7 - H-9
Bath Group	H-10 - H-11
Chassis Group	H-12 - H-13
Curtain, Cushion & Pad Group	H-14 - H-21
Dinette Group	H-22 - H-24
Driver's Compartment Group	I-1 - I-4
Electrical Group	I-5 - I-7
Exterior Body Group	I-8 - I-12
Galley Group	I-13 - I-14
Heating & Air Conditioning Group	I-14 - I-15
Interior Finish Group	I-16 - I-17
LP Group	I-18
Lounge Group	I-19 - I-21
Water & Sewage Group	I-22
Window, Vent & Exterior Door Group	I-23 - J-12