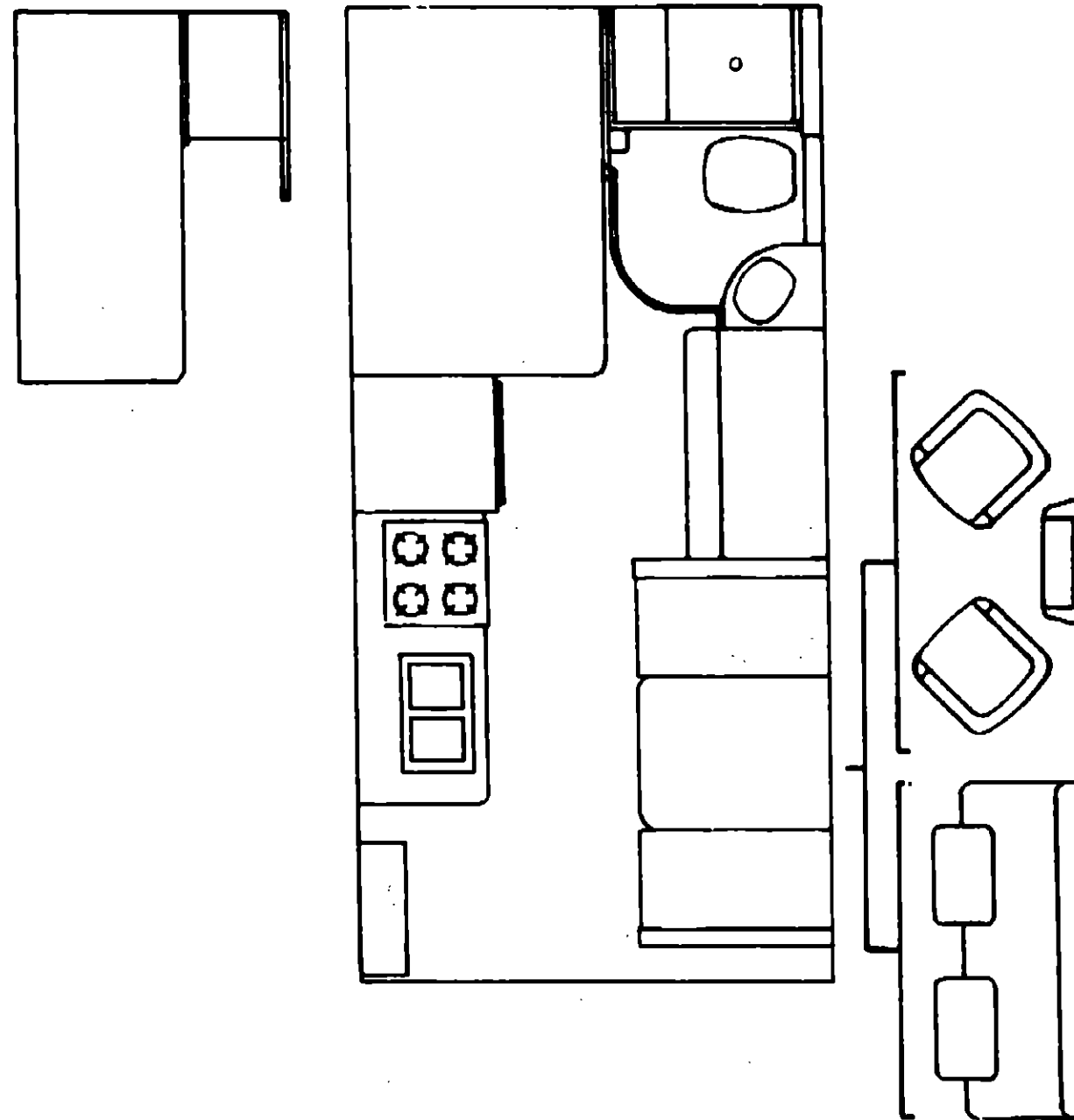


1982 ICF22RB N2

NOTE:

A model revision number has been incorporated into the unit serial number to reflect any changes made during the model year. When ordering replacement parts, refer to the sixth and seventh digits of the unit serial number to assure that the proper part is ordered. These changes will be classified as a **N-2** or **N-3**, and will be included behind the item description. The unit serial number is found on the vehicle certification label, which is located on the left sidewall at the end of the dash (**A-Body**), or on the drivers door latch plate (**C-Body**).



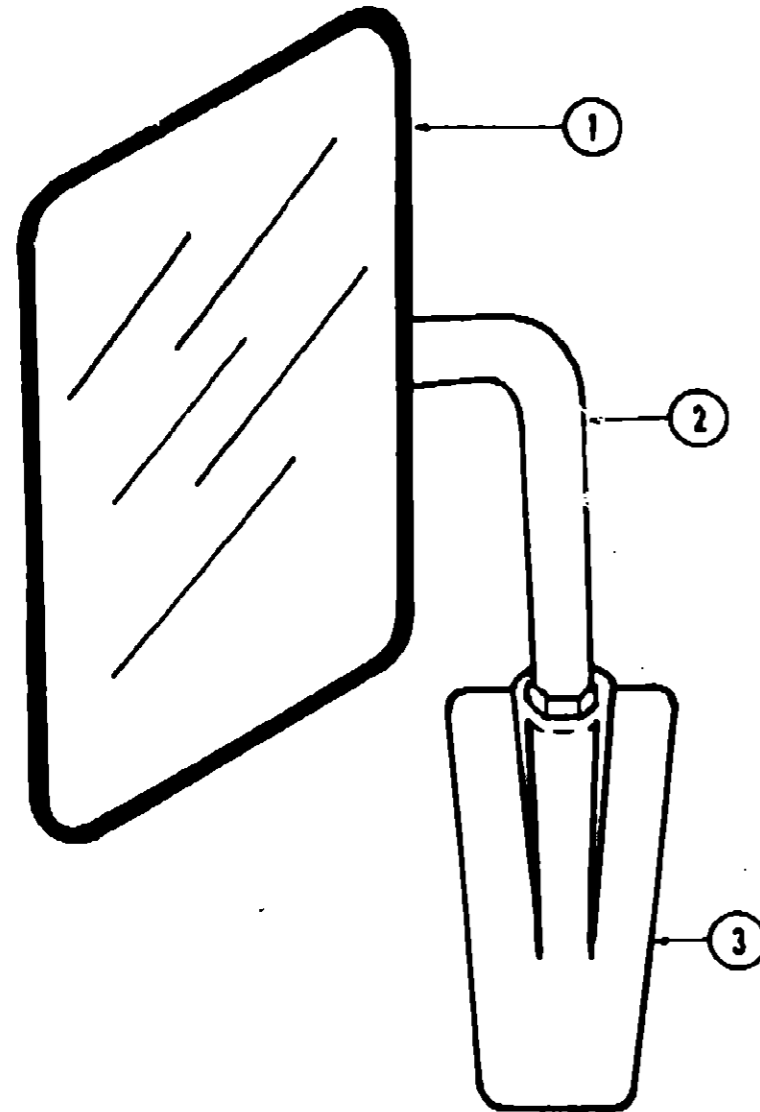
1982 ITASCA TABLE OF CONTENTS

Introduction	A-1
Abbreviations	A-1
Alphabetical Index	A-2 - A-4
ICF22RB N2	A-5 - C-12
ICF26RH N2	C-13 - E-20
ICF26RB N2	E-21 - H-4
ICN27RB N2	H-5 - J-12
ICN29RT N2	J-13 - L-22

1982 ICF22RB N2 INDEX

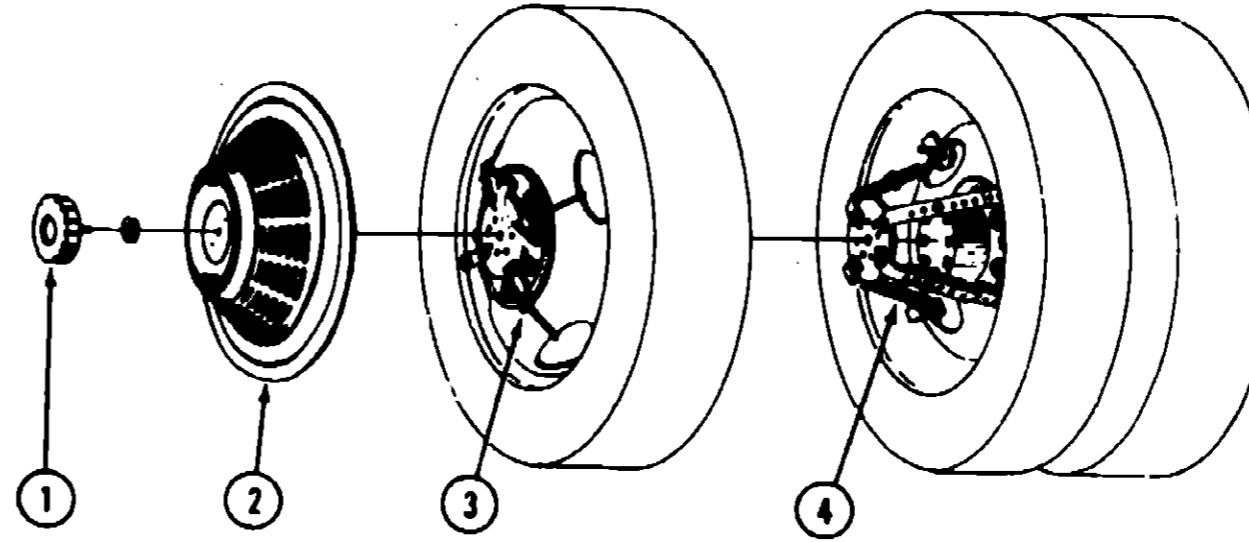
Floor Plan	A-5 - A-6
Accessories Group	A-7 - A-9
Bath Group	A-10
Chassis Group	A-11 - A-12
Curtain, Cushion & Pad Group	A-13 - A-19
Dinette Group	A-20 - A-21
Driver's Compartment Group	A-22 - B-1
Electrical Group	B-2 - B-4
Exterior Body Group	B-5 - B-10
Galley Group	B-11 - B-12
Heating & Air Conditioning Group	B-13 - B-14
Interior Finish Group	B-15 - B-16
LP Group	B-17
Lounge Group	B-18
Water & Sewage Group	B-19
Window, Vent & Exterior Door Group	B-20 - C-12

ACCESSORIES GROUP



Key	Part Number	U/M	Description
1	057461-02-000	EA	Mirror Head - 7 1/2" x 10 1/2" - w/Convex - Off White
2	049348-03-000	EA	Arm - Low Mount Mirror - Black
3	049944-04-000	EA	Bracket - Mirror - Outside - Black
.	065116-01-000	EA	Mirror - West Coast - Right Hand
.	065116-02-000	EA	Mirror - West Coast - Left Hand
.			Not illustrated

ACCESSORIES GROUP (CONTINUED)



WHEEL COVER AND MOUNTING HARDWARE

Key	Part Number	U/M	Description
1	064082-02-000	EA	Retaining Nut - Delmet - Wheel Cover
2	073426-01-7 J0	EA	Wheel Cover - Bolt On - 16" or 16.5" - Delmet (1)
3	073426-04-700	EA	Retention Bracket Asm. - Wheel Cover Support - Heavy Duty - Front (1)
4	073426-04-701	EA	Retention Bracket Asm. - Wheel Cover Support - Heavy Duty - Rear (1)
.	073426-04-000	EA	Retention Bracket Asm. - Wheel Cover Support - Heavy Duty (Set /4)
**	031396-04-000	EA	Wheel Cover - 16" - Clip On
.			Not illustrated
**	The illustrated parts breakdown for this item is provided on the Common Items Fiche.		

GENERATORS AND INSTALLATION KITS

Key	Part Number	U/M	Description
	069229-01-000	EA	Generator - 4.5 kw - Kohler - US & CSA
	701629-02-000	EA	Installation Package
	024732-01-001	EA	Tailpipe - 1 1/2" O.D. x 23"
	067753-01-000	EA	Muffler - Generator - w/Spark Arrestor

RADIOS AND RELATED COMPONENTS

Key	Part Number	U/M	Description
	064791-01-000	EA	Speaker - Recessed - 5 1/4"
	031105-01-000	EA	Antenna - Radio - Side Mount
	031105-01-700	EA	Holder - Antenna - Radio - Upper
	044328-01-000	EA	Switch - Fader - Speaker Balance
	064792-01-000	EA	Grille - Speaker - 5 1/4"
	064794-01-000	EA	Trim Plate - AM Radio
	064785-01-000	EA	Radio - AM
	064786-01-000	EA	Radio - AM/FM MPX - w/8 Track
	064787-01-000	EA	Radio - AM/FM MPX - w/Cassette
	064788-01-000	EA	Radio - AM/FM Digital - w/Cassette
	064789-01-000	EA	Radio - AM/FM Digital - w/8 Track
	058014-01-000	EA	Radio - AM/FM - Stereo Cassette
	065124-01-000	EA	Wiring - Power Adapter

**1982 ITASCA
TABLE OF CONTENTS**

Introduction	A-1
Abbreviations	A-1
Alphabetical Index	A-2 - A-4
ICF22RB N2	A-5 - C-12
ICF26RH N2	C-13 - E-20
ICF26RB N2	E-21 - H-4
ICN27RB N2	H-5 - J-12
ICN29RT N2	J-13 - L-22

1982 ICF22RB N2 INDEX

Floor Plan	A-5 - A-6
Accessories Group	A-7 - A-9
Bath Group	A-10
Chassis Group	A-11 - A-12
Curtain, Cushion & Pad Group	A-13 - A-19
Dinette Group	A-20 - A-21
Driver's Compartment Group	A-22 - B-1
Electrical Group	B-2 - B-4
Exterior Body Group	B-5 - B-10
Galley Group	B-11 - B-12
Heating & Air Conditioning Group	B-13 - B-14
Interior Finish Group	B-15 - B-16
LP Group	B-17
Lounge Group	B-18
Water & Sewage Group	B-19
Window, Vent & Exterior Door Group	B-20 - C-12

ACCESSORIES GROUP (CONTINUED)

MISCELLANEOUS ACCESSORIES

Key	Part Number	U/M	Description
	054185-14-000	EA	Owners Manual - Itasca & Winnebago
	008053-01-000	EA	Antenna - TV Braund Delux
	006092-01-000	EA	Jack - TV - Brown (Antenna)
	017516-01-000	EA	Mud Flap - Black - 14" x 18" w/Holes
	041944-03-000	EA	Fire Extinguisher - w/Bracket - 5 BC
	052771-02-000	EA	Oven - Microwave - Magic Chef MW207
	053287-07-000	EA	Bracket Asm. - Microwave - Right
	053287-08-000	EA	Bracket Asm. - Microwave - Left
	067125-01-000	EA	Standoff (Support) Rack & Ladder
	067203-01-000	EA	Ladder Asm.
	067203-02-000	EA	Rack Asm. - Luggage
	067130-01-000	EA	Ladder Asm.
	067166-01-000	EA	End Cap - Ladder Step
	064093-01-000	EA	Luggage Carrier Assembly - 14" x 30" x 60"
	039881-01-000	EA	Catch and Strike - Luggage Carrier
	040069-01-000	EA	Door Mat - Black Rubber - 10.5" x 26"
	069629-01-000	EA	Speed Control - Electric - Chevrolet - Dana
	072366-01-000	EA	Speed Control - Electric - Diesel - Dana
	055285-01-000	EA	Vacuum Cleaner - Built In - Tevis Campbell
	055285-01-700	EA	Accessories Kit - Standard - Tevis Campbell
	055285-01-701	EA	Filter - 10 per Consumer Package - Tevis Campbell
	061613-01-000	EA	Clock - Batt. Round Gold Face
	069580-01-000	EA	Lug Wrench - 1" x 1 1/4" x 16.3"
	069580-02-000	EA	Leverage Lug Bar Wrench - 22"
	034410-12-000	EA	Tire Cover - Vinyl - 32"
	063706-01-000	EA	Cover - Roof Vent - Inside - Vinyl
	063708-01-000	EA	Cover - Air Conditioner - Inside - Vinyl

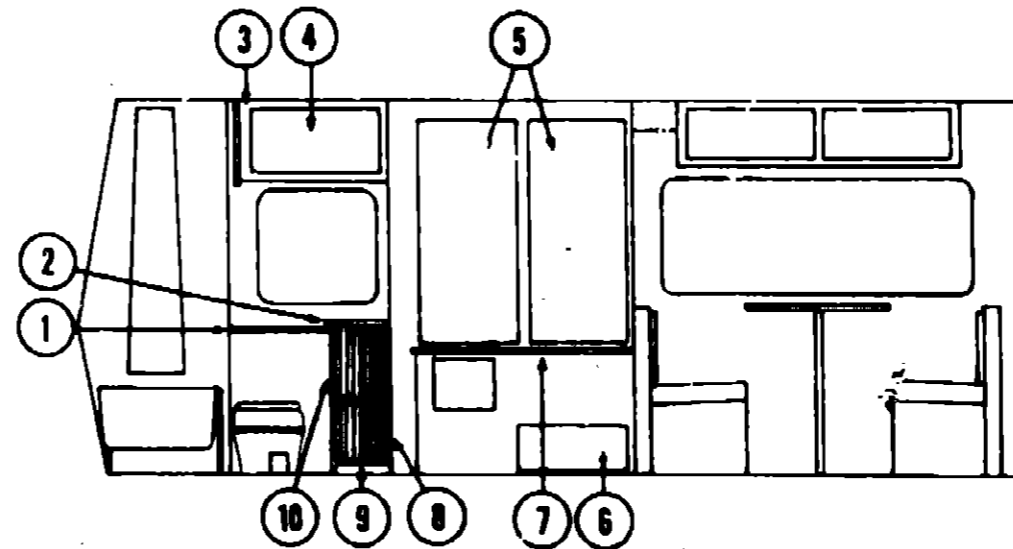
.. The illustrated parts breakdown for this item is provided on the Common Items Fiche.

FRONT BUNK AND HARDWARE

Key	Part Number	U/M	Description
	059300-01-N01	EA	Cabinet Asm. - Front Overhead
	053320-04-M01	EA	Bunk Board Asm. - Front Overhead - w/Brown Rails
	053320-06-N01	EA	Bunk Board Asm. - Front Overhead - w/Off White Rails
	053773-01-000	EA	Support - Overhead Bunk - Brown - Right
	053773-02-000	EA	Support - Overhead Bunk - Brown - Left
	040071-02-000	EA	Support - Bunk - Seat Belt
	039516-03-000	EA	Catch - Bunk - Off White
	039516-02-000	EA	Catch - Bunk - Brown
	023812-26-000	EA	Rail - Bunk - 80" - Off White
	023812-22-000	EA	Rail - Bunk - 80" - Brown
	053774-02-000	EA	Torsion Rod - Overhead Bunk - Brown
	041322-01-000	EA	Washer - Fiat - 15/32" I.D. x 2 3/8" O.D. - Seat Belt
	058948-01-N07	EA	Pad Asm. - Front Side Overhead - Right - Beige Vinyl
	058948-01-M04	EA	Pad Asm. - Front Side Overhead - Right - Brown Vinyl
	058948-02-N07	EA	Pad Asm. - Front Side Overhead - Left - Beige Vinyl
	058948-02-M04	EA	Pad Asm. - Front Side Overhead - Left - Brown Vinyl
	058948-03-N07	EA	Pad Asm. - Front Side Overhead - Driver Door - Beige Vinyl
	058948-03-M04	EA	Pad Asm. - Front Side Overhead - Driver Door - Brown Vinyl
	048394-01-000	YD	Tape Hook - 1" x 25 YD - Beige
	048395-01-000	YD	Tape Loop - 1" x 25 YD - Beige
	007021-01-000	EA	Belt Asm. - Seat - 2" x 90" - Black

A-9

BATH GROUP



Key	Part Number	U/M	Description
	1 M00918-01-N01	EA	Countertop Asm. - Pipe Cover (N04) (N05) (N06)
	2 M00917-01-N01	EA	Countertop Asm. - Lavatory Cabinet - Almond (N04) (N05) (N06)
	3 M72702-01-N01	EA	Cabinet Asm. - Medicine - w/o Doors or Hardware
	4 M71648-02-N01	EA	Door Asm. - Medicine Cabinet - 16.1" x 30.1" - w/o Hardware
	5 M00789-28-N01	EA	Door Asm. - Wardrobe - 21.2" x 48" - w/o Hardware
	6 M00789-20-N01	EA	Door Asm. - Wardrobe - 25.2" x 10.5" - w/o Hardware
	7 M00920-01-N01	EA	Countertop Asm. - Wardrobe (N04) (N05) (N06)
	8 063224-24-N01	EA	Door Asm. - Rolled - 12.4" x 20" - Lower
	9 M72641-01-N01	EA	Cabinet Asm. - Lavatory - w/o Countertop & Doors
	10 063224-25-N01	EA	Door Asm. - Rolled - 16.1" x 20" - Upper
	042488-03-000	EA	Door Asm. - Folding Door - Maple
	Not illustrated		

BATH HARDWARE

Key	Part Number	U/M	Description
	033580-01-000	EA	Towel Ring - Chrome w/Plastic Ring
	009133-02-000	EA	Bar - Towel Rack - 18" - Plastic
	023449-01-000	EA	Support - Chrome - Towel Rack
	072789-01-000	EA	Track - Bath Door
	017768-01-000	FT	Extr.-U-Channel - Brown - .18" Inside Dimensions
	057671-01-000	EA	Screw Cover (NO. 8)
	072650-01-000	EA	Shower Wall Panel - Plastic
	011056-01-000	EA	Faucet - Lavatory - U.S.
	011056-02-000	EA	Faucet - Lavatory - C.S.A.
	031558-03-000	EA	Faucet - Tub & Shower US
	011069-01-000	EA	Tailpiece - 1 1/4" x 4" - Plastic
	011069-02-000	EA	Tailpiece - 1 1/4" x 4" - Brass
	058713-01-000	EA	Sink - Oval - Ivory Plastic
	011087-01-000	EA	Plug - Sink - 1 1/4" w/Chain
	011048-01-000	EA	Shower Head - w/80" Hose
	010495-01-000	EA	Hose Clamp - 9/16"
	M00926-01-000	EA	Bathtub
	066440-01-000	EA	Strainer w/Rubber Washer
	035337-22-000	EA	Trim - 1/8 Corner - Beige Aluminum - 80.88"
	034394-02-000	FT	Extr. - Vinyl Insert - Beige
	009112-01-000	EA	Flange - 1" Closet Rod
	057534-01-000	EA	Tie Back - 8" - Clear Plastic
	058331-05-000	EA	Mirror - Tempered Glass - 12" x 26" - Medicine Cabinet
	009134-01-000	EA	Tissue Holder
	066433-01-000	EA	Hook - Bright Finish
	066348-03-000	EA	Hamper Bag - Fabric
	039341-02-000	EA	Toilet - Arua Magic - 8420SH - Ivory

.. The illustrated parts breakdown for this item is provided on the Common Items Fiche.

1982 ITASCA TABLE OF CONTENTS

Introduction	A-1
Abbreviations	A-1
Alphabetical Index	A-2 - A-4
ICF22RB N2	A-5 - C-12
ICF26RH N2	C-13 - E-20
ICF26RB N2	E-21 - H-4
ICN27RB N2	H-5 - J-12
ICN29RT N2	J-13 - L-22

1982 ICF22RB N2 INDEX

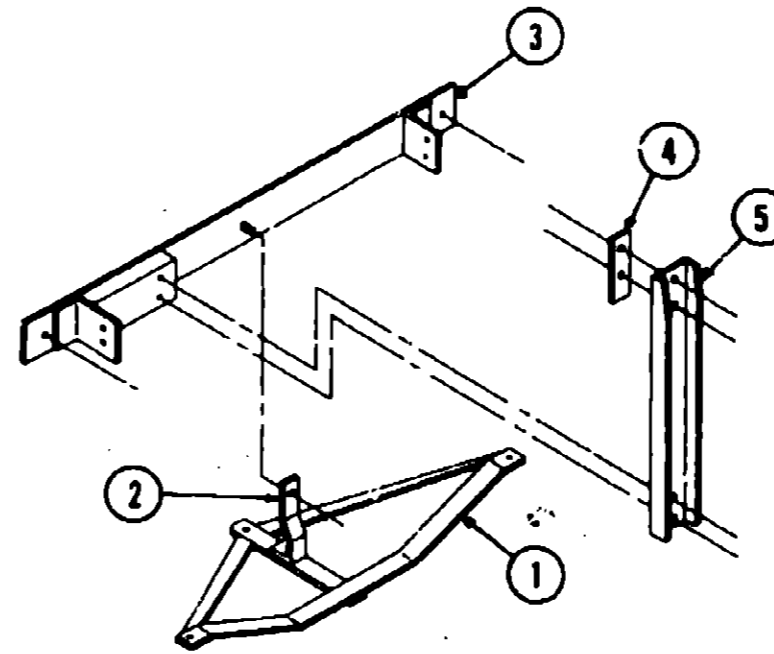
Floor Plan	A-5 - A-6
Accessories Group	A-7 - A-9
Bath Group	A-10
Chassis Group	A-11 - A-12
Curtain, Cushion & Pad Group	A-13 - A-19
Dinette Group	A-20 - A-21
Driver's Compartment Group	A-22 - B-1
Electrical Group	B-2 - B-4
Exterior Body Group	B-5 - B-10
Galley Group	B-11 - B-12
Heating & Air Conditioning Group	B-13 - B-14
Interior Finish Group	B-15 - B-16
LP Group	B-17
Lounge Group	B-18
Water & Sewage Group	B-19
Window, Vent & Exterior Door Group	B-20 - C-12

A-10

CHASSIS GROUP

Key	Part Number	U/M	Description
	055080-01-000	EA	Wheel Well - Plastic
	052431-01-000	EA	Tray - Luggage Compartment (replaces generator tray)
	022655-02-000	EA	Tailpipe - 2 1/4" x 8" - 350 Engine - Chevy
	017516-01-000	EA	Mud Flap - Black - 14" x 18" w/Holes
	051697-04-000	EA	Bracket - Battery Tie Down
	072644-01-000	EA	Battery Tray Asm.
	047441-01-000	EA	Terminal - Battery - Horizontal Lug - Chevy
	024652-01-700	EA	Step Asm. - Entry
	071654-01-000	EA	Hood Board - Upper - Right - Steel
	058404-01-000	EA	Hood Board - Upper - Left - Steel
	071656-01-000	EA	Cover - Radiator - Rear - Chevy
	071656-01-000	EA	Cover - Radiator - Rear Back - (Fan Shroud) - Chevy
	058200-01-000	EA	Bumper - Front - Chrome
	048474-01-000	EA	Bumper - Rear - Chrome
	063326-01-700	EA	Bumper - Front - Primed
	020858-01-700	EA	Bumper - Rear - Primed
	005200-01-000	EA	Bolt - Carriage - 7/16" x 14 x 1 1/4" SST
	058439-01-000	EA	Bracket - Front Bumper - Black
	063977-04-000	EA	Step Asm. - Upper Driver Door - Black
	063976-02-000	EA	Step Asm. - Lower Driver Door - Black
	044967-01-000	EA	Shield - Heat Muffler
	058425-01-000	EA	Bracket - Bumper - Front - Left - Chevy
	058425-02-000	EA	Bracket - Bumper - Front - Right - Chevy
	007131-01-000	EA	Hanger - Tail Pipe
	052165-03-000	EA	Shock Cord - Rubber - 24" - (Spare Tire)
	040546-01-000	EA	Tire - 750 x 16 - 8 Ply Poly
	064962-02-000	EA	Rim - Wheel - 16 x 6.00 Chevy
	050273-01-000	EA	Tire - 750 x 16" - 8 Ply Radial

CHASSIS GROUP (CONTINUED)



Key	Part Number	U/M	Description
1	064833-01-000	EA	Trailer Hitch Asm. - With Support
2	064824-02-000	EA	Support - Trailer Hitch
3	064601-02-000	EA	Bracket - Bumper Mount - Rear
4	040974-01-000	EA	Bracket - Spare Tire - Retaining Bar - 2" x 6.75"
5	064596-03-000	EA	Bracket - U-Channel - 27.12" - Tire Carrier

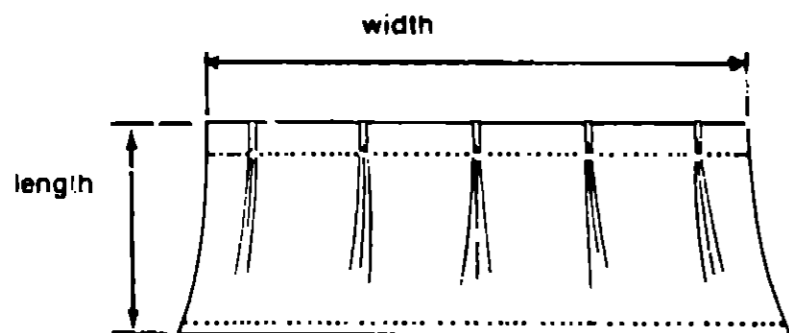
1962 ITASCA TABLE OF CONTENTS

Introduction	A-1
Abbreviations	A-1
Alphabetical Index	A-2 - A-4
ICF22RB N2	A-5 - C-12
ICF26RH N2	C-13 - E-20
ICF26RB N2	E-21 - H-4
ICN27RB N2	H-5 - J-12
ICN29RT N2	J-13 - L-22

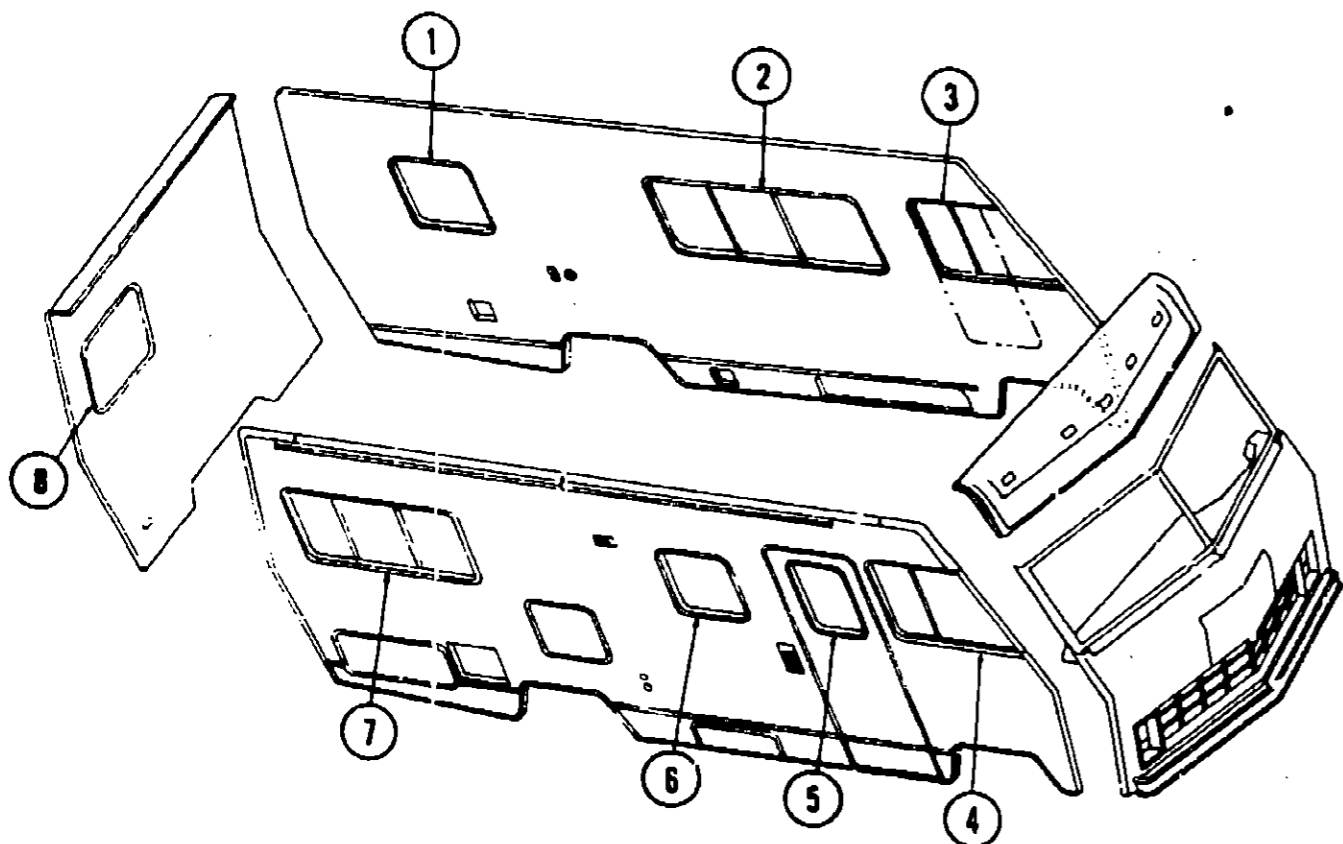
1962 ICF22RB N2 INDEX

Floor Plan	A-5 - A-6
Accessories Group	A-7 - A-9
Bath Group	A-10
Chassis Group	A-11 - A-12
Curtain, Cushion & Pad Group	A-13 - A-19
Dinette Group	A-20 - A-21
Driver's Compartment Group	A-22 - B-1
Electrical Group	B-2 - B-4
Exterior Body Group	B-5 - B-10
Galley Group	B-11 - B-12
Heating & Air Conditioning Group	B-13 - B-14
Interior Finish Group	B-15 - B-16
LP Group	B-17
Lounge Group	B-18
Water & Sewage Group	B-19
Window, Vent & Exterior Door Group	B-20 - C-12

CURTAIN, CUSHION AND PAD GROUP



NOTE:
Use this illustration when determining length and width measurements for curtains. You will note the width measurement is taken on the top of the curtain with the curtain fully extended. The length measurement is taken from top to bottom.



CURTAINS, VALANCES, SHADES AND TIE BACKS

Key	Part Number	U/M	Description
1	056484-51-N01	EA	Curtain w/Taped Top - 26.5" x 12" - Walnut/Golden Brown (N04) (N05)
1	056484-51-N03	EA	Curtain w/Taped Top - 26.5" x 12" - Molasses/Dark Cream (N06)
1	065892-01-N04	EA	Valance Asm. - 5" x 34" - Light Brown
1	065892-01-N05	EA	Valance Asm. - 5" x 34" - Brown
1	065892-01-N06	EA	Valance Asm. - 5" x 34" - Blue
1	065522-04-000	EA	Shade Asm. - 27.25" x 38" (N04) (N05) (N06)
2	056484-01-N01	EA	Curtain w/Taped Top - 27.5" x 42" - Walnut/Golden Brown (N04) (N05)
2	056484-01-N03	EA	Curtain w/Taped Top - 27.5" x 42" - Molasses/Dark Cream (N06)
2	066959-08-N01	W	Curtain Sheer w/Rod Top - 26" x 52" - Champagne (N04) (N05) (N06)
2	065892-20-N04	EA	Valance Asm. - 5" x 80" - Light Brown
2	065892-20-N05	EA	Valance Asm. - 5" x 80" - Brown
2	065892-20-N06	EA	Valance Asm. - 5" x 80" - Blue
2	066959-08-N01	EA	Curtain Asm. - Sheer w/Rod Top - 26" x 52" - Champagne (N04) (N05) (N06)
2	065522-12-000	EA	Shade Asm. - 69.25" x 38" (N04) (N05) (N06)

CURTAIN, CUSHION AND PAD GROUP (CONTINUED)

CURTAINS, VALANCES, SHADES AND TIEBACKS (CONT)

Key	Part Number	U/M	Description
3	059900-05-N01	EA	Curtain w/Snaps - 29" x 35" - w/Drivers Door - Walnut/Golden Brown (N04) (N05)
3	059900-05-N03	EA	Curtain w/Snaps - 29" x 35" - w/Drivers Door - Molasses/Dark Cream (N06)
4	054051-43-N01	EA	Curtain w/Snaps - 27.5" x 125" - Front Wraparound - w/Drivers Door - Walnut/Golden Brown (N04) (N05)
4	054051-43-N03	EA	Curtain w/Snaps - 27.5" x 125" - Front Wraparound - w/Drivers Door - Molasses/Dark Cream (N06)
*	054051-41-N01	EA	Curtain w/Snaps - 27.5" x 81" - Front Wraparound - w/o Drivers Door (2 required) Walnut/Golden Brown (N04) (N05)
*	054051-41-N03	EA	Curtain w/Snaps - 27.5" x 81" - Front Wraparound - w/o Drivers Door (2 required) Molasses/Dark Cream (N06)
*	054051-22-N01	EA	Curtain w/Snap Top - Bunk Privacy - 22" x 96" - Walnut/Golden Brown (N04) (N05)
*	054051-22-N03	EA	Curtain w/Snap Top - Bunk Privacy - 22" x 96" - Molasses/Dark Cream (N06)
5	054051-48-N01	EA	Curtain w/Snap Top - 29" x 37" - Walnut/Golden Brown (N04) (N05)
5	054051-48-N03	EA	Curtain w/Snap Top - 29" x 37" - Molasses/Dark Cream (N06)
6	056484-42-N01	EA	Curtain w/Taped Top - 21.5" x 9" - Walnut/Golden Brown (N04) (N05)
6	056484-42-N03	EA	Curtain w/Taped Top - 21.5" x 9" - Molasses/Dark Cream (N06)
6	065892-01-N04	EA	Valance Asm. - 5" x 34" - Light Brown
6	065892-01-N05	EA	Valance Asm. - 5" x 34" - Brown
6	065892-01-N06	EA	Valance Asm. - 5" x 34" - Blue
6	065522-04-000	EA	Shade Asm. - 27.25" x 38" (N04) (N05) (N06)
7	056484-05-N01	EA	Curtain w/Taped Top - 28" x 42" - Walnut/Golden Brown (N04) (N05)
7	056484-05-N03	EA	Curtain w/Taped Top - 28" x 42" - Molasses/Dark Cream (N06)
7	066959-04-N01	EA	Curtain Asm. - Sheer w/Rod Top - 26.5" x 52" - Champagne (N04) (N05) (N06)
7	065892-24-N04	EA	Valance Asm. - 6.5" x 70" - Light Brown
7	065892-24-N05	EA	Valance Asm. - 6.5" x 70" - Brown
7	065892-24-N06	EA	Valance Asm. - 6.5" x 70" - Blue
7	065522-11-000	EA	Shade Asm. - 60.25" x 38" (N04) (N05) (N06)
**	056484-46-N01	EA	Curtain w/Taped Top - 21" x 27" - Walnut/Golden Brown (N04) (N05)
**	056484-46-N03	EA	Curtain w/Taped Top - 21" x 27" - Molasses/Dark Cream (N06)
**	066959-09-N01	EA	Curtain Asm. - Sheer w/Rod Top - 19.5" x 30" - Champagne (N04) (N05) (N06)
**	065892-19-N04	EA	Valance Asm. - 6.5" x 47" - Light Brown
**	065892-19-N05	EA	Valance Asm. - 6.5" x 47" - Brown
**	065892-19-N06	EA	Valance Asm. - 6.5" x 47" - Blue
**	065522-09-000	EA	Shade Asm. - 69.25" x 38" (N04) (N05) (N06)
8	056484-27-N01	EA	Curtain Asm. - w/Taped Top - 27" x 19" - Walnut/Golden Brown (N04) (N05)
8	056484-27-N03	EA	Curtain Asm. - w/Taped Top - 27" x 19" - Molasses/Dark Cream (N06)
8	066959-13-N01	EA	Curtain Asm. - Sheer w/Rod Top - 24.5" x 30" - Champagne (N04) (N05) (N06)
8	065892-25-N04	EA	Valance Asm. - 5" x 44" - Light Brown
8	065892-25-N05	EA	Valance Asm. - 5" x 44" - Brown
8	065892-25-N06	EA	Valance Asm. - 5" x 44" - Blue
8	065522-06-000	EA	Shade Asm. - 33.25" x 38" (N04) (N05) (N06)
**	056484-52-N01	EA	Curtain w/Tape Top - 26" x 8" - Walnut/Golden Brown (N04) (N05)
**	056484-52-N03	EA	Curtain w/Tape Top - 26" x 8" - Coffee/Dark Brown (N06)
**	065892-26-N04	EA	Valance Asm. - 5" x 25" - Light Brown
**	065902-28-N05	EA	Valance Asm. - 5" x 25" - Brown
**	065892-26-N06	EA	Valance Asm. - 5" x 25" - Blue
**	065522-01-000	EA	Shade Asm. - 15.5" x 38" (N04) (N05) (N06)
*	054051-54-N01	EA	Curtain Asm. - w/Snap Top - Divider - 75" x 54" - Walnut/Golden Brown (N04) (N05)
*	054051-54-N03	EA	Curtain Asm. - w/Snap Top - Divider - 75" x 54" - Molasses/Dark Cream (N06)

* Not illustrated

** Parts for bunkhouse option (not illustrated)

**1982 ITASCA
TABLE OF CONTENTS**

Introduction	A-1
Abbreviations	A-1
Alphabetical Index	A-2 - A-4
ICF22RB N2	A-5 - C-12
ICF26RH N2	C-13 - E-20
ICF26RB N2	E-21 - H-4
ICN27RB N2	H-5 - J-12
ICN29RT N2	J-13 - L-22

1982 ICF22RB N2 INDEX

Floor Plan	A-5 - A-6
Accessories Group	A-7 - A-9
Bath Group	A-10
Chassis Group	A-11 - A-12
Curtain, Cushion & Pad Group	A-13 - A-19
Dinette Group	A-20 - A-21
Driver's Compartment Group	A-22 - B-1
Electrical Group	B-2 - B-4
Exterior Body Group	B-5 - B-10
Galley Group	B-11 - B-12
Heating & Air Conditioning Group	B-13 - B-14
Interior Finish Group	B-15 - B-16
LP Group	B-17
Lounge Group	B-18
Water & Sewage Group	B-19
Window, Vent & Exterior Door Group	B-20 - C-12

CURTAIN, CUSHION AND PAD GROUP (CONTINUED)

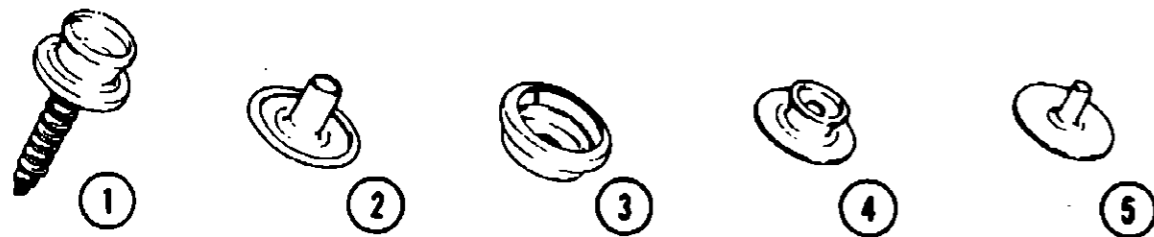
CURTAIN, CUSHION AND PAD GROUP (CONTINUED)

CURTAINS, VALANCES, SHADES AND TIEBACKS (CONT)

Key	Part Number	U/M	Description
	054048-08-N04	EA	Tie Back Asm. - 2" x 18" - Light Brown
	054048-08-N05	EA	Tie Back Asm. - 2" x 18" - Brown
	054048-08-N06	EA	Tie Back Asm. - 2" x 18" - Blue
	057534-03-000	EA	Tie Back Asm. - 7.5" - Clear Plastic
	057534-01-000	EA	Tie Back Asm. - 6" - Clear Plastic
			Not illustrated

CURTAIN HARDWARE

Key	Part Number	U/M	Description
	052327-05-009	EA	Track - Curtain - Beige Alum. - 76" w/Holes
	053272-04-200	EA	Track - Curtain - Off White Alum. - 89" w/Holes
	052327-04-236	EA	Track - Curtain - Brown Alum. - 89" w/Holes
	059430-01-000	EA	Track - Curtain - Front Wraparound (2 per unit) - 32.8" x 45.2" - Brown
	059430-02-000	EA	Track - Curtain - Front Wraparound (w/Drivers Door) - 32.8" x 89.1" - Brown
	059430-03-000	EA	Track - Curtain - Front Wraparound (2 per unit) - 32.8" x 45.2" - Beige
	059430-04-000	EA	Track - Curtain - Front Wraparound (w/Drivers Door) - 32.8" x 89.1" - Beige
	056116-01-000	FT	Track - Curtain - Brown Plastic
	056001-01-000	EA	Bracket - Shade - Left
	056002-01-000	EA	Bracket - Shade - Right
	056003-01-000	EA	Bracket - Drapery Retainer - Right
	056003-02-000	EA	Bracket - Drapery Retainer - Left
	056784-01-000	EA	Pull - Window Shade - Antique Brass
	009107-01-000	EA	Guide - Nylon Snap - Curtain
	056115-01-000	YD	Tape - Clear Plastic - w/Guides
	048394-01-000	YD	Tape - Hook - 1" x 25 YD - Beige
	048395-01-000	YD	Tape - Loop - 1" x 25 YD - Beige
	039175-01-000	EA	Rod - Curtain - Extension - 48" x 84"
	039175-03-000	EA	Rod - Curtain - Extension - 28" x 48"
	039175-02-000	EA	Bracket - Curtain Rod



Key	Part Number	U/M	Description
1	029130-01-000	EA	Socket - Snap Fastener
2	029155-01-000	EA	Cap - Snap - .156" Dia. x .17" Barrel
3	029156-01-000	EA	Socket - Snap Fastener
4	029092-01-000	EA	Stud - Nickel Finish
5	029093-01-000	EA	Eyelet - Nickel Finish

FABRICS, TRIMS AND PADS

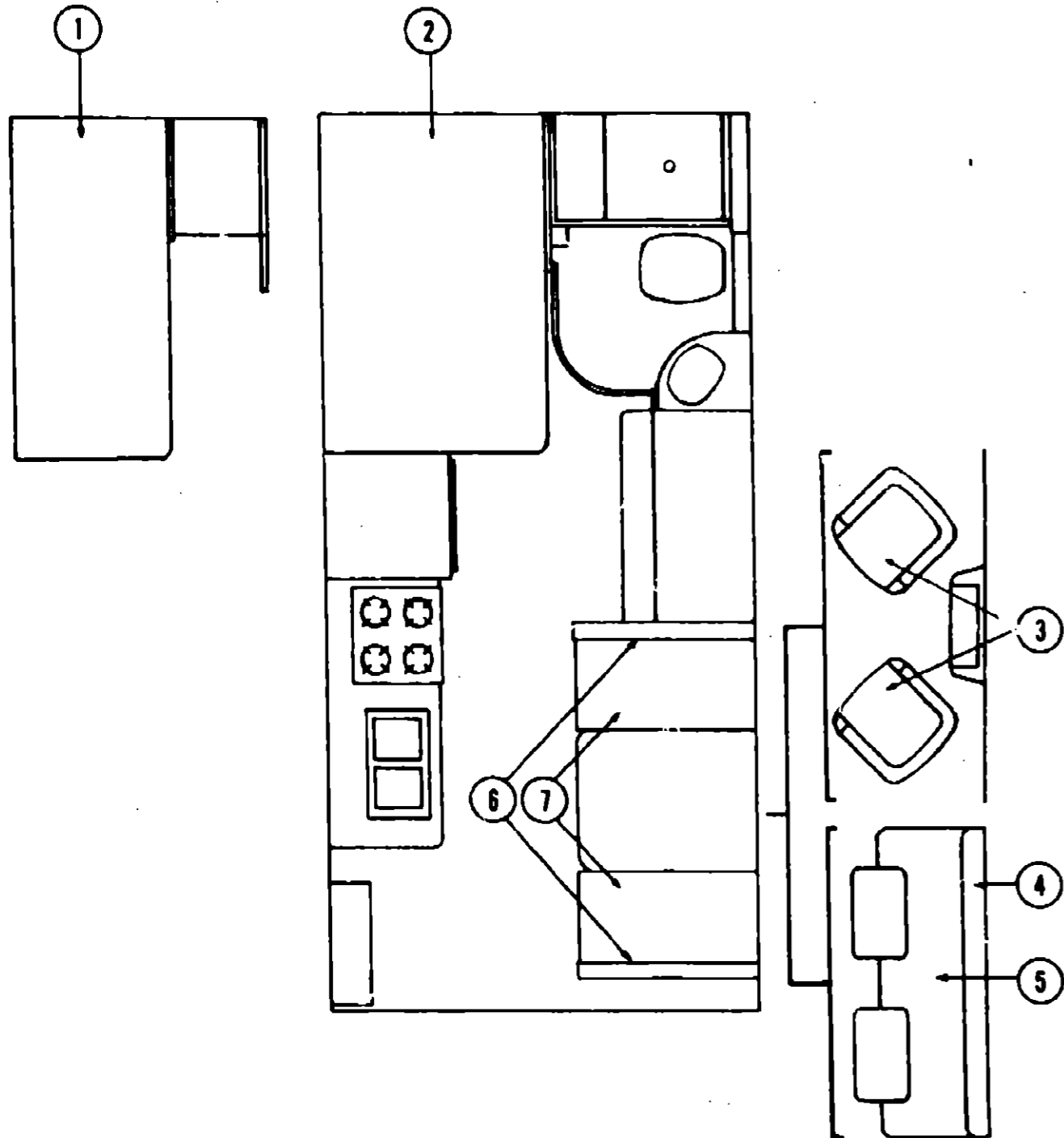
Key	Part Number	U/M	Description
	068339-03-000	YD	Fabric - Drapery - Walnut/Golden Brown (N04) (N05)
	064393-05-000	YD	Fabric - Drapery - Molasses/Dark Cream (N06)
	069727-04-000	YD	Fabric - Upholstery - Light Brown (N04)
	069727-05-000	YD	Fabric - Upholstery - Brown - (N05)
	069727-06-000	YD	Fabric - Upholstery - Blue (N06)
	070502-01-000	YD	Vinyl - Non-Expanded - 12 Gauge Film - Medium Almond (Beige)
	053327-01-000	YD	Vinyl - Non-Expanded - 27 oz. - Acorn Brown
	053327-02-000	YD	Vinyl - Expanded - 28 oz. - Acorn Brown
	053327-03-000	YD	Vinyl - Non Support - 16 Gauge Film - Acorn Brown
	057550-05-N07	EA	Button Asm. - Nail Back - #36 - 3/8" Shank - Beige Vinyl
	057550-05-M04	EA	Button Asm. - Nail Back - #36 - 3/8" Shank - Brown Vinyl
	057550-03-N07	EA	Button Asm. - Nail Back - #36 - 7/8" Shank - Beige Vinyl
	057550-03-M04	EA	Button Asm. - Nail Back - #36 - 7/8" Shank - Brown Vinyl
	057093-01-N07	EA	Button Asm. - Nail Back - #60 - Beige Vinyl
	057093-01-K04	EA	Button Asm. - Nail Back - #60 - Brown Vinyl
	071127-02-N07	EA	Button Asm. - #65 - Square - Beige Vinyl
	071127-01-N04	EA	Button Asm. - Cloth - #65 - Square - Light Brown
	071127-01-N05	EA	Button Asm. - Cloth - #65 - Square - Brown
	071127-01-N06	EA	Button Asm. - Cloth - #65 - Square - Blue
	069657-02-N04	EA	Button Asm. - Nail - Joined Pivot - #36 - Light Brown
	069657-02-N05	EA	Button Asm. - Nail - Joined Pivot - #36 - Brown
	069657-02-N06	EA	Button Asm. - Nail - Joined Pivot - #36 - Blue
	057550-01-N04	EA	Button Asm. - Fabric - Nail - #36 - Light Brown
	057550-01-N05	EA	Button Asm. - Fabric - Nail - #36 - Brown
	057550-01-N06	EA	Button Asm. - Fabric - Nail - #36 - Blue
	M00045-04-N04	EA	Button Asm. - Fabric - #45 - Light Brown
	M00045-04-N05	EA	Button Asm. - Fabric - #45 - Brown
	M00045-04-N06	EA	Button Asm. - Fabric - #45 - Blue
	M00045-05-N01	EA	Button Asm. - #45 - Beige Vinyl
	M00045-05-M04	EA	Button Asm. - #45 - Brown Vinyl
	052859-01-N01	FT	Trim Asm. - Accent - Beige Vinyl
	052859-01-M10	FT	Trim Asm. - Accent - Brown Vinyl
	071846-01-N01	EA	Pad - End - Dinette/Lounge Overhead Cabinet - Right - Beige Vinyl
	058444-04-M10	EA	Pad - End - Dinette/Lounge Overhead - Right - Brown Vinyl
	071847-05-N01	EA	Pad - End - Galley Overhead - Beige Vinyl
	058442-01-M10	EA	Pad - End - Galley Overhead - Brown Vinyl
	059414-03-000	EA	Pad - Sidewall Trim - Drivers - Beige Vinyl
	059414-01-000	EA	Pad - Sidewall Trim - Drivers - Brown Vinyl
	059414-04-000	EA	Pad - Sidewall Trim - Passenger - Beige Vinyl
	059414-02-000	EA	Pad - Sidewall Trim - Passenger - Brown Vinyl
	059467-03-N07	EA	Pad - Map Pocket - Drivers - Beige Vinyl
	059467-03-M07	EA	Pad - Map Pocket - Drivers - Brown Vinyl
	059467-04-N06	EA	Pad - Map Pocket - Passenger - Beige Vinyl
	059467-04-M07	EA	Pad - Map Pocket - Passenger - Brown Vinyl
	063970-01-N01	EA	Pad Asm. - Front Side Overhead - Right - Beige Vinyl
	063970-01-L07	EA	Pad Asm. - Front Side Overhead - Right - Brown Vinyl
	063970-02-N01	EA	Pad Asm. - Front Side Overhead - Left - Beige Vinyl
	063970-02-L07	EA	Pad Asm. - Front Side Overhead - Left - Brown Vinyl
	063970-03-N16	EA	Pad Asm. - Front Side Overhead - Driver Door - Beige Vinyl
	063970-03-M23	EA	Pad Asm. - Front Side Overhead - Driver Door - Brown Vinyl
	072234-01-N01	EA	Pad - End - Nightstand Overhead - Beige Vinyl
	059438-01-L04	EA	Pad - End - Nightstand Overhead - Brown Vinyl
	072442-01-N01	EA	Pad - Dinette Seat Back - Right
	072442-02-N01	EA	Pad - Dinette Seat Back - Left

**1992 ITASCA
TABLE OF CONTENTS**

Introduction	A-1
Abbreviations	A-1
Alphabetical Index	A-2 - A-4
ICF22RB N2	A-5 - C-12
ICF26RH N2	C-13 - E-20
ICF26RB N2	E-21 - H-4
ICN27RB N2	H-5 - J-12
ICN29RT N2	J-13 - L-22

1992 ICF22RB N2 INDEX

Floor Plan	A-5 - A-6
Accessories Group	A-7 - A-9
Bath Group	A-10
Chassis Group	A-11 - A-12
Curtain, Cushion & Pad Group	A-13 - A-19
Dinette Group	A-20 - A-21
Driver's Compartment Group	A-22 - B-1
Electrical Group	B-2 - B-4
Exterior Body Group	B-5 - B-10
Galley Group	B-11 - B-12
Heating & Air Conditioning Group	B-13 - B-14
Interior Finish Group	B-15 - B-16
LP Group	B-17
Lounge Group	B-18
Water & Sewage Group	B-19
Window, Vent & Exterior Door Group	B-20 - C-12



Key	Part Number	U/M	Description
1	055021-34-N04	EA	Cushion - Rear Bunk - 29" x 75.5" x 4.5" - Light Brown
1	055021-34-N05	EA	Cushion - Rear Bunk - 29" x 75.5" x 4.5" - Brown
1	055021-34-N06	EA	Cushion - Rear Bunk - 29" x 75.5" x 4.5" - Blue
	055022-36-N04	EA	Cover - Rear Bunk Cushion - 29" x 75.5" x 4.5" - Light Brown
	055022-36-N05	EA	Cover - Rear Bunk Cushion - 29" x 75.5" x 4.5" - Brown
	055022-36-N06	EA	Cover - Rear Bunk Cushion - 29" x 75.5" x 4.5" - Blue

DOUBLE BED MATTRESS

Key	Part Number	U/M	Description
2	058709-03-000	EA	Mattress - Inner Spring - Sealy - 48" x 75"
	070653-02-N01	EA	Bedsread - Twin Fitted
	070654-01-N01	EA	Pillow Cover - Sham - 20" x 26"
			Not Illustrated

SWIVEL CHAIRS

Key	Part Number	U/M	Description
3	069848-02-N04	EA	Swivel Chair - Complete - High Back - Light Brown
3	069848-02-N05	EA	Swivel Chair - Complete - High Back - Brown
3	069848-02-N06	EA	Swivel Chair - Complete - High Back - Blue
	035036-01-000	EA	Plate - Tilt and Swivel - Swivel Chair
	035036-02-000	EA	Base w/Legs - Swivel Chair

SPRUNG COUCH CUSHIONS

Key	Part Number	U/M	Description
4	071164-01-N04	EA	Cushion - Sprung Couch - Back - 76" - Light Brown
4	071164-01-N05	EA	Cushion - Sprung Couch - Back - 76" - Brown
4	071164-01-N06	EA	Cushion - Sprung Couch - Back - 76" - Blue
	M71164-01-N04	EA	Cover - Sprung Couch - Back - 76" - Light Brown
	M71164-01-N05	EA	Cover - Sprung Couch - Back - 76" - Brown
	M71164-01-N06	EA	Cover - Sprung Couch - Back - 76" - Blue
5	071163-01-N04	EA	Cushion - Sprung Couch - Bottom - 76" - Light Brown
5	071163-01-N05	EA	Cushion - Sprung Couch - Bottom - 76" - Brown
5	071163-01-N06	EA	Cushion - Sprung Couch - Bottom - 76" - Blue
	M71163-01-N04	EA	Cover - Sprung Couch - Bottom - 76" - Light Brown
	M71163-01-N05	EA	Cover - Sprung Couch - Bottom - 76" - Brown
	M71163-01-N06	EA	Cover - Sprung Couch - Bottom - 76" - Blue

DINETTE CUSHIONS

Key	Part Number	U/M	Description
6	068773-07-N04	EA	Cushion - Dinette Back - 19.2" x 38" x 4.5" - Light Brown
6	068773-07-N05	EA	Cushion - Dinette Back - 19.2" x 38" x 4.5" - Brown
6	068773-07-N06	EA	Cushion - Dinette Back - 19.2" x 38" x 4.5" - Blue
	M68773-07-N04	EA	Cover - Dinette Back Cushion - 19.2" x 38" x 4.5" - Light Brown
	M68773-07-N05	EA	Cover - Dinette Back Cushion - 19.2" x 38" x 4.5" - Brown
	M68773-07-N06	EA	Cover - Dinette Back Cushion - 19.2" x 38" x 4.5" - Blue
7	068773-08-N04	EA	Cushion - Dinette Bottom - 17.5" x 38" x 4.5" - Light Brown
7	068773-08-N05	EA	Cushion - Dinette Bottom - 17.5" x 38" x 4.5" - Brown
7	068773-08-N06	EA	Cushion - Dinette Bottom - 17.5" x 38" x 4.5" - Blue
	M68773-08-N04	EA	Cover - Dinette Bottom Cushion - 17.5" x 38" x 4.5" - Light Brown
	M68773-08-N05	EA	Cover - Dinette Bottom Cushion - 17.5" x 38" x 4.5" - Brown
	M68773-08-N06	EA	Cover - Dinette Bottom Cushion - 17.5" x 38" x 4.5" - Blue

**1982 ITASCA
TABLE OF CONTENTS**

Introduction	A-1
Abbreviations	A-1
Alphabetical Index	A-2 - A-4
ICF22RB N2	A-5 - C-12
ICF26RH N2	C-13 - E-20
ICF26RB N2	E-21 - H-4
ICN27RB N2	H-5 - J-12
ICN29RT N2	J-13 - L-22

1982 ICF22RB N2 INDEX

Floor Plan	A-5 - A-6
Accessories Group	A-7 - A-9
Bath Group	A-10
Classis Group	A-11 - A-12
Curtain, Cushion & Pad Group	A-13 - A-19
Dinette Group	A-20 - A-21
Driver's Compartment Group	A-22 - B-1
Electrical Group	B-2 - B-4
Exterior Body Group	B-5 - B-10
Galley Group	B-11 - B-12
Heating & Air Conditioning Group	B-13 - B-14
Interior Finish Group	B-15 - B-16
LP Group	B-17
Lounge Group	B-18
Water & Sewage Group	B-19
Window, Vent & Exterior Door Group	B-20 - C-12

CURTAIN, CUSHION AND PAD GROUP (CONTINUED)

LOWBACK BUCKET SEATS

Key	Part Number	U/M	Description
	069005-02-N04	EA	Seat / . - Single Bucket - w/o Armrests or Headrests - Light Brown
	069005-02-N05	EA	Seat Asm. - Single Bucket - w/o Armrests or Headrests - Brown
	069005-02-N06	EA	Seat Asm. - Single Bucket - w/o Armrests or Headrests - Blue
	M00435-04-N04	EA	Cover - Single Bucket - Seat - Light Brown
	M00435-04-N05	EA	Cover - Single Bucket - Seat - Brown
	M00435-04-N06	EA	Cover - Single Bucket - Seat - Blue
	M00435-03-N04	EA	Cover - Single Bucket - Back - Light Brown
	M00435-03-N05	EA	Cover - Single Bucket - Back - Brown
	M00435-03-N06	EA	Cover - Single Bucket - Back - Blue

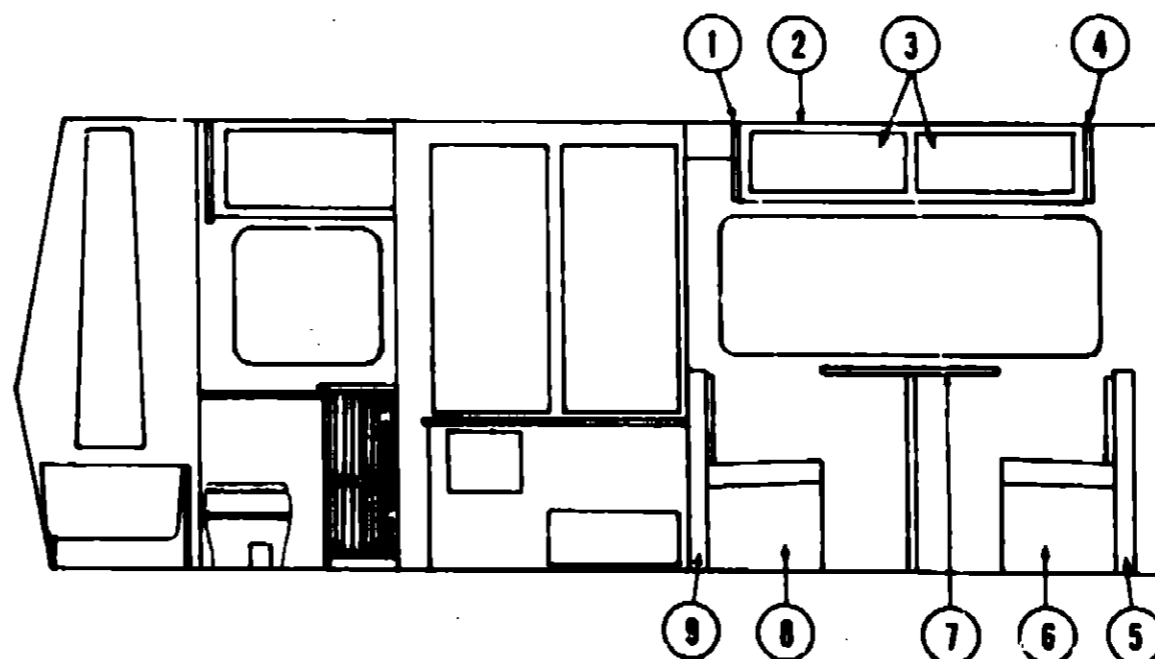
BUCKET SEATS

Key	Part Number	U/M	Description
	070809-01-N04	EA	Seat Asm. - Single Bucket - Mid-Range w/Armrests and Skirt - Light Brown
	070809-01-N05	EA	Seat Asm. - Single Bucket - Mid-Range w/Armrests and Skirt - Brown
	070809-01-N06	EA	Seat Asm. - Single Bucket - Mid-Range w/Armrests and Skirt - Blue
	M00762-01-N04	EA	Cover - Bottom - Single Bucket - Light Brown
	M00762-01-N05	EA	Cover - Bottom - Single Bucket - Brown
	M00762-01-N06	EA	Cover - Bottom - Single Bucket - Blue
	M00762-02-N04	EA	Cover - Back - Single Bucket - Light Brown
	M00762-02-N05	EA	Cover - Back - Single Bucket - Brown
	M00762-02-N06	EA	Cover - Back - Single Bucket - Blue
	071126-01-N07	EA	Skirt - Single Bucket - Medium Almond Vinyl
	070810-01-N04	EA	Seat Asm. - Double Bucket - Mid-Range - w/Armrests and Skirt - Light Brown
	070810-01-N05	EA	Seat Asm. - Double Bucket - Mid-Range - w/Armrests and Skirt - Brown
	070810-01-N06	EA	Seat Asm. - Double Bucket - Mid-Range - w/Armrests and Skirt - Blue
	M00763-01-N04	EA	Cover - Bottom - Double Bucket - Light Brown
	M00763-01-N05	EA	Cover - Bottom - Double Bucket - Brown
	M00763-01-N06	EA	Cover - Bottom - Double Bucket - Blue
	M00763-02-N04	EA	Cover - Back - Double Bucket - Light Brown
	M00763-02-N05	EA	Cover - Back - Double Bucket - Brown
	M00763-02-N06	EA	Cover - Back - Double Bucket - Blue
	071690-01-N07	EA	Skirt - Double Bucket - Medium Almond Vinyl
	071122-01-N04	EA	Armrest Asm. - w/Cover - Right - Light Brown
	071122-01-N05	EA	Armrest Asm. - w/Cover - Right - Brown
	071122-01-N06	EA	Armrest Asm. - w/Cover - Right - Blue
	071122-02-N04	EA	Armrest Asm. - w/Cover - Left - Light Brown
	071122-02-N05	EA	Armrest Asm. - w/Cover - Left - Brown
	071122-02-N06	EA	Armrest Asm. - w/Cover - Left - Blue
	071123-01-N04	EA	Cover - Armrest - Right or Left - Light Brown
	071123-01-N05	EA	Cover - Armrest - Right or Left - Brown
	071123-01-N06	EA	Cover - Armrest - Right or Left - Blue

FRONT OVERHEAD BUNK CUSHIONS

Key	Part Number	U/M	Description
	055021-37-N04	EA	Cushion - Front Overhead Bunk - 31.5" x 79" x 4" - Light Brown
	055021-37-N05	EA	Cushion - Front Overhead Bunk - 31.5" x 79" x 4" - Brown
	055021-37-N06	EA	Cushion - Front Overhead Bunk - 31.5" x 79" x 4" - Blue
	055022-39-N04	EA	Cover - Front Bunk Cushion - 31.5" x 79" x 4" - Light Brown
	055022-39-N05	EA	Cover - Front Bunk Cushion - 31.5" x 79" x 4" - Brown
	055022-39-N06	EA	Cover - Front Bunk Cushion - 31.5" x 79" x 4" - Blue

DINETTE GROUP



CONVENTIONAL DINETTE AND OVERHEAD CABINETS

Key	Part Number	U/M	Description
1	071846-04-N01	EA	End Cap - Dinette Overhead Cabinet - Left
2	M70640-09-N01	EA	Cabinet Asm. - Dinette Overhead - w/o Doors or Hardware
3	M00789-26-N01	EA	Door Asm. - Dinette Overhead - 11.5" x 26.2" - w/o Hardware
4	017846-01-N01	EA	Pad - End - Dinette Overhead Cabinet - Right - Beige Vinyl
4	058444-04-M10	EA	Pad - End - Dinette Overhead Cabinet - Right - Brown Vinyl
4	M00928-01-N01	EA	Cabinet Asm. - Dinette Back - Right
5	072442-01-N01	EA	Pad Asm. - Dinette Seat Back - Right
6	M00927-01-N01	EA	Cabinet Asm. - Dinette Seat - Right - w/o Door or Hardware
7	053191-07-N01	EA	Table Asm. - Dinette - w/o Hardware - Almond (N04) (N05) (N06)
8	M00927-02-N01	EA	Cabinet Asm. - Dinette Seat - Left
8	M00928-02-N01	EA	Cabinet Asm. - Dinette Back - Left
9	072442-02-N01	EA	Pad Asm. - Dinette Seat - Left
..	053200-05-000	EA	Bracket - Upper Wall Mount - 23.5" - Beige
..	053200-01-000	EA	Bracket - Upper Wall Mount - 23.5" - Brown
..	053201-03-000	EA	Bracket - Table Mount - 23" - Anod.
..	024275-05-000	EA	Rod - Table Lift - 8" x 23.5" - Beige
..	024275-01-000	EA	Rod - Table Lift - 8" x 23.5" - Brown
..	024281-07-000	EA	Bracket - Lower Wall Mount - 22.12" - Beige
..	024281-03-000	EA	Bracket - Lower Wall Mount - 22.12" - Brown
..	024276-08-000	EA	Leg Asm. - Table - Beige - 29.5"
..	024276-04-000	EA	Leg Asm. - Table - Brown - 29.5"
..	084050-01-000	EA	Hinge - Table Leg
..	024282-01-000	EA	Brace - Table Leg
..	024283-01-000	EA	Clip - 1" O.D. Tube
..	049493-03-000	EA	Catch - Table Leg - Mounts on Floor - Beige
..	049493-02-000	EA	Catch - Table Leg - Mounts on Floor - Brown
..			Not illustrated

The illustrated parts breakdown for this item is listed on the Common Items Fiche.

**1982 ITASCA
TABLE OF CONTENTS**

Introduction,	A-1
Abbreviations	A-1
Alphabetical Index	A-2 - A-4
ICF22RB N2	A-5 - C-12
ICF26RH N2	C-13 - E-20
ICF26RB N2	E-21 - H-4
ICN27RB N2	H-5 - J-12
ICN29RT N2	J-13 - L-22

1982 ICF22RB N2 INDEX

Floor Plan	A-5 - A-6
Accessories Group	A-7 - A-9
Bath Group	A-10
Chassis Group	A-11 - A-12
Curtain, Cushion & Pad Group	A-13 - A-19
Dinette Group	A-20 - A-21
Driver's Compartment Group	A-22 - B-1
Electrical Group	B-2 - B-4
Exterior Body Group	B-5 - B-10
Galley Group	B-11 - B-12
Heating & Air Conditioning Group	B-13 - B-14
Interior Finish Group	B-15 - B-16
LP Group	B-17
Lounge Group	B-18
Water & Sewage Group	B-19
Window, Vent & Exterior Door Group	B-20 - C-12

DINETTE GROUP (CONTINUED)

SWIVEL CHAIRS W/FOLD OUT TABLE

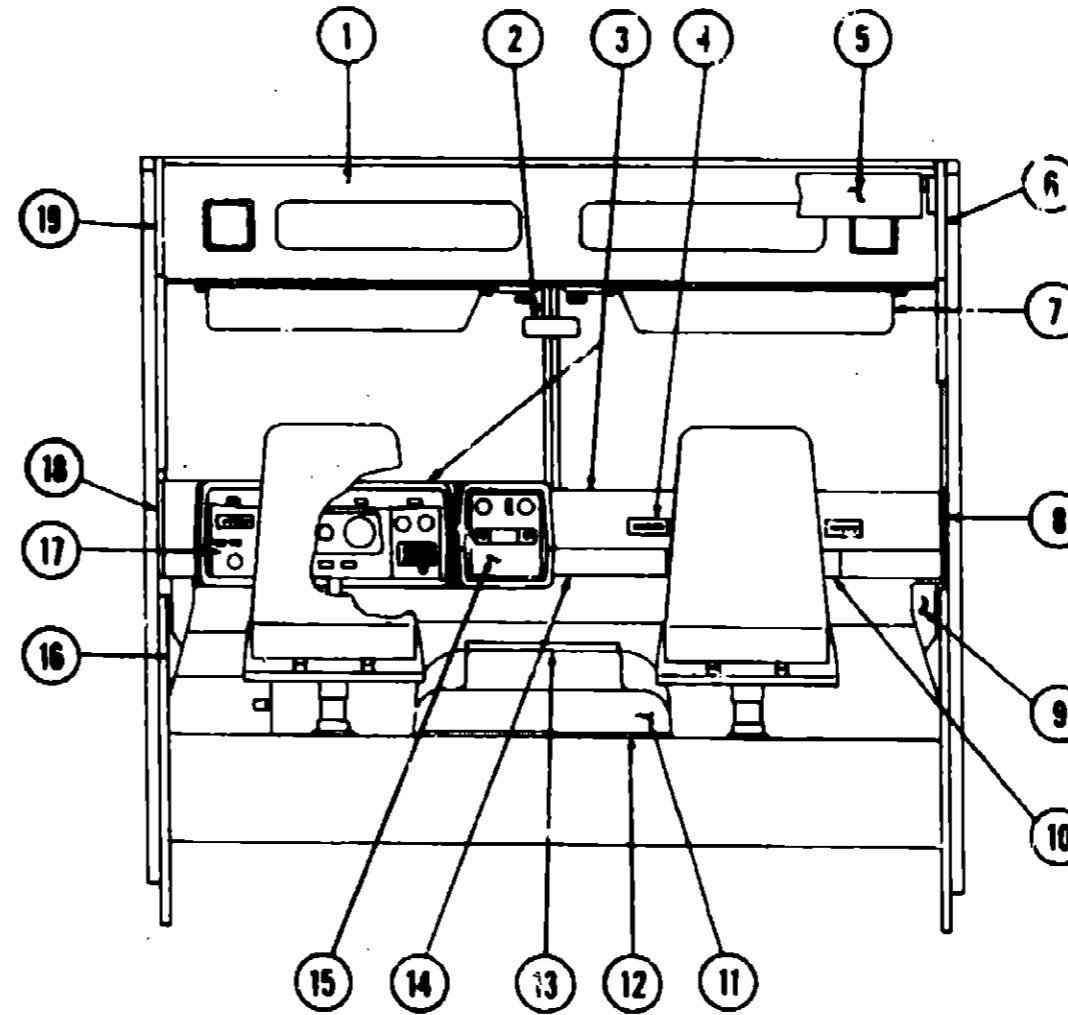
Key	Part Number	U/M	Description
	M00759-01-N01	EA	Table Asm. - Fold Out - Almond (N04) (N05) (N06)
	M00758-01-N01	EA	Countertop Asm. - Fold Out Table Cabinet - Almond (N04) (N05) (N06)
	M00757-01-N01	EA	Panel - Side - Table Cabinet - Right or Left
	024276-11-000	EA	Leg Asm. - Table - Beige - 25.18"
**	064050-01-000	EA	Hinge - Table Leg
**	024282-01-000	EA	Brace - Table Leg
**	024283-01-000	EA	Clip - 1" O.D. Tube
	049453-03-000	EA	Catch - Table Leg - Mounts on Floor - Beige
	048394-01-000	YD	Tape - Hook - 1" x 25 YD - Beige
	048395-01-000	YD	Tape - Loop - 1" x 25 YD - Beige
	035036-01-000	EA	Plate - Swivel Chair
**	035036-02-000	EA	Base - w/Leg - Swivel Chair

The illustrated parts breakdown for this item is provided on the Common Items Fiche.

SPRUNG COUCH OPTION

Key	Part Number	U/M	Description
	072786-01-N01	EA	Front Panel Asm. - Sprung Couch - w/o Door or Hardware
	057643-01-N01	EA	Extension Asm. - Sprung Couch - Left
	057618-01-N01	EA	End Panel - Sprung Couch - Right
	M00789-02-N01	EA	Door Asm. - Sprung Couch - 37.2" x 12.0" - w/o Hardware
	057468-02-000	EA	Base Asm. - Sprung Couch - Right
	057468-03-000	EA	Base Asm. - Sprung Couch - Left
	057468-04-000	EA	Base Asm. - Spacers - Sprung Couch - 2 per Couch
	057469-01-000	EA	Leg Asm. - Sprung Couch - 2 per Couch
	053248-02-N01	EA	Table Asm. - Pedestal - w/o Hardware - Almond (N04) (N05) (N06)
	009040-02-000	EA	Leg - Pedestal Table - 27.5" x 2.25" O.D. - Chrome
	009040-03-000	EA	Base - Table - Mounts on Table
	041194-01-000	EA	Base - Table - Mounts in Floor
	062046-01-000	EA	Clip - Pedestal Leg
	056093-01-N01	EA	Plug Asm. - Pedestal - Table - Honey Beige (N04) (N05) (N06)

DRIVER'S COMPARTMENT GROUP



1962 ITASCA TABLE OF CONTENTS

Introduction	A-1
Abbreviations	A-1
Alphabetical Index	A-2 - A-4
ICF22RB N2	A-5 - C-12
ICF26RH N2	C-13 - E-20
ICF26RB N2	E-21 - H-4
ICN27RB N2	H-5 - J-12
ICN29RT N2	J-13 - L-22

MISCELLANEOUS DRIVER'S COMPARTMENT COMPONENTS

Key	Part Number	U/M	Description
1	058300-01-N01	EA	Cabinet Asm. - Front Overhead
2	040714-01-000	EA	Mirror - Inside - Rear View - Glare Proof
	067490-01-000	EA	Button - Mirror - Rear View - Support
3	M00671-01-000	EA	Dash Asm. - Complete w/Gauges and Switches - Chevy
	022548-04-000	EA	Pad - Dash - Right - Dark Brown
	023242-06-000	EA	Pad - Dash - Left - Dark Brown
	024990-02-000	EA	Outlet - Defroster w/Swivel - 2" Dark Brown
4	039044-01-000	EA	Louver Asm. - A/C Adjustable
5	058844-01-M07	EA	Bunk Board Asm. - Front Overhead - w/Brown Rails
5	058844-02-N01	EA	Bunk Board Asm. - Front Overhead - w/Off White Rails
6	063970-01-N01	EA	Pad Asm. - Front Side Overhead - Right - Beige Vinyl
6	063970-01-L07	EA	Pad Asm. - Front Side Overhead - Right - Brown Vinyl
7	056508-02-N07	EA	Sunvisor Asm. - Right & Left - Almond Vinyl - w/o Mirror
7	056508-02-M01	EA	Sunvisor Asm. - Right & Left - Acorn Vinyl - w/o Mirror
	040695-02-000	EA	Clip - Sunvisor
	061350-01-000	EA	Windshield Trim - Interior - "A" Post - Dark Brown Plastic - Left
	061350-02-000	EA	Windshield Trim - Interior - "A" Post - Dark Brown Plastic - Right
	061350-03-000	EA	Windshield Trim - Interior - "A" Post - Light Oak Plastic - Right
	061350-04-000	EA	Windshield Trim - Interior - "A" Post - Light Oak Plastic - Left
8	059414-04-000	EA	Pad - Sidewall Trim - Passenger - Beige Vinyl
8	059414-02-000	EA	Pad - Sidewall Trim - Passenger - Brown Vinyl
	068671-01-000	EA	Recliner Drive - Bucket Seat - Left Side
	068671-02-000	EA	Recliner Drive - Bucket Seat - Right Side
			Not illustrated

1962 ICF22RB N2 INDEX

Floor Plan	A-5 - A-6
Accessories Group	A-7 - A-9
Bath Group	A-10
Chassis Group	A-11 - A-12
Curtain, Cushion & Pad Group	A-13 - A-19
Dinette Group	A-20 - A-21
Driver's Compartment Group	A-22 - B-1
Electrical Group	B-2 - B-4
Exterior Body Group	B-5 - B-10
Galley Group	B-11 - B-12
Heating & Air Conditioning Group	B-13 - B-14
Interior Finish Group	B-15 - B-16
LP Group	B-17
Lounge Group	B-18
Water & Sewage Group	B-19
Window, Vent & Exterior Door Group	B-20 - C-12

DRIVER'S COMPARTMENT GROUP (CONTINUED)

MISCELLANEOUS DRIVER'S COMPARTMENT COMPONENTS (CONT)

Key	Part Number	U/M	Description
9	072811-01-000	EA	Panel - Side - Passenger - Light Oak Plastic
9	072811-02-000	EA	Panel - Side - Passenger - Dark Brown Plastic
	059467-04-N07	EA	Pad - Map Pocket - Passenger - Beige Vinyl
	059467-04-M07	EA	Pad - Map Pocket - Passenger - Brown Vinyl
10	022219-01-000	EA	Glove Compartment Door
	023892-01-000	EA	Glove Compartment Box - Black Fiberboard
	009118-01-000	EA	Glove Compartment Twist Lock
	024598-01-000	EA	Glove Compartment Hinge - 1 1/16" x 19"
	034309-01-000	EA	Glove Compartment Chain - Door
11	067213-02-000	EA	Motor Cover - Fiberglass - Dual Fuel - Chevy
12	035368-02-000	EA	Seal - Motor Cover - Alum. - Brown
12	035368-04-000	EA	Seal - Motor Cover - Alum. - Beige
	039623-01-000	FT	Seal - Cover - Engine - Neoprene
	052783-02-000	EA	Seal - Cover - Motor - Upper - Brown - Chevy
	052783-03-000	EA	Seal - Cover - Motor - Upper - Beige - Chevy
	039857-01-000	EA	Latch - Rubber - Draw Handle - 5 3/4" w/Strike
	039856-01-000	EA	Latch - Rubber - Draw Handle - 3" w/Strike
	042541-01-000	EA	Latch Asm. - w/Strike - Chrome
13	061378-01-N01	EA	Beverage Tray Asm. - Oak Laminate (N04) (N05) (N06)
14	023834-01-000	EA	Panel - Knee Kick - Bottom of Dash
	055000-02-000	EA	Tray - Utensil - Light Oak - Plastic
	055000-01-000	EA	Tray - Utensil - Dark Brown - Plastic
	045795-03-000	EA	Glass Holder - Light Oak Plastic
	045795-01-000	EA	Glass Holder - Dark Brown Plastic
15	050344-03-000	EA	Bezel - Entertainment Center No. 2 - w/Cut Out for Clock & Radio
	067337-02-000	EA	Bezel - Entertainment Center No. 6 - w/Cut Out for Radio
15	067338-02-000	EA	Bezel - Entertainment Center No. 7 - w/Cut Out for Radio, Hourmeter and Generator Start Stop Switch
15	050345-04-000	EA	Bezel - Entertainment Center No. 3 - w/Cut Out for Radio, Clock, Hourmeter and Generator Start Stop Switch
	007308-01-000	EA	Dash Clock
16	059198-05-000	EA	Panel - Side - Drivers - Light Oak Plastic
16	059198-02-000	EA	Panel - Side - Drivers - Dark Brown Plastic
16	064499-02-000	EA	Panel - Drivers Door - Inner - Light Oak Plastic
16	064499-01-000	EA	Panel - Drivers Door - Inner - Brown Plastic
	059467-03-N07	EA	Pad - Map Pocket - Drivers - Beige Vinyl
	059467-03-M07	EA	Pad - Map Pocket - Drivers - Brown Vinyl
	050796-01-000	EA	Pocket - Ash Tray - Plastic
	050797-01-000	EA	Ash Tray - Plastic
	046886-01-000	EA	Ashtray Asm. - Flush Mount - Chrome
17	071668-01-000	EA	Bezel - Control Panel - Chevy
	052367-01-000	EA	Cigarette Lighter Asm. - 12 Volt
	007041-01-000	EA	Bezel - Cigarette Lighter
	061424-01-000	EA	Lamp Asm. - Map/Gauge
	061400-01-000	EA	Assist Strap - 12" - Light Brown
	061400-03-000	EA	Assist Strap - 12" - Medium Almond
18	059414-03-000	EA	Pad - Sidewall Trim - Drivers - Beige Vinyl
18	059414-01-000	EA	Pad - Sidewall Trim - Drivers - Brown Vinyl
19	063970-02-N01	EA	Pad Asm. - Front Overhead Cabinet - Left - Beige Vinyl
19	063970-02-L07	EA	Pad Asm. - Front Overhead Cabinet - Left - Brown Vinyl
19	063970-02-N16	EA	Pad Asm. - Front Overhead Cabinet - Driver Door - Beige Vinyl
19	063970-03-M23	EA	Pad Asm. - Front Overhead Cabinet - Driver Door - Brown Vinyl
	040519-01-000	EA	Boot - Rubber Steering Column
	040520-01-000	EA	Boot Retainer - Steering Column
	024499-01-000	EA	Support - Dimmer Switch
	024849-01-000	EA	Damper Asm. - Fresh Air
			Not illustrated

DRIVER'S COMPARTMENT GROUP (CONTINUED)

DASH SWITCHES AND GAUGES

Key	Part Number	U/M	Description
	024461-01-000	EA	Switch - Battery
	024462-01-000	EA	Switch - Battery Condition
	024464-02-000	EA	Switch - Battery - Dual Boost
	024463-01-000	EA	Switch - Blinker
	024464-01-000	EA	Switch - Washer
	024465-01-000	EA	Switch - Fuel
	024467-01-000	EA	Switch - Wiper
	024976-01-000	EA	Switch - Generator w/o Circuit Board
	037087-01-000	EA	Switch - Generator w/Circuit Board
	024459-03-000	EA	Gauge - Voltmeter
	024460-03-000	EA	Gauge - Vacuum
	031035-01-000	EA	Gauge - Generator Hourmeter
	031376-01-000	EA	Control Asm. - Heater - 3 Speed
	055279-01-000	EA	Control Asm. - Heater A/C - 3 Speed
	072341-01-000	EA	Control Asm. - Heater A/C - A.R.A.

FRONT BUNK AND HARDWARE

Key	Part Number	U/M	Description
	058300-01-N07	EA	Cabinet Asm. - Front Overhead
	053320-04-M01	EA	Bunk Board Asm. - Front Overhead - w/Brown Rails
	053320-06-N01	EA	Bunk Board Asm. - Front Overhead - w/Off White Rails
	053773-01-000	EA	Support - Overhead Bunk - Brown - Right
	053773-02-000	EA	Support - Overhead Bunk - Brown - Left
	040071-02-000	EA	Support - Bunk - Seat Belt
	039516-03-000	EA	Catch - Bunk - Off White
	039516-02-000	EA	Catch - Bunk - Brown
	023812-26-000	EA	Rail - Bunk - 80" - Off White
	023812-22-000	EA	Rail - Bunk - 80" - Brown
	053774-02-000	EA	Torsion Rod - Overhead Bunk - Brown
	041322-01-000	EA	Washer - Flat - 15/32" I.D. x 2 3/8" O.D. - Seat Belt
	063970-01-N01	EA	Pad Asm. - Front Side Overhead - Right - Beige Vinyl
	063970-01-L07	EA	Pad Asm. - Front Side Overhead - Right - Brown Vinyl
	063970-02-N01	EA	Pad Asm. - Front Side Overhead - Left - Beige Vinyl
	063970-02-L01	EA	Pad Asm. - Front Side Overhead - Left - Brown Vinyl
	063970-03-N16	EA	Pad Asm. - Front Side Overhead - Driver Door - Beige Vinyl
	063970-03-M23	EA	Pad Asm. - Front Side Overhead - Driver Door - Brown Vinyl
	048394-01-000	YD	Tape Hook - 1" x 25 YD - Beige
	048395-01-000	YD	Tape Loop - 1" x 25 YD - Beige
	007021-01-000	EA	Belt Asm. - Seat - 2" x 90" - Black

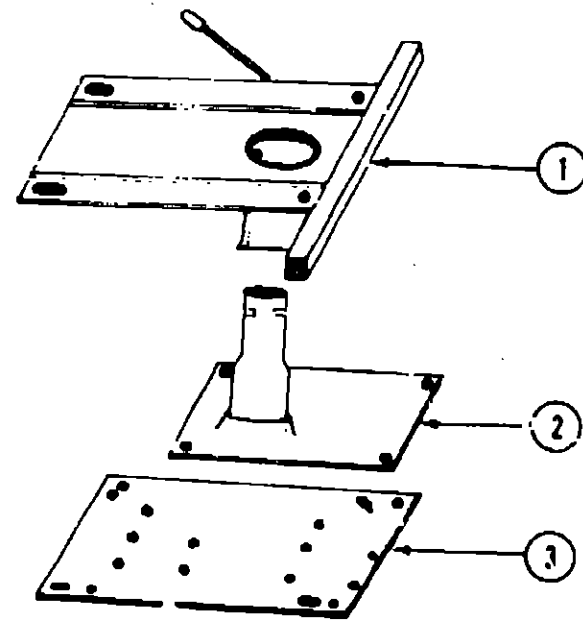
**1982 ITASCA
TABLE OF CONTENTS**

Introduction	A-1
Abbreviations	A-1
Alphabetical Index	A-2 - A-4
ICF22RB N2	A-5 - C-12
ICF26RH N2	C-13 - E-20
ICF26RB N2	E-21 - H-4
ICN27RB N2	H-5 - J-12
ICN29RT N2	J-13 - L-22

1982 ICF22RB N2 INDEX

Floor Plan	A-5 - A-6
Accessories Group	A-7 - A-9
Bath Group	A-10
Chassis Group	A-11 - A-12
Curtains, Cushion & Pad Group	A-13 - A-19
Dinette Group	A-20 - A-21
Driver's Compartment Group	A-22 - B-1
Electrical Group	B-2 - B-4
Exterior Body Group	B-5 - B-10
Galley Group	B-11 - B-12
Heating & Air Conditioning Group	B-13 - B-14
Interior Finish Group	B-15 - B-16
LP Group	B-17
Lounge Group	B-18
Water & Sewage Group	B-19
Window, Vent & Exterior Door Group	B-20 - C-12

DRIVER'S COMPARTMENT GROUP (CONTINUED)



BUCKET SEAT PEDESTAL AND SEAT BELTS

Key	Part Number	U/M	Description
1	069595-04-000	EA	Plate - Top - Pedestal Asm. - Single - Bucket Seat
1	069585-10-000	EA	Plate - Top - Pedestal Asm. - Double Bucket Seat
2	069585-08-000	EA	Plate - Sub - Pedestal Asm. - Bucket Seat
3	069585-07-000	EA	Plate - Base - Pedestal Asm. - Bucket Seat
.	069585-05-000	EA	Hardware Kit - Bolt/Acorn Nut - 4 ea. - Pedestal Asm.
.	007019-01-000	EA	Belt Asm. - Seat - 2" x 84" - Black
.	041322-01-000	EA	Washer - Flat 15/32" I.D. x 2 3/8" O.D. - Seat Belt
.	007021-01-000	EA	Belt Asm. - Seat - 2" x 90" - Black
.	007222-01-000	EA	Belt Asm. - Seat - 2" x 60" - Black
.	043910-01-000	EA	Bracket Asm. - Seat Belt
.	058375-01-000	EA	Washer - Seat Belt - Washer
.	069246-01-000	EA	Adjuster Asm. - Seat w/Lock
.	069246-02-000	EA	Adjuster Asm. - Seat w/o Lock
.			Not illustrated

ELECTRICAL GROUP

BULBS

Key	Part Number	U/M	Description
	037935-01-000	EA	Bulb - 1157
	063914-01-000	EA	Bulb - 1139
	008103-01-000	EA	Bulb - 53
	008213-01-000	EA	Bulb - 57
	008214-01-000	EA	Bulb - 67
	008215-01-000	EA	Bulb - 1003
	008216-01-000	EA	Bulb - 1034
	008217-01-000	EA	Bulb - 1073
	008218-01-000	EA	Bulb - 1141
	008220-01-000	EA	Bulb - 12V - 25W
	036196-01-000	EA	Bulb - 194

FUSES AND CIRCUIT BREAKERS

Key	Part Number	U/M	Description
	056473-02-000	EA	Fuse - Slow Blow - 5 Amp. - 32 Volt Capacity
	056473-01-000	EA	Fuse - Slow Blow - 6 1/4 Amp.
	008233-01-000	EA	Fuse - 12 Volt - 6 Amp.
	008234-01-000	EA	Fuse - 12 Volt - 10 Amp.
	046893-01-000	EA	Fuse - 12 Volt - 13 Amp.
	008235-01-000	EA	Fuse - 12 Volt - 15 Amp.
	008236-01-000	EA	Fuse - 12 Volt - 20 Amp.
	008248-01-000	EA	Fuse - 110 Volt - 30 Amp. - AGU
	008252-01-000	EA	Fuse - 110 Volt - 50 Amp.
	008208-01-000	EA	Circuit Breaker - 12 Volt - 40 Amp.
	008211-01-000	EA	Circuit Breaker - 12 Volt - 6 Amp.
	008205-01-000	EA	Circuit Breaker - 12 Volt - 30 Amp. w/Mount
	033573-02-000	EA	Circuit Breaker - 12 Volt - 15 Amp. w/Mount
	033573-01-000	EA	Circuit Breaker - 12 Volt - 20 Amp. w/Mount
	040051-01-000	EA	Circuit Breaker - 110 Volt - 20 Amp. TQL
	071279-01-000	EA	Circuit Breaker - 120 Volt - 15 Amp.
	071279-02-000	EA	Circuit Breaker - 120 Volt - 15/15 Amp.
	008273-03-000	EA	Circuit Breaker - 15/20 Amp. TQL
	008299-01-000	EA	Circuit Breaker - 115 Amp. TQL
	008297-01-000	EA	Circuit Breaker - 120 Amp. TQL
	008293-01-000	EA	Circuit Breaker - 130 Amp. TQL

EXTERIOR LIGHTS

Key	Part Number	U/M	Description
	007309-01-000	EA	Light - Step Woll
	058031-01-000	EA	Tail Lamp Asm. - 3 Bulb - Chrome - Right/Left
	058031-01-701	EA	Lens - Tail Lamp - Red
	058031-01-702	EA	Lens - Tail Lamp - Back Up
	059036-01-000	EA	Bracket - Tail Lamp
	059540-01-000	EA	Bracket - License Plate
	062740-04-000	EA	Wedge - Tail Lamp w/o License Plate Bracket
	062742-04-000	EA	Wedge - Tail Lamp - w/License Plate Bracket
	042405-03-000	EA	Base - Rectangular Clearance Light
	042405-01-000	EA	Lens - Clearance Light - Red w/Reflex
	042405-04-000	EA	Lens - Clearance Light - Red w/o Reflex
	042405-02-000	EA	Lens - Clearance Light - Amber w/Reflex
	042405-05-000	EA	Lens - Clearance Light - Amber w/o Reflex
	008092-01-700	EA	Reflector - Stick On - Rectangular - Red
	008093-01-700	EA	Reflector - Stick On - Rectangular - Amber

**1982 ITASCA
TABLE OF CONTENTS**

Introduction	A-1
Abbreviations	A-1
Alphabetical Index	A-2 - A-4
ICF22RB N2	A-5 - C-12
ICF26RH N2	C-13 - E-20
ICF26RB N2	E-21 - H-4
ICN27RB N2	H-5 - J-12
ICN29RT N2	J-13 - L-22

1982 ICF22RB N2 INDEX

Floor Plan	A-5 - A-6
Accessories Group	A-7 - A-9
Bath Group	A-10
Chassis Group	A-11 - A-12
Curtain, Cushion & Pad Group	A-13 - A-19
Dinette Group	A-20 - A-21
Driver's Compartment Group	A-22 - B-1
Electrical Group	B-2 - B-4
Exterior Body Group	B-5 - B-10
Galley Group	B-11 - B-12
Heating & Air Conditioning Group	B-13 - B-14
Interior Finish Group	B-15 - B-16
LP Group	B-17
Lounge Group	B-18
Water & Sewage Group	B-19
Window, Vent & Exterior Door Group	B-20 - C-12

ELECTRICAL GROUP (CONTINUED)

INTERIOR LIGHTS

Key	Part Number	U/M	Description
	033508-02-000	EA	Light - Dome - Ivory - Single
	033509-02-000	EA	Light - Dome - Ivory - Double
	061424-01-000	EA	Light - 12V Receptacle - Aisle - IP
	024418-01-000	EA	Lamp Asm. - Map/Gauge/Aisle
	053346-01-000	EA	Light - High Intensity - Brown
	007309-01-000	EA	Light - Step Well

WINDSHIELD WIPER AND WASHER

Key	Part Number	U/M	Description
**	056000-02-000	EA	Washer Asm. - Windshield
**	057653-01-000	EA	Arm - Windshield Wiper - 18" - Black
	067191-02-000	EA	Motor Asm. - Windshield Wiper - 2 Speed
	067192-01-000	EA	Link Asm. - Connecting - Left
	067193-01-000	EA	Link Asm. - Connecting - Right
**	049454-02-000	EA	Blade - Windshield Wiper - 20" Black
**	067190-01-000	EA	Shaft and Pivot Asm.
** The illustrated parts breakdown for this item is provided on the Common Items Fiche.			

WIRE, SWITCHES AND RECEPTACLES

Key	Part Number	U/M	Description
	008024-01-000	FT	Wire - 18.5 Bonded - Orange/White/Yellow/Blue/Brown
	008025-01-000	FT	Wire - 18.5 Bonded - Orange/White/Yellow/Blue/Green
	008028-01-000	FT	Wire - 18.5 Bonded - Blue/Red/Yellow/Orange/White
	008030-01-000	FT	Wire - 18.4 Bonded - Red/Blue/Orange/Green
	008277-01-000	EA	Holder - Fuse - Black - Panel Mount
	008195-01-000	EA	Switch - Push Button - 12 Volt
	006077-01-000	EA	Plaque - Compressor Switch
	008054-01-000	EA	Cord - Power - 10-3 30 Amp. - 25' - UL
	008052-01-000	EA	Cord - Power - 10-3 30 Amp. - 25' - CSA
	024571-03-000	EA	Cover Plate - Receptacle - Jumbo Plastic - Brown
	024571-04-000	EA	Cover Plate - Receptacle - Jumbo Plastic - Ivory
	058028-01-000	EA	Connector - Pigtail - Clear - Nylon
	008162-01-000	EA	Switch - Double Toggle - Spade Brown
	008163-01-000	EA	Switch - Toggle Brown
	056264-01-000	EA	Switch - Leaf Actuator (Wardrobe Cab.)
	055280-01-000	EA	Switch - 3 Speed Fan
	063912-01-000	EA	Relay - Canister Spot w/Ground
	008164-01-000	EA	Cover Plate - Switch - Brown
	024924-02-000	EA	Receptacle - Power Cord
	069238-01-000	EA	Cover - Electrical - 4 x 4 Box
	008058-01-000	EA	Adaptor - Power Cord
	053126-01-000	EA	Receptacle - Ground Fault Interrupter - 125 Volt - Ivory
	053126-02-000	EA	Receptacle - Ground Fault Interrupter - 125 Volt - Brown
	058707-01-000	EA	Receptacle - Single - Brown - Thomas & Belts
	058708-01-000	EA	Receptacle - Duplex - Brown - Thomas & Belts
	008157-01-000	EA	Receptacle - Duplex - Brown (Exterior Backwall)
	058048-01-000	EA	Cover - Electrical Box - 4.5" x 2.75" - Rain Tight (Exterior)
	008294-02-000	EA	Cover - Steel - Flat Blank 4" x 4"
	008288-01-000	EA	Box - Electrical - Plastic - 3" x 3.5"
	008289-01-000	EA	Box - Electrical - Steel - 4 x 4 - 1/2 & 3/4 UL
	064398-01-000	EA	Housing Asm. - Trailer Receptacle - Female
	064399-01-000	EA	Housing Asm. - Trailer Pin - Male
	064450-01-000	EA	Housing Asm. - Trailer Plug - Male
	035417-01-000	EA	Terminal - Pin Receptacle .125 Dia.
	054532-01-000	EA	Housing - Pin - 6 Position
	031988-01-000	EA	Contact - Plug - Brass - Tin Plated
	035290-17-000	EA	Cable Asm. - Battery - 1 AWG Strand - 282"
	054865-01-000	EA	Wire Asm. - Generator Switch

ELECTRICAL GROUP (CONTINUED)

MISCELLANEOUS ELECTRICAL COMPONENTS

Key	Part Number	U/M	Description
	047338-01-000	EA	Insulator - Dual Battery
	063739-01-000	EA	Battery - 12 Volt - 80 Amp. Gould
	008188-01-000	EA	Solenoid - Dual Battery - Relay
	054544-01-000	EA	Control Center - 37 Amp - UL
	031720-01-000	EA	Spacer - Receptacle - Brown Plastic - CSA
	038950-01-702	EA	Circuit Board - Control Center
	024459-01-000	EA	Gauge - Voltmeter
	024462-01-000	EA	Switch - Battery Condition
	031035-01-000	EA	Gauge - Hourmeter - Generator
	024976-01-000	EA	Switch - Generator w/o Circuit Board
	024460-01-000	EA	Gauge Vacuum
	039861-01-000	EA	Sending Unit Kit - Wemac
	048812-12-000	EA	Refrigerator Sensor - Refrigerator Alarm
	048812-04-000	EA	Control Panel - Basic
	048812-09-000	EA	Control Panel - Insert - w/LP Alarm - Refrigerator
	072351-01-000	EA	Control Panel Complete - Water/Double Sewage - Clock - w/LP Alarm - Refrigerator
	067761-01-000	EA	Converter - 30 Amp. w/Charger
	024461-01-000	EA	Switch - Dual Battery
	071278-01-000	EA	Control Center - 32 Amp.
	024464-01-000	EA	Switch - Washer
	024467-01-000	EA	Switch - Wiper

1982 ITASCA TABLE OF CONTENTS

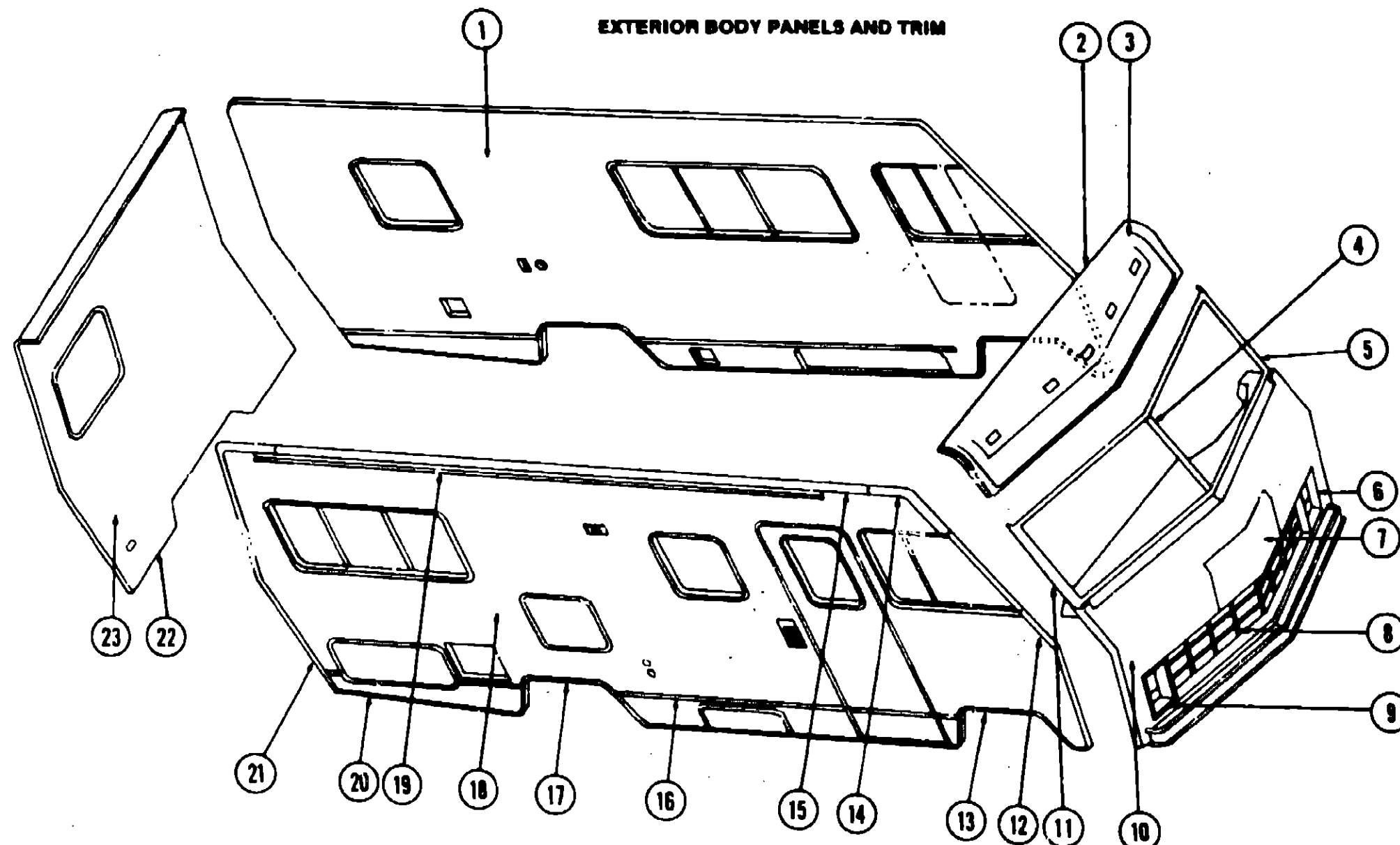
Introduction	A-1
Abbreviations	A-1
Alphabetical Index	A-2 - A-4
ICF22RB N2	A-5 - C-12
ICF26RH N2	C-13 - E-20
ICF26RB N2	E-21 - H-4
ICN27RB N2	H-5 - J-12
ICN29RT N2	J-13 - L-22

1982 ICF22RB N2 INDEX

Floor Plan	A-5 - A-6
Accessories Group	A-7 - A-9
Bath Group	A-10
Chassis Group	A-11 - A-12
Curtain, Cushion & Pad Group	A-13 - A-19
Dinette Group	A-20 - A-21
Driver's Compartment Group	A-22 - B-1
Electrical Group	B-2 - B-4
Exterior Body Group	B-5 - B-10
Galley Group	B-11 - B-12
Heating & Air Conditioning Group	B-13 - B-14
Interior Finish Group	B-15 - B-16
LP Group	B-17
Lounge Group	B-18
Water & Sewage Group	B-19
Window, Vent & Exterior Door Group	B-20 - C-12

EXTERIOR BODY GROUP

EXTERIOR BODY PANELS AND TRIM



Key	Part Number	U/M	Description
1	M72695-01-N01	EA	Sidewall Asm. - Left
2	062396-01-000	EA	Trim - Roof/Front Cap - 91"
3	054957-01-000	EA	Cap Asm. - Plastic - Over Windshield - Off White
	058287-01-000	EA	Trim - Molding - Windshield - Upper & Lower
4	058288-01-000	EA	Trim - Molding - Windshield - Center
	042743-02-000	EA	Corner Support - Windshield - Upper - Steel
	042743-01-000	EA	Corner Support - Windshield - Lower - Steel
5	058289-01-000	EA	Trim - Contour - Windshield - Left
6	070817-01-000	EA	Bezel - Headlamp - Left
	058320-01-000	EA	Headlamp Housing - Left
7	M71686-01-000	EA	Access Panel - Primed
	062917-01-000	EA	Hood Prop Rod
	062628-01-000	EA	Clip - Prop Rod
	058722-01-000	EA	Pull Pin - Access Door Release
	058761-01-000	EA	Striker - Hood Latch
	058752-01-000	EA	Hinge - Access Panel - Right
	058752-03-000	EA	Hinge - Access Panel - Left
8	058343-02-000	EA	Grille Asm.
	059123-03-000	EA	Trim - Grille - Upper
	059124-03-000	EA	Trim - Grille - Lower
9	070817-02-000	EA	Bezel - Headlamp - Right
	058320-02-000	EA	Headlamp Housing - Right
10	M00877-02-000	EA	Panel Asm. - Front Shroud - Includes Access Panel - Off White
			Not Illustrated

B-5

Key	Part Number	U/M	Description
11	058289-02-000	EA	Trim - Contour - Windshield - Right
12	058899-03-000	EA	Trim - Fiberglass Panel - Right
	058899-04-000	EA	Trim - Fiberglass Panel - Left
13	052843-03-000	EA	Trim - Wheel Well - Front - Left or Right
14	058284-02-000	EA	Trim - Contour - Right Front Upper - Off White
	058284-01-000	EA	Trim - Contour - Left Front Upper - Off White
15	034922-03-000	EA	Trim - Sidewall - Upper - Left or Right - Off White
16	002444-02-001	EA	Feature Strip - Extr. Anod. - 14' - w/o Insert
	001030-09-100	EA	Insert - Feature Strip - Brown - Stucco - 17'
	009731-01-000	EA	End Cap - Feature Strip
17	052842-01-000	EA	Trim - Wheel Well - Rear - Right or Left
18	M72694-01-N04	EA	Sidewall Asm. - Right (N05)
	M72694-01-N08	EA	Sidewall Asm. - Right
	M72694-02-N04	EA	Sidewall Asm. - Bunk House - Right (N05)
	M72694-03-N08	EA	Sidewall Asm. - Bunk House - Right
19	044381-01-004	EA	Extr. Awning Rail - 192"
20	002776-02-001	EA	Extr. - U-Channel - 1.75" x 16' - Anod.
21	039984-01-000	EA	Trim - Contour - Right Rear - Off White
	039984-02-000	EA	Trim - Contour - Left Rear - Off White
22	050406-02-000	EA	Trim - Backwall - Lower - Left or Right
	002365-02-001	EA	Extr. - U-Channel - 1" x 18' Anod.
	044380-01-001	EA	Extr. - Drip Rail - 192"
23	072721-01-N01	EA	Backwall Asm. - w/Double Bed
	072721-02-N01	EA	Backwall Asm. - w/Bunk Beds
	072848-01-N01	EA	Roof Asm.
			Not Illustrated

B-6

1982 ITASCA TABLE OF CONTENTS

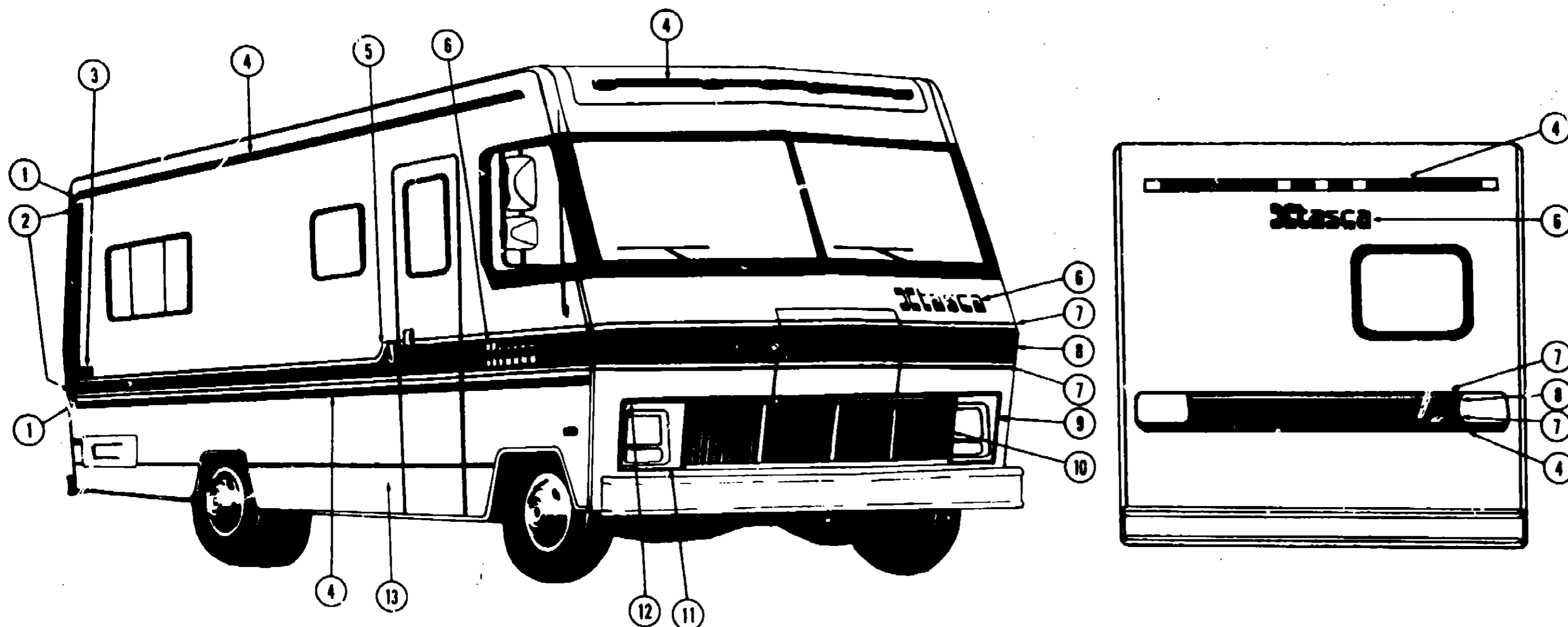
Introduction	A-1
Abbreviations	A-1
Alphabetical Index	A-2 - A-4
ICF22RB N2	A-5 - C-12
ICF26RH N2	C-13 - E-20
ICF26RB N2	E-21 - H-4
ICN27RB N2	H-5 - J-12
ICN29RT N2	J-13 - L-22

1982 ICF22RB N2 INDEX

Floor Plan	A-5 - A-6
Accessories Group	A-7 - A-9
Bath Group	A-10
Chassis Group	A-11 - A-12
Curtain, Cushion & Pad Group	A-13 - A-19
Dinette Group	A-20 - A-21
Driver's Compartment Group	A-22 - B-1
Electrical Group	B-2 - B-4
Exterior Body Group	B-5 - B-10
Galley Group	B-11 - B-12
Heating & Air Conditioning Group	B-13 - B-14
Interior Finish Group	B-15 - B-16
LP Group	B-17
Lounge Group	B-18
Water & Sewage Group	B-19
Window, Vent & Exterior Door Group	B-20 - C-12

EXTERIOR BODY GROUP (CONTINUED)

LABELS AND DECALS



Key	Part Number	U/M	Description
1	067782-01-000	EA	Decal - Tape Stripe - Side Rear - Corner - 2.0" - Gold
2	065206-01-000	EA	Decal - Tape Stripe - Side Rear - Corner - .62" - Black
3	067778-01-000	EA	Decal - Logo - Triple Sun
4	055289-02-000	EA	Decal - Logo - "Suncruiser"
4	041273-26-000	FT	Decal - Stripe - 2.0" - Gold
5	065211-01-000	EA	Decal - Tape Stripe - Side Swirl - .62" - Black
6	046400-07-000	EA	Decal - Logo - "Itasca" - 5.25" x 24"
7	065205-01-000	FT	Decal - Tape Stripe - .62" - Black
8	067792-03-000	EA	Paint - Caramel Enamel - 16 oz. Aerosol (8090AW Dupont) (N04)
8	067772-03-000	EA	Paint - Brown - Acrylic Enamel - 16 oz. Aerosol (45828 AW Dupont) (N05)
8	069736-03-000	EA	Paint - Dark Blue - Acrylic Enamel - 16 oz. Aerosol - (45138 Dupont) (N06)
9	058435-01-000	EA	Decal - Headlamp - Outer - Drivers Side
10	058434-01-000	EA	Decal - Headlamp - Inner - Drivers Side
11	058434-02-000	EA	Decal - Headlamp - Inner - Passenger Side
12	058435-02-000	EA	Decal - Headlamp - Outer - Passenger Side
13	041581-03-000	EA	Paint - Off White - Acrylic Enamel - 16 oz. Aerosol (45396A Dupont)
.			Not illustrated

Key	Part Number	U/M	Description
.	006025-01-000	EA	Label - Gas
.	006028-01-000	EA	Label - Drain Cap - 2" x 3"
.	006031-01-000	EA	Label - Potable Water Only
.	006187-01-000	EA	Label - Sewage
.	006188-01-000	EA	Label - Waste Water
.	006199-01-000	EA	Label - Exit - Escape Window
.	047731-01-000	EA	Label - Emergency Exit
.	054531-01-000	EA	Label - LP Gas Only
.	031161-01-000	EA	Label - Flying W
.	057223-01-000	EA	Label - Lower Refrigerator Vent
.	050224-01-000	EA	Label - Refrigerator Roof Vent
.	050225-01-000	EA	Label - Warning - Stove Vent - U.S.
.	006195-01-000	EA	Label - Electrical Test
.	006196-01-000	EA	Label - Gas Test
.	006197-01-000	EA	Label - Water Test
.	006034-01-000	EA	Label - Seat w/o Seat Belt
.	006008-01-000	EA	Label - Thermopanel - 2.25" x 2.25"
.	057487-01-000	EA	Label - Exterior Loading Limit
.	061417-01-000	EA	Label - Fuel
.	006040-01-000	EA	Tag - Gas Refueling Warning
.	006062-01-000	EA	Tag - Electrical - 11C Volt Connection
.	006001-01-000	EA	Nameplate - Plastic - Winnebago - Chrome
.	065980-01-000	EA	Logo - LP Power
.	065981-01-000	EA	Logo - Itasca LPG
.			Not illustrated

1982 ITASCA TABLE OF CONTENTS

Introduction	A-1
Abbreviations	A-1
Alphabetical Index	A-2 - A-4
ICF22RB N2	A-5 - C-12
ICF26RH N2	C-13 - E-20
ICF26RB N2	E-21 - H-4
ICN27RB N2	H-5 - J-12
ICN29RT N2	J-13 - L-22

1982 ICF22RB N2 INDEX

Floor Plan	A-5 - A-6
Accessories Group	A-7 - A-9
Bath Group	A-10
Chassis Group	A-11 - A-12
Curtain, Cushion & Pad Group	A-13 - A-19
Dinette Group	A-20 - A-21
Driver's Compartment Group	A-22 - B-1
Electrical Group	B-2 - B-4
Exterior Body Group	B-5 - B-10
Grill Group	B-11 - B-12
Heating & Air Conditioning Group	B-13 - B-14
Interior Finish Group	B-15 - B-16
LP Group	B-17
Lounge Group	B-18
Water & Sewage Group	B-19
Window, Vent & Exterior Door Group	B-20 - C-12

EXTERIOR BODY GROUP (CONTINUED)

SHEET ALUMINUM AND STYROFOAM

Key	Part Number	U/M	Description
	039155-03-008	EA	Alum. - Off White Mesa I - .024" x 36" x 60"
	039155-03-003	EA	Alum. - Off White Mesa I - .024" x 36" x 360"
	039155-03-007	EA	Alum. - Off White Mesa I - .024" x 48" x 60"
	039155-03-006	EA	Alum. - Off White Mesa I - .024" x 48" x 360"
	039155-03-009	EA	Alum. - Off White Mesa I - .024" x 12" x 360"
	039155-28-001	EA	Alum. - Off White Mesa II - .024" x 36" x 60"
	039155-28-003	EA	Alum. - Off White Mesa II - .024" x 36" x 360"
	039155-28-004	EA	Alum. - Off White Mesa II - .024" x 48" x 60"
	039155-28-006	EA	Alum. - Off White Mesa II - .024" x 48" x 360"
	039155-28-007	EA	Alum. - Off White Mesa II - .024" x 12" x 360"
	044487-01-001	EA	Plain Roof Metal - 96" x 360"
	039155-07-010	EA	Off White Greyhound Alum. - 48" x 96"
	001054-01-011	EA	Off White Plain Alum. - 48" x 96"
	000868-01-000	SF	Styrofoam - 3/4" x 24" x 96"
	000870-01-000	SF	Styrofoam - 1 1/2" x 24" x 96"

NOTE: The raised portion of Mesa I aluminum is 1.657" wide.
The raised portion of Mesa II aluminum is .875" wide.

SEALANTS, ADHESIVES AND FASTENERS

Key	Part Number	U/M	Description
	034552-06-000	EA	Sealant - Off White Silicone
	034552-04-000	EA	Sealant - Beige Silicone
	034552-02-000	EA	Sealant - Clear Silicone
	004349-01-000	EA	Sealant - Black Silicone
	069637-01-000	EA	Sealant - Weatherban 404 Tube - 3M
	009200-01-000	EA	Tape - Furnace - 1 1/2"
	002825-01-000	FT	Weather Stripping - Roof Vent
	002337-01-000	EA	Adhesive - 3M - 1300 Tube
	004005-02-000	GL	Adhesive - Swifts - Red - Glue (Sidewalls)
	004020-01-000	QT	Adhesive - ABS Cement - (Plastic Fittings)
	029051-01-000	EA	Adhesive - Spray Vinyl
	042401-01-000	EA	Screw - #8 - 18 x 3/4" SDPH - Beige
	042401-02-000	EA	Screw - #8 - 18 x 3/4" SDPH - Off White
	042401-03-000	EA	Screw - #8 - 18 x 3/4" SDPH - Gray
	042403-01-000	EA	Screw - #8 - 18 x 1" SDPH - Beige
	042403-02-000	EA	Screw - #8 - 18 x 1" SDPH - Off White
	042403-04-000	EA	Screw - #8 - 18 x 1" SDPH - Gray
	053766-01-000	EA	Bdding Compound - Tube Black - Schnee Morehuad
	069640-02-000	FT	Tape - 1/2" x 1/8" x 30' - Gray - 3M
	069640-01-000	FT	Tape - 1/4" Bead x 20' - Gray - 3M
	069640-03-000	FT	Tape - 3/4" x 1/8" x 30' - Gray - 3M
	069640-04-000	FT	Tape - 2" x 3/32" x 45' - Gray - 3M
	069640-01-000	FT	Sealer Ribbon - 1/4" x 20'

MISCELLANEOUS EXTERNALLY MOUNTED PARTS

Key	Part Number	U/M	Description
	010230-02-000	EA	Fill - City Water - Recessed - Off White
	058808-01-000	EA	Fill - Water - Lockable
	011129-01-000	EA	Plumbing Seal - Roof Vent - 1 1/2" White
	057461-02-000	EA	Mirror Head - 7 1/2" x 10 1/2" - w/Convex - Off White
	049348-03-000	EA	Arm - Low Mount Mirror - Black
	049944-04-000	EA	Bracket - Mirror - Outside - Black
	048817-01-000	EA	Assist Handle - w/Light
	048817-01-700	EA	Lens - Assist Handle
	072447-01-000	EA	Shroud - Fuel Fill - Lower Inside
	072309-02-000	EA	Shroud - Fuel Fill - Neck Support

The illustrated parts breakdown for this item is provided on the Common Items Fiche.

EXTERIOR BODY GROUP (CONTINUED)

EXTERIOR PAINT

Key	Part Number	U/M	Description
	045681-01-000	EA	Paint - Gloss Black - Acrylic Enamel - 1 Gallon (99A Dupont)
	045681-03-000	EA	Paint - Gloss Black - Acrylic Enamel - 16 oz. Aerosol (99A Dupont)
	041561-01-000	EA	Paint - Off White - Acrylic Enamel - 1 Gallon (45396A Dupont)
	041561-03-000	EA	Paint - Off White - Acrylic Enamel - 16 Oz. Aerosol (45396A Dupont)
	041561-04-000	EA	Paint - Off White - Acrylic Lacquer - 1 Gallon
	067772-03-000	EA	Paint - Brown - Acrylic Enamel - 16 oz. Aerosol - (45828AW Dupont)
	069736-03-000	EA	Paint - Dark Blue - Acrylic Enamel - 16 oz. Aerosol (45136 Dupont)
	067792-03-000	EA	Paint - Caramel Enamel - 16 oz. Aerosol (8090AW Dupont)

**1982 ITASCA
TABLE OF CONTENTS**

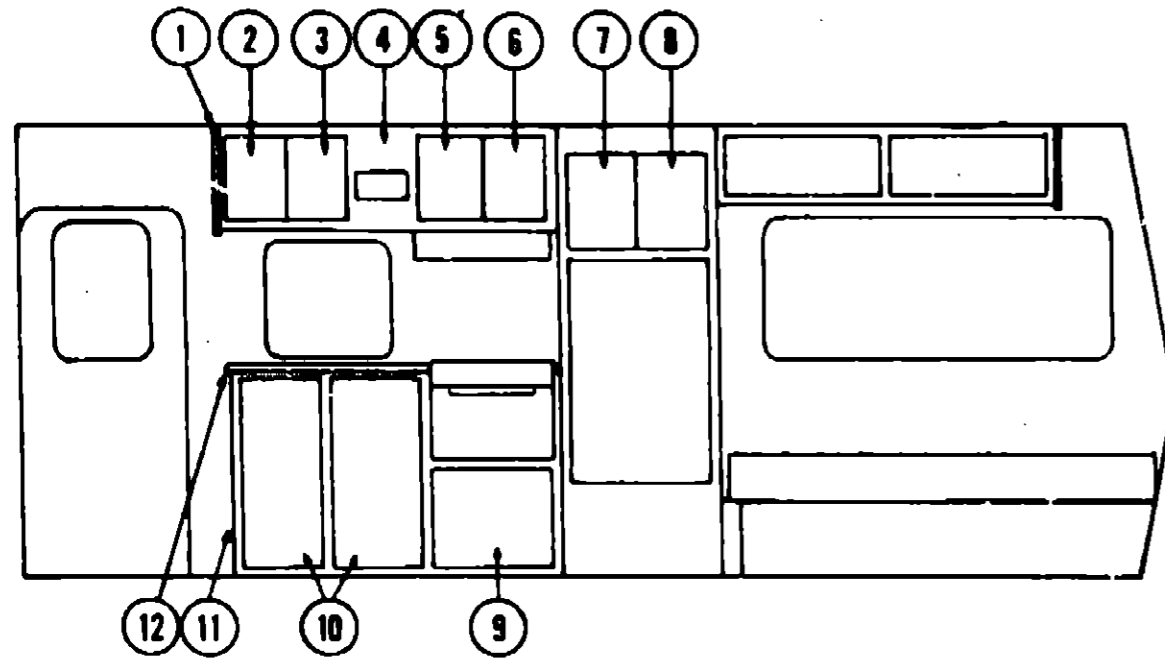
Introduction	A-1
Abbreviations	A-1
Alphabetical Index	A-2 - A-4
ICF22RB N2	A-5 - C-12
ICF26RH N2	C-13 - E-20
ICF26RB N2	E-21 - H-4
ICN27RB N2	H-5 - J-12
ICN29RT N2	J-13 - L-22

1982 ICF22RB N2 INDEX

Floor Plan	A-5 - A-6
Accessories Group	A-7 - A-9
Bath Group	A-10
Chassis Group	A-11 - A-12
Curtain, Cushion & Pad Group	A-13 - A-19
Dinette Group	A-20 - A-21
Driver's Compartment Group	A-22 - B-1
Electrical Group	B-2 - B-4
Exterior Body Group	B-5 - B-10
Galley Group	B-11 - B-12
Heating & Air Conditioning Group	B-13 - B-14
Interior Finish Group	B-15 - B-16
LP Group	B-17
Lounge Group	B-18
Water & Sewage Group	B-19
Window, Vent & Exterior Door Group	B-20 - C-12

GALLEY GROUP

GALLEY GROUP (CONTINUED)



GALLEY CABINETRY

Key	Part Number	U/M	Description
1	071847-05-N01	EA	Pad - End - Galley Overhead Cabinet - Beige Vinyl
1	058442-01-M10	EA	Pad - End - Galley Overhead Cabinet - Brown Vinyl
2	M00780-01-11	EA	Door Asm. - Galley Overhead - 16" x 10.6" - w/o Hardware - Left
3	M00788-02-N01	EA	Door Asm. - Galley Overhead - 16" x 10.6" - w/o Hardware - Right
4	M72576-01-N01	EA	Cabinet Asm. - Galley Overhead - w/o Doors or Hardware
5	M00788-05-N01	EA	Door Asm. - Galley Overhead - 16" x 11.6" - w/o Hardware - Left
6	M00788-06-N01	EA	Door Asm. - Galley Overhead - 16" x 11.6" - w/o Hardware - Right
7	M00728-04-N01	EA	Door Asm. - Refrigerator Cabinet - 17.7" x 12.6" - w/o Hardware - Left
8	M00788-03-N01	EA	Door Asm. - Refrigerator Cabinet - 17.7" x 12.6" - w/o Hardware - Right
9	072718-01-N01	EA	Door Asm. - Galley Cabinet - 17.6" x 22" - w/o Hardware
10	M00789-29-N01	EA	Door Asm. - Galley Cabinet - 14.4" x 33.5" - w/o Hardware
11	M72426-01-N01	EA	Cabinet Asm. - Galley - w/o Countertop, Doors, Drawers or Hardware
12	M00916-01-N01	EA	Countertop Asm. - Galley - Almond - (N04) (N05) (N06)
*	068700-01-000	EA	Drawer - Plastic - 20" x 13" x 5"
*			Not illustrated

GALLEY HARDWARE AND APPLIANCES

Key	Part Number	U/M	Description
	053424-01-N01	EA	Sink Cover - Large - Almond (N04) (N05) (N06)
	068615-01-000	EA	Sink - Stainless Steel - Double w/Bolts
**	011053-01-000	EA	Faucet - Swing Spout - 8" - US
**	011053-02-000	EA	Faucet - Swing Spout - 8" - C.S.A.
	068437-01-000	EA	Strainer - Sink
**	011053-01-700	EA	Aerator - Swing Spout Faucet
	058334-01-000	EA	Wastebasket - 9 3/4" x 7" x 10" - White Rubbermaid
	059877-01-000	EA	Support - Wastebasket - Plastic - Galley Mount
	058478-01-000	EA	Support - Wastebasket - Metal - Door Mount
	068529-01-N01	EA	Table Asm. - Drop Leaf - Almond (N04) (N05) (N06)
	053333-01-000	EA	Range Hood - Non Power - Black - U.S.
	053333-02-000	EA	Range Hood - Non Power - Black - C.S.A.
	049930-03-000	EA	Range Hood - Powered - Black - Jensen - U.S.
	049930-04-000	EA	Range Hood - Powered - Black - Jensen - C.S.A.
	049930-06-000	EA	Range Hood - Powered - Almond - Jensen - C.S.A.
	049930-07-000	EA	Range Hood - Powered - Almond - Jensen - U.S.
	052771-02-000	EA	Microwave Oven - Magic Chef - MW207
	053287-07-000	EA	Bracket Asm. - Microwave - Right
	053287-08-000	EA	Bracket Asm. - Microwave - Left
	067754-01-000	EA	Range - 3 Burner - Small Oven - Magic Chef
	749045-01-740	EA	Cover - Stove Top - Bifold - Chrome - Magic Chef
	064473-02-000	EA	Refrigerator - AC/DC/Gas - Norcold - 8'
	064472-02-000	EA	Refrigerator - AC/DC/Gas - Norcold - 8'
**	052932-01-J30	EA	Hinge Kit - Cabinet Door - Antique Brass
**	041939-01-000	EA	Hinge Kit - Double Acting - Overhead Door
**	057898-01-000	EA	Latch - Hidden - Cabinet Door
**	057898-02-000	EA	Strike - Hidden Latch - Cabinet Door
*	037629-01-000	FT	Rail - Drawer Guide - Steel
*	072369-03-000	EA	Gold Mesh - 17.9" x 6.7" - Furnace Grill
	047744-01-000	EA	Kit - Drawer Guide - Plastic
	054450-01-000	EA	Level - Refrigerator
**			The illustrated parts breakdown for this item is provided on the Common Items Fiche.

1982 ITA8CA TABLE OF CONTENTS

Introduction	A-1
Abbreviations	A-1
Alphabetical Index	A-2 - A-4
ICF22RB N2	A-5 - C-12
ICF26RH N2	C-13 - E-20
ICF26RB N2	E-21 - H-4
ICN27RB N2	H-5 - J-12
ICN29RT N2	J-13 - L-22

1982 ICF22RB N2 INDEX

Floor Plan	A-5 - A-6
Accessories Group	A-7 - A-9
Bath Group	A-10
Chassis Group	A-11 - A-12
Curtain, Cushion & Pad Group	A-13 - A-19
Dinette Group	A-20 - A-21
Driver's Compartment Group	A-22 - B-1
Electrical Group	B-2 - B-4
Exterior Body Group	B-5 - B-10
Galley Group	B-11 - B-12
Heating & Air Conditioning Group	B-13 - B-14
Interior Finish Group	B-15 - B-16
LP Group	B-17
Lounge Group	B-18
Water & Sewage Group	B-19
Window, Vent & Exterior Door Group	B-20 - C-12

HEATING AND AIR CONDITIONING GROUP

AUTOMOTIVE HEATER AND AIR CONDITIONER

Key	Part Number	U/M	Description
	072341-01-700	EA	Wheel - w/Retainer & Index Clip - A.R.A.
	072341-01-701	EA	Core - Heater - A.R.A.
	072341-01-702	EA	Coil - Evaporator - A.R.A.
	072341-01-703	EA	Valve - Expansion - A.R.A.
	072341-01-704	EA	Valve - Suction - A.R.A.
	072341-01-705	EA	Switch - Pressure - Low Cut Out - A.R.A.
	072341-01-706	EA	Resistor - A.R.A.
	072341-01-707	EA	Thermostat - A.R.A.
	072341-01-708	EA	Motor - Vacuum - A.R.A.
	072341-01-709	EA	Relay - w/Tab - Bosh - A.R.A.
	072341-01-710	EA	Control Asm. - Heater A/C - A.R.A.
	072341-01-711	EA	Cable - Bowden - 72" - A.R.A.
	072341-01-712	EA	Switch - Vacuum - A.R.A.
	072341-01-713	EA	Switch - Jumper Control - A.R.A.
	072341-01-714	EA	Valve - Heater - Water Flow Control - A.R.A.
	072341-04-000	EA	Heater/Evaporator Asm. - A.R.A.
	072342-01-000	EA	Condenser Asm. - A.R.A.
	072343-01-000	EA	Compressor/Clutch - A.R.A.
	072344-01-000	EA	Package - Compressor Mount - 454 Chevy
	074026-01-000	EA	Package - Compressor Mount - 6.2 L Diesel
	039044-01-000	EA	Louver Asm. - A/C Adjustable
	047046-01-000	EA	Motor 12 Volt - 3 Speed - Heater - Air Conditioner
	031043-01-000	EA	Valve - Heater - Water Flow Control
	033560-02-000	EA	Cable - Control - Flexible - 46"
	031170-01-000	EA	Clamp - Cable - 3/16" Dia.
	024993-01-000	EA	Clutch - Magnetic - Compressor
	024999-01-000	EA	Compressor - Auto Air - 10.3 Cubic Inch
	071291-01-000	EA	Package - Compressor Mount 454 C.I.D.
	048801-01-000	EA	Condenser - Radiator Mount
	031959-01-000	EA	Heater - A/C Asm. - Auto
	008267-01-000	EA	Switch - Air Conditioner
	024867-01-000	EA	Valve - Thermostatic Expansion
	024997-01-000	EA	Core - Heater
	024998-01-000	EA	Wheel - Blower - 4.72" O.D.
	031393-01-000	EA	Coil - Evaporator
	031001-01-000	EA	Blower Housing
	031000-01-000	EA	Case Asm. - Automotive Heater
	031376-01-000	EA	Control Asm. - Heater - 3 Speed
	055279-01-000	EA	Control Asm. - Heater A/C - 3 Speed
	055280-01-000	EA	Switch - Fan - 3 Speed - Control Asm. - Heater & A/C
	007076-01-000	FT	Hose - Flexible PVC - 2" I.D.
	007108-01-000	FT	Hose - Heater - 5/8" I.D. SAE 20R3
	007281-01-000	FT	Hose - Flexible PVC - 2 1/2" I.D.
	062401-04-000	EA	Clamp - Worm Drive - .69" - 1.25" I.D.
	033258-01-000	EA	Hose - Refrigerant - .50" I.D. x 34.50"
	031960-01-000	EA	Hose - Refrigerant - .34" I.D. x 30"
	031961-02-000	EA	Hose - Refrigerant - .31" I.D. x 19"
	049401-01-000	EA	Heater Asm. - Rear - Auxillary
	049401-01-700	EA	Valve - Water Control (Aux. Heater)
	049401-01-701	EA	Control Cable (Aux. Heater)
	049401-01-702	EA	Motor Asm. (Aux. Heater)
	049401-01-703	EA	Heater Core (Aux. Heater)
	049401-01-704	EA	Switch (Aux. Heater)
	058906-02-000	EA	Control Panel - Beige (Auxillary Rear Heater)
	058906-01-000	EA	Control Panel - Brown (Auxillary Rear Heater)
	024868-01-000	EA	Receiver - Dehydrator
	031044-01-000	EA	Clamp - Receiver Dehydrator
	031962-01-000	EA	Bracket - Receiver Dehydrator
	048232-02-000	EA	Kit - Auto Air - 454 C.I.D. - A-Body - Ch...
	024851-01-000	EA	Door Asm. - Defroster - A/C
	010227-01-000	EA	Tee - Plastic - Barb 5/8" or 3/4" Hose
	024855-01-000	EA	Duct Asm. - Fresh Air
	024849-01-000	EA	Damper Asm. - Fresh Air

HEATING AND AIR CONDITIONING GROUP (CONTINUED)

FURNACES AND ROOF AIR CONDITIONER

Key	Part Number	U/M	Description
**	069834-01-000	EA	Furnace - 34,000 BTU - w/Direct Ignition - NT-34L
**	069833-01-000	EA	Furnace - 24,000 BTU - w/Direct Ignition - NT-24M
	009198-01-000	FT	Duct - Flexible - 4" I.D. x 25'
	056464-01-000	EA	Register - 4" Dia. - Plastic - w/Damper
	056464-02-000	EA	Register - 4" Dia. - Plastic - w/o Damper
	009200-01-000	EA	Tape - Furnace - 1 1/2"
	023146-01-000	EA	Clamp - Screw Type - 4"
	069833-01-705	EA	Vent Package - Furnace - Suburban
	069834-01-723	EA	Thermostat - Wall Mount - Suburban
**	049775-02-000	EA	Shroud Asm. - Ceiling - Inside - Roof Air Cool Only - 13,500 BTU - Coleman
**	049776-01-000	EA	Shroud Asm. - Ceiling - Inside - Roof Air Heat and Cool - 13,500 BTU - Coleman
	063903-01-000	EA	Air Conditioner - 110 Volt - Roof Mount - 13,500 BTU Rotary
**	The illustrated parts breakdown for this item is provided on the Common Items Fiche.		

1982 ITASCA TABLE OF CONTENTS

Introduction	A-1
Abbreviations	A-1
Alphabetical Index	A-2 - A-4
ICF22RB N2	A-5 - C-12
ICF26RH N2	C-13 - E-20
ICF26RB N2	E-21 - H-4
ICN27RB N2	H-5 - J-12
ICN29RT N2	J-13 - L-22

1982 ICF22RB N2 INDEX

Floor Plan	A-5 - A-6
Accessories Group	A-7 - A-9
Bath Group	A-10
Chassis Group	A-11 - A-12
Curtain, Cushion & Pad Group	A-13 - A-19
Dinette Group	A-20 - A-21
Driver's Compartment Group	A-22 - B-1
Electrical Group	B-2 - B-4
Exterior Body Group	B-5 - B-10
Galley Group	B-11 - B-12
Heating & Air Conditioning Group	B-13 - B-14
Interior Finish Group	B-15 - B-16
LP Group	B-17
Lounge Group	B-18
Water & Sewage Group	B-19
Window, Vent & Exterior Door Group	B-20 - C-12

INTERIOR FINISH GROUP

PANELING AND COUNTERTOP MATERIAL

Key	Part Number	U/M	Description
	045963-01-000	SF	Paneling - 825 Buff - Ceiling - 48" x 96" (32 SF)
	068344-03-000	SF	Paneling - 772 Birch - Sidewall - 48" x 96" (32 SF)
	069732-07-000	SF	Paneling - Bath Decor - Misty Wheat (N04) (N05) (N06)
	069732-04-000	SF	Paneling - Galley Decor - Crewel/Maple (N04) (N05)
	069732-05-000	SF	Paneling - Galley Decor - Crewel/Rhapsody (N06)
	069731-02-000	SF	Plastic Laminate - Almond (N04) (N05) (N06)

INTERIOR MOLDINGS AND TRIMS

Key	Part Number	U/M	Description
	047354-01-000	EA	Batt Strip - 825 Buff - Ceiling - 96"
	064366-01-000	EA	Batt Strip - 772 Birch - Sidewall - 96"
	069733-06-000	EA	Batt Strip - Bath Decor - Misty Wheat - Beige (N04) (N05) (N06)
	069733-01-000	EA	Batt Strip - Galley Decor - Crewel/Maple (N04) (N05)
	069733-03-000	EA	Batt Strip - Galley Decor - Crewel/Rhapsody (N06)
	024700-14-000	EA	Cover - Roll Bar - Sidewall - Russet Oak
	024700-17-000	EA	Cover - Roll Bar - Sidewall - Beige
	052859-01-M10	FT	Accent Trim - Acorn Vinyl (Brown)
	052859-01-N01	FT	Accent Trim - Medium Almond Vinyl (Beige)
	009812-10-000	FT	Molding - Outside Corner - .50" - Birch
	009813-01-000	FT	Molding - Outside Corner - .50" - Dark Pecan
	009767-05-000	FT	Welling - Light Brown
	009778-01-000	FT	U-Channel - 1" - Dark Brown
	017768-01-000	FT	U-Channel - 3/16" - Dark Brown
	009779-01-000	FT	U-Channel - 1 1/8" - Dark Brown
	009778-03-000	FT	U-Channel - 1" - Light Brown
	017768-05-000	FT	U-Channel - 3/16" - Light Brown
	009779-03-000	FT	U-Channel - 1 1/8" - Light Brown
	070504-02-000	FT	U-Channel - .815 - Light Brown
	052861-01-K01	FT	Molding Asm. - Shelf
	009810-01-000	FT	Molding - Outside Corner - 1" - Dark Pecan
	009815-03-000	FT	T-Molding - .75" - Light Brown
	022992-08-000	FT	Molding - Reverse Cove - Champagne
	022992-01-000	FT	Molding - Reverse Cove - White
	022992-04-000	FT	Molding - Reverse Cove - Indian Ivory
	035337-22-000	EA	Trim - Inside Corner - Alum. - 80.88"
	034394-02-000	FT	Extr. Vinyl Insert - Beige

CURTAIN HARDWARE

Key	Part Number	U/M	Description
	052327-05-009	EA	Track - Curtain - Beige Alum. - 76" w/Holes
	053272-04-200	EA	Track - Curtain - Off White Alum. - 89" w/Holes
	052327-04-236	EA	Track - Curtain - Brown Alum. - 89" w/Holes
	059430-01-000	EA	Track - Curtain - Front Wraparound (2 per unit) - 32.8" x 45.2" - Brown
	059430-02-000	EA	Track - Curtain - Front Wraparound (w/Drivers Door) - 32.8" x 89.1" - Brown
	059430-03-000	EA	Track - Curtain - Front Wraparound (2 per unit) - 32.8" x 45.2" - Beige
	059430-04-000	EA	Track - Curtain - Front Wraparound (w/Drivers Door) - 32.8" x 89.1" - Beige
	056118-01-000	FT	Track - Curtain - Brown Plastic
	056001-01-000	EA	Bracket - Shade - Left
	056002-01-000	EA	Bracket - Shade - Right
	056003-01-000	EA	Bracket - Drapery Retainer - Right
	056003-02-000	EA	Bracket - Drapery Retainer - Left
	056784-01-000	EA	Pull - Window Shade - Antique Brass
	009107-01-000	EA	Guide - Nylon Snap - Curtain
	056115-01-000	YD	Tape - Clear Plastic - w/Guides
	048394-01-000	YD	Tape - Hook - 1" x 25 YD - Beige
	048395-01-000	YD	Tape - Loop - 1" x 25 YD - Beige
	039175-01-000	EA	Rod - Curtain - Extension - 46" - 84"
	039175-02-000	EA	Rod - Curtain - Extension - 26" - 46"
	039175-02-000	EA	Bracket - Curtain Rod

INTERIOR FINISH GROUP (CONTINUED)

FABRICS AND FLOOR COVERINGS

Key	Part Number	U/M	Description
	068339-03-000	YD	Fabric - Drapery - Walnut/Golden Brown (N04) (N05)
	064393-05-000	YD	Fabric - Drapery - Molasses/Dark Cream (N06)
	069727-04-000	YD	Fabric - Upholstery - Light Brown (N04)
	069727-05-000	YD	Fabric - Upholstery - Brown (N05)
	069727-06-000	YD	Fabric - Upholstery - Blue (N06)
	070502-01-000	YD	Vinyl - Non Expanded - 12 Gauge Film - Medium Almond (Beige)
	053327-01-000	YD	Vinyl - Non Expanded - 27 oz. - Acorn Brown
	053327-02-000	YD	Vinyl - Expanded - 27 oz. - Acorn Brown
	053327-03-000	YD	Vinyl - Non Support - 16 Gauge Film - Acorn Brown
	069730-01-000	SY	Carpet - Honey Beige (N04) (N05) (N06)

MISCELLANEOUS

Key	Part Number	U/M	Description
	041944-03-000	EA	Fire Extinguisher - 5 BC
	040069-01-000	EA	Door Mat - Black Rubber - 10 1/2" x 28"
	053552-01-N01	EA	Assist Handle - Interior - Medium Almond (Beige)
	053552-01-K01	EA	Assist Handle - Interior - Acorn Vinyl (Brown)
	054185-14-000	EA	Owners Manual - 1982 - Winnebago & Itasca
	072369-03-000	EA	Gold Mesh - 17.9" x 6.7" - Furnace Grill
	008089-01-000	EA	Key Case - Leather
	064693-01-000	EA	Door Asm. - Battery - w/o Carpet

CABINETS AND TABLE HARDWARE

Key	Part Number	U/M	Description
**	052932-01-J30	EA	Hinge Kit - Cabinet Door - Antique Brass
**	041939-01-000	EA	Hinge Kit - Double Acting - Overhead Door
**	057898-01-000	EA	Hidden Latch - Cabinet Door
**	057898-02-000	EA	Strike - Hidden Latch - Cabinet Door
**	009112-01-000	EA	Flange - 1" - Closet Rod
**	053200-05-000	EA	Bracket - Upper Wall Mount - 23.5" - Beige
**	053200-01-000	EA	Bracket - Upper Wall Mount - 23.5" - Brown
**	053201-03-000	EA	Bracket - Table Mount - 23" - Anod.
**	024275-05-000	EA	Rod - Table Lift - 8" x 23.5" - Beige
**	024275-01-000	EA	Rod - Table Lift - 8" x 23.5" - Brown
**	024281-07-000	EA	Bracket - Lower Wall Mount - Beige - 22.12"
**	024281-03-000	EA	Bracket - Lower Wall Mount - Brown - 22.12"
**	024276-08-000	EA	Leg Asm. - Table - Beige - 29.5"
**	024276-04-000	EA	Leg Asm. - Table - Brown - 29.5"
**	064050-01-000	EA	Hinge - Table Leg
**	024282-01-000	EA	Brace - Table Leg
**	024283-01-000	EA	Clip - 1" O.D. Tube
**	049493-03-000	EA	Catch - Table Leg - Mounts on Floor - Beige
**	049493-02-000	EA	Catch - Table Leg - Mounts on Floor - Brown
**	003040-02-000	EA	Leg - Pedestal Table - 27.5" x 2.25" O.D. - Chrome
**	009040-03-000	EA	Base - Table Leg - Mounts on Table
**	041194-01-000	EA	Base - Table Leg - Mounts on Floor
**	062046-01-000	EA	Clip - Leg Pedestal
**	066433-01-000	EA	Hook - Screw Back - Bright Finish
**	059753-04-000	EA	Slide - Drawer - Left
**	059753-05-000	EA	Slide - Drawer - Right
**	037688-01-000	FT	Rail - Drawer Glide - Steel
**	047744-01-000	EA	Kit - Drawer Glide - Plastic
**	024276-11-000	EA	Leg Asm. - Table - Beige - 25.18"
**	003050-01-000	EA	Warp Guard - 6"
**	009051-01-000	EA	Warp Guard - 48"
**	009021-01-000	EA	Catch - Nylon - Furnace Door
**	009021-02-000	EA	Strike - Nylon Catch - Furnace Door

** The illustrated parts breakdown for this item is provided on the Common Items Fiche.

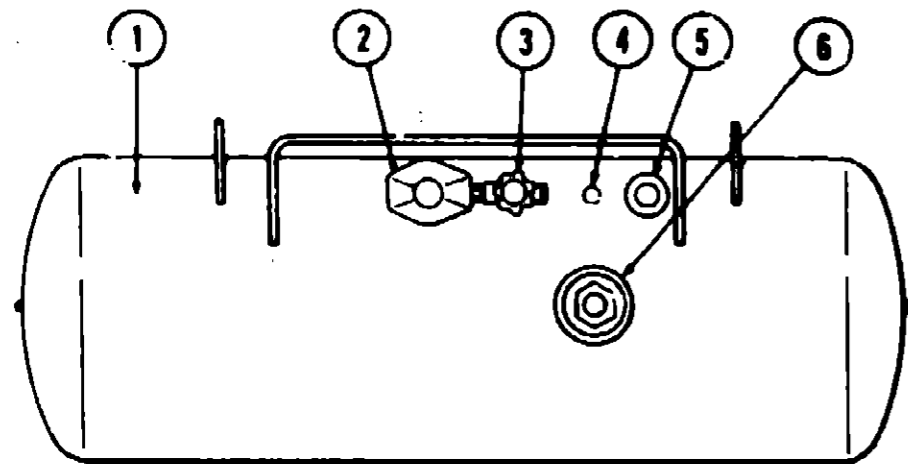
**1982 ITASCA
TABLE OF CONTENTS**

Introduction	A-1
Abbreviations	A-1
Alphabetical Index	A-2 - A-4
ICF22RB N2	A-5 - C-12
ICF26RH N2	C-13 - E-20
ICF26RB N2	E-21 - H-4
ICN27RB N2	H-5 - J-12
ICN29RT N2	J-13 - L-22

1982 ICF22RB N2 INDEX

Floor Plan	A-5 - A-6
Accessories Group	A-7 - A-9
Bath Group	A-10
Chassis Group	A-11 - A-12
Curtain, Cushion & Pad Group	A-13 - A-19
Dinette Group	A-20 - A-21
Driver's Compartment Group	A-22 - B-1
Electrical Group	B-2 - B-4
Exterior Body Group	B-5 - B-10
Galley Group	B-11 - B-12
Heating & Air Conditioning Group	B-13 - B-14
Interior Finish Group	B-15 - B-16
LP Group	B-17
Lounge Group	B-18
Water & Sewage Group	B-19
Window, Vent & Exterior Door Group	B-20 - C-12

LP GROUP

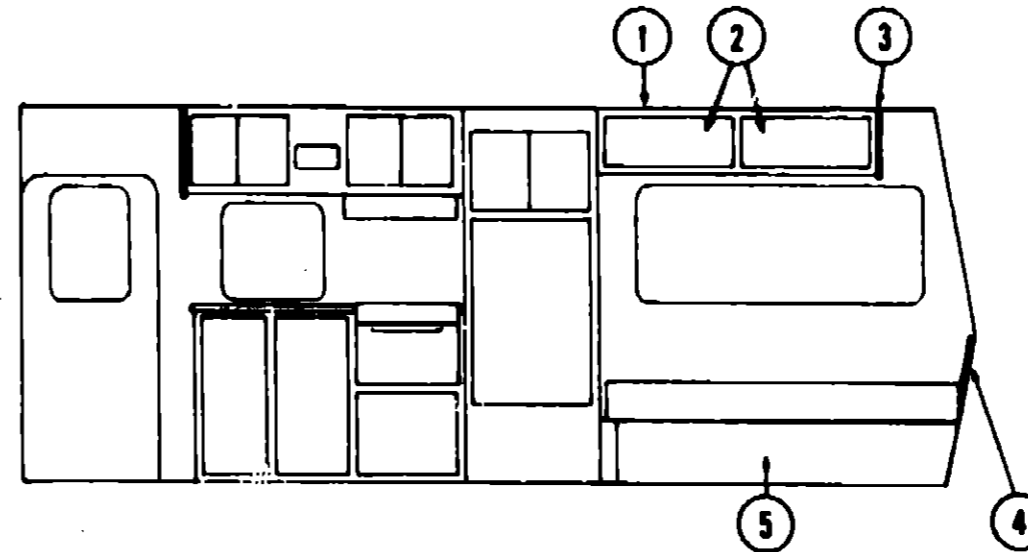


Key	Part Number	U/M	Description
1	052789-01-000	EA	Tank Asm. - Frame Mount - 42 Pound - 12" x 28"
1	063378-01-000	EA	Tank Asm. - Frame Mount - 80 Pound - 13" x 44"
1	065275-01-000	EA	Tank Asm. - Frame Mount - 14" x 40" Dual Draw
•	065741-01-000	EA	Detector - LP Gas Leak - Marshalltown Instruments
2	058706-01-000	EA	Cover - Regulator - 2 Stage
•	058705-01-000	EA	Regulator - Two Stage - LP Gas
3	040421-01-703	EA	Valve - Vapor Relief
4	040421-01-700	EA	Gauge - Liquid Level - 20% LP
5	040421-01-701	EA	Valve - Filler - LP
•	040421-01-702	EA	Cap - Plastic Fill Valve
6	040421-01-707	EA	Gauge - Float - w/Visible Dial - 85 Pound Tank
•	042281-01-700	EA	Gauge - Float - w/Visible Dial - 42 Pound Tank
•	040421-01-706	EA	Dial - Visible Face - Float Gauge (Tank w/o Electric Transmitter)
•	040440-01-000	EA	Dial - Transmitter - 0-90 Ohm (Float Gauge)
•	045703-01-000	EA	Hose Asm. - LP - 3/8" I.D. x 24"
•	045703-03-000	EA	Hose Asm. - LP - 3/8" I.D. x 18"
•	047737-02-000	EA	Support - LP Tank - 89.25"
•	047737-03-000	EA	Support - LP Tank - 30.50"
•			Not illustrated

WINN AIR WITH LANDI-HARTOG (A-BODY)

Key	Part Number	U/M	Description
	065279-01-000	EA	Relief Valve - Hydrostatic
	065287-02-000	EA	Valve - Gasoline Shut-Off
	065820-02-000	EA	Hose Asm. - High Pressure - 36"
	065820-03-000	EA	Hose Asm. - High Pressure - 71"
	065820-04-000	EA	Hose Asm. - High Pressure - 25"
	067290-01-001	EA	Hose - Vapor 5/8" x 51"
	068050-07-000	EA	LP Mixer (350 engine)
	068050-12-000	EA	LP Mixer (454 engine)
	068197-01-000	EA	Instrument Asm. - LP
	068144-01-000	EA	Bracket - Angle - Converter
	068142-01-000	EA	Tube Asm. - Converter - Copper w/Flare Nuts - 5/16" x 270° Bend
	065802-01-000	EA	Gauge - LP Level w/Hardware
	068050-05-000	EA	Switch - LP/Gas Changeover
	068050-01-000	EA	Converter - LP
	068050-02-000	EA	LP Lock Off
	068050-03-000	EA	Switch - LP - Vacuum Safety
	068050-06-000	EA	LP Spacer Ring - 1"

LOUNGE GROUP



DOUBLE BED AND SIDE BUNKS

Key	Part Number	U/M	Description
1	070640-10-N01	EA	Cabinet Asm. - Overhead - Lounge - w/o Doors or Hardware
2	M00789-26-N01	EA	Door Asm. - Overhead Cabinet - 11.5" x 28.2" - w/o Hardware
3	017846-07-N01	EA	End Cap - Lounge Overhead Cabinet - Right
4	072989-01-N01	EA	Headboard Asm. - Double Bed
5	M72455-01-N01	EA	Cabinet Asm. - Double Bed Base - w/o Door or Hardware
•	0725782-01-N01	EA	Cabinet Asm. - Side Bunk Base
•	M73124-01-N01	EA	Cabinet Asm. - Nightstand - w/o Countertop (Bunk House)
•	M00972-01-N01	EA	Countertop Asm. - Nightstand Cabinet - Almond (N04) (N05) (N06)
•	M70621-07-N01	EA	Drawer - Nightstand Cabinet - 15" x 20.2" - w/o Hardware
•			Not illustrated

**1982 ITASCA
TABLE OF CONTENTS**

Introduction	A-1
Abbreviations	A-1
Alphabetical Index	A-2 - A-4
ICF22RB N2	A-5 - C-12
ICF26RH N2	C-13 - E-20
ICF26RB N2	E-21 - H-4
ICN27RB N2	H-5 - J-12
ICN29RT N2	J-13 - L-22

1982 ICF22RB N2 INDEX

Floor Plan	A-5 - A-6
Accessories Group	A-7 - A-9
Bath Group	A-10
Chassis Group	A-11 - A-12
Curtain, Cushion & Pad Group	A-13 - A-19
Dinette Group	A-20 - A-21
Driver's Compartment Group	A-22 - B-1
Electrical Group	B-2 - B-4
Exterior Body Group	B-5 - B-10
Galley Group	B-11 - B-12
Heating & Air Conditioning Group	B-13 - B-14
Interior Finish Group	B-15 - B-16
LP Group	B-17
Lounge Group	B-18
Water & Sewage Group	B-19
Window, Vent & Exterior Door Group	B-20 - C-12

WATER AND SEWAGE GROUP

PLUMBING AND REPAIR PARTS

Key	Part Number	U/M	Description
	045729-01-000	EA	Pump - Water - 2.8 G.P.M. - Direct Drive - Shurflo - US
	045729-02-000	EA	Pump - Water - 2.8 G.P.M. - Direct Drive - Shurflo - CSA
	039847-02-000	EA	Filter - Water Pump - 1/2" MPT
	039847-03-000	EA	Filter - Water Pump - 1/2" Flare
	052959-03-000	EA	Connector - 1/2 F x 3/8 MPT - Plastic
	052960-01-000	EA	Drain Valve - 1/2 F x 1/2 F - Plastic
	052961-01-000	EA	Header - 1/2 F x 1/2 F x 1/2 F x 1/2 F
**	046524-02-000	EA	Kit - Water Tank Fittings - Blank Tank
**	046524-01-000	EA	Kit - Holding Tank Fittings - Blank Tank
**	010079-01-000	EA	Tee - Plastic - 1 1/2 H x 1 1/2 H x 1 1/4 H
**	010121-01-000	EA	Bushing - Plastic - 1 1/2 S x 1 1/4 H
**	010133-01-000	EA	Trap Adaptor - Plastic - 1 1/2 H x MPT
**	010134-01-000	EA	Adapter - Plastic - 1 1/2 M x MPT
**	010201-01-000	EA	Sewer Hose - 3" x 10' w/Clamp
**	050780-01-000	EA	Coupler Rubber - 3" x 3"
	062415-01-000	EA	Cap - Sewer - 3"
	062416-01-000	EA	Hose Adapter - 3"
	065979-01-000	EA	Sewer Hose Compartment
	062417-01-000	EA	Adapter - Termination - 3"
	062418-02-000	EA	Valve - 3" - w/o Handle
	062419-02-000	EA	Handle - Extension - w/6" Adapter
**	062421-01-000	EA	Valve - 1 1/2" - w/Handle
**	011066-01-000	EA	P-Trap - 1 1/4" - Plastic
**	011091-01-000	EA	Waste - Continuous - Double Sink - 11 7/8"
	061607-01-000	EA	Grommet - Holding Tank Coupler - 1 1/2"
	061607-02-000	EA	Grommet - Holding Tank Coupler - 3"
	031126-01-000	EA	Elbow - 1/4 BD 3" x 90°
	004020-01-000	QT	Adhesive - ABS Cement
	037845-01-000	FT	Tape - Butyl - 3/16" - Bead - Black
	062422-01-000	EA	Adapter - Hose Offset - Reducer - 3" x 1 1/2"
	062627-01-000	EA	Valve - Dual - Offset - 3" x 1 1/2"
	063641-01-000	EA	Flange - Closet - 4" x 3" Spigot
	010224-01-000	EA	Adapter - Plastic - 3/8 MPT x 3/8 Barb
	007108-01-000	EA	Hose - Heater - 5/8"
	010194-01-000	FT	Pipe - Black - Plastic - 1.25" - ABS
	010195-01-000	FT	Pipe - Black - Plastic - 1.5" - ABS
	010197-01-000	FT	Pipe - Black - Plastic - 3" - ABS
**	039818-01-000	EA	Riser Asm. - 3/8" O.D. x 24" Tube
**	039818-04-000	EA	Riser Asm. - 3/8" O.D. x 72" Tube
**	039818-05-000	EA	Riser Asm. - 3/8" O.D. x 48" Tube
**	071292-01-000	EA	Regulator - Water Pressure

** The illustrated parts breakdown for this item is provided on the Common Items Fiche.

HOLDING TANKS AND WATER HEATERS

Key	Part Number	U/M	Description
	072444-02-000	EA	Tank Asm. - Water - 47 Gallon - w/Fittings
	072444-01-000	EA	Tank - Water - 47 Gallon - w/o Fittings
	064592-04-000	EA	Tank Asm. - Holding - 25 Gallon - w/Fittings - Waste Water
	064592-01-000	EA	Tank - Holding - 25 Gallon - w/o Fittings - Waste Water
	072388-02-000	EA	Tank Asm. - Holding - 32 Gallon - w/Fittings - Sewage
	072388-01-000	EA	Tank Asm. - Holding - 32 Gallon - w/o Fittings - Sewage
**	051391-01-000	EA	Water Heater - w/o Motor Aid - G6A3
**	051393-01-000	EA	Water Heater - w/Motor Aid - GH6-3E

** The illustrated parts breakdown for this item is provided on the Common Items Fiche.

WINDOW, VENT AND EXTERIOR DOOR GROUP

ACCESS DOORS

Key	Part Number	U/M	Description
	047233-02-000	EA	Door Asm. - Luggage - 13.5" x 35.5" - Off White w/Key Lock
	052009-01-000	EA	Door Asm. - Water Heater - Off White
	069782-01-000	EA	Door Asm. - Refrigerator Access - Off White w/Twist Type Lock
	033333-48-000	EA	Door Asm. - LP Dual Fuel - 48" x 9" - Off White w/Twist Lock
	033333-38-000	EA	Door Asm. - Luggage - 48" x 9" - Off White w/Key Lock
	M00685-07-000	EA	Door Asm. - Generator - Off White w/o Baffle
	033333-49-000	EA	Door Asm. - LP - 25.3" x 9" - Off White w/Twist Lock
	052423-01-000	EA	Door - Fuel Fill - Off White
	052424-01-000	EA	Jamb - Power Cord/Fuel Fill Door - Off White
	063742-01-000	EA	Door - Power Cord - Off White
	054543-01-000	EA	Hatch - Power Cord Door
	042441-01-000	EA	Lock Asm. - Key Type - Gas Fill
	052950-03-700	EA	Lock Asm. - Twist Type - Straight Cam (Power Cord Door)
	047305-01-000	EA	Lock Asm. - Key Type w/Clip - Metal - (Luggage)
	052950-01-700	EA	Lock Asm. - Twist Type w/Clip - White Plastic
	052181-01-000	EA	Baffle - Generator Door
	054530-01-000	EA	Door Holder
	NOTE	EA	Door Asm. - Battery (See Interior Finish Group, Miscellaneous)

WINDSHIELD

Key	Part Number	U/M	Description
	057459-01-000	EA	Glass - Windshield - Flat
	058272-01-000	EA	Frame Asm. - Windshield
	038836-01-000	EA	Tape - Butyl - .31" x .31" x 148"
	042743-01-000	EA	Corner - Windshield Frame - Lower
	042743-02-000	EA	Corner - Windshield Frame - Upper

VENTS

Key	Part Number	U/M	Description
	065103-02-000	EA	Cover - Refrigerator Vent - 9.88" x 20.5" - Plastic
	065103-01-000	EA	Frame Asm. - Refrigerator Vent - 8.17" x 22.94" - Plastic
	071290-02-000	EA	Cover - Refrigerator Vent - 11 5/8" x 24 3/4" - Galvanized Steel
	071290-01-000	EA	Frame Asm. - Refrigerator Vent - 7.5" x 26.5" - Galvanized Steel
**	049352-01-000	EA	Vent - Stovehood - Outside - Off White
**	048789-01-000	EA	Vent Asm. - Roof - Powered - w/o Screen - Alum.
**	048835-01-000	EA	Vent Asm. - Roof - Non Powered - w/o Screen - Alum.

** The illustrated parts breakdown for this item is provided on the Common Items Fiche.

1982 ITASCA TABLE OF CONTENTS

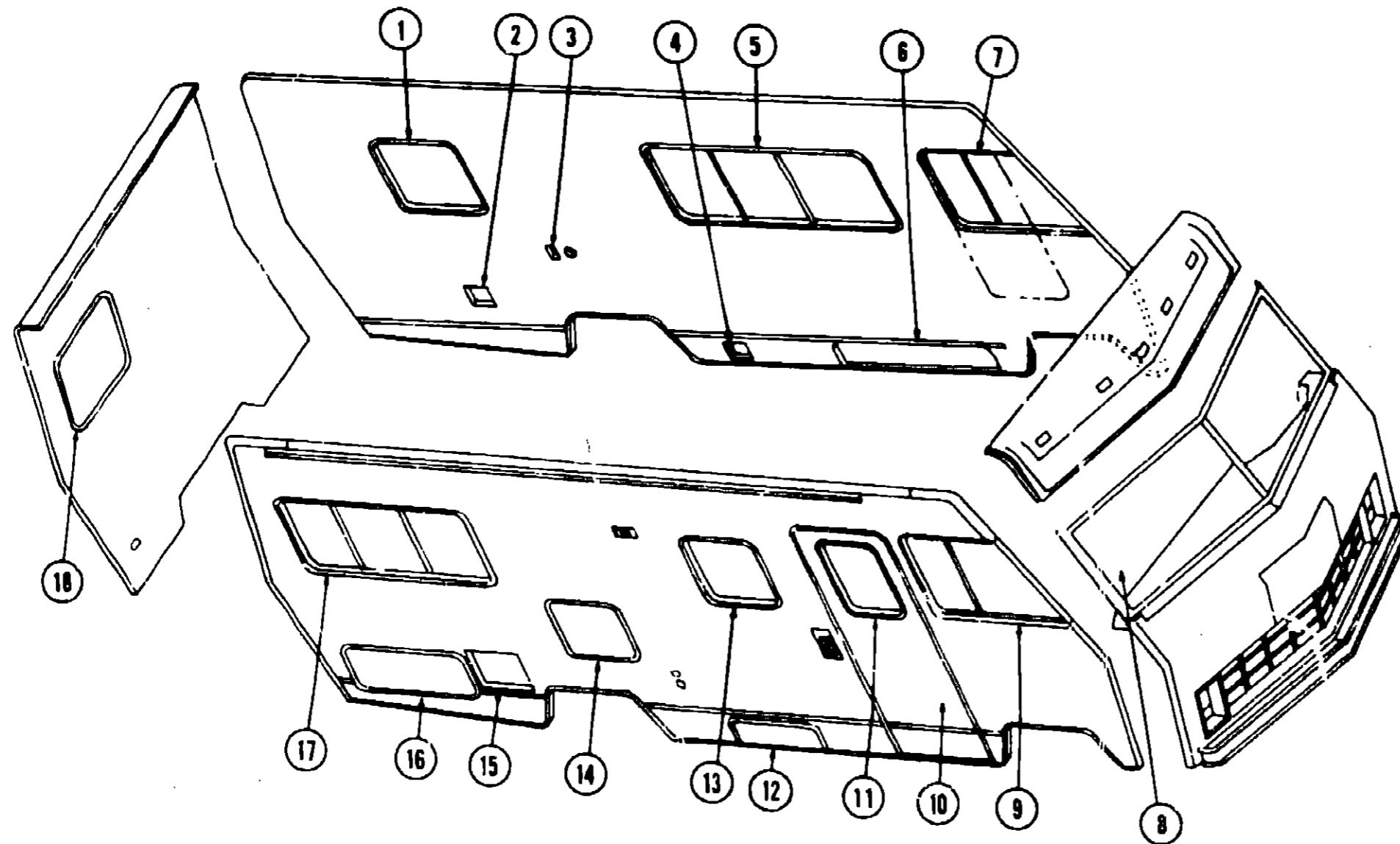
Introduction	A-1
Abbreviations	A-1
Alphabetical Index	A-2 - A-4
ICF22RB N2	A-5 - C-12
ICF26RH N2	C-13 - E-20
ICF26RB N2	E-21 - H-4
ICN27RB N2	H-5 - J-12
ICN29RT N2	J-13 - L-22

1982 ICF22RB N2 INDEX

Floor Plan	A-5 - A-6
Accessories Group	A-7 - A-9
Bath Group	A-10
Chassis Group	A-11 - A-12
Curtain, Cushion & Pad Group	A-13 - A-19
Dinette Group	A-20 - A-21
Driver's Compartment Group	A-22 - B-1
Electrical Group	B-2 - B-4
Exterior Body Group	B-5 - B-10
Galley Group	B-11 - B-12
Heating & Air Conditioning Group	B-13 - B-14
Interior Finish Group	B-15 - B-16
LP Group	B-17
Lounge Group	B-18
Water & Sewage Group	B-19
Window, Vent & Exterior Door Group	B-20 - C-12

WINDOW, VENT AND EXTERIOR DOOR GROUP (CONTINUED)

WINDOWS AND ACCESS DOORS



Key	Part Number	U/M	Description
1	042959-03-000	EA	Window Asm. - Rear Escape - 22.5" x 24.5" - Black Anod. (w/o Inside Frame)
2	NOTE	EA	Door Asm. - Fuel Fill (See Access Doors)
3	058808-01-000	EA	Water Fill - Lockable
4	NOTE	EA	Door Asm. - Power Cord (See Access Doors)
5	066785-03-000	EA	Window Asm. - Single Slider - 25" x 65" (w/o Inside Frame)
6	033333-38-000	EA	Door Asm. - Luggage - 48" x 9"
6	033333-48-000	EA	Door Asm. - LP Dual Fuel - 48" x 9" - Off White w/Twist Lock
7	059046-02-000	EA	Window Asm. - Left Front Slant Slider - 23 x 39 - Black Anod. (w/o Inside Frame)
8	057459-01-000	EA	Glass - Windshield - Flat
9	059046-01-000	EA	Window Asm. - Right Front Slant Slider - 23" x 39" - Black Anod. (w/o Inside Frame)

Key	Part Number	U/M	Description
10	M71136-03-000	EA	Door Asm. - Radius Entry w/Screen Door
11	041075-09-000	EA	Window Asm. - Picture - 17" x 25" - Black Anod. (w/o Inside frame)
12	033333-49-000	EA	Door Asm. - LP - 25.3" x 9" - Off White w/Twist Lock
13	058651-01-000	EA	Window Asm. - Picture - 20 3/4" x 20 3/4" - Black Anod (w/o inside frame)
14	069782-01-000	EA	Door Asm. - Refrigerator Access - Off White w/Twist Lock
15	052009-01-000	EA	Door Asm. - Water Heater - Off White
16	047233-02-000	EA	Door Asm. - Luggage - 13.5" x 35.5" - Off White w/Key Lock
16	M00665-07-000	EA	Door Asm. - Generator - Off White w/c Baffle
17	066785-02-000	EA	Window Asm. - Single Slider - 25" x 58" - Black Anod. (w/o inside frame)
*	045556-06-000	EA	Window Asm. - Right Single Slider - 15" x 37" - Black Anod. (w/o inside frame) Bunkhouse
18	020751-03-000	EA	Window Asm. - Rear Escape - 23" x 29" - Black Anod. (w/o Inside Frame)
*	041875-02-000	EA	Window Asm. - Picture - 13" x 23" - Black Anod. (w/o Inside frame)
*			Not illustrated

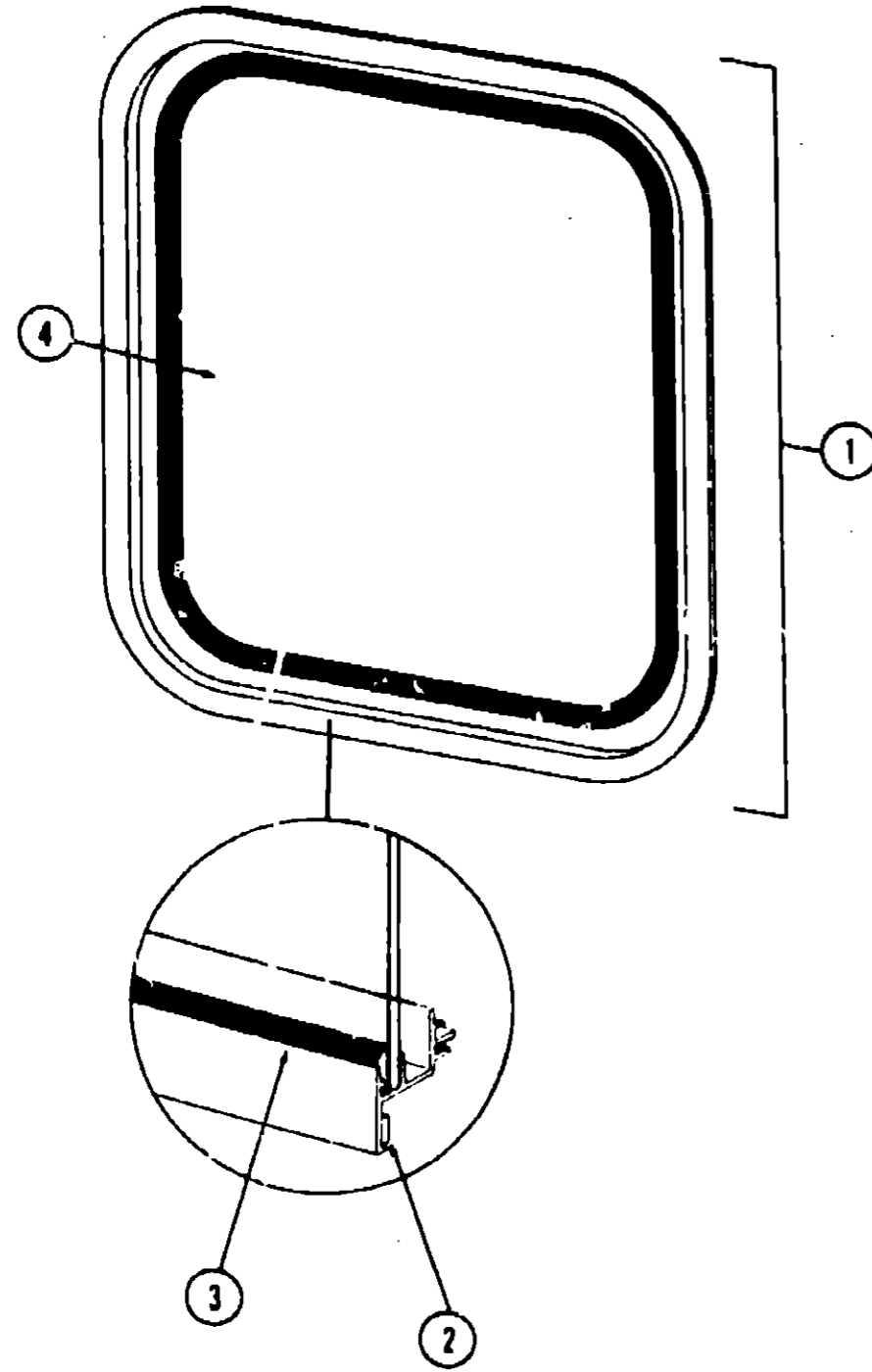
1982 ITASCA TABLE OF CONTENTS

Introduction	A-1
Abbreviations	A-1
Alphabetical Index	A-2 - A-4
ICF22RB N2	A-5 - C-12
ICF26RH N2	C-13 - E-20
ICF26RB N2	E-21 - H-4
ICN27RB N2	H-5 - J-12
ICN29RT N2	J-13 - L-22

1982 ICF22RB N2 INDEX

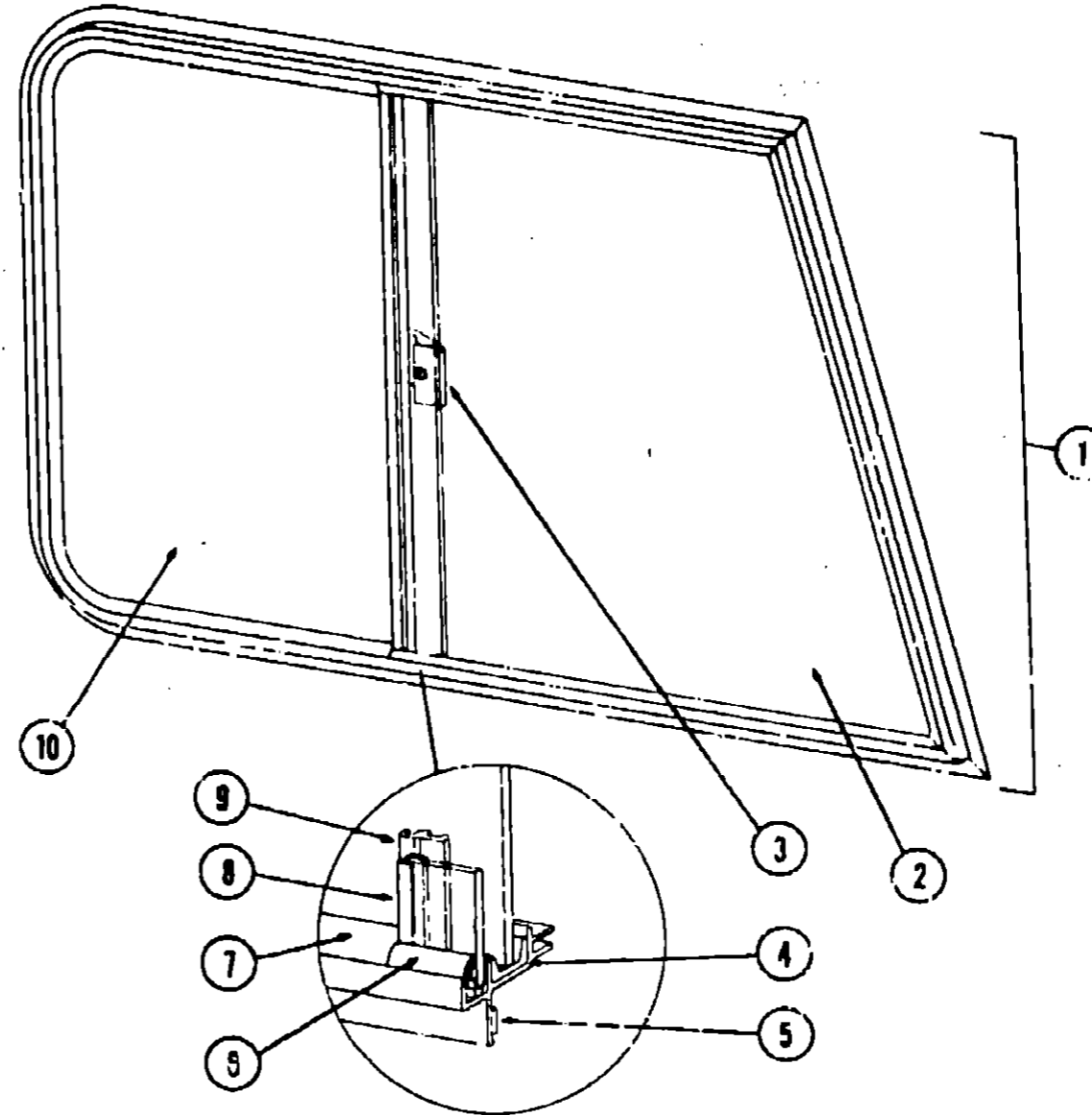
Floor Plan	A-5 - A-6
Accessories Group	A-7 - A-9
Bath Group	A-10
Chassis Group	A-11 - A-12
Curtain, Cushion & Pad Group	A-13 - A-18
Dinette Group	A-20 - A-21
Driver's Compartment Group	A-22 - B-1
Electrical Group	B-2 - B-4
Exterior Body Group	B-5 - B-10
Galley Group	B-11 - B-12
Heating & Air Conditioning Group	B-13 - B-14
Interior Finish Group	B-15 - B-16
LP Group	B-17
Lounge Group	B-18
Water & Sewage Group	B-19
Window, Vent & Exterior Door Group	B-20 - C-12

WINDOW, VENT AND EXTERIOR DOOR GROUP (CONTINUED)



Key	Part Number	U/M	Description
1	056651-01-000	EA	Window Asm. - Picture 20 3/4" x 20 3/4" - Black (w/o inside frame)
2	069640-01-000	FT	Tape - 1/4" Bead x 20' - Gray - 3M
3	002309-02-000	FT	Spline - Glass - 1/8" - Black
4	002181-03-000	EA	Glass - .115" x 20/62" x 20.62" - Gray
	067609-11-000	EA	Inside Frame - Beige - (not included in assembly)
	056650-01-000	EA	Inside Frame - Brown - (not included in assembly)
			Not illustrated

WINDOW, VENT AND EXTERIOR DOOR GROUP (CONTINUED)



Key	Part Number	U/M	Description
1	059046-01-000	EA	Window Asm. - Right Front Slant Slider - 23" x 39" - Black Anod. (w/o inside frame)
1	059046-02-000	EA	Window Asm. - Left Front Slant Slider - 23" x 39" - Black Anod. (w/o inside frame)
2	057656-01-000	EA	Glass - 3/16" x 24.88" x 25.30" - Stationary
3	047069-01-700	EA	Latch - Window - Plastic w/Fastener
	023320-01-000	EA	Pad - Foam - 3/8" Dia. (used with plastic latch)
4	042077-01-000	FT	Channel - Weatherstrip - Glass Run - 3/16" Glass
5	069640-02-000	FT	Tape - 1/2" x 1/8" x 30' - Gray - 3M
6	050216-02-000	FT	Spline - 3/16" Glass
7	041928-02-000	FT	Seal - Window Channel - 3/16" Glass - Black
8	002389-03-206	EA	Holder - Glass Seal - Black Anod. - 24.13"
9	057944-04-000	EA	Mullion - Window - Slant Slider
10	057657-01-000	EA	Glass - 3/16" x 24.88" x 14.70" - Sliding
	059042-01-000	EA	Inside Frame - Right Front Slant Slider - Brown (not included in assembly)
	059042-02-000	EA	Inside Frame - Left Front Slant Slider - Brown (not included in assembly)
	059042-03-000	EA	Inside Frame - Right Front Slant Slider - Beige (not included in assembly)
	059042-04-000	EA	Inside Frame - Left Front Slant Slider - Beige (not included in assembly)
	023713-02-000	EA	Cover - Weephole - Black Anod.
	055164-05-000	EA	Slider Screen Asm. - Right or Left - Black
	016310-03-000	EA	Handle - Slider Screen - Black
	002292-01-000	SF	Screen - Window - 20" - Gray
	002298-01-000	FT	Spline - Gray - .130" Dia.
			Not illustrated

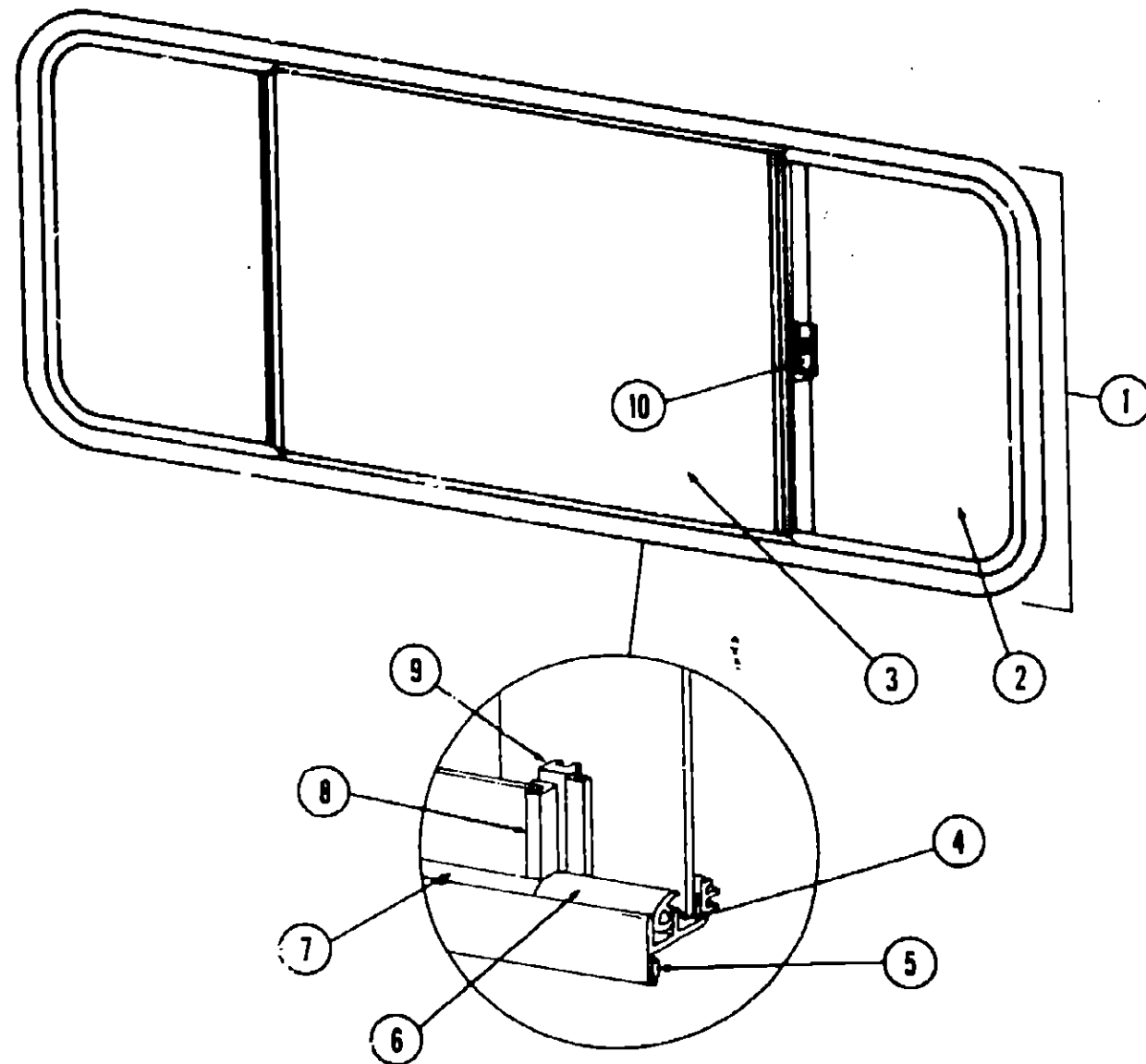
**1987 ITASCA
TABLE OF CONTENTS**

Introduction	A-1
Abbreviations	A-1
Alphabetical Index	A-2 - A-4
ICF22RB N2	A-5 - C-12
ICF26RH N2	C-13 - E-20
ICF26RB N2	E-21 - H-4
ICN17RB N2	H-5 - J-12
ICN29RT N2	J-13 - L-22

1982 ICF22RB N2 INDEX

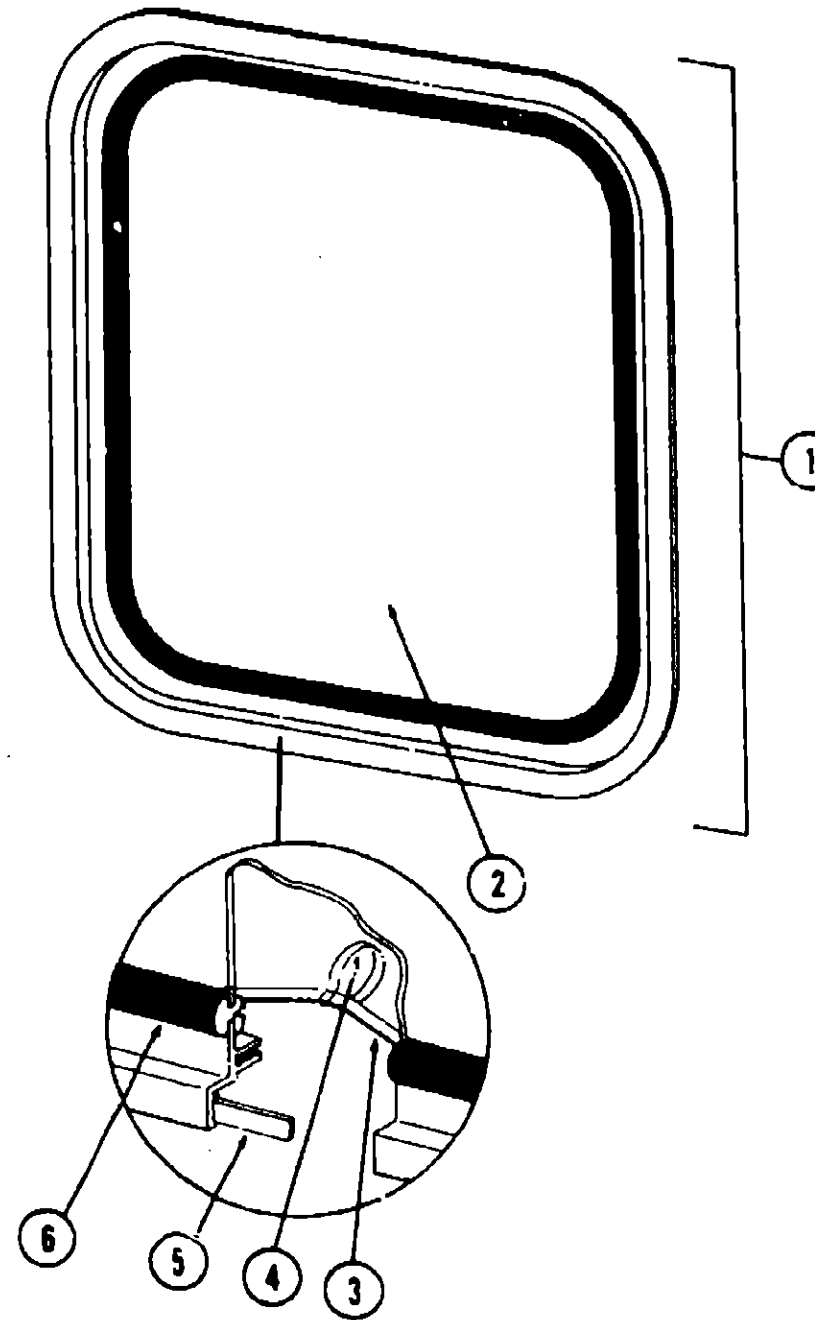
Floor Plan	A-5 - A-6
Accessories Group	A-7 - A-9
Bath Group	A-10
Chassis Group	A-11 - A-12
Curtain, Cushion & Pad Group	A-13 - A-19
Dinette Group	A-20 - A-21
Driver's Compartment Group	A-22 - B-1
Electrical Group	B-2 - B-4
Exterior Body Group	B-5 - B-10
Galley Group	B-11 - B-12
Heating & Air Conditioning Group	B-13 - B-14
Interior Finish Group	B-15 - B-16
LP Group	B-17
Lounge Group	B-18
Water & Sewage Group	B-19
Window, Vent & Exterior Door Group	B-20 - C-12

WINDOW, VENT AND EXTERIOR DOOR GROUP (CONTINUED)



Key	Part Number	U/M	Description
1	066785-03-000	EA	Window Asm. - Single Slider - 25" x 65"
•	042133-09-000	EA	Inside Frame - Brown (not included in assembly)
•	067609-06-000	EA	Inside Frame - Beige (not included in assembly)
2	066726-02-000	EA	Glass - Stationary - 1/8" x 21.3" x 24"
3	066727-02-000	EA	Glass - Sliding - 1/8" x 12" x 24"
4	002324-02-000	FT	Channel - Weatherstrip - Glass
5	069640-01-000	FT	Tape - 1/4" Bead x 20' - Gray - 3M
6	057374-02-000	FT	Extr. Vinyl - Window Seal - Black
7	002309-02-000	FT	Spline - Glass - 1/8" Material - Black
8	069886-03-003	EA	Extr. Holder - Glass Seal - 23.9" - Black
9	069896-02-000	EA	Mullion - Slider Window - Black
10	047369-01-700	EA	Latch - Window - Plastic - w/Fastener
•	002293-01-000	SF	Screen - Window - 26" - Gray
•	002298-01-000	FT	Spline - .130" Dia. - Gray - Screen)
•	042076-01-000	FT	Seal - Fin - .34"
•			Not illustrated

WINDOW, VENT AND EXTERIOR DOOR GROUP (CONTINUED)



Key	Part Number	U/M	Description
1	020751-03-000	EA	Window Asm. - Rear Escape - 23" x 29" - Black Anod. (w/o inside frame)
2	002174-01-000	EA	Glass - 1/8" x 19.6" x 25.9"
3	002285-01-000	FT	Filler - Weatherstrip - Black
4	020395-01-000	EA	Pull Ring - Escape Window
5	053767-02-000	FT	Tape - 3/16" Bead x 25' - Gray
6	002282-01-000	FT	Weatherstrip - .125" Window
•	020749-05-000	EA	Frame - Inside - Escape Window - Beige (not included in assembly)
•	020749-03-000	EA	Frame - Inside - Escape Window - Brown (not included in assembly)
•	006107-01-000	EA	Label - Exit - Escape Window
•			Not illustrated

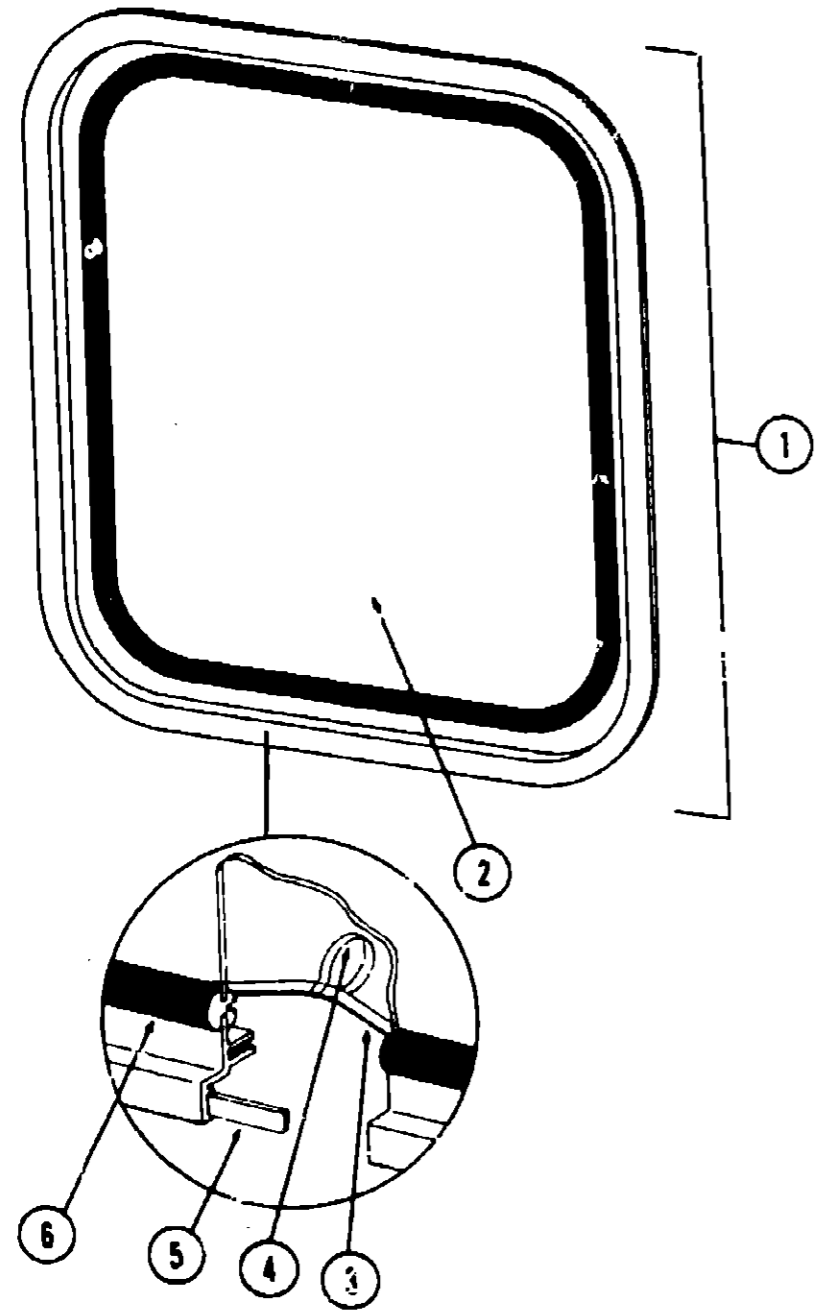
1982 ITABCA
TABLE OF CONTENTS

Introduction	A-1
Abbreviations	A-1
Alphabetical Index	A-2 - A-4
ICF22RB N2	A-5 - C-12
ICF26RH N2	C-13 - E-20
ICF26RB N2	E-21 - H-4
ICN27RB N2	H-5 - J-12
ICN29RT N2	J-13 - L-22

1982 ICF22RB N2 INDEX

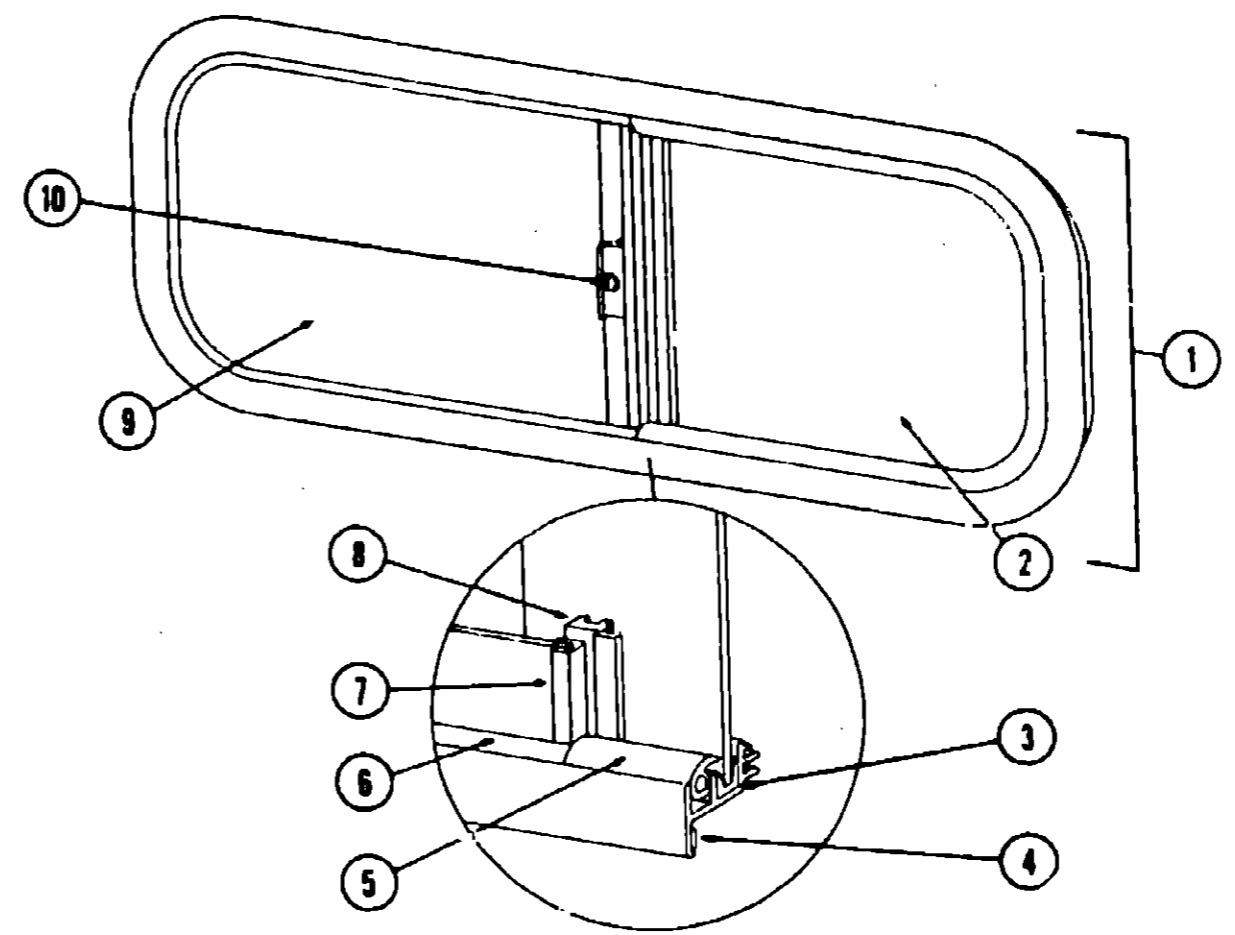
Floor Plan	A-5 - A-6
Accessories Group	A-7 - A-9
Bath Group	A-10
Chassis Group	A-11 - A-12
Curtain, Cushion & Pad Group	A-13 - A-19
Dinette Group	A-20 - A-21
Driver's Compartment Group	A-22 - B-1
Electrical Group	B-2 - B-4
Exterior Body Group	B-5 - B-10
Galley Group	B-11 - B-12
Heating & Air Conditioning Group	B-13 - B-14
Interior Finish Group	B-15 - B-16
LP Group	B-17
Lounge Group	B-18
Water & Sewage Group	B-19
Window, Vent & Exterior Door Group	B-20 - C-12

WINDOW, VENT AND EXTERIOR DOOR GROUP (CONTINUED)



Key	Part Number	U/M	Description
1	042959-03-000	EA	Window Asm. - Rear Escape - 22.5" x 24.5" - Black Anod. (w/o inside frame)
2	941392-03-000	EA	Glass - 1/8" x 19.6" x 21.65"
3	002285-01-000	FT	Filler - Weatherstrip - Black
4	020395-01-000	EA	Pull Ring - Escape Window
5	004363-01-000	FT	Tape - Foam - 3/16" x 1/2" - Gray
6	002282-01-000	FT	Weatherstrip - .125" Window
	072842-01-000	EA	Frame - Inside - Escape Window - Beige - (not included in assembly)
	006199-01-000	EA	Label - Exit - Escape Window
			Not illustrated

WINDOW, VENT AND EXTERIOR DOOR GROUP (CONTINUED)



Key	Part Number	U/M	Description
1	045556-06-000	EA	Window Asm. - Right Single Slider - 15" x 37" - Black Anod. (w/o inside frame)
2	002207-02-000	EA	Glass - Sliding - 1/8" x 14.4" x 21.3" - Gray
3	002324-01-000	FT	Channel - Weatherstrip - Glass Run - 1/8" Glass
4	069640-01-000	FT	Tape - 1/4" Bead x 20' - Gray - 3M
5	057374-02-000	FT	Seal - Window Channel - 1/8" Glass - Black
6	002309-02-000	FT	Spline - Glass - 1/8" - Black
7	002390-03-205	EA	Holder - Glass Seal - 13.60" - Black
8	041894-25-000	EA	Mullion - Slider Window - Black Anod.
9	002207-01-000	EA	Glass - Stationary - 1/8" x 14.4" x 21.32"
10	047369-01-700	EA	Latch - Window - Plastic w/Fastener
	023320-01-000	EA	Pad - Foam - 3/8" Dia. (used with plastic latch)
	017451-03-000	EA	Inside Frame - Single Slider Window - Brown - 15" x 37" (not included in assembly)
	067609-10-000	EA	Inside Frame - Single Slider Window - Beige - 15" x 37" (not included in assembly)
	023813-02-000	EA	Cover - Plastic Weephole - Black
	002296-01-000	FT	Spline - Gray - .130" Dia. (Screen)
	002293-01-000	SF	Screen - Window - 26" - Gray
			Not illustrated

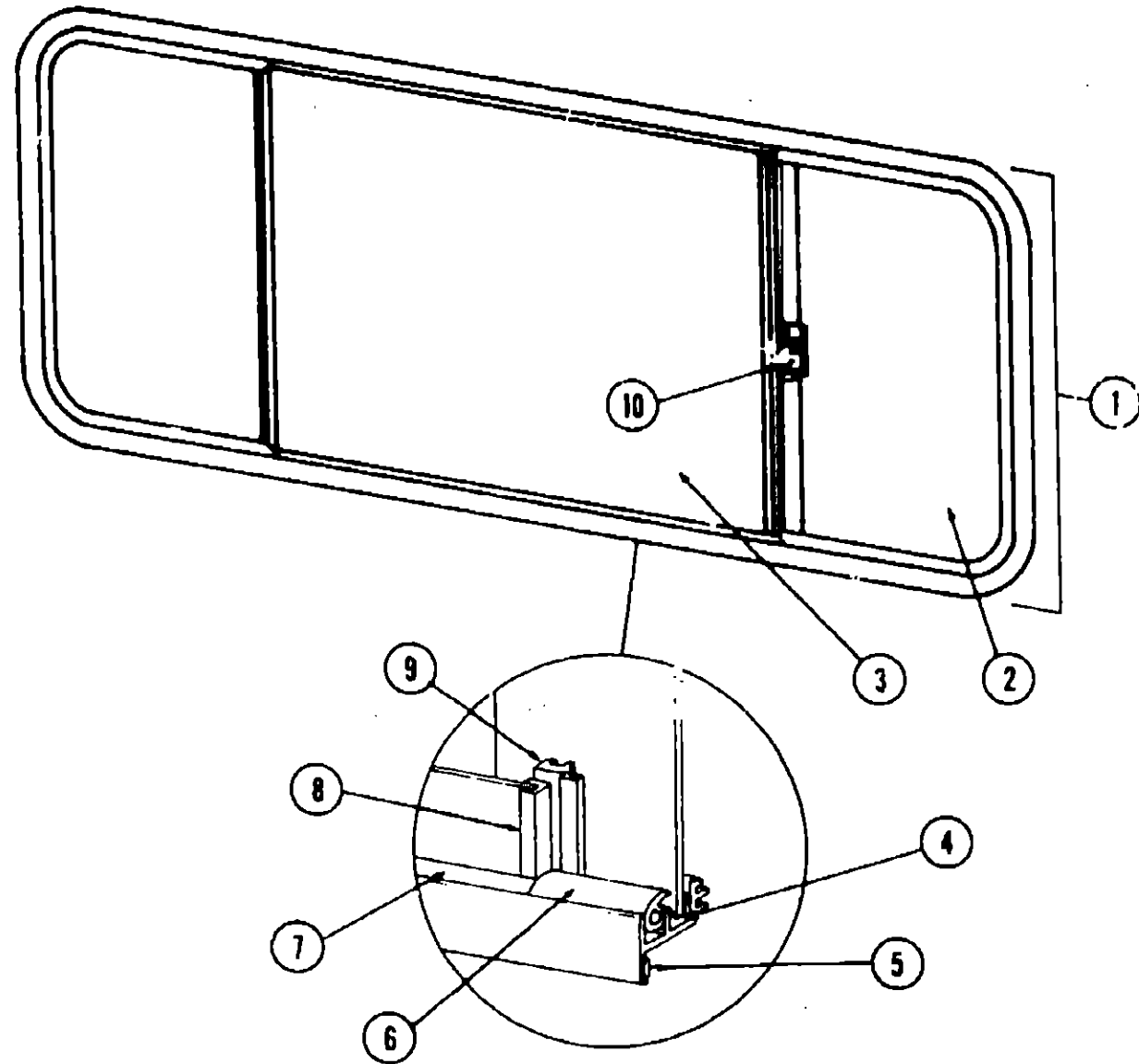
1982 ITASCA
TABLE OF CONTENTS

Introduction	A-1
Abbreviations	A-1
Alphabetical Index	A-2 - A-4
ICF22RB N2	A-5 - C-12
ICF26RH N2	C-13 - E-20
ICF26RB N2	E-21 - H-4
ICN27RB N2	H-5 - J-12
ICN29RT N2	J-13 - L-22

1982 ICF22RB N2 INDEX

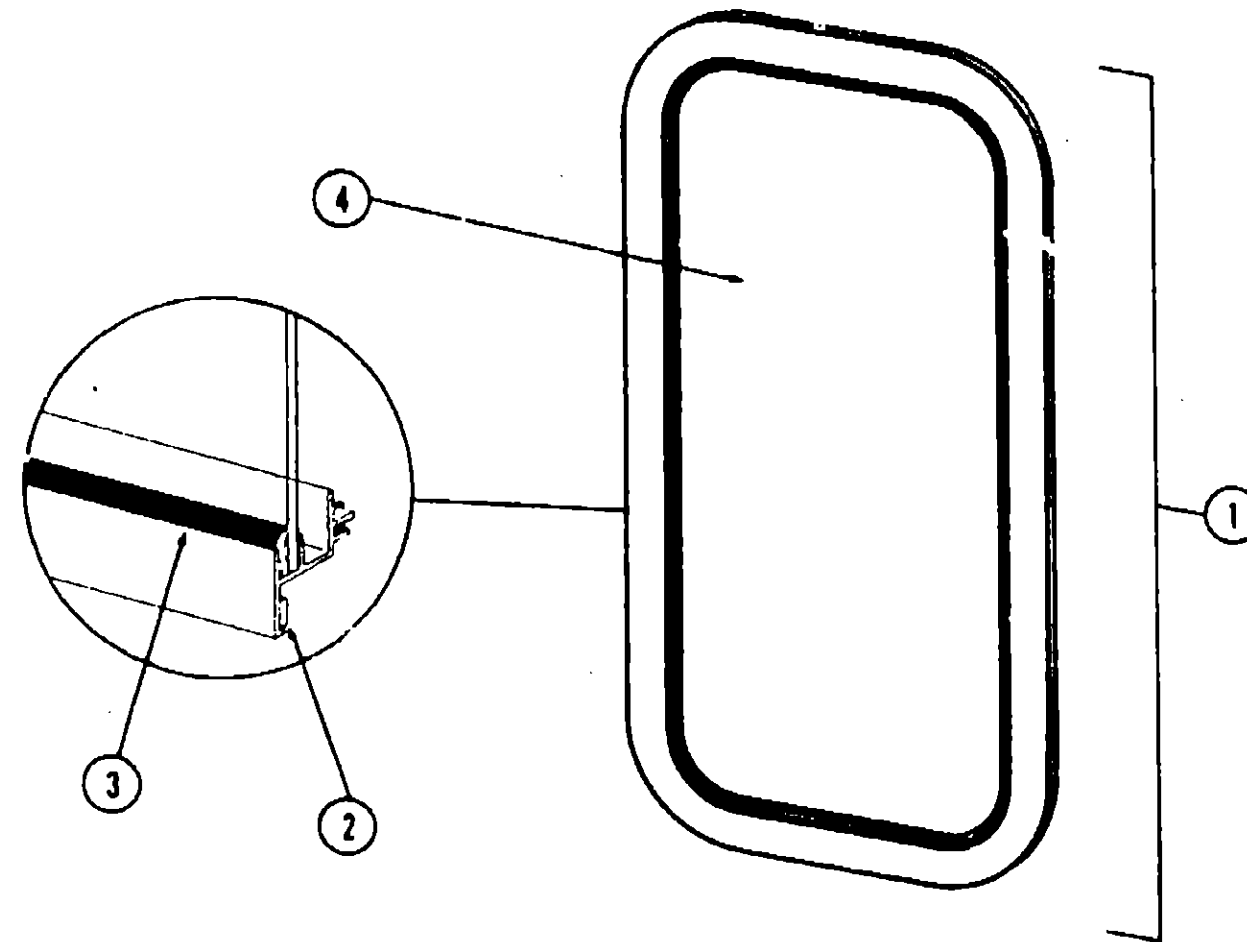
Floor Plan	A-5 - A-6
Accessories Group	A-7 - A-9
Bath Group	A-10
Chassis Group	A-11 - A-12
Curtain, Cushion & Pad Group	A-13 - A-19
Dinette Group	A-20 - A-21
Driver's Compartment Group	A-22 - B-1
Electrical Group	B-2 - B-4
Exterior Body Group	B-5 - B-10
Galley Group	B-11 - B-12
Heating & Air Conditioning Group	B-13 - B-14
Interior Finish Group	B-15 - B-16
LP Group	B-17
Lounge Group	B-18
Water & Sewage Group	B-19
Window, Vent & Exterior Door Group	B-20 - C-12

WINDOW, VENT AND EXTERIOR DOOR GROUP (CONTINUED)



Key	Part Number	U/M	Description
1	066785-02-000	EA	Window Asm. - Single Slider - 25" x 56" - Black (w/o inside frame)
.	042133-09-000	EA	Inside Frame - Brown (not included in assembly)
.	067609-07-000	EA	Inside Frame - Beige - (not included in assembly)
2	066726-01-000	EA	Glass - Stationary - 1/8" x 16.5" x 24"
3	066727-02-000	EA	Glass - Sliding - 1/8" x 25.5" x 24"
4	002324-02-000	FT	Channel - Weatherstrip - Glass
5	069640-01-000	FT	Tape - 1/4" Bead x 20' - Gray - 3M
6	057374-02-000	FT	Extr. Vinyl - Window Seal - Black
7	002309-02-000	FT	Spline - Glass - 1/8" Material - Black
8	069886-03-000	EA	Extr. - Holder - Glass Seal - 23.19" - Black
9	069896-02-000	EA	Mullion - Slider Window - 23" - Black
10	047369-01-000	EA	Latch - Window - Plastic w/Fastener
.	002293-01-000	SF	Screen - Window - 26" - Gray
.	002298-01-000	FT	Spline - .130" Dia. - Gray (Screen)
.	042076-01-000	FT	Seal - Fin - Pile - .34"
.	Not illustrated		

WINDOW, VENT AND EXTERIOR DOOR GROUP (CONTINUED)



Key	Part Number	U/M	Description
1	041875-02-000	EA	Window Asm. - Picture - 13" x 23" - Black (w/o inside frame)
2	053767-02-000	FT	Tape - 3/16" Bead x 25' - Schnee Morehead
3	002309-02-000	FT	Spline - Glass - 1/8" - Black
4	002181-01-000	EA	Glass - .115" x 12" x 22"
.	041696-15-000	EA	Frame - Inside - Window (not included in assembly)
.	Not illustrated		

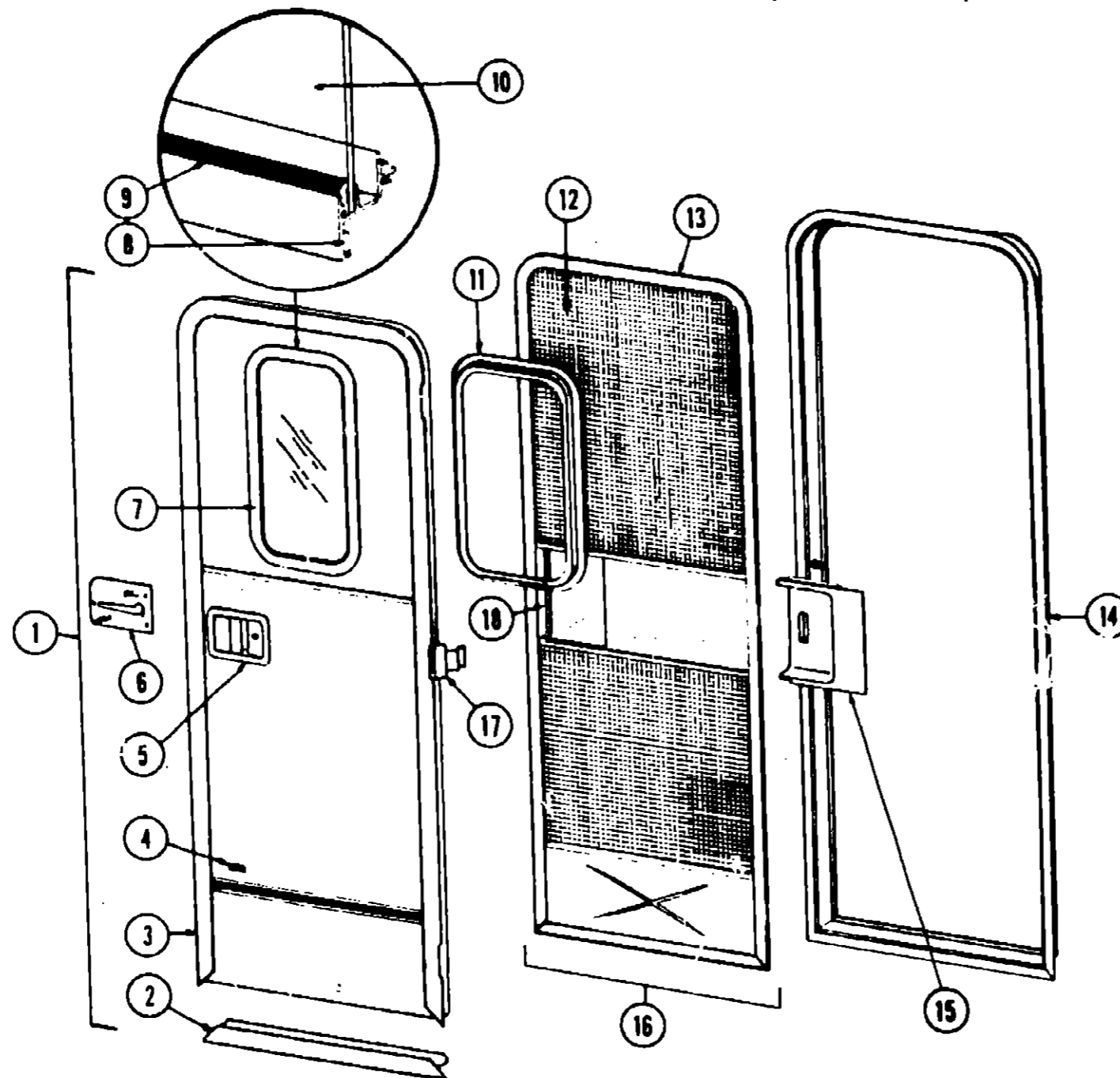
**1982 ITABCA
TABLE OF CONTENTS**

Introduction	A-1
Abbreviations	A-1
Alphabetical Index	A-2 - A-4
ICF22RB N2	A-5 - C-12
ICF26RH N2	C-13 - E-20
ICF26RB N2	E-21 - H-4
ICN27RB N2	H-5 - J-12
ICN29RT N2	J-13 - L-22

1982 ICF22RB N2 INDEX

Floor Plan	A-5 - A-6
Accessories Group	A-7 - A-9
Bath Group	A-10
Chassis Group	A-11 - A-12
Curtain, Cushion & Pad Group	A-13 - A-19
Dinette Group	A-20 - A-21
Driver's Compartment Group	A-22 - B-1
Electrical Group	B-2 - B-4
Exterior Body Group	B-5 - B-10
Galley Group	B-11 - B-12
Heating & Air Conditioning Group	B-13 - B-14
Interior Finish Group	B-15 - B-16
LP Group	B-17
Lounge Group	B-18
Water & Sewage Group	B-19
Window, Vent & Exterior Door Group	B-20 - C-12

WINDOW, VENT AND EXTERIOR DOOR GROUP (CONTINUED)



Key	Part Number	U/M	Description
1	M71136-03-000	EA	Door Asm. - Radius Entry w/Screen Door
2	039737-01-000	EA	Frame - Entry Door (Bottom Portion Only)
3	039736-01-000	EA	Frame - Entry Door (Except Bottom Portion)
4	054530-01-000	EA	Holder Asm. - Entry Door
5	045017-01-000	EA	Paddle Asm. - Door Lock - Exterior
	045017-01-700	EA	Lock Cylinder w/Keys - Lynor
	039539-01-000	EA	Striker Bolt - Entry Door
	039540-01-000	EA	Latch Claw - Entry Door
	039738-01-000	EA	Dead Bolt - Entry Door
6	039979-01-000	EA	Plate - Lock - Inside - Including Inside Handle
	052186-01-000	EA	Lock Asm. - Complete - Lynor
7	041875-09-000	EA	Window Asm. - Picture - 17" x 25" - Black Anod (w/o inside frame)
8	069640-01-000	FT	Tape - 1/4" Bead x 20' - Gray - 3M
9	002309-02-000	FT	Spline - Glass - 1/8" Black
10	002181-06-000	EA	Glass - Picture Window - 1/8" x 16.25" x 24" - Gray
11	067609-03-000	EA	Frame - Window - Inside - 17" x 25" - Beige
11	041696-12-000	EA	Frame - Window - Inside - 17" x 25" - Brown
			Not illustrated

Key	Part Number	U/M	Description
12	002293-01-000	SF	Screen - Window - 26" - Gray
13	056795-01-000	FT	Seal Tape - 1/8" x 3/8" - Press On
14	053171-01-000	EA	Jamb Asm. - Entry Door
15	015580-01-000	EA	Slider - Screen Door - Brown Plastic
15	015580-02-000	EA	Slider - Screen Door - Light Oak Plastic
16	053170-01-000	EA	Door Asm. - Screen w/Brown Trim
16	053170-05-000	EA	Door Asm. - Screen w/Light Oak Trim
17	039520-01-000	EA	Hinge - Entry Door (3 used per door)
18	015581-01-000	EA	Cap - Screen Door - Brown Plastic
18	015581-02-000	EA	Cap - Screen Door - Light Oak Plastic
	049176-01-000	EA	Hedlok II - 3/4" Diameter - Screw Mount (Retains screen door to entry door)
	049797-01-000	EA	Hedlok II - 1" Diameter - Screw Mount (Retains screen door to entry door)
	009016-01-000	EA	Catch - Elbow - Spring Loaded - Screen Door
	039863-01-000	EA	Catch Asm. - Single Roller w/Strike - Screen Door
	051390-01-000	FT	Seal - Bulb - Rubber
	039800-03-000	FT	Tubing - Polybutyl - 3/8" O.D. - Jamb
	023253-02-000	EA	Drip Cap - 31"
			Not illustrated

1962 ITASCA TABLE OF CONTENTS

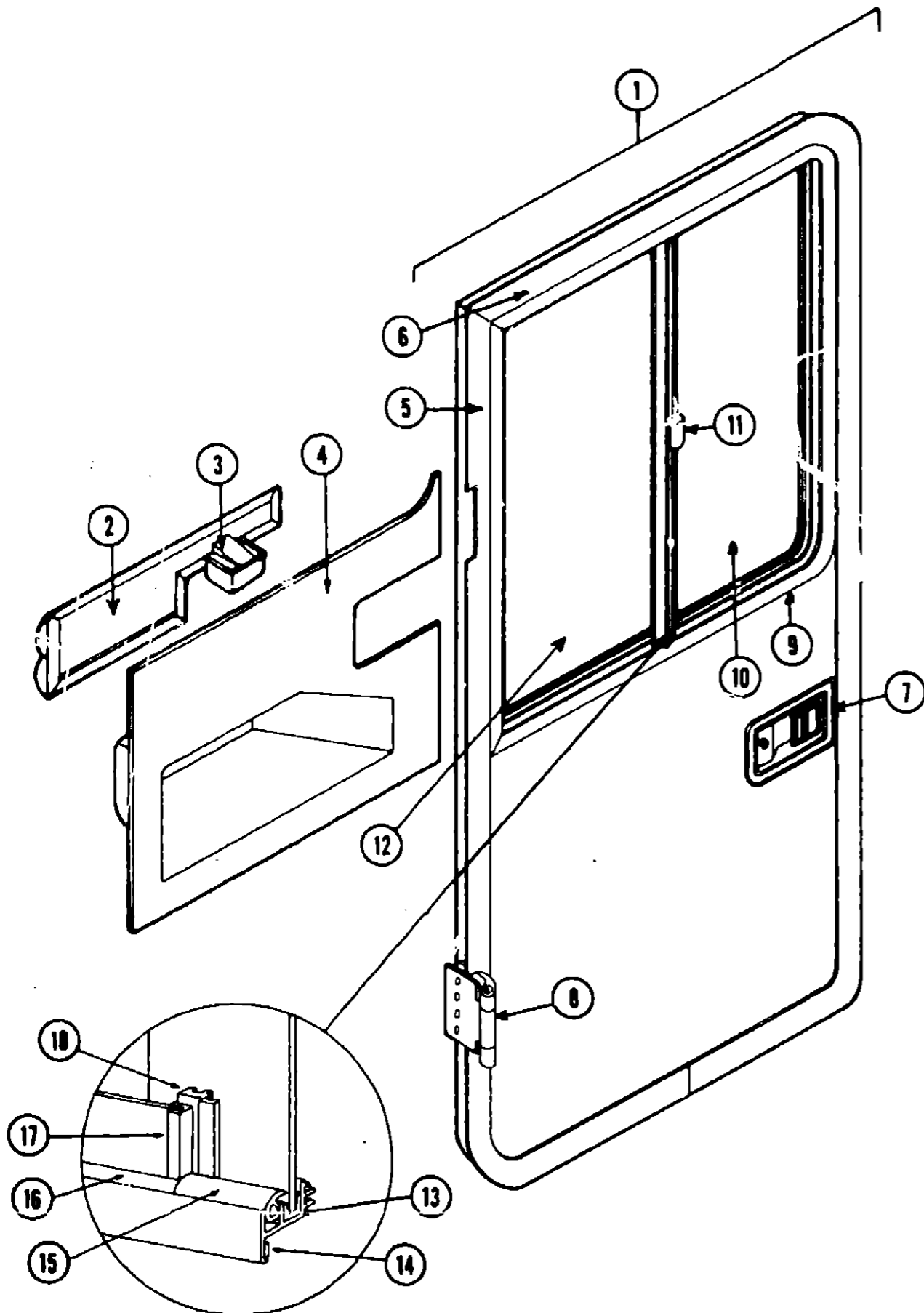
Introduction	A-1
Abbreviations	A-1
Alphabetical Index	A-2 - A-4
ICF22RB N2	A-5 - C-12
ICF26RH N2	C-13 - E-20
ICF26RB N2	E-21 - H-4
ICN27RB N2	H-5 - J-12
ICN29RT N2	J-13 - L-22

1962 ICF22RB N2 INDEX

Floor Plan	A-5 - A-6
Accessories Group	A-7 - A-9
Bath Group	A-10
Chassis Group	A-11 - A-12
Curtain, Cushion & Pad Group	A-13 - A-19
Dinette Group	A-20 - A-21
Driver's Compartment Group	A-22 - B-1
Electrical Group	B-2 - B-4
Exterior Body Group	B-5 - B-10
Galley Group	B-11 - B-12
Heating & Air Conditioning Group	B-13 - B-14
Interior Finish Group	B-15 - B-16
LP Group	B-17
Lounge Group	B-18
Water & Sewage Group	B-19
Window, Vent & Exterior Door Group	B-20 - C-12

WINDOW, VENT AND EXTERIOR DOOR GROUP (CONTINUED)

DRIVER DOOR



Key	Part Number	U/M	Description
1	063991-05-N01	EA	Door Asm. - Driver - Off White
2	064088-02-000	EA	Pad Asm. - Trim - Upper - Beige Vinyl - Drivers Door
2	064088-01-000	EA	Pad Asm. - Trim - Upper - Brown Vinyl - Drivers Door
•	061400-01-000	EA	Assist Strap - 12" - Light Brown
•	061400-03-000	EA	Assist Strap - 12" - Beige Vinyl
3	046886-01-000	EA	Ashtray Asm. - Flush Mount - Chrome
4	064499-02-000	EA	Panel - Driver Door - Inner - Light Oak Plastic
4	064499-01-000	EA	Panel - Driver Door - Inner - Dark Brown Plastic
5	063350-01-000	EA	Trim - Door Frame - Front - Off White
6	063351-02-000	EA	Trim - Door Frame - Rear - Off White
7	045017-03-000	EA	Paddle - Door Lock - Exterior
•	045017-01-700	EA	Lock Cylinder w/Keys - Lynor
•	039979-02-000	EA	Inside Plate - Door Lock - w/Inside Handle
•	039549-02-000	EA	Latch Claw - Entry Door Lock
•	039738-01-000	EA	Deadbolt - Entrance Door Lock
•	039539-01-000	EA	Strike Bolt - Entrance Door (Jamb Mount)
•	063124-02-000	EA	Plate - Striker - 8 1/4" x 1" - Black
•	062879-02-000	EA	Jamb - Driver Door - Black Steel
•	064199-02-000	EA	Trim - Door Jamb - Rear - w/Drip Cap - Off White
•	064184-01-000	EA	Drip Cap - Driver Door
•	063358-02-000	EA	Trim - Door Jamb - Front - Off White
•	063768-01-000	EA	Sill Plate - Driver Door
8	063993-02-000	EA	Hinge Asm. - Driver Door - Off White
8	063993-04-000	EA	Hinge Asm. - Driver Door - Black
•	064580-01-000	EA	Check Strap - Driver Door - Seat Belt Webbing
•	064219-01-000	EA	Retainer - Driver Door Check Strap
•	063886-01-000	EA	Assist Handle - Driver Door - Beige - Steel Tube (2 required per door)
•	063886-02-000	EA	Assist Handle - Driver Door - Brown - Steel Tube (2 required per door)
•	064075-01-000	EA	Bulb Seal - Driver Door - 145"
9	062982-01-000	EA	Window Asm. - Driver Door - Single Slider - 23" x 25.5" Black Anod. (w/o inside frame)
10	057657-02-000	EA	Glass - 3/16" x 24.88" x 12" - Sliding
11	047369-01-700	EA	Latch - Window - Plastic w/Fastener
12	002188-04-000	EA	Glass - 3/16" x 24.88" x 12" - Stationary
13	042077-01-000	FT	Channel - Weatherstrip - Glass Run - 1/8" Glass
14	069640-01-000	FT	Tape - 1.4" Bead x 20' - Gray - 3M
15	04928-02-000	FT	Seal - Window Channel - Black
16	050216-02-000	FT	Spline - Glass - Black
17	002389-03-206	EA	Holder - Glass Seal - Anod. Black - 24.13"
•	002288-01-000	FT	Weatherstrip - Glass Seal
18	057644-04-000	EA	Mullion - Slider Window - Black Anod.
•	063422-02-000	EA	Frame - Inside - Driver Door Window - Beige
•	063422-01-000	EA	Frame - Inside - Driver Door Window - Brown
•	023713-02-000	EA	Cover - Weephole - Black Plastic
•	055164-05-000	EA	Screen Asm. - Slider
•	002292-01-000	SF	Screen - Window - 20" - Gray
•	002298-01-000	FT	Spline - Gray - Screen - .130" Dia.
•	016310-03-000	EA	Screen Handle - Black Anod.
•	043485-02-000	FT	Screen Seal - Extr. Vinyl
•	063976-02-000	EA	Step Asm. - Lower - Door
•	063977-02-000	EA	Step Asm. - Upper - Door
•			Not illustrated

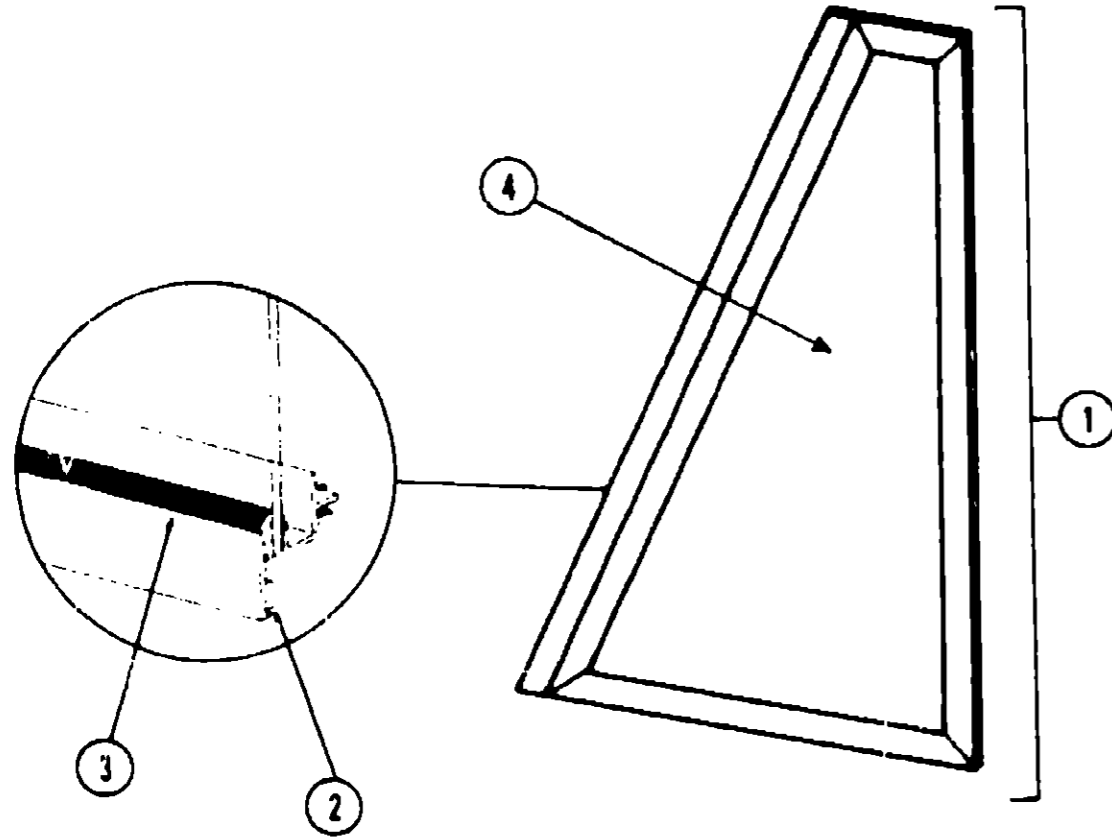
1982 ITASCA TABLE OF CONTENTS

Introduction	A-1
Abbreviations	A-1
Alphabetical Index	A-2 - A-4
ICF22RB N2	A-5 - C-12
ICF26RH N2	C-13 - E-20
ICF26RB N2	F-21 - H-4
ICN27RB N2	H-5 - J-12
ICN29RT N2	J-13 - L-22

1982 ICF22RB N2 INDEX

Floor Plan	A-5 - A-6
Accessories Group	A-7 - A-9
Bath Group	A-10
Chassis Group	A-11 - A-12
Curtain, Cushion & Pad Group	A-13 - A-19
Dinette Group	A-20 - A-21
Driver's Compartment Group	A-22 - B-1
Electrical Group	B-2 - B-4
Exterior Body Group	B-5 - B-10
Galley Group	B-11 - B-12
Heating & Air Conditioning Group	B-13 - B-14
Interior Finish Group	B-15 - B-16
LP Group	B-17
Lounge Group	B-18
Water & Sewage Group	B-19
Window, Vent & Exterior Door Group	B-20 - C-12

WINDOW, VENT AND EXTERIOR DOOR GROUP (CONTINUED)



Key	Part Number	U/M	Description
1	062896-01-000	EA	Window Asm. - Stationary - Drivers Slant - 14" x 25.32" Black Anod. (w/o inside frame)
2	069640-01-000	FT	Tape - 1/4" Bead x 20' - Gray - 3M
3	002309-02-000	FT	Spline - Glass - 1/8" - Black
4	057656-02-000	EA	Glass - 3/16" x 24.88" x 13.66"
.	063420-02-000	EA	Frame - Inside - Front Slant Window - Beige (not included in assembly)
.	063420-01-000	EA	Frame - Inside - Front Slant Window - Brown (not included in assembly)
.			Not illustrated

**1982 IFA/SCA
TABLE OF CONTENTS**

Introduction	A-1
Abbreviations	A-1
Alphabetical Index	A-2 - A-4
ICF22RB N2	A-5 - C-12
ICF26RH N2	C-13 - E-20
ICF26RB N2	E-21 - H-4
ICN27RB N2	H-5 - J-12
ICN29RT N2	J-13 - L-22

1982 ICF22RB N2 INDEX

Floor Plan	A-5 - A-6
Accessories Group	A-7 - A-9
Bath Group	A-10
Chassis Group	A-11 - A-12
Curtain, Cushion & Pad Group	A-13 - A-19
Dinette Group	A-20 - A-21
Driver's Compartment Group	A-22 - B-1
Electrical Group	B-2 - B-4
Exterior Body Group	B-5 - B-10
Galley Group	B-11 - B-12
Heating & Air Conditioning Group	B-13 - B-14
Interior Finish Group	B-15 - B-16
LP Group	B-17
Lounge Group	B-18
Water & Sewage Group	B-19
Window, Vent & Exterior Door Group	B-20 - C-12