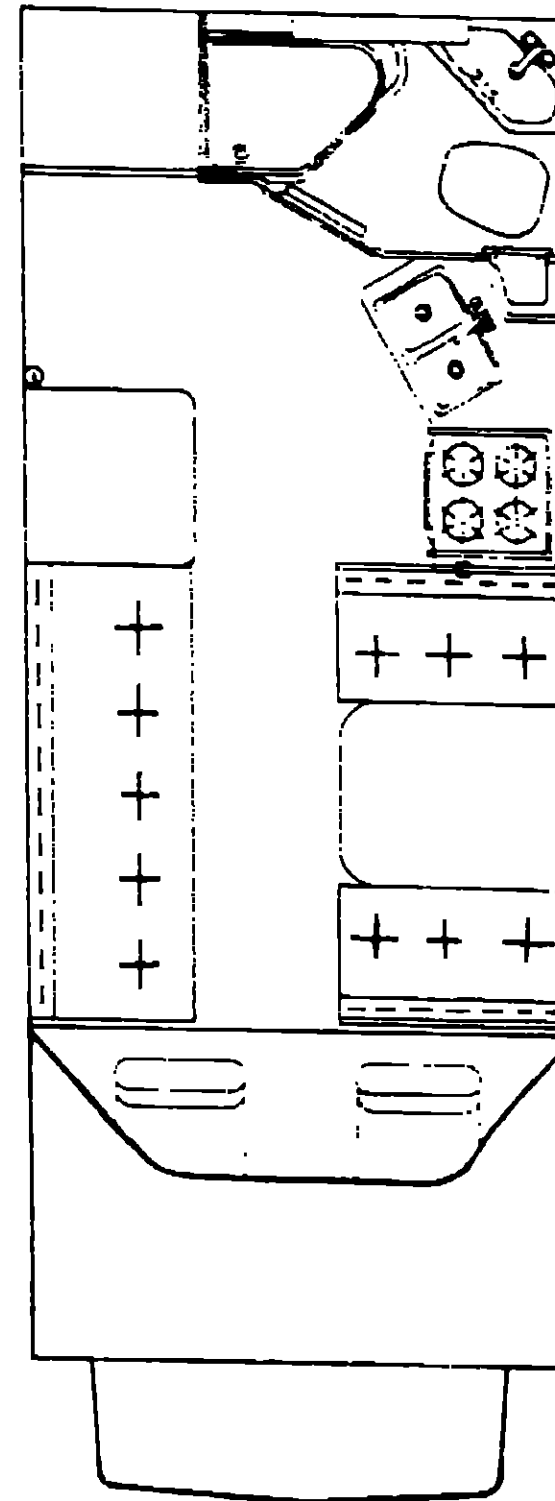


1982 IC823DB P2

NOTE:

A model revision number has been incorporated into the unit serial number to reflect any changes made during the model year. When ordering replacement parts, refer to the sixth and seventh digits of the unit serial number to assure that the proper part is ordered. These changes will be classified as a **N-2** or **N-3**, and will be included behind the item description. The unit serial number is found on the vehicle certification label, which is located on the left sidewall at the end of the dash (**A-Body**), or on the driver's door latch plate (**C-Body**).



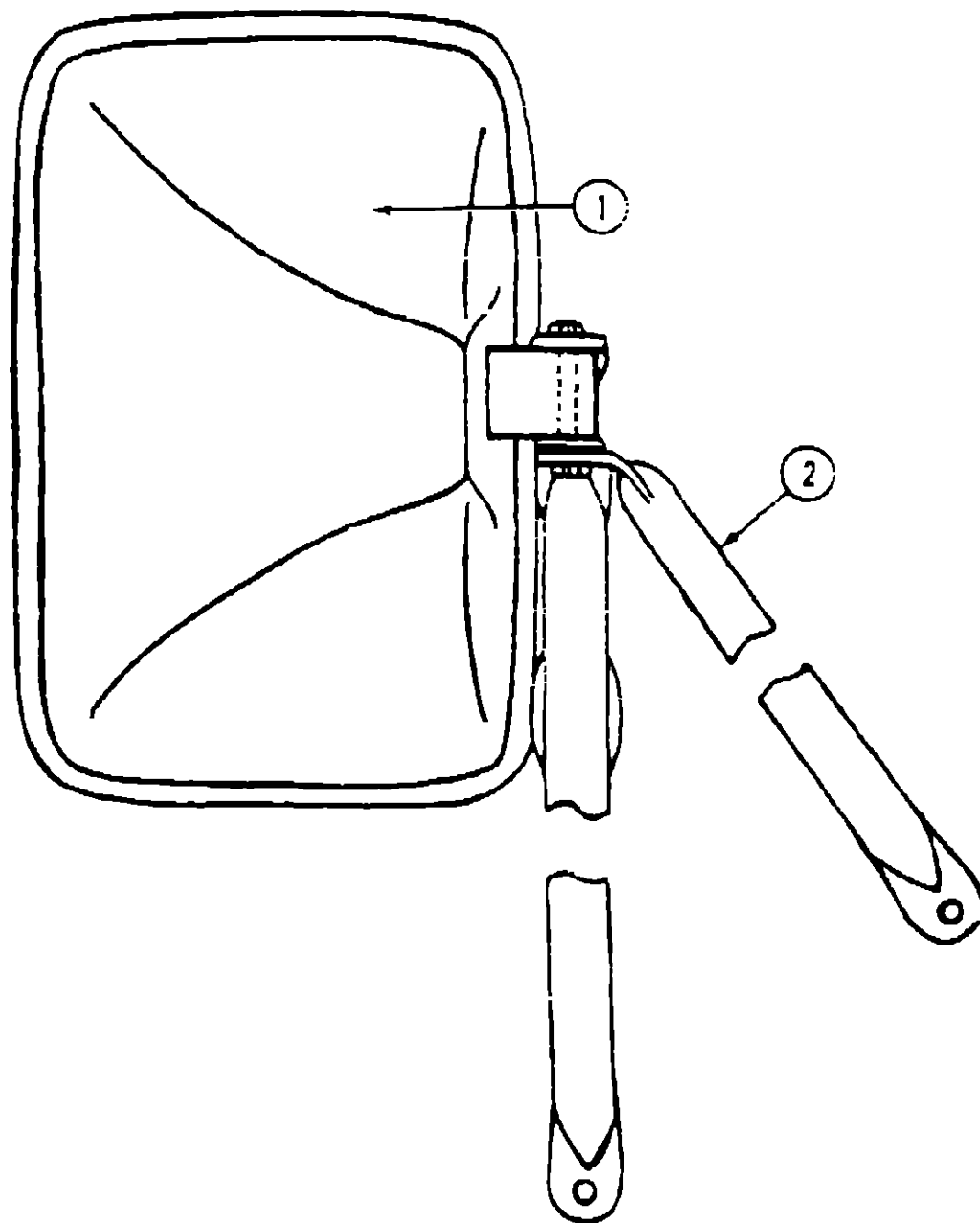
1982 ITASCA TABLE OF CONTENTS

IC420P9 N2	A-1 - B-20
IC521P9 N3	B-21 - D-14
IC723DB N2	D-15 - F-2
IC723P4 N2	F-3 - G-16
IC823DB P2	G-17 - I-8

1982 IC823DB P2 INDEX

Floor Plan	G-17 - G-18
Accessories Group	G-19 - G-20
Bath Group	G-21
Chassis Group	G-22
Curtain, Cushion & Pad Group	G-23 - H-3
Dinette Group	H-4
Driver's Compartment Group	H-5 - H-6
Electrical Group	H-7 - H-9
Exterior Body Group	H-10 - H-15
Galley Group	H-16
Heating & Air Conditioning Group	H-17
Interior Finish Group	H-18 - H-19
LP Group	H-20
Lounge Group	H-21
Water & Sewage Group	H-22 - H-23
Window, Vent & Exterior Door Group	H-24 - I-8

ACCESSORIES GROUP



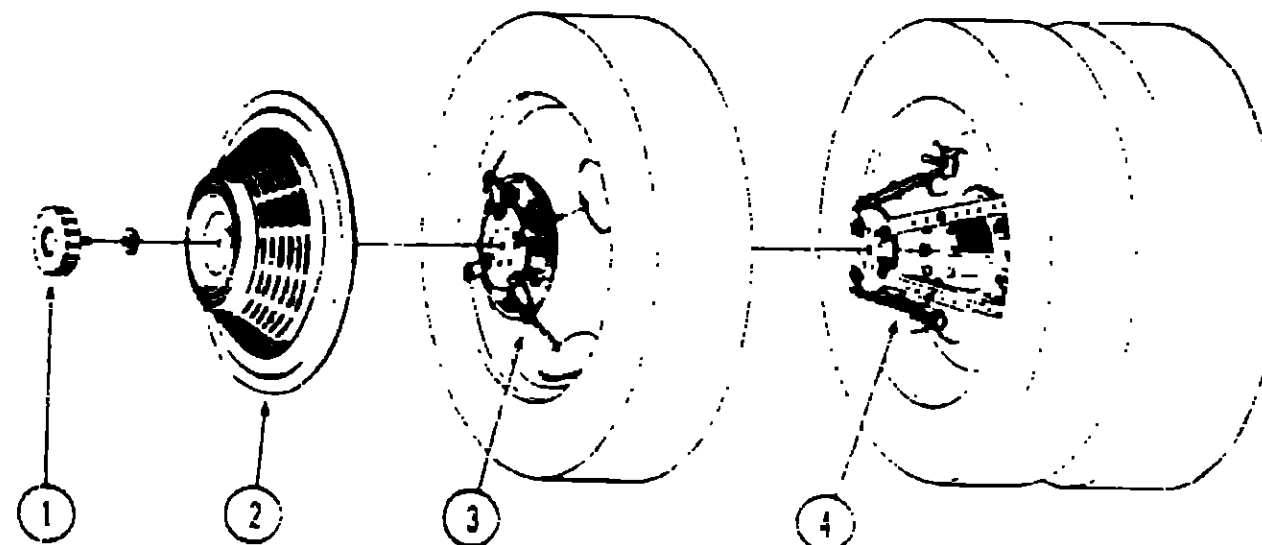
EXTERIOR MIRRORS

Key	Part Number	U/M	Description
1	066431-02-000	EA	Mirror Head 6.75" x 10.25"
2	066431-09-000	EA	Arm - Exterior Mirror - Stainless Steel - Right
2	066431-10-000	EA	Arm - Exterior Mirror - Stainless Steel - Left
*	066043-01-000	EA	Mirror - Convex - Adhesive Back
*			Not Illustrated

RADIOS AND RELATED COMPONENTS

Key	Part Number	U/M	Description
	064787-01-000	EA	Radio - AM FM MPX - w Cassette
	007004-01-000	EA	Antenna - Radio - Cab Mount
	040100-01-000	EA	Antenna - CB - Campfire Style
	064791-01-000	EA	Speaker - Recessed - 5 1/4" x 10 oz
	064792-01-000	EA	Speaker Grille - 5 1/4"
	064790-01-000	EA	Speaker - 4" x 5" - Clip On

ACCESSORIES GROUP (CONTINUED)



WHEEL COVERS AND MOUNTING HARDWARE

Key	Part Number	U/M	Description
1	064052-02-000	EA	Retaining Nut - Delmet - Wheel Cover
2	063425-01-700	EA	Wheel Cover - Bolt On - 16" or 16.5" - Delmet 11
3	073425-04-700	EA	Retention Bracket Arm - Wheel Cover Support Heavy Duty - Front/Left
4	073425-04-701	EA	Retention Bracket Arm - Wheel Cover Support Heavy Duty - Rear/Right
*	073425-04-000	EA	Retention Bracket Arm - Wheel Cover Support Heavy Duty - Set A1
*	081396-04-000	EA	Wheel Cover - 16" - Clip On
*			Not Illustrated
**			The illustrated parts breakdown for this system is provided on the Common Items Form

GENERATOR AND COMPONENTS

Key	Part Number	U/M	Description
	051905-01-000	EA	Generator - 3.5 kw - Kohler
	701629-01-000	EA	Kohler Installation Package
	067753-01-000	EA	Muffler - Generator - 1.5 Spun Arrestor - Nelson
	072724-01-000	EA	Elbow Exhaust - 90°
	052077-03-000	EA	Tray - Generator - 3.5 Kohler
	052815-01-000	EA	Tablets - Generator - 1.5 BPOD - 90° Bend
	054427-01-000	EA	Generator - 3.0 kw - Onan - AJ

MISCELLANEOUS ACCESSORIES

Key	Part Number	U/M	Description
	006053-01-000	EA	Antenna - TV - Braun Deluxe
	006093-01-000	EA	Jack - TV - Brown
	041944-03-000	EA	Fire Extinguisher - Dry Chemical w Bracket
	054155-14-000	EA	Owner's Manual - 1982 - Winnebago & Itasca
	063739-01-000	EA	Battery - 12V - 80 Amp - Gould
	017516-01-000	EA	Mud Flap - Black - 14" x 18" w Holes
	064089-01-000	EA	Mud Flap - Front Splash Guard - Black
	040069-01-000	EA	Mat - Door - Black Rubber - 10 1/2" x 25"
	073322-01-000	EA	Cover - Spare Tire - 29" - Off White
	069629-01-000	EA	Speed Control - Chev - Dana
	000000-01-000	EA	Lug Wrench - 1 1/4 x 1 1/4 x 16 1/2
	069560-02-000	EA	Leverage Bar - Lug Wrench - 22"

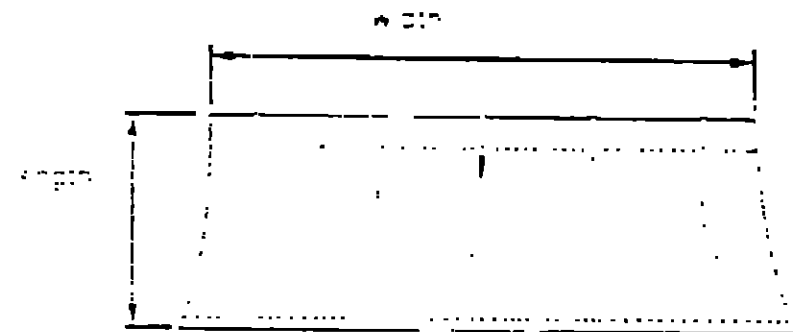
1982 ITASCA TABLE OF CONTENTS

048098 AC	A-1 - E-20
082198 AC	B-21 - D-14
107000 AC	D-15 - F-3
107001 AC	F-4 - G-16
083000 AC	G-17 - I-8

1982 IC823DB P2 INDEX

Floor Plan	G-17 - G-18
Accessories Group	G-19 - G-20
Bath Group	G-21
Chassis Group	G-22
Curtain, Cushion & Pad Group	G-23 - H-3
Delmette Group	H-4
Driver's Compartment Group	H-5 - H-6
Electrical Group	H-7 - H-9
Exterior Body Group	H-10 - H-15
Galley Group	H-16
Heating & Air Conditioning Group	H-17
Interior Finish Group	H-18 - H-19
LP Group	H-20
Lounge Group	H-21
Water & Sewage Group	H-22 - H-23
Window, Vent & Exterior Door Group	H-24 - H-25

CURTAIN, CUSHION & PAD GROUP



NOTE
Use this illustration when determining length and width measurements for curtains. You will note the width measurement is taken on the top of the curtain with the curtain fully extended. The length measurement is taken from top to bottom.

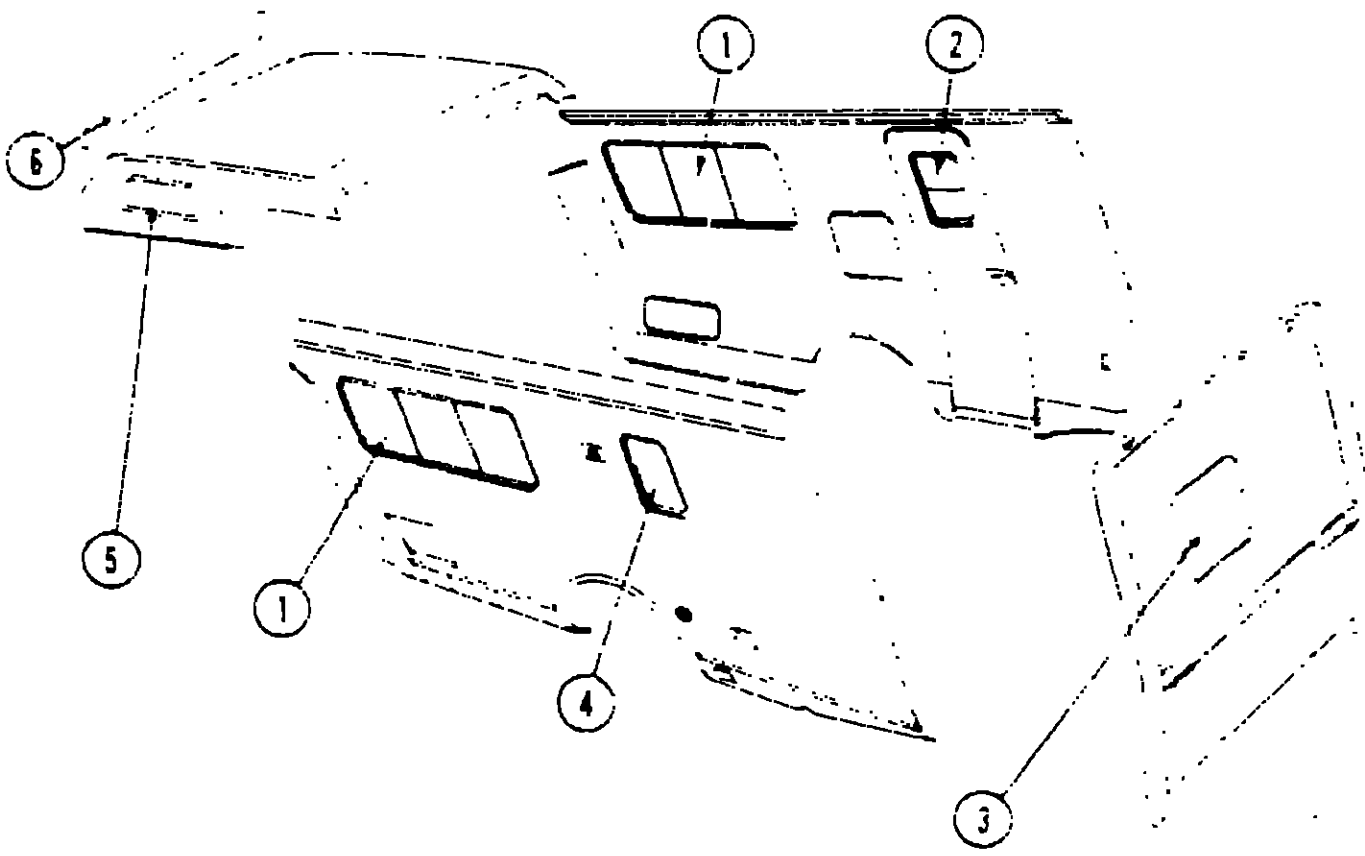
CURTAIN HARDWARE

Key	Part Number	U/M	Description
	037872-02-000	EA	Bracket - Curtain Rod
	037872-01-000	EA	Rod - Curtain - Extension - 48" - 64"
	030788-02-000	EA	Center Support - Curtain Rod
	055784-01-000	EA	Pull - Window Shade - Article Brass
	055701-01-000	EA	Bracket - Shade - Left
	055002-01-000	EA	Bracket - Shade - Right
	009107-01-000	EA	Guide - Nylon Strap - Curtain
	052327-07-000	EA	Track - Curtain - Teal w/ Holes - Gray Alum.
	073272-06-000	EA	Track - Curtain - Ceiling Mount - 75" w/ Holes - Gray Alum.
	055789-07-000	EA	Track - Curtain - Ceiling Mount - w/ 90° Bend - Gray Alum.
	073571-02-000	EA	Track - Curtain - Front Overhead Buckle - Gray Alum.
	059270-01-000	EA	Track - Shower Curtain - LP Rod - Beige Alum.
	009701-01-000	EA	Curtain Carrier - LP Rod
	009702-01-000	EA	End Stop - LP Rod
	055115-01-000	TD	Tab - Plastic - Clear w/ Glue
	055116-01-000	ET	Tab - Curtain - Plastic - Brown
	048394-01-000	TD	Tab - Hook - Beige
	048395-01-000	TD	Tab - Loop - Beige



Key	Part Number	U/M	Description
1	029130-01-000	EA	Socket - Snap Fastener
2	029155-01-000	EA	Cap - Snap - .156" Dia x 17" Barrel
3	029156-01-000	EA	Socket - Snap Fastener
4	029092-12-000	EA	Stud - Nickel Finish
5	029093-01-000	EA	Eyelet - Nickel Finish

CURTAIN, CUSHION & PAD GROUP (CONTINUED)



CURTAINS, VALANCES, SHADES AND TIEBACKS

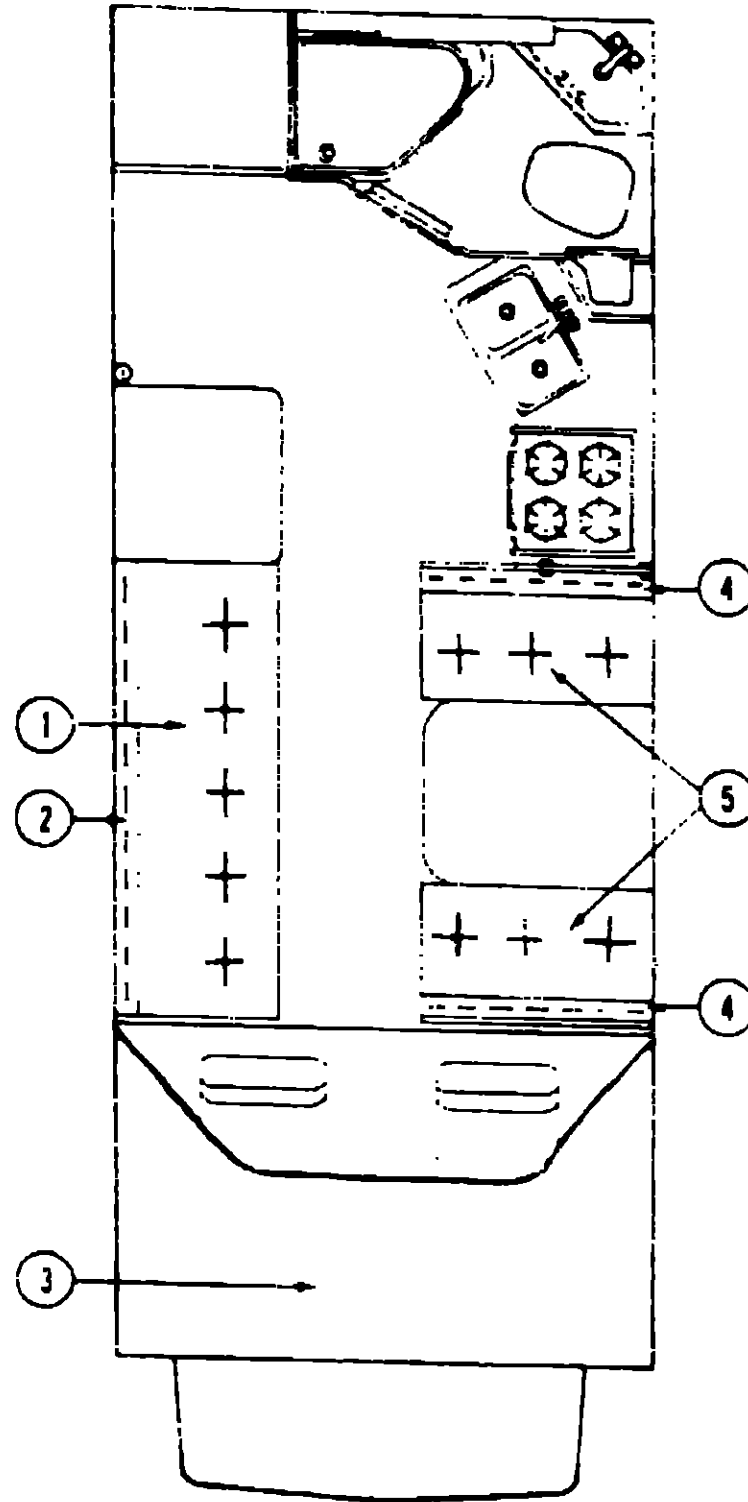
Key	Part Number	U/M	Description
1	071445-03-P16	EA	Curtain w/ Pleats - 27" x 18" - Blue
1	071445-03-P17	EA	Curtain w/ Pleats - 27" x 18" - Beige
1	071445-03-P18	EA	Curtain w/ Pleats - 27" x 18" - Burgundy
1	054915-07-P16	EA	Valance Astm - 51" x 77 1/2" - Blue
1	054915-07-P17	EA	Valance Astm - 51" x 77 1/2" - Brown
1	054915-07-P18	EA	Valance Astm - 51" x 77 1/2" - Burgundy
1	067780-04-000	EA	Blinds - 66" x 27" - Drop - Gray
2	073226-03-P16	EA	Curtain w/ Strap Top and Bottom - 26 1/2" x 12" - Blue
2	073226-03-P17	EA	Curtain w/ Strap Top and Bottom - 26 1/2" x 12" - Beige
2	073226-03-P18	EA	Curtain w/ Strap Top and Bottom - 26 1/2" x 12" - Burgundy
3	059777-01-000	EA	Valance - Plastic - Beige
3	055522-06-000	EA	Shade - 23 1/2" x 35" - Blue
4	067780-03-000	EA	Blinds - 18" x 24" - Drop - Gray
5	073314-01-P16	EA	Curtain w/ Strap Top and Bottom - 19 5/8" x 20" - Blue
5	073314-01-P17	EA	Curtain w/ Strap Top and Bottom - 19 5/8" x 20" - Beige
5	073314-01-P18	EA	Curtain w/ Strap Top and Bottom - 19 5/8" x 20" - Burgundy
5	073226-12-P16	EA	Curtain w/ Strap Top and Bottom - 17 5/8" x 42" - Blue
5	073226-12-P17	EA	Curtain w/ Strap Top and Bottom - 17 5/8" x 42" - Beige
5	073226-12-P18	EA	Curtain w/ Strap Top and Bottom - 17 5/8" x 42" - Burgundy
5	064913-04-P16	EA	Curtain w/ Strap Top - Privacy - 25" x 56" - Beige (P17, P18)
5	059900-07-P13	EA	Curtain Astm - Wraparound - 24" x 62" - Beige (P16, P17, P18)
5	073260-06-P16	EA	Tie Back - Curtain - 2" x 18" - Blue
5	073260-06-P17	EA	Tie Back - Curtain - 2" x 18" - Brown
5	073260-06-P18	EA	Tie Back - Curtain - 2" x 18" - Burgundy
5	073260-09-P16	EA	Tie Back - Curtain - 2" x 18" - Rose
5	071260-03-P16	EA	Tie Back - Curtain - 2" x 22" - Blue
5	073260-03-P17	EA	Tie Back - Curtain - 2" x 22" - Brown
5	073260-03-P18	EA	Tie Back - Curtain - 2" x 22" - Burgundy
5	011134-01-000	EA	Tie Back - Clear Plastic - 6"
5	057534-03-000	EA	Tie Back - Clear Plastic - 7 1/2"
5			Not Illustrated

**1982 ITASCA
TABLE OF CONTENTS**

0407FB N0	A-1 - B-20
0601FB N2	B-21 - D-14
0703DB N0	D-15 - F-2
0723FB N0	F-3 - G-16
0823DB P0	G-17 - I-8

1982 IC823DB P2 INDEX

Floor Plan	G-17 - G-18
Accessories Group	G-19 - G-20
Bath Group	G-21
Chassis Group	G-22
Curtain, Cushion & Pad Group	G-23 - H-3
Shette Group	H-4
Driver's Compartment Group	H-5 - H-6
Electrical Group	H-7 - H-9
Exterior Body Group	H-10 - H-15
Galley Group	H-16
Heating & Air Conditioning Group	H-17
Interior Finish Group	H-18 - H-19
LP Group	H-20
Lounge Group	H-21
Water & Sewage Group	H-22 - H-23
Window, Vent & Exterior Door Group	H-24 - I-8



FOLD DOWN COUCH CUSHIONS

Key	Part Number	U/M	Description
1	072431-02-P16	EA	Cushion Asm - Fold Down Couch Bottom - Blue
1	072431-02-P17	EA	Cushion Asm - Fold Down Couch Bottom - Brown
1	072431-02-P18	EA	Cushion Asm - Fold Down Couch Bottom - Burgundy
	M72431-02-P15	EA	Cover - Fold Down Couch Bottom - Blue
	M72431-02-P17	EA	Cover - Fold Down Couch Bottom - Brown
	M72431-02-P18	EA	Cover - Fold Down Couch Bottom - Burgundy
2	072432-02-P16	EA	Cushion Asm - Fold Down Couch Back - Blue
2	072432-02-P17	EA	Cushion Asm - Fold Down Couch Back - Brown
2	072432-02-P18	EA	Cushion Asm - Fold Down Couch Back - Burgundy
	M72432-02-P16	EA	Cover - Fold Down Couch Back - Blue
	M72432-02-P17	EA	Cover - Fold Down Couch Back - Brown
	M72432-02-P18	EA	Cover - Fold Down Couch Back - Burgundy

OVERHEAD BUNK CUSHIONS

Key	Part Number	U/M	Description
2	073310-01-P16	EA	Cushion Asm - Front Bunk - 2 fold - 20" x 34" x 77" x 5" - Blue
3	073310-01-P17	EA	Cushion Asm - Front Bunk - 2 fold - 20" x 34" x 77" x 5" - Brown
3	073310-01-P18	EA	Cushion Asm - Front Bunk - 2 fold - 20" x 34" x 77" x 5" - Burgundy
	M73310-01-P16	EA	Cover - Front Bunk Cushion - 20" x 34" x 77" x 5" - Blue
	M73310-01-P17	EA	Cover - Front Bunk Cushion - 20" x 34" x 77" x 5" - Brown
	M73310-01-P18	EA	Cover - Front Bunk Cushion - 20" x 34" x 77" x 5" - Burgundy

DINETTE CUSHIONS

Key	Part Number	U/M	Description
4	072430-03-P16	EA	Cushion - Dinette Back - 19 25" x 38" x 5" - Blue
4	072430-03-P17	EA	Cushion - Dinette Back - 19 25" x 38" x 5" - Brown
4	072430-03-P18	EA	Cushion - Dinette Back - 19 25" x 38" x 5" - Burgundy
	M72430-03-P16	EA	Cover - Dinette Back Cushion - 19 25" x 38" x 5" - Blue
	M72430-03-P17	EA	Cover - Dinette Back Cushion - 19 25" x 38" x 5" - Brown
	M72430-03-P18	EA	Cover - Dinette Back Cushion - 19 25" x 38" x 5" - Burgundy
5	072430-04-P16	EA	Cushion - Dinette Bottom - 17 5" x 38" x 5" - Blue
5	072430-04-P17	EA	Cushion - Dinette Bottom - 17 5" x 38" x 5" - Brown
5	072430-04-P18	EA	Cushion - Dinette Bottom - 17 5" x 38" x 5" - Burgundy
	M72430-04-P16	EA	Cover - Dinette Bottom Cushion - 17 5" x 38" x 5" - Blue
	M72430-04-P17	EA	Cover - Dinette Bottom Cushion - 17 5" x 38" x 5" - Brown
	M72430-04-P18	EA	Cover - Dinette Bottom Cushion - 17 5" x 38" x 5" - Burgundy

1982 ITASCA
TABLE OF CONTENTS

IC420RG N2	A-1 - B-20
IC621RB N2	B-21 - D-14
IC723DB N2	D-15 - F-2
IC723RH N2	F-3 - G-16
IC823DB P2	G-17 - I-6

1982 IC823DB P2 INDEX

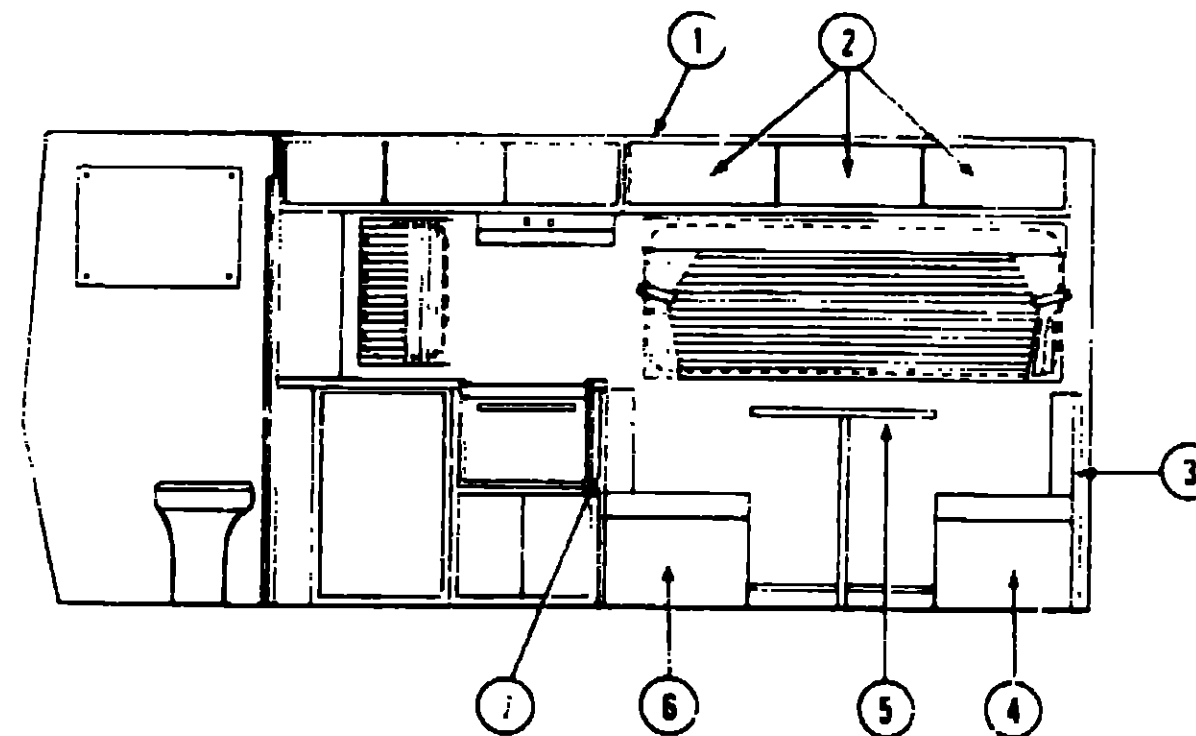
Floor Plan	G-17 - G-18
Accessories Group	G-19 - G-20
Bath Group	G-21
Chassis Group	G-22
Curtain, Cushion & Pad Group	G-23 - H-3
Dinette Group	H-4
Driver's Compartment Group	H-5 - H-6
Electrical Group	H-7 - H-9
Exterior Body Group	H-10 - H-15
Galley Group	H-16
Heating & Air Conditioning Group	H-17
Interior Finish Group	H-18 - H-19
LP Group	H-20
Lounge Group	H-21
Water & Sewage Group	H-22 - H-23
Window, Vent & Exterior Door Group	H-24 - I-6

BUCKET SEATS

Key	Part Number	U/M	Description
	072460-02-P16	EA	Seat Asm - Single Bucket - Youth Bed - Driver - Blue
	072460-02-P17	EA	Seat Asm - Single Bucket - Youth Bed - Driver - Brown
	072460-02-P18	EA	Seat Asm - Single Bucket - Youth Bed - Driver - Burgundy
	027460-01-P16	EA	Seat Asm - Single Bucket - Youth Bed - Passenger - Blue
	027460-01-P17	EA	Seat Asm - Single Bucket - Youth Bed - Passenger - Brown
	027460-01-P18	EA	Seat Asm - Single Bucket - Youth Bed - Passenger - Burgundy
	M00784-05-P16	EA	Cover - Back - Youth Bed - Blue
	M00784-05-P17	EA	Cover - Back - Youth Bed - Brown
	M00784-05-P18	EA	Cover - Back - Youth Bed - Burgundy
	M00784-05-P16	EA	Cover - Bottom - Youth Bed - Blue
	M00784-05-P17	EA	Cover - Bottom - Youth Bed - Brown
	M00784-05-P18	EA	Cover - Bottom - Youth Bed - Burgundy
	070553-01-P16	EA	Cushion Asm - Wedge - Youth Bed - Blue
	070553-01-P17	EA	Cushion Asm - Wedge - Youth Bed - Brown
	070553-01-P18	EA	Cushion Asm - Wedge - Youth Bed - Burgundy
	M70553-01-P16	EA	Cover - Wedge - Youth Bed - Blue
	M70553-01-P17	EA	Cover - Wedge - Youth Bed - Brown
	M70553-01-P18	EA	Cover - Wedge - Youth Bed - Burgundy
	071122-11-P16	EA	Armrest Asm - w Cover - Right - Blue
	071122-11-P17	EA	Armrest Asm - w Cover - Right - Brown
	071122-11-P18	EA	Armrest Asm - w Cover - Right - Burgundy
	071122-12-P16	EA	Armrest Asm - w Cover - Left - Blue
	071122-12-P17	EA	Armrest Asm - w Cover - Left - Brown
	071122-12-P18	EA	Armrest Asm - w Cover - Left - Burgundy
	071123-06-P16	EA	Cover - Armrest - Right or Left - Blue
	071123-06-P17	EA	Cover - Armrest - Right or Left - Brown
	071123-06-P18	EA	Cover - Armrest - Right or Left - Burgundy

FABRICS AND TRIMS

Key	Part Number	U/M	Description
	072333-06-000	YD	Fabric - Drapery - Beige
	072334-06-000	YD	Fabric - Upholstery - Diamonds - Wedgewood Blue (P16)
	072334-07-000	YD	Fabric - Upholstery - Diamonds - Chocolate Brown (P17)
	072334-01-000	YD	Fabric - Upholstery - Diamonds - Rosewood Burgundy (P18)
	072334-08-000	YD	Fabric - Upholstery - Drapery - Plain - Navy Blue (P16)
	072334-09-000	YD	Fabric - Upholstery - Drapery - Plain - Sand Brown (P17)
	072334-02-000	YD	Fabric - Upholstery - Drapery - Plain - Raisin Burgundy (P18)
	038421-01-000	YD	Trimming - Mattress
	052859-01-P16	FT	Trim Asm - Accent - Mushroom - Gray
	049312-02-000	YD	Vinyl - Expanded - 28 oz - Mushroom - Gray
	053552-01-P16	EA	Assist Hand - Entry Door - Mushroom - Vinyl - Gray
	071127-03-P16	EA	Button Asm - Fabric - #55 - Square - Blue
	071127-03-P17	EA	Button Asm - Fabric - #55 - Square - Sand
	071127-03-P18	EA	Button Asm - Fabric - #55 - Square - Burgundy
	078259-01-P16	EA	Button Asm - Fabric - #55 - Square with 3/4" Stud - Blue
	078259-01-P17	EA	Button Asm - Fabric - #55 - Square with 3/4" Stud - Sand
	078259-01-P18	EA	Button Asm - Fabric - #55 - Square with 3/4" Stud - Burgundy
	029219-01-000	YD	Vinyl - Expanded - 14.5 oz - White (Tire Cover)



CONVENTIONAL DINETTE AND OVERHEAD CABINERY

Key	Part Number	U/M	Description
	073655-03-P16	EA	Cabinet Asm - Dinette Overhead - w/o Doors or Hardware
	073466-01-P16	EA	Door Asm - Dinette Overhead Cabinet - 10" x 23" - w/o Hardware
	M00988-02-P16	EA	Cabinet Asm - Dinette Back - Right Hand
	M00987-02-P16	EA	Cabinet Asm - Dinette Seat - Right Hand
	M01250-31-P16	EA	Table Asm - Dinette - w/o Hardware - Brown
	M01387-01-P16	EA	Cabinet Asm - Dinette Seat - Left Hand
	M00986-01-P16	EA	Cabinet Asm - Dinette Back - Left Hand
	072442-04-P16	EA	Pad Asm - Dinette Back - Left - Gray Vinyl
	074549-04-P16	EA	Pad Asm - Dinette Back - Left - Blue
	074549-04-P17	EA	Pad Asm - Dinette Back - Left - Beige
	074549-04-P18	EA	Pad Asm - Dinette Back - Left - Burgundy
	072651-01-P16	EA	Pad Asm - Dinette Back - Right - Gray Vinyl
	074549-05-P16	EA	Pad Asm - Dinette Back - Right - Blue
	074549-05-P17	EA	Pad Asm - Dinette Back - Right - Beige
	074549-05-P18	EA	Pad Asm - Dinette Back - Right - Burgundy
	00100-07-000	EA	Bracket - Upper Wall Mount - 23.5" - Gray
	00201-02-000	EA	Bracket - Table Mount - 23"
	004275-07-000	EA	Rod - Table Lift - 5" x 23.5"
	004281-09-000	EA	Bracket - Lower Wall Mount - 22.12" - Gray
	024275-10-000	EA	Leg Asm - Table - 28.38" - Gray
	064050-01-000	EA	Hinge - Table Leg
	064252-01-000	EA	Brace - Table Leg
	024283-01-000	EA	Clip - 1" O.D. Tube
	049493-04-000	EA	Catch - Table Leg - Mount on Floor - Gray
			Not Illustrated
			The illustrated parts shown for this item is provided on the Common Items Plans

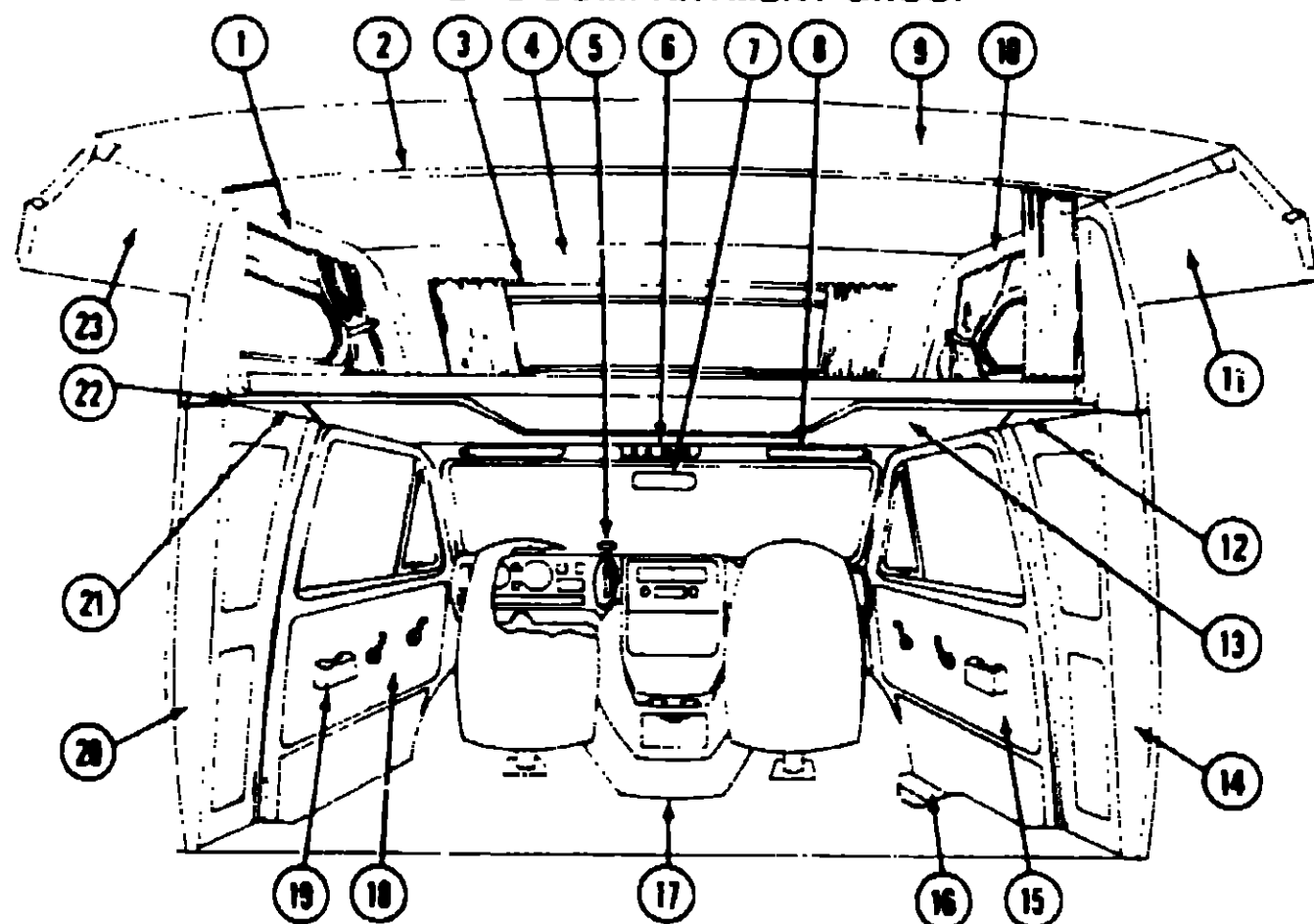
**1982 ITASCA
TABLE OF CONTENTS**

IC420RG N2	A-1 - B-20
IC621RB N2	B-21 - D-14
IC723DB N2	D-15 - F-2
IC723RH N2	F-3 - G-16
IC823DB P2	G-17 - I-8

1982 IC823DB P2 INDEX

Floor Plan	G-17 - G-18
Accessories Group	G-19 - G-20
Bath Group	G-21
Chassis Group	G-22
Curtain, Cushion & Pad Group	G-23 - H-3
Dinette Group	H-4
Driver's Compartment Group	H-5 - H-6
Electrical Group	H-7 - H-9
Exterior Body Group	H-10 - H-15
Galley Group	H-16
Heating & Air Conditioning Group	H-17
Interior Finish Group	H-18 - H-19
LP Group	H-20
Lounge Group	H-21
Water & Sewage Group	H-22 - H-23
Window, Vent & Exterior Door Group	H-24 - I-8

DRIVER'S COMPARTMENT GROUP



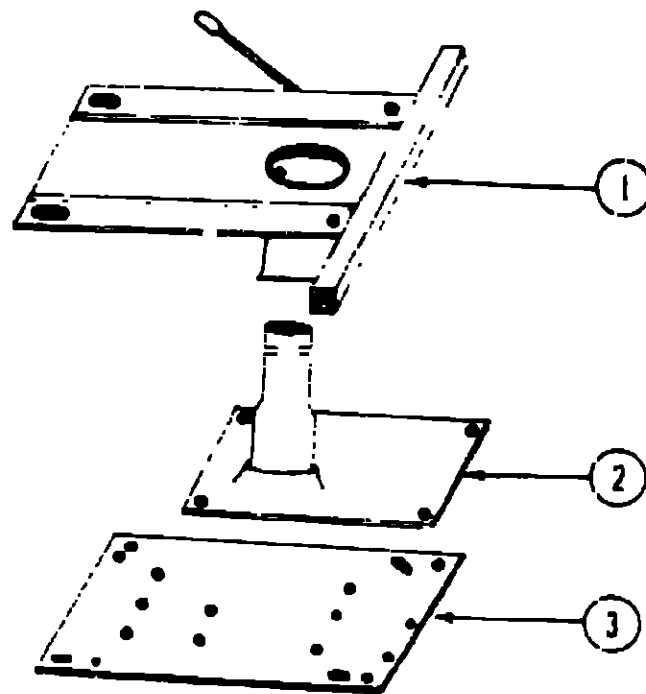
MISCELLANEOUS DRIVER'S COMPARTMENT COMPONENTS

Key	Part Number	U/M	Description
1	072765-04-000	EA	Panel - Front Side Cap - Left - Gray Plastic
2	053272-06-005	EA	Track - Curtain - Ceiling Mount - 72" w Hourmeter - Gray Alum
3	073671-02-000	EA	Track - Curtain - Gray Alum
4	072764-02-000	EA	Panel - Front Cap - Gray Plastic
5	701631-01-000	EA	Shifting Knob and Button - Transmission Control
6	701632-01-000	EA	Retainer - Shifting Knob - Transmission Control
7	066501-01-000	EA	Shifter Asm. - Modified
8	052744-04-000	EA	Bezel - Transmission Control
9	049360-14-000	EA	Overhead Console (Voltmeter, Battery Switch, Hourmeter, Generator Switch and Light)
10	049360-15-000	EA	Overhead Console (Hourmeter, Generator Switch and Light)
11	049360-16-000	EA	Overhead Console (Voltmeter, Battery Switch and Light)
12	049360-17-000	EA	Overhead Console (Light)
13	040714-01-000	EA	Mirror - Inside Rear View
14	067490-01-000	EA	Button - Mirror - Rear View Support
15	056802-04-000	EA	Support Asm. - Medium Almond - Right and Left
16	073931-01-P16	EA	Headliner Asm. - Ceiling
17	072765-03-000	EA	Panel - Front Side Cap - Right - Gray Plastic
18	072766-02-000	EA	Panel - Trim - Roof Transition - Gray Plastic
19	072767-03-000	EA	Panel - Trim - Right - Gray Plastic
20	073511-02-P16	EA	Pad Asm. - Headliner Filler - Right - Gray Vinyl
21	M53719-01-P16	EA	Headliner Asm. - Gray Vinyl
22	071515-01-P16	EA	Pad Asm. - Headliner - Over Door - Left - Gray Vinyl
23	071515-02-P16	EA	Pad Asm. - Headliner - Over Door - Right - Gray Vinyl
24	072768-03-000	EA	Panel Asm. - Wingwall Transition - Inner Right Hand - Gray Plastic
25	059491-01-P16	EA	Side Panel - Cab Door - Right - Blue
26	059491-01-P17	EA	Side Panel - Cab Door - Right - Beige
27	059491-01-P18	EA	Side Panel - Cab Door - Right - Burgundy
28	044860-01-000	EA	Mat - Door Step - Rubber - Left Hand - Black
29	044860-02-000	EA	Mat - Door Step - Rubber - Right Hand - Black
30	071645-01-000	EA	Motor Cover - w/o Carpet
31	Not illustrated		

DRIVER'S COMPARTMENT GROUP (CONTINUED)

MISCELLANEOUS DRIVER'S COMPARTMENT COMPONENTS (CONT)

Key	Part Number	U/M	Description
1	048223-01-000	EA	Bracket - Motor Cover
2	056671-01-000	EA	Ash Tray Asm.
3	056673-04-000	EA	Cover - Ash Tray/Light - Plastic
4	059492-01-P16	EA	Side Panel - Cab Door - Left - Blue
5	059492-01-P17	EA	Side Panel - Cab Door - Left - Beige
6	059492-01-P18	EA	Side Panel - Cab Door - Left - Burgundy
7	056581-04-000	EA	Armrest Asm. - Cab Door - Medium Almond
8	072768-04-000	EA	Panel Asm. - Wingwall Transition - Inner Left Hand - Gray Plastic
9	073511-03-P16	EA	Pad Asm. - Headliner Filler - Left - Gray Vinyl
10	072287-01-P16	EA	Panel Asm. - Sleeper Board
11	052859-01-P16	FT	Trim Asm. - Accent - Gray Vinyl
12	072767-04-000	EA	Panel - Trim - Left - Gray Plastic
13	M00498-01-000	EA	Dash Asm
14	056602-01-000	EA	Panel Asm. - Dash - Right
15	056603-01-000	EA	Panel Asm. - Dash - Left - Drivers
16	070524-01-000	EA	Pad - Dash - Medium Dark Almond
17	064781-02-000	EA	Glass Holder - 3.47" O.D. - Beige Plastic
18	045795-03-000	EA	Glass Holder - 4.12" O.D. - Beige Plastic
19	Not illustrated		



BUCKET SEAT PEDESTAL AND SEAT BELTS

Key	Part Number	U/M	Description
1	069585-06-000	EA	Plate - Top - Pedestal Asm. - Bucket Seat
2	069585-03-000	EA	Plate - Sub - Pedestal Asm. - Bucket Seat
3	069585-02-000	EA	Plate - Base - Pedestal Asm. - Bucket Seat
4	069585-05-000	EA	Hardware Kit - Bolt/ Acorn Nut - 4 Ea - Pedestal Asm
5	069585-09-000	EA	Stabilizer - Seat Belt Retractor
6	069245-01-000	EA	Adjuster Asm. - Seat w/ Lock
7	069245-02-000	EA	Adjuster Asm. - Seat w/o Lock
8	068601-01-000	EA	Recliner Drive - Left Side
9	068601-02-000	EA	Recliner Drive - Right Side
10	068601-10-000	EA	Hand Wheel - Recliner Drive - Black Plastic
11	056271-02-000	EA	Belt Asm. - Bucket Seat - 2 x 72" - Black
12	007021-01-000	EA	Belt Asm. - Bucket Seat - 2 x 90" - Black
13	041322-01-000	EA	Washer - Flat - 15.32 I.D. x 2.38 O.D.
14	007221-01-000	EA	Spacer - Seat Adjuster
15	Not illustrated		

1982 ITASCA TABLE OF CONTENTS

IC420RG N2	A-1 - B-20
IC621RB N2	B-21 - D-14
IC723DB N2	D-15 - F-2
IC723RH N2	F-3 - G-16
IC823DB P2	G-17 - I-8

1982 IC823DB P2 INDEX

Floor Plan	G-17 - G-18
Accessories Group	G-19 - G-20
Bath Group	G-21
Chassis Group	G-22
Curtain, Cushion & Pad Group	G-23 - H-3
Dinette Group	H-4
Driver's Compartment Group	H-5 - H-6
Electrical Group	H-7 - H-9
Exterior Body Group	H-10 - H-15
Galley Group	H-16
Heating & Air Conditioning Group	H-17
Interior Finish Group	H-18 - H-19
LP Group	H-20
Lounge Group	H-21
Water & Sewage Group	H-22 - H-23
Window, Vent & Exterior Door Group	H-24 - I-8

ELECTRICAL GROUP

BULBS

Key	Part Number	U/M	Description
	037935-01-000	EA	Bulb - 1157
	037936-01-000	EA	Bulb - 1157 A
	063914-01-000	EA	Bulb - 1139
	008103-01-000	EA	Bulb - 53
	008213-01-000	EA	Bulb - 57
	008214-01-000	EA	Bulb - 67
	008215-01-000	EA	Bulb - 1003
	008218-01-000	EA	Bulb - 1141
	008220-01-000	EA	Bulb - 12V - 25W
	036196-02-000	EA	Bulb - 194A
	046288-02-000	EA	Bulb - GE 211-02

FUSES AND CIRCUIT BREAKERS

Key	Part Number	U/M	Description
	056473-01-000	EA	Fuse - Slow Blow - 6 1/4 Amp.
	008233-01-000	EA	Fuse - 12 Volt - 6 Amp
	008234-01-000	EA	Fuse - 12 Volt - 10 Amp.
	008235-01-000	EA	Fuse - 12 Volt - 15 Amp
	008236-01-000	EA	Fuse - 12 Volt - 20 Amp.
	008248-01-000	EA	Fuse - 110 Volt - 30 Amp - AGU
	008252-01-000	EA	Fuse - 110 Volt - 50 Amp
	008208-01-000	EA	Circuit Breaker - 12 Volt - 40 Amp
	008211-01-000	EA	Circuit Breaker - 12 Volt - 6 Amp
	008268-01-000	EA	Circuit Breaker - 12 Volt - 30 Amp w Mount
	033573-01-000	EA	Circuit Breaker - 12 Volt - 20 Amp w Mount
	033573-02-000	EA	Circuit Breaker - 12 Volt - 15 Amp - w Mount
	040051-01-000	EA	Circuit Breaker - 110 Volt - 20 Amp. - TOL
	008297-01-000	EA	Circuit Breaker - TOP 120
	008293-01-000	EA	Circuit Breaker - TOP 130
	071280-01-000	EA	Circuit Breaker Blank
	071279-01-000	EA	Circuit Breaker - 120 Volt - 15 Amp
	071279-02-000	EA	Circuit Breaker - 120 Volt - 15 1/2 Amp
	071279-04-000	EA	Circuit Breaker - 120 Volt - 30 Amp

INTERIOR LIGHTS

Key	Part Number	U/M	Description
	061424-01-000	EA	Light - 12 V Receptacle - Aisle - IP
	068937-01-000	EA	Light - Dome - Surface w Switch
	068937-02-000	EA	Light - Dome - Surface w/o Switch
	068671-01-000	EA	Light - Dome & 2 Sidel.
	033508-02-000	EA	Light - Dome - Ivory - Single - US
	033508-03-000	EA	Light - Dome - Ivory - Single - CSA
	033509-02-000	EA	Light - Dome - Ivory - Double - US
	033509-03-000	EA	Light - Dome - Ivory - Double - CSA
	056288-01-000	EA	Light - Dome - Overhead Console
	067309-01-000	EA	Light - Step Well

ELECTRICAL GROUP (CONTINUED)

EXTERIOR LIGHTS

Key	Part Number	U/M	Description
	058031-01-000	EA	Tail Lamp Asm - 3 Bulb - Chrome
	058031-01-700	EA	Lens - Tail Lamp - Amber
	058031-01-701	EA	Lens - Tail Lamp - Red
	058031-01-702	EA	Lens - Tail Lamp - Back Up
	059540-01-000	EA	Bracket - License Plate
	042405-01-000	EA	Lens - Clearance Light - Red w Reflex
	042405-04-000	EA	Lens - Clearance Light - Red w/o Reflex
	042405-02-000	EA	Lens - Clearance Light - Amber w Reflex
	042405-05-000	EA	Lens - Clearance Light - Amber w/o Reflex
	042405-03-000	EA	Base - Rectangular Clearance Light
	008089-01-000	EA	Light - Porch - Recessed
	008089-01-700	EA	Lens - Recessed Porch Light
	067789-01-000	EA	Socket Asm - Lamp - Front Marker
	067784-01-000	EA	Lamp Asm - Parking - Left Hand
	067784-02-000	EA	Lamp Asm - Parking - Right Hand
	008092-01-700	EA	Reflector - Stick On - Rectangular - Red
	008093-01-700	EA	Reflector - Stick On - Rectangular - Amber

MISCELLANEOUS ELECTRICAL COMPONENTS

Key	Part Number	U/M	Description
	047338-01-000	EA	Isolator - Dual Battery
	063739-01-000	EA	Battery - 12 Volt - 80 Amp - Gould
	008188-01-000	EA	Solenoid - Dual Battery - Relay
	046775-01-000	EA	Valve - Gas - Change Over
	024459-03-000	EA	Gauge - Voltmeter - w/o Bracket
	024462-01-000	EA	Switch - Battery Condition
	031035-01-000	EA	Gauge - Hourmeter - Generator
	024976-01-000	EA	Switch - Generator - w/o Circuit Board
	024460-01-000	EA	Gauge - Vacuum
	068068-01-000	EA	Load Center - 120V - 3 CRT
	039950-01-702	EA	Circuit Board - Control Center
	024461-01-000	EA	Switch - Battery - Changeover
	046885-01-000	EA	Plaque - Switch Mounting - Battery & Fuel
	059784-03-000	EA	Switch - Wiper - Intermittent
	072351-01-000	EA	Control Panel Complete - Water Double Sewage Clock w LP Alarm - Refrigerator
	048812-04-000	EA	Control Panel - Basic
	048812-09-000	EA	Control Panel - Insert w LP Alarm Clock - Refrigerator Light & Sensor
	048812-12-000	EA	Control Panel - Refrigerator Sensor
	039861-01-000	EA	Sending Unit - Wemac
	051720-01-000	EA	Slider - Receptacle - Brown Plastic - CSA
	049360-14-000	EA	Overhead Console (Voltmeter, Battery Switch, Hourmeter, Generator Switch and Light)
	049360-15-000	EA	Overhead Console (Hourmeter, Generator Switch and Light)
	049360-16-000	EA	Overhead Console (Voltmeter, Battery Switch and Light)
	049360-17-000	EA	Overhead Console (Light)
	071278-01-000	EA	Control Center - 32 Amp - 120 Volt - 12 Volt

1982 ITASCA TABLE OF CONTENTS

IC420RG N2	A-1 - B-20
IC621RB N2	B-21 - D-14
IC723DB N2	D-15 - F-2
IC723RH N2	F-3 - G-16
IC823DB P2	G-17 - I-8

1982 IC823DB P2 INDEX

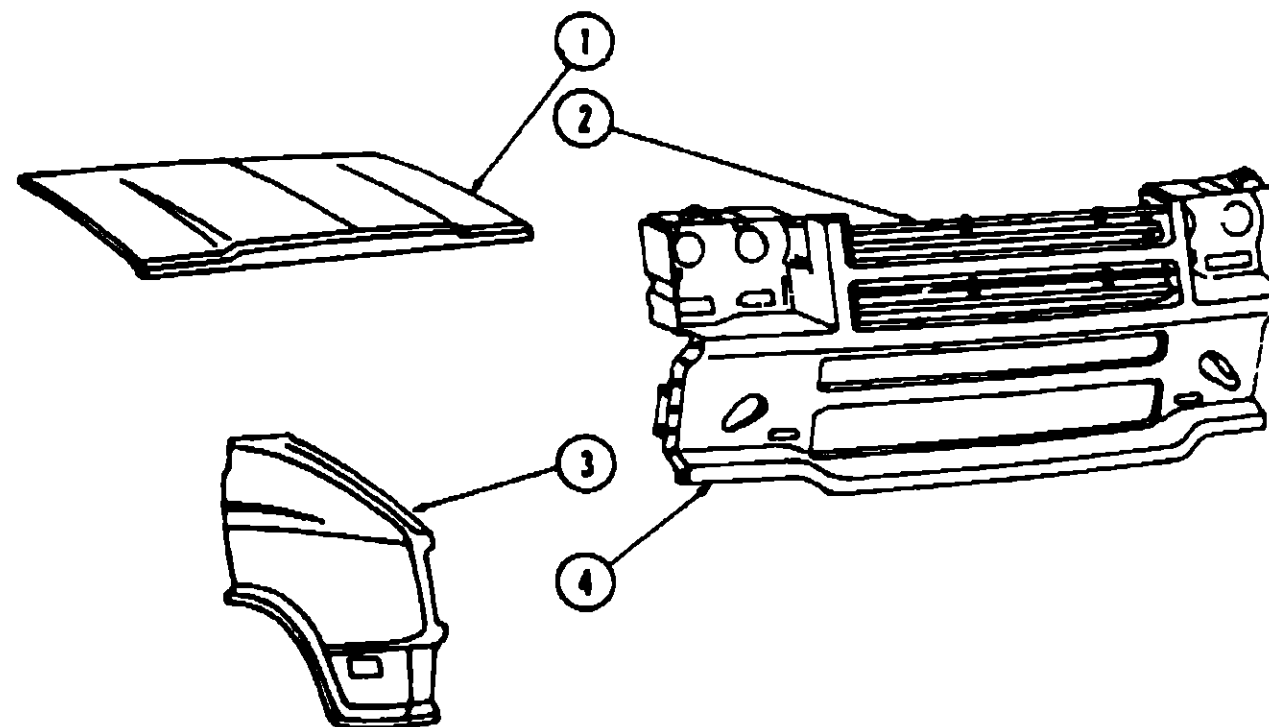
Floor Plan	G-17 - G-18
Accessories Group	G-19 - G-20
Bath Group	G-21
Chassis Group	G-22
Curtain, Cushion & Pad Group	G-23 - H-3
Dinette Group	H-4
Driver's Compartment Group	H-5 - H-6
Electrical Group	H-7 - H-9
Exterior Body Group	H-10 - H-15
Galley Group	H-16
Heating & Air Conditioning Group	H-17
Interior Finish Group	H-18 - H-19
LP Group	H-20
Lounge Group	H-21
Water & Sewage Group	H-22 - H-23
Window, Vent & Exterior Door Group	H-24 - I-8

ELECTRICAL GROUP (CONTINUED)

WIRE, SWITCHES AND RECEPTACLES

Key	Part Number	U/M	Description
	008024-01-000	FT	Wire - 18 5 Bonded - Orange White Yellow Blue Brown
	008025-01-000	FT	Wire - 18 5 Bonded - Orange White Yellow Blue Green
	008277-01-000	EA	Holder - Fuse - Black - Panel Mount
	008195-01-000	EA	Switch - Push Button - 12 Volt
	006077-01-000	EA	Plaque - Compressor Switch
	008054-01-000	EA	Cord - Power - 10-3 30 Amp - 25' - UL
	024571-04-000	EA	Cover Plate - Receptacle - Jumbo Ivory Plastic
	039342-01-000	EA	Receptacle - Duplex Brown - T Junction
	024571-01-000	EA	Cover Plate - Receptacle - Jumbo Steel Brown
	008294-01-000	EA	Cover Plate - Brown Steel - 4" x 4"
	008288-01-000	EA	Box - Electrical - Plastic - 3" x 3 1/2"
	008289-01-000	EA	Box - Electrical - Steel - 4" x 4"
	039343-01-000	EA	Cap - End - Receptacle
	008162-01-000	EA	Switch - Double Toggle - Spade Brown
	008163-01-000	EA	Switch - Toggle - Brown
	031144-01-000	EA	Switch - Center Off - DPDT - Black 30A
	054532-01-000	EA	Housing Pin Asm - 6 Position
	064398-01-000	EA	Housing Asm - Trailer Receptacle - Female
	064399-01-000	EA	Housing Asm - Trailer Pin - Male
	064450-01-000	EA	Housing Asm - Trailer Plug - Male
	008164-01-000	EA	Cover Plate - Switch - Brown
	024924-01-000	EA	Receptacle - Power Cord
	008058-01-000	EA	Adaptor - Power Cord
	047353-01-000	EA	Cover - Receptacle - Ground Fault
	053126-01-000	EA	Receptacle - Ground Fault - Interrupter - 124 Volt - Brown
	058707-01-000	EA	Receptacle - Single - Thomas & Betts - Brown
	058708-02-000	EA	Receptacle - Duplex - Thomas & Betts - Ivory
	058048-01-000	EA	Cover - Electrical - Rain Tight (Exterior)
	008157-01-000	EA	Receptacle - Single (Exterior)
	056264-01-000	EA	Switch - Leaf Actuator
	031968-01-000	EA	Contact - Plug
	058049-01-000	EA	Box - Elec 3" x 2 25"

EXTERIOR BODY GROUP



EXTERIOR BODY PANELS (FRONT)

Key	Part Number	U/M	Description
1	068912-02-000	EA	Hood Asm.
.	058723-01-000	EA	Hood Latch Asm.
.	057896-01-000	EA	Hood Hinge Asm.
.	068974-03-000	EA	Bracket Asm. - Hood Hinge - Right Hand
.	068974-04-000	EA	Bracket Asm. - Hood Hinge - Left Hand
.	069071-02-000	EA	Hood Prop Rod
.	061628-01-000	EA	Clip - Prop Rod
.	067785-01-000	EA	Bezel - Headlamp - Left - Chrome
2	070607-01-000	EA	Grille Asm.
.	067785-02-000	EA	Bezel - Headlamp - Right - Chrome
.	049185-01-000	EA	Capsule Asm. - Headlamp Rectangular - Left - High Low Beam
.	049186-01-000	EA	Capsule Asm. - Headlamp Rectangular - Right - High Low Beam
.	067786-01-000	EA	Capsule Asm. - Headlamp Rectangular - Left - High Beam
.	067787-01-000	EA	Capsule Asm. - Headlamp Rectangular - Right - High Beam
.	050030-01-000	EA	Wire Housing Asm - Headlamp
.	054863-02-000	EA	Panel - Wheel House - Front Half - Right
.	054863-01-000	EA	Panel - Wheel House - Front Half - Left
3	068908-03-000	EA	Fender - Right Hand
.	068908-04-000	EA	Fender - Left Hand
4	068910-02-000	EA	Front Panel Asm - Fiberglass - w/o Grille & Headlamps
.			Not illustrated

1982 ITASCA TABLE OF CONTENTS

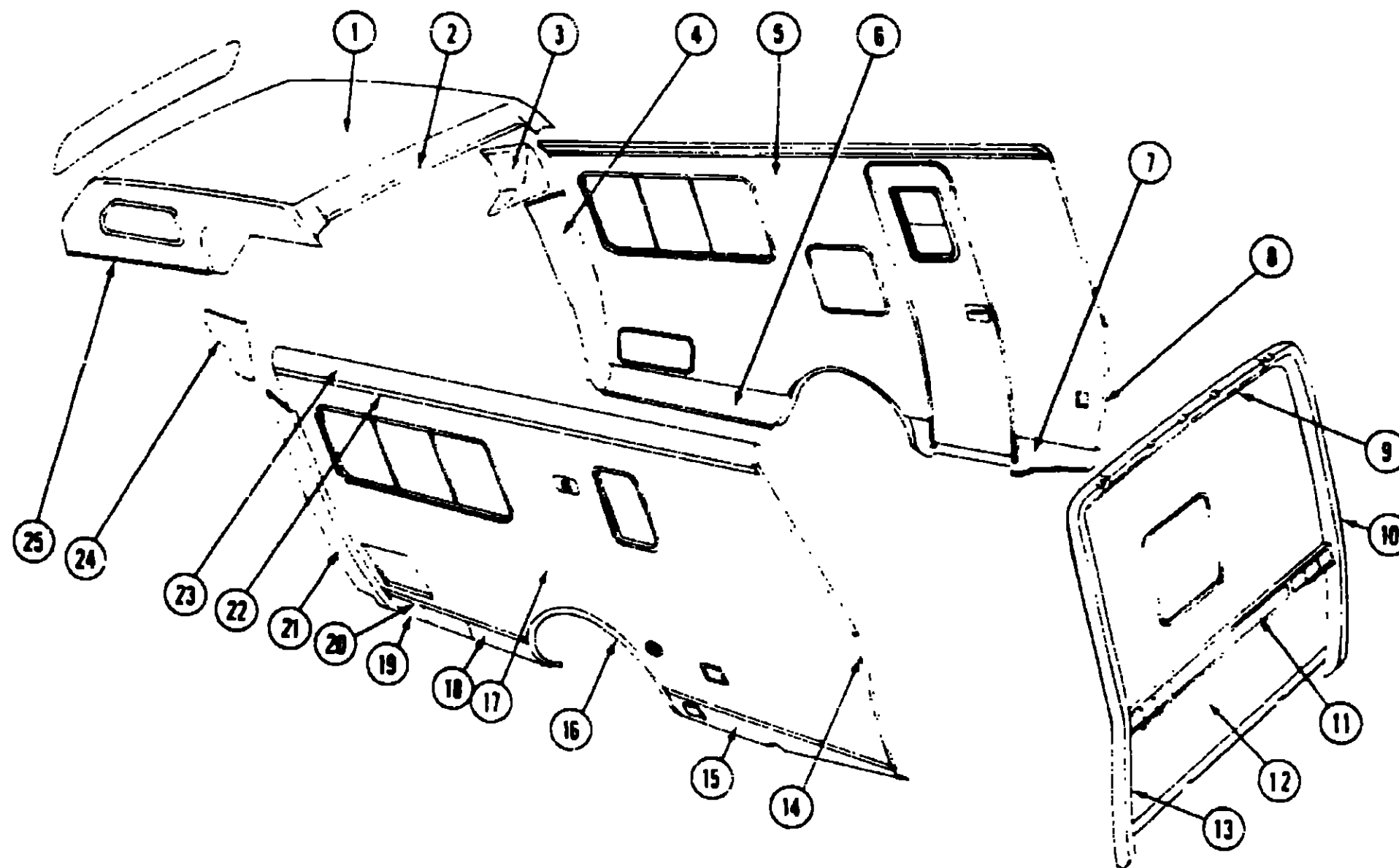
IC420RG N2	A-1 - B-20
IC621RB N2	B-21 - D-14
IC723DB N2	D-15 - F-2
IC723RH N2	F-3 - G-16
IC823DB P2	G-17 - I-8

1982 IC823DB P2 INDEX

Floor Plan	G-17 - G-18
Accessories Group	G-19 - G-20
Bath Group	G-21
Chassis Group	G-22
Curtain, Cushion & Pad Group	G-23 - H-3
Dinette Group	H-4
Driver's Compartment Group	H-5 - H-6
Electrical Group	H-7 - H-9
Exterior Body Group	H-10 - H-15
Galley Group	H-16
Heating & Air Conditioning Group	H-17
Interior Finish Group	H-18 - H-19
LP Group	H-20
Lounge Group	H-21
Water & Sewage Group	H-22 - H-23
Window, Vent & Exterior Door Group	H-24 - I-8

EXTERIOR BODY GROUP (CONTINUED)

EXTERIOR BODY PANELS AND SHEET ALUMINUM



1982 ITASCA TABLE OF CONTENTS

IC420RG N2	A-1 - B-20
IC621RB N2	B-21 - D-14
IC723DB N2	D-15 - F-2
IC723RH N2	F-3 - G-16
IC823DB P2	G-17 - I-8

Key	Part Number	U/M	Description
1	072793-02-000	EA	Panel - Front Sleeper Cap - Off White
2	062396-02-000	EA	Trim - Roof Front Cap
3	072794-02-000	EA	Panel - Upper Transition Wingwall - Outer - Right
4	068915-03-000	EA	Panel - Transition Wingwall - Outer - Right Hand
5	072914-01-P16	EA	Sidewall Asm - Right
6	068952-04-000	EA	Valance Panel - Right Front
7	068953-04-000	EA	Valance Panel - Right Rear
8	068775-03-000	EA	Trim - Backwall Cap - Right - Off White
9	068920-02-000	EA	Panel - Backwall - Upper - Roof Line - Off White
10	068922-03-000	EA	Panel - Backwall - Right Hand - Off White
11	068924-02-000	EA	Panel - Backwall - Lower - Tailights - Off White
12	068758-02-P16	EA	Backwall Asm.
12	063768-02-P17	EA	Backwall Asm.
12	068758-02-P18	EA	Backwall Asm.
13	068922-04-000	EA	Panel - Backwall - Left Hand - Off White
14	068775-04-000	EA	Trim - Backwall Cap - Left - Off White
15	072707-02-000	EA	Valance Panel - Left Rear - Off White

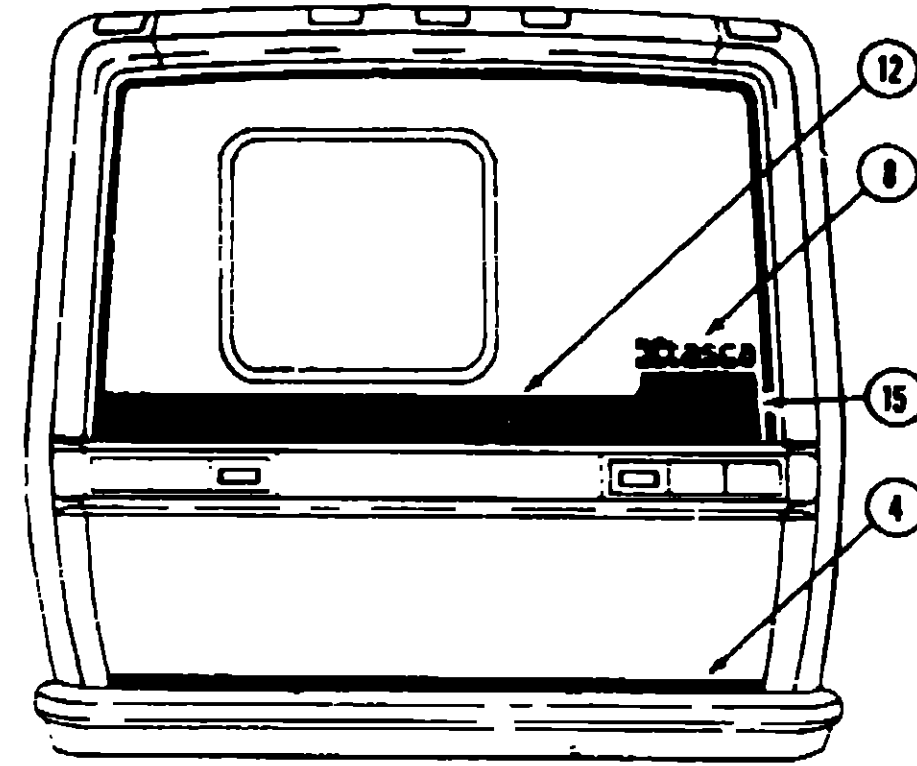
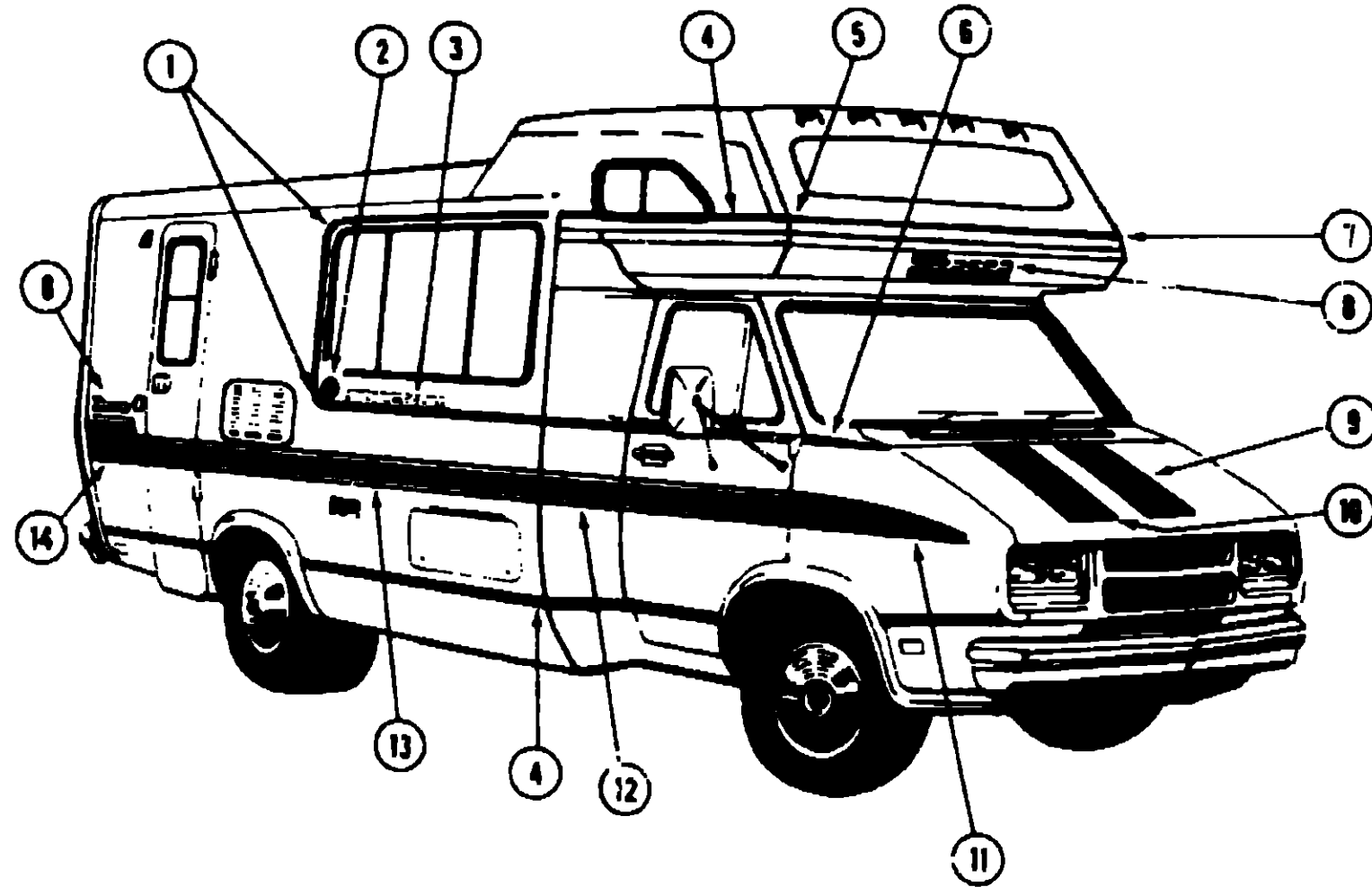
Key	Part Number	U/M	Description
16	071474-02-000	EA	Fender Trim - Rear Wheel Well - Left & Right
17	072912-01-P16	EA	Sidewall Asm - Left
17	072912-01-P17	EA	Sidewall Asm - Left
17	072912-01-P18	EA	Sidewall Asm - Left
	M00948-02-P16	EA	Roof Asm.
18	068955-04-000	EA	Valance Panel - Left Center - Off White
19	068954-02-000	EA	Valance Panel - Left Front - Off White
20	069221-18-000	EA	Trim - Sidewall - 92 3/8" - Off White
	001030-12-000	EA	Insert - Feature Strip - 17"
21	068915-04-000	EA	Panel - Transition Wingwall - Outer - Left Hand
22	069217-04-000	EA	Trim - Sidewall - 163" - w/o Insert - Off White
	072942-02-000	EA	Insert - Upper Sidewall Trim - Off White
	073644-06-000	EA	End Cap - Upper - Sidewall Trim
23	071618-02-000	EA	Trim - Roof Sidewall Joint - 165" - Left
	071619-03-000	EA	Trim - Roof Sidewall Joint - 165" - Right
24	072794-04-000	EA	Panel - Upper Transition Wingwall - Outer - Left
25	072918-02-000	EA	Trim - Front Sleeper Panel - Off White
	000868-01-000	SF	Styrofoam - 3 1/4" x 24" x 96"
	000870-01-000	SF	Styrofoam - 1 1/2" x 24" x 96"
	001054-01-041	EA	Alum - Off White - 524" x 48" x 240" - Smooth
	009065-01-000	EA	Hinge - Continuous Alum num. - 1 1/2" x 96" - Plain
			Not illustrated

1982 IC823DB P2 INDEX

Floor Plan	G-17 - G-18
Accessories Group	G-19 - G-20
Bath Group	G-21
Chassis Group	G-22
Curtain, Cushion & Pad Group	G-23 - H-3
Dinette Group	H-4
Driver's Compartment Group	H-5 - H-6
Electrical Group	H-7 - H-9
Exterior Body Group	H-10 - H-15
Galley Group	H-16
Heating & Air Conditioning Group	H-17
Interior Finish Group	H-18 - H-19
LP Group	H-20
Lounge Group	H-21
Water & Sewage Group	H-22 - H-23
Window, Vent & Exterior Door Group	H-24 - I-8

EXTERIOR BODY GROUP (CONTINUED)

LABELS, DECALS AND EXTERIOR PAINT



1982 ITASCA TABLE OF CONTENTS

IC420RB N2
IC621RB N2
IC723DB N2
IC723RH N2
IC823DB P2

A-1 - B-20
B-21 - D-14
D-15 - F-2
F-3 - G-16
G-17 - I-8

Key	Part Number	U/M	Description
1	073405-01-000	EA	Decal - 90° Turn - Copper-Burgundy Blue
2	073407-01-000	EA	Decal - Color Wheel
3	073396-01-000	EA	Decal - Logo - Spectrum
4	073398-01-000	FT	Film - Multi-Stripe - 1.50" x 150 Ft. - Copper-Burgundy Blue
5	073406-01-000	EA	Decal - Roof Cap - Right Hand - Copper-Burgundy Blue
6	073404-04-000	EA	Decal - Fender Upper - Left Hand - Copper-Burgundy Blue
7	073404-02-000	EA	Decal - Fender Upper - Right Hand - Copper-Burgundy Blue
8	073406-02-000	EA	Decal - Roof Cap - Left Hand - Copper-Burgundy Blue
8	069227-04-000	EA	Decal - Logo - Itasca
9	041561-01-000	EA	Paint - Off White - Acrylic Enamel - 1 Gallon (45396A Dupont)
9	041561-03-000	EA	Paint - Off White - Acrylic Enamel - 15 oz. Aerosol (45396A Dupont)
9	041561-04-000	EA	Paint - Off White - Acrylic Lacquer - 1 Gallon
9	045681-01-000	EA	Paint - Gloss Black - Acrylic Enamel - 1 Gallon (99A Dupont)
9	045681-03-000	EA	Paint - Gloss Black - Acrylic Enamel - 15 oz. Aerosol (99A Dupont)
9	073403-01-000	EA	Decal - Hood - Left Hand
10	073403-02-000	EA	Decal - Hood - Right Hand
11	073399-01-000	EA	Decal - Fender - Left Hand - Copper-Burgundy Blue
11	073399-02-000	EA	Decal - Fender - Right Hand - Copper-Burgundy Blue
12	073400-01-000	EA	Decal - Transition - Left Hand - Copper-Burgundy Blue
12	073400-02-000	EA	Decal - Transition - Right Hand - Copper-Burgundy Blue
13	073397-01-000	FT	Film - Multi-Stripe - 5.75" x 150 Ft. - Copper-Burgundy Blue
14	073401-01-000	EA	Decal - Side - Rear - Right Hand
14	073401-02-000	EA	Decal - Side - Rear - Left Hand
15	073402-01-000	EA	Decal - Backwall
			Not Illustrated

Key	Part Number	U/M	Description
	005040-01-000	EA	Tag - Gas Refueling Warning
	006062-01-000	EA	Tag - Electrical - 110 Volt Connection
	006023-01-000	EA	Label - Water Only
	006028-01-000	EA	Label - Drain Caps - 2" x 3"
	006031-01-000	EA	Label - Potable Water Only
	006064-01-000	EA	Label - Seat w/ Seatbelt
	006187-01-000	EA	Label - Sewage
	006188-01-000	EA	Label - Waste Water
	006199-01-000	EA	Label - Exit - Escape Window
	057467-01-000	EA	Label - Warning - Exterior Loading Limit
	061417-01-000	EA	Label - Fuel
	047731-01-000	EA	Label - Emergency Exit
	050225-01-000	EA	Label - Warning - Stove Vent - US
	054531-01-000	EA	Label - LP Gas Only
	065960-01-000	EA	Logo - LP Power
	065961-01-000	EA	Logo - Itasca LPG
			Not Illustrated

1982 IC823DB P2 INDEX

Floor Plan	G-17 - G-18
Accessories Group	G-19 - G-20
Bath Group	G-21
Chassis Group	G-22
Curtain, Cushion & Pad Group	G-23 - H-3
Dinette Group	H-4
Driver's Compartment Group	H-5 - H-6
Electrical Group	H-7 - H-9
Exterior Body Group	H-10 - H-15
Galley Group	H-16
Heating & Air Conditioning Group	H-17
Interior Finish Group	H-17 - H-19
LP Group	H-20
Lounge Group	H-21
Water & Sewage Group	H-22 - H-23
Window, Vent & Exterior Door Group	H-24 - I-8

EXTERIOR BODY GROUP (CONTINUED)

MISCELLANEOUS EXTERNALLY MOUNTED PARTS

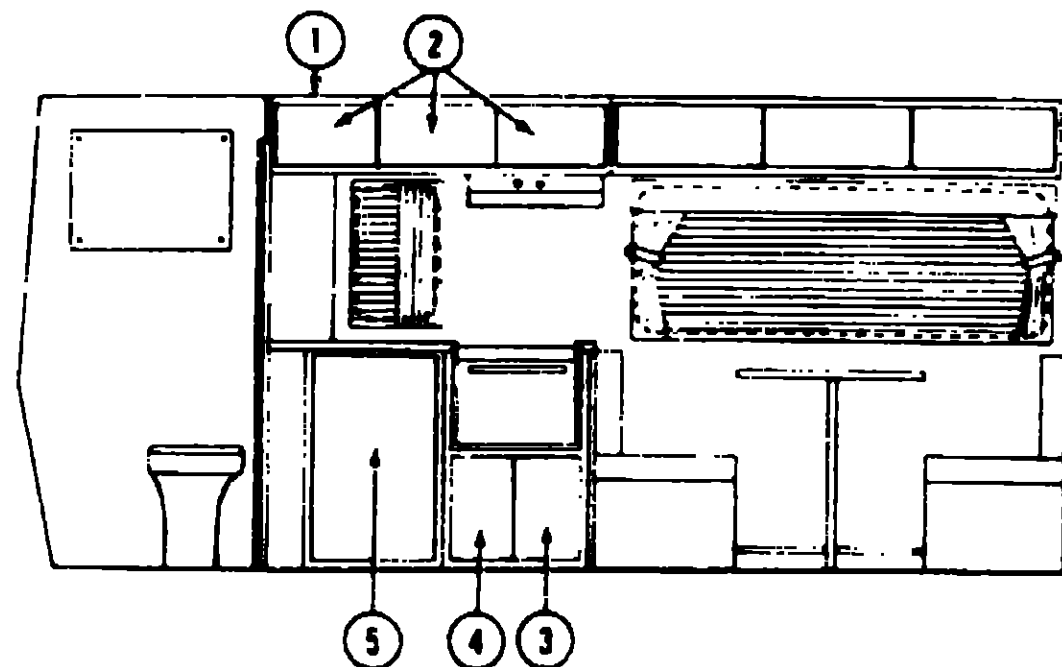
Key	Part Number	U/M	Description
**	011129-01-000	EA	Plumbing Seal - Roof Vent - 1 1/2"
	010230-02-000	EA	Fill - City Water - Recessed - Off White
	058806-01-000	EA	Water Fill - Lockable - Off White
**	048789-01-000	EA	Vent Asm - Roof Powered - w/o Screen - Alum
**	043835-01-000	EA	Vent Asm - Roof Non Powered - w/o Screen - Alum
	065103-02-000	EA	Cover - Refrigerator Vent - Plastic
	065103-01-000	EA	Base - Frame - Refrigerator Vent w/o Cover
	008089-01-000	EA	Light - Porch - Recessed
	068888-01-000	EA	Shroud - Fuel Fill - Angled
	068895-01-000	EA	Shroud - Fuel Fill - w/ Fill Hole
	071834-02-000	EA	Shroud - Furnace Vent
	049352-01-000	EA	Stove Vent - Off White

** The illustrated parts breakdown for this item is provided on the Common Items Fiche

SEALANTS, ADHESIVES AND FASTENERS

Key	Part Number	U/M	Description
	034552-0F-000	EA	Sealant - Silicone - Off White
	034552-04-000	EA	Sealant - Silicone - Beige
	034552-02-000	EA	Sealant - Silicone - Clear
	069637-01-000	EA	Sealant - Weatherban 404 Tube
	002707-02-000	FT	Tape - Sealer - 5-16" x 1.2"
	009200-01-000	EA	Tape - Furnace - 1 1/2"
	002825-01-000	FT	Weather Stripping - Roof Vent
	002337-01-000	EA	Adhesive - 3M - 1300 Tube
	004005-02-000	GL	Adhesive - Swifts - Green - Glue (Sidewall)
	004011-01-000	EA	Adhesive - 3M - 4475 Tube
	004020-01-000	QT	Adhesive - ABS Cement (Plastic Fittings)
	000G66-08-12S	EA	Screw - #8 - 18 x 3/4" SDPH - Off White
	000G66-08-16S	EA	Screw - #8 - 18 x 1" SDPH - Off White
	000G64-08-16R	EA	Screw - #8 - 18 x 1" SDPH - SF DR - Beige
	072889-01-000	EA	Sealant - Urethane - Tube - Black
	069640-01-000	FT	Tape - 1 4" Bead - Gray (20') - 3M
	069640-02-000	FT	Tape - 1 2" x 1 8" - Gray (50') - 3M
	069640-03-000	FT	Tape - 3 4" x 1 8" - Gray (50') - 3M
	069640-04-000	FT	Tape - 2" x 3 32" - Gray (45') - 3M

GALLEY GROUP



GALLEY CABINETRY

Key	Part Number	U/M	Description
*	070894-02-P16	EA	Cabinet Asm - Galley Overhead - w/o Doors or Hardware
2	073466-03-P16	EA	Door Asm - Galley Overhead - 10" x 17 5" - w/o Hardware
3	073466-05-P16	EA	Door Asm - Galley Cabinet - 10" x 17 5" - w/o Hardware - Right
4	073466-04-P16	EA	Door Asm - Galley Cabinet - w Steel Spacer - 10" x 17 5" w/o Hardware - Left
5	073466-06-P16	EA	Door Asm - Galley Cabinet - 21 5" x 32 6" - w/o Hardware
*	068700-01-000	EA	Drawer Asm - Plastic - Galley Cabinet - 13" x 20" - w/o Hardware
*	M00962-01-P16	EA	Countertop Asm - Galley Cabinet - Birch
*	M00954-01-P16	EA	Countertop Asm - Refrigerator - Birch
*	073466-05-P16	EA	Door Asm - Refrigerator Cabinet - 10" x 17 5" - w/o Hardware - Right
*	073466-07-P16	EA	Door Asm - Refrigerator Cabinet - 10" x 17 5" - w/o Hardware - Left
*	Not Illustrated		

GALLEY HARDWARE AND APPLIANCES

Key	Part Number	U/M	Description
**	068615-02-000	EA	Sink - Double - Stainless Steel w Bolts
**	011053-01-000	EA	Faucet - 8" - Swing Spout - US
	011053-02-000	EA	Faucet - 8" - Swing Spout - CSA
	067051-02-000	EA	Stove Spatter Guard - Safety Glass
**	009145-02-000	EA	Bracket - Spatter Guard
**	066437-01-000	EA	Strainer - Sink - w Basket
**	049930-03-000	EA	Hood - Stove - Powered - Black Face - US
**	049930-04-000	EA	Hood - Stove - Powered - Black Face - CSA
	053333-01-000	EA	Hood - Stove - Non Power - Black Face - US
	053333-02-000	EA	Hood - Stove - Non Power - Black Face - CSA
	064473-02-000	EA	Refrigerator - 3 Way - 6 cu ft - Norcold
	054450-01-000	EA	Level - Refrigerator
	055282-02-000	EA	Range - Burner - Small Oven - Black - Mag'd Chef
	069022-01-000	EA	Slide - Drawer - Left
	069022-02-000	EA	Slide - Drawer - Right

** The illustrated parts breakdown for this item is provided on the Common Items Fiche

1982 ITASCA TABLE OF CONTENTS

IC420RB N2	A-1 - B-20
IC621RB N2	B-21 - D-14
IC723DB N2	D-15 - F-2
IC723RH N2	F-3 - G-16
IC823DB P2	G-17 - I-8

1982 IC823DB P2 INDEX

Floor Plan	G-17 - G-18
Accessories Group	G-19 - G-20
Bath Group	G-21
Chassis Group	G-22
Curtain, Cushion & Pad Group	G-23 - H-3
Dinette Group	H-4
Driver's Compartment Group	H-5 - H-6
Electrical Group	H-7 - H-9
Exterior Body Group	H-10 - H-15
Galley Group	H-16
Heating & Air Conditioning Group	H-17
Interior Finish Group	H-17 - H-19
LP Group	H-20
Lounge Group	H-21
Water & Sewage Group	H-22 - H-23
Window, Vent & Exterior Door Group	H-24 - I-8

HEATING & AIR CONDITIONING GROUP

Key	Part Number	U/M	Description
	074025-01-000	EA	A C - Compressor Mount Package - 350 C.I.D.
	072343-01-000	EA	A C - Compressor Clutch - A.R.A.
	073716-01-000	EA	A C - Condenser Asm. - 350 C.I.D. - A.R.A.
	056455-02-000	EA	A C - Evaporator Asm. - A.P.A.
	058119-03-000	EA	Control Asm - Heater
	058119-04-000	EA	Control Asm - Heater Air Conditioner
	007108-01-000	FT	Hose - Heater - 5/8" ID
	007108-02-000	FT	Hose - Heater - 3/4" ID
	056464-01-000	EA	Register w Damper - 4" Round
	009198-01-000	EA	Duct - Flexible - 4" I.D. x 25'
	031604-01-000	EA	Bonnet - Heat Register
	069634-01-723	EA	Thermostat - Wall Mount - Suburban
	009200-01-000	EA	Tap - Furnace - 1 1/2"
	023146-01-000	EA	Clamp - Screw Type - 4"
	069633-01-705	EA	Vent Package - Furnace - Suburban
	069634-01-724	EA	Door - Furnace - Front
	069633-01-000	EA	Furnace - 24,000 BTU - w Direct Ignition
	073743-01-000	EA	Shroud Asm. - Ceiling - Inside - Roof Air - Cool Only 13,500 BTU - Coleman
	073744-01-000	EA	Shroud Asm. - Ceiling - Inside - Roof Air - Heat and Cool 13,500 BTU - Coleman
	073742-01-000	EA	Air Conditioner - 110 Volt - Roof Air 13,500 BTU - Rotary
	061576-01-000	EA	Cable Asm. - Defrost
	061577-01-000	EA	Cable Asm. - Temperature

INTERIOR FINISH GROUP

PANELING AND COUNTERTOP MATERIALS

Key	Part Number	U/M	Description
	072335-01-000	SF	Paneling - 759 Walnut - 48" x 84" - (28 SF)
	072336-07-000	SF	Paneling - Decor String Stripe - Brown Navy - 48" x 84" (28 SF) (P16)
	072336-08-000	SF	Paneling - Decor String Stripe - Brown Rust - 48" x 84" (28 SF) (P17)
	072336-02-000	SF	Paneling - Decor String Stripe - Brown Burgundy - 48" x 84" (28 SF) (P18)
	072335-02-000	SF	Paneling - Wall - Suede Craft - Gray - 48" x 84" (28 SF) (P16) (P17) (P18)
	072337-01-000	SF	Plastic Laminate - Birch - 48" x 96" (32 SF) (P16) (P17) (P18)
	072337-01-019	EA	Plastic Laminate - Birch - 1 1/8" x 96" (P16) (P17) (P18)

INTERIOR MOLDINGS AND TRIMS

Key	Part Number	U/M	Description
	047354-01-000	EA	Batt Strip - Suede - Gray - 8' (P16) (P17) (P18)
	069733-13-000	EA	Batt Strip - Decor - String Stripe - Brown Navy - 8' (P16)
	069733-10-000	EA	Batt Strip - Decor - String Stripe - Brown Rust - 8' (P17)
	069733-18-000	EA	Batt Strip - Decor - String Stripe - Brown Burgundy - 8' (P18)
	009812-11-000	FT	Molding - Corner - Outside - 50"
	022992-08-000	FT	Molding - Reverse Cove - Champagne White
	009767-05-000	FT	Wetting - Light Brown
	009778-03-000	FT	U-Channel - 1" - Light Brown
	072768-04-000	EA	Panel Asm. - Wingwall Transition - Gray Plastic - Inner Left Hand
	072768-03-000	EA	Panel Asm. - Wingwall Transition - Gray Plastic - Inner Right Hand
	052859-01-P16	FT	Trim Asm. - Accent - Mushroom Vinyl - Gray
	070504-02-000	FT	U-Channel - 7/8" - Light Brown

CABINETRY AND TABLE HARDWARE

Key	Part Number	U/M	Description
**	057898-01-000	EA	Hidden Latch - Cabinet Door
**	057898-02-000	EA	Strike - Hidden Latch - Cabinet Door
	053331-02-000	EA	Hinge - Cabinet Door - Overlay - Flat Black
	009112-01-000	EA	Flange - 1" - Closet Rod
**	024276-12-000	EA	Leg Asm. - Table - 29.75" - Gray
**	024282-01-000	EA	Brace - Table Leg
**	064050-01-000	EA	Hinge - Table Leg
**	053201-03-000	EA	Bracket - Table Mount - 23'
**	024283-01-000	EA	Clip - 1" O.D. Tube
	024275-07-000	EA	Rod - Table Lift - 8' x 23.5" - Gray
	024281-09-000	EA	Bracket - Table Lift - Lower Wall Mount - Gray
	049493-04-000	EA	Catch - Table Leg - Mounts on Floor
	053200-07-000	EA	Bracket - Table Lift - Upper Wall Mount - Gray
	045795-03-000	EA	Glass Holder - Plastic - Beige
	069022-01-000	EA	Slide - Drawer - Left
	069022-02-000	EA	Slide - Drawer - Right
	009021-01-000	EA	Nylon Catch
	009021-02-000	EA	Strike - Nylon Catch

** The illustrated parts breakdown for this item is provided on the Common Items File.

1982 ITASCA TABLE OF CONTENTS

IC420RB N2	A-1 - B-20
IC621RB N2	B-21 - D-14
IC723DB N2	D-15 - F-2
IC723RH N2	F-3 - G-16
IC823DB P2	G-17 - I-8

1982 IC823DB P2 INDEX

Floor Fan	G-17 - G-18
Accessories Group	G-19 - G-20
Bath Group	G-21
Chassis Group	G-22
Curtain, Cushion & Pad Group	G-23 - H-3
DINETTE Group	H-4
Driver's Compartment Group	H-5 - H-6
Electrical Group	H-7 - H-9
Exterior Body Group	H-10 - H-15
Galley Group	H-16
Heating & Air Conditioning Group	H-17
Interior Finish Group	H-17 - H-19
LP Group	H-20
Lounge Group	H-21
Water & Sewage Group	H-22 - H-23
Window, Vent & Exterior Door Group	H-24 - I-8

INTERIOR FINISH GROUP (CONTINUED)

CURTAIN HARDWARE

Key	Part Number	U/M	Description
	056001-01-000	EA	Bracket - Shade - Left
	056002-01-000	EA	Bracket - Shade - Right
	009107-01-000	EA	Guide - Nylon Snap - Curtain
	052327-07-009	EA	Track - Curtain - 76" w Holes - Gray Alum.
	053272-06-005	EA	Track - Curtain - Ceiling Mount - 72" w/Holes - Gray Alum.
	073671-02-000	EA	Track - Curtain - Front Overhead Bunk - Gray Alum.
	056289-07-000	EA	Track - Curtain - Ceiling Mount - w/90° Bend - Gray Alum.
	069270-01-000	EA	Track - Shower Curtain - "L" Rod - Beige Alum.
	009701-01-000	EA	Carrier - "L" Rod - Curtain
	009702-01-000	EA	End Stop - "L" Rod - Curtain
	056115-01-000	YD	Tape - Plastic - Clear - w/Guides
	056116-01-000	FT	Track - Curtain - Brown Plastic
	037872-01-000	EA	Rod - Curtain - Double Extension - 48" - 84"
	037872-02-000	EA	Bracket - Curtain Rod
	050788-02-000	EA	Center Support - Curtain Rod
	056784-01-000	EA	Pull - Window Shade - Antique Brass
	048394-01-000	YD	Tape - Hook - Beige (25 Yd.)
	048395-01-000	YD	Tape - Loop - Beige (25 Yd.)

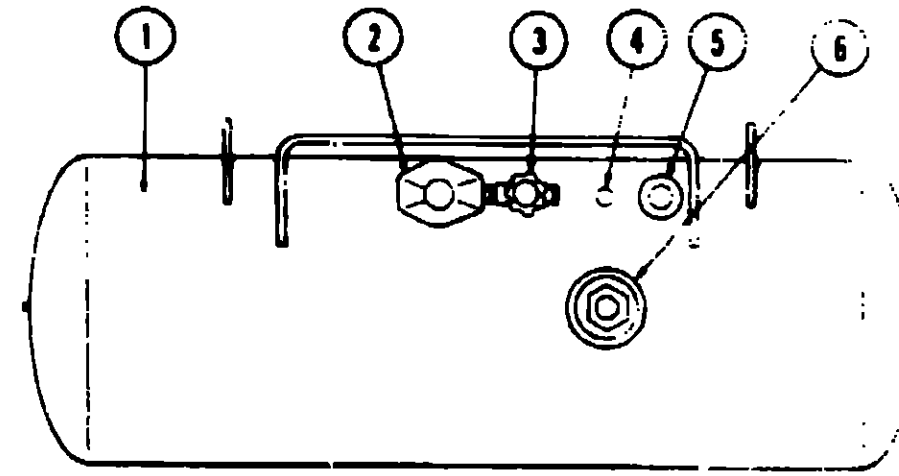
FABRICS AND FLOOR COVERINGS

Key	Part Number	U/M	Description
	072333-04-000	YD	Fabric - Drapery - Beige (P16) (P17) (P18)
	072334-06-000	YD	Fabric - Upholstery - Diamonds - Wedgewood Blue (P16)
	072334-07-000	YD	Fabric - Upholstery - Diamonds - Chocolate Brown (P17)
	072334-01-000	YD	Fabric - Upholstery - Diamonds - Rosewood Burgundy (P18)
	072334-08-000	YD	Fabric - Drapery/Upholstery - Plain - Navy-Blue (P16)
	072334-09-000	YD	Fabric - Drapery/Upholstery - Plain - Sand Brown (P17)
	072334-02-000	YD	Fabric - Drapery/Upholstery - Plain - Raisin Burgundy (P18)
	038421-01-000	YD	Ticking - Mattress
	049310-02-000	YD	Vinyl - Expanded - 28 oz - Mushroom Gray
	072860-01-000	SY	Carpet - Blue (P16)
	072860-03-000	SY	Carpet - Brown (P17)
	069730-06-000	SY	Carpet - Burgundy (P18)

MISCELLANEOUS PARTS

Key	Part Number	U/M	Description
	053552-01-P16	EA	Handle Asm - Interior Ass st - Mushroom Vinyl - Gray
	041944-03-000	EA	Fire Extinguisher - w Bracket - 5BC
	054185-19-000	EA	Owner's Manual - 1983 - Winnebago & Itasca
	040069-01-000	EA	Door Mat - Black Rubber - 10 1/2" x 26" w Itasca Logo

LP GROUP



Key	Part Number	U/M	Description
	074140-01-000	EA	Tank Asm - LP - 10" x 23" - 28 Pounds
	074142-01-000	EA	Tank Asm - LP - 13" x 44" - 50 Pounds
	058706-01-000	EA	Cover - Regulator - 2 Stage
	058705-01-000	EA	Regulator - Two Stage - LP Gas
	040421-01-703	EA	Valve - Vapor Relief
	040421-01-700	EA	Gauge - Liquid Level - 20% LP
	040421-01-701	EA	Valve - Filler - LP
	040421-01-702	EA	Cap - Plastic Fill Valve
	040421-01-707	EA	Gauge - Float - w Visible Dial - 30" Round Tank
	065741-01-000	EA	Gauge - Diaphragm Pressure
	040421-01-706	EA	Dial - Visible Face - Float Gauge - Tank w Electric Transfer
	040440-01-000	EA	Dial - Transmitter - 0 - 90 Chm - Float Gauge
	045703-03-000	EA	Hose Asm - LP - 3/8" ID x 5'
	047737-02-000	EA	Support - LP Tank - 89 25
	052112-02-000	EA	Support - LP Tank - 2 1/2" x 5'
			Not illustrated

WINN AIR LANDI-HARTOG (C-BODY)

Key	Part Number	U/M	Description
	065279-01-000	EA	Relief Valve - Hydrostatic
	065287-02-000	EA	Valve - Gasoline Shut-Off
	065520-12-000	EA	Hose Asm - High Pressure - 35'
	065820-01-000	EA	Hose Asm - High Pressure - 95'
	067290-01-000	EA	Hose - Vapor 5/8" x 51'
	068150-07-000	EA	LP Mixer
	068153-01-000	EA	Strap - Converter Bracket
	065959-01-000	EA	Housing - LP Instrument
	068240-01-000	EA	Support Brace - Converter
	035927-01-000	EA	Steel Rod - Threaded - 1/4" x 1/2" x 9"
	068143-01-000	EA	Tube Asm - Converter - Cop. Inlet - Part Num. 0116 - 270" Long
	065802-01-000	EA	Gauge - LP Level - w Hardware
	065050-05-000	EA	Switch - LP Gas Changeover
	068050-01-000	EA	Converter - LP
	068250-02-000	EA	LP Lock Off
	065050-03-000	EA	Switch - LP - Vacuum Safety

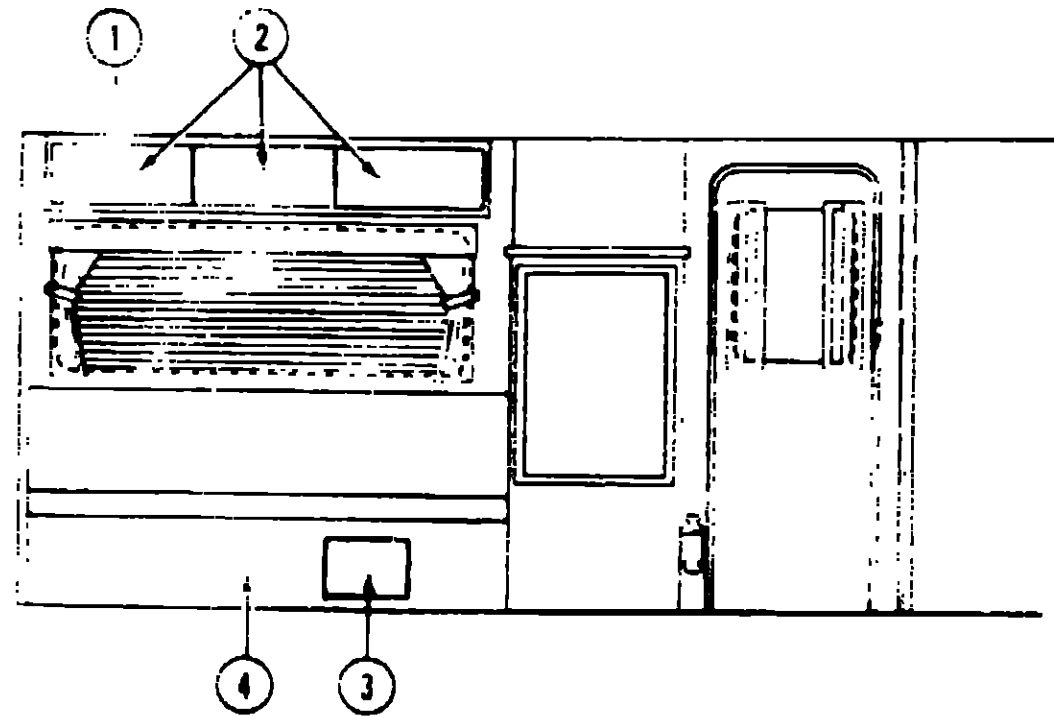
1982 ITASCA TABLE OF CONTENTS

000000-01-000	4-1 - Body
000000-02-000	4-2 - Body
000000-03-000	4-3 - Body
000000-04-000	4-4 - Body
000000-05-000	4-5 - Body
000000-06-000	4-6 - Body
000000-07-000	4-7 - Body
000000-08-000	4-8 - Body
000000-09-000	4-9 - Body
000000-10-000	4-10 - Body
000000-11-000	4-11 - Body
000000-12-000	4-12 - Body
000000-13-000	4-13 - Body
000000-14-000	4-14 - Body
000000-15-000	4-15 - Body
000000-16-000	4-16 - Body
000000-17-000	4-17 - Body
000000-18-000	4-18 - Body
000000-19-000	4-19 - Body
000000-20-000	4-20 - Body
000000-21-000	4-21 - Body
000000-22-000	4-22 - Body
000000-23-000	4-23 - Body
000000-24-000	4-24 - Body
000000-25-000	4-25 - Body
000000-26-000	4-26 - Body
000000-27-000	4-27 - Body
000000-28-000	4-28 - Body
000000-29-000	4-29 - Body
000000-30-000	4-30 - Body
000000-31-000	4-31 - Body
000000-32-000	4-32 - Body
000000-33-000	4-33 - Body
000000-34-000	4-34 - Body
000000-35-000	4-35 - Body
000000-36-000	4-36 - Body
000000-37-000	4-37 - Body
000000-38-000	4-38 - Body
000000-39-000	4-39 - Body
000000-40-000	4-40 - Body
000000-41-000	4-41 - Body
000000-42-000	4-42 - Body
000000-43-000	4-43 - Body
000000-44-000	4-44 - Body
000000-45-000	4-45 - Body
000000-46-000	4-46 - Body
000000-47-000	4-47 - Body
000000-48-000	4-48 - Body
000000-49-000	4-49 - Body
000000-50-000	4-50 - Body
000000-51-000	4-51 - Body
000000-52-000	4-52 - Body
000000-53-000	4-53 - Body
000000-54-000	4-54 - Body
000000-55-000	4-55 - Body
000000-56-000	4-56 - Body
000000-57-000	4-57 - Body
000000-58-000	4-58 - Body
000000-59-000	4-59 - Body
000000-60-000	4-60 - Body
000000-61-000	4-61 - Body
000000-62-000	4-62 - Body
000000-63-000	4-63 - Body
000000-64-000	4-64 - Body
000000-65-000	4-65 - Body
000000-66-000	4-66 - Body
000000-67-000	4-67 - Body
000000-68-000	4-68 - Body
000000-69-000	4-69 - Body
000000-70-000	4-70 - Body
000000-71-000	4-71 - Body
000000-72-000	4-72 - Body
000000-73-000	4-73 - Body
000000-74-000	4-74 - Body
000000-75-000	4-75 - Body
000000-76-000	4-76 - Body
000000-77-000	4-77 - Body
000000-78-000	4-78 - Body
000000-79-000	4-79 - Body
000000-80-000	4-80 - Body
000000-81-000	4-81 - Body
000000-82-000	4-82 - Body
000000-83-000	4-83 - Body
000000-84-000	4-84 - Body
000000-85-000	4-85 - Body
000000-86-000	4-86 - Body
000000-87-000	4-87 - Body
000000-88-000	4-88 - Body
000000-89-000	4-89 - Body
000000-90-000	4-90 - Body
000000-91-000	4-91 - Body
000000-92-000	4-92 - Body
000000-93-000	4-93 - Body
000000-94-000	4-94 - Body
000000-95-000	4-95 - Body
000000-96-000	4-96 - Body
000000-97-000	4-97 - Body
000000-98-000	4-98 - Body
000000-99-000	4-99 - Body
000000-100-000	4-100 - Body

1982 IC823DB P2 INDEX

Floor Plan	G-11 - G-15
Accessories Group	G-17 - G-20
Tools Group	G-21
Options Group	G-22
Interior Door Hardware Group	G-23 - G-24
Exterior Group	H-1
Interior Finish Hardware Group	H-2 - H-3
Electrical Group	H-4 - H-9
Exterior Body Group	H-10 - H-15
Gas Group	H-16
Heating & Air Conditioning Group	H-17
Interior Finish Group	H-18 - H-19
LP Group	H-20
LP Gas Group	H-21
Water & Sewage Group	H-22 - H-23
Window, Vent & Exterior Door Group	H-24 - H-25

LOUNGE GROUP



FOLD DOWN COUCH AND OVERHEAD CABINET

Key	Part Number	U/M	Description
1	06955-05-R16	EA	Cabinet Asm - Lounge Overhead - w/o Doors or Hardware
2	06952-55-R17	EA	Door Asm - Lounge Overhead Cabinet - 10 3/4" x 16 8" - w/o Hardware
3	M59556-04-R15	EA	Door Asm - Furnace - w Mesh Insert - 12 9" x 17 9" - w/o Hardware
4	072319-02-000	EA	Gold Mesh - 12 8" x 8 8" - Furnace Grate
1	M72513-01-R16	EA	Cadine Asm - Couch - w/o Door or Hardware
1	072726-02-000	EA	Frame Asm - Fold Down Couch
1	059785-01-000	EA	Slotted Corners Rod - Aluminum
1	Not Illustrated		

WATER & SEWAGE GROUP

PLUMBING REPAIR PARTS

Key	Part Number	U/M	Description
	045729-01-000	EA	Pump - Water - 2.8 GPM - US
	045729-02-000	EA	Pump - Water - 2.8 GPM - CSA
	039647-02-000	EA	Filter - Water Pump - 1 2" MPT
	039647-03-000	EA	Filter - Water Pump - 1 2" Flare
**	052952-01-000	EA	Valve - Stool - 90° 1 2 F x 3 8 MPT
**	039818-04-000	EA	Riser Asm - 3 8" O.D. x 72" Tube
**	039818-05-000	EA	Riser Asm - 3 8" O.D. x 48" Tube
	035539-01-000	EA	Elbow - Plastic - 3 8 MPT x 3 8 Barb
	049910-01-000	EA	Tee - Plastic - 1 1 4" H x H x H
	052952-01-000	EA	Nut - Plastic - 1 2 F
	052953-01-000	EA	Nut - Faucet - 1 2 Tube x 1 2 FPT
	052954-01-000	EA	Adapter - Nose Cone - 3 8 or 1 2
	052958-01-000	EA	Tee - Plastic - 1 2 F x 1 2 F x 1 2 F
	052959-02-000	EA	Connector - Plastic - 1 2 F x 1 2 MPT
	052959-03-000	EA	Connector - Plastic - 1 2 F x 3 8 MPT
	052960-01-000	EA	Drain Valve - Line - 1 2 F x 1 2 F
	052961-01-000	EA	Header - 1 2 F x 1 2 F x 1 2 F
**	004020-01-000	QT	Adhesive - ABS Cement
**	010201-01-000	EA	Hose - Sewer - 3" x 8 ft - w Clamp
	062415-01-000	EA	Cap - Sewer - 3"
	052416-01-000	EA	Hose - Adapter - 3"
	062417-01-000	EA	Adapter - Termination - 3"
	062418-01-000	EA	Valve - 3" - w/o Handle
	062421-01-000	EA	Valve - 1 1 2" - w Handle
	010000-01-000	EA	Elbow - Plastic - 1 8" BD x 1 1 4" x 45° H x H
	010006-01-000	EA	Elbow - Plastic - 1 1 2" x 45° H x H
	010008-01-000	EA	Elbow - Plastic - 1 1 2" x 90° x Long Turn
	010051-01-000	EA	Elbow - ST - Plastic - 1 8" BD
	010134-01-000	EA	Adapter - Plastic - 1 1 2" M x MPT
**	063341-01-000	EA	Ring - Closet - Plastic - 4" F x 3" Spigot - 2 3 4"
**	011091-01-000	EA	Waste - Continuous - Double Sink - 11 7 8"
**	011056-01-000	EA	P-Trap - Plastic - 1 1 4"
**	053335-01-000	EA	P-Trap - Plastic - 1 1 4" H x H w Union
**	010071-01-000	EA	Tee - Plastic - 1 1 2" H x 1 1 2" H x 1 1 2" H
**	010079-01-000	EA	Tee - Plastic - Red 1 1 2" H x 1 1 2" H x 1 1 4" H
**	052955-01-000	EA	Tee - Plastic - 1 2 F x 1 2 F x 1 2 MPT
**	010091-01-000	EA	Wye - Plastic - 3" x 45° - H x H x H
**	010121-01-000	EA	Bushing - Plastic - 1 1 2" S x 1 1 4" H
**	031111-01-000	EA	Elbow - Plastic - 1 4" BD x 1 1 4" x 90° x LT
**	031126-01-000	EA	Elbow - Plastic - 3" x 90° x Long Turn
**	031602-02-000	EA	Adapter - Female
**	010133-01-000	EA	Adapter - Trap - Plastic - 1 1 2" H x MPT
**	050780-01-000	EA	Coupler - Rubber - 3" x 3"
**	010219-01-000	EA	Elbow - 1 1 4 Barb x 1 1 4 MPT - 90°
**	044927-01-000	EA	Adapter - Plastic - 1 1 4 MPT x 1 1 4 Barb
**	044928-01-000	FT	Tubing - Flex - 1 1 4" ID x 10 Long
**	054535-01-000	EA	Vent - Mechanical - Trap Arm
**	061607-01-000	EA	Grommet - Rubber - Holding Tank - 1 1 2" NPS
**	061607-02-000	EA	Grommet - Rubber - Holding Tank - 3" NPS
**	010197-01-000	FT	Pipe - ABS Plastic - 3" x 20'
**	065979-01-000	EA	Compartment Asm - Sewer Hub
**	052957-01-000	EA	Elbow - Plastic - 1 2 F x 3 8 MPT
**	052957-02-000	EA	Elbow - Plastic - 1 2 F x 1 2 MPT
**	052957-03-000	EA	Elbow - Plastic - 1 2 F x 1 4 MPT
**	061607-02-000	EA	Grommet - Holding Tank - 3" NPS
**	046524-01-000	EA	Kit - Plastic Fittings - Holding Tank
**	046524-02-000	EA	Kit - Plastic Fittings - Water Tank
**	070924-01-000	EA	Elbow - Plastic - Scale - 1 2 MPT x 2 PP

** The illustrated parts breakdown for this item is provided on the Component Items Page.

1982 ITASCA TABLE OF CONTENTS

IC420RB N2	A-1 - B-20
IC621RB N2	B-21 - D-14
IC723DB N2	D-15 - F-2
IC723RH N2	F-3 - G-16
IC823DB P2	G-17 - I-8

1982 IC823DB P2 INDEX

Floor Plan	G-17 - G-18
Accessories Group	G-19 - G-20
Bath Group	G-21
Chassis Group	G-22
Curtain Cushion & Pad Group	G-23 - H-3
Dinette Group	H-4
Driver's Compartment Group	H-5 - H-6
Electrical Group	H-7 - H-9
Exterior Body Group	H-10 - H-15
Galley Group	H-16
Heating & Air Conditioning Group	H-17
Interior Finish Group	H-17 - H-19
LP Group	H-20
Lounge Group	H-21
Water & Sewage Group	H-22 - H-23
Window Vent & Exterior Door Group	H-24 - I-8

HOLDING TANKS AND WATER HEATERS

Key	Part Number	U/M	Description
	M00070-83-000	EA	Tank Asm - Water - 32 Gallon w Fittings
	071327-01-000	EA	Tank - Water - 32 Gallon w o Fittings
	071271-02-000	EA	Tank Asm - Holding - 31 Gallon (Sewage) w Fittings
	071271-01-000	EA	Tank - Holding - 31 Gallon (Sewage) w o Fittings
	051391-02-000	EA	Water Heater - 4 Gallon w o Motor A/c - Atwood GA-SM

ACCESS DOORS

Key	Part Number	U/M	Description
	064842-01-000	EA	Door Asm - Luggage - w Key Lock - Off White
	059247-04-000	EA	Door Asm - Refrigerator Access - w Twist Lock - Off White
	064841-01-000	EA	Door Asm - Generator - w Twist Lock - Off White
	052009-01-000	EA	Door Asm - Water Heater - Off White
	047305-01-000	EA	Lock Asm - Key Type w Clip
	042441-01-000	EA	Lock Asm - Key Type (Gas Fill)
	052423-01-000	EA	Door - Fuel Fill - Off White
	068958-02-000	EA	Door Asm - LP Storage - Valance Panel - Off White
	009003-01-000	EA	Lock Asm - Twist Type - Metal
	052424-01-000	EA	Door Jamb - Power Cord & Fuel Fill - Off White
	054543-01-000	EA	Door Hatch - Power Cord - Off White
	063742-01-000	EA	Door - Power Cord - Off White
	041312-01-000	FT	Door Seal - e Section
	054530-01-000	EA	Door Stop
	052743-02-000	EA	Baffle - Generator Door
	052950-03-700	EA	Lock Kit - Twist - Straight w Clip - White Plastic (Power Cord Door)
	042442-01-000	EA	Lock Asm - Twist - Straight - White Plastic (Power Cord Door)
	052951-01-000	EA	Clip - Twist Lock Retainer - White Plastic

VENTS

Key	Part Number	U/M	Description
	065103-01-000	EA	Frame - Base - Refrigerator Vent (w o cover)
	065103-02-000	EA	Cover - Vent - Refrigerator
	013352-01-000	EA	Vent - Stove Hood - Outside - Off White
**	048789-01-000	EA	Vent Asm - Roof Powered - w o Screen - Alum
**	048835-01-000	EA	Vent Asm - Roof Nonpowered - w o Screen - Alum
	016335-05-000	EA	Screen Asm - Roof Vent - Non powered
	048695-05-000	EA	Screen Asm - Roof Vent - Powered

WINDSHIELD

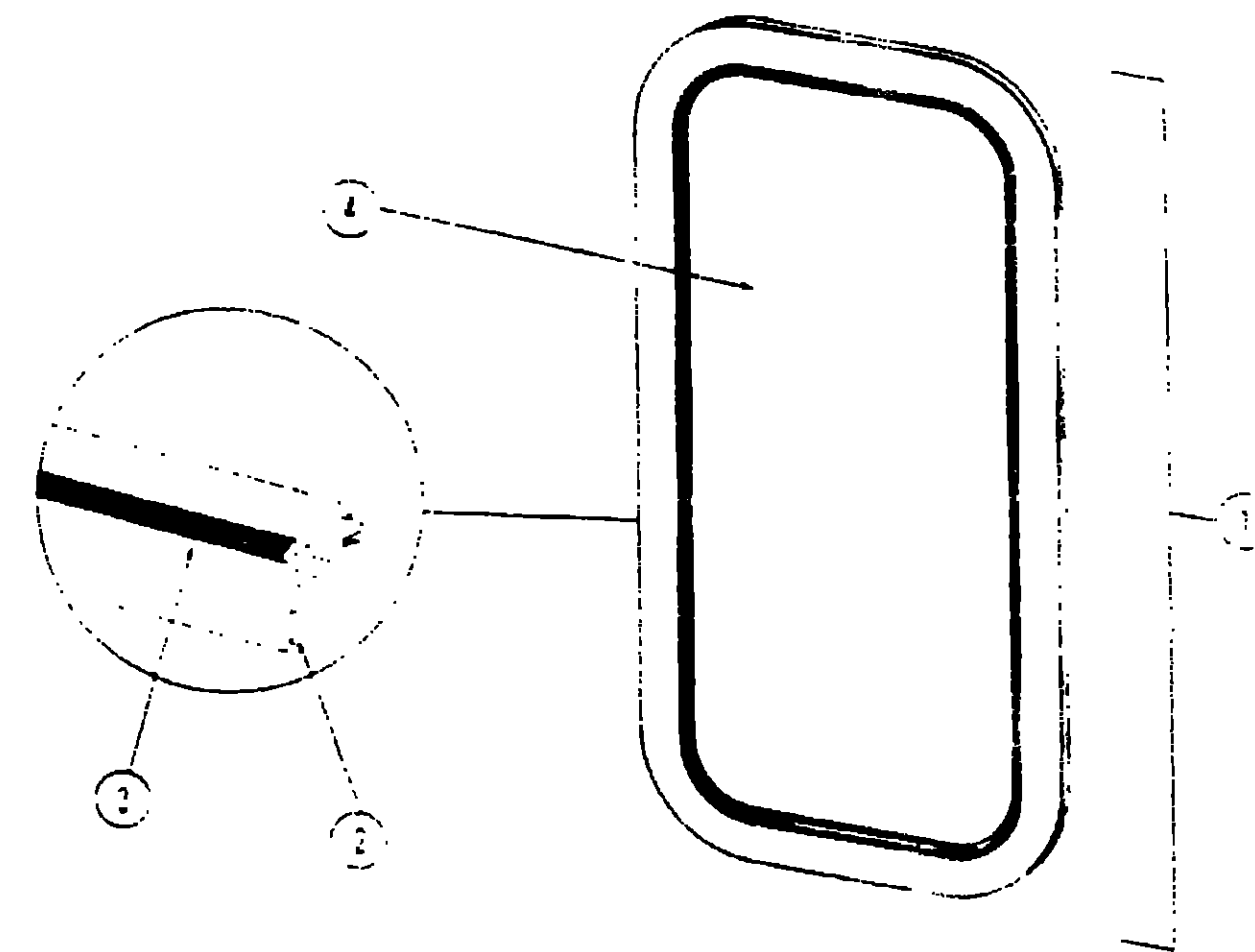
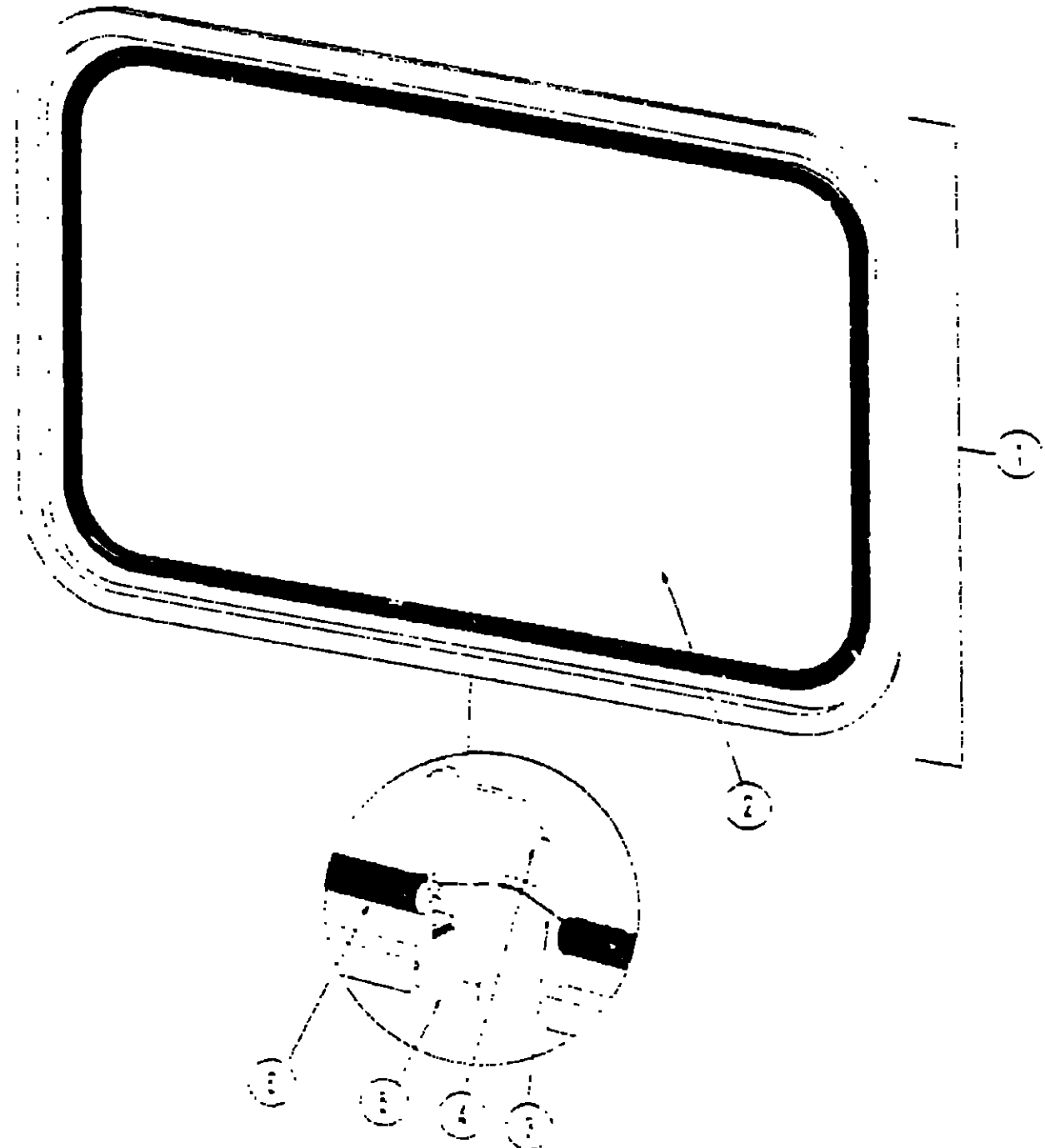
Key	Part Number	U/M	Description
	040795-02-000	EA	Glass Asm - Windshield - Tinted

**1982 ITASCA
TABLE OF CONTENTS**

IC420PB N2	A-1 - B-20
IC621RB N2	B-21 - D-14
IC723DB N2	D-15 - F-2
IC723RH N2	F-3 - G-16
IC823DB P2	G-17 - I-8

1982 IC823DB P2 INDEX

Floor Plan	G-17 - G-18
Accessories Group	G-19 - G-20
Bath Group	G-21
Crossing Group	G-22
Curtain, Cushion & Pad Group	G-23 - H-3
Chairs Group	H-4
Driver's Compartment Group	H-5 - H-6
Electrical Group	H-7 - H-9
Exterior Body Group	H-10 - H-15
Galley Group	H-16
Heating & Air Conditioning Group	H-17
Interior Finish Group	H-17 - H-19
LP Group	H-20
Lounge Group	H-21
Water & Sewage Group	H-22 - H-23
Window, Vent & Exterior Door Group	H-24 - I-8



1982 ITASCA
TABLE OF CONTENTS

040100-00	040100-01	040100-02	040100-03	040100-04	040100-05	040100-06	040100-07	040100-08	040100-09	040100-10	040100-11	040100-12	040100-13	040100-14	040100-15	040100-16	040100-17	040100-18	040100-19	040100-20	040100-21	040100-22	040100-23	040100-24	040100-25	040100-26	040100-27	040100-28	040100-29	040100-30	040100-31	040100-32	040100-33	040100-34	040100-35	040100-36	040100-37	040100-38	040100-39	040100-40	040100-41	040100-42	040100-43	040100-44	040100-45	040100-46	040100-47	040100-48	040100-49	040100-50	040100-51	040100-52	040100-53	040100-54	040100-55	040100-56	040100-57	040100-58	040100-59	040100-60	040100-61	040100-62	040100-63	040100-64	040100-65	040100-66	040100-67	040100-68	040100-69	040100-70	040100-71	040100-72	040100-73	040100-74	040100-75	040100-76	040100-77	040100-78	040100-79	040100-80	040100-81	040100-82	040100-83	040100-84	040100-85	040100-86	040100-87	040100-88	040100-89	040100-90	040100-91	040100-92	040100-93	040100-94	040100-95	040100-96	040100-97	040100-98	040100-99	040100-100
-----------	-----------	-----------	-----------	-----------	-----------	-----------	-----------	-----------	-----------	-----------	-----------	-----------	-----------	-----------	-----------	-----------	-----------	-----------	-----------	-----------	-----------	-----------	-----------	-----------	-----------	-----------	-----------	-----------	-----------	-----------	-----------	-----------	-----------	-----------	-----------	-----------	-----------	-----------	-----------	-----------	-----------	-----------	-----------	-----------	-----------	-----------	-----------	-----------	-----------	-----------	-----------	-----------	-----------	-----------	-----------	-----------	-----------	-----------	-----------	-----------	-----------	-----------	-----------	-----------	-----------	-----------	-----------	-----------	-----------	-----------	-----------	-----------	-----------	-----------	-----------	-----------	-----------	-----------	-----------	-----------	-----------	-----------	-----------	-----------	-----------	-----------	-----------	-----------	-----------	-----------	-----------	-----------	-----------	-----------	-----------	-----------	-----------	-----------	-----------	------------

Key	Part Number	U M	Description
1	00075-00-000	EA	Window Asm - Rect Bead - 20" x 29" - Black Anodized Aluminum Frame
2	00074-00-000	EA	Glass - 15" x 19 1/2" x 1/8"
3	00075-01-000	FT	Flt - Weatherstrips - Black
4	00075-02-000	EA	Dr. Ring - Escape Window
5	00075-03-000	FT	Tap - 1/4" Bead - 20" x 29" - Gray - 3M
6	00075-04-000	FT	Weatherstrips - Window - 1/8" - Black
7	00075-05-000	EA	Flt - Ins Dr - Escape Window - 20" x 29"
8	00075-06-000	EA	Bezel - Not Included Assembly
9	00075-07-000	EA	Lace - Exit - Escape Window
10	00075-08-000	EA	Not Illustrated

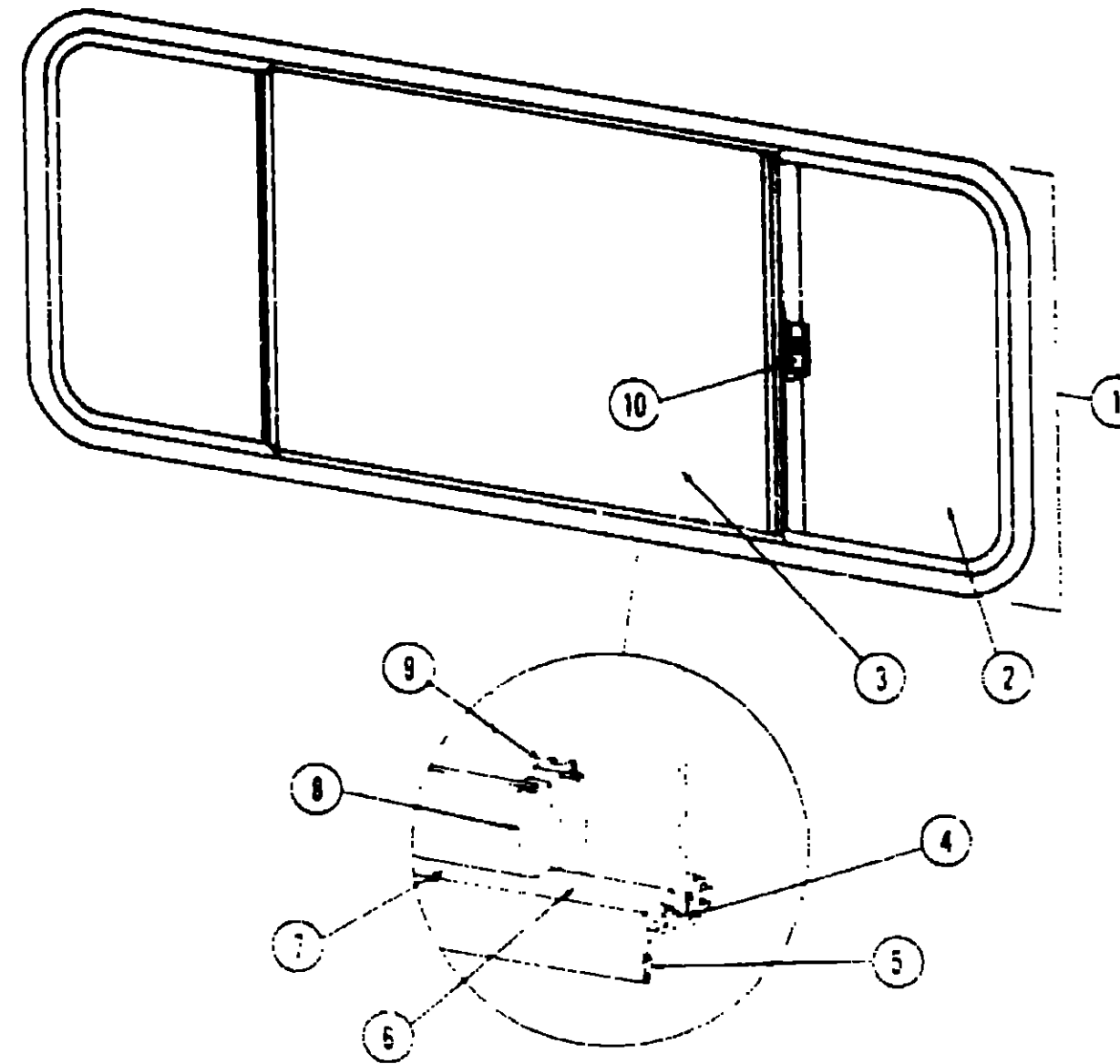
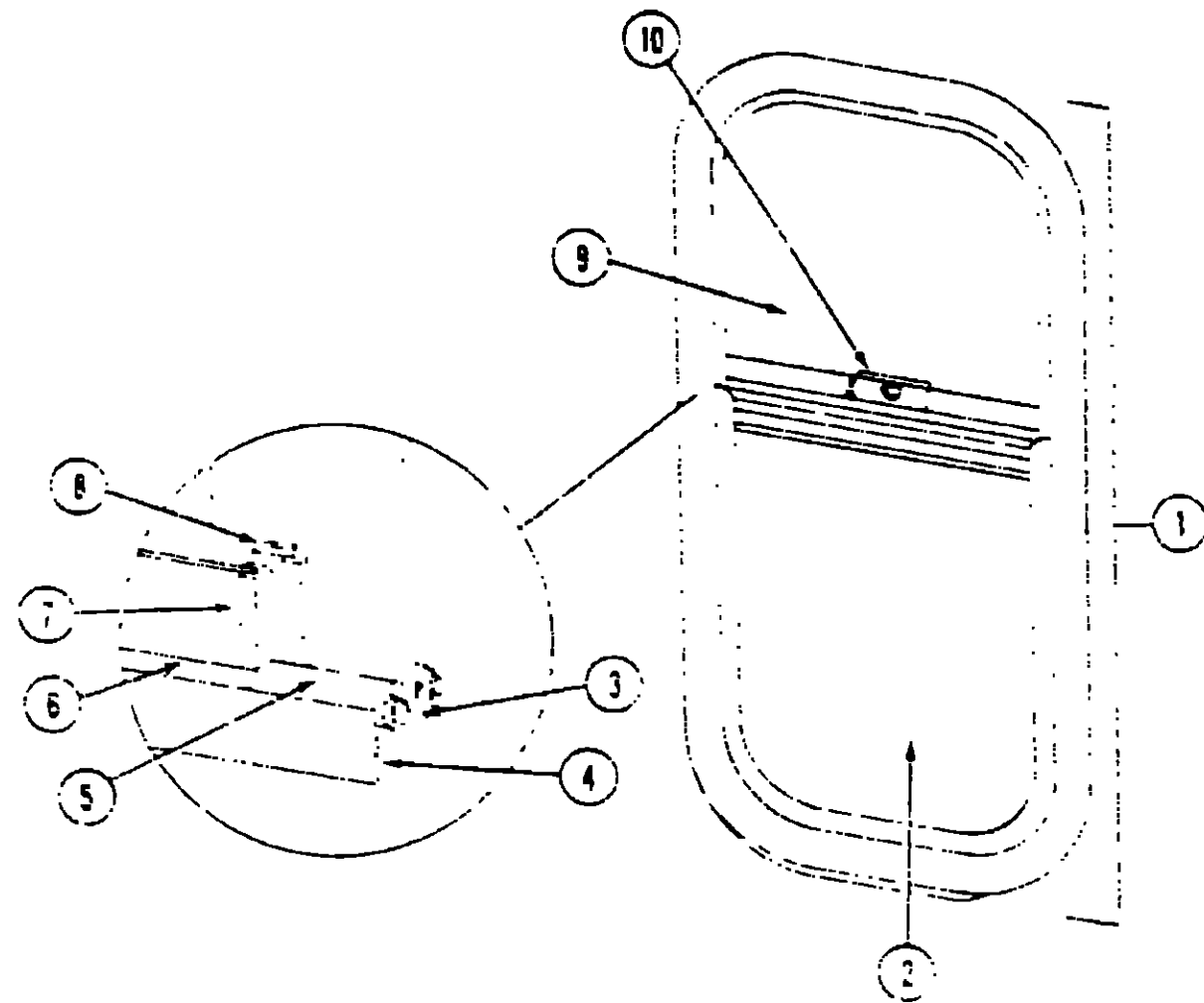
Key	Part Number	U M	Description
1	041875-00-000	EA	Window Asm - Rect Bead - 10" x 10" - Black Window Bezel
2	041875-01-000	FT	Tap - 1/4" Bead - 10" x 10" - Gray - 3M
3	041875-02-000	FT	Flt - Glass - 1/8" - Black
4	041875-03-000	EA	Flt - Ins Dr - Window - Bezel not included assembly
5	041875-04-000	EA	Not Illustrated

1982 IC823DB P2 INDEX

040100-00	040100-01	040100-02	040100-03	040100-04	040100-05	040100-06	040100-07	040100-08	040100-09	040100-10	040100-11	040100-12	040100-13	040100-14	040100-15	040100-16	040100-17	040100-18	040100-19	040100-20	040100-21	040100-22	040100-23	040100-24	040100-25	040100-26	040100-27	040100-28	040100-29	040100-30	040100-31	040100-32	040100-33	040100-34	040100-35	040100-36	040100-37	040100-38	040100-39	040100-40	040100-41	040100-42	040100-43	040100-44	040100-45	040100-46	040100-47	040100-48	040100-49	040100-50	040100-51	040100-52	040100-53	040100-54	040100-55	040100-56	040100-57	040100-58	040100-59	040100-60	040100-61	040100-62	040100-63	040100-64	040100-65	040100-66	040100-67	040100-68	040100-69	040100-70	040100-71	040100-72	040100-73	040100-74	040100-75	040100-76	040100-77	040100-78	040100-79	040100-80	040100-81	040100-82	040100-83	040100-84	040100-85	040100-86	040100-87	040100-88	040100-89	040100-90	040100-91	040100-92	040100-93	040100-94	040100-95	040100-96	040100-97	040100-98	040100-99	040100-100
-----------	-----------	-----------	-----------	-----------	-----------	-----------	-----------	-----------	-----------	-----------	-----------	-----------	-----------	-----------	-----------	-----------	-----------	-----------	-----------	-----------	-----------	-----------	-----------	-----------	-----------	-----------	-----------	-----------	-----------	-----------	-----------	-----------	-----------	-----------	-----------	-----------	-----------	-----------	-----------	-----------	-----------	-----------	-----------	-----------	-----------	-----------	-----------	-----------	-----------	-----------	-----------	-----------	-----------	-----------	-----------	-----------	-----------	-----------	-----------	-----------	-----------	-----------	-----------	-----------	-----------	-----------	-----------	-----------	-----------	-----------	-----------	-----------	-----------	-----------	-----------	-----------	-----------	-----------	-----------	-----------	-----------	-----------	-----------	-----------	-----------	-----------	-----------	-----------	-----------	-----------	-----------	-----------	-----------	-----------	-----------	-----------	-----------	-----------	-----------	------------

WINDOW, VENT & EXTERIOR DOOR GROUP (CONTINUED)

WINDOW, VENT & EXTERIOR DOOR GROUP (CONTINUED)



1982 ITASCA
TABLE OF CONTENTS

1042000 N2
0501000 N2
0720000 N2
0720000 N2
1052000 P2

A-1 - B-20
B-21 - C-14
D-15 - F-12
F-13 - G-16
G-17 - I-5

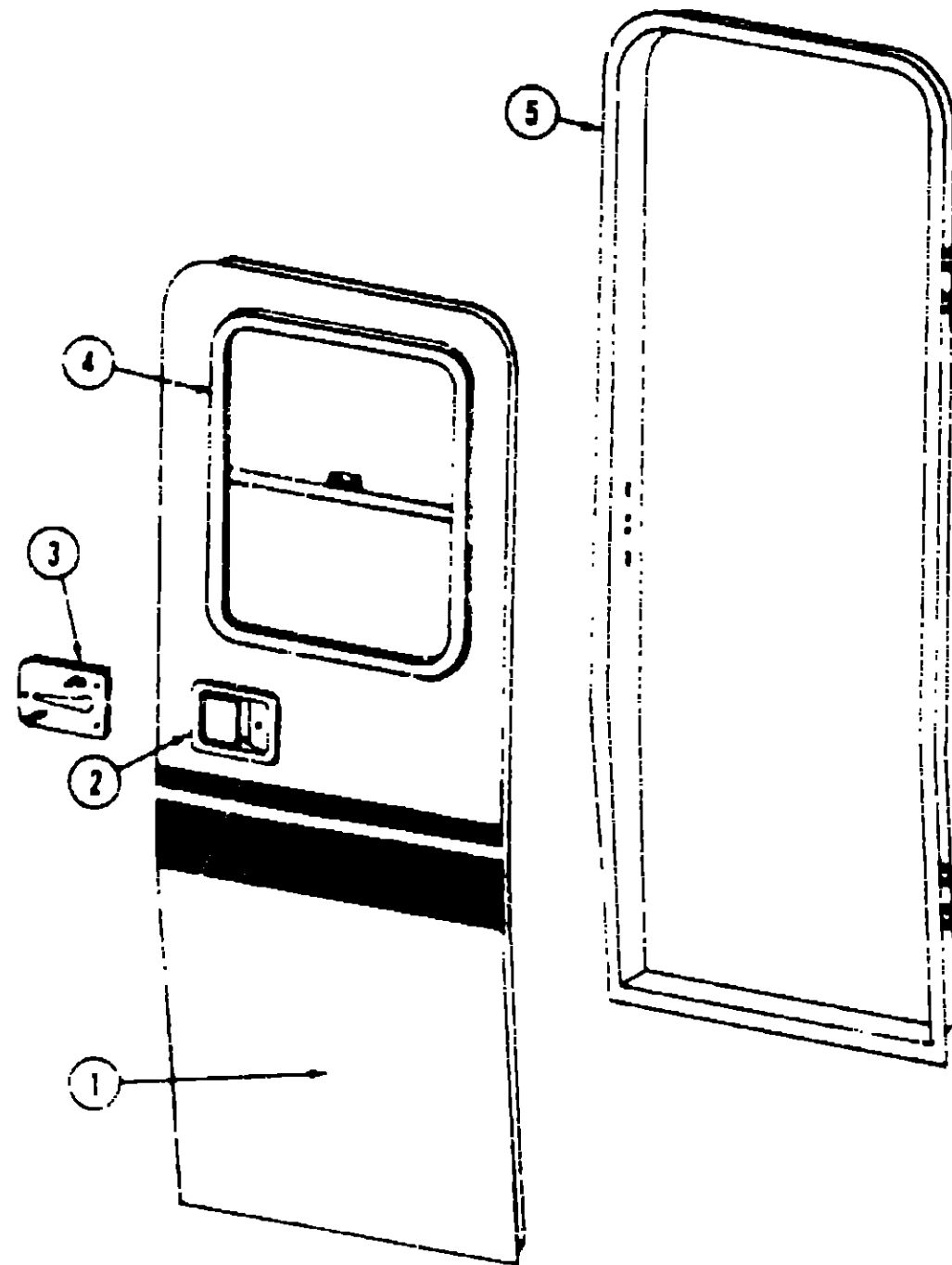
Key	Part Number	U M	Description
1	145000-01-000	EA	Window Frame - Vertical - 20" x 24" - Black w/ Inset Panel
2	050100-01-000	EA	Bottom Seal - Vertical - 20" x 24" - Black w/ Inset Panel
3	072000-01-000	EA	Gasket - Window - 20" x 24" - Black
4	072000-01-000	EA	Channel - Weatherstripping - Glass Panel
5	050100-01-000	EA	Spacer - 1/4" - Bead - 20" x 24" - Gray - 10M
6	050100-01-000	EA	Spacer - Glass - 1/4" - Metal - 20" x 24"
7	050100-01-000	EA	Inner Pane - Window Seal - Black
8	050100-01-000	EA	Outer Pane - Window Seal - Black
9	050100-01-000	EA	Latch - Window - Plastic & Fastener
10	050100-01-000	EA	Cover - Plastic Weep Hole - Black
11	050100-01-000	EA	Screen - Window - 20" x 24" - Gray
12	050100-01-000	EA	Spacer - 100 Dia - Gray - Screen

1982 IC823DB P2 INDEX

Floor Pan	G-17 - G-18
Accessories Group	G-19 - G-20
Bath Group	G-21
Chests Group	G-22
Curtain, Cushion & Pad Group	G-23 - F-3
Crate Group	F-4
Driver's Compartment Group	F-5 - F-6
Electrical Group	F-7 - F-8
Exterior Body Group	F-9 - F-10
Galley Group	F-11
Heating & Air Conditioning Group	F-12
Interior Finish Group	F-13 - F-14
LP Group	F-15
Storage Group	F-16
Water & Sewage Group	F-17 - F-18
Window, Vent & Exterior Door Group	F-19 - F-20

Key	Part Number	U M	Description
1	145000-01-000	EA	Window Frame - Vertical - 20" x 24" - Black w/ Inset Panel
2	050100-01-000	EA	Bottom Seal - Vertical - 20" x 24" - Black w/ Inset Panel
3	072000-01-000	EA	Gasket - Window - 20" x 24" - Black
4	072000-01-000	EA	Channel - Weatherstripping - Glass Panel
5	050100-01-000	EA	Spacer - 1/4" - Bead - 20" x 24" - Gray - 10M
6	050100-01-000	EA	Spacer - Glass - 1/4" - Metal - 20" x 24"
7	050100-01-000	EA	Inner Pane - Window Seal - Black
8	050100-01-000	EA	Outer Pane - Window Seal - Black
9	050100-01-000	EA	Latch - Window - Plastic & Fastener
10	050100-01-000	EA	Cover - Plastic Weep Hole - Black
11	050100-01-000	EA	Screen - Window - 20" x 24" - Gray
12	050100-01-000	EA	Spacer - 100 Dia - Gray - Screen

WINDOW, VENT & EXTERIOR DOOR GROUP (CONTINUED)



Key	Part Number	U M	Description
1	MO0983-16-712	EA	Door Asm - Entry - w/ Latch and Hinges
2	045017-01-000	EA	Handle Asm - Entry Door - Exterior
3	045010-01-700	EA	Lock Cylinder - Keyed - Latch
4	039009-01-000	EA	Strike Bolt - Entry Door
5	039040-01-000	EA	Latch Bolt - Entry Door
6	039079-01-000	EA	Plate - Lock - Inside - Long - Ins. w/ Hinges
7	039086-01-000	EA	Lock Asm - Complete - Latch
8	069069-01-000	EA	Window Asm - Vertical - w/ Latch and Hinges
9	068740-01-000	EA	Glass - Vertical - Top - 18" x 10 1/2" x 1/8"
10	068743-01-000	EA	Glass - Vertical - Bottom - 18" x 10 1/2" x 1/8"
11	047689-01-700	EA	Latch - Window - w/ Window Fastener
12	068751-03-000	EA	Inside Frame - Vertical - Silver - Gray
13	068753-02-000	EA	Jamb Asm - Entry Door - Off White
14	064075-01-000	RT	Seal - Entry Door - Jamb - Rubber
15	068723-10-000	EA	Hinge Asm - Entry Door - Lower
16	068723-02-000	EA	Hinge Asm - Entry Door - Upper
17	054500-01-000	EA	Door Stop
18	068734-02-000	EA	Inside Trim - Entry Door - Gray
19	068715-02-000	EA	Outside Trim - Entry Door - Off White
20	Not Illustrated		

**1982 ITASCA
TABLE OF CONTENTS**

IC420PB N2	A-1 - B-20
IC601PB N2	B-21 - C-14
IC720PB N2	C-15 - F-2
IC720PL N2	F-3 - G-16
IC823DB P2	G-17 - H-6

1982 IC823DB P2 INDEX

Floor Pan	G-17 - G-18
Accessories Group	G-19 - G-20
Bath Group	G-21
Chassis Group	G-22
Curtain, Cushion & Pad Group	G-23 - H-3
Trim Group	H-4
Driver Compartment Group	H-5 - H-6
Electrical Group	H-7 - H-9
Exterior Body Group	H-10 - H-15
Glazing Group	H-16
Heating & Air Conditioning Group	H-17
Interior Finish Group	H-18 - H-19
LP Group	H-20
Lounge Group	H-21
Water & Sewage Group	H-22 - H-23
Window, Vent. & Exterior Door Group	H-24 - H-6