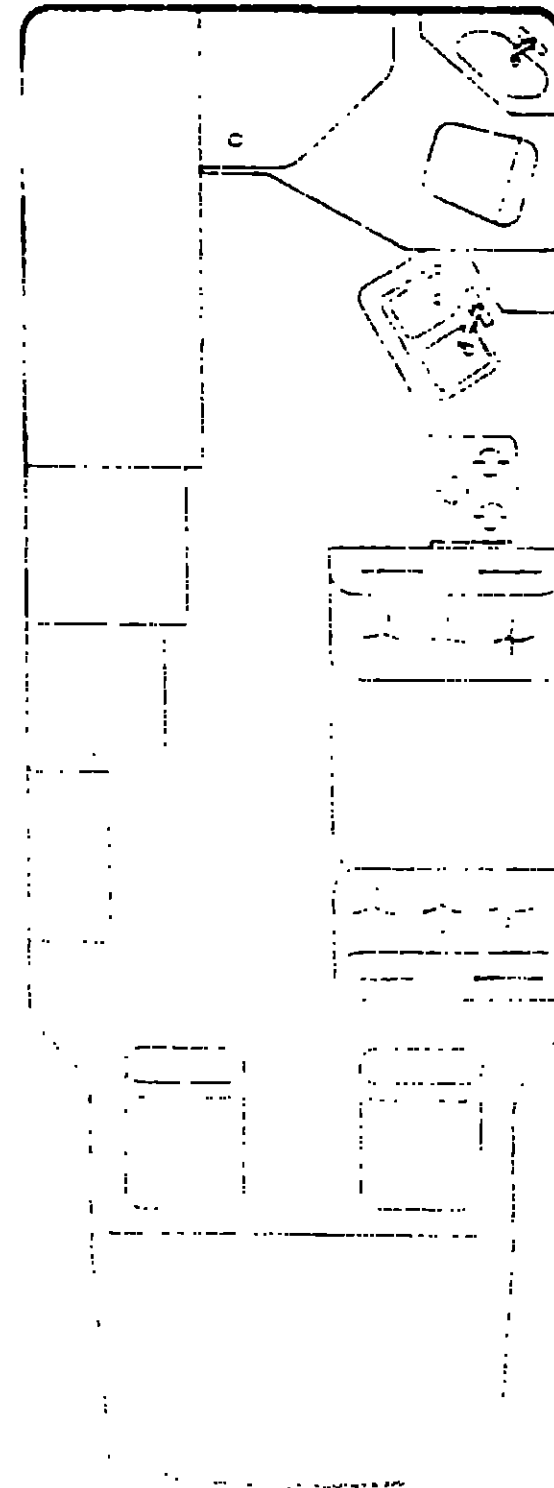


1982 IC723RH N2

NOTE:

1. This drawing is a schematic representation of the interior of the vehicle. It is not intended to show the exact location of the components. The location of the components is shown in the exploded view drawing. The location of the components is shown in the exploded view drawing. The location of the components is shown in the exploded view drawing.



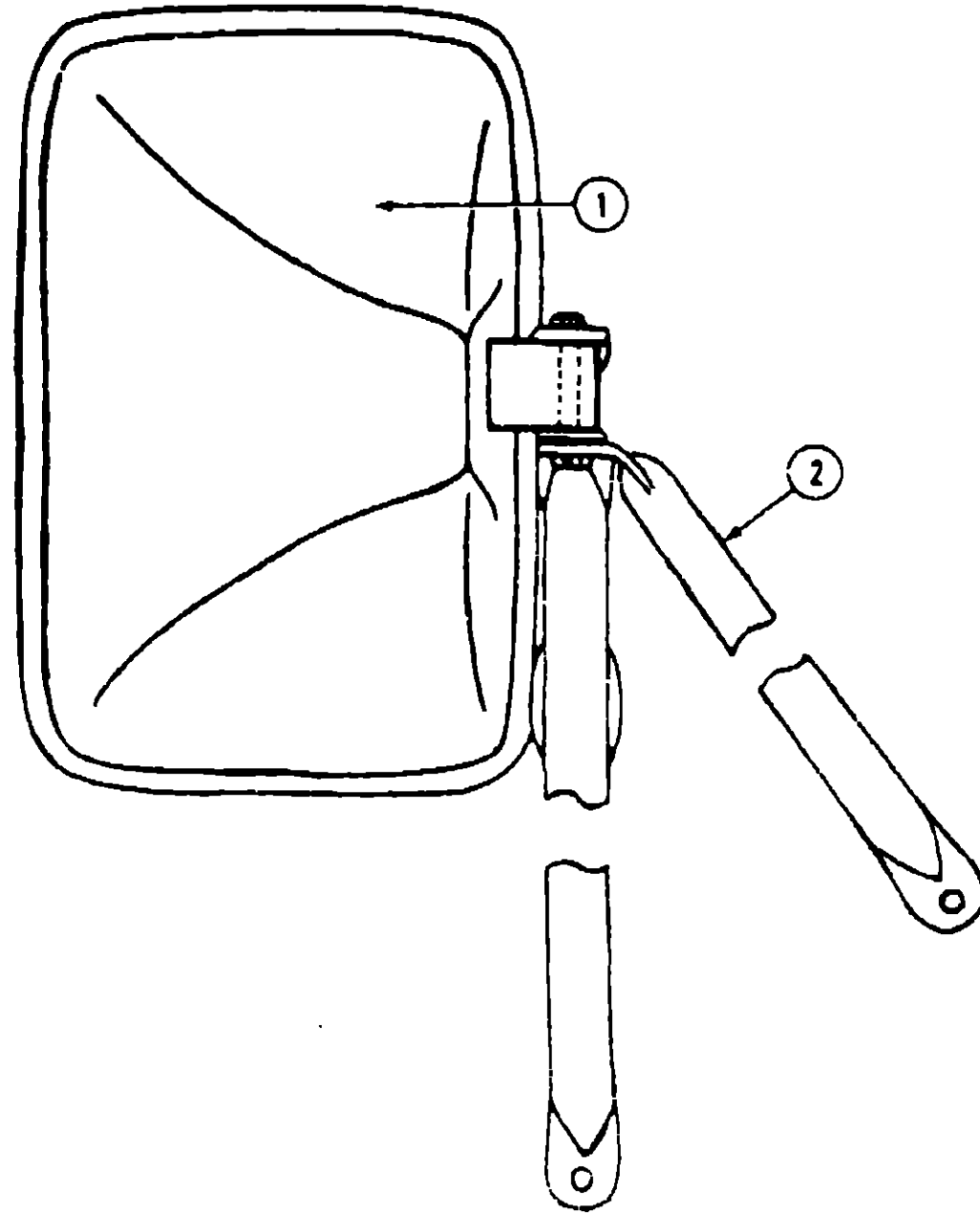
1982 ITASCA TABLE OF CONTENTS

IC420RG N2	A-1 - B-20
IC621RB N2	B-21 - D-14
IC723DR N2	D-15 - F-2
IC723RH N2	F-3 - G-16
IC823DB F2	G-17 - I-8

1982 IC723RH N2 INDEX

Door Panel	F-3 - F-4
Front Seat Group	F-5 - F-7
Seat Group	F-8
Storage Group	F-9
Control Panel & Pedal Group	F-10 - F-14
Console Group	F-15
Engine Compartment Group	F-16 - F-17
Electrical Group	F-18 - F-20
Exterior Body Group	F-21 - G-2
Grill Group	G-3
Heating & Air Conditioning Group	G-4
Interior Finish Group	G-5 - G-6
LP Group	G-7
Water & Sewage Group	G-8
Chassis, Vent & Exhaust Floor Group	G-9 - G-16

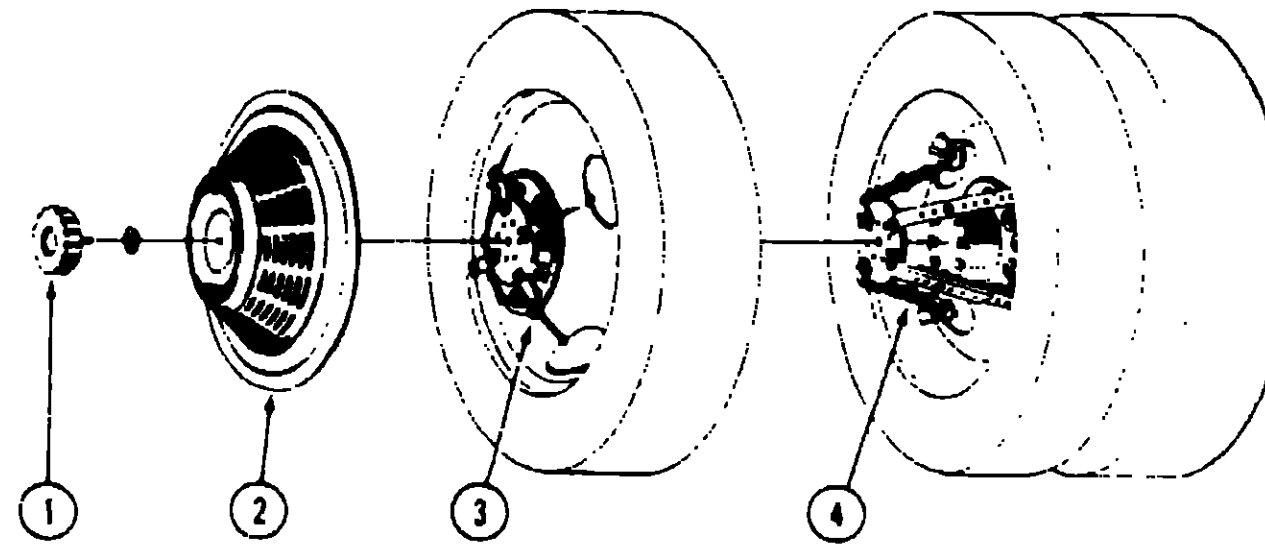
ACCESSORIES GROUP



EXTERIOR MIRRORS

Key	Part Number	U M	Description
1	066481-01-000	EA	Mirror Head - 6 7/8" x 10 3/8"
2	066481-03-000	EA	Arm - Exterior Mirror - Standard - Steel - Bolt
3	066481-10-000	EA	Arm - Exterior Mirror - Standard - Steel - Bolt
4	066048-01-000	EA	Mirror - Convex - Adhesive Back
5			Not Illustrated

ACCESSORIES GROUP (CONTINUED)



WHEEL COVERS AND MOUNTING HARDWARE

Key	Part Number	U M	Description
1	064083-02-000	EA	Retaining Nut - De metal - Wheel Cover
2	073426-01-700	EA	Wheel Cover - Bolt On - 16" or 16.5" - De metal (1)
3	073426-03-700	EA	Retention Bracket Asm - Wheel Cover Support - Light Duty - Front (1)
4	073426-05-701	EA	Retention Bracket Asm - Wheel Cover Support - Light Duty - Rear (1)
5	073426-03-000	EA	Retention Bracket Asm - Wheel Cover Support - Light Duty (Set 4)
**	031326-03-000	EA	Wheel Cover - 16.5" - Clip On
1			Not Illustrated
**	The illustrated parts break-down for this item is provided on the Common Items File		

RADIOS AND RELATED COMPONENTS

Key	Part Number	U M	Description
	064797-01-000	EA	Radio - AM FM MPA - w/ Cassette
	067004-01-000	EA	Antenna - Radio - Cab Mount
	048160-01-000	EA	Antenna - CB - Camper Style
	064797-01-000	EA	Speaker - Recessed - 5 1/4" x 10 1/2"
	061701-01-000	EA	Grille - Speaker - 5 1/4"
	064790-01-000	EA	Speaker - 4" x 8" - Oval

GENERATOR AND COMPONENTS

Key	Part Number	U M	Description
	061909-01-000	EA	Generator - 3.5 kw - Kohler
	061609-01-000	EA	Kohler Installation Package
	067760-01-000	EA	Muffler - Generator - w/ Spark Arrestor - Nelson
	070724-01-000	EA	Turbine Exhaust - 90° - Short Turn
	062815-01-000	EA	Turbine Exhaust - 90° - Long Turn

**1982 ITASCA
TABLE OF CONTENTS**

IC420RG N2	A-1 - B-20
IC621RB N2	B-21 - D-14
IC723DB N2	D-15 - F-2
IC723RH N2	F-3 - G-16
IC923DR P2	G-17 - I-8

1982 IC723RH N2 INDEX

Floor Plan	F-3 - F-4
Accessories Group	F-5 - F-7
Bath Group	F-8
Chassis Group	F-9
Curtain, Cushion & Pad Group	F-10 - F-14
Dinette Group	F-15
Drivers Compartment Group	F-16 - F-17
Electrical Group	F-18 - F-20
Exterior Body Group	F-21 - G-2
Gas Group	G-3
Heating & Air Conditioning Group	G-4
Interior Finish Group	G-5 - G-6
LP Group	G-7
Water & Sewage Group	G-8
Window, Vent & Exterior Door Group	G-9 - G-16

ACCESSORIES GROUP (CONTINUED)

MISCELLANEOUS ACCESSORIES			
Key	Part Number	U/M	Description
	006053-01-000	EA	Antenna - TV - Braund Deluxe
	006093-01-000	EA	Jack - TV - Brown
	041944-03-000	EA	Fire Extinguisher - Dry Chemical w Bracket
	054185-14-000	EA	Owner's Manual - 1982 - Winnebago & Itasca
	063739-01-000	EA	Battery - 12V - 80 Amp - Gould
	017516-01-000	EA	Mud Flap - Black - 14" x 18" w Holes
	064089-01-000	EA	Mud Flap - Front Splash Guard - Black
	040069-01-000	EA	Mat - Door - Black Rubber - 10'1 2" x 26"
	040466-07-000	EA	Cover - Spare Tire - 29" - Off White
	069629-01-000	EA	Speed Control - Chev - Dana
	069580-03-000	EA	Lug Wrench - 7 8" x 1 1 16" x 16 3'
	069580-02-000	EA	Leverage Bar - Lug Wrench - 22"

BATH GROUP

Key	Part Number	U/M	Description
	068747-01-000	EA	Cabinet Asm - Lavatory
	068726-02-N19	EA	Door Asm - 10" x 23" - w o Hardware
	068574-01-P13	EA	Door Asm - Bath - 23" x 71" - w o Hardware
	068561-01-000	EA	Sink - Lavatory
	068755-01-000	EA	Cabinet Asm - Medicine
	068726-01-N19	EA	Door Asm - Medicine Cabinet - 10" x 17 5" - w o Hardware
	046112-02-000	EA	Mirror - Wall - 24" x 33"
	046113-01-000	EA	Mirror Mounting - Rosette - Plastic
	057671-01-000	EA	Screw Cover - #6
	071445-01-000	EA	Wedge - Dome Light - Beige Plastic
	057898-01-000	EA	Hidden Latch - Cabinet Door
	057898-02-000	EA	Strike - Hidden Latch - Cabinet Door
	058335-02-000	EA	Bath Door Latch
	065495-01-000	EA	Rack - Shelf - Bath Door
	068445-02-000	EA	Rack - Towel - Bath Door
	065521-01-000	EA	Tray - Storage - Lower Bath Door
	M00799-01-000	EA	Shower Pan w Strainer
	071210-01-000	EA	Panel - Backwall - Shower Pan - Plastic
	071211-01-000	EA	Cover - Soap Dish - Shower Pan Backwall Panel - Plastic
	066435-01-000	EA	NU: Strainer
	066436-01-000	EA	Sho Nut - 1 5" Tall Piece
	066440-01-000	EA	Strainer w Rubber Washer
	069735-01-000	EA	Washer - Tall Piece - 1 5" Plastic
	009134-01-000	EA	Holder - Tissue
	069777-01-000	EA	Valence - Window - Plastic
**	011066-01-000	EA	Faucet - Lavatory US
	011066-02-000	EA	Faucet - Lavatory CSA
	011068-01-000	EA	Tall Piece - 1 1 4" x 5" - Plastic w Strainer
	011048-00-000	EA	Shower Head - w 60 Inose
	011069-02-000	EA	Toilet - 1 1 2" x 1 3 4" x 4" - Brass
	011069-03-000	EA	Faucet - Shower US
	011069-01-000	EA	Faucet - Shower CSA
**	009941-00-000	EA	Toilet - Thetford Aqua Magic - Ivory - 840 SH
**	The illustrated parts break-down for this item is provided in the Component & Fit List.		

1982 ITASCA TABLE OF CONTENTS

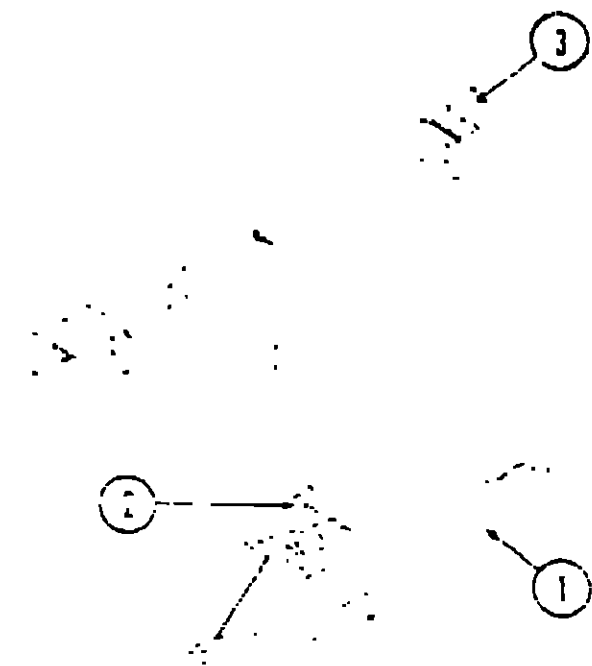
IC420RG N2	A-1 - B-20
IC621RB N2	B-21 - D-14
IC723DB N2	D-15 - F-2
IC723RH N2	F-3 - G-16
IC923DB F2	G-17 - I-6

1982 IC723RH N2 INDEX

Floor Plan	F-3 - F-4
Accessories Group	F-5 - F-7
Bath Group	F-8
Chassis Group	F-9
Curtain, Cushion & Pad Group	F-10 - F-14
Dinette Group	F-15
Driver's Compartment Group	F-16 - F-17
Electrical Group	F-18 - F-20
Exterior Body Group	F-21 - G-2
Galley Group	G-3
Heating & Air Conditioning Group	G-4
Interior Finish Group	G-5 - G-6
LP Group	G-7
Water & Sewage Group	G-8
Window, Vent & Exterior Door Group	G-9 - G-16

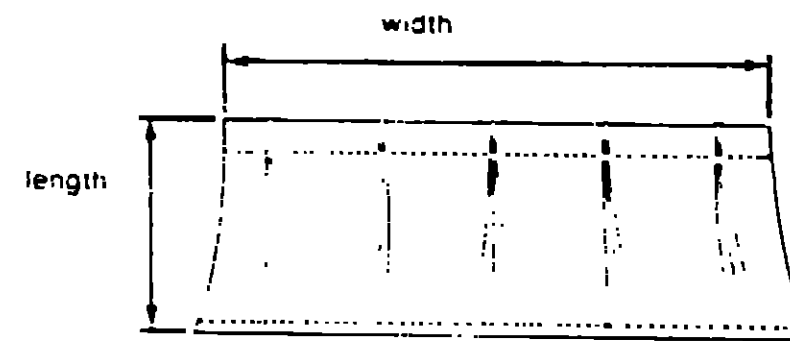
CHASSIS GROUP

Key	Part Number	U/M	Description
	06664F-01-000	EA	Wheel Well - Plastic - Left or Right Rear
	04991Z-01-000	EA	Step Asm - Assist - Cab
	06673B-01-000	EA	Step Asm - Entrance Door
	017516-01-000	EA	Mud Flap - 14" x 18"
	064069-01-000	EA	Mud Flap - Front Splash Guard - Black
	069209-01-000	EA	Box - Power Cord
	057664-02-000	EA	Tire - S 75 x 16.5 - 10 Ply - Black Tubeless - Michelin
	070906-01-000	EA	Wheel - 6.75 x 16.5 - Chevy
	069615-01-000	EA	Spare Tire Carrier
	069619-01-000	EA	Spare Tire Support Arm - Right
	069620-01-000	EA	Spare Tire Support Arm - Left
	040441-01-000	EA	Battery Terminal - Horizontal Lug
	007131-01-000	EA	Harper - Tail Pipe
	059764-02-000	EA	Controller - Wiper - Intermittent
	040764-01-000	EA	Blade Asm - Windshield Wiper
	057551-01-000	EA	Arm - Windshield Wiper
	056656-01-000	EA	Bracket Asm - Front Bumper - Right
	056656-02-000	EA	Bracket Asm - Front Bumper - Left
	056659-02-000	EA	Bumper - Rear - Contoured - Bright
	056656-02-000	EA	Bumper - Front - Contoured - Bright
	047743-01-000	EA	Spacer - Rear Spring - Axle Stop
	069065-01-000	EA	Tray - Battery
	004551-02-000	EA	Tray - Luggage
	069580-01-000	EA	Lug Wrench - 11 x 11.4 x 16.3
	069567-02-000	EA	Leverage Bar - Lug Wrench - 22



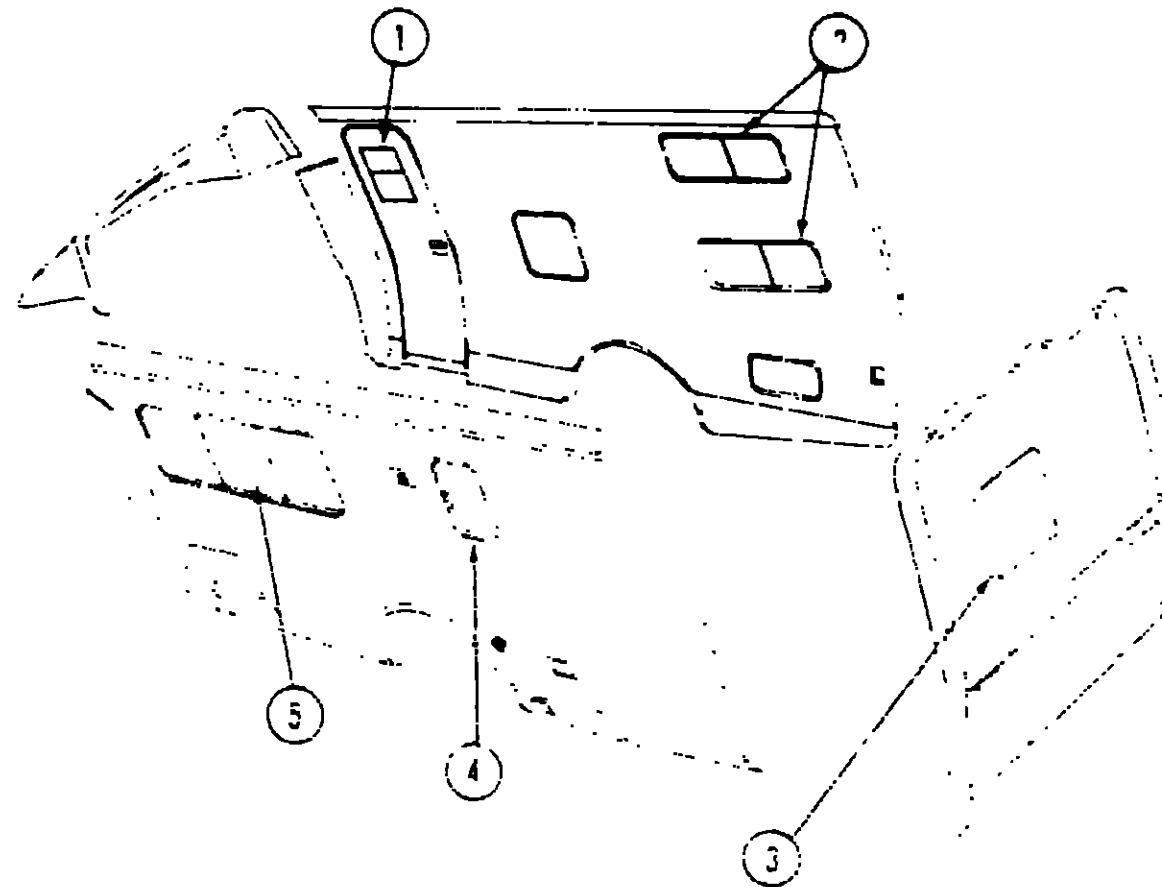
Key	Part Number	U/M	Description
1	066659-01-000	EA	Trailer Hitch Arm - Wind Support
2	064604-03-000	EA	Support - Trailer Hitch
3	066657-01-000	EA	Bracket - Bumper Mount - Rear

CURTAIN, CUSHION & PAD GROUP



NOTE

Use this illustration when determining length and width measurements for curtains. You will note the width measurement is taken on the top of the curtain with the curtain fully extended. The length measurement is taken from top to bottom.



CURTAIN, VALANCES, SHADES AND TIEBACKS

Key	Part Number	U/M	Description
1	054075-00-N21	EA	Curtain - A Snap Top and Bottom - 28 1/4" x 10" - Beige
2	054046-01-N21	EA	Curtain - A Snap Top and Bottom - Side Blinds - 15" x 28" - Beige
3	065522-06-000	EA	Shade - 20 1/2" x 26" - Beige
4	054749-28-N21	EA	Curtain - A Snap Top and Bottom - 24" x 6" - Beige
5	057780-01-000	EA	Shade - 15" x 24" - Disc - Light Brown

1982 ITASCA TABLE OF CONTENTS

IC429RG N2	A-1 - B-20
IC621R5 N2	B-21 - D-14
IC723DB N2	D-15 - F-2
IC723RH N2	F-3 - G-16
IC823DB P2	G-17 - I-8

1982 IC723RH N2 INDEX

Floor Plan	F-3 - F-4
Accessories Group	F-5 - F-7
Bath Group	F-8
Chassis Group	F-9
Curtain, Cushion & Pad Group	F-10 - F-14
Dinette Group	F-15
Driver's Compartment Group	F-16 - F-17
Electrical Group	F-18 - F-20
Exterior Body Group	F-21 - G-2
Galley Group	G-3
Heating & Air Conditioning Group	G-4
Interior Finish Group	G-5 - G-6
LP Group	G-7
Water & Sewage Group	G-8
Woods, Vents & Exterior Door Group	G-9 - G-16

CURTAINS, VALANCES, SHADES AND TIEBACKS (Continued)

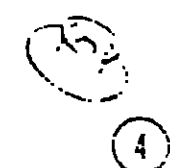
Key	Part Number	U/M	Description
5	066226-04-N21	EA	Curtain w Snap Top - 26" x 45" - Beige
5	064915-04-N21	EA	Valance Asm - 5" x 77 1/2" - Rust
5	064915-04-N22	EA	Valance Asm - 5" x 77 1/2" - Beige
5	067780-02-000	EA	Blinds - 68" x 27" - Drop - Light Brown
•	059900-07-N21	EA	Curtain Asm - Wraparound - 24" x 62" - Beige
•	054051-51-N21	EA	Curtain w Snap Top - Privacy Top Side Bunk - 27" x 95" - Beige
•	054051-52-N21	EA	Curtain w Snap Top - Privacy Bottom Side Bunk - 31" x 70" - Beige
•	054048-08-N21	EA	Tie Back - Curtain - 2" x 18" - Rust
•	054048-08-N22	EA	Tie Back - Curtain - 2" x 18" - Beige
•	057534-01-000	EA	Tie Back - Clear Plastic - 6"
•	057534-03-000	EA	Tie Back - Clear Plastic - 7.5"
•			Not Illustrated

FABRICS AND TRIMS

Key	Part Number	U/M	Description
	064393-05-000	YD	Fabric - Drapery - Super Satin
	066338-13-000	YD	Fabric - Upholstery - Rust Coral
	066338-14-000	YD	Fabric - Upholstery - Beige Caramel
	035421-01-000	YD	Ticking - Mattress
	052859-01-M07	FT	Trim Asm - Accent - Acorn Brown Vinyl
	053327-01-000	YD	Vinyl - Non Expanded - 27 oz - Acorn Brown
	053327-02-000	YD	Vinyl - Expanded - 28 oz - Acorn Brown
	053327-03-000	YD	Vinyl - Non Support - 16 Gauge Firm - Acorn Brown
	M00045-04-M21	EA	Button Asm - Upholstery - #45 - Rust
	M00045-04-M22	EA	Button Asm - Upholstery - #45 - Beige
	071127-01-M21	EA	Button Asm - Vinyl - #55 - Rust
	071127-01-M22	EA	Button Asm - Vinyl - #55 - Beige
	071127-02-M21	EA	Button Asm - Upholstery - #55 - Rust
	071127-02-M22	EA	Button Asm - Upholstery - #55 - Beige
	065745-03-000	EA	Button Asm - Upholstery - Back - #45 - Nylon
	053552-01-000	EA	Assist Handle - Entry Door

CURTAIN HARDWARE

Key	Part Number	U/M	Description
	037872-02-000	EA	Bracket - Curtain Rod
	037872-01-000	EA	Rod - Curtain - Extension - 48" - 84"
	050788-02-000	EA	Center Support - Curtain Rod
	056784-01-000	EA	Pull - Window Shade - Antique Brass
	056001-01-000	EA	Bracket - Shade - Left
	055002-01-000	EA	Bracket - Shade - Right
	009107-01-000	EA	Guide - Nylon Snap - Curtain
	052327-05-009	EA	Track - Curtain - 76" w Holes - Beige Alum
	069270-01-000	EA	Track - Shower Curtain - "L" Rod - Beige Alum
	009701-01-000	EA	Carrier - "L" Rod - Curtain
	009702-01-000	EA	End Stop - "L" Rod - Curtain
	056115-01-000	YD	Tape - Plastic - Clear w Guides
	055116-01-000	FT	Track - Curtain - Plastic - Brown
	048394-01-000	YD	Tape - Hook - 1" x 25 YD - Beige
	043395-01-000	YD	Tape - Loop - 1" x 25 YD - Beige
	056289-06-000	EA	Curtain Track - 90° Upper Side Bunk - Beige
	050788-02-000	EA	Support - Double Curtain Rod
	053272-05-002	EA	Curtain Track - 55" - Lower Side Bunk - Beige



Key	Part Number	U/M	Description
1	028100-01-000	EA	Socket - Snap Fastener
2	028165-01-000	EA	Cap - Snap - 155 Dia x 17 Barrel
3	028165-01-000	EA	Socket - Snap Fastener
4	028092-01-000	EA	Stud - Nickel Finish
5	028293-01-000	EA	Eyelet - Nickel Finish

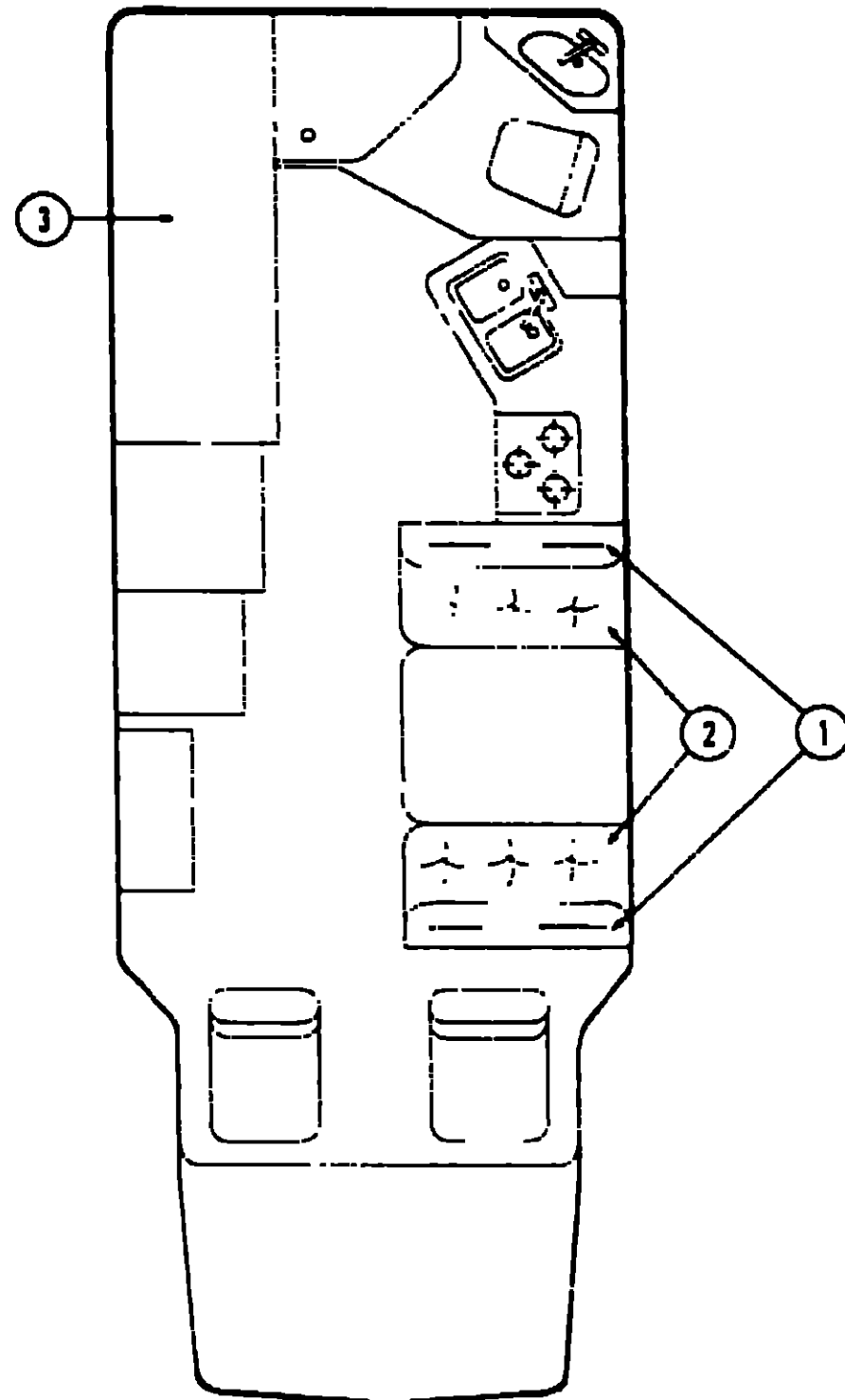
**1982 ITASCA
TABLE OF CONTENTS**

IC420RG N2	A-1 - B-20
IC501PB N2	B-21 - D-14
IC723DB N2	D-15 - F-2
IC723RH N2	F-3 - G-16
IC823DS P2	G-17 - I-5

1982 IC723RH N2 INDEX

Floor Plan	F-3 - F-4
Accessories Group	F-5 - F-7
Bath Group	F-8
Chassis Group	F-9
Curtain, Cushion & Pad Group	F-10 - F-14
Dinette Group	F-15
Driver's Compartment Group	F-16 - F-17
Electrical Group	F-18 - F-20
Exterior Body Group	F-21 - G-2
Galley Group	G-3
Heating & Air Conditioning Group	G-4
Interior Finish Group	G-5 - G-6
LP Group	G-7
Water & Sewage Group	G-8
Window, Vent & Exterior Door Group	G-9 - G-16

CURTAIN, CUSHION & PAD GROUP (CONTINUED)



SIDE BUNK AND DINETTE CUSHIONS

Key	Part Number	U/M	Description
1	068773-06-N21	EA	Cushion - Dinette Back - 23" x 40" x 6" - Rust
1	068773-06-N22	EA	Cushion - Dinette Back - 23" x 40" x 6" - Beige
	M58773-06-N21	EA	Cover - Dinette Back Cushion - 23" x 40" x 6" - Rust
	M58773-06-N22	EA	Cover - Dinette Back Cushion - 23" x 40" x 6" - Beige
2	068773-05-N21	EA	Cushion - Dinette Bottom - 17" x 40" x 6" - Rust
2	068773-05-N22	EA	Cushion - Dinette Bottom - 17" x 40" x 6" - Beige
	M58773-05-N21	EA	Cover - Dinette Bottom Cushion - 17" x 40" x 6" - Rust
	M58773-05-N22	EA	Cover - Dinette Bottom Cushion - 17" x 40" x 6" - Beige
3	069894-02-000	EA	Mattress - Side Bunk - 25" x 71.5" x 3"
	M69894-02-000	EA	Cover - Side Bunk Mattress - 25" x 71.5" x 3"

CURTAIN, CUSHION & PAD GROUP (CONTINUED)

OVERHEAD SIDE BUNK

Key	Part Number	U/M	Description
	069894-02-000	EA	Mattress - Side Overhead Bunk - 25" x 71.5" x 3"
	M69894-02-000	EA	Cover - Side Overhead Bunk Mattress - 25" x 71.5" x 3"

BUCKET SEAT*

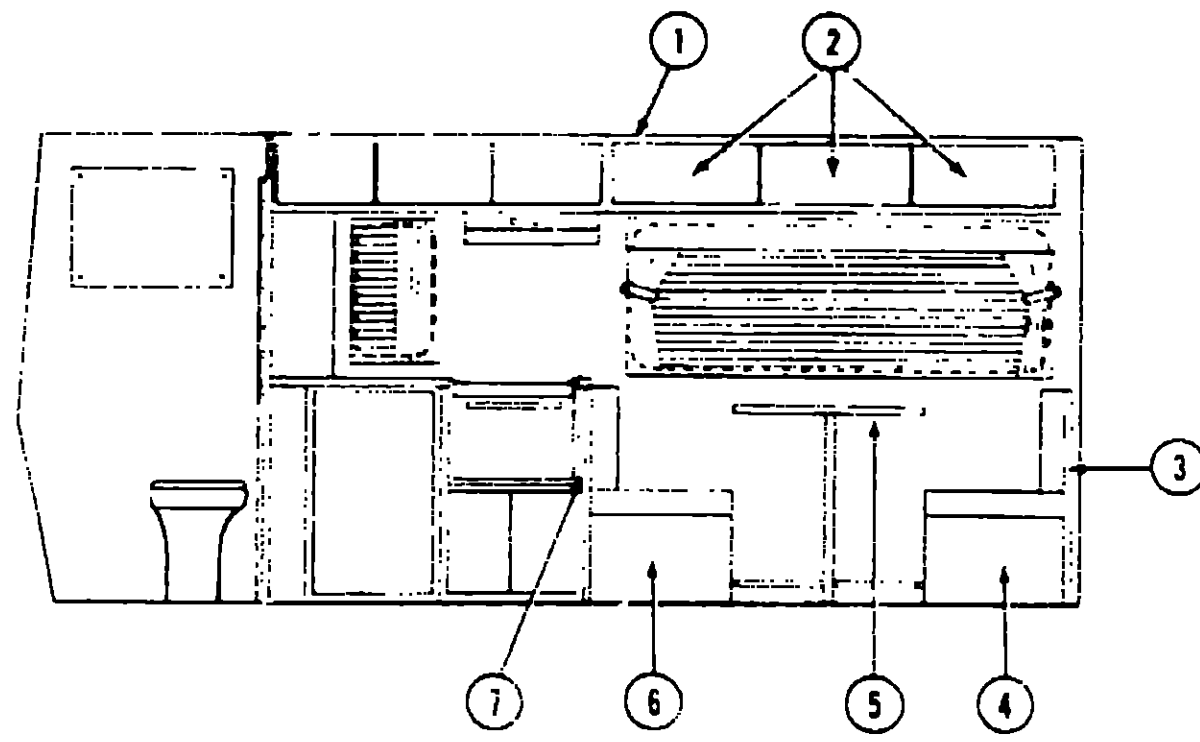
Key	Part Number	U/M	Description
	069651-01-N21	EA	Seat Asm - Single Bucket - Low Back - w Quilting - Rust
	069651-01-N22	EA	Seat Asm - Single Bucket - Low Back - w Quilting - Beige
	070574-07-N21	EA	Seat Asm - Single Bucket - Youth Bed - Driver - Rust
	070574-07-N22	EA	Seat Asm - Single Bucket - Youth Bed - Driver - Beige
	070574-08-N21	EA	Seat Asm - Single Bucket - Youth Bed - Passenger - Rust
	070574-08-N22	EA	Seat Asm - Single Bucket - Youth Bed - Passenger - Beige
	M00605-01-N21	EA	Cover - Back - Low Back - Rust
	M00605-01-N22	EA	Cover - Back - Low Back - Beige
	M00604-01-N21	EA	Cover - Bottom - Low Back - Rust
	M00604-01-N22	EA	Cover - Bottom - Low Back - Beige
	M00784-04-N21	EA	Cover - Back - Youth Bed - Rust
	M00784-04-N22	EA	Cover - Back - Youth Bed - Beige
	M00784-03-N21	EA	Cover - Bottom - Youth Bed - Rust
	M00784-03-N22	EA	Cover - Bottom - Youth Bed - Beige
	070553-01-N21	EA	Cushion Asm - Wedge - Youth Bed - Rust
	070553-01-N22	EA	Cushion Asm - Wedge - Youth Bed - Beige
	M70553-01-N21	EA	Cover - Wedge - Youth Bed - Rust
	M70553-01-N22	EA	Cover - Wedge - Youth Bed - Beige
	071122-07-N21	EA	Armrest Asm - w Cover - Right - Rust
	071122-07-N22	EA	Armrest Asm - w Cover - Right - Beige
	071122-08-N21	EA	Armrest Asm - w Cover - Left - Rust
	071122-08-N22	EA	Armrest Asm - w Cover - Left - Beige
	071123-04-N21	EA	Cover - Armrest - Right or Left - Rust
	071123-04-N22	EA	Cover - Armrest - Right or Left - Beige

**1982 ITASCA
TABLE OF CONTENTS**

IC420RG N2	A-1 - B-20
IC621RB N2	B-21 - D-14
IC723DB N2	D-15 - F-2
IC723RH N2	F-3 - G-16
IC823DB P2	G-17 - 18

1982 IC723RH N2 INDEX

Floor Plan	F-3 - F-4
Accessories Group	F-5 - F-7
Bath Group	F-8
Chassis Group	F-9
Curtain, Cushion & Pad Group	F-10 - F-14
Dinette Group	F-15
Driver's Compartment Group	F-16 - F-17
Electrical Group	F-18 - F-20
Entry or Body Group	F-21 - G-2
Gas Group	G-3
Heating & Air Conditioning Group	G-4
Interior Finish Group	G-5 - G-6
LP Group	G-7
Water & Sewage Group	G-8
Window, Vent & Exterior Body Group	G-9 - G-16



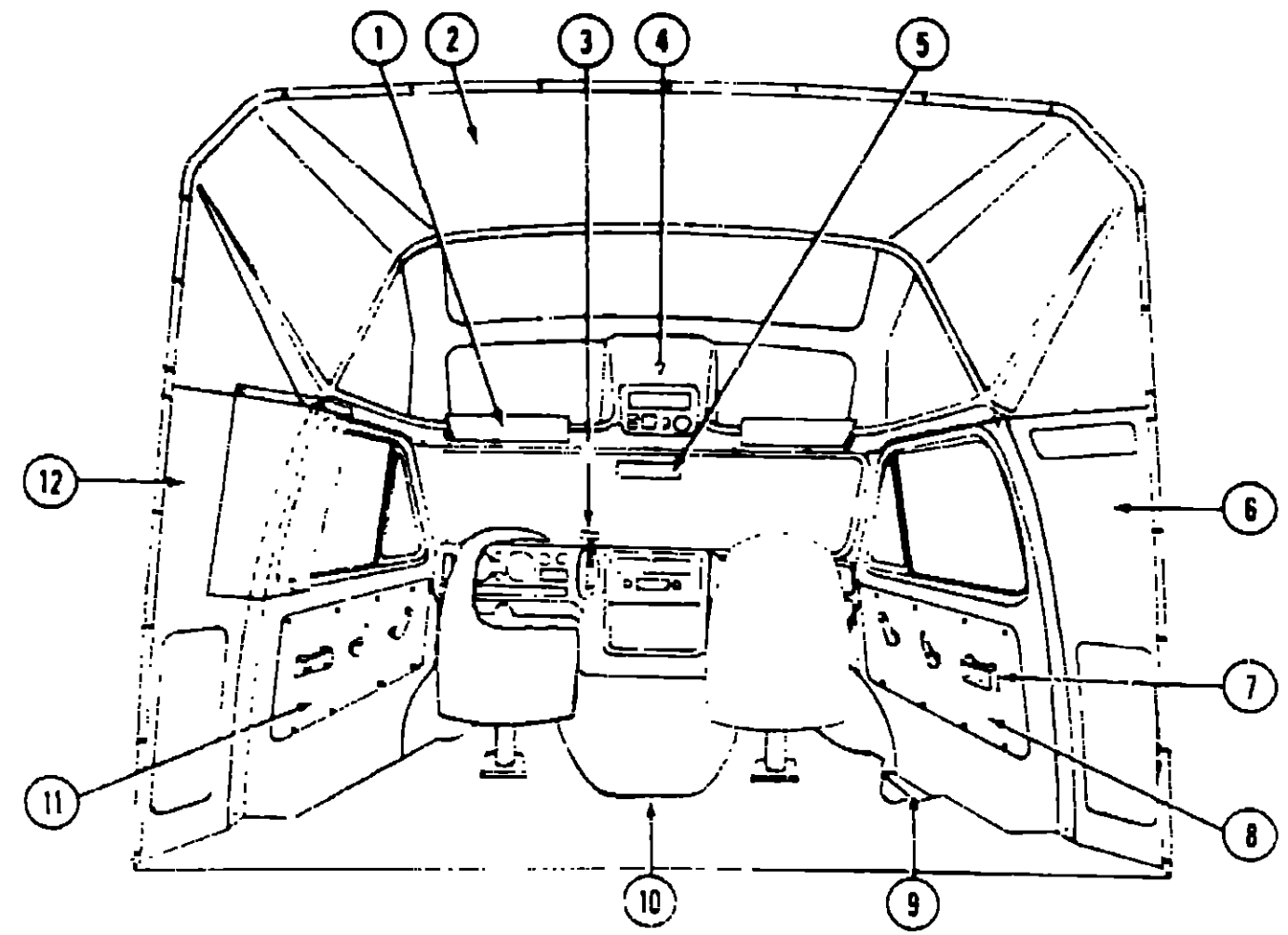
CONVENTIONAL DINETTE AND OVERHEAD CABINERY

Key	Part Number	U.M	Description
1	068907-01-N19	EA	Cabinet Asm - Dinette Overhead - w/o Doors or Hardware
2	068726-02-N19	EA	Door Asm - Dinette Overhead Cabinet - 10 1/2" x 23 1/2" - w/o Hardware
3	068971-01-N19	EA	Cabinet Asm - Dinette Back - Right Hand
4	M68975-01-N19	EA	Cabinet Asm - Dinette Seat - Right Hand
5	M68982-01-N21	EA	Table Asm - Dinette - w/o Hardware - Paper Bag Brown
6	M72634-01-N19	EA	Cabinet Asm - Dinette Seat - Left Hand
7	068972-01-N19	EA	Cabinet Asm - Dinette Back - Left Hand
•	059783-01-001	EA	Clothes Rod - Aluminum - Slotted - 7'
•	M00544-01-N21	EA	Countertop Asm - Wardrobe - Paper Bag Brown
•	068930-01-N19	EA	Door Asm - Wardrobe Cabinet - 21" x 45" - w/o Hardware
•	050200-05-000	EA	Bracket - Upper Wall Mount - 23 5/8" - Beige
•	050201-03-000	EA	Bracket - Table Mount - 23"
•	024275-05-000	EA	Rod - Table Lift - 8 1/2" x 23 5/8"
•	024281-07-000	EA	Bracket - Lower Wall Mount - 22 1/2" - Beige
•	024276-10-000	EA	Leg Asm - Table - 23 5/8" x 6 1/2"
•	054370-01-000	EA	Hinge - Table Leg
•	024280-01-000	EA	Brace - Table Leg
•	074059-01-000	EA	Cup - 1" O.D. Tube
•	049460-03-000	EA	Catch - Table Leg - Mounts on Floor - Beige
•	Not Illustrated		

†† The detailed parts breakdown for this item is provided on the Common Item File.

DINETTE OVERHEAD SIDE BUNK

Key	Part Number	U.M	Description
069090-02-N19	EA	Bunk Asm - Overhead - 72"	
059865-01-000	EA	Strap - Bunk Asm	
070325-02-000	EA	Cabinet Asm - Overhead Bunk	
059875-01-000	EA	Door Asm - Overhead Bunk Cabinet - Sliding	
059847-01-000	EA	Spring - Torsion - Right Hand	
059847-02-000	EA	Spring - Torsion - Left Hand	
071185-02-000	EA	Panel Asm - Center - Overhead Bunk Cabinet	
007001-01-000	EA	Belt Asm - Seat - 2" x 90"	
070602-01-000	EA	Support - Seat Belt	
040541-02-000	EA	Latch Asm - Chrome - w/o Strike	
040541-03-000	EA	Strike - Chrome Latch	



MISCELLANEOUS DRIVER'S COMPARTMENT COMPONENTS

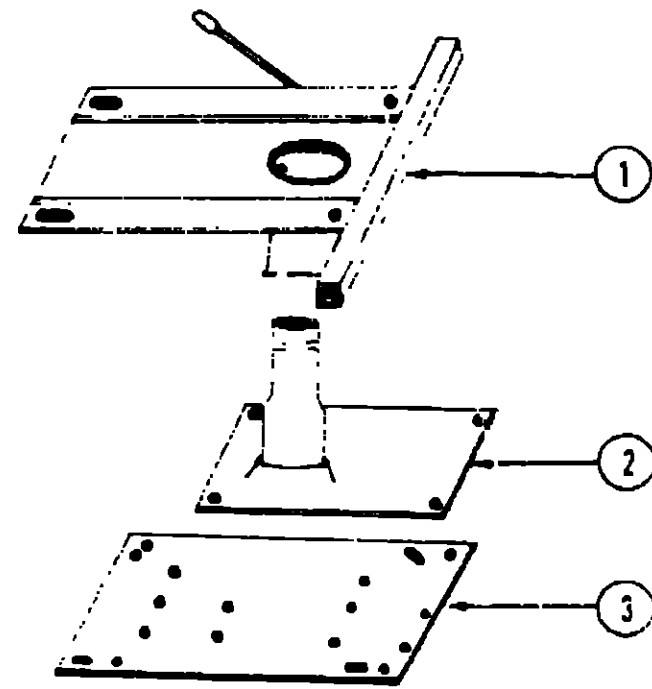
Key	Part Number	U.M	Description
1	059902-04-000	EA	Bunk Asm - Medium - Right Hand Seat
2	059901-01-000	EA	Panel Asm - Upper Front Cab - Plastic - Inner
3	070601-01-000	EA	Shifting Knob and Button - Transmission Control
4	059904-01-000	EA	Shift Lever Asm - Modified
•	059903-04-000	EA	Seat - Instrument - Overhead Console with Meter, Battery, Switch, Generator Switch, Hourmeter, Dual Battery, Switch, Travel Center
•	059905-03-000	EA	Seat - Instrument - Overhead Console with Generator Switch, Hourmeter, Dual Battery, Switch
•	059906-03-000	EA	Seat - Instrument - Overhead Console with Meter, Battery, Switch, Dual Battery Switch, Travel Center
•	054975-01-001	EA	Panel - Travel Center - Blue
•	040704-01-000	EA	Mirror - Inside Rear View
•	027490-01-000	EA	Button - Mirror - Rear View Support
•	059907-01-000	EA	Panel Asm - Window - Transmission - Plastic - Inner Right Hand
•	050202-04-000	EA	Window Asm - Cab Door - Medium - Aluminum
•	059491-01-N21	EA	Side Panel - Cab Door - Right - Rust
•	059491-01-N20	EA	Side Panel - Cab Door - Right - Beige
•	044860-01-000	EA	Mat - Door Step - Rubber - Black - Left and
•	044860-02-000	EA	Mat - Door Step - Rubber - Black - Right Hand
•	071041-01-000	EA	Mirror - Outside - w/o Glass
•	048233-01-000	EA	Bracket - Mirror Cover
•	059490-01-N21	EA	Side Panel - Cab Door - Left - Rust
•	059490-01-N20	EA	Side Panel - Cab Door - Left - Beige
•	059908-02-000	EA	Panel Asm - Window - Transmission - Plastic - Inner Left Hand
•	M70498-01-000	EA	Dash Asm
•	056602-01-000	EA	Panel Asm - Dash - Right
•	056603-01-000	EA	Panel Asm - Dash - Left - Driver
•	070604-01-000	EA	Pad - Dash - Medium - Dark - Aluminum
•	048795-01-000	EA	Glass - Mirror - Dark Brown - Plastic
•	000019-01-000	EA	Belt Asm - Seat - 2" x 94" - Blue
•	Not Illustrated		

1982 ITASCA TABLE OF CONTENTS

IC420RG N2	A-1 - B-20
IC621RB N2	B-21 - D-14
IC723DB N2	D-15 - F-2
IC723RH N2	F-3 - G-16
IC823DB P2	G-17 - I-8

1982 IC723RH N2 INDEX

Floor Plan	F-3 - F-4
Accessories Group	F-5 - F-7
Bath Group	F-8
Chassis Group	F-9
Curtain, Cushion & Pad Group	F-10 - F-14
Dinette Group	F-15
Driver's Compartment Group	F-16 - F-17
Electrical Group	F-18 - F-20
Exterior Body Group	F-21 - G-2
Galleys Group	G-3
Heating & Air Conditioning Group	G-4
Interior Finish Group	G-5 - G-6
LP Group	G-7
Water & Sewage Group	G-8
Window, Vent & Exterior Door Group	G-9 - G-16



BUCKET SEAT PEDESTAL AND SEAT BELT

Key	Part Number	U/M	Description
1	069555-04-000	EA	Plate - Top - Pedestal Arm - Single - Bucket Seat
2	069555-05-000	EA	Plate - Sub - Pedestal Arm - Bucket Seat
3	069555-07-000	EA	Plate - Base - Pedestal Arm - Bucket Seat
*	069555-08-000	EA	Hardware Kit - Bolt - Acorn Nut - 4 ea - Pedestal Arm
*	007218-01-000	EA	Bel. Asm - Seat - 2' x 84" - Black
*	041032-01-000	EA	Washer - Flat 16 27 1 D x 23 8 1 O D - Seat Belt
*	007021-01-000	EA	Bel. Asm - Seat - 2' x 80" - Black
*	001220-01-000	EA	Bel. Asm - Seat - 2' x 80" - Black
*	040010-01-000	EA	Bracket Asm - Seat Belt
*	008970-01-000	EA	Bracket - Seat Belt - Washer
*	009040-01-000	EA	Adjuster Asm - Seat w Lock
*	009040-02-000	EA	Adjuster Asm - Seat w Lock
*	009042-02-000	EA	Plate - Pedestal Adapter
*	008900-01-000	EA	Seat Belt - Shoulder Asm - Right
*	008900-02-000	EA	Seat Belt - Shoulder Asm - Left
*	007027-01-000	EA	Slider - Seat Adjuster
*	009559-02-000	EA	Slider - Seat Belt Retractor
			Not Illustrated

BULBS

Key	Part Number	U/M	Description
	037935-01-000	EA	Bulb - 1157
	037936-01-000	EA	Bulb - 1157 A
	063914-01-000	EA	Bulb - 1139
	008103-01-000	EA	Bulb - 53
	008213-01-000	EA	Bulb - 57
	008214-01-000	EA	Bulb - 67
	008215-01-000	EA	Bulb - 1003
	008218-01-000	EA	Bulb - 1141
	008220-01-000	EA	Bulb - 12V - 25W
	036196-02-000	EA	Bulb - 194A
	056288-02-000	EA	Bulb - G E 211-02

FUSES AND CIRCUIT BREAKERS

Key	Part Number	U/M	Description
	056473-01-000	EA	Fuse - Slow Blow - 6 1 4 Amp
	008233-01-000	EA	Fuse - 12 Volt - 6 Amp
	008234-01-000	EA	Fuse - 12 Volt - 10 Amp
	008235-01-000	EA	Fuse - 12 Volt - 15 Amp
	008236-01-000	EA	Fuse - 12 Volt - 20 Amp
	008248-01-000	EA	Fuse - 110 Volt - 30 Amp - AGU
	008252-01-000	EA	Fuse - 110 Volt - 50 Amp
	008206-01-000	EA	Circuit Breaker - 12 Volt - 40 Amp
	008211-01-000	EA	Circuit Breaker - 12 Volt - 6 Amp
	008266-01-000	EA	Circuit Breaker - 12 Volt - 30 Amp w Mount
	008573-01-000	EA	Circuit Breaker - 12 Volt - 20 Amp w Mount
	040051-01-000	EA	Circuit Breaker - 110 Volt - 20 Amp - TGL
	008570-02-000	EA	Circuit Breaker - 12 Volt - 15 Amp - w Mount
	008297-01-000	EA	Circuit Breaker - TCP 120
	008295-01-000	EA	Circuit Breaker - TCP 130
	071279-01-000	EA	Circuit Breaker - 120 Volt - 15 Amp
	071279-02-000	EA	Circuit Breaker - 120 Volt - 15 15 Amp
	071279-04-000	EA	Circuit Breaker - 120 Volt - 30 Amp

INTERIOR LIGHTS

Key	Part Number	U/M	Description
	064773-01-000	EA	Light - Dome - Off White - Double Jensen
	064773-02-000	EA	Light - Dome - Off White - Single Jensen
	061404-01-000	EA	Light - 12 V Receptacle - A 5's - IP
	068937-01-000	EA	Light - Dome - Surface w Switch
	068937-02-000	EA	Light - Dome - Surface w Switch
	068931-01-000	EA	Light - Dome & 2 Sidel
	008518-02-000	EA	Light - Dome - Ivory - Single - US
	008268-01-000	EA	Light - Dome - Drivers Compartment
	008506-03-000	EA	Light - Dome - Ivory - Single - CSA
	008509-02-000	EA	Light - Dome - Ivory - Double - US
	008509-03-000	EA	Light - Dome - Ivory - Double - CSA

**1982 ITASCA
TABLE OF CONTENTS**

IC420RG N2	A-1 - B-20
IC621RB N2	B-21 - C-14
IC723DB N2	D-15 - F-2
IC723RH N2	F-3 - G-16
IC823DB P2	G-17 - I-8

1982 IC723RH N2 INDEX

Floor Plan	F-3 - F-4
Accessories Group	F-5 - F-7
Bath Group	F-8
Chassis Group	F-9
Curtain, Cushion & Pad Group	F-10 - F-14
Dishette Group	F-15
Driver's Compartment Group	F-16 - F-17
Electrics Group	F-18 - F-20
Exterior Body Group	F-21 - G-2
Galley Group	G-3
Heating & Air Conditioning Group	G-4
Interior Finish Group	G-5 - G-6
LP Group	G-7
Water & Sewage Group	G-8
Window, Vent & Exterior Door Group	G-9 - G-16

ELECTRICAL GROUP (CONTINUED)

EXTERIOR LIGHTS

Key	Part Number	U/M	Description
	007309-01-000	EA	Light - Step Well
	058031-01-000	EA	Tail Lamp Asm. - 3 Bulb - Chrome
	059540-01-000	EA	Bracket - License Plate
	058031-01-700	EA	Lens - Tail Lamp - Amber
	058031-01-701	EA	Lens - Tail Lamp - Red
	058031-01-702	EA	Lens - Tail Lamp - Back Up
	042405-03-000	EA	Base - Rectangular Clearance Light
	042405-01-000	EA	Lens - Clearance Light - Red w Reflex
	042405-04-000	EA	Lens - Clearance Light - Red w/o Reflex
	042405-02-000	EA	Lens - Clearance Light - Amber w Reflex
	042405-05-000	EA	Lens - Clearance Light - Amber w/o Reflex
	008089-01-000	EA	Light - Porch - Recessed
	008089-01-700	EA	Lens - Recessed Porch Light
	067789-01-000	EA	Socket Asm. - Lamp - Front Marker
	067784-01-000	EA	Lamp Asm. - Parking - Left Hand
	067784-02-000	EA	Lamp Asm. - Parking - Right Hand
	008092-01-700	EA	Reflector - Stick On - Rectangular - Red
	008093-01-700	EA	Reflector - Stick On - Rectangular - Amber

MISCELLANEOUS ELECTRICAL COMPONENTS

Key	Part Number	U. M	Description
	047336-01-000	EA	Isolator - Dual Battery
	063709-01-000	EA	Battery - 12 Volt - 60 Amp - Gould
	006185-01-000	EA	Solenoid - Dual Battery - Relay
	049775-01-000	EA	Valve - Gas - Change Over
	024459-03-000	EA	Gauge - Voltmeter - w/o Bracket
	024462-01-000	EA	Switch - Battery Condition
	031025-01-000	EA	Gauge - Hour Meter - Generator
	024976-01-000	EA	Switch - Generator - w/o Circuit Board
	024460-01-000	EA	Gauge - Vacuum
	066065-01-000	EA	Load Center - 120V - 3 CRT
	039950-01-702	EA	Circuit Board - Control Center
	024461-01-000	EA	Switch - Battery - Changeover
	046865-01-000	EA	Plaque - Switch Mounting - Battery & Fuel
	059784-03-000	EA	Switch - Wiper - Intermittent
	072281-01-000	EA	Control Panel Complete - Water Double Sewage Cook - w LP Alarm - Refrigerator
	046612-04-000	EA	Control Panel - Basic
	016612-09-000	EA	Control Panel - Insert w LP Alarm Clock - Refrigerator Light & Sensor
	046612-12-000	EA	Refrigerator Sensor - Refrigerator Alarm
	039861-01-000	EA	Binding Link - W/m tap
	031720-01-000	EA	Spacer - Receptacle - Brown Plastic - CSA
	066213-02-000	EA	Bezel - Instrument - Overhead Console (Voltmeter, Battery Switch, Dual Battery Switch, Travel Center)
	069213-03-000	EA	Bezel - Instrument - Overhead Console (Generator Switch, Hourmeter, Dual Battery Switch)
	069213-04-000	EA	Bezel - Instrument - Overhead Console (Voltmeter, Battery Switch, Generator Switch, Hourmeter, Dual Battery Switch, Travel Center)
	064956-01-000	EA	Panel - Travel Center - Black
	071278-01-000	EA	Control Center - 32 Amp - 120 Volt 12 Volt

ELECTRICAL GROUP (CONTINUED)

WIRE, SWITCHES AND RECEPTACLES

Key	Part Number	U/M	Description
	008024-01-000	FT	Wire - 18.5 Bonded - Orange White Yellow Blue Brown
	008277-01-000	EA	Holder - Fuse - Black - Panel Mount
	008195-01-000	EA	Switch - Push Button - 12 Volt
	006077-01-000	EA	Plaque - Compressor Switch
	008054-01-000	EA	Cord - Power - 10-3 30 Amp. - 25' - UL
	024571-04-000	EA	Cover Plate - Receptacle - Jumbo Ivory Plastic
	039342-01-000	EA	Receptacle - Duplex Brown - T Junction
	024571-01-000	EA	Cover Plate - Receptacle - Jumbo Steel Brown
	008294-01-000	EA	Cover Plate - Brown Steel - 4" x 4"
	008288-01-000	EA	Box - Electrical - Plastic - 3" x 3 1/2"
	008289-01-000	EA	Box - Electrical - Steel - 4" x 4"
	039343-01-000	EA	Cap - End - Receptacle
	008162-01-000	EA	Switch - Double Toggle - Spade Brown
	008163-01-000	EA	Switch - Toggle - Brown
	031144-01-000	EA	Switch - Center Off - DPDT - Black 30A
	054532-01-000	EA	Housing Pin Asm. - 6 Position
	064398-01-000	EA	Housing Asm. - Trailer Receptacle - Female
	064399-01-000	EA	Housing Asm. - Trailer Pin - Male
	064450-01-000	EA	Housing Asm. - Trailer Plug - Male
	008164-01-000	EA	Cover Plate - Switch - Brown
	024924-01-000	EA	Receptacle - Power Cord
	008056-01-000	EA	Adaptor - Power Cord
	047253-01-000	EA	Cover - Receptacle - Ground Fault
	063126-01-000	EA	Receptacle - Ground Fault - Interrupter - 124 Volt - Brown
	055707-01-000	EA	Receptacle - Single - Brown - Thomas & Betts
	058709-01-000	EA	Receptacle - Duplex - Brown - Thomas & Betts
	058048-01-000	EA	Cover - Electrical - Rain Tight (Exterior)
	008157-01-000	EA	Receptacle - Single (Exterior)
	058264-01-000	EA	Switch - Leaf Actuator
	031966-01-000	EA	Contact - Plug

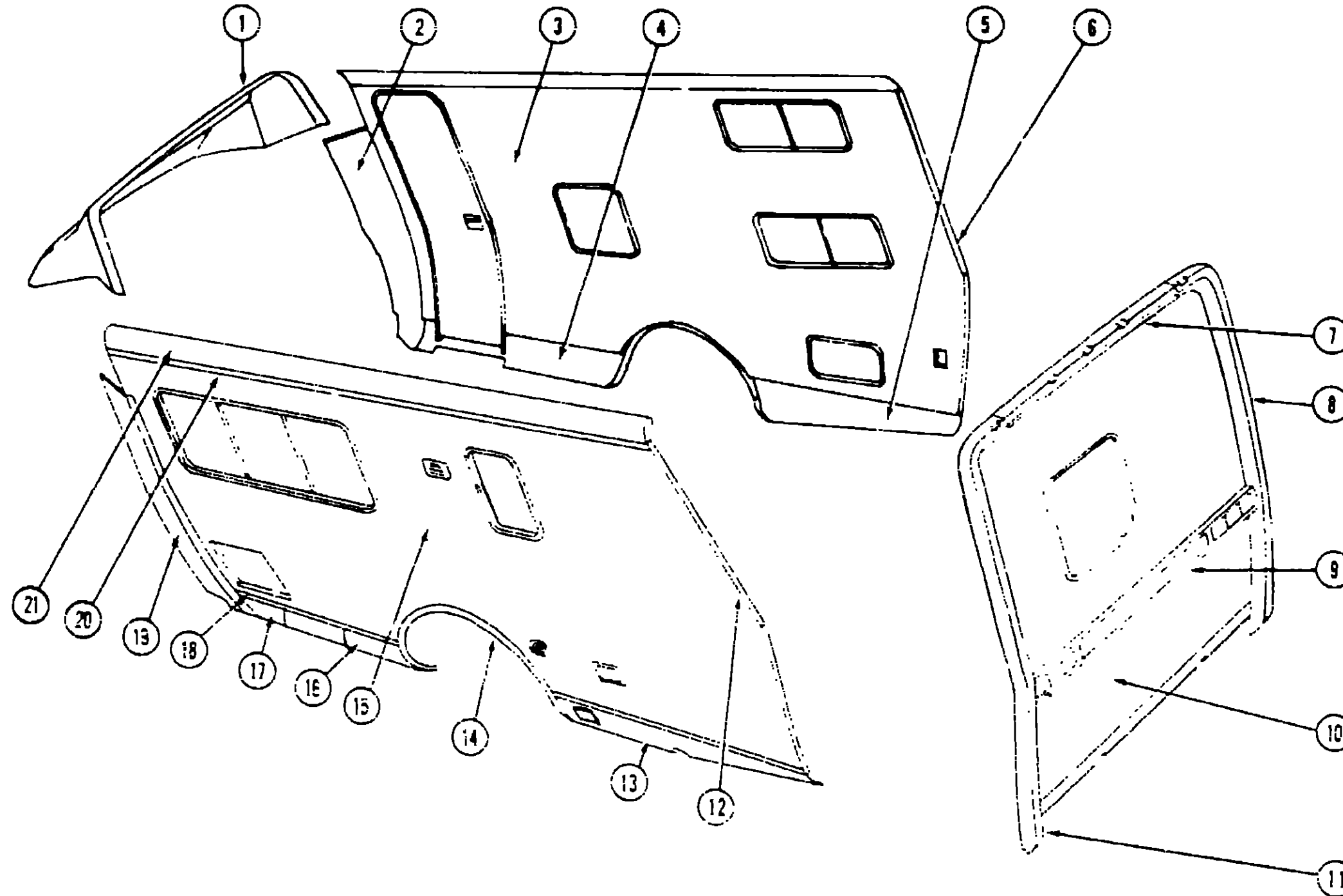
1982 ITASCA TABLE OF CONTENTS

IC420RG N2	A-1 - B-20
IC621RB N2	B-21 - D-14
IC723DB N2	D-15 - F-2
IC723RH N2	F-3 - G-16
IC823DB P2	G-17 - I-8

1982 IC723RH N2 INDEX

Floor Plan	F-3 - F-4
Accessories Group	F-5 - F-7
Bath Group	F-8
Chassis Group	F-9
Curtain, Cushion & Pad Group	F-10 - F-14
Dinette Group	F-15
Driver's Compartment Group	F-16 - F-17
Electrical Group	F-18 - F-20
Exterior Body Group	F-21 - G-2
Galley Group	G-3
Heating & Air Conditioning Group	G-4
Interior Finish Group	G-5 - G-6
LP Group	G-7
Water & Sewage Group	G-8
Window, Vent & Exterior Door Group	G-9 - G-16

EXTERIOR BODY PANELS AND SHEET ALUMINUM



1982 ITASCA
TABLE OF CONTENTS

IC420RB N2	A-1 - B-20
IC521RB N2	B-21 - D-14
IC723DB N2	D-15 - F-2
IC723RH N2	F-3 - G-16
IC823DB P2	G-17 - I-5

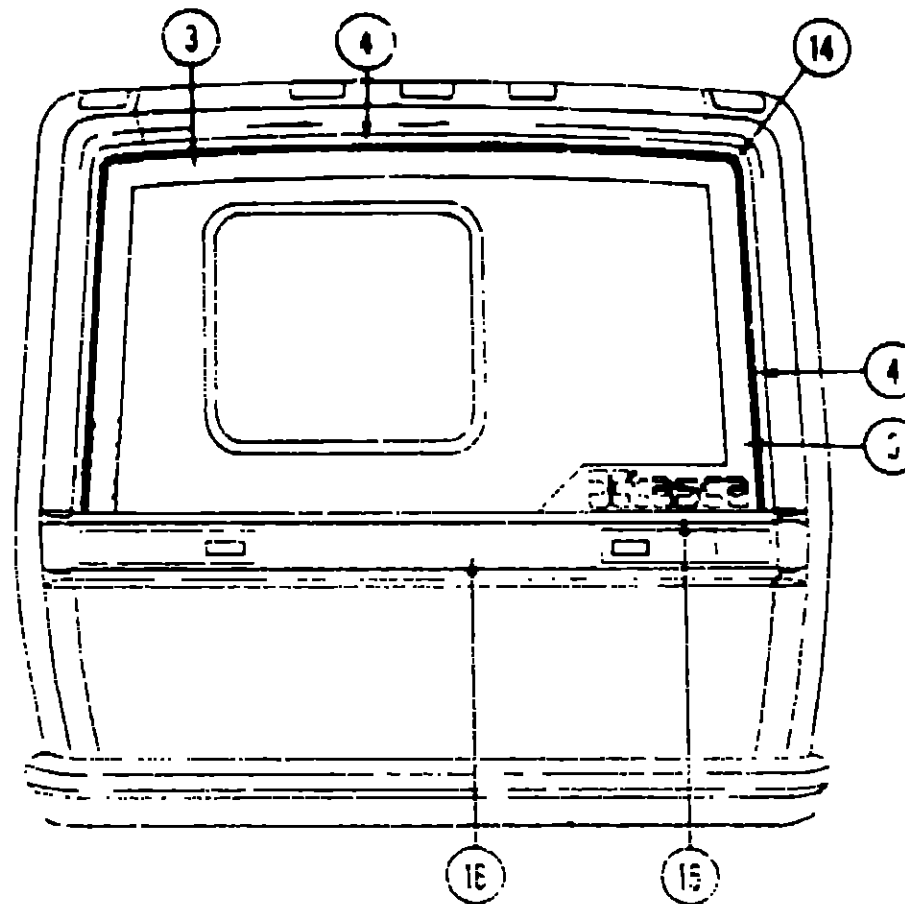
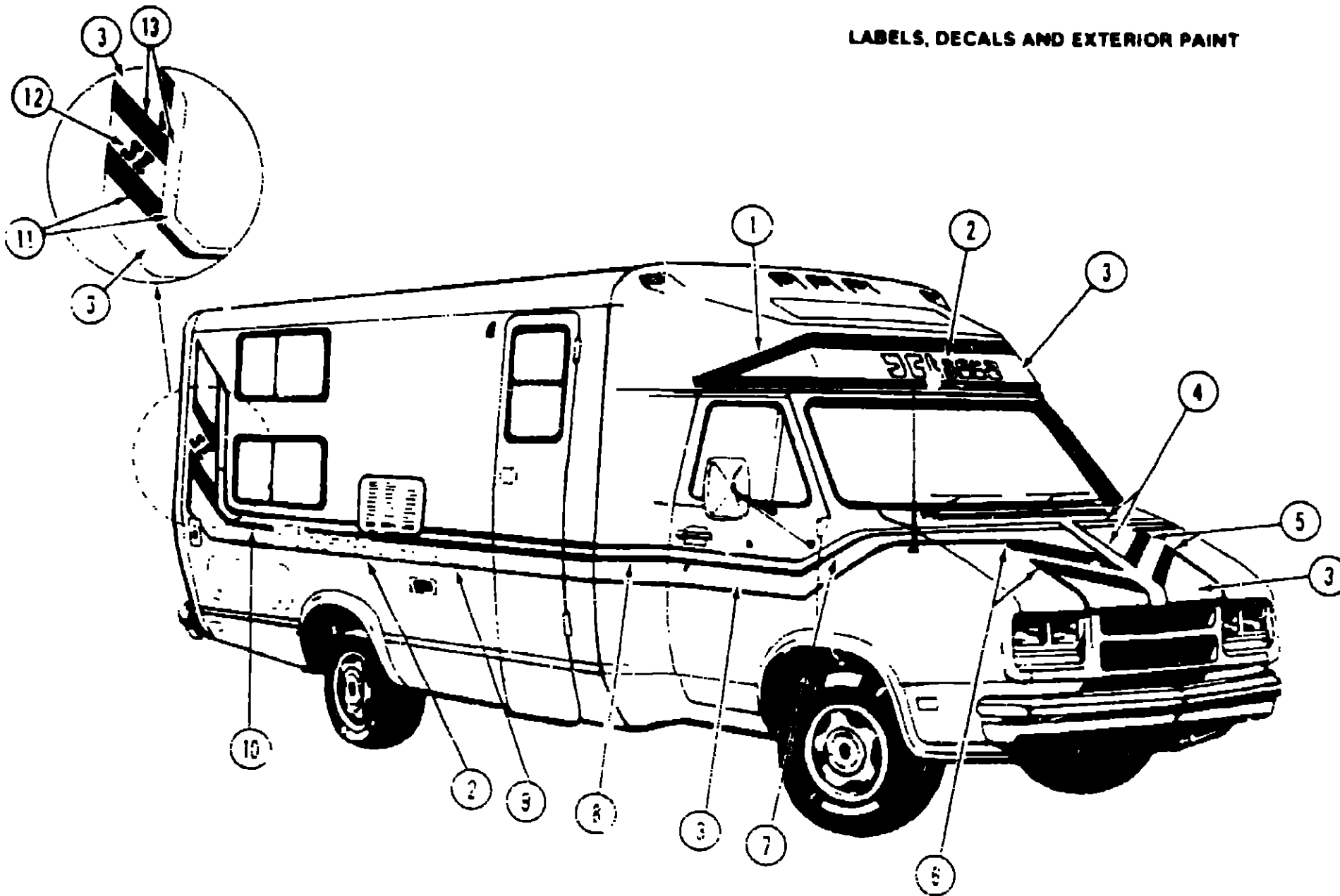
1982 IC723RH N2 INDEX

Floor Plan	F-3 - F-4
Accessories Group	F-5 - F-7
Bath Group	F-8
Chassis Group	F-9
Curtain, Cushion & Pad Group	F-10 - F-14
Electrical Group	F-15
Driver's Compartment Group	F-16 - F-17
Electrical Group	F-18 - F-20
Exterior Body Group	F-21 - G-2
Galley Group	G-3
Heating & Air Conditioning Group	G-4
Interior Finish Group	G-5 - G-8
LP Group	G-7
Water & Sewage Group	G-9
Window, Vent & Exterior Door Group	G-9 - G-16

Key	Part Number	U M	Description
1	068917-02-000	BA	Panel - Front Cap - Off White
2	068915-03-000	BA	Panel - Transition Wingwall - Outer - Right Hand
3	068950-01-N21	BA	Sidewall Asm. - Right
4	M00642-02-000	BA	Valance Panel - Right Front
5	M00643-02-000	BA	Valance Panel - Right Rear
6	068975-03-000	BA	Trim - Backwall Cap - Right - Off White
7	068920-02-000	BA	Panel - Backwall - Upper - Roof Line - Off White
8	068922-03-000	BA	Panel - Backwall - Right Hand - Off White
9	068924-02-000	BA	Panel - Backwall - Lower - Tail Lights - Off White
10	068768-02-N21	BA	Backwall Asm. - Rust
10	068765-01-N22	BA	Backwall Asm. - Beige
11	068922-04-000	BA	Panel - Backwall - Left Hand - Off White
12	068975-04-000	BA	Trim - Backwall Cap - Left - Off White
13	068956-02-000	BA	Valance Panel - Left Rear

Key	Part Number	U M	Description
14	068919-02-000	BA	Fender Trim - Rear Wheel Well - Left & Right
15	068905-01-N21	BA	Sidewall Asm. - Left - Rust
15	068905-01-N22	BA	Sidewall Asm. - Left - Beige
	M70055-02-N21	BA	Roof Asm.
16	068956-02-000	BA	Valance Panel - Left Center
17	068954-02-000	BA	Valance Panel - Left Front
18	068921-18-000	BA	Trim - Sidewall - 92.00" - Off White - w/o Insert
19	068915-04-000	BA	Panel - Transition Wingwall - Outer - Left Hand
20	068917-02-000	BA	Trim - Sidewall - 153" - Off White - w/o Insert
	001030-02-000	BA	Insert - Feature Strip - Off White - 17
	068922-03-000	BA	Trim - Roof Sidewall Joint - 153" - Right
21	068922-02-000	BA	Trim - Roof Sidewall Joint - 153" - Left
	000868-01-000	SP	Styrofoam - 3' 4" x 24" x 36"
	000870-01-000	SP	Styrofoam - 1' 10" x 24" x 36"
	068955-07-001	BA	Alum. - Off White - 324" x 48" x 240" - Smooth
			Not Illustrated

EXTERIOR BODY GROUP (CONTINUED)
LABELS, DECALS AND EXTERIOR PAINT



**1982 ITASCA
 TABLE OF CONTENTS**

IC420RB N2	A-1 - B-20
IC521RB N2	B-21 - D-14
IC723DB N2	D-15 - F-2
IC723RH N2	F-3 - G-16
IC820DB P2	G-17 - I-5

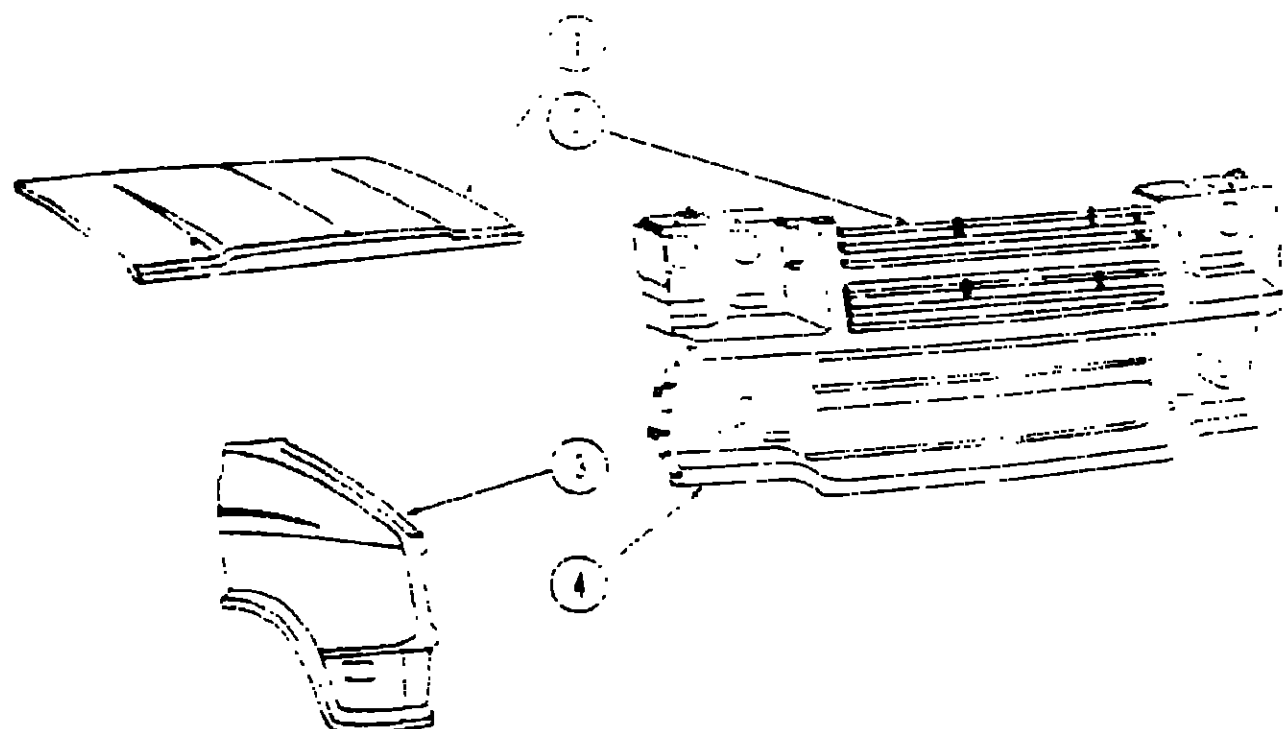
Key	Part Number	U/M	Description
1	068941-01-000	BA	Decal - Roof Cap - Right Hand - Brown Wine
1	068941-02-000	BA	Decal - Roof Cap - Left Hand - Brown Wine
2	048430-05-000	BA	Decal - Logo - Itasca
3	069228-02-000	BA	Paint - Harness Tan Metal - Acrylic Enamel - 16 oz Aerosol (42891 Dupont)
4	041861-01-000	BA	Paint - Off White - Acrylic Enamel - 1 Gallon 45399A Dupont
4	041861-02-000	BA	Paint - Off White - Acrylic Enamel - 16 oz Aerosol 45399A Dupont
4	041861-04-000	BA	Paint - Off White - Acrylic Enamel - 1 Gallon 45399A Dupont
4	045551-01-000	BA	Paint - Gloss Black - Acrylic Enamel - 1 Gallon 45399A Dupont
4	045551-02-000	BA	Paint - Gloss Black - Acrylic Enamel - 16 oz Aerosol 45399A Dupont
5	068945-01-000	RT	Trim - Multi Stripe - 150" x 150 Ft - Brown Wine
6	068945-02-000	BA	Decal - Hood - Left Hand - Wine
6	068945-03-000	BA	Decal - Hood - Right Hand - Wine
7	068945-01-000	BA	Decal - Fender - Right Hand - Brown Wine
7	068945-02-000	BA	Decal - Fender - Left Hand - Brown Wine
8	068944-01-000	BA	Decal - Transition - Right Hand - Brown Wine
8	068944-02-000	BA	Decal - Transition - Left Hand - Brown Wine
9	068945-01-000	BA	Decal - Logo - Side Panel - Off White
10	068945-03-000	RT	Trim - Multi Stripe - 225" x 150 Ft - Brown Wine
11	068945-01-000	BA	Decal - Side - Lower - Right Hand - Brown Wine
11	068945-02-000	BA	Decal - Side - Lower - Left Hand - Brown Wine
12	068927-02-000	BA	Decal - SS - A
			Not Illustrated

Key	Part Number	U/M	Description
13	068945-01-000	BA	Decal - Side - Top - Right Hand - Brown Wine
13	068945-02-000	BA	Decal - Side - Top - Left Hand - Brown Wine
14	068945-01-000	BA	Decal - Corner - 30" x 30" - Brown Wine
15	068945-01-000	BA	Decal - Logo - Itasca - 370" x 15" SS
16	068945-01-000	BA	Decal - Burned Aluminum Layer
17	068945-11-000	BA	Tag - Gas Refillation Warning
17	068945-11-000	BA	Tag - Electrical - 110 Volt Connector
17	068945-11-000	BA	Label - Water Only
17	068945-11-000	BA	Label - Drain Cam - 2 1/2"
17	068945-11-000	BA	Label - Potable Water Only
17	068945-11-000	BA	Label - Seat Belt Seatbelt
17	068945-11-000	BA	Label - Sewage
17	068945-11-000	BA	Label - Waste Water
17	068945-11-000	BA	Label - Exit - Escape Window
17	068945-11-000	BA	Label - Warning - Exterior Latching Latch
17	068945-11-000	BA	Label - Fuel
17	068945-11-000	BA	Label - Emergency Exit
17	068945-11-000	BA	Label - Warning - Store Vent - LP
17	068945-11-000	BA	Label - LP Gas Only
17	068945-11-000	BA	Logo - LP Power
17	068945-11-000	BA	Logo - Itasca
			Not Illustrated

1982 IC723RH N2 INDEX

Floor Plan	F-3 - F-4
Accessories Group	F-5 - F-7
Bath Group	F-8
Crosses Group	F-9
Curtain Column & Rod Group	F-10 - F-11
Cupette Group	F-12
Drivers Commitment Group	F-13 - F-17
Electrical Group	F-18 - F-20
Entry or Back Group	F-21 - G-2
Grill Group	G-3
Heating & Air Conditioning Group	G-4
Interior Finish Group	G-5 - G-9
LP Group	G-7
Water & Sewage Group	G-8
Window Vent & Exterior Door Group	G-9 - G-16

EXTERIOR BODY GROUP (CONTINUED)



EXTERIOR BODY PANELS (FRONT)

Key	Part Number	U/M	Description
	042973-02-000	EA	Hood Asm
	057896-01-000	EA	Hinge Asm - Hood
	056723-01-000	EA	Hood Latch Asm
	064974-03-000	EA	Bracket Asm - Hood Hinge - Right Hand
	064974-04-000	EA	Bracket Asm - Hood Hinge - Left Hand
	069071-02-000	EA	Hood Pin & Rod
	062628-01-000	EA	Cap - Pin Rod
	067785-01-000	EA	Beze - Headlamps - Left - Chrome
	073621-01-000	EA	Grill Asm
	067785-02-000	EA	Beze - Headlamps - Right - Chrome
	049185-01-000	EA	Capsule Asm - Headlamps Rectangular - Left - Right Hand Beam
	049185-01-000	EA	Capsule Asm - Headlamps Rectangular - Right - Right Hand Beam
	067786-01-000	EA	Capsule Asm - Headlamps Rectangular - Left - Left Hand Beam
	067787-01-000	EA	Capsule Asm - Headlamps Rectangular - Right - Right Hand Beam
	050030-01-000	EA	Wire Housing Asm - Headlamps
	054863-02-000	EA	Panel - Wheel House - Front (Half) - Right
	054863-01-000	EA	Panel - Wheel House - Front (Half) - Left
	068906-03-000	EA	Fender - Right Hand
	068906-04-000	EA	Fender - Left Hand
	054970-02-000	EA	Front Panel - Fiberglass - w/o Grill & Headlamps
4	Not Illustrated		

EXTERIOR BODY GROUP (CONTINUED)

MISCELLANEOUS EXTERNALLY MOUNTED PARTS

Key	Part Number	U/M	Description
	042973-02-000	EA	Hood Asm
	057896-01-000	EA	Hinge Asm - Hood
	056723-01-000	EA	Hood Latch Asm
	064974-03-000	EA	Bracket Asm - Hood Hinge - Right Hand
	064974-04-000	EA	Bracket Asm - Hood Hinge - Left Hand
	069071-02-000	EA	Hood Pin & Rod
	062628-01-000	EA	Cap - Pin Rod
	067785-01-000	EA	Beze - Headlamps - Left - Chrome
	073621-01-000	EA	Grill Asm
	067785-02-000	EA	Beze - Headlamps - Right - Chrome
	049185-01-000	EA	Capsule Asm - Headlamps Rectangular - Left - Right Hand Beam
	049185-01-000	EA	Capsule Asm - Headlamps Rectangular - Right - Right Hand Beam
	067786-01-000	EA	Capsule Asm - Headlamps Rectangular - Left - Left Hand Beam
	067787-01-000	EA	Capsule Asm - Headlamps Rectangular - Right - Right Hand Beam
	050030-01-000	EA	Wire Housing Asm - Headlamps
	054863-02-000	EA	Panel - Wheel House - Front (Half) - Right
	054863-01-000	EA	Panel - Wheel House - Front (Half) - Left
	068906-03-000	EA	Fender - Right Hand
	068906-04-000	EA	Fender - Left Hand
	054970-02-000	EA	Front Panel - Fiberglass - w/o Grill & Headlamps

Note: All items shown are standard on the model unless otherwise indicated.

SEALANTS, ADHESIVES AND FASTENERS

Key	Part Number	U/M	Description
	042973-02-000	EA	Hood Asm
	057896-01-000	EA	Hinge Asm - Hood
	056723-01-000	EA	Hood Latch Asm
	064974-03-000	EA	Bracket Asm - Hood Hinge - Right Hand
	064974-04-000	EA	Bracket Asm - Hood Hinge - Left Hand
	069071-02-000	EA	Hood Pin & Rod
	062628-01-000	EA	Cap - Pin Rod
	067785-01-000	EA	Beze - Headlamps - Left - Chrome
	073621-01-000	EA	Grill Asm
	067785-02-000	EA	Beze - Headlamps - Right - Chrome
	049185-01-000	EA	Capsule Asm - Headlamps Rectangular - Left - Right Hand Beam
	049185-01-000	EA	Capsule Asm - Headlamps Rectangular - Right - Right Hand Beam
	067786-01-000	EA	Capsule Asm - Headlamps Rectangular - Left - Left Hand Beam
	067787-01-000	EA	Capsule Asm - Headlamps Rectangular - Right - Right Hand Beam
	050030-01-000	EA	Wire Housing Asm - Headlamps
	054863-02-000	EA	Panel - Wheel House - Front (Half) - Right
	054863-01-000	EA	Panel - Wheel House - Front (Half) - Left
	068906-03-000	EA	Fender - Right Hand
	068906-04-000	EA	Fender - Left Hand
	054970-02-000	EA	Front Panel - Fiberglass - w/o Grill & Headlamps

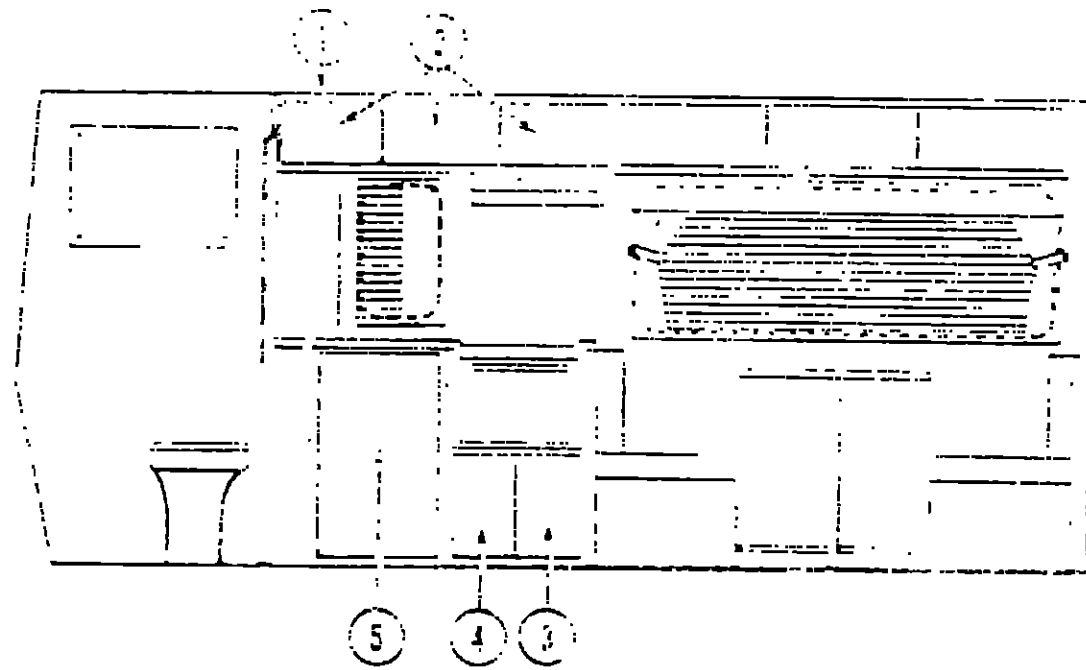
1982 ITASCA
TABLE OF CONTENTS

042075 N2	A-1 - B-11
052176 N2	B-12 - D-14
072308 N2	D-15 - F-2
070378 N2	F-3 - G-18
010308 F2	G-19 - H-9

1982 IC723RH N2 INDEX

Floor Plan	F-3 - F-4
Accessories Group	F-5 - F-7
Bath Group	F-8
Chassis Grp	F-9
Curtain, Cushion & Pad Group	F-10 - F-14
Driveline Group	F-15
Engine Compartment Group	F-16 - F-17
Electrical Group	F-18 - F-21
Exterior Body Group	F-21 - G-2
Gale, Grille	G-3
Heating & Air Conditioning Group	G-4
Interior Finish Group	G-5 - G-7
LP Group	G-7
Water & Sewage Group	G-8
Window, Vent & Exterior Door Group	G-9 - G-16

GALLEY GROUP



GALLEY CABINETRY

Key	Part Number	U/M	Description
1	268200-01-N19	EA	Cabinet Asst - Galley Overhead - w/ 2 Doors on Right Side
2	268200-01-N19	EA	Cabinet Asst - Galley Overhead - w/ 1 Door - w/ 2 Drawers
3	268200-01-N19	EA	Cabinet Asst - Galley Cabinet - w/ 17" x 17" - w/ 2 Drawers - Right
4	268200-01-N19	EA	Cabinet Asst - Galley Cabinet - w/ Side Section - 10" x 17"
5	268200-01-N19	EA	Hardware - Left
6	268200-01-N19	EA	Cabinet Asst - Galley Cabinet - 21" x 20" - w/ 2 Drawers
7	268200-01-000	EA	Drawer Asst - Galley Cabinet - 13" x 20" - w/ 2 Drawers
8	268200-01-000	EA	Countertop Asst - Galley Cabinet - Paper Bag Brown
9	268200-01-000	EA	Countertop Asst - Refrigerator - Paper Bag Brown
10	268200-01-N19	EA	Cabinet Asst - Refrigerator Cabinet - 10" x 17" - w/ 2 Drawers - Right
11	268200-01-N19	EA	Cabinet Asst - Refrigerator Cabinet - 10" x 17" - w/ 2 Drawers - Left
12	Not Illustrated		

GALLEY HARDWARE AND APPLIANCES

Key	Part Number	U/M	Description
1	069110-01-000	EA	Shelf - Double - Standard - w/ Mounting Hardware
2	069110-01-000	EA	Shelf - Single - w/ Mounting Hardware
3	069110-01-000	EA	Shelf - Single - w/ Mounting Hardware - CBA
4	069110-01-000	EA	Stove - 2 Burner - Gas - Safety Glass
5	069110-01-000	EA	Stove - 2 Burner - Gas
6	069110-01-000	EA	Stove - 2 Burner - Gas
7	149930-03-000	EA	Food - Stove - Powered - Back Face - CBA
8	149930-04-000	EA	Food - Stove - Powered - Back Face - CBA
9	153330-01-000	EA	Food - Stove - Non Powered - Back Face - CBA
10	069110-01-000	EA	Food - Stove - Non Powered - Back Face - CBA
11	064470-01-000	EA	Refrigerator - 2 Way - 6 cu. ft.容积
12	064470-01-000	EA	Level - Refrigerator
13	067734-01-000	EA	Range - 3 Burner - Stove - Oven - Black - Mag. Chef
14	069110-02-000	EA	Range - 2 Burner - Permanent - No Oven
15	069110-01-000	EA	Side - Drawer - Left
16	069110-02-000	EA	Side - Drawer - Right

** The illustrated parts breakdown for this item is provided on the Common Items Form.

HEATING & AIR CONDITIONING GROUP

Key	Part Number	U/M	Description
1	149930-01-000	EA	Food - Stove - Powered - Back Face - CBA
2	149930-02-000	EA	Food - Stove - Powered - Back Face - CBA
3	149930-03-000	EA	Food - Stove - Powered - Back Face - CBA
4	149930-04-000	EA	Food - Stove - Powered - Back Face - CBA
5	149930-05-000	EA	Food - Stove - Powered - Back Face - CBA
6	149930-06-000	EA	Food - Stove - Powered - Back Face - CBA
7	149930-07-000	EA	Food - Stove - Powered - Back Face - CBA
8	149930-08-000	EA	Food - Stove - Powered - Back Face - CBA
9	149930-09-000	EA	Food - Stove - Powered - Back Face - CBA
10	149930-10-000	EA	Food - Stove - Powered - Back Face - CBA
11	149930-11-000	EA	Food - Stove - Powered - Back Face - CBA
12	149930-12-000	EA	Food - Stove - Powered - Back Face - CBA
13	149930-13-000	EA	Food - Stove - Powered - Back Face - CBA
14	149930-14-000	EA	Food - Stove - Powered - Back Face - CBA
15	149930-15-000	EA	Food - Stove - Powered - Back Face - CBA
16	149930-16-000	EA	Food - Stove - Powered - Back Face - CBA
17	149930-17-000	EA	Food - Stove - Powered - Back Face - CBA
18	149930-18-000	EA	Food - Stove - Powered - Back Face - CBA
19	149930-19-000	EA	Food - Stove - Powered - Back Face - CBA
20	149930-20-000	EA	Food - Stove - Powered - Back Face - CBA
21	149930-21-000	EA	Food - Stove - Powered - Back Face - CBA
22	149930-22-000	EA	Food - Stove - Powered - Back Face - CBA
23	149930-23-000	EA	Food - Stove - Powered - Back Face - CBA
24	149930-24-000	EA	Food - Stove - Powered - Back Face - CBA
25	149930-25-000	EA	Food - Stove - Powered - Back Face - CBA
26	149930-26-000	EA	Food - Stove - Powered - Back Face - CBA
27	149930-27-000	EA	Food - Stove - Powered - Back Face - CBA
28	149930-28-000	EA	Food - Stove - Powered - Back Face - CBA
29	149930-29-000	EA	Food - Stove - Powered - Back Face - CBA
30	149930-30-000	EA	Food - Stove - Powered - Back Face - CBA
31	149930-31-000	EA	Food - Stove - Powered - Back Face - CBA
32	149930-32-000	EA	Food - Stove - Powered - Back Face - CBA
33	149930-33-000	EA	Food - Stove - Powered - Back Face - CBA
34	149930-34-000	EA	Food - Stove - Powered - Back Face - CBA
35	149930-35-000	EA	Food - Stove - Powered - Back Face - CBA
36	149930-36-000	EA	Food - Stove - Powered - Back Face - CBA
37	149930-37-000	EA	Food - Stove - Powered - Back Face - CBA
38	149930-38-000	EA	Food - Stove - Powered - Back Face - CBA
39	149930-39-000	EA	Food - Stove - Powered - Back Face - CBA
40	149930-40-000	EA	Food - Stove - Powered - Back Face - CBA
41	149930-41-000	EA	Food - Stove - Powered - Back Face - CBA
42	149930-42-000	EA	Food - Stove - Powered - Back Face - CBA
43	149930-43-000	EA	Food - Stove - Powered - Back Face - CBA
44	149930-44-000	EA	Food - Stove - Powered - Back Face - CBA
45	149930-45-000	EA	Food - Stove - Powered - Back Face - CBA
46	149930-46-000	EA	Food - Stove - Powered - Back Face - CBA
47	149930-47-000	EA	Food - Stove - Powered - Back Face - CBA
48	149930-48-000	EA	Food - Stove - Powered - Back Face - CBA
49	149930-49-000	EA	Food - Stove - Powered - Back Face - CBA
50	149930-50-000	EA	Food - Stove - Powered - Back Face - CBA
51	149930-51-000	EA	Food - Stove - Powered - Back Face - CBA
52	149930-52-000	EA	Food - Stove - Powered - Back Face - CBA
53	149930-53-000	EA	Food - Stove - Powered - Back Face - CBA
54	149930-54-000	EA	Food - Stove - Powered - Back Face - CBA
55	149930-55-000	EA	Food - Stove - Powered - Back Face - CBA
56	149930-56-000	EA	Food - Stove - Powered - Back Face - CBA
57	149930-57-000	EA	Food - Stove - Powered - Back Face - CBA
58	149930-58-000	EA	Food - Stove - Powered - Back Face - CBA
59	149930-59-000	EA	Food - Stove - Powered - Back Face - CBA
60	149930-60-000	EA	Food - Stove - Powered - Back Face - CBA
61	149930-61-000	EA	Food - Stove - Powered - Back Face - CBA
62	149930-62-000	EA	Food - Stove - Powered - Back Face - CBA
63	149930-63-000	EA	Food - Stove - Powered - Back Face - CBA
64	149930-64-000	EA	Food - Stove - Powered - Back Face - CBA
65	149930-65-000	EA	Food - Stove - Powered - Back Face - CBA
66	149930-66-000	EA	Food - Stove - Powered - Back Face - CBA
67	149930-67-000	EA	Food - Stove - Powered - Back Face - CBA
68	149930-68-000	EA	Food - Stove - Powered - Back Face - CBA
69	149930-69-000	EA	Food - Stove - Powered - Back Face - CBA
70	149930-70-000	EA	Food - Stove - Powered - Back Face - CBA
71	149930-71-000	EA	Food - Stove - Powered - Back Face - CBA
72	149930-72-000	EA	Food - Stove - Powered - Back Face - CBA
73	149930-73-000	EA	Food - Stove - Powered - Back Face - CBA
74	149930-74-000	EA	Food - Stove - Powered - Back Face - CBA
75	149930-75-000	EA	Food - Stove - Powered - Back Face - CBA
76	149930-76-000	EA	Food - Stove - Powered - Back Face - CBA
77	149930-77-000	EA	Food - Stove - Powered - Back Face - CBA
78	149930-78-000	EA	Food - Stove - Powered - Back Face - CBA
79	149930-79-000	EA	Food - Stove - Powered - Back Face - CBA
80	149930-80-000	EA	Food - Stove - Powered - Back Face - CBA
81	149930-81-000	EA	Food - Stove - Powered - Back Face - CBA
82	149930-82-000	EA	Food - Stove - Powered - Back Face - CBA
83	149930-83-000	EA	Food - Stove - Powered - Back Face - CBA
84	149930-84-000	EA	Food - Stove - Powered - Back Face - CBA
85	149930-85-000	EA	Food - Stove - Powered - Back Face - CBA
86	149930-86-000	EA	Food - Stove - Powered - Back Face - CBA
87	149930-87-000	EA	Food - Stove - Powered - Back Face - CBA
88	149930-88-000	EA	Food - Stove - Powered - Back Face - CBA
89	149930-89-000	EA	Food - Stove - Powered - Back Face - CBA
90	149930-90-000	EA	Food - Stove - Powered - Back Face - CBA
91	149930-91-000	EA	Food - Stove - Powered - Back Face - CBA
92	149930-92-000	EA	Food - Stove - Powered - Back Face - CBA
93	149930-93-000	EA	Food - Stove - Powered - Back Face - CBA
94	149930-94-000	EA	Food - Stove - Powered - Back Face - CBA
95	149930-95-000	EA	Food - Stove - Powered - Back Face - CBA
96	149930-96-000	EA	Food - Stove - Powered - Back Face - CBA
97	149930-97-000	EA	Food - Stove - Powered - Back Face - CBA
98	149930-98-000	EA	Food - Stove - Powered - Back Face - CBA
99	149930-99-000	EA	Food - Stove - Powered - Back Face - CBA
100	149930-100-000	EA	Food - Stove - Powered - Back Face - CBA

** The illustrated parts breakdown for this item is provided on the Common Items Form.

**1982 ITASCA
TABLE OF CONTENTS**

040070-N0	A-1 - B-01
080700-N1	B-21 - B-24
070000-N2	C-15 - F-0
070000-N2	F-3 - G-16
080000-N2	G-17 - G-8

1982 IC723RH N2 INDEX

Floor Plan	F-3 - F-4
Accessories Group	F-5 - F-7
Bath Group	F-8
Chassis Group	F-9
Curtain, Cushion & Pad Group	F-10 - F-14
Dinette Group	F-15
Driver's Compartment Group	F-16 - F-17
Electrical Group	F-18 - F-20
Exterior Body Group	F-21 - G-2
Galley Group	G-3
Heating & Air Conditioning Group	G-4
Interior Finish Group	G-5 - G-6
LP Group	G-7
Water & Sewage Group	G-8
Window, Vent & Exterior Door Group	G-9 - G-16

INTERIOR FINISH GROUP

PANELING AND COUNTERTOP MATERIALS

Key	Part Number	U M	Description
	068344-04-000	SF	Paneling - 772 Birch - 48" x 96" - 32 SF
	068343-04-000	SF	Paneling - Decor Suede Arch - Rust - 48" x 96" - 32 SF
	068343-03-000	SF	Paneling - Decor Suede Arch - Blue - 48" x 96" - 32 SF
	068344-05-000	SF	Paneling - Wall - Suede Craft - 48" x 96" - 32 SF
	068341-03-000	SF	Plastic Laminate - Paper Bag Brown - 48" x 96" - 32 SF
	068341-03-019	EA	Plastic Laminate - Paper Bag Brown - 1" x 96"

INTERIOR MOLDINGS AND TRIMS

Key	Part Number	U M	Description
	047094-06-000	EA	Batt Strip - Suede Beige
	068345-07-000	EA	Batt Strip - Decorative Arch - Blue
	068345-08-000	EA	Batt Strip - Decorative Arch - Rust
	009512-11-000	FT	Molding - Corner - Outside 50
	022992-03-000	FT	Molding - Reverse Cove - Sandalwood
	009757-06-000	FT	Walling - Beige
	009776-01-000	FT	U-Channel - 1" - Dark Brown

CABINETS AND TABLE HARDWARE

Key	Part Number	U M	Description
**	057898-01-000	EA	Hidden Latch - Cabinet Door
**	057896-02-000	EA	Strike - Hidden Latch - Cabinet Door
	053331-02-000	EA	Hinge - Cabinet Door - Overlay - Flat Black
	009021-01-000	EA	Catch - Nylon
	009021-02-000	EA	Strike - Nylon Catch
	069022-01-000	EA	Slide - Drawer - Left
	069022-02-000	EA	Slide - Drawer - Right
	009112-01-000	EA	Flange - 1" - Closet Rod
	024276-10-000	EA	Leg Asm - Table - Beige - 29.75
**	024252-01-000	EA	Brace - Table Leg
	024275-05-000	EA	Rod - Table Lift - Beige - 8" x 23.5
	024261-07-000	EA	Bracket - Table Lift - Lower Wall Mount - Beige
	049493-03-000	EA	Catch - Table Leg - Mounts on Floor
	053200-05-000	EA	Bracket - Table Lift - Upper Wall Mount - Beige
	053201-03-000	EA	Bracket - Table Mount - 23
**	054050-01-000	EA	Hinge - Table Leg
**	024283-01-000	EA	Clip - 1" O.D. Tube
**	045795-01-000	EA	Glass Holder - Light Oak Plastic

The illustrated parts breakdown for this item is provided on the Common Items Fiche.

INTERIOR FINISH GROUP (CONTINUED)

CURTAIN HARDWARE

Key	Part Number	U M	Description
	037872-03-000	EA	Bracket - Curtain Rod
	037872-01-000	EA	Rod - Curtain - Double Extension - 48" - 54"
	050758-03-000	EA	Center Support - Curtain Rod
	056754-01-000	EA	Pull - Window Shade - Antique Brass
	056001-01-000	EA	Bracket - Shade - Left
	056002-01-000	EA	Bracket - Shade - Right
	009107-01-000	EA	Guide - Nylon Snap - Curtain
	052327-05-009	EA	Track - Curtain - Tension Holes - Beige Alum
	069270-01-000	EA	Track - Shower Curtain - L Rod - Beige Alum
	009701-01-000	EA	Carrier - L Rod - Curtain
	019702-01-000	EA	End Stop - L Rod - Curtain
	058115-01-000	YD	Tape - Plastic - Clear - Guides
	058116-01-000	FT	Track - Curtain - Plastic - Brown
	048394-01-000	YD	Tape - Hook - 1" x 25 yd - Beige
	048395-01-000	YD	Tape - Loop - 1" x 25 yd - Beige

FABRICS AND FLOOR COVERINGS

Key	Part Number	U M	Description
	064033-05-000	YD	Fabric - Drapery - Beige
	068338-07-000	YD	Fabric - Upholstery - Rust
	068338-08-000	YD	Fabric - Upholstery - Caramel
	038421-01-000	YD	Trimming - Mattress
	053327-01-000	YD	Vinyl - Non Expanded - 27 oz - Adorn Brown
	053327-02-000	YD	Vinyl - Expanded - 25 oz - Adorn Brown
	053327-03-000	YD	Vinyl - Non Support - 16 Gauge Film - Adorn Brown
	068341-02-000	YD	Vinyl - Expanded - 28 oz - Saddle Brown
	069732-03-000	SY	Carpet - Special Pattern

MISCELLANEOUS PARTS

Key	Part Number	U M	Description
	053552-01-N07	EA	Handle Asm - Interior Assist - Medium Almond Vinyl
	041944-03-000	EA	Fire Extinguisher - w Bracket - 5BC
	054155-14-000	EA	Owners Manual - 1962 - Winnebago & Itasca
	040069-01-000	EA	Door Mat - Black Rubber - 10 1/2" x 25" w Itasca Logo

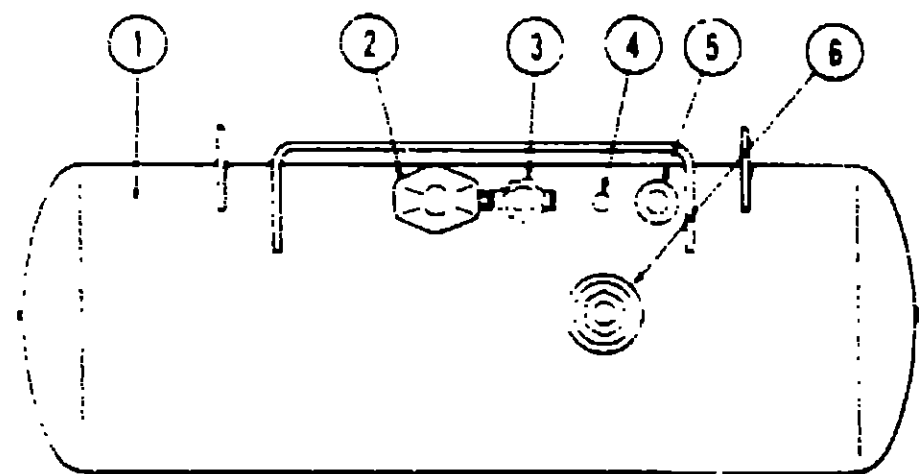
1982 ITASCA TABLE OF CONTENTS

IC40LRGN2	A-1 - B-01
IC621RBN2	B-21 - D-14
IC733BN2	D-15 - F-2
IC733RH N2	F-3 - G-15
IC833BN F2	G-17 - H-8

1982 IC723RH N2 INDEX

Floor Plan	F-3 - F-4
Accessories Group	F-5 - F-7
Bath Group	F-8
Chassis Group	F-9
Curtain, Cushion & Pad Group	F-10 - F-14
Dinette Group	F-15
Driver's Compartment Group	F-16 - F-17
Electrical Group	F-18 - F-20
Exterior Body Group	F-21 - G-2
Galley Group	G-3
Heating & Air Conditioning Group	G-4
Interior Finish Group	G-5 - G-6
LP Group	G-7
Water & Sewage Group	G-8
Window, Vent & Exterior Door Group	G-9 - G-16

LP GROUP



Key	Part Number	U M	Description
1	074140-01-000	EA	Tank Asm - LP - 10' x 23' - 25 Pound
1	074142-01-000	EA	Tank Asm - LP - 13' x 44' - 50 Pound
1	074143-02-000	EA	Tank Asm - LP - 14' x 45' - 55 Pound - Dual Draw
2	058706-01-000	EA	Cover - Regulator - 2 Stage
2	058705-01-000	EA	Regulator - Two Stage - LP Gas
3	040421-01-703	EA	Valve - Vapor Relief
4	040421-01-700	EA	Gauge - Liquid Level - 20% LP
5	040421-01-701	EA	Valve - Filter - LP
5	040421-01-702	EA	Cap - Plastic Fill Valve
6	040421-01-707	EA	Gauge - Float - w Visible Dial - 50# Pound Tank
5	065741-01-000	EA	Gauge - Diaphragm Pressure
5	040421-01-706	EA	Dial - Visible Face - Float Gauge (Tank w/o Electric Transmitter)
5	040440-01-000	EA	Dial - Transmitter - 0 - 90 Chm (Float Gauge)
5	045703-03-000	EA	Hose Asm - LP - 3/8" ID x 4"
5	047737-02-000	EA	Support - LP Tank - 89 25"
5	053112-01-000	EA	Support - LP Tank - 2' x 2' x 8"
5			Not Illustrated

WINN AIR LANDI-HARTOG (C-BODY)

Key	Part Number	U M	Description
	065279-01-000	EA	Relief Valve - Hydrostatic
	065287-02-000	EA	Valve - Gasoline Shut-Off
	065820-02-000	EA	Hose Asm - High Pressure - 3/8"
	065820-01-000	EA	Hose Asm - High Pressure - 95"
	067290-01-001	EA	Hose - Vapor 5/8" x 51'
	068050-07-000	EA	LP Mixer
	068163-01-000	EA	Strap - Converter Brace
	065959-01-000	EA	Housing - LP Instrumentation
	058240-01-000	EA	Support Brace - Converter
	035927-01-002	EA	Steel Rod - Threaded - 1/4" - 20 x 9"
	068143-01-000	EA	Tube Asm - Converter - Copper w Flare Nuts - 5/16" x 270° Bend
	065802-01-000	EA	Gauge - LP Level w Hardware
	068050-05-000	EA	Switch - LP Gas Changeover
	068050-01-000	EA	Converter - LP
	068050-02-000	EA	LP Lock Off
	068050-03-000	EA	Switch - LP - Vacuum Safety

WATER & SEWAGE GROUP

PLUMBING REPAIR PARTS

Key	Part Number	U M	Description
	045729-01-000	EA	Pump - Water - 2.5 G.P.M. - US
	045729-02-000	EA	Pump - Water - 2.5 G.P.M. - CSA
	039647-02-000	EA	Filter - Water Pump - 1/2" MPT
	039647-03-000	EA	Filter - Water Pump - 1/2" Flare
**	052952-01-000	EA	Valve - Stop - 90° - 2 F x 3/8 MPT
**	039618-01-000	EA	Flare Asm - 3/8" O.D. x 24" Tube
**	039618-04-000	EA	Flare Asm - 3/8" O.D. x 72" Tube
**	039618-05-000	EA	Flare Asm - 3/8" O.D. x 48" Tube
	038839-01-000	EA	Block - Plastic - 3/8 MPT x 2 1/2 Bend
	052952-01-000	EA	Nut - Plastic - 1/2 F
	052953-01-000	EA	Nut - Rubber - 1/2 Tube x 1/2 FPT
	052954-01-000	EA	Adapter - Nose Cone - 3/8" x 1/2"
	052955-01-000	EA	Tee - Plastic - 1/2 F x 1/2 F x 1/2 F
	052959-02-000	EA	Connector - Plastic - 1/2 F x 1/2 MPT
	052959-03-000	EA	Connector - Plastic - 1/2 F x 3/8 MPT
	052960-01-000	EA	Drain Valve - Line - 1/2 F x 1/2 F
	052961-01-000	EA	Header - 1/2 F x 1/2 F x 1/2 F
	004020-01-000	OT	Adhesive - ABS Cement
**	010201-01-000	EA	Hose - Sewer - 3" x 8' - 1/4" Camo
	052415-01-000	EA	Cap - Sewer - 3"
	052416-01-000	EA	Hose - Adapter - 3"
	052417-01-000	EA	Adapter - Termination - 3"
	052418-01-000	EA	Valve - 3" w/o Handle
	052421-01-000	EA	Valve - 1 1/2" w Handle
	010006-01-000	EA	Elbow - Plastic - 1 1/2" x 45° H x H
	010008-01-000	EA	Elbow - Plastic - 1 1/2" x 90° x Long Turn
	010134-01-000	EA	Adapter - Plastic - 1 1/2" M x MPT
	053341-01-000	EA	Ring - Closet - Plastic - 4" F x 3" So gct - 2 3/4"
**	011091-01-000	EA	Waste - Continuous - Double Sink - 11 7/8"
**	053335-01-000	EA	P-Trap - Plastic - 1 1/4"
**	010071-01-000	EA	Tee - Plastic - 1 1/2" H x 1 1/2" H x 1 1/2" H
**	052955-01-000	EA	Tee - Plastic - 1 1/2" F x 1 1/2" F x 1 1/2" F
**	010091-01-000	EA	Wye - Plastic - 3" x 45° - H x H x H
**	010121-01-000	EA	Bushing - Plastic - 1 1/2" S x 1 1/4" H
	021126-01-000	EA	Elbow - Plastic - 3" x 90° x Long Turn
**	010133-01-000	EA	Adapter - Trap - Plastic - 1 1/2" H x MPT
**	050780-01-000	EA	Counter - Rubber - 3" x 3"
	010219-01-000	EA	Elbow - 1 1/4" Barb x 1 1/4" MPT - 90°
	044928-01-000	FT	Tubing - Flex - 1 1/4" ID x 10' Long
	054535-01-000	EA	Vent - Mechanical - Trap Arm
	061607-01-000	EA	Grommet - Rubber - Holding Tank - 1 1/2" NPS
	061607-02-000	EA	Grommet - Rubber - Holding Tank - 3" NPS
	010197-01-000	FT	Pipe - ABS Plastic - 3" x 240'
	065979-01-000	EA	Compartment Asm - Sewer Hose
	052957-02-000	EA	Elbow - Plastic - 1/2" F x 1/2" MPT
	052957-03-000	EA	Elbow - Plastic - 1/2" F x 1/4" MPT
	061607-02-000	EA	Grommet - Holding Tank - 3" NPS
**	046524-01-000	EA	Kit - Plastic Fittings - Holding Tank
**	046524-02-000	EA	Kit - Plastic Fittings - Water Tank
**			The illustrated parts breakdown for this item is provided on the Common Items Fiche

HOLDING TANKS AND WATER HEATERS

Key	Part Number	U/M	Description
	068520-02-000	EA	Tank Asm - Water - 20 Gallon w Fittings
	068520-01-000	EA	Tank - Water - 20 Gallon w/o Fittings
	068519-01-000	EA	Tank - Holding - 20 Gallon (Sewage) w/o Fittings
	068519-02-000	EA	Tank Asm - Holding - 20 Gallon (Sewage) w Fittings
	051391-02-000	EA	Water Heater - 4 Gallon w/o Motor Aid - Atwood G4-SM

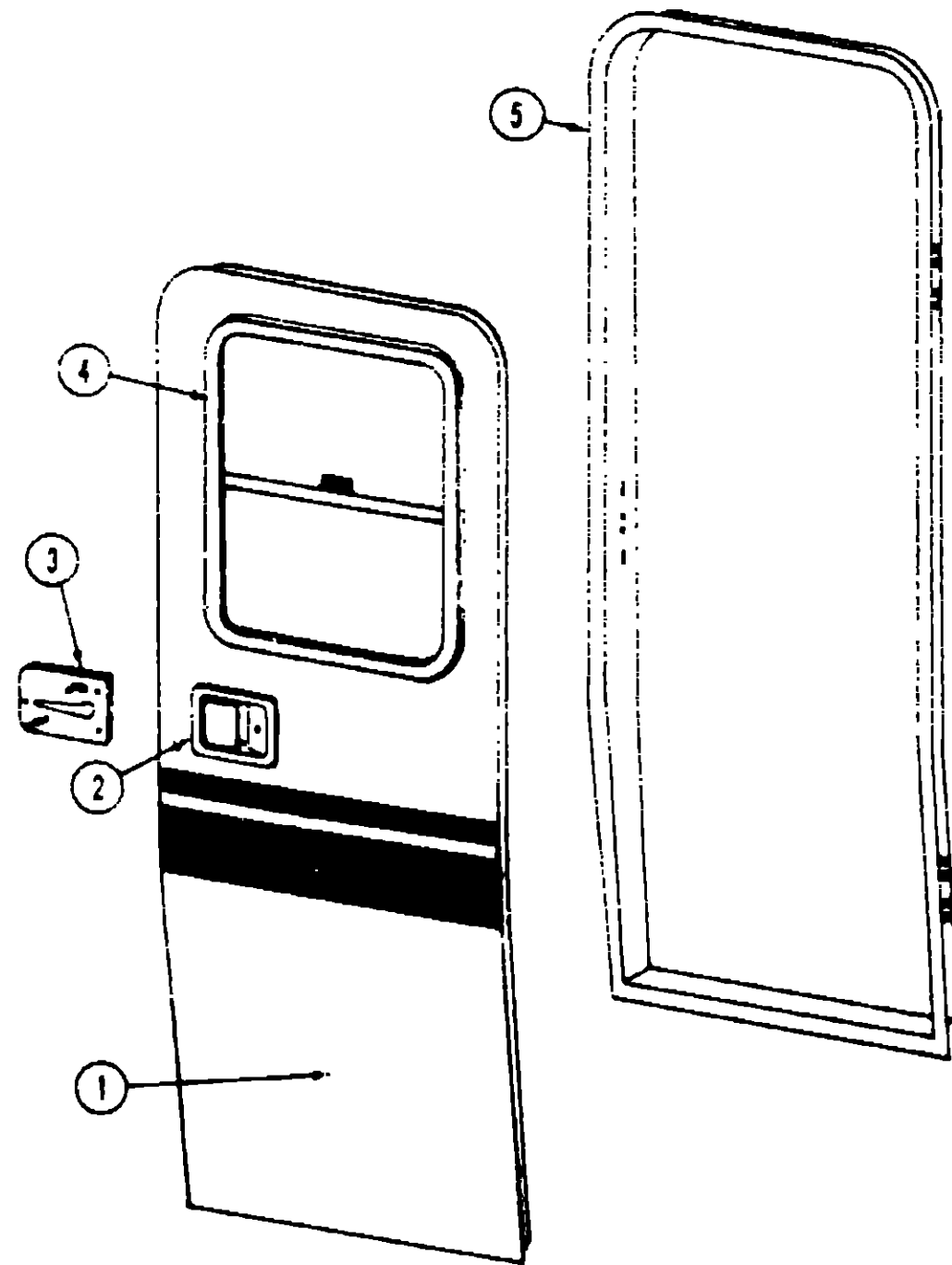
**1982 ITASCA
TABLE OF CONTENTS**

1041LRB N2	A-1 - B-20
10621RB N2	B-21 - D-14
107800B N2	D-15 - F-2
107800F N2	F-3 - G-15
108100B F2	G-17 - I-5

1982 IC723RH N2 INDEX

Floor Plan	F-3 - F-4
Accessories Group	F-5 - F-7
Bath Group	F-8
Chassis Group	F-9
Curtain, Cushion & Pad Group	F-10 - F-14
Dinette Group	F-15
Driver's Compartment Group	F-16 - F-17
Electrical Group	F-18 - F-20
Exterior Body Group	F-21 - G-2
Galley Group	G-3
Heating & Air Conditioning Group	G-4
Interior Finish Group	G-5 - G-6
LP Group	G-7
Water & Sewage Group	G-8
Window, Vent & Exterior Door Group	G-9 - G-16

WINDOW, VENT & EXTERIOR DOOR GROUP



Key	Part Number	U/M	Description
1	M00983-04-N21	EA	Door Asm - Entry - w Latch and Hinges
2	045017-01-000	EA	Paddle Asm - Door Lock - Exterior
.	045017-01-700	EA	Lock Cylinder w Keys - Lynor
.	039539-01-000	EA	Striker Bolt - Entry Door
.	039540-01-000	EA	Latch Claw - Entry Door
3	039979-01-000	EA	Plate - Lock - Inside - Including Inside Handle
.	052186-01-000	EA	Lock Asm - Complete - Lynor
4	069383-01-000	EA	Window Asm - Vertical Slider - w o Inside Frame
.	068742-01-000	EA	Glass - Vertical Top - 1 8" x 17 4" x 11 5"
.	068743-01-000	EA	Glass - Vertical Slider - 1 8" x 17 5" x 12 6"
.	047369-01-700	EA	Latch - Window - Plastic w Fastener
.	068752-01-000	EA	Inside Frame - Vertical Slider
5	068675-02-000	EA	Jamb Asm. - Entry Door - Off White
.	064075-01-000	FT	Seal - Entry Door Jamb - Rubber
.	066723-02-000	EA	Hinge Asm - Entry Door - Lower
.	068720-02-000	EA	Hinge Asm. - Entry Door - Upper
.	Not illustrated		

WINDOW, VENT & EXTERIOR DOOR GROUP (CONTINUED)

ACCESS DOORS

Key	Part Number	U/M	Description
	064842-01-000	EA	Door Asm - Luggage - Off White
	059247-04-000	EA	Door Asm - Refrigerator Access - Off White - w Twist Lock
	064841-01-000	EA	Door Asm - Generator - Off White - w Twist Lock
	052009-01-000	EA	Door - Water Heater - Off White
	068958-02-000	EA	Door Asm - LP Storage - Off White
	009013-01-000	EA	Lock Asm - Twist Type - Metal
	052424-01-000	EA	Door Jamb - Power Cord & Fuel P. - Off White
	054543-01-000	EA	Door Hatch - Power Cord - Off White
	063742-01-000	EA	Door - Power Cord - Off White
	041312-01-000	FT	Door Seal - e Section (Rubber)
	052423-01-000	EA	Door - Fuel P. I. - Off White
	052424-01-000	EA	Jamb - Power Cord Fuel P. Door - Off White
	063742-01-000	EA	Door - Power Cord - Off White
	054543-01-000	EA	Hatch - Power Cord Door
	042441-01-000	EA	Lock Asm - Key Type - (Gas F.I.)
	052950-03-700	EA	Lock Asm. - Twist Type - Straight Cam (Power Cord Door)
	047305-01-000	EA	Lock Asm - Key Type w Clip - Metal - Luggage
	052950-01-700	EA	Lock Asm - Twist Type w Clip - White Plastic
	052151-01-000	EA	Baffle - Generator Door
	054530-01-000	EA	Door Holder

VENTS

Key	Part Number	U/M	Description
	065103-01-000	EA	Frame - Base - Refrigerator Vent (w o Cover)
	065103-02-000	EA	Cover - Vent - Refrigerator
	049352-01-000	EA	Vent - Stove Hood - Outside - Off White

WINDSHIELD

Key	Part Number	U/M	Description
	040795-02-000	EA	Glass Asm. - Windshield - Tinted

**1982 ITASCA
TABLE OF CONTENTS**

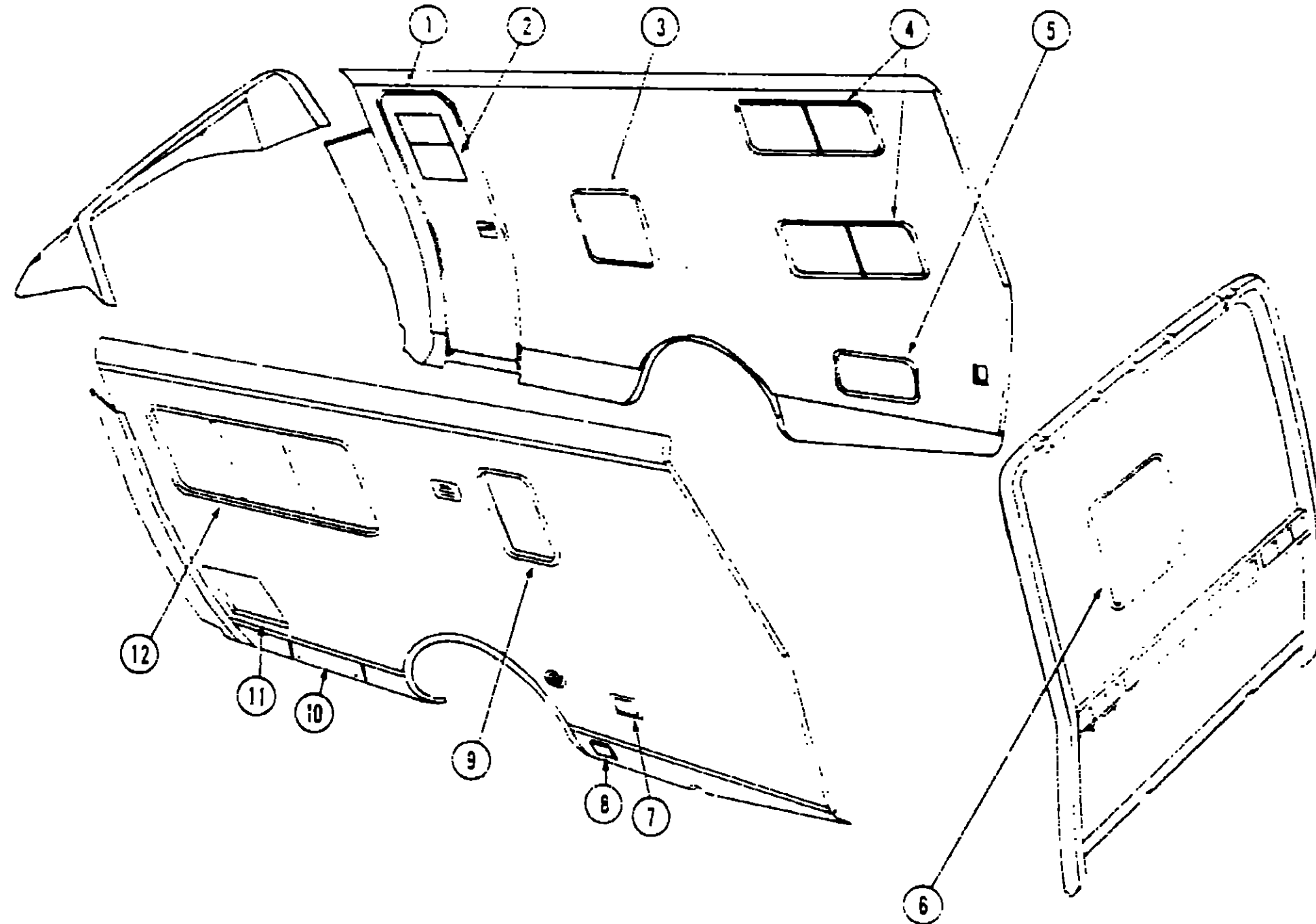
IC420RB N0	A-1 - B-20
IC621PB N2	B-21 - D-14
IC723DB N0	D-15 - F-2
IC723RH N2	F-3 - G-18
IC623DB P2	G-17 - I-8

1982 IC723RH N2 INDEX

Floor Plan	F-3 - F-4
Accessories Group	F-5 - F-7
Bath Group	F-8
Chassis Group	F-9
Curtain, Cushion & Pad Group	F-10 - F-14
Dinette Group	F-15
Driver's Compartment Group	F-16 - F-17
Electrical Group	F-18 - F-20
Exterior Body Group	F-21 - G-2
Galley Group	G-3
Heating & Air Conditioning Group	G-4
Interior Finish Group	G-5 - G-6
LP Group	G-7
Water & Sewage Group	G-8
Window, Vent & Exterior Door Group	G-9 - G-16

WINDOW, VENT & EXTERIOR DOOR GROUP (CONTINUED)

WINDOWS AND ACCESS DOORS



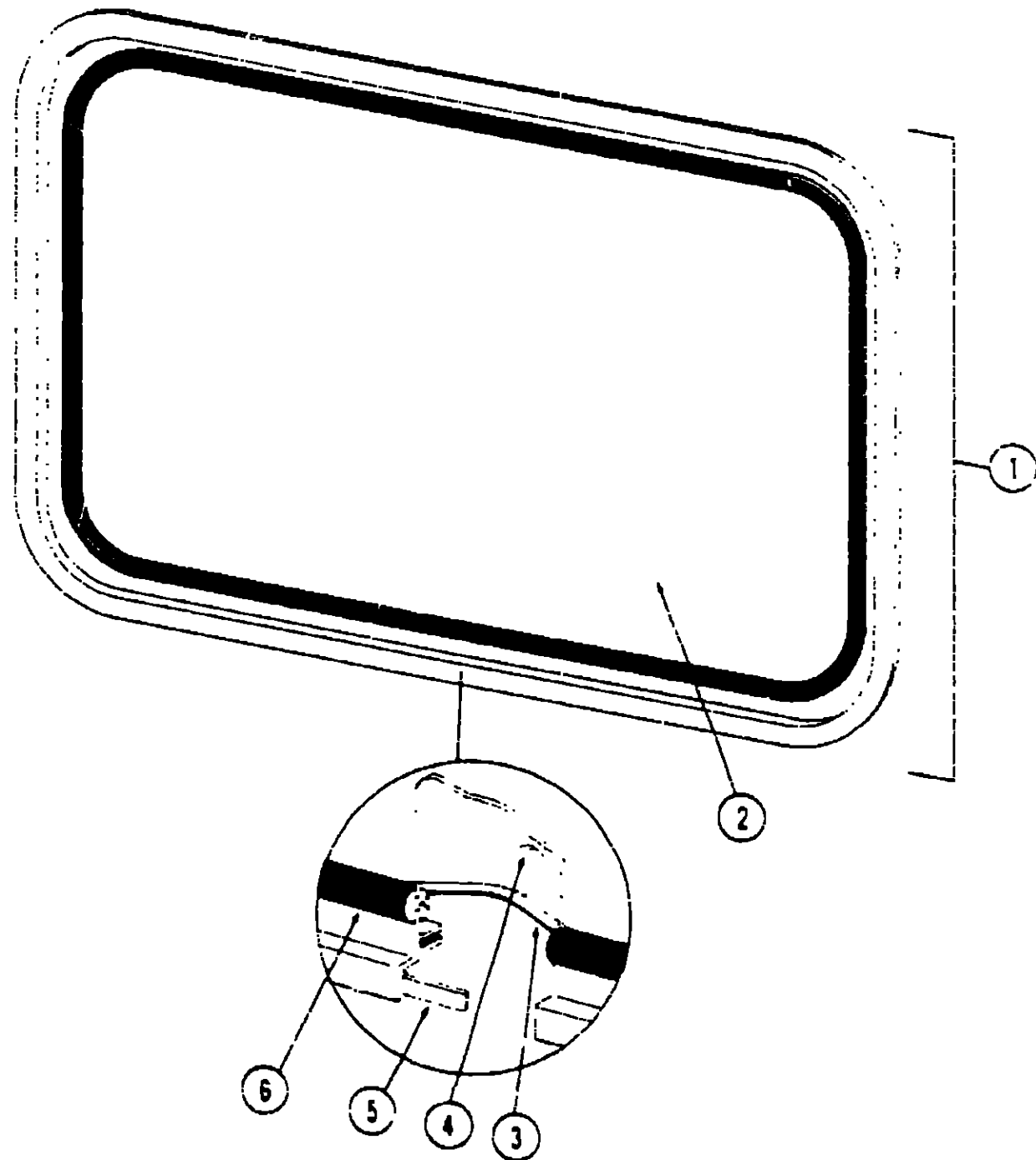
Key	Part Number	U/M	Description
1	M00983-04-N21	EA	Door Asm. - Entry - w Latch and Hinges
2	069363-01-000	EA	Window Asm. - Entrance Door - 17.8" x 23" (w o inside frame)
3	059247-04-000	EA	Door Asm. - Refrigerator Access - Off White - w Twist Lock
4	045556-05-000	EA	Window Asm. - Right Slider - 15" x 40" (w o inside frame)
5	064842-01-000	EA	Door Asm. - Luggage - Off White - w Key Lock
5	064841-01-000	EA	Door Asm. - Generator - Off White - w Twist Lock
6	020751-03-000	EA	Window Asm. - Rear Escape - 23" x 29" (w o inside frame)
7	NOTE	EA	Door Asm. - Fuel Fill (See Access Doors)
8	NOTE	EA	Door Asm. - Power Cord (See Access Doors)
9	041875-02-000	EA	Window Asm. - Picture - 13" x 23" (w o inside frame)
10	068958-02-000	EA	Door Asm. - LP Storage - Valance Panel - Off White
11	052009-02-000	EA	Door Asm. - Water Heater - Off White
12	066785-03-000	EA	Window Asm. - Single Slider - 25" x 55" (w o inside frame)

1982 ITASCA TABLE OF CONTENTS

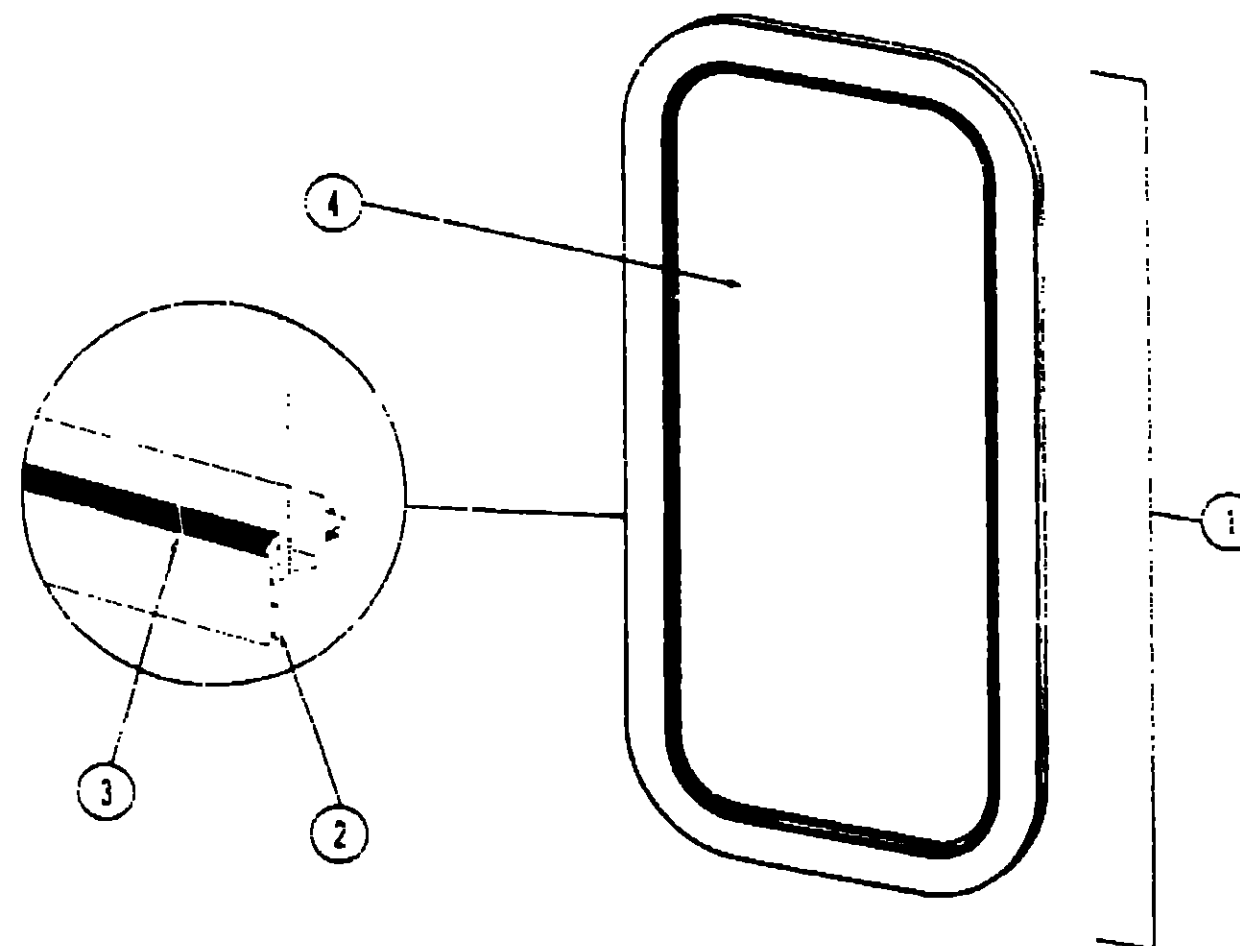
IC420FB N2	A-1 - B-20
IC621FB N2	B-21 - D-14
IC723DB N2	D-15 - F-8
IC723RH N2	F-9 - G-16
IC823DB R2	G-17 - I-8

1982 IC723RH N2 INDEX

Floor Plan	F-3 - F-4
Accessories Group	F-5 - F-7
Bath Group	F-8
Chassis Group	F-9
Curtain, Cushion & Pad Group	F-10 - F-14
Dinette Group	F-15
Driver's Compartment Group	F-16 - F-17
Electrical Group	F-18 - F-20
Exterior Body Group	F-21 - G-2
Galley Group	G-3
Heating & Air Conditioning Group	G-4
Interior Finish Group	G-5 - G-6
LP Group	G-7
Water & Sewage Group	G-8
Window, Vent & Exterior Door Group	G-9 - G-16



Key	Part Number	U.M	Description
1	020751-03-000	EA	Window Asm. - Rear Escape - 23" x 29" - Black Anod. (w/o inside frame)
2	002174-01-000	EA	Glass - 1.8" x 19.6" x 25.9"
3	002285-01-000	FT	Filler - Weatherstrip - Black
4	020395-01-000	EA	Pull Ring - Escape Window
5	053767-02-000	FT	Tape - 3.16" Bead x 25" - Gray
6	002282-01-000	FT	Weatherstrip - .125" Window
.	020749-05-000	EA	Inside Frame - Escape Window - 23" x 29" (not included in assembly)
.	006199-01-000	EA	Label - Exit - Escape Window
.			Not illustrated



Key	Part Number	U.M	Description
1	041875-02-000	EA	Window Asm. - Picture - 13" x 23" - Black (w/o inside frame)
2	069640-01-000	FT	Tape - 1.4" Bead x 20" - Gray
3	002309-02-000	FT	Spline - Glass - 1.8" - Black
4	002181-01-000	EA	Glass - .115" x 12" x 22"
.	041696-15-000	EA	Frame - inside - Window (not included in assembly)
.			Not illustrated

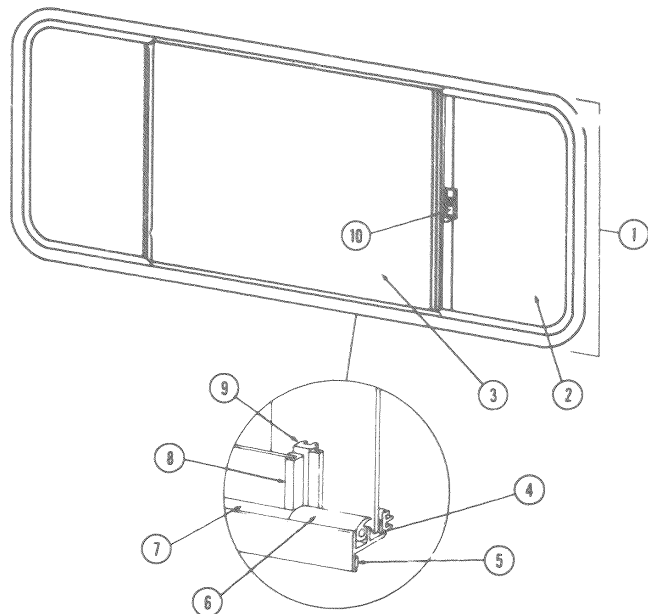
1982 ITASCA
TABLE OF CONTENTS

IC450PB N2	A-1 - B-20
IC621PB N2	B-21 - D-14
IC1030B N2	D-15 - F-2
IC1030B N2	F-3 - G-16
IC6230B P2	G-17 - H-5

1982 IC723RH N2 INDEX

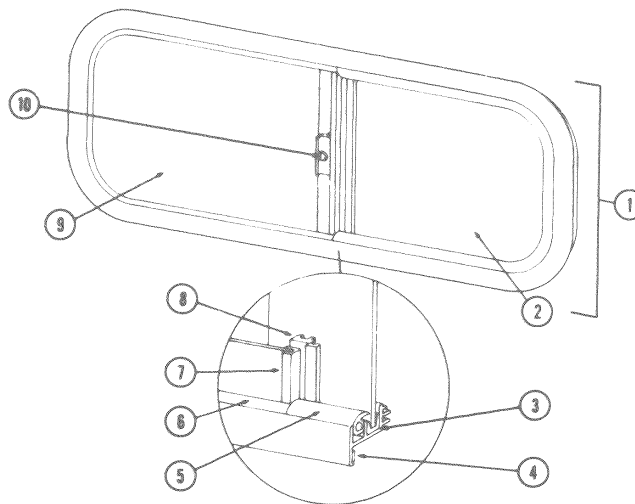
Floor Plan	F-3 - F-4
Accessories Group	F-5 - F-7
Bath Group	F-8
Chests Group	F-9
Curtain, Cushion & Pad Group	F-10 - F-14
Dinette Group	F-15
Driver's Compartment Group	F-16 - F-17
Electrical Group	F-18 - F-20
Exterior Body Group	F-21 - G-2
Galley Group	G-3
Heating & Air Conditioning Group	G-4
Interior Finish Group	G-5 - G-6
LP Group	G-7
Water & Sewage Group	G-8
Window, Vent & Exterior Door Group	G-9 - G-16

WINDOW, VENT & EXTERIOR DOOR GROUP (CONTINUED)



Key	Part Number	U/M	Description
1	066785-03-000	EA	Window Asm. - Single Slider - 25" x 65" (w/o inside frame)
*	067609-06-00C	EA	Inside Frame - Beige
2	066726-02-000	EA	Glass - Stationary - 1/8" x 21" x 24"
3	066727-02-000	EA	Glass - Sliding - 1/8" x 25.5" x 24"
4	002324-02-000	FT	Channel - Weatherstrip - Glass
5	053767-03-000	FT	Tape - 1/4" Bead x 20" - Gray
6	057374-02-000	FT	Extr. Vinyl - Window Seal - Black
7	002309-02-000	FT	Spline - Glass - 1/8" Material - Black
8	069886-03-003	EA	Extr. - Holder - Glass Seal - 23.19" - Black
9	069896-02-000	EA	Mullion - Slider Window - 23" - Black
10	047369-01-000	EA	Latch - Window - Plastic - w/Fastener
*	002293-01-000	SF	Screen - Window - 26" - Gray
*	002298-01-000	FT	Spline - 130" Dia. - Gray (Screen)
*	042076-01-000	FT	Seal - Fin - Pile - .34"
*			Not illustrated

WINDOW, VENT & EXTERIOR DOOR GROUP (CONTINUED)



Key	Part Number	U/M	Description
1	045556-05-000	EA	Window Asm. - Right Slider - 15" x 40" (w/o inside frame)
*	017451-04-000	EA	Inside Frame - Beige
2	002207-02-000	EA	Glass - Stationary - 1/8" x 14.4" x 21.32"
3	048324-02-000	EA	Glass - Sliding - 1/8" x 14.4" x 19"
4	002324-02-000	FT	Channel - Weatherstrip - Glass
5	004363-01-000	FT	Tape - 3/16" x 1/2" - Gray
6	057374-02-000	FT	Extr. Vinyl - Window Seal - Black
7	002309-01-000	FT	Spline - Glass - 1/8" Material - Gray
8	069886-03-007	EA	Extr. - Holder - Glass Seal - 13.6" - Black
9	069896-06-000	EA	Mullion - Slider Window - 13.44" - Black
10	047369-01-000	EA	Latch - Window - Plastic - w/Fastener
*	002291-01-000	SF	Screen - Window - 16" - Gray
*	002298-01-000	FT	Spline - 130 Dia. - Gray (Screen)
*	002288-01-000	FT	Seal - Fin - Pile - .30"
*			Not illustrated

1982 ITASCA TABLE OF CONTENTS

IC420RG N2	A-1 - B-20
IC621RB N2	B-21 - D-14
IC723DB N2	D-15 - F-2
IC723RH N2	F-3 - G-16
IC823DB P2	G-17 - I-8

1982 IC723RH N2 INDEX

Floor Plan	F-3 - F-4
Accessories Group	F-5 - F-7
Bath Group	F-8
Chassis Group	F-9
Curtain, Cushion & Pad Group	F-10 - F-14
Dinette Group	F-15
Driver's Compartment Group	F-16 - F-17
Electrical Group	F-18 - F-20
Exterior Body Group	F-21 - G-2
Galley Group	G-3
Heating & Air Conditioning Group	G-4
Interior Finish Group	G-5
LP Group	G-6
Water & Sewage Group	G-7
Window, Vent & Exterior Door Group	G-9 - G-16