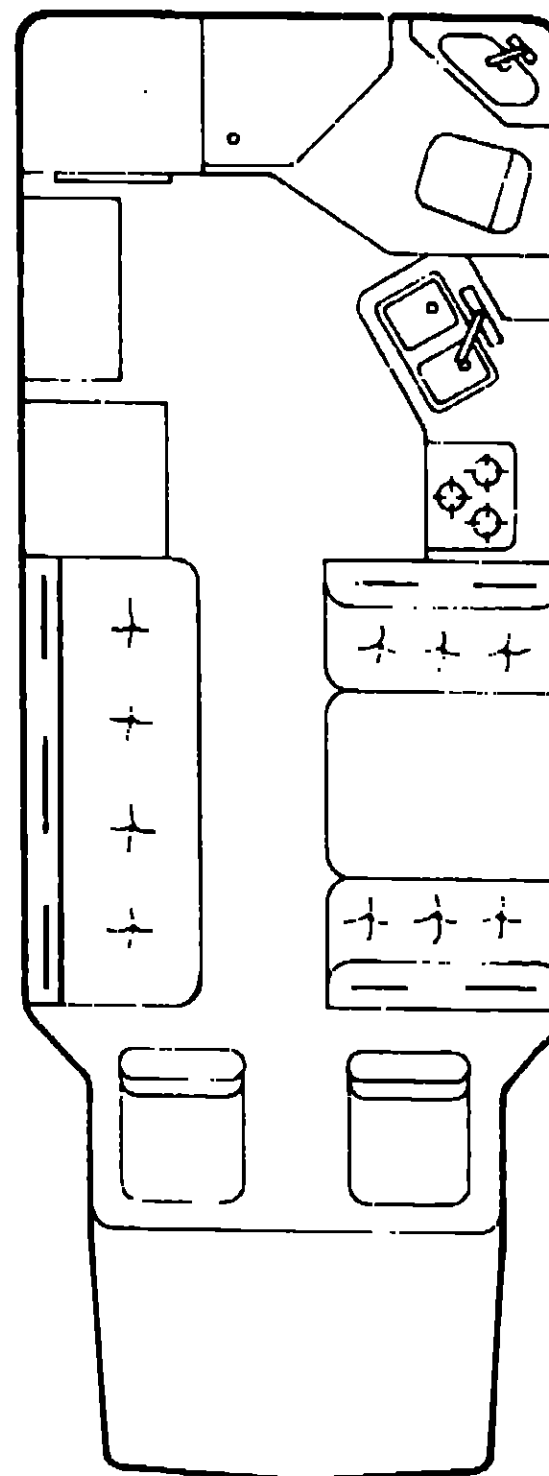


1982 IC723DB N2

NOTE:

A model revision number has been incorporated into the unit serial number to reflect any changes made during the model year. When ordering replacement parts, refer to the sixth and seventh digits of the unit serial number to assure that the proper part is ordered. These changes will be classified as a **N-2** or **N-3**, and will be included behind the item description. The unit serial number is found on the vehicle certification label, which is located on the left sidewall at the end of the dash (**A-Body**), or on the drivers door latch plate (**C-Body**).



1982 ITASCA TABLE OF CONTENTS

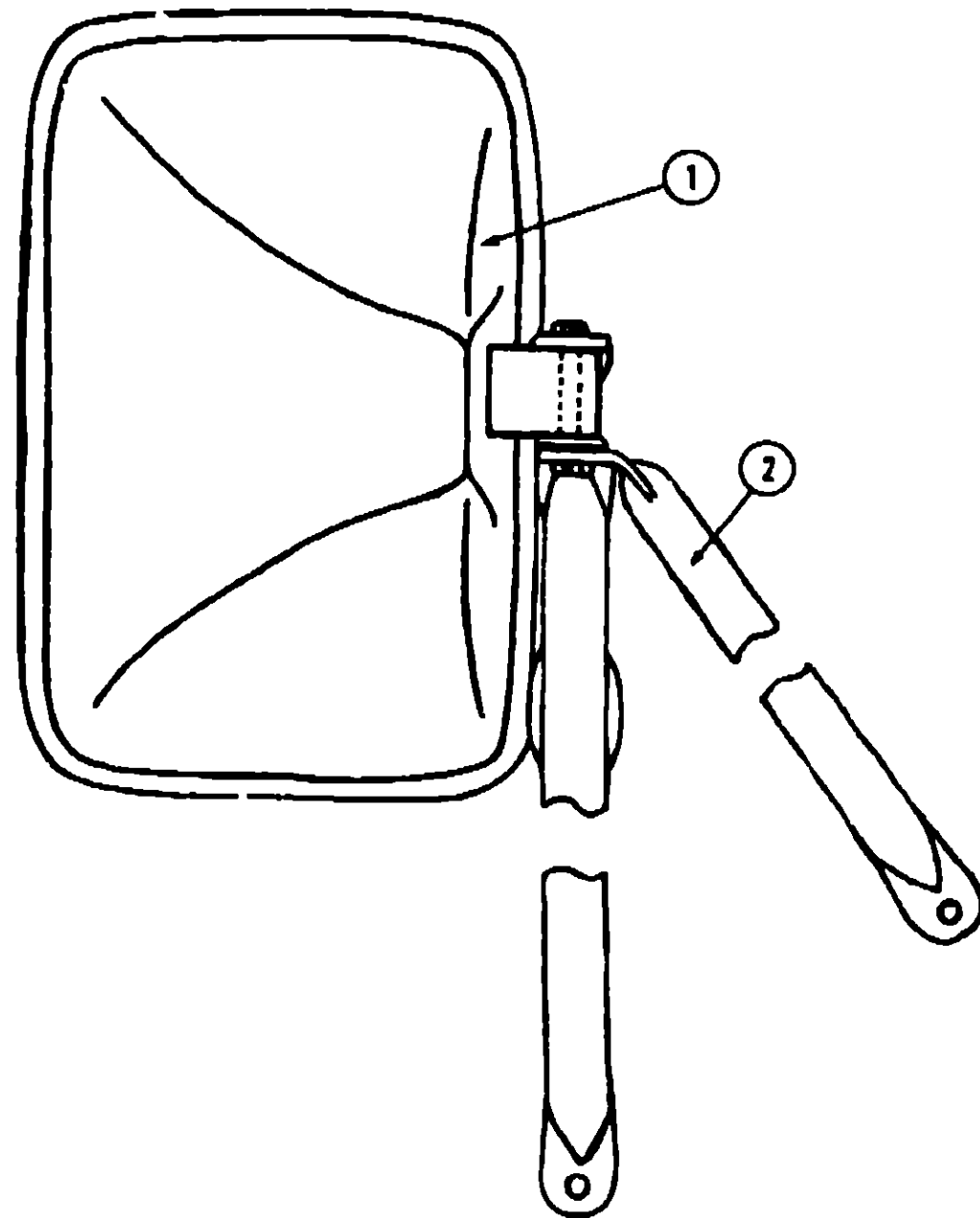
IC420RB N2	A-1 - B-20
IC621RB N2	B-21 - D-14
IC723DB N2	D-15 - F-2
IC723RH N2	F-3 - G-16
IC823DB P2	G-17 - I-8

1982 IC723DB N2 INDEX

Floor Plan	D-15 - D-16
Accessories Group	D-17 - D-19
Bath Group	D-19
Chassis Group	D-20
Curtain, Cushion & Pad Group	D-21 - D-24
Dinette Group	E-1
Driver's Compartment Group	E-2 - E-3
Electrical Group	E-4 - E-6
Exterior Body Group	E-7 - E-12
Galley Group	E-13
Heating & Air Conditioning Group	E-14
Interior Finish Group	E-15 - E-16
LP Group	E-17
Lounge Group	E-18
Water & Sewage Group	E-19
Window, Vent & Exterior Door Group	E-20 - F-2

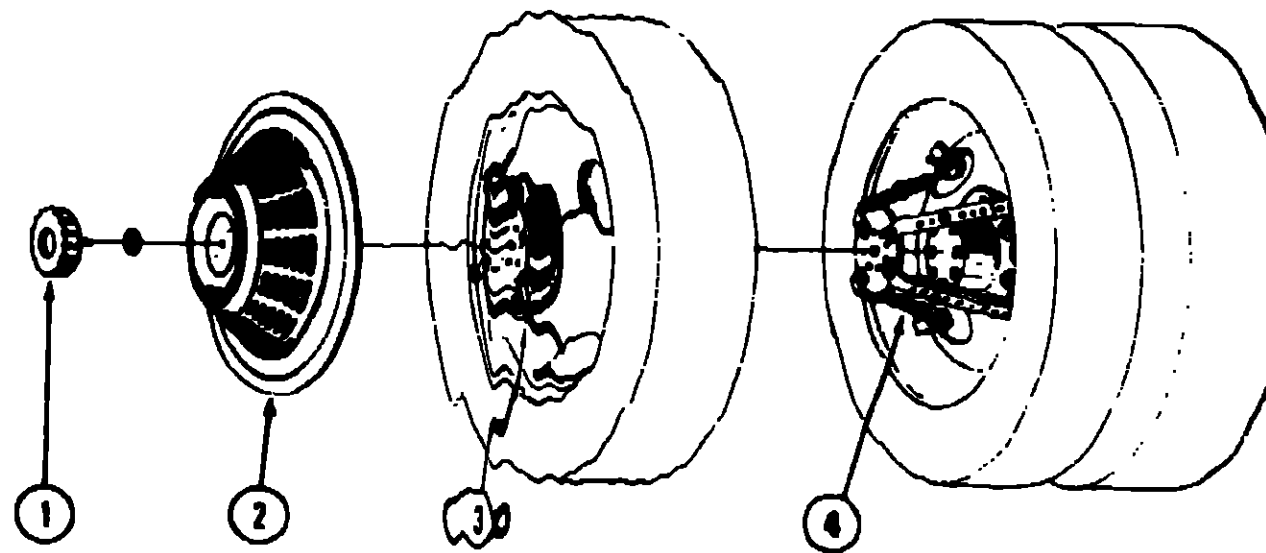
ACCESSORIES GROUP

ACCESSORIES GROUP (CONTINUED)



EXTERIOR MIRRORS

Key	Part Number	U/M	Description
1	066431-02-000	EA	Mirror Head - 6.75" x 10.25"
2	056431-09-000	EA	Arm - Exterior Mirror - Stainless Steel - Right
2	066431-10-000	EA	Arm - Exterior Mirror - Stainless Steel - Left
.	006043-01-000	EA	Mirror - Convex - Adhesive Back
.			Not illustrated



WHEEL COVERS AND MOUNTING HARDWARE

Key	Part Number	U/M	Description
1	064082-02-000	EA	Reta In Wheel - Delmet - Wheel Cover
2	073426-01-700	EA	Wheel Cover - Bolt On - 16" or 16.5" - Delmet (1)
3	073426-03-700	EA	Reta In Wheel Bracket Asm - Wheel Cover Support - Light Duty - Front (1)
4	073426-03-701	EA	Reta In Wheel Bracket Asm - Wheel Cover Support - Light Duty - Rear (1)
.	073426-03-000	EA	Reta In Wheel Bracket Asm - Wheel Cover Support - Light Duty (Set 4)
..	031396-03-000	EA	Wheel Cover - 16.5" - Clip On
.			Not illustrated
..			The illustrated parts breakdown for this item is provided on the Common Items Fiche

RADIO AND RELATED COMPONENTS

Key	Part Number	U/M	Description
	064787-01-000	EA	Radio - AM FM MPX - w Cassette
	007004-01-000	EA	Antenna - Mag - Cab Mount
	048153-01-000	EA	Antenna - CB - Camper Style
	064791-01-000	EA	Speaker - Recessed - 5.14" x 10 oz
	064792-01-000	EA	Grille - Speaker - 5.14"
	064790-01-000	EA	Speaker - 4" x 6" - Oval

GENERATOR AND COMPONENTS

Key	Part Number	U/M	Description
	051908-01-000	EA	Generator - 3.5kw - Kohler
	701629-01-000	EA	Kohler Generator Package
	067753-01-000	EA	Multiplex Generator - w Spark Arrestor - Nelson
	072724-01-000	EA	Tailpipe Ex. Exhaust - 90° - Short Turn
	052815-01-000	EA	Tailpipe Ex. Exhaust - 90° - Long Turn

MISCELLANEOUS ACCESSORIES

Key	Part Number	U/M	Description
	006053-01-000	EA	Antenna - TV - Braun Deluxe
	006093-01-000	EA	Jack - TV - Brown
	041544-03-000	EA	Fire Exting. Lister - Dry Chemical w Bracket
	054185-14-000	EA	Owner's Manual - 1982 - Winnebago & Itasca
	063739-01-000	EA	Battery - 12V - 80 Amp - Gould
	017516-01-000	EA	Mud Flap - Black - 14" x 18" w Holes
	064089-01-000	EA	Mud Flap - Front Splash Guard - Black
	040069-01-000	EA	Mat - Door - Black Rubber - 10.12" x 26"
	040466-07-000	EA	Cover - Spare Tire - 29" - Off White
	069629-01-000	EA	Speed Control - Chev - Dana
	069580-03-000	EA	Lug Wrench - 7.8" x 1.16" x 16.3"
	069580-02-000	EA	Lever - Lug Wrench - 22"

**1982 ITASCA
TABLE OF CONTENTS**

IC420RB N2	A-1 - B-20
IC621RB N2	B-21 - D-14
IC723DB N2	D-15 - F-2
IC723RH N2	F-3 - G-16
IC823DB P2	G-17 - I-8

1982 IC723DB N2 INDEX

Floor Plan	D-15 - D-16
Accessories Group	D-17 - D-18
Bath Group	D-19
Chassis Group	D-20
Curtain, Cushion & Pad Group	D-21 - D-24
Dinette Group	E-1
Driver's Compartment Group	E-2 - E-3
Electrical Group	E-4 - E-6
Exterior Body Group	E-7 - E-12
Galley Group	E-13
Heating & Air Conditioning Group	E-14
Interior Finish Group	E-15 - E-16
LP Group	E-17
Lounge Group	E-18
Water & Sewage Group	E-19
Window, Vent & Exterior Door Group	E-20 - F-2

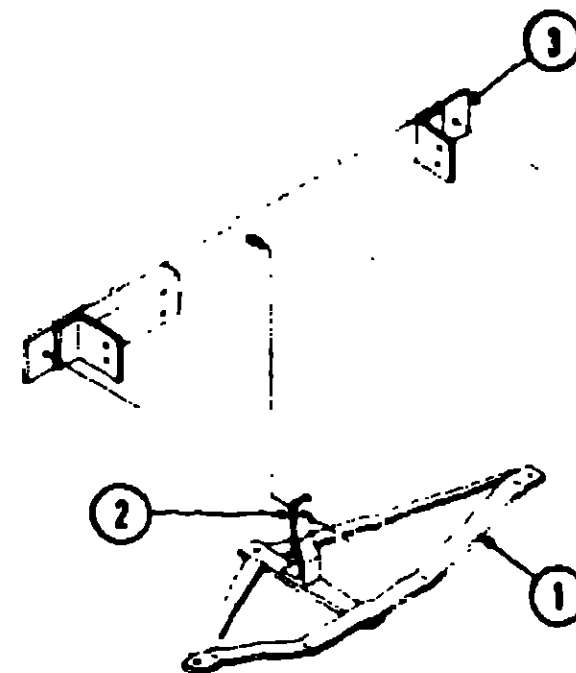
BATH GROUP

Key	Part Number	U/M	Description
	068747-01-000	EA	Cabinet Asm - Lavatory
	068726-02-N19	EA	Door Asm - 10" x 23" - w/o Hardware
	068574-01-P13	EA	Door Asm - Bath - 23" x 71" - w/o Hardware
	068580-01-N19	EA	Door Asm - Wardrobe Cabinet - 21" x 48" - w/o Hardware
	068726-03-N19	EA	Door Asm - Wardrobe Cabinet - 10" x 17 5" - w/o Hardware - Right
	068726-04-N19	EA	Door Asm - Wardrobe Cabinet - 10" x 17 5" - w/o Hardware - Left
	068561-01-000	EA	Sink - Lavatory
	068755-01-000	EA	Cabinet Asm - Medicine
	068726-01-N19	EA	Door Asm - Medicine Cabinet - 10" x 17 5" - w/o Hardware
	046112-02-000	EA	Mirror - Wall - 24" x 30"
	046113-01-000	EA	Mirror Mounting - Rosette - Plastic
	057671-01-000	EA	Screw Cover - #8
	071448-01-000	EA	Wedge - Dome Light - Beige Plastic
	057898-01-000	EA	Hidden Latch - Cabinet Door
	057898-02-000	EA	Strike - Hidden Latch - Cabinet Door
	058335-02-000	EA	Bath Door Latch
	068495-01-000	EA	Rack - Shelf - Bath Door
	068495-02-000	EA	Rack - Towel - Bath Door
	068521-01-000	EA	Tray - Storage - Lower Bath Door
	M00799-01-000	EA	Shower Pan w Strainer
	071210-01-000	EA	Panel - Backwall - Shower Pan - Plastic
	071211-01-000	EA	Cover - Soap Dish - Shower Pan Backwall Panel - Plastic
	066435-01-000	EA	Nut Strainer
	066436-01-000	EA	Slip Nut - 1 5" Tail Piece
	066440-01-000	EA	Strainer w Rubber Washer
	069735-01-000	EA	Washer - Tail Piece - 1 5" Plastic
	009134-01-000	EA	Holder - Tissue
	069777-01-000	EA	Valance - Window - Plastic
**	011056-01-000	EA	Faucet - Lavatory US
	011056-02-000	EA	Faucet - Lavatory CSA
	011083-01-000	EA	Tail Piece - 1 1 4" x 5" - Plastic w Stopper
	011048-02-000	EA	Shower Head - w 60" Hose
	011069-02-000	EA	Tailpiece - 1 1 2" x 1 1 4" x 4" - Brass
	059783-01-000	EA	Clothes Rod - Aluminum - Slotted - 7'
	011059-03-000	EA	Faucet - Shower US
	011059-01-000	EA	Faucet - Shower CSA
**	039341-02-000	EA	Toilet - Thetford Aqua Magic - Ivory - 8420 SH

** The illustrated parts breakdown for this item is provided in the Common Items Fiche

CHASSIS GROUP

Key	Part Number	U/M	Description
	068648-01-000	EA	Wheel Well - Plastic - Left or Right Rear
	049912-01-000	EA	Step Asm Assist - Cab
	068738-01-000	EA	Step Asm - Entrance Door
	017516-01-000	EA	Mud Flap - 14" x 18"
	064089-01-000	EA	Mud Flap - Front Splash Guard - Black
	069209-01-000	EA	Box - Power Cord
	057664-02-000	EA	Tire - 8 75 x 16 5 - 10 Ply - Black Tubeless
	070906-01-000	EA	Wheel - 6 75 x 16 5 - Chevy
	069618-01-000	EA	Spare Tire Carrier
	069619-01-000	EA	Spare Tire Support Arm - Right
	069620-01-000	EA	Spare Tire Support Arm - Left
	047441-01-000	EA	Battery Terminal - Horizontal Lug
	007131-01-000	EA	Hanger - Tail Pipe
	059784-02-000	EA	Controller - Wiper - Intermittent
	040784-01-000	EA	Blade Asm - Windshield Wiper
	056551-01-000	EA	Arm - Windshield Wiper
	068688-01-000	EA	Bracket Asm - Front Bumper - Right
	068688-02-000	EA	Bracket Asm - Front Bumper - Left
	068639-03-000	EA	Bumper - Rear - Contoured - Bright
	068686-03-000	EA	Bumper - Front - Contoured - Bright
	047743-01-000	EA	Spacer - Rear Spring - Axle Stop



Key	Part Number	U/M	Description
1	068656-01-000	EA	Trailer Hitch Asm - w/o Support
2	064824-03-000	EA	Support - Trailer Hitch
3	068657-01-000	EA	Bracket - Bumper Mount - Rear

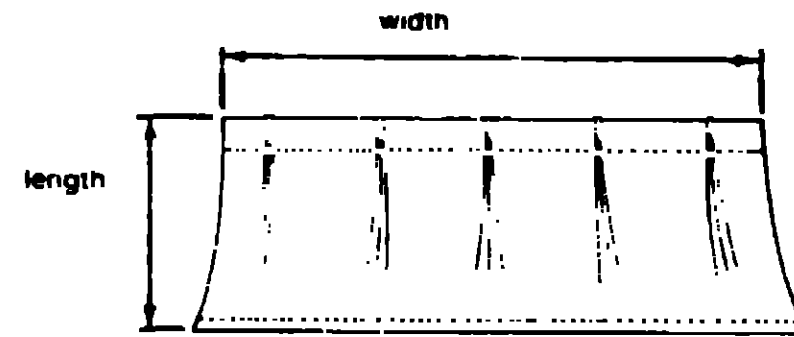
1982 ITASCA TABLE OF CONTENTS

IC420RB N2	A-1 - B-20
IC621RB N2	B-21 - D-14
IC723DB N2	D-15 - F-2
IC733RH N2	F-3 - G-16
IC823DB P2	G-17 - I-8

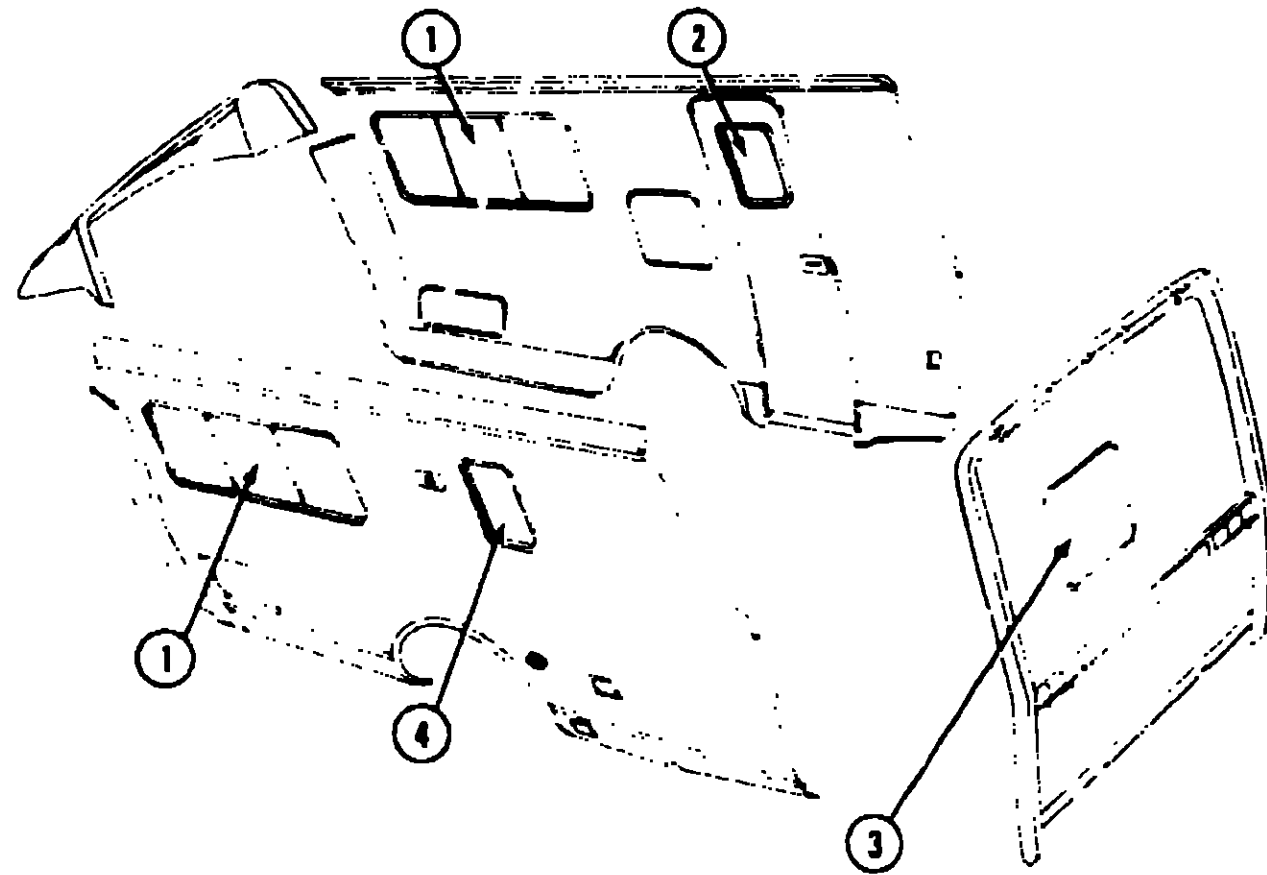
1982 IC723DB N2 INDEX

Floor Plan	D-15 - D-16
Accessories Group	D-17 - D-18
Bath Group	D-19
Chassis Group	D-20
Curtain, Cushion & Pad Group	D-21 - D-24
Dinette Group	E-1
Driver's Compartment Group	E-2 - E-3
Electrical Group	E-4 - E-6
Exterior Body Group	E-7 - E-12
Galley Group	E-13
Heating & Air Conditioning Group	E-14
Interior Finish Group	E-15 - E-16
LP Group	E-17
Lounge Group	E-18
Water & Sewage Group	E-19
Window, Vent & Exterior Door Group	E-20 - F-2

CURTAIN, CUSHION AND PAD GROUP



NOTE:
Use this illustration when determining length and width measurements for curtains. You will note the width measurement is taken on the top of the curtain with the curtain fully extended. The length measurement is taken from top to bottom.



CURTAINS, VALANCES, SHADES AND TIEBACKS

Key	Part Number	U/M	Description
1	071445-02-N26	EA	Curtain w/Snap Top - 15" x 3' 5" - Burgundy
1	064915-05-N26	EA	Valance Asm - 5" x 77 5" - Burgundy
1	067780-04-000	EA	Blinds - 68" x 27" Drop - Brushed Aluminum
2	051045-32-N26	EA	Curtain w/Snap Top and Bottom - 25 8" x 12" - Burgundy
3	069777-01-000	EA	Valance - Plastic - Light Oak
3	065522-06-000	EA	Shade - 33 25" x 38" - Bath
4	067780-03-000	EA	Blinds - 15" x 24" Drop - Brushed Aluminum
	059900-07-N26	EA	Curtain Asm. - Wraparound - 24" x 62" - Burgundy
	054048-09-N26	EA	Tie Back - Curtain - 2" x 14" - Burgundy
			Not illustrated

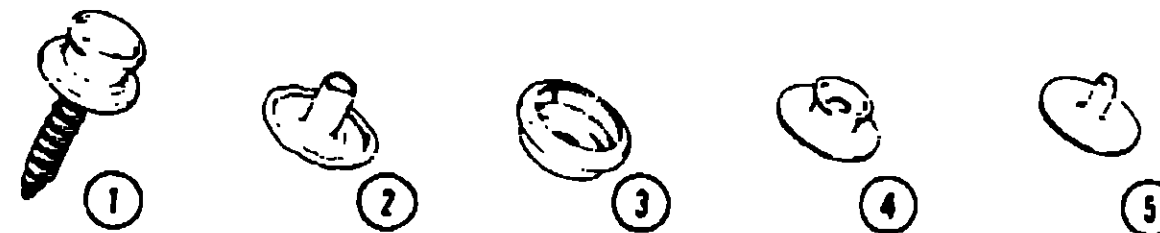
CURTAIN, CUSHION & PAD GROUP (CONTINUED)

FABRICS AND TRIMS

Key	Part Number	U/M	Description
	072334-02-000	YD	Fabric - Drapery/Upholstery - Plain - Raisin/Burgundy
	072334-01-000	YD	Fabric - Upholstery - Diamonds - Rosewood/Burgundy
	038421-01-000	YD	Ticking - Mattress
	052859-01-N01	FT	Trim Asm. - Accent - Medium Almond Vinyl (Beige)
	070502-01-000	YD	Vinyl - Nonexpanded - 12 Gauge Film - Medium Almond
	071127-03-N26	EA	Button Asm. - Upholstery - #65 - Square - Burgundy
	075269-01-P18	EA	Button Asm. - Upholstery - #65 - Square w/3/4" Stud - Burgundy
	071578-01-N26	EA	Button Asm. - Upholstery - Screw Stud - #30 - Burgundy
	053552-01-N07	EA	Assist Handle - Entry Door - Medium Almond Vinyl
	072434-01-N26	EA	Headliner Asm. - Upper Front Cap - Burgundy
	072435-01-N26	EA	Panel Asm. - Right Side - Front Cap - Burgundy
	072435-02-N26	EA	Panel Asm. - Lefty Side - Front Cap - Burgundy

CURTAIN HARDWARE

Key	Part Number	U/M	Description
	037872-02-000	EA	Bracket - Curtain Rod
	037872-01-000	EA	Rod - Curtain - Extension - 48" - 84"
	050788-02-000	EA	Center Support - Curtain Rod
	050784-01-000	EA	Pull - Window Shade - Antique Brass
	056001-01-000	EA	Bracket - Shade - Left
	056002-01-000	EA	Bracket - Shade - Right
	009107-01-000	EA	Guide - Nylon Snap - Curtain
	052327-05-009	EA	Track - Curtain - Beige Alum - 76" w/Holes
	069270-01-000	EA	Track - Shower Curtain - "L" Rod - Beige Alum
	009701-01-000	EA	Carrier - "L" Rod - Curtain
	009702-01-000	EA	End Stop - "L" Rod - Curtain
	056115-01-000	YD	Tape - Plastic - Clear w Guides
	056116-01-000	FT	Track - Curtain - Plastic - Brown
	048394-01-000	YD	Tape - Hook - 1" x 25 Yd. - Beige
	048395-01-000	YD	Tape - Loop - 1" x 25 Yd. - Beige



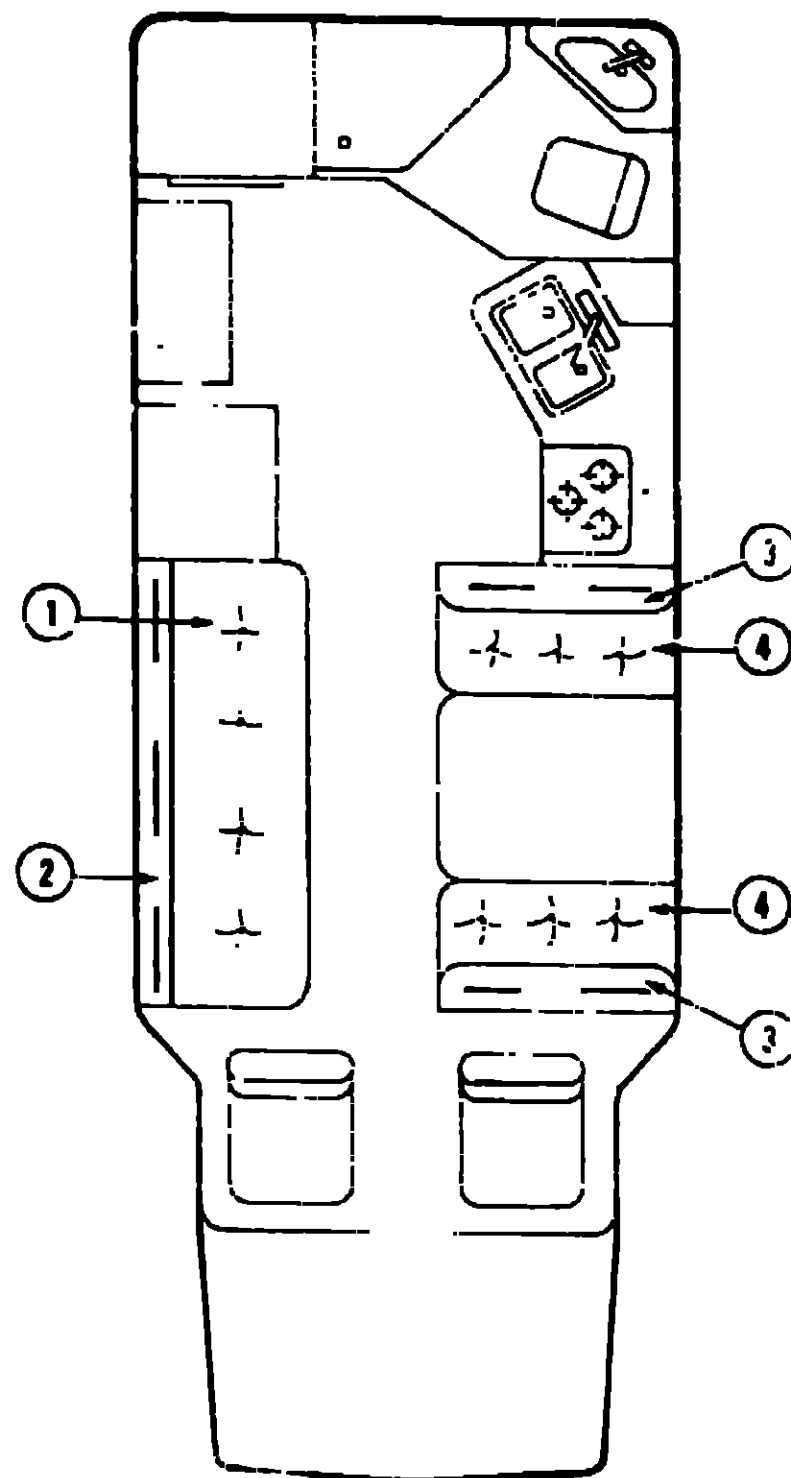
Key	Part Number	U/M	Description
1	029130-01-000	EA	Socket - Snap Fastener
2	029155-01-000	EA	Cap - Snap - .156" Dia. x .17" Barrel
3	029156-01-000	EA	Socket - Snap Fastener
4	029092-01-000	EA	Stud - Nickel Finish
5	029093-01-000	EA	Eyelet - Nickel Finish

**1982 ITASCA
TABLE OF CONTENTS**

IC420RB N2	A-1 - B-20
IC621RB N2	B-21 - D-14
IC723DB N2	D-15 - F-2
IC723RH N2	F-3 - G-16
IC823DB P2	G-17 - I-8

1982 IC723DB N2 INDEX

Floor Plan	D-15 - D-16
Accessories Group	D-17 - D-18
Bath Group	D-19
Chassis Group	D-20
Curtain, Cushion & Pad Group	D-21 - D-24
Dinette Group	E-1
Driver's Compartment Group	E-2 - E-3
Electrical Group	E-4 - E-6
Exterior Body Group	E-7 - E-12
Galley Group	E-13
Heating & Air Conditioning Group	E-14
Interior Finish Group	E-15 - E-16
LP Group	E-17
Lounge Group	E-18
Water & Sewage Group	E-19
Window, Vent & Exterior Door Group	E-20 - F-2



FOLD DOWN COUCH CUSHIONS

Key	Part Number	U/M	Description
1	072431-01-N26	EA	Cushion Asm - Fold Down Couch - Bottom - Burgundy
2	M72431-02-N26	EA	Cover - Fold Down Couch Bottom - Burgundy
3	072432-02-N26	EA	Cushion Asm - Fold Down Couch - Back - Burgundy
4	M72432-02-N26	EA	Cover - Fold Down Couch Back - Burgundy

DINETTE CUSHIONS

Key	Part Number	U/M	Description
3	072430-02-1126	EA	Cushion - Dinette Back - 20" x 40" x 5" - Burgundy
	M72430-02-N26	EA	Cover - Dinette Back Cushion - 20" x 40" x 5" - Burgundy
4	072430-01-N26	EA	Cushion - Dinette Bottom - 17" x 40" x 5" - Burgundy
	M72430-01-N26	EA	Cover - Dinette Bottom Cushion - 17" x 40" x 5" - Burgundy

OVERHEAD SIDE BUNK

Key	Part Number	U/M	Description
	069894-02-000	EA	Mattress - Side Overhead Bunk - 25" x 71.5" x 3"
	M67994-02-000	EA	Cover - Side Overhead Bunk Mattress - 25" x 71.5" x 3"

BUCKET SEATS

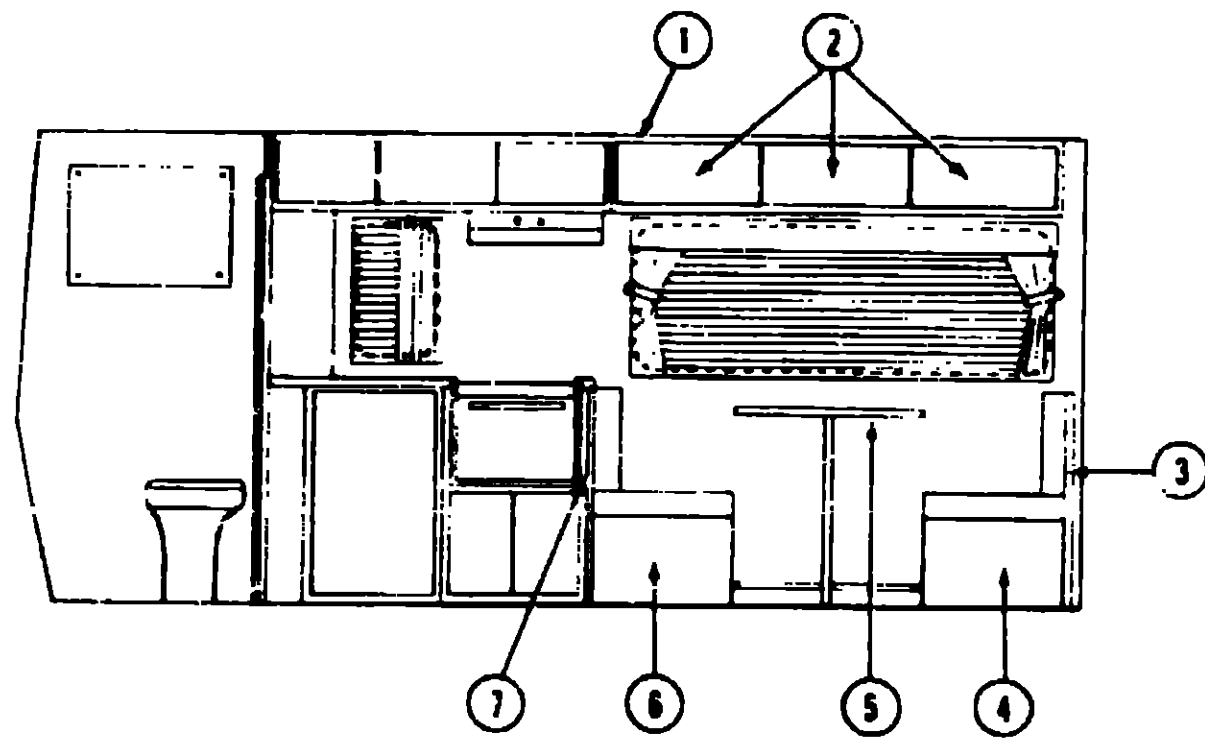
Key	Part Number	U/M	Description
	072460-02-N26	EA	Seat Asm. - Single Bucket - Youth Bed - Passenger - Burgundy
	072460-01-N26	EA	Seat Asm. - Single Bucket - Youth Bed - Driver - Burgundy
	M00784-06-N26	EA	Cover - Back - Youth Bed - Burgundy
	M00784-05-1126	EA	Cover - Bottom - Youth Bed - Burgundy
	070553-01-N26	EA	Cushion Asm - Wedge - Youth Bed - Burgundy
	M70553-01-N26	EA	Cover - Wedge - Youth Bed - Burgundy
	071122-01-N26	EA	Armrest Asm - w/Cover - Right - Burgundy
	071122-02-N26	EA	Armrest Asm. - w/Cover - Left - Burgundy
	071123-01-N26	EA	Cover - Armrest - Right or Left - Burgundy

**1982 ITASCA
TABLE OF CONTENTS**

IC420RB N2	A-1 - B-20
IC621RB N2	B-21 - D-14
IC723DB N2	D-15 - F-2
IC723RH N2	F-3 - G-15
IC823DB P2	G-17 - I-8

1982 IC723DB N2 INDEX

Floor Plan	D-15 - D-16
Accessories Group	D-17 - D-18
Bath Group	D-19
Chests Group	D-20
Curtain, Cushion & Pad Group	D-21 - D-24
Electrical Group	E-1
Furniture Component Group	E-2 - E-3
Furniture Group	E-4 - E-6
Hardware Group	E-7 - E-12
Interior Group	E-13
Lighting & Entertainment Group	E-14
Living Room Group	E-15 - E-16
LP Group	E-17
Living Group	E-18
Water & Waste Group	E-19
Window, Door & Entry Door Group	E-20 - F-2



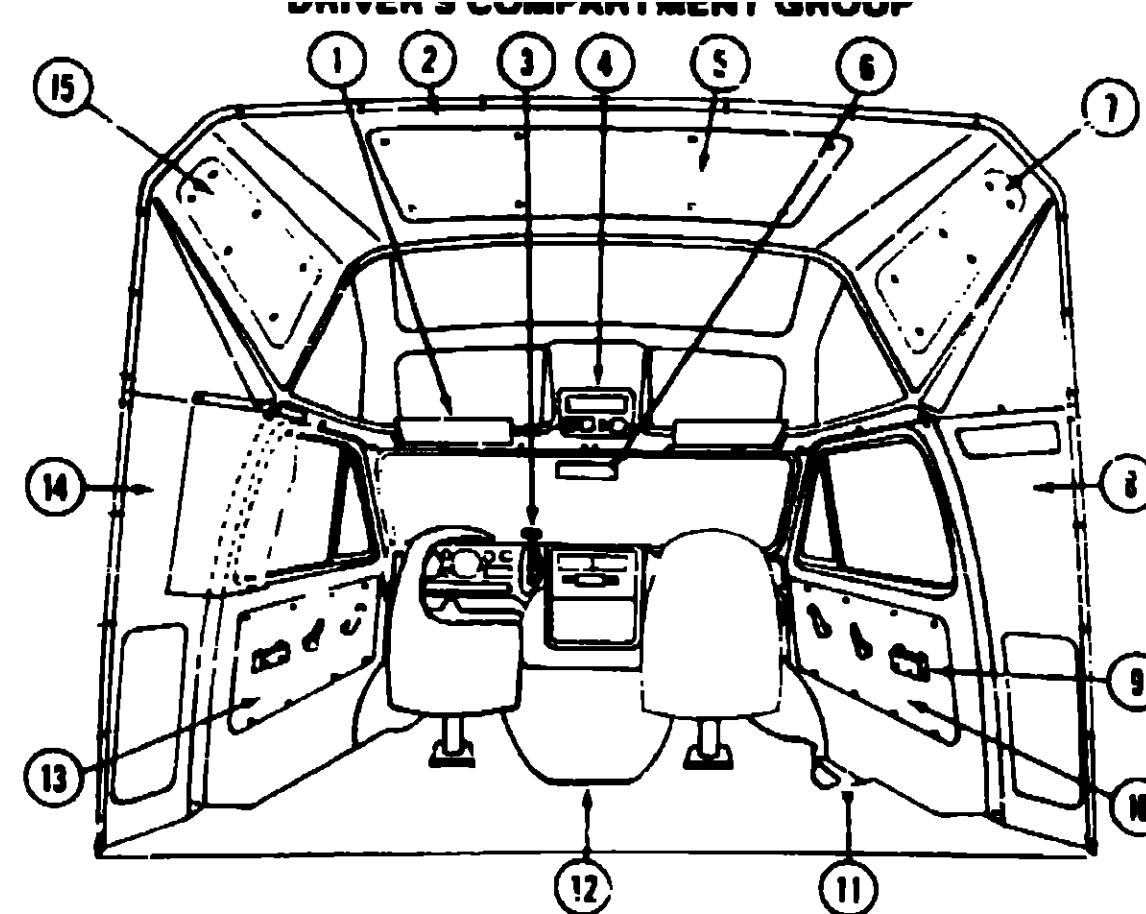
CONVENTIONAL DINETTE AND OVERHEAD CABINERY

Key	Part Number	U/M	Description
1	068907-01-N19	EA	Cabinet Asm. - Dinette Overhead - w/o Doors or Hardware
2	068726-02-N19	EA	Door Asm. - Dinette Overhead Cabinet - 10" x 23" - w/o Hardware
3	068971-01-N26	EA	Cabinet Asm. - Dinette Back - Right Hand
4	M68975-01-N26	EA	Cabinet Asm. - Dinette Seat - Right Hand
5	M68982-01-N26	EA	Table Asm. - Dinette - w/o Hardware - Birch
	M68982-01-M21	EA	Table Asm. - Dinette - w/o Hardware - Paper Bag Brown
6	M72634-01-N26	EA	Cabinet Asm. - Dinette Seat - Left Hand
7	068972-01-N26	EA	Cabinet Asm. - Dinette Back - Left Hand
	053200-05-000	EA	Bracket - Upper Wall Mount - Beige - 23.5"
	053201-03-000	EA	Bracket - Table Mount - 23"
	024275-05-000	EA	Rod - Table Lift - 8" x 23.5"
	024281-07-000	EA	Bracket - Lower Wall Mount - Beige - 22.12"
	024276-10-000	EA	Leg Asm. - Table - Beige - 28.38"
	064050-01-000	EA	Hinge - Table Leg
	024282-01-000	EA	Brace - Table Leg
	024283-01-000	EA	Clip - 1" O.D. Tube
	049493-03-000	EA	Catch - Table Leg - Mounts on Floor - Beige
			Not illustrated

The illustrated parts breakdown for this item is provided on the Common Items Fiche

DINETTE OVERHEAD SIDE BUNK

Key	Part Number	U/M	Description
	068690-02-N26	EA	Bunk Asm. - Overhead - 72"
	068668-01-000	EA	Strap - Bunk Asm.
	070526-02-000	EA	Cabinet Asm. - Overhead Bunk
	069875-01-000	EA	Door Asm. - Overhead Bunk Cabinet - Sliding
	063647-01-000	EA	Spring - Torsion - Right Hand
	069647-02-000	EA	Spring - Torsion - Left Hand
	071165-02-000	EA	Panel Asm. - Center - Overhead Bunk Cab.
	007021-01-000	EA	Belt Asm. - Seat - 2" x 90"
	070632-01-000	EA	Support - Seat Belt
	042541-02-000	EA	Latch Asm. - Chrome - w/o Strike
	042541-03-000	EA	Strike - Chrome Latch



MISCELLANEOUS DRIVER'S COMPARTMENT COMPONENTS

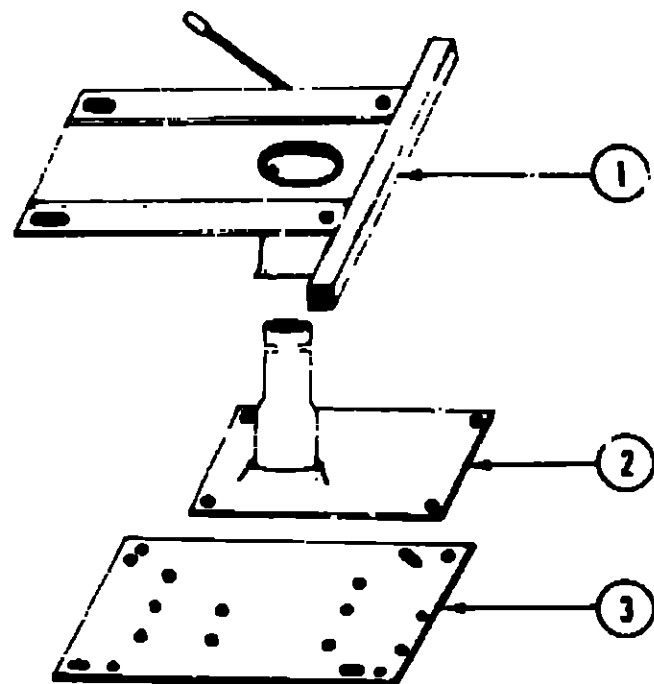
Key	Part Number	U/M	Description
1	056802-04-000	EA	Sunvisor Asm. - Medium Almond - Right and Left
2	068951-01-000	EA	Panel Asm. - Upper Front Cap - Plastic - Inner
3	701631-01-000	EA	Shifting Knob and Button - Transmission Control
	701537-01-000	EA	Retainer - Shifting Knob - Transmission Control
	066501-01-000	EA	Shifter Asm. - Modified
	052744-04-000	EA	Bezel - Transmission Control
4	069213-04-000	EA	Bezel - Instrument - Overhead Console (Voltmeter, Battery Switch, Generator Switch, Hourmeter, Dual Battery Switch, Travel Center)
	069213-03-000	EA	Bezel - Instrument - Overhead Console (Generator Switch, Hourmeter, Dual Battery Switch)
	069213-02-000	EA	Bezel - Instrument - Overhead Console (Voltmeter, Battery Switch, Dual Battery Switch, Travel Center)
	064956-01-000	EA	Panel - Travel Center - Black
5	072434-01-N26	EA	Headliner Asm. - Burgundy
6	040714-01-000	EA	Mirror - Inside Rear View
	067490-01-000	EA	Button - Mirror - Rear View Support
7	072435-01-N26	EA	Panel Asm. - Right Side - Burgundy
8	068950-01-000	EA	Panel Asm. - Wingwall Transition - Plastic - Inner Right Hand
9	056581-04-000	EA	Armrest Asm. - Cab. Door - Medium Almond Vinyl
10	059491-01-N26	EA	Side Panel - Cab Door - Right - Burgundy
11	044860-01-000	EA	Mat - Door Step - Rubber - Black - Left Hand
11	044860-02-000	EA	Mat - Door Step - Rubber - Black - Right Hand
12	071645-01-000	EA	Motor Cover - w/o Carpet
	046223-01-000	EA	Bracket - Motor Cover
	056671-01-000	EA	Ashtray Asm.
	056673-04-000	EA	Cover - Ashtray Lighter - Plastic
13	059492-01-N26	EA	Side Panel - Cab Door - Left - Burgundy
14	068950-02-070	EA	Panel Asm. - Wingwall Transition - Plastic - Inner Left Hand
15	072435-02-N26	EA	Panel Asm. - Left Side - Burgundy
	M00438-01-000	EA	Dash Asm.
	056502-01-000	EA	Panel Asm. - Dash - Right
	056603-01-000	EA	Panel Asm. - Dash - Left - Drives
	070524-01-000	EA	Pad - Dash - Medium Dark Almond
	045795-01-000	EA	Glass Holder - Dark Brown Plastic
			Not illustrated

1982 ITA 3CA
TABLE OF CONTENTS

IC420RB N2	A-1 - B-20
IC621RB N2	B-21 - D-14
IC723DB N2	D-15 - F-2
IC723RH N2	F-3 - G-16
IC823DB P2	G-17 - I-8

1982 IC723DB N2 INDEX

Floor Plan	D-15 - D-16
Accessories Group	D-17 - D-18
Bath Group	D-19
Chassis Group	D-20
Curtain, Cushion & Pad Group	D-21 - D-24
Dinette Group	E-1
Driver's Compartment Group	E-2 - E-3
Electrical Group	E-4 - E-6
Exterior Body Group	E-7 - E-12
Galley Group	E-13
Heating & Air Conditioning Group	E-14
Interior Finish Group	E-15 - E-16
LP Group	E-17
Lounge Group	E-18
Water & Sewage Group	E-19
Window, Vent & Exterior Door Group	E-20 - F-2



BUCKET SEAT PEDESTAL AND SEAT BELT

Key	Part Number	U/M	Description
1	069585-06-000	EA	Plate - Top - Pedestal Asm. - Bucket Seat
2	069585-03-000	EA	Plate - Sub - Pedestal Asm - Bucket Seat
3	069585-02-000	EA	Plate - Base - Pedestal Asm. - Bucket Seat
.	069585-05-000	EA	Hardware Kit - Bolt Acorn Nut - 4 Ea - Pedestal Asm
.	069585-09-000	EA	Stabilizer - Seat Belt Retractor
.	069246-01-000	EA	Adjuster Asm. - Seat w Lock
.	069246-02-000	EA	Adjuster Asm - Seat w o Lock
.	007019-01-100	EA	Belt Asm - Bucket Seat - 2' x 84" - Black
.	068601-01-000	EA	Recliner Drive - Left Side
.	068601-02-000	EA	Recliner Drive - Right Side
.	068601-10-000	EA	Hand Wheel - Recliner Drive - Black Plastic
.	041322-01-000	EA	Washer - Flat - 15 32" I D x 2 3 8" O D
.	007221-01-000	EA	Spacer - Seat Adjuster
.			Not illustrated

BULBS

Key	Part Number	U/M	Description
	037955-01-000	EA	Bulb - 1157
	037936-01-000	EA	Bulb - 1157 A
	063914-01-000	EA	Bulb - 1139
	003103-01-000	EA	Bulb - 53
	008213-01-000	EA	Bulb - 57
	008214-01-000	EA	Bulb - 67
	008215-01-000	EA	Bulb - 1003
	008218-01-000	EA	Bulb - 1141
	008220-01-000	EA	Bulb - 12V - 25W
	036196-02-000	EA	Bulb - 194A
	056288-02-000	EA	Bulb - G E 211-02

FUSES AND CIRCUIT BREAKERS

Key	Part Number	U/M	Description
	056473-01-000	EA	Fuse - Slow Blow - 6 1 4 Amp
	008233-01-000	EA	Fuse - 12 Volt - 6 Amp.
	008234-01-000	EA	Fuse - 12 Volt - 10 Amp
	008235-01-000	EA	Fuse - 12 Volt - 15 Amp
	008236-01-000	EA	Fuse - 12 Volt - 20 Amp.
	008248-01-000	EA	Fuse - 110 Volt - 30 Amp - AGU
	008252-01-000	EA	Fuse - 110 Volt - 50 Amp
	008206-01-000	EA	Circuit Breaker - 12 Volt - 40 Amp
	008211-01-000	EA	Circuit Breaker - 12 Volt - 6 Amp
	008260-01-000	EA	Circuit Breaker - 12 Volt - 30 Amp w Mount
	033573-01-000	EA	Circuit Breaker - 12 Volt - 20 Amp. w Mount
	040051-01-000	EA	Circuit Breaker - 110 Volt - 20 Amp - TQL
	033573-02-000	EA	Circuit Breaker - 12 Volt - 15 Amp - w Mount
	008297-01-000	EA	Circuit Breaker - TOP 120
	008293-01-000	EA	Circuit Breaker - TOP 130
	071279-01-000	EA	Circuit Breaker - 120 Volt - 15 Amp
	071279-02-000	EA	Circuit Breaker - 120 Volt - 15 15 Amp
	071279-04-000	EA	Circuit Breaker - 120 Volt - 30 Amp

INTERIOR LIGHTS

Key	Part Number	U/M	Description
	064778-01-000	EA	Light - Dome - Off White - Double Jensen
	064778-02-000	EA	Light - Dome - Off White - Single Jensen
	061421-01-000	EA	Light - 12 V Receptacle - Aisle - IP
	068937-01-000	EA	Light - Dome - Surface w Switch
	068937-02-000	EA	Light - Dome - Surface w o Switch
	068621-01-000	EA	Light - Dome & 2 Swivel
	033508-02-000	EA	Light - Dome - Ivory - Single - US
	056288-01-000	EA	Light - Dome - Drivers Compartment
	033508-03-000	EA	Light - Dome - Ivory - Single - CSA
	033509-02-000	EA	Light - Dome - Ivory - Double - US
	033509-03-000	EA	Light - Dome - Ivory - Double - CSA

**1982 ITASCA
TABLE OF CONTENTS**

IC420RG N2	A-1 - B-20
IC621RB N2	B-21 - D-14
IC723DB N2	D-15 - F-2
IC723RH N2	F-3 - G-16
IC823DB P2	G-17 - I-8

1982 IC723DB N2 INDEX

Floor Plan	D-15 - D-16
Accessories Group	D-17 - D-18
Bath Group	D-19
Chassis Group	D-20
Curtain, Cushion & Pad Group	D-21 - D-24
Dinette Group	E-1
Driver's Compartment Group	E-2 - E-3
Electrical Group	E-4 - E-6
Exterior Body Group	E-7 - E-12
Galley Group	E-13
Heating & Air Conditioning Group	E-14
Interior Finish Group	E-15 - E-16
LP Group	E-17
Lounge Group	E-18
Water & Sewage Group	E-19
Window, Vent & Exterior Door Group	E-20 - F-2

ELECTRICAL GROUP (CONTINUED)

EXTERIOR LIGHTS

Key	Part Number	U/M	Description
	007309-01-000	EA	Light - Step Well
	058031-01-000	EA	Tail Lamp Asm - 3 Bulb - Chrome
	059540-01-000	EA	Bracket - License Plate
	058031-01-700	EA	Lens - Tail Lamp - Amber
	058031-01-701	EA	Lens - Tail Lamp - Red
	058031-01-702	EA	Lens - Tail Lamp - Back Up
	042405-03-000	EA	Base - Rectangular Clearance Light
	042405-01-000	EA	Lens - Clearance Light - Red w Reflex
	042405-04-000	EA	Lens - Clearance Light - Red w o Reflex
	042405-02-000	EA	Lens - Clearance Light - Amber w Reflex
	042405-05-000	EA	Lens - Clearance Light - Amber w o Reflex
	008089-01-000	EA	Light - Porch - Recessed
	008089-01-700	EA	Lens - Recessed Porch Light
	067789-01-000	EA	Socket Asm - Lamp - Front Marker
	067784-01-000	EA	Lamp Asm - Parking - Left Hand
	067784-02-000	EA	Lamp Asm - Parking - Right Hand
	008092-01-700	EA	Reflector - Stick On - Rectangular - Red
	008093-01-700	EA	Reflector - Stick On - Rectangular - Amber

MISCELLANEOUS ELECTRICAL COMPONENTS

Key	Part Number	U/M	Description
	047338-01-000	EA	isolator - Dual Battery
	063739-01-000	EA	Battery - 12 Volt - 80 Amp - Gould
	008188-01-000	EA	Solenoid - Dual Battery - Relay
	046775-01-000	EA	Valve - Gas - Change Over
	024459-03-000	EA	Gauge - Voltmeter - w o Bracket
	024462-01-000	EA	Switch - Battery Condition
	031035-01-000	EA	Gauge - Hour Meter - Generator
	024976-01-000	EA	Switch - Generator - w o Circuit Board
	024460-01-000	EA	Gauge - Vacuum
	068068-01-000	EA	Load Center - 120V - 3 CRT
	039950-01-702	EA	Circuit Board - Control Center
	024461-01-000	EA	Switch - Battery - Changeover
	046885-01-000	EA	Plaque - Switch Mounting - Battery & Fuel
	059784-03-000	EA	Switch - Wiper - Intermittent
	072351-01-000	EA	Control Panel Complete - Water Double Sewage Clock - w LP Alarm - Refrigerator
	048812-04-000	EA	Control Panel - Basic
	048812-09-000	EA	Control Panel - Insert w LP Alarm Clock - Refrigerator Light & Sensor
	048812-12-000	EA	Refrigerator Sensor - Refrigerator Alarm
	039861-01-000	EA	Sending Unit - Wemac
	031720-01-000	EA	Spacer - Receptacle - Brown Plastic - CSA
	069213-02-000	E	Bezel - Instrument - Overhead Console (Voltmeter, Battery Switch, Dual Battery Switch, Travel Center)
	069213-03-000	EA	Bezel - Instrument - Overhead Console (Generator Switch, Hourmeter, Dual Battery Switch)
	069213-04-000	EA	Bezel - Instrument - Overhead Console (Voltmeter, Battery Switch, Generator Switch, Hourmeter, Dual Battery Switch, Travel Center)
	064956-01-000	EA	Panel - Travel Center - Black
	071278-01-000	EA	Control Center - 32 Amp - 120 Volt 12 Volt

ELECTRICAL GROUP (CONTINUED)

WIRE, SWITCHES AND RECEPTACLES

Key	Part Number	U/M	Description
	008024-01-000	FT	Wire - 18 5 Bonded - Orange White Yellow Blue Brown
	008277-01-000	EA	Holder - Fuse - Black - Panel Mount
	008195-01-000	EA	Switch - Push Button - 12 Vo :
	006077-01-000	EA	Plaque - Compressor Switch
	008054-01-000	EA	Cord - Power - 10-3 30 Amp - 25' - UL
	024571-04-000	EA	Cover Plate - Receptacle - Jumbo Ivory Plastic
	039342-01-000	EA	Receptacle - Duplex Brown - T Junction
	024571-01-000	EA	Cover Plate - Receptacle - Jumbo Steel Brown
	008294-01-000	EA	Cover Plate - Brown Steel - 4" x 4"
	008288-01-000	EA	Box - Electrical - Plastic - 3" x 3 1/2"
	008289-01-000	EA	Box - Electrical - Steel - 4" x 4"
	039343-01-000	EA	Cap - End - Receptacle
	008162-01-000	EA	Switch - Double Toggle - Spade Brown
	008163-01-000	EA	Switch - Toggle - Brown
	031144-01-000	EA	Switch - Center Off - DPDT - Black 30A
	054532-01-000	EA	Housing Pin Asm - 6 Position
	064398-01-000	EA	Housing Asm - Trailer Receptacle - Female
	064399-01-000	EA	Housing Asm - Trailer Pin - Male
	064450-01-000	EA	Housing Asm - Trailer Plug - Male
	008164-01-000	EA	Cover Plate - Switch - Brown
	024924-01-000	EA	Receptacle - Power Cord
	008056-01-000	EA	Adaptor - Power Cord
	047353-01-000	EA	Cover - Receptacle - Ground Fault
	053126-01-000	EA	Receptacle - Ground Fault - Interrupter - 124 Volt - Brown
	058707-01-000	EA	Receptacle - Single - Brown - Thomas & Belts
	058708-01-000	EA	Receptacle - Duplex - Brown - Thomas & Belts
	058048-01-000	EA	Cover - Electrical - Rain Tight (Exterior)
	008157-01-000	EA	Receptacle - Single (Exterior)
	056264-01-000	EA	Switch - Leaf Actuator
	031968-01-000	EA	Contact - Plug

**1982 ITASCA
TABLE OF CONTENTS**

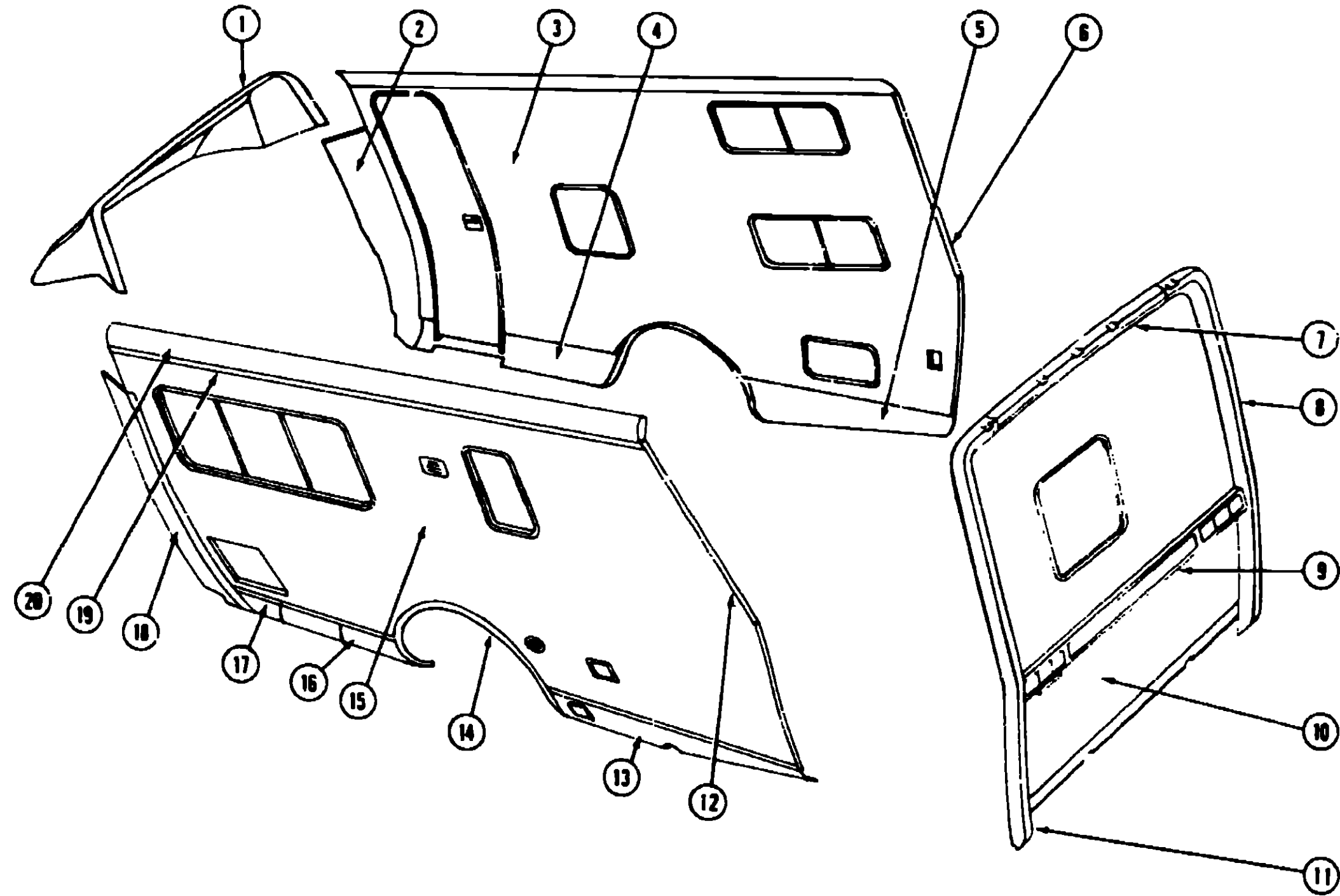
IC420RG N2	A-1 - B-20
IC621RB N2	B-21 - D-14
IC723DB N2	D-15 - F-2
IC723RH N2	F-3 - G-16
IC823DB P2	G-17 - I-8

1982 IC723DB N2 INDEX

Floor Plan	D-15 - D-16
Accessories Group	D-17 - D-18
Bath Group	D-19
Chassis Group	D-20
Curtain, Cushion & Pad Group	D-21 - D-24
Dinette Group	E-1
Driver's Compartment Group	E-2 - E-3
Electrical Group	E-4 - E-6
Exterior Body Group	E-7 - E-12
Galley Group	E-13
Heating & Air Conditioning Group	E-14
Interior Finish Group	E-15 - E-16
LP Group	E-17
Lounge Group	E-18
Water & Sewage Group	E-19
Window, Vent & Exterior Door Group	E-20 - F-2

EXTERIOR BODY GROUP

EXTERIOR BODY PANELS AND SHEET ALUMINUM



**1982 ITASCA
TABLE OF CONTENTS**

IC 420RB N2	A-1 - B-20
IC 621RB N2	B-21 - D-14
IC 723DB N2	D-15 - F-2
IC 723RH N2	F-3 - G-16
IC 823DB P2	G-17 - I-8

1982 IC723DB N2 INDEX

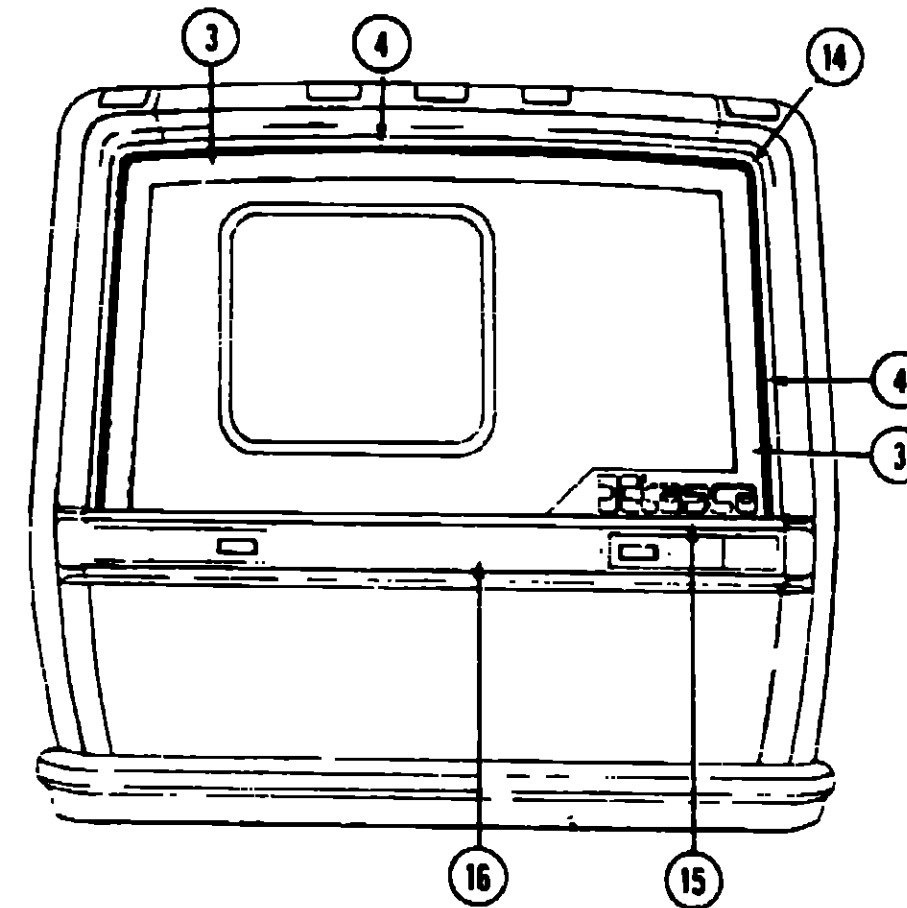
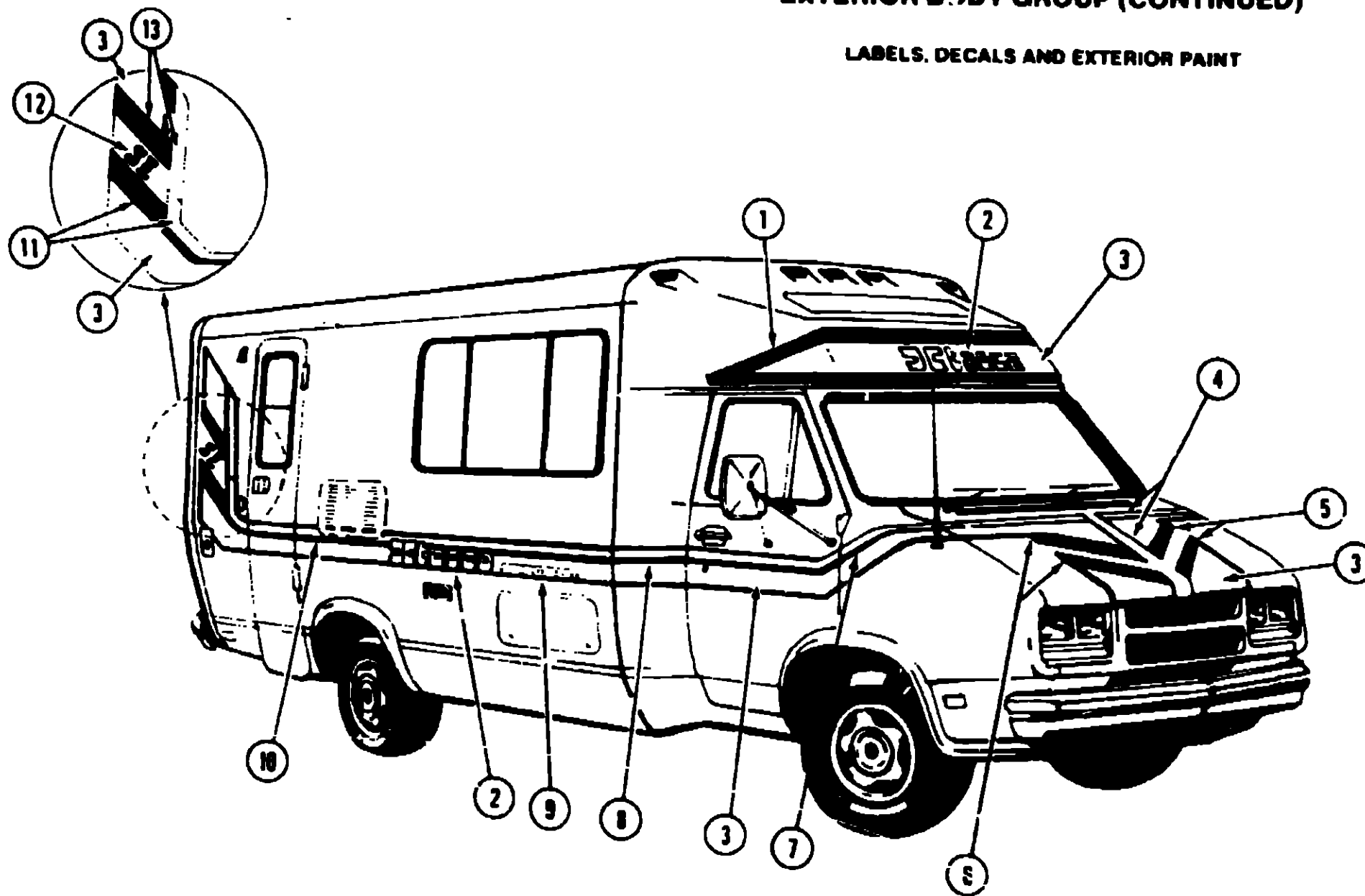
Floor Plan	D-15 - D-16
Accessories Group	D-17 - D-18
Bath Group	D-19
Chassis Group	D-20
Curtain, Cushion & Pad Group	D-21 - D-24
Dinette Group	E-1
Driver's Compartment Group	E-2 - E-3
Electrical Group	E-4 - E-6
Exterior Body Group	E-7 - E-12
Galley Group	E-13
Heating & Air Conditioning Group	E-14
Interior Finish Group	E-15 - E-16
LP Group	E-17
Lounge Group	E-18
Water & Sewage Group	E-19
Window, Vent & Exterior Door Group	E-20 - F-2

Key	Part Number	U/M	Description
1	068917-02-000	EA	Panel - Front Cap - Off White
2	068915-03-000	EA	Panel - Transition Wingwall - Outer - Right Hand
3	069015-02-N2E	EA	Sidewall Asm - Right
4	M00596-02-000	EA	Valance Panel - Right Front
5	M00597-02-000	EA	Valance Panel - Right Rear
6	069775-03-000	EA	Trim - Backwall Cap - Right - Off White
7	068920-02-000	EA	Panel - Backwall - Upper - Roof Line - Off White
8	068922-03-000	EA	Panel - Backwall - Right Hand - Off White
9	068924-02-000	EA	Panel - Backwall - Lower - Tail Lights - Off White
10	068768-02-N2E	EA	Backwall Asm - Burgundy
11	068922-04-000	EA	Panel - Backwall - Left Hand - Off White
12	069775-04-000	EA	Trim - Backwall Cap - Left - Off White
13	M00595-02-000	EA	Valance Panel - Left Rear

Key	Part Number	U/M	Description
14	068919-02-000	EA	Fender Trim - Rear Wheel Well - Left & Right
15	069006-01-N2E	EA	Sidewall Asm - Left
	M73536-01-N21	EA	Roof Asm
16	M00594-02-000	EA	Valance Panel - Left Front
17	069221-18-000	EA	Trim - Sidewall - 92 3/8" - Off White - w/o Insert
18	068915-04-000	EA	Panel - Transition Wingwall - Outer - Left Hand
19	069217-02-000	EA	Trim - Sidewall - 163" - Off White - w/o Insert
	001030-02-003	EA	Insert - Feature Strip - Off White - 17"
	069192-01-000	EA	Trim - Roof Sidewall Joint - 165" - Right
20	069192-07-000	EA	Trim - Roof Sidewall Joint - 165" - Left
	000868-01-000	SF	Styrofoam - 3 4" x 24" x 96"
	000870-01-000	SF	Styrofoam - 1 1 2" x 24" x 96"
	039155-37-001	EA	Alum - Off White - 024" x 48" x 240" - Smooth
			Not illustrated

EXTERIOR BODY GROUP (CONTINUED)

LABELS, DECALS AND EXTERIOR PAINT



1982 ITASCA TABLE OF CONTENTS

IC420RG N2
IC621RB N2
IC723DB N2
IC723RH N2
IC823DB P2

A-1 - B-20
B-21 - D-14
D 15 - F-2
F-3 - G-16
G-17 - I-8

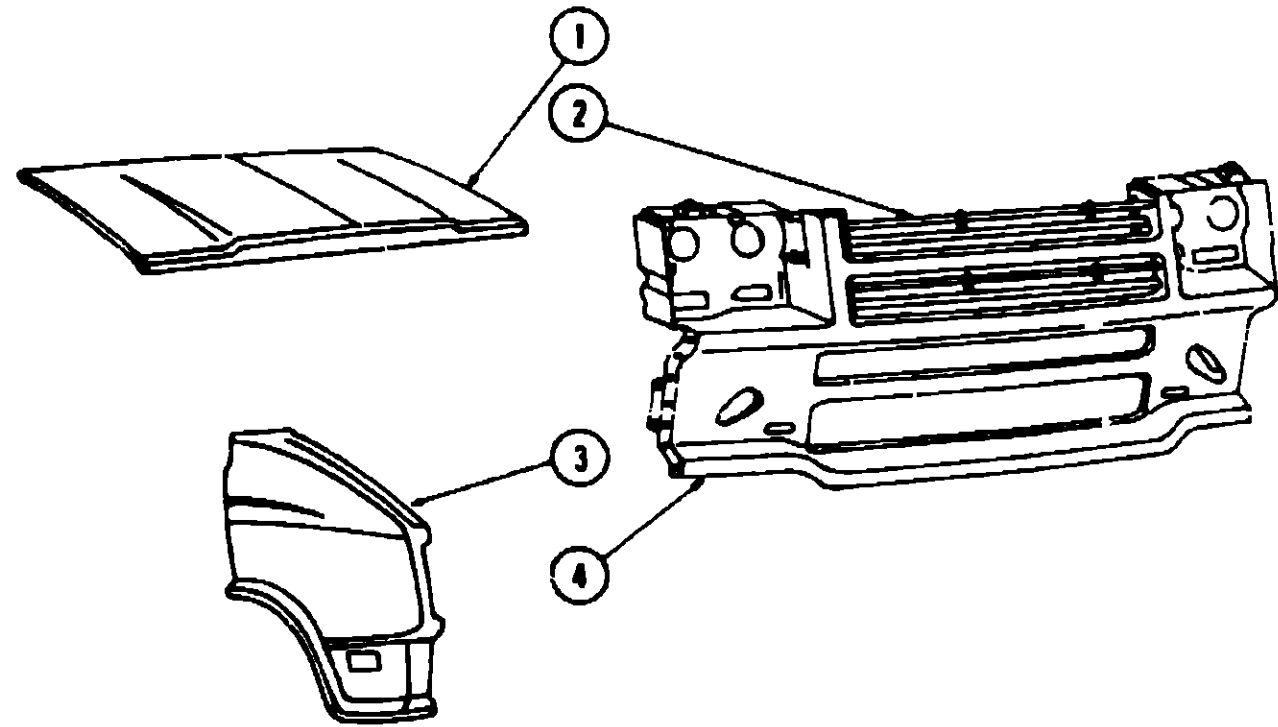
Key	Part Number	U/M	Description
1	068941-01-000	EA	Decal - Roof Cap - Right Hand - Brown Wine
2	068941-02-000	EA	Decal - Roof Cap - Left Hand - Brown Wine
3	046400-05-000	EA	Decal - Logo - Itasca
3	J72338-03-000	EA	Paint - Desert Frost - Acrylic Enamel - Aerosol 16 oz (44736 Dupont)
4	041561-01-000	EA	Paint - Off White - Acrylic Enamel - 1 Gallon (45396A Dupont)
4	041561-03-000	EA	Paint - Off White - Acrylic Enamel - 16 oz Aerosol (45396A Dupont)
4	041561-04-000	EA	Paint - Off White - Acrylic Lacquer - 1 Gallon
4	045681-01-000	EA	Paint - Gloss Black - Acrylic Enamel - 1 Gal (99A Dupont)
4	045681-03-000	EA	Paint - Gloss Black - Acrylic Enamel - 16 oz Aerosol (99A Dupont)
4	068948-01-000	FT	Film - Multi Stripe - 1 50" x 150 Ft - Brown Wine
5	068942-02-000	EA	Decal - Hood - Left Hand - Wine
6	068942-01-000	EA	Decal - Hood - Right Hand - Wine
7	068943-01-000	EA	Decal - Fender - Right Hand - Brown Wine
7	068943-02-000	EA	Decal - Fender - Left Hand - Brown Wine
8	068944-01-000	EA	Decal - Transition - Right Hand - Brown Wine
8	068944-02-000	EA	Decal - Transition - Left Hand - Brown Wine
9	068949-01-000	EA	Decal - Logo - Spectrum - Off White
10	068948-03-000	FT	Film - Multi Stripe - 2 25" x 150 Ft - Brown Wine
11	068945-01-000	EA	Decal - Side - Lower - Right Hand - Brown Wine
11	068945-02-000	EA	Decal - Side - Lower - Left Hand - Brown Wine
12	068947-01-000	EA	Decal - SE - 4"
12	Not illustrated		

Key	Part Number	U/M	Description
13	068946-01-000	EA	Decal - Side - Top - Right Hand - Brown Wine
13	068946-02-000	EA	Decal - Side - Top - Left Hand - Brown Wine
14	068947-01-000	EA	Decal - Corner - 50 R - Brown Wine
15	069227-01-000	EA	Decal - Logo - Itasca - 3 70" x 15 82"
16	069643-01-000	EA	Decal - Brushed Aluminum on Lexan
16	006040-01-000	EA	Tag - Gas Refueling Warning
16	006062-01-000	EA	Tag - Electrical - 110 Volt Connection
16	006023-01-000	EA	Label - Water Only
16	006028-01-000	EA	Label - Drain Caps - 2" x 3"
16	006031-01-000	EA	Label - Potable Water Only
16	006064-01-000	EA	Label - Seat w/o Seatbelt
16	006187-01-000	EA	Label - Sewage
16	006188-01-000	EA	Label - Waste Water
16	006199-01-000	EA	Label - Exit - Escape Window
16	057467-01-000	EA	Label - Warning - Exterior Loading Limit
16	061417-01-000	EA	Label - Fuel
16	047731-01-000	EA	Label - Emergency Exit
16	050225-01-000	EA	Label - Warning - Stove Vent - U S
16	054531-01-000	EA	Label - LP Gas Only
16	065960-01-000	EA	Logo - LP Power
16	065961-01-000	EA	Logo - Itasca
16	Not illustrated		

1982 IC723DB N2 INDEX

Floor Plan	D-15 - D-16
Accessories Group	D-17 - D-18
Bath Group	D-19
Chassis Group	D-20
Curtain, Cushion & Pad Group	D-21 - D-24
Dinette Group	E-1
Driver's Compartment Group	E-2 - E-3
Electrical Group	E-4 - E-6
Exterior Body Group	E-7 - E-12
Galley Group	E-13
Heating & Air Conditioning Group	E-14
Interior Finish Group	E-15 - E-16
LP Group	E-17
Lounge Group	E-18
Water & Sewage Group	E-19
Window, Vent & Exterior Door Group	E-20 - F-2

EXTERIOR BODY GROUP (CONTINUED)



EXTERIOR BODY PANELS (FRONT)

Key	Part Number	U/M	Description
1	068912-02-000	EA	Hood Asm
.	057896-01-000	EA	Hinge Asm - Hood
.	058723-01-000	EA	Hood Latch Asm
.	068974-03-000	EA	Bracket Asm. - Hood Hinge - Right Hand
.	068974-04-000	EA	Bracket Asm. - Hood Hinge - Left Hand
.	069071-02-000	EA	Hood Prop Rod
.	062628-01-000	EA	Clip - Prop Rod
.	067785-01-000	EA	Bezel - Headlamp - Left - Chrome
2	070607-01-000	EA	Grille Asm
.	067785-02-000	EA	Bezel - Headlamp - Right - Chrome
.	049185-01-000	EA	Capsule Asm - Headlamp Rectangular - Left - High Low Beam
.	049186-01-000	EA	Capsule Asm - Headlamp Rectangular - Right - High Low Beam
.	067786-01-000	EA	Capsule Asm - Headlamp Rectangular - Left - High Beam
.	067787-01-000	EA	Capsule Asm - Headlamp Rectangular - Right - High Beam
.	050030-01-000	EA	Wire Housing Asm - Headlamp
.	054863-02-000	EA	Panel - Wheel House - Front Half - Right
.	054863-01-000	EA	Panel - Wheel House - Front Half - Left
3	068908-03-000	EA	Fender - Right Hand
.	068908-04-000	EA	Fender - Left Hand
4	068910-02-000	EA	Front Panel - Fiberglass - w o Grille & Headlamps
.			Not illustrated

EXTERIOR BODY GROUP (CONTINUED)

MISCELLANEOUS EXTERNALLY MOUNTED PARTS

Key	Part Number	U/M	Description
**	011129-01-000	EA	Plumbing Seal - Roof Vent - 1 1/2"
.	010230-02-000	EA	Fill - City Water - Recessed - Off White
.	058808-01-000	EA	Water Fill - Lockable - Off White
**	048789-01-000	EA	Vent Asm - Roof Powered - w o Screen - Alum
**	048835-01-000	EA	Vent Asm - Roof Non Powered - w o Screen - Alum
.	065103-02-000	EA	Cover - Refrigerator Vent - Plastic
.	065103-01-000	EA	Base - Frame - Refrigerator Vent w o Cover
.	008089-01-000	EA	Porch Light - Recessed
.	068888-01-000	EA	Shroud - Fuel Fill - Angled
.	068895-01-000	EA	Shroud - Fuel Fill - w Fill Hole
**	The illustrated parts breakdown for this item is provided on the Common Items Fiche		

SEALANTS, ADHESIVES AND FASTENERS

Key	Part Number	U/M	Description
.	034552-06-000	EA	Sealant - Off White Silicone
.	034552-04-000	EA	Sealant - Beige Silicone
.	034552-02-000	EA	Sealant - Clear Silicone
.	069637-01-000	EA	Sealant - Weatherban 404 Tube
.	039518-01-000	EA	Sealant - Black Silicone
.	002707-02-000	FT	Tape - Sealer - 5 16" x 1 2"
.	009200-01-000	EA	Tape - Furnace - 1 1/2"
.	002825-01-000	FT	Weather Stripping - Roof Vent
.	002337-01-000	EA	Adhesive - 3M - 1300 Tube
.	004005-01-000	GL	Adhesive - Swifts - Green - Glue (Sidewalls)
.	004012-01-000	GL	Adhesive - 3M - 4475 Tube
.	004020-01-000	QT	Adhesive - ABS Cement (Plastic Fittings)
.	029051-01-000	EA	Adhesive - Spray Vinyl
.	000G66-08-12S	EA	Screw - #9 - 18 x 3 4" SDPH - Off White
.	000G66-08-16S	EA	Screw - #8 - 18 x 1" SDPH - Off White
.	000G64-08-16S	EA	Screw - #8 - 18 x 1" SDPH - SF DR - Off White
.	069640-02-000	FT	Tape - 1 2" x 1 8" x 50' - Gray - 3M
.	069640-01-000	FT	Tape - 1 4" Bead x 20' - Gray - 3M
.	069640-03-000	FT	Tape - 3 4" x 1 8" x 50' - Gray - 3M
.	069640-04-000	FT	Tape - 2" x 3 32" x 45' - Gray - 3M
.	072889-01-000	EA	Sealant - Urethane - Tube - Black

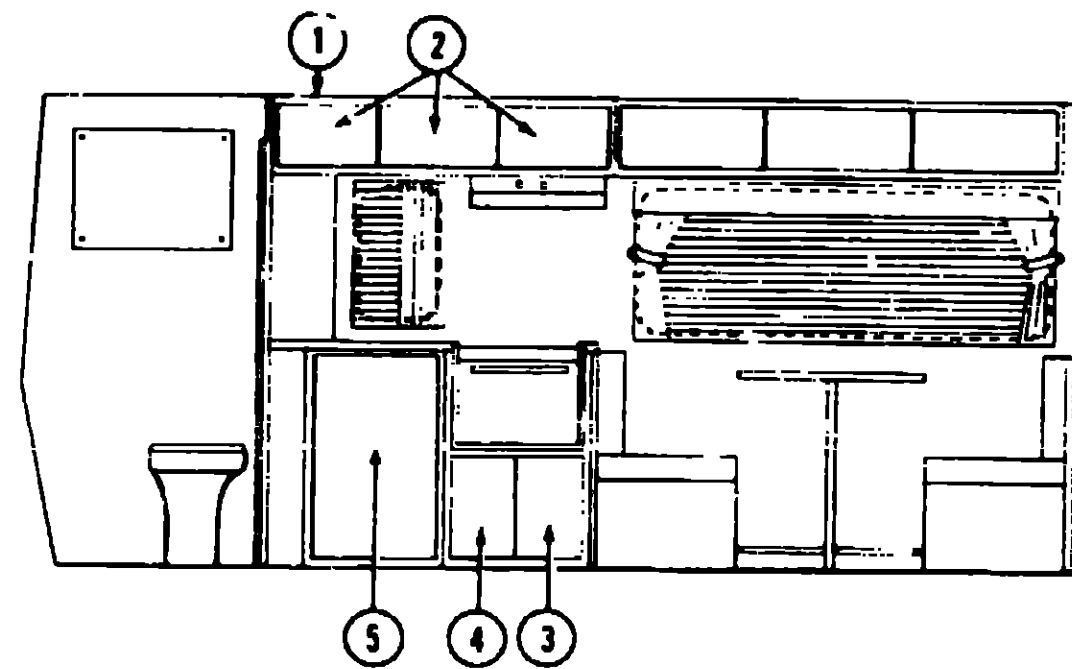
**1982 ITASCA
TABLE OF CONTENTS**

IC420RG N2	A-1 - B-20
:C621RB N2	B-21 - D-14
IC723DB N2	D-15 - F-2
IC723RH N2	F-3 - G-16
IC823DB P2	G-17 - I-8

1982 IC723DB N2 INDEX

Floor Plan	D-15 - D-16
Accessories Group	D-17 - D-18
Bath Group	D-19
Chassis Group	D-20
Curtain, Cushion & Pad Group	D-21 - D-24
Dinette Group	E-1
Driver's Compartment Group	E-2 - E-3
Electrical Group	E-4 - E-6
Exterior Body Group	E-7 - E-12
Galley Group	E-13
Heating & Air Conditioning Group	E-14
Interior Finish Group	E-15 - E-16
LP Group	E-17
Lounge Group	E-18
Water & Sewage Group	E-19
Window, Vent & Exterior Door Group	E-20 - F-2

GALLEY GROUP



GALLEY CABINETRY

Key	Part Number	U/M	Description
1	068998-01-N19	EA	Cabinet Asm - Galley Overhead - w o Doors or Hardware
2	068726-01-N19	EA	Door Asm. - Galley Overhead - 10" x 17.5" - w o Hardware
3	068726-04-N19	EA	Door Asm. - Galley Cabinet - 10" x 17.5" - w o Hardware - Right
4	068726-07-N19	EA	Door Asm - Galley Cabinet - w Steel Spacer - 10" x 17.5" w o Hardware - Left
5	068726-05-N19	EA	Door Asm - Galley Cabinet - 21.5" x 33.5" - w o Hardware
*	068700-01-000	EA	Drawer Asm - Plastic - Galley Cabinet - 13" x 20" - w o Hardware
*	M00655-02-N26	EA	Countertop Asm - Galley Cabinet - Birch
*	M00655-02-M21	EA	Countertop Asm. - Galley Cabinet - Paper Bag Brown
*	M00573-01-M21	EA	Countertop Asm. - Refrigerator - Paper Bag Brown
*	M00769-01-N26	EA	Countertop Asm. - Refrigerator - Birch
*	068726-04-N19	EA	Door Asm - Refrigerator Cabinet - 10" x 17.5" - w o Hardware - Right
*	068726-03-N19	EA	Door Asm. - Refrigerator Cabinet - 10" x 17.5" - w o Hardware - Left
*	Not illustrated		

GALLEY HARDWARE AND APPLIANCES

Key	Part Number	U/M	Description
	068615-02-000	EA	Sink - Double - Stainless Steel w. Mounting Hardware
**	011053-01-000	EA	Faucet - 8" - Swing Spout - U S
	011053-02-000	EA	Faucet - 8" - Swing Spout - CSA
	067051-02-000	EA	Stove Splatter Guard - Safety Glass
	009145-02-000	EA	Bracket - Splatter Guard
**	066437-01-000	EA	Strainer - Sink - w Gasket
**	049930-03-000	EA	Hood - Stove - Powered - Black Face - US
**	049930-04-000	EA	Hood - Stove - Powered - Black Face - CSA
	053333-01-000	EA	Hood - Stove - Non Powe. - Black Face - US
	053333-02-000	EA	Hood - Stove - Non Power - Black Face - CSA
	064473-02-000	EA	Refrigerator - 3 Way - 6 cu ft Norcold
	054450-01-000	EA	Level - Refrigerator
	067754-01-000	EA	Range - 3 Burner - Small Oven - Black - Magic Chef
	056913-02-000	EA	Range - 2 Burner - Permanent - No Oven
	069022-01-000	EA	Slide - Drawer - Left
	069022-02-000	EA	Slide - Drawer - Right
**	The illustrated parts breakdown for this item is provided on the Common Items Fiche		

HEATING & AIR CONDITIONING GROUP

Key	Part Number	U/M	Description
	051768-01-000	EA	A C - Compressor Mount Package - 350 C I D
	051770-01-000	EA	A C - Compressor - Rotolock - 10.3"
	056460-01-000	EA	A C - Condenser Asm. - 350 C I D C-Body
	056455-01-000	EA	A C - Evaporator Asm.
	024996-01-000	EA	A C - Clutch - 6" Drive
	058120-02-000	EA	Heater Defroster Asm.
	058119-03-000	EA	Control Asm. - Heater
	058119-04-000	EA	Control Asm. - Heater/Air Conditioner
	007108-01-000	FT	Hose - Heater - 5.8" ID
	007108-02-000	FT	Hose - Heater - 3.4" ID
	056464-01-000	EA	Register w Damper - 4" Round
	009198-01-000	EA	Duct - Flexible - 4" I D. x 25'
	031604-01-000	EA	Bonnet - Heat Register
	066741-01-714	EA	Thermostat - Horizontal Wall Mount
	009200-01-000	EA	Tape - Furnace - 1.12"
	023146-01-000	EA	Clamp - Screw Type - 4"
	066741-01-713	EA	Vent Package - Furnace
	066741-01-711	EA	Door - Furnace - Front
	066741-03-000	EA	Furnace - 19,500 BTU - w Direct Ignition
**	049775-02-000	EA	Shroud Asm - Ceiling - Inside - Roof Air - Cool Only 13,500 BTU - Coleman
**	049776-01-000	EA	Shroud Asm - Ceiling - Inside - Roof Air - Heat and Cool 13,500 BTU - Coleman
	063903-01-000	EA	Air Conditioner - 110 Volt - Roof Air 13,500 BTU - Rotary
**	The illustrated parts breakdown for this item is provided on the Common Items Fiche		

1982 ITASCA TABLE OF CONTENTS

IC420RG N2	A-1 - B-20
IC621RB N2	B-21 - D-14
IC723DB N2	D-15 - F-2
IC723RH N2	F-3 - G-16
IC823DB P2	G-17 - I-8

1982 IC723DB N2 INDEX

Floor Plan	D-15 - D-16
Accessories Group	D-17 - D-18
Bath Group	D-19
Chassis Group	D-20
Curtain, Cushion & Pad Group	D-21 - D-24
Dinette Group	E-1
Driver's Compartment Group	E-2 - E-3
Electrical Group	E-4 - E-6
Exterior Body Group	E-7 - E-12
Galley Group	E-13
Heating & Air Conditioning Group	E-14
Interior Finish Group	E-15 - E-16
LP Group	E-17
Lounge Group	E-18
Water & Sewage Group	E-19
Window, Vent & Exterior Door Group	E-20 - F-2

INTERIOR FINISH GROUP

PANELING AND COUNTERTOP MATERIALS

Key	Part Number	U/M	Description
	072335-01-000	SF	Paneling - 759 Walnut - 48" x 84" (28SF)
	072336-02-000	SF	Paneling - Decor String Stripe - Brown Burgundy - 48" x 84" (28SF)
	072336-01-000	SF	Paneling - Decor Gentle Willow - Plum - 48" x 84" (28SF)
	068344-06-000	SF	Paneling - Wall - Suede Craft - 48" x 84" (28SF)
	072337-01-000	SF	Plastic Laminate - Birch - 48" x 96" (32SF)
	068341-03-000	SF	Plastic Laminate - Paper Bag Brown - 48" x 96" (32SF)
	068341-03-019	EA	Plastic Laminate - Paper Bag Brown - 1 19" x 96"
	072337-01-019	EA	Plastic Laminate - Birch - 1 19" x 96"

INTERIOR MOLDINGS AND TRIMS

Key	Part Number	U/M	Description
	047354-06-000	EA	Batt Strip - Suede Beige - 8'
	069733-06-000	EA	Batt Strip - Decor String Stripe - Brown Burgundy - 8'
	069733-07-000	EA	Batt Strip - Decor Gentle Willow - Plum - 8'
	009812-10-000	FT	Molding - Corner - Outside 50"
	022992-03-000	FT	Molding - Reverse Cove - Sandalwood
	022992-06-000	FT	Molding - Reverse Cove - Champagne White
	009767-06-000	FT	Welling - Beige
	009778-03-000	FT	U-Channel - 1" - Light Brown
	066950-02-000	EA	Panel - Wingwall Transition - Plastic - Inner Left Hand
	066950-01-000	EA	Panel - Wingwall Transition - Plastic - Inner Right Hand
	052859-01-N01	FT	Trim Asm - Accent - Medium Almond Vinyl (Beige)

CABINETS AND TABLE HARDWARE

Key	Part Number	U/M	Description
**	057898-01-000	EA	Hidden Latch - Cabinet Door
**	057898-02-000	EA	Strike - Hidden Latch - Cabinet Door
	053331-02-000	EA	Hinge - Cabinet Door - Overlay - Flat Black
	009021-01-000	EA	Catch - Nylon
	009021-02-000	EA	Strike - Nylon Catch
	069022-01-000	EA	Slide - Drawer - Left
	069022-02-000	EA	Slide - Drawer - Right
	009112-01-000	EA	Flange - 1" - Closet Rod
	024276-10-000	EA	Leg Asm - Table - Beige - 29 75"
**	024282-01-000	EA	Brace - Table Leg
	024275-05-000	EA	Rod - Table Lift - Beige - 8" x 23 5"
	024281-07-000	EA	Bracket - Table Lift - Lower Wall Mount - Beige
	049493-03-000	EA	Catch - Table Leg - Mounts on Floor
	053200-05-000	EA	Bracket - Table Lift - Upper Wall Mount - Beige
	053201-03-000	EA	Bracket - Table Mount - 23"
**	064050-01-000	EA	Hinge - Table Leg
**	024283-01-000	EA	Clip - 1" O D Tube
**	045795-01-000	EA	Glass Holder - Light Oak Plastic
** The illustrated parts breakdown for this item is provided on the Common Items Fiche			

INTERIOR FINISH GROUP (CONTINUED)

CURTAIN HARDWARE

Key	Part Number	U/M	Description
	037872-02-000	EA	Bracket - Curtain Rod
	037872-01-000	EA	Rod - Curtain - Double Extension - 48" - 84"
	050788-02-000	EA	Center Support - Curtain Rod
	056784-01-000	EA	Pull - Window Shade - Antique Brass
	056001-01-000	EA	Bracket - Shade - Left
	056002-01-000	EA	Bracket - Shade - Right
	009107-01-000	EA	Guide - Nylon Snap - Curtain
	052327-05-009	EA	Track - Curtain - Beige Alum - 76" w Holes
	069270-01-000	EA	Track - Shower Curtain - "L" Rod - Beige Alum
	009701-01-000	EA	Carrier - "L" Rod - Curtain
	009702-01-000	EA	End Stop - "L" Rod - Curtain
	056115-01-000	YD	Tape - Plastic - Clear w Guides
	056116-01-000	FT	Track - Curtain - Plastic - Brown
	048394-01-000	YD	Tape - Hook - 1" x 25 yd - Beige
	048395-01-000	YD	Tape - Loop - 1" x 25 yd - Beige

FABRICS AND FLOOR COVERINGS

Key	Part Number	U/M	Description
	072334-02-000	YD	Fabric - Drapery Upholstery - Plain - Raisin Burgundy
	072334-01-000	YD	Fabric - Upholstery - Diamonds - Rosewood Burgundy
	036421-01-000	YD	Ticking - Mattress
	070502-01-000	YD	Vinyl - Nonexpanded - 12 Gauge Film - Medium Almond (Beige)
	069730-08-000	SY	Carpet - Burgundy

MISCELLANEOUS PARTS

Key	Part Number	U/M	Description
	053552-01-N07	EA	Handle Asm - Interior Assist - Medium Almond Vinyl
	041944-03-000	EA	Fire Extinguisher - w Bracket - 5BC
	054185-14-000	EA	Owner's Manual - 1982 - Winnebago & Itasca
	040069-01-000	EA	Door Mat - Black Rubber - 10 1 2" x 26" w Itasca Logo

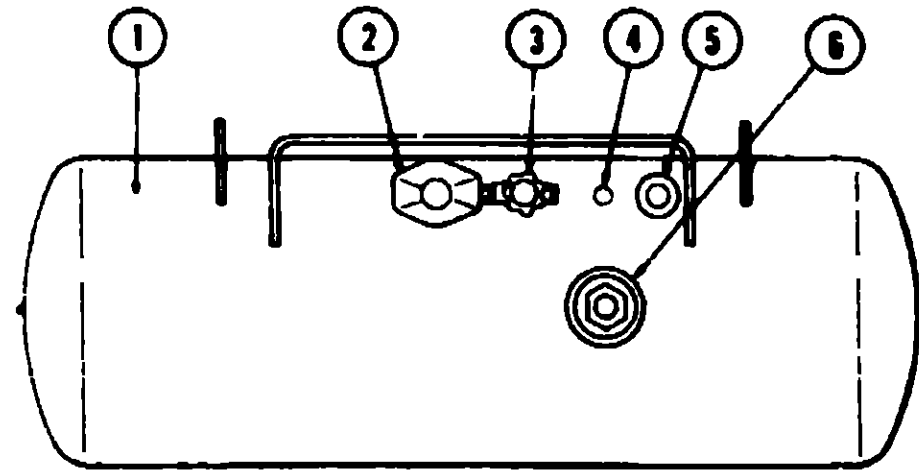
**1982 ITASCA
TABLE OF CONTENTS**

IC420RG N2	A-1 - B-20
IC621i1B N2	B-21 - D-14
IC723DB N2	D-15 - F-2
IC723RH N2	F-3 - G-16
IC823DB P2	G-17 - I-8

1982 IC723DB N2 INDEX

Floor Plan	D-15 - D-16
Accessories Group	D-17 - D-18
Bath Group	D-19
Chassis Group	D-20
Curtain, Cushion & Pad Group	D-21 - D-24
Dinetie Group	E-1
Driver's Compartment Group	E-2 - E-3
Electrical Group	E-4 - E-6
Exterior Body Group	E-7 - E-12
Galley Group	E-13
Heating & Air Conditioning Group	E-14
Interior Finish Group	E-15 - E-16
LP Group	E-17
Lounge Group	E-18
Water & Sewage Group	E-19
Window, Vent & Exterior Door Group	E-20 - F-2

LP GROUP

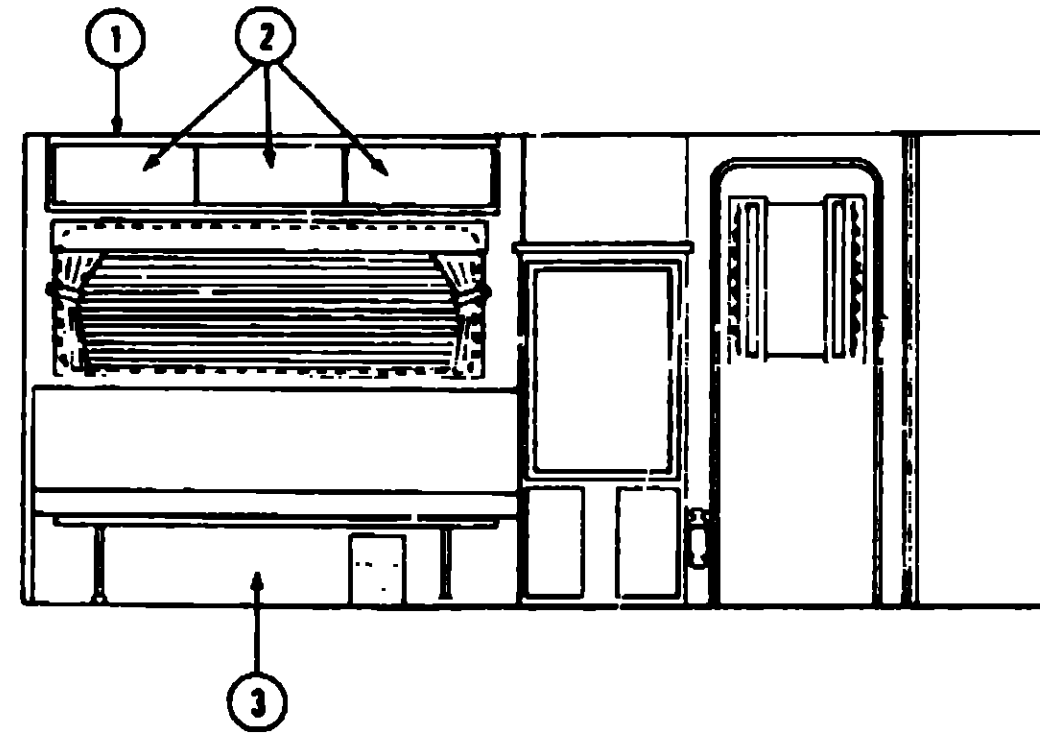


Key	Part Number	U/M	Description
1	074140-01-000	EA	Tank Asm - LP - 10" x 23" - 28 Pound
1	074142-01-000	EA	Tank Asm - LP - 13" x 44" - 80 Pound
1	074143-02-000	EA	Tank Asm - LP - 14" x 40" - 85 Pound - Dual Draw
2	058706-01-000	EA	Cover - Regulator - 2 Stage
.	058705-01-000	EA	Regulator - Two Stage - LP Gas
3	040421-01-703	EA	Valve - Vapor Relief
4	040421-01-700	EA	Gauge - Liquid Level - 20% LP
5	040421-01-701	EA	Valve - Filler - LP
.	040421-01-702	EA	Cap - Plastic Fill Valve
6	040421-01-707	EA	Gauge - Float - w Visible Dial - 80° Pound Tank
.	065741-01-000	EA	Gauge - Diaphragm Pressure
.	040421-01-706	EA	Dial - Visible Face - Float Gauge (Tank w o Electric Transmitter)
.	040440-01-000	EA	Dial - Transmitter - 0 - 90 Ohm (Float Gauge)
.	045703-03-000	EA	Hose Asm - LP - 3/8" I.D. x 4"
.	047737-02-000	EA	Support - LP Tank - 89 25"
.	053112-01-000	EA	Support - LP Tank - 2" x 2" x 8"
.			Not illustrated

WINN AIR LANDI-HARTOG (C-BODY)

Key	Part Number	U/M	Description
	065279-01-000	EA	Relief Valve - Hydrostatic
	065287-02-000	EA	Valve - Gasoline Shut-Off
	065820-02-000	EA	Hose Asm - High Pressure - 36"
	065820-01-000	EA	Hose Asm - High Pressure - 95"
	067290-01-001	EA	Hose - Vapor 5/8" x 51"
	063050-07-000	EA	LP Mixer
	068163-01-000	EA	Strap - Converter Brace
	065959-01-000	EA	Housing - LP Instrumentation
	068240-01-000	EA	Support Brace - Converter
	035927-01-002	EA	Steel Rod - Threaded - 1/4" - 20 x 9"
	068143-01-000	EA	Tube Asm - Converter - Copper w Flare Nuts - 5/16" x 270° Bend
	065802-01-000	EA	Gauge - LP Level w Hardware
	068050-05-000	EA	Switch - LP Gas Changeover
	068050-01-000	EA	Converter - LP
	068050-02-000	EA	LP Lock Off
	068050-03-000	EA	Switch - LP - Vacuum Safety

LOUNGE GROUP



CONVERTIBLE COUCH AND OVERHEAD CABINET

Key	Part Number	U/M	Description
1	068907-01-N19	EA	Cabinet Asm. - Lounge Overhead - w o Doors or Hardware
2	068726-02-N19	EA	Door Asm - Lounge Overhead Cabinet - 10" x 23" - w o Hardware
3	072690-01-N26	EA	Cabinet Asm - Couch
.	056875-02-000	EA	Leg Asm (2 per couch)
.	022517-01-000	EA	End Cap - Leg - 1" x 1" - Brown
.	053163-01-000	EA	Bracket - Couch Slide
.	053347-01-000	EA	Wire - Pin - Spring - 3/32"
.	053348-01-000	EA	Steel Pin - 1/4" x 4" - 3/32" Hole
.	054398-01-000	EA	Bracket - Center Support - Lester Lounge - Brown
.			Not illustrated

**1982 ITASCA
TABLE OF CONTENTS**

IC420RG N2	A-1 - B-20
IC621RB N2	B-21 - D-14
IC723DB N2	D-15 - F-2
IC723RH N2	F-3 - G-16
IC823DB P2	G-17 - I-8

1982 IC723DB N2 INDEX

Floor Plan	D-15 - D-16
Accessories Group	D-17 - D-18
Bath Group	D-19
Chassis Group	D-20
Curtain, Cushion & Pad Group	D-21 - D-24
Dinette Group	E-1
Driver's Compartment Group	E-2 - E-3
Electrical Group	E-4 - E-6
Exterior Body Group	E-7 - E-12
Galley Group	E-13
Heating & Air Conditioning Group	E-14
Interior Finish Group	E-15 - E-16
LP Group	E-17
Lounge Group	E-18
Water & Sewage Group	E-19
Window, Vent & Exterior Door Group	E-20 - F-2

WATER & SEWAGE GROUP

WINDOW, VENT & EXTERIOR DOOR GROUP

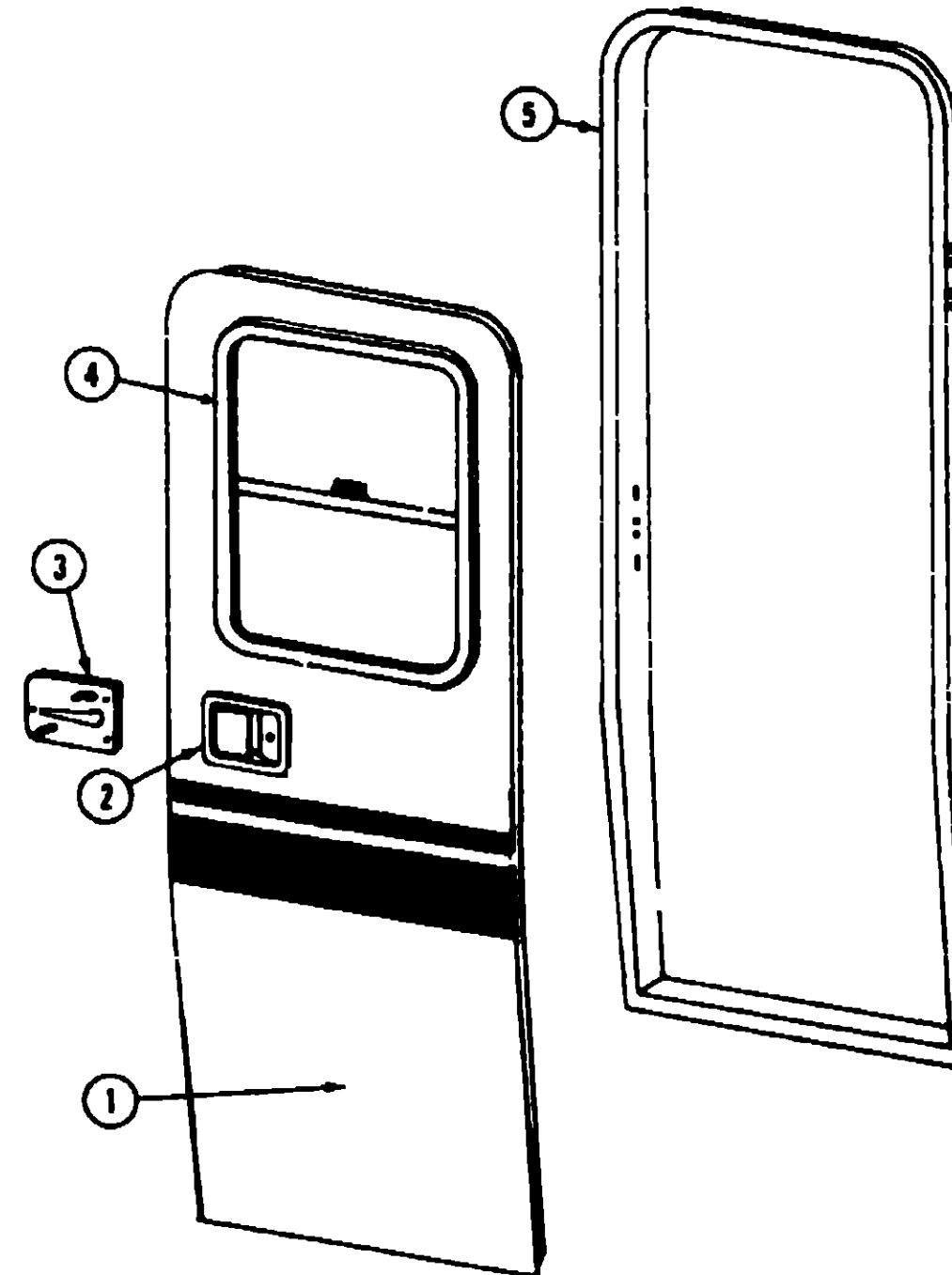
PLUMBING REPAIR PARTS

Key	Part Number	U/M	Description
	045729-01-000	EA	Pump - Water - 2.8 G.P.M. - US
	045729-02-000	EA	Pump - Water - 2.8 G.P.M. - CSA
	039647-02-000	EA	Filter - Water Pump - 1/2" MPT
	039647-03-000	EA	Filter - Water Pump - 1/2" Flare
**	052962-01-000	EA	Valve - Stool - 90° 1/2 F x 3/8 MPT
**	039818-01-000	EA	Riser Asm. - 3/8" O.D. x 24" Tube
**	039818-04-000	EA	Riser Asm. - 3/8" O.D. x 72" Tube
**	039818-05-000	EA	Riser Asm. - 3/8" O.D. x 48" Tube
	035539-01-000	EA	Elbow - Plastic - 3/8 MPT x 3/8 Barb
	052952-01-000	EA	Nut - Plastic - 1/2 F
	052953-01-000	EA	Nut - Faucet - 1/2 Tube x 1/2 FPT
	052954-01-000	EA	Adapter - Nose Cone - 3/8 or 1/2
	052956-01-000	EA	Tee - Plastic - 1/2 F x 1/2 F x 1/2 F
	052959-02-000	EA	Connector - Plastic - 1/2 F x 1/2 MPT
	052959-03-000	EA	Connector - Plastic - 1/2 F x 3/8 MPT
	052960-01-000	EA	Drain Valve - Line - 1/2 F x 1/2 F
	052981-01-000	EA	Header - 1/2 F x 1/2 F x 1/2 F
	004020-01-000	QT	Adhesive - ABS Cement
**	010201-01-000	EA	Hose - Sewer - 3" x 8 ft. w/Clamp
	062415-01-000	EA	Cap - Sewer - 3"
	062416-01-000	EA	Hose - Adapter - 3"
	062417-01-000	EA	Adapter - Termination - 3"
	062418-01-000	EA	Valve - 3" w/o Handle
	062421-01-000	EA	Valve - 1 1/2" - w/Handle
	010006-01-000	EA	Elbow - Plastic - 1 1/2" x 45° H x H
	010008-01-000	EA	Elbow - Plastic - 1 1/2" x 90° x Long Turn
	010134-01-000	EA	Adapter - Plastic - 1 1/2" M x MPT
	063341-01-000	EA	Ring - Closet - Plastic - 4" F x 3" Spigot - 2 3/4"
**	011091-01-000	EA	Waste - Continuous - Double Sink - 11 7/8"
**	053335-01-000	EA	P-Trap - Plastic - 1 1/4"
**	010071-01-000	EA	Tee - Plastic - 1 1/2" H x 1 1/2" H x 1 1/2" H
**	052955-01-000	EA	Tee - Plastic - 1/2" F x 1/2" F x 1/2 MPT
**	010091-01-000	EA	Wye - Plastic - 3" x 45° - H x H x H
**	010121-01-000	EA	Bushing - Plastic - 1 1/2" S x 1 1/4" H
**	031126-01-000	EA	Elbow - Plastic - 3" x 90° x Long Turn
**	010133-01-000	EA	Adapter - Trap - Plastic - 1 1/2" H x MPT
**	050780-01-000	EA	Coupler - Rubber - 3" x 3"
	010219-01-000	EA	Elbow - 1 1/4 Barb x 1 1/4 MPT - 90°
	044328-01-000	FT	Tubing - Flex - 1 1/4" ID x 10" Long
	054535-01-000	EA	Vent - Mechanical - Trap Arm
	061607-01-000	EA	Grommet - Rubber - Holding Tank - 1 1/2" NPS
	061607-02-000	EA	Grommet - Rubber - Holding Tank - 3" NPS
	010197-01-000	FT	Pipe - ABS Plastic - 3" x 240"
	065979-01-000	EA	Compartment Asm. - Sewer Hose
	052957-02-000	EA	Elbow - Plastic - 1/2" F x 1/2" MPT
	052957-03-000	EA	Elbow - Plastic - 1/2" F x 1/4" MPT
**	061607-02-000	EA	Grommet - Holding Tank - 3" NPS
**	046524-01-000	EA	Kit - Plastic Fittings - Holding Tank
**	046524-02-000	EA	Kit - Plastic Fittings - Water Tank

The illustrated parts breakdown for this item is provided on the Common Items Fiche

HOLDING TANKS AND WATER HEATERS

Key	Part Number	U/M	Description
	068520-02-000	EA	Tank Asm. - Water - 20 Gallon w/Fittings
	068520-01-000	EA	Tank - Water - 20 Gallon w/o Fittings
	068519-01-000	EA	Tank - Holding - 20 Gallon (Sewage) w/o Fittings
	068519-03-000	EA	Tank Asm. - Holding - 20 Gallon (Sewage) w/Fittings
	051391-02-000	EA	Water Heater - 4 Gallon w/o Motor Aid - Atwood G4-SM



Key	Part Number	U/M	Description
1	M00983-04-N21	EA	Door Asm. - Entry - w Latch and Hinges
2	045017-01-000	EA	Paddle Asm. - Door Lock - Exterior
*	045017-01-700	EA	Lock Cylinder w. Keys - Lynor
*	039539-01-000	EA	Striker Bolt - Entry Door
*	039540-01-000	EA	Latch Claw - Entry Door
3	039979-01-000	EA	Plate - Lock - Inside - Including Inside Handle
*	052186-01-000	EA	Lock Asm. - Complete - Lynor
4	069383-01-000	EA	Window Asm. - Vertical Slider - w o Inside Frame
*	068742-01-000	EA	Glass - Vertical Top - 1.8" x 17.4" x 11.5"
*	068743-01-000	EA	Glass - Vertical Slider - 1.8" x 17.5" x 12.6"
*	047369-01-700	EA	Latch - Window - Plastic w Fastener
*	068752-01-000	EA	Inside Frame - Vertical Slider
5	06875-02-000	EA	Jamb Asm. - Entry Door - Off White
*	064075-01-000	FT	Seal - Entry Door Jamb - Rubber
*	068723-02-000	EA	Hinge Asm. - Entry Door - Lower
*	068720-02-000	EA	Hinge Asm. - Entry Door - Upper
*			Not illustrated

1982 ITASCA TABLE OF CONTENTS

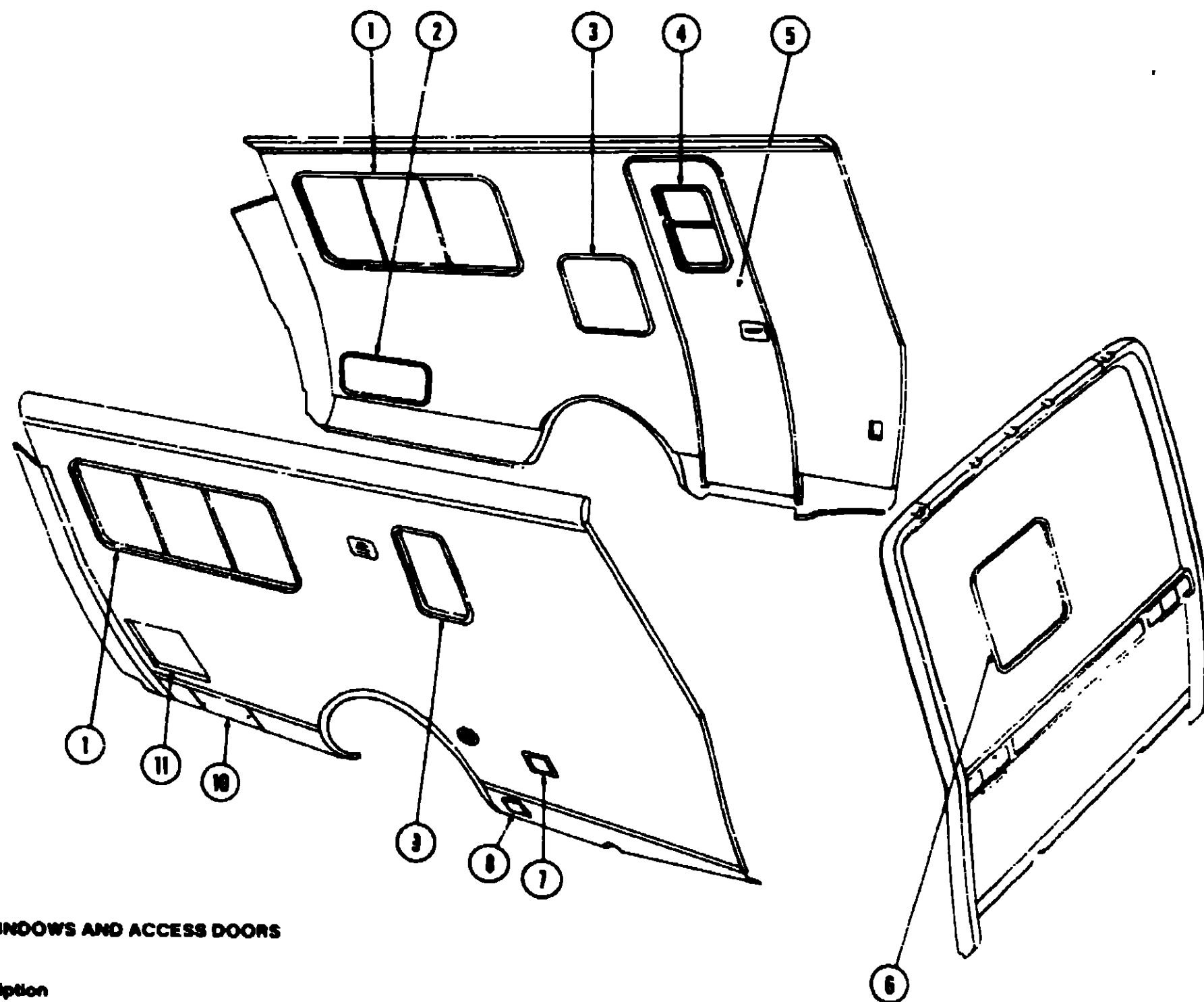
IC420RG N2	A-1 - B-20
IC621RB N2	B-21 - D-14
IC723DB N2	D-15 - F-2
IC723RH N2	F-3 - G-16
IC823DB P2	G-17 - I-8

1982 IC723DB N2 INDEX

Floor Plan	D-15 - D-16
Accessories Group	D-17 - D-18
Bath Group	D-19
Chassis Group	D-20
Curtain, Cushion & Pad Group	D-21 - D-24
Dinette Group	E-1
Driver's Compartment Group	E-2 - E-3
Electrical Group	E-4 - E-6
Exterior Body Group	E-7 - E-12
Galley Group	E-13
Heating & Air Conditioning Group	E-14
Interior Finish Group	E-15 - E-16
LP Group	E-17
Lounge Group	E-18
Water & Sewage Group	E-19
Window, Vent & Exterior Door Group	E-20 - F-2

WINDOW, VENT AND EXTERIOR DOOR GROUP (CONTINUED)

WINDOWS AND ACCESS DOORS



WINDOWS AND ACCESS DOORS

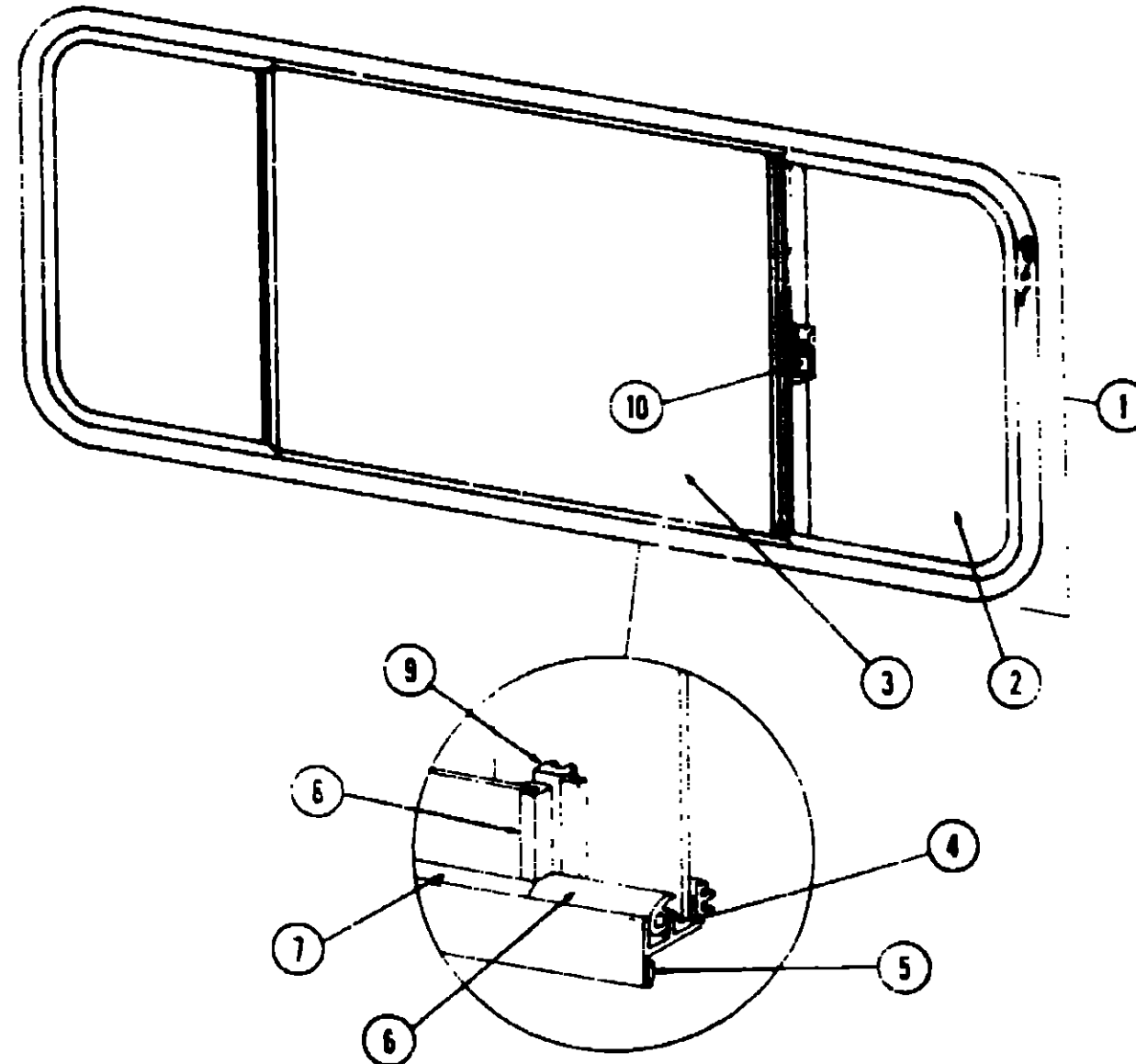
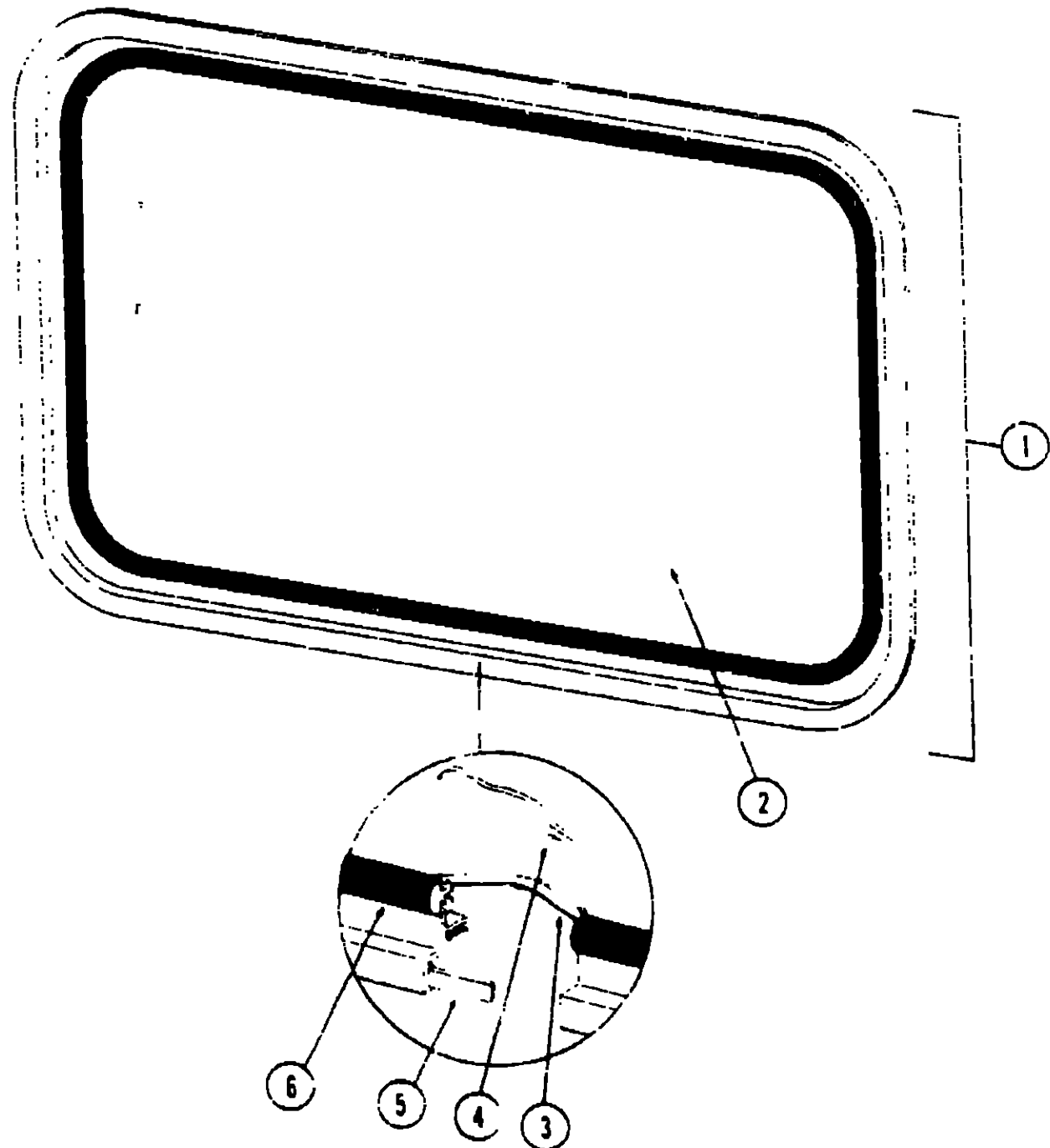
Key	Part Number	U/M	Description
1	066785-03-000	EA	Window Asm. - Single Slider - 25" x 65" (w.o Inside Frame)
2	064842-01-000	EA	Door Asm. - Luggage - Off White - w:Key Lock
3	064941-01-000	EA	Door Asm. - Generator Access - Off White - w:Twist Lock
4	059247-04-000	EA	Door Asm. - Refrigerator Access - Off White - w:Twist Lock
5	069383-01-000	EA	Window Asm. - Entrance Door - 17 8" x 23" (w.o Inside Frame)
6	M00983-04-N21	EA	Door Asm. - Entry - w. Latch and Hinges
7	020751-03-000	EA	Window Asm. - Rear Escape - 23" x 29" (w.o Inside Frame)
8	NOTE	EA	Door Asm. - Fuel Fill (See Access Doors)
9	NOTE	EA	Door Asm. - Power Cord (See Access Doors)
10	011975-02-000	EA	Window Asm. - Picture - 13 x 23 (w.o Inside Frame)
11	068958-02-000	EA	Door Asm. - LP Storage - Valance Panel - Off White
	052009-01-000	EA	Door Asm. - Water Heater - Off White

1982 ITASCA TABLE OF CONTENTS

IC420RG N2	A-1 - B-20
IC621RB N2	B-21 - D-14
IC723DB N2	D-15 - F-2
IC723RH N2	F-3 - G-16
IC823DB P2	G-17 - I-6

1982 IC723DB N2 INDEX

Floor Plan	D-15 - D-16
Accessories Group	D-17 - D-18
Bath Group	D-19
Chassis Group	D-20
Curtain, Cushion & Pad Group	D-21 - D-24
Dinette Group	E-1
Driver's Compartment Group	E-2 - E-3
Electrical Group	E-4 - E-6
Exter.or Body Group	E-7 - E-12
Galley Group	E-13
Heating & Air Conditioning Group	E-14
Interior Finish Group	E-15 - E-16
LP Group	E-17
Lounge Group	E-18
Water & Sewage Group	E-19
Window, Vent & Exterior Door Group	E-20 - F-2



1982 ITASCA
TABLE OF CONTENTS

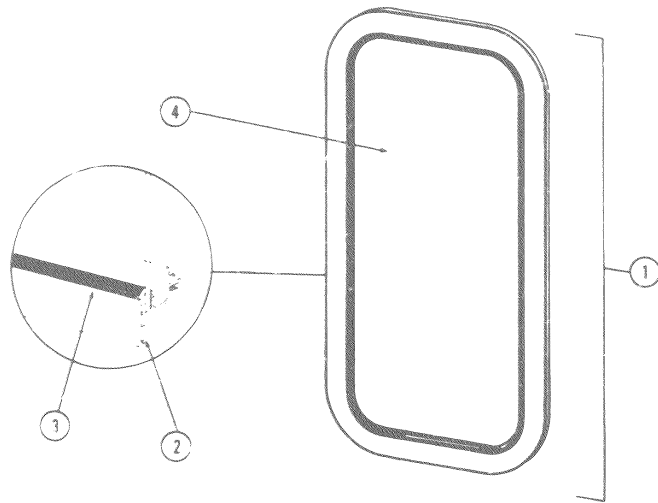
IC723RG N2	A-1 - B-20
IC723RB N2	B-21 - D-14
IC723DB N2	D-15 - F-2
IC723RH N2	F-3 - G-16
IC723DB P2	G-17 - I-8

Key	Part Number	U/M	Description
1	020781-03-000	EA	Window Asm - Rear Escape - 23" x 29" - Black Anod. (w/inside frame)
2	002174-01-000	EA	Glass - 1 8" x 19 6" x 25 9"
3	002265-01-000	FT	Filter - Weatherstrip - Black
4	020395-01-000	EA	Roll Ring - Escape Window
5	069640-01-000	FT	Tape - 1 4" Bead x 20" - Gray - 3M
6	002282-01-000	FT	Weatherstrip - 125" Window
7	000749-05-000	EA	Frame - Inside - Escape Window - 23" x 29" Beige (not included in assembly)
8	006111-01-000	EA	Label - Ext - Escape Window
9	Not illustrated		

Key	Part Number	U/M	Description
1	066785-03-000	EA	Window Asm - Single Slider - 25" x 65"
2	067609-06-000	EA	Inside Frame - Beige (not included in assembly)
3	066726-02-000	EA	Glass - Stationary - 1 8" x 21" x 24"
4	066727-02-000	EA	Glass - Sliding - 1 8" x 25 5" x 24"
5	002324-02-000	FT	Channel - Weatherstrip - Glass
6	069640-01-000	FT	Tape - 1 4" Bead x 20" - Gray - 3M
7	057374-02-000	FT	Extr Vinyl - Window Seal - Black
8	002309-02-000	FT	Spline - Glass - 1 8" Material - Black
9	069886-03-000	EA	Extr - Holder - Glass Seal - 23 19" - Black
10	069896-02-000	EA	Million - Slider Window - Black
11	047369-01-700	EA	Latch - Window - Plastic w Fastener
12	002293-01-000	SF	Screen - Window - 26" - Gray
13	002298-01-000	FT	Spline - 130 Dia - Gray (Screen)
14	042076-01-000	FT	Seal - Fin - Pie - 34"
15	Not illustrated		

1982 IC723DB N2 INDEX

Floor Plan	D-15 - D-16
Accessories Group	D-17 - D-18
Bath Group	D-19
Chassis Group	D-20
Curtain, Cushion & Pad Group	D-21 - D-24
Dinette Group	E-1
Driver's Compartment Group	E-2 - E-3
Electrical Group	E-4 - E-6
Exterior Body Group	E-7 - E-12
Galley Group	E-13
Heating & Air Conditioning Group	E-14
Interior Finish Group	E-15 - E-16
LP Group	E-17
Lounge Group	E-18
Water & Sewage Group	E-19
Window, Vent & Exterior Door Group	E-20 - F-2



Key	Part Number	U/M	Description
1	041875-02-000	EA	Window Asm - Picture - 13' x 23' - Black (w/o inside frame)
2	069640-01-000	FT	Tape - 1.4' Bead x 20' - Gray - 3M
3	002309-02-000	FT	Spine - Glass - 1.8' - Black
4	002181-01-000	EA	Glass - 115" x 12" x 22"
·	041696-15-000	EA	Frame - Inside - Window - Beige (not included in assembly)
·			Not illustrated

ACCESS DOORS

Key	Part Number	U/M	Description
	064842-01-000	EA	Door Asm - Luggage - Off White - w Key Lock
	059247-04-000	EA	Door Asm - Refrigerator Access - Off White - w Twist Lock
	064841-01-000	EA	Door Asm - Generator - Off White - w Twist Lock
	052009-01-000	EA	Door Asm - Water Heater - Off White
	047305-01-000	EA	Lock Asm - Key Type w Clip
	042441-01-000	EA	Lock Asm - Key Type (Gas Fill)
	052950-03-000	EA	Lock Asm - Twist Type (Power Cord)
	052951-01-000	EA	Clip - Twist Lock Retainer
	068958-02-000	EA	Door Asm - LP Storage - Valance Panel - Off White
	009703-01-000	EA	Lock Asm - Twist Type - Metal
	052423-01-000	EA	Door - Fuel Fill - Off White
	052424-01-000	EA	Door Jamb - Power Cord & Fuel Fill - Off White
	054543-01-000	EA	Door Hatch - Power Cord - Off White
	063742-01-000	EA	Door - Power Cord - Off White
	041312-01-000	FT	Door Seal - e/Section
	054530-01-000	EA	Door Stop
	052743-02-000	EA	Baffle - Generator Door

VENTS

Key	Part Number	U/M	Description
	065103-01-000	EA	Frame - Base - Refrigerator Vent (w/o cover)
	065103-02-000	EA	Cover - Vent - Refrigerator
	049352-01-000	EA	Vent - Stove Hood - Outside - Off White
..	048789-01-000	EA	Vent Asm - Roof Powered - w/o Screen - Alum
..	048835-01-000	EA	Vent Asm - Roof Nonpowered - w/o Screen - Alum
	016335-03-000	EA	Screen Asm - Roof Vent - Nonpowered
	048695-03-000	EA	Screen Asm - Roof Vent - Powered
..			The illustrated parts breakdown for this item is provided on the Common Items Fiche

WINDSHIELD

Key	Part Number	U/M	Description
	040795-02-000	EA	Glass Asm - Windshield - Tinted

1982 ITASCA
TABLE OF CONTENTS

IC420RG N2	A-1 - B-20
IC621RB N2	B-21 - D-14
IC723DB N2	D-15 - F-2
IC723RH N2	F-3 - G-16
IC823DB P2	G-17 - I-8

1982 IC723DB N2 INDEX

Floor Plan	D-15 - D-16
Accessories Group	D-17 - D-18
Bath Group	D-19
Chassis Group	D-20
Curtain, Cushion & Pad Group	D-21 - D-24
Dinette Group	E-1
Driver's Compartment Group	E-2 - E-3
Electrical Group	E-4 - E-6
Exterior Body Group	E-7 - E-12
Galley Group	E-13
Heating & Air Conditioning Group	E-14
Interior Finish Group	E-15 - E-16
LP Group	E-17
Lounge Group	E-18
Water & Sewage Group	E-19
Window, Vent & Exterior Door Group	E-20 - F-2