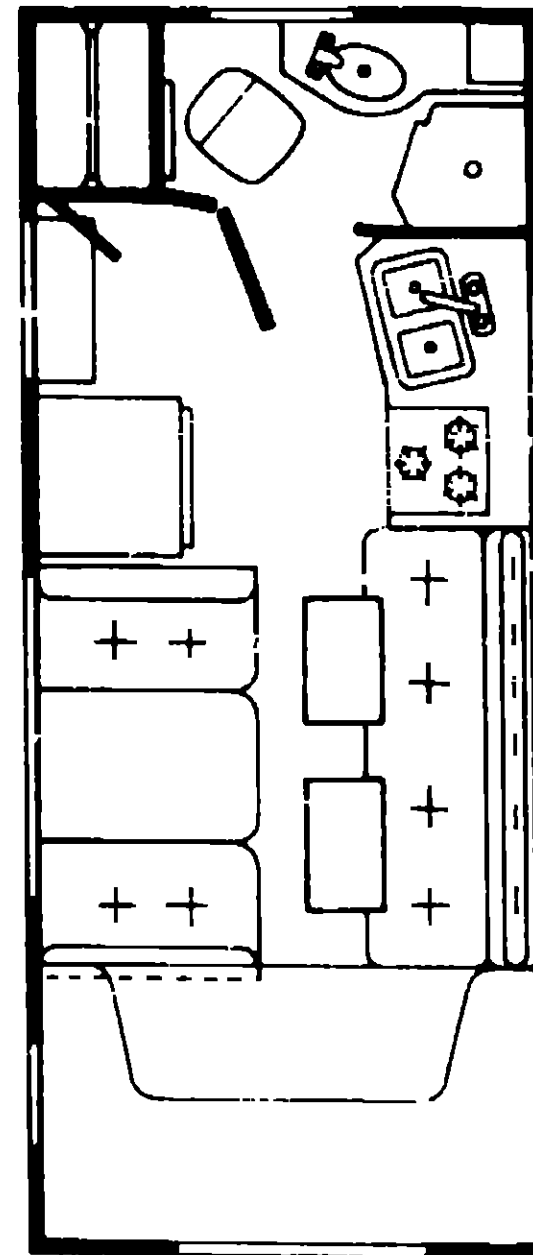
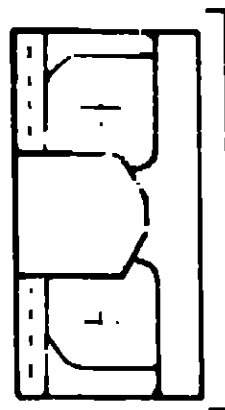


1982 IC621RB N2

NOTE:

A model revision number has been incorporated into the unit serial number to reflect any changes made during the model year. When ordering replacement parts, refer to the sixth and seventh digits of the unit serial number to assure that the proper part is ordered. These changes will be classified as a **N-2** or **N-3**, and will be included behind the item description. The unit serial number is found on the vehicle certification label, which is located on the left sidewall at the end of the dash (**A-Body**), or on the drivers door latch plate (**C-Body**).



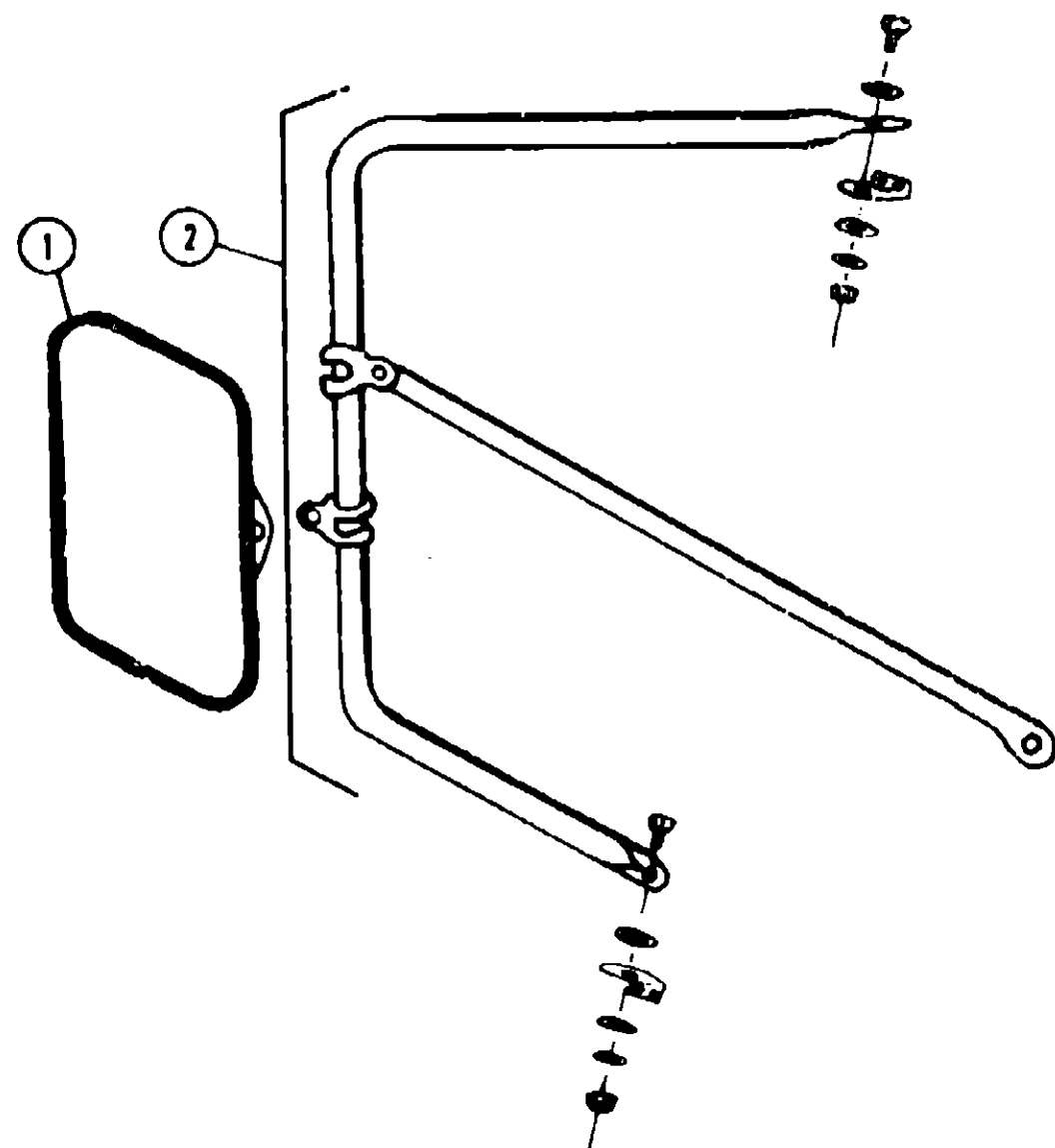
1982 ITASCA TABLE OF CONTENTS

IC420RG N2	A-1 - B-20
IC621RB N2	B-21 - D-14
IC723DB N2	D-15 - F-2
IC723RH N2	F-3 - G-16
IC823DB P2	G-17 - I-8

1982 IC621RB N2 INDEX

Floor Plan	B-21 - B-22
Accessories Group	B-23 - C-1
Bath Group	C-2
Chassis Group	C-3
Curtain, Cushion & Pad Group	C-4 - C-9
Dinette Group	C-10
Driver's Compartment Group	C-11 - C-12
Electrical Group	C-13 - C-15
Exterior Body Group	C-16 - C-20
Galley Group	C-21
Heating & Air Conditioning Group	C-22
Interior Finish Group	C-23 - C-24
LP Group	D-1
Lounge Group	D-2
Water & Sewage Group	D-3 - D-4
Window, Vent & Exterior Door Group	D-5 - D-14

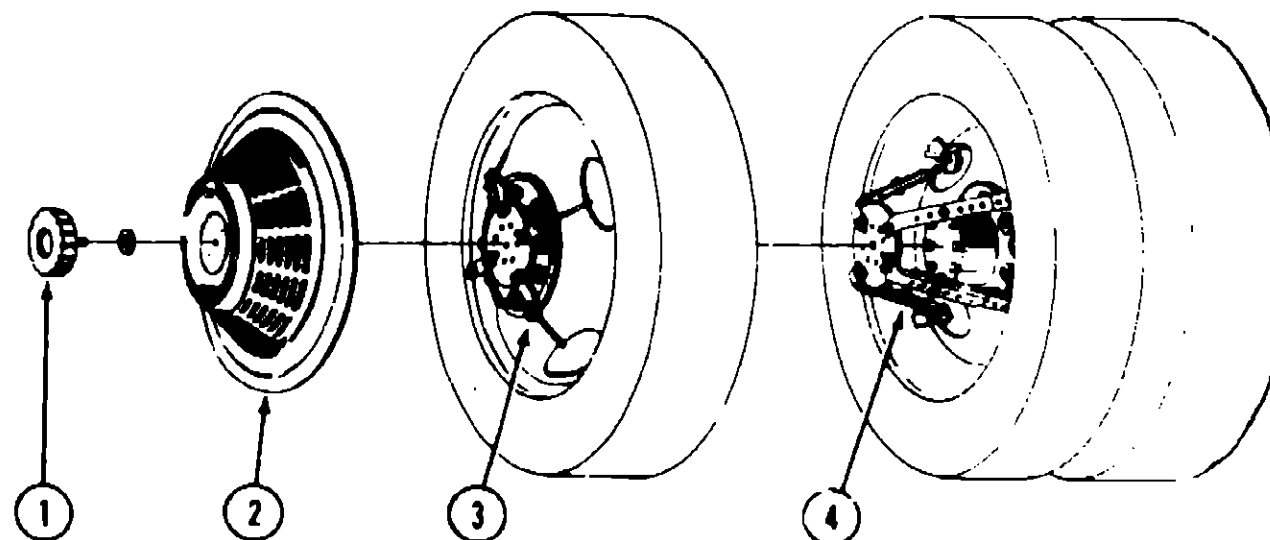
ACCESSORIES GROUP



EXTERIOR MIRRORS

Key	Part Number	U/M	Description
1	049347-01-000	EA	Mirror Head - 7 1/2" x 10 1/2" Stainless Steel
2	062047-01-000	EA	Arm - West Coast Mirror

ACCESSORIES GROUP (CONTINUED)



WHEEL COVER AND MOUNTING HARDWARE

Key	Part Number	U/M	Description
1	061082-02-000	EA	Retaining Nut - Delmet - Wheel Cover
2	073426-01-700	EA	Wheel Cover - Bolt On - 16" or 16.5" - Delmet (1)
3	073426-04-700	EA	Retention Bracket Asm. - Wheel Cover Support - Heavy Duty - Front (1)
4	073426-04-701	EA	Retention Bracket Asm. - Wheel Cover Support - Heavy Duty - Rear (1)
*	073426-04-000	EA	Retention Bracket Asm. - Wheel Cover Support - Heavy Duty (Set/4)
**	031396-04-000	EA	Wheel Cover - 16" - Clip On.
*			Not illustrated

** The illustrated parts breakdown for this item is provided on the Common Items Fiche

RADIOS AND RELATED COMPONENTS

Key	Part Number	U/M	Description
	064785-01-000	EA	Radio - AM - Audiovox
	064787-01-000	EA	Radio - AM/FM/MPX - w/Cassette
	007004-01-000	EA	Antenna - Radio - Cab Mount
	048153-01-000	EA	Antenna - CB - Camper Style
	064791-01-000	EA	Speaker - Recessed - 5 1/4" x 10 oz.
	064792-01-000	EA	Grille - Speaker - 5 1/4"

GENERATOR AND COMPONENTS

Key	Part Number	U/M	Description
	051908-01-000	EA	Generator - 3.5 kw - Kohler
	701629-02-000	EA	Package Installation - Generator
	057652-01-000	EA	Muffler - Generator
	052077-02-000	EA	Tray - Generator

1982 ITASCA TABLE OF CONTENTS

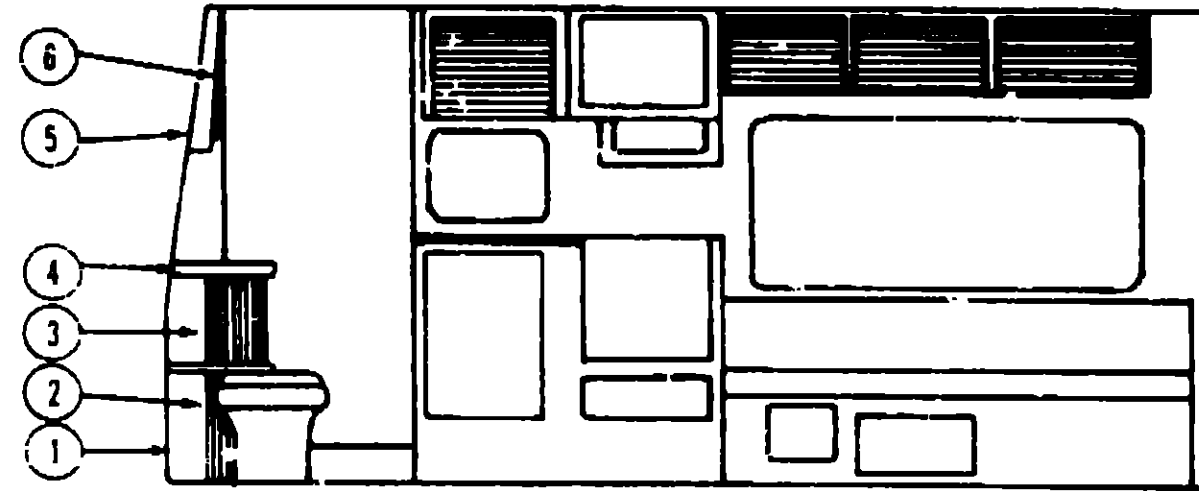
IC420RG N2	A-1 - B-20
IC621RB N2	B-21 - D-14
IC723DB N2	D-15 - F-2
IC723RH N2	F-3 - G-16
IC823DB P2	G-17 - I-8

1982 IC621RB N2 INDEX

Floor Plan	B-21 - B-22
Accessories Group	B-23 - C-1
Bath Group	C-2
Chassis Group	C-3
Curtain, Cushion & Pad Group	C-4 - C-9
Dinette Group	C-10
Driver's Compartment Group	C-11 - C-12
Electrical Group	C-13 - C-15
Exterior Body Group	C-16 - C-20
Galley Group	C-21
Heating & Air Conditioning Group	C-22
Interior Finish Group	C-23 - C-24
LP Group	D-1
Lounge Group	D-2
Water & Sewage Group	D-3 - D-4
Window, Vent & Exterior Door Group	D-5 - D-14

MISCELLANEOUS ACCESSORIES

Key	Part Number	U/M	Description
	054185-14-000	EA	Owners Manual - 1982 -Itasca & Winnebago
	006053-01-000	EA	Antenna - TV Braun & Delux
	006093-01-000	EA	Jack - TV - Brown (Antenna)
	017516-01-000	EA	Mud Flap - Black - 14" x 18" w Holes
	041944-03-000	EA	Fire Extinguisher - w Bracket - 5 BC
	050771-02-000	EA	Oven - Microwave - Magic Chef MW207
	053287-07-000	EA	Bracket Asm - Microwave - Right
	053287-08-000	EA	Bracket Asm - Microwave - Left
	071055-01-000	EA	Stair/Joff (Support) Rack & Ladder
	067111-01-000	EA	Ladder Asm
	067131-01-000	EA	Rack Asm - Luggage
	067131-02-000	EA	Ladder Step
	067131-03-000	EA	End Cap - Ladder Step
	064093-01-000	EA	Luggage Carrier Assembly - 14" x 30" x 60"
	009881-01-000	EA	Catch and Strike - Luggage Carrier
	011065-01-000	EA	Door Mat - Black Rubber - 10 5/8" x 26"
	067050-01-000	EA	Speed Control - Electric - Chevrolet - Dan-
	067050-02-000	EA	Clock - Bath - Round Gold Face
	065712-01-000	EA	Cup Branch - 1 1/2" x 1/2" x 6 3/8"
	065550-02-000	EA	Leverage Lug Bar Wrench - L2
	064411-01-000	EA	Coat - Square Tire - Plastic - Off White
	064050-01-000	EA	Not - Square Tire Cover



BATH CABINETRY AND HARDWARE

Key	Part Number	U/M	Description
1	M67322-01-N07	EA	Cabinet Asm - Vanity - w o Countertop & Doors
2	063224-22-M10	EA	Door Asm - Rolled - 13 1/2" x 30" Lower
3	063224-21-M10	EA	Door Asm - Rolled - 12 8/8" x 30" Upper
4	067401-01-N07	EA	Countertop Asm - Vanity Cabinet - Palomino
5	M67100-01-M10	EA	Cabinet Asm - Medicine
6	M71646-01-N10	EA	Door Asm - Medicine Cabinet - w Mirror - w o Hardware
*	065325-07-N07	EA	Door Asm - Bath - 24 1/2" x 74 2"
*	065325-15-M10	EA	Door Asm - Vanity Cabinet - 19 5/8" x 15 2/8" - w o Hardware
*	065325-12-M10	EA	Door Asm - Wardrobe Cabinet - 46 4/8" x 17 5/8" - w o Hardware
*	065273-02-M10	EA	Door Asm - Wardrobe Cabinet - 15 1/2" x 56 2/8" w Mirror - w o Hardware
*	055713-01-000	EA	Sink - Oval - Ivory Plastic
*	035500-01-000	EA	Towel Ring
*	009133-01-000	EA	Towel Bar - 12" Plastic
*	M66491-03-N07	EA	Drawer Asm - Wardrobe - 15 4/8" x 20" - w o Hardware
*	058331-02-000	EA	Mirror - Medicine Cabinet Door - 12" x 36"
*	058331-04-000	EA	Mirror - Wardrobe Door
*	057898-01-000	EA	Hidden Latch
*	058335-02-000	EA	Bath Door Latch
*	009134-01-000	EA	Holder - Tissue & Towel Bar
*	011056-02-000	EA	Faucet - Lavatory - CSA
**	011056-01-000	EA	Faucet - Lavatory - US
*	011083-01-000	EA	Plug w Chain - 1 1/4"
*	011048-02-000	EA	Shower Head - w 60" Hose
**	011070-01-000	EA	Taupiece - 11 4/8" x 6" - Brass
*	064350-01-000	EA	Shower Pan
**	011059-03-000	EA	Faucet - Shower USA
**	063740-01-000	EA	Toilet - Thetford Aqua Magic IV - Ivory
*			Not illustrated
**	The illustrated parts breakdown for this item is provided on the Common Items Fiche		

1982 ITASCA
TABLE OF CONTENTS

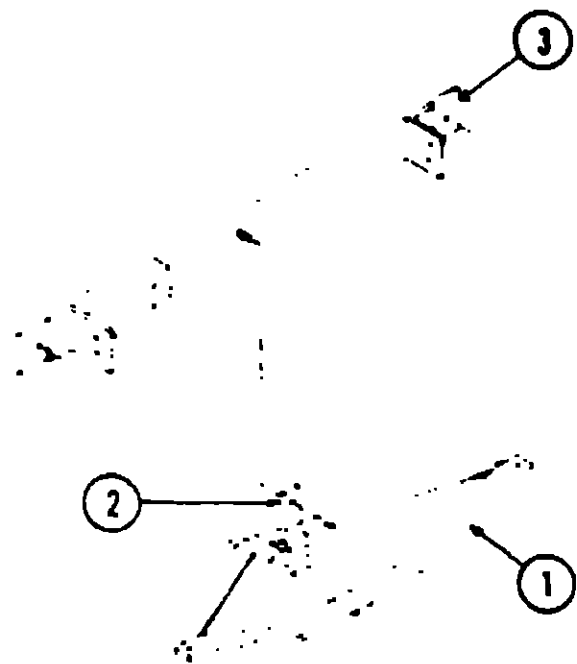
IC42CRG N2	A-1 - B-20
IC621RB N2	B-21 - D-14
IC723DB N2	D-15 - F-2
IC723RH N2	F-3 - G-16
IC823DB P2	G-17 - I-8

1982 IC521RB N2 INDEX

Floor Plan	B-21 - B-22
Accessories Group	B-23 - C-1
Bath Group	C-2
Chassis Group	C-3
Curtain, Cushion & Pad Group	C-4 - C-9
Dinette Group	C-10
Driver's Compartment Group	C-11 - C-12
Electrical Group	C-13 - C-15
Exterior Body Group	C-16 - C-20
Galley Group	C-21
Heating & Air Conditioning Group	C-22
Interior Finish Group	C-23 - C-24
LP Group	D-1
Lounge Group	D-2
Water & Sewage Group	D-3 - D-4
Window, Vent & Exterior Door Group	D-5 - D-14

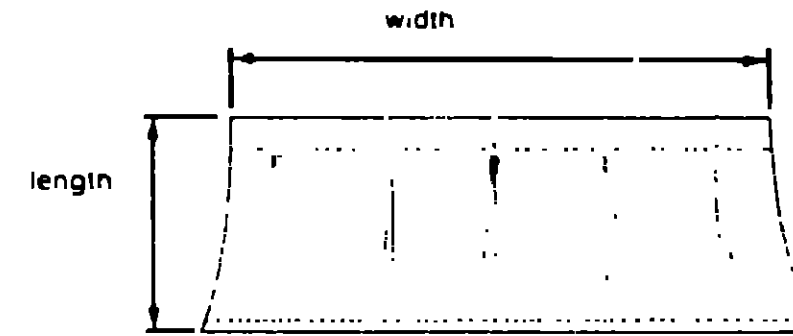
CHASSIS GROUP

Key	Part Number	U/M	Description
	059859-01-000	EA	Wheel Well - Plastic - Rear - Left or Right
	061411-01-000	EA	Tail Pipe Extension - 2" O D x 10"
	007125-05-000	EA	Clamp Asm - Muffler - 2" Dia
	064551-02-000	EA	Tray - Luggage Compartment
	065366-01-000	EA	Tray - Battery
	051697-01-000	EA	Bracket - Battery Tie Down
	049912-01-000	EA	Step Asm Assist - Cab
	017516-01-000	EA	Mud Flap - 14" x 18" - w Holes
	064089-01-000	EA	Splashguard - Front - Black Rubber
	045012-01-000	EA	Bumper - Front - Chrome
	064379-01-000	EA	Bumper - Rear - Chrome
	061189-01-000	EA	Bracket Asm - Rear Bumper Mount - Left
	061189-02-000	EA	Bracket Asm - Rear Bumper Mount - Right
	064213-01-000	EA	Box - Power Cord
	049407-01-000	EA	Tire - 8.75 x 16.5 - 8 Ply - Black Tubeless
	062400-02-000	FA	Wheel - 6.00 x 16.5 - Chevy
	047441-01-000	EA	Battery Terminal - Horizontal Lug
	007131-01-000	EA	Hanger - Tail Pipe
	064487-01-000	EA	Spare Tire Support Asm
	040784-01-000	EA	Blade Asm - Windshield Wiper
	050784-01-000	EA	Controller - Wiper - Intermittent
	059784-01-000	EA	Switch - Wiper - Intermittent



Key	Part Number	U/M	Description
1	064533-01-700	EA	Trailer Hitch Asm - w Support
2	064824-03-000	EA	Support - Trailer Hitch
3	065237-01-000	EA	Bracket - Bumper Mount - Rear

CURTAIN, CUSHION AND PAD GROUP



NOTE

Use this illustration when determining length and width measurements for curtains. You will note the width measurement is taken on the top of the curtain with the curtain fully extended. The length measurement is taken from top to bottom.

1982 ITASCA TABLE OF CONTENTS

IC420RB N2	A-1 - B-20
IC621RB N2	B-21 - D-14
IC723DB N2	D-15 - F-2
IC723RH N2	F-3 - G-16
IC823DB P2	G-17 - I-8

CURTAIN HARDWARE

Key	Part Number	U/M	Description
	053272-01-001	EA	Track - Curtain - Alum. 16' - w Holes
	052327-05-008	EA	Track - Curtain - Beige Plastic
	056001-01-000	EA	Bracket - Shade - Left
	056002-01-000	EA	Bracket - Shade - Right
	009107-01-000	EA	Guide - Nylon Snap - Curtain
	018031-42-000	EA	Track - Curtain - "L" Rod - Alum. Extr. - 90"
	009701-01-000	EA	Carrier - "L" Rod - Curtain
	009702-01-000	EA	End Stop - "L" Rod - Curtain
	056784-01-000	EA	Pull - Window Shade - Antique Brass
	039175-01-000	EA	Curtain Rod - Ext. 48" - 84"
	039175-02-000	EA	Bracket - Curtain Rod
	056115-01-000	YD	Tape - Clear Plastic - w Guides
	048394-01-000	YD	Tape - Hook - 1" x 25 YD - Beige
	048395-01-000	YD	Tape - Loop - 1" x 25 YD - Beige



Key	Part Number	U/M	Description
1	029130-01-000	EA	Socket - Snap Fastener
2	029155-01-000	EA	Cap - Snap - 1.56" Dia. x 17" Barrel
3	029156-01-000	EA	Socket - Snap Fastener
4	029092-01-000	EA	Stud - Nickel Finish
5	029093-01-000	EA	Eyelet - Nickel Finish

1982 IC621RB N2 INDEX

Floor Plan	B-21 - B-22
Accessories Group	B-23 - C-1
Bath Group	C-2
Chassis Group	C-3
Curtain, Cushion & Pad Group	C-4 - C-9
Dinette Group	C-10
Driver's Compartment Group	C-11 - C-12
Electrical Group	C-13 - C-15
Exterior Body Group	C-16 - C-20
Galley Group	C-21
Heating & Air Conditioning Group	C-22
Interior Finish Group	C-23 - C-24
LP Group	D-1
Lounge Group	D-2
Water & Sewage Group	D-3 - D-4
Window, Vent & Exterior Door Group	D-5 - D-14

CURTAIN, CUSHION & PAD GROUP (CONTINUED)

FABRICS AND TRIMS

Key	Part Number	U/M	Description
	069728-03-000	YD	Fabric - Drapery - Rust (N10)
	069728-04-000	YD	Fabric - Drapery - Burgundy (N11)
	068339-03-300	YD	Fabric - Drapery - Walnut (N12)
	069726-05-000	YD	Curtain Sheers - Champagne
	069727-10-000	YD	Fabric - Upholstery - Rust (N10)
	069727-11-000	YD	Fabric - Upholstery - Burgundy (N11)
	069727-12-000	YD	Fabric - Upholstery - Cocoa (N12)
	038421-01-000	YD	Fabric Ticking - Mattress
	057093-01-N07	EA	Button Asm. - Cover #60 - Nail - Beige Vinyl
	059859-01-N01	EA	Trim Asm. - Medium Almond Vinyl (Beige)
	070502-01-000	YD	Vinyl - Medium Almond
	069857-02-N10	EA	Button Asm. - Cloth - #36 - Rust
	069857-02-N11	EA	Button Asm. - Cloth - #36 - Burgundy
	069857-02-N12	EA	Button Asm. - Cloth - #36 - Cocoa
	057550-01-N07	EA	Button Asm. - Nail - #36 - Beige Vinyl
	057550-03-N07	EA	Button Asm. - Nail - #36 - Short - Beige Vinyl
	057550-03-M07	EA	Button Asm. - Nail - #36 - Acorn Brown Vinyl
	071127-02-N07	EA	Button Asm. - Square - #65 - Beige Vinyl
	071127-01-N10	EA	Button Asm. - Square - #65 - Rust
	071127-01-N11	EA	Button Asm. - Square - #65 - Burgundy
	071127-01-N12	EA	Button Asm. - Square - #65 - Cocoa
	M00045-07-N10	EA	Button Asm. - Cloth - #36 - Hook Back - Rust
	M00045-07-N11	EA	Button Asm. - Cloth - #36 - Hook Back - Burgundy
	M00045-07-N12	EA	Button Asm. - Cloth - #36 - Hook Back - Cocoa

CURTAIN, CUSHION & PAD GROUP (CONTINUED)

CURTAIN, VALANCE, SHADES & TIEBACKS

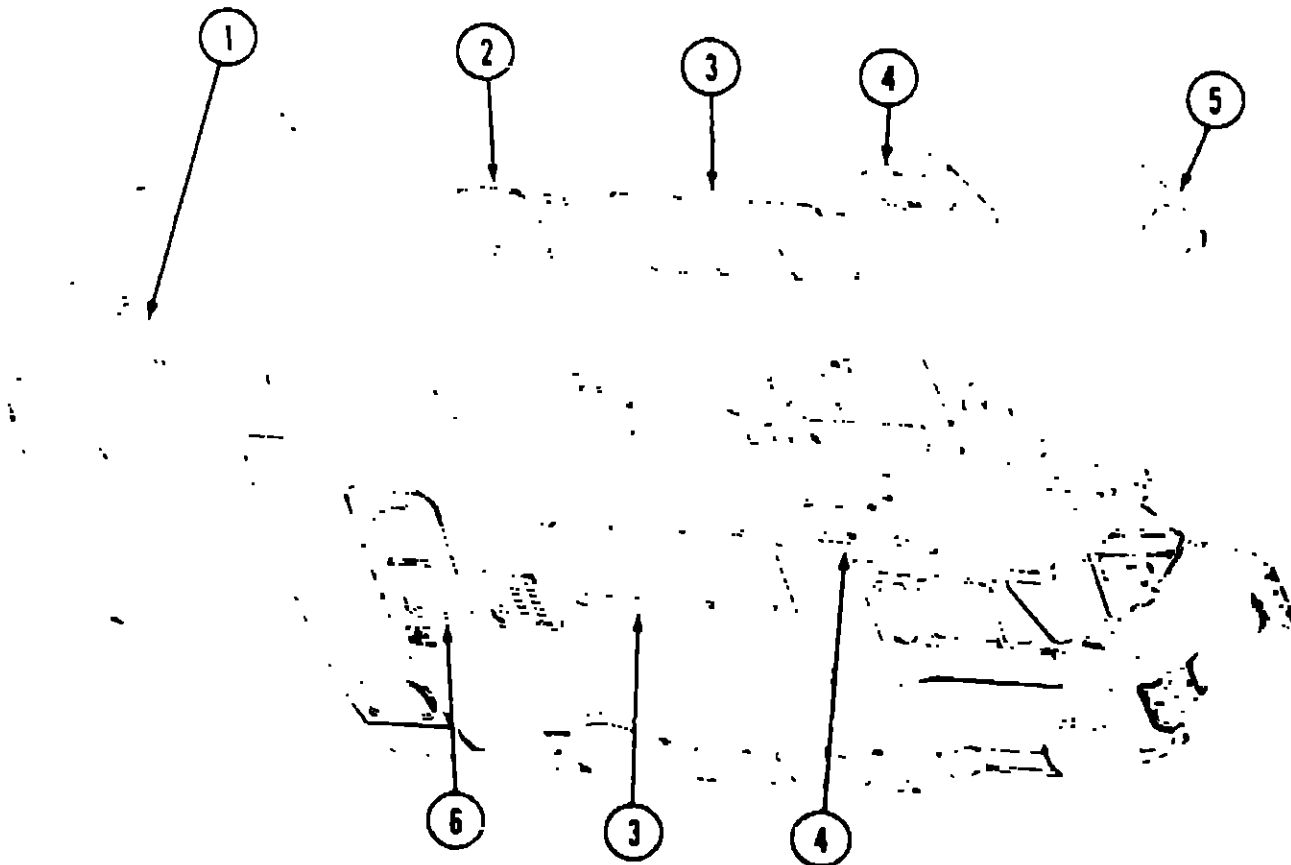
Key	Part Number	U/M	Description
1	056484-28-N10	EA	Curtain w Snap Top - 28 5" x 19" - Rust
1	056484-28-N11	EA	Curtain w Snap Top - 28 5" x 19" - Burgundy
1	056484-28-N09	EA	Curtain w Snap Top - 28 5" x 19" - Walnut Golden Brown (N12)
1	070651-09-N10	EA	Valance Asm. - 5 75" x 49" Stapled - Rust
1	070651-09-N11	EA	Valance Asm. - 5 75" x 49" Stapled - Burgundy
1	070651-09-N09	EA	Valance Asm. - 5 75" x 49" Stapled - Walnut Golden Brown (N12)
1	069738-43-000	EA	Shade - Woven Wood - 39" x 29 5" - Rust
1	069738-44-000	EA	Shade - Woven Wood - 39" x 29 5" - Burgundy
1	069738-45-000	EA	Shade - Woven Wood - 39" x 29 5" - Cocoa
1	065522-09-000	EA	Shade Asm - 40 25" x 35"
2	056484-48-N10	EA	Curtain w Tape Top - 20" x 9" - Rust
2	056484-48-N11	EA	Curtain w Tape Top - 20" x 9" - Burgundy
2	056484-48-N09	EA	Curtain w Tape Top - 20" x 9" - Walnut Golden Brown (N12)
2	070651-08-N10	EA	Valance Asm. - 5 75" x 29" Stapled - Bath - Rust
2	070651-08-N11	EA	Valance Asm. - 5 75" x 29" Stapled - Bath - Burgundy
2	070651-08-N09	EA	Valance Asm. - 5 75" x 29" Stapled - Bath - Walnut Golden Brown (N12)
2	069738-49-000	EA	Shade - Woven Wood - 23" x 23" - Rust
2	069738-50-000	EA	Shade - Woven Wood - 23" x 23" - Burgundy
2	069738-51-000	EA	Shade - Woven Wood - 23" x 23" - Cocoa
2	065522-02-000	EA	Shade Asm - 21 25" x 38"
3	070652-04-N10	EA	Curtain w Tape Top - 31" x 42" - Rust
3	070652-04-N11	EA	Curtain w Tape Top - 31" x 42" - Burgundy
3	070652-04-N09	EA	Curtain w Tape Top - 31" x 42" - Walnut Golden Brown (N12)
3	071445-01-N10	EA	Curtain - Pleated - 31 5" x 15" (used w Woven Wood Shade) Rust
3	071445-01-N11	EA	Curtain - Pleated - 31 5" x 15" (used w Woven Wood Shade) Burgundy
3	071445-01-N09	EA	Curtain - Pleated - 31 5" x 15" (used w Woven Wood Shade) Walnut Golden Brown (N12)
3	066959-07-N01	EA	Curtain - Sheers - 29 5" x 42" - Champagne
3	070651-03-N10	EA	Valance Asm - 5 75" x 78" Stapled - Rust
3	070651-03-N11	EA	Valance Asm - 5 75" x 78" Stapled - Burgundy
3	070651-03-N09	EA	Valance Asm - 5 75" x 78" Stapled - Walnut Golden Brown (N12)
3	069738-31-000	EA	Shade - Woven Wood - 33" x 70" - Rust
3	069738-32-000	EA	Shade - Woven Wood - 33" x 70" - Burgundy
3	069738-33-000	EA	Shade - Woven Wood - 33" x 70" - Cocoa
3	065522-12-000	EA	Shade Asm - 69 25" x 38"
4	054103-08-N10	EA	Curtain w Snap Top - 12" x 38" - Rust
4	054103-08-N11	EA	Curtain w Snap Top - 12" x 38" - Burgundy
4	054103-08-N09	EA	Curtain w Snap Top - 12" x 38" - Walnut Golden Brown (N12)
5	054045-17-N10	EA	Curtain w Snap Top and Bottom - 18" x 44" - Rust
5	054045-17-N11	EA	Curtain w Snap Top and Bottom - 18" x 44" - Burgundy
5	054045-17-N09	EA	Curtain w Snap Top and Bottom - 18" x 44" - Walnut Golden Brown (N12)
.	059900-03-N10	EA	Curtain Asm - Front Wraparound - 25" x 80" - Rust
.	059900-03-N11	EA	Curtain Asm - Front Wraparound - 25" x 80" - Burgundy
.	059900-03-N09	EA	Curtain Asm - Front Wraparound - 25" x 80" - Walnut Golden Brown (N12)
6	054051-02-N10	EA	Curtain w Snap Top - 34" x 37" - Rust
6	054051-02-N11	EA	Curtain w Snap Top - 34" x 37" - Burgundy
6	054051-02-N09	EA	Curtain w Snap Top - 34" x 37" - Walnut Golden Brown (N12)
.	064913-09-N10	EA	Curtain w Snap Top - Bunk Privacy - 25" x 86" - Rust
.	064913-09-N11	EA	Curtain w Snap Top - Bunk Privacy - 25" x 86" - Burgundy
.	064913-09-N09	EA	Curtain w Snap Top - Bunk Privacy - 25" x 86" - Walnut Golden Brown (N12)
.	054048-05-N10	EA	Tie Back Asm - Curtain - 2" x 18" - Coffee Rust
.	054048-05-N11	EA	Tie Back Asm - Curtain - 2" x 18" - Coffee Burgundy
.	054048-05-N12	EA	Tie Back Asm - Curtain - 2" x 18" - Coffee Walnut
.	054048-01-N10	EA	Tie Back Asm - Curtain - 2" x 14" - Rust
.	054048-01-N11	EA	Tie Back Asm - Curtain - 2" x 14" - Burgundy
.	054048-01-N12	EA	Tie Back Asm - Curtain - 2" x 14" - Brown
.	057534-01-000	EA	Tie Back - Clear Plastic - 6"
.	057534-03-000	EA	Tie Back - Clear Plastic - 7 5"
.			Not illustrated

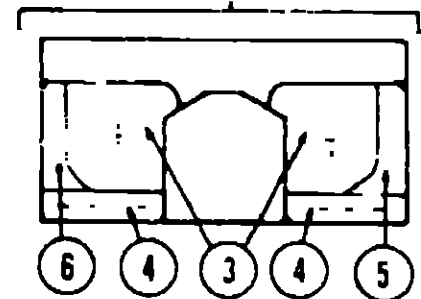
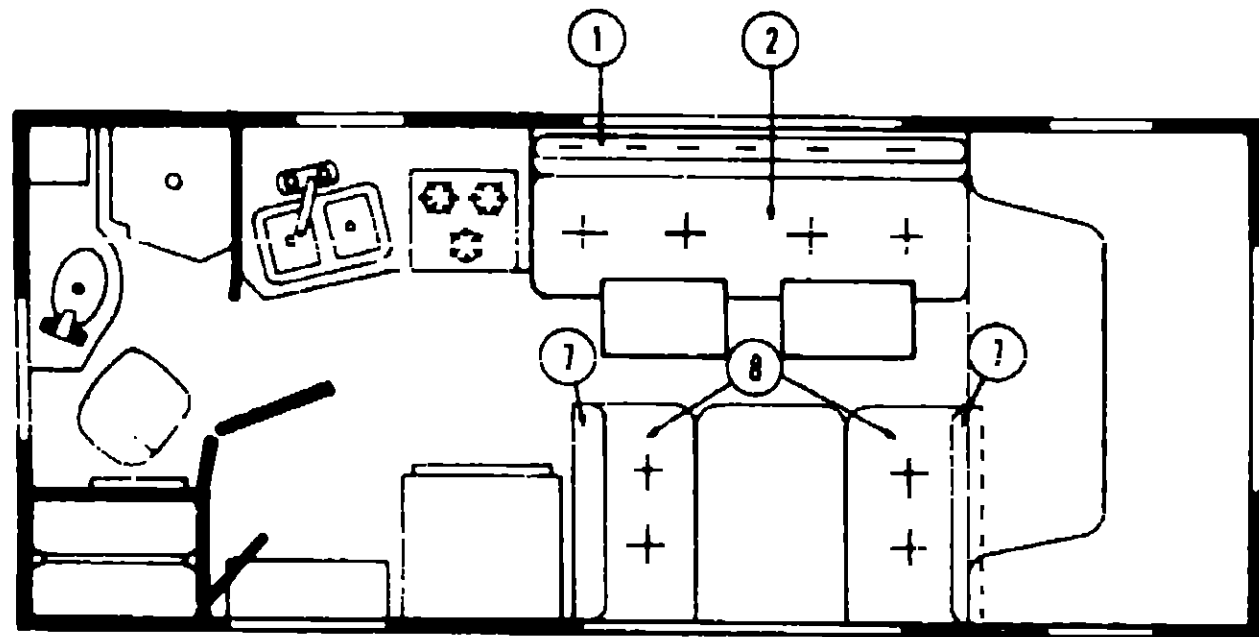
**1982 ITASCA
TABLE OF CONTENTS**

IC420RB N2	A-1 - B-20
IC621RB N2	B-21 - D-14
IC723DB N2	D-15 - F-2
IC723RH N2	F-3 - G-16
IC823DB P2	G-17 - I-8

1982 IC621RB N2 INDEX

Floor Plan	B-21 - B-22
Accessories Group	B-23 - C-1
Bath Group	C-2
Chassis Group	C-3
Curtain, Cushion & Pad Group	C-4 - C-9
Dinette Group	C-10
Driver's Compartment Group	C-11 - C-12
Electrical Group	C-13 - C-15
Exterior Body Group	C-16 - C-20
Galley Group	C-21
Heating & Air Conditioning Group	C-22
Interior Finish Group	C-23 - C-24
LP Group	D-1
Lounge Group	D-2
Water & Sewage Group	D-3 - D-4
Window, Vent & Exterior Door Group	D-5 - D-14





SPRUNG COUCH CUSHIONS

Key	Part Number	U/M	Description
1	070655-01-N10	EA	Cushion Asm. - Sprung Couch - Back - 76" - Rust
1	070655-01-N11	EA	Cushion Asm. - Sprung Couch - Back - 76" - Burgundy
1	070655-01-N12	EA	Cushion Asm. - Sprung Couch - Back - 76" - Cocoa
	M70655-01-N10	EA	Cover - Sprung Couch Back - 76" - Rust
	M70655-01-N11	EA	Cover - Sprung Couch Back - 76" - Burgundy
	M70655-01-N12	EA	Cover - Sprung Couch Back - 76" - Cocoa
2	070656-01-N10	EA	Cushion Asm. - Sprung Couch - Bottom - 76" - Rust
2	070656-01-N11	EA	Cushion Asm. - Sprung Couch - Bottom - 76" - Burgundy
2	070656-01-N12	EA	Cushion Asm. - Sprung Couch - Bottom - 76" - Cocoa
	M70656-01-N10	EA	Cover - Sprung Couch Bottom - 76" - Rust
	M70656-01-N11	EA	Cover - Sprung Couch Bottom - 76" - Burgundy
	M70656-01-N12	EA	Cover - Sprung Couch Bottom - 76" - Cocoa

CORNER LOUNGE CHAIR CUSHIONS

Key	Part Number	U/M	Description
3	059743-07-N10	EA	Cushion - Lounge Chair Bottom - Rust
3	059743-07-N11	EA	Cushion - Lounge Chair Bottom - Burgundy
3	059743-07-N12	EA	Cushion - Lounge Chair Bottom - Cocoa
	059746-04-N10	EA	Cover - Lounge Chair Bottom Cushion - Rust
	059746-04-N11	EA	Cover - Lounge Chair Bottom Cushion - Burgundy
	059746-04-N12	EA	Cover - Lounge Chair Bottom Cushion - Cocoa
4	059742-07-N10	EA	Cushion - Lounge Chair Back - Rust
4	059742-07-N11	EA	Cushion - Lounge Chair Back - Burgundy
4	059742-07-N12	EA	Cushion - Lounge Chair Back - Cocoa
	059745-04-N10	EA	Cover - Lounge Chair Back Cushion - Rust
	059745-04-N11	EA	Cover - Lounge Chair Back Cushion - Burgundy
	059745-04-N12	EA	Cover - Lounge Chair Back Cushion - Cocoa
5	059744-14-N10	EA	Cushion - Chair Wedge - Left - Rust
5	059744-14-N11	EA	Cushion - Chair Wedge - Left - Burgundy
5	059744-14-N12	EA	Cushion - Chair Wedge - Left - Cocoa
	059747-08-N10	EA	Cover - Chair Wedge - Left - Rust
	059747-08-N11	EA	Cover - Chair Wedge - Left - Burgundy
	059747-08-N12	EA	Cover - Chair Wedge - Left - Cocoa
6	059744-13-N10	EA	Cushion - Chair Wedge - Right - Rust
6	059744-13-N11	EA	Cushion - Chair Wedge - Right - Burgundy
6	059744-13-N12	EA	Cushion - Chair Wedge - Right - Cocoa
	059747-07-N10	EA	Cover - Chair Wedge Cushion - Right - Rust
	059747-07-N11	EA	Cover - Chair Wedge Cushion - Right - Burgundy
	059747-07-N12	EA	Cover - Chair Wedge Cushion - Right - Cocoa

DINETTE CUSHIONS

Key	Part Number	U/M	Description
7	068772-04-N10	EA	Cushion - Dinette Back - 19.2" x 38" x 5" - Rust
7	068772-04-N11	EA	Cushion - Dinette Back - 19.2" x 38" x 5" - Burgundy
7	068772-04-N12	EA	Cushion - Dinette Back - 19.2" x 38" x 5" - Cocoa
	M68772-04-N10	EA	Cover - Dinette Back Cushion - 19.2" x 38" x 5" - Rust
	M68772-04-N11	EA	Cover - Dinette Back Cushion - 19.2" x 38" x 5" - Burgundy
	M68772-04-N12	EA	Cover - Dinette Back Cushion - 19.2" x 38" x 5" - Cocoa
8	068772-03-N10	EA	Cushion - Dinette Bottom - 17.5" x 38" x 5" - Rust
8	068772-03-N11	EA	Cushion - Dinette Bottom - 17.5" x 38" x 5" - Burgundy
8	068772-03-N12	EA	Cushion - Dinette Bottom - 17.5" x 38" x 5" - Cocoa
	M68772-03-N10	EA	Cover - Dinette Bottom Cushion - 17.5" x 38" x 5" - Rust
	M68772-03-N11	EA	Cover - Dinette Bottom Cushion - 17.5" x 38" x 5" - Burgundy
	M68772-03-N12	EA	Cover - Dinette Bottom Cushion - 17.5" x 38" x 5" - Cocoa

**1982 ITASCA
TABLE OF CONTENTS**

IC420RB N2	A-1 - B-20
IC621RB N2	B-21 - D-14
IC723DB N2	D-15 - F-2
IC723RH N2	F-3 - G-16
IC823DB P2	G-17 - I-8

1982 IC621RB N2 INDEX

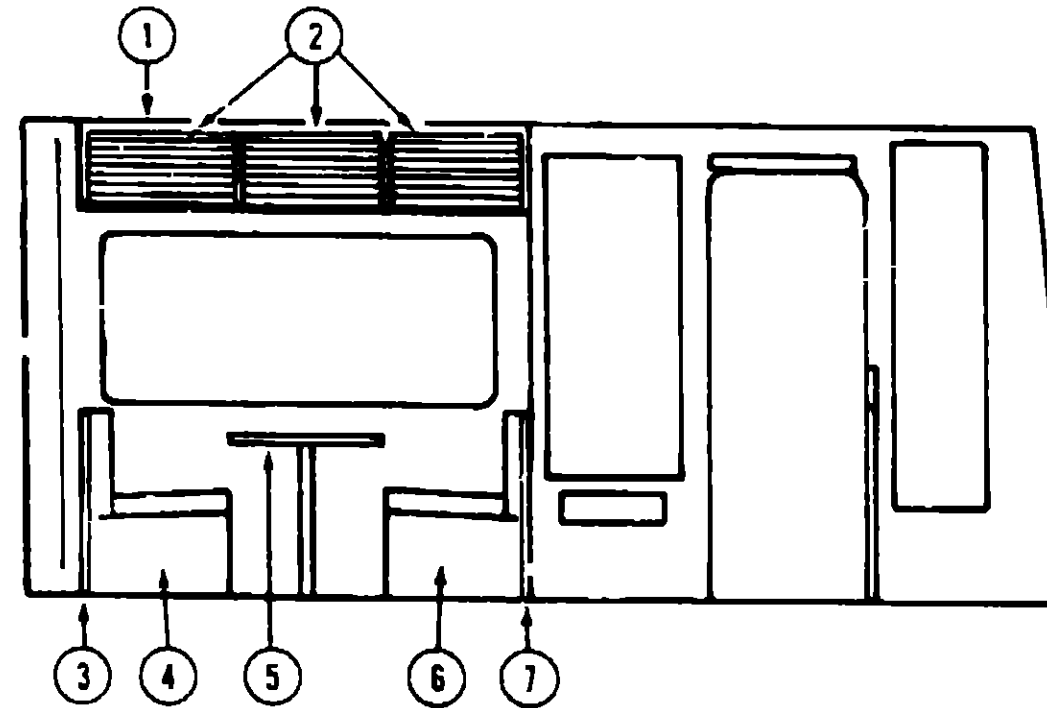
Floor Plan	B-21 - B-22
Accessories Group	B-23 - C-1
Bath Group	C-2
Chassis Group	C-3
Curtain, Cushion & Pad Group	C-4 - C-9
Dinette Group	C-10
Driver's Compartment Group	C-11 - C-12
Electrical Group	C-13 - C-15
Exterior Body Group	C-15 - C-20
Galley Group	C-21
Heating & Air Conditioning Group	C-22
Interior Finish Group	C-23 - C-24
LP Group	D-1
Lounge Group	D-2
Water & Sewage Group	D-3 - D-4
Window, Vent & Exterior Door Group	D-5 - D-14

FRONT OVERHEAD BUNK MATTRESS

Key	Part Number	U/M	Description
	058897-12-N10	EA	Mattress - Overhead Bunk - Two Fold - 19" x 34" x 75" x 4" - Rust
	058897-12-N11	EA	Mattress - Overhead Bunk - Two Fold - 19" x 34" x 75" x 4" - Burgundy
	058897-12-N12	EA	Mattress - Overhead Bunk - Two Fold - 19" x 34" x 75" x 4" - Cocoa
	058898-12-N10	EA	Cover - Overhead Bunk Mattress - Two Fold - 19" x 34" x 75" x 4" - Rust
	058898-12-N11	EA	Cover - Overhead Bunk Mattress - Two Fold - 19" x 34" x 75" x 4" - Burgundy
	058898-12-N12	EA	Cover - Overhead Bunk Mattress - Two Fold - 19" x 34" x 75" x 4" - Cocoa

BUCKET SEATS

Key	Part Number	U/M	Description
	070574-01-N10	EA	Seat Asm. - Single Bucket - Youth Bed - Rust
	070574-01-N11	EA	Seat Asm. - Single Bucket - Youth Bed - Burgundy
	070574-01-N12	EA	Seat Asm. - Single Bucket - Youth Bed - Cocoa
	M00784-02-N10	EA	Cover - Back - Youth Bed - Rust
	M00784-02-N11	EA	Cover - Back - Youth Bed - Burgundy
	M00784-02-N12	EA	Cover - Back - Youth Bed - Cocoa
	M00784-01-N10	EA	Cover - Bottom - Youth Bed - Rust
	M00784-01-N11	EA	Cover - Bottom - Youth Bed - Burgundy
	M00784-01-N12	EA	Cover - Bottom - Youth Bed - Cocoa
	070553-02-N10	EA	Cushion Asm. - Wedge - Youth Bed - Rust
	070553-02-N11	EA	Cushion Asm. - Wedge - Youth Bed - Burgundy
	070553-02-N12	EA	Cushion Asm. - Wedge - Youth Bed - Cocoa
	M70553-02-N10	EA	Cover - Wedge - Youth Bed - Rust
	M70553-02-N11	EA	Cover - Wedge - Youth Bed - Burgundy
	M70553-02-N12	EA	Cover - Wedge - Youth Bed - Cocoa



CONVENTIONAL DINETTE AND OVERHEAD CABINERY

Key	Part Number	U/M	Description
1	M66046-01-N07	EA	Cabinet Asm. - Overhead - Right Front
2	063224-08-N07	EA	Door Asm. - Dinette Overhead Cabinet - Rolled - 23 9" x 16"
3	M67088-01-N07	EA	Cabinet Asm. - Dinette Back - Left Hand
4	M67096-02-N07	EA	Cabinet Asm. - Dinette Seat - Left Hand
5	053191-08-N07	EA	Table Asm. - Dinette - w/o Hardware - Almond
6	M67096-01-N07	EA	Cabinet Asm. - Dinette Seat - Right Hand
7	M67089-01-N07	EA	Cabinet Asm. - Dinette Back - Right Hand
.	053200-05-000	EA	Bracket - Upper Wall Mount - 23 5" - Beige
.	053201-03-000	EA	Bracket - Table Mount - 23"
.	024275-01-000	EA	Rod - Table Lift - 8" x 23 5"
.	024281-06-000	EA	Bracket - Lower Wall Mount - 22.12"
.	024276-08-000	EA	Leg Asm. - Table - 28 38" - Beige
.	064050-01-000	EA	Hinge - Table Leg - Beige
.	024282-01-000	EA	Brace - Table Leg
.	024283-01-000	EA	Clip - 1" O.D. Tube
.	049493-03-000	EA	Catch - Table Leg - Mounts on Floor - Beige
.	Not illustrated		

CORNER LUNGE CHAIRS

Key	Part Number	U/M	Description
	066235-01-L07	EA	Cabinet Asm. - Corner Lounge Chair - Right
	065924-01-L07	EA	Cabinet Asm. - Corner Lounge Chair - Left
	063224-07-N07	EA	Door Asm. - Rolled - 15 5" x 12 9" - Left or Right
	M71206-01-N07	EA	Table Asm. - Lounge - Almond
	061882-02-000	EA	Leg Asm. - Table - Pivot
	061879-02-000	EA	Leg Asm. - Table - Fixed
	024275-06-000	EA	Rod - Table Lift -
	024281-08-000	EA	Bracket - Table Lift - Mounts on Table
	053200-06-000	EA	Support - Table - 14 5" - Mounts on Wall
	061880-01-000	EA	Plug - Table Leg Coupler
	053201-04-000	EA	Hanger Bracket - 13 5" (Mounts on Table)

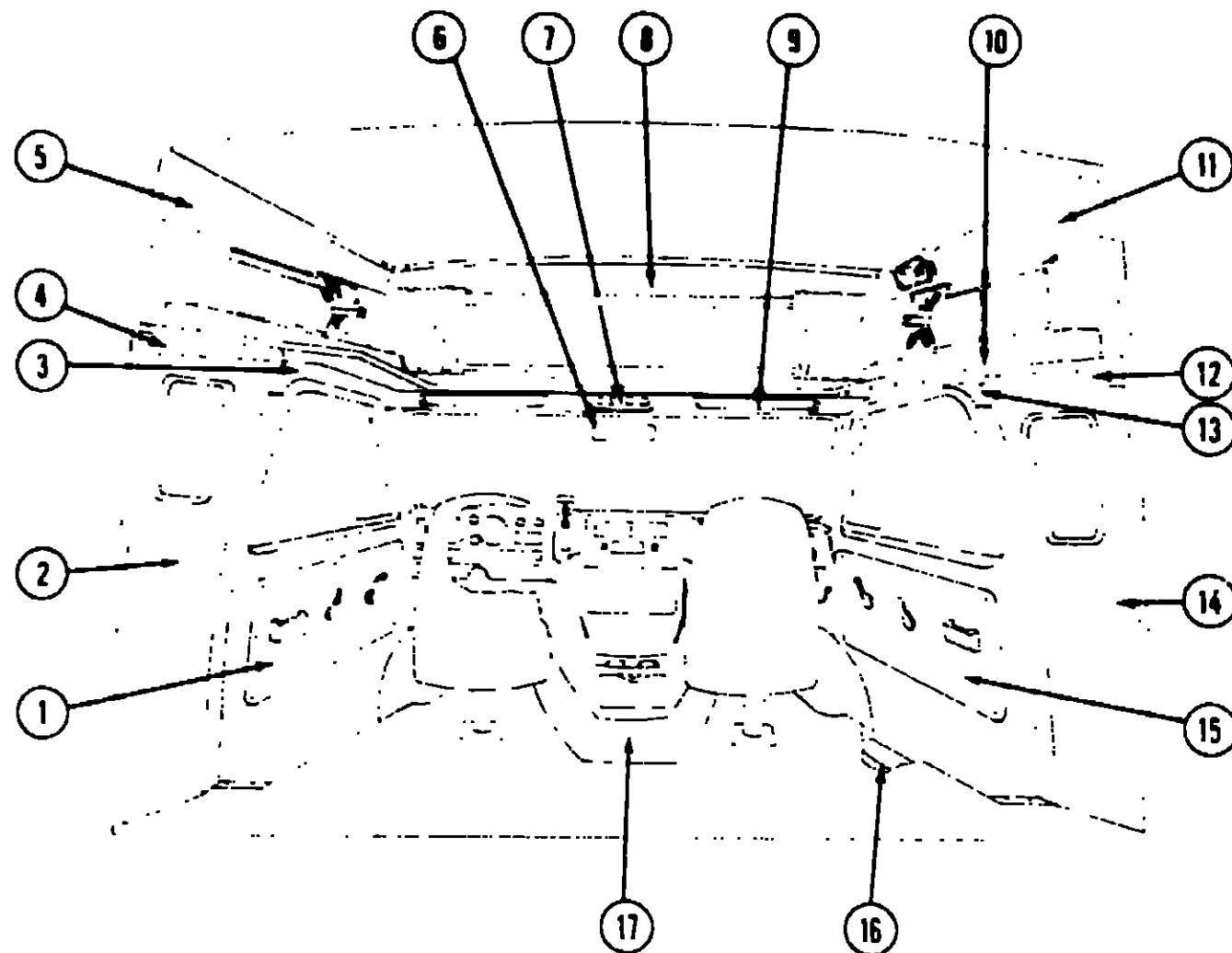
**1982 ITASCA
TABLE OF CONTENTS**

IC420RB N2	A-1 - B-20
IC621RB N2	B-21 - D-14
IC723DB N2	D-15 - F-2
IC723RH N2	F-3 - G-16
IC823DB P2	G-17 - I-8

1982 IC621RB N2 INDEX

Floor Plan	B-21 - B-22
Accessories Group	B-23 - C-1
Bath Group	C-2
Chassis Group	C-3
Curtain, Cushion & Pad Group	C-4 - C-9
Dinette Group	C-10
Driver's Compartment Group	C-11 - C-12
Electrical Group	C-13 - C-15
Exterior Body Group	C-16 - C-20
Galley Group	C-21
Heating & Air Conditioning Group	C-22
Interior Finish Group	C-23 - C-24
Pad Group	D-1
Lounge Group	D-2
Water & Sewage Group	D-3 - D-4
Window, Vent & Exterior Door Group	D-5 - D-14

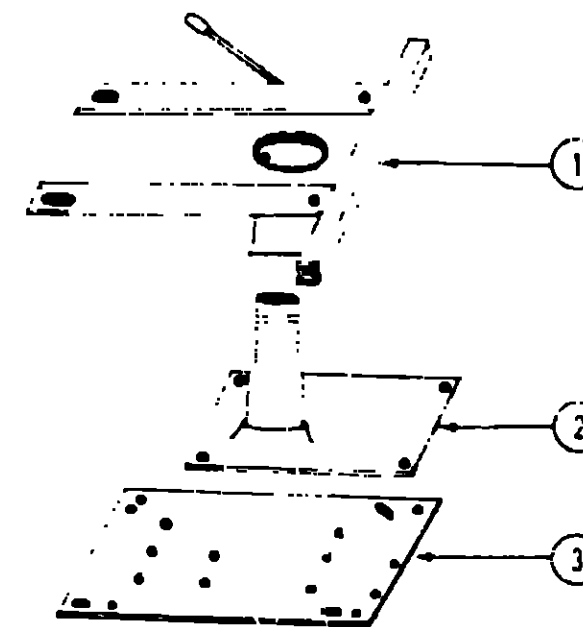
DRIVER'S COMPARTMENT GROUP



MISCELLANEOUS DRIVER'S COMPARTMENT COMPONENTS

Key	Part Number	U/M	Description
1	056580-02-N07	EA	Side Panel - Cab Door - Left
2	052818-05-M10	EA	Panel - Wingwall Transition - Inner Left Hand
3	071615-01-N07	EA	Pad Asm - Headliner - Left
4	056051-01-N07	EA	Pad Asm - Sleeper Board - Left
5	064185-02-000	EA	Panel - Left - Light Oak
6	040714-01-000	EA	Mirror - Inside - Rear View - Glare Proof
	067490-01-000	EA	Button - Mirror - Rear View - Support
7	049360-10-000	EA	Console - Overhead - w. Cut-out (Dome Light & Hourmeter)
7	049360-11-000	EA	Console - Overhead - w. Cut-out (Dome Light & Voltmeter)
7	049360-12-000	EA	Console - Overhead - Light Oak (No Cut-Out)
	056288-01-000	EA	Dome Light Asm.
8	054823-03-000	EA	Cap - Upper Front - Inner - Light Oak
9	056802-03-000	EA	Survivor Asm. - Beige - Left or Right
10	066246-01-N07	EA	Sleeper Board Asm.
11	064186-02-000	EA	Panel - Right - Light Oak
12	056051-02-N07	EA	Pad Asm - Sleeper Board - Right
13	071615-02-N07	EA	Pad Asm - Headliner - Right
14	052818-06-M10	EA	Panel - Wingwall Transition - Inner Right Hand
15	056567-02-N07	EA	Side Panel - Cab Door - Right
	044860-01-000	EA	Step Matt - Rubber - Black - Left Hand
16	044860-02-000	EA	Step Matt - Rubber - Black - Right Hand
17	071645-01-000	EA	Motor Cover
			Not illustrated

DRIVER'S COMPARTMENT GROUP (CONTINUED)



BUCKET SEAT PEDESTAL AND SEAT BELTS

Key	Part Number	U/M	Description
1	069585-04-000	EA	Plate - Top - Pedestal Asm - Single - Bucket Seat
2	069585-08-000	EA	Plate - Sub - Pedestal Asm - Bucket Seat
3	069585-07-000	EA	Plate - Base - Pedestal Asm - Bucket Seat
	069585-05-000	EA	Hardware Kit - Bolt - Acorn Nut - 4 ea - Pedestal Asm
	007019-01-000	EA	Belt Asm - Seat - 2" x 64" - Black
	041322-01-000	EA	Washer - Flat 15 32" I.D. x 2 3 8" O.D. - Seat Belt
	007021-01-000	EA	Belt Asm - Seat - 2" x 90" - Black
	007222-01-000	EA	Belt Asm - Seat - 2" x 60" - Black
	043910-01-000	EA	Bracket Asm - Seat Belt
	058375-01-000	EA	Bracket - Seat Belt - Washer
	069246-01-000	EA	Adjuster Asm - Seat w. Lock
	069246-02-000	EA	Adjuster Asm - Seat w/o Lock
	007221-01-000	EA	Spacer - Seat Adjuster
			Not illustrated

**1982 ITASCA
TABLE OF CONTENTS**

IC420RB N2	A-1 - B-20
IC621RB N2	B-21 - D-14
IC723DB N2	D-15 - F-2
IC723RH N2	F-3 - G-16
IC623DB P2	G-17 - I-9

1982 IC621RB N2 INDEX

Floor Plan	B-21 - B-22
Accessories Group	B-23 - C-1
Bath Group	C-2
Chassis Group	C-3
Curtain, Cushion & Pad Group	C-4 - C-9
Dinette Group	C-10
Driver's Compartment Group	C-11 - C-12
Electrical Group	C-13 - C-15
Exterior Body Group	C-16 - C-20
Galley Group	C-21
Heating & Air Conditioning Group	C-22
Interior Finish Group	C-23 - C-24
LP Group	D-1
Lounge Group	D-2
Water & Sewage Group	D-3 - D-4
Window, Vent & Exterior Door Group	D-5 - D-14

ELECTRICAL GROUP

BULBS

Key	Part Number	U/M	Description
	037935-01-000	EA	Bulb - 1157
	037936-01-000	EA	Bulb - 1157 A
	008103-01-000	EA	Bulb - 53
	008213-01-000	EA	Bulb - 57
	008214-01-000	EA	Bulb - 67
	008215-01-000	EA	Bulb - 1003
	008218-01-000	EA	Bulb - 1141
	008219-01-000	EA	Bulb - 656
	008220-01-000	EA	Bulb - 12V - 25W
	036196-01-000	EA	Bulb - 194
	700020-01-000	EA	Bulb - 12V - 20W - 1383
	063914-01-000	EA	Bulb - 1139
	056288-02-000	EA	Bulb - 3E211-02

FUSES AND CIRCUIT BREAKERS

Key	Part Number	U/M	Description
	056473-01-000	EA	Fuse - Slow Blow - 6 1/4 Amp
	008233-01-000	EA	Fuse - 12 Volt - 6 Amp
	008234-01-000	EA	Fuse - 12 Volt - 10 Amp
	008235-01-000	EA	Fuse - 12 Volt - 15 Amp
	008236-01-000	EA	Fuse - 12 Volt - 20 Amp
	008248-01-000	EA	Fuse - 110 Volt - 30 Amp - AGU
	008252-01-000	EA	Fuse - 110 Volt - 50 Amp
	008208-01-000	EA	Circuit Breaker - 12 Volt - 40 Amp
	008211-01-000	EA	Circuit Breaker - 12 Volt - 6 Amp
	008268-01-000	EA	Circuit Breaker - 12 Volt - 30 Amp w Mount
	033573-01-000	EA	Circuit Breaker - 12 Volt - 20 Amp w Mount
	040051-01-000	EA	Circuit Breaker - 110 Volt - 20 Amp - TGL
	033573-02-000	EA	Circuit Breaker - 12 Volt - 15 Amp w Mount
	008297-01-000	EA	Circuit Breaker - TOP 120
	008293-01-000	EA	Circuit Breaker - TOP 130

INTERIOR LIGHTS

Key	Part Number	U/M	Description
	056288-01-000	EA	Light - Dome - Drivers Compartment
	033508-02-000	EA	Light - Dome - Ivory - 1 Bulb - US - Progressive Dynamics, Inc
	033508-03-000	EA	Light - Dome - Ivory - 1 Bulb - CSA - Progressive Dynamics, Inc
	033509-02-000	EA	Light - Dome - Ivory - 2 Bulb - US - Progressive Dynamics, Inc
	033509-03-000	EA	Light - Dome - Ivory - 2 Bulb - CSA - Progressive Dynamics, Inc
	061424-01-000	EA	Light - 12 V Receptacle - Aisle - IP
	053346-01-000	EA	Light - High Intensity - Brown
	007309-01-000	EA	Light - Step Well

ELECTRICAL GROUP (CONTINUED)

EXTERIOR LIGHTS

Key	Part Number	U/M	Description
	058030-01-000	EA	Tail Lamp Asm. - 3 Bulb - Chrome - Right
	058030-02-000	EA	Tail Lamp Asm. - 3 Bulb - Chrome - Left
	058030-01-700	EA	Lens - Tail Lamp - Red
	058030-01-701	EA	Lens - Tail Lamp - Back Up
	058030-01-702	EA	Lens - Tail Lamp - Amber
	042405-02-000	EA	Base - Rectangular Clearance Light
	042405-01-000	EA	Lens - Clearance Light - Red w Reflex
	042405-04-000	EA	Lens - Clearance Light - Red w Reflex
	042405-02-000	EA	Lens - Clearance Light - Amber w Reflex
	042405-05-000	EA	Lens - Clearance Light - Amber w Reflex
	063735-01-000	EA	Reflector - Stick On - Amber

WIRE, SWITCHES AND RECEPTACLES

Key	Part Number	U/M	Description
	008024-01-000	FT	Wire - 18.5 Bonded - Orange White Yellow Blue Brown
	008025-01-000	FT	Wire - 18.5 Bonded - Orange White Yellow Blue Green
	008026-01-000	FT	Wire - 18.5 Bonded - Blue Red Yellow Orange White
	008030-01-000	FT	Wire - 18.4 Bonded - Red Blue Orange Green
	008251-01-000	EA	Holder - Fuse - Black - Screw Type
	008277-01-000	EA	Holder - Fuse - Black - Panel Mount
	008195-01-000	EA	Switch - Push Button - 12 Volt
	006077-01-000	EA	Plaque - Compressor Switch
	008054-01-000	EA	Cord - Power - 10-3 30 Amp - 25' - UL
	034818-05-000	EA	Holder - Receptacle - Plastic
	039342-02-000	EA	Receptacle - Single Ivory
	039342-01-000	EA	Receptacle - Duplex Brown - T Junction
	024571-04-000	EA	Cover Plate - Receptacle - Jumbo Brown Plastic
	024571-01-000	EA	Cover Plate - Receptacle - Jumbo Steel Brown
	008294-01-000	EA	Cover Plate - Brown Steel - 4" x 4"
	008289-01-000	EA	Box - Electrical - Steel - 4" x 4"
	039343-01-000	EA	Cap - End - Receptacle
	008162-01-000	EA	Switch - Double Toggle - Spade Brown
	008163-01-000	EA	Switch - Toggle Brown
	031144-01-000	EA	Switch - Center Off - DPDT - Black 30A
	054532-01-000	EA	Housing Pin Asm - 5 Position
	064398-01-000	EA	Housing Asm - Trailer Receptacle Plug - Female
	064450-01-000	EA	Housing Asm - Trailer Receptacle Plug - Male
	008164-01-000	EA	Cover Plate - Switch - Brown
	024924-01-000	EA	Receptacle - Power Cord
	008058-01-000	EA	Adaptor - Power Cord
	047353-01-000	EA	Cover - Receptacle - Ground Fault
	053126-02-000	EA	Receptacle - Ground Fault - Interrupter - 125 Volt - Brown
	058707-01-000	EA	Receptacle - Single - Thomas & Belts - Brown
	058708-01-000	EA	Receptacle - Duplex - Thomas & Belts - Brown
	058048-01-000	EA	Cover - Electrical - Rain Tight (Exterior)
	008157-01-000	EA	Receptacle - Single (Exterior)
	061405-02-000	EA	Plate - Receptacle - Duplex - Pewter

1982 ITASCA TABLE OF CONTENTS

IC420RB N2	A-1 - B-20
IC621RB N2	B-21 - D-14
IC723DB N2	D-15 - F-2
IC723RH N2	F-3 - G-16
IC823DB P2	G-17 - I-8

1982 IC621RB N2 INDEX

Floor Plan	B-21 - B-22
Accessories Group	B-23 - C-1
Bath Group	C-2
Chassis Group	C-3
Curtain, Cushion & Pad Group	C-4 - C-9
Dinette Group	C-10
Driver's Compartment Group	C-11 - C-12
Electrical Group	C-13 - C-15
Exterior Body Group	C-16 - C-20
Galley Group	C-21
Heating & Air Conditioning Group	C-22
Interior Finish Group	C-23 - C-24
LP Group	D-1
Lounge Group	D-2
Water & Sewage Group	D-3 - D-4
Window, Vent & Exterior Door Group	D-5 - D-14

ELECTRICAL GROUP (CONTINUED)

MISCELLANEOUS ELECTRICAL COMPONENTS

Key	Part Number	U/M	Description
	047338-01-000	EA	Isolator - Dual Battery
	047389-01-700	EA	Battery - 12 Volt - 105 Amp Deep Cycle - Dry
	057899-01-000	EA	Battery - 12 Volt - Maintenance Free
	006188-01-000	EA	Solenoid - Dual Battery - Relay
	046775-01-000	EA	Valve - Gas - Change Over
	024459-03-000	EA	Gauge - Voltmeter - w Bracket
	024462-01-000	EA	Switch - Battery Condition
	031035-01-000	EA	Gauge - Hourmeter - Generator
	024976-01-000	EA	Switch - Generator w/o Circuit Board
	024460-01-000	EA	Gauge - Vacuum
	068068-01-000	EA	Load Center - 120 V - 3 CRT
	039950-01-702	EA	Circuit Board - Control Center
	024461-01-000	EA	Switch - Battery - Changeover
	046885-01-000	EA	Flaque - Switch Mounting
	048812-04-000	EA	Control Panel - Insert - Basic
	048812-09-000	EA	Control Panel - w LP Alarm Clock - Refrigerator Light & Sensor
	039861-01-000	EA	Sending Unit - Wemac
	031720-01-000	EA	Spacer - Receptacle - Brown Plastic - CSA
	067761-01-000	EA	Converter - 30 Amp w Charger
	067762-01-000	EA	Converter - 40 Amp w Charger

EXTERIOR BODY GROUP

SEALANTS, ADHESIVES AND FASTENERS

Key	Part Number	U/M	Description
	034552-06-000	EA	Sealant - Off White Silicone
	034552-04-000	EA	Sealant - Beige Silicone
	034552-02-000	EA	Sealant - Clear Silicone
	004349-01-000	EA	Sealant - Black Silicone
	069637-01-000	EA	Sealant - Weatherban 404 Tube - 3M
	004346-02-000	EA	Sealant - White Silicone
	009200-01-000	EA	Tape - Furnace - 1 1/2"
	004353-01-000	FT	Tape - Gasket - 1.8" x 3 4' - White
	002825-01-000	FT	Weather Stripping - Roof Vent
	002337-01-000	EA	Adhesive - 3/4" - 1300 Tube
	004005-01-000	GL	Adhesive - Swifts - Green - Glue (Sidewalls)
	004020-01-000	QT	Adhesive - ABS Cement (Plastic Fillings)
	000G66-08-12R	EA	Screw - #8 - 18 x 3/4" SDPH - Beige
	000G66-08-12S	EA	Screw - #8 - 18 x 3/4" SDPH - Off White
	000G66-08-12M	EA	Screw - #8 - 18 x 3/4" SDPH - Gray
	000G66-08-16R	EA	Screw - #8 - 18 x 1" SDPH - Beige
	000G66-08-16S	EA	Screw - #8 - 18 x 1" SDPH - Off White
	000G66-08-16M	EA	Screw - #8 - 18 x 1" SDPH - Gray
	000G64-08-16R	EA	Screw - #8 - 18 x 1" SDPH - SF DR - Beige
	000G64-08-16S	EA	Screw - #8 - 18 x 1" SDPH - SF DR - Off White
	000G64-08-16M	EA	Screw - #8 - 18 x 1" SDPH - SF DR - Gray
	069640-02-000	FT	Tape - 1 2" x 1 8" x 50' - Gray - 3M
	069640-01-000	FT	Tape - 1 4" Bead x 20' - Gray - 3M
	069640-03-000	FT	Tape - 3 4" x 1 8" x 50' - Gray - 3M
	069640-04-000	FT	Tape - 2" x 3 32" x 45' - Gray - 3M
	072889-01-000	EA	Sealant - Urethane - Tube - Black

MISCELLANEOUS EXTERNALLY MOUNTED PARTS

Key	Part Number	U/M	Description
**	011129-01-000	EA	Plumbing Seal - Roof Vent - 1 1/2"
	048817-01-000	EA	Assist Handle - w Light
	048817-01-700	EA	Lens - Assist Handle
	010230-02-000	EA	Fill - City Water - Recessed - Off White
	058808-01-000	EA	Water Fill - Lockable - Off White
**	The illustrated parts breakdown for this item is provided on the Common Items Fiche.		

1982 ITASCA TABLE OF CONTENTS

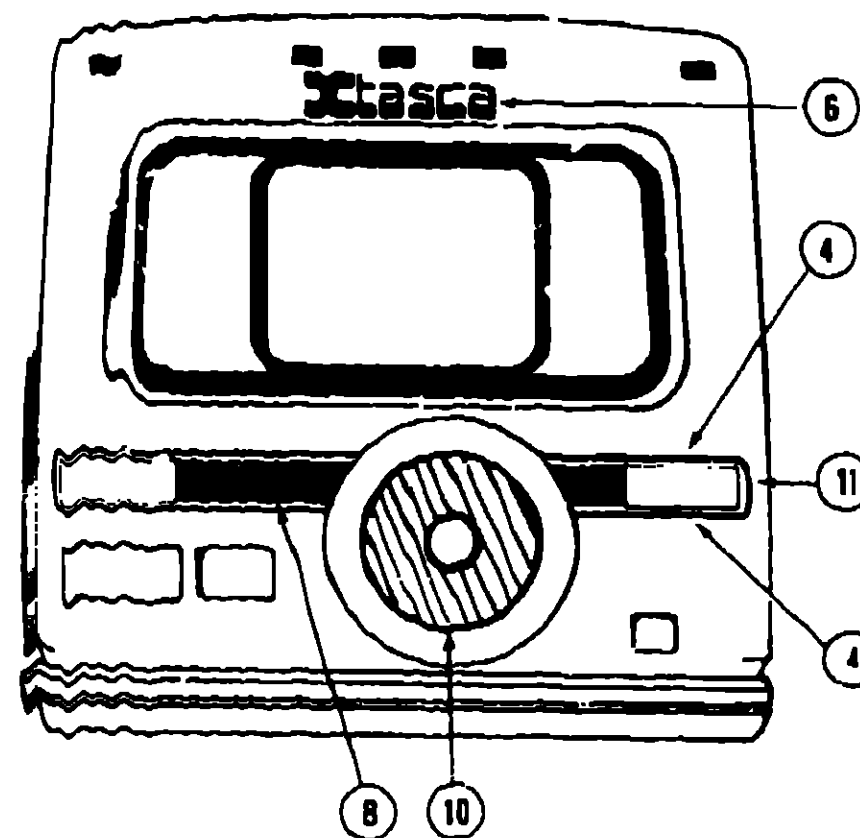
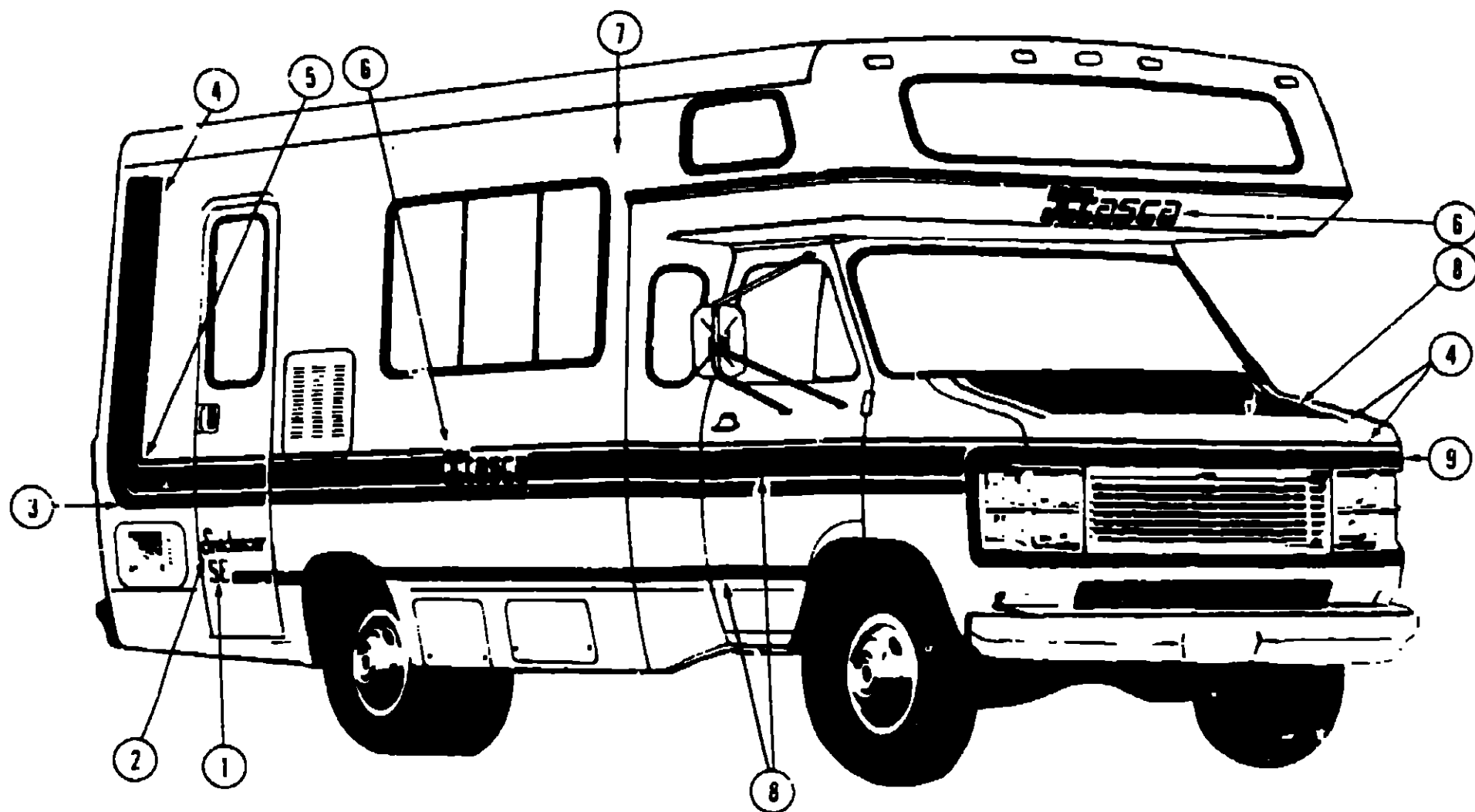
IC420RB N2	A-1 B-20
IC621RB N2	B-21 - D-14
IC723DB N2	D-15 - F-2
IC723RH N2	F-3 - G-17
IC823DB P2	G-17 - I-J

1982 IC621RB N2 INDEX

Floor Plan	B-21 - B-22
Accessories Group	B-23 - C-1
Bath Group	C-2
Chassis Group	C-3
Curtain, Cushion & Pad Group	C-4 - C-9
Dinette Group	C-10
Driver's Compartment Group	C-11 - C-12
Electrical Group	C-13 - C-15
Exterior Body Group	C-16 - C-20
Galley Group	C-21
Heating & Air Conditioning Group	C-22
Interior Finish Group	C-23 - C-24
LP Group	D-1
Lounge Group	D-2
Water & Sewage Group	D-3 - D-4
Window, Vent & Exterior Door Group	D-5 - D-14

EXTERIOR BODY GROUP (CONTINUED)

LABELS, DECALS AND EXTERIOR PAINT



1982 ITASCA TABLE OF CONTENTS

IC420RB N2	A-1 - B-20
IC621RB N2	B-21 - D-14
IC723DB N2	D-15 - F-2
IC723RH N2	F-3 - G-16
IC823DB F2	G-17 - I-8

Key	Part Number	U/M	Description
1	059527-02-000	EA	Decal - SE - 4"
2	059526-03-000	EA	Decal - Sundancer - w.o Sunburst
3	066442-01-000	EA	Paint - Gray Metallic - Gal. (43492 Dupont)
3	066442-03-000	EA	Paint - Gray Metallic - 16 oz. Aerosol (43492 Dupont)
4	041273-25-000	FT	Decal - Striping - .75" - Gray Metallic
5	066444-01-000	EA	Decal - Stripe - Side Rear
6	056004-02-000	EA	Decal - "Itasca" - 5.25" - Gray w/White
7	041561-01-000	EA	Paint - Off White - Acrylic Enamel - 1 Gal. (45396A Dupont)
7	041561-03-000	EA	Paint - Off White - Acrylic Enamel - 16 oz. Aerosol (45396A Dupont)
7	041561-04-000	EA	Paint - Off White - Acrylic Lacquer - 1 Gal. (45396L Dupont)
8	059354-01-000	EA	Paint - Bronze Metallic - 1 Gal. (7864 Dupont) (N10)
8	059354-03-000	EA	Paint - Bronze Metallic - 16 oz. Aerosol (7864 Dupont) (N10)
8	065109-01-000	EA	Paint - Mahogany - 1 Gal. (44745 Dupont) (N11)
8	065109-03-000	EA	Paint - Mahogany - 16 oz. Aerosol (44745 Dupont) (N11)
8	053759-01-000	EA	Paint - Tan Metallic - 1 Gal. (42846 Dupont) (N12)
8	053759-03-000	EA	Paint - Tan Metallic - 16 oz. Aerosol (42846 Dupont) (N12)
9	045681-01-000	EA	Paint - Gloss Black - Acrylic Enamel - 1 Gal. (99A Dupont)
9	045681-03-000	EA	Paint - Gloss Black - Acrylic Enamel - 16 oz. Aerosol (99A Dupont)
10	067775-01-000	EA	Decal - Spare Tire Cover
11	066443-01-000	EA	Decal - C Stripe - Back

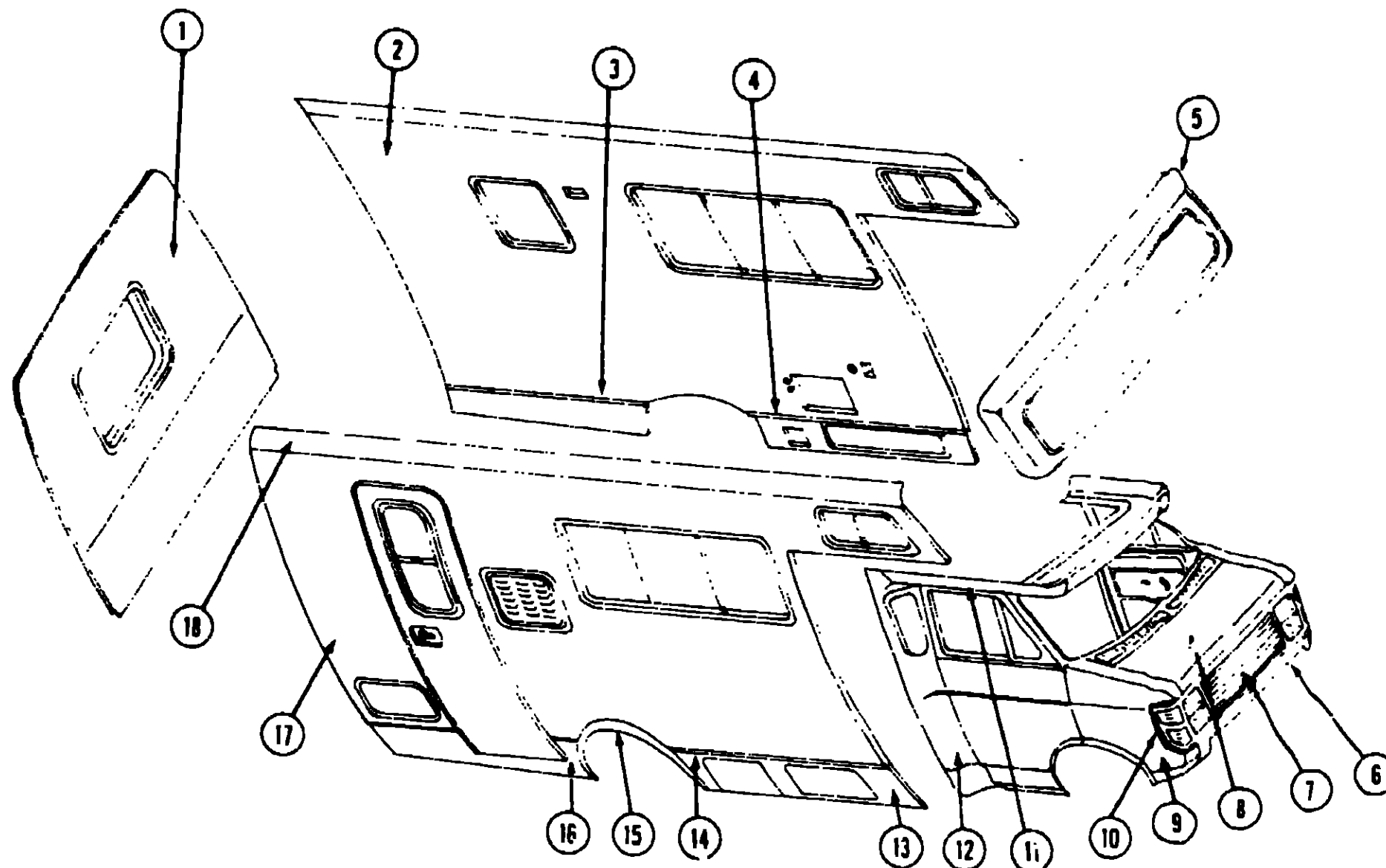
Key	Part Number	U/M	Description
	006031-01-000	EA	Label - Front - Left Water Only
	006187-01-000	EA	Label - Sewage
	006188-01-000	EA	Label - Waste Water
	006199-01-000	EA	Label - Exit - Escape Window
	006028-01-000	EA	Label - Driver Cap - 2" x 3"
	040944-01-000	EA	Label - Open - Entrance Door
	047731-01-000	EA	Label - Emergency Exit
	054531-01-000	EA	Label - LP Gas Only
	061417-01-000	EA	Label - Fuel
	050225-01-000	EA	Label - Warning - Stove Vent - US
	006015-01-000	EA	Label - Front - Motor Home
	006064-01-000	EA	Label - Seat - w/o Seat Belt
	064378-01-000	EA	Label - Flying W w/Thermo Panel
	006040-01-000	EA	Tag - Gas - Refueling Warning
	006062-01-000	EA	Tag - Electrical - 110 V Connection
	045681-01-000	EA	Paint - Gloss Black - Acrylic Enamel - 1 Gallon (99A Dupont)
	045681-03-000	EA	Paint - Gloss Black - Acrylic Enamel - 16 oz. Aerosol (99A Dupont)
			Not illustrated

1982 IC621RB N2 INDEX

Floor Plan	B-21 - B-22
Accessories Group	B-23 - C-1
Bath Group	C-2
Chassis Group	C-3
Curtain, Cushion & Pad Group	C-4 - C-9
Dinette Group	C-10
Driver's Compartment Group	C-11 - C-12
Electrical Group	C-13 - C-15
Exterior Body Group	C-16 - C-20
Galley Group	C-21
Heating & Air Conditioning Group	C-22
Interior Finish Group	C-23 - C-24
LP Group	D-1
Lounge Group	D-2
Water & Sewage Group	D-3 - D-4
Window, Vent & Exterior Door Group	D-5 - D-14

EXTERIOR BODY GROUP (CONTINUED)

EXTERIOR BODY PANELS AND SHEET ALUMINUM



Key	Part Number	U/M	Description
1	065031-01-000	EA	Cap - Backwall - Fiberglass - Off White
2	066206-01-N10	EA	Sidewall Asm. - Left
3	064346-01-000	EA	Valance Panel Asm. - Left Rear - Off White
4	066200-01-N10	EA	Roof Asm.
5	064347-01-000	EA	Valance Panel Asm. - Left Front - Off White
6	054894-01-000	EA	Can - Upper Front - Outer - Fiberglass - Off White
7	054898-01-000	EA	Panel - Lower Grille - Valance
8	052847-01-000	EA	Grille Asm.
9	054901-02-000	EA	Bezel - Headlamp - Right
10	054901-01-000	EA	Bezel - Headlamp - Left
11	049185-01-000	EA	Capsule Asm. - Headlamp Rectangular - Left - High/Low Beam
12	049186-01-000	EA	Capsule Asm. - Headlamp Rectangular - Right - High/Low Beam
13	067766-01-000	EA	Capsule Asm. - Headlamp Rectangular - Left - High Beam
14	067787-01-000	EA	Capsule Asm. - Headlamp Rectangular - Right - High Beam
15	050030-01-000	EA	Housing Asm. - Headlamp
16	052395-01-000	EA	Hood
17	057896-02-000	EA	Hinge Asm. - Hood
18	054863-02-000	EA	Wheel Well Housing - Front Half - Right
19	054863-01-000	EA	Wheel Well Housing - Front Half - Left
20	052394-02-000	EA	Fender - Right Hand
21	052394-01-000	EA	Fender - Left Hand
22	058360-02-000	EA	Front End Asm. - Fiberglass - Includes Hood w/o Front Grille
23	Not illustrated		

Key	Part Number	U/M	Description
10	057668-01-000	EA	Lamp Asm. - Side Marker - Right
11	057668-02-000	EA	Lamp Asm. - Side Marker - Left
12	062765-01-000	EA	Trim Front Cap
13	055146-01-000	EA	Insert - Black Flexible Vinyl (Front Cap)
14	055998-01-000	EA	Panel Asm. - Transition - Upper
15	054890-02-000	EA	Panel Asm. - Transition - Outer - Right
16	054896-01-000	EA	Panel Asm. - Transition - Outer - Left
17	064349-01-000	EA	Valance Panel Asm. - Right Front - Off White
18	052650-01-003	EA	Trim - Sidewall - 150"
19	054933-01-000	EA	Fender Trim - Rear Wheel Well - Left & Right
20	064348-01-000	EA	Valance Panel Asm. - Right Rear - Off White
21	066203-01-N10	EA	Sidewall Asm. - Right
22	067928-04-000	EA	Roof Joint - Outer Cap
23	044487-01-001	EA	Plain Roof Metal - 96" x 300"
24	000868-01-000	SF	Syrofoam - 3/4" x 24" x 96"
25	000870-01-000	SF	Styrofoam - 1 1/2" x 24" x 96"
26	Not illustrated		

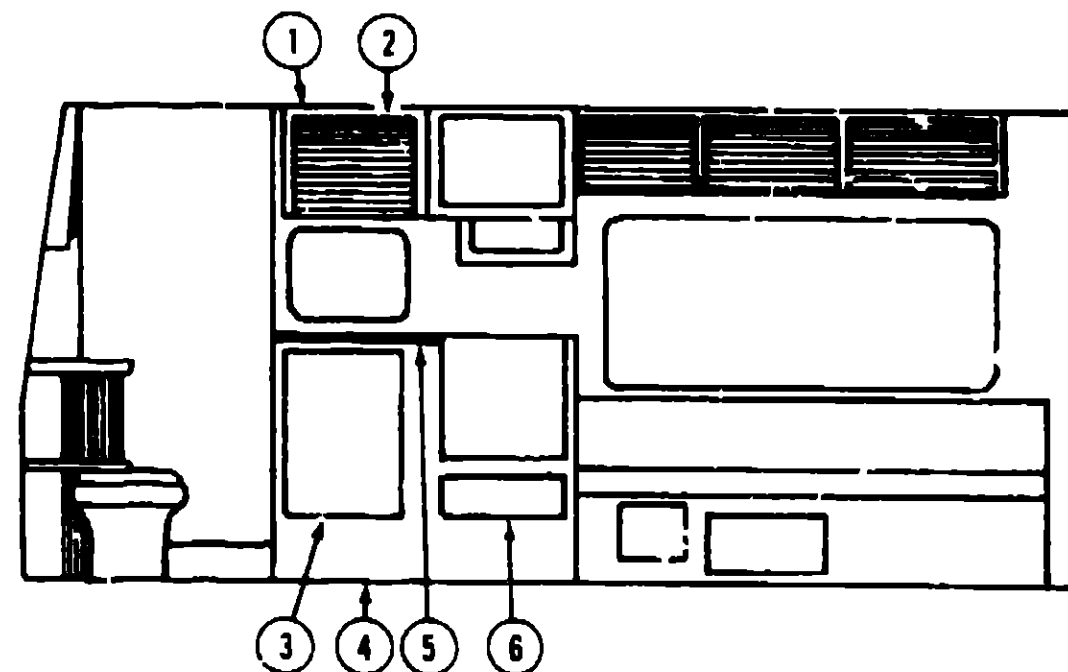
1982 ITASCA TABLE OF CONTENTS

IC420RB N2	A-1 - B-20
IC621RB N2	B-21 - D-14
IC723DB N2	D-15 - F-2
IC723RH N2	F-3 - G-16
IC823DB P2	G-17 - I-8

1982 IC621RB N2 INDEX

Floor Plan	B-21 - B-22
Accessories Group	B-23 - C-1
Bath Group	C-2
Chassis Group	C-3
Curtain, Cushion & Pad Group	C-4 - C-9
Drinette Group	C-10
Driver's Compartment Group	C-11 - C-12
Electrical Group	C-13 - C-15
Exterior Body Group	C-16 - C-20
Galley Group	C-21
Heating & Air Conditioning Group	C-22
Interior Finish Group	C-23 - C-24
LP Group	D-1
Lounge Group	D-2
Water & Sewage Group	D-3 - D-4
Window, Vent & Exterior Door Group	D-5 - D-14

GALLEY GROUP



GALLEY CABINETRY

Key	Part Number	U/M	Description
1	M67170-01-N07	EA	Cabinet Asm. - Galley Overhead - w/o Microwave
.	M67171-01-N07	EA	Cabinet Asm. - Galley Overhead - w. Microwave
.	063224-09-N07	EA	Door Asm. - Galley Overhead Cabinet - Rolled - 23.9" x 22"
2	063224-17-N07	EA	Door Asm. - Galley Overhead Cabinet - Rolled - 21.9" x 22"
.	M69689-01-N07	EA	Cabinet Asm. - Refrigerator
3	065325-11-N07	EA	Door Asm. - Galley Cabinet - 18.6" x 23.1" - w/o Hardware
4	M70534-01-N07	EA	Cabinet Asm. - Galley - w/o Countertop, Doors or Hardware
5	M00694-01-N07	EA	Countertop Asm. - Galley Cabinet - Palomino
6	M66491-04-N07	EA	Drawer Asm. - Galley Cabinet - 18.1" x 20" - w/o Hardware
.			Not illustrated

GALLEY HARDWARE AND APPLIANCES

Key	Part Number	U/M	Description
	068615-01-000	EA	Sink - Double - Stainless Steel w Bolts
**	011053-01-000	EA	Faucet - 8" - Swing Spout - U.S.
	011053-02-000	EA	Faucet - 8" - Swing Spout - CSA
	067031-01-000	EA	Stove Splatter Guard - Safety Glass
	037688-01-000	FT	Rail - Drawer V Glide
**	066437-04-N07	EA	Strainer - Sink - w. Basket
	053424-04-N07	EA	Sink Cover - Large - Palomino
**	046954-03-000	EA	Hood - Stove - Powered w/ Spice Rack - Black Face - U.S.
**	046954-04-000	EA	Hood - Stove - Powered w/ Spice Rack - Black Face - C.S.A.
**	067754-01-000	EA	Range - 3 Burner - Small Oven - Chrome - Magic Chef
**	064472-02-000	EA	Refrigerator - 3 way - 5.9 cu. ft. Norcold
	054450-01-000	EA	Level - Refrigerator
	067576-03-000	EA	Bracket Asm. - Refrigerator Tie Down - Left
	067576-04-000	EA	Bracket Asm. - Refrigerator Tie Down - Right
**	052771-02-000	EA	Oven - Microwave - Magic Chef 207-4
**			The illustrated parts breakdown for this item is provided on the Common Items Fiche.

HEATING & AIR CONDITIONING GROUP

Key	Part Number	U/M	Description
	051768-01-000	EA	A/C - Compressor Mount Package - 350 C.I.D.
	051770-01-000	EA	A/C - Compressor - Rotolock - 10.3"
	056460-01-000	EA	A/C - Condenser Asm. - 350 C.I.D. C-Body
	056455-01-000	EA	A/C - Evaporator Asm.
	024996-01-000	EA	A/C - Clutch - 6" Drive
	049401-01-000	EA	Heater Asm. - Rear (Auxiliary)
	049401-01-700	EA	Valve - Water Control (Auxiliary Heater)
	049401-01-701	EA	Control Cable (Auxiliary Heater)
	049401-01-702	EA	Motor Asm. (Auxiliary Heater)
	049401-01-703	EA	Heater Core (Auxiliary Heater)
	049401-01-704	EA	Switch (Auxiliary Heater)
	058906-01-000	EA	Control Panel (Auxiliary Rear Heater)
	036464-01-000	EA	Register - w/Damper - 4" Round
	056464-02-000	EA	Register - w/o Damper - 4" Round
	058119-04-000	EA	Control Asm. - Heater A/C
	009198-01-000	EA	Duct - Flexible - 4" I.D. x 25'
	031604-01-000	EA	Bunnet - Heat Register
	069634-01-723	EA	Thermostat - Horizontal Wall Mount
	009200-01-000	EA	Tape - Furnace - 1 1/2"
	023146-01-000	EA	Clamp - Screw Type - 4"
	050784-01-000	EA	Vent Package - Furnace - 3-6" Wall
	051391-01-000	EA	Water Heater - w/o Motor Aid
**	069633-01-000	EA	Furnace - 24,000 BTU - w Direct Ignition
**	049775-02-000	EA	Shroud Asm. - Ceiling - Inside - Roof Air - Cool Only 13,500 BTU - Coleman
**	049776-01-000	EA	Shroud Asm. - Ceiling - Inside - Roof Air - Heat and Cool 13,500 BTU - Coleman
	063903-01-000	EA	Air Conditioner - 110 Volt - Roof Air - 13,500 BTU - Rotary

** The illustrated parts breakdown for this item is provided on the Common Items Fiche.

1982 ITASCA TABLE OF CONTENTS

IC420RB N2	A-1 - B-20
IC621RB N2	B-21 - D-14
IC723DB N2	D-15 - F-2
IC723PH N2	F-3 - G-16
IC823DB P2	G-17 - I-8

1982 IC621RB N2 INDEX

Floor Plan	B-21 - B-22
Accessories Group	B-23 - C-1
Bath Group	C-2
Chassis Group	C-3
Curtain, Cushion & Pad Group	C-4 - C-9
Dinette Group	C-10
Driver's Compartment Group	C-11 - C-12
Electrical Group	C-13 - C-15
Exterior Body Group	C-16 - C-20
Galley Group	C-21
Heating & Air Conditioning Group	C-22
Interior Finish Group	C-23 - C-24
LP Group	D-1
Lounge Group	D-2
Water & Sewage Group	D-3 - D-4
Window, Vent & Exterior Door Group	D-5 - D-14

INTERIOR FINISH GROUP

PANELING AND COUNTERTOP MATERIALS

Key	Part Number	U/M	Description
	068344-05-000	SF	Paneling - 159 Elm - 48" x 96" (32 SF)
	068344-01-000	SF	Paneling - Wall - Sumatra 48" x 96" (32 SF)
	045963-01-000	SF	Paneling - 825 Buff - Ceiling - 48" x 96" (32SF)
	068343-08-000	SF	Paneling - Decor - Balr - Galley - 48" x 96" (32 SF)
	069731-03-000	SF	Plastic Laminate - Almond - 48" x 96" (32 SF)
	069731-03-019	EA	Plastic Laminate - Almond - 1.19" x 96"

INTERIOR MOLDINGS AND TRIMS

Key	Part Number	U/M	Description
	042430-01-000	EA	Molding - Shelf - Wood
	009812-08-000	FT	Molding - Outside Corner - 50"
	009767-05-000	FT	Wetling - Light Brown
	009815-03-000	FT	T-Molding - .75" - Light Brown
	022992-03-000	FT	Molding - Reverse Cove - Sandalwood
	009778-03-000	FT	U-Channel - 1" - Light Brown
	009779-03-000	FT	U-Channel - 1.18" - Light Brown
	017768-05-000	FT	U-Channel - 3.16" - Light Brown
	052859-01-M10	FT	Accent Trim - Acorn Brown Vinyl
	052859-01-N01	FT	Accent Trim - Medium Almond Vinyl (Beige)
	059352-01-000	FT	Insert - Vinyl - Style and Rail Door
	047354-01-000	EA	Batt Strip - Ceiling - 825 Buff - 8'
	058204-01-000	EA	Batt Strip - 159 Elm - 8'
	069733-06-000	EA	Batt Strip - Misty Wheat - 8'
	047354-04-000	EA	Batt Strip - Sumatra - 8'
	064382-01-000	FT	Extrusion - Plastic Trim - Rolled Door
	042356-01-000	EA	Plug - Button - Mahogany - 3.8" Diameter

FABRICS AND CARPET

Key	Part Number	U/M	Description
	069728-03-000	YD	Fabric - Drapery - Rust (N10)
	069728-04-000	YD	Fabric - Drapery - Burgundy (N11)
	068339-03-000	YD	Fabric - Drapery - Walnut Golden Brown (N12)
	069728-05-000	YD	Fabric - Drapery - Curtain Sheers - Champagne
	038421-01-000	YD	Fabric - Ticking - Mattress
	069727-10-000	YD	Fabric - Upholstery - Rust (N10)
	069727-11-000	YD	Fabric - Upholstery - Burgundy (N11)
	069727-12-000	YD	Fabric - Upholstery - Cocoa (N12)
	070502-01-000	YD	Vinyl - Medium Almond (Beige)
	068340-06-000	SY	Carpet - Russet Red (N10)
	068340-05-000	SY	Carpet - Winesap (N11)
	069730-03-000	SY	Carpet - Special Pecan (N12)

MISCELLANEOUS PARTS

Key	Part Number	U/M	Description
	053552-01-N07	EA	Handle Asm - Interior Assist - Almond Vinyl
	041944-03-000	EA	Fire Extinguisher - w. Bracket - 5BC - (Call)
	054185-14-000	EA	Owner's Manual - 1982 - Itasca - Winnebago
	007038-01-000	EA	Mat - Door - Black Rubber - 10 1/2" x 26"

INTERIOR FINISH GROUP (CONTINUED)

CABINETS AND TABLE HARDWARE

Key	Part Number	U/M	Description
	057898-01-000	EA	Hidden Latch - Cabinet Door
	052932-01-M07	EA	Hinge Kit - Cabinet Door - Antique Brass
	009040-02-000	EA	Leg - Pedestal Table - 27.5" x 2.25" O.D. - Chrome
	009040-03-000	EA	Base - Table Leg - Mounts on Table
	041194-01-000	EA	Base - Table Leg - Recessed in Floor
	039873-01-000	EA	Catch and Strike - Furnace Door
	009112-01-000	EA	Flange - 1" - Closet Rod
	059753-01-000	EA	Slide - Drawer - Left
	059753-02-000	EA	Slide - Drawer - Right
**	037688-01-000	FT	Rail - Drawer Glide
**	047744-01-000	EA	Kit - Drawer Glide

** The illustrated parts breakdown for this item is provided on the Common Items Fiche

CURTAIN HARDWARE

Key	Part Number	U/M	Description
	052327-04-236	EA	Track - Curtain - Brown Alum. - 89" w. Holes
	053272-01-001	EA	Track - Curtain - Alum. - 16"
	056001-01-000	EA	Bracket - Shade - Left
	056002-01-000	EA	Bracket - Shade - Right
	009107-01-000	EA	Guide - Nylon Snap - Curtain
	019031-42-000	EA	Track - Curtain - "L" Rod - Alum. Extr. - 90"
	009701-01-000	EA	Carrier - "L" Rod - Curtain
	009702-01-000	EA	End Stop - "L" Rod - Curtain
	056115-01-000	YD	Tape - Plastic - Clear - w. Guides

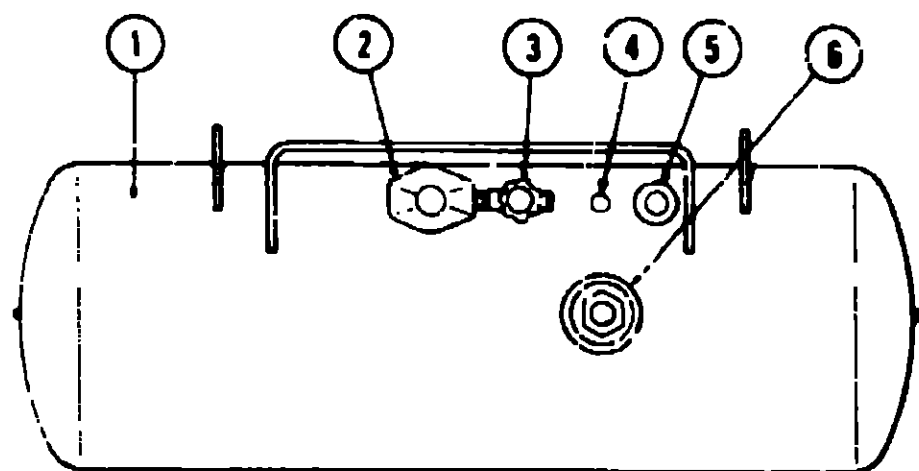
1982 ITASCA TABLE OF CONTENTS

IC42CRB N2	A-1 - B-20
IC621RB N2	B-1 - D-14
IC723DB N2	D-15 - F-2
IC723RH N2	F-3 - G-16
IC823DB P2	G-17 - I-8

1982 IC621RB N2 INDEX

Floor Plan	B-21 - B-22
Accessories Group	B-23 - C-1
Bath Group	C-2
Chassis Group	C-3
Curtain, Cushion & Pad Group	C-4 - C-9
Dinette Group	C-10
Driver's Compartment Group	C-11 - C-12
Electrical Group	C-13 - C-15
Exterior Body Group	C-16 - C-20
Galley Group	C-21
Heating & Air Conditioning Group	C-22
Interior Finish Group	C-23 - C-24
LP Group	D-1
Lounge Group	D-2
Water & Sewage Group	D-3 - D-4
Window, Vent & Exterior Door Group	D-5 - D-14

LP GROUP

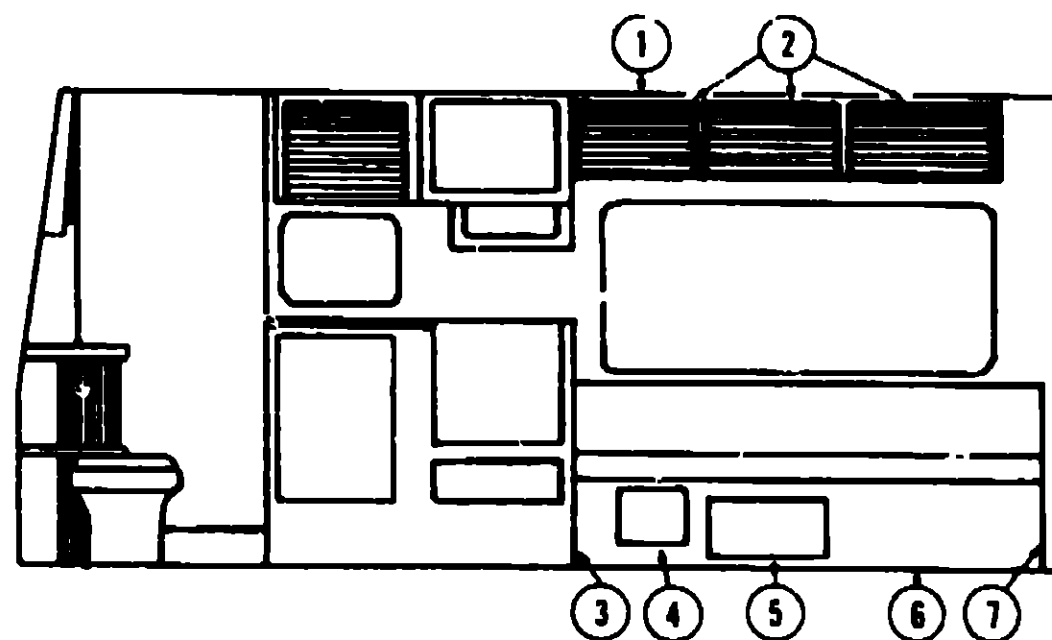


Key	Part Number	U/M	Description
1	074141-01-000	EA	Tank Asm - LP - Frame Mount - 42 Pound - 12" x 28"
1	074142-01-000	EA	Tank Asm - LP - Frame Mount - 80 Pound - 13" x 44"
1	074143-01-000	EA	Tank Asm - LP - Frame Mount - 85 Pound - 14" x 40"
2	065741-01-000	EA	Detector - LP Gas Leak - Marshal Town Instruments
3	058706-01-000	EA	Cover - Regulator - 2 Stage
	058705-01-000	EA	Regulator - Two Stage - LP Gas
4	040421-01-703	EA	Valve - Vapor Relief
5	040421-01-700	EA	Gauge - Liquid Level - 20% LP
6	040421-01-701	EA	Valve - Filler - LP
	040421-01-702	EA	Cap - Plastic Fill Valve
7	040421-01-707	EA	Gauge - Float - w Visible Dial - 85 Pound Tank
	042281-01-700	EA	Gauge - Float - w Visible Dial - 42 Pound Tank
	040421-01-706	EA	Dial - Visible Face - Float Gauge (Tank w o Electric Transmitter)
	040440-01-000	EA	Dial - Transmitter - 0 - 90 Ohm (Float Gauge)
	045703-02-000	EA	Hose Asm - LP - 3/8" I.D. x 14"
	047737-02-000	EA	Support - LP Tank - 29 25"
	053112-01-000	EA	Support - LP Tank - 2" x 2" x 8"
			Not illustrated

WINN AIR WITH LANDI-HARTOG (C-BODY)

Key	Part Number	U/M	Description
	065278-01-000	EA	Relief Valve - Hydrostatic - Sherwood
	065287-02-000	EA	Valve - Gasoline Shut-Off
	065820-02-000	EA	Hose Asm - High Pressure - 3/8"
	067290-01-001	EA	Hose - Vapor 5/8" x 5/8"
	068050-07-000	EA	LP Mixer (350 Engine)
	068197-01-000	EA	Instrument Asm - LP
	068144-01-000	EA	Bracket - Angle - Converter
	068143-01-000	EA	Tube Asm - Converter - Copper w Fitter Nuts - 5/16" x 270° Bend
	065802-01-000	EA	Gauge - LP Level w Hardware
	068050-05-000	EA	Switch - LP Gas Changeover
	068050-01-000	EA	Converter - LP
	068050-02-000	EA	LP Lock Off
	068050-03-000	EA	Switch - LP - Vacuum Safety

LOUNGE GROUP



SPRUNG COUCH AND OVERHEAD CABINET

Key	Part Number	U/M	Description
1	M66042-01-N07	EA	Cabinet Asm - Overhead - Left Front
2	063224-08-N07	EA	Door Asm - Rolled - 23 9" x 16"
3	067092-01-M10	EA	Panel Asm - Sprung Couch - Galley Side
4	M65329-03-M10	EA	Furnace Grill Asm - 13 8" x 15 2" - w/o Hardware
5	065325-19-M10	EA	Door Asm - Couch Cabinet - 14 5" x 10 5" - w/o Hardware
6	M67137-02-M10	EA	Cabinet Face - Sprung Couch - w o Door or Hardware
7	067030-01-N07	EA	Panel Asm - Sprung Couch - Forward End
	057468-02-000	EA	Frame Asm - Sprung Couch - Right
	057468-03-000	EA	Frame Asm - Sprung Couch - Left
	057468-04-000	EA	Frame Rail - Sprung Couch (2 per couch)
	057469-01-000	EA	Leg Asm - Sprung Couch (2 per couch)
	053248-02-N07	EA	Table Asm - Pedestal - w/o Hardware - Plastic Oak
	009040-02-000	EA	Leg - Pedestal Table - 27 5" x 2 25" O.D. - Chrome
	009040-03-000	EA	Base - Table Leg - Mounts on Table
	041194-01-000	EA	Base - Table Leg - Mounts in Floor
	056093-01-N07	EA	Plug Asm - Pedestal Table - Russet Red (N10)
	056093-01-N11	EA	Plug Asm - Pedestal Table - Winesap
	056093-01-N12	EA	Plug Asm - Pedestal Table - Special Pecan
	062046-01-000	EA	Cl-p - Pedestal Leg
			Not illustrated

1982 ITASCA TABLE OF CONTENTS

IC420RB N2	A-1 - B-20
IC621RB N2	B-21 - D-14
IC723DB N2	D-15 - F-2
IC723RH N2	F-3 - G-16
IC823DB P2	G-17 - I-8

1982 IC621RB N2 INDEX

Floor Plan	B-21 - B-22
Accessories Group	B-23 - C-1
Bath Group	C-2
Chassis Group	C-3
Curtain, Cushion & Pad Group	C-4 - C-9
Dinette Group	C-10
Driver's Compartment Group	C-11 - C-12
Electrical Group	C-13 - C-15
Exterior Body Group	C-16 - C-20
Galley Group	C-21
Heating & Air Conditioning Group	C-22
Interior Finish Group	C-23 - C-24
LP Group	D-1
Lounge Group	D-2
Water & Sewage Group	D-3 - D-4
Window, Vent & Exterior Door Group	D-5 - D-14

WATER & SEWAGE GROUP

PLUMBING REPAIR PARTS

Key	Part Number	U/M	Description
**	040539-01-000	EA	Kit - Repair - 3/8" O D Plastic Tube
**	040540-01-000	EA	Kit - Repair - 1/2" O D Plastic Tube
**	040541-01-000	EA	Kit - Repair - 5/8" O D Plastic Tube
**	045729-01-000	EA	Pump - Water Flow 2 8 G P M
**	039647-03-000	EA	Filter - Water Pump - 1/2" MPT
**	052962-01-000	EA	Valve - Stool - 90° 1/2 F x 3/8 MPT
**	039818-01-000	EA	Riser Asm - 3 8" O D x 24" Tube
**	039818-02-000	EA	Riser Asm - 3 8" O D x 36" Tube
**	039818-04-000	EA	Riser Asm - 3 8" O D x 72" Tube
**	039818-05-000	EA	Riser Asm - 3 8" O D x 48" Tube
**	035539-01-000	EA	Elbow - Plastic - 3/8 MPT x 3/8 Barb
**	052952-01-000	EA	Nut - Plastic - 1/2 F
**	052953-01-000	EA	Nut - Faucet - 1/2 Tube x 1/2 FPT
**	052954-01-000	EA	Adapter - Nose Cone - 3/8 or 1/2
**	052958-01-000	EA	Tee - Plastic - 1/2 F x 1/2 F x 1/2 F
**	052959-02-000	EA	Connector - Plastic - 1/2 F x 1/2 MPT
**	052959-03-000	EA	Connector - Plastic - 1/2 F x 3/8 MPT
**	052960-01-000	EA	Drain Valve - Line - 1/2 F x 1 2 F
**	052961-01-000	EA	Header - 1/2 F x 1/2 F x 1/2 F x 1/2 F
**	004020-01-000	OT	Adhesive - ABS Cement
**	010201-01-000	EA	Hose - Sewer - 3" x 8 ft w/Clamp
**	062415-01-000	EA	Cap - Sewer - 3"
**	062416-01-000	EA	Hose - Adapter - 3"
**	062417-01-000	EA	Adapter - Termination - 3"
**	062418-02-000	EA	Valve - 3" w o Handle
**	062419-01-000	EA	Handle - Extension - w/6" Adapter
**	062421-01-000	EA	Valve - 1 1/2" - w/Handle
**	010006-01-000	EA	Elbow - Plastic - 1/8 BD 1 1/2 x 45° H x H
**	010008-01-000	EA	Elbow - Plastic - 1/4 BD 1 1/2 x 90° x Long Turn
**	010134-01-000	EA	Adapter - Plastic - 1 1/2" M x MPT
**	010154-01-000	EA	Ring - Closet - Plastic - 4" F x 3" MPT x L
**	011091-01-000	EA	Waste - Continuous - Double Sink - 11 7/8"
**	011066-01-000	EA	P-Trap - Plastic - 1 1/4"
**	010079-01-000	EA	Tee - Plastic - 1 1/2 H x 1 1/2 H x 1 1/2 H
**	010091-01-000	EA	Wye - Plastic - 3" x 45° - H x H x H
**	010121-01-000	EA	Bushing - Plastic - 1 1/2 S x 1 1/4 H
**	031126-01-000	EA	Elbow - Plastic - 1/4 BD - 3" x 90° x Long Turn
**	010133-01-000	EA	Adapter - Trap - Plastic - 1 1/2" H x MPT
**	050780-01-000	EA	Coupler - Rubber - 3" x 3"
**	010219-01-000	EA	Elbow - 1 1/4 Barb x 1 1/4 MPT - 90°
**	044928-01-000	FT	Tubing - Flex - 1 1/4" ID x 10' Long
**	065979-01-000	EA	Compartment Asm - Sewer Hose
**	061607-01-000	EA	Grommet - Rubber - Holding Tank - 1 1/2" NPS
**	061607-02-000	EA	Grommet - Rubber - Holding Tank - 3" NPS
**	010197-01-000	FT	Pipe - ABS Plastic - 3" x 240"
**	065979-01-000	EA	Compartment Asm - Sewer Hose
**	052957-02-000	EA	Elbow - Plastic - 1/2" F x 1/2" MPT
**	052957-03-000	EA	Elbow - Plastic - 1/2" F x 1/4" MPT
**	061607-01-000	EA	Grommet - Holding Tank - 1 1/2" NPS
**	061607-02-000	EA	Grommet - Holding Tank - 3" NPS
**	046524-01-000	EA	Kit - Plastic Fittings - Holding Tank
**	046524-02-000	EA	Kit - Plastic Fittings - Water Tank
**	The illustrated parts breakdown for this item is provided on the Common Items Fiche		

WATER & SEWAGE GROUP (CONTINUED)

HOLDING TANKS AND WATER HEATERS

Key	Part Number	U/M	Description
**	053520-02-000	EA	Tank Asm. - Water - 20 Gallon w/Fittings
**	053520-01-000	EA	Tank - Water - 20 Gallon w/o Fittings
**	064214-02-000	EA	Tank Asm - Water - 36 Gallon w/Fittings
**	064214-01-000	EA	Tank - Water - 36 Gallon w/o Fittings
**	054033-08-000	EA	Tank Asm. - Holding - 32 Gallon - Sewage - w/Fittings
**	054033-01-000	EA	Tank - Holding - 32 Gallon - Sewage - w/o Fittings
**	064308-02-000	EA	Tank Asm - Holding - 23 Gallon - w/Fittings
**	064308-01-000	EA	Tank - Holding - 23 Gallon - w/o Fittings
**	051391-01-000	EA	Water Heater - 6 Gallon w/Motor Aid - Atwood - GH63
**	The illustrated parts breakdown for this item is provided on the Common Items Fiche		

**1982 ITASCA
TABLE OF CONTENTS**

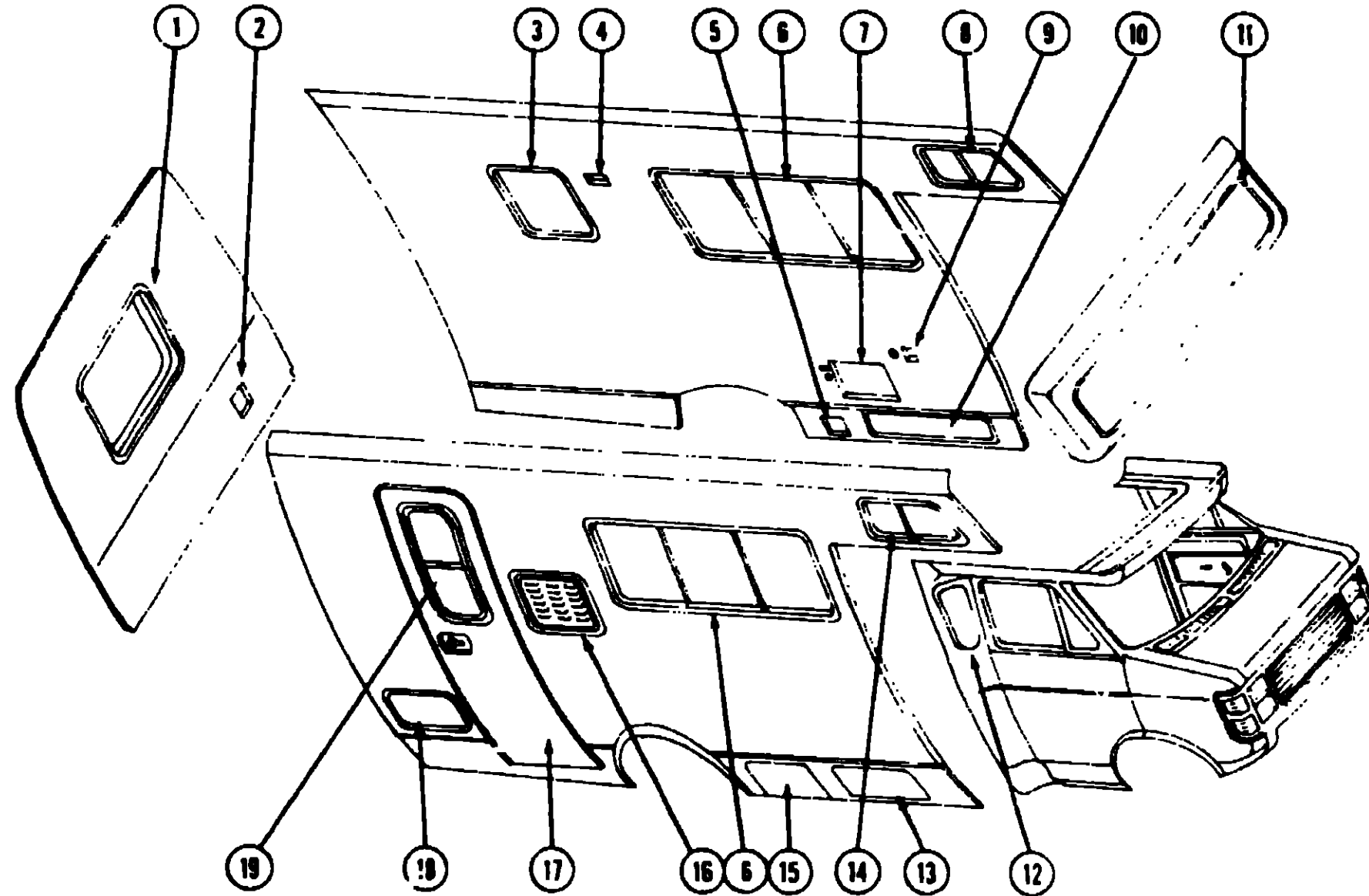
IC420RB N2	A-1 - B-20
IC621RB N2	B-21 - D-14
IC723DB N2	D-15 - F-2
IC723RH N2	F-3 - G-16
IC823DB P2	G-17 - I-8

1982 IC621RB N2 INDEX

Floor Plan	B-21 - B-22
Accessories Group	B-23 - C-1
Bath Group	C-2
Chassis Group	C-3
Curtain, Cushion & Pad Group	C-4 - C-9
Dinette Group	C-10
Driver's Compartment Group	C-11 - C-12
Electrical Group	C-13 - C-15
Exterior Body Group	C-16 - C-20
Galley Group	C-21
Heating & Air Conditioning Group	C-22
Interior Finish Group	C-23 - C-24
LP Group	D-1
Lounge Group	D-2
Water & Sewage Group	D-3 - D-4
Window, Vent & Exterior Door Group	D-5 - D-14

WINDOW, VENT & EXTERIOR DOOR GROUP

WINDOWS AND ACCESS DOORS



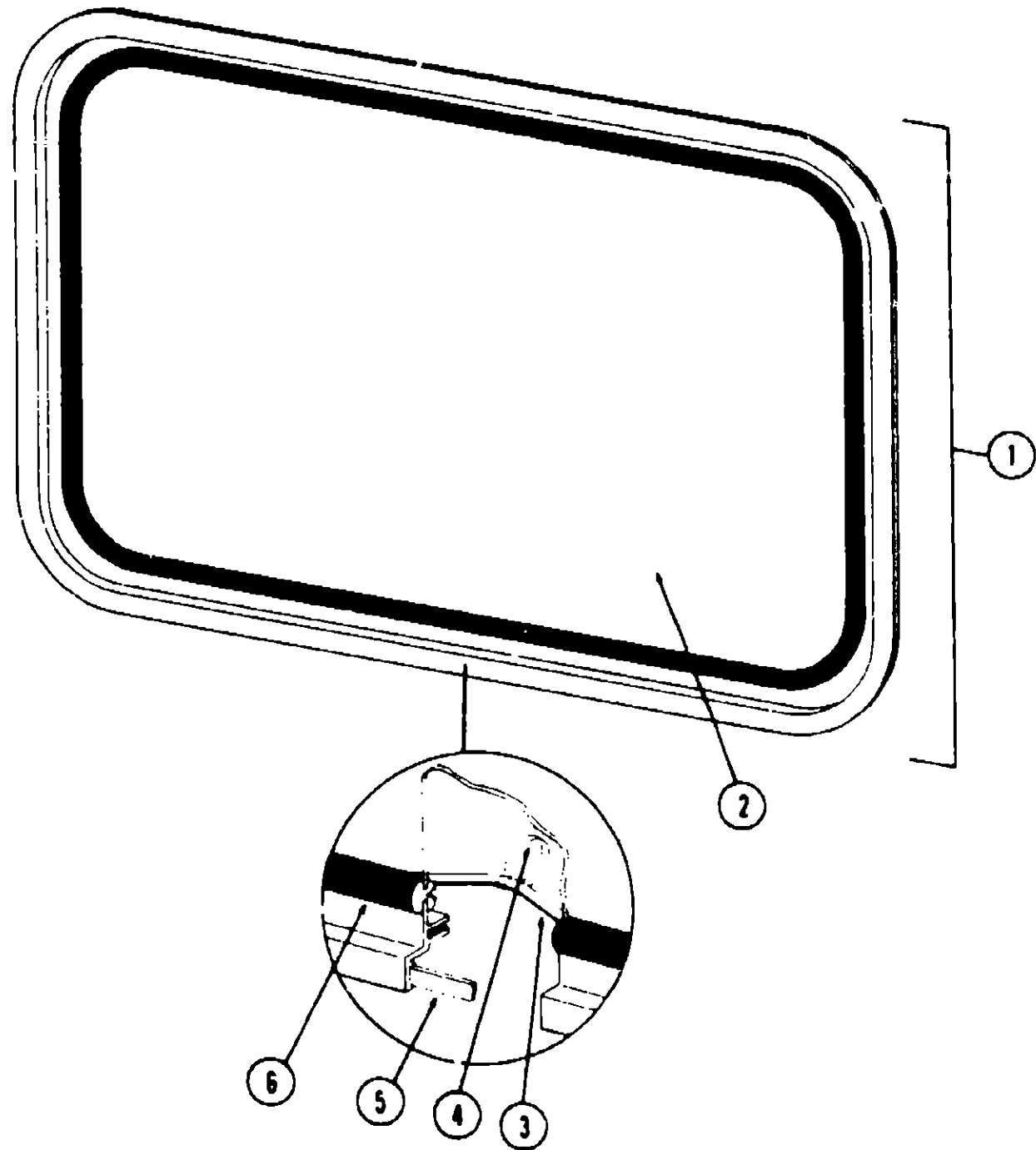
Key	Part Number	U/M	Description
1	056772-01-000	EA	Window Asm. - Rear Escape - 24" x 33" - Black Anod. (w/o inside frame)
2	061186-01-000	EA	Door - Fuel Fill - Off White
3	056651-01-000	EA	Window Asm. - Picture - 20 3/4" x 20 3/4" - Black (w/o inside frame)
4	049352-01-000	EA	Vent - Stove Hood - Outside - Off White
5	NOTE		
6	066785-04-000	EA	Window Asm. - Single Slider - 27" x 55"
7	052009-01-000	EA	Door - Water Heater - Off White
8	056655-02-000	EA	Window Asm. - Bunk Slant Slider - Left (w/o inside frame)
9	058808-01-000	EA	Fill - Water - Lockable - Off White
10	054369-04-000	EA	Door Asm. - LP Storage - 36.7" x 9.6" - Off White
11	054557-01-000	EA	Glass - Upper Front Cap
12	054558-01-000	EA	Glass - Wingwall Transition Panel
13	054369-05-000	EA	Door Asm. - LP - 23.6" x 9.6" - Off White
14	056655-01-000	EA	Window Asm. - Bunk Slant Slider - Right (w/o inside frame)
15	064567-01-000	EA	Door Asm. - Battery - 11.2" x 18.6" - Off White
16	069762-01-000	EA	Door Asm. - Refrigerator Access - w. Twist Lock - Off White
17	067688-03-000	EA	Door Asm. - Fiberglass Entry - w. Latch and Hinges - Off White
18	064842-01-000	EA	Door Asm. - Luggage - 24" x 10.38" - w Key Lock - Off White
18	064841-01-000	EA	Door Asm. - Generator - w. Twist Lock - Off White
19	066253-01-000	EA	Window Asm. - Vertical Slider - 26.9" x 17.6" (w/o inside frame)

1982 ITASCA TABLE OF CONTENTS

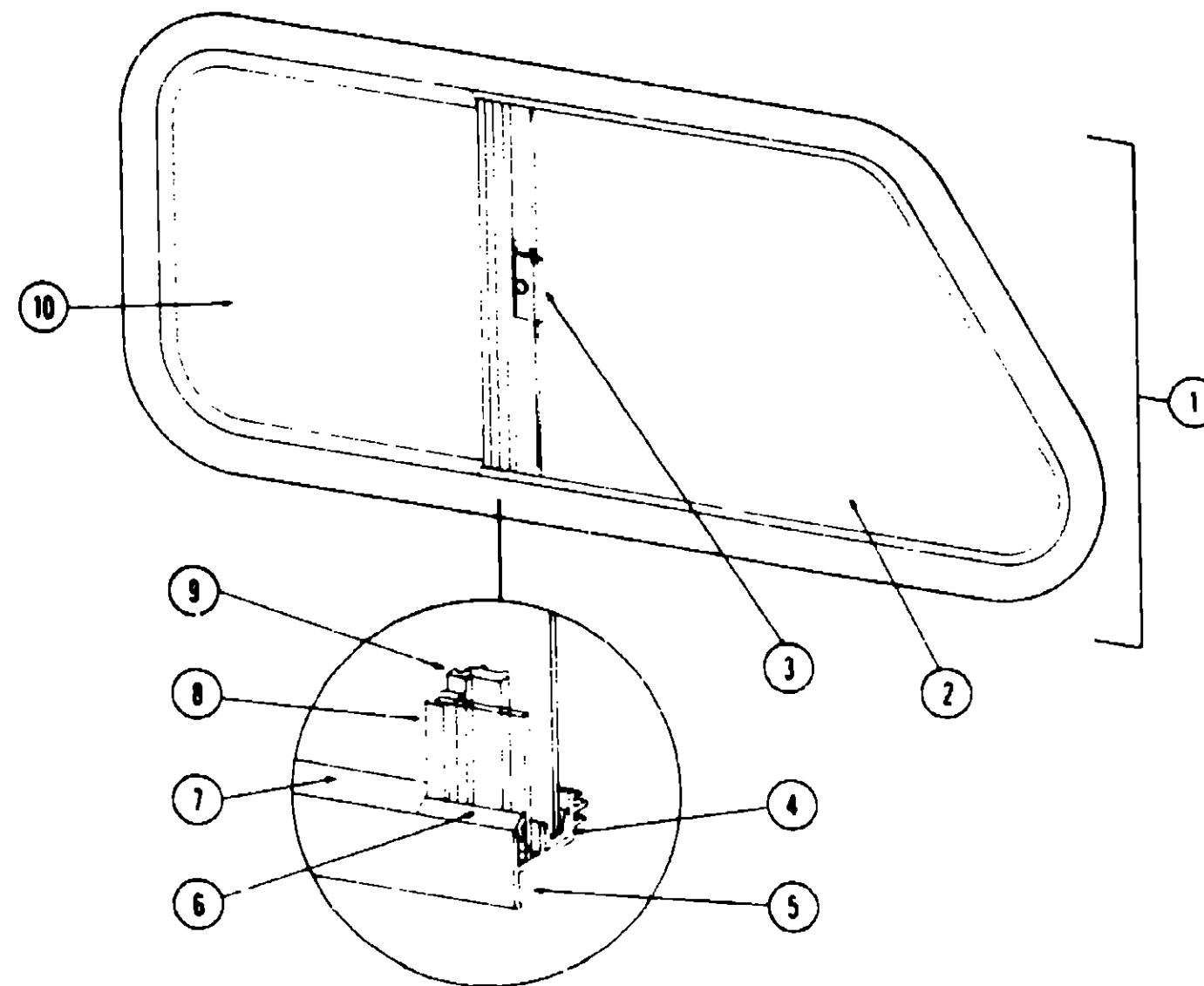
IC420RB N2	A-1 - B-20
IC621RB N2	B-21 - D-14
IC723DB N2	D-15 - F-2
IC723RH N2	F-3 - G-16
IC823DB P2	G-17 - I-8

1982 IC621RB N2 INDEX

Floor Plan	B-21 - B-22
Accessories Group	B-23 - C-1
Bath Group	C-2
Chassis Group	C-3
Curtain, Cushion & Pad Group	C-4 - C-9
Dinette Group	C-10
Driver's Compartment Group	C-11 - C-12
Electrical Group	C-13 - C-15
Exterior Body Group	C-16 - C-20
Galley Group	C-21
Heating & Air Conditioning Group	C-22
Interior Finish Group	C-23 - C-24
LP Group	D-1
Lounge Group	D-2
Water & Sewage Group	D-3 - D-4
Window, Vent & Exterior Door Group	D-5 - D-14



Key	Part Number	U/M	Description
1	056772-01-000	EA	Window Asm. - Rear Escape - 24" x 33" - Black Anod. (w/o inside frame)
2	041392-02-000	EA	Glass - 1/8" x 24.08" x 33.25"
3	02285-01-000	FT	Filler - Weatherstrip - Black
4	020395-01-000	EA	Pull Ring - Escape Window
5	069640-01-000	FT	Tape - 1/4" x 20" - 3M
6	002282-01-000	FT	Weatherstrip - .125" Window
	056770-01-000	EA	Frame - Inside - Escape Window (not included in assembly)
	006199-01-000	EA	Label - Exit - Escape Window
			Not illustrated



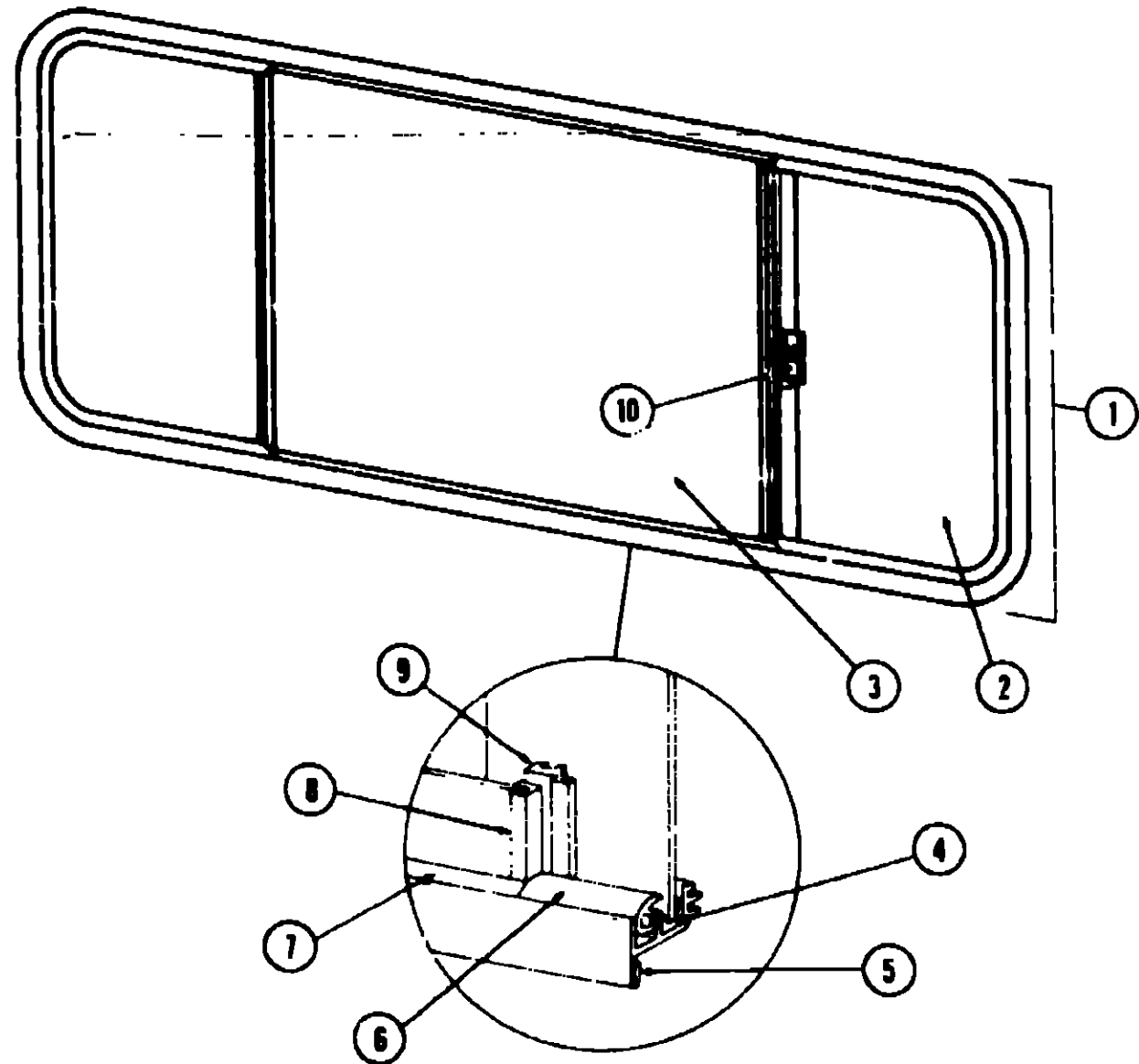
Key	Part Number	U/M	Description
1	056655-01-000	EA	Window Asm. - Bunk Slant Slider - Right (w/o inside frame)
	056655-02-000	EA	Window Asm. - Bunk Slant Slider - Left (w/o inside frame)
2	040919-02-000	EA	Glass - 1/8" x 9.54" x 16.62" - Stationary - Gray
3	047389-01-700	EA	Latch - Window - Plastic - w/Fastener
4	002324-01-000	FT	Channel - Weatherstrip - Glass Run - 1/8" Glass
5	004363-01-000	FT	Tape - Foam - 3/16" x 1.2" - Gray
6	002309-02-000	FT	Spline - Glass - 1/8" - Black
7	057374-02-000	FT	Seal - Window Channel - 1/8" Glass - Black
8	002390-03-204	EA	Holder - Glass Seal - Extr. - Anod. Black - 8.38"
9	041894-22-000	EA	Mullion - 8" - Black Anod.
10	047815-02-000	EA	Glass - 1/8" - Sliding - Gray
	056654-01-000	EA	Frame - Window - Inside - Bunk Slant - Right (not included in assembly)
	056654-02-000	EA	Frame - Window - Inside - Bunk Slant - Left (not included in assembly)
	023713-02-000	EA	Cover - Weephole - Black
	002298-01-000	FT	Spline - 130" Dia. - Gray (Screen)
	002291-01-000	SF	Screen - Window - 16" - Gray
			Not illustrated

1982 ITASCA
TABLE OF CONTENTS

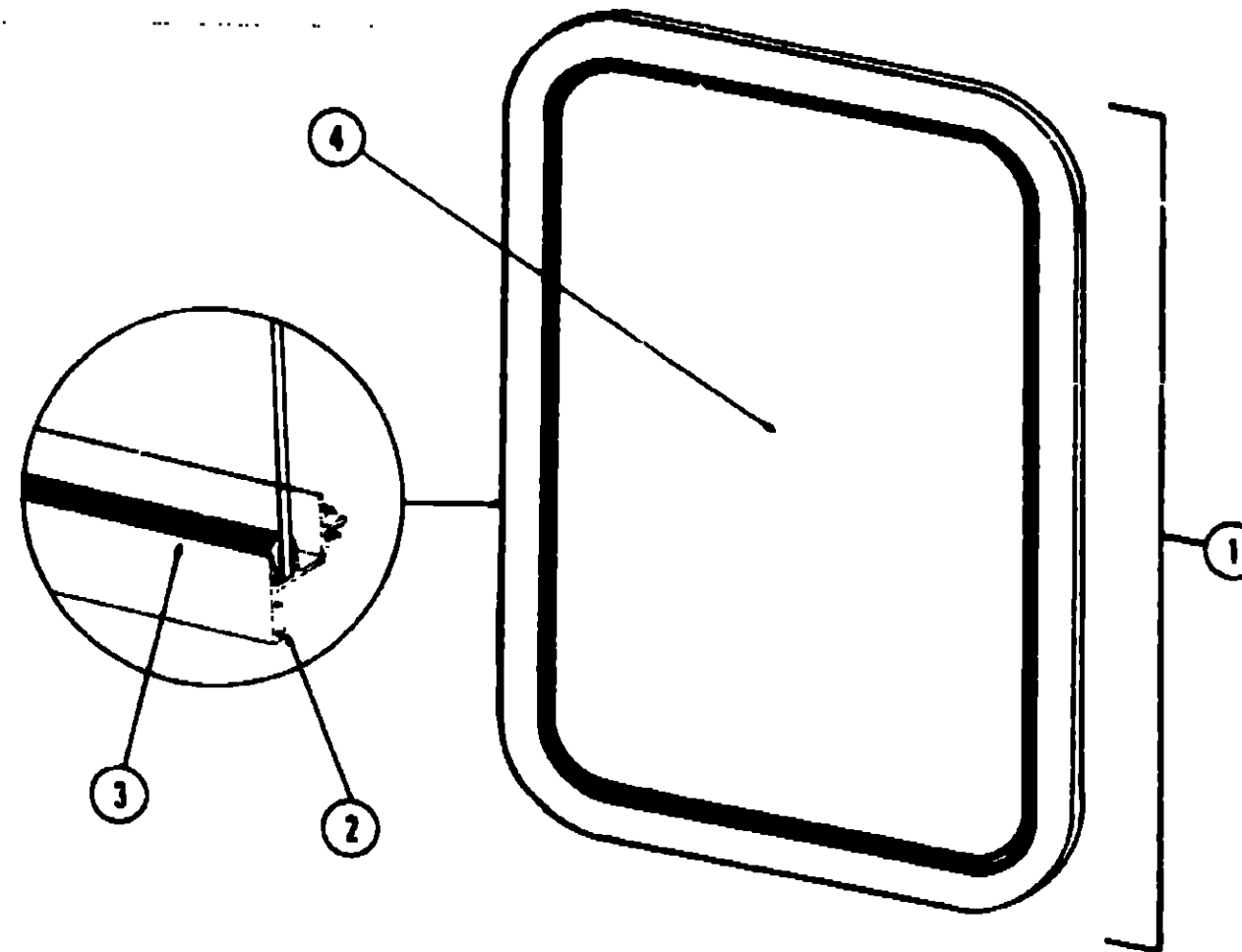
IC420RB N2	A-1 - B-20
IC621RB N2	B-21 - D-14
IC723DB N2	D-15 - F-2
IC723RH N2	F-3 - G-16
IC823DB P2	G-17 - I-8

1982 IC621RB N2 INDEX

Floor Plan	B-21 - B-22
Accessories Group	B-23 - C-1
Bath Group	C-2
Chassis Group	C-3
Curtain, Cushion & Pad Group	C-4 - C-9
Dinette Group	C-10
Driver's Compartment Group	C-11 - C-12
Electrical Group	C-13 - C-15
Exterior Body Group	C-16 - C-20
Galley Group	C-21
Heating & Air Conditioning Group	C-22
Interior Finish Group	C-23 - C-24
LP Group	D-1
Lounge Group	D-2
Water & Sewage Group	D-3 - D-4
Window, Vent & Exterior Door Group	D-5 - D-14



Key	Part Number	U/M	Description
1	066785-04-000	EA	Window Asm. - Single Slider - 27" x 65" (w.o inside frame)
.	067609-09-000	EA	Inside Frame (Not included in assembly)
2	066726-03-000	EA	Glass - Stationary - 1.8" x 21" x 27"
3	066727-03-000	EA	Glass - Sliding - 1/8" x 25.5" x 27"
4	002324-02-000	FT	Channel - Weatherstrip - Glass
5	069640-01-000	FT	Tape - 1/4" x 20' - 3M
6	057374-02-000	FT	Extr. Vinyl - Window Seal - Black
7	002309-02-000	FT	Spline - Glass - 1.8" Material - Black
8	069886-03-004	EA	Extr. - Holder - Glass Seal - 26 25" - Black
9	065895-03-000	EA	Mullion - Slider Window - 26" - Black
10	047369-01-000	EA	Latch - Window - Plastic - w:Fastener
.	002293-01-000	SF	Screen - Window - 26" - Gray
.	002298-01-000	FT	Spline - .130" Dia - Gray (Screen)
.	042076-01-000	FT	Seal - Fin - Pile - 34"
.			Not illustrated



Key	Part Number	U/M	Description
1	056651-01-000	EA	Window Asm - Picture - 20 3/4" x 20 3/4" - Black (w.o inside frame)
2	069640-01-000	FT	Tape - 1.4" x 20' - 3M
3	002309-02-000	FT	Spline - Glass - 1.8" - Black
4	002181-03-000	EA	Glass - .115" x 20 62" x 20 62" - Gray
.	067609-01-000	EA	Frame - Inside - Window (not included in assembly)
.			Not illustrated

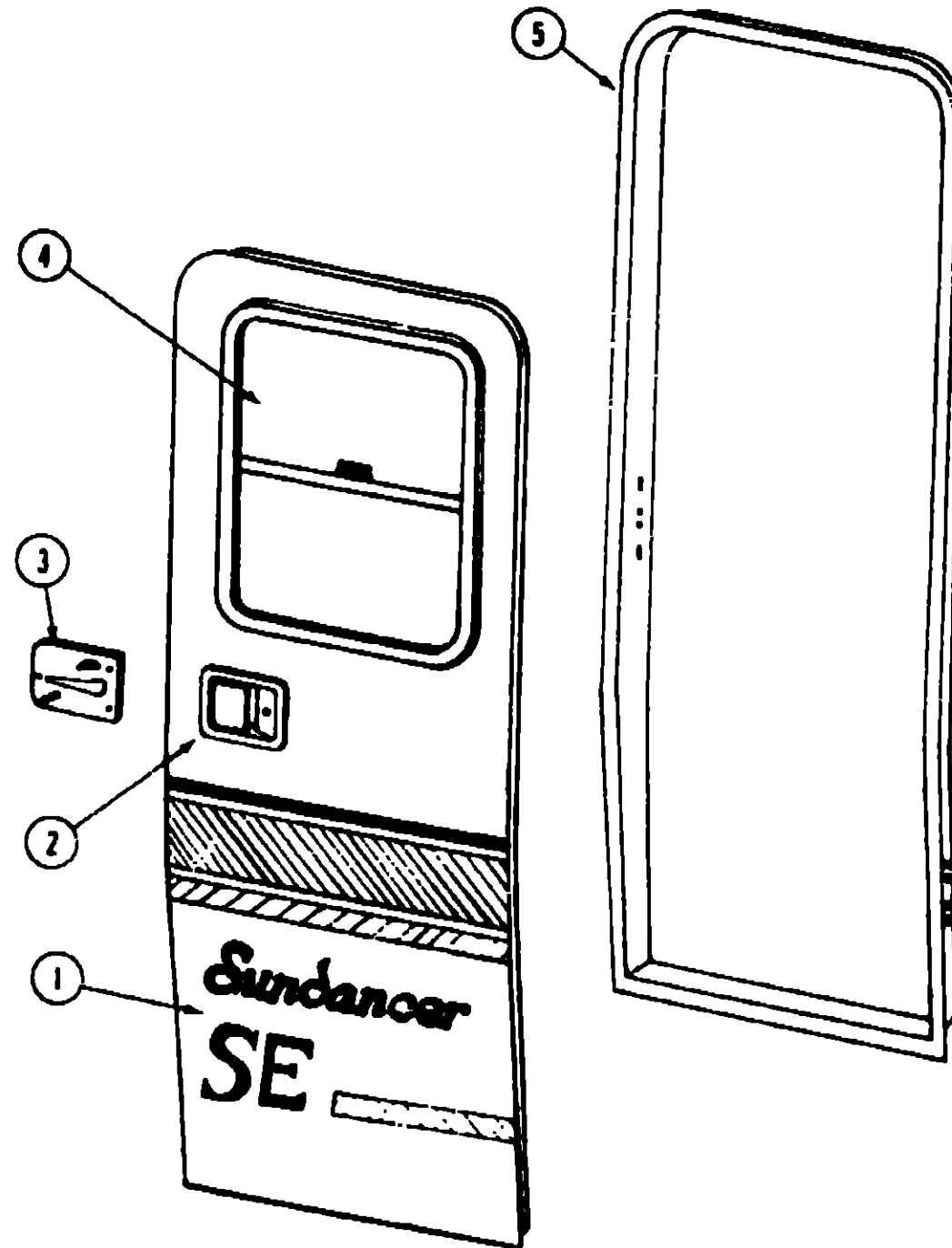
1982 ITASCA
TABLE OF CONTENTS

IC420RB N2	A-1 - B-20
IC621RB N2	B-21 - D-14
IC723DB N2	D-15 - F-2
IC723RH N2	F-3 - G-16
IC823DB P2	G-17 - I-8

1982 IC621RB N2 INDEX

Floor Plan	B-21 - B-22
Accessories Group	B-23 - C-1
Bath Group	C-2
Chassis Group	C-3
Curtain, Cushion & Pad Group	C-4 - C-9
Dinette Group	C-10
Driver's Compartment Group	C-11 - C-12
Electrical Group	C-13 - C-15
Exterior Body Group	C-16 - C-20
Galley Group	C-21
Heating & Air Conditioning Group	C-22
Interior Finish Group	C-23 - C-24
LP Group	D-1
Lounge Group	D-2
Water & Sewage Group	D-3 - D-4
Window, Vent & Exterior Door Group	D-5 - D-14

WINDOW, VENT & EXTERIOR DOOR GROUP (CONTINUED)



Key	Part Number	U/M	Description
1	067688-01-000	EA	Door Asm - Fiberglass Entry - w/Latch and Hinges - Off White
2	045017-01-000	EA	Paddle Asm. - Door Lock - Exterior
	045017-01-700	EA	Lock Cylinder w/Keys - Lynor
	039539-01-000	EA	Striker Bolt - Entry Door
	039540-01-000	EA	Latch Claw - Entry Door
3	039979-01-000	EA	Plate - Lock - Inside - Including Inside Handle
	052186-01-000	EA	Lock Asm. - Complete - Lynor
			Not illustrated

Key	Part Number	U/M	Description
4	066253-01-000	EA	Window Asm. - Vertical Slider - 26.9" x 17.6" (w/o inside frame)
	002241-04-000	EA	Glass - Vertical Slider - 1.8" x 17.5" x 13.5"
	047820-03-000	EA	Glass - Vertical Slider - 1.8" x 17.5" x 14.5"
	047369-01-700	EA	Latch - Window - Black Plastic
	067609-02-000	EA	Inside Frame - Vertical Slider
5	062545-01-000	EA	Jamb Asm - Entry Door - Off White
	064075-01-000	FT	Seal - Entry Door Jamb - Rubber
	065043-01-000	EA	Hinge Asm - Entry Door - Lower
	065046-01-000	EA	Hinge Asm - Entry Door - Upper
	062409-01-000	EA	Pull - Interior - Door
			Not illustrated

1982 ITASCA TABLE OF CONTENTS

IC420RB N2	A-1 - B-20
IC621RB N2	B-21 - D-14
IC723DB N2	D-15 - F-2
IC723RH N2	F-3 - G-16
IC823DB P2	G-17 - I-8

1982 IC621RB N2 INDEX

Floor Plan	B-21 - B-22
Accessories Group	B-23 - C-1
Bath Group	C-2
Chassis Group	C-3
Curtain, Cushion & Pad Group	C-4 - C-9
Dinette Group	C-10
Driver's Compartment Group	C-11 - C-12
Electrical Group	C-13 - C-15
Exterior Body Group	C-16 - C-20
Galley Group	C-21
Heating & Air Conditioning Group	C-22
Interior Finish Group	C-23 - C-24
LP Group	D-1
Lounge Group	D-2
Water & Sewage Group	D-3 - D-4
Window, Vent & Exterior Door Group	D-5 - D-14

WINDOW, VENT & EXTERIOR DOOR GROUP (CONTINUED)

ACCESS DOORS

Key	Part Number	U/M	Description
	054369-05-000	EA	Door Asm - LP - 23.6" x 9.6" - Off White
	064567-01-000	EA	Door Asm - Battery - 11.2" x 18.6" - Off White
	054369-04-000	EA	Door Asm - LP Storage - 36.7" x 9.6" - Off White
	064942-02-000	EA	Door Asm - Luggage - 24" x 10.36" - w/Key Lock - Off White
	052009-01-000	EA	Door - Water Heater - Off White
	069762-03-000	EA	Door Asm - Refrigerator Access - w/Twist Lock - Off White
	064841-01-000	EA	Door Asm - Generator - w/Twist Lock - Off White
	052743-01-000	EA	Baffle - Generator Door
	016945-02-000	EA	Holder Asm - Luggage or Battery Door
	042442-01-000	EA	Lock Asm. - Twist Type (Power Cord)
	047305-01-000	EA	Lock Asm. - Key Type w/Clip (Luggage)
	042441-01-000	EA	Lock Asm. - Key Type (Gas Fill)
	061186-01-000	EA	Door - Fuel Fill
	059965-01-000	EA	Lock Asm. - Key Type - Fuel Fill & Valance Door
	009003-01-000	EA	Lock Asm. - Twist Type - Metal (Refrigerator)
	052424-01-000	EA	Door Jamb - Power Cord & Fuel Fill - Off White
	054543-01-000	EA	Door Hatch - Power Cord - Off White
	063742-01-000	EA	Door - Power Cord - Off White
	041312-01-000	FT	Door Seal - e/Section

VENTS

Key	Part Number	U/M	Description
	065103-01-000	EA	Frame - Base - Refrigerator Vent (w/o cover)
	065103-02-000	EA	Cover - Vent - Refrigerator - Plastic
	049352-01-000	EA	Vent - Stove Hood - Outside - Off White

WINDOWS

Key	Part Number	U/M	Description
	054558-01-000	EA	Glass - Wingwall Transition Panel
	058044-01-000	FT	Weatherseal - Wingwall Transition Panel
	040795-02-000	EA	Glass - Windshield - Tinted
	054557-01-000	EA	Glass - Upper Front Cap
	056903-01-000	FT	Weatherstrip - Upper Front Cap

1982 ITASCA TABLE OF CONTENTS

IC420RB N2	A-1 - B-20
IC621RB N2	B-21 - D-14
IC723DD N2	D-15 - F-2
IC723RH N2	F-3 - G-16
IC823CB P2	G-17 - I-8

1982 IC621RB N2 INDEX

Floor Plan	B-21 - B-22
Accessories Group	B-23 - C-1
Bath Group	C-2
Chassis Group	C-3
Curtain, Cushion & Pad Group	C-4 - C-9
Dinette Group	C-10
Driver's Compartment Group	C-11 - C-12
Electrical Group	C-13 - C-15
Exterior Body Group	C-16 - C-20
Galley Group	C-21
Heating & Air Conditioning Group	C-22
Interior Finish Group	C-23 - C-24
LP Group	D-1
Lounge Group	D-2
Water & Sewage Group	D-3 - D-4
Window Vent & Exterior Door Group	D-5 - D-14