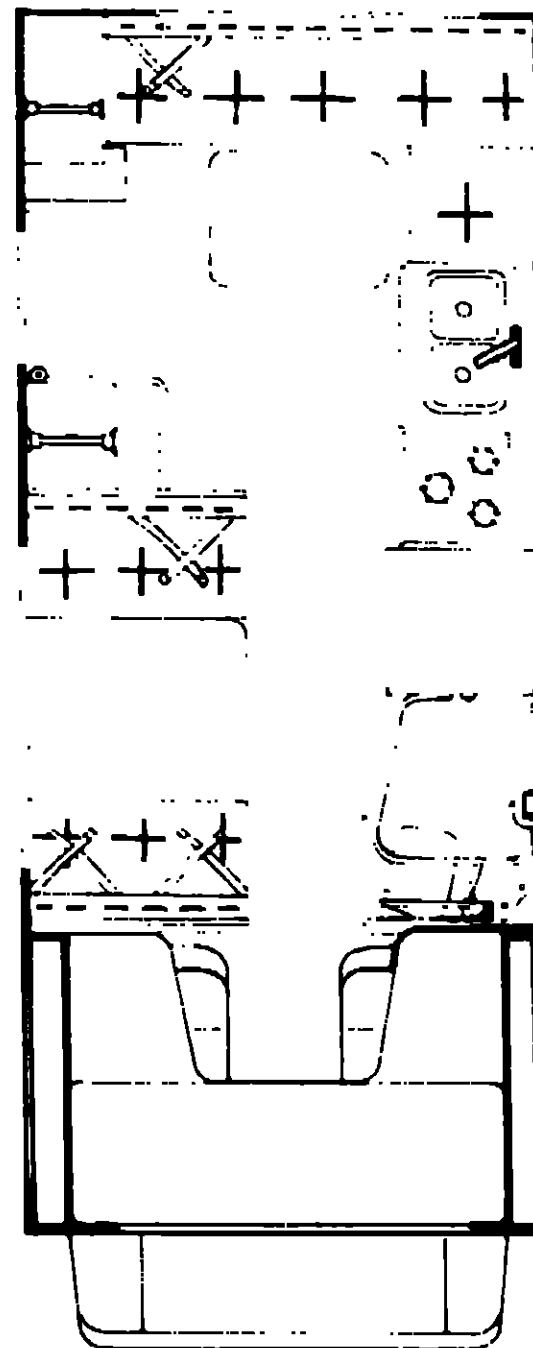


1982 IC420RG N2

NOTE:

A model revision number has been incorporated into the unit serial number to reflect any changes made during the model year. When ordering replacement parts, refer to the sixth and seventh digits of the unit serial number to assure that the proper part is ordered. These changes will be classified as a **N-2** or **N-3**, and will be included behind the item description. The unit serial number is found on the vehicle certification label, which is located on the left sidewall at the end of the dash (**A-Body**), or on the drivers door latch plate (**C-Body**).



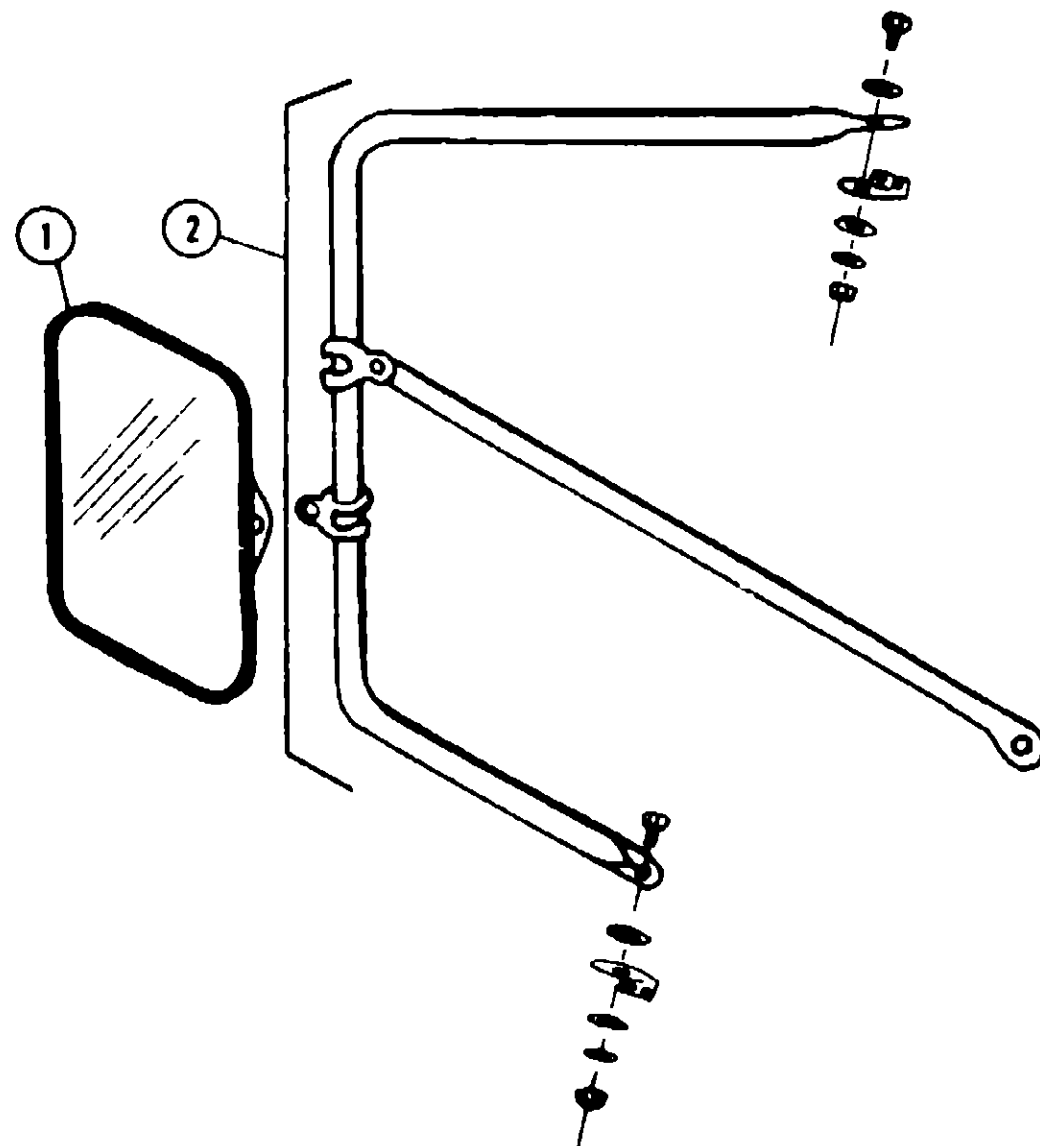
1982 ITASCA TABLE OF CONTENTS

IC420RG N2	A-1 - I-20
IC621RB N2	B-21 - D-14
IC723DB N2	D-15 - F-2
IC723RH N2	F-3 - G-16
IC823DB P2	G-17 - I-8

1982 IC420RG N2 INDEX

Floor Plan	A-1 - A-2
Accessories Group	A-3 - A-5
Bath Group	A-6
Chassis Group	A-7
Curtain, Cushion & Pad Group	A-8 - A-13
Dinette Group	A-14
Driver's Compartment Group	A-15 - A-16
Electrical Group	A-17 - A-19
Exterior Body Group	A-20 - A-24
Galley Group	B-1 - B-2
Heating & Air Conditioning Group	B-3
Interior Finish Group	B-4 - B-6
LP Group	B-7
Lounge Group	B-8 - B-9
Water & Sewage Group	B-10
Window, Vent & Exterior Door Group	B-11 - B-20

ACCESSORIES GROUP



EXTERIOR MIRRORS

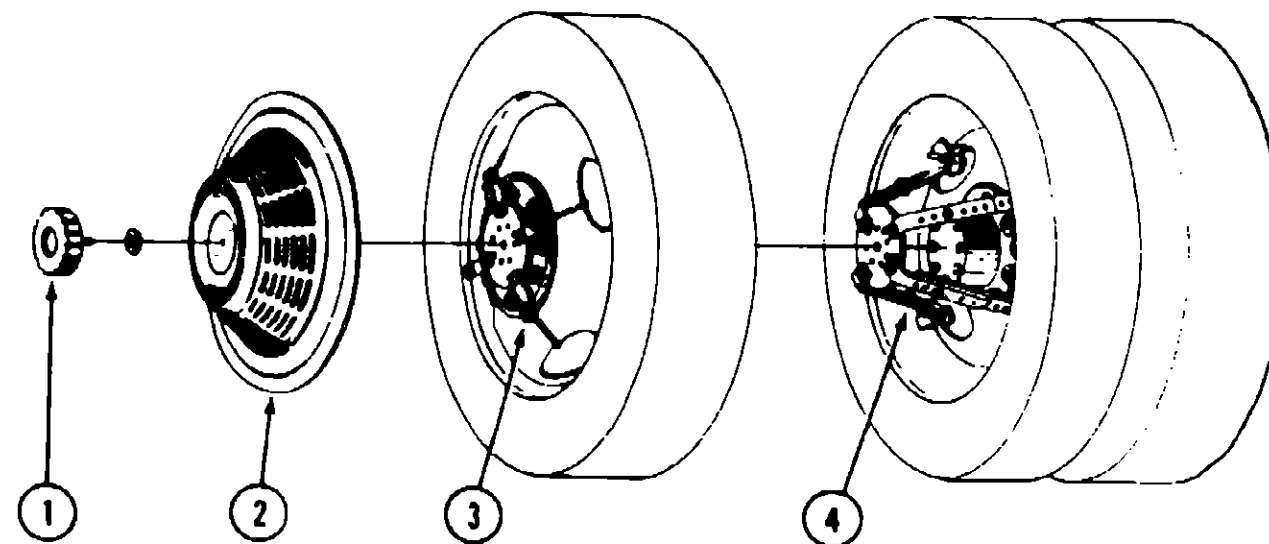
Key	Part Number	U/M	Description
1	057461-01-000	EA	Mirror Head - 7.5" x 10.5" - w/Convex - Bright Finish
1	057461-02-000	EA	Mirror Head - 7.5" x 10.5" - w/Convex - Off White
2	062047-01-000	EA	Arm - West Coast Mirror - Bright Finish
2	062047-02-000	EA	Arm - West Coast Mirror - Off White

GENERATORS AND INSTALLATION KITS

Key	Part Number	U/M	Description
**	051908-01-000	EA	Generator - 3.5 kw Kohler
	701629-02-000	EA	Installation Package - Generator
	049360-07-000	EA	Console - Overhead - Blank
	049360-03-000	EA	Console - Overhead (Voltmeter and Battery Switch)
	067753-01-000	EA	Chiller - Generator - w/Spark Arrestor
	024732-01-001	EA	Flue Pipe - 1 1/2" O.D. x 23"
	052077-02-000	EA	Tray - Generator - 3.5 kw - Kohler

** The illustrated parts breakdown for this item is provided on the Common Items Fiche.

ACCESSORIES GROUP (CONTINUED)



WHEEL COVER AND MOUNTING HARDWARE

Key	Part Number	U/M	Description
1	064082-02-000	EA	Retaining Nut - Delemt - Wheel Cover
2	073426-01-700	EA	Wheel Cover - Bolt On - 16" or 16.5" - Delemt (1)
3	073426-04-700	EA	Retention Bracket Asm. - Wheel Cover Support - Heavy Duty - Front (1)
4	073426-04-701	EA	Retention Bracket Asm. - Wheel Cover Support - Heavy Duty - Rear (1)
*	073426-04-000	EA	Retention Bracket Asm. - Wheel Cover Support - Heavy Duty (Set/4)
**	031396-03-000	EA	Wheel Cover - 16.5" - Clip On (1)
*			Not illustrated
**			The illustrated parts breakdown for this item is provided on the Common Items Fiche.

RADIOS AND RELATED COMPONENTS

Key	Part Number	U/M	Description
	007004-01-000	EA	Antenna - Radio - Cab Mount
	064785-01-000	EA	Radio - AM - Audiovox
	064787-01-000	EA	Radio - AM/FM/MPX - w/Cassette - Audiovox
	064791-01-000	EA	Speaker - Recessed - 5.25" Dia.
	064792-01-000	EA	Grille - Speaker - Brown
	064794-01-000	EA	Trimplate - Radio - Chevy C-Body

1982 ITASCA TABLE OF CONTENTS

IC420RG N2	A-1 - B-20
IC621RB N2	B-21 - D-14
IC723DB N2	D-15 - F-2
IC723RH N2	F-3 - G-16
IC823DB P2	G-17 - I-8

1982 IC420RG N2 INDEX

Floor Plan	A-1 - A-2
Accessories Group	A-3 - A-5
Birth Group	A-6
Chassis Group	A-7
Curtain, Cushion & Pad Group	A-8 - A-13
Dinette Group	A-14
Driver's Compartment Group	A-15 - A-16
Electrical Group	A-17 - A-19
Exterior Body Group	A-20 - A-24
Galley Group	B-1 - B-2
Heating & Air Conditioning Group	B-3
Interior Finish Group	B-4 - B-6
LP Group	B-7
Lounge Group	B-8 - B-9
Water & Sewage Group	B-10
Window, Vent & Exterior Door Group	B-11 - B-20

ACCESSORIES GROUP (CONTINUED)

MISCELLANEOUS ACCESSORIES

Key	Part Number	U/M	Description
	067123-01-000	EA	Luggage Rack
	067203-01-000	EA	Ladder Asm. - w/o Luggage Rack
	067125-01-000	EA	Standoff (Support) Rack & Ladder
	067130-01-000	EA	Ladder Step
	067166-01-000	EA	End Cap - Ladder Step
	006053-01-000	EA	Antenna Asm. - TV - Braund Delux
	006093-01-000	EA	Jack - TV - Brown - Antenna
	006050-01-000	EA	Jack - TV - Ivory - Antenna
	052771-02-000	EA	Microwave Oven - Magic Chef - MW207
	053287-01-000	EA	Bracket Asm. - Microwave - Right
	053287-02-000	EA	Bracket Asm. - Microwave - Left
	064093-01-000	EA	Luggage Carrier Asm. - 14" x 13" x 60"
	039881-01-000	EA	Catch and Strike - Luggage Carrier
**	069629-01-000	EA	Speed Control - Chev. - Electric - Danz
**	031396-03-000	EA	Wheel Cover - 16.5" - Chrome
	040466-07-000	EA	Cover - Spare Tire - 29" - Off White
	041944-03-000	EA	Fire Extinguisher - 5 BC
	054185-14-000	EA	Owners Manual - 1982 Winnebago & Itasca
	040069-01-000	EA	Mat - Door - Black Rubber - 10 1/2" x 26"
	017516-01-000	EA	Mudflap - Black Rubber - 14" x 18" w/Holes
**	The illustrated parts breakdown for this item is provided on the Common Items Fiche.		

BATH GROUP

Key	Part Number	U/M	Description
	M00823-01-N01	EA	Door Asm. - Bathroom - 21.5" x 69.8" - w/o Hardware
	009151-01-000	EA	Warp Guard - 48"
	009150-01-000	EA	Warp Guard - 64"
	058335-01-000	EA	Latch - Bathroom Door w/Lock
	058335-02-000	EA	Latch - Bathroom Door w/o Lock
	064595-01-000	EA	Sink - Lavatory - Ivory Plastic
**	011056-01-000	EA	Faucet - Lavatory - U.S.
**	011056-02-000	EA	Faucet - Lavatory - C S A.
	011059-03-000	EA	Faucet - Shower
	011083-01-000	EA	Plug - Sink - 1 1/4" - w/Chain
**	011048-02-000	EA	Shower Head - w/60" Hose
	010495-01-000	EA	Clamp - Shower Hose - 9/16"
	046112-04-000	EA	Mirror - Plastic - 1/8" x 19" x 26"
	045113-01-000	EA	Rosette - Mirror Mounting
	009134-01-000	EA	Holder - Tissue
	009133-02-000	EA	Towel Bar
	023449-01-000	EA	Supports - Towel Bar
	057671-01-000	EA	Cover - Screw - No. 8
	009252-01-000	EA	Cabinet - Medicine - Gold
	009256-01-001	EA	Mirror - Medicine Cabinet Door - 9 7/8" x 14 7/8"
	035337-22-000	EA	Trim - 1/5 Corner - Aluminum - 60.88"
	034394-02-000	EA	Extr. Vinyl Insert - Beige
	011070-01-000	EA	Tailpiece - 1 1/4" x 6"
	066484-01-000	EA	Shower Pan - 23" x 41" - Ivory Plastic
	066440-01-000	EA	Strainer - Shower Pan - w/Rubber Washer
	067487-01-000	EA	Toilet - Thetford - Aqua Magic IV - Ivory
	064076-01-000	EA	Toilet - Thetford - Aqua Magic - Ivory - Model 50
**	The illustrated parts breakdown for this item is provided on the Common Items Fiche.		

1982 ITASCA TABLE OF CONTENTS

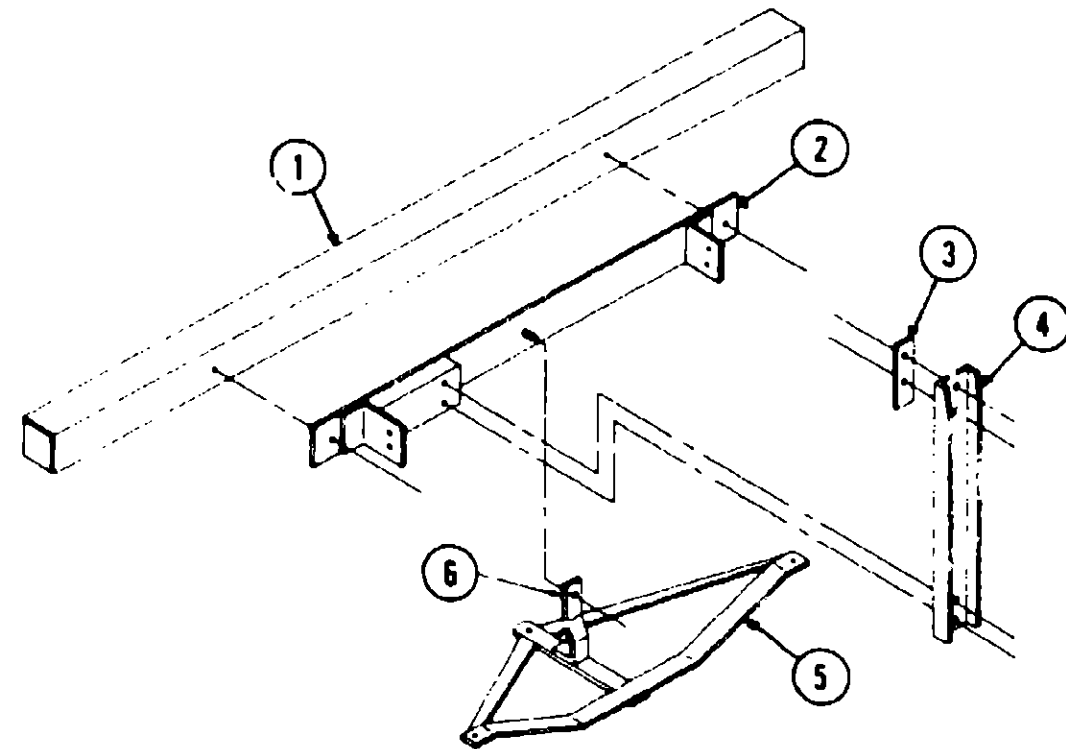
IC420RB N2	A-1 - B-20
IC621RB N2	B-21 - D-14
IC723DB N2	D-15 - F-2
IC723RH N2	F-3 - G-16
IC823DB P2	G-17 - I-8

1982 IC420RG N2 INDEX

Floor Plan	A-1 - A-2
Accessories Group	A-3 - A-5
Bath Group	A-6
Chassis Group	A-7
Curtain, Cushion & Pad Group	A-8 - A-13
Dinette Group	A-14
Driver's Compartment Group	A-15 - A-16
Electrical Group	A-17 - A-19
Exterior Body Group	A-20 - A-24
Galley Group	B-1 - B-2
Heating & Air Conditioning Group	B-3
Interior Finish Group	B-4 - B-6
LP Group	B-7
Lounge Group	B-8 - B-9
Water & Sewage Group	B-10
Window, Vent & Exterior Door Group	B-11 - B-20

CHASSIS GROUP

Key	Part Number	U/M	Description
	057822-01-000	EA	Tray - Battery - Steel
	057724-01-000	EA	Wheelwell - Black Plastic
	051697-01-000	EA	Bracket - Battery Tie Down - 6 8/8"
	051697-02-000	EA	Bracket - Battery Tie Down - 12"
	051697-03-000	EA	Bracket - Battery Tie Down - 13 3/4"
	024652-01-700	EA	Step Asm. - Entry Door
	007125-01-000	EA	Clamp - Muffler - 1.62" Dia - Generator
	017516-01-000	EA	Mud Flap - Black Rubber - 14" x 18"
	037291-01-000	EA	Tire - 8.00 x 16.5 - 8 Ply - Black Tubeless
	062400-02-000	EA	Wheel - 6.00 x 16.5 - Chevy
	007131-01-000	EA	Hanger - Tail Pipe
	040784-01-000	EA	Blade Asm. - Windshield Wiper
	059540-01-000	EA	Bracket - License Plate - Rear
	063303-03-000	EA	Shroud - Fuel Filter - Interior
	040466-07-000	EA	Cover - Tire - 29" - Off White
	069580-01-000	EA	Lug Wrench - 1" & 1 1/4" x 16.5"
	069580-02-000	EA	Leverage Bar - Lug Wrench - 22"

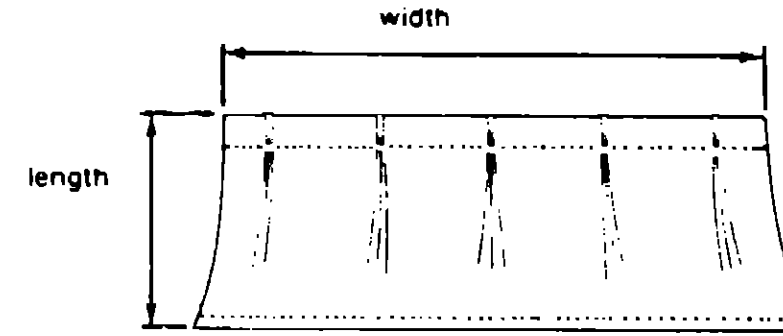


Key	Part Number	U/M	Description
1	064602-01-000	EA	Bumper Asm. - Square - 92" - Off White
•	039779-01-000	EA	Cap - Rubber - 4" x 4" - Square Bumper
2	064601-01-000	EA	Bracket - Bumper Mount
3	040974-01-000	EA	Bracket - Spare Tire Retainer - 2" x 6.75"
4	064598-01-000	EA	Bracket Asm. - Spare Tire Carrier
5	064833-02-000	EA	Trailer Hitch Asm.
6	064824-02-000	EA	Support - Trailer Hitch
•	041332-01-000	EA	Bumper Cover w/Reflector - Aluminum - Fits 4" Square Bumper
•	041332-02-000	EA	Reflector - 6 1/2" x 3/4" - Bumper Cover

The illustrated parts breakdown for this item is provided on the Common Items Fiche.

A-7

CURTAIN, CUSHION AND PAD GROUP



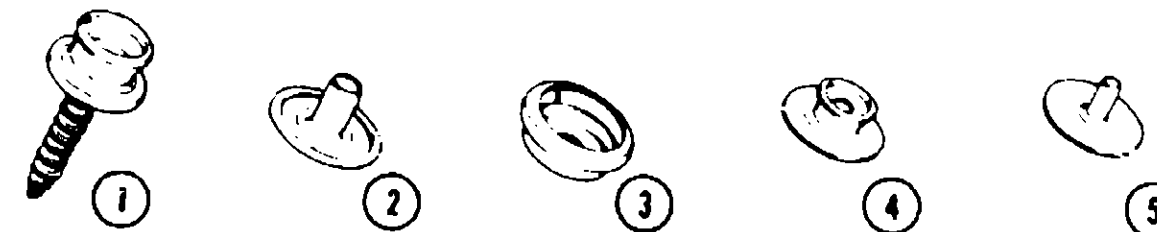
NOTE:
Use this illustration when determining length and width measurements for curtains. You will note the width measurement is taken on the top of the curtain with the curtain fully extended. The length measurement is taken from top to bottom.

1982 ITASCA TABLE OF CONTENTS

IC420RB N2	A-1 - B-20
IC621RB N2	B-21 - D-14
IC723D9 N2	D-15 - F-2
IC723RH N2	F-3 - G-16
IC823DB P2	G-17 - I-8

CURTAIN HARDWARE

Key	Part Number	U/M	Description
	052327-05-009	EA	Track - Curtain - Beige Alum. - 76" w/Holes
	056116-01-000	FT	Track - Curtain - Brown Plastic
	056001-01-000	EA	Bracket - Shade - Left
	056002-01-000	EA	Bracket - Shade - Right
	056003-01-000	EA	Bracket - Drapery Retainer - Right
	056003-02-000	EA	Bracket - Drapery Retainer - Left
	053272-04-200	EA	Track - Curtain - Off White - 89" w/Holes
	056784-01-000	EA	Pull - Window Shade - Antique Brass
	009107-01-000	EA	Guide - Nylon Snap - Curtain
	018031-46-000	EA	Track - Curtain - "L" Rod - Alum. - Extr. - 182"
	009701-01-000	EA	Carrier - "L" Rod - Curtain
	009702-01-000	EA	End Stop - "L" Rod - Curtain
	056115-01-000	YD	Tape - Clear Plastic w/Guides
	048394-01-000	YD	Tape - Hook - 1" x 25 YD - Beige
	048395-01-000	YD	Tape - Loop - 1" x 25 YD - Beige
	039175-01-000	EA	Rod - Curtain - Extension - 48" x 84"
	039175-03-000	EA	Rod - Curtain - Extension - 28" x 48"
	039175-02-000	EA	Bracket - Curtain Rod



Key	Part Number	U/M	Description
1	029130-01-000	EA	Socket - Snap Fastener
2	029155-01-000	EA	Cap - Snap - .156" Dia. x .17" Barrel
3	029156-01-000	EA	Socket - Snap Fastener
4	029092-01-000	EA	Stud - Nickel Finish
5	029093-01-000	EA	Eyelet - Nickel Finish

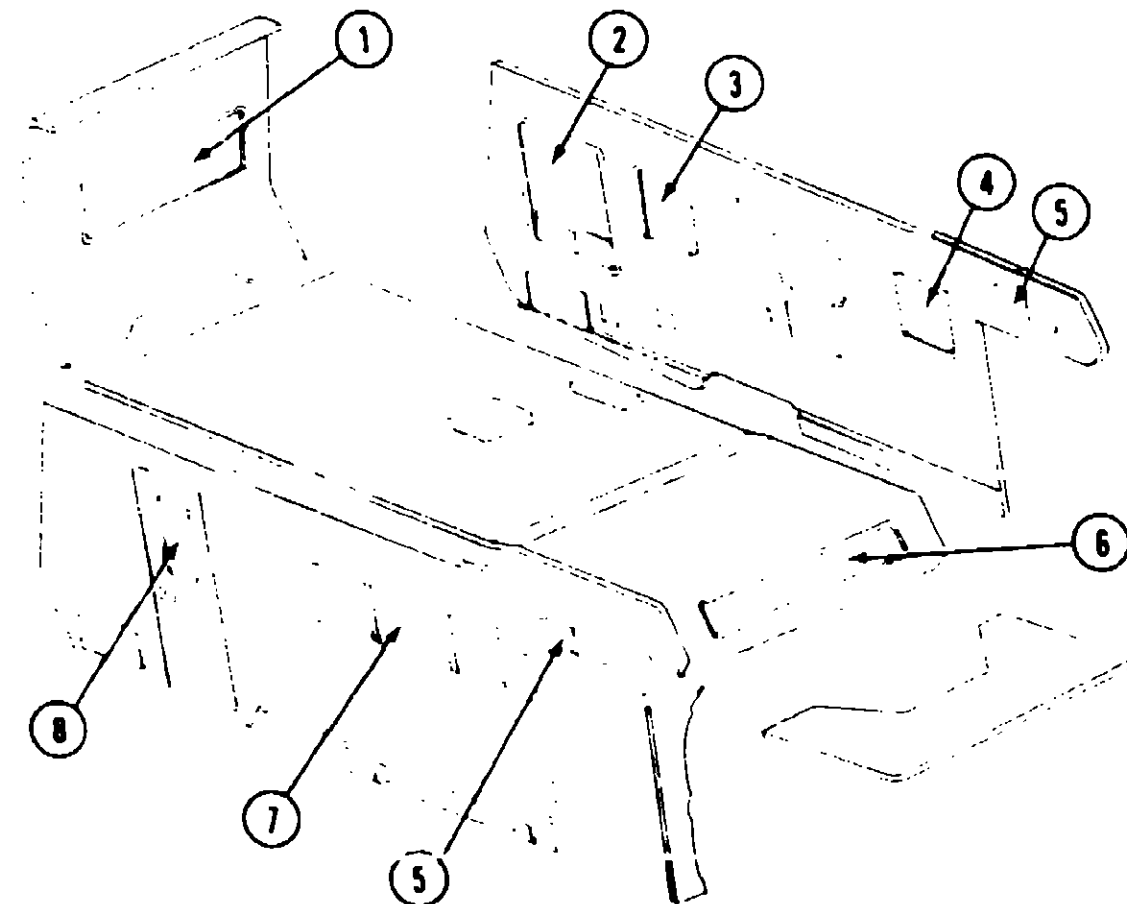
A-8

1982 IC420RG N2 INDEX

Floor Plan	A-1 - A-2
Accessories Group	A-3 - A-5
Bath Group	A-6
Chassis Group	A-7
Curtain, Cushion & Pad Group	A-8 - A-13
Dinette Group	A-14
Driver's Compartment Group	A-15 - A-16
Electrical Group	A-17 - A-19
Exterior Body Group	A-20 - A-24
Galley Group	B-1 - B-2
Heating & Air Conditioning Group	B-3
Interior Finish Group	B-4 - B-6
LP Group	B-7
Lounge Group	B-8 - B-9
Water & Sewage Group	B-10
Window, Vent & Exterior Door Group	B-11 - B-20

FABRICS AND TRIMS

Key	Part Number	U/M	Description
	068339-03-000	YD	Fabric - Drapery - Walnut/Golden Brown (N04) (N05)
	054393-05-000	YD	Fabric - Drapery - Molasses/Dark Cream (N06)
	069727-04-000	YD	Fabric - Upholstery - Light Brown (N04)
	069727-05-000	YD	Fabric - Upholstery - Brown (N05)
	069727-06-000	YD	Fabric - Upholstery - Blue (N06)
	038421-01-000	YD	Ticking Mattress - Gold
	070502-01-000	YD	Vinyl - Non-Expanded - 12 Gauge Film - Medium Almond (Beige)
	053327-01-000	YD	Vinyl - Non-Expanded - 27 oz. - Acorn Brown
	053327-02-000	YD	Vinyl - Expanded - 28 oz. - Acorn Brown
	053327-03-000	YD	Vinyl - Non Support - 16 Gauge Film - Acorn Brown
	057550-05-N07	EA	Button Asm. - Nail Back - #36 - 3/8" Shank - Beige Vinyl
	057550-05-M04	EA	Button Asm. - Nail Back - #36 - 3/8" Shank - Brown Vinyl
	057550-03-N07	EA	Button Asm. - Nail Back - #36 - 7/8" Shank - Beige Vinyl
	057550-03-M04	EA	Button Asm. - Nail Back - #36 - 7/8" Shank - Brown Vinyl
	057093-01-N07	EA	Button Asm. - Nail Back - #60 - Beige Vinyl
	057093-01-K04	EA	Button Asm. - Nail Back - #60 - Brown Vinyl
	071127-02-N07	EA	Button Asm. - #65 - Square - Beige Vinyl
	071127-01-N04	EA	Button Asm. - Cloth - #65 - Square - Light Brown
	071127-01-N05	EA	Button Asm. - Cloth - #65 - Square - Brown
	071127-01-N06	EA	Button Asm. - Cloth - #65 - Square - Blue
	069857-02-N04	EA	Button Asm. - Nail - Joined Pivot - #36 - Light Brown
	069857-02-N05	EA	Button Asm. - Nail - Joined Pivot - #36 - Brown
	069857-02-N06	EA	Button Asm. - Nail - Joined Pivot - #36 - Blue
	057550-01-N04	EA	Button Asm. - Fabric - Nail - #36 - Light Brown
	057550-01-N05	EA	Button Asm. - Fabric - Nail - #36 - Brown
	057550-01-N06	EA	Button Asm. - Fabric - Nail - #36 - Blue
	M00045-04-N04	EA	Button Asm. - Fabric - #45 - Light Brown
	M00045-04-N05	EA	Button Asm. - Fabric - #45 - Brown
	M00045-04-N06	EA	Button Asm. - Fabric - #45 - Blue
	M00045-05-N01	EA	Button Asm. - #45 - Beige Vinyl
	M00045-05-M04	EA	Button Asm. - #45 - Brown Vinyl
	052859-01-N01	FT	Trim Asm. - Accent - Beige Vinyl
	052859-01-M10	FT	Trim Asm. - Accent - Brown Vinyl



CURTAINS, VALANCES, SHADES AND TIEBACKS

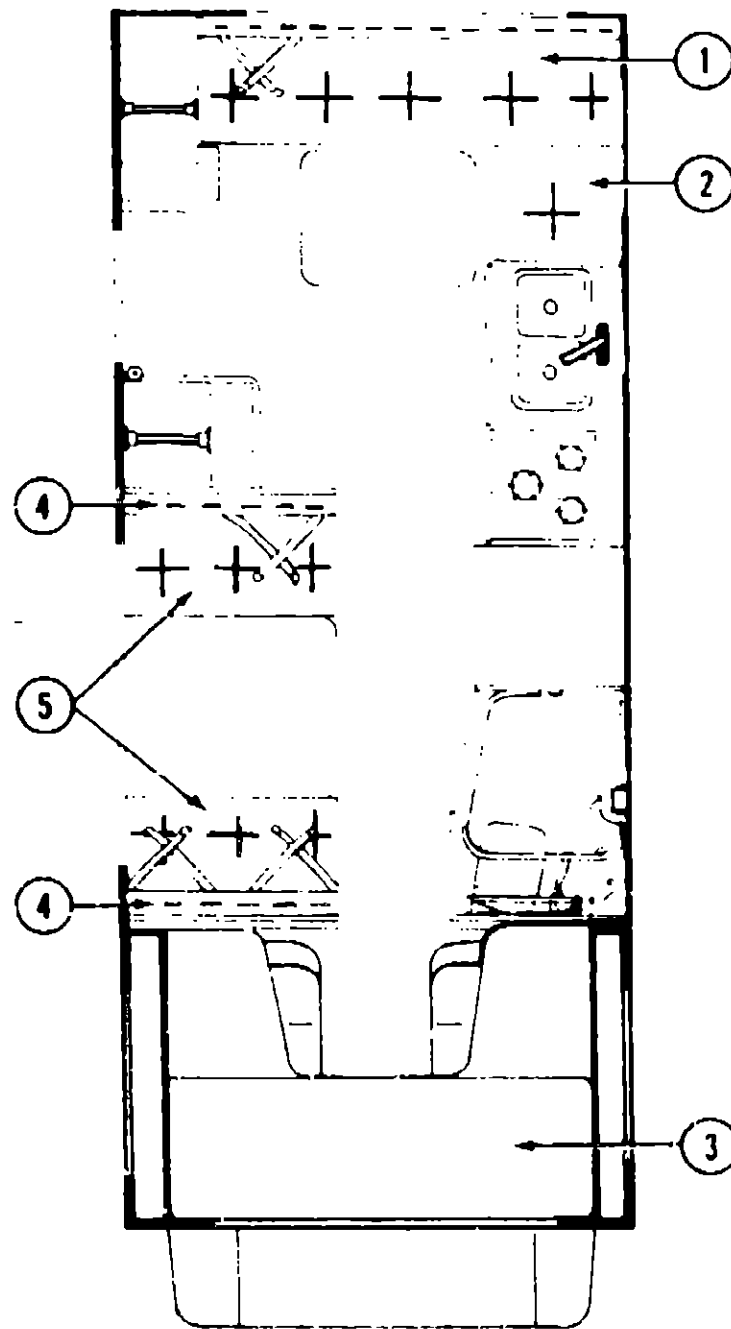
Key	Part Number	U/M	Description
1	068545-02-N01	EA	Curtain w/Taped Top and Snap Bottom - 29.5" x 42" - Walnut/Golden Brown (N04) (N05)
1	068545-02-N03	EA	Curtain w/Taped Top and Snap Bottom - 29.5" x 42" - Molasses/Dark Brown (N06)
1	066959-11-N01	EA	Curtain Asm. - Sheer w/Rod Top - 28.5" x 52" - Champagne
1	065892-15-N04	EA	Valance Asm. - 6.5" x 81" - Light Brown
1	065892-15-N05	EA	Valance Asm. - 6.5" x 81" - Brown
1	065892-15-N06	EA	Valance Asm. - 6.5" x 81" - Blue
1	065522-13-000	EA	Shade Asm. - 72.25" x 38"
2	056484-39-N01	EA	Curtain w/Taped Top - 40.5" x 25.5" - Walnut/Golden Brown (N04) (N05)
2	056484-39-N03	EA	Curtain w/Taped Top - 40.5" x 25.5" - Molasses/Dark Cream (N06)
2	066959-12-N01	EA	Curtain Asm. - Sheer w/Rod Top - 39.5" x 30" - Champagne
2	065892-14-N04	EA	Valance Asm. - 6.5" x 67" - Light Brown
2	065892-14-N05	EA	Valance Asm. - 6.5" x 67" - Brown
2	065892-14-N06	EA	Valance Asm. - 6.5" x 67" - Blue
2	065522-07-000	EA	Shade Asm. - 33.25" x 50"
3	056484-38-N01	EA	Curtain w/Taped Top - 30" x 9" - Walnut/Golden Brown (N04) (N05)
3	056484-38-N03	EA	Curtain w/Taped Top - 30" x 9" - Molasses/Dark Cream (N06)
3	065522-02-000	EA	Shade Asm. - 21.25" x 38"
4	069777-02-000	EA	Valance - Plastic - Light Oak
4	065522-02-000	EA	Shade Asm. - 21.25" x 38"
5	054103-01-N01	EA	Curtain Asm. w/Snap Top - 15.5" x 42" - Walnut/Golden Brown (N04) (N05)
5	054103-01-N03	EA	Curtain Asm. w/Snap Top - 15.5" x 42" - Molasses/Dark Cream (N06)
6	054045-03-N01	EA	Curtain Asm. w/Snap Top and Bottom - 17.5" x 42" - Walnut/Golden Brown (N04) (N05)
6	054045-03-N03	EA	Curtain Asm. w/Snap Top and Bottom - 17.5" x 42" - Molasses/Dark Cream (N06)
*	059900-02-N01	EA	Curtain Asm. - Front Wraparound - 23" x 64" - Walnut/Golden Brown (N04) (N05)
*	059900-02-N03	EA	Curtain Asm. - Front Wraparound - 23" x 64" - Molasses/Dark Cream (N06)
7	056484-37-N01	EA	Curtain Asm. w/Snap Top and Bottom - 30.5" x 42" - Walnut/Golden Brown (N04) (N05)
7	056484-37-N03	EA	Curtain Asm. w/Snap Top and Bottom - 30.5" x 42" - Molasses/Dark Cream (N06)
7	066959-10-N01	EA	Curtain Asm. - Sheer w/Rod Top - 29.5" x 52" - Champagne
7	065892-09-N04	EA	Valance Asm. - 6.5" x 78" - Light Brown
7	065892-09-N05	EA	Valance Asm. - 6.5" x 78" - Brown
7	065892-09-N06	EA	Valance Asm. - 6.5" x 78" - Blue
7	065522-12-000	EA	Shade Asm. - 69.25" x 38"
8	054051-43-N01	EA	Curtain Asm. w/Snap Top - 29" x 37" - Walnut/Golden Brown (N04) (N05)
8	054051-48-N03	EA	Curtain Asm. w/Snap Top - 29" x 37" - Molasses/Dark Cream (N06)
*	054051-11-N01	EA	Curtain Asm. w/Snap Top - Bunk - 32" x 96" - Walnut/Golden Brown (N04) (N05)
*	054051-11-N03	EA	Curtain Asm. w/Snap Top - Bunk - 32" x 96" - Molasses/Dark Cream (N06)
*	054048-08-N04	EA	Tie Back Asm. - 2" x 18" - Light Brown
*	054048-08-N05	EA	Tie Back Asm. - 2" x 18" - Brown
*	054048-08-N06	EA	Tie Back Asm. - 2" x 18" - Blue
*	057534-03-000	EA	Tie Back Asm. - 7.5" - Clear Plastic
*	057534-01-000	EA	Tie Back Asm. - 6" - Clear Plastic
*			Not illustrated

**1982 ITASCA
TABLE OF CONTENTS**

IC420RG N2	A-1 - B-20
IC621RB N2	B-21 - D-14
IC723DB N2	D-15 - F-2
IC723RH N2	F-3 - G-16
IC823DB P2	G-17 - I-8

1982 IC420RG N2 INDEX

Floor Plan	A-1 - A-2
Accessories Group	A-3 - A-5
Bath Group	A-6
Chassis Group	A-7
Curtain, Cushion & Pad Group	A-8 - A-13
Dinette Group	A-14
Driver's Compartment Group	A-15 - A-16
Electrical Group	A-17 - A-19
Exterior Body Group	A-20 - A-24
Galley Group	B-1 - B-2
Heating & Air Conditioning Group	B-3
Interior Finish Group	B-4 - B-6
I.P. Group	B-7
Lounge Group	B-8 - B-9
Water & Sewage Group	B-10
Window, Vent & Exterior Door Group	B-11 - B-20



REAR LOUNGE CUSHION

Key	Part Number	U/M	Description
1	068797-06-N04	EA	Cushion - Lester Lounge - Back and Bottom - 76" - Light Brown
1	068797-06-N05	EA	Cushion - Lester Lounge - Back and Bottom - 76" - Brown
1	068797-06-N06	EA	Cushion - Lester Lounge - Back and Bottom - 76" - Blue
	M68797-06-N04	EA	Cover - Lester Lounge - Back and Bottom - 76" - Light Brown
	M68797-06-N05	EA	Cover - Lester Lounge - Back and Bottom - 76" - Brown
	M68797-06-N06	EA	Cover - Lester Lounge - Back and Bottom - 76" - Blue
	065985-03-N04	EA	Cushion - Lounge - 6" x 76" x 4.5" - Light Brown
	065985-03-N05	EA	Cushion - Lounge - 6" x 76" x 4.5" - Brown
	065985-03-N06	EA	Cushion - Lounge - 6" x 76" x 4.5" - Blue
	065986-03-N04	EA	Cover - Lounge Cushion - 6" x 76" x 4.5" - Light Brown
	065986-03-N05	EA	Cover - Lounge Cushion - 6" x 76" x 4.5" - Brown
	065986-03-N06	EA	Cover - Lounge Cushion - 6" x 76" x 4.5" - Blue
2	068797-09-N04	EA	Cushion - Lounge Bottom - 22.5" x 16" x 5.5" - Light Brown
2	068797-09-N05	EA	Cushion - Lounge Bottom - 22.5" x 16" x 5.5" - Brown
2	068797-09-N06	EA	Cushion - Lounge Bottom - 22.5" x 16" x 5.5" - Blue
	M68797-09-N04	EA	Cover - Lounge Bottom Cushion - 22.5" x 16" x 5.5" - Light Brown
	M68797-09-N05	EA	Cover - Lounge Bottom Cushion - 22.5" x 16" x 5.5" - Brown
	M68797-09-N06	EA	Cover - Lounge Bottom Cushion - 22.5" x 16" x 5.5" - Blue

FRONT BUNK MATTRESS

Key	Part Number	U/M	Description
3	058897-11-N04	EA	Mattress - Two Fold - 24.5" x 29.5" x 76" - Light Brown
3	058897-11-N05	EA	Mattress - Two Fold - 24.5" x 29.5" x 76" - Brown
3	058897-11-N06	EA	Mattress - Two Fold - 24.5" x 29.5" x 76" - Blue
	058898-11-N04	EA	Cover - Two Fold Mattress - 24.5" x 29.5" x 76" - Light Brown
	058898-11-N05	EA	Cover - Two Fold Mattress - 24.5" x 29.5" x 76" - Brown
	058898-11-N06	EA	Cover - Two Fold Mattress - 24.5" x 29.5" x 76" - Blue

DINETTE CUSHIONS

Key	Part Number	U/M	Description
4	068773-07-N04	EA	Cushion - Dinette Back - 19.2" x 38" x 4.5" - Light Brown
4	068773-07-N05	EA	Cushion - Dinette Back - 19.2" x 38" x 4.5" - Brown
4	068773-07-N06	EA	Cushion - Dinette Back - 19.2" x 38" x 4.5" - Blue
	M68773-07-N04	EA	Cover - Dinette Back Cushion - 19.2" x 38" x 4.5" - Light Brown
	M68773-07-N05	EA	Cover - Dinette Back Cushion - 19.2" x 38" x 4.5" - Brown
	M68773-07-N06	EA	Cover - Dinette Back Cushion - 19.2" x 38" x 4.5" - Blue
5	068773-08-N04	EA	Cushion - Dinette Bottom - 17.5" x 38" x 4.5" - Light Brown
5	068773-08-N05	EA	Cushion - Dinette Bottom - 17.5" x 38" x 4.5" - Brown
5	068773-08-N06	EA	Cushion - Dinette Bottom - 17.5" x 38" x 4.5" - Blue
	M68773-08-N04	EA	Cover - Dinette Bottom Cushion - 17.5" x 38" x 4.5" - Light Brown
	M68773-08-N05	EA	Cover - Dinette Bottom Cushion - 17.5" x 38" x 4.5" - Brown
	M68773-08-N06	EA	Cover - Dinette Bottom Cushion - 17.5" x 38" x 4.5" - Blue

1982 ITASCA
TABLE OF CONTENTS

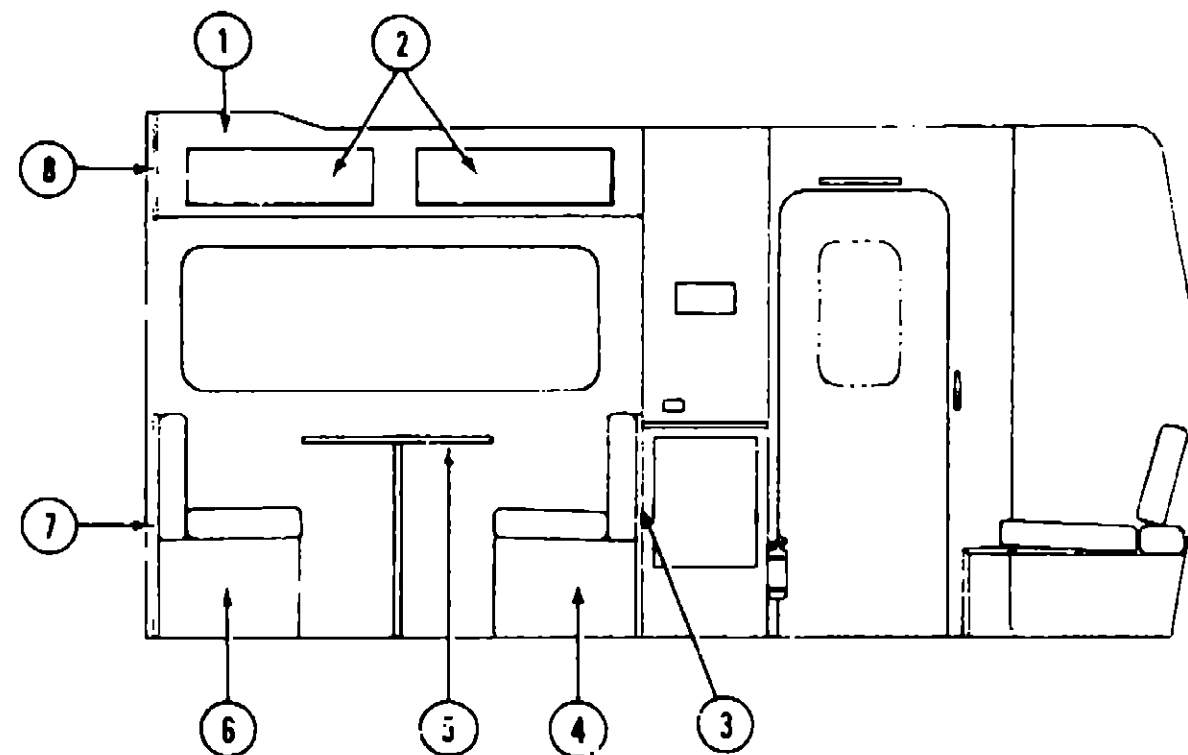
IC420RG N2	A-1 - B-20
IC621RB N2	B-21 - D-14
IC723DB N2	D-15 - F-2
IC723RH N2	F-3 - G-16
IC823DB P2	G-17 - I-8

1982 IC420RG N2 INDEX

Floor Plan	A-1 - A-2
Accessories Group	A-3 - A-5
Bath Group	A-6
Chassis Group	A-7
Curtain, Cushion & Pad Group	A-8 - A-13
Dinette Group	A-14
Driver's Compartment Group	A-15 - A-16
Electrical Group	A-17 - A-19
Exterior Body Group	A-20 - A-24
Galley Group	B-1 - B-2
Heating & Air Conditioning Group	B-3
Interior Finish Group	B-4 - B-6
LP Group	B-7
Lounge Group	B-8 - B-9
Water & Sewage Group	B-10
Window, Vent & Exterior Door Group	B-11 - B-20

BUCKET SEATS AND ARMRESTS

Key	Part Number	U/M	Description
	067035-03-N04	EA	Slip Cover - Chevy Bucket Seat - Light Brown
	067035-03-N05	EA	Slip Cover - Chevy Bucket Seat - Brown
	067035-03-N06	EA	Slip Cover - Chevy Bucket Seat - Blue
	070574-03-N04	EA	Seat Asm. - Youth Bed - Driver - Light Brown
	070574-03-N05	EA	Seat Asm. - Youth Bed - Driver - Brown
	070574-03-N06	EA	Seat Asm. - Youth Bed - Driver - Blue
	070574-04-N04	EA	Seat Asm. - Youth Bed - Passenger - Light Brown
	070574-04-N05	EA	Seat Asm. - Youth Bed - Passenger - Brown
	070574-04-N06	EA	Seat Asm. - Youth Bed - Passenger - Blue
	M00784-02-N04	EA	Cover - Seat Asm. - Back - Light Brown
	M00784-02-N05	EA	Cover - Seat Asm. - Back - Brown
	M00784-02-N06	EA	Cover - Seat Asm. - Back - Blue
	M00784-01-N04	EA	Cover - Seat Asm. - Bottom - Light Brown
	M00784-01-N05	EA	Cover - Seat Asm. - Bottom - Brown
	M00784-01-N06	EA	Cover - Seat Asm. - Bottom - Blue
	070553-02-N04	EA	Cushion - Youth Bed Wedge - Light Brown
	070553-02-N05	EA	Cushion - Youth Bed Wedge - Brown
	070553-02-N06	EA	Cushion - Youth Bed Wedge - Blue
	M70553-02-N04	EA	Cover - Youth Bed Wedge - Light Brown
	M70553-02-N05	EA	Cover - Youth Bed Wedge - Brown
	M70553-02-N06	EA	Cover - Youth Bed Wedge - Blue
	071122-01-N04	EA	Armrest Asm. w/Cover - Right - Light Brown
	071122-01-N05	EA	Armrest Asm. w/Cover - Right - Brown
	071122-01-N06	EA	Armrest Asm. w/Cover - Right - Blue
	071122-02-N04	EA	Armrest Asm. w/Cover - Left - Light Brown
	071122-02-N05	EA	Armrest Asm. w/Cover - Left - Brown
	071122-02-N06	EA	Armrest Asm. w/Cover - Left - Blue
	071123-01-N04	EA	Cover - Armrest - Right or Left - Light Brown
	071123-01-N05	EA	Cover - Armrest - Right or Left - Brown
	071123-01-N06	EA	Cover - Armrest - Right or Left - Blue



CONVENTIONAL DINETTE AND OVERHEAD CABINERY

Key	Part Number	U/M	Description
1	071142-01-N01	EA	Cabinet Asm. - Dinette Overhead - w/o Doors or Hardware
2	M00789-01-N01	EA	Door Asm. - Dinette Overhead Cabinet - 10.3" x 35.2" - w/o Hardware
3	M00383-01-N01	EA	Cabinet Asm. - Dinette Back - Right
4	M00384-01-N01	EA	Cabinet Asm. - Dinette Seat - Right
5	053191-07-N01	EA	Table Asm. - Dinette - w/o Hardware - Almond
6	M00384-03-N01	EA	Cabinet Asm. - Dinette Seat - Left
7	M00383-02-N01	EA	Cabinet Asm. - Dinette Back - Left
8	057794-02-N01	EA	Pad Asm. - End Panel - Dinette Overhead Cabinet - Beige Vinyl
8	057794-02-M01	EA	Pad Asm. - End Panel - Dinette Overhead Cabinet - Brown Vinyl
.	053200-05-000	EA	Bracket - Upper Wall Mount - 23.5" - Beige
**	053200-01-000	EA	Bracket - Upper Wall Mount - 23.5" - Brown
**	053201-01-000	EA	Bracket - Table Mount - 23" - Brown
**	053201-03-000	EA	Bracket - Table Mount - 23" - Clear Anod.
.	024275-05-000	EA	Rod - Table Lift - 8" x 23.5" - Beige
**	024275-01-000	EA	Rod - Table Lift - 8" x 23.5" - Brown
.	024281-07-000	EA	Bracket - Lower Wall Mount - 22.12" - Beige
**	024281-03-000	EA	Bracket - Lower Wall Mount - 22.12" - Brown
.	024276-08-000	EA	Leg Asm. - Table - 29.5" - Beige
**	024276-04-000	EA	Leg Asm. - Table - 29.5" - Brown
.	064050-01-000	EA	Hinge - Table Leg
**	024282-01-000	EA	Brace - Table Leg
**	024283-01-000	EA	Clip - 1" O.D. Tube
**	049493-02-000	EA	Catch - Table Leg - Mounts on Floor - Brown
**	043493-03-000	EA	Catch - Table Leg - Mounts on Floor - Beige
.			Not illustrated
**			The illustrated parts breakdown for this item is provided on the Common Items Fiche.

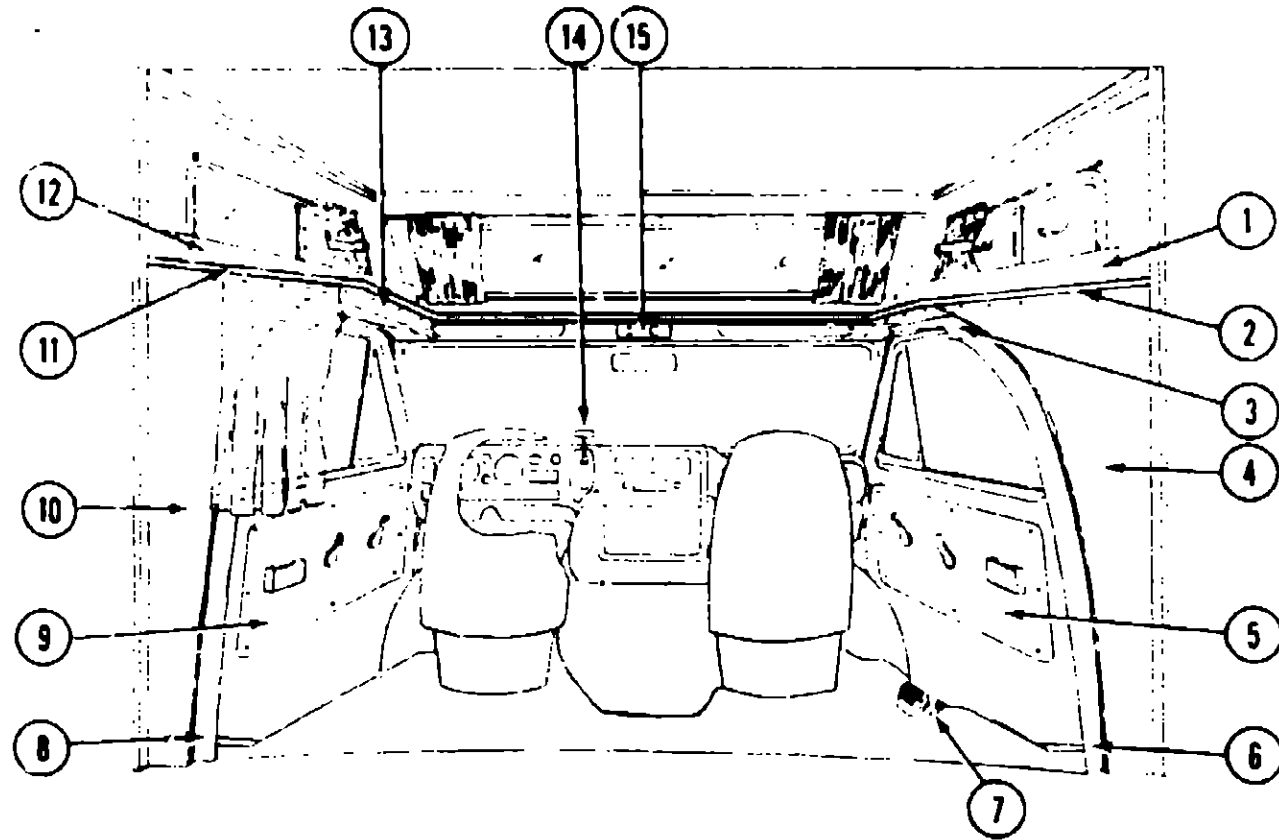
1982 ITASCA
TABLE OF CONTENTS

IC420RG N2	A-1 - B-2J
IC621RB N2	B-21 - D-14
IC723DB N2	D-15 - F-2
IC723Ri1 N2	F-3 - G-16
IC823DB P2	G-17 - I-8

1982 IC420RG N2 INDEX

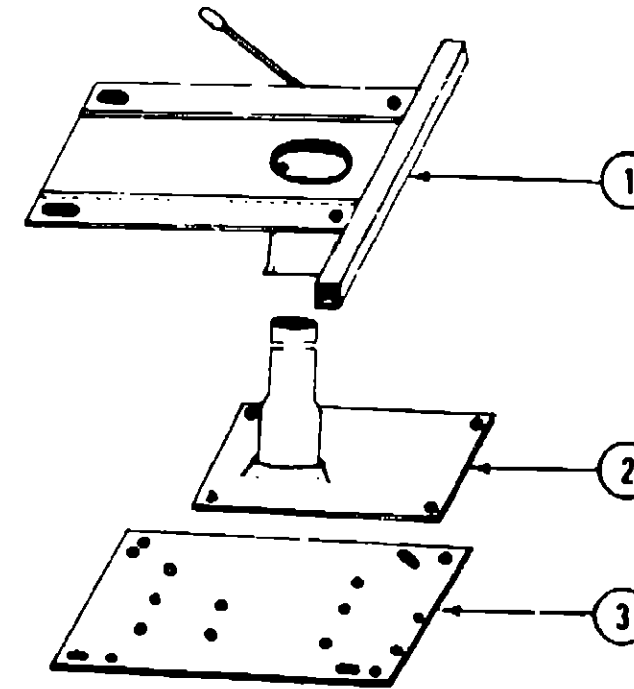
Floor Plan	A-1 - A-2
Accessories Group	A-3 - A-5
Bath Group	A-6
Chassis Group	A-7
Curtain, Cushion & Pad Group	A-8 - A-13
Dinette Group	A-14
Driver's Compartment Group	A-15 - A-16
Electrical Group	A-17 - A-19
Exterior Body Group	A-20 - A-24
Galley Group	B-1 - B-2
Heating & Air Conditioning Group	B-3
Interior Finish Group	B-4 - B-6
LP Group	B-7
Louge Group	B-8 - B-9
Water & Sewage Group	B-10
Window, Vent & Exterior Door Group	B-11 - B-20

DRIVER'S COMPARTMENT GROUP



Key	Part Number	U/M	Description
1	057775-02-N01	EA	Cabinet Asm. - Head Board - Right
2	M56379-02-N01	EA	Panel Asm. - Sleeper Board
3	054014-02-N01	EA	Trim Asm. - Over Door - Right - Beige Vinyl
3	054014-02-K08	EA	Trim Asm. - Over Door - Right - Brown Vinyl
•	054014-01-N01	EA	Trim Asm. - Over Door - Left - Beige Vinyl
•	054014-01-K08	EA	Trim Asm. - Over Door - Left - Brown Vinyl
4	053919-08-N01	EA	Panel Asm. - Wingwall Transition - Inner Right Hand
5	056567-02-N01	EA	Side Panel - Cab Door - Right - Beige Vinyl
5	056567-02-M04	EA	Side Panel - Cab Door - Right - Brown Vinyl
6	053955-02-N01	EA	Panel Asm. - Side - Right
7	044860-02-000	EA	Door Step Matt - Rubber - Black - Right Hand
•	044860-01-000	EA	Door Step Matt - Rubber - Black - Left Hand
8	053955-01-N01	EA	Panel Asm. - Side - Left
9	056580-02-N01	EA	Side Panel - Cab Door - Left - Beige Vinyl
9	056580-02-M04	EA	Side Panel - Cab Door - Left - Brown Vinyl
10	053919-07-N01	EA	Panel Asm. - Wingwall Transition - Inner Left Hand
11	052859-01-N01	FT	Accent Trim - Beige Vinyl
11	052859-01-M10	FT	Accent Trim - Brown Vinyl
12	057775-01-N01	EA	Cabinet Asm. - Head Board - Left
13	053719-01-N01	EA	Headliner Asm. - Beige Vinyl
13	053719-01-M04	EA	Headliner Asm. - Brown Vinyl
14	701631-01-000	EA	Shifting Knob and Button - Transmission Control
•	701631-01-000	EA	Retainer - Shifting Knob - Transmission Control
15	049360-11-000	EA	Console - Overhead (Voltmeter, Battery Switch and Light)
•	049360-12-000	EA	Console - Overhead - Blank
•	049360-13-000	EA	Console - Overhead (Dome Light)
•	049360-14-000	EA	Console - Overhead (Hourmeter, Generator Switch and Light)
•	049360-09-000	EA	Console - Overhead (Voltmeter, Battery Switch, Hourmeter Generator Switch and Light)
•	024976-01-000	EA	Gauge - Hourmeter - Generator
•	024976-01-000	EA	Switch - Generator w/o Circuit Board
•	024459-03-000	EA	Gauge - Voltmeter w/o Bracket
•	024452-01-000	EA	Switch - Battery Condition
•	055279-01-000	EA	Control Asm. - Heater and A/C
•			Not illustrated

DRIVER'S COMPARTMENT GROUP (CONTINUED)



BUCKET SEAT PEDESTAL AND SEAT BELTS

Key	Part Number	U/M	Description
1	069585-04-000	EA	Plate - Top - Pedestal Asm. - Single - Bucket Seat
1	069585-10-000	EA	Plate - Top - Pedestal Asm. - Double - Bucket Seat
2	069585-08-000	EA	Plate - Sub - Pedestal Asm. - Bucket Seat
3	069585-07-000	EA	Plate - Base - Pedestal Asm. - Bucket Seat
•	069585-05-000	EA	Hardware Kit - Bolt/Acorn Nut - 4 ea. - Pedestal Asm.
•	007019-01-000	EA	Seat Belt Asm. - 2" x 84" - Black
•	041322-01-000	EA	Washer - Flat 15/32" I.D. x 2 3/8" O.D. - Seat Belt
•	007021-01-000	EA	Seat Belt Asm. - 2" x 90" - Black
•	007222-01-000	EA	Seat Belt Asm. - 2" x 60" - Black
•	043910-01-000	EA	Bracket Asm. - Seat Belt
•	058375-01-000	EA	Bracket - Seat Belt - Washer
•	069246-01-000	EA	Adjuster Asm. - Seat w/ Lock
•	069246-02-000	EA	Adjuster Asm. - Seat w/o Lock
•			Not illustrated

1982 ITASCA TABLE OF CONTENTS

IC420RG N2	A-1 - B-20
IC621RB N2	B-21 - D-14
IC723DB N2	D-15 - F-2
IC723RH N2	F-3 - G-16
IC823DB P2	G-17 - I-8

1982 IC420RG N2 INDEX

Floor Plan	A-1 - A-2
Accessories Group	A-3 - A-5
Bath Group	A-6
Chassis Group	A-7
Curtain, Cushion & Pad Group	A-8 - A-13
Dinette Group	A-14
Driver's Compartment Group	A-15 - A-16
Electrical Group	A-17 - A-19
Exterior Body Group	A-20 - A-24
Galley Group	B-1 - B-2
Heating & Air Conditioning Group	B-3
Interior Finish Group	B-4 - B-6
LP Group	B-7
Lounge Group	B-8 - B-9
Water & Sewage Group	B-10
Window, Vent & Exterior Door Group	B-11 - B-20

ELECTRICAL GROUP

BULBS

Key	Part Number	U/M	Description
	037935-01-000	EA	Bulb - 1157
	063914-01-000	EA	Bulb - 1139
	008101-01-000	EA	Bulb - 53
	008213-01-000	EA	Bulb - 57
	008214-01-000	EA	Bulb - 67
	008215-01-000	EA	Bulb - 1003
	008218-01-000	EA	Bulb - 1141
	008220-01-000	EA	Bulb - 12V - 25W
	036196-01-000	EA	Bulb - 194
	700029-01-000	EA	Bulb - 12V - 20W - 1393
	056288-02-000	EA	Bulb - G.E. 211-02

FUSES AND CIRCUIT BREAKERS

Key	Part Number	U/M	Description
	056473-02-000	EA	Fuse - Slow Blow - 5 Amp. - 32 Volt Capacity
	056473-01-000	EA	Fuse - Slow Blow - 6 1/4 Amp.
	008233-01-000	EA	Fuse - 12 Volt - 6 Amp.
	008234-01-000	EA	Fuse - 12 Volt - 10 Amp.
	046893-01-000	EA	Fuse - 12 Volt - 13 Amp.
	008235-01-000	EA	Fuse - 12 Volt - 15 Amp.
	008236-01-000	EA	Fuse - 12 Volt - 20 Amp.
	008248-01-000	EA	Fuse - 110 Volt - 30 Amp. - AGU
	008252-01-000	EA	Fuse - 110 Volt - 50 Amp.
	008208-01-000	EA	Circuit Breaker - 12 Volt - 40 Amp.
	008211-01-000	EA	Circuit Breaker - 12 Volt - 6 Amp.
	008268-01-000	EA	Circuit Breaker - 12 Volt - 30 Amp. w/Mount
	033573-01-000	EA	Circuit Breaker - 12 Volt - 20 Amp. w/Mount
	033573-02-000	EA	Circuit Breaker - 12 Volt - 15 Amp. w/Mount
	040051-01-000	EA	Circuit Breaker - 110 Volt - 20 Amp. TQL
	008273-03-000	EA	Circuit Breaker - 15/20 Amp. TQL
	008297-01-000	EA	Circuit Breaker - 120 Amp. TQL
	008293-01-000	EA	Circuit Breaker - 130 Amp. TQL
	071279-05-000	EA	Circuit Breaker - 20 Amp. - 120 Volt

EXTERIOR LIGHTS

Key	Part Number	U/M	Description
	007305-01-000	EA	Light - Step Well
	058032-01-000	EA	Tail Lamp Asm - 2 Bulb - Chrome - Left or Right
	058030-01-700	EA	Lens - Tail Lamp - Red
	058030-01-701	EA	Lens - Tail Lamp - Back Up
	042403-03-000	EA	Base - Rectangular Clearance Light
	042405-04-000	EA	Lens - Clearance Light - Red
	042405-05-000	EA	Lens - Clearance Light - Amber
	048817-01-000	EA	Assist Handle - w/Light
	048817-01-700	EA	Lens - Assist Handle
	042405-01-000	EA	Lens - Rectangular Light - Red w/Reflex
	042405-02-000	EA	Lens - Rectangular Light - Amber w/Reflex
	062740-04-000	EA	Tail Lamp Wedge - Off White - Right
	062742-04-000	EA	Tail Lamp Wedge - Off White - Left
	059540-01-000	EA	Bracket - License Plate

ELECTRICAL GROUP (CONTINUED)

INTERIOR LIGHTS

Key	Part Number	U/M	Description
	033538-02-000	EA	Light - Dome - Ivory - Single
	033509-02-000	EA	Light - Dome - Ivory - Double
	061424-01-000	EA	Light - 12V Receptacle - Aisle - IP
	053343-01-000	EA	Light - High Intensity - Brown
	064778-01-000	EA	Lens - Jensen Light - Dome - Ivory
	007309-01-000	EA	Light - Step Well
	056288-01-000	EA	Light - Dome - Overhead Console

MISCELLANEOUS ELECTRICAL COMPONENTS

Key	Part Number	U/M	Description
	047338-01-000	EA	Isolator - Dual Battery
	047389-01-700	EA	Battery - 12 Volt - 105 Amp. Deep Cycle - Dry
	057899-01-000	EA	Battery - 12 Volt - Maintenance Free
	008168-01-000	EA	Solenoid - Dual Battery - Relay
	046775-01-000	EA	Valve - Gas - Change Over
	024459-03-000	EA	Gauge - Voltmeter - w/o Bracket
	024462-01-000	EA	Switch - Battery Condition
	031035-01-000	EA	Gauge - Hour Meter - Generator
	024976-01-000	EA	Switch - Generator w/o Circuit Board
	024460-01-000	EA	Plug - Vacuum
	068068-01-000	EA	Load Center - 120 V - 3 CRT (N2)
	071278-01-000	EA	Control Center - 32A - 120V/12V (N3)
	039950-01-702	EA	Circuit Board - Control Center
	024461-01-000	EA	Switch - Battery - Changeover
	046865-01-000	EA	Plaque - Switch Mounting
	072351-01-000	EA	Control Panel - Complete - Water/Double Sewage Clock - w/LP Alarm - Refrigerator
	048812-04-000	EA	Control Panel - Basic
	048812-09-000	EA	Control Panel - Insert w/LP Alarm - Refrigerator
	039861-01-000	EA	Sending Unit - Wemac
	031720-01-000	EA	Spacer - Receptacle - Brown Plastic - CSA
	049360-12-000	EA	Console - Overhead - Blank
	049360-11-000	EA	Console - Overhead (Voltmeter, Battery Switch and Light)
	049360-10-000	EA	Console - Overhead (Hourmeter, Generator Switch and Light)
	049360-09-000	EA	Console - Overhead (Voltmeter, Battery Switch, Hourmeter Generator Switch and Light)
	067761-01-000	EA	Converter - 30 Amp. w/Charger
	067762-01-000	EA	Converter - 40 Amp. w/Charger
	055279-01-000	EA	Control Asm. - Heater and Air Conditioner
	055280-01-000	EA	Switch - Fan - 3 Speed - Control Asm. - Heater and Air Conditioner

1982 ITASCA TABLE OF CONTENTS

IC420RG N2	A-1 - B-20
IC621RB N2	B-21 - D-14
IC723DB N2	D-15 - F-2
IC723RH N2	F-3 - G-16
IC823DB P2	G-17 - I-8

1982 IC420RG N2 INDEX

Floor Plan	A-1 - A-2
Accessories Group	A-3 - A-5
Bath Group	A-6
Chassis Group	A-7
Curtain, Cushion & Pad Group	A-8 - A-13
Dinette Group	A-14
Driver's Compartment Group	A-15 - A-16
Electrical Group	A-17 - A-19
Exterior Body Group	A-20 - A-24
Galley Group	B-1 - B-2
Heating & Air Conditioning Group	B-3
Interior Finish Group	B-4 - B-6
LP Group	B-7
Lounge Group	B-8 - B-9
Water & Sewage Group	B-10
Window, Vent & Exterior Door Group	B-11 - B-20

ELECTRICAL GROUP (CONTINUED)

WIRE, SWITCHES AND RECEPTACLES

Key	Part Number	U/M	Description
	008024-01-000	FT	Wire - 13.5 Bonded - Orange/White/Yellow/Blue/Brown
	008025-01-000	FT	Wire - 18.5 Bonded - Orange/White/Yellow/Blue/Green
	008028-01-000	FT	Wire - 18.5 Bonded - Blue/Red/Yellow/Orange/White
	008030-01-000	FT	Wire - 18.4 Bonded - Red/Blue/Orange/Green
	008251-01-000	EA	Holder - Fuse - Black - Screw Type
	008277-01-000	EA	Holder - Fuse - Black - Panel Mount
	008195-01-000	EA	Switch - Push Button - 12 Volt
	005077-01-000	EA	Plaque - Compressor Switch
	008054-01-000	EA	Cord - Power - 10-3 30 Amp. - 25' - UL
	009052-01-000	EA	Cord - Power - 10-3 30 Amp. - 25' - CSA
	034818-04-000	EA	Holder - Receptacle - Plastic
	039342-01-000	EA	Receptacle - Duplex Brown - T Junction
	024571-01-000	EA	Cover Plate - Receptacle - Jumbo Steel - Brown
	024571-03-000	EA	Cover Plate - Receptacle - Jumbo Plastic - Brown
	024571-04-000	EA	Cover Plate - Receptacle - Jumbo Plastic - Ivory
	024471-01-000	EA	Cover - Plate - Electrical Box - 5 1/4" x 3 1/2"
	058028-01-000	EA	Connector - Pigtail - Clear - Nylon
	039343-01-000	EA	Cap - End - Receptacle
	006162-01-000	EA	Switch - Double Toggle - Brown
	008163-01-000	EA	Switch - Toggle Brown
	056264-01-000	EA	Switch - Leaf Actuator
	055280-01-000	EA	Switch - 3 Speed Fan
	063912-01-000	EA	Relay - Canister, Spot w/Ground
	008164-01-000	EA	Cover Plate - Switch - Brown
	024924-02-000	EA	Receptacle - Power Cord
	069238-01-000	EA	Cover - Electrical - 4" x 4" Box
	008058-01-000	EA	Adaptor - Power Cord
	047353-01-000	EA	Cover - Receptacle - Ground Fault
	053126-01-000	EA	Receptacle - Ground Fault Interrupter - 125 Volt - Ivory
	053126-02-000	EA	Receptacle - Ground Fault Interrupter - 125 Volt - Brown
	058707-01-000	EA	Receptacle - Single - Brown - Thomas & Belts
	058708-01-000	EA	Receptacle - Duplex - Brown - Thomas & Belts
	008157-01-000	EA	Receptacle - Duplex - Brown (Exterior Backwall)
	058048-01-000	EA	Cover - Electrical Box - 4.5" x 2.75" - Rain Tight (Exterior)
	008294-02-000	EA	Cover - Steel - Flat Blank - 4" x 4"
	078288-01-000	EA	Box - Electrical - Plastic - 3" x 3.5"
	008289-01-000	EA	Box - Electrical - Steel - 4" x 4" - 1/2 & 3/4 UL
	064398-01-000	EA	Housing Asm. - Trailer Receptacle - Female
	064399-01-000	EA	Housing Asm. - Trailer Pin - Male
	064450-01-000	EA	Housing Asm. - Trailer Plug - Male
	035417-01-000	EA	Terminal - Pin Receptacle - .125 Dia.
	035633-01-000	EA	Receptacle - HSG - 12 Position
	054532-01-000	EA	Housing - Pin - 6 Position
	031968-01-000	EA	Contact - Plug - Brass - Tinplated
	035290-17-000	EA	Cable Asm. - Battery - 1 AWG Strand - 282"
	054865-01-000	EA	Wire Asm. - Generator Switch
	056787-01-000	EA	Power Cord Box

EXTERIOR BODY GROUP

SHEET ALUMINUM

Key	Part Number	U/M	Description
	039155-03-008	EA	Alum. - Off White Mesa I - .024" x 36" x 60"
	039155-03-003	EA	Alum. - Off White Mesa I - .024" x 36" x 360"
	039155-03-007	EA	Alum. - Off White Mesa I - .024" x 48" x 60"
	039155-03-006	EA	Alum. - Off White Mesa I - .024" x 48" x 360"
	039155-03-009	EA	Alum. - Off White Mesa I - .024" x 12" x 360"
	039155-28-001	EA	Alum. - Off White Mesa II - .024" x 36" x 50"
	039155-28-003	EA	Alum. - Off White Mesa II - .024" x 36" x 360"
	039155-28-004	EA	Alum. - Off White Mesa II - .024" x 48" x 60"
	039155-28-006	EA	Alum. - Off White Mesa II - .024" x 48" x 360"
	039155-28-007	EA	Alum. - Off White Mesa II - .024" x 12" x 360"
	044487-01-001	EA	Plain Roof Metal - 96" x 360"
	039155-07-010	EA	Off White Greyhound Alum. - 48" x 96"
	001054-01-011	EA	Off White Plain Alum. - 48" x 96"
	000868-01-000	SF	Styrofoam - 3/4" x 24" x 96"
	000870-01-000	SF	Styrofoam - 1 1/2" x 24" x 96"

NOTE: The raised portion of Mesa I Aluminum is 1.657" wide.
The raised portion of Mesa II Aluminum is .875" wide.

SEALANTS, ADHESIVES AND FASTENERS

Key	Part Number	U/M	Description
	034552-06-000	EA	Sealant - Off White Silicone
	034552-04-000	EA	Sealant - Beige Silicone
	034552-02-000	EA	Sealant - Clear Silicone
	004349-01-000	EA	Sealant - Black Silicone
	069637-01-000	EA	Sealant - Weatherban 404 Tube - 3M
	009200-01-000	EA	Tape - Furnace - 1 1/2"
	002825-01-000	FT	Weather Stripping - Roof Vent
	002337-01-000	EA	Adhesive - 3M - 1300 Tube
	004005-02-000	GL	Adhesive - Swifts - Red - Glue (Sidewalls)
	004020-01-000	QT	Adhesive - ABS Cement (Plastic Fittings)
	029051-01-000	EA	Adhesive - Spray Vinyl
	000G66-08-12R	EA	Screw - #8 - 18 - 3/4" SDPH - Beige
	000G66-08-12S	EA	Screw - #8 - 18 x 3/4" SDPH - Off White
	000G66-08-12M	EA	Screw - #8 - 18 x 3/4" SDPH - Gray
	000G66-08-16R	EA	Screw - #8 - 18 x 1" SDPH - Beige
	000G66-08-16S	EA	Screw - #8 - 18 x 1" SDPH - Off White
	000G66-08-16M	EA	Screw - #8 - 18 x 1" SDPH - Gray
	000G64-08-16R	EA	Screw - #8 - 18 x 1" SDPH - SF/DR - Beige
	000G64-08-16S	EA	Screw - #8 - 18 x 1" SDPH - SF/DR - Off White
	000G64-08-16M	EA	Screw - #8 - 18 x 1" SDPH - SF/DR - Gray
	072889-01-000	EA	Sealant - Urethane - Tube - Black
	069640-01-000	FT	Tape - 1/4" Bead x 20' - Gray - 3M
	069640-02-000	FT	Tape - 1/2" x 1.8" x 50' - Gray - 3M
	069640-03-000	FT	Tape - 3/4" x 1.8" x 50' - Gray - 3M
	069640-04-000	FT	Tape - 2" x 3.32" x 45' - Gray - 3M

MISCELLANEOUS EXTERNALLY MOUNTED PARTS

Key	Part Number	U/M	Description
	036579-03-000	EA	Fuel Fill - Recessed - Single - Off White
**	011124-01-000	EA	Plumbing Seal - Roof Vent - 1 1/4" White
**	011129-01-000	EA	Plumbing Seal - Roof Vent - 1 1/2" White
**	010230-02-000	LA	Fill - City Water - Recessed - Off White - w/Screw on Cap
**	011020-01-000	EA	Fill - Water - Recessed - Off White
	058808-01-000	EA	Waterfill - Lockable - White
	048817-01-000	EA	Assist Handle - w/Light
	048817-01-700	EA	Lens - Assist Handle

** The illustrated parts breakdown for this item is provided on the Common Items Fiche.

1982 ITASCA TABLE OF CONTENTS

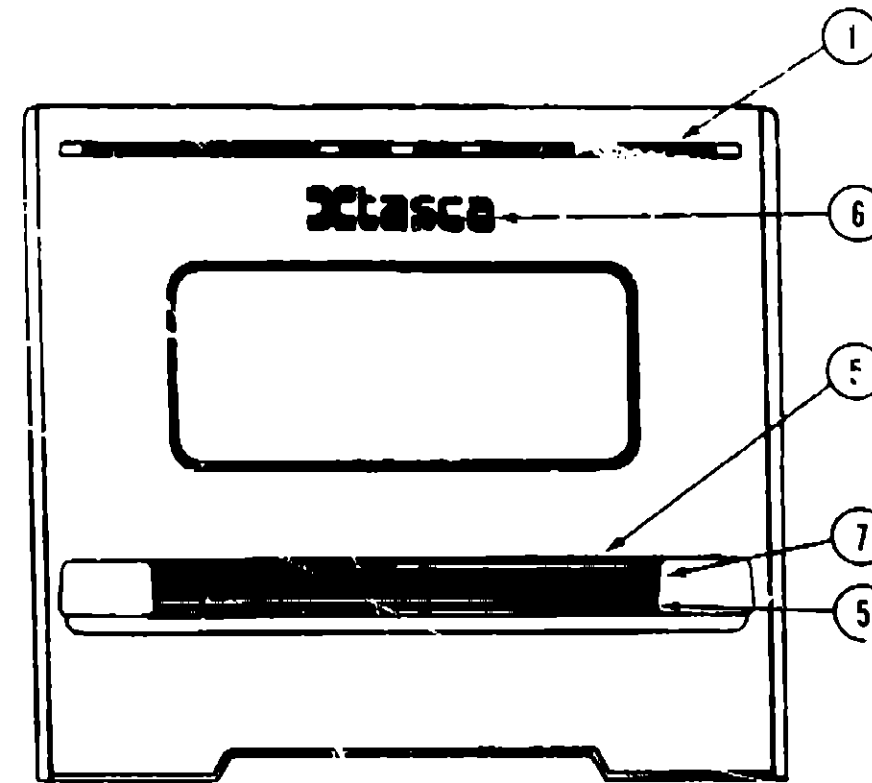
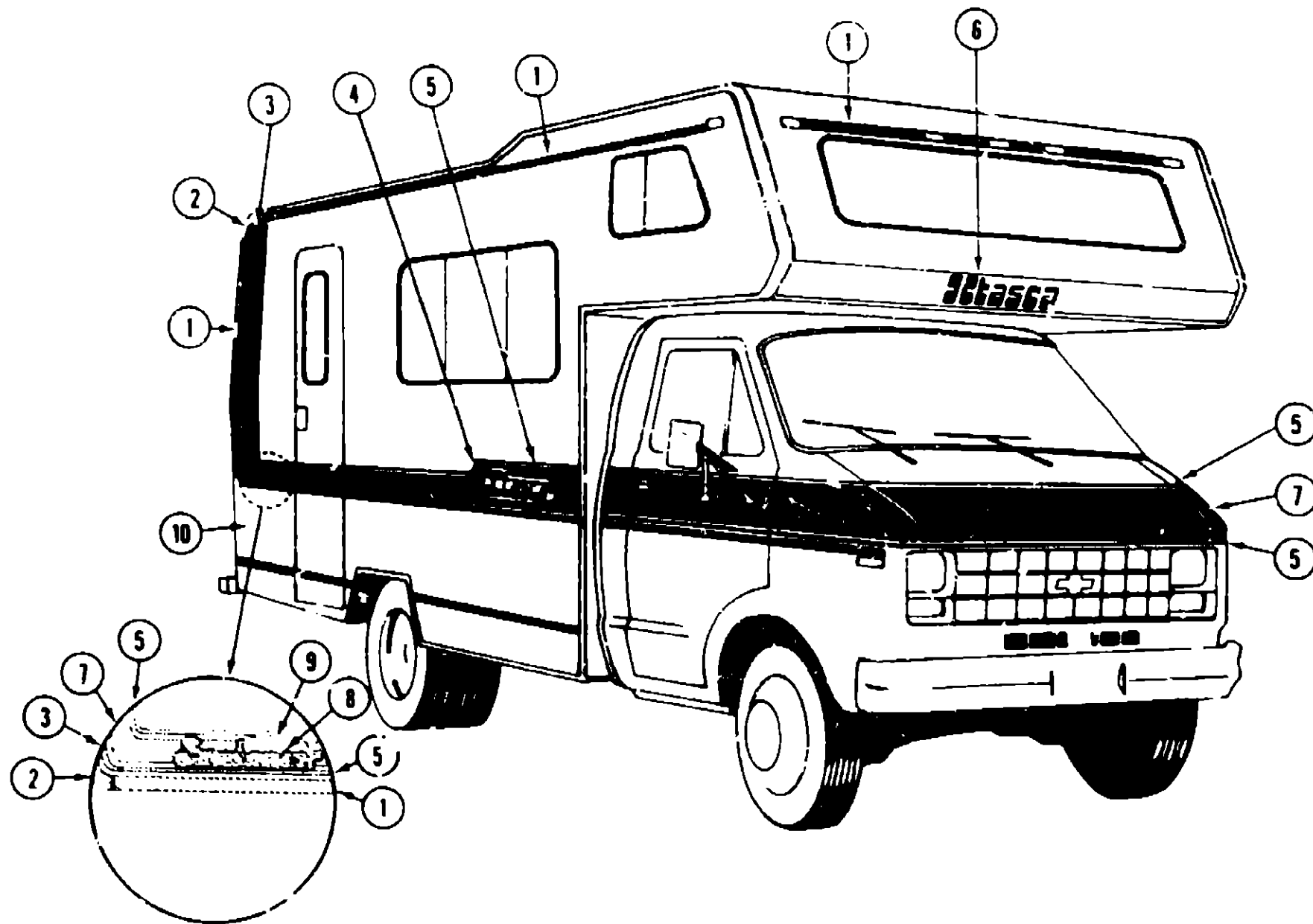
IC420RG N2	A-1 - B-20
IC621RB N2	B-21 - D-14
IC723DB N2	D-15 - F-2
IC723RH N2	F-3 - G-16
IC823DB P2	G-17 - I-8

1982 IC420RG N2 INDEX

Floor Plan	A-1 - A-2
Accessories Group	A-3 - A-5
Bath Group	A-6
Chassis Group	A-7
Curtain, Cushion & Pad Group	A-8 - A-13
Dinette Group	A-14
Driver's Compartment Group	A-15 - A-16
Electrical Group	A-17 - A-19
Exterior Body Group	A-20 - A-24
Galley Group	B-1 - B-2
Heating & Air Conditioning Group	B-3
Interior Finish Group	B-4 - B-6
LP Group	B-7
Lounge Group	B-8 - B-9
Water & Sewage Group	B-10
Window, Vent & Exterior Door Group	B-11 - B-20

EXTERIOR BODY GROUP (CONTINUED)

LABELS, DECALS AND EXTERIOR PAINT



Key	Part Number	U/M	Description
1	041273 26-000	FT	Decal - Stripe - 2.0" - Gold
2	067782-01-000	EA	Decal - Tape Stripe - Side Rear - Corner - 2.0" - Gold
3	065206-01-000	EA	Decal - Tape Stripe - Side Rear - Corner - .62" - Black
4	065211-01-000	EA	Decal - Tape Stripe - Side Swirl - .62" - Black
5	065205-01-000	FT	Decal - Tape Stripe - 62" - Black
6	046400-07-000	EA	Decal - Logo - "Itasca" - 5.25" x 24"
7	067792-02-N04	EA	Paint - Caramel - Acrylic Enamel - 16 oz. Aerosol (B8090AW Dupont)
7	067772-02-N05	EA	Paint - Brown - Acrylic Enamel - 16 oz. Aerosol (45828AW Dupont)
7	069736-02-N06	EA	Paint - Blue - Acrylic Enamel - 16 oz. Aerosol (45138 Dupont)
8	059523-03-000	EA	Decal - Sundancer
9	067778-01-000	EA	Decal - Logo - Triple Sun
10	041561-01-000	EA	Paint - Off White - Acrylic Enamel - 1 Gal. (45396A Dupont)
10	041561-03-000	EA	Paint - Off White - Acrylic Enamel - 16 oz. Aerosol (45396A Dupont)
10	041561-04-000	EA	Paint - Off White - Acrylic Lacquer - 1 Gal. (45396C Dupont)

Key	Part Number	U/M	Description
.	006028-01-000	EA	Label - Drain Cap - 2" x 3"
.	006031-01-000	EA	Label - Potable Water Only
.	061417-01-000	EA	Label - Fuel
.	064378-01-000	EA	Label - Flying W/Thermo Panel
.	006187-01-000	EA	Label - Sewage
.	006188-01-000	EA	Label - Waste Water
.	(06199-01-000	EA	Label - Exit - Escape Window
.	047731-01-000	EA	Label - Emergency Exit
.	054531-01-000	EA	Label - LP Gas Only
.	031161-01-000	EA	Label - Flying W
.	050223-01-000	EA	Label - Lower Refrigerator Vent
.	050224-01-000	EA	Label - Refrigerator Roof Vent
.	050225-01-000	EA	Label - Warning - Stove Vent - U.S.
.	006195-01-000	EA	Label - Electrical Test
.	006196-01-000	EA	Label - Gas Test
.	006197-01-000	EA	Label - Water Test
.	006040-01-000	EA	Tag - Gas Refueling Warning
.	06062-01-000	EA	Tag - Electrical - 110 Volt Connection
.	006001-01-000	EA	Nameplate Plastic - Winnebago - Chrome
.	065960-01-000	EA	Logo - LP Power
.	065962-01-000	EA	Logo - Winnebago LPG
.			Not illustrated

1982 ITASCA TABLE OF CONTENTS

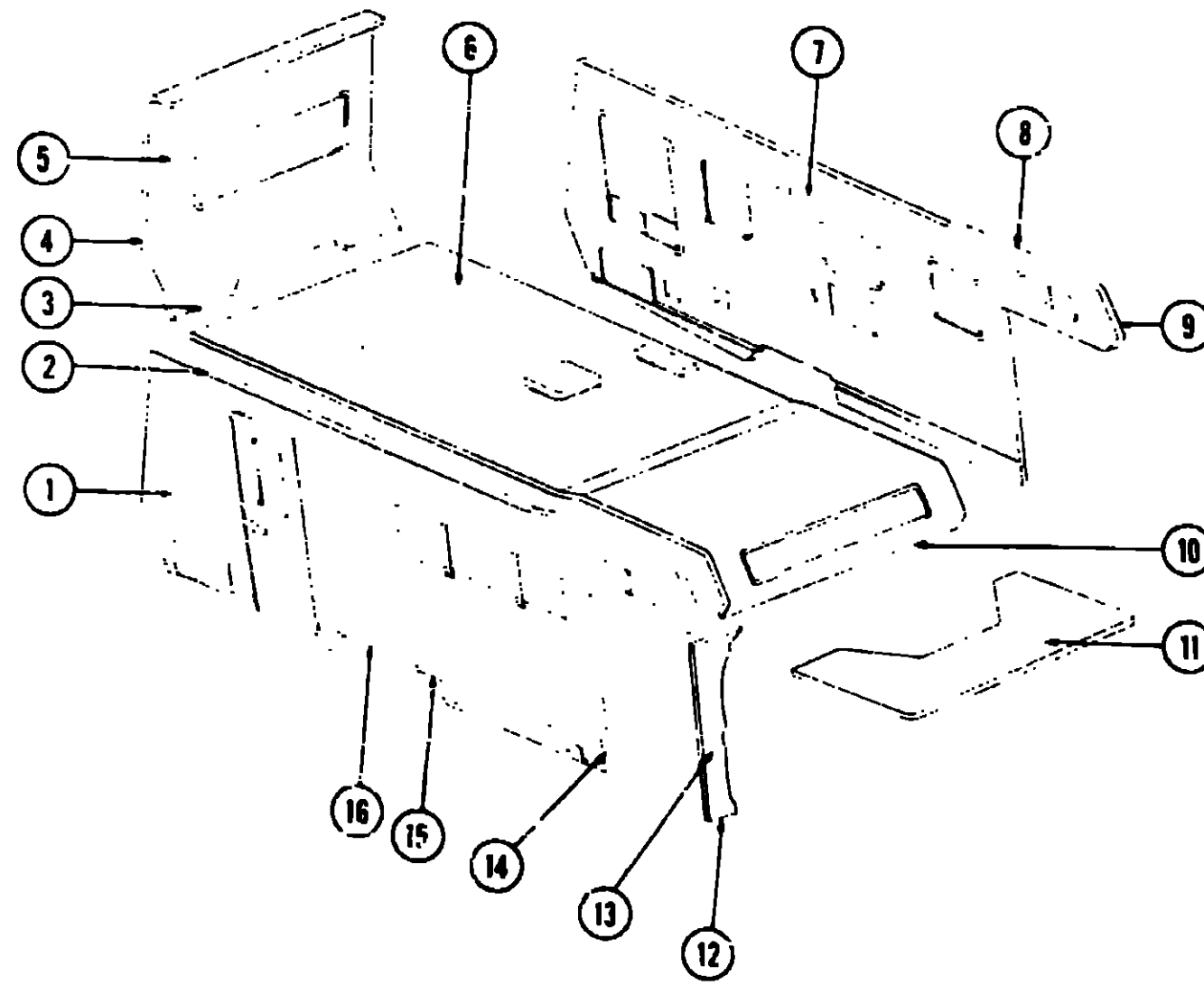
IC420RG N2	A-1 - B-20
IC621RB N2	B-21 - D-14
IC723DE N2	D-15 - F-2
IC723RH N2	F-3 - G-16
IC823DB P2	G-17 - I-8

1982 IC420RG N2 INDEX

Floor Plan	A-1 - A-2
Accessories Group	A-3 - A-5
Bath Group	A-6
Chassis Group	A-7
Curtain, Cushion & Pad Group	A-8 - A-13
Dinette Group	A-14
Driver's Compartment Group	A-15 - A-16
Electrical Group	A-17 - A-19
Exterior Body Group	A-20 - A-24
Galley Group	B-1 - B-2
Heating & Air Conditioning Group	B-3
Interior Finish Group	B-4 - B-6
LP Group	B-7
Lounge Group	B-8 - B-9
Water & Sewage Group	B-10
Window, Vent & Exterior Door Group	B-11 - B-20

EXTERIOR BODY GROUP (CONTINUED)

EXTERIOR BODY PANELS AND TRIM



Key	Part Number	U/M	Description
1	M71135-01-N01	EA	Sidewall Asm. - Right
2	042170-03-000	EA	Trim - Contour - Roof - Rear Right - Off White
3	050630-03-000	EA	Trim - Contour - Roof - Rear Left - Off White
4	039964-01-000	EA	Trim - Contour - Backwall - Right - Off White
5	039964-02-000	EA	Trim - Contour - Backwall - Left - Off White
6	M58147-01-N01	EA	Backwall Asm.
7	M65474-01-N01	EA	Roof Asm.
8	058146-01-700	EA	Roof Section - Cab Over to First Seam
9	M71134-01-N04	EA	Sidewall Asm. - Left (N05)
10	M71134-01-N06	EA	Sidewall Asm. - Left
11	056240-01-000	EA	Trim - Contour - Roof - Front Right - Off White
12	056240-02-000	EA	Trim - Contour - Roof - Front Left - Off White
13	052799-01-000	EA	Trim - Contour - Sleeper - Right - Off White
14	052799-02-000	EA	Trim - Contour - Sleeper - Left - Off White
15	039644-05-000	EA	Trim - Sleeper Board - Front
16			Not illustrated

Key	Part Number	U/M	Description
11	M56379-02-N01	EA	Sleeper Board Asm.
12	054459-01-000	EA	Trim - Wingwall - Bottom - Right
13	054459-02-000	EA	Trim - Wingwall - Bottom - Left
14	058729-01-N01	EA	Wingwall Asm. - Right
15	058729-02-N01	EA	Wingwall Asm. - Left
16	048610-01-000	EA	Corner Trim - Plastic - Left Front Overhang - Off White
17	048610-02-000	EA	Corner Trim - Plastic - Right Front Overhang - Off White
18	036476-09-000	EA	Trim - Corner - Wingwall - Right
19	036476-10-000	EA	Trim - Corner - Wingwall - Left
20	002444-02-001	EA	Feature Strip - Extr. Alum. - 14"
21	001030-19-000	EA	Insert - Feature Strip - Brown - 17"
22	003731-01-050	EA	End Cap - Feature Strip
23	041746-01-000	FT	Extr. Vinyl - Bubble Seal - Wingwall
24	052671-04-000	EA	Trim - Wheel Well - Rear - Left or Right
25	002792-01-000	EA	Extrusion - Contour Trim - 222"
26			Not illustrated

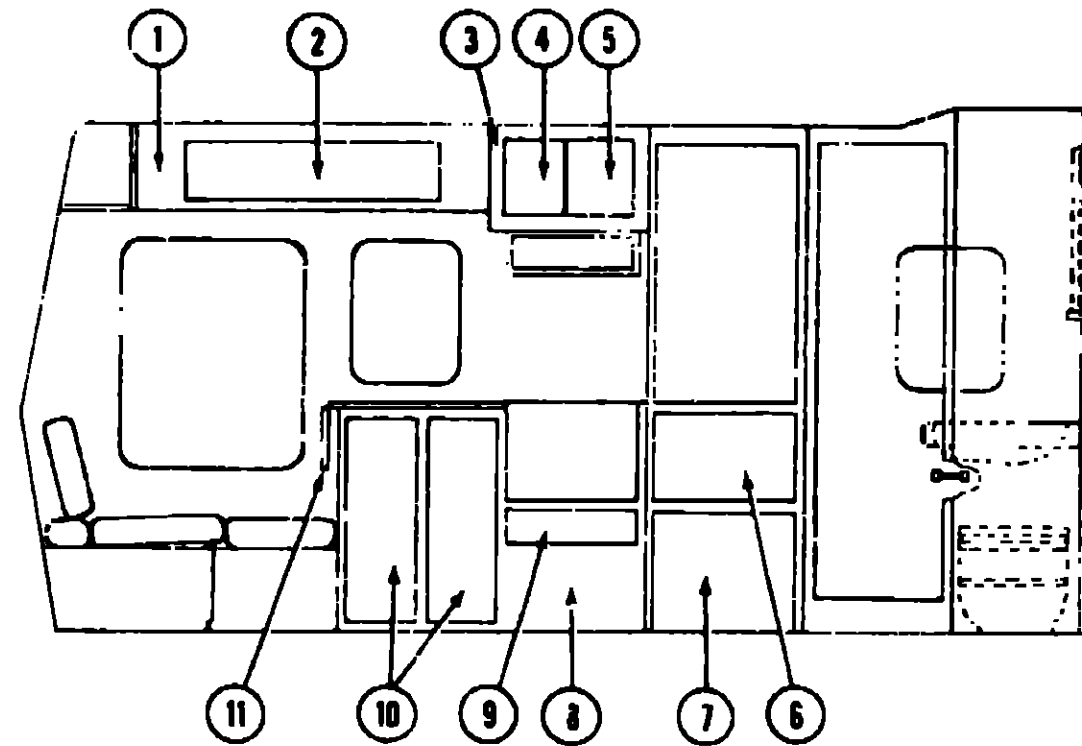
1982 ITASCA TABLE OF CONTENTS

IC420RG N2	A-1 - B-20
IC621RB N2	B-1 - D-14
IC723DR N2	D-15 - F-2
IC723FR N2	F-3 - G-16
IC823DB P2	G-17 - I-8

1982 IC420RG N2 INDEX

Floor Plan	A-1 - A-2
Accessories Group	A-3 - A-5
Bath Group	A-6
Chassis Group	A-7
Curtain, Cushion & Pad Group	A-8 - A-13
Dinette Group	A-14
Driver's Compartment Group	A-15 - A-16
Electrical Group	A-17 - A-19
Exterior Body Group	A-20 - A-24
Galley Group	B-1 - B-2
Heating & Air Conditioning Group	B-3
Interior Finish Group	B-4 - B-6
LP Group	B-7
Lounge Group	B-8 - B-9
Water & Sewage Group	B-10
Window, Vent & Exterior Door Group	B-11 - B-20

GALLEY GROUP



GALLEY CABINETRY

Key	Part Number	U/M	Description
1	071147-01-N01	EA	Cabinet Asm - Galley Overhead - w/o Door or Hardware
2	M00789-01-N01	EA	Door Asm - Galley Overhead Cabinet - 10.3" x 35.2" - w/o Hardware
3	M71139-01-N01	EA	Cabinet Asm - Microwave - w/o Doors or Hardware
4	M00788-05-N01	EA	Door Asm - Microwave Cabinet - 11.6" x 16" - Left
5	M00788-06-N01	EA	Door Asm - Microwave Cabinet - 11.6" x 16" - Right
6	M00789-05-N01	EA	Door Asm - Refrigerator Cabinet - 14.7" x 23.5" - w/o Hardware
7	M68646-01-N01	EA	Door Asm - Refrigerator Cabinet - 19.8" x 23.5" - w/o Hardware
8	M71146-01-N01	EA	Galley - w/o Countertop, Doors, Drawers or Hardware
9	M00831-01-N01	EA	Countertop Asm - Galley Cabinet - Almond
9	M00789-08-N01	EA	Door Asm - Galley Cabinet - 22" x 6.5" - w/o Hardware
10	M00789-15-N01	EA	Door Asm - Galley Cabinet - 11.8" x 31.5" - w/o Hardware
11	066529-01-N01	EA	Extension Asm - Galley Countertop - w/o Hardware - Almond
	059913-01-N01	EA	Drawer Asm - Galley Cabinet - 10" x 5" x 20" Deep
	059915-02-N01	EA	Drawer Asm - Galley Cabinet - 10" x 5" x 14" Deep
	059915-05-N01	EA	Drawer Asm - Galley Cabinet - 10" x 5" x 12" Deep
	Not illustrated		

GALLEY GROUP (CONTINUED)

GALLEY HARDWARE AND APPLIANCES

Key	Part Number	U/M	Description
	053424-04-N01	EA	Sink Cover - Large - Almond
	068615-01-000	EA	Sink - Stainless Steel - Double w/ Mounting Bolts
**	011053-01-000	EA	Faucet - Swing Spout - 8" - US
**	011053-02-000	EA	Faucet - Swing Spout - 8" - C.S.A.
	064952-01-000	EA	Faucet - Single Control
	066437-01-000	EA	Strainer - Sink
**	011053-01-700	EA	Aerator - Swing Spout Faucet
	058334-01-000	EA	Wastebasket - 9 3/4" x 7" x 10" - White Rubbermaid
	059877-01-000	EA	Support - Wastebasket
	009049-01-000	EA	Table Support - Galley Extension
	059753-01-000	EA	Drawer Slide - Left
	059753-02-000	EA	Drawer Slide - Right
	053333-01-000	EA	Range Hood - Non Power - Black - U.S.
**	053333-02-000	EA	Range Hood - Non Power - Black - C.S.A.
**	049930-03-000	EA	Range Hood - Powered - Black - Jensen - U.S.
**	049930-04-000	EA	Range Hood - Powered - Black - Jensen - C.S.A.
	052771-02-000	EA	Microwave Oven - Magic Chef - MW207
	067754-01-000	EA	Range - 3 Burner - Small Oven - Magic Chef
	064473-02-000	EA	Refrigerator - AC/DC/Gas - Norcold - 6'
	072369-01-000	EA	Grille Mesh - Brass - 10.1" x 14.5"
	037688-01-000	EA	Rail - Drawer Guide - Steel
	054450-01-000	EA	Level - Refrigerator
	057898-01-000	EA	Latch - Hidden - Cabinet Door
	057898-02-000	EA	Strike - Hidden Latch - Cabinet Door
	047744-01-000	EA	Kit - Drawer Guide - Plastic
**	The illustrated parts breakdown for this item is provided on the Common Items Fiche		

1982 ITASCA TABLE OF CONTENTS

IC420RB N2	A-1 - B-20
IC621RB N2	B-21 - D-14
IC723DB N2	D-15 - F-2
IC723RH N2	F-3 - G-16
IC923DB P2	G-17 - I-8

1982 IC420RG N2 INDEX

Floor Plan	A-1 - A-2
Accessories Group	A-3 - A-5
Bath Group	A-6
Chassis Group	A-7
Curtain, Cushion & Pad Group	A-8 - A-13
Dinette Group	A-14
Driver's Compartment Group	A-15 - A-16
Electrical Group	A-17 - A-19
Exterior Body Group	A-20 - A-24
Galley Group	B-1 - B-2
Heating & Air Conditioning Group	B-3
Interior Finish Group	B-4 - B-6
LP Group	B-7
Lounge Group	B-8 - B-9
Water & Sewage Group	B-10
Window, Vent & Exterior Door Group	B-11 - B-20

HEATING & AIR CONDITIONING GROUP

AUTOMOTIVE AIR CONDITIONER

Key	Part Number	U/M	Description
	051770-01-000	EA	Compressor - Auto Air - Chev. C-Body - ARA
	056452-01-000	EA	Evaporator - Auto Air - Chev. C-Body - ARA
	056460-01-000	EA	Condenser Asm. - Auto Air - Chevrolet C-Body - ARA
	056779-01-000	EA	Clutch - Auto Air - 7" Drive - Chev. C-Body - ARA
	056459-01-000	EA	Mount - Compressor - Chevrolet
	055279-01-000	EA	Control Asm. - Heater and Air Conditioner
	055280-01-000	EA	Switch - Fan - 3 Speed - Control Asm. - Heater and Air Conditioner
	007076-01-000	FT	Hose - Flexible PVC - 2" I.D.
	007108-01-000	FT	Hose - Heater - 5/8" I.D. SAE 20R3
	007281-01-000	FT	Hose - Flexible PVC - 2 1/2" I.D.
	062401-04-000	EA	Clamp - Worm Drive - .59" - 1.25" I.D.
	033258-01-000	EA	Hose - Refrigerant - .50" I.D. x 34 50"
	034222-01-000	EA	Hose - Refrigerant - .31" I.D. x 26"
	034222-02-000	EA	Hose - Refrigerant - .31" I.D. x 32"
	031960-01-000	EA	Hose - Refrigerant - .34" I.D. x 30"
	031961-02-000	EA	Hose - Refrigerant - .31" I.D. x 19"

COACH HEATING AND A/C

Key	Part Number	U/M	Description
	069634-01-723	EA	Thermostat - Wall Mount - Suburban
	009200-01-000	EA	Tape - Furnace - 1 1/2"
	023146-01-000	EA	Clamp - Screw Type - 4"
	024985-01-000	EA	Register w/Damper - 9.9" x 4.8"
	009198-01-000	EA	Duct - Flexible - 4" I.D. x 25'
	031604-01-000	EA	Bonnet - Heat Register
	056464-01-000	EA	Register - 4" Dia. - Plastic - w/Damper
	056464-02-000	EA	Register - 4" Dia. - Plastic - w/o Damper
	049401-01-000	EA	Heater Asm. - Rear Auxiliary
	049401-01-700	EA	Valve - Water Control - Rear Aux. Heater
	049401-01-701	EA	Control Cable - Rear Aux. Heater
	049401-01-702	EA	Motor Asm. - Rear Aux. Heater
	049401-01-703	EA	Heater Core - Rear Aux. Heater
	049401-01-704	EA	Switch - Rear Aux. Heater
	058906-01-000	EA	Control Panel - Rear Aux. Heater
	069633-01-000	EA	Furnace - 24,000 BTU - Direct Ignition NT-24M
**	049775-02-000	EA	Shroud Asm. - Ceiling - Inside - Roof Air - Cool Only 13,500 BTU - Coleman
**	049776-01-000	EA	Shroud Asm. - Ceiling - Inside - Roof Air - Heat and Cool 13,500 BTU - Coleman
	063903-01-000	EA	Air Conditioner - 110 Volt - Roof Air 13,500 BTU - Rotary

** The illustrated parts breakdown for this item is provided on the Common Items Fiche

INTERIOR FINISH GROUP

PANELING AND COUNTERTOP MATERIALS

Key	Part Number	U/M	Description
	045963-01-000	SF	Paneling - 825 Buff - Ceiling - 48" x 96" (32 SF)
	068344-03-000	SF	Paneling - 772 Birch - Sidewall - 48" x 96" (32 SF)
	069732-07-000	SF	Paneling - Bath Decor - Misty Wheat (N04) (N05) (N06)
	069732-04-000	SF	Paneling - Galley Decor - Crewel/Maple (N04) (N05)
	069732-05-000	SF	Paneling - Galley Decor - Crewel/Rhapsody (N06)
	069731-02-000	SF	Plastic Laminate - Almond (N04) (N05) (N06)

INTERIOR MOLDINGS AND TRIMS

Key	Part Number	U/M	Description
	047354-01-000	EA	Batt Strip - 825 Buff - Ceiling - 96"
	064386-01-000	EA	Batt Strip - 772 Birch - Sidewall - 96"
	069733-06-000	EA	Batt Strip - Bath Decor - Misty Wheat - Beige (N04) (N05) (N06)
	069733-01-000	EA	Batt Strip - Galley Decor - Crewel/Maple (N04) (N05)
	069733-03-000	EA	Batt Strip - Galley Decor - Crewel/Rhapsody (N06)
	024700-06-000	EA	Cover - Roll Bar - Sidewall - Ivory
	052859-01-N01	FT	Accent Trim - Medium Almond Vinyl (Beige)
	052859-01-M10	FT	Accent Trim - Acorn Brown Vinyl
	009812-10-000	FT	Molding - Outside Corner - .50" - Birch
	009813-01-000	FT	Molding - Outside Corner - .50" - Dark Pecan
	009767-05-000	FT	Welting - Light Brown
	009778-03-000	FT	U-Channel - 1" - Light Brown
	017768-05-000	FT	U-Channel - 3/16" - Light Brown
	009779-03-000	FT	U-Channel - 1 1/8" - Light Brown
	052861-01-K01	FT	Molding Asm. - Shelf
	009810-01-000	FT	Molding - Outside Corner - 1" - Dark Pecan
	009815-03-000	FT	T-Molding - .75" - Light Brown
	022992-08-000	FT	Molding - Reverse Cove - Champagne
	022992-01-000	FT	Molding - Reverse Cove - White
	022992-04-000	FT	Molding - Reverse Cove - Indian Ivory
	035337-22-000	EA	Trim - Inside Corner - Alum. - 80.88"
	034394-02-000	FT	Extr. Vinyl Inset - Beige
	061600-01-000	EA	Decal - "Itasca" - 5" x 2 5"

FABRICS AND FLOOR COVERINGS

Key	Part Number	U/M	Description
	068339-03-000	YD	Fabric - Drapery - Walnut Golden Brown (N04) (N05)
	064393-05-000	YD	Fabric - Drapery - Molasses Dark Cream (N06)
	069727-04-000	YD	Fabric - Upholstery - Light Brown (N04)
	069727-05-000	YD	Fabric - Upholstery - Brown (N05)
	069727-06-000	YD	Fabric - Upholstery - Blue (N06)
	070502-01-000	YD	Vinyl - Non Expanded - 12 Gauge Film - Medium Almond (Beige)
	053327-01-000	YD	Vinyl - Non Expanded - 27 oz - Acorn Brown
	053327-02-000	YD	Vinyl - Expanded - 27 oz - Acorn Brown
	053327-03-000	YD	Vinyl - Non Support - 16 Gauge Film - Acorn Brown
	069730-01-000	SY	Carpet - Honey Beige (N04) (N05) (N06)

1982 ITASCA TABLE OF CONTENTS

IC420RB N2	A-1 - B-20
IC621RB N2	B-21 - D-14
IC723DB N2	D-15 - F-2
IC723RH N2	F-3 - G-16
IC823DB P2	G-17 - I-8

1982 IC420RG N2 INDEX

Floor Plan	A-1 - A-2
Accessories Group	A-3 - A-5
Bath Group	A-6
Chassis Group	A-7
Curtain, Cushion & Pad Group	A-8 - A-13
Dinette Group	A-14
Driver's Compartment Group	A-15 - A-16
Electrical Group	A-17 - A-19
Exterior Body Group	A-20 - A-24
Galley Group	B-1 - B-2
Heating & Air Conditioning Group	B-3
Interior Finish Group	B-4 - B-6
LP Group	B-7
Lounge Group	B-8 - B-9
Water & Sewage Group	B-10
Window Vent & Exterior Door Group	B-11 - B-20

INTERIOR FINISH GROUP (CONTINUED)

CABINETRY AND TABLE HARDWARE

Key	Part Number	U/M	Description
**	052927-21-J30	EA	Hinge Kit - Cabinet Door - Antique Brass
	053103-01-L01	EA	Hinge Kit - Double Acting - Overhead Door
	057898-01-000	EA	Hidden Latch - Cabinet Door
	057898-02-000	EA	Strike - Hidden Latch - Cabinet Door
	009112-01-000	EA	Flange - 1" - Closet Rod
**	053200-01-000	EA	Bracket - Upper Wall Mount - 23.5" - Brown
	053200-05-000	EA	Bracket - Upper Wall Mount - 23.5" - Beige
**	053201-01-000	EA	Bracket - Table Mount - 23" - Brown
	053201-03-000	EA	Bracket - Table Mount - 23" Anod.
**	024275-01-000	EA	Rod - Table Lift - 8" x 23.5" - Brown
	024275-05-000	EA	Rod - Table Lift - 8" x 23.5" - Beige
**	024281-03-000	EA	Bracket - Lower Wall Mount - 22.12" - Brown
	024281-07-000	EA	Bracket - Lower Wall Mount - 22.12" - Beige
**	024276-04-000	EA	Leg Asm. - Table - 29.5" - Brown
	024276-08-000	EA	Leg Asm. - Table - 29.5" - Beige
	064050-01-000	EA	Hinge - Table Leg
**	024282-01-000	EA	Brace - Table Leg
**	024283-01-000	EA	Clip - 1" O.D. Tube
**	049493-02-000	EA	Catch - Table Leg - Mounts on Floor - Brown
	049493-03-000	EA	Catch - Table Leg - Mounts on Floor - Beige
	009040-02-000	EA	Leg - Pedestal Table - 27.5" x 2.25" O.D. - Chrome
	009040-03-000	EA	Base - Table Leg - Mounts on Table
	041194-01-000	EA	Ease - Table Leg - Mounts in Floor
	062046-01-000	EA	Clip - Leg Pedestal
	058335-01-000	EA	Latch - Bathroom Door w/Lock
	058335-02-000	EA	Latch - Bathroom Door w/o Lock
	059753-01-000	EA	Slide - Drawer - Left
	059753-02-000	EA	Slide - Drawer - Right
**	037688-01-000	FT	Rail - Drawer Glide - Steel
**	047744-01-000	EA	Kit - Drawer Glide - Plastic
	009049-01-000	EA	Support - Table - Drop Leaf
	066740-01-000	EA	Full - Drawer - Brass
	009050-01-000	EA	Warp Guard - 64"
	009051-01-000	EA	Warp Guard - 48"
	009021-01-000	EA	Catch - Nylon - Furnace Door
	009021-02-000	EA	Strike - Nylon Catch - Furnace Door
**	The illustrated parts breakdown for this item is provided on the Common Items Fiche		

CURTAIN HARDWARE

Key	Part Number	U/M	Description
	052327-05-009	EA	Track - Curtain - Beige Alum - 76" w/Holes
	056116-01-000	FT	Track - Curtain - Brown Plastic
	056001-01-000	EA	Bracket - Shade - Left
	056002-01-000	EA	Bracket - Shade - Right
	056003-01-000	EA	Bracket - Drapery Retainer - Right
	056003-02-000	EA	Bracket - Drapery Retainer - Left
	053272-04-200	EA	Track - Curtain - Off White - 89" w. Holes
	056784-01-000	EA	Pull - Window Shades - Antique Brass
	009107-01-000	EA	Guide - Nylon Snap - Curtain
	018031-46-000	EA	Track - Curtain - "L" Rod - Alum Extr - 182"
	009701-01-000	EA	Carrier - "L" Rod - Curtain
	009702-01-000	EA	End Stop - "L" Rod - Curtain
	056115-01-000	YD	Tape - Clear Plastic - w/Guides
	048394-01-000	YD	Tape - Hook - 1" x 25 YD - Beige
	048395-01-000	YD	Tape - Loop - 1" x 25 YD - Beige
	039175-01-000	EA	Rod - Curtain - Extension - 48" - 84"
	039175-03-000	EA	Rod - Curtain - Extension - 28" - 48"
	039175-02-000	EA	Bracket - Curtain Rod

INTERIOR FINISH GROUP (CONTINUED)

MISCELLANEOUS

Key	Part Number	U/M	Description
	041944-01-700	EA	Fire Extinguisher - Dry Chemical w/Bracket
	041944-03-000	EA	Fire Extinguisher - 5 BC (Calif.)
	007038-01-000	EA	Door Mat - Black Rubber - 10 1/2" x 26"
	053552-01-N01	EA	Assist Handle - Interior - Medium Almond (Beige)
	053552-01-K01	EA	Assist Handle - Interior - Acorn Vinyl (Brown)
	054185-14-000	EA	Owners Manual - 1982 - Winnebago & Itasca
	072369-01-000	EA	Brass Mesh - Insert - 10.1" x 14.5" - Furnace Grill
	006069-01-000	EA	Key Case - Leather

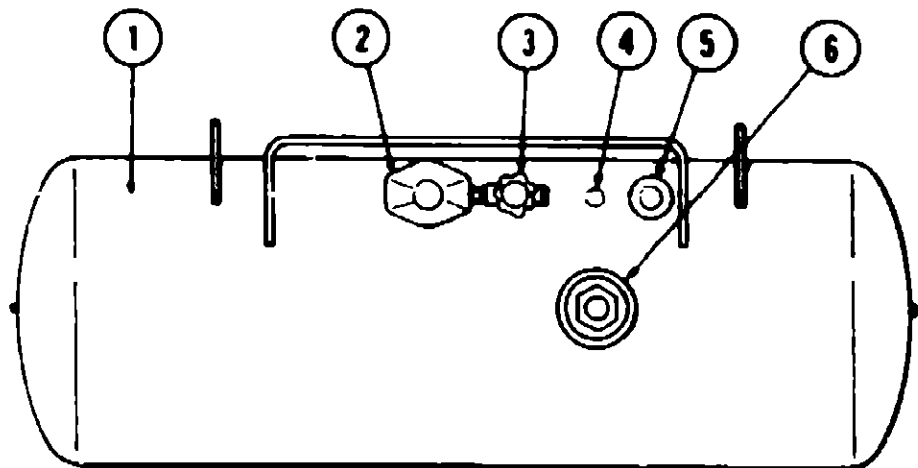
**1982 ITASCA
TABLE OF CONTENTS**

IC420RB N2	A-1 - B-20
IC621RB N2	R-21 - D-14
IC723DB N2	D-15 - F-2
IC723RH N2	F-3 - G-16
IC823DB P2	G-17 - I-8

1982 IC420RG N2 INDEX

Floor Plan	A-1 - A-2
Accessories Group	A-3 - A-5
Bath Group	A-6
Chassis Group	A-7
Curtain, Cushion & Pad Group	A-8 - A-10
Dnette Group	A-14
Driver's Compartment Group	A-15 - A-16
Electrical Group	A-17 - A-19
Exterior Body Group	A-20 - A-24
Galley Group	B-1 - B-2
Heating & Air Conditioning Group	B-3
Interior Finish Group	B-4 - B-6
LP Group	B-7
Lounge Group	B-8 - B-9
Water & Sewage Group	B-10
Window Vent & Exterior Door Group	B-11 - B-20

LP GROUP

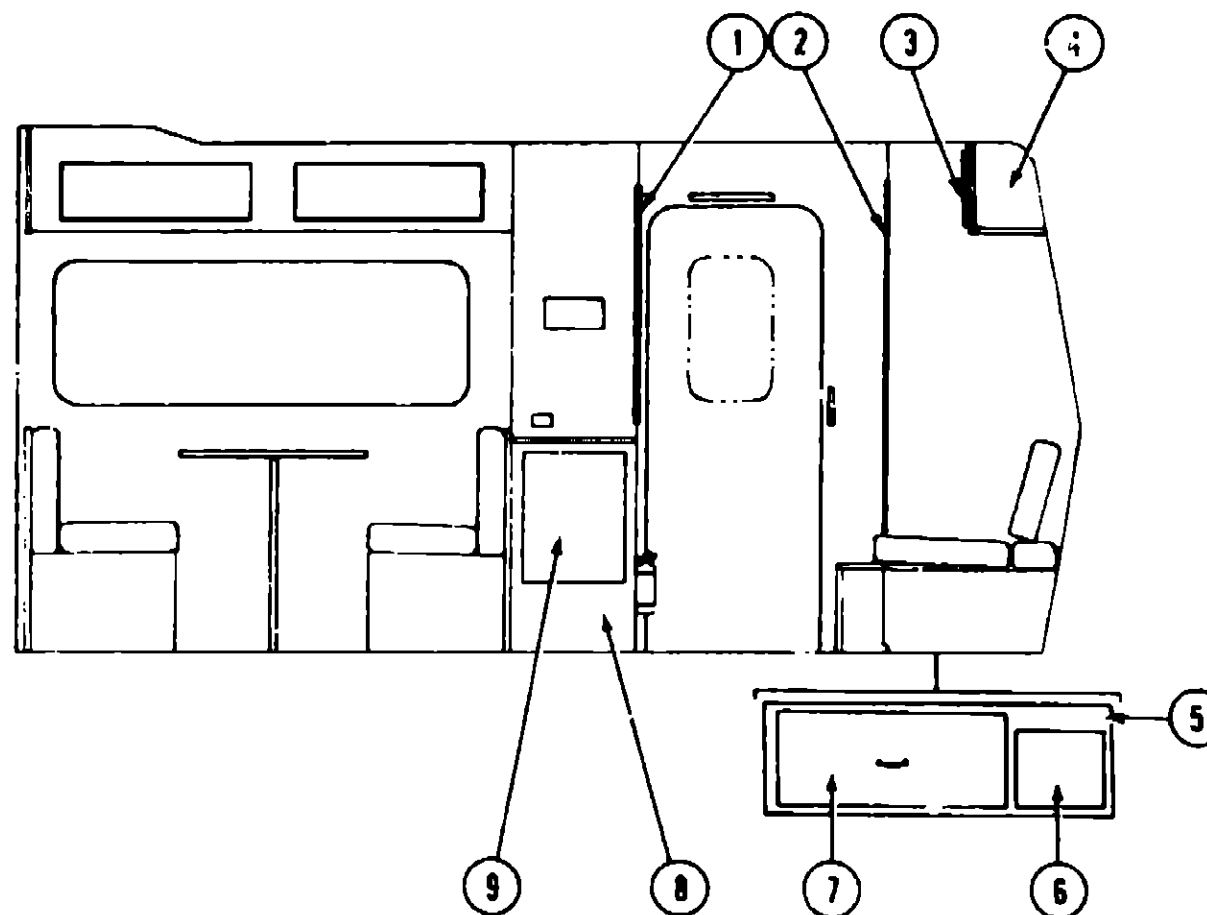


Key	Part Number	U/M	Description
1	052769-01-000	EA	Tank Asm. - LP - Frame Mount - 42 Pound
1	063378-01-000	EA	Tank Asm. - LP - Frame Mount - 80 Pound
1	065275-01-000	EA	Tank Asm. - LP - Frame Mount - 14" x 40"
1	065741-01-000	EA	Detector - LP Gas Leak - Marshalltown Instruments
2	058706-01-000	EA	Cover - Regulator - 2 Stage
2	061705-01-000	EA	Regulator - Two Stage - LP Gas
3	040421-01-703	EA	Valve - Vapor Relief
4	040421-01-700	EA	Gauge - Liquid Level - 20% LP
5	040421-01-701	EA	Valve - Filter - LP
5	040421-01-702	EA	Cap - Plastic Fill Valve
6	042281-01-700	EA	Gauge - Float - w/Visible Dial - 42 Pound Tank
6	040421-01-706	EA	Dial - Visible Face - Float Gauge (Tank w/o Electric Transmitter)
6	040440-01-000	EA	Dial - Transmitter - 0-90 Ohm (Float Gauge)
6	045703-03-000	EA	Hose Asm. - LP - 3/8" I.D. x 14"
6	047737-02-000	EA	Support - LP Tank - 89.25"
6	047737-03-000	EA	Support - LP Tank - 30.50"
6	045703-01-000	EA	Hose Asm. - LP - 3/8" I.D. x 24"
6	Not illustrated		

WINN AIR WITH LANDI-HARTOG (C-BODY)

Key	Part Number	U/M	Description
	065279-01-000	EA	Relief Valve - Hydrostatic
	065267-02-000	EA	Valve - Gasoline Shut-Off
	065820-02-000	EA	Hose Asm. - High Pressure - 36"
	067290-01-001	EA	Hose - Vapor 5/8" x 51"
	068050-07-000	EA	LP Mixer
	068163-01-000	EA	Strap - Converter Brace
	068197-01-000	EA	Instrument Asm. - LP
	068240-01-000	EA	Support Brace - Converter
	035927-01-002	EA	Steel Rod - Threaded - 1/4" - 20 x 9"
	068143-01-000	EA	Tube Asm. - Converter - Copper w/Flare Nuts - 5.16" x 270° Bend
	065820-01-000	EA	Hose Asm. - High Pressure - 95"
	065802-01-000	EA	Gauge - LP Level w/Hardware
	068050-05-000	EA	Switch - LP/Gas Changeover
	068050-01-000	EA	Converter - LP
	068050-02-000	EA	LP Lock Off
	068050-03-000	EA	Switch - LP - Vacuum Safety

LOUNGE GROUP



LESTER LOUNGE, OVERHEAD CABINET, AND WARDROBE CABINET

Key	Part Number	U/M	Description
1	M00789-03-N01	EA	Door Asm. - Wardrobe Cabinet - 12" x 42" - w/o Hardware
2	M00789-04-N01	EA	Door Asm. - Wardrobe Cabinet - 11.8" x 61" - w/o Hardware
3	M00789-01-N01	EA	Door Asm. - Rear Overhead Cabinet - 10.3" x 35.2" - w/o Hardware
4	071140-01-N01	EA	Cabinet Asm. - Rear Overhead - w/o Doors or Hardware
5	M71144-01-N01	EA	Cabinet Asm. - Couch - w/o Drawer, Door or Hardware (N2)
5	M72629-01-N01	EA	Cabinet Asm. - Couch - w/o Drawer, Door or Hardware (N3)
6	M00789-06-N01	EA	Door Asm. - Couch Cabinet - 14.5" x 10.5" - w/o Hardware
7	M71149-01-N01	EA	Drawer Asm. - Blanket - 29.72" x 10.72" x 19.62" Deep - w/o Hardware
7	053248-02-N01	EA	Table Asm. - Pedestal - w/o Hardware - Almond
8	M69891-01-N01	EA	Cabinet Asm. - Furnace - w/o Countertop, Door or Hardware
8	M00744-01-N01	EA	Countertop Asm. - Furnace Cabinet - Almond
9	M69856-03-N07	EA	Door Asm. - Furnace - w/Mesh Insert - 15.1" x 22.6" - w/o Hardware
9	Not illustrated		

1982 ITASCA TABLE OF CONTENTS

IC420HG N2	A-1 - B-20
IC621RB N2	B-21 - D-14
IC723DB N2	D-15 - F-2
IC723RH N2	F-3 - G-16
IC823DB P2	G-17 - I-8

1982 IC420RG N2 INDEX

Floor Plan	A-1 - A-2
Accessories Group	A-3 - A-5
Bath Group	A-6
Chassis Group	A-7
Curtain, Cushion & Pad Group	A-8 - A-13
Dinette Group	A-14
Driver's Compartment Group	A-15 - A-16
Electrical Group	A-17 - A-19
Exterior Body Group	A-20 - A-24
Galley Group	B-1 - B-2
Heating & Air Conditioning Group	B-3
Interior Finish Group	B-4 - B-6
LP Group	B-7
Lounge Group	B-8 - B-9
Water & Sewage Group	B-10
Window, Vent & Exterior Door Group	B-11 - B-20

LOUNGE GROUP (CONTINUED)

LOUNGE HARDWARE

Key	Part Number	U/M	Description
	009040-02-000	EA	Leg - Pedestal Table - 2 25" O.D. x 27.5" - Chrome
	009040-03-000	EA	Base - Table Leg - Mounts on Table
	041194-01-000	EA	Base - Table Leg - Mounts in Floor
	056875-02-000	EA	Leg Asm. - Couch
	022517-01-000	EA	End Cap - 1" x 1" - Brown
	053163-01-000	EA	Bracket Couch Slide
	053347-01-000	EA	Wire - Pin - Spring - 3/32"
	053348-01-000	EA	Steel Pin - 1/4" x 4" - 3/32" Hole
	054398-01-000	EA	Bracket - Center Support - Lester Lounge - Brown
	009151-01-000	EA	Warp Guard - 48"
	009112-01-000	EA	Flange - 1" Closet Rod - Chrome
	072365-01-000	EA	Brass Mesh Insert - 10.1" x 14.5" - Furnace Grill
	062046-01-000	EA	Clip - Pedestal Leg
	056093-01-N01	EA	Plug Asm. - Pedestal - Table - Honey Beige
	066740-01-000	EA	Pull - Drawer - Brass
	009021-01-000	EA	Catch - Nylon - Furnace Door
	009021-02-000	EA	Strike - Nylon Catch - Furnace Door

WATER & SEWAGE GROUP

PLUMBING REPAIR PARTS

Key	Part Number	U/M	Description
**	040539-01-000	EA	Kit - Repair - 3/8" O.D. Plastic Tube
**	040540-01-000	EA	Kit - Repair - 1/2" O.D. Plastic Tube
**	040541-01-000	EA	Kit - Repair - 5/8" O.D. Plastic Tube
	045729-01-000	EA	Water Pump - 2.8 G.P.M. - Direct Drive - Shurflo - US
	045729-02-000	EA	Water Pump - 2.8 G.P.M. - Direct Drive - Shurflo - CSA
	073647-02-000	EA	Filter - Water Pump - 1/2" MPT
	073647-03-000	EA	Filter - Water Pump - 1/2" Flare
	052958-01-000	EA	Tee - Plastic - 1/2 F x 1/2 F x 1/2 F
	052959-02-000	EA	Connector - Plastic - 1/2 F x 1/2 MPT
	052959-03-000	EA	Connector - Plastic - 1/2 F x 3/8 MPT
	052960-01-000	EA	Drain Valve - Line - 1/2 F x 1/2 F
**	039818-01-000	EA	Riser Asm. - 3/8" O.D. x 24" Tube
**	039818-02-000	EA	Riser Asm. - 3/8" O.D. x 36" Tube
**	039818-04-000	EA	Riser Asm. - 3/8" O.D. x 72" Tube
**	039818-05-000	EA	Riser Asm. - 3/8" O.D. x 48" Tube
	004020-01-000	QT	Adhesive - ABS Cement
**	010201-01-000	EA	Hose - Sewer - 3" x 10 Ft. w/Clamp
	062422-01-000	EA	Adapter - Offset Reducer - 3" x 1 1/2"
	070916-01-000	EA	Valve - Dual - 3" x 1.5" - Offset
	062415-01-000	EA	Cap - Sewer - 3"
	062416-01-000	EA	Hose Adapter - Sewer - 3"
	062418-02-000	EA	Valve - Sewer - 3" - w/o Handle
**	011091-01-000	EA	Waste - Continuous - Double Sink - 11 7/8"
**	011066-01-000	EA	P-Trap - Plastic - 1 1/4"
**	010079-01-000	EA	Tee - Plastic - 1 1/2 H x 1 1/2 H x 1 1/4 H
**	010091-01-000	EA	Wye - Plastic - 3" x 45 H x H x H
**	010115-01-000	EA	Coupling - Plastic - 1 1/2 H x H
**	010121-01-000	EA	Bushing - Plastic - 1 1/2 S x 1 1/4 H
**	050780-01-000	EA	Coupler - Rubber - 3" x 3"
	037845-01-000	EA	Tape - Butyl - 3/16" Bead - Black
	061607-01-000	EA	Grommet - Rubber - Holding Tank Fitting - 1 1/2"
	061607-02-000	EA	Grommet - Rubber - Holding Tank Fitting - 3"
**	046524-01-000	EA	Kit - Plastic Fitting - Holding Tank
**	046524-02-000	EA	Kit - Plastic Fitting - Water Tank
**	The illustrated parts breakdown for this item is provided on the Common Items Fiche		

HOLDING TANKS AND WATER HEATER

Key	Part Number	U/M	Description
	057163-02-000	EA	Tank Asm. - Water - 28 Gallon w. Fitting
	057063-01-000	EA	Tank - Water - 28 Gallon w/o Fittings
	064368-01-000	EA	Tank - Holding - Main - 12 Gallon - w/o Fittings
	064370-01-000	EA	Tank - Holding - Aux - 12 Gallon - w/o Fittings
**	051391-01-000	EA	Water Heater - 6 Gallon w/o Motor Aid - Atwood - G6A-3
**	The illustrated parts breakdown for this item is provided on the Common Items Fiche		

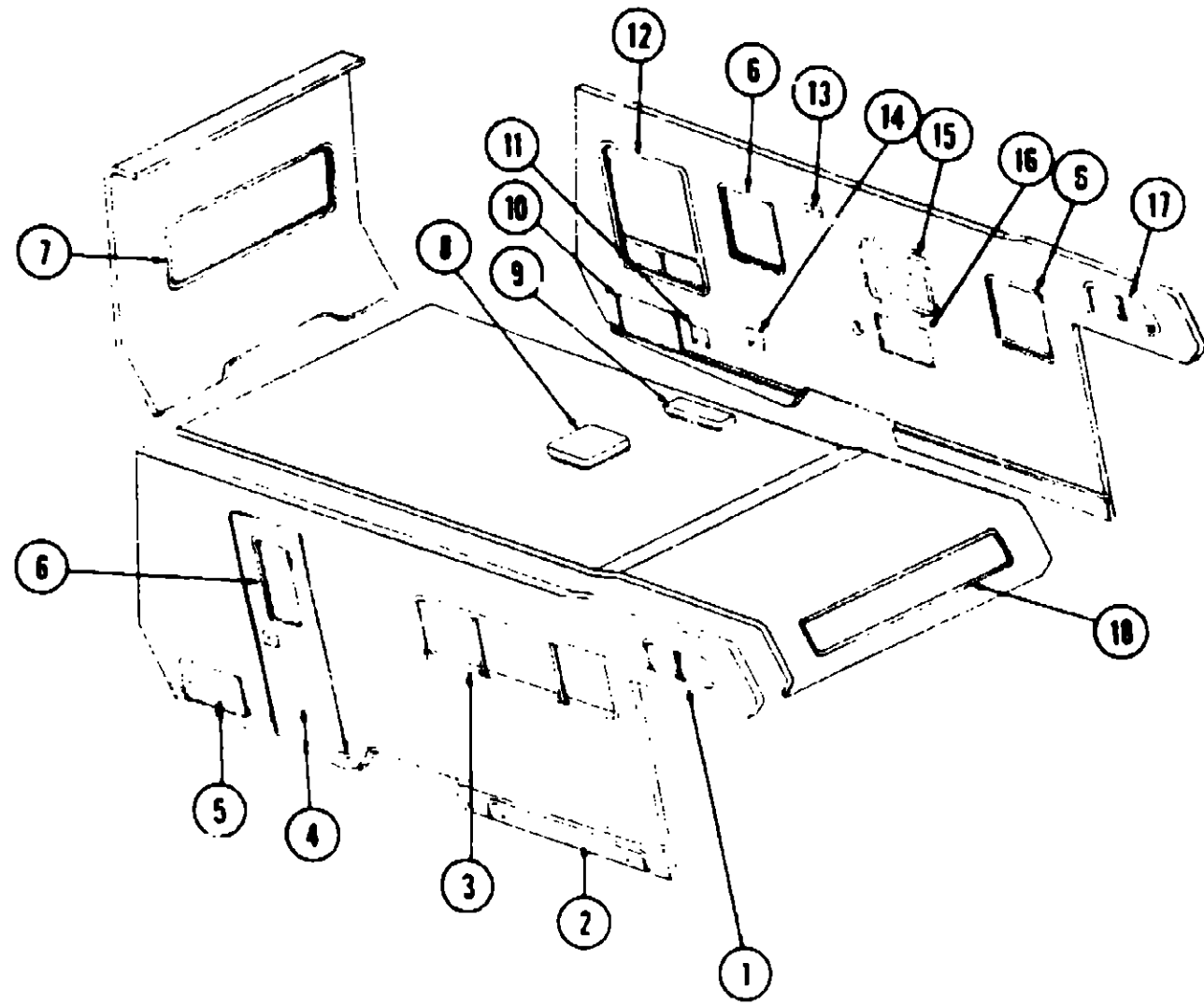
1982 ITASCA TABLE OF CONTENTS

IC420RG N2	A-1 - B-20
IC621RB N2	B-21 - D-14
IC723DB N2	D-15 - F-2
IC723RH N2	F-3 - G-16
IC823DB P2	G-17 - I-6

1982 IC420RG N2 INDEX

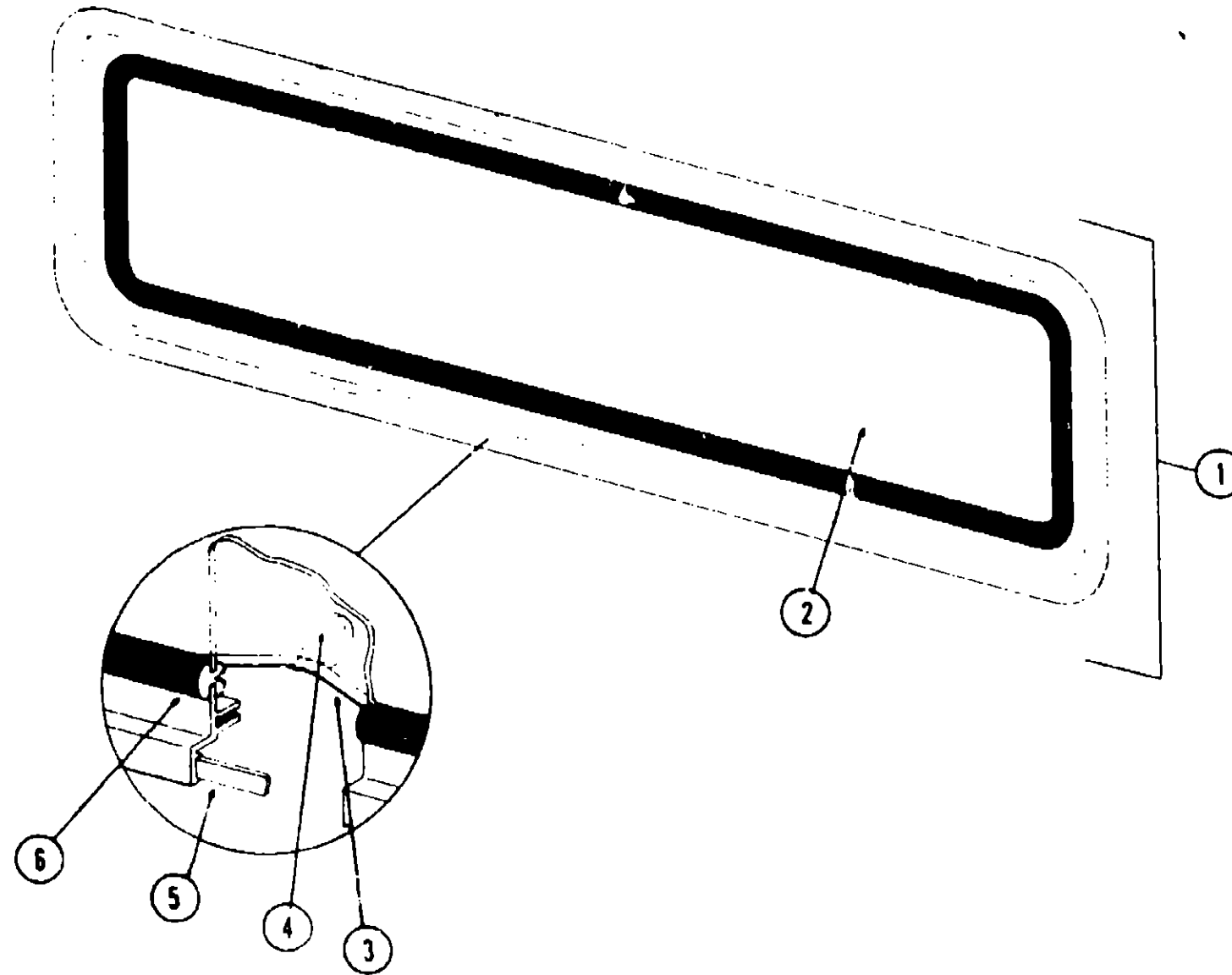
Floor Plan	A-1 - A-2
Accessories Group	A-3 - A-5
Bath Group	A-6
Chassis Group	A-7
Curtain, Cushion & Pad Group	A-8 - A-13
Dinette Group	A-14
Driver's Compartment Group	A-15 - A-16
Electrical Group	A-17 - A-19
Exterior Body Group	A-20 - A-24
Galley Group	B-1 - B-2
Heating & Air Conditioning Group	B-3
Interior Finish Group	B-4 - B-6
L.P. Group	B-7
Lounge Group	B-8 - B-9
Water & Sewage Group	B-10
Window, Vent & Exterior Door Group	B-11 - B-20

WINDOW, VENT & EXTERIOR DOOR GROUP



Key	Part Number	U/M	Description
1	048632-03-000	EA	Window Asm. - Bunk - Slanted Slider - Right
2	033333-23-000	EA	Door Asm. - Access - Off White w/Twist Type Lock
3	066785-03-000	EA	Window Asm. - Single Slider - 25" x 65" - Black Anod
4	M71136-05-000	EA	Door Asm. - Radius Entry w/Screen Door
5	052776-01-000	EA	Door Asm. - Luggage - 14 1/4" x 23" - Off White w/Key Type Lock
5	052775-01-000	EA	Door Asm. - Generator - Off White w/Twist Type Lock
6	041875-09-000	EA	Window Asm. - Picture - 17" x 25" - Black Anod
7	020754-03-000	EA	Window Asm. - Escape - 23" x 68" - Black Anod
8	048835-01-000	EA	Vent Asm. - Roof - Non Powered
9	065103-02-000	EA	Cover - Refrigerator Vent
10	052776-01-000	EA	Door Asm. - Luggage - 14 1/4" x 23" - Off White w/Key Type Lock
11	NOTE	EA	Door Asm. - Power Cord (See Access Doors)
12	064236-01-000	EA	Window Asm. - Lower Slider - 29" x 36" - Black Anod
13	049352-01-000	EA	Vent - Off White
14	NOTE	EA	Door Asm. - Fuel Fill (See Access Doors)
15	069762-02-000	EA	Door Asm. - Refrigerator Access - Off White
16	052009-01-000	EA	Door Asm. - Water Heater Access - Off White - Atwood
17	048632-04-000	EA	Window Asm. Bunk - Slanted Slider - Left
18	041936-01-000	EA	Window Asm. - Front Picture - 14" x 69" - Black Anod

WINDOW, VENT & EXTERIOR DOOR GROUP (CONTINUED)



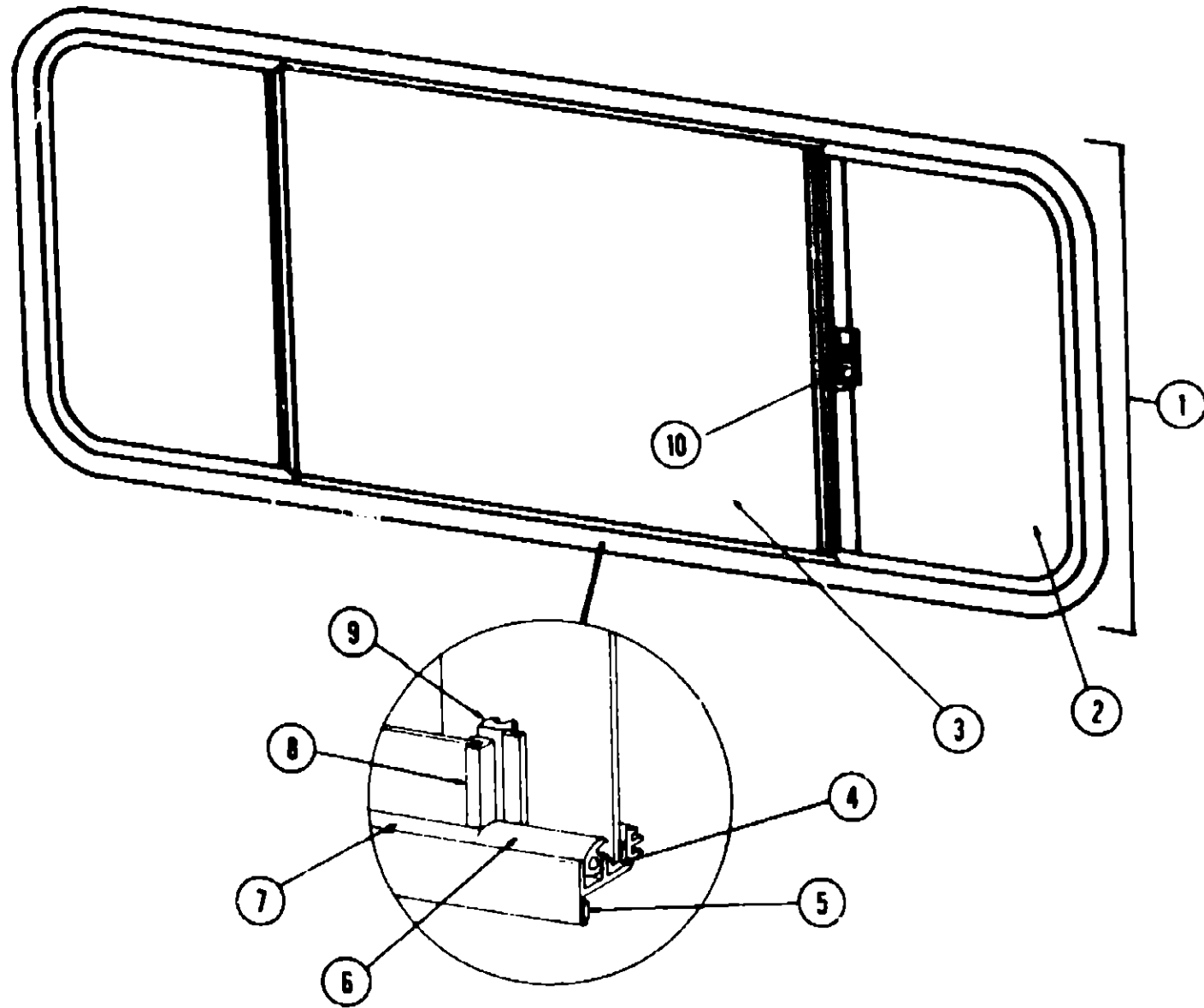
Key	Part Number	U/M	Description
1	020754-03-000	EA	Window Asm. - Escape - 23" x 68" Black Anod. (w/o inside frame)
2	002178-01-000	EA	Glass - 1/8" x 19.6" x 64.8"
3	002285-01-000	FT	Weatherstrip - Filler - Black
4	020395-01-000	EA	Slip - Pull Ring - Escape Window
5	069640-01-000	FT	Tape - 1/4" Bead x 20" - Gray - 3M
6	002282-01-000	FT	Weatherstrip - Window - 125" - Black
	020752-03-000	EA	Inside Frame - Escape - 23" x 68" - Brown (not included in assembly)
	042027-05-000	EA	Inside Frame - Escape - 23" x 68" - Beige (not included in assembly)
	006199-01-000	EA	Label - Exit - Escape Window
			Not Illustrated

1982 ITASCA TABLE OF CONTENTS

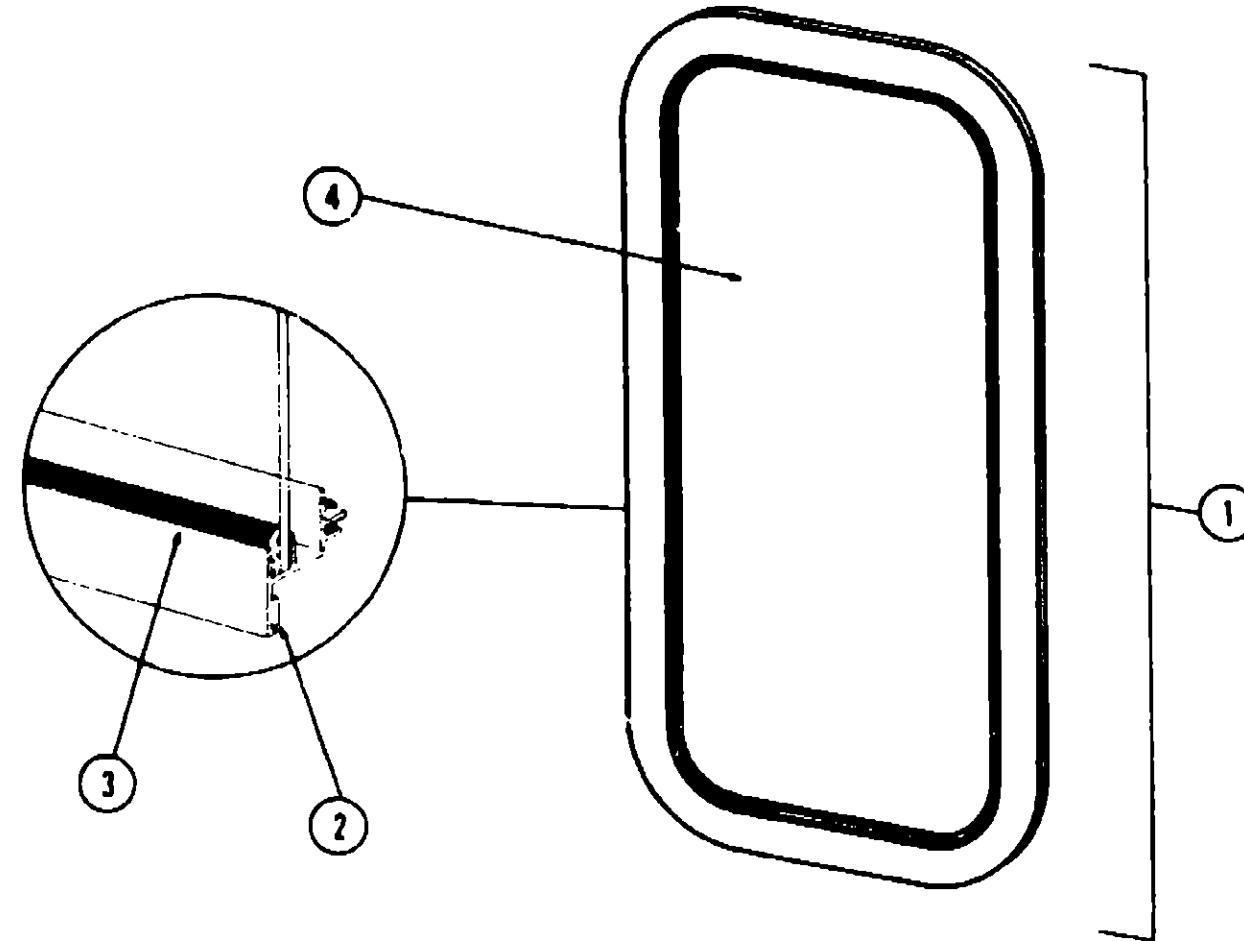
IC420RG N2	A-1 - B-20
IC621RB N2	B-21 - D-14
IC723DB N2	D-15 - F-2
IC723RH N2	F-3 - G-16
IC823DB P2	G-17 - I-8

1982 IC420RG N2 INDEX

Floor Plan	A-1 - A-2
Accessories Group	A-3 - A-5
Bath Group	A-6
Chassis Group	A-7
Curtain, Cushion & Pad Group	A-8 - A-13
Dinette Group	A-14
Driver's Compartment Group	A-15 - A-16
Electrical Group	A-17 - A-19
Exterior Body Group	A-20 - A-24
Galley Group	B-1 - B-2
Heating & Air Conditioning Group	B-3
Interior Finish Group	B-4 - B-6
LP Group	B-7
Lounge Group	B-8 - B-9
Water & Sewage Group	B-10
Window, Vent & Exterior Door Group	B-11 - B-20



Key	Part Number	U/M	Description
1	066785-03-000	EA	Window Asm - Single Slider - 25" x 65" - Black Anod. (w/o inside frame)
2	066727-02-000	EA	Glass - Sliding - 1/8" x 12" x 24"
3	002324-02-000	FT	Channel - Weatherstrip - Glass Run - 3/16" Glass
4	069640-01-000	FT	Tape - 1/4" Bead x 20' - Gray - 3M
5	057374-02-000	FT	Seal - Window Channel - Black
6	002309-02-000	FT	Spline - Glass - Black
7	002390-03-002	EA	Holder - Glass Seal - Black Anod Extr
8	041894-04-000	EA	Mullion - Slider Window - Black Anod Extr
9	066726-02-000	EA	Glass - Stationary - 1/8" x 21 03" x 24"
10	047369-01-700	EA	Latch - Window - Plastic w/ Fastener
.	023320-01-000	EA	Pad - Foam - 3/8" Dia (used w/ Plastic Latch)
.	042076-01-000	FT	Seal - Fin - Pile - .34" - Mullion
.	023712-02-000	EA	Cover - Weep Hole - Black
.	042133-09-000	EA	Inside Frame - Single Slider - 25" x 65" - Brown (not included in assembly)
.	067609-06-000	EA	Inside Frame - Single Slider - 25" x 65" - Beige (not included in assembly)
.			Not illustrated



Key	Part Number	U/M	Description
1	041875-09-000	EA	Window Asm. - Picture - 17" x 25" (w/o inside frame)
2	069640-01-000	FT	Tape 1/4" Bead x 20' - Gray - 3M
3	002318-02-000	FT	Spline - Glass - 1/8" Black
4	002181-06-000	EA	Glass - TP - 1/8" x 16 25" x 24"
.	041696-12-000	EA	Inside Frame - Window - 17" x 25" - Brown (not included in assembly)
.	067609-03-000	EA	Inside Frame - Window - 17" x 25" - Beige (not included in assembly)
.			Not illustrated

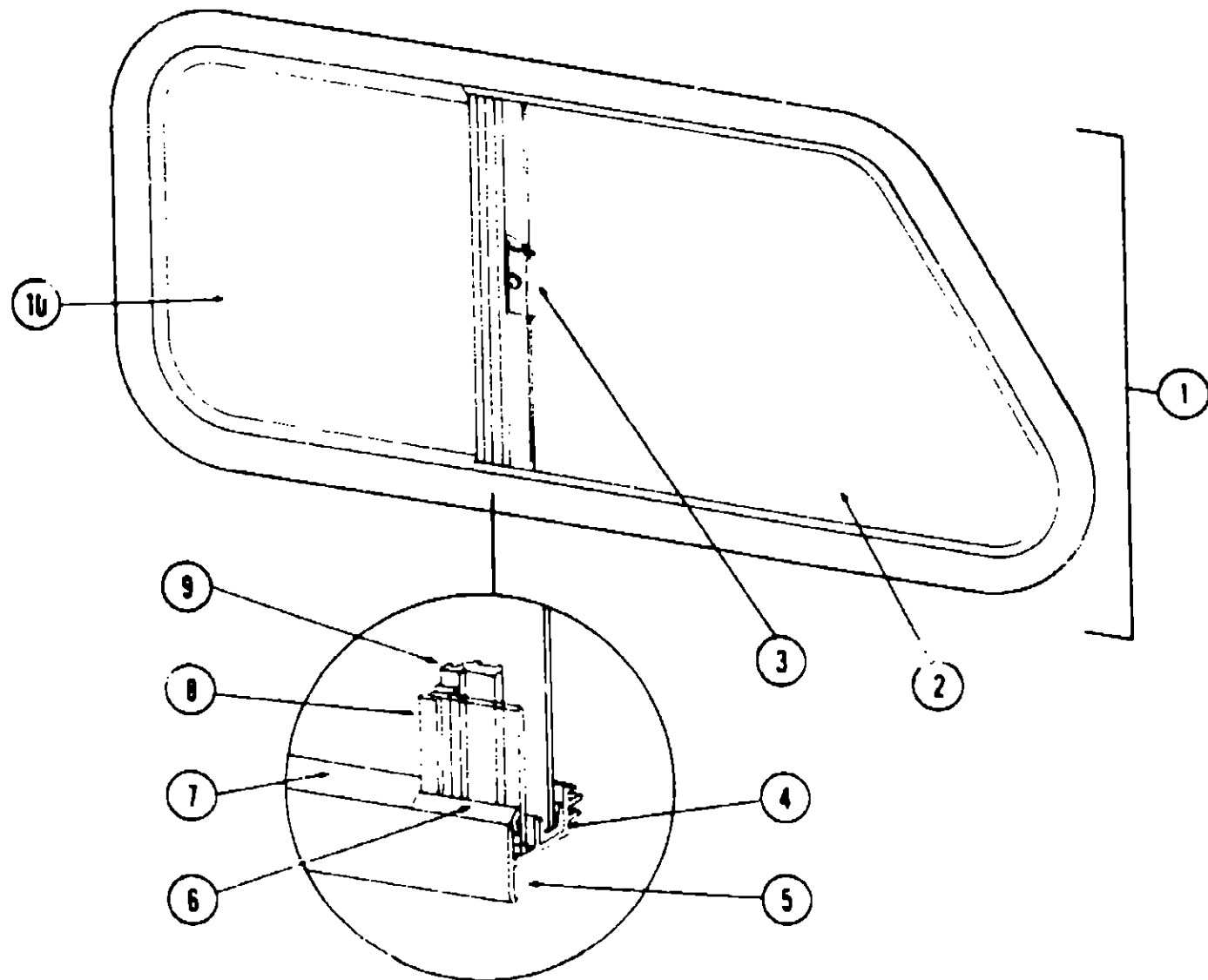
1982 ITASCA
TABLE OF CONTENTS

IC420RG N2	A-1 - B-20
IC621RB N2	B-21 - D-14
IC723DB N2	D-15 - F-2
IC723RH N2	F-3 - G-16
IC823DB P2	G-17 - I-8

1982 IC420RG N2 INDEX

Floor Plan	A-1 - A-2
Accessories Group	A-3 - A-5
Bath Group	A-6
Chassis Group	A-7
Curtain, Cushion & Pad Group	A-8 - A-13
Dinette Group	A-14
Driver's Compartment Group	A-15 - A-16
Electrical Group	A-17 - A-19
Exterior Body Group	A-20 - A-24
Galley Group	B-1 - B-2
Heating & Air Conditioning Group	B-3
Interior Finish Group	B-4 - B-6
L.P Group	B-7
Lounge Group	B-8 - B-9
Water & Sewage Group	B-10
Window, Vent & Exterior Door Group	B-11 - B-20

WINDOW, VENT & EXTERIOR DOOR GROUP (CONTINUED)



Key	Part Number	U/M	Description
1	048632-03-000	EA	Window Asm. - Bunk - Slanted Slider - Right - Black (w/o inside frame)
1	048632-04-000	EA	Window Asm. - Bunk - Slanted Slider - Left - Black (w/o inside frame)
2	040915-01-000	EA	Glass - 1/8" x 11 9/8" - Gray - Stationary
3	047369-01-700	EA	Latch - Window - Plastic w/Fastener
*	023320-01-000	EA	Foam Pad - 3/8" Dia. (used with plastic latch)
4	002324-02-000	FT	Channel - Weatherstrip - Glass Run - 3/16" Glass
5	069640-01-000	FT	Tape - 1/4" Bead x 20' - Gray - 3M
6	002309-02-000	FT	Spline - Glass - 1/8" - Black
7	024096-02-000	FT	Seal - Window Channel - Black
8	002390-03-200	EA	Holder - Glass Seal - Black Anod. Extr. - 11 23"
9	041894-07-000	EA	Mullion - Black Anod. Extr.
10	047815-01-000	EA	Glass - 1/8" x 11.90" x 11.81" - Gray - Sliding
*	040916-03-000	EA	Inside Frame - Window - Bunk Slant - Left - Brown (not included in assembly)
*	040916-04-000	EA	Inside Frame - Window - Bunk Slant - Right - Brown (not included in assembly)
*	040916-05-000	EA	Inside Frame - Window - Bunk Slant - Left - Beige (not included in assembly)
*	040916-06-000	EA	Inside Frame - Window - Bunk Slant - Right - Beige (not included in assembly)
*	023713-02-000	EA	Cover - Weep Hole - Black
*	002298-01-000	FT	Spline - Gray - 130" Dia. (Screen)
*	002291-01-000	SF	Screen - Gray - Window - 16"
*			Not illustrated

WINDOW, VENT & EXTERIOR DOOR GROUP (CONTINUED)

ACCESS DOORS

Key	Part Number	U/M	Description
	052009-01-000	EA	Door Asm. - Water Heater Access - Off White - Atwood
	033333-23-000	EA	Door Asm. - Access - Off White - w/Twist Type Lock (Battery)
	069762-02-000	EA	Door Asm. - Refrigerator Access - Off White w/Twist Type Lock
	052776-01-000	EA	Door Asm. - Luggage - 14 1/4" x 23" - Off White w/Key Type Lock
	065824-01-000	EA	Door Asm. - Diesel Fuel - Off White w/Key Type Lock
	052775-01-000	EA	Door Asm. - Generator - Off White w/Twist Type Lock
	052743-01-000	EA	Baffle - Generator Door
	052423-01-000	EA	Door - Fuel Fill - Off White
	052424-01-000	EA	Jamb - Door - Fuel Fill/Power Cord - Off White
	063742-01-000	EA	Door - Power Cord - Off White
	054543-01-000	EA	Hatch - Power Cord Door - Off White
	042441-01-000	EA	Lock Asm. - Key Type - Gas Fill
	052950-03-700	EA	Lock Asm. - Power Cord Door - Twist Type - Straight Cam
	047305-01-000	EA	Lock Asm. - Key Type w/Clip
	052950-01-700	EA	Lock Asm. - Twist Type - White Plastic w/Retainer Clip
	016974-02-000	EA	Holder Asm. - Battery or Luggage Door (holds door open)
	041312-01-000	FT	Door Seal - Bulb & Section

VENTS

Key	Part Number	U/M	Description
	065103-02-000	EA	Cover - Refrigerator Vent - Plastic
	065103-01-000	EA	Base - Frame - Refrigerator Vent w/o Cover - Plastic
**	048789-01-000	EA	Vent Asm. - Roof - Powered w/o Screen - Alum.
**	048835-01-000	EA	Vent Asm. - Roof - Non Powered - w/o Screen - Alum.
**	056119-01-000	EA	Vent Asm. - Roof - Powered/Lighted - Jensen - White
	063257-01-000	EA	Vent Asm. - Roof - Powered - Round - 6" Dia.
	052586-01-000	EA	Vent Asm. - Roof - Non Powered - Round - 6" Dia.
	049352-01-000	EA	Vent - Stove Hood - Outside - Off White

** The illustrated parts breakdown for this item is provided on 1 - Common Items Fiche.

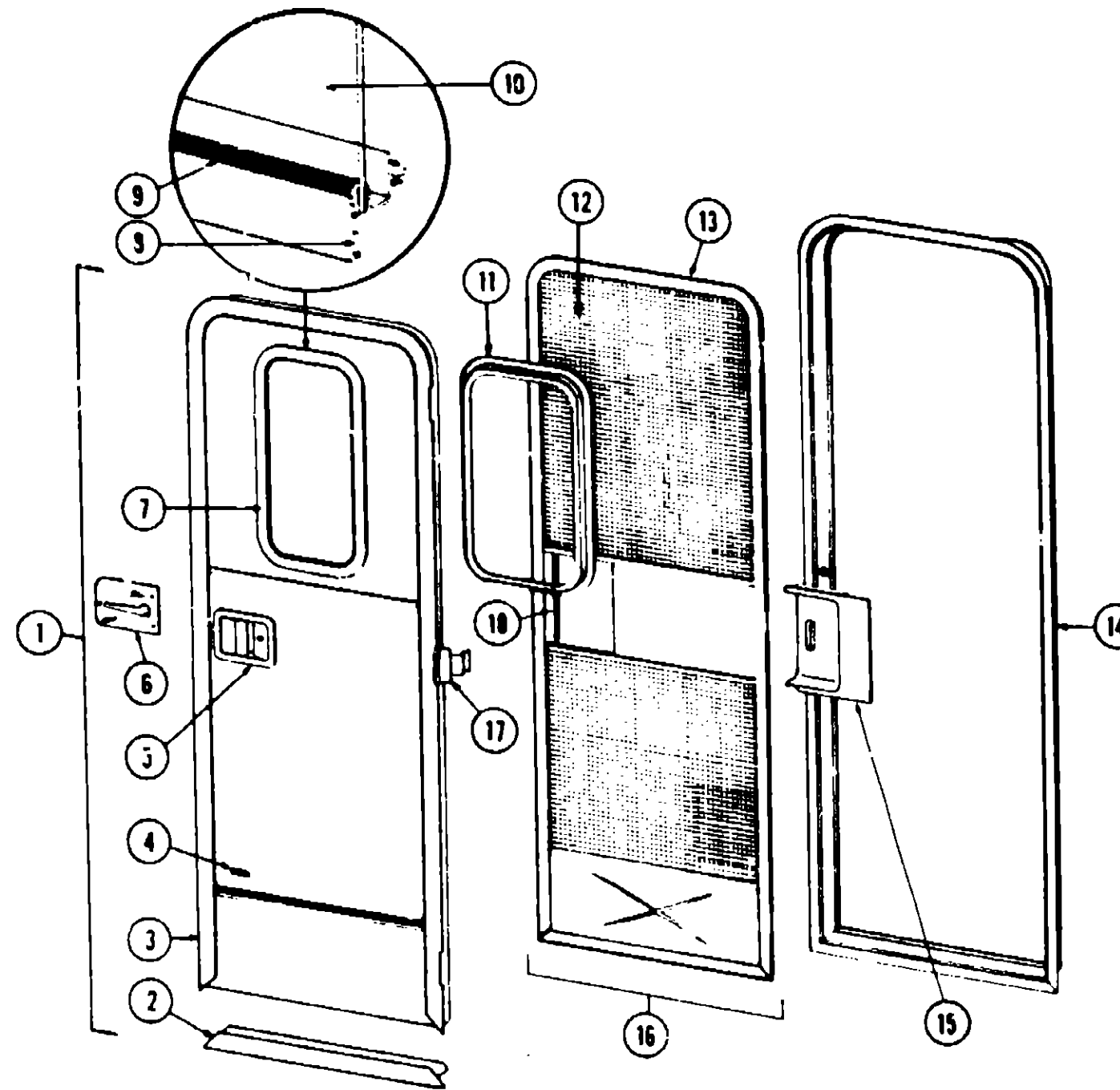
**1982 ITASCA
TABLE OF CONTENTS**

IC420RG N2	A-1 - B-20
IC621RB N2	B-21 - D-14
IC723DB N2	D-15 - F-2
IC723FB N2	F-3 - G-16
IC823DB P2	G-17 - I-8

1982 IC420RG N2 INDEX

Floor Plan	A-1 - A-2
Accessories Group	A-3 - A-5
Bath Group	A-6
Chassis Group	A-7
Curtain, Cushion & Pad Group	A-8 - A-13
Dinette Group	A-14
Driver's Compartment Group	A-15 - A-16
Electrical Group	A-17 - A-19
Exterior Body Group	A-20 - A-24
Galley Group	B-1 - B-2
Heating & Air Conditioning Group	B-2
Interior Finish Group	B-4 - B-6
LP Group	B-7
Lounge Group	B-8 - B-9
Water & Sewage Group	B-10
Window, Vent & Exterior Door Group	B-11 - B-20

WINDOW, VENT & EXTERIOR DOOR GROUP (CONTINUED)



1982 ITASCA TABLE OF CONTENTS

IC420RG N2	A-1 - B-20
IC621RB N2	E-21 - D-14
IC723DB N2	D-15 - F-2
IC723RH N2	F-3 - G-15
IC823DB P2	G-17 - I-8

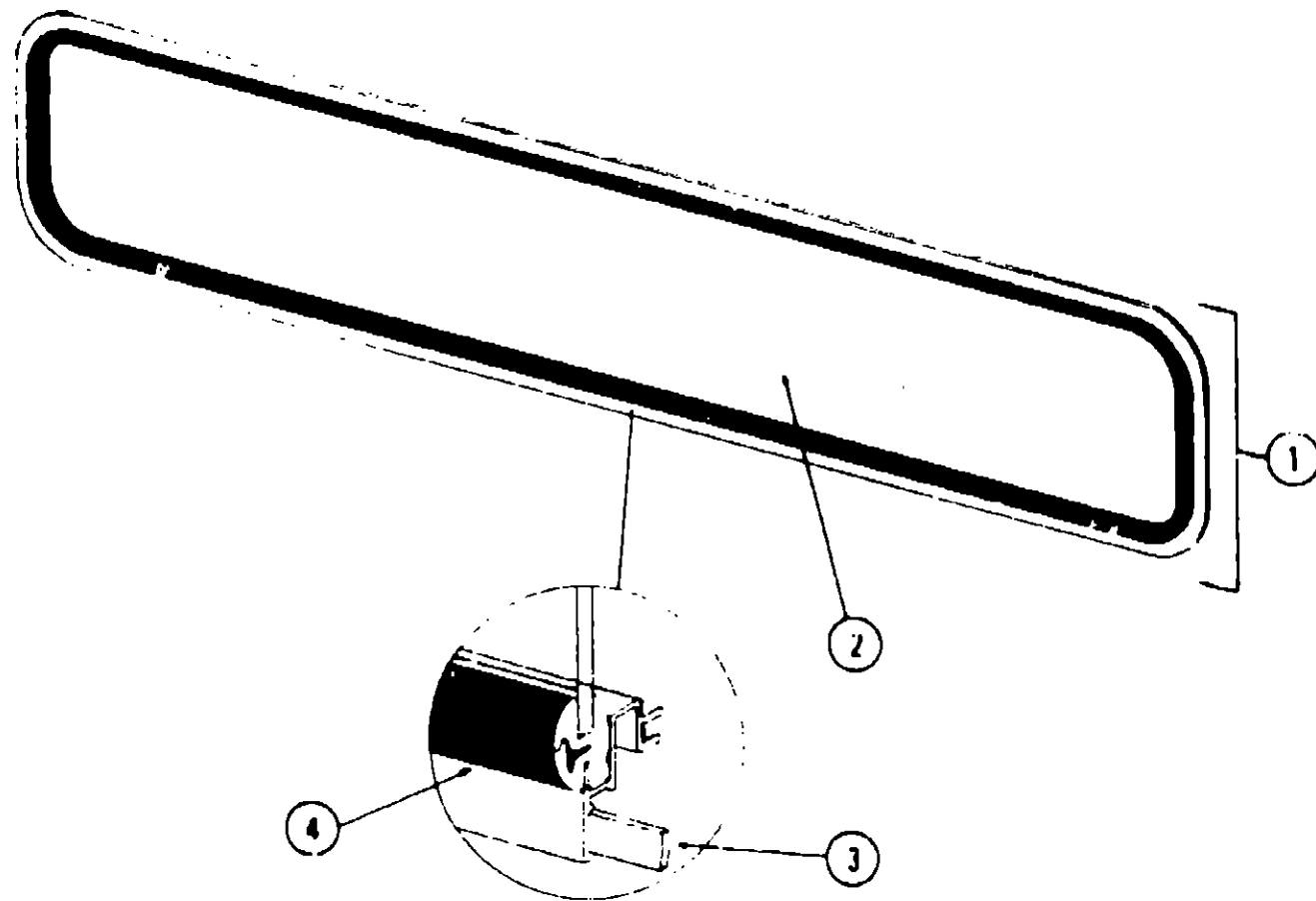
Key	Part Number	U/M	Description
1	M71136-05-000	EA	Door Asm. - Radius Entry w/Screen Door
2	039737-01-000	EA	Frame - Entry Door (Bottom Portion Only)
3	039736-01-000	EA	Frame - Entry Door (Except Bottom Portion)
4	039874-01-000	EA	Holder Asm. - Entry Door - 1 1/2"
5	045017-01-000	EA	Paddle Asm. - Door Lock - Exterior
6	045017-01-700	EA	Lock Cylinder w/Keys - Lynor
7	039539-01-000	EA	Striker Bolt - Entry Door
8	039540-01-000	EA	Latch Claw - Entry Door
9	039979-01-000	EA	Plate - Lock - Inside - Including Inside Handle
10	052186-01-000	EA	Lock Asm. - Complete - Lynor
11	041875-09-000	EA	Window Asm. - Picture - 17" x 25" - Black Anod (inside frame not included in assembly)
12	069640-01-000	FT	Tape - 1/4" Lead x 20' - Gray - 3M
13	002309-02-000	FT	Spline - Glass - 1/8" Black
14	•		Not illustrated

Key	Part Number	U/M	Description
10	002181-06-000	EA	Glass - Picture Window - 1/8" x 16 1/4" x 24" - Gray
11	041696-12-000	EA	Inside Frame - Window - 17" x 25" - Brown (not included in assembly)
11	067609-03-000	EA	Inside Frame - Window - 17" x 25" - Beige (not included in assembly)
12	053170-05-000	SF	Screen - Window - 26" - Gray
13	056795-01-000	FT	Seal Tape - 1.8" x 3.8" - Press On
14	053171-01-000	EA	Jamb Asm. - Entry Door
15	015580-02-000	EA	Slider - Screen Door - Light Oak - Plastic
16	002293-01-000	EA	Door Asm. - Screen
17	039520-01-000	EA	Hinge - Entry Door (3 used per door)
18	015581-02-000	EA	Cap - Screen Door - Light Oak - Plastic
•	049176-01-000	EA	Hedlok II - 3/4" Diameter - Screw Mount (retains screen door to entry door)
•	049797-01-000	EA	Hedlok II - 1" Diameter - Screw Mount (retains screen door to entry door)
•	058025-02-000	EA	Clip - Roller Catch
•	039863-01-000	EA	Catch Asm. - Single Roller w Strike - Screen Door
•	044582-02-000	EA	Drip Cap - Jamb Mounted - Off White
•	051390-01-000	FT	Seal - Bulb - Rubber
•	039800-03-000	FT	Tubing - Polybutyl - 3.8" O D - Jamb
•	•		Not illustrated

1982 IC420RG N2 INDEX

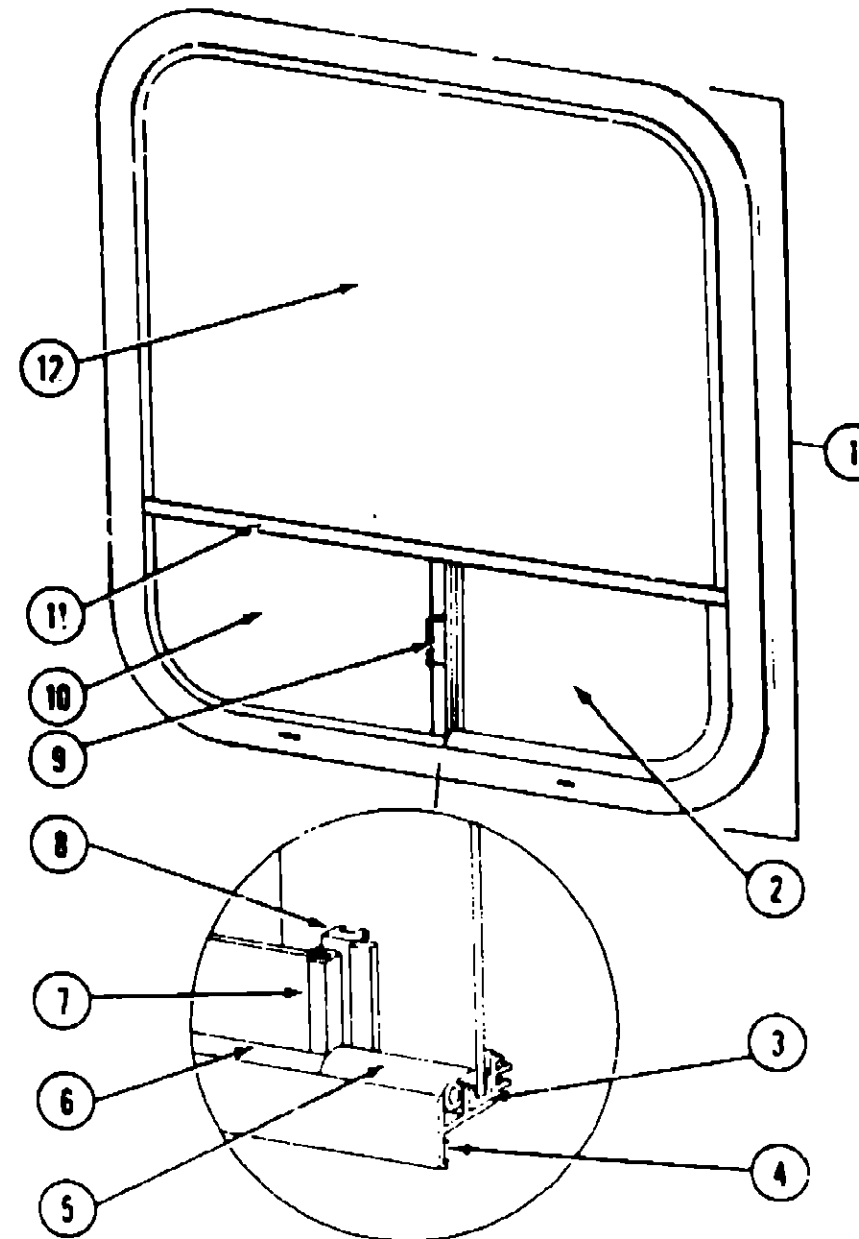
Floor Plan	A-1 - A-2
Accessories Group	A-3 - A-5
Bath Group	A-6
Chassis Group	A-7
Curtain, Cushion & Pad Group	A-8 - A-13
Dinette Group	A-14
Driver's Compartment Group	A-15 - A-16
Electrical Group	A-17 - A-19
Exterior Body Group	A-20 - A-24
Galley Group	B-1 - B-2
Heating & Air Conditioning Group	B-3
Interior Finish Group	B-4 - B-6
LP Group	B-7
Lounge Group	B-8 - B-9
Water & Sewage Group	B-10
Window, Vent & Exterior Door Group	B-11 - B-20

WINDOW, VENT & EXTERIOR DOOR GROUP (CONTINUED)



Key	Part Number	U/M	Description
1	041936-01-000	EA	Window Asm. - Front Picture - 14" x 69" - Black (w/o inside frame)
2	002200-02-000	EA	Glass - TP - Picture Window
3	069640-01-000	FT	Tape - 1/4" Bead x 20" - Gray - 3M
4	002281-01-000	FT	Weatherstrip - Self Seal - .06" Panel x 3/16" - Black
.	037845-01-000	FT	Tape - Butyl - Window - 3/16" Bead - Black
.	041938-01-000	EA	Inside Frame - Picture Window - Brown (not included in assembly)
.	042027-07-000	EA	Inside Frame - Picture Window - Beige (not included in assembly)
.			Not illustrated

WINDOW, VENT & EXTERIOR DOOR GROUP (CONTINUED)



Key	Part Number	U/M	Description
1	064236-01-000	EA	Window Asm. - Lower Slider - 29" x 36" - Black Anod. (w/o inside frame)
2	064568-01-000	EA	Glass - Lower - Slider - .12" x 14.8" x 8.9"
3	002324-02-000	FT	Channel - Weatherstrip - Glass Run - 3/16" Glass
4	069640-01-000	FT	Tape - 1/4" Bead x 20" - Gray - 3M
5	041928-02-000	FT	Seal - Window Channel - Black
6	002209-02-000	FT	Spline - Glass - Black
7	069886-03-002	EA	Holder - Glass Seal - Black Anod. Extr
8	064235-01-000	EA	Mullion - Vertical - Slider Window
9	047369-01-700	EA	Latch - Window - Plastic w. Fastener
10	064568-02-000	EA	Glass - Lower - Stationary - .12" x 14.8" x 8.9"
11	064234-01-000	EA	Mullion - Horizontal
12	002184-03-000	EA	Glass - Upper - Stationary - .115" x 28.25" x 26.04"
.	042076-01-000	FT	Seal - Fin - Pile .34" - Mullion
.	023320-01-000	EA	Foam Pad - 3.8" Dia. (used with plastic latch)
.	042133-12-000	EA	Inside Frame - Window - Brown (not included in assembly)
.	067609-08-000	EA	Inside Frame - Window - Beige (not included in assembly)
.	023713-02-000	EA	Cover - Weep Hole - Plastic - Black
.	002298-01-000	FT	Spline - Gray - .130" Dia. (Screen)
.	002292-01-000	SC	Screen - Window - 20" - Gray
.			Not illustrated

**1982 ITASCA
TABLE OF CONTENTS**

IC420RG N2	A-1 - B-20
IC621RB N2	B-21 - D-14
IC723DB N2	D-15 - F-2
IC723RH N2	F-3 - G-16
IC823DB P2	G-17 - I-8

1982 IC420RG N2 INDEX

Floor Plan	A-1 - A-2
Accessories Group	A-3 - A-5
Bath Group	A-6
Chassis Group	A-7
Curtain, Cushion & Pad Group	A-8 - A-13
Dinette Group	A-14
Driver's Compartment Group	A-15 - A-16
Electrical Group	A-17 - A-19
Exterior Body Group	A-20 - A-24
Galley Group	B-1 - B-2
Heating & Air Conditioning Group	B-3
Interior Finish Group	B-4 - B-6
LP Group	B-7
Lounge Group	B-8 - B-9
Water & Sewage Group	B-10
Window, Vent & Exterior Door Group	B-11 - B-20