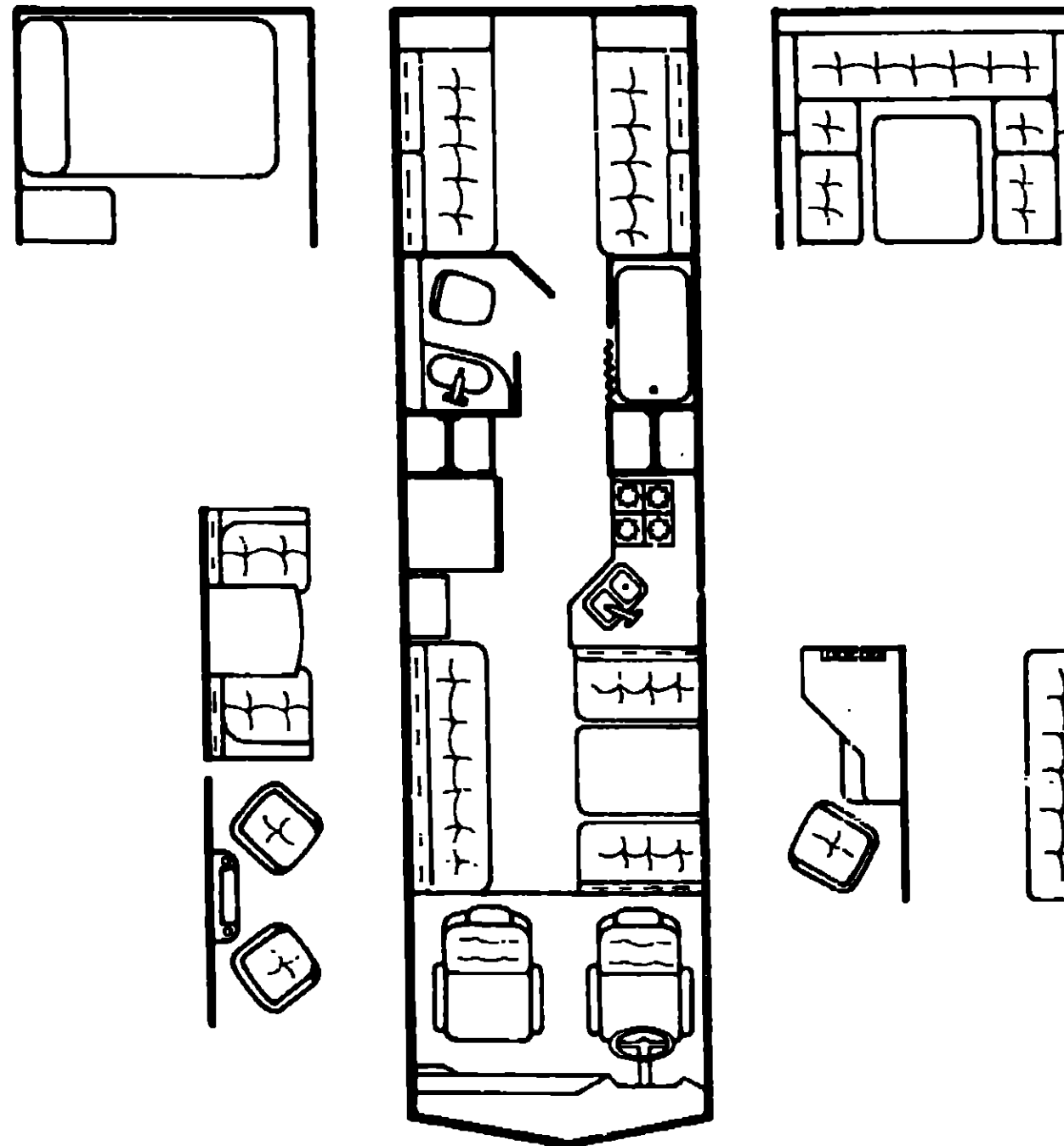


1981 WDN29RT M1 WCN29RT M2



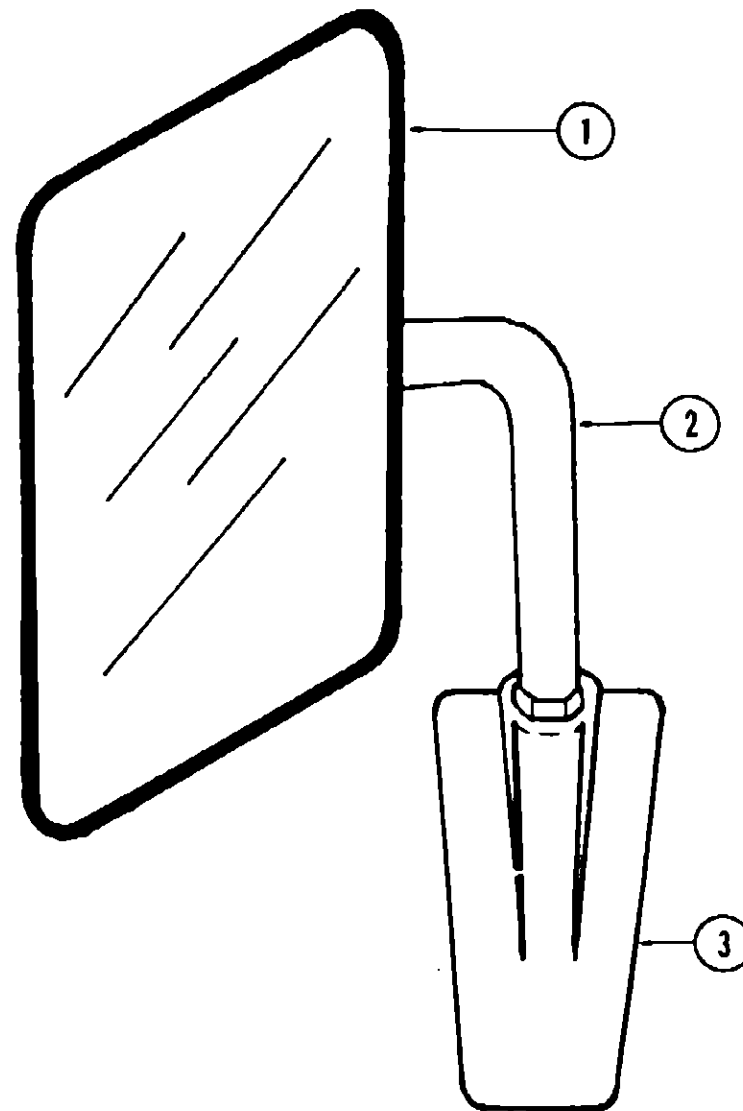
1981 WINNEBAGO TABLE OF CONTENTS

Introduction	I
Abbreviations	I
Alphabetical Index	II - IV
WDN29RT M1, WCN29RT M2	A-1 - C-8
WDN26RB M1, WCN26RB M2	C-9 - E-8
WC621RB M2	E-9 - F-18

1981 WDN29RT M1, WDN29RT M2 INDEX

Floor Plan	A-5 - A-6
Accessories Group	A-7 - A-8
Bath Group	A-10 - A-11
Chassis Group	A-12 - A-13
Curtain, Cushion & Pad Group	A-13 - A-14
Dinette Group	A-21 - A-22
Driver's Compartment Group	A-23 - A-24
Electrical Group	B-1 - B-2
Exterior Body Group	B-4 - B-5
Galley Group	B-6 - B-7
Heating & Air Conditioning Group	B-9 - B-10
Interior Finish Group	B-11 - B-12
LP Group	B-13 - B-14
Lounge Group	B-14 - B-15
Water & Sewage Group	B-16 - B-17
Window, Vent & Exterior Door Group	B-18 - C-1

ACCESSORIES GROUP



Key	Part Number	U/M	Description
1	057461-01-000	EA	Mirror Head - 7 1/2" x 10 1/2" - w/Convex - Stainless Steel
1	057461-02-000	EA	Mirror Head - 7 1/2" x 10 1/2" - w/Convex - Off White
2	049348-01-000	EA	Arm - Low Mount Mirror - Bright Finish
2	049348-02-000	EA	Arm - Low Mount Mirror - Off White
3	049944-02-000	EA	Bracket - Mirror - Outside - Off White
	065116-01-000	EA	Mirror - West Coast - Double Mirror - Right
	065116-02-000	EA	Mirror - West Coast - Double Mirror - Left
	049348-03-000	EA	Arm - Low Mount Mirror - Black
	049944-04-000	EA	Bracket - Mirror O/S, Black
	Not Illustrated		

ACCESSORIES GROUP (CONTINUED)

GENERATORS AND COMPONENTS

Key	Part Number	U/M	Description
**	054429-01-000	EA	Generator - Onan - 4.9 kw - BFA
**	054433-01-000	EA	Generator - Onan - 6.5 kw
	701629-02-000	EA	Onan Installation Package
	024732-01-001	EA	Tailpipe - 1 1/2" O.D. x 23"
	054426-01-000	EA	Muffler - Generator - w/Spark Arrestor
	740313-56-000	EA	Tray - Generator - 4.0 - kw Onan
	740313-57-000	EA	Tray - Generator - 6.5 - kw Onan

**This illustrated parts breakdown for this item is provided on the Common Items Fiche.

RADIOS AND RELATED COMPONENTS

Key	Part Number	U/M	Description
	064791-01-000	EA	Speaker - Recessed - 5 1/4"
	031105-01-000	EA	Antenna - Radio - Side Mount
	031105-01-700	EA	Holder - Antenna - Radio - Upper
	048153-01-000	EA	Antenna - CB Camper Style
	044328-01-000	EA	Switch - Fader - Speaker Balance
	050751-01-000	EA	Plaque - Fader/Mic Mounting
	064792-01-000	EA	Grille - Speaker - 5 1/4"
	063647-01-000	EA	Control Box - Clarion CB
	063647-02-000	EA	Module - Clarion CB
	064794-01-000	EA	Trim Plate - AM Radio
	064785-01-000	EA	Radio - AM
	064786-01-000	EA	Radio - AM/FM MPX - w/8 Track
	064787-01-000	EA	Radio - AM/FM MPX - w/Cassette
	064788-01-000	EA	Radio - AM/FM Digital - w/Cassette
	064789-01-000	EA	Radio - AM/FM Digital - w/8 Track
	056014-01-000	EA	Radio - AM/FM - Stereo Cassette
	065124-01-000	EA	Wiring - Power Adapter
	056725-01-000	EA	Grill Asm. - Radio
	056726-01-000	EA	Speaker - Radio

FRONT BUNK AND HARDWARE

Key	Part Number	U/M	Description
	058300-01-M10	EA	Cabinet Asm. - Front Overhead
	058844-01-M10	EA	Bunk Board Asm. - Front Overhead w/Rails
	053773-01-000	EA	Support - Overhead Bunk - Brown - Right
	053773-02-000	EA	Support - Overhead Bunk - Brown - Left
	040071-02-000	EA	Support - Bunk - Seat Belt
	041322-01-000	EA	Washer - Flat - 15/32" I.D. x 2 3/8" O.D.
	039516-02-000	EA	Catch - Bunk - Brown
	023812-22-000	EA	Rail - Bunk - 80" - Brown
	053774-02-000	EA	Torsion Rod - Overhead Bunk - Brown
	048394-01-000	YD	Tape Hook - 1" x 25 YD - Beige
	048395-01-000	YD	Tape Loop - 1" x 25 YD - Beige
	058837-01-000	EA	Bracket - Bunk - Rear - Right
	058837-02-000	EA	Bracket - Bunk - Rear - Left
	058948-02-M10	EA	Panel Asm. - Bunk - Padded - Left
	058948-03-M10	EA	Panel Asm. - Bunk - Padded - Left (Door)

**1981 WINNEBAGO
TABLE OF CONTENTS**

Introduction	I
Abbreviations	I
Alphabetical Index	II - IV
WDN29RT M1, WCN29RT M2	A-1 - C-8
WDN26RB M1, WCN26RB M2	C-9 - E-8
WC621RB M2	E-9 - F-18

1981 WDN29RT M1, WDN29RT M2 INDEX

Floor Plan	A-5 - A-4
Accessories Group	A-7 - A-1
Bath Group	A-10 - A-1
Chassis Group	A-12 - A-1
Curtain, Cushion & Pad Group	A-13 - A-2
Dinette Group	A-21 - A-2
Driver's Compartment Group	A-23 - A-2
Electrical Group	B-1 - B-
Exterior Body Group	B-4 - B-
Galley Group	B-
Heating & Air Conditioning Group	B-9 - B-1
Interior Finish Group	B-11 - B-1
LP Group	B-1
Lounge Group	B-14 - B-1
Water & Sewage Group	B-16 - B-1
Window, Vent & Exterior Door Group	B-18 - C-

ACCESSORIES GROUP (CONTINUED)

MISCELLANEOUS ACCESSORIES

Key	Part Number	U/M	Description
	054185-12-000	EA	Owners Manual - Itasca & Winnebago
	006053-01-000	EA	Antenna - TV Braund Delux
	006053-01-700	EA	Parts Kit - Repair - Braund TV Antenna
	006093-01-000	EA	Jack - TV - Brown (Antenna)
	006076-01-000	EA	Ladder - Front Bunk
	017516-01-000	EA	Mud Flap - Black - 14" x 18" w/Holes
	006113-01-000	EA	Jack Hydraulic - 5 Ton
	041944-01-700	EA	Fire Extinguisher - w/Bracket
	041944-03-000	EA	Fire Extinguisher - w/Bracket - 5 BC (Calif.)
	052771-02-000	EA	Oven - Microwave - Magic Chef MW207
	053287-07-000	EA	Bracket Asm. - Microwave - Right
	053287-08-000	EA	Bracket Asm. - Microwave - Left
**	067125-01-000	EA	Ladder Asm. - w/Luggage Rack - Standoff
**	067203-02-000	EA	Ladder Asm.
	064093-01-000	EA	Luggage Carrier Assembly - 14" x 30" x 60"
	039881-01-000	EA	Catch and Strike - Luggage Carrier
	064082-01-000	EA	Wheel Cover - Delmet - (Bolt On)
	064082-02-000	EA	Retaining Nut - Delmet - Wheel Cover - Chevrolet
	064082-03-000	EA	Retaining Nut - Delmet - Wheel Cover - Dodge
	064082-05-700	EA	Retainer Bracket - Bolt On Wheel Cover - Chevrolet - Front
	064082-05-701	EA	Retainer Bracket - Bolt On Wheel Cover - Chevrolet - Rear
**	059779-01-000	EA	Speed Control Package - Electric - Chevrolet - Dana
	047226-05-000	EA	Cover - Spare Tire - w/Zipper - Channel - Brown
	067483-01-000	EA	TV - Color 13"
	062921-01-000	EA	Base - TV, Swivel Slide
	063313-01-M07	EA	TV Strap - Female - 24"
	063314-01-M07	EA	TV Strap - Male - 30"
	067130-01-000	EA	Step Ladder
	067166-01-000	EA	Cap - Step Ladder
	055285-01-000	EA	Vacuum Cleaner - Built In - Tevis Campbell
	055285-01-700	EA	Accessories Kit - Standard - Tevis Campbell
	055285-01-701	EA	Filter - 10 per Consumer Package - Tevis Campbell
	061613-01-000	EA	Clock - Batt. Round Gold Face

**The illustrated parts breakdown for this item is provided on the Common Items Fiche.

BATH GROUP

BATH CABINETRY

Key	Part Number	U/M	Description
	061941-01-M10	EA	Cabinet Asm. - Lavatory - w/o Countertop, Doors or Hardware
	061818-02-M07	EA	Cabinet Asm. - Bathroom - w/o Door
	061940-01-M10	EA	Countertop Asm. - Lavatory Cabinet - Rust Burnt Sienna
	061940-01-M08	EA	Countertop Asm. - Lavatory Cabinet - Mocha Brown
	063224-18-M10	EA	Door Asm. - Rolled - Lavatory Cabinet - 20.9" x 28"
	061942-01-M10	EA	Cabinet Asm. - Medicine - w/o Doors or Hardware
	059550-40-700	EA	Door Asm. - Medicine Cabinet - w/Mirror - 15.1" x 29.1" - w/o Hardware
	059551-13-700	EA	Door Asm. - Medicine Cabinet - 11.5" x 20.7" - w/o Hardware
	M68593-03-M10	EA	Door Asm. - Bathroom - 74.2" x 23" - w/o Towel Rack or Hardware
	059550-48-700	EA	Door Asm. - Wardrobe - 13.1" x 45.1" - w/Mirror w/o Hardware
	069856-02-M10	EA	Door Asm. - Furnace - 17.5" x 13.2" - w/o Hardware
	062906-01-000	EA	Door Asm. - Shower - Folding - Complete w/Frame
	065889-01-M10	EA	Door Asm. - Sliding - 28" x 74.1" - w/o Hardware

BATH HARDWARE

Key	Part Number	U/M	Description
**	011056-01-000	EA	Faucet - Lavatory - U.S.
**	011056-02-000	EA	Faucet - Lavatory - C.S.A.
	058640-01-000	EA	Sink - Oval - Ivory Plastic
	011083-01-000	EA	Plug - Sink - 1 1/4" w/Chain
**	031558-01-000	EA	Faucet - Tub and Shower - Metal
	031558-03-000	EA	Faucet - Tub and Shower - Plastic
**	011048-01-000	EA	Shower Head - w/60" Hose
	010495-01-000	EA	Hose Clamp - 9/16"
**	011086-01-000	EA	Strainer - Shower Pan
**	011069-01-000	EA	Tailpiece - 1 1/4" x 4" - Brass
	009134-01-000	EA	Holder - Tissue
	058331-01-000	EA	Mirror - Safety Glass - 19" x 26"
	058331-02-000	EA	Mirror - Safety Glass - 12" x 36"
	058331-03-000	EA	Mirror - Safety Glass - 10" x 42"
	058331-05-000	EA	Mirror - Safety Glass - 12" x 26"
	058335-01-000	EA	Latch - Bathroom Door
	009155-01-000	EA	Track - Sliding Door
	009156-01-000	EA	Hanger - Sliding Door
	058034-01-000	EA	Latch - Sliding Door
	009112-01-000	EA	Flange - 1" - Closet Rod
**	063740-01-000	EA	Toilet - Thetford Aqua Magic IV - Ivory
	066436-01-000	EA	Nut - Slip - 1.5" Tailpiece
	066435-01-000	EA	Nut - Strainer
	066729-01-000	EA	Strainer - Tub - Shower Drain
	009133-01-000	EA	Towel Bar
	023449-01-000	EA	Towel Bar Supports

**The illustrated parts breakdown for this item is provided on the Common Items Fiche.

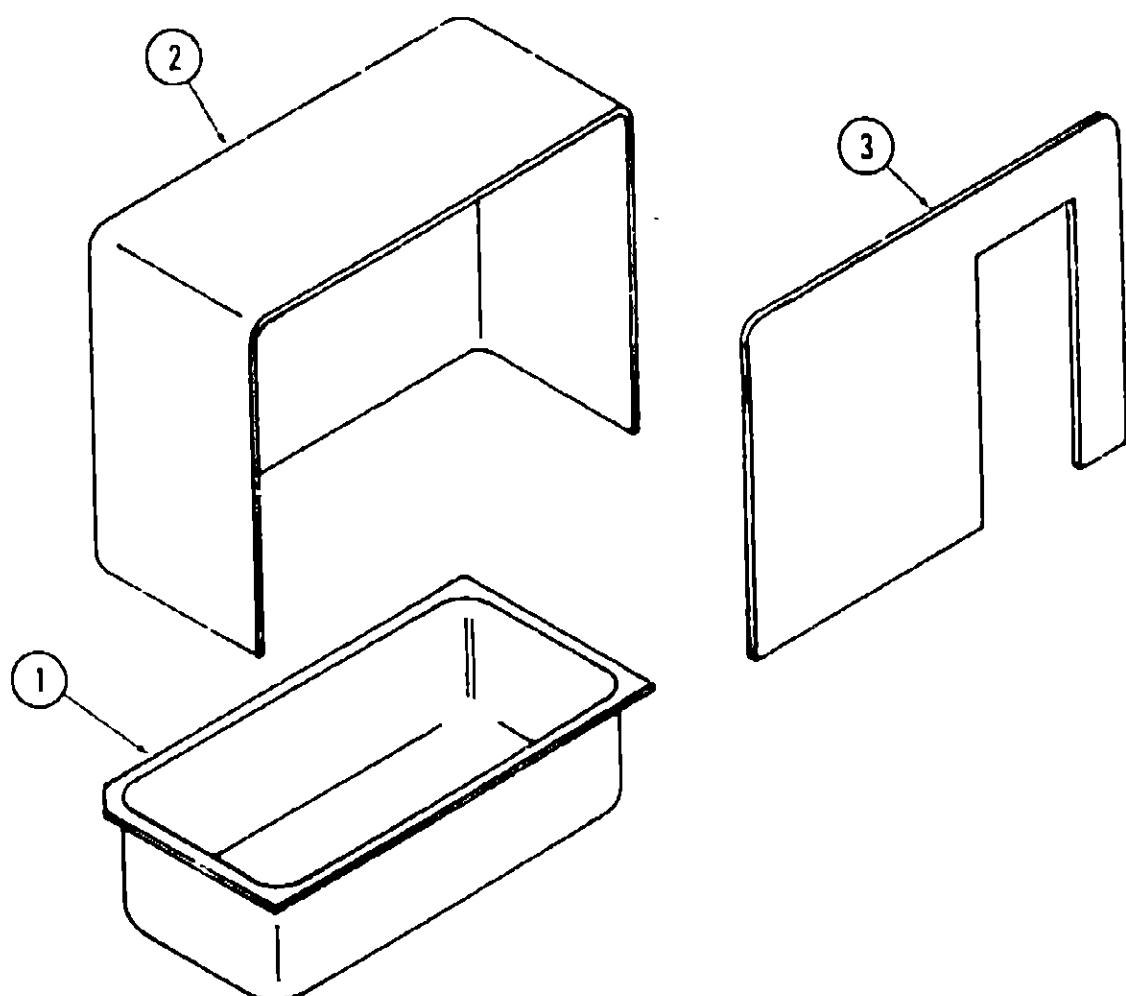
1981 WINNEBAGO TABLE OF CONTENTS

Introduction	I
Abbreviations	I
Alphabetical Index	II - IV
WDN29RT M1, WCN29RT M2	A-1 - C-8
WDN26RB M1, WCN26RB M2	C-9 - E-8
WC621RB M2	E-9 - F-18

1981 WDN29RT M1, WDN29RT M2 INDEX

Floor Plan	A-5 - A-4
Accessories Group	A-7 - A-1
Bath Group	A-10 - A-1
Chassis Group	A-12 - A-1
Curtain, Cushion & Pad Group	A-13 - A-2
Dinette Group	A-21 - A-2
Driver's Compartment Group	A-23 - A-2
Electrical Group	B-1 - B-1
Exterior Body Group	B-4 - B-1
Galley Group	B-1
Heating & Air Conditioning Group	B-9 - B-1
Interior Finish Group	B-11 - B-1
LP Group	B-1
Lounge Group	B-14 - B-1
Water & Sewage Group	B-16 - B-1
Window, Vent & Exterior Door Group	B-18 - C-

BATH GROUP (CONTINUED)



Key	Part Number	U/M	Description
1	062246-01-000	EA	Bathtub Bottom - Ivory Plastic
2	062249-01-000	EA	Bathtub Rear - Ivory Plastic
3	062247-01-000	EA	Bathtub Front - Ivory Plastic

CHASSIS GROUP

Key	Part Number	U/M	Description
	058790-01-000	EA	Gas Fill - w/Vent
	024611-04-000	EA	Cap - Gas - Pressure - 1.5" Chrome
	024138-01-000	FT	Hose - Fuel - 5/16" I.D. SAE 30RI
	024141-01-000	FT	Hose Rubber - 1/2" I.D.
	007134-01-000	EA	Clamp - Hose - Spring Type - 9/16"
	063383-01-000	EA	Tank - Fuel - 69.7 Gallon
	057038-02-000	EA	Sending Unit - Fuel - 90 Ohm.
	063386-03-000	EA	Strap - Fuel Tank Mounting
	063386-02-000	EA	Hanger - Fuel Tank Mounting
	062401-02-000	EA	Clamp - Worm Gear - 15/16" to 1 5/16"
	062401-03-000	EA	Clamp - Worm Drive - .22" - 1" I.D.
	050227-01-000	EA	Canislor Asm. - Vapor - 2 Stage - 3 Port
	007111-01-000	FT	Hose - Fuel - 2 1/4" I.D. SAE 30RI
	024490-01-000	EA	Power Cord Box - Plastic
	055374-01-000	EA	Wheel Well - Plastic
	740313-56-000	EA	Tray - Generator - Onan - 4.0 kw
	740313-57-000	EA	Tray - Generator - Onan - 6.5kw
	052431-01-000	EA	Luggage Tray
	022655-02-000	EA	Tailpipe - 2 1/4" x 8" - 454 Engine - Chevy
	063150-01-000	EA	Tailpipe - Curved - Dodge
	007125-06-000	EA	Clamp Asm. - Muffler - 2 1/4"
	017516-01-000	EA	Mud Flap - Black - 14" x 18" w/Holes
	051697-01-000	EA	Bracket - Battery Tie Down
	048594-01-000	EA	Battery Tray Asm.
	017441-01-000	EA	Terminal - Battery - Horizontal Lug - Chevy
	024652-01-700	EA	Step Asm. - Entry
	048474-01-000	EA	Bumper - Rear - Chrome
	064601-02-000	EA	Bracket - Bumper - Rear - Dodge
	022150-01-000	EA	Bracket - Bumper - Rear - Chevy
	058401-01-000	EA	Hood Board - Upper - Right - Steel
	058404-01-000	EA	Hood Board - Upper - Left - Steel
	056818-01-000	EA	Cover - Radiator - Rear
	056817-01-000	EA	Cover - Radiator - Rear Back - (Fan Shroud)
	058200-01-000	EA	Bumper - Front - Chrome
	005200-01-000	EA	Bolt - Carriage - 7/16"-14x1 1/4" SST.
	058349-01-000	EA	Bracket - Front Bumper - Black
	058416-01-000	EA	Bar - Front Bumper - Black
	063977-02-000	EA	Step Asm. - Upper Driver Door - Black
	063976-02-000	EA	Step Asm. - Lower Driver Door - Black
	044967-01-000	EA	Shield - Heat Muffler
	058425-01-000	EA	Bracket - Bumper - Front - Left - Chevy
	058425-02-000	EA	Bracket - Bumper - Front - Right - Chevy
	056832-01-000	EA	Filler - Radiator Cover
	047743-01-000	EA	Spacer - Rear Spring/Axle Stop - Chevy
	024781-01-000	EA	Spacer - Rear Spring - 6" - Dodge
	007131-01-000	EA	Hanger - Tail Pipe
	007324-01-000	EA	Tire - 800 x 19.5 - Radial
	051759-01-000	EA	Tire - 800 x 19.5 - 10 Ply Poly.
	052165-03-000	EA	Shock Cord - Rubber - 24" - (Spare Tire)
	040974-01-000	EA	Bracket - Spare Tire - Dodge
	061661-01-000	EA	Bracket - Tire Cover - Chevy
	059670-03-000	EA	Bracket - Tire Carrier
	064963-01-000	EA	Rim - Wheel - 19.5 x 6.75 - Chevy
	064960-01-000	EA	Rim - Wheel - 19.5 x 6.00 - 5 Hole - Dodge

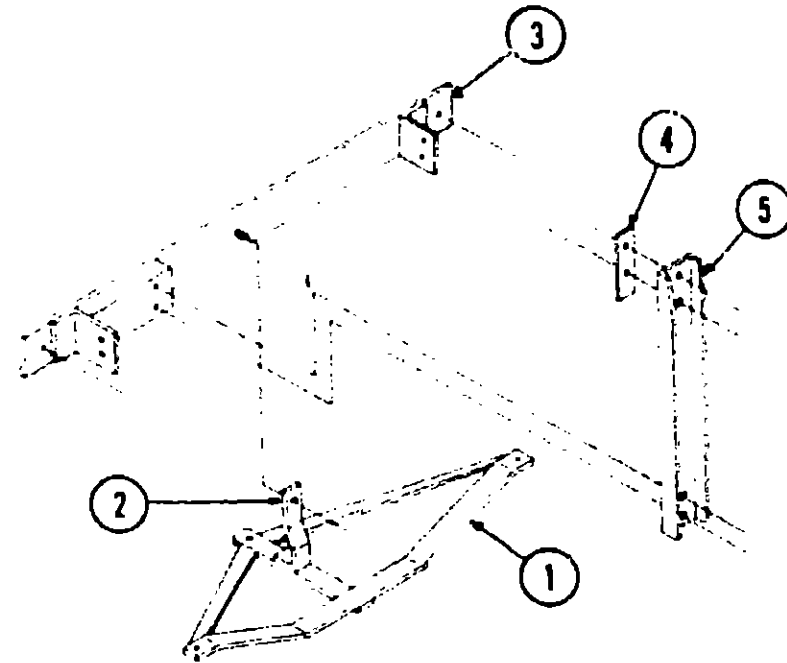
1981 WINNEBAGO TABLE OF CONTENTS

Introduction	I
Abbreviations	I
Alphabetical Index	II - IV
WDN29RT M1, WCN29RT M2	A-1 - C-8
WDN26RB M1, WCN26RB M2	C-9 - E-8
WC621RB M2	E-9 - F-18

1981 WDN29RT M1, WDN29RT M2 INDEX

Floor Plan	A-5 - A-6
Accessories Group	A-7 - A-9
Bath Group	A-10 - A-11
Chassis Group	A-12 - A-13
Curtain, Cushion & Pad Group	A-13 - A-20
Dinette Group	A-21 - A-22
Driver's Compartment Group	A-23 - A-24
Electrical Group	B-1 - B-3
Exterior Body Group	B-4 - B-7
Galley Group	B-8
Heating & Air Conditioning Group	B-9 - B-10
Interior Finish Group	B-11 - B-12
LP Group	B-13
Lounge Group	B-14 - B-15
Water & Sewage Group	B-16 - B-17
Window, Vent & Exterior Door Group	B-18 - C-1

CHASSIS GROUP (CONTINUED)



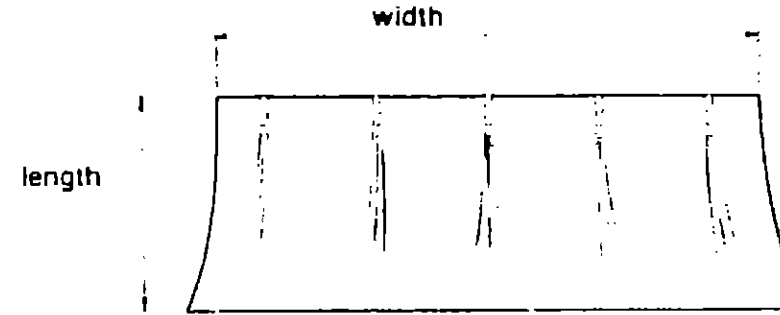
Key	Part Number	U/M	Description
1	064833-01-000	EA	Trailer Hitch Asm. - With Support
2	064824-01-000	EA	Support - Trailer Hitch
3	064601-02-000	EA	Bracket - Bumper Mount - Rear
4	040974-01-000	EA	Bracket - Spare Tire - Retaining Bar - 2" x 6.75"
5	059670-03-000	EA	Bracket - U-Channel - 27.12" - Tire Carrier

CURTAIN, CUSHION AND PAD GROUP

CURTAIN VALANCE

Key	Part Number	U/M	Description
	065892-01-M07	EA	Valance Asm. - 5" x 34" Stapled - Galley - Rust/Ginger
	065892-01-M08	EA	Valance Asm. - 5" x 34" Stapled - Galley - Blue/Caramel
	065892-01-M09	EA	Valance Asm. - 5" x 34" Stapled - Galley - Brown/Cedar
	065892-05-M07	EA	Valance Asm. - 5" x 78" Stapled - Lounge - Rust/Ginger
	065892-05-M08	EA	Valance Asm. - 5" x 78" Stapled - Lounge - Blue/Caramel
	065892-05-M09	EA	Valance Asm. - 5" x 78" Stapled - Lounge - Brown/Cedar
	065892-06-M07	EA	Valance Asm. - 5" x 69" Stapled - Rear Sides - Rust/Ginger
	065892-06-M08	EA	Valance Asm. - 5" x 69" Stapled - Rear Sides - Blue/Caramel
	065892-06-M09	EA	Valance Asm. - 5" x 69" Stapled - Rear Sides - Brown/Cedar
	065892-07-M07	EA	Valance Asm. - 5" x 81" Stapled - Rear - Rust/Ginger
	065892-07-M08	EA	Valance Asm. - 5" x 81" Stapled - Rear - Blue/Caramel
	065892-07-M09	EA	Valance Asm. - 5" x 81" Stapled - Rear - Brown/Cedar
	065892-16-M07	EA	Valance Asm. - 5" x 29" Stapled - Bath - Rust/Ginger
	065892-16-M08	EA	Valance Asm. - 5" x 29" Stapled - Bath - Blue/Caramel
	065892-16-M09	EA	Valance Asm. - 5" x 29" Stapled - Bath - Brown/Cedar

CURTAIN, CUSHION AND PAD GROUP (CONTINUED)



NOTE:
Use this illustration when determining length and width measurements for curtains. You will note the width measurement is taken on the top of the curtain with the curtain fully extended. The length measurement is taken from top to bottom.

CURTAINS & TIEBACKS

Key	Part Number	U/M	Description
	056484-40-M07	EA	Curtain w/Tape Top - 29" x 42" - Copper
	056484-40-M08	EA	Curtain w/Tape Top - 29" x 42" - Walnut
	056484-41-M07	EA	Curtain w/Tape Top - 29" x 9" - Copper
	056484-41-M08	EA	Curtain w/Tape Top - 29" x 9" - Walnut
	056484-42-M07	EA	Curtain w/Tape Top - 21.5" x 9" - Copper
	056484-42-M08	EA	Curtain w/Tape Top - 21.5" x 9" - Walnut
	054051-48-M07	EA	Curtain w/Snap Top - 29" x 37" - Copper
	054051-48-M08	EA	Curtain w/Snap Top - 29" x 37" - Walnut
	054051-22-M07	EA	Curtain w/Snap Top - Bunk Privacy - 22" x 96" - Copper
	054051-22-M08	EA	Curtain w/Snap Top - Bunk Privacy - 22" x 96" - Walnut
	054051-41-M07	EA	Curtain w/Snaps - Wraparound - 27.5" x 81" - Copper
	054051-41-M08	EA	Curtain w/Snaps - Wraparound - 27.5" x 81" - Walnut
	054051-43-M07	EA	Curtain w/Snaps - 27.5" x 125" - Copper
	054051-43-M08	EA	Curtain w/Snaps - 27.5" x 125" - Walnut
	059900-05-M07	EA	Curtain w/Snaps - Right Wraparound - 29" x 30" - Copper
	059900-05-M08	EA	Curtain w/Snaps - Right Wraparound - 29" x 30" - Walnut
	054048-08-M07	EA	Tie Back Asm. - Curtain - 2" x 18" - Rust/Ginger
	054048-08-M08	EA	Tieback Asm. - Curtain - 2" x 18" - Blue/Caramel
	057534-01-000	EA	Tieback - Clear Plastic - 6"
	057534-03-000	EA	Tie Back - Clear Plastic - 7.5"

SHADES

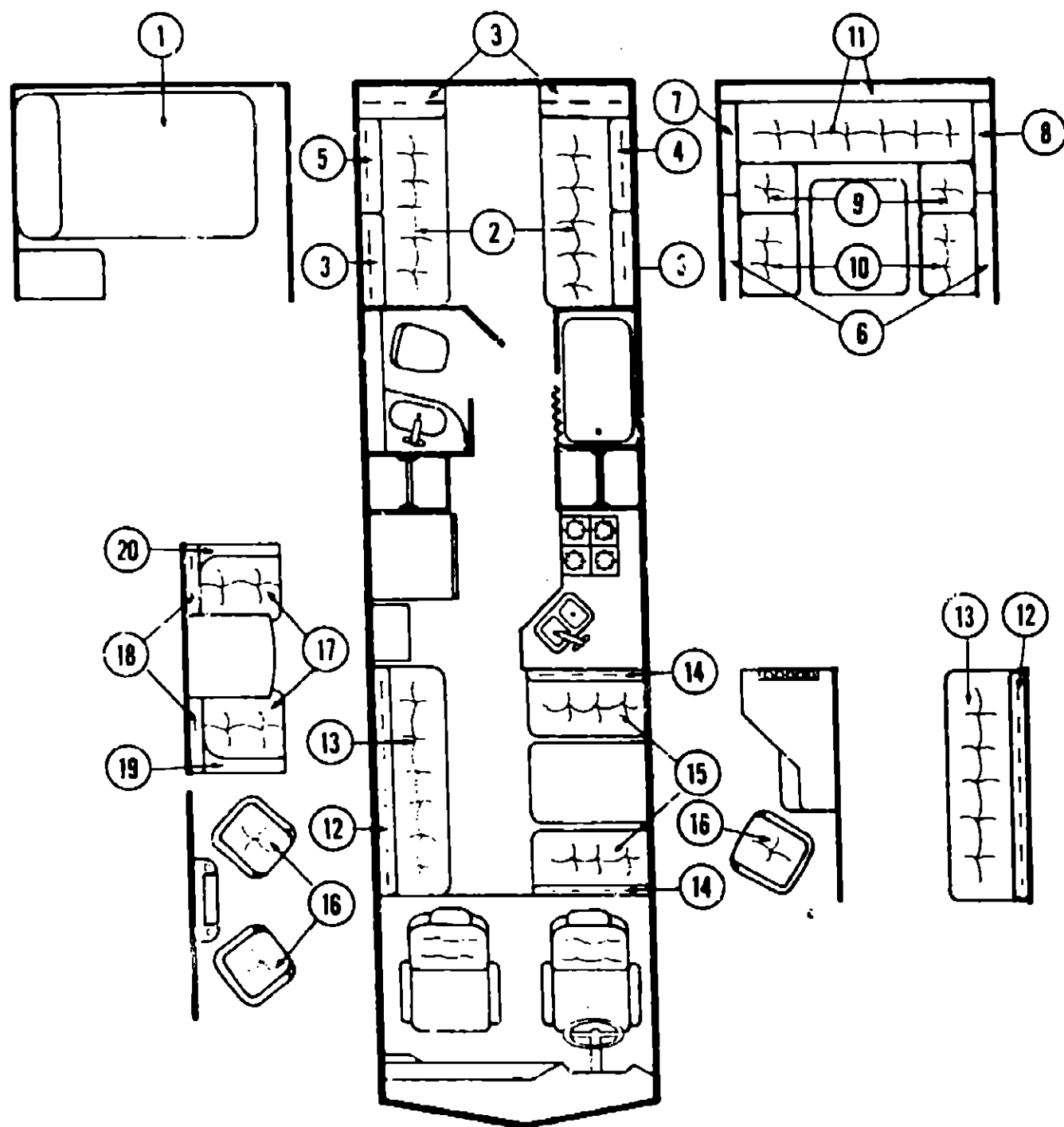
Key	Part Number	U/M	Description
	059547-01-000	EA	Shade - Woven Wood - 29" x 72" - Gray
	059547-07-000	EA	Shade - Woven Wood - 29" x 72" - Rust
	059547-13-000	EA	Shade - Woven Wood - 29" x 72" - Brown
	059547-02-000	EA	Shade - Woven Wood - 31" x 69" - Gray
	059547-08-000	EA	Shade - Woven Wood - 31" x 69" - Rust
	059547-14-000	EA	Shade - Woven Wood - 31" x 69" - Brown
	059547-03-000	EA	Shade - Woven Wood - 31" x 80" - Gray
	059547-09-000	EA	Shade - Woven Wood - 31" x 80" - Rust
	059547-15-000	EA	Shade - Woven Wood - 31" x 80" - Brown
	059547-05-000	EA	Shade - Woven Wood - 23" x 25" - Gray
	059547-11-000	EA	Shade - Woven Wood - 23" x 25" - Rust
	059547-17-000	EA	Shade - Woven Wood - 23" x 25" - Brown
	059547-08-000	EA	Shade - Woven Wood - 29" x 17" - Gray
	059547-12-000	EA	Shade - Woven Wood - 29" x 17" - Rust
	059547-18-000	EA	Shade - Woven Wood - 29" x 17" - Brown

**1981 WINNEBAGO
TABLE OF CONTENTS**

Introduction	I
Abbreviations	I
Alphabetical Index	II - IV
WDN29RT M1, WCN29RT M2	A-1 - C-8
WDN26RB M1, WCN26RB M2	C-9 - E-8
WC621RB M2	E-9 - F-18

1981 WDN29RT M1, WDN29RT M2 INDEX

Floor Plan	A-5 - A-6
Accessories Group	A-7 - A-9
Bath Group	A-10 - A-11
Chassis Group	A-12 - A-13
Curtain, Cushion & Pad Group	A-13 - A-20
Dinette Group	A-21 - A-22
Driver's Compartment Group	A-23 - A-24
Electrical Group	B-1 - B-3
Exterior Body Group	B-4 - B-7
Galley Group	B-8
Heating & Air Conditioning Group	B-9 - B-10
Interior Finish Group	B-11 - B-12
LP Group	B-13
Lounge Group	B-14 - B-15
Water & Sewage Group	B-16 - B-17
Window, Vent & Exterior Door Group	B-18 - C-8



DOUBLE BED MATTRESS

Key	Part Number	U/M	Description
1	058709-02-000	EA	Mattress - Inner Spring - Sealy - 54" x 75"
	066343-01-M07	EA	Bedspread - Rust
	066343-01-M08	EA	Bedspread - Blue

REAR TWIN BED CUSHIONS

Key	Part Number	U/M	Description
2	068798-02-M07	EA	Cushion - Rear Twin - Bottom - 28" x 76" x 5" - Rust/Ginger
2	068798-02-M08	EA	Cushion - Rear Twin - Bottom - 28" x 76" x 5" - Blue/Caramel
2	068798-02-M09	EA	Cushion - Rear Twin - Bottom - 28" x 76" x 5" - Brown/Cedar
	M68798-02-M07	EA	Cover - Cushion - 28" x 76" x 5" - Rust/Ginger
	M68798-02-M08	EA	Cover - Cushion - 28" x 76" x 5" - Blue/Caramel
	M68798-02-M09	EA	Cover - Cushion - 28" x 76" x 5" - Brown/Cedar
3	058917-04-M07	EA	Cushion - Bolster - 8" x 10" x 14" x 28" - Rust/Ginger
3	058917-04-M08	EA	Cushion - Bolster - 8" x 10" x 14" x 28" - Blue/Caramel
3	058917-04-M09	EA	Cushion - Bolster - 8" x 10" x 14" x 28" - Brown/Cedar
	058918-03-M07	EA	Cover - Cushion - 8" x 10" x 14" x 28" - Rust/Ginger
	058918-03-M08	EA	Cover - Cushion - 8" x 10" x 14" x 28" - Blue/Caramel
	058918-03-M09	EA	Cover - Cushion - 8" x 10" x 14" x 28" - Brown/Cedar
4	058919-07-M07	EA	Cushion - Bolster - 8" x 10" x 14" x 40" x 38" - Left - Rust/Ginger
4	058919-07-M08	EA	Cushion - Bolster - 8" x 10" x 14" x 40" x 38" - Left - Blue/Caramel
4	058919-07-M09	EA	Cushion - Bolster - 8" x 10" x 14" x 40" x 38" - Left - Brown/Cedar
	058920-05-M07	EA	Cover - Cushion - 8" x 10" x 14" x 40" x 38" - Left - Rust/Ginger
	058920-05-M08	EA	Cover - Cushion - 8" x 10" x 14" x 40" x 38" - Left - Blue/Caramel
	058920-05-M09	EA	Cover - Cushion - 8" x 10" x 14" x 40" x 38" - Left - Brown/Cedar
5	058919-08-M07	EA	Cushion - Bolster - 8" x 10" x 14" x 40" x 38" - Right - Rust/Ginger
5	058919-08-M08	EA	Cushion - Bolster - 8" x 10" x 14" x 40" x 38" - Right - Blue/Caramel
5	058919-08-M09	EA	Cushion - Bolster - 8" x 10" x 14" x 40" x 38" - Right - Brown/Cedar
	058920-06-M07	EA	Cover - Cushion - 8" x 10" x 14" x 40" x 38" - Right - Rust/Ginger
	058920-06-M08	EA	Cover - Cushion - 8" x 10" x 14" x 40" x 38" - Right - Blue/Caramel
	058920-06-M09	EA	Cover - Cushion - 8" x 10" x 14" x 40" x 38" - Right - Brown/Cedar

HORSESHOE LOUNGE CUSHIONS

Key	Part Number	U/M	Description
6	068896-03-M07	EA	Cushion - Lounge Back - 16" x 32" x 5" - Rust/Ginger
6	068896-03-M08	EA	Cushion - Lounge Back - 16" x 32" x 5" - Blue/Caramel
6	068896-03-M09	EA	Cushion - Lounge Back - 16" x 32" x 5" - Brown/Cedar
	M68896-03-M07	EA	Cover - Cushion - 16" x 32" x 5" - Rust/Ginger
	M68896-03-M08	EA	Cover - Cushion - 16" x 32" x 5" - Blue/Caramel
	M68896-03-M09	EA	Cover - Cushion - 16" x 32" x 5" - Brown/Cedar
7	068897-01-M07	EA	Cushion - Lounge Back - 16" x 39" x 35" x 5" - Rust/Ginger - Right
7	068897-01-M08	EA	Cushion - Lounge Back - 16" x 39" x 35" x 5" - Blue/Caramel - Right
7	068897-01-M09	EA	Cushion - Lounge Back - 16" x 39" x 35" x 5" - Brown/Cedar - Right
	M68897-01-M07	EA	Cover - Cushion - 16" x 39" x 35" x 5" - Rust/Ginger - Right
	M68897-01-M08	EA	Cover - Cushion - 16" x 39" x 35" x 5" - Blue/Caramel - Right

1981 WINNEBAGO
TABLE OF CONTENTS

Introduction	I
Abbreviations	I
Alphabetical Index	II - IV
WDN29RT M1, WCN29RT M2	A-1 - C-8
WDN26RB M1, WCN26RB M2	C-9 - E-8
WC621RB M2	E-9 - F-18

1981 WDN29RT M1, WDN29RT M2 INDEX

Floor Plan	A-5 - A-6
Accessories Group	A-7 - A-8
Bath Group	A-10 - A-11
Chassis Group	A-12 - A-13
Curtain, Cushion & Pad Group	A-13 - A-20
Dinette Group	A-21 - A-22
Driver's Compartment Group	A-23 - A-24
Electrical Group	B-1 - B-3
Exterior Body Group	B-4 - B-7
Galley Group	B-4
Heating & Air Conditioning Group	B-9 - B-10
Interior Finish Group	B-11 - B-12
LP Group	B-1
Lounge Group	B-14 - B-15
Water & Sewage Group	B-16 - B-17
Window, Vent & Exterior Door Group	B-18 - C-4

CURTAIN, CUSHION AND PAD GROUP (CONTINUED)

Horseshoe Lounge Cushions (cont.)

Key	Part Number	U/M	Description
	M68897-01-M09	EA	Cover - Cushion - 16" x 39" x 35" x 5" - Brown/Cedar - Right
8	068897-02-M07	EA	Cushion - Lounge Back - 16" x 39" x 35" x 5" - Rust/Ginger - Left
8	068897-02-M08	EA	Cushion - Lounge Back - 16" x 39" x 35" x 5" - Blue/Caramel - Left
8	068897-02-M09	EA	Cushion - Lounge Back - 16" x 39" x 35" x 5" - Brown/Cedar - Left
	M68897-02-M07	EA	Cover - Cushion - 16" x 39" x 35" x 5" - Rust/Ginger - Left
	M68897-02-M08	EA	Cover - Cushion - 16" x 39" x 35" x 5" - Blue/Caramel - Left
	M68897-02-M09	EA	Cover - Cushion - 16" x 39" x 35" x 5" - Brown/Cedar - Left
9	068898-01-M07	EA	Cushion - Lounge Seat - 24" x 15" x 5.5" - Rust/Ginger
9	068898-01-M08	EA	Cushion - Lounge Seat - 24" x 15" x 5.5" - Blue/Caramel
9	068898-01-M09	EA	Cushion - Lounge Seat - 24" x 15" x 5.5" - Brown/Cedar
	M68898-01-M07	EA	Cover - Cushion - 24" x 15" x 5.5" - Rust/Ginger
	M68898-01-M08	EA	Cover - Cushion - 24" x 15" x 5.5" - Blue/Caramel
	M68898-01-M09	EA	Cover - Cushion - 24" x 15" x 5.5" - Brown/Cedar
10	068898-02-M07	EA	Cushion - Lounge Seat - 24" x 32" x 5.5" - Rust/Ginger
10	068898-02-M08	EA	Cushion - Lounge Seat - 24" x 32" x 5.5" - Blue/Caramel
10	068898-02-M09	EA	Cushion - Lounge Seat - 24" x 32" x 5.5" - Brown/Cedar
	M68898-02-M07	EA	Cover - Cushion - 24" x 32" x 5.5" - Rust/Ginger
	M68898-02-M08	EA	Cover - Cushion - 24" x 32" x 5.5" - Blue/Caramel
	M68898-02-M09	EA	Cover - Cushion - 24" x 32" x 5.5" - Brown/Cedar

LESTER LOUNGE CUSHIONS

Key	Part Number	U/M	Description
11	068797-02-M07	EA	Cushion - Lester Lounge - Back & Bottom - 76" - Rust/Ginger
11	068797-02-M08	EA	Cushion - Lester Lounge - Back & Bottom - 76" - Blue/Caramel
11	068797-02-M09	EA	Cushion - Lester Lounge - Back & Bottom - 76" - Brown/Cedar
	M68797-02-M07	EA	Cover - Lester Lounge - Back & Bottom - 76" - Rust/Ginger
	M68797-02-M08	EA	Cover - Lester Lounge - Back & Bottom - 76" - Blue/Caramel
	M68797-02-M09	EA	Cover - Lester Lounge - Back & Bottom - 76" - Brown/Cedar
	065985-01-M07	EA	Cushion - Lounge Back - 8" x 76" x 4.5" - Rust/Ginger
	065985-01-M08	EA	Cushion - Lounge Back - 8" x 76" x 4.5" - Blue/Caramel
	065985-01-M09	EA	Cushion - Lounge Back - 8" x 76" x 4.5" - Brown/Cedar
	065986-01-M07	EA	Cover - Cushion - 8" x 76" x 4.5" - Rust/Ginger
	065986-01-M08	EA	Cover - Cushion - 8" x 76" x 4.5" - Blue/Caramel
	065986-01-M09	EA	Cover - Cushion - 8" x 76" x 4.5" - Brown/Cedar
	Not Illustrated		

PRESTO BED CUSHIONS

Key	Part Number	U/M	Description
12	068780-01-M07	EA	Cushion Asm. - Presto Bed - Back - 76" - Rust/Ginger
12	068780-01-M08	EA	Cushion Asm. - Presto Bed - Back - 76" - Blue/Caramel
12	068780-01-M09	EA	Cushion Asm. - Presto Bed - Back - 76" - Brown/Cedar
	M68780-01-M07	EA	Cover - Presto Bed Back - 76" - Rust/Ginger
	M68780-01-M08	EA	Cover - Presto Bed Back - 76" - Blue/Caramel
	M68780-01-M09	EA	Cover - Presto Bed Back - 76" - Brown/Cedar
13	068781-01-M07	EA	Cushion Asm. - Presto Bed - Bottom - 76" - Rust/Ginger
13	068781-01-M08	EA	Cushion Asm. - Presto Bed - Bottom - 76" - Blue/Caramel
13	068781-01-M09	EA	Cushion Asm. - Presto Bed - Bottom - 76" - Brown/Cedar
	M68781-02-M07	EA	Cover - Presto Bed Bottom - 76" - Rust/Ginger
	M68781-02-M08	EA	Cover - Presto Bed Bottom - 76" - Blue/Caramel
	M68781-02-M09	EA	Cover - Presto Bed Bottom - 76" - Brown/Cedar

CURTAIN, CUSHION AND PAD GROUP (CONTINUED)

DINETTE CUSHIONS

Key	Part Number	U/M	Description
14	068772-01-M07	EA	Cushion - Dinette Back - 19.2" x 38" x 5" - Rust/Ginger
14	068772-01-M08	EA	Cushion - Dinette Back - 19.2" x 38" x 5" - Blue/Caramel
14	068772-01-M09	EA	Cushion - Dinette Back - 19.2" x 38" x 5" - Brown/Cedar
	M68772-01-M07	EA	Cover - Dinette Back Cushion - 19.2" x 38" x 5" - Rust/Ginger
	M68772-01-M08	EA	Cover - Dinette Back Cushion - 19.2" x 38" x 5" - Blue/Caramel
	M68772-01-M09	EA	Cover - Dinette Back Cushion - 19.2" x 38" x 5" - Brown/Cedar
15	068772-02-M07	EA	Cushion - Dinette Bottom - 17.5" x 38" x 5" - Rust/Ginger
15	068772-02-M08	EA	Cushion - Dinette Bottom - 17.5" x 38" x 5" - Blue/Caramel
15	068772-02-M09	EA	Cushion - Dinette Bottom - 17.5" x 38" x 5" - Brown/Cedar
	M68772-02-M07	EA	Cover - Dinette Bottom Cushion - 17.5" x 38" x 5" - Rust/Ginger
	M68772-02-M08	EA	Cover - Dinette Bottom Cushion - 17.5" x 38" x 5" - Blue/Caramel
	M68772-02-M09	EA	Cover - Dinette Bottom Cushion - 17.5" x 38" x 5" - Brown/Cedar

SWIVEL CHAIRS

Key	Part Number	U/M	Description
16	069848-02-M07	EA	Swivel Chair - Complete - High Back - Rust/Ginger
16	069848-02-M08	EA	Swivel Chair - Complete - High Back - Blue/Caramel
16	069848-02-M09	EA	Swivel Chair - Complete - High Back - Brown/Cedar
	054700-10-M07	EA	Cushion - Swivel Chair - Rust/Ginger
	054700-10-M08	EA	Cushion - Swivel Chair - Blue/Caramel
	054700-10-M09	EA	Cushion - Swivel Chair - Brown/Cedar
	035036-01-000	EA	Plate - Swivel Chair
	035036-02-000	EA	Base w/Legs - Swivel Chair

CORNER LOUNGE CHAIR CUSHIONS

Key	Part Number	U/M	Description
17	059743-04-M07	EA	Cushion - Lounge Chair Bottom - Rust/Ginger
17	059743-04-M08	EA	Cushion - Lounge Chair Bottom - Blue/Caramel
17	059743-04-M09	EA	Cushion - Lounge Chair Bottom - Brown/Cedar
	059746-04-M07	EA	Cover - Lounge Chair Bottom Cushion - Rust/Ginger
	059746-04-M08	EA	Cover - Lounge Chair Bottom Cushion - Blue/Caramel
	059746-04-M09	EA	Cover - Lounge Chair Bottom Cushion - Brown/Cedar
18	059742-04-M07	EA	Cushion - Lounge Chair Back - Rust/Ginger
18	059742-04-M08	EA	Cushion - Lounge Chair Back - Blue/Caramel
18	059742-04-M09	EA	Cushion - Lounge Chair Back - Brown/Cedar
	059745-04-M07	EA	Cover - Lounge Chair Back Cushion - Rust/Ginger
	059745-04-M08	EA	Cover - Lounge Chair Back Cushion - Blue/Caramel
	059745-04-M09	EA	Cover - Lounge Chair Back Cushion - Brown/Cedar
19	059744-08-M07	EA	Cushion - Chair Wedge - Left - Rust/Ginger
19	059744-08-M08	EA	Cushion - Chair Wedge - Left - Blue/Caramel
19	059744-08-M09	EA	Cushion - Chair Wedge - Left - Brown/Cedar
	059707-08-M07	EA	Cover - Chair Wedge Cushion - Left - Rust/Ginger
	059747-08-M08	EA	Cover - Chair Wedge Cushion - Left - Blue/Caramel
	059747-08-M09	EA	Cover - Chair Wedge Cushion - Left - Brown/Cedar
20	059744-07-M07	EA	Cushion - Chair Wedge - Right - Rust/Ginger
20	059744-07-M08	EA	Cushion - Chair Wedge - Right - Blue/Caramel
20	059744-07-M09	EA	Cushion - Chair Wedge - Right - Brown/Cedar
	059747-07-M07	EA	Cover - Chair Wedge Cushion - Right - Rust/Ginger
	059747-07-M08	EA	Cover - Chair Wedge Cushion - Right - Blue/Caramel
	059747-07-M09	EA	Cover - Chair Wedge Cushion - Right - Brown/Cedar

**1981 WINNEBAGO
TABLE OF CONTENTS**

Introduction	I
Abbreviations	I
Alphabetical Index	II - IV
WDN29RT M1, WCN29RT M2	A-1 - C-8
WDN26RB M1, WCN26RB M2	C-9 - E-8
WC621RB M2	E-9 - F-18

1981 WDN29RT M1, WDN29RT M2 INDEX

Floor Plan	A-5 - A-4
Accessories Group	A-7 - A-1
Bath Group	A-10 - A-1
Chassis Group	A-12 - A-1
Curtain, Cushion & Pad Group	A-13 - A-2
Dinette Group	A-21 - A-2
Driver's Compartment Group	A-23 - A-2
Electrical Group	B-1 - B-1
Exterior Body Group	B-4 - B-1
Galley Group	B-1
Heating & Air Conditioning Group	B-9 - B-1
Interior Finish Group	B-11 - B-1
LP Group	B-1
Lounge Group	B-14 - B-1
Water & Sewage Group	B-16 - B-1
Window, Vent & Exterior Door Group	B-18 - C

CURTAIN, CUSHION AND PAD GROUP (CONTINUED)

PADS

Key	Part Number	U/M	Description
	058565-01-M10	EA	Pad - Pullout Table Cabinet - Acorn Vinyl
	063345-01-M10	EA	Pad - End - Front Lounge - Acorn Vinyl - Right
	063345-02-M10	EA	Pad - End - Front Lounge - Acorn Vinyl - Left
	063338-01-M10	EA	Pad - End - Galley Overhead - Acorn Vinyl
	059414-01-000	EA	Pad - Sidewall Trim - Drivers - Acorn Vinyl
	059467-03-M07	EA	Pad - Map Pocket - Drivers - Acorn Vinyl
	059414-02-000	EA	Pad - Sidewall Trim - Passenger - Acorn Vinyl
	059467-04-M07	EA	Pad - Map Pocket - Passenger - Acorn Vinyl
	058948-01-M10	EA	Pad - Bunk Panel - Right - Acorn Vinyl
	058948-02-M10	EA	Pad - Bunk Panel - Left - Acorn Vinyl
	058444-03-M10	EA	Pad - Dinette Overhead Cabinets - Left - Acorn Vinyl
	058444-04-M10	EA	Pad - Dinette Overhead Cabinet - Right - Acorn Vinyl

FRONT BUNK CUSHIONS

Key	Part Number	U/M	Description
	055021-33-M07	EA	Cushion Asm. - Front Bunk - 47" x 79.2" x 4" - Rust/Ginger
	055021-33-M08	EA	Cushion Asm. - Front Bunk - 47" x 79.2" x 4" - Blue/Caramel
	055021-33-M09	EA	Cushion Asm. - Front Bunk - 47" x 79.2" x 4" - Brown/Cedar
	055022-35-M07	EA	Cover - Front Bunk Cushion - 47" x 79.2" x 4" - Rust/Ginger
	055022-35-M08	EA	Cover - Front Bunk Cushion - 47" x 79.2" x 4" - Blue/Caramel
	055022-35-M09	EA	Cover - Front Bunk Cushion - 47" x 79.2" x 4" - Brown/Cedar

FABRICS AND TRIMS

Key	Part Number	U/M	Description
	068339-02-000	YD	Fabric - Drapery - Copper
	068339-03-000	YD	Fabric - Drapery - Walnut
	066338-07-000	YD	Fabric - Upholstery - Rust/Ginger
	068338-08-000	YD	Fabric - Upholstery - Blue/Caramel
	068338-09-000	YD	Fabric - Upholstery - Brown/Cedar
	036421-01-000	YD	Ticking - Mattress - Gold
	057093-01-M07	EA	Button Asm. - Covered #60 - Nail - Brown Vinyl
	052859-01-M07	FT	Trim Asm. - Accent - Acorn Brown Vinyl
	053327-01-000	YD	Vinyl - Non Expanded - 27 oz. - Acorn Brown
	053327-02-000	YD	Vinyl - Expanded - 28 oz. Acorn Brown
	053327-03-000	YD	Vinyl - Non Support - 16 Gauge Film - Acorn Brown
	068342-02-000	YD	Vinyl - Expanded - 28 oz. - Saddle Brown
	M00045-04-M07	EA	Button Asm. - Cloth #45 - Rust/Ginger
	M00045-04-M08	EA	Button Asm. - Cloth #45 - Blue/Caramel
	M00045-04-M09	EA	Button Asm. - Cloth #45 - Brown/Cedar
	057550-03-M07	EA	Button Asm. - Nail - #36 - Acorn Brown
	057550-05-M07	EA	Button Asm. - Nail - #36 - Short - Acorn Brown
	057592-02-M07	EA	Button Asm. - Pivot #30 - Armrest - Rust Vinyl
	057592-02-M08	EA	Button Asm. - Pivot #30 - Armrest - Blue Vinyl
	057591-02-M07	EA	Nail - Button Pivot #30 - Armrest - Rust Vinyl
	057591-02-M08	EA	Nail - Button Pivot #30 - Armrest - Blue Vinyl
	M00045-01-M07	EA	Button - Nylon - Back Upholstery - #30 - Rust/Ginger
	M00045-01-M08	EA	Button - Nylon - Back Upholstery - #30 - Blue/Caramel
	M00045-08-M07	EA	Button - Nylon - Back Upholstery - #30 - Rust/Ginger
	M00045-06-M08	EA	Button - Nylon - Back Upholstery - #30 - Blue/Caramel
	M00045-06-M09	EA	Button - Nylon - Back Upholstery - #30 - Brown/Cedar
	054676-03-M07	EA	Button Asm. - Cloth #45 - Bolster Cushion - Rust/Ginger
	054676-03-M08	EA	Button Asm. - Cloth #45 - Bolster Cushion - Blue/Caramel
	054676-03-M09	EA	Button Asm. - Cloth #45 - Bolster Cushion - Brown/Cedar
	052350-02-000	EA	Button - Upholstery - Back #45

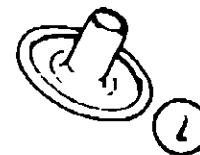
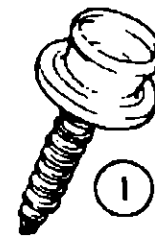
CURTAIN, CUSHION AND PAD GROUP (CONTINUED)

BUCKET SEATS

Key	Part Number	U/M	Description
	065939-03-M07	EA	Seat Asm. - Single Bucket - Highback w/Armrests and Skirt - Rust/Ginger
	065939-03-M08	EA	Seat Asm. - Single Bucket - Highback w/Armrests and Skirt - Blue/Caramel
	065939-03-M09	EA	Seat Asm. - Single Bucket - Highback w/Armrests and Skirt - Brown/Cedar
	065943-03-M07	EA	Cover - Back - Single Bucket - Rust/Ginger
	065943-03-M08	EA	Cover - Back - Single Bucket - Blue/Caramel
	065943-03-M09	EA	Cover - Back - Single Bucket - Brown/Cedar
	065944-03-M07	EA	Cover - Bottom - Single Bucket - Rust/Ginger
	065944-03-M08	EA	Cover - Bottom - Single Bucket - Blue/Caramel
	065944-03-M09	EA	Cover - Bottom - Single Bucket - Brown/Cedar
	066915-03-M07	EA	Skirt - Single Bucket - Rust/Ginger
	066915-03-M08	EA	Skirt - Single Bucket - Blue/Caramel
	066915-03-M09	EA	Skirt - Single Bucket - Brown/Cedar
	068969-01-M07	EA	Seat Asm. - Double Bucket - Highback w/Armrests and Skirt - Rust/Ginger
	068969-01-M08	EA	Seat Asm. - Double Bucket - Highback w/Armrests and Skirt - Blue/Caramel
	068969-01-M09	EA	Seat Asm. - Double Bucket - Highback w/Armrests and Skirt - Brown/Cedar
	M00405-05-M07	EA	Cover - Back - Double Bucket - Rust/Ginger
	M00405-05-M08	EA	Cover - Back - Double Bucket - Blue/Caramel
	M00405-05-M09	EA	Cover - Back - Double Bucket - Brown/Cedar
	M00405-06-M07	EA	Cover - Bottom - Double Bucket - Rust/Ginger
	M00405-06-M08	EA	Cover - Bottom - Double Bucket - Blue/Caramel
	M00405-06-M09	EA	Cover - Bottom - Double Bucket - Brown/Cedar
	068878-02-M07	EA	Skirt - Double Bucket - Rust/Ginger
	068878-02-M08	EA	Skirt - Double Bucket - Blue/Caramel
	068878-02-M09	EA	Skirt - Double Bucket - Brown/Cedar
	067661-02-000	EA	Armrest Asm. - Foam w/o Cover - Right
	067661-01-000	EA	Armrest Asm. - Foam w/o Cover - Left
	065774-03-M07	EA	Cover - Armrest - Right or Left - Rust/Ginger
	065774-03-M08	EA	Cover - Armrest - Right or Left - Blue/Caramel
	065774-03-M09	EA	Cover - Armrest - Right or Left - Brown/Cedar

CURTAIN HARDWARE

Key	Part Number	U/M	Description
	053272-01-001	EA	Track - Curtain - Alum. 16' - w/Holes
	059430-01-000	EA	Track - Curtain - Front Wraparound (2 per unit) - 32.8" x 45.2"
	059430-02-000	EA	Track - Curtain - Front Wraparound (2 per unit) - 32.8" x 89.1"
	056001-01-000	EA	Bracket - Shade - Left
	056002-01-000	EA	Bracket - Shade - Right
	009107-01-000	EA	Guide - Nylon Snap - Curtain
	018031-42-000	EA	Track - Curtain - "L" Rod - Alum. Extr. - 90"
	009701-01-000	EA	Carrier - "L" Rod - Curtain
	009702-01-000	EA	End Stop - "L" Rod - Curtain



Key	Part Number	U/M	Description
1	029130-01-000	EA	Socket - Snap Fastener
2	029155-01-000	EA	Cap - Snap - .156" Dia. x .17" Barrel
3	029156-01-000	EA	Socket-Snap Fastener
4	029092-01-000	EA	Stud - Nickel Finish
5	029093-01-000	EA	Eyelet - Nickel Finish

**1981 WINNEBAGO
TABLE OF CONTENTS**

Introduction	I
Abbreviations	II
Alphabetical Index	II - IV
WDN29RT M1, WCN29RT M2	A-1 - C-8
WDN23RB M1, WCN26RB M2	C-9 - E-8
WC621R3 M2	E-9 - F-18

1981 WDN29RT M1, WDN29RT M2 INDEX

Floor Plan	A-5 - A-6
Accessories Group	A-7 - A-9
Bath Group	A-10 - A-11
Chassis Group	A-12 - A-13
Curtain, Cushion & Pad Group	A-13 - A-20
Dinette Group	A-21 - A-22
Driver's Compartment Group	A-23 - A-24
Electrical Group	B-1 - B-3
Exterior Body Group	B-4 - B-7
Galley Group	B-8
Heating & Air Conditioning Group	B-9 - B-10
Interior Finish Group	B-11 - B-12
LP Group	B-13
Lounge Group	B-14 - B-15
Water & Sewage Group	B-16 - B-17
Window, Vent & Exterior Door Group	B-18 - C-6

DINETTE GROUP

CONVENTIONAL DINETTE AND OVERHEAD CABINETRY

Key	Part Number	U/M	Description
	053192-01-M10	EA	Table Asm. - Dinette - w/o Hardware - Rust Burnt Sienna
	053248-02-M08	EA	Table Asm. - Dinette - w/o Hardware - Brown Mocha
**	053200-04-000	EA	Bracket - Upper Wall Mount - Brown - 23.5"
**	053201-01-000	EA	Bracket - Table Mount - 23"
**	024275-01-000	EA	Rod - Table Lift - 8" x 23.5"
**	024281-06-000	EA	Bracket - Lower Wall Mount - Brown - 22 1/2"
**	024276-04-000	EA	Leg Asm. - Table - Brown - 29.5"
**	024277-02-000	EA	Hinge - Table Leg - Brown
**	024282-01-000	EA	Brace - Table Leg
**	024283-01-000	EA	Clip - 1" O.D. Tube
**	049493-02-000	EA	Catch - Table Leg - Mounts on Floor - Brown
	065484-01-M10	EA	Cabinet Asm. - Dinette Seat - Rear
	064646-01-M10	EA	Cabinet Asm. - Dinette Seat - Front - w/o Door or Hardware
	059550-04-M10	EA	Door Asm. - Front Dinette Seat Cabinet - 12" x 19.8" - w/o Hardware
	064649-03-M10	EA	Cabinet Asm. - Right Front Overhead - w/o Doors or Hardware
	064649-04-M10	EA	Cabinet Asm. - Left Front Overhead - w/o Doors or Hardware
	059551-01-M10	EA	Door Asm. - Dinette Overhead Cabinets - 11.3" x 28" - w/o Hardware

** The illustrated parts breakdown for this item is provided on the Common Items Fiche.

SPRUNG COUCH AND PEDESTAL TABLE

Key	Part Number	U/M	Description
	057622-01-M10	EA	Cabinet Face - Sprung Couch - w/o Door or Hardware
	057618-01-M10	EA	Cabinet End - Sprung Couch
	059550-02-700	EA	Door Asm. - Couch Cabinet - 11.6" x 37" - w/o Hardware
	057468-02-000	EA	Frame Asm. - Sprung Couch - Right
	057468-03-000	EA	Frame Asm. - Sprung Couch - Left
	057468-04-000	EA	Frame Rail - Sprung Couch (2per couch)
	056875-01-000	EA	Leg Asm. - Sprung Couch (2per couch)
	022517-01-000	EA	End Cap - Leg - 1" x 1" - Brown
	053248-02-M10	EA	Table Asm. - Pedestal - w/o Hardware - Rust Burnt Sienna
	053248-02-M08	EA	Table Asm. - Pedestal - w/o Hardware - Brown Mocha
	009040-02-000	EA	Leg - Pedestal Table - 27.5" x 2.25" O.D. - Chrome
	009040-03-000	EA	Base - Table Leg - Mounts on Table
	041194-01-000	EA	Base - Table Leg - Mounts in Floor

SWIVEL CHAIR AND TELEVISION CABINET

Key	Part Number	U/M	Description
	062486-01-M10	EA	Cabinet Asm. - Entertainment Center - w/o Countertops, Doors or Hardware
	063224-14-M10	EA	Door Asm. - Rolled - 20.4" x 17"
	062485-01-M10	EA	Countertop Asm. - Entertainment Center - Upper - Rust Burnt Sienna
	062652-01-M10	EA	Countertop Asm. - Entertainment Center - Lower - Rust Burnt Sienna
	062652-01-M08	EA	Countertop Asm. - Entertainment Center - Lower - Brown Mocha
	062485-01-M08	EA	Countertop Asm. - Entertainment Center Upper - Brown Mocha
	063125-01-M10	EA	Rack - Glass - 6 Hole - 4" x 24"
	063159-01-M10	EA	Rack - Bottle - 6 Hole - 14" x 14" Triangle - Rust Burnt Sienna
	063159-01-M08	EA	Rack - Bottle - 6 Hole - 14" x 14" Triangle - Brown Mocha
	047033-01-000	SF	Cork 1/8" x 12" x 24" - Sand Natural
	063163-01-M10	EA	Rack - Bottle - 4 Square Hole - 27.6" x 6"
	059550-44-M10	EA	Door Asm. - Cabinet - 11.2" x 13" - w/o Hardware
	059550-45-M10	EA	Door Asm. - Cabinet - 14.5" x 13" - w/o Hardware
	059550-46-M10	EA	Door Asm. - Cabinet - w/Brass Insert
	047205-09-000	EA	Insert - Cabinet Door - Brass Mesh - 13.37" x 7.5"

DINETTE GROUP (CONTINUED)

SWIVEL CHAIRS W/PULLOUT TABLE

Key	Part Number	U/M	Description
	054552-01-M07	EA	Table Asm. - Pullout - Rust Burnt Sienna
	054552-01-M08	EA	Table Asm. - Pullout - Brown Mocha
	058548-01-M07	EA	Cabinet Asm. - Pullout Table - w/o Countertop or Table
	058547-01-M07	EA	Countertop Asm. - Pullout Table Cabinet - Rust Burnt Sienna
	058547-01-M08	EA	Countertop Asm. - Pullout Table Cabinet - Brown Mocha
	054540-01-000	EA	Slide Asm. - Ball Bearing
	009148-01-000	EA	Finger Pull - 3/4" Dia. - Brass
	045795-01-000	EA	Holder - Glass - Dark Brown Plastic
	035036-01-000	EA	Plate - Swivel Chair
	035036-02-000	EA	Base w/Leg - Swivel Chair
	058565-01-M10	EA	Pad Asm. - Pullout Table
	055377-01-000	EA	Support Strap - Pullout Table

CORNER LOUNGE CHAIRS

Key	Part Number	U/M	Description
	061558-02-M10	EA	Cabinet Asm. - Corner Lounge Chair - Right
	061560-01-M10	EA	Cabinet Asm. - Corner Lounge Chair - Left
	063224-13-M10	EA	Door Asm. - Rolled - 17.7" x 13"
	059550-38-M10	EA	Door Asm. - Lounge Cabinet - 12" x 19.5" - w/o Hardware
	061704-01-M10	EA	Table Asm. - Lounge - Rust Burnt Sienna
	061704-01-M08	EA	Table Asm. - Lounge - Brown Mocha
	061882-01-000	EA	Leg Asm. - Table - Pivot
	061879-01-000	EA	Leg Asm. - Table - Fixed
	024275-04-000	EA	Rod - Table Lift
	024281-05-000	EA	Bracket - Table Lift - Mounts on Table
	053200-02-000	EA	Support - Table - 14.5" - Mounts on Wall

1981 WINNEBAGO TABLE OF CONTENTS

Introduction	I
Abbreviations	I
Alphabetical Index	II - IV
WDN29RT M1, WCN29RT M2	A-1 - C-8
WDN26RB M1, WCN26RB M2	C-9 - E-8
WC621RB M2	E-9 - F-18

1981 WDN29RT M1, WDN29RT M2 INDEX

Floor Plan	A-5 - A-6
Accessories Group	A-7 - A-8
Bath Group	A-10 - A-11
Chassis Group	A-12 - A-13
Curtain, Cushion & Pad Group	A-13 - A-20
Dinette Group	A-21 - A-22
Driver's Compartment Group	A-23 - A-24
Electrical Group	B-1 - B-3
Exterior Body Group	B-4 - B-7
Galley Group	B-8
Heating & Air Conditioning Group	B-9 - B-10
Interior Finish Group	B-11 - B-12
LP Group	B-13
Lounge Group	B-14 - B-15
Water & Sewage Group	B-16 - B-17
Window, Vent & Exterior Door Group	B-18 - C-4

DRIVER'S COMPARTMENT GROUP

DASH PANEL AND COMPONENTS

Key	Part Number	U/M	Description
	061803-05-000	EA	Dash Asm. - Complete w/Gauges and Switches - Chevy
	059613-03-L36	EA	Dash Asm. - Complete w/Gauges and Switches - Dodge
	022548-04-000	EA	Pad - Dash - Right - Dark Brown
	023242-06-000	EA	Pad - Dash - Left - Dark Brown
	024418-01-000	EA	Lamp Asm. - Map/Gauge
	023020-01-000	EA	Lamp Asm. - Telltale
	007308-01-000	EA	Dash Clock
	052367-01-000	EA	Lighter Asm. - Cigarette - 12 Volt
	007041-01-000	EA	Bezel - Cigarette Lighter
	007071-01-000	EA	Louwer - Chrome - w/Chrome Wheel
	024990-02-000	EA	Outlet - Defroster w/Swivel - 2" Dark Brown
	039044-01-000	EA	Louwer Asm. - A/C Adjustable
	050344-02-000	EA	Bezel - Entertainment Center No. 2 - w/Cut Out for Radio and Clock
	050345-02-000	EA	Bezel - Entertainment Center No. 3 - w/Cut Out for Radio, Clock, Hourmeter and Generator Start Stop Switch
	039847-07-000	EA	Bezel - Control Panel - Chevy
	031599-10-000	EA	Bezel - Control Panel - Dodge
	023892-01-000	EA	Box - Glove Compartment - Black Fiberboard
	022219-01-000	EA	Door - Glove Compartment
	009118-01-000	EA	Twist Lock - Glove Compartment
	024598-01-000	EA	Hinge - Glove Compartment - 1 1/16" x 19"
	034309-01-000	EA	Chain - Glove Box Door
	023834-01-000	EA	Panel - Knee Kick - Bottom of Dash
	031035-01-000	EA	Gauge Asm. - Hourmeter
	024849-01-000	EA	Damper Asm. - Fresh Air

MISCELLANEOUS DRIVER'S COMPARTMENT COMPONENTS

Key	Part Number	U/M	Description
	061378-01-M10	EA	Beverage Tray Asm. - Matador Leather Laminate
	055000-01-000	EA	Tray - Utensil - Dark Brown Plastic
	045795-01-000	EA	Glass Holder - Dark Brown Plastic
	050796-01-000	EA	Pocket - Ash Tray - Plastic
	050797-01-000	EA	Ash Tray - Plastic
	039857-01-000	EA	Latch - Rubber - Draw Handle - 5 3/4" w/Strike
	039856-01-000	EA	Latch - Rubber - Draw Handle - 3" w/Strike
	042541-01-000	EA	Latch Asm. - w/Strike - Chrome
	034800-01-000	EA	Cover - Motor - Plastic 454 C.I.D. - Chevy
	039333-01-000	EA	Cover - Motor - Plastic - 350 C.I.D. - Chevy
	067213-02-000	EA	Motor Cover - Dual Fuel - Chevy
	034800-03-000	EA	Cover - Motor - Plastic - Dodge
	035368-02-000	EA	Seal - Motor Cover - Alum.
	035368-03-000	EA	Seal - Motor Cover - Alum. - Brown
	039623-01-000	FT	Seal - Cover - Engine - Neoprene
	052783-02-000	EA	Seal - Cover - Motor - Upper
	040519-01-000	EA	Boot - Rubber Steering Column
	040520-01-000	EA	Boot - Retainer - Steering Column
	040714-01-000	EA	Mirror - Inside - Rear View - Glare Proof
	034499-01-000	EA	Support - Dimmer Switch
	040695-02-000	EA	Clip - Sunvisor
	056508-01-M04	EA	Sunvisor Asm. - Right - Acorn Brown - w/Mirror
	056508-02-M04	EA	Sunvisor Asm. - Left - Acorn Brown
	061350-01-000	EA	Trim - Interior - "A" Post - Brown Plastic - Left
	061350-02-000	EA	Trim - Interior - "A" Post - Brown Plastic - Right
	009143-01-000	EA	Mirror - 1/8" x 3.5" x 8" - Sunvisor
	059198-02-000	EA	Panel - Side - Left - Dark Brown
	059197-01-000	EA	Panel - Side - Right - Dark Brown
	067450-01-000	EA	Button - Mirror - Rear View - Support

DRIVER'S COMPARTMENT GROUP (CONTINUED)

DASH SWITCHES AND GAUGES

Key	Part Number	U/M	Description
	024461-01-000	EA	Switch - Battery
	024462-01-000	EA	Switch - Battery Condition
	024464-02-000	EA	Switch - Battery - Dual Boost
	024463-01-000	EA	Switch - Blinker
	024464-01-000	EA	Switch - Washer
	024465-01-000	EA	Switch - Fuel
	024467-01-000	EA	Switch - Wiper
	024976-01-000	EA	Switch - Generator w/o Circuit Board
	037387-01-000	EA	Switch - Generator w/Circuit Board
	024459-01-000	EA	Gauge - Voltmeter
	024460-01-000	EA	Gauge - Vacuum
	031035-01-000	EA	Gauge - Generator Hourmeter
	031376-01-000	EA	Control Asm. - Heater 3 Speed
	055279-01-000	EA	Control Asm. - Heater A/C - 3 Speed

BUCKET SEAT PEDESTAL AND SEAT BELTS

Key	Part Number	U/M	Description
	050447-01-000	EA	Pedestal Asm. - Tilt Seat - Left
	050447-02-000	EA	Pedestal Asm. - Tilt Seat - Right - Single Seat
	050447-04-000	EA	Pedestal Asm. - Tilt Seat - Right - Double Seat
	007019-01-000	EA	Belt Asm. - Seat - 2" x 84" - Black
	041322-01-000	EA	Washer - Flat 15/32" I.D. x 2 3/8" O.D. - Seat Belt
	049943-01-000	EA	Pedestal - Complete - Swivel
	007021-01-000	EA	Belt Asm. - Seat - 2" x 99" - Black
	007222-01-000	EA	Belt Asm. - Seat - 2" x 60" - Black
	043910-01-000	EA	Bracket Asm. - Seat Belt
	058375-01-000	EA	Bracket - Seat Belt - Washer
	051382-01-000	EA	Adjuster Asm. - Seat w/Lock
	051383-01-000	EA	Adjuster Asm. - Seat w/o Lock
	007224-02-000	EA	Handle - Seat Adjuster - 9"

FRONT BUNK AND HARDWARE

Key	Part Number	U/M	Description
	058300-01-M10	EA	Cabinet Asm. - Front Overhead
	058844-01-M10	EA	Bunk Board Asm. - Front Overhead w/Rails
	053773-01-000	EA	Support - Overhead Bunk - Brown - Right
	053773-02-000	EA	Support - Overhead Bunk - Brown - Left
	040071-02-000	EA	Support Bunk - Seat Belt
	041322-01-000	EA	Washer - Flat - 15/32" I.D. x 2 3/8" O.D.
	039516-02-000	EA	Catch - Bunk - Brown
	023812-22-000	EA	Rail - Bunk - 40" - Brown
	053774-02-000	EA	Torsion Rod - Overhead Bunk - Brown
	048394-01-000	YD	Tape Hook - 1" x 25 yd - Beige
	048395-01-000	YD	Tape Loop - 1" x 25 yd - Beige
	058837-01-000	EA	Bracket - Bunk - Rear Right
	058837-02-000	EA	Bracket - Bunk - Rear Left
	058348-02-M10	EA	Panel Asm. - Bunk - Padded - Left
	058948-03-M10	EA	Panel Asm. - Bunk - Padded - Left (Door)

1981 WINNEBAGO TABLE OF CONTENTS

Introduction	I
Abbreviations	I
Alphabetical Index	II - IV
WDN29RT M1, WCN29RT M2	A-1 - C-3
WCN26RB M1, WCN26RB M2	C-9 - E-8
WC621RB M2	E-9 - F-18

1981 WDN29RT M1, WDN29RT M2 INDEX

Floor Plan	A-5 - A-6
Accessories Group	A-7 - A-9
Bath Group	A-10 - A-11
Chassis Group	A-12 - A-13
Curtain, Cushion & Pad Group	A-13 - A-20
Dinette Group	A-21 - A-22
Driver's Compartment Group	A-23 - A-24
Electrical Group	B-1 - B-3
Exterior Body Group	B-4 - B-7
Galley Group	B-8
Heating & Air Conditioning Group	B-9 - B-10
Interior Finish Group	B-11 - B-12
LP Group	B-13
Lounge Group	B-14 - B-15
Water & Sewage Group	B-16 - B-17
Window, Vent & Exterior Door Group	B-18 - C-6

ELECTRICAL GROUP

BULBS

Key	Part Number	U/M	Description
	037935-01-000	EA	Bulb - 1157
	038010-01-000	EA	Bulb - 1143
	008103-01-000	EA	Bulb - 53
	008213-01-000	EA	Bulb - 57
	008214-01-000	EA	Bulb - 67
	008215-01-000	EA	Bulb - 1003
	008216-01-000	EA	Bulb - 1034
	008217-01-000	EA	Bulb - 1073
	008218-01-000	EA	Bulb - 1141
	008219-01-000	EA	Bulb - 1157
	008220-01-000	EA	Bulb - 12V - 25W
	036196-01-000	EA	Bulb - 194
	700020-01-000	EA	Bulb - 12V - 20W - 1393

FUSES AND CIRCUIT BREAKER

Key	Part Number	U/M	Description
	056473-02-000	EA	Fuse - Slow Blow - 5 Amp. - 32 Volt Capacity
	056473-01-000	EA	Fuse - Slow Blow - 6 1/4 Amp.
	008233-01-000	EA	Fuse - 12 Volt - 6 Amp.
	008234-01-000	EA	Fuse - 12 Volt - 10 Amp.
	046893-01-000	EA	Fuse - 12 Volt - 13 Amp.
	008235-01-000	EA	Fuse - 12 Volt - 15 Amp.
	008236-01-000	EA	Fuse - 12 Volt - 20 Amp.
	008248-01-000	EA	Fuse - 110 Volt - 30 Amp. - AGU
	008252-01-000	EA	Fuse - 110 Volt - 50 Amp.
	008208-01-000	EA	Circuit Breaker - 12 Volt - 40 Amp.
	008211-01-000	EA	Circuit Breaker - 12 Volt - 6 Amp.
	008268-01-000	EA	Circuit Breaker - 12 Volt - 30 Amp. w/Mount
	033573-02-000	EA	Circuit Breaker - 12 Volt - 15 Amp. w/Mount
	040051-01-000	EA	Circuit Breaker - 110 Volt - 20 Amp. TQL
	033573-01-000	EA	Circuit Breaker - 12 V - 20 Amp. w/Mount
	008273-03-000	EA	Circuit Breaker - 15/20 Amp. TQL
	008299-01-000	EA	Circuit Breaker - 115 Amp. TQL
	008297-01-000	EA	Circuit Breaker - 120 Amp. TQL
	008293-01-000	EA	Circuit Breaker - 130 Amp. TQL

EXTERIOR LIGHTS

Key	Part Number	U/M	Description
	007309-01-000	EA	Light - Step Well
	058031-01-000	EA	Tail Lamp Asm. - 3 Bulb - Chrome - Right/Left
	058030-01-700	EA	Lens - Tail Lamp - Red
	058030-01-701	EA	Lens - Tail Lamp - Back Up
	059036-01-000	EA	Bracket - Tail Lamp
	059540-01-000	EA	Bracket - License Plate
	062742-03-000	EA	Wedge - Tail Lamp Asm. - Right/Left - Beige
	062740-03-000	EA	Wedge - Tail Lamp - Right/Left - Beige
	042405-03-000	EA	Base - Rectangular Clearance Light
	042405-04-000	EA	Lens - Clearance Light - Red
	042405-05-000	EA	Lens - Clearance Light - Amber
	008039-01-000	EA	Light - Porch - Recessed
	042405-01-000	EA	Lens - Rectangle Light - Red w/Reflex
	042405-02-000	EA	Lens - Rectangle Light - Amber w/Reflex

ELECTRICAL GROUP (CONTINUED)

INTERIOR LIGHTS

Key	Part Number	U/M	Description
	033508-02-000	EA	Light - Dome - Ivory - 1 Bulb - US - Progressive Dynamics, Inc.
	033508-03-000	EA	Light - Dome - Ivory - 1 Bulb - CSA - Progressive Dynamics, Inc.
	033509-02-000	EA	Light - Dome - Ivory - 2 Bulb - US - Progressive Dynamics, Inc.
	033509-03-000	EA	Light - Dome - Ivory - 2 Bulb - CSA - Progressive Dynamics, Inc.
	084778-01-000	EA	Light - Dome - Off White - Double Jensen
	064778-02-000	EA	Light - Dome - Off White - Single Jensen
	061424-01-000	EA	Light - 12 V Receptacle - Aisle - IF
	024642-01-701	EA	Lens - Domelight - 1 Bulb
	024643-01-701	EA	Lens - Domelight - 2 Bulb
	024418-01-000	EA	Lamp Asm. - Map/Gauge/Aisle
	053346-01-000	EA	Light - High Intensity - Brown

WIRE, SWITCHES AND RECEPTACLES

Key	Part Number	U/M	Description
	008024-01-000	FT	Wire - 18.5 Bonded - Orange/White/Yellow/Blue/Brown
	008025-01-000	FT	Wire - 18.5 Bonded - Orange/White/Yellow/Blue/Green
	008028-01-000	FT	Wire - 18.5 Bonded - Blue/Red/Yellow/Orange/White
	008030-01-000	FT	Wire - 18.4 Bonded - Red/Blue/Orange/Green
	008251-01-000	EA	Holder - Fuse - Black - Screw Type
	008277-01-000	EA	Holder - Fuse - Black - Panel Mount
	008195-01-000	EA	Switch - Push Button - 12 Volt
	008077-01-000	EA	Plaque - Compressor Switch
	008054-01-000	EA	Cord - Power - 10-3 30 Amp. - 25' - UL
	008052-01-000	EA	Cord - Power - 10-3 30 Amp. - 25' - CSA
	034818-04-000	EA	Holder - Receptacle - Plastic
	039342-01-000	EA	Receptacle - Duplex Brown - T Junction
	024571-01-000	EA	Cover Plate - Receptacle - Jumbo Steel - Brown
	024571-03-000	EA	Cover Plate - Receptacle - Jumbo Plastic - Brown
	024571-04-000	EA	Cover Plate - Receptacle - Jumbo Plastic - Ivory
	024471-01-000	EA	Cover Plate - Electrical Box - 5 1/4" x 3 1/2"
	058028-01-000	EA	Connector - Pigtail - Clear - Nylon
	039343-01-000	EA	Cap - End - Receptacle
	008182-01-000	EA	Switch - Double Toggle - Spade Brown
	008163-01-000	EA	Switch - Toggle Brown
	058264-01-000	EA	Switch - Leaf Actuator
	063912-01-000	EA	Relay - Canister Spot w/Ground
	008164-01-000	EA	Cover Plate - Switch - Brown
	024924-02-000	EA	Receptacle - Power Cord
	089238-01-000	EA	Cover - Electrical - 4 x 4 Box
	008058-01-000	EA	Adaptor - Power Cord
	047353-01-000	EA	Cover - Receptacle - Ground Fault
	053126-01-000	EA	Receptacle - Ground Fault Interrupter - 125 Volt, Ivory
	053126-02-000	EA	Receptacle - Ground Fault Interrupter - 125 Volt - Brown
	058707-01-000	EA	Receptacle - Single - Brown - Thomas & Betts
	058708-01-000	EA	Receptacle - Duplex - Brown - Thomas & Betts
	008157-01-000	EA	Receptacle - Duplex - Brown (Exterior Backwall)
	058048-01-000	EA	Cover - Electrical Box - 4.5" x 2.75" - Rain Tight (Exterior)
	008294-02-000	EA	Cover - Steel - Flat Blank - 4" x 4"
	008288-01-000	EA	Box - Electrical - Plastic - 3" x 3.5"
	008289-01-000	EA	Box - Electrical - Steel - 4 x 4 - 1/2 & 3/4 UL
	064398-01-000	EA	Housing Asm. - Trailer Receptacle
	064399-01-000	EA	Housing Asm. - Trailer Pin
	064450-01-000	EA	Housing Asm. - Trailer Plug
	035417-01-000	EA	Terminal - Pin Receptacle .125 Dia.
	035833-01-000	EA	Receptacle - HSG - 12 Position
	054532-01-000	EA	Housing - Pin - 8 Position
	031968-01-000	EA	Contact - Plug - Brass - Tin Plated
	035290-17-000	EA	Cable Asm. - Battery - 1 AWG Strand - 282"
	054865-01-000	EA	Wire Asm. - Generator Switch

**1981 WINNEBAGO
TABLE OF CONTENTS**

Introduction	I
Abbreviations	I
Alphabetical Index	II - IV
WDN29RT M1, WCN29RT M2	A-1 - C-8
WDN26RB M1, WCN26RU M2	C-9 - E-8
WC621RB M2	E-9 - F-18

1981 WDN29RT M1, WDN29RT M2 INDEX

Floor Plan	A-5 - A-4
Accessories Group	A-7 - A-1
Bath Group	A-10 - A-1
Chassis Group	A-12 - A-1
Curtain, Cushion & Pad Group	A-13 - A-2
Dinette Group	A-21 - A-2
Driver's Compartment Group	A-23 - A-2
Electrical Group	B-1 - B-1
Exterior Body Group	B-4 - B-1
Galley Group	B-4
Heating & Air Conditioning Group	B-9 - B-1
Interior Finish Group	B-11 - B-1
LP Group	B-1
Lounge Group	B-14 - B-1
Water & Sewage Group	B-16 - B-1
Window, Vent & Exterior Door Group	B-18 - C-

ELECTRICAL GROUP (CONTINUED)

WINDSHIELD WIPER AND WASHER

Key	Part Number	U/M	Description
**	056000-02-000	EA	Washer Asm. - Windshield
**	057653-01-000	EA	Arm - Windshield Wiper - 18" - Black
**	044313-02-000	EA	Motor Asm. - Windshield Wiper - 100°
**	044313-03-000	EA	Motor Asm. - Windshield Wiper - 93°
**	037998-01-000	EA	Link Asm. - Connecting - 22.40" Long
**	057474-01-000	EA	Windshield Wiper Asm.
**	049464-02-000	EA	Blade - Windshield Wiper - 20" Black
**	055675-01-000	EA	Shaft and Pivot Asm.

**The illustrated parts breakdown for this item is provided on the Common Items Fiche.

MISCELLANEOUS ELECTRICAL COMPONENTS

Key	Part Number	U/M	Description
	047338-01-000	EA	Isolator - Dual Battery
	047389-01-700	EA	Battery - 12 Volt - 105 Amp. Deep Cycle - Dry
	057899-01-000	EA	Battery - 12 Volt - Maintenance Free - Delco
	008188-01-000	EA	Solenoid - Dual Battery - Relay
	054544-01-000	EA	Control Center - 37 Amp. - UL
	031720-01-000	EA	Spacer - Receptacle - Brown Plastic - CSA
	039950-01-702	EA	Circuit Board - Control Center
	024459-01-000	EA	Gauge - Voltmeter
	024462-01-000	EA	Switch - Battery Condition
	031035-01-000	EA	Gauge - Hourmeter - Generator
	024976-01-000	EA	Switch - Generator w/o Circuit Board
	024460-01-000	EA	Gauge - Vacuum
	039861-01-000	EA	Sending Unit Kit - Wemac
	048812-01-000	EA	Control Panel - Water/Double Sewage - Base Panel
	048812-05-000	EA	Panel - Insert - w/Thermostat Holes
	048812-06-000	EA	Panel - Insert - w/o Thermostat Holes
	048812-07-000	EA	Panel - Insert - Deluxe - w/Refrigerator Alarm, Clock and LP Gauge
	048812-07-700	EA	Refrigerator Sensor - Refrigerator Alarm
	048812-04-000	EA	Panel - Insert Basic
	048812-09-000	EA	Panel - Insert w/LP Alarm - Refrigerator
	057044-01-000	EA	Control Center - 44 Amp. - CSA
	054545-01-000	EA	Control Center - 44 Amp. UL

EXTERIOR BODY GROUP

EXTERIOR BODY PANELS AND SHEET ALUMINUM

Key	Part Number	U/M	Description
	064641-01-M07	EA	Roof Asm.
	065019-02-M07	EA	Backwall Asm.
	064638-01-M07	EA	Sidewall Asm. - Right
	064637-01-M07	EA	Sidewall Asm. - Left
	039155-30-007	EA	Alum. - Beige - Mesa 11 - .024" x 48" x 360"
	039155-30-003	EA	Alum. - Beige - Mesa 11 - .024" x 36" x 360"
	039155-30-009	EA	Alum. - Beige - Mesa 11 - .024" x 12" x 360"
	039155-09-001	EA	Alum. - Beige - Greyhound Design - 48" x 96"
	001018-01-024	EA	Alum. - Beige - No Design - 48" x 96"
	044487-01-001	EA	Alum. - Mill Finish - No Design (Roof) - 96" x 360"
	000868-01-000	SF	Styrofoam - 3/4" x 24" x 96"
	000870-01-000	SF	Styrofoam - 1 1/2" x 24" x 96"

NOTE: The raised portion of Mesa I is 1.657" wide.
The raised portion of Mesa II aluminum is .875" wide.

LABELS AND DECALS

Key	Part Number	U/M	Description
	006031-01-000	EA	Label - Potable Water Only
	006187-01-000	EA	Label - Sewage
	006188-01-000	EA	Label - Waste Water
	006199-01-000	EA	Label - Exit - Escape Window
	006028-01-000	EA	Label - Drain Cap - 2" x 3"
	008092-01-000	EA	Reflector - Stick On - Rectangular - Red
	008093-01-000	EA	Reflector - Stick On - Rectangular - Amber
	040944-01-000	EA	Label - Open - Entrance Door
	047731-01-000	EA	Label - Emergency Exit
	006040-01-000	EA	Tag - Gas - Refueling Warning
	006062-01-000	EA	Tag - Electrical - 110V Connection
	054531-01-000	EA	Label - LP Gas Only
	061417-01-000	EA	Label - Fuel
	050225-01-000	EA	Label - Warning - Stove Vent - US
	006015-01-000	EA	Label - Patent Motor Home
	006064-01-000	EA	Label - Seat - w/o Seat Belt
	064378-01-000	EA	Label - Flying W w/Thermo Panel
	050313-11-000	EA	Decal - Logo - Winnebago - 2.80" - Sandy Metallic
	050313-12-000	EA	Decal - Logo - Winnebago - 2.80" - Blue
	065960-01-000	EA	Decal - Logo - LP Power
	065962-01-000	EA	Decal - Logo - Winnebago LPG
	058719-01-000	EA	Decal - Cheifan
	065223-01-000	EA	Decal - Flying W - Side/Front - Brown - Right Hand
	065223-02-000	EA	Decal - Flying W - Side/Front - Brown - Left Hand
	065223-03-000	EA	Decal - Flying W. - Side/Front - Sandy Metallic - Right Hand
	065223-04-000	EA	Decal - Flying W. - Side/Front - Sandy Metallic - Left Hand
	058434-01-000	EA	Decal - Headlamp Housing Face - Inner Left Hand
	058434-02-000	EA	Decal - Headlamp Housing Face - Inner Right Hand
	065221-01-000	FT	Tape - Premasked - 1.5" Brown
	065221-02-000	FT	Tape - Premasked - 1.5" Sandy Metallic
	065222-01-000	FT	Tape - Premasked - 3" Brown
	065222-02-000	FT	Tape - Premasked - 3" Sandy Metallic
	062034-01-000	EA	Stencil - Winnebago - 2.80" x 22"

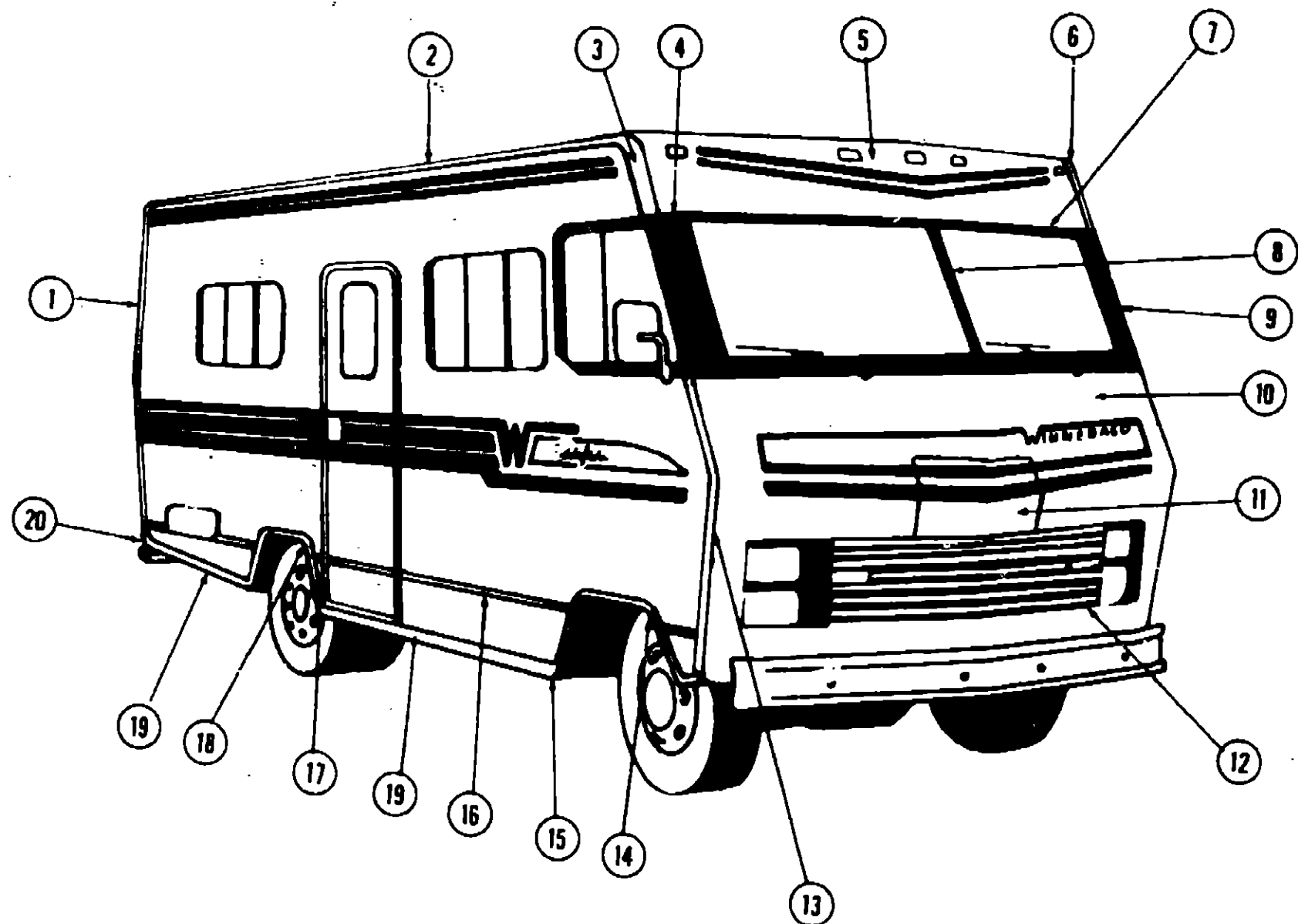
1981 WINNEBAGO TABLE OF CONTENTS

Introduction	I
Abbreviations	I
Alphabetical Index	II - IV
WDN29RT M1, WCN29RT M2	A-1 - C-8
WDN26RB M1, WCN26RB M2	C-9 - E-8
WC621RB M2	E-9 - F-18

1981 WDN29RT M1, WDN29RT M2 INDEX

Floor Plan	A-5 - A-6
Accessories Group	A-7 - A-9
Bath Group	A-10 - A-11
Chassis Group	A-12 - A-13
Curtain, Cushion & Pad Group	A-13 - A-20
Dinette Group	A-21 - A-22
Driver's Compartment Group	A-23 - A-24
Electrical Group	B-1 - B-3
Exterior Body Group	B-4 - B-7
Galley Group	B-8
Heating & Air Conditioning Group	B-9 - B-10
Interior Finish Group	B-11 - B-12
LP Group	B-13
Lounge Group	B-14 - B-15
Water & Sewage Group	B-16 - B-17
Window, Vent & Exterior Door Group	B-18 - C-4

EXTERIOR BODY GROUP (CONTINUED)



1981 WINNEBAGO
TABLE OF CONTENTS

Introduction	I
Abbreviations	I
Alphabetical Index	II - IV
WDN29RT M1, WCN29RT M2	A-1 - C-8
WDN26RB M1, WCN26RB M2	C-9 - E-8
WC621RB M2	E-9 - F-18

Key	Part Number	U/M	Description
1	039964-03-000	EA	Trim - Contour - Right Rear - Beige
2	039964-04-000	EA	Trim - Contour - Left Rear - Beige
3	034922-14-000	EA	Trim - Sidewall - Upper - Left or Right - Beige
4	058284-04-000	EA	Trim - Countour - Right Front Upper - Beige
5	058289-02-000	EA	Trim - Countour - Windshield - Right
6	054968-02-000	EA	Cap - Fiberglass - Over Windshield - Beige
7	062396-01-000	EA	Trim - Roof/Front Cap
8	058284-03-000	EA	Trim - Contour - Left Front Upper - Beige
9	058287-01-000	EA	Trim - Molding - Windshield - Upper/Lower
10	042743-02-000	EA	Trim - Corner Windshield - Upper
11	058288-01-000	EA	Trim Molding - Windshield - Center
12	058289-01-000	EA	Trim - Contour - Windshield - Left
13	042743-01-000	EA	Trim - Corner Windshield - Lower
14	066634-02-000	EA	Panel Asm. - Front Shroud - Beige
15	058722-01-000	EA	Pull Pin - Release Hinge - (Access Panel)
16	058761-01-000	EA	Striker - Hood Latch
17	058392-02-000	EA	Panel Asm. - Front Lower Beige
18	066632-02-000	EA	Access Panel - Beige
19	066778-01-000	EA	Grill Asm.
20	049358-01-000	EA	Headlamp Bezel - Left
	049358-02-000	EA	Headlamp Bezel - Right
	058899-01-000	EA	Trim - Fiberglass Panel - Right - Beige
	058899-02-000	EA	Trim - Fiberglass Panel - Left Beige

Key	Part Number	U/M	Description
14	058543-01-000	EA	Trim - Wheel Well - Front - Beige
15	063799-01-000	EA	Trim - Backwall - Lower
16	009065-01-000	EA	Hinge - Continuous - Al. 1 1/2" x 96" - Plain
17	059185-01-000	EA	Plug - Rocker Panel - Wheel - Left - Beige
18	002444-02-001	EA	Feature Strip - Extr. Anod. - 14' - w/o Insert
19	059185-02-000	EA	Plug - Rocker Panel - Wheel - Right Beige
20	058487-01-000	EA	Trim - Wheel Well - Rear - Beige
	058826-02-000	EA	Rod - Hood Prop
	002776-02-001	EA	Extr. - U-Channel - 1.75" x 16' Anod.
	002365-02-001	EA	Extr. - U-Channel - 1" x 18'
	009717-01-002	EA	Extr. - Rail - Drip - 19'
	062556-03-001	EA	Extr. - Rail - Awning - 192.0"
	058285-01-001	EA	Extr. - Trim - 192.0" - Beige
	039068-09-000	EA	Extr. - Rocker Panel - Beige
	059395-01-000	EA	Plug - Rocker Panel - Left Rear - Beige
	059395-02-000	EA	Plug - Rocker Panel - Right Rear - Beige
	059583-03-000	EA	Housing - Headlamp - Left Hand
	059583-04-000	EA	Housing - Headlamp - Right Hand
	009731-01-000	EA	End Cap - Feature Strip Insert
	001030-09-100	EA	Insert - Feature Strip - Brown - 17'
			Not Illustrated

1981 WDN29RT M1, WDN29RT M2 INDEX

Floor Plan	A-5 - A-4
Accessories Group	A-7 - A-1
Bath Group	A-10 - A-1
Chassis Group	A-12 - A-1
Curtain, Cushion & Pad Group	A-13 - A-2
Dinette Group	A-21 - A-2
Driver's Compartment Group	A-23 - A-2
Electrical Group	B-1 - B-1
Exterior Body Group	B-4 - B-1
Galley Group	B-4
Heating & Air Conditioning Group	B-9 - B-11
Interior Finish Group	B-11 - B-1
LP Group	B-1
Lounge Group	B-14 - B-1
Water & Sewage Group	B-16 - B-1
Window, Vent & Exterior Door Group	B-18 - C-4

EXTERIOR BODY GROUP (CONTINUED)

EXTERIOR PAINT

Key	Part Number	U/M	Description
	045681-01-000	EA	Paint - Gloss Black - Acrylic Enamel - 1 Gallon (99ADupont)
	045681-03-000	EA	Paint - Gloss Black - Acrylic Enamel - 16 oz. Aerosol (99A Dupont)
	044486-01-000	GL	Paint - Beige - Acrylic Enamel
	044486-03-000	EA	Paint - Beige - Acrylic Enamel - 16 oz. Aerosol (7633A Dupont)
	044486-04-000	GL	Paint - Beige - Acrylic Lacquer
	067793-03-000	EA	Paint - Brown Metallic - Acrylic Enamel - 16 oz. Aerosol (44791 AW Dupont)
	067766-03-000	EA	Paint - Tahitian Red Metallic Enamel - 16 oz. Aerosol (045892 Dupont)
	067767-03-000	EA	Paint - Dark Blue Metallic Enamel - 16 oz. Aerosol (B8043 Dupont)
	067768-03-000	EA	Paint - Dark Nectarine Metallic Enamel - 15 oz. Aerosol (44765 Dupont)

SEALANTS, ADHESIVES AND FASTENERS

Key	Part Number	U/M	Description
	034552-05-000	EA	Sealant - Off White Silicone
	034552-04-000	EA	Sealant - Beige Silicone
	034552-02-000	EA	Sealant - Clear Silicone
	004349-01-000	EA	Sealant - Black Silicone
	004342-01-000	EA	Sealant - Weatherban 202 Tube
	004346-02-000	EA	Sealant - White Silicone
	009200-01-000	EA	Tape - Furnace - 1 1/2"
	004353-01-000	FT	Tape - Gasket - 1/8" x 3/4" - White
	002825-01-000	FT	Weather Stripping - Roof Vent
	002337-01-000	EA	Adhesive - 3M - 1300 Tube
	004005-01-000	GL	Adhesive - Swifts - Green - Glue (Sidewalls)
	004020-01-000	QT	Adhesive - ABS Cement - (Plastic Fittings)
	029051-01-000	EA	Adhesive - Spray Vinyl
	042401-01-000	EA	Screw - 8 - 18 x 3/4" SDPH - Beige
	042403-01-000	EA	Screw - 8 - 18 x 1" SDPH - Beige
	053766-01-000	EA	Bedding Compound - Tube Black - Schnee Morehead
	053766-02-000	EA	Bedding Compound - Tube White - Schnee Morehead
	053767-01-000	FT	Tape - 1/2" x 1/8" x 30' - Gray - Schnee Morehead
	053767-03-000	FT	Tape - 1/4" Bead x 20' - Gray - Schnee Morehead
	053767-04-000	FT	Tape - 3/4" x 1/8" x 30' - Gray - Schnee Morehead
	053767-05-000	FT	Tape - 2" x 3/32" x 45' - Gray - Schnee Morehead

MISCELLANEOUS EXTERNALLY MOUNTED PARTS

Key	Part Number	U/M	Description
**	011124-01-000	EA	Plumbing Seal - Roof Vent - 1 1/4" - White
**	011129-01-000	EA	Plumbing Seal - Roof Vent - 1 1/2" - White
	009126-01-000	EA	Assist Handle - Metal
	010230-03-000	EA	Fill - City Water - Funnished - Beige
	058808-02-000	EA	Water Fill - Lockable - Beige
	055500-04-000	EA	Door Asm. - Gas Fill - Beige
	063303-01-000	EA	Shroud - Fuel Fill - Lower - Beige

**The illustrated parts breakdown for this item is provided on the Common Items Fiche.

GALLEY GROUP

GALLEY CABINETRY

Key	Part Number	U/M	Description
	061725-02-M10	EA	Cabinet Asm. - Galley - w/o Doors, Drawers, Countertop or Hardware
	061726-01-M10	EA	Countertop Asm. - Galley Cabinet - Rust Burnt Sienna
	061726-01-M08	EA	Countertop Asm. - Galley Cabinet - Brown Mocha
	059550-41-M10	EA	Door Asm. - Galley Cabinet - 12.8" x 31.7" - w/o Hardware
	059550-42-M10	EA	Door Asm. - Galley Cabinet - 16.2" x 31.7" - w/o Hardware
	059550-43-M10	EA	Door Asm. - Galley Cabinet - 12" x 21.6" - w/o Hardware
	059915-01-M10	EA	Drawer Asm. - Galley Cabinet - 10.1" x 5" x 20" Deep
	059915-02-M10	EA	Drawer Asm. - Galley Cabinet - 10.1" x 5" x 14" Deep
	061807-02-M10	EA	Cabinet Asm. - Galley Overhead - w/o Doors or Hardware
	059551-07-M10	EA	Door Asm. - Galley Overhead Cabinet - 15.75" x 23.20" - w/o Hardware
	059550-48-M10	EA	Door Asm. - Wardrobe Cabinet - 13.1" x 45.1" - w/o Hardware
	059550-64-M10	EA	Door Asm. - Wardrobe Cabinet - 13.5" x 24.9" - w/o Hardware
	059913-05-M07	EA	Drawer Asm. - Wardrobe Cabinet - 19.8" x 23.5" x 20" Deep
	069856-02-M10	EA	Door Asm. - Furnace - w/Mesh Insert - 17.6" x 13.2" - w/o Hardware
	047205-12-000	EA	Insert - Furnace Door - 14.5" x 10" - Brass Mesh
	039873-01-000	EA	Catch and Strike - Furnace Door
	042488-03-000	EA	Folding Door - Maple - 37" x 77 1/8"

GALLEY HARDWARE AND APPLIANCES

Key	Part Number	U/M	Description
	068615-01-000	EA	Sink - Stainless Steel - Double w/Bolts
**	011053-01-000	EA	Faucet - 8" - Swing Spout - U.S.
**	011053-02-000	EA	Faucet - 8" - Swing Spout - C.S.A.
	084952-01-000	EA	Faucet - Galley - Single Control
	065250-01-000	EA	Bracket Asm. - Tie Down - Refrigerator
**	011053-01-700	EA	Aerator - Swing Spout Faucet
**	066437-01-000	EA	Strainer - Sink - w/Basket
	053424-04-M07	EA	Cover - Sink - Rust Burnt Sienna
	053424-04-M08	EA	Cover - Sink - Brown Mocha
	058334-01-000	EA	Wastebasket - 9 3/4" x 7" x 10" - White - Rubbermaid
	058841-01-M10	EA	Cover - Wastebasket - Rust Burnt Sienna
	058841-01-M08	EA	Cover - Wastebasket - Brown Mocha
	059877-01-000	EA	Support - Wastebasket - White Plastic
**	046954-03-000	EA	Hood - Stove - w/Black Face - U.S.
**	046954-04-000	EA	Hood - Stove - w/Black Face - C.S.A.
**	064782-01-000	EA	Range - 4 Burner - Black, Chrome Top
**	064472-02-000	EA	Refrigerator - AC/DC/Gas - 5.9 Cubic Feet - Norcold

**The illustrated parts breakdown for this item is provided on the Common Items Fiche.

**1981 WINNEBAGO
TABLE OF CONTENTS**

Introduction	I
Abbreviations	I
Alphabetical Index	II - IV
WDN29RT M1, WCN29RT M2	A-1 - C-8
WDN26RB M1, WCN26HB M2	C-9 - E-8
WC621RB M2	E-9 - F-18

1981 WDN29RT M1, WDN29RT M2 INDEX

Floor Plan	A-5 - A-6
Accessories Group	A-7 - A-9
Bath Group	A-10 - A-11
Chassis Group	A-12 - A-13
Curtain, Cushion & Pad Group	A-13 - A-20
Dinette Group	A-21 - A-22
Driver's Compartment Group	A-23 - A-24
Electrical Group	B-1 - B-3
Exterior Body Group	B-4 - B-7
Galley Group	B-8
Heating & Air Conditioning Group	B-9 - B-10
Interior Finish Group	B-11 - B-12
LP Group	B-13
Lounge Group	B-14 - B-15
Water & Sewage Group	B-16 - B-17
Window, Vent & Exterior Door Group	B-18 - C-6

HEATING AND AIR CONDITIONING GROUP

AUTOMOTIVE HEATER AND AIR CONDITIONER

Key	Part Number	U/M	Description
	039044-01-000	EA	Louver Asm. - A/C Adjustable
	047046-01-000	EA	Motor 12 Volt - 3 Speed - Heater - Air Conditioner
	031043-01-000	EA	Valve - Heater - Water Flow Control
	033860-02-000	EA	Cable - Control - Flexible - 48"
	031169-02-000	EA	Cable - Control - Flexible - 48"
	031170-01-000	EA	Clamp - Cable - 3/16" Dia.
	024996-01-000	EA	Clutch - Magnetic - Compressor
	024999-01-000	EA	Compressor - Auto Air - 10.5' Cubic Inch
	048100-01-000	EA	Package - Compressor Mount 454 C.I.D.
	048801-01-000	EA	Condensor - Radiator Mount
	008267-01-000	EA	Switch - Air Conditioner
	024967-01-000	EA	Valve - Thermostatic Expansion
	024997-01-000	EA	Core - Heater
	024998-01-000	EA	Wheel - Blower - 4.72" O.D.
	031383-01-000	EA	Coil - Evaporator
	031001-01-000	EA	Blower Housing
	007076-01-000	FT	Hose - Flexible PVC - 2" I.D.
	007108-01-000	FT	Hose - Heater - 5/8" I.D. SAE 20R3
	007281-01-000	FT	Hose - Flexible PVC - 2 1/2" I.D.
	007139-01-000	EA	Clamp - Worm Drive - .89" - 1.25" I.D.
	007140-01-000	EA	Clamp - Hose - 2" - 3" Dia.
	033258-01-000	EA	Hose - Refrigerant - .50" I.D. x 34.50"
	034222-01-000	EA	Hose - Refrigerant - .31" I.D. x 28"
	034222-02-000	EA	Hose - Refrigerant - .31" I.D. x 32"
	031960-01-000	EA	Hose - Refrigerant - .34" I.D. x 30"
	031961-01-000	EA	Hose - Refrigerant - .31" I.D. x 14.75"
	031961-02-000	EA	Hose - Refrigerant - .31" I.D. x 19"
	049401-01-000	EA	Heater Asm. - Rear - Auxiliary
	049401-01-700	EA	Valve - Water Control - (Aux. Heater)
	049401-01-701	EA	Control Cable - (Aux. Heater)
	049401-01-702	EA	Motor Asm. - (Aux. Heater)
	049401-01-703	EA	Heater Core - (Aux. Heater)
	049401-01-704	EA	Switch - (Aux. Heater)
	058806-01-000	EA	Control Panel - (Auxiliary Rear Heater)
	024868-01-000	EA	Receiver - Dehydrator
	031044-01-000	EA	Clamp - Receiver Dehydrator
	031962-01-000	EA	Bracket - Receiver Dehydrator
	048232-02-000	EA	Kit - Auto Air - 454 C.I.D. A-Body - Chevy
	048229-02-000	EA	Kit - Auto Air - 440 C.I.D. A-Body - Dodge
	024851-01-000	EA	Door Asm. - Deforster - A/C
	010227-01-000	EA	Tee - Plastic - Barb 5/8" or 3/4" Hose
	024855-01-000	EA	Duct Asm. - Fresh Air
	024849-01-000	EA	Damper Asm. - Fresh Air

HEATING AND AIR CONDITIONING GROUP (CONTINUED)

FURNACES AND ROOF AIR CONDITIONERS

Key	Part Number	U/M	Description
**	058824-01-000	EA	Furnace - 34,000 BTU - w/Electric Ignition - 4334-749
**	058350-01-000	EA	Furnace - 30,000 BTU - w/Electric Ignition - 4330-749
	009198-01-000	FT	Duct - Flexible - 4" I.D. x 25'
	009200-01-000	EA	Tape - Furnace - 1 1/2"
	023146-01-000	EA	Clamp - Screw Type - 4"
	024985-01-000	EA	Heater Register - W/Damper - 9.9" x 4.6"
	031804-01-000	EA	Bonnet - Heat Register
	058824-02-000	EA	Door - Furnace - Front - 4334
	049043-02-000	EA	Door - Furnace - Front - 4330
	050783-01-000	EA	Vent Package - Furnace - 1-3" Wall
	050784-01-000	EA	Vent Package - Furnace - 3-6" Wall
	039505-02-000	EA	Thermostat - Horizontal Wall Mount
**	043777-02-000	EA	Air Conditioner - 110 Volt - Roof Mount - 11,000 BTU - Ivory Coleman (w/o inside shroud)
**	049778-02-000	EA	Shroud Asm. - Ceiling - Inside Roof Air - Cool Only - 11,000 BTU - Coleman
**	049774-02-000	EA	Air Conditioner - 110 Volt - Roof Mount - 13,500 BTU Ivory - Coleman (w/o inside shroud)
**	049775-02-000	EA	Shroud Asm. - Ceiling - Inside - Roof Air Cool Only - 13,500 BTU - Coleman
**	049776-01-000	EA	Shroud Asm. - Ceiling - Inside - Roof Air Heat and Cool Only - 13,500 BTU - Coleman
**	063903-01-000	EA	Air Conditioner - 110 Volt - Roof Mount - 13,500 BTU Rotary

**The illustrated parts breakdown for this item is provided on the Common Items Fiche.

1981 WINNEBAGO TABLE OF CONTENTS

Introduction	I
Abbreviations	I
Alphabetical Index	II - IV
WDN29RT M1, WCN29RT M2	A-1 - C-8
WDN26RB M1, WCN26RB M2	C-9 - E-8
WC621RB M2	E-9 - F-18

1981 WDN29RT M1, WDN29RT M2 INDEX

Floor Plan	A-5 - A-6
Accessories Group	A-7 - A-9
Bath Group	A-10 - A-11
Chassis Group	A-12 - A-13
Curtain, Cushion & Pad Group	A-13 - A-20
Dinette Group	A-21 - A-22
Driver's Compartment Group	A-23 - A-24
Electrical Group	B-1 - B-3
Exterior Body Group	B-4 - B-7
Galley Group	B-8
Heating & Air Conditioning Group	B-9 - B-10
Interior Finish Group	B-11 - B-12
LP Group	B-13
Lounge Group	B-14 - B-15
Water & Sewage Group	B-16 - B-17
Window, Vent & Exterior Door Group	B-18 - C-8

INTERIOR FINISH GROUP

PANELING AND COUNTERTOP MATERIALS

Key	Part Number	U/M	Description
	068344-02-000	SF	Paneling - Wall - Hemp Beige - 48" x 96" (32SF)
	068344-05-000	SF	Paneling - Wall - Elm - 48" x 96" (32SF)
	045963-01-000	SF	Paneling - 825 Buff - Ceiling - 48" x 94"
	068343-08-000	SF	Paneling - Wall - Decor Bali - 48" x 96" (32SF)
	068341-01-000	SF	Plastic Laminate - 48" x 96" (32 SF) - Burnt Sienna
	068341-04-000	SF	Plastic Laminate - Brown Mocha - 48" x 96" (32 SF)

INTERIOR MOLDINGS AND TRIMS

Key	Part Number	U/M	Description
	024700-06-000	EA	Cover - Sidewall Roll Bar - Ivory
	024700-14-000	EA	Cover - Sidewall Roll Bar - Russet Oak
	039512-06-000	EA	Cover - Hat Section - Ivory
	039512-13-000	EA	Cover - Hat Section - Russet Oak
	047488-01-000	EA	Cover - Corner - Hat/Hat
	047489-01-000	EA	Cover - Corner - Tube/Tube
	042430-01-000	EA	Molding - Shelf - Wood
	009812-08-000	FT	Molding - Outside Corner - .50"
	009767-05-000	FT	Wetting - Light Brown
	009815-03-000	FT	T-Molding - .75" - Light Brown
	022992-03-000	FT	Molding - Reverse Cove - Sandalwood
	009778-01-000	FT	U-Channel - 1" - Dark Brown
	009779-03-000	FT	U-Channel - 1 1/8" - Light Brown
	017768-05-000	FT	U Channel - 3/16" - Light Brown
	052859-01-L07	FT	Accent Trim - Acorn Brown Vinyl
	059352-01-000	FT	Insert - Vinyl - Style and Rail Door
	047354-01-000	EA	Batt Strip - Ceiling - 825 Buff - 8'
	058204-01-000	EA	Batt Strip - 8' - Elm
	047354-05-000	EA	Batt Strip - Straw-Weave - 8'
	047354-04-000	EA	Batt Strip - Sumatra - 8'
	064382-01-000	FT	Extrusion - Plastic Trim - Rolled Door
	042356-01-000	EA	Plug - Button - Mahogany - 3/8" Diameter

FABRICS AND CARPET

Key	Part Number	U/M	Description
	068339-02-000	YD	Fabric - Drapery - Copper
	068368-07-000	YD	Fabric - Upholstery - Rust/Ginger
	068338-06-000	YD	Fabric - Upholstery - Blue/Caramel
	068338-09-000	YD	Fabric - Upholstery - Brown/Cedar
	053327-01-000	YD	Vinyl - Non Expanded - 27 oz. - Acorn Brown
	053327-02-000	YD	Vinyl - Expanded - 28 oz. - Acorn Brown
	053327-03-000	YD	Vinyl - Non Support - 18 Gauge Film - Acorn Brown
	068342-02-000	YD	Vinyl - Expanded - 28 oz. - Saddle Brown
	068340-06-000	SY	Carpet - Russet Red
	068340-03-000	SY	Carpet - Cinnamon

INTERIOR FINISH GROUP (CONTINUED)

CABINETS AND TABLE HARDWARE

Key	Part Number	U/M	Description
	047907-01-000	EA	Hinge - Brass - 14" w/Holes - Bath Vanity Door
	054529-01-000	EA	Latch - Slide Bolt - Antique Brass - Bath Door
**	052832-01-J30	EA	Hinge Kit - Cabinet Door - Antique Brass
	057698-01-000	EA	Latch - Hidden - Cabinet Door
	009112-01-000	EA	Flange - 1" - Chrome - Closet Rod
**	053200-04-000	EA	Bracket - Upper Wall Mount - Brown - 23.5"
**	053201-03-000	EA	Bracket - Table Mount - Brown - 23"
**	024275-01-000	EA	Rod - Table Lift - 8" x 23.5"
**	024281-06-000	EA	Bracket - Lower Wall Mount - Brown - 22.12"
**	024276-04-000	EA	Leg Asm. - Table - Brown - 29.5"
**	064050-01-000	EA	Hinge - Table Leg - Brown
**	024282-01-000	EA	Brace - Table Leg
**	024283-01-000	EA	Clip - 1" O.D. Tube
**	049483-02-000	EA	Catch - Table Leg - Mounts on Floor - Brown
	059753-01-000	EA	Slide - Drawer - Left
	059753-02-000	EA	Slide - Drawer - Right
**	037688-01-000	FT	Rail - Drawer
**	047744-01-000	EA	Kit - Drawer Glide
	053331-01-000	EA	Hinge - Overlay - Antique Brass
	047205-09-000	EA	Mesh - Grill - Brass - 13.4" x 7.5"
	047205-12-000	EA	Mesh - Grill - Brass - 14.5" x 10.06"

**The illustrated parts breakdown for this item is provided on the Common Items Fiche.

CURTAIN HARDWARE

Key	Part Number	U/M	Description
	053272-01-001	EA	Track - Curtain - Alum. - 18'
	053285-02-001	EA	Track - Curtain - Door - 16' - Anod.
	059430-01-000	EA	Track - Curtain - Front Wraparound (2 per unit) - 32.8" x 45.2"
	059430-02-000	EA	Track - Curtain - Front Wraparound (2 per unit) - 32.3" x 59.1"
	058001-01-000	EA	Bracket - Shade - Left
	058002-01-000	EA	Bracket - Shade - Right
	009107-01-000	EA	Guide - Nylon Snap - Curtain
	018031-42-000	EA	Track - Curtain - "L" Rod - Alum. Extr. - 90"
	009701-01-000	EA	Carrier - "L" Rod - Curtain
	009702-01-000	EA	End Stop - "L" Rod - Curtain

MISCELLANEOUS PARTS

Key	Part Number	U/M	Description
	053552-01-M07	EA	Handle Asm. - Interior Assist - Acorn Brown Vinyl
	041944-01-700	EA	Fire Extinguisher - w/Bracket - Dry Chemical
	041944-03-000	EA	Fire Extinguisher - w/Bracket - 5BC - (Calif.)
	008113-01-000	EA	Jack - Hydraulic - 5 Ton - w/Handle
	054185-12-000	EA	Owner's Manual - Itasca - Winnebago
	007038-01-000	EA	Mat - Door - Black Rubber - 10 1/2" x 26"
	040066-01-000	EA	Door Mat - Black Rubber - 10 1/2" x 26" - w/Itasca Logo

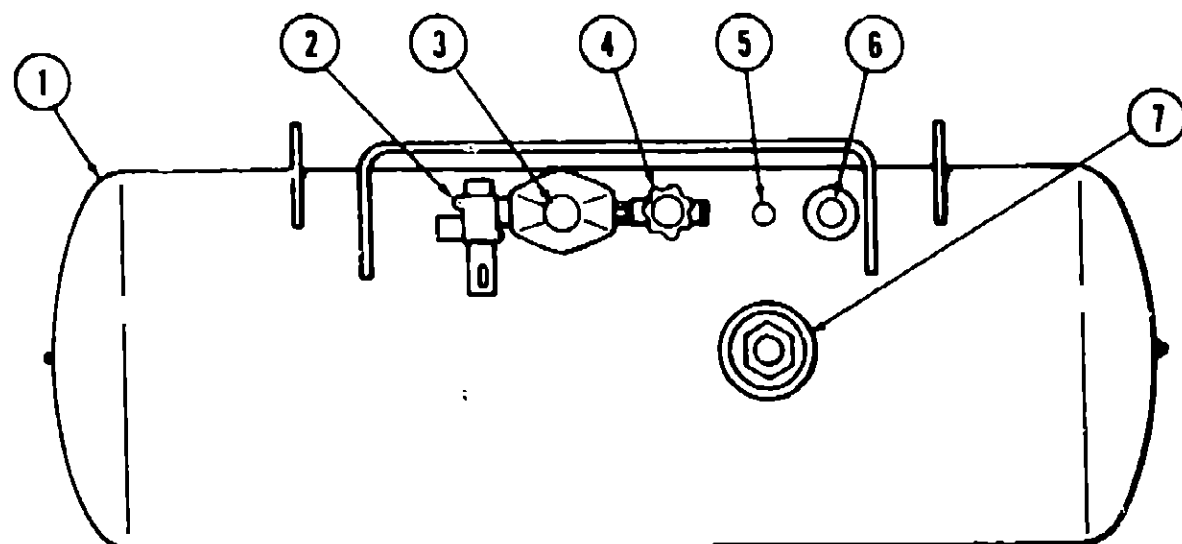
**1981 WINNEBAGO
TABLE OF CONTENTS**

Introduction	I
Abbreviations	I
Alphabetical Index	II - IV
WDN29RT M1, WCN29RT M2	A-1 - C-8
WDN26RB M1, WCN26RB M2	C-9 - E-8
WC621RB M2	E-9 - F-18

1981 WDN29RT M1, WDN29RT M2 INDEX

Floor Plan	A-5 - A-4
Accessories Group	A-7 - A-1
Bath Group	A-10 - A-1
Chassis Group	A-12 - A-1
Curtain, Cushion & Pad Group	A-13 - A-2
Dinette Group	A-21 - A-2
Driver's Compartment Group	A-23 - A-2
Electrical Group	B-1 - B-1
Exterior Body Group	B-4 - B-1
Galley Group	B-1
Heating & Air Conditioning Group	B-9 - B-1
Interior Finish Group	B-11 - B-1
LP Group	B-1
Lounge Group	B-14 - B-1
Water & Sewage Group	B-16 - B-1
Window, Vent & Exterior Door Group	B-18 - C-1

LP GROUP



Key	Part Number	U/M	Description
1	063378-01-000	EA	Tank Asm. - LP - Frame Mount - 80 Pound
2	047221-01-000	EA	Detector - LP Gas Leak
	065741-01-000	EA	Detector - LP Gas Leak - Marshalltown Instruments
3	058706-01-000	EA	Cover - Regulator - 2 Stage
	058705-01-000	EA	Regulator - Two Stage - LP Gas
4	040421-01-703	EA	Valve - Vapor Relief
5	040421-01-700	EA	Gauge - Liquid Level - 20% LP
6	040421-01-701	EA	Valve - Filler - LP
	040421-01-702	EA	Cap - Plastic Fill Valve
7	040421-01-707	EA	Gauge - Float - w/Visible Dial - 80 Pound Tank
	040421-01-706	EA	Dial - Visible Face - Float Gauge (Tank w/o Electric Transmitter)
	040421-01-705	EA	Dial - Transmitter 0 - 90 Ohm (Float Gauge)
	045703-01-000	EA	Hose Asm. - LP - 3/8" I.D. x 24"
	045703-02-000	EA	Hose Asm. - LP - 3/8" I.D. x 24" - CSA
	045703-03-000	EA	Hose Asm. - LP - 3/8" I.D. x 14" - US
	045703-04-000	EA	Hose Asm. - LP - 3/8" I.D. x 14" - CSA
	047737-02-000	EA	Support - LP Tank - 89.25"
	047737-03-000	EA	Support - LP Tank - 30.50"
	053112-02-000	EA	Bracket - LP Support
			Not Illustrated

WINN AIR WITH LANDI-HARTOG (A-BODY)

Key	Part Number	U/M	Description
	065279-01-000	EA	Relief Valve - Hydrostatic - Sherwood
	065287-02-000	EA	Valve - Gasoline Shut-Off
	065820-02-000	EA	Hose Asm. - High - Pressure - 3/8"
	067290-01-001	EA	Hose - Vapor - 5/8" x 51"
	068050-04-000	EA	LP Mixer
	068142-01-000	EA	Tube Asm. - Converter - Copper w/Flare Nuts - 5/16" x 90° Bend
	068144-01-000	EA	Bracket - Angle - Converter
	068197-01-000	EA	Instrument Asm. - LP
	068201-01-000	EA	Converter Asm. - LP A-Body
	035927-01-001	EA	Steel Rod - Threaded - 1/4" - 20 x 8"

LOUNGE GROUP

LOUNGE OVERHEAD CABINETS

Key	Part Number	U/M	Description
	061958-02-M10	EA	Cabinet Asm. Rear Overhead - Backwall - w/o Doors or Hardware
	064648-02-M10	EA	Cabinet Asm. - Rear Overhead - Right Sidewall - w/o Doors or Hardware
	064617-02-M10	EA	Cabinet Asm. - Rear Overhead - Left Sidewall - w/o Doors or Hardware
	059551-01-M10	EA	Door Asm. - Rear Overhead Cabinet - 11.3" x 28" - w/o Hardware
	061847-01-M10	EA	Cap Asm. - End - Left Rear Overhead - Vinyl
	057550-05-M10	EA	Button Asm. - Nail - Vinyl - #36

TWIN BED CABINETS

Key	Part Number	U/M	Description
	063238-01-M10	EA	Cabinet Asm. - Twin Bed - Left - w/o Door or Hardware
	064643-01-M10	EA	Cabinet Asm. - Twin Bed - Right - w/o Door or Hardware
	059550-61-M10	EA	Door Asm. - Twin Bed Cabinet - 10.10" x 27.05" - w/o Hardware
	M54006-01-700	EA	Cabinet Asm. - Nightstand Base - w/o Countertop, Doors or Hardware
	053998-01-M07	EA	Countertop Asm. - Nightstand Base - 24 1/2" x 23 3/8" - Rust Burnt Sienna
	053996-01-M08	EA	Countertop Asm. - Nightstand Base - 24 1/2" x 23 3/8" - Brown Mocha
	M53976-01-700	EA	Cabinet Asm. - Nightstand Top - w/o Roll up Door - Countertop
	053999-01-M07	EA	Countertop Asm. - Nightstand Top - 23 1/2" x 8 1/2" - Rust Burnt Sienna
	053999-01-M08	EA	Countertop Asm. - Nightstand Top - 23 1/2" x 8 1/2" - Brown Mocha
	043255-01-000	FT	Track - Roll up Door - Brown Plastic
	043256-01-000	EA	Spiral - Roll up Door - Plastic - Right
	043256-02-000	EA	Spiral - Roll up Door - Plastic - Left
	063224-23-M10	EA	Door Asm. - Rolled - 19" x 12"
	059550-66-M10	EA	Door Asm. - Nightstand Cabinet - 20" x 16.2" - w/o Hardware

DOUBLE BED W/NIGHT STAND

Key	Part Number	U/M	Description
	063432-01-M10	EA	Headboard Asm. - Padded - Acorn Vinyl
	063444-01-M10	EA	Cabinet Asm. - Nightstand - w/o Countertop
	063445-01-M10	EA	Countertop Asm. - Nightstand Cabinet - Rust Burnt Sienna
	063445-01-M08	EA	Countertop Asm. - Nightstand Cabinet - Brown Mocha
	063446-01-M10	EA	Cabinet Asm. - Hamper Cabinet - w/o Countertop
	063447-01-M10	EA	Countertop Asm. - Hamper Cabinet - Rust Burnt Sienna
	063447-01-M08	EA	Countertop Asm. - Hamper Cabinet - Brown Mocha
	064645-01-M10	EA	Cabinet Asm. - Double Bed Base w/o Door
	063443-01-M10	EA	Cabinet Asm. - Bed - Top Double
	059913-04-M10	EA	Drawer - Nightstand Cabinet
	059550-61-M10	EA	Door Asm. - Cabinet - 10.6" x 19" - w/o Hardware

1981 WINNEBAGO TABLE OF CONTENTS

Introduction	I
Abbreviations	I
Alphabetical Index	II - IV
WDN29RT M1, WCN29RT M2	A-1 - C-8
WDN26RB M1, WCN26RB M2	C-9 - E-8
WC621RB M2	E-9 - F-18

1981 WDN29RT M1, WCN29RT M2 INDEX

Floor Plan	A-5 - A-4
Accessories Group	A-7 - A-1
Bath Group	A-10 - A-11
Chassis Group	A-12 - A-13
Curtain, Cushion and Pad Group	A-13 - A-21
Dinette Group	A-21 - A-22
Driver's Compartment Group	A-23 - A-24
Electrical Group	B-1 - B-3
Exterior Body Group	B-4 - B-7
Galley Group	B-4
Heating & Air Conditioning Group	B-9 - B-11
Interior Finish Group	B-11 - B-13
LP Group	B-13
Lounge Group	B-14 - B-15
Water & Sewage Group	B-16 - B-17
Window, Vent & Exterior Door Group	B-18 - C-4

LOUNGE GROUP (CONTINUED)

HORSESHOE LOUNGE W/PEDESTAL TABLE

Key	Part Number	U/M	Description
	053203-06-M10	EA	Table Asm. - Pedestal - 31.8" x 31.8" - w/o Hardware - Rust Burnt Sienna
	053203-06-M08	EA	Table Asm. - Pedestal - 31.8" x 31.8" - w/o Hardware - Brown Mocha
	009040-03-000	EA	Base - Pedestal Table - Table Mount
	041194-01-000	EA	Base - Pedestal Table - Floor Mount
	009040-02-000	EA	Leg - Pedestal Table - 2.25" O.D. x 27.5" - Chrome
	064642-01-M10	EA	Cabinet Asm. - Right Gaucho
	063168-01-M10	EA	Cabinet Asm. - Center Gaucho
	063235-01-M10	EA	Cabinet Asm. - Left Gaucho
	059550-61-M10	EA	Door Asm. - Gaucho Cabinet - 10.1" x 27" - w/o Hardware
	063239-01-M10	EA	Cabinet Asm. - Hamper - Right
	063239-02-M10	EA	Cabinet Asm. - Hamper - Left
	056418-01-M07	EA	Plug Asm. - Pedestal - Table - Russet Red (M07)
	056418-01-M08	EA	Plug Asm. - Pedestal - Table - Cinnamon (M08-M09)
	053163-01-000	EA	Bracket - Couch Slide
	053347-01-000	EA	Pin - Spring - 3/32 Wire
	053348-01-000	EA	Pin - Steel 1/4" x 4" - w/Hole
	054398-01-000	EA	Bracket - Couch - Brown

WATER AND SEWAGE GROUP

PLUMBING AND REPAIR PARTS

Key	Part Number	U/M	Description
**	041279-02-000	EA	Pump - Water Flow - 2.8 G.P.M. US
**	038647-03-000	EA	Filter - Water Pump - 1/2" Flare
**	041279-04-000	EA	Pump - Water Flow - 2.8 G.P.M. - CSA
**	063846-01-000	EA	Water Pump - 2.8 G.P.M. - Direct Drive - PAR - US
**	063846-02-000	EA	Water Pump - 2.8 G.P.M. - Direct Drive - PAR - CSA
**	052952-01-000	EA	Nut - Plastic - 1/2 F
**	052953-01-000	EA	Nut Faucet - 1/2 Tube x 1/2 FPT
**	052954-01-000	EA	Adapter - Nose Cone - 3/8" or 1/2"
**	052955-01-000	EA	Tee - Plastic - 1/2 F x 1/2 F x 1/2 MPT
**	052957-01-000	EA	Elbow - Plastic - 1/2 F x 3/8 MPT
**	052958-01-000	EA	Tee - Plastic - 1/2 F x 1/2 F x 1/2 F
**	052959-03-000	EA	Connector - 1/2 F x 3/8 MPT - Plastic
**	052960-01-000	EA	Drain Valve - 1/2 F x 1/2 F - Plastic
**	052961-01-000	EA	Header - 1/2 F x 1/2 F x 1/2 F x 1/2 F
**	046524-02-000	EA	Kit - Water Tank Fittings - Blank Tank
**	046524-01-000	EA	Kit - Holding Tank Fittings - Blank Tank
**	010079-01-000	EA	Tee - Plastic - 1 1/2 H x 1 1/2 H x 1 1/4 H
**	010091-01-000	EA	Wye - Plastic - 3 x 45 H x H x H
**	010121-01-000	EA	Bushing - Plastic - 1 1/2 S x 1 1/4 H
**	010006-01-000	EA	Elbow - Plastic - 1/8 BD 1 1/2 x 45 H x H
**	010133-01-000	EA	Trap Adaptor - Plastic - 1 1/2 H x MPT
**	010134-01-000	EA	Adaptor - Plastic - 1 1/2 M x MPT
**	062422-01-000	EA	Adapter - Offset Reducer - 3" x 1 1/2"
**	010224-01-000	EA	Adapter - Plastic - 3/8 MPT x 3/8 Barb
**	010000-01-000	EA	Elbow - Plastic - 1/8 Bend - 1 1/4 x 45° H x H
**	010197-01-000	EA	Pipe - Plastic - 3" x 240"
**	031111-01-000	EA	Elbow - Plastic - 1 1/4 x 90° - Long Turn H x H
**	056134-01-000	EA	Holder - Ring - Pipe Support
**	062832-01-000	EA	Wye - 3" x 3" x 1 1/2" Slip
**	010201-01-000	EA	Sewer Hose - 3" x 8' w/Clamp
**	062415-01-000	EA	Sewage Cap - 3"
**	065978-01-000	EA	Compartment Asm. - Sewer Hose
**	062416-01-000	EA	Hose Adapter - 3"
**	062417-01-000	EA	Termination Adapter - 3"
**	062418-01-000	EA	Valve - 3" - w/Handle
**	062418-02-000	EA	Valve - 3" w/o Handle
**	052962-01-000	EA	Valve - Stool - 90° 1/2 F x 3/8 MPT
**	062419-01-000	EA	Handle - 35" Extension - w/6" Adapter
**	062419-02-000	EA	Handle - 53" Extension - w/6" Adapter
**	063841-01-000	EA	Flange - Closet - 4" x 3" Sigot 2.75"
**	010219-01-000	EA	Elbow - 1 1/4 Barb x 1 1/4 MPT 90°
**	023441-01-000	EA	Tee - Plastic - 3/8 Barb
**	035539-01-000	EA	Elbow - Plastic 3/8 MPT x 3/8 Barb
**	044928-01-000	EA	Tubing - Flex - 1 1/4 I.D. x 10'
**	03242-01-000	EA	Valve - 1 1/2" - w/Handle
**	061607-01-000	EA	Grommet - Holding Tank Coupler - 1 1/2"
**	061607-02-000	EA	Grommet - Holding Tank Coupler - 3"
**	063335-01-000	EA	P-Trap - Plastic - 1 1/4 H x H - w/Union
**	011066-01-000	EA	P-Trap - 1 1/4" - Plastic
**	011091-01-000	EA	Waste - Continuous - Double Sink - 11 7/8"
**	031126-02-000	EA	Elbow - 3" x 10° x Long Turn - CSA
**	050780-01-000	EA	Rubber Coupler - 3" x 3"
**	004020-01-000	QT	Adhesive - ABS Cement
**	037845-01-000	FT	Tape - Butyl - 3/16" - Bead - Black
**	040538-01-000	EA	Kit - Repair - 3/8" O.D. Plastic Tube
**	040540-01-000	EA	Kit - Repair - 1/2" O.D. Plastic Tube
**	040541-01-000	EA	Kit - Repair - 5/8" O.D. Plastic Tube
**	039818-01-000	EA	Riser Asm. - 3/8" O.D. x 24" Tube
**	039818-02-000	EA	Riser Asm. - 3/8" O.D. x 36" Tube
**	039818-04-000	EA	Riser Asm. - 3/8" O.D. x 72" Tube
**	039818-05-000	EA	Riser Asm. - 3/8" O.D. x 48" Tube

**The illustrated parts breakdown for this item is provided on the Common Items Fiche.

1981 WINNEBAGO TABLE OF CONTENTS

Introduction	I
Abbreviations	I
Alphabetical Index	II - IV
WDN29RT M1, WCN29RT M2	A-1 - C-8
WDN26RB M1, WCN26RB M2	C-9 - E-8
WC621RB M2	E-9 - F-18

1981 WDN29RT M1, WCN29RT M2 INDEX

Floor Plan	A-5 - A-6
Accessories Group	A-7 - A-9
Bath Group	A-10 - A-11
Chassis Group	A-12 - A-13
Curtain, Cushion and Pad Group	A-13 - A-20
Dinette Group	A-21 - A-22
Driver's Compartment Group	A-23 - A-24
Electrical Group	B-1 - B-3
Exterior Body Group	B-4 - B-7
Galley Group	B-8
Heating & Air Conditioning Group	B-9 - B-10
Interior Finish Group	B-11 - B-12
LP Group	B-13
Lounge Group	B-14 - B-15
Water & Sewage Group	B-16 - B-17
Window, Vent & Exterior Door Group	B-18 - C-8

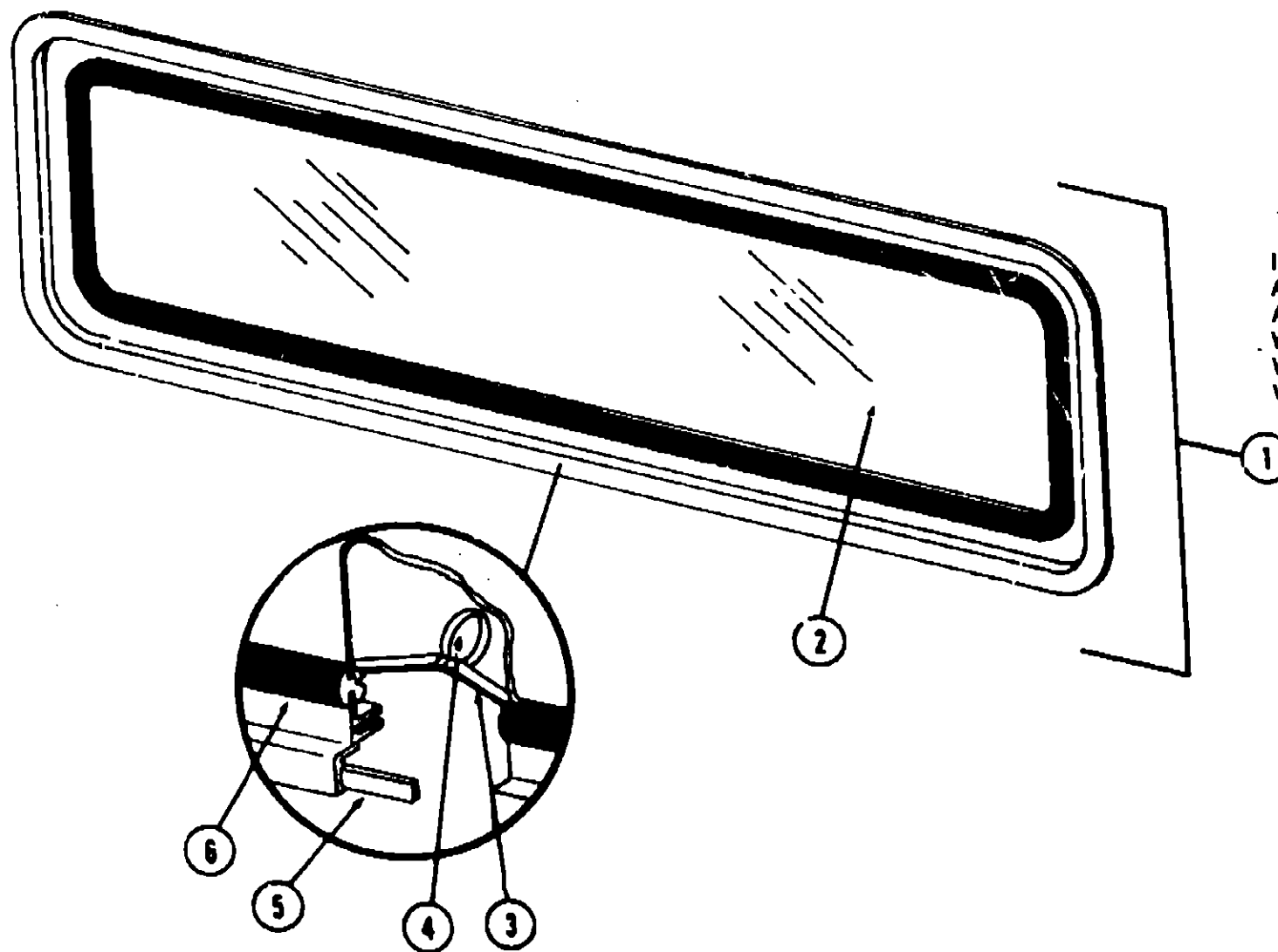
WATER AND SEWAGE GROUP (CONTINUED)

WINDOW, VENT AND EXTERIOR DOOR GROUP

HOLDING TANKS AND WATER HEATERS

Key	Part Number	U/M	Description
	061804-02-000	FA	Tank Asm. - Holding - w/Fittings - Auxiliary
**	061804-01-000	EA	Tank Asm. - Holding - w/o Fittings - Auxiliary
	061805-02-000	EA	Tank Asm. - Holding - w/Fittings - Main
**	061805-01-000	EA	Tank Asm. - Holding - w/o Fittings - Main
	045196-12-000	EA	Tank Asm. - Water - Plastic - 26 Gallon w/Fittings
	045196-13-000	EA	Tank Asm. - Water - Plastic - 26 Gallon w/Drain (Fittings end of tank)
	045196-14-000	EA	Tank Asm. - Water - Plastic - 26 Gallon w/Drain (Fittings side of tank)
	045196-01-000	EA	Tank Asm. - Water - Plastic - 26 Gallon - w/o Fittings
	046942-04-000	EA	Tank Asm. - Water - Plastic - 45 Gallon - w/Fittings
	046942-01-000	EA	Tank Asm. - Water - Plastic - 45 Gallon - w/o Fittings
	051391-01-000	EA	Water Heater - G6A - 3
	051392-01-000	EA	Water Heater - Motor Aid - GH6-3
	051393-01-000	EA	Water Heater - Motor Aid - Direct Ignition - GH6-3E
	024860-01-000	EA	Panel - Front Heater - A/C

**The illustrated parts breakdown for this item is provided on the Common Items Fiche.



Key	Part Number	U/M	Description
1	020754-03-000	EA	Window Asm. - Escape - 23" x 68" Black Anod. (w/o inside frame)
2	002178-01-000	EA	Glass - 1/8" x 19.81" x 64.80"
3	002285-01-000	FT	Weatherstrip - Filler - Black
4	020385-01-000	EA	Slip Ring - Pull
5	053767-03-000	FT	Tape - 1/4" Bead x 20' - Gray - Schnee Murehead
6	002282-01-000	FT	Weatherstrip - Window .125" Black
.	020752-03-000	EA	Frame - Window - Inside - Escape 23" x 68" (not included in assembly)
.	006199-01-000	EA	Label - Exit - Escape Window
.	Not Illustrated		

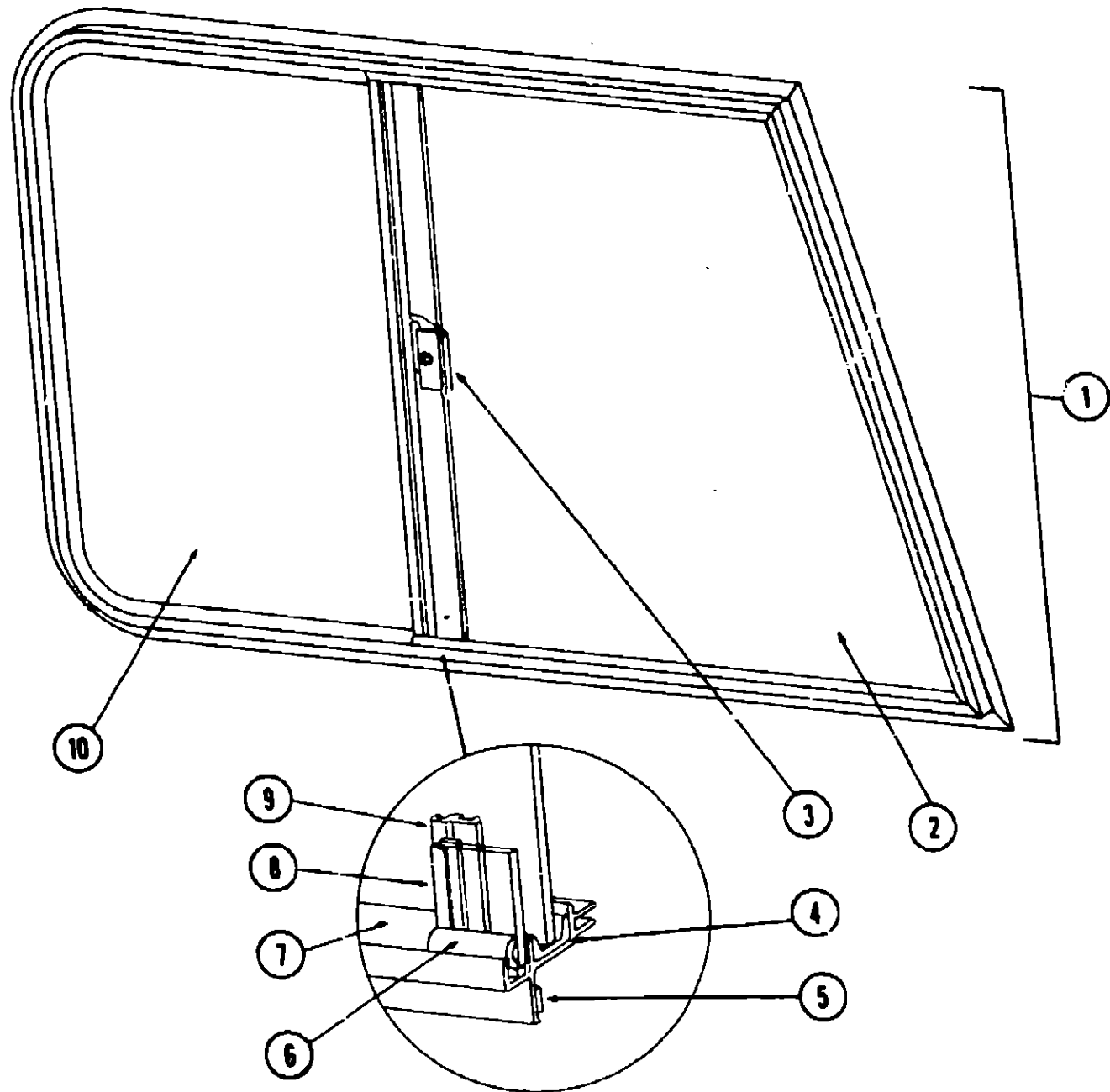
**1981 WINNEBAGO
TABLE OF CONTENTS**

Introduction	I
Abbreviations	I
Alphabetical Index	II - IV
WDN29RT M1, WCN29RT M2	A-1 - C-8
WDN26RB M1, WCN26RB M2	C-9 - E-8
WC621RB M2	E-9 - F-18

1981 WDN29RT M1, WCN29RT M2 INDEX

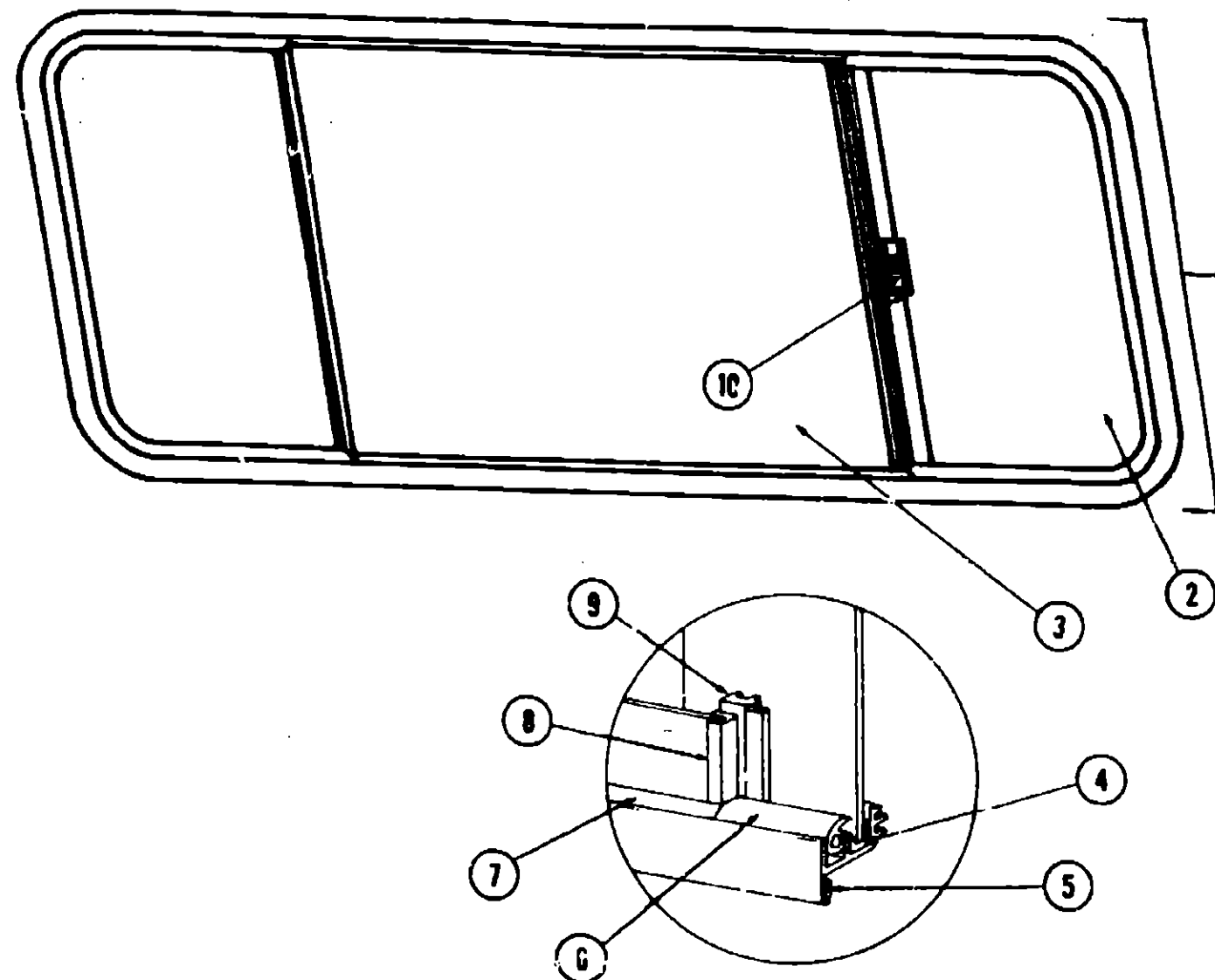
Floor Plan	A-5 - A-6
Accessories Group	A-7 - A-9
Bath Group	A-10 - A-11
Chassis Group	A-12 - A-13
Curtain, Cushion and Pad Group	A-13 - A-20
Dinette Group	A-21 - A-22
Driver's Compartment Group	A-23 - A-24
Electrical Group	B-1 - B-3
Exterior Body Group	B-4 - B-7
Galley Group	B-8
Heating & Air Conditioning Group	B-9 - B-10
Interior Finish Group	B-11 - B-12
LP Group	B-13
Lounge Group	B-14 - B-15
Water & Sewage Group	B-16 - B-17
Window, Vent & Exterior Door Group	B-18 - C-8

WINDOW, VENT AND EXTERIOR DOOR GROUP (CONTINUED)



Key	Part Number	U/M	Description
1	059046-01-000	EA	Window Asm. - Right Front Slant Slider - 23" x 39" - Black Anod. (w/o inside frame)
	059046-02-000	EA	Window Asm. - Left Front Slant Slider - 23" x 39" - Black Anod. (w/o inside frame)
2	057656-01-000	EA	Glass - 3/16" x 24.88" x 25.30" - Stationary
3	047369-01-700	EA	Latch - Window - Plastic w/Fastener
	023320-01-000	EA	Foam Pad - 3/8" Dia. (used with plastic latch)
4	042077-01-000	FT	Channel - Weatherstrip - Glass Run - 3/16" Glass
5	053767-01-000	FT	Tape - 1/2" x 1/8" x 30' - Gray - Schnee Morehead
6	050216-02-000	FT	Spline - 3/16" Glass
7	057374-02-000	FT	Extr. Vinyl - Window Seal - Black
8	002369-03-208	EA	Holder - Glass Seal - Black Anod. - 24.13"
9	057644-04-000	EA	Mullion - Window - Slant Slider
10	057657-01-000	EA	Glass - 3/16" x 24.88" x 14.70" - Sliding
	059042-01-000	EA	Inside Frame - Right Front Slant Slider (not included in assembly)
	059042-02-000	EA	Inside Frame - Left Front Slant Slider (not included in assembly)
	023713-02-000	EA	Cover - Weephole - Black Anod.
	055164-05-000	EA	Slider Screen Asm. - Right or Left - Black
	016310-03-000	EA	Handle - Slider Screen - Black
	002292-01-000	SF	Screen - Window - 20" - Gray
	002298-01-000	FT	Spline - Gray - .130" Dia.
			Not Illustrated

WINDOW, VENT AND EXTERIOR DOOR GROUP (CONTINUED)



Key	Part Number	U/M	Description
1	066765-02-000	EA	Window Asm. - Single Slider - 25" x 56"
	042133-08-000	EA	Inside Frame - Brown
2	066726-01-000	EA	Glass - Stationary - 1/8" x 16.5" x 24"
3	066727-02-000	EA	Glass - Sliding - 1/8" x 25.5" x 24"
4	002324-02-000	FT	Channel - Weatherstrip - Glass
5	053767-03-000	FT	Tape - 1/4" Bead x 20' - Gray
6	057374-02-000	FT	Extr. Vinyl - Window Seal - Black
7	002309-02-000	FT	Spline - Glass - 1/8" Material - Black
8	069686-03-003	EA	Extr. - Holder - Glass Seal - 23.19" - Black
9	069686-02-000	EA	Mullion - Slider Window - 23" - Black
10	047369-01-000	EA	Latch - Window - Plastic w/Fastener
	002293-01-000	SF	Screen - Window - 26" - Gray
	002298-01-000	FT	Spline - .130 Dia. - Gray (Screen)
	042076-01-000	FT	Seal - Fin - Pile .34"
			Not Illustrated

**1981 WINNEBAGO
TABLE OF CONTENTS**

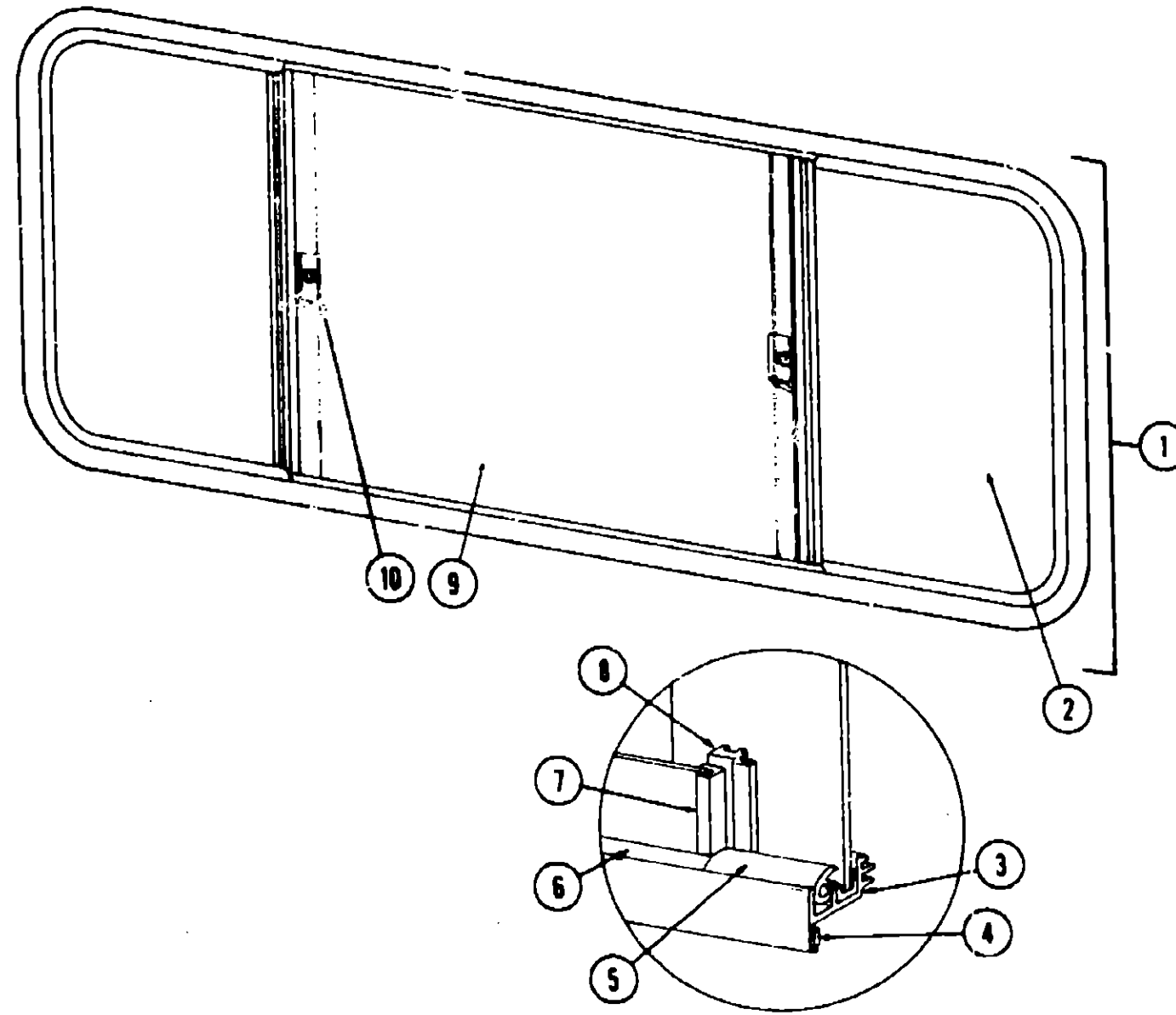
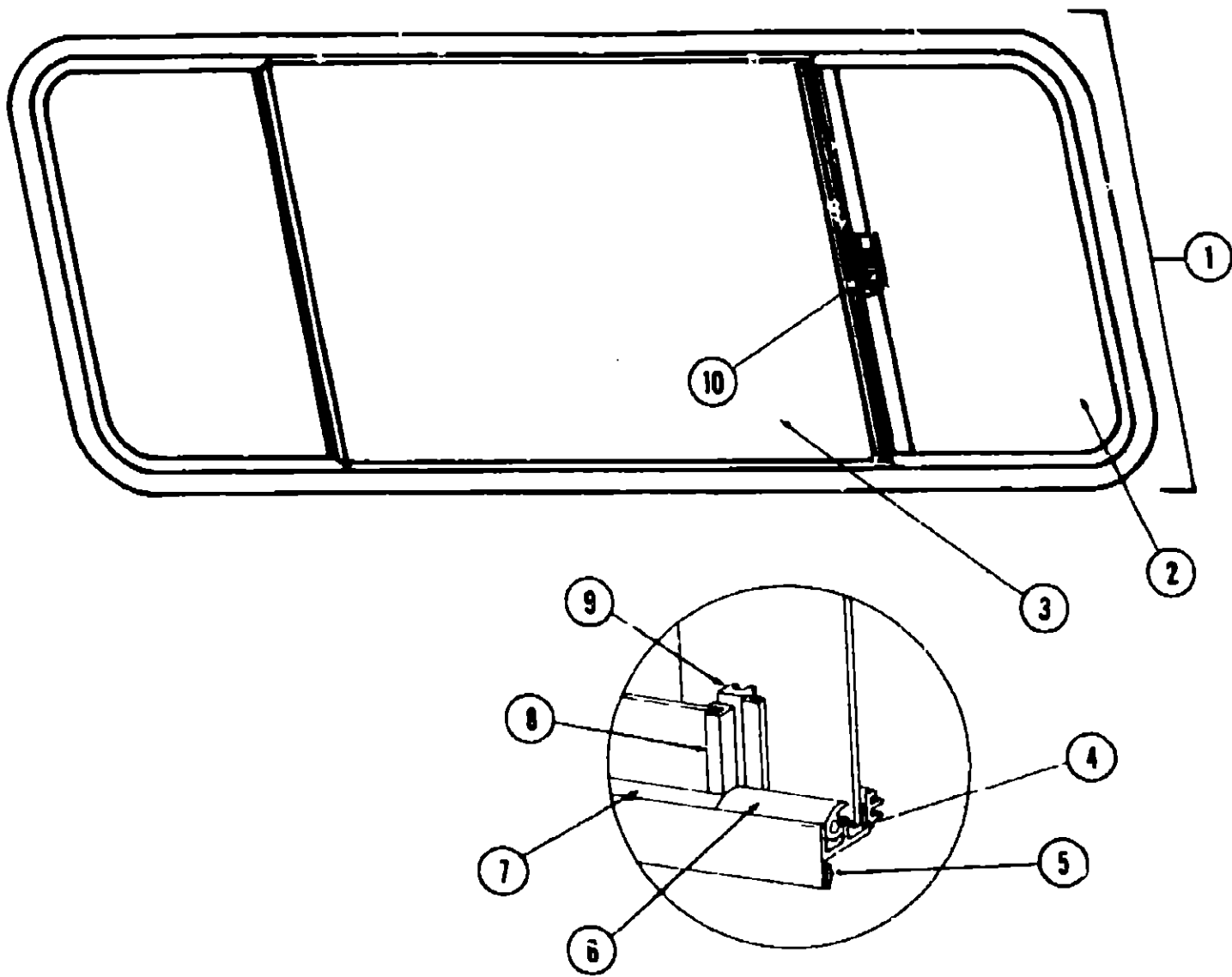
Introduction	I
Abbreviations	I
Alphabetical Index	II - IV
WDN29RT M1, WCN29RT M2	A-1 - C-8
WDN26RB M1, WCN26RB M2	C-9 - E-8
WC621RB M2	E-9 - F-18

1981 WDN29RT M1, WCN29RT M2 INDEX

Floor Plans	A-5 - A-6
Accessories Group	A-7 - A-9
Bath Group	A-10 - A-11
Chassis Group	A-12 - A-13
Curtain, Cushion and Pad Group	A-13 - A-20
Dinette Group	A-21 - A-22
Driver's Compartment Group	A-23 - A-24
Electrical Group	B-1 - B-3
Exterior Body Group	B-4 - B-7
Galley Group	B-8
Heating & Air Conditioning Group	B-9 - B-10
Interior Finish Group	B-11 - B-12
LP Group	B-13
Lounge Group	B-14 - B-16
Water & Sewage Group	B-16 - B-17
Window, Vent & Exterior Door Group	B-18 - C-9

WINDOW, VENT AND EXTERIOR DOOR GROUP (CONTINUED)

WINDOW, VENT AND EXTERIOR DOOR GROUP (CONTINUED)



Key	Part Number	U/M	Description
1	066785-03-000	EA	Window Asm. - Single Slider - 25" x 65"
2	042133-09-000	EA	Inside Frame - Brown
3	066726-02-000	EA	Glass - Stationary - 1/8" x 21.03" x 24"
4	066727-02-000	EA	Glass - Sliding - 1/8" x 25.5" x 24"
5	002324-02-070	FT	Channel - Weatherstrip - Glass
6	053767-03-000	FT	Tape - 1/4" Bead x 20' - Gray
7	057374-02-000	FT	Extr. Vinyl - Window Seal - Black
8	002309-02-000	FT	Spline - Glass - 1/8" Material - Black
9	002390-03-002	EA	Extr. - Holder - Glass Seal - 23.19" - Black
10	041894-04-000	EA	Mullion - Slider Window - 25" - Black
	047399-01-000	EA	Latch - Window - Plastic - w/Fastener
	002293-01-000	SF	Screen - Window - 26" - Gray
	002296-01-000	FT	Spline - .130" Dia. - Gray (Screen)
	042076-01-000	FT	Seal - Fin - Pile .34"
			Not Illustrated

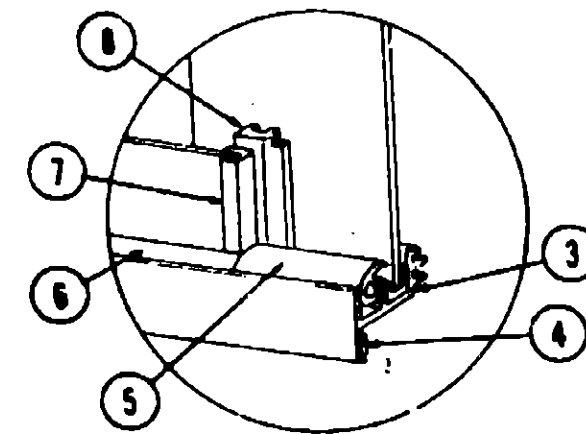
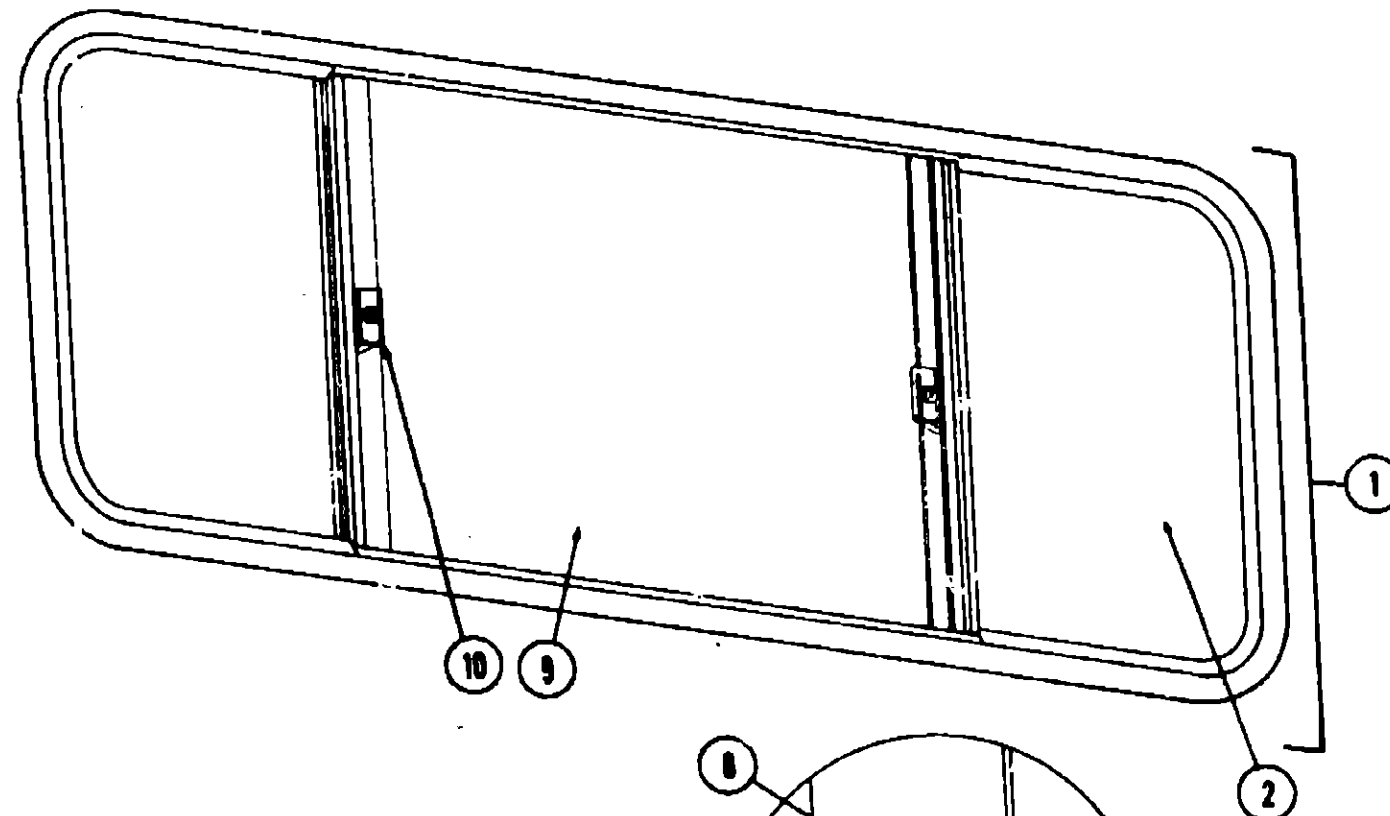
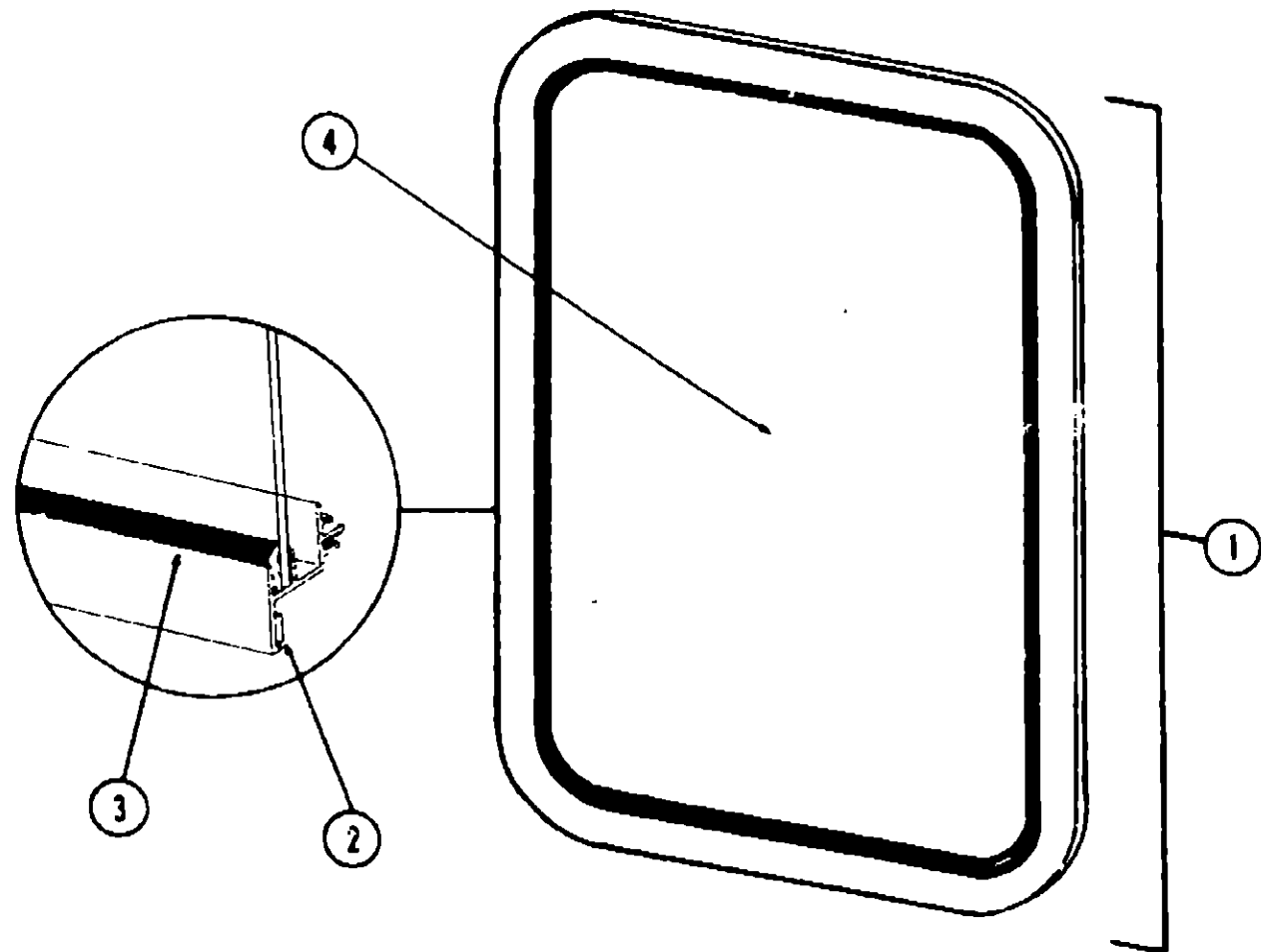
Key	Part Number	U/M	Description
1	048630-08-000	EA	Window Asm. - Double Slider - 25" x 56" Black Anod. (w/o inside frame)
2	047822-03-000	EA	Glass - Sliding - 3/16" x 24" x 18.53"
3	042077-01-000	FT	Channel - Weatherstrip - Glass Run - 3/16" Glass
4	053767-03-000	FT	Tape - 1/4" Bead x 20' - Gray - Schnee Morehead
5	041926-02-000	FT	Seal - Window Channel - 3/16" Glass - Black
6	002309-02-000	FT	Spline - Glass - 1/8" - Black
7	002389-03-201	EA	Extr. - Holder - Glass Seal - 23.19" - Black
8	041894-04-000	EA	Mullion - Slider Window - 25" - Black
9	002188-02-000	EA	Glass - 3/16" x 24" x 25.5" - Stationary
10	047399-01-700	EA	Latch - Window - Plastic w/Fastener
	023320-01-000	EA	Foam Pad - 3/8" Dia. (used with plastic latch)
	042133-11-000	EA	Frame Asm. - Window - Inside (not included in assembly)
	023713-02-000	EA	Cover - Weephole - Plastic - Black
	002296-01-000	FT	Spline - Gray - .130" Dia. (Screen)
	002293-01-000	SF	Screen - Window - 26" - Gray
			Not Illustrated

1961 WINNEBAGO
TABLE OF CONTENTS

Introduction	I
Abbreviations	I
Alphabetical Index	II - IV
WDN29RT M1, WCN29RT M2	A-1 - C-8
WDN26RB M1, WCN26RB M2	C-9 - E-8
WC621RB M2	E-9 - F-18

1961 WDN29RT M1, WCN29RT M2 INDEX

Floor Plan	A-5 - A-6
Accessories Group	A-7 - A-8
Bath Group	A-10 - A-11
Chassis Group	A-12 - A-13
Curtain, Cushion and Pad Group	A-13 - A-20
Dinette Group	A-21 - A-22
Driver's Compartment Group	A-23 - A-24
Electrical Group	B-1 - B-3
Exterior Body Group	B-4 - B-7
Galley Group	B-8
Heating & Air Conditioning Group	B-9 - B-10
Interior Finish Group	B-11 - B-12
LP Group	B-13
Lounge Group	B-14 - B-15
Water & Sewage Group	B-16 - B-17
Window, Vent & Exterior Door Group	B-18 - C-4



Key	Part Number	U/M	Description
1	058651-01-000	EA	Window Asm - Picture - 20 3/4" x 20 3/4" - Black (w/o inside frame)
2	053767-02-000	FT	Tape - 3/16" Bead x 25' - Schnee Morehead
3	002309-02-000	FT	Spline - Glass - 1/8" - Black
4	002181-03-000	EA	Glass - .115" x 20.62" x 20.62" - Gray
.	056650-01-000	EA	Frame - Inside - Window (not included in assembly)
.			Not Illustrated

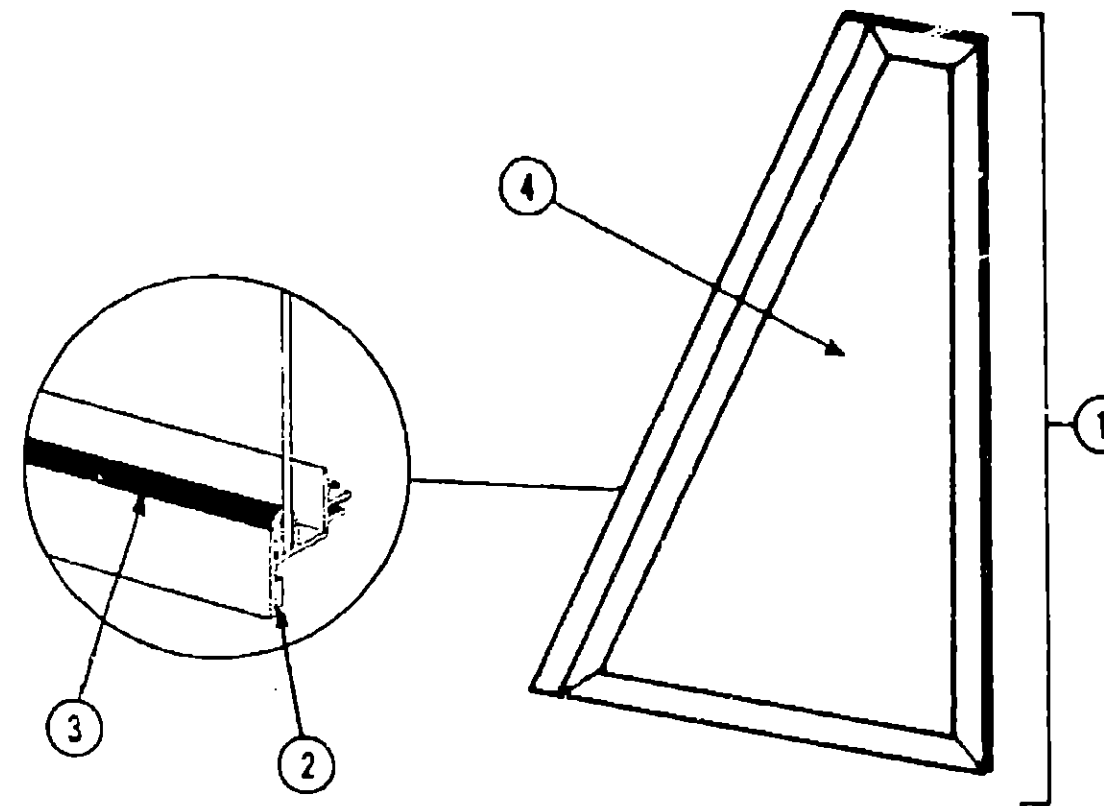
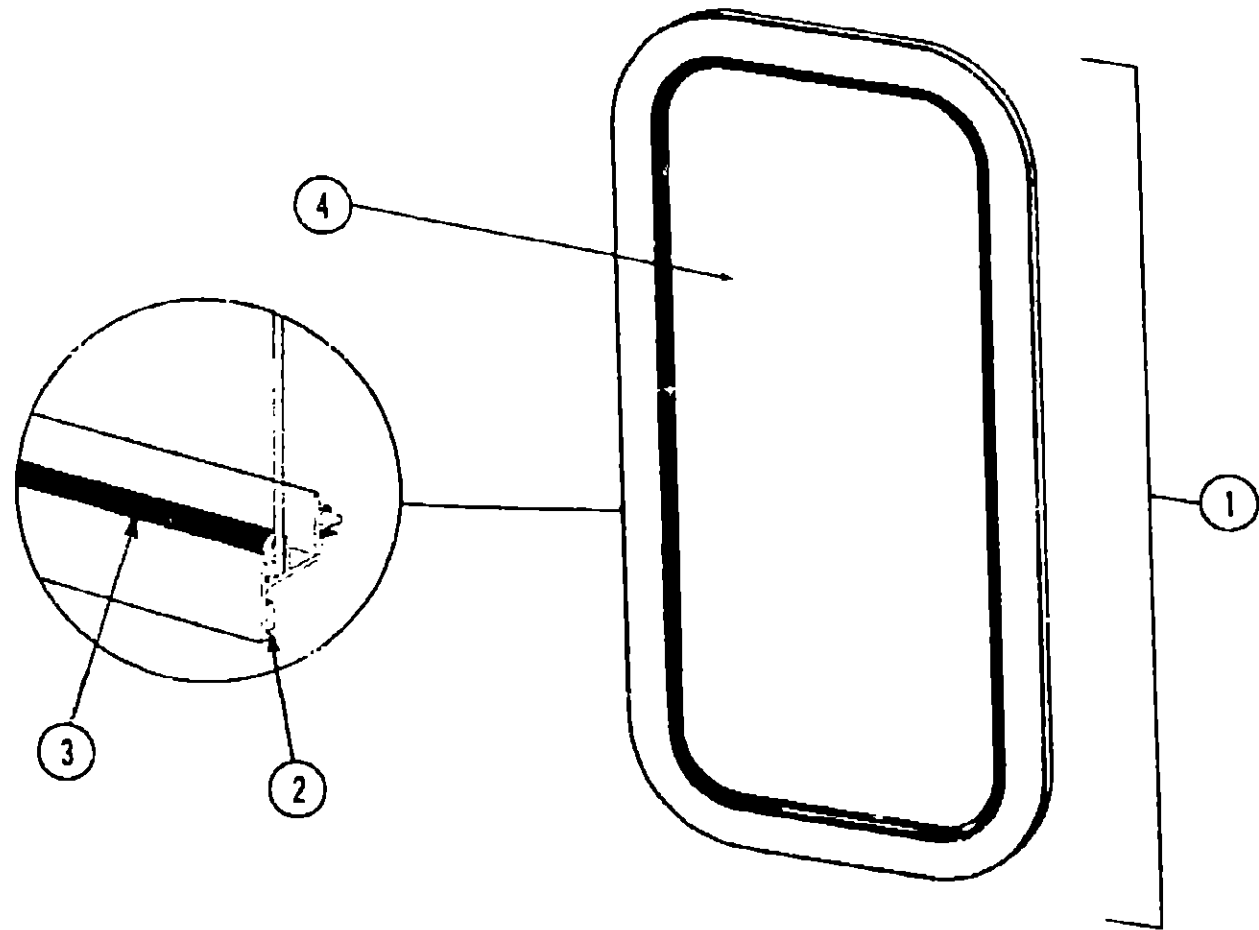
Key	Part Number	U/M	Description
1	048630-08-000	EA	Window Asm. - Double Slider - 25" x 65" Black Anod. (w/o inside frame)
2	047822-01-000	EA	Glass - Sliding - 3/16" x 24" x 21.03"
3	042077-01-000	FT	Channel - Weatherstrip - Glass Run - 3/16" Glass
4	053767-03-000	FT	Tape - 1/4" Bead x 20' - Gray - Schnee Morehead
5	057374-02-000	FT	Extr. Vinyl Window Seal - Black
6	002309-02-000	FT	Spline - Glass - 1/8" - Black
7	002389-03-201	EA	Extr. Holder - Glass Seal - 23.19" - Black
8	041894-04-000	EA	Mullion - Slider Window - 25" - Black
9	002188-02-000	EA	Glass - 3/16" x 24" x 25.5" - Stationary
10	047389-01-700	EA	Latch - Window - Plastic w/Fastener
.	023320-01-000	EA	Foam Pad - 3/8" Dia. (used with plastic latch)
.	042133-09-000	EA	Frame Asm. - Window - Inside (not included in assembly)
.	023713-02-000	EA	Cover - Weephole - Plastic - Black
.	002298-01-000	FT	Spline - Gray - .130" Dia. (Screen)
.	002283-01-000	SF	Screen - Window - 26" - Gray
.			Not Illustrated

1981 WINNEBAGO
TABLE OF CONTENTS

Introduction	I
Abbreviations	I
Alphabetical Index	II - IV
WDN29RT M1, WCN29RT M2	A-1 - C-8
WDN26RB M1, WCN26RB M2	C-9 - E-8
WC621RB M2	E-9 - F-18

1981 WDN29RT M1, WCN29RT M2 INDEX

Floor Plan	A-5 - A-6
Accessories Group	A-7 - A-8
Bath Group	A-10 - A-11
Chassis Group	A-12 - A-13
Curtain, Cushion and Pad Group	A-13 - A-20
Dinette Group	A-21 - A-22
Driver's Compartment Group	A-23 - A-24
Electrical Group	B-1 - B-3
Exterior Body Group	B-4 - B-7
Galley Group	B-8
Heating & Air Conditioning Group	B-9 - B-10
Interior Finish Group	B-11 - B-12
LP Group	B-13
Lounge Group	B-14 - B-15
Water & Sewage Group	B-16 - B-17
Window, Vent & Exterior Door Group	B-18 - C-4



Key	Part Number	U/M	Description
1	041875-09-000	EA	Window Asm. - Picture - 17" x 25" (w/o inside frame)
2	053767-03-000	FT	Tape - 1/4" Bead x 20' - Gray - Schnee Morehead
3	002318-02-000	FT	Spline - Glass - 1/8" Black
4	002181-06-000	EA	Glass - TP - .115" x 16.25" x 24"
.	041696-12-000	EA	Frame - Window - Inside - 17" x 25" (not included in assembly)
.	Not Illustrated		

Key	Part Number	U/M	Description
1	062896-01-000	EA	Window Asm. - Stationary - Drivers Slant - 14" x 25.32" Black Anod. (w/o inside frame)
2	053767-03-000	FT	Tape - 1/4" Bead x 20' - Gray - Schnee Morehead
3	002309-02-000	FT	Spline - Glass - 1/8" - Black
4	057656-02-000	EA	Glass - 3/16" x 24.88" x 13.66"
.	063420-01-000	EA	Frame - Inside - Front Slant Window (not included in assembly)
.	Not Illustrated		

1981 WINNEBAGO
TABLE OF CONTENTS

Introduction	I
Abbreviations	I
Alphabetical Index	II - IV
WDN29RT M1, WCN29RT M2	A-1 - C-8
WDN26RB M1, WCN26RB M2	C-9 - E-8
WC621RB M2	E-9 - F-18

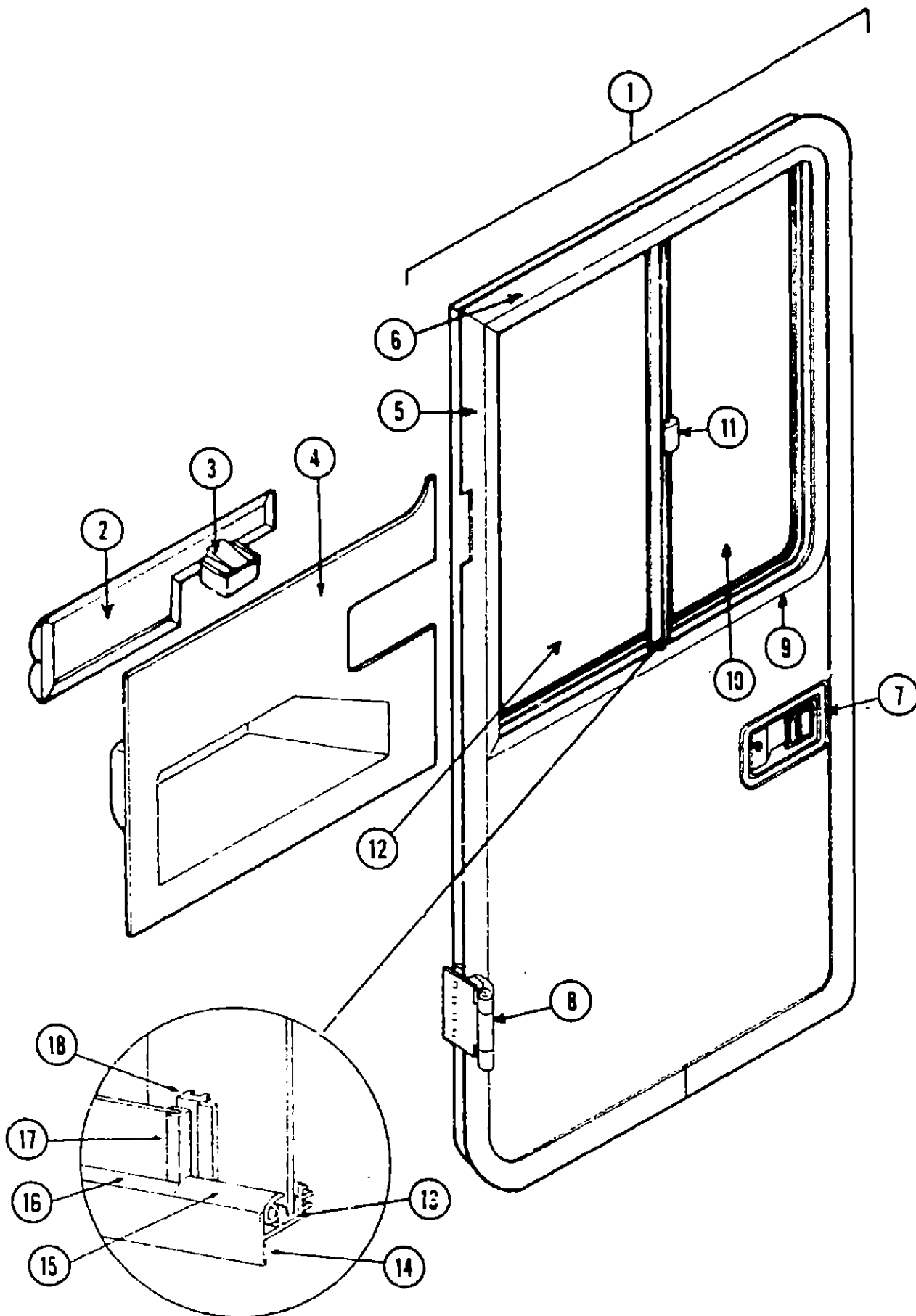
1981 WDN29RT M1, WCN29RT M2 INDEX

Floor Plan	A-5 - A-6
Accessories Group	A-7 - A-9
Bath Group	A-10 - A-11
Chassis Group	A-12 - A-13
Curtain, Cushion and Pad Group	A-13 - A-20
Dinette Group	A-21 - A-22
Driver's Compartment Group	A-23 - A-24
Electrical Group	B-1 - B-3
Exterior Body Group	B-4 - B-7
Galley Group	B-4
Heating & Air Conditioning Group	B-9 - B-10
Interior Finish Group	B-11 - B-12
LP Group	B-13
Lounge Group	B-14 - B-15
Water & Sewage Group	B-16 - B-17
Window, Vent & Exterior Door Group	B-18 - C-4

WINDOW, VENT AND EXTERIOR DOOR GROUP (CONTINUED)

DRIVER DOOR

Key	Part Number	U/M	Description
1	063991-01-000	EA	Door Asm. - Driver - Beige
2	064088-01-000	EA	Pad Asm. - Trim - Upper
	061400-01-000	EA	Assist Strap - 12" - Light Brown
3	046886-01-000	EA	Ashtray Asm. - Flush Mount - Chrome
4	064499-01-000	EA	Panel - Driver Door - Inner - Dark Brown Plastic
5	063350-01-000	EA	Trim - Door Frame - Front - Beige
6	063351-01-000	EA	Trim - Door Frame - Rear - Beige
7	045017-03-000	EA	Paddle - Door Lock - Exterior
	045017-01-700	EA	Lock Cylinder w/Keys - Lynor
	039979-02-000	EA	Inside Plate - Door Lock - w/Inside Handle
	039540-02-000	EA	Latch Claw - Entry Door Lock
	039738-01-000	EA	Deadbolt - Entrance Door Lock
	039539-01-000	EA	Strike Bolt - Entrance Door (Jamb Mount)
	063124-02-000	EA	Plate - Striker - 8 1/4" x 1" - Black
	062879-01-000	EA	Jamb - Driver Door - Black Steel
	064199-01-000	EA	Trim - Door Jamb - Rear - w/Drip Cap - Beige
	064184-01-000	EA	Drip Cap - Driver Door
	063358-01-000	EA	Trim - Door Jamb - Front - Beige
	063768-01-000	EA	Sill Plate - Driver Door
8	063993-01-000	EA	Hinge Asm. - Driver Door - Beige
	064580-01-000	EA	Check Strap - Driver Door - Seat Belt Webbing
	064219-01-000	EA	Retainer - Driver Door Check Strap
	063886-02-000	EA	Assist Handle - Driver Door - Brown Steel Tube (2 required per door)
	064075-01-000	EA	Bulb Seal - Driver Door - 145"
9	062982-01-000	EA	Window Asm. - Driver Door - Single Slider - 23" x 25.5" - Black Anod. (w/o inside frame)
10	057657-02-000	EA	Glass - 3/16" x 24.88" x 12" - Sliding
11	047359-01-700	EA	Latch - Window - Plastic w/Fastener
12	002188-04-000	EA	Glass - 3/16" x 24.88" x 12" - Stationary
13	002324-02-000	FT	Channel - Weatherstrip - Glass Run - 1/8" Glass
14	053767-03-000	FT	Tape - 1/4" Bead x 30" - Gray - Schnee Morehead
15	024096-02-000	FT	Seal - Window Channel - Black
16	002309-02-000	FT	Spline - Glass - Black
17	002389-03-204	EA	Holder - Glass Seal - Anod. Black - 25.14"
	002288-01-000	FT	Weatherstrip - Glass Seal
18	057644-04-000	EA	Mullion - Slider Window - Black Anod.
	063422-01-000	EA	Frame - Inside - Driver Door Window
	023713-02-000	EA	Cover - Weephole - Black Plastic
	055164-06-000	EA	Screen Asm. - Slider
	002292-01-000	SF	Screen - Window - 20" - Gray
	002298-01-000	FT	Spline - Gray - Screen - .130" Dia.
	016310-03-000	EA	Screen Handle - Black Anod.
	043485-02-000	FT	Screen Seal - Extr. Vinyl
			Not Illustrated



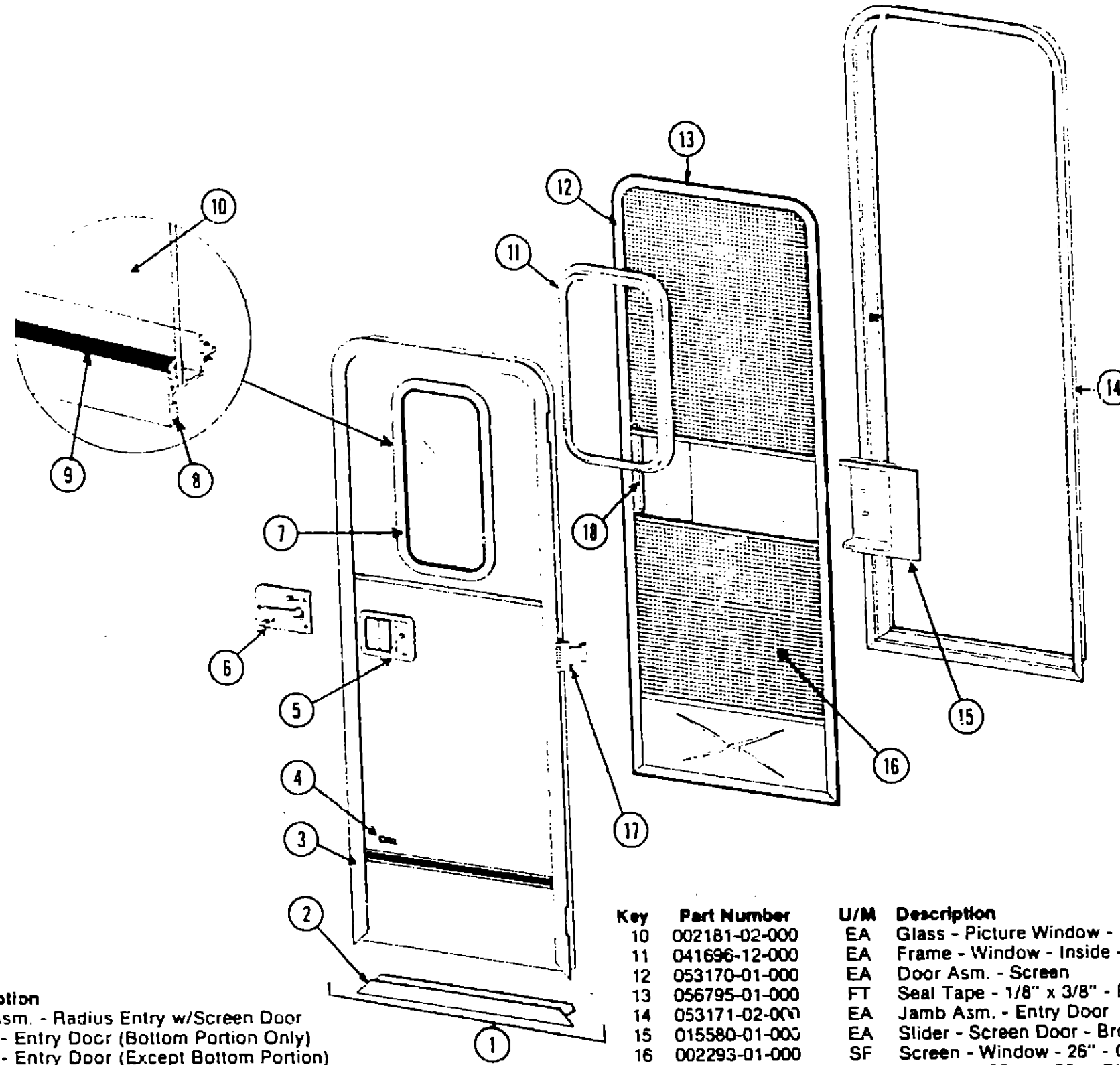
1981 WINNEBAGO
TABLE OF CONTENTS

Introduction	I
Abbreviations	I
Alphabetical Index	II - IV
WDN29RT M1, WCN29RT M2	A-1 - C-8
WDN26RB M1, WCN26HB M2	C-9 - E-8
WC621RB M2	E-9 - F-18

1981 WDN29RT M1, WCN29RT M2 INDEX

Floor Plan	A-5 - A-4
Accessories Group	A-7 - A-1
Bath Group	A-10 - A-1
Chassis Group	A-12 - A-1
Curtain, Cushion and Pad Group	A-13 - A-2
Dinette Group	A-21 - A-2
Driver's Compartment Group	A-23 - A-2
Electrical Group	B-1 - B-1
Exterior Body Group	B-4 - B-1
Galley Group	B-1
Heating & Air Conditioning Group	B-9 - B-1
Interior Finish Group	II-11 - B-1
LP Group	B-1
Lounge Group	II-14 - B-1
Water & Sewage Group	II-16 - B-1
Window, Vent & Exterior Door Group	B-18 - C-1

WINDOW, VENT AND EXTERIOR DOOR GROUP (CONTINUED)



Key	Part Number	U/M	Description
1	064324-04-000	EA	Door Asm. - Radius Entry w/Screen Door
2	039737-02-000	EA	Frame - Entry Door (Bottom Portion Only)
3	039736-02-000	EA	Frame - Entry Door (Except Bottom Portion)
4	054530-01-000	EA	Holder - Entry Door - Mounts on Sidewall
5	045017-01-000	EA	Padle Asm. - Door Lock - Exterior
	045017-01-700	EA	Lock Cylinder w/Keys
	039539-01-000	EA	Striker Bolt - Entry Door
	039540-01-000	EA	Latch Claw - Entry Door
6	039979-01-000	EA	Plate - Lock - Interior - Including Inside Handle
	052186-01-000	EA	Lock Asm. - Complete - Lynor
7	041875-09-000	EA	Window Asm. - Picture - 13" x 25" - Black Anod. (inside frame not included in assembly)
8	004363-01-000	FT	Tape - Foam - 3/16" x 1/2" - Gray
9	002309-02-000	EA	Spline - Glass - 1/8" Black
	044582-01-000	EA	Cap - Drip Jamb - Mounted - Beige
			Not Illustrated

Key	Part Number	U/M	Description
10	002181-02-000	EA	Glass - Picture Window - 1/8" x 12" x 24" - Gray
11	041696-12-000	EA	Frame - Window - Inside - 13" x 25" - Brown
12	053170-01-000	EA	Door Asm. - Screen
13	056795-01-000	FT	Seal Tape - 1/8" x 3/8" - Press On
14	053171-02-000	EA	Jamb Asm. - Entry Door
15	015580-01-000	EA	Slider - Screen Door - Brown Plastic
16	002293-01-000	SF	Screen - Window - 26" - Gray
	002294-01-000	FT	Spline - .135" x .138" - Black
17	039520-01-000	EA	Hinge - Entry Door (3 used per door)
18	015581-01-000	EA	Cap - Screen Door - Brown Plastic
	049176-01-000	EA	Hedlok II - 3/4" Diameter - Screw Mount (Retains screen door to entry door)
	049797-01-000	EA	Hedlok II - 1" Diameter - Screw Mount (Retains screen door to entry door)
	063638-01-000	EA	Striker - Screen Door
	039863-01-000	EA	Catch Asm. - Single Roller w/Strike - Screen Door
	051390-01-000	FT	Seal - Jamb - Entry Door - Bulb Seal
	039800-01-000	FT	Tubing - Polybutyl - 1/2" O.D. - Jamb
	009016-01-000	EA	Catch - Elbow - Spring Loaded - Zink
	009018-01-000	EA	Catch Asm. - Single Roller
			Not Illustrated

1981 WINNEBAGO
TABLE OF CONTENTS

Introduction	I
Abbreviations	I
Alphabetical Index	II - IV
WDN29RT M1, WCN29RT M2	A-1 - C-8
WDN26RB M1, WCN26RB M2	C-9 - E-8
WC621RB M2	E-9 - F-18

1981 WDN29RT M1, WCN29RT M2 INDEX

Floor Plan	A-5 - A-4
Accessories Group	A-7 - A-1
Bath Group	A-10 - A-1
Chassis Group	A-12 - A-1
Curtain, Cushion and Pad Group	A-13 - A-2
Dinette Group	A-21 - A-2
Driver's Compartment Group	A-23 - A-2
Electrical Group	B-1 - B-
Exterior Body Group	B-4 - B-
Galley Group	B-
Heating & Air Conditioning Group	B-9 - B-1
Interior Finish Group	B-11 - B-1
LP Group	B-1
Lounge Group	B-14 - B-1
Water & Sewage Group	B-16 - B-1
Window, Vent & Exterior Door Group	B-18 - C-

WINDOW, VENT AND EXTERIOR DOOR GROUP (CONTINUED)

ACCESS DOORS

Key	Part Number	U/M	Description
	033333-30-000	EA	Door Asm. - Battery - 24.5" x 8.5" - Beige w/Twist Type Lock
	033333-28-000	EA	Door Asm. - Luggage - 47.25" x 8.5" - Beige w/Key Lock
	047233-04-000	EA	Door Asm. - Luggage - 35.5" x 13" - Beige w/Key Type Lock
	054270-09-000	EA	Door Asm. - Refrigerator Access - Beige w/Twist Type Lock
	042441-01-000	EA	Lock Asm. - Key Type - Gas Fill
	047305-01-000	EA	Lock Asm. - Key Type w/Clip
	016945-02-000	EA	Holder Asm. - Battery and Luggage Door
	052179-08-000	EA	Door Asm. - Generator - w/Twist Type Lock - Beige
	052181-02-000	EA	Baffle - Generator Door
	063946-02-000	EA	Door Asm. - Power Cord w/Hatch - Beige
	042442-01-000	EA	Lock Asm. - Twist Type
	052009-02-000	EA	Door Asm. - Water Heater - Beige
	041312-01-000	FT	Door Seal - Bulb - E Section
	057097-02-000	EA	Door Asm. - Gas w/o Hatch
	052423-02-000	EA	Door Asm. - Beige - Plastic - 6 6" x 5.5" - w/o Hardware

WINDSHIELD

Key	Part Number	U/M	Description
	058272-01-000	EA	Frame Asm. - Windshield w/o Glass
	057459-01-000	EA	Glass - Windshield - Right or Left
	038886-01-000	EA	Tape - Butyl - .31" x .31" x 148"
	042743-01-000	EA	Corner - Windshield - Lower
	042743-02-000	EA	Corner - Windshield - Upper

VENTS

Key	Part Number	U/M	Description
	049352-02-000	EA	Vent - Stovehood - Outside - Beige
**	048789-01-000	EA	Vent Asm. - Roof - Powered - w/o Screen - Alum.
**	046835-01-000	EA	Vent Asm. - Roof - Non Powered - w/o Screen - Alum.
**	056119-01-000	EA	Vent Asm. - Roof - Powered/Lighted - Jensen - White
**	065103-01-000	EA	Vent Asm. - Refrigerator - Roof

**The illustrated parts breakdown for this item is provided on the Common Items Fiche.

1981 WINNEBAGO TABLE OF CONTENTS

Introduction	I
Abbreviations	I
Alphabetical Index	II - IV
WDN29RT M1, WCN29RT M2	A-1 - C-8
WDN26RB M1, WCN26RB M2	C-9 - E-8
WC621RB M2	E-9 - F-18

1981 WDN29RT M1, WCN29RT M2 INDEX

Floor Plan	A-5 - A-6
Accessories Group	A-7 - A-9
Bath Group	A-10 - A-11
Chassis Group	A-12 - A-13
Curtain, Cushion and Pad Group	A-13 - A-20
Dinette Group	A-21 - A-22
Driver's Compartment Group	A-23 - A-24
Electrical Group	B-1 - B-3
Exterior Body Group	B-4 - B-7
Galley Group	B-8
Heating & Air Conditioning Group	B-9 - B-10
Interior Finish Group	B-11 - B-12
LP Group	B-13
Lounge Group	B-14 - B-15
Water & Sewage Group	B-16 - B-17
Window, Vent & Exterior Door Group	B-18 - C-8