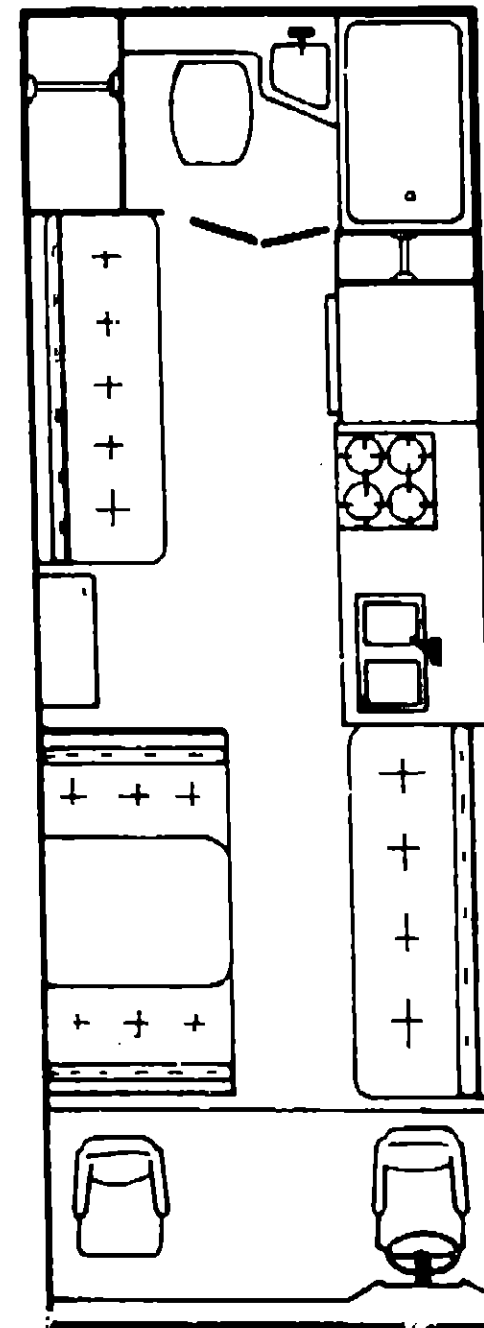
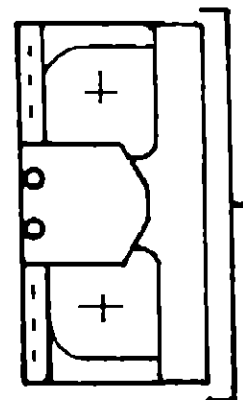


1981
WDN26RB M1
WCN26RB M2



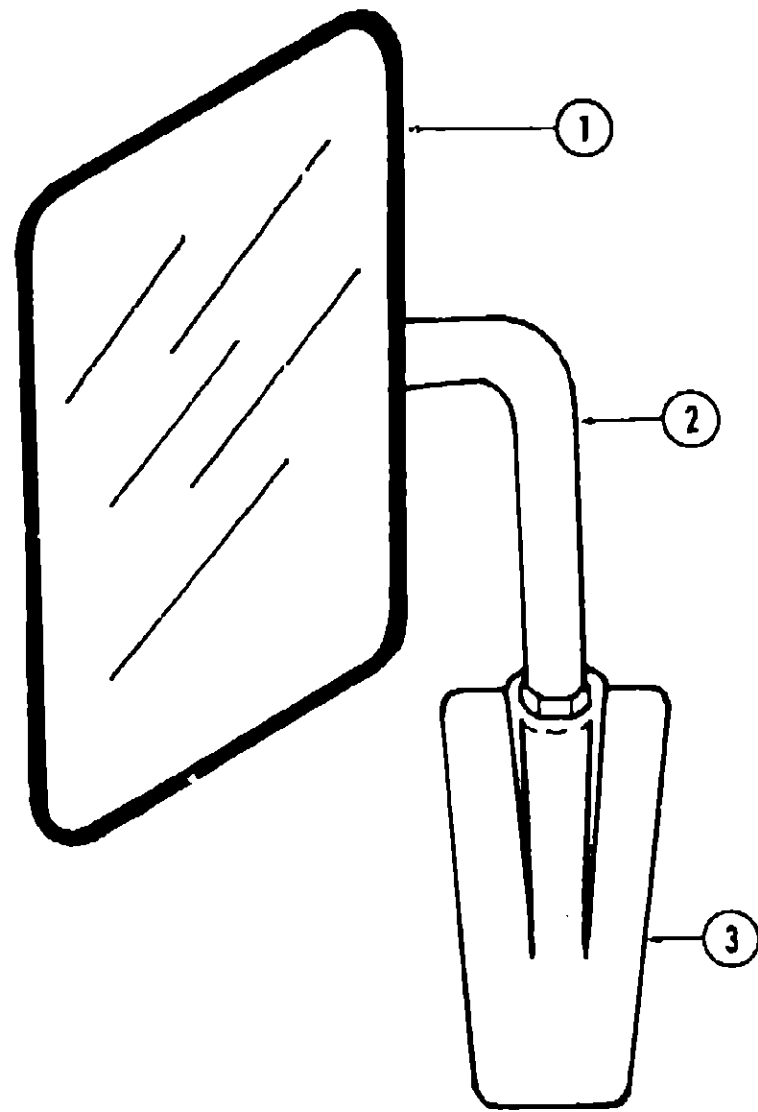
1981 WINNEBAGO
TABLE OF CONTENTS

Introduction	I
Abbreviations	I
Alphabetical Index	II - IV
WDN29RT M1, WCN29RT M2	A-1 - C-8
WDN26RB M1, WCN26RB M2	C-9 - E-8
WC621RB M2	E-9 - F-18

1981 WDN26RB M1, WCN26RB M2 INDEX

Floor Plan	C-9 - C-10
Accessories Group	C-11 - C-13
Bath Group	C-14 - C-15
Chassis Group	C-16 - C-17
Curtain, Cushion and Pad Group	C-18 - D-2
Dinette Group	D-3 - D-4
Driver's Compartment Group	D-5 - D-6
Electrical Group	D-7 - D-8
Exterior Body Group	D-10 - D-13
Galley Group	D-14 - D-15
Heating & Air Conditioning Group	D-16 - D-17
Interior Finish Group	D-18 - D-19
LP Group	D-20
Lounge Group	D-21
Water & Sewage Group	D-22
Window, Vent & Exterior Door Group	D-23 - E-4

ACCESSORIES GROUP



Key	Part Number	U/M	Description
1	057461-01-000	EA	Mirror Head - 7 1/2" x 10 1/2" - w/Convex - Stainless Steel
1	057461-02-000	EA	Mirror Head - 7 1/2" x 10 1/2" - w/Convex - Off White
2	049348-01-000	EA	Arm - Low Mount Mirror - Bright Finish
2	049348-02-000	EA	Arm - Low Mount Mirror - Off White
3	049944-02-000	EA	Bracket - Mirror - Outside - Off White
*	065116-01-000	EA	Mirror - West Coast - Double Mirror - Right
*	065116-02-000	EA	Mirror - West Coast - Double Mirror - Left
*	049348-03-000	EA	Arm - Low Mount Mirror - Black
*	049944-04-000	EA	Bracket - Mirror O/S - Black

*Not Illustrated

ACCESSORIES GROUP (CONTINUED)

RADIOS AND RELATED COMPONENTS

Key	Part Number	U/M	Description
	064791-01-000	EA	Speaker - Recessed - 5 1/4"
	031105-01-000	EA	Antenna - Radio - Side Mount
	031105-01-700	EA	Holder - Antenna - Radio - Upper
	048153-01-000	EA	Antenna - C:B Camper Style
	044326-01-000	EA	Switch - Fader - Speaker Balance
	050751-01-000	EA	Plaque - Fader/Mic Mounting
	064792-01-000	EA	Grille - Speaker - 5 1/4"
	063647-01-000	EA	Control Box - Clarion CB
	063647-02-000	EA	Module - Clarion CB
	064794-01-000	EA	Trim Plate - AM Radio
	064785-01-000	EA	Radio - AM
	064786-01-000	EA	Radio - AM/FM MPX - w/8 Track
	064787-01-000	EA	Radio - AM/FM MPX - w/Cassette
	064788-01-000	EA	Radio - AM/FM Digital - w/Cassette
	064789-01-000	EA	Radio - AM/FM Digital - w/8 Track
	056014-01-000	EA	Radio - AM/FM - Stereo Cassette
	065124-01-000	EA	Wiring - Power Adapter
	056725-01-000	EA	Grill Asm. - Radio
	056726-01-000	EA	Speaker - Radio

GENERATORS AND COMPONENTS

Key	Part Number	U/M	Description
**	054429-01-000	EA	Generator - Onan - 4.0 kw - BFA
**	054433-01-000	EA	Generator - Onan - 6.5 kw
	701629-02-000	EA	Onan Installation Package
	024732-01-001	EA	Tailpipe - 1 1/2" O.D. x 23"
	054426-01-000	EA	Muffler - Generator - w/Spark Arrestor
	740313-56-000	EA	Tray - Generator - 4.0 - kw Onan
	740313-57-000	EA	Tray - Generator - 6.5 - kw Onan

** This illustrated parts break down for this item is provided on the Common Items Fiche.

FRONT OVERHEAD BUNK AND CABINET

Key	Part Number	U/M	Description
	058300-01-L10	EA	Cabinet Asm. - Front Overhead - Bandsaw Cedar
	058300-01-M36	EA	Cabinet Asm. - Front Overhead - Elm Plain
	058300-01-M07	EA	Cabinet Asm. - Front Overhead - 159 Elm
	058844-01-L10	EA	Bunk Board Asm. - Front Overhead w/Rails
	053773-01-000	EA	Support - Overhead Bunk - Brown - Right
	053773-02-000	EA	Support - Overhead Bunk - Brown - Left
	040071-02-000	EA	Support - Bunk - Seat Belt
	041322-01-000	EA	Washer - Flat - 15/32" I.D. x 2 3/8" O.D.
	03951E-02-000	EA	Catch - Bunk - Brown
	023812-22-000	EA	Rail - Bunk - 80" - Brown
	053774-02-000	EA	Torsion Rod - Overhead Bunk - Brown
	048394-01-000	YD	Tape Hook - 1" x 25 yd - Beige
	048395-01-000	YD	Tape Loop - 1" x 25 yd. - Beige
	058837-01-000	EA	Bracket - Bunk - Rear - Right
	058837-02-000	EA	Bracket - Bunk - Rear - Left
	058948-02-M10	EA	Panel Asm. Bunk - Padded - Left
	058948-03-M10	EA	Panel Asm. Bunk - Padded - Left (Dior)

1981 WINNEBAGO TABLE OF CONTENTS

Introduction	I
Abbreviations	I
Alphabetical Index	II - IV
WDN29RT M1, WCN29RT M2	A-1 - C-8
WDN26RB M1, WCN26RB M2	C-9 - E-8
WC621RB M2	E-9 - F-18

1981 WDN26RB M1, WCN26RB M2 INDEX

Floor Plan	C-9 - C-10
Accessories Group	C-11 - C-13
Bath Group	C-14 - C-15
Chassis Group	C-16 - C-17
Curtain, Cushion and Pad Group	C-18 - D-2
Dinette Group	D-3 - D-4
Driver's Compartment Group	D-5 - D-6
Electrical Group	D-7 - D-8
Exterior Body Group	D-10 - D-13
Galley Group	D-14 - D-15
Heating & Air Conditioning Group	D-16 - D-17
Interior Finish Group	D-18 - D-19
LP Group	D-20
Lounge Group	D-21
Water & Sewage Group	D-22
Window, Vent & Exterior Door Group	D-23 - E-4

ACCESSORIES GROUP (CONTINUED)

MISCELLANEOUS ACCESSORIES

Key	Part Number	U/M	Description
	054185-12-000	EA	Owners Manual - Itasca & Winnebago
	008053-01-000	EA	Antenna - TV Braund Delux
	008053-01-700	EA	Parts Kit - Repair - Braund TV Antenna
	006093-01-000	EA	Jack - TV - Brown (Antenna)
	006076-01-000	EA	Ladder - Front Bunk
	017516-01-000	EA	Mud Flap - Black - 14" x 18" w/Holes
	006113-01-000	EA	Jack Hydraulic - 5 Ton
	041944-01-700	EA	Fire Extinguisher - w/Bracket
	041944-03-000	EA	Fire Extinguisher - w/Bracket - 5 BC (Calif.)
	052771-02-000	EA	Oven - Microwave - Magic Chef MW207
	053287-07-000	EA	Bracket Asm. - Microwave - Right
	053287-08-000	EA	Bracket Asm. - Microwave - Left
**	067125-01-000	EA	Ladder Asm. - w/Luggage Rack - Standoff
**	067203-02-000	EA	Ladder Asm.
	064093-01-000	EA	Luggage Carrier Assembly - 14" x 30" x 60"
	039881-01-000	EA	Catch and Strike - Luggage Carrier
**	031396-01-000	EA	Wheel Cover - 17.5" Chrome - Dodge
	064082-01-000	EA	Wheel Cover - Helmet - (Bolt On)
	064082-02-000	EA	Retaining Nut - Helmet - Wheel Cover
	064082-05-700	EA	Retainer Bracket - Bolt On Wheel Cover - Chevrolet - Front
	064082-05-701	EA	Retainer Bracket - Bolt On Wheel Cover - Chevrolet - Rear
	064082-03-700	EA	Retainer Bracket - Bolt On Wheel Cover - M500 Dodge - Front
	064082-03-701	EA	Retainer Bracket - Bolt On Wheel Cover - M500 Dodge - Rear
**	059778-01-000	EA	Speed Control - 440 C.I.D. Dodge - A Body - Dana
	058793-01-000	EA	Steering Wheel - Custom - Brown
**	058793-02-000	EA	Hub Kit - Custom Steering Wheel - M5 M6 Dodge
**	059779-01-000	EA	Speed Control Package - Electric - Chevrolet - Dana
	047226-05-000	EA	Cover - Spare Tire - w/Zipper - Channel Brown
	052242-04-L10	EA	Spare Tire Cover - Beige Plastic
	067483-01-000	EA	TV - Color 13"
	062921-01-000	EA	Base - TV, Swivel Slide
	063313-01-M07	EA	TV Strap - Female - 24"
	063314-01-M07	EA	TV Strap - Male - 30"
	067130-01-000	EA	Step Ladder
	067166-01-000	EA	Cap - Step Ladder
	055285-01-000	EA	Vacuum Cleaner - Built In - Tevis Campbell
	055285-01-700	EA	Accessories Kit - Standard - Tevis Campbell
	055285-01-701	EA	Filter - 10 per Consumer Package - Tevis Campbell
	061613-01-000	EA	Clock - Batt. Round Gold Face

** The illustrated parts breakdown for this item is provided on the Common Items Fiche.

BATH GROUP

BATH CABINETS

Key	Part Number	U/M	Description
	058536-01-L10	EA	Cabinet Asm. - Lavatory - w/o Countertop - Bandsaw Cedar
	058536-01-L36	EA	Cabinet Asm. - Lavatory - w/o Countertop - Elm Plain
	058536-01-M07	EA	Cabinet Asm. - Lavatory - w/o Countertop - 150 Elm
	058880-01-L10	EA	Countertop Asm. - Lavatory - Rust
	058880-01-L11	EA	Countertop Asm. - Lavatory - Blue
	058880-01-L12	EA	Countertop Asm. - Lavatory - Coco Brown
*	058880-01-L36	EA	Countertop - Superseded by 058880-01-L10
*	058880-01-L37	EA	Countertop - Superseded by 058880-01-L11
*	058880-01-L38	EA	Countertop - Superseded by 058880-01-L12
	058880-01-M07	EA	Countertop Asm. - Lavatory - Rust Burnt Sienna
	058880-01-M08	EA	Countertop Asm. - Lavatory - Mocha Brown
*	058880-01-M09	EA	Countertop - Superseded by 058880-01-M08
	059148-01-L10	EA	Door Asm. - Countertop Lavatory - Rust
	059148-01-L11	EA	Door Asm. - Countertop Lavatory - Blue
	059148-01-L12	EA	Door Asm. - Countertop Lavatory - Coco Brown
*	059148-01-L36	EA	Door - Superseded by 059148-01-L10
*	059148-01-L37	EA	Door - Superseded by 059148-01-L11
*	059148-01-L38	EA	Door - Superseded by 059148-01-L12
	059148-01-M07	EA	Door Asm. - Countertop Lavatory - Rust Burnt Sienna
	059148-01-M08	EA	Door Asm. - Countertop Lavatory - Mocha Brown
*	059148-01-M09	EA	Door - Superseded by 059148-01-M08
	059122-03-L10	EA	Door Asm. - Rolled - 25" x 17.4"
	059122-04-L10	EA	Door Asm. - Rolled - 25" x 13.2"
	065894-01-M10	EA	Cabinet Asm. - Vanity - w/o Countertop & Doors
	063224-11-M10	EA	Door Asm. - Rolled - 12.4" x 24"
	063224-12-M10	EA	Door Asm. - Rolled - 16.1" x 24"
	065897-01-M10	EA	Countertop Asm. - Vanity Cabinet - Rust Burnt Sienna
	065897-01-M08	EA	Countertop Asm. - Vanity Cabinet - Brown Mocha
	059458-01-K04	EA	Panel - Folding Door (2 per door)
	052563-01-000	EA	Rack Asm. - Towel
	053130-02-000	EA	Cabinet Asm. - Medicine - 43.5" Wide Jensen
	038010-01-000	EA	Bulb - Medicine Cabinet - 1143 Frosted
	053130-02-700	EA	Mirror - Jensen Medicine Cabinet - 35 1/2" x 15"
	053130-02-701	EA	Frame Mirror - Jensen Medicine Cabinet
	053130-02-702	EA	Catch - Door - Jensen - Medicine Cabinet
	053130-02-703	EA	Switch - Jensen Medicine Cabinet

*Keyed items are to be ordered by superseded numbers only.

BATH HARDWARE

Key	Part Number	U/M	Description
**	011056-01-000	EA	Faucet - Lavatory - U.S.
**	011056-02-000	EA	Faucet - Lavatory - C.S.A.
**	031558-03-000	EA	Faucet - Tub and Shower
	058640-01-000	EA	Sink - Oval - Ivory Plastic
	011083-01-000	EA	Plug - Sink - 1 1/4" w/Chain
**	011048-01-000	EA	Shower Head - w/60" Hose
	010495-01-000	EA	Hose Clamp - 9/16"
**	066729-01-000	EA	Strainer - Shower Pan & Tub
**	011069-01-000	EA	Tailpiece - 1 1/4" x 4" - Brass
	009134-01-000	EA	Holder - Tissue
	054529-01-000	EA	Slide Bolt - Antique Brass
	058344-01-000	EA	Hardware Package - Folding Bath Door
	058344-02-000	EA	Track - Folding Bath Door
	053260-05-000	EA	Trim - Shower Door - Bottom
	053262-01-000	EA	Trim - Shower Door - Right
	047907-01-000	EA	Hinge - Brass - 14" w/Holes - Vanity Door
	053262-04-000	EA	Trim - Shower Door - Left
	009112-01-000	EA	Flange - 1" Closet Rod
**	053740-01-000	EA	Toilet - Theford Aqua Magic Model IV - Ivory

**The illustrated parts breakdown for this item is provided on the Common Items Fiche.

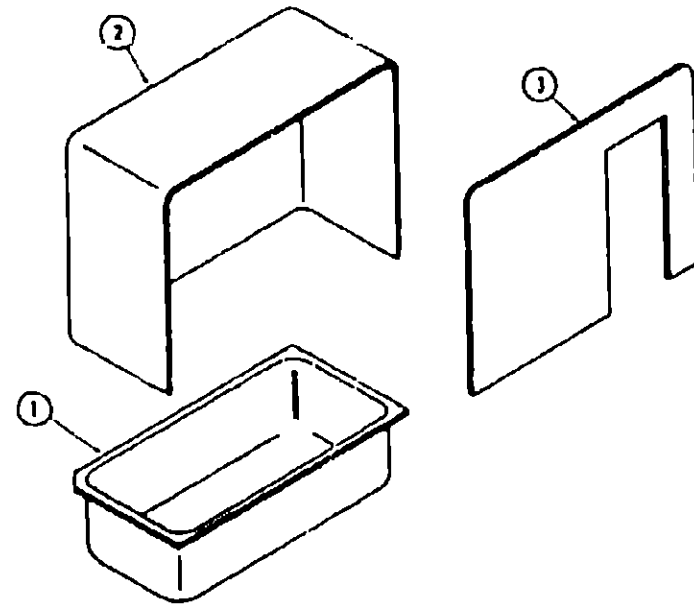
**1981 WINNEBAGO
TABLE OF CONTENTS**

Introduction	I
Abbreviations	I
Alphabetical Index	II - IV
WDN29RT M1, WCN29RT M2	A-1 - C-8
WDN26RB M1, WCN26RB M2	C-9 - E-8
WC621RB M2	E-9 - F-18

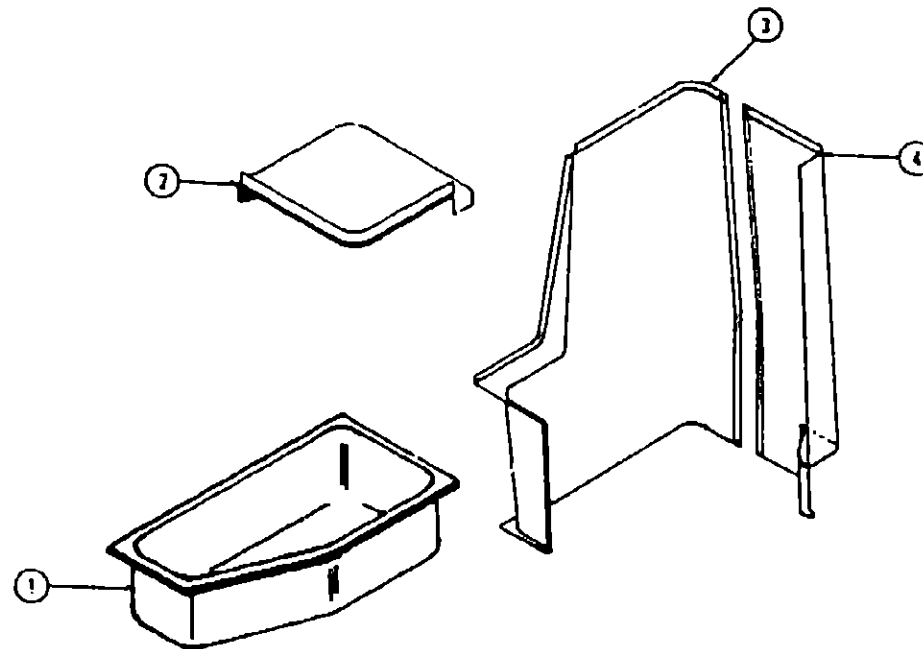
1981 WDN26RB M1, WCN26RB M2 INDEX

Floor Plan	C-9 - C-10
Accessories Group	C-11 - C-13
Bath Group	C-14 - C-15
Chassis Group	C-16 - C-17
Curtain, Cushion and Pad Group	C-18 - D-2
Dinette Group	D-3 - D-4
Driver's Compartment Group	D-5 - D-6
Electrical Group	D-7 - D-9
Exterior Body Group	D-10 - D-13
Galley Group	D-14 - D-15
Heating & Air Conditioning Group	D-16 - D-17
Interior Finish Group	D-18 - D-19
LP Group	D-20
Lounge Group	D-21
Water & Sewage Group	D-22
Window, Vent & Exterior Door Group	D-23 - E-8

BATH GROUP (CONTINUED)



Key	Part Number	U/M	Description
1	041826-01-000	EA	Bathtub Bottom - Ivory Plastic
2	041853-01-000	EA	Bathtub Rear - Ivory Plastic
3	041852-01-000	EA	Bathtub Front - Ivory Plastic



Key	Part Number	U/M	Description
1	064552-01-000	EA	Shower Pan
2	064557-01-000	EA	Shower Top
3	064554-01-000	EA	Shower Back
4	064553-01-000	EA	Shower Side

CHASSIS GROUP

Key	Part Number	U/M	Description
	058790-01-000	EA	Gas Fill - w/Vent
	024811-04-000	EA	Cap - Gas - Pressure - 1.5" Chrome
	024138-01-000	FT	Hose - Fuel - 5/16" I.D. SAE 30RI
	024141-01-000	FT	Hose Rubber - 1/2" I.D.
	007134-01-000	EA	Clamp - Hose - Spring Type - 9/16"
	063383-01-000	EA	Tank - Fuel - 69.7 Gallon
	057038-02-000	EA	Sending Unit - Fuel - 90 Ohm.
	063386-03-000	EA	Strap - Fuel Tank Mounting
	063386-02-000	EA	Hanger - Fuel Tank Mounting
	062401-02-000	EA	Clamp - Worm Gear - 15/16" to 1 5/16"
	062401-03-000	EA	Clamp - Worm Drive - .22" - 1" I.D.
	050227-01-000	EA	Canistor Asm. - Vapor - 2 Stage - 3 Port
	007111-01-000	FT	Hose - Fuel - 2 1/4" I.D. SAE 30RI
	024490-01-000	EA	Power Cord Box - Plastic
	055374-01-000	EA	Wheel Well - Plastic
	740313-56-000	EA	Tray - Generator - Onan - 4.0 kw
	740313-57-000	EA	Tray - Generator - Onan - 6.5kw
	052431-01-000	EA	Luggage Tray
	022655-02-000	EA	Tailpipe - 2 1/4" x 8" - 454 Engine - Chevy
	063150-01-000	EA	Tailpipe - Curved - Dodge
	007125-06-000	EA	Clamp Asm. - Muffler - 2 1/4"
	017516-01-000	EA	Mud Flap - Black - 14" x 18" w/Holes
	051697-01-000	EA	Bracket - Battery Tie Down
	048594-01-000	EA	Battery Tray Asm.
	047441-01-000	EA	Terminal - Battery - Horizontal Lug - Chevy
	024652-01-700	EA	Step Asm. - Entry
	048474-01-000	EA	Bumper - Rear - Chrome
	064601-02-000	EA	Bracket - Bumper - Rear - Dodge
	022150-01-000	EA	Bracket - Bumper - Rear - Chevy
	058401-01-000	EA	Hood Board - Upper - Right - Steel
	058404-01-000	EA	Hood Board - Upper - Left - Steel
	056818-01-000	EA	Cover - Radiator - Rear
	056817-01-000	EA	Cover - Radiator - Rear Back - (Fan Shroud)
	058200-01-000	EA	Bumper - Front - Chrome
	005200-01-000	EA	Bolt - Carriage - 7/16"-14x1 1/4" SST.
	058349-01-000	EA	Bracket - Front Bumper - Black
	058416-01-000	EA	Bar - Front Bumper - Black
	063977-02-000	EA	Step Asm. - Upper Driver Door - Black
	063976-02-000	EA	Step Asm. - Lower Driver Door - Black
	044967-01-000	EA	Shield - Heat Muffler
	058425-01-000	EA	Bracket - Bumper - Front - Left - Chevy
	058425-02-000	EA	Bracket - Bumper - Front - Right - Chevy
	056832-01-000	EA	Filler - Radiator Cover
	047743-01-000	EA	Spacer - Rear Spring/Axle Stop - Chevy
	024781-01-000	EA	Spacer - Rear Spring - 6" - Dodge
	007131-01-000	EA	Hanger - Tail Pipe
	007324-01-000	EA	Tire - 800 x 19.5 - Radial
	051758-01-000	EA	Tire - 800 x 19.5 - 10 Ply Poly.
	052165-03-000	EA	Shock Cord - Rubber - 24" - (Spare Tire)
	040974-01-000	EA	Bracket - Spare Tire - Dodge
	061661-01-000	EA	Bracket - Tire Cover - Chevy
	059670-03-000	EA	Bracket - Tire Carrier
	064963-01-000	EA	Rim - Wheel - 19.5 x 6.75 - Chevy
	064960-01-000	EA	Rim - Wheel - 19.5 x 6.00 - 5 Hole - Dodge

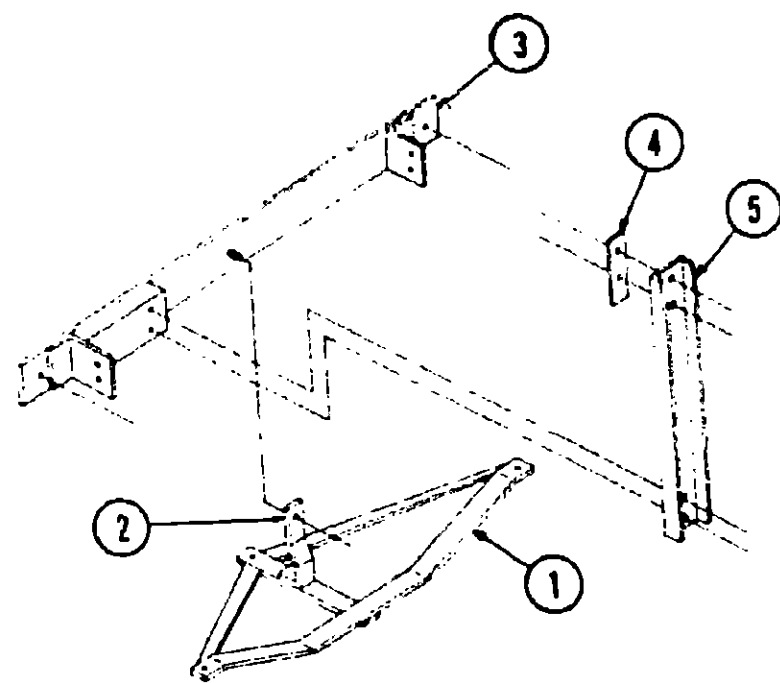
1981 WINNEBAGO TABLE OF CONTENTS

Introduction	I
Abbreviations	I
Alphabetical Index	II - IV
WDN29RT M1, WCN29RT M2	A-1 - C-8
WDN26RB M1, WCN26RB M2	C-9 - E-8
WC621RB M2	E-9 - F-18

1981 WDN26RB M1, WCN26RB M2 INDEX

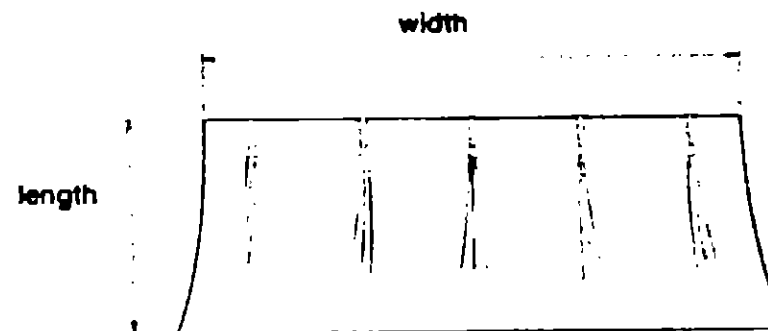
Floor Plan	C-9 - C-10
Accessories Group	C-11 - C-13
Bath Group	C-14 - C-15
Chassis Group	C-16 - C-17
Curtain, Cushion and Pad Group	C-18 - D-2
Dinette Group	D-3 - D-4
Driver's Compartment Group	D-5 - D-6
Electrical Group	D-7 - D-9
Exterior Body Group	D-10 - D-13
Galley Group	D-14 - D-15
Heating & Air Conditioning Group	D-16 - D-17
Interior Finish Group	D-18 - D-19
LP Group	D-20
Lounge Group	D-21
Water & Sewage Group	D-22
Window, Vent & Exterior Door Group	D-23 - E-8

CHASSIS GROUP (CONTINUED)



Key	Part Number	U/M	Description
1	064833-01-000	EA	Trailer Hitch Asm. - With Support
2	064824-01-000	EA	Support - Trailer Hitch
3	064601-02-000	EA	Bracket - Bumper Mount - Rear
4	040974-01-000	EA	Bracket - Spare Tire - Retaining Bar - 2" x 6.75"
5	059670-03-000	EA	Bracket - U-Channel - 27.12" - Tire Carrier

CURTAIN, CUSHION AND PAD GROUP



NOTE:
Use this illustration when determining length and width measurements for curtains. You will note the width measurement is taken on the top of the curtain with the curtain fully extended. The length measurement is taken from the top to bottom.

CURTAINS AND TIE BACKS

Key	Part Number	U/M	Description
	054051-02-L10	EA	Curtain Asm. - w/Snap Top - 34" x 37" - Rust
	054051-02-L11	EA	Curtain Asm. - w/Snap Top - 34" x 37" - Blue
	054051-02-L12	EA	Curtain Asm. - w/Snap Top - 34" x 37" - Brown
*	054051-02-L36	EA	Curtain - Superseded By 054051-02-L10
*	054051-02-L37	EA	Curtain - Superseded By 054051-02-L11
*	054051-02-L38	EA	Curtain - Superseded By 054051-02-L12
	054051-02-M07	EA	Curtain Asm. - w/Snap Top - 34" x 37" - Rust/Copper
	054051-02-M08	EA	Curtain Asm. - w/Snap Top - 34" x 37" - Brown/Walnut
*	054051-02-M09	EA	Curtain - Superseded By 054051-02-M08
	054051-21-L10	EA	Curtain Asm. - w/Snap Top Privacy - 75" x 96" - Rust
	054051-21-L11	EA	Curtain Asm. - w/Snap Top Privacy - 75" x 96" - Blue
	054051-21-L12	EA	Curtain Asm. - w/Snap Top Privacy - 75" x 96" - Brown
*	054051-21-L36	EA	Curtain - Superseded By 054051-21-L10
*	054051-21-L37	EA	Curtain - Superseded By 054051-21-L11
*	054051-21-L38	EA	Curtain - Superseded By 054051-21-L12
	054051-21-M07	EA	Curtain Asm. - w/Snap Top Privacy - 75" x 96" - Rust/Copper
	054051-21-M08	EA	Curtain Asm. - w/Snap Top Privacy - 75" x 96" - Brown/Walnut
*	054051-21-M09	EA	Curtain - Superseded By 054051-21-M08
	054051-22-L10	EA	Curtain Asm. - w/Snap Top - Bunk Privacy - 22" x 96" - Rust
	054051-22-L11	EA	Curtain Asm. - w/Snap Top - Bunk Privacy - 22" x 96" - Blue
	054051-22-L12	EA	Curtain Asm. - w/Snap Top - Bunk Privacy - 22" x 96" - Brown
*	054051-22-L36	EA	Curtain - Superseded By 054051-22-L10
*	054051-22-L37	EA	Curtain - Superseded By 054051-22-L11
*	054051-22-L38	EA	Curtain - Superseded By 054051-22-L12
	054051-22-M07	EA	Curtain Asm. - w/Snap Top - Bunk Privacy - 22" x 96" - Rust/Copper
	054051-22-M08	EA	Curtain Asm. - w/Snap Top - Bunk Privacy - 22" x 96" - Brown/Walnut
*	054051-22-M09	EA	Curtain - Superseded By 054051-22-M08
	054051-41-L10	EA	Curtain Asm. - Front Wraparound - Rust
	054051-41-L11	EA	Curtain Asm. - Front Wraparound - Blue
	054051-41-L12	EA	Curtain Asm. - Front Wraparound - Brown
*	054051-41-L36	EA	Curtain - Superseded By 054051-41-L10
*	054051-41-L37	EA	Curtain - Superseded By 054051-41-L11
*	054051-41-L38	EA	Curtain - Superseded By 054051-41-L12
	054051-41-M07	EA	Curtain Asm. - Front Wraparound - Rust/Copper
	054051-41-M08	EA	Curtain Asm. - Front Wraparound - Brown/Walnut
*	054051-41-M09	EA	Curtain - Superseded By 054051-41-M08
	054048-05-L10	EA	Tieback Asm. - Curtain - 2" x 18" - Rust
	054048-05-L11	EA	Tieback Asm. - Curtain - 2" x 18" - Blue
	054048-05-L12	EA	Tieback Asm. - Curtain - 2" x 18" - Brown
*	054058-05-L36	EA	Tieback - Superseded By 054058-05-L10
*	054058-05-L37	EA	Tieback - Superseded By 054058-05-L11
*	054058-05-L38	EA	Tieback - Superseded By 054058-05-L12
	054058-05-M07	EA	Tieback Asm. - Curtain - 2" x 18" - Rust/Copper
	054058-05-M08	EA	Tieback Asm. - Curtain - 2" x 18" - Brown/Walnut
*	054048-05-M09	EA	Tieback - Superseded By 054048-05-M08

*Keyed items are to be ordered by superseded number only.

1981 WINNEBAGO TABLE OF CONTENTS

Introduction	I
Abbreviations	I
Alphabetical Index	II - IV
WDN29RT M1, WCN29RT M2	A-1 - C-8
WDN26RB M1, WCN26RB M2	C-9 - E-8
WC621RB M2	E-9 - F-18

1981 WDN26RB M1, WCN26RB M2 INDEX

Floor Plan	C-9 - C-10
Accessories Group	C-11 - C-13
Bath Group	C-14 - C-15
Chassis Group	C-16 - C-17
Curtain, Cushion and Pad Group	C-18 - D-2
Dinette Group	D-3 - D-4
Driver's Compartment Group	D-5 - D-6
Electrical Group	D-7 - D-8
Exterior Body Group	D-10 - D-13
Galley Group	D-14 - D-16
Heating & Air Conditioning Group	D-16 - D-17
Interior Finish Group	D-18 - D-19
LP Group	D-20
Lounge Group	D-21
Water & Sewage Group	D-22
Window, Vent & Exterior Door Group	D-23 - E-8

CURTAIN, CUSHION AND PAD GROUP (CONTINUED)

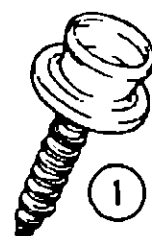
CURTAIN VALANCE & SHADES

Key	Part Number	U/M	Description
	065892-C1-L10	EA	Valance Asm. - 5" x 34" - Rust
	065892-C1-L11	EA	Valance Asm. - 5" x 34" - Blue
	065892-01-L12	EA	Valance Asm. - 5" x 34" - Brown
	065892-01-L38	EA	Valance - Superseded By 065892-01-L10
	065892-01-L37	EA	Valance - Superseded By 065892-01-L11
	065892-01-L38	EA	Valance - Superseded By 065892-01-L12
	065892-01-M07	EA	Valance Asm. - 5" x 34" - Rust/Ginger
	065892-01-M08	EA	Valance Asm. - 5" x 34" - Blue/Caramel
	065892-01-M09	EA	Valance Asm. - 5" x 34" - Brown/Cedar
	059369-02-000	EA	Shade - Woven Wood - 29" x 72" - Brown
	059369-07-000	EA	Shade - Woven Wood - 29" x 72" - Rust
	059369-13-000	EA	Shade - Woven Wood - 29" x 72" - Beige
	059369-04-000	EA	Shade - Woven Wood - 27" x 40" - Brown
	059369-10-000	EA	Shade - Woven Wood - 27" x 40" - Rust
	059369-16-000	EA	Shade - Woven Wood - 27" x 40" - Beige
	059369-05-000	EA	Shade - Woven Wood - 23" x 25" - Brown
	059369-11-000	EA	Shade - Woven Wood - 23" x 25" - Rust
	059369-17-000	EA	Shade - Woven Wood - 23" x 25" - Beige

*Keyed items are to be ordered by superseded numbers only.

CURTAIN HARDWARE

Key	Part Number	U/M	Description
	053272-01-001	EA	Track - Curtain - Alum. - 16'
	059430-01-000	EA	Track - Curtain - Front Wraparound (2 per unit) 32.8" x 45.2"
	059430-02-000	EA	Track - Curtain - Front Wraparound (2 per unit) 32.8" x 89.1"
	056001-01-000	EA	Bracket - Shade - Left
	056002-01-000	EA	Bracket - Shade - Right
	009107-01-000	EA	Guide - Nylon Snap - Curtain
	018031-42-000	EA	Track - Curtain - "L" Rod - Alum. Extr. - 90"
	009701-01-000	EA	Carrier - "L" Rod - Curtain
	009702-01-000	EA	End Stop - "L" Rod - Curtain



Key	Part Number	U/M	Description
1	029130-01-000	EA	Socket - Snap Fastener
2	029155-01-000	EA	Cap - Snap - .156" Dia. x .17" Barrel
3	029156-01-000	EA	Socket - Snap Fastener
4	029092-01-000	EA	Stud - Nickel Finish
5	029093-01-000	EA	Eyelet - Nickel Finish

CURTAIN, CUSHION AND PAD GROUP (CONTINUED)

FABRICS AND TRIMS

Key	Part Number	U/M	Description
	064393-08-000	YD	Fabric - Drapery - Rust (L10-L38)
	064393-09-000	YD	Fabric - Drapery - Blue (L11-L37)
	064393-10-000	YD	Fabric - Drapery - Brown (L12-L38)
	068339-02-000	YD	Fabric - Drapery - Copper (M07)
	068339-03-000	YD	Fabric - Drapery - Walnut (M08-M09)
	064383-17-000	YD	Fabric - Upholstery - Dorl Rust (L10-38)
	064383-18-000	YD	Fabric - Upholstery - Dorl Blue (L11-37)
	064383-19-000	YD	Fabric - Upholstery - Dorl Brown (L12-38)
	068338-07-000	YD	Fabric - Upholstery - Rust/Ginger (M07)
	068338-08-000	YD	Fabric - Upholstery - Blue/Caramel (M08)
	068338-09-000	YD	Fabric - Upholstery - Brown/Cedar (M09)
	053327-01-000	YD	Vinyl - Non Expanded - 27 oz. - Acorn Brown
	053327-02-000	YD	Vinyl - Expanded 28 oz. - Acorn Brown
	053327-03-000	YD	Vinyl - Non Support - 16 Gauge Film - Acorn Brown
	054676-01-L10	EA	Button Asm. - Cloth - #30 Rust
	054676-01-L11	EA	Button Asm. - Cloth #30 Blue
	054676-01-L12	EA	Button Asm. - Cloth - #30 Brown
	M00045-04-M07	EA	Button Asm. - Cloth #45 - Rust/Ginger
	M00045-04-M08	EA	Button Asm. - Cloth #45 - Blue/Caramel
	M00045-04-M09	EA	Button Asm. - Cloth #45 - Brown/Cedar
	057550-03-M07	EA	Button Asm. - Nail - #38 - Acorn Brown
	038421-01-000	YD	Tickling - Mattress - Gold
	057550-05-M07	EA	Button Asm. - Nail - #38 - Short - Acorn Brown
	057592-02-M07	EA	Button Asm. - Pivot #30 - Armrest - Rust Vinyl
	057592-02-M08	EA	Button Asm. - Pivot #30 - Armrest - Blue Vinyl
	057591-02-M07	EA	Nail - Button Pivot #30 - Armrest - Rust Vinyl
	057591-02-M08	EA	Nail - Button Pivot #30 - Armrest - Blue Vinyl
	M00045-01-M07	EA	Button - Nylon - Back Upholstery - #30 - Rust
	M00045-01-M08	EA	Button - Nylon - Back Upholstery - #30 - Blue
	M00045-06-M07	EA	Button - Nylon - Back Upholstery - #30 - Rust/Ginger
	M00045-06-M08	EA	Button - Nylon - Back Upholstery - #30 - Blue/Caramel
	M00045-06-M09	EA	Button - Nylon - Back Upholstery - #30 - Brown/Cedar
	045676-03-M07	EA	Button Asm. - Cloth #45 - Bolster Cushion - Rust/Ginger
	045676-03-M08	EA	Button Asm. - Cloth #45 - Bolster Cushion - Blue/Caramel
	045676-03-M09	EA	Button Asm. - Cloth #45 - Bolster Cushion - Brown/Cedar
	052350-02-000	EA	Button - Upholstery - Back #45

PADS

Key	Part Number	U/M	Description
	058442-01-K04	EA	Pad - End Gap - Calley Overhead Cabinet - Acorn Vinyl
	059062-01-K04	EA	Pad - Door Cover Panel - Acorn Vinyl
	058444-01-K04	EA	Pad - End Cap - Rear Lounge Overhead Cabinet - Left - Acorn Vinyl
	058444-04-K04	EA	Pad - End Cap - Rear Lounge Overhead Cabinet - Right - Acorn Vinyl
	059414-01-000	EA	Pad - Sidewall - Trim - Drivers
	059414-02-000	EA	Pad - Sidewall Trim - Passenger
	059467-03-L10	EA	Pad - Map Pocket - Drivers - Vinyl
	059467-04-L10	EA	Pad - Map Pocket - Passenger - Vinyl
	058948-01-K04	EA	Pad - Bunk Panel - Right
	058948-02-K04	EA	Pad - Bunk Panel - Left
	058444-03-K04	EA	Pad - Dinette Overhead Cabinet - Left - Acorn Brown
	058444-04-K04	EA	Pad - Dinette Overhead Cabinet - Right - Acorn Brown
	058260-01-K04	EA	Pad - Armrest - Rear Lounge - 31.4" x 6.2" x 3"

**1981 WINNEBAGO
TABLE OF CONTENTS**

Introduction	I
Abbreviations	I
Alphabetical Index	II - IV
WDN29RT M1, WCN29RT M2	A-1 - C-8
WDN26RB M1, WCN26RB M2	C-9 - E-8
WC621RB M2	E-9 - F-18

1981 WDN26RB M1, WCN26RB M2 INDEX

Floor Plan	C-9 - C-10
Accessories Group	C-11 - C-13
Bath Group	C-14 - C-15
Chassis Group	C-16 - C-17
Curtain, Cushion and Pad Group	C-18 - D-2
Dinette Group	D-3 - D-4
Driver's Compartment Group	D-5 - D-6
Electrical Group	D-7 - D-9
Exterior Body Group	D-10 - D-13
Galley Group	D-14 - D-15
Heating & Air Conditioning Group	D-16 - D-17
Interior Finish Group	D-18 - D-19
LP Group	D-20
Lounge Group	D-21
Water & Sewage Group	D-22
Window, Vent & Exterior Door Group	D-23 - E-8

CURTAIN, CUSHION AND PAD GROUP (CONTINUED)

BUCKET SEATS

Key	Part Number	U/M	Description
	065938-01-L10	EA	Seat Asm. - Single Bucket - Highback w/Armrests and Skirt - Rust
	065938-01-L11	EA	Seat Asm. - Single Bucket - Highback w/Armrests and Skirt - Blue
	065938-01-L12	EA	Seat Asm. - Single Bucket - Highback w/Armrests and Skirt - Brown
	065938-01-L36	EA	Seat - Superceded by 065938-01-L10
	065938-01-L37	EA	Seat - Superceded by 065938-01-L11
	065938-01-L38	EA	Seat - Superceded by 065938-01-L12
	065938-01-M07	EA	Seat Asm. - Single Bucket - Highback w/Armrests and Skirt - Rust/Ginger
	065938-01-M08	EA	Seat Asm. - Single Bucket - Highback w/Armrests and Skirt - Blue/Caramel
	065938-01-M09	EA	Seat Asm. - Single Bucket - Highback w/Armrests and Skirt - Brown/Cedar
	065943-02-L10	EA	Cover - Back - Single Bucket - Rust
	065943-02-L11	EA	Cover - Back - Single Bucket - Blue
	065943-02-L12	EA	Cover - Back - Single Bucket - Brown
	065943-02-L36	EA	Cover - Superceded by 065943-02-L10
	065943-02-L37	EA	Cover - Superceded by 065943-02-L11
	065943-02-L38	EA	Cover - Superceded by 065943-02-L12
	065943-02-M07	EA	Cover - Back - Single Bucket - Rust/Ginger
	065943-02-M08	EA	Cover - Back - Single Bucket - Blue/Caramel
	065943-02-M09	EA	Cover - Back - Single Bucket - Brown/Cedar
	065944-02-L10	EA	Cover - Bottom - Single Bucket - Rust
	065944-02-L11	EA	Cover - Bottom - Single Bucket - Blue
	065944-02-L12	EA	Cover - Bottom - Single Bucket - Brown
	065944-02-L36	EA	Cover - Superceded by 065944-02-L10
	065944-02-L37	EA	Cover - Superceded by 065944-02-L11
	065944-02-L38	EA	Cover - Superceded by 065944-02-L12
	065944-02-M07	EA	Cover - Bottom - Single Bucket - Rust/Ginger
	065944-02-M08	EA	Cover - Bottom - Single Bucket - Blue/Caramel
	065944-02-M09	EA	Cover - Bottom - Single Bucket - Brown/Cedar
	066915-02-L10	EA	Skirt - Single Bucket - Rust
	066915-02-L11	EA	Skirt - Single Bucket - Blue
	066915-02-L12	EA	Skirt - Single Bucket - Brown
	066915-02-L36	EA	Skirt - Superceded by 066915-02-L10
	066915-02-L37	EA	Skirt - Superceded by 066915-02-L11
	066915-02-L38	EA	Skirt - Superceded by 066915-02-L12
	066915-02-M07	EA	Skirt - Single Bucket - Rust/Ginger
	066915-02-M08	EA	Skirt - Single Bucket - Blue/Caramel
	066915-02-M09	EA	Skirt - Single Bucket - Brown/Cedar
	065941-01-L10	EA	Seat Asm. - Double Bucket - Highback w/Armrests and Skirt - Rust
	065941-01-L11	EA	Seat Asm. - Double Bucket - Highback w/Armrests and Skirt - Blue
	065941-01-L12	EA	Seat Asm. - Double Bucket - Highback w/Armrests and Skirt - Brown
	065941-01-L36	EA	Seat - Superceded by 065941-01-L10
	065941-01-L37	EA	Seat - Superceded by 065941-01-L11
	065941-01-L38	EA	Seat - Superceded by 065941-01-L12
	065941-01-M07	EA	Seat Asm. - Double Bucket - Highback w/Armrests and Skirt - Rust/Ginger
	065941-01-M08	EA	Seat Asm. - Double Bucket - Highback w/Armrests and Skirt - Blue/Caramel
	065941-01-M09	EA	Seat Asm. - Double Bucket - Highback w/Armrests and Skirt - Brown/Cedar
	065945-02-L10	EA	Cover - Back - Double Bucket - Rust
	065945-02-L11	EA	Cover - Back - Double Bucket - Blue
	065945-02-L12	EA	Cover - Back - Double Bucket - Brown
	065945-02-L36	EA	Cover - Superceded by 065945-02-L10
	065945-02-L37	EA	Cover - Superceded by 065945-02-L11
	065945-02-L38	EA	Cover - Superceded by 065945-02-L12
	065945-02-M07	EA	Cover - Back - Double Bucket - Rust/Ginger
	065945-02-M08	EA	Cover - Back - Double Bucket - Blue/Caramel
	065945-02-M09	EA	Cover - Back - Double Bucket - Brown/Cedar

CURTAIN, CUSHION AND PAD GROUP (CONTINUED)

BUCKET SEATS (CONT.)

Key	Part Number	U/M	Description
	065946-02-L10	EA	Cover - Bottom - Double Bucket - Rust
	065946-02-L11	EA	Cover - Bottom - Double Bucket - Blue
	065946-02-L12	EA	Cover - Bottom - Double Bucket - Brown
	065946-02-L36	EA	Cover - Superceded by 065946-02-L10
	065946-02-L37	EA	Cover - Superceded by 065946-02-L11
	065946-02-L38	EA	Cover - Superceded by 065946-02-L12
	065946-02-M07	EA	Cover - Bottom - Double Bucket - Rust/Ginger
	065946-02-M08	EA	Cover - Bottom - Double Bucket - Blue/Caramel
	065946-02-M09	EA	Cover - Bottom - Double Bucket - Brown/Cedar
	066916-02-L10	EA	Skirt - Double Bucket - Rust
	066916-02-L11	EA	Skirt - Double Bucket - Blue
	066916-02-L12	EA	Skirt - Double Bucket - Brown
	066916-02-L36	EA	Skirt - Superceded by 066916-02-L10
	066916-02-L37	EA	Skirt - Superceded by 066916-02-L11
	066916-02-L38	EA	Skirt - Superceded by 066916-02-L12
	066916-02-M07	EA	Skirt - Double Bucket - Rust/Ginger
	066916-02-M08	EA	Skirt - Double Bucket - Blue/Caramel
	066916-02-M09	EA	Skirt - Double Bucket - Brown/Cedar
	067661-02-000	EA	Armrest Asm. - Foam w/o Cover - Right
	067661-01-000	EA	Armrest Asm. - Foam w/o Cover - Left
	065774-02-L10	EA	Cover - Armrest - Right or Left - Rust
	065774-02-L11	EA	Cover - Armrest - Right or Left - Blue
	065774-02-L12	EA	Cover - Armrest - Right or Left - Brown
	065774-02-L36	EA	Cover - Superceded by 065774-02-L10
	065774-02-L37	EA	Cover - Superceded by 065774-02-L11
	065774-02-L38	EA	Cover - Superceded by 065774-02-L12
	065774-02-M07	EA	Cover - Armrest - Right or Left - Rust/Ginger
	065774-02-M08	EA	Cover - Armrest - Right or Left - Blue/Caramel
	065774-02-M09	EA	Cover - Armrest - Right or Left - Brown/Cedar

*Keyed items are to be ordered by superceded numbers only

FRONT BUNK CUSHIONS

Key	Part Number	U/M	Description
	055021-33-L10	EA	Cushion Asm. - Front Bunk - 47" x 79.2" x 4" - Rust
	055021-33-L11	EA	Cushion Asm. - Front Bunk - 47" x 79.2" x 4" - Blue
	055021-33-L12	EA	Cushion Asm. - Front Bunk - 47" x 79.2" x 4" - Brown
	055021-33-L36	EA	Cushion - Superceded By 055021-33-L10
	055021-33-L37	EA	Cushion - Superceded By 055021-33-L11
	055021-33-L38	EA	Cushion - Superceded By 055021-33-L12
	055021-33-M07	EA	Cushion Asm. - Front Bunk - 47" x 79.2" x 4" - Rust/Ginger
	055021-33-M08	EA	Cushion Asm. - Front Bunk - 47" x 79.2" x 4" - Blue/Caramel
	055021-33-M09	EA	Cushion Asm. - Front Bunk - 47" x 79.2" x 4" - Brown/Cedar
	055022-35-L10	EA	Cover - Front Bunk Cushion - 47" x 79.2" x 4" - Rust
	055022-35-L11	EA	Cover - Front Bunk Cushion - 47" x 79.2" x 4" - Blue
	055022-35-L12	EA	Cover - Front Bunk Cushion - 47" x 79.2" x 4" - Brown
	055022-35-L36	EA	Cover - Superceded By 055022-35-L10
	055022-35-L37	EA	Cover - Superceded By 055022-35-L11
	055022-35-L38	EA	Cover - Superceded By 055022-35-L12
	055022-35-M07	EA	Cover - Front Bunk Cushion - 47" x 79.2" x 4" - Rust/Ginger
	055022-35-M08	EA	Cover - Front Bunk Cushion - 47" x 79.2" x 4" - Blue/Caramel
	055022-35-M09	EA	Cover - Front Bunk Cushion - 47" x 79.2" x 4" - Brown/Cedar

*Keyed items are to be ordered by superceded numbers only.

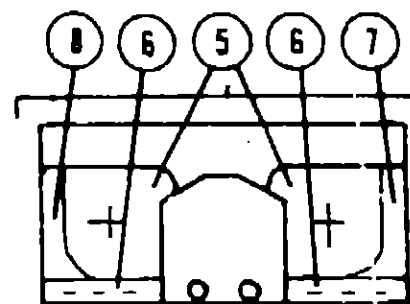
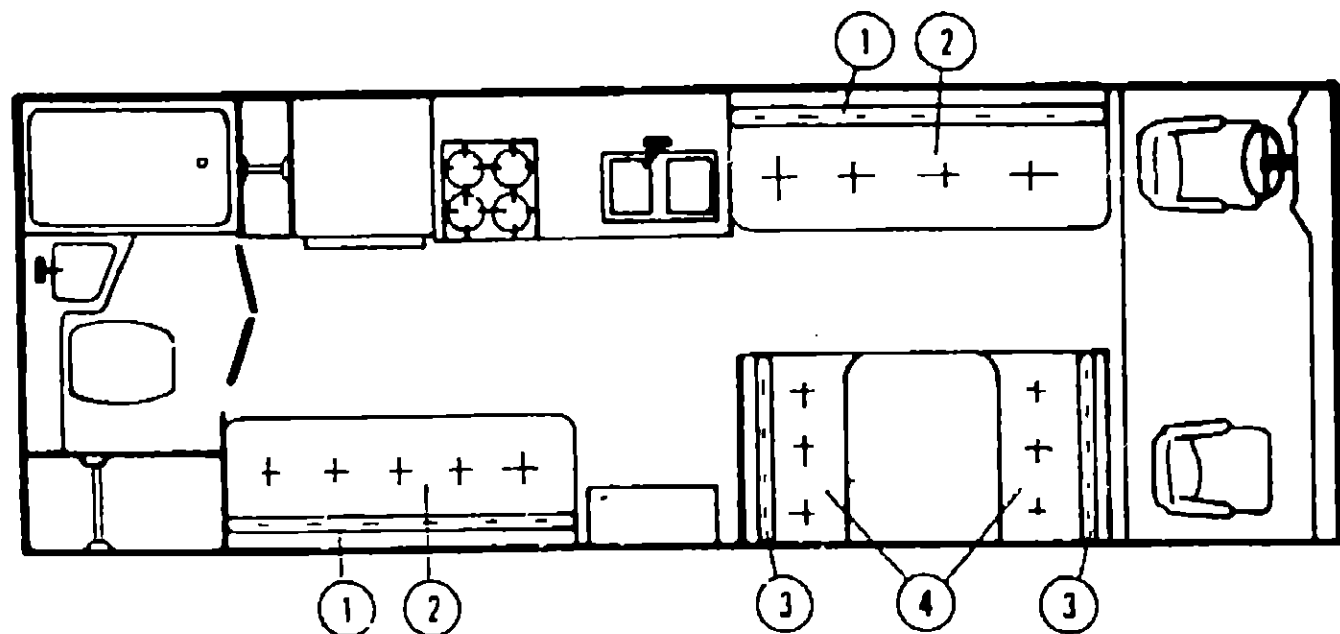
**1981 WINNEBAGO
TABLE OF CONTENTS**

Introduction	I
Abbreviations	I
Alphabetical Index	II - IV
WDN29RT M1, WCN29RT M2	A-1 - C-8
WDN26RB M1, WCN26RB M2	C-9 - E-8
WC621RB M2	E-9 - F-18

1981 WDN26RB M1, WCN26RB M2 INDEX

Floor Plan	C-9 - C-10
Accessories Group	C-11 - C-13
Bath Group	C-14 - C-15
Chassis Group	C-16 - C-17
Curtain, Cushion and Pad Group	C-18 - D-2
Dinette Group	D-3 - D-4
Driver's Compartment Group	D-5 - D-6
Electrical Group	D-7 - D-9
Exterior Body Group	D-10 - D-13
Galley Group	D-14 - D-15
Heating & Air Conditioning Group	D-16 - D-17
Interior Finish Group	D-18 - D-19
LP Group	D-20
Lounge Group	D-21
Water & Sewage Group	D-22
Window, Vent & Exterior Door Group	D-23 - E-8

CURTAIN, CUSHION AND PAD GROUP (CONTINUED)



PRESTO BED CUSHIONS

Key	Part Number	U/M	Description
1	059063-03-L10	EA	Cushion Asm. - Presto Bed - Back - 76" - Rust
1	059063-03-L11	EA	Cushion Asm. - Presto Bed - Back - 76" - Blue
1	059063-03-L12	EA	Cushion Asm. - Presto Bed - Back - 76" - Brown
*	059063-03-L36	EA	Cushion - Superceded By 059063-03-L10
*	059063-03-L37	EA	Cushion - Superceded By 059063-03-L11
*	059063-03-L38	EA	Cushion - Superceded By 059063-03-L12
1	059063-03-M07	EA	Cushion Asm. - Presto Bed - Back - 76" - Rust/Ginger
1	059063-03-M08	EA	Cushion Asm. - Presto Bed - Back - 76" - Blue/Caramel
1	059063-03-M09	EA	Cushion Asm. - Presto Bed - Back - 76" - Brown/Cedar
	062753-05-L10	EA	Cover - Presto Bed Back - 76" - Rust
	062753-05-L11	EA	Cover - Presto Bed Back - 76" - Blue
	062753-05-L12	EA	Cover - Presto Bed Back - 76" - Brown
*	062753-05-L36	EA	Cover - Superceded By 062753-05-L10
*	062753-05-L37	EA	Cover - Superceded By 062753-05-L11
*	062753-05-L38	EA	Cover - Superceded By 062753-05-L12
	062753-05-M07	EA	Cover - Presto Bed Back - 76" - Rust/Ginger
	062753-05-M08	EA	Cover - Presto Bed Back - 76" - Blue/Caramel
	062753-05-M09	EA	Cover - Presto Bed Back - 76" - Brown/Cedar
2	059064-03-L10	EA	Cushion Asm. - Presto Bed - Bottom - 76" - Rust
2	059064-03-L11	EA	Cushion Asm. - Presto Bed - Bottom - 76" - Blue
2	059064-03-L12	EA	Cushion Asm. - Presto Bed - Bottom - 76" - Brown
*	059064-03-L36	EA	Cushion - Superceded By 059064-03-L10
*	059064-03-L37	EA	Cushion - Superceded By 059064-03-L11
*	059064-03-L38	EA	Cushion - Superceded By 059064-03-L12
2	059064-03-M07	EA	Cushion Asm. - Presto Bed - Bottom - 76" - Rust/Ginger
2	059064-03-M08	EA	Cushion Asm. - Presto Bed - Bottom - 76" - Blue/Caramel
2	059064-03-M09	EA	Cushion Asm. - Presto Bed - Bottom - 76" - Brown/Cedar

CURTAIN, CUSHION AND PAD GROUP (CONTINUED)

PRESTO BED CUSHIONS (CONT.)

Key	Part Number	U/M	Description
	062753-06-L10	EA	Cover - Presto Bed Bottom - 76" - Rust
	062753-06-L11	EA	Cover - Presto Bed Bottom - 76" - Blue
	062753-06-L12	EA	Cover - Presto Bed Bottom - 76" - Brown
*	062753-06-L36	EA	Cover - Superceded By 062753-06-L10
*	062753-06-L37	EA	Cover - Superceded By 062753-06-L11
*	062753-06-L38	EA	Cover - Superceded By 062753-06-L12
	062753-06-M07	EA	Cover - Presto Bed Bottom - 76" - Rust/Ginger
	062753-06-M08	EA	Cover - Presto Bed Bottom - 76" - Blue/Caramel
	062753-06-M09	EA	Cover - Presto Bed Bottom - 76" - Brown/Cedar

*Keyed items are to be ordered by superceded number only.

DINETTE CUSHIONS

Key	Part Number	U/M	Description
3	064708-02-L10	EA	Cushion - Dinette Back - 19.2" x 38" x 5" - Rust
3	064708-02-L11	EA	Cushion - Dinette Back - 19.2" x 38" x 5" - Blue
3	064708-02-L12	EA	Cushion - Dinette Back - 19.2" x 38" x 5" - Brown
*	064708-02-M36	EA	Cushion - Superceded By 064708-02-L10
*	064708-02-M37	EA	Cushion - Superceded By 064708-02-L11
*	064708-02-M38	EA	Cushion - Superceded By 064708-02-L12
3	064708-02-M07	EA	Cushion - Dinette Back - 19.2" x 38" x 5" - Rust/Ginger
3	064708-02-M08	EA	Cushion - Dinette Back - 19.2" x 38" x 5" - Blue/Caramel
3	064708-02-M09	EA	Cushion - Dinette Back - 19.2" x 38" x 5" - Brown/Cedar
	064709-02-L10	EA	Cover - Dinette Back Cushion - 19.2" x 38" x 5" - Rust
	064709-02-L11	EA	Cover - Dinette Back Cushion - 19.2" x 38" x 5" - Blue
	064709-02-L12	EA	Cover - Dinette Back Cushion - 19.2" x 38" x 5" - Brown
*	064709-02-L36	EA	Cover - Superceded By 064709-02-L10
*	064709-02-L37	EA	Cover - Superceded By 064709-02-L11
*	064709-02-L38	EA	Cover - Superceded By 064709-02-L12
	064708-02-M07	EA	Cover - Dinette Back Cushion - 19.2" x 38" x 5" - Rust/Ginger
	064708-02-M08	EA	Cover - Dinette Back Cushion - 19.2" x 38" x 5" - Blue/Caramel
	064708-02-M09	EA	Cover - Dinette Back Cushion - 19.2" x 38" x 5" - Brown/Cedar
4	064708-01-L10	EA	Cushion - Dinette Bottom - 17.5" x 38" x 5" - Rust
4	064708-01-L11	EA	Cushion - Dinette Bottom - 17.5" x 38" x 5" - Blue
4	064708-01-L12	EA	Cushion - Dinette Bottom - 17.5" x 38" x 5" - Brown
*	064708-01-L36	EA	Cushion - Superceded By 064708-01-L10
*	064708-01-L37	EA	Cushion - Superceded By 064708-01-L11
*	064708-01-L38	EA	Cushion - Superceded By 064708-01-L12
4	064708-01-M07	EA	Cushion - Dinette Bottom - 17.5" x 38" x 5" - Rust/Ginger
4	064708-01-M08	EA	Cushion - Dinette Bottom - 17.5" x 38" x 5" - Blue/Caramel
4	064708-01-M09	EA	Cushion - Dinette Bottom - 17.5" x 38" x 5" - Brown/Cedar
	064709-01-L10	EA	Cover - Dinette Bottom Cushion - 17.5" x 38" x 5" - Rust
	064709-01-L11	EA	Cover - Dinette Bottom Cushion - 17.5" x 38" x 5" - Blue
	064709-01-L12	EA	Cover - Dinette Bottom Cushion - 17.5" x 38" x 5" - Brown
*	064709-01-L36	EA	Cover - Superceded By 064709-01-L10
*	064709-01-L37	EA	Cover - Superceded By 064709-01-L11
*	064709-01-L38	EA	Cover - Superceded By 064709-01-L12
	064709-01-M07	EA	Cover - Dinette Bottom Cushion - 17.5" x 38" x 5" - Rust/Ginger
	064709-01-M08	EA	Cover - Dinette Bottom Cushion - 17.5" x 38" x 5" - Blue/Caramel
	064709-01-M09	EA	Cover - Dinette Bottom Cushion - 17.5" x 38" x 5" - Brown/Cedar

*Keyed items are to be ordered by superceded number only.

1981 WINNEBAGO TABLE OF CONTENTS

Introduction	I
Abbreviations	I
Alphabetical Index	II - IV
WDN29RT M1, WCN29RT M2	A-1 - C-8
WDN26RB M1, WCN26RB M2	C-9 - E-8
WC621RB M2	E-9 - F-18

1981 WDN26RS M1, WCN26RB M2 INDEX

Floor Plan	C-9 - C-10
Accessories Group	C-11 - C-13
Bath Group	C-14 - C-15
Chassis Group	C-16 - C-17
Curtain, Cushion and Pad Group	C-18 - D-2
Dinette Group	D-3 - D-4
Driver's Compartment Group	D-5 - D-6
Electrical Group	D-7 - D-9
Exterior Body Group	D-10 - D-13
Galley Group	D-14 - D-15
Heating & Air Conditioning Group	D-16 - D-17
Interior Finish Group	D-18 - D-19
LP Group	D-20
Lounge Group	D-21
Water & Sewage Group	D-22
Window, Vent & Exterior Door Group	D-23 - E-8

CURTAIN, CUSHION AND PAD GROUP (CONTINUED)

CORNER LOUNGE CHAIR CUSHIONS

Key	Part Number	U/M	Description
5	059743-04-L10	EA	Cushion - Lounge Chair Bottom - Rust
5	059743-04-L11	EA	Cushion - Lounge Chair Bottom - Blue
5	059743-04-L12	EA	Cushion - Lounge Chair Bottom - Brown
•	059743-04-L36	EA	Cushion - Superceded By 059743-04-L10
•	059743-04-L37	EA	Cushion - Superceded By 059743-04-L11
•	059743-04-L38	EA	Cushion - Superceded By 059743-04-L12
5	059743-04-M07	EA	Cushion - Lounge Chair Bottom - Rust/Ginger
5	059743-04-M08	EA	Cushion - Lounge Chair Bottom - Blue/Caramel
5	059743-04-M09	EA	Cushion - Lounge Chair Bottom - Brown/Cedar
•	059746-04-L10	EA	Cover - Lounge Chair Bottom Cushion - Rust
•	059746-04-L11	EA	Cover - Lounge Chair Bottom Cushion - Blue
•	059746-04-L12	EA	Cover - Lounge Chair Bottom Cushion - Brown
•	059746-04-L36	EA	Cover - Superceded By 059746-04-L10
•	059746-04-L37	EA	Cover - Superceded By 059746-04-L11
•	059746-04-L38	EA	Cover - Superceded By 059746-04-L12
•	059746-04-M07	EA	Cover - Lounge Chair Bottom Cushion - Rust/Ginger
•	059746-04-M08	EA	Cover - Lounge Chair Bottom Cushion - Blue/Caramel
•	059746-04-M09	EA	Cover - Lounge Chair Bottom Cushion - Brown/Cedar
6	059742-04-L10	EA	Cushion - Lounge Chair Back - Rust
6	059742-04-L11	EA	Cushion - Lounge Chair Back - Blue
6	059742-04-L12	EA	Cushion - Lounge Chair Back - Brown
•	059742-04-L36	EA	Cushion - Superceded By 059742-04-L10
•	059742-04-L37	EA	Cushion - Superceded By 059742-04-L11
•	059742-04-L38	EA	Cushion - Superceded By 059742-04-L12
6	059742-04-M07	EA	Cushion - Lounge Chair Back - Rust/Ginger
6	059742-04-M08	EA	Cushion - Lounge Chair Back - Blue/Caramel
6	059742-04-M09	EA	Cushion - Lounge Chair Back - Brown/Cedar
•	059745-04-L10	EA	Cover - Lounge Chair Back Cushion - Rust
•	059745-04-L11	EA	Cover - Lounge Chair Back Cushion - Blue
•	059745-04-L12	EA	Cover - Lounge Chair Back Cushion - Brown
•	059745-04-L36	EA	Cover - Superceded By 059745-04-L10
•	059745-04-L37	EA	Cover - Superceded By 059745-04-L11
•	059745-04-L38	EA	Cover - Superceded By 059745-04-L12
•	059745-04-M07	EA	Cover - Lounge Chair Back Cushion - Rust/Ginger
•	059745-04-M08	EA	Cover - Lounge Chair Back Cushion - Blue/Caramel
•	059745-04-M09	EA	Cover - Lounge Chair Back Cushion - Brown/Cedar
7	059744-08-L10	EA	Cushion - Chair Wedge - Left - Rust
7	059744-08-L11	EA	Cushion - Chair Wedge - Left - Blue
7	059744-08-L12	EA	Cushion - Chair Wedge - Left - Brown
•	059744-08-L36	EA	Cushion - Superceded By 059744-08-L10
•	059744-08-L37	EA	Cushion - Superceded By 059744-08-L11
•	059744-08-L38	EA	Cushion - Superceded By 059744-08-L12
7	059744-08-M07	EA	Cushion - Chair Wedge - Left - Rust/Ginger
7	059744-08-M08	EA	Cushion - Chair Wedge - Left - Blue/Caramel
7	059744-08-M09	EA	Cushion - Chair Wedge - Left - Brown/Cedar
•	059747-08-L10	EA	Cover - Chair Wedge Cushion - Left - Rust
•	059747-08-L11	EA	Cover - Chair Wedge Cushion - Left - Blue
•	059747-08-L12	EA	Cover - Chair Wedge Cushion - Left - Brown
•	059747-08-L36	EA	Cover - Superceded By 059747-08-L10
•	059747-08-L37	EA	Cover - Superceded By 059747-08-L11
•	059747-08-L38	EA	Cover - Superceded By 059747-08-L12
•	059747-08-M07	EA	Cover - Chair Wedge Cushion - Left - Rust/Ginger
•	059747-08-M08	EA	Cover - Chair Wedge Cushion - Left - Blue/Caramel
•	059747-08-M09	EA	Cover - Chair Wedge Cushion - Left - Brown/Cedar

CURTAIN, CUSHION AND PAD GROUP (CONTINUED)

CORNER LOUNGE CHAIR CUSHIONS (CONT.)

Key	Part Number	U/M	Description
8	059744-07-L10	EA	Cushion - Chair Wedge - Right - Rust
8	059744-07-L11	EA	Cushion - Chair Wedge - Right - Blue
8	059744-07-L12	EA	Cushion - Chair Wedge - Right - Brown
•	059744-07-L36	EA	Cushion - Superceded By 059744-07-L10
•	059744-07-L37	EA	Cushion - Superceded By 059744-07-L11
•	059744-07-L38	EA	Cushion - Superceded By 059744-07-L12
8	059744-07-M07	EA	Cushion - Chair Wedge - Right - Rust/Ginger
8	059744-07-M08	EA	Cushion - Chair Wedge - Right - Blue/Caramel
8	059744-07-M09	EA	Cushion - Chair Wedge - Right - Brown/Cedar
•	059747-07-L10	EA	Cover - Chair Wedge Cushion - Right - Rust
•	059747-07-L11	EA	Cover - Chair Wedge Cushion - Right - Blue
•	059747-07-L12	EA	Cover - Chair Wedge Cushion - Right - Brown
•	059747-07-L36	EA	Cover - Superceded By 059747-07-L10
•	059747-07-L37	EA	Cover - Superceded By 059747-07-L11
•	059747-07-L38	EA	Cover - Superceded By 059747-07-L12
•	059747-07-M07	EA	Cover - Chair Wedge Cushion - Right - Rust/Ginger
•	059747-07-M08	EA	Cover - Chair Wedge Cushion - Right - Blue/Caramel
•	059747-07-M09	EA	Cover - Chair Wedge Cushion - Right - Brown/Cedar

*Keyed items are to be ordered by superceded numbers only.

**1981 WINNEBAGO
TABLE OF CONTENTS**

Introduction	I
Abbreviations	I
Alphabetical Index	II - IV
WDN29RT M1, WCN29RT M2	A-1 - C-8
WDN26RB M1, WCN26RB M2	C-9 - E-8
WC621RB M2	E-9 - F-18

1981 WDN26RB M1, WCN26RB M2 INDEX

Floor Plan	C-9 - C-10
Accessories Group	C-11 - C-13
Bath Group	C-14 - C-15
Chassis Group	C-16 - C-17
Curtain, Cushion & Pad Group	C-18 - D-2
Dinette Group	D-3 - D-4
Driver's Compartment Group	D-5 - D-6
Electrical Group	D-7 - D-11
Exterior Body Group	D-10 - D-11
Galley Group	D-14 - D-15
Heating & Air Conditioning Group	D-16 - D-17
Interior Finish Group	D-18 - D-19
LP Group	D-20
Lounge Group	D-21
Water & Sewage Group	D-22
Window, Vent & Exterior Door Group	D-23 - E-4

DINETTE GROUP

DINETTE CABINET

Key	Part Number	U/M	Description
	058825-01-L10	EA	Cabinet Asm. - Dinette Overhead - Bandsaw Cedar
	058825-01-L36	EA	Cabinet Asm. - Dinette Overhead - Elm Plain
	058825-01-M07	EA	Cabinet Asm. - Dinette Overhead - 159 Elm
	058825-03-L10	EA	Cabinet Asm. - Front Lounge Overhead - Bandsaw Cedar
	058825-03-L36	EA	Cabinet Asm. - Front Lounge Overhead - Elm Plain
	058825-03-M07	EA	Cabinet Asm. - Front Lounge Overhead - 159 Elm
	059551-01-L10	EA	Door Asm. - Overhead Dinette & Lounge - 11.3" x 28" - Bandsaw Cedar
	059551-01-L36	EA	Door Asm. - Overhead Dinette & Lounge - 11.3" x 28" - 159 Elm
	059551-01-M07	EA	Door - Superceded by 059551-01-L36
	058758-01-L10	EA	Cabinet Asm. - Rear Dinette Seat - w/o Door or Hardware - Bandsaw Cedar
	058758-01-L36	EA	Cabinet Asm. - Rear Dinette Seat - w/o Door or Hardware - Elm Plain
	058758-01-M07	EA	Cabinet Asm. - Rear Dinette Seat - w/o Door or Hardware - 159 Elm
	059504-05-000	EA	Seat - Dinette - w/Notch - 36.8" x 20.8"
	058758-02-L10	EA	Cabinet Asm. - Front Dinette Seat - w/o Door or Hardware - Bandsaw Cedar
	058758-02-L36	EA	Cabinet Asm. - Front Dinette Seat - w/o Door or Hardware - Elm Plain
	058758-02-M07	EA	Cabinet Asm. - Front Dinette Seat - w/o Door or Hardware - 159 Elm
	059550-04-L10	EA	Door Asm. - Front Dinette - 12" x 19.8" - Bandsaw Cedar
	059550-04-L36	EA	Door Asm. - Front Dinette - 12" x 19.8" - 159 Elm
	059550-04-M07	EA	Door - Superceded by 059550-04-L36
	059550-03-L10	EA	Door Asm. - Rear Dinette Seat - 10.4" x 25" - Bandsaw Cedar
	059550-03-L36	EA	Door Asm. - Rear Dinette Seat - 10.4" x 25" - 159 Elm
	059550-03-M07	EA	Door - Superceded by 059550-03-L36

*Keyed items are to be ordered by superceded numbers only.

DINETTE TABLE

Key	Part Number	U/M	Description
	053192-01-L10	EA	Table Asm. - Dinette w/o Hardware - Rust
	053192-01-L11	EA	Table Asm. - Dinette w/o Hardware - Blue
	053192-01-L12	EA	Table Asm. - Dinette w/o Hardware - Coco Brown
	053192-01-L36	EA	Table - Superceded by 053192-01-L10
	053192-01-L37	EA	Table - Superceded by 053192-01-L11
	053192-01-L38	EA	Table - Superceded by 053192-01-L12
	053192-01-M07	EA	Table Asm. - Dinette w/o Hardware - Rust Burnt Sienna
	053192-01-M08	EA	Table Asm. - Dinette w/o Hardware - Brown Mocha
	053192-01-M09	EA	Table - Superceded by 053192-01-M08
	053200-04-000	EA	Bracket - Upper Wall Mount - Brown - 23.5"
	053201-01-000	EA	Bracket - Table Mount - 23"
	024275-01-000	EA	Rod - Table Lift - 8" x 23.5"
	024281-08-000	EA	Bracket - Lower Wall Mount - Brown - 22.12"
	024276-04-000	EA	Leg Asm. - Table - Brown - 29.5"
	024277-02-000	EA	Hinge - Table Leg - Brown
	024282-01-000	EA	Brace - Table Leg
	024283-01-000	EA	Clip - 1" O.D. Tube
	049493-02-000	EA	Catch - Table Leg - Mounts on Floor - Brown

*Keyed items are to be ordered by superceded numbers only.

**The illustrated parts breakdown for this item is provided on the Common Items Fiche.

DINETTE GROUP (CONTINUED)

SPRUNG COUCH (Front)

Key	Part Number	U/M	Description
	058759-01-L10	EA	Panel Asm. - Front Couch Face - Bandsaw Cedar
	058759-01-L36	EA	Panel Asm. - Front Couch Face - Elm Plain
	058759-01-M07	EA	Panel Asm. - Front Couch Face - 159 Elm
	059550-05-L10	EA	Door Asm. - Front Couch Cabinet - 11.6" x 26.5" - Bandsaw Cedar
	059550-05-L36	EA	Door Asm. - Front Couch Cabinet - 11.6" x 26.5" - 159 Elm
	059550-05-M07	EA	Door - Superceded by 059550-05-L36
	059750-01-L10	EA	Panel Asm. - Sprung Couch - Galley End - Bandsaw Cedar
	059750-01-L36	EA	Panel Asm. - Sprung Couch Galley End - Elm Plain
	059750-01-M07	EA	Panel Asm. - Sprung Couch - Galley End - 159 Elm
	057618-01-L10	EA	Panel Asm. - Sprung Couch - Forward End - Bandsaw Cedar
	057618-01-L36	EA	Panel Asm. - Sprung Couch - Forward End - Elm Plain
	057618-01-M07	EA	Panel Asm. - Sprung Couch - Forward End - 159 Elm
	059844-01-L10	EA	Door Asm. - Furnace - 17.6" x 13.2" - Bandsaw Cedar
	059844-01-L36	EA	Door Asm. - Furnace - 17.6" x 13.2" - 159 Elm
	059844-01-M07	EA	Door - Superceded by 059844-01-L36

*Keyed items are to be ordered by superceded numbers only.

1981 WINNEBAGO TABLE OF CONTENTS

Introduction	I
Abbreviations	I
Alphabetical Index	II - IV
WDN29RT M1, WCN29RT M2	A-1 - C-8
WDN26RB M1, WCN26RB M2	C-9 - E-8
WC621RB M2	E-9 - F-18

1981 WDN26RB M1, WCN26RB M2 INDEX

Floor Plan	C-9 - C-11
Accessories Group	C-11 - C-13
Bath Group	C-14 - C-15
Chassis Group	C-16 - C-17
Curtain, Cushion & Pad Group	C-18 - D-1
Dinette Group	D-3 - D-4
Driver's Compartment Group	D-5 - D-6
Electrical Group	D-7 - D-8
Exterior Body Group	D-10 - D-11
Galley Group	D-14 - D-15
Heating & Air Conditioning Group	D-16 - D-17
Interior Finish Group	D-18 - D-19
LP Group	D-20
Lounge Group	D-21
Water & Sewage Group	D-22
Window, Vent & Exterior Door Group	D-23 - E-1

DRIVER'S COMPARTMENT GROUP

DASH PANEL AND COMPONENTS

Key	Part Number	U/M	Description
	061803-05-000	EA	Dash Asm. - Complete w/Gauges and Switches - Chevy
	059613-03-L36	EA	Dash Asm. - Complete w/Gauges and Switches - Dodge
	022548-04-000	EA	Pad - Dash - Right - Dark Brown
	023242-06-000	EA	Pad - Dash - Left - Dark Brown
	024418-01-000	EA	Lamp Asm. - Map/Gauge
	023020-01-000	EA	Lamp Asm. - Telltale
	007308-01-000	EA	Dash Clock
	052367-01-000	EA	Lighter Asm. - Cigarette - 12 Volt
	007041-01-000	EA	Bezel - Cigarette Lighter
	007071-01-000	EA	Louver - Chrome - w/Chrome Wheel
	024990-02-000	EA	Outlet - Defroster w/Swivel - 2" Dark Brown
	039044-01-000	EA	Lou: er Asm. - A/C Adjustable
	050344-02-000	EA	Bezel - Entertainment Center No. 2 - w/Cut Out for Radio and Clock
	050345-02-000	EA	Bezel - Entertainment Center No. 3 - w/Cut Out for Radio, Clock, Hourmeter and Generator Start Stop Switch
	039847-07-000	EA	Bezel - Control Panel - Chevy
	031599-10-000	EA	Bezel - Control Panel - Dodge
	023892-01-000	EA	Box - Glove Compartment - Black Fiberboard
	022219-01-000	EA	Door - Glove Compartment
	009118-01-000	EA	Twist Lock - Glove Compartment
	024598-01-000	EA	Hinge - Glove Compartment - 1 1/16" x 19"
	034309-01-000	EA	Chain - Glove Box Door
	023834-01-000	EA	Panel - Knee Kick - Bottom of Dash
	031035-01-000	EA	Gauge Asm. - Hourmeter
	024849-01-000	EA	Damper Asm. - Fresh Air

DASH SWITCHES AND GAUGES

Key	Part Number	U/M	Description
	024461-01-000	EA	Switch - Battery
	024462-01-000	EA	Switch - Battery Condition
	024464-02-000	EA	Switch - Battery - Dual Boost
	024463-01-000	EA	Switch - Blinker
	024464-01-000	EA	Switch - Washer
	024465-01-000	EA	Switch - Fuel
	024467-01-000	EA	Switch - Wiper
	024976-01-000	EA	Switch - Generator w/o Curcuit Board
	037387-01-000	EA	Switch - Generator w/Circuit Board
	024459-01-000	EA	Gauge - Voltmeter
	024460-01-000	EA	Gauge - Vacuum
	031035-01-000	EA	Gauge - Generator Hourmeter
	031376-01-000	EA	Control Asm. - Heater 3 Speed
	055279-01-000	EA	Control Asm. - Heater A/C - 3 Speed

BUCKET SEAT PEDESTAL AND SEAT BELTS

Key	Part Number	U/M	Description
	050447-01-000	EA	Pedestal Asm. - Tilt Seat - Left
	050447-02-000	EA	Pedestal Asm. - Tilt Seat - Right - Single Seat
	050447-04-000	EA	Pedestal Asm. - Tilt Seat - Right - Double Seat
	007019-01-000	EA	Belt Asm. - Seat - 2" x 84" - Black
	041322-01-000	EA	Washer - Flat 15/32" I.D. x 2 3/8" O.D. - Seat Belt
	049943-01-000	EA	Pedestal - Complete - Swivel
	007021-01-000	EA	Belt Asm. - Seat - 2" x 90" - Black
	007222-01-000	EA	Belt Asm. - Seat - 2" x 80" - Black
	043910-01-000	EA	Bracket Asm. - Seat Belt
	058375-01-000	EA	Bracket - Seat Belt - Washer
	051382-01-000	EA	Adjuster Asm. - Seat w/Lock
	051383-01-000	EA	Adjuster Asm. - Seat w/o Lock
	007224-02-000	EA	Handle - Seat Adjuster - 9"

DRIVER'S COMPARTMENT GROUP (CONTINUED)

FRONT BUNK AND HARDWARE

Key	Part Number	U/M	Description
	058300-01-M10	EA	Cabinet Asm. - Front Overhead
	058844-01-M10	EA	Bunk Board Asm. - Front Overhead w/Rails
	053773-01-000	EA	Support - Overhead Bunk - Brown - Right
	053773-02-000	EA	Support - Overhead Bunk - Brown - Left
	040071-02-000	EA	Support Bunk - Seat Belt
	041322-01-000	EA	Washer - Flat - 15/32" I.D. x 2 3/8" O.D.
	039516-02-000	EA	Catch - Bunk - Brown
	023812-22-000	EA	Rail - Bunk - 80" - Brown
	053774-02-000	EA	Torsion Rod - Overhead Bunk - Brown
	048394-01-000	YD	Tape Hook - 1" x 25 yd - Beige
	048395-01-000	YD	Tape Loop - 1" x 25 yd - Beige
	058837-01-000	EA	Bracket - Bunk - Rear Right
	058837-02-000	EA	Bracket - Bunk - Rear Left
	058848-02-M10	EA	Panel Asm. - Bunk - Padded - Left
	058848-03-M10	EA	Panel Asm. - Bunk - Padded - Left (Door)

MISCELLANEOUS DRIVER'S COMPARTMENT COMPONENTS

Key	Part Number	U/M	Description
	061378-01-M10	EA	Beverage Tray Asm. - Matador Leather Laminate
	055000-01-000	EA	Tray - Utensil - Dark Brown Plastic
	045795-01-000	EA	Glass Holder - Dark Brown Plastic
	050796-01-000	EA	Pocket - Ash Tray - Plastic
	050797-01-000	EA	Ash Tray - Plastic
	039857-01-000	EA	Latch - Rubber - Draw Handle - 5 3/4" w/Strike
	039856-01-000	EA	Latch - Rubber - Draw Handle - 3" w/Strike
	042541-01-000	EA	Latch Asm. - w/Strike - Chrome
	034800-01-000	EA	Cover - Motor - Plastic 454 C.I.D. - Chevy
	039333-01-000	EA	Cover - Motor - Plastic - 350 C.I.D. - Chevy
	067213-02-000	EA	Motor Cover - Dual Fuel - Chevy
	034800-03-000	EA	Cover - Motor - Plastic - Dodge
	035368-02-000	EA	Seal - Motor Cover - Alum.
	035368-03-000	EA	Seal - Motor Cover - Alum. - Brown
	039623-01-000	FT	Seal - Cover - Engine - Neoprene
	052783-02-000	EA	Seal - Cover - Motor - Upper
	040519-01-000	EA	Boot - Rubber Steering Column
	040520-01-000	EA	Boot - Retainer - Steering Column
	040714-01-000	EA	Mirror - Inside - Rear View - Glare Proof
	034499-01-000	EA	Support - Dimmer Switch
	040885-02-000	EA	Clip - Sunvisor
	058508-01-M04	EA	Sunvisor Asm. - Right - Acorn Brown - w/Mirror
	058508-02-M04	EA	Sunvisor Asm. - Left - Acorn Brown
	061350-01-000	EA	Trim - Interior - "A" Post - Brown Plastic - Left
	061350-02-000	EA	Trim - Interior - "A" Post - Brown Plastic - Right
	009143-01-000	EA	Mirror - 1/8" x 3.5" x 8" - Sunvisor
	059198-02-000	EA	Panel - Side - Left - Dark Brown
	059197-01-000	EA	Panel - Side - Right - Dark Brown
	067490-01-000	EA	Button - Mirror - Rear View - Support

1981 WINNEBAGO TABLE OF CONTENTS

Introduction	I
Abbreviations	I
Alphabetical Index	II - IV
WDN29RT M1, WCN29RT M2	A-1 - C-8
WDN26RB M1, WCN26RB M2	C-9 - E-8
WC821RB M2	E-9 - F-18

1981 WDN26RB M1, WCN26RB M2 INDEX

Floor Plan	C-9 - C-10
Accessories Group	C-11 - C-12
Bath Group	C-14 - C-15
Chassis Group	C-16 - C-17
Curtain, Cushion & Pad Group	C-18 - D-1
Dinette Group	D-3 - D-4
Driver's Compartment Group	D-5 - D-6
Electrical Group	D-7 - D-8
Exterior Body Group	D-10 - D-11
Galley Group	D-14 - D-15
Heating & Air Conditioning Group	D-16 - D-17
Interior Finish Group	D-18 - D-19
LP Group	D-2
Lounge Group	D-2
Water & Sewage Group	D-2
Window, Vent & Exterior Door Group	D-23 - E-1

ELECTRICAL GROUP

BULBS

Key	Part Number	U/M	Description
	037935-01-000	EA	Bulb - 1157
	038010-01-000	EA	Bulb - 1143
	008103-01-000	EA	Bulb - 53
	008213-01-000	EA	Bulb - 57
	008214-01-000	EA	Bulb - 67
	008215-01-000	EA	Bulb - 1003
	008216-01-000	EA	Bulb - 1034
	008217-01-000	EA	Bulb - 1073
	008218-01-000	EA	Bulb - 1141
	008219-01-000	EA	Bulb - 856
	008220-01-000	EA	Bulb - 12V - 25W
	036196-01-000	EA	Bulb - 194
	700020-01-000	EA	Bulb - 12V - 20W - 1393

FUSES AND CIRCUIT BREAKER

Key	Part Number	U/M	Description
	056473-02-000	EA	Fuse - Slow Blow - 5 AMP - 32 Volt Capacity
	056473-01-000	EA	Fuse - Slow Blow - 6 1/4 Amp.
	008233-01-000	EA	Fuse - 12 Volt - 6 Amp.
	008234-01-000	EA	Fuse - 12 Volt - 10 Amp.
	046893-01-000	EA	Fuse - 12 Volt - 13 Amp.
	008235-01-000	EA	Fuse - 12 Volt - 15 Amp.
	008236-01-000	EA	Fuse - 12 Volt - 20 Amp.
	008248-01-000	EA	Fuse - 110 Volt - 30 Amp. - AGU
	008252-01-000	EA	Fuse - 110 Volt - 50 Amp.
	008208-01-000	EA	Circuit Breaker - 12 Volt - 40 Amp.
	008211-01-000	EA	Circuit Breaker - 12 Volt - 6 Amp.
	008268-01-000	EA	Circuit Breaker - 12 Volt - 30 Amp. w/Mount
	033573-02-000	EA	Circuit Breaker - 12 Volt - 15 Amp. w/Mount
	040051-01-000	EA	Circuit Breaker - 110 Volt - 20 Amp. TQL
	033573-01-000	EA	Circuit Breaker - 12 V - 20 Amp. w/Mount
	008273-03-000	EA	Circuit Breaker - 15/20 Amp. TQL
	008298-01-000	EA	Circuit Breaker - 115 Amp. TQL
	008297-01-000	EA	Circuit Breaker - 120 Amp. TQL
	008293-01-000	EA	Circuit Breaker - 130 Amp. TQL

WINDSHIELD WIPER AND WASHER

Key	Part Number	U/M	Description
**	056000-02-000	EA	Washer Asm. - Windshield
**	057853-01-000	EA	Arm - Windshield Wiper - 18" - Black
**	044313-02-000	EA	Motor Asm. - Windshield Wiper - 100"
**	044313-03-000	EA	Motor Asm. - Windshield Wiper - 93"
**	037998-01-000	EA	Link Asm. - Connecting - 22.40" Long
**	057474-01-000	EA	Windshield Wiper Asm.
**	049384-02-000	EA	Blade - Windshield Wiper - 20" Black
**	055675-01-000	EA	Shaft and Pivot Asm.

** The illustrated parts breakdown for this item is provided on the Common Items Fiche.

ELECTRICAL GROUP (CONTINUED)

WIRE, SWITCHES AND RECEPTACLES

Key	Part Number	U/M	Description
	008024-01-000	FT	Wire - 18.5 Bonded - Orange/White/Yellow/Blue/Brown
	008025-01-000	FT	Wire - 18.5 Bonded - Orange/White/Yellow/Blue/Green
	008028-01-000	FT	Wire - 18.5 Bonded - Blue/Red/Yellow/Orange/White
	008030-01-000	FT	Wire - 18.4 Bonded - Red/Blue/Orange/Green
	008251-01-000	EA	Holder - Fuse - Black - Screw Type
	008277-01-000	EA	Holder - Fuse - Black - Panel Mount
	008195-01-000	EA	Switch - Push Button - 12 Volt
	008077-01-000	EA	Plaque - Compressor Switch
	008054-01-000	EA	Cord - Power - 10-3 30 Amp. - 25' - UL
	008052-01-000	EA	Cord - Power - 10-3 30 Amp. - 25' - CSA
	034818-04-000	EA	Holder - Receptacle - Plastic
	039342-01-000	EA	Receptacle - Duplex Brown - T Junction
	024571-01-000	EA	Cover Plate - Receptacle - Jumbo Steel - Brown
	024571-03-000	EA	Cover Plate - Receptacle - Jumbo Plastic - Brown
	024571-04-000	EA	Cover Plate - Receptacle - Jumbo Plastic - Ivory
	024471-01-000	EA	Cover Plate - Electrical Box - 5 1/4" x 3 1/2"
	058028-01-000	EA	Connector - Pigtail - Clear - Nylon
	039343-01-000	EA	Cap - End - Receptacle
	008182-01-000	EA	Switch - Double Toggle - Spade Brown
	008163-01-000	EA	Switch - Toggle Brown
	056264-01-000	EA	Switch - Leaf Actuator
	063912-01-000	EA	Relay - Canister, Spot w/Ground
	008184-01-000	EA	Cover Plate - Switch - Brown
	024924-02-000	EA	Receptacle - Power Cord
	069238-01-000	EA	Cover - Electrical - 4 x 4 Box
	008058-01-000	EA	Adaptor - Power Cord
	047353-01-000	EA	Cover - Receptacle - Ground Fault
	053126-01-000	EA	Receptacle - Ground Fault Interrupter - 125 Volt - Ivory
	053126-02-000	EA	Receptacle - Ground Fault Interrupter - 125 Volt - Brown
	058707-01-000	EA	Receptacle - Single - Brown - Thomas & Betts
	058708-01-000	EA	Receptacle - Duplex - Brown - Thomas & Betts
	008157-01-000	EA	Receptacle - Duplex - Brown - (Exterior Backwall)
	058048-01-000	EA	Cover - Electrical Box - 4.5" x 2.75" - Rain Tight (Exterior)
	008294-02-000	EA	Cover - Steel - Flat Blank - 4" x 4"
	008288-01-000	EA	Box - Electrical - Plastic - 3" x 3.5"
	008289-01-000	EA	Box - Electrical - Steel 4 x 4 1/2 & 3/4 UL
	064398-01-000	EA	Housing Asm. - Trailer Receptacle
	064399-01-000	EA	Housing Asm. - Trailer Pin
	064450-01-000	EA	Housing Asm. - Trailer Plug
	035417-01-000	EA	Terminal - Pin Receptacle .125 Dia.
	035833-01-000	EA	Receptacle - HSG - 12 Position
	054532-01-000	EA	Housing - Pin - 6 Position
	031968-01-000	EA	Contact - Plug - Brass - Tinplated
	035290-17-000	EA	Cable Asm. - Battery - 1 AWG Strand - 232"
	054885-01-000	EA	Wire Asm. - Generator Switch

1981 WINNEBAGO TABLE OF CONTENTS

Introduction	I
Abbreviations	I
Alphabetical Index	II - IV
WDN29RT M1, WCN29RT M2	A-1 - C-8
WDN26RB M1, WCN26RB M2	C-9 - E-8
WC621RB M2	E-9 - F-18

1981 WDN26RB M1, WCN26RB M2 INDEX

Floor Plan	C-9 - C-10
Accessories Group	C-11 - C-13
Bath Group	C-14 - C-15
Chassis Group	C-16 - C-17
Curtain, Cushion & Pad Group	C-18 - D-2
Dinette Group	D-3 - D-4
Driver's Compartment Group	D-5 - D-6
Electrical Group	D-7 - D-1
Exterior Body Group	D-10 - D-13
Gallery Group	D-14 - D-16
Heating & Air Conditioning Group	D-16 - D-17
Interior Finish Group	D-18 - D-19
LP Group	D-20
Lounge Group	D-21
Water & Sewage Group	D-22
Window, Vent & Exterior Door Group	D-23 - E-4

ELECTRICAL GROUP (CONTINUED)

EXTERIOR LIGHTS

Key	Part Number	U/M	Description
	007309-01-000	EA	Light - Step Well
	058031-01-000	EA	Tail Lamp Asm. - 3 Bulb - Chrome - Right/Left
	058030-01-700	EA	Lens - Tail Lamp - Red
	058030-01-701	EA	Lens - Tail Lamp - Back Up
	058036-01-000	EA	Bracket - Tail Lamp
	058540-01-000	EA	Bracket - License Plate
	062740-01-000	EA	Wedge - Tail Lamp - Right/Left - Beige
	042405-03-000	EA	Base - Rectangular Clearance Light
	042405-04-000	EA	Lens - Clearance Light - Red
	042405-05-000	EA	Lens - Clearance Light - Amber
	008089-01-000	EA	Light - Porch - Recessed
	042405-01-000	EA	Lens - Rectangle Light - Red w/Reflex
	042405-02-000	EA	Lens - Rectangle Light - Amber w/Reflex

INTERIOR LIGHTS

Key	Part Number	U/M	Description
	033508-02-000	EA	Light - Dome - Ivory - 1 Bulb - US - Progressive Dynamics, Inc.
	003508-03-000	EA	Light - Dome - Ivory - 1 Bulb - CSA - Progressive Dynamics, Inc.
	033509-02-000	EA	Light - Dome - Ivory - 2 Bulb - US - Progressive Dynamics, Inc.
	033509-03-000	EA	Light - Dome - Ivory - 2 Bulb - CSA - Progressive Dynamics, Inc.
	064778-01-000	EA	Light - Dome - Off White - Double Jensen
	064778-02-000	EA	Light - Dome - Off White - Single - Jensen
	061424-01-000	EA	Light - 12V Receptacle - Aisle - IP
	024642-01-701	EA	Lens - Domelight - 1 Bulb
	024643-01-701	EA	Lens - Domelight - 2 Bulb
	024418-01-000	EA	Lamp Asm. - Map/Gauge/Aisle
	053346-01-000	EA	Light - High Intensity - Brown

MISCELLANEOUS ELECTRICAL COMPONENTS

Key	Part Number	U/M	Description
	047338-01-000	EA	Isolator - Dual Battery
	047389-01-700	EA	Battery - 12 Volt - 105 Amp. Deep Cycle - Dry
	057899-01-000	EA	Battery - 12 Volt - Maintenance Free - Delco
	008188-01-000	EA	Solenoid - Dual Battery - Relay
	054544-01-000	EA	Control Center - 37 Amp. - UL
	031720-01-000	EA	Spacer - Receptacle - Brown Plastic - CSA
	039850-01-702	EA	Circuit Board - Control Center
	024459-01-000	EA	Gauge - Voltmeter
	024462-01-000	EA	Switch - Battery Condition
	031035-01-000	EA	Gauge - Hourmeter - Generator
	024976-01-000	EA	Switch - Generator w/o Circuit Board
	024480-01-000	EA	Gauge - Vacuum
	039881-01-000	EA	Sending Unit Kit - Wemac
	048812-01-000	EA	Control Panel - Water/Double Sewage - Base Panel
	048812-05-000	EA	Panel - Insert - w/Thermostat Holes
	048812-06-000	EA	Panel Insert - w/o Thermostat Holes
	048812-07-000	EA	Panel Insert - Deluxe - w/Refrigerator Alarm, Clock and LP Gauge
	048812-07-700	EA	Refrigerator Sensor - Refrigerator Alarm
	048812-04-000	EA	Panel - Insert Basic
	048812-09-000	EA	Panel - Insert w/LP Alarm - Refrigerator
	057044-01-000	EA	Control Center - 44 Amp. - CSA
	054545-01-000	EA	Control Center - 44 Amp. UL

EXTERIOR BODY GROUP

EXTERIOR BODY PANELS AND SHEET ALUMINUM

Key	Part Number	U/M	Description
	058191-01-L10	EA	Roof Asm.
	058192-01-L10	EA	Backwall Asm. - Bath New Wheat Beige
	058192-01-L11	EA	Backwall Asm. - Bath New Wheat Blue
	058192-01-L12	EA	Backwall - Superseded By 058192-01-L10
	058192-01-L36	EA	Backwall - Superseded By 058192-01-L10
	058192-01-L37	EA	Backwall - Superseded By 058192-01-L11
	058192-01-L38	EA	Backwall - Superseded By 058192-01-L10
	058192-01-M07	EA	Backwall Asm. - Decor Ball
	058192-01-M08	EA	Backwall - Superseded By 058192-01-M07
	058192-01-M09	EA	Backwall - Superseded By 058192-01-M07
	058173-01-L10	EA	Sidewall Asm. - Right
	058173-01-L36	EA	Sidewall Asm. - Right
	058173-01-M07	EA	Sidewall Asm. - Right
	058174-01-L10	EA	Sidewall Asm. - Left - New Wheat Beige
	058174-01-L11	EA	Sidewall Asm. - Left - New Wheat Blue
	058174-01-L12	EA	Sidewall - Superseded By 058174-01-L10
	058174-01-L36	EA	Sidewall - Superseded By 058174-01-L10
	058174-01-L37	EA	Sidewall - Superseded By 058174-01-L11
	058174-01-L38	EA	Sidewall - Superseded by 058174-01-L10
	058174-01-M07	EA	Sidewall Asm. - Left - Decor Ball
	058174-01-M08	EA	Sidewall - Superseded By 058174-01-M07
	058174-01-M09	EA	Sidewall - Superseded By 058174-01-M07
	039155-30-007	EA	Alum. - Beige - Mesa 11 - .024" x 48" x 360"
	039155-30-003	EA	Alum. - Beige - Mesa 11 - .024" x 36" x 360"
	039155-30-008	EA	Alum. - Beige - Mesa 11 - .024" x 12" x 360"
	039155-09-001	EA	Alum. - Beige - Greyhound Design - 48" x 96"
	001018-01-024	EA	Alum. - Beige - No Design - 48" x 96"
	044487-01-001	EA	Alum. - Mill Finish - No Design (Roof) 96" x 360"
	000888-01-000	SF	Styrofoam - 3/4" x 24" x 96"

*Keyed items are to be ordered by superseded numbers only.

NOTE: The raised portion of Mesa I is 1.657" wide.
The raised portion of Mesa II aluminum is .875" wide.

EXTERIOR PAINT

Key	Part Number	U/M	Description
	045681-01-000	EA	Paint - Gloss Black - Acrylic Enamel - 1 Gallon (89A Dupont)
	045681-03-000	EA	Paint - Gloss Black - Acrylic Enamel - 16 oz. Aerosol (89A Dupont)
	044486-01-000	GL	Paint - Beige - Acrylic Enamel
	044486-03-000	EA	Paint - Beige - Acrylic Enamel - 16 oz. Aerosol (7833A Dupont)
	044486-04-000	GL	Paint - Beige - Acrylic Lacquer
	067783-03-000	EA	Paint - Brown Metallic - Acrylic Enamel - 16 oz. Aerosol (44791AW Dupont)
	067788-03-000	EA	Paint - Tahitian Red Metallic Enamel - 16 oz. Aerosol (045882 Dupont)
	067787-03-000	EA	Paint - Dark Blue Metallic Enamel - 16 oz. Aerosol (88043 Dupont)
	067788-03-000	EA	Paint - Dark Nectarine Metallic Enamel - 16 oz. Aerosol (44785 Dupont)

MISCELLANEOUS EXTERNALLY MOUNTED PARTS

Key	Part Number	U/M	Description
**	011124-01-000	EA	Plumbing Seal - Roof Vent - 1 1/4" - White
**	011129-01-000	EA	Plumbing Seal - Roof Vent - 1 1/2" - White
	009128-01-000	EA	Assist Handle - Metal
	010230-03-000	EA	Fill - City Water - Recessed - Beige
	058808-02-000	EA	Water Fill - Lockable - Beige
	055600-04-000	EA	Door Asm. - Gas Fill - Beige
	063303-01-000	EA	Shroud - Fuel Fill - Lower - Beige

**The illustrated parts breakdown for this item is provided on the Common Items Fiche.

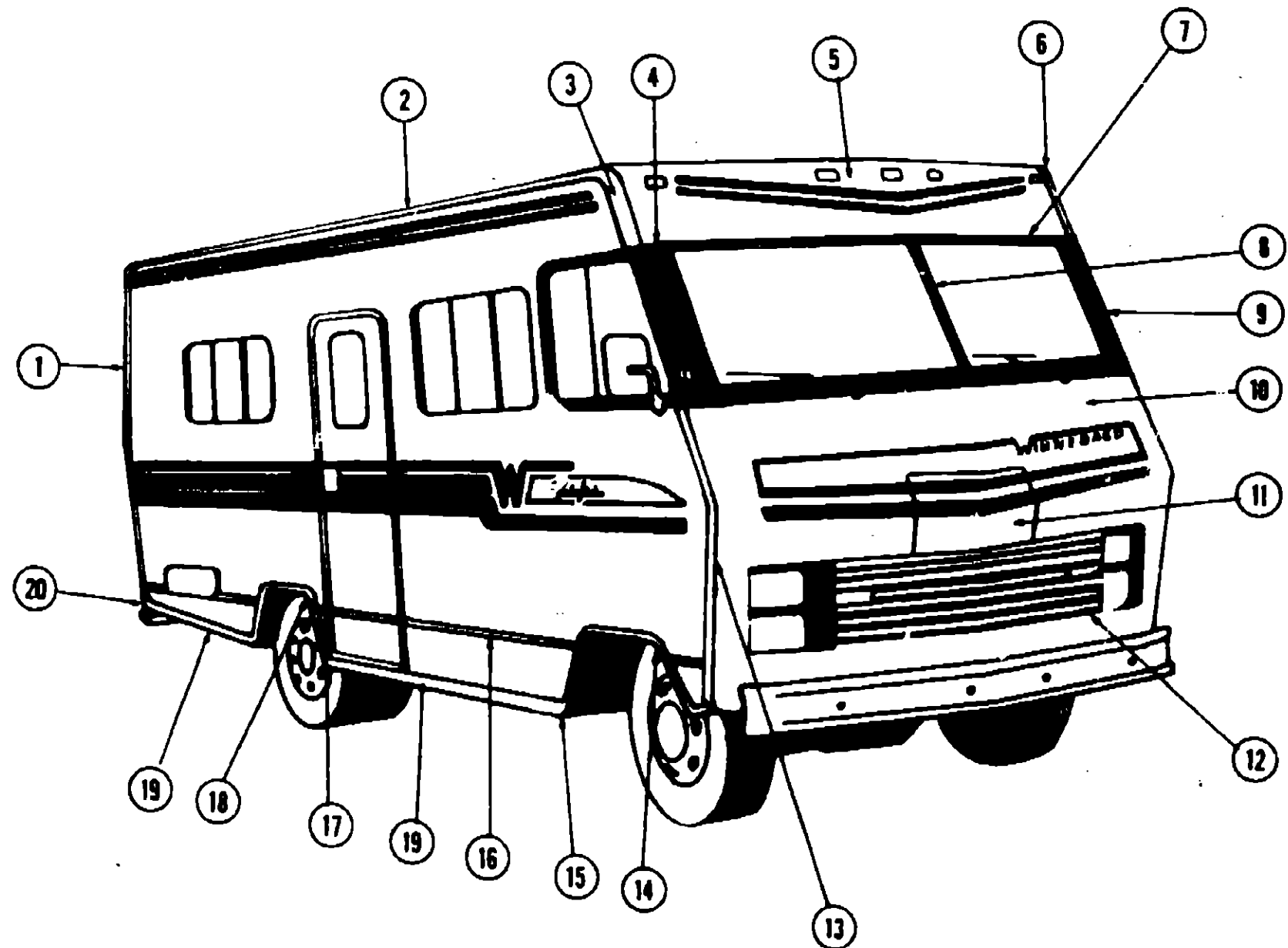
1981 WINNEBAGO TABLE OF CONTENTS

Introduction	I
Abbreviations	I
Alphabetical Index	II - IV
WDN29RT M1, WCN29RT M2	A-1 - C-8
WDN26RB M1, WCN26RB M2	C-9 - E-8
WC821RB M2	E-9 - F-18

1981 WDN26RB M1, WCN26RB M2 INDEX

Floor Plan	C-8 - C-10
Accessories Group	C-11 - C-13
Bath Group	C-14 - C-15
Chassis Group	C-16 - C-17
Curtain, Cushion & Pad Group	C-18 - D-2
Dinette Group	D-3 - D-4
Driver's Compartment Group	D-5 - D-6
Electrical Group	D-7 - D-8
Exterior Body Group	D-10 - D-13
Galley Group	D-14 - D-15
Heating & Air Conditioning Group	D-16 - D-17
Interior Finish Group	D-18 - D-19
LP Group	D-20
Lounge Group	D-21
Water & Sewage Group	D-22
Window, Vent & Exterior Door Group	D-23 - E-8

EXTERIOR BODY GROUP (CONTINUED)



Key	Part Number	U/M	Description
1	039964-03-000	EA	Trim - Contour - Right Rear - Beige
2	039964-04-000	EA	Trim - Contour - Left Rear - Beige
3	034922-14-000	EA	Trim - Sidewall - Upper - Left or Right - Beige
4	058284-04-000	EA	Trim - Contour - Right Front Upper - Beige
5	058289-02-000	EA	Trim - Contour - Windshield - Right
6	054968-02-000	EA	Cap - Fiberglass - Over Windshield - Beige
7	062398-01-000	EA	Trim - Roof/Front Cap
8	058284-03-000	EA	Trim - Contour - Left Front Upper - Beige
9	058287-01-030	EA	Trim - Molding - Windshield - Upper/Lower
10	042743-02-000	EA	Trim - Corner Windshield - Upper
11	058288-01-000	EA	Trim - Molding - Windshield - Center
12	058289-01-000	EA	Trim - Contour - Windshield - Left
13	042743-01-000	EA	Trim - Corner Windshield - Lower
14	088634-02-000	EA	Panel Asm. - Front Shroud - Beige
15	058722-01-000	EA	Pull Pin - Release Hinge - (Access Panel)
16	058761-01-000	EA	Striker - Hood Latch
17	058392-02-000	EA	Panel Asm. - Front Lower - Beige
18	088632-02-000	EA	Access Panel - Beige
19	068778-01-000	EA	Grill Asm.
20	049358-01-000	EA	Headlamp Bezel - Left
	049358-02-000	EA	Headlamp Bezel - Right
	058899-01-000	EA	Trim - Fiberglass Panel - Right - Beige
	058899-02-000	EA	Trim - Fiberglass Panel - Left - Beige

Key	Part Number	U/M	Description
14	058543-01-000	EA	Trim - Wheel Well - Front - Beige
15	063799-01-000	EA	Trim - Backwall - Lower
16	009085-01-000	EA	Hinge - Continuous - Al. 1 1/2" x 98" - Plain
17	059185-01-000	EA	Plug - Rocker Panel - w/Well - Left - Beige
18	002444-02-001	EA	Feature Strip - Extr. Anod. - 14' - w/o Insert
19	059185-02-000	EA	Plug - Rocker - Panel - w/Well - Right - Beige
20	058487-01-000	EA	Trim - Wheel Well - Rear - Beige
	058828-02-000	EA	Rod - Hood Prop.
	002778-02-001	EA	Extr. - U-Channel - 1.75" x 18" Anod.
	002385-02-001	EA	Extr. - U-Channel - 1" x 18"
	009717-01-002	EA	Extr. - Rail - Drip - 18"
	062558-03-001	EA	Extr. - Rail - Awning - 192.0"
	058285-01-001	EA	Extr. - Trim - 192.0" - Beige
	039088-09-000	EA	Extr. - Rocker Panel - Beige
	058395-01-000	EA	Plug - Rocker Panel - Left Rear - Beige
	058395-02-000	EA	Plug - Rocker Panel - Right Rear - Beige
	058583-03-000	EA	Housing - Headlamp - Left Hand
	058583-04-000	EA	Housing - Headlamp - Right Hand
	008731-01-000	EA	End Cap - Feature Strip Insert
	001030-09-100	EA	Insert - Feature Strip - Brown - 17"
			Not Illustrated

1981 WINNEBAGO
TABLE OF CONTENTS

Introduction	I
Abbreviations	I
Alphabetical Index	II - IV
WDN29RT M1, WCN29RT M2	A-1 - C-8
WDN26RB M1, WCN26RB M2	C-9 - E-8
WC621RB M2	E-9 - F-18

1981 WDN26RB M1, WCN26RB M2 INDEX

Floor Plan	C-9 - C-11
Accessories Group	C-11 - C-13
Bath Group	C-14 - C-16
Chassis Group	C-18 - C-19
Curtain, Cushion & Pad Group	C-18 - D-1
Dinette Group	D-3 - D-4
Driver's Compartment Group	D-5 - D-6
Electrical Group	D-7 - D-8
Exterior Body Group	D-10 - D-11
Galley Group	D-14 - D-15
Heating & Air Conditioning Group	D-16 - D-17
Interior Finish Group	D-18 - D-19
LP Group	D-2
Lounge Group	D-2
Water & Sewage Group	D-2
Window, Vent & Exterior Door Group	D-23 - E-1

EXTERIOR BODY GROUP (CONTINUED)

LABELS AND DECALS

Key	Part Number	U/M	Description
	006031-01-000	EA	Label - Potable Water Only
	006187-01-000	EA	Label - Sewage
	006188-01-000	EA	Label - Waste Water
	006199-01-000	EA	Label - Exit - Escape Window
	006028-01-000	EA	Label - Drain Cap - 2" x 3"
	008092-01-000	EA	Reflector - Stick on - Rectangular - Red
	008093-01-000	EA	Reflector - Stick On - Rectangular - Amber
	040944-01-000	EA	Label - Open - Entrance Door
	047731-01-000	EA	Label - Emergency Exit
	008040-01-000	EA	Tag - Gas - Refueling Warning
	006062-01-000	EA	Tag - Electrical - 110V Connection
	054531-01-000	EA	Label - LP Gas Only
	061417-01-000	EA	Label - Fuel
	050225-01-000	EA	Label - Warning - Stove Vent - US
	008015-01-000	EA	Label - Patent Motor Home
	008064-01-000	EA	Label - Seat - w/o Seat Belt
	064378-01-000	EA	Label - Flying W w/Thermo Panel
	050313-11-000	EA	Decal - Logo - Winnebago - 2.80" - Sandy Metallic
	050313-12-000	EA	Decal - Logo - Winnebago - 2.80" - Blue
	065980-01-000	EA	Decal - Logo - LP Power
	065962-01-000	EA	Decal - Logo - Winnebago LPG
	058719-01-000	EA	Decal - Cheifan
	065223-01-000	EA	Decal - Flying W - Side/Front - Brown - Right Hand
	065223-02-000	EA	Decal - Flying W - Side/Front - Brown - Left Hand
	065223-03-000	EA	Decal - Flying W - Side/Front - Sandy Metallic - Right Hand
	065223-04-000	EA	Decal - Flying W - Side/Front - Sandy Metallic - Left Hand
	058434-01-000	EA	Decal - Headlamp Housing Face - Inner - Left Hand
	058434-02-000	EA	Decal - Headlamp Housing Face - Inner - Right Hand
	065221-01-000	FT	Tape - Premasked - 1.5" Brown
	065221-02-000	FT	Tape - Premasked - 1.5" Sandy Metallic
	065222-01-000	FT	Tape - Premasked - 3" Brown
	065222-02-000	FT	Tape - Premasked - 3" Sandy Metallic
	062034-01-000	EA	Stencil - Winnebago - 2.80" x 22"

SEALANTS, ADHESIVES AND FASTENERS

Key	Part Number	U/M	Description
	034552-05-000	EA	Sealant - Off White Silicone
	034552-04-000	EA	Sealant - Beige Silicone
	034552-02-000	EA	Sealant - Clear Silicone
	004349-01-000	EA	Sealant - Black Silicone
	004342-01-000	EA	Sealant - Weatherban 202 Tube
	004346-02-000	EA	Sealant - White Silicone
	009200-01-000	EA	Tape - Furnace - 1 1/2"
	004353-01-000	FT	Tape - Gasket - 1/8" x 3/4" - White
	002825-01-000	FT	Weather Stripping - Roof Vent
	002337-01-000	EA	Adhesive - 3M - 1300 Tube
	004005-01-000	GL	Adhesive - Swifts - Green - Glue (Sidewalls)
	004020-01-000	QT	Adhesive - ABS Cement - (Plastic Fittings)
	029051-01-000	EA	Adhesive - Spray Vinyl
	042401-01-000	EA	Screw - 8 - 16 x 3/4" SDPH - Beige
	042403-01-000	EA	Screw - 8 - 18 x 1" SDPH - Beige
	053786-01-000	EA	Bedding Compound - Tube Black - Schnee Morehead
	053786-02-000	EA	Bedding Compound - Tube White - Schnee Morehead
	053787-01-000	FT	Tape - 1/2" x 1/8" x 30' - Gray - Schnee Morehead
	053787-03-000	FT	Tape - 1/4" Bead x 20' - Gray - Schnee Morehead
	053787-04-000	FT	Tape - 3/4" x 1/8" x 30' - Gray - Schnee Morehead
	053787-05-000	FT	Tape - 2" x 3/32" x 45' - Gray - Schnee Morehead

GALLEY GROUP

GALLEY CABINETRY

Key	Part Number	U/M	Description
	059895-01-L10	EA	Cabinet Asm. - Galley - w/o Doors, Drawers, Countertop or Hardware - Bandsaw Cedar
	059895-01-L36	EA	Cabinet Asm. - Galley - w/o Doors, Drawers, Countertop or Hardware - Elm
	059895-01-M07	EA	Cabinet Asm. - Galley - Superceded by 061725-01-L36
	059898-01-L10	EA	Countertop Asm. - Galley Cabinet - Rust
	059898-01-L11	EA	Countertop Asm. - Galley Cabinet - Blue
	059898-01-L12	EA	Countertop Asm. - Galley Cabinet - Coco Brown
	059898-01-L36	EA	Countertop - Superceded by 059898-01-L10
	059898-01-L37	EA	Countertop - Superceded by 059898-01-L11
	059898-01-L38	EA	Countertop - Superceded by 059898-01-L12
	059898-01-M07	EA	Countertop Asm. - Galley Cabinet - Rust Burnt Sienna
	059898-01-M08	EA	Countertop Asm. - Galley Cabinet - Mocha Brown
	059898-01-M09	EA	Countertop - Superceded by 059898-01-M08
	059550-06-L10	EA	Door Asm. - Galley Cabinet - 11.6" x 30" - w/o Hardware - Bandsaw Cedar
	059550-06-L36	EA	Door Asm. - Galley Cabinet - 11.6" x 30" - w/o Hardware - Elm
	059550-06-M07	EA	Door - Superceded by 059550-06-L36
	059550-07-L10	EA	Door Asm. - Galley Cabinet - 11.1" x 21.9" - w/o Hardware - Bandsaw Cedar
	059550-07-L36	EA	Door Asm. - Galley Cabinet - 11.1" x 21.9" - w/o Hardware - Elm
	059550-07-M07	EA	Door - Superceded by 059550-07-L36
	059915-01-L10	EA	Drawer Asm. - Galley Cabinet - 10.1" x 5" x 20" Deep - Bandsaw Cedar
	059915-01-L36	EA	Drawer Asm. - Galley Cabinet 10.1" x 5" x 20" Deep - Elm
	059915-01-M07	EA	Drawer - Superceded by 059915-01-L36
	059915-02-L10	EA	Drawer Asm. - Galley Cabinet - 10.1" x 5" x 14" Deep - Bandsaw Cedar
	059915-02-L36	EA	Drawer Asm. - Galley Cabinet - 10.1" x 5" x 14" Deep - Elm
	059915-02-M07	EA	Drawer - Superceded by 059915-02-L36
	059913-01-L10	EA	Drawer Asm. - Refrigerator Cabinet - 8" x 10.4" x 15.63" - Deep - Bandsaw Cedar
	059913-01-L36	EA	Drawer Asm. - Refrigerator Cabinet - 8" x 10.4" x 15.63" - Deep - Elm
	059913-01-M07	EA	Drawer - Superceded by 059913-01-L36
	058774-01-L10	EA	Cabinet Asm. - Galley Overhead - w/o End Pad, Doors, or Hardware - Bandsaw Cedar
	058774-01-L36	EA	Cabinet Asm. - Galley Overhead - w/o End Pad, Doors, or Hardware - Elm
	058774-01-M07	EA	Cabinet - Superceded by 058774-01-L36
	059551-07-L10	EA	Door Asm. - Galley Overhead - 15.8" x 23.2" - w/o Hardware - Bandsaw Cedar
	059551-07-L36	EA	Door Asm. - Galley Overhead - 15.8" x 23.2" - w/o Hardware - Elm
	059551-07-M07	EA	Door - Superceded by 059551-07-L36
	059551-08-L10	EA	Door Asm. - Galley Overhead - 15.8" x 21.4" - w/o Hardware - Bandsaw Cedar
	059551-08-L36	EA	Door Asm. - Galley Overhead - 15.8" x 21.4" - w/o Hardware - Elm
	059551-08-M07	EA	Door - Superceded by 059551-08-L36
	059550-01-L10	EA	Door Asm. - Refrigerator Cabinet - 10.4" x 52.4" - w/o Hardware - Bandsaw Cedar
	059550-01-L36	EA	Door Asm. - Refrigerator Cabinet - 10.4" x 52.4" - w/o Hardware - Elm
	059550-01-M07	EA	Door - Superceded by 059550-01-L36
	059550-08-L10	EA	Door Asm. - Refrigerator Cabinet - 17.7" x 13.8" - Bandsaw Cedar
	059550-08-L36	EA	Door Asm. - Refrigerator Cabinet - 17.7" x 13.8" - Elm
	059550-08-M07	EA	Door - Superceded by 059550-08-L36

*Keyed items are to be ordered by superceded numbers only.

**1981 WINNEBAGO
TABLE OF CONTENTS**

Introduction	I
Abbreviations	I
Alphabetical Index	II - IV
WDN28RT M1, WCN28RT M2	A-1 - C-8
WDN26RB M1, WCN26RB M2	C-9 - E-8
WC821RB M2	E-9 - F-18

1981 WDN28RB M1, WCN26RB M2 INDEX

Floor Plan	C-9 - C-10
Accessories Group	C-11 - C-12
Bath Group	C-14 - C-15
Chassis Group	C-16 - C-17
Curtain, Cushion & Pad Group	C-18 - D-1
Dinette Group	D-3 - D-4
Driver's Compartment Group	D-5 - D-6
Electrical Group	D-7 - D-8
Exterior Body Group	D-10 - D-11
Galley Group	D-14 - D-15
Heating & Air Conditioning Group	D-16 - D-17
Interior Finish Group	D-18 - D-19
LP Group	D-2
Lounge Group	D-2
Water & Sewage Group	D-2
Window, Vent & Exterior Door Group	D-23 - E-1

GALLEY GROUP (CONTINUED)

GALLEY HARDWARE AND APPLIANCES

Key	Part Number	U/M	Description
	011032-01-000	EA	Sink - Stainless Steel - Double w/Bolts
**	011053-01-000	EA	Faucet - 8" - Swing Spout - U.S.
**	011053-02-000	EA	Faucet - 8" - Swing Spout - C.S.A.
**	011053-01-700	EA	Aerator - Swing Spout Faucet
**	011085-01-000	EA	Strainer - Sink
	054028-01-L10	EA	Cover - Sink - Rust Laminate
	054028-01-L11	EA	Cover - Sink - Blue Laminate
	054028-01-L12	EA	Cover - Sink - Coco Brown Laminate
*	054028-01-L36	EA	Cover - Sink - Superceded by 054028-01-L10
*	054028-01-L37	EA	Cover - Sink - Superceded by 054028-01-L11
*	054028-01-L38	EA	Cover - Sink - Superceded by 054028-01-L12
	054028-01-M07	EA	Cover - Sink - Rust Burnt Sienna
	054028-01-M08	EA	Cover - Sink - Mocha Brown
*	054028-01-M09	EA	Cover - Sink - Superceded by 054028-01-M08
	058334-01-000	EA	Wastebasket - 9 3/4" x 7" x 10" - White - Rubbermaid
	058841-01-L10	EA	Cover - Wastebasket - Rust Laminate
	058841-01-L11	EA	Cover - Wastebasket - Blue Laminate
	058841-01-L12	EA	Cover - Wastebasket - Coca Brown Laminate
*	058841-01-L36	EA	Cover - Wastebasket - Superceded by 058841-01-L10
*	058841-01-L37	EA	Cover - Wastebasket - Superceded by 058841-01-L11
*	058841-01-L38	EA	Cover - Wastebasket - Superceded by 058841-01-L12
	058841-01-M07	EA	Cover - Wastebasket - Rust Burnt Sienna
	058841-01-M08	EA	Cover - Wastebasket - Mocha Brown
*	058841-01-M09	EA	Cover - Wastebasket - Superceded by 058841-01-M08
	059877-01-000	EA	Support - Wastebasket - White Plastic
**	046954-03-000	EA	Hood - Stove - w/Black Face - U.S.
**	046954-04-000	EA	Hood - Stove - w/Black Face - C.S.A.
**	049045-02-000	EA	Range - 4 Burner - Magic Chef
**	049174-02-000	EA	Refrigerator - AC/DC/Gas - Sibir ET 230/2

**The illustrated parts breakdown for this item is provided on the Common Items Fiche.

*Keyed items are to be ordered by superceded numbers only.

HEATING AND AIR CONDITIONING GROUP

AUTOMOTIVE HEATER AND AIR CONDITIONER

Key	Part Number	U/M	Description
	039044-01-000	EA	Louver Asm. - A/C Adjustable
	047048-01-000	EA	Motor 12 Volt - 3 Speed - Heater - Air Conditioner
	031043-01-000	EA	Valve - Heater - Water Flow Control
	033860-02-000	EA	Cable - Control - Flexible - 48"
	031189-02-000	EA	Cable - Control - Flexible - 48"
	031170-01-000	EA	Clamp - Cable - 3/16" Dia.
	024996-01-000	EA	Clutch - Magnetic - Compressor
	024999-01-000	EA	Compressor - Auto Air - 10.3" Cubic Inch
	048100-01-000	EA	Package - Compressor Mount 454 C.I.D.
	048801-01-000	EA	Condensor - Radiator Mount
	008267-01-000	EA	Switch - Air Conditioner
	024867-01-000	EA	Valve - Thermostatic Expansion
	024997-01-000	EA	Core - Heater
	024998-01-000	EA	Wheel - Blower - 4.72" O.D.
	031383-01-000	EA	Coil - Evaporator
	031001-01-000	EA	Flower Housing
	007076-01-000	FT	Hose - Flexible PVC - 2" I.D.
	007108-01-000	FT	Hose - Heater - 5/8" I.D. SAE 20R3
	007281-01-000	FT	Hose - Flexible PVC - 2 1/2" I.D.
	007139-01-000	EA	Clamp - Worm Drive - .69" - 1.25" I.D.
	007140-01-000	EA	Clamp - Hose - 2" - 3" Dia.
	033258-01-000	EA	Hose - Refrigerant - .50" I.D. x 34.50"
	034222-01-000	EA	Hose - Refrigerant - .31" I.D. x 28"
	034222-02-000	EA	Hose - Refrigerant - .31" I.D. x 32"
	031960-01-000	EA	Hose - Refrigerant - .34" I.D. x 30"
	031961-01-000	EA	Hose - Refrigerant - .31" I.D. x 14.75"
	031961-02-000	EA	Hose - Refrigerant - .31" I.D. x 19"
	049401-01-000	EA	Heater Asm. - Rear - Auxiliary
	049401-01-700	EA	Valve - Water Control - (Aux. Heater)
	049401-01-701	EA	Control Cable - (Aux. Heater)
	049401-01-702	EA	Motor Asm. - (Aux. Heater)
	049401-01-703	EA	Heater Core - (Aux. Heater)
	049401-01-704	EA	Switch - (Aux. Heater)
	058906-01-000	EA	Control Panel - (Auxiliary Rear Heater)
	024868-01-000	EA	Receiver - Dehydrator
	031044-01-000	EA	Clamp - Receiver Dehydrator
	031962-01-000	EA	Bracket - Receiver Dehydrator
	048232-02-000	EA	Kit - Auto Air - 454 C.I.D. A-Body - Chevy
	048229-02-000	EA	Kit - Auto Air - 440 CID A-Body - Dodge
	024851-01-000	EA	Door Asm. - Deforster - A/C
	010227-01-000	EA	Tee - Plastic - Barb 5/8" or 3/4" Hose
	024855-01-000	EA	Duct Asm. - Fresh Air
	024849-01-000	EA	Damper Asm. - Fresh Air

1981 WINNEBAGO TABLE OF CONTENTS

Introduction	I
Abbreviations	I
Alphabetical Index	II - IV
WDN29RT M1, WCN29RT M2	A-1 - C-8
WDN26RB M1, WCN26RB M2	C-9 - E-8
WC621RB M2	E-9 - F-18

1981 WDN26RB M1, WCN26RB M2 INDEX

Floor Plan	C-9 - C-10
Accessories Group	C-11 - C-13
Bath Group	C-14 - C-15
Chassis Group	C-16 - C-17
Curtain, Cushion & Pad Group	C-18 - D-2
Dinette Group	D-3 - D-4
Driver's Compartment Group	D-5 - D-6
Electrical Group	D-7 - D-9
Exterior Body Group	D-10 - D-13
Galley Group	D-14 - D-15
Heating & Air Conditioning Group	D-16 - D-17
Interior Finish Group	D-18 - D-19
LP Group	D-20
Lounge Group	D-21
Water & Sewage Group	D-22
Window, Vent & Exterior Door Group	D-23 - E-8

HEATING AND AIR CONDITIONING GROUP (CONTINUED)

FURNACES AND ROOF AIR CONDITIONERS

Key	Part Number	U/M	Description
**	058824-01-000	EA	Furnace - 34,000 BTU - w/Electric Ignition - 4334-749
**	059350-01-000	EA	Furnace - 30,000 BTU - w/Electric Ignition - 4330-749
	009198-01-000	FT	Duct - Flexible - 4" I.D. x 25'
	009200-01-000	EA	Tape - Furnace - 1 1/2"
	023146-01-000	EA	Clamp - Screw Type - 4"
	024985-01-000	EA	Heater Register - W/Damper - 9.9" x 4.8"
	031604-01-000	EA	Bonnet - Heat Register
	058824-02-000	EA	Door - Furnace - Front - 4334
	049043-02-000	EA	Door - Furnace - Front - 4330
	050783-01-000	EA	Vent Package - Furnace - 1-3" Wall
	050784-01-000	EA	Vent Package - Furnace - 3-6" Wall
	039505-02-000	EA	Thermostat - Horizontal Wall Mount
**	049777-02-000	EA	Air Conditioner - 110 Volt - Roof Mount - 11,000 BTU - Ivory Coleman (w/o inside shroud)
**	049778-02-000	EA	Shroud Asm. - Ceiling - Inside Roof Air - Cool Only - 11,000 BTU - Coleman
**	049774-02-000	EA	Air Conditioner - 110 Volt - Roof Mount - 13,500 BTU Ivory - Coleman (w/o inside shroud)
**	049775-02-000	EA	Shroud Asm. - Ceiling - Inside - Roof Air Cool Only - 13,500 BTU - Coleman
**	049776-01-000	EA	Shroud Asm. - Ceiling - Inside - Roof Air Heat and Cool Only - 13,500 BTU - Coleman
**	063903-01-000	EA	Air Conditioner - 110 Volt - Roof Mount - 13,500 BTU Rotary

**The illustrated parts breakdown for this item is provided on the Common Items Fiche.

INTERIOR FINISH GROUP

PANELING AND COUNTER TOP MATERIALS

Key	Part Number	U/M	Description
	058209-01-000	SF	Paneling - Elm Plain - 48" x 96" (32 SF) (L36-L37-L38)
	068344-05-000	SF	Paneling - 150 Elm - 48" x 96" (32 SF) (M07-M08-M09)
	045063-01-000	SF	Paneling - 825 Buff - Ceiling - 48" x 96" (32 SF)
	058700-01-000	SF	Paneling - Bandsaw Cedar - 48" x 96" (32 SF) (L10-L11-L12)
	064388-13-000	SF	Paneling - Decor New Wheat - Beige (48" x 96" 32 SF) (L10-L12-L36-L38)
	064388-14-000	SF	Paneling - Decor New Wheat - Blue (48" x 96" 32 SF) (L11-L37)
	068343-08-000	SF	Paneling - Decor Bali (48" x 96" 32 SF) (M07-M08-M09)
	068344-01-000	SF	Paneling - Wall Sumatra (46" x 96" 32 SF) (M07-M08-M09)
	064387-03-000	SF	Plastic Laminate - Rust - 48" x 96" (L10-L36)
	064387-04-000	SF	Plastic Laminate - Blue - 48" x 96" (32 SF) (L11-L37)
	064387-05-000	SF	Plastic Laminate - Coco Brown - 48" x 96" (32 SF) (L12-L38)
	064387-05-001	EA	Plastic Laminate - Coco Brown - 1.19" x 96" (L12-L38)
	064387-03-001	EA	Plastic Laminate - Rust - 1.19" x 96" (L10-L36)
	064387-04-001	EA	Plastic Laminate - Blue - 1.19" x 96" (L11-L37)
	068341-01-019	EA	Plastic Laminate - Rust Burnt Sienna - 1.19" x 96" (M07)
	068341-01-000	SF	Plastic Laminate - Rust Burnt Sienna 48" x 96" (32 SF) (M07)
	068341-04-019	EA	Plastic Laminate - Brown Mocha - 1.19" x 96" (M08-M09)
	068341-04-000	SF	Plastic Laminate - Brown Mocha - 48" x 96" (32 SF) (M08-M09)

INTERIOR MOLDINGS AND TRIMS

Key	Part Number	U/M	Description
	024700-06-000	EA	Cover - Sidewall Roll Bar - Ivory
	024700-14-000	EA	Cover - Sidewall Roll Bar - Russet Oak
	039512-06-000	EA	Cover - Hat Section - Ivory
	039512-13-000	EA	Cover - Hat Section - Russet Oak
	047488-01-000	EA	Cover - Corner - Hat/Hat
	047489-01-000	EA	Cover - Corner - Tube/Tube
	042430-01-000	EA	Molding - Shelf - Wood
	008812-08-000	FT	Molding - Outside Corner - .50"
	008787-05-000	FT	Wetting - Light Brown
	008815-03-000	FT	T-Molding - .75" - Light Brown
	022992-03-000	FT	Molding - Reverse Cove - Sandalwood
	008778-01-000	FT	U-Channel - 1" - Dark Brown
	008779-03-000	FT	U-Channel - 1 1/8" - Light Brown
	017768-05-000	FT	U-Channel - 3/16" - Light Brown
	052859-01-L07	FT	Accent Trim - Acorn Brown Vinyl
	058352-01-000	FT	Insert - Vinyl - Style and Rail Door
	047354-01-000	EA	Batt Strip - Ceiling - 825 Buff - 8'
	058204-01-000	EA	Batt Strip - 8' Elm
	064389-14-000	EA	Batt Strip - Decor New Wheat - Beige - 8' (L10-L12-L36-L38)
	064389-15-000	EA	Batt Strip - Decor New Wheat - Blue - 8' (L11-L37)
	068345-02-000	EA	Batt Strip - Decor Bali (M07-M08-M09)
	047354-04-000	EA	Batt Strip - Sumatra (M07-M08-M09)
	064382-01-000	FT	Extrusion - Plastic Trim - Rolled Door
	042358-01-000	EA	Plug - Button - Mahogany - 3/8" Dia.

CURTAIN HARDWARE

Key	Part Number	U/M	Description
	053272-01-000	EA	Track - Curtain - Alum. - 16" With Holes
	059430-01-000	EA	Track - Curtain - Front Wraparound (2 per unit) - 32.8" x 45.2"
	059430-02-000	EA	Track - Curtain - Front Wraparound (2 per unit) 32.8" x 89.1"
	058001-01-000	EA	Bracket - Shade - Left
	058002-01-000	EA	Bracket - Shade - Right
	008107-01-000	EA	Guide - Nylon Snap - Curtain
	018031-42-000	EA	Track - Curtain - "L" Rod - Alum. Extr. - 90"
	008701-01-000	EA	Carrier - "L" Rod - Curtain
	008702-01-000	EA	End Stop - "L" Rod - Curtain

1981 WINNEBAGO TABLE OF CONTENTS

Introduction	I
Abbreviations	I
Alphabetical Index	II - IV
WDN29RT M1, WCN29RT M2	A-1 - C-8
WDN26RB M1, WCN26RB M2	C-9 - E-8
WC621RB M2	E-9 - F-18

1981 WDN26RB M1, WCN26RB M2 INDEX

Floor Plan	C-9 - C-10
Accessories Group	C-11 - C-13
Bath Group	C-14 - C-16
Chassis Group	C-16 - C-17
Curtain, Cushion & Pad Group	C-18 - D-2
Dinette Group	D-3 - D-4
Driver's Compartment Group	D-5 - D-6
Electrical Group	D-7 - D-9
Exterior Body Group	D-10 - D-13
Galley Group	D-14 - D-16
Heating & Air Conditioning Group	D-16 - D-17
Interior Finish Group	D-18 - D-19
LP Group	D-20
Lounge Group	D-21
Water & Sewage Group	D-22
Window, Vent & Exterior Door Group	D-23 - E-8

INTERIOR FINISH GROUP (CONTINUED)

CABINETS AND TABLE HARDWARE

Key	Part Number	U/M	Description
	047907-01-000	EA	Hinge - Brass - 14" w/Holes - Bath Vanity Door
	054529-01-000	EA	Latch - Slide Bolt - Antique Brass - Bath Door
**	052932-01-J30	EA	Hinge Kit - Cabinet Door - Antique Brass
	057898-01-000	EA	Latch - Hidden - Cabinet Door
	009112-01-000	EA	Flange - 1" - Chrome - Closet Rod
**	053200-04-000	EA	Bracket - Upper Wall Mount - Brown - 23.5"
**	053201-03-000	EA	Bracket - Table Mount - Brown - 23"
**	024275-01-000	EA	Rod - Table Lift - 8" x 23.5"
**	024281-06-000	EA	Bracket - Lower Wall Mount - Brown - 22.12"
**	024276-04-000	EA	Leg Asm. - Table - Brown - 29.5"
**	064050-01-000	EA	Hinge - Table Leg - Brown
**	024282-01-000	EA	Brace - Table Leg
**	024283-01-000	EA	Clip - 1" O.D. Tube
**	049493-02-000	EA	Catch - Table Leg - Mounts on Floor - Brown
**	059753-01-000	EA	Slide - Drawer - Left
**	059753-02-000	EA	Slide - Drawer - Right
**	037688-01-000	FT	Rail - Drawer
**	047744-01-000	EA	Kit - Drawer Glide
**	053331-01-000	EA	Hinge - Overlay - Antique Brass

**The illustrated parts breakdown for this item is provided on the Common Items Fiche.

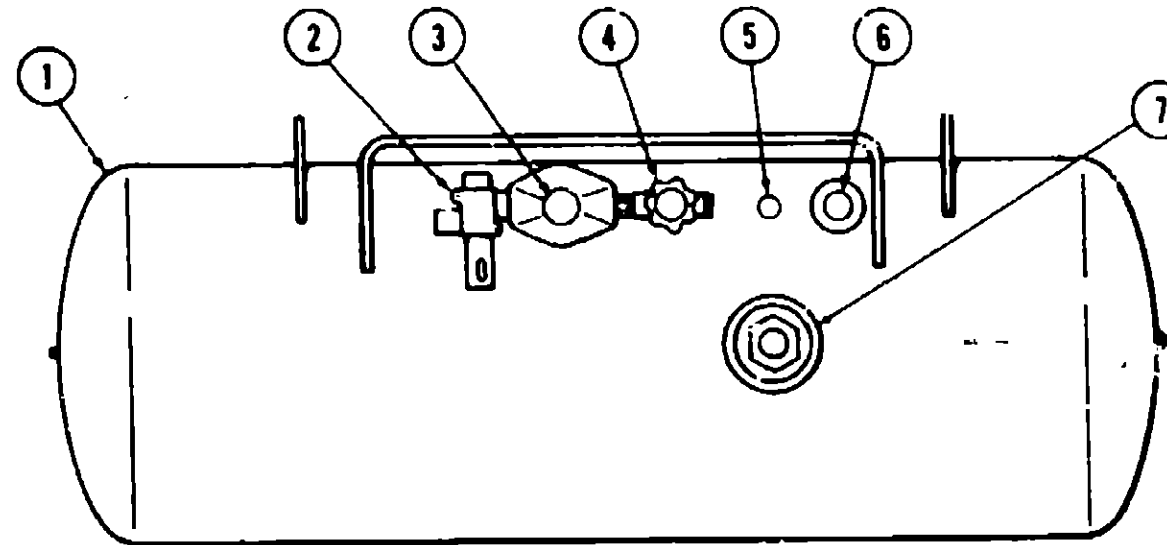
FABRICS AND CARPET

Key	Part Number	U/M	Description
	064393-06-000	YD	Fabric - Drapery - Rust (L10-L36)
	064393-09-000	YD	Fabric - Drapery - Blue (L11-L37)
	064393-10-000	YD	Fabric - Drapery - Brown (L12-L38)
	068339-02-000	YD	Fabric - Drapery - Copper (M07)
	068339-03-000	YD	Fabric - Drapery - Walnut (M08-M09)
	064393-17-000	YD	Fabric - Upholstery - Dorl Rust (L10-L36)
	064393-18-000	YD	Fabric - Upholstery - Dorl Blue (L11-L37)
	064393-19-000	YD	Fabric - Upholstery - Dorl Brown (L12-L38)
	068338-07-000	YD	Fabric - Upholstery - Rust/Ginger (M07)
	068338-08-000	YD	Fabric - Upholstery - Blue/Caramel (M08)
	068338-09-000	YD	Fabric - Upholstery - Brown/Cedar (M09)
	053327-01-000	YD	Vinyl - Non Expanded - 27 oz. - Acorn Brown
	053327-02-000	YD	Vinyl - Expanded - 28 oz. - Acorn Brown
	053327-03-000	YD	Vinyl - Non Support - 16 Gauge Film - Acorn Brown
	064384-09-000	SY	Carpet - Carlton Foxfire - Rust (L10-L36)
	064384-10-000	SY	Carpet - Carlton - Blue (L11-L37)
	064384-11-000	SY	Carpet - Carlton Saddle Brown (L12-L38)
	068340-06-000	SY	Carpet - Russet Red (M07)
	068340-03-000	SY	Carpet - Cinnamon (M08-M09)

MISCELLANEOUS PARTS

Key	Part Number	U/M	Description
	053552-01-M07	EA	Handle Asm. - Interior Assist - Acorn Brown Vinyl
	041944-01-700	EA	Fire Extinguisher w/Bracket - Dry Chemical
	041944-03-000	EA	Fire Extinguisher - w/Bracket - SBC - (Call.)
	008113-01-000	EA	Jack - Hydraulic - 5 Ton - w/Handle
	054185-12-000	EA	Owner's Manual - Itasca & Winnebago
	007038-01-000	EA	Mat - Door - Black Rubber - 10 1/2" x 26"

LP GROUP



1981 WINNEBAGO TABLE OF CONTENTS

Introduction	I
Abbreviations	I
Alphabetical Index	II - IV
WDN29RT M1, WCN29RT M2	A-1 - C-8
WDN26RB M1, WCN26RB M2	C-9 - E-8
WC821RB M2	E-9 - F-18

Key	Part Number	U/M	Description
1	052770-01-000	EA	Tank Asm. - LP - Frame Mount - 85 Pound
2	047221-01-000	EA	Detector - LP Gas Leak - Rosen
*	065741-01-000	EA	Detector - LP Gas Leak - Marshalltown Instruments
3	058706-01-000	EA	Cover - Regulator - 2 Stage
*	058705-01-000	EA	Regulator - Two Stage - LP Gas
4	040421-01-703	EA	Valve - Vapor Relief
5	040421-01-700	EA	Gauge - Liquid Level - 20% LP
6	040421-01-701	EA	Valve - Filler - LP
*	040421-01-702	EA	Cap - Plastic Fill Valve
7	040421-01-707	EA	Gauge - Float - w/Visible Dial - 85 Pound Tank
*	040421-01-706	EA	Dial - Visible Face - Float Gauge (Tank w/o Electric Transmitter)
*	040421-01-705	EA	Dial - Transmitter - 0-90 Ohm (Float Gauge)
*	045703-03-000	EA	Hose Asm. - LP - 3/8" I.D. x 14"
*	047737-02-000	EA	Support - LP Tank - 89.25"
*	047737-03-000	EA	Support - LP Tank - 30.50"
*	Not Illustrated		

WINN AIR WITH LANDI-HARTOG (A-BODY)

Key	Part Number	U/M	Description
	085279-01-000	EA	Relief Valve - Hydrostatic - Sherwood
	085287-02-000	EA	Valve - Gasoline Shut-Off
	085820-02-000	EA	Hose Asm. - High - Pressure - 36"
	087290-01-001	EA	Hose - Vapor - 5/8" x 51"
	088050-04-000	EA	LP Mixer
	088142-01-000	EA	Tube Asm. - Converter - Copper w/Flare Nuts - 5/16" x 90° Bend
	088144-01-000	EA	Bracket - Angle - Converter
	088197-01-000	EA	Instrument Asm. - LP
	088201-01-000	EA	Converter Asm. - LP A-Body
	03E927-01-001	EA	Steel Rod - Threaded - 1/4" - 20 x 8"

1981 WDN26RB M1, WCN26RB M2 INDEX

Floor Plan	C-9 - C-11
Accessories Group	C-11 - C-13
Bath Group	C-14 - C-15
Chassis Group	C-16 - C-17
Curtain, Cushion & Pad Group	C-18 - D-1
Dinette Group	D-3 - D-4
Driver's Compartment Group	D-5 - D-6
Electrical Group	D-7 - D-8
Exterior Body Group	D-10 - D-11
Galley Group	D-14 - D-15
Heating & Air Conditioning Group	D-16 - D-17
Interior Finish Group	D-18 - D-19
LP Group	D-2
Lounge Group	D-2
Water & Sewage Group	D-2
Window, Vent & Exterior Door Group	D-23 - E-1

LOUNGE GROUP

SPRUNG COUCH (REAR)

Key	Part Number	U/M	Description
	057622-01-L10	EA	Panel Asm. - Rear Couch Face - w/o Door or Hardware - Bandsaw Cedar
	057622-01-L36	EA	Panel Asm. - Rear Couch Face - w/o Door or Hardware - Elm Plain
	057622-01-M07	EA	Panel Asm. - Rear Couch Face - w/o Door or Hardware - 159 Elm
	059550-03-L10	EA	Door Asm. - Rear Couch Cabinet - 11.6" x 37" - w/o Hardware - Bandsaw Cedar
	059550-03-L36	EA	Door Asm. - Rear Couch Cabinet - 11.6" x 37" - w/o Hardware - 159 Elm
	059550-03-M07	EA	Door - Superceded by 059550-03-L36
	058856-01-L10	EA	Cabinet Asm. - Arm Rest - Bandsaw Cedar
	058856-01-L36	EA	Cabinet Asm. - Arm Rest - Elm Plain
	058856-01-M07	EA	Cabinet Asm. - Arm Rest - 159 Elm
	058860-01-L10	EA	Pad - Armrest - Rear Lounge - 31.4" x 6.2" x 3" - Rust
	058860-01-L11	EA	Pad - Armrest - Rear Lounge - 31.4" x 6.2" x 3" - Blue
	058860-01-L12	EA	Pad - Armrest - Rear Lounge - 31.4" x 6.2" x 3" - Coco Brown
	058860-01-L36	EA	Pad - Superceded by 058860-01-L10
	058860-01-L37	EA	Pad - Superceded by 058860-01-L11
	058860-01-L38	EA	Pad - Superceded by 058860-01-L12
	058865-01-M07	EA	Pad - Armrest - Rear Lounge - 31.4" x 6.2" x 3" - Rust Burnt Sienna
	058860-01-M08	EA	Pad - Armrest - Rear Lounge - 31.4" x 6.2" x 3" - Mocha Brown
	058860-01-M09	EA	Pad - Superceded by 058860-01-M08
	058825-02-L10	EA	Cabinet Asm. - Rear Lounge Overhead - Bandsaw Cedar
	058825-02-L36	EA	Cabinet Asm. - Rear Lounge Overhead - Elm Plain
	058825-02-M07	EA	Cabinet Asm. - Rear Lounge Overhead - 159 Elm
	059551-01-L10	EA	Door Asm. - Rear Lounge Overhead Cabinet - 28" x 11.3" - w/o Hardware - Bandsaw Cedar
	059551-01-L36	EA	Door Asm. - Rear Lounge Overhead Cabinet - 28" x 11.3" - w/o Hardware - 159 Elm
	059551-01-M07	EA	Door - Superceded by 059551-01-L36 - w/o Hardware - 159 Elm
	053248-02-M10	EA	Table Asm. - Pedestal - 17" x 24" - w/o Hardware - Rust Burnt Sienna
	053248-02-M08	EA	Table Asm. - Pedestal - 17" x 24" - w/o Hardware - Brown Mocha
	009040-03-000	EA	Base - Pedestal Table - Table Mount
	041194-01-000	EA	Base - Pedestal Table - Floor Mount
	009040-02-000	EA	Leg - Pedestal Table - 2.25" O.D. x 27.3" - Chrome
	056418-01-M07	EA	Plug Asm. - Pedestal - Table - Russet Red (M07)
	056418-01-M08	EA	Plug Asm. - Pedestal - Table - Cinnamon (M08-M09)
	057468-02-000	EA	Frame - Sprung Couch - Right Side
	057468-03-000	EA	Frame - Sprung Couch - Left Side
	057468-04-000	EA	Frame - Angle - Sprung Couch (2 per couch)
	057468-01-000	EA	Leg Asm. - Sprung Couch (2 per couch)

*Keyed items are to be ordered by superceded numbers only.

WATER AND SEWAGE GROUP

PLUMBING AND REPAIR PARTS

Key	Part Number	U/M	Description
**	063646-01-000	EA	Water Pump - 2.8 G.P.M. - Direct Drive - PAR - US
**	063646-02-000	EA	Water Pump - 2.8 G.P.M. - Direct Drive - PAR - CSA
**	041279-02-000	EA	Water Pump - Belt Drive - PAR - 2.8 G.P.M. - US
**	041279-04-000	EA	Water Pump - Belt Drive - PAR - 2.8 G.P.M. - CSA
**	039847-02-000	EA	Filter - Waste Pump - 1/2 MPT
**	052959-03-000	EA	Connecior - 1/2 F x 3/8 MPT - Plastic
**	052980-01-000	EA	Drain Valve - 1/2 F x 1/2 F - Plastic
**	052951-01-000	EA	Header - 1/2 F x 1/2 F x 1/2 F x 1/2 F
**	046524-02-000	EA	Kit - Water Tank Fittings - Blank Tank
**	046524-01-000	EA	Kit - Holding Tank Fittings - Blank Tank
**	010179-01-000	EA	Tee - Plastic - 1 1/2 H x 1 1/2 H x 1 1/4 H
**	010061-01-000	EA	Wye - Plastic - 3 x 45 H x H x H
**	010121-01-000	EA	Bushing - Plastic 1 1/2 S x 1 1/4 H
**	010133-01-000	EA	Trap Adaptor - Plastic - 1 1/2 H x MPT
**	010134-01-000	EA	Adaptor - Plastic - 1 1/2 M x MPT
**	010201-01-000	EA	Sewar Hose - 3" x 10' w/Clamp
**	062415-01-000	EA	Cap - Sewer - 3"
**	062416-01-000	EA	Hose Adaptor - 3"
**	062417-01-000	EA	Adaptor - Termination - 3"
**	062418-02-000	EA	Valve - 3" - w/o Handle
**	062419-02-000	EA	Handle - Extension - w/6" Adaptor
**	062421-01-000	EA	Valve - 1 1/2" - w/Handle
**	011086-01-000	EA	P-Trap - 1 1/4" - Plastic
**	011091-01-000	EA	Waste - Continuous - Double Sink - 11 7/8"
**	081807-01-000	EA	Grommet - Holding Tank Coupler - 1 1/2"
**	081807-02-000	EA	Grommet - Holding Tank Coupler - 3"
**	031126-01-000	EA	Elbow - 1/4 BD 3" x 90°
**	050780-01-000	EA	Rubber Coupler - 3" x 3"
**	004020-01-000	QT	Adhesive - ABS Cement
**	037845-01-000	FT	Tape - Butyl - 3/16" - Bead - Black
**	040539-01-000	EA	Kit - Repair - 3/8" O.D. Plastic Tube
**	040540-01-000	EA	Kit - Repair - 1/2" O.D. Plastic Tube
**	040541-01-000	EA	Kit - Repair - 5/8" O.D. Plastic Tube
**	039818-01-000	EA	Riser Asm. - 3/8" O.D. x 24" Tube
**	039818-02-000	EA	Riser Asm. - 3/8" O.D. x 36" Tube
**	039818-04-000	EA	Riser Asm. - 3/8" O.D. x 72" Tube
**	039818-05-000	EA	Riser Asm. - 3/8" O.D. x 48" Tube

**The illustrated parts breakdown for this item is provided on the Common Items Fiche.

HOLDING TANKS AND WATER HEATERS

Key	Part Number	U/M	Description
	058731-02-000	EA	Tank Asm. - Water - 52 Gallon - w/Fittings
	058731-01-000	EA	Tank Asm. - Water - 52 Gallon - w/o Fittings
**	054032-08-000	EA	Tank Asm. - Holding - 25 Gallon - w/Fittings
**	054032-01-000	EA	Tank Asm. - Holding - 25 Gallon - w/o Fittings
**	054033-04-000	EA	Tank Asm. - Holding - 32 Gallon - w/Fittings
**	054033-01-000	EA	Tank Asm. - Holding - 32 Gallon - w/o Fittings
**	051391-01-000	EA	Water Heater - w/o Motor Aid - G6A3

**The illustrated parts breakdown for this item is provided on the Common Items Fiche.

1981 WINNEBAGO TABLE OF CONTENTS

Introduction	I
Abbreviations	I
Alphabetical Index	II - IV
WDN29RT M1, WCN29RT M2	A-1 - C-8
WDN26RB M1, WCN26RB M2	C-9 - E-8
WC621RB M2	E-9 - F-18

1981 WDN26RB M1, WCN26RB M2 INDEX

Floor Plan	C-9 - C-10
Accessories Group	C-11 - C-13
Bath Group	C-14 - C-15
Chassis Group	C-16 - C-17
Curtain, Cushion & Pad Group	C-18 - D-2
Dinette Group	D-3 - D-4
Driver's Compartment Group	D-5 - D-6
Electrical Group	D-7 - D-8
Exterior Body Group	D-10 - D-13
Galley Group	D-14 - D-15
Heating & Air Conditioning Group	D-16 - D-17
Interior Finish Group	D-18 - D-19
LP Group	D-20
Lounge Group	D-21
Water & Sewage Group	D-22
Window, Vent & Exterior Door Group	D-23 - E-4

WINDOW, VENT AND EXTERIOR DOOR GROUP

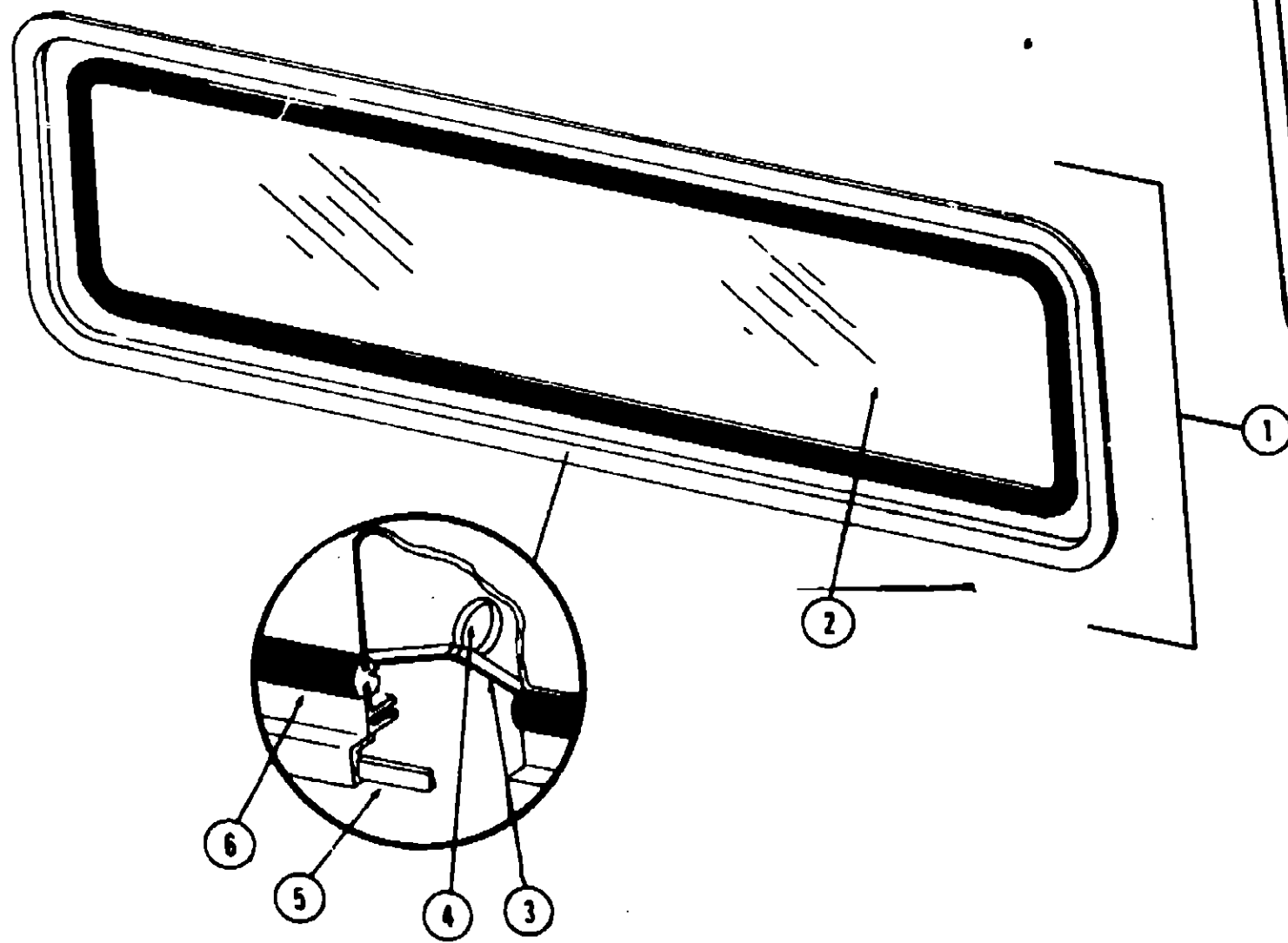
WINDOW, VENT AND EXTERIOR DOOR GROUP (CONTINUED)

1981 WINNEBAGO
TABLE OF CONTENTS

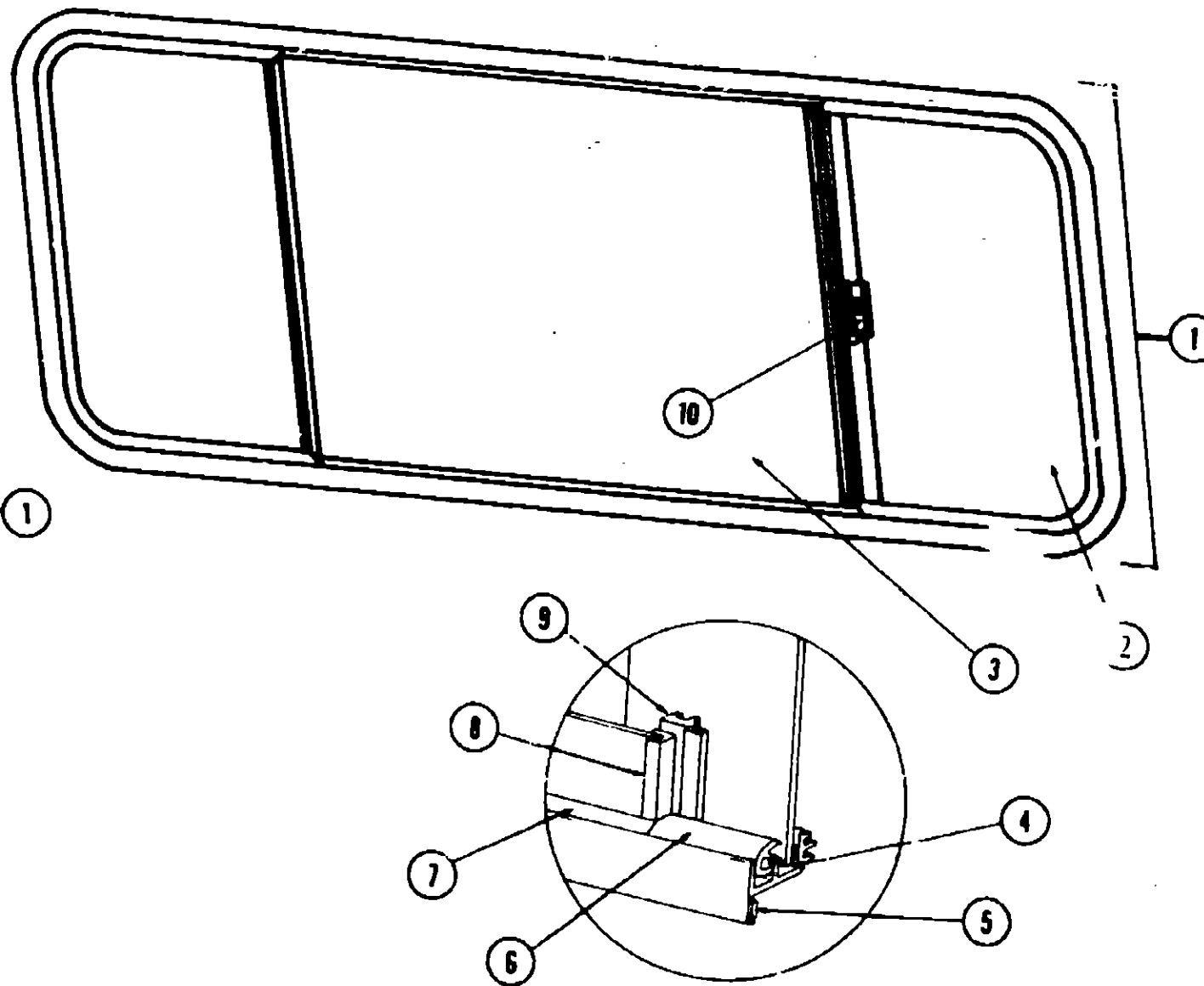
Introduction	I
Abbreviations	I
Alphabetical Index	II - IV
WDN29RT M1, WCN29RT M2	A-1 - C-8
WDN26RB M1, WCN26RB M2	C-9 - E-8
WC621RB M2	E-9 - F-18

1981 WDN26RB M1, WCN26RB M2 INDEX

Floor Plan	C-9 - C-10
Accessories Group	C-11 - C-13
Bath Group	C-14 - C-15
Chassis Group	C-16 - C-17
Curtain, Cushion & Pad Group	C-18 - D-2
Dinette Group	D-3 - D-4
Driver's Compartment Group	D-5 - D-6
Electrical Group	D-7 - D-8
Exterior Body Group	D-10 - D-13
Galley Group	D-14 - D-15
Heating & Air Conditioning Group	D-16 - D-17
Interior Finish Group	D-18 - D-19
LP Group	D-20
Lounge Group	D-21
Water & Sewage Group	D-22
Window, Vent & Exterior Door Group	D-23 - E-1

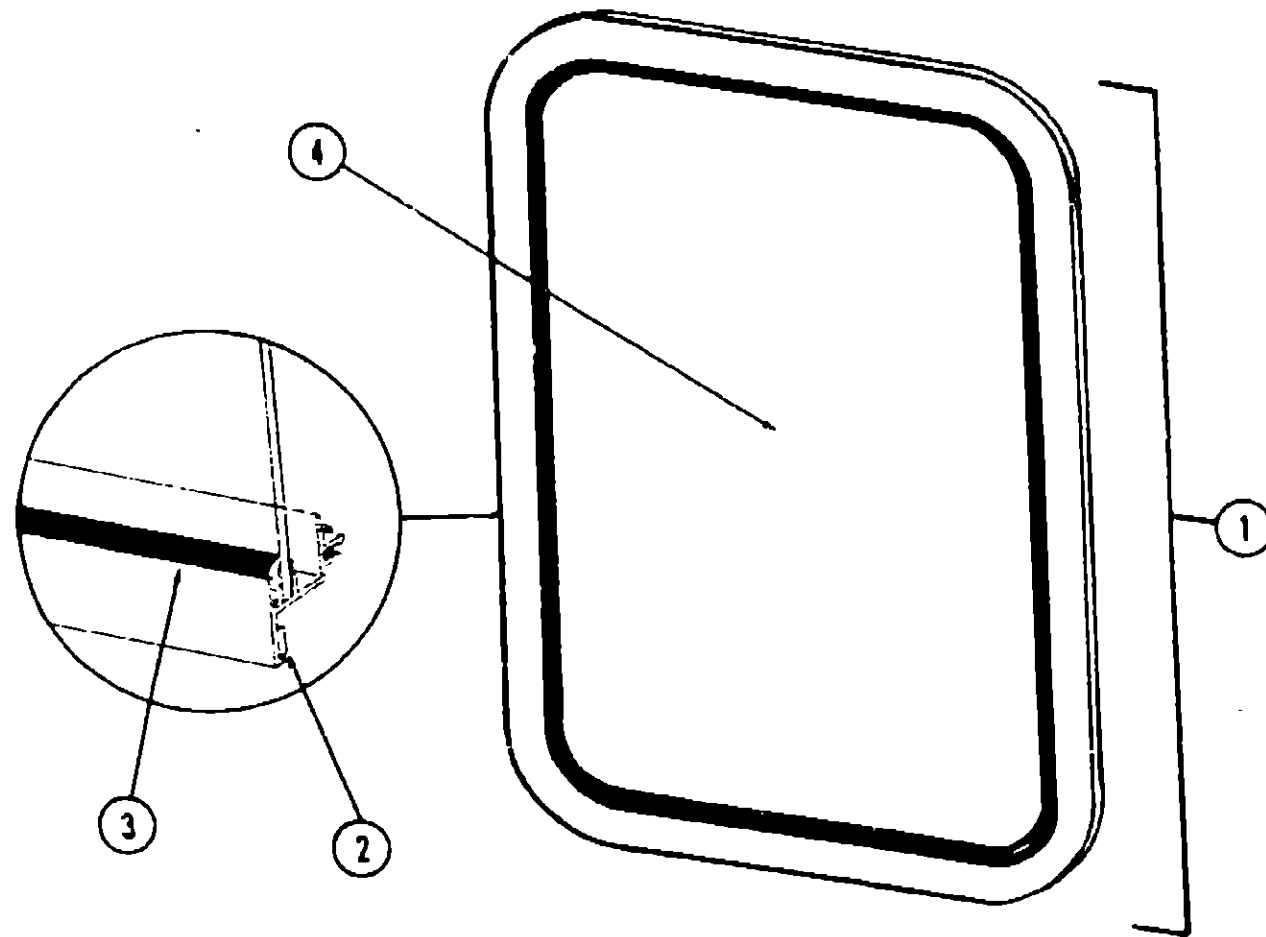


Key	Part Number	U/M	Description
1	042959-01-000	EA	Window Asm. - Rear Escape - 23" x 36" - Black Anod. (w/o inside frame)
2	041392-01-000	EA	Glass - 1/8" x 19.61" x 33.25"
3	002285-01-000	FT	Filler - Weatherstrip - Black
4	020395-01-000	EA	Slip - Pull Ring - Escape Window
5	053767-03-000	FT	Tape - 1/4" Bead x 20' - Gray - Schnee Moorehead
6	002282-01-000	FT	Weatherstrip - .125" Black
	042027-01-000	EA	Frame - Inside - Escape Window - 23" x 36" (not included in assembly)
	006199-01-000	EA	Label - Exit - Escape Window
	Not Illustrated		



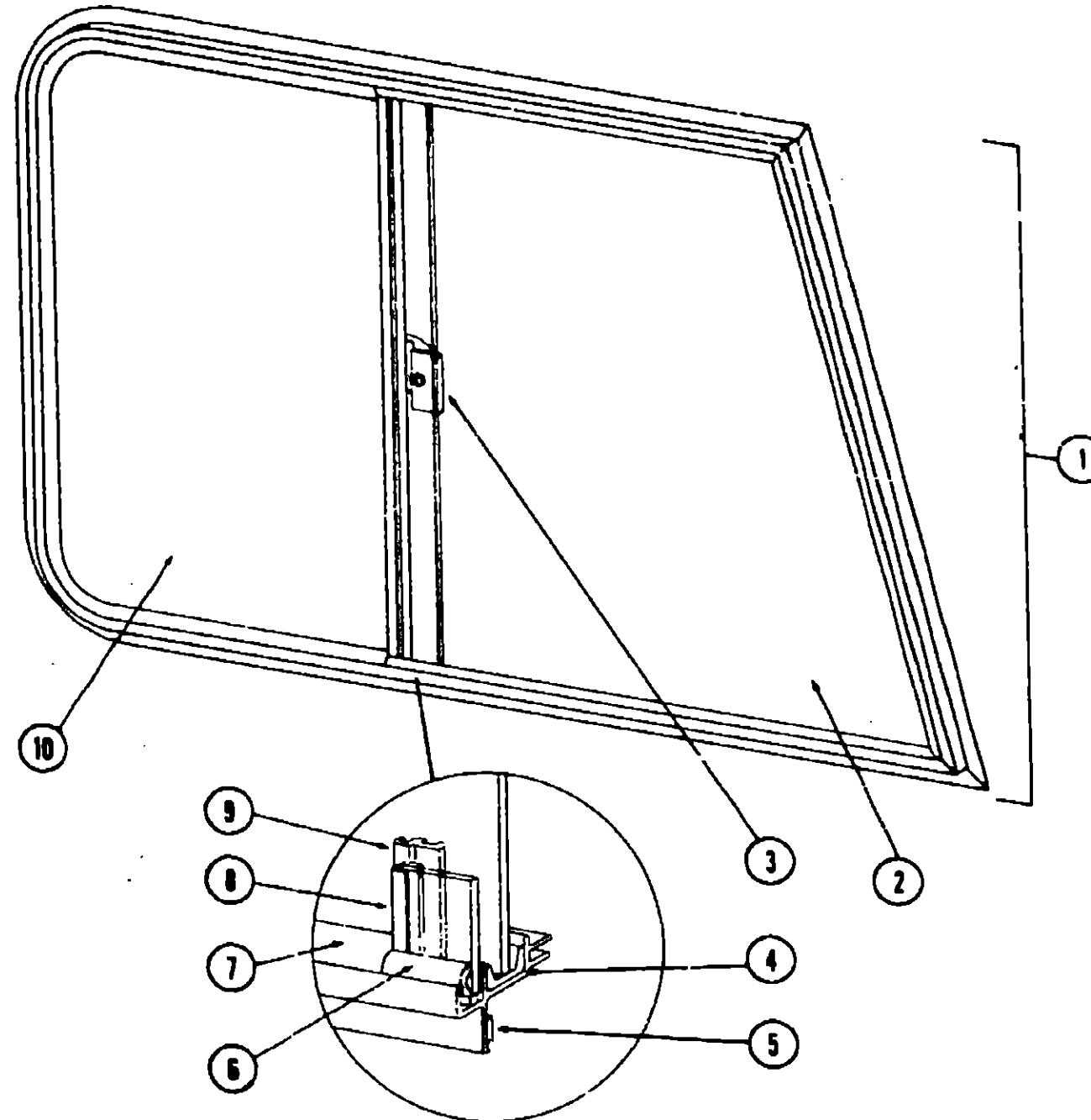
Key	Part Number	U/M	Description
1	066785-03-000	EA	Window Asm. - Single Slider - 25" x 65"
	042133-09-000	EA	Inside Frame - Brown
2	066726-02-000	EA	Glass - Stationary - 1/8" x 21.3" x 24"
3	066727-02-000	EA	Glass - Sliding - 1/8" x 12" x 24"
4	002324-02-000	FT	Channel - Weatherstrip - Glass
5	053767-03-000	FT	Tape - 1/4" Bead x 20' Gray
6	057374-02-000	FT	Extr. Vinyl - Window Seal - Black
7	002309-02-000	FT	Spline - Glass - 1/8" Material - Black
8	002390-03-002	EA	Extr. - Holder - Glass Seal - 23.18" - Black
9	041894-04-000	EA	Mullion - Slider Window - 25" - Black
10	047389-01-000	EA	Latch - Window - Plastic - w/Fastener
	002293-01-000	SF	Screen - Window - 26" - Gray
	002298-01-000	FT	Spline - .130" Dia. - Gray (Screen)
	042076-01-000	FT	Seal - Fin - Pile .34"
	Not Illustrated		

WINDOW, VENT AND EXTERIOR DOOR GROUP (CONTINUED)



Key	Part Number	U/M	Description
1	056651-01-000	EA	Window Asm. - Picture 20 3/4" x 20 3/4" - Black (w/o inside frame)
2	053767-02-000	FT	Tape - 3/16" Bead x 25' - Schnee Morehead
3	002309-02-000	FT	Spline - Glass - 1/8" - Black
4	002181-03-000	EA	Glass - .115" x 20.62" x 20.52" - Gray
	056550-01-000	EA	Frame - Inside - Window (not included in assembly)
			Not Illustrated

WINDOW, VENT AND EXTERIOR DOOR GROUP (CONTINUED)



Key	Part Number	U/M	Description
1	059046-01-000	EA	Window Asm. - Right Front Slant Slider - 23" x 39" - Black Anod. (w/o inside frame)
	059046-02-000	EA	Window Asm. - Left Front Slant Slider - 23" x 39" - Black Anod. (w/o inside frame)
2	057656-01-000	EA	Glass - 3/16" x 24.88" x 25.30" - Stationary
3	047369-01-700	EA	Latch - Window - Plastic w/Fastener
	023320-01-000	EA	Foam Pad - 3/8" Dia. (used with plastic latch)
4	042077-01-000	FT	Channel - Weatherstrip - Glass Run - 3/16" Glass
5	053787-01-000	FT	Tape - 1/2" x 1/8" x 30' - Gray - Schnee Morehead
6	050216-02-000	FT	Spline - 3/16" Glass
7	057374-02-000	FT	Extr. Vinyl - Window Seal - Black
8	002389-03-2C6	EA	Holder - Glass Seal - Black Anod. - 24.13"
9	057844-04-000	EA	Mullion, Window - Slant Slider
10	057857-01-000	EA	Glass - 3/16" x 24.88" x 14.70" - Sliding
	059042-01-000	EA	Inside Frame - Right Front Slant Slider (not included in assembly)
	059042-02-000	EA	Inside Frame - Left Front Slant Slider (not included in assembly)
	023713-02-000	EA	Cover - Weephole - Black Anod.
	055164-05-000	EA	Slider Screen Asm. - Right or Left - Black
	016310-03-000	EA	Handle - Slider Screen - Black
	002292-01-000	SF	Screen - Window - 20" - Gray
	002298-01-000	FT	Spline - Gray - .130" Dia.
			Not Illustrated

1981 WINNEBAGO
TABLE OF CONTENTS

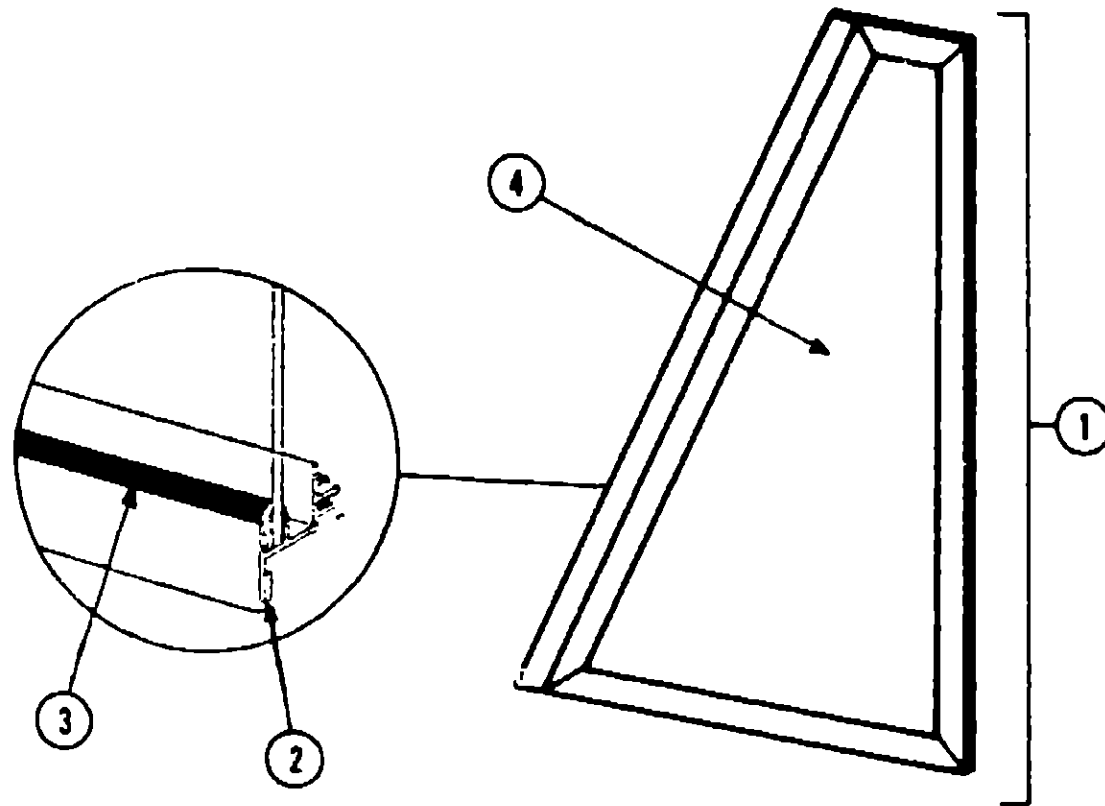
Introduction	I
Abbreviations	I
Alphabetical Index	II - IV
WDN29RT M1, WCN29RT M2	A-1 - C-8
WDN26RB M1, WCN26RB M2	C-9 - E-8
WC621RB M2	E-9 - F-18

1981 WDN26RB M1, WCN26RB M2 INDE

Floor Plan	C-9 - C-1
Accessories Group	C-11 - C-1
Bath Group	C-14 - C-1
Chassis Group	C-16 - C-1
Curtain, Cushion & Pad Group	C-18 - D-1
Dinette Group	D-3 - D-1
Driver's Compartment Group	D-5 - D-1
Electrical Group	D-7 - D-1
Exterior Body Group	D-10 - D-1
Galley Group	D-14 - D-1
Heating & Air Conditioning Group	D-16 - D-1
Interior Finish Group	D-18 - D-1
LP Group	D-1
Lounge Group	D-1
Water & Sewage Group	D-1
Window, Vent & Exterior Door Group	D-23 - E-1

WINDOW, VENT AND EXTERIOR DOOR GROUP (CONTINUED)

WINDOW, VENT AND EXTERIOR DOOR GROUP (CONTINUED)



Key	Part Number	U/M	Description
1	062896-01-000	EA	Window Asm. - Stationary - Drivers Slant - 14" x 25.32" Black Anod. (w/o inside frame)
2	053767-03-000	FT	Tape - 1/4" Bead x 20' - Gray - Schnee Morehead
3	002309-02-000	FT	Spline - Glass - 1/8" - Black
4	057656-02-000	EA	Glass - 3/16" x 24.88" x 13.66"
*	063420-01-000	EA	Frame - Inside - Front Slant Window (not included in assembly)
*	Not Illustrated		

WINDSHIELD

Key	Part Number	U/M	Description
	056272-01-000	EA	Frame Asm. - Windshield w/o Glass
	057459-01-000	EA	Glass - Windshield - Right or Left
	038886-01-000	EA	Tape - Butyl - .31" x .31" x 148"
	042743-01-000	EA	Corner - Windshield - Lower
	042743-02-000	EA	Corner - Windshield - Upper

ACCESS DOORS

Key	Part Number	U/M	Description
	033333-18-000	EA	Door Asm. - Battery - 10.25" x 24.75" - Beige w/Twist Type Lock (2 Doors per Coach)
	033333-19-000	EA	Door Asm. - Luggage - 10.25" x 24.75" - Beige w/Key Type Lock (2 Doors per Coach)
	047233-04-000	EA	Door Asm. - Luggage - 35.5" x 13" - Beige w/Key Type Lock
	059727-02-000	EA	Door Asm. - Storage - Insulated - 29.9" x 10.36" - Beige w/Key Type Lock
	068824-04-000	EA	Door Asm. - Refrigerator Access - Beige w/Twist Type Lock
	055500-03-000	EA	Door Asm. - Gas Fill - Beige w/Key Type Lock
	042441-01-000	EA	Lock Asm. - Key Type - Gas Fill
	047305-01-000	EA	Lock Asm. - Key Type w/Clip
	009003-01-000	EA	Lock Asm. - Twist Type w/Clip
	016945-02-000	EA	Holder Asm. - Battery and Luggage Door
	052179-06-000	EA	Door Asm. - Generator - Beige w/Twist Type Lock
	052181-03-000	EA	Baffle - Generator Door

VENTS

Key	Part Number	U/M	Description
	049352-02-000	EA	Vent - Stovehood - Outside - Beige
**	048789-01-000	EA	Vent Asm. - Roof - Powered - w/o Screen - Alum.
**	048835-01-000	EA	Vent Asm. - Roof - Non Powered - w/o Screen - Alum.
**	056119-01-000	EA	Vent Asm. - Roof - Powered/Lighted - Jensen - White
**	065103-01-000	EA	Vent Asm. - Refrigerator - Roof

**The illustrated parts breakdown for this item is provided on the Common Items Fiche.

**1981 WINNEBAGO
TABLE OF CONTENTS**

Introduction	I
Abbreviations	I
Alphabetical Index	II - IV
WDN29RT M1, WCN29RT M2	A-1 - C-8
WDN26RB M1, WCN26RB M2	C-9 - E-8
WC621RB M2	E-9 - F-18

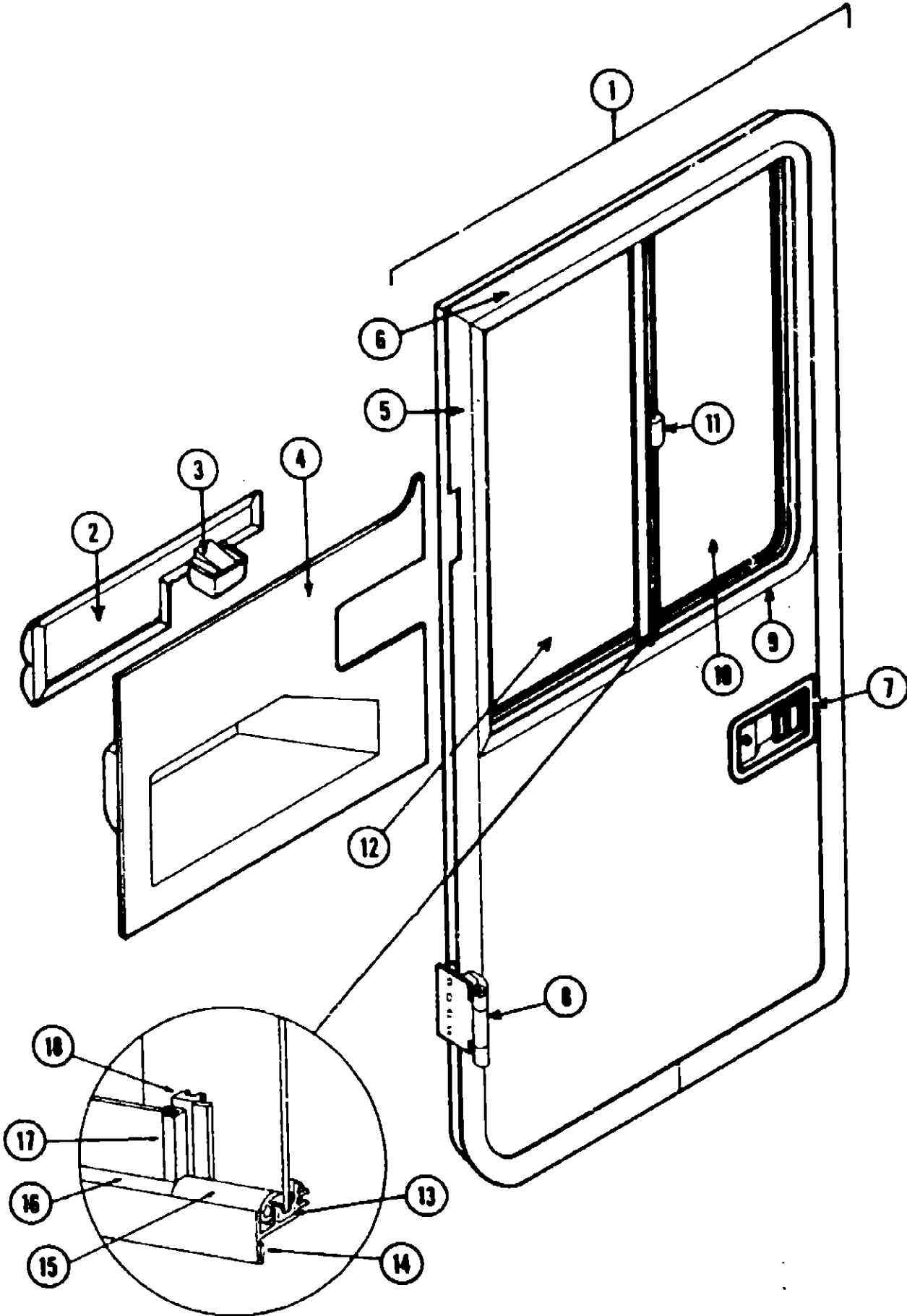
1981 WDN26RB M1, WCN26RB M2 INDEX

Floor Plan	C-9 - C-10
Accessories Group	C-11 - C-13
Bath Group	C-14 - C-15
Chassis Group	C-16 - C-17
Curtain, Cushion & Pad Group	C-18 - D-2
Dinette Group	D-3 - D-4
Driver's Compartment Group	D-5 - D-6
Electrical Group	D-7 - D-13
Exterior Body Group	D-10 - D-11
Galley Group	D-14 - D-15
Heating & Air Conditioning Group	D-16 - D-17
Interior Finish Group	D-18 - D-19
LP Group	D-20
Lounge Group	D-21
Water & Sewage Group	D-22
Window, Vent & Exterior Door Group	D-23 - E-8

WINDOW, VENT AND EXTERIOR DOOR GROUP (CONTINUED)

DRIVER DOOR - GRAY

Key	Part Number	U/M	Description
1	063991-01-000	EA	Door Asm. - Driver - Beige
2	064088-01-000	EA	Pad Asm. - Trim - Upper
3	061400-01-000	EA	Assist Strap - 12" - Light Brown
4	046886-01-000	EA	Ashtray Asm. - Flush Mount - Chrome
5	064499-01-000	EA	Panel - Driver Door - Inner - Dark Brown Plastic
6	063350-01-000	EA	Trim - Door Frame - Front - Beige
7	063351-01-000	EA	Trim - Door Frame - Rear - Beige
8	045017-03-000	EA	Paddle - Door Lock - Exterior
9	045017-01-700	EA	Lock Cylinder w/Keys - Lynor
10	039979-02-000	EA	Inside Plate - Door Lock - w/Inside Handle
11	039540-02-000	EA	Latch Claw - Entry Door Lock
12	039738-01-000	EA	Deadbolt - Entrance Door Lock
13	039539-01-000	EA	Strike Bolt - Entrance Door (Jamb Mount)
14	063124-02-000	EA	Plate - Striker - 8 1/4" x 1" - Black
15	062879-01-000	EA	Jamb - Driver Door - Black Steel
16	064199-01-000	EA	Trim - Door Jamb - Rear - w/Drip Cap - Beige
17	064184-01-000	EA	Drip Cap - Driver Door
18	063358-01-000	EA	Trim - Door Jamb - Front - Beige
19	063768-01-000	EA	Sill Plate - Driver Door
20	063993-01-000	EA	Hinge Asm. - Drive Door - Beige
21	064580-01-000	EA	Check Strap - Driver Door - Seat Belt Webbing
22	064218-01-000	EA	Retainer - Driver Door Check Strap
23	063896-02-000	EA	Assist Handle - Driver Door - Brown Steel Tube (2 required per door)
24	064075-01-000	EA	Bu'b Seal - Driver Door - 145"
25	062982-01-000	EA	Window Asm. - Driver Door - Single Slider - 23" x 25.5" - Black Anod. (w/o inside frame)
26	057657-02-000	EA	Glass - 3/16" x 24.88" x 12" - Sliding
27	047389-01-700	EA	Latch - Window - Plastic w/Fastener
28	002188-04-000	EA	Glass - 3/16" x 24.88" x 12" - Stationary
29	002324-02-000	FT	Channel - Weatherstrip - Glass Run - 1/8" Glass
30	053787-03-000	FT	Tape - 1/4" Bead x 30" - Gray - Schnee Morshead
31	024036-02-000	FT	Seal - Window Channel - Black
32	002309-02-000	FT	Spline - Glass - Black
33	002389-03-204	EA	Holder - Glass Seal - Anod. Black - 25.14"
34	002288-01-000	FT	Weatherstrip - Glass Seal
35	057644-04-000	EA	Mullion - Slider Window - Black Anod
36	063422-01-000	EA	Frame - Inside - Driver Door Window
37	023713-02-000	EA	Cover - Weephole - Black Plastic
38	055164-06-000	EA	Screen Asm. - Slider
39	002292-01-000	SF	Screen - Window - 20" - Gray
40	002298-01-000	FT	Spline - Gray - Screen - .130" Dia.
41	016310-03-000	EA	Screen Handle - Black Anod.
42	043485-02-000	FT	Screen Seal - Extr. Vinyl
	Not Illustrated		



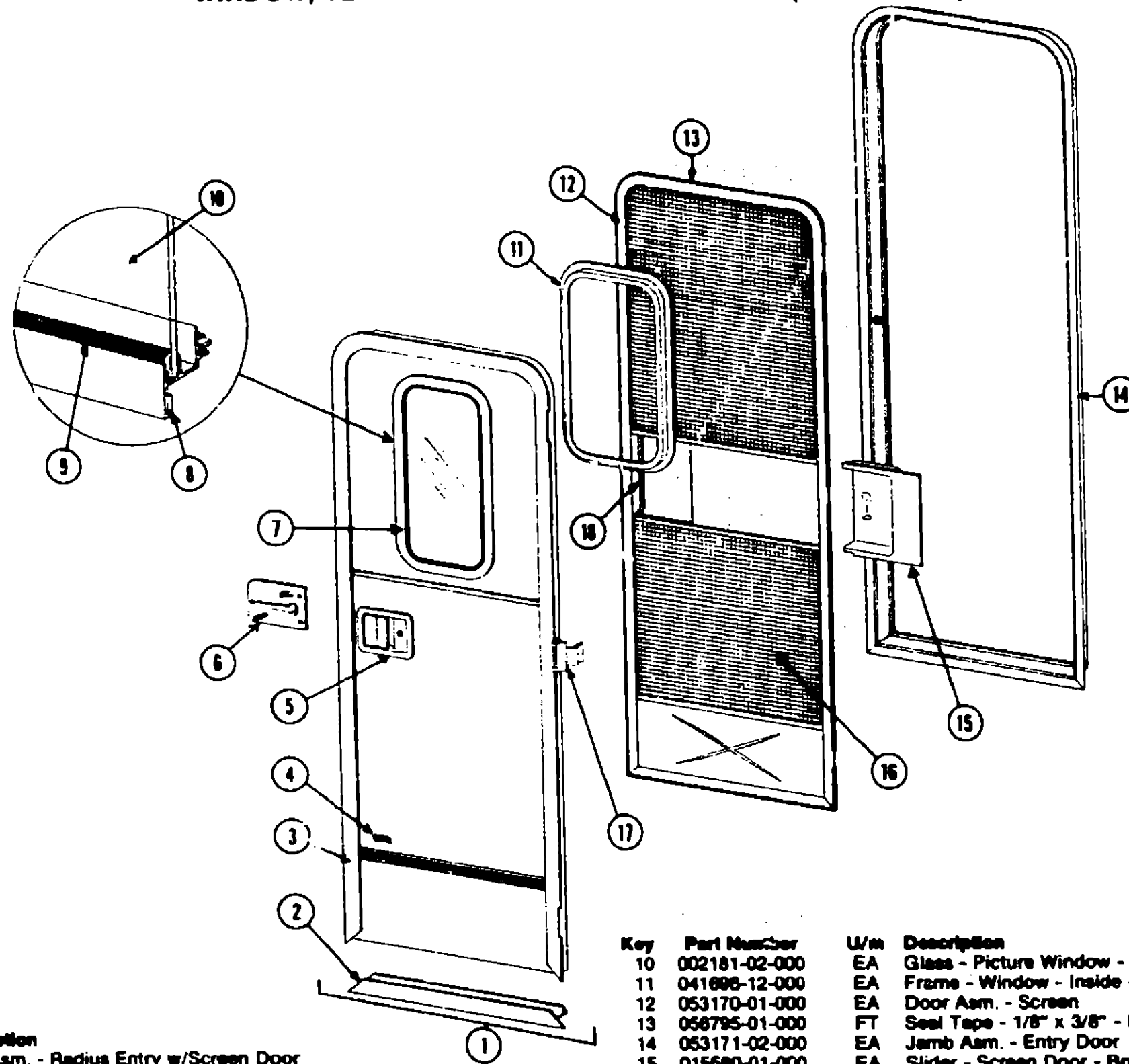
1981 WINNEBAGO
TABLE OF CONTENTS

Introduction	I
Abbreviations	I
Alphabetical Index	II - IV
WDN29RT M1, WCN29RT M2	A-1 - C-8
WDN26RB M1, WCN26RB M2	C-9 - E-8
WC621RB M2	E-9 - F-18

1981 WDN26RB M1, WCN26RB M2 INDEX

Floor Plan	C-9 - C-10
Accessories Group	C-11 - C-13
Bath Group	C-14 - C-15
Chassis Group	C-16 - C-17
Curtain, Cushion: & Pad Group	C-18 - D-2
Dinette Group	D-3 - D-4
Driver's Compartment Group	D-5 - D-6
Electrical Group	D-7 - D-8
Exterior Body Group	D-10 - D-13
Galley Group	D-14 - D-15
Heating & Air Conditioning Group	D-16 - D-17
Interior Finish Group	D-18 - D-19
LP Group	D-20
Lounge Group	D-21
Water & Sewage Group	D-22
Window, Vent & Exterior Door Group	D-23 - E-4

WINDOW, VENT AND EXTERIOR DOOR GROUP (CONTINUED)



Key	Part Number	U/M	Description
1	064324-04-000	EA	Door Asm. - Radius Entry w/Screen Door
2	039737-02-000	EA	Frame - Entry Door (Bottom Portion Only)
3	039736-02-000	EA	Frame - Entry Door (Except Bottom Portion)
4	054550-01-000	EA	Holder - Entry Door - Mounts on Sidewall
5	045017-01-000	EA	Paddle Asm. - Door Lock - Exterior
•	045017-01-700	EA	Lock Cylinder w/Keys
•	039539-01-000	EA	Striker Bolt - Entry Door
•	039540-01-000	EA	Latch Claw - Entry Door
6	039975-01-000	EA	Plate - Lock - Interior - Including Inside Handle
•	052186-01-000	EA	Lock Asm. - Complete - Lynor
7	041875-09-000	EA	Window Asm. - Picture - 13" x 25" - Black Anod. (inside frame not included in assembly)
8	004363-01-000	FT	Tape - Foam - 3/16" x 1/2" - Gray
9	002309-02-000	EA	Spline - Glass - 1/8" Black
•	044562-01-000	EA	Cap - Drip Jamb - Mounted - Beige
•	Not Illustrated		

Key	Part Number	U/M	Description
10	002181-02-000	EA	Glass - Picture Window - 1/8" x 12" x 24" - Gray
11	041898-12-000	EA	Frame - Window - Inside - 13" x 25" - Brown
12	053170-01-000	EA	Door Asm. - Screen
13	056795-01-000	FT	Seal Tape - 1/8" x 3/8" - Press On
14	053171-02-000	EA	Jamb Asm. - Entry Door
15	015580-01-000	EA	Slider - Screen Door - Brown Plastic
16	002293-01-000	SF	Screen - Window - 26" - Gray
•	002294-01-000	EA	Spline - .135" x .138" - Black
17	039520-01-000	EA	Hinge - Entry Door (3 used per door)
18	015581-01-000	EA	Cap - Screen Door - Brown Plastic
•	049176-01-000	EA	Hedlok II - 3/4" Diameter - Screw Mount (Retains screen door to entry door)
•	049797-01-000	EA	Hedlok II - 1" Diameter - Screw Mount (Retains screen door to entry door)
•	063638-01-000	EA	Striker - Screen Door
•	039963-01-000	EA	Catch Asm. - Single Roller w/Strike - Screen Door
•	051380-01-000	FT	Seal - Jamb - Entry Door - Bulb Seal
•	039800-01-000	FT	Tubing - Polybutyl - 1/2" O.D. - Jamb
•	009016-01-000	EA	Catch - Elbow - Spring Loaded - Zinc
•	009016-01-000	EA	Catch Asm. - Single Roller
•	Not Illustrated		

1981 WINNEBAGO
TABLE OF CONTENTS

Introduction	I
Abbreviations	I
Alphabetical Index	II - IV
WDN29RT M1, WCN29RT M2	A-1 - C-8
WDN26RB M1, WCN26RB M2	C-9 - E-8
WC&21RB M2	E-9 - F-18

1981 WDN26RB M1, WCN26RB M2 INDEX

Floor Plan	C-9 - C-10
Accessories Group	C-11 - C-13
Bath Group	C-14 - C-15
Chassis Group	C-16 - C-17
Curtain, Cushion and Pad Group	C-18 - D-2
Dinette Group	D-3 - D-4
Driver's Compartment Group	D-5 - D-6
Electrical Group	D-7 - D-9
Exterior Body Group	D-10 - D-13
Galley Group	D-14 - D-16
Heating & Air Conditioning Group	D-16 - D-17
Interior Finish Group	D-18 - D-19
LP Group	D-20
Lounge Group	D-21
Water & Sewage Group	D-22
Window, Vent & Exterior Door Group	D-23 - E-1