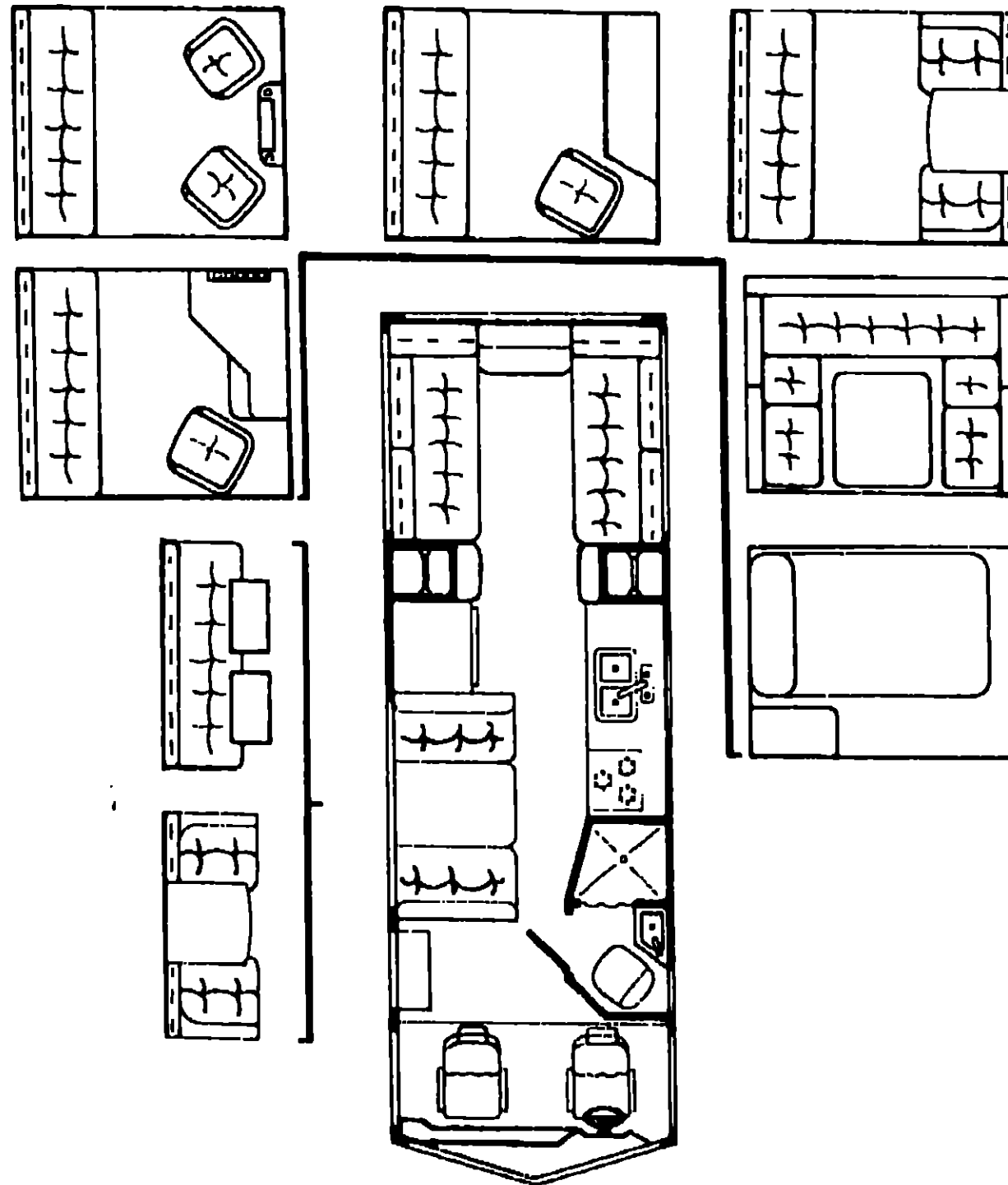


**1981**  
**WDF26RT M1**  
**WCF26RT M2**



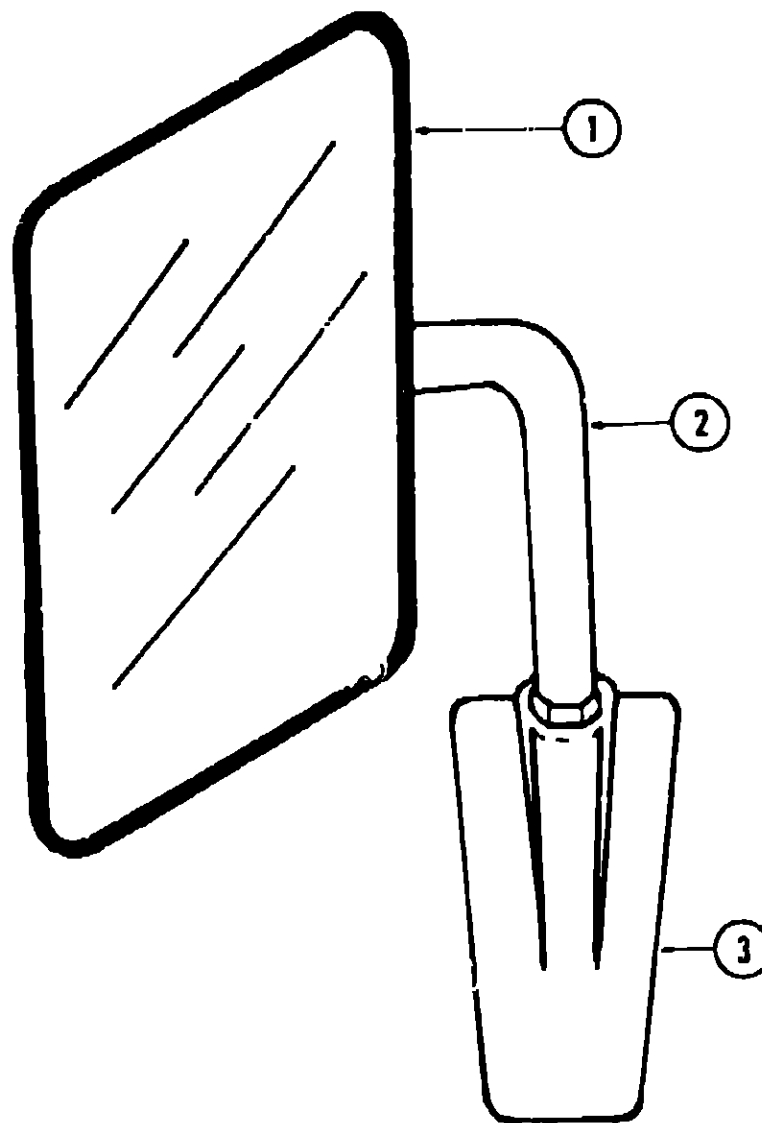
**1981 WINNEBAGO**  
**TABLE OF CONTENTS**

WD420RG M1, WC/WD420RG M2	A-1 - B-14
WDF26RH M1, WCF26RH M2	B-15 - D-12
WDF26RT M1, WCF26RT M2	D-13 - F-20

**1981 WDF/WCF26RT M1, M2 INDEX**

Floor Plan	D-13 - D-14
Accessories Group	D-15 - D-17
Bath Group	D-18
Chassis Group	D-19 - D-20
Curtain, Cushion and Pad Group	D-21 - E-9
Dinette Group	E-10
Driver's Compartment Group	E-11 - E-12
Electrical Group	E-13 - E-15
Exterior Body Group	E-16 - E-20
Galley Group	E-21
Heating & Air Conditioning Group	E-22 - E-23
Interior Finish Group	E-24 - F-2
LP Group	F-3
Lounge Group	F-4 - F-7
Water & Sewage Group	F-8
Window, Vent & Exterior Door Group	F-9 - F-20

**ACCESSORIES GROUP**



Key	Part Number	U/M	Description
1	057461-01-000	EA	Mirror Head - 7 1/2" x 10 1/2" - w/Convex - Stainless Steel
1	057461-02-000	EA	Mirror Head - 7 1/2" x 10 1/2" - w/Convex - Off White
2	049348-03-000	EA	Arm - Low Mount Mirror - Black
3	049944-04-000	EA	Bracket - Mirror - Outside - Black
.	065116-01-000	EA	Mirror - West Coast - Right Hand
.	065116-02-000	EA	Mirror - West Coast - Left Hand
.	Not illustrated		

**ACCESSORIES GROUP (CONTINUED)**

**RADIOS AND RELATED COMPONENTS**

Key	Part Number	U/M	Description
	031105-01-000	EA	Antenna - Radio - Side Mount
	031105-01-700	EA	Holder - Antenna - Radio - Upper
	048153-01-000	EA	Antenna - CB Camper Style
	041328-01-000	EA	Switch - Fader - Speaker Balance
	050751-01-000	EA	Plaque - Fader/Mic Mounting
	064792-01-000	EA	Grille - Speaker - 5 1/4"
	063647-01-000	EA	Control Box - Clarion CB
	063647-02-000	EA	Module - Clarion CB
	064794-01-000	EA	Trim Plate - Radio
	064785-01-000	EA	Radio - AM
	064786-01-000	EA	Radio - AM/FM/MPX - w/8 Track
	064787-01-000	EA	Radio - AM/FM/MPX - w/Cassette
	064788-01-000	EA	Radio - AM/FM/Digital - w/Cassette
	064789-01-000	EA	Radio - AM/FM Digital - w/8 Track
	056014-01-000	EA	Radio - AM/FM - Stereo Cassette
	065124-01-000	EA	Wiring - Power Adapter
	056725-01-000	EA	Grille Asm. - Radio
	064791-01-000	EA	Speaker - Radio - 5.25" Audiovox

**GENERATORS AND COMPONENTS**

Key	Part Number	U/M	Description
**	054429-01-000	EA	Generator - Onan - 4.0 kw - BFA
**	054433-01-000	EA	Generator - Onan - 6.5 kw
	701629-02-000	EA	Onan Installation Package
	024732-01-001	EA	Tailpipe - 1 1/2" O.D. x 23"
	054426-01-000	EA	Muffler - Generator - w Spark Arrestor
	740313-56-000	EA	Tray - Generator - 4.0 kw Onan
	740313-57-000	EA	Tray - Generator - 6.5 kw Onan

\*\*The illustrated parts breakdown for this item is provided on the Common Items Fiche.

**FRONT BUNK AND HARDWARE**

Key	Part Number	U/M	Description
	058300-01-L01	EA	Cabinet Asm. - Front Overhead
	058300-01-M04	EA	Cabinet Asm. - Front Overhead
	058844-01-L04	EA	Bunk Board Asm. - Front Overhead w/Rails
	053320-01-M04	EA	Bunk Board Asm. - Front Overhead w/Rails
	053773-01-000	EA	Support - Overhead Bunk - Brown - Right
	053773-02-000	EA	Support - Overhead Bunk - Brown - Left
	040071-02-000	EA	Support - Bunk - Seatbelt
	038516-02-000	EA	Catch - Bunk - Brown
	023812-22-000	EA	Rail - Bunk - 80" - Brown
	053774-02-000	EA	Torsion Rod - Overhead Bunk - Brown
	041322-01-000	EA	Washer - Flat - 15/32" I.D. x 2 3/8" O.D.
	059608-01-M04	EA	Pad Asm. - Front Bunk - Left
	059608-02-M04	EA	Pad Asm. - Front Bunk - Left - w/Driver Door
	059607-01-M04	EA	Pad Asm. - Front Bunk - Right
	058948-01-000	EA	Pad Asm. - Front Overhead Cabinet - Right
	058948-02-000	EA	Pad Asm. - Front Overhead Cabinet - Left
	058948-03-000	EA	Pad Asm. - Front Overhead Cabinet - Driver Door
	048394-01-000	EA	Tape Hook - 1" x 25 YD - Beige
	048395-01-000	EA	Tape Loop - 1" x 25 YD - Beige

**1981 WINNEBAGO  
TABLE OF CONTENTS**

WD420RG M1, WC/WD420RG M2	A-1 - B-14
WDF26RH M1, WCF26RH M2	B-15 - D-12
WDF26RT M1, WCF26RT M2	D-13 - F-20

**1981 WDF/WCF26RT M1, M2 INDEX**

Floor Plan	D-13 - D-14
Accessories Group	D-15 - D-17
Bath Group	D-18
Chassis Group	D-19 - D-20
Curtain, Cushion and Pad Group	D-21 - E-9
Dinette Group	E-10
Driver's Compartment Group	E-11 - E-12
Electrical Group	E-13 - E-15
Exterior Body Group	E-16 - F-20
Galley Group	E-21
Heating & Air Conditioning Group	E-22 - F-23
Interior Finish Group	E-24 - F-2
LP Group	F-3
Lounge Group	F-4 - F-7
Water & Sewage Group	F-8
Window, Vent & Exterior Door Group	F-9 - F-20

**ACCESSORIES GROUP (CONTINUED)**

**MISCELLANEOUS ACCESSORIES**

Key	Part Number	U/M	Description
	054185-12-000	EA	Owners Manual - Itasca & Winnebago
	006053-01-000	EA	Antenna - TV Braund Delux
	006093-01-000	EA	Jack - TV - Brown (Antenna)
	017516-01-000	EA	Mud Flap - Black - 14" x 18" w/Holes
	041944-01-700	EA	Fire Extinguisher - w/Bracket
	041944-03-000	EA	Fire Extinguisher - w/Bracket - 5 BC (Calif.)
	052771-02-000	EA	Oven - Microwave - Magic Chef MW207
	053287-07-000	EA	Bracket Asm. - Microwave - Right
	053287-08-000	EA	Bracket Asm. - Microwave - Left
..	067203-01-000	EA	Ladder Asm.
	067130-01-000	EA	Step - Ladder
	067166-01-000	EA	Cap - Step - Ladder
	067203-02-000	EA	Luggage Rack Asm.
	064093-01-000	EA	Luggage Carrier Assembly - 14" x 30" x 60"
..	039881-01-000	EA	Catch and Strike - Luggage Carrier
..	031396-04-000	EA	Wheel Cover - 16" - Chrome
	034410-12-000	EA	Tire Cover - Vinyl - 32"
	063706-01-000	EA	Cover - Roof Vent - Inside - Vinyl
	063708-01-000	EA	Cover - Air Conditioner - Inside - Vinyl
..	007038-01-000	EA	Door Mat - Black Rubber - 10.5" x 26"
..	069629-01-000	EA	Speed Control - Electric - Chevrolet - Dana
..	059778-01-000	EA	Speed Control - Electric - Dodge - Dana
	055285-01-000	EA	Vacuum Cleaner - Built In - Tevis Campbell
	055285-01-700	EA	Accessories Kit - Standard - Tevis Campbell
	055285-01-701	EA	Filter - 10 per Consumer Package - Tevis Campbell
	061613-01-000	EA	Clock - Batt. Round Gold Face

\*\*The illustrated parts breakdown for this item is provided on the Common Items Fiche

**BATH GROUP**

Key	Part Number	U/M	Description
	065386-01-L04	EA	Cabinet Asm. - Lavatory - w/o Door, Sink or Hardware
	065386-01-M04	EA	Cabinet Asm. - Lavatory - w/o Door, Sink or Hardware
	M00377-37-M04	EA	Door Asm. - Lavatory Cabinet - 10.9" x 19.3" - w/o Hardware
	057992-26-L01	EA	Door Asm. - Lavatory Cabinet - 10.9" x 19.3" - w/o Hardware
	044067-01-000	EA	Bath Sink - Ivory Plastic
..	011056-01-000	EA	Faucet - Lavatory - U.S.
..	011056-02-000	EA	Faucet - Lavatory - C.S.A.
..	011063-01-000	EA	Plug - Sink - 1 1/4" - w/Chain
..	011048-02-000	EA	Shower Head - w/60" Hose
..	011059-03-000	EA	Faucet - Shower
	065440-01-000	EA	Strainer - Shower Pan
	046749-01-000	EA	Shower Pan - Ivory Plastic
	058233-02-M01	EA	Door Asm. - Bath - w/o Hardware
	058233-02-L01	EA	Door Asm. - Bath - w/o Hardware
..	011069-01-000	EA	Tailpiece - 1 1/4" x 4" - Plastic
..	011069-02-000	EA	Tailpiece - 1 1/4" x 4" - Brass
	009134-01-000	EA	Holder - Tissue
	009133-01-000	EA	Bar - Towel Rack - 12" - Plastic
	009133-02-000	EA	Bar - Towel Rack - 18" - Plastic
	023449-01-000	EA	Support - Chrome - Towel Rack
	009151-01-000	EA	Warp Guard - 48"
	034394-02-000	EA	Insert - Extr. Vinyl - Shower Corner
	053129-01-000	EA	Cabinet - Medicine - 17.62" x 29 3/8" - Jensen
	053129-01-700	EA	Mirror - Jensen Medicine Cabinet - 26" x 18"
	053129-01-701	EA	Frame - Mirror - Jensen Medicine Cabinet
	053129-01-702	EA	Switch - Jensen Medicine Cabinet
	053130-02-702	EA	Catch - Door - Jensen Medicine Cabinet
	038010-01-000	EA	Bulb - 1143 Frosted
	059837-01-K01	EA	Door Asm. - w/Mirror
	058331-01-000	EA	Mirror - Tempered Glass - 19" x 26"
	058335-01-000	EA	Latch - Bathroom Door - w/Lock
	058335-02-000	EA	Latch - Bathroom Door - w/o Lock
	066435-01-000	EA	Nut - Strainer - Plastic
	009112-01-000	EA	Flange - 1" Closet Rod
	057671-01-000	EA	Screw Cover (No. 8)
	066348-02-000	EA	Hamper Bag - Fabric
	039341-02-000	EA	Toilet - Thetford - Aqua Magic - Ivory - 8420 SH

\*\*The illustrated parts breakdown for this item is provided on the Common Items Fiche.

**1981 WINNEBAGO  
TABLE OF CONTENTS**

WD420RG M1, WC/WD420RG M2	A-1 - B-14
WDF26RH M1, WCF26RH M2	B-15 - D-12
WDF26RT M1, WCF26RT M2	D-13 - F-20

**1981 WDF/WCF26RT M1, M2 INDEX**

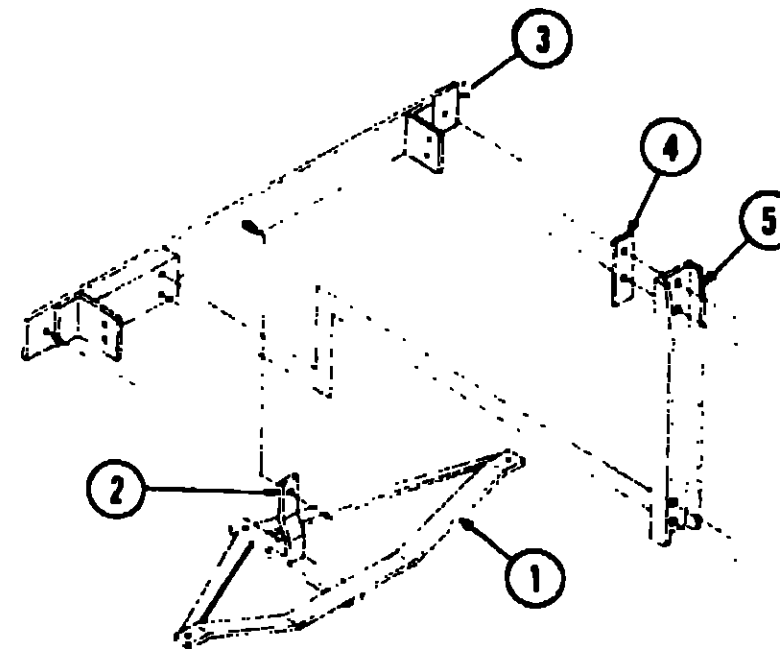
Floor Plan	D-13 - D-14
Accessories Group	D-15 - D-17
Bath Group	D-18
Chassis Group	D-19 - D-20
Curtain, Cushion and Pad Group	D-21 - E-9
Dinette Group	E-10
Driver's Compartment Group	E-11 - E-12
Electrical Group	E-13 - E-15
Exterior Body Group	E-16 - E-20
Galley Group	E-21
Heating & Air Conditioning Group	E-22 - E-23
Interior Finish Group	E-24 - F-2
LP Group	F-3
Lounge Group	F-4 - F-7
Water & Sewage Group	F-8
Window, Vent & Exterior Door Group	F-9 - F-20

**CHASSIS GROUP**

Key	Part Number	U/M	Description
	058790-01-000	EA	Gas Fill - w/Vent
	065743-01-000	EA	Cap - Gas - Non Vented - 1.34" Chrome
	024611-04-000	EA	Cap - Gas - Pressure - 1.50" Chrome
	024138-01-000	FT	Hose - Fuel - 5/16" I.D. SAE 30RI
	024141-01-000	FT	Hose Rubber - 1/2" I.D.
	007134-01-000	EA	Clamp - Hose - Spring Type - 9/16"
	067058-01-000	EA	Tank - Fuel - 69.7 Gallon
	038882-01-000	EA	Tank - Fuel - 27.9 Gallon (Aux.)
	052759-01-000	EA	Tank - Fuel - 50 Gallon
	038883-01-000	EA	Sending Unit - Fuel - 78 Ohm
	057038-02-000	EA	Sending Unit - Fuel - 90 Ohm
	063386-03-000	EA	Strap - Fuel Tank Mounting
	063386-02-000	EA	Hanger - Fuel Tank Mounting
	062401-02-000	EA	Clamp - Worm Gear - 15/16" to 1 5/16"
	062401-03-000	EA	Clamp - Worm Drive - .22" - 1" I.D.
	050227-01-000	EA	Canistor Asm. - Vapor - 2 Stage - 3 Port
	007111-01-000	FT	Hose - Fuel - 2 1/4" I.D. SAE 30RI
	024490-01-000	EA	Power Cord Box - Plastic
	055080-01-000	EA	Wheel Well - Plastic
	740313-56-000	EA	Tray - Generator - Onan - 4.0 kw
	740313-57-000	EA	Tray - Generator - Onan - 6.5 kw
	052431-01-000	EA	Luggage Tray
	022655-02-000	EA	Tailpipe - 2 1/4" x 8" - 454 Engine - Chevy
	007125-06-000	EA	Clamp Asm. - Muffler - 2 1/4"
	017516-01-000	EA	Mud Flap - Black - 14" x 18" w/Holes
	051697-01-000	EA	Bracket - Battery Tie Down
	053249-01-000	FA	Battery Tray Asm.
	047441-01-000	EA	Terminal - Battery - Horizontal Lug - Chevy
	024652-01-700	EA	Step Asm. - Entry
	022150-01-000	EA	Bracket - Bumper - Rear
	058401-01-000	EA	Hood Board - Upper - Right - Steel
	058404-01-000	EA	Hood Board - Upper - Left - Steel
	052412-01-000	EA	Cover - Radiator Rear Dodge
	056818-01-000	EA	Cover - Radiator - Rear - Chevy
	056817-01-000	EA	Cover - Radiator - Rear Back - (Fan Shroud) - Chevy
	035103-01-000	EA	Cover - Radiator - Rear Back - (Fan Shroud) Dodge
	048474-01-000	EA	Bumper - Rear - Chrome
	058200-01-000	EA	Bumper - Front - Chrome
	063326-01-700	EA	Bumper - Front - Primed
	064602-03-000	EA	Bumper - Rear - Primed
	005200-01-000	EA	Bolt - Carriage - 7/16" - 14 x 1 1/4" SST
	058439-01-000	EA	Bracket - Front Bumper - Black
	058416-01-000	EA	Bar - Front Bumper - Black
	063977-02-000	EA	Step Asm. - Upper Driver Door - Black
	063976-02-000	EA	Step Asm. - Lower Driver Door - Black
	044967-01-000	EA	Shield - Heat Muffler
	058425-01-000	EA	Bracket - Bumper - Front - Left - Chevy
	058425-02-000	EA	Bracket - Bumper - Front - Right - Chevy
	056832-01-000	EA	Filter - Radiator Cover
	047743-01-000	EA	Spacer - Rear Spring/Axle Stop - Chevy
	024781-01-000	EA	Spacer - Rear Spring - 6" - Dodge
	007131-01-000	EA	Hanger - Tail Pipe
	052165-03-000	EA	Shock Cord - Rubber - 24" - (Spare Tire)
**	031396-04-000	EA	Wheel Cover 16" - Chrome
	059670-03-000	EA	Bracket - Tire Carrier
	040546-01-000	EA	Tire - 750 x 16 - 8 Ply Poly
	064962-01-000	EA	Rim - Wheel - 16 x 0.00 - Chevy
	050273-01-000	EA	Tire - 750 x 16" - 8 Ply Radial
	064225-02-000	EA	Hold Down - Spare Tire Carrier
	064179-01-000	EA	Tire Carrier - Side Compartment

\*\*The illustrated parts breakdown for this item is provided on the Common Items Fiche.

**CHASSIS GROUP (CONTINUED)**



Key	Part Number	U/M	Description
1	064833-01-000	EA	Trailer Hitch Asm. - With Support
2	064824-01-000	EA	Support - Trailer Hitch
3	064601-02-000	EA	Bracket - Bumper Mount - Rear
4	040974-01-000	EA	Bracket - Spare Tire - Retaining Bar - 2" x 6.75"
5	059670-03-000	EA	Bracket - U-Channel - 27.12" - Tire Carrier

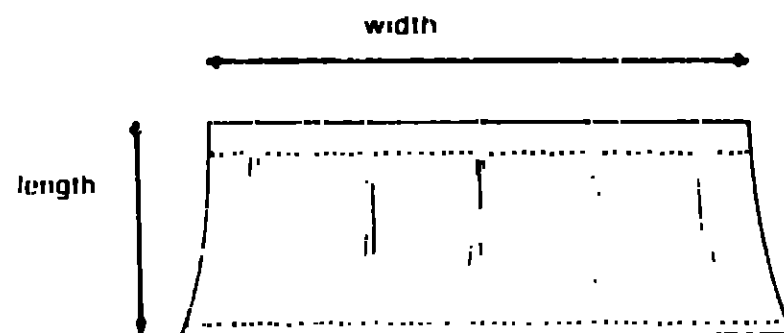
**1981 WINNEBAGO  
TABLE OF CONTENTS**

WD420RG M1, WC/WD420RG M2	A-1 - B-14
WDF26RH M1, WCF26RH M2	B-15 - D-12
WDF26RT M1, WCF26RT M2	D-13 - F-20

**'1981 WDF/WCF26RT M1, M2 INDEX**

Floor Plan	D-13 - D-14
Accessories Group	D-15 - D-17
Bath Group	D-18
Chassis Group	D-19 - D-20
Curtain, Cushion and Pad Group	D-21 - E-9
Dinette Group	E-10
Driver's Compartment Group	E-11 - E-12
Electrical Group	E-13 - E-15
Exterior Body Group	E-16 - E-20
Galley Group	E-21
Heating & Air Conditioning Group	E-22 - E-23
Interior Finish Group	E-24 - F-2
LP Group	F-3
Lounge Group	F-4 - F-7
Water & Sewage Group	F-8
Window, Vent & Exterior Door Group	F-9 - F-20

**CURTAIN, CUSHION AND PAD GROUP**



**NOTE.**  
Use this illustration when determining length and width measurements for curtains. You will note the width measurement is taken on the top of the curtain with the curtain fully extended. The length measurement is taken from top to bottom.

**CURTAIN AND TIE BACKS**

Key	Part Number	U/M	Description
	056484-30-L01	EA	Curtain Asm. - w/Taped Top - 24.5" x 19" - Dublin Flax
	056484-49-M04	EA	Curtain Asm. - w/Taped Top - 22.5" x 9" - Champagne
	056484-07-M04	EA	Curtain Asm. - w/Taped Top - 24.5" x 42" - Champagne
	056484-26-L01	EA	Curtain Asm. - w/Taped Top - 22.5" x 19" - Dublin Flax
	056484-26-M01	EA	Curtain Asm. - w/Taped Top - 22.5" x 19" - Champagne
	056484-27-L01	EA	Curtain Asm. - w/Taped Top - 27" x 19" - Dublin Flax
	056484-27-M01	EA	Curtain Asm. - w/Taped Top - 27" x 19" - Champagne
	054051-48-M01	EA	Curtain Asm. - w/Snap Top - 29" x 37" - Champagne
	054051-44-M04	EA	Curtain Asm. - w/Snap Top - Privacy - 58" x 56" - Champagne
	054051-44-L01	EA	Curtain Asm. - w/Snap Top - Privacy - 58" x 56" - Dublin Flax
	054051-11-L01	EA	Curtain Asm. - w/Snap Top - Bunk Privacy - 32" x 96" - Dublin Flax
	054051-22-M01	EA	Curtain Asm. - w/Snap Top - Bunk Privacy - 22" x 96" - Champagne
	054051-22-L01	EA	Curtain Asm. - w/Snap Top - 22" x 96" - Dublin Flax
	054051-41-M01	EA	Curtain Asm. - w/Snap Top - Front Wraparound - 27.5" x 81" - Champagne
	054051-43-L01	EA	Curtain Asm. - w/Snap Top - Front Wraparound - Drivers Door - 27.5" x 125" - Dublin Flax
	054051-43-M01	EA	Curtain Asm. - w/Snap Top - Front Wraparound - Drivers Door - 27.5" x 125" - Champagne
	059900-05-M01	EA	Curtain Asm. - w/Snap Top - Drivers Door - 29" x 35" - Champagne
	059900-05-L01	EA	Curtain Asm. - w/Snap Top - Drivers Door - 29" x 35" - Dublin Flax
	054051-41-L01	EA	Curtain Asm. - w/Snap Top - Front Wraparound - 27.5" x 81" - Dublin Flax
	054051-02-L01	EA	Curtain Asm. - w/Snap Top - 34" x 37" - Dublin Flax
	054051-02-M01	EA	Curtain Asm. - w/Snap Top - 34" x 37" - Champagne
	054048-08-L01	EA	Tie Back Asm. - 2" x 18" - Brown
	054048-08-L02	EA	Tie Back Asm. - 2" x 18" - Rust
	054048-08-L03	EA	Tie Back Asm. - 2" x 18" - Blue
	054048-08-M01	EA	Tie Back Asm. - 2" x 18" - Rust
	054048-08-M02	EA	Tie Back Asm. - 2" x 18" - Blue
	054048-08-M03	EA	Tie Back Asm. - 2" x 18" - Brown
	057534-03-000	EA	Tie Back Asm. - 7.5" - Clear Plastic
	057534-01-000	EA	Tie Back Asm. - 6" - Clear Plastic

**CURTAIN, CUSHION AND PAD GROUP (CONTINUED)**

**WOVEN WOOD SHADES**

Key	Part Number	U/M	Description
	065728-01-000	EA	Shade - Woven Wood - 15.5" x 31" - Brown
	065728-02-000	EA	Shade - Woven Wood - 15.5" x 31" - Rust
	065728-03-000	EA	Shade - Woven Wood - 15.5" x 31" - Blue
	065728-04-000	EA	Shade - Woven Wood - 25" x 23" - Brown
	065728-05-000	EA	Shade - Woven Wood - 25" x 23" - Rust
	065728-06-000	EA	Shade - Woven Wood - 25" x 23" - Blue
	065728-16-000	EA	Shade - Woven Wood - 60" x 29" - Brown
	065728-17-000	EA	Shade - Woven Wood - 60" x 29" - Rust
	065728-18-000	EA	Shade - Woven Wood - 60" x 29" - Blue
	065728-19-000	EA	Shade - Woven Wood - 69" x 31" - Brown
	065728-20-000	EA	Shade - Woven Wood - 69" x 31" - Rust
	065728-21-000	EA	Shade - Woven Wood - 69" x 31" - Blue
	065728-22-000	EA	Shade - Woven Wood - 72" x 25" - Brown
	065728-23-000	EA	Shade - Woven Wood - 72" x 25" - Rust
	065728-24-000	EA	Shade - Woven Wood - 72" x 25" - Blue

**SHADES**

Key	Part Number	U/M	Description
	065657-01-L01	EA	Shade Asm. - 15" x 34" - Brown
	065657-01-L02	EA	Shade Asm. - 15" x 34" - Rust
	065657-01-L03	EA	Shade Asm. - 15" x 34" - Blue
	065657-03-L01	EA	Shade Asm. - 25" x 23" - Brown
	065657-03-L02	EA	Shade Asm. - 25" x 23" - Rust
	065657-03-L03	EA	Shade Asm. - 25" x 23" - Blue
	065657-11-L01	EA	Shade Asm. - 60" x 34" - Brown
	065657-11-L02	EA	Shade Asm. - 60" x 34" - Rust
	065657-11-L03	EA	Shade Asm. - 60" x 34" - Blue
	065657-12-L01	EA	Shade Asm. - 69" x 34" - Brown
	065657-12-L02	EA	Shade Asm. - 69" x 34" - Rust
	065657-12-L03	EA	Shade Asm. - 69" x 34" - Blue
	065657-13-L01	EA	Shade Asm. - 72" x 34" - Brown
	065657-13-L02	EA	Shade Asm. - 72" x 34" - Rust
	065657-13-L03	EA	Shade Asm. - 72" x 34" - Blue
	065522-11-000	EA	Shade Asm. - 60.25" x 38" (M01) (M02) (M03)
	065522-12-000	EA	Shade Asm. - 69.25" x 38" (M01) (M02) (M03)
	065522-13-000	EA	Shade Asm. - 72.25" x 38" (M01) (M02) (M03)

**1981 WINNEBAGO  
TABLE OF CONTENTS**

WD420RG M1, WC/WD420RG M2	A-1 - B-14
WDF26RH M1, WCF26RH M2	B-15 - D-12
WDF26RT M1, WCF26RT M2	D-13 - F-20

**1981 WDF/WCF26RT M1, M2 INDEX**

Floor Plan	D-13 - D-14
Accessories Group	D-15 - D-17
Bath Group	D-18
Chassis Group	D-19 - D-20
Curtain, Cushion and Pad Group	D-21 - E-9
Dinette Group	E-10
Driver's Compartment Group	E-11 - E-12
Electrical Group	E-13 - E-15
Exterior Body Group	E-16 - E-20
Galley Group	E-21
Heating & Air Conditioning Group	E-22 - E-23
Interior Finish Group	E-24 - F-2
LP Group	F-3
Lounge Group	F-4 - F-7
Water & Sewage Group	F-8
Window, Vent & Exterior Door Group	F-9 - F-20

**CURTAIN, CUSHION AND PAD GROUP (CONTINUED)**

**VALANCES**

Key	Part Number	U/M	Description
	065892-08-L01	EA	Valance Asm. - 5" x 22.5" - Brown
	065892-08-L02	EA	Valance Asm. - 5" x 22.5" - Rust
	065892-08-L03	EA	Valance Asm. - 5" x 22.5" - Blue
	065892-01-L01	EA	Valance Asm. - 5" x 34" - Brown
	065892-01-L02	EA	Valance Asm. - 5" x 34" - Rust
	065892-01-L03	EA	Valance Asm. - 5" x 34" - Blue
	065892-06-L01	EA	Valance Asm. - 5" x 69" - Brown
	065892-06-L02	EA	Valance Asm. - 5" x 69" - Rust
	065892-06-L03	EA	Valance Asm. - 5" x 69" - Blue
	065892-09-L01	EA	Valance Asm. - 6.5" x 78" - Brown
	065892-09-L02	EA	Valance Asm. - 6.5" x 78" - Rust
	065892-09-L03	EA	Valance Asm. - 6.5" x 78" - Blue
	065892-07-L01	EA	Valance Asm. - 5" x 81" - Brown
	065892-07-L02	EA	Valance Asm. - 5" x 81" - Rust
	065892-07-L03	EA	Valance Asm. - 5" x 81" - Blue
	065892-08-M01	EA	Valance Asm. - 5" x 22.5" - Rust
	065892-08-M02	EA	Valance Asm. - 5" x 22.5" - Blue
	065892-08-M03	EA	Valance Asm. - 5" x 22.5" - Brown
	065892-01-M01	EA	Valance Asm. - 5" x 34" - Rust
	065892-01-M02	EA	Valance Asm. - 5" x 34" - Blue
	065892-01-M03	EA	Valance Asm. - 5" x 34" - Brown
	065892-06-M01	EA	Valance Asm. - 5" x 69" - Rust
	065892-06-M02	EA	Valance Asm. - 5" x 69" - Blue
	065892-06-M03	EA	Valance Asm. - 5" x 69" - Brown
	065892-09-M01	EA	Valance Asm. - 6.5" x 78" - Rust
	065892-09-M02	EA	Valance Asm. - 6.5" x 78" - Blue
	065892-09-M03	EA	Valance Asm. - 6.5" x 78" - Brown
	065892-07-M01	EA	Valance Asm. - 5" x 81" - Rust
	065892-07-M02	EA	Valance Asm. - 5" x 81" - Blue
	065892-07-M03	EA	Valance Asm. - 5" x 81" - Brown

**FRONT OVERHEAD BUNK CUSHIONS**

Key	Part Number	U/M	Description
	055021-37-L01	EA	Cushion - Front Overhead Bunk - 31.5" x 79" x 4" - Brown
	055021-37-L02	EA	Cushion - Front Overhead Bunk - 31.5" x 79" x 4" - Rust
	055021-37-L03	EA	Cushion - Front Overhead Bunk - 31.5" x 79" x 4" - Blue
	055022-39-L01	EA	Cover - Front Bunk Cushion - 31.5" x 79" x 4" - Brown
	055022-39-L02	EA	Cover - Front Bunk Cushion - 31.5" x 79" x 4" - Rust
	055022-39-L03	EA	Cover - Front Bunk Cushion - 31.5" x 79" x 4" - Blue
	055021-37-M01	EA	Cushion - Front Overhead Bunk - 31.5" x 79" x 4" - Rust
	055021-37-M02	EA	Cushion - Front Overhead Bunk - 31.5" x 79" x 4" - Blue
	055021-37-M03	EA	Cushion - Front Overhead Bunk - 31.5" x 79" x 4" - Brown
	055022-39-M01	EA	Cover - Front Bunk Cushion - 31.5" x 79" x 4" - Rust
	055022-39-M02	EA	Cover - Front Bunk Cushion - 31.5" x 79" x 4" - Blue
	055022-39-M03	EA	Cover - Front Bunk Cushion - 31.5" x 79" x 4" - Brown

**CURTAIN, CUSHION AND PAD GROUP (CONTINUED)**

**CURTAIN HARDWARE**

Key	Part Number	U/M	Description
	052327-04-236	EA	Track - Curtain - Brown Alum. - 89" w/Holes
	056116-01-000	FT	Track - Curtain - Brown Plastic
	056001-01-000	EA	Bracket - Shade - Left
	056002-01-000	EA	Bracket - Shade - Right
	056003-01-000	EA	Bracket - Drapery Retainer - Right
	056003-02-000	EA	Bracket - Drapery Retainer - Left
	053272-01-001	EA	Track - Curtain - Off White - 89" w/Holes
	056784-01-000	EA	Pull - Window Shade - Antique Brass
	009107-01-000	EA	Guide - Nylon Snap - Curtain
	018031-42-000	EA	Track - Curtain - "L" Rod - Alum. - Extr. - 90"
	009701-01-000	EA	Carrier - "L" Rod - Curtain
	009702-01-000	EA	End Stop - "L" Rod - Curtain
	059430-01-000	EA	Track - Curtain - Front Wraparound (2 per unit) - 32.8" x 45.2"
	059430-02-000	EA	Track - Curtain - Front Wraparound (w/Drivers Door) - 32.8" x 89.1"
	056115-01-000	YD	Tape - Clear Plastic - w/Guides
	048394-01-000	YD	Tape - Hook - 1" x 25 YD - Beige
	048395-01-000	YD	Tape - Loop - 1" x 25 YD - Beige



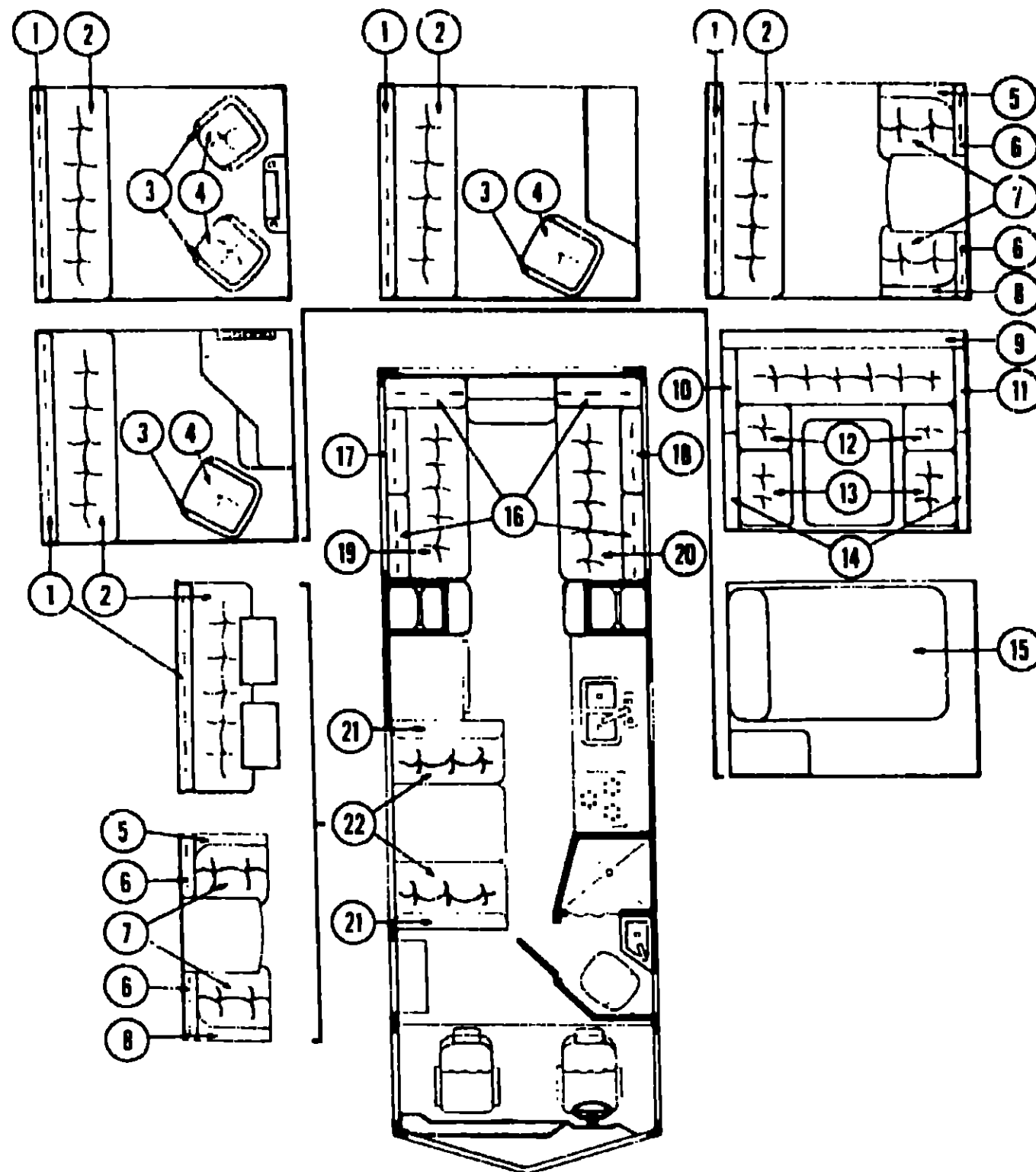
Key	Part Number	U/M	Description
	029130-01-000	EA	Socket - Snap Fastener
	029155-01-000	EA	Cap - Snap - .156" Dia. x .17" Barrel
	029156-01-000	EA	Socket - Snap Fastener
	029092-01-000	EA	Stud - Nickel Finish
	029093-01-000	EA	Eyelet - Nickel Finish

**1901 WINNEBAGO  
TABLE OF CONTENTS**

WD420RG M1, WC/WD420RG M2	A-1 - B-14
WDF26RH M1, WCF26RH M2	B-15 - D-12
WDF26RT M1, WCF26RT M2	D-13 - F-20

**1901 WDF/WCF26RT M1, M2 INDEX**

Floor Plan	D-13 - D-14
Accessories Group	D-15 - D-17
Bath Group	D-18
Chassis Group	D-19 - D-20
Curtain, Cushion and Pad Group	D-21 - E-9
Dinette Group	E-10
Driver's Compartment Group	E-11 - E-12
Electrical Group	E-13 - E-15
Exterior Body Group	E-16 - E-20
Galley Group	E-21
Heating & Air Conditioning Group	E-22 - E-23
Interior Finish Group	E-24 - F-2
LP Group	F-3
Lounge Group	F-4 - F-7
Water & Sewage Group	F-8
Window, Vert & Exterior Door Group	F-9 - F-20



PRESTO BED CUSHIONS

Key	Part Number	U/M	Description
1	064704-01-L01	EA	Cushion - Presto Bed - Back - 76" - Brown
1	064704-01-L02	EA	Cushion - Presto Bed - Back - 76" - Rust
1	064704-01-L03	EA	Cushion - Presto Bed - Back - 76" - Blue
1	064704-02-M01	EA	Cushion - Presto Bed - Back - 76" - Rust
1	064704-02-M02	EA	Cushion - Presto Bed - Back - 76" - Blue
1	064704-02-M03	EA	Cushion - Presto Bed - Back - 76" - Brown
1	057615-01-L01	EA	Cushion - Presto Bed - Back - 76" - Waterfall - Brown
1	057615-01-L02	EA	Cushion - Presto Bed - Back - 76" - Waterfall - Rust
1	057615-01-L03	EA	Cushion - Presto Bed - Back - 76" - Waterfall - Blue
	064723-01-L01	EA	Cover - Presto Bed - Back - 76" - Brown
	064723-01-L02	EA	Cover - Presto Bed - Back - 76" - Rust
	064723-01-L03	EA	Cover - Presto Bed - Back - 76" - Blue
	064723-01-M01	EA	Cover - Presto Bed - Back - 76" - Rust
	064723-02-M02	EA	Cover - Presto Bed - Back - 76" - Blue
	064723-02-M03	EA	Cover - Presto Bed - Back - 76" - Brown
2	064705-01-L01	EA	Cushion - Presto Bed - Bottom - 76" - Brown
2	064705-01-L02	EA	Cushion - Presto Bed - Bottom - 76" - Rust
2	064705-01-L03	EA	Cushion - Presto Bed - Bottom - 76" - Blue
2	064705-02-M01	EA	Cushion - Presto Bed - Bottom - 76" - Rust
2	064705-02-M02	EA	Cushion - Presto Bed - Bottom - 76" - Blue
2	064705-02-M03	EA	Cushion - Presto Bed - Bottom - 76" - Brown
2	057612-01-L01	EA	Cushion - Presto Bed - Bottom - 76" - Waterfall - Brown
2	057612-01-L02	EA	Cushion - Presto Bed - Bottom - 76" - Waterfall - Rust
2	057612-01-L03	EA	Cushion - Presto Bed - Bottom - 76" - Waterfall - Blue
	064723-02-L01	EA	Cover - Presto Bed - Bottom - 76" - Brown
	064723-02-L02	EA	Cover - Presto Bed - Bottom - 76" - Rust
	064723-02-L03	EA	Cover - Presto Bed - Bottom - 76" - Blue
	064723-02-M01	EA	Cover - Presto Bed - Bottom - 76" - Rust
	064723-02-M02	EA	Cover - Presto Bed - Bottom - 76" - Blue
	064723-02-M03	EA	Cover - Presto Bed - Bottom - 76" - Brown

SWIVEL CHAIRS

Key	Part Number	U/M	Description
3	069848-01-M01	EA	Swivel Chair - Complete - High Back - Rust
3	069848-01-M02	EA	Swivel Chair - Complete - High Back - Blue
3	069848-01-M03	EA	Swivel Chair - Complete - High Back - Brown
4	054700-02-M01	EA	Cushion - Swivel Chair - Rust
4	054700-02-M02	EA	Cushion - Swivel Chair - Blue
4	054700-02-M03	EA	Cushion - Swivel Chair - Brown
3	054674-12-L01	EA	Swivel Chair - Complete - Low Back - Brown
3	054674-12-L02	EA	Swivel Chair - Complete - Low Back - Rust
3	054674-12-L03	EA	Swivel Chair - Complete - Low Back - Blue
4	054700-10-L01	EA	Cushion - Swivel Chair - Brown
4	054700-10-L02	EA	Cushion - Swivel Chair - Rust
4	054700-10-L03	EA	Cushion - Swivel Chair - Blue
.	035036-01-000	EA	Plate - Swivel Chair
.	035036-02-000	EA	Base w/Legs - Swivel Chair
.			Not Illustrated

1981 WINNEBAGO  
TABLE OF CONTENTS

WD420RG M1, WC/WD420RG M2	A-1 - B-14
WDF26RH M1, WCF26RH M2	B-15 - D-12
WDF26RT M1, WCF26RT M2	D-13 - F-20

1981 WDF/WCF26RT M1, M2 INDEX

Floor Plan	D-13 - D-14
Accessories Group	D-15 - D-17
Bath Group	D-18
Chassis Group	D-19 - D-20
Curtain, Cushion and Pad Group	D-21 - E-9
Dinette Group	E-10
Driver's Compartment Group	E-11 - E-12
Electrical Group	E-13 - E-15
Exterior Body Group	E-16 - E-20
Galley Group	E-21
Heating & Air Conditioning Group	E-22 - E-23
Interior Finish Group	E-24 - F-2
LP Group	F-3
Lounge Group	F-4 - F-7
Water & Sewage Group	F-8
Window, Vent & Exterior Door Group	F-9 - F-20

**CURTAIN, CUSHION AND PAD GROUP (CONTINUED)**

**CORNER LOUNGE CHAIR CUSHIONS**

Key	Part Number	U/M	Description
5	059744-10-L01	EA	Cushion - Chair Wedge - Left - Brown
5	059744-10-L02	EA	Cushion - Chair Wedge - Left - Rust
5	059744-10-L03	EA	Cushion - Chair Wedge - Left - Blue
	059747-10-L01	EA	Cover - Chair Wedge Cushion - Left - Brown
	059747-10-L02	EA	Cover - Chair Wedge Cushion - Left - Rust
	059747-10-L03	EA	Cover - Chair Wedge Cushion - Left - Blue
6	059742-05-L01	EA	Cushion - Lounge Chair Back - Brown
6	059742-05-L02	EA	Cushion - Lounge Chair Back - Rust
6	059742-05-L03	EA	Cushion - Lounge Chair Back - Blue
	059745-05-L01	EA	Cover - Lounge Chair Back Cushion - Brown
	059745-05-L02	EA	Cover - Lounge Chair Back Cushion - Rust
	059745-05-L03	EA	Cover - Lounge Chair Back Cushion - Blue
7	059743-05-L01	EA	Cushion - Lounge Chair Bottom - Brown
7	059743-05-L02	EA	Cushion - Lounge Chair Bottom - Rust
7	059743-05-L03	EA	Cushion - Lounge Chair Bottom - Blue
	059746-05-L01	EA	Cover - Lounge Chair Bottom Cushion - Brown
	059746-05-L02	EA	Cover - Lounge Chair Bottom Cushion - Rust
	059746-05-L03	EA	Cover - Lounge Chair Bottom Cushion - Blue
8	059744-09-L01	EA	Cushion - Chair Wedge - Right - Brown
8	059744-09-L02	EA	Cushion - Chair Wedge - Right - Rust
8	059744-09-L03	EA	Cushion - Chair Wedge - Right - Blue
	059747-09-L01	EA	Cover - Chair Wedge Cushion - Right - Brown
	059747-09-L02	EA	Cover - Chair Wedge Cushion - Right - Rust
	059747-09-L03	EA	Cover - Chair Wedge Cushion - Right - Blue

**HORSESHOE LOUNGE CUSHIONS**

Key	Part Number	U/M	Description
9	064706-01-L01	EA	Cushion - Lester Lounge - Back and Bottom - 76" - Brown
9	064706-01-L02	EA	Cushion - Lester Lounge - Back and Bottom - 76" - Rust
9	064706-01-L03	EA	Cushion - Lester Lounge - Back and Bottom - 76" - Blue
9	068678-01-M01	EA	Cushion - Lester Lounge - Back and Bottom - 76" - Rust
9	068678-01-M02	EA	Cushion - Lester Lounge - Back and Bottom - 76" - Blue
9	068678-01-M03	EA	Cushion - Lester Lounge - Back and Bottom - 76" - Brown
	064707-01-L01	EA	Cover - Lester Lounge - Back and Bottom - 76" - Brown
	064707-01-L02	EA	Cover - Lester Lounge - Back and Bottom - 76" - Rust
	064707-01-L03	EA	Cover - Lester Lounge - Back and Bottom - 76" - Blue
	M68678-01-M01	EA	Cover - Lester Lounge - Back and Bottom - 76" - Rust
	M68678-01-M02	EA	Cover - Lester Lounge - Back and Bottom - 76" - Blue
	M68678-01-M03	EA	Cover - Lester Lounge - Back and Bottom - 76" - Brown
	065985-01-L01	EA	Cushion - Lounge Back - 8" x 76" x 4.5" - Brown
	065985-01-L02	EA	Cushion - Lounge Back - 8" x 76" x 4.5" - Rust
	065985-01-L03	EA	Cushion - Lounge Back - 8" x 76" x 4.5" - Blue
	065985-01-M01	EA	Cushion - Lounge Back - 8" x 76" x 4.5" - Rust
	065985-01-M02	EA	Cushion - Lounge Back - 8" x 76" x 4.5" - Blue
	065985-01-M03	EA	Cushion - Lounge Back - 8" x 76" x 4.5" - Brown
	065986-01-L01	EA	Cover - Cushion - 8" x 76" x 4.5" - Brown
	065986-01-L02	EA	Cover - Cushion - 8" x 76" x 4.5" - Rust
	065986-01-L03	EA	Cover - Cushion - 8" x 76" x 4.5" - Blue
	065986-01-M01	EA	Cover - Cushion - 8" x 76" x 4.5" - Rust
	065986-01-M02	EA	Cover - Cushion - 8" x 76" x 4.5" - Blue
	065986-01-M03	EA	Cover - Cushion - 8" x 76" x 4.5" - Brown

Not Illustrated

**CURTAIN, CUSHION AND PAD GROUP (CONTINUED)**

**HORSESHOE LOUNGE CUSHIONS (Cont.)**

Key	Part Number	U/M	Description
10	064702-01-L01	EA	Cushion - Lounge Back - 16" x 40.5" x 36.5" x 4.5" - Right - Brown
10	064702-01-L02	EA	Cushion - Lounge Back - 16" x 40.5" x 36.5" x 4.5" - Right - Rust
10	064702-01-L03	EA	Cushion - Lounge Back - 16" x 40.5" x 36.5" x 4.5" - Right - Blue
10	069256-01-M01	EA	Cushion - Lounge Back - 16" x 40.5" x 36.5" x 4.5" - Right - Rust
10	069256-01-M02	EA	Cushion - Lounge Back - 16" x 40.5" x 36.5" x 4.5" - Right - Blue
10	069256-01-M03	EA	Cushion - Lounge Back - 16" x 40.5" x 36.5" x 4.5" - Right - Brown
	064703-01-L01	EA	Cover - Lounge Back Cushion - 16" x 40.5" x 36.5" x 4.5" - Right - Brown
	064703-01-L02	EA	Cover - Lounge Back Cushion - 16" x 40.5" x 36.5" x 4.5" - Right - Rust
	064703-01-L03	EA	Cover - Lounge Back Cushion - 16" x 40.5" x 36.5" x 4.5" - Right - Blue
	M69256-01-M01	EA	Cover - Lounge Back Cushion - 16" x 40.5" x 36.5" x 4.5" - Right - Rust
	M69256-01-M02	EA	Cover - Lounge Back Cushion - 16" x 40.5" x 36.5" x 4.5" - Right - Blue
	M69256-01-M03	EA	Cover - Lounge Back Cushion - 16" x 40.5" x 36.5" x 4.5" - Right - Brown
11	064702-02-L01	EA	Cushion - Lounge Back - 16" x 40.5" x 36.5" x 4.5" - Left - Brown
11	064702-02-L02	EA	Cushion - Lounge Back - 16" x 40.5" x 36.5" x 4.5" - Left - Rust
11	064702-02-L03	EA	Cushion - Lounge Back - 16" x 40.5" x 36.5" x 4.5" - Left - Blue
11	069256-02-M01	EA	Cushion - Lounge Back - 16" x 40.5" x 36.5" x 4.5" - Left - Rust
11	069256-02-M02	EA	Cushion - Lounge Back - 16" x 40.5" x 36.5" x 4.5" - Left - Blue
11	069256-02-M03	EA	Cushion - Lounge Back - 16" x 40.5" x 36.5" x 4.5" - Left - Brown
	064703-02-L01	EA	Cover - Lounge Back Cushion - 16" x 40.5" x 36.5" x 4.5" - Left - Brown
	064703-02-L02	EA	Cover - Lounge Back Cushion - 16" x 40.5" x 36.5" x 4.5" - Left - Rust
	064703-02-L03	EA	Cover - Lounge Back Cushion - 16" x 40.5" x 36.5" x 4.5" - Left - Blue
	M69256-02-M01	EA	Cover - Lounge Back Cushion - 16" x 40.5" x 36.5" x 4.5" - Left - Rust
	M69256-02-M02	EA	Cover - Lounge Back Cushion - 16" x 40.5" x 36.5" x 4.5" - Left - Blue
	M69256-02-M03	EA	Cover - Lounge Back Cushion - 16" x 40.5" x 36.5" x 4.5" - Left - Brown
12	064700-06-L01	EA	Cushion - Lounge Seat - 24" x 16.5" x 5" - Brown
12	064700-06-L02	EA	Cushion - Lounge Seat - 24" x 16.5" x 5" - Rust
12	064700-06-L03	EA	Cushion - Lounge Seat - 24" x 16.5" x 5" - Blue
12	068579-11-M01	EA	Cushion - Lounge Seat - 24" x 16.5" x 5" - Rust
12	068579-11-M02	EA	Cushion - Lounge Seat - 24" x 16.5" x 5" - Blue
12	068579-11-M03	EA	Cushion - Lounge Seat - 24" x 16.5" x 5" - Brown
	064701-05-L01	EA	Cover - Lounge Seat Cushion - 24" x 16.5" x 5" - Brown
	064701-05-L02	EA	Cover - Lounge Seat Cushion - 24" x 16.5" x 5" - Rust
	064701-05-L03	EA	Cover - Lounge Seat Cushion - 24" x 16.5" x 5" - Blue
	M68579-11-M01	EA	Cover - Lounge Seat Cushion - 24" x 16.5" x 5" - Rust
	M68579-11-M02	EA	Cover - Lounge Seat Cushion - 24" x 16.5" x 5" - Blue
	M68579-11-M03	EA	Cover - Lounge Seat Cushion - 24" x 16.5" x 5" - Brown
13	064700-07-L01	EA	Cushion - Lounge Seat - 24" x 30.5" x 5" - Brown
13	064700-07-L02	EA	Cushion - Lounge Seat - 24" x 30.5" x 5" - Rust
13	064700-07-L03	EA	Cushion - Lounge Seat - 24" x 30.5" x 5" - Blue
13	068579-12-M01	EA	Cushion - Lounge Seat - 24" x 30.5" x 5" - Rust
13	068579-12-M02	EA	Cushion - Lounge Seat - 24" x 30.5" x 5" - Blue
13	068579-12-M03	EA	Cushion - Lounge Seat - 24" x 30.5" x 5" - Brown
	064701-06-L01	EA	Cover - Lounge Seat Cushion - 24" x 30.5" x 5" - Brown
	064701-06-L02	EA	Cover - Lounge Seat Cushion - 24" x 30.5" x 5" - Rust
	064701-06-L03	EA	Cover - Lounge Seat Cushion - 24" x 30.5" x 5" - Blue
	M68579-12-M01	EA	Cover - Lounge Seat Cushion - 24" x 30.5" x 5" - Rust
	M68579-12-M02	EA	Cover - Lounge Seat Cushion - 24" x 30.5" x 5" - Blue
	M67579-12-M03	EA	Cover - Lounge Seat Cushion - 24" x 30.5" x 5" - Brown
14	064700-05-L01	EA	Cushion - Lounge Back - 16" x 30.5" x 4.5" - Brown
14	064700-05-L02	EA	Cushion - Lounge Back - 16" x 30.5" x 4.5" - Rust
14	064700-05-L03	EA	Cushion - Lounge Back - 16" x 30.5" x 4.5" - Blue
14	068579-10-M01	EA	Cushion - Lounge Back - 16" x 30.5" x 4.5" - Rust
14	068579-10-M02	EA	Cushion - Lounge Back - 16" x 30.5" x 4.5" - Blue
14	068579-10-M03	EA	Cushion - Lounge Back - 16" x 30.5" x 4.5" - Brown
	064701-04-L01	EA	Cover - Lounge Back Cushion - 16" x 30.5" x 4.5" - Brown
	064701-04-L02	EA	Cover - Lounge Back Cushion - 16" x 30.5" x 4.5" - Rust
	064701-04-L03	EA	Cover - Lounge Back Cushion - 16" x 30.5" x 4.5" - Blue
	M68579-10-M01	EA	Cover - Lounge Back Cushion - 16" x 30.5" x 4.5" - Rust
	M68579-10-M02	EA	Cover - Lounge Back Cushion - 16" x 30.5" x 4.5" - Blue
	M68579-10-M03	EA	Cover - Lounge Back Cushion - 16" x 30.5" x 4.5" - Brown

**1981 WINNEBAGO  
TABLE OF CONTENTS**

WD420RG M1, WC/WD420RG M2	A-1 - B-14
WDF26RH M1, WCF26RH M2	B-15 - D-12
WDF26RT M1, WCF26RT M2	D-13 - F-20

**1981 WDF/WCF26RT M1, M2 INDEX**

Floor Plan	D-13 - D-14
Accessories Group	D-15 - D-17
Bath Group	D-18
Chassis Group	D-19 - D-20
Curtain, Cushion and Pad Group	D-21 - E-9
Dinette Group	E-10
Driver's Compartment Group	E-11 - E-12
Electrical Group	E-13 - E-15
Exterior Body Group	E-16 - E-20
Galley Group	E-21
Heating & Air Conditioning Group	E-22 - E-23
Interior Finish Group	E-24 - F-2
LP Group	F-3
Lounge Group	F-4 - F-7
Water & Sewage Group	F-8
Window, Vent & Exterior Door Group	F-9 - F-20



**CURTAIN, CUSHION AND PAD GROUP (CONTINUED)**

**DOUBLE BED MATTRESS**

Key	Part Number	U/M	Description
15	058709-02-000	EA	Mattress - Inner Spring - Sualy - 54" x 75"

**REAR TWIN BED CUSHIONS**

Key	Part Number	U/M	Description
16	065884-01-L01	EA	Cushion - Bolster - 8" x 10" x 14" x 33" - Brown
16	065884-01-L02	EA	Cushion - Bolster - 8" x 10" x 14" x 33" - Rust
16	065884-01-L03	EA	Cushion - Bolster - 8" x 10" x 14" x 33" - Blue
16	065884-01-M01	EA	Cushion - Bolster - 8" x 10" x 14" x 33" - Rust
16	065884-01-M02	EA	Cushion - Bolster - 8" x 10" x 14" x 33" - Blue
16	065884-01-M03	EA	Cushion - Bolster - 8" x 10" x 14" x 33" - Brown
	065885-01-L01	EA	Cover - Bolster Cushion - 8" x 10" x 14" x 33" - Brown
	065885-01-L02	EA	Cover - Bolster Cushion - 8" x 10" x 14" x 33" - Rust
	065885-01-L03	EA	Cover - Bolster Cushion - 8" x 10" x 14" x 33" - Blue
	065885-01-M01	EA	Cover - Bolster Cushion - 8" x 10" x 14" x 33" - Rust
	065885-01-M02	EA	Cover - Bolster Cushion - 8" x 10" x 14" x 33" - Blue
	065885-01-M03	EA	Cover - Bolster Cushion - 8" x 10" x 14" x 33" - Brown
17	065886-01-L01	EA	Cushion - Angled Bolster - 8" x 10" x 14" x 35" x 33" - Right - Brown
17	065886-01-L02	EA	Cushion - Angled Bolster - 8" x 10" x 14" x 35" x 33" - Right - Rust
17	065886-01-L03	EA	Cushion - Angled Bolster - 8" x 10" x 14" x 35" x 33" - Right - Blue
17	065886-01-M01	EA	Cushion - Angled Bolster - 8" x 10" x 14" x 35" x 33" - Right - Rust
17	065886-01-M02	EA	Cushion - Angled Bolster - 8" x 10" x 14" x 35" x 33" - Right - Blue
17	065886-01-M03	EA	Cushion - Angled Bolster - 8" x 10" x 14" x 35" x 33" - Right - Brown
	065887-01-L01	EA	Cover - Angled Bolster Cushion - 8" x 10" x 14" x 35" x 33" - Right - Brown
	065887-01-L02	EA	Cover - Angled Bolster Cushion - 8" x 10" x 14" x 35" x 33" - Right - Rust
	065887-01-L03	EA	Cover - Angled Bolster Cushion - 8" x 10" x 14" x 35" x 33" - Right - Blue
	065887-01-M01	EA	Cover - Angled Bolster Cushion - 8" x 10" x 14" x 35" x 33" - Right - Rust
	065887-01-M02	EA	Cover - Angled Bolster Cushion - 8" x 10" x 14" x 35" x 33" - Right - Blue
	065887-01-M03	EA	Cover - Angled Bolster Cushion - 8" x 10" x 14" x 35" x 33" - Right - Brown
18	065886-02-L01	EA	Cushion - Angled Bolster - 8" x 10" x 14" x 35" x 33" - Left - Brown
18	065886-02-L02	EA	Cushion - Angled Bolster - 8" x 10" x 14" x 35" x 33" - Left - Rust
18	065886-02-L03	EA	Cushion - Angled Bolster - 8" x 10" x 14" x 35" x 33" - Left - Blue
18	065886-02-M01	EA	Cushion - Angled Bolster - 8" x 10" x 14" x 35" x 33" - Left - Rust
18	065886-02-M02	EA	Cushion - Angled Bolster - 8" x 10" x 14" x 35" x 33" - Left - Blue
18	065886-02-M03	EA	Cushion - Angled Bolster - 8" x 10" x 14" x 35" x 33" - Left - Brown
	065887-02-L01	EA	Cover - Angled Bolster Cushion - 8" x 10" x 14" x 35" x 33" - Left - Brown
	065887-02-L02	EA	Cover - Angled Bolster Cushion - 8" x 10" x 14" x 35" x 33" - Left - Rust
	065887-02-L03	EA	Cover - Angled Bolster Cushion - 8" x 10" x 14" x 35" x 33" - Left - Blue
	065887-02-M01	EA	Cover - Angled Bolster Cushion - 8" x 10" x 14" x 35" x 33" - Left - Rust
	065887-02-M02	EA	Cover - Angled Bolster Cushion - 8" x 10" x 14" x 35" x 33" - Left - Blue
	065887-02-M03	EA	Cover - Angled Bolster Cushion - 8" x 10" x 14" x 35" x 33" - Left - Brown
19	064700-03-L01	EA	Cushion - Rear Twin - Bottom - 34" x 76" x 4.5" - Right - Brown
19	064700-03-L02	EA	Cushion - Rear Twin - Bottom - 34" x 76" x 4.5" - Right - Rust
19	064700-03-L03	EA	Cushion - Rear Twin - Bottom - 34" x 76" x 4.5" - Right - Blue
19	068579-08-M01	EA	Cushion - Rear Twin - Bottom - 34" x 76" x 4.5" - Right - Rust
19	068579-08-M02	EA	Cushion - Rear Twin - Bottom - 34" x 76" x 4.5" - Right - Blue
19	068579-08-M03	EA	Cushion - Rear Twin - Bottom - 34" x 76" x 4.5" - Right - Brown
	064701-03-L01	EA	Cover - Rear Twin Bottom Cushion - 34" x 76" x 4.5" - Right - Brown
	064701-03-L02	EA	Cover - Rear Twin Bottom Cushion - 34" x 76" x 4.5" - Right - Rust
	064701-03-L03	EA	Cover - Rear Twin Bottom Cushion - 34" x 76" x 4.5" - Right - Blue
	M68579-08-M01	EA	Cover - Rear Twin Bottom Cushion - 34" x 76" x 4.5" - Right - Rust
	M68579-08-M02	EA	Cover - Rear Twin Bottom Cushion - 34" x 76" x 4.5" - Right - Blue
	M68579-08-M03	EA	Cover - Rear Twin Bottom Cushion - 34" x 76" x 4.5" - Right - Brown
20	064700-04-L01	EA	Cushion - Rear Twin - Bottom - 34" x 76" x 4.5" - Left - Brown
20	064700-04-L02	EA	Cushion - Rear Twin - Bottom - 34" x 76" x 4.5" - Left - Rust
20	064700-04-L03	EA	Cushion - Rear Twin - Bottom - 34" x 76" x 4.5" - Left - Blue
20	068579-09-M01	EA	Cushion - Rear Twin - Bottom - 34" x 76" x 4.5" - Left - Rust
20	068579-09-M02	EA	Cushion - Rear Twin - Bottom - 34" x 76" x 4.5" - Left - Blue
20	068579-09-M03	EA	Cushion - Rear Twin - Bottom - 34" x 76" x 4.5" - Left - Brown
	064701-03-L01	EA	Cover - Rear Twin Bottom Cushion - 34" x 76" x 4.5" - Left - Brown
	064701-03-L02	EA	Cover - Rear Twin Bottom Cushion - 34" x 76" x 4.5" - Left - Rust
	064701-03-L03	EA	Cover - Rear Twin Bottom Cushion - 34" x 76" x 4.5" - Left - Blue
	M68579-09-M01	EA	Cover - Rear Twin Bottom Cushion - 34" x 76" x 4.5" - Left - Rust
	M68579-09-M02	EA	Cover - Rear Twin Bottom Cushion - 34" x 76" x 4.5" - Left - Blue
	M68579-09-M03	EA	Cover - Rear Twin Bottom Cushion - 34" x 76" x 4.5" - Left - Brown

**CURTAIN, CUSHION AND PAD GROUP (CONTINUED)**

**DINETTE CUSHIONS**

Key	Part Number	U/M	Description
21	064700-02-L01	EA	Cushion - Dinette Back - 19.2" x 38" x 4.5" - Brown
21	064700-02-L02	EA	Cushion - Dinette Back - 19.2" x 38" x 4.5" - Rust
21	064700-02-L03	EA	Cushion - Dinette Back - 19.2" x 38" x 4.5" - Blue
21	068579-06-M01	EA	Cushion - Dinette Back - 19.2" x 38" x 5" - Rust
21	068579-06-M02	EA	Cushion - Dinette Back - 19.2" x 38" x 5" - Blue
21	068579-06-M03	EA	Cushion - Dinette Back - 19.2" x 38" x 5" - Brown
	064701-02-L01	EA	Cover - Dinette Back Cushion - 19.2" x 38" x 4.5" - Brown
	064701-02-L02	EA	Cover - Dinette Back Cushion - 19.2" x 38" x 4.5" - Rust
	064701-02-L03	EA	Cover - Dinette Back Cushion - 19.2" x 38" x 4.5" - Blue
	M68579-06-M01	EA	Cover - Dinette Back Cushion - 19.2" x 38" x 5" - Rust
	M68579-06-M02	EA	Cover - Dinette Back Cushion - 19.2" x 38" x 5" - Blue
	M68579-06-M03	EA	Cover - Dinette Back Cushion - 19.2" x 38" x 5" - Brown
22	064700-01-L01	EA	Cushion - Dinette Bottom - 17.5" x 38" x 4.5" - Brown
22	064700-01-L02	EA	Cushion - Dinette Bottom - 17.5" x 38" x 4.5" - Rust
22	064700-01-L03	EA	Cushion - Dinette Bottom - 17.5" x 38" x 4.5" - Blue
22	068579-05-M01	EA	Cushion - Dinette Bottom - 17.5" x 38" x 5" - Rust
22	068579-05-M02	EA	Cushion - Dinette Bottom - 17.5" x 38" x 5" - Blue
22	068579-05-M03	EA	Cushion - Dinette Bottom - 17.5" x 38" x 5" - Brown
	064701-01-L01	EA	Cover - Dinette Bottom Cushion - 17.5" x 38" x 4.5" - Brown
	064701-01-L02	EA	Cover - Dinette Bottom Cushion - 17.5" x 38" x 4.5" - Rust
	064701-01-L03	EA	Cover - Dinette Bottom Cushion - 17.5" x 38" x 4.5" - Blue
	M68579-05-M01	EA	Cover - Dinette Bottom Cushion - 17.5" x 38" x 5" - Rust
	M68579-05-M02	EA	Cover - Dinette Bottom Cushion - 17.5" x 38" x 5" - Blue
	M68579-05-M03	EA	Cover - Dinette Bottom Cushion - 17.5" x 38" x 5" - Brown

**REAR PULL DOWN BUNK CUSHIONS**

Key	Part Number	U/M	Description
	055021-38-L01	EA	Cushion - Rear Bunk - 42" x 80.2" x 4" - Brown
	055021-38-L02	EA	Cushion - Rear Bunk - 42" x 80.2" x 4" - Rust
	055021-38-L03	EA	Cushion - Rear Bunk - 42" x 80.2" x 4" - Blue
	055021-38-M01	EA	Cushion - Rear Bunk - 42" x 80.2" x 4" - Rust
	055021-38-M02	EA	Cushion - Rear Bunk - 42" x 80.2" x 4" - Blue
	055021-38-M03	EA	Cushion - Rear Bunk - 42" x 80.2" x 4" - Brown
	055022-40-L01	EA	Cover - Rear Bunk Cushion - 42" x 80.2" x 4" - Brown
	055022-40-L02	EA	Cover - Rear Bunk Cushion - 42" x 80.2" x 4" - Rust
	055022-40-L03	EA	Cover - Rear Bunk Cushion - 42" x 80.2" x 4" - Blue
	055022-40-M01	EA	Cover - Rear Bunk Cushion - 42" x 80.2" x 4" - Rust
	055022-40-M02	EA	Cover - Rear Bunk Cushion - 42" x 80.2" x 4" - Blue
	055022-40-M03	EA	Cover - Rear Bunk Cushion - 42" x 80.2" x 4" - Brown

**REAR FOLD DOWN BUNK**

Key	Part Number	U/M	Description
	058897-10-000	EA	Mattress Complete - Rear Bunk - 16" x 16" x 74" x 2"
	058898-10-000	EA	Cover - Rear Bunk Mattress - 16" x 16" x 74" x 2"

**1981 WINNEBAGO  
TABLE OF CONTENTS**

WD420RG M1, WC/WD420RG M2	A-1 - B-14
WDF26RH M1, WCF26RH M2	B-15 - D-12
WDF26RT M1, WCF26RT M2	

**1981 WDF/WCF26RT M1, M2 INDEX**

Floor Plan	D-13 - D-14
Accessories Group	D-15 - D-17
Bath Group	D-18
Chassis Group	D-19 - D-20
Curtain, Cushion and Pad Group	D-21 - E-9
Dinette Group	E-10
Driver's Compartment Group	E-11 - E-12
Electrical Group	E-13 - E-15
Exterior Body Group	E-16 - E-20
Galley Group	E-21
Heating & Air Conditioning Group	E-22 - E-23
Interior Finish Group	E-24 - F-2
LP Group	F-3
Lounge Group	F-4 - F-7
Water & Sewage Group	F-8
Window, Vent & Exterior Door Group	F-9 - F-20

**CURTAIN, CUSHION AND PAD GROUP (CONTINUED)**

**HIGHBACK BUCKET SEATS**

Key	Part Number	U/M	Description
	065937-05-L01	EA	Seat Asm. - Single Bucket - w/Skirt and Armrests - Brown
	065937-05-L02	EA	Seat Asm. - Single Bucket - w/Skirt and Armrests - Rust
	065937-05-L03	EA	Seat Asm. - Single Bucket - w/Skirt and Armrests - Blue
	065943-01-L01	EA	Cover - Single Bucket - Back - Brown
	065943-01-L02	EA	Cover - Single Bucket - Back - Rust
	065943-01-L03	EA	Cover - Single Bucket - Back - Blue
	065944-01-L01	EA	Cover - Single Bucket - Bottom - Brown
	065944-01-L02	EA	Cover - Single Bucket - Bottom - Rust
	065944-01-L03	EA	Cover - Single Bucket - Bottom - Blue
	066915-01-L01	EA	Skirt - Single Bucket - Brown
	066915-01-L02	EA	Skirt - Single Bucket - Rust
	066915-01-L03	EA	Skirt - Single Bucket - Blue
	065940-01-L01	EA	Seat Asm. - Double Bucket - w/Skirt and Armrests - Brown
	065940-01-L02	EA	Seat Asm. - Double Bucket - w/Skirt and Armrests - Rust
	065940-01-L03	EA	Seat Asm. - Double Bucket - w/Skirt and Armrests - Blue
	065945-01-L01	EA	Cover - Double Bucket - Back - Brown
	065945-01-L02	EA	Cover - Double Bucket - Back - Rust
	065945-01-L03	EA	Cover - Double Bucket - Back - Blue
	065946-01-L01	EA	Cover - Double Bucket - Bottom - Brown
	065946-01-L02	EA	Cover - Double Bucket - Bottom - Rust
	065946-01-L03	EA	Cover - Double Bucket - Bottom - Blue
	066916-01-L01	EA	Skirt - Double Bucket - Brown
	066916-01-L02	EA	Skirt - Double Bucket - Rust
	066916-01-L03	EA	Skirt - Double Bucket - Blue
	065938-01-M01	EA	Seat Asm. - Single Bucket - Highback w/Armrests and Skirt - Rust
	065938-01-M02	EA	Seat Asm. - Single Bucket - Highback w/Armrests and Skirt - Blue
	065938-01-M03	EA	Seat Asm. - Single Bucket - Highback w/Armrests and Skirt - Brown
	065943-02-M01	EA	Cover - Back - Single Bucket - Rust
	065943-02-M02	EA	Cover - Back - Single Bucket - Blue
	065943-02-M03	EA	Cover - Back - Single Bucket - Brown
	065944-02-M01	EA	Cover - Bottom - Single Bucket - Rust
	065944-02-M02	EA	Cover - Bottom - Single Bucket - Blue
	065944-02-M03	EA	Cover - Bottom - Single Bucket - Brown
	066915-02-M01	EA	Skirt - Single Bucket - Rust
	066915-02-M02	EA	Skirt - Single Bucket - Blue
	066915-02-M03	EA	Skirt - Single Bucket - Brown
	069004-01-M01	EA	Seat Asm. - Double Bucket - Highback w/Armrests and Skirt - Rust
	069004-01-M02	EA	Seat Asm. - Double Bucket - Highback w/Armrests and Skirt - Blue
	069004-01-M03	EA	Seat Asm. - Double Bucket - Highback w/Armrests and Skirt - Brown
	M00405-03-M01	EA	Cover - Back - Double Bucket - Rust
	M00405-03-M02	EA	Cover - Back - Double Bucket - Blue
	M00405-03-M03	EA	Cover - Back - Double Bucket - Brown
	M00405-04-M01	EA	Cover - Bottom - Double Bucket - Rust
	M00405-04-M02	EA	Cover - Bottom - Double Bucket - Blue
	M00405-04-M03	EA	Cover - Bottom - Double Bucket - Brown
	068878-01-M01	EA	Skirt - Double Bucket - Rust
	068878-01-M02	EA	Skirt - Double Bucket - Blue
	068878-01-M03	EA	Skirt - Double Bucket - Brown
	067661-02-000	EA	Armrest Asm. - Foam w/o Cover - Right
	067661-01-000	EA	Armrest Asm. - Foam w/o Cover - Left
	065774-02-M01	EA	Cover - Armrest - Right or Left - Rust
	065774-02-M02	EA	Cover - Armrest - Right or Left - Blue
	065774-02-M03	EA	Cover - Armrest - Right or Left - Brown
	065774-01-L01	EA	Cover - Armrest - Right or Left - Brown
	065774-01-L02	EA	Cover - Armrest - Right or Left - Rust
	065774-01-L03	EA	Cover - Armrest - Right or Left - Blue

**CURTAIN, CUSHION AND PAD GROUP (CONTINUED)**

**LOWBACK BUCKET SEATS**

Key	Part Number	U/M	Description
	061825-02-L01	EA	Seat Asm. - Single Bucket - w/o Armrests or Headrest - Brown
	061825-02-L02	EA	Seat Asm. - Single Bucket - w/o Armrests or Headrest - Rust
	061825-02-L03	EA	Seat Asm. - Single Bucket - w/o Armrests or Headrest - Blue
	061836-01-L01	EA	Cover - Single Bucket - Back - Brown
	061836-01-L02	EA	Cover - Single Bucket - Back - Rust
	061836-01-L03	EA	Cover - Single Bucket - Back - Blue
	061837-01-L01	EA	Cover - Single Bucket - Seat - Brown
	061837-01-L02	EA	Cover - Single Bucket - Seat - Rust
	061837-01-L03	EA	Cover - Single Bucket - Seat - Blue
	069005-01-M01	EA	Seat Asm. - Single Bucket - w/o Armrests or Headrests - Rust
	069005-01-M02	EA	Seat Asm. - Single Bucket - w/o Armrests or Headrests - Blue
	069005-01-M03	EA	Seat Asm. - Single Bucket - w/o Armrests or Headrests - Brown
	M00435-01-M01	EA	Cover - Single Bucket - Seat - Rust
	M00435-01-M02	EA	Cover - Single Bucket - Seat - Blue
	M00435-01-M03	EA	Cover - Single Bucket - Seat - Brown
	M00435-02-M01	EA	Cover - Single Bucket - Back - Rust
	M00435-02-M02	EA	Cover - Single Bucket - Back - Blue
	M00435-02-M03	EA	Cover - Single Bucket - Back - Brown

**PADS**

Key	Part Number	U/M	Description
	058444-04-L01	EA	Pad - End - Dinette Overhead Cabinet - Acorn Vinyl - Right - With Notch
	058444-01-L01	EA	Pad Asm. - End - Dinette Overhead Cabinet - Acorn Vinyl - Left
	058444-01-M04	EA	Pad Asm. - End - Dinette Overhead Cabinet - Left - Acorn Vinyl
	058565-01-M01	EA	Pad Asm. - Pull Out Table - Acorn Vinyl
	059414-01-000	EA	Pad Asm. - Sidewall Trim - Drivers - Acorn Vinyl
	059414-02-000	EA	Pad Asm. - Sidewall Trim - Passenger - Acorn Vinyl
	059467-03-M07	EA	Pad Asm. - Map Pocket - Drivers - Acorn Vinyl
	059467-04-M07	EA	Pad Asm. - Map Pocket - Passenger - Acorn Vinyl
	059608-01-M04	EA	Pad Asm. - Front Bunk - Left - Acorn Vinyl
	059608-02-M04	EA	Pad Asm. - Front Bunk - Left - w/Drivers Door - Acorn Vinyl
	066705-01-L01	EA	Pad Asm. - Front Bunk - Right - Acorn Vinyl
	059607-01-M04	EA	Pad Asm. - Front Bunk - Right - Acorn Vinyl
	058948-01-M04	EA	Pad Asm. - Front Overhead Cabinet - Right - Acorn Vinyl
	058948-02-M04	EA	Pad Asm. - Front Overhead Cabinet - Left - Acorn Vinyl
	058948-03-M04	EA	Pad Asm. - Front Overhead Cabinet - Driver Door - Acorn Vinyl

**1981 WINNEBAGO  
TABLE OF CONTENTS**

WD420RG M1, WC/WD420RG M2	A-1 - B-14
WDF26RH M1, WCF26RH M2	B-15 - D-12
WDF26RT M1, WCF26RT M2	D-13 - F-20

**1981 WDF/WCF26RT M1, M2 INDEX**

Floor Plan	D-13 - D-14
Accessories Group	D-15 - D-17
Bath Group	D-18
Chassis Group	D-19 - D-20
Curtain, Cushion and Pad Group	D-21 - E-9
Dinette Group	E-10
Driver's Compartment Group	E-11 - E-12
Electrical Group	E-13 - E-15
Exterior Body Group	E-16 - E-20
Galley Group	E-21
Heating & Air Conditioning Group	E-22 - E-23
Interior Finish Group	E-24 - F-2
LP Group	F-3
Lounge Group	F-4 - F-7
Water & Sewage Group	F-8
Window, Vent & Exterior Door Group	F-9 - F-20

**CURTAIN, CUSHION AND PAD GROUP (CONTINUED)**

**FABRICS AND TRIMS**

Key	Part Number	U/M	Description
	064393-04-000	YD	Fabric - Drapery - Dublin Flax (L01)
	068339-01-000	YD	Fabric - Drapery - Champagne (M01)
	064383-01-000	YD	Fabric - Upholstery - Biscayne Sienna - (Brown) (L01)
	064383-06-000	YD	Fabric - Upholstery - Biscayne Rust (L02)
	064383-07-000	YD	Fabric - Upholstery - Biscayne Blue (L03)
	068338-01-000	YD	Fabric - Upholstery - Rust (M01)
	068338-02-000	YD	Fabric - Upholstery - Blue (M02)
	068338-03-000	YD	Fabric - Upholstery - Brown (M03)
	053327-01-000	YD	Vinyl - Non Expanded - 27 oz - Acorn Brown
	053327-02-000	YD	Vinyl - Expanded - 28 oz - Acorn Brown
	053327-03-000	YD	Vinyl - Non Support - 16 Gauge Film - Acorn Brown
	057592-02-L01	EA	Button Asm - Pivotal - #30 - Armrest - Brown
	057592-02-L02	EA	Button Asm - Pivotal - #30 - Armrest - Rust
	057592-02-L03	EA	Button Asm - Pivotal - #30 - Armrest - Blue
	057591-02-L01	EA	Button Asm - Nail Pivotal - #30 - Armrest - Brown
	057591-02-L02	EA	Button Asm - Nail Pivotal - #30 - Armrest - Rust
	057591-02-L03	EA	Button Asm - Nail Pivotal - #30 - Armrest - Blue
	057550-01-L01	EA	Button Asm - Fabric - Nail - #36 - Brown
	057550-01-L02	EA	Button Asm - Fabric - Nail - #36 - Rust
	057550-01-L03	EA	Button Asm - Fabric - Nail - #36 - Blue
	054676-05-L01	EA	Button Asm - Cloth - #45 - Brown
	054676-05-L02	EA	Button Asm - Cloth - #45 - Rust
	054676-05-L03	EA	Button Asm - Cloth - #45 - Blue
	054676-06-L01	EA	Button Asm - Cloth - #30 - Brown
	054676-06-L02	EA	Button Asm - Cloth - #30 - Rust
	054676-06-L03	EA	Button Asm - Cloth - #30 - Blue
	054676-07-L01	EA	Button Asm - Vinyl - #45 - Acorn Brown
	057093-01-L01	EA	Button Asm - Vinyl - Nail Back - #60
	057550-03-M04	EA	Button Asm - Vinyl - Nail Back - #36
	057592-02-M01	EA	Button Asm - Pivotal - #30 - Armrest - Rust
	057592-02-M02	EA	Button Asm - Pivotal - #30 - Armrest - Blue
	057592-02-M03	EA	Button Asm - Pivotal - #30 - Armrest - Brown
	051591-02-M01	EA	Button Asm - Nail Pivotal - #30 - Armrest - Rust
	051591-02-M02	EA	Button Asm - Nail Pivotal - #30 - Armrest - Blue
	051591-02-M03	EA	Button Asm - Nail Pivotal - #30 - Armrest - Brown
	057550-01-M01	EA	Button Asm - Fabric - Nail - #36 - Rust
	057550-01-M02	EA	Button Asm - Fabric - Nail - #36 - Blue
	057550-01-M03	EA	Button Asm - Fabric - Nail - #36 - Brown
	054676-05-M01	EA	Button Asm - Cloth - #45 - Rust
	054676-05-M02	EA	Button Asm - Cloth - #45 - Blue
	054676-05-M03	EA	Button Asm - Cloth - #45 - Brown
	054676-06-M01	EA	Button Asm - Cloth - #30 - Rust
	054676-06-M02	EA	Button Asm - Cloth - #30 - Blue
	054676-06-M03	EA	Button Asm - Cloth - #30 - Brown

**DINETTE GROUP**

**CONVENTIONAL DINETTE AND OVERHEAD CABINETRY**

Key	Part Number	U/M	Description
	052488-02-L01	EA	Cabinet Asm. - Dinette Seat - w/o Door or Hardware - Left
	052488-01-L01	EA	Cabinet Asm. - Dinette Seat - Right
	M00522-01-M04	EA	Cabinet Asm. - Dinette Seat Bottom - Right
	M00521-01-M04	EA	Cabinet Asm. - Dinette Seat Bottom - w/o Door or Hardware - Left
	M00522-02-M04	EA	Cabinet Asm. - Dinette Seat Back - Right
	M00521-02-M04	EA	Cabinet Asm. - Dinette Seat Back - Left
	057992-25-L01	EA	Door Asm. - Dinette Seat Cabinet - 19.2" x 11.3" - w/o Hardware
	M00377-38-M04	EA	Door Asm. - Dinette Seat Cabinet - 19.2" x 11.3" - w/o Hardware
	057715-01-L01	EA	Cabinet Asm. - Dinette Overhead - w/o Doors or Hardware
	M57715-02-M04	EA	Cabinet Asm. - Dinette Overhead - w/o Doors or Hardware
	057992-24-L01	EA	Door Asm. - Dinette Overhead Cabinet - 11.5" x 35.4" - w/o Hardware
	M00377-39-M04	EA	Door Asm. - Dinette Overhead Cabinet - 11.5" x 35.4" - w/o Hardware
	053192-01-L01	EA	Table Asm. - Dinette - w/o Hardware - Bone Kit
	053192-01-M04	EA	Table Asm. - Dinette - w/o Hardware - Burnt Sienna (M01)
	053192-01-M02	EA	Table Asm. - Dinette - w/o Hardware - Camel (M03)
	053192-01-L40	EA	Table Asm. - Dinette - w/o Hardware - Butcher Block
**	053200-04-000	EA	Bracket - Upper Wall Mount - Brown - 23.5"
**	053201-01-000	EA	Bracket - Table Mount - 23"
**	024275-01-000	EA	Rod - Table Lift - 8" x 23.5"
**	024281-06-000	EA	Bracket - Lower Wall Mount - Brown - 22 1/2"
**	024276-04-000	EA	Leg Asm. - Table - Brown - 29.5"
**	064050-01-000	EA	Hinge - Table Leg - Brown
**	024282-01-000	EA	Brace - Table Leg
**	024283-01-000	EA	Clip - 1" O.D. Tube
**	049493-02-000	EA	Catch - Table Leg - Mounts on Floor - Brown

\*\*The illustrated parts breakdown for this item is provided on the Common Items Fiche.

**CORNER LOUNGE CHAIRS**

Key	Part Number	U/M	Description
	061558-01-L01	EA	Cabinet Asm. - Lounge Chair - Right Hand
	061560-02-L01	EA	Cabinet Asm. - Lounge Chair - Left Hand
	059122-06-L04	EA	Door Asm. - Roll up - 13" x 17.7" - Leather - Tambour - Brown
	061704-01-L01	EA	Table Asm. - Lounge - Bone Kit
	061882-01-000	EA	Leg Asm. - Table - Pivotal
	061879-01-000	EA	Leg Asm. - Table - Fixed
	024275-04-000	EA	Rod - Table Lift
	024281-05-000	EA	Bracket - Table Lift - Mounts on Table
	053200-02-000	EA	Support - Table - 14.5" - Mounts on Wall

**SPRUNG COUCH W/PEDESTAL TABLES**

Key	Part Number	U/M	Description
	057622-01-M04	EA	Panel Asm. - Couch Front - 75.4" x 14.6" - w/o Door or Hardware (L01)
	057618-01-M04	EA	Panel Asm. - Forward End - Sprung Couch (L01)
	M00377-02-M04	EA	Door Asm. - Couch Cabinet - 12" x 37.2" - w/o Hardware (L01)
	057468-02-000	EA	Frame Asm. - Sprung Couch - Right
	057468-03-000	EA	Frame Asm. - Sprung Couch - Left
	057468-04-000	EA	Frame Rails - Sprung Couch (2 per couch)
	057469-01-000	EA	Leg Asm. - Sprung Couch
	053248-02-M04	EA	Table Asm. - Pedestal - w/o Hardware - Burnt Sienna (M01)
	053248-02-M02	EA	Table Asm. - Pedestal - w/o Hardware - Camel (M03)
	053248-02-L40	EA	Table Asm. - Pedestal - w/o Hardware - Butcher Block
	053248-02-L01	EA	Table Asm. - Pedestal - w/o Hardware - Bone Kit
	009040-02-000	EA	Leg - Pedestal Table - 27.5" x 2.25" O.D. - Chrome
	009040-03-000	EA	Base - Table - Mounts on Table
	041194-01-000	EA	Base - Table - Mounts in Floor
	062046-01-000	EA	Clip - Pedestal Leg
	056418-01-L04	EA	Plug Asm. - Pedestal - Table - Ginger
	056093-01-M01	EA	Plug Asm. - Pedestal - Table - Rust
	056093-01-M02	EA	Plug Asm. - Pedestal - Table - Medium Brown
	056418-01-L05	EA	Plug Asm. - Pedestal - Table - Camel

**1981 WINNEBAGO  
TABLE OF CONTENTS**

WD420RG M1, WC/WD420RG M2	A-1 - B-14
WDF26RH M1, WCF26RH M2	B-15 - D-12
WDF26RT M1, WCF26RT M2	D-13 - F-20

**1981 WDF/WCF26RT M1, M2 INDEX**

Floor Plan	D-13 - D-14
Accessories Group	D-15 - D-17
Bath Group	D-18
Chassis Group	D-19 - D-20
Curtain, Cushion and Pad Group	D-21 - E-9
Dinette Group	E-10
Driver's Compartment Group	E-11 - E-12
Electrical Group	E-13 - E-15
Exterior Body Group	E-16 - E-20
Galley Group	E-21
Heating & Air Conditioning Group	E-22 - E-23
Interior Finish Group	E-24 - F-2
LP Group	F-3
Lounge Group	F-4 - F-7
Water & Sewage Group	F-8
Window, Vent & Exterior Door Group	F-9 - F-20

## DRIVER'S COMPARTMENT GROUP

### DASH PANEL AND COMPONENTS

Key	Part Number	U/M	Description
	061803-02-000	EA	Dash Asm. - Complete w/Gauges and Switches - Chevy
	059613-04-L01	EA	Dash Asm. - Complete w/Gauges and Switches - Dodge
	022548-03-000	EA	Pad - Dash - Right - Dark Brown
	023242-05-000	EA	Pad - Dash - Left - Dark Brown
	024418-01-000	EA	Lamp Asm. - Map/Gauge
	023020-01-000	EA	Lamp Asm. - Telltale
	007308-01-000	EA	Dash Clock
	052367-01-000	EA	Lighter Asm. - Cigarette - 12 Volt
	007041-01-000	EA	Bezel - Cigarette Lighter
	007071-01-000	EA	Louver - Chrome - w/Chrome Wheel
	024990-02-000	EA	Outlet - Defroster w/Swivel - 2" Dark Brown
	039044-01-000	EA	Louver Asm. - A/C Adjustable
	050344-01-000	EA	Bezel - Entertainment Center No. 2 - w/Cut Out for Clock & Radio
	067337-02-000	EA	Bezel - Entertainment Center No. 6 - w/Cut Out for Radio
	067338-01-000	EA	Bezel - Entertainment Center No. 7 - w/Cut Out for Radio, Hourmeter and Generator Start Stop Switch
	050299-01-000	EA	Bezel - Control Panel - Dodge
	039847-06-000	EA	Bezel - Control Panel - Chevy
	023892-01-000	EA	Box - Glove Compartment - Black Fiberboard
	022219-01-000	EA	Door - Glove Compartment
	009118-01-000	EA	Twist Lock - Glove Compartment
	024598-01-000	EA	Hinge - Glove Compartment - 1 1/16" x 19"
	034309-01-000	EA	Chain - Glove Box Door
	023834-01-000	EA	Panel - Knee Kick - Bottom of Dash
	031035-01-000	EA	Gauge Asm. - Hourmeter
	024849-01-000	EA	Damper Asm. - Fresh Air

### DASH SWITCHES AND GAUGES

Key	Part Number	U/M	Description
	024461-01-000	EA	Switch - Battery
	024462-01-000	EA	Switch - Battery Condition
	024464-02-000	EA	Switch - Battery - Dual Boost
	024463-01-000	EA	Switch - Blinker
	024464-01-000	EA	Switch - Washer
	024465-01-000	EA	Switch - Fuel
	024467-01-000	EA	Switch - Wiper
	024976-01-000	EA	Switch - Generator w/o Circuit Board
	037387-01-000	EA	Switch - Generator w/Circuit Board
	024459-03-000	EA	Gauge - Voltmeter
	024460-03-000	EA	Gauge - Vacuum
	031035-01-000	EA	Gauge - Generator Hourmeter
	024459-02-000	EA	Bracket - Voltmeter - Gauge
	024460-02-000	EA	Bracket - Vacuum - Gauge
	031376-01-000	EA	Control Asm. - Heater - 3 Speed
	055279-01-000	EA	Control Asm. - Heater A/C - 3 Speed

### BUCKET SEAT PEDESTAL AND SEAT BELTS

Key	Part Number	U/M	Description
	050447-01-000	EA	Pedestal Asm. - Tilt Seat - Left
	050447-02-000	EA	Pedestal Asm. - Tilt Seat - Right - Single Seat
	061609-01-000	EA	Pedestal Asm. - Tilt Seat - Right - Double Seat
	007019-01-000	EA	Belt Asm. - Seat - 2" x 84" - Black
	041322-01-000	EA	Washer - Flat 15/32" I.D. x 2 3/8" O.D. - Seat Belt
	049943-01-000	EA	Pedestal - Complete - Swivel
	007021-01-000	EA	Belt Asm. - Seat - 2" x 90" - Black
	007222-01-000	EA	Belt Asm. - Seat - 2" x 60" - Black
	043910-01-000	EA	Bracket Asm. - Seat Belt
	058375-01-000	EA	Bracket - Seat Belt - Washer
	051382-01-000	EA	Adjuster Asm. - Seat w/Lock
	051383-01-000	EA	Adjuster Asm. - Seat w/o Lock
	007224-02-000	EA	Handle - Seat Adjuster - 9"

## DRIVER'S COMPARTMENT GROUP (CONTINUED)

### MISCELLANEOUS DRIVER'S COMPARTMENT COMPONENTS

Key	Part Number	U/M	Description
	061378-01-M10	EA	Beverage Tray Asm. - Matador Leather Laminate
	055000-01-000	EA	Tray - Utensil - Dark Brown Plastic
	045795-01-000	EA	Glass Holder - Dark Brown Plastic
	050796-01-000	EA	Pocket - Ash Tray - Plastic
	050797-01-000	EA	Ash Tray - Plastic
	039857-01-000	EA	Latch - Rubber - Draw Handle - 5 3/4" w/Strike
	039858-01-000	EA	Latch - Rubber - Draw Handle - 3" w/Strike
	042541-01-000	EA	Latch Asm. - w/Strike - Chrome
	034800-03-000	EA	Motor Cover - Plastic - Dodge
	034800-01-000	EA	Motor Cover - Plastic - 454 C.I.D. - Chevy
	039333-01-000	EA	Motor Cover - Plastic - 350 C.I.D. - Chevy
	067213-02-000	EA	Motor Cover - Dual Fuel - Chevy
	035368-02-000	EA	Seal - Motor Cover - Alum.
	035368-03-000	EA	Seal - Motor Cover - Alum. - Brown
	039623-01-000	FT	Seal - Cover - Engine - Neoprene
	052783-02-000	EA	Seal - Cover - Motor - Upper
	040519-01-000	EA	Boot - Rubber Steering Column
	040520-01-000	EA	Boot Retainer - Steering Column
	040714-01-000	EA	Mirror - Inside - Rear View - Glare Proof
	067490-01-000	EA	Button - Mirror - Rear View - Support
	034499-01-000	EA	Support - Dimmer Switch
	040695-02-000	EA	Clip - Sunvisor
	056508-01-M04	EA	Sunvisor Asm. - Right - Acorn Brown - w/Mirror
	056508-02-M04	EA	Sunvisor Asm. - Left - Acorn Brown
	061350-01-000	EA	Trim - Interior - "A" Post - Brown Plastic - Left
	061350-02-000	EA	Trim - Interior - "A" Post - Brown Plastic - Right
	009143-01-000	EA	Mirror - 1/8" x 3.5" x 8" - Sunvisor
	059198-02-000	EA	Panel - Side - Left - Dark Brown
	059197-01-000	EA	Panel - Side - Right - Dark Brown

### FRONT BUNK AND HARDWARE

Key	Part Number	U/M	Description
	058300-01-L04	EA	Cabinet Asm. - Front Overhead
	058300-01-M04	EA	Cabinet Asm. - Front Overhead
	053320-01-L01	EA	Bunk Board Asm. - Front Overhead w/Rails
	053320-01-M04	EA	Bunk Board Asm. - Front Overhead w/Rails
	053773-01-000	EA	Support - Overhead Bunk - Brown - Right
	053773-02-000	EA	Support - Overhead Bunk - Brown - Left
	040071-02-000	EA	Support - Bunk - Seat Belt
	039516-02-000	EA	Catch - Bunk - Brown
	023812-22-000	EA	Rail - Bunk - 80" - Brown
	053774-02-000	EA	Torsion Rod - Overhead Bunk - Brown
	041322-01-000	EA	Washer - Flat - 15/32" I.D. x 2 3/8" O.D. - Seat Belt
	059608-01-M04	EA	Pad Asm. - Front Bunk - Left
	059608-02-M04	EA	Pad Asm. - Front Bunk - Left - w/Driver Door
	066705-01-M04	EA	Pad Asm. - Front Bunk - Right
	058948-01-000	EA	Pad Asm. - Front Overhead Cabinet - Right
	058948-02-000	EA	Pad Asm. - Front Overhead Cabinet - Left
	058948-03-000	EA	Pad Asm. - Front Overhead Cabinet - Driver Door
	048394-01-000	EA	Tape Hook - 1" x 25 YD - Beige
	048395-01-000	EA	Tape Loop - 1" x 25 YD - Beige

## 1981 WINNEBAGO TABLE OF CONTENTS

WD420RG M1, WC/W420RG M2	A-1 - B-14
WDF26RH M1, WCF26RH M2	B-15 - D-12
WDF26RT M1, WCF26RT M2	D-13 - F-20

## 1981 WDF/WCF26RT M1, M2 INDEX

Floor Plan	D-13 - D-14
Accessories Group	D-15 - D-17
Bath Group	D-18
Chassis Group	D-19 - D-20
Curtain, Cushion and Pad Group	D-21 - E-9
Dinette Group	E-10
Driver's Compartment Group	E-11 - E-12
Electrical Group	E-13 - E-15
Exterior Body Group	E-16 - E-20
Galley Group	E-21
Heating & Air Conditioning Group	E-22 - E-23
Interior Finish Group	E-24 - F-2
LP Group	F-3
Lounge Group	F-4 - F-7
Water & Sewage Group	F-8
Window, Vent & Exterior Door Group	F-9 - F-20

## ELECTRICAL GROUP

### BULBS

Key	Part Number	U/M	Description
	037935-01-000	EA	Bulb - 1157
	063914-01-000	EA	Bulb - 1143
	008103-01-000	EA	Bulb - 53
	008213-01-000	EA	Bulb - 57
	008214-01-000	EA	Bulb - 67
	008215-01-000	EA	Bulb - 1003
	008216-01-000	EA	Bulb - 1034
	008217-01-000	EA	Bulb - 1073
	008218-01-000	EA	Bulb - 1141
	008219-01-000	EA	Bulb - 65G
	008220-01-000	EA	Bulb - 12V - 25W
	036196-01-000	EA	Bulb - 194
	700020-01-000	EA	Bulb - 12V - 20W - 1393

### FUSES AND CIRCUIT BREAKERS

Key	Part Number	U/M	Description
	056473-02-000	EA	Fuse - Slow Blow - 5 Amp. - 32 Volt Capacity
	056473-01-000	EA	Fuse - Slow Blow - 6 1/4 Amp.
	008233-01-000	EA	Fuse - 12 Volt - 6 Amp.
	008234-01-000	EA	Fuse - 12 Volt - 10 Amp.
	046893-01-000	EA	Fuse - 12 Volt - 13 Amp.
	008235-01-000	EA	Fuse - 12 Volt - 15 Amp.
	008236-01-000	EA	Fuse - 12 Volt - 20 Amp.
	008248-01-000	EA	Fuse - 110 Volt - 30 Amp. - AGU
	008252-01-000	EA	Fuse - 110 Volt - 50 Amp.
	008208-01-000	EA	Circuit Breaker - 12 Volt - 40 Amp.
	008211-01-000	EA	Circuit Breaker - 12 Volt - 6 Amp.
	008268-01-000	EA	Circuit Breaker - 12 Volt - 30 Amp. w/Mount
	033573-02-000	EA	Circuit Breaker - 12 Volt - 15 Amp. w/Mount
	040051-01-000	EA	Circuit Breaker - 110 Volt - 20 Amp. TQL
	033573-01-000	EA	Circuit Breaker - 12 Volt - 20 Amp. w/Mount
	008273-03-000	EA	Circuit Breaker - 15/20 Amp. TQL
	008299-01-000	EA	Circuit Breaker - 115 Amp. TQL
	008297-01-000	EA	Circuit Breaker - 120 Amp. TQL
	008293-01-000	EA	Circuit Breaker - 130 Amp. TQL

### WINDSHIELD WIPER AND WASHER

Key	Part Number	U/M	Description
**	056000-02-000	EA	Washer Asm. - Windshield
**	057653-01-000	EA	Arm - Windshield Wiper - 18" - Black
**	044313-02-000	EA	Motor Asm. - Windshield Wiper - 100°
**	044313-03-000	EA	Motor Asm. - Windshield Wiper - 93°
**	037998-01-000	EA	Link Asm. - Connecting - 22.40" Long
**	057474-01-000	EA	Windshield Wiper Asm.
**	049464-02-000	EA	Blade - Windshield Wiper - 20" Black
**	055675-01-000	EA	Shaft and Pivot Asm.

\*\* The illustrated parts breakdown for this item is provided on the Common Items Fiche.

## ELECTRICAL GROUP (CONTINUED)

### WIRE, SWITCHES AND RECEPTACLES

Key	Part Number	U/M	Description
	008024-01-000	FT	Wire - 18.5 Bonded - Orange/White/Yellow/Blue/Brown
	008025-01-000	FT	Wire - 18.5 Bonded - Orange/White/Yellow/Blue/Green
	008028-01-000	FT	Wire - 18.5 Bonded - Blue/Red/Yellow/Orange/White
	008030-01-000	FT	Wire - 18.4 Bonded - Red/Blue/Orange/Green
	008251-01-000	EA	Holder - Fuse - Black - Screw Type
	008277-01-000	EA	Holder - Fuse - Black - Panel Mount
	008195-01-000	EA	Switch - Push Button - 12 Volt
	006077-01-000	EA	Plaque - Compressor Switch
	008054-01-000	EA	Cord - Power - 10-3 30 Amp. - 25' - UL
	008052-01-000	EA	Cord - Power - 10-3 30 Amp. - 25' - CSA
	034818-04-000	EA	Holder - Receptacle - Plastic
	039342-01-000	EA	Receptacle - Duplex Brown - T Junction
	024571-01-000	EA	Cover Plate - Receptacle - Jumbo Steel - Brown
	024571-03-000	EA	Cover Plate - Receptacle - Jumbo Plastic - Brown
	024571-04-000	EA	Cover Plate - Receptacle - Jumbo Plastic - Ivory
	024471-01-000	EA	Cover - Plate - Electrical Box - 5 1/4" x 3 1/2"
	05802P-01-000	EA	Connector - Pigtail - Clear - Nylon
	03934 01-000	EA	Cap - End - Receptacle
	008162-01-000	EA	Switch - Double Toggle - Spade Brown
	008163-01-000	EA	Switch - Toggle Brown
	056264-01-000	EA	Switch - Leaf Actuator
	055280-01-000	EA	Switch - 3 Speed Fan
	063912-01-000	EA	Relay - Canister, Spot w/Ground
	008164-01-000	EA	Cover Plate - Switch - Brown
	024924-02-000	EA	Receptacle - Power Cord
	069238-01-000	EA	Cover - Electrical - 4 x 4 Box
	008058-01-000	EA	Adaptor - Power Cord
	047353-01-000	EA	Cover - Receptacle - Ground Fault
	053126-01-000	EA	Receptacle - Ground Fault Interrupter - 125 Volt - Ivory
	053126-02-000	EA	Receptacle - Ground Fault Interrupter - 125 Volt - Brown
	058707-01-000	EA	Receptacle - Single - Brown - Thomas & Belts
	058708-01-000	EA	Receptacle - Duplex - Brown - Thomas & Belts
	008157-01-000	EA	Receptacle - Duplex - Brown (Exterior Backwall)
	058048-01-000	EA	Cover - Electrical Box - 4.5" x 2.75" - Rain Tight (Exterior)
	008294-02-000	EA	Cover - Steel - Flat Blank - 4" x 4"
	008288-01-000	EA	Box - Electrical - Plastic - 3" x 3.5"
	008289-01-000	EA	Box - Electrical - Steel - 4 x 4 - 1/2 & 3/4 UL
	064398-01-000	EA	Housing Asm. - Trailer Receptacle - Female
	064399-01-000	EA	Housing Asm. - Trailer Pin - Male
	064450-01-000	EA	Housing Asm. - Trailer Plug - Male
	035417-01-000	EA	Terminal - Pin Receptacle - .125 Dia.
	035633-01-000	EA	Receptacle - HSG - 12 Position
	054532-01-000	EA	Housing - Pin - 6 Position
	031968-01-000	EA	Contact - Plug - Brass - Tinplated
	035290-17-000	EA	Cable Asm. - Battery - 1 AWG Strand - 282"
	054865-01-000	EA	Wire Asm. - Generator Switch

## 1981 WINNEBAGO TABLE OF CONTENTS

WD420RG M1, WC/WD420RG M2	A-1 - B-14
WDF26RH M1, WCF26RH M2	B-15 - D-12
WDF26RT M1, WCF26RT M2	D-13 - F-20

## 1981 WDF/WCF26RT M1, M2 INDEX

Floor Plan	D-13 - D-14
Accessories Group	D-15 - D-17
Bath Group	D-18
Chassis Group	D-19 - D-20
Curtain, Cushion and Pad Group	D-21 - E-9
Dinette Group	E-10
Driver's Compartment Group	E-11 - E-12
Electrical Group	E-13 - E-15
Exterior Body Group	E-16 - E-20
Galley Group	E-21
Heating & Air Conditioning Group	E-22 - E-23
Interior Finish Group	E-24 - F-2
LP Group	F-3
Lounge Group	F-4 - F-7
Water & Sewage Group	F-8
Window, Vent & Exterior Door Group	F-9 - F-20

## ELECTRICAL GROUP (CONTINUED)

### EXTERIOR LIGHTS

Key	Part Number	U/M	Description
	007309-01-000	EA	Light - Step Well
	058032-01-000	EA	Tail Lamp Asm. - 2 Bulb - Chrome
	058030-01-700	EA	Lens - Tail Lamp - Red
	058030-01-701	EA	Lens - Tail Lamp - Back Up
	059036-01-000	EA	Bracket - Tail Lamp
	059540-01-000	EA	Bracket - License Plate
	062740-04-000	EA	Wedge - Tail Lamp - w/o License Plate Bracket
	062742-04-000	EA	Wedge - Tail Lamp - w/License Plate Bracket
	042405-03-000	EA	Base - Rectangular Clearance Light
	042405-04-000	EA	Lens - Clearance Light - Red w/o Reflex
	042405-05-000	EA	Lens - Clearance Light - Amber w/o Reflex
	008089-01-000	EA	Light - Porch - Recessed
	042405-01-000	EA	Lens - Rectangle Light - Red w/Reflex
	042405-02-000	EA	Lens - Rectangle Light - Amber w/Reflex
	041332-02-000	EA	Reflector - Rear Bumper Cover

### MISCELLANEOUS ELECTRICAL COMPONENTS

Key	Part Number	U/M	Description
	047338-01-000	EA	Isolator - Dual Battery
	047389-01-700	EA	Battery - 12 Volt - 105 Amp. Deep Cycle - Dry
	057899-01-000	EA	Battery - 12 Volt - Maintenance Free - Delco
	008188-01-000	EA	Solenoid - Dual Battery - Relay
	054544-01-000	EA	Control Center - 37 Amp. - UL
	031720-01-000	EA	Spacer - Receptacle - Brown Plastic - CSA
	039950-01-702	EA	Circuit Board - Control Center
	024459-03-000	EA	Gauge - Voltmeter - w/o Bracket
	024459-02-000	EA	Bracket - Voltmeter - Gauge
	024462-01-000	EA	Switch - Battery Condition
	031035-01-000	EA	Gauge - Hourmeter - Generator
	024976-01-000	EA	Switch - Generator w/o Circuit Board
	024460-03-000	EA	Gauge - Vacuum - w/o Bracket
	024460-02-000	EA	Bracket - Vacuum - Gauge
	039861-01-000	EA	Sending Unit Kit - Wemac
	048812-01-000	EA	Control Panel - Water/Double Sewage - Base Panel
	048812-05-000	EA	Panel - Insert - w/Thermostat Holes
	048812-06-000	EA	Panel - Insert - w/o Thermostat Holes
	048812-07-700	EA	Refrigerator Sensor - Refrigerator Alarm
	048812-04-000	EA	Panel - Basic
	048812-09-000	EA	Panel Insert w/LP Alarm - Refrigerator
	057044-01-000	EA	Control Center - 44 Amp. CSA
	054545-01-000	EA	Control Center - 44 Amp. UL

### INTERIOR LIGHTS

Key	Part Number	U/M	Description
	064778-01-000	EA	Light - Dome - Off White - Double Jensen
	064778-02-000	EA	Light - Dome - Off White - Single Jensen
	061424-01-000	EA	Light - 12V Receptacle - Aisle - IP
	024418-01-000	EA	Lamp Asm. - Map/Gauge/Aisle
	053346-01-000	EA	Light - High Intensity - Brown
	064778-01-700	EA	Lens - Jensen Light - Dome - Ivory
	007309-01-000	EA	Light - Step Well

## EXTERIOR BODY GROUP

### EXTERIOR BODY PANELS AND SHEET ALUMINUM

Key	Part Number	U/M	Description
	058415-02-L01	EA	Backwall Asm.
	M67548-01-M04	EA	Backwall Asm.
	058414-01-L01	EA	Sidewall Asm. - Right
	066899-01-M04	EA	Sidewall Asm. - Right
	058413-01-L01	EA	Sidewall Asm. - Left (L01) (L03)
	058413-01-L02	EA	Sidewall Asm. - Left
	067527-01-M04	EA	Sidewall Asm. - Left
	067527-01-M05	EA	Sidewall Asm. - Left
	067527-01-M06	EA	Sidewall Asm. - Left
	058316-01-L01	EA	Roof Asm. (L01) (L02) (L03)
	067463-01-M04	EA	Roof Asm. (M04) (M05) (M06)
	039155-03-008	EA	Alum. - Off White Mesa I - .024" x 36" x 60"
	039155-03-002	EA	Alum. - Off White Mesa I - .024" x 36" x 360"
	039155-03-007	EA	Alum. - Off White Mesa I - .024" x 48" x 60"
	039155-03-006	EA	Alum. - Off White Mesa I - .024" x 48" x 360"
	039155-03-009	EA	Alum. - Off White Mesa I - .024" x 12" x 360"
	039155-26-001	EA	Alum. - Off White Mesa II - .024" x 36" x 60"
	039155-28-003	EA	Alum. - Off White Mesa II - .024" x 36" x 360"
	039155-28-004	EA	Alum. - Off White Mesa II - .024" x 48" x 60"
	039155-28-006	EA	Alum. - Off White Mesa II - .024" x 48" x 360"
	039155-28-007	EA	Alum. - Off White Mesa II - .024" x 12" x 360"
	044487-01-001	EA	Plain Roof Metal - 96" x 360"
	039155-07-010	EA	Off White Greyhound Alum. - 48" x 96"
	001054-01-011	EA	Off White Plain Alum. - 48" x 96"
	000868-01-000	SF	Styrofoam - 3/4" x 24" x 96"
	000370-01-000	SF	Styrofoam - 1 1/2" x 24" x 96"

NOTE: The raised portion of Mesa I aluminum is 1.657" wide.  
The raised portion of Mesa II aluminum is .875" wide.

### MISCELLANEOUS EXTERNALLY MOUNTED PARTS

Key	Part Number	U/M	Description
	010230-02-000	EA	Fill - City Water - Recessed - Off White
	058808-01-000	EA	Fill - Water - Lockable
..	011124-01-000	EA	Plumbing Seal - 1 1/4" White
..	011129-01-000	EA	Plumbing Seal - Roof Vent - 1 1/2" White
	057461-01-000	EA	Mirror Head - 7 1/2" x 10 1/2" - w/Convex - Bright Finish
	057461-02-000	EA	Mirror Head - 7 1/2" x 10 1/2" - w/Convex - Off White
	049348-03-000	EA	Arm - Low Mount Mirror - Black
	049944-04-000	EA	Bracket - Mirror - Outside - Black
	049944-02-000	EA	Bracket - Mirror - Outside - Off White
	048817-01-000	EA	Handle Asm. - Assist w/Light
	048817-01-700	EA	Lens - Assist Handle
	052423-02-000	EA	Door - Fuel Fill - Off White
	052424-01-000	EA	Jamb - Door - Fuel Fill - Off White
	064576-01-000	EA	Shroud - Fuel Fill - Rear
	063304-01-000	EA	Shroud - Fuel Fill - Upper - Angled

.. The illustrated parts breakdown for this item is provided on the Common Items Fiche.

### EXTERIOR PAINT

Key	Part Number	U/M	Description
	041561-01-000	EA	Paint - Off White - Acrylic Enamel - 1 Gal. - Dupont 45396A
	041561-03-000	EA	Paint - Off White - Acrylic Enamel - 16 oz. Spray - Dupont 45396A
	041561-04-000	EA	Paint - Off White - Acrylic Lacquer - 1 Gal. - Dupont 45396L
	065213-03-000	EA	Paint - Dark Brown - 16 oz. Spray - Dupont 44173

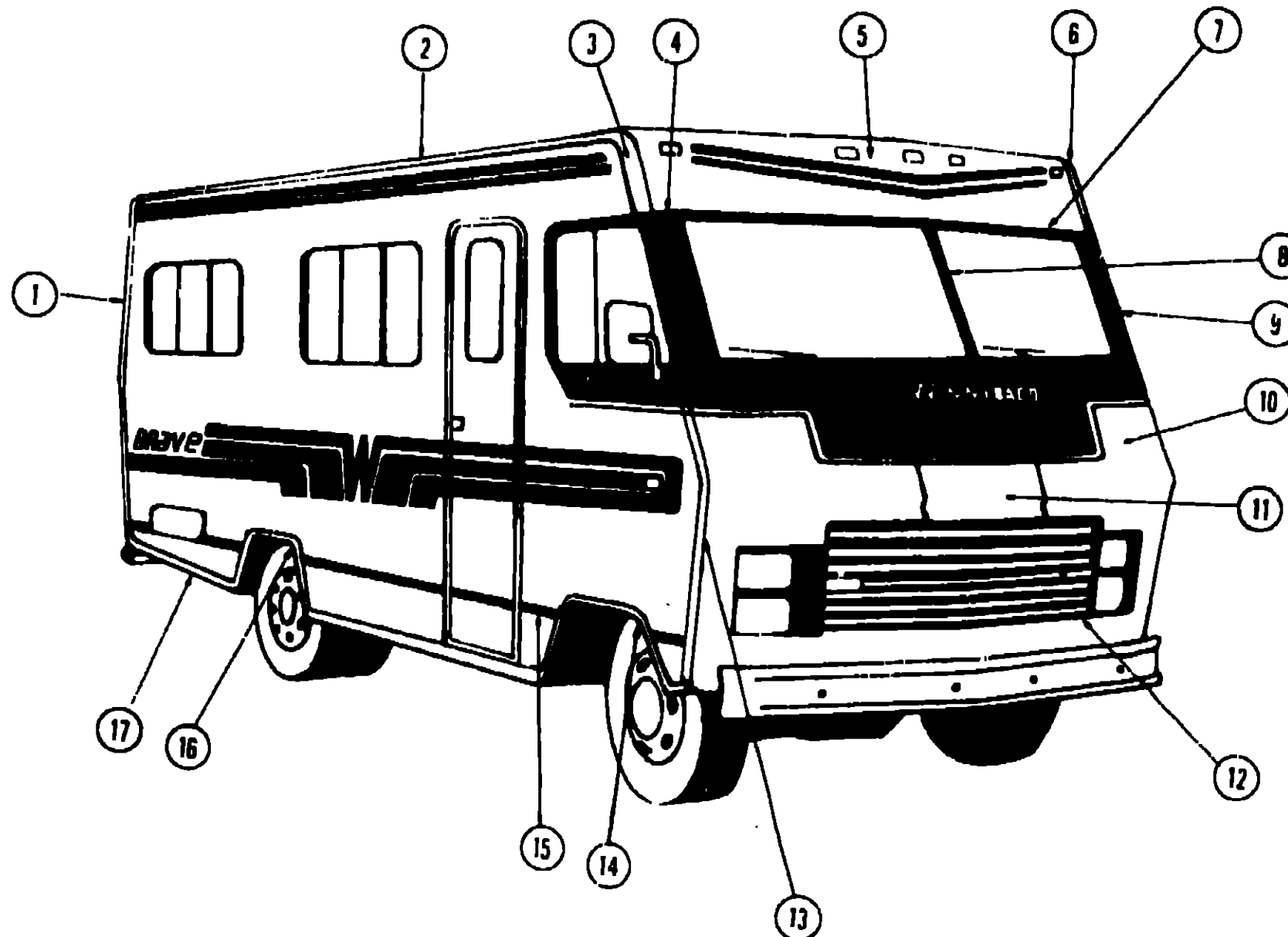
## 1981 WINNEBAGO TABLE OF CONTENTS

WD420RG M1, WC/WD420RG M2	A-1 - B-14
WDF26RH M1, WCF26RH M2	B-15 - D-12
WDF26RT M1, WCF26RT M2	D-13 - F-20

## 1981 WDF/WCF26RT M1, M2 INDEX

Floor Plan	D-13 - D-14
Accessories Group	D-15 - D-17
Bath Group	D-18
Chassis Group	D-19 - D-20
Curtain, Cushion & Pad Group	D-21 - E-9
Dinette Group	E-10
Driver's Compartment Group	E-11 - E-12
Electrical Group	E-13 - E-15
Exterior Body Group	E-16 - E-20
Galley Group	E-21
Heating & Air Conditioning Group	E-22 - E-23
Interior Finish Group	E-24 - F-2
LP Group	F-3
Lounge Group	F-4 - F-7
Water & Sewage Group	F-8
Window, Vent & Exterior Door Group	F-9 - F-20

**EXTERIOR BODY GROUP (CONTINUED)**



**1981 WINNEBAGO  
TABLE OF CONTENTS**

VD420RG M1, WC/WD420RG M2	A-1 - B-14
WDF26RH M1, WCF26RH M2	B-15 - D-12
WDF26RT M1, WCF26RT M2	D-13 - F-20

Key	Part Number	U/M	Description
1	039964-01-000	EA	Trim - Contour - Right Rear - Off White
.	039964-02-000	EA	Trim - Contour - Left Rear - Off White
2	034922-10-000	EA	Trim - Sidewall - Upper - Left or Right - Off White
3	058284-02-000	EA	Trim - Contour - Right Front Upper - Off White
4	058289-02-000	EA	Trim - Contour - Windshield - Right
5	055401-01-000	EA	Cap Asm. - Fiberglass - Over Windshield - Off White
.	062396-01-000	EA	Trim - Roof/Front Cap - 91"
6	058284-01-000	EA	Trim - Contour - Left Front Upper - Off White
7	058287-01-000	EA	Trim - Molding - Windshield - Upper & Lower
.	042743-02-000	EA	Trim - Corner Windshield - Upper
8	058288-01-000	EA	Trim - Molding - Windshield - Center
9	058289-01-000	EA	Trim - Contour - Windshield - Left
.	042743-01-000	EA	Trim - Corner Windshield - Lower
.	058761-01-000	EA	Striker - Hood Latch
.	058392-04-000	EA	Panel - Lower Asm.
.	058826-02-000	EA	Hood Prop Rod
10	066633-03-000	EA	Panel Asm. - Front Shroud - Includes Access Panel, Lower Shroud and Headlamp Cans

Key	Part Number	U/M	Description
11	066632-01-000	EA	Access Panel - Off White
.	058722-01-000	EA	Pull Pin - Access Door Release
.	058752-01-000	EA	Hinge - Access Panel - Right
.	058752-02-000	EA	Hinge - Access Panel - Left
.	058297-01-000	EA	Headlamp Housing - Left
.	058297-02-000	EA	Headlamp Housing - Right
.	049358-01-000	EA	Bezel - Headlamp - Left
.	049358-02-000	EA	Bezel - Headlamp - Right
12	066779-01-000	EA	Grille Asm.
13	058899-03-000	EA	Trim - Fiberglass Panel - Right
.	058899-04-000	EA	Trim - Fiberglass Panel - Left
14	052843-02-000	EA	Trim - Wheel Well - Front - Left or Right
15	002444-02-001	EA	Feature Strip - Extr. Anod. - 14" - w/o Insert
.	001030-09-100	EA	Insert - Feature Strip - Brown - Stucco - 17"
.	009731-01-000	EA	End Cap - Feature Strip
16	052842-01-000	EA	Trim - Wheel Well - Rear - Right or Left
17	002776-02-000	EA	Extr. - U-Channel - 1.75" x 16" - Anod.
.	002365-02-001	EA	Extr. - U-Channel - 1" x 18" Anod.
.	044380-01-001	EA	Extr. - Drip Rail - 192"
.	050406-02-000	EA	Trim - Backwall - Lower
.			Not Illustrated

**1981 WDF/WCF26RT M1, M2 INDEX**

Floor Plan	D-13 - D-14
Accessories Group	D-15 - D-17
Bath Group	D-18
Chassis Group	D-19 - D-20
Curtain, Cushion & Pad Group	D-21 - E-9
Dinette Group	E-10
Driver's Compartment Group	E-11 - E-12
Electrical Group	E-13 - E-15
Exterior Body Group	E-16 - E-20
Galley Group	E-21
Heating & Air Conditioning Group	E-22 - E-23
Interior Finish Group	E-24 - F-2
LP Group	F-3
Lounge Group	F-4 - F-7
Water & Sewage Group	F-8
Window, Vent & Exterior Door Group	F-9 - F-20

**EXTERIOR BODY GROUP (CONTINUED)**

**LABELS AND DECALS**

Key	Part Number	U/M	Description
	006001-01-000	EA	Name Plate - Winnebago - Plastic Chrome
	006015-01-000	EA	Label - Patent
	006064-01-000	EA	Label - Seal - w/o Seat Belt
	064378-01-000	EA	Label - Flying W/Thermopanel
	057467-01-000	EA	Label - Exterior Loading Limit
	006187-01-000	EA	Label - Sewage
	006188-01-000	EA	Label - Waste Water
	006199-01-000	EA	Label - Exit - Escape Window
	008092-01-000	EA	Reflector - Stick On - Rectangular - Red
	008093-01-000	EA	Reflector - Stick On - Rectangular - Amber
	040944-01-000	EA	Label - Open - Entrance Door
	047731-01-000	EA	Label - Emergency Exit
	006040-01-000	EA	Tag - Gas - Refueling Warning
	006062-01-000	EA	Tag - Electrical - 110 V Connection
	054531-01-000	EA	Label - LP Gas Only
	061417-01-000	EA	Label - Fuel
	031161-01-000	EA	Label - Flying "W"
	038403-02-000	EA	Decal - Logo - "Winnebago" - 2.8" x 22" - Off White
	050313-10-000	EA	Decal - Logo - "Winnebago" - 2.8" x 22" - Carmel
	050313-07-000	EA	Decal - Logo - "Winnebago" - 2.8" x 22" - Orange
	050313-08-000	EA	Decal - Logo - "Winnebago" - 2.8" x 22" - Blue
	064459-04-000	EA	Decal - Logo - "Brave" - 4 3/4" x 31 1/2" - Carmel
	064459-02-000	EA	Decal - Logo - "Brave" - 4 3/4" x 31 1/2" - Orange
	064459-03-000	EA	Decal - Logo - "Brave" - 4 3/4" x 31 1/2" - Blue
	065216-07-000	EA	Decal - W Surround - 16" x 9.5" - Right - Carmel
	065216-02-000	EA	Decal - W Surround - 16" x 9.5" - Right - Orange
	065216-03-000	EA	Decal - W Surround - 16" x 9.5" - Right - Blue
	065216-08-000	EA	Decal - W Surround - 16" x 9.5" - Left - Carmel
	065216-05-000	EA	Decal - W Surround - 16" x 9.5" - Left - Orange
	065216-06-000	EA	Decal - W Surround - 16" x 9.5" - Left - Blue
	065217-04-000	FT	Decal - Double 1.5" Stripes Premasked 3/4" Apart - Carmel
	065217-02-000	FT	Decal - Double 1.5" Stripes Premasked 3/4" Apart - Orange
	065217-03-000	FT	Decal - Double 1.5" Stripes Premasked 3/4" Apart - Blue
	065218-04-000	FT	Decal - 1/2" Tape Stripe - Premasked - Carmel
	065218-02-000	FT	Decal - 1/2" Tape Stripe - Premasked - Orange
	065218-03-000	FT	Decal - 1/2" Tape Stripe - Premasked - Blue
	065219-04-000	FT	Decal - Double 3/4" Stripes Premasked 2" Apart - Carmel
	065219-02-000	FT	Decal - Double 3/4" Stripes Premasked 2" Apart - Orange
	065219-03-000	FT	Decal - Double 3/4" Stripes Premasked 2" Apart - Blue
	058434-01-000	EA	Decal - Headlamp Housing Face - Inner Left Hand
	058434-02-000	EA	Decal - Headlamp Housing Face - Inner Right Hand
	058435-01-000	EA	Decal - Headlamp Housing Face - Outer Left Hand
	058435-02-000	EA	Decal - Headlamp Housing Face - Outer Right Hand
	067764-01-000	EA	Decal - Stencil - .5" Radius - Carmel
	067764-02-000	EA	Decal - Stencil - .5" Radius - Orange
	067764-03-000	EA	Decal - Stencil - .5" Radius - Blue
	067765-01-000	EA	Decal - Stencil - 2.75" Radius - Carmel
	067765-02-000	EA	Decal - Stencil - 2.75" Radius - Orange
	067765-03-000	EA	Decal - Stencil - 2.75" Radius - Blue
	067763-01-000	EA	Stencil - Side Front - Right Hand
	067763-02-000	EA	Stencil - Side Front - Left Hand

**EXTERIOR BODY GROUP (CONTINUED)**

**SEALANTS, ADHESIVES AND FASTENERS**

Key	Part Number	U/M	Description
	034552-05-000	EA	Sealant - Off White Silicone
	034552-04-000	EA	Sealant - Beige Silicone
	034552-02-000	EA	Sealant - Clear Silicone
	004340-01-000	EA	Sealant - Black Silicone
	069637-01-000	EA	Sealant - Weatherban 404 Tube
	009200-01-000	EA	Tape - Furnace - 1 1/2"
	002825-01-000	FT	Weather Stripping - Roof Vent
	002337-01-000	EA	Adhesive - 3M - 1300 Tube
	004005-02-000	GL	Adhesive - Swifts - Red - Glue (Sidewalls)
	004020-01-000	QT	Adhesive - ABS Cement - (Plastic Fittings)
	029051-01-000	EA	Adhesive - Spray Vinyl
	042401-01-000	EA	Screw - #8 - 18 x 3/4" SDPH - Beige
	042401-02-000	EA	Screw - #8 - 18 x 3/4" SDPH - Off White
	042401-03-000	EA	Screw - #8 - 18 x 3/4" SDPH - Gray
	042403-01-000	EA	Screw - #8 - 18 x 1" SDPH - Beige
	042403-02-000	EA	Screw - #8 - 18 x 1" SDPH - Off White
	042403-04-000	EA	Screw - #8 - 18 x 1" SDPH - Gray
	053766-01-000	EA	Bedding Compound - Tube Black - Schnee Morehead
	053766-02-000	EA	Bedding Compound - Tube White - Schnee Morehead
	053767-01-000	FT	Tape - 1/2" x 1/8" x 30' - Gray - Schnee Morehead
	053767-03-000	FT	Tape - 1/4" Bead x 20' - Gray - Schnee Morehead
	053767-04-000	FT	Tape - 3/4" x 1/8" x 30' - Gray - Schnee Morehead
	053767-05-000	FT	Tape - 2" x 3/32" x 45' - Gray - Schnee Morehead
	069640-01-000	FT	Sealer Ribbon - 1/4" x 20'

**1981 WINNEBAGO  
TABLE OF CONTENTS**

WD420RG M1, WC/WI420RG M2	A-1 - B-14
WDF26RH M1, WCF26RH M2	B-15 - D-12
WDF26RT M1, WCF26RT M2	D-13 - F-20

**1981 WDF/WCF26RT M1, M2 INDEX**

Floor Plan	D-13 - D-14
Accessories Group	D-15 - D-17
Bath Group	D-18
Chassis Group	D-19 - D-20
Curtain, Cushion & Pad Group	D-21 - E-9
Dinette Group	E-10
Driver's Compartment Group	E-11 - E-12
Electrical Group	E-13 - E-15
Exterior Body Group	E-16 - E-20
Galley Group	E-21
Heating & Air Conditioning Group	E-22 - E-23
Interior Finish Group	E-24 - F-2
LP Group	F-3
Lounge Group	F-4 - F-7
Water & Sewage Group	F-8
Window, Vent & Exterior Door Group	F-9 - F-20



## GALLEY GROUP

### GALLEY CABINETRY

Key	Part Number	U/M	Description
	058304-01-L01	EA	Cabinet Asm. - Galley - w/o Countertop, Doors, Drawers or Hardware
	M69126-01-M04	EA	Cabinet Asm. - Galley - w/o Countertop, Doors, Drawers or Hardware
	052566-02-M04	EA	Countertop Asm. - Galley Cabinet - Burnt Sienna (M01)
	052566-02-M02	EA	Countertop Asm. - Galley Cabinet - Camel (M03)
	052566-01-J30	EA	Countertop Asm. - Galley Cabinet - Butcher Block
	052566-01-L01	EA	Countertop Asm. - Galley Cabinet - Bone Kit
	058023-05-L01	EA	Drawer Asm. - Galley Cabinet - 14.1" x 5.3" x 20" - w/o Hardware
	M68659-05-M04	EA	Drawer Asm. - Galley Cabinet - 15.1" x 5" x 12.2" - w/o Hardware
	057992-30-L01	EA	Door Asm. - Galley Cabinet - 13.6" x 30.6" - w/o Hardware - Left
	057992-31-L01	EA	Door Asm. - Galley Cabinet - 13.6" x 30.6" - w/o Hardware - Right
	M00378-15-M04	EA	Door Asm. - Galley Cabinet - 13.6" x 30.6" - w/o Hardware - Left
	M00378-16-M04	EA	Door Asm. - Galley Cabinet - 13.6" x 30.6" - w/o Hardware - Right
	057992-28-L01	EA	Door Asm. - Refrigerator Cabinet - 11.8" x 17.6" - w/o Hardware - Right
	057992-78-L01	EA	Door Asm. - Refrigerator Cabinet - 11.8" x 17.6" - w/o Hardware - Left
	M00378-14-M04	EA	Door Asm. - Refrigerator Cabinet - 11.8" x 17.6" - w/o Hardware - Right
	M00378-13-M04	EA	Door Asm. - Refrigerator Cabinet - 11.8" x 17.6" - w/o Hardware - Left
	057677-01-L01	EA	Cabinet Asm. - Galley Overhead - w/o Doors or Hardware
	M57677-02-M04	EA	Cabinet Asm. - Galley Overhead - w/o Doors or Hardware
	057992-79-L01	EA	Door Asm. - Galley Overhead Cabinet - 9.8" x 16" - w/o Hardware - Left
	057992-29-L01	EA	Door Asm. - Galley Overhead Cabinet - 9.8" x 16" - w/o Hardware - Right
	M00378-11-M04	EA	Door Asm. - Galley Overhead Cabinet - 9.8" x 16" - w/o Hardware - Left
	M00378-12-M04	EA	Door Asm. - Galley Overhead Cabinet - 9.8" x 16" - w/o Hardware - Right
	057992-75-L01	EA	Door Asm. - Microwave Cabinet - 11.6" x 16" - w/o Hardware - Left
	057992-10-L01	EA	Door Asm. - Microwave Cabinet - 11.6" x 16" - w/o Hardware - Right
	M00378-06-M04	EA	Door Asm. - Microwave Cabinet - 11.2" x 16" - w/o Hardware - Left
	M00378-05-M04	EA	Door Asm. - Microwave Cabinet - 11.2" x 16" - w/o Hardware - Right

### GALLEY HARDWARE AND APPLIANCES

Key	Part Number	U/M	Description
	053424-01-L01	EA	Sink Cover - Large - Bone Kit
	053424-04-M04	EA	Sink Cover - Large - Burnt Sienna (M01)
	053424-04-M02	EA	Sink Cover - Large - Camel (M03)
	053424-01-L40	EA	Sink Cover - Large - Butcher Block
	068615-01-000	EA	Sink - Stainless Steel - Double w/Mounting Bolts
**	011053-01-000	EA	Faucet - Swing Spout - 8" - US
**	011053-02-000	EA	Faucet - Swing Spout - 8" - C.S.A.
	064952-01-000	EA	Faucet - Single Control
	066437-01-000	EA	Strainer - Sink
**	011053-01-700	EA	Aerator - Swing Spout Faucet
	058334-01-000	EA	Wastebasket - 9 3/4 x 7" x 10" - White Rubbermaid
	058478-01-000	EA	Support - Wastebasket
	053333-01-000	EA	Range Hood - Non Power - Black - U.S.
	053333-02-000	EA	Range Hood - Non Power - Black - C.S.A.
	049930-03-000	EA	Range Hood - Powered - Black - Jensen - U.S.
	049930-04-000	EA	Range Hood - Powered - Black - Jensen - C.S.A.
	052771-02-000	EA	Microwave Oven - Magic Chef - MW207
**	067754-01-000	EA	Range - 3 Burner - Small Oven - Magic Chef
**	049175-02-000	EA	Refrigerator - AC/DC/Gas - Sibir ET150/2 - 1 Door Model
	064473-02-000	EA	Refrigerator - AC/DC/Gas - Norcold - 6'
	064472-02-000	EA	Refrigerator - AC/DC/Gas - Norcold - 3'
	047205-08-000	EA	Grille Mesh - Brass - 10 1/8" x 12 1/2"
	057672-01-000	EA	Door Latch/Pull Asm.
	037688-01-000	FT	Rail - Drawer Guide - Steel
	057946-01-L01	EA	Pull Kit - Cabinet Drawer
	054450-01-000	EA	Level - Refrigerator

\*\*The illustrated parts breakdown for this item is provided on the Common Items Fiche.

## HEATING AND AIR CONDITIONING GROUP

### AUTOMOTIVE HEATER AND AIR CONDITIONER

Key	Part Number	U/M	Description
	039044-01-000	EA	Louver Asm. - A/C Adjustable
	047046-01-000	EA	Motor 12 Volt - 3 Speed - Heater - Air Conditioner
	031043-01-000	EA	Valve - Heater - Water Flow Control
	033860-02-000	EA	Cable - Control - Flexible - 46"
	031169-02-000	EA	Cable - Control - Flexible - 48"
	031170-01-000	EA	Clamp - Cable - 3/16" Dia.
	024996-01-000	EA	Clutch - Magnetic - Compressor
	024999-01-000	EA	Compressor - Auto Air - 10.3 Cubic Inch
	048100-01-000	EA	Package - Compressor Mount 454 C.I.D.
	048801-01-000	EA	Condensor - Radiator Mount
	008267-01-000	EA	Switch - Air Conditioner
	024667-01-000	EA	Valve - Thermostatic Expansion
	024997-01-000	EA	Core - Heater
	024998-01-000	EA	Wheel - Blower - 4.72" O.D.
	031393-01-000	EA	Coil - Evaporator
	031001-01-000	EA	Blower Housing
	031000-01-000	EA	Case Asm. - Automotive Heater
	031376-01-000	EA	Control Asm. - Heater - 3 Speed
	055279-01-000	EA	Control Asm. - Heater A/C - 3 Speed
	007076-01-000	FT	Hose - Flexible PVC - 2" I.D.
	007108-01-000	FT	Hose - Heater - 5/8" I.D. SAE 20R3
	009261-01-000	FT	Hose - Flexible PVC - 2 1/2" I.D.
	062401-04-000	EA	Clamp - Worm Drive - .69" - 1.25" I.D.
	033258-01-000	EA	Hose - Refrigerant - .50" I.D. x 34.50"
	034222-01-000	EA	Hose - Refrigerant - .31" I.D. x 26"
	034222-02-000	EA	Hose - Refrigerant - .31" I.D. x 32"
	031960-01-000	EA	Hose - Refrigerant - .34" I.D. x 30"
	031961-01-000	EA	Hose - Refrigerant - .31" I.D. x 14.75"
	031961-02-000	EA	Hose - Refrigerant - .31" I.D. x 19"
	049401-01-000	EA	Heater Asm. - Rear - Auxiliary
	049401-01-700	EA	Valve - Water Control (Aux. Heater)
	049401-01-701	EA	Control Cable (Aux. Heater)
	049401-01-702	EA	Motor Asm. (Aux. Heater)
	049401-01-703	EA	Heater Core (Aux. Heater)
	049401-01-704	EA	Switch (Aux. Heater)
	058906-01-000	EA	Control Panel (Auxiliary Rear Heater)
	024868-01-000	EA	Receiver - Dehydrator
	031044-01-000	EA	Clamp - Receiver Dehydrator
	031962-01-000	EA	Bracket - Receiver Dehydrator
	048232-02-000	EA	Kit - Auto Air - 454 C.I.D. - A-Body - Chevy
	024851-01-000	EA	Door Asm. - Defroster - A/C
	010227-01-000	EA	Tee - Plastic - Barb 5/8" or 3/4" Hose
	024855-01-000	EA	Duct Asm. - Fresh Air
	024849-01-000	EA	Damper Asm. - Fresh Air

## 1981 WINNEBAGO TABLE OF CONTENTS

WD420RG M1, WC/WD420RG M2	A-1 - B-14
WDF26RH M1, WCF26RH M2	B-15 - D-12
WDF26RT M1, WCF26RT M2	D-13 - F-20

## 1981 WDF/WCF26RT M1, M2 INDEX

Floor Plan	D-13 - D-14
Accessories Group	D-15 - D-17
Bath Group	D-18
Chassis Group	D-19 - D-20
Curtain, Cushion & Pad Group	D-21 - E-9
Dinette Group	E-10
Driver's Compartment Group	E-11 - E-12
Electrical Group	E-13 - E-15
Exterior Body Group	E-16 - E-20
Galley Group	E-21
Heating & Air Conditioning Group	E-22 - E-23
Interior Finish Group	E-24 - F-2
LP Group	F-3
Lounge Group	F-4 - F-7
Water & Sewage Group	F-8
Window, Vent & Exterior Door Group	F-9 - F-20

## HEATING AND AIR CONDITIONING GROUP (CONTINUED)

### FURNACES AND ROOF AIR CONDITIONERS

Key	Part Number	U/M	Description
**	069834-01-000	EA	Furnace - 34,000 BTU - w/Direct Ignition - NT-34L
**	069633-01-000	EA	Furnace - 24,000BTU - w/Direct Ignition - NT-24M
	009198-01-000	FT	Duct - Flexible -4" I.D. x 25'
	056464-01-000	EA	Register - 4" Dia. - Plastic - w/Damper
	056464-02-000	EA	Register - 4" Dia. - Plastic - w/o Damper
	009200-01-000	EA	Tape - Furnace - 1 1/2"
	023146-01-000	EA	Clamp - Screw Type - 4"
	050783-01-000	EA	Vent Package - Furnace - 1-3" Wall
	050784-01-000	EA	Vent Package - Furnace - 3-6" Wall
	069634-01-723	EA	Thermostat - Wall Mount - Suburban
**	049774-02-000	EA	Air Conditioner - 110 Volt - Roof Mount - 13,500 BTU Ivory - Coleman (w/o inside shroud)
**	049775-02-000	EA	Shroud Asm. - Ceiling - Inside - Roof Air Cool Only - 13,500 BTU - Coleman
**	049776-01-000	EA	Shroud Asm. - Ceiling - Inside - Roof Air Heat and Cool - 13,500 BTU - Coleman
**	063903-01-000	EA	Air Conditioner - 110 Volt - Roof Mount - 13,500 BTU Rotary

\*\*The illustrated parts breakdown for this item is provided on the Common Items Fiche.

## INTERIOR FINISH GROUP

### PANELING AND COUNTERTOP MATERIALS

Key	Part Number	U/M	Description
	045963-01-000	SF	Paneling - 825 Buff - 48" x 96" (32 SF)
	068344-03-000	SF	Paneling - 772 Bellweather - 48" x 96" (32 SF)
	065739-03-000	SF	Paneling - Decorative - Beige (L01)
	065739-04-000	SF	Paneling - Decorative - Burgundy (L02)
	065739-05-000	SF	Paneling - Decorative - Blue (L03)
	064388-01-000	SF	Paneling - Ferns - Beige (L01)
	064388-02-000	SF	Paneling - Ferns - Burgundy (L02)
	068343-01-000	SF	Paneling - Decor Shells - Beige (M01) (M02) (M03)
	068343-02-000	SF	Paneling - Decor Autumn Storm - Copper (M01)
	068343-03-000	SF	Paneling - Decor Autumn Storm - Gray (M02)
	068343-04-000	SF	Paneling - Decor Autumn Storm - Brown (M03)
	064387-01-000	SF	Plastic Laminate - Bone Kit (L01) (L02) (L03)
	068341-01-000	SF	Plastic Laminate - Burnt Sienna (M01)
	068341-02-000	SF	Plastic Laminate - Camel (M02) (M03)
	059970-01-000	SF	Plastic Laminate - Matador Leather

### 1981 WINNEBAGO TABLE OF CONTENTS

WD420RG M1, WC/WD420RG M2	A-1 - B-14
WDF26RH M1, WCF26RH M2	B-15 - D-12
WDF26RT M1, WCF26RT M2	D-13 - F-20

### INTERIOR MOLDINGS AND TRIMS

Key	Part Number	U/M	Description
	047354-01-000	EA	Batt Strip - 825 Buff - Ceiling - 96"
	064386-01-000	EA	Batt Strip - 772 Bellweather - 96"
	064389-01-000	EA	Batt Strip - Decorative Ferns - Beige
	064389-02-000	EA	Batt Strip - Decorative Ferns - Burgundy
	064389-03-000	EA	Batt Strip - Decorative Ferns - Blue
	024700-02-000	EA	Cover - Roll Bar - Sidewall - Ivory
	052850-01-J27	FT	Accent Trim - Acorn Brown Vinyl
	009812-10-000	EA	Molding - Outside Corner - .50" - Birch
	009813-01-000	FT	Molding - Outside Corner - .50" - Dark Pecan
	009767-05-000	FT	Welling - Light Brown
	009778-01-000	FT	U-Channel - 1" - Dark Brown
	017768-01-000	FT	U-Channel - .19" Brown
	009775-03-000	FT	U-Channel - 1 1/8" - Light Brown
	052861-01-K01	FT	Molding Asm. - Shelf
	009810-01-000	FT	Molding - Outside Corner - 1" - Dark Pecan
	009815-03-000	FT	T-Molding - .75" - Light Brown
	022992-04-000	FT	Molding - Reverse Cove
	035337-22-000	EA	Trim - Inside Corner - Alum. - 80.88"
	034394-02-000	EA	Extr. Vinyl Insert - Beige

### 1981 WDF/WCF26RT M1, M2 INDEX

Floor Plan	D-13 - D-14
Accessories Group	D-15 - D-17
Bath Group	D-18
Chassis Group	D-19 - D-20
Curtain, Cushion & Pad Group	D-21 - E-9
Dinette Group	E-10
Driver's Compartment Group	E-11 - E-12
Electrical Group	E-13 - E-15
Exterior Body Group	E-16 - E-20
Galley Group	E-21
Heating & Air Conditioning Group	E-22 - E-23
Interior Finish Group	E-24 - F-2
LP Group	F-3
Lounge Group	F-4 - F-7
Water & Sewage Group	F-8
Window, Vent & Exterior Door Group	F-9 - F-20

**INTERIOR FINISH GROUP (CONTINUED)**

**CABINETS AND TABLE HARDWARE**

Key	Part Number	U/M	Description
**	052932-01-J30	EA	Hinge Kit - Cabinet Door - Antique Brass
	053103-01-L01	EA	Hinge Kit - Double Acting - Overhead Door
	057945-01-K01	EA	Latch Kit - Cabinet Door - Flat Latch
	009112-01-000	EA	Flange - 1" - Closet Rod
**	053200-01-000	EA	Bracket - Upper Wall Mount - 23.5"
**	053201-03-000	EA	Bracket - Table Mount - 23" Anod.
**	024275-01-000	EA	Rod - Table Lift - 8" x 23.5"
**	024281-06-000	EA	Bracket - Lower Wall Mount - Black - 22.12"
**	024276-04-000	EA	Leg Asm. - Table - Brown - 29.5"
**	064050-01-000	EA	Hinge - Table Leg
**	024282-01-000	EA	Brace - Table Leg
**	024283-01-000	EA	Clip - 1" O D Tube
**	049493-02-000	EA	Catch - Table Leg - Mounts on Floor - Brown
	009040-02-000	EA	Leg - Pedestal Table - 27.5" x 2.25" O D. - Chrome
	009040-03-000	EA	Base - Table Leg - Mounts on Table
	041194-01-000	EA	Base - Table Leg - Mounts in Floor
	062046-01-000	EA	Clip - Leg Pedestal
	058335-01-000	EA	Latch - Bathroom Door w/ Latch
	058335-02-000	EA	Latch - Bathroom Door w/o Lock
	059753-01-000	EA	Slide - Drawer - Left
	059753-02-000	EA	Slide - Drawer - Right
**	037688-01-000	FT	Rail - Drawer Glide
**	047744-01-000	EA	Kit - Drawer Glide

\* Illustrated parts breakdown for this item is provided on the Common Items Fiche.

**FABRICS AND FLOOR COVERINGS**

Key	Part Number	U/M	Description
	064393-04-000	YD	Fabric - Drapery - Dublin Flax (L01)
	068339-01-000	YD	Fabric - Drapery - Champagne (M01)
	068338-01-000	YD	Fabric - Upholstery - Rust (M01)
	068338-02-000	YD	Fabric - Upholstery - Blue (M02)
	068338-03-000	YD	Fabric - Upholstery - Brown (M03)
	064383-01-000	YD	Fabric - Upholstery - Biscayne Sienna - Brown (L01)
	064383-06-000	YD	Fabric - Upholstery - Biscayne Rust (L02)
	064383-07-000	YD	Fabric - Upholstery - Biscayne Blue (L03)
	053327-01-000	YD	Vinyl - Non Expanded - 27 oz. - Acorn Brown
	053327-02-000	YD	Vinyl - Expanded - 27 oz. - Acorn Brown
	053327-03-000	YD	Vinyl - Non Support - 16 Gauge Film - Acorn Brown
	064384-02-000	SY	Carpet - Camel (L01) (L03)
	064384-01-000	SY	Carpet - Ginger (L02)
	068340-01-000	SY	Carpet - Rust (M01)
	068340-02-000	SY	Carpet - Medium Brown (M02) (M03)
	064392-01-000	SY	Vinyl Floor Covering - Armstrong - Castilian

**INTERIOR FINISH GROUP (CONTINUED)**

**CURTAIN HARDWARE**

Key	Part Number	U/M	Description
	052327-04-238	EA	Track - Curtain - Brown Alum. - 89" w/Holes
	056116-01-000	FT	Track - Curtain - Brown Plastic
	056001-01-000	EA	Bracket - Shade - Left
	056002-01-000	EA	Bracket - Shade - Right
	056003-01-000	EA	Bracket - Drapery Retainer - Right
	056003-02-000	EA	Bracket - Drapery Retainer - Left
	053272-04-200	EA	Track - Curtain - Off White - 89" w/Holes
	056784-01-000	EA	Pull - Window Shade - Antique Brass
	009107-01-000	EA	Guide - Nylon Snap - Curtain
	018031-42-000	EA	Track - Curtain - "L" Rod - Alum. Extr. - 90"
	009701-01-000	EA	Carrier - "L" Rod - Curtain
	009702-01-000	EA	End Stop - "L" Rod - Curtain
	059430-01-000	EA	Track - Curtain - Front Wraparound (2 per unit) - 32.8" x 45.2"
	059430-02-000	EA	Track - Curtain - Front Wraparound (w/Drivers Door) - 32.8" x 89.1"
	056115-01-000	YD	Tape - Clear Plastic - w/Guides
	048394-01-000	YD	Tape - Hook - 1" x 25 YD - Beige
	048395-01-000	YD	Tape - Loop - 1" x 25 YD - Beige
	059971-01-000	EA	Bracket - Blinds - Upper - Right
	059971-02-000	EA	Bracket - Blinds - Upper - Left
	063251-01-000	EA	Bracket - Blinds - Lower - Hold Down

**MISCELLANEOUS**

Key	Part Number	U/M	Description
	041944-01-700	EA	Fire Extinguisher - Dry Chemical w/Bracket
	041944-03-000	EA	Fire Extinguisher - 5 BC (Calif)
	007038-11-000	EA	Door Mat - Black Rubber - 10 1/2" x 26"
	053552-01-K01	EA	Assist Handle - Interior - Acorn Vinyl
	054185-12-000	EA	Owners Manual - Winnebago and Itasca
	047205-08-000	EA	Brass Mesh - 10 1/8" x 12 1/2" - Furnace Grill
	00F569-01-000	EA	Key Case - Leather
	064693-01-000	EA	Door Asm. - Battery - w/o Carpet (L01) (L02) (L03)
	M64693-01-M04	EA	Door Asm. - Battery - w/Carpet (M01)
	M64693-01-M05	EA	Door Asm. - Battery - w/Carpet (M02) (M03)

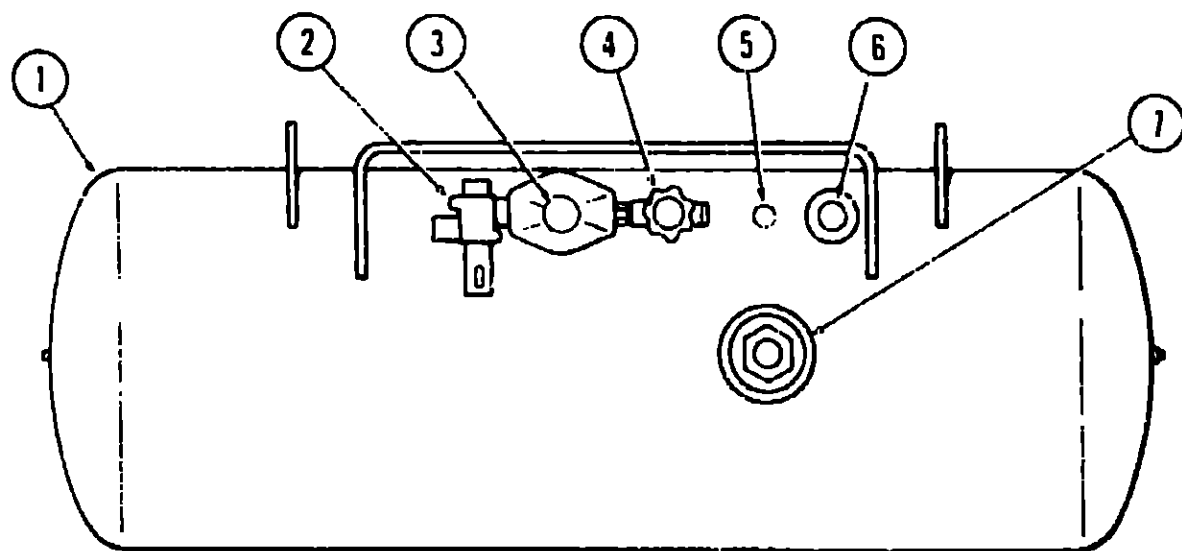
**1981 WINNEBAGO  
TABLE OF CONTENTS**

WD420RG M1, WC/WD420RG M2	A-1 - B-14
WDF26RH M1, WCF26RH M2	B-15 - D-12
WDF26RT M1, WCF26RT M2	D-13 - F-20

**1981 WDF/WCF26RT M1, M2 INDEX**

Floor Plan	D-13 - D-14
Accessories Group	D-15 - D-17
Bath Group	D-18
Chassis Group	D-19 - D-20
Curtain, Cushion & Pad Group	D-21 - E-9
Dinette Group	E-10
Driver's Compartment Group	E-11 - E-12
Electrical Group	E-13 - E-15
Exterior Body Group	E-16 - E-20
Galley Group	E-21
Heating & Air Conditioning Group	E-22 - E-23
Interior Finish Group	E-24 - F-2
LP Group	F-3
Lounge Group	F-4 - F-7
Water & Sewage Group	F-8
Window, Vent & Exterior Door Group	F-9 - F-20

**LP GROUP**



**LP GROUP**

Key	Part Number	U/M	Description
1	052769-01-000	EA	Tank Asm - LP - Frame Mount - 42 Pound
1	063378-01-000	EA	Tank Asm - LP - Frame Mount - 80 Pound
1	052770-01-000	EA	Tank Asm - LP - Frame Mount - 85 Pound
2	047221-01-000	EA	Detector - LP Gas Leak - Rosan
2	065741-01-000	EA	Detector - LP Gas Leak - Marshalltown Instruments
3	058706-01-000	EA	Cover - Regulator - 2 Stage
3	058705-01-000	EA	Regulator - Two Stage - LP Gas
4	040421-01-703	EA	Valve - Vapor Relief
5	040421-01-700	EA	Gauge - Liquid Level - 20% LP
6	040421-01-701	EA	Valve - Filler - LP
6	040421-01-702	EA	Cap - Plastic Fill Valve
7	040421-01-707	EA	Gauge - Float - w/Visible Dial - 85 Pound Tank
7	042281-01-700	EA	Gauge - Float - w/Visible Dial - 42 Pound Tank
7	040421-01-705	EA	Dial - Visible Face - Float Gauge (Tank w/o Electric Transmitter)
7	040421-01-705	EA	Dial - Transmitter - 0-90 Ohm (Float Gauge)
7	045703-01-000	EA	Hose Asm - LP - 3/8" ID x 24"
7	047737-02-000	EA	Support - LP Tank - 89 25"
7	047737-03-000	EA	Support - LP Tank - 30 50"
			Not Illustrated

**WINN AIR WITH LANDI-HARTOG (A-BODY)**

Key	Part Number	U/M	Description
	065279-01-000	EA	Relief Valve - Hydrostatic - Sherwood
	065287-02-000	EA	Valve - Gasoline Shut-Off
	065820-02-000	EA	Hose Asm - High Pressure - 3/6"
	067290-01-001	EA	Hose - Vapor - 5/8" x 51"
	068050-04-000	EA	LP Mixer
	068142-01-000	EA	Tube Asm - Converter - Copper w/Flare Nuts - 5/16" x 90° Bend
	068144-01-000	EA	Bracket - Angle - Converter
	068197-01-000	EA	Instrument Asm - LP
	068201-01-000	EA	Converter Asm - LP A-Body
	035927-01-001	EA	Steel Rod - Threaded - 1/4" - 20 x 8"

**LOUNGE GROUP**

**TWIN BED CABINETRY**

Key	Part Number	U/M	Description
	053794-01-L01	EA	Cabinet Asm - Twin Bed - Left
	067246-01-M04	EA	Cabinet Asm - Twin Bed - Left
	053794-02-L01	EA	Cabinet Asm - Twin Bed - Right
	067246-02-M04	EA	Cabinet Asm - Twin Bed - Right
	054006-01-L01	EA	Cabinet Asm - Nightstand Base - w/o Countertop, Doors or Hardware
	M54006-01-M04	EA	Cabinet Asm - Nightstand Base - w/o Countertop, Doors or Hardware
	053998-01-M04	EA	Countertop Asm - Nightstand Base - 24 1/2" x 23 3/8" - Burnt Sienna (M01)
	053998-01-M02	EA	Countertop Asm - Nightstand Base - 24 1/2" x 23 3/8" - Camel (M03)
	053998-01-J30	EA	Countertop Asm - Nightstand Base - 24 1/2" x 23 3/8" - Butcher Block
	053998-01-L01	EA	Countertop Asm - Nightstand Base - 24 1/2" x 23 3/8" - Bone Kit
	053976-01-L01	EA	Cabinet Asm - Nightstand Top - w/Roll up Door - w/o Countertop
	M53976-01-M04	EA	Cabinet Asm - Nightstand Top - w/Roll up Door - w/o Countertop
	053999-01-M04	EA	Countertop Asm - Nightstand Top - 23 1/2" x 8 1/2" - Burnt Sienna (M01)
	053999-01-M02	EA	Countertop Asm - Nightstand Top - 23 1/2" x 8 1/2" - Camel (M03)
	053999-01-J30	EA	Countertop Asm - Nightstand Top - 23 1/2" x 8 1/2" - Butcher Block
	053999-01-L01	EA	Countertop Asm - Nightstand Top - 23 1/2" x 8 1/2" - Bone Kit
	063224-19-L01	EA	Door Asm - Roll up - Nightstand
	063224-23-M04	EA	Door Asm - Roll up - Nightstand
	043257-01-000	FT	Handle - Roll up Door - Wood
	043255-01-000	FT	Track - Roll up Door - Brown Plastic
	043256-01-000	EA	Spiral - Roll up Door - Plastic - Right
	043256-02-000	EA	Spiral - Roll up Door - Plastic - Left
	057992-34-L01	EA	Door Asm - Nightstand Cabinet - 10 2" x 16.4" - w/o Hardware - Right
	057992-77-L01	EA	Door Asm - Nightstand Cabinet - 10.2" x 16.4" - w/o Hardware - Left
	M00377-35-M04	EA	Door Asm - Nightstand Cabinet - 20 2" x 16.4" - w/o Hardware

**WARDROBE CABINET**

Key	Part Number	U/M	Description
	053695-01-L01	EA	Cabinet Asm - Left Wardrobe Upper - w/o Doors or Hardware
	067223-01-M04	EA	Cabinet Asm - Left Wardrobe Upper - w/o Doors or Hardware
	058308-01-L01	EA	Cabinet Asm - Furnace - w/o Countertop, Door or Hardware
	067641-01-M04	EA	Cabinet Asm - Furnace - w/o Countertop, Door or Hardware
	053863-01-L01	EA	Countertop Asm - Furnace Cabinet - Bone Kit
	067239-01-M04	EA	Countertop Asm - Furnace Cabinet - Burnt Sienna (M01)
	067239-01-M02	EA	Countertop Asm - Furnace Cabinet - Camel (M03)
	053883-01-J30	EA	Countertop Asm - Furnace Cabinet - Butcher Block
	053975-01-L01	EA	Door Asm - Furnace - 10.2" x 12.2" - w/Brass Mesh Insert
	M68629-04-M04	EA	Door Asm - Furnace - 10 x 12 3" - w/Brass Mesh Insert
	047205-08-000	EA	Insert - Furnace Door - 10 1/8" x 12 1/2" - Brass
	039873-01-000	EA	Catch and Strike - Furnace Door - Nylon
	057992-21-L01	EA	Door Asm - Wardrobe Cabinet - 20 1" x 47 4" - w/o Hardware
	M00377-41-M04	EA	Door Asm - Wardrobe Cabinet - 20.1" x 47.6" - w/o Hardware
	053706-01-L01	EA	Cabinet Asm - Right Wardrobe - Upper - w/o Doors or Hardware
	067227-01-M04	EA	Cabinet Asm - Right Wardrobe - Upper - w/o Doors or Hardware
	058307-01-L01	EA	Cabinet Asm - Right Wardrobe - Base - w/o Doors or Hardware
	058307-01-M04	EA	Cabinet Asm - Right Wardrobe - Base - w/o Doors or Hardware
	053993-01-L01	EA	Countertop Asm - Right Wardrobe - Bone Kit
	053993-01-M04	EA	Countertop Asm - Right Wardrobe - Burnt Sienna (M01)
	053993-01-M02	EA	Countertop Asm - Right Wardrobe - Camel (M03)
	053993-01-J30	EA	Countertop Asm - Right Wardrobe - Butcher Block
	057992-23-L01	EA	Door Asm - Wardrobe Cabinet - 21.2" x 22 2" - w/o Hardware
	M00377-36-M04	EA	Door Asm - Wardrobe Cabinet - 21.2" x 22.2" - w/o Hardware

**1981 WINNEBAGO  
TABLE OF CONTENTS**

WD420RG M1, WC/WD420RG M2	A-1 - B-14
WDF26RH M1, WCF26RH M2	B-15 - D-12
WDF26RT M1, WCF26RT M2	D-13 - F-20

**1981 WDF/WCF26RT M1, M2 INDEX**

Floor Plan	D-13 - D-14
Accessories Group	D-15 - D-17
Bath Group	D-18
Chassis Group	D-19 - D-20
Curtain, Cushion & Pad Group	D-21 - E-9
Dinette Group	E-10
Driver's Compartment Group	E-11 - E-12
Electrical Group	E-13 - E-15
Exterior Body Group	E-16 - E-20
Galley Group	E-21
Heating & Air Conditioning Group	E-22 - E-23
Interior Finish Group	E-24 - F-2
LP Group	F-3
Lounge Group	F-4 - F-7
Water & Sewage Group	F-8
Window, Vent & Exterior Door Group	F-9 - F-20

**LOUNGE GROUP (CONTINUED)**

**DOUBLE BED W/NIGHT STAND**

Key	Part Number	U/M	Description
	057489-03-M04	EA	Head Board Asm. - Padded - Acorn Brown
	057388-01-M04	EA	Cabinet Asm. - Top - Double Bed
	057388-01-L01	EA	Cabinet Asm. - Top - Double Bed
	057389-01-L01	EA	Cabinet Asm. - Double Bed - w/o Drawer or Hardware
	057389-01-M04	EA	Cabinet Asm. - Double Bed - w/o Drawer or Hardware
	058093-02-L01	EA	Drawer Asm. - Blanket - Double Bed - 9" x 30.6" x 30" Deep - w/o Hardware
	M68645-01-M04	EA	Drawer Asm. - Blanket - Double Bed - 10.5" x 29" x 20" Deep - w/o Hardware
	057387-01-L01	EA	Cabinet Asm. - Nightstand/Hamper - w/o Countertop, Doors, Drawer or Hardware
	M57387-01-M04	EA	Cabinet Asm. - Nightstand/Hamper - w/o Countertop, Doors, Drawer or Hardware
	057385-01-M04	EA	Countertop Asm. - Nightstand - 14.4" x 26.8" - Burnt Sienna (M01)
	057385-01-M02	EA	Countertop Asm. - Nightstand - 14.4" x 26.8" - Camel (M03)
	057385-01-J30	EA	Countertop Asm. - Nightstand - 14.4" x 26.8" - Butcher Block
	057385-01-L01	EA	Countertop Asm. - Nightstand - 14.4" x 26.8" - Bone Kit
	057386-01-M04	EA	Countertop Asm. - Hamper Lid - 9.4" x 12.2" - Burnt Sienna (M01)
	057386-01-M02	EA	Countertop Asm. - Hamper Lid - 9.4" x 12.2" - Camel (M03)
	057386-01-J30	EA	Countertop Asm. - Hamper Lid - 9.4" x 12.2" - Butcher Block
	057386-01-L01	EA	Countertop Asm. - Hamper Lid - 9.4" x 12.2" - Bone Kit
	058023-07-L01	EA	Drawer Asm. - Nightstand Cabinet - 6" x 11.32" x 20" Deep - w/o Hardware
	M68659-04-M04	EA	Drawer Asm. - Nightstand Cabinet - 5" x 11.3" x 12.2" Deep - w/o Hardware

**SPRUNG COUCH W/CORNER LOUNGE CHAIRS**

Key	Part Number	U/M	Description
	061558-01-L01	EA	Cabinet Asm. - Lounge Chair - Right Hand
	061561-01-L01	EA	Cabinet Asm. - Lounge Chair - Left Hand
	059122-06-L01	EA	Door Asm. - Roll up - 13" x 17.7" - Leather - Tambour - Brown
	061704-01-L01	EA	Table Asm. - Lounge - Bone Kit
	061879-01-000	EA	Leg Asm. - Table - Fixed
	024275-04-000	EA	Rnd - Table Lift
	024281-05-000	EA	Bracket - Table Lift - Mounts on Table
	053200-02-000	EA	Support - Table - 14.5" - Mounts on Wall
	067638-01-L04	EA	Panel - Couch Face - w/o Door or Hardware
	057992-27-L04	EA	Door Asm. - Couch Cabinet - 37.42" x 11.82" - w/o Hardware
	057468-02-000	EA	Frame - Sprung Couch - Right
	057468-03-000	EA	Frame - Sprung Couch - Left
	057468-04-000	EA	Frame Rail - Sprung Couch (2 per couch)
	057469-01-000	EA	Leg - Sprung Couch (2 per couch)

**LOUNGE GROUP (CONTINUED)**

**SPRUNG COUCH W/SWIVEL CHAIRS AND PULL OUT TABLE**

Key	Part Number	U/M	Description
	058548-01-M01	EA	Cabinet Asm. - Pullout Table - w/o Countertop
	058548-01-M04	EA	Cabinet Asm. - Pullout Table - w/o Countertop
	058547-01-M04	EA	Countertop Asm. - Pullout Table Cabinet - Burnt Sienna (M01)
	058547-01-M02	EA	Countertop Asm. - Pullout Table Cabinet - Camel (M03)
	058547-01-K01	EA	Countertop Asm. - Pullout Table Cabinet - Butcher Block
	058547-01-L01	EA	Countertop Asm. - Pullout Table Cabinet - Bone Kit
	054552-01-M04	EA	Table Asm. - Pullout - Burnt Sienna
	054552-01-M05	EA	Table Asm. - Pullout - Camel (M03)
	054552-01-K01	EA	Table Asm. - Pullout - Butcher Block
	054552-01-L01	EA	Table Asm. - Pullout - Bone Kit
	058565-01-M01	EA	Pad Asm. - Pullout Table Cabinet
	045795-01-000	EA	Holder - Glass - Dark Brown Plastic
	054540-01-000	EA	Slide Asm. - Ball Bearing
	057720-01-M04	EA	Panel Asm. - Couch Face - 73.5" x 14.62" - w/o Door or Hardware
	M00377-02-M04	EA	Door Asm. - Couch Cabinet - 37.2" x 12" - w/o Hardware
	057720-01-L01	EA	Panel Asm. - Couch Face - 73.5" x 14.62" - w/o Door or Hardware
	057992-27-L01	EA	Door Asm. - Couch Cabine: - 37.42" x 11.82" - w/o Hardware
	057468-02-000	EA	Frame - Couch - Right
	057468-03-000	EA	Frame - Couch - Left
	057468-04-000	EA	Frame Rail - Couch (2 per couch)
	057469-01-000	EA	Leg - Sprung Couch (2 per couch)
	035036-01-000	EA	Plate - TT Chair
	035036-02-000	EA	Base w/Legs - TT Chair

**HORSESHOE LOUNGE W/PEDESTAL TABLE**

Key	Part Number	U/M	Description
	053203-06-M04	EA	Table Asm. - Pedestal - Burnt Sienna - w/o Hardware (M01)
	053203-06-M02	EA	Table Asm. - Pedestal - Camel - w/o Hardware (M03)
	053203-05-J30	EA	Table Asm. - Pedestal - Butcher Block - w/o Hardware
	053203-05-L01	EA	Table Asm. - Pedestal - Bone Kit - w/o Hardware
	009040-03-000	EA	Base - Pedestal Table - Table Mount
	041194-01-000	EA	Base - Pedestal Table - Floor Mount
	009040-02-000	EA	Leg - Pedestal Table - 2.25" O.D. x 27.5" - Chrome
	052483-01-L01	EA	Cabinet Asm. - Center Gaucho
	052483-01-M04	EA	Cabinet Asm. - Center Gaucho
	053837-01-L01	EA	Cabinet Asm. - Right Gaucho
	067649-01-M04	EA	Cabinet Asm. - Right Gaucho
	053838-01-L01	EA	Cabinet Asm. - Left Gaucho
	067635-01-M04	EA	Cabinet Asm. - Left Gaucho
	056875-02-000	EA	Leg Asm. - Couch
	022517-01-000	EA	End Cap - 1" x 1" - Brown
	053163-01-000	EA	Bracket - Couch Slide
	053347-01-000	EA	Wire - Pin - Spring - 3/32"
	053348-01-000	EA	Steel Pin - 1/4" x 4" x 3/32" Hole
	054398-01-000	EA	Bracket - Center Support - Lester Lounge - Brown
	058871-01-L01	EA	Cabinet Asm. - Hamper - Right - 75.8" x 20"
	058871-01-M04	EA	Cabinet Asm. - Hamper - Right - 75.8" x 20"
	056371-02-L01	EA	Cabinet Asm. - Hamper - Left - 75.8" x 20"
	056371-02-M04	EA	Cabinet Asm. - Hamper - Left - 75.8" x 20"

**1981 WINNEBAGO  
TABLE OF CONTENTS**

WD420RG M1, WC/WD420RG M2	A-1 - B-14
WDF26RH M1, WCF26RH M2	B-15 - D-12
WDF26RT M1, WCF26RT M2	D-13 - F-20

**1981 WDF/WCF26RT M1, M2 INDEX**

Floor Plan	D-13 - D-14
Accessories Group	D-15 - D-17
Bath Group	D-18
Chassis Group	D-19 - D-20
Curtain, Cushion & Pad Group	D-21 - E-9
Dinette Group	E-10
Driver's Compartment Group	E-11 - E-12
Electrical Group	E-13 - E-15
Exterior Body Group	E-16 - E-20
Galley Group	E-21
Heating & Air Conditioning Group	E-22 - E-23
Interior Finish Group	E-24 - F-2
LP Group	F-3
Lounge Group	F-4 - F-7
Water & Sewage Group	F-8
Window, Vent & Exterior Door Group	F-9 - F-20

## LOUNGE GROUP (CONTINUED)

### REAR FOLD DOWN BUNK

Key	Part Number	U/M	Description
	057751-01-L01	EA	Cabinet Asm. - Overhead - Left - Complete w/Roll up Doors
	057751-02-L01	EA	Cabinet Asm. - Overhead - Right - Complete w/Roll up Doors
	067317-01-M04	EA	Cabinet Asm. - Overhead - Left - Complete w/Roll up Doors
	067317-02-M04	EA	Cabinet Asm. - Overhead - Right - Complete w/Roll up Doors
	059409-01-L01	EA	Front Asm. - Fold Down Bunk - 17 1/2" x 74 3/8" - w/o Doors or Hardware
	059409-01-M01	EA	Front Asm. - Fold Down Bunk - 17 1/2" x 74 3/8" - w/o Doors or Hardware
	058314-01-L01	EA	Bottom Asm. - Fold Down Bunk - 14.5" x 74 3/8"
	058314-01-M01	EA	Bottom Asm. - Fold Down Bunk - 14.5" x 74 3/8"
	057992-33-L01	EA	Door Asm. - Fold Down Bunk Cabinet - 15.12" x 11.72" - w/o Hardware - Right
	057992-80-L01	EA	Door Asm. - Fold Down Bunk Cabinet - 15.12" x 11.72" - w/o Hardware - Left
	M00377-06-M04	EA	Door Asm. - Fold Down Bunk Cabinet - 11.8" x 31.6" - w/o Hardware
	059122-08-L01	EA	Door Asm. - Roll up - Side Overhead
	063224-20-M04	EA	Door Asm. - Roll up - Side Overhead
	023812-21-000	EA	Rail Bunk - 73.90" - Brown
	041389-01-000	EA	Hinge - Rear Bunk - Brown - 72.5"
	056249-01-000	EA	Bracket - Rear Bunk Angle Support - 6 5" x 2 5" (4 per bunk)
	056302-02-000	EA	Web Strap - Bunk Support - 36"
	061604-01-000	EA	Slide Bolt - Antique Brass

### REAR PULL DOWN BUNK (OPTIONAL)

Key	Part Number	U/M	Description
	063531-01-L01	EA	Cabinet Asm. - Pull Down Bunk - w/o Doors or Hardware
	063531-01-M04	EA	Cabinet Asm. - Pull Down Bunk - w/o Doors or Hardware
	057992-24-L01	EA	Door Asm. - Pull Down Bunk Cabinet - 11.5" x 35.4" - w/o Hardware
	057992-24-M01	EA	Door Asm. - Pull Down Bunk Cabinet - 11.5" x 35.4" - w/o Hardware
	063532-01-L04	EA	Pad Asm. - Rear Bunk Support - Left - Acorn Brown
	063532-02-L04	EA	Pad Asm. - Rear Bunk Support - Right - Acorn Brown
	063534-03-L04	EA	Pad Asm. - Rear Bunk - L Shape - Left - Acorn Brown
	063534-04-L04	EA	Pad Asm. - Rear Bunk - L Shape - Right - Acorn Brown
	042201-01-000	EA	Support Asm. - Complete - Glide Away - Right and Left w/Stabilizer - Quiklee
	040071-02-000	EA	Support - Bunk - Seat Belt
	041322-01-000	EA	Washer - Flat - 15/32" I.D. x 2 3/8" O.D.
	039516-02-000	EA	Catch - Bunk - Brown
	053320-04-M04	EA	Bunk Board Asm

### SPRUNG COUCH W/TT CHAIR AND VANITY/DESK CABINET

Key	Part Number	U/M	Description
	054177-01-L01	EA	Cabinet Asm. - Vanity - w/o Countertop, Doors, Drawers and Hardware
	054235-01-L01	EA	Countertop Asm. - Vanity Cabinet - 46 1/2" x 27 1/4" - Bone
	054262-02-L01	EA	Cabinet Asm. - Desk Drawer - Mounts on Vanity Cabinet
	054242-02-L01	EA	Drawer Asm. - Desk - 31 1/4" x 20 1/4" x 10.5" Deep - w/o Hardware
	057992-35-L01	EA	Door Asm. - Vanity Cabinet - 12 3/4" x 25" - w/o Hardware
	058023-06-L01	EA	Drawer Asm. - Vanity Cabinet - 14 1/8" x 5 1/4" x 20" Deep - w/o Hardware
	057720-01-L01	EA	Panel Asm. - Couch Face - 73 5" x 14 62" - w/o Door or Hardware
	057992-27-L01	EA	Door Asm. - Couch Cabinet - 37 42" x 11 82" - w/o Hardware
	057468-02-000	EA	Frame - Couch - Right
	057468-03-000	EA	Frame - Couch - Left
	057468-04-000	EA	Frame Rail - Couch (2 per couch)
	057469-01-000	EA	Leg - Sprung Couch (2 per couch)
	035036-01-000	EA	Plate - TT Chair
	035036-02-000	EA	Base w/Legs - TT Chair

## WATER AND SEWAGE GROUP

### PLUMBING AND REPAIR PARTS

Key	Part Number	U/M	Description
**	063646-01-000	EA	Water Pump - 2.8 G.P.M. - Direct Drive - PAR - US
**	063646-02-000	EA	Water Pump - 2.8 G.P.M. - Direct Drive - PAR - CSA
**	041279-02-000	EA	Water Pump - Belt Drive - PAR - 2.8 G.P.M. - US
	039647-02-000	EA	Filter - Water Pump - 1/2 MPT
	052959-03-000	EA	Connector - 1/2 F x 3/8 MPT - Plastic
	052960-01-000	EA	Drain Valve - 1/2 F x 1/2 F - Plastic
	052961-01-000	EA	Header - 1/2 F x 1/2 F x 1/2 F x 1/2 F
**	046524-02-000	EA	Kit - Water Tank Fittings - Blank Tank
**	046524-01-000	EA	Kit - Holding Tank Fittings - Blank Tank
**	010079-01-000	EA	Tee - Plastic - 1 1/2 H x 1 1/2 H x 1 1/4 H
**	010121-01-000	EA	Bushing - Plastic - 1 1/2 S x 1 1/4 H
**	010133-01-000	EA	Trap Adaptor - Plastic - 1 1/2 H x MPT
**	010134-01-000	EA	Adapter - Plastic - 1 1/2 M x MPT
**	010201-01-000	EA	Sewer Hose - 3" x 10' w/Clean
**	050780-01-000	EA	Coupler Rubber - 3" x 3"
	062415-01-000	EA	Cap - Sewer - 3"
	062416-01-000	EA	Hose Adapter - 3"
	062417-01-000	EA	Adapter - Termination - 3"
	062418-02-000	EA	Valve - 3" - w/o Handle
	062419-02-000	EA	Handle - Extension - w/6" Adapter
	062421-01-000	EA	Valve - 1 1/2" - w/Handle
**	011066-01-000	EA	P-Trap - 1 1/4" - Plastic
**	011091-01-000	EA	Waste - Continuous - Double Sink - 11 7/8"
	061607-01-000	EA	Grommet - Holding Tank Coupler - 1 1/2"
	061607-02-000	EA	Grommet - Holding Tank Coupler - 3"
	031126-01-000	EA	Elbow - 1/4 BD 3" x 90°
	004020-01-000	QT	Adhesive - ABS Cement
	037045-01-000	FT	Tape - Butyl - 3/16" - Bead - Black
	062422-01-000	EA	Adapter - Hose Offset - Reducer - 3" x 1 1/2"
	062627-01-000	EA	Valve - Dual - Offset - 3" x 1 1/2"
	063641-01-000	EA	Flange - Closet - 4" x 3" Spigot
	010224-01-000	EA	Adapter - Plastic - 3/8 MPT x 3/8 Barb
	007108-01-000	EA	Hose - Heater - 5/8"
	010194-01-000	FT	Pipe - Black - Plastic - 1.25" - ABS
	010195-01-000	FT	Pipe - Black - Plastic - 1.5" - ABS
	010197-01-000	FT	Pipe - Black - 3" - ABS
**	039818-01-000	EA	Riser Asm. - 3/8" O.D. x 24" Tube
**	039818-04-000	EA	Riser Asm. - 3/8" O.D. x 72" Tube
**	039818-05-000	EA	Riser Asm. - 3/8" O.D. x 48" Tube

\*\*The illustrated parts breakdown for this item is provided on the Common Items Fiche.

### HOLDING TANKS AND WATER HEATERS

Key	Part Number	U/M	Description
**	051882-02-000	EA	Tank Asm. - Holding w/Fittings - Double
**	051882-01-000	EA	Tank Asm. - Holding w/o Fittings - Double
	052555-03-000	EA	Tank Asm. - Water w/Fittings
	052555-01-000	EA	Tank Asm. - Water w/o Fittings
**	051391-01-000	EA	Water Heater - 6 Gallon w/o Motor Aid - Atwood G6A-3
**	051392-01-000	EA	Water Heater - w/Motor Aid - GH6-3
**	051393-01-000	EA	Water Heater - w/Motor Aid - GH6-3E

\*\*The illustrated parts breakdown for this item is provided on the Common Items Fiche.

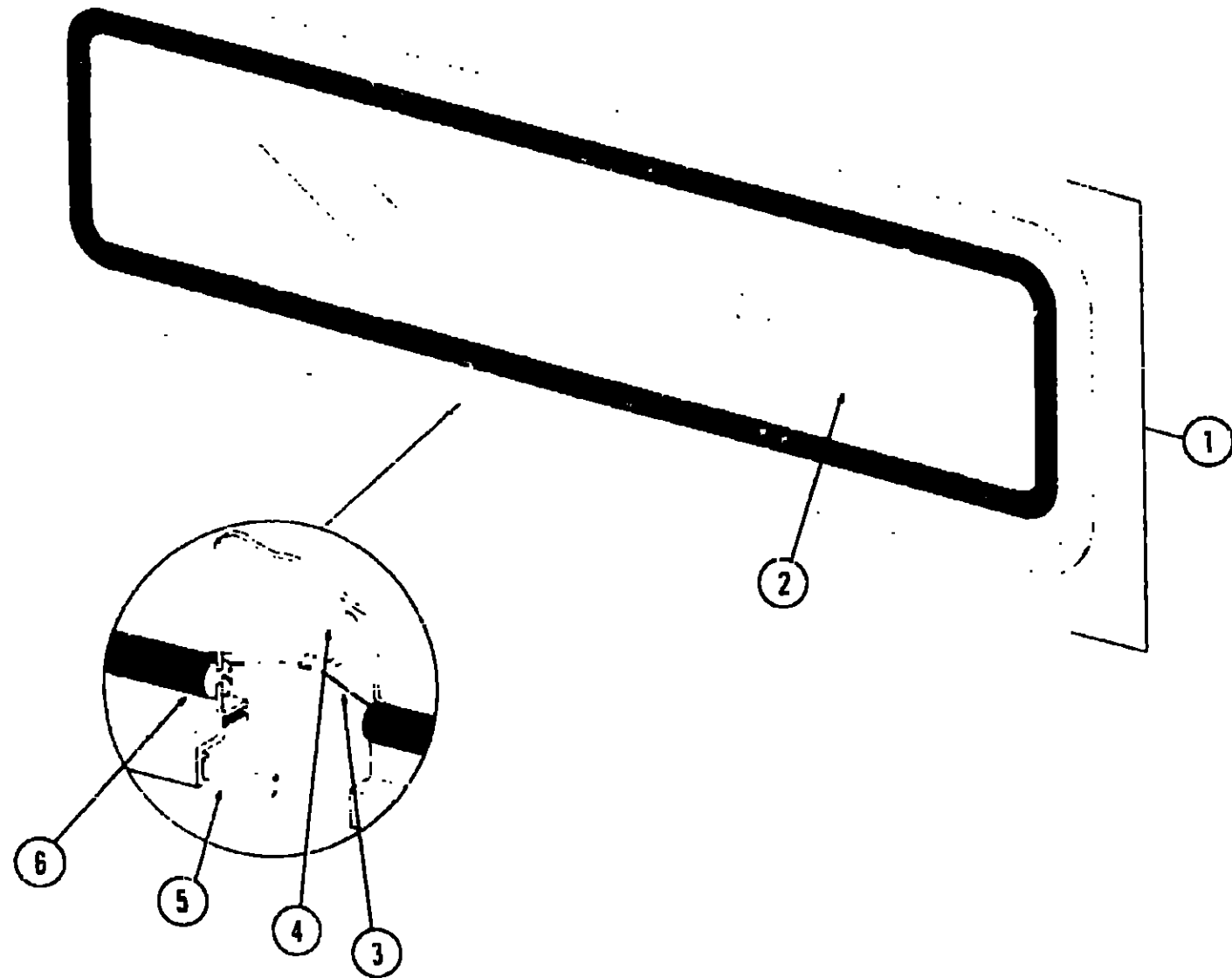
## 1981 WINNEBAGO TABLE OF CONTENTS

WD420RG M1, WC/WD420RG M2	A-1 - B-14
WDF26RH M1, WCF26RH M2	B-15 - D-12
WDF26RT M1, WCF26RT M2	D-13 - F-20

## 1981 WDF/WCF26RT M1, M2 INDEX

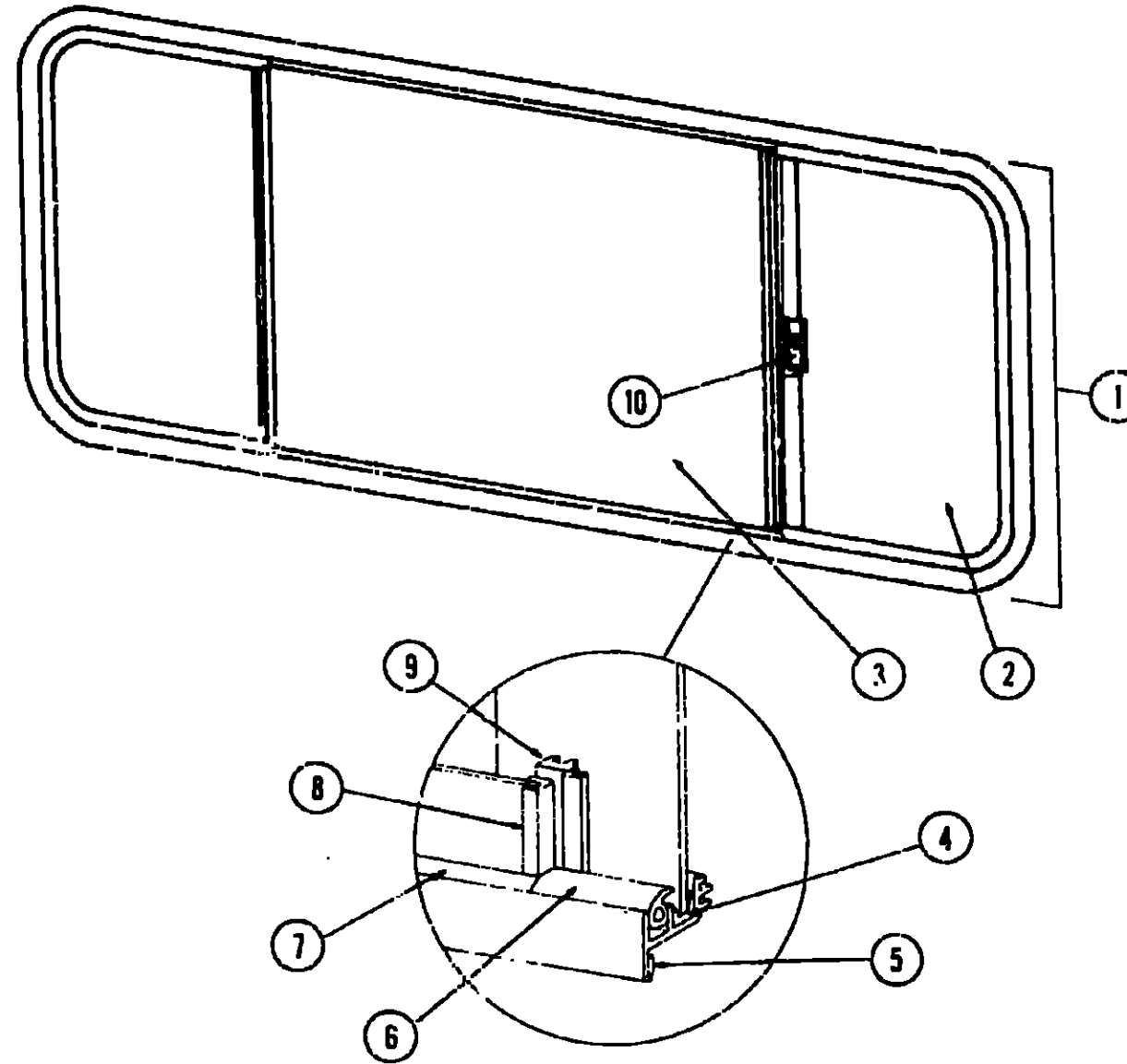
Floor Plan	D-13 - D-14
Accessories Group	D-15 - D-17
Bath Group	D-18
Chassis Group	D-19 - D-20
Curtain, Cushion and Pad Group	D-21 - E-9
Dinette Group	E-10
Driver's Compartment Group	E-11 - E-12
Electrical Group	E-13 - E-15
Exterior Body Group	E-16 - E-20
Galley Group	E-21
Heating & Air Conditioning Group	E-22 - E-23
Interior Finish Group	E-24 - F-2
LP Group	F-3
Lounge Group	F-4 - F-7
Water & Sewage Group	F-8
Window, Vent & Exterior Door Group	F-9 - F-20

**WINDOW, VENT AND EXTERIOR DOOR GROUP**



Key	Part Number	U/M	Description
1	020754-03-000	EA	Window Asm - Escape - 23" x 68" Black Anod (w/o inside frame)
2	002178-01-000	EA	Glass - 1/8" x 19 61" x 64 80"
3	002285-01-000	FT	Weatherstrip - Filter - Black
4	020395-01-000	EA	Slip Ring - Pull
5	053767-03-000	FT	Tape - 1/4" Bead x 20' - Gray - Schnee Moorehead
6	002282-01-000	FT	Weatherstrip - Window 125" Black
	020752-03-000	EA	Frame - Window - Inside - Escape - 23" x 68" (not included in assembly)
	006199-01-000	EA	Label - Exit - Escape Window
			Not Illustrated

**WINDOW, VENT AND EXTERIOR DOOR GROUP (CONTINUED)**



Key	Part Number	U/M	Description
1	066785-01-000	EA	Window Asm. - Single Slider - 23" x 65"
	042133-06-000	EA	Inside Frame - Brown
2	066726-04-000	EA	Glass - Stationary - 1/8" x 21 03" x 22"
3	066727-01-000	EA	Glass - Sliding - 1/8" x 25.5" x 22"
4	002324-02-000	FT	Channel - Weatherstrip - Glass
5	053767-03-000	FT	Tape - 1/4" Bead x 20' - Gray
6	057374-02-000	FT	Seal - Window Channel - Black
7	002309-02-000	FT	Spline - Glass - Black
8	018025-03-000	EA	Seal - Black Holder - Glass
9	041894-02-000	EA	Mullion - Sid. Window - Black
10	047369-01-700	EA	Latch - Window - Plastic - w/Fastener
	023320-01-000	EA	Pad - Foam - 3/8" Dia. (used w/plastic latch)
	002293-01-000	SF	Screen - Window - 26"
	042076-01-000	FT	Seal - Fin - Pile - .34"
			Not Illustrated

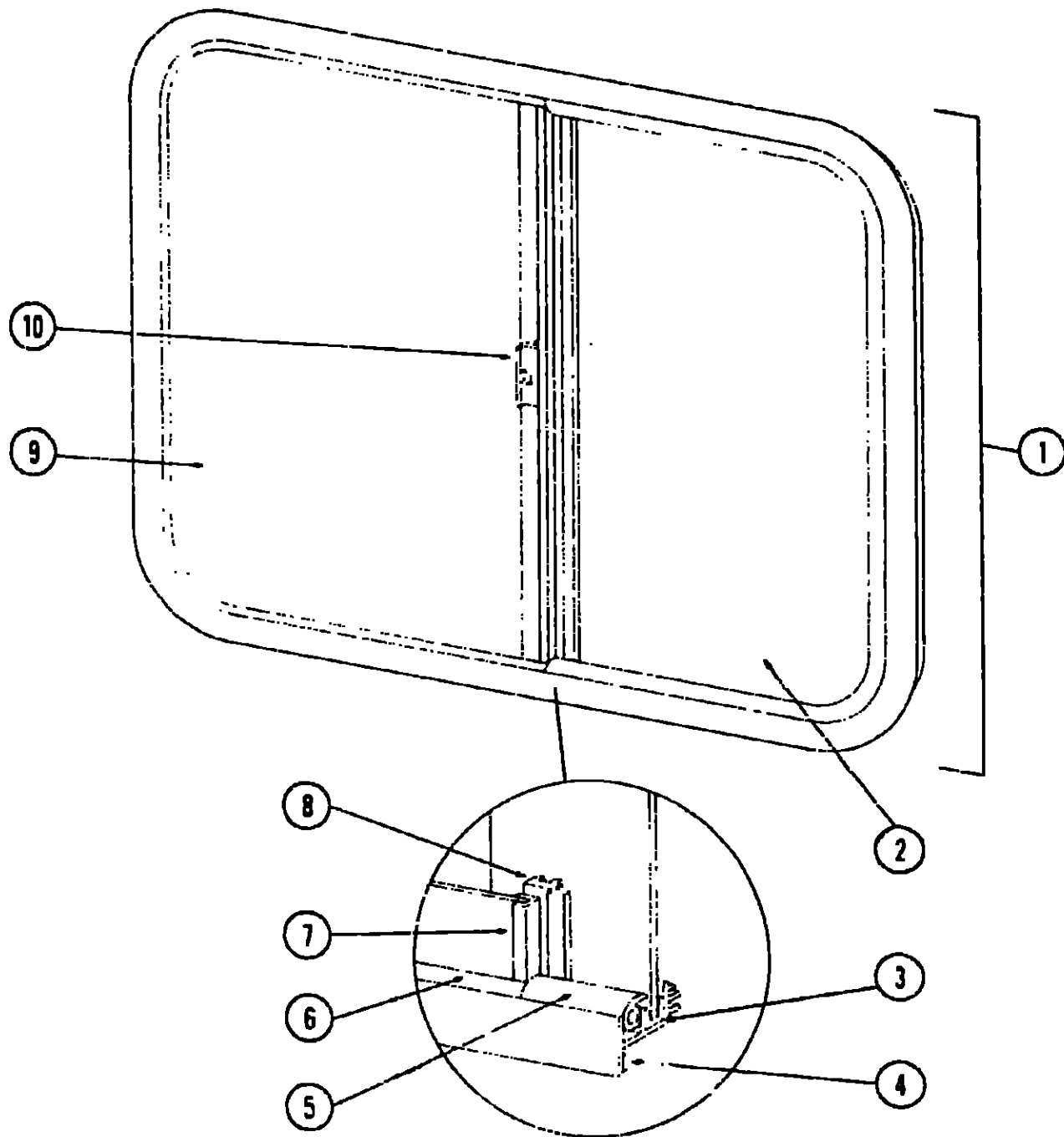
**1981 WINNEBAGO  
TABLE OF CONTENTS**

WD420RG M1, WC/WD420RG M2	A-1 - B-14
WDF26RH M1, WCF26RH M2	B-15 - D-12
WDF26RT M1, WCF26RT M2	D-13 - F-20

**1981 WDF/WCF26RT M1, M2 INDEX**

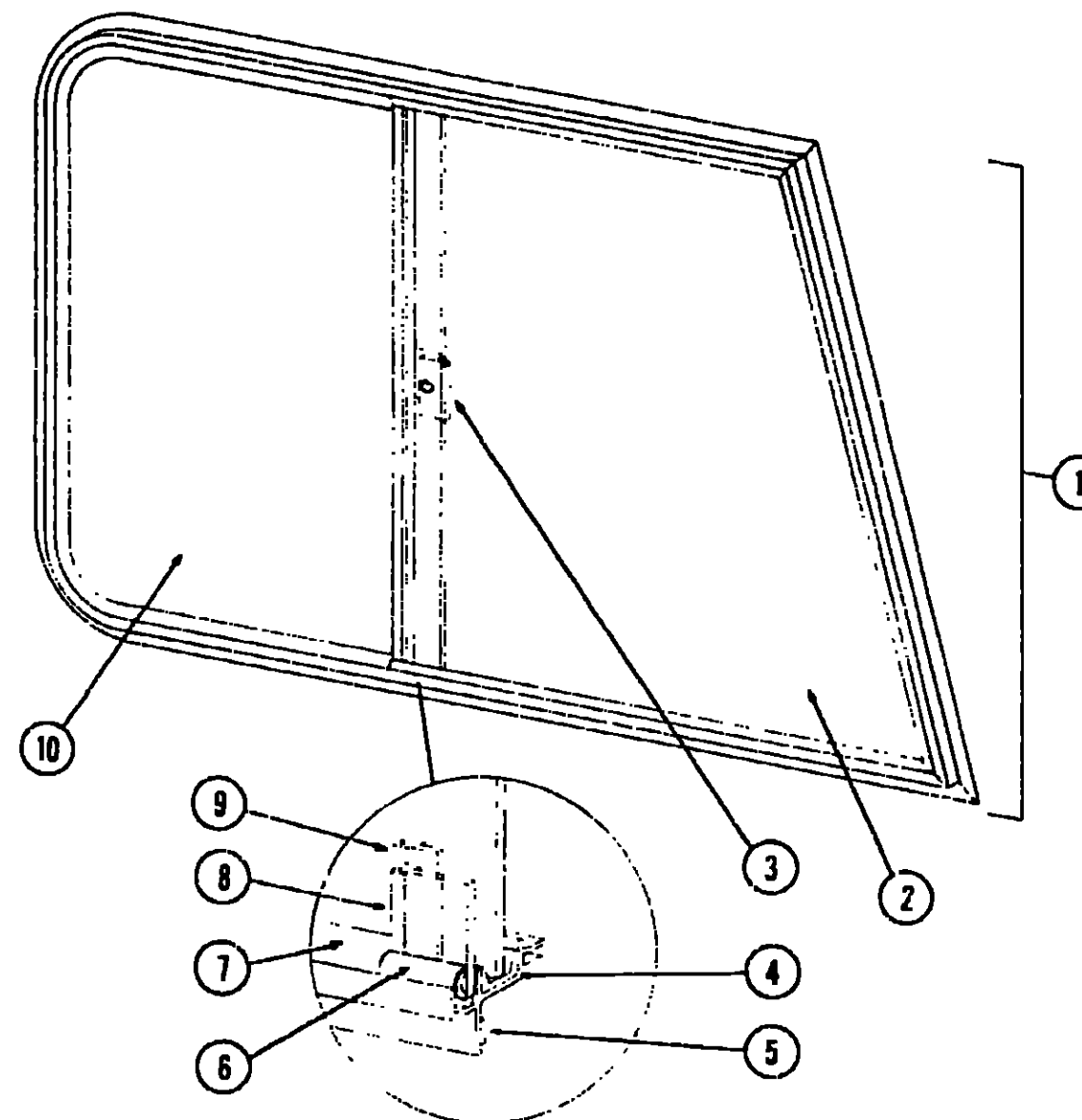
Floor Plan	D-13 - D-14
Accessories Group	D-15 - D-17
Bath Group	D-18
Chassis Group	D-19 - D-20
Curtain, Cushion and Pad Group	D-21 - E-9
Dinette Group	E-10
Driver's Compartment Group	E-11 - E-12
Electrical Group	E-13 - E-15
Exterior Body Group	E-16 - E-20
Galley Group	E-21
Heating & Air Conditioning Group	E-22 - E-23
Interior Finish Group	E-24 - F-2
LP Group	F-3
Lounge Group	F-4 - F-7
Water & Sewage Group	F-8
Window, Vent & Exterior Door Group	F-9 - F-20

WINDOW, VENT AND EXTERIOR DOOR GROUP (CONTINUED)



Key	Part Number	U/M	Description
1	048631-27-000	EA	Window Asm - Right Single Slider - 23" x 56" - Black (w/o inside frame)
1	048631-28-000	EA	Window Asm - Left Single Slider - 23" x 56" - Black (w/o inside frame)
2	052593-02-000	EA	Glass - Sliding - 1/8" x 22" x 27 1/4" - Gray
3	002324-02-000	FT	Channel - Weatherstrip - Glass Run - 1/8" Glass
4	053767-03-000	FT	Tape - 1/4" Bead x 20" - Gray
5	057374-02-000	FT	Seal - Window Channel - Black
6	002309-02-000	FT	Spline - Glass - 1/8" - Black
7	018025-03-000	EA	Holder - Glass Seal
8	002288-01-000	FT	Weatherstrip - Glass Seal - 30 Pile
9	041894-02-000	EA	Mullion - Black Anod
9	042076-01-000	FT	Weatherstrip - Mullion - .34 Pile
9	052595-02-000	EA	Glass - Stationary - 1/8" x 22" x 29.68" - Gray
10	047369-01-700	EA	Latch - Window - Plastic w/Fastener
	023320-01-000	EA	Foam Pad - 3/8" Dia (use w/plastic latch)
	042133-07-000	EA	Inside Frame - Single Slider - Right or Left - 23" x 56" - Brown
	023713-02-000	EA	Weephole Cover - Black Plastic
	002293-01-000	SF	Screen - Window - 26" - Gray
	002298-01-000	FT	Spline - Screen - 13" Dia - Gray
			Not illustrated

WINDOW, VENT AND EXTERIOR DOOR GROUP (CONTINUED)



Key	Part Number	U/M	Description
1	059046-01-000	EA	Window Asm - Right Front Slant Slider - 23" x 39" - Black Anod. (w/o inside frame)
1	059046-02-000	EA	Window Asm - Left Front Slant Slider - 23" x 39" - Black Anod. (w/o inside frame)
2	057656-01-000	EA	Glass - 3/16" x 24.88" x 25.30" - Stationary
3	047369-01-700	EA	Latch - Window - Plastic w/Fastener
	023320-01-000	EA	Foam Pad - 3/8" Dia (used w/plastic latch)
4	042077-01-000	FT	Channel - Weatherstrip - Glass Run - 3/16" Glass
5	053767-01-000	FT	Tape - 1/2" x 1/8" x 30" - Gray - Schnee Morehead
6	050216-02-000	FT	Spline - Glass - 3/16"
7	041928-02-000	FT	Seal - Window Channel - 3/16" Glass - Black
8	002389-03-206	EA	Holder - Glass Seal - Black Anod. - 24.13"
9	057644-04-000	EA	Mullion - Window - Slant Slider
10	057657-01-000	EA	Glass - 3/16" x 24.88" x 14.70" - Sliding
	059042-01-000	EA	Inside Frame - Right Front Slant Slider (not included in assembly)
	059042-02-000	EA	Inside Frame - Left Front Slant Slider (not included in assembly)
	023713-02-000	EA	Cover - Weephole - Black Plastic
	055164-05-000	EA	Slider Screen Asm - Right or Left - Black
	016310-03-000	EA	Handle - Slider Screen - Black
	002292-01-000	SF	Screen - Window - 20" - Gray
	002298-01-000	FT	Spline - Screen - .130" Dia.
			Not illustrated

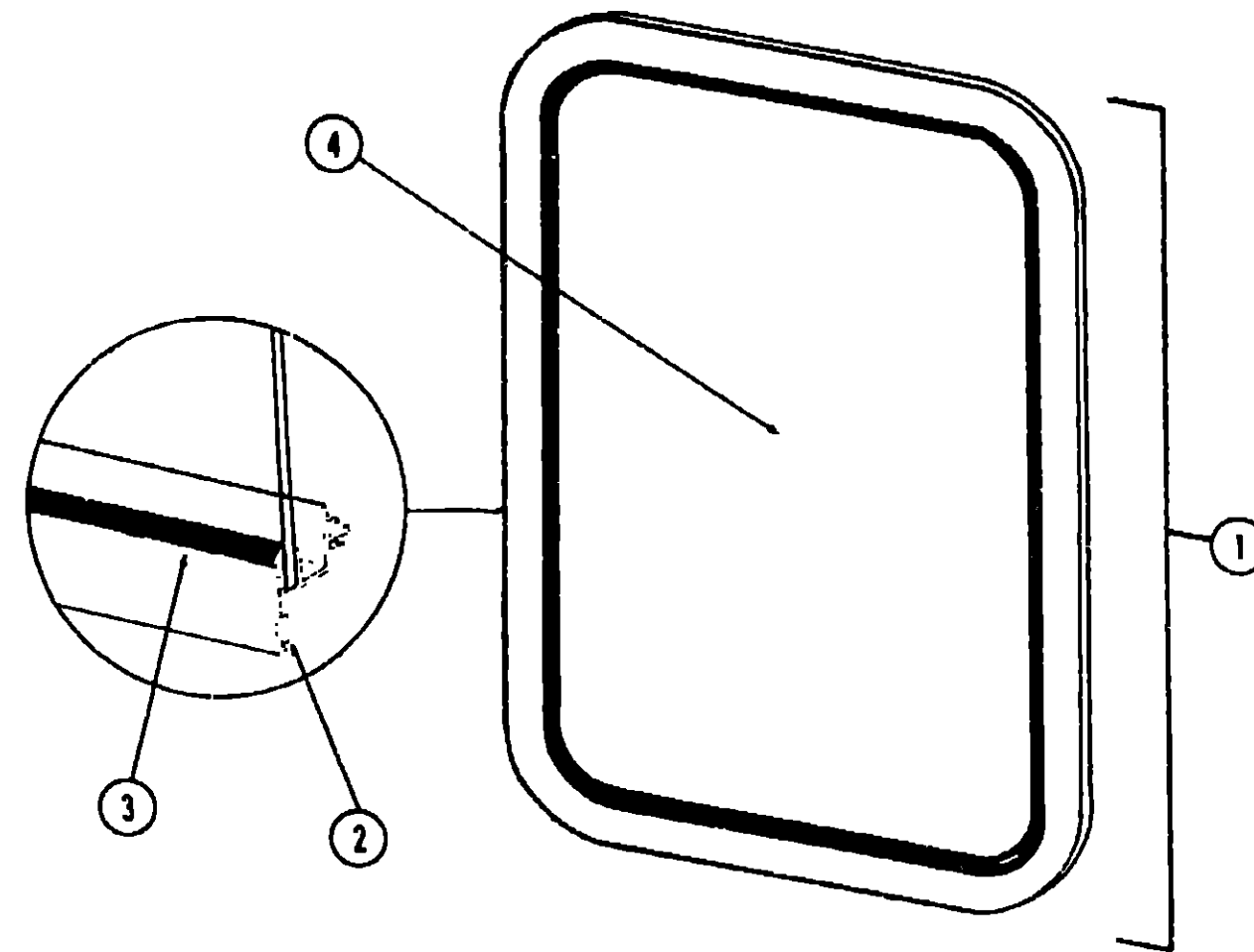
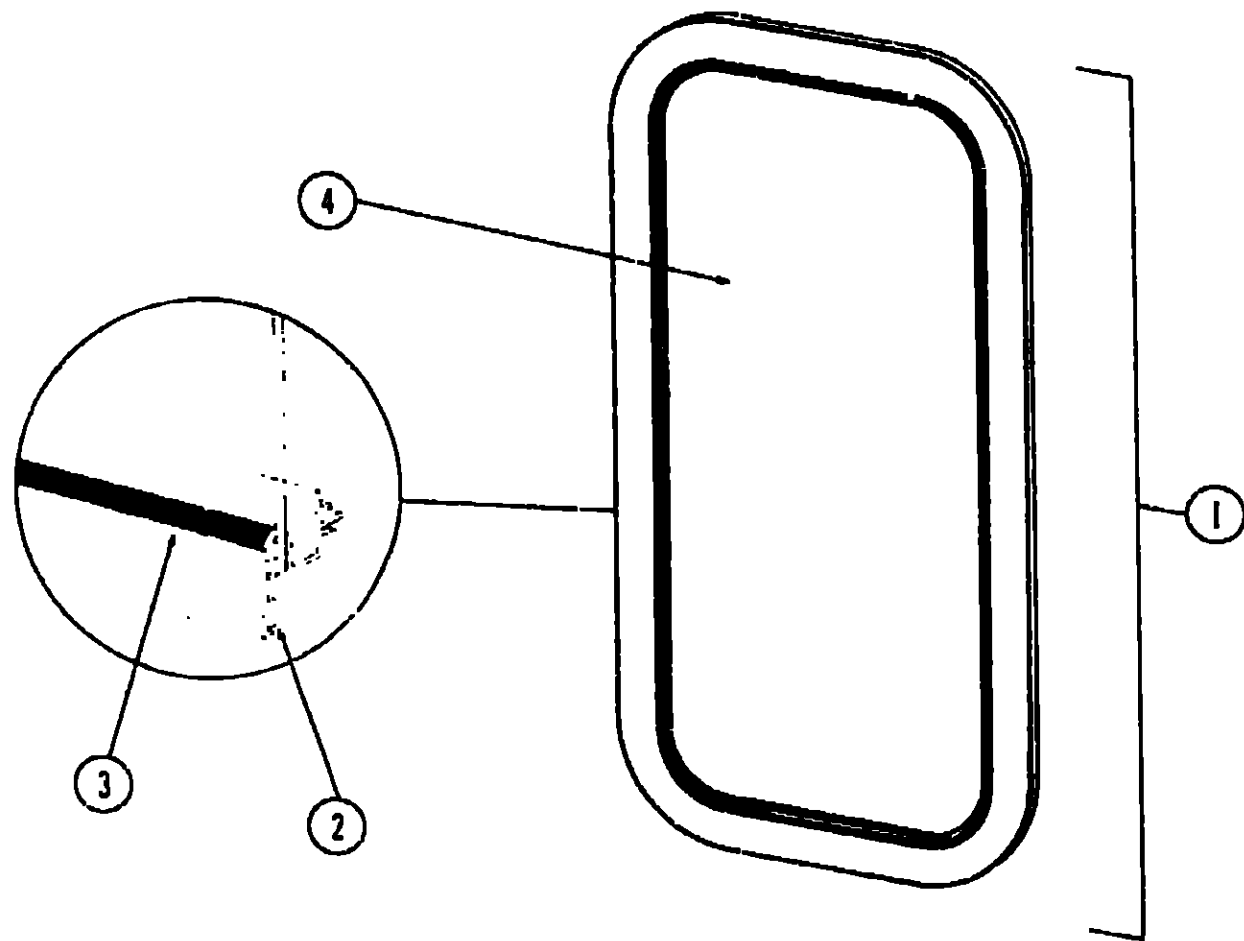
1981 WINNEBAGO  
TABLE OF CONTENTS

WD420RG M1, WC/WD420RG M2	A-1 - B-14
WDF26RH M1, WCF26RH M2	B-15 - D-12
WDF26RT M1, WCF26RT M2	D-13 - F-20

1981 WDF/WCF26RT M1, M2 INDEX

Floor Plan	D-13 - D-14
Accessories Group	D-15 - D-17
Bath Group	D-18
Chassis Group	D-19 - D-20
Curtain, Cushion and Pad Group	D-21 - E-9
Dinette Group	E-10
Driver's Compartment Group	E-11 - E-12
Electrical Group	E-13 - E-15
Exterior Body Group	E-16 - E-20
Galley Group	E-21
Heating & Air Conditioning Group	E-22 - E-23
Interior Finish Group	E-24 - F-2
LP Group	F-3
Lounge Group	F-4 - F-7
Water & Sewage Group	F-8
Window, Vent & Exterior Door Group	F-9 - F-20





Key	Part Number	U/M	Description
1	041875-02-000	EA	Window Asm - Picture - 13" x 23" - Black (w/o inside frame)
2	053767-02-000	FT	Tape - 3/16" Bead x 25' - Schnee Morehead
3	002309-02-000	FT	Spline - Glass - 1/8" - Black
4	002181-01-000	EA	Glass - 115" x 12" x 22"
.	041696-02-000	EA	Frame - Inside - Window (not included in assembly)
.	Not Illustrated		

Key	Part Number	U/M	Description
1	056651-01-000	EA	Window Asm. - Picture - 20 3/4" x 20 3/4" - Black (w/o inside frame)
2	053767-02-000	FT	Tape - 3/16" Bead x 25' - Schnee Morehead
3	002309-02-000	FT	Spline - Glass - 1/8" - Black
4	002181-03-000	EA	Glass - .115" x 20.62" x 20.62" - Gray
.	056650-01-000	EA	Frame - Inside - Window (not included in assembly)
.	Not Illustrated		

**1981 WINNEBAGO  
TABLE OF CONTENTS**

WD420RG M1, WC/WD420RG M2	A-1 - B-14
WDF26RH M1, WCF26RH M2	B-15 - D-12
WDF26RT M1, WCF26RT M2	D-13 - F-20

**1981 WDF/WCF26RT M1, M2 INDEX**

Floor Plan	D-13 - D-14
Accessories Group	D-15 - D-17
Bath Group	D-18
Chassis Group	D-19 - D-20
Curtain, Cushion and Pad Group	D-21 - E-9
Dinette Group	E-10
Driver's Compartment Group	E-11 - E-12
Electrical Group	E-13 - E-15
Exterior Body Group	E-16 - E-20
Galley Group	E-21
Heating & Air Conditioning Group	E-22 - E-23
Interior Finish Group	E-24 - F-2
LP Group	F-3
Lounge Group	F-4 - F-7
Water & Sewage Group	F-8
Window, Vent & Exterior Door Group	F-9 - F-20

VENTS

Key	Part Number	U/M	Description
	065103-02-000	EA	Cover - Refrigerator Vent - Plastic
	065103-01-000	EA	Frame Asm. - Refrigerator Vent
	049352-01-000	EA	Vent - Stovehood - Outside - Powered Hood - Off White
	053334-01-000	EA	Vent - Stovehood - Outside - Non Powered Hood - Off White
**	048789-01-000	EA	Vent Asm. - Roof - Powered - w/o Screen - Alum.
**	048835-01-000	EA	Vent Asm. - Roof - Non Powered - w/o Screen - Alum.

\*\*The illustrated parts breakdown for this item is provided on the Common Items Fiche.

ACCESS DOORS

Key	Part Number	U/M	Description
	059727-05-000	EA	Door Asm. - Storage - Insulated
	037804-16-000	EA	Door Asm. - LP - Off White w/Twist Lock
	047233-02-000	EA	Door Asm. - Luggage - 17" x 35" - Off White w/Key Lock
	069762-01-000	EA	Door Asm. - Refrigerator Access - Off White w/Twist Lock
	052009-01-000	EA	Door Asm. - Water Heater - Off White
	M00685-07-000	EA	Door Asm. - Generator - Off White w/o Baffle
	052181-01-000	EA	Baffle - Generator Door
	033333-37-000	EA	Door Asm. - Spare Tire Compartment - Off White w/Key Lock
	037804-21-000	EA	Door Asm. - Storage - 8.25" x 38" - Off White w/Key Lock (Tapered)
	063742-01-000	EA	Door - Power Cord - Off White
	054543-01-000	EA	Hatch - Power Cord Door
	052423-01-000	EA	Door - Fuel Fill - Off White
	052424-01-000	EA	Jamb - Door - Fuel Fill/Power Cord - Off White
	042441-01-000	EA	Lock Asm. - Key Type - Gas Fill
	052950-03-700	EA	Lock Asm. - Twist Type - Straight Cam (Power Cord Door)
	047305-01-000	EA	Lock Asm. - Key Type w/Clip - Metal
	052950-01-700	EA	Lock Asm. - Twist Type w/Clip - White Plastic
	016945-02-000	EA	Holder Asm. - Battery and Luggage Door

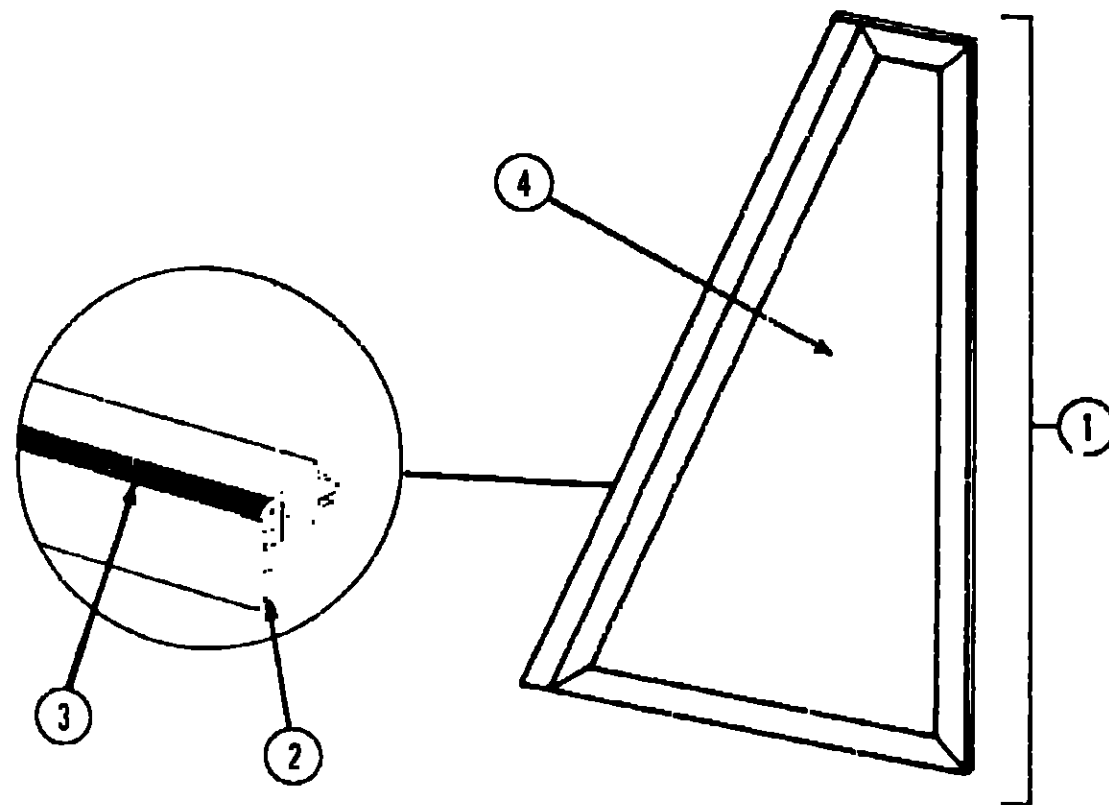
NOTE  
Door Asm. - Battery (See Interior Finish Group, Miscellaneous)

WINDSHIELD

Key	Part Number	U/M	Description
	057459-01-000	EA	Glass - Windshield - Flat
	058272-01-000	EA	Frame Asm. - Windshield
	038886-01-000	EA	Tape - Butyl - .31" x .31" x 148"

1981 WINNEBAGO  
TABLE OF CONTENTS

WD420RG M1, WC/WD420RG M2	A-1 - B-14
WDF26RH M1, WCF26RH M2	B-15 - D-12
WDF26RT M1, WCF26RT M2	D-13 - F-20

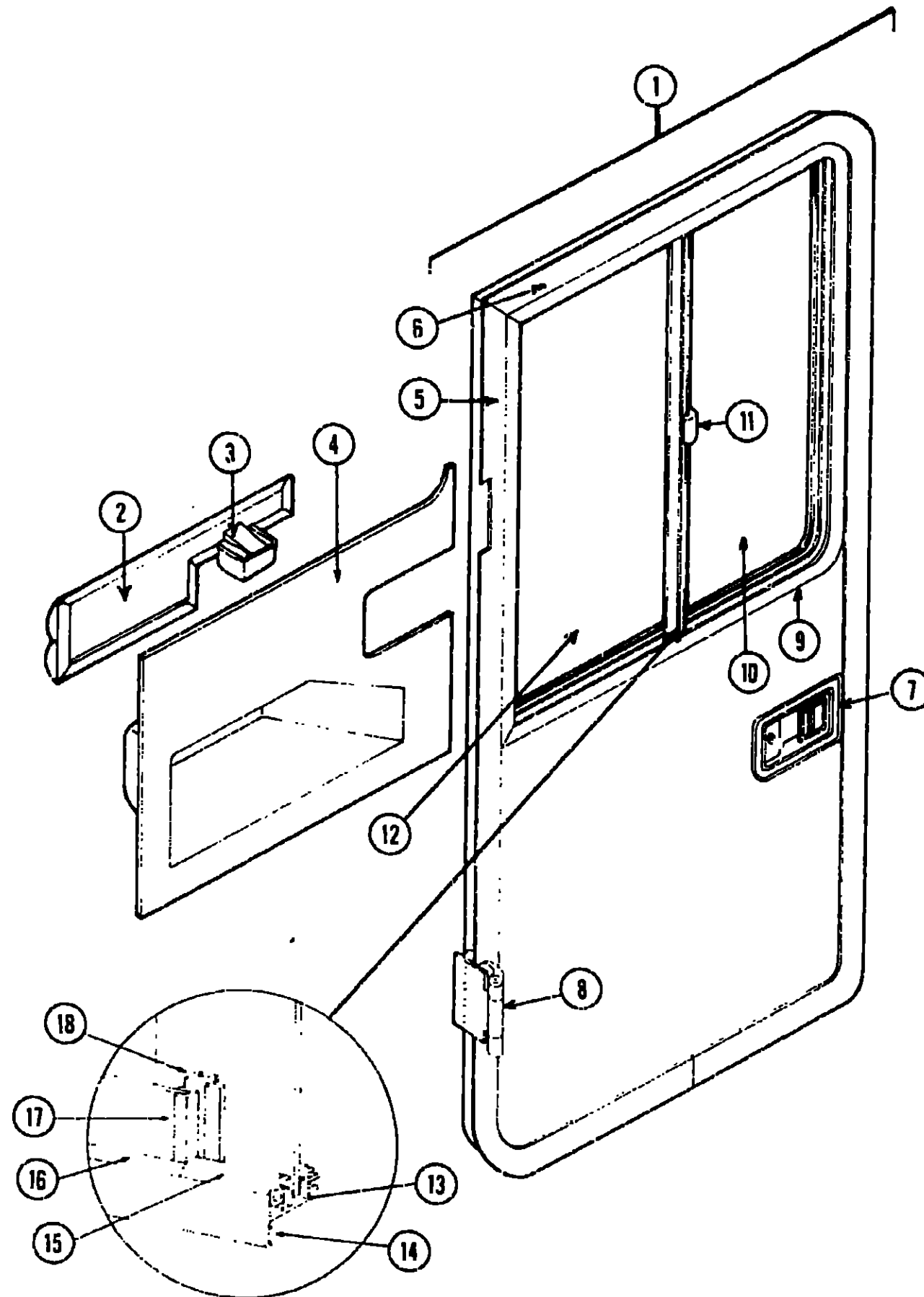


Key	Part Number	U/M	Description
1	062896-01-000	EA	Window Asm. - Stationary - Drivers Slant - 14" x 25.32" - Black Anod. (w/o inside frame)
2	053767-93-000	FT	Tape - 1/4" Bead x 20' - Gray - Schnee Morehead
3	002309-02-000	FT	Spline - Glass - 1/8" - Black
4	057656-02-000	EA	Glass - 3/16" x 24.38" x 13.66"
	063420-01-000	EA	Frame - Inside - Front Slant Window (not included in assembly)
			Not Illustrated

1981 WDF/WCF26RT M1, M2 INDEX

Floor Plan	D-13 - D-14
Accessories Group	D-15 - D-17
Bath Group	D-18
Chassis Group	D-19 - D-20
Curtain, Cushion & Pad Group	D-21 - E-9
Dinette Group	E-10
Driver's Compartment Group	E-11 - E-12
Electrical Group	E-13 - E-15
Exterior Body Group	E-16 - E-20
Galley Group	E-21
Heating & Air Conditioning Group	E-22 - E-23
Interior Finish Group	E-24 - F-2
LP Group	F-3
Lounge Group	F-4 - F-7
Water & Sewage Group	F-8
Window, Vent & Exterior Door Group	F-9 - F-20

WINDOW, VENT AND EXTERIOR DOOR GROUP (CONTINUED)



DRIVER DOOR - OFF WHITE

Key	Part Number	U/M	Description
1	063991-02-000	EA	Door Asm. - Driver - Off White
2	064088-01-000	EA	Pad Asm. - Trim - Upper
.	061400-01-000	EA	Assist Strap - 12" - Light Brown
3	046886-01-000	EA	Ashtray Asm. - Flush Mount - Chrome
4	064499-01-000	EA	Panel - Driver Door - Inner - Dark Brown Plastic
5	063350-02-000	EA	Trim - Door Frame - Front - Off White
6	063351-02-000	EA	Trim - Door Frame - Rear - Off White
7	045017-03-000	EA	Paddle - Door Lock - Exterior
.	045017-01-700	EA	Lock Cylinder w/Keys - Lynor
.	039979-02-000	EA	Inside Plate - Door Lock - w/Inside Handle
.	039540-02-000	EA	Latch Claw - Entry Door Lock
.	039736-01-000	EA	Deadbolt - Entrance Door Lock
.	039539-01-000	EA	Strike Bolt - Entrance Door (Jamb Mount)
.	063124-02-000	EA	Plate - Striker - 3/4" x 1" - Black
.	062879-02-000	EA	Jamb - Driver Door - Black Steel
.	064199-02-000	EA	Trim - Door Jamb - Rear - w/Drip Cap - Off White
.	064184-01-000	EA	Drip Cap - Driver Door
.	063358-02-000	EA	Trim - Door Jamb - Front - Off White
.	063768-01-000	EA	Sill Plate - Driver Door
8	063993-02-000	EA	Hinge Asm. - Driver Door - Off White
.	064580-01-000	EA	Check Strap - Driver Door - Seat Belt Webbing
.	064219-01-000	EA	Retainer - Driver Door Check Strap
.	063886-02-000	EA	Assist Handle - Driver Door - Brown Steel Tube (2 required per door)
.	064075-01-000	EA	Bulb Seal - Driver Door - 145"
9	062982-01-000	EA	Window Asm. - Driver Door - Single Slider - 23" x 25.5" - Black Anod. (w/o inside frame)
10	057657-02-000	EA	Glass - 3/16" x 24.88" x 12" - Sliding
11	047369-01-700	EA	Latch - Window - Plastic w/Fastener
12	002188-04-000	EA	Glass - 3/16" x 24.88" x 12" - Stationary
13	002324-02-000	FT	Channel - Weatherstrip - Glass Run - 1/8" Glass
14	053767-03-000	FT	Tape - 1/4" Bead x 20" - Gray - Schnee Morehead
15	024096-02-000	FT	Seal - Window Channel - Black
16	002309-02-000	FT	Spline - Glass - Black
17	002389-03-204	EA	Holder - Glass Seal - Anod. Black - 25.14"
.	002288-01-000	FT	Weatherstrip - Glass Seal
18	057644-04-000	EA	Mullion - Slider Window - Black Anod.
.	063422-01-000	EA	Frame - Inside - Driver Door Window
.	023713-02-000	EA	Cover - Weephole - Black Plastic
.	055164-06-000	EA	Screen Asm. - Slider
.	002292-01-000	SF	Screen - Window - 20" - Gray
.	002298-01-000	FT	Spline - Gray - Screen - .130" Dia.
.	016310-03-000	EA	Screen Handle - Black Anod.
.	043485-02-000	FT	Screen Seal - Extr. Vinyl
.	063976-02-000	EA	Step Asm. - Lower - Door
.	063977-02-000	EA	Step Asm. - Upper - Door
.			Not Illustrated

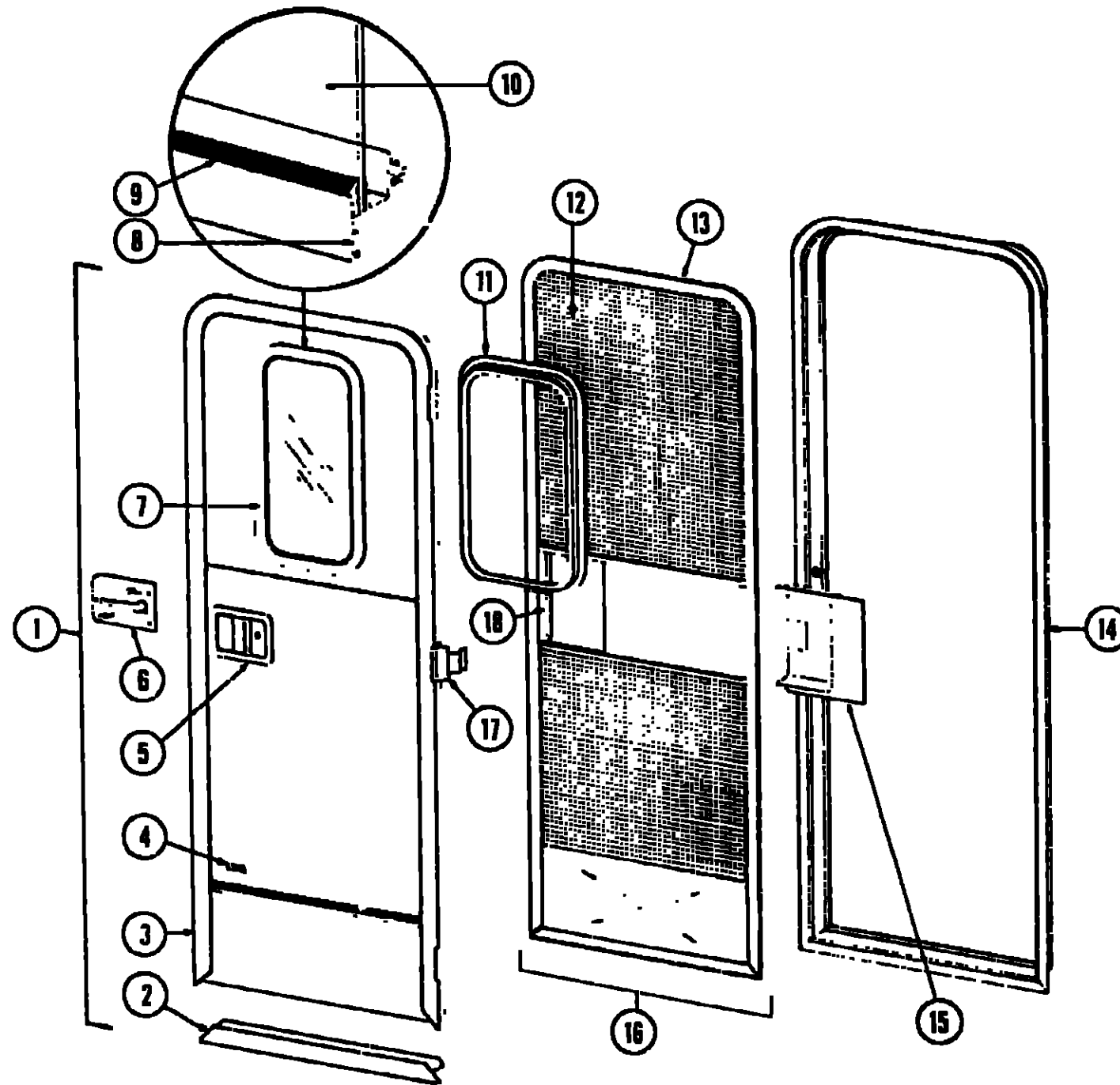
1981 WINNEBAGO  
TABLE OF CONTENTS

WD420RG M1, WC/WD420RG M2	A-1 - B-14
WDF26RH M1, WCF26RH M2	B-15 - D-12
WDF26RT M1, WCF26RT M2	D-13 - F-20

1981 WDF/WCF26RT M1, M2 INDEX

Floor Plan	D-13 - D-14
Accessories Group	D-15 - D-17
Bath Group	D-18
Chassis Group	D-19 - D-20
Curtain, Cushion & Pad Group	D-21 - E-9
Dinette Group	E-10
Driver's Compartment Group	E-11 - E-12
Electrical Group	E-13 - E-15
Exterior Body Group	E-16 - E-20
Galley Group	E-21
Heating & Air Conditioning Group	E-22 - E-23
Interior Finish Group	E-24 - F-2
I.P Group	F-3
Lounge Group	F-4 - F-7
Water & Sewage Group	F-8
Window, Vent & Exterior Door Group	F-9 - F-20

**WINDOW, VENT AND EXTERIOR DOOR GROUP (CONTINUED)**



Key	Part Number	U/M	Description
1	064324-07-000	EA	Door Asm - Radius Entry w/Screen Door
2	039737-01-000	EA	Frame - Entry Door (Bottom Portion Only)
3	039736-01-000	EA	Frame - Entry Door (Except Bottom Portion)
4	054530-01-000	EA	Holder Asm. - Entry Door
5	045017-01-000	EA	Paddle Asm - Door Lock - Exterior
6	045017-01-700	EA	Lock Cylinder w/Keys - Lynor
7	039539-01-000	EA	Striker Bolt - Entry Door
	039540-01-000	EA	Latch Claw - Entry Door
	039979-01-000	EA	Plate - Lock - Inside - Including Inside Handle
	052186-01-000	EA	Lock Asm - Complete - Lynor
	041875-11-000	EA	Window Asm - Picture - 17" x 23" - Black Anod (inside frame not included in assembly)
8	053767-03-000	FT	Tape - 1/4" Bead x 20' - Gray - Schenck Morehead
9	002309-02-000	FT	Spline - Glass - 1/8" Black
			Not Illustrated

Key	Part Number	U/M	Description
10	002181-08-000	EA	Glass - Picture Window - 1/8" x 16.25" x 22" - Gray
11	041696-14-000	EA	Frame - Window - Inside - 17" x 23" - Brown
12	002293-01-000	EA	Screen - Window - 26" - Gray
13	056795-01-000	FT	Seal Tape - 1/8" x 3/8" - Press On
14	053171-01-000	EA	Jamb Asm. - Entry Door
15	015580-01-000	EA	Slider - Screen Door - Brown Plastic
16	053170-01-000	EA	Door Asm. - Screen
17	039520-01-000	EA	Hinge - Entry Door (3 used per door)
18	015581-01-000	EA	Cap - Screen Door - Brown Plastic
	049176-01-000	EA	Hedlok II - 3/4" Diameter - Screw Mount (Retains screen door to entry door)
	049797-01-000	EA	Hedlok II - 1" Diameter - Screw Mount (Retains screen door to entry door)
	018019-01-000	EA	Striker - Screen Door
	039863-01-000	EA	Catch Asm. - Single Roller w/Strike - Screen Door
	051390-01-000	FT	Seal - Bulb - Rubber
	039800-03-000	FT	Tubing - Polybutyl - 3/8" O.D. - Jamb
	044582-02-000	EA	Drip Cap - Jamb Mounted - Off White
			Not Illustrated

**1981 WINNEBAGO  
TABLE OF CONTENTS**

WD420RG M1, WC/WD420RG M2	A-1 - B-14
WDF26RH M1, WCF26RH M2	B-15 - D-12
WDF26RT M1, WCF26RT M2	D-13 - F-20

**1981 WDF/WCF26RT M1, M2 INDEX**

Floor Plan	D-13 - D-14
Accessories Group	D-15 - D-17
Bath Group	D-18
Chassis Group	D-19 - D-20
Curtain, Cushion & Pad Group	D-21 - E-9
Dinette Group	E-10
Driver's Compartment Group	E-11 - E-12
Electrical Group	E-13 - E-15
Exterior Body Group	E-16 - E-20
Galley Group	E-21
Heating & Air Conditioning Group	E-22 - E-23
Interior Finish Group	E-24 - F-2
LP Group	F-3
Lounge Group	F-4 - F-7
Water & Sewage Group	F-8
Window, Vent & Exterior Door Group	F-9 - F-20