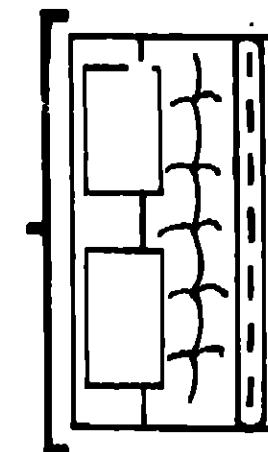
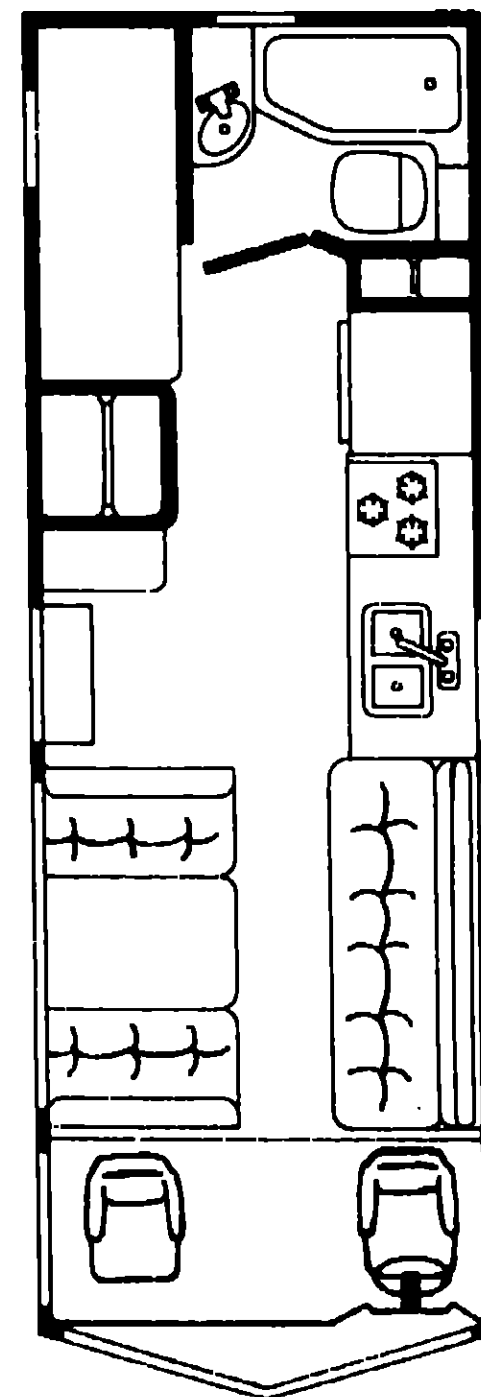
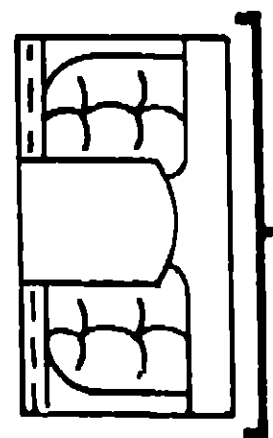


**1981**  
**WDF26RH M1**  
**WCF26RH M2**



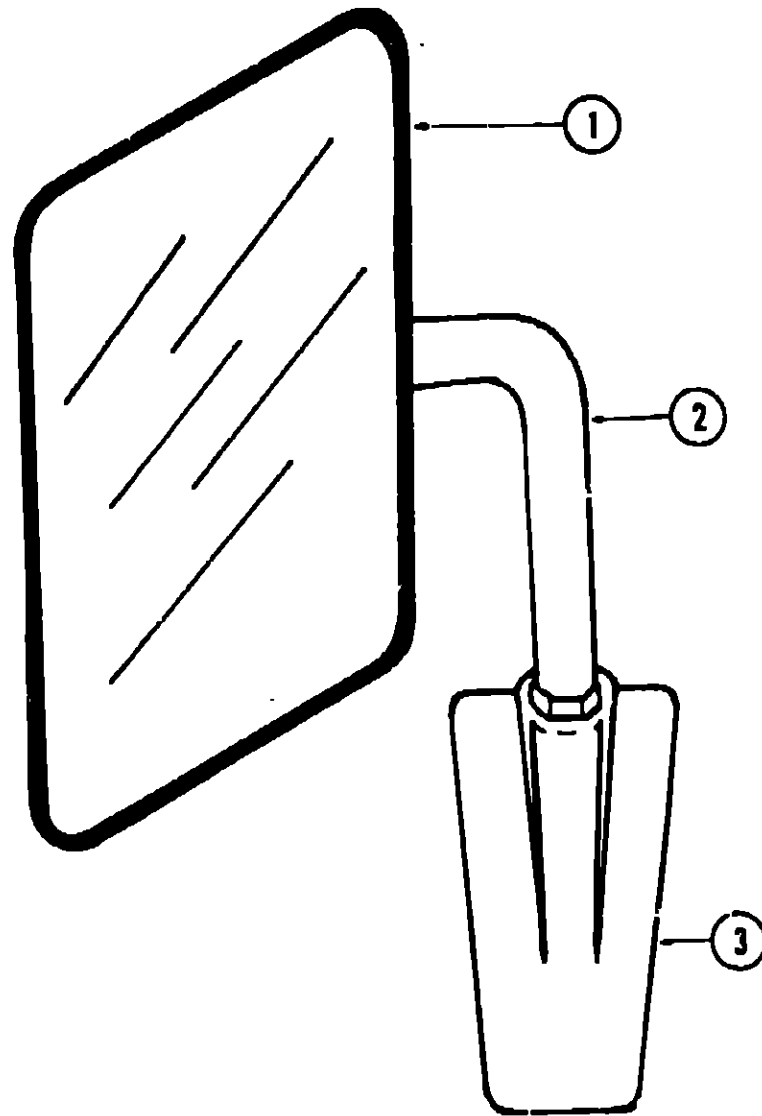
**1981 WINNEBAGO**  
**TABLE OF CONTENTS**

WD420RG M1, WC/WD420RG M2	A-1 - B-14
WDF26RH M1, WCF26RH M2	B-15 - D-12
WDF26RT M1, WCF26RT M2	D-13 - F-20

**1981 WDF/WCF26RH M1, M2 INDEX**

Floor Plan	B-15 - B-16
Accessories Group	B-17 - B-19
Bath Group	B-20 - B-21
Chassis Group	B-22 - B-23
Curtain, Cushion & Pad Group	B-24 - C-5
Dinette Group	C-6
Driver's Compartment Group	C-7 - C-8
Electrical Group	C-9 - C-11
Exterior Body Group	C-12 - C-16
Galley Group	C-17
Heating & Air Conditioner Group	C-18 - C-19
Interior Finish Group	C-20 - C-21
LP Group	C-22
Lounge Group	C-23
Water & Sewage Group	C-24
Window, Vent & Exterior Door Group	D-1 - D-12

## ACCESSORIES GROUP



Key	Part Number	U/M	Description
1	057461-01-000	EA	Mirror Head - 7 1/2" x 10 1/2" - w/Convex - Stainless Steel
1	057461-02-000	EA	Mirror Head - 7 1/2" x 10 1/2" - w/Convex - Off White
2	049348-03-000	EA	Arm - Low Mount Mirror - Black
3	049944-04-000	EA	Bracket - Mirror - Outside - Black
.	065116-01-000	EA	Mirror - West Coast - Right Hand
.	065116-02-000	EA	Mirror - West Coast - Left Hand
.			Not Illustrated

## ACCESSORIES GROUP (CONTINUED)

### RADIOS AND RELATED COMPONENTS

Key	Part Number	U/M	Description
	031105-01-000	EA	Antenna - Radio - Side Mount
	031105-01-700	EA	Holder - Antenna - Radio - Upper
	048153-01-000	EA	Antenna - CB Camper Style
	044328-01-000	EA	Switch - Fader - Speaker Balance
	050751-01-000	EA	Plaque - Fader/Mic Mounting
	064792-01-000	EA	Grille - Speaker - 5 1/4"
	063647-01-000	EA	Control Box - Clarion CB
	063647-02-000	EA	Module - Clarion CB
	064794-01-000	EA	Trim Plate - Radio
	064785-01-000	EA	Radio - AM
	064786-01-000	EA	Radio - AM/FM/MPX - w/8 Track
	064787-01-000	EA	Radio - AM/FM/MPX - w/Cassette
	054788-01-000	EA	Radio - AM/FM/Digital - w/Cassette
	064789-01-000	EA	Radio - AM/FM Digital - w/8 Track
	056014-01-000	EA	Radio - AM/FM - Stereo Cassette
	065124-01-000	EA	Wiring - Power Adapter
	056725-01-000	EA	Grille Asm. - Radio
	064791-01-000	EA	Speaker - Radio - 5.25" Audiovox

### GENERATORS AND COMPONENTS

Key	Part Number	U/M	Description
**	054429-01-000	EA	Generator - Onan - 4.0 kw - BFA
**	054433-01-000	EA	Generator - Onan - 6.5 kw
	701629-02-000	EA	Onan Installation Package
	024732-01-001	EA	Tailpipe - 1 1/2" O.D. x 23"
	054426-01-000	EA	Muffler - Generator - w/Spark Arrestor
	740313-56-000	EA	Tray - Generator - 4.0 kw Onan
	740313-57-000	EA	Tray - Generator - 6.5 kw Onan

\*\*The illustrated parts breakdown for this item is provided on the Common Items Fiche.

### FRONT BUNK AND HARDWARE

Key	Part Number	U/M	Description
	058300-01-M04	EA	Cabinet Asm. - Front Overhead
	053320-01-M04	EA	Bunk Board Asm. - Front Overhead w/Rails
	053773-01-000	EA	Support - Overhead Bunk - Brown - Right
	053773-02-000	EA	Support - Overhead Bunk - Brown - Left
	040071-02-000	EA	Support - Bunk - Seatbelt
	039516-02-000	EA	Catch - Bunk - Brown
	023812-22-000	EA	Rail - Bunk - 80" - Brown
	053774-02-000	EA	Torsion Rod - Overhead Bunk - Brown
	041322-01-000	EA	Washer - Flat - 15/32" I.D. x 2 3/8" O.D.
	059608-01-M04	EA	Pad Asm. - Front Bunk - Left
	059608-02-M04	EA	Pad Asm. - Front Bunk - Left - w/Driver Door
	059607-01-M04	EA	Pad Asm. - Front Bunk - Right
	058948-01-000	EA	Pad Asm. - Front Overhead Cabinet - Right
	058948-02-000	EA	Pad Asm. - Front Overhead Cabinet - Left
	058948-03-000	EA	Pad Asm. - Front Overhead Cabinet - Driver Door
	048394-01-000	EA	Tape Hook - 1" x 25 YD - Belge
	048395-01-000	EA	Tape Loop - 1" x 25 YD - Belge

## 1981 WINNEBAGO TABLE OF CONTENTS

WD420RG M1, WC/WD420RG M2	A-1 - B-14
WDF26RH M1, WCF26RH M2	B-15 - D-12
WDF26RT M1, WCF26RT M2	D-13 - F-20

## 1981 WDF/WCF26RH M1, M2 INDEX

Floor Plan	B-15 - B-16
Accessories Group	B-17 - B-19
Bath Group	B-20 - B-21
Chassis Group	B-22 - B-23
Curtain, Cushion & Pad Group	B-24 - C-5
Dinette Group	C-6
Driver's Compartment Group	C-7 - C-8
Electrical Group	C-9 - C-11
Exterior Body Group	C-12 - C-16
Galley Group	C-17
Heating & Air Conditioning Group	C-18 - C-19
Interior Finish Group	C-20 - C-21
LP Group	C-22
Lounge Group	C-23
Water & Sewage Group	C-24
Window, Vent & Exterior Door Group	D-1 - D-12

## ACCESSORIES GROUP (CONTINUED)

### MISCELLANEOUS ACCESSORIES

Key	Part Number	U/M	Description
	054185-12-000	EA	Owners Manual - Itasca & Winnebago
	006053-01-000	EA	Antenna - TV Braund Delux
	006093-01-000	EA	Jack - TV - Brown (Antenna)
	017516-01-000	EA	Mud Flap - Black - 14" x 18" w/Holes
	041944-01-700	EA	Fire Extinguisher - w/Bracket
	041944-03-000	EA	Fire Extinguisher - w/Bracket - 5 BC (Calif.)
	052771-02-000	EA	Oven - Microwave - Magic Chef MW207
	053287-07-000	EA	Bracket Asm. - Microwave - Right
	053287-08-000	EA	Bracket Asm. - Microwave - Left
**	067203-01-000	EA	Ladder Asm.
	067130-01-000	EA	Step - Ladder
	067166-01-000	EA	Cap - Step - Ladder
	067203-02-000	EA	Luggage Rack Asm.
	064093-01-000	EA	Luggage Carrier Assembly - 14" x 30" x 60"
	039881-01-000	EA	Catch and Strike - Luggage Carrier
**	031398-04-000	EA	Wheel Cover - 16" - Chrome
	034410-12-000	EA	Tire Cover - Vinyl - 32"
	063706-01-000	EA	Cover - Roof Vent - Inside - Vinyl
	063708-01-000	EA	Cover - Air Conditioner - Inside - Vinyl
**	007038-01-000	EA	Door Mat - Black Rubber - 10.5" x 26"
**	069620-01-000	EA	Speed Control - Electric - Chevrolet - Dana
**	059778-01-000	EA	Speed Control - Electric - Dodge - Dana
	055285-01-000	EA	Vacuum Cleaner - Built In - Tevis Campbell
	055285-01-700	EA	Accessories Kit - Standard - Tevis Campbell
	055285-01-701	EA	Filter - 10 per Consumer Package - Tevis Campbell
	061613-01-000	EA	Clock - Batt. Round Gold Face

\*\* The illustrated parts breakdown for this item is provided on the Common Items Fiche.

## BATH GROUP

### BATH CABINETRY

Key	Part Number	U/M	Description
	M65896-01-M04	EA	Cabinet Asm. - Vanity - w/o Countertop & Doors
	068598-01-M04	EA	Cabinet Asm. - Medicine - w/o Door or Hardware
	065917-01-M04	EA	Countertop Asm. - Vanity Cabinet - Burnt Sienna
	M68593-05-M04	EA	Door Asm. - Bath - 74.4" x 24.5" - w/o Hardware
	063224-11-M10	EA	Door Asm. - Rolled - 12.4" x 24" - Upper
	063224-12-M10	EA	Door Asm. - Rolled - 16.1" x 24" - Lower
	M00377-18-M04	EA	Door Asm. - Linen Cabinet - 55.1" x 14.6" - w/o Hardware
	M00074-37-M04	EA	Door Asm. - Medicine Cabinet w/Mirror - 12.7" x 20.7" - w/o Hardware

### BATH HARDWARE

Key	Part Number	U/M	Description
**	011056-01-000	EA	Faucet - Lavatory - U.S.
**	011056-02-000	EA	Faucet - Lavatory - C.S.A.
**	031558-03-000	EA	Faucet - Tub and Shower
	058713-71-000	EA	Sink - Bath - Ivory Plastic
	011083-01-000	EA	Plug - Sink - 1 1/4" w/Chain
**	011048-02-000	EA	Shower Head - w/60" Hose
	010495-01-000	EA	Hose Clamp - 9/16"
**	066729-01-000	EA	Strainer - Shower Pan & Tub
	011069-01-000	EA	Tailpiece - 1 1/4" x 4" - Plastic
**	011069-02-000	EA	Tailpiece - 1 1/4" x 4" - Brass
	009134-01-000	EA	Holder - Tissue
	009133-01-000	EA	Bar - Towel Rack - 12" - Plastic
	009133-02-000	EA	Bar - Towel Rack - 18" - Plastic
	023449-01-000	EA	Support - Chrome - Towel Rack
	009151-01-000	EA	Warp Guard - 48"
	053130-06-000	EA	Cabinet Asm. - Medicine - Jensen - 25" x 15"
	053130-03-700	EA	Mirror - Jensen Medicine Cabinet - 24 1/2" x 15"
	053130-03-701	EA	Frame - Mirror - Jensen Medicine Cabinet
	053130-02-702	EA	Catch - Door - Jensen Medicine Cabinet
	053130-02-703	EA	Switch - Jensen Medicine Cabinet
	063914-01-000	EA	Bulb - 1143 Frosted
	058335-01-000	EA	Latch - Bathroom Door - w/Lock
	058335-02-000	EA	Latch - Bathroom Door - w/o Lock
	066435-01-000	EA	Nut - Strainer - Plastic
	009112-01-000	EA	Flange - 1" Closet Rod
	057671-01-000	EA	Screw Cover (No. 8)
	058331-02-000	EA	Mirror - Tempered Glass - 12" x 36"
	057534-01-000	EA	Tie Back - 6" - Clear Plastic
	068348-02-000	EA	Hamper Bag - Fabric
	039341-02-000	EA	Toilet - Thetford - Aqua Magic - Ivory - 8420 SH

\*\* The illustrated parts breakdown for this item is provided on the Common Items Fiche.

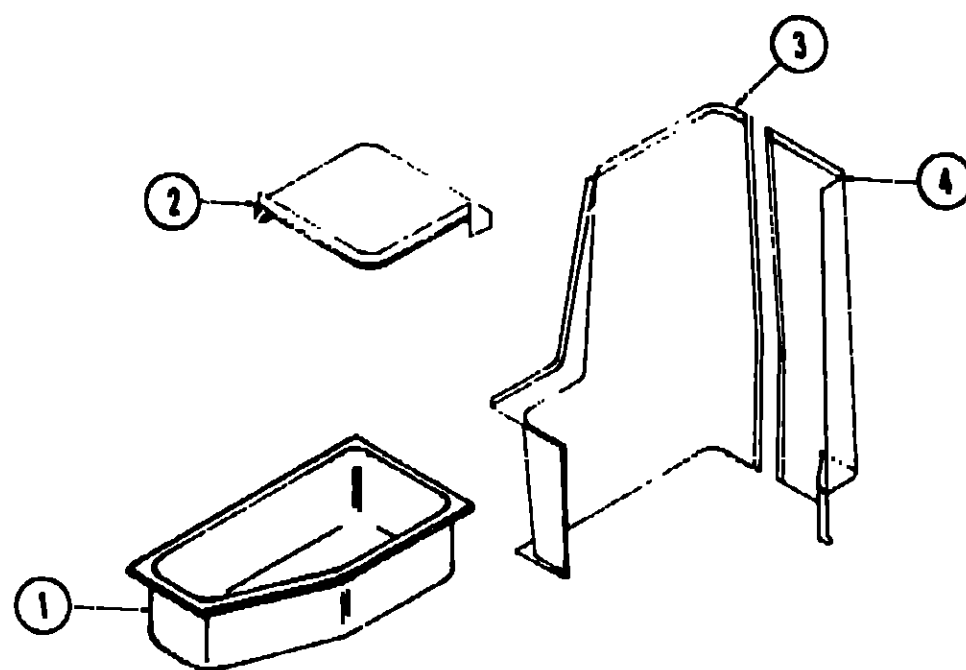
## 1981 WINNEBAGO TABLE OF CONTENTS

WD420RG M1, WC/WD420RG M2	A-1 - B-14
WDF26RH M1, WCF26RH M2	B-15 - D-12
WDF26RT M1, WCF26RT M2	D-13 - F-20

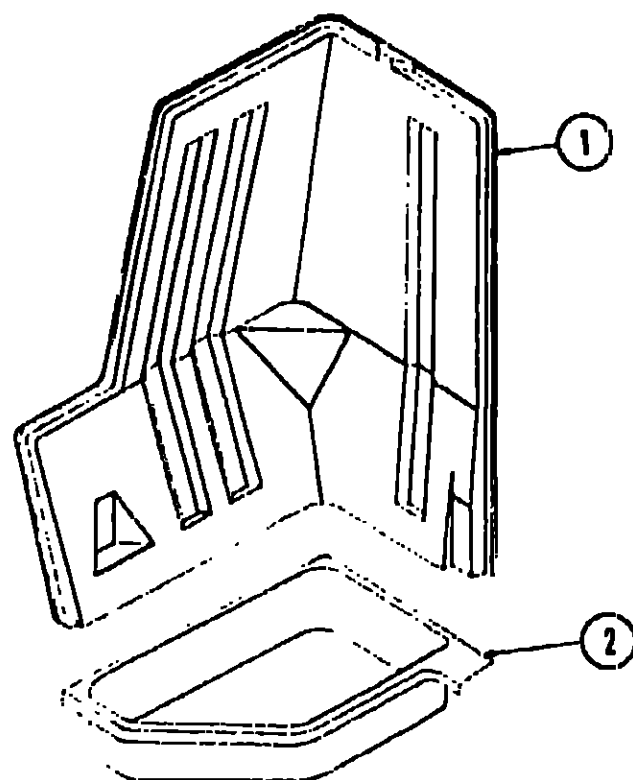
## 1981 WDF/WCF26RH M1, M2 INDEX

Floor Plan	B-15 - B-16
Accessories Group	B-17 - B-19
Bath Group	B-20 - B-21
Chassis Group	B-22 - B-23
Curtain, Cushion and Pad Group	B-24 - C-5
Dinette Group	C-6
Driver's Compartment Group	C-7 - C-8
Electrical Group	C-9 - C-11
Exterior Body Group	C-12 - C-16
Galley Group	C-17
Heating & Air Conditioning Group	C-18 - C-19
Interior Finish Group	C-20 - C-21
LP Group	C-22
Lounge Group	C-23
Water & Sewage Group	C-24
Window, Vent & Exterior Door Group	D-1 - D-12

## BATH GROUP (CONTINUED)



Key	Part Number	U/M	Description
1	064552-01-000	EA	Shower Pan
2	064557-01-000	EA	Shower Top
3	064554-01-000	EA	Shower Back
4	064553-01-000	EA	Shower Side



Key	Part Number	U/M	Description
1	069711-01-000	EA	Shower Stall
2	064552-02-000	EA	Shower Pan

## CHASSIS GROUP

Key	Part Number	U/M	Description
	058790-01-000	EA	Gas Fill - w/Vent
	065743-01-000	EA	Cap - Gas - Non Vented - 1.34" Chrome
	024611-04-000	EA	Cap - Gas - Pressure - 1.50" Chrome
	024138-01-000	FT	Hose - Fuel - 5/16" I.D. SAE 30RI
	024141-01-000	FT	Hose Rubber - 1/2" I.D.
	007134-01-000	EA	Clamp - Hose - Spring Type - 9/16"
	067058-01-000	EA	Tank - Fuel - 69.7 Gallon
	057038-02-000	EA	Sending Unit - Fuel - 90 Ohm
	063386-03-000	EA	Strap - Fuel Tank Mounting
	063386-02-000	EA	Hanger - Fuel Tank Mounting
	062401-02-000	EA	Clamp - Worm Gear - 15/16" to 1 5/16"
	062401-03-000	EA	Clamp - Worm Drive - .22" - 1" I.D.
	05C227-01-000	EA	Canistor Asm. - Vapor - 2 Stage - 3 Port
	007111-01-000	FT	Hose - Fuel - 2 1/4" I.D. SAE 30RI
	024490-01-000	EA	Power Cord Box - Plastic
	055080-01-000	EA	Wheel Well - Plastic
	740313-56-000	EA	Tray - Generator - Onan - 4.0 kw
	740313-57-000	EA	Tray - Generator - Onan - 6.5 kw
	052431-01-000	EA	Luggage Tray
	022655-02-000	EA	Tailpipe - 2 1/4" x 8" - 454 Engine - Chevy
	007125-06-000	EA	Clamp Asm. - Muffler - 2 1/4"
	017516-01-000	EA	Mud Flap - Black - 14" x 18" w/Holes
	051697-01-000	EA	Bracket - Battery Tie Down
	053249-01-000	EA	Battery Tray Asm.
	047441-01-000	EA	Terminal - Battery - Horizontal Lug - Chevy
	024652-01-700	EA	Step Asm. - Entry
	022150-01-000	EA	Bracket - Bumper - Rear
	058401-01-000	EA	Hood Board - Upper - Right - Steel
	058404-01-000	EA	Hood Board - Upper - Left - Steel
	052412-01-000	EA	Cover - Radiator Rear Dodge
	056818-01-000	EA	Cover - Radiator - Rear - Chevy
	056817-01-000	EA	Cover - Radiator - Rear Back - (Fan Shroud) - Chevy
	035103-01-000	EA	Cover - Radiator - Rear Back - (Fan Shroud) Dodge
	048474-01-000	EA	Bumper - Rear - Chrome
	058200-01-000	EA	Bumper - Front - Chrome
	063326-01-700	EA	Bumper - Front - Primed
	064602-03-000	EA	Bumper - Rear - Primed
	005200-01-000	EA	Bolt - Carriage - 7/16" - 14 x 1 1/4" SST
	058439-01-000	EA	Bracket - Front Bumper - Black
	058416-01-000	EA	Bar - Front Bumper - Black
	063977-02-000	EA	Step Asm. - Upper Driver Door - Black
	063976-02-000	EA	Step Asm. - Lower Driver Door - Black
	044987-01-000	EA	Shield - Heat Muffler
	058425-01-000	EA	Bracket - Bumper - Front - Left - Chevy
	058425-02-000	EA	Bracket - Bumper - Front - Right - Chevy
	056832-01-000	EA	Filler - Radiator Cover
	047743-01-000	EA	Spacer - Rear Spring/Axle Stop - Chevy
	024781-01-000	EA	Spacer - Rear Spring - 6" - Dodge
	007131-01-000	EA	Hanger - Tail Pipe
	052165-03-000	EA	Shock Cord - Rubber - 24" - (Spare Tire)
	031398-04-000	EA	Wheel Cover 16" - Chrome
	059670-03-000	EA	Bracket - Tire Carrier
	040546-01-000	EA	Tire - 750 x 16 - 8 Ply Poly
	064962-01-000	EA	Rim - Wheel - 16 x 6.00 - Chevy
	050273-01-000	EA	Tire - 750 x 16" 8 Ply Radial
	064225-02-000	EA	Hold Down - Spare Tire Carrier
	064179-01-000	EA	Tire Carrier - Side Compartment

\*\* The illustrated parts breakdown for this item is provided on the Common Items Fiche.

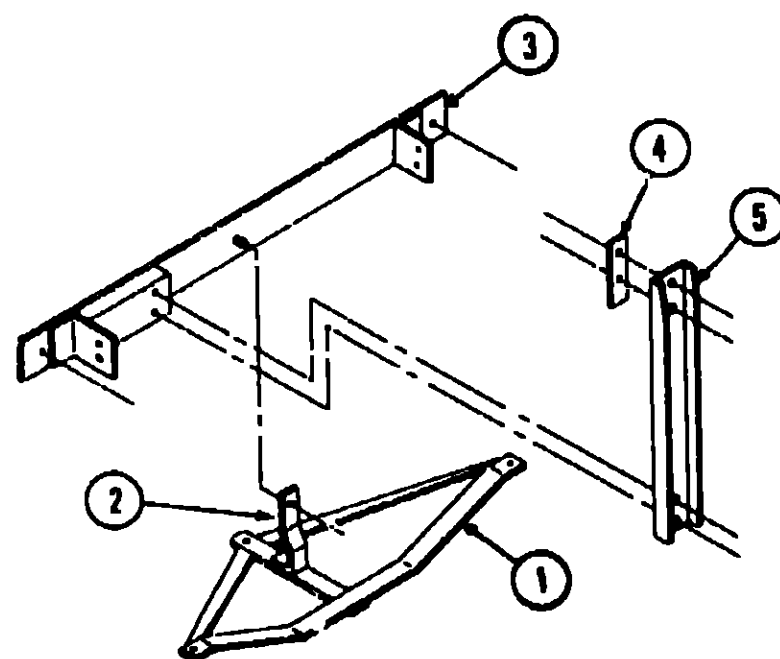
## 1981 WINNEBAGO TABLE OF CONTENTS

WD420RG M1, WC/WD420RG M2	A-1 - B-14
WDF26RH M1, WCF26RH M2	B-15 - D-12
WDF26RT M1, WCF26RT M2	D-13 - F-20

## 1981 WDF/WCF26RH M1, M2 INDEX

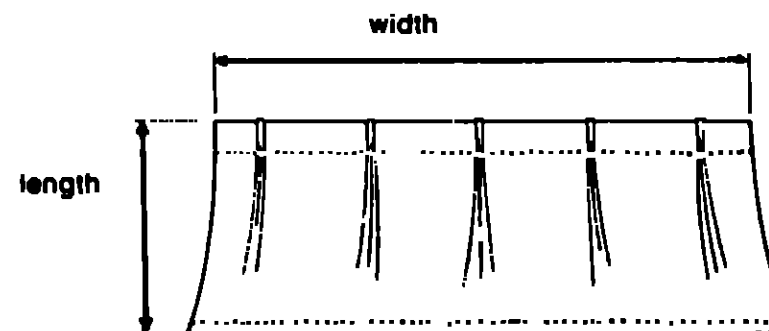
Floor Plan	B-15 - B-16
Accessories Group	B-17 - B-19
Bath Group	B-20 - B-21
Chassis Group	B-22 - B-23
Curtain, Cushion and Pad Group	B-24 - C-5
Dinette Group	C-6
Driver's Compartment Group	C-7 - C-8
Electrical Group	C-9 - C-11
Exterior Body Group	C-12 - C-16
Galley Group	C-17
Heating & Air Conditioning Group	C-18 - C-19
Interior Finish Group	C-20 - C-21
LP Group	C-22
Lounge Group	C-23
Water & Sewage Group	C-24
Window, Vent & Exterior Door Group	D-1 - D-12

**CHASSIS GROUP (CONTINUED)**



Key	Part Number	U/M	Description
1	064833-01-000	EA	Trailer Hitch Asm. - With Support
2	064824-01-000	EA	Support - Trailer Hitch
3	064601-02-000	EA	Bracket - Bumper Mount - Rear
4	040974-01-000	EA	Bracket - Spare Tire - Retaining Bar - 2" x 6.75"
5	059670-03-000	EA	Bracket - U-Channel - 27.12" - Tire Carrier

**CURTAIN, CUSHION AND PAD GROUP**



**NOTE:**  
Use this illustration when determining length and width measurements for curtains. You will note the width measurement is taken on the top of the curtain with the curtain fully extended. The length measurement is taken from top to bottom.

**1981 WINNEBAGO  
TABLE OF CONTENTS**

WD420RG M1, WC/WD420RG M2	A-1 - B-14
WDF26RH M1, WCF26RH M2	B-15 - D-12
WDF26RT M1, WCF26RT M2	D-13 - F-20

**CURTAIN AND TIE BACKS**

Key	Part Number	U/M	Description
	056484-42-M04	EA	Curtain Asm. - w/Taped Top - 21.5" x 9" - Champagne
	056484-01-M01	EA	Curtain Asm. - w/Taped Top - 27.5" x 42" - Champagne
	054051-48-M01	EA	Curtain Asm. - w/Snap Top - 29" x 37" - Champagne
	056484-50-M04	EA	Curtain Asm. - w/Taped Top - 27.5" x 12" - Champagne
	056484-46-M04	EA	Curtain Asm. - w/Taped Top - 21" x 27" - Champagne
	054051-50-M04	EA	Curtain Asm. - w/Snap Top - Privacy - 75" x 51" - Champagne
	054051-22-M01	EA	Curtain Asm. - w/Snap Top - Bunk Privacy - 22" x 96" - Champagne
	054051-41-M01	EA	Curtain Asm. - w/Snap Top - Front Wraparound - 27.5" x 81" - Champagne
	054051-43-M01	EA	Curtain Asm. - w/Snap Top - Front Wraparound - Drivers Door - 27.5" x 125" - Champagne
	059900-05-M01	EA	Curtain Asm. - w/Snap Top - Drivers Door - 29" x 35" - Champagne
	054048-08-M01	EA	Tie Back Asm. - 2" x 18" - Rust
	054048-08-M02	EA	Tie Back Asm. - 2" x 18" - Blue
	054048-08-M03	EA	Tie Back Asm. - 2" x 18" - Brown
	057534-03-000	EA	Tie Back Asm. - 7.5" - Clear Plastic
	057534-01-000	EA	Tie Back Asm. - 6" - Clear Plastic

**VALANCES AND SHADES**

Key	Part Number	U/M	Description
	065892-01-M01	EA	Valance Asm. - 5" x 34" - Rust
	065892-01-M02	EA	Valance Asm. - 5" x 34" - Blue
	065892-01-M03	EA	Valance Asm. - 5" x 34" - Brown
	065892-13-M01	EA	Valance Asm. - 5" x 41" - Rust
	065892-13-M02	EA	Valance Asm. - 5" x 41" - Blue
	065892-13-M03	EA	Valance Asm. - 5" x 41" - Brown
	065892-11-M01	EA	Valance Asm. - 6.5" x 44.5" - Rust
	065892-11-M02	EA	Valance Asm. - 6.5" x 44.5" - Blue
	065892-11-M03	EA	Valance Asm. - 6.5" x 44.5" - Brown
	065892-05-M01	EA	Valance Asm. - 5" x 78" - Rust
	065892-05-M02	EA	Valance Asm. - 5" x 78" - Blue
	065892-05-M03	EA	Valance Asm. - 5" x 78" - Brown
	065522-03-000	EA	Shade Asm. - 25.25" x 38" (M01) (M02) (M03)
	065522-04-000	EA	Shade Asm. - 27.25" x 38" (M01) (M02) (M03)
	065522-08-000	EA	Shade Asm. - 37.25" x 30" (M01) (M02) (M03)
	055522-12-000	EA	Shade Asm. - 69.25" x 38" (M01) (M02) (M03)
	065522-13-000	EA	Shade Asm. - 72.25" x 38" (M01) (M02) (M03)

**1981 WDF/WCF26RH M1, M2 INDEX**

Floor Plan	B-15 - B-16
Accessories Group	B-17 - B-19
Bath Group	B-20 - B-21
Chassis Group	B-22 - B-23
Curtain, Cushion & Pad Group	B-24 - C-5
Dinette Group	C-6
Driver's Compartment Group	C-7 - C-8
Electrical Group	C-9 - C-11
Exterior Body Group	C-12 - C-16
Galley Group	C-17
Heating & Air Conditioning Group	C-18 - C-19
Interior Finish Group	C-20 - C-21
LP Group	C-22
Lounge Group	C-23
Water & Sewage Group	C-24
Window, Vent & Exterior Door Group	D-1 - D-12

**CURTAIN, CUSHION AND PAD GROUP (CONTINUED)**

**CURTAIN HARDWARE**

Key	Part Number	U/M	Description
	052327-04-230	EA	Track - Curtain - Brown Alum. - 89" w/Holes
	050118-01-000	FT	Track - Curtain - Brown Plastic
	050001-01-000	EA	Bracket - Shade - Left
	056002-01-000	EA	Bracket - Shade - Right
	056003-01-000	EA	Bracket - Drapery Retainer - Right
	056003-02-000	EA	Bracket - Drapery Retainer - Left
	053272-01-001	EA	Track - Curtain - Off White - 89" w/Holes
	056784-01-000	EA	Pull - Window Shade - Antique Brass
	009107-01-000	EA	Guldo - Nylon Snap - Curtain
	018031-42-000	EA	Track - Curtain - "L" Rod - Alum. - Extr. - 90"
	009701-01-000	EA	Carrier - "L" Rod - Curtain
	009702-01-000	EA	End Stop - "L" Rod - Curtain
	059430-01-000	EA	Track - Curtain - Front Wraparound (2 per unit) - 32.8" x 45.2"
	059430-02-000	EA	Track - Curtain - Front Wraparound (w/Drivers Door) - 32.8" x 89.1"
	056115-01-000	YD	Tape - Clear Plastic - w/Guldos
	048394-01-000	YD	Tape - Hook - 1" x 25YD - Beige
	048395-01-000	YD	Tape - Loop - 1" x 25YD - Beige



Key	Part Number	U/M	Description
1	029130-01-000	EA	Socket - Snap Fastener
2	029155-01-000	EA	Cap - Snap - .156" Dia. x .17" Barrel
3	029156-01-000	EA	Socket - Snap Fastener
4	029092-01-000	EA	Stud - Nickel Finish
5	029093-01-000	EA	Eyelet - Nickel Finish

**PADS**

Key	Part Number	U/M	Description
	058444-04-M10	EA	Pad - End - Lounge Overhead Cabinet - Right - Acorn Vinyl
	058444-06-M10	EA	Pad - End - Dinette Overhead Cabinet - Right - Acorn Vinyl
	058444-03-M10	EA	Pad - End - Dinette/Lounge Overhead Cabinet - Left - Acorn Vinyl
	058442-01-M10	EA	Pad - End - Galley Overhead - Acorn Vinyl
	059414-01-000	EA	Pad - Sidewall Trim - Drivers - Acorn Vinyl
	059414-02-000	EA	Pad - Sidewall Trim - Passenger - Acorn Vinyl
	059467-03-M07	EA	Pad - Map Pocket - Drivers - Acorn Vinyl
	059467-04-M07	EA	Pad - Map Pocket - Passenger - Acorn Vinyl
	059608-01-M04	EA	Pad Asm. - Front Bunk - Left - Acorn Vinyl
	059608-02-M04	EA	Pad Asm. - Front Bunk - Left - w/Drivers Door - Acorn Vinyl
	066705-01-M04	EA	Pad Asm. - Front Bunk - Right - Acorn Vinyl
	058948-01-M04	EA	Pad Asm. - Front Overhead Cabinet - Right - Acorn Vinyl
	058948-02-M04	EA	Pad Asm. - Front Overhead Cabinet - Left - Acorn Vinyl
	058948-03-M04	EA	Pad Asm. - Front Overhead Cabinet - Driver Door - Acorn Vinyl
	068625-01-M04	EA	Pad - End - Medicine Cabinet - Acorn Vinyl
	061801-02-L04	EA	Pad - Overhead Wemac Panel - Acorn Vinyl
	059438-01-L04	EA	Pad - Nightstand Overhead - Acorn Vinyl

**CURTAIN, CUSHION AND PAD GROUP (CONTINUED)**

**OVERHEAD BUNK CUSHIONS**

Key	Part Number	U/M	Description
	055021-33-M01	EA	Cushion - Front Overhead Bunk - 47" x 79" x 4" - Rust
	055021-33-M02	EA	Cushion - Front Overhead Bunk - 47" x 79" x 4" - Blue
	055021-33-M03	EA	Cushion - Front Overhead Bunk - 47" x 70" x 4" - Brown
	055022-35-M01	EA	Cover - Front Bunk Cushion - 47" x 70" x 4" - Rust
	055022-35-M02	EA	Cover - Front Bunk Cushion - 47" x 79" x 4" - Blue
	055022-35-M03	EA	Cover - Front Bunk Cushion - 47" x 70" x 4" - Brown

**HIGHBACK BUCKET SEATS**

Key	Part Number	U/M	Description
	065938-01-M01	EA	Seat Asm. - Single Bucket - Highback w/Armrest and Skirt - Rust
	065938-01-M02	EA	Seat Asm. - Single Bucket - Highback w/Armrest and Skirt - Blue
	065938-01-M03	EA	Seat Asm. - Single Bucket - Highback w/Armrest and Skirt - Brown
	065943-02-M01	EA	Cover - Back - Single Bucket - Rust
	065943-02-M02	EA	Cover - Back - Single Bucket - Blue
	065943-02-M03	EA	Cover - Back - Single Bucket - Brown
	065944-02-M01	EA	Cover - Bottom - Single Bucket - Rust
	065944-02-M02	EA	Cover - Bottom - Single Bucket - Blue
	065944-02-M03	EA	Cover - Bottom - Single Bucket - Brown
	066915-02-M01	EA	Skirt - Single Bucket - Rust
	066915-02-M02	EA	Skirt - Single Bucket - Blue
	066915-02-M03	EA	Skirt - Single Bucket - Brown
	069004-01-M01	EA	Seat Asm. - Double Bucket - Highback w/Armrests and Skirt - Rust
	069004-01-M02	EA	Seat Asm. - Double Bucket - Highback w/Armrests and Skirt - Blue
	069004-01-M03	EA	Seat Asm. - Double Bucket - Highback w/Armrests and Skirt - Brown
	M00405-03-M01	EA	Cover - Back - Double Bucket - Rust
	M00405-03-M02	EA	Cover - Back - Double Bucket - Blue
	M00405-03-M03	EA	Cover - Back - Double Bucket - Brown
	M00405-04-M01	EA	Cover - Bottom - Double Bucket - Rust
	M00405-04-M02	EA	Cover - Bottom - Double Bucket - Blue
	M00405-04-M03	EA	Cover - Bottom - Double Bucket - Brown
	068878-01-M01	EA	Skirt - Double Bucket - Rust
	068878-01-M02	EA	Skirt - Double Bucket - Blue
	068878-01-M03	EA	Skirt - Double Bucket - Brown
	067661-02-000	EA	Armrest Asm. - Foam w/o Cover - Right
	067661-01-000	EA	Armrest Asm. - Foam w/o Cover - Left
	065774-02-M01	EA	Cover - Armrest - Right or Left - Rust
	065774-02-M02	EA	Cover - Armrest - Right or Left - Blue
	065774-02-M03	EA	Cover - Armrest - Right or Left - Brown

**LOWBACK BUCKET SEATS**

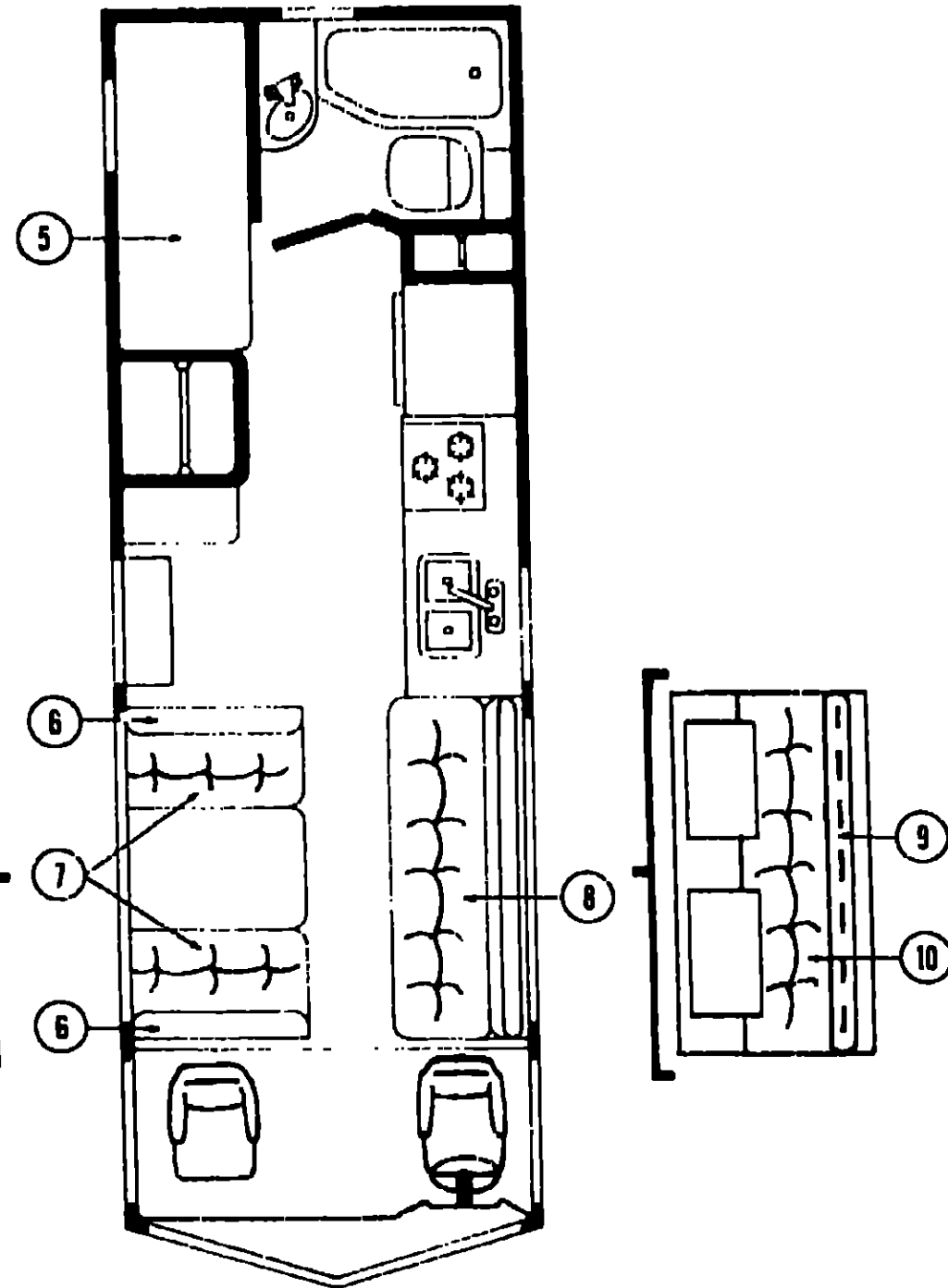
Key	Part Number	U/M	Description
	069005-01-M01	EA	Seat Asm. - Single Bucket - w/o Armrests or Headrest - Rust
	069005-01-M02	EA	Seat Asm. - Single Bucket - w/o Armrests or Headrest - Blue
	069005-01-M03	EA	Seat Asm. - Single Bucket - w/o Armrests or Headrest - Brown
	M00435-01-M01	EA	Cover - Single Bucket - Seat - Rust
	M00435-01-M02	EA	Cover - Single Bucket - Seat - Blue
	M00435-01-M03	EA	Cover - Single Bucket - Seat - Brown
	M00435-02-M01	EA	Cover - Single Bucket - Back - Rust
	M00435-02-M02	EA	Cover - Single Bucket - Back - Blue
	M00435-02-M03	EA	Cover - Single Bucket - Back - Brown

**1981 WINNEBAGO  
TABLE OF CONTENTS**

WD420RG M1, WC/WD420RG M2	A-1 - B-14
WDF26RH M1, WCF26RH M2	B-15 - D-12
WDF26RT M1, WCF26RT M2	D-13 - F-20

**1981 WDF/WCF26RH M1, M2 INDEX**

Floor Plan	B-15 - B-16
Accessories Group	B-17 - B-19
Bath Group	B-20 - B-21
Chassis Group	B-22 - B-23
Curtain, Cushion & Pad Group	B-24 - C-5
Dinette Group	C-6
Driver's Compartment Group	C-7 - C-8
Electrical Group	C-9 - C-11
Exterior Body Group	C-12 - C-16
Galley Group	C-17
Heating & Air Conditioning Group	C-18 - C-19
Interior Finish Group	C-20 - C-21
LP Group	C-22
Lounge Group	C-23
Water & Sewage Group	C-24
Window, Vent & Exterior Door Group	D-1 - D-12



CORNER LOUNGE CHAIR CUSHIONS

Key	Part Number	U/M	Description
1	059744-09-M01	EA	Cushion - Chair Wedge - Right - Rust
1	059744-09-M02	EA	Cushion - Chair Wedge - Right - Blue
1	059744-09-M03	EA	Cushion - Chair Wedge - Right - Brown
	059747-09-M01	EA	Cover - Chair Wedge Cushion - Right - Rust
	059747-09-M02	EA	Cover - Chair Wedge Cushion - Right - Blue
	059747-09-M03	EA	Cover - Chair Wedge Cushion - Right - Brown
2	059742-05-M01	EA	Cushion - Lounge Chair Back - Rust
2	059742-05-M02	EA	Cushion - Lounge Chair Back - Blue
2	059742-05-M03	EA	Cushion - Lounge Chair Back - Brown
	059745-05-M01	EA	Cover - Lounge Chair Back Cushion - Rust
	059745-05-M02	EA	Cover - Lounge Chair Back Cushion - Blue
	059745-05-M03	EA	Cover - Lounge Chair Back Cushion - Brown
3	059743-05-M01	EA	Cushion - Lounge Chair Bottom - Rust
3	059743-05-M02	EA	Cushion - Lounge Chair Bottom - Blue
3	059743-05-M03	EA	Cushion - Lounge Chair Bottom - Brown
	059746-05-M01	EA	Cover - Lounge Chair Bottom Cushion - Rust
	059746-05-M02	EA	Cover - Lounge Chair Bottom Cushion - Blue
	059746-05-M03	EA	Cover - Lounge Chair Bottom Cushion - Brown
4	059744-10-M01	EA	Cushion - Chair Wedge - Left - Rust
4	059744-10-M02	EA	Cushion - Chair Wedge - Left - Blue
4	059744-10-M03	EA	Cushion - Chair Wedge - Left - Brown
	059747-10-M01	EA	Cover - Chair Wedge Cushion - Left - Rust
	059747-10-M02	EA	Cover - Chair Wedge Cushion - Left - Blue
	059747-10-M03	EA	Cover - Chair Wedge Cushion - Left - Brown

REAR BUNK CUSHIONS

Key	Part Number	U/M	Description
5	055021-34-M01	EA	Cushion - Rear Bunk - 29" x 75.5" x 4.5" - Rust
5	055021-34-M02	EA	Cushion - Rear Bunk - 29" x 75.5" x 4.5" - Blue
5	055021-34-M03	EA	Cushion - Rear Bunk - 29" x 75.5" x 4.5" - Brown
	055022-36-M01	EA	Cover - Rear Bunk Cushion - 29" x 75.5" x 4.5" - Rust
	055022-36-M02	EA	Cover - Rear Bunk Cushion - 29" x 75.5" x 4.5" - Blue
	055022-36-M03	EA	Cover - Rear Bunk Cushion - 29" x 75.5" x 4.5" - Brown

DINETTE CUSHIONS

Key	Part Number	U/M	Description
6	068579-06-M01	EA	Cushion - Dinette Back - 19.2" x 38" x 5" - Rust
6	068579-06-M02	EA	Cushion - Dinette Back - 19.2" x 38" x 5" - Blue
6	068579-06-M03	EA	Cushion - Dinette Back - 19.2" x 38" x 5" - Brown
	M68579-06-M01	EA	Cover - Dinette Back Cushion - 19.2" x 38" x 5" - Rust
	M68579-06-M02	EA	Cover - Dinette Back Cushion - 19.2" x 38" x 5" - Blue
	M68579-06-M03	EA	Cover - Dinette Back Cushion - 19.2" x 38" x 5" - Brown
7	068579-05-M01	EA	Cushion - Dinette Bottom - 17.5" x 38" x 5" - Rust
7	068579-05-M02	EA	Cushion - Dinette Bottom - 17.5" x 38" x 5" - Blue
7	068579-05-M03	EA	Cushion - Dinette Bottom - 17.5" x 38" x 5" - Brown
	M68579-05-M01	EA	Cover - Dinette Bottom Cushion - 17.5" x 38" x 5" - Rust
	M68579-05-M02	EA	Cover - Dinette Bottom Cushion - 17.5" x 38" x 5" - Blue
	M68579-05-M03	EA	Cover - Dinette Bottom Cushion - 17.5" x 38" x 5" - Brown

1981 WINNEBAGO  
TABLE OF CONTENTS

WD420RG M1, WC/WD420RG M2	A-1 - B-14
WDF26RH M1, WCF26RH M2	B-15 - D-12
WDF26RT M1, WCF26RT M2	D-13 - F-20

1981 WDF/WCF26RH M1, M2 INDEX

Floor Plan	B-15 - B-16
Accessories Group	B-17 - B-19
Bath Group	B-20 - B-21
Chassis Group	B-22 - B-23
Curtain, Cushion & Pad Group	B-24 - C-5
Dinette Group	C-6
Driver's Compartment Group	C-7 - C-8
Electrical Group	C-9 - C-11
Exterior Body Group	C-12 - C-16
Galley Group	C-17
Heating & Air Conditioning Group	C-18 - C-19
Interior Finish Group	C-20 - C-21
LP Group	C-22
Lounge Group	C-23
Water & Sewage Group	C-24
Window, Vent & Exterior Door Group	D-1 - D-12

**CURTAIN, CUSHION AND PAD GROUP (CONTINUED)**

**LESTER LOUNGE CUSHIONS**

Key	Part Number	U/M	Description
H	068678-01-M01	EA	Cushion - Lester Lounge - Back and Bottom - 76" - Rust
B	068678-01-M02	EA	Cushion - Lester Lounge - Back and Bottom - 76" - Blue
B	068678-01-M03	EA	Cushion - Lester Lounge - Back and Bottom - 76" - Brown
	M68678-01-M01	EA	Cover - Lester Lounge - Back and Bottom - 76" - Rust
	M68678-01-M02	EA	Cover - Lester Lounge - Back and Bottom - 76" - Blue
	M68678-01-M03	EA	Cover - Lester Lounge - Back and Bottom - 76" - Brown
	065985-01-M01	EA	Cushion - Lounge Back - 8" x 76" x 4.5" - Rust
	065985-01-M02	EA	Cushion - Lounge Back - 8" x 76" x 4.5" - Blue
	065985-01-M03	EA	Cushion - Lounge Back - 8" x 76" x 4.5" - Brown
	065986-01-M01	EA	Cover - Cushion - 8" x 76" x 4.5" - Rust
	065986-01-M02	EA	Cover - Cushion - 8" x 76" x 4.5" - Blue
	065986-01-M03	EA	Cover - Cushion - 8" x 76" x 4.5" - Brown
			Not illustrated

**PRESTO BED CUSHIONS**

Key	Part Number	U/M	Description
9	064704-02-M01	EA	Cushion - Presto Bed - Back - 76" - Rust
9	064704-02-M02	EA	Cushion - Presto Bed - Back - 76" - Blue
9	064704-02-M03	EA	Cushion - Presto Bed - Back - 76" - Brown
	064723-01-M01	EA	Cover - Presto Bed - Back - 76" - Rust
	064723-01-M02	EA	Cover - Presto Bed - Back - 76" - Blue
	064723-01-M03	EA	Cover - Presto Bed - Back - 76" - Brown
10	064705-02-M01	EA	Cushion - Presto Bed - Bottom - 76" - Rust
10	064705-02-M02	EA	Cushion - Presto Bed - Bottom - 76" - Blue
10	064705-02-M03	EA	Cushion - Presto Bed - Bottom - 76" - Brown
	064723-02-M01	EA	Cover - Presto Bed - Bottom - 76" - Rust
	064723-02-M02	EA	Cover - Presto Bed - Bottom - 76" - Blue
	064723-02-M03	EA	Cover - Presto Bed - Bottom - 76" - Brown

**FABRICS AND TRIMS**

Key	Part Number	U/M	Description
	068339-01-000	YD	Fabric - Drapery - Champagne (M01)
	068338-01-000	YD	Fabric - Upholstery - Rust (M01)
	068338-02-000	YD	Fabric - Upholstery - Blue (M02)
	068338-03-000	YD	Fabric - Upholstery - Brown (M03)
	053327-01-000	YD	Vinyl - Non Expanded - 27 oz. - Acorn Brown
	053327-02-000	YD	Vinyl - Expanded - 28 oz. - Acorn Brown
	053327-03-000	YD	Vinyl - Non Support - 16 Gauge Film - Acorn Brown
	057550-03-M04	EA	Button Asm. - Vinyl - Nail Back - #36
	057592-02-M01	EA	Button Asm. - Pivot - #30 - Armrest - Rust
	057592-02-M02	EA	Button Asm. - Pivot - #30 - Armrest - Blue
	057592-02-M03	EA	Button Asm. - Pivot - #30 - Armrest - Brown
	051591-02-M01	EA	Button Asm. - Nail Pivot - #30 - Armrest - Rust
	051591-02-M02	EA	Button Asm. - Nail Pivot - #30 - Armrest - Blue
	051591-02-M03	EA	Button Asm. - Nail Pivot - #30 - Armrest - Brown
	057550-01-M01	EA	Button Asm. - Fabric - Nail - #36 - Rust
	057550-01-M02	EA	Button Asm. - Fabric - Nail - #36 - Blue
	057550-01-M03	EA	Button Asm. - Fabric - Nail - #36 - Brown
	054676-05-M01	EA	Button Asm. - Cloth - #45 - Rust
	054676-05-M02	EA	Button Asm. - Cloth - #45 - Blue
	054676-05-M03	EA	Button Asm. - Cloth - #45 - Brown
	054676-06-M01	EA	Button Asm. - Cloth - #30 - Rust
	054676-06-M02	EA	Button Asm. - Cloth - #30 - Blue
	054676-06-M03	EA	Button Asm. - Cloth - #30 - Brown

**DINETTE GROUP**

**CONVENTIONAL DINETTE AND OVERHEAD CABINETY**

Key	Part Number	U/M	Description
	053192-01-M01	EA	Table Asm. - Dinette - w/o Hardware - Burnt Sienna
	053192-01-M02	EA	Table Asm. - Dinette - w/o Hardware - Camel (M03)
	M00422-01-M04	EA	Cabinet Asm. - Dinette Seat Bottom - Right - w/o Door or Hardware
	M00422-02-M04	EA	Cabinet Asm. - Dinette Seat Bottom - Left - w/o Door or Hardware
	M00423-01-M04	EA	Cabinet Asm. - Dinette Seat Back - Right - w/o Door or Hardware
	M00423-02-M04	EA	Cabinet Asm. - Dinette Seat Back - Left - w/o Door or Hardware
	M00555-02-M04	EA	Cabinet Asm. - Dinette Overhead - w/o Door or Hardware
	M00377-20-M04	EA	Door Asm. - Dinette Overhead Cabinet - 28.2" x 11.5" - w/o Hardware
	M00377-20-M04	EA	Door Asm. - Dinette Seat - 10.8" x 25.2" - Right - w/o Hardware
	M00377-21-M04	EA	Door Asm. - Dinette Seat - 12.2" x 18" - Left - w/o Hardware
	057672-01-000	EA	Door Latch/Pull Asm.
**	053200-04-000	EA	Bracket - Upper Wall Mount - Black - 23.5"
**	053201-03-000	EA	Bracket - Table Mount - 23" - Anod.
**	024275-01-000	EA	Rod - Table Lift
**	024281-06-000	EA	Bracket - Lower Wall Mount - Black - 22.12"
**	024276-04-000	EA	Leg Asm. - Table - Brown - 29.5"
**	064050-01-000	EA	Hinge - Table Leg
**	024282-01-000	EA	Brace - Table Leg
**	024283-01-000	EA	Clip - 1" O. D. Tube
**	049493-02-000	EA	Catch - Table Leg - Mounts on Floor - Brown

\*\*The illustrated parts breakdown for this item is provided on the Common Items Fiche.

**CORNER LOUNGE CHAIRS**

Key	Part Number	U/M	Description
	061558-02-M01	EA	Cabinet Asm. - Lounge Chair - Right Hand
	061560-01-M01	EA	Cabinet Asm. - Lounge Chair - Left Hand
	063224-13-M04	EA	Door Asm. - Rolled - 13" x 17.7" - Tambour - Leather Brown
	061704-01-M01	EA	Table Asm. - Lounge - Rust Bu.: 1 Sienna
	061704-01-M02	EA	Table Asm. - Lounge - Camel (M03)
	061882-01-000	EA	Leg Asm. - Table - Pivot
	061879-01-000	EA	Leg Asm. - Table - Fixed
	024275-04-000	EA	Rod - Table Lift
	024281-05-000	EA	Bracket - Table Lift - Mounts on Table
	053200-02-000	EA	Support - Table - 14.5" - Mounts on Wall

**1981 WINNEBAGO  
TABLE OF CONTENTS**

WD420RG M1, WC/WD420RG M2	A-1 - B-14
WDF26RH M1, WCF26RH M2	B-15 - D-12
WDF26RT M1, WCF26RT M2	D-13 - F-20

**1981 WDF/WCF26RH M1, M2 INDEX**

Floor Plan	B-15 - B-16
Accessories Group	B-17 - B-19
Bath Group	B-20 - B-21
Chassis Group	B-22 - B-23
Curtain, Cushion and Pad Group	B-24 - C-5
Dinette Group	C-6
Driver's Compartment Group	C-7 - C-8
Electrical Group	C-9 - C-11
Exterior Body Group	C-12 - C-16
Galley Group	C-17
Heating & Air Conditioning Group	C-18 - C-19
Interior Finish Group	C-20 - C-21
LP Group	C-22
Lounge Group	C-23
Water & Sewage Group	C-24
Window, Vent & Exterior Door Group	D-1 - D-12



**DRIVER'S COMPARTMENT GROUP**

**DASH PANEL AND COMPONENTS**

Key	Part Number	U/M	Description
	061803-02-000	EA	Dash Asm. - Complete w/Gauges and Switches - Chevy
	050613-04-L01	EA	Dash Asm. - Complete w/Gauges and Switches - Dodge
	022648-03-000	EA	Pad - Dash - Right - Dark Brown
	023242-05-000	EA	Pad - Dash - Left - Dark Brown
	024418-01-000	EA	Lamp Asm. - Map/Gauge
	023020-01-000	EA	Lamp Asm. - Tullalo
	007308-01-000	EA	Dash Clock
	052367-01-000	EA	Lighter Asm. - Cigarette - 12 Volt
	007041-01-000	EA	Bezel - Cigarette Lighter
	007071-01-000	EA	Louver - Chrome - w/Chrome Wheel
	024090-02-000	EA	Outlet - Defroster w/Swivel - 2" Dark Brown
	039044-01-000	EA	Louver Asm. - A/C Adjustable
	050344-01-000	EA	Bezel - Entertainment Center No. 2 - w/Cut Out for Clock & Radio
	067337-02-000	EA	Bezel - Entertainment Center No. 6 - w/Cut Out for Radio
	067338-01-000	EA	Bezel - Entertainment Center No. 7 - w/Cut Out for Radio, Hourmeter and Generator Start Stop Switch
	050299-01-000	EA	Bezel - Control Panel - Dodge
	039847-06-000	EA	Bezel - Control Panel - Chevy
	023892-01-000	EA	Box - Glove Compartment - Black Fiberboard
	022219-01-000	EA	Door - Glove Compartment
	067113-01-000	EA	Twist Lock - Glove Compartment
	024558-01-000	EA	Hinge - Glove Compartment - 1 1/16" x 1 1/2"
	034309-01-000	EA	Glove - Glove Box Door
	023834-01-000	EA	Panel - Storage Box - Bottom of Dash
	031035-01-000	EA	Gauge Asm. - Hourmeter
	024849-01-000	EA	Dampor Asm. - Fresh Air

**DASH SWITCHES AND GAUGES**

Key	Part Number	U/M	Description
	024461-01-000	EA	Switch - Battery
	024462-01-000	EA	Switch - Battery Condition
	024464-02-000	EA	Switch - Battery - Dual Boost
	024463-01-000	EA	Switch - Bliker
	024464-01-000	EA	Switch - Washer
	024465-01-000	EA	Switch - Fuel
	024467-01-000	EA	Switch - Wiper
	024976-01-000	EA	Switch - Generator w/o Circuit Board
	037387-01-000	EA	Switch - Generator w/Circuit Board
	024459-03-000	EA	Gauge - Voltmeter
	024460-03-000	EA	Gauge - Vacuum
	031035-01-000	EA	Gauge - Generator Hourmeter
	024459-02-000	EA	Bracket - Voltmeter - Gauge
	024460-02-000	EA	Bracket - Vacuum - Gauge
	031376-01-000	EA	Control Asm. - Heater - 3 Speed
	055279-01-000	EA	Control Asm. - Heater A/C - 3 Speed

**BUCKET SEAT PEDESTAL AND SEAT BELTS**

Key	Part Number	U/M	Description
	050447-01-000	EA	Pedestal Asm. - Tilt Seat - Left
	050447-02-000	EA	Pedestal Asm. - Tilt Seat - Right - Single Seat
	061609-01-000	EA	Pedestal Asm. - Tilt Seat - Right - Double Seat
	007019-01-000	EA	Belt Asm. - Seat - 2" x 84" - Black
	041322-01-000	EA	Washer - Flat 15/32" I.D. x 2 3/8" O.D. - Seat Belt
	049943-01-000	EA	Pedestal - Complete - Swivel
	007021-01-000	EA	Belt Asm. - Seat - 2" x 90" - Black
	007222-01-000	EA	Belt Asm. - Seat - 2" x 60" - Black
	043910-01-000	EA	Bracket Asm. - Seat Belt
	058375-01-000	EA	Bracket - Seat Belt - Washer
	051382-01-000	EA	Adjuster Asm. - Seat w/Lock
	051383-01-000	EA	Adjuster Asm. - Seat w/o Lock
	007224-02-000	EA	Handle - Seat Adjuster - 9"

**DRIVER'S COMPARTMENT GROUP (CONTINUED)**

**MISCELLANEOUS DRIVER'S COMPARTMENT COMPONENTS**

Key	Part Number	U/M	Description
	061378-01-M10	EA	Beverage Tray Asm. - Matador Leather Laminate
	055000-01-000	EA	Tray - Utensil - Dark Brown Plastic
	045705-01-000	EA	Glass Holder - Dark Brown Plastic
	050796-01-000	EA	Pocket - Ash Tray - Plastic
	050797-01-000	EA	Ash Tray - Plastic
	039857-01-000	EA	Latch - Rubber - Draw Handle - 5 3/4" w/Strike
	039856-01-000	EA	Latch - Rubber - Draw Handle - 3" w/Strike
	042541-01-000	EA	Latch Asm. - w/Strike - Chrome
	034800-03-000	EA	Motor Cover - Plastic - Dodge
	034800-01-000	EA	Motor Cover - Plastic - 454 C.I.D. - Chevy
	039333-01-000	EA	Motor Cover - Plastic - 350 C.I.D. - Chevy
	007213-02-000	EA	Motor Cover - Dual Fuel - Chevy
	035368-02-000	EA	Seal - Motor Cover - Alum.
	035368-03-000	EA	Seal - Motor Cover - Alum. - Brown
	039823-01-000	FT	Seal - Cover - Engine - Neoprene
	052783-02-000	EA	Seal - Cover - Motor - Upper - Chevy
	040519-01-000	EA	Boot - Rubber Steering Column
	040520-01-000	EA	Boot Retainer - Steering Column
	040714-01-000	EA	Mirror - Inside - Rear View - Glare Proof
	067490-01-000	EA	Button - Mirror - Rear View - Support
	034499-01-000	EA	Support - Dimmer Switch
	040695-02-000	EA	Clip - Sunvisor
	056508-01-M04	EA	Sunvisor Asm. - Right - Acorn Brown - w/Mirror
	056508-02-M04	EA	Sunvisor Asm. - Left - Acorn Brown
	061350-01-000	EA	Trim - Interior - "A" Post - Brown Plastic - Left
	061350-02-000	EA	Trim - Interior - "A" Post - Brown Plastic - Right
	009143-01-000	EA	Mirror - 1/8" x 3.5" x 8" - Sunvisor
	059198-02-000	EA	Panel - Side - Left - Dark Brown
	059197-01-000	EA	Panel - Side - Right - Dark Brown

**FRONT BUNK AND HARDWARE**

Key	Part Number	U/M	Description
	058300-01-M04	EA	Cabinet Asm. - Front Overhead
	058844-01-M04	EA	Bunk Board Asm. - Front Overhead w/Rails
	053773-01-000	EA	Support - Overhead Bunk - Brown - Right
	053773-02-000	EA	Support - Overhead Bunk - Brown - Left
	040071-02-000	EA	Support - Bunk - Seat Belt
	039516-02-000	EA	Catch - Bunk - Brown
	023812-22-000	EA	Rail - Bunk - 80" - Brown
	053774-02-000	EA	Torsion Rod - Overhead Bunk - Brown
	041322-01-000	EA	Washer - Flat - 15/32" I.D. x 2 3/8" O.D. - Seat Belt
	059608-01-M04	EA	Pad Asm. - Front Bunk - Left
	059608-02-M04	EA	Pad Asm. - Front Bunk - Right - w/Driver Door
	066705-01-M04	EA	Pad Asm. - Front Bunk - Right
	058948-01-000	EA	Pad Asm. - Front Overhead Cabinet - Right
	058948-02-000	EA	Pad Asm. - Front Overhead Cabinet - Left
	058948-03-000	EA	Pad Asm. - Front Overhead Cabinet - Driver Door
	048394-01-000	EA	Tape Hook - 1" x 25 YD - Beige
	048395-01-000	EA	Tape Loop - 1" x 25 YD - Beige

**1981 WINNEBAGO  
TABLE OF CONTENTS**

WD420RG M1, WC/WD420RG M2	A-1 - B-14
WDF26RH M1, WCF26RH M2	B-15 - D-12
WDF26RT M1, WCF26RT M2	D-13 - F-20

**1981 WDF/WCF26RH M1, M2 INDEX**

Floor Plan	B-15 - B-16
Accessories Group	B-17 - B-19
Bath Group	B-20 - B-21
Chassis Group	B-22 - B-23
Curtain, Cushion and Pad Group	B-24 - C-5
Dinette Group	C-6
Driver's Compartment Group	C-7 - C-8
Electrical Group	C-9 - C-11
Exterior Body Group	C-12 - C-16
Galley Group	C-17
Heating & Air Conditioning Group	C-18 - C-19
Interior Finish Group	C-20 - C-21
LP Group	C-22
Lounge Group	C-23
Water & Sewage Group	C-24
Window, Vent & Exterior Door Group	D-1 - D-12

**ELECTRICAL GROUP**

**BULBS**

Key	Part Number	U/M	Description
	037935-01-000	EA	Bulb - 1157
	063914-01-000	EA	Bulb - 1143
	008103-01-000	EA	Bulb - 63
	008213-01-000	EA	Bulb - 67
	008214-01-000	EA	Bulb - 07
	008216-01-000	EA	Bulb - 1003
	008216-01-000	EA	Bulb - 1034
	008217-01-000	EA	Bulb - 1073
	008218-01-000	EA	Bulb - 1141
	008219-01-000	EA	Bulb - 660
	008220-01-000	EA	Bulb - 12V - 25W
	036196-01-000	EA	Bulb - 194
	700020-01-000	EA	Bulb - 12V - 20W - 1393

**-USES AND CIRCUIT BREAKERS**

Key	Part Number	U/M	Description
	056473-02-000	EA	Fuse - Slow Blow - 5 Amp. - 32 Volt Capacity
	056473-01-000	EA	Fuse - Slow Blow - 8 1/4 Amp.
	008233-01-000	EA	Fuse - 12 Volt - 6 Amp.
	008234-01-000	EA	Fuse - 12 Volt - 10 Amp.
	046893-01-000	EA	Fuse - 12 Volt - 13 Amp.
	008235-01-000	EA	Fuse - 12 Volt - 15 Amp.
	008236-01-000	EA	Fuse - 12 Volt - 20 Amp.
	008248-01-000	EA	Fuse - 110 Volt - 30 Amp. - AGU
	008252-01-000	EA	Fuse - 110 Volt - 50 Amp.
	008208-01-000	EA	Circuit Breaker - 12 Volt - 40 Amp.
	008211-01-000	EA	Circuit Breaker - 12 Volt - 6 Amp.
	008268-01-000	EA	Circuit Breaker - 12 Volt - 30 Amp. w/Mount
	033573-02-000	EA	Circuit Breaker - 12 Volt - 15 Amp. w/Mount
	040051-01-000	EA	Circuit Breaker - 110 Volt - 20 Amp. TQL
	033573-01-000	EA	Circuit Breaker - 12 Volt - 20 Amp. w/Mount
	008273-03-000	EA	Circuit Breaker - 15/20 Amp. TQL
	008299-01-000	EA	Circuit Breaker - 115 Amp. TQL
	008297-01-000	EA	Circuit Breaker - 120 Amp. TQL
	008293-01-000	EA	Circuit Breaker - 130 Amp. TQL

**WINDSHIELD WIPER AND WASHER**

Key	Part Number	U/M	Description
**	056000-02-000	EA	Washer Asm. - Windshield
**	057653-01-000	EA	Arm - Windshield Wiper - 18" - Black
**	044313-02-000	EA	Motor Asm. - Windshield Wiper - 100°
**	044313-03-000	EA	Motor Asm. - Windshield Wiper - 93°
**	037998-01-000	EA	Link Asm. - Connecting - 22.40" Long
**	057474-01-000	EA	Windshield Wiper Asm.
**	049464-02-000	EA	Blade - Windshield Wiper - 20" Black
**	055675-01-000	EA	Shaft and Pivot Asm.

\*\*The illustrated parts breakdown for this item is provided on the Common Items Fiche.

**ELECTRICAL GROUP (CONTINUED)**

**WIRE, SWITCHES AND RECEPTACLES**

Key	Part Number	U/M	Description
	008024-01-000	FT	Wire - 18.5 Bonded - Orange/White/Yellow/Blue/Brown
	008026-01-000	FT	Wire - 18.5 Bonded - Orange/White/Yellow/Blue/Green
	008028-01-000	FT	Wire - 18.5 Bonded - Blue/Red/Yellow/Orange/White
	008030-01-000	FT	Wire - 18.4 Bonded - Red/Blue/Orange/Green
	008261-01-000	EA	Holder - Fuse - Black - Screw Type
	008277-01-000	EA	Holder - Fuse - Black - Panel Mount
	008195-01-000	EA	Switch - Push Button - 12 Volt
	008077-01-000	EA	Plaque - Compressor Switch
	008054-01-000	EA	Cord - Power - 10-3 30 Amp. - 25' - UL
	008052-01-000	EA	Cord - Power - 10-3 30 Amp. - 25' - CSA
	034818-04-000	EA	Holder - Receptacle - Plastic
	039347-01-000	EA	Receptacle - Duplex Brown - T Junction
	024571-01-000	EA	Cover Plate - Receptacle - Jumbo Steel - Brown
	024571-03-000	EA	Cover Plate - Receptacle - Jumbo Plastic - Brown
	024571-04-000	EA	Cover Plate - Receptacle - Jumbo Plastic - Ivory
	024471-01-000	EA	Cover - Plate - Electrical Box - 5 1/4" x 3 1/2"
	058028-01-000	EA	Connector - Pigtail - Clear - Nylon
	039343-01-000	EA	Cap - End - Receptacle
	008182-01-000	EA	Switch - Double Toggle - Spade Brown
	008163-01-000	EA	Switch - Toggle Brown
	058264-01-000	EA	Switch - Leaf Actuator
	055280-01-000	EA	Switch - 3 Speed Fan
	063912-01-000	EA	Relay - Canister, Spot w/Ground
	008164-01-000	EA	Cover Plate - Switch - Brown
	024924-02-000	EA	Receptacle - Power Cord
	069238-01-000	EA	Cover - Electrical - 4 x 4 Box
	008058-01-000	EA	Adaptor - Power Cord
	047353-01-000	EA	Cover - Receptacle - Ground Fault
	053126-01-000	EA	Receptacle - Ground Fault Interrupter - 125 Volt - Ivory
	053126-02-000	EA	Receptacle - Ground Fault Interrupter - 125 Volt - Brown
	058707-01-000	EA	Receptacle - Single - Brown - Thomas & Belts
	058708-01-000	EA	Receptacle - Duplex - Brown - Thomas & Belts
	008157-01-000	EA	Receptacle - Duplex - Brown (Exterior Backwall)
	058048-01-000	EA	Cover - Electrical Box - 4.5" x 2.75" - Rain Tight (Exterior)
	008294-02-000	EA	Cover - Steel - Flat Blank - 4" x 4"
	008288-01-000	EA	Box - Electrical - Plastic - 3" x 3.5"
	008289-01-000	EA	Box - Electrical - Steel - 4 x 4 - 1/2 & 3/4 UL
	064398-01-000	EA	Housing Asm. - Trailer Receptacle - Female
	064399-01-000	EA	Housing Asm. - Trailer Pin - Male
	064450-01-000	EA	Housing Asm. - Trailer Plug - Male
	035417-01-000	EA	Terminal - Pin Receptacle - .125 Dia.
	035633-01-000	EA	Receptacle - HSG - 12 Position
	054532-01-000	EA	Housing - Pin - 6 Position
	031968-01-000	EA	Contact - Plug - Brass - Tinplated
	035290-17-000	EA	Cable Asm. - Battery - 1 AWG Strand - 282"
	054865-01-000	EA	Wire Asm. - Generator Switch

**1981 WINNEBAGO  
TABLE OF CONTENTS**

WD420RG M1, WC/WD420RG M2	A-1 - B-14
WDF26RH M1, WCF26RH M2	B-15 - D-12
WDF20RT M1, WCF20RT M2	D-13 - F-20

**1981 WDF/WCF26RH M1, M2 INDEX**

Floor Plan	B-15 - B-16
Accessories Group	B-17 - B-19
Bath Group	B-20 - B-21
Chassis Group	B-22 - B-23
Curtain, Cushion and Pad Group	B-24 - C-5
Dinette Group	C-6
Driver's Compartment Group	C-7 - C-8
Electrical Group	C-9 - C-11
Exterior Body Group	C-12 - C-16
Galley Group	C-17
Heating & Air Conditioning Group	C-18 - C-19
Interior Finish Group	C-20 - C-21
LP Group	C-22
Lounge Group	C-23
Water & Sewage Group	C-24
Window, Vent & Exterior Door Group	D-1 - D-12

**ELECTRICAL GROUP (CONTINUED)**

**EXTERIOR LIGHTS**

Key	Part Number	U/M	Description
	007309-01-000	EA	Light - Step Well
	058032-01-000	EA	Tail Lamp Asm. - 2 Bulb - Chrome
	058030-01-700	EA	Lens - Tail Lamp - Red
	058030-01-701	EA	Lens - Tail Lamp - Back Up
	059030-01-000	EA	Bracket - Tail Lamp
	059540-01-000	EA	Bracket - License Plate
	062740-04-000	EA	Wedge - Tail Lamp - w/o License Plate Bracket
	062742-04-000	EA	Wedge - Tail Lamp - w/License Plate Bracket
	042405-03-000	EA	Base - Rectangular Clearance Light
	042405-04-000	EA	Lens - Clearance Light - Red w/o Reflex
	042405-05-000	EA	Lens - Clearance Light - Amber w/o Reflex
	008089-01-000	EA	Light - Porch - Recessed
	042405-01-000	EA	Lens - Rectangle Light - Red w/Reflex
	042405-02-000	EA	Lens - Rectangle Light - Amber w/Reflex
	041332-02-000	EA	Reflector - Rear Bumper Cover

**MISCELLANEOUS ELECTRICAL COMPONENTS**

Key	Part Number	U/M	Description
	047338-01-000	EA	Isolator - Dual Battery
	047389-01-700	EA	Battery - 12 Volt - 105 Amp. Deep Cycle - Dry
	057899-01-000	EA	Battery - 12 Volt - Maintenance Free - Dolco
	008188-01-000	EA	Solenoid - Dual Battery - Relay
	054544-01-000	EA	Control Center - 37 Amp. - UL
	031720-01-000	EA	Spacer - Receptacle - Brown Plastic - CSA
	039950-01-702	EA	Circuit Board - Control Center
	024459-03-000	EA	Gauge - Voltmeter - w/o Bracket
	024459-02-000	EA	Bracket - Voltmeter - Gauge
	024462-01-000	EA	Switch - Battery Condition
	031035-01-000	EA	Gauge - Hourmeter - Generator
	024976-01-000	EA	Switch - Generator w/o Circuit Board
	024460-03-000	EA	Gauge - Vacuum - w/o Bracket
	024460-02-000	EA	Bracket - Vacuum - Gauge
	039861-01-000	EA	Sending Unit Kit - Wemac
	040812-01-000	EA	Control Panel - Water/Double Sewage - Base Panel
	048812-05-000	EA	Panel - Insert -w/Thermostat Holes
	048812-06-000	EA	Panel - Insert - w/o Thermostat Holes
	048812-07-700	EA	Refrigerator Sensor - Refrigerator Alarm
	048812-04-000	EA	Panel - Basic
	048812-09-000	EA	Panel Insert w/LP Alarm - Refrigerator
	057044-01-000	EA	Control Center - 44 Amp. CSA
	054545-01-000	EA	Control Center - 44 Amp. UL

**INTERIOR LIGHTS**

Key	Part Number	U/M	Description
	064778-01-000	EA	Light - Dome - Off White - Double Jensen
	064778-02-000	EA	Light - Dome - Off White - Single Jensen
	061424-01-000	EA	Light - 12V Receptacle - Aisle - IP
	024418-01-000	EA	Lamp Asm. - Map/Gauge/Aisle
	053346-01-000	EA	Light - High Intensity - Brown
	064778-01-700	EA	Lens - Jensen Light - Dome - Ivory
	007309-01-000	EA	Light - Step Well

**EXTERIOR BODY GROUP**

**EXTERIOR BODY PANELS AND SHEET ALUMINUM**

Key	Part Number	U/M	Description
	085086-01-M04	EA	Backwall Asm.
	085084-01-M04	EA	Sidewall Asm. - Right
	085085-01-M01	EA	Sidewall Asm. - Left
	085085-01-M02	EA	Sidewall Asm. - Left
	085085-01-M03	EA	Sidewall Asm. - Left
	085087-01-M04	EA	Roof Asm.
	039155-03-008	EA	Alum. - Off White Mesa I - .024" x 36" x 60"
	039155-03-003	EA	Alum. - Off White Mesa I - .024" x 36" x 360"
	039155-03-007	EA	Alum. - Off White Mesa I - .024" x 48" x 60"
	039155-03-006	EA	Alum. - Off White Mesa I - .024" x 48" x 360"
	039155-03-009	EA	Alum. - Off White Mesa I - .024" x 12" x 360"
	039155-28-001	EA	Alum. - Off White Mesa II - .024" x 36" x 60"
	039155-28-003	EA	Alum. - Off White Mesa II - .024" x 36" x 360"
	039155-28-004	EA	Alum. - Off White Mesa II - .024" x 48" x 60"
	039155-28-006	EA	Alum. - Off White Mesa II - .024" x 48" x 360"
	039155-28-007	EA	Alum. - Off White Mesa II - .024" x 12" x 360"
	044487-01-001	EA	Plain Roof Metal - 96" x 360"
	039155-07-010	EA	Off White Greyhound Alum. - 48" x 96"
	001054-01-011	EA	Off White Plain Alum. - 48" x 96"
	000868-01-000	SF	Styrofoam - 3/4" x 24" x 96"
	000870-01-000	SF	Styrofoam - 1 1/2" x 24" x 96"

NOTE: The raised portion of Mesa I aluminum is 1.657" wide.  
The raised portion of Mesa II aluminum is .875" wide.

**SEALANTS, ADHESIVES AND FASTENERS**

Key	Part Number	U/M	Description
	034552-05-000	EA	Sealant - Off White Silicone
	034552-04-000	EA	Sealant - Beige Silicone
	034552-02-000	EA	Sealant - Clear Silicone
	004349-01-000	EA	Sealant - Black Silicone
	069637-01-000	EA	Sealant - Weatherban 404 Tube
	009200-01-000	EA	Tape - Furnace - 1 1/2"
	002825-01-000	FT	Weather Stripping - Roof Vent
	002337-01-000	EA	Adhesive - 3M - 1300 Tube
	004005-02-000	GL	Adhesive - Swifts - Red - Glue (Sidewalls)
	004020-01-000	QT	Adhesive - ABS Cement - (Plastic Fillets)
	029051-01-000	EA	Adhesive - Spray Vinyl
	042401-01-000	EA	Screw - #8 - 18 x 3/4" SDPH - Beige
	042401-02-000	EA	Screw - #8 - 18 x 3/4" SDPH - Off White
	042401-03-000	EA	Screw - #8 - 18 x 3/4" SDPH - Gray
	042403-01-000	EA	Screw - #8 - 18 x 1" SDPH - Beige
	042403-02-000	EA	Screw - #8 - 18 x 1" SDPH - Off White
	042403-04-000	EA	Screw - #8 - 18 x 1" SDPH - Gray
	053766-01-000	EA	Bedding Compound - Tube Black - Schnee Morehead
	053736-02-000	EA	Bedding Compound - Tube White - Schnee Morehead
	053767-01-000	FT	Tape - 1/2" x 1/8" x 30' - Gray - Schnee Morehead
	053767-03-000	FT	Tape - 1/4" Bead x 20' - Gray - Schnee Morehead
	053767-04-000	FT	Tape - 3/4" x 1/8" x 30' - Gray - Schnee Morehead
	053767-05-000	FT	Tape - 2" x 3/32" x 45' - Gray - Schnee Morehead
	069640-01-000	FT	Sealer Ribbon - 1/4" x 20'

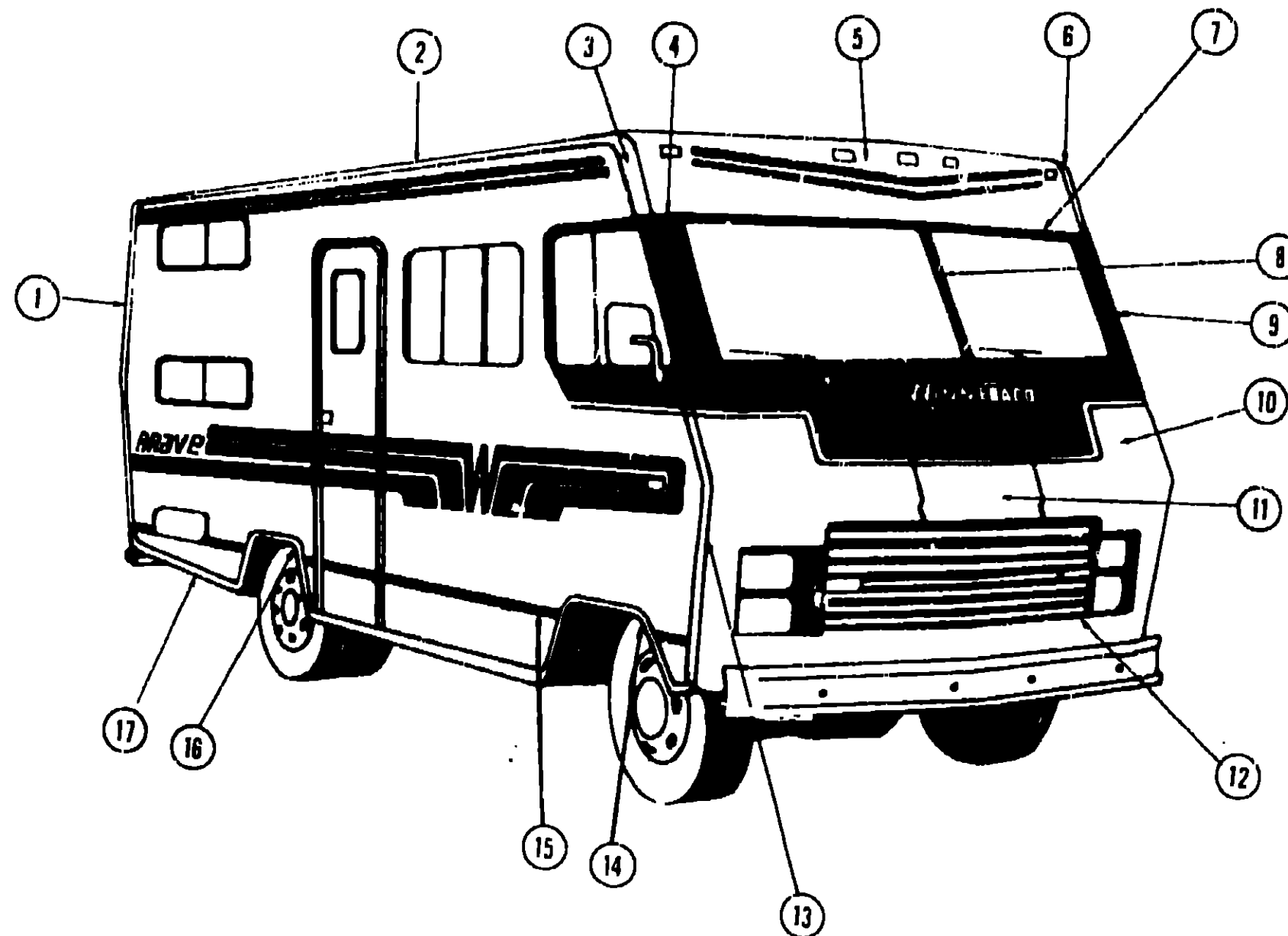
**1981 WINNEBAGO  
TABLE OF CONTENTS**

WD420RG M1, WC/WD420RG M2	A-1 - B-14
WDF26RH M1, WCF26RH M2	B-15 - D-12
WDF26RT M1, WCF26RT M2	D-13 - F-20

**1981 WDF/WCF26RH M1, M2 INDEX**

Floor Plan	B-15 - B-16
Accessories Group	B-17 - B-19
Bath Group	B-20 - B-21
Chassis Group	B-22 - B-23
Curtain, Cushion and Pad Group	B-24 - C-5
Dinette Group	C-6
Driver's Compartment Group	C-7 - C-8
Electrical Group	C-9 - C-11
Exterior Body Group	C-12 - C-16
Galley Group	C-17
Heating & Air Conditioning Group	C-18 - C-19
Interior Finish Group	C-20 - C-21
LP Group	C-22
Lounge Group	C-23
Water & Sewage Group	C-24
Window, Vent & Exterior Door Group	D-1 - D-12

EXTERIOR BODY GROUP (CONTINUED)



1981 WINNEBAGO  
TABLE OF CONTENTS

WD420RG M1, WC/WD420RG M2	A-1 - B-14
WDF26RH M1, WCF26RH M2	B-15 - D-12
WDF26RT M1, WCF26RT M2	D-13 - F-20

Key	Part Number	U/M	Description
1	039964-01-000	EA	Trim - Contour - Right Rear - Off White
2	034922-10-000	EA	Trim - Sidewall - Upper - Left or Right - Off White
3	058284-02-000	EA	Trim - Contour - Right Front Upper - Off White
4	058289-02-000	EA	Trim - Contour - Windshield - Right
5	055401-01-000	EA	Cap Asm. - Fiberglass - Over Windshield - Off White
6	062396-01-000	EA	Trim - Roof/Front Cap - 91"
7	058284-01-000	EA	Trim - Contour - Left Front Upper - Off White
8	042743-02-000	EA	Trim - Molding - Windshield - Upper & Lower
9	058288-01-000	EA	Trim - Corner Windshield - Upper
10	058289-01-000	EA	Trim - Molding - Windshield - Center
	042743-01-000	EA	Trim - Contour - Windshield - Left
	058761-01-000	EA	Trim - Corner Windshield - Lower
	058392-04-000	EA	Striker - Hood Latch
	058826-02-000	EA	Panel - Lower Asm
		EA	Hood Prop Rod
10	066633-03-000	EA	Panel Asm. - Front Shroud - Includes Access Panel, Lower Shroud and Headlamp Cans

Key	Part Number	U/M	Description
11	066632-01-000	EA	Access Panel - Off White
	058722-01-000	EA	Pull Pin - Access Door Release
	058752-01-000	EA	Hinge - Access Panel - Right
	058752-02-000	EA	Hinge - Access Panel - Left
	058297-01-000	EA	Headlamp Housing - Left
	058297-02-000	EA	Headlamp Housing - Right
	049358-01-000	EA	Bezel - Headlamp - Left
	049358-02-000	EA	Bezel - Headlamp - Right
12	066779-01-000	EA	Grille Asm.
13	058899-03-000	EA	Trim - Fiberglass Panel - Right
	058899-04-000	EA	Trim - Fiberglass Panel - Left
14	052843-02-000	EA	Trim - Wheel Well - Front - Left or Right
15	002444-02-001	EA	Feature Strip - Extr. Anod. - 14' - w/o Insert
	001030-09-100	EA	Insert - Feature Strip - Brown - Stucco - 17'
	009731-01-000	EA	End Cap - Feature Strip
16	052842-01-000	EA	Trim - Wheel Well - Rear - Right or Left
17	002776-02-000	EA	Extr. - U-Channel - 1.75" x 18' - Anod.
	002365-02-001	EA	Extr. - U-Channel - 1" x 18' Anod.
	044380-01-001	EA	Extr. - Drip Rail - 192"
	050406-02-000	EA	Trim - Backwall - Lower
			Not Illustrated

1981 WDF/WCF26RH M1, M2 INDEX

Floor Plan	B-15 - B-16
Accessories Group	B-17 - B-19
Bath Group	B-20 - B-21
Chassis Group	B-22 - B-23
Curtain, Cushion and Pad Group	B-24 - C-5
Dinette Group	C-6
Driver's Compartment Group	C-7 - C-8
Electrical Group	C-9 - C-11
Exterior Body Group	C-12 - C-16
Galley Group	C-17
Heating & Air Conditioning Group	C-18 - C-19
Interior Finish Group	C-20 - C-21
LP Group	C-22
Lounge Group	C-23
Water & Sewage Group	C-24
Window, Vent & Exterior Door Group	D-1 - D-12

**EXTERIOR BODY GROUP (CONTINUED)**

**LABELS AND DECALS**

Key	Part Number	U/M	Description
	000001-01-000	EA	Name Plate - Winnebago - Plastic Chrome
	006015-01-000	EA	Label - Patent
	006004-01-000	EA	Label - Seal - w/o Sun Ball
	004378-01-000	EA	Label - Flying W/Thermopanel
	057487-01-000	EA	Label - Exterior Loading Limit
	008187-01-000	EA	Label - Sewage
	008188-01-000	EA	Label - Waste Water
	006199-01-000	EA	Label - Exit - Escape Window
	000092-01-000	EA	Reflector - Stick On - Rectangular - Red
	008093-01-000	EA	Reflector - Stick On - Rectangular - Amber
	040944-01-000	EA	Label - Open - Entrance Door
	047731-01-000	EA	Label - Emergency Exit
	006040-01-000	EA	Tag - Gas - Refueling Warning
	006062-01-000	EA	Tag - Electrical - 110 V Connection
	054531-01-000	EA	Label - LP Gas Only
	061417-01-000	EA	Label - Fuel
	031161-01-000	EA	Label - Flying "W"
	038403-02-000	EA	Decal - Logo - "Winnebago" - 2.8" x 22" - Off White
	050313-10-000	EA	Decal - Logo - "Winnebago" - 2.8" x 22" - Carmel
	050313-07-000	EA	Decal - Logo - "Winnebago" - 2.8" x 22" - Orange
	050313-08-000	EA	Decal - Logo - "Winnebago" - 2.8" x 22" - Blue
	064459-04-000	EA	Decal - Logo - "Brave" - 4 3/4" x 31 1/2" - Carmel
	064459-02-000	EA	Decal - Logo - "Brave" - 4 3/4" x 31 1/2" - Orange
	064459-03-000	EA	Decal - Logo - "Brave" - 4 3/4" x 31 1/2" - Blue
	065216-07-000	EA	Decal - W Surround - 16" x 9.5" - Right - Carmel
	065216-02-000	EA	Decal - W Surround - 16" x 9.5" - Right - Orange
	065216-03-000	EA	Decal - W Surround - 16" x 9.5" - Right - Blue
	065216-08-000	EA	Decal - W Surround - 16" x 9.5" - Left - Carmel
	065216-05-000	EA	Decal - W Surround - 16" x 9.5" - Left - Orange
	065216-06-000	EA	Decal - W Surround - 16" x 9.5" - Left - Blue
	065217-04-000	FT	Decal - Double 1.5" Stripes Premasked 3/4" Apart - Carmel
	065217-02-000	FT	Decal - Double 1.5" Stripes Premasked 3/4" Apart - Orange
	065217-03-000	FT	Decal - Double 1.5" Stripes Premasked 3/4" Apart - Blue
	065218-04-000	FT	Decal - 1/2" Tape Stripe - Premasked - Carmel
	065218-02-000	FT	Decal - 1/2" Tape Stripe - Premasked - Orange
	065218-03-000	FT	Decal - 1/2" Tape Stripe - Premasked - Blue
	065219-04-000	FT	Decal - Double 3/4" Stripes Premasked 2" Apart - Carmel
	065219-02-000	FT	Decal - Double 3/4" Stripes Premasked 2" Apart - Orange
	065219-03-000	FT	Decal - Double 3/4" Stripes Premasked 2" Apart - Blue
	058434-01-000	EA	Decal - Headlamp Housing Face - Inner Left Hand
	058434-02-000	EA	Decal - Headlamp Housing Face - Inner Right Hand
	058435-01-000	EA	Decal - Headlamp Housing Face - Outer Left Hand
	058435-02-000	EA	Decal - Headlamp Housing Face - Outer Right Hand
	067764-01-000	EA	Decal - Stencil - .5" Radius - Carmel
	067764-02-000	EA	Decal - Stencil - .5" Radius - Orange
	067764-03-000	EA	Decal - Stencil - .5" Radius - Blue
	067765-01-000	EA	Decal - Stencil - 2.75" Radius - Carmel
	067765-02-000	EA	Decal - Stencil - 2.75" Radius - Orange
	067765-03-000	EA	Decal - Stencil - 2.75" Radius - Blue
	067763-01-000	EA	Stencil - Side Front - Right Hand
	067763-02-000	EA	Stencil - Side Front - Left Hand

**EXTERIOR BODY GROUP (CONTINUED)**

**MISCELLANEOUS EXTERNALLY MOUNTED PARTS**

Key	Part Number	U/M	Description
	010230-02-000	EA	Fill - City Water - Recessed - Off White
	058808-01-000	EA	Fill - Water - Lockable
**	011124-01-000	EA	Plumbing Seal - 1 1/4" White
**	011129-01-000	EA	Plumbing Seal - Roof Vent - 1 1/2" White
	057461-01-000	EA	Mirror Head - 7 1/2" x 10 1/2" - w/Convex - Jright Finish
	057461-02-000	EA	Mirror Head - 7 1/2" x 10 1/2" - w/Convex - Off White
	049348-03-000	EA	Arm - Low Mount Mirror - Black
	049944-04-000	EA	Bracket - Mirror - Outside - Black
	049944-02-000	EA	Bracket - Mirror - Outside - Off White
	048817-01-000	EA	Handle Asm. - Assist w/Light
	048817-01-700	EA	Lens - Assist Handle
	052423-02-000	EA	Door - Fuel Fill - Off White
	052424-01-000	EA	Jamb - Door - Fuel Fill - Off White
	064576-01-000	EA	Shroud - Fuel Fill - Rear
	063304-01-000	EA	Shroud - Fuel Fill - Upper - Angled

\*\*The illustrated parts breakdown for this item is provided on the Common Items Fiche.

**EXTERIOR PAINT**

Key	Part Number	U/M	Description
	041561-01-000	EA	Paint - Off White - Acrylic Enamel - 1 Gal. - Dupont 45396A
	041561-03-000	EA	Paint - Off White - Acrylic Enamel - 16 oz. Spray - Dupont 45396A
	041561-04-000	EA	Paint - Off White - Acrylic Lacquer - 1 Gal. - Dupont 45396L
	065213-03-000	EA	Paint - Dark Brown - 16 oz. Spray - Dupont 44173

**1981 WINNEBAGO  
TABLE OF CONTENTS**

WD420RG M1, WC/WD420RG M2	A-1 - B-14
WDF26RH M1, WCF26RH M2	B-15 - D-12
WDF26RT M1, WCF26RT M2	D-13 - F-20

**1981 WDF/WCF26RH M1, M2 INDEX**

Floor Plan	B-15 - B-16
Accessories Group	B-17 - B-19
Bath Group	B-20 - B-21
Chassis Group	B-22 - B-23
Curtain, Cushion and Pad Group	B-24 - C-5
Dinette Group	C-6
Driver's Compartment Group	C-7 - C-8
Electrical Group	C-9 - C-11
Exterior Body Group	C-12 - C-16
Galley Group	C-17
Heating & Air Conditioning Group	C-18 - C-19
Interior Finish Group	C-20 - C-21
LP Group	C-22
Lounge Group	C-23
Water & Sewage Group	C-24
Window, Vent & Exterior Door Group	D-1 - D-12

## GALLEY GROUP

### GALLEY CABINETRY

Key	Part Number	U/M	Description
	M67335-02-M04	EA	Cabinet Asm. - Galley - w/o Countertop, Doors, Drawers or Hardware
	067336-02-M04	EA	Countertop Asm. - Galley - Burnt Sienna (M01)
	067336-02-M02	EA	Countertop Asm. - Galley - Camel (M03)
	M00562-02-M04	EA	Cabinet Asm. - Galley Overhead - w/o Doors or Hardware
	M00378-01-M04	EA	Door Asm. - Galley Overhead - 16" x 10.6" - w/o Hardware - Right
	M00378-02-M04	EA	Door Asm. - Galley Overhead - 16" x 10.6" - w/o Hardware - Left
	M00378-05-M04	EA	Door Asm. - Galley Overhead - 16" x 11.2" - w/o Hardware - Right
	M00378-06-M04	EA	Door Asm. - Galley Overhead - 16" x 11.2" - w/o Hardware - Left
	M00377-25-M04	EA	Door Asm. - Galley Cabinet - 28" x 11.2" - w/o Hardware
	M00377-24-M04	EA	Door Asm. - Galley Cabinet - 28" x 11.8" - w/o Hardware
	M00377-27-M04	EA	Door Asm. - Galley Cabinet - 16.7" x 21.3" - w/o Hardware
	M00377-16-M04	EA	Door Asm. - Refrigerator Cabinet - 52.6" x 10.6" - w/o Hardware
	M00377-17-M04	EA	Door Asm. - Refrigerator Cabinet - 14" x 17.9" - w/o Hardware
	M00378-09-M04	EA	Door Asm. - Refrigerator Cabinet - 19.7" x 12.5" - w/o Hardware - Right
	M00278-10-M04	EA	Door Asm. - Refrigerator Cabinet - 19.7" x 12.5" - w/o Hardware - Left
	M68659-02-M04	EA	Drawer Asm. - Refrigerator Cabinet - 5" x 10.4" x 16.4" Deep - w/o Hardware
	067195-01-000	EA	Drawer - Plastic - 10.5" x 17.5" x 5"

### GALLEY HARDWARE AND APPLIANCES

Key	Part Number	U/M	Description
	053424-04-M04	EA	Sink Cover - Large - Burnt Sienna (M01)
	053424-04-M02	EA	Sink Cover - Large - Camel (M03)
	068615-01-000	EA	Sink - Stainless Steel - Double w/Bolts
**	011053-01-000	EA	Faucet - Swing Spout - 8" - US
**	011053-02-000	EA	Faucet - Swing Spout - 8" - C.S.A.
	064952-01-000	EA	Faucet - Single Control
	066437-01-000	EA	Strainer - Sink
**	011053-01-700	EA	Aerator - Swing Spout Faucet
	058334-01-000	EA	Wastebasket - 9 3/4" x 7" x 10" - White Rubbermaid
	059877-01-000	EA	Support - Wastebasket - Plastic - Galley Mount
	058478-01-000	EA	Support - Wastebasket - Metal - Door Mount
	058841-01-M01	EA	Cover - Wastebasket - Burnt Sienna
	058841-01-M02	EA	Cover - Wastebasket - Camel (M03)
	053333-01-000	EA	Range Hood - Non Power - Black - U.S.
	053333-02-000	EA	Range Hood - Non Power - Black - C.S.A.
	049930-03-000	EA	Range Hood - Powered - Black - Jensen - U.S.
	049930-04-000	EA	Range Hood - Powered - Black - Jensen - C.S.A.
	052771-02-000	EA	Microwave Oven - Magic Chef - MW207
	067754-01-000	EA	Range - 3 Burner - Small Oven - Magic Chef
**	049175-02-000	EA	Refrigerator - AC/DC/Gas - Sibir ET150/2 - 1 Door Model
	064473-02-000	EA	Refrigerator - AC/DC/Gas - Norcold - 6
	064472-02-000	EA	Refrigerator - AC/DC/Gas - Norcold - 8'
	057672-01-000	EA	Door Latch/Pull Asm.
	037688-01-000	FT	Rail - Drawer Guide - Steel
	047744-01-000	EA	Kit - Drawer Guide - Plastic
	054450-01-000	EA	Level - Refrigerator

\*\*The illustrated parts breakdown for this item is provided on the Common Items Fiche.

## HEATING AND AIR CONDITIONING GROUP

### AUTOMOTIVE HEATER AND AIR CONDITIONER

Key	Part Number	U/M	Description
	039044-01-000	EA	Louver Asm. - A/C Adjustable
	047046-01-000	EA	Motor 12 Volt - 3 Speed - Heater - Air Conditioner
	031043-01-000	EA	Valve - Heater - Water Flow Control
	033880-02-000	EA	Cable - Control - Flexible - 48"
	031169-02-000	EA	Cable - Control - Flexible - 48"
	031170-01-000	EA	Clamp - Cable - 3/16" Dia.
	024998-01-000	EA	Clutch - Magnetic - Compressor
	024999-01-000	EA	Compressor - Auto Air - 10.3 Cubic Inch
	048100-01-000	EA	Package - Compressor Mount 454 C.I.D.
	048801-01-000	EA	Condenser - Radiator Mount
	008267-01-000	EA	Switch - Air Conditioner
	024887-01-000	EA	Valve - Thermostatic Expansion
	024997-01-000	EA	Core - Heater
	024998-01-000	EA	Wheel - Blower - 4.72" O.D.
	031393-01-000	EA	Coil - Evaporator
	031001-01-000	EA	Blower Housing
	031000-01-000	EA	Case Asm. - Automotive Heater
	031376-01-000	EA	Control Asm. - Heater - 3 Speed
	055279-01-000	EA	Control Asm. - Heater A/C - 3 Speed
	007078-01-000	FT	Hose - Flexible PVC - 2" I.D.
	007108-01-000	FT	Hose - Heater - 5/8" I.D. SAE 20R3
	009281-01-000	FT	Hose - Flexible PVC - 2 1/2" I.D.
	062401-04-000	EA	Clamp - Worm Drive - .69" - 1.25" I.D.
	033258-01-000	EA	Hose - Refrigerant - .50" I.D. x 34.50"
	034222-01-000	EA	Hose - Refrigerant - .31" I.D. x 26"
	034222-02-000	EA	Hose - Refrigerant - .31" I.D. x 32"
	031960-01-000	EA	Hose - Refrigerant - .34" I.D. x 30"
	031961-01-000	EA	Hose - Refrigerant - .31" I.D. x 14.75"
	031961-02-000	EA	Hose - Refrigerant - .31" I.D. x 19"
	049401-01-000	EA	Heater Asm. - Rear - Auxillary
	049401-01-700	EA	Valve - Water Control (Aux. Heater)
	049401-01-701	EA	Control Cable (Aux. Heater)
	049401-01-702	EA	Motor Asm. (Aux. Heater)
	049401-01-703	EA	Heater Core (Aux. Heater)
	049401-01-704	EA	Switch (Aux. Heater)
	058906-01-000	EA	Control Panel (Auxiliary Rear Heater)
	024868-01-000	EA	Receiver - Dehydrator
	031044-01-000	EA	Clamp - Receiver Dehydrator
	031962-01-000	EA	Bracket - Receiver Dehydrator
	048232-02-000	EA	Kit - Auto Air - 454 C.I.D. - A-Body - Chevy
	024851-01-000	EA	Door Asm. - Defroster - A/C
	010227-01-000	EA	Tee - Plastic - Barb 5/8" or 3/4" Hose
	024855-01-000	EA	Duct Asm. - Fresh Air
	024849-01-000	EA	Damper Asm. - Fresh Air

## 1981 WINNEBAGO TABLE OF CONTENTS

WD420RG M1, WC/WD420RG M2	A-1 - B-14
WDF26RH M1, WCF26RH M2	B-15 - D-12
WDF26RT M1, WCF26RT M2	D-13 - F-20

## 1991 WDF/WCF26RH M1, M2 INDEX

Floor Plan	B-15 - B-16
Accessories Group	B-17 - B-19
Bath Group	B-20 - B-21
Chassis Group	B-22 - B-23
Curtain, Cushion & Pad Group	B-24 - C-5
Dinette Group	C-6
Driver's Compartment Group	C-7 - C-8
Electrical Group	C-9 - C-11
Exterior Body Group	C-12 - C-16
Galley Group	C-17
Heating & Air Conditioning Group	C-18 - C-19
Interior Finish Group	C-20 - C-21
LP Group	C-22
Lounge Group	C-23
Water & Sewage Group	C-24
Window, Vent & Exterior Door Group	D-1 - D-12

# HEATING AND AIR CONDITIONING GROUP (CONTINUED)

## FURNACES AND ROOF AIR CONDITIONERS

Key	Part Number	U/M	Description
**	069634-01-000	EA	Furnace - 34,000 BTU - w/Direct Ignition - NT-34L
**	069633-01-000	EA	Furnace - 24,000 BTU - w/Direct Ignition - NT-24M
	009198-01-000	FT	Duct - Flexible -4" I.D. x 25'
	056464-01-000	EA	Registor - 4" Dia. - Plastic - w/Damper
	056464-02-000	EA	Registor - 4" Dia. - Plastic - w/o Damper
	009200-01-000	EA	Tapo - Furnace - 1 1/2"
	023146-01-000	EA	Clamp - Screw Type - 4"
	050782-01-000	EA	Vent Package - Furnace - 1-3" Wall
	050784-01-000	EA	Vent Package - Furnace - 3-6" Wall
	069634-01-723	EA	Thermostat - Wall Mount - Suburban
**	049774-02-000	EA	Air Conditioner - 110 Volt - Roof Mount - 13,500 BTU Ivory - Coleman (w/o inside shroud)
**	049775-02-000	EA	Shroud Asm. - Ceiling - Inside - Roof Air Cool Only - 13,500 BTU - Coleman
**	049776-01-000	EA	Shroud Asm. - Ceiling - Inside - Roof Air Heat and Cool - 13,500 BTU - Coleman
**	063903-01-000	EA	Air Conditioner - 110 Volt - Roof Mount - 13,500 BTU Rotary

\*\*The illustrated parts breakdown for this item is provided on the Common Items Fiche.

# INTERIOR FINISH GROUP

## PANELING AND COUNTERTOP MATERIALS

Key	Part Number	U/M	Description
	045963-01-000	SF	Paneling - 825 Buff - 48" x 90" (32 SF)
	068344-03-000	SF	Paneling - 772 Bellweather - 48" x 96" (32 SF)
	068343-01-000	SF	Paneling - Decor Shells - Beige (M01) (M02) (M03)
	068343-02-000	SF	Paneling - Decor Autumn Storm - Copper (M01)
	068343-03-000	SF	Paneling - Decor Autumn Storm - Gray (M02)
	068343-04-000	SF	Paneling - Decor Autumn Storm - Brown (M03)
	068341-01-000	SF	Plastic Laminate - Burnt Sienna (M01)
	068341-02-000	SF	Plastic Laminate - Camel (M02) (M03)
	059970-01-000	SF	Plastic Laminate - Malador Leather

## INTERIOR MOLDINGS AND TRIMS

Key	Part Number	U/M	Description
	047354-01-000	EA	Batt Strip - 825 Buff - Ceiling - 96"
	064388-01-000	EA	Batt Strip - 772 Bellweather - 96"
	064389-01-000	EA	Batt Strip - Decorative Ferns - Beige
	064389-02-000	EA	Batt Strip - Decorative Ferns - Burgundy
	064389-03-000	EA	Batt Strip - Decorative Ferns - Blue
	024700-06-000	EA	Cover - Roll Bar - Sidewall - Ivory
	052859-01-J27	FT	Accent Trim - Acorn Brown Vinyl
	009812-10-000	EA	Molding - Outside Corner - .50" - Birch
	009813-01-000	FT	Molding - Outside Corner - .50" - Dark Pecan
	009767-05-000	FT	Welling - Light Brown
	009778-01-000	FT	U-Channel - 1" - Dark Brown
	017768-01-000	FT	U-Channel - .19" Brown
	009779-03-000	FT	U-Channel - 1 1/8" - Light Brown
	052861-01-K01	FT	Molding Asm. - Shelf
	009810-01-000	FT	Molding - Outside Corner - 1" - Dark Pecan
	009815-03-000	FT	T-Molding - .75" - Light Brown
	022992-04-000	FT	Molding - Reverse Cove
	035337-22-000	EA	Trim - Inside Corner - Alum. - 80.88"
	034394-02-000	EA	Extr. Vinyl Insert - Beige

## CABINETRY AND TABLE HARDWARE

Key	Part Number	U/M	Description
**	052932-01-J30	EA	Hinge Kit - Cabinet Door - Antique Brass
	053103-01-L01	EA	Hinge Kit - Double Acting - Overhead Door
	057945-01-K01	EA	Latch Kit - Cabinet Door - Flat Latch
	009112-01-000	EA	Flange - 1" - Closet Rod
**	053200-01-000	EA	Bracket - Upper Wall Mount - 23.5"
**	053201-03-000	EA	Bracket - Table Mount - 23" Anod.
**	024275-01-000	EA	Rod - Table Lift - 8" x 23.5"
**	024281-06-000	EA	Bracket - Lower Wall Mount - Black - 22.12"
**	024276-04-000	EA	Leg Asm. - Table - Brown - 29.5"
**	064050-01-000	EA	Hinge - Table Leg
**	024282-01-000	EA	Brace - Table Leg
**	024283-01-000	EA	Clip - 1" O.D. Tube
**	049493-02-000	EA	Catch - Table Leg - Mounts on Floor - Brown
	009040-02-000	EA	Leg - Pedestal Table - 27.5" x 2.25" O.D. - Chrome
	009040-03-000	EA	Base - Table Leg - Mounts on Table
	041194-01-000	EA	Base - Table Leg - Mounts in Floor
	062046-01-000	EA	Clip - Lug Pedestal
	058335-01-000	EA	Latch - Bathroom Door w/Latch
	058335-02-000	EA	Latch - Bathroom Door w/o Lock
	059753-01-000	EA	Slide - Drawer - Left
	059753-02-000	EA	Slide - Drawer - Right
**	037688-01-000	FT	Rail - Drawer Glide
**	047744-01-000	EA	Kit - Drawer Glide

\*\*The illustrated parts breakdown for this item is provided on the Common Items Fiche.

## 1981 WINNEBAGO TABLE OF CONTENTS

WD420RG M1, WC/WD420RG M2	A-1 - B-14
WDF26RH M1, WCF26RH M2	B-15 - D-12
WDF26RT M1, WCF26RT M2	D-13 - F-20

## 1981 WDF/WCF26RH M1, M2 INDEX

Floor Plan	B-15 - B-16
Accessories Group	B-17 - B-19
Bath Group	B-20 - B-21
Chassis Group	B-22 - B-23
Curtain, Cushion & Pad Group	B-24 - C-5
Dinette Group	C-6
Driver's Compartment Group	C-7 - C-8
Electrical Group	C-9 - C-11
Exterior Body Group	C-12 - C-16
Galley Group	C-17
Heating & Air Conditioning Group	C-18 - C-19
Interior Finish Group	C-20 - C-21
LP Group	C-22
Lounge Group	C-23
Water & Sewage Group	C-24
Window, Vent & Exterior Door Group	D-1 - D-12



**INTERIOR FINISH GROUP (CONTINUED)**

**FABRICS AND FLOOR COVERINGS**

Key	Part Number	U/M	Description
	068339-01-000	YD	Fabric - Drapery - Champagne (M01)
	068338-01-000	YD	Fabric - Upholstery - Rust (M01)
	068338-02-000	YD	Fabric - Upholstery - Blue (M02)
	068338-03-000	YD	Fabric - Upholstery - Brown (M03)
	053327-01-000	YD	Vinyl - Non Expanded - 27 oz. - Acorn Brown
	053327-02-000	YD	Vinyl - Expanded - 27 oz. - Acorn Brown
	053327-03-000	YD	Vinyl - Non Support - 16 Gauge Film - Acorn Brown
	068340-01-000	SY	Carpel - Rust (M01)
	068340-02-000	SY	Carpel - Medium Brown (M02) (M03)
	064392-01-000	SY	Vinyl Floor Covering - Armstrong - Castilian

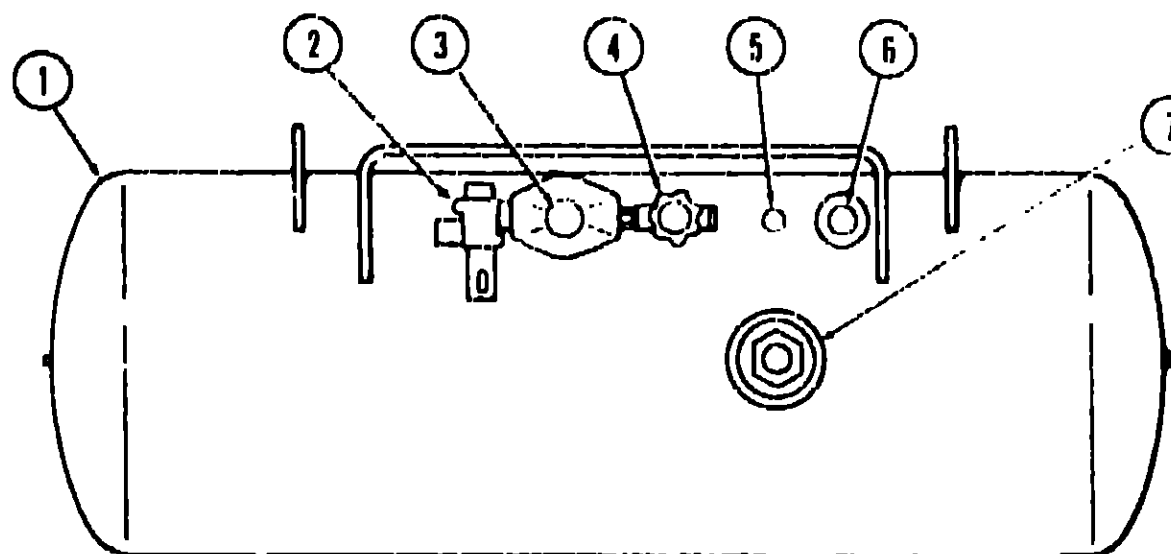
**CURTAIN HARDWARE**

Key	Part Number	U/M	Description
	052327-04-236	EA	Track - Curtain - Brown Alum. - 89" w/Holes
	056116-01-000	FT	Track - Curtain - Brown Plastic
	056001-01-000	EA	Bracket - Shade - Left
	056002-01-000	EA	Bracket - Shade - Right
	056003-01-000	EA	Bracket - Drapery Retainer - Right
	056003-02-000	EA	Bracket - Drapery Retainer - Left
	053272-04-200	EA	Track - Curtain - Off White - 89" w/Holes
	056784-01-000	EA	Pull - Window Shade - Antique Brass
	00L107-01-000	EA	Guide - Nylon Snap - Curtain
	018031-42-000	EA	Track - Curtain - "L" Rod - Alum. Extr - 90"
	009701-01-000	EA	Carrier - "L" Rod - Curtain
	009702-01-000	EA	End Stop - "L" Rod - Curtain
	059430-01-000	EA	Track - Curtain - Front Wraparound (2 per unit) - 32.8" x 45.2"
	059430-02-000	EA	Track - Curtain - Front Wraparound (w/Drivers Door) - 32.8" x 89.1"
	056115-01-000	YD	Tape - Clear Plastic - w/Guides
	048394-01-000	YD	Tape - Hook - 1" x 25 YD - Beige
	048395-01-000	YD	Tape - Loop - 1" x 25 YD - Beige

**MISCELLANEOUS**

Key	Part Number	U/M	Description
	041944-01-700	EA	Fire Extinguisher - Dry Chemical w/Bracket
	041944-03-000	EA	Fire Extinguisher - 5 BC (Calif)
	007038-01-000	EA	Door Mat - Black Rubber - 10 1/2" x 26"
	053552-01-K01	EA	Assist Handle - Interior - Acorn Vinyl
	054185-12-000	EA	Owners Manual - Winnebago and Itasca
	047205-11-000	EA	Brass Mesh - 14 75" x 12.75" - Furnace Grill
	006069-01-000	EA	Key Case - Leather

**LP GROUP**



**1981 WINNEBAGO  
TABLE OF CONTENTS**

WD420RG M1, WC/WD420RG M2	A-1 - B-14
WOF26RH M1, WCF26RH M2	B-15 - D-12
WDF26RT M1, WCF26RT M2	D-13 - F-20

**LP GROUP**

Key	Part Number	U/M	Description
	052769-01-000	EA	Tank Asm. - LP - Frame Mount - 42 Pound
	063378-01-000	EA	Tank Asm. - LP - Frame Mount - 80 Pound
	052770-01-000	EA	Tank Asm. - LP - Frame Mount - 25 Pound
	047221-01-000	EA	Detector - LP Gas Leak - Rosan
	065741-01-000	EA	Detector - LP Gas Leak - Marshalltown Instruments
	058706-01-000	EA	Cover - Regulator - 2 Stage
	058705-01-000	EA	Regulator - Two Stage - LP Gas
	040421-01-703	EA	Valve - Vapor Relief
	040421-01-700	EA	Gauge - Liquid Level - 20% LP
	040421-01-701	EA	Valve - Filler - LP
	040421-01-702	EA	Cap - Plastic Fill Valve
	040421-01-707	EA	Gauge - Float - w/Visible Dial - 85 Pound Tank
	042281-01-700	EA	Gauge - Float - w/Visible Dial - 42 Pound Tank
	040421-01-706	EA	Dial - Visible Face - Float Gauge (Tank w/o Electric Transmitter)
	040421-01-705	EA	Dial - Transmitter - 0-90 Ohm (Float Gauge)
	045703-01-000	EA	Hose Asm. - LP - 3/8" I.D. x 24"
	047737-02-000	EA	Support - LP Tank - 89.25"
	047737-03-000	EA	Support - LP Tank - 30.50"
			Not Illustrated

**WINN AIR WITH LANDI-HARTOG (A-BODY)**

Key	Part Number	U/M	Description
	065279-01-000	EA	Relief Valve - Hydrostatic - Sherwood
	065287-02-000	EA	Valve - Gasoline Shut-Off
	065920-02-000	EA	Hose Asm. - High - Pressure - 36"
	067290-01-001	EA	Hose - Vapor - 5/8" x 51"
	068050-04-000	EA	LP Mixer
	068142-01-000	EA	Tube Asm. - Converter - Copper w/Flare Nuts - 5/16" x 90° Bend
	068144-01-000	EA	Bracket - Angle - Converter
	068197-01-000	EA	Instrument Asm. - LP
	068201-01-000	EA	Converter Asm. - LP A-Body
	035927-01-001	EA	Steel Rod - Threaded - 1/4" - 20 x 8"

**1981 WDF/WCF26RH M1, M2 INDEX**

Floor Plan	B-15 - B-16
Accessories Group	B-17 - B-19
Bath Group	B-20 - B-21
Chassis Group	B-22 - B-23
Curtain, Cushion & Pad Group	B-24 - C-5
Dinette Group	C-6
Driver's Compartment Group	C-7 - C-8
Electrical Group	C-9 - C-11
Exterior Body Group	C-12 - C-16
Galley Group	C-17
Heating & Air Conditioning Group	C-18 - C-19
Interior Finish Group	C-20 - C-21
LP Group	C-22
Lounge Group	C-23
Water & Sewage Group	C-24
Window, Vent & Exterior Door Group	D-1 - D-12



## LOUNGE GROUP

### LESTER LOUNGE AND OVERHEAD CABINET

Key	Part Number	U/M	Description
	067045-01-M04	EA	Cabinet Asm. - Pullout Couch - w/o Door or Hardware
	M68629-03-M04	EA	Door Asm. - Furnace - w/Mesh Insert - 13" x 17.4" - w/o Hardware
	047205-11-000	EA	Brass Mesh - 12.75" x 14.75" - Furnace Grill
	M00556-02-M04	EA	Cabinet Asm. - Overhead - Lounge - w/o Doors or Hardware
	M00377-26-M04	EA	Door Asm. - Overhead Cabinet - 11.5" x 28.2" - w/o Hardware
	056875-02-000	EA	Leg Asm. - Couch
	022517-01-000	EA	End Cap - 1" x 1" - Brown
	053163-01-000	EA	Bracket Couch Slide
	053347-01-000	EA	Wire - Pin - Spring - 3/32"
	053348-01-000	EA	Steel Pin - 1/4" x 4" - 3/32" Hole
	054398-01-000	EA	Bracket - Center Support - Lester Lounge - Brown

### SPRUNG COUCH OPTION

Key	Part Number	U/M	Description
	067032-01-M04	EA	Front Panel Asm. - Sprung Couch - w/o Door or Hardware
	059750-01-M04	EA	End Panel - Sprung Couch
	057468-02-000	EA	Base Asm. - Sprung Couch - Right
	057468-03-000	EA	Base Asm. - Sprung Couch - Left
	057468-04-000	EA	Base Asm. - Spacers - Sprung Couch - 2 per Couch
	057469-01-000	EA	Leg Asm. - Sprung Couch - 2 per Couch
	053248-02-M01	EA	Table Asm. - Pedestal - w/o Hardware - Burnt Sienna
	053248-02-M02	EA	Table Asm. - Pedestal - w/o Hardware - Camel (M03)
	009040-02-000	EA	Leg - Pedestal Table - 27.5" x 2.25" O D - Chromo
	009040-03-000	EA	Base - Table - Mounts on Table
	041194-01-000	EA	Base - Table - Mounts in Floor
	062046-01-000	EA	Clip - Pedestal Leg
	056093-01-M01	EA	Plug Asm. - Pedestal - Table - Rust
	056093-01-M02	EA	Plug Asm. - Pedestal - Table - Medium Brown

### NIGHTSTAND AND WARDROBE CABINETS

Key	Part Number	U/M	Description
	059393-01-M04	EA	Cabinet Asm. - Nightstand - w/o Countertop, Drawers or Hardware
	059394-01-M01	EA	Countertop Asm. - Nightstand Cabinet - Burnt Sienna
	059394-01-M02	EA	Countertop Asm. - Nightstand Cabinet - Camel (M03)
	M68659-03-M04	EA	Drawer Asm. - Nightstand Cabinet - 5" x 13.3" x 24.4" Deep - w/o Hardware
	M59437-02-M04	EA	Cabinet Asm. - Nightstand Overhead - w/o Door or Hardware
	M00377-19-M04	EA	Door Asm. - Nightstand Overhead Cabinet - 20.7" x 11.5" - w/o Hardware
	M00377-22-M04	EA	Door Asm. - Wardrobe Cabinet - 58.2" x 14.4" - w/o Hardware
	M00377-23-M04	EA	Door Asm. - Wardrobe Cabinet - 12.1" x 29.7" - w/o Hardware
	059915-04-M04	EA	Drawer Asm. - Wardrobe Cabinet - 12.7" x 26" x 5" - w/o Hardware
	061801-02-M04	EA	Cabinet Asm. - Overhead Wemac - Padded - Acorn Vinyl
	061543-01-000	EA	Bunk Board - Upper - Padded - White Vinyl
	009112-01-000	EA	Flange - 1" - Closet Rod

## WATER AND SEWAGE GROUP

### PLUMBING AND REPAIR PARTS

Key	Part Number	U/M	Description
**	063846-01-000	EA	Water Pump - 2.8 G.P.M. - Direct Drive - PAR - US
**	063846-02-000	EA	Water Pump - 2.8 G.P.M. - Direct Drive - PAR - CSA
**	041270-02-000	EA	Water Pump - Bolt Drive - PAR - 2.8 G.P.M. - US
	039647-02-000	EA	Filter - Water Pump - 1/2 MPT
	052959-03-000	EA	Connector - 1/2 F x 3/8 MPT - Plastic
	052960-01-000	EA	Drain Valve - 1/2 F x 1/2 F - Plastic
	052961-01-000	EA	Header - 1/2 F x 1/2 F x 1/2 F x 1/2 F
**	048524-02-000	EA	Kit - Water Tank Fittings - Blank Tank
**	048524-01-000	EA	Kit - Holding Tank Fittings - Blank Tank
**	010079-01-000	EA	Teo - Plastic - 1 1/2 H x 1 1/2 H x 1 1/4 H
**	010121-01-000	EA	Bushing - Plastic 1 1/2 S x 1 1/4 H
**	010133-01-000	EA	Trap Adaptor - Plastic - 1 1/2 H x MPT
**	010134-01-000	EA	Adaptor - Plastic - 1 1/2 M x MPT
**	010201-01-000	EA	Sewer Hose - 3" x 10' w/Clamp
**	050780-01-000	EA	Coupler Rubber - 3" x 3"
	062415-01-000	EA	Cap - Sewer - 3"
	062416-01-000	EA	Hose Adaptor - 3"
	062417-01-000	EA	Adaptor - Termination - 3"
	062418-02-000	EA	Valve - 3" - w/o Handle
	062419-02-000	EA	Handle - Extension - w/6" Adaptor
	062421-01-000	EA	Valve - 1 1/2" - w/Handle
**	011086-01-000	EA	P-Trap - 1 1/4" - Plastic
**	011091-01-000	EA	Waste - Continuous - Double Sink - 11 7/8"
	061607-01-000	EA	Grommet - Holding Tank Coupler - 1 1/2"
	061607-02-000	EA	Grommet - Holding Tank Coupler - 3"
	031126-01-000	EA	Elbow - 1/4 BD 3" x 90°
	004020-01-000	QT	Adhesive - ABS Cement
	037845-01-000	FT	Tape - Butyl - 3/16" - Bead - Black
	062422-01-000	EA	Adaptor - Hose Offset - Reducer - 3" x 1 1/2"
	062627-01-000	EA	Valve - Dual - Offset - 3" x 1 1/2"
	063641-01-000	EA	Flange - Closet - 4" x 3" Spigot
	010224-01-000	EA	Adaptor - Plastic - 3/8 MPT x 3/8 Barb
	007108-01-000	EA	Hose - Heater - 5/8"
	010194-01-000	FT	Pipe - Black - Plastic - 1.25" - ABS
	010195-01-000	FT	Pipe - Black - Plastic - 1.5" - ABS
	010197-01-000	FT	Pipe - Black - 3" - ABS
**	039818-01-000	EA	Riser Asm. - 3/8" O.D. x 24" Tube
**	039818-04-000	EA	Riser Asm. - 3/8" O.D. x 72" Tube
**	039818-05-000	EA	Riser Asm. - 3/8" O.D. x 48" Tube

\*\*The illustrated parts breakdown for this item is provided on the Common Items Fiche

### HOLDING TANKS AND WATER HEATERS

Key	Part Number	U/M	Description
	067333-02-000	EA	Tank Asm. - Water - 51 Gallon - w/Fittings
	067333-01-000	EA	Tank Asm. - Water - 51 Gallon - w/o Fittings
	064997-02-000	EA	Tank Asm. - Holding - 20 Gallon - w/Fittings - Waste Water
**	064997-01-000	EA	Tank Asm. - Holding - 20 Gallon - w/o Fittings - Waste Water
**	064998-02-000	EA	Tank Asm. - Holding - 33 Gallon - w/Fittings - Sewage
**	064998-01-000	EA	Tank Asm. - Holding - 33 Gallon - w/o Fittings - Sewage
**	051392-01-000	EA	Water Heater - w/Motor Aid - GH6-3
**	051391-01-000	EA	Water Heater - w/o Motor Aid - G6A3
**	051393-01-000	EA	Water Heater - w/Motor Aid - GH6-3E

\*\*The illustrated parts breakdown for this item is provided on the Common Items Fiche.

## 1981 WINNEBAGO TABLE OF CONTENTS

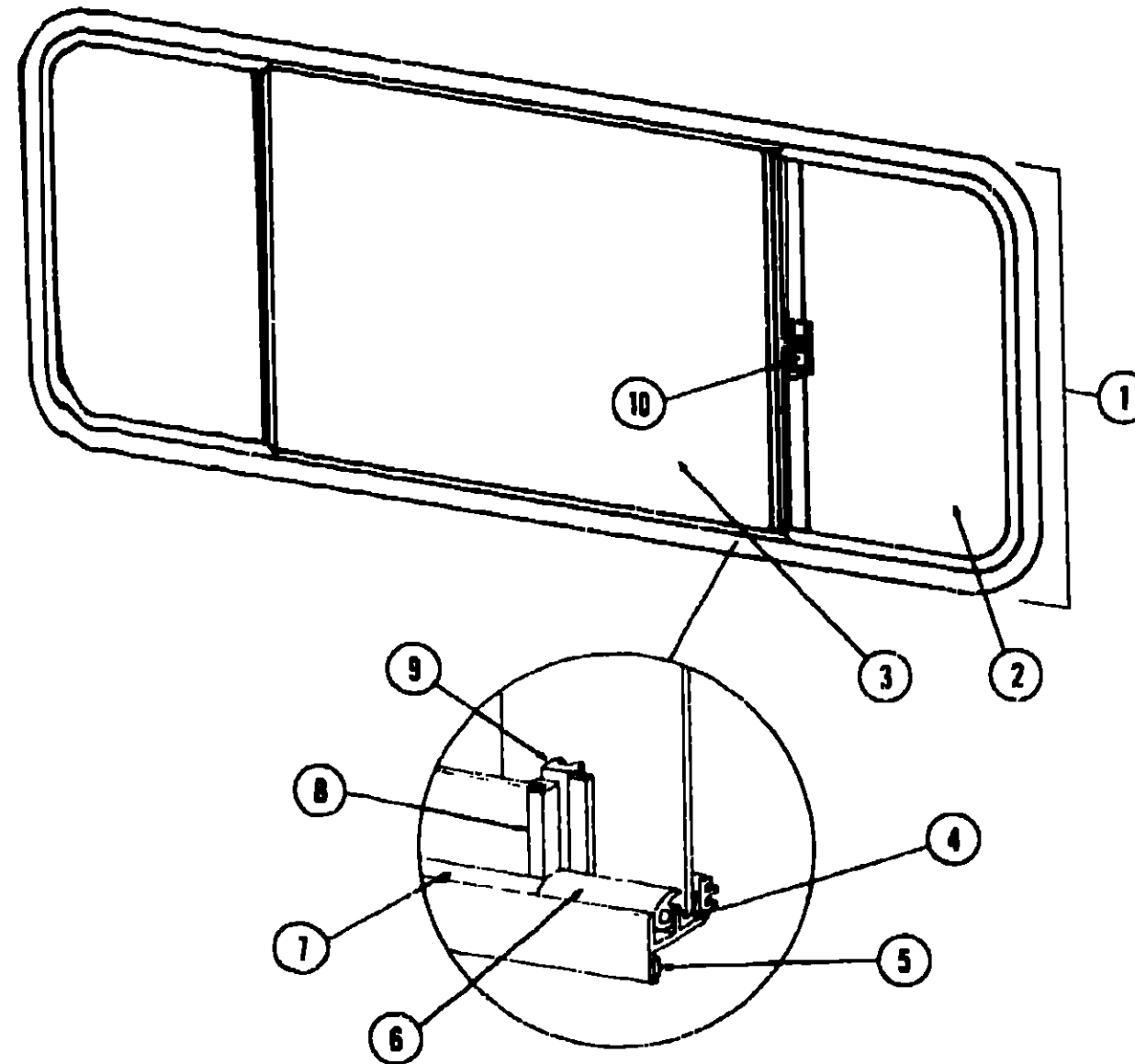
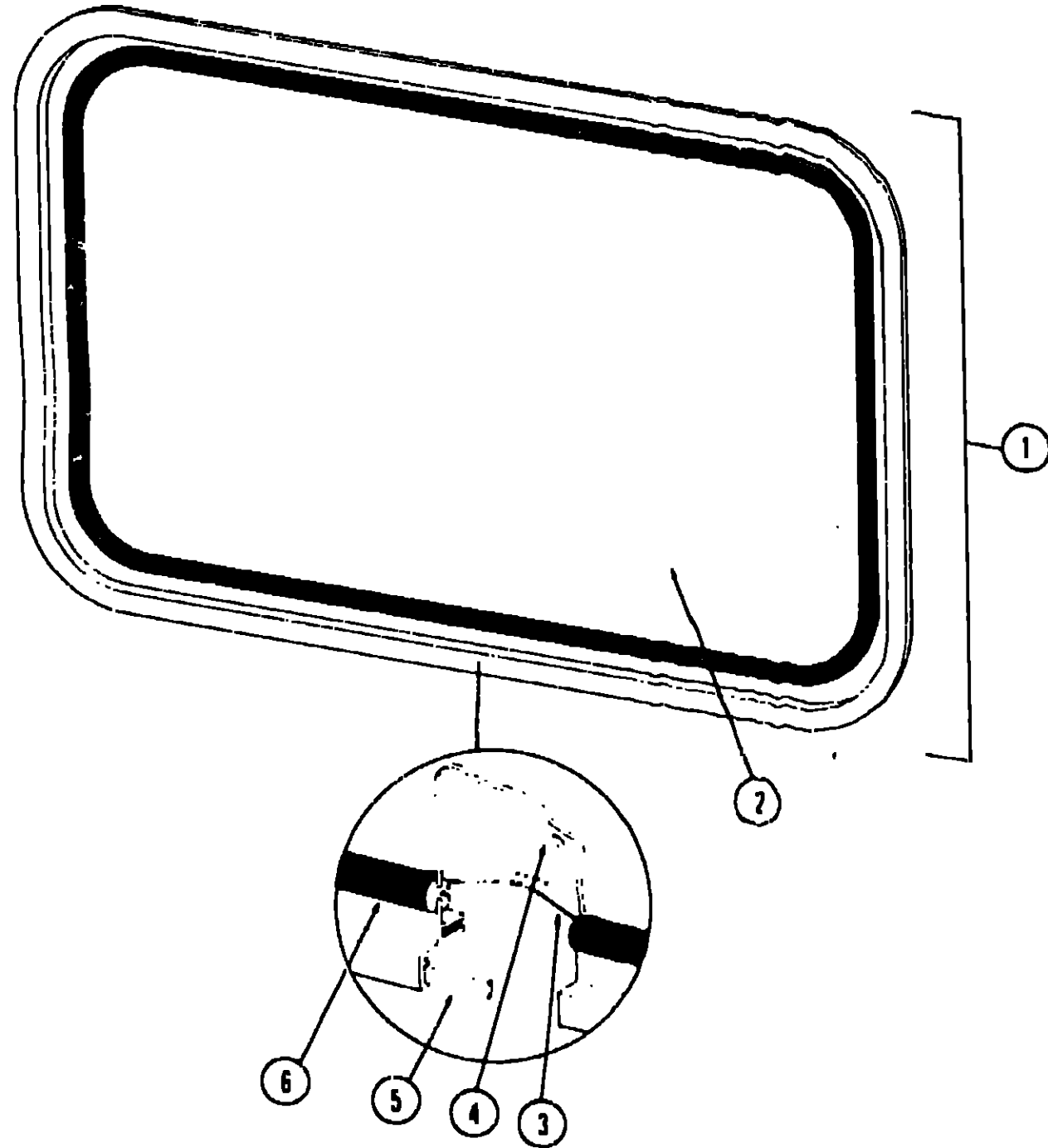
WD420RG M1, WC/WD420RG M2	A-1 - B-14
WDF26RH M1, WCF26RH M2	B-15 - D-12
WDF26RT M1, WCF26RT M2	D-13 - F-20

## 1981 WDF/WCF26RH M1, M2 INDEX

Floor Plan	B-15 - B-16
Accessories Group	B-17 - B-19
Bath Group	B-20 - B-21
Chassis Group	B-22 - B-23
Curtain, Cushion and Pad Group	B-24 - C-5
Dinette Group	C-6
Driver's Compartment Group	C-7 - C-8
Electrical Group	C-9 - C-11
Exterior Body Group	C-12 - C-16
Galley Group	C-17
Heating & Air Conditioning Group	C-18 - C-19
Interior Finish Group	C-20 - C-21
LP Group	C-22
Lounge Group	C-23
Water & Sewage Group	C-24
Window, Vent & Exterior Door Group	D-1 - D-12

**WINDOW, VENT AND EXTERIOR DOOR GROUP**

**WINDOW, VENT AND EXTERIOR DOOR GROUP (CONTINUED)**



Key	Part Number	U/M	Description
1	042959-03-000	EA	Window Asm. - Rear Escape - 22.5" x 24.5" - Black Anod. (w/o inside frame)
2	041392-03-000	EA	Glass - 1/8" x 19.6" x 21.65"
3	002285-01-000	FT	Filler - Weatherstrip - Black
4	020395-01-000	EA	Pull Ring - Escape Window
5	004363-01-000	FT	Tape - Foam - 3/16" x 1/2" - Gray
6	002282-01-000	FT	Weatherstrip - .125" Window
.	042027-03-000	EA	Frame - Inside - Escape Window - 22.5" x 24.5" (not included in assembly)
.	006199-01-000	EA	Label - Exit - Escape Window
.			Not Illustrated

Key	Part Number	U/M	Description
1	066785-03-000	EA	Window Asm. - Single Slider - 25" x 65"
.	042133-09-000	EA	Inside Frame - Brown
2	066726-02-000	EA	Glass - Stationary - 1/8" x 21.3" x 24"
3	066727-02-000	EA	Glass - Sliding - 1/8" x 12" x 24"
4	002324-02-000	FT	Channel - Weatherstrip - Glass
5	053767-03-000	FT	Tape - 1/4" Bead x 20' - Gray
6	057374-02-000	FT	Extr. Vinyl - Window Seal - Black
7	002309-02-000	FT	Spline - Glass - 1/8" Material - Black
8	069885-03-003	EA	Extr. Holder - Glass Seal - 23.19" - Black
9	069896-02-000	EA	Mullion - Slider Window - Black
10	047369-01-700	EA	Latch - Window - Plastic - w/Fastener
.	002293-01-000	SF	Screen - Window - 26" - Gray
.	002298-01-000	FT	Spline - .130" Dia. - Gray (Screen)
.	042076-01-000	FT	Seal - Fin - Pile - .34"
.			Not Illustrated

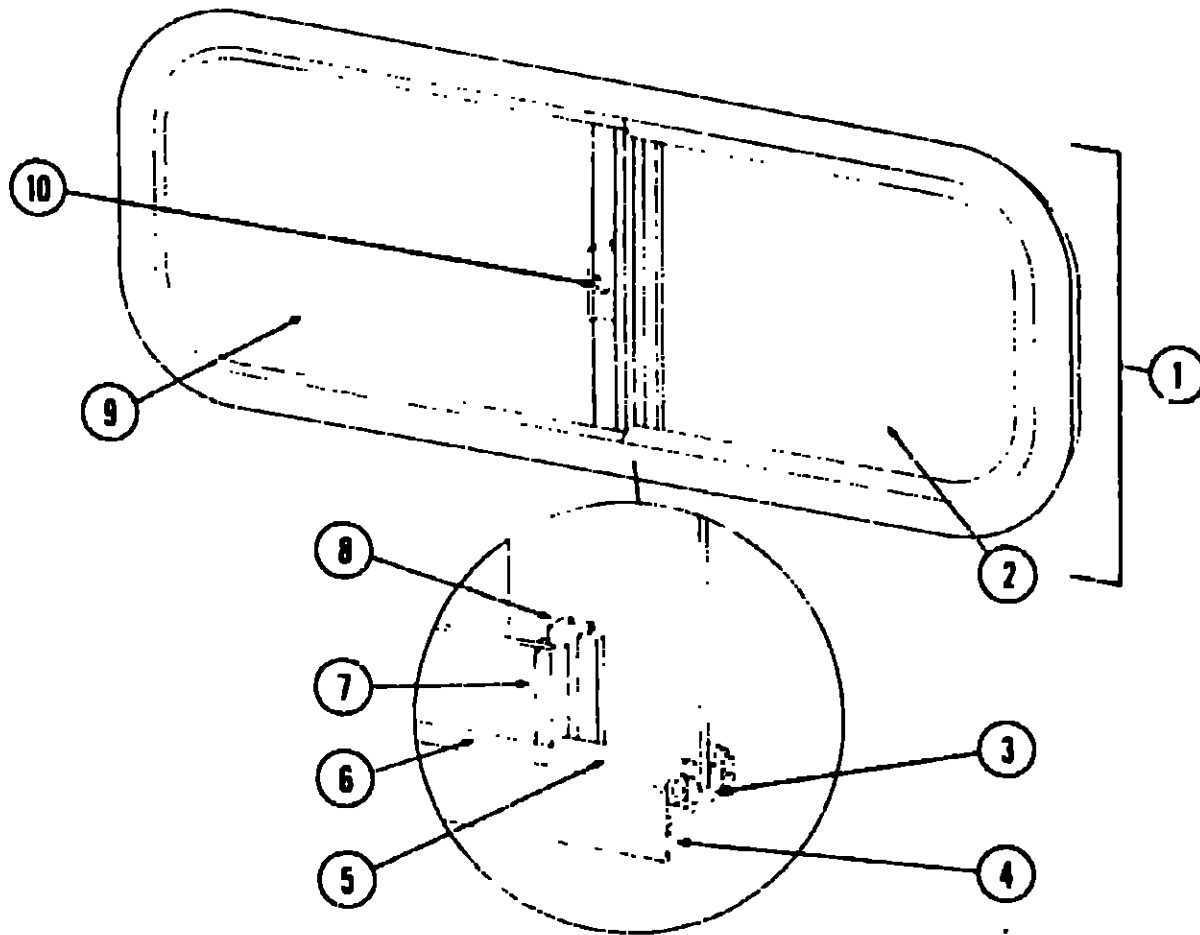
**1981 WINNEBAGO  
TABLE OF CONTENTS**

WD420RG M1, WC/WD420RG M2	A-1 - B-14
WDF26RH M1, WCF26RH M2	B-15 - D-12
WDF26RT M1, WCF26RT M2	D-13 - F-20

**1981 WDF/WCF26RH M1, M2 INDEX**

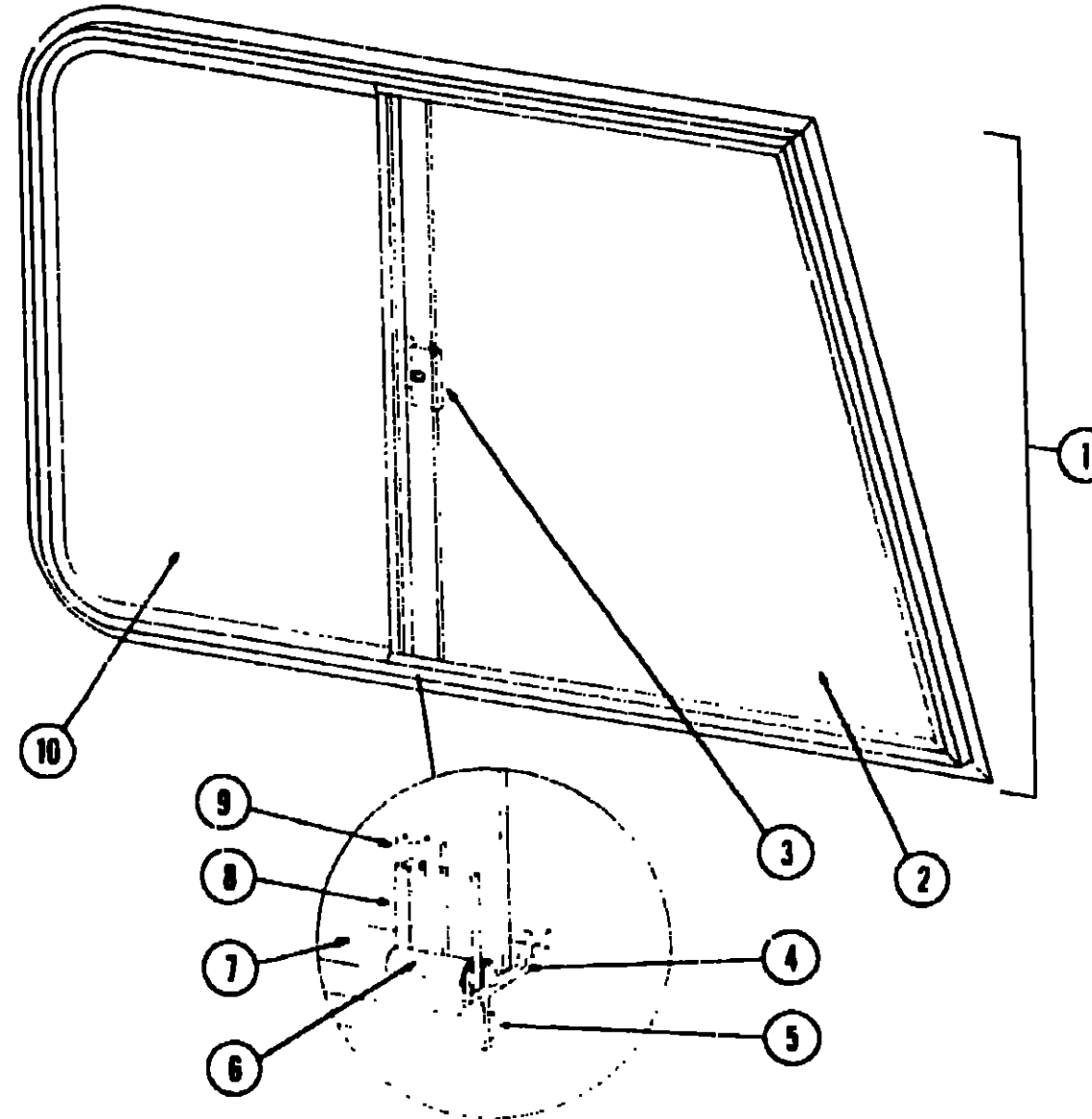
Floor Plan	B-15 - B-16
Accessories Group	B-17 - B-19
Bath Group	B-20 - B-21
Chassis Group	B-22 - B-23
Curtain, Cushion & Pad Group	B-24 - C-5
Dinette Group	C-6
Driver's Compartment Group	C-7 - C-8
Electrical Group	C-9 - C-11
Exterior Body Group	C-12 - C-16
Galley Group	C-17
Heating & Air Conditioning Group	C-18 - C-19
Interior Finish Group	C-20 - C-21
LP Group	C-22
Lounge Group	C-23
Water & Sewage Group	C-24
Window, Vent & Exterior Door Group	D-1 - D-12

**WINDOW, VENT AND EXTERIOR DOOR GROUP (CONTINUED)**



Key	Part Number	U/M	Description
1	045556-06-000	EA	Window Asm - Right Single Slider - 15" x 37" - Black Anod (w/o inside frame)
2	002207-02-000	EA	Glass - Sliding - 1/8" x 14.4" x 21.3" Gray
3	002324-01-000	FT	Channel - Weatherstrip - Glass Run - 1/8" Glass
4	004363-01-000	FT	Tape - Foam - 3/16" x 1/2" - Gray
5	057374-02-000	FT	Seal - Window Channel - 1/8" Glass - Black
6	002309-02-000	FT	Spline - Glass - 1/8" - Black
7	002390-03-205	EA	Holder - Glass Seal - 13.60" - Black
8	041894-25-000	EA	Mullion - Slider Window - Black Anod.
9	002207-01-000	EA	Glass - Stationary - 1/8" x 14.4" x 21.32"
10	047369-01-700	EA	Latch - Window - Plastic w/Fastener
.	023320-01-000	EA	Pad - Foam - 3/8" Dia (used with plastic latch)
.	017451-03-000	EA	Inside Frame - Single Slider Window - 15" x 37" (not included in assembly)
.	023713-02-000	EA	Cover - Plastic Weephole - Black
.	002298-01-000	FT	Spline - Gray - .130" Dia (Screen)
.	002293-01-000	SF	Screen - Window - 26" - Gray
.			Not Illustrated

**WINDOW, VENT AND EXTERIOR DOOR GROUP (CONTINUED)**



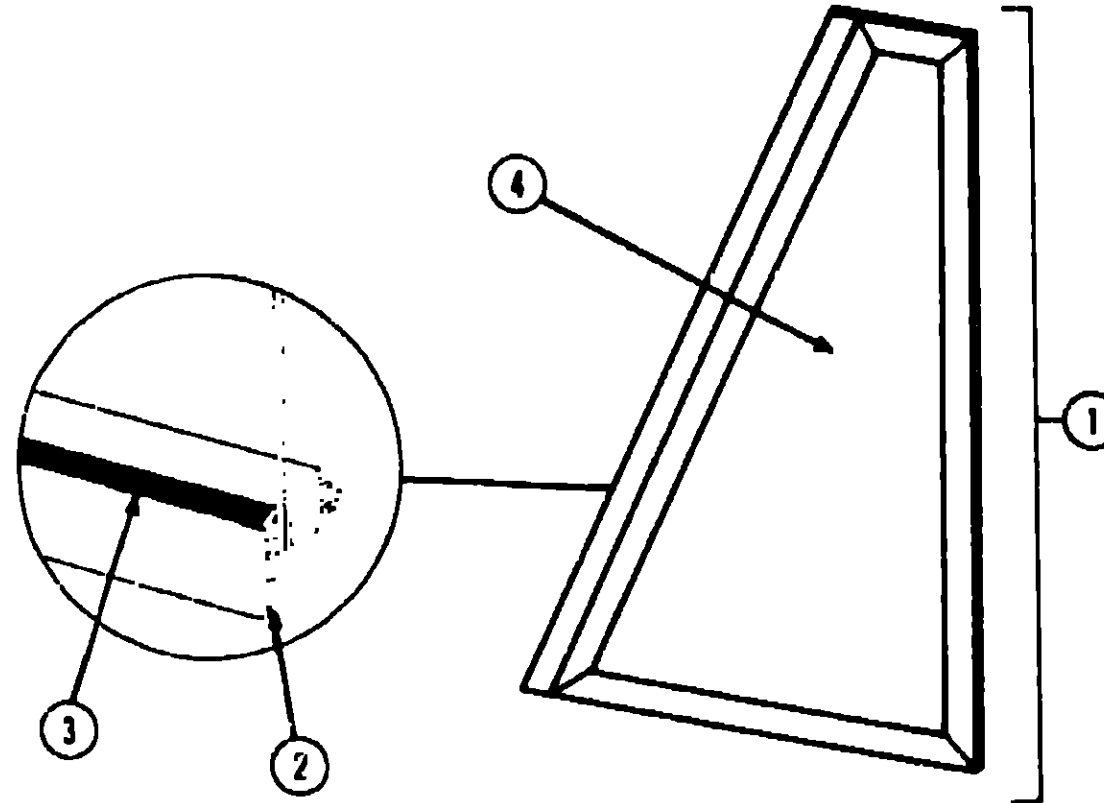
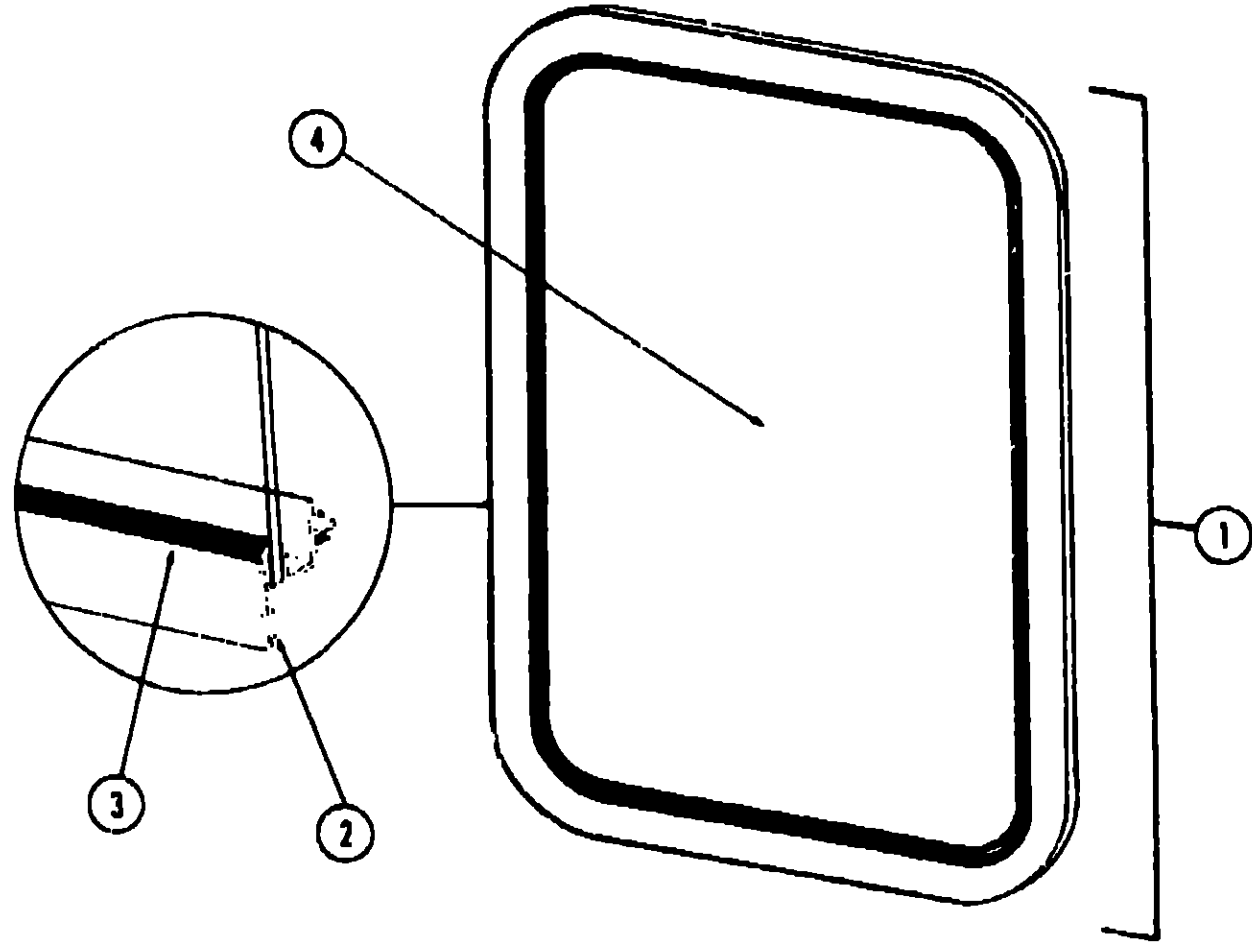
Key	Part Number	U/M	Description
1	059046-01-000	EA	Window Asm. - Right Front Slant Slider - 23" x 39" - Black Anod. (w/o inside frame)
1	059046-02-000	EA	Window Asm. - Left Front Slant Slider - 23" x 39" - Black Anod. (w/o inside frame)
2	057656-01-000	EA	Glass - 3/16" x 24.88" x 25.30" - Stationary
3	047369-01-700	EA	Latch - Window - Plastic w/Fastener
.	023320-01-000	EA	Pad - Foam - 3/8" Dia. (used with plastic latch)
4	042077-01-000	FT	Channel - Weatherstrip - Glass Run - 3/16" Glass
5	053767-01-000	FT	Tape - 1/2" x 1/8" x 30" - Gray - Schnee Moorehead
6	050216-02-000	FT	Spline - 3/16" Glass
7	041928-02-000	FT	Seal - Window Channel - 3/16" Glass - Black
8	002389-03-206	EA	Holder - Glass Seal - Black Anod. - 24.13"
9	057644-04-000	EA	Mullion - Window - Slant Slider
10	057657-01-000	EA	Glass - 3/16" x 24.88" x 14.70" - Sliding
.	059042-01-000	EA	Inside Frame - Right Front Slant Slider (not included in assembly)
.	059042-02-000	EA	Inside Frame - Left Front Slant Slider (not included in assembly)
.	023713-02-000	EA	Cover - Weephole - Black Anod.
.	055164-05-000	EA	Slider Screen Asm. - Right or Left - Black
.	016310-03-000	EA	Handle - Slider Screen - Black
.	002292-01-000	SF	Screen - Window - 20" - Gray
.	002298-01-000	FT	Spline - Gray - .130" Dia
.			Not Illustrated

**1981 WINNEBAGO  
TABLE OF CONTENTS**

WD420RG M1, WC/WD420RG M2	A-1 - B-14
WDF26RH M1, WCF26RH M2	B-15 - D-12
WDF26RT M1, WCF26RT M2	D-13 - F-20

**1981 WDF/WCF26RH M1, M2 INDEX**

Floor Plan	B-15 - B-16
Accessories Group	B-17 - B-19
Bath Group	B-20 - B-21
Chassis Group	B-22 - B-23
Curtain, Cushion & Pac Group	B-24 - C-5
Dinette Group	C-6
Driver's Compartment Group	C-7 - C-8
Electrical Group	C-9 - C-11
Exterior Body Group	C-12 - C-16
Galley Group	C-17
Heating & Air Conditioning Group	C-18 - C-19
Interior Finish Group	C-20 - C-21
LP Group	C-22
Lounge Group	C-23
Water & Sewage Group	C-24
Window, Vent & Exterior Door Group	D-1 - D-12



Key	Part Number	U/M	Description
1	056651-01-000	EA	Window Asm. - Picture 20 3/4" x 20 3/4" - Black (w/o inside frame)
2	053767-02-000	FT	Tape - 3/16" Bead x 25' - Schnee Morehead
3	002309-02-000	FT	Spline - Glass - 1/8" - Black
4	002181-03-000	EA	Glass - .115" x 20.62" x 20.62" - Gray
.	056650-01-000	EA	Frame - Inside - Window (not included in assembly)
.	Not Illustrated		

Key	Part Number	U/M	Description
1	062896-01-000	EA	Window Asm. - Stationary - Drivers Slant - 14" x 25.32" Black Anod. (w/o inside frame)
2	053767-03-000	FT	Tape - 1/4" Bead x 20' - Gray - Schnee Moorehead
3	002309-02-000	FT	Spline - Glass - 1/8" - Black
4	057856-02-000	EA	Glass - 3/16" x 24.88" x 13.66"
.	083420-01-000	EA	Frame - Inside - Front Slant Window (not included in assembly)
.	Not Illustrated		

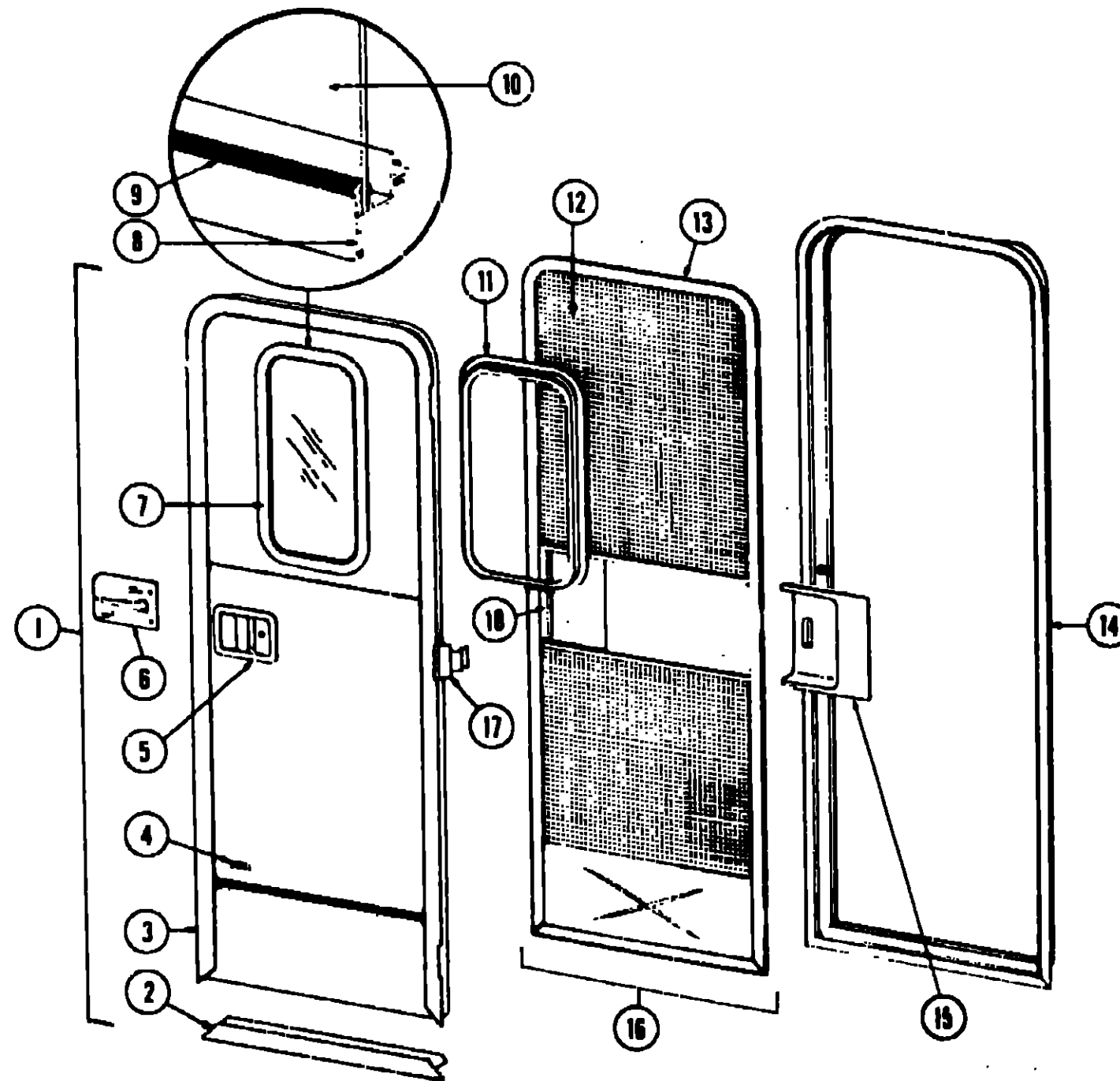
1981 WINNEBAGO  
TABLE OF CONTENTS

WD420RG M1, WC/WD420RG M2	A-1 - B-14
WDF26RH M1, WCF26RH M2	B-15 - D-12
WDF26RT M1, WCF26RT M2	D-13 - F-20

1981 WDF/WCF26RH M1, M2 INDEX

Floor Plan	B-15 - B-16
Accessories Group	B-17 - B-19
Bath Group	B-20 - B-21
Chassis Group	B-22 - B-23
Curtain, Cushion & Pad Group	B-24 - C-5
Dinette Group	C-6
Driver's Compartment Group	C-7 - C-8
Electrical Group	C-9 - C-11
Exterior Body Group	C-12 - C-16
Galley Group	C-17
Heating & Air Conditioning Group	C-18 - C-19
Interior Finish Group	C-20 - C-21
LP Group	C-22
Lounge Group	C-23
Water & Sewage Group	C-24
Window, Vent & Exterior Door Group	D-1 - D-12

WINDOW, VENT AND EXTERIOR DOOR GROUP (CONTINUED)



Key	Part Number	U/M	Description
1	064324-07-000	EA	Door Asm. - Radius Entry w/Screen Door
2	039737-01-000	EA	Frame - Entry Door (Bottom Portion Only)
3	039736-01-000	EA	Frame - Entry Door (Except Bottom Portion)
4	054530-01-000	EA	Holder Asm. - Entry Door
5	045017-01-000	EA	Paddle Asm. - Door Lock - Exterior
	045017-01-700	EA	Lock Cylinder w/Keys - Lynor
	039539-01-000	EA	Striker Bolt - Entry Door
	039540-01-000	EA	Latch Claw - Entry Door
6	039579-01-000	EA	Plate - Lock - Inside - Including Inside Handle
	052186-01-000	EA	Lock Asm. - Complete - Lynor
7	041875-11-000	EA	Window Asm. - Picture 17" x 23" - Black Anod. (inside frame not included in assembly)
8	053767-03-000	FT	Tape - 1/4" Bead x 20' - Gray - Schnee Moorehead
9	002309-02-000	FT	Splino - Glass - 1/8" Black
			Not Illustrated

Key	Part Number	U/M	Description
10	002181-08-000	EA	Glass - Picture Window - 1/8" x 16.25" x 22" - Gray
11	041696-14-000	EA	Frame - Window - Inside - 17" x 23" - Brown
12	002293-01-000	SF	Screen - Window - 26" - Gray
13	056795-01-000	FT	Seal Tape - 1/8" x 3/8" - Press On
14	053171-01-000	EA	Jamb Asm. - Entry Door
15	015580-01-000	EA	Slider - Screen Door - Brown Plastic
16	053170-01-000	EA	Door Asm. - Screen
17	039520-01-000	EA	Hinge - Entry Door (3 used per door)
18	015581-01-000	EA	Cap - Screen Door - Brown Plastic
	049176-01-000	EA	Hedlok II - 3/4" Diameter - Screw Mount (Retains screen door to entry door)
	049797-01-000	EA	Hedlok II - 1" Diameter - Screw Mount (Retains screen door to entry door)
	018019-01-000	EA	Striker - Screen Door
	039883-01-000	EA	Catch Asm. - Single Roller w/Strike - Screen Door
	051390-01-000	FT	Seal - Bulb - Rubber
	039800-03-000	FT	Tubing - Polybutyl - 3/8" O.D. - Jamb
	044582-02-000	EA	Drip Cap - Jamb Mounted - Off White
			Not Illustrated

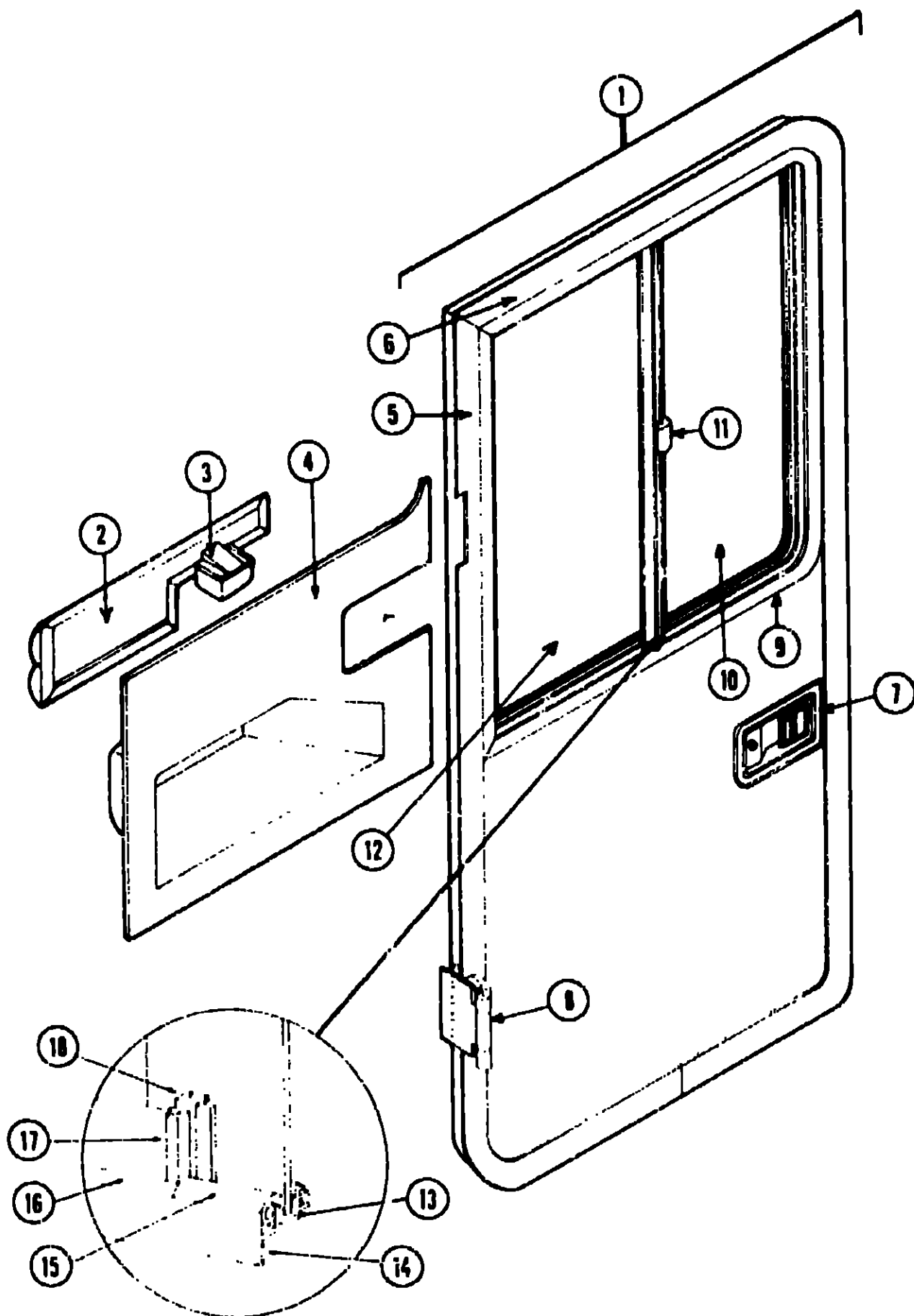
1981 WINNEBAGO  
TABLE OF CONTENTS

WD420RG M1, WC/WD420RG M2	A-1 - B-14
WDF26RH M1, WCF26RH M2	B-15 - D-12
WDF26RT M1, WCF26RT M2	D-13 - F-20

1981 WDF/WCF26RH M1, M2 INDEX

Floor Plan	B-15 - B-18
Accessories Group	B-17 - B-19
Bath Group	B-20 - B-21
Chassis Group	B-22 - B-23
Curtain, Cushion & Pad Group	B-24 - C-5
Dinette Group	C-6
Driver's Compartment Group	C-7 - C-8
Electrical Group	C-9 - C-11
Exterior Body Group	C-12 - C-16
Galley Group	C-17
Heating & Air Conditioning Group	C-18 - C-19
Interior Finish Group	C-20 - C-21
LP Group	C-22
Lounge Group	C-23
Water & Sewage Group	C-24
Window, Vent & Exterior Door Group	D-1 - D-12

WINDOW, VENT AND EXTERIOR DOOR GROUP (CONTINUED)



DRIVER DOOR

Key	Part Number	U/M	Description
1	063991-02-000	EA	Door Asm. - Driver - Off White
2	064088-01-000	EA	Pad Asm. - Trim - Upper
3	061400-01-000	EA	Assist Strap - 12" - Light Brown
4	046886-01-000	EA	Ashtray Asm. - Flush Mount - Chrome
5	064499-01-000	EA	Panel - Driver Door - Inner - Dark Brown Plastic
6	063350-02-000	EA	Trim - Door Frame - Front - Off White
7	063351-02-000	EA	Trim - Door Frame - Rear - Off White
8	045017-03-000	EA	Paddle - Door Lock - Exterior
9	045017-01-700	EA	Lock Cylinder w/Keys - Lynor
10	039979-02-000	EA	Inside Plite - Door Lock - w/Inside Handle
11	039540-02-000	EA	Latch Claw - Entry Door Lock
12	039738-01-000	EA	Deadbolt - Entrance Door Lock
13	039539-01-000	EA	Strike Bolt - Entrance Door (Jamb Mount)
14	063124-02-000	EA	Plate - Striker - 8 1/4" x 1" - Black
15	062879-02-000	EA	Jamb - Driver Door - Black Steel
16	064199-02-000	EA	Trim - Door Jamb - Rear - w/Drip Cap - Off White
17	054184-01-000	EA	Drip Cap - Driver Door
18	063350-02-000	EA	Trim - Door Jamb - Front - Off White
19	063768-01-000	EA	Sill Plate - Driver Door
20	063993-02-000	EA	Hinge Asm. - Driver Door - Off White
21	064580-01-000	EA	Check Strap - Driver Door - Seat Belt Webbing
22	064219-01-000	EA	Retainer - Driver Door Check Strap
23	063886-02-000	EA	Assist Handle - Driver Door - Brown Steel Tube (2 required per door)
24	064075-01-000	EA	Bulb Seal - Driver Door - 145"
25	062982-01-000	EA	Window Asm. - Driver Door - Single Slider - 23" x 25.5" Black Anod. (w/o inside frame)
26	057657-02-000	EA	Glass - 3/16" x 24.88" x 12" - Sliding
27	047369-01-700	EA	Latch - Window - Plastic w/Fastener
28	002188-04-000	EA	Glass - 3/16" x 24.88" x 12" - Stationary
29	002324-02-000	FT	Channel - Weatherstrip - Glass Run - 1/8" Glass
30	053707-03-000	FT	Tape - 1/4" Bead x 20' - Gray - Schnee Morehead
31	024096-02-000	FT	Seal - Window Channel - Black
32	002309-02-000	FT	Spline - Glass - Black
33	002389-03-204	EA	Holder - Glass Seal - Anod. Black - 25.14"
34	002288-01-000	FT	Weatherstrip - Glass Seal
35	057644-04-000	EA	Mullion - Slider Window - Black Anod.
36	063422-01-000	EA	Frame - Inside - Driver Door Window
37	023713-02-000	EA	Cover - Weephole - Black Plastic
38	055164-06-000	EA	Screen Asm. - Slider
39	002292-01-000	SF	Screen - Window - 20" - Gray
40	002298-01-000	FT	Spline - Gray - Screen - .130" Dia.
41	016310-03-000	EA	Screen Handle - Black Anod.
42	043485-02-000	FT	Screen Seal - Extr. Vinyl
43	063976-02-000	EA	Step Asm. - Lower - Door
44	063977-02-000	EA	Step Asm. - Upper - Door
			Not Illustrated

1981 WINNEBAGO  
TABLE OF CONTENTS

WD420RG M1, WC/WD420RG M2	A-1 - B-14
WDF26RH M1, WCF26RH M2	B-15 - D-12
WDF26RT M1, WCF26RT M2	D-13 - F-20

1981 WDF/WCF26RH M1, M2 INDEX

Floor Plan	B-15 - B-16
Accessories Group	B-17 - B-19
Bath Group	B-20 - B-21
Chassis Group	B-22 - B-23
Curtain, Cushion and Pad Group	B-24 - C-5
Dinette Group	C-6
Driver's Compartment Group	C-7 - C-8
Electrical Group	C-9 - C-11
Exterior Body Group	C-12 - C-16
Galley Group	C-17
Heating & Air Conditioning Group	C-18 - C-19
Interior Finish Group	C-20 - C-21
LP Group	C-22
Lounge Group	C-23
Water & Sewage Group	C-24
Window, Vent & Exterior Door Group	D-1 - D-12

## WINDOW, VENT AND EXTERIOR DOOR GROUP (CONTINUED)

### ACCESS DOORS

Key	Part Number	U/M	Description
	059727-01-000	EA	Door Asm. - Storage - Insulated - 10.36" x 29.9"
	037804-16-000	EA	Door Asm. - LP - Off White w/Twist Lock
	047233-02-000	EA	Door Asm. - Luggage - 13" x 35" - Off White w/Key Lock
	069762-02-000	EA	Door Asm. - Refrigerator Access - Off White w/Twist Lock
	052009-01-000	EA	Door Asm. - Water Heater - Off White
	063946-01-000	EA	Door Asm. - Power Cord - Off White - w/Hatch
	M00685-07-000	EA	Door Asm. - Generator - Off White w/o Baffle
	037804-26-000	EA	Door Asm. - Storage - 47.49" x 10.2" - Off White w/Key Lock
	033333-37-000	EA	Door Asm. - Spare Tire Compartment - Off White w/Key Lock
	066007-04-000	EA	Door Asm. - Sewer Hose
	052423-01-000	EA	Door - Fuel Fill - Off White
	064752-01-000	EA	Jamb - Fuel Fill Door - Off White
	042441-01-000	EA	Lock Asm. - Key Type - Gas Fill
	052950-03-700	EA	Lock Asm. - Twist Type - Straight Cam (Power Cord Door)
	047305-01-000	EA	Lock Asm. - Key Type w/Clip - Metal
	052950-01-700	EA	Lock Asm. - Twist Type w/Clip - White Plastic
	052181-01-000	EA	Baffle - Generator Door
	054543-01-000	EA	Hatch - Power Cord Door
	016945-02-000	EA	Holder Asm. - Battery and Luggage Door

### WINDSHIELD

Key	Part Number	U/M	Description
	057459-01-000	EA	Glass - Windshield - Flat
	058272-01-000	EA	Frame Asm. - Windshield
	038886-01-000	EA	Tape - Butyl - .31" x .31" x 148"

### VENTS

Key	Part Number	U/M	Description
	065103-02-000	EA	Cover - Refrigerator Vent - Plastic
	065103-01-000	EA	Frame Asm. - Refrigerator Vent
	049352-01-000	EA	Vent - Stovehood - Outside - Powered Hood - Off White
	053334-01-000	EA	Vent - Stovehood - Outside - Non Powered Hood - Off White
**	048709-01-000	EA	Vent Asm. - Roof - Powered - w/o Screen - Alum.
**	048835-01-000	EA	Vent Asm. - Roof - Non Powered - w/o Screen - Alum.

\*\*The illustrated parts breakdown for this item is provided on the Common Items Fiche.

## 1981 WINNEBAGO TABLE OF CONTENTS

WD420RG M1, WC/WD420RG M2	A-1 - B-14
WDF26RH M1, WCF26RH M2	B-15 - D-12
WDF26RT M1, WCF26RT M2	D-13 - F-20

## 1981 WDF/WCF26RH M1, M2 INDEX

Floor Plan	B-15 - B-16
Accessories Group	B-17 - B-19
Bath Group	B-20 - B-21
Chassis Group	B-22 - B-23
Curtain, Cushion and Pad Group	B-24 - C-5
Dinette Group	C-6
Driver's Compartment Group	C-7 - C-8
Electrical Group	C-9 - C-11
Exterior Body Group	C-12 - C-16
Galley Group	C-17
Heating & Air Conditioning Group	C-18 - C-19
Interior Finish Group	C-20 - C-21
LP Group	C-22
Lounge Group	C-23
Water & Sewage Group	C-24
Window, Vent & Exterior Door Group	D-1 - D-12