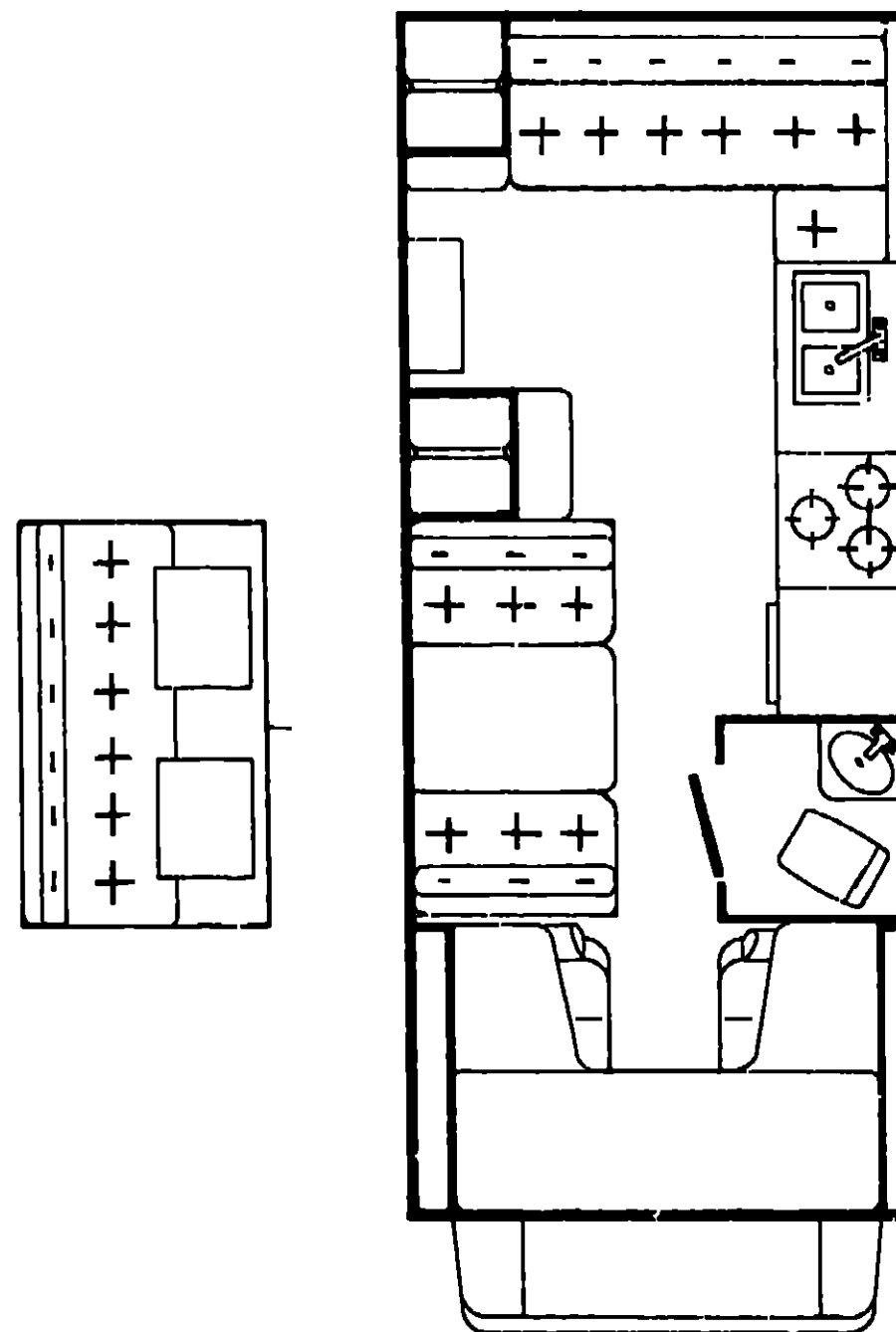


**1981**  
**WD420RG M1**  
**WD420RG M2**  
**WC420RG M2**



**1981 WINNEBAGO**  
**TABLE OF CONTENTS**

|                           |             |
|---------------------------|-------------|
| WD420RG M1, WC/WC420RG M2 | A-1 - B-14  |
| WDF26RH M1, WCF26RH M2    | B-15 - D-12 |
| WDF26RT M1, WCF26RT M2    | D-13 - F-20 |

**1981 WD/WC420RG M1, M2 INDEX**

|                                    |             |
|------------------------------------|-------------|
| Floor Plan                         | A-1 - A-2   |
| Accessories Group                  | A-3 - A-4   |
| Bath Group                         | A-5         |
| Chassis Group                      | A-6         |
| Curtain, Cushion & Pad Group       | A-7 - A-13  |
| Dinette Group                      | A-14        |
| Driver's Compartment Group         | A-15        |
| Electrical Group                   | A-15 - A-17 |
| Exterior Body Group                | A-18 - A-22 |
| Galley Group                       | A-23        |
| Heating & Air Conditioning Group   | A-24        |
| Interior Finish Group              | B-1 - B-2   |
| LP Group                           | B-3         |
| Lounge Group                       | B-4         |
| Water & Sewage Group               | B-5         |
| Window, Vent & Exterior Door Group | B-6 - B-14  |

**ACCESSORIES GROUP**

**ACCESSORIES GROUP (CONTINUED)**

**GENERATORS AND INSTALLATION KITS**

| Key | Part Number   | U/M | Description                                       |
|-----|---------------|-----|---|
| **  | 054427-01-000 | EA  | Generator - 3.0 kw Onan                           |
|     | 701629-02-000 | EA  | Installation Package - Onan Generator             |
|     | 049360-07-000 | EA  | Console - Overhead - Blank                        |
|     | 049360-03-000 | EA  | Console - Overhead (Voltmeter and battery switch) |
|     | 057652-01-000 | EA  | Muffler - Generator - 3.0 AJ                      |
|     | 024732-01-001 | EA  | Tall Pipe - 1 1/2" O.D. x 23"                     |
|     | 740313-72-000 | EA  | Tray - Generator - 3.0 kw - Onan                  |

\*\*The illustrated parts breakdown for this item is provided on the Common Items Fiche.

**1981 WINNEBAGO  
TABLE OF CONTENTS**

|                            |             |
|----------------------------|-------------|
| WD420RG M1, V/C/WD420RG M2 | A-1 - B-14  |
| WDF26RH M1, WCF26RH M2     | B-15 - D-12 |
| WDF26RT M1, WCF26RT M2     | D-13 - F-20 |

**RADIOS AND RELATED COMPONENTS**

| Key | Part Number   | U/M | Description                                     |
|-----|---------------|-----|---|
|     | 007004-01-000 | EA  | Antenna - Radio - Cab Mount                     |
|     | 064785-01-000 | EA  | Radio - AM - Audiovox                           |
|     | 064786-01-000 | EA  | Radio - AM/FM/MPX - w/B Track - Audiovox        |
|     | 064787-01-000 | EA  | Radio - AM/FM/MPX - w/Cassette - Audiovox       |
|     | 064788-01-000 | EA  | Radio - AM/FM - Digital - w/Cassette - Audiovox |
|     | 064789-01-000 | EA  | Radio - AM/FM - Digital - w/B Track - Audiovox  |
|     | 064791-01-000 | EA  | Speaker - Recessed - 5.25" Dia.                 |
|     | 064792-01-000 | EA  | Grille - Speaker - Brown                        |
|     | 064793-01-000 | EA  | Trimplate - Radio - Dodge C-Body                |
|     | 064794-01-000 | EA  | Trimplate - Radio - Chevy C-Body                |

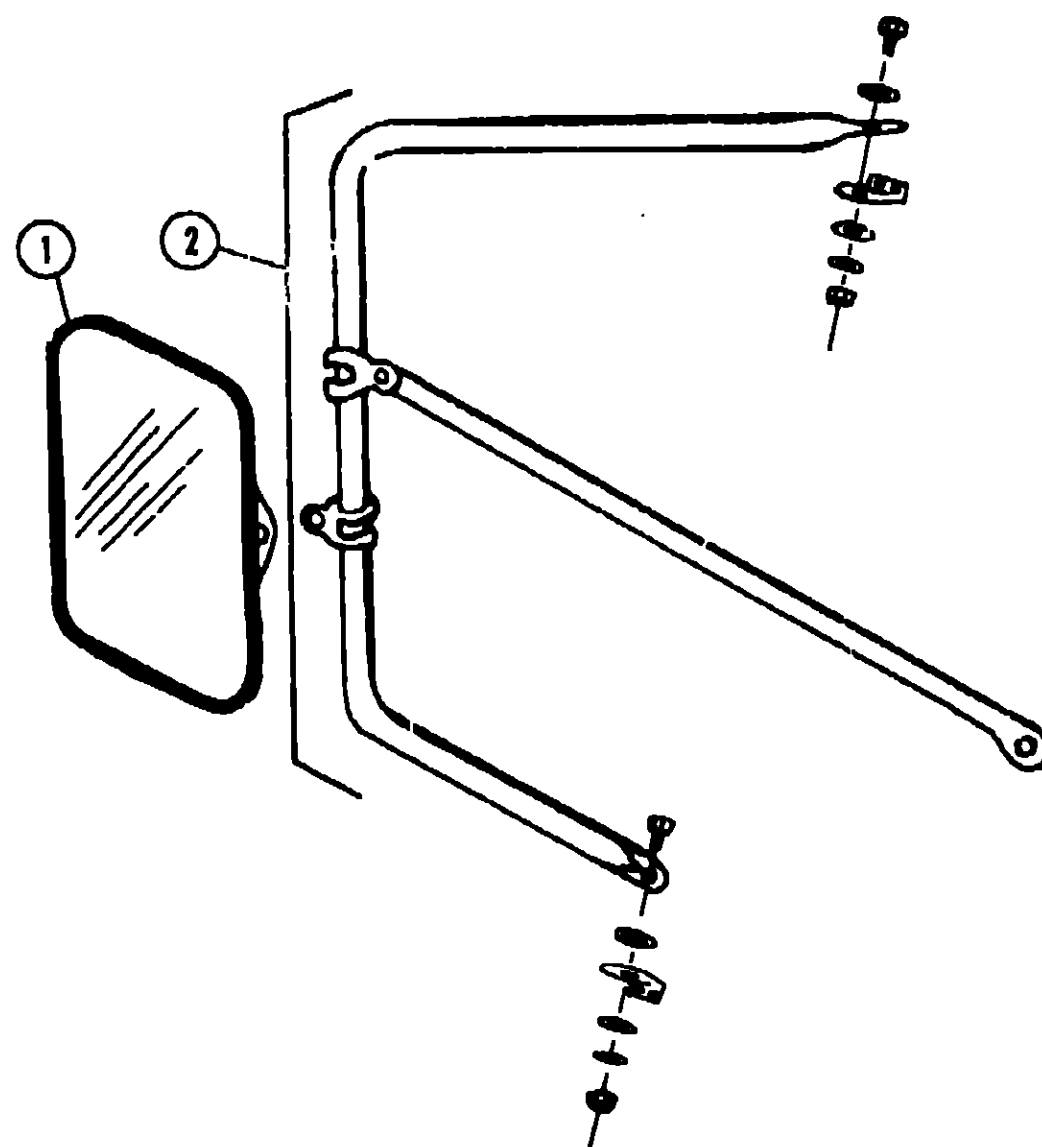
**MISCELLANEOUS ACCESSORIES**

| Key | Part Number   | U/M | Description                                |
|-----|---------------|-----|--|
|     | 067123-01-000 | EA  | Luggage Rack                               |
|     | 067203-01-000 | EA  | Ladder Asm. - w/o Luggage Rack             |
|     | 006053-01-000 | EA  | Antenna Asm. - TV - Braund Delux           |
|     | 006093-01-000 | EA  | Jack - TV - Brown                          |
|     | 052771-02-000 | EA  | Microwave Oven - Magic Chef MW207          |
| **  | 059778-01-000 | EA  | Speed Control - Dodge - Electric - Dana    |
| **  | 059779-01-000 | EA  | Speed Control - Chev. - Electric - Dana    |
| **  | 031396-03-000 | EA  | Wheel Cover - 16.5" - Chrome               |
|     | 040466-07-000 | EA  | Cover - Spare Tire - 29" - Off White       |
|     | 041944-03-000 | EA  | Fire Extinguisher - 5 BC                   |
|     | 054185-12-000 | EA  | Owners Manual - 1981 Winnebago & Itasca    |
|     | 007038-01-000 | EA  | Mat - Door - Black Rubber - 10 1/2" x 26"  |
|     | 017516-01-000 | EA  | Mudflap - Black Rubber - 14" x 18" w/Holes |

\*\*The illustrated parts breakdown for this item is provided on the Common Items Fiche.

**1981 WD/WC420RG M1, M2 INDEX**

|                                    |             |
|------------------------------------|-------------|
| Floor Plan                         | A-1 - A-2   |
| Accessories Group                  | A-3 - A-4   |
| Bath Group                         | A-5         |
| Chassis Group                      | A-6         |
| Curtain, Cushion & Pad Group       | A-7 - A-13  |
| Dinette Group                      | A-14        |
| Driver's Compartment Group         | A-15        |
| Electrical Group                   | A-15 - A-17 |
| Exterior Body Group                | A-18 - A-22 |
| Galley Group                       | A-23        |
| Heating & Air Conditioning Group   | A-24        |
| Interior Finish Group              | B-1 - B-2   |
| LP Group                           | B-3         |
| Lounge Group                       | B-4         |
| Water & Sewage Group               | B-5         |
| Window, Vent & Exterior Door Group | B-6 - B-14  |



| Key | Part Number   | U/M | Description   |
|-----|---------------|-----|---|
| 1   | 057461-01-000 | EA  | Mirror Head - 7.5" x 10.5" - w/Convex - Bright Finish |
| 1   | 057461-02-000 | EA  | Mirror Head - 7.5" x 10.5" - w/Convex - Off White     |
| 2   | 062047-01-000 | EA  | Arm - West Coast Mirror - Bright Finish               |
| 2   | 062047-02-000 | EA  | Arm - West Coast Mirror - Off White                   |

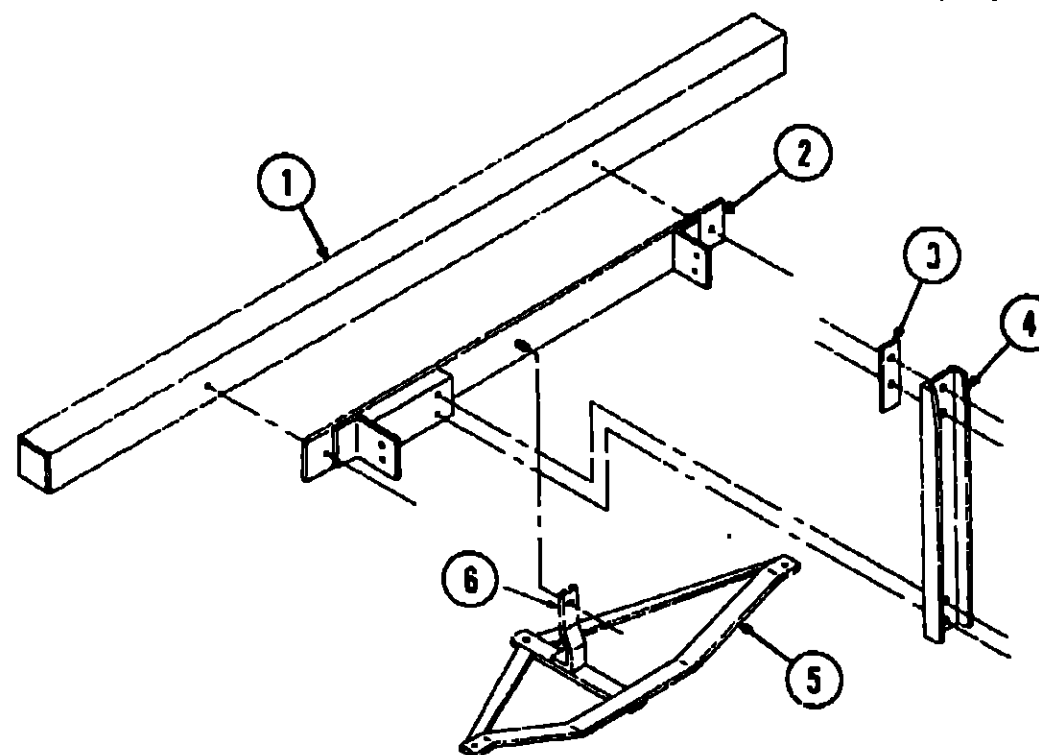
## BATH GROUP

| Key | Part Number   | U/M | Description                                       |
|-----|---------------|-----|---|
|     | M88593-01-M04 | EA  | Door Asm. - Bathroom - w/o Hardware               |
|     | M68593-01-L01 | EA  | Door Asm. - Bathroom - w/o Hardware               |
|     | 009150-01-000 | EA  | Warp Guard - 84"                                  |
|     | 058335-01-000 | EA  | Latch - Bathroom Door                             |
|     | 064595-01-000 | EA  | Sink - Lavatory - Ivory Plastic                   |
| **  | 011056-01-000 | EA  | Faucet - Lavatory - U.S.                          |
| **  | 011056-02-000 | EA  | Faucet - Lavatory - C.S.A.                        |
|     | 011059-03-000 | EA  | Faucet - Shower                                   |
|     | 011083-01-000 | EA  | Plug - Sink - 1 1/4" - w/Chain                    |
| **  | 011048-01-000 | EA  | Shower Head - w/60" Hose                          |
|     | 010495-01-000 | EA  | Clamp - Shower Hose - 9/16"                       |
|     | 046112-04-000 | EA  | Mirror - Plastic - 1/8" x 19" x 26"               |
|     | 046113-01-000 | EA  | Rosette - Mirror Mounting                         |
|     | 009134-01-000 | EA  | Holder - Tissue                                   |
|     | 057671-01-000 | EA  | Cover - Screw - No. 8                             |
|     | 009252-01-000 | EA  | Cabinet - Medicine - Gold                         |
|     | 009256-01-000 | EA  | Mirror - Medicine Cabinet Door - 9 7/8" x 14 7/8" |
|     | 035337-22-000 | EA  | Trim - I/S Corner - Aluminum - 80.88"             |
|     | 034394-02-000 | EA  | Extr. Vinyl Insert - Beige                        |
| **  | 011069-01-000 | EA  | Tailpiece - 1 1/4" x 4" - Brass                   |
|     | 064369-01-000 | EA  | Shower Pan - 29" x 41" - Ivory Plastic            |
|     | 066440-01-000 | EA  | Strainer - Shower Pan - w/Rubber Washer           |
|     | 039341-02-000 | EA  | Toilet - Thetford - Aqua Magic - Ivory - 8420 SH  |

\*\*The illustrated parts breakdown for this item is provided on the Common Items Fiche.

## CHASSIS GROUP

| Key | Part Number   | U/M | Description                                 |
|-----|---------------|-----|---|
|     | 057822-01-000 | EA  | Tray - Battery - Steel                      |
|     | 057724-01-000 | EA  | Wheelwell - Black Plastic                   |
|     | 740313-72-000 | EA  | Tray - Generator - 3.0 kw - Onan            |
|     | 051697-01-000 | EA  | Bracket - Battery Tie Down - 6.88"          |
|     | 051697-02-000 | EA  | Bracket - Battery Tie Down - 12"            |
|     | 051697-03-000 | EA  | Bracket - Battery Tie Down - 13 3/4"        |
|     | 024652-01-700 | EA  | Step Asm. - Entry Door                      |
|     | 007125-01-000 | EA  | Clamp - Muffler - 1.62" Dia. - Generator    |
|     | 017516-01-000 | EA  | Mud Flap - Black Rubber - 14" x 18"         |
|     | 037291-01-000 | EA  | Tire - 8.00 x 16.5 - 8 Ply - Black Tubeless |
|     | 062400-01-000 | EA  | Wheel - 6.00 x 16.5 - Dodge                 |
|     | 007131-01-000 | EA  | Hanger - Tail Pipe                          |
|     | 047084-01-000 | EA  | Blade Asm. - Windshield Wiper               |
|     | 059540-01-000 | EA  | Bracket - License Plate - Rear              |
|     | 063303-03-000 | EA  | Shroud - Fuel Fill - Interior               |
|     | 040466-07-000 | EA  | Cover - Tire - 29" Off White                |



| Key | Part Number   | U/M | Description   |
|-----|---------------|-----|---|
| 1   | 064602-01-000 | EA  | Bumper Asm. - Square - 92" - Off White                      |
| .   | 039779-01-000 | EA  | Cap - Rubber - 4" x 4" - Square Bumper                      |
| 2   | 064601-01-000 | EA  | Bracket - Bumper Mount                                      |
| 3   | 040974-01-000 | EA  | Bracket - Spare Tire Retainer - 2" x 6.75"                  |
| 4   | 064598-01-000 | EA  | Bracket Asm. - Spare Tire Carrier                           |
| 5   | 064833-02-000 | EA  | Trailer Hitch Asm.  |
| 6   | 064824-01-000 | EA  | Support - Trailer Hitch                                     |
| .   | 041332-01-000 | EA  | Bumper Cover w/Reflector - Aluminum - Fits 4" Square Bumper |
| .   | 041332-02-000 | EA  | Reflector - 6 1/2" x 3/4" - Bumper Cover                    |

\*The illustrated parts breakdown for this item is provided on the Common Items Fiche.

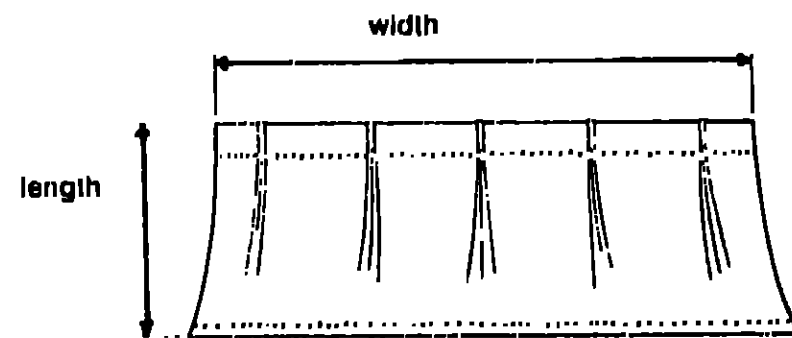
## 1981 WINNEBAGO TABLE OF CONTENTS

|                           |             |
|---------------------------|-------------|
| WD420RG M1, WC/WD420RG M2 | A-1 - B-14  |
| WDF26RH M1, WCF26RH M2    | B-15 - D-12 |
| WDF26RT M1, WCF26RT M2    | D-13 - F-20 |

## 1981 WD/WC420RG M1, M2 INDEX

|                                    |             |
|------------------------------------|-------------|
| Floor Plan                         | A-1 - A-2   |
| Accessories Group                  | A-3 - A-4   |
| Bath Group                         | A-5         |
| Chassis Group                      | A-6         |
| Curtain, Cushion & Pad Group       | A-7 - A-13  |
| Dinette Group                      | A-14        |
| Driver's Compartment Group         | A-15        |
| Electrical Group                   | A-15 - A-17 |
| Exterior Body Group                | A-18 - A-22 |
| Galley Group                       | A-23        |
| Heating & Air Conditioning Group   | A-24        |
| Interior Finish Group              | B-1 - B-2   |
| LP Group                           | B-3         |
| Lounge Group                       | B-4         |
| Water & Sewage Group               | B-5         |
| Window, Vent & Exterior Door Group | B-6 - B-14  |

**CURTAIN, CUSHION AND PAD GROUP**



**NOTE:**  
Use this illustration when determining length and width measurements for curtains. You will note the width measurement is taken on the top of the curtain with the curtain fully extended. The length measurement is taken from top to bottom.

**CURTAINS AND TIE BACKS**

| Key | Part Number   | U/M | Description   |
|-----|---------------|-----|---|
|     | 054045-03-L01 | EA  | Curtain Asm. w/Snap Top and Bottom - 17.5" x 42" - Dublin Flax  |
|     | 054045-03-M04 | EA  | Curtain Asm. w/Snap Top and Bottom - 17.5" x 42" - Champagne    |
|     | 056484-37-L01 | EA  | Curtain Asm. w/Snap Top and Bottom - 30.5" x 42" - Dublin Flax  |
|     | 056484-37-M01 | EA  | Curtain Asm. w/Snap Top and Bottom - 30.5" x 42" - Champagne    |
|     | 054051-02-L01 | EA  | Curtain Asm. w/Snap Top - 34" x 37" - Dublin Flax               |
|     | 054051-02-M01 | EA  | Curtain Asm. w/Snap Top - 34" x 37" - Champagne                 |
|     | 054051-11-L01 | EA  | Curtain Asm. w/Snap Top - 32" x 96" - Dublin Flax               |
|     | 054051-11-M04 | EA  | Curtain Asm. w/Snap Top - 32" x 96" - Champagne                 |
|     | 054103-01-L01 | EA  | Curtain Asm. w/Snap Top - 15.5" x 42" - Dublin Flax             |
|     | 054103-01-M01 | EA  | Curtain Asm. w/Snap Top - 15.5" x 42" - Champagne               |
|     | 068545-02-L01 | EA  | Curtain w/Taped Top and Snap Bottom - 29.5" x 42" - Dublin Flax |
|     | 068545-02-M01 | EA  | Curtain w/Taped Top and Snap Bottom - 29.5" x 42" - Champagne   |
|     | 056484-38-L01 | EA  | Curtain w/Taped Top - 30" x 9" - Dublin Flax                    |
|     | 056484-38-M01 | EA  | Curtain w/Taped Top - 30" x 9" - Champagne                      |
|     | 056484-39-L01 | EA  | Curtain w/Taped Top - 40.5" x 25.5" - Dublin Flax               |
|     | 056484-39-M01 | EA  | Curtain w/Taped Top - 40.5" x 25.5" - Champagne                 |
|     | 059900-02-L01 | EA  | Curtain Asm. - Front Wraparound - 23" x 64" - Dublin Flax       |
|     | 059900-02-M04 | EA  | Curtain Asm. - Front Wraparound - 23" x 64" - Champagne         |
|     | 054048-08-L01 | EA  | Tie Back Asm. - 2" x 18" - Brown                                |
|     | 054048-08-L02 | EA  | Tie Back Asm. - 2" x 18" - Rust                                 |
|     | 054048-08-L03 | EA  | Tie Back Asm. - 2" x 18" - Blue                                 |
|     | 054048-08-M01 | EA  | Tie Back Asm. - 2" x 18" - Rust                                 |
|     | 054048-08-M02 | EA  | Tie Back Asm. - 2" x 18" - Blue                                 |
|     | 054048-08-M03 | EA  | Tie Back Asm. - 2" x 18" - Brown                                |
|     | 057534-03-000 | EA  | Tie Back Asm. - 7.5" - Clear Plastic                            |
|     | 057534-01-000 | EA  | Tie Back Asm. - 6" - Clear Plastic                              |

**SHADES**

| Key | Part Number   | U/M | Description               |
|-----|---------------|-----|---------------------------|
|     | 065522-02-000 | EA  | Shade Asm. - 21.25" x 38" |
|     | 065522-07-000 | EA  | Shade Asm. - 33.25" x 50" |
|     | 065522-12-000 | EA  | Shade Asm. - 69.25" x 38" |
|     | 065522-13-000 | EA  | Shade Asm. - 72.25" x 38" |

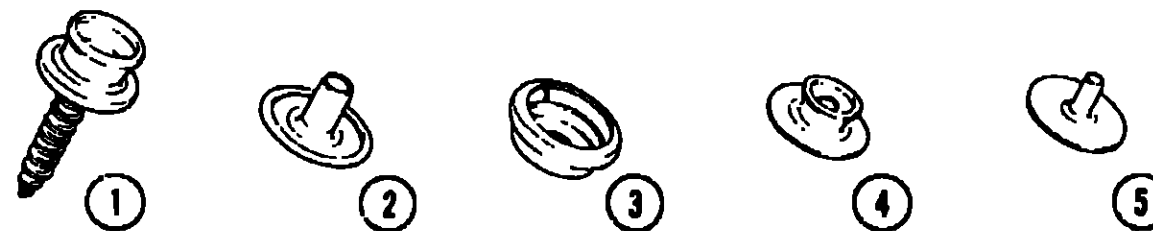
**CURTAIN, CUSHION AND PAD GROUP (CONTINUED)**

**VALANCES**

| Key | Part Number   | U/M | Description                       |
|-----|---------------|-----|-----------------------------------|
|     | 065892-09-L01 | EA  | Valance Asm. - 6.5" x 78" - Brown |
|     | 065892-09-L02 | EA  | Valance Asm. - 6.5" x 78" - Rust  |
|     | 065892-09-L03 | EA  | Valance Asm. - 6.5" x 78" - Blue  |
|     | 065892-09-M01 | EA  | Valance Asm. - 6.5" x 78" - Rust  |
|     | 065892-09-M02 | EA  | Valance Asm. - 6.5" x 78" - Blue  |
|     | 065892-09-M03 | EA  | Valance Asm. - 6.5" x 78" - Brown |
|     | 065892-14-L01 | EA  | Valance Asm. - 6.5" x 67" - Brown |
|     | 065892-14-L02 | EA  | Valance Asm. - 6.5" x 67" - Rust  |
|     | 065892-14-L03 | EA  | Valance Asm. - 6.5" x 67" - Blue  |
|     | 065892-14-M01 | EA  | Valance Asm. - 6.5" x 67" - Rust  |
|     | 065092-14-M02 | EA  | Valance Asm. - 6.5" x 67" - Blue  |
|     | 065892-14-M03 | EA  | Valance Asm. - 6.5" x 67" - Brown |
|     | 065892-15-L01 | EA  | Valance Asm. - 6.5" x 81" - Brown |
|     | 065892-15-L02 | EA  | Valance Asm. - 6.5" x 81" - Rust  |
|     | 065892-15-L03 | EA  | Valance Asm. - 6.5" x 81" - Blue  |
|     | 065892-15-M01 | EA  | Valance Asm. - 6.5" x 81" - Rust  |
|     | 065892-15-M02 | EA  | Valance Asm. - 6.5" x 81" - Blue  |
|     | 065892-15-M03 | EA  | Valance Asm. - 6.5" x 81" - Brown |

**CURTAIN HARDWARE**

| Key | Part Number   | U/M | Description                                      |
|-----|---------------|-----|--|
|     | 052327-04-236 | EA  | Track - Curtain - Brown Alum. - 89" w/Holes      |
|     | 056116-01-000 | FT  | Track - Curtain - Brown Plastic                  |
|     | 056001-01-000 | EA  | Bracket - Shade - Left                           |
|     | 056002-01-000 | EA  | Bracket - Shade - Right                          |
|     | 056003-01-000 | EA  | Bracket - Drapery Retainer - Right               |
|     | 056003-02-000 | EA  | Bracket - Drapery Retainer - Left                |
|     | 053272-01-001 | EA  | Track - Curtain - Off White - 89" w/Holes        |
|     | 056784-01-000 | EA  | Pull - Window Shade - Antique Brass              |
|     | 009107-01-000 | EA  | Guide - Nylon Snap - Curtain                     |
|     | 018031-46-000 | EA  | Track - Curtain - "L" Rod - Alum. - Extr. - 182" |
|     | 009701-01-000 | EA  | Carrier - "L" Rod - Curtain                      |
|     | 009702-01-000 | EA  | End Stop - "L" Rod - Curtain                     |
|     | 056115-01-000 | YD  | Tape - Clear Plastic - w/Guides                  |
|     | 048394-01-000 | YD  | Tape - Hook - 1" x 25 YD - Beige                 |
|     | 048395-01-000 | YD  | Tape - Loop - 1" x 25 YD - Beige                 |



| Key | Part Number     | U/M | Description                           |
|-----|-----------------|-----|---------------------------------------|
|     | 1 029130-01-000 | EA  | Socket - Snap Fastener                |
|     | 2 029155-01-000 | EA  | Cap - Snap - .156" Dia. x .17" Barrel |
|     | 3 029158-01-000 | EA  | Socket - Snap Fastener                |
|     | 4 029092-01-000 | EA  | Stud - Nickel Finish                  |
|     | 5 029093-01-000 | EA  | Eyelet - Nickel Finish                |

**1981 WINNEBAGO  
TABLE OF CONTENTS**

|                           |             |
|---------------------------|-------------|
| WD420RG M1, WC/WD420RG M2 | A-1 - B-14  |
| WDF28RH M1, WCF26RH M2    | B-15 - D-12 |
| WDF26RT M1, WCF20RT M2    | D-13 - F-20 |

**1981 WD/WC420RG M1, M2 INDEX**

|                                    |             |
|------------------------------------|-------------|
| Floor Plan                         | A-1 - A-2   |
| Accessories Group                  | A-3 - A-4   |
| Bath Group                         | A-5         |
| Chassis Group                      | A-6         |
| Curtain, Cushion and Pad Group     | A-7 - A-13  |
| Dinette Group                      | A-14        |
| Driver's Compartment Group         | A-15        |
| Electrical Group                   | A-15 - A-17 |
| Exterior Body Group                | A-18 - A-22 |
| Galley Group                       | A-23        |
| Heating & Air Conditioning Group   | A-24        |
| Interior Finish Group              | B-1 - B-2   |
| LP Group                           | B-3         |
| Lounge Group                       | B-4         |
| Water & Sewage Group               | B-5         |
| Window, Vent & Exterior Door Group | B-6 - B-14  |

**CURTAIN, CUSHION AND PAD GROUP (CONTINUED)**

**FABRICS, TRIMS AND PADS**

| Key | Part Number   | U/M | Description   |
|-----|---------------|-----|---|
|     | 064393-04-000 | YD  | Fabric - Drapery - Dublin Flax (L01)                          |
|     | 068339-01-000 | YD  | Fabric - Drapery - Champagne (M01)                            |
|     | 064383-01-000 | YD  | Fabric - Upholstery - Biscayne Sienna - (Brown) (L01)         |
|     | 064363-06-000 | YD  | Fabric - Upholstery - Biscayne Rust (L02)                     |
|     | 064383-07-000 | YD  | Fabric - Upholstery - Biscayne Blue (L03)                     |
|     | 068339-01-000 | YD  | Fabric - Upholstery - Rust (M01)                              |
|     | 068339-02-000 | YD  | Fabric - Upholstery - Blue (M02)                              |
|     | 068339-03-000 | YD  | Fabric - Upholstery - Brown (M03)                             |
|     | 053327-01-000 | YD  | Vinyl - Non Expanded - 27 oz. - Acorn Brown                   |
|     | 053327-02-000 | YD  | Vinyl - Expanded - 28 oz. - Acorn Brown                       |
|     | 053327-03-000 | YD  | Vinyl - Non Support - 16 Gauge Film - Acorn Brown             |
|     | 057592-02-L01 | EA  | Button Asm. - Pivot - #30 - Armrest - Brown                   |
|     | 057592-02-L02 | EA  | Button Asm. - Pivot - #30 - Armrest - Rust                    |
|     | 057592-02-L03 | EA  | Button Asm. - Pivot - #30 - Armrest - Blue                    |
|     | 057591-02-L01 | EA  | Button Asm. - Nail Pivot - #30 - Armrest - Brown              |
|     | 057591-02-L02 | EA  | Button Asm. - Nail Pivot - #30 - Armrest - Rust               |
|     | 057591-02-L03 | EA  | Button Asm. - Nail Pivot - #30 - Armrest - Blue               |
|     | 057550-01-L01 | EA  | Button Asm. - Fabric - Nail - #36 - Brown                     |
|     | 057550-01-L02 | EA  | Button Asm. - Fabric - Nail - #36 - Rust                      |
|     | 057550-01-L03 | EA  | Button Asm. - Fabric - Nail - #36 - Blue                      |
|     | 054676-05-L01 | EA  | Button Asm. - Cloth - #45 - Brown                             |
|     | 054676-05-L02 | EA  | Button Asm. - Cloth - #45 - Rust                              |
|     | 054676-05-L03 | EA  | Button Asm. - Cloth - #45 - Blue                              |
|     | 054676-06-L01 | EA  | Button Asm. - Cloth - #30 - Brown                             |
|     | 054676-06-L02 | EA  | Button Asm. - Cloth - #30 - Rust                              |
|     | 054676-06-L03 | EA  | Button Asm. - Cloth - #30 - Blue                              |
|     | 054676-07-L01 | EA  | Button Asm. - Vinyl - #45 - Acorn Brown                       |
|     | 057093-01-L01 | EA  | Button Asm. - Vinyl - Nail Back - #60                         |
|     | 057550-03-M04 | EA  | Button Asm. - Vinyl - Nail Back - #36                         |
|     | 057592-02-M01 | EA  | Button Asm. - Pivot - #30 - Armrest - Rust                    |
|     | 057592-02-M02 | EA  | Button Asm. - Pivot - #30 - Armrest - Blue                    |
|     | 057592-02-M03 | EA  | Button Asm. - Pivot - #30 - Armrest - Brown                   |
|     | 051591-02-M01 | EA  | Button Asm. - Nail Pivot - #30 - Armrest - Rust               |
|     | 051591-02-M02 | EA  | Button Asm. - Nail Pivot - #30 - Armrest - Blue               |
|     | 051591-02-M03 | EA  | Button Asm. - Nail Pivot - #30 - Armrest - Brown              |
|     | 057550-01-M01 | EA  | Button Asm. - Fabric - Nail - #36 - Rust                      |
|     | 057550-01-M02 | EA  | Button Asm. - Fabric - Nail - #36 - Blue                      |
|     | 057550-01-M03 | EA  | Button Asm. - Fabric - Nail - #36 - Brown                     |
|     | 054676-05-M01 | EA  | Button Asm. - Cloth - #45 - Rust                              |
|     | 054676-05-M02 | EA  | Button Asm. - Cloth - #45 - Blue                              |
|     | 054676-05-M03 | EA  | Button Asm. - Cloth - #45 - Brown                             |
|     | 054676-06-M01 | EA  | Button Asm. - Cloth - #30 - Rust                              |
|     | 054676-06-M02 | EA  | Button Asm. - Cloth - #30 - Blue                              |
|     | 054676-06-M03 | EA  | Button Asm. - Cloth - #30 - Brown                             |
|     | 052859-01-J27 | FT  | Trim Asm. - Accent - Acorn Brown Vinyl                        |
|     | 057794-02-L01 | EA  | Pad Asm. - End Panel - Dinette Overhead Cabinet - Acorn Vinyl |
|     | 053719-01-M04 | EA  | Headliner - Cab - Acorn Vinyl                                 |
|     | 054015-01-K01 | EA  | Pad Asm. - Cab Door Trim - Acorn Vinyl - Dodge - Left         |
|     | 054015-02-K01 | EA  | Pad Asm. - Cab Door Trim - Acorn Vinyl - Dodge - Right        |
|     | 056567-02-M01 | EA  | Pad Asm. - Cab Door Trim - Acorn Vinyl - Chevy - Right        |
|     | 056580-02-M01 | EA  | Pad Asm. - Cab Door Trim - Acorn Vinyl - Chevy - Left         |

**CURTAIN, CUSHION AND PAD GROUP (CONTINUED)**

**BUCKET SEATS AND ARMRESTS**

| Key | Part Number   | U/M | Description  |
|-----|---------------|-----|--|
|     | 067035-04-L01 | EA  | Slip Cover - Dodge Bucket Seat - Brown               |
|     | 067035-04-L02 | EA  | Slip Cover - Dodge Bucket Seat - Rust                |
|     | 067035-04-L03 | EA  | Slip Cover - Dodge Bucket Seat - Blue                |
|     | 067035-04-M01 | EA  | Slip Cover - Dodge Bucket Seat - Rust                |
|     | 067035-04-M02 | EA  | Slip Cover - Dodge Bucket Seat - Blue                |
|     | 067035-04-M03 | EA  | Slip Cover - Dodge Bucket Seat - Brown               |
|     | 067035-03-M01 | EA  | Slip Cover - Chevy Bucket Seat - Rust                |
|     | 067035-03-M02 | EA  | Slip Cover - Chevy Bucket Seat - Blue                |
|     | 067035-03-M03 | EA  | Slip Cover - Chevy Bucket Seat - Brown               |
|     | 065938-05-L01 | EA  | Seat Asm. - High Back Bucket w/Right Armrest - Brown |
|     | 065938-05-L02 | EA  | Seat Asm. - High Back Bucket w/Right Armrest - Rust  |
|     | 065938-05-L03 | EA  | Seat Asm. - High Back Bucket w/Right Armrest - Blue  |
|     | 065938-05-M01 | EA  | Seat Asm. - High Back Bucket w/Right Armrest - Rust  |
|     | 065938-05-M02 | EA  | Seat Asm. - High Back Bucket w/Right Armrest - Blue  |
|     | 065938-05-M03 | EA  | Seat Asm. - High Back Bucket w/Right Armrest - Brown |
|     | 065938-04-L01 | EA  | Seat Asm. - High Back Bucket w/Left Armrest - Brown  |
|     | 065938-04-L02 | EA  | Seat Asm. - High Back Bucket w/Left Armrest - Rust   |
|     | 065938-04-L03 | EA  | Seat Asm. - High Back Bucket w/Left Armrest - Blue   |
|     | 065938-04-M01 | EA  | Seat Asm. - High Back Bucket w/Left Armrest - Rust   |
|     | 065938-04-M02 | EA  | Seat Asm. - High Back Bucket w/Left Armrest - Blue   |
|     | 065938-04-M03 | EA  | Seat Asm. - High Back Bucket w/Left Armrest - Brown  |
|     | 065943-02-L01 | EA  | Cover - Bucket Seat - Back - Brown                   |
|     | 065943-02-L02 | EA  | Cover - Bucket Seat - Back - Rust                    |
|     | 065943-02-L03 | EA  | Cover - Bucket Seat - Back - Blue                    |
|     | 065943-02-M01 | EA  | Cover - Bucket Seat - Back - Rust                    |
|     | 065943-02-M02 | EA  | Cover - Bucket Seat - Back - Blue                    |
|     | 065943-02-M03 | EA  | Cover - Bucket Seat - Back - Brown                   |
|     | 065944-02-L01 | EA  | Cover - Bucket Seat - Bottom - Brown                 |
|     | 065944-02-L02 | EA  | Cover - Bucket Seat - Bottom - Rust                  |
|     | 065944-02-L03 | EA  | Cover - Bucket Seat - Bottom - Blue                  |
|     | 065944-02-M01 | EA  | Cover - Bucket Seat - Bottom - Rust                  |
|     | 065944-02-M02 | EA  | Cover - Bucket Seat - Bottom - Blue                  |
|     | 065944-02-M03 | EA  | Cover - Bucket Seat - Bottom - Brown                 |
|     | 050275-01-700 | EA  | Armrest Asm. - Foam w/o Cover - Right                |
|     | 050276-01-700 | EA  | Armrest Asm. - Foam w/o Cover - Left                 |
|     | 065774-02-L01 | EA  | Cover - Armrest - Right or Left - Brown              |
|     | 065774-02-L02 | EA  | Cover - Armrest - Right or Left - Rust               |
|     | 065774-02-L03 | EA  | Cover - Armrest - Right or Left - Blue               |
|     | 065774-02-M01 | EA  | Cover - Armrest - Right or Left - Rust               |
|     | 065774-02-M02 | EA  | Cover - Armrest - Right or Left - Blue               |
|     | 065774-02-M03 | EA  | Cover - Armrest - Right or Left - Brown              |

**1981 WINNEBAGO  
TABLE OF CONTENTS**

|                          |             |
|--------------------------|-------------|
| WD420RG M1, WC/W420RG M2 | A-1 - B-14  |
| WDF26RH M1, WCF26RH M2   | B-15 - D-12 |
| WDF26RT M1, WCF26RT M2   | D-13 - F-20 |

**1981 WD/WC420RG M1, M2 INDEX**

|                                    |             |
|------------------------------------|-------------|
| Floor Plan                         | A-1 - A-2   |
| Accessories Group                  | A-3 - A-4   |
| Bath Group                         | A-5         |
| Chassis Group                      | A-6         |
| Curtain, Cushion and Pad Group     | A-7 - A-13  |
| Dinette Group                      | A-14        |
| Driver's Compartment Group         | A-15        |
| Electrical Group                   | A-15 - A-17 |
| Exterior Body Group                | A-18 - A-22 |
| Galley Group                       | A-23        |
| Heating & Air Conditioning Group   | A-24        |
| Interior Finish Group              | B-1 - B-2   |
| LP Group                           | B-3         |
| Lounge Group                       | B-4         |
| Water & Sewage Group               | B-5         |
| Window, Vent & Exterior Door Group | B-6 - B-14  |

REAR LOUNGE CUSHIONS

| Key | Part Number   | U/M | Description  |
|-----|---------------|-----|--|
| 1   | 064706-01-L01 | EA  | Cushion - Lester Lounge - Back and Bottom - 76" - Brown    |
| 1   | 064706-01-L02 | EA  | Cushion - Lester Lounge - Back and Bottom - 76" - Rust     |
| 1   | 064706-01-L03 | EA  | Cushion - Lester Lounge - Back and Bottom - 76" - Blue     |
| 1   | 068678-01-M01 | EA  | Cushion - Lester Lounge - Back and Bottom - 76" - Rust     |
| 1   | 068678-01-M02 | EA  | Cushion - Lester Lounge - Back and Bottom - 76" - Blue     |
| 1   | 068678-01-M03 | EA  | Cushion - Lester Lounge - Back and Bottom - 76" - Brown    |
|     | 064707-01-L01 | EA  | Cover - Lester Lounge - Back and Bottom - 76" - Brown      |
|     | 064707-01-L02 | EA  | Cover - Lester Lounge - Back and Bottom - 76" - Rust       |
|     | 064707-01-L03 | EA  | Cover - Lester Lounge - Back and Bottom - 76" - Blue       |
|     | M68678-01-M01 | EA  | Cover - Lester Lounge - Back and Bottom - 76" - Rust       |
|     | M68678-01-M02 | EA  | Cover - Lester Lounge - Back and Bottom - 76" - Blue       |
|     | M68678-01-M03 | EA  | Cover - Lester Lounge - Back and Bottom - 76" - Brown      |
|     | 065985-03-L01 | EA  | Cushion - Lounge - 6" x 76" x 4.5" - Brown                 |
|     | 065985-03-L02 | EA  | Cushion - Lounge - 6" x 76" x 4.5" - Rust                  |
|     | 065985-03-L03 | EA  | Cushion - Lounge - 6" x 76" x 4.5" - Blue                  |
|     | 065985-03-M01 | EA  | Cushion - Lounge - 6" x 76" x 4.5" - Rust                  |
|     | 065985-03-M02 | EA  | Cushion - Lounge - 6" x 76" x 4.5" - Blue                  |
|     | 065985-03-M03 | EA  | Cushion - Lounge - 6" x 76" x 4.5" - Brown                 |
|     | 065986-03-L01 | EA  | Cover - Lounge Cushion - 6" x 76" x 4.5" - Brown           |
|     | 065986-03-L02 | EA  | Cover - Lounge Cushion - 6" x 76" x 4.5" - Rust            |
|     | 065986-03-L03 | EA  | Cover - Lounge Cushion - 6" x 76" x 4.5" - Blue            |
|     | 065986-03-M01 | EA  | Cover - Lounge Cushion - 6" x 76" x 4.5" - Rust            |
|     | 065986-03-M02 | EA  | Cover - Lounge Cushion - 6" x 76" x 4.5" - Blue            |
|     | 065986-03-M03 | EA  | Cover - Lounge Cushion - 6" x 76" x 4.5" - Brown           |
| 2   | 064700-09-L01 | EA  | Cushion - Lounge Bottom - 22.5" x 16" x 5.5" - Brown       |
| 2   | 064700-09-L02 | EA  | Cushion - Lounge Bottom - 22.5" x 16" x 5.5" - Rust        |
| 2   | 064700-09-L03 | EA  | Cushion - Lounge Bottom - 22.5" x 16" x 5.5" - Blue        |
| 2   | 068579-07-M01 | EA  | Cushion - Lounge Bottom - 22.5" x 16" x 5.5" - Rust        |
| 2   | 068579-07-M02 | EA  | Cushion - Lounge Bottom - 22.5" x 16" x 5.5" - Blue        |
| 2   | 068579-07-M03 | EA  | Cushion - Lounge Bottom - 22.5" x 16" x 5.5" - Brown       |
|     | 064701-08-L01 | EA  | Cover - Lounge Bottom Cushion - 22.5" x 16" x 5.5" - Brown |
|     | 064701-08-L02 | EA  | Cover - Lounge Bottom Cushion - 22.5" x 16" x 5.5" - Rust  |
|     | 064701-08-L03 | EA  | Cover - Lounge Bottom Cushion - 22.5" x 16" x 5.5" - Blue  |
|     | M68579-07-M01 | EA  | Cover - Lounge Bottom Cushion - 22.5" x 16" x 5.5" - Rust  |
|     | M68579-07-M02 | EA  | Cover - Lounge Bottom Cushion - 22.5" x 16" x 5.5" - Blue  |
|     | M68579-07-M03 | EA  | Cover - Lounge Bottom Cushion - 22.5" x 16" x 5.5" - Brown |

FRONT BUNK MATTRESS

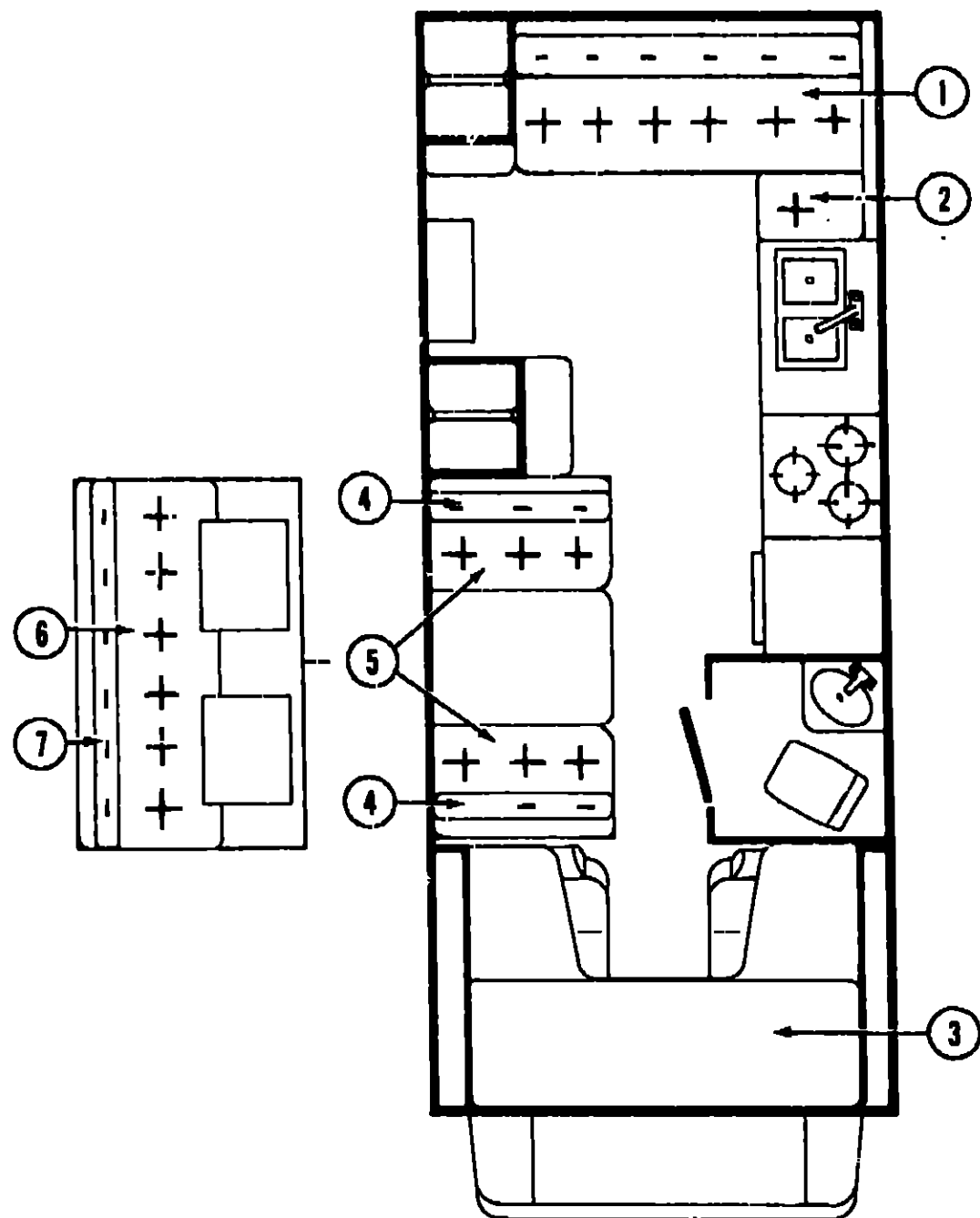
| Key | Part Number   | U/M | Description   |
|-----|---------------|-----|---|
| 3   | 058897-11-L01 | EA  | Mattress - Two Fold - 24.5" x 29.5" x 76" - Brown       |
| 3   | 058897-11-L02 | EA  | Mattress - Two Fold - 24.5" x 29.5" x 76" - Rust        |
| 3   | 058897-11-L03 | EA  | Mattress - Two Fold - 24.5" x 29.5" x 76" - Blue        |
| 3   | 058897-11-M01 | EA  | Mattress - Two Fold - 24.5" x 29.5" x 76" - Rust        |
| 3   | 058897-11-M02 | EA  | Mattress - Two Fold - 24.5" x 29.5" x 76" - Blue        |
| 3   | 058897-11-M03 | EA  | Mattress - Two Fold - 24.5" x 29.5" x 76" - Brown       |
|     | 058898-11-L01 | EA  | Cover - Two Fold Mattress - 24.5" x 29.5" x 76" - Brown |
|     | 058898-11-L02 | EA  | Cover - Two Fold Mattress - 24.5" x 29.5" x 76" - Rust  |
|     | 058898-11-L03 | EA  | Cover - Two Fold Mattress - 24.5" x 29.5" x 76" - Blue  |
|     | 058898-11-M01 | EA  | Cover - Two Fold Mattress - 24.5" x 29.5" x 76" - Rust  |
|     | 058898-11-M02 | EA  | Cover - Two Fold Mattress - 24.5" x 29.5" x 76" - Blue  |
|     | 058898-11-M03 | EA  | Cover - Two Fold Mattress - 24.5" x 29.5" x 76" - Brown |

1981 WINNEBAGO  
TABLE OF CONTENTS

|                           |             |
|---------------------------|-------------|
| WD420RG M1, WC/WD420RG M2 | A-1 - B-14  |
| WDF26RH M1, VCF26RH M2    | B-15 - D-12 |
| WDF26RT M1, WC/26RT M2    | D-13 - F-20 |

1981 WD/WC420RG M1, M2 INDEX

|                                    |             |
|------------------------------------|-------------|
| Floor Plan                         | A-1 - A-2   |
| Accessories Group                  | A-3 - A-4   |
| Bath Group                         | A-5         |
| Chassis Group                      | A-6         |
| Curtain, Cushion and Pad Group     | A-7 - A-13  |
| Dinette Group                      | A-14        |
| Driver's Compartment Group         | A-15        |
| Electrical Group                   | A-15 - A-17 |
| Exterior Body Group                | A-18 - A-22 |
| Galley Group                       | A-23        |
| Heating & Air Conditioning Group   | A-24        |
| Interior Finish Group              | B-1 - B-2   |
| LP Group                           | B-3         |
| Lounge Group                       | B-4         |
| Water & Sewage Group               | B-5         |
| Window, Vent & Exterior Door Group | B-6 - B-14  |



**CURTAIN, CUSHION AND PAD GROUP (CONTINUED)**

**DINETTE CUSHIONS**

| Key | Part Number   | U/M | Description   |
|-----|---------------|-----|---|
| 4   | 064700-02-L01 | EA  | Cushion - Dinette Back - 19.2" x 38" x 4.5" - Brown         |
| 4   | 064700-02-L02 | EA  | Cushion - Dinette Back - 19.2" x 38" x 4.5" - Rust          |
| 4   | 064700-02-L03 | EA  | Cushion - Dinette Back - 19.2" x 38" x 4.5" - Blue          |
| 4   | 068579-06-M01 | EA  | Cushion - Dinette Back - 19.2" x 38" x 4.5" - Rust          |
| 4   | 068579-06-M02 | EA  | Cushion - Dinette Back - 19.2" x 38" x 4.5" - Blue          |
| 4   | 068579-06-M03 | EA  | Cushion - Dinette Back - 19.2" x 38" x 4.5" - Brown         |
|     | 064701-02-L01 | EA  | Cover - Dinette Back Cushion - 19.2" x 38" x 4.5" - Brown   |
|     | 064701-02-L02 | EA  | Cover - Dinette Back Cushion - 19.2" x 38" x 4.5" - Rust    |
|     | 064701-02-L03 | EA  | Cover - Dinette Back Cushion - 19.2" x 38" x 4.5" - Blue    |
|     | M68579-06-M01 | EA  | Cover - Dinette Back Cushion - 19.2" x 38" x 4.5" - Rust    |
|     | M68579-06-M02 | EA  | Cover - Dinette Back Cushion - 19.2" x 38" x 4.5" - Blue    |
|     | M68579-06-M03 | EA  | Cover - Dinette Back Cushion - 19.2" x 38" x 4.5" - Brown   |
| 5   | 064700-02-L01 | EA  | Cushion - Dinette Bottom - 17.5" x 38" x 4.5" - Brown       |
| 5   | 064700-01-L02 | EA  | Cushion - Dinette Bottom - 17.5" x 38" x 4.5" - Rust        |
| 5   | 064700-01-L03 | EA  | Cushion - Dinette Bottom - 17.5" x 38" x 4.5" - Blue        |
| 5   | 068579-05-M01 | EA  | Cushion - Dinette Bottom - 17.5" x 38" x 4.5" - Rust        |
| 5   | 068579-05-M02 | EA  | Cushion - Dinette Bottom - 17.5" x 38" x 4.5" - Blue        |
| 5   | 068579-05-M03 | EA  | Cushion - Dinette Bottom - 17.5" x 38" x 4.5" - Brown       |
|     | 064701-01-L01 | EA  | Cover - Dinette Bottom Cushion - 17.5" x 38" x 4.5" - Brown |
|     | 064701-01-L02 | EA  | Cover - Dinette Bottom Cushion - 17.5" x 38" x 4.5" - Rust  |
|     | 064701-01-L03 | EA  | Cover - Dinette Bottom Cushion - 17.5" x 38" x 4.5" - Blue  |
|     | M68579-05-M01 | EA  | Cover - Dinette Bottom Cushion - 17.5" x 38" x 4.5" - Rust  |
|     | M68579-05-M02 | EA  | Cover - Dinette Bottom Cushion - 17.5" x 38" x 4.5" - Blue  |
|     | M68579-05-M03 | EA  | Cover - Dinette Bottom Cushion - 17.5" x 38" x 4.5" - Brown |

**PRESTO BED CUSHIONS**

| Key | Part Number   | U/M | Description                                 |
|-----|---------------|-----|---|
| 6   | 064705-02-L01 | EA  | Cushion - Presto Bed - Bottom - 76" - Brown |
| 6   | 064705-02-L02 | EA  | Cushion - Presto Bed - Bottom - 76" - Rust  |
| 6   | 064705-02-L03 | EA  | Cushion - Presto Bed - Bottom - 76" - Blue  |
| 6   | 064705-02-M01 | EA  | Cushion - Presto Bed - Bottom - 76" - Rust  |
| 6   | 064705-02-M02 | EA  | Cushion - Presto Bed - Bottom - 76" - Blue  |
| 6   | 064705-02-M03 | EA  | Cushion - Presto Bed - Bottom - 76" - Brown |
|     | 064723-02-L01 | EA  | Cover - Presto Bed - Bottom - 76" - Brown   |
|     | 064723-02-L02 | EA  | Cover - Presto Bed - Bottom - 76" - Rust    |
|     | 064723-02-L03 | EA  | Cover - Presto Bed - Bottom - 76" - Blue    |
|     | 064723-02-M01 | EA  | Cover - Presto Bed - Bottom - 76" - Rust    |
|     | 064723-02-M02 | EA  | Cover - Presto Bed - Bottom - 76" - Blue    |
|     | 064723-02-M03 | EA  | Cover - Presto Bed - Bottom - 76" - Brown   |
| 7   | 064704-02-L01 | EA  | Cushion - Presto Bed - Back - 76" - Brown   |
| 7   | 064704-02-L02 | EA  | Cushion - Presto Bed - Back - 76" - Rust    |
| 7   | 064704-02-L03 | EA  | Cushion - Presto Bed - Back - 76" - Blue    |
| 7   | 064704-02-M01 | EA  | Cushion - Presto Bed - Back - 76" - Rust    |
| 7   | 064704-02-M02 | EA  | Cushion - Presto Bed - Back - 76" - Blue    |
| 7   | 064704-02-M03 | EA  | Cushion - Presto Bed - Back - 76" - Brown   |
|     | 064723-01-L01 | EA  | Cover - Presto Bed - Back - 76" - Brown     |
|     | 064723-01-L02 | EA  | Cover - Presto Bed - Back - 76" - Rust      |
|     | 064723-01-L03 | EA  | Cover - Presto Bed - Back - 76" - Blue      |
|     | 064723-01-M01 | EA  | Cover - Presto Bed - Back - 76" - Rust      |
|     | 064723-02-M02 | EA  | Cover - Presto Bed - Back - 76" - Blue      |
|     | 064723-02-M03 | EA  | Cover - Presto Bed - Back - 76" - Brown     |

**DINETTE GROUP**

**CONVENTIONAL DINETTE AND OVERHEAD CABINETS**

| Key | Part Number   | U/M | Description   |
|-----|---------------|-----|---|
|     | 053192-01-L01 | EA  | Table Asm. - Dinette - w/o Hardware - Bone Kit                      |
|     | 053192-01-M04 | EA  | Table Asm. - Dinette - w/o Hardware - Burnt Sienna                  |
|     | 053192-01-M02 | EA  | Table Asm. - Dinette - w/o Hardware - Camel (M03)                   |
|     | M00383-02-L01 | EA  | Cabinet Asm. - Dinette Back - Left                                  |
|     | M00383-01-L01 | EA  | Cabinet Asm. - Dinette Back - Right                                 |
|     | M00384-01-L01 | EA  | Cabinet Asm. - Dinette Seat - Right                                 |
|     | M00384-03-L01 | EA  | Cabinet Asm. - Dinette Seat - Left                                  |
|     | M00384-01-M04 | EA  | Cabinet Asm. - Dinette Seat - Right                                 |
|     | M00384-03-M04 | EA  | Cabinet Asm. - Dinette Seat - Left                                  |
|     | M00383-01-M04 | EA  | Cabinet Asm. - Dinette Back - Right                                 |
|     | M00383-02-M04 | EA  | Cabinet Asm. - Dinette Back - Left                                  |
|     | M57836-01-L01 | EA  | Cabinet Asm. - Dinette Overhead - w/o Doors or Hardware             |
|     | M00377-01-L01 | EA  | Door Asm. - Dinette Overhead Cabinet - 10.3" x 35.2" - w/o Hardware |
|     | M57836-02-M04 | EA  | Cabinet Asm. - Dinette Overhead - w/o Doors or Hardware             |
|     | M00377-01-M04 | EA  | Door Asm. - Dinette Overhead Cabinet - 10.3" x 35.2" - w/o Hardware |
|     | 057794-02-L01 | EA  | End Panel Asm. - Dinette Overhead - Padded                          |
| **  | 053200-04-000 | EA  | Bracket - Upper Wall Mount - 23.5" - Black                          |
| **  | 053201-03-000 | EA  | Bracket - Table Mount - 23" - Clear Anod.                           |
| **  | 024275-01-000 | EA  | Rod - Table Lift - 8" x 23.5"                                       |
| **  | 024281-06-000 | EA  | Bracket - Lower Wall Mount - Brown - 22.12"                         |
| **  | 024276-04-000 | EA  | Leg Asm. - Table - Brown - 29.4"                                    |
| **  | 064050-01-000 | EA  | Hinge - Table Leg - Brown   |
| **  | 024282-01-000 | EA  | Brace - Table Leg   |
| **  | 024283-01-000 | EA  | Clip - 1" O.D. Tube   |
| **  | 049493-02-000 | EA  | Catch - Table Leg - Mounts on Floor - Brown                         |

\*\*The illustrated parts breakdown for this item is provided on the Common Items Fiche.

**SPRUNG COUCH W/PEDESTAL TABLES**

| Key | Part Number   | U/M | Description   |
|-----|---------------|-----|---|
|     | 066657-01-L01 | EA  | Front Panel Asm. - Sprung Couch - w/o Door or Hardware    |
|     | 066657-02-M04 | EA  | Front Panel Asm. - Sprung Couch - w/o Door or Hardware    |
|     | M00377-02-L01 | EA  | Door Asm. - Sprung Couch - 12" x 37.2" - w/o Hardware     |
|     | 057618-01-L01 | EA  | End Panel - Sprung Couch                                  |
|     | 057618-01-M04 | EA  | End Panel - Sprung Couch                                  |
|     | 057468-02-000 | EA  | Frame Asm. - Sprung Couch - Right                         |
|     | 057468-03-000 | EA  | Frame Asm. - Sprung Couch - Left                          |
|     | 057468-04-000 | EA  | Frame Rails - Sprung Couch (2 per couch)                  |
|     | 057469-01-000 | EA  | Leg Asm. - Sprung Couch                                   |
|     | 053248-02-M04 | EA  | Table Asm. - Pedestal - w/o Hardware - Burnt Sienna (M01) |
|     | 053248-02-M02 | EA  | Table Asm. - Pedestal - w/o Hardware - Camel (M03)        |
|     | 053248-02-L01 | EA  | Table Asm. - Pedestal - w/o Hardware - Bone Kit           |
|     | 009040-02-000 | EA  | Leg - Pedestal Table - 27.5" x 2.25" O.D. - Chrome        |
|     | 009040-03-000 | EA  | Base - Table - Mounts on Table                            |
|     | 041194-01-000 | EA  | Base - Table - Mounts in Floor                            |
|     | 062046-01-000 | EA  | Clip - Pedestal Leg                                       |
|     | 056418-01-L04 | EA  | Plug Asm. - Pedestal - Table - Ginger                     |
|     | 056418-01-L06 | EA  | Plug Asm. - Pedestal - Table - Camel                      |
|     | 056093-01-M02 | EA  | Plug Asm. - Pedestal - Table - Medium Brown               |
|     | 056093-01-M01 | EA  | Plug Asm. - Pedestal - Table - Rust                       |

**1981 WINNEBAGO  
TABLE OF CONTENTS**

|                           |             |
|---------------------------|-------------|
| WD420RG M1, WC/WD420RG M2 | A-1 - B-14  |
| WDF26RH M1, WCF26RH M2    | B-15 - D-12 |
| WDF26RT M1, WCF26RT M2    | D-13 - F-20 |

**1981 WD/WC420RG M1, M2 INDEX**

|                                    |             |
|------------------------------------|-------------|
| Floor Plan                         | A-1 - A-2   |
| Accessories Group                  | A-3 - A-4   |
| Bath Group                         | A-5         |
| Chassis Group                      | A-6         |
| Curtain, Cushion & Pad Group       | A-7 - A-13  |
| Dinette Group                      | A-14        |
| Driver's Compartment Group         | A-15        |
| Electrical Group                   | A-15 - A-17 |
| Exterior Body Group                | A-18 - A-22 |
| Galley Group                       | A-23        |
| Heating & Air Conditioning Group   | A-24        |
| Interior Finish Group              | B-1 - B-2   |
| LP Group                           | B-3         |
| Lounge Group                       | B-4         |
| Water & Sewage Group               | B-5         |
| Window, Vent & Exterior Door Group | B-6 - B-14  |

## DRIVER'S COMPARTMENT GROUP

| Key | Part Number   | U/M | Description  |
|-----|---------------|-----|--|
|     | 057775-01-M04 | EA  | Cabinet Asm. - Head Board - Left                               |
|     | 057775-02-M04 | EA  | Cabinet Asm. - Head Board - Right                              |
|     | 057092-00-L01 | EA  | Door Asm. - Head Board Cabinet - 25.02" x 5.42" - w/o Hardware |
|     | 049300-07-000 | EA  | Console - Overhead - Blank                                     |
|     | 049360-03-000 | EA  | Console - Overhead (Voltmeter and Battery Switch)              |
|     | 052577-01-000 | EA  | Gauge - Voltmeter w/Bracket                                    |
|     | 024462-01-000 | EA  | Switch - Battery Condition                                     |
|     | 055279-01-000 | EA  | Control Asm. - Heater and A/C                                  |
|     | 054015-01-J27 | EA  | Trim Asm. - Over Door - Left - Acorn Brown Vinyl               |
|     | 054015-02-J27 | EA  | Trim Asm. - Over Door - Right - Acorn Brown Vinyl              |
|     | 053720-01-J27 | EA  | Headliner Asm. - Acorn Brown Vinyl                             |
|     | 007223-01-000 | EA  | Adjuster Asm. - Bucket Seat - w/Lock                           |
|     | 007227-01-000 | EA  | Adjuster Asm. - Bucket Seat - w/oLock                          |

## ELECTRICAL GROUP

### BULBS

| Key | Part Number   | U/M | Description             |
|-----|---------------|-----|-------------------------|
|     | 037935-01-000 | EA  | Bulb - 1157             |
|     | 063914-01-000 | EA  | Bulb - 1143             |
|     | 008103-01-000 | EA  | Bulb - 53               |
|     | 008213-01-000 | EA  | Bulb - 57               |
|     | 008214-01-000 | EA  | Bulb - 67               |
|     | 008215-01-000 | EA  | Bulb - 1003             |
|     | 008216-01-000 | EA  | Bulb - 1034             |
|     | 008217-01-000 | EA  | Bulb - 1073             |
|     | 008218-01-000 | EA  | Bulb - 1141             |
|     | 008219-01-000 | EA  | Bulb - 656              |
|     | 008220-01-000 | EA  | Bulb - 12V - 25W        |
|     | 036196-01-000 | EA  | Bulb - 194              |
|     | 700020-01-000 | EA  | Bulb - 12V - 20W - 1393 |

### FUSES AND CIRCUIT BREAKERS

| Key | Part Number   | U/M | Description                                  |
|-----|---------------|-----|--|
|     | 056473-02-000 | EA  | Fuse - Slow Blow - 5 Amp. - 32 Volt Capacity |
|     | 056473-01-000 | EA  | Fuse - Slow Blow - 6 1/4 Amp.                |
|     | 008233-01-000 | EA  | Fuse - 12 Volt - 6 Amp.                      |
|     | 008234-01-000 | EA  | Fuse - 12 Volt - 10 Amp.                     |
|     | 046893-01-000 | EA  | Fuse - 12 Volt - 13 Amp.                     |
|     | 008235-01-000 | EA  | Fuse - 12 Volt - 15 Amp.                     |
|     | 008236-01-000 | EA  | Fuse - 12 Volt - 20 Amp.                     |
|     | 008248-01-000 | EA  | Fuse - 110 Volt - 30 Amp. - AGU              |
|     | 008252-01-000 | EA  | Fuse - 110 Volt - 50 Amp.                    |
|     | 008208-01-000 | EA  | Circuit Breaker - 12 Volt - 40 Amp.          |
|     | 008211-01-000 | EA  | Circuit Breaker - 12 Volt - 6 Amp.           |
|     | 008268-01-000 | EA  | Circuit Breaker - 12 Volt - 30 Amp. w/Mount  |
|     | 033573-02-000 | EA  | Circuit Breaker - 12 Volt - 15 Amp. w/Mount  |
|     | 040051-01-000 | EA  | Circuit Breaker - 110 Volt - 20 Amp. TQL     |
|     | 033573-01-000 | EA  | Circuit Breaker - 12 Volt - 20 Amp. w/Mount  |
|     | 008273-03-000 | EA  | Circuit Breaker - 15/20 Amp. TQL             |
|     | 008299-01-000 | EA  | Circuit Breaker - 115 Amp. TQL               |
|     | 008297-01-000 | EA  | Circuit Breaker - 120 Amp. TQL               |
|     | 008293-01-000 | EA  | Circuit Breaker - 130 Amp. TQL               |

## ELECTRICAL GROUP (CONTINUED)

### WIRE, SWITCHES AND RECEPTACLES

| Key | Part Number   | U/M | Description   |
|-----|---------------|-----|---|
|     | 008024-01-000 | FT  | Wire - 18.5 Bonded - Orange/White/Yellow/Blue/Brown           |
|     | 008025-01-000 | FT  | Wire - 18.5 Bonded - Orange/White/Yellow/Blue/Green           |
|     | 008028-01-000 | FT  | Wire - 18.5 Bonded - Blue/Red/Yellow/Orange/White             |
|     | 008030-01-000 | FT  | Wire - 18.4 Bonded - Red/Blue/Orange/Green                    |
|     | 008251-01-000 | EA  | Holder - Fuse - Black - Screw Type                            |
|     | 008277-01-000 | EA  | Holder - Fuse - Black - Panel Mount                           |
|     | 008195-01-000 | EA  | Switch - Push Button - 12 Volt                                |
|     | 006077-01-000 | EA  | Plaque - Compressor Switch                                    |
|     | 008054-01-000 | EA  | Cord - Power - 10-3 30 Amp. - 25' - UL                        |
|     | 008052-01-000 | EA  | Cord - Power - 10-3 30 Amp. - 25' - CSA                       |
|     | 034818-04-000 | EA  | Holder - Receptacle - Plastic                                 |
|     | 039342-01-000 | EA  | Receptacle - Duplex Brown - T Junction                        |
|     | 024571-01-000 | EA  | Cover Plate - Receptacle - Jumbo Steel - Brown                |
|     | 024571-03-000 | EA  | Cover Plate - Receptacle - Jumbo Plastic - Brown              |
|     | 024571-04-000 | EA  | Cover Plate - Receptacle - Jumbo Plastic - Ivory              |
|     | 024471-01-000 | EA  | Cover - Plate - Electrical Box - 5 1/4" x 3 1/2"              |
|     | 058028-01-000 | EA  | Connector - Pigtail - Clear - Nylon                           |
|     | 039343-01-000 | EA  | Cap - End - Receptacle  |
|     | 008182-01-000 | EA  | Switch - Double Toggle - Spade Brown                          |
|     | 008163-01-000 | EA  | Switch - Toggle Brown   |
|     | 056264-01-000 | EA  | Switch - Leaf Actuator  |
|     | 055280-01-000 | EA  | Switch - 3 Speed Fan  |
|     | 063912-01-000 | EA  | Relay - Canister, Spot w/Ground                               |
|     | 008164-01-000 | EA  | Cover Plate - Switch - Brown                                  |
|     | 024924-02-000 | EA  | Receptacle - Power Cord                                       |
|     | 069238-01-000 | EA  | Cover - Electrical - 4 x 4 Box                                |
|     | 008058-01-000 | EA  | Adaptor - Power Cord  |
|     | 047353-01-000 | EA  | Cover - Receptacle - Ground Fault                             |
|     | 053126-01-000 | EA  | Receptacle - Ground Fault Interrupter - 125 Volt - Ivory      |
|     | 053126-02-000 | EA  | Receptacle - Ground Fault Interrupter - 125 Volt - Brown      |
|     | 058707-01-000 | EA  | Receptacle - Single - Brown - Thomas & Belts                  |
|     | 058708-01-000 | EA  | Receptacle - Duplex - Brown - Thomas & Belts                  |
|     | 008157-01-000 | EA  | Receptacle - Duplex - Brown (Exterior Backwall)               |
|     | 058048-01-000 | EA  | Cover - Electrical Box - 4.5" x 2.75" - Rain Tight (Exterior) |
|     | 008294-02-000 | EA  | Cover - Steel - Flat Blank - 4" x 4"                          |
|     | 008288-01-000 | EA  | Box - Electrical - Plastic - 3" x 3.5"                        |
|     | 008289-01-000 | EA  | Box - Electrical - Steel - 4 x 4 - 1/2 & 3/4 UL               |
|     | 064398-01-000 | EA  | Housing Asm. - Trailer Receptacle - Female                    |
|     | 064399-01-000 | EA  | Housing Asm. - Trailer Pin - Male                             |
|     | 064450-01-000 | EA  | Housing Asm. - Trailer Plug - Male                            |
|     | 035417-01-000 | EA  | Terminal - Pin Receptacle - .125 Dia.                         |
|     | 035633-01-000 | EA  | Receptacle - HSG - 12 Position                                |
|     | 054532-01-000 | EA  | Housing - Pin - 6 Position                                    |
|     | 031968-01-000 | EA  | Contact - Plug - Brass - Tinplated                            |
|     | 035290-17-000 | EA  | Cable Asm. - Battery - 1 AWG Strand - 282"                    |
|     | 054865-01-000 | EA  | Wire Asm. - Generator Switch                                  |

## 1981 WINNEBAGO TABLE OF CONTENTS

|                           |             |
|---------------------------|-------------|
| WD420RG M1, WC/WC420RG M2 | A-1 - B-14  |
| WDF26RH M1, WCF26RH M2    | B-15 - D-12 |
| WDF26RT M1, WCF26RT M2    | D-13 - F-20 |

## 1981 WD/WC420RG M1, M2 INDEX

|                                    |             |
|------------------------------------|-------------|
| Floor Plan                         | A-1 - A-2   |
| Accessories Group                  | A-3 - A-4   |
| Bath Group                         | A-5         |
| Chassis Group                      | A-6         |
| Curtain, Cushion & Pad Group       | A-7 - A-13  |
| Dinette Group                      | A-14        |
| Driver's Compartment Group         | A-15        |
| Electrical Group                   | A-15 - A-17 |
| Exterior Body Group                | A-18 - A-22 |
| Galley Group                       | A-23        |
| Heating & Air Conditioning Group   | A-24        |
| Interior Finish Group              | B-1 - B-2   |
| LP Group                           | B-3         |
| Lounge Group                       | B-4         |
| Water & Sewage Group               | B-5         |
| Window, Vent & Exterior Door Group | B-6 - B-14  |



## ELECTRICAL GROUP (CONTINUED)

### EXTERIOR LIGHTS

| Key | Part Number   | U/M | Description                                      |
|-----|---------------|-----|--|
|     | 007309-01-000 | EA  | Light - Step Well                                |
|     | 058032-01-000 | EA  | Tail Lamp Asm. - 2 Bulb - Chrome - Left or Right |
|     | 058030-01-700 | EA  | Lens - Tail Lamp - Red                           |
|     | 058030-01-701 | EA  | Lens - Tail Lamp - Back Up                       |
|     | 042405-03-000 | EA  | Base - Rectangular Clearance Light               |
|     | 042405-04-000 | EA  | Lens - Clearance Light - Red                     |
|     | 042405-05-000 | EA  | Lens - Clearance Light - Amber                   |
|     | 008089-01-000 | EA  | Light - Porch - Recessed                         |
|     | 042405-01-000 | EA  | Lens - Rectangular Light - Red w/Reflex          |
|     | 042405-02-000 | EA  | Lens - Rectangular Light - Amber w/Reflex        |
|     | 062740-04-000 | EA  | Tail Lamp Wedge - Off White - Right              |
|     | 062742-04-000 | EA  | Tail Lamp Wedge - Off White - Left               |

### INTERIOR LIGHTS

| Key | Part Number   | U/M | Description                              |
|-----|---------------|-----|--|
|     | 064778-01-000 | EA  | Light - Dome - Off White - Double Jensen |
|     | 064778-02-000 | EA  | Light - Dome - Off White - Single Jensen |
|     | 061424-01-000 | EA  | Light - 12V Receptacle - Aisle - IP      |
|     | 024418-01-000 | EA  | Lamp Asm. - Map/Gauge/Aisle              |
|     | 053346-01-000 | EA  | Light - High Intensity - Brown           |
|     | 064778-01-700 | EA  | Lens - Jensen Light - Dome - Ivory       |
|     | 007309-01-000 | EA  | Light - Step Well                        |

### MISCELLANEOUS ELECTRICAL COMPONENTS

| Key | Part Number   | U/M | Description                                       |
|-----|---------------|-----|---|
|     | 047338-01-000 | EA  | Isolator - Dual Battery                           |
|     | 047389-01-700 | EA  | Battery - 12 Volt - 165 Amp. Deep Cycle - Dry     |
|     | 057899-01-000 | EA  | Battery - 12 Volt - Maintenance Free              |
|     | 008188-01-000 | EA  | Solenoid - Dual Battery - Relay                   |
|     | 046775-01-000 | EA  | Valve - Gas - Change Over                         |
|     | 024459-03-000 | EA  | Gauge - Voltmeter - w/Bracket                     |
|     | 024462-01-000 | EA  | Switch - Battery Condition                        |
|     | 031035-01-000 | EA  | Gauge - Hour Meter - Generator                    |
|     | 024976-01-000 | EA  | Switch - Generator w/o Circuit Board              |
|     | 024460-01-000 | EA  | Gauge Vacuum                                      |
|     | 068068-01-000 | EA  | Load Center - 120 V - 3 Ckt                       |
|     | 039950-01-700 | EA  | Circuit Board - Control Center                    |
|     | 024461-01-000 | EA  | Switch - Battery - Changeover                     |
|     | 046885-01-000 | EA  | Plaque - Switch Mounting                          |
|     | 048812-04-000 | EA  | Control Panel - Basic                             |
|     | 048812-03-000 | EA  | Control Panel - Insert w/LP Alarm - Refrigerator  |
|     | 039861-01-000 | EA  | Sending Unit - Wamac                              |
|     | 031720-01-000 | EA  | Spacer - Receptacle - Brown Plastic - CSA         |
|     | 049360-07-000 | EA  | Console - Overhead - Blank                        |
|     | 049360-03-000 | EA  | Console - Overhead (Voltmeter and Battery Switch) |
|     | 067761-01-000 | EA  | Converter - 30 Amp. w/Charger                     |
|     | 067762-01-000 | EA  | Converter - 40 Amp. w/Charger                     |

## EXTERIOR BODY GROUP

### EXTERIOR BODY PANELS AND SHEET ALUMINUM

| Key | Part Number   | U/M | Description   |
|-----|---------------|-----|---|
|     | M04838-02-L01 | EA  | Sidewall Asm. - Right                               |
|     | M04838-04-M04 | EA  | Sidewall Asm. - Right                               |
|     | M84478-02-L01 | EA  | Sidewall Asm. - Left                                |
|     | M84478-02-L02 | EA  | Sidewall Asm. - Left                                |
|     | M84478-02-L03 | EA  | Sidewall Asm. - Left                                |
|     | M84478-04-M01 | EA  | Sidewall Asm. - Left                                |
|     | M84478-04-M02 | EA  | Sidewall Asm. - Left                                |
|     | M84478-04-M03 | EA  | Sidewall Asm. - Left                                |
|     | 058147-01-L01 | EA  | Backwall Asm.                                       |
|     | M58147-01-M04 | EA  | Backwall Asm.                                       |
|     | 065474-02-L01 | EA  | Roof Asm.   |
|     | M65474-01-M04 | EA  | Roof Asm.   |
|     | M56379-02-L01 | EA  | Sleeper Board Asm.                                  |
|     | 058146-01-700 | EA  | Roof Section - Cab Over to First Seam               |
|     | M56379-02-M01 | EA  | Sleeper Board Asm.                                  |
|     | 044487-01-001 | EA  | Alum. - Mill Finish - No Design (Roof) - 96" x 360" |
|     | 039155-07-010 | EA  | Alum. - Off White - Greyhound Design - 48" x 96"    |
|     | 001054-01-011 | EA  | Alum. - Off White - No Design - 48" x 96"           |
|     | 039155-03-008 | EA  | Alum. - Off White Mesa I - .024" x 36" x 60"        |
|     | 039155-03-003 | EA  | Alum. - Off White Mesa I - .024" x 36" x 360"       |
|     | 039155-03-007 | EA  | Alum. - Off White Mesa I - .024" x 48" x 60"        |
|     | 039155-03-006 | EA  | Alum. - Off White Mesa I - .024" x 48" x 360"       |
|     | 039155-03-009 | EA  | Alum. - Off White Mesa I - .024" x 12" x 360"       |
|     | 039155-28-001 | EA  | Alum. - Off White Mesa II - .024" x 36" x 60"       |
|     | 039155-28-003 | EA  | Alum. - Off White Mesa II - .024" x 36" x 360"      |
|     | 039155-28-004 | EA  | Alum. - Off White Mesa II - .024" x 48" x 60"       |
|     | 039155-28-006 | EA  | Alum. - Off White Mesa II - .024" x 48" x 360"      |
|     | 039155-28-007 | EA  | Alum. - Off White Mesa II - .024" x 12" x 360"      |

NOTE: The raised portion of Mesa I Aluminum is 1.657" wide.  
The raised portion of Mesa II Aluminum is .875" wide.

### SEALANTS, ADHESIVES AND FASTENERS

| Key | Part Number   | U/M | Description  |
|-----|---------------|-----|--|
|     | 034552-05-000 | EA  | Sealant - Off White Silicone                       |
|     | 034552-04-000 | EA  | Sealant - Beige Silicone                           |
|     | 034552-02-000 | EA  | Sealant - Clear Silicone                           |
|     | 004346-02-000 | EA  | Sealant - White Silicone                           |
|     | 041422-01-000 | FT  | Tape - Sealer - 1/4" x 1/2"                        |
|     | 009200-01-000 | EA  | Tape - Furnace - 1 1/2"                            |
|     | 004353-01-000 | FT  | Tape - Gasket - 1/8" x 3/4" - White                |
|     | 002825-01-000 | FT  | Weather Stripping - Roof Vent                      |
|     | 002337-01-000 | EA  | Adhesive - 3M - 1300 Tube                          |
|     | 004005-01-000 | GL  | Adhesive - Swifts - Green - Glue (Sidewalls)       |
|     | 004020-01-000 | QT  | Adhesive - ABS Cement (Plastic Fittings)           |
|     | 029051-01-000 | EA  | Adhesive - Spray Vinyl                             |
|     | 042401-02-300 | EA  | Screw - #8 - 18 - x 3/4" SDPH - Off White          |
|     | 042403-02-000 | EA  | Screw - SF/DR - #8 - 18 x 1" SDPH - Off White      |
|     | 005058-01-000 | EA  | Screw - Wood - #12 - 11 x 3" P.O.H. Zinc.          |
|     | 053766-01-000 | EA  | Bedding Compound - Tube Black - Schnee Moorehead   |
|     | 053766-02-000 | EA  | Bedding Compound - Tube White - Schnee Moorehead   |
|     | 053767-01-000 | FT  | Tape - 1/2" x 1/8" x 30' - Gray - Schnee Moorehead |
|     | 053767-03-000 | FT  | Tape - 1/4" Bead x 20' - Gray - Schnee Moorehead   |
|     | 053767-04-000 | FT  | Tape - 3/4" x 1/8" x 30' - Gray - Schnee Moorehead |
|     | 053767-05-000 | FT  | Tape - 2" x 3/32" x 45' - Gray - Schnee Moorehead  |

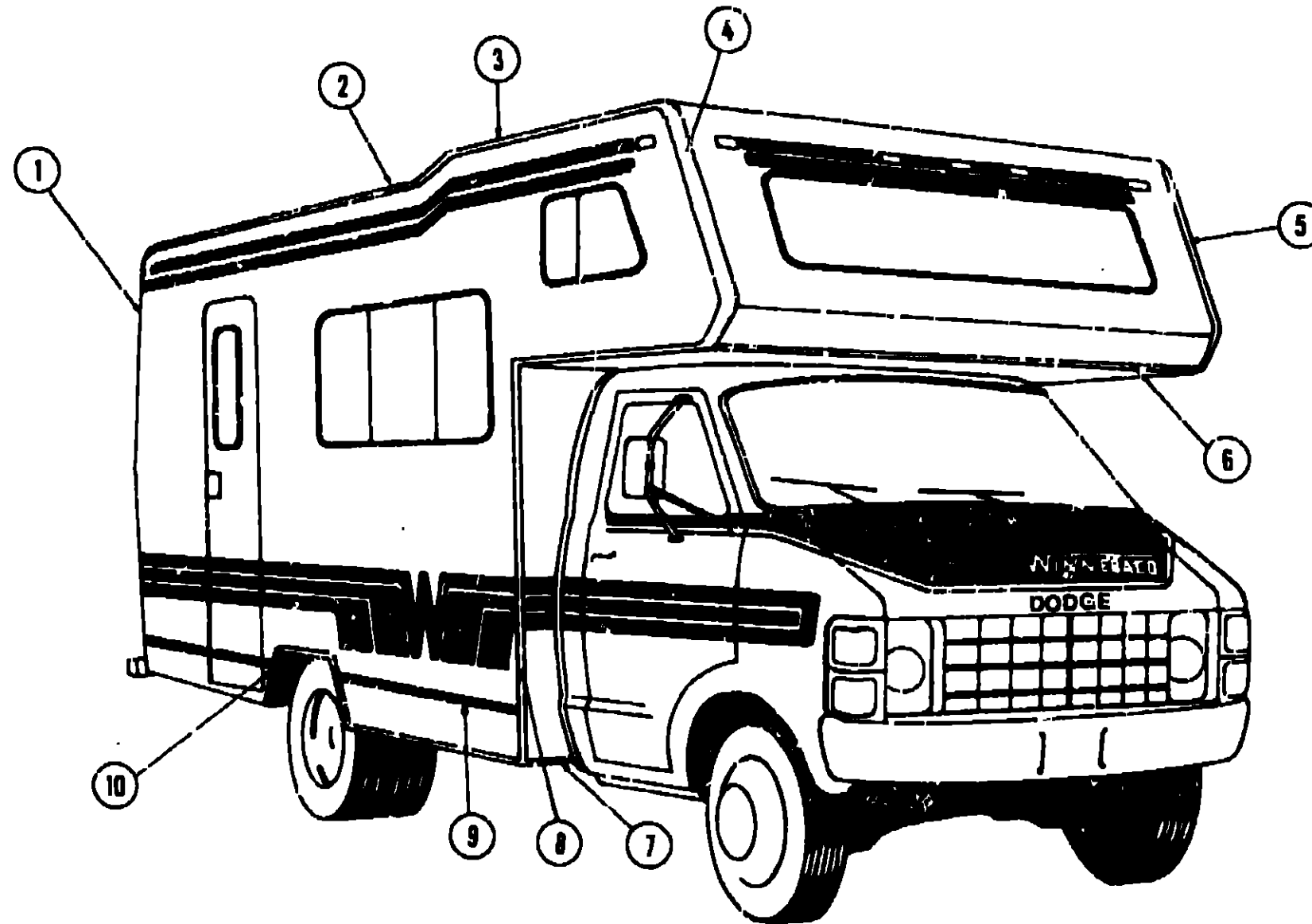
## 1981 WINNEBAGO TABLE OF CONTENTS

|                           |             |
|---------------------------|-------------|
| WD420RG M1, WC/WC420RG M2 | A-1 - B-14  |
| WDF26RH M1, WCF26RH M2    | B-15 - D-12 |
| WDF26RT M1, WCF26RT M2    | D-13 - F-20 |

## 1981 WD/WC420RG M1, M2 INDEX

|                                    |             |
|------------------------------------|-------------|
| Floor Plan                         | A-1 - A-2   |
| Accessories Group                  | A-3 - A-4   |
| Bath Group                         | A-5         |
| Chassis Group                      | A-6         |
| Curtain, Cushion & Pad Group       | A-7 - A-13  |
| Dinette Group                      | A-14        |
| Driver's Compartment Group         | A-15        |
| Electrical Group                   | A-15 - A-17 |
| Exterior Body Group                | A-18 - A-22 |
| Galley Group                       | A-23        |
| Heating & Air Conditioning Group   | A-24        |
| Interior Finish Group              | B-1 - B-2   |
| LP Group                           | B-3         |
| Lounge Group                       | B-4         |
| Water & Sewage Group               | B-5         |
| Window, Vent & Exterior Door Group | B-6 - B-14  |

EXTERIOR BODY GROUP (CONTINUED)



1981 WINNEBAGO  
TABLE OF CONTENTS

|                           |             |
|---------------------------|-------------|
| WD420RG M1, WC/WC420RG M2 | A-1 - B-14  |
| WDF26RH M1, WCF26RH M2    | B-15 - D-12 |
| WDF26RT M1, WCF26RT M2    | D-13 - F-20 |

1981 WD/WC420RG M1, M2 INDEX

|                                    |             |
|------------------------------------|-------------|
| Floor Plan                         | A-1 - A-2   |
| Accessories Group                  | A-3 - A-4   |
| Bath Group                         | A-5         |
| Chassis Group                      | A-6         |
| Curtain, Cushion & Pad Group       | A-7 - A-13  |
| Dinette Group                      | A-14        |
| Driver's Compartment Group         | A-15        |
| Electrical Group                   | A-15 - A-17 |
| Exterior Body Group                | A-18 - A-22 |
| Galley Group                       | A-23        |
| Heating & Air Conditioning Group   | A-24        |
| Interior Finish Group              | B-1 - B-2   |
| LP Group                           | B-3         |
| Lounge Group                       | B-4         |
| Water & Sewage Group               | B-5         |
| Window, Vent & Exterior Door Group | B-6 - B-14  |

| Key | Part Number   | U/M | Description  |
|-----|---------------|-----|--|
| 1   | 039964-01-000 | EA  | Trim - Contour - Backwall - Right - Off White            |
| 1   | 039964-02-000 | EA  | Trim - Contour - Backwall - Left - Off White             |
| 2   | 042170-03-000 | EA  | Trim - Contour - Roof - Rear Right - Off White           |
| 2   | 042170-04-000 | EA  | Trim - Contour - Roof - Rear Left - Off White            |
| 3   | 056240-01-000 | EA  | Trim - Contour - Roof - Front Right - Off White          |
| 3   | 056240-02-000 | EA  | Trim - Contour - Roof - Front Left - Off White           |
| 4   | 052799-01-000 | EA  | Trim - Contour - Sleeper - Right - Off White             |
| 5   | 052799-02-000 | EA  | Trim - Contour - Sleeper - Left - Off White              |
| 6   | 039644-05-000 | EA  | Trim - Sleeper Board - Front                             |
| 7   | 054459-01-000 | EA  | Trim - Wingwall - Bottom - Right                         |
| 7   | 054459-02-000 | EA  | Trim - Wingwall - Bottom - Left                          |
| 7   | 048610-01-000 | EA  | Corner Trim - Plastic - Left Front Overhang - Off White  |
| 7   | 048610-02-000 | EA  | Corner Trim - Plastic - Right Front Overhang - Off White |

| Key | Part Number     | U/M | Description                              |
|-----|-----------------|-----|--|
| 8   | 056703-01-M01   | EA  | Wingwall Asm. - Right                    |
| 8   | 056703-02-M01   | EA  | Wingwall Asm. - Left                     |
| 8   | 036476-09-000   | EA  | Trim - Corner - Wingwall - Right         |
| 8   | 036476-10-000   | EA  | Trim - Corner - Wingwall - Left          |
| 9   | 002444-02-001   | EA  | Feature Strip - Extr. Alum. - 14'        |
| 9   | 001030-09-100   | EA  | Insert - Feature Strip - Brown - 17"     |
| 9   | 009731-01-000   | EA  | End Cap - Feature Strip                  |
| 9   | 041746-01-000   | FT  | Extr. Vinyl - Bubble Seal - Wingwall     |
| 10  | 042141-02-000   | EA  | Trim - Wheel Well - Rear - Left or Right |
| 10  | 050630-03-000   | EA  | Trim - Backwall - Lower                  |
| 10  | 002792-01-003   | EA  | Extrusion - Contour Trim - 222"          |
| 10  | Not Illustrated |     |  |

**EXTERIOR BODY GROUP (CONTINUED)**

**LABELS AND DECALS**

| Key | Part Number   | U/M | Description   |
|-----|---------------|-----|---|
|     | 006025-01-000 | EA  | Label - Gas   |
|     | 006028-01-000 | EA  | Label - Drain Cap - 2" x 3"                               |
|     | 006031-01-000 | EA  | Label - Potable Water Only                                |
|     | 000040-01-000 | EA  | Tag - Gas Refueling Warning                               |
|     | 006082-01-000 | EA  | Tag - Electrical - 110 Volt Connection                    |
|     | 006187-01-000 | EA  | Label - Sewage  |
|     | 006188-01-000 | EA  | Label - Waste Water                                       |
|     | 009199-01-000 | EA  | Label - Exit - Escape Window                              |
|     | 047731-01-000 | EA  | Label - Emergency Exit                                    |
|     | 054531-01-000 | EA  | Label - LP Gas Only                                       |
|     | 031161-01-000 | EA  | Label - Flying W  |
|     | 050223-01-000 | EA  | Label - Lower Refrigerator Vent                           |
|     | 050224-01-000 | EA  | Label - Refrigerator Roof Vent                            |
|     | 050225-01-000 | EA  | Label - Warning - Stove Vent - U.S.                       |
|     | 006195-01-000 | EA  | Label - Electrical Test                                   |
|     | 006196-01-000 | EA  | Label - Gas Test  |
|     | 006197-01-000 | EA  | Label - Water Test  |
|     | 039716-01-000 | EA  | Stencil - Minnie Winnie                                   |
|     | 067763-01-000 | EA  | Stencil - Side - Front Fender - Right Hand                |
|     | 067763-02-000 | EA  | Stencil - Side - Front Fender - Left Hand                 |
|     | 006001-01-000 | EA  | Nameplate - Plastic - Winnebago - Chrome                  |
|     | 008092-01-000 | EA  | Reflector - Stick On - Rectangular - Red                  |
|     | 008093-01-000 | EA  | Reflector - Stick On - Rectangular - Amber                |
|     | 050313-07-000 | EA  | Decal - Logo - "Winnebago" - 2.8" x 22" - Orange          |
|     | 050313-08-000 | EA  | Decal - Logo - "Winnebago" - 2.8" x 22" - Blue            |
|     | 050313-10-000 | EA  | Decal - Logo - "Winnebago" - 2.8" x 22" - Carmel          |
|     | 065214-02-000 | EA  | Decal - Stripe - Hood Edge (Corner) - Orange              |
|     | 065214-03-000 | EA  | Decal - Stripe - Hood Edge (Corner) - Blue                |
|     | 065214-04-000 | EA  | Decal - Stripe - Hood Edge (Corner) - Carmel              |
|     | 065216-02-000 | EA  | Decal - W Surround - 16" x 9.5" - Right - Orange          |
|     | 065216-03-000 | EA  | Decal - W Surround - 16" x 9.5" - Right - Blue            |
|     | 065216-07-000 | EA  | Decal - W Surround - 16" x 9.5" - Right - Carmel          |
|     | 065216-05-000 | EA  | Decal - W Surround - 16" x 9.5" - Left - Orange           |
|     | 065216-06-000 | EA  | Decal - W Surround - 16" x 9.5" - Left - Blue             |
|     | 065216-08-000 | EA  | Decal - W Surround - 16" x 9.5" - Left - Carmel           |
|     | 065217-02-000 | FT  | Decal - Double 1.5" Stripes Premasked 3/4" Apart - Orange |
|     | 065217-03-000 | FT  | Decal - Double 1.5" Stripes Premasked 3/4" Apart - Blue   |
|     | 065217-04-000 | FT  | Decal - Double 1.5" Stripes Premasked 3/4" Apart - Carmel |
|     | 065218-02-000 | FT  | Decal - 1/2" Tape Stripe - Premasked - Orange             |
|     | 065218-03-000 | FT  | Decal - 1/2" Tape Stripe - Premasked - Blue               |
|     | 065218-04-000 | FT  | Decal - 1/2" Tape Stripe - Premasked - Carmel             |
|     | 065219-02-000 | FT  | Decal - Double 3/4" Stripes Premasked 2" Apart - Orange   |
|     | 065219-03-000 | FT  | Decal - Double 3/4" Stripes Premasked 2" Apart - Blue     |
|     | 065219-04-000 | FT  | Decal - Double 3/4" Stripes Premasked 2" Apart - Carmel   |

**EXTERIOR BODY GROUP (CONTINUED)**

**EXTERIOR PAINT**

| Key | Part Number   | U/M | Description   |
|-----|---------------|-----|---|
|     | 041561-01-000 | EA  | Paint - Off White - Acrylic Enamel - 1 Gallon       |
|     | 041561-03-000 | EA  | Paint - Off White - Acrylic Enamel - 16 oz. Aerosol |
|     | 041561-04-000 | EA  | Paint - Off White - Acrylic Lacquer - 1 Gallon      |
|     | 065213-02-000 | EA  | Paint - Dark Brown - 16 oz. Spray - Dupont 44173    |

**MISCELLANEOUS EXTERNALLY MOUNTED PARTS**

| Key | Part Number   | U/M | Description   |
|-----|---------------|-----|---|
|     | 036579-03-000 | EA  | Fuel Fill - Recessed - Single - Off White                 |
| **  | 011124-01-000 | EA  | Plumbing Seal - Roof Vent - 1 1/4" White                  |
| **  | 011129-01-000 | EA  | Plumbing Seal - Roof Vent - 1 1/2" White                  |
| **  | 010230-02-000 | EA  | Fill - City Water - Recessed - Off White - w/Screw on Cap |
| **  | 011020-01-000 | EA  | Fill - Water - Recessed - Off White                       |
|     | 058808-01-000 | EA  | Waterfill - Lockable - White                              |
|     | 048817-01-000 | EA  | Assist Handle - w/Light                                   |
|     | 048817-01-700 | EA  | Lens - Assist Handle                                      |

\*\*The illustrated parts breakdown for this item is provided on the Common Items Fiche.

**1981 WINNEBAGO  
TABLE OF CONTENTS**

|                           |             |
|---------------------------|-------------|
| WD420RG M1, WC/WD420RG M2 | A-1 - B-14  |
| WDF26RH M1, WCF26RH M2    | B-15 - D-12 |
| WDF26RT M1, WCF26RT M2    | D-13 - F-20 |

**1981 WD/WC420RG M1, M2 INDEX**

|                                    |             |
|------------------------------------|-------------|
| Floor Plan                         | A-1 - A-2   |
| Accessories Group                  | A-3 - A-4   |
| Bath Group                         | A-5         |
| Chassis Group                      | A-6         |
| Curtain, Cushion & Pad Group       | A-7 - A-13  |
| Dinette Group                      | A-14        |
| Driver's Compartment Group         | A-15        |
| Electrical Group                   | A-15 - A-17 |
| Exterior Body Group                | A-18 - A-22 |
| Galley Group                       | A-23        |
| Heating & Air Conditioning Group   | A-24        |
| Interior Finish Group              | B-1 - B-2   |
| LP Group                           | B-3         |
| Lounge Group                       | B-4         |
| Water & Sewage Group               | B-5         |
| Window, Vent & Exterior Door Group | B-6 - B-14  |

## GALLEY GROUP

### GALLEY CABINETRY

| Key | Part Number   | U/M | Description  |
|-----|---------------|-----|--|
|     | 066032-01-L01 | EA  | Cabinet Asm. - Galley - Hot Plate - w/o Countertop, Doors, Drawers or Hardware |
|     | 066032-01-M04 | EA  | Cabinet Asm. - Galley - Hot Plate - w/o Countertop, Doors, Drawers or Hardware |
|     | 066032-02-L01 | EA  | Cabinet Asm. - Galley - w/o Countertop, Doors, Drawers or Hardware             |
|     | 066032-02-M04 | EA  | Cabinet Asm. - Galley - w/o Countertop, Doors, Drawers or Hardware             |
|     | 066240-01-L01 | EA  | Countertop Asm. - Galley Cabinet - Bone Kit                                    |
|     | 066240-01-M04 | EA  | Countertop Asm. - Galley Cabinet - Burnt Sienna                                |
|     | 066240-01-M02 | EA  | Countertop Asm. - Galley Cabinet - Camel (M03)                                 |
|     | 066529-01-L01 | EA  | Extension Asm. - Galley Countertop - w/o Hardware - Bone Kit                   |
|     | 066529-01-M04 | EA  | Extension Asm. - Galley Countertop - w/o Hardware - Burnt Sienna               |
|     | 066529-01-M02 | EA  | Extension Asm. - Galley Countertop - w/o Hardware - Camel (M03)                |
|     | M00377-08-L01 | EA  | Door Asm. - Galley Cabinet - 22" x 6.5" - w/o Hardware                         |
|     | M00377-08-M04 | EA  | Door Asm. - Galley Cabinet - 22" x 6.5" - w/o Hardware                         |
|     | M00377-07-L01 | EA  | Door Asm. - Galley Cabinet - 22" x 11.7" - w/o Hardware                        |
|     | M00377-07-M04 | EA  | Door Asm. - Galley Cabinet - 22" x 11.7" - w/o Hardware                        |
|     | M00377-06-L01 | EA  | Door Asm. - Galley Cabinet - 11.8" x 31.6" - w/o Hardware                      |
|     | M00377-06-M04 | EA  | Door Asm. - Galley Cabinet - 11.8" x 31.6" - w/o Hardware                      |
|     | M00377-15-L01 | EA  | Door Asm. - Galley Cabinet - 11.8" x 31.5" - w/o Hardware                      |
|     | M00377-15-M04 | EA  | Door Asm. - Galley Cabinet - 11.8" x 31.5" - w/o Hardware                      |
|     | M68646-01-L01 | EA  | Door Asm. - Refrigerator Cabinet - 18.8" x 23.5" - w/o Hardware                |
|     | M68646-01-M01 | EA  | Door Asm. - Refrigerator Cabinet - 18.8" x 23.5" - w/o Hardware                |
|     | M00377-05-L01 | EA  | Door Asm. - Refrigerator Cabinet - 15.2" x 23.5" - w/o Hardware                |
|     | M00377-05-M01 | EA  | Door Asm. - Refrigerator Cabinet - 15.2" x 23.5" - w/o Hardware                |
|     | M57840-03-L01 | EA  | Cabinet Asm. - Microwave - w/o Doors or Hardware                               |
|     | M57840-03-M04 | EA  | Cabinet Asm. - Microwave - w/o Doors or Hardware                               |
|     | M00378-05-L01 | EA  | Door Asm. - Microwave Cabinet - 11.2" x 16" - Right                            |
|     | M00378-05-M04 | EA  | Door Asm. - Microwave Cabinet - 11.2" x 16" - Right                            |
|     | M00378-06-L01 | EA  | Door Asm. - Microwave Cabinet - 11.2" x 16" - Left                             |
|     | M00378-06-M04 | EA  | Door Asm. - Microwave Cabinet - 11.2" x 16" - Left                             |
|     | M66134-01-L01 | EA  | Cabinet Asm. - Galley Overhead - w/o Door or Hardware                          |
|     | M66134-02-M04 | EA  | Cabinet Asm. - Galley Overhead - w/o Door or Hardware                          |
|     | M00377-51-L01 | EA  | Door Asm. - Galley Overhead Cabinet - 10.3" x 35.2" - w/o Hardware             |
|     | M00377-01-M04 | EA  | Door Asm. - Galley Overhead Cabinet - 10.3" x 35.2" - w/o Hardware             |
|     | 059915-01-L01 | EA  | Drawer Asm. - Galley Cabinet - 10" x 5" x 20" Deep                             |
|     | 059915-02-L01 | EA  | Drawer Asm. - Galley Cabinet - 10" x 5" x 14" Deep                             |
|     | 059915-05-L01 | EA  | Drawer Asm. - Galley Cabinet - 10" x 5" x 12" Deep                             |
|     | 059915-01-M01 | EA  | Drawer Asm. - Galley Cabinet - 10" x 5" x 20" Deep                             |
|     | 059915-02-M01 | EA  | Drawer Asm. - Galley Cabinet - 10" x 5" x 14" Deep                             |
|     | 059915-05-M01 | EA  | Drawer Asm. - Galley Cabinet - 10" x 5" x 12" Deep                             |

### GALLEY HARDWARE AND APPLIANCES

| Key | Part Number   | U/M | Description  |
|-----|---------------|-----|--|
|     | 053424-04-M04 | EA  | Sink Cover - Large - Burnt Sienna                  |
|     | 053424-04-M02 | EA  | Sink Cover - Large - Camel (M03)                   |
|     | 053424-01-L01 | EA  | Sink Cover - Large - Bone Kit                      |
|     | 068615-01-000 | EA  | Sink - Stainless Steel - Double w/Mounting Bolts   |
| **  | 011053-01-000 | EA  | Faucet - Swing Spout - 8" - US                     |
| **  | 011053-02-000 | EA  | Faucet - Swing Spout - 8" - C.S.A.                 |
|     | 064952-01-000 | EA  | Faucet - Single Control                            |
|     | 066437-01-000 | EA  | Strainer - Sink                                    |
| **  | 011053-01-700 | EA  | Aerator - Swing Spout Faucet                       |
|     | 058334-01-000 | EA  | Wastebasket - 9 3/4" x 7" x 10" - White Rubbermaid |
|     | 059877-01-000 | EA  | Support - Wastebasket                              |
|     | 053333-01-000 | EA  | Range Hood - Non Power - Black - U.S.              |
|     | 053333-02-000 | EA  | Range Hood - Non Power - Black - C.S.A.            |
|     | 049930-03-000 | EA  | Range Hood - Powered - Black - Jensen - U.S.       |
|     | 049930-04-000 | EA  | Range Hood - Powered - Black - Jensen - C.S.A.     |
|     | 052771-02-000 | EA  | Microwave Oven - Magic Chef - MW207                |

\*\*The illustrated parts breakdown for this item is provided on the Common Items Fiche.

A-23

## GALLEY GROUP (CONTINUED)

### GALLEY HARDWARE AND APPLIANCES (CONTINUED)

| Key | Part Number   | U/M | Description  |
|-----|---------------|-----|--|
|     | 062025-01-000 | EA  | Range - 3 Burner - w/o Oven - Black - Magic Chef BT85G-3 |
|     | 067754-01-000 | EA  | Range - 3 Burner - Small Oven - Magic Chef               |
| **  | 049175-02-000 | EA  | Refrigerator - AC/DC/Gas - Sibir ET150/2 - 1 Door Model  |
|     | 064473-02-000 | EA  | Refrigerator - AC/DC/Gas - Norcold - 6'                  |
|     | 064471-02-000 | EA  | Refrigerator - AC/DC/Gas - Norcold - 4'                  |
|     | 047205-08-000 | EA  | Grille Mesh - Brass - 10 1/8" x 12 1/2"                  |
|     | 057672-01-000 | EA  | Door Latch/Pull Asm.                                     |
|     | 037688-01-000 | FT  | Rail - Drawer Guide - Steel                              |
|     | 057946-01-L01 | EA  | Pull Kit - Cabinet Drawer                                |
|     | 054450-01-000 | EA  | Level - Refrigerator                                     |

\*\*The illustrated parts breakdown for this item is provided on the Common Items Fiche.

## 1981 WINNEBAGO TABLE OF CONTENTS

|                           |             |
|---------------------------|-------------|
| WD420RG M1, WC/WD420RG M2 | A-1 - B-14  |
| WDF26RH M1, WCF26RH M2    | B-15 - D-12 |
| WDF26RT M1, WCF26RT M2    | D-13 - F-20 |

## HEATING AND AIR CONDITIONING GROUP

### AUTOMOTIVE AIR CONDITIONER

| Key | Part Number   | U/M | Description   |
|-----|---------------|-----|---|
|     | 051770-01-000 | EA  | Compressor - Auto Air - Dodge or Chev. C-Body - ARA         |
|     | 062424-01-000 | EA  | Evaporator - Auto Air - Dodge or Chev. C-Body - ARA         |
|     | 056460-01-000 | EA  | Condensor Asm. - Auto Air - Dodge or Chevrolet C-Body - ARA |
|     | 056779-01-000 | EA  | Clutch - Auto Air - 7" Drive - Dodge or Chev. C-Body - ARA  |
|     | 062637-01-000 | EA  | Mount - Compressor - Dodge 360 C.I.D.                       |
|     | 062636-01-000 | EA  | Mount - Compressor - Dodge 440 C.I.D.                       |
|     | 056459-01-000 | EA  | Mount - Compressor - Chevrolet                              |
|     | 055279-01-000 | EA  | Control Asm. - Heater and Air Conditioner                   |

### COACH HEATING AND A/C

| Key | Part Number   | U/M | Description  |
|-----|---------------|-----|--|
|     | 039505-02-000 | EA  | Thermostat - Horizontal Wall Mount - Black   |
|     | 009200-01-000 | EA  | Tape - Furnace - 1 1/2"  |
|     | 023146-01-000 | EA  | Clamp - Screw Type - 4"  |
|     | 024985-01-000 | EA  | Register w/Damper - 9.9" x 4.8"  |
|     | 009198-01-000 | EA  | Duct - Flexible - 4" I.D. x 25'  |
|     | 031604-01-000 | EA  | Bonnet - Heat Register   |
|     | 056464-01-000 | EA  | Register - 4" Dia. - Plastic - w/Damper  |
|     | 056464-02-000 | EA  | Register - 4" Dia. - Plastic - w/o Damper  |
|     | 049401-01-000 | EA  | Heater Asm. - Rear Auxiliary   |
|     | 049401-01-700 | EA  | Valve - Water Control - Rear Aux. Heater   |
|     | 049401-01-701 | EA  | Control Cable - Rear Aux. Heater   |
|     | 049401-01-702 | EA  | Motor Asm. - Rear Aux. Heater  |
|     | 049401-01-703 | EA  | Heater Core - Rear Aux. Heater   |
|     | 049401-01-704 | EA  | Switch - Rear Aux. Heater  |
|     | 058906-01-000 | EA  | Control Panel - Rear Aux. Heater   |
| **  | 052598-01-000 | EA  | Furnace - 19,000 BTU - Coleman 4319-729  |
| **  | 059351-02-000 | EA  | Furnace - 24,000 BTU - w/Piezo - Coleman 4324-749  |
| **  | 049774-02-000 | EA  | Air Conditioner - 110 Volt - Roof Mount - 13,500 BTU Ivory - Coleman (w/o inside shroud) |
| **  | 049775-02-000 | EA  | Shroud Asm. - Ceiling - Inside - Roof Air - Cool Only 13,500 BTU - Coleman               |
| **  | 049776-01-000 | EA  | Shroud Asm. - Ceiling - Inside - Roof Air - Heat and Cool 13,500 BTU - Coleman           |
|     | 063903-01-000 | EA  | Air Conditioner - 110 Volt - Roof Air - 13,500 BTU - Rotary                              |

\*\*The illustrated parts breakdown for this item is provided on the Common Items Fiche.

A-24

## 1981 WD/WC420RG M1, M2 INDEX

|                                    |             |
|------------------------------------|-------------|
| Floor Plan                         | A-1 - A-2   |
| Accessories Group                  | A-3 - A-4   |
| Bath Group                         | A-5         |
| Chassis Group                      | A-6         |
| Curtain, Cushion & Pad Group       | A-7 - A-13  |
| Dinette Group                      | A-14        |
| Driver's Compartment Group         | A-15        |
| Electrical Group                   | A-15 - A-17 |
| Exterior Body Group                | A-18 - A-22 |
| Galley Group                       | A-23        |
| Heating & Air Conditioning Group   | A-24        |
| Interior Finish Group              | B-1 - B-2   |
| LP Group                           | B-3         |
| Lounge Group                       | B-4         |
| Water & Sewage Group               | B-5         |
| Window, Vent & Exterior Door Group | B-5 - B-14  |

## INTERIOR FINISH GROUP

### PANELING AND COUNTERTOP MATERIALS

| Key | Part Number   | U/M | Description                                       |
|-----|---------------|-----|---|
|     | 045963-01-000 | SF  | Paneling - 825 Buff - 48" x 96" (32 SF)           |
|     | 068344-03-000 | SF  | Paneling - 772 Bellweather - 48" x 96" (32 SF)    |
|     | 065739-03-000 | SF  | Paneling - Decorative - Beige (L01)               |
|     | 065739-04-000 | SF  | Paneling - Decorative - Burgundy (L02)            |
|     | 065739-05-000 | SF  | Paneling - Decorative - Blue (L03)                |
|     | 064388-01-000 | SF  | Paneling - Ferns - Beige (L01)                    |
|     | 064388-02-000 | SF  | Paneling - Ferns - Burgundy (L02)                 |
|     | 068343-01-000 | SF  | Paneling - Decor Shells - Beige (M01) (M02) (M03) |
|     | 068343-02-000 | SF  | Paneling - Decor Autumn Storm - Copper (M01)      |
|     | 068343-03-000 | SF  | Paneling - Decor Autumn Storm - Gray (M02)        |
|     | 068343-04-000 | SF  | Paneling - Decor Autumn Storm - Brown (M03)       |
|     | 064387-01-000 | SF  | Plastic Laminate - Bone Kit (L01) (L02) (L03)     |
|     | 060311-01-000 | SF  | Plastic Laminate - Burnt Sienna (M01)             |
|     | 068341-02-000 | SF  | Plastic Laminate - Camel (M02) (M03)              |
|     | 059970-01-000 | SF  | Plastic Laminate - Malador Leather                |

### INTERIOR MOLDINGS AND TRIMS

| Key | Part Number   | U/M | Description                                  |
|-----|---------------|-----|--|
|     | 047354-01-000 | EA  | Batt Strip - 825 Buff - Ceiling - 96"        |
|     | 064386-01-000 | EA  | Batt Strip - 772 Bellweather - 96"           |
|     | 064389-01-000 | EA  | Batt Strip - Decorative Ferns - Beige        |
|     | 064389-02-000 | EA  | Batt Strip - Decorative Ferns - Burgundy     |
|     | 064389-03-000 | EA  | Batt Strip - Decorative Ferns - Blue         |
|     | 024700-06-000 | EA  | Cover - Roll Bar - Sidewall - Ivory          |
|     | 052859-01-J27 | FT  | Accent Trim - Acorn Brown Vinyl              |
|     | 009812-10-000 | EA  | Molding - Outside Corner - .50" - Birch      |
|     | 009813-01-000 | FT  | Molding - Outside Corner - .50" - Dark Pecan |
|     | 009767-05-000 | FT  | Wetling - Light Brown                        |
|     | 009778-01-000 | FT  | U-Channel - 1" - Dark Brown                  |
|     | 017788-01-000 | FT  | U-Channel - .19" Brown                       |
|     | 009779-03-000 | FT  | U-Channel - 1 1/8" - Light Brown             |
|     | 052861-01-K01 | FT  | Molding Asm. - Shell                         |
|     | 009810-01-000 | FT  | Molding - Outside Corner - 1" - Dark Pecan   |
|     | 009815-03-000 | FT  | T-Molding - .75" - Light Brown               |
|     | 022992-04-000 | FT  | Molding - Reverse Cove                       |
|     | 035337-22-000 | EA  | Trim - Inside Corner - Alum. - 80 1/2"       |
|     | 034394-02-000 | EA  | Extr. Vinyl Insert - Beige                   |

### FABRICS AND FLOOR COVERINGS

| Key | Part Number   | U/M | Description   |
|-----|---------------|-----|---|
|     | 064393-04-000 | YD  | Fabric - Drapery - Dublin Flax (L01)                |
|     | 068339-01-000 | YD  | Fabric - Drapery - Champagne (M01)                  |
|     | 068338-01-000 | YD  | Fabric - Upholstery - Rust (M01)                    |
|     | 068338-02-000 | YD  | Fabric - Upholstery - Blue (M02)                    |
|     | 068338-03-000 | YD  | Fabric - Upholstery - Brown (M03)                   |
|     | 064383-01-000 | YD  | Fabric - Upholstery - Biscayne Sienna - Brown (L01) |
|     | 064383-06-000 | YD  | Fabric - Upholstery - Biscayne Rust (L02)           |
|     | 064383-07-000 | YD  | Fabric - Upholstery - Biscayne Blue (L03)           |
|     | 053327-01-000 | YD  | Vinyl - Non Expanded - 27 oz. - Acorn Brown         |
|     | 053327-02-000 | YD  | Vinyl - Expanded - 27 oz. - Acorn Brown             |
|     | 053327-03-000 | YD  | Vinyl - Non Support - 16 Gauge Film - Acorn Brown   |
|     | 064384-02-000 | SY  | Carpet - Camel (L01) (L03)                          |
|     | 064384-01-000 | SY  | Carpet - Ginger (L02)                               |
|     | 068340-01-000 | SY  | Carpet - Rust (M01)                                 |
|     | 068340-02-000 | SY  | Carpet - Medium Brown (M02) (M03)                   |
|     | 064392-01-000 | SY  | Vinyl Floor Covering - Armstrong - Castilian        |

## INTERIOR FINISH GROUP (CONTINUED)

### CABINETS AND TABLE HARDWARE

| Key | Part Number   | U/M | Description  |
|-----|---------------|-----|--|
| **  | 052932-01-J30 | EA  | Hinge Kit - Cabinet Door - Antique Brass           |
|     | 053103-01-L01 | EA  | Hinge Kit - Double Acting - Overhead Door          |
|     | 057945-01-K01 | EA  | Latch Kit - Cabinet Door - Flat Latch              |
|     | 009112-01-000 | EA  | Flange - 1" - Closet Rod                           |
| **  | 053220-01-000 | EA  | Bracket - Upper Wall Mount - 23.5"                 |
| **  | 053201-03-000 | EA  | Bracket - Table Mount - 23" Anod.                  |
| **  | 024275-01-000 | EA  | Rod - Table Lift - 8" x 23.5"                      |
| **  | 024281-06-000 | EA  | Bracket - Lower Wall Mount - Black - 22.12"        |
| **  | 024276-04-000 | EA  | Leg Asm. - Table - Brown - 29.5"                   |
| **  | 064050-01-000 | EA  | Hinge - Table Leg                                  |
| **  | 024282-01-000 | EA  | Brace - Table Leg                                  |
| **  | 024283-01-000 | EA  | Clip - 1" O.D. Tube                                |
| **  | 049493-02-000 | EA  | Catch - Table Leg - Mounts on Floor - Brown        |
|     | 009040-02-000 | EA  | Leg - Pedestal Table - 27.5" x 2.25" O.D. - Chrome |
|     | 009040-03-000 | EA  | Base - Table Leg - Mounts on Table                 |
|     | 041194-01-000 | EA  | Base - Table Leg - Mounts in Floor                 |
|     | 062046-01-000 | EA  | Clip - Leg Pedestal                                |
|     | 058335-01-000 | EA  | Latch - Bathroom Door w/Lock                       |
|     | 058335-02-000 | EA  | Latch - Bathroom Door w/o Lock                     |
|     | 059753-01-000 | EA  | Slide - Drawer - Left                              |
|     | 059753-02-000 | EA  | Slide - Drawer - Right                             |
| **  | 037688-01-000 | FT  | Rail - Drawer Glide                                |
| **  | 047744-01-000 | EA  | Kit - Drawer Glide                                 |

\*\*The illustrated parts breakdown for this item is provided on the Common Items Fiche.

### CURTAIN HARDWARE

| Key | Part Number   | U/M | Description                                    |
|-----|---------------|-----|--|
|     | 052327-04-236 | EA  | Track - Curtain - Brown Alum. - 89" w/Holes    |
|     | 056116-01-000 | FT  | Track - Curtain - Brown Plastic                |
|     | 056001-01-000 | EA  | Bracket - Shade - Left                         |
|     | 056002-01-000 | EA  | Bracket - Shade - Right                        |
|     | 056003-01-000 | EA  | Bracket - Drapery Retainer - Right             |
|     | 056003-02-000 | EA  | Bracket - Drapery Retainer - Left              |
|     | 053272-04-200 | EA  | Track - Curtain - Off White - 89" w/Holes      |
|     | 056784-01-000 | EA  | Pull - Window Shade - Antique Brass            |
|     | 009107-01-000 | EA  | Guide - Nylon Snap - Curtain                   |
|     | 018031-46-000 | EA  | Track - Curtain - "L" Rod - Alum. Extr. - 182" |
|     | 069701-01-000 | EA  | Carrier - "L" Rod - Curtain                    |
|     | 008702-01-000 | EA  | End Stop - "L" Rod - Curtain                   |
|     | 056115-01-000 | YD  | Tape - Clear Plastic - w/Guides                |
|     | 048394-01-000 | YD  | Tape - Hook - 1" x 25 YD - Beige               |
|     | 048395-01-000 | YD  | Tape - Loop - 1" x 25 YD - Beige               |

### MISCELLANEOUS

| Key | Part Number   | U/M | Description                                    |
|-----|---------------|-----|--|
|     | 041844-01-700 | EA  | Fire Extinguisher - Dry Chemical w/Bracket     |
|     | 041844-03-000 | EA  | Fire Extinguisher - 5 BC (Calif)               |
|     | 007038-01-000 | EA  | Door Mat - Black Rubber - 10 1/2" x 26"        |
|     | 053552-01-K01 | EA  | Assist Handle - Interior - Acorn Vinyl         |
|     | 054185-12-000 | EA  | Owners Manual - Winnebago and Itasca           |
|     | 047205-08-000 | EA  | Brass Mesh - 10 1/8" x 12 1/2" - Furnace Grill |
|     | 006069-01-000 | EA  | Key Case - Leather                             |

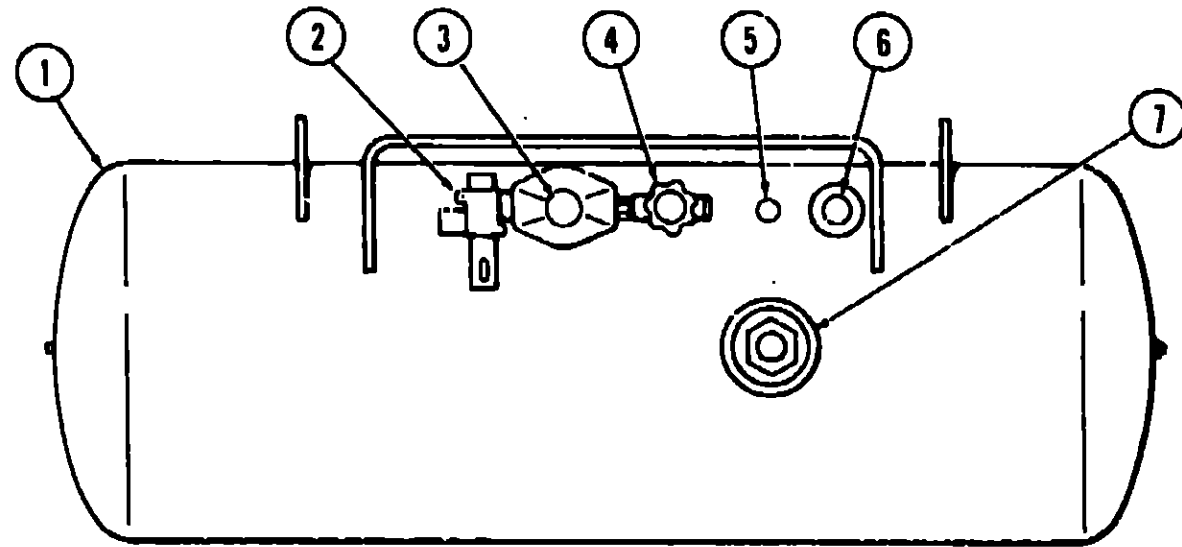
## 1981 WINNEBAGO TABLE OF CONTENTS

|                           |             |
|---------------------------|-------------|
| WD420RG M1, WC/WC420RG M2 | A-1 - B-14  |
| WDF26RH M1, WCF26RH M2    | B-15 - D-12 |
| WDF26RT M1, WCF26RT M2    | D-13 - F-20 |

## 1981 WD/WC420RG M1, M2 INDEX

|                                    |             |
|------------------------------------|-------------|
| Floor Plan                         | A-1 - A-2   |
| Accessories Group                  | A-3 - A-4   |
| Bath Group                         | A-5         |
| Chassis Group                      | A-6         |
| Curtain, Cushion & Pad Group       | A-7 - A-13  |
| Dinette Group                      | A-14        |
| Driver's Compartment Group         | A-15        |
| Electrical Group                   | A-15 - A-17 |
| Exterior Body Group                | A-18 - A-22 |
| Galley Group                       | A-23        |
| Heating & Air Conditioning Group   | A-24        |
| Interior Finish Group              | B-1 - B-2   |
| LP Group                           | B-3         |
| Lounge Group                       | B-4         |
| Water & Sewage Group               | B-5         |
| Window, Vent & Exterior Door Group | B-6 - B-14  |

## LP GROUP



| Key | Part Number   | U/M | Description   |
|-----|---------------|-----|---|
| 1   | 052769-01-000 | EA  | Tank Asm. - LP - Frame Mount - 42 Pound                           |
| 1   | 063378-01-000 | EA  | Tank Asm. - LP - Frame Mount - 80 Pound                           |
| 2   | 047221-01-000 | EA  | Detector - LP Gas Leak  |
| 3   | 058708-01-000 | EA  | Cover - Regulator - 2 Stage                                       |
| .   | 058705-01-000 | EA  | Regulator - Two Stage - LP Gas                                    |
| 4   | 040421-01-703 | EA  | Valve - Vapor Relief  |
| 5   | 040421-01-700 | EA  | Gauge - Liquid Level - 20% LP                                     |
| 6   | 040421-01-701 | EA  | Valve - Filler - LP   |
| .   | 040421-01-702 | EA  | Cap - Plastic Fill Valve  |
| 7   | 042281-01-700 | EA  | Gauge - Float - w/Visible Dial - 42 Pound Tank                    |
| .   | 040421-01-706 | EA  | Dial - Visible Face - Float Gauge (Tank w/o Electric Transmitter) |
| .   | 040421-01-705 | EA  | Dial - Transmitter - 0-90 Ohm (Float Gauge)                       |
| .   | 045703-03-000 | EA  | Hose Asm. - LP - 3/8" I.D. x 14"                                  |
| .   | 047737-02-000 | EA  | Support - LP Tank - 89.25"  |
| .   | 047737-03-000 | EA  | Support - LP Tank - 30.50"  |
| .   |               |     | Not Illustrated   |

## LOUNGE GROUP

### LESTER LOUNGE AND OVERHEAD CABINET

| Key | Part Number   | U/M | Description  |
|-----|---------------|-----|--|
|     | 066123-01-L01 | EA  | Cabinet Asm. - Furnace - w/o Countertop, Door or Hardware            |
|     | M69891-01-M04 | EA  | Cabinet Asm. - Furnace - w/o Countertop, Door or Hardware            |
|     | M00744-01-M02 | EA  | Countertop Asm. - Furnace Cabinet - Camel (M03)                      |
|     | M00744-01-M04 | EA  | Countertop Asm. - Furnace Cabinet - Burnt Sienna                     |
|     | 057785-01-L01 | EA  | Countertop Asm. - Furnace Cabinet - Bone Kit                         |
|     | M00377-03-L01 | EA  | Door Asm. - Wardrobe Cabinet - 12" x 42" - w/o Hardware              |
|     | M00377-03-M04 | EA  | Door Asm. - Wardrobe Cabinet - 12" x 42" - w/o Hardware              |
|     | M00377-04-M04 | EA  | Door Asm. - Wardrobe Cabinet - 11.8" x 61" - w/o Hardware            |
|     | M00377-04-L01 | EA  | Door Asm. - Wardrobe Cabinet - 11.8" x 61" - w/o Hardware            |
|     | 057837-01-L01 | EA  | Cabinet Asm. - Rear Overhead - w/o Doors or Hardware                 |
|     | M57837-02-M04 | EA  | Cabinet Asm. - Rear Overhead - w/o Doors or Hardware                 |
|     | M00377-01-M04 | EA  | Door Asm. - Rear Overhead Cabinet - 10.3" x 35.2" - w/o Hardware     |
|     | M00377-01-L01 | EA  | Door Asm. - Rear Overhead Cabinet - 10.3" x 35.2" - w/o Hardware     |
|     | 066133-01-L01 | EA  | Cabinet Asm. - Couch - w/o Drawer or Hardware                        |
|     | 068825-01-M04 | EA  | Cabinet Asm. - Couch - w/o Drawer, Door or Hardware                  |
|     | M68645-01-M04 | EA  | Drawer Asm. - Blanket - 29.72" x 10.72" x 19.62" Deep - w/o Hardware |
|     | 058093-01-L01 | EA  | Drawer Asm. - Blanket - 29.72" x 10.72" x 19.62" Deep - w/o Hardware |
|     | 053248-02-L01 | EA  | Table Asm. - Pedestal - w/o Hardware - Bone Kit                      |
|     | 053248-02-M04 | EA  | Table Asm. - Pedestal - w/o Hardware - Burnt Sienna                  |
|     | 053248-02-M02 | EA  | Table Asm. - Pedestal - w/o Hardware - Camel (M03)                   |
|     | M00380-01-M04 | EA  | Door Asm. - Furnace - w/Mesh Insert - 18.2" x 22.4" - w/o Hardware   |

### LESTER LOUNGE HARDWARE

| Key | Part Number   | U/M | Description   |
|-----|---------------|-----|---|
|     | 009040-02-000 | EA  | Leg - Pedestal Table - 2.25" O.D. x 27.5" - Chrome  |
|     | 009040-03-000 | EA  | Base - Table Leg - Mounts on Table                  |
|     | 041194-01-000 | EA  | Base - Table Leg - Mounts in Floor                  |
|     | 056875-02-000 | EA  | Leg Asm. - Couch                                    |
|     | 022517-01-000 | EA  | End Cap - 1" x 1" - Brown                           |
|     | 053163-01-000 | EA  | Bracket Couch Slide                                 |
|     | 053347-01-000 | EA  | Wire - Pin - Spring - 3/32"                         |
|     | 053348-01-000 | EA  | Steel Pin - 1/4" x 4" - 3/32" Hole                  |
|     | 054398-01-000 | EA  | Bracket - Center Support - Lester Lounge - Brown    |
|     | 009151-01-000 | EA  | Warp Guard - 48"                                    |
|     | 009112-01-000 | EA  | Flange - 1" Closet Rod - Chrome                     |
|     | 047205-11-000 | EA  | Brass Mesh Insert - 12.75" x 14.75" - Furnace Grill |
|     | 062046-01-000 | EA  | Clip - Pedestal Leg                                 |
|     | 056418-01-L04 | EA  | Plug Asm. - Pedestal - Table - Ginger               |
|     | 056418-01-L05 | EA  | Plug Asm. - Pedestal - Table - Camel                |
|     | 056093-01-M01 | EA  | Plug Asm. - Pedestal - Table - Rust                 |
|     | 056093-01-M02 | EA  | Plug Asm. - Pedestal - Table - Medium Brown         |

## 1981 WINNEBAGO TABLE OF CONTENTS

|                           |             |
|---------------------------|-------------|
| WD420RG M1, WC/WD420RG M2 | A-1 - B-14  |
| WDF26RH M1, WCF26RH M2    | B-15 - D-12 |
| WDF26RT M1, WCF26RT M2    | D-13 - F-20 |

## 1961 WD/WC420RG M1, M2 INDEX

|                                    |             |
|------------------------------------|-------------|
| Floor Plan                         | A-1 - A-2   |
| Accessories Group                  | A-3 - A-4   |
| Bath Group                         | A-5         |
| Chassis Group                      | A-6         |
| Curtain, Cushion & Pad Group       | A-7 - A-13  |
| Dinette Group                      | A-14        |
| Driver's Compartment Group         | A-15        |
| Electrical Group                   | A-15 - A-17 |
| Exterior Body Group                | A-18 - A-22 |
| Galley Group                       | A-23        |
| Heating & Air Conditioning Group   | A-24        |
| Interior Finish Group              | B-1 - B-2   |
| LP Group                           | B-3         |
| Lounge Group                       | B-4         |
| Water & Sewage Group               | B-5         |
| Window, Vent & Exterior Door Group | B-6 - B-14  |

## WATER AND SEWAGE GROUP

## WINDOW, VENT AND EXTERIOR DOOR GROUP

### PLUMBING REPAIR PARTS

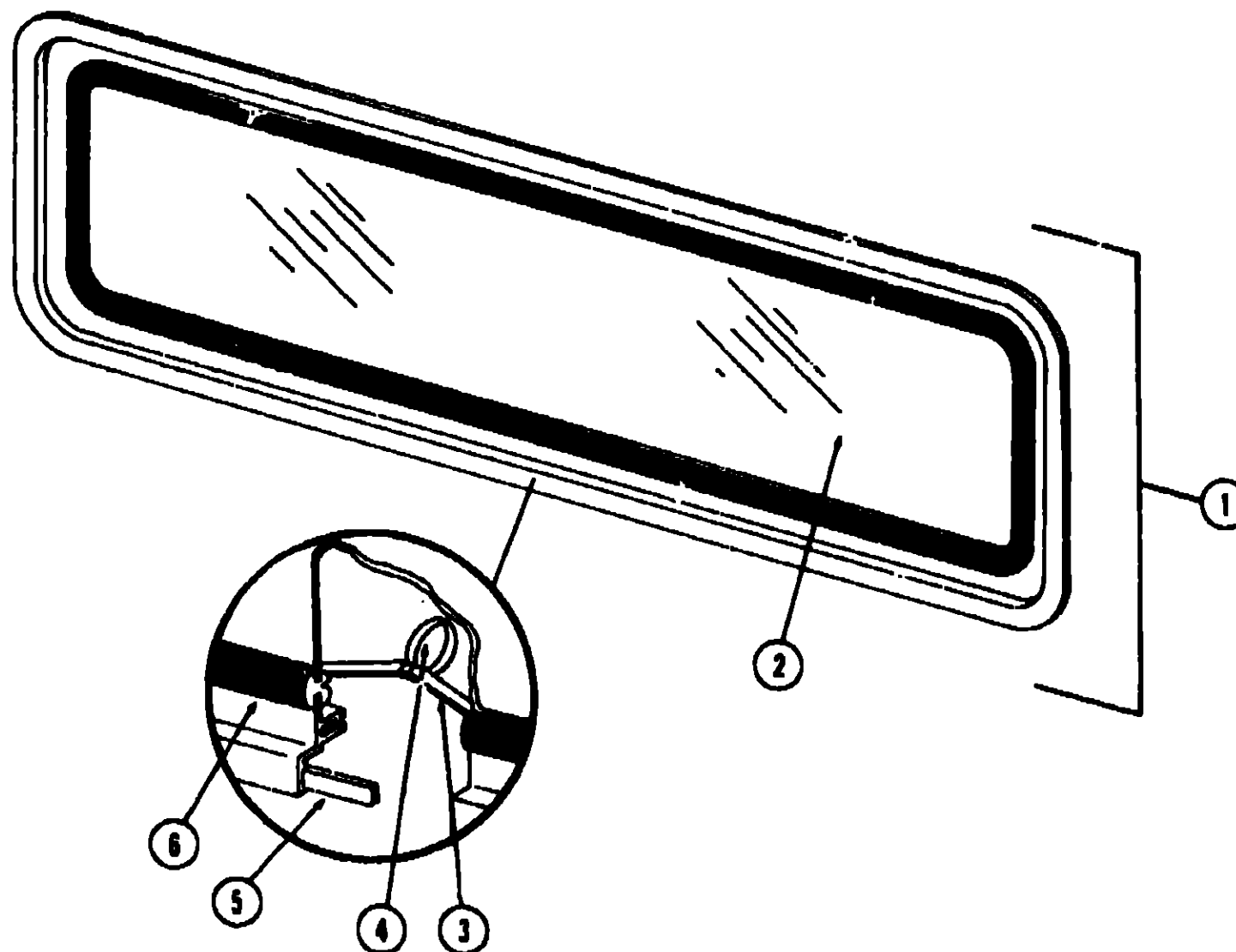
| Key | Part Number   | U/M | Description  |
|-----|---------------|-----|--|
| **  | 040539-01-000 | EA  | Kit - Repair - 3/8" O.D. Plastic Tube              |
| **  | 040540-01-000 | EA  | Kit - Repair - 1/2" O.D. Plastic Tube              |
| **  | 040541-01-000 | EA  | Kit - Repair - 5/8" O.D. Plastic Tube              |
| **  | 063646-01-000 | EA  | Water Pump - 2.8 G.P.M. - Direct Drive - PAR       |
| **  | 063646-02-000 | EA  | Water Pump - 2.8 G.P.M. - Direct Drive - PAR - CSA |
| **  | 039647-02-000 | EA  | Filter - Water Pump 1/2" MPT                       |
| **  | 052958-01-000 | EA  | Tee - Plastic - 1/2 F x 1/2 F x 1/2 F              |
| **  | 052959-02-000 | EA  | Connector - Plastic - 1/2 F x 1/2 MPT              |
| **  | 052959-03-000 | EA  | Connector - Plastic - 1/2 F x 3/8 MPT              |
| **  | 052960-01-000 | EA  | Drain Valve - Line - 1/2 F x 1/2 F                 |
| **  | 039818-01-000 | EA  | Riser Asm. - 3/8" O.D. x 24" Tube                  |
| **  | 039818-02-000 | EA  | Riser Asm. - 3/8" O.D. x 36" Tube                  |
| **  | 039818-04-000 | EA  | Riser Asm. - 3/8" O.D. x 72" Tube                  |
| **  | 039818-05-000 | EA  | Riser Asm. - 3/8" O.D. x 48" Tube                  |
| **  | 004020-01-000 | QT  | Adhesive - ABS Cement                              |
| **  | 010201-01-000 | EA  | Hose - Sewer - 3" x 10 Ft. w/Clamp                 |
| **  | 062422-01-000 | EA  | Adapter - Offset Reducer - 3" x 1 1/2"             |
| **  | 062627-01-000 | EA  | Valve - Dual - 3" x 1 1/2" - Offset                |
| **  | 062415-01-000 | EA  | Cap - Sewer - 3"                                   |
| **  | 062416-01-000 | EA  | Hose Adapter - Sewer - 3"                          |
| **  | 062418-02-000 | EA  | Valve - Sewer - 3" - w/o Handle                    |
| **  | 011091-01-000 | EA  | Waste - Continuous - Double Sink - 11 7/8"         |
| **  | 011066-01-000 | EA  | P-Trap - Plastic - 1 1/4"                          |
| **  | 010079-01-000 | EA  | Tee - Plastic - 1 1/2 H x 1 1/2 H x 1 1/4 H        |
| **  | 010091-01-000 | EA  | Wye - Plastic - 3" x 45 H x H x H                  |
| **  | 010115-01-000 | EA  | Coupling - Plastic - 1 1/2 H x H                   |
| **  | 010121-01-000 | EA  | Bushing - Plastic - 1 1/2 S x 1 1/4 H              |
| **  | 050780-01-000 | EA  | Coupler - Rubber - 3" x 3"                         |
| **  | 037845-01-000 | FT  | Tape - Butyl - 3/16" Bead - Black                  |
| **  | 061607-01-000 | EA  | Grommet - Rubber - Holding Tank Fitting - 1 1/2"   |
| **  | 061607-02-000 | EA  | Grommet - Rubber - Holding Tank Fitting - 3"       |
| **  | 046524-01-000 | EA  | Kit - Plastic Fittings - Holding Tank              |
| **  | 046524-02-000 | EA  | Kit - Plastic Fittings - Water Tank                |

\*\*The illustrated parts breakdown for this item is provided on the Common Items Fiche.

### HOLDING TANKS AND WATER HEATER

| Key | Part Number   | U/M | Description   |
|-----|---------------|-----|---|
| **  | 057063-02-000 | EA  | Tank Asm. - Water - 28 Gallon w/Fitting               |
| **  | 057063-01-000 | EA  | Tank - Water - 28 Gallon w/o Fittings                 |
| **  | 064368-01-000 | EA  | Tank - Holding - Main - 12 Gallon - w/o Fittings      |
| **  | 064370-01-000 | EA  | Tank - Holding - Aux. - 12 Gallon - w/o Fittings      |
| **  | 051391-01-000 | EA  | Water Heater - 6 Gallon w/o Motor Aid - Atwood - GH63 |

\*\*The illustrated parts breakdown for this item is provided on the Common Items Fiche.



| Key | Part Number   | U/M | Description   |
|-----|---------------|-----|---|
| 1   | 020754-03-000 | EA  | Window Asm. - Escape - 23" x 68" Black Anod. (w/o inside frame)       |
| 2   | 002178-01-000 | EA  | Glass - 1/8" x 19.6" x 64.8"  |
| 3   | 002285-01-000 | FT  | Weatherstrip - Filler - Black   |
| 4   | 020395-01-000 | EA  | Slip - Pull Ring - Escape Window                                      |
| 5   | 053767-03-000 | FT  | Tape - 1/4" Bead x 20' - Gray   |
| 6   | 002282-01-000 | FT  | Weatherstrip - Window - .125" - Black                                 |
| *   | 020752-03-000 | EA  | Frame - Inside - Escape Window - 23" x 68" (not included in assembly) |
| *   | 006199-01-000 | EA  | Label - Exit - Escape Window  |
| *   |               |     | Not Illustrated   |

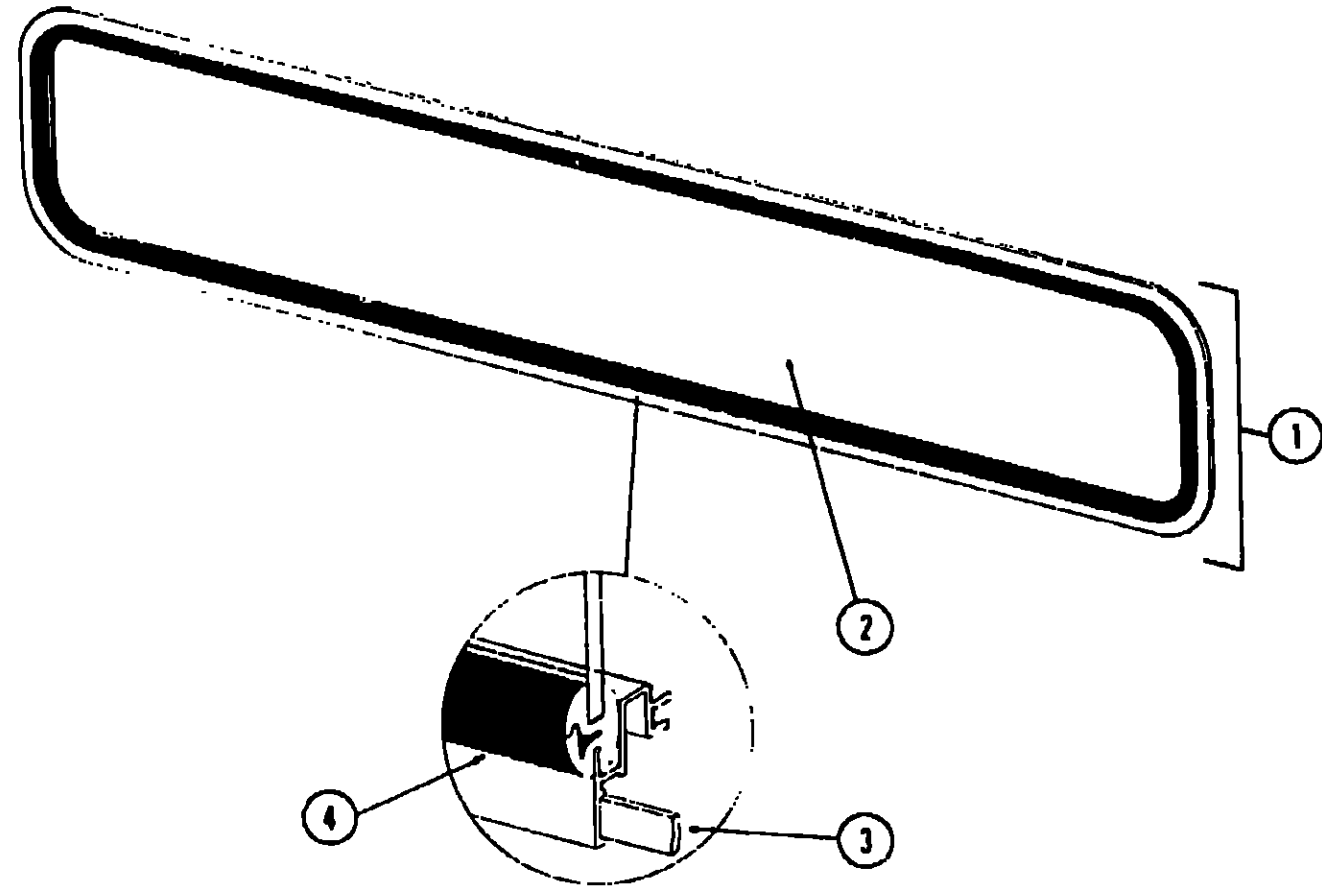
### 1981 WINNEBAGO TABLE OF CONTENTS

|                           |             |
|---------------------------|-------------|
| WD420RG M1, WC/WD420RG M2 | A-1 - B-14  |
| WDF26RH M1, WCF26RH M2    | B-15 - D-12 |
| WDF26RT M1, WCF26RT M2    | D-13 - F-20 |

### 1981 WD/WC420RG M1, M2 INDEX

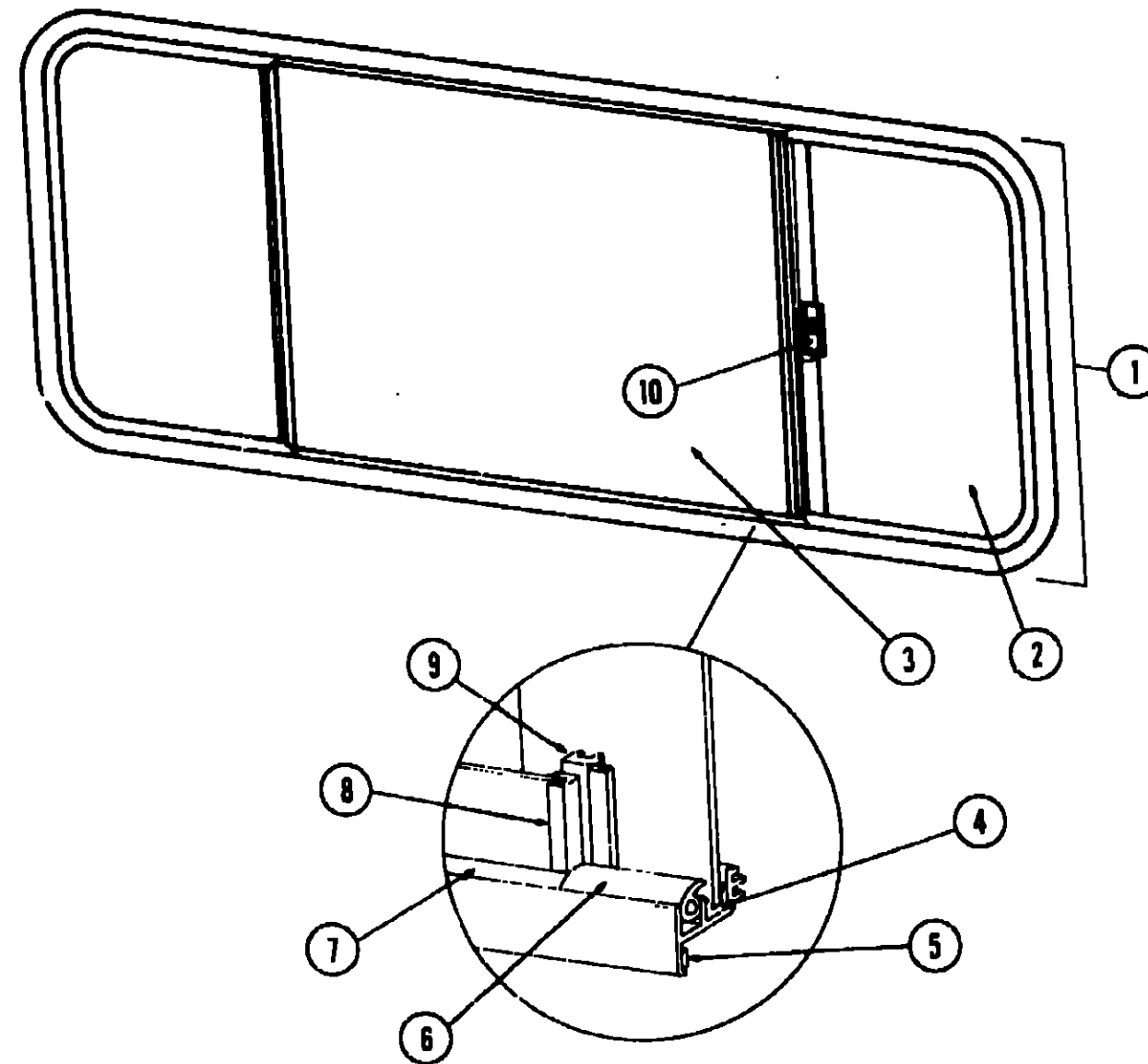
|                                    |             |
|------------------------------------|-------------|
| Floor Plan                         | A-1 - A-2   |
| Accessories Group                  | A-3 - A-4   |
| Bath Group                         | A-5         |
| Chassis Group                      | A-6         |
| Curtain, Cushion and Pad Group     | A-7 - A-13  |
| Dinette Group                      | A-14        |
| Driver's Compartment Group         | A-15        |
| Electrical Group                   | A-15 - A-17 |
| Exterior Body Group                | A-18 - A-22 |
| Galley Group                       | A-23        |
| Heating & Air Conditioning Group   | A-24        |
| Interior Finish Group              | B-1 - B-2   |
| LP Group                           | B-3         |
| Lounge Group                       | B-4         |
| Water & Sewage Group               | B-5         |
| Window, Vent & Exterior Door Group | B-6 - B-14  |

**WINDOW, VENT AND EXTERIOR DOOR GROUP (CONTINUED)**



| Key | Part Number   | U/M | Description  |
|-----|---------------|-----|--|
| 1   | 041936-01-000 | EA  | Window Asm. - Front Picture - 14" x 69" - Black (w/o Inside frame) |
| 2   | 002200-02-000 | EA  | Glass - TP - Picture Window  |
| 3   | 053767-03-000 | FT  | Tape - 1/4" Bead x 20' - Gray                                      |
| 4   | 002281-01-000 | FT  | Weatherstrip - Self Seal - .06" Panel x 3/16" - Black              |
| .   | 037845-01-000 | FT  | Tape - Butyl - Window - 3/16" Bead - Black                         |
| .   | 041938-01-000 | EA  | Frame - Inside - Picture Window (not included in assembly)         |
| .   |               |     | Not Illustrated  |

**WINDOW, VENT AND EXTERIOR DOOR GROUP (CONTINUED)**



| Key | Part Number   | U/M | Description  |
|-----|---------------|-----|--|
| 1   | 066785-03-000 | EA  | Window Asm. - Single Slider - 25" x 65" - Black Anod. (w/o inside frame) |
| 2   | 066727-02-000 | EA  | Glass - Sliding - 1/8" x 12" x 24"                                       |
| 3   | 002324-02-000 | FT  | Channel - Weatherstrip - Glass Run - 3/16" Glass                         |
| 4   | 053767-03-000 | FT  | Tape - 1/4" Bead x 20' - Gray  |
| 5   | 057374-02-000 | FT  | Seal - Window Channel - Black  |
| 6   | 002309-02-000 | FT  | Spline - Glass - Black   |
| 7   | 002390-03-002 | EA  | Holder - Glass Seal - Black Anod. Extr.                                  |
| 8   | 041894-04-000 | EA  | Mullion - Sliding Window - Black Anod. Extrs.                            |
| 9   | 066726-02-000 | EA  | Glass - Stationary - 1/8" x 21.03" x 24"                                 |
| 10  | 047369-01-700 | EA  | Latch - Window - Plastic w/Fastener                                      |
| .   | 023320-01-000 | EA  | Pad - Foam - 3/8" Dia. (used w/Plastic Latch)                            |
| .   | 042076-01-000 | FT  | Seal - Fin - Pile - .34" - Mullion                                       |
| .   | 023713-02-000 | EA  | Cover - Weep Hole - Black  |
| .   | 042133-09-000 | EA  | Frame - Inside - Single Slider - 25" x 65"                               |
| .   |               |     | Not Illustrated  |

**1981 WINNEBAGO  
TABLE OF CONTENTS**

|                           |             |
|---------------------------|-------------|
| WD420RG M1, WC/WD420RG M2 | A-1 - B-14  |
| WDF26RH M1, WCF26RH M2    | B-15 - D-12 |
| WDF26RT M1, WCF26RT M2    | D-13 - F-20 |

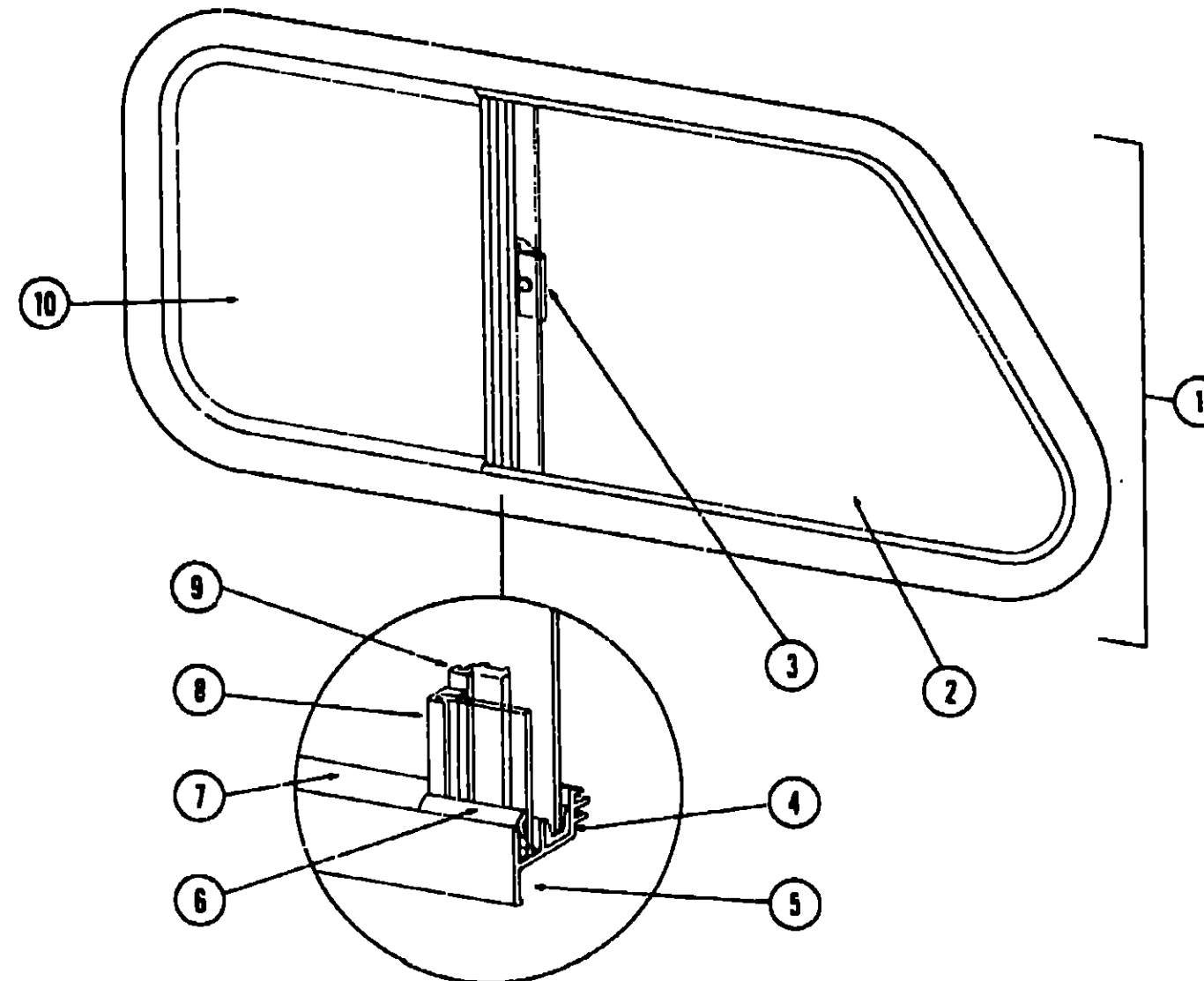
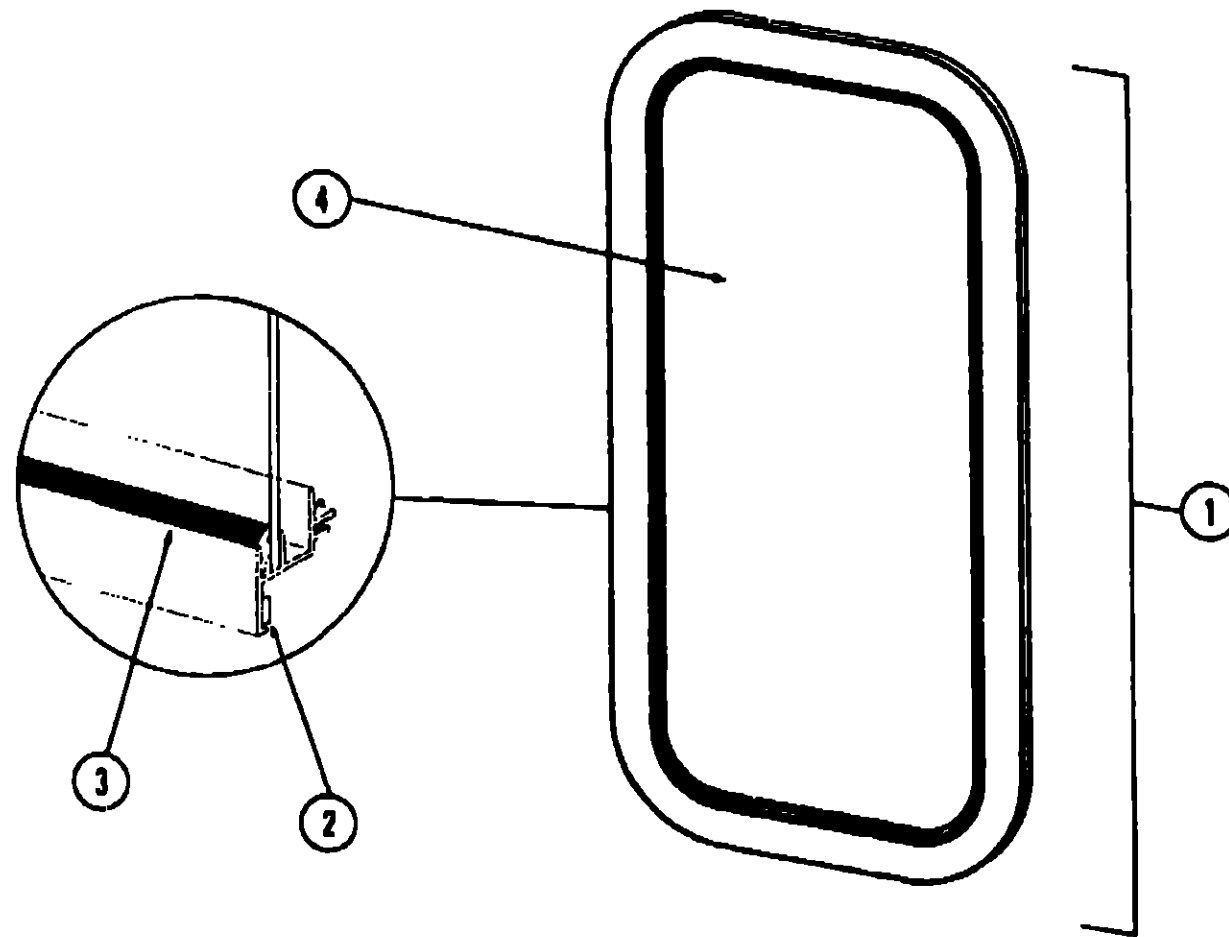
**1981 WD/WC420RG M1, M2 INDEX**

|                                    |             |
|------------------------------------|-------------|
| Floor Plan                         | A-1 - A-2   |
| Accessories Group                  | A-3 - A-4   |
| Bath Group                         | A-5         |
| Chassis Group                      | A-6         |
| Curtain, Cushion and Pad Group     | A-7 - A-13  |
| Dinette Group                      | A-14        |
| Driver's Compartment Group         | A-15        |
| Electrical Group                   | A-15 - A-17 |
| Exterior Body Group                | A-18 - A-22 |
| Galley Group                       | A-23        |
| Heating & Air Conditioning Group   | A-24        |
| Interior Finish Group              | B-1 - B-2   |
| LP Group                           | B-3         |
| Lounge Group                       | B-4         |
| Water & Sewage Group               | B-5         |
| Window, Vent & Exterior Door Group | B-6 - B-14  |



**WINDOW, VENT AND EXTERIOR DOOR GROUP (CONTINUED)**

**WINDOW, VENT AND EXTERIOR DOOR GROUP (CONTINUED)**



| Key | Part Number   | U/M | Description  |
|-----|---------------|-----|--|
| 1   | 041875-09-000 | EA  | Window Asm. - Picture - 17" x 25" (w/o inside frame)           |
| 2   | 053767-03-000 | FT  | Tape - 1/4" Bead x 20' - Gray - Schnee Morehead                |
| 3   | 002318-02-000 | FT  | Spline - Glass - 1/8" Black                                    |
| 4   | 002181-06-000 | EA  | Glass - TP - .115" x 16.25" x 24"                              |
| .   | 041696-12-000 | EA  | Frame - Window - Inside - 17" x 25" (not included in assembly) |
| .   |               |     | Not Illustrated  |

| Key | Part Number   | U/M | Description   |
|-----|---------------|-----|---|
| 1   | 048632-03-000 | EA  | Window Asm. - Bunk - Slanted Slider - Right - Black (w/o inside frame)  |
| 1   | 048632-04-000 | EA  | Window Asm. - Bunk - Slanted Slider - Left - Black (w/o inside frame)   |
| 2   | 040919-01-000 | EA  | Glass - 1/8" x 11.98" x 19.42" - Gray - Stationary                      |
| 3   | 047369-01-700 | EA  | Latch - Window - Plastic w/Fastener                                     |
| .   | 023320-01-000 | EA  | Foam Pad - 3/8" Dia. (used with plastic latch)                          |
| 4   | 002324-02-000 | FT  | Channel - Weatherstrip - Glass Run - 3/16" Glass                        |
| 5   | 053767-03-000 | FT  | Tape - 1/4" Bead x 20' - Gray   |
| 6   | 002309-02-000 | FT  | Spline - Glass - 1/8" - Black   |
| 7   | 024096-02-000 | FT  | Seal - Window Channel - Black   |
| 8   | 002390-03-200 | EA  | Holder - Glass Seal - Extr. - Anod. Black - 11.23"                      |
| 9   | 041894-07-000 | EA  | Mullion - Black Anod.   |
| 10  | 047815-01-000 | EA  | Glass - 1/8" x 11.98" x 11.81" - Gray - Sliding                         |
| .   | 040916-03-000 | EA  | Frame - Window - Inside - Bunk Slant - Left (not included in assembly)  |
| .   | 040916-04-000 | EA  | Frame - Window - Inside - Bunk Slant - Right (not included in assembly) |
| .   | 023713-02-000 | EA  | Cover - Weep Hole - Black   |
| .   | 002298-01-000 | FT  | Spline - Gray - .130" Dia. (Screen)                                     |
| .   | 002291-01-000 | SF  | Screen - Gray - Window - 16"  |
| .   |               |     | Not Illustrated   |

**1981 WINNEBAGO  
TABLE OF CONTENTS**

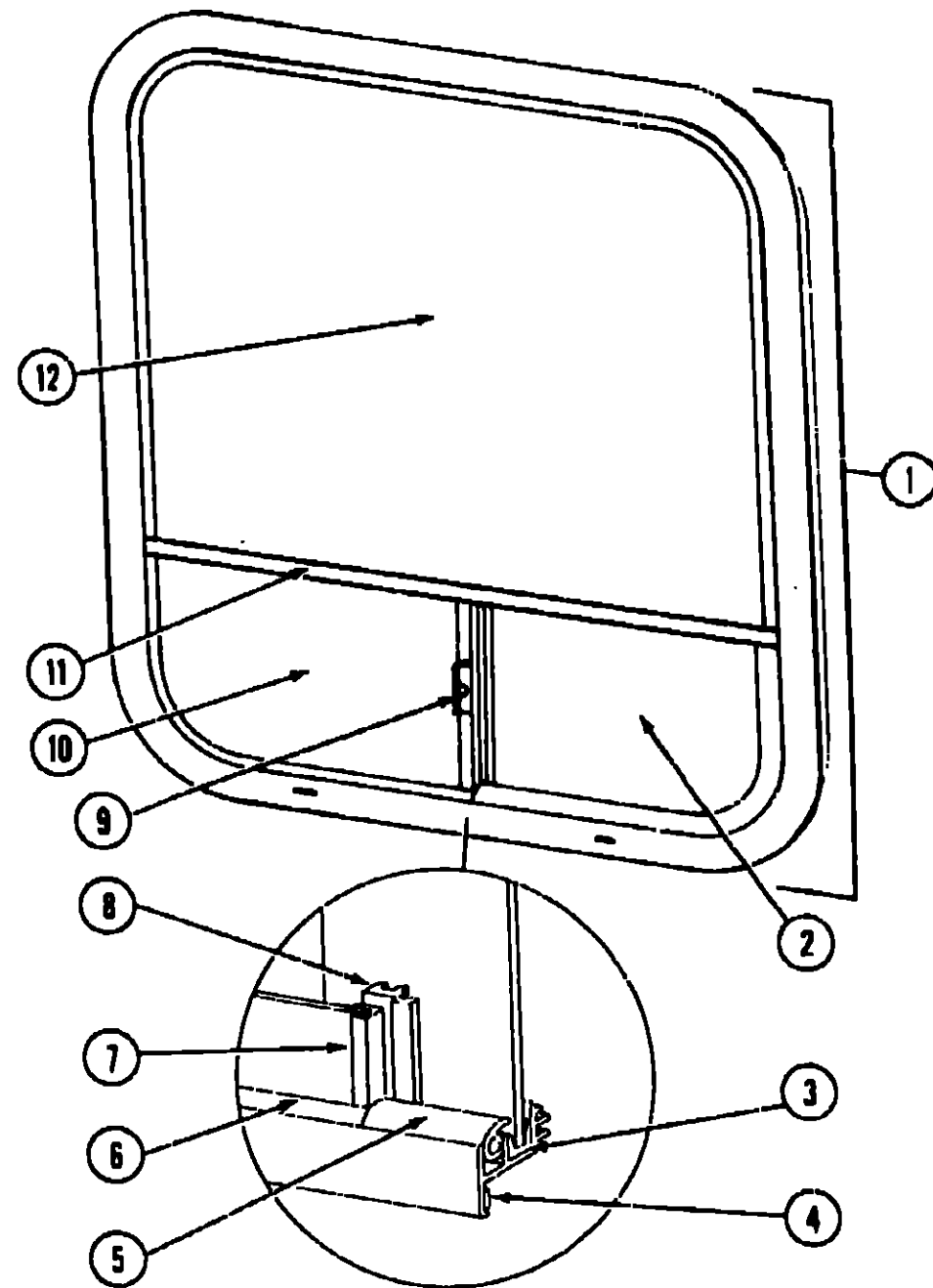
|                           |             |
|---------------------------|-------------|
| WD420RG M1, WC/WD420RG M2 | A-1 - B-14  |
| WDF26RH M1, WCF26RH M2    | B-15 - D-12 |
| WDF26RT M1, WCF26RT M2    | D-13 - F-20 |

**1981 WD/WC420RG M1, M2 INDEX**

|                                    |             |
|------------------------------------|-------------|
| Floor Plan                         | A-1 - A-2   |
| Accessories Group                  | A-3 - A-4   |
| Bath Group                         | A-5         |
| Chassis Group                      | A-6         |
| Curtain, Cushion and Pad Group     | A-7 - A-13  |
| Dinette Group                      | A-14        |
| Driver's Compartment Group         | A-15        |
| Electrical Group                   | A-15 - A-17 |
| Exterior Body Group                | A-18 - A-22 |
| Galley Group                       | A-23        |
| Heating & Air Conditioning Group   | A-24        |
| Interior Finish Group              | B-1 - B-2   |
| LP Group                           | B-3         |
| Lounge Group                       | B-4         |
| Water & Sewage Group               | B-5         |
| Window, Vent & Exterior Door Group | B-6 - B-14  |

**WINDOW, VENT AND EXTERIOR DOOR GROUP (CONTINUED)**

**WINDOW, VENT AND EXTERIOR DOOR GROUP (CONTINUED)**



| Key | Part Number   | U/M | Description   |
|-----|---------------|-----|---|
| 1   | 064236-01-000 | EA  | Window Asm. - Lower Slider - 29" x 36" - Black Anod. (w/o inside frame) |
| 2   | 064568-01-000 | EA  | Glass - Lower - Slider - .12" x 14.8" x 8.9"                            |
| 3   | 002324-02-000 | FT  | Channel - Weatherstrip - Glass Run - 3/16" Glass                        |
| 4   | 053787-03-000 | FT  | Tape - 1/4" Bead x 20' - Gray   |
| 5   | 041928-02-000 | FT  | Seal - Window Channel - Black   |
| 6   | 002309-02-000 | FT  | Spline - Glass - Black  |
| 7   | 069886-03-002 | EA  | Holder - Glass Seal - Black Anod. Extr.                                 |
| 8   | 064235-01-000 | EA  | Mullion - Vertical - Slider Window                                      |
| 9   | 047369-01-700 | EA  | Latch - Window - Plastic w/Fastener                                     |
| 10  | 064568-02-000 | EA  | Glass - Lower - Stationary - .12" x 14.8" x 8.9"                        |
| 11  | 064234-01-000 | EA  | Mullion - Horizontal  |
| 12  | 002184-03-000 | EA  | Glass - Upper - Stationary - .115" x 28.25" x 26.04"                    |
|     | 042076-01-000 | FT  | Seal - Fin - Pile - .34" - Mullion                                      |
|     | 023320-01-000 | EA  | Foam Pad - 3/8" Dia. (used with plastic latch)                          |
|     | 042133-12-000 | EA  | Frame Asm. - Window - Inside (not included in assembly)                 |
|     | 023713-02-000 | EA  | Cover - Weep Hole - Plastic - Black                                     |
|     | 002298-01-000 | FT  | Spline - Gray - .130" Dia. (Screen)                                     |
|     | 002292-01-000 | SF  | Screen - Window - 20" - Gray  |
|     |               |     | Not Illustrated   |

**ACCESS DOORS**

| Key | Part Number   | U/M | Description   |
|-----|---------------|-----|---|
|     | 052009-01-000 | EA  | Door Asm. - Water Heater Access - Off White - Atwood            |
|     | 033333-23-000 | EA  | Door Asm. - Battery - Off White w/Twist Type Lock               |
|     | 069762-02-000 | EA  | Door Asm. - Refrigerator Access - Off White w/Twist Type Lock   |
|     | 052776-01-000 | EA  | Door Asm. - Luggage - 14 1/4" x 23" - Off White w/Key Type Lock |
|     | 052775-01-000 | EA  | Door Asm. - Generator - Off White w/Twist Type Lock             |
|     | 052743-01-000 | EA  | Baffle - Generator Door   |
|     | 052423-01-000 | EA  | Door - Fuel Fill - Off White                                    |
|     | 052424-01-000 | EA  | Jamb - Door - Fuel Fill/Power Cord - Off White                  |
|     | 063742-01-000 | EA  | Door - Power Cord - Off White                                   |
|     | 054542-01-000 | EA  | Hatch - Power Cord Door - Off White                             |
|     | 042441-01-000 | EA  | Lock Asm. - Key Type - Gas Fill                                 |
|     | 052950-03-700 | EA  | Lock Asm. - Power Cord Door - Twist Type - Straight Cam         |
|     | 047305-01-000 | EA  | Lock Asm. - Key Type w/Clip                                     |
|     | 052950-01-700 | EA  | Lock Asm. - Twist Type - White Plastic w/Retainer Clip          |
|     | 016954-02-000 | EA  | Holder Asm. - Battery or Luggage Door (holds door open)         |

**VENTS**

| Key | Part Number   | U/M | Description   |
|-----|---------------|-----|---|
|     | 065103-02-000 | EA  | Cover - Refrigerator Vent - Plastic                 |
|     | 065103-01-000 | EA  | Base - Frame - Refrigerator Vent w/o Cover          |
| **  | 048789-01-000 | EA  | Vent Asm. - Roof - Powered w/o Screen - Alum.       |
| **  | 048935-01-000 | EA  | Vent Asm. - Roof - Non Powered - w/o Screen - Alum. |
| **  | 056119-01-000 | EA  | Vent Asm. - Roof - Powered/Lighted - Jensen - White |
| **  | 052586-01-000 | EA  | Vent Asm. - Roof - Powered - Round                  |

\*\*The illustrated parts breakdown for this item is provided on the Common Items Fiche.

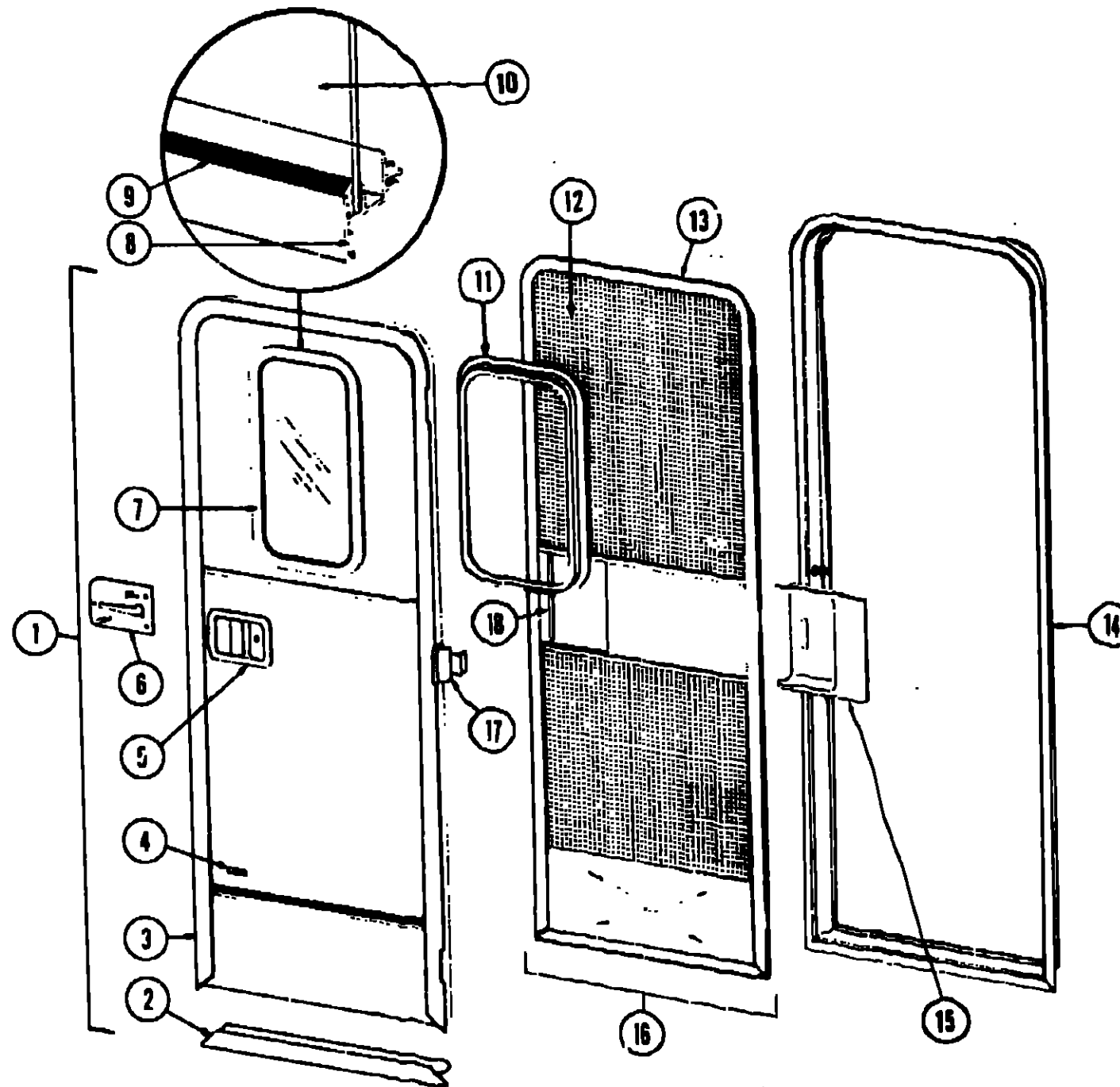
**1981 WINNEBAGO  
TABLE OF CONTENTS**

|                           |             |
|---------------------------|-------------|
| WD420RG M1, WC/WD420RG M2 | A-1 - B-14  |
| WDF26RH M1, WCF26RH M2    | B-15 - D-12 |
| WDF26RT M1, WCF26RT M2    | D-13 - F-20 |

**1981 WD/WC420RG M1, M2 INDEX**

|                                    |             |
|------------------------------------|-------------|
| Floor Plan                         | A-1 - A-2   |
| Accessories Group                  | A-3 - A-4   |
| Bath Group                         | A-5         |
| Chassis Group                      | A-6         |
| Curtain, Cushion and Pad Group     | A-7 - A-13  |
| Dinette Group                      | A-14        |
| Driver's Compartment Group         | A-15        |
| Electrical Group                   | A-15 - A-17 |
| Exterior Body Group                | A-18 - A-22 |
| Galley Group                       | A-23        |
| Heating & Air Conditioning Group   | A-24        |
| Interior Finish Group              | B-1 - B-2   |
| LP Group                           | B-3         |
| Lounge Group                       | B-4         |
| Water & Sewage Group               | B-5         |
| Window, Vent & Exterior Door Group | B-6 - B-14  |

WINDOW, VENT AND EXTERIOR DOOR GROUP (CONTINUED)



| Key | Part Number   | U/M | Description   |
|-----|---------------|-----|---|
| 1   | M64324-11-000 | EA  | Door Asm. - Radius Entry w/Screen Door  |
| 2   | 039737-01-000 | EA  | Frame - Entry Door (Bottom Portion Only)  |
| 3   | 039738-01-000 | EA  | Frame - Entry Door (Except Bottom Portion)  |
| 4   | 039874-01-000 | EA  | Holder Asm. - Entry Door - 1 1/2"   |
| 5   | 045017-01-000 | EA  | Paddle Asm. - Door Lock - Exterior  |
|     | 045017-01-700 | EA  | Lock Cylinder w/Keys - Lynor  |
|     | 039539-01-000 | EA  | Striker Bolt - Entry Door   |
|     | 039540-01-000 | EA  | Latch Claw - Entry Door   |
| 6   | 039979-01-000 | EA  | Plate - Lock - Inside - Including Inside Handle   |
|     | 052186-01-000 | EA  | Lock Asm. - Complete - Lynor  |
| 7   | 041875-09-000 | EA  | Window Asm. - Picture - 17" x 25" - Black Anod. (Inside frame not included in assembly) |
| 8   | 053767-03-000 | FT  | Tape - 1/4" Bead x 20' - Gray   |
| 9   | 002309-02-000 | FT  | Spline - Glass - 1/8" Black   |
|     |               |     | Not Illustrated   |

| Key | Part Number   | U/M | Description   |
|-----|---------------|-----|---|
| 10  | 002181-06-000 | EA  | Glass - Picture Window - 1/8" x 16 1/4" x 24" - Gray                        |
| 11  | 041896-12-000 | EA  | Frame - Window - Inside - 17" x 25" - Brown                                 |
| 12  | 053170-01-000 | EA  | Door Asm. - Screen  |
| 13  | 058705-01-000 | FT  | Seal Tape - 1/8" x 3/8" - Press on  |
| 14  | 053171-01-000 | EA  | Jamb Asm. - Entry Door  |
| 15  | 015580-01-000 | EA  | Slider - Screen Door - Brown Plastic  |
| 16  | 002293-01-000 | SF  | Screen - Window - 28" - Gray  |
| 17  | 039520-01-000 | EA  | Hinge - Entry Door (3 used per door)  |
| 18  | 015581-01-000 | EA  | Cap - Screen Door - Brown Plastic   |
|     | 049176-01-000 | EA  | Hedlok II - 3/4" Diameter - Screw Mount (retains screen door to entry door) |
|     | 049797-01-000 | EA  | Hedlok II - 1" Diameter - Screw Mount (retains screen door to entry door)   |
|     | 058025-02-000 | EA  | Clip - Roller Catch   |
|     | 039863-01-000 | EA  | Catch Asm. - Single Roller w/Strike - Screen Door                           |
|     | 044582-02-000 | EA  | Drip Cap - Jamb Mounted - Off White   |
|     | 051390-01-000 | FT  | Seal - Bulb - Rubber  |
|     | 039800-03-000 | FT  | Tubing - Polybutyl - 3/8" O.D. - Jamb                                       |
|     |               |     | Not Illustrated   |

1981 WINNEBAGO  
TABLE OF CONTENTS

|                           |             |
|---------------------------|-------------|
| WD420RG M1, WC/WD420RG M2 | A-1 - B-14  |
| WDF26RH M1, WCF26RH M2    | B-15 - D-12 |
| WDF26RT M1, WCF26RT M2    | D-13 - F-20 |

1981 WD/WC420RG M1, M2 INDEX

|                                    |             |
|------------------------------------|-------------|
| Floor Plan                         | A-1 - A-2   |
| Accessories Group                  | A-3 - A-4   |
| Bath Group                         | A-5         |
| Chassis Group                      | A-6         |
| Curtain, Cushion and Pad Group     | A-7 - A-13  |
| Dinette Group                      | A-14        |
| Driver's Compartment Group         | A-15        |
| Electrical Group                   | A-15 - A-17 |
| Exterior Body Group                | A-18 - A-22 |
| Galley Group                       | A-23        |
| Heating & Air Conditioning Group   | A-24        |
| Interior Finish Group              | B-1 - B-2   |
| LP Group                           | B-3         |
| Lounge Group                       | B-4         |
| Water & Sewage Group               | B-5         |
| Window, Vent & Exterior Door Group | B-6 - B-14  |