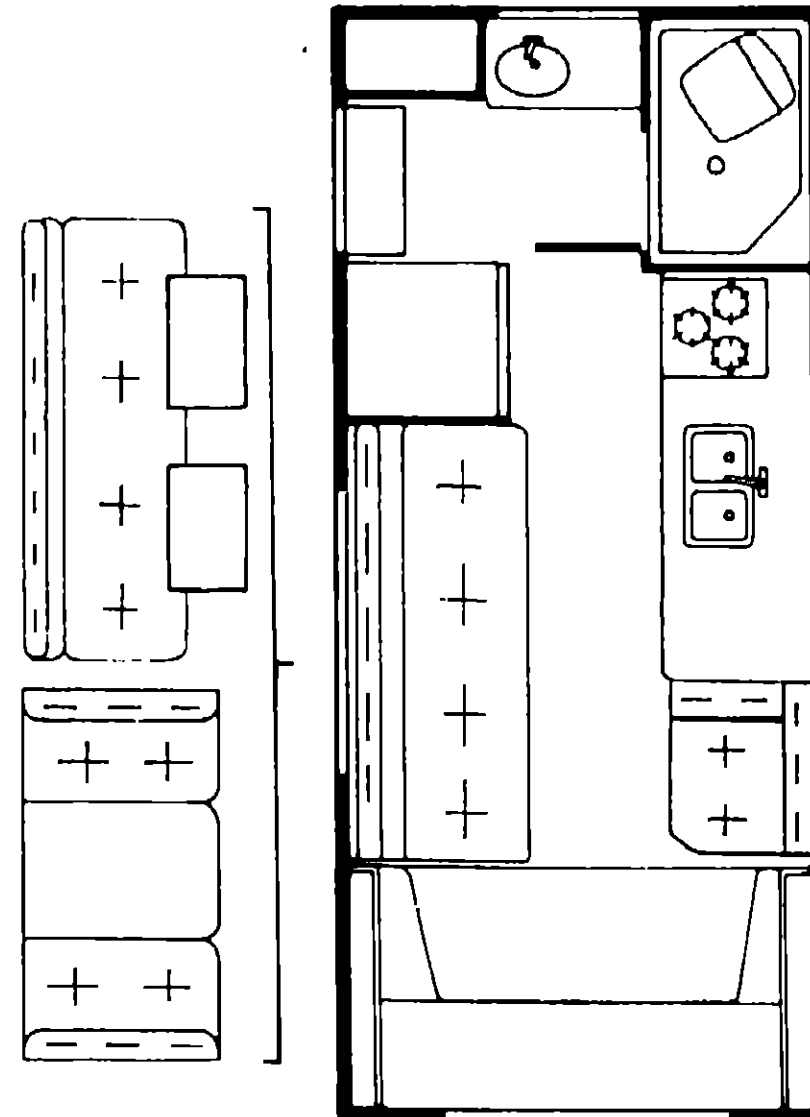


**1981
WD419RB M1
WD419RB M2**



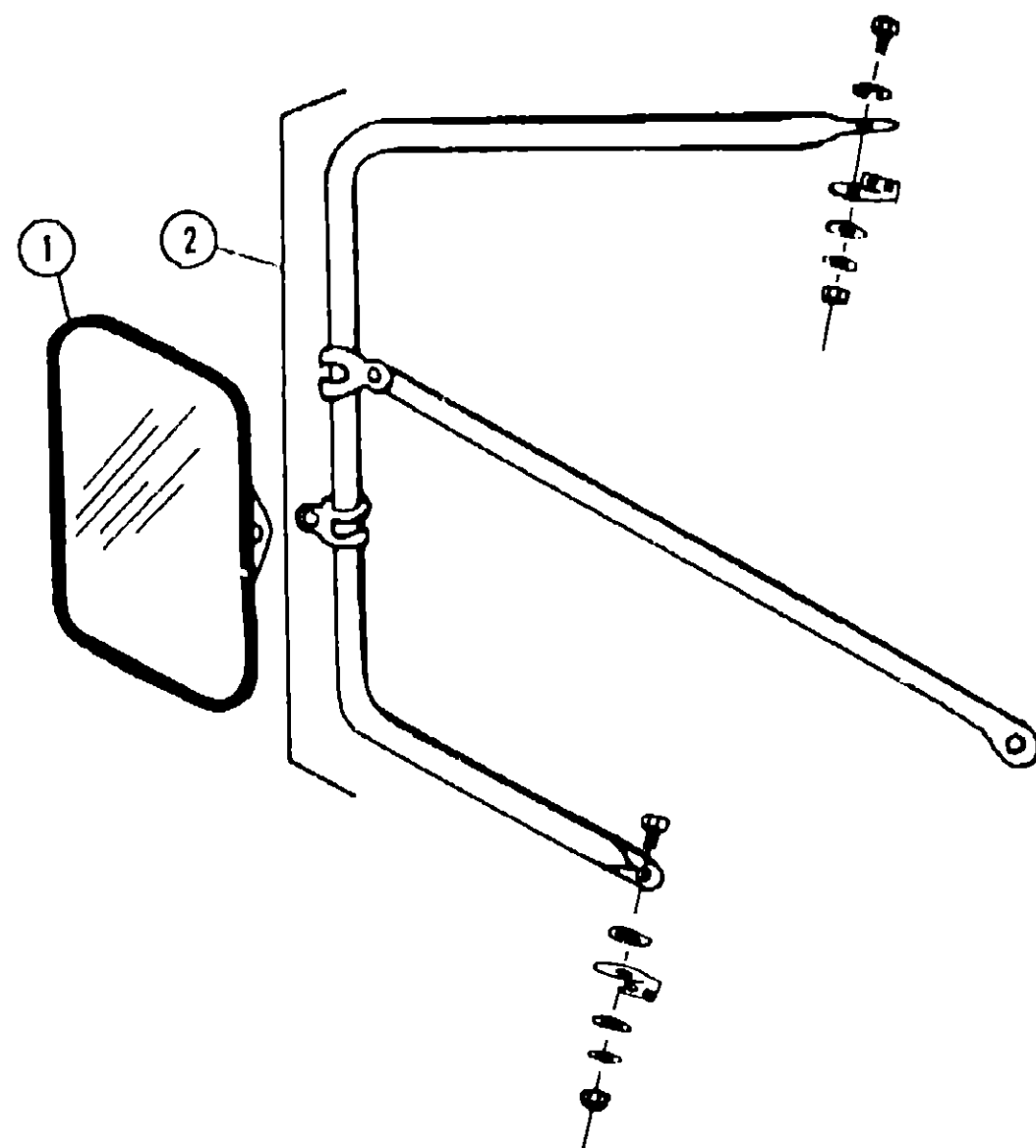
**1981 WINNEBAGO
TABLE OF CONTENTS**

WC723RB N1	A-1 - D-8
WC723RH N1	B-9 - C-16
WD419RB M1, WD419RB M2	C-17 - E-6
WCF22RB M1, WCF22RB M2	E-7 - G-2

1981 WD419RB M1, WD419RB M2 INDEX

Floor Plan	C-17 - C-18
Accessories Group	C-19 - C-20
Bath Group	C-21
Chassis Group	C-22
Curtain, Cushion & Pad Group	C-23 - D-5
Dinette Group	D-6
Driver's Compartment Group	D-7
Electrical Group	D-7 - D-9
Exterior Body Group	D-10 - D-14
Galley Group	D-15
Heating & Air Conditioning Group	D-16
Interior Finish Group	D-17 - D-18
LP Group	D-19
Lounge Group	D-20
Water & Sewage Group	D-21
Window, Vent & Exterior Door Group	D-22 - E-6

ACCESSORIES GROUP



Key	Part Number	U/M	Description
1	066431-02-000	EA	Mirror Head - Satin - 6.75" x 10.25"
1	066431-01-000	EA	Mirror Head - Off White - 6.75" x 10.25"
2	066431-05-000	EA	Arm - Off White - Right - Dodge
2	066431-06-000	EA	Arm - Off White - Left - Dodge

ACCESSORIES GROUP (CONTINUED)

RADIOS AND RELATED COMPONENTS

Key	Part Number	U/M	Description
	064785-01-000	EA	Radio - AM - Audiovox
	064787-01-000	EA	Radio - AM/FM/MPX - w/Cassette
	064788-01-000	EA	Radio - AM/FM/MPX/8 Track
	007004-01-000	EA	Antenna - Radio - Cab Mount
	064791-01-000	EA	Speaker - Recessed - 5 1/4" x 10 oz.
	064792-01-000	EA	Grille - Speaker - 5 1/4"
	064793-01-000	EA	Radio Trimplate - Dodge

MISCELLANEOUS ACCESSORIES

Key	Part Number	U/M	Description
	006053-01-000	EA	Antenna - TV - Braund Delux
	006053-01-700	EA	Repair Parts Kits - Braund TV Antenna
	006093-01-000	EA	Jack - TV - Brown
	006113-01-000	EA	Jack - Hydraulic - 5 Ton
	007038-01-000	EA	Mat - Door - Black Rubber - 10 1/2" x 26"
	041944-03-000	EA	Fire Extinguisher - Dry Chemical w/Bracket
	054185-12-000	EA	Owner's Manual - 1981 - Winnebago & Itasca
	063739-01-000	EA	Battery - 12V - Aux. 90 Amp.
	017516-01-000	EA	Mud Flap - Black - 14' x 18" w/Holes
	059778-01-000	EA	Speed Control - Dodge - Dana
	067125-01-000	EA	Standoff Rack & Ladder
	067203-01-000	EA	Ladder Asm.
	067130-01-000	EA	Ladder Step

**1981 WINNEBAGO
TABLE OF CONTENTS**

WC723RB N1	A-1 - B-8
WC723RH N1	B-9 - C-16
WC419RB M1, WD41RB M2	C-17 - E-6
WCF22RB M1, WCF22RB M2	E-7 - G-2

1981 WD419RB M1, WD419RB M2 INDEX

Floor Plan	C-17 - C-18
Accessories Group	C-19 - C-20
Bath Group	C-21
Chassis Group	C-22
Curtain, Cushion and Pad Group	C-23 - D-5
Dinette Group	D-6
Driver's Compartment Group	D-7
Electrical Group	D-7 - D-9
Exterior Body Group	D-10 - D-14
Galley Group	D-15
Heating & Air Conditioning Group	D-16
Interior Finish Group	D-17 - D-18
LP Group	D-19
Lounge Group	D-20
Water & Sewage Group	D-21
Window, Vent & Exterior Door Group	D-22 - E-6

BATH GROUP

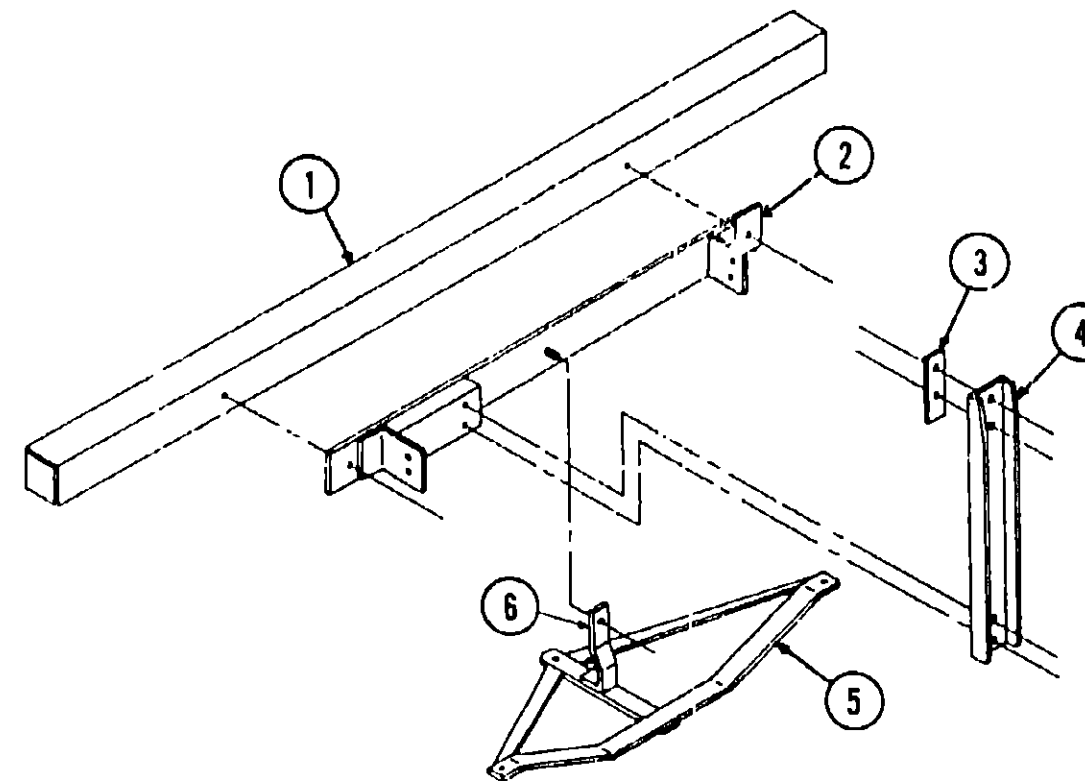
Key	Part Number	U/M	Description
	067458-01-L01	EA	Cabinet Asm. - Vanity w/o Top - w/o Doors
	067461-01-L01	EA	Countertop Asm. - Vanity Cabinet - Bone
	067461-01-M04	EA	Countertop Asm. - Vanity Cabinet - Burnt Sienna
	067461-01-M02	EA	Countertop Asm. - Vanity Cabinet - Camel
	M00074-30-L01	EA	Door Asm. - Wardrobe Cabinet - 22.4" x 53.2" - w/o Hardware
	M00074-33-L01	EA	Door Asm. - Vanity Cabinet - 13.5" x 28.7" - w/o Hardware
	009150-01-000	EA	Warp Guard - 64"
	M00074-34-L01	EA	Door Asm. - Bath - 21.4" x 68.4" - w/o Hardware
	058335-01-000	EA	Latch - Bathroom Door
	009112-01-000	EA	Flange - 1" - Closet Rod
	058713-01-000	EA	Sink - Oval - Ivory Plastic
	023449-01-000	EA	Towel Support (?)
	009133-01-000	EA	Towel Rack - 12" Plastic
	067505-01-L01	EA	Cabinet Asm. - Medicine
	M00074-37-L01	EA	Door Asm. - Medicine Cabinet - 12.7" x 20.7" - w/o Hardware
	058331-06-000	EA	Mirror - Medicine Cabinet Door - 10" x 18"
	009134-01-000	EA	Holder - Tissue
	011056-02-000	EA	Faucet - Lavatory - CSA
**	011056-01-000	EA	Faucet - Lavatory - US
	011083-01-000	EA	Plug w/Chain - 1 1/4"
**	011048-01-000	EA	Shower Head - w/60" Hose
**	011070-01-000	EA	Tailpiece - 1 1/4" x 6" Brass
	066508-01-000	EA	Shower Pan
**	011059-03-000	EA	Faucet - Shower - Plastic - USA
	011059-01-000	EA	Faucet - Shower - Metal - CSA
**	063740-01-000	EA	Toilet - Thetford Aqua Magic IV - Ivory

**The illustrated parts breakdown for this item is provided on the Common Items Fiche.

(NOTE) All (M01) paneled items interchange with (L01) paneled items.

CHAS'IS GROUP

Key	Part Number	U/M	Description
	066525-01-000	EA	Wheel Well - Plastic - Left or Right Rear
	061411-01-000	EA	Tail Pipe Extension - 2" O.D. x 10"
	007126-05-000	EA	Clamp Asm. - Muffler - 2" Dia.
	051697-01-000	EA	Bracket - Battery Tie Down
	049912-01-000	EA	Step Asm. Assist - Cab
	017518-01-000	EA	Mud Flamp - 14" x 18" - w/Holes
	064089-01-000	EA	Splashguard - Front - Black Rubber
	067973-01-000	EA	Box - Power Cord
	049407-01-000	EA	Tire - 8.75 x 10.5 - 8 Ply - Black Tubeless
	065118-01-000	EA	Wheel - 6.75 x 16.5 - Dodge
	007131-01-000	EA	Hanger - Tail Pipe
	047084-01-000	EA	Blade Asm. - Windshield Wiper
	059540-01-000	EA	Bracket - License Plate - Rear
	051983-02-000	EA	Shroud - Fuel Fill - Interior



Key	Part Number	U/M	Description
1	064602-01-000	EA	Bumper Asm. - Square - 92" - Off White
*	039779-01-000	EA	Cap - Rubber - 4" x 4" - Square Bumper
2	064601-01-000	EA	Bracket - Bumper Mount
3	040974-01-000	EA	Bracket - Spare Tire Retainer - 2" x 6.75"
4	064598-02-000	EA	Bracket Asm. - Spare Tire Carrier
5	068656-01-000	EA	Trailer Hitch Asm.
6	064824-03-000	EA	Support - Trailer Hitch
*	041332-01-000	EA	Bumper Cover w/Reflector - Aluminum - Fits 4" Square Bumper
*	041332-02-000	EA	Reflector - 6 1/2" x 3/4" - Bumper Cover
*	041332-03-000	EA	Bumper Cover - Aluminum Fits 4" Square Bumper
*			Not Illustrated

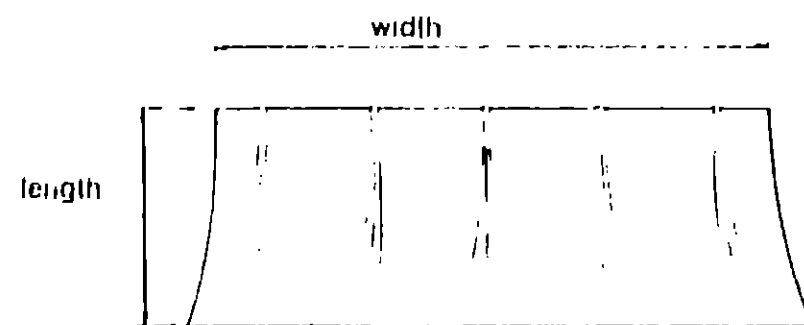
1981 WINNEBAGO TABLE OF CONTENTS

WC723RB N1	A-1 - B-8
WC723RH N1	B-9 - C-16
WC419RB M1, WD419RB M2	C-17 - E-6
WCF22RB M1, WCF22RB M2	E-7 - Q-2

1981 WD419RB M1, WD419RB M2 INDEX

Floor Plan	C-17 - C-18
Accessories Group	C-19 - C-20
Bath Group	C-21
Chassis Group	C-22
Curtain, Cushion & Pad Group	C-23 - D-5
Dinette Group	D-6
Driver's Compartment Group	D-7
Electrical Group	D-7 - D-9
Exterior Body Group	D-10 - D-14
Galley Group	D-15
Heating & Air Conditioning Group	D-16
Interior Finish Group	D-17 - D-18
LP Group	D-19
Lounge Group	D-20
Water & Sewage Group	D-21
Window, Vent & Exterior Door Group	D-22 - E-6

CURTAIN, CUSHION / ND PAD GROUP



NOTE:
Use this illustration when determining length and width measurements for curtains. You will note the width measurement is taken on the top of the curtain with the curtain fully extended. The length measurement is taken from top to bottom.

CURTAINS

Key	Part Number	U/M	Description
	054045-26-L01	EA	Curtain w/Snap Top and Bottom - 15.5' x 42" - Dublin Flax
	054045-26-M01	EA	Curtain w/Snap Top and Bottom - 14.5" x 42" - Champagne
	054051-02-L01	EA	Curtain w/Snap Top - 34" x 37" - Dublin Flax
	054051-02-M01	EA	Curtain w/Snap Top - 34" x 37" - Champagne
	054051-47-L01	EA	Curtain w/Snap Top - 25" x 96" - Dublin Flax
	054051-47-M01	EA	Curtain w/Snap Top - 25" x 96" - Champagne
	054103-01-L01	EA	Curtain w/Snap Top - 15.5" x 42" - Dublin Flax
	054103-01-M01	EA	Curtain w/Snap Top - 15.5" x 42" - Champagne
	054045-27-L01	EA	Curtain w/Snap Top and Bottom - 25" x 37" - Dublin Flax
	068545-01-M01	EA	Curtain w/Tape Top and Snap bottom - 25" x 37" - Champagne
	056484-30-L01	EA	Curtain w/Taped Top - 24.5" x 19" - Dublin Flax
	056484-45-M01	EA	Curtain w/Taped Top - 25" x 12" - Champagne
	056484-44-M01	EA	Curtain w/Taped Top - 25" x 37" - Champagne
	059900-02-L01	EA	Curtain w/Snap Top - Front Wraparound - 23" x 64" - Dublin Flax
	059900-02-M01	EA	Curtain w/Snap Top - Front Wraparound - 23" x 64" - Champagne

VALANCES

Key	Part Number	U/M	Description
	065892-05-L01	EA	Valance - 5" x 78" - Brown
	065892-05-L02	EA	Valance - 5" x 78" - Rust
	065892-05-L03	EA	Valance - 5" x 78" - Blue
	065892-05-M01	EA	Valance - 5" x 78" - Rust
	065892-05-M02	EA	Valance - 5" x 78" - Blue
	065892-05-M03	EA	Valance - 5" x 78" - Brown
	065892-16-M01	EA	Valance - 5" x 29" - Rust
	065892-16-M02	EA	Valance - 5" x 29" - Blue
	065892-16-M03	EA	Valance - 5" x 29" - Brown

VINYL SHADES

Key	Part Number	U/M	Description
	065522-02-000	EA	Shade - Vinyl - 21.25" x 38" - Bath
	065657-02-L01	EA	Shade - Vinyl - 21" x 34" - w/Bronze Trim
	065657-02-L02	EA	Shade - Vinyl - 21" x 34" - w/Rust Trim
	065657-02-L03	EA	Shade - Vinyl - 21" x 34" - w/Blue Trim
	065657-12-L01	EA	Shade - Vinyl - 69" x 34" - w/Bronze Trim
	065657-12-L02	EA	Shade - Vinyl - 69" x 34" - w/Rust Trim
	065657-12-L03	EA	Shade - Vinyl - 69" x 34" - w/Blue Trim

CURTAIN, CUSHION AND PAD GROUP (CONTINUED)

FABRICS, TRIMS AND PADS

Key	Part Number	U/M	Description
	064393-07-000	YD	Fabric - Drapery - Dublin Flax
	068339-01-000	YD	Fabric - Drapery - Champagne
	064383-01-000	YD	Fabric - Upholstery - Sienna Brown (L01)
	064383-06-000	YD	Fabric - Upholstery - Biscayne Rust (L02)
	064383-07-000	YD	Fabric - Upholstery - Biscayne - Blue (L03)
	068338-01-000	YD	Fabric - Upholstery - Rust (M01)
	068338-02-000	YD	Fabric - Upholstery - Blue (M02)
	068338-03-000	YD	Fabric - Upholstery - Brown (M03)
	053327-01-000	YD	Vinyl - Non Expanded - 27 oz. - Acorn Brown
	053327-02-000	YD	Vinyl - Expanded - 28 oz. - Acorn Brown
	053327-03-000	YD	Vinyl - Non Support - 18 Gauge Film - Acorn Brown
	053901-01-L01	EA	Panel Asm. - 10.25" x 46.5" - Acorn Vinyl - Left
	053901-02-L01	EA	Panel Asm. - 10.25" x 46.5" - Acorn Vinyl - Right
	042825-01-L01	EA	Panel - Over Door - Acorn Vinyl
	038421-01-000	YD	Tickling - Mattress - Gold
	054678-07-L01	EA	Button Asm. - Vinyl - #34 - Acorn Brown
	054678-01-L01	EA	Button Asm. - Fabric - #30 - Brown
	054678-01-L02	EA	Button Asm. - Fabric - #30 - Rust
	054678-01-L03	EA	Button Asm. - Fabric - #30 - Blue
	054678-01-M01	EA	Button Asm. - Fabric - #30 - Rust
	054678-01-M02	EA	Button Asm. - Fabric - #30 - Blue
	054678-01-M03	EA	Button Asm. - Fabric - #30 - Brown
	057591-01-L01	EA	Button Asm. - #30 Nail Pivot - Brown
	057591-01-L02	EA	Button Asm. - #30 Nail Pivot - Rust
	057591-01-L03	EA	Button Asm. - #30 Nail Pivot - Blue
	057591-01-M01	EA	Button Asm. - #30 Nail Pivot - Rust
	057591-01-M02	EA	Button Asm. - #30 Nail Pivot - Blue
	057591-01-M03	EA	Button Asm. - #30 Nail Pivot - Brown
	057592-01-L01	EA	Button Asm. - #30 Pivot - Brown
	057592-01-L02	EA	Button Asm. - #30 Pivot - Rust
	057592-01-L03	EA	Button Asm. - #30 Pivot - Blue
	057592-01-M01	EA	Button Asm. - #30 Pivot - Rust
	057592-01-M02	EA	Button Asm. - #30 Pivot - Blue
	057592-01-M03	EA	Button Asm. - #30 Pivot - Brown
	M00045-04-M01	EA	Button Asm. - #45 Fabric - Rust
	M00045-04-M02	EA	Button Asm. - #45 Fabric - Blue
	M00045-04-M03	EA	Button Asm. - #45 Fabric - Brown
	M00045-05-M01	EA	Button Asm. - #45 Vinyl
	063940-02-M01	EA	Headliner Cover - Vinyl (Dodge)
	054015-01-M01	EA	Trim Asm. - Cab Door - Vinyl - Left
	054015-02-M01	EA	Trim Asm. - Cab Door - Vinyl - Right
	056567-02-M01	EA	Side Panel - Vinyl - Right
	056580-02-M01	EA	Side Panel - Vinyl - Left

TIE BACKS

Key	Part Number	U/M	Description
	054048-08-L01	EA	Tie Back Asm. - 2" x 18" - Brown
	054048-08-L02	EA	Tie Back Asm. - 2" x 18" - Rust
	054048-08-L03	EA	Tie Back Asm. - 2" x 18" - Blue
	054048-08-M01	EA	Tie Back Asm. - 2" x 18" - Rust
	054048-08-M02	EA	Tie Back Asm. - 2" x 18" - Blue
	054048-08-M03	EA	Tie Back Asm. - 2" x 18" - Brown

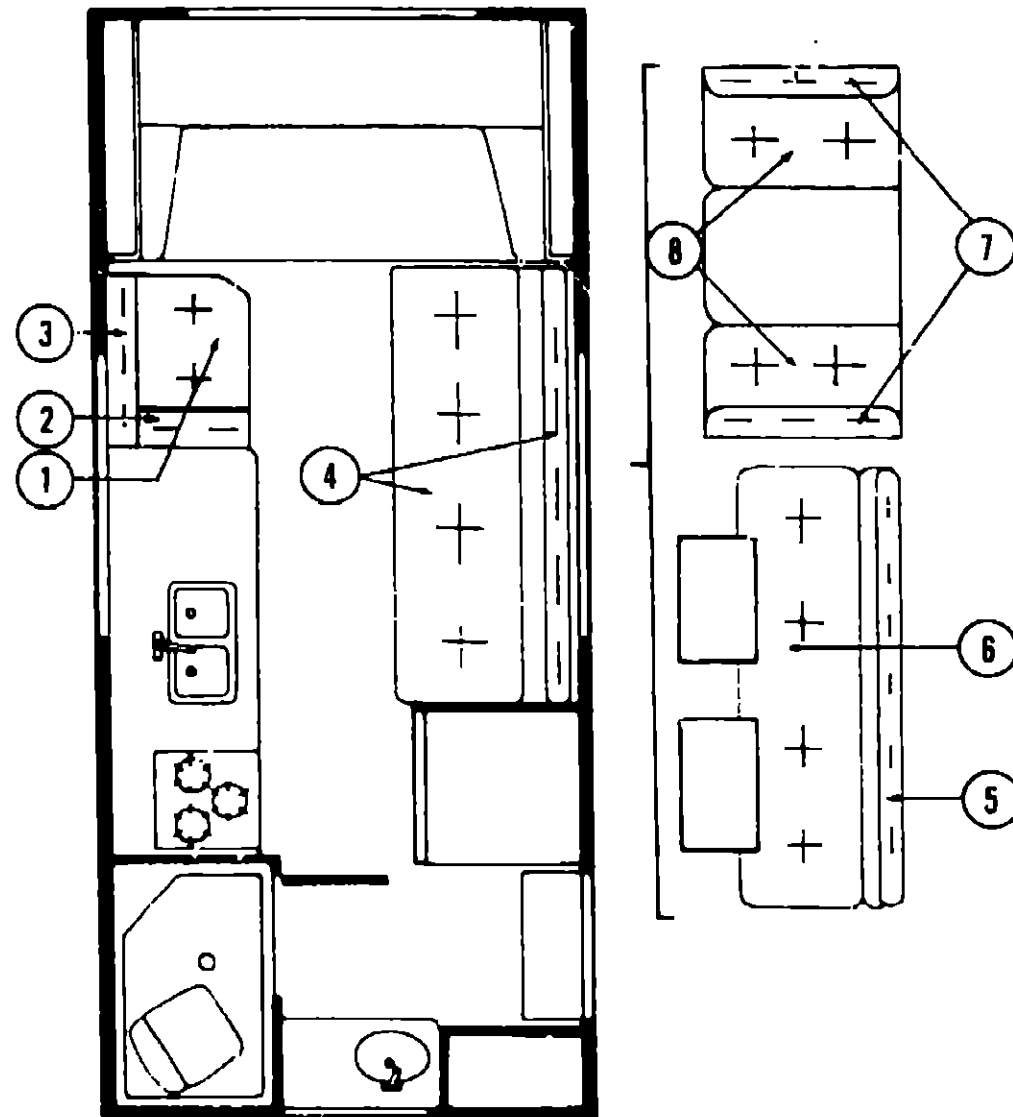
**1981 WINNEBAGO
TABLE OF CONTENTS**

WC723RB N1	A-1 - P-8
WC723RH N1	B-9 - C-16
WD419RB M1, WD419RB M2	C-17 - E-6
WCF22RB M1, WCF22RB M2	E-7 - G-2

1981 WD419RB M1, WD419RB M2 INDEX

Floor Plan	C-17 - C-18
Accessories Group	C-19 - C-20
Bath Group	C-21
Chassis Group	C-22
Curtain, Cushion and Pad Group	C-23 - D-5
Dinette Group	D-6
Driver's Compartment Group	D-7
Electrical Group	D-7 - D-9
Exterior Body Group	D-10 - D-14
Galley Group	D-15
Heating & Air Conditioning Group	D-16
Interior Finish Group	D-17 - D-18
LP Group	D-19
Lounge Group	D-20
Water & Sewage Group	D-21
Window, Vent & Exterior Door Group	D-22 - E-6

CURTAIN, CUSHION AND PAD GROUP (CONTINUED)



CORNER LOUNGE CHAIR CUSHIONS

Key	Part Number	U/M	Description
1	068579-01-L01	EA	Cushion - Lounge Chair Bottom - 20" x 27.8" x 4.5" - Brown
1	068579-01-L02	EA	Cushion - Lounge Chair Bottom - 20" x 27.8" x 4.5" - Rust
1	068579-01-L03	EA	Cushion - Lounge Chair Bottom - 20" x 27.8" x 4.5" - Blue
1	068579-04-M01	EA	Cushion - Lounge Chair Bottom - 20" x 27.8" x 4.5" - Rust
1	068579-04-M02	EA	Cushion - Lounge Chair Bottom - 20" x 27.8" x 4.5" - Blue
1	068579-04-M03	EA	Cushion - Lounge Chair Bottom - 20" x 27.8" x 4.5" - Brown
	M68579-01-L01	EA	Cover - Lounge Chair Bottom Cushion - 20" x 27.8" x 4.5" - Brown
	M68579-01-L02	EA	Cover - Lounge Chair Bottom Cushion - 20" x 27.8" x 4.5" - Rust
	M68579-01-L03	EA	Cover - Lounge Chair Bottom Cushion - 20" x 27.8" x 4.5" - Blue
	M68579-04-M01	EA	Cover - Lounge Chair Bottom Cushion - 20" x 27.8" x 4.5" - Rust
	M68579-04-M02	EA	Cover - Lounge Chair Bottom Cushion - 20" x 27.8" x 4.5" - Blue
	M68579-04-M03	EA	Cover - Lounge Chair Bottom Cushion - 20" x 27.8" x 4.5" - Brown

CURTAIN, CUSHION AND PAD GROUP (CONTINUED)

CORNER LOUNGE CHAIR CUSHIONS (Continued)

Key	Part Number	U/M	Description
2	068579-02-L01	EA	Cushion - Lounge Chair Back - 15" x 25.2" x 3" - Brown
2	068579-02-L02	EA	Cushion - Lounge Chair Back - 15" x 25.2" x 3" - Rust
2	068579-02-L03	EA	Cushion - Lounge Chair Back - 15" x 25.2" x 3" - Blue
2	068579-02-M01	EA	Cushion - Lounge Chair Back - 15" x 25.2" x 3" - Rust
2	068579-02-M02	EA	Cushion - Lounge Chair Back - 15" x 25.2" x 3" - Blue
2	068579-02-M03	EA	Cushion - Lounge Chair Back - 15" x 25.2" x 3" - Brown
	M68579-02-L01	EA	Cover - Lounge Chair Back Cushion - 15" x 25.2" x 3" - Brown
	M68579-02-L02	EA	Cover - Lounge Chair Back Cushion - 15" x 25.2" x 3" - Rust
	M68579-02-L03	EA	Cover - Lounge Chair Back Cushion - 15" x 25.2" x 3" - Blue
	M68579-02-M01	EA	Cover - Lounge Chair Back Cushion - 15" x 25.2" x 3" - Rust
	M68579-02-M02	EA	Cover - Lounge Chair Back Cushion - 15" x 25.2" x 3" - Blue
	M68579-02-M03	EA	Cover - Lounge Chair Back Cushion - 15" x 25.2" x 3" - Brown
3	068579-03-L01	EA	Cushion - Lounge Chair Back - 15" x 15" x 3" - Brown
3	068579-03-L02	EA	Cushion - Lounge Chair Back - 15" x 15" x 3" - Rust
3	068579-03-L03	EA	Cushion - Lounge Chair Back - 15" x 15" x 3" - Blue
3	068579-03-M01	EA	Cushion - Lounge Chair Back - 15" x 15" x 3" - Rust
3	068579-03-M02	EA	Cushion - Lounge Chair Back - 15" x 15" x 3" - Blue
3	068579-03-M03	EA	Cushion - Lounge Chair Back - 15" x 15" x 3" - Brown
	M68579-03-L01	EA	Cover - Lounge Chair Back - 15" x 15" x 3" - Brown
	M68579-03-L02	EA	Cover - Lounge Chair Back - 15" x 15" x 3" - Rust
	M68579-03-L03	EA	Cover - Lounge Chair Back - 15" x 15" x 3" - Blue
	M68579-03-M01	EA	Cover - Lounge Chair Back - 15" x 15" x 3" - Rust
	M68579-03-M02	EA	Cover - Lounge Chair Back - 15" x 15" x 3" - Blue
	M68579-03-M03	EA	Cover - Lounge Chair Back - 15" x 15" x 3" - Brown

LESTER LOUNGE CUSHIONS

Key	Part Number	U/M	Description
4	064706-01-L01	EA	Cushion - Lester Lounge - Back and Bottom - 76" - Brown
4	064706-01-L02	EA	Cushion - Lester Lounge - Back and Bottom - 76" - Rust
4	064706-01-L03	EA	Cushion - Lester Lounge - Back and Bottom - 76" - Blue
4	068678-01-M01	EA	Cushion - Lester Lounge - Back and Bottom - 76" - Rust
4	068678-01-M02	EA	Cushion - Lester Lounge - Back and Bottom - 76" - Blue
4	068678-01-M03	EA	Cushion - Lester Lounge - Back and Bottom - 76" - Brown
	064707-01-L01	EA	Cover - Lester Lounge - Back and Bottom - 76" - Brown
	064707-01-L02	EA	Cover - Lester Lounge - Back and Bottom - 76" - Rust
	064707-01-L03	EA	Cover - Lester Lounge - Back and Bottom - 76" - Blue
	M68678-01-M01	EA	Cover - Lester Lounge - Back and Bottom - 76" - Rust
	M68678-01-M02	EA	Cover - Lester Lounge - Back and Bottom - 76" - Blue
	M68678-01-M03	EA	Cover - Lester Lounge - Back and Bottom - 76" - Brown
	065985-01-L01	EA	Cushion - Lounge Back - 8" x 76" x 4.5" - Brown
	065985-01-L02	EA	Cushion - Lounge Back - 8" x 76" x 4.5" - Rust
	065985-01-L03	EA	Cushion - Lounge Back - 8" x 76" x 4.5" - Blue
	065985-01-M01	EA	Cushion - Lounge Back - 8" x 76" x 4.5" - Rust
	065985-01-M02	EA	Cushion - Lounge Back - 8" x 76" x 4.5" - Blue
	065985-01-M03	EA	Cushion - Lounge Back - 8" x 76" x 4.5" - Brown
	065986-01-L01	EA	Cover - Cushion - 8" x 76" x 4.5" - Brown
	065986-01-L02	EA	Cover - Cushion - 8" x 76" x 4.5" - Rust
	065986-01-L03	EA	Cover - Cushion - 8" x 76" x 4.5" - Blue
	065986-01-M01	EA	Cover - Cushion - 8" x 76" x 4.5" - Rust
	065986-01-M02	EA	Cover - Cushion - 8" x 76" x 4.5" - Blue
	065986-01-M03	EA	Cover - Cushion - 8" x 76" x 4.5" - Brown

Not Illustrated

**1981 WINNEBAGO
TABLE OF CONTENTS**

WC723RB N1	A-1 - B-8
WC723RH N1	B-9 - C-16
WC419RB M1, WD41RB M2	C-17 - E-6
WCF22RB M1, WCF22RB M2	E-7 - G-2

1981 WD419RB M1, WD419RB M2 INDEX

Floor Plan	C-17 - C-18
Accessories Group	C-19 - C-20
Bath Group	C-21
Chassis Group	C-22
Curtain, Cushion & Pad Group	C-23 - D-5
Dinette Group	D-6
Driver's Compartment Group	D-7
Electrical Group	D-7 - D-9
Exterior Body Group	D-10 - D-14
Galley Group	D-15
Heating & Air Conditioning Group	D-16
Interior Finish Group	D-17 - D-18
LP Group	D-19
Lounge Group	D-20
Water & Sewage Group	D-21
Window, Vent & Exterior Door Group	D-22 - E-6

CURTAIN, CUSHION AND PAD GROUP (CONTINUED)

PRESTO BED CUSHIONS

Key	Part Number	U/M	Description
5	064704-01-L01	EA	Cushion - Presto Bed - Back - 76" - Brown
5	064704-01-L02	EA	Cushion - Presto Bed - Back - 76" - Rust
5	064704-01-L03	EA	Cushion - Presto Bed - Back - 76" - Blue
5	064704-02-M01	EA	Cushion - Presto Bed - Back - 76" - Rust
5	064704-02-M02	EA	Cushion - Presto Bed - Back - 76" - Blue
5	064704-02-M03	EA	Cushion - Presto Bed - Back - 76" - Brown
	064723-01-L01	EA	Cover - Presto Bed - Back - 76" - Brown
	064723-01-L02	EA	Cover - Presto Bed - Back - 76" - Rust
	064723-01-L03	EA	Cover - Presto Bed - Back - 76" - Blue
	064723-01-M01	EA	Cover - Presto Bed - Back - 76" - Rust
	064723-01-M02	EA	Cover - Presto Bed - Back - 76" - Blue
	064723-01-M03	EA	Cover - Presto Bed - Back - 76" - Brown
6	064705-01-L01	EA	Cushion - Presto Bed - Bottom - 76" - Brown
6	064705-01-L02	EA	Cushion - Presto Bed - Bottom - 76" - Rust
6	064705-01-L03	EA	Cushion - Presto Bed - Bottom - 76" - Blue
6	064705-02-M01	EA	Cushion - Presto Bed - Bottom - 76" - Rust
6	064705-02-M02	EA	Cushion - Presto Bed - Bottom - 76" - Blue
6	064705-02-M03	EA	Cushion - Presto Bed - Bottom - 76" - Brown
	064723-02-L01	EA	Cover - Presto Bed - Bottom - 76" - Brown
	064723-02-L02	EA	Cover - Presto Bed - Bottom - 76" - Rust
	064723-02-L03	EA	Cover - Presto Bed - Bottom - 76" - Blue
	064723-02-M01	EA	Cover - Presto Bed - Bottom - 76" - Rust
	064723-02-M02	EA	Cover - Presto Bed - Bottom - 76" - Blue
	064723-02-M03	EA	Cover - Presto Bed - Bottom - 76" - Brown

CONVENTIONAL DINETTE CUSHIONS

Key	Part Number	U/M	Description
7	064700-02-L01	EA	Cushion - Dinette Back - 19.2" x 38" x 4.5" - Brown
7	064700-02-L02	EA	Cushion - Dinette Back - 19.2" x 38" x 4.5" - Rust
7	064700-02-L03	EA	Cushion - Dinette Back - 19.2" x 38" x 4.5" - Blue
7	068579-06-M01	EA	Cushion - Dinette Back - 19.2" x 38" x 4.5" - Rust
7	068579-06-M02	EA	Cushion - Dinette Back - 19.2" x 38" x 4.5" - Blue
7	068579-06-M03	EA	Cushion - Dinette Back - 19.2" x 38" x 4.5" - Brown
	064701-02-L01	EA	Cover - Dinette Back Cushion - 19.2" x 38" x 4.5" - Brown
	064701-02-L02	EA	Cover - Dinette Back Cushion - 19.2" x 38" x 4.5" - Rust
	064701-02-L03	EA	Cover - Dinette Back Cushion - 19.2" x 38" x 4.5" - Blue
	M68579-06-M01	EA	Cover - Dinette Back Cushion - 19.2" x 38" x 4.5" - Rust
	M68579-06-M02	EA	Cover - Dinette Back Cushion - 19.2" x 38" x 4.5" - Blue
	M68579-06-M03	EA	Cover - Dinette Back Cushion - 19.2" x 38" x 4.5" - Brown
B	064700-01-L01	EA	Cushion - Dinette Seat - 17.5" x 38" x 4.5" - Brown
B	064700-01-L02	EA	Cushion - Dinette Seat - 17.5" x 38" x 4.5" - Rust
B	064700-01-L03	EA	Cushion - Dinette Seat - 17.5" x 38" x 4.5" - Blue
B	068579-05-M01	EA	Cushion - Dinette Seat - 17.5" x 38" x 4.5" - Rust
B	068579-05-M02	EA	Cushion - Dinette Seat - 17.5" x 38" x 4.5" - Blue
B	068579-05-M03	EA	Cushion - Dinette Seat - 17.5" x 38" x 4.5" - Brown
	064701-01-L01	EA	Cover - Dinette Seat Cushion - 17.5" x 38" x 4.5" - Brown
	064701-01-L02	EA	Cover - Dinette Seat Cushion - 17.5" x 38" x 4.5" - Rust
	064701-01-L03	EA	Cover - Dinette Seat Cushion - 17.5" x 38" x 4.5" - Blue
	M68579-05-M01	EA	Cover - Dinette Seat Cushion - 17.5" x 38" x 4.5" - Rust
	M68579-05-M02	EA	Cover - Dinette Seat Cushion - 17.5" x 38" x 4.5" - Blue
	M68579-05-M03	EA	Cover - Dinette Seat Cushion - 17.5" x 38" x 4.5" - Brown

CURTAIN, CUSHION AND PAD GROUP (CONTINUED)

BUCKET SEATS AND ARMRESTS

Key	Part Number	U/M	Description
	067035-03-L01	EA	Slip Cover - Dodge Bucket Seat - Brown
	067035-03-L02	EA	Slip Cover - Dodge Bucket Seat - Rust
	067035-03-L03	EA	Slip Cover - Dodge Bucket Seat - Blue
	067035-04-M01	EA	Slip Cover - Dodge Bucket Seat - Rust
	067035-04-M02	EA	Slip Cover - Dodge Bucket Seat - Blue
	067035-04-M03	EA	Slip Cover - Dodge Bucket Seat - Brown
	065937-03-L01	EA	Seat Asm. - High Back Bucket w/Right Armrest - Brown
	065937-03-L02	EA	Seat Asm. - High Back Bucket w/Right Armrest - Rust
	065937-03-L03	EA	Seat Asm. - High Back Bucket w/Right Armrest - Blue
	065938-02-M01	EA	Seat Asm. - High Back Bucket w/Right Armrest - Rust
	065938-02-M02	EA	Seat Asm. - High Back Bucket w/Right Armrest - Blue
	065938-02-M03	EA	Seat Asm. - High Back Bucket w/Right Armrest - Brown
	065937-04-L01	EA	Seat Asm. - High Back Bucket w/Left Armrest - Brown
	065937-04-L02	EA	Seat Asm. - High Back Bucket w/Left Armrest - Rust
	065937-04-L03	EA	Seat Asm. - High Back Bucket w/Left Armrest - Blue
	065938-03-M01	EA	Seat Asm. - High Back Bucket w/Left Armrest - Rust
	065938-03-M02	EA	Seat Asm. - High Back Bucket w/Left Armrest - Blue
	065938-03-M03	EA	Seat Asm. - High Back Bucket w/Left Armrest - Brown
	065943-01-L01	EA	Cover - Bucket Seat - Back - Brown
	065943-01-L02	EA	Cover - Bucket Seat - Back - Rust
	065943-01-L03	EA	Cover - Bucket Seat - Back - Blue
	065943-02-M01	EA	Cover - Bucket Seat - Back - Rust
	065943-02-M02	EA	Cover - Bucket Seat - Back - Blue
	065943-02-M03	EA	Cover - Bucket Seat - Back - Brown
	065944-01-L01	EA	Cover - Bucket Seat - Bottom - Brown
	065944-01-L02	EA	Cover - Bucket Seat - Bottom - Rust
	065944-01-L03	EA	Cover - Bucket Seat - Bottom - Blue
	065944-02-M01	EA	Cover - Bucket Seat - Bottom - Rust
	065944-02-M02	EA	Cover - Bucket Seat - Bottom - Blue
	065944-02-M03	EA	Cover - Bucket Seat - Bottom - Brown
	050275-01-700	EA	Armrest Asm. - Foam w/o Cover - Right
	050276-01-700	EA	Armrest Asm. - Foam w/o Cover - Left
	065774-01-L01	EA	Cover - Armrest - Right or Left - Brown
	065774-01-L02	EA	Cover - Armrest - Right or Left - Rust
	065774-01-L03	EA	Cover - Armrest - Right or Left - Blue
	065774-02-M01	EA	Cover - Armrest - Right or Left - Rust
	065774-02-M02	EA	Cover - Armrest - Right or Left - Blue
	065774-02-M03	EA	Cover - Armrest - Right or Left - Brown
	066915-01-L01	EA	Skirt - Single Bucket - 6" x 71" - Brown
	066915-01-L02	EA	Skirt - Single Bucket - 6" x 71" - Rust
	066915-01-L03	EA	Skirt - Single Bucket - 6" x 71" - Blue
	066915-02-M01	EA	Skirt - Single Bucket - 6" x 71" - Rust
	066915-02-M02	EA	Skirt - Single Bucket - 6" x 71" - Blue
	066915-02-M03	EA	Skirt - Single Bucket - 6" x 71" - Brown
	061825-02-L01	EA	Seat Asm. - Single Bucket - Low Back - Brown
	061825-02-L02	EA	Seat Asm. - Single Bucket - Low Back - Rust
	061825-02-L03	EA	Seat Asm. - Single Bucket - Low Back - Blue
	061825-02-M01	EA	Seat Asm. - Single Bucket - Low Back - Rust
	061825-02-M02	EA	Seat Asm. - Single Bucket - Low Back - Blue
	061825-02-M03	EA	Seat Asm. - Single Bucket - Low Back - Brown
	061836-01-L01	EA	Cover - Back - Single Low Bucket - Brown
	061836-01-L02	EA	Cover - Back - Single Low Bucket - Rust
	061836-01-L03	EA	Cover - Back - Single Low Bucket - Blue
	061836-01-M01	EA	Cover - Back - Single Low Bucket - Rust
	061836-01-M02	EA	Cover - Back - Single Low Bucket - Blue
	061836-01-M03	EA	Cover - Back - Single Low Bucket - Brown
	061837-01-L01	EA	Cover - Bottom - Single Low Bucket - Brown
	061837-01-L02	EA	Cover - Bottom - Single Low Bucket - Rust
	061837-01-L03	EA	Cover - Bottom - Single Low Bucket - Blue
	061837-01-M01	EA	Cover - Bottom - Single Low Bucket - Rust
	061837-01-M02	EA	Cover - Bottom - Single Low Bucket - Blue
	061837-01-M03	EA	Cover - Bottom - Single Low Bucket - Brown

**1981 WINNEBAGO
TABLE OF CONTENTS**

WC723RB N1	A-1 - B-8
WC723RH N1	B-9 - C-16
WD419RB M1, WD419RB M2	C-17 - E-6
WCF22RB M1, WCF22RB M2	E-7 - G-2

1981 WD419RB M1, WD419RB M2 INDEX

Floor Plan	C-17 - C-18
Accessories Group	C-19 - C-20
Bath Group	C-21
Chassis Group	C-22
Curtain, Cushion and Pad Group	C-23 - D-5
Dinette Group	D-6
Driver's Compartment Group	D-7
Electrical Group	D-7 - D-9
Exterior Body Group	D-10 - D-14
Galley Group	D-15
Heating & Air Conditioning Group	D-16
Interior Finish Group	D-17 - D-18
LP Group	D-19
Lounge Group	D-20
Water & Sewage Group	D-21
Window, Vent & Exterior Door Group	D-22 - E-6

CURTAIN, CUSHION AND PAD GROUP (CONTINUED)

FRONT BUNK MATTRESS

Key	Part Number	U/M	Description
	068024-01-L01	EA	Mattress - Two Fold - 4" x 32" x 79" x 20" x 74" - Brown
	068024-01-L02	EA	Mattress - Two Fold - 4" x 32" x 79" x 20" x 74" - Rust
	068024-01-L03	EA	Mattress - Two Fold - 4" x 32" x 79" x 20" x 74" - Blue
	068024-01-M01	EA	Mattress - Two Fold - 4" x 32" x 79" x 20" x 74" - Rust
	068024-01-M02	EA	Mattress - Two Fold - 4" x 32" x 79" x 20" x 74" - Blue
	068024-01-M03	EA	Mattress - Two Fold - 4" x 32" x 79" x 20" x 74" - Brown
	068023-01-L01	EA	Cover - Two Fold Mattress - 4" x 32" x 79" x 20" x 74" - Brown
	068023-01-L02	EA	Cover - Two Fold Mattress - 4" x 32" x 79" x 20" x 74" - Rust
	068023-01-L03	EA	Cover - Two Fold Mattress - 4" x 32" x 79" x 20" x 74" - Blue
	058023-01-M01	EA	Cover - Two Fold Mattress - 4" x 32" x 79" x 20" x 74" - Rust
	068023-01-M02	EA	Cover - Two Fold Mattress - 4" x 32" x 79" x 20" x 74" - Blue
	068023-01-M03	EA	Cover - Two Fold Mattress - 4" x 32" x 79" x 20" x 74" - Brown

CURTAIN HARDWARE

Key	Part Number	U/M	Description
	052327-04-236	EA	Track - Curtain - Brown Alum. - 89" w/Holes
	056116-01-000	FT	Track - Curtain - Brown Plastic
	056001-01-000	EA	Bracket - Shade - Left
	056002-01-000	EA	Bracket - Shade - Right
	056003-01-000	EA	Bracket - Drapery Retainer - Right
	056003-02-000	EA	Bracket - Drapery Retainer - Left
	053272-04-200	EA	Track - Curtain - Off White - 89" w/Holes
	056784-01-000	EA	Pull - Window Shade - Antique Brass
	009107-01-000	EA	Guide - Nylon Snap - Curtain
	018031-42-000	EA	Track - Curtain - "L" Rod - Alum. Extr. - 90"
	009701-01-000	EA	Carrier - "L" Rod - Curtain
	009702-01-000	EA	End Stop - "L" Rod - Curtain
	048394-01-000	YD	Tape - Hook - 1" x 25 YD - Beige
	048395-01-000	YD	Tape - Loop - 1" x 25 YD - Beige



Key	Part Number	U/M	Description
1	029130-01-000	EA	Socket - Snap Fastener
2	029155-01-000	EA	Cap - Snap - .156" Dia. x .17" Barrel
3	029156-01-000	EA	Socket - Snap Fastener
4	029092-01-000	EA	Stud - Nickel Finish
5	029093-01-000	EA	Eyelet - Nickel Finish

DINETTE GROUP

CONVENTIONAL DINETTE AND OVERHEAD CABINERY

Key	Part Number	U/M	Description
	M00318-01-L01	EA	Table Asm. - Dinette - w/o Hardware - Bone
	M00318-01-M01	EA	Table Asm. - Dinette - w/o Hardware - Burnt Sienna
	M00318-01-M02	EA	Table Asm. - Dinette - w/o Hardware - Camel
	M00304-02-L01	EA	Cabinet Asm. - Dinette Back - Left Hand
	M00305-02-L01	EA	Cabinet Asm. - Dinette Back - Right Hand
	M00305-01-L01	EA	Cabinet Asm. - Dinette Seat - Right Hand
	M00304-01-L01	EA	Cabinet Asm. - Dinette Seat - Left Hand
	M00297-01-L01	EA	Cabinet Asm. - Dinette Overhead - w/o Doors or Hardware
	M00074-27-L01	EA	Door Asm. - Dinette Overhead Cabinet - 10.4" x 27.2" - w/o Hardware
	007019-01-000	EA	Seat Belt - 2" x 84" - Black
	041322-01-000	EA	Washer - Flat - 15/32" I.D. x 2 3/8" O.D.
**	053200-04-000	EA	Bracket - Upper Wall Mount - Brown - 23.5"
**	053201-03-000	EA	Bracket - Table Mount - Brown - 23"
**	024275-01-000	EA	Rod - Table Lift
**	024281-06-000	EA	Bracket - Lower Wall Mount - Black - 22.12"
**	024276-04-000	EA	Leg Asm. - Table - Brown - 29.5"
	064050-01-000	EA	Hinge - Table Leg - Brown
**	024282-01-000	EA	Brace - Table Leg
**	024283-01-000	EA	Clip - 1" O.D. Tube
**	049493-02-000	EA	Catch - Table Leg - Mounts on Floor - Brown

**The illustrated parts breakdown for this item is provided on the Common Items Fiche.

(NOTE) All (M01) paneled items interchange with (L01) paneled items.

OPTIONAL DINETTE COUCH AND LOUNGE

Key	Part Number	U/M	Description
	M00319-01-L01	EA	Table Asm. - Pedestal - w/o Hardware - Bone
	M00319-01-M01	EA	Table Asm. - Pedestal - w/o Hardware - Burnt Sienna
	M00319-01-M02	EA	Table Asm. - Pedestal - w/o Hardware - Camel
	009040-02-000	EA	Leg - Pedestal Table - 27.5" x 2.25" O.D.
	009040-03-000	EA	Base - Table - Mounts on Table
	041194-01-000	EA	Base - Table - Mounts in Floor
	057468-02-000	EA	Frame Asm. - Sprung Couch - Right
	057468-03-000	EA	Frame Asm. - Sprung Couch - Left
	057468-04-000	EA	Frame Rails - 2 per Couch
	057469-01-000	EA	Leg Asm. - Sprung Couch (2 per Couch)
	057618-01-L01	EA	Panel - End - Sprung Couch
	067422-01-L01	EA	Panel - Face - Couch - w/o Door or Hardware
	M00059-39-L01	EA	Door Asm. - Couch - 11.8" x 37.2" - w/o Hardware
	068496-01-L01	EA	Cabinet Asm. - Lounge Chair (Drivers Side)

(NOTE) All (M01) paneled items interchange with (L01) paneled items.

**1981 WINNEBAGO
TABLE OF CONTENTS**

WC723RB N1	A-1 - B-8
WC723RH N1	B-9 - C-16
WC419RB M1, WD41RB M2	C-17 - E-6
WCF22RB M1, WCF22RB M2	E-7 - G-2

1981 WD419RB M1, WD419RB M2 INDEX

Floor Plan	C-17 - C-18
Accessories Group	C-19 - C-20
Bath Group	C-21
Chassis Group	C-22
Curtain, Cushion and Pad Group	C-23 - D-5
Dinette Group	D-6
Driver's Compartment Group	D-7
Electrical Group	D-7 - D-9
Exterior Body Group	D-10 - D-14
Galley Group	D-15
Heating & Air Conditioning Group	D-16
Interior Finish Group	D-17 - D-18
LP Group	D-19
Lounge Group	D-20
Water & Sewage Group	D-21
Window, Vent & Exterior Door Group	D-22 - E-6

DRIVER'S COMPARTMENT GROUP

Key	Part Number	U/M	Description
	050447-01-000	EA	Pedestal Asm. - Tilt Seat - Left
	050447-02-000	EA	Pedestal Asm. - Tilt Seat - Right - Single Seat
	007019-01-000	EA	Belt Asm. - Seat - 2" x 84" - Black
	041322-01-000	EA	Washer - Flat 15/32" I.D. x 2 3/8" O.D. - Seat Belt
	049943-01-000	EA	Pedestal - Complete - Swivel
	007222-01-000	EA	Belt Asm. - Seat - 2" x 60" - Black
	043910-01-000	EA	Bracket Asm. - Seat Belt
	058375-01-000	EA	Bracket - Seat Belt - Washer
	051382-01-000	EA	Adjuster Asm. - Seat w/Lock
	051383-01-000	EA	Adjuster Asm. - Seat w/o Lock
	007021-01-000	EA	Belt Asm. - Seat - 2" x 90" - Black
	007224-02-000	EA	Handle - Seat Adjuster - 9"
	068584-03-L01	EA	Panel Asm. - Wingwall Transition - Inner Left Hand
	068584-04-L01	EA	Panel Asm. - Wingwall Transition - Inner Right Hand
	048223-01-000	EA	Bracket - Motor Cover
	061761-01-000	EA	Plate - Pedestal Adapter
	044860-01-000	EA	Door Step Matt - Rubber - Black - Left Hand
	044860-02-000	EA	Door - Step Matt - Rubber - Black - Right Hand
	054015-01-L01	EA	Trim Asm. - Over Door - Left - Acorn - Brown Vinyl
	054015-02-L01	EA	Trim Asm. - Over Door - Right - Acorn Brown Vinyl
	049360-03-000	EA	Console - Overhead
	050015-01-000	EA	Bracket - Overhead Console
	024459-03-000	EA	Gauge - Voltmeter w/Bracket
	024462-01-000	EA	Switch - Battery Condition
	055279-01-000	EA	Control Asm. - Heater and A/C

ELECTRICAL GROUP

BULBS

Key	Part Number	U/M	Description
	037935-01-000	EA	Bulb - 1157
	037936-01-000	EA	Bulb - 1157 A
	038010-01-000	EA	Bulb - 1143
	008103-01-000	EA	Bulb - 53
	008213-01-000	EA	Bulb - 57
	008214-01-000	EA	Bulb - 67
	008215-01-000	EA	Bulb - 1003
	008216-01-000	EA	Bulb - 1034
	008217-01-000	EA	Bulb - 1073
	008218-01-000	EA	Bulb - 1141
	008219-01-000	EA	Bulb - 656
	008220-01-000	EA	Bulb - 12V - 25W
	036196-01-000	EA	Bulb - 194
	700020-01-000	EA	Bulb - 12V - 20W - 1383

ELECTRICAL GROUP (CONTINUED)

FUSES AND CIRCUIT BREAKERS

Key	Part Number	U/M	Description
	056473-01-000	EA	Fuse - Slow Blow - 6 1/4 Amp.
	008233-01-000	EA	Fuse - 1/2 Volt - 6 Amp.
	008234-01-000	EA	Fuse - 12 Volt - 10 Amp.
	008235-01-000	EA	Fuse - 12 Volt - 15 Amp.
	008236-01-000	EA	Fuse - 12 Volt - 20 Amp.
	008248-01-000	EA	Fuse - 110 Volt - 30 Amp. - AGU
	008252-01-000	EA	Fuse - 110 Volt - 50 Amp.
	008208-01-000	EA	Circuit Breaker - 12 Volt - 40 Amp.
	008211-01-000	EA	Circuit Breaker - 12 Volt - 6 Amp.
	008268-01-000	EA	Circuit Breaker - 12 Volt - 30 Amp. w/Mount
	033573-01-000	EA	Circuit Breaker - 12 Volt - 20 Amp. w/Mount
	040051-01-000	EA	Circuit Breaker - 110 Volt - 20 Amp. - TGL
	033573-02-000	EA	Circuit Breaker - 12 Volt - 15 Amp. - w/Mount
	008297-01-000	EA	Circuit Breaker - TQP 120
	008293-01-000	EA	Circuit Breaker - TQP 130
	008299-01-000	EA	Circuit Breaker - TQP 115

EXTERIOR LIGHTS

Key	Part Number	U/M	Description
	007309-01-000	EA	Light - Step Well
	058032-01-000	EA	Tail Lamp Asm. - 2 Bulb - Chrome - Left or Right
	058030-01-700	EA	Lens - Tail Lamp - Red
	058030-01-701	EA	Lens - Tail Lamp - Back Up
	042405-03-000	EA	Base - Rectangular Clearance Light
	042405-04-000	EA	Lens - Clearance Light - Red
	042405-05-000	EA	Lens - Clearance Light - Amber
	008089-01-000	EA	Light - Porch - Recessed
	042405-01-000	EA	Lens - Rectangular Light - Red w/Reflex
	042405-02-000	EA	Lens - Rectangular Light - Amber w/Reflex
	062740-04-000	EA	Tail Lamp Wedge - Off White - Right
	062742-04-000	EA	Tail Lamp Wedge - Off White - Left

INTERIOR LIGHTS

Key	Part Number	U/M	Description
	033508-02-000	EA	Light - Dome - Ivory - 1 Bulb
	033509-02-000	EA	Light - Dome - Ivory - 2 Bulb
	024418-01-000	EA	Lamp Asm. - Map/Gauge/Aisle
	053346-01-000	EA	Light - High Intensity - Brown
	061424-01-000	EA	Light - 12 V Receptacle - Aisle - IP
	056288-01-000	EA	Light - Dome - Drivers Compartment

**1981 WINNEBAGO
TABLE OF CONTENTS**

WC723RB N1	A-1 - B-8
WC723RH N1	B-9 - C-16
WC419RB M1, WD41RB M2	C-17 - E-6
WCF22RB M1, WCF22RB M2	E-7 - G-2

1981 WD419RB M1, WD419RB M2 INDEX

Floor Plan	C-17 - C-18
Accessories Group	C-19 - C-20
Bath Group	C-21
Chassis Group	C-22
Curtain, Cushion & Pad Group	C-23 - D-5
Dinette Group	D-6
Driver's Compartment Group	D-7
Electrical Group	D-7 - D-9
Exterior Body Group	D-10 - D-14
Galley Group	D-15
Heating & Air Conditioning Group	D-16
Interior Finish Group	D-17 - D-18
LP Group	D-19
Lounge Group	D-20
Water & Sewage Group	D-21
Window, Vent & Exterior Door Group	D-22 - E-6

ELECTRICAL GROUP (CONTINUED)

WIRE, SWITCHES AND RECEPTACLES

Key	Part Number	U/M	Description
	008024-01-000	FT	Wire - 18.5 Bonded - Orange/White/Yellow/Blue/Brown
	008025-01-000	FT	Wire - 18.5 Bonded - Orange/White/Yellow/Blue/Green
	008028-01-000	FT	Wire - 18.5 Bonded - Blue/Red/Yellow/Orange/White
	008030-01-000	FT	Wire - 18.4 Bonded - Red/Blue/Orange/Green
	008251-01-000	EA	Holder - Fuse - Black - Screw Type
	008277-01-000	EA	Holder - Fuse - Black - Panel Mount
	008195-01-000	EA	Switch - Push Button - 12 Volt
	008677-01-000	EA	Plaque - Compressor Switch
	008054-01-000	EA	Cord - Power - 10-3 30 Amp. - 25' - UL
	034818-04-000	EA	Holder - Receptacle - Plastic
	024571-03-000	EA	Cover - Plate - Receptacle - Jumbo Brown Plastic
	039342-02-000	EA	Receptacle - Single Ivory
	039342-01-000	EA	Receptacle - Duplex Brown - T Junction
	024571-01-000	EA	Cover Plate - Receptacle - Jumbo Steel Brown
	008294-01-000	EA	Cover Plate - Brown Steel - 4" x 4"
	008289-01-000	EA	Box - Electrical - Steel - 4" x 4"
	039343-01-000	EA	Cap - End - Receptacle
	008162-01-000	EA	Switch - Double Toggle - Spade Brown
	008163-01-000	EA	Switch - Toggle Brown
	031144-01-000	EA	Switch - Center Off - DPDT - Black 30A
	054532-01-000	EA	Housing Pin Asm. - 6 Position
	064398-01-000	EA	Housing Asm. - Trailer Receptacle Plug - Female
	064450-01-000	EA	Housing Asm. - Trailer Receptacle Plug - Male
	008164-01-000	EA	Cover Plate - Switch - Brown
	024924-01-000	EA	Receptacle - Power Cord
	008058-01-000	EA	Adapter - Power Cord
	047353-01-000	EA	Cover - Receptacle - Ground Fault
	053126-02-000	EA	Receptacle - Ground Fault - Interrupter - 125 Volt - Brown
	058707-01-000	EA	Receptacle - Single - Brown - Thomas & Belts
	058708-01-000	EA	Receptacle - Duplex - Brown - Thomas & Belts
	058048-01-000	EA	Cover - Electrical - Rain Tight (Exterior)
	008157-01-000	EA	Receptacle - Single (Exterior)
	061405-02-000	EA	Plate - Receptacle - Duplex - Pewter
	061406-02-000	EA	Plate - Single Switch - Pewter
	061407-02-000	EA	Plate - Double Switch - Pewter
	058028-01-000	EA	Connector - Pigtail - Clear Nylon

MISCELLANEOUS ELECTRICAL COMPONENTS

Key	Part Number	U/M	Description
	047338-01-000	EA	Isolator - Dual Battery
	047389-01-700	EA	Battery - 12 Volt - 105 Amp. Deep Cycle - Dry
	057889-01-000	EA	Battery - 12 Volt - Maintenance Free
	008188-01-000	EA	Solenoid - Dual Battery - Relay
	046775-01-000	EA	Valve - Gas - Change Over
	024458-03-000	EA	Gauge - Voltmeter - w/Bracket
	024462-01-000	EA	Switch - Battery Condition
	031035-01-000	EA	Gauge - Hour Meter - Generator
	024976-01-000	EA	Switch - Generator w/o Circuit Board
	024460-01-000	EA	Gauge Vacuum
	068068-01-000	EA	Load Center - 120 V - 3 CRT
	039950-01-702	EA	Circuit Board - Control Center
	024461-01-000	EA	Switch - Battery - Changeover
	046885-01-000	EA	Plaque - Switch Mounting
	018812-04-000	EA	Control Panel - Insult - Basic
	048812-09-000	EA	Control Panel w/LP Alarm Clock - Refrigerator Light & Sensor
	039881-01-000	EA	Sending Unit - Wemac
	031720-01-000	EA	Spacer - Receptacle - Brown Plastic - CSA
	049360-03-000	EA	Console - Overhead
	067761-01-000	EA	Converter - 30 Amp w/Charger
	067762-01-000	EA	Converter - 40 Amp. w/Charger

EXTERIOR BODY GROUP

EXTERIOR BODY PANELS AND SHEET METAL

Key	Part Number	U/M	Description
	067324-01-L01	EA	Backwall Asm.
	067324-01-L02	EA	Backwall Asm.
	067324-01-L03	EA	Backwall Asm.
	067324-01-M04	EA	Backwall Asm.
	066596-01-L01	EA	Roof Asm.
	066596-01-M04	EA	Roof Asm.
	M00302-03-L01	EA	Sidewall Asm. - Dual Wheel - Right
	M00302-03-M04	EA	Sidewall Asm. - Dual Wheel - Right
	M00302-04-L01	EA	Sidewall Asm. - Dual Wheel - Left
	M00302-04-L02	EA	Sidewall Asm. - Dual Wheel - Left
	M00302-04-L03	EA	Sidewall Asm. - Dual Wheel - Left
	M00302-04-M01	EA	Sidewall Asm. - Dual Wheel - Left
	M00302-04-M02	EA	Sidewall Sam. - Dual Wheel - Left
	M00302-04-M03	EA	Sidewall Asm. - Dual Wheel - Left
	M00302-01-L01	EA	Sidewall Asm. - Right
	M00302-01-M04	EA	Sidewall Asm. - Right
	M00302-02-L01	EA	Sidewall Asm. - Left
	M00302-02-L02	EA	Sidewall Asm. - Left
	M00302-02-L03	EA	Sidewall Asm. - Left
	M00302-02-M01	EA	Sidewall Asm. - Left
	M00302-02-M02	EA	Sidewall Asm. - Left
	M00302-02-M03	EA	Sidewall Asm. - Left
	067399-02-L01	EA	Wingwall Asm. - Left
	067399-01-L01	EA	Wingwall Asm. - Right
	039155-03-008	EA	Alum. - Off White Mesa I - .024" x 36" x 60"
	039155-03-003	EA	Alum. - Off White Mesa I - .024" x 36" x 360"
	039155-03-007	EA	Alum. - Off White Mesa I - .024" x 48" x 60"
	039155-03-006	EA	Alum. - Off White Mesa I - .024" x 48" x 360"
	039155-03-009	EA	Alum. - Off White Mesa I - .024" x 12" x 360"
	039155-28-001	EA	Alum. - Off White Mesa II - .024" x 36" x 60"
	039155-28-003	EA	Alum. - Off White Mesa II - .024" x 36" x 360"
	039155-38-004	EA	Alum. - Off White Mesa II - .024" x 48" x 60"
	039155-28-006	EA	Alum. - Off White Mesa II - .024" x 48" x 360"
	039155-28-007	EA	Alum. - Off White Mesa II - .024" x 12" x 360"
	044487-01-001	EA	Plain Roof Metal - 96" x 360"
	039155-07-010	EA	Off White Greyhound Alum. - 48" x 96"
	001054-01-011	EA	Off White Plain Alum. - 48" x 96"
	000868-01-000	SF	Styrofoam - 3/4" x 24" x 96"
	000870-01-000	SF	Styrofoam - 1 1/2" x 24" x 96"

NOTE: The raised portion of Mesa I aluminum is 1.657" wide.
The raised portion of Mesa II aluminum is .875" wide.

EXTERIOR PAINT

Key	Part Number	U/M	Description
	041561-01-000	EA	Paint - Off White - Acrylic Enamel - 1 Gallon
	041561-03-000	EA	Paint - Off White - Acrylic Enamel - 16 oz. Aerosol
	041561-04-000	EA	Paint - Off White - Acrylic Lacquer - 1 Gallon
	065213-02-000	EA	Paint - Dark Brown - 16 oz. Spray - Dupont 44173

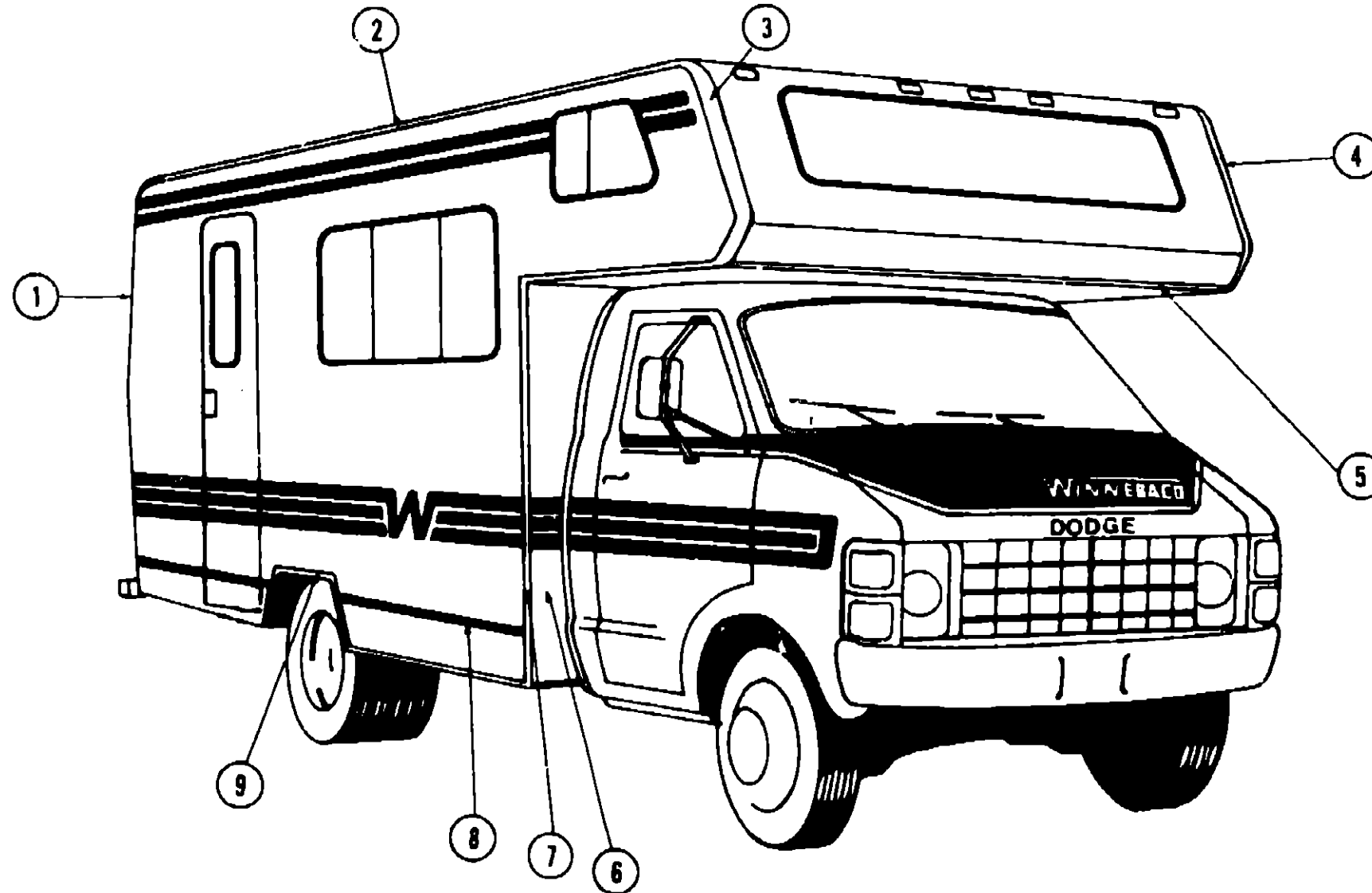
1981 WINNEBAGO TABLE OF CONTENTS

WC723RB N1	A-1 - B-8
WC723RH N1	B-9 - C-16
WC419RB M1, WD41RB M2	C-17 - E-6
WCF22RB M1, WCF22PB M2	E-7 - G-2

1981 WD419RB M1, WD419RD M2 INDEX

Floor Plan	C-17 - C-18
Accessories Group	C-19 - C-20
Bath Group	C-21
Chassis Group	C-22
Curtain, Cushion & Pad Group	C-23 - D-5
Dinette Group	D-6
Driver's Compartment Group	D-7
Electrical Group	D-7 - D-9
Exterior Body Group	D-10 - D-14
Galley Group	D-15
Heating & Air Conditioning Group	D-16
Interior Finish Group	D-17 - D-18
LP Group	D-19
Lounge Group	D-20
Water & Sewage Group	D-21
Window, Vent & Exterior Door Group	D-22 - E-6

EXTERIOR BODY GROUP (CONTINUED)



Key	Part Number	U/M	Description
1	067584-01-000	EA	Trim - Contour - Rear - Backwall - Right
.	067584-02-000	EA	Trim - Contour - Rear - Backwall - Left
2	034922-12-000	EA	Trim - Contour - Roof - Right and Left
3	067583-01-000	EA	Trim - Contour Sleeper - Right
4	067584-02-000	EA	Trim - Contour Sleeper - Left
5	039644-07-000	EA	Trim - Sleeper Board - Front
6	067399-01-L01	EA	Wingwall Asm. - Right
.	067399-02-L01	EA	Wingwall Asm. - Left
7	036476-13-000	EA	Trim - Wingwall - Right
.	036476-14-000	EA	Trim - Wingwall - Left
8	002444-02-001	EA	Feature Strip - Extr. Alum. - 14'
.	009731-01-000	EA	Feature Strip End Cap
.	001030-09-100	EA	Insert - Feature Strip - Brown
9	068213-01-000	EA	Trim - Rear Wheel Well - Left & Right
.	068096-01-000	EA	Flare - Dual Wheel - Right
.	068096-02-000	EA	Flare - Dual Wheel - Left
.			Not Illustrated

1981 WINNEBAGO
TABLE OF CONTENTS

WC723RB N1	A-1 - B-8
WC723RH N1	B-9 - C-16
WC419RB M1, WD41RB M2	C-17 - E-6
WCF22RB M1, WCF22RB M2	E-7 - G-2

1981 WD419RB M1, WD419RB M2 INDEX

Floor Plan	C-17 - C-18
Accessories Group	C-19 - C-20
Bath Group	C-21
Chassis Group	C-22
Curtain, Cushion and Pad Group	C-23 - D-5
Dinette Group	D-6
Driver's Compartment Group	D-7
Electrical Group	D-7 - D-9
Exterior Body Group	D-10 - D-14
Galley Group	D-15
Heating & Air Conditioning Group	D-16
Interior Finish Group	D-17 - D-18
LP Group	D-19
Lounge Group	D-20
Water & Sewage Group	D-21
Window, Vent & Exterior Door Group	D-22 - E-6

EXTERIOR BODY GROUP (CONTINUED)

LABELS AND DECALS

Key	Part Number	U/M	Description
	006025-01-000	EA	Label - Gas
	006028-01-000	EA	Label - Drain Cap - 2" x 3"
	006031-01-000	EA	Label - Potable Water Only
	006040-01-000	EA	Tag - Gas Refueling Warning
	006062-01-000	EA	Tag - Electrical - 110 Volt Connection
	006187-01-000	EA	Label - Sewage
	006188-01-000	EA	Label - Waste Water
	006199-01-000	EA	Label - Exit - Escape Window
	047731-01-000	EA	Label - Emergency Exit
	054531-01-000	EA	Label - LP Gas Only
	031161-01-000	EA	Label - Flying W
	050223-01-000	EA	Label - Lower Refrigerator Vent
	050224-01-000	EA	Label - Refrigerator Roof Vent
	050225-01-000	EA	Label - Warning - Stove Vent - U.S.
	006195-01-000	EA	Label - Electrical Test
	006196-01-000	EA	Label - Gas Test
	006197-01-000	EA	Label - Water Test
	039716-01-000	EA	Stencil - Minnie Winnie
	067763-01-000	EA	Stencil - Side - Front Fender - Right Hand
	067763-02-000	EA	Stencil - Side - Front Fender - Left Hand
	006001-01-000	EA	Nameplate - Plastic - Winnebago - Chrome
	008092-01-000	EA	Reflector - Stick On - Rectangular - Red
	008093-01-000	EA	Reflector - Stick On - Rectangular - Amber
	050313-07-000	EA	Decal - Logo - "Winnebago" - 2.8" x 22" - Orange
	050313-08-000	EA	Decal - Logo - "Winnebago" - 2.8" x 22" - Blue
	050313-10-000	EA	Decal - Logo - "Winnebago" - 2.8" x 22" - Carmel
	065214-02-000	EA	Decal - Stripe - Hood Edge (Corner) - Orange
	065214-03-000	EA	Decal - Stripe - Hood Edge (Corner) - Blue
	065214-04-000	EA	Decal - Stripe - Hood Edge (Corner) - Carmel
	065216-02-000	EA	Decal - W Surround - 16" x 9.5" - Right - Orange
	065216-03-000	EA	Decal - W Surround - 16" x 9.5" - Right - Blue
	065216-07-000	EA	Decal - W Surround - 16" x 9.5" - Right - Carmel
	065216-05-000	EA	Decal - W Surround - 16" x 9.5" - Left - Orange
	065216-06-000	EA	Decal - W Surround - 16" x 9.5" - Left - Blue
	065216-08-000	EA	Decal - W Surround - 16" x 9.5" - Left - Carmel
	065217-02-000	FT	Decal - Double 1.5" Stripes Premasked 3/4" Apart - Orange
	065217-03-000	FT	Decal - Double 1.5" Stripes Premasked 3/4" Apart - Blue
	065217-04-000	FT	Decal - Double 1.5" Stripes Premasked 3/4" Apart - Carmel
	065218-02-000	FT	Decal - 1/2" Tape Stripe - Premasked - Orange
	065218-03-000	FT	Decal - 1/2" Tape Stripe - Premasked - Blue
	065218-04-000	FT	Decal - 1/2" Tape Stripe - Premasked - Carmel
	065219-02-000	FT	Decal - Double 3/4" Stripes Premasked 2" Apart - Orange
	065219-03-000	FT	Decal - Double 3/4" Stripes Premasked 2" Apart - Blue
	065219-04-000	FT	Decal - Double 3/4" Stripes Premasked 2" Apart - Carmel

EXTERIOR BODY GROUP (CONTINUED)

SEALANTS AND ADHESIVES

Key	Part Number	U/M	Description
	034552-05-000	EA	Sealant - Off White Silicone
	034552-04-000	EA	Sealant - Beige Silicone
	034552-02-000	EA	Sealant - Clear Silicone
	004342-01-000	EA	Sealant - Weatherban 202 Tube
	004346-02-000	EA	Sealant - White Silicone
	004347-01-000	EA	Sealant - Tuflex
	004357-01-000	FT	Tape - Sealer - 1/8" x 5/8" - Adhesive
	009200-01-000	EA	Tape - Furnace - 1 1/2"
	004353-01-000	FT	Tape - Gasket - 1/8" x 3/4" - White
	002825-01-000	FT	Weatherstripping - Roof Vent
	002337-01-000	EA	Adhesive - 3M - 1300 Tube
	004005-01-000	GL	Adhesive - Swifts - Green - Glue (Sidewalls)
	004012-01-000	EA	Adhesive - 3M - 4475 Tube
	004020-01-000	QT	Adhesive - ABS Cement (Plastic Fittings)
	029051-01-000	EA	Adhesive - Spray Vinyl
	042401-02-000	EA	Screw - 8 - 18 x 3/4" SDPH - Off White
	042403-02-000	EA	Screw - SF/DR - 8 - 18 x 1" SDPH - Off White
	053766-01-000	EA	Bedding Compound - Tube Black - Schnee Morehead
	053766-02-000	EA	Bedding Compound - Tube White - Schnee Morehead
	053767-01-000	FT	Tape - 1/2" x 1/8" x 30' - Gray - Schnee Morehead
	053767-03-000	FT	Tape - 1/4" Bead x 20' - Gray - Schnee Morehead
	053767-04-000	FT	Tape - 3/4" x 1/8" x 30' - Gray - Schnee Morehead
	053767-05-000	FT	Tape - 2" x 3/32" x 45' - Gray - Schnee Morehead

MISCELLANEOUS EXTERNALLY MOUNTED PARTS

Key	Part Number	U/M	Description
	036579-03-000	EA	Fuel Fill - Recessed - Single - Off White
**	011124-01-000	EA	Plumbing Seal - Roof Vent - 1 1/4" White
**	011129-01-000	EA	Plumbing Seal - Roof Vent - 1 1/2" White
**	010230-02-000	EA	Fill - City Water - Recessed - Off White - w/Screw on Cap
**	011020-01-000	EA	Fill - Water - Recessed - Off White
	058808-01-000	EA	Waterfill - Lockable - White
	009126-01-000	EA	Assist Handle

** The illustrated parts breakdown for this item is provided on the Common Items Fiche.

1981 WINNEBAGO TABLE OF CONTENTS

WC723RB N1	A-1 - B-8
WC723RH N1	B-9 - C-16
WC419RB M1, WD41RB M2	C-17 - E-6
WCF22RB M1, WCF22RB M2	E-7 - G-2

1981 WD419RB M1, WD419RB M2 INDEX

Floor Plan	C-17 - C-18
Accessories Group	C-19 - C-20
Bath Group	C-21
Chassis Group	C-22
Curtain, Cushion and Pad Group	C-23 - D-5
Dinette Group	D-6
Driver's Compartment Group	D-7
Electrical Group	D-7 - D-9
Exterior Body Group	D-10 - D-14
Galley Group	D-15
Heating & Air Conditioning Group	D-16
Interior Finish Group	D-17 - D-18
LP Group	D-19
Lounge Group	D-20
Water & Sewage Group	D-21
Window, Vent & Exterior Door Group	D-22 - E-6

GALLEY GROUP

GALLEY CABINETRY

Key	Part Number	U/M	Description
	M68469-01-L01	EA	Cabinet Asm. - Galley - w/o Countertop, Doors or Hardware (Hot Plate)
	M68469-02-L01	EA	Cabinet Asm. - Galley - w/o Countertop, Doors, Drawers or Hardware (Oven)
	068491-01-L01	EA	Countertop Asm. - Galley Cabinet - Bone
	068491-01-M04	EA	Countertop Asm. - Galley Cabinet - Burnt Sienna (M01)
	068491-01-M02	EA	Countertop Asm. - Galley Cabinet - Camel (M02)(M03)
	M00074-29-L01	EA	Door Asm. Galley Cabinet - 22" x 11.7" - w/o Hardware
	M00074-38-L01	EA	Door Asm. - Galley Cabinet - 11.9" x 31.6" - w/o Hardware - Right
	M00074-39-L01	EA	Door Asm. - Galley Cabinet - 11.9" x 31.6" - w/o Hardware - Left
	M00298-01-L01	EA	Cabinet Asm. - Galley Overhead - w/o Doors or Hardware
	M00074-26-L01	EA	Door Asm. - Galley Overhead Cabinet - 10.4" x 35.2" - w/o Hardware
	M00074-32-L01	EA	Door Asm. - Refrigerator Cabinet - 25" x 11.7" - w/o Hardware
	053424-01-L01	EA	Sink Cover - Large - Bone
	053424-01-M01	EA	Sink Cover - Large - Burnt Sienna
	053424-01-M02	EA	Sink Cover - Large - Camel

(NOTE) All (M01) paneled items interchange with (L01) paneled items.

GALLEY HARDWARE AND APPLIANCES

Key	Part Number	U/M	Description
	011032-01-000	EA	Sink - Stainless Steel - Double w/Bolts
**	011053-01-000	EA	Faucet - Swing Spout - 8"
**	011053-01-700	EA	Aerator - Swing Spout Faucet
	066437-01-000	EA	Strainer w/Basket - Sink
	053333-01-000	EA	Range Hood - Non Power - Black - Jensen
**	049930-04-000	EA	Range Hood - Powered - Black - Jensen
	049930-07-000	EA	Range Hood - Powered - Almond - Jensen
	055282-02-000	EA	Range - 4 Burner - Small - Almond - Magic Chef
**	049175-02-000	EA	Refrigerator - AC/DC/Gas
**	054450-01-000	EA	Level - Refrigerator

** The illustrated parts breakdown for this item is provided on the Common Items Fiche.

HEATING AND AIR CONDITIONING GROUP

Key	Part Number	U/M	Description
	051768-01-000	EA	A/C - Compressor Mount Package - 350 C.I.D.
	051770-01-000	EA	A/C - Compressor - Rotolock - 10.3"
	056460-01-000	EA	A/C - Condenser Asm. - 350 C.I.D. C-Body
	056455-01-000	EA	A/C - Evaporator Asm.
	056779-01-000	EA	A/C - Clutch - 7" Drive
	049401-01-000	EA	Heater Asm. - Rear (Auxiliary)
	049401-01-700	EA	Valve - Water Control (Auxiliary Heater)
	049401-01-701	EA	Control Cable (Auxiliary Heater)
	049401-01-702	EA	Motor Asm. - (Auxiliary Heater)
	049401-01-703	EA	Heater Core (Auxiliary Heater)
	049401-01-704	EA	Switch (Auxiliary Heater)
	058906-01-000	EA	Control Panel (Auxiliary Rear Heater)
	056464-01-000	EA	Register w/Damper - 4" Round
	009198-01-000	EA	Duct - Flexible - 4" I.D. x 25'
	031604-01-000	EA	Bonnet - Heat Register
	039505-02-000	EA	Thermostat - Horizontal Wall Mount - Black
	009200-01-000	EA	Tape - Furnace - 1 1/2"
	023146-01-000	EA	Clamp - Screw Type - 4"
	050784-01-000	EA	Vent Package - Furnace - 3-6" Wall
	051391-01-000	EA	Water Heater - w/o Motor Aid
	049042-02-000	EA	Door - Furnace - Front - (24,000 BTU)
	059351-02-000	EA	Furnace - 24,000 BTU - w/Piezo
	066438-01-000	EA	Furnace - 16,000 BTU - Direct Discharge
	066449-01-000	EA	Door - Furnace (16,000 BTU)
**	049774-02-000	EA	Air Conditioner - 110 Volt - Roof Mount - 13,500 BTU Ivory - Coleman (w/o inside shroud)
**	049775-02-000	EA	Shroud Asm. - Ceiling - Inside - Roof Air - Cool Only 13,500 BTU - Coleman
**	049776-01-000	EA	Shroud Asm. - Ceiling - Inside - Roof Air - Heat and Cool 13,500 BTU - Coleman
	063903-01-000	EA	Air Conditioner - 110 Volt - Roof Air - 13,500 BTU - Rotary

** The illustrated parts breakdown for this item is provided on the Common Items Fiche.

1981 WINNEBAGO TABLE OF CONTENTS

WC723RB N1	A-1 - B-8
WC723RH N1	B-9 - C-16
WC419RB M1, WD41RB M2	C-17 - E-6
WCF22RB M1, WCF22RB M2	E-7 - G-2

1981 WD419RB M1, WD419RB M2 INDEX

Floor Plan	C-17 - C-18
Accessories Group	C-19 - C-20
Bath Group	C-21
Chassis Group	C-22
Curtain, Cushion and Pad Group	C-23 - D-5
Dinette Group	D-6
Driver's Compartment Group	D-7
Electrical Group	D-7 - D-9
Exterior Body Group	D-10 - D-14
Galley Group	D-15
Heating & Air Conditioning Group	D-16
Interior Finish Group	D-17 - D-18
LP Group	D-19
Lounge Group	D-20
Water & Sewage Group	D-21
Window, Vent & Exterior Door Group	D-22 - E-6

INTERIOR FINISH GROUP

PANELING AND COUNTERTOP MATERIALS

Key	Part Number	U/M	Description
	064385-01-000	SF	Paneling - Main - 772 Birch - 48" x 96" (32 SF)
	045963-01-000	SF	Paneling - Ceiling - 825 Buff - 48" x 96" (32 SF)
	064388-01-000	SF	Paneling - Galley Decor - "Ferns" - Beige (L01)
	064388-02-000	SF	Paneling - Galley Decor - "Ferns" - Burgundy (L02)
	064388-03-000	SF	Paneling - Galley Decor - "Ferns" - Blue (L03)
	068343-02-000	SF	Paneling - Galley Decor - Autumn Storm - Copper (M01)
	068343-03-000	SF	Paneling - Galley Decor - Autumn Storm - Gray (M02)
	068343-04-000	SF	Paneling - Galley Decor - Autumn Storm - Brown (M03)
	065739-03-000	SF	Paneling - Bath Decor - "Ferns" - Beige (L01)
	065739-04-000	SF	Paneling - Bath Decor - "Ferns" - Burgundy (L02)
	065739-05-000	SF	Paneling - Bath Decor - "Ferns" - Blue (L03)
	068343-01-000	SF	Paneling - Bath Decor - Shells - Beige (M01)(M02)(M03)
	064387-01-000	SF	Plastic Laminate - Bone - 60" x 96" (40 SF)(L01)(L02)(L03)
	064387-01-000	SF	Plastic Laminate - Camel (M02)(M03)

INTERIOR MOLDINGS AND TRIMS

Key	Part Number	U/M	Description
	064386-01-000	EA	Batt Strip - 772 Birch - 8'
	047354-01-000	EA	Batt Strip - 825 Buff - Ceiling - 8'
	064389-01-000	EA	Batt Strip - Decor - "Ferns" - 8' - Beige (L01)
	064389-02-000	EA	Batt Strip - Decor - "Ferns" - 8' - Burgundy (L02)
	064389-03-000	EA	Batt Strip - Decor - "Ferns" - 8' - Blue (L03)
	068345-01-000	EA	Batt Strip - Bath Decor - Shells - 8' - Beige/Grey (M01)(M02)(M03)
	068345-09-000	EA	Batt Strip - Galley Decor - Autumn Storm - Rust (M01)
	068345-10-000	EA	Batt Strip - Galley Decor - Autumn Storm - Gary (M02)
	068345-06-000	EA	Batt Strip - Galley Decor - Autumn Storm - Brown (M03)
	024700-06-000	EA	Cover - Roll Bar - Sidewall - Ivory
	024700-14-000	EA	Cover - Roll Bar - Russet Oak
	039512-13-000	EA	Cover - Hat Section - Russet Oak
	047488-01-000	EA	Cover - Corner - Hat/Hat
	047489-01-000	EA	Cover - Corner - Tube/Tube
	052859-01-J27	EA	Accent Trim - Acorn Brown Vinyl
	009767-05-000	FT	Welting - Light Brown
	009778-01-000	FT	U-Channel - 1" - Dark Brown
	009812-10-000	FT	Molding - Outside Corner - 50" - Birch
	009809-10-000	FT	Molding - Outside Corner - 1" - Birch

CABINETRY AND TABLE HARDWARE

Key	Part Number	U/M	Description
	053103-01-L01	EA	Hinge Kit - Double Acting - Overhead Door
**	052932-01-J30	EA	Hinge Kit - Cabinet Door - Antique Brass
	057672-01-000	EA	Latch - Cabinet Door - Pull Latch
	009112-01-000	EA	Flange - 1" - Closet Rod
**	053200-04-000	EA	Bracket - Upper Wall Mount - 23.5" - Black
**	053201-03-000	EA	Bracket - Table Mount - 23" - Clear Anod.
**	024275-01-000	EA	Rod - Table Lift - 8" x 23.5"
**	024281-06-000	EA	Bracket - Lower Wall Mount - Brown - 22.12"
**	024276-04-000	EA	Leg Asm. - Table - Brown - 29.5"
**	064050-01-000	EA	Hinge - Table Leg - Brown
**	024282-01-000	EA	Brace - Table Leg
**	024283-01-000	EA	Clip - 1" O.D. Tube
**	049493-02-000	EA	Catch - Table Leg - Mounts on Floor - Brown
**	058335-01-000	EA	Latch - Bathroom Door

**The illustrated parts breakdown for this item is provided on the Common Items Fiche.

INTERIOR FINISH GROUP (CONTINUED)

FABRICS AND FLOOR COVERINGS

Key	Part Number	U/M	Description
	064393-04-000	YD	Fabric - Drapery - Dublin Flax
	064383-01-000	YD	Fabric - Upholstery - Sienna Brown
	064383-06-000	YD	Fabric - Upholstery - Biscayne Rust
	064383-07-000	YD	Fabric - Upholstery - Biscayne Blue
	053327-01-000	YD	Vinyl - Non Expanded - 27 oz. - Acorn Brown
	053327-02-000	YD	Vinyl - Expanded - 28 oz. - Acorn Brown
	053327-03-000	YD	Vinyl - Non Support - 16 Gauge Film - Acorn Brown
	064384-02-000	SY	Carpet - Camel (L01)(L02)
	064384-01-000	SY	Carpet - Ginger (L02)
	068340-01-000	SY	Carpet - Rust (M01)
	068340-02-000	SY	Carpet - Medium Brown (M02)(M03)

CURTAIN HARDWARE

Key	Part Number	U/M	Description
	052327-04-236	EA	Track - Curtain - Brown Alum. - 89" w/Holes
	056116-01-000	FT	Track - Curtain - Brown Plastic
	056001-01-000	EA	Bracket - Shade - Left
	056002-01-000	EA	Bracket - Shade - Right
	056003-01-000	EA	Bracket - Drapery Retainer - Right
	056003-02-000	EA	Bracket - Drapery Retainer - Left
	053272-04-200	EA	Track - Curtain - Off White - 89" w/Holes
	056784-01-000	EA	Pull - Window Shades - Antique Brass
	009107-01-000	EA	Guide - Nylon Snap - Curtain
	018031-42-000	EA	Track - Curtain - "L" Rod - Alum. Extr. - 90"
	009701-01-000	EA	Carrier - "L" Rod - Curtain
	009702-01-000	EA	End Stop - "L" Rod - Curtain

MISCELLANEOUS PARTS

Key	Part Number	U/M	Description
	053552-01-M07	EA	Handle Asm. - Interior Assl't - Acorn Brown Vinyl
	041944-01-700	EA	Fire Extinguisher - w/Bracket - Dry Chemical
	041944-03-000	EA	Fire Extinguisher - w/Bracket - SBC - (Calif)
	006113-01-000	EA	Jack - Hydraulic - 5 Ton - w/Handle
	054185-12-000	EA	Owner's Manual - Itasca - Winnebago
	007038-01-000	EA	Door Mat - Black Rubber - 10 1/2" x 26"
	040069-01-000	EA	Door Mat - Black Rubber - 10 1/2" x 26" - w/Itasca Logo

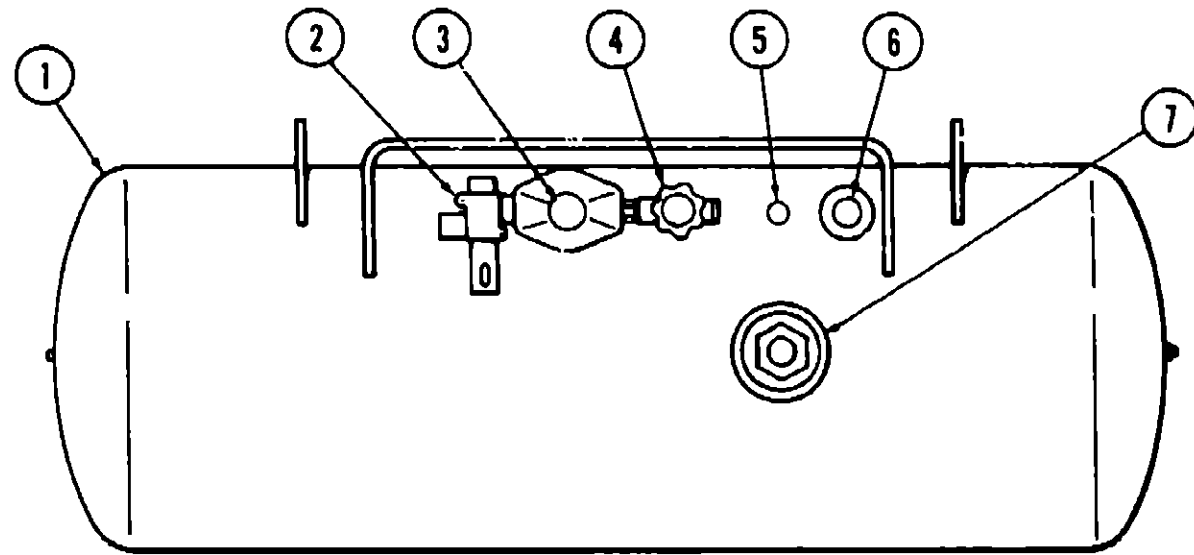
1981 WINNEBAGO TABLE OF CONTENTS

WC723RB N1	A-1 - B-8
WC723RH N1	B-9 - C-16
WC419RB M1, WD41RB M2	C-17 - E-6
WCF22RB M1, WCF22RB M2	E-7 - G-2

1981 WD419RB M1, WD419RB M2 INDEX

Floor Plan	C-17 - C-18
Accessories Group	C-19 - C-20
Bath Group	C-21
Chassis Group	C-22
Curtain, Cushion and Pad Group	C-23 - D-5
Dinette Group	D-6
Driver's Compartment Group	D-7
Electrical Group	D-7 - D-9
Exterior Body Group	D-10 - D-14
Galley Group	D-15
Heating & Air Conditioning Group	D-16
Interior Finish Group	D-17 - D-18
LP Group	D-19
Lounge Group	D-20
Water & Sewage Group	D-21
Window, Vent & Exterior Door Group	D-22 - E-6

LP GROUJP



Key	Part Number	U/M	Description
1	052769-01-000	EA	Tank Asm. - LP - Frame Mount - 42 Pound
1	062026-01-000	EA	Tank Asm. - LP - Frame Mount - 28 Pound
2	047221-01-000	EA	Detector - LP Gas Leak
	047356-01-000	EA	Bracket - LP Detector
3	058706-01-000	EA	Cover - Regulator - 2 Stage
	058705-01-000	EA	Regulator - Two Stage - LP Gas
4	040421-01-703	EA	Valve - Vapor Relief
5	040421-01-700	EA	Gauge - Liquid Level - 20% LP
6	040421-01-701	EA	Valve - Filler - LP
	040421-01-702	EA	Cap - Plastic Fill Valve
7	042281-01-700	EA	Gauge - Float - w/Visible Dial - 42 Pound Tank
	040421-01-706	EA	Dial - Visible Face - Float Gauge (Tank w/o Electric Transmitter)
	040421-01-705	EA	Dial - Transmitter - 0 90 Ohm (Float Gauge)
	045703-01-000	EA	Hose Asm. - LP 3/8" I.D. x 24"
	047737-02-000	EA	Support - LP Tank - 89.25"
	047737-03-000	EA	Support - LP Tank - 30.50"
			Not Illustrated

WINN AIR WITH LANDI-HARTOG (C-BODY)

Key	Part Number	U/M	Description
	065279-01-000	EA	Relief Valve - Hydrostatic
	065287-02-000	EA	Valve - Gasoline Shut-Off
	065820-02-000	EA	Hose Asm. - High Pressure - 36"
	067290-01-001	EA	Hose - Vapor 5/8" x 51"
	068050-04-000	EA	LP Mixer
	068163-01-000	EA	Strap - Converter Brace
	068197-01-000	EA	Instrument Asm. - LP
	068201-02-000	EA	Converter Asm. - LP - C-Body
	068240-01-000	EA	Support Brace - Converter
	035927-01-002	EA	Steel Rod - Threaded - 1/4" x 20" x 9"
	068143-01-000	EA	Tube Asm. - Converter - Copper w/Flare Nuts - 5/16" x 270° Bend

LOUNGE GROUP

OVERHEAD AND COUCH CABINET WITH PEDESTAL TABLE

Key	Part Number	U/M	Description
	M00297-01-L01	EA	Cabinet Asm. - Lounge Overhead - w/o Doors or Hardware
	M00074-27-L01	EA	Door Asm. - Lounge Overhead Cabinet - 10.4" x 27.2" - w/o Hardware
	M00316-01-L01	EA	Door Asm. - Furnace - w/Brass Mesh Insert
	047205-07-000	EA	Insert - Furnace Door - 11 1/4" x 13 7/8" - Brass Mesh
	039873-01-000	EA	Catch and Strike - Furnace Door
	M00074-35-L01	EA	Door Asm. - Couch Cabinet - 11.5" x 37" - w/o Hardware
	057468-02-000	EA	Frame Asm. - Sprung Couch - Right
	057468-03-000	EA	Frame Asm. - Sprung Couch - Left
	057468-04-000	EA	Frame Rail - Sprung Couch (2 per couch)
	057469-01-000	EA	Leg Asm. - Sprung Couch (2 per couch)
	022517-01-000	EA	End Cap - Leg - 1" x 1" - Brown
	M00319-01-L01	EA	Table Asm. - Pedestal - w/o Hardware - Bone
	M00319-01-M01	EA	Table Asm. - Pedestal - w/o Hardware - Burnt Sienna
	M00319-01-M02	EA	Table Asm. - Pedestal - w/o Hardware - Camel
	009040-02-000	EA	Leg - Pedestal Table - 27.5" x 2.25" O.D. - Chrome
	009040-03-000	EA	Base - Table Leg - Mounts on Table
	041194-01-000	EA	Base - Table Leg - Mounts in Floor
	056418-01-L05	EA	Plug Asm. - Pedestal - Table - Camel
	056418-01-L04	EA	Plug Asm. - Pedestal - Table - Ginger

**1981 WINNEBAGO
TABLE OF CONTENTS**

WC723RB N1	A-1 - B-8
WC723RH N1	B-9 - C-16
WC419RB M1, WD41RB M2	C-17 - E-6
WCF22RB M1, WCF22RB M2	E-7 - G-2

1981 WD419RB M1, WD419RB M2 INDEX

Floor Plan	C-17 - C-18
Accessories Group	C-19 - C-20
Bath Group	C-21
Chassis Group	C-22
Curtain, Cushion and Pad Group	C-23 - D-5
Dinette Group	D-6
Driver's Compartment Group	D-7
Electrical Group	D-7 - D-9
Exterior Body Group	D-10 - D-14
Galley Group	D-15
Heating & Air Conditioning Group	D-16
Interior Finish Group	D-17 - D-18
LP Group	D-19
Lounge Group	D-20
Water & Sewage Group	D-21
Window, Vent & Exterior Door Group	D-22 - E-6

WATER AND SEWAGE GROUP

PLUMBING REPAIR PARTS

Key	Part Number	U/M	Description
**	040539-01-000	EA	Kit - Repair - 3/8" O.D. Plastic Tube
**	040540-01-000	EA	Kit - Repair - 1/2" O.D. Plastic Tube
**	040541-01-000	EA	Kit - Repair - 5/8" O.D. Plastic Tube
**	041279-02-000	EA	Pump - Water Flow 2.8 G.P.M. - PAR
**	063646-01-000	EA	Pump - Water - 2.8 G.P.M. - Direct Drive - US
**	063646-02-000	EA	Pump - Water - 2.8 G.P.M. - Direct Drive - CSA
**	039647-03-000	EA	Filter - Water Pump - 1/2" MPT
**	052962-01-000	EA	Valve - Stool - 90° 1/2 F x 3/8 MPT
**	039818-01-000	EA	Riser Asm. - 3/8" O.D. x 24" Tube
**	039818-02-000	EA	Riser Asm. - 3/8" O.D. x 36" Tube
**	039818-04-000	EA	Riser Asm. - 3/8" O.D. x 72" Tube
**	039818-05-000	EA	Riser Asm. - 3/8" O.D. x 48" Tube
**	035539-01-000	EA	Elbow - Plastic - 3/8 MPT x 3/8 Barb
**	052952-01-000	EA	Nut - Plastic - 1/2 F
**	052953-01-000	EA	Nut - Faucet - 1/2 Tube x 1/2 FPT
**	052954-01-000	EA	Adapter - Nose Cone - 3/8 or 1/2
**	052958-01-000	EA	Tee - Plastic - 1/2 F x 1/2 F x 1/2 F
**	052959-02-000	EA	Connector - Plastic - 1/2 F x 1/2 MPT
**	052959-03-000	EA	Connector - Plastic - 1/2 F x 3/8 MPT
**	052960-01-000	EA	Drain Valve - Line - 1/2 F x 1/2 F
**	052961-01-000	EA	Header - 1/2 F x 1/2 F x 1/2 F x 1/2 F
**	004020-01-000	QT	Adhesive - ABS Cement
**	010201-01-000	EA	Hose - Sewer - 3" x 8 Ft. w/Clamp
**	062415-01-000	EA	Cap - Sewer - 3"
**	062416-01-000	EA	Hose - Adapter - 3"
**	062417-01-000	EA	Adapter - Termination - 3"
**	062418-02-000	EA	Valve - 3" w/o Handle
**	062419-01-000	EA	Handle - Extension - w/6" Adapter
**	062421-01-000	EA	Valve - 1 1/2" - w/Handle
**	010006-01-000	EA	Elbow - Plastic - 1/8 BD 1 1/2 x 45° H x H
**	010008-01-000	EA	Elbow - Plastic - 1/4 BD 1 1/2 x 90° x Long Turn
**	010134-01-000	EA	Adapter - Plastic - 1 1/2" M x MPT
**	010154-01-000	EA	Ring - Closet - Plastic - 4" F x 3" MPT x L
**	011091-01-000	EA	Waste - Continuous - Double Sink - 11 7/8"
**	011066-01-000	EA	P-Trap - Plastic - 1 1/4"
**	010079-01-000	EA	Tee - Plastic - 1 1/2 H x 1 1/2 H x 1 1/4 H
**	010091-01-000	EA	Wye - Plastic - 3" x 45° - H x H x H
**	010121-01-000	EA	Bushing - Plastic - 1 1/2 S x 1 1/4 H
**	031126-01-000	EA	Elbow - Plastic - 1/4 BD - 3" x 90° x Long Turn
**	010133-01-000	EA	Adapter - Trap - Plastic - 1 1/2" H x MPT
**	050780-01-000	EA	Coupler - Rubber - 3" x 3"
**	010219-01-000	EA	Elbow - 1 1/4 Barb x 1 1/4 MPT - 90°
**	044928-01-000	FT	Tubing - Flex - 1 1/4" ID x 10' Long
**	061607-01-000	EA	Grommet - Rubber - Holding Tank - 1 1/2" NPS
**	061607-02-000	EA	Grommet - Rubber - Holding Tank - 3" NPS
**	010197-01-000	FT	Pipe - ABS Plastic - 3" x 240"
**	065979-01-000	EA	Compartment Asm. - Sewer Hose
**	052957-02-000	EA	Elbow - Plastic - 1/2" F x 1/2" MPT
**	052957-03-000	EA	Elbow - Plastic - 1/2" F x 1/4" MPT
**	061607-01-000	EA	Grommet - Holding Tank - 1 1/2" NPS
**	061607-02-000	EA	Grommet - Holding Tank - 3" NPS
**	040524-01-000	EA	Kit - Plastic Fittings - Holding Tank
**	046524-02-000	EA	Kit - Plastic Fittings - Water Tank

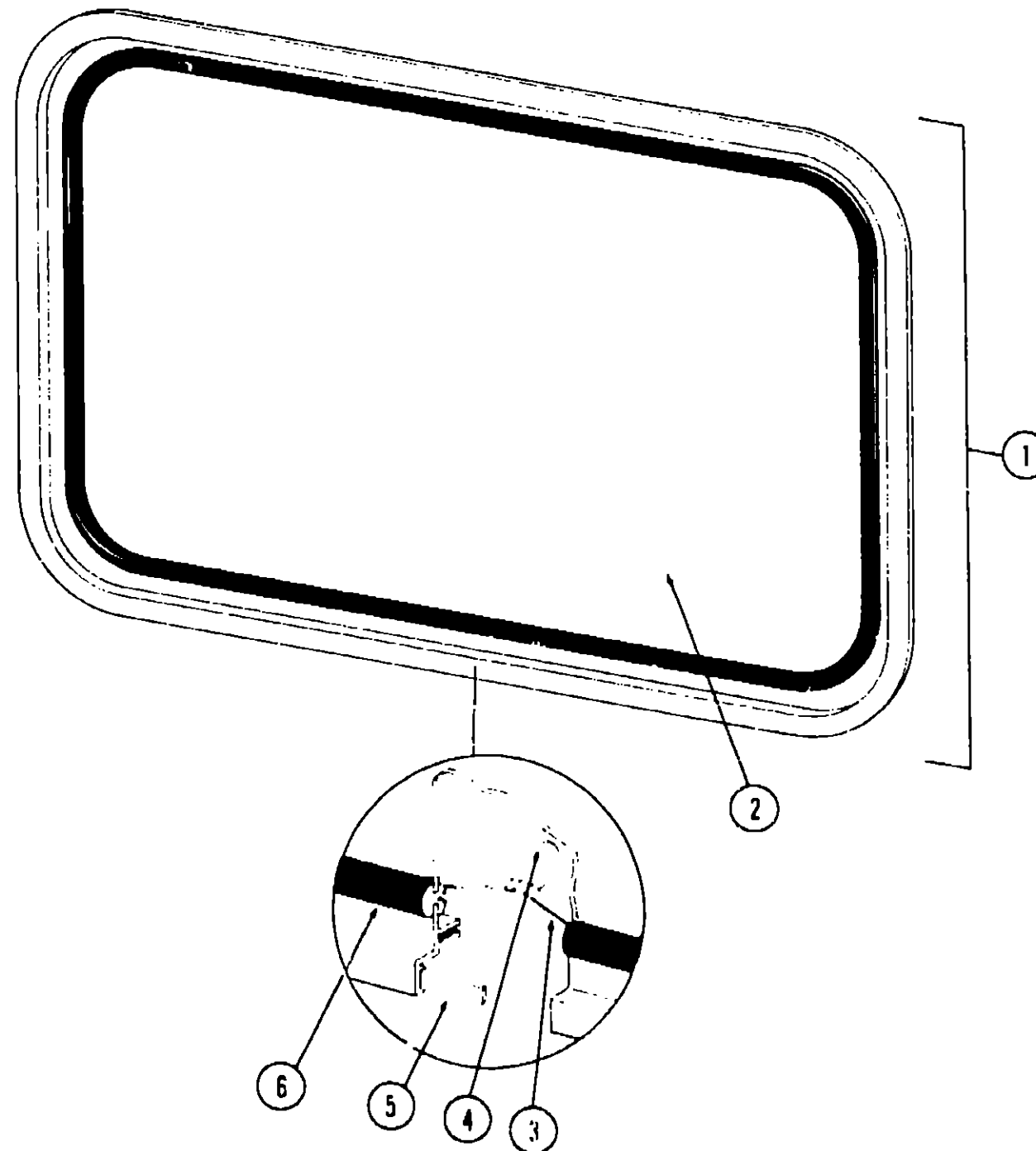
** The illustrated parts breakdown for this item is provided on the Common Items Fiche.

HOLDING TANKS AND WATER HEATERS

Key	Part Number	U/M	Description
**	066557-02-000	EA	Tank Asm. - Water - 26 Gallon w/Fittings
**	066557-01-000	EA	Tank Asm. - Water - 26 Gallon w/o Fittings
**	066480-02-000	EA	Tank Asm. - Holding - 23 Gallon - w/Fittings
**	066480-01-000	EA	Tank Asm. - Holding - 23 Gallon - w/o Fittings
**	051391-01-000	EA	Water Heater - 6 Gallon w/Motor Aid - Alwood - GH63

** The illustrated parts breakdown for this item is provided on the Common Items Fiche.

WINDOW, VENT AND EXTERIOR DOOR GROUP



1981 WINNEBAGO TABLE OF CONTENTS

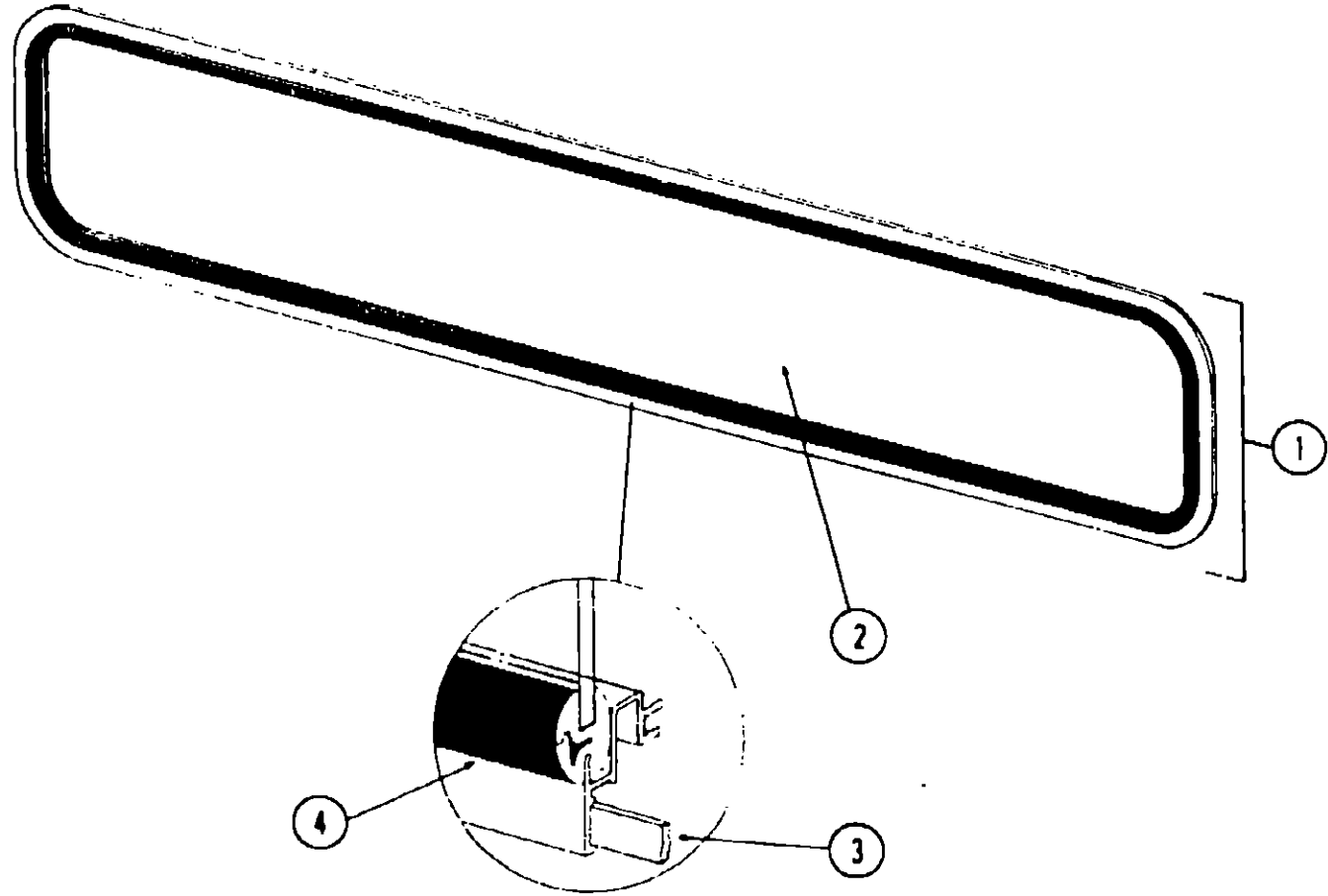
WC723RB N1	A-1 - B-8
WC723RH N1	B-9 - C-16
WD419RB M1, WD419RB M2	C-17 - E-6
WCF22RB M1, WCF22RB M2	E-7 - G-2

1981 WD419RB M1, WD419RB M2 INDEX

Floor Plan	C-17 - C-18
Accessories Group	C-19 - C-20
Bath Group	C-21
Chassis Group	C-22
Curtain, Cushion & Pad Group	C-23 - D-5
Dinette Group	D-6
Driver's Compartment Group	D-7
Electrical Group	D-7 - D-9
Exterior Body Group	D-10 - D-14
Galley Group	D-15
Heating & Air Conditioning Group	D-16
Interior Finish Group	D-17 - D-18
LP Group	D-19
Lounge Group	D-20
Water & Sewage Group	D-21
Window, Vent & Exterior Door Group	D-22 - E-6

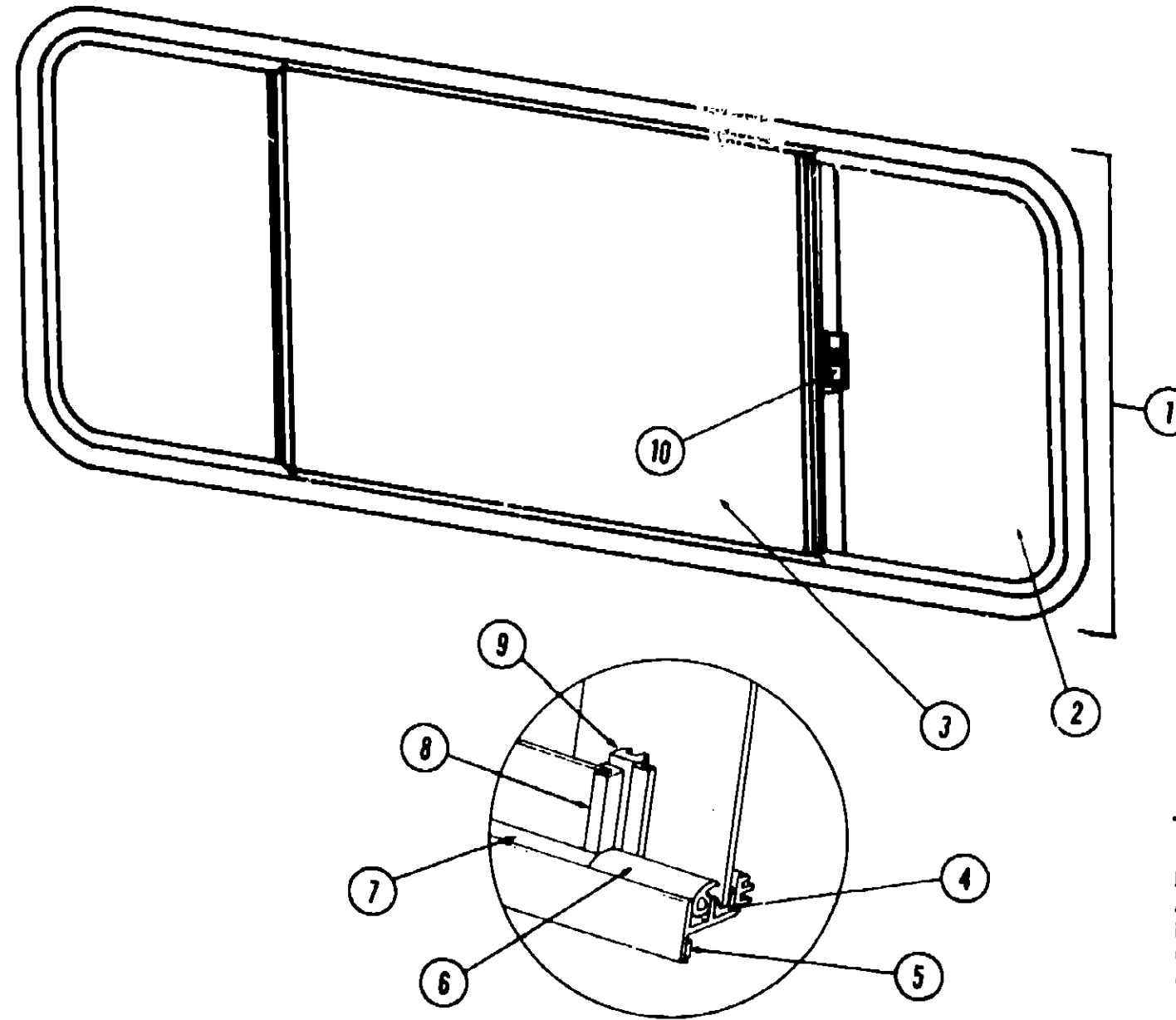
Key	Part Number	U/M	Description
1	064433-01-000	EA	Window Asm. - Rear Escape - 23" x 17" - Black Anod. (w/o inside frame)
2	041392-04-000	EA	Glass - 1/8" x 19.61" x 13.85"
3	002285-01-000	FT	Filler - Weatherstrip - Black
4	020395-01-000	EA	Slip - Pull Ring - Escape Window
5	053767-03-000	FT	Tape - 1/4" Bead x 20' - Gray
6	002282-01-000	FT	Weatherstrip - .125" - Black
.	042027-04-000	EA	Frame - Inside - Escape Window - 23" x 17" (not included in assembly)
.	006199-01-000	EA	Label - Exit - Escape Window
.	Not illustrated		

WINDOW, VENT AND EXTERIOR DOOR GROUP (CONTINUED)



Key	Part Number	U/M	Description
1	041936-03-000	EA	Window Asm. - Front Picture - 14" x 69" - Black (w/o inside frame)
2	002200-02-000	EA	Glass - TP - Picture Window
3	053767-03-000	FT	Tape - 1/4" Bead x 20' - Gray
4	002281-01-000	FT	Weatherstrip - Self Seal - .06" Panel x 3/16" - Black
	037845-01-000	FT	Tape - Butyl - Window - 3/16" Bead - Black
	041938-02-000	EA	Frame - Inside - Picture Window (not included in assembly)
			Not Illustrated

WINDOW, VENT AND EXTERIOR DOOR GROUP (CONTINUED)



Key	Part Number	U/M	Description
1	066785-01-000	EA	Window Asm. - Single Slider - 23" x 65"
	042133-06-000	EA	Inside Frame - Brown
2	066726-04-000	EA	Glass - Stationary - 1/8" x 21" x 22"
3	066727-01-000	EA	Glass - Sliding - 1/8" x 25.5" x 22"
4	002324-02-000	FT	Channel - Weatherstrip - Glass
5	053767-03-000	FT	Tape - 1/4" Bead x 20' - Gray
6	057374-02-000	FT	Extr. Vinyl - Window Seal - Black
7	002309-02-000	FT	Spline - Glass - 1/8" Material - Black
8	069886-03-003	EA	Extr. - Holder - Glass Seal - 23.19" - Black
9	069896-01-000	EA	Mullion - Slider Window - 21" - Black
10	047369-01-000	EA	Latch - Window - Plastic - w/Fastener
	002293-01-000	SF	Screen - Window - 26" - Gray
	002298-01-000	FT	Spline - .130 Dia. - Gray (Screen)
	002288-01-000	FT	Seal - Fin - Pile - .34"
			Not Illustrated

1981 WINNEBAGO
TABLE OF CONTENTS

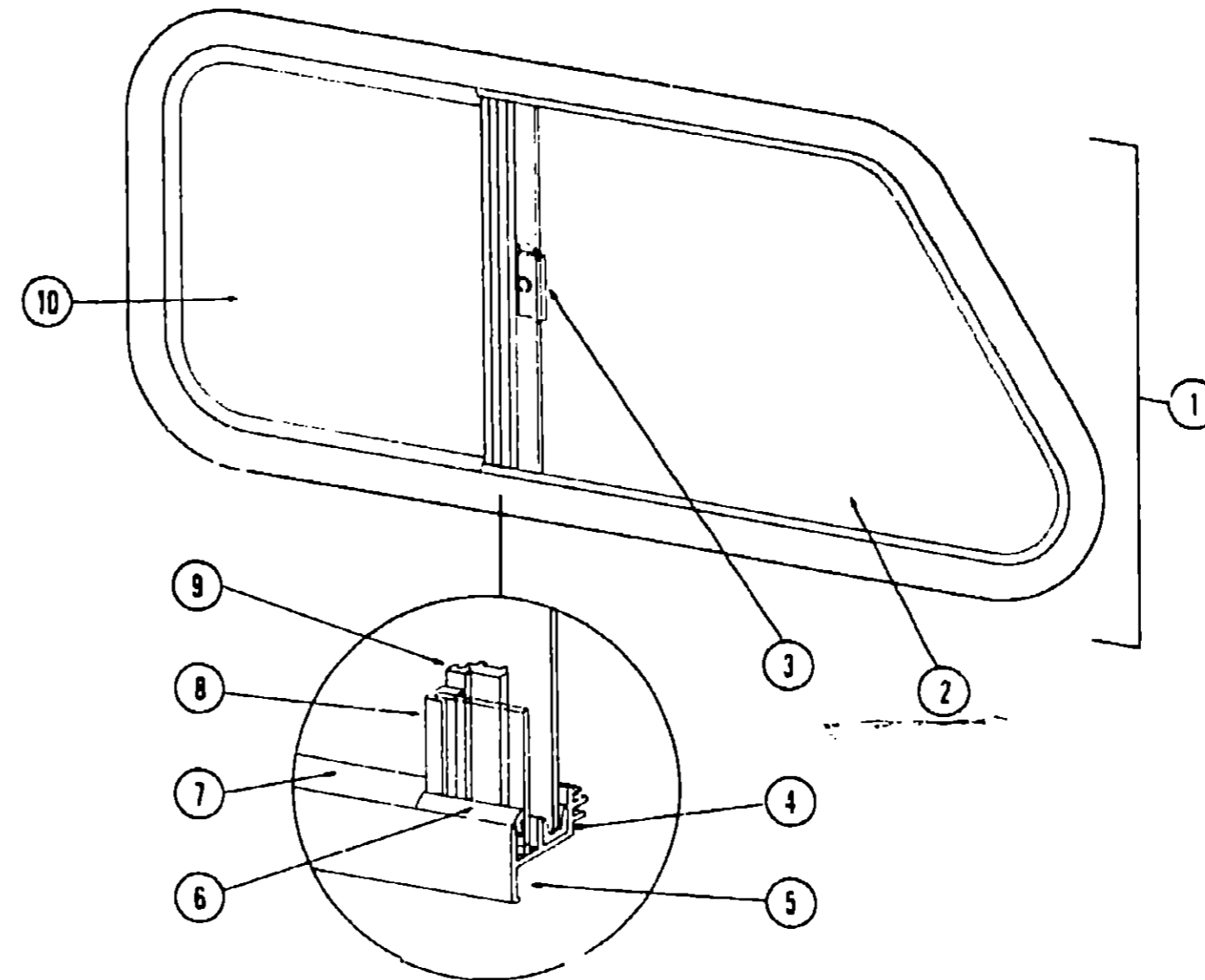
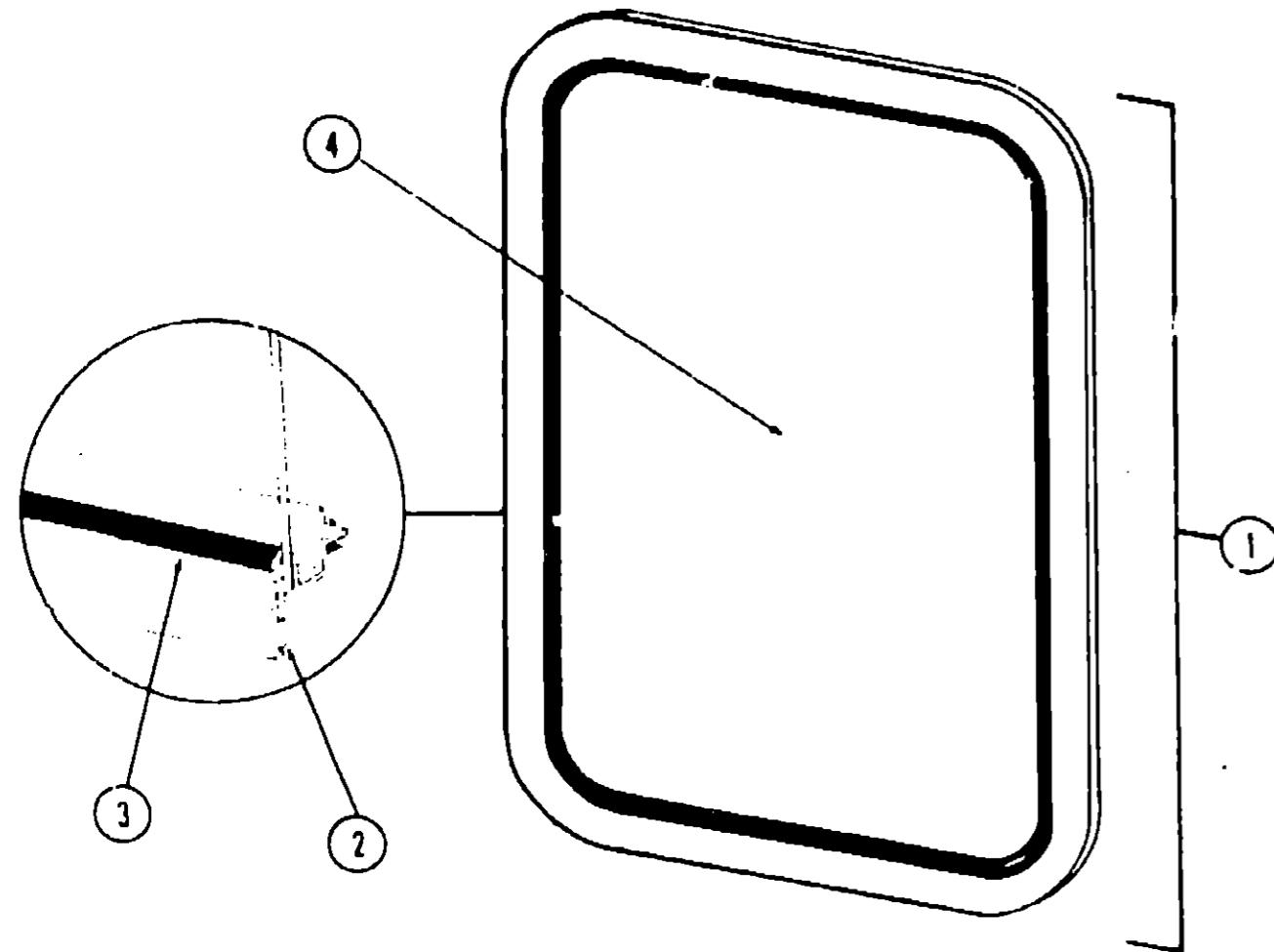
WC723RB N1	A-1 - B-8
WC723RH N1	B-9 - C-16
WD419RB M1, WD419RB M2	C-17 - E-6
WCF22RB M1, WCF22RB M2	E-7 - G-2

1981 WD419RB M1, WD419RB M2 INDEX

Floor Plan	C-17 - C-18
Accessories Group	C-19 - C-20
Bath Group	C-21
Chassis Group	C-22
Curtain, Cushion & Pad Group	C-23 - D-5
Dinette Group	D-6
Driver's Compartment Group	D-7
Electrical Group	D-7 - D-9
Exterior Body Group	D-10 - D-14
Galley Group	D-15
Heating & Air Conditioning Group	D-16
Interior Finish Group	D-17 - D-18
LP Group	D-19
Lounge Group	D-20
Water & Sewage Group	D-21
Window, Vent & Exterior Door Group	D-22 - E-6

WINDOW, VENT AND EXTERIOR DOOR GROUP (CONTINUED)

WINDOW, VENT AND EXTERIOR DOOR GROUP (CONTINUED)



1981 WINNEBAGO
TABLE OF CONTENTS

WC723RB N1	A-1 - B-8
WC723RH N1	B-9 - C-16
WD419RB M1, WD419RB M2	C-17 - E-6
WCF22RB M1, WCF22RB M2	E-7 - G-2

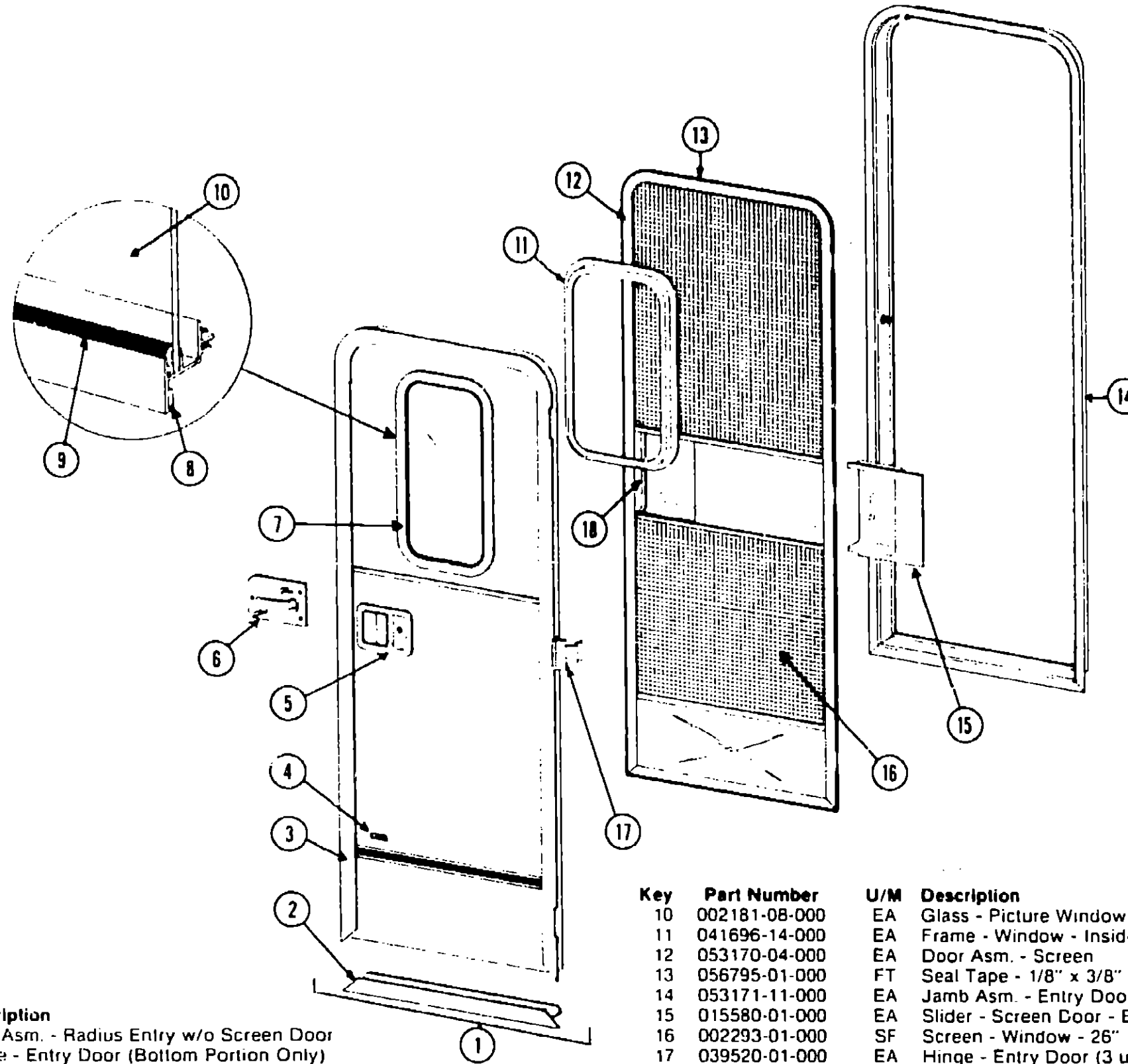
Key	Part Number	U/M	Description
1	056651-01-000	EA	Window Asm. - Picture - 20 3/4" x 20 3/4" - Black (w/o inside frame)
2	053767-02-000	FT	Tape - 3/16" Bead x 25' - Schnee Morehead
3	002309-02-000	FT	Spline - Glass - 1/8" - Black
4	002181-03-000	EA	Glass - .115" x 20.62" x 20.62" - Gray
•	056650-01-000	EA	Frame - Inside - Window (not included in assembly)
•			Not Illustrated

Key	Part Number	U/M	Description
1	048632-03-000	EA	Window Asm. - Bunk - Slanted Slider - Right - Black (w/o inside frame)
	048632-04-000	EA	Window Asm. - Bunk - Slanted Slider - Left - Black (w/o inside frame)
2	040919-01-000	EA	Glass - 1/8" x 11.98" x 19.42" - Gray - Stationary
3	047369-01-700	EA	Latch - Window - Plastic w/Fastener
•	023320-01-000	EA	Foam Pad - 3/8" Dia. (used with plastic latch)
4	002324-01-000	FT	Channel - Weatherstrip - Glass Run - 1/8" Glass
5	053767-03-000	FT	Tape - 1/4" Bead x 20' - Gray
6	002309-02-000	FT	Spline - Glass - 1/8" - Black
7	024096-02-000	FT	Seal - Window Channel - Black
8	002390-03-200	EA	Holder - Glass Seal - Extr. - Anod. Black - 11.23"
9	041894-07-000	EA	Mullion - 13' - Black Anod.
10	047815-01-000	EA	Glass - 1/8" x 11.98" x 11.81" - Gray - Sliding
•	040916-03-000	EA	Frame - Window - Inside - Bunk Slant - Left (not included in assembly)
•	040915-04-000	EA	Frame - Window - Inside - Bunk Slant - Right (not included in assembly)
•	023713-02-000	EA	Cover - Weephole - Black
•	002298-01-000	FT	Spline - Gray - .130" Dia (Screen)
•	002291-01-000	SF	Screen - Gray - Window - 16"
•			Not Illustrated

1981 WD419RB M1, WD419RB M2 INDEX

Floor Plan	C-17 - C-18
Accessories Group	C-19 - C-20
Bath Group	C-21
Chassis Group	C-22
Curtain, Cushion & Pad Group	C-23 - D-5
Dinette Group	D-6
Driver's Compartment Group	D-7
Electrical Group	D-7 - D-9
Exterior Body Group	D-10 - D-14
Galley Group	D-15
Heating & Air Conditioning Group	D-16
Interior Finish Group	D-17 - D-18
LP Group	D-19
Lounge Group	D-20
Water & Sewage Group	D-21
Window, Vent & Exterior Door Group	D-22 - E-6

WINDOW, VENT AND EXTERIOR DOOR GROUP (CONTINUED)



Key	Part Number	U/M	Description
1	M00246-01-000	EA	Door Asm. - Radius Entry w/o Screen Door
2	039737-01-000	EA	Frame - Entry Door (Bottom Portion Only)
3	039736-01-000	EA	Frame - Entry Door (Except Bottom Portion)
4	039874-01-000	EA	Holder Asm. - Entry Door - 1 1/2"
5	045017-01-000	EA	Paddle Asm. - Door Lock - Exterior
	045017-01-700	EA	Lock Cylinder w/Keys - Lynor
	039539-01-000	EA	Striker Bolt - Entry Door
	039540-01-000	EA	Latch Claw - Entry Door
6	039979-01-000	EA	Lock Asm. - Complete - Lynor
7	041875-11-000	EA	Window Asm. - Picture - 17" x 23" - Black Anod. (inside frame not included in assembly)
8	053767-03-000	FT	Tape - 1/4" Bead x 20' - Gray
9	002309-02-000	FT	Spline - Glass - 1/8" Black
			Not Illustrated

Key	Part Number	U/M	Description
10	002181-08-000	EA	Glass - Picture Window - 1/8" x 16 1/4" x 22" - Gray
11	041696-14-000	EA	Frame - Window - Inside - 17" x 23" - Brown
12	053170-04-000	EA	Door Asm. - Screen
13	056795-01-000	FT	Seal Tape - 1/8" x 3/8" - Press On
14	053171-11-000	EA	Jamb Asm. - Entry Door
15	015580-01-000	EA	Slider - Screen Door - Brown Plastic
16	002293-01-000	SF	Screen - Window - 26" - Gray
17	039520-01-000	EA	Hinge - Entry Door (3 used per door)
18	015581-01-000	EA	Cap - Screen Door - Brown Plastic
	049176-01-000	EA	Hedlok II - 3/4" Diameter - Screw Mount (retains screen door to entry door)
	049797-01-000	EA	Hedlok II - 1" Diameter - Screw Mount (retains screen door to entry door)
	058025-02-000	EA	Clip - Roller Catch
	063638-01-000	EA	Strike - Screen Door
	044582-02-000	EA	Drip Cap - Jamb Mounted - Off White
	051390-01-000	FT	Seal - Bulb - Rubber
	039800-03-000	FT	Tubing - Polybutyl - 3/8" O.D. - Jamb
			Not Illustrated

1981 WINNEBAGO
TABLE OF CONTENTS

WC723RB N1	A-1 - B-8
WC723RH N1	B-9 - C-16
WD419RB M1, WD419RB M2	C-17 - E-6
WCF22RB M1, WCF22RB M2	E-7 - G-2

1981 WD419RB M1, WD419RB M2 INDEX

Floor Plan	C-17 - C-18
Accessories Group	C-19 - C-20
Bath Group	C-21
Chassis Group	C-22
Curtain, Cushion & Pad Group	C-23 - D-5
Dinette Group	D-6
Driver's Compartment Group	D-7
Electrical Group	D-7 - D-9
Exterior Body Group	D-10 - D-14
Galley Group	D-15
Heating & Air Conditioning Group	D-16
Interior Finish Group	D-17 - D-18
LP Group	D-19
Lounge Group	D-20
Water & Sewage Group	D-21
Window, Vent & Exterior Door Group	D-22 - E-6

WINDOW, VENT AND EXTERIOR DOOR GROUP (CONTINUED)

VENTS

Key	Part Number	U/M	Description
	009407-01-000	EA	Frame - Base - Refrigerator Vent (w/o Cover)
	039778-01-000	EA	Cover - Vent - Refrigerator - Plastic
	049352-01-000	EA	Vent - Stove Hood - Outside - Off White

ACCESS DOORS

Key	Part Number	U/M	Description
	042442-01-000	EA	Lock Asm. - Twist Type - (Power Cord)
	059727-01-000	EA	Door Asm. - Insulated Storage - w/Key Lock - Off White
	054270-07-000	EA	Door Asm. - Refrigerator Access - w/Twist Lock
	052009-01-000	EA	Door - Water Heater - Off White
	016945-02-000	EA	Holder Asm. - Luggage or Battery Door
	047305-01-000	EA	Lock Asm. - Key Type w/Clip
	042441-01-000	EA	Lock Asm. - Key Type (Gas Fill)
	055500-01-000	EA	Door Asm. - Fuel Fill - w/Key Lock
	059965-01-000	EA	Lock Asm. - Key Type - Fuel Fill
	033333-23-000	EA	Door Asm. - Battery & LP - Off White
	009003-01-000	EA	Lock Asm. - Twist Type - Metal
	054542-01-000	EA	Door Jamb - Power Cord
	057096-01-000	EA	Door Asm. - Power Cord - Off White
	054543-01-000	EA	Hatch - Power Cord - Off White
	041312-01-000	FT	Door Seal - e/Section

1981 WINNEBAGO TABLE OF CONTENTS

WC723RB N1	A-1 - B-8
WC723RH N1	B-9 - C-16
WD419RB M1, WD419RB M2	C-17 - E-6
WCF22RB M1, WCF22RB M2	E-7 - G-2

1981 WD419RB M1, WD419RB M2 INDEX

Floor Plan	C-17 - C-18
Accessories Group	C-19 - C-20
Bath Group	C-21
Chassis Group	C-22
Curtain, Cushion & Pad Group	C-23 - D-5
Dinette Group	D-6
Driver's Compartment Group	D-7
Electrical Group	D-7 - D-9
Exterior Body Group	D-10 - D-14
Galley Group	D-15
Heating & Air Conditioning Group	D-16
Interior Finish Group	D-17 - D-18
LP Group	D-19
Lounge Group	D-20
Water & Sewage Group	D-21
Window, Vent & Exterior Door Group	D-22 - E-6