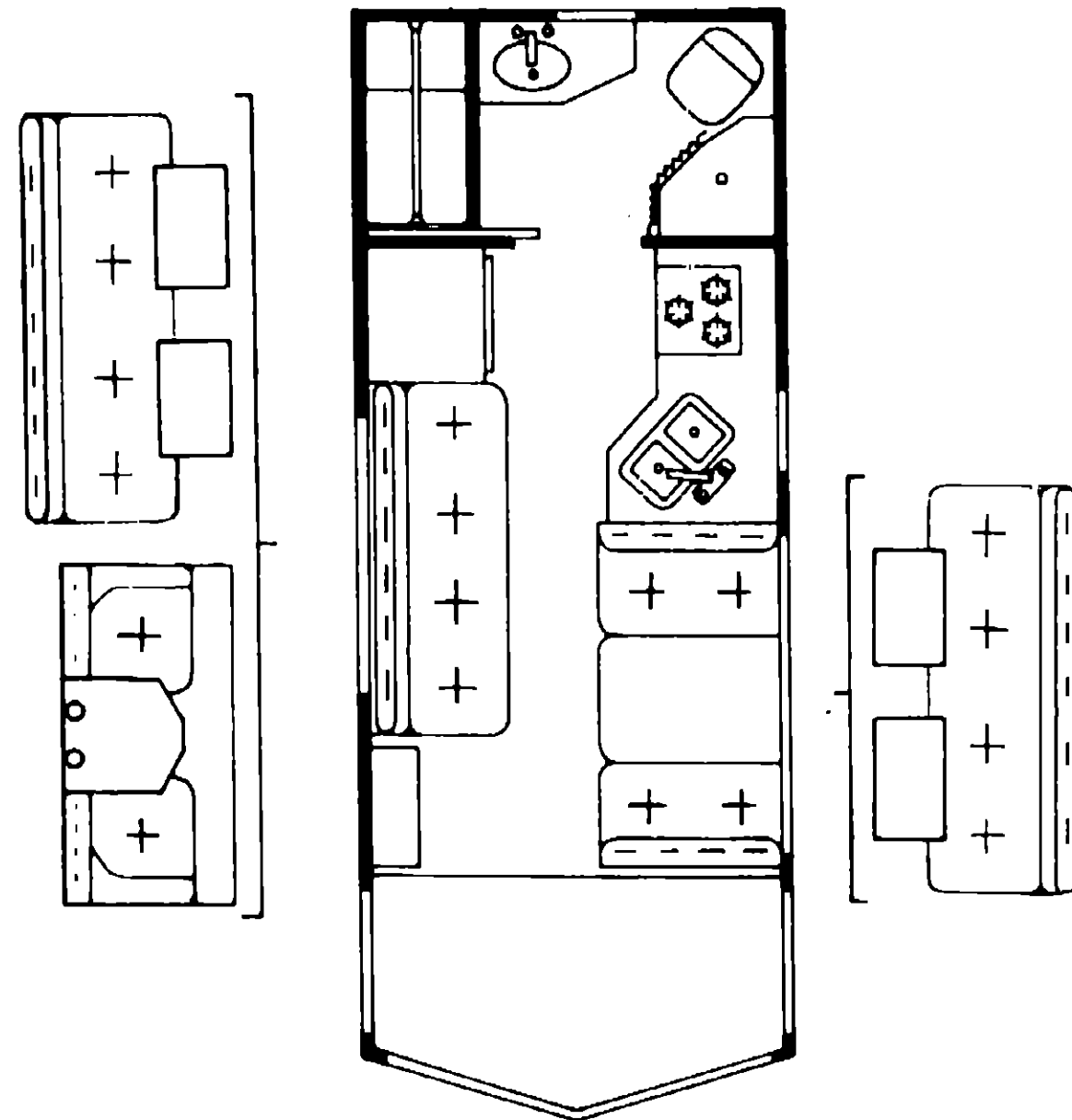


**1981**  
**WCF22RB M1**  
**WCF22RB M2**



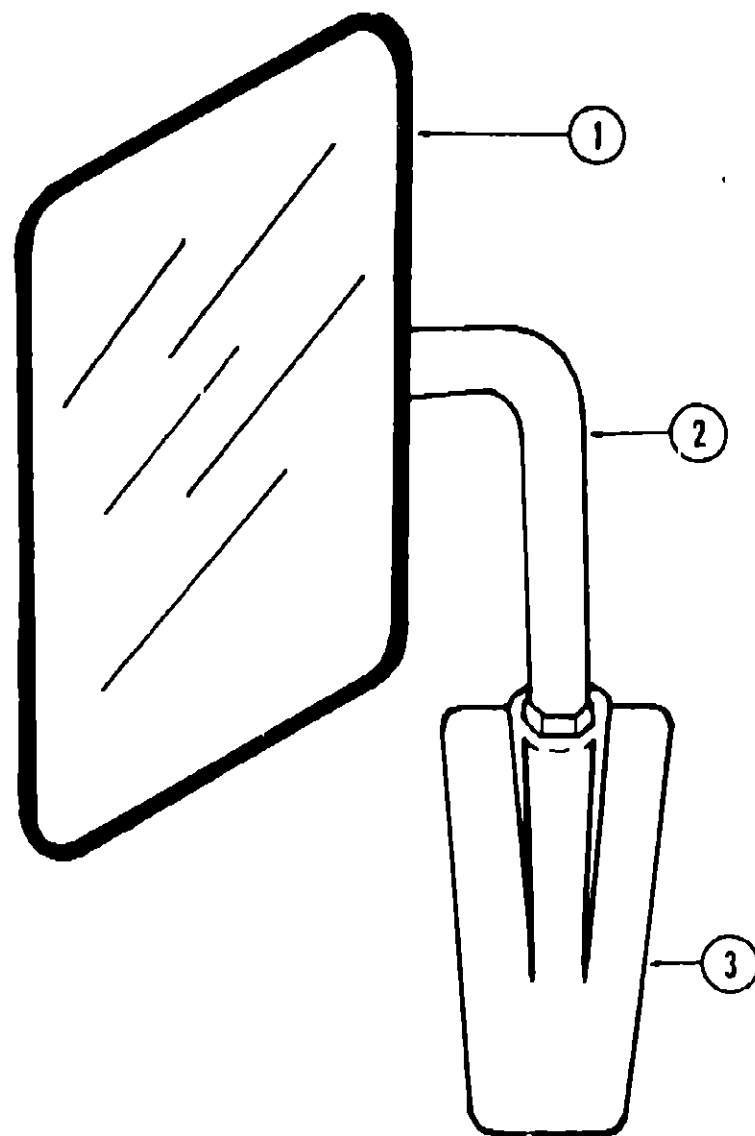
**1981 WINNEBAGO**  
**TABLE OF CONTENTS**

WC723RB N1	A-1 - B-8
WC723RH N1	B-9 - C-16
WC419RB M1, WD41RB M2	C-17 - E-6
WCF22RB M1, WCF22RB M2	E-7 - G-2

**1981 WCF22RB M1, WCF22RB M2 INDEX**

Floor Plan	E-7 - E-8
Accessories Group	E-9 - E-10
Bath Group	E-11
Chassis Group	E-12 - E-13
Curtain, Cushion and Pad Group	E-14 - E-21
Dinette Group	E-22
Driver's Compartment Group	E-23 - E-24
Electrical Group	F-1 - F-3
Exterior Body Group	F-4 - F-7
Galley Group	F-8
Heating & Air Conditioning Group	F-9 - F-10
Interior Finish Group	F-11 - F-12
LP Group	F-13
Lounge Group	F-14
Water & Sewage Group	F-15 - F-16
Window, Vent & Exterior Door Group	F-17 - G-2

## ACCESSORIES GROUP



Key	Part Number	U/M	Description
1	057461-01-000	EA	Mirror Head - 7 1/2" x 10 1/2" - w/Convex - Bright Finish
1	057461-02-000	EA	Mirror Head - 7 1/2" x 10 1/2" - w/Convex - Off White
2	049348-03-000	EA	Arm - Low Mount Mirror - Bright Finish
2	049348-02-000	EA	Arm - Low Mount Mirror - Off White
3	049944-02-000	EA	Bracket - Mirror - Outside - Off White
3	049944-04-000	EA	Bracket - Mirror - Outside - Black
*	065116-01-000	EA	Mirror - West Coast - Right Hand
*	065116-02-000	EA	Mirror - West Coast - Left Hand
			Not Illustrated

### GENERATORS AND COMPONENTS

Key	Part Number	U/M	Description
**	054429-01-000	EA	Generator - Onan - 4.0 kw - BFA
	701629-02-000	EA	Onan Installation Package
	024732-01-001	EA	Tailpipe - 1 1/2" O.D. x 23"
	054426-01-000	EA	Muffler - Generator - w/Arrestor
	740313-56-000	EA	Tray - Generator - 4.0 kw Onan

\*\*The illustrated parts breakdown for this item is provided on the Common Items Fiche.

## ACCESSORIES GROUP (CONTINUED)

### FRONT BUNK AND HARDWARE

Key	Part Number	U/M	Description
	058300-01-L01	EA	Cabinet Asm. - Front Overhead
	058300-01-M01	EA	Cabinet Asm. - Front Overhead
	058844-01-M01	EA	Bunk Board Asm. - Front Overhead w/Rails
	053320-01-L01	EA	Bunk Board Asm. - Front Overhead w/Rails
	053773-01-000	EA	Support - Overhead Bunk - Brown - Right
	053773-02-000	EA	Support - Overhead Bunk - Brown - Left
	040071-02-000	EA	Support - Bunk - Seat Belt
	039516-02-000	EA	Catch - Bunk - Brown
	023812-22-000	EA	Rail - Bunk - 80" - Brown
	053774-02-000	EA	Torsion Rod - Overhead Bunk - Brown
	041322-01-000	EA	Washer - Flat - 15/32" I.D. x 2 3/8" O.D.
	059608-01-000	EA	Pad Asm. - Front Bunk - Left - w/Window
	059608-02-000	EA	Pad Asm. - Front Bunk - Left - w/Driver Door

### RADIOS AND RELATED COMPONENTS

Key	Part Number	U/M	Description
	053768-01-000	EA	Speaker - Recessed - 5 1/4" - 10 oz.
	031105-01-000	EA	Antenna - Radio - Side Mount
	031105-01-700	EA	Holder - Antenna - Upper
	048153-01-000	EA	Antenna - CB Camper Style
	055299-01-000	EA	Grille - Speaker - 5 1/4"
	064785-01-000	EA	Radio - AM - Audiovox
	064786-01-000	EA	Radio - AM/FM/MPX - w/8 Track - Audiovox
	064787-01-000	EA	Radio - AM-FM-MPX - w/Cassette - Audiovox
	064788-01-000	EA	Radio - AM/FM - Digital - w/Cassette - Audiovox
	064789-01-000	EA	Radio - AM/FM - Digital - w/8 Track - Audiovox
	064791-01-000	EA	Speaker - Recessed - 5.25" Dia. - Audiovox
	064792-01-000	EA	Grille - Speaker - Brown - Audiovox
	064794-01-000	EA	Trimplate - Radio - Audiovox

### MISCELLANEOUS ACCESSORIES

Key	Part Number	U/M	Description
	054185-12-000	EA	Owner's Manual - 1981 Winnebago
	006053-01-000	EA	Antenna - TV Braund Delux
	006053-01-700	EA	Parts Kit - Repair - Braund TV Antenna
	006093-01-000	EA	Jack - TV - Brown (Antenna)
	006076-01-000	EA	Ladder - Front Bunk
	017516-01-000	EA	Mud Flap - Black - 14" x 18" w/Holes
	006113-01-000	EA	Jack Hydraulic - 5 Ton
	041944-01-700	EA	Fire Extinguisher - w/Bracket
	041944-03-000	EA	Fire Extinguisher - 5 BC (Calif.)
	052771-02-000	EA	Oven - Microwave - Magic Chef MW207
	053287-07-000	EA	Bracket Asm. - Microwave - Right
	053287-08-000	EA	Bracket Asm. - Microwave - Left
	063708-01-000	EA	Cover - Roof Air - Vinyl
	067125-01-000	EA	Ladder Asm. - w/Luggage Rack
	067203-01-000	EA	Ladder Asm.
	064093-01-000	EA	Luggage Carrier Assembly
	039881-01-000	EA	Catch and Strike - Luggage Carrier
**	031396-04-000	EA	Wheel Cover - 16" - Chrome
**	059779-01-000	EA	Speed Control Package - Electric - Chev.
	034410-12-000	EA	Cover - Spare Tire - 32"
	058794-01-000	EA	Steering Stabilizer

\*\*The illustrated parts breakdown for this item is provided on the Common Items Fiche.

## 1981 WINNEBAGO TABLE OF CONTENTS

WC723RB N1	A-1 - B-8
WC723RH N1	B-9 - C-16
WC419RB M1, WD41RB M2	C-17 - E-6
WCF22RB M1, WCF22RB M2	E-7 - G-2

## 1981 WCF22RB M1, WCF22RB M2 INDEX

Floor Plan	E-7 - E-8
Accessories Group	E-9 - E-10
Bath Group	E-11
Chassis Group	E-12 - E-13
Curtain, Cushion and Pad Group	E-14 - E-21
Dinette Group	E-22
Driver's Compartment Group	E-23 - E-24
Electrical Group	F-1 - F-3
Exterior Body Group	F-4 - F-7
Galley Group	F-8
Heating & Air Conditioning Group	F-9 - F-10
Interior Finish Group	F-11 - F-12
LP Group	F-13
Lounge Group	F-14
Water & Sewage Group	F-15 - F-16
Window, Vent & Exterior Door Group	F-17 - G-2

## BATH GROUP

### BATH CABINETRY

Key	Part Number	U/M	Description
	065435-01-L01	EA	Door Asm. - Sliding - 74.1" x 25.8" - w/o Hardware
	065919-01-L01	EA	Cabinet Asm. - Vanity - w/o Countertop or Hardware
	065918-01-L01	EA	Countertop Asm. - Vanity Cabinet - Bone
	065260-10-L01	EA	Door Asm. - 15.2" x 61.2" - w/o Hardware
	065260-11-L01	EA	Door Asm. - 13.2" x 27.2" - w/o Hardware
	065260-14-L01	EA	Door Asm. - 14" x 28.7" - w/o Hardware
	066166-01-L01	EA	Door Asm. - 28.7" x 18.9" - w/o Hardware
	065260-17-L01	EA	Door Asm. - 11.5" x 24.9" - w/o Hardware
	065462-01-L01	EA	Cabinet Asm. - Ovhd. - Bath - w/o Doors or Hardware
	053130-03-000	EA	Cabinet Asm. - Medicine - 33"
	053130-03-700	EA	Mirror - Jensen Medicine Cabinet - 24 1/2" x 15"
	053130-03-701	EA	Frame - Mirror - Jensen Medicine Cabinet
	053130-02-702	EA	Catch - Door - Jensen Medicine Cabinet
	053103-02-703	EA	Switch - Jensen Medicine Cabinet
	038010-01-000	EA	Bulb - 1143 Frosted

(NOTE) All (M01) paneled items interchange with (L01) paneled items.

### BATH HARDWARE

Key	Part Number	U/M	Description
	009133-02-000	EA	Bar - Towel Rack - 18" - Plastic
	023449-01-000	EA	Support - Chrome - Towel Rack
	009155-01-000	EA	Track - Sliding Door
	017768-01-000	FT	Extr.-U-Channel - Brown - .105" - .187" Inside Dimensions
	009156-01-000	EA	Hanger - Slider Door
	058334-02-000	EA	Door Latch
	057672-01-000	EA	Door Latch/Pull Asm.
**	011056-01-000	EA	Faucet - Lavatory - U.S.
**	011056-02-000	EA	Faucet - Lavatory - C.S.A.
	011059-01-000	EA	Faucet - Shower
**	011069-01-000	EA	Tailpiece - 1 1/4" x 4" - Plastic
	011069-02-000	EA	Tailpiece - 1 1/4" x 4" - Brass
	058640-01-000	EA	Sink - Oval - Ivory Plastic
**	011083-01-000	EA	Plug - Sink - 1 1/4" w/Chain
	011048-01-000	EA	Shower Head - w/60" Hose
	010495-01-000	EA	Hose Clamp - 9/16"
	064677-01-000	EA	Shower Pan
	066440-01-000	EA	Strainer w/Rubber Washer
	035337-22-000	EA	Trim - I/S Corner - Beige Aluminum - 80.88"
	034394-02-000	FT	Extr. - Vinyl Insert - Beige
	009112-01-000	EA	Flange - 1" Closet Rod
	057534-01-000	EA	Tie Back - 6" - Clear Plastic
	058331-05-000	EA	Mirror - Tempered Glass - 12" x 20"
	009134-01-000	EA	Tissue Holder
	066433-01-000	EA	Hook - Bright Finish
	066348-03-000	EA	Hamper Bag - Fabric
	067487-01-000	EA	Toilet - Aqua Magic IV - Short - Ivory

\*\* The illustrated parts breakdown for this item is provided on the Common Items Fiche.

## CHASSIS GROUP

Key	Part Number	U/M	Description
	024652-01-700	EA	Stop Asm. - Entry
	058401-01-000	EA	Hoodboard - Steel - Upper Right
	058404-01-000	EA	Hoodboard - Steel - Upper Left
	058200-01-000	EA	Bumper - Front - Chrome
	053200-02-000	EA	Bumper - Front - Primed
	048474-01-000	EA	Bumper - Rear - Chrome
	064603-02-000	EA	Bumper - Rear - Square - Primed
	058439-01-000	EA	Bracket - Front Bumper - Side Support - Left & Right
	058425-02-000	EA	Bracket - Front Bumper - Right
	058425-01-000	EA	Bracket - Front Bumper - Left
	058416-01-000	EA	Bar Bumper - 3" x 11.75"
	005200-01-000	EA	Bolt - Carriage - 7/16" x 14" x 1 1/4" SST
	059617-01-000	EA	Battery Tray Asm.
	051697-01-000	EA	Bracket - Battery Tie Down
	017516-01-000	EA	Mud Flap - Black - 14" x 18" w/Holes
	033499-04-000	EA	Power Cord Box - Plastic
	055080-01-000	EA	Wheel Well - Plastic
	740313-56-000	EA	Tray - Generator - 4.0 KW - Onan
	740313-57-000	EA	Tray - Generator - 6.5 kw - Onan
	052431-02-000	EA	Tray - Luggage Compartment (replaces generator tray)
	063976-02-000	EA	Step Asm. - Driver Door - Lower
	063977-02-000	EA	Step Asm. - Driver Door - Upper
	035103-01-000	EA	Cover - Radiator - Rear Back
	052412-01-000	EA	Cover - Radiator - Rear
	064096-01-000	EA	Fuel Tank - 60.4 Gallon
	057038-03-000	EA	Sending Unit - 90 Ohm
	044317-01-000	FT	Hose - Fuel - 3/8" I.D. SAE 30RI
	024138-01-000	FT	Hose - Fuel - 5/16 I.D. SAE 30RI
	062401-03-000	EA	Clamp - Hose - Wormgear - .22" x 1" I.D.
	063386-02-000	EA	Hanger - Fuel Tank
	063386-04-000	EA	Strap - Fuel Tank Hanger
	064091-01-000	EA	Hose - Fuel - 2" I.D. - 90° Bend
	007111-02-000	EA	Hose - Fuel - 2" I.D.
	024611-04-000	EA	Gas Cap - Chrome
	064097-02-000	EA	Pipe - Fuel Fill - 2" O.D. x 6"
	024141-01-000	FT	Hose - Rubber - 1/2" I.D.
	064954-01-000	EA	Pipe - Fuel Fill - w/Vent
	022655-02-000	EA	Tailpipe - 2 1/4" x 8" - 454 Engine
	007125-06-000	EA	Clamp - Muffler - 2.25"
	061411-01-000	EA	Extension - Exhaust - 2" x 10"
	007125-05-000	EA	Clamp - Muffler - 2"
	058794-01-000	EA	Steering Stabilizer
	044967-01-000	EA	Heat Shield Muffler
	047443-01-000	EA	Spacer - Rear Spring/Axel Stop
	047441-01-000	EA	Battery Terminal - Horizontal Lug
	040546-01-000	EA	Tire - 7.50 x 16" 8 Ply - Black Wall - Tube

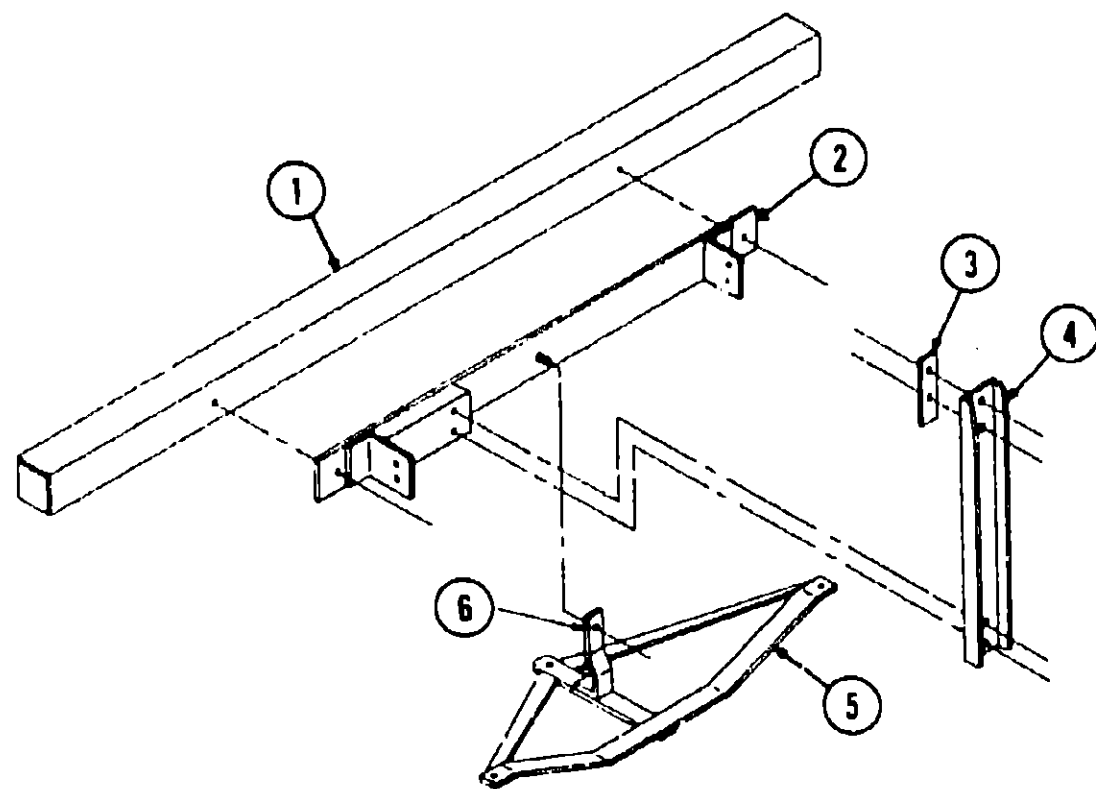
## 1981 WINNEBAGO TABLE OF CONTENTS

WC723RB N1	A-1 - B-8
WC723RH N1	B-9 - C-16
WD419RB M1, WD419RB M2	C-17 - E-6
WCF22RB M1, WCF22RB M2	E-7 - G-2

## 1981 WCF22RB M1, WCF22RB M2 INDEX

Floor Plan	E-7 - E-8
Accessories Group	E-9 - E-10
Bath Group	E-11
Chassis Group	E-12 - E-13
Curtain, Cushion and Pad Group	E-14 - E-21
Dinette Group	E-22
Driver's Compartment Group	E-23 - E-24
Electrical Group	F-1 - F-3
Exterior Body Group	F-4 - F-7
Galley Group	F-8
Heating & Air Conditioning Group	F-9 - F-10
Interior Finish Group	F-11 - F-12
LP Group	F-13
Lounge Group	F-14
Water & Sewage Group	F-15 - F-16
Window, Vent & Exterior Door Group	F-17 - G-2

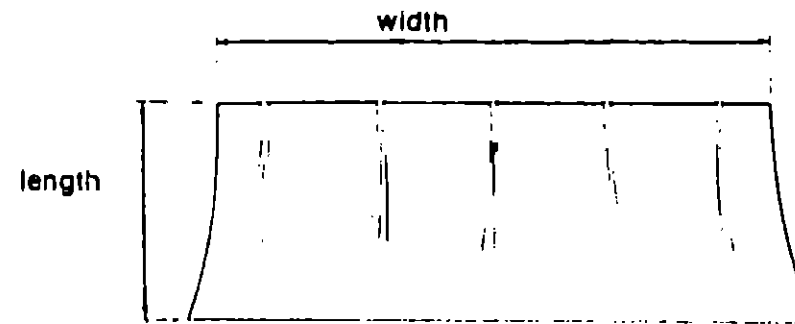
## CHASSIS GROUP (CONTINUED)



Key	Part Number	U/M	Description
1	064602-01-000	EA	Bumper Asm. - Square - 92"
	039779-01-000	EA	Cap - Rubber - 4" x 4" - Square Bumper
2	064601-02-000	EA	Bracket - Bumper Mount
3	040974-01-000	EA	Bracket - Spare Tire Retainer - 2" x 6.75"
4	064598-01-000	EA	Bracket Asm. - Spare Tire Carrier
5	064833-02-000	EA	Trailer Hitch Asm.
6	064824-01-000	EA	Trailer Hitch Support
	041332-01-000	EA	Bumper Cover w/Reflector - Aluminum - Fits 4" Square Bumper
	041332-02-000	EA	Reflector 6 1/2" x 3/4" - Bumper Cover
	041332-03-000	EA	Bumper Cover - Aluminum Fits 4" Square Bumper

The illustrated parts breakdown for this item is provided on the Common Items Fiche.

## CURTAIN, CUSHION AND PAD GROUP



### NOTE:

Use this illustration when determining length and width measurements for curtains. You will note the width measurement is taken on the top of the curtain with the curtain fully extended. The length measurement is taken from top to bottom.

## 1981 WINNEBAGO TABLE OF CONTENTS

WC723RB N1  
WC723RH N1  
WD419RB M1, WD419RB M2  
WCF22RB M1, WCF22RB M2

A-1 - B-8  
B-9 - C-16  
C-17 - E-6  
E-7 - G-2

## CURTAIN AND TIE BACKS

Key	Part Number	U/M	Description
	054048-08-L01	EA	Tie Back Asm. - 2" x 18" - Brown
	054048-08-L02	EA	Tie Back Asm. - 2" x 18" - Rust
	054048-08-L03	EA	Tie Back Asm. - 2" x 18" - Blue
	054048-08-M01	EA	Tie Jack Asm. - 2" x 18" - Rust
	054048-08-M02	EA	Tie Back Asm. - 2" x 18" - Blue
	054048-08-M03	EA	Tie Back Asm. - 2" x 18" - Brown
	057534-03-000	EA	Tie Back Asm. - Clear Plastic - 7.5"
	057534-01-000	EA	Tie Back Asm. - 6" - Clear Plastic
	056484-01-L01	EA	Curtain Asm. - 27.5" x 42" - Taped Top - Dublin Flax
	056484-01-M01	EA	Curtain Asm. - 27.5" x 42" - Taped Top - Champagne
	056484-26-L01	EA	Curtain Asm. - 22.5" x 19" - Taped Top - Dublin Flax
	056484-26-M01	EA	Curtain Asm. - 22.5" x 19" - Taped Top - Champagne
	056484-27-L01	EA	Curtain Asm. - 27" x 19" - Taped Top - Dublin Flax
	056484-27-M01	EA	Curtain Asm. - 27" x 19" - Taped Top - Champagne
	054051-41-L01	EA	Curtain Asm. - Front Wraparound - 27.5" x 81" - Dublin Flax
	054051-41-M04	EA	Curtain Asm. - Front Wraparound - 27.5" x 81" - Champagne
	054051-22-L01	EA	Curtain Asm. - 22" x 96" - Dublin Flax
	054051-22-M01	EA	Curtain Asm. - 22" x 96" - Champagne
	054051-02-L01	EA	Curtain Asm. - 34" x 37" - Dublin Flax
	054051-02-M01	EA	Curtain Asm. - 34" x 37" - Champagne

## SHADES

Key	Part Number	U/M	Description
	065657-03-L01	EA	Shade Asm. - 25" x 23" - Brown
	065657-03-L02	EA	Shade Asm. - 25" x 23" - Rust
	065657-03-L03	EA	Shade Asm. - 25" x 23" - Blue
	065657-05-L01	EA	Shade Asm. - 31" x 34" - Brown
	065657-05-L02	EA	Shade Asm. - 31" x 34" - Rust
	065657-05-L03	EA	Shade Asm. - 31" x 34" - Blue
	065657-12-L01	EA	Shade Asm. - 69" x 34" - Brown
	065657-12-L02	EA	Shade Asm. - 69" x 34" - Rust
	065657-12-L03	EA	Shade Asm. - 69" x 34" - Blue
	065522-03-000	EA	Shade Asm. - 25.25" x 30" (M01)
	065522-04-000	EA	Shade Asm. - 27.25" x 38" (M01)
	065522-12-000	EA	Shade Asm. - 69.25" x 38" (M01)
	067528-04-000	EA	Shade - Woven Wood - Brown - 25" x 23"
	067528-05-000	EA	Shade - Woven Wood - Rust - 25" x 23"
	067528-06-000	EA	Shade - Woven Wood - Blue - 25" x 23"
	067528-10-000	EA	Shade - Woven Wood - Brown - 33" x 31"
	067528-11-000	EA	Shade - Woven Wood - Rust - 33" x 31"
	067528-12-000	EA	Shade - Woven Wood - Blue - 33" x 31"
	067528-19-000	EA	Shade - Woven Wood - Brown - 69" x 31"
	067528-20-000	EA	Shade - Woven Wood - Rust - 69" x 31"
	067528-21-000	EA	Shade - Woven Wood - Blue - 69" x 31"

## 1981 WCF22RB M1, WCF22RB M2 INDEX

Floor Plan	E-7 - E-8
Accessories Group	E-9 - E-10
Bath Group	E-11
Chassis Group	E-12 - E-13
Curtain, Cushion and Pad Group	E-14 - E-21
Dinette Group	E-22
Driver's Compartment Group	E-23 - E-24
Electrical Group	F-1 - F-3
Exterior Body Group	F-4 - F-7
Galley Group	F-8
Heating & Air Conditioning Group	F-9 - F-10
Interior Finish Group	F-11 - F-12
LP Group	F-13
Lounge Group	F-14
Water & Sewage Group	F-15 - F-16
Window, Vent & Exterior Door Group	F-17 - G-2

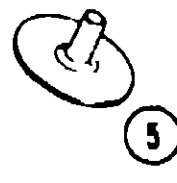
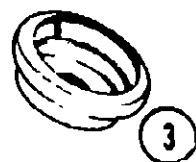
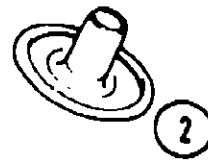
**CURTAIN, CUSHION AND PAD GROUP (CONTINUED)**

**VALANCES**

Key	Part Number	U/M	Description
	065892-01-L01	EA	Valance Asm. - 5" x 34" - Brown
	065892-01-L02	EA	Valance Asm. - 5" x 34" - Rust
	065892-01-L03	EA	Valance Asm. - 5" x 34" - Blue
	065892-02-L01	EA	Valance Asm. - 5" x 40" - Brown
	065892-02-L02	EA	Valance Asm. - 5" x 40" - Rust
	065892-02-L03	EA	Valance Asm. - 5" x 40" - Blue
	065892-09-L01	EA	Valance Asm. - 6.5" x 78" - Brown
	065892-09-L02	EA	Valance Asm. - 6.5" x 78" - Rust
	065892-09-L03	EA	Valance Asm. - 6.5" x 78" - Blue
	065892-01-M01	EA	Valance Asm. - 5" x 34" - Rust
	065892-01-M02	EA	Valance Asm. - 5" x 34" - Blue
	065892-01-M03	EA	Valance Asm. - 5" x 34" - Brown
	065892-05-M01	EA	Valance Asm. - 5" x 78" - Rust
	065892-05-M02	EA	Valance Asm. - 5" x 78" - Blue
	065892-05-M03	EA	Valance Asm. - 5" x 78" - Brown
	065892-11-M01	EA	Valance Asm. - 6.5" x 44.5" - Rust
	065892-11-M02	EA	Valance Asm. - 6.5" x 44.5" - Blue
	065892-11-M03	EA	Valance Asm. - 6.5" x 44.5" - Brown
	065892-13-M01	EA	Valance Asm. - 5" x 41" - Rust
	065892-13-M02	EA	Valance Asm. - 5" x 41" - Blue
	035892-13-M03	EA	Valance Asm. - 5" x 41" - Brown

**CURTAIN HARDWARE**

Key	Part Number	U/M	Description
	052327-04-236	EA	Track - Curtain - Brown Alum. - 89" w/Holes
	056116-01-000	FT	Track - Curtain - Brown Plastic
	056001-01-000	EA	Bracket - Shade - Left
	056002-01-000	EA	Bracket - Shade - Right
	056003-01-000	EA	Bracket - Drapery Retainer - Right
	056003-02-000	EA	Bracket - Drapery Retainer - Left
	053272-01-001	EA	Track - Curtain - Off White - 89" w/Holes
	056784-01-000	EA	Window Shade - Antique Brass
	009107-01-000	EA	Guide - Nylon Snap - Curtain
	018031-42-000	EA	Track - Curtain - "L" Rod - Alum. - Extr. - 90"
	009701-01-000	EA	Carrier - "L" Rod - Curtain
	009702-01-000	EA	End Stop - "L" Rod - Curtain
	059430-01-000	EA	Track - Curtain - Front Wraparound Right or Left
	056115-01-000	YD	Tape - Clear Plastic - w/Guides



Key	Part Number	U/M	Description
1	029130-01-000	EA	Socket - Snap Fastener
2	029155-01-000	EA	Cap - Snap - .156" Dia. x 17" Barrel
3	029156-01-000	EA	Socket - Snap Fastener
4	029092-01-000	EA	Stud - Nickel Finish
5	029093-01-000	EA	Eyelet - Nickel Finish

**CURTAIN, CUSHION AND PAD GROUP (CONTINUED)**

**FABRICS AND TRIMS**

Key	Part Number	U/M	Description
	064393-04-000	YD	Fabric - Drapery - Dublin Flax (L01)
	068339-01-000	YD	Fabric - Drapery - Champagne (M01)
	064383-01-000	YD	Fabric - Upholstery - Biscayne Sienna - (Brown)
	064383-06-000	YD	Fabric - Upholstery - Biscayne Rust
	064383-07-000	YD	Fabric - Upholstery - Biscayne Blue
	052859-01-J27	FT	Trim Asm. - Accent - Acorn Brown Vinyl
	053327-01-000	YD	Vinyl - Non Expanded - 27 oz. - Acorn Brown
	053327-02-000	YD	Vinyl - Expanded - 28 oz. - Acorn Brown
	053327-03-000	YD	Vinyl - Non Support - 16 Gauge Film - Acorn Brown
	057592-02-L01	EA	Button Asm. - Pivot - #30 - Armrest - Bronze
	057592-02-L02	EA	Button Asm. - Pivot - #30 - Armrest - Burnt Orange
	057592-02-L03	EA	Button Asm. - Pivot - #30 - Armrest - Blue
	057591-02-L01	EA	Button Asm. - Nail Pivot - #30 - Armrest - Bronze
	057591-02-L02	EA	Button Asm. - Nail Pivot - #30 - Armrest - Burnt Orange
	057591-02-L03	EA	Button Asm. - Nail Pivot - #30 - Armrest - Blue
	057550-01-L01	EA	Button Asm. - Fabric - Nail - #36 - Brown
	057550-01-L02	EA	Button Asm. - Fabric - Nail - #36 - Rust
	057550-01-L03	EA	Button Asm. - Fabric - Nail - #36 - Blue
	054676-05-L01	EA	Button Asm. - Cloth - #45 - Brown
	054676-05-L02	EA	Button Asm. - Cloth - #45 - Rust
	054676-05-L03	EA	Button Asm. - Cloth - #45 - Blue
	054676-06-L01	EA	Button Asm. - Cloth - #30 - Brown
	054676-06-L02	EA	Button Asm. - Cloth - #30 - Rust
	054676-06-L03	EA	Button Asm. - Cloth - #30 - Blue
	054676-07-L01	EA	Button Asm. - Vinyl - #45 - Acorn Brown
	057093-01-L01	EA	Button Asm. - Vinyl - Nail Back - #60
	057592-02-M01	EA	Button Asm. - Pivot - #30 - Armrest - Rust
	057592-02-M02	EA	Button Asm. - Pivot - #30 - Armrest - Blue
	057592-02-M03	EA	Button Asm. - Pivot - #30 - Armrest - Brown
	051591-02-M01	EA	Button Asm. - Nail Pivot - #30 - Armrest - Rust
	051591-02-M02	EA	Button Asm. - Nail Pivot - #30 - Armrest - Blue
	051591-02-M03	EA	Button Asm. - Nail Pivot - #30 - Armrest - Brown
	057550-01-M01	EA	Button Asm. - Fabric - Nail - #36 - Rust
	057550-01-M02	EA	Button Asm. - Fabric - Nail - #36 - Blue
	057550-01-M03	EA	Button Asm. - Fabric - Nail - #36 - Brown
	054676-05-M01	EA	Button Asm. - Cloth - #45 - Rust
	054676-05-M02	EA	Button Asm. - Cloth - #45 - Blue
	054676-05-M03	EA	Button Asm. - Cloth - #45 - Brown
	054676-06-M01	EA	Button Asm. - Cloth - #30 - Rust
	054676-06-M02	EA	Button Asm. - Cloth - #30 - Blue
	054676-06-M03	EA	Button Asm. - Cloth - #30 - Brown

**OVERHEAD BUNK CUSHIONS**

Key	Part Number	U/M	Description
	055021-37-L01	EA	Cushion - Front Overhead Bunk - 31.5" x 79" x 4" - Brown
	055021-37-L02	EA	Cushion - Front Overhead Bunk - 31.5" x 79" x 4" - Rust
	055021-37-L03	EA	Cushion - Front Overhead Bunk - 31.5" x 79" x 4" - Blue
	055022-39-L01	EA	Cover - Front Bunk Cushion - 31.5" x 79" x 4" - Brown
	055022-39-L02	EA	Cover - Front Bunk Cushion - 31.5" x 79" x 4" - Rust
	055022-39-L03	EA	Cover - Front Bunk Cushion - 31.5" x 79" x 4" - Blue
	055021-37-M01	EA	Cushion - Front Overhead Bunk - 31.5" x 79" x 4" - Rust
	055021-37-M02	EA	Cushion - Front Overhead Bunk - 31.5" x 79" x 4" - Blue
	055021-37-M03	EA	Cushion - Front Overhead Bunk - 31.5" x 79" x 4" - Brown
	055022-39-M01	EA	Cover - Front Bunk Cushion - 31.5" x 79" x 4" - Rust
	055022-39-M02	EA	Cover - Front Bunk Cushion - 31.5" x 79" x 4" - Blue
	055022-39-M03	EA	Cover - Front Bunk Cushion - 31.5" x 79" x 4" - Brown

**1981 WINNEBAGO  
TABLE OF CONTENTS**

WC723RB N1	A-1 - B-8
WC723RH N1	B-9 - C-16
WD419RB M1, WD419RB M2	C-17 - E-6
WCF22RB M1, WCF22RB M2	E-7 - G-2

**1981 WCF22RB M1, WCF22RB M2 INDEX**

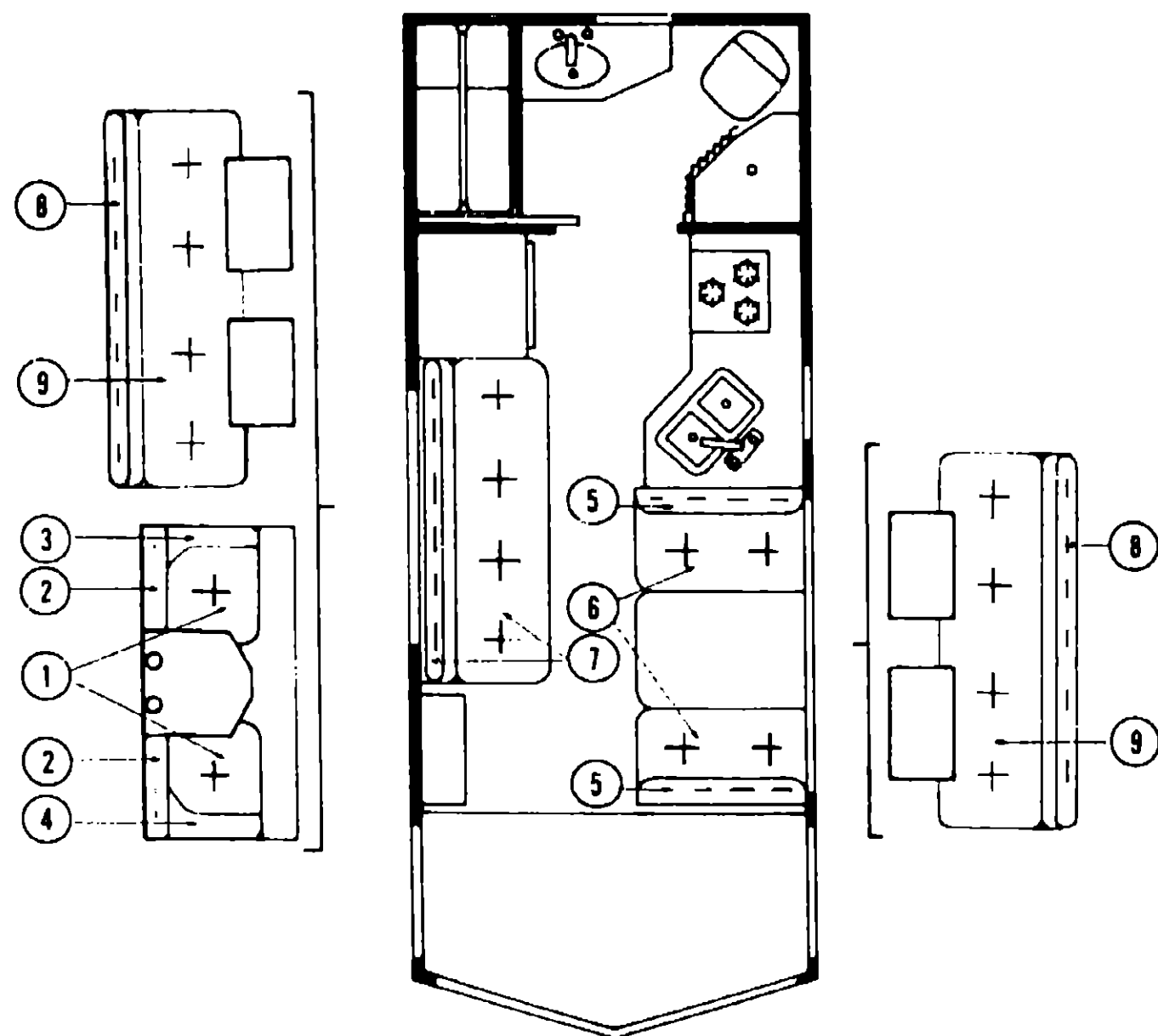
Floor Plan	E-7 - E-8
Accessories Group	E-9 - E-10
Bath Group	E-11
Chassis Group	E-12 - E-13
Curtain, Cushion and Pad Group	E-14 - E-21
Dinette Group	E-22
Driver's Compartment Group	E-23 - E-24
Electrical Group	F-1 - F-3
Exterior Body Group	F-4 - F-7
Galley Group	F-8
Heating & Air Conditioning Group	F-9 - F-10
Interior Finish Group	F-11 - F-12
LP Group	F-13
Lounge Group	F-14
Water & Sewage Group	F-15 - F-16
Window, Vent & Exterior Door Group	F-17 - G-2

CORNER LOUNGE CHAIR CUSHIONS

Key	Part Number	U/M	Description
1	059743-06-M01	EA	Cushion - Lounge Chair Bottom - Rust
1	059743-06-M02	EA	Cushion - Lounge Chair Bottom - Blue
1	059743-06-M03	EA	Cushion - Lounge Chair Bottom - Brown
	059746-04-M01	EA	Cover - Lounge Chair Bottom Cushion - Rust
	059746-04-M02	EA	Cover - Lounge Chair Bottom Cushion - Blue
	059746-04-M03	EA	Cover - Lounge Chair Bottom Cushion - Brown
2	059742-06-M01	EA	Cushion - Lounge Chair Back - Rust
2	059742-06-M02	EA	Cushion - Lounge Chair Back - Blue
2	059742-06-M03	EA	Cushion - Lounge Chair Back - Brown
	059745-04-M01	EA	Cover - Lounge Chair Back Cushion - Rust
	059745-04-M02	EA	Cover - Lounge Chair Back Cushion - Blue
	059745-04-M03	EA	Cover - Lounge Chair Back Cushion - Brown
3	059744-12-M01	EA	Cushion - Chair Wedge - Left - Rust
3	059744-12-M02	EA	Cushion - Chair Wedge - Left - Blue
3	059744-12-M03	EA	Cushion - Chair Wedge - Left - Brown
	059747-08-M01	EA	Cover - Chair Wedge Cushion - Left - Rust
	059747-08-M02	EA	Cover - Chair Wedge Cushion - Left - Blue
	059747-08-M03	EA	Cover - Chair Wedge Cushion - Left - Brown
4	059744-11-M01	EA	Cushion - Chair Wedge - Right - Rust
4	059744-11-M02	EA	Cushion - Chair Wedge - Right - Blue
4	059744-11-M03	EA	Cushion - Chair Wedge - Right - Brown
	059747-07-M01	EA	Cover - Chair Wedge Cushion - Right - Rust
	059747-07-M02	EA	Cover - Chair Wedge Cushion - Right - Blue
	059747-07-M03	EA	Cover - Chair Wedge Cushion - Right - Brown

1981 WINNEBAGO  
TABLE OF CONTENTS

WC723RB N1	A-1 - B-8
WC723RH N1	B-9 - C-16
WD419RB M1, WD419RB M2	C-17 - E-6
WCF22RB M1, WCF22RB M2	E-7 - G-2



DINETTE CUSHIONS

Key	Part Number	U/M	Description
5	064700-02-L01	EA	Cushion - Dinette Back - 19.2" x 38" x 4.5" - Brown
5	064700-02-L02	EA	Cushion - Dinette Back - 19.2" x 38" x 4.5" - Rust
5	064700-02-L03	EA	Cushion - Dinette Back - 19.2" x 38" x 4.5" - Blue
5	068579-06-M01	EA	Cushion - Dinette Back - 19.2" x 38" x 5" - Rust
5	068579-06-M02	EA	Cushion - Dinette Back - 19.2" x 38" x 5" - Blue
5	068579-06-M03	EA	Cushion - Dinette Back - 19.2" x 38" x 5" - Brown
	064701-02-L01	EA	Cover - Dinette Back Cushion - 19.2" x 38" x 4.5" - Brown
	064701-02-L02	EA	Cover - Dinette Back Cushion - 19.2" x 38" x 4.5" - Rust
	064701-02-L03	EA	Cover - Dinette Back Cushion - 19.2" x 38" x 4.5" - Blue
	M68579-06-M01	EA	Cover - Dinette Back Cushion - 19.2" x 38" x 5" - Rust
	M68579-06-M02	EA	Cover - Dinette Back Cushion - 19.2" x 38" x 5" - Blue
	M68579-06-M03	EA	Cover - Dinette Back Cushion - 19.2" x 38" x 5" - Brown
6	064700-01-L01	EA	Cushion - Dinette Bottom - 17.5" x 38" x 4.5" - Brown
6	064700-01-L02	EA	Cushion - Dinette Bottom - 17.5" x 38" x 4.5" - Rust
6	064700-01-L03	EA	Cushion - Dinette Bottom - 17.5" x 38" x 4.5" - Blue
6	068579-05-M01	EA	Cushion - Dinette Bottom - 17.5" x 38" x 5" - Rust
6	068579-05-M02	EA	Cushion - Dinette Bottom - 17.5" x 38" x 5" - Blue
6	068579-05-M03	EA	Cushion - Dinette Bottom - 17.5" x 38" x 5" - Brown
	064701-01-L01	EA	Cover - Dinette Bottom Cushion - 17.5" x 38" x 4.5" - Brown
	064701-01-L02	EA	Cover - Dinette Bottom Cushion - 17.5" x 38" x 4.5" - Rust
	064701-01-L03	EA	Cover - Dinette Bottom Cushion - 17.5" x 38" x 4.5" - Blue
	M68579-05-M01	EA	Cover - Dinette Bottom Cushion - 17.5" x 38" x 5" - Rust
	M68579-05-M02	EA	Cover - Dinette Bottom Cushion - 17.5" x 38" x 5" - Blue
	M68579-05-M03	EA	Cover - Dinette Bottom Cushion - 17.5" x 38" x 5" - Brown

1981 WCF22RB M1, WCF22RB M2 INDEX

Floor Plan	E-7 - E-8
Accessories Group	E-9 - E-10
Bath Group	E-11
Chassis Group	E-12 - E-13
Curtain, Cushion and Pad Group	E-14 - E-21
Dinette Group	E-22
Driver's Compartment Group	E-23 - E-24
Electrical Group	F-1 - F-3
Exterior Body Group	F-4 - F-7
Galley Group	F-8
Heating & Air Conditioning Group	F-9 - F-10
Interior Finish Group	F-11 - F-12
LP Group	F-13
Lounge Group	F-14
Water & Sewage Group	F-15 - F-16
Window, Vent & Exterior Door Group	F-17 - G-2

**CURTAIN, CUSHION AND PAD GROUP (CONTINUED)**

**LOUNGE CUSHIONS**

Key	Part Number	U/M	Description
7	064706-01-L01	EA	Cushion - Lester Lounge - Back and Bottom - 76" - Brown
7	064706-01-L02	EA	Cushion - Lester Lounge - Back and Bottom - 76" - Rust
7	064706-01-L03	EA	Cushion - Lester Lounge - Back and Bottom - 76" - Blue
7	064706-01-M01	EA	Cushion - Lester Lounge - Back and Bottom - 76" - Rust
7	064706-01-M02	EA	Cushion - Lester Lounge - Back and Bottom - 76" - Blue
7	064706-01-M03	EA	Cushion - Lester Lounge - Back and Bottom - 76" - Brown
	064707-01-L01	EA	Cover - Lester Lounge - Back and Bottom - 76" - Brown
	064707-01-L02	EA	Cover - Lester Lounge - Back and Bottom - 76" - Rust
	064707-01-L03	EA	Cover - Lester Lounge - Back and Bottom - 76" - Blue
	064707-01-M01	EA	Cover - Lester Lounge - Back and Bottom - 76" - Rust
	064707-01-M02	EA	Cover - Lester Lounge - Back and Bottom - 76" - Blue
	064707-01-M03	EA	Cover - Lester Lounge - Back and Bottom - 76" - Brown
	065985-01-L01	EA	Cushion - Lounge Back - 8" x 76" x 4.5" - Brown
	065985-01-L02	EA	Cushion - Lounge Back - 8" x 76" x 4.5" - Rust
	065985-01-L03	EA	Cushion - Lounge Back - 8" x 76" x 4.5" - Blue
	065985-01-M01	EA	Cushion - Lounge Back - 8" x 76" x 4.5" - Rust
	065985-01-M02	EA	Cushion - Lounge Back - 8" x 76" x 4.5" - Blue
	065985-01-M03	EA	Cushion - Lounge Back - 8" x 76" x 4.5" - Brown
	065986-01-L01	EA	Cover - Cushion - 8" x 76" x 4.5" - Brown
	065986-01-L02	EA	Cover - Cushion - 8" x 76" x 4.5" - Rust
	065986-01-L03	EA	Cover - Cushion - 8" x 76" x 4.5" - Blue
	065986-01-M01	EA	Cover - Cushion - 8" x 76" x 4.5" - Rust
	065986-01-M02	EA	Cover - Cushion - 8" x 76" x 4.5" - Blue
	065986-01-M03	EA	Cover - Cushion - 8" x 76" x 4.5" - Brown
			Not Illustrated

**PRESTO BED CUSHIONS**

Key	Part Number	U/M	Description
8	064704-01-L01	EA	Cushion - Presto Bed - Back - 76" - Brown
8	064704-01-L02	EA	Cushion - Presto Bed - Back - 76" - Rust
8	064704-01-L03	EA	Cushion - Presto Bed - Back - 76" - Blue
8	064704-02-M01	EA	Cushion - Presto Bed - Back - 76" - Rust
8	064704-02-M02	EA	Cushion - Presto Bed - Back - 76" - Blue
8	064704-02-M03	EA	Cushion - Presto Bed - Back - 76" - Brown
8	057615-01-L01	EA	Cushion - Presto Bed - Back - 76" - Waterfall - Brown
8	057615-01-L02	EA	Cushion - Presto Bed - Back - 76" - Waterfall - Rust
8	057615-01-L03	EA	Cushion - Presto Bed - Back - 76" - Waterfall - Blue
	064723-01-L01	EA	Cover - Presto Bed - Back - 76" - Brown
	064723-01-L02	EA	Cover - Presto Bed - Back - 76" - Rust
	064723-01-L03	EA	Cover - Presto Bed - Back - 76" - Blue
	064723-01-M01	EA	Cover - Presto Bed - Back - 76" - Rust
	064723-02-M02	EA	Cover - Presto Bed - Back - 76" - Blue
	064723-02-M03	EA	Cover - Presto Bed - Back - 76" - Brown
9	064705-01-L01	EA	Cushion - Presto Bed - Bottom - 76" - Brown
9	064705-01-L02	EA	Cushion - Presto Bed - Bottom - 76" - Rust
9	064705-01-L03	EA	Cushion - Presto Bed - Bottom - 76" - Blue
9	064705-02-M01	EA	Cushion - Presto Bed - Bottom - 76" - Rust
9	064705-02-M02	EA	Cushion - Presto Bed - Bottom - 76" - Blue
9	064705-02-M03	EA	Cushion - Presto Bed - Bottom - 76" - Brown
9	057612-01-L01	EA	Cushion - Presto Bed - Bottom - 76" - Waterfall - Brown
9	057612-01-L02	EA	Cushion - Presto Bed - Bottom - 76" - Waterfall - Rust
9	057612-01-L03	EA	Cushion - Presto Bed - Bottom - 76" - Waterfall - Blue
	064723-02-L01	EA	Cover - Presto Bed - Bottom - 76" - Brown
	064723-02-L02	EA	Cover - Presto Bed - Bottom - 76" - Rust
	064723-02-L03	EA	Cover - Presto Bed - Bottom - 76" - Blue
	064723-02-M01	EA	Cover - Presto Bed - Bottom - 76" - Rust
	064723-02-M02	EA	Cover - Presto Bed - Bottom - 76" - Blue
	064723-02-M03	EA	Cover - Presto Bed - Bottom - 76" - Brown

**CURTAIN, CUSHION AND PAD GROUP (CONTINUED)**

**HIGHBACK BUCKET SEATS**

Key	Part Number	U/M	Description
	065937-05-L01	EA	Seat Asm. - Single Bucket - w/Skirt and Armrests - Brown
	065937-05-L02	EA	Seat Asm. - Single Bucket - w/Skirt and Armrests - Rust
	065937-05-L03	EA	Seat Asm. - Single Bucket - w/Skirt and Armrests - Blue
	065943-01-L01	EA	Cover - Single Bucket - Back - Brown
	065943-01-L02	EA	Cover - Single Bucket - Back - Rust
	065943-01-L03	EA	Cover - Single Bucket - Back - Blue
	065944-01-L01	EA	Cover - Single Bucket - Bottom - Brown
	065944-01-L02	EA	Cover - Single Bucket - Bottom - Rust
	065944-01-L03	EA	Cover - Single Bucket - Bottom - Blue
	066915-01-L01	EA	Skirt - Single Bucket - Brown
	066915-01-L02	EA	Skirt - Single Bucket - Rust
	066915-01-L03	EA	Skirt - Single Bucket - Blue
	065940-01-L01	EA	Seat Asm. - Double Bucket - w/Skirt and Armrests - Brown
	065940-01-L02	EA	Seat Asm. - Double Bucket - w/Skirt and Armrests - Rust
	065940-01-L03	EA	Seat Asm. - Double Bucket - w/Skirt and Armrests - Blue
	065945-01-L01	EA	Cover - Double Bucket - Back - Brown
	065945-01-L02	EA	Cover - Double Bucket - Back - Rust
	065945-01-L03	EA	Cover - Double Bucket - Back - Blue
	065946-01-L01	EA	Cover - Double Bucket - Bottom - Brown
	065946-01-L02	EA	Cover - Double Bucket - Bottom - Rust
	065946-01-L03	EA	Cover - Double Bucket - Bottom - Blue
	066916-01-L01	EA	Skirt - Double Bucket - Brown
	066916-01-L02	EA	Skirt - Double Bucket - Rust
	066916-01-L03	EA	Skirt - Double Bucket - Blue
	065938-03-M01	EA	Seat Asm. - Single Bucket - Highback w/Armrests and Skirt - Rust
	065938-03-M02	EA	Seat Asm. - Single Bucket - Highback w/Armrests and Skirt - Blue
	065938-03-M03	EA	Seat Asm. - Single Bucket - Highback w/Armrests and Skirt - Brown
	065943-02-M01	EA	Cover - Back - Single Bucket - Rust
	065943-02-M02	EA	Cover - Back - Single Bucket - Blue
	065943-02-M03	EA	Cover - Back - Single Bucket - Brown
	065944-02-M01	EA	Cover - Bottom - Single Bucket - Rust
	065944-02-M02	EA	Cover - Bottom - Single Bucket - Blue
	065944-02-M03	EA	Cover - Bottom - Single Bucket - Brown
	066915-02-M01	EA	Skirt - Single Bucket - Rust
	066915-02-M02	EA	Skirt - Single Bucket - Blue
	066915-02-M03	EA	Skirt - Single Bucket - Brown
	069004-01-M01	EA	Seat Asm. - Double Bucket - Highback w/Armrests and Skirt - Rust
	069004-01-M02	EA	Seat Asm. - Double Bucket - Highback w/Armrests and Skirt - Blue
	069004-01-M03	EA	Seat Asm. - Double Bucket - Highback w/Armrests and Skirt - Brown
	M00405-03-M01	EA	Cover - Back - Double Bucket - Rust
	M00405-03-M02	EA	Cover - Back - Double Bucket - Blue
	M00405-03-M03	EA	Cover - Back - Double Bucket - Brown
	M00405-04-M01	EA	Cover - Bottom - Double Bucket - Rust
	M00405-04-M02	EA	Cover - Bottom - Double Bucket - Blue
	M00405-04-M03	EA	Cover - Bottom - Double Bucket - Brown
	068878-01-M01	EA	Skirt - Double Bucket - Rust
	068878-01-M02	EA	Skirt - Double Bucket - Blue
	068878-01-M03	EA	Skirt - Double Bucket - Brown
	067661-02-000	EA	Armrests Asm. - Foam w/o Cover - Right
	067661-01-000	EA	Armrests Asm. - Foam w/o Cover - Left
	065774-02-M01	EA	Cover - Armrests - Right or Left - Rust
	065774-02-M02	EA	Cover - Armrests - Right or Left - Blue
	065774-02-M03	EA	Cover - Armrests - Right or Left - Brown

**1981 WINNEBAGO  
TABLE OF CONTENTS**

WC723RB N1	A-1 - B-8
WC723RH N1	B-9 - C-16
WD419RB M1, WD419RB M2	C-17 - E-6
WCF22RB M1, WCF22RB M2	E-7 - G-2

**1981 WCF22RB M1, WCF22RB M2 INDEX**

Floor Plan	E-7 - E-8
Accessories Group	E-9 - E-10
Bath Group	E-11
Chassis Group	E-12 - E-13
Curtain, Cushion and Pad Group	E-14 - E-21
Dinette Group	E-22
Driver's Compartment Group	E-23 - E-24
Electrical Group	F-1 - F-3
Exterior Body Group	F-4 - F-7
Galley Group	F-8
Heating & Air Conditioning Group	F-9 - F-10
Interior Finish Group	F-11 - F-12
LP Group	F-13
Lounge Group	F-14
Water & Sewage Group	F-15 - F-16
Window, Vent & Exterior Door Group	F-17 - G-2

## CURTAIN, CUSHION AND PAD GROUP (CONTINUED)

### LOWBACK BUCKET SEATS

Key	Part Number	U/M	Description
	061825-02-L01	EA	Seat Asm. - Single Bucket - w/o Armrests or Headrest - Brown
	061825-02-L02	EA	Seat Asm. - Single Bucket - w/o Armrests or Headrest - Rust
	061825-02-L03	EA	Seat Asm. - Single Bucket - w/o Armrests or Headrest - Blue
	061836-01-L01	EA	Cover - Single Bucket - Back - Brown
	061836-01-L02	EA	Cover - Single Bucket - Back - Rust
	061836-01-L03	EA	Cover - Single Bucket - Back - Blue
	061837-01-L01	EA	Cover - Single Bucket - Seat - Brown
	061837-01-L02	EA	Cover - Single Bucket - Seat - Rust
	061837-01-L03	EA	Cover - Single Bucket - Seat - Blue
	069005-01-M01	EA	Seat Asm. - Single Bucket - w/o Armrests or Headrests - Rust
	069005-01-M02	EA	Seat Asm. - Single Bucket - w/o Armrests or Headrests - Blue
	069005-01-M03	EA	Seat Asm. - Single Bucket - w/o Armrests or Headrests - Brown
	M00435-01-M01	EA	Cover - Single Bucket - Seat - Rust
	M00435-01-M02	EA	Cover - Single Bucket - Seat - Blue
	M00435-01-M03	EA	Cover - Single Bucket - Seat - Brown
	M00435-02-M01	EA	Cover - Single Bucket - Back - Rust
	M00435-02-M02	EA	Cover - Single Bucket - Back - Blue
	M00435-02-M03	EA	Cover - Single Bucket - Back - Brown

### PADS

Key	Part Number	U/M	Description
	058444-04-L01	EA	Pad - End - Dinette Overhead Cabinet - Acorn Vinyl - Right - With Notch
	058444-01-L01	EA	Pad - End - Dinette Overhead Cabinet - Acorn Vinyl - Left
	059608-01-L01	EA	Pad - Front Bunk - Left
	059608-02-L01	EA	Pad - Front Bunk - Left - w/Drivers Door
	066705-01-L01	EA	Pad - Front Bunk - Right

## DINETTE GROUP

### CONVENTIONAL DINETTE AND OVERHEAD CABINETRY

Key	Part Number	U/M	Description
	053192-01-L01	EA	Table Asm. - Dinette - w/o Hardware - Bone
	053192-01-M01	EA	Table Asm. - Dinette - w/o Hardware - Burnt Sienna
	053192-01-M02	EA	Table Asm. - Dinette - w/o Hardware - Camel
	064821-01-L01	EA	Cabinet Asm. - Dinette Seat - Right
	065659-01-L01	EA	Cabinet Asm. - Dinette Seat - Left - w/o Door or Hardware
	065980-01-L01	EA	Cabinet Asm. - Dinette Overhead - w/o Door or Hardware
	057992-56-L01	EA	Door Asm. - Dinette Overhead Cabinet - 28.2" x 11.5" - w/o Hardware
	057672-01-000	EA	Door Latch/Pull Asm.
**	053220-01-000	EA	Bracket - Upper Wall Mount - Brown - 23.5"
**	053201-03-000	EA	Bracket - Table Mount - 23" - Anod.
**	024275-01-000	EA	Rod - Table Lift
**	024281-06-000	EA	Bracket - Lower Wall Mount - Black - 22.12"
**	024276-04-000	EA	Leg Asm. - Table - Brown - 29.5"
**	064050-01-000	EA	Hinge - Table Leg
**	024282-01-000	EA	Brace - Table Leg
**	024283-01-000	EA	Clip - 1" O.D. Tube
**	049493-02-000	EA	Catch - Table Leg - Mounts on Floor - Brown

\*\* The illustrated parts breakdown for this item is provided on the Common Items Fiche.  
 (NOTE) All (M01) paneled items interchange with (L01) paneled items.

### CORNER LOUNGE CHAIRS

Key	Part Number	U/M	Description
	066712-01-M04	EA	Cabinet Asm. - Lounge Chair - Right Hand
	066716-01-M04	EA	Cabinet Asm. - Lounge Chair - Left Hand
	059741-11-M01	EA	Cabinet Asm. - Corner Lounge Chair - Right
	059741-12-M01	EA	Cabinet Asm. - Corner Lounge Chair - Left
	063224-07-M10	EA	Door Asm. - Rolled - 15.5" x 12.9"
	061704-01-M01	EA	Table Asm. - Lounge - Rust Burnt Sienna
	061704-01-M02	EA	Table Asm. - Lounge - Camel
	061882-01-000	EA	Leg Asm. - Table - Pivot
	061879-01-000	EA	Leg Asm. - Table - Fixed
	024275-04-000	EA	Rod - Table Lift
	024281-05-000	EA	Bracket - Table Lift - Mounts on Table
	053200-02-000	EA	Support - Table - 14.5" - Mounts on Wall

## 1981 WINNEBAGO TABLE OF CONTENTS

WC723RB N1	A-1 - B-8
WC723RH N1	B-9 - C-16
WD419RB M1, WD419RB M2	C-17 - E-6
WCF22RB M1, WCF22RB M2	E-7 - G-2

## 1981 WCF22RB M1, WCF22RB M2 INDEX

Floor Plan	E-7 - E-8
Accessories Group	E-9 - E-10
Bath Group	E-11
Chassis Group	E-12 - E-13
Curtain, Cushion and Pad Group	E-14 - E-21
Dinette Group	E-22
Driver's Compartment Group	E-23 - E-24
Electrical Group	F-1 - F-3
Exterior Body Group	F-4 - F-7
Galley Group	F-8
Heating & Air Conditioning Group	F-9 - F-10
Interior Finish Group	F-11 - F-12
LP Group	F-13
Lounge Group	F-14
Water & Sewage Group	F-15 - F-16
Window, Vent & Exterior Door Group	F-17 - G-2



## DRIVER'S COMPARTMENT GROUP

### DASH PANEL AND COMPONENTS

Key	Part Number	U/M	Description
	061803-02-L01	EA	Dash Asm. - Complete w/Gauges and Switches
	022548-03-000	EA	Pad - Dash - Right - Dark Brown
	023242-05-000	EA	Pad - Dash - Left - Dark Brown
	024418-01-000	EA	Lamp Asm. - Map/Gauge
	023020-01-000	EA	Lamp Asm. - Telltale
	007308-01-000	EA	Dash Clock
	052367-01-000	EA	Lighter Asm. - Cigarette - 12 Volt
	007041-01-000	EA	Bezel - Cigarette Lighter
	007071-01-000	EA	Louver - Chrome - w/Chrome - Wheel
	024990-02-000	EA	Outlet - Defroster w/Swivel - 2" - Dark Brown
	039044-01-000	EA	Louver Asm. - A/C - Adjustable
	050465-01-000	EA	Bezel - Entertainment Center No. 1 - w/Cut Out for Vehicle Sensor Panel
	067338-01-000	EA	Bezel - Entertainment Center No. 7 w/Cut Out for Vehicle Sensor Panel - Radio, Hourmeter, Generator Start Stop Switch
	067342-01-000	EA	Bezel - Entertainment Center No. 8 - w/Cut Out for Vehicle Sensor Panel - Hourmeter, Generator Start Stop Switch
	039847-06-000	EA	Bezel - Instrument Panel
	023892-01-000	EA	Box - Glove Compartment - Black Fiberboard
	022219-01-000	EA	Door - Glove Compartment
	009118-01-000	EA	Twist Lock - Glove Compartment
	024598-01-000	EA	Hinge - Glove Compartment - 1 1/16" x 19"
	034309-01-000	EA	Chain - Glove Box Door
	023834-01-000	EA	Panel - Knee Kick - Bottom of Dash

### DASH SWITCHES AND GAUGES

Key	Part Number	U/M	Description
	024451-01-000	EA	Switch - Battery - Dual Boost
	024462-01-000	EA	Switch - Battery Condition
	024464-01-000	EA	Switch - Washer
	024465-01-000	EA	Switch - Fuel
	024467-01-000	EA	Switch - Wiper
	024976-01-000	EA	Switch - Generator w/o Circuit Board
	037387-01-000	EA	Switch - Generator w/Circuit Board
	024459-03-000	EA	Gauge - Voltmeter
	024460-03-000	EA	Gauge - Vacuum
	031035-01-000	EA	Gauge - Generator Hourmeter
	031376-01-000	EA	Control Asm. - Heater - 3 Speed
	055279-01-000	EA	Control Asm. - Heater A/C - 3 Speed

### BUCKET SEAT PEDESTAL AND SEAT BELTS

Key	Part Number	U/M	Description
	049943-01-000	EA	Pedestal - Complete Swivel
	050447-02-000	EA	Pedestal Asm. - Tilt Seat - Right - Single Seat
	050447-01-000	EA	Pedestal Asm. - Tilt Seat - Left - Single Seat
	050447-04-000	EA	Pedestal Asm. - Tilt Seat - Double Seat
	007019-01-000	EA	Belt Asm. - Seat - 2" x 84" - Black
	041322-01-000	EA	Washer - Flat 15/32" I.D. x 2 3/8" O.D.
	051382-01-000	EA	Adjuster Slide Asm. - w/Lock
	051383-01-000	EA	Adjuster Slide Asm. - w/o Lock
	007224-02-000	EA	Handle - Seat Adjuster - 9"

## DRIVER'S COMPARTMENT GROUP (CONTINUED)

### FRONT BUNK AND HARDWARE

Key	Part Number	U/M	Description
	058300-01-L01	EA	Cabinet Asm. - Front Overhead
	053320-01-L01	EA	Bunk - Front Overhead - Board w/Rails
	053773-01-000	EA	Support - Overhead Bunk - Brown - Right
	053773-02-000	EA	Support - Overhead Bunk - Brown - Left
	040071-02-000	EA	Support - Bunk - Seat Belt
	041322-01-000	EA	Washer - Flat - 15/32" I.D. x 2 3/8" O.D.
	039516-02-000	EA	Catch - Bunk - Brown
	023812-22-000	EA	Rail - Bunk - 75" - Brown
	053774-02-000	EA	Torsion Rod - Overhead Bunk - Brown
	059608-01-L01	EA	Panel Asm. - Bunk - Padded - Left
	066705-01-L01	EA	Panel Asm. - Bunk - Padded - Right
	048394-01-000	EA	Tape Hook - 1" x 25 YD - Beige
	048395-01-000	EA	Tape Loop - 1" x 25 YD - Beige

(NOTE) All (M01) paneled items interchange with (L01) paneled items.

### MISCELLANEOUS DRIVER'S COMPARTMENT COMPONENTS

Key	Part Number	U/M	Description
	056508-01-L01	EA	Sunvisor Asm. - Right Acorn Brown Vinyl - w/Mirror
	056508-02-L01	EA	Sunvisor Asm. - Left Acorn Brown Vinyl
	009143-01-000	EA	Mirror - Sunvisor - 1/8" x 3.5" x 8"
	040695-02-000	EA	Clip - Sunvisor
	061379-01-L01	EA	Beverage Tray Asm. - Malador Leather
	045795-01-000	EA	Holder - Glass - Dark Brown Plastic
	055500-01-000	EA	Tray - Utensil - Dark Brown Plastic
	034800-01-000	EA	Motor Cover - Plastic - 350 Engine
	034800-03-000	EA	Motor Cover - Plastic - 454 Engine
	039623-01-000	FT	Seal - Vinyl - Motor Cover
	035368-02-000	EA	Seal - Motor Cover - Alum. Extr. - Brown
	050796-01-000	EA	Pocket - Ashtray - Plastic
	050797-01-000	EA	Ashtray - Plastic
	039857-01-000	EA	Latch - Rubber - Draw Handle - 5 3/4" w/Strike
	039856-01-000	EA	Latch - Rubber - Draw Handle 3" w/Strike
	042541-01-000	EA	Latch Asm. w/Strike - Chrome
	040519-01-000	EA	Boot - Rubber - Steering Column
	040520-01-000	EA	Boot Retainer - Steering Column
	040714-01-000	EA	Mirror - Inside Rear View
	067490-01-000	EA	Button - Rear View Mirror
	034499-01-000	EA	Support - Dimmer Switch
	058794-01-000	EA	Steering - Stabilizer
	061350-01-000	EA	Trim - Interior - A Post w/Notch - Left
	061350-02-000	EA	Trim - Interior - A Post w/Notch - Right
	059414-01-000	EA	Pad - Sidewall Trim - Driver
	059414-02-000	EA	Pad - Sidewall Trim - Passenger
	059467-03-K01	EA	Pad - Map Pocket - Drivers - Acorn Vinyl
	059467-04-K01	EA	Pad - Map Pocket - Passenger - Acorn Vinyl
	033860-02-000	EA	Cable - Bowden - 46"
	038846-01-000	EA	Retainer - Bowden Cable - Dash
	059197-01-000	EA	Side Panel - Plastic - Right Side
	059198-02-000	EA	Side Panel - Plastic - Left Side - Driver

## 1981 WINNEBAGO TABLE OF CONTENTS

WC723RB N1	A-1 - B-8
WC723RH N1	B-9 - C-16
WD419RB M1, WD419RB M2	C-17 - E-6
WCF22RB M1, WCF22RB M2	E-7 - G-2

## 1981 WCF22RB M1, WCF22RB M2 INDEX

Floor Plan	E-7 - E-8
Accessories Group	E-9 - E-10
Bath Group	E-11
Chassis Group	E-12 - E-13
Curtain, Cushion and Pad Group	E-14 - E-21
Dinette Group	E-22
Driver's Compartment Group	E-23 - E-24
Electrical Group	F-1 - F-3
Exterior Body Group	F-4 - F-7
Galley Group	F-8
Heating & Air Conditioning Group	F-9 - F-10
Interior Finish Group	F-11 - F-12
LP Group	F-13
Lounge Group	F-14
Water & Sewage Group	F-15 - F-16
Window, Vent & Exterior Door Group	F-17 - G-2

**ELECTRICAL GROUP**

**BULBS**

Key	Part Number	U/M	Description
	037935-01-000	EA	Bulb - 1157
	038010-01-000	EA	Bulb - 1143 - Frosted
	008103-01-000	EA	Bulb - 53
	008213-01-000	EA	Bulb - 57
	008214-01-000	EA	Bulb - 67
	008215-01-000	EA	Bulb - 1003
	008216-01-000	EA	Bulb - 1034
	008217-01-000	EA	Bulb - 1073
	008218-01-000	EA	Bulb - 1141
	008219-01-000	EA	Bulb - 656
	008220-01-000	EA	Bulb - 12V - 25W
	036196-01-000	EA	Bulb - 194
	700020-01-000	EA	Bulb - 12V - 20W - 1383

**FUSES AND CIRCUIT BREAKERS**

Key	Part Number	U/M	Description
	056473-01-000	EA	Fuse - Slow Blow - 6 1/4 Amp
	056473-02-000	EA	Fuse - MDL - 5 Amp.
	008233-01-000	EA	Fuse - 12 Volt - 6 Amp.
	008234-01-000	EA	Fuse - 12 Volt - 10 Amp.
	008235-01-000	EA	Fuse - 12 Volt - 15 Amp.
	008236-01-000	EA	Fuse - 12 Volt - 20 Amp.
	008248-01-000	EA	Fuse - 110 Volt - 30 Amp - AGU
	008252-01-000	EA	Fuse - 110 Volt - 50 Amp.
	046893-04-000	EA	Fuse - AGC 12 Volt
	008208-01-000	EA	Circuit Breaker - 12 Volt - 40 Amp.
	008211-01-000	EA	Circuit Breaker - 12 Volt - 6 Amp
	033573-02-000	EA	Circuit Breaker - 12 Volt - 15 Amp w/Mount
	033573-01-000	EA	Circuit Breaker - 12 Volt - 20 Amp w/Mount
	040051-01-000	EA	Circuit Breaker - 110 Volt - 20 Amp - TQL
	050283-03-000	EA	Buss Bar - Circuit Breaker

**EXTERIOR LIGHTS**

Key	Part Number	U/M	Description
	042405-02-000	EA	Lens - Rectangle Light - Amber w/Reflex
	042405-03-000	EA	Base - Rectangular Clearance Light
	042405-04-000	EA	Lens - Clearance Light - Red
	042405-05-000	EA	Lens - Clearance Light - Amber
	008092-01-000	EA	Reflector - Stick On - Rectangular - Red
	008093-01-000	EA	Reflector - Stick On - Rectangular - Amber
	048817-01-000	EA	Assist Handle w/Light
	007309-01-000	EA	Light - Stepwell
	058032-01-000	EA	Tail Lamp Asm - 2 Bulb Chrome
	058031-01-700	EA	Lens - Tail Lamp - Amber
	058031-01-701	EA	Lens - Tail Lamp - Red
	058031-01-702	EA	Lens - Tail Lamp - Clear (Back Up)
	059036-01-000	EA	Bracket - Tail Lamp
	059540-01-000	EA	Bracket - License Plate
	062742-04-000	EA	Wedge - Tail Lamp - Off White - w/Holes For License Plate Brackets
	062740-04-000	EA	Wedge - Tail Lamp - Off White

**ELECTRICAL GROUP (CONTINUED)**

**INTERIOR LIGHTS**

Key	Part Number	U/M	Description
	064778-02-000	EA	Light - Dome - Off White - 1 Bulb
	024418-01-000	EA	Lamp Asm. - Map/Gauge/Aisle
	024473-01-000	EA	Light - Aircraft - 1 Bulb - Gold
	053346-01-000	EA	Light - High Intensity - Brown Plastic
	061424-01-000	EA	Light - 12 Volt - Rectangular - Aisle Light - 1 1/4" x 4 1/4"

**WIRE, SWITCHES AND RECEPTACLES**

Key	Part Number	U/M	Description
	008024-01-000	FT	Wire - 18.5 Bonded - Orange/White/Yellow/Blue/Brown
	008025-01-000	FT	Wire - 18.5 Bonded - Orange/White/Yellow/Blue/Green
	008028-01-000	FT	Wire - 18.5 Bonded - Blue/Red/Yellow/Orange/White
	008030-01-000	FT	Wire - 18.4 Bonded
	008251-01-000	EA	Holder - Fuse - Black - Screw Type
	008277-01-000	EA	Holder - Fuse - Black - Panel Mount
	008250-02-000	EA	Holder - Fuse - In Line - 15 Amp.
	008195-01-000	EA	Switch - Push Button - 12 Volt
	006077-01-000	EA	Plaque - Compressor Switch
	008054-01-000	EA	Cord - Power - 10-3 30 Amp. - 25' - UL
	008052-01-000	EA	Cord - Power - 10-3 30 Amp. - 25' - CSA
	024571-01-000	EA	Cover - Plate - Receptacle - Jumbo Steel Brown
	024571-03-000	EA	Cover - Plate - Receptacle - Jumbo Plastic
	008162-01-000	EA	Switch - Double Toggle - Spade Brown
	008163-01-000	EA	Switch - Toggle Brown
	008164-01-000	EA	Cover Plate - Switch - Brown
	024924-01-000	EA	Receptacle - Power Cord
	008058-01-000	EA	Adaptor - Power Cord
	047353-01-000	EA	Cover - Receptacle - Ground Fault
	053126-02-000	EA	Receptacle - Ground Fault Interrupter - 125 Volt - Brown
	008288-01-000	EA	Box - Electrical - Plastic - 3" x 3 1/2"
	008289-01-000	EA	Box - Electrical - Steel - 4" x 4" - 1/2 & 3/4" UL
	008294-01-000	EA	Cover - Plate - Steel - 4" x 4"
	058707-01-000	EA	Receptacle - Single Brown - Thomas & Belts
	058708-01-000	EA	Receptacle - Double Brown - Thomas & Belts
	058048-01-000	EA	Cover - Electrical - Rain tight - (Exterior)
	008157-01-000	EA	Receptacle - Duplex - Brown (Exterior)
	058049-01-000	EA	Box - Electrical - 2" x 3" x 2.25"
	031968-01-000	EA	Contact - Plug - Male
	064265-01-000	EA	Plate - Cutout - Courtesy Light

**WINDSHIELD WIPER AND WASHER**

Key	Part Number	U/M	Description
**	056000-02-000	EA	Washer Asm. - w/o Nozzels
**	044313-02-000	EA	Motor Asm. - Windshield Wiper - 100°
**	044313-03-000	EA	Motor Asm. - Windshield Wiper - 93°
**	049464-02-000	EA	Blade - Windshield Wiper - 20"
**	057653-01-000	EA	Arm - Windshield Wiper - 18"
**	055675-01-000	EA	Shaft and Pivot Asm

\*\* The illustrated parts breakdown for this item is provided on the Common Items Fiche.

**1981 WINNEBAGO  
TABLE OF CONTENTS**

WC723RB N1	A-1 - B-8
WC723RH N1	B-9 - C-16
WC419RB M1, WD41RB M2	C-17 - E-6
WCF22RB M1, WCF22RB M2	E-7 - G-2

**1981 WCF22RB M1, WCF22RB M2 INDEX**

Floor Plan	E-7 - E-8
Accessories Group	E-9 - E-10
Bath Group	E-11
Chassis Group	E-12 - E-13
Curtain, Cushion & Pad Group	E-14 - E-21
Dinette Group	E-22
Driver's Compartment Group	E-23 - E-24
Electrical Group	F-1 - F-3
Exterior Body Group	F-4 - F-7
Galley Group	F-8
Heating & Air Conditioning Group	F-9 - F-10
Interior Finish Group	F-11 - F-12
LP Group	F-13
Lounge Group	F-14
Water & Sewage Group	F-15 - F-16
Window, Vent & Exterior Door Group	F-17 - G-2

## ELECTRICAL GROUP (CONTINUED)

### MISCELLANEOUS ELECTRICAL COMPONENTS

Key	Part Number	U/M	Description
	047389-01-700	EA	Battery - 12 Volt - 105 Amp. Deep Cycle - Dry
	057899-01-000	EA	Battery - 12 Volt Maintenance Free - Delco
	008188-01-000	EA	Solenoid - Dual Battery - Relay
	008181-01-000	EA	Relay - 12 - 15 Volt - 27 Amp.
	036617-01-000	EA	Relay - Canister - SPDT
	031720-01-000	EA	Plastic Spacer - Receptacle - Brown CSA
	058028-01-000	EA	Connector - Pigtail - Clear Nylon
	046775-01-000	EA	Valve - Gas - Change Over
	054544-02-000	EA	Control Center - 38 Amp. - w/o Charger
	054544-01-000	EA	Control Center - 37 Amp. - VL
	039950-01-702	EA	Circuit Board - Control Center
	024459-01-000	EA	Gauge - Voltmeter
	024462-01-000	EA	Switch - Battery Condition
	031035-01-000	EA	Gauge - Hour Meter - Generator
	024976-01-000	EA	Switch - Generator w/o Circuit Board
	024460-01-000	EA	Gauge Vacuum
	048812-04-000	EA	Control Panel - Water/Double Sewage - Basic Panel
	048812-02-000	EA	Panel - Insert
	048812-06-000	EA	Panel Insert - w/o Thermostat
	048812-09-000	EA	Panel Insert - Deluxe - w/Refrigerator & LP Alarm
	048812-07-700	EA	Refrigerator Sensor - Refrigerator Alarm
	039861-01-000	EA	Sending Unit Kit - Wemac
	024461-01-000	EA	Switch - Battery - Changeover
	046885-01-000	EA	Plaque - Switch Mounting
	062408-01-000	EA	Heat Pusher - Duct Fan - Winterization Option
	062411-01-000	EA	Switch - Temperature Control - 38° Close - 48° Open - Winterization Option
	062411-02-000	EA	Switch - Temperature Control - 28° Close - 38° Open - Winterization Option
	062625-01-000	EA	Panel - Control - Wemac - Winterization Option
	062639-01-000	EA	Alarm - Warning - 12 Volt - Winterization Option

\*\* The illustrated parts breakdown for this item is provided on the Common Items Fiche

## EXTERIOR BODY GROUP

### EXTERIOR BODY PANELS AND SHEET ALUMINUM

Key	Part Number	U/M	Description
	065166-01-L01	EA	Backwall Asm.
	065166-01-L02	EA	Backwall Asm.
	065166-01-L03	EA	Backwall Asm.
	065166-01-M01	EA	Backwall Asm.
	064991-01-L01	EA	Sidewall Asm. - Right
	064991-01-M01	EA	Sidewall Asm. - Right
	065157-01-L01	EA	Sidewall Asm. - Left
	065157-01-L02	EA	Sidewall Asm. - Left
	065157-01-L03	EA	Sidewall Asm. - Left
	065157-01-M01	EA	Sidewall Asm. - Left
	065157-01-M02	EA	Sidewall Asm. - Left
	065157-01-M03	EA	Sidewall Asm. - Left
	065060-01-L01	EA	Roof Asm.
	039155-03-008	EA	Alum. - Off White Mesa I - .024" x 36" x 60"
	039155-03-003	EA	Alum. - Off White Mesa I - .024" x 36" x 360"
	039155-03-007	EA	Alum. - Off White Mesa I - .024" x 48" x 60"
	039155-03-006	EA	Alum. - Off White Mesa I - .024" x 48" x 360"
	039155-03-009	EA	Alum. - Off White Mesa I - .024" x 12" x 360"
	039155-28-001	EA	Alum. - Off White Mesa II - .024" x 36" x 60"
	039155-28-003	EA	Alum. - Off White Mesa II - .024" x 36" x 360"
	039155-28-004	EA	Alum. - Off White Mesa II - .024" x 48" x 60"
	039155-28-006	EA	Alum. - Off White Mesa II - .024" x 48" x 360"
	039155-28-007	EA	Alum. - Off White Mesa II - .024" x 12" x 360"
	044487-01-001	EA	Plain Roof Metal - 96" x 360"
	039155-07-010	EA	Off White Greyhound Alum. - 48" x 96"
	001054-01-011	EA	Off White Plain Alum. - 48" x 96"
	000868-01-000	SF	Styrofoam - 3/4" x 24" x 96"
	000870-01-000	SF	Styrofoam - 1 1/2" x 24" x 96"

NOTE: The raised portion of Mesa I aluminum is 1.657" wide.

NOTE: The raised portion of Mesa II aluminum is .875 wide.

### SEALANTS, ADHESIVES AND FASTENERS

Key	Part Number	U/M	Description
	034552-05-000	EA	Sealant - Off White Silicone
	034552-04-000	EA	Sealant - Beige Silicone
	004346-02-000	EA	Sealant - White Silicone
	009200-01-000	EA	Tape - Furnace - 1 1/2"
	004353-01-000	FT	Tape - Gasket - 1/8" x 3/4" - White
	002825-01-000	FT	Weather Stripping - Roof Vent
	002337-01-000	EA	Adhesive - 3M - 1300 Tube
	004005-01-000	GL	Adhesive - Swirls - Green - Glue (Sidewalls)
	004020-01-000	QT	Adhesive - ABS Cement (Plastic Fillings)
	029051-01-000	EA	Adhesive - Spray Vinyl
	042401-02-000	EA	Screw - 8 - 18 x 3/4" PH - Off White
	042403-02-000	EA	Screw - SF/DR - 8 - 18 x 1" SDPH - Off White
	053766-01-000	EA	Bedding Compound - Tube Black - Schnee Morehead
	053766-02-000	EA	Bedding Compound - Tube White - Schnee Morehead
	053767-01-000	FT	Tape - 1/2" x 1/8" x 30' - Gray - Schnee Morehead
	053767-03-000	FT	Tape - 1/4" Bead x 20' - Gray - Schnee Morehead
	053767-04-000	FT	Tape - 3/4" x 1/8" x 30' - Gray - Schnee Morehead
	053767-05-000	FT	Tape - 2" x 3/32" x 45' - Gray - Schnee Morehead
	004363-01-000	FT	Tape - 3/16" x 1/2" - Gray Foam
	002707-01-000	FT	Tape - Sealer - 5/16" x 3/4"

### EXTERIOR PAINT

Key	Part Number	U/M	Description
	041561-01-000	EA	Paint - Off White - Acrylic Enamel - 1 Gal. - Dupont 45396A
	041561-03-000	EA	Paint - Off White - Acrylic Enamel - 16 oz. Spray - Dupont 45396A
	041561-04-000	EA	Paint - Off White - Acrylic Lacquer - 1 Gal. - Dupont 45396L
	065213-03-000	EA	Paint - Dark Brown - 16 oz. Spray - Dupont 44173

F-3

## 1981 WINNEBAGO TABLE OF CONTENTS

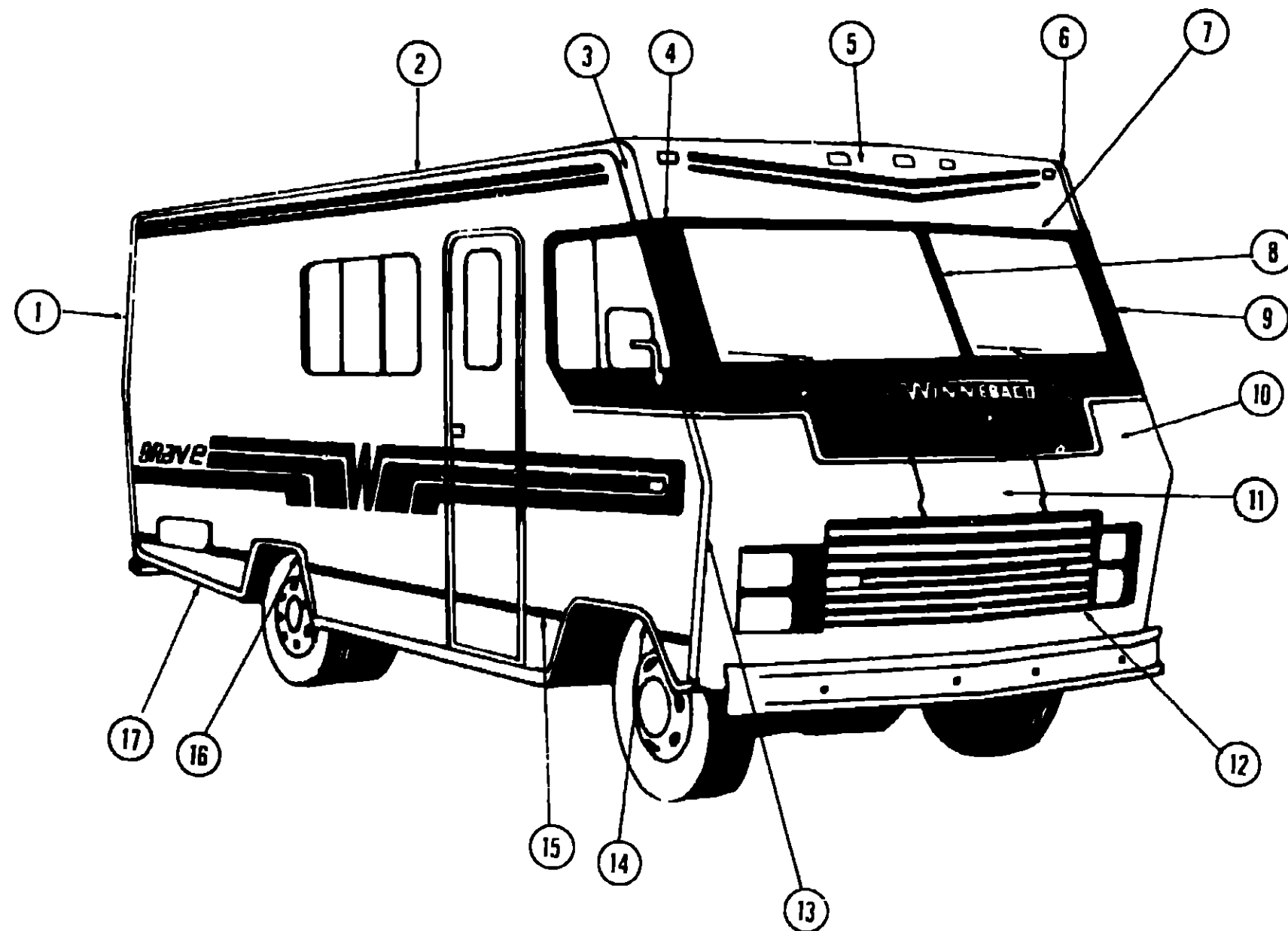
WC723RB N1	A-1 - B-8
WC723RH N1	B-9 - C-16
WC419RB M1, WD41RB M2	C-17 - E-6
WCF22RB M1, WCF22RB M2	E-7 - G-2

## 1981 WCF22RB M1, WCF22RB M2 INDEX

Floor Plan	E-7 - E-8
Accessories Group	E-9 - E-10
Bath Group	E-11
Chassis Group	E-12 - E-13
Curtain, Cushion & Pad Group	E-14 - E-21
Dinette Group	E-22
Driver's Compartment Group	E-23 - E-24
Electrical Group	F-1 - F-3
Exterior Body Group	F-4 - F-7
Galley Group	F-8
Heating & Air Conditioning Group	F-9 - F-10
Interior Finish Group	F-11 - F-12
LP Group	F-13
Lounge Group	F-14
Water & Sewage Group	F-15 - F-16
Window, Vent & Exterior Door Group	F-17 - G-2

F-4

EXTERIOR BODY GROUP (CONTINUED)



Key	Part Number	U/M	Description
1	039964-01-000	EA	Trim - Contour - Right Rear - Off White
	039964-02-000	EA	Trim - Contour - Left Rear - Off White
2	034922-10-000	EA	Trim - Sidewall - Upper - Left or Right - Off White
3	058284-02-000	EA	Trim - Contour - Right Front Upper - Off White
4	058289-02-000	EA	Trim - Contour - Windshield - Right
5	055401-01-000	EA	Cap Asm - Fiberglass - Over Windshield - Off White
	062396-01-000	EA	Trim - Roof/Front Cap - 91"
6	058284-01-000	EA	Trim - Contour - Left Front Upper - Off White
7	058287-01-000	EA	Trim - Molding - Windshield - Upper & Lower
	042743-02-000	EA	Trim - Corner Windshield - Upper
8	058288-01-000	EA	Trim - Molding - Windshield - Center
9	058289-01-000	EA	Trim - Contour - Windshield - Left
	042743-01-000	EA	Trim - Corner Windshield - Lower
	058761-01-000	EA	Striker - Hood Latch
	058392-04-000	EA	Panel - Lower Asm
	058826-02-000	EA	Hood Prop Rod

Key	Part Number	U/M	Description
10	066633-03-000	EA	Panel Asm. - Front Shroud - Includes Access Panel, Lower Shroud and Headlamp Cans
11	066632-01-000	EA	Access Panel - Off White
	058722-01-000	EA	Pull Pin - Access Door Release
	058752-01-000	EA	Hinge - Access Panel - Right
	058752-02-000	EA	Hinge - Access Panel - Left
	063749-01-000	EA	Headlamp Housing - w/Wiring - Low
	050030-02-000	EA	Headlamp Housing - w/Wiring - High
	049358-01-000	EA	Bezel - Headlamp - Left
	049358-02-000	EA	Bezel - Headlamp - Right
12	066779-01-000	EA	Grille Asm.
13	058899-03-000	EA	Trim - Fiberglass Panel - Right
	058899-04-000	EA	Trim - Fiberglass Panel - Left
14	052843-02-000	EA	Trim - Wheel Well - Front - Left or Right
15	002444-02-001	EA	Feature Strip - Extr. Anod. - 14' - w/o Insert
	001030-09-100	EA	Insert - Feature Strip - Brown - Stucco - 17'
	009731-01-000	EA	End Cap - Feature Strip
16	052842-01-000	EA	Trim - Wheel Well - Rear - Right or Left
17	002776-02-000	EA	Extr. - U-Channel - 1.75" x 16" - Anod.
	002365-02-001	EA	Extr. - U-Channel - 1" x 18" Anod.
	044380-01-001	EA	Extr. - Drip Rail - 192"
	050406-02-000	EA	Trim - Backwall - Lower
			Not Illustrated

1981 WINNEBAGO  
TABLE OF CONTENTS

WC723RB N1  
WC723RH N1  
WC419RB M1, WD41RB M2  
WCF22RB M1, WCF22RB M2

A-1 - B-8  
B-9 - C-16  
C-17 - E-6  
E-7 - G-2

1981 WCF22RB M1, WCF22RB M2 INDEX

Floor Plan	E-7 - E-8
Accessories Group	E-9 - E-10
Bath Group	E-11
Chassis Group	E-12 - E-13
Curtain, Cushion & Pad Group	E-14 - E-21
Dinette Group	E-22
Driver's Compartment Group	E-23 - E-24
Electrical Group	F-1 - F-3
Exterior Body Group	F-4 - F-7
Galley Group	F-8
Heating & Air Conditioning Group	F-9 - F-10
Interior Finish Group	F-11 - F-12
LP Group	F-13
Lounge Group	F-14
Water & Sewage Group	F-15 - F-16
Window, Vent & Exterior Door Group	F-17 - G-2

## EXTERIOR BODY GROUP (CONTINUED)

### LASELS AND DECALS

Key	Part Number	U/M	Description
	006001-01-000	EA	Name Plate - Winnebago - Plastic Chrome
	006015-01-000	EA	Label - Patent
	006064-01-000	EA	Label - Seat - wp Seat Belt
	064378-01-000	EA	Label - Flying W/Thermopanel
	057467-01-000	EA	Label - Exterior Loading Limit
	006187-01-000	EA	Label - Sewage
	006188-01-000	EA	Label - Waste Water
	006199-01-000	EA	Label - Exit - Escape Window
	008092-01-000	EA	Reflector - Stick On - Rectangular - Red
	008093-01-000	EA	Reflector - Stick On - Rectangular - Amber
	040944-01-000	EA	Label - Open - Entrance Door
	047731-01-000	EA	Label - Emergency Exit
	006040-01-000	EA	Tag - Gas - Refueling Warning
	006062-01-000	EA	Tag - Electrical - 110 V Connection
	054531-01-000	EA	Label - LP Gas Only
	061417-01-000	EA	Label - Fuel
	031161-01-000	EA	Label - Flying "W"
	038403-02-000	EA	Decal - Logo - "Winnebago" - 2 8" x 22" - Off White
	050313-10-000	EA	Decal - Logo - "Winnebago" - 2 8" x 22" - Carmel
	050313-07-000	EA	Decal - Logo - "Winnebago" - 2 8" x 22" - Orange
	050313-08-000	EA	Decal - Logo - "Winnebago" - 2 8" x 22" - Blue
	064459-04-000	EA	Decal - Logo - "Brave" - 4 3/4" x 31 1/2" - Carmel
	064459-02-000	EA	Decal - Logo - "Brave" - 4 3/4" x 31 1/2" - Orange
	064459-03-000	EA	Decal - Logo - "Brave" - 4 3/4" x 31 1/2" - Blue
	065216-07-000	EA	Decal - W Surround - 16" x 9.5" - Right - Carmel
	065216-02-000	EA	Decal - W Surround - 16" x 9.5" - Right - Orange
	065216-03-000	EA	Decal - W Surround - 16" x 9.5" - Right - Blue
	065216-08-000	EA	Decal - W Surround - 16" x 9.5" - Left - Carmel
	065216-05-000	EA	Decal - W Surround - 16" x 9.5" - Left - Orange
	065216-06-000	EA	Decal - W Surround - 16" x 9.5" - Left - Blue
	065217-04-000	FT	Decal - Double 1 5" Stripes Premasked 3/4" Apart - Carmel
	065217-02-000	FT	Decal - Double 1 5" Stripes Premasked 3/4" Apart - Orange
	065217-03-000	FT	Decal - Double 1 5" Stripes Premasked 3/4" Apart - Blue
	065218-04-000	FT	Decal - 1/2" Tape Stripe - Premasked - Carmel
	065218-02-000	FT	Decal - 1/2" Tape Stripe - Premasked - Orange
	065218-03-000	FT	Decal - 1/2" Tape Stripe - Premasked - Blue
	065219-04-000	FT	Decal - Double 3/4" Stripes Premasked 2" Apart - Carmel
	065219-02-000	FT	Decal - Double 3/4" Stripes Premasked 2" Apart - Orange
	065219-03-000	FT	Decal - Double 3/4" Stripes Premasked 2" Apart - Blue
	058434-01-000	EA	Decal - Headlamp Housing Face - Inner Left Hand
	058434-02-000	EA	Decal - Headlamp Housing Face - Inner Right Hand
	058435-01-000	EA	Decal - Headlamp Housing Face - Outer Left Hand
	058435-02-000	EA	Decal - Headlamp Housing Face - Outer Right Hand
	067764-01-000	EA	Decal - Stencil - 5" Radius - Carmel
	067764-02-000	EA	Decal - Stencil - 5" Radius - Orange
	067764-03-000	EA	Decal - Stencil - 5" Radius - Blue
	067765-01-000	EA	Decal - Stencil - 2 75" Radius - Carmel
	067765-02-000	EA	Decal - Stencil - 2 75" Radius - Orange
	067765-03-000	EA	Decal - Stencil - 2 75" Radius - Blue
	067763-01-000	EA	Stencil - Side Front - Right Hand
	067763-02-000	EA	Stencil - Side Front - Left Hand

### MISCELLANEOUS EXTERNALLY MOUNTED PARTS

Key	Part Number	U/M	Description
	010230-02-000	EA	Fill - City Water - Recessed - Off White
	038803-01-000	EA	Fill - Water - Lockable
..	011124-01-000	EA	Plumbing Seal - Roof Vent - 1 1/4" White
..	011129-01-000	EA	Plumbing Seal - Roof Vent - 1 1/2" White
	057461-01-000	EA	Mirror Head - 7 1/2" x 10 1/2" - w/Convex - Bright Finish
	057461-02-000	EA	Mirror Head - 7 1/2" x 10 1/2" - w/Convex - Off White
	049348-01-000	EA	Arm - Low Mount Mirror - Bright Finish
	049348-02-000	EA	Arm - Low Mount Mirror - Off White
	049944-04-000	EA	Bracket - Mirror - Outside - Black
	049944-02-000	EA	Bracket - Mirror - Outside - Off White
	048817-01-000	EA	Handle Asm. - Assist w/Light

F-7

.. The illustrated parts breakdown for this item is listed on the Common Items Fiche

## GALLEY GROUP

### GALLEY CABINETRY

Key	Part Number	U/M	Description
	065639-01-L01	EA	Cabinet Asm. - Galley - w/o Countertop, Drawers or Hardware - (3 Burner Range)
	065672-01-L01	EA	Cabinet Asm. - Galley - w/o Countertop, Doors, Drawers or Hardware - (4 Burner Range)
	065525-01-L01	EA	Countertop Asm. - Galley - Bone
	065525-01-M01	EA	Countertop Asm. - Galley - Burnt Sienna
	065525-01-M02	EA	Countertop Asm. - Galley - Camel
	058023-12-L01	EA	Drawer Asm. - Galley Cabinet - 9.42" x 17.5" - w/o Hardware
	058023-13-L01	EA	Drawer Asm. - Galley Cabinet - 9.42" x 13" - w/o Hardware
	065260-15-L01	EA	Door Asm. - Galley Cabinet - 17.10" x 33.4" - w/o Hardware
	065260-16-L01	EA	Door Asm. - Galley Cabinet - 11.2" x 33.4" - w/o Hardware
	066166-04-L01	EA	Door Asm. - Galley Cabinet - 12.2" x 22" - w/o Hardware
	065260-13-L01	EA	Door Asm. - Galley Cabinet - 15.9" x 9.12" - w/o Hardware
	065260-18-L01	EA	Door Asm. - Galley Cabinet - 15.9" x 11.6" - w/o Hardware - Right
	065260-19-L01	EA	Door Asm. - Galley Cabinet - 15.9" x 11.6" - w/o Hardware - Left
	053944-01-L01	EA	Door Asm. - Furnace Grill - 15.25" x 13.25" - w/o Hardware
	065260-22-L01	EA	Door Asm. - Galley Cabinet - 12.5" x 19.7" - Right - w/o Hardware
	065260-23-L01	EA	Door Asm. - Galley Cabinet - 12.5" x 19.7" - Left - w/o Hardware
	065841-01-L01	EA	Cabinet Asm. - Galley Overhead - w/o Doors or Hardware
	054450-01-000	EA	Level - Refrigerator

(NOTE) All (M01) paneled items interchange with (L01) paneled items.

### GALLEY HARDWARE AND APPLIANCES

Key	Part Number	U/M	Description
	053424-01-L01	EA	Sink Cover - Large - Bone
	053424-01-M01	EA	Sink Cover - Large - Burnt Sienna
	053424-01-M02	EA	Sink Cover - Large - Camel
	011032-01-000	EA	Sink - Stainless Steel - Double w/Bolts
..	011053-01-000	EA	Faucet - Swing Spout - 8" - US
..	011053-02-000	EA	Faucet - Swing Spout - 8" - C.S.A.
	064952-01-000	EA	Faucet - Single Control
..	066437-01-000	EA	Strainer - Sink
..	011053-01-700	EA	Aerator - Swing Spout Faucet
	058334-01-000	EA	Wastebasket - 9 3/4" x 7" x 10" - White Rubbermaid
	059877-01-000	EA	Support - Wastebasket
	058841-01-L01	EA	Cover - Wastebasket - Bone
	058841-01-M01	EA	Cover - Wastebasket - Burnt Sienna
	058841-01-M02	EA	Cover - Wastebasket - Camel
	053333-01-000	EA	Range Hood - Non Power - Black - U.S.
	053333-02-000	EA	Range Hood - Non Power - Black - C.S.A.
..	049930-07-000	EA	Range Hood - Powered - Almond - Jensen
	052771-02-000	EA	Microwave Oven - Magic Chef - MW207
	062025-01-000	EA	Range Top - 3 Burner - Black - Magic Chef
	055282-02-000	EA	Range - 4 Burner - Small Oven - Almond - Magic Chef
..	049175-02-000	EA	Refrigerator - AC/DC/Gas - Sibir ET150/2 - 1 Door Model
	M00041-06-M04	EA	Refrigerator - AC/DC/Gas - Norcold - 6'
	M00041-07-M04	EA	Refrigerator - AC/DC/Gas - Norcold - 8'
	047205-08-000	EA	Grill Mesh - Brass - 10 1/8" x 12 1/2"
	057672-01-000	EA	Door Latch/Pull Asm
	037688-01-000	FT	Rail - Drawer Guide - Steel
	057946-01-L01	EA	Pull Kit - Cabinet Drawer

## 1981 WINNEBAGO TABLE OF CONTENTS

WC723RB N1	A-1 - B-8
WC723RH N1	B-9 - C-16
WC419RB M1, WD41RR M2	C-17 - E-6
WCF22RB M1, WCF22RB M2	E-7 - G-2

## 1981 WCF22RB M1, WCF22RB M2 INDEX

Floor Plan	E-7 - E-8
Accessories Group	E-9 - E-10
Bath Group	E-11
Chassis Group	E-12 - E-13
Curtain, Cushion & Pad Group	E-14 - E-21
Dinette Group	E-22
Driver's Compartment Group	E-23 - E-24
Electrical Group	F-1 - F-3
Exterior Body Group	F-4 - F-7
Galley Group	F-8
Heating & Air Conditioning Group	F-9 - F-10
Interior Finish Group	F-11 - F-12
LP Group	F-13
Lounge Group	F-14
Water & Sewage Group	F-15 - F-16
Window, Vent & Exterior Door Group	F-17 - G-2

F-8

## HEATING AND AIR CONDITIONING GROUP

### AUTOMOTIVE HEATER AND AIR CONDITIONER

Key	Part Number	U/M	Description
	039044-01-000	EA	Louver Asm. - A/C Adjustable
	047046-01-000	EA	Motor 12 Volt - 3 Speed - Heater - Air Conditioner
	031043-01-000	EA	Valve - Heater - Water Flow Control
	033860-02-000	EA	Cable - Control - Flexible - 46"
	031169-02-000	EA	Cable - Control - Flexible - 48"
	031170-01-000	EA	Clamp - Cable - 3/16" Dia.
	024996-01-000	EA	Clutch - Magnetic - Compressor
	024999-01-000	EA	Compressor - Auto Air - 10.3" Cubic Inch
	048100-01-000	EA	Package - Compressor Mount 454 C.I.D.
	048801-01-000	EA	Condensor - Radiator Mount
	008267-01-000	EA	Switch - Air Conditioner
	024867-01-000	EA	Valve - Thermostatic Expansion
	024997-01-000	EA	Core - Heater
	024998-01-000	EA	Wheel - Blower - 4.72" O.D.
	031393-01-000	EA	Coil - Evaporator
	031001-01-000	EA	Blower Housing
	007076-01-000	FT	Hose - Flexible PVC - 2" I.D.
	007108-01-000	FT	Hose - Heater - 5/8" I.D. SAE 20R3
	007281-01-000	FT	Hose - Flexible PVC - 2 1/2" I.D.
	007139-01-000	EA	Clamp - Worm Drive - .69" - 1.25" I.D.
	007140-01-000	EA	Clamp - Hose - 2" - 3" Dia.
	033258-01-000	EA	Hose - Refrigerant - .50" I.D. x 34.50"
	034222-01-000	EA	Hose - Refrigerant - .31" I.D. x 26"
	034222-02-000	EA	Hose - Refrigerant - .31" I.D. x 32"
	031960-01-000	EA	Hose - Refrigerant - 34" I.D. x 30"
	031961-01-000	EA	Hose - Refrigerant - .31" I.D. x 14.75"
	031961-02-000	EA	Hose - Refrigerant - 31" I.D. x 19"
	049401-01-000	EA	Heater Asm. - Rear - Auxiliary
	049401-01-700	EA	Valve - Water Control - (Aux. Heater)
	049401-01-701	EA	Control Cable - (Aux. Heater)
	049401-01-702	EA	Motor Asm. - (Aux. Heater)
	049401-01-703	EA	Heater Core - (Aux. Heater)
	049401-01-704	EA	Switch - (Aux. Heater)
	058906-01-000	EA	Control Panel - (Auxiliary Rear Heater)
	024868-01-000	EA	Receiver - Dehydrator
	031044-01-000	EA	Clamp - Receiver Dehydrator
	031962-01-000	EA	Bracket - Receiver Dehydrator
	048232-02-000	EA	Kit - Auto Air - 454 C.I.D. A-Body - Chevy
	024851-01-000	EA	Door Asm. - Deforster - A/C
	010227-01-000	EA	Tee - Plastic - Barb 5/8" or 3/4" Hose
	024855-01-000	EA	Duct Asm. - Fresh Air
	024849-01-000	EA	Damper Asm. - Fresh Air

## HEATING AND AIR CONDITIONING GROUP (CONTINUED)

### FURNACES AND ROOF AIR CONDITIONERS

Key	Part Number	U/M	Description
	052598-01-000	EA	Furnace - 19,000 BTU - w/Electric Ignition
	059351-02-000	EA	Furnace - 24,000 BTU - w/Piezo Ignition
	009198-01-000	FT	Duct - Flexible - 4" I.D. x 25'
	009200-01-000	EA	Tape - Furnace - 1 1/2"
	023146-01-000	EA	Clamp - Screw Type - 4"
	056464-01-000	EA	Heater Register - Plastic - 4" Diameter
	031604-01-000	EA	Bonnet - Heat Register
	058824-02-000	EA	Door - Furnace - Front - 4334
	049043-02-000	EA	Door - Furnace - Front - 4330
	050783-01-000	EA	Vent Package - Furnace - 1-3" Wall
	050784-01-000	EA	Vent Package - Furnace - 3-6" Wall
	039505-02-000	EA	Thermostat - Horizontal Wall Mount
**	049774-02-000	EA	Air Conditioner - 110 Volt - Roof Mount - 13,500 BTU Ivory - Coleman (w/o inside shroud)
**	049775-02-000	EA	Shroud Asm. - Ceiling - Inside - Roof Air Cool Only - 13,500 BTU - Coleman
**	049776-01-000	EA	Shroud Asm. - Ceiling - Inside - Roof Air Heat and Cool Only - 13,500 BTU - Coleman
**	063903-01-000	EA	Air Conditioner - 110 Volt - Roof Mount - 13,500 BTU Rotary

\*\*The illustrated parts breakdown for this item is provided on the Common Items Fiche.

### 1981 WINNEBAGO TABLE OF CONTENTS

WC723RB N1	A-1 - B-8
WC723RH N1	B-9 - C-16
WC419RB M1, WD41RB M2	C-17 - E-6
WCF22RB M1, WCF22RB M2	E-7 - G-2

### 1981 WCF22RB M1, WCF22RB M2 INDEX

Floor Plan	E-7 - E-8
Accessories Group	E-9 - E-10
Bath Group	E-11
Chassis Group	E-12 - E-13
Curtain, Cushion & Pad Group	E-14 - E-21
Dinette Group	E-22
Driver's Compartment Group	E-23 - E-24
Electrical Group	F-1 - F-3
Exterior Body Group	F-4 - F-7
Galley Group	F-8
Heating & Air Conditioning Group	F-9 - F-10
Interior Finish Group	F-11 - F-12
LP Group	F-13
Lounge Group	F-14
Water & Sewage Group	F-15 - F-16
Window, Vent & Exterior Door Group	F-17 - G-2

## INTERIOR FINISH GROUP

### PANELING AND COUNTERTOP MATERIALS

Key	Part Number	U/M	Description
	045963-01-000	SF	Paneling - 825 Bull - 48" x 96" (32 SF)
	068344-03-000	SF	Paneling - 772 Bellweather - 48" x 96" (32 SF)
	065739-03-000	SF	Paneling - Decorative - Beige (L01)
	065739-04-000	SF	Paneling - Decorative - Burgandy (L02)
	065739-05-000	SF	Paneling - Decorative - Blue (L03)
	064388-01-000	SF	Paneling - Ferns - Beige (L01)
	064388-02-000	SF	Paneling - Ferns - Burgandy (L02)
	064388-03-000	SF	Paneling - Ferns - Blue (L03)
	068344-03-000	SF	Paneling - Decor Autumn Storm - Brown (M01)
	068343-01-000	SF	Paneling - Decor Shells - Beige (M01) (M02) (M03)
	068343-02-000	SF	Paneling - Decor Autumn Storm - Copper (M01)
	068343-03-000	SF	Paneling - Decor Autumn Storm - Gray (M02)
	068343-04-000	SF	Paneling - Decor Autumn Storm - Brown (M03)
	058219-01-000	SF	Plastic Laminate - Almond Batik
	064387-01-000	SF	Plastic Laminate - Bone (L01)
	068341-01-000	SF	Plastic Laminate - Burnt Sienna (M01)
	068341-02-000	SF	Plastic Laminate - Camel (M01)
	059970-01-000	SF	Plastic Laminate - Matador Leather

### INTERIOR MOLDINGS AND TRIMS

Key	Part Number	U/M	Description
	047354-01-000	EA	Balt Strip - 825 Bull - Ceiling - 96"
	064386-01-000	EA	Balt Strip - 772 Bellweather - 96"
	064389-01-000	EA	Balt Strip - Decorative Ferns - Beige
	064389-02-000	EA	Balt Strip - Decorative Ferns - Burgandy
	064389-03-000	EA	Balt Strip - Decorative Ferns - Blue
	024700-06-000	EA	Cover - Roll Bar - Sidewall - Ivory
	024700-14-000	EA	Cover - Roll Bar - Russet Oak
	052859-01-J27	FT	Accent Trim - Acorn Brown Vinyl
	009812-10-000	EA	Molding - Outside Corner - .50" - Birch
	009813-01-000	FT	Molding - Outside Corner - .50" - Dark Pecan
	009767-05-000	FT	Welting - Light Brown
	009778-01-000	FT	U-Channel - 1" - Dark Brown
	017768-01-000	FT	U-Channel - 19" Brown
	009779-03-000	FT	U-Channel - 1 1/8" - Light Brown
	052861-01-K01	FT	Molding Asm. - Shelf
	009810-01-000	FT	Molding - Outside Corner - 1" - Dark Pecan
	009815-03-000	FT	T-Molding - 75" - Light Brown
	022992-04-000	FT	Molding - Reverse Cove
	035337-22-000	EA	Trim - Inside Corner - Alum - 80 88"
	034394-02-000	EA	Extr Vinyl Insert - Beige

### CURTAIN HARDWARE

Key	Part Number	U/M	Description
	052327-04-236	EA	Track - Curtain - Brown Alum - 89" w/Holes
	056116-01-000	FT	Track - Curtain - Brown Plastic
	056001-01-000	EA	Bracket - Shade - Left
	056002-01-000	EA	Bracket - Shade - Right
	056003-01-000	EA	Bracket - Drapery Retainer - Right
	056003-02-000	EA	Bracket - Drapery Retainer - Left
	053272-04-200	EA	Track - Curtain - Off White - 89" w/Holes
	056784-01-000	EA	Pull - Window Shade - Antique Brass
	009107-01-000	EA	Guide - Nylon Snap - Curtain
	018031-42-000	EA	Track - Curtain - "L" Rod - Alum Extr - 90"
	009701-01-000	EA	Carrier - "L" Rod - Curtain
	009702-01-000	EA	End Stop - "L" Rod - Curtain
	059430-01-000	EA	Track - Curtain - Wraparound (2 required per unit)
	056115-01-000	YD	Tape - Clear Plastic - w/Guides

## INTERIOR FINISH GROUP (CONTINUED)

### CABINETS AND TABLE HARDWARE

Key	Part Number	U/M	Description
	057946-01-L01	EA	Pull Kit - Cabinet Drawer - Flat Latch
**	052932-01-J30	EA	Hinge Kit - Cabinet Door - Antique Brass
	057945-01-K01	EA	Latch Kit - Cabinet Door - Flat Latch
	009112-01-000	EA	Flange - 1" - Closet Rod
**	053200-01-000	EA	Bracket - Upper Wall Mount - 23.5"
**	053201-03-000	EA	Bracket - Table Mount - 23" Anod.
**	024275-01-000	EA	Rod - Table Lift
**	024281-06-000	EA	Bracket - Lower Wall Mount - Black - 22.12"
**	024276-04-000	EA	Leg Asm. - Table - Brown - 29.5"
**	064050-01-000	EA	Hinge - Table Leg
**	024282-01-000	EA	Brace - Table Leg
**	024283-01-000	EA	Clip - 1" O.D. Tube
**	049493-02-000	EA	Catch - Table Leg - Mounts on Floor - Brown
**	059753-01-000	EA	Slide - Drawer - Left
**	059753-02-000	EA	Slide - Drawer - Right
**	037688-01-000	FT	Rail - Drawer Glide
**	047744-01-000	EA	Kit - Drawer Glide

\*\* The illustrated parts breakdown for this item is provided on the Common Items Fiche.

### FABRICS AND FLOOR COVERINGS

Key	Part Number	U/M	Description
	064393-04-000	YD	Fabric - Drapery - Dublin Flax
	068339-01-000	YD	Fabric - Drapery - Champagne
	068338-01-000	YD	Fabric - Upholstery - Rust (M01)
	068338-02-000	YD	Fabric - Upholstery - Blue (M02)
	068338-03-000	YD	Fabric - Upholstery - Brown (M03)
	064383-01-000	YD	Fabric - Upholstery - Biscayne Sienna - Brown (L01)
	064383-06-000	YD	Fabric - Upholstery - Biscayne Rust (L02)
	064383-07-000	YD	Fabric - Upholstery - Biscayne Blue (L03)
	053327-01-000	YD	Vinyl - Non Expanded - 27 oz. - Acorn Brown
	053327-02-000	YD	Vinyl - Expanded - 28 oz. - Acorn Brown
	053327-03-000	YD	Vinyl - Non Support - 16 Gauge Film - Acorn Brown
	064384-02-000	SY	Carpet - Camel (L01)
	068340-01-000	SY	Carpet - Rust (M01)
	068340-02-000	SY	Carpet - Medium Brown (M02) (M03)
	064392-01-000	SY	Vinyl Floor Covering - Armstrong - Castilian

### MISCELLANEOUS

Key	Part Number	U/M	Description
	041944-01-700	EA	Fire Extinguisher - Dry Chemical w/Bracket
	041944-03-000	EA	Fire Extinguisher - 5 BC (Calif.)
	007038-01-000	EA	Door Mat - Black Rubber - 10 1/2" x 26"
	053552-01-K01	EA	Assist Handle - Interior - Acorn Vinyl
	054185-12-000	EA	Owners Manual - Winnebago and Itasca
	047205-08-000	EA	Brass Mesh - 10 1/8" x 12 1/2" - Furnace Grill
	006069-01-000	EA	Key Case - Leather

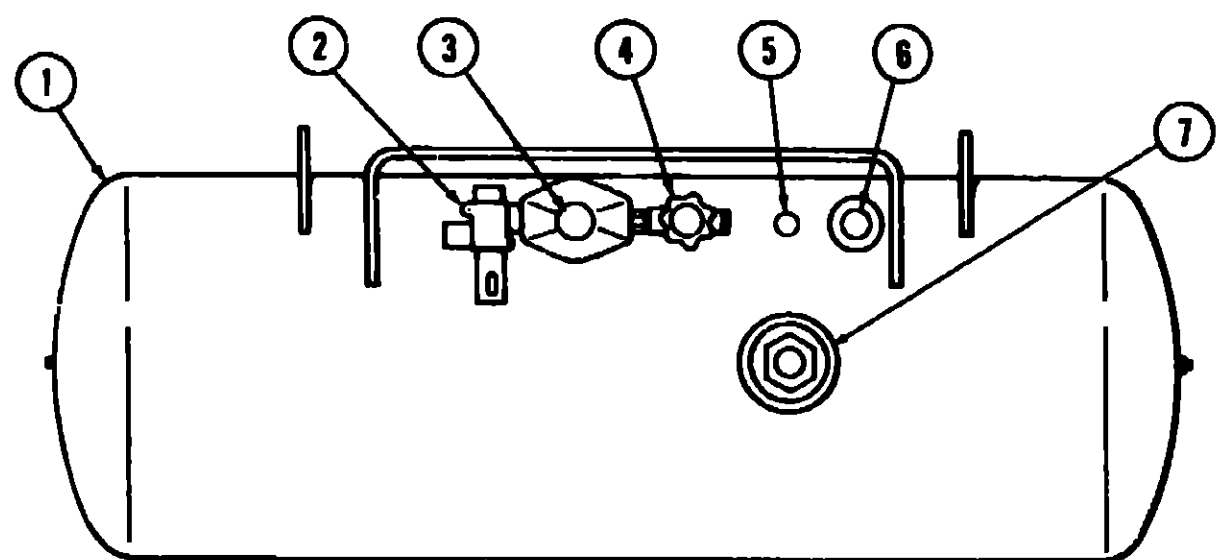
## 1981 WINNEBAGO TABLE OF CONTENTS

WC723RB N1	A-1 - B-8
WC723RH N1	B-9 - C-16
WC419RB M1, WD41RB M2	C-17 - E-6
WCF22RB M1, WCF22RB M2	E-7 - G-2

## 1981 WCF22RB M1, WCF22RB M2 INDEX

Floor Plan	E-7 - E-8
Accessories Group	E-9 - E-10
Bath Group	E-11
Chassis Group	E-12 - E-13
Curtain, Cushion & Pad Group	E-14 - E-21
Dinette Group	E-22
Driver's Compartment Group	E-23 - E-24
Electrical Group	F-1 - F-3
Exterior Body Group	F-4 - F-7
Galley Group	F-8
Heating & Air Conditioning Group	F-9 - F-10
Interior Finish Group	F-11 - F-12
LP Group	F-13
Lounge Group	F-14
Water & Sewage Group	F-15 - F-16
Window, Vent & Exterior Door Group	F-17 - G-2

### LP GROUP



Key	Part Number	U/M	Description
1	052769-01-000	EA	Tank Asm. - LP - Frame Mount - 42 Pound
1	063378-01-000	EA	Tank Asm. - LP - Frame Mount - 80 Pound
2	047221-01-000	EA	Detector - LP Gas Leak - Rosan
.	047356-01-000	EA	Bracket - LP Detector - Rosan
.	065741-01-000	EA	Detector - LP Gas Leak - Marshalltown Instruments
3	058706-01-000	EA	Cover - Regulator - 2 Stage
.	058705-01-000	EA	Regulator - Two Stage - LP Gas
4	040421-01-703	EA	Valve - Vapor Relief
5	040421-01-700	EA	Gauge - Liquid Level - 20% LP
6	040421-01-701	EA	Valve - Filler - LP
.	040421-01-702	EA	Cap - Plastic Fill Valve
7	040421-01-707	EA	Gauge - Float - w/Visible Dial - 80 Pound Tank
.	042281-01-700	EA	Gauge - Float - w. Visible Dial - 42 Pound Tank
.	040421-01-706	EA	Dial - Visible Face - Float Gauge (Tank w/o Electric Transmitter)
.	040421-01-705	EA	Dial - Transmitter - 0 - 90 Ohm (Float Gauge)
.	045703-01-000	EA	Hose Asm. - LP - 3/8" I.D x 24"
.	045703-03-000	EA	Hose Asm. - LP - 3/8" I.D x 14"
.	047737-02-000	EA	Support - LP Tank - 89 25"
.	047737-03-000	EA	Support - LP Tank - 30 50"
.			Not Illustrated

### WINN AIR WITH LANDI-HARTOG (A-BODY)

Key	Part Number	U/M	Description
	065279-01-000	EA	Relief Valve - Hydrostatic - Sherwood
	065287-02-000	EA	Valve - Gasoline Shut-Off
	065820-02-000	EA	Hose Asm. - High - Pressure - 36"
	067290-01-001	EA	Hose - Vapor - 5/8" x 51"
	068050-04-000	EA	LP Mixer
	068142-01-000	EA	Tube Asm. - Converter - Copper w/Flare Nuts - 5/16" x 90" Bend
	068144-01-000	EA	Bracket - Angle - Converter
	068197-01-000	EA	Instrument Asm. - LP
	068201-01-000	EA	Converter Asm. - LP A-Body
	035927-01-001	EA	Steel Rod - Threaded - 1/4" x 20" x 8"

### LOUNGE GROUP

Key	Part Number	U/M	Description
	058093-03-L01	EA	Drawer Asm. - Blanket - 19.62" x 30.63"
	056875-02-000	EA	Leg Asm. - Couch
	022517-01-000	EA	End Cap - 1" x 1" - Brown
	066379-01-L01	EA	Cabinet Asm. - Pullout Couch
	065990-01-L01	EA	Cabinet Asm. - Armrest
	065987-01-L01	EA	Armrest Asm. - Brown/Beige
	065987-01-L02	EA	Armrest Asm. - Rust
	065987-01-L03	EA	Armrest Asm. - Blue
	065987-01-M01	EA	Armrest Asm. - Rust
	065987-01-M02	EA	Armrest Asm. - Blue
	065987-01-M03	EA	Armrest Asm. - Brown
	057992-56-L01	EA	Door Asm. - Cabinet - 28.2" x 11.5"
	065981-01-L01	EA	Cabinet Asm. - Overhead - Lounge
	065988-01-L01	EA	Front Panel Asm. - Sprung Couch
	065394-01-L01	EA	End Panel - Sprung Couch
	057468-02-000	EA	Base Asm. - Couch - Right - Sprung Couch
	057468-03-000	EA	Base Asm. - Couch - Left - Sprung Couch
	057468-04-000	EA	Base Asm. - Couch - Spacers - Sprung Couch
	057469-01-000	EA	Leg Asm. - Sprung Couch

(NOTE) All (M01) paneled items interchange with (L01) paneled items

### 1981 WINNEBAGO TABLE OF CONTENTS

WC723RB N1	A-1 - B-8
WC723RH N1	B-9 - C-16
WC419RB M1, WD41RB M2	C-17 - E-6
WCF22RB M1, WCF22RB M2	E-7 - G-2

### 1981 WCF22RB M1, WCF22RB M2 INDEX

Floor Plan	E-7 - E-8
Accessories Group	E-9 - E-10
Bath Group	E-11
Chassis Group	E-12 - E-13
Curtain, Cushion & Pad Group	E-14 - E-21
Dinette Group	E-22
Driver's Compartment Group	E-23 - E-24
Electrical Group	F-1 - F-3
Exterior Body Group	F-4 - F-7
Galley Group	F-8
Heating & Air Conditioning Group	F-9 - F-10
Interior Finish Group	F-11 - F-12
LP Group	F-13
Lounge Group	F-14
Water & Sewage Group	F-15 - F-16
Window, Vent & Exterior Door Group	F-17 - G-2



## WATER AND SEWAGE GROUP

### PLUMBING REPAIR PARTS

Key	Part Number	U/M	Description
..	040539-01-000	EA	Kit - Repair - 3/8" O.D. Plastic Tube
..	040540-01-000	EA	Kit - Repair - 1/2" O.D. Plastic Tube
..	040541-01-000	EA	Kit - Repair - 5/8" O.D. Plastic Tube
..	041279-02-000	EA	Pump - Water Flow 2.8 G.P.M. - PAR
..	063646-01-000	EA	Pump - Water - 2.8 G.P.M. - Direct Drive - US
..	063646-02-000	EA	Pump - Water - 2.8 G.P.M. - Direct Drive - CSA
..	039647-03-000	EA	Filter - Water Pump - 1/2" MPT
..	052962-01-000	EA	Valve - Stool - 90° 1/2 F x 3/8 MPT
..	039818-01-000	EA	Riser Asm. - 3/8" O.D. x 24" Tube
..	039818-02-000	EA	Riser Asm. - 3/8" O.D. x 36" Tube
..	039818-04-000	EA	Riser Asm. - 3/8" O.D. x 72" Tube
..	039818-05-000	EA	Riser Asm. - 3/8" O.D. x 48" Tube
..	035539-01-000	EA	Elbow - Plastic - 3/8 MPT x 3/8" Barb
..	052952-01-000	EA	Nut - Plastic - 1/2 F
..	052953-01-000	EA	Nut - Faucet - 1/2 Tube x 1/2 FPT
..	052954-01-000	EA	Adapter - Nose Cone - 3/8 or 1/2
..	052958-01-000	EA	Tee - Plastic - 1/2 F x 1/2 F x 1/2 F
..	052959-02-000	EA	Connector - Plastic - 1/2 F x 1/2 MPT
..	052959-03-000	EA	Connector - Plastic - 1/2 F x 3/8 MPT
..	052960-01-000	EA	Drain Valve - Line - 1/2 F x 1/2 F
..	052961-01-000	EA	Header - 1/2 F x 1/2 F x 1/2 F x 1/2 F
..	004020-01-000	QT	Adhesive - ABS Cement
..	010201-01-000	EA	Hose - Sewer - 3" x 8 ft. w/Clamp
..	062415-01-000	EA	Cap - Sewer - 3"
..	062416-01-000	EA	Hose - Adapter - 3"
..	062417-01-000	EA	Adapter - Termination - 3"
..	062418-02-000	EA	Valve - 3" w/o Handle
..	062419-01-000	EA	Handle - Extension - w/6" Adapter
..	062421-01-000	EA	Valve - 1 1/2" - w/Handle
..	010006-01-000	EA	Elbow - Plastic - 1/8 BD 1 1/2 x 45° H x H
..	010008-01-000	EA	Elbow - Plastic - 1/4 BD 1 1/2 x 90° x Long Turn
..	010134-01-000	EA	Adapter - Plastic - 1 1/2" M x MPT
..	010154-01-000	EA	Ring - Closet - Plastic - 4" F x 3" MPT x L
..	011091-01-000	EA	Waste - Continuous - Double Sink - 11 7/8"
..	011066-01-000	EA	P-Trap - Plastic - 1 1/4"
..	010079-01-000	EA	Tee - Plastic - 1 1/2 H x 1 1/2 H x 1 1/4 H
..	010091-01-000	EA	Wye - Plastic - 3" x 45° - H x H x H
..	010121-01-000	EA	Bus - Plug - Plastic - 1 1/2 S x 1 1/4 H
..	031126-01-000	EA	Elbow - Plastic - 1/4 BD - 3" x 90° x Long Turn
..	010133-01-000	EA	Adapter - Trap - Plastic - 1 1/2" H x MPT
..	050780-01-000	EA	Coupler - Rubber - 3" x 3"
..	010219-01-000	EA	Elbow - 1/4 Barb x 1 1/4 MPT - 90°
..	010224-01-000	EA	Adapter - Plastic - 3/8" MPT x 3/8" BARB
..	044927-01-000	EA	Adapter - Plastic - 1 1/4" MPT x 1 1/4" BARB
..	056134-01-000	EA	Ring - Pipe Holder - 3.6"
..	044928-01-000	FT	Tubing - Flex - 1 1/4" ID x 10' Long
..	061607-01-000	EA	Grommet - Rubber - Holding Tank - 1 1/2" NPS
..	061607-02-000	EA	Grommet - Rubber - Holding Tank - 3" NPS
..	010197-01-000	FT	Pipe - ABS Plastic - 3" x 240"
..	065979-01-000	EA	Compartment Asm. - Sewer Hose
..	052957-02-000	EA	Elbow - Plastic - 1/2" F x 1/2" MPT
..	052957-03-000	EA	Elbow - Plastic - 1/2" x 1/4" MPT
..	061607-01-000	EA	Grommet - Holding Tank - 1 1/2" NPS
..	061607-02-000	EA	Grommet - Holding Tank - 3" NPS
..	046524-01-000	EA	Kit - Plastic Fittings - Holding Tanks
..	046524-02-000	EA	Kit - Plastic Fittings - Water Tank

..The illustrated parts breakdown for this item is provided on the Common Items Fiche.

## WATER AND SEWAGE GROUP (CONTINUED)

### HOLDING TANKS AND WATER HEATERS

Key	Part Number	U/M	Description
..	064591-02-000	EA	Tank Asm. - Holding - Main - w/Fittings
..	064591-01-000	EA	Tank Asm. - Holding - Main - w/o Fittings
..	064592-02-000	EA	Tank Asm. - Holding - Aux. - w/Fittings
..	064592-01-000	EA	Tank Asm. - Holding - Aux. - w/o Fittings
..	045196-18-000	EA	Tank Asm. - Water - 26 Gal. - (Front Dinette Seat)
..	045196-17-000	EA	Tank Asm. - Water - 26 Gal. - (Rear Dinette Seat)
..	045196-01-000	EA	Tank Asm. - Water - 26 Gal. - w/o Fittings
..	051391-01-000	EA	Water Heater - 6 Gallon - w/o Motor Aid - Atwood G6A3
..	051392-01-000	EA	Water Heater - 6 Gallon - w/Motor Aid - Atwood GH63

..The illustrated parts breakdown for this item is provided on the Common Items Fiche.

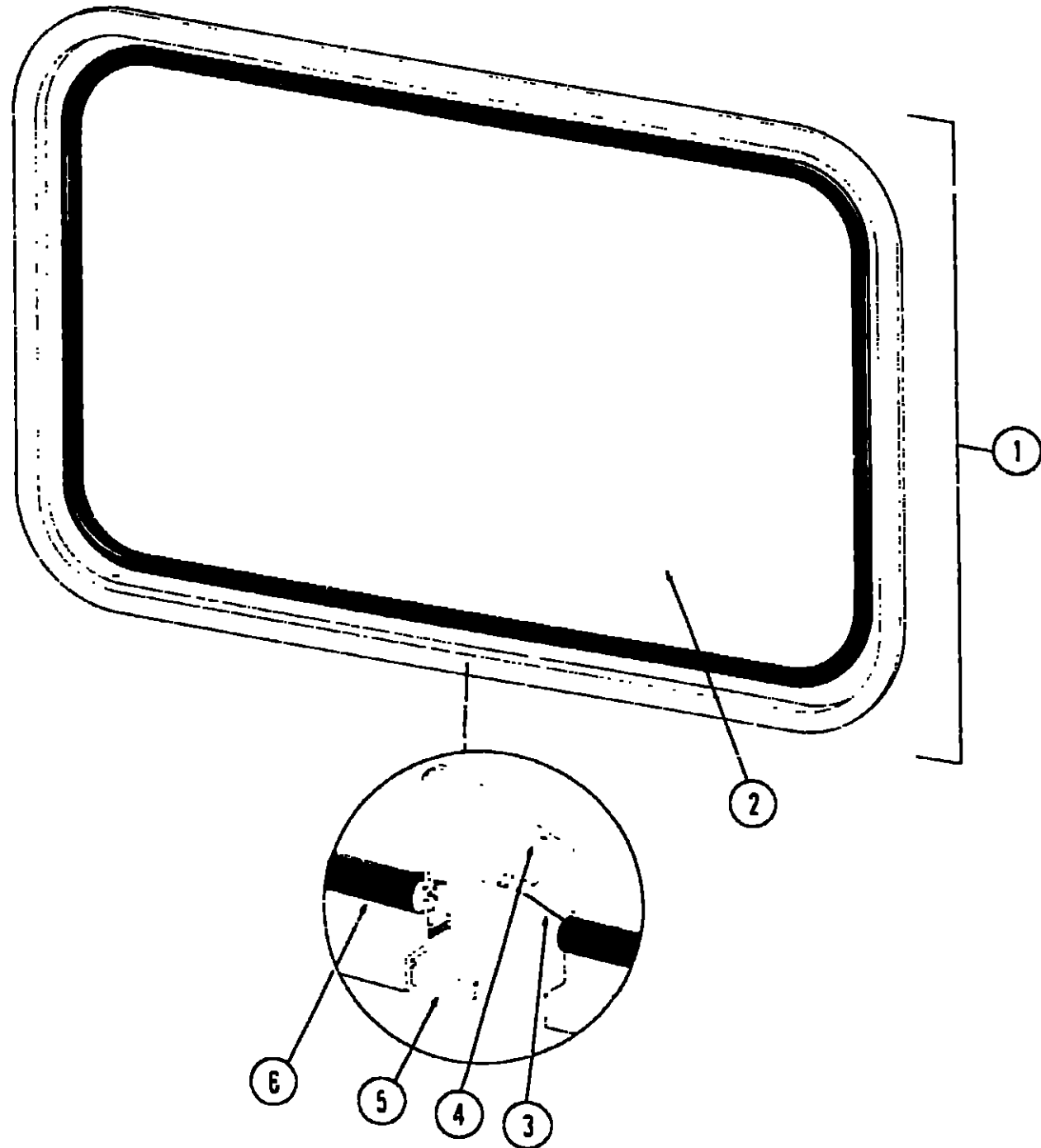
### 1981 WINNEBAGO TABLE OF CONTENTS

WC723RB N1	A-1 - B-8
WC723RH N1	B-9 - C-16
WC419RB M1, WD41RB M2	C-17 - E-6
WCF22RB M1, WCF22RB M2	E-7 - G-2

### 1981 WCF22RB M1, WCF22RB M2 INDEX

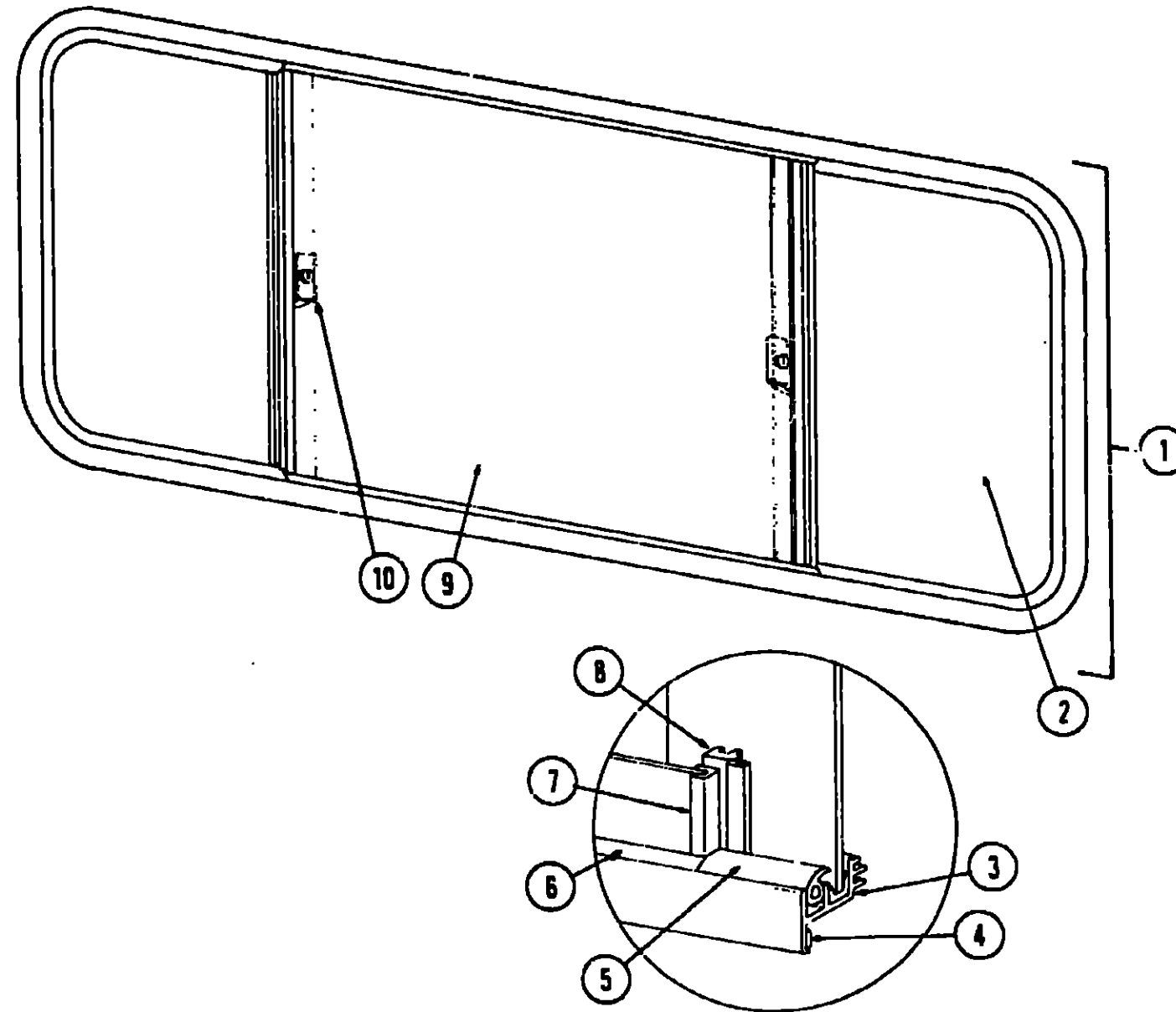
Floor Plan	E-7 - E-8
Accessories Group	E-9 - E-10
Bath Group	E-11
Chassis Group	E-12 - E-13
Curtain, Cushion & Pad Group	E-14 - E-21
Dinette Group	E-22
Driver's Compartment Group	E-23 - E-24
Electrical Group	F-1 - F-3
Exterior Body Group	F-4 - F-7
Galley Group	F-8
Heating & Air Conditioning Group	F-9 - F-10
Interior Finish Group	F-11 - F-12
LP Group	F-13
Lounge Group	F-14
Water & Sewage Group	F-15 - F-16
Window, Vent & Exterior Door Group	F-17 - G-2

**WINDOW, VENT AND EXTERIOR DOOR GROUP**



Key	Part Number	U/M	Description
1	020751-03-000	EA	Window Asm. - Rear Escape - 23" x 29" - Black Anod. (w/o inside frame)
2	002174-01-000	EA	Glass - Window - 1/8" x 19 61" x 25.92"
3	002285-01-000	FT	Weatherstrip - Black
4	020395-01-000	EA	Slip Ring - Escape Window
5	004363-01-000	FT	Tape - Foam - 3/16" x 1/2" - Gray
6	002282-01-000	FT	Weatherstrip - 125" - Black
.	020749-03-000	EA	Inside Frame - Escape Window - 23" x 29" (not included in assembly)
.	006199-01-000	EA	Label - Exit - Escape Window
.			Not Illustrated

**WINDOW, VENT AND EXTERIOR DOOR GROUP (CONTINUED)**



Key	Part Number	U/M	Description
1	048630-04-000	EA	Window Asm - Double Slider - 23" x 65" - Black Anod. (w/o inside frame)
2	066727-02-000	EA	Glass - Sliding - 1/8" x 22" x 21"
3	002324-02-000	FT	Channel - Weatherstrip - Glass Run - 1/8" Glass
4	053767-03-000	FT	Tape - 1/4" Bead x 20" - Gray
5	057374-02-000	FT	Seal - Window Channel - Black
6	002309-02-000	FT	Spline - Glass - Black
7	018025-03-000	EA	Holder - Glass Seal - Black Anod. Extr. - 21.19"
8	041894-02-000	EA	Mullion - Slider Window - 23" - Black Anod. Extr.
9	002188-01-000	EA	Glass - Stationary - 115" x 22" x 25"
10	047369-01-000	EA	Latch - Window - Plastic w/Fastener
.	023320-01-000	EA	Pad - Foam - 3/8" Dia. (used w/Plastic Latch)
.	002286-01-000	FT	Seal - Fin - Pile - .30" - Mullion
.	023713-02-000	EA	Cover - Weep Hole - Black
.	042133-09-000	EA	Frame - Inside - Single Slider - 25" x 65"
.			Not Illustrated

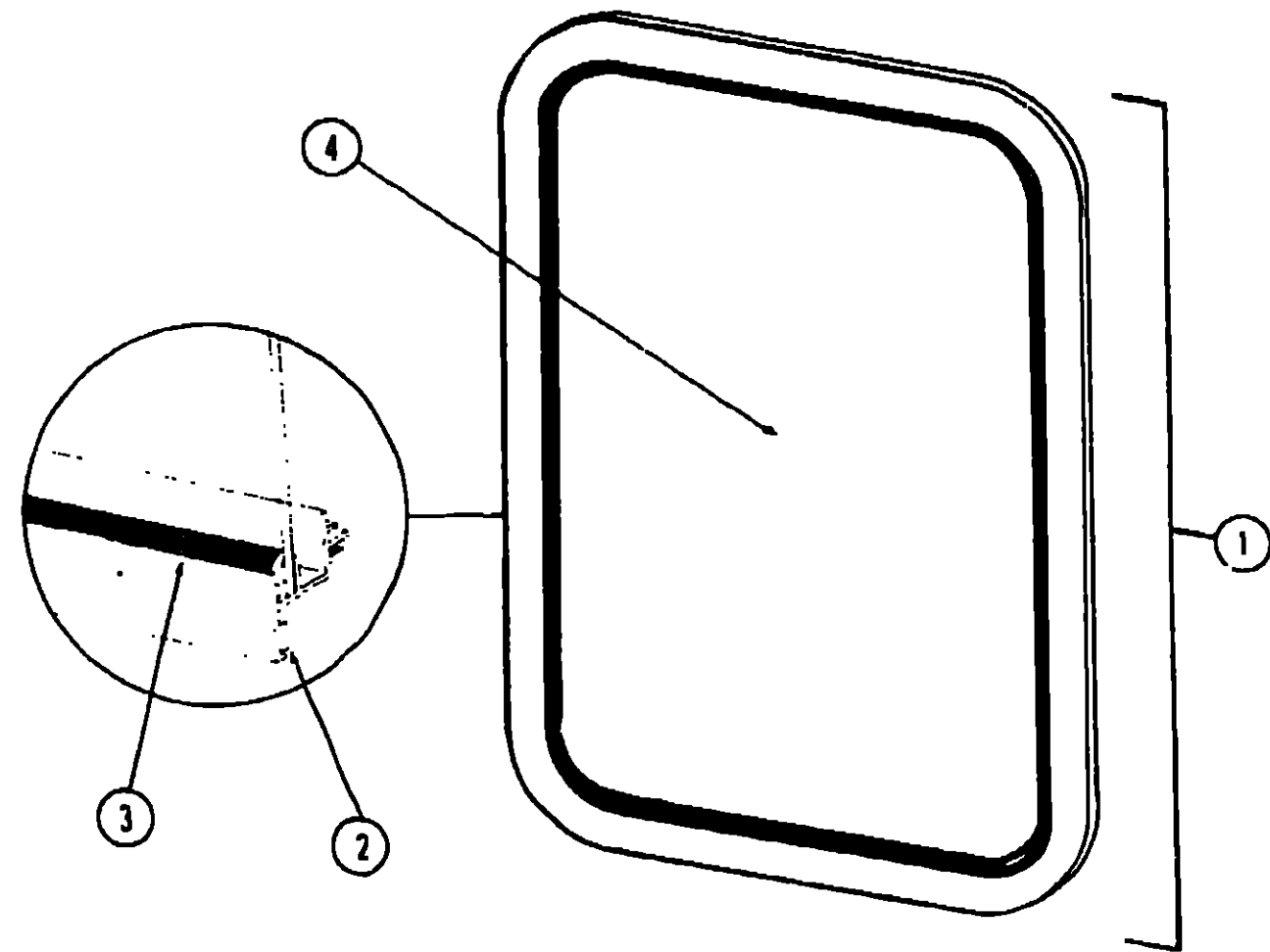
**1981 WINNEBAGO  
TABLE OF CONTENTS**

WC723RB N1	A-1 - B-8
WC723RH N1	B-9 - C-16
WC419RB M1, WD41RB M2	C-17 - E-6
WCF22RB M1, WCF22RB M2	E-7 - G-2

**1981 WCF22RB M1, WCF22RB M2 INDEX**

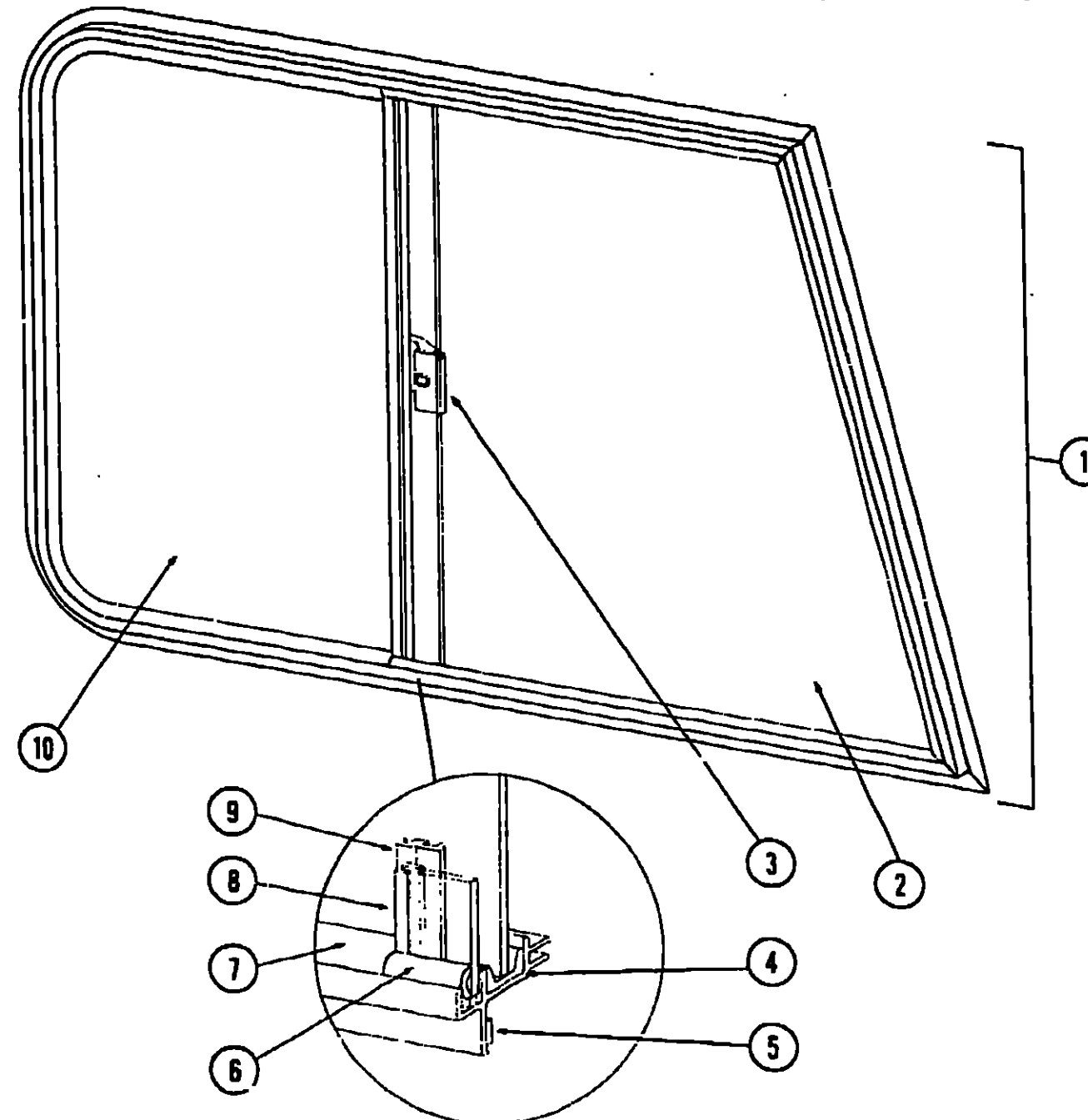
Floor Plan	E-7 - E-8
Accessories Group	E-9 - E-10
Bath Group	E-11
Chassis Group	F-12 - E-13
Curtain, Cushion & Pad Group	E-14 - E-21
Dinette Group	E-22
Driver's Compartment Group	E-23 - E-24
Electrical Group	F-1 - F-3
Exterior Body Group	F-4 - F-7
Galley Group	F-8
Heating & Air Conditioning Group	F-9 - F-10
Interior Finish Group	F-11 - F-12
LP Group	F-13
Lounge Group	F-14
Water & Sewage Group	F-15 - F-16
Window, Vent & Exterior Door Group	F-17 - G-2

**WINDOW, VENT AND EXTERIOR DOOR GROUP (CONTINUED)**



Key	Part Number	U/M	Description
1	056651-01-000	EA	Window Asm - Picture 20 3/4" x 20 3/4" - Black (w/o inside frame)
2	053767-03-000	FT	Tape - 1/4" Bead x 20' - Schnee Morehead
3	002309-02-000	FT	Spline - Glass - 1/8" - Black
4	002181-03-000	EA	Glass - .115" x 20.62" x 20.62" - Gray
·	056650-01-000	EA	Frame - Inside - Window (not included in assembly)
·			Not Illustrated

**WINDOW, VENT AND EXTERIOR DOOR GROUP (CONTINUED)**



Key	Part Number	U/M	Description
1	059046-01-000	EA	Window Asm. - Right Front Slant Slider - 23" x 39" - Black Anod. (w/o inside frame)
	059046-02-000	EA	Window Asm. - Left Front Slant Slider - 23" x 39" - Black Anod. (w/o inside frame)
2	057656-01-000	EA	Glass - 3/16" x 24.88" x 25.30" - Stationary
3	047369-01-700	EA	Latch - Window - Plastic w/Fastener
·	023320-01-000	EA	Foam Pad - 3/8" Dia. (used with plastic latch)
4	042077-01-000	FT	Channel - Weatherstrip - Glass Run - 3/16" Glass
5	053767-01-000	FT	Tape - 1/2" x 1/8" x 30' - Gray - Schnee Morehead
6	050216-02-000	FT	Spline - 3/16" Glass
7	057374-02-000	FT	Extr. Vinyl - Window Seal - Black
8	002389-03-206	EA	Holder - Glass Seal - Black Anod - 24 13"
9	057644-04-000	EA	Mullion, Window - Slant Slider
10	057657-01-000	EA	Glass - 3/16" x 24.88" x 14.70" - Sliding
·	059042-01-000	EA	Inside Frame - Right Front Slant Slider (not included in assembly)
·	059042-02-000	EA	Inside Frame - Left Front Slant Slider (not included in assembly)
·	023713-02-000	EA	Cover - Weephole - Black Anod.
·	055164-05-000	EA	Slider Screen Asm - Right or Left - Black
·	016310-03-000	EA	Handle - Slider Screen - Black
·	002292-01-000	SF	Screen - Window - 20" - Gray
·	002298-01-000	FT	Spline - Gray - 130" Dia
·			Not Illustrated

**1981 WINNEBAGO  
TABLE OF CONTENTS**

WC723RB N1	A-1 - B-8
WC723RH N1	B-9 - C-16
WC419RB M1, WD41RB M2	C-17 - E-6
WCF22RB M1, WCF22RB M2	E-7 - G-2

**1981 WCF22RB M1, WCF22RB M2 INDEX**

Floor Plan	E-7 - E-8
Accessories Group	E-9 - E-10
Bath Group	E-11
Chassis Group	E-12 - E-13
Curtain, Cushion & Pad Group	E-14 - E-21
Dinette Group	E-22
Driver's Compartment Group	E-23 - E-24
Electrical Group	F-1 - F-3
Exterior Body Group	F-4 - F-7
Galley Group	F-8
Heating & Air Conditioning Group	F-9 - F-10
Interior Finish Group	F-11 - F-12
LP Group	F-13
Lounge Group	F-14
Water & Sewage Group	F-15 - F-16
Window, Vent & Exterior Door Group	F-17 - G-2

**WINDOW, VENT AND EXTERIOR DOOR GROUP (CONTINUED)**

**WINDOW, VENT AND EXTERIOR DOOR GROUP (CONTINUED)**

**ACCESS DOORS**

Key	Part Number	U/M	Description
	059727-01-000	EA	Door Asm. - Storage - Insulated - 10.36" x 29.9"
	033333-49-000	EA	Door Asm. - LP - Off White w/Key Type Lock
	047233-02-000	EA	Door Asm. - Luggage - 13" x 35" - Off White w/Key Type Lock
	033333-38-000	EA	Door Asm. - Luggage - Off White w/Twist Type Lock
	054270-07-000	EA	Door Asm. - Refrigerator Access - Off White w/Twist Type Lock
	064692-04-000	EA	Door Asm. - Gas Fill - w/Key Type Lock
	042441-01-000	EA	Lock Asm. - Key Type - Gas Fill
	057096-01-000	EA	Door Asm. - Power Cord w/Hatch - Off White
	052950-03-000	EA	Lock Asm. - Twist Type - Straight Cam (Power Cord Door)
	047305-01-000	EA	Lock Asm. - Key Type w/Clip - Metal
	052950-01-700	EA	Lock Asm. - Twist Type w/Clip - White Plastic
	016945-02-000	EA	Holder Asm. - Battery and Luggage Doors
	M00685-07-000	EA	Door Asm. - Generator - Off White w/o Baffle
	052181-01-000	EA	Baffle - Generator Door
	054543-01-000	EA	Hatch - Power Cord Door
	054693-01-000	EA	Door Asm. - Battery
	042541-01-000	EA	Latch Asm. - Battery

**STORM WINDOWS**

Key	Part Number	U/M	Description
	009166-01-000	EA	Latch - Nylon - Storm Windows
	062635-01-000	EA	Storm Window - Plexiglass - 23.94" x 66.15"
	062635-04-000	EA	Storm Window - Plexiglass - 22.07" x 22.07"

**WINDSHIELD**

Key	Part Number	U/M	Description
	057459-01-000	EA	Glass - Windshield - Flat
	058272-01-000	EA	Frame Asm - Windshield
	038886-01-000	EA	Tape - Butyl - .31" x .31" x 148"

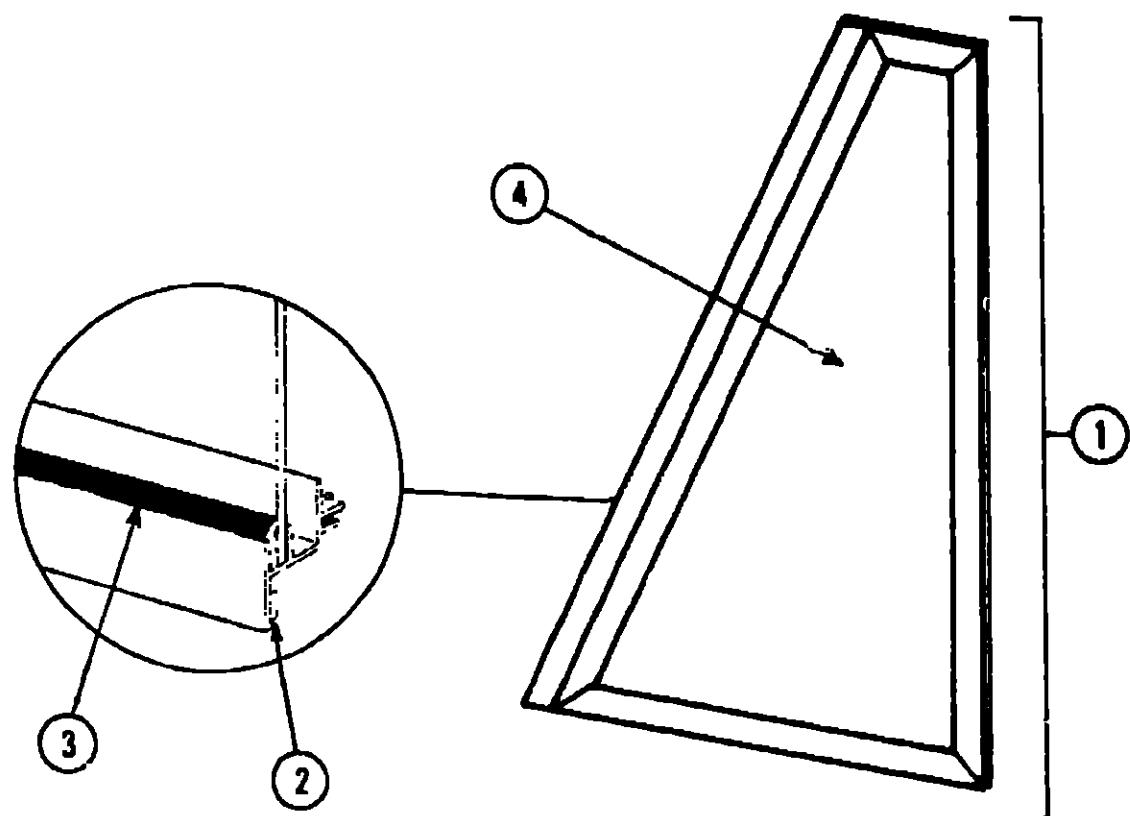
**VENTS**

Key	Part Number	U/M	Description
	039778-01-000	EA	Cover - Refrigerator Vent - Plastic
	009407-01-000	EA	Frame Asm. - Refrigerator Vent
	049352-01-000	EA	Vent - Stovehood - Outside - Powered Hood - Off White
	053334-01-000	EA	Vent - Stovehood - Outside - Non Powered Hood - Off White
**	048789-01-000	EA	Vent Asm. - Roof - Powered w/o Screen - Alum.
**	048835-01-000	EA	Vent Asm. - Roof - Non Powered - w/o Screen - Alum.

\*\* The illustrated parts breakdown for this item is provided on the Common Items Fiche.

**1981 WINNEBAGO  
TABLE OF CONTENTS**

WC723RB N1	A-1 - B-8
WC723RH N1	B-9 - C-16
WC419RB M1, WD41RB M2	C-17 - E-6
WCF22RB M1, WCF22RB M2	E-7 - G-2



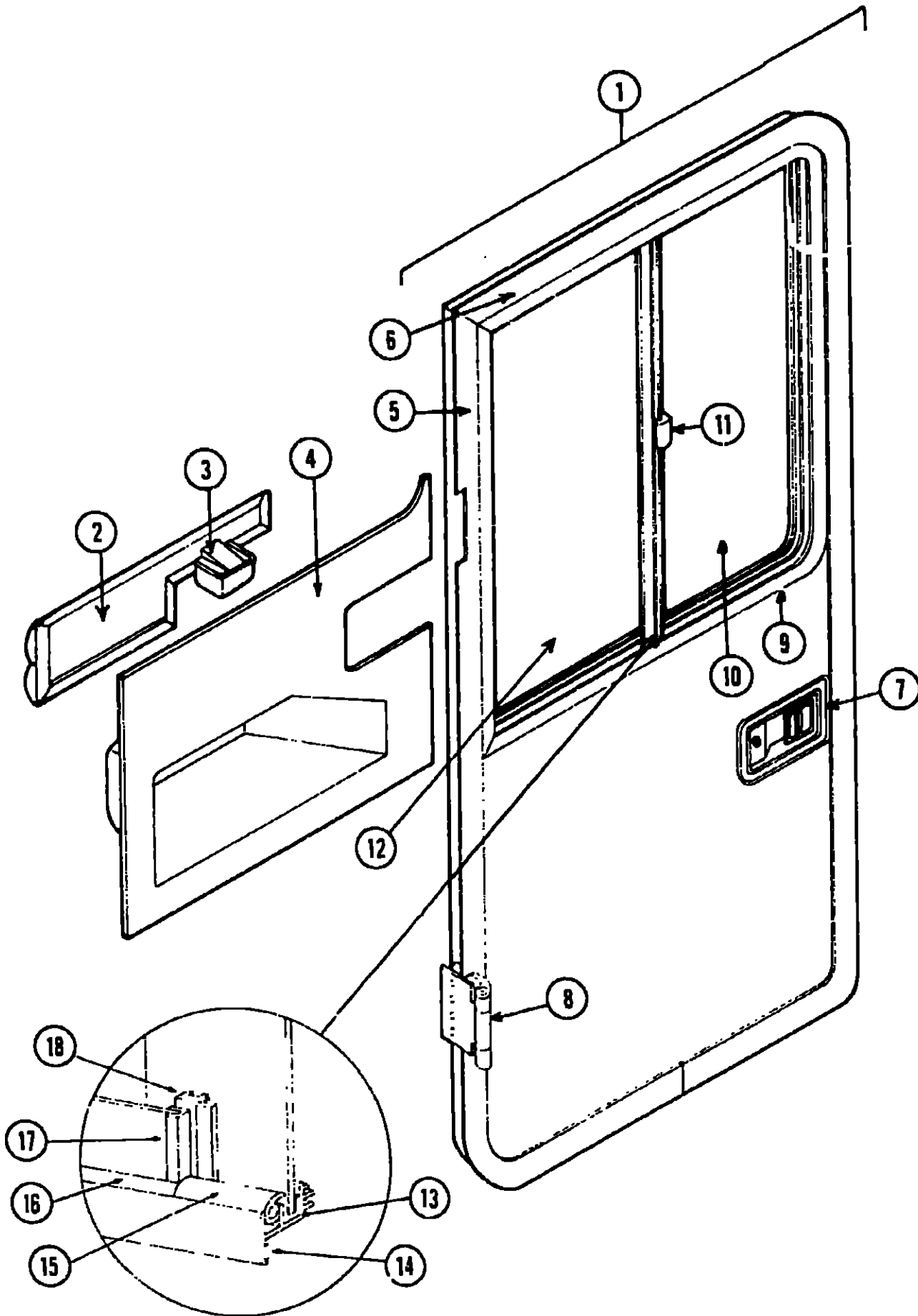
Key	Part Number	U/M	Description
1	062896-01-000	EA	Window Asm - Stationary - Drivers Slant - 14" x 25.32" Black Anod. (w/o inside frame)
2	053767-03-000	FT	Tape - 1/4" Bead x 20' - Gray - Schnee Morehead
3	002309-02-000	FT	Spline - Glass - 1/8" - Black
4	057656-02-000	EA	Glass - 3/16" x 24.88" x 13.66"
.	063420-01-000	EA	Frame - Inside - Front Slant Window (not included in assembly)
.			Not Illustrated

**1981 WCF22RB M1, WCF22RB M2 INDEX**

Floor Plan	E-7 - E-8
Accessories Group	E-9 - E-10
Bath Group	E-11
Chassis Group	E-12 - E-13
Curtain, Cushion & Pad Group	E-14 - E-21
Dinette Group	E-22
Driver's Compartment Group	E-23 - E-24
Electrical Group	F-1 - F-3
Exterior Body Group	F-4 - F-7
Galley Group	F-8
Heating & Air Conditioning Group	F-9 - F-10
Interior Finish Group	F-11 - F-12
LP Group	F-13
Lounge Group	F-14
Water & Sewage Group	F-15 - F-16
Window, Vent & Exterior Door Group	F-17 - G-2

WINDOW, VENT AND EXTERIOR DOOR GROUP (CONTINUED)

DRIVER DOOR - OFF WHITE



Key	Part Number	U/M	Description
1	063991-02-000	EA	Door Asm. - Driver - Off White
2	064088-01-000	EA	Pad Asm. - Trim - Upper
.	061400-01-000	EA	Assist Strap - 12" - Light Brown
3	046886-01-000	EA	Ashtray Asm. - Flush Mount - Chrome
4	064499-01-000	EA	Panel - Driver Door - Inner - Dark Brown Plastic
5	063350-02-000	EA	Trim - Door Frame - Front - Off White
6	063351-02-000	EA	Trim - Door Frame - Rear - Off White
7	045017-03-000	EA	Paddle - Door Lock - Exterior
.	045017-01-700	EA	Lock Cylinder w/Keys - Lynor
.	039979-02-000	EA	Inside Plate - Door Lock - w/Inside Handle
.	039540-02-000	EA	Latch Claw - Entry Door Lock
.	039738-01-000	EA	Deadbolt - Entrance Door Lock
.	039539-01-000	EA	Strike Bolt - Entrance Door (Jamb Mount)
.	063124-02-000	EA	Plate - Striker - 8 1/4" x 1" - Black
.	062879-02-000	EA	Jamb - Driver Door - Black Steel
.	064199-02-000	EA	Trim - Door Jamb - Rear - w/Drip Cap - Off White
.	064184-01-000	EA	Drip Cap - Driver Door
.	063358-02-000	EA	Trim - Door Jamb - Front - Off White
.	063768-01-000	EA	Sill Plate - Driver Door
8	063993-02-000	EA	Hinge Asm. - Drive Door - Off White
.	064580-01-000	EA	Check Strap - Driver Door - Seat Belt Webbing
.	064219-01-000	EA	Retainer - Driver Door Check Strap
.	063886-02-000	EA	Assist Handle - Driver Door - Brown Steel Tube (2 required per door)
.	064075-01-000	EA	Bulb Seal - Driver Door - 145"
9	062982-01-000	EA	Window Asm. - Driver Door - Single Slider - 23" x 25.5" - Black Anod. (w/o inside frame)
10	057657-02-000	EA	Glass - 3/16" x 24.88" x 12" - Sliding
11	047369-01-700	EA	Latch - Window - Plastic w/Fastener
12	002188-04-000	EA	Glass - 3/16" x 24.88" x 12" - Stationary
13	002324-02-000	FT	Channel - Weatherstrip - Glass Run - 1/8" Glass
14	053767-03-000	FT	Tape - 1/4" Bead x 30' - Gray - Schnee Morehead
15	024096-02-000	FT	Seal - Window Channel - Black
16	002309-02-000	FT	Spline - Glass - Black
17	002389-03-204	EA	Holder - Glass Seal - Anod. Black - 25.14"
.	002288-01-000	FT	Weatherstrip - Glass Seal
18	057644-04-000	EA	Mullion - Slider Window - Black Anod
.	063422-01-000	EA	Frame - Inside - Driver Door Window
.	023713-02-000	EA	Cover - Weephole - Black Plastic
.	055164-06-000	EA	Screen Asm. - Slider
.	002292-01-000	SF	Screen - Window - 20" - Gray
.	002298-01-000	FT	Spline - Gray - Screen - .130" Dia.
.	016310-03-000	EA	Screen Handle - Black Anod.
.	043485-02-000	FT	Screen Seal - Extr. Vinyl
.			Not Illustrated

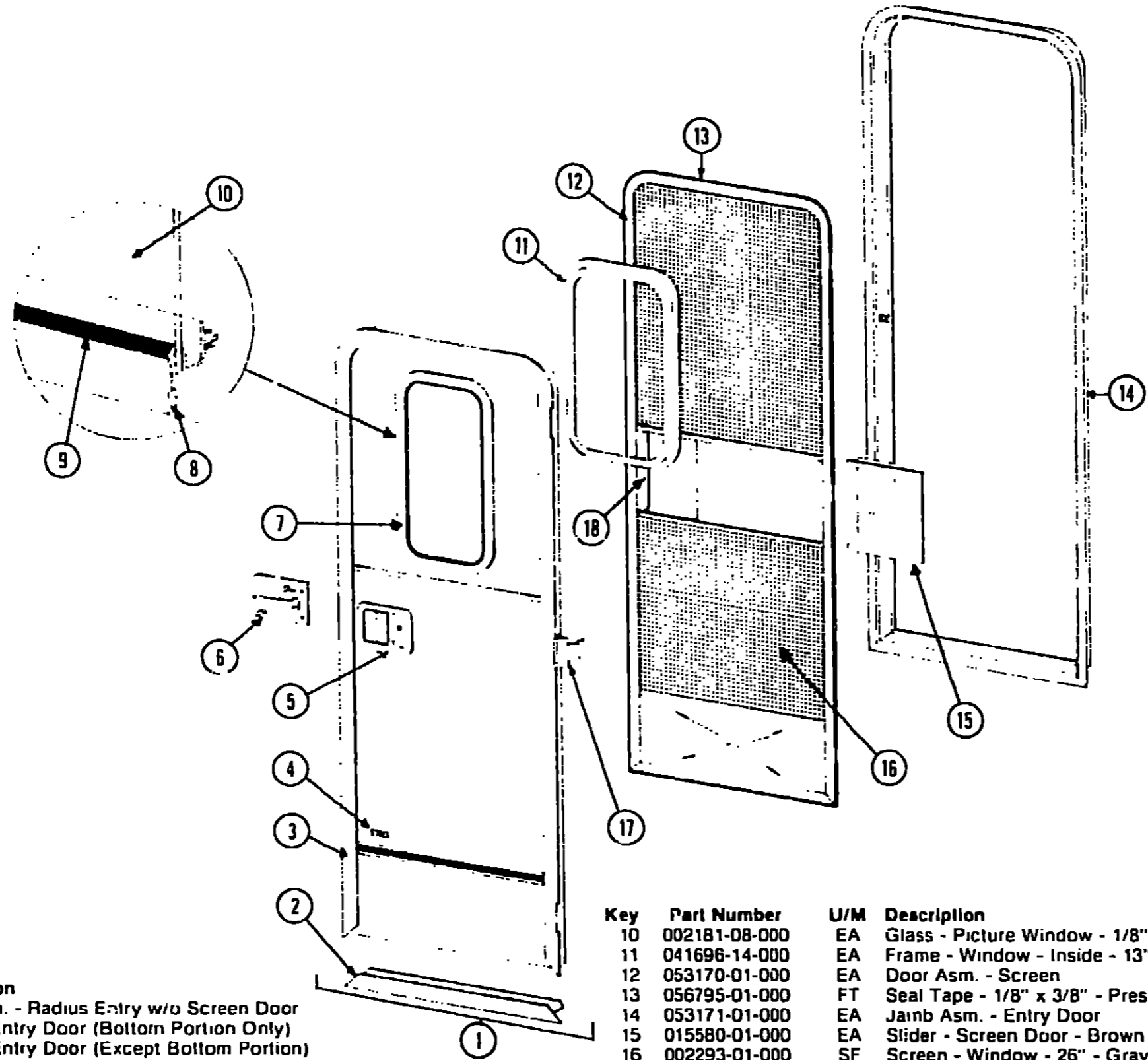
1981 WINNEBAGO  
TABLE OF CONTENTS

WC723RB N1	A-1 - B-8
WC723RH N1	B-9 - C-16
WC419RB M1, WD41RB M2	C-17 - E-6
WCF22RB M1, WCF22RB M2	E-7 - G-2

1981 WCF22RB M1, WCF22RB M2 INDEX

Floor Plan	E-7 - E-8
Accessories Group	E-9 - E-10
Bath Group	E-11
Chassis Group	E-12 - E-13
Curtain, Cushion & Pad Group	E-14 - E-21
Dinette Group	E-22
Driver's Compartment Group	E-23 - E-24
Electrical Group	F-1 - F-3
Exterior Body Group	F-4 - F-7
Galley Group	F-8
Heating & Air Conditioning Group	F-9 - F-10
Interior Finish Group	F-11 - F-12
LP Group	F-13
Lounge Group	F-14
Water & Sewage Group	F-15 - F-16
Window, Vent & Exterior Door Group	F-17 - G-2

WINDOW, VENT AND EXTERIOR DOOR GROUP (CONTINUED)



Key	Part Number	U/M	Description
1	064324-08-000	EA	Door Asm. - Radius Entry w/o Screen Door
2	039737-01-000	EA	Frame - Entry Door (Bottom Portion Only)
3	039736-01-000	EA	Frame - Entry Door (Except Bottom Portion)
4	054530-01-000	EA	Holder - Entry Door
5	045017-01-000	EA	Paddle Asm. - Door Lock - Exterior
	045017-01-700	EA	Lock Cylinder w/Keys - Lynor
	039539-01-000	EA	Striker Bolt - Entry Door
	039540-01-000	EA	Latch Claw - Entry Door
6	039979-01-000	EA	Plate - Lock - Inside - Including Inside Handle
	052186-01-000	EA	Lock Asm. - Complete - Lynor
7	041875-11-000	EA	Window Asm. - Picture - 13" x 23" - Black Anod. (inside frame not included in assembly)
8	004363-01-000	FT	Tape - Foam - 3/16" x 1/2" - Gray
9	002309-02-000	EA	Spline - Glass - 1/8" Black
	009016-01-000	EA	Catch - Elbow - Spring Loaded
	063638-01-000	EA	Strike - Screen Door

Key	Part Number	U/M	Description
10	002181-08-000	EA	Glass - Picture Window - 1/8" x 12" x 22" - Gray
11	041696-14-000	EA	Frame - Window - Inside - 13" x 23" - Brown
12	053170-01-000	EA	Door Asm. - Screen
13	056795-01-000	FT	Seal Tape - 1/8" x 3/8" - Press On
14	053171-01-000	EA	Jamb Asm. - Entry Door
15	015580-01-000	EA	Slider - Screen Door - Brown Plastic
16	002293-01-000	SF	Screen - Window - 26" - Gray
17	039520-01-000	EA	Hinge - Entry Door (3 used per door)
18	015581-01-000	EA	Cap - Screen Door - Brown Plastic
	049176-01-000	EA	Hedlok II - 3/4" Diameter - Screw Mount (Retains screen door to entry door)
	049797-01-000	EA	Hedlok II - 1" Diameter - Screw Mount (Retains screen door to entry door)
	058025-02-000	EA	Clip - Roller Catch
	039863-01-000	EA	Catch Asm. - Single Roller w/Strike - Screen Door
	051390-01-000	FT	Seal - Bulb - Rubber
	039800-03-000	FT	Tubing - Polybutyl - 3/8" O.D. - Jamb
	044582-02-000	EA	Drip Cap - Jamb Mounted - Off White
			Not Illustrated

1981 WINNEBAGO TABLE OF CONTENTS

WC723RB N1	A-1 - B-8
WC723RH N1	B-9 - C-16
WC419RB M1, WD41RB M2	C-17 - E-6
WCF22RB M1, WCF22RB M2	E-7 - G-2

1981 WCF22RB M1, WCF22RB M2 INDEX

Floor Plan	E-7 - E-8
Accessories Group	E-9 - E-10
Bath Group	E-11
Chassis Group	E-12 - E-13
Curtain, Cushion & Pad Group	E-14 - E-21
Dinette Group	E-22
Driver's Compartment Group	E-23 - E-24
Electrical Group	F-1 - F-3
Exterior Body Group	F-4 - F-7
Galley Group	F-8
Heating & Air Conditioning Group	F-9 - F-10
Interior Finish Group	F-11 - F-12
LP Group	F-13
Lounge Group	F-14
Water & Sewage Group	F-15 - F-16
Window, Vent & Exterior Door Group	F-17 - G-2