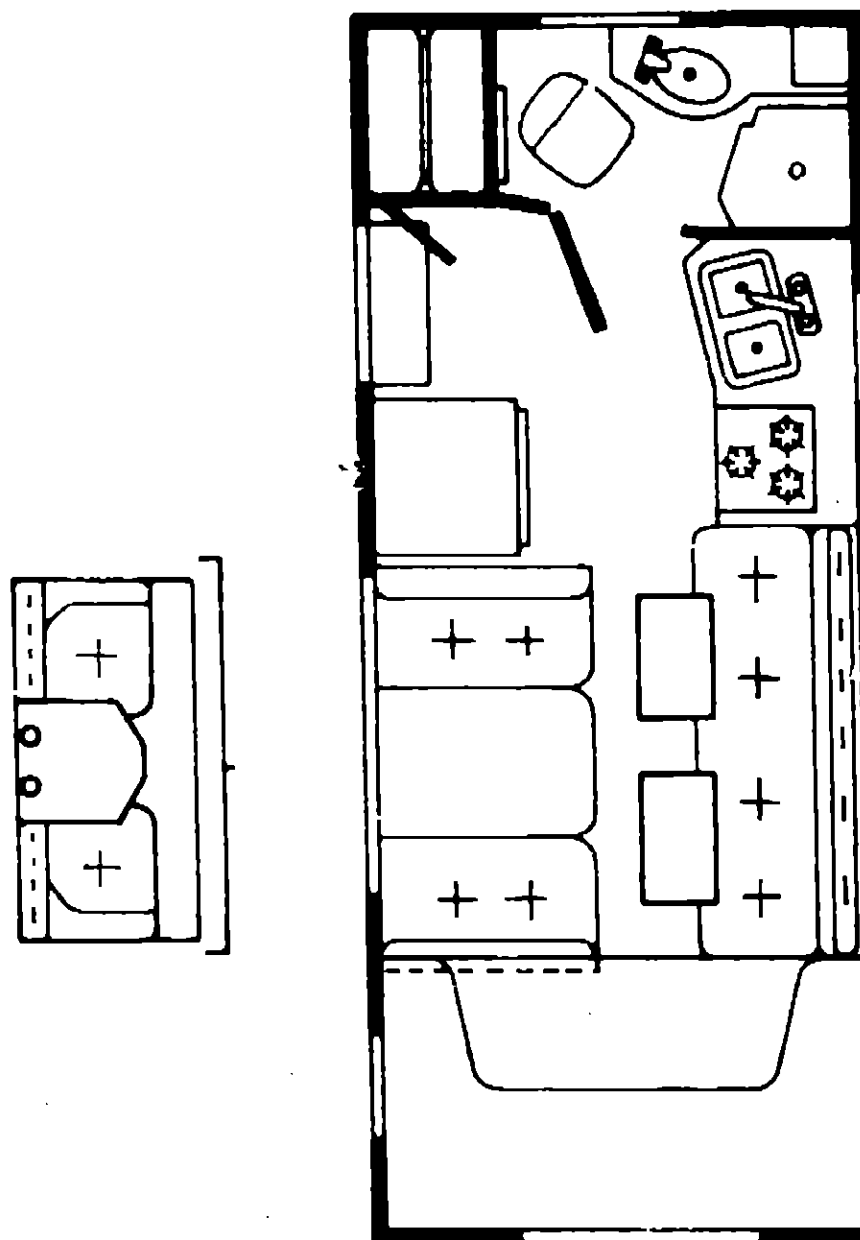


1981 WC621RB M2



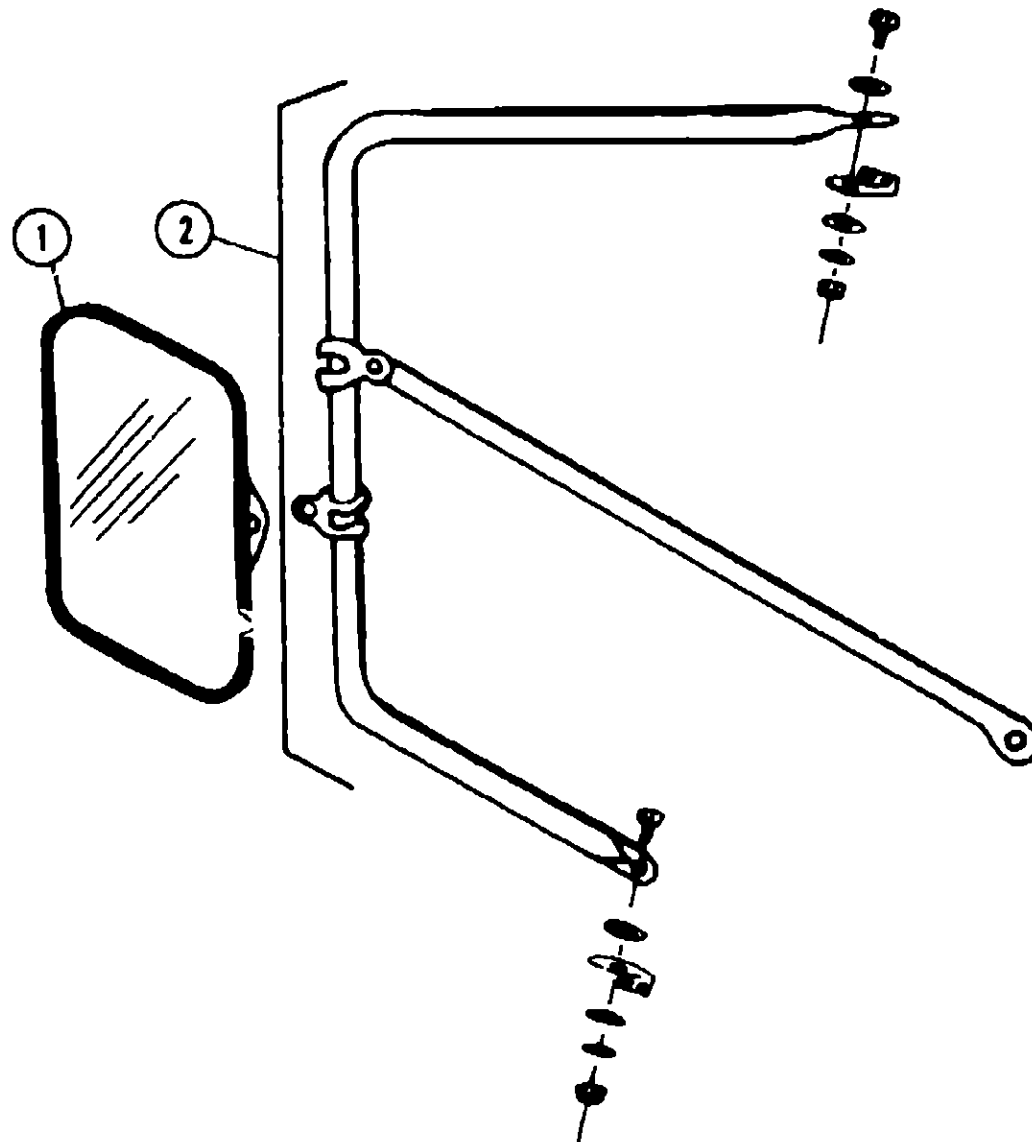
1981 WINNEBAGO TABLE OF CONTENTS

Introduction	I
Abbreviations	I
Alphabetical Index	II - IV
WDN29RT M1, WCN29RT M2	A-1 - C-8
WDN26RB M1, WCN26RB M2	C-9 - E-8
WC621RB M2	E-9 - F-18

1981 WC621RB M2 INDEX

Floor Plan	E-9 - E-10
Accessories Group	E-11 - E-12
Bath Group	E-13
Chassis Group	E-14
Curtain, Cushion and Pad Group	E-15 - E-19
Dinette Group	E-20
Driver's Compartment Group	E-21
Electrical Group	E-22 - E-23
Exterior Body Group	E-24 - F-3
Galley Group	F-4
Heating & Air Conditioning Group	F-5
Interior Finish Group	F-6 - F-7
LP Group	F-8
Lounge Group	F-9
Water & Sewage Group	F-10 - F-11
Window, Vent & Exterior Door Group	F-12 - F-18

ACCESSORIES GROUP



Key	Part Number	U/M	Description
1	057461-01-000	EA	Mirror Head - 7 1/2" x 10 1/2" - w/Convex
2	049349-01-000	EA	Arm - West Coast Mirror - Stainless Steel

ACCESSORIES GROUP (CONTINUED)

RADIOS AND RELATED COMPONENTS

Key	Part Number	U/M	Description
	064785-01-000	EA	Radio - AM - Audiovox
	064787-01-000	EA	Radio - AM/FM/MPX - w/Cassette
	064786-01-000	EA	Radio - AM/FM/MPX/8 Track
	007004-01-000	EA	Antenna - Radio - Cab Mount
	048153-01-000	EA	Antenna - CB - Camper Style
	064791-01-000	EA	Speaker - Recessed - 5 1/4" x 10 oz.
	064792-01-000	EA	Grille - Speaker - 5 1/4"

GENERATOR AND COMPONENTS

Key	Part Number	U/M	Description
	054427-01-000	EA	Generator - 3.0 kw - Onan
	701629-02-000	EA	Package - Onan Installation
	057652-01-000	EA	Muffler - Generator - AJ
	049380-07-000	EA	Overhead Console
	050015-01-000	EA	Bracket Overhead Console

MISCELLANEOUS ACCESSORIES

Key	Part Number	U/M	Description
	006053-01-000	EA	Antenna - TV - Braund Delux
	006053-01-700	EA	Repair Parts Kits - Braund TV Antenna
	006083-01-000	EA	Jack - TV - Brown
	052771-02-000	EA	Oven - Microwave - Magic Chef 207-4
	006113-01-000	EA	Jack - Hydraulic - 5 Ton
	007038-01-000	EA	Mat - Door - Black Rubber - 10 1/2" x 26"
	041944-03-000	EA	Fire Extinguisher - Dry Chemical w/Bracket
	054185-12-000	EA	Owner's Manual - 1981 - Winnebago & Itasca
	063739-01-000	EA	Battery - 12V - Aux. 90 Amp.
	017516-01-000	EA	Mud Flap - Black - 14" x 18" w/Holes
	064477-03-000	EA	Cover - Spare Tire - Plastic - Beige
**	031398-03-000	EA	Wheel Cover - 16.5" - Chrome
**	064082-05-000	EA	Retention - Wheel Cover - Chevy (4)
**	059779-01-000	EA	Speed Control - Chev. - Dana
	067125-01-000	EA	Standoff Rack & Ladder
	067161-01-000	EA	Ladder Arm.
	067130-01-000	EA	Step Ladder
	041648-01-000	EA	Luggage Carrier Arm. - Roof Mounted
	038881-01-000	EA	Catch and Strike - Luggage Carrier

**The illustrated parts breakdown for this item is provided on the Common Items Fiche.

1981 WINNEBAGO TABLE OF CONTENTS

Introduction	I
Abbreviations	I
Alphabetical Index	II - IV
WDN26RT M1, WCN26RT M2	A-1 - C-8
WDN26RB M1, WCN26RB M2	C-9 - E-8
WC621RB M2	E-9 - F-18

1981 WC621RB M2 INDEX

Floor Plan	E-9 - E-10
Accessories Group	E-11 - E-12
Bath Group	E-13
Chassis Group	E-14
Curtain, Cushion and Pad Group	E-15 - E-19
Dinette Group	E-20
Driver's Compartment Group	E-21
Electrical Group	E-22 - E-23
Exterior Body Group	E-24 - F-3
Galley Group	F-4
Heating & Air Conditioning Group	F-5
Interior Finish Group	F-6 - F-7
LP Group	F-8
Lounge Group	F-9
Water & Sewage Group	F-10 - F-11
Window, Vent & Exterior Door Group	F-12 - F-18

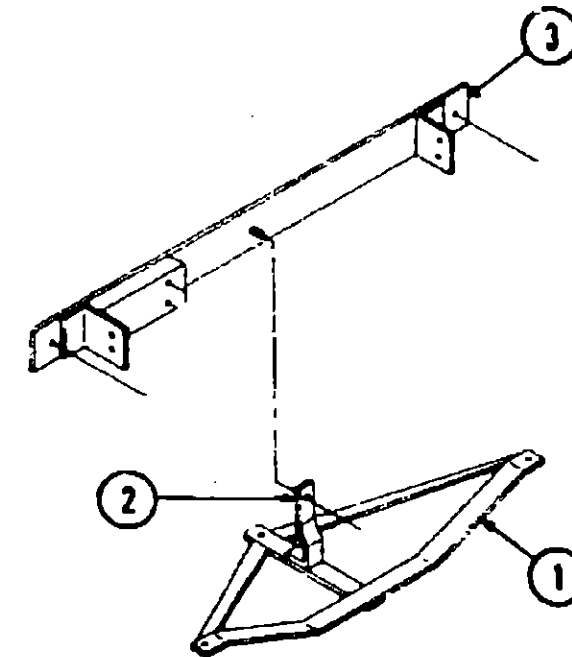
BATH GROUP

Key	Part Number	U/M	Description
	067401-01-M10	EA	Countertop Asm. - Vanity Cabinet - Rust Burnt Sienna
	067401-01-M08	EA	Countertop Asm. - Vanity Cabinet - Brown Mocha
	M67322-01-700	EA	Cabinet Asm. - Vanity - w/o Countertop & Doors
	063224-21-M10	EA	Door Asm. - Rolled - 12.8" x 30" Upper
	063224-22-M10	EA	Door Asm. - Rolled - 13.1" x 30" Lower
	065325-07-000	EA	Door Asm. - Bath - 24.1" x 74.2"
	065325-15-M10	EA	Door Asm. - Vanity Cabinet - 19.5" x 15.2" - w/o Hardware
	065325-12-M10	EA	Door Asm. - Wardrobe Cabinet - 46.4" x 17.5" - w/o Hardware
	065273-02-M10	EA	Door Asm. - Wardrobe Cabinet - 15" x 56.2" w/Mirror - w/o Hardware
	058713-01-000	EA	Sink - Oval - Ivory Plastic
	061408-02-000	EA	Soap Holder - Pewter
	061410-02-000	EA	Towel Ring - Pewter
	052563-01-000	EA	Towel Rack Asm. - Mounts on Door
	M67100-01-M10	EA	Cabinet Asm. - Medicine
	067218-01-M10	EA	Door Asm. - Medicine Cabinet - 14.7" x 38.7" - w/o Hardware
	058331-02-000	EA	Mirror - Medicine Cabinet Door - 12" x 36"
	058331-04-000	EA	Mirror - Wardrobe Door
	057898-01-000	EA	Hidden Latch
	058335-02-000	EA	Bath Door Latch
	009134-01-000	EA	Holder - Tissue
	011056-02-000	EA	Faucet - Lavatory - CSA
**	011056-01-000	EA	Faucet - Lavatory - US
	011083-01-000	EA	Plug w/Chain - 1 1/4"
**	011048-01-000	EA	Shower Head - w/60" Hose
**	011070-01-000	EA	Tailpiece - 1 1/4" x 6" - Brass
	064350-01-000	EA	Shower Pan
**	011059-03-000	EA	Faucet - Shower USA
**	063740-01-000	EA	Toilet - Thetford Aqua Magic IV - Ivory

**The illustrated parts breakdown for this item is provided on the Common Items Fiche.

CHASSIS GROUP

Key	Part Number	U/M	Description
	059859-01-000	EA	Wheel Well - Plastic - Left or Right Rear
	061411-01-000	EA	Tail Pipe Extension - 2" O.D. x 10"
	007125-05-000	EA	Clamp Asm. - Muffler - 2" Dia.
	064083-01-000	EA	Box - Luggage Compartment - 14" x 30" x 60"
	064291-01-000	EA	Tray - Battery - 20.5" x 15.4"
	051897-01-000	EA	Bracket - Battery Tie Down
	049912-01-000	EA	Step Asm. Assist - Cab
	017516-01-000	EA	Mud Flap - 14" x 18" - w/Holes
	064069-01-000	EA	Splashguard - Front - Black Rubber
	064379-01-000	EA	Bumper - Rear - Chrome Steel
	061189-01-000	EA	Bracket Asm. - Rear Bumper Mount - Left
	061189-02-000	EA	Bracket Asm. - Rear Bumper Mount - Right
	064213-01-000	EA	Box - Power Cord
	049407-01-000	EA	Tire - 8.75 x 16.5 - 8 Ply - Black Tubeless
	065118-02-000	EA	Wheel - 6.75 x 16.5 - Chevy
	047441-01-000	EA	Battery Terminal - Horizontal Lug
	007131-01-000	EA	Hanger - Tail Pipe
	064487-01-000	EA	Spare Tire Support Asm.
	040784-01-000	EA	Blade Asm. - Windshield Wiper



Key	Part Number	U/M	Description
1	064833-01-000	EA	Trailer Hitch Asm. - w/Support
2	064824-01-000	EA	Support - Trailer Hitch
3	065237-01-000	EA	Bracket - Bumper Mount - Rear

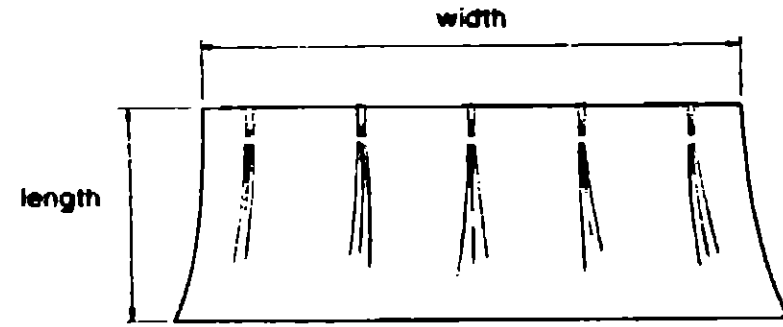
1981 WINNEBAGO TABLE OF CONTENTS

Introduction	I
Abbreviations	I
Alphabetical Index	II - IV
WDN29RT M1, WCN29RT M2	A-1 - C-8
WDN26RB M1, WCN26RB M2	C-9 - E-8
WC621RB M2	E-9 - F-18

1981 WC621RB M2 INDEX

Floor Plan	E-9 - E-10
Accessories Group	E-11 - E-12
Bath Group	E-13
Chassis Group	E-14
Curtain, Cushion and Pad Group	E-15 - E-19
Dinette Group	E-20
Driver's Compartment Group	E-21
Electrical Group	E-22 - E-23
Exterior Body Group	E-24 - F-3
Galley Group	F-4
Heating & Air Conditioning Group	F-5
Interior Finish Group	F-6 - F-7
LP Group	F-8
Lounge Group	F-9
Water & Sewage Group	F-10 - F-11
Window, Vent & Exterior Door Group	F-12 - F-18

CURTAIN, CUSHION AND PAD GROUP



NOTE:
Use this illustration when determining length and width measurement for curtains. You will note the width measurement is taken on the top of the curtain with the curtain full extended. The length measurement is taken from top to bottom.

CURTAINS AND TIE BACKS

Key	Part Number	U/M	Description
	056484-48-M07	EA	Curtain Asm. - 20" x 9" - Copper
	056484-48-M08	EA	Curtain Asm. - 20" x 9" - Walnut
	054045-17-M07	EA	Curtain w/Snap Top and Bottom - 18" x 44" - Copper
	054045-17-M08	EA	Curtain w/Snap Top and Bottom - 18" x 44" - Walnut
	054051-02-M07	EA	Curtain w/Snap Top - 34" x 37" - Copper
	054051-02-M08	EA	Curtain w/Snap Top - 34" x 37" - Walnut
	056484-28-M07	EA	Curtain w/Snap Top - 28.5" x 19" - Copper
	056484-28-M08	EA	Curtain w/Snap Top - 28.5" x 19" - Walnut
	054103-08-M07	EA	Curtain w/Snap Top - 12" x 38" - Copper
	054103-08-M08	EA	Curtain w/Snap Top - 12" x 38" - Walnut
	059900-03-M07	EA	Curtain Asm. - Wraparound - 25" x 80" - Copper
	059900-03-M08	EA	Curtain Asm. - Wraparound - 25" x 80" - Walnut
	056484-47-M07	EA	Curtain Asm. - w/Snap Top - 31" x 37" - Copper
	056484-47-M08	EA	Curtain Asm. - w/Snap Top - 31" x 37" - Walnut
	064913-09-M07	EA	Curtain Asm. - w/Snap Top - 25" x 86" - Copper
	064913-09-M08	EA	Curtain Asm. - w/Snap Top - 25" x 86" - Walnut
	054048-08-M07	EA	Tie Back - Curtain - 2" x 18" - Rust/Ginger
	054048-08-M08	EA	Tie Back - Curtain - 2" x 18" - Blue/Caramel
	054048-06-M09	EA	Tie Back - Curtain - 2" x 18" - Brown/Cedar
	057534-03-000	EA	Tie Back - Clear Plastic - 7.5"
	056737-01-000	EA	Curtain - Shower - Vinyl

SHADES AND VALANCES

Key	Part Number	U/M	Description
	067783-06-000	EA	Shade - Woven Wood - 70" x 33"
	067783-18-000	EA	Shade - Woven Wood - 39" x 29 1/2"
	067783-26-000	EA	Shade - Woven Wood - 23" x 23"
	065892-12-M07	EA	Valance Asm. - 5" x 49" - Rust/Ginger
	065892-12-M08	EA	Valance Asm. - 5" x 49" - Blue/Caramel
	065892-12-M09	EA	Valance Asm. - 5" x 49" - Brown/Cedar
	065892-17-M07	EA	Valance Asm. - 5" x 30.5" - Rust/Ginger
	065892-17-M08	EA	Valance Asm. - 5" x 30.5" - Blue/Caramel
	065892-17-M09	EA	Valance Asm. - 5" x 30.5" - Brown/Cedar
	065892-05-M07	EA	Valance Asm. - 5" x 78" - Rust/Ginger
	065892-05-M08	EA	Valance Asm. - 5" x 78" - Blue/Caramel
	065892-05-M09	EA	Valance Asm. - 5" x 78" - Brown/Cedar

CURTAIN, CUSHION AND PAD GROUP (CONTINUED)

FABRICS AND TRIMS

Key	Part Number	U/M	Description
	088339-02-000	YD	Fabric - Drapery - Copper
	088339-03-000	YD	Fabric - Drapery - Walnut
	088338-07-000	YD	Fabric - Upholstery - Rust - Ginger
	088338-08-000	YD	Fabric - Upholstery - Blue/Caramel
	088338-09-000	YD	Fabric - Upholstery - Brown/Cedar
	038421-01-000	YD	Tickling - Mattress - Gold
	052859-01-M07	FT	Trim Asm. - Accent - Acorn Brown Vinyl
	053327-01-000	YD	Vinyl - Non Expanded - 27 oz. - Acorn Brown
	053327-02-000	YD	Vinyl - Expanded - 28 oz. Acorn Brown
	053327-03-000	YD	Vinyl - Non Support - 18 Gauge Film - Acorn Brown
	M00045-02-M07	EA	Button Asm. - Upholstery - #45 - Rust/Ginger
	M00045-02-M08	EA	Button Asm. - Upholstery - #45 - Blue/Caramel
	M00045-02-M09	EA	Button Asm. - Upholstery - #45 - Brown/Cedar
	054876-01-M07	EA	Button Asm. - Upholstery - #30 - Rust/Ginger
	054876-01-M08	EA	Button Asm. - Upholstery - #30 - Blue/Caramel
	054876-01-M09	EA	Button Asm. - Upholstery - #30 - Brown/Cedar
	052350-02-000	EA	Button Asm. - Upholstery - Back - #45
	052868-01-M10	EA	Button Asm. - Vinyl - #22 - Acorn
	058051-01-M10	EA	Pad - Sleeper Board - Left - Acorn
	058051-02-M10	EA	Pad - Sleeper Board - Right - Acorn
	067152-01-M10	EA	Pad - Front Bunk - 2.88" x 5.62" - Acorn
	067152-02-M10	EA	Pad - Front Bunk - 5.25" x 6.50" - Acorn
	058053-01-M10	EA	Pad - Hinging Pillar - Right - Acorn
	058053-02-M10	EA	Pad - Hinging Pillar - Left - Acorn
	059054-01-M10	EA	Pad - Headliner - Left - Acorn
	056054-02-M10	EA	Pad - Headliner - Right - Acorn
	067153-01-M10	EA	Pad - Front Bunk - 2.88" x 8.25" - Acorn

CURTAIN HARDWARE

Key	Part Number	U/M	Description
	052327-04-236	EA	Track - Curtain - Brown Alum. - 89" w/Holes
	053272-01-001	EA	Track - Curtain - Alum. - 16"
	056001-01-000	EA	Bracket - Shade - Left
	056002-01-000	EA	Bracket - Shade - Right
	009107-01-000	EA	Guide - Nylon Snap - Curtain
	018031-42-000	EA	Track - Curtain - "L" Rod - Alum. Extr. - 90"
	009701-01-000	EA	Carrier - "L" Rod - Curtain
	009702-01-000	EA	End Stop - "L" Rod - Curtain
	056115-01-000	YD	Tape - Plastic - Clear w/Guides



Key	Part Number	U/M	Description
1	029130-01-000	EA	Socket - Snap Fastener
2	029155-01-000	EA	Cap - Snap - .156" Dia. x .17" Barrel
3	029156-01-000	EA	Socket - Snap Fastener
4	029082-01-000	EA	Stud - Nickel Finish
5	029083-01-000	EA	Eyelet - Nickel Finish

**1981 WINNEBAGO
TABLE OF CONTENTS**

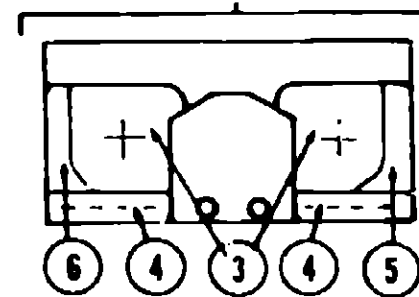
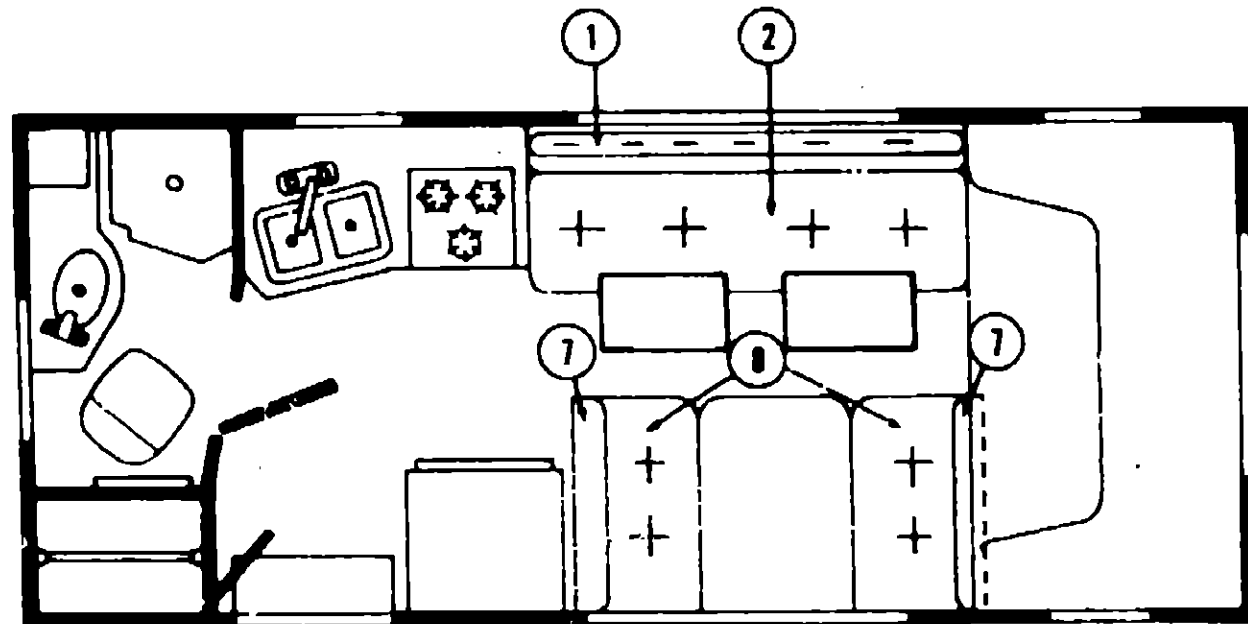
Introduction	I
Abbreviations	I
Alphabetical Index	II - IV
WDN29RT M1, WCN29RT M2	A-1 - C-8
WDN26RB M1, WCN26RB M2	C-9 - E-8
WC621RB M2	E-9 - F-18

1981 WC621RB M2 INDEX

Floor Plan	E-9 - E-10
Accessories Group	E-11 - E-12
Bath Group	E-13
Chassis Group	E-14
Curtain, Cushion and Pad Group	E-15 - E-19
Dinette Group	E-20
Driver's Compartment Group	E-21
Electrical Group	E-22 - E-23
Exterior Body Group	E-24 - F-3
Galley Group	F-4
Heating & Air Conditioning Group	F-5
Interior Finish Group	F-6 - F-7
LP Group	F-8
Lounge Group	F-9
Water & Sewage Group	F-10 - F-11
Window, Vent & Exterior Door Group	F-12 - F-18

CURTAIN, CUSHION AND PAD GROUP (CONTINUED)

CURTAIN, CUSHION AND PAD GROUP (CONTINUED)



PRESTO BED CUSHIONS

Key	Part Number	U/M	Description
1	068780-01-M07	EA	Cushion Asm. - Presto Bed - Back - 76" - Rust/Ginger
1	068780-01-M08	EA	Cushion Asm. - Presto Bed - Back - 76" - Blue/Caramel
1	068780-01-M09	EA	Cushion Asm. - Presto Bed - Back - 76" - Brown/Cedar
	M68780-01-M07	EA	Cover - Presto Bed Back - 76" - Rust/Ginger
	M68780-01-M08	EA	Cover - Presto Bed Back - 76" - Blue/Caramel
	M68780-01-M09	EA	Cover - Presto Bed Back - 76" - Brown/Cedar
2	068781-01-M07	EA	Cushion Asm. - Presto Bed - Bottom - 76" - Rust/Ginger
2	068781-01-M08	EA	Cushion Asm. - Presto Bed - Bottom - 76" - Blue/Caramel
2	068781-01-M09	EA	Cushion Asm. - Presto Bed - Bottom - 76" - Brown/Cedar
	M68781-02-M07	EA	Cover - Presto Bed Bottom - 76" - Rust/Ginger
	M68781-02-M08	EA	Cover - Presto Bed Bottom - 76" - Blue/Caramel
	M68781-02-M09	EA	Cover - Presto Bed Bottom - 76" - Brown/Cedar

CORNER LOUNGE CHAIR CUSHIONS

Key	Part Number	U/M	Description
3	059743-04-M07	EA	Cushion - Lounge Chair Bottom - Rust/Ginger
3	059743-04-M08	EA	Cushion - Lounge Chair Bottom - Blue/Caramel
3	059743-04-M09	EA	Cushion - Lounge Chair Bottom - Brown/Cedar
	059746-04-M07	EA	Cover - Lounge Chair Bottom Cushion - Rust/Ginger
	059746-04-M08	EA	Cover - Lounge Chair Bottom Cushion - Blue/Caramel
	059746-04-M09	EA	Cover - Lounge Chair Bottom Cushion - Brown/Cedar
4	059742-04-M07	EA	Cushion - Lounge Chair Back - Rust/Ginger
4	059742-04-M08	EA	Cushion - Lounge Chair Back - Blue/Caramel
4	059742-04-M09	EA	Cushion - Lounge Chair Back - Brown/Cedar
	059745-04-M07	EA	Cover - Lounge Chair Back Cushion - Rust/Ginger
	059745-04-M08	EA	Cover - Lounge Chair Back Cushion - Blue/Caramel
	059745-04-M09	EA	Cover - Lounge Chair Back Cushion - Brown/Cedar
5	059744-06-M07	EA	Cushion - Chair Wedge - Left - Rust/Ginger
5	059744-06-M08	EA	Cushion - Chair Wedge - Left - Blue/Caramel
5	059744-06-M09	EA	Cushion - Chair Wedge - Left - Brown/Cedar
	059747-06-M07	EA	Cover - Chair Wedge Cushion - Left - Rust/Ginger
	059747-06-M08	EA	Cover - Chair Wedge Cushion - Left - Blue/Caramel
	059747-06-M09	EA	Cover - Chair Wedge Cushion - Left - Brown/Cedar
6	059744-07-M07	EA	Cushion - Chair Wedge - Right - Rust/Ginger
6	059744-07-M08	EA	Cushion - Chair Wedge - Right - Blue/Caramel
6	059744-07-M09	EA	Cushion - Chair Wedge - Right - Brown/Cedar
	059747-07-M07	EA	Cover - Chair Wedge Cushion - Right - Rust/Ginger
	059747-07-M08	EA	Cover - Chair Wedge Cushion - Right - Blue/Caramel
	059747-07-M09	EA	Cover - Chair Wedge Cushion - Right - Brown/Cedar

FRONT BUNK AND DINETTE CUSHIONS

Key	Part Number	U/M	Description
7	068772-01-M07	EA	Cushion - Dinette Back - 19.2" x 36" x 5" - Rust/Ginger
7	068772-01-M08	EA	Cushion - Dinette Back - 19.2" x 36" x 5" - Blue/Caramel
7	068772-01-M09	EA	Cushion - Dinette Back - 19.2" x 36" x 5" - Brown/Cedar
	M68772-01-M07	EA	Cover - Dinette Back Cushion - 19.2" x 36" x 5" - Rust/Ginger
	M68772-01-M08	EA	Cover - Dinette Back Cushion - 19.2" x 36" x 5" - Blue/Caramel
	M68772-01-M09	EA	Cover - Dinette Back Cushion - 19.2" x 36" x 5" - Brown/Cedar
8	068772-02-M07	EA	Cushion - Dinette Bottom - 17.5" x 36" x 5" - Rust/Ginger
8	068772-02-M08	EA	Cushion - Dinette Bottom - 17.5" x 36" x 5" - Blue/Caramel
8	068772-02-M09	EA	Cushion - Dinette Bottom - 17.5" x 36" x 5" - Brown/Cedar
	M68772-02-M07	EA	Cover - Dinette Bottom Cushion - 17.5" x 36" x 5" - Rust/Ginger
	M68772-02-M08	EA	Cover - Dinette Bottom Cushion - 17.5" x 36" x 5" - Blue/Caramel
	M68772-02-M09	EA	Cover - Dinette Bottom Cushion - 17.5" x 36" x 5" - Brown/Cedar
	058897-12-M07	EA	Mattress - Overhead Bunk - Two Fold - 19" x 35" x 75" x 4"
	058898-12-M07	EA	Cover - Overhead Bunk Mattress - Two Fold - 19" x 35" x 75" x 4"

**1981 WINNEBAGO
TABLE OF CONTENTS**

Introduction	I
Abbreviations	I
Alphabetical Index	II - IV
WDN29RT M1, WCN29RT M2	A-1 - C-8
WCN25RB M1, WCN26RB M2	C-9 - E-8
WC621RB M2	E-9 - F-18

1981 WC621RB M2 INDEX

Floor Plan	E-9 - E-10
Accessories Group	E-11 - E-12
Bath Group	E-13
Chassis Group	E-14
Curtain, Cushion and Pad Group	E-15 - E-19
Dinette Group	E-20
Driver's Compartment Group	E-21
Electrical Group	E-22 - E-23
Exterior Body Group	E-24 - F-3
Galley Group	F-4
Heating & Air Conditioning Group	F-5
Interior Finish Group	F-6 - F-7
LP Group	F-8
Lounge Group	F-9
Water & Sewage Group	F-10 - F-11
Window, Vent & Exterior Door Group	F-12 - F-18

CURTAIN, CUSHION AND PAD GROUP (CONTINUED)

BUCKET SEATS

Key	Part Number	U/M	Description
	065939-01-M07	EA	Seat Asm. - Single Bucket - Highback w/Armrest and Skirt Right - Rust/Ginger
	065939-01-M08	EA	Seat Asm. - Single Bucket - Highback w/Armrest and Skirt Right - Blue/Caramel
	065939-01-M09	EA	Seat Asm. - Single Bucket - Highback w/Armrest and Skirt Right - Brown/Cedar
	065939-02-M07	EA	Seat Asm. - Single Bucket - Highback w/Armrest and Skirt Left - Rust/Ginger
	065939-02-M08	EA	Seat Asm. - Single Bucket - Highback w/Armrest and Skirt Left - Blue/Caramel
	065939-02-M09	EA	Seat Asm. - Single Bucket - Highback w/Armrest and Skirt Left - Brown/Cedar
	065943-03-M07	EA	Cover - Back - Single Bucket - Rust/Ginger
	065943-03-M08	EA	Cover - Back - Single Bucket - Blue/Caramel
	065943-03-M09	EA	Cover - Back - Single Bucket - Brown/Cedar
	065944-03-M07	EA	Cover - Bottom - Single Bucket - Rust/Ginger
	065944-03-M08	EA	Cover - Bottom - Single Bucket - Blue/Caramel
	065944-03-M09	EA	Cover - Bottom - Single Bucket - Brown/Cedar
	066915-03-M07	EA	Skirt - Single Bucket - Rust/Ginger
	066915-03-M08	EA	Skirt - Single Bucket - Blue/Caramel
	066915-03-M09	EA	Skirt - Single Bucket - Brown/Cedar
	068969-01-M07	EA	Seat Asm. - Double Bucket - Highback w/Armrests and Skirt - Rust/Ginger
	068969-01-M08	EA	Seat Asm. - Double Bucket - Highback w/Armrests and Skirt - Blue/Caramel
	068969-01-M09	EA	Seat Asm. - Double Bucket - Highback w/Armrests and Skirt - Brown/Cedar
	M00405-05-M07	EA	Cover - Back - Double Bucket - Rust/Ginger
	M00405-05-M08	EA	Cover - Back - Double Bucket - Blue/Caramel
	M00405-05-M09	EA	Cover - Back - Double Bucket - Brown/Cedar
	M00405-06-M07	EA	Cover - Bottom - Double Bucket - Rust/Ginger
	M00405-06-M08	EA	Cover - Bottom - Double Bucket - Blue/Caramel
	M00405-06-M09	EA	Cover - Bottom - Double Bucket - Brown/Cedar
	068878-02-M07	EA	Skirt - Double Bucket - Rust/Ginger
	068878-02-M08	EA	Skirt - Double Bucket - Blue/Caramel
	068878-02-M09	EA	Skirt - Double Bucket - Brown/Cedar
	067661-02-G00	EA	Armrest Asm. - Foam w/o Cover - Right
	067661-01-000	EA	Armrest Asm. - Foam w/o Cover - Left
	065774-03-M07	EA	Cover - Armrest - Right or Left - Rust/Ginger
	065774-03-M08	EA	Cover - Armrest - Right or Left - Blue/Caramel
	065774-03-M09	EA	Cover - Armrest - Right or Left - Brown/Cedar

DINETTE GROUP

CONVENTIONAL DINETTE AND OVERHEAD CABINETRY

Key	Part Number	U/M	Description
	053192-01-M10	EA	Table Asm. - Dinette - w/o Hardware - Rust Burnt Sienna
	053192-01-M08	EA	Table Asm. - Dinette - w/o Hardware - Brown Mocha
**	053200-04-000	EA	Bracket - Upper Wall Mount - Brown - 23.5"
**	053201-01-000	EA	Bracket - Table Mount - 23"
**	024275-01-000	EA	Rod - Table Lift - 8" x 23.5"
**	024281-08-000	EA	Bracket - Lower Wall Mount - Brown - 22.12"
**	024276-04-000	EA	Leg Asm. - Table - Brown - 28.38"
**	024277-02-000	EA	Hinge - Table Leg - Brown
**	024282-01-000	EA	Brace - Table Leg
**	024283-01-000	EA	Clip - 1" O.D. Tube
**	049493-02-000	EA	Catch - Table Leg - Mounts on Floor - Brown
	M67088-01-M10	EA	Cabinet Asm. - Dinette Back - Left Hand
	M68089-01-M10	EA	Cabinet Asm. - Dinette Back - Right Hand
	M87096-01-M10	EA	Cabinet Asm. - Dinette Seat - Right Hand
	M67096-02-M10	EA	Cabinet Asm. - Dinette Seat - Left Hand
	M66046-01-M10	EA	Cabinet Asm. - Overhead - Right Front
	063224-08-M10	EA	Door Asm. - Dinette Overhead Cabinet - Rolled - 23.9" x 16"

**The illustrated parts breakdown for this item is provided on the Common Items Fiche.

CORNER LOUNGE CHAIRS

Key	Part Number	U/M	Description
	059741-07-M07	EA	Cabinet Asm. - Corner Lounge Chair - Right
	059741-08-M07	EA	Cabinet Asm. - Corner Lounge Chair - Left
	063224-07-M10	EA	Door Asm. - Rolled - 15.5" x 12.9"
	061704-01-M10	EA	Table Asm. - Lounge - Rust Burnt Sienna
	061704-01-M08	EA	Table Asm. - Lounge - Brown Mocha
	061882-01-000	EA	Leg Asm. - Table - Pivot
	061879-01-000	EA	Leg Asm. - Table - Fixed
	024275-04-000	EA	Rod - Table Lift
	024281-05-000	EA	Bracket - Table Lift - Mounts on Table
	053200-02-000	EA	Support - Table - 14.5" - Mounts on Wall

**1981 WINNEBAGO
TABLE OF CONTENTS**

Introduction	I
Abbreviations	I
Alphabetical Index	II - IV
WDN29RT M1, WCN29RT M2	A-1 - C-8
WDN26RB M1, WCN26RB M2	C-9 - E-8
WC621RB M2	E-9 - F-18

1981 WC621RB M2 INDEX

Floor Plan	E-9 - E-10
Accessories Group	E-11 - E-12
Bath Group	E-13
Chassis Group	E-14
Curtain, Cushion and Pad Group	E-15 - E-19
Dinette Group	E-20
Driver's Compartment Group	E-21
Electrical Group	E-22 - E-23
Exterior Body Group	E-24 - F-3
Galley Group	F-4
Heating & Air Conditioning Group	F-5
Interior Finish Group	F-6 - F-7
LP Group	F-8
Lounge Group	F-9
Water & Sewage Group	F-10 - F-11
Window, Vent & Exterior Door Group	F-12 - F-18

DRIVER'S COMPARTMENT GROUP

BUCKET SEAT PEDESTAL AND SEAT BELTS

Key	Part Number	U/M	Description
	050447-01-000	EA	Pedestal Asm. - Tilt Seat - Left
	050447-02-000	EA	Pedestal Asm. - Tilt Seat - Right - Single Seat
	007019-01-000	EA	Belt Asm. - Seat - 2" x 84" - Black
	041322-01-000	EA	Washer - Flat 15/32" I.D. x 2 3/8" O.D. - Seat Belt
	049843-01-000	EA	Pedestal - Complete - Swivel
	007222-01-000	EA	Belt Asm. - Seat - 2" x 80" - Black
	043910-01-000	EA	Bracket Asm. - Seat Belt
	058375-01-000	EA	Bracket - Seat Belt - Washer
	051382-01-000	EA	Adjuster Asm. - Seat w/Lock
	051383-01-000	EA	Adjuster Asm. - Seat w/o Lock
	007021-01-000	EA	Belt Asm. - Seat - 2" x 90" - Black
	007224-02-000	EA	Handle - Seat Adjuster - 9"
	052818-05-M10	EA	Panel Asm. - Wingwall Transition - Inner Left Hand
	052818-08-M10	EA	Panel Asm. - Wingwall Transition - Inner Right Hand
	048223-01-000	EA	Bracket - Motor Cover
	061761-01-000	EA	Plate - Pedestal Adapter
	044860-01-000	EA	Door Step Matt - Rubber - Black - Left Hand
	044860-02-000	EA	Door - Step Matt - Rubber - Black - Right Hand
	059491-01-M07	EA	Sidepanel - Cab Door - Right
	059491-01-M08	EA	Side Panel - Cab Door - Right
	059492-01-M07	EA	Side Panel - Cab Door - Left
	059492-01-M08	EA	Side Panel - Cab Door Left
	066246-01-M07	EA	Sleeper Board Asm.

ELECTRICAL GROUP

BULBS

Key	Part Number	U/M	Description
	037935-01-000	EA	Bulb - 1157
	037936-01-000	EA	Bulb - 1157 A
	038010-01-000	EA	Bulb - 1143
	008103-01-000	EA	Bulb - 53
	008213-01-000	EA	Bulb - 57
	008214-01-000	EA	Bulb - 67
	008215-01-000	EA	Bulb - 1003
	008216-01-000	EA	Bulb - 1034
	008217-01-000	EA	Bulb - 1073
	008218-01-000	EA	Bulb - 1141
	008219-01-000	EA	Bulb - 656
	008220-01-000	EA	Bulb - 12V - 25W
	036196-01-000	EA	Bulb - 194
	700020-01-000	EA	Bulb - 12V - 20W - 1383

FUSES AND CIRCUIT BREAKERS

Key	Part Number	U/M	Description
	056473-01-000	EA	Fuse - Slow Blow - 6 1/4 Amp.
	008233-01-000	EA	Fuse - 12 Volt - 6 Amp.
	008234-01-000	EA	Fuse - 12 Volt - 10 Amp.
	008235-01-000	EA	Fuse - 12 Volt - 15 Amp.
	008236-01-000	EA	Fuse - 12 Volt - 20 Amp.
	008248-01-000	EA	Fuse - 110 Volt - 30 Amp. - AGU
	008252-01-000	EA	Fuse - 110 Volt - 50 Amp.
	008208-01-000	EA	Circuit Breaker - 12 Volt - 40 Amp.
	008211-01-000	EA	Circuit Breaker - 12 Volt - 6 Amp.
	008268-01-000	EA	Circuit Breaker - 12 Volt - 30 Amp. w/Mount
	033573-01-000	EA	Circuit Breaker - 12 Volt - 20 Amp. w/Mount
	040051-01-000	EA	Circuit Breaker - 110 Volt - 20 Amp. - TQL
	033573-02-000	EA	Circuit Breaker - 12 Volt - 15 Amp. - w/Mount
	008297-01-000	EA	Circuit Breaker - TOP 120
	008293-01-000	EA	Circuit Breaker - TOP 130
	008299-01-000	EA	Circuit Breaker - TOP 115

INTERIOR LIGHTS

Key	Part Number	U/M	Description
	064778-01-000	EA	Light - Dome - Off White - Double Jensen
	064778-02-000	EA	Light - Dome - Off White - Single Jensen
	024418-01-000	EA	Lamp Asm. - Map/Gauge/Aisle
	053346-01-000	EA	Light - High Intensity - Brown
	061424-01-000	EA	Light - 12 V Receptacle - Aisle - IP
	058288-01-000	EA	Light - Dome - Drivers Compartment

EXTERIOR LIGHTS

Key	Part Number	U/M	Description
	007309-01-000	EA	Light - Step Well
	058030-01-000	EA	Tail Lamp Asm. - 3 Bulb - Chrome - Right
	058030-02-000	EA	Tail Lamp Asm. - 3 Bulb - Chrome - Left
	058030-01-700	EA	Lens - Tail Lamp - Red
	058030-01-701	EA	Lens - Tail Lamp - Back Up
	042405-03-000	EA	Base - Rectangular Clearance Light
	042405-04-000	EA	Lens - Clearance Light - Red
	042405-05-000	EA	Lens - Clearance Light - Amber
	008089-01-000	EA	Light - Porch - Recessed
	042405-01-000	EA	Lens - Rectangle Light - Red w/Reflex
	042405-02-000	EA	Lens - Rectangle Light - Amber w/Reflex

1981 WINNEBAGO TABLE OF CONTENTS

Introduction	I
Abbreviations	I
Alphabetical Index	II - IV
WDN29RT M1, WCN29RT M2	A-1 - C-8
WDN26RB M1, WCN26RB M2	C-9 - E-8
WC621RB M2	E-9 - F-18

1981 WC621RB M2 INDEX

Floor Plan	E-9 - E-10
Accessories Group	E-11 - E-12
Bath Group	E-13
Chassis Group	E-14
Curtain, Cushion and Pad Group	E-15 - E-19
Dinette Group	E-20
Driver's Compartment Group	E-21
Electrical Group	E-22 - E-23
Exterior Body Group	E-24 - F-3
Galley Group	F-4
Heating & Air Conditioning Group	F-5
Interior Finish Group	F-6 - F-7
LP Group	F-8
Lounge Group	F-9
Water & Sewage Group	F-10 - F-11
Window, Vent & Exterior Door Group	F-12 - F-18

ELECTRICAL GROUP (CONTINUED)

WIRE, SWITCHES AND RECEPTACLES

Key	Part Number	U/M	Description
	008024-01-000	FT	Wire - 18.5 Bonded - Orange/White/Yellow/Blue/Brown
	008025-01-000	FT	Wire - 18.5 Bonded - Orange/White/Yellow/Blue/Green
	008026-01-000	FT	Wire - 18.5 Bonded - Blue/Red/Yellow/Orange/White
	008030-01-000	FT	Wire - 18.4 Bonded - Red/Blue/Orange/Green
	008251-01-000	EA	Holder - Fuse - Black - Screw Type
	008277-01-000	EA	Holder - Fuse - Black - Panel Mount
	008195-01-000	EA	Switch - Push Button - 12 Volt
	006077-01-000	EA	Plaque - Compressor Switch
	008054-01-000	EA	Cord - Power - 10-3 30 Amp. - 25' - UL
	034818-04-000	EA	Holder - Receptacle - Plastic
	024571-03-000	EA	Cover Plate - Receptacle - Jumbo Brown Plastic
	039342-02-000	EA	Receptacle - Single Ivory
	039342-01-000	EA	Receptacle - Duplex Brown - T Junction
	024571-01-000	EA	Cover Plate - Receptacle - Jumbo Steel Brown
	008294-01-000	EA	Cover Plate - Brown Steel - 4" x 4"
	008289-01-000	EA	Box - Electrical - Steel - 4" x 4"
	039343-01-000	EA	Cap - End - Receptacle
	008162-01-000	EA	Switch - Double Toggle - Spade Brown
	008163-01-000	EA	Switch - Toggle Brown
	031144-01-000	EA	Switch - Center Off - DPDT - Black 30A
	054532-01-000	EA	Housing Pin Asm. - 6 Position
	064398-01-000	EA	Housing Asm. - Trailer Receptical Plug - Female
	064450-01-000	EA	Housing Asm. - Trailer Receptical Plug - Male
	008164-01-000	EA	Cover Plate - Switch - Brown
	024924-01-000	EA	Receptacle - Power Cord
	008058-01-000	EA	Adaptor - Power Cord
	047353-01-000	EA	Cover - Receptacle - Ground Fault
	053126-02-000	EA	Receptacle - Ground Fault - Interrupter - 125 Volt - Brown
	058707-01-000	EA	Receptacle - Single - Brown - Thomas & Belts
	058708-01-000	EA	Receptacle - Duplex - Brown - Thomas & Belts
	058048-01-000	EA	Cover - Electrical - Rain Tight - (Exterior)
	008157-01-000	EA	Receptacle - Single - (Exterior)
	061405-02-000	EA	Plate - Receptacle - Duplex - Pewter
	061406-02-000	EA	Plate - Single Switch - Pewter
	061407-02-000	EA	Plate - Double Switch - Pewter

MISCELLANEOUS ELECTRICAL COMPONENTS

Key	Part Number	U/M	Description
	047338-01-000	EA	Isolator - Dual Battery
	047389-01-700	EA	Battery - 12 Volt - 105 Amp. Deep Cycle - Dry
	057899-01-000	EA	Battery - 12 Volt - Maintenance Free
	008188-01-000	EA	Solenoid - Dual Battery - Relay
	046775-01-000	EA	Valve - Gas - Change Over
	052577-01-000	EA	Gauge - Voltmeter - w/Bracket
	024462-01-000	EA	Switch - Battery Condition
	031035-01-000	EA	Gauge - Hour Meter - Generator
	024976-01-000	EA	Switch - Generator w/o Circuit Board
	024460-01-000	EA	Gauge Vacuum
	068068-01-000	EA	Load Center - 120 V - 3 CRT
	039950-01-702	EA	Circuit Board - Control Center
	024461-01-000	EA	Switch - Battery - Changeover
	046885-01-000	EA	Plaque - Switch Mounting
	048812-04-000	EA	Control Panel - Insert - Basic
	048812-09-000	EA	Control Panel - w/LP Alarm Clock - Refrigerator Light & Sensor
	039861-01-000	EA	Sending Unit - Wemac
	031720-01-000	EA	Spacer - Receptacle - Brown Plastic - CSA

EXTERIOR BODY GROUP

EXTERIOR BODY PANELS AND SHEET ALUMINUM

Key	Part Number	U/M	Description
	066203-01-M07	EA	Sidewall Asm. - Right
	066206-01-M07	EA	Sidewall Asm. - Left
	066200-02-M07	EA	Roof Asm.
	065031-03-000	EA	Cap - Backwall - Beige - Fiberglass
	054894-02-000	EA	Cap - Upper Front - Outer - Beige - Fiberglass
	054893-03-000	EA	Cap - Upper Front - Inner - Lt. Oak Plastic
	064348-02-000	EA	Valance Panel Asm. - Right Rear - Beige
	064349-02-000	EA	Valance Panel Asm. - Right Front - Beige
	064346-01-000	EA	Valance Panel Asm. - Left Rear - Beige
	064347-02-000	EA	Valance Panel Asm. - Left Front - Beige
	044487-01-001	EA	Plain Roof Metal - 96" x 360"
	000868-01-000	BF	Styrofoam - 3/4" x 24" x 96"
	000870-01-000	BF	Styrofoam - 1 1/2" x 24" x 96"

LABELS AND DECALS

Key	Part Number	U/M	Description
	006023-01-000	EA	Label - Water - Only
	006025-01-000	EA	Label - Gas
	006028-01-000	EA	Label - Drain Caps - 2" x 3"
	006031-01-000	EA	Label - Potable Water Only
	006040-01-000	EA	Tag - Gas Refueling Warning
	006062-01-000	EA	Tag - Electrical - 110 Volt Connection
	006064-01-000	EA	Label - Seat w/o Seatbelt
	064378-01-000	EA	Label - Flying W w/Thermo Panel
	006187-01-000	EA	Label - Sewage
	006188-01-000	EA	Label - Waste Water
	006199-01-000	EA	Label - Exit - Escape Window
	057467-01-000	EA	Label - Warning - Exterior Loading Limit
	061417-01-000	EA	Label - Fuel
	047731-01-000	EA	Label - Emergency Exit
	050225-01-000	EA	Label - Warning - Stove Vent - U.S.
	054531-01-000	EA	Label - LP Gas Only
	008092-01-000	EA	Reflector - Stick On - Rectangular - Red
	008093-01-000	EA	Reflector - Stick On - Rectangular - Amber
	065221-02-000	FT	Tape - Premasked 1.5" Wide - Sandy Metallic
	065222-02-000	FT	Tape - Premasked 3" Wide - Sandy Metallic
	067774-01-000	RA	Decal - Logo - Six Twenty One
	053313-11-000	EA	Decal - Logo - Winnebago 2" x 8"
	082034-01-000	EA	Stencil - Winnebago 2.8" x 22"
	065223-03-000	EA	Decal - Flying W - Side/Front - Right Hand
	065223-04-000	EA	Decal - Flying W - Side/Front - Left Hand
	058799-02-000	EA	Decal - Wave Cap - 11.75" - Left
	058855-01-000	EA	Decal - Wave - Right
	058855-02-000	EA	Decal - Wave - Left

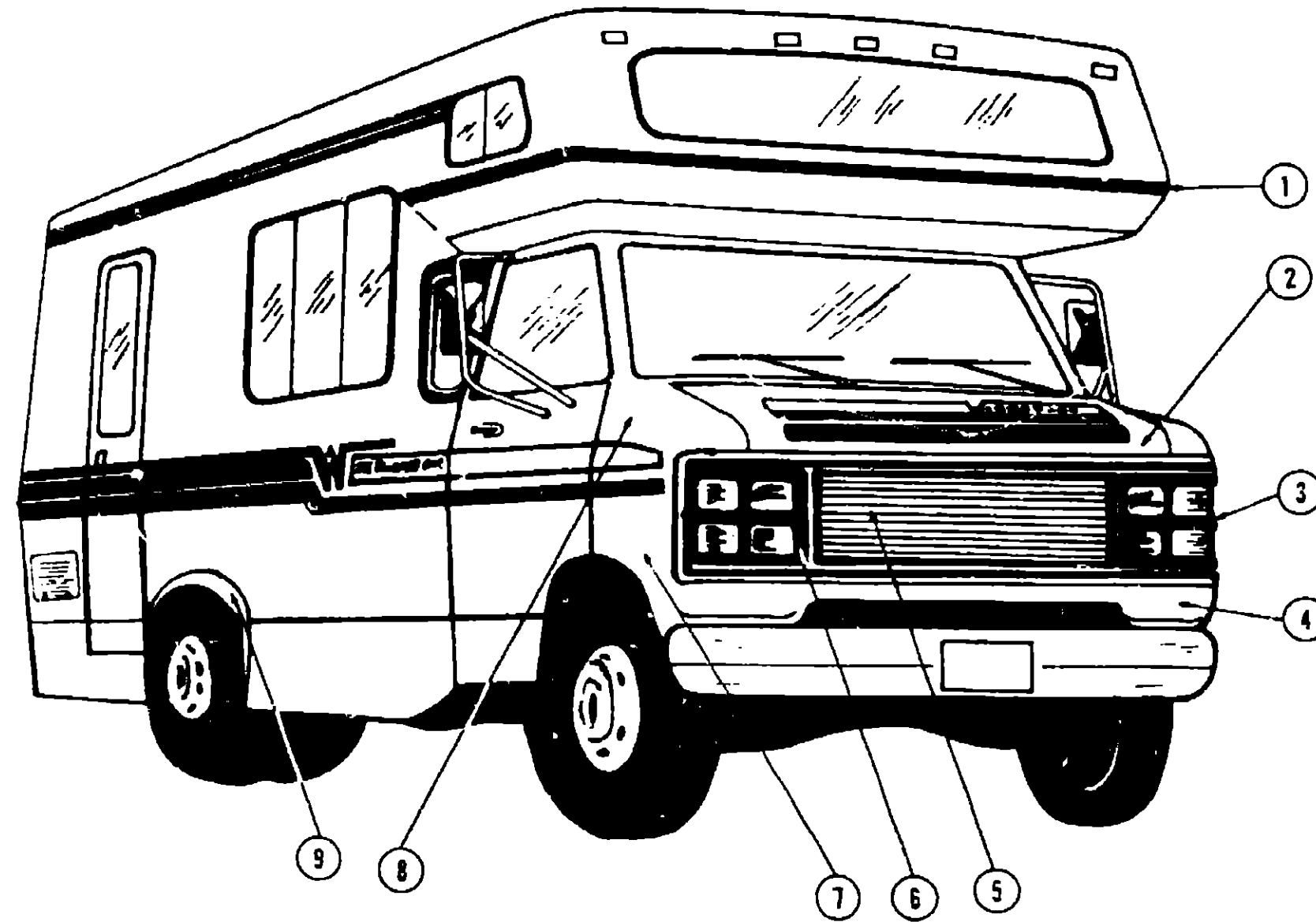
1981 WINNEBAGO TABLE OF CONTENTS

Introduction	I
Abbreviations	I
Alphabetical Index	II - IV
WDN29RT M1, WCN29RT M2	A-1 - C-8
WDN26RB M1, WCN26RB M2	C-9 - E-8
WC621RB M2	E-9 - F-18

1981 WC621RB M2 INDEX

Floor Plan	E-9 - E-10
Accessories Group	E-11 - E-12
Bath Group	E-13
Chassis Group	E-14
Curtain, Cushion and Pad Group	E-15 - E-19
Dinette Group	E-20
Driver's Compartment Group	E-21
Electrical Group	E-22 - E-23
Exterior Body Group	E-24 - F-3
Galley Group	F-4
Heating & Air Conditioning Group	F-5
Interior Finish Group	F-6 - F-7
LP Group	F-8
Lounge Group	F-9
Water & Sewage Group	F-10 - F-11
Window, Vent & Exterior Door Group	F-12 - F-18

EXTERIOR BODY GROUP (CONTINUED)



1981 WINNEBAGO TABLE OF CONTENTS

Introduction	I
Abbreviations	I
Alphabetical Index	II - IV
WDN29RT M1, WCN29RT M2	A-1 - C-8
WDN26RB M1, WCN26RB M2	C-9 - E-8
WC621RB M2	E-9 - F-18

Key	Part Number	U/M	Description
1	052765-01-000	EA	Trim Front Cap
•	055146-01-000	EA	Insert - Black Flexible Vinyl
2	062425-03-000	EA	Hood Asm. - Beige
•	057895-02-000	EA	Hinge Asm. - Hood
3	054901-01-000	EA	Bezel - Headlamp - Left
4	054898-01-000	EA	Panel - Lower Grille - Valance
5	052847-01-000	EA	Grille Asm.
6	054901-02-000	EA	Bezel - Headlamp - Right
•	049185-01-000	EA	Capsule Asm. - Headlamp Rectangular - Left - High/Low Beam
•	049186-01-000	EA	Capsule Asm. - Headlamp Rectangular - Right - High/Low Beam
•	049187-01-000	EA	Capsule Asm. - Headlamp Rectangular - Left - High Beam
•	049188-01-000	EA	Capsule Asm. - Headlamp Rectangular - Right - High Beam
•	050039-01-000	EA	Housing Asm. - Headlamp
•	054863-02-000	EA	Panel - Wheel House - Front Half - Right
•	054863-01-000	EA	Panel - Wheel House - Front Half - Left
7	052394-02-000	EA	Fender - Right Hand
•	052394-01-000	EA	Fender - Left Hand
8	058360-02-000	EA	Front End Asm. - Fiberglass - Includes Hood w/o Front Grille
9	054933-02-000	EA	Fender Trim - Rear Wheel Well - Left & Right
•	052650-01-003	EA	Trim - Sidewall - 150"
•	Not Illustrated		

EXTERIOR BODY GROUP (CONTINUED)

EXTERIOR PAINT

Key	Part Number	U/M	Description
	067766-03-000	EA	Paint - Rust Metallic - Acrylic Enamel - Aerosol 16 oz. - (45892 Dupont)
	067767-03-000	EA	Paint - Dark Blue Metallic - Acrylic Enamel - Aerosol 16 oz. - (B8043 Dupont)
	067768-03-000	EA	Paint - Dark Brown Metallic - Acrylic Enamel - Aerosol 16 oz. (44765 Dupont)
	045681-01-000	EA	Paint - Gloss Black - Acrylic Enamel - 1 Gallon (99A Dupont)
	045681-03-000	EA	Paint - Gloss Black - Acrylic Enamel - 16 oz. Aerosol (99A Dupont)
	044486-01-000	EA	Paint - Beige - Acrylic Enamel - 1 gallon (7633A Dupont)
	044486-03-000	EA	Paint - Beige - Acrylic Enamel - 16 oz. Aerosol - (7633A Dupont)
	044486-04-000	EA	Paint - Beige - Acrylic Lacquer - 1 Gallon
	067793-03-000	EA	Paint - Brown Metallic - Acrylic Enamel - 16 oz. Aerosol (44791 AW Dupont)

SEALANTS, ADHESIVES AND FASTENERS

Key	Part Number	U/M	Description
	034552-05-000	EA	Sealant - Off White Silicone
	034552-04-000	EA	Sealant - Beige Silicone
	034552-02-000	EA	Sealant - Clear Silicone
	004342-01-000	EA	Sealant - Weatherban 202 Tube
	004346-02-000	EA	Sealant - White Silicone
	004347-01-000	EA	Sealant - Tuflex
	004357-01-000	FT	Tape - Sealer - 1/8" x 5/8" - Adhesive
	009200-01-000	EA	Tape - Furnace - 1 1/2"
	004353-01-000	FT	Tape - Gasket - 1/8" x 3/4" - White
	002825-01-000	FT	Weather Stripping - Roof Vent
	002357-01-000	EA	Adhesive - 3M - 1300 Tube
	004005-01-000	GL	Adhesive - Swifts - Green - Glue (Sidewalls)
	004012-01-000	EA	Adhesive - 3M - 4475 Tube
	004020-01-000	QT	Adhesive - ABS Cement (Plastic Fittings)
	029051-01-000	EA	Adhesive - Spray Vinyl
	042401-02-000	EA	Screw - 8 - 18 x 3/4" SDPH - Off White
	042403-02-000	EA	Screw - SF/DR - 8 - 18 x 1" SDPH - Off White
	053766-01-000	EA	Bedding Compound - Tube Black - Schnee Morehead
	053766-02-000	EA	Bedding Compound - Tube White - Schnee Morehead
	053767-01-000	FT	Tape - 1/2" x 1/8" x 30' - Gray - Schnee Morehead
	053767-03-000	FT	Tape - 1/4" Bead x 20" - Gray - Schnee Morehead
	053767-04-000	FT	Tape - 3/4" x 1/8" x 30' - Gray - Schnee Morehead
	053767-05-000	FT	Tape - 2" x 3/32" x 45' - Gray - Schnee Morehead

MISCELLANEOUS EXTERNALLY MOUNTED PARTS

Key	Part Number	U/M	Description
**	011124-01-000	EA	Plumbing Seal - Roof Vent - 1 1/4" - White
**	011129-01-000	EA	Plumbing Seal - Roof Vent - 1 1/2" - White
	048817-01-000	EA	Assist Handle - w/Light
	010230-03-000	EA	Fill - City Water - Recessed - Beige
	058808-02-000	EA	Water Fill - Lockable - Beige
	048789-01-000	EA	Vent Asm. - Roof Powered - Unan
	048835-01-000	EA	Vent Asm. - Roof Non Powered - Unan
	065103-01-000	EA	Roof Vent - Refrigerator

**The illustrated parts breakdown for this item is provided on the Common Items Fiche.

GALLEY GROUP

GALLEY CABINETRY

Key	Part Number	U/M	Description
	067090-03-M10	EA	Cabinet Asm. - Galley - w/o Countertop, Doors or Hardware
	067084-02-M10	EA	Countertop Asm. - Galley Cabinet - Rust Burnt Sienna
	067084-02-M08	EA	Countertop Asm. - Galley Cabinet - Brown Mocha
	M66491-04-M10	EA	Drawer Asm. - Galley Cabinet - 18.1" x 20" w/o Hardware
	065325-11-M10	EA	Door Asm. - Galley Cabinet - 18.6" x 23.1" - w/o Hardware
	M67170-01-M10	EA	Cabinet Asm. - Galley Overhead
	063224-09-M10	EA	Door Asm. - Galley Overhead Cabinet - Rolled - 23.9" x 22"
	063224-17-M10	EA	Door Asm. - Galley Overhead Cabinet - Rolled - 21.9" x 22"
	M69689-01-M10	EA	Cabinet Asm. - Refrigerator

GALLEY HARDWARE AND APPLIANCES

Key	Part Number	U/M	Description
	011032-01-000	EA	Sink - Double - Stainless Steel w/Bolts
**	011053-01-000	EA	Faucet - 8" - Swing Spout - U.S.
	011053-02-000	EA	Faucet - 8" - Swing Spout - CSA
	067051-01-000	EA	Stove Spatter Guard - Safety Glass
	037688-01-000	FT	Rail - Drawer V Glide
**	066437-01-000	EA	Strainer - Sink - w/Basket
	053424-03-M10	EA	Sink Cover - Large - Rust Burnt Sienna
	053424-03-M08	EA	Sink Cover - Large - Brown Mocha
**	046954-03-000	EA	Hood - Stove - Powered w/Spice Rack - Black Face - U.S.
**	046954-04-000	EA	Hood - Stove - Powered w/Spice Rack - Black Face - C.S.A.
**	067754-01-000	EA	Range - 3 Burner - Small Oven - Chrome - Magic Chef
**	064472-02-000	EA	Refrigerator - 3 way - 5.9 cu. ft. Norcold
	054450-01-000	EA	Level - Refrigerator
	052771-02-000	EA	Oven - Microwave - Magic Chef 207-4

**The illustrated parts breakdown for this item is provided on the Common Items Fiche.

1981 WINNEBAGO TABLE OF CONTENTS

Introduction	I
Abbreviations	I
Alphabetical Index	II - IV
WDN29RT M1, WCN29RT M2	A-1 - C-8
WDN26RB M1, WCN26RB M2	C-9 - E-8
WC621RB M2	E-9 - F-18

1981 WC621RB M2 INDEX

Floor Plan	E-9 - E-10
Accessories Group	E-11 - E-12
Bath Group	E-13
Chassis Group	E-14
Curtain, Cushion and Pad Group	E-15 - E-19
Dinette Group	E-20
Driver's Compartment Group	E-21
Electrical Group	E-22 - E-23
Exterior Body Group	E-24 - F-3
Galley Group	F-4
Heating & Air Conditioning Group	F-5
Interior Finish Group	F-6 - F-7
LP Group	F-8
Lounge Group	F-9
Water & Sewage Group	F-10 - F-11
Window, Vent & Exterior Door Group	F-12 - F-18

HEATING AND AIR CONDITIONING GROUP

Key	Part Number	U/M	Description
	051768-01-000	EA	A/C - Compressor Mount Package - 350 C.I.D.
	051770-01-000	EA	A/C - Compressor - Rotolock - 10.3"
	056460-01-000	EA	A/C - Condenser Asm. - 350 C.I.D. C-Body
	056455-01-000	EA	A/C - Evaporator Asm.
	024996-01-000	EA	A/C - Clutch - 6" Drive
	049401-01-000	EA	Heater Asm. - Rear (Auxiliary)
	049401-01-700	EA	Valve - Water Control (Auxiliary Heater)
	049401-01-701	EA	Control Cable (Auxiliary Heater)
	049401-01-702	EA	Motor Asm. (Auxiliary Heater)
	049401-01-703	EA	Heater Core (Auxiliary Heater)
	049401-01-704	EA	Switch (Auxiliary Heater)
	058906-01-000	EA	Control Panel (Auxiliary Rear Heater)
	056464-01-000	EA	Register w/Damper - 4" Round
	009198-01-000	EA	Duct - Flexible - 4" I.D. x 25'
	031604-01-000	EA	Bonnet - Heat Register
	039505-02-000	EA	Thermostat - Horizontal Wall Mount - Black
	009200-01-000	EA	Tape - Furnace - 1 1/2"
	023146-01-000	EA	Clamp - Screw Type - 4"
	050784-01-000	EA	Vent Package - Furnace - 3-6" Wall
	051391-01-000	EA	Water Heater - w/o Motor Aid
	049042-02-000	EA	Door - Furnace - Front
	059351-02-000	EA	Furnace - 24,000 BTU - w/Piezo
	052598-01-000	EA	Furnace - 19,000 BTU - Under Counter
**	049777-02-000	EA	Air Conditioner - 110 Volt - Roof Mount - 11,000 BTU Ivory - Coleman (w/o inside shroud)
**	049778-02-000	EA	Shroud Asm. - Ceiling - Inside - Roof Air - Cool Only 11,000 BTU - Coleman
**	049774-02-000	EA	Air Conditioner - 110 Volt - Roof Mount - 13,500 BTU Ivory - Coleman (w/o inside shroud)
**	049775-02-000	EA	Shroud Asm. - Ceiling - Inside - Roof Air - Cool Only 13,500 BTU - Coleman
**	049776-01-000	EA	Shroud Asm. - Ceiling - Inside - Roof Air - Heat and Cool 13,500 BTU - Coleman
	063903-01-000	EA	Air Conditioner - 110 Volt - Roof Air - 13,500 BTU - Rotary

**The illustrated parts breakdown for this item is provided on the Common Items Fiche.

INTERIOR FINISH GROUP

PANELING AND COUNTERTOP MATERIALS

Key	Part Number	U/M	Description
	068344-05-000	SF	Paneling - 159 Elm - 48" x 96" (32SF)
	068343-08-000	SF	Paneling - Decor Bali - 48" x 96" (32 SF)
	068343-01-000	SF	Paneling - Decor Shells - 48" x 96" (32 SF)
	058339-01-000	SF	Paneling - Diamond Lustre - 48" x 96" (32 SF)
	045963-01-000	SF	Paneling - 825 Buff - Ceiling - 48" x 96" (32 SF)
	068344-01-000	SF	Paneling - Wall - Sumatra - 48" x 96" (32 SF)
	068341-01-000	SF	Plastic Laminate - Burnt Sienna - 48" x 96" (32 SF)
	068341-04-000	SF	Plastic Laminate - Brown Mocha - 48" x 96" (32 SF)

INTERIOR MOLDINGS AND TRIMS

Key	Part Number	U/M	Description
	047354-01-000	EA	Batt Strip - 825 Buff - Ceiling - 96"
	047354-04-000	EA	Batt Strip - Sumatra - 96"
	009815-03-000	EA	T Molding - .75" Light Brown
	064382-01-000	FT	Extrusion - Plastic Door Trim - (Roll Up Doors)
	022756-01-000	EA	Cover - Air Conditioner Wires
	045375-09-000	EA	Molding - Corner - With Holes
	009767-01-000	FT	Wetling - Brown
	022992-03-000	FT	Molding - Revers Cove - Sandwood
	009767-05-000	FT	Wetling - Light Brown
	009778-01-000	FT	U-Channel - 1" - Dark Brown
	017768-05-000	FT	Extrusion - U-Channel - 3/16" Light Brown
	041958-01-000	FT	Trim - Vinyl Flex Edging - Brown
	052615-05-000	EA	Panel Asm. - Wingwall Transition - Inner Left Hand
	052818-06-000	EA	Panel Asm. - Wingwall Transition - Inner Right Hand

FABRICS AND FLOOR COVERINGS

Key	Part Number	U/M	Description
	068339-02-000	YD	Fabric - Drapery - Copper
	068339-03-000	YD	Fabric - Drapery - Walnut
	068338-07-000	YD	Fabric - Upholstery - Rust/Ginger
	068338-08-000	YD	Fabric - Upholstery - Blue/Caramel
	068338-09-000	YD	Fabric - Upholstery - Brown/Cedar
	038421-01-000	YD	Tickling - Mattress - Gold
	053327-01-000	YD	Vinyl - Non Expanded - 27 oz. - Acorn Brown
	053327-02-000	YD	Vinyl - Expanded - 28 oz. Acorn Brown
	053327-03-000	YD	Vinyl - Non Support - 16 Gauge Film - Acorn Brown
	068342-02-000	YD	Vinyl - Expanded - 28 oz. - Saddle Brown
	068340-06-000	SY	Carpet - Russet Red
	068340-03-000	SY	Carpet - Cinnamon

1981 WINNEBAGO TABLE OF CONTENTS

Introduction	I
Abbreviations	I
Alphabetical Index	II - IV
WDN29RT M1, WCN29RT M2	A-1 - C-8
WDN26RB M1, WCN26RB M2	C-9 - E-8
WC621RB M2	E-9 - F-18

1981 WC621RB M2 INDEX

Floor Plan	E-9 - E-10
Accessories Group	E-11 - E-12
Bath Group	E-13
Chassis Group	E-14
Curtain, Cushion and Pad Group	E-15 - E-19
Dinette Group	E-20
Driver's Compartment Group	E-21
Electrical Group	E-22 - E-23
Exterior Body Group	E-24 - F-3
Galley Group	F-4
Heating & Air Conditioning Group	F-5
Interior Finish Group	F-6 - F-7
LP Group	F-8
Lounge Group	F-9
Water & Sewage Group	F-10 - F-11
Window, Vent & Exterior Door Group	F-12 - F-18

INTERIOR FINISH GROUP (CONTINUED)

CABINETRY AND TABLE HARDWARE

Key	Part Number	U/M	Description
	052929-01-M10	EA	Latch Kit - Cabinet Door - Antique Brass
	052932-01-M10	EA	Hinge Kit - Cabinet Door - Antique Brass
	009C40-02-000	EA	Leg - Pedestal Table - 27.5" x 2.25" O.D. - Chrome
	009040-03-000	EA	Base - Table Leg - Mounts on Table
	041194-01-000	EA	Base - Table Leg - Recessed in Floor
	039873-01-000	EA	Catch and Strike - Furnace Door
	009112-01-000	EA	Flange - 1" - Closet Rod
**	047842-01-000	EA	Kit - Dinette Table Leg
**	047809-03-000	EA	Kit - Dinette Table Wall Mount Hardware
	059753-01-000	EA	Slide - Drawer - Left
	059753-02-000	EA	Slide - Drawer - Right
**	037688-01-000	FT	Rail - Drawer Glide
**	047744-01-000	EA	Kit - Drawer Glide

**The illustrated parts breakdown for this item is provided on the Common Items Fiche.

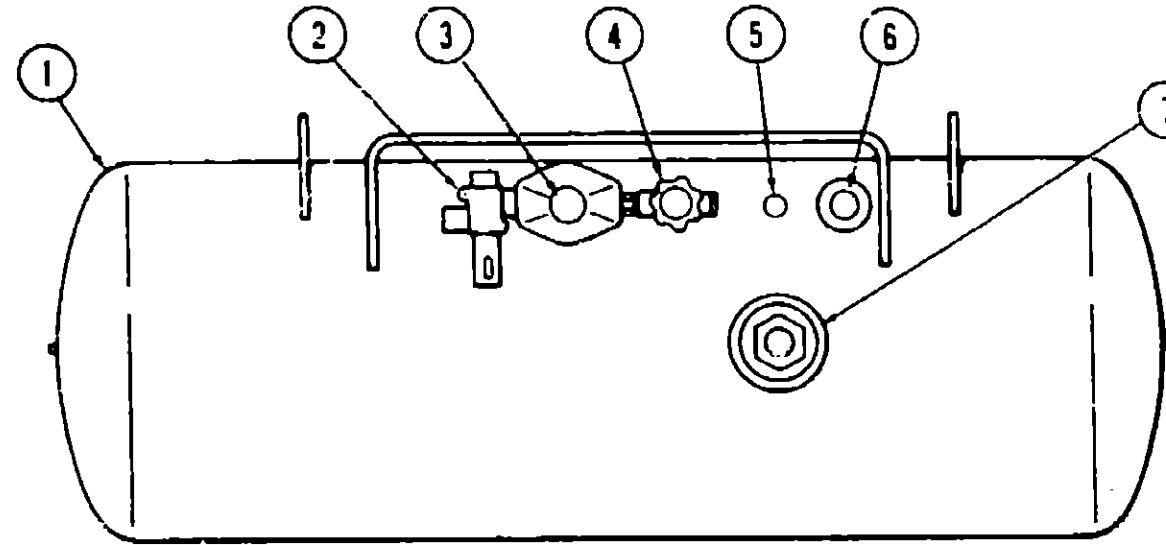
CURTAIN HARDWARE

Key	Part Number	U/M	Description
	052327-04-236	EA	Track - Curtain - Brown Alum. - 89" w/Holes
	053272-01-001	EA	Track - Curtain - Alum. - 16"
	056001-01-000	EA	Bracket - Shade - Left
	056002-01-000	EA	Bracket - Shade - Right
	009107-01-000	EA	Guide - Nylon Snap - Curtain
	018031-42-000	EA	Track - Curtain - "L" Rod - Alum. Extr. - 90"
	009701-01-000	EA	Carrier - "L" Rod - Curtain
	009702-01-000	EA	End Stop - "L" Rod - Curtain
	056115-01-000	YD	Tape - Plastic - Clear - w/Guides

MISCELLANEOUS PARTS

Key	Part Number	U/M	Description
	053552-01-M07	EA	Handle Asm. - Interior Assist - Acorn Brown Vinyl
	041944-01-700	EA	Fire Extinguisher - w/Bracket - Dry Chemical
	041944-03-000	EA	Fire Extinguisher - w/Bracket - 5BC - (Calif.)
	006113-01-000	EA	Jack - Hydraulic - 5 Ton - w/Handle
	054185-12-000	EA	Owner's Manual - Itasca - Winnebago
	007038-01-000	EA	Mat - Door - Black Rubber - 10 1/2" x 26"
	040069-01-000	EA	Door Mat - Black Rubber - 10 1/2" x 26" - w/Itasca Logo

LP GROUP



Key	Part Number	U/M	Description
1	052769-01-000	EA	Tank Asm. - LP - Frame Mount - 42 Pound
1	052770-01-000	EA	Tank Asm. - LP - Frame Mount - 85 Pound
2	047221-01-000	EA	Detector - LP Gas Leak - Marshalltown Instruments
3	058706-01-000	EA	Cover - Regulator - 2 Stage
*	058705-01-000	EA	Regulator - Two Stage - LP Gas
4	040421-01-703	EA	Valve - Vapor Relief
5	040421-01-700	EA	Gauge - Liquid Level - 20% LP
6	040421-01-701	EA	Valve - Filler - LP
*	040421-01-702	EA	Cap - Plastic Fill Valve
7	040421-01-707	EA	Gauge - Float - w/Visible Dial - 85 Pound Tank
*	042291-01-700	EA	Gauge - Float - w/Visible Dial - 42 Pound Tank
*	040421-01-706	EA	Dial - Visible Face - Float Gauge (Tank w/o Electric Transmitter)
*	040421-01-705	EA	Dial - Transmitter - 0 - 90 Ohm (Float Gauge)
*	045703-03-000	EA	Hose Asm. - LP - 3/8" I.D. x 14"
*	047737-02-000	EA	Support - LP Tank - 89.25"
*	053112-01-000	EA	Support - LP Tank - 2" x 2" x 8"
*	Not Illustrated		

WINN AIR WITH LANDI-HARTOG (C-BODY)

Key	Part Number	U/M	Description
	065279-01-000	EA	Relief Valve - Hydrostatic
	065287-02-000	EA	Valve - Gasoline Shut Off
	065820-02-000	EA	Hose Asm. - High Pressure - 36"
	067290-01-001	EA	Hvac - Vapor 5/8" x 51"
	068050-04-000	EA	LP Mixer
	068163-01-000	EA	Strap - Converter Brace
	068197-01-000	EA	Instrument Asm. - LP
	068201-02-000	EA	Converter Asm. - LP - C Body
	068240-01-000	EA	Support Brace - Converter
	035927-01-002	EA	Steel Rod - Threaded - 1/4" - 20 x 9"
	068143-01-000	EA	Tube Asm. - Converter - Copper w/Flare Nuts - 5/16" x 270° Bend

1981 WINNEBAGO TABLE OF CONTENTS

Introduction	I
Abbreviations	I
Alphabetical Index	II - IV
WDN29RT M1, WCN29RT M2	A-1 - C-8
WDN26RB M1, WCN26RB M2	C-9 - E-8
WC621RB M2	E-9 - F-18

1981 WC621RB M2 INDEX

Floor Plan	E-9 - E-10
Accessories Group	E-11 - E-12
Bath Group	E-13
Chassis Group	E-14
Curtain, Cushion and Pad Group	E-15 - E-19
Dinette Group	E-20
Driver's Compartment Group	E-21
Electrical Group	E-22 - E-23
Exterior Body Group	E-24 - F-3
Galley Group	F-4
Heating & Air Conditioning Group	F-5
Interior Finish Group	F-6 - F-7
LP Group	F-8
Lounge Group	F-9
Water & Sewage Group	F-10 - F-11
Window, Vent & Exterior Door Group	F-12 - F-18

LOUNGE GROUP

SPRUNG COUCH AND PEDESTAL TABLE

Key	Part Number	U/M	Description
	M67137-02-M10	EA	Cabinet Face - Sprung Couch - w/o Door or Hardware
	067092-01-M10	EA	Panel Asm. - Sprung Couch - Galley Side
	067030-01-000	EA	Panel Asm. - Sprung Couch - Forward End
	065325-19-M10	EA	Door Asm. - Couch Cabinet - 14.5" x 10.5" - w/o Hardware
	057468-02-000	EA	Frame Asm. - Sprung Couch - Right
	057468-03-000	EA	Frame Asm. - Sprung Couch - Left
	057468-04-000	EA	Frame Rail - Sprung Couch (2 per couch)
	057469-01-000	EA	Leg Asm. - Sprung Couch (2 per couch)
	022517-01-000	EA	End Cap - Leg - 1" x 1" - Brown
	053248-02-M10	EA	Table Asm. - Pedestal - w/o Hardware - Rust Burnt Sienna
	053248-02-M08	EA	Table Asm. - Pedestal - w/o Hardware - Brown Mocha
	009040-02-000	EA	Leg - Pedestal Table - 27.5" x 2.25" O.D. - Chrome
	009040-03-000	EA	Base - Table Leg - Mounts on Table
	041194-01-000	EA	Base - Table Leg - Mounts in Floor
	M65329-03-M10	EA	Furnace Grill Asm. - 13.8" x 15.2" - w/o Hardware
	056418-01-M07	EA	Plug Asm. - Pedestal - Table - Russet Red (M07)
	056418-01-M08	EA	Plug Asm. - Pedestal - Table - Cinnamon (M08-M09)

WATER AND SEWAGE GROUP

PLUMBING REPAIR PARTS

Key	Part Number	U/M	Description
**	040539-01-000	EA	Kit - Repair - 3/8" O.D. Plastic Tube
**	040540-01-000	EA	Kit - Repair - 1/2" O.D. Plastic Tube
**	040541-01-000	EA	Kit - Repair - 5/8" O.D. Plastic Tube
**	041279-02-000	EA	Pump - Water Flow 2.8 G.P.M. - PAR
**	063646-01-000	EA	Pump - Water - 2.8 G.P.M. - Direct Drive - US
**	063646-02-000	EA	Pump - Water - 2.8 G.P.M. - Direct Drive - CSA
**	039647-03-000	EA	Filter - Water Pump - 1/2" MPT
**	052962-01-000	EA	Valve - Stool - 90° 1/2 F x 3/8 MPT
**	039818-01-000	EA	Riser Asm. - 3/8" O.D. x 24" Tube
**	039818-02-000	EA	Riser Asm. - 3/8" O.D. x 36" Tube
**	039818-04-000	EA	Riser Asm. - 3/8" O.D. x 72" Tube
**	039818-05-000	EA	Riser Asm. - 3/8" O.D. x 48" Tube
**	035539-01-000	EA	Elbow - Plastic - 3/8 MPT x 3/8 Barb
**	052952-01-000	EA	Nut - Plastic - 1/2 F
**	052953-01-000	EA	Nut - Faucet - 1/2 Tube x 1/2 FPT
**	052954-01-000	EA	Adapter - Nose Cone - 3/8 or 1/2
**	052958-01-000	EA	Tee - Plastic - 1/2 F x 1/2 F x 1/2 F
**	052959-02-000	EA	Connector - Plastic - 1/2 F x 1/2 MPT
**	052959-03-000	EA	Connector - Plastic - 1/2 F x 3/8 MPT
**	052960-01-000	EA	Drain Valve - Line - 1/2 F x 1/2 F
**	052961-01-000	EA	Header - 1/2 F x 1/2 F x 1/2 F x 1/2 F
**	004020-01-000	QT	Adhesive - ABS Cement
**	010201-01-000	EA	Hose - Sewer - 3" x 8 ft. w/Clamp
**	062415-01-000	EA	Cap - Sewer - 3"
**	062416-01-000	EA	Hose - Adapter - 3"
**	062417-01-000	EA	Adapter - Termination - 3"
**	062418-02-000	EA	Valve - 3" w/o Handle
**	062419-01-000	EA	Handle - Extension - w/6" Adapter
**	062421-01-000	EA	Valve - 1 1/2" - w/Handle
**	010006-01-000	EA	Elbow - Plastic - 1/8 BD 1 1/2 x 45° H x H
**	010008-01-000	EA	Elbow - Plastic - 1/4 BD 1 1/2 x 90° x Long Turn
**	010134-01-000	EA	Adapter - Plastic - 1 1/2" M x MPT
**	010154-01-000	EA	Ring - Closet - Plastic - 4" F x 3" MPT x L
**	011091-01-000	EA	Waste - Continuous - Double Sink - 11 7/8"
**	011066-01-000	EA	P-Trap - Plastic - 1 1/4"
**	010079-01-000	EA	Tee - Plastic - 1 1/2 H x 1 1/2 H x 1 1/4 H
**	010091-01-000	EA	Wye - Plastic - 3" x 45° - H x H x H
**	010121-01-000	EA	Bushing - Plastic - 1 1/2 S x 1 1/4 H
**	031126-01-000	EA	Elbow - Plastic - 1/4 BD - 3" x 90° x Long Turn
**	010133-01-000	EA	Adapter - Trap - Plastic - 1 1/2" H x MPT
**	050780-01-000	EA	Coupler - Rubber - 3" x 3"
**	010219-01-000	EA	Elbow - 1 1/4 Barb x 1 1/4 MPT - 90°
**	044928-01-000	FT	Tubing - Flex - 1 1/4" ID x 10' Long
**	061607-01-000	EA	Grommet - Rubber - Holding Tank - 1 1/2" NPS
**	061607-02-000	EA	Grommet - Rubber - Holding Tank - 3" NPS
**	010197-01-000	FT	Pipe - ABS Plastic - 3" x 240"
**	065979-01-000	EA	Compartment Asm. - Sewer Hose
**	052957-02-000	EA	Elbow - Plastic - 1/2" F x 1/2" MPT
**	052957-03-000	EA	Elbow - Plastic - 1/2" F x 1/4" MPT
**	061807-01-000	EA	Grommet - Holding Tank - 1 1/2" NPS
**	061607-02-000	EA	Grommet - Holding Tank - 3" NPS
**	046524-01-000	EA	Kit - Plastic Fittings - Holding Tank
**	046524-02-000	EA	Kit - Plastic Fittings - Water Tank

**The illustrated parts breakdown for this item is provided on the Common Items Fiche.

1981 WINNEBAGO TABLE OF CONTENTS

Introduction	I
Abbreviations	I
Alphabetical Index	II - IV
WDN29RT M1, WCN29RT M2	A-1 - C-8
WDN26RB M1, WCN26RB M2	C-9 - E-8
WC621RB M2	E-9 - F-18

1981 WC621RB M2 INDEX

Floor Plan	E-9 - E-10
Accessories Group	E-11 - E-12
Bath Group	E-13
Chassis Group	E-14
Curtain, Cushion and Pad Group	E-15 - E-18
Dinette Group	E-20
Driver's Compartment Group	E-21
Electrical Group	E-22 - E-23
Exterior Body Group	E-24 - F-3
Galley Group	F-4
Heating & Air Conditioning Group	F-5
Interior Finish Group	F-6 - F-7
LP Group	F-8
Lounge Group	F-9
Water & Sewage Group	F-10 - F-11
Window, Vent & Exterior Door Group	F-12 - F-18

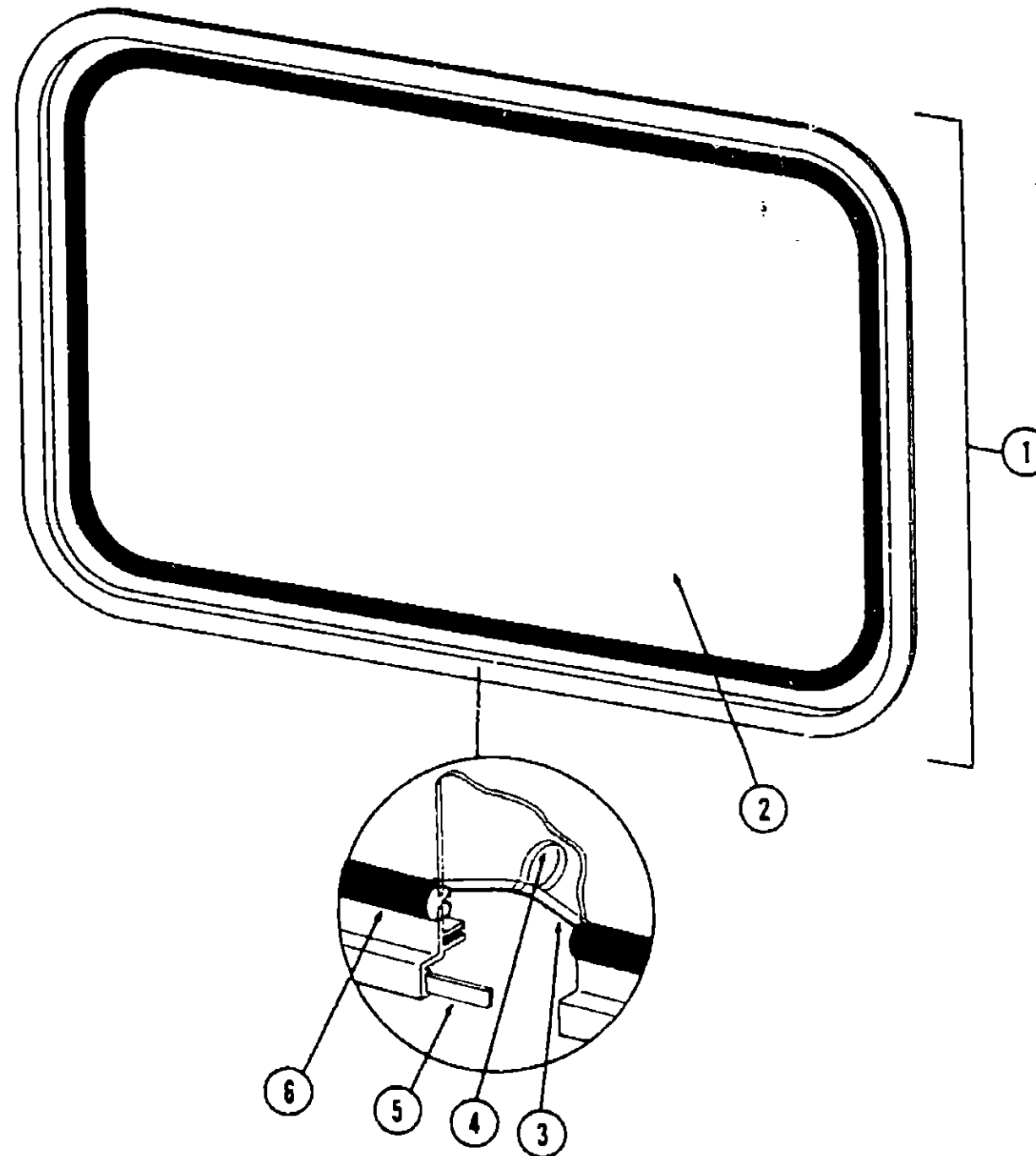
WATER AND SEWAGE GROUP (CONTINUED)

HOLDING TANKS AND WATER HEATERS

Key	Part Number	U/M	Description
	053520-02-000	EA	Tank Asm. - Water - 20 Gallon w/Fittings
	053520-01-000	EA	Tank Asm. - Water - 20 Gallon w/o Fittings
	064214-02-000	EA	Tank Asm. - Water - 36 Gallon w/Fittings
	064214-01-000	EA	Tank Asm. - Water - 36 Gallon w/o Fittings
	054033-08-000	EA	Tank Asm. - Holding - 32 Gallon - Sewage - w/Fittings
**	054033-01-000	EA	Tank Asm. - Holding - 32 Gallon - Sewage - w/o Fittings
	064308-02-000	EA	Tank Asm. - Holding - 23 Gallon - w/Fittings
**	064308-01-000	EA	Tank Asm. - Holding - 23 Gallon - w/o Fittings
**	051391-01-000	EA	Water Heater - 6 Gallon w/Motor Aid - Atwood - GH63

**The illustrated parts breakdown for this item is provided on the Common Items Fiche.

WINDOW, VENT AND EXTERIOR DOOR GROUP



Key	Part Number	U/M	Description
1	056772-01-000	EA	Window Asm. - Rear Escape - 24" x 33" - Black Anod. (w/o inside frame)
2	041392-02-000	EA	Glass - 1/8" x 24.38" x 33.25"
3	002285-01-000	FT	Filler - Weatherstrip - Black
4	020395-01-000	EA	Pull Ring - Escape Window
5	053767-02-000	FT	Tape - 3/16" Beac x 25' - Gray
6	002282-01-000	FT	Weatherstrip - .125" Window
*	056770-01-000	EA	Frame - Inside - Escape Window - 24" x 33" (not included in assembly)
*	006199-01-000	EA	Label - Exit - Escape Window
*			Not Illustrated

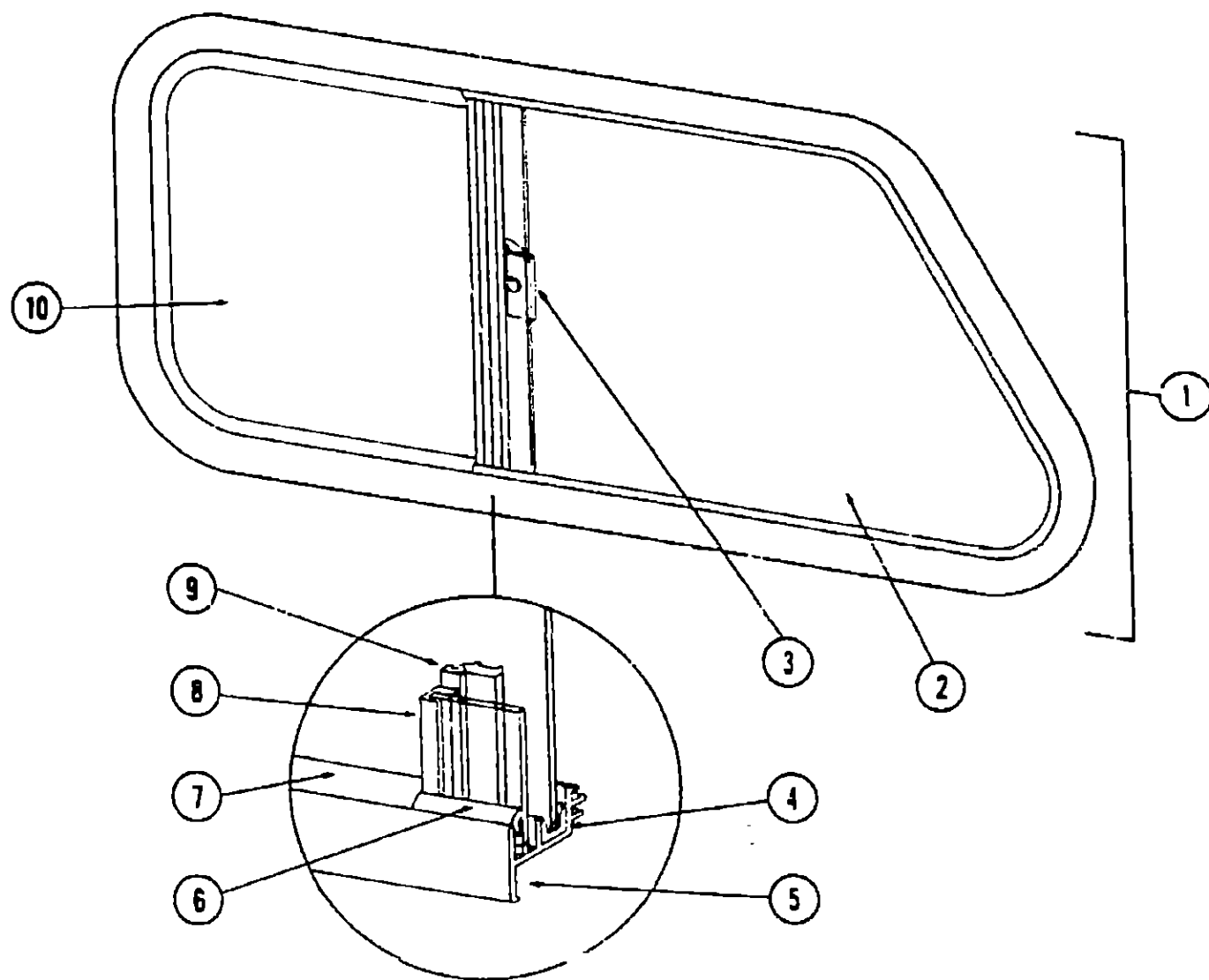
1981 WINNEBAGO TABLE OF CONTENTS

Introduction	I
Abbreviations	I
Alphabetical Index	II - IV
WDN29RT M1, WCN29RT M2	A-1 - C-8
WDN26RB M1, WCN26RB M2	C-9 - E-8
WC621RB M2	E-9 - F-18

1981 WC621RB M2 INDEX

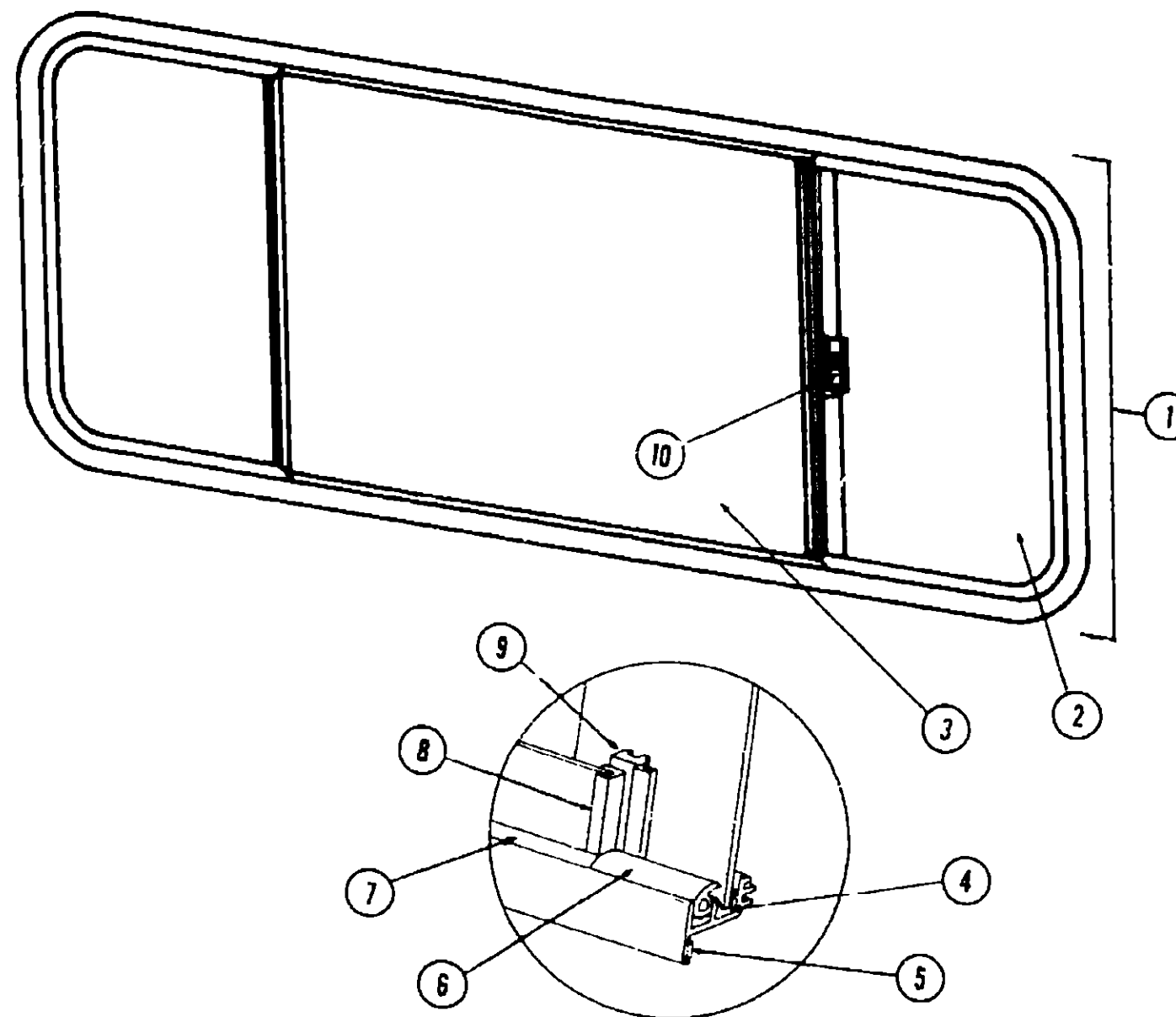
Floor Plan	E-9 - E-10
Accessories Group	E-11 - E-12
Bath Group	E-13
Chassis Group	E-14
Curtain, Cushion and Pad Group	E-15 - E-19
Dinette Group	E-20
Driver's Compartment Group	E-21
Electrical Group	E-22 - E-23
Exterior Body Group	E-24 - F-3
Galley Group	F-4
Heating & Air Conditioning Group	F-5
Interior Finish Group	F-6 - F-7
LP Group	F-8
Lounge Group	F-9
Water & Sewage Group	F-10 - F-11
Window, Vent & Exterior Door Group	F-12 - F-18

WINDOW, VENT AND EXTERIOR DOOR GROUP (CONTINUED)



Key	Part Number	U/M	Description
1	056655-01-000	EA	Window Asm. - Bunk Slant Slider - Right - (w/o inside frame)
	056655-02-000	EA	Window Asm. - Bunk Slant Slider - Left - (w/o inside frame)
2	040919-02-000	EA	Glass - 1/8" x 9.54" x 16.62" - Gray - Stationary
3	047369-01-700	EA	Latch - Window - Plastic - w/Fastener
4	002324-01-000	FT	Channel - Weatherstrip - Glass Run - 1/8" Glass
5	004363-01-000	FT	Tape - Foam - 3/16" x 1/2" - Gray
6	002309-02-000	FT	Spline - Glass - 1/8" - Black
7	057374-02-000	FT	Seal - Window Channel - 1/8" Glass - Black
8	002390-03-204	EA	Holder - Glass Seal - Extr. - Anod. Black - 8.38"
9	041894-22-000	EA	Mullion - 8" - Black Anod.
10	047815-02-000	EA	Glass - 1/8" - Gray - Sliding
	056654-01-000	EA	Frame - Window - Inside - Bunk Slant - Right (not included in assembly)
	056654-02-000	EA	Frame - Window - Inside - Bunk Slant - Left (not included in assembly)
	023713-02-000	EA	Cover - Weephole - Black
	002298-01-000	FT	Spline - Gray - .130" Dia. (Screen)
	002291-01-000	SF	Screen - Gray - Window - 16"
			Not Illustrated

WINDOW, VENT AND EXTERIOR DOOR GROUP (CONTINUED)



Key	Part Number	U/M	Description
1	066785-04-000	EA	Window Asm. - Single Slider - 27" x 65"
	042133-13-000	EA	Inside Frame - Brown
2	066726-03-000	EA	Glass - Stationary - 1/8" x 21" x 27"
3	066727-03-000	EA	Glass - Sliding - 1/8" x 25.5" x 27"
4	002324-02-000	FT	Channel - Weatherstrip - Glass
5	053767-03-000	FT	Tape - 1/4" Bead x 20' - Gray
6	057374-02-000	FT	Extr. Vinyl - Window Seal - Black
7	002309-02-000	FT	Spline - Glass - 1/8" Material - Black
8	069886-03-004	EA	Extr. - Holder - Glass Seal - 26.25" - Black
9	069896-03-000	EA	Mullion - Slider Window - 26" - Black
10	047369-01-000	EA	Latch - Window - Plastic - w/Fastener
	002293-01-000	SF	Screen - Window - 26" - Gray
	002298-01-000	FT	Spline - .130 Dia. - Gray (Screen)
	042076-01-000	FT	Seal - Fin - Pile - .34"
			Not Illustrated

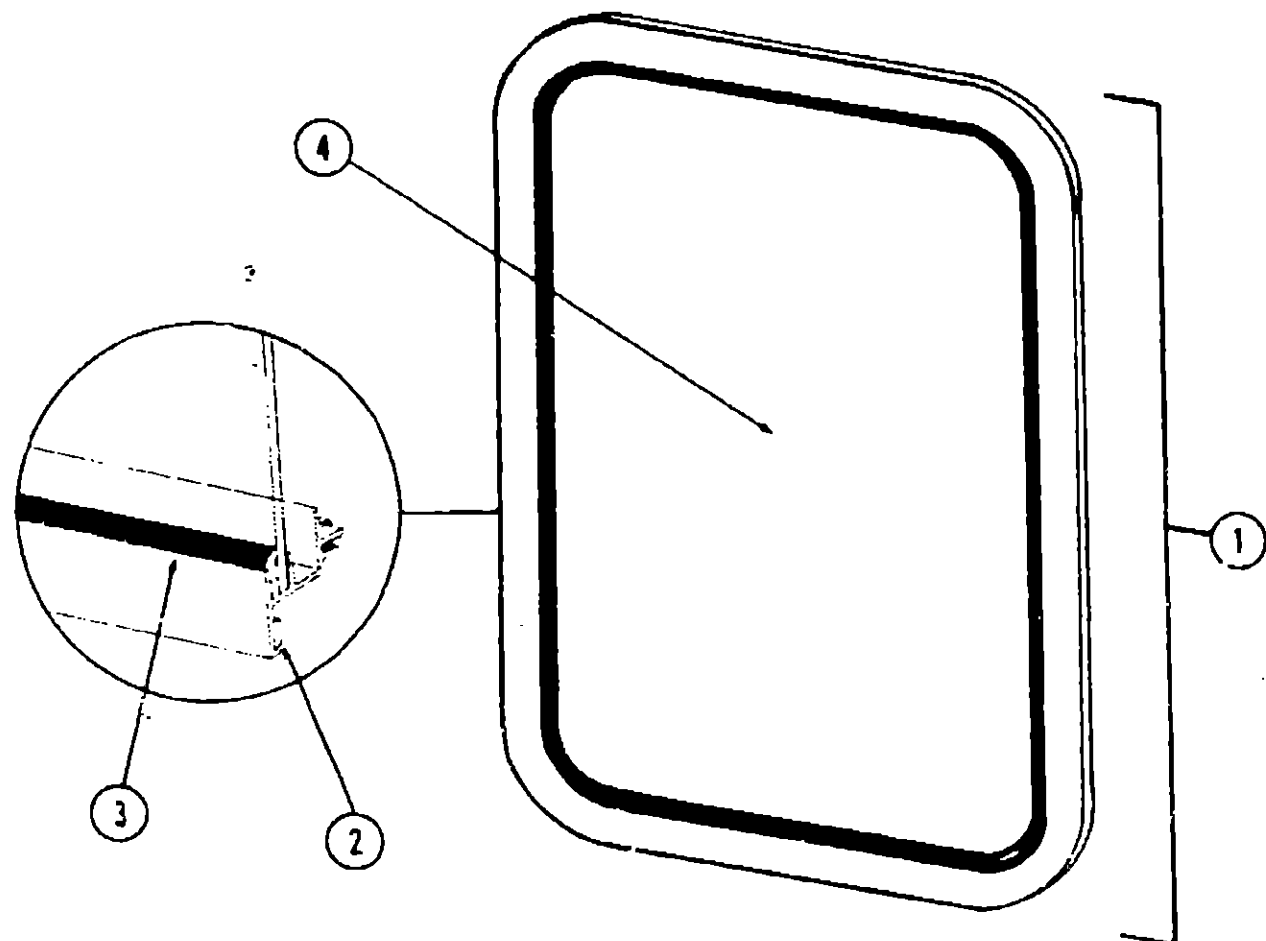
1981 WINNEBAGO
TABLE OF CONTENTS

Introduction	I
Abbreviations	I
Alphabetical Index	II - IV
WDN29RT M1, WCN29RT M2	A-1 - C-8
WDN26RB M1, WCN26RB M2	C-9 - E-8
WC621RB M2	E-9 - F-18

1981 WC621RB M2 INDEX

Floor Plan	E-9 - E-10
Accessories Group	E-11 - E-12
Bath Group	E-13
Chassis Group	E-14
Curtain, Cushion and Pad Group	E-15 - E-19
Dinette Group	E-20
Driver's Compartment Group	E-21
Electrical Group	E-22 - E-23
Exterior Body Group	E-24 - F-3
Galley Group	F-4
Heating & Air Conditioning Group	F-5
Interior Finish Group	F-6 - F-7
LP Group	F-8
Lounge Group	F-9
Water & Sewage Group	F-10 - F-11
Window, Vent & Exterior Door Group	F-12 - F-18

WINDOW, VENT AND EXTERIOR DOOR GROUP (CONTINUED)



Key	Part Number	U/M	Description
1	056651-01-000	EA	Window Asm. - Picture - 20 3/4" x 20 3/4" - Black (w/o inside frame)
2	053767-02-000	FT	Tape - 3/16" Bead x 25' - Schnee Morehead
3	002309-02-000	FT	Spline - Glass - 1/8" - Black
4	002181-03-000	EA	Glass - .115" x 20.62" x 20.62" - Gray
.	056650-01-000	EA	Frame - Inside - Window (not included in assembly)
.	Not Illustrated		

WINDOW, VENT AND EXTERIOR DOOR GROUP (CONTINUED)

ACCESS DOORS

Key	Part Number	U/M	Description
	063946-02-000	EA	Door Asm. - Power Cord w/Hatch - Beige
	042442-01-000	EA	Lock Asm. - Twist Type - (Power Cord)
	064842-02-000	EA	Door Asm. - Luggage - 24" x 10.36" - Beige - w/Key Lock
	054270-09-000	EA	Door Asm. - Refrigerator Access - Beige - w/Twist Lock
	064841-02-000	EA	Door Asm. - Generator - Beige - w/Twist Lock
	052743-02-000	EA	Baffle - Generator Door
	052009-02-000	EA	Door - Water Heater - Beige
	016945-02-000	EA	Holder Asm. - Luggage or Battery Door
	047305-01-000	EA	Lock Asm. - Key Type w/Clip
	042441-01-000	EA	Lock Asm. - Key Type (Gas Fill)
	061186-02-000	EA	Door Asm. - Fuel Fill - w/Key Lock
	059965-01-000	EA	Lock Asm. - Key Type - Fuel Fill
	054369-06-000	EA	Door Asm. - LP - 23.68" x 9.66" - Beige
	064567-02-000	EA	Door Asm. - Battery - 11.2" x 18.6" - Beige
	054369-07-000	EA	Door Asm. - LP Storage - 36.7" x 96.6" - Beige
	009003-01-000	EA	Lock Asm. - Twist Type - Metal
	059965-01-000	EA	Lock Asm. - Key Type - Valance Door
	052424-02-000	EA	Door Jamb - Power Cord & Fuel Fill - Beige
	054543-02-000	EA	Door Hatch - Power Cord - Beige
	063742-02-000	EA	Door - Power Cord - Beige
	041312-01-000	FT	Door Seal - e/Section

VENTS

Key	Part Number	U/M	Description
	039407-01-000	EA	Frame - Base - Refrigerator Vent (w/o cover)
	039778-01-000	EA	Cover - Vent - Refrigerator - Plastic
	049352-02-000	EA	Vent - Stove Hood - Outside - Beige

WINDOWS

Key	Part Number	U/M	Description
	054558-01-000	EA	Glass - Wingwall Transition Panel
	058044-01-000	FT	Weatherseal - Wingwall Transition Panel
	054557-01-000	EA	Glass - Upper Front Cap
	056903-01-000	FT	Weatherstrip - Upper Front Cap

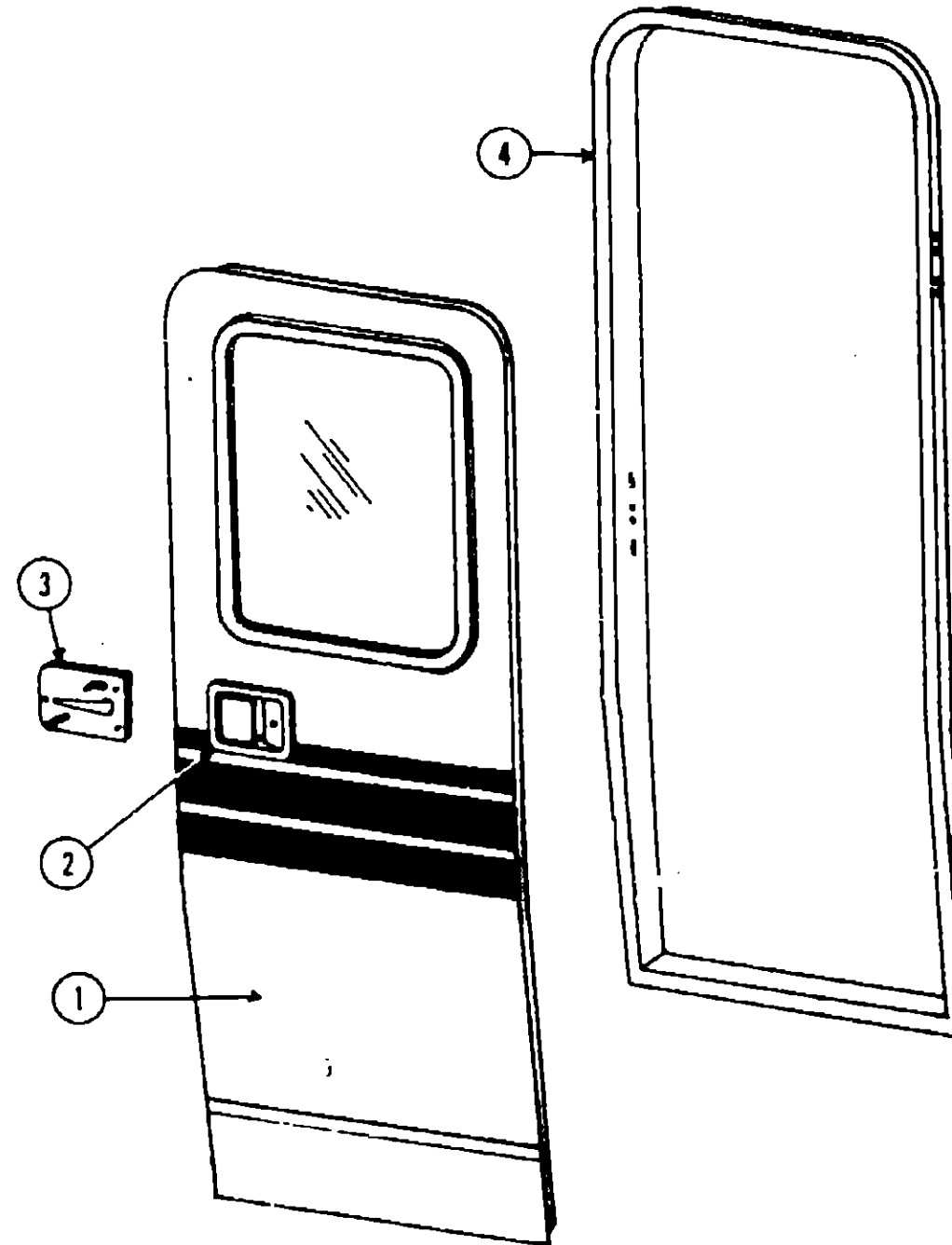
**1981 WINNEBAGO
TABLE OF CONTENTS**

Introduction	I
Abbreviations	I
Alphabetical Index	II - IV
WDN29RT M1, WCN29RT M2	A-1 - C-8
WDN26RB M1, WCN26RB M2	C-9 - E-8
WC621RB M2	E-9 - F-18

1981 WC621RB M2 INDEX

Floor Plan	E-9 - E-10
Accessories Group	E-11 - E-12
Bath Group	E-13
Chassis Group	E-14
Curtain, Cushion and Pad Group	E-15 - E-19
Dinette Group	E-20
Driver's Compartment Group	E-21
Electrical Group	E-22 - E-23
Exterior Body Group	E-24 - F-3
Galley Group	F-4
Heating & Air Conditioning Group	F-5
Interior Finish Group	F-6 - F-7
LP Group	F-8
Lounge Group	F-9
Water & Sewage Group	F-10 - F-11
Window, Vent & Exterior Door Group	F-12 - F-18

WINDOW, VENT AND EXTERIOR DOOR GROUP (CONTINUED)



Key	Part Number	U/M	Description
1	067688-02-000	EA	Door Asm. - Fiberglass Entry - w/Latch and Hinges - Biage
2	045017-01-000	EA	Paddle Asm. - Door Lock - Exterior
	045017-01-700	EA	Lock Cylinder w/Keys - Lynor
	039539-01-000	EA	Striker Bolt - Entry Door
	039540-01-000	EA	Latch Claw - Entry Door
3	039979-01-000	EA	Plate - Lock - Inside - Including Inside Handle
	052186-01-000	EA	Lock Asm. - Complete - Lynor

Key	Part Number	U/M	Description
	066253-01-000	EA	Window Asm. - Vertical Slider - 26.9" x 17.6" - w/o Inside Frame)
	002241-04-000	EA	Glass - Vertical Slider - 1/8" x 17.5" x 13.5"
	047820-03-000	EA	Glass - Vertical Slider - 1/8" x 17.5" x 14.5"
	047369-01-700	EA	Latch - Window - Black Plastic
	067609-01-000	EA	Inside Frame - Vertical Slider - 26.9" x 17.6"
4	062545-02-000	EA	Jamb Asm. - Entry Door - Biage
	064075-01-000	FT	Seal - Entry Door Jamb - Rubber
	065043-01-000	EA	Hinge Asm. - Entry Door - Lower
	065046-01-000	EA	Hinge Asm. - Entry Door - Upper
	062409-01-000	EA	Pull - Interior - Door
			Not Illustrated

**1981 WINNEBAGO
TABLE OF CONTENTS**

Introduction	I
Abbreviations	I
Alphabetical Index	II - IV
WDN29RT M1, WCN29RT M2	A-1 - C-8
WDN26RB M1, WCN26RB M2	C-9 - E-8
WC621RB M2	E-9 - F-18

1981 WC621RB M2 INDEX

Floor Plan	E-9 - E-10
Accessories Group	E-11 - E-12
Bath Group	E-13
Chassis Group	E-14
Curtain, Cushion and Pad Group	E-15 - E-19
Dinette Group	E-20
Driver's Compartment Group	E-21
Electrical Group	E-22 - E-23
Exterior Body Group	E-24 - F-3
Galley Group	F-4
Heating & Air Conditioning Group	F-5
Interior Finish Group	F-6 - F-7
LP Group	F-8
Lounge Group	F-9
Water & Sewage Group	F-10 - F-11
Window, Vent & Exterior Door Group	F-12 - F-18