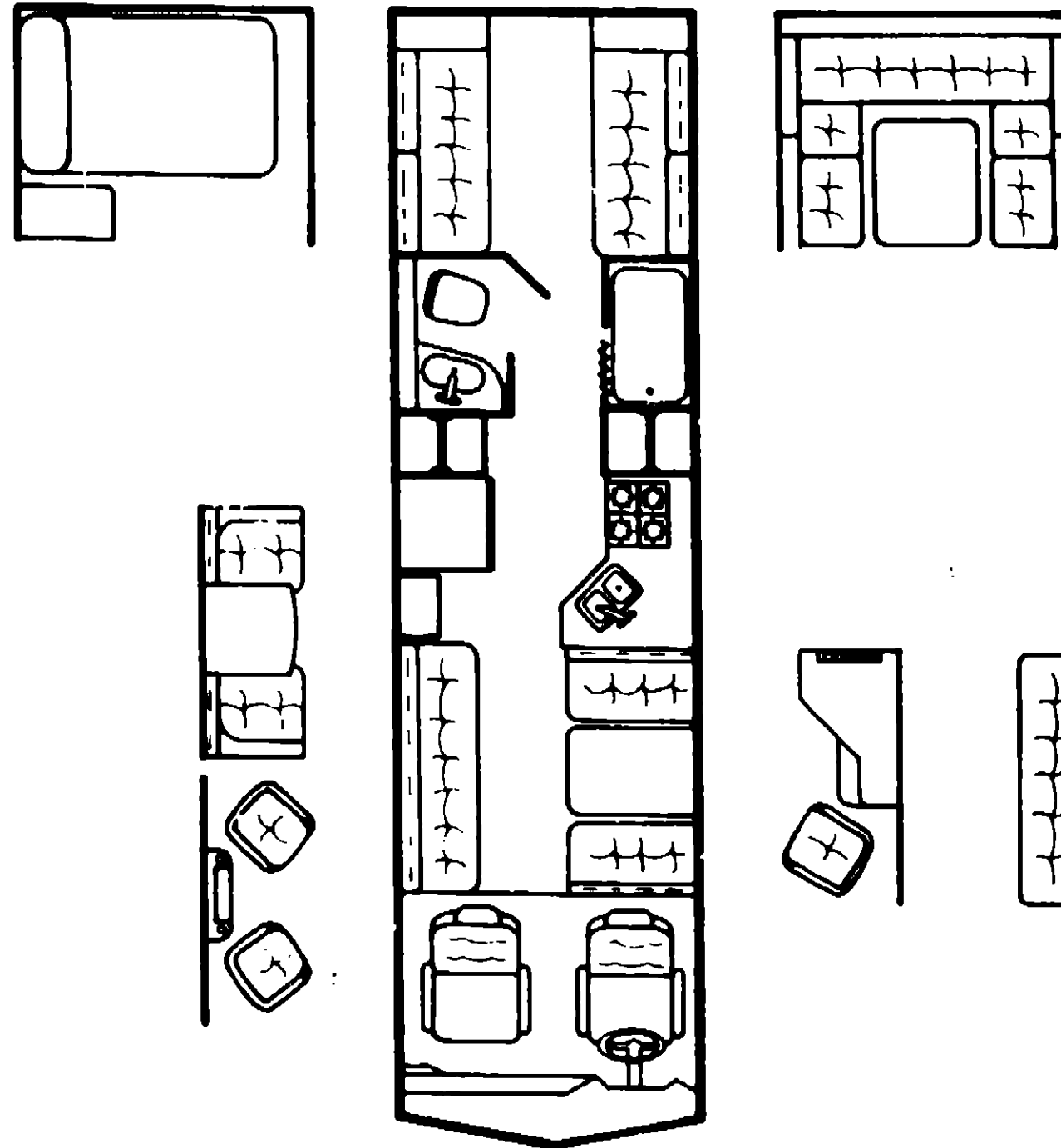


# 1981 ICN29RT M2



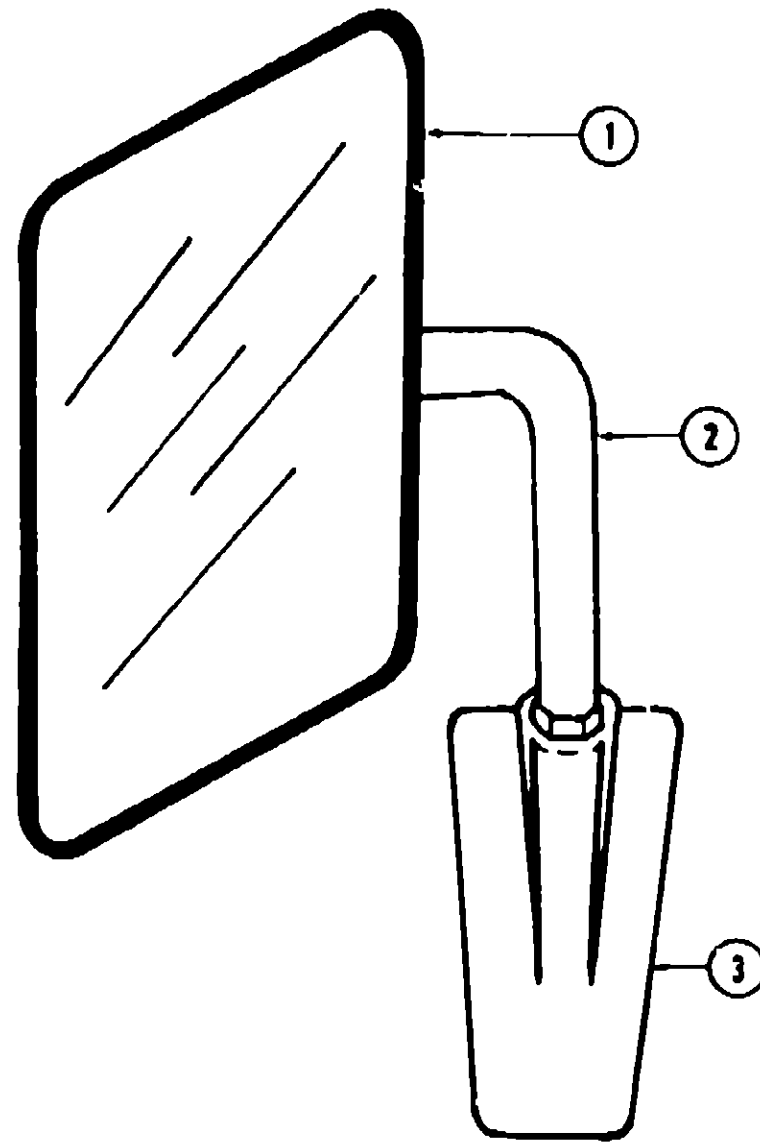
## 1981 ITASCA TABLE OF CONTENTS

Introduction	A-1
Abbreviations	A-1
Alphabetical Index	A-2 - A-4
IC723RB M2	A-5 - B-10
IC723RH M2	B-11 - C-16
IC621RB M1, IC621RB M2	C-17 - E-4
ICN29RT M2	E-5 - G-6
ICF26RH M1, ICF26RH M2	G-7 - I-8
ICF26RT M1, ICF26RT M2	I-9 - K-14

## 1981 ICN29RT M2 INDEX

Floor Plan	E-5 - E-6
Accessories Group	E-7 - E-9
Bath Group	E-10 - E-11
Chassis Group	E-12 - E-13
Curtain, Cushion and Pad Group	E-14 - E-20
Dinette Group	E-21 - E-22
Driver's Compartment Group	E-23 - E-24
Electrical Group	F-1 - F-3
Exterior Body Group	F-4 - F-7
Galley Group	F-8
Heating & Air Conditioning Group	F-9 - F-10
Interior Finish Group	F-11 - F-12
LP Group	F-13
Lounge Group	F-14 - F-15
Water & Sewage Group	F-15 - F-16
Window, Vent & Exterior Door Group	F-17 - G-6

## ACCESSORIES GROUP



Key	Part Number	U/M	Description
1	057461-01-000	EA	Mirror Head - 7 1/2" x 10 1/2" - w/Convex - Stainless Steel
1	057461-02-000	EA	Mirror Head - 7 1/2" x 10 1/2" - w/Convex - Off White
2	049348-01-000	EA	Arm - Low Mount Mirror - Bright Finish
2	049348-02-000	EA	Arm - Low Mount Mirror - Off White
3	049944-02-000	EA	Bracket - Mirror - Outside - Off White
.	065116-01-000	EA	Mirror - West Coast - Double Mirror - Right
.	065116-02-000	EA	Mirror - West Coast - Double Mirror - Left
.	049348-03-000	EA	Arm - Low Mount Mirror - Black
.	049944-04-000	EA	Bracket - Mirror O/S, Black
.			Not Illustrated

## ACCESSORIES GROUP (CONTINUED)

### RADIOS AND RELATED COMPONENTS

Key	Part Number	U/M	Description
	064791-01-000	EA	Speaker - Recessed - 5 1/4"
	031105-01-000	EA	Antenna - Radio - Side Mount
	031105-01-700	EA	Holder - Antenna - Radio - Upper
	048153-01-000	EA	Antenna - CB Camper Style
	044326-01-000	EA	Switch - Fader - Speaker Balance
	050751-01-000	EA	Plaque - Fader/Mic Mounting
	064792-01-000	EA	Grille - Speaker - 5 1/4"
	063647-01-000	EA	Control Box - Clarion CB
	063647-02-000	EA	Module - Clarion CB
	064794-01-000	EA	Trim Plate - AM Radio
	064785-01-000	EA	Radio - AM
	064786-01-000	EA	Radio - AM/FM MPX - w/B Track
	064787-01-000	EA	Radio - AM/FM MPX - w/Cassette
	064788-01-000	EA	Radio - AM/FM Digital - w/Cassette
	064789-01-000	EA	Radio - AM/FM Digital - w/B Track
	056014-01-000	EA	Radio - AM/FM - Stereo Cassette
	065124-01-000	EA	Wiring - Power Adapter
	056725-01-000	EA	Grill Asm. - Radio
	056726-01-000	EA	Speaker - Radio

### FRONT BUNK AND HARDWARE

Key	Part Number	U/M	Description
	058300-01-M10	EA	Cabinet Asm. - Front Overhead
	058844-01-M10	EA	Bunk Board Asm. - Front Overhead w/Rails
	053773-01-000	EA	Support - Overhead Bunk - Brown - Right
	053773-02-000	EA	Support - Overhead Bunk - Brown - Left
	040071-02-000	EA	Support - Bunk - Seat Belt
	041322-01-000	EA	Washer - Flat - 15/32" I.D. x 2 3/8" O.D.
	039516-02-000	EA	Catch - Bunk - Brown
	023812-22-000	EA	Rail - Bunk - 80" - Brown
	053774-02-000	EA	Torsion Rod - Overhead Bunk - Brown
	048394-01-000	YD	Tape Hook - 1" x 25 YD - Beige
	048395-01-000	YD	Tape Loop - 1" x 25 YD - Beige
	058837-01-000	EA	Bracket - Bunk - Rear - Right
	058837-02-000	EA	Bracket - Bunk - Rear - Left
	058948-02-M10	EA	Panel Asm. - Bunk - Padded - Left
	058948-03-M10	EA	Panel Asm. - Bunk - Padded - Left (Door)

### GENERATORS AND COMPONENTS

Key	Part Number	U/M	Description
	054429-01-000	EA	Generator - Onan - 4.0 kw - BFA
**	054433-01-000	EA	Generator - Onan - 6.5 kw
**	701629-02-000	EA	Onan Installation Package
	024732-01-001	EA	Tailpipe - 1 1/2" O.D. x 23"
	054428-01-000	EA	Muffler - Generator - w/Spark Arrestor
	740313-56-000	EA	Tray - Generator - 4.0 - kw Onan
	740313-57-000	EA	Tray - Generator - 6.5 - kw Onan

\*\*The illustrated parts breakdown for this item is provided on the Common Items Fiche.

## 1981 ITASCA TABLE OF CONTENTS

Introduction	A-1
Abbreviations	A-1
Alphabetical Index	A-2 - A-4
IC723RB M2	A-5 - B-10
IC723RH M2	B-11 - C-16
IC821RB M1, IC821RB M2	C-17 - E-4
ICN29RT M2	E-5 - G-6
ICF26RH M1, ICF26RH M2	G-7 - I-8
ICF26RT M1, ICF26RT M2	I-9 - K-14

## 1981 ICN29RT M2 INDEX

Floor Plan	E-5 - E-6
Accessories Group	E-7 - E-9
Bath Group	E-10 - E-11
Chassis Group	E-12 - E-13
Curtain, Cushion & Pad Group	E-14 - E-20
Dinette Group	E-21 - E-22
Driver's Compartment Group	E-23 - E-24
Electrical Group	F-1 - F-3
Exterior Body Group	F-4 - F-7
Galley Group	F-8
Heating & Air Conditioning Group	F-9 - F-10
Interior Finish Group	F-11 - F-12
LP Group	F-13
Lounge Group	F-14 - F-15
Water & Sewage Group	F-15 - F-16
Window, Vent & Exterior Door Group	F-17 - G-6

## ACCESSORIES GROUP (CONTINUED)

### MISCELLANEOUS ACCESSORIES

Key	Part Number	U/M	Description
	054185-12-000	EA	Owners Manual - Itasca & Winnebago
	008053-01-000	EA	Antenna - TV Braund Delux
	008053-01-700	EA	Parts Kit - Repair - Braund TV Antenna
	008093-01-000	EA	Jack - TV - Brown (Antenna)
	008076-01-000	EA	Ladder - Front Bunk
	017516-01-000	EA	Mud Flap - Black - 14" x 18" w/Holes
	006113-01-000	EA	Jack Hydraulic - 5 Ton
	041944-01-700	EA	Fire Extinguisher - w/Bracket
	041944-03-000	EA	Fire Extinguisher - w/Bracket - 5 BC (Calif.)
	052771-02-000	EA	Oven - Microwave - Magic Chef MW207
	053287-07-000	EA	Bracket Asm. - Microwave - Right
	053287-08-000	EA	Bracket Asm. - Microwave - Left
**	067125-01-000	EA	Ladder Asm. - w/Luggage Rack - Standoff
**	067203-02-000	EA	Ladder Asm.
	064093-01-000	EA	Luggage Carrier Assembly - 14" x 30" x 60"
	039881-01-000	EA	Catch and Strike - Luggage Carrier
	064082-01-000	EA	Wheel Cover - Delmet - (Bolt On)
	064082-02-000	EA	Retaining Nut - Delmet - Wheel Cover - Chevrolet
	064082-05-700	EA	Retainer Bracket - Bolt On Wheel Cover - Chevrolet - Front
	064082-05-701	EA	Retainer Bracket - Bolt On Wheel Cover - Chevrolet - Rear
**	059779-01-000	EA	Speed Control Package - Electric - Chevrolet - Dana
	067483-01-000	EA	TV - Color 13"
	062921-01-000	EA	Base - TV, Swivel Slide
	063313-01-M07	EA	TV Strap - Female - 24"
	063314-01-M07	EA	TV Strap - Male - 30"
	067130-01-000	EA	Step Ladder
	067166-01-000	EA	Cap - Step Ladder
	055285-01-000	EA	Vacuum Cleaner - Built In - Tevis Campbell
	055285-01-700	EA	Accessories Kit - Standard - Tevis Campbell
	055285-01-701	EA	Filter - 10 per Consumer Package - Tevis Campbell
	061613-01-000	EA	Clock - Batt. Round Gold Face

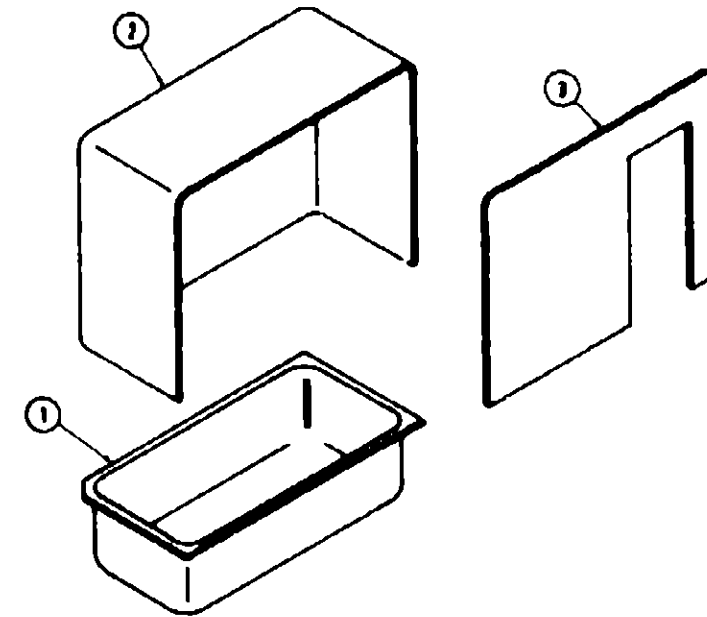
\*\*The illustrated parts breakdown for this item is provided on the Common Items Fiche.

Key	Part Number	U/M	Description
1	062246-01-000	EA	Bathtub Bottom - Ivory Plastic
2	062249-01-000	EA	Bathtub Rear - Ivory Plastic
3	062247-01-000	EA	Bathtub Front - Ivory Plastic

## BATH GROUP

### BATH CABINETS

Key	Part Number	U/M	Description
	061941-01-M10	EA	Cabinet Asm. - Lavatory - w/o Countertop, Doors or Hardware
	061818-02-M10	EA	Cabinet Asm. - Bathroom - w/o Door
	061940-01-M10	EA	Countertop Asm. - Lavatory Cabinet - Rust Burnt Sienna
	061940-01-M11	EA	Countertop Asm. - Lavatory Cabinet - Paper Bag Brown
	063224-18-M10	EA	Door Asm. - Rolled - Lavatory Cabinet - 20.9" x 28"
	061942-01-M10	EA	Cabinet Asm. - Medicine - w/o Doors or Hardware
	059550-40-700	EA	Door Asm. - Medicine Cabinet - w/Mirror - 15.1" x 29.1" - w/o Hardware
	059551-13-700	EA	Door Asm. - Medicine Cabinet - 11.5" x 20.7" - w/o Hardware
	M68593-03-M10	EA	Door Asm. - Bathroom - 74.2" x 23" - w/o Towel Rack or Hardware
	059550-48-700	EA	Door Asm. - Wardrobe - 13.1" x 45.1" - w/Mirror w/o Hardware
	069856-02-M10	EA	Door Asm. - Furnace - 17.5" x 13.2" - w/o Hardware
	062906-01-000	EA	Door Asm. - Shower - Folding - Complete w/Frame
	065889-01-M10	EA	Door Asm. - Sliding - 28" x 74.1" - w/o Hardware



## 1981 ITASCA TABLE OF CONTENTS

Introduction	A-1
Abbreviations	A-1
Alphabetical Index	A-2 - A-4
IC723RB M2	A-5 - B-10
IC723RH M2	B-11 - C-16
IC821RB M1, IC821RB M2	C-17 - E-4
ICN29RT M2	E-5 - G-6
ICF26RH M1, ICF26RH M2	G-7 - I-8
ICF26RT M1, ICF26RT M2	I-9 - K-14

## 1981 ICN29RT M2 INDEX

Floor Plan	E-5 - E-6
Accessories Group	E-7 - E-9
Bath Group	E-10 - E-11
Chassis Group	E-12 - E-13
Curtain, Cushion and Pad Group	E-14 - E-20
Dinette Group	E-21 - E-22
Driver's Compartment Group	E-23 - E-24
Electrical Group	F-1 - F-3
Exterior Body Group	F-4 - F-7
Galley Group	F-8
Heating & Air Conditioning Group	F-9 - F-10
Interior Finish Group	F-11 - F-12
LP Group	F-13
Lounge Group	F-14 - F-15
Water & Sewage Group	F-15 - F-16
Window, Vent & Exterior Door Group	F-17 - G-6

## BATH GROUP (CONTINUED)

### BATH HARDWARE

Key	Part Number	U/M	Description
**	011056-01-000	EA	Faucet - Lavatory - U.S.
**	011056-02-000	EA	Faucet - Lavatory - C.S.A.
	064953-01-000	EA	Faucet - Lavatory - Single Lever
	058640-01-000	EA	Sink - Oval - Ivory Plastic
	011083-01-000	EA	Plug - Sink - 1 1/4" w/Chain
**	031558-01-000	EA	Faucet - Tub and Shower - Metal
**	031558-03-000	EA	Faucet - Tub and Shower - Plastic
**	011048-01-000	EA	Shower Head - w/80" Hose
	010495-01-000	EA	Hose Clamp - 9/16"
**	011086-01-000	EA	Strainer - Shower Pan
**	011069-01-000	EA	Tailpiece - 1 1/4" x 4" - Brass
	009134-01-000	EA	Holder - Tissue
	058331-01-000	EA	Mirror - Safety Glass - 19" x 26"
	058331-02-000	EA	Mirror - Safety Glass - 12" x 36"
	058331-03-000	EA	Mirror - Safety Glass - 10" x 42"
	058331-05-000	EA	Mirror - Safety Glass - 12" x 26"
	058335-01-000	EA	Latch - Bathroom Door
	009155-01-000	EA	Track - Sliding Door
	009156-01-000	EA	Hanger - Sliding Door
	058034-01-000	EA	Latch - Sliding Door
	009112-01-000	EA	Flange - 1" - Closet Rod
**	063740-01-000	EA	Toilet - Thetford Aqua Magic IV - Ivory
	066436-01-000	EA	Nut - Slip - 1.5" Tailpiece
	066435-01-000	EA	Nut - Strainer
	066729-01-000	EA	Strainer - Tub - Shower Drain
	009133-01-000	EA	Towel Bar
	023449-01-000	EA	Towel Bar Supports

\*\*The illustrated parts breakdown for this item is provided on the Common Items Fiche.

## CHASSIS GROUP

Key	Part Number	U/M	Description
	058780-01-000	EA	Gas Fill - w/Vent
	024811-04-000	EA	Cap - Gas - Pressure - 1.5" Chrome
	024138-01-000	FT	Hose - Fuel - 5/16" I.D. SAE 30RI
	024141-01-000	FT	Hose Rubber - 1/2" I.D.
	007134-01-000	EA	Clamp - Hose - Spring Type - 9/16"
	063383-01-000	EA	Tank - Fuel - 89.7 Gallon
	057038-02-000	EA	Sending Unit - Fuel - 80 Ohm.
	063386-03-000	EA	Strap - Fuel Tank Mounting
	063386-02-000	EA	Hanger - Fuel Tank Mounting
	062401-02-000	EA	Clamp - Worm Gear - 15/16" to 1 5/16"
	062401-03-000	EA	Clamp - Worm Drive - .22" - 1" I.D.
	050227-01-000	EA	Canistor Asm. - Vapor - 2 Stage - 3 Port
	007111-01-000	FT	Hose - Fuel - 2 1/4" I.D. SAE 30RI
	024490-01-000	EA	Power Cord Box - Plastic
	055374-01-000	EA	Wheel Well - Plastic
	743313-56-000	EA	Tray - Generator - Onan - 4.0 kw
	740313-57-000	EA	Tray - Generator - Onan - 6.5kw
	052431-01-000	EA	Luggage Tray
	022855-02-000	EA	Tailpipe - 2 1/4" x 8" - 454 Engine - Chevy
	007125-06-000	EA	Clamp Asm. - Muffler - 2 1/4"
	017516-01-000	EA	Mud Flap - Black - 14" x 18" w/Holes
	051697-01-000	EA	Bracket - Battery Tie Down
	048594-01-000	EA	Battery Tray Asm.
	047441-01-000	EA	Terminal - Battery - Horizontal Lug - Chevy
	024852-01-700	EA	Step Asm. - Entry
	048474-01-000	EA	Bumper - Rear - Chrome
	022150-01-000	EA	Bracket - Bumper - Rear - Chevy
	058401-01-000	EA	Hood Board - Upper - Right - Steel
	058404-01-000	EA	Hood Board - Upper - Left - Steel
	058818-01-000	EA	Cover - Radiator - Rear
	058817-01-000	EA	Cover - Radiator - Rear Back - (Fan Shroud)
	058200-01-000	EA	Bumper - Front - Chrome
	005200-01-000	EA	Bolt - Carriage - 7/16"-14x1 1/4" SST.
	058349-01-000	EA	Bracket - Front Bumper - Black
	058416-01-000	EA	Bar - Front Bumper - Black
	063977-02-000	EA	Step Asm. - Upper Driver Door - Black
	063976-02-000	EA	Step Asm. - Lower Driver Door - Black
	044967-01-000	EA	Shield - Heat Muffler
	058425-01-000	EA	Bracket - Bumper - Front - Left - Chevy
	058425-02-000	EA	Bracket - Bumper - Front - Right - Chevy
	058832-01-000	EA	Filler - Radiator Cover
	047743-01-000	EA	Spacer - Rear Spring/Axle Stop - Chevy
	007131-01-000	EA	Hanger - Tail Pipe
	007324-01-000	EA	Tire - 800 x 19.5 - Radial
	051759-01-000	EA	Tire - 800 x 19.5 - 10 Ply Poly
	052165-03-000	EA	Shock Cord - Rubber - 24" - (Spare Tire)
	061661-01-000	EA	Bracket - Tire Cover - Chevy
	059670-03-000	EA	Bracket - Tire Carrier
	064963-01-000	EA	Rim - Wheel - 19.5 x 6.75 - Chevy

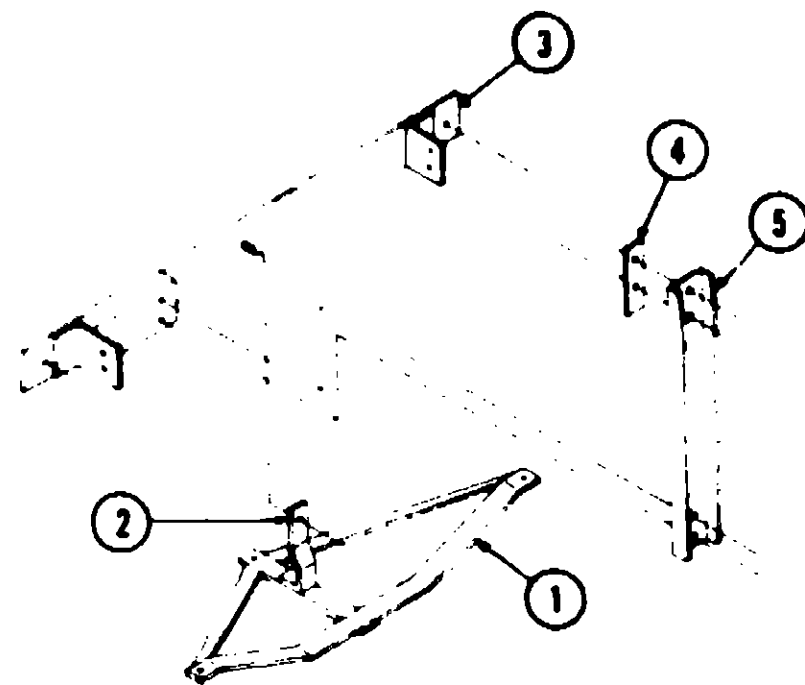
## 1981 ITASCA TABLE OF CONTENTS

Introduction	A-1
Abbreviations	A-1
Alphabetical Index	A-2 - A-4
IC723RB M2	A-5 - B-10
IC723RH M2	B-11 - C-16
IC621RB M1, IC621RH M2	C-17 - E-4
ICN29RT M2	E-5 - G-6
ICF26RH M1, ICF26RH M2	G-7 - I-8
ICF26RT M1, ICF26RT M2	I-9 - K-14

## 1981 ICN29RT M2 INDEX

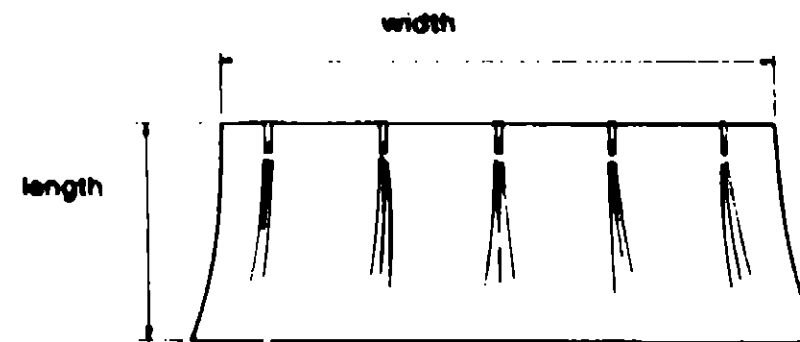
Floor Plan	E-5 - E-6
Accessories Group	E-7 - E-9
Bath Group	E-10 - E-11
Chassis Group	E-12 - E-13
Curtain, Cushion & Pad Group	E-14 - E-20
Dinette Group	E-21 - E-22
Driver's Compartment Group	E-23 - E-24
Electrical Group	F-1 - F-3
Exterior Body Group	F-4 - F-7
Galley Group	F-8
Heating & Air Conditioning Group	F-9 - F-10
Interior Finish Group	F-11 - F-12
LP Group	F-13
Lounge Group	F-14 - F-15
Water & Sewage Group	F-15 - F-16
Window, Vent & Exterior Door Group	F-17 - G-6

**CHASSIS GROUP (CONTINUED)**



Key	Part Number	U/M	Description
1	064833-01-000	EA	Trailer Hitch Asm. - With Support
2	064824-01-000	EA	Support - Trailer Hitch
3	064601-12-000	EA	Bracket - Bumper Mount - Rear
4	040974-01-000	EA	Bracket - Spare Tire - Retaining Bar - 2" x 6.75"
5	059670-03-000	EA	Bracket - U-Channel - 27.12" - Tire Carrier

**CURTAIN, CUSHION AND PAD GROUP**



**NOTE:**  
Use this illustration when determining length and width measurements for curtains. You will note the width measurement is taken on the top of the curtain with the curtain fully extended. The length measurement is taken from top to bottom.

**CURTAINS & TIEBACKS**

Key	Part Number	U/M	Description
	056484-40-M10	EA	Curtain w/Tape Top - 29" x 42" - Rust
	056484-40-M11	EA	Curtain w/Tape Top - 29" x 42" - Blue
	056484-40-M12	EA	Curtain w/Tape Top - 29" x 42" - Burgundy
	056484-41-M10	EA	Curtain w/Tape Top - 29" x 9" - Rust
	056484-41-M11	EA	Curtain w/Tape Top - 29" x 9" - Blue
	056484-41-M12	EA	Curtain w/Tape Top - 29" x 9" - Burgundy
	056484-42-M10	EA	Curtain w/Tape Top - 21.5" x 9" - Rust
	056484-42-M11	EA	Curtain w/Tape Top - 21.5" x 9" - Blue
	056484-42-M12	EA	Curtain w/Tape Top - 21.5" x 9" - Burgundy
	054051-48-M10	EA	Curtain w/Snap Top - 29" x 37" - Rust
	054051-48-M11	EA	Curtain w/Snap Top - 29" x 37" - Blue
	054051-48-M12	EA	Curtain w/Snap Top - 29" x 37" - Burgundy
	054051-22-M10	EA	Curtain w/Snap Top - Bunk Privacy - 22" x 96" - Rust
	054051-22-M11	EA	Curtain w/Snap Top - Bunk Privacy - 22" x 96" - Blue
	054051-22-M12	EA	Curtain w/Snap Top - Bunk Privacy - 22" x 96" - Burgundy
	054051-41-M10	EA	Curtain w/Snaps - Wraparound - 27.5" x 81" - Rust
	054051-41-M11	EA	Curtain w/Snaps - Wraparound - 27.5" x 81" - Blue
	054051-41-M12	EA	Curtain w/Snaps - Wraparound - 27.5" x 81" - Burgundy
	054051-43-M10	EA	Curtain w/Snaps - Wraparound - 27.5" x 125" - w/Drivers Door - Rust
	054051-43-M11	EA	Curtain w/Snaps - Wraparound - 27.5" x 125" - w/Drivers Door - Blue
	054051-43-M12	EA	Curtain w/Snaps - Wraparound - 27.5" x 125" - w/Drivers Door - Burgundy
	059900-05-M10	EA	Curtain w/Snaps - Wraparound - 29" x 35" - Drivers Door - Rust
	059900-05-M11	EA	Curtain w/Snaps - Wraparound - 29" x 35" - Drivers Door - Blue
	059900-05-M12	EA	Curtain w/Snaps - Wraparound - 29" x 35" - Drivers Door - Burgundy
	054048-08-M10	EA	Tie Back Asm. - Curtain - 2" x 18" - Rust
	054048-08-M11	EA	Tie Back Asm. - Curtain - 2" x 18" - Blue
	054048-08-M12	EA	Tie Back Asm. - Curtain - 2" x 18" - Burgundy
	057534-01-000	EA	Tie Back - Clear Plastic - 6"
	057534-03-000	EA	Tie Back - Clear Plastic - 7.5"

**SHADES**

Key	Part Number	U/M	Description
	059547-07-000	EA	Shade - Woven Wood - 29" x 72" - Rust
	067783-01-000	EA	Shade - Woven Wood - 29" x 72" - Blue
	067783-04-000	EA	Shade - Woven Wood - 29" x 72" - Burgundy
	059547-08-000	EA	Shade - Woven Wood - 31" x 68" - Rust
	067783-09-000	EA	Shade - Woven Wood - 31" x 68" - Blue
	067783-12-000	EA	Shade - Woven Wood - 31" x 68" - Burgundy
	059547-09-000	EA	Shade - Woven Wood - 31" x 60" - Rust
	067783-13-000	EA	Shade - Woven Wood - 31" x 60" - Blue
	067783-16-000	EA	Shade - Woven Wood - 31" x 60" - Burgundy
	059547-11-000	EA	Shade - Woven Wood - 23" x 23" - Rust
	067783-25-000	EA	Shade - Woven Wood - 23" x 23" - Blue
	067783-28-000	EA	Shade - Woven Wood - 23" x 23" - Burgundy
	059547-20-000	EA	Shade - Woven Wood - 29" x 21" - Rust
	067783-29-000	EA	Shade - Woven Wood - 29" x 21" - Blue
	067783-32-000	EA	Shade - Woven Wood - 29" x 21" - Burgundy

**1981 ITASCA  
TABLE OF CONTENTS**

Introduction	A-1
Abbreviations	A-1
Alphabetical Index	A-2 - A-4
IC723RB M2	A-5 - B-10
IC723RH M2	B-11 - C-18
IC621RB M1, IC621RB M2	C-17 - E-4
ICN29RT M2	E-5 - G-6
ICF26RH M1, ICF26RH M2	G-7 - I-8
ICF26RT M1, ICF26RT M2	I-9 - K-14

**1981 ICN29RT M2 INDEX**

Floor Plan	E-5 - E-6
Accessories Group	E-7 - E-9
Bath Group	E-10 - E-11
Chassis Group	E-12 - E-13
Curtain, Cushion and Pad Group	E-14 - E-20
Dinette Group	E-21 - E-22
Driver's Compartment Group	E-23 - E-24
Electrical Group	F-1 - F-3
Exterior Body Group	F-4 - F-7
Galley Group	F-8
Heating & Air Conditioning Group	F-9 - F-10
Interior Finish Group	F-11 - F-12
LP Group	F-13
Lounge Group	F-14 - F-15
Water & Sewage Group	F-15 - F-16
Window, Vent & Exterior Door Group	F-17 - G-6

**CURTAIN, CUSHION AND PAD GROUP (CONTINUED)**

**CURTAIN VALANCE**

Key	Part Number	U/M	Description
	065892-01-M07	EA	Valance Asm. - 5" x 34" Stapled - Galley - Rust
	065892-01-M08	EA	Valance Asm. - 5" x 34" Stapled - Galley - Blue
	065892-01-M09	EA	Valance Asm. - 5" x 34" Stapled - Galley - Burgundy
	065892-05-M07	EA	Valance Asm. - 5" x 78" Stapled - Lounge - Rust
	065892-05-M08	EA	Valance Asm. - 5" x 78" Stapled - Lounge - Blue
	065892-05-M09	EA	Valance Asm. - 5" x 78" Stapled - Lounge - Burgundy
	065892-06-M07	EA	Valance Asm. - 5" x 69" Stapled - Rear Sides - Rust
	065892-06-M08	EA	Valance Asm. - 5" x 69" Stapled - Rear Sides - Blue
	065892-06-M09	EA	Valance Asm. - 5" x 69" Stapled - Rear Sides - Burgundy
	065892-07-M07	EA	Valance Asm. - 5" x 81" Stapled - Rear - Rust
	065892-07-M08	EA	Valance Asm. - 5" x 81" Stapled - Rear - Blue
	065892-07-M09	EA	Valance Asm. - 5" x 81" Stapled - Rear - Burgundy
	065892-16-M07	EA	Valance Asm. - 5" x 29" Stapled - Bath - Rust
	065892-16-M08	EA	Valance Asm. - 5" x 29" Stapled - Bath - Blue
	065892-16-M09	EA	Valance Asm. - 5" x 29" Stapled - Bath - Burgundy

**CURTAIN HARDWARE**

Key	Part Number	U/M	Description
	053272-01-001	EA	Track - Curtain - Alum. 16' - w/Holes
	059430-01-000	EA	Track - Curtain - Front Wraparound (2 per unit) - 32.8" x 45.2"
	059430-02-000	EA	Track - Curtain - Front Wraparound (w/Drivers Door) - 32.8" x 89.1"
	056001-01-000	EA	Bracket - Shade - Left
	056002-01-000	EA	Bracket - Shade - Right
	056003-01-000	EA	Bracket - Curtain Retainer - Right
	056003-02-000	EA	Bracket - Curtain Retainer - Left
	056784-01-000	EA	Pull - Window Shade - Antique Brass
	056115-01-000	YD	Tape - Clear Plastic - w/Guides
	056116-01-000	FT	Track - Curtain - Brown Plastic
	009107-01-000	EA	Guide - Nylon Snap - Curtain
	018031-42-000	EA	Track - Curtain - "L" Rod - Alum. Extr. - 90"
	009701-01-000	EA	Carrier - "L" Rod - Curtain
	009702-01-000	EA	End Stop - "L" - Curtain



Key	Part Number	U/M	Description
1	029130-01-000	EA	Socket - Snap Fastener
2	029155-01-000	EA	Cap - Snap - .156" Dia. x .17" Barrel
3	029156-01-000	EA	Socket - Snap Fastener
4	029092-01-000	EA	Stud - Nickel Finish
5	029093-01-000	EA	Eyelet - Nickel Finish

**CURTAIN, CUSHION AND PAD GROUP (CONTINUED)**

**FABRICS AND TRIMS**

Key	Part Number	U/M	Description
	068339-04-000	YD	Fabric - Drapery - Rust
	068339-05-000	YD	Fabric - Drapery - Blue
	068339-06-000	YD	Fabric - Drapery - Burgundy
	068338-10-000	YD	Fabric - Upholstery - Rust
	068338-11-000	YD	Fabric - Upholstery - Blue
	068338-12-000	YD	Fabric - Upholstery - Burgundy
	038421-01-000	YD	Tickling - Mattress - Gold
	057063-01-M07	EA	Button Asm. - Covered #60 - Nail - Brown Vinyl
	052659-01-M07	FT	Trim Asm. - Accent - Acorn Brown Vinyl
	053327-01-000	YD	Vinyl - Non Expanded - 27 oz. - Acorn Brown
	053327-02-000	YD	Vinyl - Expanded - 28 oz. Acorn Brown
	053327-03-000	YD	Vinyl - Non Support - 18 Gauge Film - Acorn Brown
	068342-02-000	YD	Vinyl - Expanded - 28 oz. - Saddle Brown
	M00045-02-M10	EA	Button Asm. - Cloth #45 - Rust
	M00045-02-M11	EA	Button Asm. - Cloth #45 - Blue
	M00045-02-M12	EA	Button Asm. - Cloth #45 - Burgundy
	057550-03-M07	EA	Button Asm. - Nail - #36 - Acorn Brown
	057550-05-M07	EA	Button Asm. - Nail - #36 - Short - Acorn Brown
	057592-02-M10	EA	Button Asm. - Pivor #30 - Armrest - Beige
	057591-02-M10	EA	Nail - Button Pivot #30 - Armrest - Beige
	M00045-01-M10	EA	Button - Nylon - Back Upholstery - #30 - Beige
	M00045-06-M10	EA	Button - Nylon - Back Upholstery - #30 - Rust
	054676-05-M10	EA	Button Asm. - Cloth #45 - Bolster Cushion
	052350-02-000	EA	Button - Upholstery - Back #45

**BUCKET SEATS**

Key	Part Number	U/M	Description
	068862-01-M10	EA	Seat Asm. - Single Bucket - Highback w/Armrests and Skirt - Rust
	068862-01-M11	EA	Seat Asm. - Single Bucket - Highback w/Armrests and Skirt - Blue
	068862-01-M12	EA	Seat Asm. - Single Bucket - Highback w/Armrests and Skirt - Burgundy
	M00405-01-M10	EA	Cover - Back - Single Bucket - Rust
	M00405-01-M11	EA	Cover - Back - Single Bucket - Blue
	M00405-01-M12	EA	Cover - Back - Single Bucket - Burgundy
	M00405-02-M10	EA	Cover - Bottom - Single Bucket - Rust
	M00405-02-M11	EA	Cover - Bottom - Single Bucket - Blue
	M00405-02-M12	EA	Cover - Bottom - Single Bucket - Burgundy
	068815-02-M10	EA	Skirt - Single Bucket - Rust
	068815-02-M11	EA	Skirt - Single Bucket - Blue
	068815-02-M12	EA	Skirt - Single Bucket - Burgundy
	068863-01-M10	EA	Seat Asm. - Double Bucket - Highback w/Armrests and Skirt - Rust
	068863-01-M11	EA	Seat Asm. - Double Bucket - Highback w/Armrests and Skirt - Blue
	068863-01-M12	EA	Seat Asm. - Double Bucket - Highback w/Armrests and Skirt - Burgundy
	M00405-03-M10	EA	Cover - Back - Double Bucket - Rust
	M00405-03-M11	EA	Cover - Back - Double Bucket - Blue
	M00405-03-M12	EA	Cover - Back - Double Bucket - Burgundy
	M00405-04-M10	EA	Cover - Bottom - Double Bucket - Rust
	M00405-04-M11	EA	Cover - Bottom - Double Bucket - Blue
	M00405-04-M12	EA	Cover - Bottom - Double Bucket - Burgundy
	068878-01-M10	EA	Skirt - Double Bucket - Rust
	068878-01-M11	EA	Skirt - Double Bucket - Blue
	068878-01-M12	EA	Skirt - Double Bucket - Burgundy
	067661-02-000	EA	Armrest Asm. - Foam w/o Cover - Right
	067661-01-000	EA	Armrest Asm. - Foam w/o Cover - Left
	065774-02-M10	EA	Cover - Armrest - Right or Left - Rust
	065774-02-M11	EA	Cover - Armrest - Right or Left - Blue
	065774-02-M12	EA	Cover - Armrest - Right or Left - Burgundy

**1981 ITASCA  
TABLE OF CONTENTS**

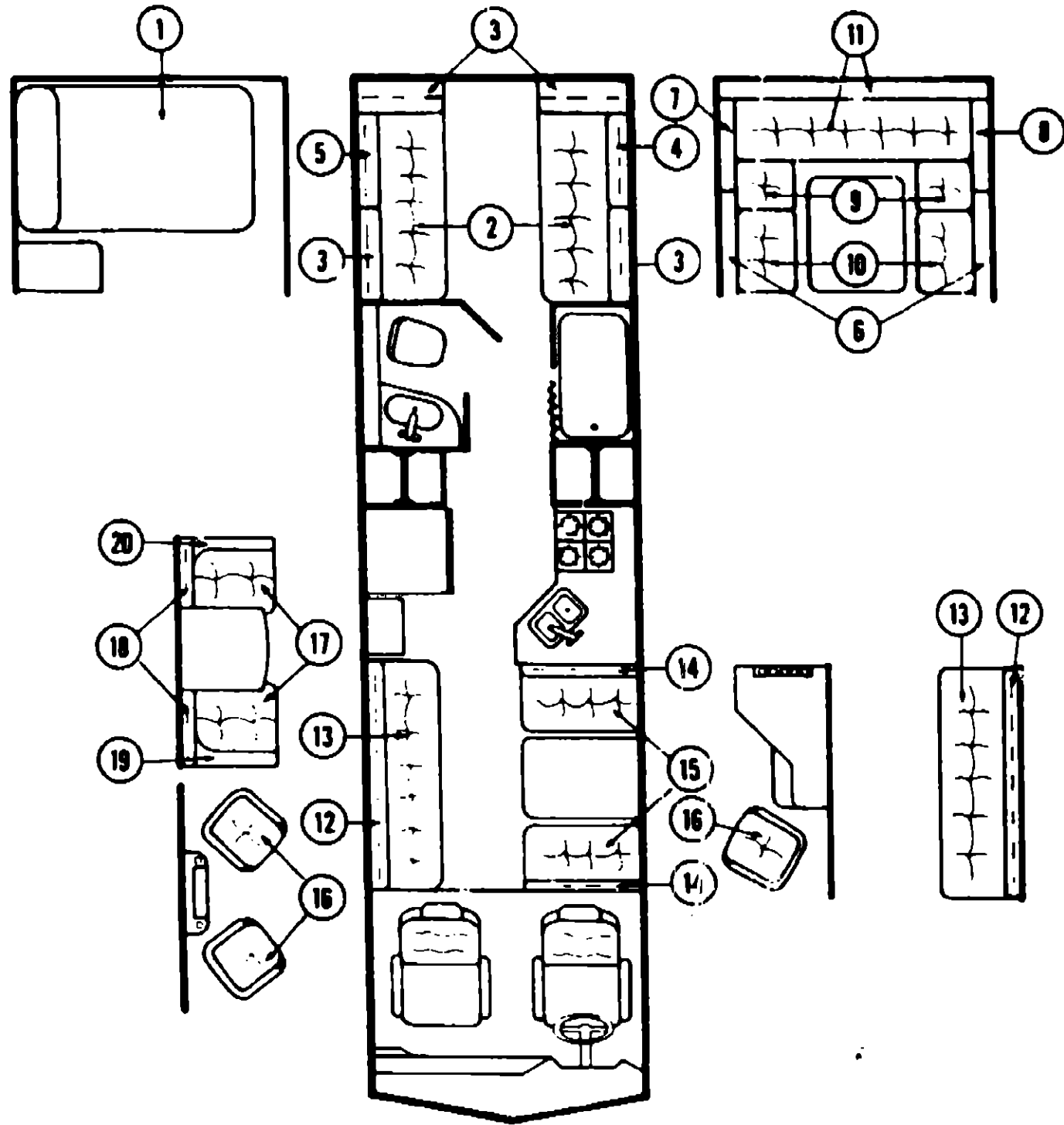
Introduction	A-1
Abbreviations	A-1
Alphabetical Index	A-2 - A-4
IC723RB M2	A-5 - B-10
IC723RH M2	B-11 - C-16
IC621RB M1, IC621RH M2	C-17 - E-4
ICN29RT M2	E-5 - G-6
ICF26RH M1, ICF26RH M2	G-7 - I-8
ICF26RT M1, ICF26RT M2	I-9 - K-14

**1981 ICN29RT M2 INDEX**

Floor Plan	E-5 - E-6
Accessories Group	E-7 - E-9
Bath Group	E-10 - E-11
Chassis Group	E-12 - E-13
Curtain, Cushion and Pad Group	E-14 - E-20
Dinette Group	E-21 - E-22
Driver's Compartment Group	E-23 - E-24
Electrical Group	F-1 - F-3
Exterior Body Group	F-4 - F-7
Galley Group	F-8
Heating & Air Conditioning Group	F-9 - F-10
Interior Finish Group	F-11 - F-12
LP Group	F-13
Lounge Group	F-14 - F-15
Water & Sewage Group	F-15 - F-16
Window, Vent & Exterior Door Group	F-17 - G-6

**CURTAIN, CUSHION AND PAD GROUP (CONTINUED)**

**CURTAIN, CUSHION AND PAD GROUP (CONTINUED)**



**DOUBLE BED MATTRESS**

Key	Part Number	U/M	Description
1	058709-02-000	EA	Mattress - Inner Spring - Sealy - 54" x 75"
	066343-02-M10	EA	Bedspread - Rust
	066343-02-M11	EA	Bedspread - Blue
	066343-02-M12	EA	Bedspread - Burgundy

**REAR TWIN BED CUSHIONS**

Key	Part Number	U/M	Description
2	068798-01-M10	EA	Cushion - Rear Twin - Bottom - 28" x 76" x 5" - Rust
2	068798-01-M11	EA	Cushion - Rear Twin - Bottom - 28" x 76" x 5" - Blue
2	068798-01-M12	EA	Cushion - Rear Twin - Bottom - 28" x 76" x 5" - Burgundy
	M68798-01-M10	EA	Cover - Cushion - 28" x 76" x 5" - Rust
	M68798-01-M11	EA	Cover - Cushion - 28" x 76" x 5" - Blue
	M68798-01-M12	EA	Cover - Cushion - 28" x 76" x 5" - Burgundy
3	058917-05-M10	EA	Cushion - Bolster - 8" x 10" x 14" x 28" - Rust
3	058917-05-M11	EA	Cushion - Bolster - 8" x 10" x 14" x 28" - Blue
3	058917-05-M12	EA	Cushion - Bolster - 8" x 10" x 14" x 28" - Burgundy
	058918-01-M10	EA	Cover - Cushion - 8" x 10" x 14" x 28" - Rust
	058918-01-M11	EA	Cover - Cushion - 8" x 10" x 14" x 28" - Blue
	058918-01-M12	EA	Cover - Cushion - 8" x 10" x 14" x 28" - Burgundy
4	058919-09-M10	EA	Cushion - Bolster - 8" x 10" x 14" x 40" x 38" - Left - Rust
4	058919-09-M11	EA	Cushion - Bolster - 8" x 10" x 14" x 40" x 38" - Left - Blue
4	058919-09-M12	EA	Cushion - Bolster - 8" x 10" x 14" x 40" x 38" - Left - Burgundy
	058920-01-M10	EA	Cover - Cushion - 8" x 10" x 14" x 40" x 38" - Left - Rust
	058920-01-M11	EA	Cover - Cushion - 8" x 10" x 14" x 40" x 38" - Left - Blue
	058920-01-M12	EA	Cover - Cushion - 8" x 10" x 14" x 40" x 38" - Left - Burgundy
5	058919-10-M10	EA	Cushion - Bolster - 8" x 10" x 14" x 40" x 38" - Right - Rust
5	058919-10-M11	EA	Cushion - Bolster - 8" x 10" x 14" x 40" x 38" - Right - Blue
5	058919-10-M12	EA	Cushion - Bolster - 8" x 10" x 14" x 40" x 38" - Right - Burgundy
	058920-02-M10	EA	Cover - Cushion - 8" x 10" x 14" x 40" x 38" - Right - Rust
	058920-02-M11	EA	Cover - Cushion - 8" x 10" x 14" x 40" x 38" - Right - Blue
	058920-02-M12	EA	Cover - Cushion - 8" x 10" x 14" x 40" x 38" - Right - Burgundy

**HORSEHOE LOUNGE CUSHIONS**

Key	Part Number	U/M	Description
6	068798-05-M10	EA	Cushion - Lounge Back - 16" x 32" x 5" - Rust
6	068798-05-M11	EA	Cushion - Lounge Back - 16" x 32" x 5" - Blue
6	068798-05-M12	EA	Cushion - Lounge Back - 16" x 32" x 5" - Burgundy
	M68798-05-M10	EA	Cover - Cushion - 16" x 32" x 5" - Rust
	M68798-05-M11	EA	Cover - Cushion - 16" x 32" x 5" - Blue
	M68798-05-M12	EA	Cover - Cushion - 16" x 32" x 5" - Burgundy
7	068796-01-M10	EA	Cushion - Lounge Back - 16" x 39" x 35" x 5" - Rust - Right
7	068796-01-M11	EA	Cushion - Lounge Back - 16" x 39" x 35" x 5" - Blue - Right
7	068796-01-M12	EA	Cushion - Lounge Back - 16" x 39" x 35" x 5" - Burgundy - Right
	M68796-01-M10	EA	Cover - Cushion - 16" x 39" x 35" x 5" - Rust - Right
	M68796-01-M11	EA	Cover - Cushion - 16" x 39" x 35" x 5" - Blue - Right
	M68796-01-M12	EA	Cover - Cushion - 16" x 39" x 35" x 5" - Burgundy - Right
8	068796-02-M10	EA	Cushion - Lounge Back - 16" x 39" x 35" x 5" - Rust - Left
8	068796-02-M11	EA	Cushion - Lounge Back - 16" x 39" x 35" x 5" - Blue - Left
8	068796-02-M12	EA	Cushion - Lounge Back - 16" x 39" x 35" x 5" - Burgundy - Left
	M68796-02-M10	EA	Cover - Cushion - 16" x 39" x 35" x 5" - Rust - Left
	M68796-02-M11	EA	Cover - Cushion - 16" x 39" x 35" x 5" - Blue - Left
	M68796-02-M12	EA	Cover - Cushion - 16" x 39" x 35" x 5" - Burgundy - Left
9	068798-03-M10	EA	Cushion - Lounge Seat - 24" x 15" x 5.5" - Rust
9	068798-03-M11	EA	Cushion - Lounge Seat - 24" x 15" x 5.5" - Blue
9	068798-03-M12	EA	Cushion - Lounge Seat - 24" x 15" x 5.5" - Burgundy
	M68798-03-M10	EA	Cover - Cushion - 24" x 15" x 5.5" - Rust
	M68798-03-M11	EA	Cover - Cushion - 24" x 15" x 5.5" - Blue
	M68798-03-M12	EA	Cover - Cushion - 24" x 15" x 5.5" - Burgundy
10	068798-04-M10	EA	Cushion - Lounge Seat - 24" x 32" x 5.5" - Rust
10	068798-04-M11	EA	Cushion - Lounge Seat - 24" x 32" x 5.5" - Blue
10	068798-04-M12	EA	Cushion - Lounge Seat - 24" x 32" x 5.5" - Burgundy
	M68798-04-M10	EA	Cover - Cushion - 24" x 32" x 5.5" - Rust
	M68798-04-M11	EA	Cover - Cushion - 24" x 32" x 5.5" - Blue
	M68798-04-M12	EA	Cover - Cushion - 24" x 32" x 5.5" - Burgundy

**1981 ITASCA  
TABLE OF CONTENTS**

Introduction	A-1
Abbreviations	A-1
Alphabetical Index	A-2 - A-4
IC723RB M2	A-5 - B-10
IC723RH M2	B-11 - C-16
IC821RB M1, IC821RB M2	C-17 - E-4
ICN29RT M2	E-5 - G-6
ICF26RH M1, ICF26RH M2	G-7 - I-8
ICF26RT M1, ICF26RT M2	I-9 - K-14

**1981 ICN29RT M2 INDEX**

Floor Plan	E-5 - E-6
Accessories Group	E-7 - E-9
Bath Group	E-10 - E-11
Chassis Group	E-12 - E-13
Curtain, Cushion & Pad Group	E-14 - E-20
Dinette Group	E-21 - E-22
Driver's Compartment Group	E-23 - E-24
Electrical Group	F-1 - F-3
Exterior Body Group	F-4 - F-7
Galley Group	F-8
Heating & Air Conditioning Group	F-9 - F-10
Interior Finish Group	F-11 - F-12
LP Group	F-13
Lounge Group	F-14 - F-15
Water & Sewage Group	F-15 - F-16
Window, Vent & Exterior Door Group	F-17 - G-6

**CURTAIN, CUSHION AND PAD GROUP (CONTINUED)**

**LESTER LOUNGE CUSHIONS**

Key	Part Number	U/M	Description
11	068797-01-M10	EA	Cushion - Lester Lounge - Back & Bottom - 76" - Rust
11	068797-01-M11	EA	Cushion - Lester Lounge - Back & Bottom - 76" - Blue
11	068797-01-M12	EA	Cushion - Lester Lounge - Back & Bottom - 76" - Burgundy
	M68797-01-M10	EA	Cover - Lester Lounge - Back & Bottom - 76" - Rust
	M68797-01-M11	EA	Cover - Lester Lounge - Back & Bottom - 76" - Blue
	M68797-01-M12	EA	Cover - Lester Lounge - Back & Bottom - 76" - Burgundy
	065985-01-M10	EA	Cushion - Lounge Back - 8" x 76" x 4.5" - Rust
	065985-01-M11	EA	Cushion - Lounge Back - 8" x 76" x 4.5" - Blue
	065985-01-M12	EA	Cushion - Lounge Back - 8" x 76" x 4.5" - Burgundy
	065986-01-M10	EA	Cover - Cushion - 8" x 76" x 4.5" - Rust
	065986-01-M11	EA	Cover - Cushion - 8" x 76" x 4.5" - Blue
	065986-01-M12	EA	Cover - Cushion - 8" x 76" x 4.5" - Burgundy
			Not Illustrated

**PRESTO BED CUSHIONS**

Key	Part Number	U/M	Description
12	068780-01-M10	EA	Cushion Asm. - Presto Bed - Back - 76" - Rust
12	068780-01-M11	EA	Cushion Asm. - Presto Bed - Back - 76" - Blue
12	068780-01-M12	EA	Cushion Asm. - Presto Bed - Back - 76" - Burgundy
	M68780-01-M10	EA	Cover - Presto Bed Back - 76" - Rust
	M68780-01-M11	EA	Cover - Presto Bed Back - 76" - Blue
	M68780-01-M12	EA	Cover - Presto Bed Back - 76" - Burgundy
13	068781-01-M10	EA	Cushion Asm. - Presto Bed - Bottom - 76" - Rust
13	068781-01-M11	EA	Cushion Asm. - Presto Bed - Bottom - 76" - Blue
13	068781-01-M12	EA	Cushion Asm. - Presto Bed - Bottom - 76" - Burgundy
	M68781-01-M10	EA	Cover - Presto Bed Bottom - 76" - Rust
	M68781-01-M11	EA	Cover - Presto Bed Bottom - 76" - Blue
	M68781-01-M12	EA	Cover - Presto Bed Bottom - 76" - Burgundy

**DINETTE CUSHIONS**

Key	Part Number	U/M	Description
14	068773-01-M10	EA	Cushion - Dinette Back - 19.2" x 38" x 5" - Rust
14	068773-01-M11	EA	Cushion - Dinette Back - 19.2" x 38" x 5" - Blue
14	068773-01-M12	EA	Cushion - Dinette Back - 19.2" x 38" x 5" - Burgundy
	M68773-01-M10	EA	Cover - Dinette Back Cushion - 19.2" x 38" x 5" - Rust
	M68773-01-M11	EA	Cover - Dinette Back Cushion - 19.2" x 38" x 5" - Blue
	M68773-01-M12	EA	Cover - Dinette Back Cushion - 19.2" x 38" x 5" - Burgundy
15	068773-02-M10	EA	Cushion - Dinette Bottom - 17.5" x 38" x 5" - Rust
15	068773-02-M11	EA	Cushion - Dinette Bottom - 17.5" x 38" x 5" - Blue
15	068773-02-M12	EA	Cushion - Dinette Bottom - 17.5" x 38" x 5" - Burgundy
	M68773-02-M10	EA	Cover - Dinette Bottom Cushion - 17.5" x 38" x 5" - Rust
	M68773-02-M11	EA	Cover - Dinette Bottom Cushion - 17.5" x 38" x 5" - Blue
	M68773-02-M12	EA	Cover - Dinette Bottom Cushion - 17.5" x 38" x 5" - Burgundy

**SWIVEL CHAIRS**

Key	Part Number	U/M	Description
16	069848-03-M10	EA	Swivel Chair - Complete - High Back - Rust
16	069848-03-M11	EA	Swivel Chair - Complete - High Back - Blue
16	069848-03-M12	EA	Swivel Chair - Complete - High Back - Burgundy
16	054674-13-M10	EA	Swivel Chair - Complete - Low Back - Rust
16	054674-13-M11	EA	Swivel Chair - Complete - Low Back - Blue
16	054674-13-M12	EA	Swivel Chair - Complete - Low Back - Burgundy
	054700-10-M10	EA	Cushion - Swivel Chair - Rust
	054700-10-M11	EA	Cushion - Swivel Chair - Blue
	054700-10-M12	EA	Cushion - Swivel Chair - Burgundy
	035036-01-000	EA	Plate - Swivel Chair
	035036-02-000	EA	Base w/Legs - Swivel Chair

**CURTAIN, CUSHION AND PAD GROUP (CONTINUED)**

**CORNER LOUNGE CHAIR CUSHIONS**

Key	Part Number	U/M	Description
17	059743-06-M10	EA	Cushion - Lounge Chair Bottom - Rust
17	059743-06-M11	EA	Cushion - Lounge Chair Bottom - Blue
17	059743-06-M12	EA	Cushion - Lounge Chair Bottom - Burgundy
	059746-04-M10	EA	Cover - Lounge Chair Bottom Cushion - Rust
	059746-04-M11	EA	Cover - Lounge Chair Bottom Cushion - Blue
	059746-04-M12	EA	Cover - Lounge Chair Bottom Cushion - Burgundy
18	059742-06-M10	EA	Cushion - Lounge Chair Back - Rust
18	059742-06-M11	EA	Cushion - Lounge Chair Back - Blue
18	059742-06-M12	EA	Cushion - Lounge Chair Back - Burgundy
	059745-04-M10	EA	Cover - Lounge Chair Back Cushion - Rust
	059745-04-M11	EA	Cover - Lounge Chair Back Cushion - Blue
	059745-04-M12	EA	Cover - Lounge Chair Back Cushion - Burgundy
19	059744-12-M10	EA	Cushion - Chair Wedge - Left - Rust
19	059744-12-M11	EA	Cushion - Chair Wedge - Left - Blue
19	059744-12-M12	EA	Cushion - Chair Wedge - Left - Burgundy
	059747-08-M10	EA	Cover - Chair Wedge Cushion - Left - Rust
	059747-08-M11	EA	Cover - Chair Wedge Cushion - Left - Blue
	059747-08-M12	EA	Cover - Chair Wedge Cushion - Left - Burgundy
20	059744-11-M10	EA	Cushion - Chair Wedge - Right - Rust
20	059744-11-M11	EA	Cushion - Chair Wedge - Right - Blue
20	059744-11-M12	EA	Cushion - Chair Wedge - Right - Burgundy
	059747-07-M10	EA	Cover - Chair Wedge Cushion - Right - Rust
	059747-07-M11	EA	Cover - Chair Wedge Cushion - Right - Blue
	059747-07-M12	EA	Cover - Chair Wedge Cushion - Right - Burgundy

**PADS**

Key	Part Number	U/M	Description
	058565-01-M10	EA	Pad - Pullout Table Cabinet - Acorn Vinyl
	063345-01-M10	EA	Pad - End - Front Lounge - Acorn Vinyl - Right
	063345-02-M10	EA	Pad - End - Front Lounge - Acorn Vinyl - Left
	063338-01-M10	EA	Pad - End - Galley Overhead - Acorn Vinyl
	059414-01-000	EA	Pad - Sidewall Trim - Drivers - Acorn Vinyl
	059467-03-M07	EA	Pad - Map Pocket - Drivers - Acorn Vinyl
	059414-02-000	EA	Pad - Sidewall Trim - Passenger - Acorn Vinyl
	059467-04-M07	EA	Pad - Map Pocket - Passenger - Acorn Vinyl
	058948-01-M10	EA	Pad - Bunk Panel - Right - Acorn Vinyl
	058948-02-M10	EA	Pad - Bunk Panel - Left - Acorn Vinyl
	058444-03-M10	EA	Pad - Dinette Overhead Cabinet - Left - Acorn Vinyl
	058444-04-M10	EA	Pad - Dinette Overhead Cabinet - Right - Acorn Vinyl

**FRONT BUNK CUSHIONS**

Key	Part Number	U/M	Description
	055021-33-M10	EA	Cushion Asm. - Front Bunk - 47" x 79.2" x 4" - Rust
	055021-33-M11	EA	Cushion Asm. - Front Bunk - 47" x 79.2" x 4" - Blue
	055021-33-M12	EA	Cushion Asm. - Front Bunk - 47" x 79.2" x 4" - Burgundy
	055022-35-M10	EA	Cover - Front Bunk Cushion - 47" x 79.2" x 4" - Rust
	055022-35-M11	EA	Cover - Front Bunk Cushion - 47" x 79.2" x 4" - Blue
	055022-35-M12	EA	Cover - Front Bunk Cushions - 47" x 79.2" x 4" - Burgundy

**1981 ITASCA  
TABLE OF CONTENTS**

Introduction	A-1
Abbreviations	A-1
Alphabetical Index	A-2 - A-4
IC723RB M2	A-5 - B-10
IC723RH M2	B-11 - C-16
IC621RB M1, IC621RB M2	C-17 - E-4
ICN29RT M2	E-5 - G-6
ICF26RH M1, ICF26RH M2	G-7 - I-8
ICF26RT M1, ICF26RT M2	I-9 - K-14

**1981 ICN29RT M2 INDEX**

Floor Plan	E-5 - E-6
Accessories Group	E-7 - E-9
Bath Group	E-10 - E-11
Chassis Group	E-12 - E-13
Curtain, Cushion and Pad Group	E-14 - E-20
Dinette Group	E-21 - E-22
Driver's Compartment Group	E-23 - E-24
Electrical Group	F-1 - F-3
Exterior Body Group	F-4 - F-7
Galley Group	F-8
Heating & Air Conditioning Group	F-9 - F-10
Interior Finish Group	F-11 - F-12
LP Group	F-13
Lounge Group	F-14 - F-15
Water & Sewage Group	F-15 - F-16
Window, Vent & Exterior Door Group	F-17 - G-6



## DINETTE GROUP

### CONVENTIONAL DINETTE AND OVERHEAD CABINETRY

Key	Part Number	U/M	Description
	053192-01-M10	EA	Table Asm. - Dinette - w/o Hardware - Rust Burnt Sienna
	053192-01-M11	EA	Table Asm. - Dinette - w/o Hardware - Paper Bag Brown
**	053200-04-000	EA	Bracket - Upper Wall Mount - Brown - 23.5"
**	053201-01-000	EA	Bracket - Table Mount - 23"
**	024275-01-000	EA	Rod - Table Lift - 8" x 23.5"
**	024281-06-000	EA	Bracket - Lower Wall Mount - Brown - 22.12"
**	024276-04-000	EA	Leg Asm. - Table - Brown - 29.5"
**	024277-02-000	EA	Hinge - Table Leg - Brown
**	024282-01-000	EA	Brace - Table Leg
**	024283-01-000	EA	Clip - 1" O.D. Tube
**	049493-02-000	EA	Catch - Table Leg - Mounts on Floor - Brown
	065484-01-M10	EA	Cabinet Asm. - Dinette Seat - Rear
	064646-01-M10	EA	Cabinet Asm. - Dinette Seat - Front - w/o Door or Hardware
	059550-04-M10	EA	Door Asm. - Front Dinette Seat Cabinet - 12" x 19.8" - w/o Hardware
	064649-03-M10	EA	Cabinet Asm. - Right Front Overhead - w/o Doors or Hardware
	064649-04-M10	EA	Cabinet Asm. - Left Front Overhead - w/o Doors or Hardware
	059551-01-M10	EA	Door Asm. - Dinette Overhead Cabinets - 11.3" x 28" - w/o Hardware

\*\* The illustrated parts breakdown for this item is provided on the Common Items Fiche.

### SPRUNG COUCH AND PEDESTAL TABLE

Key	Part Number	U/M	Description
	057622-01-M10	EA	Cabinet Face - Sprung Couch - w/o Door or Hardware
	057518-01-M10	EA	Cabinet End - Sprung Couch
	059550-02-700	EA	Door Asm. - Couch Cabinet - 11.6" x 37" - w/o Hardware
	059550-39-M10	EA	Door Asm. - Couch Cabinet - 16.6" x 47" - w/o Hardware
	057468-02-000	EA	Frame Asm. - Sprung Couch - Right
	057468-03-000	EA	Frame Asm. - Sprung Couch - Left
	057468-04-000	EA	Frame Rail - Sprung Couch (2 per couch)
	056875-01-000	EA	Leg Asm. - Sprung Couch (2 per couch)
	053248-02-M10	EA	Table Asm. - Pedestal - w/o Hardware - Rust Burnt Sienna
	053248-02-M11	EA	Table Asm. - Pedestal - w/o Hardware - Paper Bag Brown
	009040-02-000	EA	Leg - Pedestal Table - 27.5" x 2.25" O.D. - Chrome
	009040-03-000	EA	Base - Table Leg - Mounts on Table
	041194-01-000	EA	Base - Table Leg - Mounts in Floor

### CORNER LOUNGE CHAIRS

Key	Part Number	U/M	Description
	061558-02-M10	EA	Cabinet Asm. - Corner Lounge Chair - Right
	061560-01-M10	EA	Cabinet Asm. - Corner Lounge Chair - Left
	063224-13-M10	EA	Door Asm. - Rolled - 17.7" x 13"
	059550-38-M10	EA	Door Asm. - Lounge Cabinet - 12" x 19.5" - w/o Hardware
	061704-01-M10	EA	Table Asm. - Lounge - Rust Burnt Sienna
	061704-01-M11	EA	Table Asm. - Lounge - Paper Bag Brown
	061882-01-000	EA	Leg Asm. - Table - Pivot
	061879-01-000	EA	Leg Asm. - Table - Fixed
	024275-04-000	EA	Rod - Table Lift
	024281-05-000	EA	Bracket - Table Lift - Mounts on Table
	053200-02-000	EA	Support - Table - 14.5" - Mounts on Wall

## DINETTE GROUP (CONTINUED)

### SWIVEL CHAIR AND TELEVISION CABINET

Key	Part Number	U/M	Description
	062486-01-M10	EA	Cabinet Asm. - Entertainment Center - w/o Countertops, Doors or Hardware
	063224-14-M10	EA	Door Asm. - Rolled - 20.4" x 17"
	062485-01-M10	EA	Countertop Asm. - Entertainment Center - Upper - Rust Burnt Sienna
	062652-01-M10	EA	Countertop Asm. - Entertainment Center - Lower - Rust Burnt Sienna
	062652-01-M11	EA	Countertop Asm. - Entertainment Center - Lower - Paper Bag Brown
	062485-01-M11	EA	Countertop Asm. - Entertainment Center Upper - Paper Bag Brown
	063125-01-M10	EA	Rack - Glass - 6 Hole - 4" x 24"
	063159-01-M10	EA	Rack - Bottle - 6 Hole - 14" x 14" Triangle - Rust Burnt Sienna
	063159-01-M11	EA	Rack - Bottle - 6 Hole - 14" x 14" Triangle - Paper Bag Brown
	047037-01-000	SF	Cork 1/8" x 12" x 24" - Sand Natural
	063163-01-M10	EA	Rack - Bottle - 4 Square Hole - 27.6" x 8"
	059550-44-M10	EA	Door Asm. - Cabinet - 11.2" x 13" - w/o Hardware
	059550-45-M10	EA	Door Asm. - Cabinet - 14.5" x 13" - w/o Hardware
	059550-46-M10	EA	Door Asm. - Cabinet - w/Brass Insert
	047205-09-000	EA	Insert - Cabinet Door - Brass Mesh - 13.37" x 7.5"

## 1981 ITASCA TABLE OF CONTENTS

Introduction	A-1
Abbreviations	A-1
Alphabetical Index	A-2 - A-4
IC723RB M2	A-5 - B-10
IC723RH M2	B-11 - C-16
IC621RB M1, IC621RB M2	C-17 - E-4
ICN29RT M2	E-5 - G-6
ICF26RH M1, ICF26RH M2	G-7 - I-8
ICF26RT M1, ICF26RT M2	I-9 - K-14

### SWIVEL CHAIRS W/PULLOUT TABLE

Key	Part Number	U/M	Description
	054552-01-M10	EA	Table Asm. - Pullout - Rust Burnt Sienna
	054552-01-M11	EA	Table Asm. - Pullout - Paper Bag Brown
	058548-01-M10	EA	Cabinet Asm. - Pullout Table - w/o Countertop or Table
	058547-01-M10	EA	Countertop Asm. - Pullout Table Cabinet - Rust Burnt Sienna
	058547-01-M11	EA	Countertop Asm. - Pullout Table Cabinet - Paper Bag Brown
	054540-01-000	EA	Slide Asm. - Ball Bearing
	009148-01-000	EA	Finger Pull - 3/4" Dia. - Brass
	045795-01-000	EA	Holder - Glass - Dark Brown Plastic
	035036-01-000	EA	Plate - Swivel Chair
	035036-02-000	EA	Base w/Leg - Swivel Chair
	058565-01-M10	EA	Pad Asm. - Pullout Table
	055377-01-000	EA	Support Strap - Pullout Table

## 1981 ICN29RT M2 INDEX

Floor Plan	E-5 - E-6
Accessories Group	E-7 - E-9
Bath Group	E-10 - E-11
Chassis Group	E-12 - E-13
Curtain, Cushion & Pad Group	E-14 - E-20
Dinette Group	E-21 - E-22
Driver's Compartment Group	E-23 - E-24
Electrical Group	F-1 - F-3
Exterior Body Group	F-4 - F-7
Galley Group	F-8
Heating & Air Conditioning Group	F-9 - F-10
Interior Finish Group	F-11 - F-12
LP Group	F-13
Lounge Group	F-14 - F-15
Water & Sewage Group	F-15 - F-16
Window, Vent & Exterior Door Group	F-17 - G-6

**DRIVER'S COMPARTMENT GROUP**

**DASH PANEL AND COMPONENTS**

Key	Part Number	U/M	Description
	061803-05-000	EA	Dash Asm. - Complete w/Gauges and Switches - Chevy
	022548-04-000	EA	Pad - Dash - Right - Dark Brown
	023242-06-000	EA	Pad - Dash - Left - Dark Brown
	024418-01-000	EA	Lamp Asm. - Map/Gauge
	023020-01-000	EA	Lamp Asm. - Telltale
	007308-01-000	EA	Dash Clock
	052367-01-000	EA	Lighter Asm. - Cigarette - 12 Volt
	007041-01-000	EA	Bezel - Cigarette Lighter
	007071-01-000	EA	Louver - Chrome - w/Chrome Wheel
	024990-02-000	EA	Outlet - Defroster w/Swivel - 2" Dark Brown
	039044-01-000	EA	Louver Asm. - A/C Adjustable
	050344-02-000	EA	Bezel - Entertainment Center No. 2 - w/Cut Out for Radio and Clock
	050345-02-000	EA	Bezel - Entertainment Center No. 3 - w/Cut Out for Radio, Clock, Hourmeter and Generator Start Stop Switch
	039847-07-000	EA	Bezel - Control Panel - Chevy
	023892-01-000	EA	Box - Glove Compartment - Black Fiberboard
	022219-01-000	EA	Door - Glove Compartment
	009118-01-000	EA	Twist Lock - Glove Compartment
	024598-01-000	EA	Hinge - Glove Compartment - 1 1/16" x 19"
	034309-01-000	EA	Chain - Glove Box Door
	023834-01-000	EA	Panel - Knee Kick - Bottom of Dash
	031035-01-000	EA	Gauge Asm. - Hourmeter
	024849-01-000	EA	Damper Asm. - Fresh Air

**DASH SWITCHES AND GAUGES**

Key	Part Number	U/M	Description
	024461-01-000	EA	Switch - Battery
	024462-01-000	EA	Switch - Battery Condition
	024464-02-000	EA	Switch - Battery - Dual Boost
	024463-01-000	EA	Switch - Blinker
	024464-01-000	EA	Switch - Washer
	024465-01-000	EA	Switch - Fuel
	024467-01-000	EA	Switch - Wiper
	024976-01-000	EA	Switch - Generator w/o Circuit Board
	037387-01-000	EA	Switch - Generator w/Circuit Board
	024459-01-000	EA	Gauge - Voltmeter
	024460-01-000	EA	Gauge - Vacuum
	031035-01-000	EA	Gauge - Generator Hourmeter
	031376-01-000	EA	Control Asm. - Heater 3 Speed
	055279-01-000	EA	Control Asm. - Heater A/C - 3 Speed

**FRONT BUNK AND HARDWARE**

Key	Part Number	U/M	Description
	058300-01-M10	EA	Cabinet Asm. - Front Overhead
	058844-01-M10	EA	Bunk Board Asm. - Front Overhead w/Rails
	053773-01-000	EA	Support - Overhead Bunk - Brown - Right
	053773-02-000	EA	Support - Overhead Bunk - Brown - Left
	040071-02-000	EA	Support Bunk - Seat Belt
	041322-01-000	EA	Washer - Flat - 15/32" I.D. x 2 3/8" O.D.
	039516-02-000	EA	Catch - Bunk - Brown
	023812-22-000	EA	Rail - Bunk - 80" - Brown
	053774-02-000	EA	Torsion Rod - Overhead Bunk - Brown
	048394-01-000	YD	Tape Hook - 1" x 25 yd - Beige
	048395-01-000	YD	Tape Loop - 1" x 25 yd - Beige
	058837-01-000	EA	Bracket - Bunk - Rear Right
	058837-02-000	EA	Bracket - Bunk - Rear Left
	058948-02-M10	EA	Panel Asm. - Bunk - Padded - Left
	058948-03-M10	EA	Panel Asm. - Bunk - Padded - Left (Door)

**DRIVER'S COMPARTMENT GROUP (CONTINUED)**

**BUCKET SEAT PEDESTAL AND SEAT BELTS**

Key	Part Number	U/M	Description
	050447-01-000	EA	Pedestal Asm. - Tilt Seat - Left
	050447-02-000	EA	Pedestal Asm. - Tilt Seat - Right - Single Seat
	050447-04-000	EA	Pedestal Asm. - Tilt Seat - Right - Double Seat
	007019-01-000	EA	Belt Asm. - Seat - 2" x 84" - Black
	041322-01-000	EA	Washer - Flat 15/32" I.D. x 2 3/8" O.D. - Seat Belt
	049943-01-000	EA	Pedestal - Complete - Swivel
	007021-01-000	EA	Belt Asm. - Seat - 2" x 90" - Black
	007222-01-000	EA	Belt Asm. - Seat - 2" x 60" - Black
	043910-01-000	EA	Bracket Asm. - Seat Belt
	058375-01-000	EA	Bracket - Seat Belt - Washer
	051382-01-000	EA	Adjuster Asm. - Seat w/Lock
	051383-01-000	EA	Adjuster Asm. - Seat w/o Lock
	007224-02-000	EA	Handle - Seat Adjuster - 9"

**MISCELLANEOUS DRIVER'S COMPARTMENT COMPONENTS**

Key	Part Number	U/M	Description
	061378-01-M10	EA	Beverage Tray Asm. - Matador Leather Laminate
	055000-01-000	EA	Tray - Utensil - Dark Brown Plastic
	045795-01-000	EA	Glass Holder - Dark Brown Plastic
	050796-01-000	EA	Pocket - Ash Tray - Plastic
	050797-01-000	EA	Ash Tray - Plastic
	039857-01-000	EA	Latch - Rubber - Draw Handle - 5 3/4" w/Strike
	039856-01-000	EA	Latch - Rubber - Draw Handle - 3" w/Strike
	042541-01-000	EA	Latch Asm. - w/Strike - Chrome
	034800-01-000	EA	Cover - Motor - Plastic 454 C.I.D. - Chevy
	039333-01-000	EA	Cover - Motor - Plastic - 350 C.I.D. - Chevy
	067213-02-000	EA	Motor Cover - Dual Fuel - Chevy
	035368-02-000	EA	Seal - Motor Cover - Alum.
	035368-03-000	EA	Seal - Motor Cover - Alum. - Brown
	039623-01-000	FT	Seal - Cover - Engine - Neoprene
	052783-02-000	EA	Seal - Cover - Motor - Upper
	040519-01-000	EA	Boot - Rubber Steering Column
	040520-01-000	EA	Boot - Retainer - Steering Column
	040714-01-000	EA	Mirror - Inside - Rear View - Glare Proof
	034499-01-000	EA	Support - Dimmer Switch
	040695-02-000	EA	Clip - Sunvisor
	056508-01-M04	EA	Sunvisor Asm. - Right - Acorn Brown - w/Mirror
	056508-02-M04	EA	Sunvisor Asm. - Left - Acorn Brown
	061350-01-000	EA	Trim - Interior - "A" Post - Brown Plastic - Left
	061350-02-000	EA	Trim - Interior - "A" Post - Brown Plastic - Right
	009143-01-000	EA	Mirror - 1/8" x 3.5" x 8" - Sunvisor
	059198-02-000	EA	Panel - Side - Left - Dark Brown
	059197-01-000	EA	Panel - Side - Right - Dark Brown
	067490-01-000	EA	Button - Mirror - Rear View - Support

**1981 ITASCA  
TABLE OF CONTENTS**

Introduction	A-1
Abbreviations	A-1
Alphabetical Index	A-2 - A-4
IC723RB M2	A-5 - B-10
IC723RH M2	B-11 - C-16
IC821RB M1, IC821RH M2	C-17 - E-4
ICN29RT M2	E-5 - G-8
ICF26RH M1, ICF26RH M2	G-7 - I-8
ICF26RT M1, ICF26RT M2	I-9 - K-14

**1981 ICN29RT M2 INDEX**

Floor Plan	E-5 - E-6
Accessories Group	E-7 - E-9
Bath Group	E-10 - E-11
Chassis Group	E-12 - E-13
Curtain, Cushion & Pad Group	E-14 - E-20
Dinette Group	E-21 - E-22
Driver's Compartment Group	E-23 - E-24
Electrical Group	F-1 - F-3
Exterior Body Group	F-4 - F-7
Galley Group	F-8
Heating & Air Conditioning Group	F-9 - F-10
Interior Finish Group	F-11 - F-12
LP Group	F-13
Lounge Group	F-14 - F-15
Water & Sewage Group	F-15 - F-16
Window, Vent & Exterior Door Group	F-17 - G-6

## ELECTRICAL GROUP

### BULBS

Key	Part Number	U/M	Description
	037935-01-000	EA	Bulb - 1157
	038010-01-000	EA	Bulb - 1143
	008103-01-000	EA	Bulb - 53
	008213-01-000	EA	Bulb - 57
	008214-01-000	EA	Bulb - 67
	008215-01-000	EA	Bulb - 1003
	008216-01-000	EA	Bulb - 1034
	008217-01-000	EA	Bulb - 1073
	008218-01-000	EA	Bulb - 1141
	008219-01-000	EA	Bulb - 656
	008220-01-000	EA	Bulb - 12V - 25W
	036196-01-000	EA	Bulb - 194
	700020-01-000	EA	Bulb - 12V - 20W - 1393

### FUSES AND CIRCUIT BREAKER

Key	Part Number	U/M	Description
	056473-02-000	EA	Fuse - Slow Blow - 5 Amp. - 32 Volt Capacity
	056473-01-000	EA	Fuse - Slow Blow - 6 1/4 Amp
	008233-01-000	EA	Fuse - 12 Volt - 6 Amp.
	008234-01-000	EA	Fuse - 12 Volt - 10 Amp.
	046893-01-000	EA	Fuse - 12 Volt - 13 Amp
	008235-01-000	EA	Fuse - 12 Volt - 15 Amp.
	008236-01-000	EA	Fuse - 12 Volt - 20 Amp
	008248-01-000	EA	Fuse - 110 Volt - 30 Amp - AGU
	008252-01-000	EA	Fuse - 110 Volt - 50 Amp
	008208-01-000	EA	Circuit Breaker - 12 Volt - 40 Amp.
	008211-01-000	EA	Circuit Breaker - 12 Volt - 6 Amp
	008268-01-000	EA	Circuit Breaker - 12 Volt - 30 Amp w/Mount
	033573-02-000	EA	Circuit Breaker - 12 Volt - 15 Amp w/Mount
	040051-01-000	EA	Circuit Breaker - 110 Volt - 20 Amp TQL
	033573-01-000	EA	Circuit Breaker - 12 V - 20 Amp w/Mount
	008273-03-000	EA	Circuit Breaker - 15/20 Amp TQL
	008299-01-000	EA	Circuit Breaker - 115 Amp TQL
	008297-01-000	EA	Circuit Breaker - 120 Amp TQL
	008293-01-000	EA	Circuit Breaker - 130 Amp TQL

### INTERIOR LIGHTS

Key	Part Number	U/M	Description
	033508-02-000	EA	Light - Dome - Ivory - 1 Bulb - US - Progressive Dynamics, Inc
	033508-03-000	EA	Light - Dome - Ivory - 1 Bulb - CSA - Progressive Dynamics, Inc
	033509-02-000	EA	Light - Dome - Ivory - 2 Bulb - US - Progressive Dynamics, Inc
	033509-03-000	EA	Light - Dome - Ivory - 2 Bulb - CSA - Progressive Dynamics, Inc
	064778-01-000	EA	Light - Dome - Off White - Double Jensen
	064778-02-000	EA	Light - Dome - Off White - Single Jensen
	061424-01-000	EA	Light - 12 V Receptacle - Aisle - IP
	024642-01-701	EA	Lens - Domelight - 1 Bulb
	024643-01-701	EA	Lens - Domelight - 2 Bulb
	024418-01-000	EA	Lamp Asm - Map Gauge/Aisle
	053346-01-000	EA	Light - High Intensity - Brown

## ELECTRICAL GROUP (CONTINUED)

### WIRE, SWITCHES AND RECEPTACLES

Key	Part Number	U/M	Description
	008024-01-000	FT	Wire - 18.5 Bonded - Orange/White/Yellow/Blue/Brown
	008025-01-000	FT	Wire - 18.5 Bonded - Orange/White/Yellow/Blue/Green
	008028-01-000	FT	Wire - 18.5 Bonded - Blue/Red/Yellow/Orange/White
	008030-01-000	FT	Wire - 18.4 Bonded - Red/Blue/Orange/Green
	008251-01-000	EA	Holder - Fuse - Black - Screw Type
	008277-01-000	EA	Holder - Fuse - Black - Panel Mount
	008195-01-000	EA	Switch - Push Button - 12 Volt
	006077-01-000	EA	Plaque - Compressor Switch
	008054-01-000	EA	Cord - Power - 10-3 30 Amp. - 25' - UL
	008052-01-000	EA	Cord - Power - 10-3 30 Amp. - 25' - CSA
	034818-04-000	EA	Holder - Receptacle - Plastic
	039342-01-000	EA	Receptacle - Duplex Brown - T Junction
	024571-01-000	EA	Cover Plate - Receptacle - Jumbo Steel - Brown
	024571-03-000	EA	Cover Plate - Receptacle - Jumbo Plastic - Brown
	024571-04-000	EA	Cover Plate - Receptacle - Jumbo Plastic - Ivory
	024471-01-000	EA	Cover Plate - Electrical Box - 5 1/4" x 3 1/2"
	058028-01-000	EA	Connector - Pigtail - Clear - Nylon
	039343-01-000	EA	Cap - End - Receptacle
	008162-01-000	EA	Switch - Double Toggle - Spade Brown
	008163-01-000	EA	Switch - Toggle Brown
	056264-01-000	EA	Switch - Leaf Actuator
	063912-01-000	EA	Relay - Canister Spot w/Ground
	008164-01-000	EA	Cover Plate - Switch - Brown
	024924-02-000	EA	Receptacle - Power Cord
	069238-01-000	EA	Cover - Electrical - 4 x 4 Box
	008058-01-000	EA	Adaptor - Power Cord
	047353-01-000	EA	Cover - Receptacle - Ground Fault
	053126-01-000	EA	Receptacle - Ground Fault Interrupter - 125 Volt, Ivory
	053126-02-000	EA	Receptacle - Ground Fault Interrupter - 125 Volt - Brown
	058707-01-000	EA	Receptacle - Single - Brown - Thomas & Belts
	058708-01-000	EA	Receptacle - Duplex - Brown - Thomas & Belts
	008157-01-000	EA	Receptacle - Duplex - Brown (Exterior Backwall)
	058048-01-000	EA	Cover - Electrical Box - 4.5" x 2.75" - Rain Tight (Exterior)
	008294-02-000	EA	Cover - Steel - Flat Blank - 4" x 4"
	008288-01-000	EA	Box - Electrical - Plastic - 3' x 3.5"
	008289-01-000	EA	Box - Electrical - Steel - 4 x 4 - 1.2 & 3 4 UL
	064298-01-000	EA	Housing Asm - Trailer Receptacle
	054309-01-000	EA	Housing Asm - Trailer Pin
	064450-01-000	EA	Housing Asm - Trailer Plug
	035417-01-000	EA	Terminal - Pin Receptacle - 125 Dia.
	035633-01-000	EA	Receptacle - HSG - 12 Position
	054532-01-000	EA	Housing - Pin - 0 Position
	031969-01-000	EA	Contact - Plug - Brass - Tin Plated
	035290-17-000	EA	Cable Asm - Battery - 1 AWG Strand - 282"
	054805-01-000	EA	Wire Asm - Generator Switch

### WINDSHIELD WIPER AND WASHER

Key	Part Number	U/M	Description
**	056000-02-000	EA	Washer Asm. - Windshield
**	057653-01-000	EA	Arm - Windshield Wiper - 18" - Black
**	044313-02-000	EA	Motor Asm. - Windshield Wiper - 100°
**	044313-03-000	EA	Motor Asm - Windshield Wiper - 93°
**	037998-01-000	EA	Link Asm - Connecting - 22 40" Long
**	057474-01-000	EA	Windshield Wiper Asm
**	049464-02-000	EA	Blade - Windshield Wiper - 20" Black
**	055675-01-000	EA	Shaft and Pivot Asm.

\*\*The illustrated parts breakdown for this item is provided on the Common Items Fiche.

## 1981 ITASCA TABLE OF CONTENTS

Introduction	A-1
Abbreviations	A-1
Alphabetical Index	A-2 - A-4
IC723RB M2	A-5 - B-10
IC723RH M2	B-11 - C-16
IC621PB M1, IC621RB M2	C-17 - E-4
ICN29RT M2	E-5 - G-6
ICF26RH M1, ICF26RH M2	G-7 - I-8
ICF26RT M1, ICF26RT M2	I-9 - K-14

## 1981 ICN29RT M2 INDEX

Floor Plan	E-5 - E-6
Accessories Group	E-7 - E-9
Bath Group	E-10 - E-11
Chassis Group	E-12 - E-13
Curtain, Cushion & Pad Group	E-14 - E-20
Dinette Group	E-21 - E-22
Driver's Compartment Group	E-23 - E-24
Electrical Group	F-1 - F-3
Exterior Body Group	F-4 - F-7
Galley Group	F-8
Heating & Air Conditioning Group	F-9 - F-10
Interior Finish Group	F-11 - F-12
LP Group	F-13
Lounge Group	F-14 - F-15
Water & Sewage Group	F-15 - F-16
Window, Vent & Exterior Door Group	F-17 - G-6

## ELECTRICAL GROUP (CONTINUED)

### EXTERIOR LIGHTS

Key	Part Number	U/M	Description
	007309-01-000	EA	Light - Step Well
	058030-01-000	EA	Tail Lamp Asm. - 3 Bulb - Chrome - Right/Left
	058030-01-700	EA	Lens - Tail Lamp - Red
	058030-01-701	EA	Lens - Tail Lamp - Back Up
	059036-01-000	EA	Bracket - Tail Lamp
	059540-01-000	EA	Bracket - License Plate
	062742-01-000	EA	Wedge - Tail Lamp Asm. - Right/Left - Grey
	062741-03-000	EA	Wedge - Tail Lamp - Right/Left - Grey
	042405-01-000	EA	Base - Rectangular Clearance Light
	042405-04-000	EA	Lens - Clearance Light - Red
	042405-05-000	EA	Lens - Clearance Light - Amber
	008089-01-000	EA	Light - Porch - Recessed
	042405-01-000	EA	Lens - Rectangle Light - Red w/Reflex
	042405-02-000	EA	Lens - Rectangle Light - Amber w/Reflex

### MISCELLANEOUS ELECTRICAL COMPONENTS

Key	Part Number	U/M	Description
	047338-01-000	EA	Isolator - Dual Battery
	047389-01-700	EA	Battery - 12 Volt - 105 Amp. Deep Cycle - Dry
	057699-01-000	EA	Battery - 12 Volt - Maintenance Free - Delco
	008188-01-000	EA	Solenoid - Dual Battery - Relay
	054544-01-000	EA	Control Center - 37 Amp. - UL
	031720-01-000	EA	Spacer - Receptacle - Brown Plastic - CSA
	039950-01-702	EA	Circuit Board - Control Center
	024459-01-000	EA	Gauge - Voltmeter
	024462-01-000	EA	Switch - Battery Condition
	031035-01-000	EA	Gauge - Hourmeter - Generator
	024976-01-000	EA	Switch - Generator w/o Circuit Board
	024460-01-000	EA	Gauge - Vacuum
	039861-01-000	EA	Sending Unit Kit - Wemac
	048812-01-000	EA	Control Panel - Water/Double Sewage - Base Panel
	048812-05-000	EA	Panel - Insert - w/Thermostat Holes
	048812-06-000	EA	Panel - Insert - w/o Thermostat Holes
	048812-07-700	EA	Refrigerator Sensor - Refrigerator Alarm
	048812-04-000	EA	Panel - Basic
	048812-09-000	EA	Panel - Insert w/LP Alarm - Refrigerator
	057044-01-000	EA	Control Center - 44 Amp - CSA
	054545-01-000	EA	Control Center - 44 Amp UL

## EXTERIOR BODY GROUP

### EXTERIOR BODY PANELS AND SHEET ALUMINUM

Key	Part Number	U/M	Description
	064641-01-M10	EA	Roof Asm.
	065019-01-M10	EA	Backwall Asm.
	064639-01-M10	EA	Sidewall Asm. - Right
	064635-01-M10	EA	Sidewall Asm. - Left
	064635-01-M11	EA	Sidewall Asm. - Left
	064635-01-M12	EA	Sidewall Asm. - Left
	039155-36-001	EA	Alum. - Gray - Mesa II - .024" x 48" x 360"
	039155-36-002	EA	Alum. - Gray - Mesa II - .024" x 36" x 360"
	039155-36-003	EA	Alum. - Gray - Mesa II - .024" x 12" x 360"
	039155-33-001	EA	Alum. - Gray - Greyhound Design - 48" x 96"
	001054-03-003	EA	Alum. - Gray - No Design - 48" x 96"
	044487-01-001	EA	Alum. - Mill Finish - No Design (Roof) - 96" x 360"
	000868-01-000	SF	Styrofoam - 3/4" x 24" x 96"
	000870-01-000	SF	Styrofoam - 1 1/2" x 24" x 96"

NOTE: The raised portion of Mesa I is 1.657" wide.  
The raised portion of Mesa II aluminum is .875" wide.

### LABELS AND DECALS

Key	Part Number	U/M	Description
	006031-01-000	EA	Label - Potable Water Only
	006187-01-000	EA	Label - Sewage
	006188-01-000	EA	Label - Waste Water
	006199-01-000	EA	Label - Exit - Escape Window
	006028-01-000	EA	Label - Drain Cap - 2" x 3"
	008092-01-000	EA	Reflector - Stick On - Rectangular - Red
	008093-01-000	EA	Reflector - Stick On - Rectangular - Amber
	040944-01-000	EA	Label - Open - Entrance Door
	047731-01-000	EA	Label - Emergency Exit
	006040-01-000	EA	Tag - Gas - Refueling Warning
	006062-01-000	EA	Tag - Electrical - 110V Connection
	054531-01-000	EA	Label - LP Gas Only
	061417-01-000	EA	Label - Fuel
	050225-01-000	EA	Label - Warning - Stove Vent - US
	006015-01-000	EA	Label - Patent Motor Home
	006064-01-000	EA	Label - Seat - w/o Seat Belt
	064378-01-000	EA	Label - Flying W w/Thermo Panel
	065960-01-000	EA	Decal - Logo - LP Power
	056004-11-000	EA	Decal - Logo - Itasca - 5 25" High
	041273-27-000	FT	Decal - Stripe - 3.25" Gray Metallic
	056251-01-000	EA	Decal - Front Side - Upper Right Hand
	056251-02-000	EA	Decal - Front Side - Upper Left Hand
	059374-01-000	EA	Decal - Stencil - C - 11 62" Black
	059528-01-000	EA	Decal - L - 5 75" Short Turn - Black - Right Hand
	059528-02-000	EA	Decal - L - 5 75" Short Turn - Black - Left Hand
	059529-01-000	EA	Decal - L - 9 12" Long Turn - Black - Right Hand
	059529-02-000	EA	Decal - L - 9 12" Long Turn - Black - Left Hand
	051600-01-000	EA	Decal - Itasca - 5' (Refrigerator)
	065206-01-000	EA	Decal - Stripe - 75" - Rear Bend - Upper & Lower - Black
	065205-01-000	FT	Tape - Premasked - 62" x 75" - Black
	058434-01-000	EA	Decal Headlamp Housing Face - Inner - Left Hand
	058434-02-000	EA	Decal Headlamp Housing Face - Inner - Right Hand

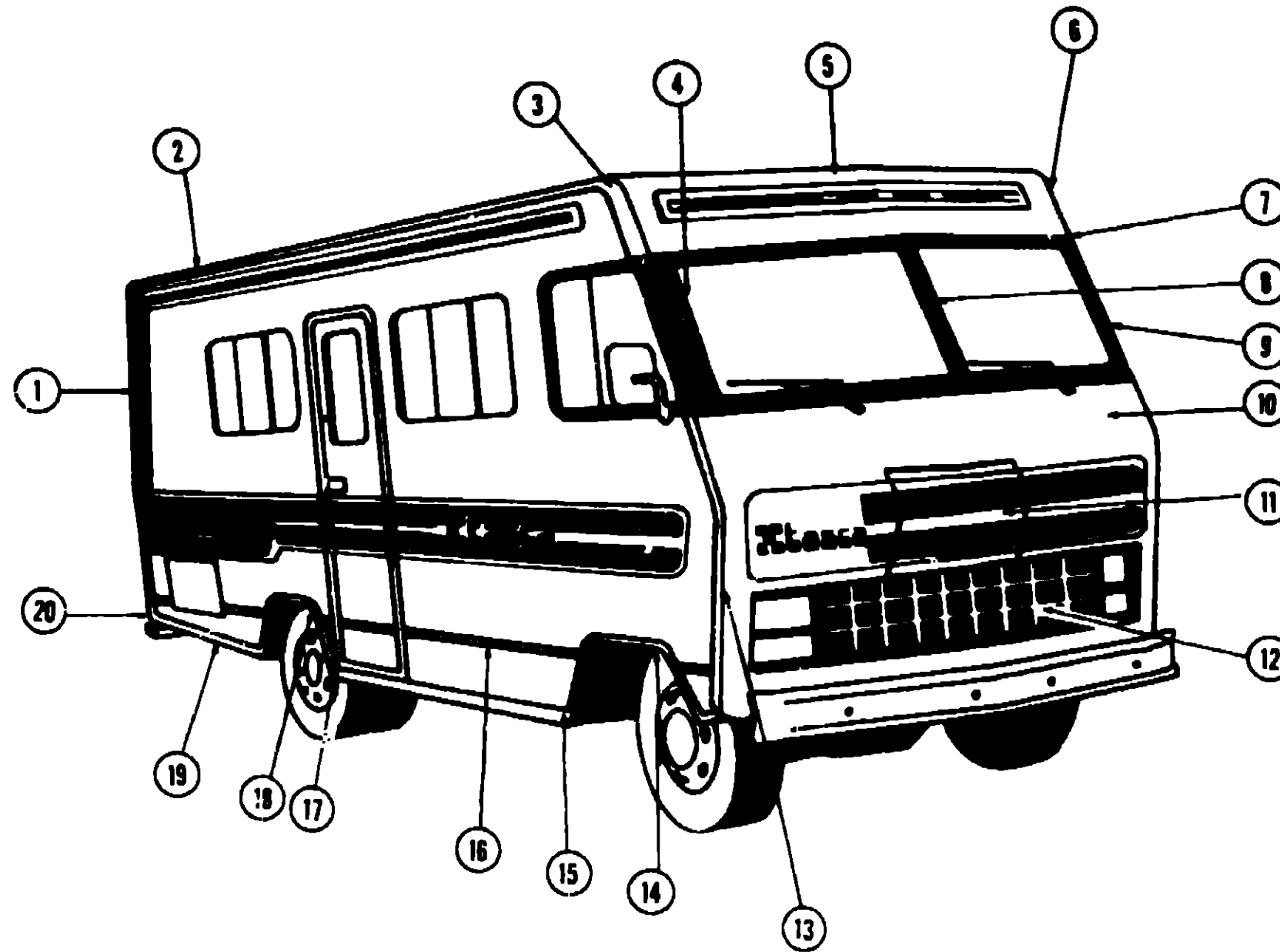
## 1981 ITASCA TABLE OF CONTENTS

Introduction	A-1
Abbreviations	A-1
Alphabetical Index	A-2 - A-4
IC723RB M2	A-5 - B-10
IC723RH M2	B-11 - C-16
IC621RB M1, IC621RB M2	C-17 - E-4
ICN29RT M2	E-5 - G-6
ICF26RH M1, ICF26RH M2	G-7 - I-8
ICF26RT M1, ICF26RT M2	I-9 - K-14

## 1981 ICN29RT M2 INDEX

Floor Plan	E-5 - E-6
Accessories Group	E-7 - E-9
Bath Group	E-10 - E-11
Chassis Group	E-12 - E-13
Curtain, Cushion and Pad Group	E-14 - E-20
Dinette Group	E-21 - E-22
Driver's Compartment Group	E-23 - E-24
Electrical Group	F-1 - F-3
Exterior Body Group	F-4 - F-7
Galley Group	F-8
Heating & Air Conditioning Group	F-9 - F-10
Interior Finish Group	F-11 - F-12
LP Group	F-13
Lounge Group	F-14 - F-15
Water & Sewage Group	F-15 - F-16
Window, Vent & Exterior Door Group	F-17 - G-6

## EXTERIOR BODY GROUP (CONTINUED)



## 1981 ITASCA TABLE OF CONTENTS

Introduction	A-1
Abbreviations	A-1
Alphabetical Index	A-2 - A-4
IC723RB M2	A-5 - B-10
IC723RH M2	B-11 - C-16
IC621RB M1, IC621RB M2	C-17 - E-4
ICN29RT M2	E-5 - G-6
ICF26RH M1, ICF26RH M2	G-7 - I-8
ICF26RT M1, ICF26RT M2	I-9 - K-14

Key	Part Number	U/M	Description
1	039964-05-000	EA	Trim - Contour - Right Rear - Gray
2	039964-06-000	EA	Trim - Contour - Left Rear - Gray
3	034922-19-000	EA	Trim - Sidewall - Upper - Left or Right - Gray
4	058284-06-000	EA	Trim - Contour - Right Front Upper - Gray
5	058289-02-000	EA	Trim - Contour - Windshield - Right
6	054957-02-000	EA	Cap - Over Windshield - Gray
7	062396-01-000	EA	Trim - Roof/Front Cap
8	058284-05-000	EA	Trim - Contour - Left Front Upper - Gray
9	058287-01-000	EA	Trim - Molding - Windshield - Upper/Lower
10	042743-02-000	EA	Trim - Corner Windshield - Upper
11	058288-01-000	EA	Trim Molding - Windshield - Center
12	058289-01-000	EA	Trim - Contour - Windshield - Left
13	042743-01-000	EA	Trim - Corner Windshield - Lower
14	058294-03-000	EA	Panel Asm - Front Shroud - Gray
15	058722-01-000	EA	Pull Pin - Release Hinge - (Access Panel)
16	058761-01-000	EA	Striker - Hood Latch
17	058392-03-000	EA	Panel Asm - Front Lower - Gray
18	058678-03-000	EA	Access Panel - Gray
19	059400-01-000	EA	Grill Asm
20	058330-01-000	EA	Parking Lamp Asm - Right & Left
	057473-01-000	EA	Headlamp Bezel - Left
	057473-02-000	EA	Headlamp Bezel - Right
	058899-05-000	EA	Trim - Fiberglass Panel - Right - Gray
	058899-06-000	EA	Trim - Fiberglass Panel - Left - Gray

Key	Part Number	U/M	Description
14	058543-06-000	EA	Trim - Wheel Well - Front - Gray
15	063799-03-000	EA	Trim - Backwall - Lower
16	009065-01-000	EA	Hinge - Continuous - Al. 1 1/2" x 95" - Plain
17	059185-05-000	EA	Plug - Rocker Panel - Wheel - Left - Gray
18	002444-02-001	EA	Feature Strip - Extr. Anod. - 14' - w/o Insert
19	059185-06-000	EA	Plug - Rocker Panel - Wheel - Right - Gray
20	058487-06-000	EA	Trim - Wheel Well - Rear - Gray
	058826-02-000	EA	Rod - Hood Prop
	002776-02-001	EA	Extr. - U-Channel - 1 7/8" x 16' Anod.
	002365-02-001	EA	Extr. - U-Channel - 1" x 18'
	009717-01-002	EA	Extr. - Rail - Drip - 19'
	062556-03-001	EA	Extr. - Rail - Awning - 192.0"
	058265-01-001	EA	Extr. - Trim - 192.0" - Beige
	039068-10-000	EA	Extr. - Rocker Panel - Gray
	059395-05-000	EA	Plug - Rocker Panel - Left Rear - Gray
	059395-06-000	EA	Plug - Rocker Panel - Right Rear - Gray
	059582-03-000	EA	Housing - Headlamp - Left Hand
	059582-04-000	EA	Housing - Headlamp - Right Hand
	009731-01-000	EA	End Cap - Feature Strip Insert
	001030-01-004	EA	Insert - Feature Strip - Black - 1"
			Not Illustrated

## 1981 ICN29RT M2 INDEX

Floor Plan	E-5 - E-6
Accessories Group	E-7 - E-9
Bath Group	E-10 - E-11
Chassis Group	E-12 - E-13
Curtain, Cushion & Pad Group	E-14 - E-20
Dinette Group	E-21 - E-22
Driver's Compartment Group	E-23 - E-24
Electrical Group	F-1 - F-3
Exterior Body Group	F-4 - F-7
Galley Group	F-8
Heating & Air Conditioning Group	F-9 - F-10
Interior Finish Group	F-11 - F-12
LP Group	F-13
Lounge Group	F-14 - F-15
Water & Sewage Group	F-15 - F-16
Window, Vent & Exterior Door Group	F-17 - G-6

## EXTERIOR BODY GROUP (CONTINUED)

### EXTERIOR PAINT

Key	Part Number	U/M	Description
	045681-01-000	EA	Paint - Gloss Black - Acrylic Enamel - 1 Gallon (99A Dupont)
	045681-03-000	EA	Paint - Gloss Black - Acrylic Enamel - 16 oz. Aerosol (99A Dupont)
	058637-01-000	GL	Paint - Gray - Acrylic Enamel
	058637-05-000	EA	Paint - Gray - Acrylic Enamel - 16 oz. Aerosol (71537 Dupont)
	066442-03-000	EA	Paint - Gray Metallic - Acrylic Enamel - 16 oz. Aerosol (43482 Dupont)
	059354-03-000	EA	Paint - Bronze Metallic - Acrylic Enamel - 16 oz. Aerosol (7884 Dupont)
	059950-03-000	EA	Paint - Dark Blue Enamel - 16 oz. Aerosol (83203 Dupont)
	065109-03-000	EA	Paint - Mahogany Enamel - 16 oz. Aerosol (44754 Dupont)
	067791-03-000	EA	Paint - Red Cedar Metallic Enamel - 16 oz. Aerosol (45835 AW Dupont) Fade Color
	065108-03-000	EA	Paint - Grabber Blue Enamel - 16 oz. Aerosol (42836 Dupont) Fade Color
	066734-03-000	EA	Paint - Candy Apple Red Enamel - 16 oz. Aerosol (4737 Dupont) Fade Color

### SEALANTS, ADHESIVES AND FASTENERS

Key	Part Number	U/M	Description
	034552-05-000	EA	Sealant - Off White Silicone
	034552-04-000	EA	Sealant - Beige Silicone
	034552-02-000	EA	Sealant - Clear Silicone
	004349-01-000	EA	Sealant - Black Silicone
	004342-01-000	EA	Sealant - Weatherban 202 Tube
	004346-02-000	EA	Sealant - White Silicone
	009200-01-000	EA	Tape - Furnace - 1 1/2"
	004353-01-000	FT	Tape - Gasket - 1/8" x 3/4" - White
	002825-01-000	FT	Weather Stripping - Roof Vent
	002337-01-000	EA	Adhesive - 3M - 1300 Tube
	004005-01-000	GL	Adhesive - Swifts - Green - Glue (Sidewalls)
	004020-01-000	QT	Adhesive - ABS Cement - (Plastic Fittings)
	029051-01-000	EA	Adhesive - Spray Vinyl
	042401-01-000	EA	Screw - 8 - 18 x 3/4" SDPH - Beige
	042401-02-000	EA	Screw - 8 - 18 x 3/4" SDPH - Off White
	042401-03-000	EA	Screw - 8 - 18 x 3/4" SDPH - Gray
	042403-01-000	EA	Screw - 8 - 18 x 1" SDPH - Beige
	042403-02-000	EA	Screw - 8 - 18 x 1" SDPH - Off White
	042403-04-000	EA	Screw - 8 - 18 x 1" SDPH - Gray
	053766-01-000	EA	Bedding Compound - Tube Black - Schnee Morehead
	053766-02-000	EA	Bedding Compound - Tube White - Schnee Morehead
	053767-01-000	FT	Tape - 1/2" x 1/8" x 30' - Gray - Schnee Morehead
	053767-03-000	FT	Tape - 1/4" Bead x 20' - Gray - Schnee Morehead
	053767-04-000	FT	Tape - 3/4" x 1/8" x 30' - Gray - Schnee Morehead
	053767-05-000	FT	Tape - 2" x 3/32" x 45' - Gray - Schnee Morehead
	069640-01-000	FT	Sealer Ribbon - 1/4 x 20'

### MISCELLANEOUS EXTERNALLY MOUNTED PARTS

Key	Part Number	U/M	Description
**	011124-01-000	EA	Plumbing Seal - Roof Vent - 1 1/4" - White
**	011129-01-000	EA	Plumbing Seal - Roof Vent - 1 1/2" - White
	009126-01-000	EA	Assist Handle - Metal
	010230-04-000	EA	Fill - City Water - Recessed - Gray
	058808-03-000	EA	Water Fill - Lockable - Gray
	055500-05-000	EA	Door Asm - Gas Fill - Gray
	063303-01-000	EA	Shroud - Fuel Fill - Lower

\*\*The illustrated parts breakdown for this item is provided on the Common Items Fiche

## GALLEY GROUP

### GALLEY CABINETRY

Key	Part Number	U/M	Description
	061725-02-M10	EA	Cabinet Asm. - Galley - w/o Doors, Drawers, Countertop or Hardware
	081726-01-M10	CA	Countertop Asm. - Galley Cabinet - Rust Burnt Sienna
	081726-01-M11	EA	Countertop Asm. - Galley Cabinet - Paper Bag Brown
	058550-41-M10	EA	Door Asm. - Galley Cabinet - 12.8" x 31.7" - w/o Hardware
	058550-42-M10	EA	Door Asm. - Galley Cabinet - 16.2" x 31.7" - w/o Hardware
	058550-43-M10	EA	Door Asm. - Galley Cabinet - 12" x 21.6" - w/o Hardware
	059915-01-M10	EA	Drawer Asm. - Galley Cabinet - 10.1" x 5" x 20" Deep
	059915-02-M10	EA	Drawer Asm. - Galley Cabinet - 10.1" x 5" x 14" Deep
	061807-02-M10	EA	Cabinet Asm. - Galley Overhead - w/o Doors or Hardware
	058551-07-M10	EA	Door Asm. - Galley Overhead Cabinet - 15.75" x 23.20" - w/o Hardware
	058550-48-M10	EA	Door Asm. - Wardrobe Cabinet - 13.1" x 45.1" - w/o Hardware
	059556-64-M10	EA	Door Asm. - Wardrobe Cabinet - 13.5" x 24.9" - w/o Hardware
	059913-05-M07	EA	Drawer Asm. - Wardrobe Cabinet - 19.8" x 23.5" x 20" Deep
	089856-02-M10	EA	Door Asm. - Furnace - w/Mesh Insert - 17.6" x 13.2" - w/o Hardware
	047205-12-000	EA	Insert - Furnace Door - 14.5" x 10" - Brass Mesh
	039873-01-000	EA	Catch and Strike - Furnace Door
	042488-03-000	EA	Folding Door - Maple - 37" x 77 1/8"

### GALLEY HARDWARE AND APPLIANCES

Key	Part Number	U/M	Description
	068615-01-000	EA	Sink - Stainless Steel - Double w/Mounting Bolts
**	011053-01-000	EA	Faucet - 8" - Swing Spout - U.S.
**	011053-02-000	EA	Faucet - 8" - Swing Spout - C.S.A.
	064952-01-000	EA	Faucet - Galley - Single Control
	065250-01-000	EA	Bracket Asm. - Tie Down - Refrigerator
**	011053-01-700	EA	Aerator - Swing Spout Faucet
**	066437-01-000	EA	Strainer - Sink - w/Basket
	053124-04-M10	EA	Cover - Sink - Rust Burnt Sienna
	053424-04-M11	EA	Cover - Sink - Paper Bag Brown
	058334-01-000	EA	Wastebasket - 9 3/4" x 7" x 10" - White - Rubbermaid
	059877-01-000	EA	Support - Wastebasket - White Plastic
	058841-01-M10	EA	Cover - Wastebasket - Rust Burnt Sienna
	058841-01-M11	EA	Cover - Wastebasket - Paper Bag Brown
**	046954-03-000	EA	Hood - Stove - w/Black Face - U.S.
**	046954-04-000	EA	Hood - Stove - w/Black Face - C.S.A.
**	064782-01-000	EA	Range - 4 Burner - Black, Chrome Top
**	064472-02-000	EA	Refrigerator - AC/DC/Gas - 5.9 Cubic Feet - Norcold

\*\*The illustrated parts breakdown for this item is provided on the Common Items Fiche.

## 1981 ITASCA TABLE OF CONTENTS

Introduction	A-1
Abbreviations	A-1
Alphabetical Index	A-2 - A-4
IC723RB M2	A-5 - B-10
IC723RH M2	B-11 - C-16
IC621RB M1, IC621RB M2	C-17 - E-4
ICN29RT M2	E-5 - G-6
ICF26RH M1, ICF26RH M2	G-7 - I-8
ICF26RT M1, ICF26RT M2	I-9 - K-14

## 1981 ICN29RT M2 INDEX

Floor Plan	E-5 - E-6
Accessories Group	E-7 - E-9
Bath Group	E-10 - E-11
Chassis Group	E-12 - E-13
Curtain, Cushion and Pad Group	E-14 - E-20
Dinette Group	E-21 - E-22
Driver's Compartment Group	E-23 - E-24
Electrical Group	F-1 - F-3
Exterior Body Group	F-4 - F-7
Galley Group	F-8
Heating & Air Conditioning Group	F-9 - F-10
Interior Finish Group	F-11 - F-12
LP Group	F-13
Lounge Group	F-14 - F-15
Water & Sewage Group	F-15 - F-16
Window, Vent & Exterior Door Group	F-17 - C-6

## HEATING AND AIR CONDITIONING GROUP

## HEATING AND AIR CONDITIONING GROUP (CONTINUED)

### AUTOMOTIVE HEATER AND AIR CONDITIONER

Key	Part Number	U/M	Description
	039044-01-000	EA	Louver Asm. - A/C Adjustable
	047046-01-000	EA	Motor 12 Volt - 3 Speed - Heater - Air Conditioner
	031043-01-000	EA	Valve - Heater - Water Flow Control
	033860-02-000	EA	Cable - Control - Flexible - 46"
	031169-02-000	EA	Cable - Control - Flexible - 48"
	031170-01-000	EA	Clamp - Cable - 3/16" Dia.
	024996-01-000	EA	Clutch - Magnetic - Compressor
	024999-01-000	EA	Compressor - Auto Air - 10.3" Cubic Inch
	048100-01-000	EA	Package - Compressor Mount 454 C.I.D.
	048801-01-000	EA	Condensor - Radiator Mount
	008267-01-000	EA	Switch - Air Conditioner
	024867-01-000	EA	Valve - Thermostatic Expansion
	024997-01-000	EA	Core - Heater
	024998-01-000	EA	Wheel - Blower - 4.72" O D
	031393-01-000	EA	Coil - Evaporator
	031001-01-000	EA	Blower Housing
	007076-01-000	FT	Hose - Flexible PVC - 2" I.D.
	007108-01-000	FT	Hose - Heater - 5 8" I.D. SAE 20R3
	007281-01-000	FT	Hose - Flexible PVC - 2 1/2" I.D.
	007139-01-000	EA	Clamp - Worm Drive - 69" - 1.25" I.D.
	007140-01-000	EA	Clamp - Hose - 2" - 3" Dia.
	033258-01-000	EA	Hose - Refrigerant - 50" I.D. x 34.50"
	034222-01-000	EA	Hose - Refrigerant - 31" I.D. x 26"
	034222-02-000	EA	Hose - Refrigerant - .31" I.D. x 32"
	031960-01-000	EA	Hose - Refrigerant - .34" I.D. x 30"
	031961-01-000	EA	Hose - Refrigerant - .31" I.D. x 14.75"
	031961-02-000	EA	Hose - Refrigerant - .31" I.D. x 19"
	049401-01-000	EA	Heater Asm. - Rear - Auxiliary
	049401-01-700	EA	Valve - Water Control - (Aux. Heater)
	049401-01-701	EA	Control Cable - (Aux. Heater)
	049401-01-702	EA	Motor Asm. - (Aux. Heater)
	049401-01-703	EA	Heater Core - (Aux. Heater)
	049401-01-704	EA	Switch - (Aux. Heater)
	058906-01-000	EA	Control Panel - (Auxiliary Rear Heater)
	024868-01-000	EA	Receiver - Dehydrator
	031044-01-000	EA	Clamp - Receiver Dehydrator
	031962-01-000	EA	Bracket - Receiver Dehydrator
	048232-02-000	EA	Kit - Auto Air - 454 C.I.D. A-Body - Chevy
	024851-01-000	EA	Door Asm. - Delorster - A.C.
	010227-01-000	EA	Tee - Plastic - Barb 5 8" or 3 4" Hose
	024855-01-000	EA	Duct Asm. - Fresh Air
	024849-01-000	EA	Damper Asm. - Fresh Air

### FURNACES AND ROOF AIR CONDITIONERS

Key	Part Number	U/M	Description
**	058824-01-000	EA	Furnace - 34,000 BTU - w/2 Electric Ignition - 4334-749
**	059350-01-000	EA	Furnace - 30,000 BTU - w/Electric Ignition - 4330-749
	009198-01-000	FT	Duct - Flexible - 4" I.D. x 25'
	009200-01-000	EA	Tape - Furnace - 1 1/2"
	023146-01-000	EA	Clamp - Screw Type - 4"
	024985-01-000	EA	Heater Register - W/Damper - 9.9" x 4.8"
	031604-01-000	EA	Bonnet - Heat Register
	058824-02-000	EA	Door - Furnace - Front - 4334
	049043-02-000	EA	Door - Furnace - Front - 4330
	050783-01-000	EA	Vent Package - Furnace - 1-3" Wall
	050784-01-000	EA	Vent Package - Furnace - 3-6" Wall
	039505-02-000	EA	Thermostat - Horizontal Wall Mount
**	049777-02-000	EA	Air Conditioner - 110 Volt - Roof Mount - 11,000 BTU - Ivory Coleman (w/o inside shroud)
**	049778-02-000	EA	Shroud Asm. - Ceiling - Inside Roof Air - Cool Only - 11,000 BTU - Coleman
**	049774-02-000	EA	Air Conditioner - 110 Volt - Roof Mount - 13,500 BTU Ivory - Coleman (w/o inside shroud)
**	049775-02-000	EA	Shroud Asm. - Ceiling - Inside - Roof Air Cool Only - 13,500 BTU - Coleman
**	049776-01-000	EA	Shroud Asm. - Ceiling - Inside - Roof Air Heat and Cool Only - 13,500 BTU - Coleman
**	063903-01-000	EA	Air Conditioner - 110 Volt - Roof Mount - 13,500 BTU Rotary

\*\*The illustrated parts breakdown for this item is provided on the Common Items Fiche

## 1981 ITASCA TABLE OF CONTENTS

Introduction	A-1
Abbreviations	A-1
Alphabetical Index	A-2 - A-4
IC723RB M2	A-5 - B-10
IC723RH M2	B-11 - C-16
IC621RB M1, IC621RB M2	C-17 - E-4
ICN29RT M2	E-5 - G-6
ICF26RH M1, ICF26RH M2	G-7 - I-8
ICF26RT M1, ICF26RT M2	I-9 - K-14

## 1981 ICN29RT M2 INDEX

Floor Plan	E-5 - E-6
Accessories Group	E-7 - E-9
Bath Group	E-10 - E-11
Chassis Group	E-12 - E-13
Curtain, Cushion & Pad Group	E-14 - E-20
Dinette Group	E-21 - E-22
Driver's Compartment Group	E-23 - E-24
Electrical Group	F-1 - F-3
Exterior Body Group	F-4 - F-7
Galley Group	F-8
Heating & Air Conditioning Group	F-9 - F-10
Interior Finish Group	F-11 - F-12
LP Group	F-13
Lounge Group	F-14 - F-15
Water & Sewage Group	F-15 - F-16
Window, Vent & Exterior Door Group	F-17 - G-6



## INTERIOR FINISH GROUP

### PANELING AND COUNTERTOP MATERIALS

Key	Part Number	U/M	Description
	068344-02-000	SF	Paneling - Wall - Straw Weave - 48" x 96" (32SF)
	068344-05-000	SF	Paneling - Wall - 159 Elm - 48" x 96" (32SF)
	045963-01-000	SF	Paneling - 825 Buff - Ceiling - 48" x 94"
	068343-02-000	SF	Paneling - Wall - Decor Autumn Storm - Rust - 48" x 96" (32SF)
	068343-03-000	SF	Paneling - Wall - Decor Autumn Storm - Gray - 48" x 96" (32SF)
	068343-04-000	SF	Paneling - Wall - Decor Autumn Storm - Burgundy Brown - 48" x 96" (32SF)
	068343-15-000	SF	Paneling - Wall - Decor Autumn Storm - Burgundy - 48" x 96" (32SF)
	058042-01-000	SF	Paneling - Wall - Birch Trees - Rust - 48" x 96" (32SF)
	056742-01-000	SF	Paneling - Sand Flower Cork - 48" x 84" (26SF)
	068341-01-000	SF	Plastic Laminate - Burnt Sienna - 48" x 96" (32 SF)
	068341-02-000	SF	Plastic Laminate - Camel - 48" x 96" (32 SF)
	068341-03-000	SF	Plastic Laminate - Paper Bag Brown - 48" x 96" (32SF)

### INTERIOR MOLDINGS AND TRIMS

Key	Part Number	U/M	Description
	024700-06-000	EA	Cover - Sidewall Roll Bar - Ivory
	024700-14-000	EA	Cover - Sidewall Roll Bar - Russet Oak
	039512-06-000	EA	Cover - Hat Section - Ivory
	039512-13-000	EA	Cover - Hat Section - Russet Oak
	047488-01-000	EA	Cover - Corner - Hat/Hat
	047489-01-000	EA	Cover - Corner - Tube/Tube
	042430-01-000	EA	Molding - Shell - Wood
	009812-08-000	FT	Molding - Outside Corner - .50"
	009767-05-000	FT	Wetling - Light Brown
	009815-03-000	FT	T-Molding - .75" - Light Brown
	022992-03-000	FT	Molding - Reverse Cove - Sandalwood
	009778-01-000	FT	U-Channel - 1" - Dark Brown
	009779-03-000	FT	U-Channel - 1 1/8" - Light Brown
	017768-05-000	FT	U Channel - 3/16" - Light Brown
	052859-01-L07	FT	Accent Trim - Acorn Brown Vinyl
	059352-01-000	FT	Insert - Vinyl - Style and Rail Door
	047354-01-000	EA	Batt Strip - Ceiling - 825 Buff - 8'
	058204-01-000	EA	Batt Strip - 8' - Elm
	047354-05-000	EA	Batt Strip - Straw-Weave - 8'
	068345-09-000	EA	Batt Strip - Decor Autumn Storm - Rust
	068345-10-000	EA	Batt Strip - Decor Autumn Storm - Gray
	068345-11-000	EA	Batt Strip - Decor Autumn Storm - Burgundy
	064382-01-000	FT	Extrusion - Plastic Trim - Rolled Door
	042356-01-000	EA	Plug - Button - Mahogany - 3/8" Diameter

### FABRICS AND CARPET

Key	Part Number	U/M	Description
	068339-04-000	YD	Fabric - Drapery - Rust
	068339-05-000	YD	Fabric - Drapery - Blue
	068339-06-000	YD	Fabric - Drapery - Burgundy
	068338-10-000	YD	Fabric - Upholstery - Rust
	068338-11-000	YD	Fabric - Upholstery - Blue
	068338-12-000	YD	Fabric - Upholstery - Burgundy
	038421-01-000	YD	Ticking - Mattress - Gold
	053327-01-000	YD	Vinyl - Non Expanded - 27 oz - Acorn Brown
	053327-02-000	YD	Vinyl - Expanded - 28 oz - Acorn Brown
	053327-03-000	YD	Vinyl - Non Support - 16 Gauge Film - Acorn Brown
	069342-02-000	YD	Vinyl - Expanded - 28 oz - Saddle Brown
	068340-03-000	SY	Carpet - Cinnamon
	068340-04-000	SY	Carpet - Beige
	068340-05-000	SY	Carpet - Winesap
	064334-11-000	SY	Carpet - Carlton Saddle

## INTERIOR FINISH GROUP (CONTINUED)

### CABINETS AND TABLE HARDWARE

Key	Part Number	U/M	Description
	047907-01-000	EA	Hinge - Brass - 14" w/Holes - Bath Vanity Door
	054529-01-000	EA	Latch - Slide Bolt - Antique Brass - Bath Door
**	052932-01-J30	EA	Hinge Kit - Cabinet Door - Antique Brass
	057898-01-000	EA	Latch - Hidden - Cabinet Door
	009112-01-000	EA	Flange - 1" - Chrome - Closet Rod
**	053200-04-000	EA	Bracket - Upper Wall Mount - Brown - 23.5"
**	053201-03-000	EA	Bracket - Table Mount - Brown - 23"
**	024275-01-000	EA	Rod - Table Lift - 8" x 23.5"
**	024281-06-000	EA	Bracket - Lower Wall Mount - Brown - 22.12"
**	024276-04-000	EA	Leg Asm. - Table - Brown - 29.5"
**	064050-01-000	EA	Hinge - Table Leg - Brown
**	024282-01-000	EA	Brace - Table Leg
**	024283-01-000	EA	Clip - 1" O.D. Tube
**	049493-02-000	EA	Catch - Table Leg - Mounts on Floor - Brown
**	059753-01-000	EA	Slide - Drawer - Left
**	059753-02-000	EA	Slide - Drawer - Right
**	037688-01-000	FT	Rail - Drawer
**	047744-01-000	EA	Kit - Drawer Glide
	053331-01-000	EA	Hinge - Overlay - Antique Brass
	047205-09-000	EA	Mesh - Grill - Brass - 13.4" x 7.5"
	047205-12-000	EA	Mesh - Grill - Brass - 14.5" x 10.06"

\*\*The illustrated parts breakdown for this item is provided on the Common Items Fiche.

### CURTAIN HARDWARE

Key	Part Number	U/M	Description
	053272-01-001	EA	Track - Curtain - Alum. - 16'
	053265-02-001	EA	Track - Curtain - Door - 16' - Anod.
	059430-01-000	EA	Track - Curtain - Front Wraparound (2 per unit) - 32.8" x 45.2"
	059430-02-000	EA	Track - Curtain - Front Wraparound (2 per unit) - 32.8" x 89.1"
	056001-01-000	EA	Bracket - Shade - Left
	056002-01-000	EA	Bracket - Shade - Right
	009107-01-000	EA	Guide - Nylon Snap - Curtain
	018031-42-000	EA	Track - Curtain - "L" Rod - Alum. Extr. - 90"
	009701-01-000	EA	Carrier - "L" Rod - Curtain
	009702-01-000	EA	End Stop - "L" Rod - Curtain

### MISCELLANEOUS PARTS

Key	Part Number	U/M	Description
	053552-01-M07	EA	Handle Asm. - Interior Assist - Acorn Brown Vinyl
	041344-01-700	EA	Fire Extinguisher w/Bracket - Dry Chemical
	041344-03-000	EA	Fire Extinguisher - w/Bracket - 5BC - (Calif.)
	006113-01-000	EA	Jack - Hydraulic - 5 Ton - w/Handle
	054185-12-000	EA	Owner's Manual - Itasca - Winnebago
	007038-01-000	EA	Door Mat - Black Rubber - 10 1/2' x 26"
	040069-01-000	EA	Door Mat - Black Rubber - 10 1/2' x 26" - w/Itasca Logo

## 1981 ITASCA TABLE OF CONTENTS

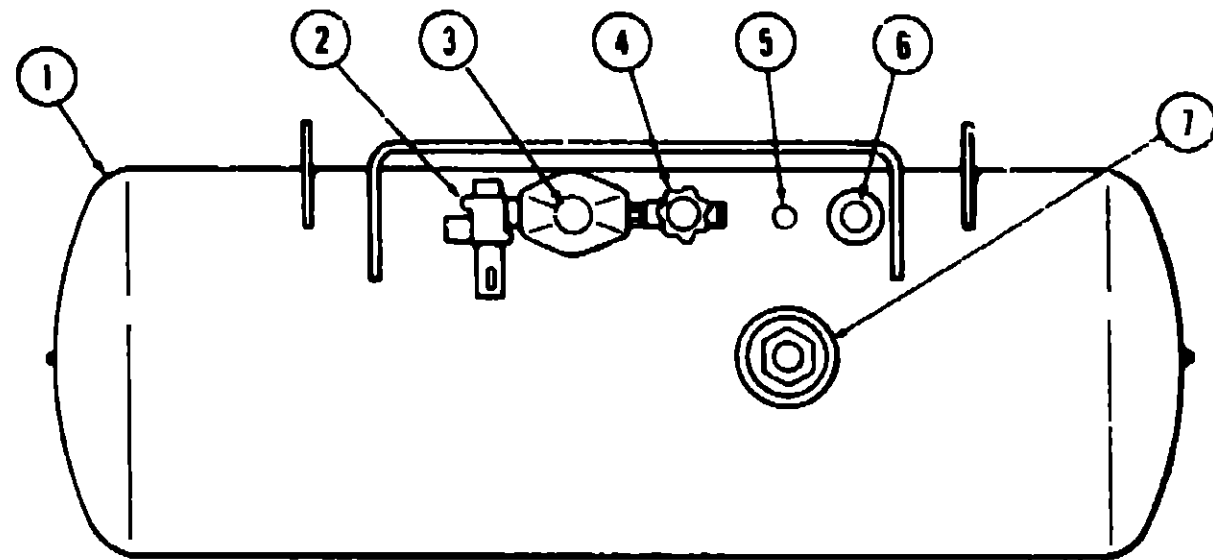
Introduction	A-1
Abbreviations	A-1
Alphabetical Index	A-2 - A-4
IC723RB M2	A-5 - B-10
IC723RH M2	B-11 - C-16
IC621RB M1, IC621RB M2	C-17 - E-4
ICN29RT M2	E-5 - G-6
ICF26RH M1, ICF26RH M2	G-7 - I-8
ICF26RT M1, ICF26RT M2	I-9 - K-14

## 1981 ICN29RT M2 INDEX

Floor Plan	E-5 - E-6
Accessories Group	E-7 - E-9
Bath Group	E-10 - E-11
Chassis Group	E-12 - E-13
Curtain, Cushion and Pad Group	E-14 - E-20
Dinette Group	E-21 - E-22
Driver's Compartment Group	E-23 - E-24
Electrical Group	F-1 - F-3
Exterior Body Group	F-4 - F-7
Galley Group	F-8
Heating & Air Conditioning Group	F-9 - F-10
Interior Finish Group	F-11 - F-12
LP Group	F-13
Lounge Group	F-14 - F-15
Water & Sewage Group	F-15 - F-16
Window, Vent & Exterior Door Group	F-17 - G-6



## LP GROUP



Key	Part Number	U/M	Description
1	063378-01-000	EA	Tank Asm. - LP - Frame Mount - 80 Pound
2	047221-01-000	EA	Detector - LP Gas Leak
	065741-01-000	EA	Detector - LP Gas Leak - Marshalltown Instruments
3	058706-01-000	EA	Cover - Regulator - 2 Stage
	058705-01-000	EA	Regulator - Two Stage - LP Gas
4	040421-01-703	EA	Valve - Vapor Relief
5	040421-01-700	EA	Gauge - Liquid Level - 20% LP
6	040421-01-701	EA	Valve - Filler - LP
	040421-01-702	EA	Cap - Plastic Fill Valve
7	040421-01-707	EA	Gauge - Float - w/Visible Dial - 80 Pound Tank
	040421-01-706	EA	Dial - Visible Face - Float Gauge (Tank w/o Electric Transmitter)
	040421-01-705	EA	Dial - Transmitter 0 - 90 Ohm (Float Gauge)
	045703-01-000	EA	Hose Asm. - LP - 3/8" I.D. x 24"
	045703-02-000	EA	Hose Asm. - LP - 3/8" I.D. x 24" - CSA
	045703-03-000	EA	Hose Asm. - LP - 3/8" I.D. x 14" - US
	045703-04-000	EA	Hose Asm. - LP - 3/8" I.D. x 14" - CSA
	047737-02-000	EA	Support - LP Tank - 89 25"
	047737-03-000	EA	Support - LP Tank - 30 50"
	053112-02-000	EA	Bracket - LP Support
			Not Illustrated

### WINN AIR WITH LANDI-HARTOG (A-BODY)

Key	Part Number	U/M	Description
	065279-01-000	EA	Relief Valve - Hydrostatic - Sherwood
	065287-02-000	EA	Valve - Gasoline Shut-Off
	065820-02-000	EA	Hose Asm. - High - Pressure - 36"
	067290-01-000	EA	Hose - Vapor - 5-8" x 51"
	068050-04-000	EA	LP Mixer
	068142-01-000	EA	Tube Asm. - Converter - Copper w/Flare Nuts - 5/16" x 90° Bend
	068144-01-000	EA	Bracket - Angle - Converter
	068197-01-000	EA	Instrument Asm. - LP
	068201-01-000	EA	Converter Asm. - LP A-Body
	068202-01-000	EA	Steel Rod - Threaded - 1/4" - 20 x 8"

## LOUNGE GROUP

### LOUNGE OVERHEAD CABINETRY

Key	Part Number	U/M	Description
	061958-02-M10	EA	Cabinet Asm. - Rear Overhead - Deckwall - w/o Doors or Hardware
	064648-02-M10	EA	Cabinet Asm. - Rear Overhead - Right Sidewall - w/o Doors or Hardware
	064647-02-M10	EA	Cabinet Asm. - Rear Overhead - Left Sidewall - w/o Doors or Hardware
	059551-01-M10	EA	Door Asm. - Rear Overhead Cabinet - 11.3" x 28" - w/o Hardware
	061947-01-M10	EA	Cap Asm. - End - Left Rear Overhead - Vinyl
	057550-05-M10	EA	Button Asm. - Nail - Vinyl - #36

### TWIN BED CABINETRY

Key	Part Number	U/M	Description
	063238-01-M10	EA	Cabinet Asm. - Twin Bed - Left - w/o Door or Hardware
	064643-01-M10	EA	Cabinet Asm. - Twin Bed - Right - w/o Door or Hardware
	059550-61-M10	EA	Door Asm. - Twin Bed Cabinet - 10.10" x 27.05" - w/o Hardware
	M54006-01-700	EA	Cabinet Asm. - Nightstand Base - w/o Countertop, Doors or Hardware
	053998-01-M10	EA	Countertop Asm. - Nightstand Base - 24 1/2" x 23 3/8" - Rust Burnt Sienna
	053998-01-M11	EA	Countertop Asm. - Nightstand Base - 24 1/2" x 23 3/8" - Paper Bag Brown
	M53976-01-700	EA	Cabinet Asm. - Nightstand Top - w/o Roll up Door - Countertop
	053999-01-M10	EA	Countertop Asm. - Nightstand Top - 23 1/2" x 8 1/2" - Rust Burnt Sienna
	053999-01-M11	EA	Countertop Asm. - Nightstand Top - 23 1/2" x 8 1/2" - Paper Bag Brown
	043255-01-000	FT	Track - Roll up Door - Brown Plastic
	043256-01-000	EA	Spiral - Roll up Door - Plastic - Right
	043256-02-000	EA	Spiral - Roll up Door - Plastic - Left
	063224-23-N.10	EA	Door Asm. - Rolled - 19" x 12"
	059550-66-M10	EA	Door Asm. - Nightstand Cabinet - 20" x 16.2" - w/o Hardware

### DOUBLE BED W/NIGHT STAND

Key	Part Number	U/M	Description
	063432-01-M10	EA	Headboard Asm. - Padded - Acorn Vinyl
	063444-01-M10	EA	Cabinet Asm. - Nightstand - w/o Countertop
	063445-01-M10	EA	Countertop Asm. - Nightstand Cabinet - Rust Burnt Sienna
	063445-01-M11	EA	Countertop Asm. - Nightstand Cabinet - Paper Bag Brown
	063446-01-M10	EA	Cabinet Asm. - Hamper Cabinet - w/o Countertop
	063447-01-M10	EA	Countertop Asm. - Hamper Cabinet - Rust Burnt Sienna
	063447-01-M11	EA	Countertop Asm. - Hamper Cabinet - Paper Bag Brown
	064645-01-M10	EA	Cabinet Asm. - Double Bed Base w/o Door
	063443-01-M10	EA	Cabinet Asm. - Bed - Top Double
	059913-04-M10	EA	Drawer - Nightstand Cabinet
	059550-61-M10	EA	Door Asm. - Cabinet - 10 6" x 19" - w/o Hardware

## 1981 ITASCA TABLE OF CONTENTS

Introduction	A-1
Abbreviations	A-1
Alphabetical Index	A-2 - A-4
IC723RB M2	A-5 - B-10
IC723RH M2	B-11 - C-16
IC621RB M1, IC621RB M2	C-17 - E-4
ICN29RT M2	E-5 - G-6
ICF26RH M1, ICF26RH M2	G-7 - I-8
ICF26RT M1, ICF26RT M2	I-9 - K-14

## 1981 ICN29RT M2 INDEX

Floor Plan	E-5 - E-6
Accessories Group	E-7 - E-9
Bath Group	E-10 - E-11
Chassis Group	E-12 - E-13
Curtain, Cushion and Pad Group	E-14 - E-20
Dinette Group	E-21 - E-22
Driver's Compartment Group	E-23 - E-24
Electrical Group	F-1 - F-3
Exterior Body Group	F-4 - F-7
Galley Group	F-8
Heating & Air Conditioning Group	F-9 - F-10
Interior Finish Group	F-11 - F-12
LP Group	F-13
Lounge Group	F-14 - F-15
Water & Sewage Group	F-15 - F-16
Window, Vent & Exterior Door Group	F-17 - G-6

## LOUNGE GROUP (CONTINUED)

### HORSESHOE LOUNGE W/PEDESTAL TABLE

Key	Part Number	U/M	Description
	053203-06-M10	EA	Table Asm. - Pedestal - 31.8" x 31.8" - w/o Hardware - Rust Burnt Sienna
	053203-06-M11	EA	Table Asm. - Pedestal - 31.8" x 31.8" - w/o Hardware - Paper Bag Brown
	009040-03-000	EA	Base - Pedestal Table - Table Mount
	041194-01-000	EA	Base - Pedestal Table - Floor Mount
	009040-02-000	EA	Leg - Pedestal Table - 2.25" O.D. x 27.5" - Chrome
	064642-01-M10	EA	Cabinet Asm. - Right Gaucho
	063168-01-M10	EA	Cabinet Asm. - Center Gaucho
	063235-01-M10	EA	Cabinet Asm. - Left Gaucho
	059550-61-M10	EA	Door Asm. - Gaucho Cabinet - 10.1" x 27" - w/o Hardware
	063239-01-M10	EA	Cabinet Asm. - Hamper - Right
	063239-02-M10	EA	Cabinet Asm. - Hamper - Left
	056418-01-M10	EA	Plug Asm. - Pedestal - Table - Cinnamon
	056418-01-M11	EA	Plug Asm. - Pedestal - Table - Beige
	056418-01-M12	EA	Plug Asm. - Pedestal - Table - Winesap
	056418-01-L12	EA	Plug Asm. - Pedestal - Table - Cariton Saddle
	053163-01-000	EA	Bracket - Couch Slide
	053347-01-000	EA	Pin - Spring - 3/32 Wire
	053348-01-000	EA	Pin - Steel 1/4" x 4" - w/Hole
	054398-01-000	EA	Bracket - Couch - Brown

## WATER AND SEWAGE GROUP

### HOLDING TANKS AND WATER HEATERS

Key	Part Number	U/M	Description
	061804-02-000	EA	Tank Asm. - Holding - w/Fittings - Auxiliary
**	061804-01-000	EA	Tank Asm. - Holding - w/o Fittings - Auxiliary Gallon - w/Fittings
	061805-02-000	EA	Tank Asm. - Holding - w/Fittings - Main
**	061805-01-000	EA	Tank Asm. - Holding - w/o Fittings - Main
	045196-12-000	EA	Tank Asm. - Water - Plastic - 26 Gallon - w/Fittings
	045196-13-000	EA	Tank Asm. - Water - Plastic - 26 Gallon - w/Drain (Fittings end of tank)
	045196-14-000	EA	Tank Asm. - Water - Plastic - 26 Gallon - w/Drain (Fittings side of tank)
	045196-01-000	EA	Tank Asm. - Water - Plastic - 26 Gallon - w/o Fittings
	046942-04-000	EA	Tank Asm. - Water - Plastic - 45 Gallon - w/Fittings
	046942-01-000	EA	Tank Asm. - Water - Plastic - 45 Gallon - w/o Fittings
	051391-01-000	EA	Water Heater - G6A - 3
	051392-01-000	EA	Water Heater - Motor Aid - GH6-3
	051393-01-000	EA	Water Heater - Motor Aid - Direct Ignition - GH6-3E
	024860-01-000	EA	Panel - Front Heater - A/C

\*\*The illustrated parts breakdown for this item is provided on the Common Items Fiche.

## WATER AND SEWAGE GROUP (CONTINUED)

### PLUMBING AND REPAIR PARTS

Key	Part Number	U/M	Description
**	041279-02-000	EA	Pump - Water Flow - 2.8 G.P.M. US
**	039847-03-000	EA	Filter - Water Pump - 1/2" Flare
**	041279-04-000	EA	Pump - Water Flow - 2.8 G.P.M. - CSA
**	063846-01-000	EA	Water Pump - 2.8 G.P.M. - Direct Drive - FAR - US
**	063846-02-000	EA	Water Pump - 2.8 G.P.M. - Direct Drive - PAR - CSA
**	052952-01-000	EA	Nut - Plastic - 1/2 F
**	052953-01-000	EA	Nut Faucet - 1/2 Tube x 1/2 FPT
**	052954-01-000	EA	Adapter - Nose Cone - 3/8" or 1/2"
**	052955-01-000	EA	Tee - Plastic - 1/2 F x 1/2 F x 1/2 MPT
**	052957-01-000	EA	Elbow - Plastic - 1/2 F x 3/8 MPT
**	052958-01-000	EA	Tee - Plastic - 1/2 F x 1/2 F x 1/2 F
**	052959-03-000	EA	Connector - 1/2 F x 3/8 MPT - Plastic
**	052960-01-000	EA	Drain Valve - 1/2 F x 1/2 F - Plastic
**	052961-01-000	EA	Header - 1/2 F x 1/2 F x 1/2 F x 1/2 F
**	046524-02-000	EA	Kit - Water Tank Fittings - Blank Tank
**	046524-01-000	EA	Kit - Holding Tank Fittings - Blank Tank
**	010079-01-000	EA	Tee - Plastic - 1 1/2 H x 1 1/2 H x 1 1/4 H
**	010091-01-000	EA	Wye - Plastic - 3 x 45 H x H x H
**	010121-01-000	EA	Bushing - Plastic - 1 1/2 S x 1 1/4 H
**	010006-01-000	EA	Elbow - Plastic - 1/8 BD 1 1/2 x 45 H x H
**	010133-01-000	EA	Trap Adaptor - Plastic - 1 1/2 H x MPT
**	010134-01-000	EA	Adaptor - Plastic - 1 1/2 M x MPT
**	062422-01-000	EA	Adapter - Offset Reducer - 3" x 1 1/2"
**	010224-01-000	EA	Adapter - Plastic - 3/8 MPT x 3/8 Barb
**	010000-01-000	EA	Elbow - Plastic - 1/8 Bend - 1 1/4 x 45° H x H
**	010197-01-000	EA	Pipe - Plastic - 3" x 240"
**	031111-01-000	EA	Elbow - Plastic - 1 1/4 x 90° - Long Turn H x H
**	056134-01-000	EA	Holder - Ring - Pipe Support
**	062632-01-000	EA	Wye - 3" x 3" x 1 1/2" Slip
**	010201-01-000	EA	Sewer Hose - 3" x 8' w/Clamp
**	062415-01-000	EA	Sewage Cap - 3"
**	065979-01-000	EA	Compartment Asm. - Sewer Hose
**	062416-01-000	EA	Hose Adapter - 3"
**	062417-01-000	EA	Termination Adapter - 3"
**	062418-01-000	EA	Valve - 3" - w/Handle
**	062418-02-000	EA	Valve - 3" w/o Handle
**	052962-01-000	EA	Valve - Stool - 90° 1/2 F x 3/8 MPT
**	062419-01-000	EA	Handle - 35" Extension - w/6" Adapter
**	062419-02-000	EA	Handle - 53" Extension - w/6" Adapter
**	063641-01-000	EA	Flange - Closet - 4" x 3" Sigot 2.75"
**	010219-01-000	EA	Elbow - 1 1/4 Barb x 1 1/4 MPT 90°
**	023441-01-000	EA	Tee - Plastic - 3/8 Barb
**	035539-01-000	EA	Elbow - Plastic 3/8 MPT x 3/8 Barb
**	044928-01-000	EA	Tubing - Flex - 1 1/4 I.D. x 10'
**	062421-01-000	EA	Valve - 1 1/2" - w/Handle
**	061607-01-000	EA	Grommet - Holding Tank Coupler - 1 1/2"
**	061607-02-000	EA	Grommet - Holding Tank Coupler - 3"
**	053335-01-000	EA	P-Trap - Plastic - 1 1/4 H x H - w/Union
**	011066-01-000	EA	F-Trap - 1 1/4" - Plastic
**	011091-01-000	EA	Waste - Continuous - Double Sink - 1 1/2 7/8"
**	031126-02-000	EA	Elbow - 3" x 90° x Long Turn - CSA
**	050780-01-000	EA	Rubber Coupler - 3" x 3"
**	004020-01-000	QT	Adhesive - ABS Cement
**	037845-01-000	FT	Tape - Butyl - 3/16" - Bead - Black
**	040539-01-000	EA	Kit - Repair - 3/8" O.D. Plastic Tube
**	040540-01-000	EA	Kit - Repair - 1/2" O.D. Plastic Tube
**	040541-01-000	EA	Kit - Repair - 5/8" O.D. Plastic Tube
**	039818-01-000	EA	Riser Asm. - 3/8" O.D. x 24" Tube
**	039818-02-000	EA	Riser Asm. - 3/8" O.D. x 36" Tube
**	039818-04-000	EA	Riser Asm. - 3/8" O.D. x 72" Tube
**	039818-05-000	EA	Riser Asm. - 3/8" O.D. x 48" Tube

\*\*The illustrated parts breakdown for this item is provided on the Common Items Fiche.

## 1981 ITASCA TABLE OF CONTENTS

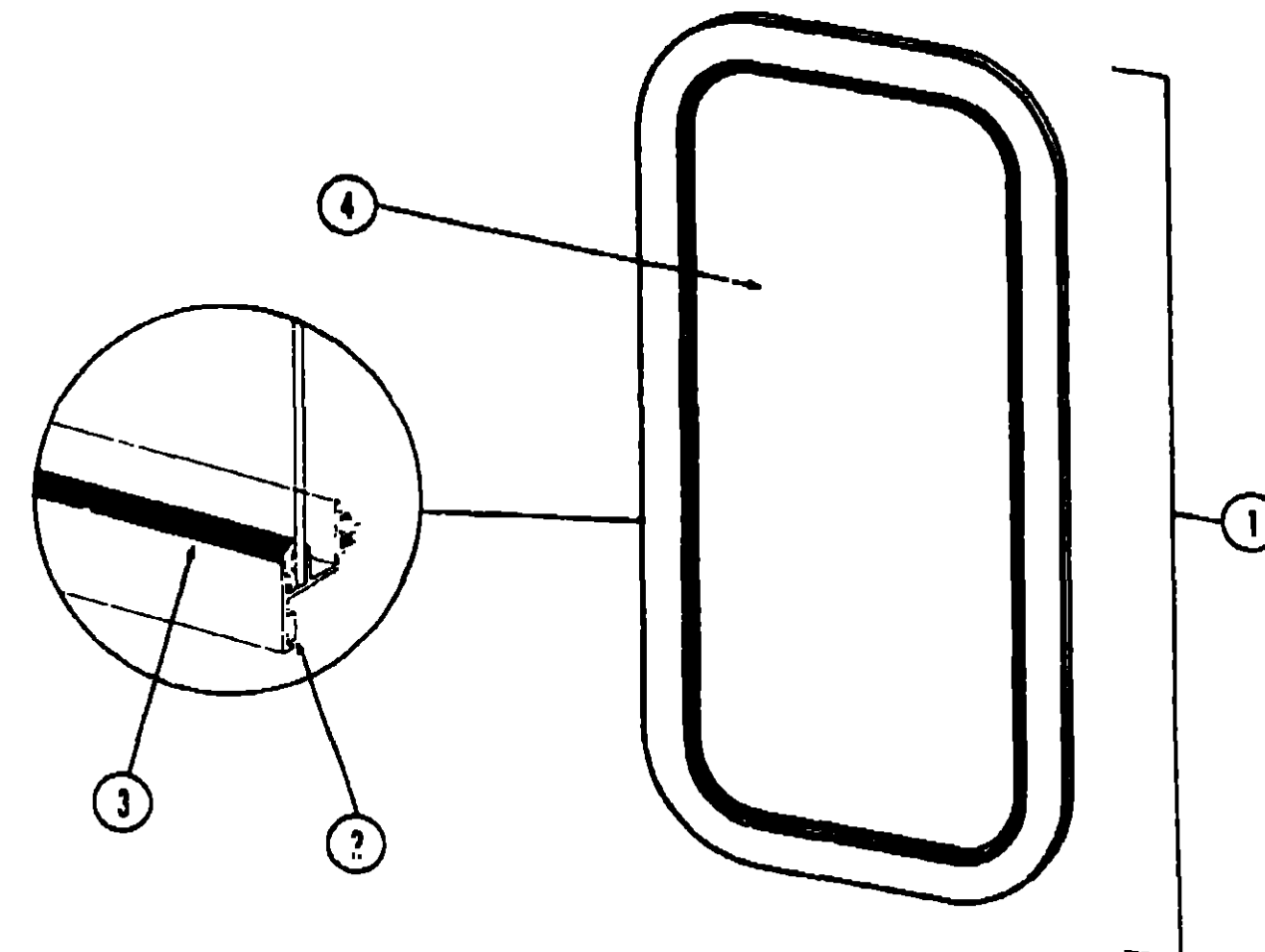
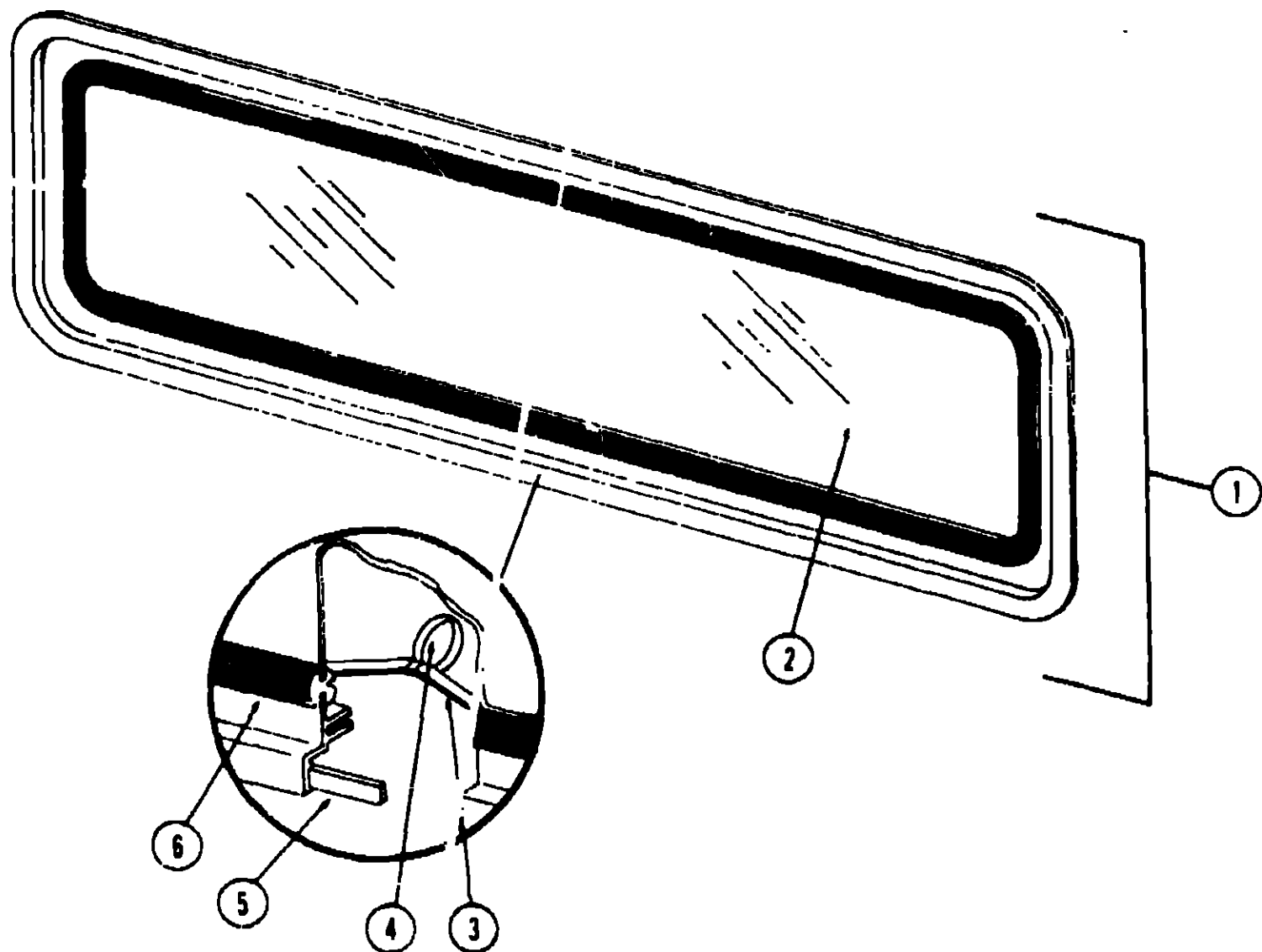
Introduction	A-1
Abbreviations	A-1
Alphabetical Index	A-2 - A-4
IC723RB M2	A-5 - B-10
IC723RH M2	B-11 - C-16
IC621RB M1, IC621RB M2	C-17 - E-4
ICN29RT M2	E-5 - G-6
ICF26RH M1, ICF26RH M2	G-7 - I-8
ICF26RT M1, ICF26RT M2	I-9 - K-14

## 1981 ICN29RT M2 INDEX

Floor Plan	E-5 - E-6
Accessories Group	E-7 - E-9
Bath Group	E-10 - E-11
Chassis Group	E-12 - E-13
Curtain, Cushion and Pad Group	E-14 - E-20
Dinette Group	E-21 - E-22
Driver's Compartment Group	E-23 - E-24
Electrical Group	F-1 - F-3
Exterior Body Group	F-4 - F-7
Galley Group	F-8
Heating & Air Conditioning Group	F-9 - F-10
Interior Finish Group	F-11 - F-12
LP Group	F-13
Lounge Group	F-14 - F-15
Water & Sewage Group	F-15 - F-16
Window, Vent & Exterior Door Group	F-17 - G-6

**WINDOW, VENT AND EXTERIOR DOOR GROUP**

**WINDOW, VENT AND EXTERIOR DOOR GROUP (CONTINUED)**



Key	Part Number	U/M	Description
1	020754-03-000	EA	Window Asm. - Escape - 23" x 68" Black Anod. (w/o inside frame)
2	002170-01-000	EA	Glass - 1/8" x 19 61" x 64 60"
3	002285-01-000	FT	Weatherstrip - Filler - Black
4	020395-01-000	EA	Slip Ring - Pull
5	053767-03-000	F	Tape - 1/4" Bead x 20' - Gray - Schriebe Morehead
6	002282-01-000	FF	Weatherstrip - Window 125" Black
	020752-03-000	EA	Frame - Window - Inside - Escape - 23" x 68" (not included in assembly)
	005199-01-000	EA	Label - Exit - Escape Window
			Not Illustrated

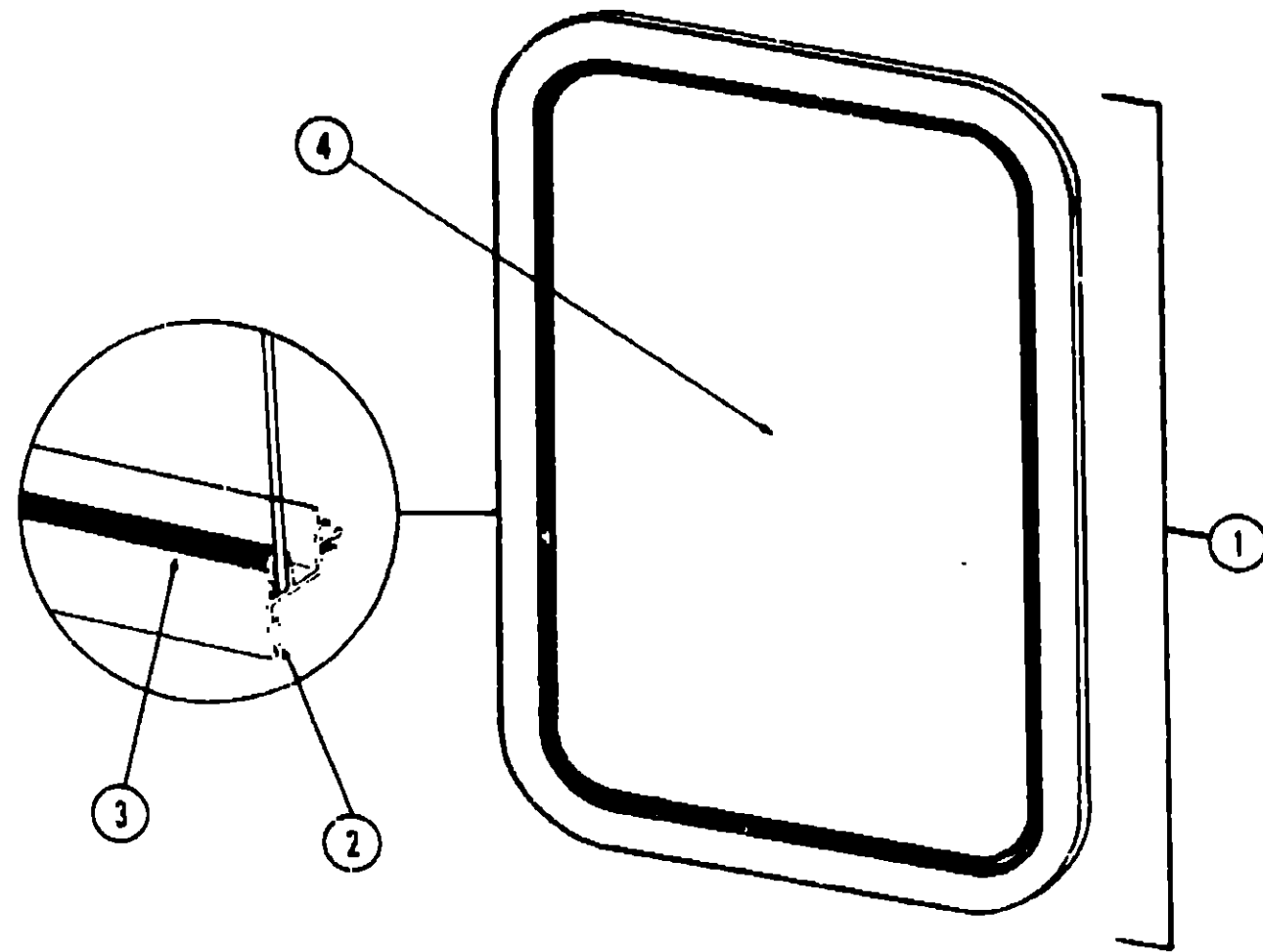
Key	Part Number	U/M	Description
1	041875-09-000	EA	Window Asm. - Picture - 17" x 25" (w/o inside frame)
2	053707-03-000	FT	Tape - 1/4" Bead x 20' - Gray - Schriebe Morehead
3	002318-02-000	FT	Splice - Glass - 1/8" Black
4	002181-06-000	EA	Glass - TP - 115" x 16 25" x 24"
	041696-12-000	EA	Frame - Window - Inside - 17" x 25" (not included in assembly)
			Not Illustrated

**1981 ITASCA  
TABLE OF CONTENTS**

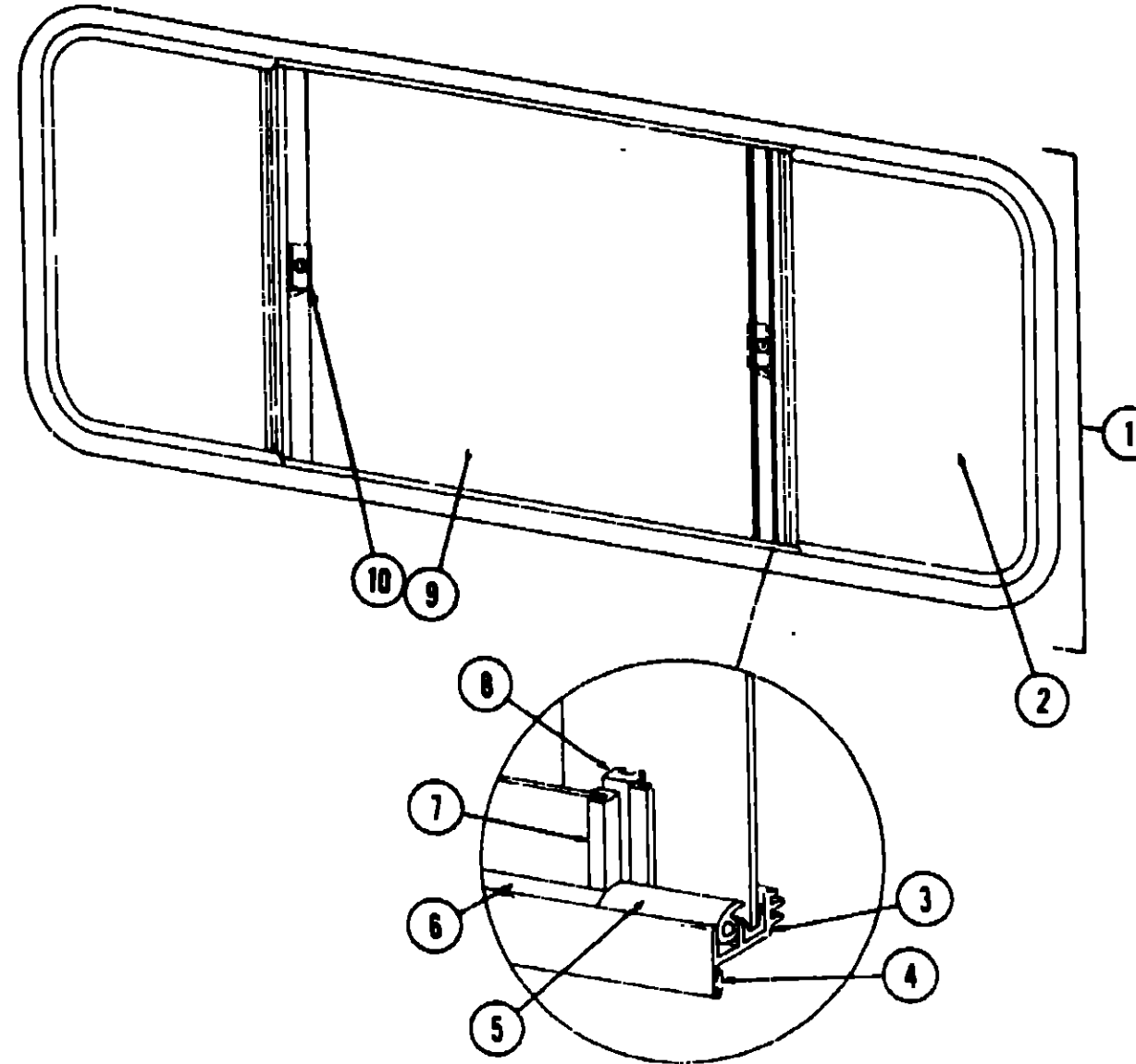
Introduction	A-1
Abbreviations	A-1
Alphabetical Index	A-2 - A-4
IC723RB M2	A-5 - B-10
IC723RH M2	B-11 - C-16
IC621RB M1, IC621RB M2	C-17 - E-4
ICN29RT M2	E-5 - G-6
ICF26RH M1, ICF26RH M2	G-7 - I-8
ICF26RT M1, ICF26RT M2	I-9 - K-14

**1981 ICN29RT M2 INDEX**

Floor Plan	E-5 - E-6
Accessories Group	E-7 - E-9
Bath Group	E-10 - E-11
Chassis Group	E-12 - E-13
Curtain, Cushion & Pad Group	E-14 - E-20
Dinette Group	E-21 - E-22
Driver's Compartment Group	E-23 - E-24
Electrical Group	F-1 - F-3
Exterior Body Group	F-4 - F-7
Galley Group	F-8
Heating & Air Conditioning Group	F-9 - F-10
Interior Finish Group	F-11 - F-12
LP Group	F-13
Lounge Group	F-14 - F-15
Water & Sewage Group	F-15 - F-16
Window, Vent & Exterior Door Group	F-17 - G-6



Key	Part Number	U/M	Description
1	056651-01-000	EA	Window Asm - Picture - 20 3/4" x 20 3/4" - Black (w/o inside frame)
2	053767-02-000	FT	Tape - 3/16" Bead x 25' - Schnee Morehead
3	002309-02-000	FT	Spline - Glass - 1/8" - Black
4	002161-03-000	EA	Glass - 15" x 20.62" x 20.62" - Gray
.	056650-01-000	EA	Frame - Inside - Window (not included in assembly)
.			Not Illustrated



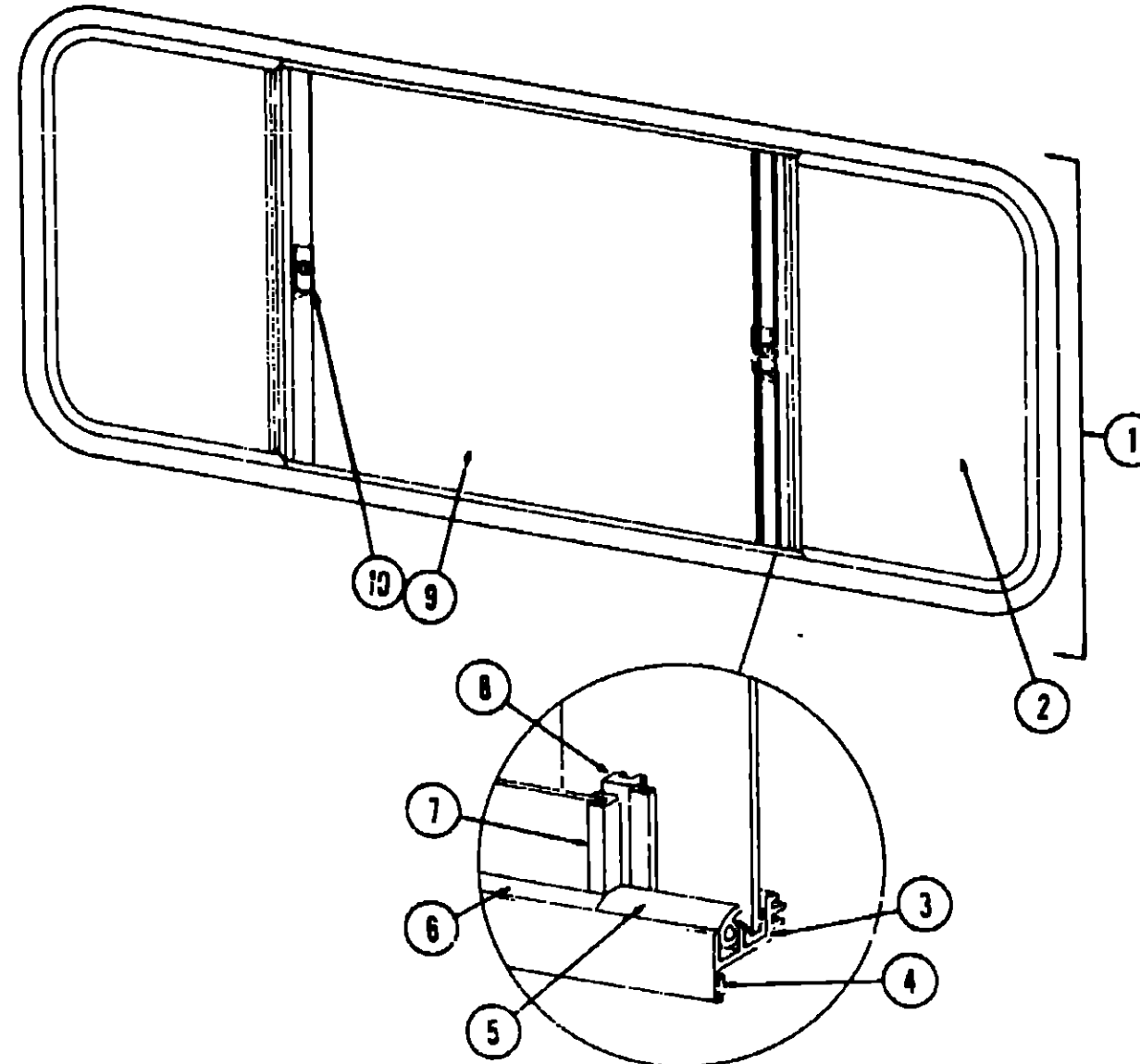
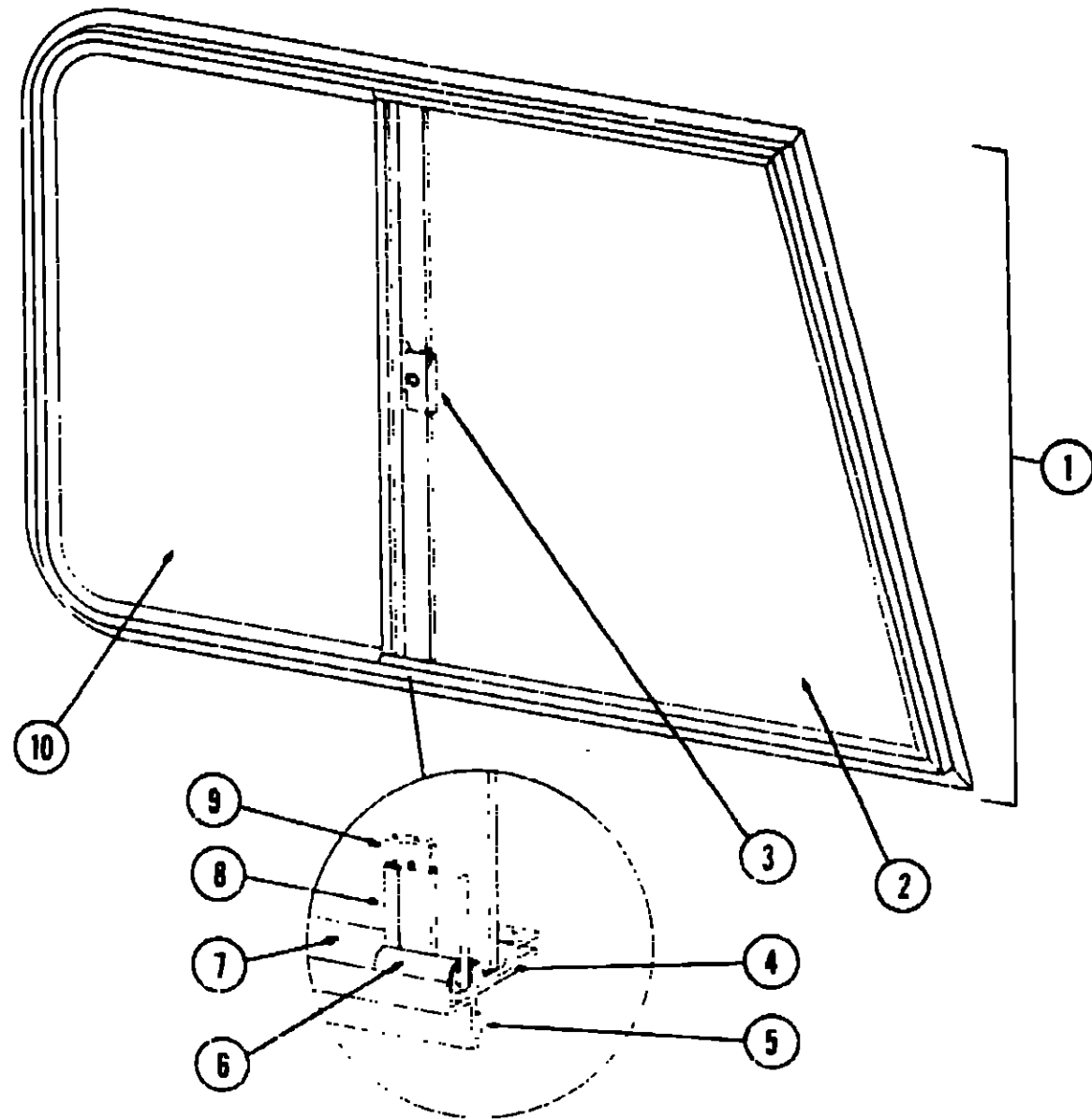
Key	Part Number	U/M	Description
1	048630-08-000	EA	Window Asm. - Double Slider - 25" x 65" Black Anod. (w/o inside frame)
2	047822-01-000	EA	Glass - Sliding - 3/16" x 24" x 21.03"
3	042077-01-000	FT	Channel - Weatherstrip - Glass Run - 3/16" Glass
4	053767-03-000	FT	Tape - 1/4" Bead x 20' - Gray - Schnee Morehead
5	057374-02-000	FT	Extr. Vinyl Window Seal - Black
6	002309-02-000	FT	Spline - Glass - 1/8" - Black
7	002389-03-201	EA	Extr. Holder - Glass Seal - 23 19" - Black
8	041894-04-000	EA	Mullion - Slider Window - 25" - Black
9	002188-02-000	EA	Glass - 3/16" x 24" x 25.5" - Stationary
10	047369-01-700	EA	Latch - Window - Plastic w/Fastener
.	023320-01-000	EA	Foam Pad - 3/8" Dia. (used with plastic latch)
.	042133-09-000	EA	Frame Asm. - Window - Inside (not included in assembly)
.	023713-02-000	EA	Cover - Weephole - Plastic - Black
.	002298-01-000	FT	Spline - Gray - .130" Dia. (Screen)
.	002293-01-000	SF	Screen - Window - 26" - Gray
.			Not Illustrated

1981 ITASCA  
TABLE OF CONTENTS

Introduction	A-1
Abbreviations	A-1
Alphabetical Index	A-2 - A-4
IC723RB M2	A-5 - B-10
IC723RH M2	B-11 - C-16
IC621RB M1, IC621RB M2	C-17 - E-4
ICN29RT M2	E-5 - G-6
ICF26RH M1, ICF26RH M2	G-7 - I-8
ICF26RT M1, ICF26RT M2	I-9 - K-14

1981 ICN29RT M2 INDEX

Floor Plan	E-5 - E-6
Accessories Group	E-7 - E-9
Bath Group	E-10 - E-11
Chassis Group	E-12 - E-13
Curtain, Cushion & Pad Group	E-14 - E-20
Dinet's Group	E-21 - E-22
Driver's Compartment Group	E-23 - E-24
Electrical Group	F-1 - F-3
Exterior Body Group	F-4 - F-7
Galley Group	F-8
Heating & Air Conditioning Group	F-9 - F-10
Interior Finish Group	F-11 - F-12
LP Group	F-13
Lounge Group	F-14 - F-15
Water & Sewage Group	F-15 - F-16
Window, Vent & Exterior Door Group	F-17 - G-6



Key	Part Number	U/M	Description
1	059046-01-000	EA	Window Asm - Right Front Slant Slider - 23" x 39" - Black Anod. (w/o inside frame)
	059046-02-000	EA	Window Asm - Left Front Slant Slider - 23" x 39" - Black Anod. (w/o inside frame)
2	057655-01-000	EA	Glass - 3/16" x 24.83" x 25.30" - Stationary
3	047369-01-700	EA	Latch - Window - Plastic w/Fastener
4	023320-01-000	EA	Foam Pad - 3/8" Dia. (used with plastic latch)
5	042077-01-000	FT	Channel - Weatherstrip - Glass Run - 3/16" Glass
6	053767-01-000	FT	Tape - 1/2" x 1/8" x 30' - Gray - Schnee Morehead
7	050216-02-000	FT	Spline - 3/16" Glass
8	057374-02-000	FT	Extr. Vinyl - Window Seal - Black
9	002389-03-206	EA	Holder - Glass Seal - Black Anod. - 24.13"
10	057644-04-000	EA	Mullion - Window - Slant Slider
	057657-01-000	EA	Glass - 3/16" x 24.88" x 14.70" - Sliding
	059042-01-000	EA	Inside Frame - Right Front Slant Slider (not included in assembly)
	059042-02-000	EA	Inside Frame - Left Front Slant Slider (not included in assembly)
	023713-02-000	EA	Cover - Weephole - Black Anod
	055164-05-000	EA	Slider Screen Asm. - Right or Left - Black
	016310-03-000	EA	Handle - Slider Screen - Black
	002292-01-000	SF	Screen - Window - 20" - Gray
	002298-01-000	FT	Spline - Gray - 130" Dia.
			Not Illustrated

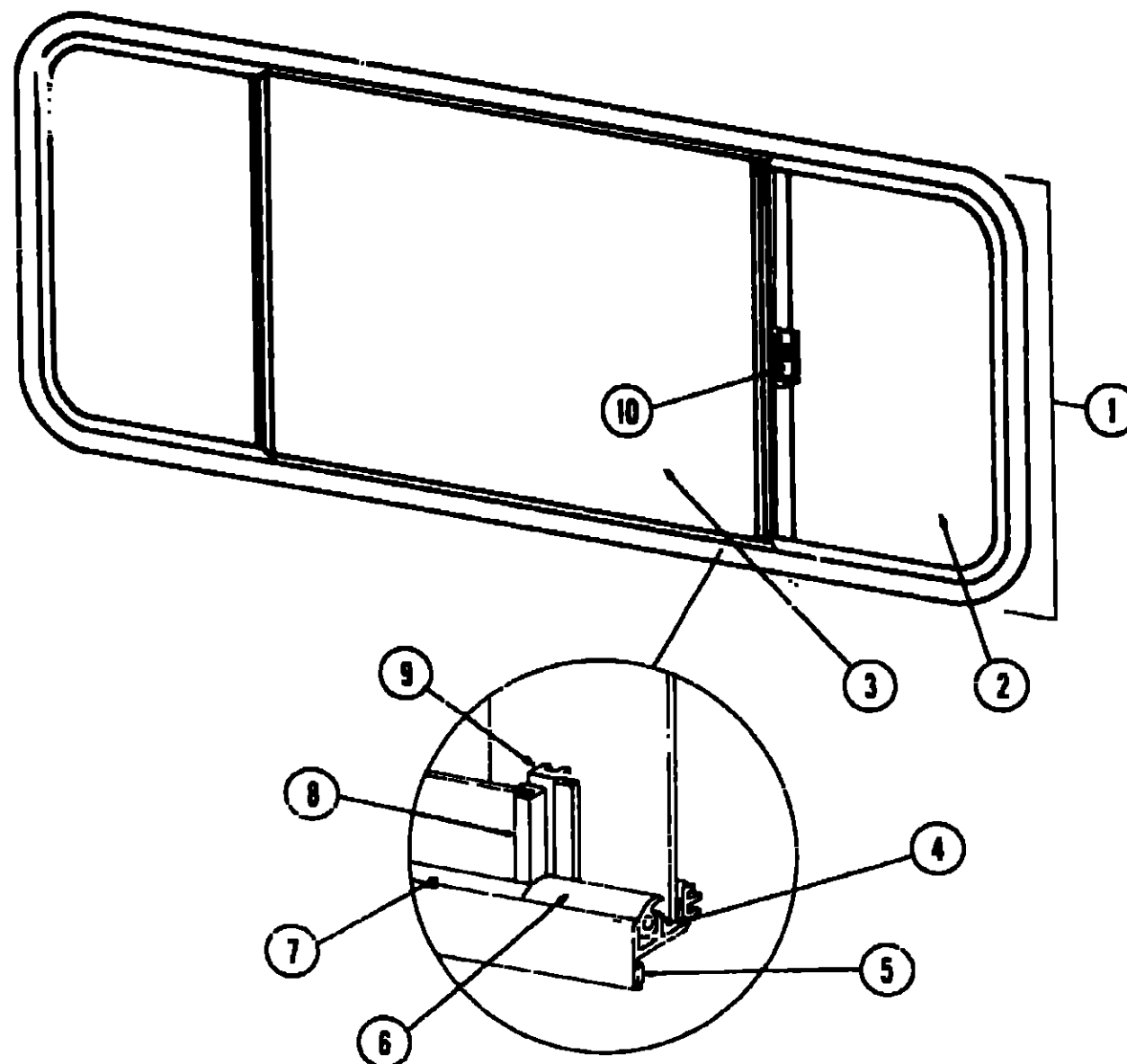
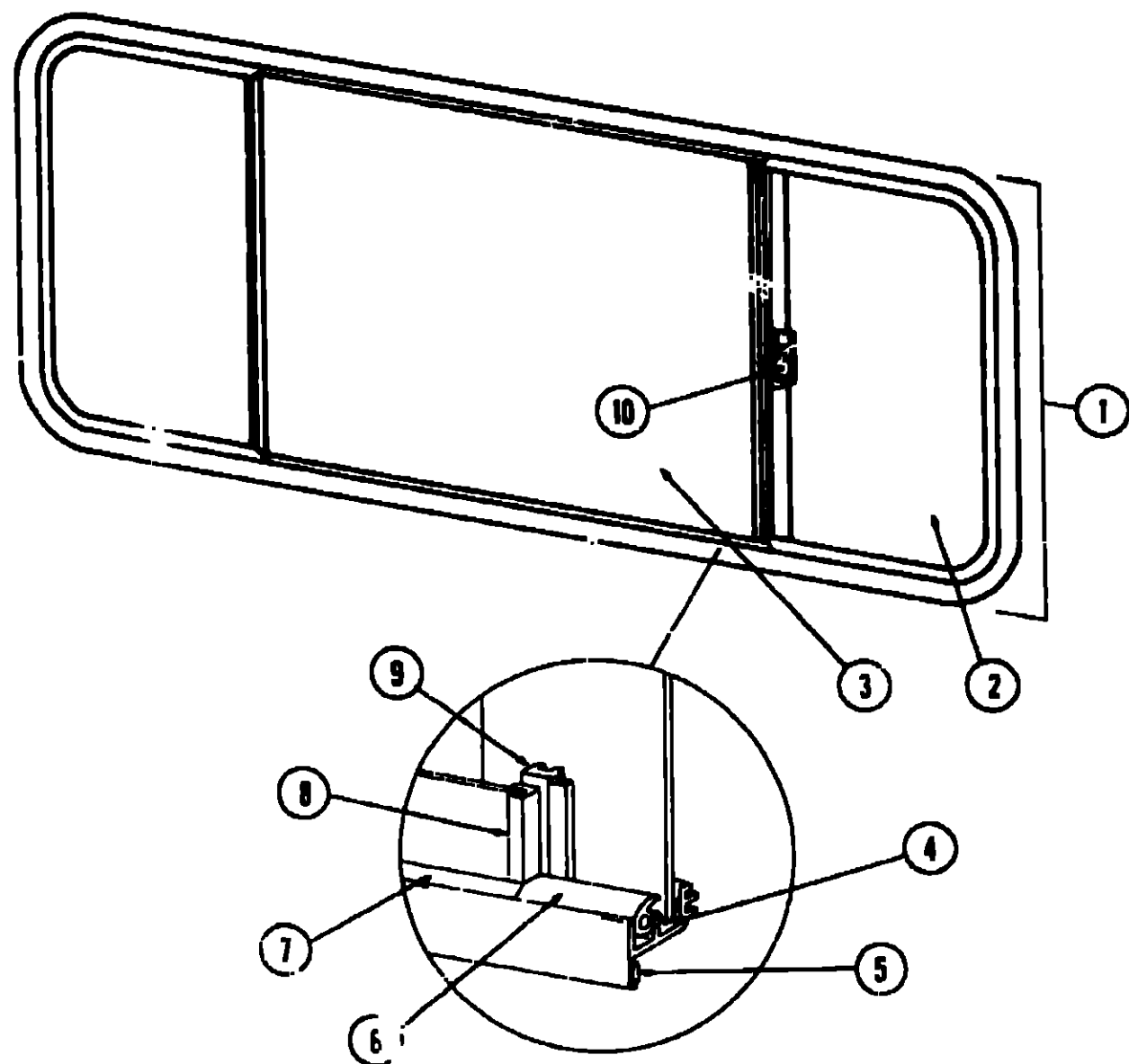
Key	Part Number	U/M	Description
1	048630-06-000	EA	Window Asm. - Double Slider - 25" x 56" Black Anod. (w/o inside frame)
2	047822-03-000	EA	Glass - Sliding - 3/16" x 24" x 16.53"
3	042077-01-000	FT	Channel - Weatherstrip - Glass Run - 3/16" Glass
4	053767-03-000	FT	Tape - 1/4" Bead x 20' - Gray - Schnee Morehead
5	011928-02-000	FT	Seal - Window Channel - 3/16" Glass - Black
6	002309-02-000	FT	Spline - Glass - 1/8" - Black
7	002389-03-201	EA	Extr. - Holder - Glass Seal - 23.19" - Black
8	041894-04-000	EA	Mullion - Sliding Window - 25" - Black
9	002188-02-000	EA	Glass - 3/16" x 24" x 25.5" - Stationary
10	047369-01-700	EA	Latch - Window - Plastic w/Fastener
	023320-01-000	EA	Foam Pad - 3/8" Dia. (used with plastic latch)
	042133-11-000	EA	Frame Asm. - Window - Inside (not included in assembly)
	023713-02-000	EA	Cover - Weephole - Plastic - Black
	002298-01-000	FT	Spline - Gray - .130" Dia. (Screen)
	002293-01-000	SF	Screen - Window - 26" - Gray
			Not Illustrated

1981 ITASCA  
TABLE OF CONTENTS

Introduction	A-1
Abbreviations	A-1
Alphabetical Index	A-2 - A-4
IC723RB M2	A-5 - B-10
IC723RH M2	E-11 - C-16
ICF21RB M1, IC621RB M2	C-17 - E-4
ICN29RT M2	E-5 - G-6
ICF26RH M1, ICF26RH M2	G-7 - I-8
ICF26RT M1, ICF26RT M2	I-9 - K-14

1981 ICN29RT M2 INDEX

Floor Plan	E-5 - E-6
Accessories Group	E-7 - E-9
Bath Group	E-10 - E-11
Chassis Group	E-12 - E-13
Curtain, Cushion and Pad Group	E-14 - E-20
Dinette Group	E-21 - E-22
Driver's Compartment Group	E-23 - E-24
Electrical Group	F-1 - F-3
Exterior Body Group	F-4 - F-7
Galley Group	F-8
Heating & Air Conditioning Group	F-9 - F-10
Interior Finish Group	F-11 - F-12
LP Group	F-13
Lounge Group	F-14 - F-15
Water & Sewage Group	F-15 - F-16
Window, Vent & Exterior Door Group	F-17 - G-6



1981 ITASCA  
TABLE OF CONTENTS

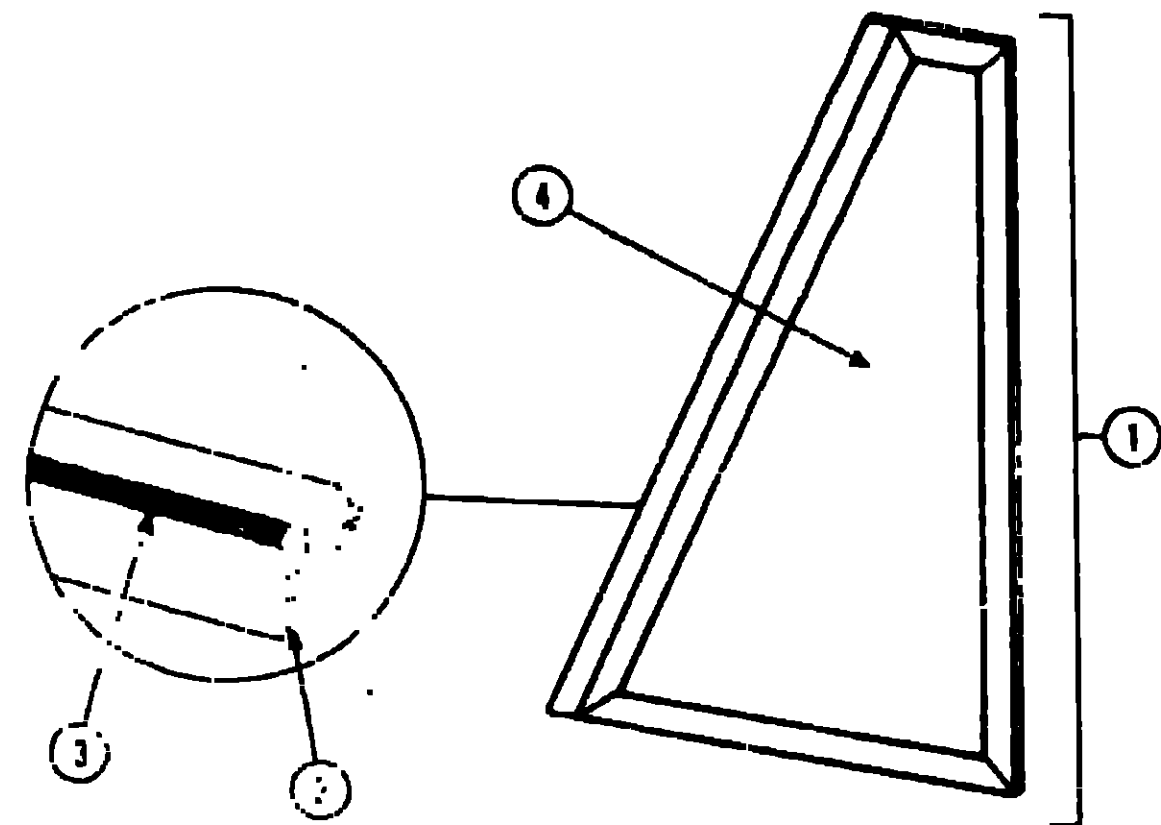
Introduction	A-1
Abbreviations	A-1
Alphabetical Index	A-2 - A-4
IC723RB M2	A-5 - B-10
IC723RH M2	B-11 - C-16
IC621RB M1, IC621RB M2	C-17 - E-4
ICN29RT M2	F-5 - G-6
ICF26RH M1, ICF26RH M2	G-7 - I-8
ICF26RT M1, ICF26RT M2	I-9 - K-14

1981 ICN29RT M2 INDEX

Floor Plan	E-5 - E-6
Accessories Group	E-7 - E-9
Bath Group	E-10 - E-11
Chassis Group	E-12 - E-13
Curtain, Cushion and Pad Group	E-14 - E-20
Dinette Group	F-21 - E-22
Driver's Compartment Group	E-23 - E-24
Electrical Group	F-1 - F-3
Exterior Body Group	F-4 - F-7
Galley Group	F-8
Heating & Air Conditioning Group	F-9 - F-10
Interior Finish Group	F-11 - F-12
LP Group	F-13
Lounge Group	F-14 - F-15
Water & Sewage Group	F-15 - F-16
Window, Vent & Exterior Door Group	F-17 - G-6

Key	Part Number	U/M	Description
1	066785-02-000	EA	Window Asm - Single Slider - 25" x 50"
2	04213-09-000	EA	Inside Frame - Brown
3	066726-01-000	EA	Glass - Stationary - 1/8" x 16.5" x 24"
4	066727-02-000	EA	Glass - Sliding - 1/8" x 25.5" x 24"
5	002324-02-000	FT	Channel - Weatherstrip - Glass
6	053767-03-000	FT	Tape - 1/4" Bead x 20' - Gray
7	057374-02-000	FT	Extr. Vinyl - Window Seal - Black
8	002309-02-000	FT	Spline - Glass - 1/8" Material - Black
9	069886-03-000	EA	Extr - Holder - Glass Seal - 23.19" - Black
10	069896-02-000	EA	Mullion - Slider Window - 25" - Black
	047369-01-000	EA	Latch - Window - Plastic w/ Fastener
	002293-01-000	SF	Screen - Window - 26" - Gray
	002298-01-000	FT	Spline - .130 Dia. - Gray (Screen)
	042076-01-000	FT	Seal - Fin - Pile .34"
			Not Illustrated

Key	Part Number	U/M	Description
1	066785-03-000	EA	Window Asm - Single Slider - 25" x 65"
2	042133-09-000	EA	Inside Frame - Brown
3	066726-02-000	EA	Glass - Stationary - 1/8 x 21.03" x 24"
4	066727-02-000	EA	Glass - Sliding - 1/8 x 25.5" x 24"
5	002324-02-000	FT	Channel - Weatherstrip - Glass
6	053767-03-000	FT	Tape - 1/4" Bead x 20' - Gray
7	057374-02-000	FT	Extr. Vinyl - Window Seal - Black
8	002309-02-000	FT	Spline - Glass - 1/8" Material - Black
9	002390-03-002	EA	Extr - Holder - Glass Seal - 23.19" - Black
10	041894-04-000	EA	Mullion - Slider Window - 25" - Black
	047369-01-000	EA	Latch - Window - Plastic - w/ Fastener
	002293-01-000	SF	Screen - Window - 26" - Gray
	002298-01-000	FT	Spline - .130" Dia - Gray (Screen)
	042076-01-000	FT	Seal - Fin - Pile .34"
			Not Illustrated



Key	Part Number	U/M	Description
1	062595-01-000	EA	Window Asm - Stationary - Drivers Seat - 14" x 25 3/2" Black Anod. (w/o ins. ca frame)
2	052767-03-000	FT	Tape - 1/4" Bead x 20' - Gray - Schnee Morehead
3	002399-02-000	FT	Spline - Glass - 1 5/8" - Black
4	057656-02-000	EA	Glass - 3'16" x 24 88" x 13 05"
	053420-01-000	EA	Frame - inside - Front Slant Window (not included in assembly)
			Not illustrated

ACCESS DOORS

Key	Part Number	U/M	Description
	033333-31-000	EA	Door Asm - Battery - 24 5/8" x 8 5/8" - Gray, w/Twist Type Lock
	033333-29-000	EA	Door Asm - Luggage - 27 1/2" x 8 5/8" - Gray w/Key Lock
	047233-03-000	EA	Door Asm - Luggage - 25 5/8" x 15" - Gray w/Key Type Lock
	069762-05-000	EA	Door Asm - Refrigerator Access - Gray w/Twist Type Lock
	042441-01-000	EA	Lock Asm - Key Type - Gas Fill
	047305-01-000	EA	Lock Asm - Key Type - Clip
	016945-02-000	EA	Roller Asm - Battery and Luggage Door
	052179-09-000	EA	Door Asm - Generator - w/Twist Type Lock - Gray
	052181-02-000	EA	Handle - Generator Door
	063946-03-000	EA	Door Asm - Power Cord - Gray
	042442-01-000	EA	Lock Asm - Twist Type
	052009-01-000	EA	Door Asm - Water Heater - Gray
	041312-01-000	FT	Door Seal - Bulb - 2 Sections
	057097-03-000	EA	Door Asm - Gas w/o Hatch
	052423-03-000	EA	Door Asm - Fuel Fill - 6 6" x 5 5/8" - w/o Hardware
	066007-03-000	EA	Door Asm - Sewer Hose Compartment

WINDSHIELD

Key	Part Number	U/M	Description
	058272-01-000	EA	Frame Asm. - Windshield w/o Glass
	057459-01-000	EA	Glass - Windshield - Right or Left
	038666-01-000	EA	Tape - Butyl - 31" x .31" x 148'
	042743-01-000	EA	Corner - Windshield - Lower
	042743-02-000	EA	Corner - Windshield - Upper

VENTS

Key	Part Number	U/M	Description
	049352-03-000	EA	Vent - Stovehood - Outside - Gray
**	048789-01-000	EA	Vent Asm. - Roof - Powered - w/o Screen - Alum
**	048835-01-000	EA	Vent Asm. - Roof - Non Powered - w/o Screen - Alum.
**	056119-01-000	EA	Vent Asm. - Roof - Powered/Lighted - Jensen - White
**	065103-01-000	EA	Vent Asm. - Refrigerator - Roof

\*\* The illustrated parts breakdown for this item is provided on the Common Items Fiche.

1981 ITASCA  
TABLE OF CONTENTS

Introduction	A-1
Abbreviations	A-1
Alphabetical Index	A-2 - A-4
IC723RB M2	A-5 - B-10
IC723RH M2	B-11 - C-16
IC621RE M1, IC621RB M2	C-17 - E-4
ICN29RT M2	E-5 - G-6
ICF204M M1, ICF204H M2	G-7 - I-6
ICF205 M1, ICF205T M2	I-9 - K-14

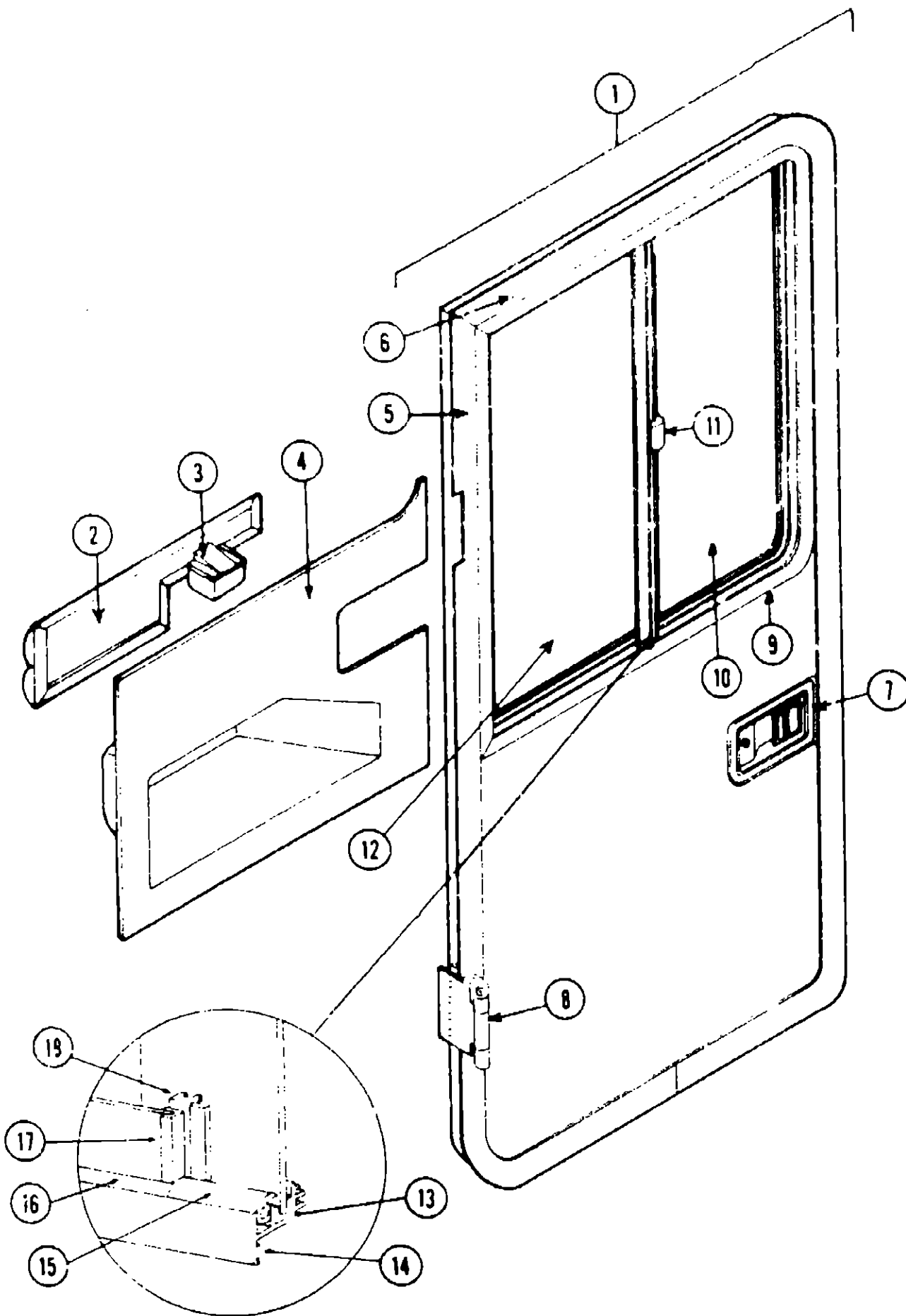
1981 ICN29RT M2 INDEX

Floor Plan	E-5 - E-6
Accessories Group	E-7 - E-9
Bath Group	E-10 - E-11
Chassis Group	E-12 - E-13
Curtain, Cushion and Pad Group	E-14 - E-20
Dinette Group	E-21 - E-22
Driver's Compartment Group	F-23 - E-24
Electrical Group	F-1 - F-3
Exterior Body Group	F-4 - F-7
Galley Group	F-8
Heating & Air Conditioning Group	F-9 - F-10
Interior Finish Group	F-11 - F-12
LP Group	F-13
Lounge Group	F-14 - F-15
Water & Sewage Group	F-15 - F-16
Window, Vent & Exterior Door Group	F-17 - G-6

# WINDOW, VENT AND EXTERIOR DOOR GROUP (CONTINUED)

## DRIVER DOOR

Key	Part Number	U/M	Description
1	063991-03-000	EA	Door A.s.m. - Driver - Gray
2	064088-01-000	EA	Pad Asm. - Trim - Upper
3	061400-01-000	EA	Assist Strap - 12" - Light Brown
4	046886-01-000	EA	Ashtray Asm. - Flush Mount - Chrome
5	064499-01-000	EA	Panel - Driver Door - Inner - Dark Brown Plastic
6	063350-03-000	EA	Trim - Door Frame - Front - Gray
7	063351-03-000	EA	Trim - Door Frame - Rear - Gray
8	045017-03-000	EA	Paddle - Door Lock - Exterior
9	045017-01-700	EA	Lock Cylinder w/Keys - Lynor
10	039979-02-000	EA	Inside Plate - Door Lock - w/Inside Handle
11	039540-02-000	EA	Latch Claw - Entry Door Lock
12	039738-01-000	EA	Deadbolt - Entrance Door Lock
13	039539-01-000	EA	Strike Bolt - Entrance Door (Jamb Mount)
14	062124-02-000	EA	Plate - Striker - 8 1/4" x 1" - Black
15	062879-01-000	EA	Jamb - Driver Door - Black Steel
16	064199-03-000	EA	Trim - Door Jamb - Rear - w/Drip Cap - Gray
17	064184-01-000	EA	Drip Cap - Driver Door
18	063358-03-000	EA	Trim - Door Jamb - Front - Gray
19	063768-01-000	EA	Sill Plate - Driver Door
20	063993-03-000	EA	Hinge Asm. - Driver Door - Gray
21	064580-01-000	EA	Check Strap - Driver Door - Seat Belt Webbing
22	064219-01-000	EA	Retainer - Driver Door Check Strap
23	063885-02-000	EA	Assist Handle - Driver Door - Brown Steel Tube (2 required per door)
24	064075-01-000	EA	Bulb Seal - Driver Door - 145"
25	062962-01-000	EA	Window Asm. - Driver Door - Single Slider - 23" x 25.5" - Black Anod. (w/o inside frame)
26	057657-02-000	EA	Glass - 3'16" x 24.88" x 12" - Sliding
27	047369-01-700	EA	Latch - Window - Plastic w/Fastener
28	002188-04-000	EA	Glass - 3'16" x 24.88" x 12" - Stationary
29	002324-02-000	FT	Channel - Weatherstrip - Glass Run - 1.8" Glass
30	069640-01-000	FT	Sealer Ribbon - 1.4" x 20'
31	024096-02-000	FT	Seal - Window Channel - Black
32	002309-02-000	FT	Spline - Glass - Black
33	002389-03-204	EA	Holder - Glass Seal - Anod. Black - 25.14"
34	002288-01-000	FT	Weatherstrip - Glass Seal
35	057644-04-000	EA	Mullion - Slider Window - Black Anod.
36	063422-01-000	EA	Frame - Inside - Driver Door Window
37	023713-02-000	EA	Cover - Weephole - Black Plastic
38	055164-06-000	EA	Screen Asm. - Slider
39	002292-01-000	SF	Screen - Window - 20" - Gray
40	002298-01-000	FT	Spline - Gray - Screen - .130" Dia.
41	016310-03-000	EA	Screen Handle - Black Anod.
42	043485-02-000	FT	Screen Seal - Extr. Vinyl
	<b>Not Illustrated</b>		



## 1981 ITASCA TABLE OF CONTENTS

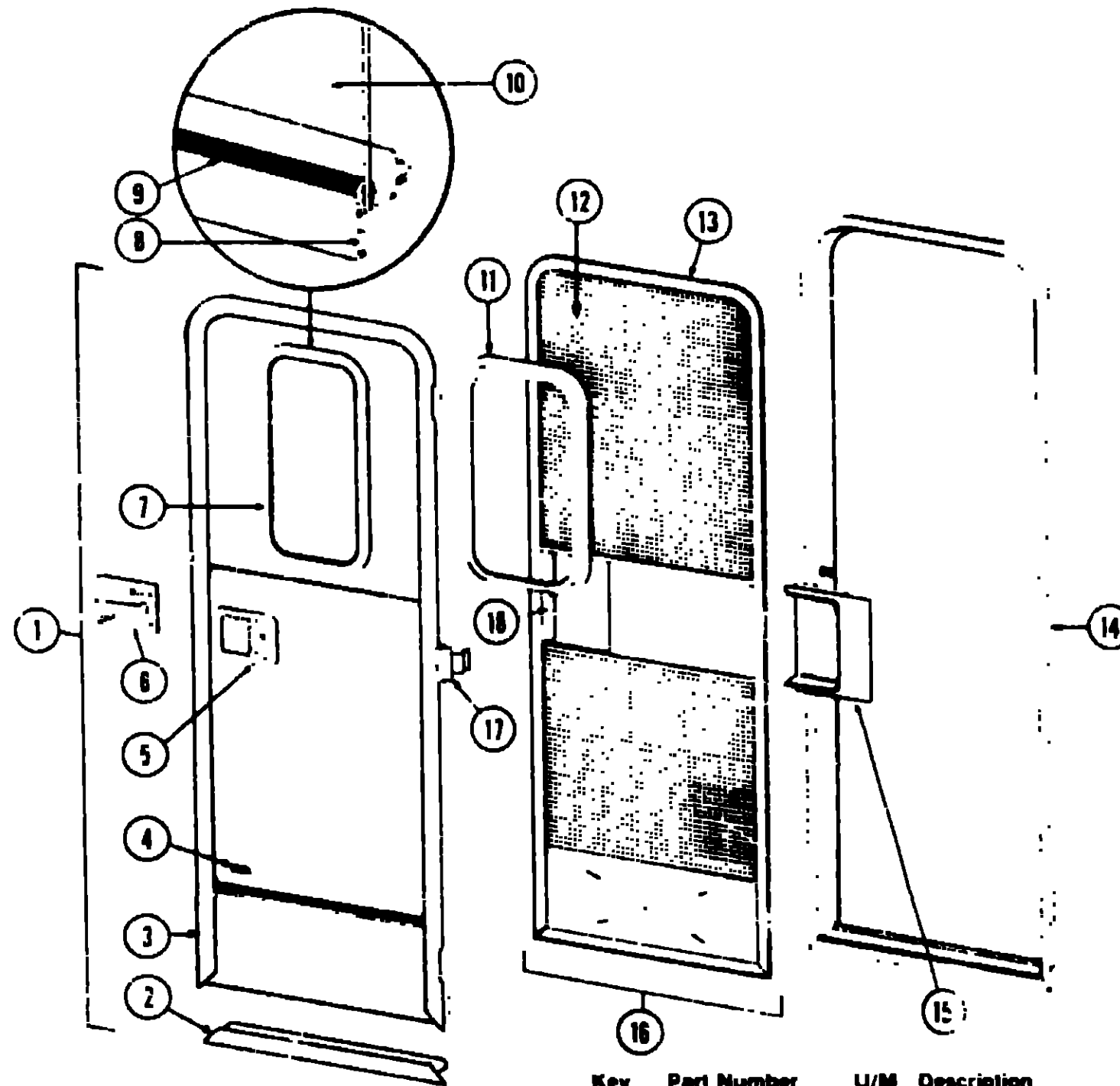
Introduction	A-1
Abbreviations	A-1
Alphabetical Index	A-2 - A-4
IC723RB M2	A-5 - B-10
IC723RH M2	B-11 - C-16
IC621RB M1, IC621RB M2	C-17 - E-4
ICN29RT M2	E-5 - G-6
ICF26RH M1, ICF26RH M2	G-7 - I-8
ICF26RT M1, ICF26RT M2	I-9 - K-14

## 1981 ICN29RT M2 INDEX

Floor Plan	E-5 - E-6
Accessories Group	E-7 - E-9
Bath Group	E-10 - E-11
Chassis Group	E-12 - E-13
Curtain, Cushion & Pad Group	E-14 - E-20
Dinette Group	E-21 - E-22
Driver's Compartment Group	E-23 - E-24
Electrical Group	F-1 - F-3
Exterior Body Group	F-4 - F-7
Galley Group	F-8
Heating & Air Conditioning Group	F-9 - F-10
Interior Finish Group	F-11 - F-12
LP Group	F-13
Lounge Group	F-14 - F-15
Water & Sewage Group	F-15 - F-16
Window, Vent & Exterior Door Group	F-17 - G-6



**WINDOW, VENT AND EXTFRIOR DOOR GROUP (CONTINUED)**



**1981 ITASCA  
TABLE OF CONTENTS**

Introduction	A-1
Abbreviations	A-1
Alphabetical Index	A-2 - A-4
IC723RB M2	A-5 - B-10
IC723RH M2	B-11 - C-16
IC621RB M1, IC621RB M2	C-17 - E-4
IC129RT M2	E-5 - G-6
ICF26RH M1, ICF26RH M2	G-7 - I-3
ICF26RT M1, ICF26RT M2	I-9 - K-14

**1981 ICN29RT M2 INDEX**

Floor Plan	E-5 - E-6
Accessories Group	E-7 - E-9
Bath Group	E-10 - E-11
Chassis Group	E-12 - E-13
Curtain, Cushion and Pad Group	E-14 - E-20
Dinette Group	E-21 - E-22
Driver's Compartment Group	E-23 - E-24
Electrical Group	F-1 - F-3
Exterior Body Group	F-4 - F-7
Galley Group	F-8
Heating & Air Conditioning Group	F-9 - F-10
Interior Finish Group	F-11 - F-12
LP Group	F-13
Lounge Group	F-14 - F-15
Water & Sewage Group	F-15 - F-16
Window, Vent & Exterior Door Group	F-17 - G-6

Key	Part Number	U/M	Description
1	064024-05-000	EA	Door Asm - Full Size Entry w Screen Door
2	039737-05-000	EA	Frame - Entry Door (Bottom Portion Only)
3	039733-05-000	EA	Frame - Entry Door (Except Bottom Portion)
4	074550-01-000	EA	Holder - Entry Door - Mounts on Sidewall
5	045017-01-000	EA	Paddle Asm - Door Lock - Exterior
	045017-01-700	EA	Lock Cylinder w Keys
	039539-01-000	EA	Striker Bolt - Entry Door
	039540-01-000	EA	Latch Claw - Entry Door
6	039979-01-000	EA	Plate - Lock - Interior - Including Inside Handle
	052155-01-000	EA	Lock Asm - Complete - Lynor
7	041675-09-000	EA	Window Asm - Picture - 13" x 25" - Black Anod (inside frame not included in assembly)
8	004363-01-000	FT	Tape - Foam - 3'16" x 1/2" - Gray
9	002309-02-000	EA	Spline - Glass - 1 8" Black
	044582-06-000	EA	Cap - Drip Jamb - Mounted - Gray
			Not Illustrated

Key	Part Number	U/M	Description
10	002181-02-000	EA	Glass - Picture Window - 1'8" x 12" x 24" - Gray
11	041696-12-000	EA	Frame - Window - Inside - 13" x 25" - Brown
12	002293-01-000	SF	Screen - Window - 26" - Gray
13	056795-01-000	FT	Seal Tape - 1'8" x 3'8" - Press On
14	053171-05-000	EA	Jamb Asm - Entry Door
15	015580-01-000	EA	Slider - Screen Door - Brown Plastic
16	053170-01-000	EA	Door Asm - Screen
	002294-01-000	FT	Spline - 135" x 138" - Black
17	039520-01-000	EA	Hinge - Entry Door (3 used per door)
18	015581-01-000	EA	Cap - Screen Door - Brown Plastic
	049176-01-000	EA	Hedlok II - 3/4" Diameter - Screw Mount (Retains screen door to entry door)
	049797-01-000	EA	Hedlok II - 1" Diameter - Screw Mount (Retains screen door to entry door)
	063638-01-000	EA	Striker - Screen Door
	039863-01-000	EA	Catch Asm - Single Roller w/Strike - Screen Door
	051390-01-000	FT	Seal - Jamb - Entry Door - Bulb Seal
	039800-01-000	FT	Tubing - Polybutyl - 1/2" O.D - Jamb
	009016-01-000	EA	Catch - Elbow - Spring Loaded - Zinc
	009018-01-000	EA	Catch Asm - Single Roller
			Not Illustrated