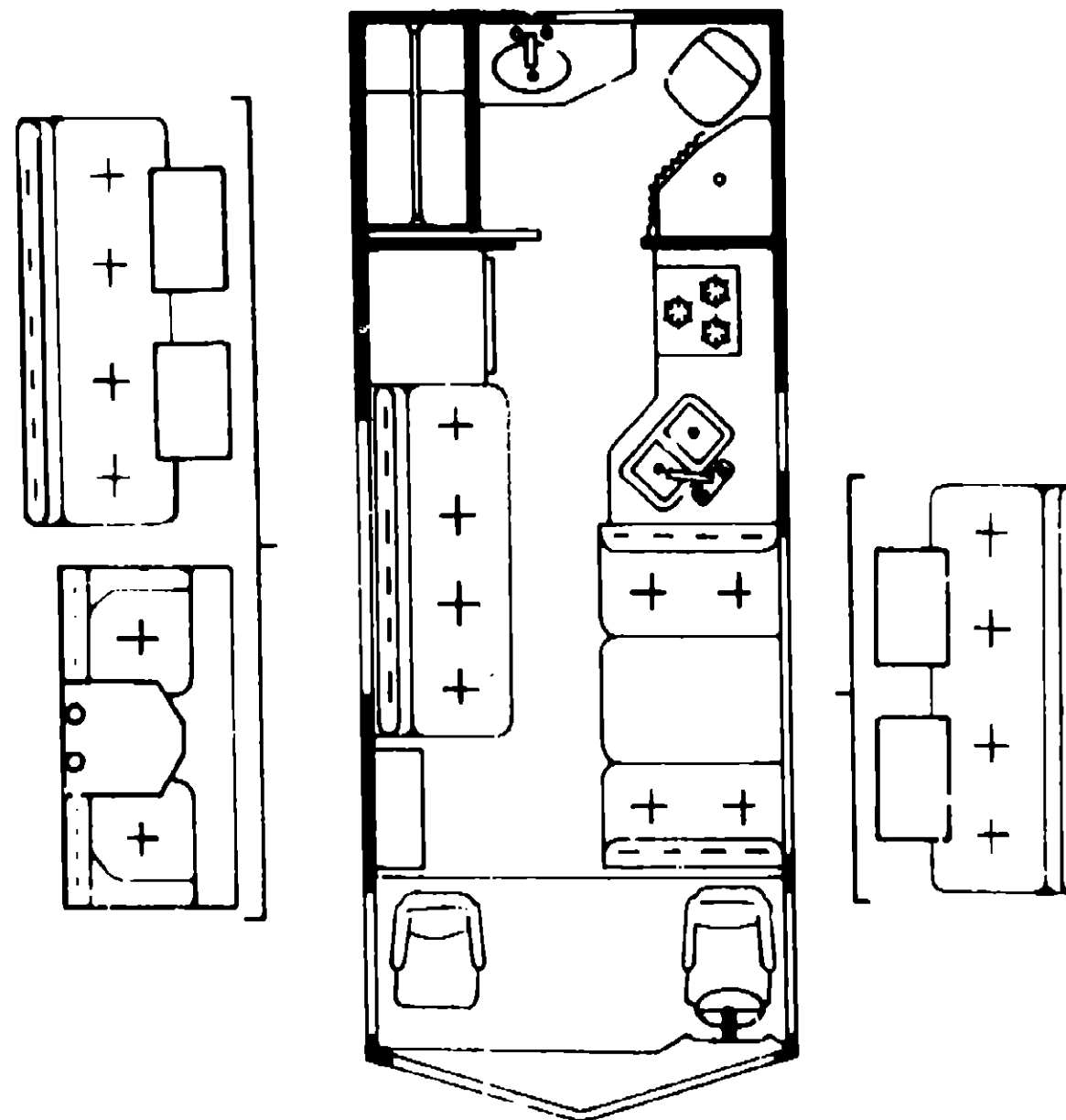


**1981
ICF22RB M1
ICF22RB M2**



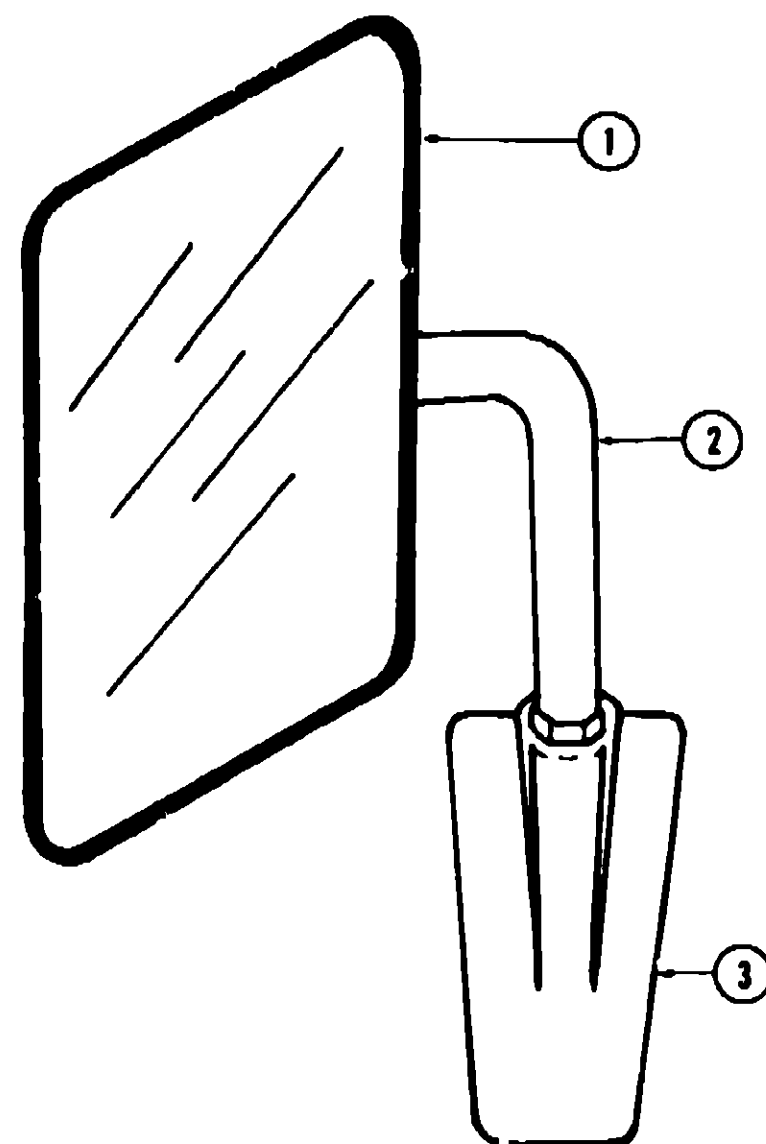
**1981 ITASCA
TABLE OF CONTENTS**

IC419RB M1, IC419RB M2	A-1 - B-14
ICF22RB M1, ICF22RB M2	B-15 - D-14
ICN26RB M2	D-15 - F-10

1981 ICF22RB M1, ICF22RB M2 INDEX

Floor Plan	B-15 - B-16
Accessories Group	B-17 - B-18
Bath Group	B-19
Chassis Group	B-20 - B-21
Curtain, Cushion & Pad Group	B-22 - C-6
Dinette Group	C-7
Driver's Compartment Group	C-8 - C-9
Electrical Group	C-10 - C-12
Exterior Body Group	C-13 - C-17
Galley Group	C-17 - C-18
Heating & Air Conditioning Group	C-19 - C-20
Interior Finish Group	C-21 - C-23
LP Group	C-24
Lounge Group	D-1
Water & Sewage Group	D-2 - D-3
Window, Vent & Exterior Door Group	D-4 - D-14

ACCESSORIES GROUP



Key	Part Number	U/M	Description
1	057461-01-000	EA	Mirror Head - 7 1/2" x 10 1/2" - w/Convex - Bright Finish
1	057461-02-000	EA	Mirror Head - 7 1/2" x 10 1/2" - w/Convex - Off White
2	049348-03-000	EA	Arm - Low Mount Mirror - Black
3	049944-02-000	EA	Bracket - Mirror - Outside - Off White
3	049944-04-000	EA	Bracket - Mirror - Outside - Black
.	065116-01-000	EA	Mirror - West Coast - Right Hand
.	065116-02-000	EA	Mirror - West Coast - Left Hand
.			Not Illustrated

GENERATORS AND COMPONENTS

Key	Part Number	U/M	Description
**	054429-01-000	EA	Generator - Onan - 4.0 kw - BFA
	701629-02-000	EA	Onan Installation Package
	024732-01-001	EA	Tailpipe - 1 1/2" O.D x 23"
	054426-01-000	EA	Muffler - Generator - w/Arrestor
	740313-56-000	EA	Tray - Generator - 4.0 kw Onan

** The illustrated parts breakdown for this item is provided on the Common Items Fiche.

ACCESSORIES GROUP (CONTINUED)

FRONT BUNK AND HARDWARE

Key	Part Number	U/M	Description
	058300-01-L04	EA	Cabinet Asm. - Front Overhead
	058300-01-L04	EA	Cabinet Asm. - Front Overhead
	058844-01-L04	EA	Bunk Board Asm. - Front Overhead w/Rails
	053320-01-M04	EA	Bunk Board Asm. - Front Overhead w/Rails
	053773-01-000	EA	Support - Overhead Bunk - Brown - Right
	053773-02-000	EA	Support - Overhead Bunk - Brown - Left
	040071-02-000	EA	Support - Bunk - Seat Belt
	039516-02-000	EA	Catch - Bunk - Brown
	023812-22-000	EA	Rail - Bunk - 80" - Brown
	053774-02-000	EA	Torsion Rod - Overhead Bunk - Brown
	041322-01-000	EA	Washer - Flat - 15/32" I.D. x 2 3/8" O.D.
	059608-01-M04	EA	Pad Asm. - Front Bunk - Left
	059608-02-M04	EA	Pad Asm. - Front Bunk - Left - w/Driver Door
	088705-01-M04	EA	Pad Asm. - Front Bunk - Right
	058948-01-000	EA	Pad Asm. - Front Overhead Cabinet - Right
	058948-02-000	EA	Pad Asm. - Front Overhead Cabinet - Left
	058948-03-000	EA	Pad Asm. - Front Overhead Cabinet - Left - w/Drivers Door
	048394-01-000	EA	Tape - Hook - 1" x 25 YD - Beige
	048395-01-000	EA	Tape - Loop - 1" x 25 YD - Beige

RADIOS AND RELATED COMPONENTS

Key	Part Number	U/M	Description
	053768-01-000	EA	Speaker - Recessed - 5 1/4" - 10 oz.
	031105-01-000	EA	Antenna - Radio - Side Mount
	031105-01-700	EA	Holder - Antenna - Upper
	048153-01-000	EA	Antenna - CB Campur Style
	055299-01-000	EA	Grille - Speaker - 5 1/4"
	064785-01-000	EA	Radio - AM - Audiovox
	064786-01-000	EA	Radio - AM/FM/MPX - w/8 Track - Audiovox
	064787-01-000	EA	Radio - AM/FM/MPX - w/Cassette - Audiovox
	064788-01-000	EA	Radio - AM/FM - Digital - w/Cassette - Audiovox
	064789-01-000	EA	Radio - AM/FM - Digital - w/8 Track - Audiovox
	064791-01-000	EA	Speaker - Recessed - 5.25" Dia. - Audiovox
	064792-01-000	EA	Grille - Speaker - Brown - Audiovox
	064794-01-000	EA	Trim Plate - Radio - Audiovox

MISCELLANEOUS ACCESSORIES

Key	Part Number	U/M	Description
	054185-12-000	EA	Owner's Manual - 1981 Winnebago & Itasca
	006053-01-000	EA	Antenna - TV Braun Delux
	006093-01-000	EA	Jack - TV - Brown (Antenna)
	017516-01-000	EA	Mud Flap - Black - 14" x 18" w/Holes
	041944-01-700	EA	Fire Extinguisher - w/Bracket
	041944-03-000	EA	Fire Extinguisher - 5 BC (Calif.)
	052771-02-000	EA	Oven - Microwave - Magic Chef MW207
	053287-07-000	EA	Bracket Asm. - Microwave - Right
	053287-08-000	EA	Bracket Asm. - Microwave - Left
	063708-01-000	EA	Cover - Roof Air - Vinyl
	063706-01-000	EA	Cover - Roof Vent Vinyl
	067203-02-000	EA	Luggage Rack
	067203-01-000	EA	Ladder Asm.
	067130-01-000	EA	Ladder Step
	067166-01-000	EA	Step Cap - Lauder
	064093-01-000	EA	Luggage Carrier Assembly
	039681-01-000	EA	Catch and Strike - Luggage Carrier
**	031596-04-000	EA	Wheel Cover - 16" - Chrome
**	059779-01-000	EA	Speed Control Package - Electric - Chev.
	034410-12-000	EA	Cover - Spare Tire - 32"

** The illustrated parts breakdown for this item is provided on the Common Items Fiche.

1981 ITASCA TABLE OF CONTENTS

IC419RB M1, IC419RB M2	A-1 - B-14
ICF22RB M1, ICF22RB M2	B-15 - D-14
ICN26RB M2	D-15 - F-10

1981 ICF22RB M1, ICF22RB M2 INDEX

Floor Plan	B-15 - B-16
Accessories Group	B-17 - B-18
Bath Group	B-19
Chassis Group	B-20 - B-21
Curtain, Cushion & Pad Group	B-22 - C-6
Dinette Group	C-7
Driver's Compartment Group	C-8 - C-9
Electrical Group	C-10 - C-12
Exterior Body Group	C-13 - C-17
Galley Group	C-17 - C-18
Heating & Air Conditioning Group	C-19 - C-20
Interior Finish Group	C-21 - C-23
LP Group	C-24
Lounge Group	D-1
Water & Sewage Group	D-2 - D-3
Window, Vent & Exterior Door Group	D-4 - D-14

BATH GROUP

BATH CABINETRY

Key	Part Number	U/M	Description
	065428-01-L04	EA	Door Asm. - Sliding - 74.1" x 25.8" - w/o Hardware
	065428-01-M04	EA	Door Asm. - Sliding - 74.1" x 25.8" - w/o Hardware
	065919-01-L04	EA	Cabinet Asm. - Vanity - w/o Countertop or Hardware
	M65919-01-M04	EA	Cabinet Asm. - Vanity - w/o Countertop or Hardware
	065918-01-L04	EA	Countertop Asm. - Vanity Cabinet - Burl Block
	065918-01-M04	EA	Countertop Asm. - Vanity Cabinet - Burnt Sienna
	065918-01-M05	EA	Countertop Asm. - Vanity Cabinet - Brown
	066166-01-L04	EA	Door Asm. - 28.7" x 18.9" - w/o Hardware
	M00377-30-M04	EA	Door Asm. - 28.7" x 18.9" - w/o Hardware
	065260-14-L04	EA	Door Asm. - 28.7" x 14" - w/o Hardware
	M00377-31-M04	EA	Door Asm. - 28.7" x 14" - w/o Hardware
	065260-10-L04	EA	Door Asm. - Large Wardrobe - 61.2" x 15.2" - w/o Hardware
	M00377-33-M04	EA	Door Asm. - Large Wardrobe - 61.2" x 15.2" - w/o Hardware
	065260-11-L04	EA	Door Asm. - Small Wardrobe - 27.2" x 13.2" - w/o Hardware
	M00377-34-M04	EA	Door Asm. - Small Wardrobe - 27.2" x 13.2" - w/o Hardware
	065452-01-L04	EA	Cabinet Asm. - Ovhd. - Bath - w/o Doors or Hardware
	M65452-02-M04	EA	Cabinet Asm. - Ovhd. - Bath - w/o Doors or Hardware
	065260-17-L04	EA	Door Asm. - 11.5" x 24.9" - w/o Hardware
	M00377-32-M04	EA	Door Asm. - 11.5" x 24.9" - w/o Hardware
	M00074-43-M04	EA	Door Asm. - Medicine Cabinet - 14.7" x 28.7" - w/o Hardware
	053130-03-000	EA	Cabinet Asm. - Medicine - Jensen - 33"
	053130-03-700	EA	Mirror - Jensen Medicine Cabinet - 24 1/2" x 15"
	053130-03-701	EA	Frame - Mirror - Jensen Medicine Cabinet
	053130-02-702	EA	Catch - Door - Jensen Medicine Cabinet
	053130-02-703	EA	Switch - Jensen Medicine Cabinet
	063914-01-000	EA	Bulb - 1143 Frosted

BATH HARDWARE

Key	Part Number	U/M	Description
	009133-01-000	EA	Bar - Towel Rack - 12" - Plastic
	009133-02-000	EA	Bar - Towel Rack - 18" - Plastic
	023449-01-000	EA	Support - Chrome - Towel Rack
	071817-01-000	EA	Track - Sliding Door
	017768-01-000	FT	Extr.-U-Channel - Brown - .18" Inside Dimensions
	009156-01-000	EA	Hanger - Slider Door
	009151-01-000	EA	Warp Guard - 48"
	058034-01-000	EA	Door Latch w/Lock
	058034-02-000	EA	Door Latch w/o Lock
	057945-01-K01	EA	Latch Kit - Cabinet Door - Flat Latch
**	011056-01-000	EA	Faucet - Lavatory - U.S.
**	011056-02-000	EA	Faucet - Lavatory - C.S.A.
	011059-01-000	EA	Faucet - Shower
**	011069-01-000	EA	Tailpiece - 1 1/4" x 4" - Plastic
	011069-02-000	EA	Tailpiece - 1 1/4" x 4" - Brass
	050640-01-000	EA	Sink - Oval - Ivory Plastic
	011083-01-000	EA	Plug - Sink - 1 1/4" w/Chain
**	011048-01-000	EA	Shower Head - w/60" Hose
	010495-01-000	EA	Hose Clamp - 9/16"
	064677-01-000	EA	Shower Pan
	066440-01-000	EA	Strainer w/Rubber Washer
	035337-22-000	EA	Trim - 1/S Corner - Beige Aluminum - 80.88"
	034394-02-000	FT	Extr. - Vinyl Insert - Beige
	009112-01-000	EA	Flange - 1" Closet Rod
	057534-01-000	EA	Tie Back - 6" - Clear Plastic
	058331-05-000	EA	Mirror - Tempered Glass - 12" x 26"
	009134-01-000	EA	Tissue Holder
	066433-01-000	EA	Hook - Bright Finish
	066348-03-000	EA	Hamper Bag - Fabric
	039341-02-000	EA	Toilet - Aqua Magic 8420SH - Ivory

**The illustrated parts breakdown for this item is provided on the Common Items Fiche.

CHASSIS GROUP

Key	Part Number	U/M	Description
	024652-01-700	EA	Step Asm. - Entry
	058401-01-000	EA	Hoodboard - Steel - Upper Right
	058404-01-000	EA	Hoodboard - Steel - Upper Left
	058200-01-000	EA	Bumper - Front - Chrome
	058200-02-000	EA	Bumper - Front - Primed
	048474-01-000	EA	Bumper - Rear - Chrome
	064603-02-000	EA	Bumper - Rear - Square - Primed
	058439-01-000	EA	Bracket - Front Bumper - Side Support - Left & Right
	058425-02-000	EA	Bracket - Front Bumper - Right
	058425-01-000	EA	Bracket - Front Bumper - Left
	058416-01-000	EA	Bar Bumper - 3" x 11.75"
	005200-01-000	EA	Bolt - Carriage - 7/16" - 14 x 1 1/4" SST
	063966-01-000	EA	Battery Tray Asm
	051697-01-000	EA	Bracket - Battery Tie Down
	017516-01-000	EA	Mud Flap - Black - 14" x 18" w/Holes
	033499-04-000	EA	Power Cord Box - Plastic
	055080-01-000	EA	Wheel Well - Plastic
	740213-56-000	EA	Tray - Generator - 4.0 KW - Onan
	740313-57-000	EA	Tray - Generator - 6.5 KW - Onan
	052431-02-000	EA	Tray - Luggage Compartment (replaces generator tray)
	063976-02-000	EA	Step Asm. - Driver Door - Lower
	063977-02-000	EA	Step Asm. - Driver Door - Upper
	051701-01-000	EA	Cover - Radiator - Rear Back
	056801-01-000	EA	Cover - Radiator - Rear
	064096-01-000	EA	Fuel Tank - 60.4 Gallon
	057003-03-000	EA	Sending Unit - 90 Ohm
	044317-01-000	FT	Hose - Fuel - 3/8" I.D. SAE 30RI
	024138-01-000	FT	Hose - Fuel - 5/16" I.D. SAE 30RI
	062401-03-000	EA	Clamp - Hose - Wormgear - 22" x 1" I.D.
	063386-02-000	EA	Hanger - Fuel Tank
	063386-04-000	EA	Strap - Fuel Tank Hanger
	064091-01-000	EA	Hose - Fuel - 2" I.D. - 90° Bend
	007111-02-000	EA	Hose - Fuel - 2" I.D.
	024611-04-000	EA	Gas Cap - Chrome
	064097-02-000	EA	Pipe - Fuel Fill - 2" O.D. x 6"
	024141-01-000	FT	Hose - Rubber - 1/2" I.D.
	064954-01-000	EA	Pipe - Fuel Fill - w/Vent
	022655-02-00	EA	Tailpipe - 2 1/4" x 8" - J54 Engine
	007125-06-000	EA	Clamp - Muffler - 2.25"
	061411-01-000	EA	Extension - Exhaust - 2" x 10"
	007125-05-000	EA	Clamp - Muffler - 2"
	044967-01-000	EA	Heat Shield Muffler
	047743-01-000	EA	Spacer - Rear Spring Axle Stop
	047441-01-000	EA	Battery Terminal - Horizontal Lug
	040546-01-000	EA	Tire - 7.50 x 16" 8 Ply - Black Wall - Tube
	064962-01-000	EA	Wheel - 6.00" x 16" - Chevy

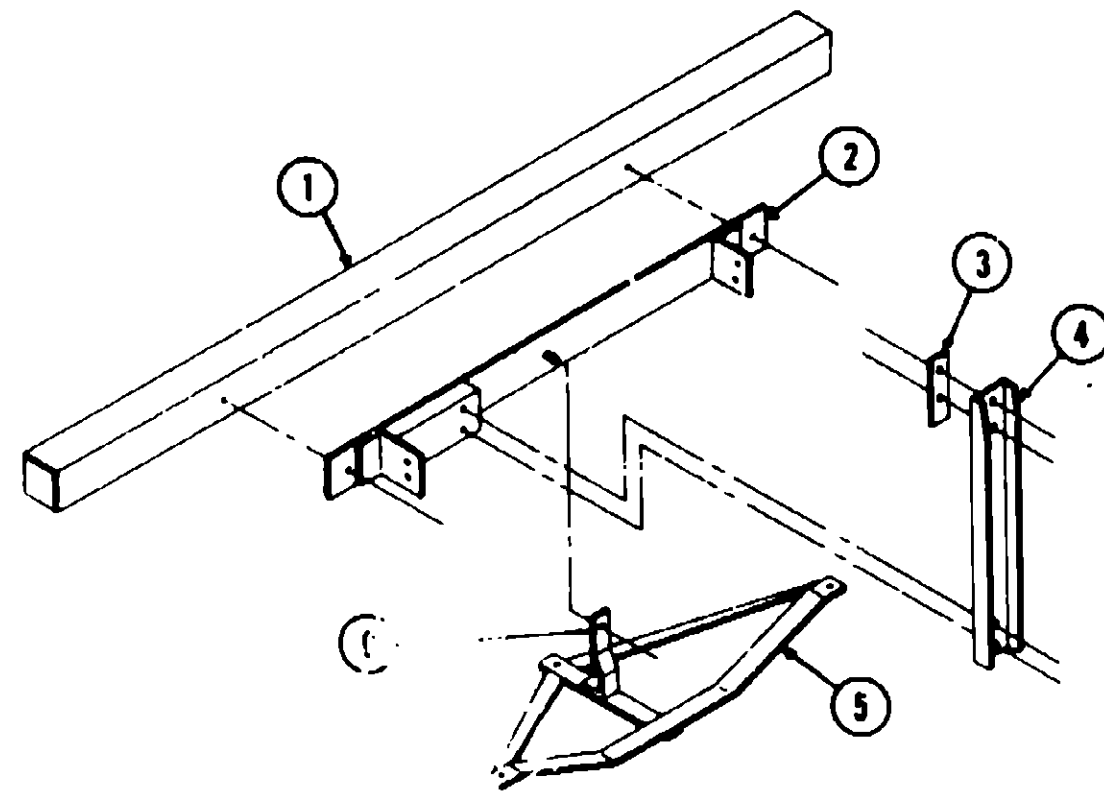
1981 ITASCA TABLE OF CONTENTS

IC419RB M1, IC419RB M2	A-1 - B-14
ICF22RB M1, ICF22RB M2	B-15 - D-14
ICN26RB M2	D-15 - F-10

1981 ICF22RB M1, ICF22RB M2 INDEX

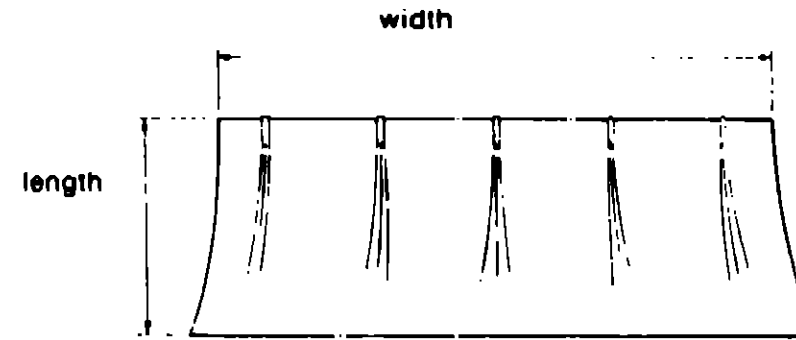
Floor Plan	B-15 - B-16
Accessories Group	B-17 - B-18
Bath Group	B-19
Chassis Group	B-20 - B-21
Curtain, Cushion & Pad Group	B-22 - C-6
Dinette Group	C-7
Driver's Compartment Group	C-8 - C-9
Electrical Group	C-10 - C-12
Exterior Body Group	C-13 - C-17
Galley Group	C-17 - C-18
Heating & Air Conditioning Group	C-19 - C-20
Interior Finish Group	C-21 - C-23
LP Group	C-24
Lounge Group	D-1
Water & Sewage Group	D-2 - D-3
Window, Vent & Exterior Door Group	D-4 - D-14

CHASSIS GROUP (CONTINUED)



Key	Part Number	U/M	Description
1	064601-02-000	EA	Bumper Asm. - Square - 92"
2	064601-01-000	EA	Cap - Rubber - 4" x 4" - Square Bumper
3	040974-01-000	EA	Bracket - Bumper Mount
4	064598-01-000	EA	Bracket - Spare Tire Retainer - 2" x 6.75"
5	064833-02-000	EA	Trailer Hitch Asm
6	064824-01-000	EA	Trailer Hitch Support
7	041332-02-000	EA	Reflector 6 1/2" x 3/4" - Bumper Cover
8	041332-03-000	EA	Bumper Cover - Aluminum Fits 4" Square Bumper
9			Not Illustrated

CURTAIN, CUSHION AND PAD GROUP



NOTE:
Use this illustration when determining length and width measurements for curtains. You will note the width measurement is taken on the top of the curtain with the curtain fully extended. The length measurement is taken from top to bottom.

1981 ITASCA TABLE OF CONTENTS

IC419RB M1, IC419RB M2	A-1 - B-14
ICF22RB M1, ICF22RB M2	B-15 - D-14
ICN26RB M2	D-15 - F-10

CURTAIN AND TIE BACKS

Key	Part Number	U/M	Description
	054051-02-L04	EA	Curtain Asm. - w/Snap Top - 34" x 37" - Light Brown
	054051-02-L05	EA	Curtain Asm. - w/Snap Top - 34" x 37" - Brown
	054051-02-L06	EA	Curtain Asm. - w/Snap Top - 34" x 37" - Blue
	05484-26-L04	EA	Curtain Asm. - w/Taped Top - 22.5" x 19" - Light Brown
	05484-26-L05	EA	Curtain Asm. - w/Taped Top - 22.5" x 19" - Brown
	05484-26-L06	EA	Curtain Asm. - w/Taped Top - 22.5" x 19" - Blue
	05484-27-L04	EA	Curtain Asm. - w/Taped Top - 27" x 19" - Light Brown
	05484-27-L05	EA	Curtain Asm. - w/Taped Top - 27" x 19" - Brown
	05484-27-L06	EA	Curtain Asm. - w/Taped Top - 27" x 19" - Blue
	054051-41-L04	EA	Curtain Asm. - w/Snap Top - Front Wraparound - 27.5" x 81" - Light Brown
	054051-41-L05	EA	Curtain Asm. - w/Snap Top - Front Wraparound - 27.5" x 81" - Brown
	054051-41-L06	EA	Curtain Asm. - w/Snap Top - Front Wraparound - 27.5" x 81" - Blue
	054051-22-L04	EA	Curtain Asm. - w/Snap Top - 22" x 96" - Light Brown
	054051-22-L05	EA	Curtain Asm. - w/Snap Top - 22" x 96" - Brown
	054051-22-L06	EA	Curtain Asm. - w/Snap Top - 22" x 96" - Blue
	054051-42-L04	EA	Curtain Asm. - w/Snap Top - 27.5" x 125" - Light Brown
	054051-42-L05	EA	Curtain Asm. - w/Snap Top - 27.5" x 125" - Brown
	054051-42-L06	EA	Curtain Asm. - w/Snap Top - 27.5" x 125" - Blue
	059900-04-L04	EA	Curtain Asm. - w/Snap Top - 29" x 30" - Light Brown
	059900-04-L05	EA	Curtain Asm. - w/Snap Top - 29" x 30" - Brown
	059900-04-L06	EA	Curtain Asm. - w/Snap Top - 29" x 30" - Blue
	056484-43-M04	EA	Curtain w/Taped Top - 29" x 12" - Champagne
	056484-42-M04	EA	Curtain w/Taped Top - 21.5" x 9" - Champagne
	056484-01-M01	EA	Curtain w/Taped Top - 27.5" x 42" - Champagne
	054051-48-M01	EA	Curtain w/Snap Top - 29" x 37" - Champagne
	054051-22-M01	EA	Curtain w/Snap Top - Bunk Privacy - 22" x 96" - Champagne
	054051-41-M01	EA	Curtain w/Snap Top - Front Wraparound - 27.5" x 81" - Champagne
	054051-43-M01	EA	Curtain w/Snap Top - Front Wraparound - Drivers Door - 27.5" x 125" - Champagne
	059900-05-M01	EA	Curtain w/Snap Top - Drivers Door - 29" x 35" - Champagne
	054048-08-L04	EA	Tie Back Asm. - 2" x 18" - Rust
	054048-08-L05	EA	Tie Back Asm. - 2" x 18" - Brown
	054048-08-L06	EA	Tie Back Asm. - 2" x 18" - Blue
	054048-08-M04	EA	Tie Back Asm. - 2" x 18" - Rust
	054048-08-M05	EA	Tie Back Asm. - 2" x 18" - Blue
	054048-08-M06	EA	Tie Back Asm. - 2" x 18" - Beige
	057534-03-000	EA	Tie Back Asm. - Clear Plastic - 7.5"
	057534-01-000	EA	Tie Back Asm. - Clear Plastic - 6"

1981 ICF22RB M1, ICF22RB M2 INDEX

Floor Plan	B-15 - B-16
Accessories Group	B-17 - B-18
Bath Group	B-19
Chassis Group	B-20 - B-21
Curtain, Cushion & Pad Group	B-22 - C-6
Dinette Group	C-7
Driver's Compartment Group	C-8 - C-9
Electrical Group	C-10 - C-12
Exterior Body Group	C-13 - C-17
Galley Group	C-17 - C-18
Heating & Air Conditioning Group	C-19 - C-20
Interior Finish Group	C-21 - C-23
Lift Group	C-24
Lounge Group	D-1
Water & Sewage Group	D-2 - D-3
Window, Vent & Exterior Door Group	D-4 - D-14

CURTAIN, CUSHION AND PAD GROUP (CONTINUED)

VALANCES

Key	Part Number	U/M	Description
	065892-01-L04	EA	Valance Asm. - 5" x 34" - Rust
	065892-01-L05	EA	Valance Asm. - 5" x 34" - Brown
	065892-01-L06	EA	Valance Asm. - 5" x 34" - Blue
	065892-02-L04	EA	Valance Asm. - 5" x 40" - Rust
	065892-02-L05	EA	Valance Asm. - 5" x 40" - Brown
	065892-02-L06	EA	Valance Asm. - 5" x 40" - Blue
	065892-03-L04	EA	Valance Asm. - 6.5" x 78" - Rust
	065892-03-L05	EA	Valance Asm. - 6.5" x 78" - Brown
	065892-03-L06	EA	Valance Asm. - 6.5" x 78" - Blue
	065892-01-M04	EA	Valance Asm. - 5" x 34" - Rust
	065892-01-M05	EA	Valance Asm. - 5" x 34" - Blue
	065892-01-M06	EA	Valance Asm. - 5" x 34" - Beige
	065892-09-M04	EA	Valance Asm. - 6.5" x 78" - Rust
	065892-09-M05	EA	Valance Asm. - 6.5" x 78" - Blue
	065892-09-M06	EA	Valance Asm. - 6.5" x 78" - Beige
	065892-02-M04	EA	Valance Asm. - 5" x 40" - Rust
	065892-02-M05	EA	Valance Asm. - 5" x 40" - Blue
	065892-02-M06	EA	Valance Asm. - 5" x 40" - Beige

SHADES

Key	Part Number	U/M	Description
	065657-03-L04	EA	Shade Asm. - 25" x 23" - Rust
	065657-03-L05	EA	Shade Asm. - 25" x 23" - Brown
	065657-03-L06	EA	Shade Asm. - 25" x 23" - Blue
	065657-05-L04	EA	Shade Asm. - 31" x 34" - Rust
	065657-05-L05	EA	Shade Asm. - 31" x 34" - Brown
	065657-05-L06	EA	Shade Asm. - 31" x 34" - Blue
	065657-12-L04	EA	Shade Asm. - 25" x 34" - Rust
	065657-12-L05	EA	Shade Asm. - 25" x 34" - Brown
	065657-12-L06	EA	Shade Asm. - 25" x 34" - Blue
	065522-03-000	EA	Shade Asm. - 25.25" x 30" (M04) (M05) (M06)
	065522-05-000	EA	Shade Asm. - 31.25" x 38" (M04) (M05) (M06)
	065522-12-000	EA	Shade Asm. - 69.25" x 38" (M04) (M05) (M06)
	065728-04-000	EA	Shade - Woven Wood - 25" x 23" - Brown
	065728-05-000	EA	Shade - Woven Wood - 25" x 23" - Rust
	065728-06-000	EA	Shade - Woven Wood - 25" x 23" - Blue
	065728-10-000	EA	Shade - Woven Wood - 33" x 31" - Brown
	065728-11-000	EA	Shade - Woven Wood - 33" x 31" - Rust
	065728-12-000	EA	Shade - Woven Wood - 33" x 31" - Blue
	065728-19-000	EA	Shade - Woven Wood - 69" x 31" - Brown
	065728-20-000	EA	Shade - Woven Wood - 69" x 31" - Rust
	065728-21-000	EA	Shade - Woven Wood - 69" x 31" - Blue

CURTAIN, CUSHION AND PAD GROUP (CONTINUED)

HIGHBACK BUCKET SEATS

Key	Part Number	U/M	Description
	065937-05-L04	EA	Seat Asm. - Single Bucket - w/Skirt and Armrests - Rust
	065937-05-L05	EA	Seat Asm. - Single Bucket - w/Skirt and Armrests - Brown
	065937-05-L06	EA	Seat Asm. - Single Bucket - w/Skirt and Armrests - Blue
	065943-01-L04	EA	Cover - Single Bucket - Back - Rust
	065943-01-L05	EA	Cover - Single Bucket - Back - Brown
	065943-01-L06	EA	Cover - Single Bucket - Back - Blue
	065944-01-L04	EA	Cover - Single Bucket - Bottom - Rust
	065944-01-L05	EA	Cover - Single Bucket - Bottom - Brown
	065944-01-L06	EA	Cover - Single Bucket - Bottom - Blue
	066915-01-L04	EA	Skirt - Single Bucket - Rust
	066915-01-L05	EA	Skirt - Single Bucket - Brown
	066915-01-L06	EA	Skirt - Single Bucket - Blue
	065940-01-L04	EA	Seat Asm. - Double Bucket - w/Skirt and Armrests - Rust
	065940-01-L05	EA	Seat Asm. - Double Bucket - w/Skirt and Armrests - Brown
	065940-01-L06	EA	Seat Asm. - Double Bucket - w/Skirt and Armrests - Blue
	065945-01-L04	EA	Cover - Double Bucket - Back - Rust
	065945-01-L05	EA	Cover - Double Bucket - Back - Brown
	065945-01-L06	EA	Cover - Double Bucket - Back - Blue
	065946-01-L04	EA	Cover - Double Bucket - Bottom - Rust
	065946-01-L05	EA	Cover - Double Bucket - Bottom - Brown
	065946-01-L06	EA	Cover - Double Bucket - Bottom - Blue
	066916-01-L04	EA	Skirt - Double Bucket - Rust
	066916-01-L05	EA	Skirt - Double Bucket - Brown
	066916-01-L06	EA	Skirt - Double Bucket - Blue
	065938-01-M04	EA	Seat Asm. - Single Bucket - Highback w/Armrests and Skirt - Rust
	065938-01-M05	EA	Seat Asm. - Single Bucket - Highback w/Armrests and Skirt - Blue
	065938-01-M06	EA	Seat Asm. - Single Bucket - Highback w/Armrests and Skirt - Beige
	065943-02-M04	EA	Cover - Back - Single Bucket - Rust
	065943-02-M05	EA	Cover - Back - Single Bucket - Blue
	065943-02-M06	EA	Cover - Back - Single Bucket - Beige
	065944-02-M04	EA	Cover - Bottom - Single Bucket - Rust
	065944-02-M05	EA	Cover - Bottom - Single Bucket - Blue
	065944-02-M06	EA	Cover - Bottom - Single Bucket - Beige
	066915-02-M04	EA	Skirt - Single Bucket - Rust
	066915-02-M05	EA	Skirt - Single Bucket - Blue
	066915-02-M06	EA	Skirt - Single Bucket - Beige
	069004-01-M04	EA	Seat Asm. - Double Bucket - Highback w/Armrests and Skirt - Rust
	069004-01-M05	EA	Seat Asm. - Double Bucket - Highback w/Armrests and Skirt - Blue
	069004-01-M06	EA	Seat Asm. - Double Bucket - Highback w/Armrests and Skirt - Beige
	M00405-03-M04	EA	Cover - Back - Double Bucket - Rust
	M00405-03-M05	EA	Cover - Back - Double Bucket - Blue
	M00405-03-M06	EA	Cover - Back - Double Bucket - Beige
	M00405-04-M04	EA	Cover - Bottom - Double Bucket - Rust
	M00405-04-M05	EA	Cover - Bottom - Double Bucket - Blue
	M00405-04-M06	EA	Cover - Bottom - Double Bucket - Beige
	068878-01-M04	EA	Skirt - Double Bucket - Rust
	068878-01-M05	EA	Skirt - Double Bucket - Blue
	068878-01-M06	EA	Skirt - Double Bucket - Beige
	067661-02-000	EA	Armrest Asm. - Foam w/o Cover - Right
	067661-01-000	EA	Armrest Asm. - Foam w/o Cover - Left
	065774-02-M04	EA	Cover - Armrest - Right or Left - Rust
	065774-02-M05	EA	Cover - Armrest - Right or Left - Blue
	065774-02-M06	EA	Cover - Armrest - Right or Left - Beige

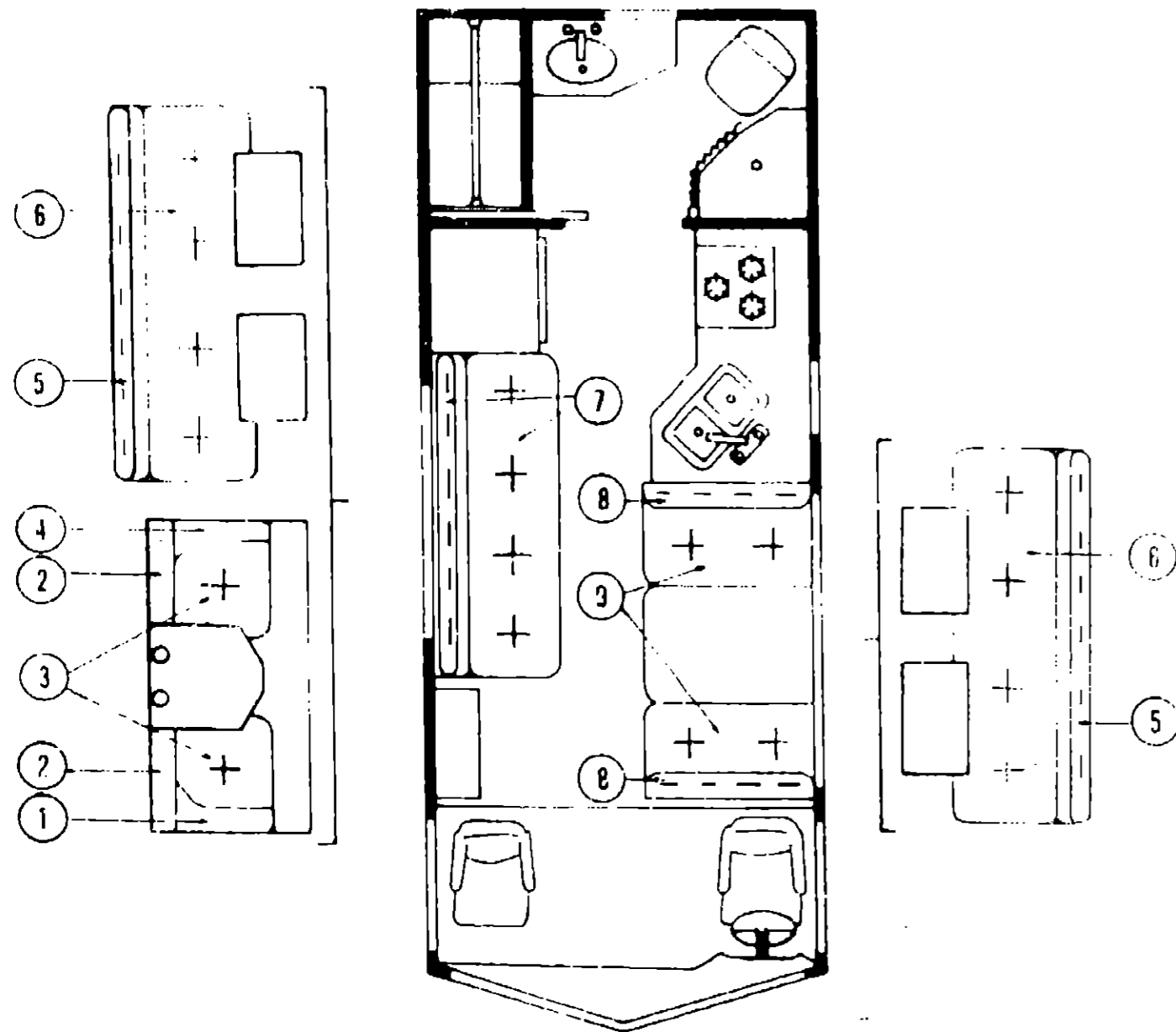
**1981 ITASCA
TABLE OF CONTENTS**

IC419RB M1, IC419RB M2	A-1 - B-14
ICF22RB M1, ICF22RB M2	B-15 - D-14
ICN26RB M2	D-15 - F-10

1981 ICF22RB M1, ICF22RB M2 INDEX

Floor Plan	B-15 - B-16
Accessories Group	B-17 - B-18
Bath Group	B-19
Chassis Group	B-20 - B-21
Curtain, Cushion & Pad Group	B-22 - C-6
Dinette Group	C-7
Driver's Compartment Group	C-8 - C-9
Electrical Group	C-10 - C-12
Exterior Body Group	C-13 - C-17
Galley Group	C-17 - C-18
Heating & Air Conditioning Group	C-19 - C-20
Interior Finish Group	C-21 - C-23
I.P. Group	C-24
Lounge Group	D-1
Water & Sewage Group	D-2 - D-3
Window, Vent & Exterior Door Group	D-4 - D-14

CORNER LOUNGE CHAIR CUSHIONS



Key	Part Number	U/M	Description
1	059744-10-L04	EA	Cushion - Chair Wedge - Left - Rust
1	059744-10-L05	EA	Cushion - Chair Wedge - Left - Brown
1	059744-10-L06	EA	Cushion - Chair Wedge - Left - Blue
1	059744-12-M04	EA	Cushion - Chair Wedge - Left - Rust
1	059744-12-M05	EA	Cushion - Chair Wedge - Left - Blue
1	059744-12-M06	EA	Cushion - Chair Wedge - Left - Beige
	059747-10-L04	EA	Cover - Chair Wedge Cushion - Left - Rust
	059747-10-L05	EA	Cover - Chair Wedge Cushion - Left - Brown
	059747-10-L06	EA	Cover - Chair Wedge Cushion - Left - Blue
	059747-12-M04	EA	Cover - Chair Wedge Cushion - Left - Rust
	059747-12-M05	EA	Cover - Chair Wedge Cushion - Left - Blue
	059747-12-M06	EA	Cover - Chair Wedge Cushion - Left - Beige
2	059742-05-L04	EA	Cushion - Lounge Chair Back - Rust
2	059742-05-L05	EA	Cushion - Lounge Chair Back - Brown
2	059742-05-L06	EA	Cushion - Lounge Chair Back - Blue
2	059742-06-M04	EA	Cushion - Lounge Chair Back - Rust
2	059742-06-M05	EA	Cushion - Lounge Chair Back - Blue
2	059742-06-M06	EA	Cushion - Lounge Chair Back - Beige
	059745-05-L04	EA	Cover - Lounge Chair Back Cushion - Rust
	059745-05-L05	EA	Cover - Lounge Chair Back Cushion - Brown
	059745-05-L06	EA	Cover - Lounge Chair Back Cushion - Blue
	059745-04-M04	EA	Cover - Lounge Chair Back Cushion - Rust
	059745-04-M05	EA	Cover - Lounge Chair Back Cushion - Blue
	059745-04-M06	EA	Cover - Lounge Chair Back Cushion - Beige
3	059743-05-L04	EA	Cushion - Lounge Chair Bottom - Rust
3	059743-05-L05	EA	Cushion - Lounge Chair Bottom - Brown
3	059743-05-L06	EA	Cushion - Lounge Chair Bottom - Blue
3	059743-06-M04	EA	Cushion - Lounge Chair Bottom - Rust
3	059743-06-M05	EA	Cushion - Lounge Chair Bottom - Blue
3	059743-06-M06	EA	Cushion - Lounge Chair Bottom - Beige
	059746-05-L04	EA	Cover - Lounge Chair Bottom Cushion - Rust
	059746-05-L05	EA	Cover - Lounge Chair Bottom Cushion - Brown
	059746-05-L06	EA	Cover - Lounge Chair Bottom Cushion - Blue
	059746-04-M04	EA	Cover - Lounge Chair Bottom Cushion - Rust
	059746-04-M05	EA	Cover - Lounge Chair Bottom Cushion - Blue
	059746-04-M06	EA	Cover - Lounge Chair Bottom Cushion - Beige
4	059744-09-L04	EA	Cushion - Chair Wedge - Right - Rust
4	059744-09-L05	EA	Cushion - Chair Wedge - Right - Brown
4	059744-09-L06	EA	Cushion - Chair Wedge - Right - Blue
4	059744-11-M04	EA	Cushion - Chair Wedge - Right - Rust
4	059744-11-M05	EA	Cushion - Chair Wedge - Right - Blue
4	059744-11-M06	EA	Cushion - Chair Wedge - Right - Beige
	059747-09-L04	EA	Cover - Chair Wedge Cushion - Right - Rust
	059747-09-L05	EA	Cover - Chair Wedge Cushion - Right - Brown
	059747-09-L06	EA	Cover - Chair Wedge Cushion - Right - Blue
	059747-07-M04	EA	Cover - Chair Wedge Cushion - Right - Rust
	059747-07-M05	EA	Cover - Chair Wedge Cushion - Right - Blue
	059747-07-M06	EA	Cover - Chair Wedge Cushion - Right - Beige

1981 ITASCA
TABLE OF CONTENTS

ICF19RB M1, ICF19RB M2	A-1 - B-14
ICF22RB M1, ICF22RB M2	B-15 - D-14
ICF26RB M1	D-15 - F-10

1981 ICF22RB M1, ICF22RB M2 INDEX

Floor Plan	B-15 - B-16
Accessories Group	B-17 - B-18
Bath Group	B-19
Chassis Group	B-20 - B-21
Curtain, Cushion & Pad Group	B-22 - C-6
Dinette Group	C-7
Driver's Compartment Group	C-8 - C-9
Electrical Group	C-10 - C-12
Exterior Body Group	C-13 - C-17
Galley Group	C-17 - C-18
Heating & Air Conditioning Group	C-19 - C-20
Interior Finish Group	C-21 - C-23
LP Group	C-24
Lounge Group	D-1
Water & Sewage Group	D-2 - D-3
Window, Vent & Exterior Door Group	D-4 - D-14

PRESTO BED CUSHIONS

Key	Part Number	U/M	Description
5	064704-01-L04	EA	Cushion - Presto Bed - Back - 76" - Rust
5	064704-01-L05	EA	Cushion - Presto Bed - Back - 76" - Brown
5	064704-01-L06	EA	Cushion - Presto Bed - Back - 76" - Blue
5	064704-02-M04	EA	Cushion - Presto Bed - Back - 76" - Rust
5	064704-02-M05	EA	Cushion - Presto Bed - Back - 76" - Blue
5	064704-02-M06	EA	Cushion - Presto Bed - Back - 76" - Beige
	064723-01-L04	EA	Cover - Presto Bed - Back - 76" - Rust
	064723-01-L05	EA	Cover - Presto Bed - Back - 76" - Brown
	064723-01-L06	EA	Cover - Presto Bed - Back - 76" - Blue
	064723-01-M04	EA	Cover - Presto Bed - Back - 76" - Rust
	064723-01-M05	EA	Cover - Presto Bed - Back - 76" - Blue
	064723-01-M06	EA	Cover - Presto Bed - Back - 76" - Beige
6	064705-01-L04	EA	Cushion - Presto Bed - Bottom - 76" - Rust
6	064705-01-L05	EA	Cushion - Presto Bed - Bottom - 76" - Brown
6	064705-01-L06	EA	Cushion - Presto Bed - Bottom - 76" - Blue
6	064705-02-M04	EA	Cushion - Presto Bed - Bottom - 76" - Rust
6	064705-02-M05	EA	Cushion - Presto Bed - Bottom - 76" - Blue
6	064705-02-M06	EA	Cushion - Presto Bed - Bottom - 76" - Beige
	064723-02-L04	EA	Cover - Presto Bed - Bottom - 76" - Rust
	064723-02-L05	EA	Cover - Presto Bed - Bottom - 76" - Brown
	064723-02-L06	EA	Cover - Presto Bed - Bottom - 76" - Blue
	064723-02-M04	EA	Cover - Presto Bed - Bottom - 76" - Rust
	064723-02-M05	EA	Cover - Presto Bed - Bottom - 76" - Blue
	064723-02-M06	EA	Cover - Presto Bed - Bottom - 76" - Beige

LOUNGE CUSHIONS

Key	Part Number	U/M	Description
7	064706-01-L04	EA	Cushion - Lester Lounge - Back and Bottom - 76" - Rust
7	064706-01-L05	EA	Cushion - Lester Lounge - Back and Bottom - 76" - Brown
7	064706-01-L06	EA	Cushion - Lester Lounge - Back and Bottom - 76" - Blue
7	068678-01-M04	EA	Cushion - Lester Lounge - Back and Bottom - 76" - Rust
7	068678-01-M05	EA	Cushion - Lester Lounge - Back and Bottom - 76" - Blue
7	068678-01-M06	EA	Cushion - Lester Lounge - Back and Bottom - 76" - Beige
	064707-01-L04	EA	Cover - Lester Lounge - Back and Bottom - 76" - Rust
	064707-01-L05	EA	Cover - Lester Lounge - Back and Bottom - 76" - Brown
	064707-01-L06	EA	Cover - Lester Lounge - Back and Bottom - 76" - Blue
	068678-01-M04	EA	Cover - Lester Lounge - Back and Bottom - 76" - Rust
	068678-01-M05	EA	Cover - Lester Lounge - Back and Bottom - 76" - Blue
	068678-01-M06	EA	Cover - Lester Lounge - Back and Bottom - 76" - Beige
	065985-01-L04	EA	Cushion - Lounge Back - 8" x 76" x 4.5" - Rust
	065985-01-L05	EA	Cushion - Lounge Back - 8" x 76" x 4.5" - Brown
	065985-01-L06	EA	Cushion - Lounge Back - 8" x 76" x 4.5" - Blue
	065985-01-M04	EA	Cushion - Lounge Back - 8" x 76" x 4.5" - Rust
	065985-01-M05	EA	Cushion - Lounge Back - 8" x 76" x 4.5" - Blue
	065985-01-M06	EA	Cushion - Lounge Back - 8" x 76" x 4.5" - Beige
	065986-01-L04	EA	Cover - Cushion - 8" x 76" x 4.5" - Rust
	065986-01-L05	EA	Cover - Cushion - 8" x 76" x 4.5" - Brown
	065986-01-L06	EA	Cover - Cushion - 8" x 76" x 4.5" - Blue
	065986-01-M04	EA	Cover - Cushion - 8" x 76" x 4.5" - Rust
	065986-01-M05	EA	Cover - Cushion - 8" x 76" x 4.5" - Blue
	065986-01-M06	EA	Cover - Cushion - 8" x 76" x 4.5" - Beige

Not illustrated

DINETTE CUSHIONS

Key	Part Number	U/M	Description
8	064700-02-L04	EA	Cushion - Dinette Back - 19.2" x 38" x 4.5" - Rust
8	064700-02-L05	EA	Cushion - Dinette Back - 19.2" x 38" x 4.5" - Brown
8	064700-02-L06	EA	Cushion - Dinette Back - 19.2" x 38" x 4.5" - Blue
8	068579-06-M04	EA	Cushion - Dinette Back - 19.2" x 38" x 5" - Rust
8	068579-06-M05	EA	Cushion - Dinette Back - 19.2" x 38" x 5" - Blue
8	068579-06-M06	EA	Cushion - Dinette Back - 19.2" x 38" x 5" - Beige
	064701-02-L04	EA	Cover - Dinette Back Cushion - 19.2" x 38" x 4.5" - Rust
	064701-02-L05	EA	Cover - Dinette Back Cushion - 19.2" x 38" x 4.5" - Brown
	064701-02-L06	EA	Cover - Dinette Back Cushion - 19.2" x 38" x 4.5" - Blue
	M68579-06-M04	EA	Cover - Dinette Back Cushion - 19.2" x 38" x 5" - Rust
	M68579-06-M05	EA	Cover - Dinette Back Cushion - 19.2" x 38" x 5" - Blue
	M68579-06-M06	EA	Cover - Dinette Back Cushion - 19.2" x 38" x 5" - Beige
9	064700-01-L04	EA	Cushion - Dinette Bottom - 17.5" x 38" x 4.5" - Rust
9	064700-01-L05	EA	Cushion - Dinette Bottom - 17.5" x 38" x 4.5" - Brown
9	064700-01-L06	EA	Cushion - Dinette Bottom - 17.5" x 38" x 4.5" - Blue
9	068579-05-M04	EA	Cushion - Dinette Bottom - 17.5" x 38" x 5" - Rust
9	068579-05-M05	EA	Cushion - Dinette Bottom - 17.5" x 38" x 5" - Blue
9	068579-05-M06	EA	Cushion - Dinette Bottom - 17.5" x 38" x 5" - Beige
	064701-01-L04	EA	Cover - Dinette Bottom Cushion - 17.5" x 38" x 4.5" - Rust
	064701-01-L05	EA	Cover - Dinette Bottom Cushion - 17.5" x 38" x 4.5" - Brown
	064701-01-L06	EA	Cover - Dinette Bottom Cushion - 17.5" x 38" x 4.5" - Blue
	M68579-05-M04	EA	Cover - Dinette Bottom Cushion - 17.5" x 38" x 5" - Rust
	M68579-05-M05	EA	Cover - Dinette Bottom Cushion - 17.5" x 38" x 5" - Blue
	M68579-05-M06	EA	Cover - Dinette Bottom Cushion - 17.5" x 38" x 5" - Beige

OVERHEAD BUNK CUSHIONS

Key	Part Number	U/M	Description
	055021-37-L04	EA	Cushion - Front Overhead Bunk - 31.5" x 79" x 4" - Rust
	055021-37-L05	EA	Cushion - Front Overhead Bunk - 31.5" x 79" x 4" - Brown
	055021-37-L06	EA	Cushion - Front Overhead Bunk - 31.5" x 79" x 4" - Blue
	055022-39-L04	EA	Cover - Front Bunk Cushion - 31.5" x 79" x 4" - Rust
	055022-39-L05	EA	Cover - Front Bunk Cushion - 31.5" x 79" x 4" - Brown
	055022-39-L06	EA	Cover - Front Bunk Cushion - 31.5" x 79" x 4" - Blue
	055021-37-M04	EA	Cushion - Front Overhead Bunk - 31.5" x 79" x 4" - Rust
	055021-37-M05	EA	Cushion - Front Overhead Bunk - 31.5" x 79" x 4" - Blue
	055021-37-M06	EA	Cushion - Front Overhead Bunk - 31.5" x 79" x 4" - Beige
	055022-39-M04	EA	Cover - Front Bunk Cushion - 31.5" x 79" x 4" - Rust
	055022-39-M05	EA	Cover - Front Bunk Cushion - 31.5" x 79" x 4" - Blue
	055022-39-M06	EA	Cover - Front Bunk Cushion - 31.5" x 79" x 4" - Beige

LOWBACK BUCKET SEATS

Key	Part Number	U/M	Description
	061825-02-L04	EA	Seat Asm. - Single Bucket - w/o Armrests or Headrest - Rust
	061825-02-L05	EA	Seat Asm. - Single Bucket - w/o Armrests or Headrest - Brown
	061825-02-L06	EA	Seat Asm. - Single Bucket - w/o Armrests or Headrest - Blue
	061836-01-L04	EA	Cover - Single Bucket - Back - Rust
	061836-01-L05	EA	Cover - Single Bucket - Back - Brown
	061836-01-L06	EA	Cover - Single Bucket - Back - Blue
	061837-01-L04	EA	Cover - Single Bucket - Seat - Rust
	061837-01-L05	EA	Cover - Single Bucket - Seat - Brown
	061837-01-L06	EA	Cover - Single Bucket - Seat - Blue
	069005-01-M04	EA	Seat Asm. - Single Bucket - w/o Armrests or Headrest - Rust
	069005-01-M05	EA	Seat Asm. - Single Bucket - w/o Armrests or Headrest - Blue
	069005-01-M06	EA	Seat Asm. - Single Bucket - w/o Armrests or Headrest - Beige
	M00435-01-M04	EA	Cover - Single Bucket - Seat - Rust
	M00435-01-M05	EA	Cover - Single Bucket - Seat - Blue
	M00435-01-M06	EA	Cover - Single Bucket - Seat - Beige
	M00435-02-M04	EA	Cover - Single Bucket - Back - Rust
	M00435-02-M05	EA	Cover - Single Bucket - Back - Blue
	M00435-02-M06	EA	Cover - Single Bucket - Back - Beige

**1981 ITASCA
TABLE OF CONTENTS**

IC419RB M1, IC419HB M2	A-1 - B-14
ICF22RB M1, ICF22RB M2	B-15 - D-14
ICN26RB M2	D-15 - F-10

1981 ICF22RB M1, ICF22RB M2 INDEX

Floor Plan	B-15 - B-16
Accessories Group	B-17 - B-18
Bath Group	B-19
Chassis Group	B-20 - B-21
Curtain, Cushion & Pad Group	B-22 - C-5
Dinette Group	C-7
Driver's Compartment Group	C-8 - C-9
Electrical Group	C-10 - C-12
Exterior Body Group	C-13 - C-17
Galley Group	C-17 - C-18
Heating & Air Conditioning Group	C-19 - C-20
Interior Finish Group	C-21 - C-23
LP Group	C-24
Lounge Group	D-1
Water & Sewage Group	D-2 - D-3
Window, Vent & Exterior Door Group	D-4 - D-14

CURTAIN, CUSHION AND PAD GROUP (CONTINUED)

PADS

Key	Part Number	U/M	Description
	058444-04-1-04	FA	Pad Asm. - Dinette Overhead Cabinet - Right - w/Notch - Acorn Vinyl
	058444-01-1-04	EA	Pad Asm. - Lounge Overhead Cabinet - Left - Acorn Vinyl
	059608-01-M04	EA	Pad Asm. - Front Bunk - Left
	059608-02-M04	EA	Pad Asm. - Front Bunk - Left - w/Drivers Door
	066705-01-M04	EA	Pad Asm. - Front Bunk - Right
	058948-01-000	EA	Pad Asm. - Front Overhead Cabinet - Right
	058948-02-000	EA	Pad Asm. - Front Overhead Cabinet - Left
	058948-03-000	EA	Pad Asm. - Front Overhead Cabinet - Driver Door

FABRICS AND TRIMS

Key	Part Number	U/M	Description
	064393-01-000	YD	Fabric - Drapery - Dublin Walnut - Light Brown (L04)
	064393-02-000	YD	Fabric - Drapery - Dublin Brown (L05)
	064393-03-000	YD	Fabric - Drapery - Dublin Blue (L06)
	068339-01-000	YD	Fabric - Drapery - Champagne (M04) (M05) (M06)
	064383-02-000	YD	Fabric - Upholstery - Quaker Rust (L04)
	064383-03-000	YD	Fabric - Upholstery - Quaker Brown (L05)
	064383-04-000	YD	Fabric - Upholstery - Quaker Blue (L06)
	068338-04-000	YD	Fabric - Upholstery - Rust (M04)
	068338-05-000	YD	Fabric - Upholstery - Blue (M05)
	068338-06-000	YD	Fabric - Upholstery - Beige (M06)
	052859-01-J27	FT	Trim Asm. - Accent - Acorn Brown Vinyl
	053327-01-000	YD	Vinyl - Non Expanded - 27 oz. - Acorn Brown
	053327-02-000	YD	Vinyl - Expanded - 28 oz. - Acorn Brown
	053327-03-000	YD	Vinyl - Non Support - 16 Gauge Film - Acorn Brown
	057592-02-L04	EA	Button Asm. - Pivot - #30 - Armrest - Rust
	057592-02-L05	EA	Button Asm. - Pivot - #30 - Armrest - Brown
	057592-02-L06	EA	Button Asm. - Pivot - #30 - Armrest - Blue
	057591-02-L04	EA	Button Asm. - Nail Pivot - #30 - Armrest - Rust
	057591-02-L05	EA	Button Asm. - Nail Pivot - #30 - Armrest - Brown
	057591-02-L06	EA	Button Asm. - Nail Pivot - #30 - Armrest - Blue
	057550-01-L04	EA	Button Asm. - Fabric - Nail - #36 - Rust
	057550-01-L05	EA	Button Asm. - Fabric - Nail - #36 - Brown
	057550-01-L06	EA	Button Asm. - Fabric - Nail - #36 - Blue
	054676-05-L04	EA	Button Asm. - Cloth - #45 - Rust
	054676-05-L05	EA	Button Asm. - Cloth - #45 - Brown
	054676-05-L06	EA	Button Asm. - Cloth - #45 - Blue
	054676-06-L04	EA	Button Asm. - Cloth - #30 - Rust
	054676-06-L05	EA	Button Asm. - Cloth - #30 - Brown
	054676-06-L06	EA	Button Asm. - Cloth - #30 - Blue
	054676-07-L01	EA	Button Asm. - Vinyl - #45 - Acorn Brown
	057093-01-L01	EA	Button Asm. - Vinyl - Nail Back - #60
	057592-01-M04	EA	Button Asm. - Pivot - #30 - Armrest - Rust
	057592-01-M05	EA	Button Asm. - Pivot - #30 - Armrest - Blue
	057592-01-M06	EA	Button Asm. - Pivot - #30 - Armrest - Beige
	051591-01-M04	EA	Button Asm. - Nail Pivot - #30 - Armrest - Rust
	051591-01-M05	EA	Button Asm. - Nail Pivot - #30 - Armrest - Blue
	051591-01-M06	EA	Button Asm. - Nail Pivot - #30 - Armrest - Beige
	057550-01-M04	EA	Button Asm. - Fabric - Nail - #36 - Rust
	057550-01-M05	EA	Button Asm. - Fabric - Nail - #36 - Blue
	057550-01-M06	EA	Button Asm. - Fabric - Nail - #36 - Beige
	054676-01-M04	EA	Button Asm. - Cloth - #45 - Rust
	054676-01-M05	EA	Button Asm. - Cloth - #45 - Blue
	054676-01-M06	EA	Button Asm. - Cloth - #45 - Beige
	054676-06-M04	EA	Button Asm. - Cloth - #30 - Rust
	054676-06-M05	EA	Button Asm. - Cloth - #30 - Blue
	054676-06-M06	EA	Button Asm. - Cloth - #30 - Beige
	057550-03-000	EA	Button Asm. - Vinyl - Nail Back - #36

CURTAIN, CUSHION AND PAD GROUP (CONTINUED)

CURTAIN HARDWARE

Key	Part Number	U/M	Description
	052327-04-238	EA	Track - Curtain - Brown Alum. 89" w/Holes
	056116-01-000	FT	Track - Curtain - Brown Plastic
	058001-01-000	EA	Bracket - Shade - Left
	058002-01-000	EA	Bracket - Shade - Right
	058003-01-000	EA	Bracket - Drapery Retainer - Right
	058003-02-000	EA	Bracket - Drapery Retainer - Left
	053272-01-001	EA	Track - Curtain - Off White - 89" w/Holes
	056784-01-000	EA	Pull - Window Shade - Antique Brass
	009107-01-000	EA	Guide - Nylon Snap - Curtain
	018031-42-000	EA	Track - Curtain - "L" Rod - Alum. - Extr. - 90"
	009701-01-000	EA	Carrier - "L" Rod - Curtain
	009702-01-000	EA	End Stop - "L" Rod - Curtain
	059430-01-000	EA	Track - Curtain - Front Wraparound (2 per unit) - 32.8" x 45.2"
	059430-02-000	EA	Track - Curtain - Front Wraparound (w/Drivers Door) - 32.8" x 89.1"
	056115-01-000	YD	Tape - Clear Plastic - w/Guides
	048394-01-000	YD	Tape - Hook - 1" x 25 YD - Beige
	048395-01-000	YD	Tape - Loop - 1" x 25 YD - Beige



Key	Part Number	U/M	Description
1	029130-01-000	EA	Socket - Snap Fastener
2	029155-01-000	EA	Cap - Snap - .156" Dia. x .17" Barrel
3	029156-01-000	EA	Socket - Snap Fastener
4	029092-01-000	EA	Stud - Nickel Finish
5	029093-01-000	EA	Eyelet - Nickel Finish

**1981 ITASCA
TABLE OF CONTENTS**

IC419RB M1, IC419RB M2	A-1 - B-14
ICF22RB M1, ICF22RB M2	B-15 - D-14
ICN28RB M2	D-15 - F-10

1981 ICF22RB M1, ICF22RB M2 INDEX

Floor Plan	B-15 - B-16
Accessories Group	B-17 - B-18
Bath Group	B-19
Chassis Group	B-20 - B-21
Curtain, Cushion and Pad Group	B-22 - C-6
Dinette Group	C-7
Driver's Compartment Group	C-8 - C-9
Electrical Group	C-10 - C-12
Exterior Body Group	C-13 - C-17
Galley Group	C-17 - C-18
Heating & Air Conditioning Group	C-19 - C-20
Interior Finish Group	C-21 - C-23
LP Group	C-24
Lounge Group	D-1
Water & Sewage Group	D-2 - D-3
Window, Vent & Exterior Door Group	D-4 - D-14

DINETTE GROUP

CONVENTIONAL DINETTE AND OVERHEAD CABINETS

Key	Part Number	U/M	Description
	053192-01-L04	EA	Table Asm. - Dinette - w/o Hardware - Burl Block
	053192-01-M04	EA	Table Asm. - Dinette - w/o Hardware - Burnt Sienna
	053192-01-M05	EA	Table Asm. - Dinette - w/o Hardware - Brown (M06)
	053192-01-L40	EA	Table Asm. - Dinette - w/o Hardware - Butcher Block
	053192-01-L41	EA	Table Asm. - Dinette - w/o Hardware - Almond Batik
	064821-01-L04	EA	Cabinet Asm. - Dinette Seat - Right
	064821-01-M04	EA	Cabinet Asm. - Dinette Seat - Right
	065980-01-L04	EA	Cabinet Asm. - Dinette Overhead - w/o Door or Hardware
	065980-01-M04	EA	Cabinet Asm. - Dinette Overhead - w/o Door or Hardware
	057992-56-L04	EA	Door Asm. - Dinette Overhead Cabinet - 28.2" x 11.5" - w/o Hardware
	065659-01-M04	EA	Cabinet Asm. - Dinette Seat - Left - w/o Door or Hardware
	065659-01-L04	EA	Cabinet Asm. - Dinette Seat - Left - w/o Door or Hardware
	057992-56-M04	EA	Door Asm. - Dinette Overhead Cabinet - 28.2" x 11.5" - w/o Hardware
	057672-01-000	EA	Door Latch/Pull Asm.
**	053200-04-000	EA	Bracket - Upper Wall Mount - Black - 23.5"
*	053201-03-000	EA	Bracket - Table Mount - 23" - Anod.
**	024275-01-000	EA	Rod - Table Lift
**	024281-06-000	EA	Bracket - Lower Wall Mount - Black - 22 1/2"
**	024276-04-000	EA	Leg Asm. - Table - Brown - 29.5"
**	064050-01-000	EA	Hinge - Table Leg
**	024282-01-000	EA	Brace - Table Leg
**	024283-01-000	EA	Clip - 1" O.D. Tube
**	049493-02-000	EA	Catch - Table Leg - Mounts on Floor - Brown

**The illustrated parts breakdown for this item is provided on the Common Items Fiche.

CORNER LOUNGE CHAIRS

Key	Part Number	U/M	Description
	066712-01-M04	EA	Cabinet Asm. - Lounge Chair - Right Hand
	066716-01-M04	EA	Cabinet Asm. - Lounge Chair - Left Hand
	066712-01-L04	EA	Cabinet Asm. - Lounge Chair - Right Hand
	066716-01-L04	EA	Cabinet Asm. - Lounge Chair - Left Hand
	063224-13-M04	EA	Door Asm. - Rolled - 13" x 17.70"
	061704-01-M04	EA	Table Asm. - Lounge - Rust Burnt Sienna
	061704-01-L04	EA	Table Asm. - Lounge - Burl Block
	061704-01-M05	EA	Table Asm. - Lounge - Brown (M06)
	061704-01-K01	EA	Table Asm. - Lounge - Butcher Block
	061704-01-700	EA	Table Asm. - Lounge - Almond Batik
	061882-01-000	EA	Leg Asm. - Table - Pivot
	061879-01-000	EA	Leg Asm. - Table - Fixed
	024275-04-000	EA	Rod - Table Lift
	024281-05-000	EA	Bracket - Table Lift - Mounts on Table
	053200-02-000	EA	Support - Table - 14.5" - Mounts on Wall

DRIVER'S COMPARTMENT GROUP

DASH PANEL AND COMPONENTS

Key	Part Number	U/M	Description
	061803-04-000	EA	Dash Asm. - Complete w/Gauges and Switches
	022548-04-000	EA	Pad - Dash - Right - Dark Brown
	023242-06-000	EA	Pad - Dash - Left - Dark Brown
	024418-01-000	EA	Lamp Asm. - Map/Gauge
	023020-01-000	EA	Lamp Asm. - Telltale
	007308-01-000	EA	Dash Clock
	052367-01-000	EA	Lighter Asm. - Cigarette - 12 Volt
	007041-01-000	EA	Bezel - Cigarette Lighter
	007071-01-000	EA	Louver - Chrome - w/Chrome - Wheel
	024990-02-000	EA	Outlet - Defroster w/Swivel - 2" - Dark Brown
	039044-01-000	EA	Louver Asm. - A/C Adjustable
	050344-03-000	EA	Bezel - Entertainment Center No. 2 - w/Cut Out for Clock & Radio
	067337-02-000	EA	Bezel - Entertainment Center No. 6 - w/Cut Out for Radio
	039847-08-000	EA	Bezel - Instrument Panel
	023892-01-000	EA	Box - Glove Compartment - Black Fiberboard
	022219-01-000	EA	Door - Glove Compartment
	009118-01-000	EA	Twist Lock - Glove Compartment
	024598-01-000	EA	Hinge - Glove Compartment - 1 1/16" x 19"
	034309-01-000	EA	Chain - Glove Box Door
	023834-01-000	EA	Panel - Knee Kick - Bottom of Dash

DASH SWITCHES AND GAUGES

Key	Part Number	U/M	Description
	024461-01-000	EA	Switch - Battery - Dual/Mono
	024462-01-000	EA	Switch - Battery Condition
	024464-01-000	EA	Switch - Washer
	024465-01-000	EA	Switch - Fuel
	024467-01-000	EA	Switch - Wiper
	024976-01-000	EA	Switch - Generator w/o Circuit Board
	037387-01-000	EA	Switch - Generator w/Circuit Board
	024459-03-000	EA	Gauge - Voltmeter
	024460-03-000	EA	Gauge - Vacuum
	031035-01-000	EA	Gauge - Generator Hourmeter
	031376-01-000	EA	Control Asm. - Heater - 3 Speed
	055279-01-000	EA	Control Asm. - Heater A/C - 3 Speed
	024464-02-000	EA	Switch - Battery - Dual Boost

BUCKET SEAT PEDESTAL AND SEAT BELTS

Key	Part Number	U/M	Description
	049943-01-000	EA	Pedestal - Complete Swivel
	050447-02-000	EA	Pedestal Asm. - Tilt Seat - Right - Single Seat
	050447-01-000	EA	Pedestal Asm. - Tilt Seat - Left - Single Seat
	050447-04-000	EA	Pedestal Asm. - Tilt Seat - Double Seat
	007019-01-000	EA	Bezel Asm. - Seat - 2" x 84" - Black
	041322-01-000	EA	Washer - Flat 15/32" I.D. x 2 3/8" O.D.
	051382-01-000	EA	Adjuster Slide Asm. - w/Lock
	051383-01-000	EA	Adjuster Slide Asm. - w/o Lock
	007224-02-000	EA	Handle - Seat Adjuster - 9"

1981 ITASCA TABLE OF CONTENTS

IC419RB M1, IC419RB M2	A-1 - B-14
ICF22RB M1, ICF22RB M2	B-15 - D-14
ICN26RB M2	D-15 - F-10

1981 ICF22RB M1, ICF22RB M2 INDEX

Floor Plan	B-15 - B-16
Accessories Group	B-17 - B-18
Bath Group	B-19
Chassis Group	B-20 - B-21
Curtain, Cushion and Pad Group	B-22 - C-6
Dinette Group	C-7
Driver's Compartment Group	C-8 - C-9
Electrical Group	C-10 - C-12
Exterior Body Group	C-13 - C-17
Galley Group	C-17 - C-18
Heating & Air Conditioning Group	C-19 - C-20
Interior Finish Group	C-21 - C-23
LP Group	C-24
Lounge Group	D-1
Water & Sewage Group	D-2 - D-3
Window, Vent & Exterior Door Group	D-4 - D-14

DRIVER'S COMPARTMENT GROUP (CONTINUED)

MISCELLANEOUS DRIVER'S COMPARTMENT COMPONENTS

Key	Part Number	U/M	Description
	056508-01-L01	EA	Sunvisor Asm. - Right - Acorn Brown Vinyl - w/Mirror
	056508-02-L01	EA	Sunvisor Asm. - Left - Acorn Brown Vinyl
	009143-01-000	EA	Mirror - Sunvisor - 1/8" x 3 5/8" x 8"
	040695-02-000	EA	Clip - Sunvisor
	061379-01-L01	EA	Beverage Tray Asm. - Matador Leather
	045715-01-000	EA	Holder - Glass - Dark Brown Plastic
	055000-01-000	EA	Tray - Utensil - Dark Brown Plastic
	034800-01-000	EA	Motor Cover - Plastic - 350 Engine
	034800-03-000	EA	Motor Cover - Plastic - 454 Engine
	039623-01-000	FT	Seal - Vinyl - Motor Cover
	035368-02-000	EA	Seal - Motor Cover - Alum. Extr. - Brown
	050796-01-000	EA	Pocket - Ashtray - Plastic
	050797-01-000	EA	Ashtray - Plastic
	039857-01-000	EA	Latch - Rubber - Draw Handle - 5 3/4" w/Strike
	039856-01-000	EA	Latch - Rubber - Draw Handle - 3" w/Strike
	042541-01-000	EA	Latch Asm. w/Strike - Chrome
	040519-01-000	EA	Boot - Rubber - Steering Column
	040520-01-000	EA	Boot Retainer - Steering Column
	040714-01-000	EA	Mirror - Inside Rear View
	067490-01-000	EA	Button - Rear View Mirror
	034499-01-000	EA	Support - Dimmer Switch
	061350-01-000	EA	Trim - Interior - A Post w/Notch - Left
	061350-02-000	EA	Trim - Interior - A Post w/Notch - Right
	059414-01-000	EA	Pad - Sidewall Trim - Driver
	059414-02-000	EA	Pad - Sidewall Trim - Passenger
	059467-03-K01	EA	Pad - Map Pocket - Drivers - Acorn Vinyl
	059467-04-K01	EA	Pad - Map Pocket - Passenger - Acorn Vinyl
	033860-02-000	EA	Cable - Bowden - 46"
	038816-01-000	EA	Retainer - Bowden Cable - Dash
	059197-01-000	EA	Side Panel - Plastic - Right Side
	059198-02-000	EA	Side Panel - Plastic - Left Side - Drivers

FRONT BUNK AND HARDWARE

Key	Part Number	U/M	Description
	058300-01-L04	EA	Cabinet Asm. - Front Overhead
	058300-01-M04	EA	Cabinet Asm. - Front Overhead
	058844-01-L04	EA	Bunk Board Asm. - Front Overhead w/Rails
	053320-01-M04	EA	Bunk Board Asm. - Front Overhead w/Rails
	053773-01-000	EA	Support - Overhead Bunk - Brown - Right
	053773-02-000	EA	Support - Overhead Bunk - Brown - Left
	040071-02-000	EA	Support - Bunk - Seat Belt
	039516-02-000	EA	Catch - Bunk - Brown
	023812-22-000	EA	Nail - Bunk - 80" - Brown
	053774-02-000	EA	Torsion Rod - Overhead Bunk - Brown
	041322-01-000	EA	Washer - Flat - 15/32" I.D. x 2 3/8" O.D.
	059608-01-M04	EA	Pad Asm. - Front Bunk - Left
	059608-02-M04	EA	Pad Asm. - Front Bunk - Left - w/Driver Door
	066705-01-M04	EA	Pad Asm. - Front Bunk - Right
	058948-01-000	EA	Pad Asm. - Front Overhead Cabinet - Right
	058948-02-000	EA	Pad Asm. - Front Overhead Cabinet - Left
	058948-03-000	EA	Pad Asm. - Front Overhead Cabinet - Driver Door
	048394-01-000	EA	Tape Hook - 1" x 25 YD - Beige
	048395-01-000	EA	Tape Loop - 1" x 25 YD - Beige

ELECTRICAL GROUP

BULBS

Key	Part Number	U/M	Description
	037935-01-000	EA	Bulb - 1157
	063914-01-000	EA	Bulb - 1143 - Frosted
	008103-01-000	EA	Bulb - 53
	008213-01-000	EA	Bulb - 57
	003214-01-000	EA	Bulb - 87
	008215-01-000	EA	Bulb - 1003
	008216-01-000	EA	Bulb - 1034
	008217-01-000	EA	Bulb - 1073
	008218-01-000	EA	Bulb - 1141
	008219-01-000	EA	Bulb - 656
	008220-01-000	EA	Bulb - 12V - 25W
	036196-01-000	EA	Bulb - 194
	700020-01-000	EA	Bulb - 12V - 20W - 1383

FUSES AND CIRCUIT BREAKERS

Key	Part Number	U/M	Description
	056473-01-000	EA	Fuse - Slow Blow - 6 1/4 Amp.
	056473-02-000	EA	Fuse - MDL - 5 Amp.
	008233-01-000	EA	Fuse - 12 Volt - 6 Amp
	008234-01-000	EA	Fuse - 12 Volt - 10 Amp.
	008235-01-000	EA	Fuse - 12 Volt - 15 Amp.
	008236-01-000	EA	Fuse - 12 Volt - 20 Amp.
	008248-01-000	EA	Fuse - 110 Volt - 30 Amp. - AGU
	008252-01-000	EA	Fuse - 110 Volt - 50 Amp.
	046893-04-000	EA	Fuse - AGC 12 Volt
	008208-01-000	EA	Circuit Breaker - 12 Volt - 40 Amp.
	008211-01-000	EA	Circuit Breaker - 12 Volt - 6 Amp.
	033573-02-000	EA	Circuit Breaker - 12 Volt - 15 Amp. w/Mount
	033573-01-000	EA	Circuit Breaker - 12 Volt - 20 Amp. w/Mount
	040051-01-000	EA	Circuit Breaker - 110 Volt - 20 Amp. TQL
	050283-03-000	EA	Buss Bar - Circuit Breaker

EXTERIOR LIGHTS

Key	Part Number	U/M	Description
	042405-02-000	EA	Lens - Rectangle Light - Amber w/Reflex
	042405-03-000	EA	Base - Rectangular Clearance Light
	042405-04-000	EA	Lens - Clearance Light - Red
	042405-05-000	EA	Lens - Clearance Light - Amber
	008092-01-000	EA	Reflector - Stick On - Rectangular - Red
	008093-01-000	EA	Reflector - Stick On - Rectangular - Amber
	048817-01-000	EA	Assist Handle w/Light
	048817-01-700	EA	Lens - Assist Handle
	007309-01-000	EA	Light - Stepwell
	059353-01-000	EA	Tail Lamp Asm. - 2 Bulb - Chrome - Right
	059353-02-000	EA	Tail Lamp Asm. - 2 Bulb - Chrome - Left
	058030-01-700	EA	Lens - Tail Lamp - Red
	058030-01-701	EA	Lens - Tail Lamp - Clear (Back Up)
	059036-01-000	EA	Bracket - Tail Lamp
	059540-01-000	EA	Bracket - License Plate
	062742-02-000	EA	Wedge - Tail Lamp - Off White - w/Holes For License Plate Brackets
	062741-04-000	EA	Wedge - Tail Lamp - Off White

1981 ITASCA TABLE OF CONTENTS

IC419HB M1, IC419HB M2	A-1 - B-14
ICF22RB M1, ICF22RB M2	B-15 - D-14
ICN26HB M2	D-15 - F-10

1981 ICF22RB M1, ICF22RB M2 INDEX

Floor Plan	B-15 - B-16
Accessories Group	B-17 - B-18
Bath Group	B-19
Chassis Group	B-20 - B-21
Curtain, Cushion and Pad Group	B-22 - C-6
Dinette Group	C-7
Driver's Compartment Group	C-8 - C-9
Electrical Group	C-10 - C-12
Exterior Body Group	C-13 - C-17
Galley Group	C-17 - C-18
Heating & Air Conditioning Group	C-19 - C-20
Interior Finish Group	C-21 - C-23
LP Group	C-24
Lounge Group	D-1
Water & Sewage Group	D-2 - D-3
Window, Vent & Exterior Door Group	D-4 - D-14

ELECTRICAL GROUP (CONTINUED)

INTERIOR LIGHTS

Key	Part Number	U/M	Description
	064778-02-000	EA	Light - Dome - Off White - 1 Bulb
	064778-01-000	EA	Light - Dome - Off White - 2 Bulbs
	024418-01-000	EA	Lamp Asm. - Map/Gauge/Aisle
	024473-01-000	EA	Light - Aircraft - 1 Bulb - Gold
	053346-01-000	EA	Light - High Intensity - Brown Plastic
	061424-01-000	EA	Light - 12 Volt - Rectangular - Aisle Light - 1 1/4" x 4 1/4"
	064778-01-700	EA	Lens - Light - Dome - Ivory

WIRE, SWITCHES AND RECEPTACLES

Key	Part Number	U/M	Description
	008024-01-000	FT	Wire - 18.5 Bonded - Orange/White/Yellow/Blue/Brown
	008025-01-000	FT	Wire - 18.5 Bonded - Orange/White/Yellow/Blue/Green
	008028-01-000	FT	Wire - 18.5 Bonded - Blue/Red/Yellow/Orange/White
	008030-01-000	FT	Wire - 18.4 Bonded - Red/Blue/Orange/Green
	008251-01-000	EA	Holder - Fuse - Black - Screw Type
	008277-01-000	EA	Holder - Fuse - Black - Panel Mount
	008250-02-000	EA	Holder - Fuse - In Line - 15 Amp.
	008195-01-000	EA	Switch - Push Button - 12 Volt
	006077-01-000	EA	Plaque - Compressor Switch
	008054-01-000	EA	Cord - Power - 10-3 30 Amp. - 25' - UL
	008052-01-000	EA	Cord - Power - 10-3 30 Amp. - 25' - CSA
	024571-01-000	EA	Cover - Plate - Receptacle - Jumbo Steel Brown
	024571-03-000	EA	Cover - Plate - Receptacle - Jumbo Plastic
	008162-01-000	EA	Switch - Double Toggle - Spade Brown
	008163-01-000	EA	Switch - Toggle Brown
	008164-01-000	EA	Cover Plate - Switch - Brown
	024924-01-000	EA	Receptacle - Power Cord
	008058-01-000	EA	Adaptor - Power Cord
	047353-01-000	EA	Cover - Receptacle - Ground Fault
	053126-02-000	EA	Receptacle - Ground Fault Interrupter - 125 Volt - Brown
	008288-01-000	EA	Box - Electrical - Plastic - 3" x 3 1/2"
	008289-01-000	EA	Box - Electrical - Steel - 4" x 4" - 1/2 & 3/4" UL
	008294-01-000	EA	Cover - Plate - Steel - 4" x 4"
	058707-01-000	EA	Receptacle - Single Brown - Thomas & Belts
	058708-01-000	EA	Receptacle - Double Brown - Thomas & Belts
	058048-01-000	EA	Cover - Electrical - Rain Tight - (Exterior)
	008157-01-000	EA	Receptacle - Duplex - Brown (Exterior)
	058049-01-000	EA	Box - Electrical - 2" x 3" x 2.25"
	031968-01-000	EA	Contact - Plug - Male
	064285-01-000	EA	Plate - Cutout - Courtesy Light
	064398-01-000	EA	Housing Asm. - Trailer Receptacle - Female
	064399-01-000	EA	Housing Asm. - Trailer Receptacle - Male
	064450-01-000	EA	Housing Asm. - Trailer Receptacle - Plug - Male

WINDSHIELD WIPER AND WASHER

Key	Part Number	U/M	Description
**	056000-02-000	EA	Washer Asm. - w/o Nozzles
**	044313-02-000	EA	Motor Asm. - Windshield Wiper - 100°
**	044313-03-000	EA	Motor Asm. - Windshield Wiper - 93°
**	049464-02-000	EA	Blade - Windshield Wiper - 20"
**	057653-01-000	EA	Arm - Windshield Wiper - 18"
**	055675-01-000	EA	Shaft and Pivot Asm.

**The illustrated parts breakdown for this item is provided on the Common Items Fiche

ELECTRICAL GROUP (CONTINUED)

MISCELLANEOUS ELECTRICAL COMPONENTS

Key	Part Number	U/M	Description
	047389-01-700	EA	Battery - 12 Volt - 105 Amp Deep Cycle - Dry
	057899-01-000	EA	Battery - 12 Volt Maintenance Free - Delco
	008188-01-000	EA	Solenoid - Dual Battery - Relay
	008181-01-000	EA	Relay - 12-15 Volt - 27 Amp.
	036617-01-000	EA	Relay - Canister - SPDT
	063912-01-000	EA	Relay - Canister - SPDT w/Ground
	031720-01-000	EA	Plastic Spacer - Receptacle - Brown CSA
	058028-01-000	EA	Connector - Pigtail - Clear Nylon
	046775-01-000	EA	Valve - Gas - Change Over
	054544-02-000	EA	Control Center - 38 Amp. - w/o Charger
**	054544-01-000	EA	Control Center - 37 Amp. - VL
	039950-01-702	EA	Circuit Board - Control Center
	024459-03-000	EA	Gauge - Voltmeter w/Bracket
	024462-01-000	EA	Switch - Battery Condition
	031035-01-000	EA	Gauge - Hour Meter - Generator
	024976-01-000	EA	Switch - Generator w/o Circuit Board
	024460-01-000	EA	Gauge Vacuum
	048812-04-000	EA	Control Panel - Water/Double Sewage - Basic Panel
	048812-02-000	EA	Panel - Insert
	048812-08-000	EA	Panel Insert - w/Digital Alarm
	048812-09-000	EA	Panel Insert - Deluxe - w/Refrigerator & L.P. Alarm
	048812-07-700	EA	Refrigerator Sensor - Refrigerator Alarm
	039861-01-000	EA	Sending Unit Kit - Wemac
	024461-01-000	EA	Switch - Battery - Dual/Mono
	046885-01-000	EA	Plaque - Switch Mounting
	052408-01-000	EA	Heat Pusher - Duct Fan - Winterization Option
	062411-01-000	EA	Switch - Temperature Control - 38° Closed - 48° Open - Winterization Option
	062411-02-000	EA	Switch - Temperature Control - 28° Closed - 38° Open - Winterization Option
	062625-01-000	EA	Panel - Control - Wemac - Winterization Option
	062639-01-000	EA	Alarm - Warning - 12 Volt - Winterization Option

**The illustrated parts breakdown for this item is provided on the Common Items Fiche

**1981 ITASCA
TABLE OF CONTENTS**

IC419RB M1, IC419RB M2	A-1 - B-14
ICF22RB M1, ICF22RB M2	B-15 - D-14
ICN26RB M2	D-15 - F-10

1981 ICF22RB M1, ICF22RB M2 INDEX

Floor Plan	B-15 - B-16
Accessories Group	B-17 - B-18
Bath Group	B-19
Chassis Group	B-20 - B-21
Curtain, Cushion and Pad Group	B-22 - C-6
Dinette Group	C-7
Driver's Compartment Group	C-8 - C-9
Electrical Group	C-10 - C-12
Exterior Body Group	C-13 - C-17
Galley Group	C-17 - C-18
Heating & Air Conditioning Group	C-19 - C-20
Interior Finish Group	C-21 - C-23
LP Group	C-24
Lounge Group	D-1
Water & Sewage Group	D-2 - D-3
Window, Vent & Exterior Door Group	D-4 - D-14

EXTERIOR BODY GROUP

EXTERIOR BODY PANELS AND SHEET ALUMINUM

Key	Part Number	U/M	Description
	065116-01-L04	EA	Backwall Asm (L04) (L05)
	065117-01-L06	EA	Backwall Asm.
	065118-01-M04	EA	Backwall Asm
	064991-01-L04	EA	Sidewall Asm - Right
	064991-01-M04	EA	Sidewall Asm - Right
	066118-01-L04	EA	Sidewall Asm - Left (L04) (L05)
	066118-01-L06	EA	Sidewall Asm - Left
	068745-01-M04	EA	Sidewall Asm. - Left
	068745-01-M05	EA	Sidewall Asm - Left
	068745-01-M06	EA	Sidewall Asm - Left
	065060-01-L04	EA	Roof Asm (L04) (L05) (L06)
	068750-01-M04	EA	Roof Asm (M04) (M05) (M06)
	039155-03-008	EA	Alum - Off White Mesa I - .024" x 36" x 60"
	039155-03-003	EA	Alum - Off White Mesa I - .024" x 36" x 360"
	039155-03-007	EA	Alum - Off White Mesa I - .024" x 48" x 60"
	039155-03-006	EA	Alum - Off White Mesa I - .024" x 48" x 360"
	039155-03-009	EA	Alum - Off White Mesa I - .024" x 12" x 360"
	039155-28-001	EA	Alum - Off White Mesa II - .024" x 36" x 60"
	039155-28-003	EA	Alum - Off White Mesa II - .024" x 36" x 360"
	039155-28-004	EA	Alum - Off White Mesa II - .024" x 48" x 60"
	039155-28-006	EA	Alum - Off White Mesa II - .024" x 48" x 360"
	039155-28-007	EA	Alum - Off White Mesa II - .024" x 12" x 360"
	044487-01-001	EA	Plain Roof Metal - 96" x 360"
	039155-07-010	EA	Off White Greyhound Alum - 48" x 96"
	001054-01-011	EA	Off White Plain Alum - 48" x 96"
	000868-01-000	SF	Styrofoam - 3/4" x 24" x 96"
	000870-01-000	SF	Styrofoam - 1 1/2" x 24" x 96"

NOTE The raised portion of Mesa I aluminum is 1 657" wide.
The raised portion of Mesa II aluminum is 875" wide

SEALANTS, ADHESIVES AND FASTENERS

Key	Part Number	U/M	Description
	034552-05-000	EA	Sealant - Off White Silicone
	034552-04-000	EA	Sealant - Beige Silicone
	034552-02-000	EA	Sealant - Clear Silicone
	004349-01-000	EA	Sealant - Black Silicone
	069637-01-000	EA	Sealant - Weatherban 404 Tube
	009200-01-000	EA	Tape - Furnace - 1 1/2"
	002825-01-000	FT	Weather Stripping - Roof Vent
	002337-01-000	EA	Adhesive - 3M - 1300 Tube
	004005-02-000	GL	Adhesive - Swifts - Red - Glue (Sidewalls)
	004020-01-000	QT	Adhesive - ABS Cement - (Plastic Fittings)
	029051-01-000	EA	Adhesive - Spray Vinyl
	042401-01-000	EA	Screw - #8 - 18 x 3/4" SDPH - Beige
	042401-02-000	EA	Screw - #8 - 18 x 3/4" SDPH - Off White
	042401-03-000	EA	Screw - #8 - 18 x 3/4" SDPH - Gray
	042403-01-000	EA	Screw - #9 - 18 x 1" SDPH - Beige
	042403-02-000	EA	Screw - #6 - 18 x 1" SDPH - Off White
	042403-04-000	EA	Screw - #8 - 18 x 1" SDPH - Gray
	053766-01-000	EA	Bedding Compound - Tube Black - Schnee Morehead
	053766-02-000	EA	Bedding Compound - Tube White - Schnee Morehead
	053767-01-000	FT	Tape - 1/2" x 1/8" x 30' - Gray - Schnee Morehead
	053767-03-000	FT	Tape - 1/4" Bead x 20' - Gray - Schnee Morehead
	053767-04-000	FT	Tape - 3/4" x 1/8" x 30' - Gray - Schnee Morehead
	053767-05-000	FT	Tape - 2" x 3/32" x 45' - Gray - Schnee Morehead
	069640-01-000	FT	Sealer Ribbon - 1/4" x 20'

EXTERIOR BODY GROUP (CONTINUED)

EXTERIOR PAINT

Key	Part Number	U/M	Description
	045681-01-000	EA	Paint - Gloss Black - Acrylic Enamel - 1 Gallon (99A Dupont)
	045681-03-000	EA	Paint - Gloss Black - Acrylic Enamel - 16 oz. Aerosol (99A Dupont)
	041561-01-000	EA	Paint - Off White - Acrylic Enamel - 1 Gallon (41396A Dupont)
	041561-03-000	EA	Paint - Off White - Acrylic Enamel - 16 oz. Aerosol (41396A Dupont)
	041561-04-000	EA	Paint - Off White - Acrylic Lacquer - 1 Gallon
	067773-03-000	EA	Paint - Med Copper - Acrylic Enamel - 16 oz. Aerosol - (44184 Dupont)
	067772-03-000	EA	Paint - Brown - Acrylic Enamel - 16 oz. Aerosol - (45828 Dupont)
	059950-03-000	EA	Paint - Dark Blue - Acrylic Enamel - 16 oz. Aerosol - (63203 Dupont)
	067771-03-000	EA	Paint - Sunburst Orange Enamel - 16 oz. Aerosol (45735 Dupont) Fade Color
	067792-03-000	EA	Paint - Caramel Enamel - 16 oz. Aerosol (88090A Dupont) Fade Color
	065108-03-000	EA	Paint - Grabber Blue Enamel - 16 oz. Aerosol (42836 Dupont) Fade Color

LABELS AND DECALS

Key	Part Number	U/M	Description
	006025-01-000	EA	Label - Gas
	006028-01-000	EA	Label - Drain Cap - 2" x 3"
	006031-01-000	EA	Label - Potable Water Only
	006187-01-000	EA	Label - Sewage
	006188-01-000	EA	Label - Waste Water
	006199-01-000	EA	Label - Exit - Escape Window
	047731-01-000	EA	Label - Emergency Exit
	054531-01-000	EA	Label - LP Gas Only
	031161-01-000	EA	Label - Flying W
	050223-01-000	EA	Label - Lower Refrigerator Vent
	050224-01-000	EA	Label - Refrigerator Roof Vent
	050225-01-000	EA	Label - Warning - Stove Vent - U.S.
	006195-01-000	EA	Label - Electrical Test
	006196-01-000	EA	Label - Gas Test
	006197-01-000	EA	Label - Water Test
	006064-01-000	EA	Label - Seat w/o Seat Belt
	006006-01-000	EA	Label - Thermopanel - 2 25" x 2 25"
	057467-01-000	EA	Label - Exterior Loading Limit
	061417-01-000	EA	Label - Fuel
	006040-01-000	EA	Tag - Gas Refueling Warning
	006062-01-000	EA	Tag - Electrical - 110 Volt Connection
	006001-01-000	EA	Nameplate - Plastic - Winnebago - Chrome
	008092-01-000	EA	Reflector - Stick On - Rectangular - Red
	008093-01-000	EA	Reflector - Stick On - Rectangular - Amber
	046400-04-000	EA	Decal - Logo - "Itasca" - 5 25" x 24"
	041273-26-000	FT	Decal - Stripe - 2.0" - Gold
	061600-01-000	EA	Decal - "Itasca" - 5" x 2 5"
	055289-02-000	EA	Decal - Logo "Signcruiser"
	065205-01-000	FT	Decal - Tape Stripe - 62" - Black
	065206-01-000	EA	Decal - Tape Stripe - Side Rear - Corner - .62" - Black
	065211-01-000	EA	Decal - Tape Stripe - Side Swirl - .62" - Black
	067778-01-000	EA	Decal - Logo - Triple Sun
	067782-01-000	EA	Decal - Tape Stripe - Side Rear - Corner - 2.0" - Gold

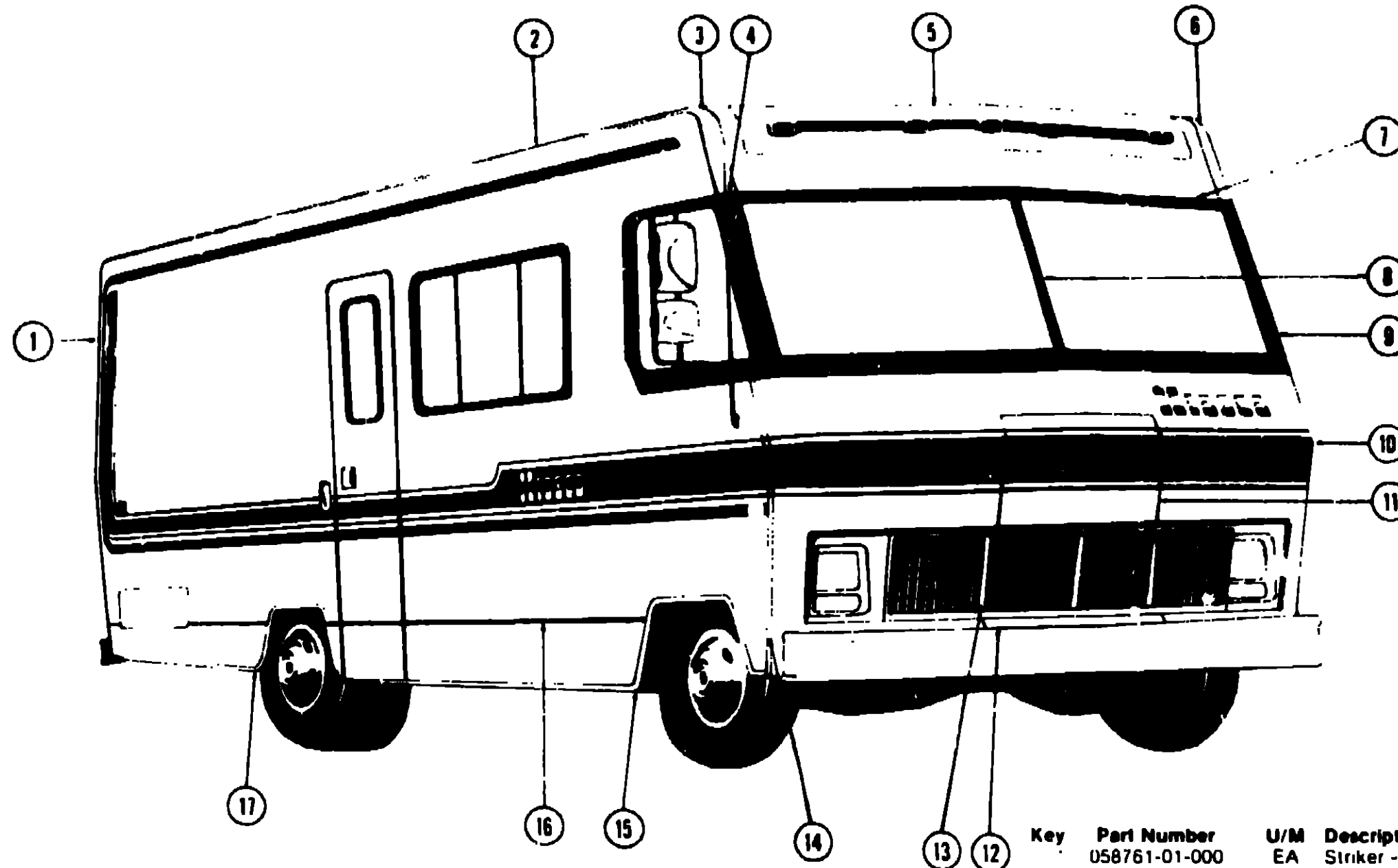
1981 ITASCA TABLE OF CONTENTS

ICF419HB M1, ICF419HB M2	A-1 - B-14
ICF22RB M1, ICF22RB M2	B-15 - D-14
ICN26HB M2	D-15 - F-10

1981 ICF22RB M1, ICF22RB M2 INDEX

Floor Plan	B-15 - B-16
Accessories Group	B-17 - B-18
Bath Group	B-19
Chassis Group	B-20 - B-21
Curtain, Cushion and Pad Group	B-22 - C-6
Dinette Group	C-7
Driver's Compartment Group	C-8 - C-9
Electrical Group	C-10 - C-12
Exterior Body Group	C-13 - C-17
Galley Group	C-17 - C-18
Heating & Air Conditioning Group	C-19 - C-20
Interior Finish Group	C-21 - C-23
LP Group	C-24
Lounge Group	D-1
Water & Sewage Group	D-2 - D-3
Window, Vent & Exterior Door Group	D-4 - D-14

EXTERIOR BODY GROUP (CONTINUED)



Key	Part Number	U/M	Description
1	039964-01-000	EA	Trim - Contour - Right Rear - Off White
	039964-02-000	EA	Trim - Contour - Left Rear - Off White
2	034922-10-000	EA	Trim - Sidewall - Upper - Left or Right - Off White
3	058284-02-000	EA	Trim - Contour - Right Front Upper - Off White
4	058289-02-000	EA	Trim - Contour - Windshield - Right
5	054957-01-000	EA	Cap Asm. - Fiberglass - Over Windshield - Off White
	062396-01-000	EA	Trim - Roof/Front Cap - 51"
6	058284-01-000	EA	Trim - Contour - Left Front Upper - Off White
7	058287-01-000	EA	Trim - Molding - Windshield - Upper & Lower
	042743-02-000	EA	Trim - Corner Windshield - Upper
8	058288-01-000	EA	Trim - Molding - Windshield - Center
9	058289-01-000	EA	Trim - Contour - Windshield - Left
	042743-01-000	EA	Trim - Corner Windshield - Lower
10	058296-01-000	EA	Panel Asm. - Front Shroud - Includes Access Panel and Lower Shroud
11	058678-01-000	EA	Access Panel - Off White
	058722-01-000	EA	Pull Pin - Access Door Release
	058752-01-000	EA	Hinge - Access Panel - Right
	058752-02-000	EA	Hinge - Access Panel - Left

Key	Part Number	U/M	Description
	058761-01-000	EA	Striker - Hood Latch
12	058392-01-000	EA	Panel - Lower Shroud
	058826-02-000	EA	Hood Prop Rod
	059123-03-000	EA	Trim - Grille Upper
	059124-03-000	EA	Trim - Grille Lower
13	059343-01-000	EA	Grille Asm. - Suncruiser
	059339-01-000	EA	Grille Asm. - Right - Outer
	059340-01-000	EA	Grille Asm. - Right - Inner
	059341-01-000	EA	Grille Asm. - Left - Inner
	059342-01-000	EA	Grille Asm. - Left - Outer
	058330-01-000	EA	Parking Lamp Asm
	058320-01-000	EA	Headlamp Housing - Left
	058320-02-000	EA	Headlamp Housing - Right
	057473-01-000	EA	Bezel - Headlamp - Left
	057473-02-000	EA	Bezel - Headlamp - Right
14	058399-03-000	EA	Trim - Fiberglass Panel - Right
	058899-04-000	EA	Trim - Fiberglass Panel - Left
15	052843-02-000	EA	Trim - Wheel Well - Front - Left or Right
16	002444-02-001	EA	Feature Strip - Extr. Anod. - 14' - w/o Insert
	001030-09-100	EA	Insert - Feature Strip - Brown - Stucco - 17'
	009731-01-000	EA	End Cap - Feature Strip
17	052842-01-000	EA	Trim - Wheel Well - Rear - Right or Left
	002776-02-000	EA	Extr. - U-Channel - 1.75" x 16" - Anod.
	002365-02-001	EA	Extr. - U-Channel - 1" x 18" - Anod.
	044380-01-001	EA	Extr. - Drip Rail - 192"
	050406-02-000	EA	Trim - Backwall - Lower
			Not Illustrated

**1981 ITASCA
TABLE OF CONTENTS**

IC419RB M1, IC419RB M2	A-1 - B-14
ICF22RB M1, ICF22RB M2	B-15 - D-14
ICN26RB M2	D-15 - F-10

1981 ICF22RB M1, ICF22RB M2 INDEX

Floor Plan	B-15 - B-16
Accessories Group	B-17 - B-18
Bath Group	B-19
Chassis Group	B-20 - B-21
Curtain, Cushion and Pad Group	B-22 - C-6
Dinette Group	C-7
Driver's Compartment Group	C-8 - C-9
Electrical Group	C-10 - C-12
Exterior Body Group	C-13 - C-17
Galley Group	C-17 - C-18
Heating & Air Conditioning Group	C-19 - C-20
Interior Finish Group	C-21 - C-23
LP Group	C-24
Lounge Group	D-1
Water & Sewage Group	D-2 - D-3
Window, Vent & Exterior Door Group	D-4 - D-14

EXTERIOR BODY GROUP (CONTINUED)

MISCELLANEOUS EXTERNALLY MOUNTED PARTS

Key	Part Number	U/M	Description
	010230-02-000	EA	Fill - City Water - Recessed - Off White
	058908-01-000	EA	Fill - Water - Lockable
**	011124-01-000	EA	Plumbing Seal - Roof Vent - 1 1/4" White
**	011129-01-000	EA	Plumbing Seal - Roof Vent - 1 1/2" White
	057461-01-000	EA	Mirror Head - 7 1/2" x 10 1/2" - w/Convex - Bright Finish
	057461-02-000	EA	Mirror Head - 7 1/2" x 10 1/2" - w/Convex - Off White
	049348-03-000	EA	Arm - Low Mount Mirror - Black
	049944-04-000	EA	Bracket - Mirror - Outside - Black
	049944-02-000	EA	Bracket - Mirror - Outside - Off White
	048817-01-000	EA	Handle Asm. - Assist w/Light
	048817-01-700	EA	Lens Assist Handle
	052423-01-000	EA	Door - Fuel Fill - Off White
	052424-01-000	EA	Jamb - Door - Fuel Fill - Off White
	063303-01-000	EA	Shroud - Fuel Fill - Lower
	063304-01-000	EA	Shroud - Fuel Fill - Upper - Angled

** The illustrated parts breakdown for this item is provided on the Common Items Fiche

GALLEY GROUP

GALLEY CABINETRY

Key	Part Number	U/M	Description
	065672-01-L04	EA	Cabinet Asm. - Galley - w/o Countertop, Doors, Drawers or Hardware
	M68653-02-M04	EA	Cabinet Asm. - Galley - w/o Countertop, Doors, Drawers or Hardware
	065525-02-L04	EA	Countertop Asm. - Galley - Burl Block
	M68542-01-M04	EA	Countertop Asm. - Galley - Burnt Sienna
	M68542-01-700	EA	Countertop Asm. - Galley - Butcher Block (M04)
	M68542-01-701	EA	Countertop Asm. - Galley - Almond Batik (M05) (M06)
	M68542-01-M05	EA	Countertop Asm. - Paper Bag Brown
	065841-01-L04	EA	Cabinet Asm. - Galley Overhead - w/o Doors or Hardware
	M68694-01-M04	EA	Cabinet Asm. - Galley Overhead - w/o Doors or Hardware
	065260-12-L04	EA	Door Asm. - Galley Overhead - 15.9" x 9.12" - w/o Hardware - Right
	065260-13-L04	EA	Door Asm. - Galley Overhead - 15.9" x 9.12" - w/o Hardware - Left
	M00378-03-M04	EA	Door Asm. - Galley Overhead - 15.9" x 8.1" - w/o Hardware - Right
	M00378-04-M04	EA	Door Asm. - Galley Overhead - 15.9" x 8.1" - w/o Hardware - Left
	065260-18-L04	EA	Door Asm. - Galley Overhead - 15.9" x 11.6" - w/o Hardware - Right
	065260-19-L04	EA	Door Asm. - Galley Overhead - 15.9" x 11.6" - w/o Hardware - Left
	M00378-05-M04	EA	Door Asm. - Galley Overhead - 15.9" x 11.6" - w/o Hardware - Right
	M00378-06-M04	EA	Door Asm. - Galley Overhead - 15.9" x 11.6" - w/o Hardware - Left
	065260-15-L04	EA	Door Asm. - Galley Cabinet - 33.4" x 11.8" - w/o Hardware - Right
	065260-16-L04	EA	Door Asm. - Galley Cabinet - 33.4" x 11.8" - w/o Hardware - Left
	M00378-07-M04	EA	Door Asm. - Galley Cabinet - 33.4" x 11.8" - w/o Hardware - Right
	M00378-08-M04	EA	Door Asm. - Galley Cabinet - 33.4" x 11.8" - w/o Hardware - Left
	065260-22-L04	EA	Door Asm. - Refrigerator Cabinet - 19.7" x 12.5" - w/o Hardware - Right
	065260-23-L04	EA	Door Asm. - Refrigerator Cabinet - 19.7" x 12.5" - w/o Hardware - Left
	M00378-09-M04	EA	Door Asm. - Refrigerator Cabinet - 19.7" x 12.5" - w/o Hardware - Right
	M00378-10-M04	EA	Door Asm. - Refrigerator Cabinet - 19.7" x 12.5" - w/o Hardware - Left
	053744-01-L04	EA	Door Asm. - Furnace Grill - 15.25" x 13.25" - w/o Hardware
	M68629-C2-M04	EA	Door Asm. - Furnace Grill - 15.25" x 13.25" - w/o Hardware
	058023-12-L04	EA	Drawer Asm. - Galley Cabinet - 9.42" x 17.5" - w/o Hardware
	058023-13-L04	EA	Drawer Asm. - Galley Cabinet - 9.42" x 13" - w/o Hardware
	067195-01-000	EA	Drawer - Plastic - 10.5" x 17.5" x 5"
	066166-04-L04	EA	Door Asm. - Galley Cabinet - 12.2" x 22" - w/o Hardware
	M00377-19-M04	EA	Door Asm. - Galley Cabinet - 13.2" x 17.1" - w/o Hardware

GALLEY GROUP (CONTINUED)

GALLEY HARDWARE AND APPLIANCES

Key	Part Number	U/M	Description
	053424-01-L04	EA	Sink Cover - Large - Burl Block
	053424-04-M04	EA	Sink Cover - Large - Burnt Sienna
	053424-04-M05	EA	Sink Cover - Large - Brown
	053424-01-L40	EA	Sink Cover - Large - Butcher Block
	053424-01-K01	EA	Sink Cover - Large - Almond Batik
	068615-01-000	EA	Sink - Stainless Steel - Double, w/Bolts
**	011053-01-000	EA	Faucet - Swing Spout - 8" - US
**	011053-02-000	EA	Faucet - Swing Spout - 8" - C.S.A.
	064952-01-000	EA	Faucet - Single Control
	066437-01-000	EA	Strainer - Sink
**	011053-01-700	EA	Aerator - Swing Spout Faucet
	058334-01-000	EA	Wastebasket - 9 3/4" x 7" x 10" - White Rubbermaid
	059877-01-000	EA	Support - Wastebasket
	058841-01-L04	EA	Cover - Wastebasket - Burl Block
	058841-01-M01	EA	Cover - Wastebasket - Burnt Sienna
	058841-01-M05	EA	Cover - Wastebasket - Brown
	058841-01-700	EA	Cover - Wastebasket - Butcher Block
	058841-01-K01	EA	Cover - Wastebasket - Almond Batik
	053333-01-000	EA	Range Hood - Non Power - Black - U.S.
	053333-02-000	EA	Range Hood - Non Power - Black - C.S.A.
	049930-03-000	EA	Range Hood - Powered - Black - Jensen - U.S.
	049930-04-000	EA	Range Hood - Powered - Black - Jensen - C.S.A.
	052771-02-000	EA	Microwave Oven - Magic Chef - MW207
	062025-01-000	EA	Range Top - 3 Burner - Black - Magic Chef
	067754-01-000	EA	Range - 3 Burner - Small Oven - Magic Chef
**	049175-02-000	EA	Refrigerator - AC/DC/Gas - Sibir ET150/2 - 1 Door Model
	064473-02-000	EA	Refrigerator - AC/DC/Gas - Norcold - 6'
	064472-02-000	EA	Refrigerator - AC/DC/Gas - Norcold - 8'
	047205-08-000	EA	Grille Mesh - Brass - 10 1/8" x 12 1/2"
	057672-01-000	EA	Door Latch/Pull Asm.
	037688-01-000	FT	Rail - Drawer Guide - Steel
	057946-01-L01	EA	Pull Kit - Cabinet Drawer
	054450-01-000	EA	Level - Refrigerator

** The illustrated parts breakdown for this item is provided on the Common Items Fiche.

1981 ITASCA TABLE OF CONTENTS

IC419RB M1, IC419RB M2	A-1 - B-14
ICF22RB M1, ICF22RB M2	B-15 - D-14
ICN26RB M2	D-15 - F-10

1981 ICF22RB M1, ICF22RB M2 INDEX

Floor Plan	B-15 - B-16
Accessories Group	B-17 - B-18
Bull Group	B-19
Chassis Group	B-20 - B-21
Curtain, Cushion & Pad Group	B-22 - C-6
Dinette Group	C-7
Driver's Compartment Group	C-8 - C-9
Electrical Group	C-10 - C-12
Exterior Body Group	C-13 - C-17
Galley Group	C-17 - C-18
Heating & Air Conditioning Group	C-19 - C-20
Interior Finish Group	C-21 - C-23
LP Group	C-24
Lounge Group	D-1
Water & Sewage Group	D-2 - D-3
Window, Vent & Exterior Door Group	D-4 - D-14

AUTOMOTIVE HEATER AND AIR CONDITIONER

Key	Part Number	U/M	Description
	039044-01-000	EA	Louver Asm. - A/C Adjustable
	047046-01-000	EA	Motor 12 Volt - 3 Speed - Heater - Air Conditioner
	031043-01-000	EA	Valve - Heater - Water Flow Control
	031860-02-000	EA	Cable - Control - Flexible - 46"
	031169-02-000	EA	Cable - Control - Flexible - 48"
	031170-01-000	EA	Clamp - Cable - 2/16" Dia
	024996-01-000	EA	Clutch - Magnetic - Compressor
	024999-01-000	EA	Compressor - Auto Air - 10.3 Cubic Inch
	048100-01-000	EA	Package - Compressor Mount - 454 C.I.D.
	048801-01-000	EA	Condensor - Radiator Mount
	008267-01-000	EA	Switch - Air Conditioner
	024867-01-000	EA	Valve - Thermostatic Expansion
	024997-01-000	EA	Core - Heater
	024998-01-000	EA	Wheel - Blower - 4.72" O.D.
	031393-01-000	EA	Coil Evaporator
	031001-01-000	EA	Blower Housing
	007076-01-000	FT	Hose - Flexible PVC - 2" I.D.
	007108-01-000	FT	Hose - Heater - 5/8" I.D. SAE 20R3
	007281-01-000	FT	Hose - Flexible PVC - 2 1/2" I.D.
	062401-04-000	EA	Clamp - Worm Drive - .69"-1.25" I.D.
	033258-01-000	EA	Hose - Refrigerant - 50" I.D. x 34.50"
	034222-01-000	EA	Hose - Refrigerant - .31" I.D. x 26"
	034222-02-000	EA	Hose - Refrigerant - .31" I.D. x 32"
	031960-01-000	EA	Hose - Refrigerant - .34" I.D. x 30"
	031961-01-000	EA	Hose - Refrigerant - .31" I.D. x 14.75"
	031961-02-000	EA	Hose - Refrigerant - .31" I.D. x 19"
	049401-01-000	EA	Heater Asm. - Rear - Auxiliary
	049401-01-700	EA	Valve - Water Control (Aux. Heater)
	049401-01-701	EA	Control Cable (Aux. Heater)
	049401-01-702	EA	Motor Asm. (Aux. Heater)
	049401-01-703	EA	Heater Core (Aux. Heater)
	049401-01-704	EA	Switch (Aux. Heater)
	058906-01-000	EA	Control Panel (Auxiliary Rear Heater)
	024868-01-000	EA	Receiver - Dehydrator
	031044-01-000	EA	Clamp - Receiver Dehydrator
	031962-01-000	EA	Bracket - Receiver Dehydrator
	048232-02-000	EA	Kit - Auto Air - 454 C.I.D. - A-Body - Chevy
	024851-01-000	EA	Door Asm. - Defroster - A/C
	010227-01-000	EA	Tee - Plastic - Barb 5/8" or 3/4" Hose
	024855-01-000	EA	Duct Asm. - Fresh Air
	024849-01-000	EA	Damper Asm. - Fresh Air

FURNACES AND ROOF AIR CONDITIONERS

Key	Part Number	U/M	Description
**	052598-01-000	EA	Furnace - 19,000 BTU - w/Electric Ignition
	059351-02-000	EA	Furnace - 24,000 BTU - w/Piezo Ignition
	009198-01-000	FT	Duct - Flexible - 4" I.D. x 25'
	009200-01-000	EA	Tape - Furnace - 1 1/2"
	023146-01-000	EA	Clamp - Screw Typ - 4"
	056464-01-000	EA	Heat Register - Plastic - 4" Diameter
	031604-01-000	EA	Bracket - Heat Register
	058824-02-000	EA	Door - Furnace - Front - 4334
	049042-02-000	EA	Door - Furnace - Front - 4322
	050783-01-000	EA	Vent Package - Furnace - 1-3" Wall
	050784-01-000	EA	Vent Package - Furnace - 3-6" Wall
	039505-02-000	EA	Thermostat - Horizontal Wall Mount
**	049774-02-000	EA	Air Conditioner - 110 Volt - Roof Mount - 13,500 BTU Ivory - Coleman (w/o inside shroud)
**	049775-02-000	EA	Shroud Asm. - Ceiling - Inside - Roof Air Cool - 13,500 BTU - Coleman
**	049776-01-000	EA	Shroud Asm. - Ceiling - Inside - Roof Air Heat and Cool Only - 13,500 BTU - Coleman
**	063903-01-000	EA	Air Conditioner - 110 Volt - Roof Mount - 13,500 BTU Rotary

** The illustrated parts breakdown for this item is provided on the Common Items Fiche.

**1981 ITASCA
TABLE OF CONTENTS**

IC419RB M1, IC419RB M2	A-1 - U-14
ICF22RB M1, ICF22RE M2	B-15 - D-14
ICN26RB M2	D-15 - F-10

1981 ICF22RB M1, ICF22RB M2 INDEX

Floor Plan	B-15 - B-16
Accessories Group	B-17 - B-18
Bath Group	B-19
Chassis Group	B-20 - B-21
Curtain, Cushion & Pad Group	B-22 - C-6
Dinette Group	C-7
Driver's Compartment Group	C-8 - C-9
Electrical Group	C-10 - C-12
Exterior Body Group	C-13 - C-17
Galley Group	C-17 - C-18
Heating & Air Conditioning Group	C-19 - C-20
Interior Finish Group	C-21 - C-23
I.P. Group	C-24
Lounge Group	D-1
Water & Sewage Group	D-2 - D-3
Window, Vent & Exterior Door Group	D-4 - D-14

INTERIOR FINISH GROUP

PANELING AND COUNTERTOP MATERIALS

Key	Part Number	U/M	Description
	045863-01-000	SF	Paneling - 825 Buff - 48" x 96" (32 SF)
	064344-01-000	SF	Paneling - 772 Birch - 48" x 96" (32 SF) (M04, M05, M06)
	064385-02-000	SF	Paneling - 900 Rustic Oak - 48" x 96" (32 SF) (L04, L05, L06)
	064388-04-000	SF	Paneling - Galley Decor - Atrium Red (L04) (L05)
	064308-05-000	SF	Paneling - Galley Decor - Atrium Winter (L06)
	068343-05-000	SF	Paneling - Galley Decor - Paradise Fern - Rust (M04)
	068343-06-000	SF	Paneling - Galley Decor - Paradise Fern - Blue (M05)
	068343-07-000	SF	Paneling - Galley Decor - Paradise Fern - Beige (M06)
	065739-06-000	SF	Paneling - Bath Decor - Atrium Red (L04) (L05)
	065739-07-000	SF	Paneling - Bath Decor - Atrium Winter (L06)
	068343-01-000	SF	Paneling - Bath Decor - Shells - Beige (M04) (M05) (M06)
	065739-04-000	SF	Paneling - Burgandy Ferns - Wet (M04)
	064388-01-000	SF	Paneling - Beige Ferns - Dry (M05) (M06)
	065739-03-000	SF	Paneling - Beige Ferns - Wet (M05) (M06)
	058039-01-000	SF	Plastic Laminate - Burl Block (L04) (L05) (L06)
	068341-01-000	SF	Plastic Laminate - Burnt Sienna (M04)
	068341-03-000	SF	Plastic Laminate - Paper Bag Brown (M05) (M06)
	053339-01-000	SF	Plastic Laminate - Butcher Block (M04)
	058219-01-000	SF	Plastic Laminate - Almond Batik (M05) (M06)
	058039-01-019	EA	Plastic Laminate - Burl Block - 1.19" x 96" (L04) (L05) (L06)
	068341-01-019	EA	Plastic Laminate - Burnt Sienna - 1.19" x 96" (M04)
	068341-03-019	EA	Plastic Laminate - Paper Bag Brown - 1.19" x 96" (M05) (M06)
	053339-01-002	EA	Plastic Laminate - Butcher Block - 1.19" x 96" (M04)
	058219-01-001	EA	Plastic Laminate - Almond Batik - 1.19" x 96" (M05) (M06)

INTERIOR MOLDINGS AND TRIMS

Key	Part Number	U/M	Description
	047354-01-000	EA	Batt Strip - 825 Buff - Ceiling - 8'
	064386-01-000	EA	Batt Strip - 772 Birch - 8' (M04) (M05) (M06)
	064386-02-000	EA	Batt Strip - 900 Rustic Oak - 8' (L04) (L05) (L06)
	064389-05-000	EA	Batt Strip - Decor - Atrium Red - 8' (L04) (L05)
	064389-06-000	EA	Batt Strip - Decor - Atrium Winter - 8' (L06)
	068345-01-000	EA	Batt Strip - Bath Decor - Shells - 8' - Beige/Gray (M04) (M05) (M06)
	064389-02-000	EA	Batt Strip - Decor - Burgandy Ferns - 8' (M04)
	064389-01-000	EA	Batt Strip - Decor - Beige Ferns - 8' (M05) (M06)
	024700-06-000	EA	Cover - Roll Bar - Sidewall - Ivory
	024700-14-000	EA	Cover - Roll Bar - Russet Oak
	052859-01-J27	FT	Accent Trim - Acorn Brown Vinyl
	009812-10-000	EA	Molding - Outside Corner - .50" - Birch
	009813-01-000	FT	Molding - Outside Corner - .50" - Dark Pecan
	009767-05-000	FT	Welting - Light Brown
	009778-01-000	FT	U-Channel - 1" - Dark Brown
	017768-01-000	FT	U-Channel - .19" Brown
	009779-03-000	FT	U-Channel - 1 1/8" - Light Brown
	052361-01-K01	FT	Molding Asm - Shelf
	009810-01-000	FT	Molding - Outside Corner - 1" - Dark Pecan
	009815-03-000	FT	T-Molding - .75" - Light Brown
	022992-04-000	FT	Molding - Reverse Cove
	035337-22-000	EA	Trim - Inside Corner - Alum. - 80.88"
	034394-02-000	EA	Extr. Vinyl Insert - Beige

INTERIOR FINISH GROUP (CONTINUED)

FABRICS AND FLOOR COVERINGS

Key	Part Number	U/M	Description
	064393-01-000	YD	Fabric - Drapery - Dublin Walnut - Light Brown (L04)
	064393-02-000	YD	Fabric - Drapery - Dublin Brown (L05)
	064393-03-000	YD	Fabric - Drapery - Dublin Blue (L06)
	068339-01-000	YD	Fabric - Drapery - Champagne (M04) (M05) (M06)
	064383-02-000	YD	Fabric - Upholstery - Quaker Rust (L04)
	064383-03-000	YD	Fabric - Upholstery - Quaker Brown (L05)
	064383-04-000	YD	Fabric - Upholstery - Quaker Blue (L06)
	068338-04-000	YD	Fabric - Upholstery - Rust (M04)
	068338-05-000	YD	Fabric - Upholstery - Blue (M05)
	068338-06-000	YD	Fabric - Upholstery - Beige (M06)
	053327-01-000	YD	Vinyl - Non Expanded - 27 oz. - Acorn Brown
	053327-02-000	YD	Vinyl - Expanded - 28 oz. - Acorn Brown
	053327-03-000	YD	Vinyl - Non Support - 16 Gauge Film - Acorn Brown
	064384-01-000	SY	Carpet - Ginger (L04) (L05) (L06)
	068340-01-000	SY	Carpet - Rust (M04)
	068340-02-000	SY	Carpet - Medium Brown (M05) (M06)
	064392-01-000	SY	Vinyl Floor Covering - Armstrong - Castilian

CURTAIN HARDWARE

Key	Part Number	U/M	Description
	052327-04-236	EA	Track - Curtain - Brown Alum. - 89" w/Holes
	056116-01-000	FT	Track - Curtain - Brown Plastic
	056001-01-000	EA	Bracket - Shade - Left
	056002-01-000	EA	Bracket - Shade - Right
	056003-01-000	EA	Bracket - Drapery Retainer - Right
	056003-02-000	EA	Bracket - Drapery Retainer - Left
	053272-04-200	EA	Track - Curtain - Off White - 89" w/Holes
	056784-01-000	EA	Pull - Window Shade - Antique Brass
	009107-01-000	EA	Guide - Nylon Snap - Curtain
	018031-42-000	EA	Track - Curtain - "L" Rod - Alum. Extr. - 90"
	009701-01-000	EA	Carrier - "L" Rod - Curtain
	009702-01-000	EA	End Stop - "L" Rod - Curtain
	059430-01-000	EA	Track - Curtain - Front Wraparound (2 per unit) - 32.8" x 45.2"
	059430-02-000	EA	Track - Curtain - Front Wraparound (w/Drivers Door) - 32.8" x 49.1"
	056115-01-000	YD	Tape - Clear Plastic - w/Guides
	048394-01-000	YD	Tape - Hook - 1" x 25 YD - Beige
	048395-01-000	YD	Tape - Loop - 1" x 25 YD - Beige

MISCELLANEOUS

Key	Part Number	U/M	Description
	041944-01-700	EA	Fire Extinguisher - Dry Chemical w/Bracket
	041944-03-000	EA	Fire Extinguisher - 5 BC (Calif)
	007033-01-000	EA	Door Mat - Black Rubber - 10 1/2" x 26"
	053552-01-K01	EA	Assist Handle - Interior - Acorn Vinyl
	054185-12-000	EA	Owners Manual - Winnebago and Itasca
	047205-08-000	EA	Brass Mesh - 10 1/8" x 12 1/2" - Furnace Grill
	006069-01-000	EA	Key Case - Leather
	064693-01-000	EA	Door Asm. - Battery - w/o Carpet (L04) (L05) (L06)
	M64693-01-M04	EA	Door Asm. - Battery - w/Carpet (M04)
	M64693-01-M05	EA	Door Asm. - Battery - w/Carpet (M05) (M06)

1981 ITASCA TABLE OF CONTENTS

IC419RB M1, IC419RB M2	A-1 - B-14
ICF22F B M1, ICF22RE M2	B-15 - D-14
ICN26RB M2	D-15 - F-10

1981 ICF22RB M1, ICF22RB M2 INDEX

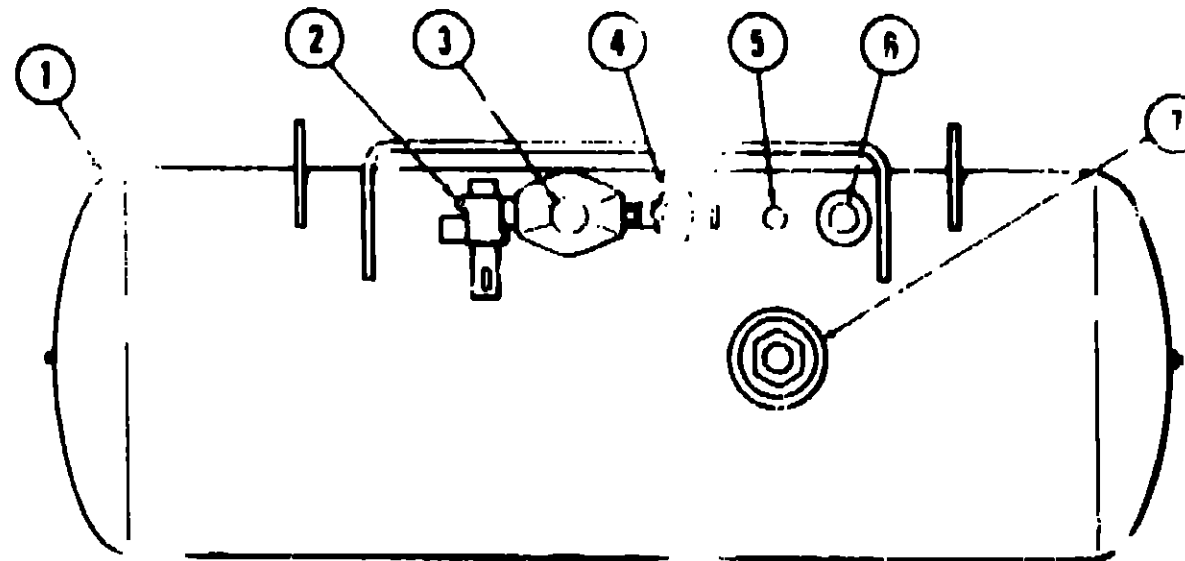
Floor Plan	B-15 - B-16
Accessories Group	B-17 - B-18
Bath Group	B-19
Chassis Group	B-20 - B-21
Curtain, Cushion & Pad Group	B-22 - C-6
Dinette Group	C-7
Driver's Compartment Group	C-8 - C-9
Electrical Group	C-10 - C-12
Exterior Body Group	C-13 - C-17
Galley Group	C-17 - C-18
Heating & Air Conditioning Group	C-19 - C-20
Interior Finish Group	C-21 - C-23
LP Group	C-24
Lounge Group	D-1
Water & Sewage Group	D-2 - D-3
Window, Vent & Exterior Door Group	D-4 - D-14

CABINETS AND TABLE HARDWARE

Key	Part Number	U/M	Description
	057946-01-L01	EA	Pull Kit - Cabinet Door - Flat Latch
	066740-01-000	EA	Drawer Pull - Brass
**	052932-01-J30	EA	Hinge Kit - Cabinet Door - Antique Brass
	053103-01-L01	EA	Hinge Kit - Double Sealing - Overhead Door
	057945-01-K01	EA	Latch Kit - Cabinet Door - Flat Latch
	009111-01-000	EA	Flange - 1" Cabinet Rod
**	053104-01-000	EA	Bracket - Upper Wall Mount - 23.5"
**	053105-01-000	EA	Bracket - Table Mount - 23" Anod
**	024101-01-000	EA	Rod - Table Lift
**	024281-01-000	EA	Bracket - Lower Wall Mount - Black - 22 1/2"
**	024276-01-000	EA	Leg Asm. - Table - Brown - 29 1/2"
**	064050-01-000	EA	Hinge - Table Leg
**	024282-01-000	EA	Bracket - Table Leg
**	024283-01-000	EA	Cap - 1" O.D. Tube
**	049493-02-000	EA	Catch - Table Leg - Mounts on Floor - Brown
**	009040-02-000	EA	Leg - Pedestal Table - 27 1/2" x 2 25" O.D. - Chrome
**	009040-03-000	EA	Base - Table Leg - Mounts on Table
**	041194-01-000	EA	Base - Table Leg - Mounts in Floor
**	062046-01-000	EA	Clip - Leg Pedestal
**	058335-01-000	EA	Latch - Bathroom Door w/Lock
**	058335-02-000	EA	Latch - Bathroom Door w/o Lock
**	059753-01-000	EA	Slide - Drawer - Left
**	059753-02-000	EA	Slide - Drawer - Right
**	037638-01-000	FT	Rail - Drawer Glide
**	047744-01-000	EA	Kit - Drawer Glide

** The illustrated parts breakdown for this item is provided on the Common Items Fiche.

LP GROUP



Key	Part Number	U/M	Description
1	052769-01-000	EA	Tank Asm. - LP - Frame Mount - 42 Pound
1	063378-01-000	EA	Tank Asm. - LP - Frame Mount - 80 Pound
2	047221-01-000	EA	Detector - LP Gas Leak - Brown
*	047356-01-000	EA	Bracket - LP Detector - Brown
*	055741-01-000	EA	Detector - LP Gas Leak - Marshalltown Instruments
3	058706-01-000	EA	Cover - Regulator - 2 Stage
*	058705-01-000	EA	Regulator - Two Stage - LP Gas
4	040421-01-700	EA	Valve - Vapor Relief
5	040421-01-700	EA	Gauge - Liquid Level - 20% LP
6	040421-01-700	EA	Valve - Filler - LP
*	040421-01-700	EA	Cap - Plastic Fill Valve
*	040421-01-700	EA	Gauge - Float - w/Visible Dial - 80 Pound Tank
*	042281-01-700	EA	Gauge - Float - w/Visible Dial - 42 Pound Tank
*	040421-01-700	EA	Dial - Visible Face - Float Gauge (Tank w/o Electric Transmitter)
*	040421-01-700	EA	Dial - Transmitter - 0 - 90 Ohm (Float Gauge)
*	045703-01-000	EA	Hose Asm. - LP - 3/8" I.D. x 24"
*	045703-03-000	EA	Hose Asm. - LP - 3/8" I.D. x 14"
*	047737-02-000	EA	Support - LP Tank - 89.25"
*	047737-03-000	EA	Support - LP Tank - 30.50"
*	Not Illustrated		

WINN AIR WITH LANDI-HARTOG (A-BODY)

Key	Part Number	U/M	Description
	065279-01-000	EA	Relief Valve - Hydrostatic - Sherwood
	065287-02-000	EA	Valve - Gasoline Shut-Off
	065820-02-000	EA	Hose Asm. - High - Pressure - 30"
	067290-01-000	EA	Hose - Vapor - 5/8" x 51"
	068050-04-000	EA	LP Mixer
	068142-01-000	EA	Tube Asm. - Converter - Copper w/Flare Nuts - 3/16" x 90° Bend
	068144-01-000	EA	Bracket - Angle - Converter
	068197-01-000	EA	Instrument Asm. - LP
	068201-01-000	EA	Converter Asm. - LP (A-Body)
	035927-01-000	EA	Steel Rod - Threaded - 1/4" x 20" x 8"

1981 ITASCA
TABLE OF CONTENTS

ICF19RB M1, ICF19RB M2	A-1 - B-11
ICF22RB M1, ICF22RB M2	B-15 - D-14
ICN26RB M2	E-15 - F-10

1981 ICF22RB M1, ICF22RB M2 INDEX

Floor Plan	B-15 - B-16
Accessories Group	B-17 - B-18
Bath Group	B-19
Chassis Group	B-20 - B-21
Curtain, Cushion & Pad Group	B-22 - C-6
Emette Group	C-7
Driver's Compartment Group	C-8 - C-9
Electrical Group	C-10 - C-12
Exterior Body Group	C-13 - C-17
Galley Group	C-17 - C-18
Heating & Air Conditioning Group	C-19 - C-20
Interior Finish Group	C-21 - C-23
LP Group	C-24
Lounge Group	D-1
Water & Sewage Group	D-2 - D-3
Window, Vent & Exterior Door Group	D-4 - D-14

LOUNGE GROUP

LESTER LOUNGE AND OVERHEAD CABINET

Key	Part Number	U/M	Description
	066379-01-L04	EA	Cabinet Asm. - Pullout Couch - w/o Drawer or Hardware
	066379-01-M04	EA	Cabinet Asm. - Pullout Couch - w/o Drawer or Hardware
	065990-01-L04	EA	Cabinet Asm. - Armrest
	065990-01-M04	EA	Cabinet Asm. - Armrest
	065987-01-L04	EA	Armrest Asm. - Rust
	065987-01-L05	EA	Armrest Asm. - Brown
	065987-01-L06	EA	Armrest Asm. - Blue
	065987-01-M04	EA	Armrest Asm. - Rust
	065987-01-M05	EA	Armrest Asm. - Blue
	065987-01-M06	EA	Armrest Asm. - Beige
	065981-01-L04	EA	Cabinet Asm. - Overhead - Lounge - w/o Doors or Hardware
	M65981-02-M04	EA	Cabinet Asm. - Overhead - Lounge - w/o Doors or Hardware
	057992-56-L04	EA	Door Asm. - Overhead Cabinet - 11.5" x 28.2" - w/o Hardware
	M00377-26-M04	EA	Door Asm. - Overhead Cabinet - 11.5" x 28.2" - w/o Hardware
	058093-03-L04	EA	Drawer Asm. - Blanket - 19.62" x 30.63"
	068645-02-M04	EA	Drawer Asm. - Blanket - 29.8" x 20"
	066740-01-000	EA	Drawer Pull - Brass
	056875-02-000	EA	Leg Asm. - Couch
	022517-01-000	EA	End Cap - 1" x 1" - Brown
	053163-01-000	EA	Bracket Couch Slide
	053347-01-000	EA	Wire - Pin - Spring - 3/32"
	053348-01-000	EA	Steel Pin - 1/4" x 4" - 3/32" Hole
	054398-01-000	EA	Bracket - Center Support - Lester Lounge - Brown

SPRUNG COUCH OPTION

Key	Part Number	U/M	Description
	065988-01-L04	EA	Front Panel Asm. - Sprung Couch - w/o Drawer or Hardware
	065988-01-M04	EA	Front Panel Asm. - Sprung Couch - w/o Drawer or Hardware
	065394-01-L04	EA	End Panel - Sprung Couch
	065394-01-M04	EA	End Panel - Sprung Couch
	058093-03-L04	EA	Drawer Asm. - Blanket - 19.62" x 30.63"
	068645-02-M04	EA	Drawer Asm. - Blanket - 29.8" x 20"
	066740-01-000	EA	Drawer Pull - Brass
	057468-02-000	EA	Base Asm. - Couch - Right - Sprung Couch
	057468-03-000	EA	Base Asm. - Couch - Left - Sprung Couch
	057468-04-000	EA	Base Asm. - Couch - Spacers - Sprung Couch - 2 per couch
	057469-01-000	EA	Leg Asm. - Sprung Couch - 2 per Couch
	053248-02-L04	EA	Table Asm. - Pedestal - w/o Hardware - Burl Block
	053248-02-M04	EA	Table Asm. - Pedestal - w/o Hardware - Burnt Sienna
	053248-02-M05	EA	Table Asm. - Pedestal - w/o Hardware - Brown
	053248-02-L40	EA	Table Asm. - Pedestal - w/o Hardware - Butcher Block
	053248-02-L41	EA	Table Asm. - Pedestal - w/o Hardware - Almond Batik
	009040-02-000	EA	Leg - Pedestal Table - 27.5" x 2.25" O.D. - Chrome
	009040-03-000	EA	Base - Table - Mounts on Table
	011194-01-000	EA	Base - Table - Mounts in Floor
	062045-01-000	EA	Clip - Pedestal Leg
	056418-01-L04	EA	Plug Asm. - Pedestal - Table - Ginger
	056093-01-M01	EA	Plug Asm. - Pedestal - Table - Rust
	056093-01-M02	EA	Plug Asm. - Pedestal - Table - Medium Brown

WATER AND SEWAGE GROUP

PLUMBING REPAIR PARTS

Key	Part Number	U/M	Description
**	041279-02-000	EA	Pump - Water - Flow 2.8 G.P.M. - PAR
**	063646-01-000	EA	Pump - Water - 2.8 G.P.M. - Direct Drive - US
**	063646-02-000	EA	Pump - Water - 2.8 G.P.M. - Direct Drive - CSA
**	039847-03-000	EA	Filter - Water Pump - 1/2" MPT
**	052982-01-000	EA	Valve - Stool - 90° 1/2 F x 3/8 MPT
**	039818-01-000	EA	Riser Asm. - 3/8" O.D. x 24" Tube
**	039818-02-000	EA	Riser Asm. - 3/8" O.D. x 36" Tube
**	039818-04-000	EA	Riser Asm. - 3/8" O.D. x 72" Tube
**	039818-05-000	EA	Riser Asm. - 3/8" O.D. x 48" Tube
**	035539-01-000	EA	Elbow - Plastic - 3/8 MPT x 3/8" Barb
**	052952-01-000	EA	Nut - Plastic - 1/2 F
**	052953-01-000	EA	Nut - Faucet - 1/2 Tube x 1/2 FPT
**	052954-01-000	EA	Adapter - Nose Cone - 3/8 or 1/2
**	052958-01-000	EA	Tee - Plastic - 1/2 F x 1/2 F x 1/2 F
**	052959-02-000	EA	Connector - Plastic - 1/2 F x 1/2 MPT
**	052959-03-000	EA	Connector - Plastic - 1/2 F x 3/8 MPT
**	052960-01-000	EA	Drain Valve - Line - 1/2 F x 1/2 F
**	052961-01-000	EA	Header - 1/2 F x 1/2 F x 1/2 F x 1/2 F
**	004020-01-000	QT	Adhesive - ABS Cement
**	010201-01-000	EA	Hose - Sewer - 3" x 8 ft. w/Clamp
**	082415-01-000	EA	Cap - Sewer - 3"
**	082416-01-000	EA	Hose - Adapter - 3"
**	082417-01-000	EA	Adapter - Termination - 3"
**	082418-02-000	EA	Valve - 3" w/o Handle
**	082419-01-000	EA	Handle - Extension - w/6" Adapter
**	082421-01-000	EA	Valve - 1 1/2" - w/Handle
**	010008-01-000	EA	Elbow - Plastic - 1 1/2" x 45° - H x H
**	010008-01-000	EA	Elbow - Plastic - 1 1/2" x 90° - Long Turn
**	010134-01-000	EA	Adapter - Plastic - 1 1/2" M x MPT
**	010154-01-000	EA	Ring - Closet - Plastic - 4" F x 3" MPT x L
**	011091-01-000	EA	Waste - Continuous - Double Sink - 11 7/8"
**	011068-01-000	EA	P-Trap - Plastic - 1 1/4"
**	010079-01-000	EA	Tee - Plastic - 1 1/2" H x 1 1/2 H x 1 1/4 H
**	010091-01-000	EA	Wye - Plastic - 3" x 45° - H x H x H
**	010121-01-000	EA	Bushing - Plastic - 1 1/2 S x 1 1/4 H
**	031126-01-000	EA	Elbow - Plastic - 3" x 90° - Long Turn
**	010133-01-000	EA	Adapter - Trap - Plastic - 1 1/2" H x MPT
**	050780-01-000	EA	Coupler - Rubber - 3" x 3"
**	010219-01-000	EA	Elbow - 1 1/4 Barb x 1 1/4 MPT - 90°
**	010224-01-000	EA	Adapter - Plastic - 3/8" MPT x 3/8" BARB
**	044927-01-000	EA	Adapter - Plastic - 1 1/4" MPT x 1 1/4" BARB
**	058134-01-000	EA	Ring - Pipe Holder - 3.8"
**	044928-01-000	FT	Tubing - Flex - 1 1/4" I.D. x 10' Long
**	061607-01-000	EA	Grommet - Rubber - Holding Tank - 1 1/2" NPS
**	061607-02-000	EA	Grommet - Rubber - Holding Tank - 3" NPS
**	010197-01-000	FT	Pipe - ABS Plastic - 3' x 240"
**	065979-01-000	EA	Compartment Asm. - Sewer Hose
**	052957-02-000	EA	Elbow - Plastic - 1/2" F x 1/2 MPT
**	052957-03-000	EA	Elbow - Plastic - 1/2" x 1/4" MPT
**	061607-01-000	EA	Grommet - Holding Tank - 1 1/2" NPS
**	061607-02-000	EA	Grommet - Holding Tank - 3" NPS
**	046524-01-000	EA	Kit - Plastic Fittings - Holding Tanks
**	046524-02-000	EA	Kit - Plastic Fittings - Water Tank

** The illustrated parts breakdown for this item is provided on the Common Items Fiche.

1981 ITASCA TABLE OF CONTENTS

IC419RB M1, IC419RB M2	A-1 - B-14
ICF22RB M1, ICF22RB M2	B-15 - D-14
ICN26RB M2	D-15 - F-10

1981 ICF22RB M1, ICF22RB M2 INDEX

Floor Plan	B-15 - B-16
Accessories Group	B-17 - B-18
Bath Group	B-19
Chassis Group	B-20 - B-21
Curtain, Cushion and Pad Group	B-22 - C-6
Dinette Group	C-7
Driver's Compartment Group	C-8 - C-9
Electrical Group	C-10 - C-12
Exterior Body Group	C-13 - C-17
Galley Group	C-17 - C-18
Heating & Air Conditioning Group	C-19 - C-20
Interior Finish Group	C-21 - C-23
LP Group	C-24
Lounge Group	D-1
Water & Sewage Group	D-2 - D-3
Window, Vent & Exterior Door Group	D-4 - D-14

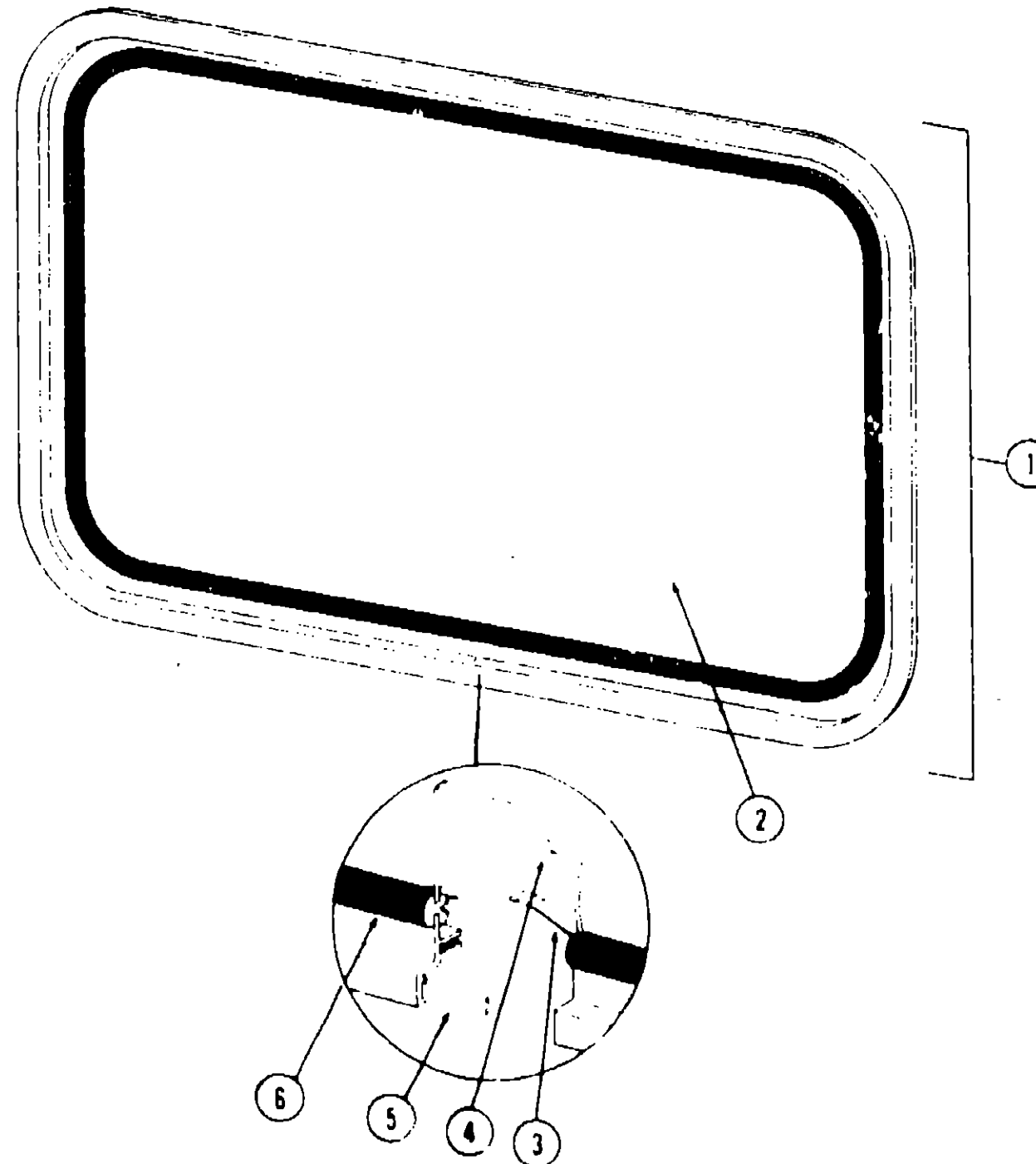
WATER AND SEWAGE GROUP (CONTINUED)

HOLDING TANKS AND WATER HEATERS

Key	Part Number	U/M	Description
	064591-02-000	EA	Tank Asm. - Holding - Main - w/Fittings
	064591-01-000	EA	Tank Asm. - Holding - Main - w/o Fittings
	064592-02-000	EA	Tank Asm. - Holding - Aux. - w/Fittings
	064592-01-000	EA	Tank Asm. - Holding - Aux. - w/o Fittings
	045196-18-000	EA	Tank Asm. - Water - 26 Gal. - (Front Dinette Seat)
	045196-17-000	EA	Tank Asm. - Water - 26 Gal. - (Rear Dinette Seat)
	045196-01-000	EA	Tank Asm. - Water - 26 Gal. - w/o Fittings
**	051331-01-000	EA	Water Heater - 6 Gallon - w/o Motor Aid - Atwood G6A3
**	051392-01-000	EA	Water Heater - 6 Gallon - w/Motor Aid - Atwood GH63

** The illustrated parts break-down for this item is provided on the Common Items Fiche.

WINDOW, VENT AND EXTERIOR DOOR GROUP



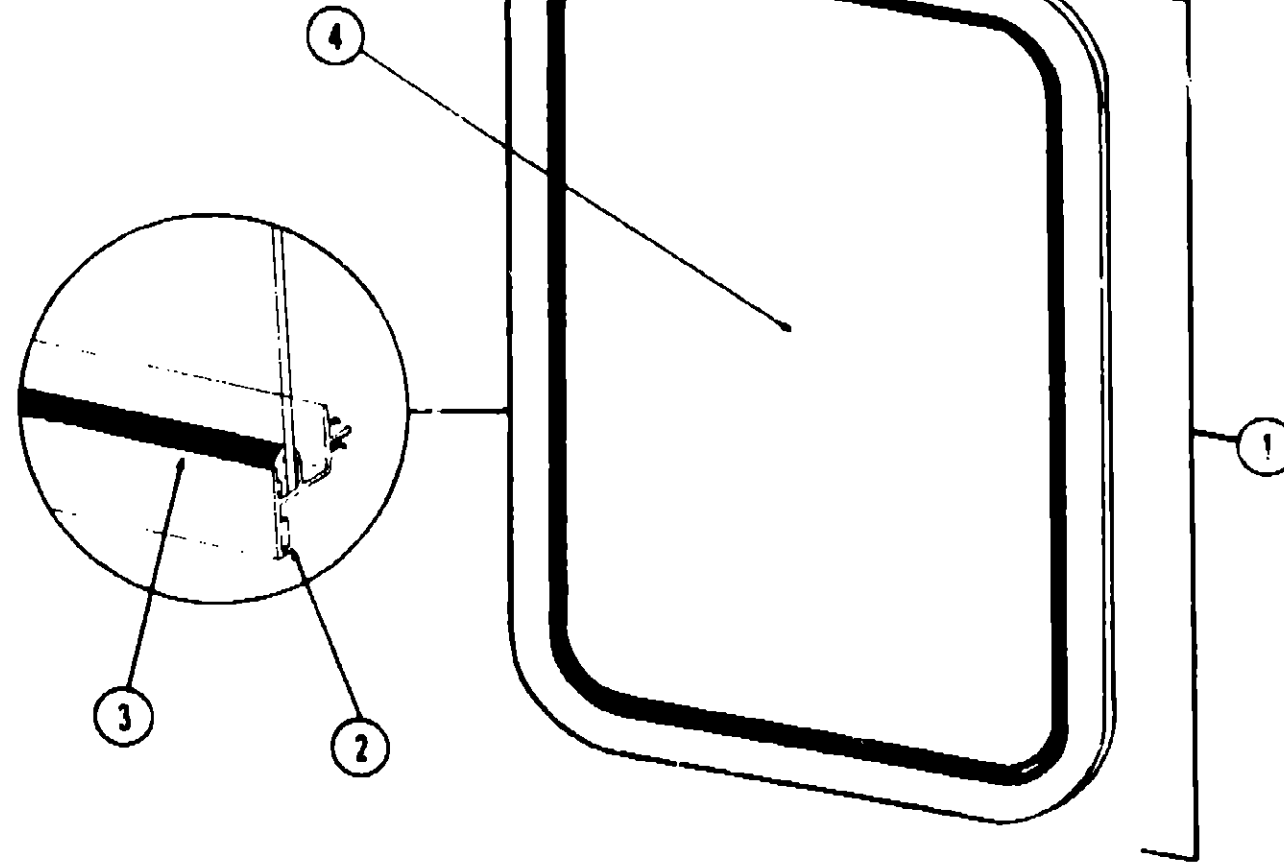
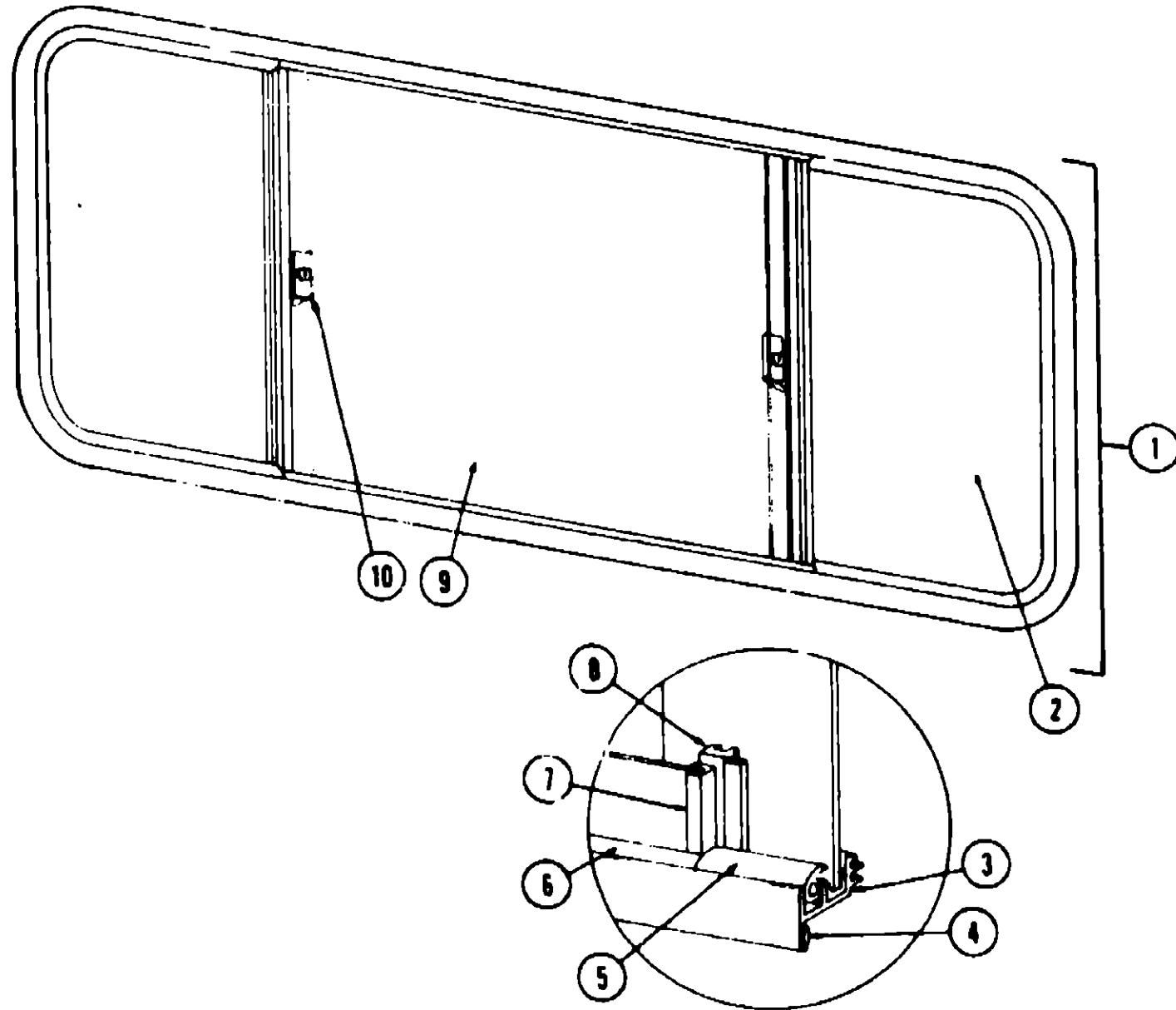
Key	Part Number	U/M	Description
1	020751-03-000	EA	Window Asm. - Rear Escape - 23" x 29" - Black Anod. (w/o inside frame)
2	002174-01-000	EA	Glass - Window - 1/8" x 19.61" x 25.92"
3	002285-01-000	FT	Weatherstrip - Black
4	020395-01-000	EA	Slip Ring - Escape Window
5	004363-01-000	FT	Tape - Foam - 3/16" x 1/2" - Gray
6	002282-01-000	FT	Weatherstrip - .125" - Black
.	020749-03-000	EA	Inside Frame - Escape Window - 23" x 29" (not included in assembly)
.	006199-01-000	EA	Label - Exit - Escape Window
.			Not Illustrated

**1981 ITASCA
TABLE OF CONTENTS**

IC419RB M1, IC419RB M2	A-1 - B-14
ICF22RB M1, ICF22RB M2	B-15 - D-14
ICN26RB M2	D-15 - F-10

1981 ICF22RB M1, ICF22RB M2 INDEX

Floor Plan	B-15 - B-16
Accessories Group	B-17 - B-18
Bath Group	B-19
Chassis Group	B-20 - B-21
Curtain, Cushion and Pad Group	B-22 - C-6
Dinette Group	C-7
Driver's Compartment Group	C-8 - C-9
Electrical Group	C-10 - C-12
Exterior Body Group	C-13 - C-17
Galley Group	C-17 - C-18
Heating & Air Conditioning Group	C-19 - C-20
Interior Finish Group	C-21 - C-23
LP Group	C-24
Lounge Group	D-1
Water & Sewage Group	D-2 - D-3
Window, Vent & Exterior Door Group	D-4 - D-14



Key	Part Number	U/M	Description
1	048630-04-000	EA	Window Asm. - Double Slider - 23" x 65" - Black Anod. (w/o inside frame)
2	066727-02-000	EA	Glass - Sliding - 1/8" x 22" x 21"
3	002324-02-000	FT	Channel - Weatherstrip - Glass Run - 1/8" Glass
4	053767-03-000	FT	Tape - 1/4" Bead x 20' - Gray
5	057374-02-000	FT	Seal - Window Channel - Black
6	002309-02-000	FT	Spline - Glass - Black
7	018025-03-000	EA	Holder - Glass Seal - Black Anod. Extr. - 21.19"
8	041894-02-000	EA	Mullion - Slider Window - Black Anod. Extr.
9	002188-01-000	EA	Glass - Stationary - .115" x 22" x 25"
10	047569-01-700	EA	Latch - Window - Plastic w/adjuster
.	023320-01-000	EA	Pad - Foam - 3/8" Dia (used w/Plastic Latch)
.	002288-01-000	FT	Seal - Fin - Pile - 30" - Mullion
.	023713-02-000	EA	Cover - Weep Hole - Black
.	042133-09-000	EA	Frame - Inside - Single Slider - 25" x 65"
.			Not Illustrated

Key	Part Number	U/M	Description
1	058651-01-000	EA	Window Asm. - Picture - 20 3/4" x 20 3/4" - Black (w/o inside frame)
2	053767-03-000	FT	Tape - 1/4" Bead x 20' - Schnee Morehead
3	002309-02-000	FT	Spline - Glass - 1/8" - Black
4	002181-03-000	EA	Glass - .115" x 20.62" x 20.62" - Gray
.	058650-01-000	EA	Frame - Inside - Window (not included in assembly)
.			Not Illustrated

1981 ITASCA
TABLE OF CONTENTS

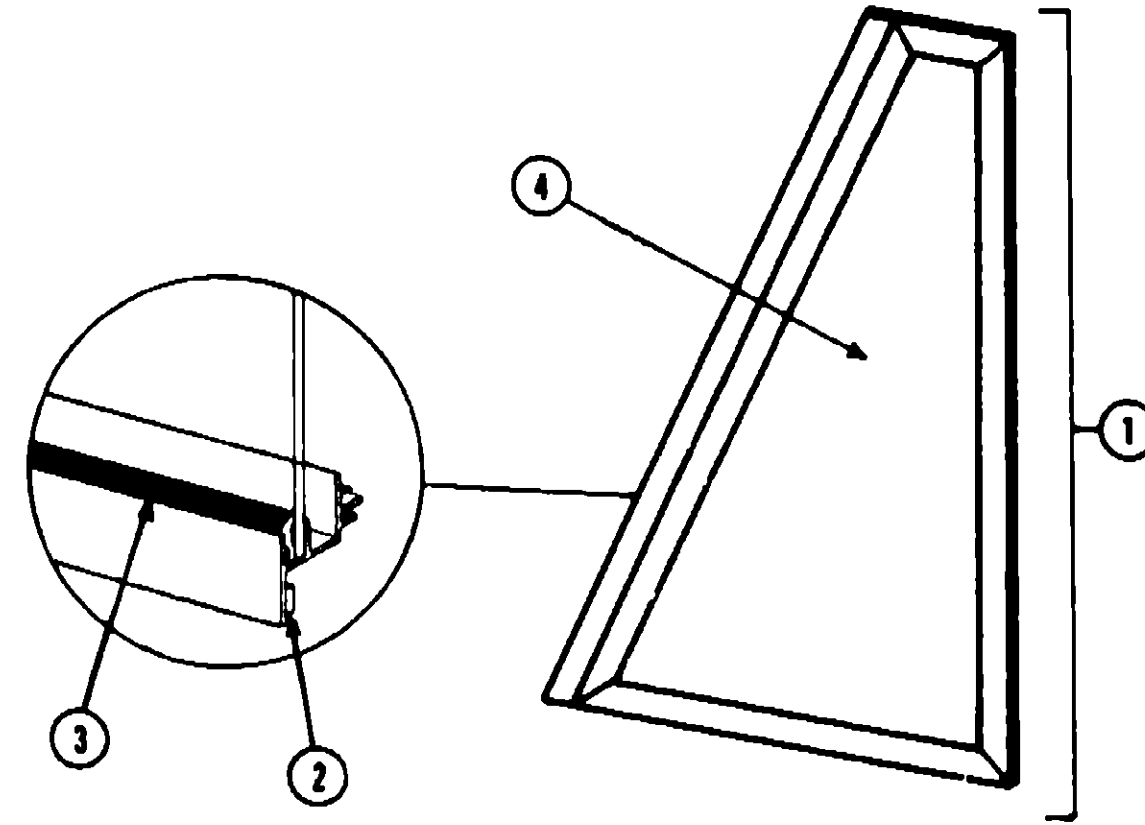
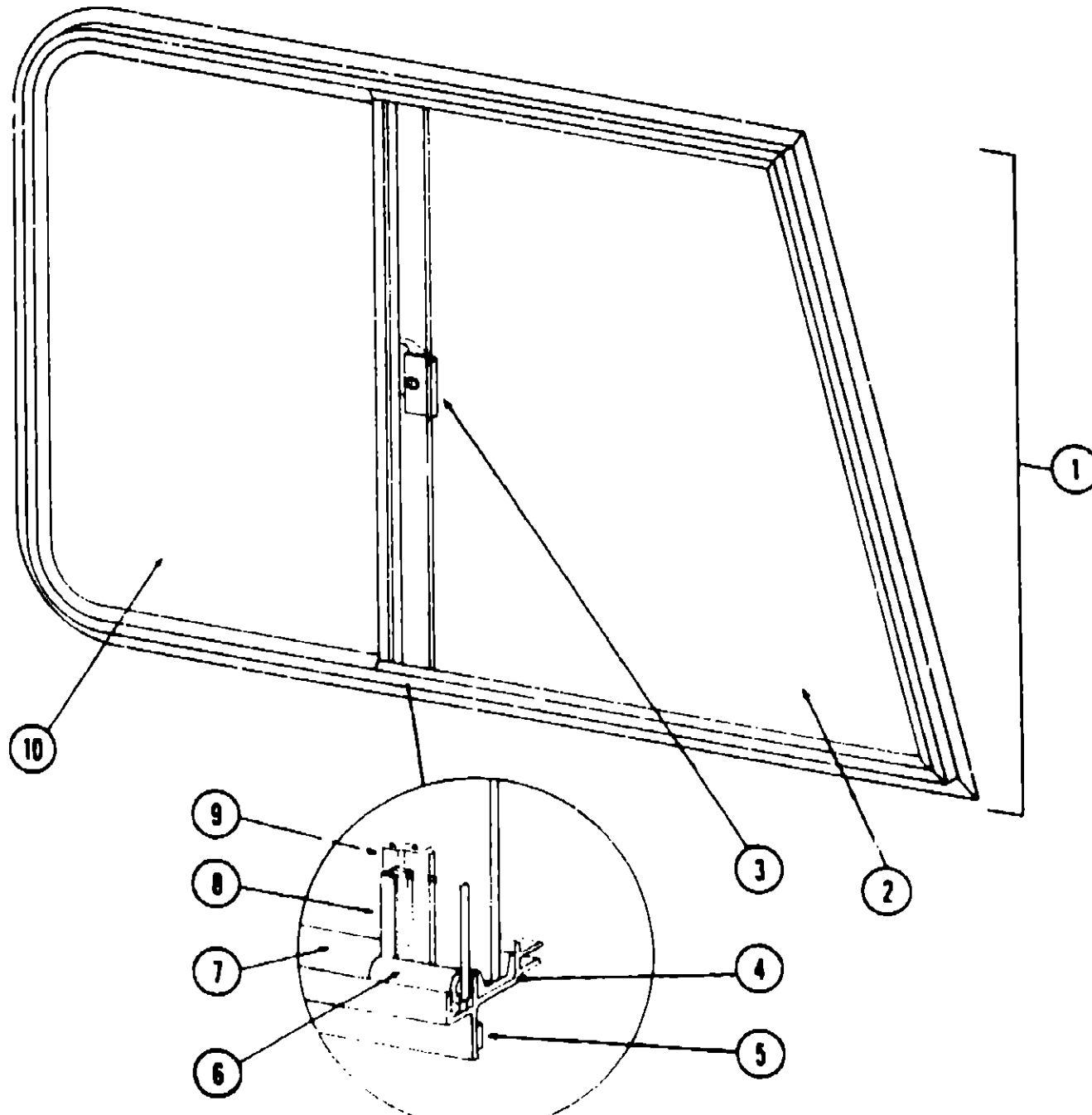
IC419RB M1, IC419RB M2	A-1 - B-14
ICF22RB M1, ICF22RB M2	B-15 - D-14
ICN26RB M2	D-15 - F-10

1981 ICF22RB M1, ICF22RB M2 INDEX

Floor Plan	B-15 - B-16
Accessories Group	B-17 - B-18
Bath Group	B-19
Chassis Group	B-20 - B-21
Curtain, Cushion and Pad Group	B-22 - C-6
Dinette Group	C-7
Driver's Compartment Group	C-8 - C-9
Electrical Group	C-10 - C-12
Exterior Body Group	C-13 - C-17
Galley Group	C-17 - C-18
Heating & Air Conditioning Group	C-19 - C-20
Interior Finish Group	C-21 - C-23
LP Group	C-24
Lounge Group	D-1
Water & Sewage Group	D-2 - D-3
Window, Vent & Exterior Door Group	D-4 - D-14

WINDOW, VENT AND EXTERIOR DOOR GROUP (CONTINUED)

WINDOW, VENT AND EXTERIOR DOOR GROUP (CONTINUED)



Key	Part Number	U/M	Description
1	059046-01-000	EA	Window Asm. - Right Front Slant Slider - 23" x 39" - Black Anod. (w/o inside frame)
	059046-02-000	EA	Window Asm. - Left Front Slant Slider - 23" x 39" - Black Anod. (w/o inside frame)
2	057656-01-000	EA	Glass - 3/16" x 24.88" x 25.30" - Stationary
3	047369-01-700	EA	Latch - Window - Plastic w/Fastener
	023320-01-000	EA	Foam Pad - 3/8" Dia. (used with plastic latch)
4	042077-01-000	FT	Channel - Weatherstrip - Glass Run - 3/16" Glass
5	053767-01-000	FT	Tape - 1/2" x 1/8" x 30" - Gray - Schnee Morehead
6	050216-02-000	FT	Spline - 3/16" Glass
7	057374-02-000	FT	Extr Vinyl - Window Seal - Black
8	002389-03-206	EA	Holder - Glass Seal - Black Anod. - 24.13"
9	057644-04-000	EA	Mullion - Window - Slant Slider
10	057657-01-000	EA	Glass - 3/16" x 24.88" x 14.70" - Sliding
	059042-01-000	EA	Inside Frame - Right Front Slant Slider (not included in assembly)
	059042-02-000	EA	Inside Frame - Left Front Slant Slider (not included in assembly)
	023713-02-000	EA	Cover - Weephole - Black Anod.
	055164-05-000	EA	Slider Screen Asm. - Right or Left - Black
	016310-03-000	EA	Handle - Slider Screen - Black
	002292-01-000	SF	Screen - Window - 20" - Gray
	002298-01-000	FT	Spline - Gray - 130" Dia.
			Not Illustrated

Key	Part Number	U/M	Description
1	062896-01-000	EA	Window Asm. - Stationary - Drivers Slant - 14" x 25.32" Black Anod. (w/o inside frame)
2	053767-03-000	FT	Tape - 1/4" Bead x 20" - Gray - Schnee Morehead
3	002309-02-000	FT	Spline - Glass - 1/8" - Black
4	057656-02-000	EA	Glass - 3/16" x 24.88" x 13.68"
	063420-01-000	EA	Frame - Inside - Front Slant Window (not included in assembly)
			Not Illustrated

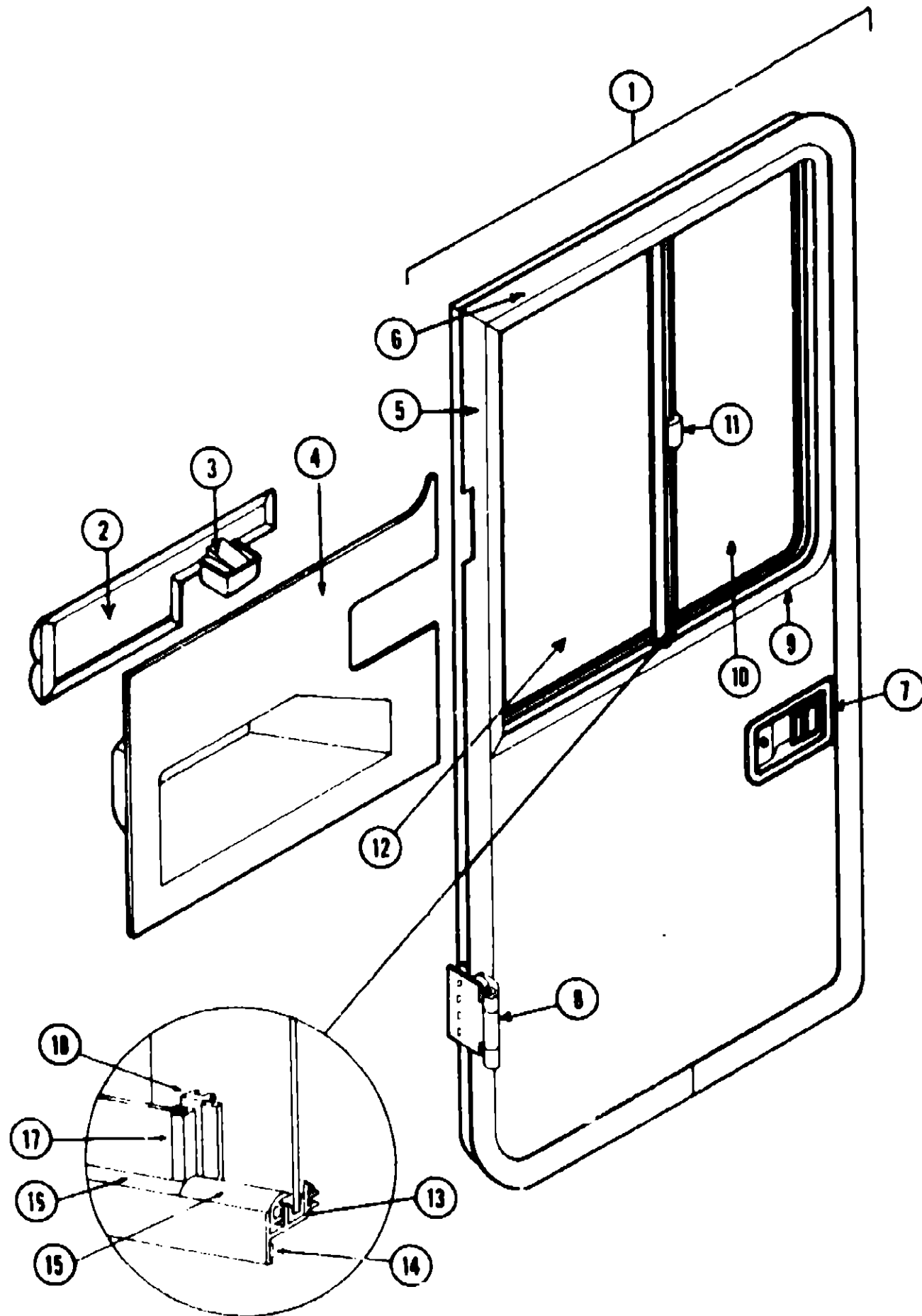
**1981 ITASCA
TABLE OF CONTENTS**

IC419RB M1, IC419RB M2	A-1 - B-14
ICF22RB M1, ICF22RB M2	B-15 - D-14
ICN26RB M2	D-15 - F-10

1981 ICF22RB M1, ICF22RB M2 INDEX

Floor Plan	B-15 - B-16
Accessories Group	B-17 - B-18
Bath Group	B-19
Chassis Group	B-20 - B-21
Curtain, Cushion and Pad Group	B-22 - C-6
Dinette Group	C-7
Driver's Compartment Group	C-8 - C-9
Electrical Group	C-10 - C-12
Exterior Body Group	C-13 - C-17
Galley Group	C-17 - C-18
Heating & Air Conditioning Group	C-19 - C-20
Interior Finish Group	C-21 - C-23
LP Group	C-24
Lounge Group	D-1
Water & Sewage Group	D-2 - D-3
Window, Vent & Exterior Door Group	D-4 - D-14

WINDOW, VENT AND EXTERIOR DOOR GROUP (CONTINUED)



DRIVER DOOR - OFF WHITE

Key	Part Number	U/M	Description
1	063991-02-000	EA	Door Asm. - Driver - Off White
2	064088-01-000	EA	Pad Asm. - Trim - Upper
	061400-01-000	EA	Assist Strap - 12" - Light Brown
3	046886-01-000	EA	Ashtray Asm. - Flush Mount - Chrome
4	064499-01-000	EA	Panel - Driver Door - Inner - Dark Brown Plastic
5	063350-02-000	EA	Trim - Door Frame - Front - Off White
6	063351-02-000	EA	Trim - Door Frame - Rear - Off White
7	045017-03-000	EA	Paddle - Door Lock - Exterior
	045017-01-700	EA	Lock Cylinder w/Keys - Lynor
	039979-02-000	EA	Inside Plate - Door Lock - w/Inside Handle
	039540-02-000	EA	Latch Claw - Entry Door Lock
	039738-01-000	EA	Deadbolt - Entrance Door Lock
	039539-01-000	EA	Strike Bolt - Entrance Door (Jamb Mount)
	063124-02-000	EA	Plate - Striker - 8 1/4" x 1" - Black
	062879-02-000	EA	Jamb - Driver Door - Black Steel
	064199-02-000	EA	Trim - Door Jamb - Rear - w/Drip Cap - Off White
	064184-01-000	EA	Drip Cap - Driver Door
	063358-02-000	EA	Trim - Door Jamb - Front - Off White
	063768-01-000	EA	Sill Plate - Driver Door
8	063993-02-000	EA	Hinge Asm. - Driver Door - Off White
	064580-01-000	EA	Check Strap - Driver Door - Seat Belt Webbing
	064219-01-000	EA	Retainer - Driver Door Check Strap
	063886-02-000	EA	Assist Handle - Driver Door - Brown Steel Tube (2 required per door)
	064075-01-000	EA	Bulb Seal - Driver Door - 145"
9	062982-01-000	EA	Window Asm. - Driver Door - Single Slider - 23" x 25.5" - Black Anod. (w/o inside frame)
10	057657-02-000	EA	Glass - 3/16" x 24.88" x 12" - Sliding
11	047369-01-700	EA	Latch - Window - Plastic w/Fastener
12	002188-04-000	EA	Glass - 3/16" x 24.88" x 12" - Stationary
13	002324-02-000	FT	Channel - Weatherstrip - Glass Run - 1/8" Glass
14	053767-03-000	FT	Tape - 1/4" Bead x 30' - Gray - Schnee Morehead
15	024096-02-000	FT	Seal - Window Channel - Black
16	002309-02-000	FT	Spline - Glass - Black
17	002389-03-204	EA	Holder - Glass Seal - Anod. Black - 25.14"
	002288-01-000	FT	Weatherstrip - Glass Seal
18	057644-04-000	EA	Mullion - Slider Window - Black Anod.
	063422-01-000	EA	Frame - Inside - Driver Door Window
	023713-02-000	EA	Cover - Weephole - Black Plastic
	055164-08-000	EA	Screen Asm. - Slider
	002292-01-000	SF	Screen - Window - 20" - Gray
	002298-01-000	FT	Spline - Gray - Screen - .130" Dia.
	018310-03-000	EA	Screen Handle - Black Anod.
	043485-02-000	FT	Screen Seal - Extr. Vinyl
			Not Illustrated

**1981 ITASCA
TABLE OF CONTENTS**

IC419RB M1, IC419RB M2	A-1 - B-14
ICF22RB M1, ICF22RB M2	B-15 - D-14
ICN26RB M2	D-15 - F-10

1981 ICF22RB M1, ICF22RB M2 INDEX

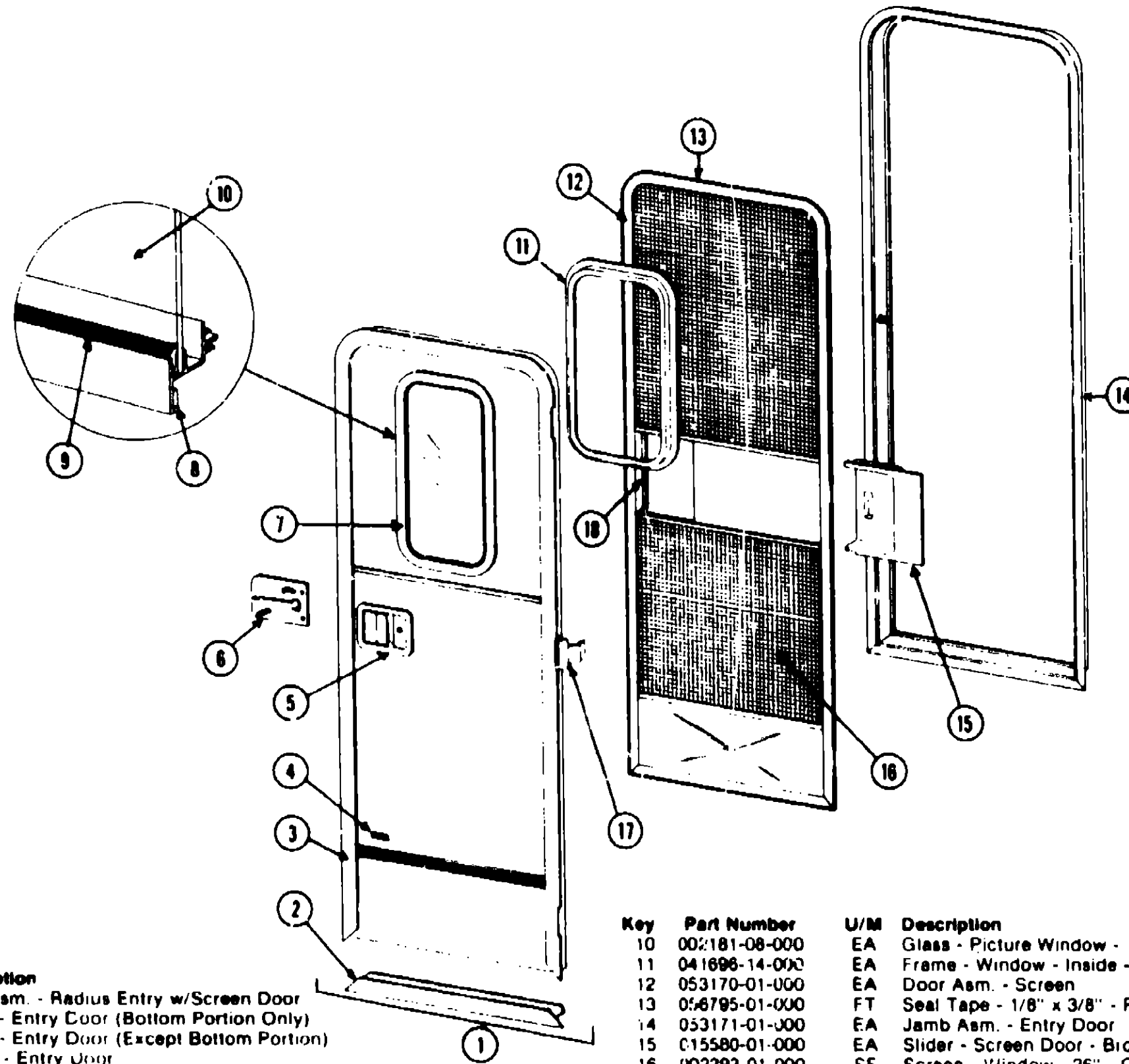
Floor Plan	B-15 - B-16
Accessories Group	B-17 - B-18
Bath Group	B-19
Chassis Group	B-20 - B-21
Curtain, Cushion & Pad Group	B-22 - C-6
Dinette Group	C-7
Driver's Compartment Group	C-8 - C-9
Electrical Group	C-10 - C-12
Exterior Body Group	C-13 - C-17
Galley Group	C-17 - C-18
Heating & Air Conditioning Group	C-19 - C-20
Interior Finish Group	C-21 - C-23
LP Group	C-24
Lounge Group	D-1
Water & Sewage Group	D-2 - D-3
Window, Vent & Exterior Door Group	D-4 - D-14

WINDOW, VENT AND EXTERIOR DOOR GROUP (CONTINUED)

1981 ITASCA
TABLE OF CONTENTS

IC419RB M1, IC419RB M2
ICF22RB M1, ICF22RB M2
ICN26RB M2

A-1 - B-14
B-15 - D-14
D-15 - F-10



Key	Part Number	U/M	Description
1	064324-08-000	EA	Door Asm. - Radius Entry w/Screen Door
2	039737-01-000	EA	Frame - Entry Door (Bottom Portion Only)
3	039736-C1-000	EA	Frame - Entry Door (Except Bottom Portion)
4	054511-01-000	EA	Holder - Entry Door
5	045017-01-000	EA	Paddle Asm. - Door Lock - Exterior
	045017-01-700	EA	Lock Cylinder w/Keys - Lynor
	039539-01-000	EA	Striker Bolt - Entry Door
	039540-01-000	EA	Latch Claw - Entry Door
6	039979-01-000	EA	Plate - Lock - Inside - Including Inside Handle
	052186-01-000	EA	Lock Asm. - Complete - Lynor
7	041875-11-000	EA	Window Asm. - Picture - 13" x 23" - Black Anod. (inside frame not included in assembly)
8	004363-01-000	FT	Tape - Foam - 3/16" x 1/2" - Gray
	002309-02-000	EA	Spline - Glass - 1/8" Black
	009016-01-000	EA	Catch - Elbow - Spring Loaded
	063638-01-000	EA	Strike - Screen Door
			Not illustrated

Key	Part Number	U/M	Description
10	002181-08-000	EA	Glass - Picture Window - 1/8" x 12" x 22" - Gray
11	041696-14-000	EA	Frame - Window - Inside - 13" x 23" - Brown
12	053170-01-000	EA	Door Asm. - Screen
13	056795-01-000	FT	Seal Tape - 1/8" x 3/8" - Press On
14	053171-01-000	EA	Jamb Asm. - Entry Door
15	015580-01-000	EA	Slider - Screen Door - Brown Plastic
16	002293-01-000	SF	Screen - Window - 26" - Gray
17	039520-01-000	EA	Hinge - Entry Door (3 used per door)
18	015581-01-000	EA	Cap - Screen Door - Brown Plastic
	049176-01-000	EA	Hedlok II - 3/4" Diameter - Screw Mount (Retains screen door to entry door)
	049797-01-000	EA	Hedlok II - 1" Diameter - Screw Mount (Retains screen door to entry door)
	058025-02-000	EA	Clip - Roller Catch
	039863-01-000	EA	Catch Asm. - Single Roller w/Strike - Screen Door
	051390-01-000	FT	Seal - Bulb - Rubber
	039800-03-000	FT	Tubing - Polybutyl - 3/8" O.D. - Jamb
	044582-02-000	EA	Drip Cap - Jamb Mounted - Off White
			Not illustrated

1981 ICF22RB M1, ICF22RB M2 INDEX

Floor Plan	B-15 - B-16
Accessories Group	B-17 - B-18
Bath Group	B-19
Chassis Group	B-20 - B-21
Curtain, Cushion and Pad Group	B-22 - C-6
Dinette Group	C-7
Driver's Compartment Group	C-8 - C-9
Electrical Group	C-10 - C-12
Exterior Body Group	C-13 - C-17
Galley Group	C-17 - C-18
Heating & Air Conditioning Group	C-19 - C-20
Interior Finish Group	C-21 - C-23
LP Group	C-24
Lounge Group	D-1
Water & Sewage Group	D-2 - D-3
Window, Vent & Exterior Door Group	D-4 - D-14

WINDOW, VENT AND EXTERIOR DOOR GROUP (CONTINUED)

ACCESS DOORS

Key	Part Number	U/M	Description
	059727-01-000	EA	Door Asm. - Storage - Insulated - 10.36" x 29.9"
	033333-49-000	EA	Door Asm. - LP - Off White w/Key Type Lock
	047233-02-000	EA	Door Asm. - Luggage - 13" x 35" - Off White w/Key Type Lock
	033333-38-000	EA	Door Asm. - Luggage - Off White w/Twist Type Lock
	054270-07-000	EA	Door Asm. - Refrigerator Access - Off White w/Twist Type Lock
	052009-01-000	EA	Door Asm. - Water Heater - Off White
	054541-01-000	EA	Door - Power Cord - Off White
	054542-03-000	EA	Jamb - Door - Power Cord - Off White
	052423-01-000	EA	Door - Fuel Fill - Off White
	052424-01-000	EA	Jamb - Door - Fuel Fill - Off White
	042441-01-000	EA	Lock Asm. - Key Type - Gas Fill
	052950-03-000	EA	Lock Asm. - Twist Type - Straight Cam (Power Cord Door)
	047305-01-000	EA	Lock Asm. - Key Type w/Clip - Metal
	052950-01-700	EA	Lock Asm. - Twist Type w/Clip - White Plastic
	016945-02-000	EA	Holder Asm. - Battery and Luggage Doors
	M00685-07-000	EA	Door Asm. - Generator - Off White w/o Baffle
	052181-01-000	EA	Baffle - Generator Door
	054543-01-000	EA	Hatch - Power Cord Door
	NOTE		Door Asm. - Battery (See Interior Finish Group, Miscellaneous)

WINDSHIELD

Key	Part Number	U/M	Description
	057459-01-000	EA	Glass - Windshield - Flat
	058272-01-000	EA	Frame Asm. - Windshield
	038886-01-000	EA	Tape - Butyl - .31" x .31" x 148"

VENTS

Key	Part Number	U/M	Description
	039778-01-000	EA	Cover - Refrigerator Vent - Plastic
	009407-01-000	EA	Frame Asm. - Refrigerator Vent
	049352-01-000	EA	Vent - Stovehood - Outside - Powered Hood - Off White
	053334-01-000	EA	Vent - Stovehood - Outside - Non Powered Hood - Off White
**	048789-01-000	EA	Vent Asm. - Roof - Powered - w/o Screen - Alum.
**	048835-01-000	EA	Vent Asm. - Roof - Non Powered - w/o Screen - Alum.

** The illustrated parts breakdown for this item is provided on the Common Items Fiche.

1981 ITASCA TABLE OF CONTENTS

IC419RB M1, IC419RB M2	A-1 - B-14
ICF22RB M1, ICF22RB M2	B-15 - D-14
ICN26RB M2	D-15 - F-10

1981 ICF22RB M1, ICF22RB M2 INDEX

Floor Plan	B-15 - B-16
Accessories Group	B-17 - B-18
Bath Group	B-19
Chassis Group	B-20 - B-21
Curtain, Cushion & Pad Group	B-22 - C-6
Dinette Group	C-7
Driver's Compartment Group	C-8 - C-9
Electrical Group	C-10 - C-12
Exterior Body Group	C-13 - C-17
Galley Group	C-17 - C-18
Heating & Air Conditioning Group	C-19 - C-20
Interior Finish Group	C-21 - C-23
LP Group	C-24
Lounge Group	D-1
Water & Sewage Group	D-2 - D-3
Window, Vent & Exterior Door Group	D-4 - D-14