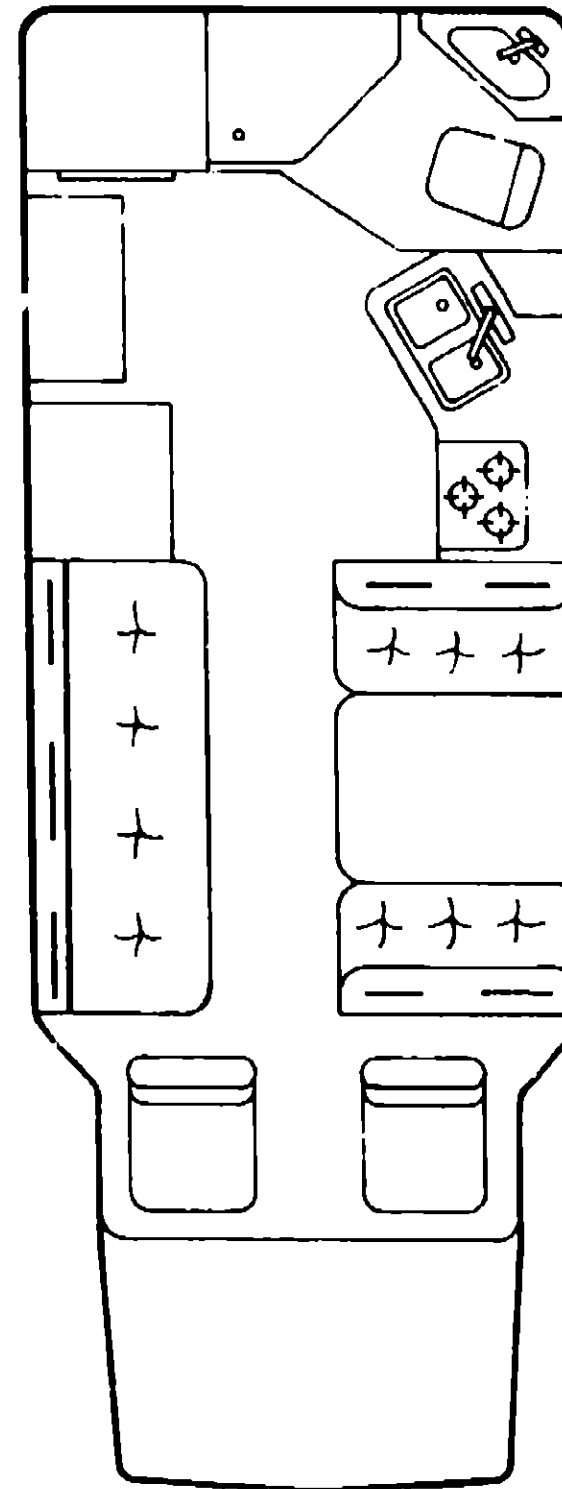


1981 IC723RB M2



1981 ITASCA TABLE OF CONTENTS

Introduction	A-1
Abbreviations	A-1
Alphabetical Index	A-2 - A-4
IC723RB M2	A-5 - B-10
IC723RH M2	B-11 - C-16
IC621RB M1, IC621RB M2	C-17 - E-4
ICN29RT M2	E-5 - G-6
ICF26RH M1, ICF26RH M2	G-7 - I-8
ICF26RT M1, ICF26RT M2	I-9 - K-14

1981 IC723RB M2 INDEX

Floor Plan	A-5 - A-6
Accessories Group	A-7 - A-8
Bath Group	A-9
Chassis Group	A-10
Curtain, Cushion & Pad Group	A-11 - A-14
Dinette Group	A-15
Driver's Compartment Group	A-15
Electrical Group	A-16 - A-17
Exterior Body Group	A-18 - A-21
Galley Group	A-22
Heating & Air Conditioning Group	A-23
Interior Finish Group	A-24 - B-1
LP Group	B-2
Lounge Group	B-3
Water & Sewage Group	B-4
Window, Vent & Exterior Door Group	B-5 - B-10

ACCESSORIES GROUP

ACCESSORIES GROUP (CONTINUED)

RADIOS AND RELATED COMPONENTS

Key	Part Number	U/M	Description
	061787-01-000	EA	Radio - AM/FM/MPX - w/Cassette
	064786-01-000	EA	Radio - AM/FM/MPX w/8 Track
	007104-01-000	EA	Antenna - Radio - Cab Mount
	048153-01-000	EA	Antenna - CB - Camper Style
	064791-01-000	EA	Speaker - Recessed - 5 1/4" x 10 oz.
	064792-01-000	EA	Grille - Speaker - 5 1/4"

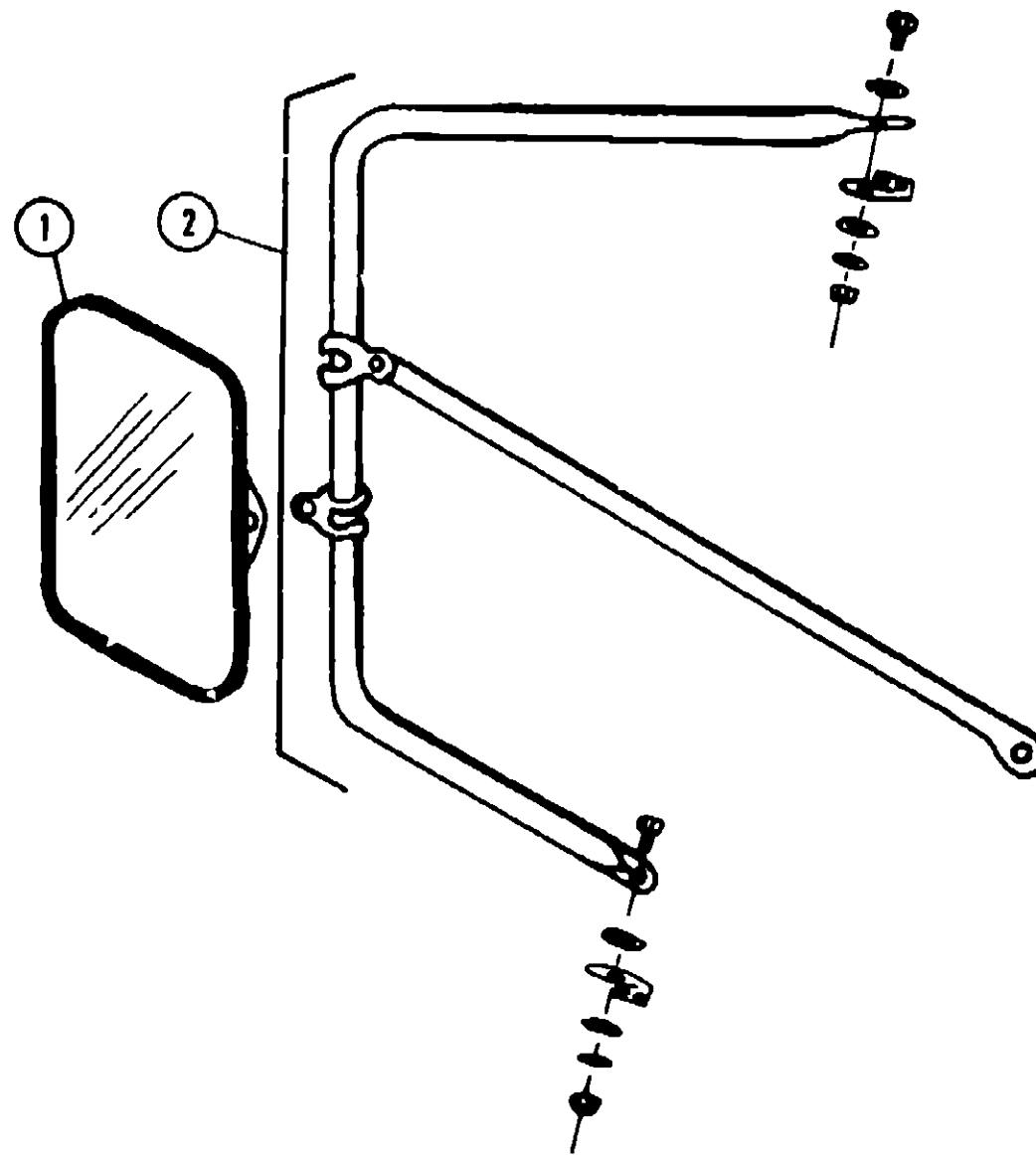
GENERATOR AND COMPONENTS

Key	Part Number	U/M	Description
	054427-01-000	EA	Generator - 3.0 kw - Onan - AJ
	701629-02-000	EA	Package - Onan Installation
	067753-01-000	EA	Muffler - Generator - AJ
	052014-01-000	EA	Elbow Exhaust - 90°

MISCELLANEOUS ACCESSORIES

Key	Part Number	U/M	Description
	006053-01-000	EA	Antenna - TV - Braund Delux
	006053-01-700	EA	Repair Parts Kits - Braund TV Antenna
	006093-01-000	EA	Jack - TV - Brown
	006113-01-000	EA	Jack - Hydraulic - 5 Ton
	007038-01-000	EA	Mat - Door - Black Rubber - 10 1/2" x 26"
	041944-03-000	EA	Fire Extinguisher - Dry Chemical w/Bracket
	054185-12-000	EA	Owner's Manual - 1981 - Winnebago & Itasca
	063739-01-000	EA	Battery - 12V - Aux. 90 Amp.
	017516-01-000	EA	Mud Flap - Black - 14" x 18" w/Holes
	040466-07-000	EA	Cover - Spare Tire - 29" - Off White
	031396-03-000	EA	Wheel Cover - 16.5" - Chrome
	064082-05-000	EA	Retention - Wheel Cover - Chevy (4)
	064082-02-000	EA	Nut Retaining - Wheel Cover
	064082-05-700	EA	Retainer - Bracket - Bolt on Wheel Cover - Front
	064082-05-701	EA	Retainer - Bracket - Bolt on Wheel Cover - Rear
	059779-01-000	EA	Speed Control - Chev. - Dana
	064089-01-000	EA	Mud Flap - Front Splash Guard - Black

**The illustrated parts breakdown for this item is provided on the Common Items Fiche.



Key	Part Number	U/M	Description
1	066431-02-000	EA	Mirror Head - 7 1/2" x 10 1/2"
2	066431-09-000	EA	Arm - West Coast Mirror - Stainless Steel - Right
2	066431-10-000	EA	Arm - West Coast Mirror - Stainless Steel - Left

1981 ITASCA TABLE OF CONTENTS

Introduction	A-1
Abbreviations	A-1
Alphabetical Index	A-2 - A-4
IC723RB M2	A-5 - B-10
IC723RH M2	B-11 - C-16
IC621RB M1, IC621RB M2	C-17 - E-4
ICN29RT M2	E-5 - G-6
ICF26RH M1, ICF26RH M2	G-7 - I-8
ICF26RT M1, ICF26RT M2	I-9 - K-14

1981 IC723RB M2 INDEX

Floor Plan	A-5 - A-6
Accessories Group	A-7 - A-8
Bath Group	A-9
Chassis Group	A-10
Curtain, Cushion and Pad Group	A-11 - A-14
Dinette Group	A-15
Driver's Compartment Group	A-15
Electrical Group	A-16 - A-17
Exterior Body Group	A-18 - A-21
Galley Group	A-22
Heating & Air Conditioning Group	A-23
Interior Finish Group	A-24 - B-1
LP Group	B-2
Lounge Group	B-3
Water & Sewage Group	B-4
Window, Vent & Exterior Door Group	B-5 - B-10

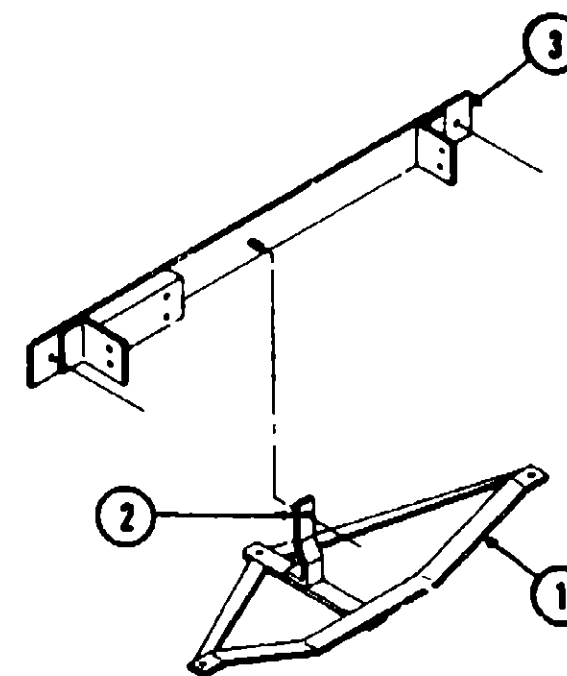
BATH GROUP

Key	Part Number	U/M	Description
	068747-01-000	EA	Cabinet Asm. - Lavatory
	068726-06-M21	EA	Door Asm. - 10" x 23" - w/o Hardware
	068574-01-M21	EA	Door Asm. - Bath - 23" x 71" - w/o Hardware
	068580-01-M21	EA	Door Asm. - Wardrobe Cabinet - 21" x 48" - w/o Hardware
	068726-03-M21	EA	Door Asm. - Wardrobe Cabinet - 10" x 17.5" - w/o Hardware - Right
	068726-04-M21	EA	Door Asm. - Wardrobe Cabinet - 10" x 17.5" - w/o Hardware - Left
	068561-01-000	EA	Sink - Lavatory
	068755-01-M21	EA	Cabinet Asm. - Medicine
	067216-01-M10	EA	Door Asm. - Medicine Cabinet - 14.7" x 38.7" - w/o Hardware
	058331-02-000	EA	Mirror - Medicine Cabinet Door - 12" x 36"
	046112-02-000	EA	Mirror - Wall - 24" x 30"
	057898-01-000	EA	Hidden Latch
	058335-02-000	EA	Bath Door Latch
	009134-01-000	EA	Holder - Tissue
	069777-01-000	EA	Valance - Window - Plastic
**	011057-03-000	EA	Faucet - Lavatory & Shower
**	011083-01-000	EA	Plug w/Chain - 1 1/4"
**	011048-03-000	EA	Shower Head - w/90" Hose
**	011070-01-000	EA	Tailpiece - 1 1/4" x 6" - Brass
	059783-01-000	EA	Clothes Rod - Aluminum - Slotted - 7'
	068552-01-000	EA	Shower Pan
**	011059-03-000	EA	Faucet - Shower USA
**	063740-01-000	EA	Toilet - Thetford Aqua Magic IV - Ivory

** The illustrated parts breakdown for this item is provided in the Common Items Fiche.

CHASSIS GROUP

Key	Part Number	U/M	Description
	068648-01-000	EA	Wheel Well - Plastic - Left or Right Rear
	049912-01-000	EA	Step Asm. Assit. - Cab
	017516-01-000	EA	Mud Flap - 14" x 18" - w/Holes
	064089-01-000	EA	Splashguard - Front - Black Rubber
	064213-01-000	EA	Box - Power Cord
	057864-02-000	EA	Tire - 8.75 x 16.5 - 10 Ply - Black Tubeless
	062400-02-000	EA	Wheel - 8.00 x 16.5 - Chevy
	047441-01-000	EA	Battery Terminal - Horizontal Lug
	007131-01-000	EA	Hanger - Tail Pipe
	069019-01-000	EA	Spare Tire Support Arm
	040784-01-000	EA	Blade Asm. - Windshield Wiper
	068688-01-000	EA	Bracket Asm. - Front Bumper - Right
	068688-02-000	EA	Bracket Asm. - Front Bumper - Left
	069618-01-000	EA	Carrier Asm. - Tire
	059784-02-000	EA	Controller - Wiper - Intermittent
	068639-01-000	EA	Bumper - Rear - Contoured - Off White
	068639-03-000	EA	Bumper - Rear - Contoured - Anodized
	068686-01-000	EA	Bumper - Front - Contoured - Off White
	068686-03-000	EA	Bumper - Front - Contoured - Anodized
	047743-01-000	EA	Spacer - Rear Spring - Axle Stop
	040466-07-000	EA	Tire Cover - 29" - Off White
	068730-01-000	EA	Step Asm. - Entry



Key	Part Number	U/M	Description
1	068656-01-000	EA	Trailer Hitch Asm. - w/o Support
2	064824-03-000	EA	Support - Trailer Hitch
3	068657-01-000	EA	Bracket - Bumper Mount - Rear

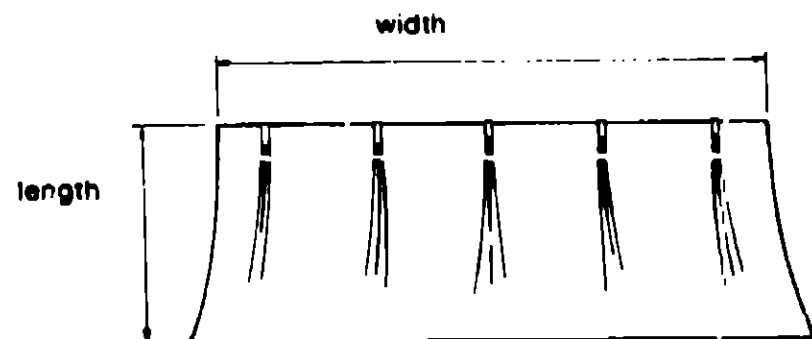
1981 ITASCA TABLE OF CONTENTS

Introduction	A-1
Abbreviations	A-1
Alphabetical Index	A-2 - A-4
IC723RB M2	A-5 - B-10
IC723RH M2	B-11 - C-16
IC621RB M1, IC621RB M2	C-17 - E-4
ICN29RT M2	E-5 - G-6
ICF26RH M1, ICF26RH M2	G-7 - I-8
ICF26RT M1, ICF26RT M2	I-9 - K-14

1981 IC723RB M2 INDEX

Floor Plan	A-5 - A-6
Accessories Group	A-7 - A-8
Bath Group	A-9
Chassis Group	A-10
Curtain, Cushion & Pad Group	A-11 - A-14
Dinette Group	A-15
Driver's Compartment Group	A-15
Electrical Group	A-16 - A-17
Exterior Body Group	A-18 - A-21
Galley Group	A-22
Heating & Air Conditioning Group	A-23
Interior Finish Group	A-24 - B-1
LP Group	B-2
Lounge Group	B-3
Water & Sewage Group	B-4
Window, Vent & Exterior Door Group	B-5 - B-10

CURTAIN, CUSHION AND PAD GROUP



NOTE:
Use this illustration when determining length and width measurements for curtains. You will note the width measurement is taken on the top of the curtain with the curtain fully extended. The length measurement is taken from top to bottom.

CURTAINS AND TIE BACKS

Key	Part Number	U/M	Description
	054045-28-M21	EA	Curtain w/Snap Top and Bottom - 24" x 9" - Beige
	054045-30-M21	E/	Curtain w/Snap Top and Bottom - 25.75" x 12" - Beige
	066226-04-M21	E/	Curtain w/Snap Top - 26" x 45" - Beige
	059900-07-M21	E/	Curtain Asm. - Wraparound - 24" x 62" - Beige
	054048-08-M21	E/	Tie Back - Curtain - 2" x 18" - Rust
	054048-08-M22	EA	Tie Back - Curtain - 2" x 18" - Beige
	057534-03-000	EA	Tie Back - Clear Plastic - 7.5"
	056737-01-000	EA	Curtain - Shower - Vinyl

SHADES AND VALANCES

Key	Part Number	U/M	Description
	064915-04-M21	EA	Valance Asm. - 5" x 77.5" - Rust
	064915-04-M22	EA	Valance Asm. - 5" x 77.5" - Caramel
	067780-01-000	EA	Blinds - 15" x 24" Drop
	067780-02-000	EA	Blinds - 68" x 27" Drop
	065522-06-000	EA	Shade - 33.25" x 38" - Bath

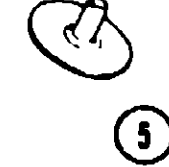
FABRICS AND TRIMS

Key	Part Number	U/M	Description
	064383-05-000	YD	Fabric - Drapery - Super Satin
	068338-13-000	YD	Fabric - Upholstery - Rust/Coral
	068338-14-000	YD	Fabric - Upholstery - Beige/Caramel
	038421-01-000	YD	Ticking - Mattress - Gold
	052859-01-M07	FT	Trim Asm. - Accent - Acorn Brown Vinyl
	053327-01-000	YD	Vinyl - Non Expanded - 27 oz - Acorn Brown
	053327-02-000	YD	Vinyl - Expanded - 28 oz - Acorn Brown
	053327-03-000	YD	Vinyl - Non Support - 16 Gauge Film - Acorn Brown
	M00045-04-M21	EA	Button Asm. - Upholstery - #45 - Rust
	M00045-04-M22	EA	Button Asm. - Upholstery - #45 - Caramel
	071127-01-M21	EA	Button Asm. - Vinyl - #65 - Rust
	071127-01-M22	EA	Button Asm. - Vinyl - #65 - Beige
	071127-02-M21	EA	Button Asm. - Upholstery - #65 - Rust
	071127-02-M22	EA	Button Asm. - Upholstery - #65 - Beige
	052350-02-000	EA	Button Asm. - Upholstery - Back - #45
	053552-01-000	EA	Assist Handle - Entry Door

CURTAIN, CUSHION AND PAD GROUP (CONTINUED)

CURTAIN HARDWARE

Key	Part Number	U/M	Description
	037872-01-000	EA	Rod - Curtain - Double Extension - 48" x 84"
	056784-01-000	EA	Pull - Window Shade
	056001-01-000	EA	Bracket - Shade - Left
	056002-01-000	EA	Bracket - Shade - Right
	009107-01-000	EA	Guide - Nylon Snap - Curtain
	018031-42-000	EA	Track - Curtain - "L" Rod - Alum. Extr. - 90"
	009701-01-000	EA	Carrier - "L" Rod - Curtain
	009702-01-000	EA	End Stop - "L" Rod - Curtain
	056115-01-000	YD	Tape - Plastic - Clear w/Guides



Key	Part Number	U/M	Description
1	029130-01-000	EA	Socket - Snap Fastener
2	029155-01-000	EA	Cap - Snap - .156" Dia. x .17" Barrel
3	029156-01-000	EA	Socket - Snap Fastener
4	029092-01-000	EA	Stud - Nickel Finish
5	029093-01-000	EA	Eyelet - Nickel Finish

BUCKET SEATS

Key	Part Number	U/M	Description
	069651-01-M21	EA	Seat Asm. - Single Bucket - Low Back - w/Quilting - Rust
	069651-01-M22	EA	Seat Asm. - Single Bucket - Low Back - w/Quilting - Caramel
	070574-01-M21	EA	Seat Asm. - Single Bucket - Narrow Square Back - Youth Bed - Rust
	070574-01-M22	EA	Seat Asm. - Single Bucket - Narrow Square Back - Youth Bed - Caramel
	M00605-01-M21	EA	Cover - Back - Low Back - Rust
	M00605-01-M22	EA	Cover - Back - Low Back - Beige
	M00604-01-M21	EA	Cover - Bottom - Low Back - Rust
	M00604-01-M22	EA	Cover - Bottom - Low Back - Beige
	M00784-02-M21	EA	Cover - Back - Narrow Square Back - Youth Bed - Rust
	M00784-02-M22	EA	Cover - Back - Narrow Square Back - Youth Bed - Beige
	M00784-01-M21	EA	Cover - Bottom - Narrow Square Back - Youth Bed - Rust
	M00784-01-M22	EA	Cover - Bottom - Narrow Square Back - Youth Bed - Beige

1981 ITASCA TABLE OF CONTENTS

Introduction	A-1
Abbreviations	A-1
Alphabetical Index	A-2 - A-4
IC723RB M2	A-5 - B-10
IC723RH M2	B-11 - C-16
IC621RB M1, IC621RB M2	C-17 - E-4
ICN29RT M2	E-5 - G-6
ICF26RH M1, ICF26RH M2	G-7 - I-8
ICF26RT M1, ICF26RT M2	I-9 - K-14

1981 IC723RB M2 INDEX

Floor Plan	A-5 - A-6
Accessories Group	A-7 - A-8
Bath Group	A-9
Chassis Group	A-10
Curtain, Cushion and Pad Group	A-11 - A-14
Dinette Group	A-15
Driver's Compartment Group	A-15
Electrical Group	A-16 - A-17
Exterior Body Group	A-18 - A-21
Galley Group	A-22
Heating & Air Conditioning Group	A-23
Interior Finish Group	A-24 - B-1
LP Group	B-2
Lounge Group	B-3
Water & Sewage Group	B-4
Window, Vent & Exterior Door Group	B-5 - B-10

CONVERTIBLE BED CUSHIONS

Key	Part Number	U/M	Description
1	068797-04-M21	EA	Cushion Asm. - 21" x 21" x 76" x 5" - Rust
1	068797-04-M22	EA	Cushion Asm. - 21" x 21" x 76" x 5" - Beige
	M68797-04-M21	EA	Cover - 21" x 21" x 76" x 5" - Rust
	M68797-04-M22	EA	Cover - 21" x 21" x 76" x 5" - Beige

OVERHEAD SIDE BUNK AND DINETTE CUSHIONS

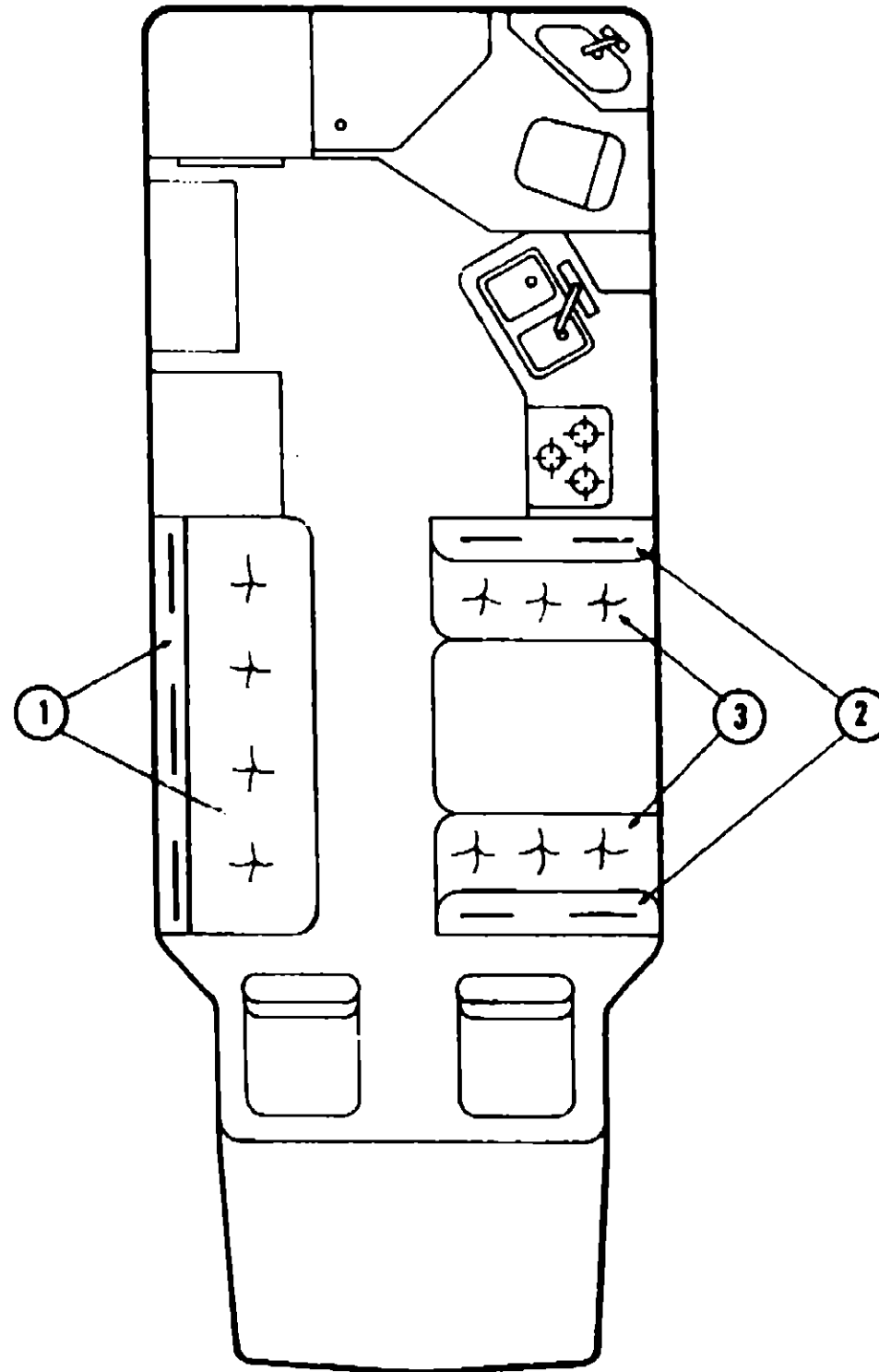
Key	Part Number	U/M	Description
2	068773-06-M21	EA	Cushion - Dinette Back - 20" x 40" x 5" - Rust
2	068773-06-M22	EA	Cushion - Dinette Back - 20" x 40" x 5" - Beige
	M68773-06-M21	EA	Cover - Dinette Back Cushion - 20" x 40" x 5" - Rust
	M68773-06-M22	EA	Cover - Dinette Back Cushion - 20" x 40" x 5" - Beige
3	068773-05-M21	EA	Cushion - Dinette Bottom - 17" x 40" x 5" - Rust
3	068773-05-M22	EA	Cushion - Dinette Bottom - 17" x 40" x 5" - Beige
	M68773-05-M21	EA	Cover - Dinette Bottom Cushion - 17" x 40" x 5" - Rust
	M68773-05-M22	EA	Cover - Dinette Bottom Cushion - 17" x 40" x 5" - Beige
	068894-02-000	EA	Mattress - Side Bunk - 25" x 71.5" x 3"
	M68894-02-000	EA	Cover - Side Bunk Mattress - 25" x 71.5" x 3"

**1981 ITASCA
TABLE OF CONTENTS**

Introduction	A-1
Abbreviations	A-1
Alphabetic Index	A-2 - A-4
IC723RB M2	A-5 - B-10
IC723RH M2	B-11 - C-16
IC621RB M1, IC621RB M2	C-17 - E-4
ICN26RT M2	E-5 - G-6
ICF26RH M1, ICF26RH M2	G-7 - I-8
ICF26RT M1, ICF26RT M2	I-9 - K-14

1981 IC723RB M2 INDEX

Floor Plan	A-5 - A-6
Accessories Group	A-7 - A-8
Bath Group	A-9
Chassis Group	A-10
Curtain, Cushion & Pad Group	A-11 - A-14
Dinette Group	A-15
Driver's Compartment Group	A-15
Electrical Group	A-16 - A-17
Exterior Body Group	A-18 - A-21
Galley Group	A-22
Heating & Air Conditioning Group	A-23
Interior Finish Group	A-24 - B-1
LP Group	B-2
Lounge Group	B-3
Water & Sewage Group	B-4
Window, Vent & Exterior Door Group	B-5 - B-10



DINETTE GROUP

CONVENTIONAL DINETTE AND OVERHEAD CABINETS

Key	Part Number	U/M	Description
	M68982-01-M21	EA	Table Asm. - Dinette - w/o Hardware - Paper Bag Brown
**	053200-04-000	EA	Bracket - Upper Wall Mount - Brown - 23.5"
**	053201-01-000	EA	Bracket - Table Mount - 23"
**	024275-01-000	EA	Rod - Table Lift - 8" x 23.5"
**	024281-06-000	EA	Bracket - Lower Wall Mount - Brown - 22.12"
**	024278-04-000	EA	Leg Asm. - Table - Brown - 28.36"
**	064050-01-000	EA	Hinge - Table Leg
**	024282-01-000	EA	Brace - Table Leg
**	024283-01-000	EA	Clip - 1" O.D. Tube
**	049493-02-000	EA	Catch - Table Leg - Mounts on Floor - Brown
	068972-01-M21		Cabinet Asm. - Dinette Back - Left Hand
	068971-01-M21		Cabinet Asm. - Dinette Back - Right Hand
	M68975-01-M21		Cabinet Asm. - Dinette Seat - Right Hand
	M68975-02-M21	EA	Cabinet Asm. - Dinette Seat - Left Hand
	068907-01-M21	EA	Cabinet Asm. - Overhead - Large
	068726-02-M21	EA	Door Asm. - Dinette Overhead Cabinet - 10" x 23"

**The illustrated parts breakdown for this item is provided on the Common Items Fiche.

DINETTE OVERHEAD SIDE BUNK

Key	Part Number	U/M	Description
	069890-02-M21	EA	Bunk Asm. - Overhead - 72"
	069868-01-000	EA	Strap - Bunk Asm.
	070526-02-000	EA	Cabinet Asm. - Overhead Bunk
	069875-01-000	EA	Door Asm. - Overhead Bunk Cabinet - Sliding
	069647-01-000	EA	Spring - Torsion - Right Hand
	069647-02-000	EA	Spring - Torsion - Left Hand
	071165-02-000	EA	Panel Asm. - Center - Overhead Bunk Cabinet

DRIVER'S COMPARTMENT GROUP

PANELS AND SEAT BELTS

Key	Part Number	U/M	Description
	007021-01-000	EA	Belt Asm. - Seat - 2" x 90" - Black
	068950-02-000	EA	Panel Asm. - Wingwall Transition - Inner Left Hand
	068950-01-000	EA	Panel Asm. - Wingwall Transition - Inner Right Hand
	048223-01-000	EA	Bracket - Motor Cover
	069585-06-000	EA	Plate - Pedestal Adapter
	044880-01-000	EA	Door - Step Matt - Rubber - Black - Left Hand
	044880-02-000	EA	Door - Step Matt - Rubber - Black - Right Hand
	059491-01-M21	EA	Side Panel - Cab Door - Right - Rust
	059491-01-M22	EA	Side Panel - Cab Door - Right - Beige
	059492-01-M21	EA	Side Panel - Cab Door - Left - Rust
	059492-01-M22	EA	Side Panel - Cab Door - Left - Beige
	066501-01-000	EA	Shifter Asm. - Modified
	040714-01-000	EA	Mirror - Inside Rear View
	048223-01-000	EA	Bracket - Motor Cover

ELECTRICAL GROUP

BULBS

Key	Part Number	U/M	Description
	037935-01-000	EA	Bulb - 1157
	037936-01-000	EA	Bulb - 1157 A
	038010-01-000	EA	Bulb - 1143
	008103-01-000	EA	Bulb - 53
	008213-01-000	EA	Bulb - 57
	008214-01-000	EA	Bulb - 67
	008215-01-000	EA	Bulb - 1003
	008216-01-000	EA	Bulb - 1334
	008217-01-000	EA	Bulb - 1073
	008218-01-000	EA	Bulb - 1141
	008219-01-000	EA	Bulb - 656
	008220-01-000	EA	Bulb - 12V - 25W
	038198-02-000	EA	Bulb - 194A
	700020-01-000	EA	Bulb - 12V - 20W - 1383

FUSES AND CIRCUIT BREAKER

Key	Part Number	U/M	Description
	056473-01-000	EA	Fuse - Slow Blow - 6 1/4 Amp.
	008233-01-000	EA	Fuse - 12 Volt - 6 Amp.
	008234-01-000	EA	Fuse - 12 Volt - 10 Amp.
	008235-01-000	EA	Fuse - 12 Volt - 15 Amp.
	008236-01-000	EA	Fuse - 12 Volt - 20 Amp.
	008248-01-000	EA	Fuse - 110 Volt - 30 Amp. - AGL
	008252-01-000	EA	Fuse - 110 Volt - 50 Amp.
	008208-01-000	EA	Circuit Breaker - 12 Volt - 40 Amp.
	008211-01-000	EA	Circuit Breaker - 12 Volt - 6 Amp.
	008268-01-000	EA	Circuit Breaker - 12 Volt - 30 Amp. w/Mount
	033573-C1-000	EA	Circuit Breaker - 12 Volt - 20 Amp. w/Mount
	040051-01-000	EA	Circuit Breaker - 110 Volt - 20 Amp. - TQL
	03357J-02-000	EA	Circuit Breaker - 12 Volt - 15 Amp. - w/Mount
	008297-01-000	EA	Circuit Breaker - TQP 120
	008293-01-000	EA	Circuit Breaker - TQP 130
	008299-01-000	EA	Circuit Breaker - TQP 115

EXTERIOR LIGHTS

Key	Part Number	U/M	Description
	007309-01-000	EA	Light - Step Well
	058031-01-000	EA	Tail Lamp Asm. - 3 Bulb - Chrome
	059540-01-000	EA	Bracket - License Plate
	058030-01-700	EA	Lens - Tail Lamp - Red
	058030-01-701	EA	Lens - Tail Lamp - Back Up
	042405-03-000	EA	Base - Rectangular Clearance Light
	042405-04-000	EA	Lens - Clearance Light - Red
	042405-05-000	EA	Lens - Clearance Light - Amber
	008089-01-000	EA	Light - Porch - Recessed
	042405-01-000	EA	Lens - Rectangle Light - Red w/Reflex
	042405-02-000	EA	Lens - Rectangle Light - Amber w/Reflex
	067789-01-000	EA	Socket Asm. - Lamp - Front Marker
	067784-01-000	EA	Lamp Asm. - Parking - Left Hand
	067784-02-000	EA	Lamp Asm. - Parking - Right Hand

INTERIOR LIGHTS

Key	Part Number	U/M	Description
	064778-01-000	EA	Light - Dome - Off White - Double Jensen
	064778-02-000	EA	Light - Dome - Off White - Single Jensen
	024418-01-000	EA	Lamp Asm. - Map/Gauge/Aisle
	061424-01-000	EA	Light - 12 V Receptacle - Aisle - IP
	068337-01-000	EA	Light - Dome - Surface w/Switch
	068821-01-000	EA	Light - Dome & 2 Swivel

1981 ITASCA TABLE OF CONTENTS

Introduction	A-1
Abbreviations	A-1
Alphabetical Index	A-2 - A-4
IC723RB M2	A-5 - B-10
IC723RH M2	B-11 - C-18
IC621RB M1, IC621RB M2	C-17 - E-4
ICN29RT M2	E-5 - G-6
ICF26RH M1, ICF26RH M2	G-7 - I-8
ICF26RT M1, ICF26RT M2	I-9 - K-14

1981 IC723RB M2 INDEX

Floor Plan	A-5 - A-6
Accessories Group	A-7 - A-8
Bath Group	A-9
Chassis Group	A-10
Curtain, Cushion and Pad Group	A-11 - A-14
Dinette Group	A-15
Driver's Compartment Group	A-15
Electrical Group	A-16 - A-17
Exterior Body Group	A-18 - A-21
Valley Group	A-22
Heating & Air Conditioning Group	A-23
Interior Finish Group	A-24 - B-1
LP Group	B-2
Lounge Group	B-3
Water & Sewage Group	B-4
Window, Vent & Exterior Door Group	B-5 - B-10

ELECTRICAL GROUP (CONTINUED)

WIRE, SWITCHES AND RECEPTACLES

Key	Part Number	U/M	Description
	008024-01-000	FT	Wire - 18.5 Bonded - Orange/White/Yellow/Blue/Brown
	008277-01-000	EA	Holder - Fuse - Black - Panel Mount
	008195-01-000	EA	Switch - Push Button - 12 Volt
	008077-01-000	EA	Plaque - Compressor Switch
	008054-01-000	EA	Cord - Power - 10-3 30 Amp. - 25' - UL
	024571-04-000	EA	Cover Plate - Receptacle - Jumbo Ivory Plastic
	039342-01-000	EA	Receptacle - Duplex Brown - T Junction
	024571-01-000	EA	Cover Plate - Receptacle - Jumbo Steel Brown
	008294-01-000	EA	Cover Plate - Brown Steel - 4" x 4"
	008288-01-000	EA	Box - Electrical - Plastic - 3" x 3 1/2"
	008289-01-000	EA	Box - Electrical - Steel - 4" x 4"
	039343-01-000	EA	Cap - End - Receptacle
	008162-01-000	EA	Switch - Double Toggle - Spade Brown
	008163-01-000	EA	Switch - Toggle Brown
	031144-01-000	EA	Switch - Center Off - DPDT - Black 30A
	054532-01-000	EA	Housing Pin Asm. - 6 Position
	064398-01-000	EA	Housing Asm. - Trailer Receptical Plug - Female
	064450-01-000	EA	Housing Asm. - Trailer Receptical Plug - Male
	008164-01-000	EA	Cover Plate - Switch - Brown
	024924-01-000	EA	Receptacle - Power Cord
	008058-01-000	EA	Adaptor - Power Cord
	047353-01-000	EA	Cover - Receptacle - Ground Fault
	053126-01-000	EA	Receptacle - Ground Fault - Interrupter - 125 Volt - Brown
	058707-01-000	EA	Receptacle - Single - Brown - Thomas & Belts
	058708-01-000	EA	Receptacle - Duplex - Brown - Thomas & Belts
	058048-01-000	EA	Cover - Electrical - Rain Tight - (Exterior)
	008157-01-000	EA	Receptacle - Single - (Exterior)
	061405-02-000	EA	Plate - Receptacle - Duplex - Pewter
	061406-02-000	EA	Plate - Single Switch - Pewter
	061407-02-000	EA	Plate - Double Switch - Pewter
	056264-01-000	EA	Switch - Leaf Actuator
	031968-01-000	EA	Contact - Plug
	054532-01-000	EA	Housing - Pin - 6 Position

MISCELLANEOUS ELECTRICAL COMPONENTS

Key	Part Number	U/M	Description
	047338-01-000	EA	Isolator - Dual Battery
	047389-01-700	EA	Battery - 12 Volt - 105 Amp. Deep Cycle - Dry
	057899-01-000	EA	Battery - 12 Volt - Maintenance Free
	008188-01-000	EA	Solenoid - Dual Battery - Relay
	024459-03-000	EA	Gauge - Voltmeter - w/Bracket
	024462-01-000	EA	Switch - Battery Condition
	031035-01-000	EA	Gauge - Hour Meter - Generator
	024976-01-000	EA	Switch - Generator w/o Circuit Board
	024460-01-000	EA	Gauge Vacuum
	068068-01-000	EA	Load Center - 120 V - 3 CRT
	039950-01-702	EA	Circuit Board - Control Center
	024481-01-000	EA	Switch - Battery - Changeover
	046485-01-000	EA	Plaque - Switch Mounting
	048812-04-000	EA	Control Panel - Insert - Basic
	048812-09-000	EA	Control Panel - w/LP Alarm Clock - Refrigerator Light & Sensor
	039861-01-000	EA	Sending Unit - Wamac
	031720-01-000	EA	Spacer - Receptacle - Brown Plastic - CSA
	046885-01-000	EA	Plaque - Battery & Fuel
	069213-03-000	EA	Bezel - Instrument - Overhead Console
	069213-04-000	EA	Bezel - Instrument - Overhead Console - Full Panel
	064956-01-000	EA	Panel - Travel Center - Black

EXTERIOR BODY GROUP

EXTERIOR BODY PANELS AND SHEET ALUMINUM

Key	Part Number	U/M	Description
	069015-01-M21	EA	Sidewall Asm. - Right
	069008-01-M21	EA	Sidewall Asm. - Left
	069006-01-M22	EA	Sidewall Asm. - Left
	M88770-02-M21	EA	Roof Asm.
	068768-02-M21	EA	Backwall Asm.
	068768-02-M22	EA	Backwall Asm.
	068915-01-000	EA	Cap - Upper Front - Outer
	068915-01-000	EA	Cap - Upper Front - Inner
	M00597-02-000	EA	Valance Panel Asm. - Right Rear
	M00598-02-000	EA	Valance Panel Asm. - Right Front
	M00595-02-000	EA	Valance Panel Asm. - Left Rear
	M00594-02-000	EA	Valance Panel Asm. - Left Front
	000868-01-000	SF	Styrofoam - 3/4" x 24" x 96"
	000870-01-000	SF	Styrofoam - 1 1/2" x 24" x 96"
	039155-37-001	EA	Alum. - Off White - .024 x 48" x 240" - Smooth

LABELS AND DECALS

Key	Part Number	U/M	Description
	006023-01-000	EA	Label - Water Only
	006025-01-000	EA	Label - Gas
	006028-01-000	EA	Label - Drain Caps - 2" x 3"
	006031-01-000	EA	Label - Potable Water Only
	006040-01-000	EA	Tag - Gas Refueling Warning
	068062-01-000	EA	Tag - Electrical - 110 Volt Connection
	008064-01-000	EA	Label - Seat w/o Seatbelt
	008187-01-000	EA	Label - Sewage
	008188-01-000	EA	Label - Waste Water
	006199-01-000	EA	Label - Exit - Escape Window
	057467-01-000	EA	Label - Warning - Exterior Loading Limit
	061417-01-000	EA	Label - Fuel
	047731-01-000	EA	Label - Emergency Exit
	050225-01-000	EA	Label - Warning - Stove Vent - U.S.
	054531-01-000	EA	Label - LP Gas Only
	008092-01-000	EA	Reflector - Stick On - Rectangular - Red
	008093-01-000	EA	Reflector - Stick On - Rectangular - Amber
	046400-05-000	EA	Decal - Logo - Itasca
	068941-01-000	EA	Decal - Roof Cap - Right Hand - Brown/Wine
	068941-02-000	EA	Decal - Roof Cap - Left Hand - Brown/Wine
	068942-01-000	EA	Decal - Hood - Right Hand - Wine
	068942-02-000	EA	Decal - Hood - Left Hand - Wine
	068943-01-000	EA	Decal - Fender - Right Hand - Brown/Wine
	068943-02-000	EA	Decal - Fender - Left Hand - Brown/Wine
	068944-01-000	EA	Decal - Transition - Right Hand - Brown/Wine
	068944-02-000	EA	Decal - Transition - Left Hand - Brown/Wine
	068945-01-000	EA	Decal - Side - Lower - Right Hand - Brown/Wine
	068945-02-000	EA	Decal - Side - Lower - Left Hand - Brown/Wine
	068946-01-000	EA	Decal - Side - Top - Right Hand - Brown/Wine
	068946-02-000	EA	Decal - Side - Top - Left Hand - Brown/Wine
	068947-01-000	EA	Decal - Corner - .30 R - Brown/Wine
	068948-01-000	FT	Film - Multi Stripe - 1.50" x 150 Ft.
	068948-03-000	FT	Film - Multi Stripe - 2.25" x 150 Ft.
	068949-01-000	EA	Decal - Logo - Spectrum - Off White
	069227-01-000	EA	Decal - Logo - Itasca - 3.70" x 15.82"
	069643-01-000	EA	Decal - Brushed Al. on Lexan

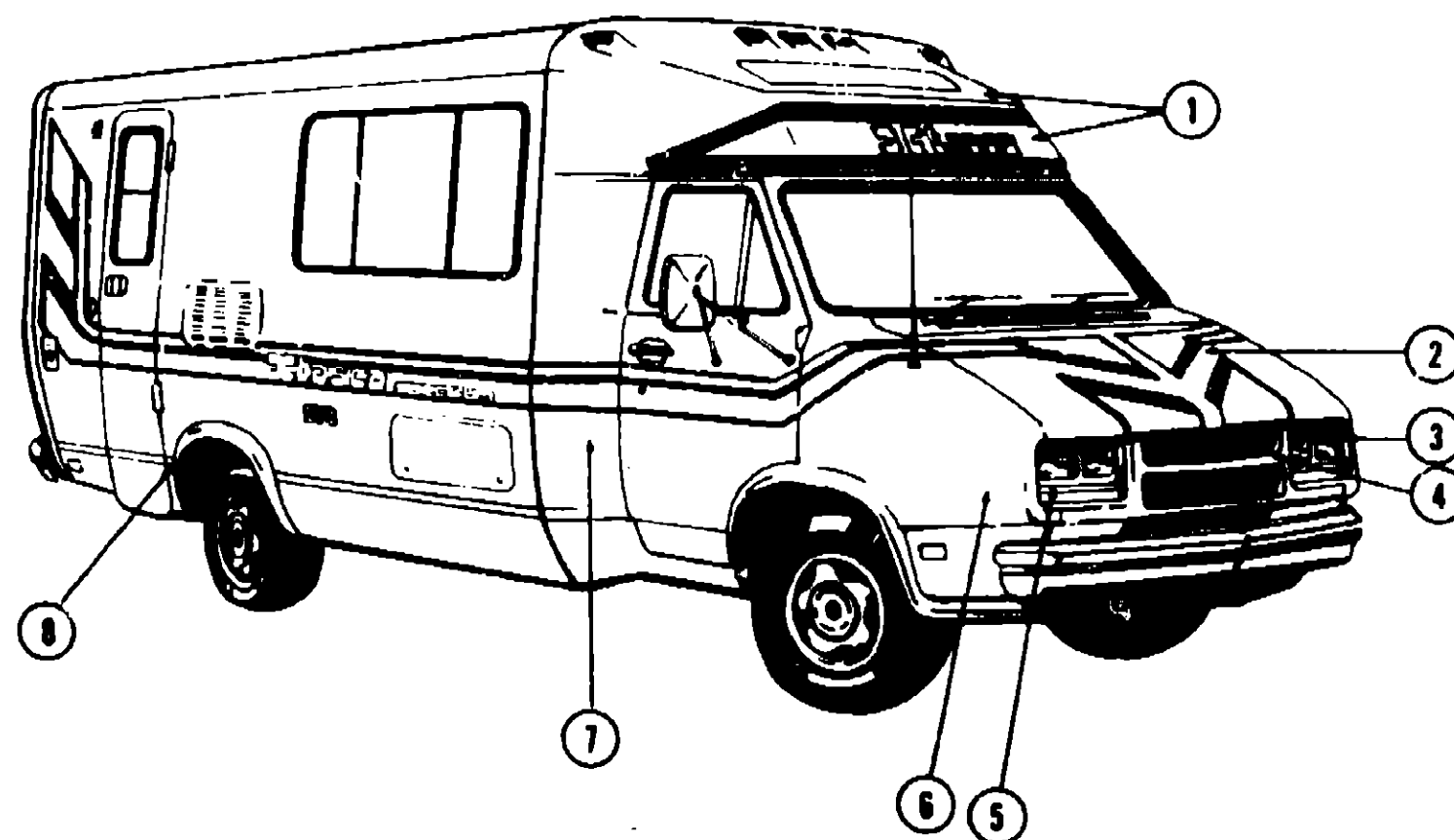
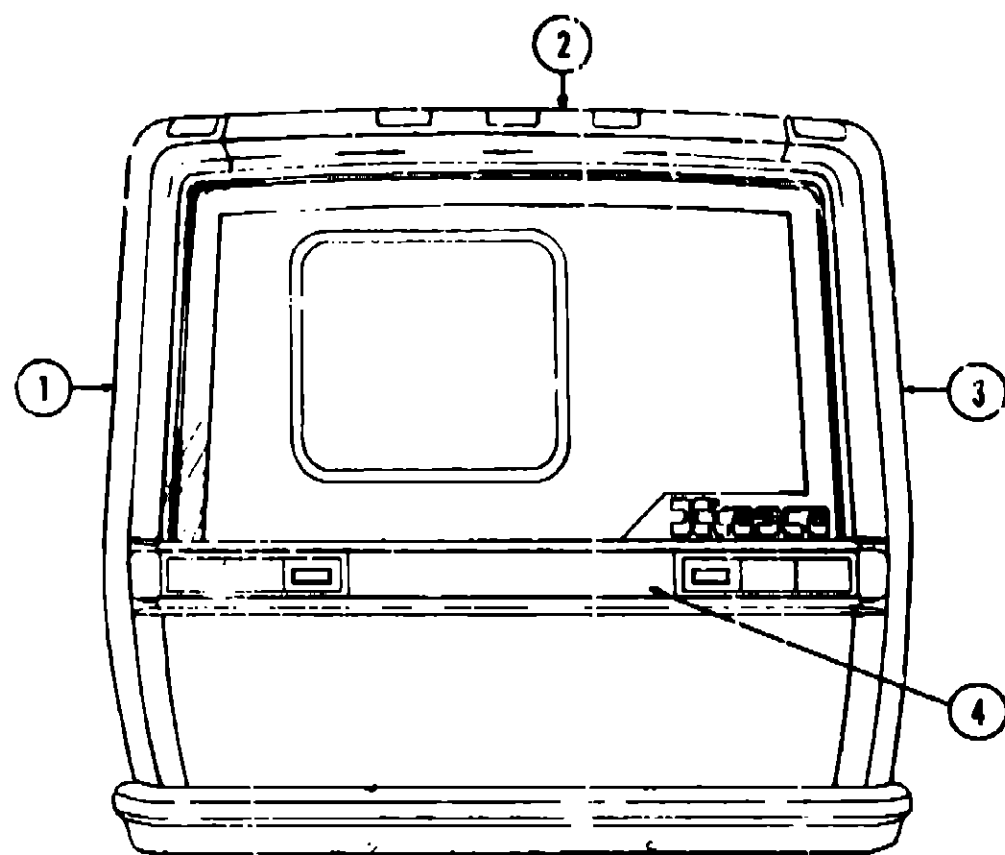
1981 ITASCA TABLE OF CONTENTS

Introduction	A-1
Abbreviations	A-1
Alphabetical Index	A-2 - A-4
IC723RB M2	A-5 - B-10
IC723RH M2	B-11 - C-16
IC621RB M1, IC621RB M2	C-17 - E-4
ICN29RT M2	E-5 - G-6
ICF26RH M1, ICF26RH M2	G-7 - I-8
ICF26RT M1, ICF26RT M2	I-9 - K-14

1981 IC723RB M2 INDEX

Floor Plan	A-5 - A-6
Accessories Group	A-7 - A-8
Bath Group	A-9
Chassis Group	A-10
Curtain, Cushion & Pad Group	A-11 - A-14
Dinette Group	A-15
Driver's Compartment Group	A-15
Electrical Group	A-16 - A-17
Exterior Body Group	A-18 - A-21
Galley Group	A-22
Heating & Air Conditioning Group	A-23
Interior Finish Group	A-24 - B-1
LP Group	B-2
Lounge Group	B-3
Water & Sewage Group	B-4
Window, Vent & Exterior Door Group	B-5 - B-10

EXTERIOR BODY GROUP (CONTINUED)



1981 ITASCA TABLE OF CONTENTS

Introduction	A-1
Abbreviations	A-1
Alphabetical Index	A-2 - A-4
IC723RB M2	A-5 - B-10
IC723RH M2	B-11 - C-16
IC621RB M1, IC621RB M2	C-17 - E-4
ICN29RT M2	E-5 - G-6
ICF26RH M1, ICF26RH M2	G-7 - I-8
ICF26RT M1, ICF26RT M2	I-9 - K-14

1981 IC723RB M2 INDEX

Floor Plan	A-5 - A-6
Accessories Group	A-7 - A-8
Bath Group	A-9
Chassis Group	A-10
Curtain, Cushion and Pad Group	A-11 - A-14
Dinette Group	A-15
Driver's Compartment Group	A-15
Electrical Group	A-16 - A-17
Exterior Body Group	A-18 - A-21
Galley Group	A-22
Heating & Air Conditioning Group	A-23
Interior Finish Group	A-24 - B-1
LP Group	B-2
Lounge Group	B-3
Water & Sewage Group	B-4
Window, Vent & Exterior Door Group	B-5 - B-10

EXTERIOR BODY GROUP IC723RH

Key	Part Number	U/M	Description
1	068922-04-000	EA	Panel Trim - Left Hand - Off White
2	068920-02-000	EA	Panel Trim - Upper Roof Line - Off White
3	068922-03-000	EA	Panel Trim - Right Hand - Off White
4	068924-02-000	EA	Panel Trim - Lower - Taillamp - Off White
1	068917-02-000	EA	Panel Asm. - Front Cap - Off White
2	068912-02-000	EA	Hood Asm.
	057896-01-000	EA	Hinge Asm. - Hood
3	067785-01-000	EA	Bezel - Headlamp - Left - Chrome
	054898-03-000	EA	Panel - Lower Grill - Valance
4	052847-01-000	EA	Grill Asm.
5	067785-02-000	EA	Bezel - Headlamp - Right Chrome
	049185-01-000	EA	Capsule Asm. - Headlamp Rectangular - Left - High/Low Beam
	049186-01-000	EA	Capsule Asm. - Headlamp Rectangular - Right - High/Low Beam
	049187-01-000	EA	Capsule Asm. - Headlamp Rectangular - Left - High Beam
	049188-01-000	EA	Capsule Asm. - Headlamp Rectangular - Right - High Beam
	050030-01-000	EA	Housing Asm. - Headlamp
	054863-02-000	EA	Panel - Wheel House - Front Half - Right
	054863-01-000	EA	Panel - Wheel House - Front Half - Left
6	068908-03-000	EA	Fender - Right Hand - Front
	068908-04-000	EA	Fender - Left Hand - Front
	058360-02-000	EA	Front End Asm. - Fiberglass - Includes Front Fenders and Hood w/o Front Grille
7	068915-03-000	EA	Panel Asm. - Transition Wingwall - Outer - Right Hand
	068915-04-000	EA	Panel Asm. - Transition Wingwall - Outer - Left Hand
8	068919-02-000	EA	Fender Trim - Rear Wheel Well - Left & Right
	052850-01-003	EA	Trim - Sidewall - 150"
	058723-01-000	EA	Hood Latch Asm.
	068974-03-000	EA	Bracket Asm. - Hood Hinge - Right Hand
	068974-04-000	EA	Bracket Asm. - Hood Hinge - Left Hand
			Not Illustrated

EXTERIOR BODY GROUP (CONTINUED)

SEALANTS, ADHESIVES AND FASTENERS

Key	Part Number	U/M	Description
	034552-05-000	EA	Sealant - Off White Silicone
	034552-04-000	EA	Sealant - Beige Silicone
	034552-02-000	EA	Sealant - Clear Silicone
	069637-01-000	EA	Sealant - Weatherban 404 Tube
	004346-02-000	EA	Sealant - White Silicone
	004347-01-000	EA	Sealant - Tuflex
	004357-01-000	FT	Tape - Sealer - 1/8" x 5/8" - Adhesive
	002707-02-000	FT	Tape - Sealer - 5/16" x 1/2"
	009200-01-000	EA	Tape - Furnace - 1 1/2"
	004353-01-000	FT	Tape - Gasket - 1/8" x 3/4" - White
	002825-01-000	FT	Weather Stripping - Roof Vent
	002337-01-000	EA	Adhesive - 3M - 1300 Tube
	004005-01-000	GL	Adhesive - Swifts - Green - Glue (Sidewalls)
	004012-01-000	EA	Adhesive - 3M - 4475 Tube
	004020-01-000	QT	Adhesive - ABS Cement (Plastic Fittings)
	029051-01-000	EA	Adhesive - Spray Vinyl
	042401-02-000	EA	Screw - 8 - 18 x 3/4" SDPH - Off White
	042403-02-000	EA	Screw - S7/DR - 8 - 18 x 1" SDPH - Off White
	053766-01-000	EA	Bedding Compound - Tube Black - Schnee Morehead
	053766-02-000	EA	Bedding Compound - Tube White - Schnee Morehead
	053767-01-000	FT	Tape - 1/2" x 1/8" x 30' - Gray - Schnee Morehead
	053767-03-000	FT	Tape - 1/4" Bead x 20' - Gray - Schnee Morehead
	053767-04-000	FT	Tape - 3/4" x 1/8" x 30' - Grey - Schnee Morehead
	053767-05-000	FT	Tape - 2" x 3/32" x 45' - Gray - Schnee Morehead

EXTERIOR PAINT

Key	Part Number	U/M	Description
	059354-03-000	EA	Paint - Bronze Metallic - Acrylic Enamel - Aerosol 16 oz. - (7854 Dupont)
	069228-03-000	EA	Paint - Harness Tan Metallic - Acrylic Enamel - Aerosol 16 oz. (42811 Dupont)
	045681-01-000	EA	Paint - Gloss Black - Acrylic Enamel - 1 Gallon (99A Dupont)
	045681-03-000	EA	Paint - Gloss Black - Acrylic Enamel - 16 oz. Aerosol (99A Dupont)
	041561-01-000	EA	Paint - Off White - Acrylic Enamel - 1 Gallon (45396A Dupont)
	041561-03-000	EA	Paint - Off White - Acrylic Enamel - 16 oz. Aerosol - (45396A Dupont)
	041561-04-000	EA	Paint - Off White - Acrylic Lacquer - 1 Gallon

MISCELLANEOUS EXTERNALLY MOUNTED PARTS

Key	Part Number	U/M	Description
**	011124-01-000	EA	Plumbing Seal - Roof Vent - 1 1/4" - White
**	011129-01-000	EA	Plumbing Seal - Roof Vent - 1 1/2" - White
	048817-01-000	EA	Assist Handle - w/Light
	010230-02-000	EA	Fill - City Water - Recessed - Off White
	058808-01-000	EA	Water Fill - Lockable - Off White
	048789-01-000	EA	Vent Asm. - Roof Powered - Unan.
	048835-01-000	EA	Vent Asm. - Roof Non Powered - Unan.
	065103-01-000	EA	Roof Vent - Refrigerator

**The illustrated parts breakdown for this item is provided on the Common Items Fiche.

GALLEY GROUP

GALLEY CABINETRY

Key	Part Number	U/M	Description
	M00654-01-M21	EA	Countertop Asm. - Galley Cabinet - Hot Plate - Paper Bag Brown
	M00655-02-M21	EA	Countertop Asm. - Galley Cabinet - Oven Range - Paper Bag Brown
	M00573-01-M21	EA	Countertop Asm. - Refrigerator
	068700-01-000	EA	Drawer Asm. - Galley Cabinet - 13" x 20" - w/o Hardware
	068726-01-M21	EA	Door Asm. - Galley Overhead - 10" x 17.5" - w/o Hardware
	068726-04-M21	EA	Door Asm. - Galley Cabinet - 10" x 17.5" - w/o Hardware
	068998-01-M21	EA	Cabinet Asm. - Galley Overhead
	068726-07-M21	EA	Door Asm. - Galley Cabinet - w/Steel Spacer - 10" x 17.5" w/o Hardware
	068726-05-M21	EA	Door Asm. - Galley Cabinet - 21.5" x 33.5" - w/o Hardware

GALLEY HARDWARE AND APPLIANCES

Key	Part Number	U/M	Description
	068615-02-000	EA	Sink - Double - Stainless Steel w/Bolts
**	011053-01-000	EA	Faucet - 8" - Swing Spout - U.S.
	011053-02-000	EA	Faucet - 8" - Swing Spout - CSA
	067488-01-000	EA	Pump - Hand - Galley - Chrome
	067051-02-000	EA	Stove Spatter Guard - Safety Glass
**	066437-01-000	EA	Strainer - Sink - w/Basket
	049930-03-000	EA	Hood - Stove - Powered - Black Face
	053333-01-000	EA	Hood - Stove - Non Power - Black Face
	056913-02-000	EA	Range - 2 Burner - Permanent
	M00041-08-M21	EA	Refrigerator - 3 Way - 6 cu. ft. Norcold
	054450-01-000	EA	Level - Refrigerator
	067754-01-000	EA	Oven Range - 3 Burner

**The illustrated parts breakdown for this item is provided on the Common Items Fiche.

1981 ITASCA TABLE OF CONTENTS

Introduction	A-1
Abbreviations	A-1
Alphabetical Index	A-2 - A-4
IC723RB M2	A-5 - B-10
IC723RH M2	B-11 - C-16
IC621RB M1, IC621RB M2	C-17 - E-4
ICN29RT M2	E-5 - G-6
ICF26RH M1, ICF26RH M2	G-7 - I-8
ICF26RT M1, ICF26RT M2	I-9 - K-14

1981 IC723RB M2 INDEX

Floor Plan	A-5 - A-6
Accessories Group	A-7 - A-8
Bath Group	A-9
Chassis Group	A-10
Curtain, Cushion & Pad Group	A-11 - A-14
Dinette Group	A-15
Driver's Compartment Group	A-15
Electrical Group	A-16 - A-17
Exterior Body Group	A-18 - A-21
Galley Group	A-22
Heating & Air Conditioning Group	A-23
Interior Finish Group	A-24 - B-1
LP Group	B-2
Lounge Group	B-3
Water & Sewage Group	B-4
Window, Vent & Exterior Door Group	B-5 - B-10

HEATING AND AIR CONDITIONING GROUP

Key	Part Number	U/M	Description
	051768-01-000	EA	A/C - Compressor Mount Package - 350 C.I.D.
	051770-01-000	EA	A/C - Compressor - Rotolock - 10.3"
	056460-01-000	EA	A/C - Condenser Asm. - 350 C.I.D. C-Body
	056455-01-000	EA	A/C - Evaporator Asm.
	024995-01-000	EA	A/C - Clutch - 6" Drive
	007108-01-000	FT	Hose - Heater - 5/8" ID
	007108-02-000	FT	Hose - Heater - 3/4" ID
	069385-01-000	EA	Shroud - Water Heater
	056464-01-000	EA	Register w/Damper - 4" Round
	009198-01-000	EA	Duct - Flexible - 4" I.D. x 25"
	031604-01-000	EA	Bonnet - Heat Register
	066741-01-714	EA	Thermostat - Horizontal Wall Mount
	009200-01-000	EA	Tape - Furnace - 1 1/2"
	023146-01-000	EA	Clamp - Screw Type - 4"
	050784-01-000	EA	Vent Package - Furnace - 3-6" Wall
	051391-02-000	EA	Water Heater - w/o Motor Aid
	066741-01-711	EA	Door - Furnace - Front
	066741-03-000	EA	Furnace - 19,500 BTU - w/Piezo
**	049775-02-000	EA	Shroud Asm. - Ceiling - Inside - Roof Air - Cool Only 13,500 BTU - Coleman
**	049776-01-000	EA	Shroud Asm. - Ceiling - Inside - Roof Air - Heat and Cool 13,500 BTU - Coleman
	063903-01-000	EA	Air Conditioner - 110 Volt - Roof Air - 13,500 BTU - Rotary

**The illustrated parts breakdown for this item is provided on the Common Items Fiche.

Key	Part Number	U/M	Description
	068344-04-000	SF	Paneling - 772 Birch - 48" x 96" (32SF)
	068343-14-000	SF	Paneling - Decor Suede Arcs - Rust - 48" x 96" (32SF)
	068343-13-000	SF	Paneling - Decor Suede Arcs - Blue - 48" x 96" (32SF)
	068344-06-000	SF	Paneling - Wall - Suede Craft - 48" x 96" (32SF)
	068341-03-000	SF	Plastic Laminate - Paper Bag Brown - 48" x 96" (32SF)

INTERIOR MOLDINGS AND TRIMS

Key	Part Number	U/M	Description
	047354-06-000	EA	Batt Strip - Suede Beige
	068345-07-000	EA	Batt Strip - Decorative Arcs - Blue
	068345-08-000	EA	Batt Strip - Decorative Arcs - Rust
	009812-11-000	EA	Molding - Corner - Outside .50"
	022992-03-000	FT	Molding - Reverse Cove - Sandalwood
	009767-06-000	FT	Wetling - Beige
	009778-01-000	FT	U-Channel - 1" - Dark Brown
	068950-02-000	EA	Panel Asm. - Wingwall Transition - Inner Left Hand
	068950-01-000	EA	Panel Asm. - Wingwall Transition - Inner Right Hand

CABINETS AND TABLE HARDWARE

Key	Part Number	U/M	Description
	057898-01-000	EA	Latch - Cabinet Door - Hidden
	053331-02-000	EA	Hinge - Cabinet Door - Overlay - Flat Black
	009112-01-000	EA	Flange - 1" - Closet Rod
	024276-04-000	EA	Dinette Table Leg
	024282-01-000	EA	Brace - Table Leg
	069022-01-000	EA	Slide - Drawer - Left
	069022-02-000	EA	Slide - Drawer - Right
	024275-05-000	EA	Rod - Table Lift - Beige
	024281-07-000	EA	Wall Bracket - Table Lift
	049493-03-000	EA	Catch - Table Leg
	053200-05-000	EA	Table Support

CURTAIN HARDWARE

Key	Part Number	U/M	Description
	056001-01-000	EA	Bracket - Shade - Left
	056002-01-000	EA	Bracket - Shade - Right
	009107-01-000	EA	Guide - Nylon Snap - Curtain
	018031-42-000	EA	Track - Curtain - "L" Rod - Alum. Extr. - 90"
	009701-01-000	EA	Carrier - "L" Rod - Curtain
	009702-01-000	EA	End Stop - "L" Rod - Curtain
	056115-01-000	YD	Tape - Plastic - Clear - w/Guides

1981 ITASCA TABLE OF CONTENTS

Introduction	A-1
Abbreviations	A-1
Alphabetical Index	A-2 - A-4
IC723RB M2	A-5 - B-10
IC723RH M2	B-11 - C-16
IC621RL M1, IC621RB M2	C-17 - E-4
ICN29RT M2	E - G-6
ICF26RH M1, ICF26RH M2	G-7 - I-8
ICF26RT M1, ICF26FT M2	I-9 - K-14

1981 IC723RB M2 INDEX

Floor Plan	A-5 - A-6
Accessories Group	A-7 - A-8
Bath Group	A-9
Chassis Group	A-10
Curtain, Cushion and Pad Group	A-11 - A-14
Dinette Group	A-15
Driver's Compartment Group	A-15
Electrical Group	A-16 - A-17
Exterior Body Group	A-18 - A-21
Galley Group	A-22
Heating & Air Conditioning Group	A-23
Interior Finish Group	A-24 - B-1
LP Group	B-2
Lounge Group	B-3
Water & Sewage Group	B-4
Window, Vent & Exterior Door Group	B-5 - B-10

INTERIOR FINISH GROUP (CONTINUED)

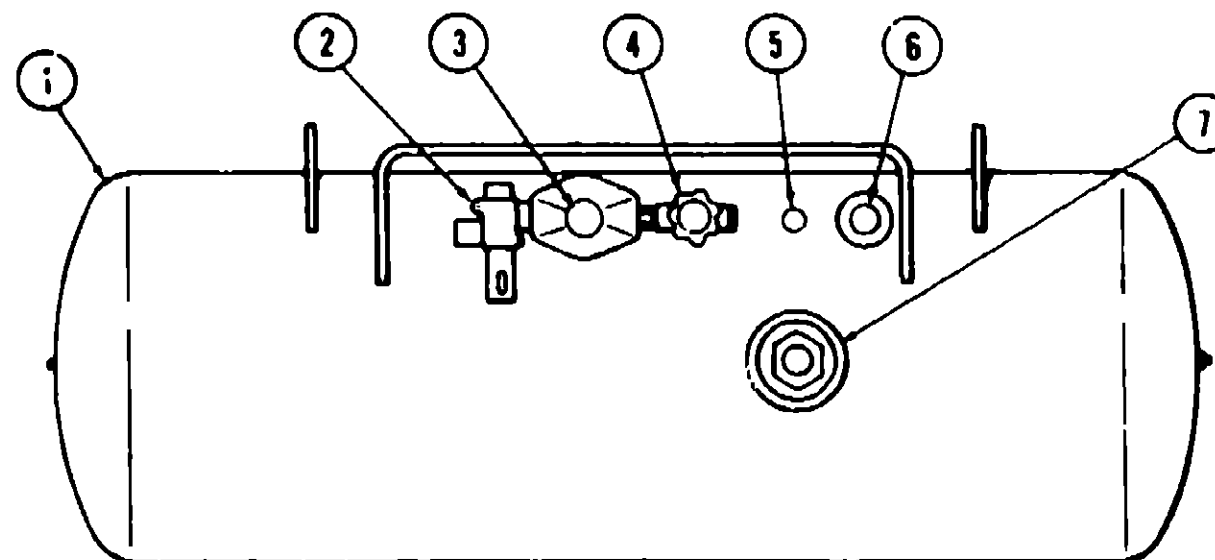
FABRICS AND FLOOR COVERINGS

Key	Part Number	U/M	Description
	064393-05-000	YD	Fabric - Drapery - Beige
	068338-07-000	YD	Fabric - Upholstery - Rust
	068338-08-000	UD	Fabric - Upholstery - Caramel
	038421-01-000	YD	Tickings - Mattress - Gold
	053327-01-000	YD	Vinyl - Non Expanded - 27 oz. - Acorn Brown
	053327-02-000	YD	Vinyl - Expanded - 28 oz. Acorn Brown
	053327-03-000	YD	Vinyl - Non Support - 16 Gauge Film - Acorn Brown
	068342-02-000	YD	Vinyl - Expanded - 28 oz. - Saddle Brown
	068340-04-000	SY	Carpet - Beige

MISCELLANEOUS PARTS

Key	Part Number	U/M	Description
	053552-01-M21	EA	Handle Asm. - Interior Assist - Acorn Brown Vinyl
	041944-01-700	EA	Fire Extinguisher - w/Bracket - Dry Chemical
	041944-03-000	EA	Fire Extinguisher - w/Bracket - SBC - (Calif.)
	006113-01-000	EA	Jack - Hydraulic - 5 Ton - w/Handle
	054185-12-000	EA	Owner's Manual - Itasca - Winnebago
	007038-01-000	EA	Door Mat - Black Rubber - 10 1/2" x 26"
	040069-01-000	EA	Door Mat - Black Rubber - 10 1/2" x 26" - w/Itasca Logo

LP GROUP



LP GROUP

IC723RB

Key	Part Number	U/M	Description
	062026-01-000	EA	Tank Asm. - LP - 10" x 23" - 28 Pound
	063378-01-000	EA	Tank Asm. - LP - 13" x 44" - 80 Pound
	047221-01-000	EA	Detector - LP Gas Leak - Marshalltown Instruments
	058706-01-000	EA	Cover - Regulator - 2 Stage
	058705-01-000	EA	Regulator - Two Stage - LP Gas
	040421-01-703	EA	Valve - Vapor Relief
	040421-01-700	EA	Gauge - Liquid Level - 20% LP
	040421-01-701	EA	Valve - Filler - LP
	040421-01-702	E	Cap - Plastic Fill Valve
	040421-01-707	EA	Gauge - Float - w/Visible Dial - 80° Pound Tank
	040421-01-706	EA	Dial - Visible Face - Float Gauge (Tank w/o Electric Transmitter)
	040421-01-705	EA	Dial - Transmitter - 0 - 90 Ohm (Float Gauge)
	045703-03-000	EA	Hose Asm. - LP - 3/8" I.D. x 4"
	047737-02-000	EA	Support - LP Tank - 89.25"
	053112-01-000	EA	Support - LP Tank - 2" x 3" x 8"
			Not Illustrated

WIKEN AIR WITH LANDI-HARTOG (C-BODY)

Key	Part Number	U/M	Description
	065279-01-000	EA	Relief Valve - Hydrostatic
	065287-02-000	EA	Valve - Gasoline Shut-Off
	065820-02-000	EA	Hose Asm. - High Pressure - 3/8"
	067290-01-001	EA	Hose - Vapor 5/8" x 51"
	068050-02-000	EA	LP Mixer
	068163-01-000	EA	Strap - Converter Braca
	069187-01-000	EA	Instrument Asm. - LP
	069201-02-000	EA	Converter Asm. - LP - C Body
	069252-01-000	EA	Support Brace - Converter
	035027-01-000	EA	Steel Rod - Threaded - 1/4" - 20 x 9"
	068143-01-000	EA	Tube Asm. - Converter - Copper w/Flare Nuts - 5/16" x 270° Bend

1981 ITASCA TABLE OF CONTENTS

Introduction	A-1
Abbreviations	A-1
Alphabetical Index	A-2 - A-4
IC723RB M2	A-5 - B-10
IC723RH M2	B-11 - C-16
IC821RB M1, IC821RB M2	C-17 - E-4
ICN29RT M2	E-5 - G-6
ICF26RH M1, ICF26RH M2	G-7 - I-8
ICF26RT M1, ICF26RT M2	I-9 - K-14

1981 IC723RB M2 INDEX

Floor Plan	A-5 - A-6
Accessories Group	A-7 - A-8
Bath Group	A-9
Chassis Group	A-10
Curtain, Cushion & Pad Group	A-11 - A-14
Dinette Group	A-15
Driver's Compartment Group	A-15
Electrical Group	A-16 - A-17
Exterior Body Group	A-18 - A-21
Galley Group	A-22
Heating & Air Conditioning Group	A-23
Interior Finish Group	A-24 - B-1
LP Group	B-2
Lounge Group	B-3
Water & Sewage Group	B-4
Window, Vent & Exterior Door Group	B-5 - B-10

LOUNGE GROUP

CONVERTIBLE COUCH

Key	Part Number	U/M	Description
	069003-01-M21	EA	Cabinet Asm. - Couch - w/o Door or Hardware
	056875-02-000	EA	Leg Asm. - (2 per couch)
	022517-01-000	EA	End Cap - Leg - 1" x 1" - Brown

WATER AND SEWAGE GROUP

PLUMBING REPAIR PARTS

Key	Part Number	U/M	Description
**	040539-01-000	EA	Kit - Repair - 3/8" O.D. Plastic Tube
**	040540-01-000	EA	Kit - Repair - 1/2" O.D. Plastic Tube
**	040541-01-000	EA	Kit - Repair - 5/8" O.D. Plastic Tube
**	063646-01-000	EA	Pump - Water - 2.8 G.P.M. - Direct Drive - US
**	063646-02-000	EA	Pump - Water - 2.8 G.P.M. - Direct Drive - CSA
**	039647-03-000	EA	Filter - Water Pump - 1/2" MPT
**	052962-01-000	EA	Valve - Stool - 90° 1/2 F x 3/8 MPT
**	039618-01-000	EA	Riser Asm. - 3/8" O.D. x 24" Tube
**	039618-02-000	EA	Riser Asm. - 3/8" O.D. x 36" Tube
**	039618-04-000	EA	Riser Asm. - 3/8" O.D. x 72" Tube
**	039618-05-000	EA	Riser Asm. - 3/8" O.D. x 48" Tube
**	035539-01-000	EA	Elbow - Plastic - 3/8 MPT x 3/8 Barb
**	052852-01-000	EA	Nut - Plastic - 1/2 F
**	052953-01-000	EA	Nut - Faucet - 1/2 Tube x 1/2 FPT
**	052954-01-000	EA	Adapter - Nose Cone - 3/8 or 1/2
**	052958-01-000	EA	Tee - Plastic - 1/2 F x 1/2 F x 1/2 F
**	052959-02-000	EA	Connector - Plastic - 1/2F x 1/2 MPT
**	052959-03-000	EA	Connector - Plastic - 1/2 F x 3/8 MPT
**	052960-01-000	EA	Drain Valve - Line - 1/2 F x 1/2 F
**	052961-01-000	EA	Header - 1/2 F x 1/2 F x 1/2 F x 1/2 F
**	004020-01-000	QT	Adhesive - ABS Cement
**	010201-01-000	EA	Hose - Sewer - 3" x 8 ft. w/Clamp
**	062415-01-000	EA	Cap - Sewer - 3"
**	062416-01-000	EA	Hose - Adapter - 3"
**	062417-01-000	EA	Adapter - Termination - 3"
**	062418-01-000	EA	Valve - 3" w/o Handle
**	062421-01-000	EA	Valve - 1 1/2" - w/Handle
**	010006-01-000	EA	Elbow - Plastic - 1/8 BD 1 1/2" x 45° H x H
**	010008-01-000	EA	Elbow - Plastic - 1/4 BD 1 1/2" x 90° x Long Turn
**	010134-01-000	EA	Adapter - Plastic - 1 1/2" M x MPT
**	063341-01-000	EA	Ring - Closet - Plastic - 4" F x 3" Spigot - 2 3/4"
**	011091-01-000	EA	Waste - Continuous - Double Sink - 11 7/8"
**	053335-01-000	EA	P-Trap - Plastic - 1 1/4"
**	010071-01-000	EA	Tee - Plastic - 1 1/2" H x 1 1/2" H x 1 1/2" H
**	052955-01-000	EA	Tee - Plastic - 1/2" F x 1/2" F x 1/2" MPT
**	010091-01-000	EA	Wye - Plastic - 3" x 45° - H x H :: H
**	010121-01-000	EA	Bushing - Plastic - 1 1/2" S x 1 1/4" H
**	031126-01-000	EA	Elbow - Plastic - 1/4 BD - 3" x 90° x Long Turn
**	010133-01-000	EA	Adapte: - Trap - Plastic - 1 1/2" H x MPT
**	050780-01-000	EA	Coupler - Rubber - 3" x 3"
**	010219-01-000	EA	Elbow - 1 1/4 Barb x 1 1/4 MPT - 90°
**	044928-01-000	FT	Tubing - Flex - 1 1/4" ID x 10" Long
**	054535-01-000	EA	Vent - Mechanical - Trap Arm
**	061607-01-000	EA	Grommet - Rubber - Holding Tank - 1 1/2" NPS
**	061607-02-000	EA	Grommet - Rubber - Holding Tank - 3" NPS
**	010197-01-000	F1	Pipe - ABS Plastic - 3" x 240"
**	065979-01-000	EA	Compartment Asm. - Sewer Hose
**	052957-02-000	EA	Elbow - Plastic - 1/2" F x 1/2" MPT
**	052957-03-000	EA	Elbow - Plastic - 1/2" F x 1/4" MPT
**	061607-02-000	EA	Grommet - Holding Tank - 3" NPS
**	046524-01-000	EA	Kit - Plastic Fittings - Holding Tank
**	046524-02-000	EA	Kit - Plastic Fittings - Water Tank

**The illustrated parts breakdown for this item is provided on the Common Items Fiche.

1981 ITASCA TABLE OF CONTENTS

Introduction	A-1
Abbreviations	A-1
Alphabetical Index	A-2 - A-4
IC723RB M2	A-5 - B-10
IC723RH M2	B-11 - C-16
IC621RB M1, IC621RH M2	C-17 - E-4
ICN29RT M2	E-5 - G-6
ICF26RH M1, ICF26RH M2	G-7 - I-8
ICF26RT M1, ICF26RT M2	I-9 - K-14

1981 IC723RB M2 INDEX

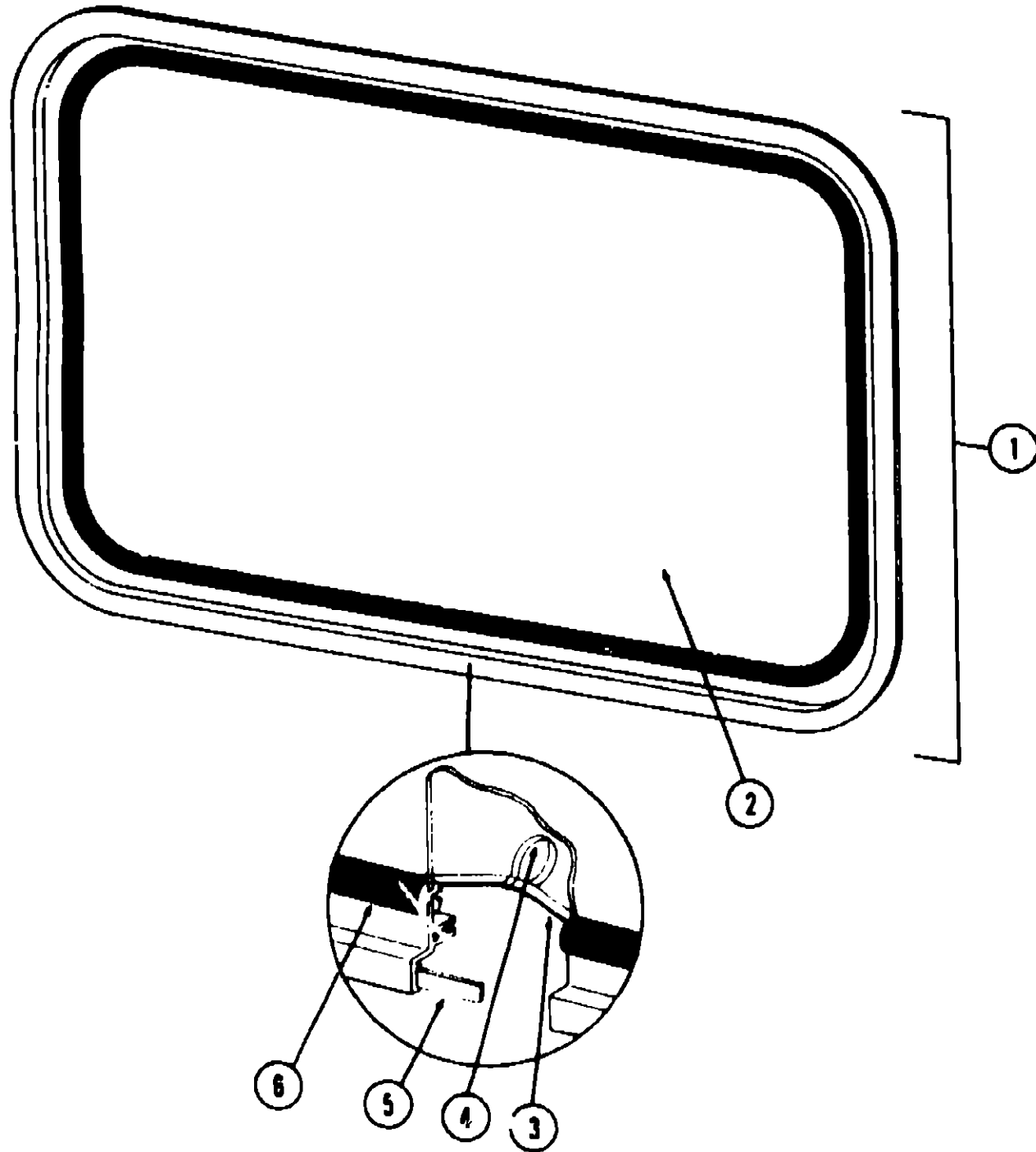
Floor Plan	A-5 - A-6
Accessories Group	A-7 - A-8
Bath Group	A-9
Chassis Group	A-10
Curtain, Cushion and Pad Group	A-11 - A-14
Dinette Group	A-15
Driver's Compartment Group	A-15
Electrical Group	A-16 - A-17
Exterior Body Group	A-18 - A-21
Galley Group	A-22
Heating & Air Conditioning Group	A-23
Interior Finish Group	A-24 - B-1
LP Group	B-2
Lounge Group	B-3
Water & Sewage Group	B-4
Window, Vent & Exterior Door Group	B-5 - B-10

HOLDING TANKS AND WATER HEATERS

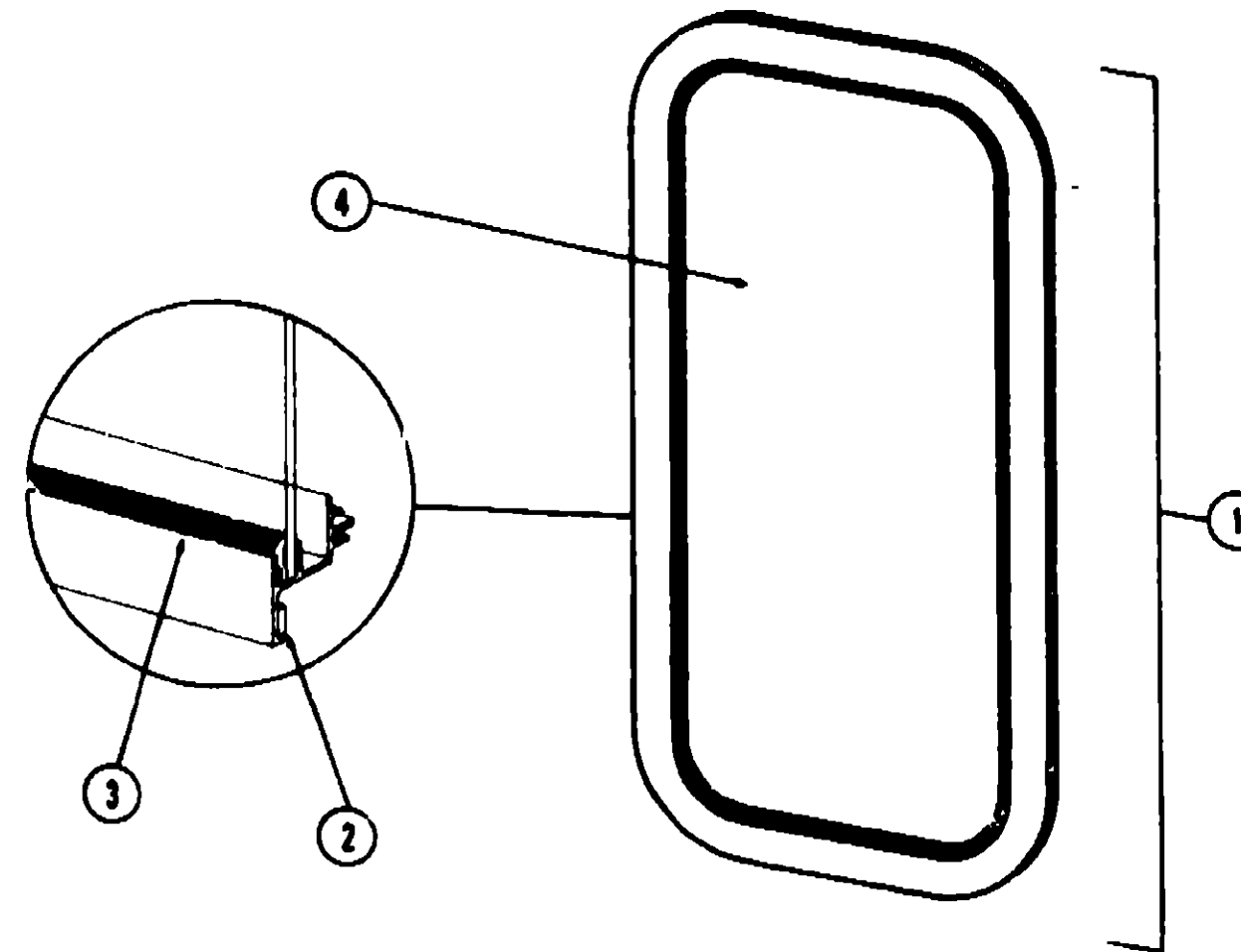
Key	Part Number	U/M	Description
	068520-02-000	EA	Tank Asm. - Water - 20 Gallon w/Fittings
	068520-01-000	EA	Tank Asm. - Water - 20 Gallon w/o Fittings
	068519-01-000	EA	Tank Asm. - Holding - 20 Gallon - Sewage - w/o Fittings

WINDOW, VENT AND EXTERIOR DOOR GROUP

WINDOW, VENT AND EXTERIOR DOOR GROUP (CONTINUED)



Key	Part Number	U/M	Description
1	020751-03-000	EA	Window Asm. - Rear Escape - 23" x 29" - Black Anod. (w/o inside frame)
2	002174-01-000	EA	Glass - 1/8" x 19.6" x 25.9"
3	002285-01-000	FT	Filler - Weatherstrip - Black
4	020395-01-000	EA	Pull Ring - Escape Window
5	053767-02-000	FT	Tape - 3/16" Bead x 25' - Gray
6	002282-01-000	FT	Weatherstrip - 125" Window
.	020749-05-000	EA	Frame - Inside - Escape Window - 23" x 29" (not included in assembly)
.	006199-01-000	EA	Label - Exit - Escape Window
.			Not Illustrated



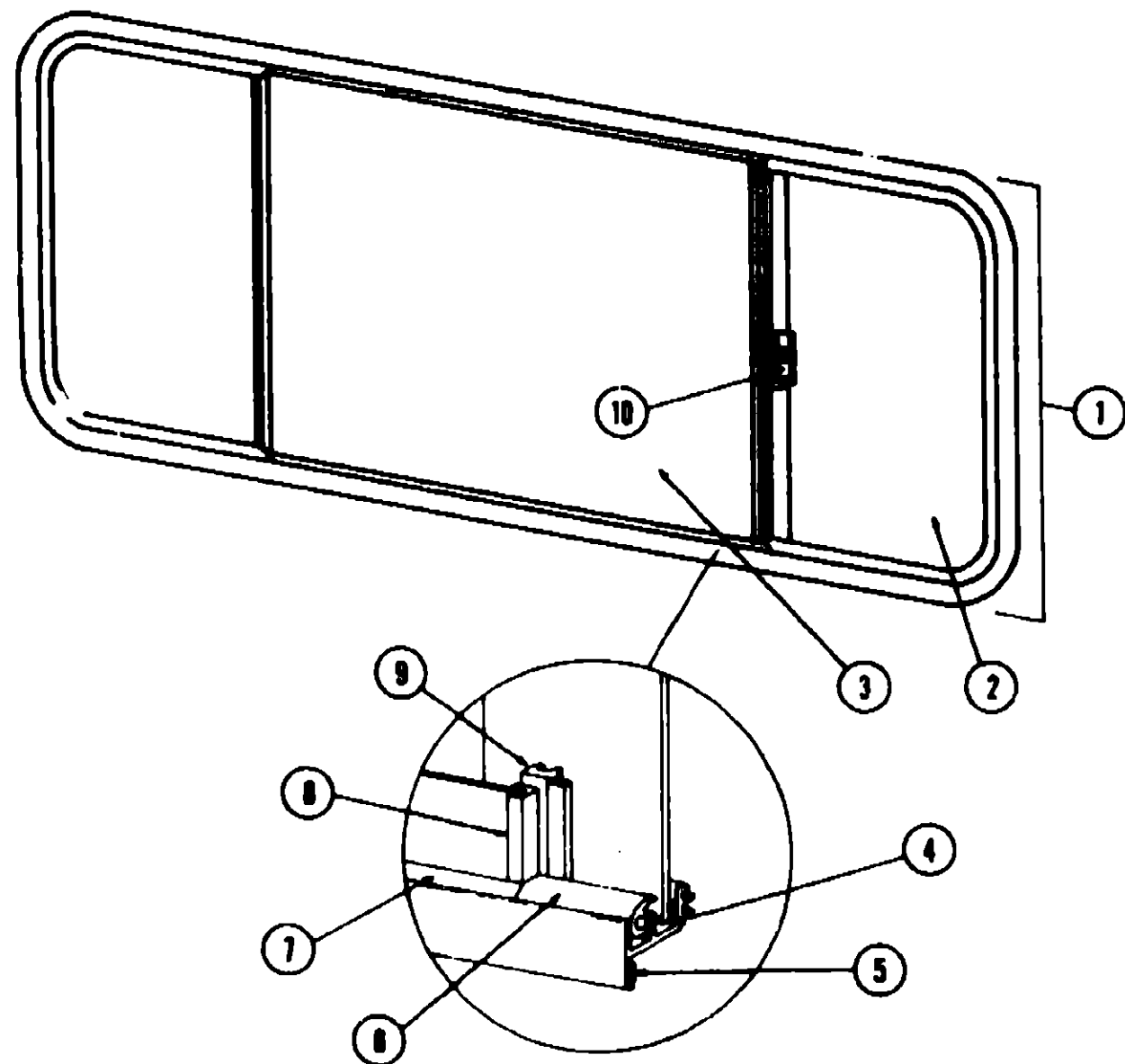
Key	Part Number	U/M	Description
1	041875-02-000	EA	Window Asm. - Picture - 13" x 23" - Black (w/o inside frame)
2	053767-02-000	FT	Tape - 3/16" Bead x 25' - Schnee Morehead
3	002309-02-000	FT	Spline - Glass - 1/8" - Black
4	002181-01-000	EA	Glass - .115" x 12" x 22"
.	041696-15-000	EA	Frame - Inside - Window (not included in assembly)
.			Not Illustrated

**1981 ITASCA
TABLE OF CONTENTS**

Introduction	A-1
Abbreviations	A-1
Alphabetical Index	A-2 - A-4
IC723RB M2	A-5 - B-10
IC723RH M2	B-11 - C-16
IC621RB M1, IC621RB M2	C-17 - E-4
ICN29RT M2	E-5 - G-6
ICF26RH M1, ICF26RH M2	G-7 - I-8
ICF26RT M1, ICF26RT M2	I-9 - K-14

1981 IC723RB M2 INDEX

Floor Plan	A-5 - A-6
Accessories Group	A-7 - A-8
Bath Group	A-9
Chassis Group	A-10
Curtain, Cushion & Pad Group	A-11 - A-14
Dinette Group	A-15
Driver's Compartment Group	A-15
Electrical Group	A-16 - A-17
Exterior Body Group	A-18 - A-21
Galley Group	A-22
Heating & Air Conditioning Group	A-23
Interior Finish Group	A-24 - B-1
LP Group	B-2
Lounge Group	B-3
Water & Sewage Group	B-4
Window, Vent & Exterior Door Group	B-5 - B-10



Key	Part Number	U/M	Description
1	066785-03-000	EA	Window Asm. - Single Slider - 25" x 65"
2	042133-14-000	EA	Inside Frame - Beige
3	066726-02-000	EA	Glass - Stationary - 1/8" x 21" x 24"
4	066727-02-000	EA	Glass - Sliding - 1/8" x 25.5" x 24"
5	002324-02-000	FT	Channel - Weatherstrip - Glass
6	053767-03-000	FT	Tape - 1/4" Bead x 20' - Gray
7	057374-02-000	FT	Extr. Vinyl - Window Seal - Black
8	002309-02-000	FT	Spline - Glass - 1/8" Material - Black
9	069886-03-003	EA	Extr. - Holder - Glass Seal - 23.19" - Black
10	060896-02-000	EA	Mullion - Slider Window - 23" - Black
	047369-01-000	EA	Latch - Window - Plastic - w/Fastener
	002293-01-000	SF	Screen - Window - 26" - Gray
	002298-01-000	FT	Spline - .130 Dia. - Gray (Screen)
	042076-01-000	FT	Seal - Fin - Pile - .34"
			Not Illustrated

ACCESS DOORS

Key	Part Number	U/M	Description
	063946-01-000	EA	Door Asm. - Power Cord w/Hatch
	042442-01-000	EA	Lock Asm. - Twist Type - (Power Cord)
	064842-01-000	EA	Door Asm. - Luggage - Off White
	059247-06-000	EA	Door Asm. - Refrigerator Access - Off White - w/Twist Lock
	064841-01-000	EA	Door Asm. - Generator - Off White - w/Twist Lock
	052009-01-000	EA	Door - Water Heater - Off White
	047305-01-000	EA	Lock Asm. - Key Type w/Clip
	042441-01-000	EA	Lock Asm. - Key Type (Gas Fill)
	052423-01-000	EA	Door - Fuel Fill
	054369-06-000	EA	Door Asm. - LP - 23.68" x 9.66" - Off White
	064567-02-000	EA	Door Asm. - Battery - 11.2" x 18.8" - Off White
	066958-02-000	EA	Door Asm. - LP Storage - Off White
	009003-01-000	EA	Lock Asm. - Twist Type - Metal
	052424-01-000	EA	Door Jamb - Power Cord & Fuel Fill - Off White
	054543-01-000	EA	Door Hatch - Power Cord - Off White
	063742-01-000	EA	Door - Power Cord - Off White
	041312-01-000	FT	Door Seal - e/Section

VENTS

Key	Part Number	U/M	Description
	065103-01-000	EA	Frame - Base - Refrigerator Vent (w/o cover)
	065103-02-000	EA	Cover - Vent - Refrigerator
	049352-01-000	EA	Vent - Stove Hood - Outside - Off White

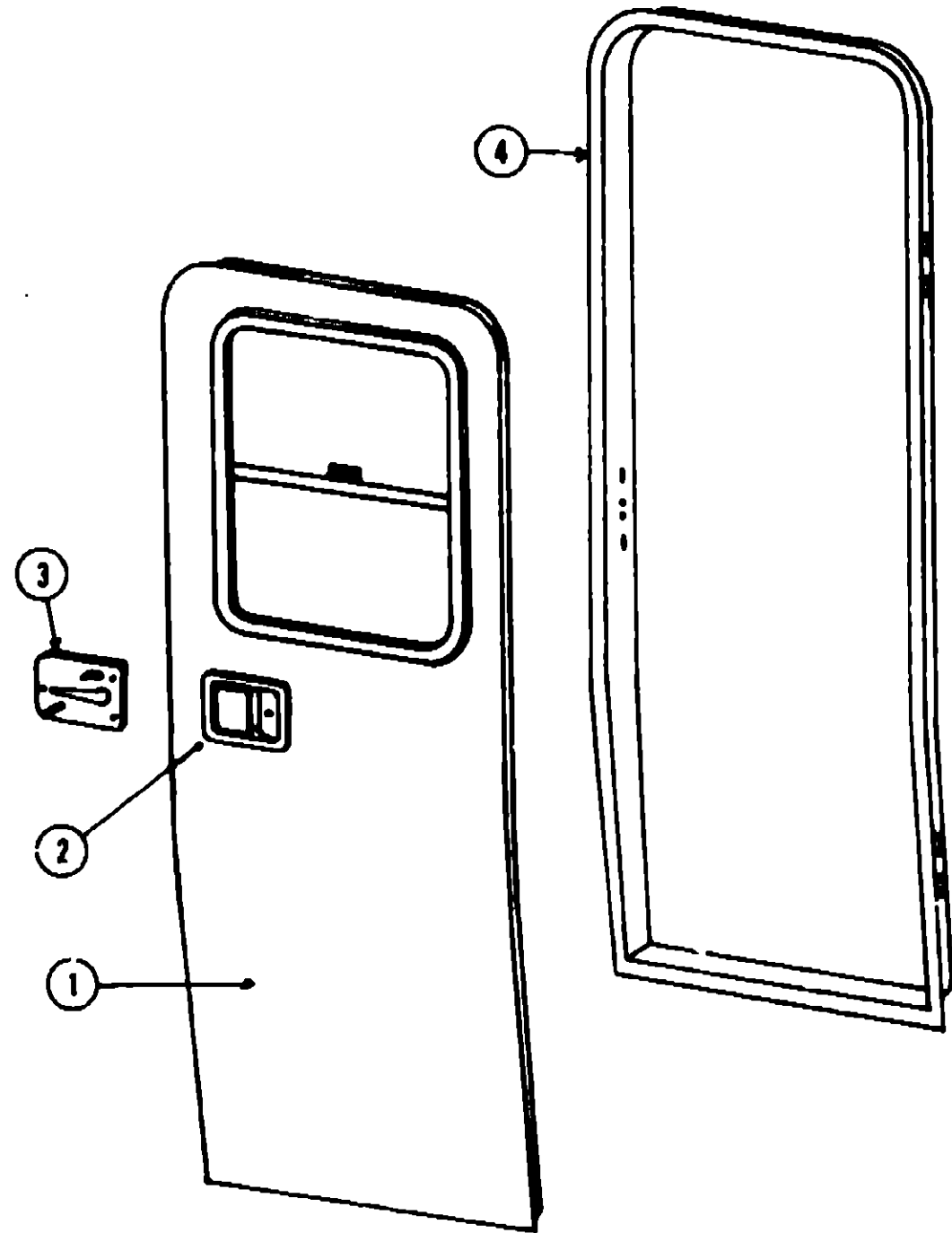
1981 ITASCA
TABLE OF CONTENTS

Introduction	A-1
Abbreviations	A-1
Alphabetical Index	A-2 - A-4
IC723RB M2	A-5 - B-10
IC723RH M2	B-11 - C-16
IC821RB M1, IC821RB M2	C-17 - E-4
ICN29RT M2	E-5 - G-6
ICF26RH M1, ICF26RH M2	G-7 - I-8
ICF26RT M1, ICF26RT M2	I-9 - K-14

1981 IC723RB M2 INDEX

Floor Plan	A-5 - A-8
Accessories Group	A-7 - A-8
Bath Group	A-9
Chassis Group	A-10
Curtain, Cushion and Pad Group	A-11 - A-14
Dinette Group	A-15
Driver's Compartment Group	A-15
Electrical Group	A-16 - A-17
Exterior Body Group	A-18 - A-21
Galley Group	A-22
Heating & Air Conditioning Group	A-23
Interior Finish Group	A-24 - B-1
LP Group	B-2
Lounge Group	B-3
Water & Sewage Group	B-4
Window, Vent & Exterior Door Group	B-5 - B-10

WINDOW, VENT AND EXTERIOR DOOR GROUP (CONTINUED)



Key	Part Number	U/M	Description
1	M69341-04-M21	EA	Door Asm. - Entry - w/Latch and Hinges
2	045017-01-000	EA	Paddle Asm. - Door Lock - Exterior
	045017-01-700	EA	Lock Cylinder w/Keys - Lynor
	039539-01-000	EA	Striker Bolt - Entry Door
	039540-01-000	EA	Latch Claw - Entry Door
3	039979-01-000	EA	Plate - Lock - Inside - Including Inside Handle
	052186-01-000	EA	Lock Asm. - Complete - Lynor

Key	Part Number	U/M	Description
	069383-01-000	EA	Window Asm. - Vertical Slider - w/o Inside Frame
	068742-01-000	EA	Glass - Vertical Top - 1/8" x 17.4" x 11.5"
	068743-01-000	EA	Glass - Vertical Slider - 1/8" x 17.5" x 12.6"
	047369-01-700	EA	Latch - Window - Black Plastic
	068752-01-000	EA	Inside Frame - Vertical Slider
4	068875-02-000	EA	Jamb Asm. - Entry Door - Off White
	064075-01-000	FT	Seal - Entry Door Jamb - Rubber
	068723-02-000	EA	Hinge Asm. - Entry Door - Lower
	068720-02-000	EA	Hinge Asm. - Entry Door - Upper
			Not Illustrated

**1981 ITASCA
TABLE OF CONTENTS**

Introduction	A-1
Abbreviations	A-1
Alphabetical Index	A-2 - A-4
IC723RB M2	A-5 - B-10
IC723RH M2	B-11 - C-16
IC621RB M1, IC621RB M2	C-17 - E-4
ICN26RT M2	E-5 - G-6
ICF26RH M1, ICF26RH M2	G-7 - I-8
ICF26RT M1, ICF26RT M2	I-9 - K-14

1981 IC723RB M2 INDEX

Floor Plan	A-5 - A-6
Accessories Group	A-7 - A-8
Bath Group	A-9
Chassis Group	A-10
Curtain, Cushion & Pad Group	A-11 - A-14
Dinette Group	A-15
Driver's Compartment Group	A-15
Electrical Group	A-16 - A-17
Exterior Body Group	A-18 - A-21
Galley Group	A-22
Heating & Air Conditioning Group	A-23
Interior Finish Group	A-24 - B-1
LP Group	B-2
Lounge Group	B-3
Water & Sewage Group	B-4
Window, Vent & Exterior Door Group	B-5 - B-10