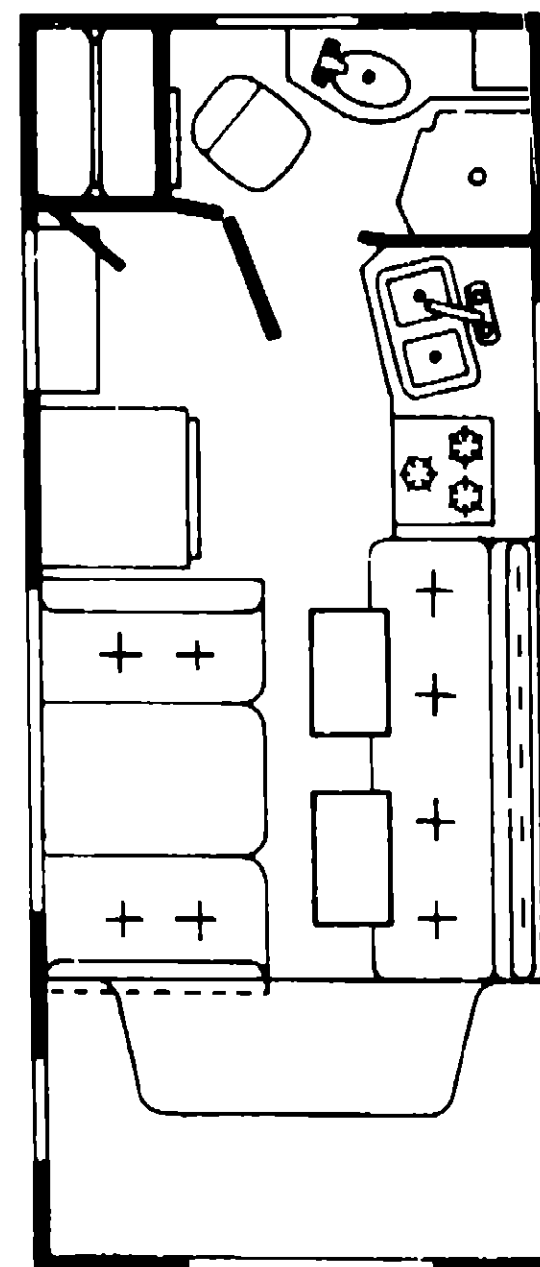
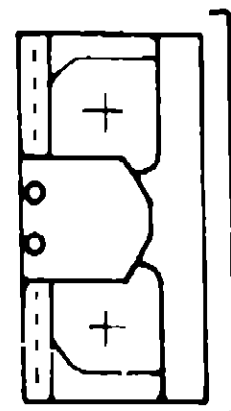


**1981**  
**IC621RB M1**  
**IC621RB M2**



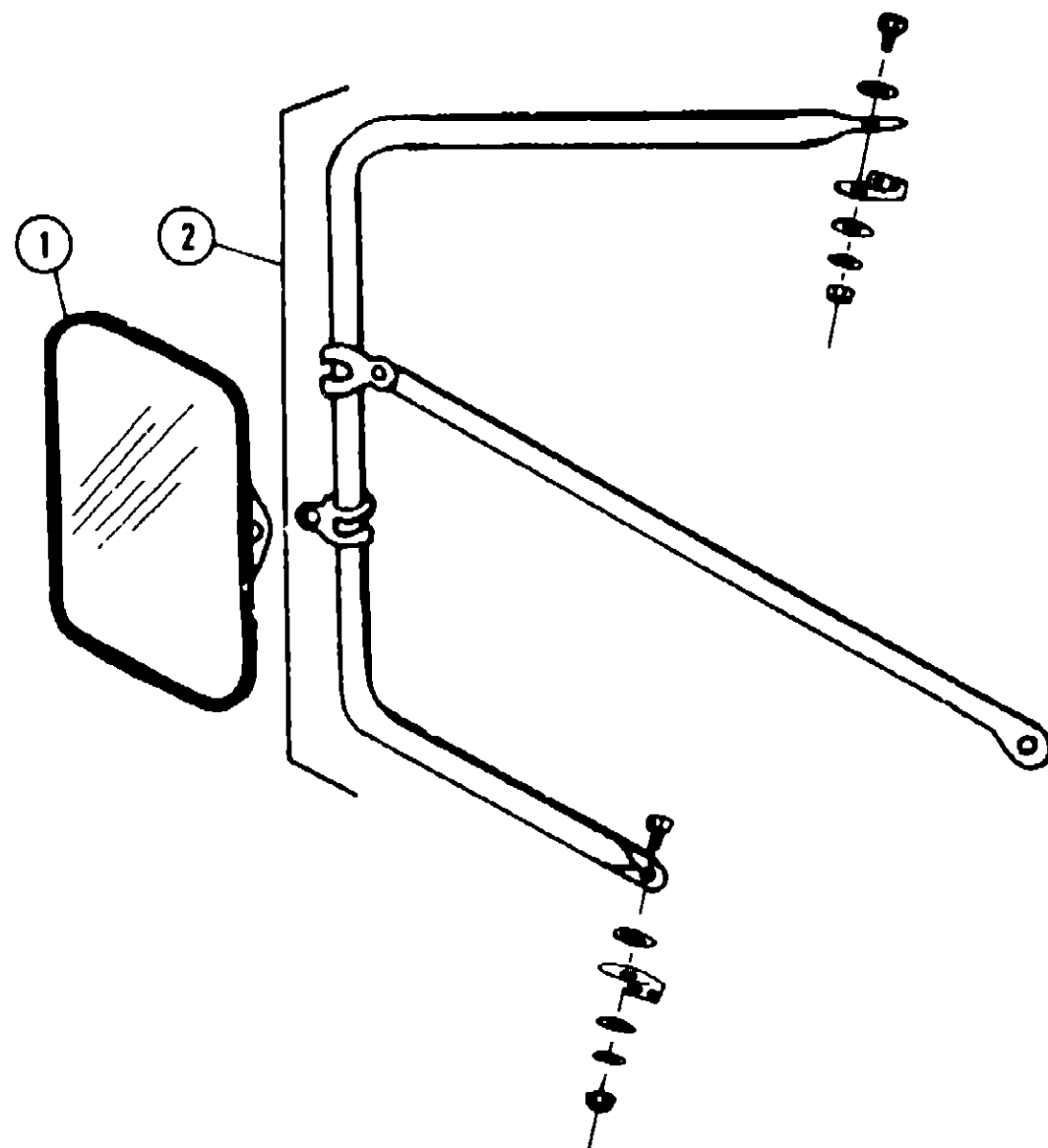
**1981 ITASCA**  
**TABLE OF CONTENTS**

Introduction	A-1
Abbreviations	A-1
Alphabetical Index	A-2 - A-4
IC723RB M2	A-5 - B-10
IC723RH M2	B-11 - C-16
IC621RB M1, IC621RB M2	C-17 - E-4
ICN29RT M2	E-5 - G-6
ICF26RH M1, ICF26RH M2	G-7 - I-8
ICF26RT M1, ICF26RT M2	I-9 - K-14

**1981 IC621RB M1, IC621RB M2 INDEX**

Floor Plan	C-17 - C-18
Accessories Group	C-19 - C-20
Bath Group	C-21
Chassis Group	C-22
Curtain, Cushion and Pad Group	C-23 - D-5
Dinette Group	D-6
Driver's Compartment Group	D-7
Electrical Group	D-8 - D-9
Exterior Body Group	D-10 - D-13
Galley Group	D-14
Heating & Air Conditioning Group	D-15
Interior Finish Group	D-16 - D-17
LP Group	D-18
Lounge Group	D-19
Water & Sewage Group	D-19 - D-20
Window, Vent & Exterior Door Group	D-21 - E-4

## ACCESSORIES GROUP



Key	Part Number	U/M	Description
1	057461-01-000	EA	Mirror Head - 7 1/2" x 10 1/2" - w/Convex
2	049349-01-000	EA	Arm - West Coast Mirror - Stainless Steel

## ACCESSORIES GROUP (CONTINUED)

### RADIOS AND RELATED COMPONENTS

Key	Part Number	U/M	Description
	064785-01-000	EA	Radio - AM - Audiovox
	064787-01-000	EA	Radio - AM/FM/MPX - w/Cassette
	064786-01-000	EA	Radio - AM/FM/MPX/8 Track
	007004-01-000	EA	Antenna - Radio - Cab Mount
	048153-01-000	EA	Antenna - CB - Camper Style
	064791-01-000	EA	Speaker - Recessed - 5 1/4" x 10 oz.
	064792-01-000	EA	Grille - Speaker - 5 1/4"

### GENERATOR AND COMPONENTS

Key	Part Number	U/M	Description
	054427-01-000	EA	Generator - 3.0 kw - Onan
	701029-02-000	EA	Package - Onan Installation
	057652-01-000	EA	Muffler - Generator - AJ
	049360-07-000	EA	Overhead Console
	050015-01-000	EA	Bracket Overhead Console

### MISCELLANEOUS ACCESSORIES

Key	Part Number	U/M	Description
	006053-01-000	EA	Antenna - TV - Braund Delux
	006053-01-700	EA	Repair Parts Kits - Braund TV Antenna
	006093-01-000	EA	Jack - TV - Brown
	052771-02-000	EA	Oven - Microwave - Magic Chef 207-4
	006113-01-000	EA	Jack - Hydraulic - 5 Ton
	040069-01-000	EA	Mat - Door - Black Rubber - 10 1/2" x 26"
	041944-03-000	EA	Fire Extinguisher - Dry Chemical w/Bracket
	054185-12-000	EA	Owner's Manual - 1981 - Winnebago & Itasca
	063719-01-000	EA	Battery - 12V - Aux. 90 Amp.
	017516-01-000	EA	Mud Flap - Black - 14" x 18" w/Holes
	064477-01-000	EA	Cover - Spare Tire - Plastic - Off White
**	031396-03-000	EA	Wheel Cover - 16.5" - Chrome
**	064082-05-000	EA	Retention - Wheel Cover - Chevy (4)
**	059779-01-000	EA	Speed Control - Chev. - Dana
	067125-01-000	EA	Standoff Rack & Ladder
	067161-01-000	EA	Ladder Asm.
	067130-01-000	EA	Step Ladder
	041646-01-000	EA	Luggage Carrier Asm. - Roof Mounted
	039881-01-000	EA	Catch and Strike - Luggage Carrier

\*\*The illustrated parts breakdown for this item is provided on the Common Items Fiche.

## 1981 ITASCA TABLE OF CONTENTS

Introduction	A-1
Abbreviations	A-1
Alphabetical Index	A-2 - A-4
IC723RB M2	A-5 - B-10
IC723RH M2	B-11 - C-18
IC621RB M1, IC621RB M2	C-17 - E-4
ICN29RT M2	E-5 - G-6
ICF26RH M1, ICF26RH M2	G-7 - I-8
ICF26RT M1, ICF26RT M2	I-9 - K-14

## 1981 IC621RB M1, IC621RB M2 INDEX

Floor Plan	C-17 - C-18
Accessories Group	C-19 - C-20
Bath Group	C-21
Chassis Group	C-22
Curtain, Cushion and Pad Group	C-23 - D-5
Dinette Group	D-6
Driver's Compartment Group	D-7
Electrical Group	D-8 - D-9
Exterior Body Group	D-10 - D-13
Galley Group	D-14
Heating & Air Conditioning Group	D-15
Interior Finish Group	D-16 - D-17
LP Group	D-18
Lounge Group	D-19
Water & Sewage Group	D-19 - D-20
Window, Vent & Exterior Door Group	D-21 - E-4

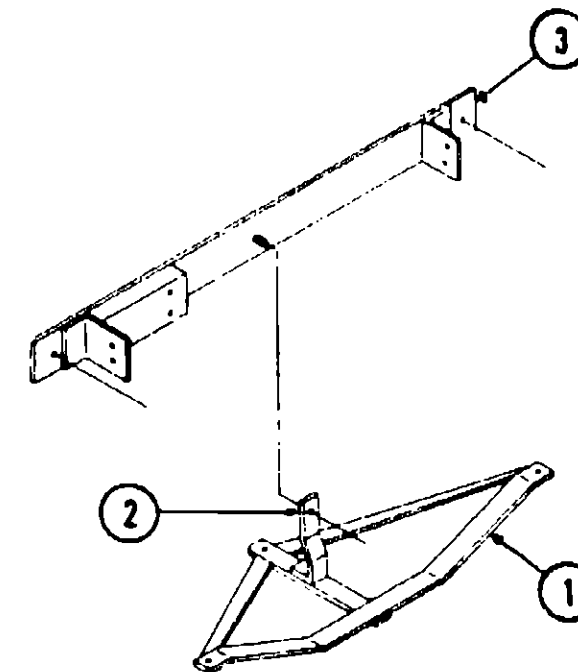
## BATH GROUP

Key	Part Number	U/M	Description
	067401-01-L07	EA	Countertop Asm. - Vanity Cabinet - Stone Hinge
	067401-01-M10	EA	Countertop Asm. - Vanity Cabinet - Rust Burnt Sienna
	067401-01-M11	EA	Countertop Asm. - Vanity Cabinet - Paper Bag Brown
	M67322-01-L07	EA	Cabinet Asm. - Vanity - w/o Countertop & Doors
	M67322-01-700	EA	Cabinet Asm. - Vanity - w/o Countertop & Doors
	063224-21-M10	EA	Door Asm. - Rolled - 12.8" x 30" Upper
	063224-22-M10	EA	Door Asm. - Rolled - 13.1" x 30" Lower
	065325-07-M10	EA	Door Asm. - Bath - 24.1" x 74.2"
	065325-07-L07	EA	Door Asm. - Bath - 24.1" x 74.2"
	065325-15-M10	EA	Door Asm. - Vanity Cabinet - 19.5" x 15.2" - w/o Hardware
	065325-15-L07	EA	Door Asm. - Vanity Cabinet - 19.5" x 15.2" - w/o Hardware
	065325-12-M10	EA	Door Asm. - Wardrobe Cabinet - 46.4" x 17.5" - w/o Hardware
	065325-12-L07	EA	Door Asm. - Wardrobe Cabinet - 46.4" x 17.5" - w/o Hardware
	065273-02-M10	EA	Door Asm. - Wardrobe Cabinet - 15" x 56.2" w/Mirror - w/o Hardware
	065273-02-L07	EA	Door Asm. - Wardrobe Cabinet - 15" x 56.2" w/Mirror - w/o Hardware
	058713-01-000	EA	Sink - Oval - Ivory Plastic
	061408-02-000	EA	Soap Holder - Pewter
	061410-02-000	EA	Towel Ring - Pewter
	052563-01-000	EA	Towel Rack Asm. - Mounts on Door
	M67100-01-M10	EA	Cabinet Asm. - Medicine
	M67100-01-L07	EA	Cabinet Asm. - Medicine
	067218-01-M10	EA	Door Asm. - Medicine Cabinet - 14.7" x 38.7" - w/o Hardware
	067218-01-L07	EA	Door Asm. - Medicine Cabinet - 14.7" x 38.7" - w/o Hardware
	058331-02-000	EA	Mirror - Medicine Cabinet Door - 12" x 36"
	058331-04-000	EA	Mirror - Wardrobe Door
	057898-01-000	EA	Hidden Latch
	058335-02-000	EA	Bath Door Latch
	009134-01-000	EA	Holder - Tissue
	011056-02-000	EA	Faucet - Lavatory - CSA
**	011056-01-000	EA	Faucet - Lavatory - US
	011083-01-000	EA	Plug w/Chain - 1 1/4"
**	011048-01-000	EA	Shower Head - w/60" Hose
**	011070-01-000	EA	Tailpiece - 1 1/4" x 6" - Brass
	064350-01-000	EA	Shower Pan
**	011059-03-000	EA	Faucet - Shower USA
**	063740-01-000	EA	Toilet - Thetford Aqua Magic IV - Ivory

\*\*The illustrated parts breakdown for this item is provided on the Common Items Fiche.

## CHASSIS GROUP

Key	Part Number	U/M	Description
	059859-01-000	EA	Wheel Well - Plastic - Left or Right Rear
	061411-01-000	EA	Tail Pipe Extension - 2" O.D. x 10"
	007125-05-000	EA	Clamp Asm. - Muffler - 2" Dia
	064093-01-000	EA	Box - Luggage Compartment - 14" x 30" x 60"
	064291-01-000	EA	Tray - Battery - 20.5" x 15.4"
	051687-01-000	EA	Bracket - Battery Tie Down
	049912-01-000	EA	Step Asm. Assist - Cab
	017516-01-000	EA	Mud Flap - 14" x 18" - w/Holes
	064089-01-000	EA	Splashguard - Front - Black Rubber
	064379-01-000	EA	Bumper - Rear - Chrome Steel
	061189-01-000	EA	Bracket Asm. - Rear Bumper Mount - Left
	061189-02-000	EA	Bracket Asm. - Rear Bumper Mount - Right
	064213-01-000	EA	Box - Power Cord
	049407-01-000	EA	Tire - 8.75 x 10.5 - 8 Ply - Black Tubeless
	065118-02-000	EA	Wheel - 6.75 x 16.5 - Chevy
	047441-01-000	EA	Battery Terminal - Horizontal Lug
	007131-01-000	EA	Hanger - Tail Pipe
	064487-01-000	EA	Spare Tire Support Asm.
	040784-01-000	EA	Blade Asm. - Windshield Wiper



Key	Part Number	U/M	Description
1	064833-01-000	EA	Trailer Hitch Asm. - w/Support
2	064824-01-000	EA	Support - Trailer Hitch
3	065237-01-000	EA	Bracket - Bumper Mount - Rear

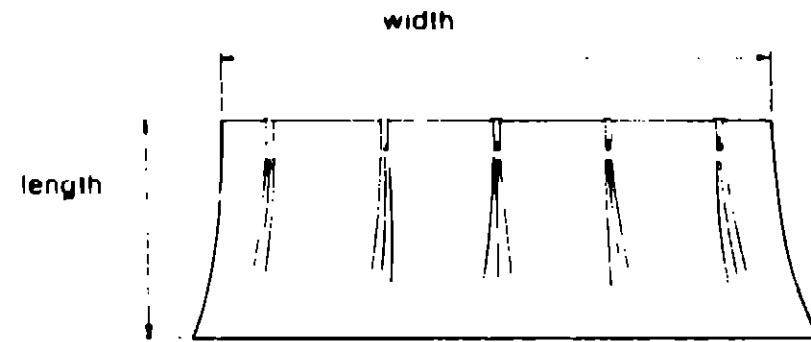
## 1981 ITASCA TABLE OF CONTENTS

Introduction	A-1
Abbreviations	A-1
Alphabetical Index	A-2 - A-4
IC723RB M2	A-5 - B-10
IC723RH M2	B-11 - C-16
IC621RB M1, IC621RB M2	C-17 - E-4
ICN29RT M2	E-5 - G-6
ICF26RH M1, ICF26RH M2	G-7 - I-8
ICF26RT M1, ICF26RT M2	I-9 - K-14

## 1981 IC621RB M1, IC621RB M2 INDEX

Floor Plan	C-17 - C-18
Accessories Group	C-19 - C-20
Bath Group	C-21
Chassis Group	C-22
Curtain, Cushion and Pad Group	C-23 - D-5
Dinette Group	D-6
Driver's Compartment Group	D-7
Electrical Group	D-8 - D-9
Exterior Body Group	D-10 - D-13
Galley Group	D-14
Heating & Air Conditioning Group	D-15
Interior Finish Group	D-16 - D-17
LP Group	D-18
Lounge Group	D-19
Water & Sewage Group	D-19 - D-20
Window, Vent & Exterior Door Group	D-21 - E-4

**CURTAIN, CUSHION AND PAD GROUP**



**NOTE:**  
Use this illustration when determining length and width measurements for curtains. You will note the width measurement is taken on the top of the curtain with the curtain fully extended. The length measurement is taken from top to bottom.

**CURTAINS AND TIE BACKS**

Key	Part Number	U/M	Description
	056484-48-M10	EA	Curtain Asm. - w/Snap Top - 20" x 9" - Rust
	056484-48-M11	EA	Curtain Asm. - w/Snap Top - 20" x 9" - Blue
	056484-48-M12	EA	Curtain Asm. - w/Snap Top - 20" x 9" - Brown
	054045-17-L07	EA	Curtain Asm. - w/Snap Top and Bottom - 18" x 44" - Super Satin
	054045-17-M10	EA	Curtain Asm. - w/Snap Top and Bottom - 18" x 44" - Rust
	054045-17-M11	EA	Curtain Asm. - w/Snap Top and Bottom - 18" x 44" - Blue
	054045-17-M12	EA	Curtain Asm. - w/Snap Top and Bottom - 18" x 44" - Brown
	054051-02-M10	EA	Curtain Asm. - w/Snap Top - 34" x 37" - Rust
	054051-02-M11	EA	Curtain Asm. - w/Snap Top - 34" x 37" - Blue
	054051-02-M12	EA	Curtain Asm. - w/Snap Top - 34" x 37" - Brown
	054051-33-L07	EA	Curtain Asm. - w/Snap Top - 36" x 38" - Super Satin
	056484-28-M10	EA	Curtain Asm. - w/Snap Top - 28.5" x 19" - Rust
	056484-28-M11	EA	Curtain Asm. - w/Snap Top - 28.5" x 19" - Blue
	056484-28-M12	EA	Curtain Asm. - w/Snap Top - 28.5" x 19" - Brown
	054103-08-L07	EA	Curtain Asm. - w/Snap Top - 12" x 38" - Super Satin
	054103-08-M10	EA	Curtain Asm. - w/Snap Top - 12" x 38" - Rust
	054103-08-M11	EA	Curtain Asm. - w/Snap Top - 12" x 38" - Blue
	054103-08-M12	EA	Curtain Asm. - w/Snap Top - 12" x 38" - Brown
	059900-03-L07	EA	Curtain Asm. - Wraparound - 25" x 80" - Super Satin
	059900-03-M10	EA	Curtain Asm. - Wraparound - 25" x 80" - Rust
	059900-03-M11	EA	Curtain Asm. - Wraparound - 25" x 80" - Blue
	059900-03-M12	EA	Curtain Asm. - Wraparound - 25" x 80" - Brown
	054051-34-L07	EA	Curtain Asm. - w/Snap Top - 25" x 70" - Super Satin
	064913-09-M10	EA	Curtain Asm. - w/Snap Top - 25" x 86" - Rust
	064913-09-M11	EA	Curtain Asm. - w/Snap Top - 25" x 86" - Blue
	064913-09-M12	EA	Curtain Asm. - w/Snap Top - 25" x 86" - Brown
	056484-47-M10	EA	Curtain Asm. - w/Taped Top - 31" x 37" - Rust
	056484-47-M11	EA	Curtain Asm. - w/Taped Top - 31" x 37" - Blue
	056484-47-M12	EA	Curtain Asm. - w/Taped Top - 31" x 37" - Brown
	054048-05-L07	EA	Tie Back - Curtain - 2" x 18" - Super Satin
	054048-08-M10	EA	Tie Back - Curtain - 2" x 18" - Rust
	054048-08-M11	EA	Tie Back - Curtain - 2" x 18" - Blue
	054048-08-M12	EA	Tie Back - Curtain - 2" x 18" - Brown
	057534-03-000	EA	Tie Back - Clear Plastic - 7.5"
	057534-01-000	EA	Tie Back - Clear Plastic - 6"

**CURTAIN, CUSHION AND PAD GROUP (CONTINUED)**

**SHADES AND VALANCES**

Key	Part Number	U/M	Description
	065224-19-000	EA	Shade - Woven Wood - 70" x 33" - Brown (L10)
	065224-20-000	EA	Shade - Woven Wood - 70" x 33" - Russet (L11)
	065224-21-000	EA	Shade - Woven Wood - 70" x 33" - Jade (L12)
	065224-22-000	EA	Shade - Woven Wood - 39" x 29.5" - Brown (L10)
	065224-23-000	EA	Shade - Woven Wood - 39" x 29.5" - Russet (L11)
	065224-24-000	EA	Shade - Woven Wood - 39" x 29.5" - Jade (L12)
	065224-25-000	EA	Shade - Woven Wood - 24" x 26" - Brown (L10)
	065224-26-000	EA	Shade - Woven Wood - 24" x 26" - Russet (L11)
	065224-27-000	EA	Shade - Woven Wood - 24" x 26" - Jade (L12)
	067783-06-000	EA	Shade - Woven Wood - 70" x 33" - Rust (M10)
	067783-08-000	EA	Shade - Woven Wood - 70" x 33" - Burgundy (M11)
	067783-07-000	EA	Shade - Woven Wood - 70" x 33" - Brown (M12)
	067783-18-000	EA	Shade - Woven Wood - 39" x 29 1/2" - Rust (M10)
	067783-20-000	EA	Shade - Woven Wood - 39" x 29 1/2" - Burgundy (M11)
	067783-19-000	EA	Shade - Woven Wood - 39" x 29 1/2" - Brown (M12)
	067783-26-000	EA	Shade - Woven Wood - 23" x 23" - Rust (M10)
	067783-28-000	EA	Shade - Woven Wood - 23" x 23" - Burgundy (M11)
	067783-27-000	EA	Shade - Woven Wood - 23" x 23" - Brown (M12)
	065892-12-M10	EA	Valance Asm. - 5" x 49" - Rust
	065892-12-M11	EA	Valance Asm. - 5" x 49" - Blue
	065892-12-M12	EA	Valance Asm. - 5" x 49" - Brown
	065892-17-M10	EA	Valance Asm. - 5" x 30.5" - Rust
	065892-17-M11	EA	Valance Asm. - 5" x 30.5" - Blue
	065892-17-M12	EA	Valance Asm. - 5" x 30.5" - Brown
	065892-05-M10	EA	Valance Asm. - 5" x 78" - Rust
	065892-05-M11	EA	Valance Asm. - 5" x 78" - Blue
	065892-05-M12	EA	Valance Asm. - 5" x 78" - Brown

**FRONT OVERHEAD BUNK MATTRESS**

Key	Part Number	U/M	Description
	058897-12-L07	EA	Mattress - Overhead Bunk - Two Fold - 19" x 34" x 75" x 4" - Brown
	058897-12-L08	EA	Mattress - Overhead Bunk - Two Fold - 19" x 34" x 75" x 4" - Rust
	058897-12-L09	EA	Mattress - Overhead Bunk - Two Fold - 19" x 34" x 75" x 4" - Jade
	058897-12-M10	EA	Mattress - Overhead Bunk - Two Fold - 19" x 34" x 75" x 4" - Rust
	058897-12-M11	EA	Mattress - Overhead Bunk - Two Fold - 19" x 34" x 75" x 4" - Blue
	058897-12-M12	EA	Mattress - Overhead Bunk - Two Fold - 19" x 34" x 75" x 4" - Brown
	058898-12-M10	EA	Cover - Overhead Bunk Mattress - Two Fold - 19" x 34" x 75" x 4" - Rust
	058898-12-M11	EA	Cover - Overhead Bunk Mattress - Two Fold - 19" x 34" x 75" x 4" - Blue
	058898-12-M12	EA	Cover - Overhead Bunk Mattress - Two Fold - 19" x 34" x 75" x 4" - Brown
	058899-12-L07	EA	Cover - Overhead Bunk Mattress - Two Fold - 19" x 34" x 75" x 4" - Brown
	058899-12-L08	EA	Cover - Overhead Bunk Mattress - Two Fold - 19" x 34" x 75" x 4" - Rust
	058899-12-L09	EA	Cover - Overhead Bunk Mattress - Two Fold - 19" x 34" x 75" x 4" - Jade

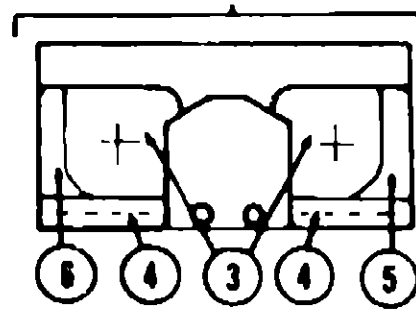
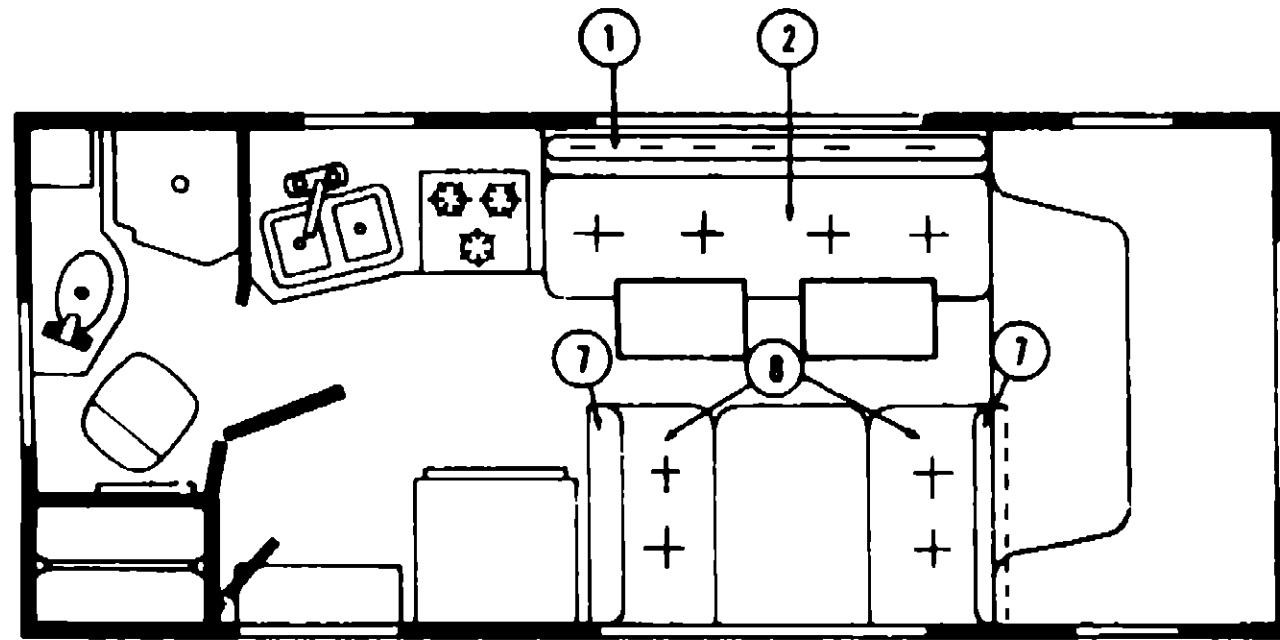
**1981 ITABCA  
TABLE OF CONTENTS**

Introduction	A-1
Abbreviations	A-1
Alphabetical Index	A-2 - A-4
IC723RB M2	A-5 - B-10
IC723RH M2	B-11 - C-16
IC621RB M1, IC621RH M2	C-17 - E-4
ICN29RT M2	E-5 - G-6
ICF26RH M1, ICF26RH M2	G-7 - I-8
ICF26RT M1, ICF26RT M2	I-9 - K-14

**1981 IC621RB M1, IC621RH M2 INDEX**

Floor Plan	C-17 - C-18
Accessories Group	C-19 - C-20
Bath Group	C-21
Chassis Group	C-22
Curtain, Cushion and Pad Group	C-23 - D-5
Dinette Group	D-6
Driver's Compartment Group	D-7
Electrical Group	D-8 - D-9
Exterior Body Group	D-10 - D-13
Galley Group	D-14
Heating & Air Conditioning Group	D-15
Interior Finish Group	D-16 - D-17
LP Group	D-18
Lounge Group	D-19
Water & Sewage Group	D-19 - D-20
Window, Vent & Exterior Door Group	D-21 - E-4

**CURTAIN, CUSHION AND PAD GROUP (CONTINUED)**



**PRESTO BED CUSHIONS**

Key	Part Number	U/M	Description
1	064720-01-L07	EA	Cushion Asm. - Presto Bed - Back - 76" - Brown
1	064720-01-L08	EA	Cushion Asm. - Presto Bed - Back - 76" - Rust
1	064720-01-L09	EA	Cushion Asm. - Presto Bed - Back - 76" - Jade
1	068780-01-M10	EA	Cushion Asm. - Presto Bed - Back - 76" - Rust
1	068780-01-M11	EA	Cushion Asm. - Presto Bed - Back - 76" - Blue
1	068780-01-M12	EA	Cushion Asm. - Presto Bed - Back - 76" - Burgandy
	M68780-01-M10	EA	Cover - Presto Bed - Back - 76" - Rust
	M68780-01-M11	EA	Cover - Presto Bed - Back - 76" - Blue
	M68780-01-M12	EA	Cover - Presto Bed - Back - 76" - Burgandy
	064724-01-L07	EA	Cover - Presto Bed - Back - 76" - Brown
	064724-01-L08	EA	Cover - Presto Bed - Back - 76" - Rust
	064724-01-L09	EA	Cover - Presto Bed - Back - 76" - Jade
2	064721-01-L07	EA	Cushion Asm. - Presto Bed - Bottom - 76" - Brown
2	064721-01-L08	EA	Cushion Asm. - Presto Bed - Bottom - 76" - Rust
2	064721-01-L09	EA	Cushion Asm. - Presto Bed - Bottom - 76" - Jade
2	068781-01-M10	EA	Cushion Asm. - Presto Bed - Bottom - 76" - Rust
2	068781-01-M11	EA	Cushion Asm. - Presto Bed - Bottom - 76" - Blue
2	068781-01-M12	EA	Cushion Asm. - Presto Bed - Bottom - 76" - Burgandy
	M68781-02-M10	EA	Cover - Presto Bed - Bottom - 76" - Rust
	M68781-02-M11	EA	Cover - Presto Bed - Bottom - 76" - Blue
	M68781-02-M12	EA	Cover - Presto Bed - Bottom - 76" - Burgandy
	064721-02-L07	EA	Cover - Presto Bed - Bottom - 76" - Brown
	064724-02-L08	EA	Cover - Presto Bed - Bottom - 76" - Rust
	064724-02-L09	EA	Cover - Presto Bed - Bottom - 76" - Jade

**CURTAIN, CUSHION AND PAD GROUP (CONTINUED)**

**CORNER LOUNGE CHAIR CUSHIONS**

Key	Part Number	U/M	Description
3	059743-05-L07	EA	Cushion - Lounge Chair Bottom - Brown
3	059743-05-L08	EA	Cushion - Lounge Chair Bottom - Rust
3	059743-05-L09	EA	Cushion - Lounge Chair Bottom - Jade
3	059743-04-M10	EA	Cushion - Lounge Chair Bottom - Rust
3	059743-04-M11	EA	Cushion - Lounge Chair Bottom - Blue
3	059743-04-M12	EA	Cushion - Lounge Chair Bottom - Brown
	059746-04-M10	EA	Cover - Lounge Chair Bottom - Rust
	059746-04-M11	EA	Cover - Lounge Chair Bottom - Blue
	059746-04-M12	EA	Cover - Lounge Chair Bottom - Brown
	059746-05-L07	EA	Cover - Lounge Chair Bottom - Brown
	059746-05-L08	EA	Cover - Lounge Chair Bottom - Rust
	059746-05-L09	EA	Cover - Lounge Chair Bottom - Jade
4	059742-05-L07	EA	Cushion - Lounge Chair Back - Brown
4	059742-05-L08	EA	Cushion - Lounge Chair Back - Rust
4	059742-05-L09	EA	Cushion - Lounge Chair Back - Jade
4	059742-04-M10	EA	Cushion - Lounge Chair Back - Rust
4	059742-04-M11	EA	Cushion - Lounge Chair Back - Blue
4	059742-04-M12	EA	Cushion - Lounge Chair Back - Brown
	059745-04-M10	EA	Cover - Lounge Chair Back - Rust
	059745-04-M11	EA	Cover - Lounge Chair Back - Blue
	059745-04-M12	EA	Cover - Lounge Chair Back - Brown
	059745-05-L07	EA	Cover - Lounge Chair Back - Brown
	059745-05-L08	EA	Cover - Lounge Chair Back - Rust
	059745-05-L09	EA	Cover - Lounge Chair Back - Jade
5	059744-10-L07	EA	Cushion - Chair Wedge - Left - Brown
5	059744-10-L08	EA	Cushion - Chair Wedge - Left - Rust
5	059744-10-L09	EA	Cushion - Chair Wedge - Left - Jade
5	059744-08-M10	EA	Cushion - Chair Wedge - Left - Rust
5	059744-08-M11	EA	Cushion - Chair Wedge - Left - Blue
5	059744-08-M12	EA	Cushion - Chair Wedge - Left - Brown
	059747-08-M10	EA	Cover - Chair Wedge - Left - Rust
	059747-08-M11	EA	Cover - Chair Wedge - Left - Blue
	059747-08-M12	EA	Cover - Chair Wedge - Left - Brown
	059747-10-L07	EA	Cover - Chair Wedge - Left - Brown
	059747-10-L08	EA	Cover - Chair Wedge - Left - Rust
	059747-10-L09	EA	Cover - Chair Wedge - Left - Jade
6	059744-09-L07	EA	Cushion - Chair Wedge - Right - Brown
6	059744-09-L08	EA	Cushion - Chair Wedge - Right - Rust
6	059744-09-L09	EA	Cushion - Chair Wedge - Right - Jade
6	059744-07-M10	EA	Cushion - Chair Wedge - Right - Rust
6	059744-07-M11	EA	Cushion - Chair Wedge - Right - Blue
6	059744-07-M12	EA	Cushion - Chair Wedge - Right - Brown
	059747-07-M10	EA	Cover - Chair Wedge - Right - Rust
	059747-07-M11	EA	Cover - Chair Wedge - Right - Blue
	059747-07-M12	EA	Cover - Chair Wedge - Right - Brown
	059747-09-L07	EA	Cover - Chair Wedge - Right - Brown
	059747-09-L08	EA	Cover - Chair Wedge - Right - Rust
	059747-09-L09	EA	Cover - Chair Wedge - Right - Jade

**1981 ITASCA  
TABLE OF CONTENTS**

Introduction	A-1
Abbreviations	A-1
Alphabetical Index	A-2 - A-4
IC723RB M2	A-5 - B-10
IC723RH M2	B-11 - C-16
IC621RB M1, IC621RB M2	C-17 - E-4
ICN29RT M2	E-5 - G-6
ICF26RH M1, ICF26RH M2	G-7 - I-8
ICF26RT M1, ICF26RT M2	I-9 - K-14

**1981 IC621RB M1, IC621RB M2 INDEX**

Floor Plan	C-17 - C-18
Accessories Group	C-19 - C-20
Bath Group	C-21
Chassis Group	C-22
Curtain, Cushion and Pad Group	C-23 - D-5
Dinette Group	D-6
Driver's Compartment Group	D-7
Electrical Group	D-8 - D-9
Exterior Body Group	D-10 - D-13
Galley Group	D-14
Heating & Air Conditioning Group	D-15
Interior Finish Group	D-16 - D-17
LP Group	D-18
Lounge Group	D-19
Water & Sewage Group	D-19 - D-20
Window, Vent & Exterior Door Group	D-21 - E-4

**CURTAIN, CUSHION AND PAD GROUP (CONTINUED)**

**DINETTE CUSHIONS**

Key	Part Number	U/M	Description
7	064710-08-L07	EA	Cushion - Dinette Back - 19" x 38.5" x 5" - Brown
7	064710-08-L08	EA	Cushion - Dinette Back - 19" x 38.5" x 5" - Rust
7	064710-08-L09	EA	Cushion - Dinette Back - 19" x 38.5" x 5" - Jade
7	068773-01-M10	EA	Cushion - Dinette Back - 19.2" x 38" x 5" - Rust
7	068773-01-M11	EA	Cushion - Dinette Back - 19.2" x 38" x 5" - Blue
7	068772-01-M12	EA	Cushion - Dinette Back - 19.2" x 38" x 5" - Brown
	M68773-01-M10	EA	Cover - Dinette Back Cushion - 19.2" x 38" x 5" - Rust
	M68773-01-M11	EA	Cover - Dinette Back Cushion - 19.2" x 38" x 5" - Blue
	M68773-01-M12	EA	Cover - Dinette Back Cushion - 19.2" x 38" x 5" - Brown
	064711-08-L07	EA	Cover - Dinette Back Cushion - 19" x 38.5" x 5" - Brown
	064711-08-L08	EA	Cover - Dinette Back Cushion - 19" x 38.5" x 5" - Rust
	064711-08-L09	EA	Cover - Dinette Back Cushion - 19" x 38.5" x 5" - Jade
8	064710-07-L07	EA	Cushion - Dinette Bottom - 17" x 37.5" x 5" - Brown
8	064710-07-L08	EA	Cushion - Dinette Bottom - 17" x 37.5" x 5" - Rust
8	064710-07-L09	EA	Cushion - Dinette Bottom - 17" x 37.5" x 5" - Jade
8	068773-02-M10	EA	Cushion - Dinette Bottom - 17.5" x 38" x 5" - Rust
8	068773-02-M11	EA	Cushion - Dinette Bottom - 17.5" x 38" x 5" - Blue
8	068773-02-M12	EA	Cushion - Dinette Bottom - 17.5" x 38" x 5" - Brown
	M68773-02-M10	EA	Cover - Dinette Bottom Cushion - 17.5" x 38" x 5" - Rust
	M68773-02-M11	EA	Cover - Dinette Bottom Cushion - 17.5" x 38" x 5" - Blue
	M68773-02-M12	EA	Cover - Dinette Bottom Cushion - 17.5" x 38" x 5" - Brown
	064711-07-L07	EA	Cover - Dinette Bottom Cushion - 17" x 37.5" x 5" - Brown
	064711-07-L08	EA	Cover - Dinette Bottom Cushion - 17" x 37.5" x 5" - Rust
	064711-07-L09	EA	Cover - Dinette Bottom Cushion - 17" x 37.5" x 5" - Jade

**CURTAIN HARDWARE**

Key	Part Number	U/M	Description
	052327-04-236	EA	Track - Curtain - Brown Alum. - 89" w/Holes
	053272-01-001	EA	Track - Curtain - Alum. - 18"
	058001-01-000	EA	Bracket - Shade - Left
	058002-01-000	EA	Bracket - Shade - Right
	009107-01-000	EA	Guide - Nylon Snap - Curtain
	018031-02-000	EA	Track - Curtain - "L" Rod - Alum. Extr. - 90"
	009701-01-000	EA	Carrier - "L" Rod - Curtain
	009702-01-000	EA	End Stop - "L" Rod - Curtain
	058115-01-000	YD	Tape - Plastic - Clear w/Guides



Key	Part Number	U/M	Description
1	029130-01-000	EA	Socket - Snap Fastener
2	029155-01-000	EA	Cap - Snap - .158" Dia. x .17" Barrel
3	029156-01-000	EA	Socket - Snap Fastener
4	029092-01-000	EA	Stud - Nickel Finish
5	029093-01-000	EA	Eyelet - Nickel Finish

**CURTAIN, CUSHION AND PAD GROUP (CONTINUED)**

**FABRICS AND TRIMS**

Key	Part Number	U/M	Description
	068338-04-000	YD	Fabric - Drapery - Rust (M10)
	068338-05-000	YD	Fabric - Drapery - Blue (M11)
	068338-06-000	YD	Fabric - Drapery - Brown (M12)
	064383-05-000	YD	Fabric - Drapery - Super Satin (L07)
	064383-11-000	YD	Upholstery - Main - Brown - (Clinton Cedar)(L07)
	064383-14-000	YD	Fabric - Upholstery - Accent - Brown - (Caprice Cinnamon)(L07)
	064383-12-000	YD	Fabric - Upholstery - Main - Rust - (Clinton Rust)(L07)
	064383-15-000	YD	Fabric - Upholstery - Accent - Rust - (Caprice Clay)(L07)
	064383-13-000	YD	Fabric - Upholstery - Main - Jade - (Clinton Seafoam)(L07)
	064383-16-000	YD	Fabric - Upholstery - Accent - Jade - (Caprice Seafoam)(L07)
	068338-10-000	YD	Fabric - Upholstery - Rust (M10)
	068338-11-000	YD	Fabric - Upholstery - Blue (M11)
	068338-12-000	YD	Fabric - Upholstery - Burgandy (M12)
	038421-01-000	YD	Tickling - Mattress - Gold
	052858-01-M07	FT	Trim Asm. - Accent - Acorn Brown Vinyl
	053327-01-000	YD	Vinyl - Non Expanded - 27 oz. - Acorn Brown
	053327-02-000	YD	Vinyl - Expanded - 28 oz. Acorn Brown
	053327-03-000	YD	Vinyl - Non Support - 18 Gauge Film - Acorn Brown
	M00045-02-M10	EA	Button Asm. - Upholstery - #45 - Rust (M10)
	M00045-02-M11	EA	Button Asm. - Upholstery - #45 - Blue (M11)
	M00045-02-M12	EA	Button Asm. - Upholstery - #45 - Burgandy (M12)
	054876-06-L07	EA	Button Asm. - Cloth Covered - #30 - Brown
	054876-06-L08	EA	Button Asm. - Cloth Covered - #30 - Rust
	054876-06-L09	EA	Button Asm. - Cloth Covered - #30 - Jade
	054876-01-M10	EA	Button Asm. - Upholstery - #30 - Rust
	054876-01-M11	EA	Button Asm. - Upholstery - #30 - Blue
	054876-01-M12	EA	Button Asm. - Upholstery - #30 - Brown
	052350-02-000	EA	Button Asm. - Upholstery - Back - #45
	052888-01-M10	EA	Button Asm. - Vinyl - #22 - Acorn
	058051-01-M10	EA	Pad - Sleeper Board - Left - Acorn
	058051-02-M10	EA	Pad - Sleeper Board - Right - Acorn
	067152-01-M10	EA	Pad - Front Bunk - 2.88" x 5.62" - Acorn
	067152-02-M10	EA	Pad - Front Bunk - 5.25" x 6.50" - Acorn
	058053-01-M10	EA	Pad - Hinging Pillar - Right - Acorn
	058053-02-M10	EA	Pad - Hinging Pillar - Left - Acorn
	058054-01-M10	EA	Pad - Headliner - Left - Acorn
	058054-02-M10	EA	Pad - Headliner - Right - Acorn
	067153-01-M10	EA	Pad - Front Bunk - 2.88" x 6.25" - Acorn

**1981 ITASCA  
TABLE OF CONTENTS**

Introduction	A-1
Abbreviations	A-1
Alphabetical Index	A-2 - A-4
IC723RB M2	A-5 - E-10
IC723RH M2	B-11 - C-16
IC621RB M1, IC621RB M2	C-17 - E-4
ICN29RT M2	E-5 - G-6
ICF26RH M1, ICF26RH M2	G-7 - I-8
ICF26RT M1, ICF26RT M2	I-9 - K-14

**1981 IC621RB M1, IC621RB M2 INDEX**

Floor Plan	C-17 - C-18
Accessories Group	C-19 - C-20
Bath Group	C-21
Chassis Group	C-22
Curtain, Cushion and Pad Group	C-23 - D-5
Dinette Group	D-8
Driver's Compartment Group	D-7
Electrical Group	D-8 - D-9
Exterior Body Group	D-10 - D-13
Galley Group	D-14
Heating & Air Conditioning Group	D-15
Interior Finish Group	D-16 - D-17
LP Group	D-18
Lounge Group	D-19
Water & Sewage Group	D-19 - D-20
Window, Vent & Exterior Door Group	D-21 - E-4

**CURTAIN, CUSHION AND PAD GROUP (CONTINUED)**

**BUCKET SEATS**

Key	Part Number	U/M	Description
	068862-02-M10	EA	Seat Asm. - Single Bucket - Highback w/Armrest and Skirt Right - Rust
	068862-02-M11	EA	Seat Asm. - Single Bucket - Highback w/Armrest and Skirt Right - Blue
	068862-02-M12	EA	Seat Asm. - Single Bucket - Highback w/Armrest and Skirt Right - Brown
	065939-01-L07	EA	Seat Asm. - Single Bucket - Highback w/Armrest and Skirt Right - Brown
	065939-01-L08	EA	Seat Asm. - Single Bucket - Highback w/Armrest and Skirt Right - Rust
	065939-01-L09	EA	Seat Asm. - Single Bucket - Highback w/Armrest and Skirt Right - Jade
	068862-03-M10	EA	Seat Asm. - Single Bucket - Highback w/Armrest and Skirt Left - Rust
	068862-03-M11	EA	Seat Asm. - Single Bucket - Highback w/Armrest and Skirt Left - Blue
	068862-03-M12	EA	Seat Asm. - Single Bucket - Highback w/Armrest and Skirt Left - Brown
	065939-02-L07	EA	Seat Asm. - Single Bucket - Highback w/Armrest and Skirt Left - Brown
	065939-02-L08	EA	Seat Asm. - Single Bucket - Highback w/Armrest and Skirt Left - Rust
	065939-02-L09	EA	Seat Asm. - Single Bucket - Highback w/Armrest and Skirt Left - Jade
	M00405-01-M10	EA	Cover - Back - Single Bucket - Rust
	M00405-01-M11	EA	Cover - Back - Single Bucket - Blue
	M00405-01-M12	EA	Cover - Back - Single Bucket - Brown
	095943-03-L07	EA	Cover - Back - Single Bucket - Brown
	065943-03-L08	EA	Cover - Back - Single Bucket - Rust
	065943-03-L09	EA	Cover - Back - Single Bucket - Jade
	M00405-02-M10	EA	Cover - Bottom - Single Bucket - Rust
	M00405-02-M11	EA	Cover - Bottom - Single Bucket - Blue
	M00405-02-M12	EA	Cover - Bottom - Single Bucket - Brown
	065944-03-L07	EA	Cover - Bottom - Single Bucket - Brown
	065944-03-L08	EA	Cover - Bottom - Single Bucket - Rust
	065944-03-L09	EA	Cover - Bottom - Single Bucket - Jade
	066915-02-M10	EA	Skirt - Single Bucket - Rust
	066915-02-M11	EA	Skirt - Single Bucket - Blue
	066915-02-M12	EA	Skirt - Single Bucket - Brown
	066915-03-L07	EA	Skirt - Single Bucket - Brown
	066915-03-L08	EA	Skirt - Single Bucket - Rust
	066915-03-L09	EA	Skirt - Single Bucket - Jade
	067661-02-000	EA	Armrest Asm. - Foam w/o Cover - Right
	067661-01-000	EA	Armrest Asm. - Foam w/o Cover - Left
	065774-02-M10	EA	Cover - Armrest - Right or Left - Rust
	065774-02-M11	EA	Cover - Armrest - Right or Left - Blue
	065774-02-M12	EA	Cover - Armrest - Right or Left - Brown
	065744-03-L07	EA	Cover - Armrest - Right or Left - Brown
	065774-03-L08	EA	Cover - Armrest - Right or Left - Rust
	065774-03-L09	EA	Cover - Armrest - Right or Left - Jade

**DINETTE GROUP**

**CONVENTIONAL DINETTE AND OVERHEAD CABINERY**

Key	Part Number	U/M	Description
	053192-02-L07	EA	Table Top Asm. - Stonehenge
	053192-01-M10	EA	Table Asm. - Dinette - w/o Hardware - Rust Burnt Sienna
	053192-01-M08	EA	Table Asm. - Dinette - w/o Hardware - Brown Mocha
**	053200-04-000	EA	Bracket - Upper Wall Mount - Brown - 23.5"
**	053201-01-000	EA	Bracket - Triple Mount - 23"
**	024275-01-000	EA	Rod - Table Lift - 8" x 23.5"
**	024281-06-000	EA	Bracket - Lower Wall Mount - Brown - 22.12"
**	024276-04-000	EA	Leg Asm. - Table - Brown - 26.38"
**	024277-02-000	EA	Hinge - Table Leg - Brown
**	024282-01-000	EA	Brace - Table Leg
**	024283-01-000	EA	Clip - 1" O.D. Tube
**	049493-02-000	EA	Catch - Table Leg - Mounts on Floor - Brown
	M67088-01-M10	EA	Cabinet Asm. - Dinette Back - Left Hand
	M66089-01-M10	EA	Cabinet Asm. - Dinette Back - Right Hand
	M67096-01-M10	EA	Cabinet Asm. - Dinette Seat - Right Hand
	M67096-02-M10	EA	Cabinet Asm. - Dinette Seat - Left Hand
	M66046-01-M10	EA	Cabinet Asm. - Overhead - Right Front
	M67088-01-L07	EA	Cabinet Asm. - Dinette Back - Left Hand
	M66089-01-L07	EA	Cabinet Asm. - Dinette Back - Right Hand
	M67096-01-L07	EA	Cabinet Asm. - Dinette Seat - Right Hand
	M67096-02-L07	EA	Cabinet Asm. - Dinette Seat - Left Hand
	M66046-01-L07	EA	Cabinet Asm. - Overhead - Right Front
	063224-06-M10	EA	Door Asm. - Dinette Overhead Cabinet - Rolled - 23.9" x 16"
	063224-06-L07	EA	Door Asm. - Dinette Overhead Cabinet - Rolled - 23.9" x 16"

\*\*The illustrated parts breakdown for this item is provided on the Common Items Fiche.

**1981 ITASCA  
TABLE OF CONTENTS**

Introduction	A-1
Abbreviations	A-1
Alphabetical Index	A-2 - A-4
IC723RB M2	A-5 - B-10
IC723RH M2	B-11 - C-16
IC621RB M1, IC621RB M2	C-17 - E-4
ICN29RT M2	E-5 - G-6
ICF26RH M1, ICF26RH M2	G-7 - I-8
ICF26RT M1, ICF26RT M2	I-9 - K-14

**CORNER LOUNGE CHAIRS**

Key	Part Number	U/M	Description
	059741-07-M07	EA	Cabinet Asm. - Corner Lounge Chair - Right
	059741-06-M07	EA	Cabinet Asm. - Corner Lounge Chair - Left
	063224-07-M10	EA	Door Asm. - Rolled - 15.5" x 12.9"
	059741-07-L07	EA	Cabinet Asm. - Corner Lounge Chair - Right
	059741-06-L07	EA	Cabinet Asm. - Corner Lounge Chair - Left
	063224-07-L07	EA	Door Asm. - Rolled - 15.5" x 12.9"
	061704-01-L07	EA	Table Asm. - Lounge - Stonehenge
	061704-01-M10	EA	Table Asm. - Lounge - Rust Burnt Sienna
	061704-01-M08	EA	Table Asm. - Lounge - Brown Mocha
	061882-01-000	EA	Leg Asm. - Table - Pivot
	061879-01-000	EA	Leg Asm. - Table - Fixed
	024275-04-000	EA	Rod - Table Lift
	024281-05-000	EA	Bracket - Table Lift - Mounts on Table
	053200-02-000	EA	Support - Table - 14.5" - Mounts on Wall

**1981 IC621RB M1, IC621RB M2 INDEX**

Floor Plan	C-17 - C-18
Accessories Group	C-19 - C-20
Bath Group	C-21
Chassis Group	C-22
Curtain, Cushion and Pad Group	C-23 - D-5
Dinette Group	D-6
Driver's Compartment Group	D-7
Electrical Group	D-8 - D-9
Exterior Body Group	D-10 - D-13
Galley Group	D-14
Heating & Air Conditioning Group	D-15
Interior Finish Group	D-16 - D-17
LP Group	D-18
Lounge Group	D-19
Water & Sewage Group	D-19 - D-20
Window, Vent & Exterior Door Group	D-21 - E-4

## DRIVER'S COMPARTMENT GROUP

Key	Part Number	U/M	Description
	050447-01-000	EA	Pedestal Asm. - Tilt Seat - Left
	050447-02-000	EA	Pedestal Asm. - Tilt Seat - Right - Single Seat
	007019-01-000	EA	Belt Asm. - Seat - 2" x 84" - Black
	041322-01-000	EA	Washer - Flat 15/32" I.D. x 2 3/8" O.D. - Seat Belt
	049943-01-000	EA	Pedestal - Complete - Swivel
	007222-01-000	EA	Belt Asm. - Seat - 2" x 60" - Black
	043910-01-000	EA	Bracket Asm. - Seat Belt
	058375-01-000	EA	Bracket - Seat Belt - Washer
	051382-01-000	EA	Adjuster Asm. - Seat w/Lock
	051383-01-000	EA	Adjuster Asm. - Seat w/o Lock
	007021-01-000	EA	Belt Asm. - Seat - 2" x 90" - Black
	007224-02-000	EA	Handle - Seat Adjuster - 9"
	052818-05-110	EA	Panel Asm. - Wingwall Transition - Inner Left Hand
	052618-06-M10	EA	Panel Asm. - Wingwall Transition - Inner Right Hand
	048223-01-000	EA	Bracket - Motor Cover
	061761-01-000	EA	Plate - Pedestal Adapter
	044860-01-000	EA	Door Step Matt - Rubber - Black - Left Hand
	044860-02-000	EA	Door - Step Matt - Rubber - Black - Right Hand
	059491-01-M07	EA	Sidepanel - Cab Door - Right
	059491-01-M08	EA	Side Panel - Cab Door - Right
	059492-01-M07	EA	Side Panel - Cab Door - Left
	059492-01-M08	EA	Side Panel - Cab Door Left
	066246-01-M07	EA	Sleeper Board Asm.

## ELECTRICAL GROUP

### BULBS

Key	Part Number	U/M	Description
	037835-01-000	EA	Bulb - 1157
	037836-01-000	EA	Bulb - 1157 A
	038010-01-000	EA	Bulb - 1143
	008103-01-000	EA	Bulb - 53
	008213-01-000	EA	Bulb - 57
	008214-01-000	EA	Bulb - 67
	008215-01-000	EA	Bulb - 1003
	008216-01-000	EA	Bulb - 1034
	008217-01-000	EA	Bulb - 1073
	008218-01-000	EA	Bulb - 1141
	008219-01-000	EA	Bulb - 656
	008220-01-000	EA	Bulb - 12V - 25W
	036196-01-000	EA	Bulb - 194
	700020-01-000	EA	Bulb - 12V - 20W - 1383

### FUSES AND CIRCUIT BREAKERS

Key	Part Number	U/M	Description
	058473-01-000	EA	Fuse - Slow Blow - 6 1/4 Amp.
	008233-01-000	EA	Fuse - 12 Volt - 6 Amp.
	008234-01-000	EA	Fuse - 12 Volt - 10 Amp.
	008235-01-000	EA	Fuse - 12 Volt - 15 Amp.
	008236-01-000	EA	Fuse - 12 Volt - 20 Amp.
	008248-01-000	EA	Fuse - 110 Volt - 30 Amp. - AGU
	008252-01-000	EA	Fuse - 110 Volt - 50 Amp.
	008208-01-000	EA	Circuit Breaker - 12 Volt - 40 Amp.
	008211-01-000	EA	Circuit Breaker - 12 Volt - 6 Amp.
	008268-01-000	EA	Circuit Breaker - 12 Volt - 30 Amp. w/Mount
	033573-01-000	EA	Circuit Breaker - 12 Volt - 20 Amp. w/Mount
	040051-01-000	EA	Circuit Breaker - 110 Volt - 20 Amp. - TQL
	033573-02-000	EA	Circuit Breaker - 12 Volt - 15 Amp. - w/Mount
	008297-01-000	EA	Circuit Breaker - TQP 120
	008293-01-000	EA	Circuit Breaker - TQP 130
	008299-01-000	EA	Circuit Breaker - TQP 115

### EXTERIOR LIGHTS

Key	Part Number	U/M	Description
	007308-01-000	EA	Light - Step Well
	058030-01-000	EA	Tail Lamp Asm. - 3 Bulb - Chrome - Right
	058030-02-000	EA	Tail Lamp Asm. - 3 Bulb - Chrome - Left
	058030-01-700	EA	Lens - Tail Lamp - Red
	058030-01-701	EA	Lens - Tail Lamp - Back Up
	042405-03-000	EA	Base - Rectangular Clearance Light
	042405-04-000	EA	Lens - Clearance Light - Red
	042405-05-000	EA	Lens - Clearance Light - Amber
	008089-01-000	EA	Light - Porch - Recessed
	042405-01-000	EA	Lens - Rectangle Light - Red w/Reflex
	042405-02-000	EA	Lens - Rectangle Light - Amber w/Reflex

### INTERIOR LIGHTS

Key	Part Number	U/M	Description
	064778-01-000	EA	Light - Dome - Off White - Double Jensen
	064778-02-000	EA	Light - Dome - Off White - Single Jensen
	024418-01-000	EA	Lamp Asm. - Map/Gauge/Aisle
	053348-01-000	EA	Light - High Intensity - Brown
	061424-01-000	EA	Light - 12 V Receptacle - Aisle - IP
	056288-01-000	EA	Light - Dome - Drivers Compartment

## 1981 ITASCA TABLE OF CONTENTS

Introduction	A-1
Abbreviations	A-1
Alphabetical Index	A-2 - A-4
IC723RB M2	A-5 - B-10
IC723RH M2	B-11 - C-16
IC621RB M1, IC621RB M2	C-17 - E-4
ICN26RT M2	E-5 - G-6
ICF26RH M1, ICF26RH M2	G-7 - I-8
ICF26RT M1, ICF26RT M2	I-9 - K-14

## 1981 IC621RB M1, IC621RB M2 INDEX

Floor Plan	C-17 - C-18
Accessories Group	C-19 - C-20
Bath Group	C-21
Chassis Group	C-22
Curtain, Cushion and Pad Group	C-23 - D-5
Dinette Group	D-6
Driver's Compartment Group	D-7
Electrical Group	D-8 - D-9
Exterior Body Group	D-10 - D-13
Galley Group	D-14
Heating & Air Conditioning Group	D-15
Interior Finish Group	D-16 - D-17
LP Group	D-18
Lounge Group	D-19
Water & Sewage Group	D-19 - D-20
Window, Vent & Exterior Door Group	D-21 - E-4



## ELECTRICAL GROUP (CONTINUED)

### WIRE, SWITCHES AND RECEPTACLES

Key	Part Number	U/M	Description
	008024-01-000	FT	Wire - 18.5 Bonded - Orange/White/Yellow/Blue/Brown
	008025-01-000	FT	Wire - 18.5 Bonded - Orange/White/Yellow/Blue/Green
	008028-01-000	FT	Wire - 18.5 Bonded - Blue/Red/Yellow/Orange/White
	008030-01-000	FT	Wire - 18.4 Bonded - Red/Blue/Orange/Green
	008251-01-000	EA	Holder - Fuse - Black - Screw Type
	008277-01-000	EA	Holder - Fuse - Black - Panel Mount
	008195-01-000	EA	Switch - Push Button - 12 Volt
	006077-01-000	EA	Plaque - Compressor Switch
	008054-01-000	EA	Cord - Power - 10-3 30 Amp. - 25' - UL
	034818-04-000	EA	Holder - Receptacle - Plastic
	024571-03-000	EA	Cover Plate - Receptacle - Jumbo Brown Plastic
	039342-02-000	EA	Receptacle - Single Ivory
	039342-01-000	EA	Receptacle - Duplex Brown - T Junction
	024571-01-000	EA	Cover Plate - Receptacle - Jumbo Steel Brown
	008294-01-000	EA	Cover Plate - Brown Steel - 4" x 4"
	008289-01-000	EA	Box - Electrical - Steel - 4" x 4"
	039343-01-000	EA	Cap - End - Receptacle
	008162-01-000	EA	Switch - Double Toggle - Spade Brown
	008163-01-000	EA	Switch - Toggle Brown
	031144-01-000	EA	Switch - Center Off - DPDT - Black 30A
	054532-01-000	EA	Housing Pin Asm. - 6 Position
	064398-01-000	EA	Housing Asm. - Trailer Receptical Plug - Female
	064450-01-000	EA	Housing Asm. - Trailer Receptical Plug - Male
	008164-01-000	EA	Cover Plate - Switch - Brown
	024924-01-000	EA	Receptacle - Power Cord
	008058-01-000	EA	Adaptor - Power Cord
	047353-01-000	EA	Cover - Receptacle - Ground Fault
	053126-02-000	EA	Receptacle - Ground Fault - Interrupter - 125 Volt - Brown
	058707-01-000	EA	Receptacle - Single - Brown - Thomas & Belts
	058708-01-000	EA	Receptacle - Duplex - Brown - Thomas & Belts
	058048-01-000	EA	Cover - Electrical - Rain Tight - (Exterior)
	008157-01-000	EA	Receptacle - Single - (Exterior)
	061405-02-000	EA	Plate - Receptacle - Duplex - Pewter
	061406-02-000	EA	Plate - Single Switch - Pewter
	061407-02-000	EA	Plate - Double Switch - Pewter

### MISCELLANEOUS ELECTRICAL COMPONENTS

Key	Part Number	U/M	Description
	047338-01-000	EA	Isolator - Dual Battery
	047389-01-700	EA	Battery - 12 Volt - 105 Amp. Deep Cycle - Dry
	057899-01-000	EA	Battery - 12 Volt - Maintenance Free
	008188-01-000	EA	Solenoid - Dual Battery - Relay
	046775-01-000	EA	Valve - Gas - Change Over
	052577-01-000	EA	Gauge - Voltmeter - w/Bracket
	024462-01-000	EA	Switch - Battery Condition
	031035-01-000	EA	Gauge - Hour Meter - Generator
	024976-01-000	EA	Switch - Generator w/o Circuit Board
	024460-01-000	EA	Gauge Vacuum
	068088-01-000	EA	Load Center - 120 V - 3 CRT
	039950-01-702	EA	Circuit Board - Control Center
	024461-01-000	EA	Switch - Battery - Changeover
	048885-01-000	EA	Plaque - Switch Mounting
	048812-04-000	EA	Panel - Basic
	048812-09-000	EA	Control Panel - w/LP Alarm Clock - Refrigerator Light & Sensor
	039861-01-000	EA	Sending Unit - Wemac
	031720-01-000	EA	Spacer - Receptacle - Brown Plastic - CSA

## EXTERIOR BODY GROUP

### EXTERIOR BODY PANELS AND SHEET ALUMINUM

Key	Part Number	U/M	Description
	086203-01-L07	EA	Sidewall Asm. - Right
	086208-01-L07	EA	Sidewall Asm. - Left
	086200-01-L07	EA	Roof Asm.
	085031-01-000	EA	Cap - Backwall - Fiberglass - Off White
	052838-01-000	EA	Cap - Upper Front - Outer - Fiberglass - Off White
	054883-01-000	EA	Cap - Upper Front - Inner - Plastic - Off White
	064348-01-000	EA	Valance Panel Asm. - Right Rear - Off White
	064349-01-000	EA	Valance Panel Asm. - Right Front - Off White
	064348-01-000	EA	Valance Panel Asm. - Left Rear - Off White
	064347-01-000	EA	Valance Panel Asm. - Left Front - Off White
	044487-01-001	EA	Plain Roof Metal - 96" x 360"
	000868-01-000	SF	Styrofoam - 3/4" x 24" x 96"
	000870-01-000	SF	Styrofoam - 1 1/2" x 24" x 96"

### LABELS AND DECALS

Key	Part Number	U/M	Description
	041273-25-000	EA	Decal - Stripping - .75" - Gray Metallic
	056004-02-000	EA	Decal - Logo Itasca - 5.25" High - Gray/White
	059528-03-000	EA	Decal - Sundance - w/o Sunburst
	059527-02-000	EA	Decal - SE - 4" - White
	068443-01-000	EA	Decal - C - Rear Stripe
	068444-01-000	EA	Decal - Stripe - Rear Side
	068445-01-000	EA	Stencil - Stripe - Top Rear Side - Right
	068445-02-000	EA	Stencil - Stripe - Top Rear Side - Left
	068446-01-000	EA	Stencil - Stripe - Bottom Rear Side - Right - 1.50"
	068446-02-000	EA	Stencil - Stripe - Bottom Rear Side - Left - 1.50"
	068446-03-000	EA	Stencil - Stripe - Bottom Rear Side - 5.87"
	068446-04-000	EA	Stencil - Stripe - Bottom Rear Side - 8.25"
	008008-01-000	EA	Label - Thermo Panel - 2 1/4" x 2 1/4"
	008084-01-000	EA	Label - Seat w/o Seat Belt
	057487-01-000	EA	Label - Exterior Loading Limit
	008031-01-000	EA	Label - Potable Water Only
	008040-01-000	EA	Tag - Gas Refueling Warning
	008082-01-000	EA	Tag - Electrical - 110 Volt Connection
	008187-01-000	EA	Label - Sewage
	008188-01-000	EA	Label - Waste Water
	008199-01-000	EA	Label - Exit - Escape Window
	061417-01-000	EA	Label - Fuel
	047731-01-000	EA	Label - Emergency Exit
	050225-01-000	EA	Label - Warning - Stove Vent - U.S.
	054531-01-000	EA	Label - LP Gas Only

### EXTERIOR PAINT

Key	Part Number	U/M	Description
	041581-01-000	EA	Paint - Off White - Acrylic Enamel - 1 Gallon - (Dupont 45348A)
	041581-03-000	EA	Paint - Off White - Acrylic Enamel - 16 oz. Aerosol - (Dupont 45388A)
	041581-04-000	EA	Paint - Off White - Acrylic Lacquer - 1 Gallon - (Dupont 45398A)
	045881-03-000	EA	Paint - Gloss Black - Acrylic Enamel - 16 oz. Aerosol - (Dupont 43492)
	068442-03-000	EA	Paint - Gray Metallic - Acrylic Enamel - 16 oz. - Aerosol (Dupont 43492)
	059860-03-000	EA	Paint - Dark Blue - Acrylic Enamel - 16 oz. Aerosol (Dupont #3203)
	059364-03-000	EA	Paint - Bronze Metallic - Acrylic Enamel - 16 oz. Aerosol (Dupont 7864)
	065108-03-000	EA	Paint - Mahogany - Acrylic Enamel - 16 oz. Aerosol - (Dupont 44745)

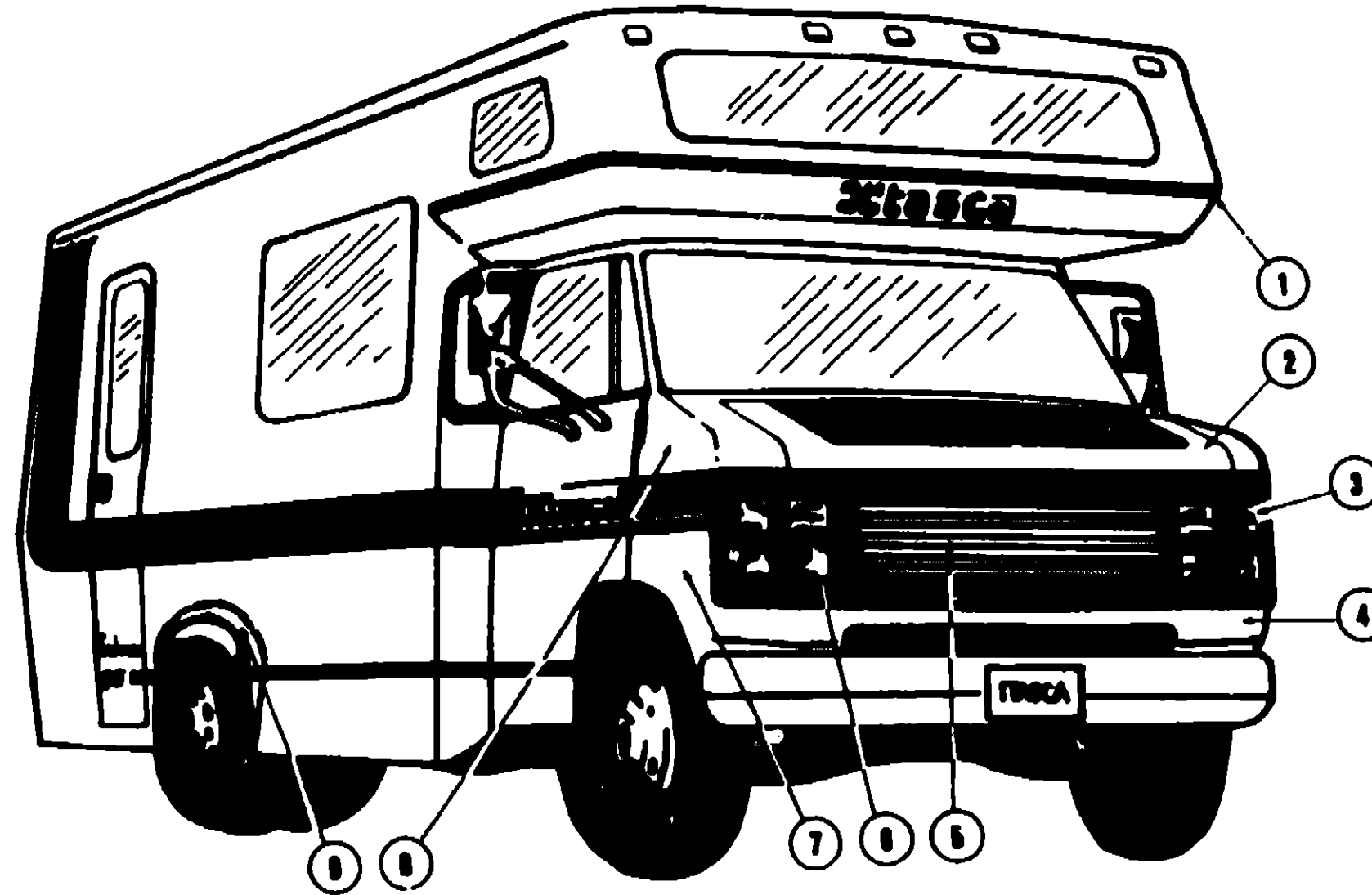
## 1981 ITASCA TABLE OF CONTENTS

Introduction	A-1
Abbreviations	A-1
Alphabetical Index	A-2 - A-4
IC723RB M2	A-5 - B-10
IC723RH M2	B-11 - C-16
IC621RB M1, IC621RB M2	C-17 - E-4
ICN28RT M2	E-5 - G-6
ICF26RH M1, ICF26RH M2	G-7 - I-8
ICF26RT M1, ICF26RT M2	I-9 - K-14

## 1981 IC621RB M1, IC621RB M2 INDEX

Floor Plan	C-17 - C-18
Accessories Group	C-19 - C-20
Bath Group	C-21
Chassis Group	C-22
Curtain, Cushion & Pad Group	C-23 - D-5
Dinette Group	D-6
Driver's Compartment Group	D-7
Electrical Group	D-8 - D-9
Exterior Body Group	D-10 - D-13
Galley Group	D-14
Heating & Air Conditioning Group	D-15
Interior Finish Group	D-16 - D-17
LP Group	D-18
Lounge Group	D-19
Water & Sewage Group	D-19 - D-20
Window, Vent & Exterior Door Group	D-21 - E-4

## EXTERIOR BODY GROUP (CONTINUED)



Key	Part Number	U/M	Description
1	062765-01-000	EA	Trim Front Cap
•	055146-01-000	EA	Insert - Black Flexible Vinyl
2	062425-01-000	EA	Hood Asm. - Off White
•	057896-02-000	EA	Hinge Asm. - Hood
3	054901-01-000	EA	Bezel - Headlamp - Left
4	054898-01-000	EA	Panel - Lower Grille - Valence
5	052847-01-000	EA	Grille Asm.
6	054901-02-000	EA	Bezel - Headlamp - Right
•	049185-01-000	EA	Capsule Asm. - Headlamp Rectangular - Left - High/Low Beam
•	049186-01-000	EA	Capsule Asm. - Headlamp Rectangular - Right - High/Low Beam
•	049187-01-000	EA	Capsule Asm. - Headlamp Rectangular - Left - High Beam
•	049188-01-000	EA	Capsule Asm. - Headlamp Rectangular - Right - High Beam
•	050030-01-000	EA	Housing Asm. - Headlamp
•	054863-02-000	EA	Panel - Wheel House - Front Half - Right
•	054863-01-000	EA	Panel - Wheel House - Front Half - Left
7	052394-02-000	EA	Fender - Right Hand
•	052394-01-000	EA	Fender - Left Hand
8	058360-01-000	EA	Front End Asm. - Fiberglass - Includes Hood w/o Front Grille
9	054933-01-000	EA	Fender Trim - Rear Wheel Well - Left & Right
•	052650-01-003	EA	Trim - Sidewall - 150"
•			Not Illustrated

## 1981 ITASCA TABLE OF CONTENTS

Introduction	A-1
Abbreviations	A-1
Alphabetical Index	A-2 - A-4
IC723RB M2	A-5 - B-10
IC723RH M2	B-11 - C-16
IC621RB M1, IC621RB M2	C-17 - E-4
ICN26RT M2	E-5 - G-6
ICF26RH M1, ICF26RH M2	G-7 - I-8
ICF26RT M1, ICF26RT M2	I-9 - K-14

## 1981 IC621RB M1, IC621RB M2 INDEX

Floor Plan	C-17 - C-18
Accessories Group	C-19 - C-20
Bath Group	C-21
Chassis Group	C-22
Curtain, Cushion & Pad Group	C-23 - D-5
Dinette Group	D-6
Driver's Compartment Group	D-7
Electrical Group	D-8 - D-9
Exterior Body Group	D-10 - D-13
Galley Group	D-14
Heating & Air Conditioning Group	D-15
Interior Finish Group	D-16 - D-17
LP Group	D-18
Lounge Group	D-19
Water & Sewage Group	D-19 - D-20
Window, Vent & Exterior Door Group	D-21 - E-4

**EXTERIOR BODY GROUP (CONTINUED)**

**SEALANTS, ADHESIVES AND FASTENERS**

Key	Part Number	U/M	Description
	034552-05-000	EA	Sealant - Off White Silicone
	034552-04-000	EA	Sealant - Beige Silicone
	034552-02-000	EA	Sealant - Clear Silicone
	004342-01-000	EA	Sealant - Weatherban 202 Tube
	004346-02-000	EA	Sealant - White Silicone
	004347-01-000	EA	Sealant - Tuflex
	004357-01-000	FT	Tape - Sealer - 1/8" x 5/8" - Adhesive
	009200-01-000	EA	Tape - Furnace - 1 1/2"
	004353-01-000	FT	Tape - Gasket - 1/8" x 3/4" - White
	002825-01-000	FT	Weather Stripping - Roof Vent
	002337-01-000	EA	Adhesive - 3M - 1300 Tube
	004005-01-000	GL	Adhesive - Swifts - Green - Glue (Sidewalls)
	004012-01-000	EA	Adhesive - 3M - 4475 Tube
	004020-01-000	QT	Adhesive - ABS Cement (Plastic Fittings)
	029051-01-000	EA	Adhesive - Spray Vinyl
	042401-02-000	EA	Screw - 8 - 18 x 3/4" SDPH - Off White
	042403-02-000	EA	Screw - SF/DR - 8 - 18 x 1" SDPH - Off White
	053766-01-000	EA	Bedding Compound - Tube Black - Schnee Morehead
	053766-02-000	EA	Bedding Compound - Tube White - Schnee Morehead
	053767-01-000	FT	Tape - 1/2" x 1/8" x 30' - Gray - Schnee Morehead
	053767-03-000	FT	Tape - 1/4" Bead x 20' - Gray - Schnee Morehead
	053767-04-000	FT	Tape - 3/4" x 1/8" x 30' - Gray - Schnee Morehead
	053767-05-000	FT	Tape - 2" x 3/32" x 45' - Gray - Schnee Morehead

**MISCELLANEOUS EXTERNALLY MOUNTED PARTS**

Key	Part Number	U/M	Description
**	011124-01-000	EA	Plumbing Seal - Roof Vent - 1 1/4" - White
**	011129-01-000	EA	Plumbing Seal - Roof Vent - 1 1/2" - White
	048817-01-000	EA	Assist Handle - w/Light
	010230-03-000	EA	Fill - City Water - Recessed - Off White
	058808-01-000	EA	Water Fill - Lockable - Off White
	048789-01-000	EA	Vent Asm. - Roof Powered - Unan
	048835-01-000	EA	Vent Asm. - Roof Non Powered - Unan
	065103-01-000	EA	Roof Vent - Refrigerator

\*\* The illustrated parts breakdown for this item is provided on the Common Items Fiche.

**GALLEY GROUP**

**GALLEY CABINETRY**

Key	Part Number	U/M	Description
	067090-03-M10	EA	Cabinet Asm. - Galley - w/o Countertop, Doors or Hardware
	067090-02-L07	EA	Cabinet Asm. - Galley - w/o Countertop, Doors or Hardware
	067084-01-L07	EA	Countertop Asm. - Galley Cabinet - Stonehenge
	M00894-01-M10	EA	Countertop Asm. - Galley Cabinet - Rust Burnt Sienna
	M00894-01-M11	EA	Countertop Asm. - Galley Cabinet - Paper Bag Brown
	M86491-04-L07	EA	Drawer Asm. - Galley Cabinet - 18.1" x 20" w/o Hardware
	M86491-04-M10	EA	Drawer Asm. - Galley Cabinet - 18.1" x 20" w/o Hardware
	065325-11-M10	EA	Door Asm. - Galley Cabinet - 18.6" x 23.1" - w/o Hardware
	065325-11-L07	EA	Door Asm. - Galley Cabinet - 18.6" x 23.1" - w/o Hardware
	M67170-01-M10	EA	Cabinet Asm. - Galley Overhead
	M67170-01-L07	EA	Cabinet Asm. - Galley Overhead
	063224-09-M10	EA	Door Asm. - Galley Overhead Cabinet - Rolled - 23.9" x 22"
	063224-17-M10	EA	Door Asm. - Galley Overhead Cabinet - Rolled - 21.9" x 22"
	M69689-01-M10	EA	Cabinet Asm. - Refrigerator
	M69689-01-L07	EA	Cabinet Asm. - Refrigerator

**GALLEY HARDWARE AND APPLIANCES**

Key	Part Number	U/M	Description
	011032-01-000	EA	Sink - Double - Stainless Steel w/Bolts
**	011053-01-000	EA	Faucet - 8" - Swing Spout - U.S.
	011053-02-000	EA	Faucet - 8" - Swing Spout - CSA
	067051-01-000	EA	Stove Spatter Guard - Safety Glass
	037888-01-000	FT	Rail - Drawer V Glide
**	068437-01-000	EA	Strainer - Sink - w/Basket
	053424-03-L07	EA	Sink Cover - Large - Stonehenge
	053424-03-M10	EA	Sink Cover - Large - Rust Burnt Sienna
	053424-03-M11	EA	Sink Cover - Large - Paper Bag Brown
**	048954-03-000	EA	Hood - Stove - Powered w/Spice Rack - Black Face - U.S.
**	048954-04-000	EA	Hood - Stove - Powered w/Spice Rack - Black Face - C.S.A.
**	067754-01-000	EA	Range - 3 Burner - Small Oven - Chrome - Magic Chef
**	064472-02-000	EA	Refrigerator - 3 way - 5.9 cu. ft. Norcold
	054450-01-000	EA	Level - Refrigerator
	052771-02-000	EA	Oven - Microwave - Magic Chef 207-4

\*\* The illustrated parts breakdown for this item is provided on the Common Items Fiche.

**1981 ITASCA  
TABLE OF CONTENTS**

Introduction	A-1
Abbreviations	A-1
Alphabetic Index	A-2 - A-4
IC723RB M2	A-5 - B-10
IC723RH M2	B-11 - C-16
IC621RB M1, IC621RB M2	C-17 - E-4
ICN26RT M2	E-5 - G-8
ICF26RH M1, ICF26RH M2	G-7 - I-8
ICF26RT M1, ICF26RT M2	I-9 - K-14

**1981 IC621RB M1, IC621RB M2 INDEX**

Floor Plan	C-17 - C-19
Accessories Group	C-19 - C-20
Bath Group	C-21
Chassis Group	C-22
Curtain, Cushion & Pad Group	C-23 - D-5
Dinette Group	D-6
Driver's Compartment Group	D-7
Electrical Group	D-8 - D-9
Exterior Body Group	D-10 - D-13
Galley Group	D-14
Heating & Air Conditioning Group	D-15
Interior Finish Group	D-16 - D-17
LP Group	D-18
Lounge Group	D-19
Water & Sewage Group	D-19 - D-20
Window, Vent & Exterior Door Group	D-21 - E-4

## HEATING AND AIR CONDITIONING GROUP

Key	Part Number	U/M	Description
	051763-01-000	EA	A/C - Compressor Mount Package - 350 C.I.D.
	051770-01-000	EA	A/C - Compressor - Rotolock - 10.3"
	056460-01-000	EA	A/C - Condenser Asm. - 350 C.I.D. C-Body
	056455-01-000	EA	A/C - Evaporator Asm.
	024996-01-000	EA	A/C - Clutch - 6" Drive
	049401-01-000	EA	Heater Asm. - Rear (Auxiliary)
	049401-01-700	EA	Valve - Water Control (Auxiliary Heater)
	049401-01-701	EA	Control Cable (Auxiliary Heater)
	049401-01-702	EA	Motor Asm. (Auxiliary Heater)
	049401-01-703	EA	Heater Core (Auxiliary Heater)
	049401-01-704	EA	Switch (Auxiliary Heater)
	058906-01-000	EA	Control Panel (Auxiliary Rear Heater)
	056464-01-000	EA	Register w/Damper - 4" Round
	009198-01-000	EA	Duct - Flexible - 4" I.D. x 25'
	031604-01-000	EA	Duct - Flexible - 4" I.D. x 25'
	031604-01-000	EA	Bonnet - Heat Register
	039505-02-000	EA	Thermostat - Horizontal Wall Mount - Black
	009200-01-000	EA	Tape - Furnace - 1 1/2"
	023146-01-000	EA	Clamp - Screw Type - 4"
	050784-01-000	EA	Vent Package - Furnace - 3-6" Wall
	051391-01-000	EA	Water Heater - w/o Motor Aid
	049042-02-000	EA	Door - Furnace - Front
	059351-02-000	EA	Furnace - 24,000 BTU - w/Piezo
	052598-01-000	EA	Furnace - 19,000 BTU - Under Counter
**	049777-02-000	EA	Air Conditioner - 110 Volt - Roof Mount - 11,000 BTU Ivory - Coleman (w/o inside shroud)
**	049778-02-000	EA	Shroud Asm. - Ceiling - Inside - Roof Air - Cool Only 11,000 BTU - Coleman
**	049774-02-000	EA	Air Conditioner - 110 Volt - Roof Mount - 13,500 BTU Ivory - Coleman (w/o inside shroud)
**	049775-02-000	EA	Shroud Asm. - Ceiling - Inside - Roof Air - Cool Only 13,500 BTU - Coleman
**	049776-01-000	EA	Shroud Asm. - Ceiling - Inside - Roof Air - Heat and Cool 13,500 BTU - Coleman
	063903-01-000	EA	Air Conditioner - 110 Volt - Roof Air - 13,500 BTU - Rotary

\*\*The illustrated parts breakdown for this item is provided on the Common Items Fiche.

## INTERIOR FINISH GROUP

### PANELING AND COUNTERTOP MATERIALS

Key	Part Number	U/M	Description
	058209-01-000	SF	Paneling - Elm Flain - 48" x 96" - (32SF)(L07)
	068344-05-000	SF	Paneling - 150 Elm - 48" x 96" (32SF)(M10)
	068343-08-000	SF	Paneling - Decor Bali - 48" x 96" (32 SF)
	068343-01-000	SF	Paneling - Decor Shells - 48" x 96" (32 SF)
	058339-01-000	SF	Paneling - Diamond Lustre - 48" x 96" (32 SF)
	045983-01-000	SF	Paneling - 825 Buff - Ceiling - 48" x 96" (32 SF)
	068344-01-000	SF	Paneling - Wall - Sumatra - 48" x 96" (32 SF)
	068341-01-000	SF	Plastic Laminate - Burnt Sienna - 48" x 96" (32 SF)
	068341-04-000	SF	Plastic Laminate - Brown Mocha - 48" x 96" (32 SF)
	058220-01-000	SF	Plastic Laminate - Stonehenge - 48" x 96" (32 SF)
	059970-01-000	SF	Plastic Laminate - Matador Leather - 48" x 96" (32 SF)

### INTERIOR MOLDINGS AND TRIMS

Key	Part Number	U/M	Description
	047354-01-000	EA	Batt Strip - 825 Buff - Ceiling - 96"
	047354-04-000	EA	Batt Strip - Sumatra - 96"
	009815-03-000	EA	T Molding - .75" Light Brown
	064382-01-000	FT	Extrusion - Plastic Door Trim - (Roll Up Doors)
	022758-01-000	EA	Cover - Air Conditioner Wires
	045375-09-000	EA	Molding - Corner - With Holes
	009787-01-000	FT	Wetling - Brown
	022992-03-000	FT	Molding - Reverse Cove - Sandalwood
	009787-05-000	FT	Wetling - Light Brown
	009778-01-000	FT	U-Channel - 1" - Dark Brown
	017788-05-000	FT	Extrusion - U-Channel - 3/16" Light Brown
	041958-01-000	FT	Trim - Vinyl Flex Edging - Brown
	052818-05-000	EA	Panel Asm. - Wingwall Transition - Inner Left Hand
	052818-06-000	EA	Panel Asm. - Wingwall Transition - Inner Right Hand
	054883-03-000	EA	Panel Asm. - Inner Upper Front Cap - Light Oak
	064186-02-000	EA	Panel Asm. - Bunk Window Trim - Light Oak - Right
	064185-02-000	EA	Panel Asm. - Bunk Window Trim - Light Oak - Left

### CABINETS AND TABLE HARDWARE

Key	Part Number	U/M	Description
	052929-01-M10	EA	Latch Kit - Cabinet Door - Antique Brass
	052932-01-M10	EA	Hinge Kit - Cabinet Door - Antique Brass
	009040-02-000	EA	Leg - Pedestal Table - 27.5" x 2.25" O.D. - Chrome
	009040-03-000	EA	Base - Table Leg - Mounts on Table
	041194-01-000	EA	Base - Table Leg - Recessed in Floor
	039873-01-000	EA	Catch and Strike - Furnace Door
	009112-01-000	EA	Flange - 1" - Closet Rod
**	047842-01-000	EA	Kit - Dinette Table Leg
**	047809-03-000	EA	Kit - Dinette Table Wall Mount Hardware
	059753-01-000	EA	Slide - Drawer - Left
	059753-02-000	EA	Slide - Drawer - Right
**	037688-01-000	FT	Rail - Drawer Glide
**	047744-01-000	EA	Kit - Drawer Glide

\*\*The illustrated parts breakdown for this item is provided on the Common Items Fiche.

## 1981 ITASCA TABLE OF CONTENTS

Introduction	A-1
Abbreviations	A-1
Alphabetical Index	A-2 - A-4
IC723RH M2	A-5 - B-10
IC723RH M2	B-11 - C-16
IC821RH M1, IC821RH M2	C-17 - E-4
ICN29RT M2	E-5 - G-6
ICF26RH M1, ICF26RH M2	G-7 - I-8
ICF26RT M1, ICF26RT M2	I-9 - K-14

## 1981 IC821RH M1, IC821RH M2 INDEX

Floor Plan	C-17 - C-18
Accessories Group	C-18 - C-20
Bath Group	C-21
Chassis Group	C-22
Curtain, Cushion & Pad Group	C-23 - D-5
Dinette Group	D-6
Driver's Compartment Group	D-7
Electrical Group	D-8 - D-9
Exterior Body Group	D-10 - D-13
Galley Group	D-14
Heating & Air Conditioning Group	D-15
Interior Finish Group	D-16 - D-17
LP Group	D-18
Lounge Group	D-19
Water & Sewage Group	D-19 - D-20
Window, Vent & Exterior Door Group	D-21 - E-4

**INTERIOR FINISH GROUP (CONTINUED)**

**FABRICS AND FLOOR COVERINGS**

Key	Part Number	U/M	Description
	068339-04-000	YD	Fabric - Drapery - Rust (M10)
	068339-05-000	YD	Fabric - Drapery - Blue (M11)
	068339-06-000	YD	Fabric - Drapery - Brown (M12)
	064383-05-000	YD	Fabric - Drapery - Super Satin (L07)
	064383-11-000	YD	Fabric - Upholstery - Main - Brown - (Clinton Cedar) (L07)
	064383-14-000	YD	Fabric - Upholstery - Accent - Brown - (Caprice Cinnamon) (L07)
	064383-12-000	YD	Fabric - Upholstery - Main - Rust - (Clinton Rust)(L07)
	064383-15-000	YD	Fabric - Upholstery - Accent - Rust - (Caprice Clay)(L07)
	064383-13-000	YD	Fabric - Upholstery - Main - Jade - (Clinton Seafoam)(L07)
	064383-16-000	YD	Fabric - Upholstery - Accent - Jade - (Caprice Seafoam)(L07)
	068338-07-000	YD	Fabric - Upholstery - Rust (M10)
	068338-08-000	YD	Fabric - Upholstery - Blue (M11)
	068338-09-000	YD	Fabric - Upholstery - Burgandy (M12)
	038421-01-000	YD	Ticking - Mattress - Gold
	064384-06-000	SY	Carpet - Carleton Cedarwood - Brown (L07)
	064384-07-000	SY	Carpet - Carleton Alabama Clay - Rust (L08)
	064384-08-000	SY	Carpet - Carleton Terrace Green - Jade (L07)
	068340-04-000	SY	Carpet - Beige (M11)
	064384-11-000	SY	Carpet - Carleton Saddle - (M11 Replacement on Following Units) 024225 - 024229
	068340-03-000	SY	Carpet - Cinnamon (M10)
	068340-05-000	SY	Carpet - Winesap (M12)

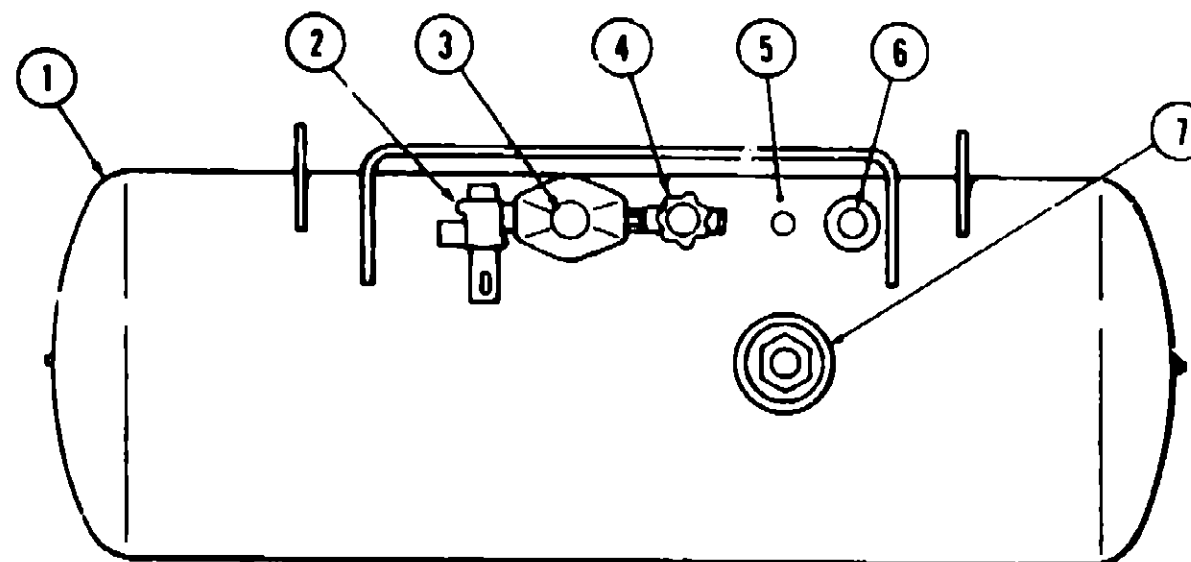
**CURTAIN HARDWARE**

Key	Part Number	U/M	Description
	052327-04-238	EA	Track - Curtain - Brown Alum. - 89" w/Holes
	053272-01-001	EA	Track - Curtain - Alum. - 18"
	056001-01-000	EA	Bracket - Shade - Left
	056002-01-000	EA	Bracket - Shade - Right
	009107-01-000	EA	Guide - Nylon Snap - Curtain
	018031-42-000	EA	Track - Curtain - "L" Rod - Alum. Extr. - 90"
	009701-01-000	EA	Carrier - "L" Rod - Curtain
	009702-01-000	EA	End Stop - "L" Rod - Curtain
	056115-01-000	YD	Tape - Plastic - Clear - w/Guides

**MISCELLANEOUS PARTS**

Key	Part Number	U/M	Description
	053552-01-M07	EA	Handle Asm. - Interior Assist - Acorn Brown Vinyl
	041944-01-700	EA	Fire Extinguisher - w/Bracket - Dry Chemical
	041944-03-000	EA	Fire Extinguisher - w/Bracket - 5BC - (Calif.)
	006113-01-000	EA	Jack - Hydraulic - 5 Ton - w/Handle
	054185-12-000	EA	Owner's Manual - Itasca - Winnebago
	007038-01-000	EA	Mat - Door - Black Rubber - 10 1/2" x 26"
	040069-01-000	EA	Door Mat - Black Rubber - 10 1/2" x 26" - w/Itasca Logo

**LP GROUP**



**1981 ITASCA  
TABLE OF CONTENTS**

Introduction	A-1
Abbreviations	A-1
Alphabetical Index	A-2 - A-4
IC723RB M2	A-5 - B-10
IC723RH M2	B-11 - C-16
IC621RB M1, IC621RB M2	C-17 - E-4
ICN29RT M2	E-5 - G-6
ICF26RH M1, ICF26RH M2	G-7 - I-8
ICF26RT M1, ICF26RT M2	I-9 - K-14

Key	Part Number	U/M	Description
	1 052769-01-000	EA	Tank Asm. - LP - Frame Mount - 42 Pound
	1 052770-01-000	EA	Tank Asm. - LP - Frame Mount - 85 Pound
	2 047221-01-000	EA	Detector - LP Gas Leak - Marshalltown Instruments
	3 058706-01-000	EA	Cover - Regulator - 2 Stage
	058705-01-000	EA	Regulator - Two Stage - LP Gas
	4 040421-01-703	EA	Valve - Vapor Relief
	5 040421-01-700	EA	Gauge - Liquid Level - 20% LP
	6 040421-01-701	EA	Valve - Filler - LP
	040421-01-702	EA	Cap - Plastic Fill Valve
	7 040421-01-707	EA	Gauge - Float - w/Visible Dial - 85 Pound Tank
	042281-01-700	EA	Gauge - Float - w/Visible Dial - 42 Pound Tank
	040421-01-706	EA	Dial - Visible Face - Float Gauge (Tank w/o Electric Transmitter)
	040421-01-705	EA	Dial - Transmitter - 0 - 90 Ohm (Float Gauge)
	045703-03-000	EA	Hose Asm. - LP - 3/8" I.D. x 14"
	047737-02-000	EA	Support - LP Tank - 89.25"
	053112-01-000	EA	Support - LP Tank - 2" x 2" x 8"
			Not Illustrated

**1981 IC621RB M1, IC621RB M2 INDEX**

Floor Plan	C-17 - C-18
Accessories Group	C-19 - C-20
Bath Group	C-21
Chassis Group	C-22
Curtain, Cushion & Pad Group	C-23 - D-5
Dinette Group	D-6
Driver's Compartment Group	D-7
Electrical Group	D-8 - D-9
Exterior Body Group	D-10 - D-13
Galley Group	D-14
Heating & Air Conditioning Group	D-15
Interior Finish Group	D-16 - D-17
LP Group	D-18
Lounge Group	D-19
Water & Sewage Group	D-19 - D-20
Window, Vent & Exterior Door Group	D-21 - E-4

**WINN AIR WITH LANDI-HARTOG (C-BODY)**

Key	Part Number	U/M	Description
	065279-01-000	EA	Relief Valve - Hydrostatic
	065287-02-000	EA	Valve - Gasoline Shut-Off
	065820-02-000	EA	Hose Asm. - High Pressure - 36"
	067290-01-001	EA	Hose - Vapor 5/8" x 51"
	068050-04-000	EA	LP Mixer
	068163-01-000	EA	Strap - Converter Brace
	068197-01-000	EA	Instrument Asm. - LP
	068201-02-000	EA	Converter Asm. - LP - C Body
	068240-01-000	EA	Support Brace - Converter
	035927-01-002	EA	Steel Rod - Threaded - 1/4" - 20 x 9"
	068143-01-000	EA	Tube Asm. - Converter - Copper w/Flare Nuts - 5/16" x 270 Bend

## LOUNGE GROUP

### SPRUNG COUCH AND PEDESTAL TABLE

Key	Part Number	U/M	Description
	M67137-02-M10	EA	Cabinet Face - Sprung Couch - w/o Door or Hardware
	M67137-02-L07	EA	Cabinet Face - Sprung Couch - w/o Door or Hardware
	067092-01-M10	EA	Panel Asm. - Sprung Couch - Galley Side
	067092-01-L07	EA	Panel Asm. - Sprung Couch - Galley Side
	067030-01-000	EA	Panel Asm. - Sprung Couch - Forward End
	065325-19-M10	EA	Door Asm. - Couch Cabinet - 14.5" x 10.5" - w/o Hardware
	057468-02-000	EA	Frame Asm. - Sprung Couch - Right
	057468-03-000	EA	Frame Asm. - Sprung Couch - Left
	057468-04-000	EA	Frame Rail - Sprung Couch (2 per couch)
	057469-01-000	EA	Leg Asm. - Sprung Couch (2 per couch)
	022517-01-000	EA	End Cap - Leg - 1" x 1" - Brown
	053248-02-L07	EA	Table Asm. - Pedestal - w/o Hardware - Stonehenge
	053248-02-M10	EA	Table Asm. - Pedestal - w/o Hardware - Rust Burnt Sienna
	053248-02-M11	EA	Table Asm. - Pedestal - w/o Hardware - Paper Bag Brown
	009040-02-000	EA	Leg - Pedestal Table - 27.5" x 2.25" O.D. - Chrome
	009040-03-000	EA	Base - Table Leg - Mounts on Table
	041194-01-000	EA	Base - Table Leg - Mounts in Floor
	M65329-03-M10	EA	Furnace Grill Asm. - 13.8" x 15.2" - w/o Hardware
	056418-01-M11	EA	Plug Asm. - Pedestal - Table - Beige
	056418-01-M10	EA	Plug Asm. - Pedestal - Table - Cinnamon
	056418-01-M12	EA	Plug Asm. - Pedestal - Table - Winesap
	056418-01-L07	EA	Plug Asm. - Pedestal - Table - Carleton Cedarwood - Brown
	056418-01-L08	EA	Plug Asm. - Pedestal - Table - Carleton Cedarwood - Rust
	056418-01-L09	EA	Plug Asm. - Pedestal - Table - Carleton Terrace Green - Jade

### SWIVEL CHAIR W/ENTERTAINMENT CENTER

Key	Part Number	U/M	Description
	035036-01-000	EA	Plate - TT Chair
	035036-02-000	EA	Base w/Legs - TT Chair
	065833-01-L07	EA	Countertop Asm. - Entertainment Center
	065834-01-L07	EA	Cabinet Asm. - Entertainment Center
	065660-01-L07	EA	Tray Asm. - Bottle - Entertainment Center
	065830-01-L07	EA	Tray Asm. - Glass - Entertainment Center
	063224-04-L07	EA	Door Asm. - Rolled - 16.5" x 17.7"
	063224-05-L07	EA	Door Asm. - Rolled - 16.5" x 16.7"

## WATER AND SEWAGE GROUP

### HOLDING TANKS AND WATER HEATERS

Key	Part Number	U/M	Description
	053520-02-000	EA	Tank Asm. - Water - 20 Gallon w/Fittings
	053520-01-000	EA	Tank Asm. - Water - 20 Gallon w/o Fittings
	064214-02-000	EA	Tank Asm. - Water - 36 Gallon w/Fittings
	064214-01-000	EA	Tank Asm. - Water - 36 Gallon w/o Fittings
	054033-08-000	EA	Tank Asm. - Holding - 32 Gallon - Sewage - w/Fittings
**	054033-01-000	EA	Tank Asm. - Holding - 32 Gallon - Sewage - w/o Fittings
**	064308-02-000	EA	Tank Asm. - Holding - 23 Gallon - w/Fittings
**	064308-01-000	EA	Tank Asm. - Holding - 23 Gallon - w/o Fittings
**	051391-01-000	EA	Water Heater - 6 Gallon w/Motor Aid - Atwood - GH63

\*\*The illustrated parts breakdown for this item is provided on the Common Items Fiche.

## WATER AND SEWAGE GROUP (CONTINUED)

### PLUMBING REPAIR PARTS

Key	Part Number	U/M	Description
**	040539-01-000	EA	Kit - Repair - 3/8" O.D. Plastic Tube
**	040540-01-000	EA	Kit - Repair - 1/2" O.D. Plastic Tube
**	040541-01-000	EA	Kit - Repair - 5/8" O.D. Plastic Tube
**	041278-02-000	EA	Pump - Water Flow 2.8 G.P.M. - P&R
**	063848-C1-000	EA	Pump - Water - 2.8 G.P.M. - Direct Drive - US
**	063848-02-000	EA	Pump - Water - 2.8 G.P.M. - Direct Drive - CSA
**	039847-03-000	EA	Filter - Water Pump - 1/2" MPT
**	052982-01-000	EA	Valve - Stool - 90° 1/2 F x 3/8 MPT
**	C39818-01-000	EA	Riser Asm. - 3/8" O.D. x 24" Tube
**	039818-02-000	EA	Riser Asm. - 3/8" O.D. x 36" Tube
**	039818-04-000	EA	Riser Asm. - 3/8" O.D. x 72" Tube
**	039818-05-000	EA	Riser Asm. - 3/8" O.D. x 48" Tube
**	035539-01-000	EA	Elbow - Plastic - 3/8 MPT x 3/8 Barb
**	052952-01-000	EA	Nut - Plastic - 1/2 F
**	052953-01-000	EA	Nut - Faucet - 1/2 1.1/2 x 1/2 FPT
**	052954-01-000	EA	Adapter - Nose Cone - 3/8 or 1/2
**	052958-01-000	EA	Tee - Plastic - 1/2 F x 1/2 F x 1/2 F
**	052959-02-000	EA	Connector - Plastic - 1/2 F x 1/2 MPT
**	052959-03-000	EA	Connector - Plastic - 1/2 F x 3/8 MPT
**	052980-01-000	EA	Drain Valve - Line - 1/2 F x 1/2 F
**	052981-01-000	EA	Header - 1/2 F x 1/2 F x 1/2 F x 1/2 F
**	004020-01-000	QT	Adhesive - ABS Cement
**	010201-01-000	EA	Hose - Sewer - 3" x 8 ft. w/Clamp
**	062415-01-000	EA	Cap - Sewer - 3"
**	062416-01-000	EA	Hose - Adapter - 3"
**	062417-01-000	EA	Adapter - Termination - 3"
**	062418-02-000	EA	Valve - 3" w/o Handle
**	062419-01-000	EA	Handle - Extension - w/8" Adapter
**	062421-01-000	EA	Valve - 1 1/2" - w/Handle
**	010006-01-000	EA	Elbow - Plastic - 1/8 BD 1 1/2 x 45° H x H
**	010006-01-000	EA	Elbow - Plastic - 1/4 BD 1 1/2 x 90° x Long Turn
**	010134-01-000	EA	Adapter - Plastic - 1 1/2" M x MPT
**	010154-01-000	EA	Ring - Closet - Plastic - 4" F x 3" MPT x L
**	011091-01-000	EA	Waste - Continuous - Double Sink - 11 7/8"
**	011088-01-000	EA	P-Trap - Plastic - 1 1/4"
**	010079-01-000	EA	Tee - Plastic - 1 1/2 H x 1 1/2 H x 1 1/4 H
**	010091-01-000	EA	Wye - Plastic - 3" x 45° - H x H x H
**	010121-01-000	EA	Bushing - Plastic - 1 1/2 S x 1 1/4 H
**	031126-01-000	EA	Elbow - Plastic - 1/4 BD - 3" x 90° x Long Turn
**	010133-01-000	EA	Adapter - Trap - Plastic - 1 1/2" H x MPT
**	050780-01-000	EA	Coupler - Rubber - 3" x 3"
**	010219-01-000	EA	Elbow - 1 1/4 Barb x 1 1/4 MPT - 90°
**	044928-01-000	FT	Tubing - Flex - 1 1/4" ID x 10' Long

Key	Part Number	U/M	Description
**	061807-01-000	EA	Grommet - Rubber - Holding Tank - 1 1/2" NPS
**	061807-02-000	EA	Grommet - Rubber - Holding Tank - 3" NPS
**	010197-01-000	FT	Pipe - ABS Plastic - 3" x 240"
**	065979-01-000	EA	Compartment Asm. - Sewer Hose
**	052957-02-000	EA	Elbow - Plastic - 1/2" F x 1/2" MPT
**	052957-03-000	EA	Elbow - Plastic - 1/2" F x 1/4" MPT
**	061807-01-000	EA	Grommet - Holding Tank - 1 1/2" NPS
**	061807-02-000	EA	Grommet - Holding Tank - 3" NPS
**	048524-01-000	EA	Kit - Plastic Fittings - Holding Tank
**	048524-02-000	EA	Kit - Plastic Fittings - Water Tank

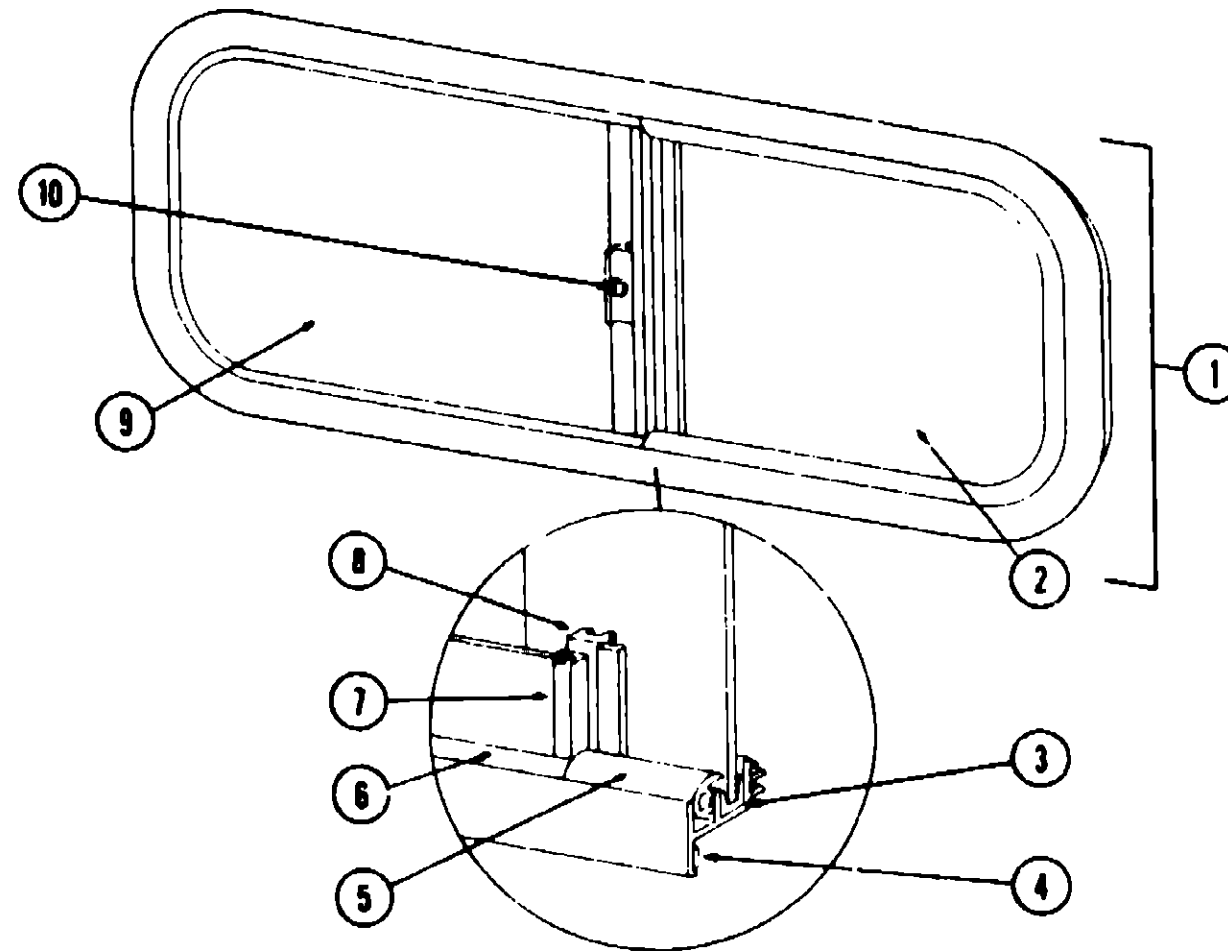
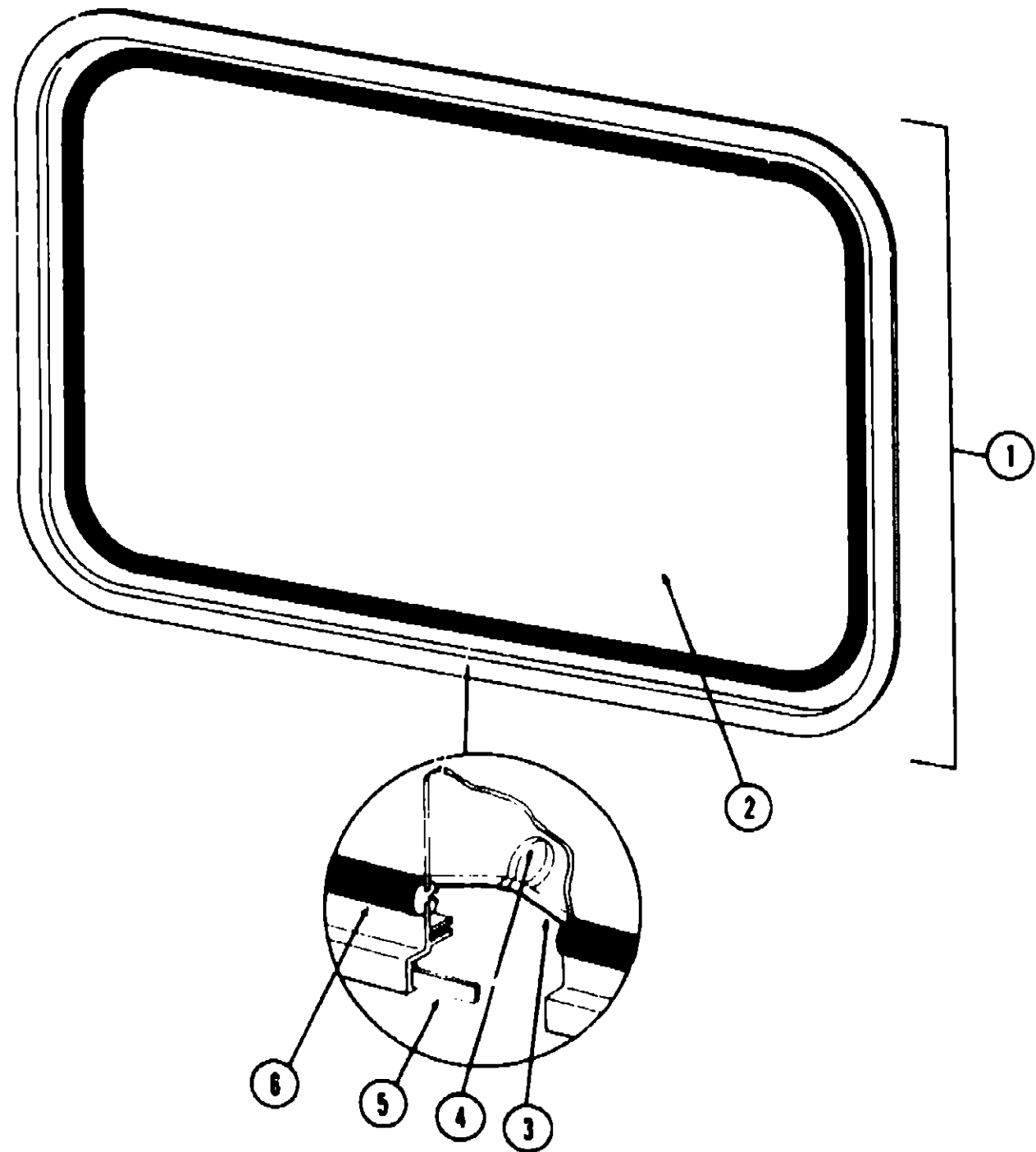
\*\*The illustrated parts breakdown for this item is provided on the Common Items Fiche.

## 1981 ITASCA TABLE OF CONTENTS

Introduction	A-1
Abbreviations	A-1
Alphabetical Index	A-2 - A-4
IC723RB M2	A-5 - B-10
IC723RH M2	B-11 - C-16
IC621RB M1, IC621RB M2	C-17 - E-4
ICN29RT M2	E-5 - G-6
ICF26RH M1, ICF26RH M2	G-7 - I-8
ICF26RT M1, ICF26RT M2	I-9 - K-14

## 1981 IC621RB M1, IC621RB M2 INDEX

Floor Plan	C-17 - C-18
Accessories Group	C-19 - C-20
Bath Group	C-21
Chassis Group	C-22
Curtain, Cushion & Pad Group	C-23 - D-5
Dinette Group	D-6
Driver's Compartment Group	D-7
Electrical Group	D-8 - D-9
Exterior Body Group	D-10 - D-13
Galley Group	D-14
Heating & Air Conditioning Group	D-15
Interior Finish Group	D-16 - D-17
LP Group	D-18
Lounge Group	D-19
Water & Sewage Group	D-19 - D-20
Window, Vent & Exterior Door Group	D-21 - E-4



1981 ITASCA  
TABLE OF CONTENTS

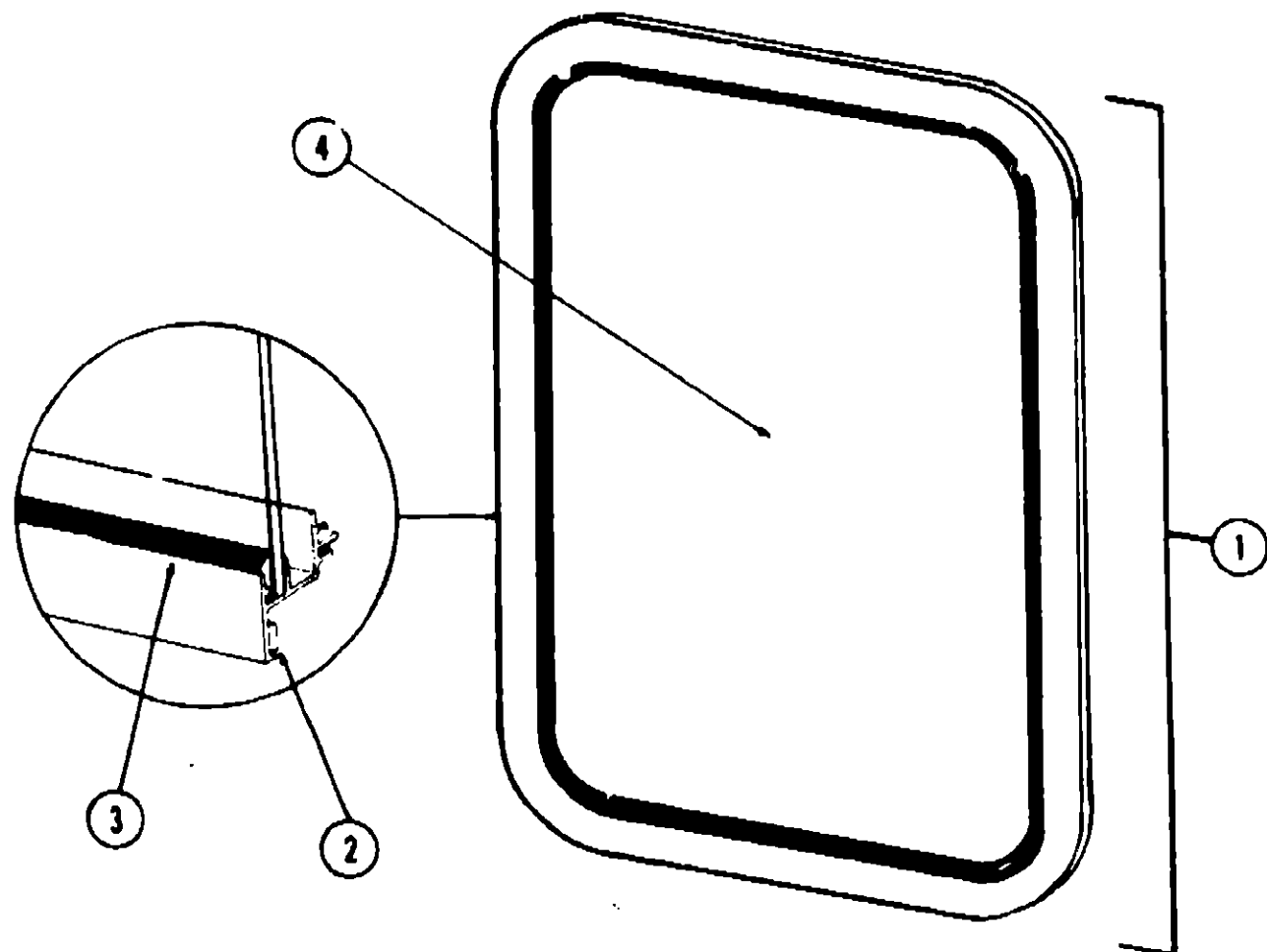
Introduction	A-1
Abbreviations	A-1
Alphabetical Index	A-2 - A-4
IC723RB M2	A-5 - B-10
IC723RH M2	B-11 - C-16
IC621RB M1, IC621RB M2	C-17 - E-4
ICN29RT M2	E-5 - G-6
ICF26RH M1, ICF26RH M2	G-7 - I-8
ICF26RT M1, ICF26RT M2	I-9 - K-14

1981 IC621RB M1, IC621RB M2 INDEX

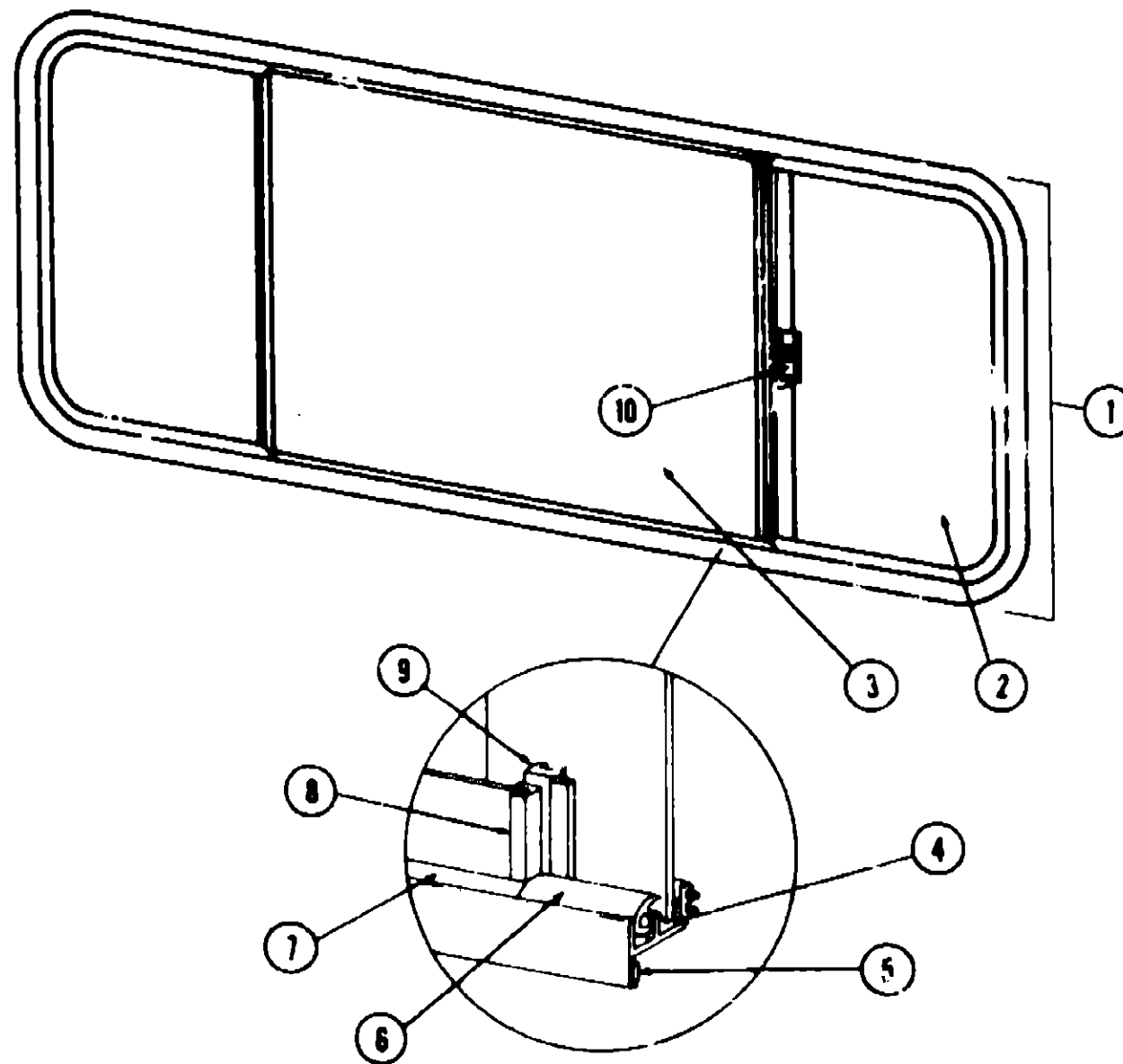
Floor Plan	C-17 - C-19
Accessories Group	C-19 - C-20
Bath Group	C-21
Chassis Group	C-22
Curtain, Cushion & Pad Group	C-23 - D-5
Dinette Group	D-6
Driver's Compartment Group	D-7
Electrical Group	D-8 - D-9
Exterior Body Group	D-10 - D-13
Galley Group	D-14
Heating & Air Conditioning Group	D-15
Interior Finish Group	D-16 - D-17
LP Group	D-18
Lounge Group	D-19
Water & Sewage Group	D-19 - D-20
Window, Vent & Exterior Door Group	D-21 - E-4

Key	Part Number	U/M	Description
1	056772-01-000	EA	Window Asm. - Rear Escape - 24" x 33" - Black Anod. (w/o inside frame)
2	041392-02-000	EA	Glass - 1/8" x 24.08" x 33.25"
3	002285-01-000	FT	Filler - Weatherstrip - Black
4	020395-01-000	EA	Pull Ring - Escape Window
5	053767-02-000	FT	Tape - 3/16" Bead x 25' - Gray
6	002282-01-000	FT	Weatherstrip - .125" Window
.	056770-01-000	EA	Frame - Inside - Escape Window - 24" x 33" (not included in assembly);
.	006199-01-000	EA	Label - Exit - Escape Window
.			Not Illustrated

Key	Part Number	U/M	Description
1	056655-01-000	EA	Window Asm. - Bunk Slant Slider - Right - (w/o inside frame)
	056655-02-000	EA	Window Asm. - Bunk Slant Slider - Left - (w/o inside frame)
2	040919-02-000	EA	Glass - 1/8" x 9.54" x 16.62" - Gray - Stationary
3	047369-01-700	EA	Latch - Window - Plastic - w/Fastener
4	002324-01-000	FT	Channel - Weatherstrip - Glass Run - 1/8" Glass
5	004363-01-000	FT	Tape - Foam - 3/16" x 1/2" - Gray
6	002309-02-000	FT	Spline - Glass - 1/8" - Black
7	057374-02-000	FT	Seal - Window Channel - 1/8" Glass - Black
8	002390-03-204	EA	Holder - Glass Seal - Extr. - Anod. Black - 8.36"
9	041894-22-000	EA	Mullion - 8" - Black Anod.
10	047815-02-000	EA	Glass - 1/8" - Gray - Sliding
.	056654-01-000	EA	Frame - Window - Inside - Bunk Slant - Right (not included in assembly)
.	056654-02-000	EA	Frame - Window - Inside - Bunk Slant - Left (not included in assembly)
.	023713-02-000	EA	Cover - Weephole - Black
.	002298-01-000	FT	Spline - Gray - .130" Dia. (Screen)
.	002291-01-000	SF	Screen - Gray - Window - 16"
.			Not Illustrated



Key	Part Number	U/M	Description
1	056651-01-000	EA	Window Asm. - Picture - 20 3/4" x 20 3/4" - Black (w/o inside frame)
2	053767-02-000	FT	Tape - 3/16" Bead x 25' - Schnee Morehead
3	002309-02-000	FT	Spline - Glass - 1/8" - Black
4	002181-03-000	EA	Glass - .115" x 20.62" x 20.62" - Gray
.	056650-01-000	EA	Frame - Inside - Window (not included in assembly)
.	Not Illustrated		



Key	Part Number	U/M	Description
1	066785-04-000	EA	Window Asm. - Single Slider - 27" x 65"
.	042133-13-000	EA	Inside Frame - Brown
2	066726-03-000	EA	Glass - Stationary - 1/8" x 21" x 27"
3	066727-03-000	EA	Glass - Sliding - 1/8" x 25.5" x 27"
4	002324-02-000	FT	Channel - Weatherstrip - Glass
5	053767-03-000	FT	Tape - 1/4" Bead x 20' - Gray
6	057374-02-000	FT	Extr. Vinyl - Window Seal - Black
7	002309-02-000	FT	Spline - Glass - 1/8" Material - Black
8	069896-03-004	EA	Extr. - Holder - Glass Seal - 26.25" - Black
9	069896-03-000	EA	Mullion - Slider Window - 26" - Black
10	047369-01-000	EA	Latch - Window - Plastic - w/Fastener
.	002293-01-000	SF	Screen - Window - 26" - Gray
.	002298-01-000	FT	Spline - .130 Dia. - Gray (Screen)
.	042076-01-000	FT	Seal - Fin - Pile - .34"
.	Not Illustrated		

1981 ITASCA  
TABLE OF CONTENTS

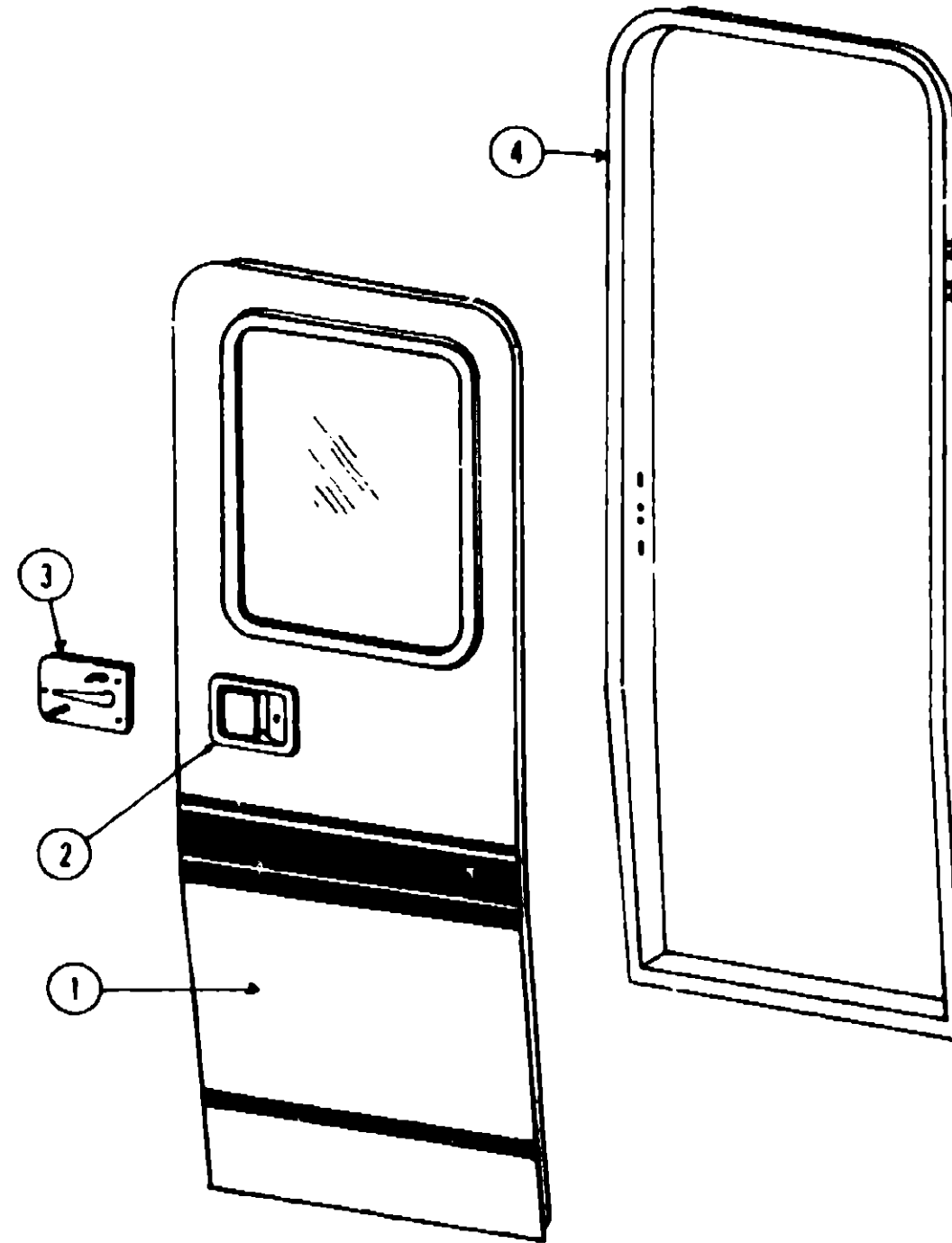
Introduction	A-1
Abbreviations	A-1
Alphabetical Index	A-2 - A-4
IC723RB M2	A-5 - B-10
IC723RH M2	B-11 - C-16
IC621RB M1, IC621RB M2	C-17 - E-4
ICN29R1 M2	E-5 - G-8
ICF26RH M1, ICF26RH M2	G-7 - I-8
ICF26RT M1, ICF26RT M2	I-9 - K-14

1981 IC621RB M1, IC621RB M2 INDEX

Floor Plan	C-17 - C-18
Accessories Group	C-19 - C-20
Bath Group	C-21
Chassis Group	C-22
Curtain, Cushion & Pad Group	C-23 - D-5
Dinette Group	D-6
Driver's Compartment Group	D-7
Electrical Group	D-8 - D-9
Exterior Body Group	D-10 - D-13
Galley Group	D-14
Heating & Air Conditioning Group	D-15
Interior Finish Group	D-16 - D-17
LP Group	D-18
Lounge Group	D-19
Water & Sewage Group	D-19 - D-20
Window, Vent & Exterior Door Group	D-21 - E-4



# WINDOW, VENT AND EXTERIOR DOOR GROUP (CONTINUED)



Key	Part Number	U/M	Description
1	067688-01-000	EA	Door Asm. - Fiberglass Entry - w/Latch and Hinges - Off White
2	045017-01-000	EA	Paddle Asm. - Door Lock - Exterior
	045017-01-700	EA	Lock Cylinder w/Keys - Lynor
	039539-01-000	EA	Striker Bolt - Entry Door
	039540-01-000	EA	Latch Claw - Entry Door
3	039979-01-000	EA	Plate - Lock - Inside - Including Inside Handle
	052186-01-000	EA	Lock Asm. - Complete - Lynor

E-1

Key	Part Number	U/M	Description
	066253-01-000	EA	Window Asm. - Vertical Slider - 26.9" x 17.6" - w/o Inside Frame)
	002241-04-000	EA	Glass - Vertical Slider - 1/8" x 17.5" x 13.5"
	047820-03-000	EA	Glass - Vertical Slider - 1/8" x 17.5" x 14.5"
	047369-01-700	EA	Latch - Window - Black Plastic
	067609-01-000	EA	Inside Frame - Vertical Slider - 26.9" x 17.6"
4	062545-01-000	EA	Jamb Asm. - Entry Door - Off White
	064075-01-000	FT	Seal - Entry Door Jamb - Rubber
	065043-01-000	EA	Hinge Asm. - Entry Door - Lower
	065046-01-000	EA	Hinge Asm. - Entry Door - Upper
	062409-01-000	EA	Pull - Interior - Door
			Not Illustrated

E-2

## 1981 ITASCA TABLE OF CONTENTS

Introduction	A-1
Abbreviations	A-1
Alphabetical Index	A-2 - A-4
IC723RB M2	A-5 - B-10
IC723RH M2	B-11 - C-10
IC621RB M1, IC621RB M2	C-17 - E-4
ICN29RT M2	E-5 - G-6
ICF26RH M1, ICF26RH M2	G-7 - I-8
ICF26RT M1, ICF26RT M2	I-9 - K-14

## 1981 IC621RB M1, IC621RB M2 INDEX

Floor Plan	C-17 - C-18
Accessories Group	C-19 - C-20
Bath Group	C-21
Chassis Group	C-22
Curtain, Cushion & Pad Group	C-23 - D-5
Dinette Group	D-6
Driver's Compartment Group	D-7
Electrical Group	D-8 - D-9
Exterior Body Group	D-10 - D-13
Galley Group	D-14
Heating & Air Conditioning Group	D-15
Interior Finish Group	D-16 - D-17
LP Group	D-18
Lounge Group	D-19
Water & Sewage Group	D-19 - D-20
Window, Vent & Exterior Door Group	D-21 - E-4

# WINDOW, VENT AND EXTERIOR DOOR GROUP (CONTINUED)

## WINDOWS

Key	Part Number	U/M	Description
	054558-01-000	EA	Glass - Wingwall Transition Panel
	058044-01-000	FT	Weatherseal - Wingwall Transition Panel
	054557-01-000	EA	Glass - Upper Front Cap
	056903-01-000	FT	Weatherstrip - Upper Front Cap

## ACCESS DOORS

Key	Part Number	U/M	Description
	063946-01-000	EA	Door Asm. - Power Cord w/Hatch - Off White
	042442-01-000	EA	Lock Asm. - Twist Type - (Power Cord)
	064842-01-000	EA	Door Asm. - Luggage - 24" x 10.36" - w/Key Lock
	054270-07-000	EA	Door Asm. - Refrigerator Access - w/Twist Lock
	064841-01-000	EA	Door Asm. - Generator - w/Twist Lock
	052743-02-000	EA	Baffle - Generator Door
	052009-01-000	EA	Door - Water Heater - Off White
	016945-02-000	EA	Holder Asm. - Luggage or Battery Door
	047305-01-000	EA	Lock Asm. - Key Type w/Clip
	042441-01-000	EA	Lock Asm. - Key Type (Gas Fill)
	061186-01-000	EA	Door Asm. - Fuel Fill - w/Key Lock
	059965-01-000	EA	Lock Asm. - Key Type - Fuel Fill
	054369-05-000	EA	Door Asm. - LP - 23.68" x 9.66"
	064567-01-000	EA	Door Asm. - Battery - 11.2" x 18.6" - Off White
	054369-04-000	EA	Door Asm. - LP Storage - 36.7" x 9.6"
	009003-01-000	EA	Lock Asm. - Twist Type - Metal
	059965-01-000	EA	Lock Asm. - Key Type - Valance Door
	U52424-01-000	EA	Door Jamb - Power Cord & Fuel Fill - Off White
	U54543-01-000	EA	Door Hatch - Power Cord - Off White
	063742-01-000	EA	Door - Power Cord
	041312-01-000	FT	Door Seal - e/Section
	058199-04-000	EA	Door Asm. - Valance - Key Lock - LP - 36.72" x 9.66" - Off White
	058199-05-000	EA	Door Asm. - Valance - Twist Lock - Battery - 18.68" x 11.24" - Off White

## VENTS

Key	Part Number	U/M	Description
	009407-01-000	EA	Frame - Base - Refrigerator Vent (w/o cover)
	039778-01-000	EA	Cover - Vent - Refrigerator - Plastic
	049352-02-000	EA	Vent - Stove Hood - Outside - Beige

## 1981 ITASCA TABLE OF CONTENTS

Introduction	A-1
Abbreviations	A-1
Alphabetical Index	A-2 - A-4
IC723RB M2	A-5 - B-10
IC723RH M2	B-11 - C-16
IC621RB M1, IC621RB M2	C-17 - E-4
ICN26RT M2	E-5 - G-6
ICF26RH M1, ICF26RH M2	G-7 - I-8
ICF26RT M1, ICF26RT M2	I-9 - K-14

## 1981 IC621RB M1, IC621RB M2 INDEX

Floor Plan	C-17 - C-18
Accessories Group	C-19 - C-20
Bath Group	C-21
Chassis Group	C-22
Curtain, Cushion and Pad Group	C-23 - D-5
Dinette Group	D-6
Driver's Compartment Group	D-7
Electrical Group	D-8 - D-9
Exterior Body Group	D-10 - D-13
Galley Group	D-14
Heating & Air Conditioning Group	D-15
Interior Finish Group	D-16 - D-17
LP Group	D-18
Lounge Group	D-19
Water & Sewage Group	D-19 - D-20
Window, Vent & Exterior Door Group	D-21 - E-4