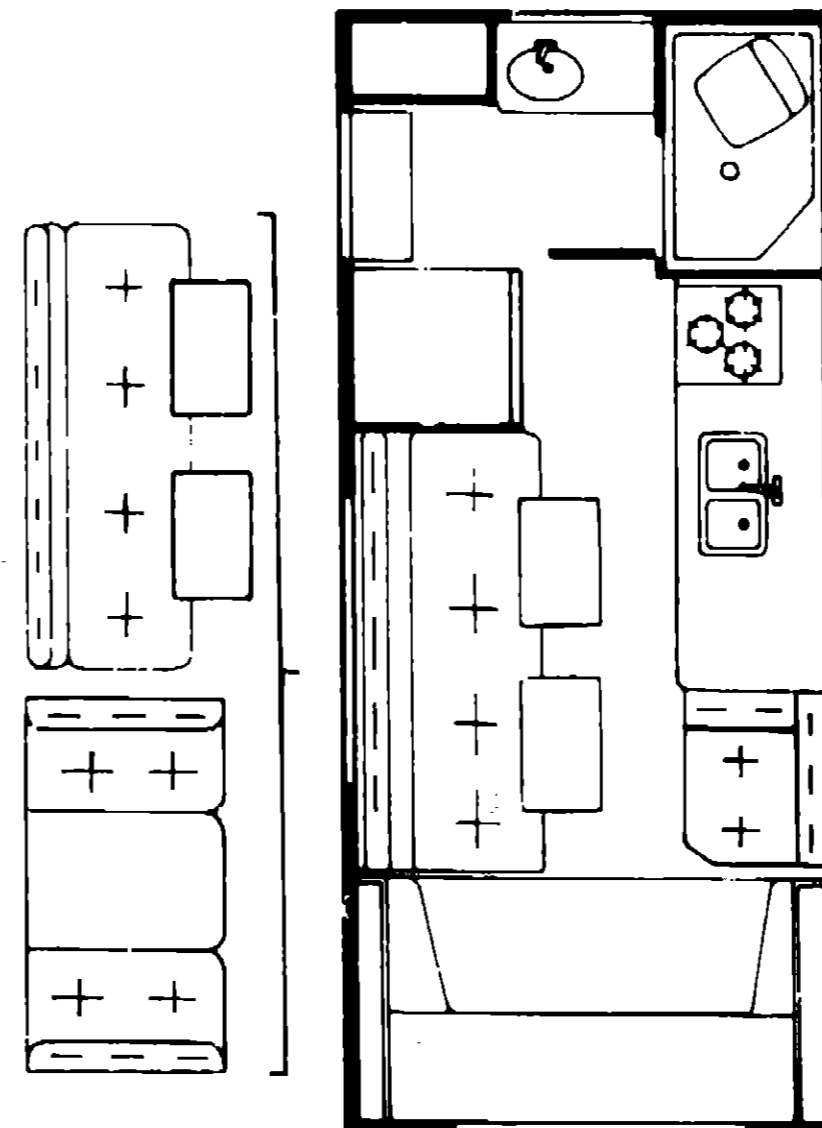


**1981
IC419RB M1
IC419RB M2**



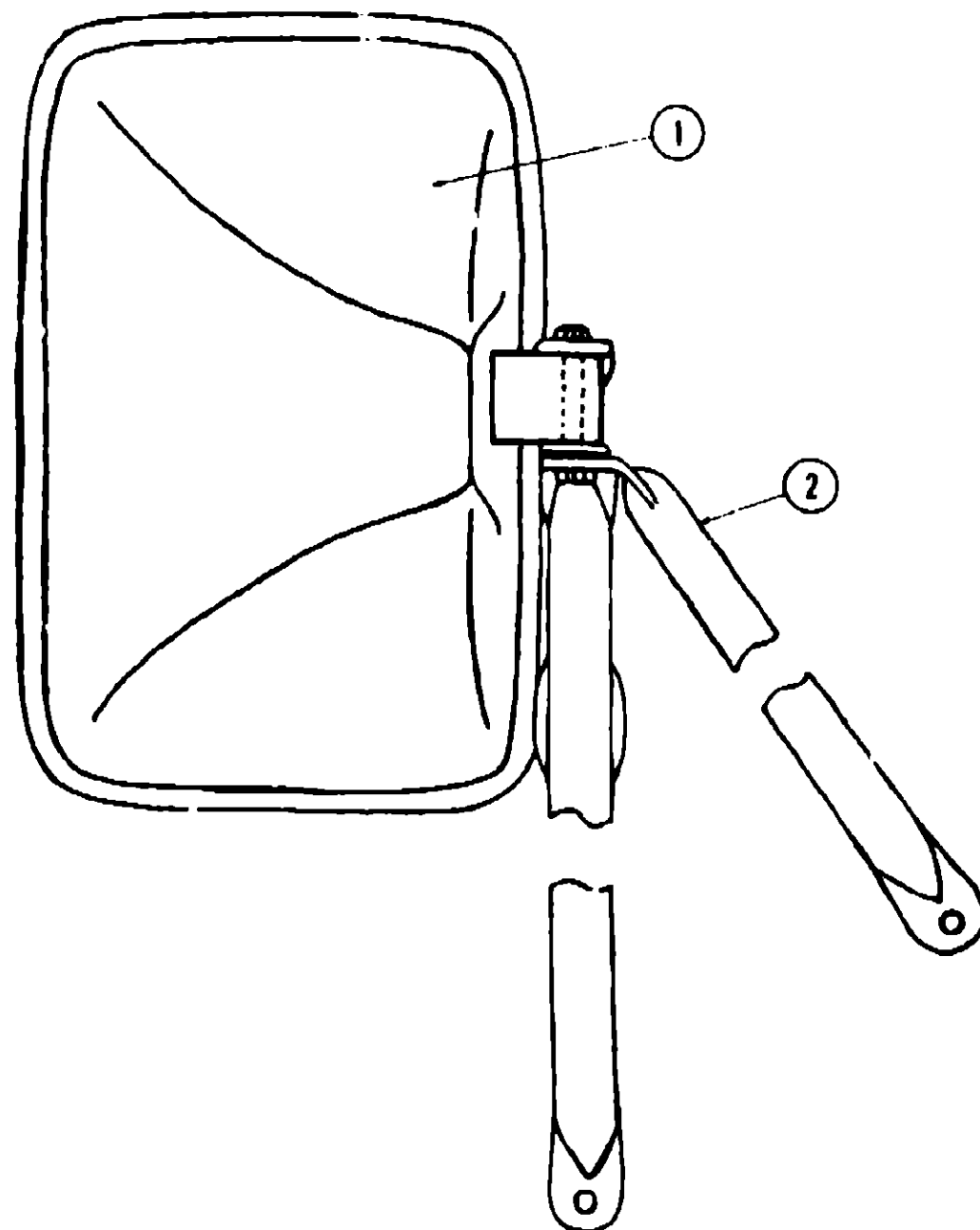
**1981 ITASCA
TABLE OF CONTENTS**

IC419RB M1, IC419RB M2	A-1 - B-14
ICF22RB M1, ICF22RB M2	B-15 - D-14
ICN26RB M2	D-15 - F-10

1981 IC419RB M1, IC419RB M2 INDEX

Floor Plan	A-1 - A-2
Accessories Group	A-3 - A-4
Bath Group	A-5
Chassis Group	A-6
Curtain, Cushion and Fad Group	A-7 - A-13
Dinette Group	A-14 - A-15
Driver's Compartment Group	A-15
Electrical Group	A-16 - A-18
Exterior Body Group	A-19 - A-22
Galley Group	A-23
Heating & Air Conditioning Group	A-24
Interior Finish Group	B-1 - B-2
LP Group	B-3
Lounge Group	B-4
Water & Sewage Group	B-5
Window, Vent & Exterior Door Group	B-6 - B-14

ACCESSORIES GROUP



Key	Part Number	U/M	Description
1	066431-02-000	EA	Mirror Head - Satin - 6.75" x 10.25"
1	066431-01-000	EA	Mirror Head - Off White - 6.75" x 10.25"
2	066431-07-000	EA	Arm - Off White - Right - Chevy
2	066431-08-000	EA	Arm - Off White - Left - Chevy

ACCESSORIES GROUP (CONTINUED)

RADIOS AND RELATED COMPONENTS

Key	Part Number	U/M	Description
	064785-01-000	EA	Radio - AM - Audiovox
	064787-01-000	EA	Radio - AM/FM/MPX - w/Cassette
	064786-01-000	EA	Radio - AM/FM/MPX - w/8 Track
	007004-01-000	EA	Antenna - Radio - Cab Mount
	064791-01-000	EA	Speaker - Recessed - 5 1/4" (10 oz.)
	064792-01-000	EA	Grille - Speaker - 5 1/4"
	064794-01-000	EA	Radio Trimplate - Chevy

MISCELLANEOUS ACCESSORIES

Key	Part Number	U/M	Description
	006053-01-000	EA	Antenna - TV - Braund Delux
	006093-01-000	EA	Jack - TV - Brown
	007038-01-000	EA	Mat - Door - Black Rubber - 10 1/2" x 26"
	041944-03-000	EA	Fire Extinguisher - Dry Chemical w/Bracket
	054185-12-000	EA	Owner's Manual - 1981 - Winnebago & Itasca
	063739-01-000	EA	Battery - 12V - Aux. 90 Amp.
	017516-01-000	EA	Mud Flap - Black - 14" x 18" w/Holes
**	059779-01-000	EA	Speed Control - Chevy - Dana
	067203-03-000	EA	Luggage Rack Asm.
	067203-01-000	EA	Ladder Asm.
	067130-01-000	EA	Ladder Step Asm.
	067163-01-000	EA	Cap Step - Ladder
	006069-01-000	EA	Leather Key Case

**The illustrated parts breakdown for this item is provided on the Common Items Fiche.

**1981 ITASCA
TABLE OF CONTENTS**

IC419RB M1, IC419RB M2	A-1 - B-14
ICF22RB M1, ICF22RB M2	B-15 - D-14
ICN26RB M2	D-15 - F-10

1981 IC419RB M1, IC419RB M2 INDEX

Floor Plan	A-1 - A-2
Accessories Group	A-3 - A-4
Bath Group	A-5
Chassis Group	A-6
Curtain, Cushion & Pad Group	A-7 - A-13
Dinette Group	A-14 - A-15
Driver's Compartment Group	A-15
Electrical Group	A-16 - A-18
Exterior Body Group	A-19 - A-22
Galley Group	A-23
Heating & Air Conditioning Group	A-24
Interior Finish Group	B-1 - B-2
LP Group	B-3
Lounge Group	B-4
Water & Sewage Group	B-5
Window, Vent & Exterior Door Group	B-6 - B-14

BATH GROUP

BATH CABINETRY

Key	Part Number	U/M	Description
	067458-01-L04	EA	Cabinet Asm. - Vanity w/o Top - w/o Doors
	067458-01-M04	EA	Cabinet Asm. - Vanity w/o Top - w/o Doors
	067461-01-L04	EA	Countertop Asm. - Vanity Cabinet - Burl Block
	067461-01-M04	EA	Countertop Asm. - Vanity Cabinet - Burnt Sienna
	067461-01-M05	EA	Countertop Asm. - Vanity Cabinet - Brown (M05) (M05)
	M00074-30-L04	EA	Door Asm. - Wardrobe Cabinet - 22.4" x 53.2" - w/o Hardware
	M00377-10-M04	EA	Door Asm. - Wardrobe Cabinet - 22.4" x 53.2" - w/o Hardware
	M00377-12-M04	EA	Door Asm. - Vanity Cabinet - 13.5" x 28.7" - w/o Hardware
	M00074-33-L04	EA	Door Asm. - Vanity Cabinet - 13.5" x 28.7" - w/o Hardware
	M00074-34-L04	EA	Door Asm. - Bath - 21.1" x 58.4" - w/o Hardware
	M68593-02-M04	EA	Door Asm. - Bath - 21.1" x 68.4" - w/o Hardware
	067505-01-L04	EA	Cabinet Asm. - Medicine
	067505-02-M04	EA	Cabinet Asm. - Medicine
	M00074-37-L04	EA	Door Asm. - Medicine Cabinet - 12.7" x 20.7" - w/o Hardware
	M00074-37-M04	EA	Door Asm. - Medicine Cabinet - 12.7" x 20.7" - w/o Hardware
	M00074-31-L04	EA	Door Asm. - Wardrobe - Lower - 14" x 22.4" - w/o Hardware
	M00377-11-M04	EA	Door Asm. - Wardrobe - Lower - 14" x 22.4" - w/o Hardware

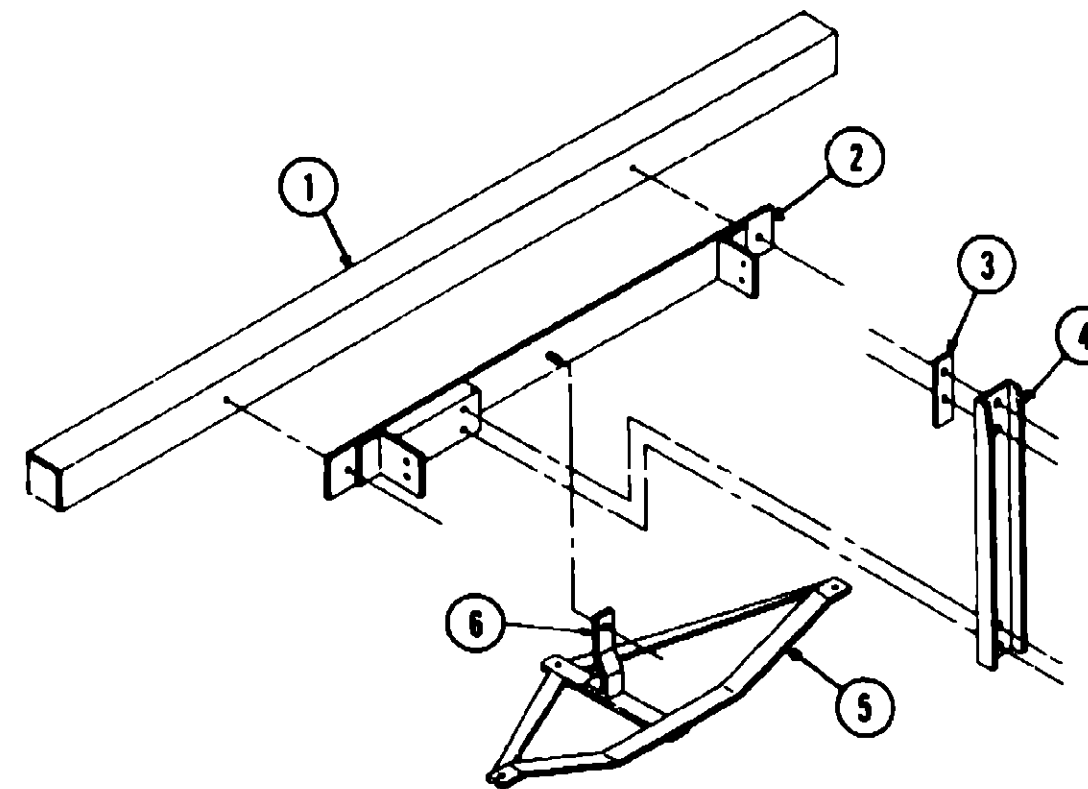
BATH HARDWARE

Key	Part Number	U/M	Description
	009151-01-000	EA	Warp Guard - 48"
	009150-01-000	EA	Warp Guard - 64"
	058335-01-000	EA	Latch - Bathroom Door - w/Lock
	058335-02-000	EA	Latch - Bathroom Door - w/o Lock
	009112-01-000	EA	Flange - 1" - Closet Rod
	058713-01-000	EA	Sink - Oval - Ivory Plastic
	009133-01-000	EA	Towel Bar
	023449-01-000	EA	Towel Bar Support (2)
	033580-01-000	EA	Towel Holder - w/Plastic Ring
	058331-06-000	EA	Mirror - Medicine Cabinet Door - 10" x 18"
	009136-01-000	EA	Shower Curtain Pin
	009134-01-000	EA	Holder - Tissue
	011056-02-000	EA	Faucet - Lavatory - CSA
	011056-01-000	EA	Faucet - Lavatory - US
	011063-01-000	EA	Plug w/Chain - 1 1/4"
	011048-01-000	EA	Shower Head - w/60" Hose
	011070-01-000	EA	Tailpiece - 1 1/4" x 6" Brass
	066508-01-000	EA	Shower Pan
	011059-03-000	EA	Faucet - Shower - Plastic - USA
	011059-01-000	EA	Faucet - Shower - Metal - CSA
	039341-02-000	EA	Toilet - Thetford - Aqua Magic - Ivory - 8420 SH

The illustrated parts breakdown for this item is provided on the Common Items Fiche.

CHASSIS GROUP

Key	Part Number	U/M	Description
	086525-01-000	EA	Wheel Well - Plastic - Left or Right Rear
	022655-02-000	EA	Tail Pipe Extension - 2.25" x 8.00"
	007125-06-000	EA	Clamp Asm. - Muffler - 2.25" Dia.
	051687-01-000	EA	Bracket - Battery Tie Down
	049912-01-000	EA	Step Asm. Assist - Cab
	017516-01-000	EA	Mud Flap - 14" x 18" - w/Holes
	064089-01-000	EA	Splashguard - Front - Black Rubber
	067973-01-000	EA	Box - Power Cord
	037291-01-000	EA	Tire - 8.00 x 16.5 - 8 Ply - Black Tubelers
	062800-02-000	EA	Wheel - 6.00 x 16.5 - Chevy
	007131-01-000	EA	Hanger - Tail Pipe
	059540-01-000	EA	Bracket - License Plate - Rear
	051983-02-000	EA	Shroud - Fuel Fill - Interior
	047441-01-000	EA	Battery Terminal - Horizontal Lug



Key	Part Number	U/M	Description
1	064602-01-000	EA	Bumper Asm. - Square - 92" - Off White
2	039779-01-000	EA	Cap - Rubber - 4" x 4" - Square Bumper
3	040974-01-000	EA	Bracket - Bumper Mount
4	064598-02-000	EA	Bracket - Spare Tire Retainer - 2" x 6.75"
5	068656-01-000	EA	Trailer Hitch Asm.
6	064824-03-000	EA	Support - Trailer Hitch
	041332-02-000	EA	Reflector - 6 1/2" x 3/4" - Bumper Cover
	041332-03-000	EA	Bumper Cover - Aluminum Fits 4" Square Bumper
			Not Illustrated

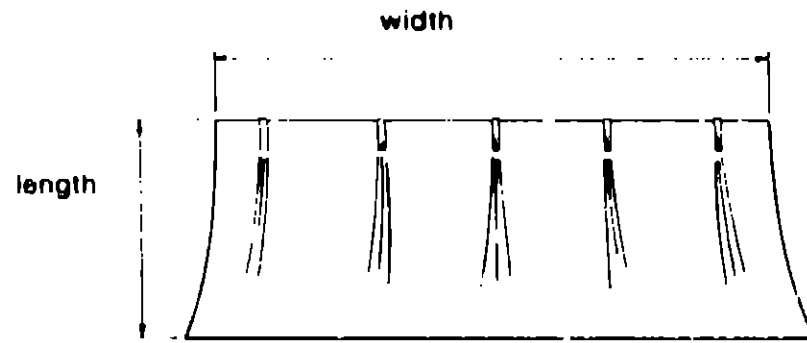
1981 ITASCA TABLE OF CONTENTS

IC419RB M1, IC419RB M2	A-1 - B-14
ICF22RB M1, ICF22RB M2	B-15 - D-14
ICN26RB M2	D-15 - F-10

1981 IC419RB M1, IC419RB M2 INDEX

Floor Plan	A-1 - A-2
Accessories Group	A-3 - A-4
Bath Group	A-5
Chassis Group	A-6
Curtain, Cushion & Pad Group	A-7 - A-13
Dinette Group	A-14 - A-15
Driver's Compartment Group	A-15
Electrical Group	A-16 - A-18
Exterior Body Group	A-19 - A-22
Galley Group	A-23
Interior Finish Group	B-1 - B-2
LP Group	B-3
Lounge Group	B-4
Water & Sewage Group	B-5
Window, Vent & Exterior Door Group	B-6 - B-14

CURTAIN, CUSHION AND PAD GROUP



NOTE:
Use this illustration when determining length and width measurements for curtains. You will note the width measurement is taken on the top of the curtain with the curtain fully extended. The length measurement is taken from top to bottom.

CURTAINS

Key	Part Number	U/M	Description
	054045-26-L04	EA	Curtain w/Snap Top and Bottom - 15.5" x 42" - Light Brown
	054045-26-L05	EA	Curtain w/Snap Top and Bottom - 15.5" x 42" - Brown
	054045-26-L06	EA	Curtain w/Snap Top and Bottom - 15.5" x 42" - Blue
	054045-26-M01	EA	Curtain w/Snap Top and Bottom - 14.5" x 42" - Champagne
	054051-02-L04	EA	Curtain w/Snap Top - 34" x 37" - Light Brown
	054051-02-L05	EA	Curtain w/Snap Top - 34" x 37" - Brown
	054051-02-L06	EA	Curtain w/Snap Top - 34" x 37" - Blue
	054051-02-M01	EA	Curtain w/Snap Top - 34" x 37" - Champagne
	054051-47-L04	EA	Curtain w/Snap Top - 25" x 96" - Light Brown
	054051-47-L05	EA	Curtain w/Snap Top - 25" x 96" - Brown
	054051-47-L06	EA	Curtain w/Snap Top - 25" x 96" - Blue
	054051-47-M01	EA	Curtain w/Snap Top - 25" x 96" - Champagne
	054103-01-L04	EA	Curtain w/Snap Top - 15.5" x 42" - Light Brown
	054103-01-L05	EA	Curtain w/Snap Top - 15.5" x 42" - Brown
	054103-01-L06	EA	Curtain w/Snap Top - 15.5" x 42" - Blue
	054103-01-M01	EA	Curtain w/Snap Top - 15.5" x 42" - Champagne
	054045-27-L04	EA	Curtain w/Snap Top and Bottom - 25" x 37" - Light Brown
	054045-27-L05	EA	Curtain w/Snap Top and Bottom - 25" x 37" - Brown
	054045-27-L06	EA	Curtain w/Snap Top and Bottom - 25" x 37" - Blue
	068545-01-M01	EA	Curtain w/Tape Top and Snap Bottom - 25" x 37" - Champagne
	059900-02-L04	EA	Curtain w/Snap Top - Front Wraparound - 23" x 64" - Light Brown
	059900-02-L05	EA	Curtain w/Snap Top - Front Wraparound - 23" x 64" - Brown
	059900-02-L06	EA	Curtain w/Snap Top - Front Wraparound - 23" x 64" - Blue
	059900-02-M04	EA	Curtain w/Snap Top - Front Wraparound - 23" x 64" - Champagne
	056484-30-L04	EA	Curtain w/Taped Top - 24.5" x 19" - Light Brown
	056484-30-L05	EA	Curtain w/Taped Top - 24.5" x 19" - Brown
	056484-30-L06	EA	Curtain w/Taped Top - 24.5" x 19" - Blue
	056484-45-M01	EA	Curtain w/Taped Top - 25" x 12" - Champagne
	056484-44-M04	EA	Curtain w/Taped Top - 25" x 37" - Champagne

VALANCES

Key	Part Number	U/M	Description
	065892-05-L04	EA	Valance - 5" x 78" - Rust
	065892-05-L05	EA	Valance - 5" x 78" - Brown
	065892-05-L06	EA	Valance - 5" x 78" - Blue
	065892-05-M04	EA	Valance - 5" x 78" - Rust
	065892-05-M05	EA	Valance - 5" x 78" - Blue
	065892-05-M06	EA	Valance - 5" x 78" - Beige
	065892-16-L04	EA	Valance - 5" x 29" - Rust
	065892-16-L05	EA	Valance - 5" x 29" - Brown
	065892-16-L06	EA	Valance - 5" x 29" - Blue
	065892-16-M04	EA	Valance - 5" x 29" - Rust
	065892-16-M05	EA	Valance - 5" x 29" - Blue
	065892-16-M06	EA	Valance - 5" x 29" - Beige

CURTAIN, CUSHION AND PAD GROUP (CONTINUED)

VINYL SHADES

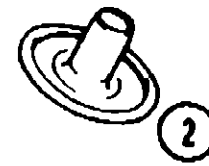
Key	Part Number	U/M	Description
	065657-02-L04	EA	Shade - Vinyl - 21" x 34" - w/Rust Trim
	065657-02-L05	EA	Shade - Vinyl - 21" x 34" - w/Brown Trim
	065657-02-L06	EA	Shade - Vinyl - 21" x 34" - w/Blue Trim
	065657-12-L04	EA	Shade - Vinyl - 69" x 34" - w/Rust Trim
	065657-12-L05	EA	Shade - Vinyl - 69" x 34" - w/Brown Trim
	065657-12-L06	EA	Shade - Vinyl - 69" x 34" - w/Blue Trim
	065522-02-000	EA	Shade - Vinyl - 21.25" x 38"
	065522-12-000	EA	Shade - Vinyl - 69.25" x 38"

TIE BACKS

Key	Part Number	U/M	Description
	054048-08-L04	EA	Tie Back Asm. - 2" x 18" - Rust
	054048-08-L05	EA	Tie Back Asm. - 2" x 18" - Brown
	054048-08-L06	EA	Tie Back Asm. - 2" x 18" - Blue
	054048-08-M04	EA	Tie Back Asm. - 2" x 18" - Rust
	054048-08-M05	EA	Tie Back Asm. - 2" x 18" - Blue
	054048-08-M06	EA	Tie Back Asm. - 2" x 18" - Beige

CURTAIN HARDWARE

Key	Part Number	U/M	Description
	052327-04-236	EA	Track - Curtain - Brown Alum. - 89" w/Holes
	056116-01-000	FT	Track - Curtain - Brown Plastic
	056001-01-000	EA	Bracket - Shade - Left
	056002-01-000	EA	Bracket - Shade - Right
	056003-01-000	EA	Bracket - Drapery Retainer - Right
	056003-02-000	EA	Bracket - Drapery Retainer - Left
	053272-04-005	EA	Track - Curtain - Off White - 77" w/Holes
	056784-01-000	EA	Pull - Window Shade - Antique Brass
	009107-01-000	EA	Guide - Nylon Snap - Curtain
	018031-42-000	EA	Track - Curtain - "L" Rod - Alum. Extr. - 90"
	009701-01-000	EA	Carrier - "L" Rod - Curtain
	009702-01-000	EA	End Stop - "L" Rod - Curtain
	048394-01-000	YD	Tape - Hook - 1" x 25 YD - Beige
	048395-01-000	YD	Tape - Loop - 1" x 25 YD - Beige
	056115-01-000	YD	Tape - Clear Plastic - w/Guides



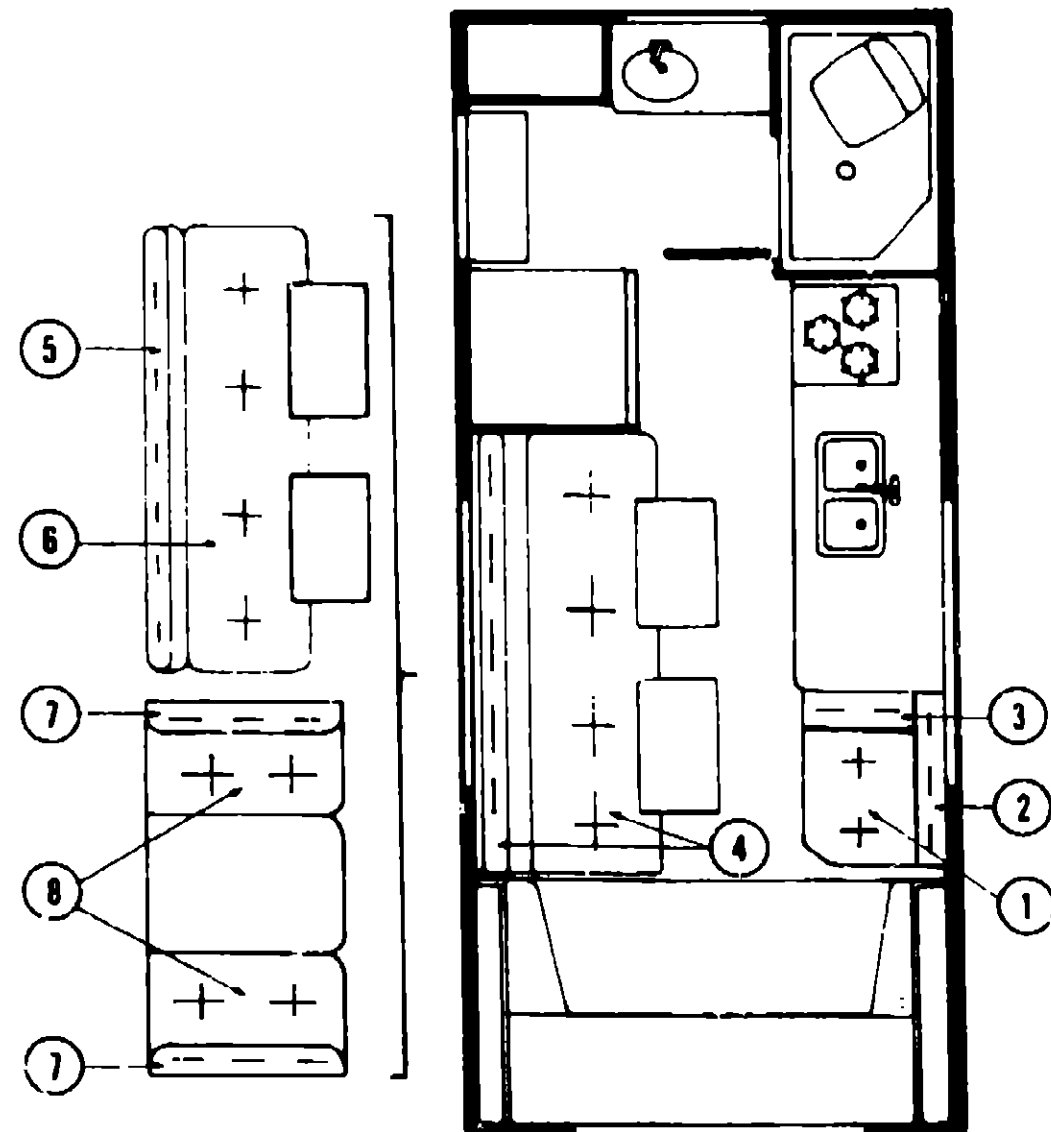
Key	Part Number	U/M	Description
	1 029130-01-000	EA	Socket - Snap Fastener
	2 029155-01-000	EA	Cap - Snap - .156" Dia. x .17" Barrel
	3 029156-01-000	FA	Socket - Snap Fastener
	4 029092-01-000	EA	Stud - Nickel Finish
	5 029093-01-000	EA	Eyelet - Nickel Finish

**1981 ITASCA
TABLE OF CONTENT'S**

IC419RB M1, IC419RB M2	A-1 - B-14
ICF22RB M1, ICF22RB M2	B-15 - D-14
ICN26RB M2	D-15 - F-10

1981 IC419RB M1, IC419RB M2 INDEX

Floor Plan	A-1 - A-2
Accessories Group	A-3 - A-4
Bath Group	A-5
Chassis Group	A-6
Curtain, Cushion & Pad Group	A-7 - A-13
Dinette Group	A-14 - A-15
Driver's Compartment Group	A-15
Electrical Group	A-16 - A-18
Exterior Body Group	A-19 - A-22
Galley Group	A-23
Heating & Air Conditioning Group	A-24
Interior Finish Group	B-1 - B-2
LP Group	B-3
Lounge Group	B-4
Water & Sewage Group	B-5
Window, Vent & Exterior Door Group	B-6 - B-14



CORNER LOUNGE CHAIR CUSHIONS

Key	Part Number	U/M	Description
1	068579-01-L04	EA	Cushion - Lounge Chair Bottom - 20" x 27.8" x 4.5" - Rust
1	068579-01-L05	EA	Cushion - Lounge Chair Bottom - 20" x 27.8" x 4.5" - Brown
1	068579-01-L06	EA	Cushion - Lounge Chair Bottom - 20" x 27.8" x 4.5" - Blue
1	068579-04-M04	EA	Cover - Lounge Chair Bottom - 20" x 27.8" x 4.5" - Rust
1	068579-04-M05	EA	Cover - Lounge Chair Bottom - 20" x 27.8" x 4.5" - Blue
1	068579-04-M06	EA	Cover - Lounge Chair Bottom - 20" x 27.8" x 4.5" - Beige
	M68579-01-L04	EA	Cover - Lounge Chair Bottom Cushion - 20" x 27.8" x 4.5" - Rust
	M68579-01-L05	EA	Cover - Lounge Chair Bottom Cushion - 20" x 27.8" x 4.5" - Brown
	M68579-01-L06	EA	Cover - Lounge Chair Bottom Cushion - 20" x 27.8" x 4.5" - Blue
	M68579-04-M04	EA	Cover - Lounge Chair Bottom Cushion - 20" x 27.8" x 4.5" - Rust
	M68579-04-M05	EA	Cover - Lounge Chair Bottom Cushion - 20" x 27.8" x 4.5" - Blue
	M68579-04-M06	EA	Cover - Lounge Chair Bottom Cushion - 20" x 27.8" x 4.5" - Beige

CORNER LOUNGE CHAIR CUSHIONS (Continued)

Key	Part Number	U/M	Description
2	068579-02-L04	EA	Cushion - Lounge Chair Back - 15" x 25.2" x 3" - Rust
2	068579-02-L05	EA	Cushion - Lounge Chair Back - 15" x 25.2" x 3" - Brown
2	068579-02-L06	EA	Cushion - Lounge Chair Back - 15" x 25.2" x 3" - Blue
2	068579-02-M04	EA	Cover - Lounge Chair Back - 15" x 25.2" x 3" - Rust
2	068579-02-M05	EA	Cover - Lounge Chair Back - 15" x 25.2" x 3" - Blue
2	068579-02-M06	EA	Cover - Lounge Chair Back - 15" x 25.2" x 3" - Beige
	M68579-02-L04	EA	Cover - Lounge Chair Back Cushion - 15" x 25.2" x 3" - Rust
	M68579-02-L05	EA	Cover - Lounge Chair Back Cushion - 15" x 25.2" x 3" - Brown
	M68579-02-L06	EA	Cover - Lounge Chair Back Cushion - 15" x 25.2" x 3" - Blue
	M68579-02-M04	EA	Cover - Lounge Chair Back Cushion - 15" x 25.2" x 3" - Rust
	M68579-02-M05	EA	Cover - Lounge Chair Back Cushion - 15" x 25.2" x 3" - Blue
	M68579-02-M06	EA	Cover - Lounge Chair Back Cushion - 15" x 25.2" x 3" - Beige
3	068579-03-L04	EA	Cushion - Lounge Chair Back - 15" x 15" x 3" - Rust
3	068579-03-L05	EA	Cushion - Lounge Chair Back - 15" x 15" x 3" - Brown
3	068579-03-L06	EA	Cushion - Lounge Chair Back - 15" x 15" x 3" - Blue
3	068579-03-M04	EA	Cover - Lounge Chair Back - 15" x 15" x 3" - Rust
3	068579-03-M05	EA	Cover - Lounge Chair Back - 15" x 15" x 3" - Blue
3	068579-03-M06	EA	Cover - Lounge Chair Back - 15" x 15" x 3" - Beige
	M68579-03-L04	EA	Cover - Lounge Chair Back - 15" x 15" x 3" - Rust
	M68579-03-L05	EA	Cover - Lounge Chair Back - 15" x 15" x 3" - Brown
	M68579-03-L06	EA	Cover - Lounge Chair Back - 15" x 15" x 3" - Blue
	M68579-03-M04	EA	Cover - Lounge Chair Back - 15" x 15" x 3" - Rust
	M68579-03-M05	EA	Cover - Lounge Chair Back - 15" x 15" x 3" - Blue
	M68579-03-M06	EA	Cover - Lounge Chair Back - 15" x 15" x 3" - Beige

LESTER LOUNGE CUSHIONS

Key	Part Number	U/M	Description
4	064706-01-L04	EA	Cushion - Lester Lounge - Back and Bottom - 76" - Rust
4	064706-01-L05	EA	Cushion - Lester Lounge - Back and Bottom - 76" - Brown
4	064706-01-L06	EA	Cushion - Lester Lounge - Back and Bottom - 76" - Blue
4	068678-01-M04	EA	Cover - Lester Lounge - Back and Bottom - 76" - Rust
4	068678-01-M05	EA	Cover - Lester Lounge - Back and Bottom - 76" - Blue
4	068678-01-M06	EA	Cover - Lester Lounge - Back and Bottom - 76" - Beige
	064707-01-L04	EA	Cover - Lester Lounge - Back and Bottom - 76" - Rust
	064707-01-L05	EA	Cover - Lester Lounge - Back and Bottom - 76" - Brown
	064707-01-L06	EA	Cover - Lester Lounge - Back and Bottom - 76" - Blue
	M68678-01-M04	EA	Cover - Lester Lounge - Back and Bottom - 76" - Rust
	M68678-01-M05	EA	Cover - Lester Lounge - Back and Bottom - 76" - Blue
	M68678-01-M06	EA	Cover - Lester Lounge - Back and Bottom - 76" - Beige
	065985-01-L04	EA	Cushion - Lounge Back - 8" x 76" x 4.5" - Rust
	065985-01-L05	EA	Cushion - Lounge Back - 8" x 76" x 4.5" - Brown
	065985-01-L06	EA	Cushion - Lounge Back - 8" x 76" x 4.5" - Blue
	065985-03-M04	EA	Cover - Lounge Back - 6" x 76" x 4.5" - Rust
	065985-03-M05	EA	Cover - Lounge Back - 6" x 76" x 4.5" - Blue
	065985-03-M06	EA	Cover - Lounge Back - 6" x 76" x 4.5" - Beige
	065986-01-L04	EA	Cover - Cushion - 8" x 76" x 4.5" - Rust
	065986-01-L05	EA	Cover - Cushion - 8" x 76" x 4.5" - Brown
	065986-01-L06	EA	Cover - Cushion - 8" x 76" x 4.5" - Blue
	065986-01-M04	EA	Cover - Cushion - 8" x 76" x 4.5" - Rust
	065986-01-M05	EA	Cover - Cushion - 8" x 76" x 4.5" - Blue
	065986-01-M06	EA	Cover - Cushion - 8" x 76" x 4.5" - Beige
			Not Illustrated

1981 ITASCA
TABLE OF CONTENTS

IC419RB M1, IC419RB M2	A-1 - B-14
ICF22RB M1, ICF22RB M2	B-15 - D-14
ICN26RB M2	D-15 - F-10

1981 IC419RB M1, IC419RB M2 INDEX

Floor Plan	A-1 - A-2
Accessories Group	A-3 - A-4
Bath Group	A-5
Chassis Group	A-6
Curtain, Cushion & Pad Group	A-7 - A-13
Dinette Group	A-14 - A-15
Driver's Compartment Group	A-15
Electrical Group	A-16 - A-18
Exterior Body Group	A-19 - A-22
Galley Group	A-23
Heating & Air Conditioning Group	A-24
Interior Finish Group	B-1 - B-2
LP Group	B-3
Lounge Group	B-4
Water & Sewage Group	B-5
Window, Vent & Exterior Door Group	B-6 - B-14

CURTAIN, CUSHION AND PAD GROUP (CONTINUED)

PRESTO BED CUSHIONS

Key	Part Number	U/M	Description
5	064704-01-L04	EA	Cushion - Presto Bed - Back - 76" - Rust
5	065704-01-L05	EA	Cushion - Presto Bed - Back - 76" - Brown
5	064704-01-L06	EA	Cushion - Presto Bed - Back - 76" - Blue
5	064704-02-M04	EA	Cushion - Presto Bed - Back - 76" - Rust
5	064704-02-M05	EA	Cushion - Presto Bed - Back - 76" - Blue
5	064704-02-M06	EA	Cushion - Presto Bed - Back - 76" - Beige
	064723-01-L04	EA	Cover - Presto Bed - Back - 76" - Rust
	064723-01-L05	EA	Cover - Presto Bed - Back - 76" - Brown
	064723-01-L06	EA	Cover - Presto Bed - Back - 76" - Blue
	064723-01-M04	EA	Cover - Presto Bed - Back - 76" - Rust
	064723-01-M05	EA	Cover - Presto Bed - Back - 76" - Blue
	064723-01-M06	EA	Cover - Presto Bed - Back - 76" - Beige
6	064705-01-L04	EA	Cushion - Presto Bed - Bottom - 76" - Rust
6	064705-01-L05	EA	Cushion - Presto Bed - Bottom - 76" - Brown
6	064705-01-L06	EA	Cushion - Presto Bed - Bottom - 76" - Blue
6	064705-02-M04	EA	Cushion - Presto Bed - Bottom - 76" - Rust
6	064705-02-M05	EA	Cushion - Presto Bed - Bottom - 76" - Blue
6	064705-02-M06	EA	Cushion - Presto Bed - Bottom - 76" - Beige
	064723-02-L04	EA	Cover - Presto Bed - Bottom - 76" - Rust
	064723-02-L05	EA	Cover - Presto Bed - Bottom - 76" - Brown
	064723-02-L06	EA	Cover - Presto Bed - Bottom - 76" - Blue
	064723-02-M04	EA	Cover - Presto Bed - Bottom - 76" - Rust
	064723-02-M05	EA	Cover - Presto Bed - Bottom - 76" - Blue
	064723-02-M06	EA	Cover - Presto Bed - Bottom - 76" - Beige

CONVENTIONAL DINETTE CUSHIONS

Key	Part Number	U/M	Description
7	064700-02-L04	EA	Cushion - Dinette Back - 19.2" x 38" x 4.5" - Rust
7	064700-02-L05	EA	Cushion - Dinette Back - 19.2" x 38" x 4.5" - Brown
7	064700-02-L06	EA	Cushion - Dinette Back - 19.2" x 38" x 4.5" - Blue
7	068579-06-M04	EA	Cushion - Dinette Back - 19.2" x 38" x 4.5" - Rust
7	063579-06-M05	EA	Cushion - Dinette Back - 19.2" x 38" x 4.5" - Blue
7	068579-06-M06	EA	Cushion - Dinette Back - 19.2" x 38" x 4.5" - Beige
	064701-02-L04	EA	Cover - Dinette Back Cushion - 19.2" x 38" x 4.5" - Rust
	064701-02-L05	EA	Cover - Dinette Back Cushion - 19.2" x 38" x 4.5" - Brown
	064701-02-L06	EA	Cover - Dinette Back Cushion - 19.2" x 38" x 4.5" - Blue
	M68579-06-M04	EA	Cover - Dinette Back Cushion - 19.2" x 38" x 4.5" - Rust
	M68579-06-M05	EA	Cover - Dinette Back Cushion - 19.2" x 38" x 4.5" - Blue
	M68579-06-M06	EA	Cover - Dinette Back Cushion - 19.2" x 38" x 4.5" - Beige
8	064700-01-L04	EA	Cushion - Dinette Seat - 17.5" x 38" x 4.5" - Rust
8	064700-01-L05	EA	Cushion - Dinette Seat - 17.5" x 38" x 4.5" - Brown
8	064700-01-L06	EA	Cushion - Dinette Seat - 17.5" x 38" x 4.5" - Blue
8	068579-05-M04	EA	Cushion - Dinette Seat - 17.5" x 38" x 4.5" - Rust
8	068579-05-M05	EA	Cushion - Dinette Seat - 17.5" x 38" x 4.5" - Blue
8	068579-05-M06	EA	Cushion - Dinette Seat - 17.5" x 38" x 4.5" - Beige
	064701-01-L04	EA	Cover - Dinette Seat Cushion - 17.5" x 38" x 4.5" - Rust
	064701-01-L05	EA	Cover - Dinette Seat Cushion - 17.5" x 38" x 4.5" - Brown
	064701-01-L06	EA	Cover - Dinette Seat Cushion - 17.5" x 38" x 4.5" - Blue
	M68579-05-M04	EA	Cover - Dinette Seat Cushion - 17.5" x 38" x 4.5" - Rust
	M68579-05-M05	EA	Cover - Dinette Seat Cushion - 17.5" x 38" x 4.5" - Blue
	M68579-05-M06	EA	Cover - Dinette Seat Cushion - 17.5" x 38" x 4.5" - Beige

CURTAIN, CUSHION AND PAD GROUP (CONTINUED)

BUCKET SEATS AND ARMRESTS

Key	Part Number	U/M	Description
	067035-03-L04	EA	Slip Cover - Chevy Bucket Seat - Rust
	067035-03-L05	EA	Slip Cover - Chevy Bucket Seat - Brown
	067035-03-L06	EA	Slip Cover - Chevy Bucket Seat - Blue
	067035-03-M04	EA	Slip Cover - Chevy Bucket Seat - Rust
	067035-03-M05	EA	Slip Cover - Chevy Bucket Seat - Blue
	067035-03-M06	EA	Slip Cover - Chevy Bucket Seat - Beige
	065937-03-L04	EA	Seat Asm. - High Back Bucket w/Right Armrest - Rust
	065937-03-L05	EA	Seat Asm. - High Back Bucket w/Right Armrest - Brown
	065937-03-L06	EA	Seat Asm. - High Back Bucket w/Right Armrest - Blue
	065938-02-M04	EA	Seat Asm. - High Back Bucket w/Right Armrest - Rust
	065938-02-M05	EA	Seat Asm. - High Back Bucket w/Right Armrest - Blue
	065938-02-M06	EA	Seat Asm. - High Back Bucket w/Right Armrest - Beige
	065937-04-L04	EA	Seat Asm. - High Back Bucket w/Left Armrest - Rust
	065937-04-L05	EA	Seat Asm. - High Back Bucket w/Left Armrest - Brown
	065937-04-L06	EA	Seat Asm. - High Back Bucket w/Left Armrest - Blue
	065938-03-M04	EA	Seat Asm. - High Back Bucket w/Left Armrest - Rust
	065938-03-M05	EA	Seat Asm. - High Back Bucket w/Left Armrest - Blue
	065938-03-M06	EA	Seat Asm. - High Back Bucket w/Left Armrest - Beige
	065943-01-L04	EA	Cover - Bucket Seat - Back - Rust
	065943-01-L05	EA	Cover - Bucket Seat - Back - Brown
	065943-01-L06	EA	Cover - Bucket Seat - Back - Blue
	065943-02-M04	EA	Cover - Bucket Seat - Back - Rust
	065943-02-M05	EA	Cover - Bucket Seat - Back - Blue
	065943-02-M06	EA	Cover - Bucket Seat - Back - Beige
	065944-01-L04	EA	Cover - Bucket Seat - Bottom - Rust
	065944-01-L05	EA	Cover - Bucket Seat - Bottom - Brown
	065944-01-L06	EA	Cover - Bucket Seat - Bottom - Blue
	065944-02-M04	EA	Cover - Bucket Seat - Bottom - Rust
	065944-02-M05	EA	Cover - Bucket Seat - Bottom - Blue
	065944-02-M06	EA	Cover - Bucket Seat - Bottom - Beige
	050275-01-700	EA	Armrest Asm. - Foam w/o Cover - Right
	050276-01-700	EA	Armrest Asm. - Foam w/o Cover - Left
	065774-01-L04	EA	Cover - Armrest - Right or Left - Rust
	065774-01-L05	EA	Cover - Armrest - Right or Left - Brown
	065774-01-L06	EA	Cover - Armrest - Right or Left - Blue
	065774-02-M04	EA	Cover - Armrest - Right or Left - Rust
	065774-02-M05	EA	Cover - Armrest - Right or Left - Blue
	065774-02-M06	EA	Cover - Armrest - Right or Left - Beige
	066915-01-L04	EA	Skirt - Single Bucket - 6" x 71" - Rust
	066915-01-L05	EA	Skirt - Single Bucket - 6" x 71" - Brown
	066915-01-L06	EA	Skirt - Single Bucket - 6" x 71" - Blue
	066915-02-M04	EA	Skirt - Single Bucket - 6" x 71" - Rust
	066915-02-M05	EA	Skirt - Single Bucket - 6" x 71" - Blue
	066915-02-M06	EA	Skirt - Single Bucket - 6" x 71" - Beige
	061825-01-L04	EA	Seat Asm. - Single Bucket - Low Back - Rust
	061825-01-L05	EA	Seat Asm. - Single Bucket - Low Back - Brown
	061825-01-L06	EA	Seat Asm. - Single Bucket - Low Back - Blue
	061825-02-M04	EA	Seat Asm. - Single Bucket - Low Back - Rust
	061825-02-M05	EA	Seat Asm. - Single Bucket - Low Back - Blue
	061825-02-M06	EA	Seat Asm. - Single Bucket - Low Back - Beige
	061836-01-L04	EA	Cover - Back - Single Low Bucket - Rust
	061836-01-L05	EA	Cover - Back - Single Low Bucket - Brown
	061836-01-L06	EA	Cover - Back - Single Low Bucket - Blue
	061836-01-M04	EA	Cover - Back - Single Low Bucket - Rust
	061836-01-M05	EA	Cover - Back - Single Low Bucket - Blue
	061836-01-M06	EA	Cover - Back - Single Low Bucket - Beige
	061837-01-L04	EA	Cover - Bottom - Single Low Bucket - Rust
	061837-01-L05	EA	Cover - Bottom - Single Low Bucket - Brown
	061837-01-L06	EA	Cover - Bottom - Single Low Bucket - Blue
	061837-01-M04	EA	Cover - Bottom - Single Low Bucket - Rust
	061837-01-M05	EA	Cover - Bottom - Single Low Bucket - Blue
	061837-01-M06	EA	Cover - Bottom - Single Low Bucket - Beige

**1981 ITASCA
TABLE OF CONTENTS**

IC419RB M1, IC419RB M2	A-1 - B-14
ICF22RB M1, ICF22RB M2	B-15 - D-14
ICN26RB M2	D-15 - F-10

1981 IC419RB M1, IC419RB M2 INDEX

Floor Plan	A-1 - A-2
Accessories Group	A-3 - A-4
Bath Group	A-5
Chassis Group	A-6
Curtain, Cushion and Pad Group	A-7 - A-13
Dinette Group	A-14 - A-15
Driver's Compartment Group	A-15
Electrical Group	A-16 - A-18
Exterior Body Group	A-19 - A-22
Galley Group-232Teating & Air Conditioning Group	
Interior Finish Group	B-1 - B-2
LP Group	B-3
Lounge Group	B-4
Water & Sewage Group	B-5
Window, Vent & Exterior Door Group	B-6 - B-14

CURTAIN, CUSHION AND PAD GROUP (CONTINUED)

FRONT BUNK MATTRESS

Key	Part Number	U/M	Description
	068024-01-L04	EA	Mattress - Two Fold - 4" x 32" x 79" x 20" x 74" - Rust
	068024-01-L05	EA	Mattress - Two Fold - 4" x 32" x 79" x 20" x 74" - Brown
	068024-01-L06	EA	Mattress - Two Fold - 4" x 32" x 79" x 20" x 74" - Blue
	068024-01-M04	EA	Mattress - Two Fold - 4" x 32" x 79" x 20" x 74" - Rust
	068024-01-M05	EA	Mattress - Two Fold - 4" x 32" x 79" x 20" x 74" - Blue
	068024-01-M06	EA	Mattress - Two Fold - 4" x 32" x 79" x 20" x 74" - Beige
	068023-01-L04	EA	Cover - Two Fold Mattress - 4" x 32" x 79" x 20" x 74" - Rust
	068023-01-L05	EA	Cover - Two Fold Mattress - 4" x 32" x 79" x 20" x 74" - Brown
	068023-01-L06	EA	Cover - Two Fold Mattress - 4" x 32" x 79" x 20" x 74" - Blue
	068023-01-M04	EA	Cover - Two Fold Mattress - 4" x 32" x 79" x 20" x 74" - Rust
	068023-01-M05	EA	Cover - Two Fold Mattress - 4" x 32" x 79" x 20" x 74" - Blue
	068023-01-M06	EA	Cover - Two Fold Mattress - 4" x 32" x 79" x 20" x 74" - Beige

FABRIC, TRIMS AND PADS

Key	Part Number	U/M	Description
	064393-01-000	YD	Fabric - Drapery - Dublin Walnut - Light Brown (L04)
	064393-02-000	YD	Fabric - Drapery - Dublin Brown (L05)
	064393-03-000	YD	Fabric - Drapery - Dublin Blue (L06)
	068339-01-000	YD	Fabric - Drapery - Champagne (M04) (M05) (M06)
	064383-02-000	YD	Fabric - Upholstery - Quaker Rust (L04)
	064383-03-000	YD	Fabric - Upholstery - Quaker Brown (L05)
	064383-04-000	YD	Fabric - Upholstery - Quaker Blue (L06)
	068338-04-000	YD	Fabric - Upholstery - Rust (M04)
	063338-05-000	YD	Fabric - Upholstery - Blue (M05)
	068338-06-000	YD	Fabric - Upholstery - Beige (M06)
	053327-01-000	YD	Vinyl - Non Expanded - 27 oz. - Acorn Brown
	053327-02-000	YD	Vinyl - Expanded - 28 oz. - Acorn Brown
	053327-03-000	YD	Vinyl - Non Support - 16 Gauge Film - Acorn Brown
	053901-01-L01	EA	Panel Asm. - 10.25" x 46.5" - Acorn Vinyl - Left
	053901-02-L01	EA	Panel Asm. - 10.25" x 46.5" - Acorn Vinyl - Right
	042825-01-L01	EA	Panel - Over Door - Acorn Vinyl
	038421-01-000	YD	Ticking - Mattress - Gold
	054676-07-L04	EA	Button Asm. - Vinyl - #34 - Acorn Brown
	054676-06-L04	EA	Button Asm. - Fabric - #30 - Rust
	054676-06-L05	EA	Button Asm. - Fabric - #30 - Brown
	054676-06-L06	EA	Button Asm. - Fabric - #30 - Blue
	054676-01-M04	EA	Button Asm. - Fabric - #30 - Rust
	054676-01-M05	EA	Button Asm. - Fabric - #30 - Blue
	054676-01-M06	EA	Button Asm. - Fabric - #30 - Beige
	057591-02-L04	EA	Button Asm. - #30 Nail Pivot - Rust
	057591-02-L05	EA	Button Asm. - #30 Nail Pivot - Brown
	057591-02-L06	EA	Button Asm. - #30 Nail Pivot - Blue
	057591-01-M04	EA	Button Asm. - #30 Nail Pivot - Rust
	057591-01-M05	EA	Button Asm. - #30 Nail Pivot - Blue
	057591-01-M06	EA	Button Asm. - #30 Nail Pivot - Beige
	057592-02-L04	EA	Button Asm. - #30 Pivot - Rust
	057592-02-L05	EA	Button Asm. - #30 Pivot - Brown
	057592-02-L06	EA	Button Asm. - #30 Pivot - Blue
	057592-01-M04	EA	Button Asm. - #30 Pivot - Rust
	057592-01-M05	EA	Button Asm. - #30 Pivot - Blue
	057592-01-M06	EA	Button Asm. - #30 Pivot - Beige
	M00045-04-M04	EA	Button Asm. - #45 Fabric - Rust
	M00045-04-M05	EA	Button Asm. - #45 Fabric - Blue
	M00045-04-M06	EA	Button Asm. - #45 Fabric - Beige
	M00045-05-M01	EA	Button Asm. - #45 Vinyl
	054014-01-M01	EA	Trim Asm. - Cab Door - Vinyl - Left
	054014-02-M01	EA	Trim Asm. - Cab Door - Vinyl - Right
	056567-02-M01	EA	Side Panel - Vinyl - Right
	056580-02-M01	EA	Side Panel - Vinyl - Left
	053719-01-M04	EA	Panel Asm. - Headliner - Vinyl - Acorn Brown

DINETTE GROUP

LESTER LOUNGE WITH PEDESTAL TABLE AND OVERHEAD CABINET

Key	Part Number	U/M	Description
	M00299-01-L04	EA	Cabinet Asm. - Overhead - w/o Doors or Hardware
	M67474-02-M04	EA	Cabinet Asm. - Overhead - w/o Doors or Hardware
	M00074-27-L04	EA	Door Asm. - Cabinet Overhead - 10.4" x 27.2" - w/o Hardware
	M00377-14-M04	EA	Door Asm. - Cabinet Overhead - 10.4" x 27.2" - w/o Hardware
	M00289-01-L04	EA	Panel - Face - Couch - w/o Door or Hardware
	066657-02-M04	EA	Panel - Face - Couch - w/o Door or Hardware
	057618-03-L04	EA	Panel - End - Couch
	057618-03-M04	EA	Panel - End - Couch
	M00074-35-L04	EA	Door Asm. - Couch - 12" x 37.2" - w/o Hardware
	M00377-02-M04	EA	Door Asm. - Couch - 12" x 37.2" - w/o Hardware
	M00319-01-L04	EA	Table Asm. - Pedestal - w/o Hardware - Burl Block
	M00319-01-M04	EA	Table Asm. - Pedestal - w/o Hardware - Burnt Sienna
	M00319-01-M05	EA	Table Asm. - Pedestal - w/o Hardware - Brown
	053163-01-000	EA	Bracket Asm. - Couch Slide
	053347-01-000	EA	Wire - Pin - Spring 3/32
	053348-01-000	EA	Steel Pin - 1/4" x 4" with 3/32 hole
	054398-01-000	EA	Bracket - Center Support - Lester Lounge - Brown
	056875-02-000	EA	Leg Asm. - Lester Lounge
	022517-01-000	EA	End Cap - Leg - 1" x 1" - Brown
	009040-02-000	EA	Leg - Pedestal Table - 27.5" x 2.25" O.D. - Chrome
	009040-03-000	EA	Base - Table Leg - Mounts on Table
	041194-01-000	EA	Base - Table Leg - Mounts in Floor
	062046-01-000	EA	Clip - Pedestal Leg
	056418-01-L05	EA	Plug Asm. - Pedestal - Table - Camel
	056418-01-L04	EA	Plug Asm. - Pedestal - Table - Ginger
	056093-01-M01	EA	Plug Asm. - Pedestal - Table - Rust
	056093-01-M02	EA	Plug Asm. - Pedestal - Table - Medium Brown

CONVENTIONAL DINETTE OPTION

Key	Part Number	U/M	Description
	053192-01-L04	EA	Table Asm. - Dinette - w/o Hardware - Burl Block
	053192-01-M05	EA	Table Asm. - Dinette - w/o Hardware - Brown
	053192-01-M04	EA	Table Asm. - Dinette - w/o Hardware - Burnt Sienna
	M00304-02-L04	EA	Cabinet Asm. - Dinette Back - Left Hand
	M00305-02-L04	EA	Cabinet Asm. - Dinette Back - Right Hand
	M00305-01-L04	EA	Cabinet Asm. - Dinette Seat - Right Hand
	M00304-01-L04	EA	Cabinet Asm. - Dinette Seat - Left Hand
	M00304-02-M04	EA	Cabinet Asm. - Dinette Back - Left Hand
	M00305-02-M04	EA	Cabinet Asm. - Dinette Back - Right Hand
	M00305-01-M04	EA	Cabinet Asm. - Dinette Seat - Right Hand
	M00304-01-M04	EA	Cabinet Asm. - Dinette Seat - Left Hand
	007019-01-000	EA	Seat Belt - 2" x 84" - Black
	041322-01-000	EA	Washer - Flat - 15/32" I.D. x 2 3/8" O.D.
..	053200-04-000	EA	Bracket - Upper Wall Mount - Brown - 23.5"
..	053201-03-000	EA	Bracket - Table Mount - Brown - 23"
..	024275-01-000	EA	Rod - Table Lift
..	024281-06-000	EA	Bracket - Lower Wall Mount - Black - 22.12"
..	024276-04-000	EA	Leg Asm. - Table - Brown - 29.5"
..	064050-01-000	EA	Hinge - Table Leg - Brown
..	024282-01-000	EA	Brace - Table Leg
..	024283-01-000	EA	Clip - 1" O.D. Tube
..	049493-02-000	EA	Catch - Table Leg - Mounts on Floor - Brown

..The illustrated parts breakdown for this item is provided on the Common Items Fiche.

**1981 ITASCA
TABLE OF CONTENTS**

IC419RB M1, IC419RB M2	A-1 - B-14
ICF22RB M1, ICF22RB M2	B-15 - D-14
ICN26RB M2	D-15 - F-10

1981 IC419RB M1, IC419RB M2 INDEX

Floor Plan	A-1 - A-2
Accessories Group	A-3 - A-4
Bath Group	A-5
Chassis Group	A-6
Curtain, Cushion and Pad Group	A-7 - A-13
Dinette Group	A-14 - A-15
Driver's Compartment Group	A-15
Electrical Group	A-16 - A-18
Exterior Body Group	A-19 - A-22
Galley Group	A-23
Heating & Air Conditioning Group	A-24
Interior Finish Group	B-1 - B-2
LP Group	B-3
Lounge Group	B-4
Water & Sewage Group	B-5
Window, Vent & Exterior Door Group	B-6 - B-14

DINETTE GROUP (CONTINUED)

SPRUNG COUCH OPTION

Key	Part Number	U/M	Description
	M00289-01-L04	EA	Panel - Face - Couch - w/o Door or Hardware
	066657-02-M04	EA	Panel - Face - Couch - w/o Door or Hardware
	057618-03-L04	EA	Panel - End - Couch
	057618-03-M04	EA	Panel - End - Couch
	M00074-35-L04	EA	Door Asm. - Couch - 12" x 37.2" - w/o Hardware
	M00377-02-M04	EA	Door Asm. - Couch - 12" x 37.2" - w/o Hardware
	M00319-01-L04	EA	Table Asm. - Pedestal - w/o Hardware - Burl Block
	M00319-01-M04	EA	Table Asm. - Pedestal - w/o Hardware - Burnt Sienna
	M00319-01-M05	EA	Table Asm. - Pedestal - w/o Hardware - Brown
	009040-02-000	EA	Leg - Pedestal Table - 27.5" x 2.25" O.D. - Chrome
	009040-03-000	EA	Base - Table - Mounts on Table
	041194-01-000	EA	Base - Table - Mounts in Floor
	062046-01-000	EA	Clip - Pedestal Leg
	057468-02-000	EA	Frame Asm. - Sprung Couch - Right
	057468-03-000	EA	Frame Asm. - Sprung Couch - Left
	057468-04-000	EA	Frame Rails - 2 per Couch
	057469-01-000	EA	Leg Asm. - Sprung Couch (2 per Couch)
	056418-01-L05	EA	Plug Asm. - Pedestal - Table - Camel
	056418-01-L04	EA	Plug Asm. - Pedestal - Table - Ginger
	056093-01-M01	EA	Plug Asm. - Pedestal - Table - Rust
	056093-01-MJ2	EA	Plug Asm. - Pedestal - Table - Medium Brown

DRIVER'S COMPARTMENT GROUP

Key	Part Number	U/M	Description
	050447-01-000	EA	Pedestal Asm. - Tilt Seat - Left
	050447-02-000	EA	Pedestal Asm. - Tilt Seat - Right - Single Seat
	007019-01-000	EA	Belt Asm. - Seat - 2" x 84" - Black
	041322-01-000	EA	Washer - Flat 15/32" I.D. x 2 3/8" O.D. - Seat Belt
	049943-01-000	EA	Pedestal - Complete - Swivel
	007222-01-000	EA	Belt Asm. - 2" x 60" - Black
	043910-01-000	EA	Bracket Asm. - Seat Belt
	058375-01-000	EA	Bracket - Seat Belt - Washer
	051382-01-000	EA	Adjuster Asm. - Seat w/Lock
	051383-01-000	EA	Adjuster Asm. - Seat w/o Lock
	007021-01-000	EA	Belt Asm. - Seat - 2" x 90" - Black
	007224-02-000	EA	Handle - Seat Adjuster - 9"
	067419-01-L04	EA	Panel Asm. - Wingwall Transition - Inner Left Hand (M04)
	067419-02-L04	EA	Panel Asm. - Wingwall Transition - Inner Right Hand (M04)
	061761-01-000	EA	Plate - Pedestal Adapter
	044860-01-000	EA	Door Step Matt - Rubber - Black - Left Hand
	044860-02-000	EA	Door Step Matt - Rubber - Black - Right Hand
	054015-01-L01	EA	Trim Asm. - Over Door - Left - Acorn Brown Vinyl
	054015-02-L01	EA	Trim Asm. - Over Door - Right - Acorn Brown Vinyl
	049360-07-000	EA	Console - Overhead
	050015-01-000	EA	Bracket - Overhead Console
	024459-03-000	EA	Gauge - Voltmeter w/Bracket
	024462-01-000	EA	Switch - Battery Condition
	055279-01-000	EA	Control Asm. - Heater and A/C
	056567-02-M04	EA	Side Panel - Cab Door - Right
	056580-02-M04	EA	Side Panel - Cab Door - Left

ELECTRICAL GROUP

BULBS

Key	Part Number	U/M	Description
	037935-01-000	EA	Bulb - 1157
	037936-01-000	EA	Bulb - 1157 A
	083914-01-000	EA	Bulb - 1143
	008103-01-000	EA	Bulb - 53
	008213-01-000	EA	Bulb - 57
	008214-01-000	EA	Bulb - 87
	008215-01-000	EA	Bulb - 1003
	008216-01-000	EA	Bulb - 1034
	008217-01-000	EA	Bulb - 1073
	008218-01-000	EA	Bulb - 1141
	008219-01-000	EA	Bulb - 656
	008220-01-000	EA	Bulb - 12V - 25W
	036196-01-000	EA	Bulb - 194
	700020-01-000	EA	Bulb - 12V - 20W - 1383

FUSES AND CIRCUIT BREAKERS

Key	Part Number	U/M	Description
	056473-01-000	EA	Fuse - Slow Blow - 6 1/4 Amp.
	008233-01-000	EA	Fuse - 12 Volt - 6 Amp.
	008234-01-000	EA	Fuse - 12 Volt - 10 Amp.
	008235-01-000	EA	Fuse - 12 Volt - 15 Amp.
	008236-01-000	EA	Fuse - 12 Volt - 20 Amp.
	008246-01-000	EA	Fuse - 110 Volt - 30 Amp. - AGU
	008252-01-000	EA	Fuse - 110 Volt - 50 Amp.
	008208-01-000	EA	Circuit Breaker - 12 Volt - 40 Amp.
	008211-01-000	EA	Circuit Breaker - 12 Volt - 6 Amp.
	008268-01-000	EA	Circuit Breaker - 12 Volt - 30 Amp. w/Mount
	033573-01-000	EA	Circuit Breaker - 12 Volt - 20 Amp. w/Mount
	040051-01-000	EA	Circuit Breaker - 110 Volt - 20 Amp. - TOL
	033573-02-000	EA	Circuit Breaker - 12 Volt - 15 Amp. - w/Mount
	008297-01-000	EA	Circuit Breaker - TQP 120
	008293-01-000	EA	Circuit Breaker - TQP 130
	008299-01-000	EA	Circuit Breaker - TQP 115

EXTERIOR LIGHTS

Key	Part Number	U/M	Description
	007309-01-000	EA	Light - Step Well
	059353-01-000	EA	Tail Lamp Asm. - 2 Bulb - Chrome - Right
	058030-01-700	EA	Lens - Tail Lamp - Red
	058030-01-701	EA	Lens - Tail Lamp - Back Up
	042405-03-000	EA	Base - Rectangular Clearance Light
	042405-04-000	EA	Lens - Clearance Light - Red
	042405-05-000	EA	Lens - Clearance Light - Amber
	008089-01-000	EA	Light - Porch - Recessed
	042405-01-000	EA	Lens - Rectangular Light - Red w/Reflex
	042405-02-000	EA	Lens - Rectangular Light - Amber w/Reflex
	062741-04-000	EA	Tail Lamp Wedge - Off White - Right
	062742-02-000	EA	Tail Lamp Wedge - Off White - Left
	059353-02-000	EA	Tail Lamp Asm. - 2 Bulb - Chrome - Left
	059540-01-000	EA	Bracket - License Plate

1981 ITASCA TABLE OF CONTENTS

IC419RB M1, IC419RB M2	A-1 - B-14
ICF22RB M1, ICF22RB M2	B-15 - D-14
ICN26RB M2	D-15 - F-10

1981 IC419RB M1, IC419RB M2 INDEX

Floor Plan	A-1 - A-2
Accessories Group	A-3 - A-4
Bath Group	A-5
Chassis Group	A-6
Curtain, Cushion and Pad Group	A-7 - A-13
Dinette Group	A-14 - A-15
Driver's Compartment Group	A-15
Electrical Group	A-16 - A-18
Exterior Body Group	A-19 - A-22
Galley Group	A-23
Heating & Air Conditioning Group	A-24
Interior Finish Group	B-1 - B-2
LP Group	B-3
Lounge Group	B-4
Water & Sewage Group	B-5
Window, Vent & Exterior Door Group	B-6 - B-14

ELECTRICAL GROUP (CONTINUED)

INTERIOR LIGHTS

Key	Part Number	U/M	Description
	064778-01-000	EA	Light - Dome - Ivory - 1 Bulb
	064778-02-000	EA	Light - Dome - Ivory - 2 Bulb
	024418-01-000	EA	Lamp Asm. - Map/Gauge/Aisle
	053346-01-000	EA	Light - High Intensity - Brown
	061424-01-000	EA	Light - 12 V Receptacle - Aisle - IP
	056288-01-000	EA	Light - Dome - Drivers Compartment
	064778-01-700	EA	Lens - Light - Dome - Ivory

WIRE, SWITCHES AND RECEPTACLES

Key	Part Number	U/M	Description
	008024-01-000	FT	Wire - 18.5 Bonded - Orange/White/Yellow/Blue/Brown
	008025-01-000	FT	Wire - 18.5 Bonded - Orange/White/Yellow/Blue/Green
	008028-01-000	FT	Wire - 18.5 Bonded - Blue/Red/Yellow/Orange/White
	008030-01-000	FT	Wire - 18.4 Bonded - Red/Blue/Orange/Green
	008251-01-000	EA	Holder - Fuse - Black - Screw Type
	068277-01-000	EA	Holder - Fuse - Black - Panel Mount
	008195-01-000	EA	Switch - Push Button - 12 Volt
	006077-01-000	EA	Plaque - Compressor Switch
	008054-01-000	EA	Cord - Power - 10-3 30 Amp. - 25' - UL
	034818-04-000	EA	Holder - Receptacle - Plastic
	024571-03-000	EA	Cover - Plate - Receptacle - Jumbo Brown Plastic
	039342-02-000	EA	Receptacle - Single Ivory
	039341-01-000	EA	Receptacle - Duplex Brown - T Junction
	024571-01-000	EA	Cover Plate - Receptacle - Jumbo Steel Brown
	008294-01-000	EA	Cover Plate - Brown Steel - 4" x 4"
	008289-01-000	EA	Box - Electrical - Steel - 4" x 4"
	039143-01-000	EA	Cap - End - Receptacle
	008162-01-000	EA	Switch - Double Toggle - Spade Brown
	008163-01-000	EA	Switch - Toggle Brown
	031144-01-000	EA	Switch - Center Off - DPDT - Black 30A
	054532-01-000	EA	Housing Pin Asm. - 6 Position
	064398-01-000	EA	Housing Asm. - Trailer Receptacle - Female
	064399-01-000	EA	Housing Asm. - Trailer Receptacle - Male
	064450-01-000	EA	Housing Asm. - Trailer Receptacle Plug - Male
	008164-01-000	EA	Cover Plate - Switch - Brown
	024924-01-000	EA	Receptacle - Power Cord
	008058-01-000	EA	Adapter - Power Cord
	047353-01-000	EA	Cover - Receptacle - Ground Fault
	053126-02-000	EA	Receptacle - Ground Fault - Interrupter - 125 Volt - Brown
	058707-01-000	EA	Receptacle - Single - Brown - Thomas & Belts
	058708-01-000	EA	Receptacle - Duplex - Brown - Thomas & Belts
	058038-01-000	EA	Cover - Electrical - Rain Tight (Exterior)
	008157-01-000	EA	Receptacle - Single (Exterior)
	061405-02-000	EA	Plate - Receptacle - Duplex - Pewter
	061406-02-000	EA	Plate - Single Switch - Pewter
	061407-02-000	EA	Plate - Double Switch - Pewter
	058028-01-000	EA	Connector - Pigtail - Clear Nylon

ELECTRICAL GROUP (CONTINUED)

MISCELLANEOUS ELECTRICAL COMPONENTS

Key	Part Number	U/M	Description
	047338-01-000	EA	Isolator - Dual Battery
	047389-01-700	EA	Battery - 12 Volt - 105 Amp. Deep Cycle - Dry
	057899-01-000	EA	Battery - 12 Volt - Maintenance Free
	008188-01-000	EA	Solenoid - Dual Battery - Relay
	046775-01-000	EA	Valve - Gas - Change Over
	024459-03-000	EA	Gauge - Voltmeter - w/Bracket
	024462-01-000	EA	Switch - Battery Condition
	031035-01-000	EA	Gauge - Hour Meter - Generator
	024976-01-000	EA	Switch - Generator w/o Circuit Board
	024460-01-000	EA	Gauge Vacuum
	068068-01-000	EA	Load Center - 120 V - 3 CRT
	039950-01-702	EA	Circuit Board - Control Center
	024461-01-000	EA	Switch - Battery - Changeover
	046885-01-000	EA	Plaque - Switch Mounting
	048812-04-000	EA	Control Panel - Insert - Basic
	048812-09-000	EA	Control Panel - w/LP Alarm Clock - Refrigerator Light & Sensor
	039861-01-000	EA	Sending Unit - Wemac
	031720-01-000	EA	Spacer - Receptacle - Brown Plastic - CSA
	049360-03-000	EA	Console - Overhead
	067761-01-000	EA	Converter - 30 Amp. w/Charger
	067762-01-000	EA	Converter - 40 Amp. w/Charger
	064398-01-000	EA	Housing Asm. - Trailer Receptacle - Female
	064399-01-000	EA	Housing Asm. - Trailer Receptacle - Male
	064450-01-000	EA	Housing Asm. - Trailer Receptacle Plug - Male
	054532-01-000	EA	Housing Pin Asm. - 6 Position

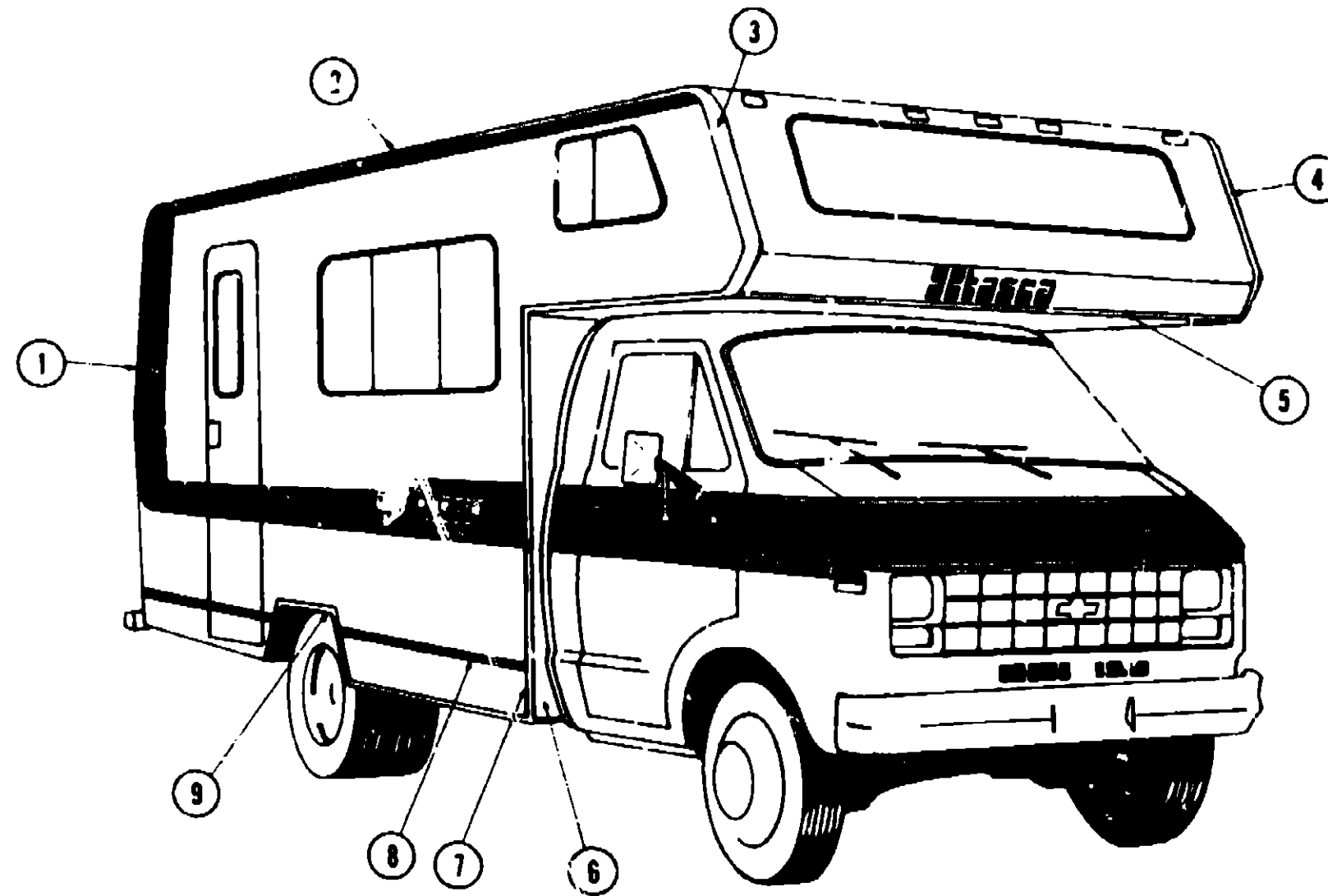
**1981 ITASCA
TABLE OF CONTENTS**

IC419RB M1, IC419RB M2	A-1 - B-14
ICF22RB M1, ICF22RB M2	B-15 - D-14
ICN26RB M2	D-15 - F-10

1981 IC419RB M1, IC419RB M2 INDEX

Floor Plan	A-1 - A-2
Accessories Group	A-3 - A-4
Bath Group	A-5
Chassis Group	A-6
Curtain, Cushion and Pad Group	A-7 - A-13
Dinette Group	A-14 - A-15
Drivers Compartment Group	A-15
Electrical Group	A-16 - A-18
Exterior Body Group	A-19 - A-22
Galley Group	A-23
Heating & Air Conditioning Group	A-24
Interior Finish Group	B-1 - B-2
LP Group	B-3
Lounge Group	B-4
Water & Sewage Group	B-5
Window, Vent & Exterior Door Group	B-6 - B-14

EXTERIOR BODY GROUP



1981 ITASCA TABLE OF CONTENTS

IC419RB M1, IC419RB M2	A-1 - B-14
ICF22RH M1, ICF22FIB M2	B-15 - D-14
ICN26RE M1	D-15 - F-10

Key	Part Number	U/M	Description
1	067584-01-000	EA	Trim - Contour - Rear - Backwall - Right
·	067584-02-000	EA	Trim - Contour - Rear - Backwall - Left
2	034922-12-000	EA	Trim - Contour - Roof - Right and Left
3	067583-01-000	EA	Trim - Contour Sleeper - Right
4	067583-02-000	EA	Trim - Contour Sleeper - Left
5	039644-07-000	EA	Trim - Sleeper Board - Front
6	067393-01-M04	EA	Wingwall Asm. - Right
·	067393-02-M04	EA	Wingwall Asm. - Left
7	036476-13-000	EA	Trim - Wingwall - Right
·	036476-14-000	EA	Trim - Wingwall - Left
8	002444-02-001	EA	Feature Strip - Extr. Alum. - 14'
·	009731-01-000	EA	Feature Strip End Cap
·	001030-09-100	EA	Insert - Feature Strip - Brown

Key	Part Number	U/M	Description
3	042141-03-000	EA	Trim - Rear Wheel Well - Left & Right
·	068213-01-000	EA	Trim - Rear Wheel Well - Left & Right (Dual)
·	068096-01-000	EA	Flare - Dual Wheel - Right
·	069096-02-000	EA	Flare - Dual Wheel - Left
·	041746-01-000	FT	Seal - Vinyl - Bubble - White (Cab Roof)
·	002775-02-001	EA	Aluminum Anod. 1.75" x 192"
·	002365-02-001	EA	Extrusion - Anod. U-Channel - 1.00" x 216"
·	021241-01-000	FT	Vinyl Extrusion - White
·	022922-01-000	FT	Molding - Reverse - Cove - White
·	009717-01-002	EA	Extrusion - Rail Drip - 19'
·	050630-04-000	EA	Trim Backwall - Lower - Left & Right
·			Not Illustrated

1981 IC419RB M1, IC419RB M2 INDEX

Floor Plan	A-1 - A-2
Accessories Group	A-3 - A-4
Bath Group	A-5
Chassis Group	A-6
Curtain, Cushion & Pad Group	A-7 - A-13
Dinette Group	A-14 - A-15
Driver's Compartment Group	A-15
Electrical Group	A-16 - A-18
Exterior Body Group	A-19 - A-22
Galley Group	A-23
Heating & Air Conditioning Group	A-24
Interior Finish Group	B-1 - B-2
LP Group	B-3
Lounge Group	B-4
Water & Sewage Group	B-5
Window, Vent & Exterior Door Group	B-6 - B-14

EXTERIOR BODY GROUP (CONTINUED)

LABELS AND DECALS

Key	Part Number	U/M	Description
	016725-01-000	EA	Label - Gas
	016028-01-000	EA	Label - Drain Cap - 2" x 3"
	015011-01-000	EA	Label - Potable Water Only
	003167-01-000	EA	Label - Sewage
	001181-01-000	EA	Label - Waste Water
	001195-01-000	EA	Label - Exit - Escape Window
	047731-01-000	EA	Label - Emergency Exit
	054131-01-000	EA	Label - LP Gas Only
	031161-01-000	EA	Label - Flying W
	050223-01-000	EA	Label - Lower Refrigerator Vent
	050224-01-000	EA	Label - Refrigerator Roof Vent
	050215-01-000	EA	Label - Werning - Stove Vent - U.S.
	006115-01-000	EA	Label - Electrical Test
	006195-01-000	EA	Label - Gas Test
	006197-01-000	EA	Label - Water Test
	0060E4-01-000	EA	Label - Seat w/o Seat Belt
	006006-01-000	EA	Label - Thermopanel - 2.25" x 2.25"
	057467-01-000	EA	Label - Exterior Loading Limit
	061417-01-000	EA	Label - Fuel
	006040-01-000	EA	Tag - Gas Refueling Warning
	006062-01-000	EA	Tag - Electrical - 110 Volt Connection
	006001-01-000	EA	Nameplate - Plastic - Winnebago - Chrome
	008092-01-000	EA	Reflector - Stick On - Rectangular - Red
	008093-01-000	EA	Reflector - Stick On - Rectangular - Amber
	046400-04-000	EA	Decal - Logo - "Itasca" - 5.25" x 24"
	041273-26-000	FT	Decal - Stripe - 2.0" - Gold
	061100-01-000	EA	Decal - "Itasca" - .5" x 2.5"
	059526-03-000	EA	Decal - Sundancer
	063205-01-000	FT	Decal - Tape Stripe - .62" - Black
	065206-01-000	EA	Decal - Tape Stripe - Side Rear - Corner - .62" - Black
	065211-01-000	EA	Decal - Tape Stripe - Side Swirl - .62" - Black
	067778-01-000	EA	Decal - Logo - Triple Sun
	057782-01-000	EA	Decal - Tape Stripe - Side Rear - Corner - 2.0" - Gold

SEALANTS AND ADHESIVES

Key	Part Number	U/M	Description
	034552-05-000	EA	Sealant - Off White Silicone
	034552-04-000	EA	Sealant - Beige Silicone
	034552-02-000	EA	Sealant - Clear Silicone
	069637-01-000	EA	Sealant - Weatherban 404 Tube
	009200-01-000	EA	Tape - Furnace - 1 1/2"
	002825-01-000	FT	Weatherstripping - Roof Vent
	002337-01-000	EA	Adhesive - 3M - 1300 Tube
	004005-02-000	GL	Adhesive - Swifts - Red - Glue (Sidewalls)
	004012-01-000	EA	Adhesive - 3M - 4475 Tube
	004020-01-000	QT	Adhesive - ABS Cement (Plastic Fittings)
	029051-01-000	EA	Adhesive - Spray Vinyl
	042401-02-000	EA	Screw - #8 - 18 x 3/4" SDPH - Off White
	042403-02-000	EA	Screw - SF/DR #8 - 18 x 1" SDPH - Off White
	053766-01-000	EA	Bedding Compound - Tube Black - Schnee Morehead
	053766-02-000	EA	Bedding Compound - Tube White - Schnee Morehead
	053767-01-000	FT	Tape - 1/2" x 1/8" x 30' - Gray - Schnee Morehead
	053767-03-000	FT	Tape - 1/4" Bead x 20' - Gray - Schnee Morehead
	053767-04-000	FT	Tape - 3/4" x 1/8" x 30' - Gray - Schnee Morehead
	053767-05-000	FT	Tape - 2" x 3/32" x 45' - Gray - Schnee Morehead

EXTERIOR BODY GROUP (CONTINUED)

EXTERIOR BODY PANELS AND SHEET METAL

Key	Part Number	U/M	Description
	067324-01-L04	EA	Backwall Asm. (L04) (L05)
	067324-01-L06	EA	Backwall Asm.
	067324-01-M04	EA	Backwall Asm. (M04) (M05) (M06)
	066506-01-L04	EA	Roof Asm.
	066596-01-M04	EA	Roof Asm.
	M00302-03-L01	EA	Sidewall Asm. - Dual Wheel - Right
	M00302-03-M04	EA	Sidewall Asm. - Dual Wheel - Right
	M00302-04-L04	EA	Sidewall Asm. - Dual Wheel - Left (L04) (L05)
	M00302-04-L06	EA	Sidewall Asm. - Dual Wheel - Left
	M00302-04-M04	EA	Sidewall Asm. - Dual Wheel - Left
	M00302-04-M05	EA	Sidewall Asm. - Dual Wheel - Left
	M00302-04-M06	EA	Sidewall Asm. - Dual Wheel - Left
	M00302-01-L04	EA	Sidewall Asm. - Right
	M00302-01-M04	EA	Sidewall Asm. - Right
	M00302-02-L04	EA	Sidewall Asm. - Left (L04) (L05)
	M00302-02-L06	EA	Sidewall Asm. - Left
	M00302-02-M04	EA	Sidewall Asm. - Left
	M00302-02-M05	EA	Sidewall Asm. - Left
	M00302-02-M06	EA	Sidewall Asm. - Left
	067393-02-M04	EA	Wingwall Asm. - Left
	067393-01-M04	EA	Wingwall Asm. - Right
	039155-03-008	EA	Alum. - Off White Mesa I - .024" x 36" x 60"
	039155-03-003	EA	Alum. - Off White Mesa I - .024" x 36" x 360"
	039155-03-007	EA	Alum. - Off White Mesa I - .024" x 48" x 60"
	039155-03-006	EA	Alum. - Off White Mesa I - .024" x 48" x 360"
	039155-03-009	EA	Alum. - Off White Mesa I - .024" x 12" x 360"
	039155-28-001	EA	Alum. - Off White Mesa II - .024" x 36" x 60"
	039155-28-003	EA	Alum. - Off White Mesa II - .024" x 36" x 360"
	039155-28-004	EA	Alum. - Off White Mesa II - .024" x 48" x 60"
	039155-28-006	EA	Alum. - Off White Mesa II - .024" x 48" x 360"
	039155-28-007	EA	Alum. - Off White Mesa II - .024" x 12" x 360"
	044487-01-001	EA	Plain Roof Metal - 96" x 360"
	039155-07-010	EA	Off White Greyhound Alum. - 48" x 96"
	001054-01-011	EA	Off White Plain Alum. - 48" x 96"
	000868-01-000	SF	Styrofoam - 3/4" x 24" x 96"
	000870-01-000	SF	Styrofoam - 1 1/2" x 24" x 96"

NOTE: The raised portion of Mesa I aluminum is 1.657" wide.
The raised portion of Mesa II aluminum is .875 wide.

EXTERIOR PAINT

Key	Part Number	U/M	Description
	041561-01-000	EA	Paint - Off White - Acrylic Enamel - 1 Gallon (45396A Dupont)
	041561-03-000	EA	Paint - Off White - Acrylic Enamel - 16 oz. Aerosol (45396A Dupont)
	041561-04-000	EA	Paint - Off White - Acrylic Lacquer - 1 Gallon
	067773-03-000	EA	Paint - Med. Copper - Acrylic Enamel - 16 oz. Aerosol - (44184 Dupont)
	067772-03-000	EA	Paint - Brown - Acrylic Enamel - 16 oz. Aerosol - (45828 Dupont)
	059950-03-000	EA	Paint - Dark Blue - Acrylic Enamel - 16 oz. Aerosol - (63203 Dupont)

MISCELLANEOUS EXTERNALLY MOUNTED PARTS

Key	Part Number	U/M	Description
	036579-03-000	EA	Fuel Fill - Recessed - Single - Off White
**	011124-01-000	EA	Plumbing Seal - Roof Vent - 1 1/4" White
**	011129-01-000	EA	Plumbing Seal - Roof Vent - 1 1/2" White
**	010230-02-000	EA	Fill - City Water - Recessed - Off White - w/Screw on Cap
**	011020-01-000	EA	Fill - Water - Recessed - Off White
	058806-01-000	EA	Waterfill - Lockable - White
	009126-01-000	EA	Assist Handle

** The illustrated parts breakdown for this item is provided on the Common Items Fiche.

**1981 ITASCA
TABLE OF CONTENTS**

IC419RB M1, IC419RB M2	A-1 - B-14
ICF22RB M1, ICF22RB M2	B-15 - D-14
ICN26RB M2	D-15 - F-10

1981 IC419RB M1, IC419RB M2 INDEX

Floor Plan	A-1 - A-2
Accessories Group	A-3 - A-4
Bath Group	A-5
Chassis Group	A-6
Curtain, Cushion & Pad Group	A-7 - A-13
Dinette Group	A-14 - A-15
Driver's Compartment Group	A-15
Electrical Group	A-16 - A-18
Exterior Body Group	A-19 - A-22
Galley Group	A-23
Heating & Air Conditioning Group	A-24
Interior Finish Group	B-1 - B-2
LP Group	B-3
Lounge Group	B-4
Water & Sewage Group	B-5
Window, Vent & Exterior Door Group	B-6 - B-14

GALLEY CABINETRY

Key	Part Number	U/M	Description
	M68469-01-L04	EA	Cabinet Asm. - Galley - w/o Countertop, Doors or Hardware (Hot Plate)
	M68469-01-M04	EA	Cabinet Asm. - Galley - w/o Countertop, Doors or Hardware (Hot Plate)
	M68469-01-M05	EA	Cabinet Asm. - Galley - w/o Countertop, Doors or Hardware (Hot Plate)
	M68469-01-L04	EA	Cabinet Asm. - Galley - w/o Countertop, Doors, Drawers or Hardware (Oven)
	M68469-01-M04	EA	Cabinet Asm. - Galley - w/o Countertop, Doors, Drawers or Hardware (Oven)
	M68469-02-M05	EA	Cabinet Asm. - Galley - w/o Countertop, Doors, Drawers or Hardware (Oven)
	068491-01-L04	EA	Countertop Asm. - Galley Cabinet - Burl Block
	068491-01-M04	EA	Countertop Asm. - Galley Cabinet - Burnt Sienna (M04)
	068491-01-M05	EA	Countertop Asm. - Galley Cabinet - Brown (M05), (M06)
	M00298-01-L04	EA	Cabinet Asm. - Galley Overhead - w/o Door or Hardware
	M67504-02-M04	EA	Cabinet Asm. - Galley Overhead - w/o Door or Hardware
	M00074-26-L04	EA	Door Asm. - Galley Overhead - 10.4" x 35.2" - w/o Hardware
	M00377-01-M04	EA	Door Asm. - Galley Overhead - 10.4" x 35.2" - w/o Hardware
	M00074-38-L04	EA	Door Asm. - Galley Cabinet - 11.9" x 31.6" - w/o Hardware - Right
	M00074-39-L04	EA	Door Asm. - Galley Cabinet - 11.9" x 31.6" - w/o Hardware - Left
	M00377-15-M04	EA	Door Asm. - Galley Cabinet - 11.9" x 31.6" - w/c Hardware
	M00074-01-L04	EA	Door Asm. - Furnace - w/Brass Mesh Insert - 18.2" x 22.4"
	M68629-01-M04	EA	Door Asm. - Furnace - w/Brass Mesh Insert - 18.2" x 22.4"
	047205-07-000	EA	Insert - Furnace Door - 11.25" x 13.88" - Brass Mesh (L04)
	047205-11-000	EA	Insert - Furnace Door - 12.75" x 14.75" - Brass Mesh (M04)
	039873-01-000	EA	Catch and Strike - Furnace Door
	M00074-29-L04	EA	Door Asm. - Galley Stove Cabinet - 22" x 11.7" - w/o Hardware
	M00377-07-M04	EA	Door Asm. - Galley Stove Cabinet - 22" x 11.7" - w/o Hardware
	M00074-32-L04	EA	Door Asm. - Refrigerator Cabinet - 25" x 11.7" - w/o Hardware
	M00377-13-M04	EA	Door Asm. - Refrigerator Cabinet - 25" x 11.7" - w/o Hardware
	M00060-09-L04	EA	Drawer Asm. - w/o Hardware
	M68659-01-M04	EA	Drawer Asm. - w/o Hardware
	053424-01-L04	EA	Sink Cover - Large - Burl Block
	053424-04-M04	EA	Sink Cover - Large - Burnt Sienna
	053424-04-M05	EA	Sink Cover - Large - Brown

GALLEY HARDWARE AND APPLIANCES

Key	Part Number	U/M	Description
	068615-01-000	EA	Sink - Stainless Steel - Double w/Bolts
**	011053-01-000	EA	Faucet - Swing Spout - 8"
**	011053-01-700	EA	Aerator - Swing Spout Faucet
	066437-01-000	EA	Strainer w/Basket - Sink
**	053333-01-000	EA	Range Hood - Non Power - Black - Jensen
**	049930-03-000	EA	Range Hood - Powered - Black - Jensen
	049930-07-000	EA	Range Hood - Powered - Almond - Jensen
	062025-01-000	EA	Range - Top - 3 Burner - Black - Magic Chef
	067754-01-000	EA	Range - 3 Burner - Small Oven - Black - Magic Chef
**	049175-02-000	EA	Refrigerator - AC/DC/Gas
**	054450-01-000	EA	Level - Refrigerator
	067195-01-000	EA	Drawer - Plastic - 10.5" x 17.5" x 5.0"
	037688-01-000	FT	Rail - Drawer Guide - V Steel
	047744-01-000	EA	Kit - Drawer Guide

**The illustrated parts breakdown for this item is provided on the Common Items Fiche.

Key	Part Number	U/M	Description
	051768-01-000	EA	A/C - Compressor Mount Package - 350 C.I.D.
	051770-01-000	EA	A/C - Compressor - Rotolock - 10.3"
	056460-01-000	EA	A/C - Condenser Asm. - 350 C.I.D. (C-Body)
	056455-01-000	EA	A/C - Evaporator Asm.
	056779-01-000	EA	A/C - Clutch - 7" Drive
	049401-01-000	EA	Heater Asm. - Rear (Auxiliary)
	049401-01-700	EA	Valve - Water Control (Auxiliary Heater)
	049401-01-701	EA	Control Cable (Auxiliary Heater)
	049401-01-702	EA	Motor Asm. (Auxiliary Heater)
	049401-01-703	EA	Heater Core (Auxiliary Heater)
	049401-01-704	EA	Switch (Auxiliary Heater)
	058906-01-000	EA	Control Panel (Auxiliary Rear Heater)
	056464-01-000	EA	Register w/Damper - 4" Round
	056464-02-000	EA	Register w/o Damper - 4" Round
	009198-01-000	EA	Duct - Flexible - 4" I.D. x 25'
	031604-01-000	EA	Bonnet - Heat Register
	039505-02-000	EA	Thermostat - Horizontal Wall Mount - Black
	009200-01-000	EA	Tape - Furnace - 1 1/2"
	023146-01-000	EA	Clamp - Screw Type - 4"
	050784-01-000	EA	Vent Package - Furnace - 3-6" Wall
	055283-01-000	EA	Water Heater - w/Motor Aid (GH610-3E)
**	051391-01-000	EA	Water Heater - w/o Motor Aid (G6A3)
	049042-02-000	EA	Door - Furnace - Front (24,000 BTU)
	059351-02-000	EA	Furnace - 24,000 BTU - w/Piezo
	052598-01-000	EA	Furnace - 19,000 BTU - w/Piezo
	066438-01-000	EA	Furnace - 16,000 BTU - Direct Discharge
**	066449-01-000	EA	Door - Furnace (16,000 BTU) (19,000 BTU)
**	049774-02-000	EA	Air Conditioner - 110 Volt - Roof Mount - 13,500 BTU Inry - Coleman (w/o inside shroud)
**	049775-02-000	EA	Shroud Asm. - Ceiling - Inside - Roof Air - Cool Only 13,500 BTU - Coleman
**	049776-01-000	EA	Shroud Asm. - Ceiling - Inside - Roof Air - Heat and Cool 13,500 BTU - Coleman
**	063903-01-000	EA	Air Conditioner - 110 Volt - Roof Air - 13,500 BTU - Rotary

**The illustrated parts breakdown for this item is provided on the Common Items Fiche.

**1981 ITASCA
TABLE OF CONTENTS**

IC419RB M1, IC419RB M2	A-1 - B-14
ICF22RB M1, ICF22RB M2	B-1 - D-14
ICN26RB M2	D-1 - F-10

1981 IC419RB M1, IC419RB M2 INDEX

Floor Plan	A-1 - A-2
Accessories Group	A-3 - A-4
Bath Group	A-5
Chassis Group	A-6
Curtain, Cushion and Pad Group	A-7 - A-13
Dinette Group	A-14 - A-15
Driver's Compartment Group	A-15
Electrical Group	A-16 - A-18
Exterior Body Group	A-19 - A-22
Galley Group	A-23
Heating & Air Conditioning Group	A-24
Interior Finish Group	B-1 - B-2
LP Group	B-3
Lounge Group	B-4
Water & Sewage Group	B-5
Window, Vent & Exterior Door Group	B-6 - B-14

INTERIOR FINISH GROUP

PANELING AND COUNTERTOP MATERIALS

Key	Part Number	U/M	Description
	068344-03-000	SF	Paneling - 772 Birch - 48" x 96" (32 SF) (M04) (M05) (M06)
	064385-02-000	SF	Paneling - 900 Rustic Oak - 48" x 96" (32 SF) (L04) (L05) (L06)
	045963-01-000	SF	Paneling - Ceiling - 825 Buff - 48" x 96" (32 SF)
	064388-04-000	SF	Paneling - Galley Decor - Atrium Red (L04) (L05)
	064388-05-000	SF	Paneling - Galley Decor - Atrium Winter (L06)
	068343-05-000	SF	Paneling - Galley Decor - Paradise Fern - Rust (M04)
	068343-06-000	SF	Paneling - Galley Decor - Paradise Fern - Blue (M05)
	066343-07-000	SF	Paneling - Galley Decor - Paradise Fern - Beige (M06)
	065739-06-000	SF	Paneling - Bath Decor - Atrium Red (L04) (L05)
	065739-07-000	SF	Paneling - Bath Decor - Atrium Winter (L06)
	068343-01-000	SF	Paneling - Bath Decor - Shells - Beige (M04) (M05) (M06)
	058039-01-000	SF	Plastic Laminate - Purl Block (L04) (L05) (L06)
	068341-01-000	SF	Plastic Laminate - Burnt Sienna (M04)
	068341-03-000	SF	Plastic Laminate - Paper Bag Brown (M05) (M06)
	058039-01-019	EA	Plastic Laminate - Burl Block - 1.19" x 96" (L04) (L05) (L06)
	068341-01-019	EA	Plastic Laminate - Burnt Sienna - 1.19" x 96" (M04)
	068341-03-019	EA	Plastic Laminate - Paper Bag Brown - 1.19" x 96" (M05) (M06)

INTERIOR MOLDINGS AND TRIMS

Key	Part Number	U/M	Description
	064386-01-000	EA	Batt Strip - 772 Birch - 8' (M04) (M05) (M06)
	064386-02-000	EA	Batt Strip - 900 Rustic Oak - 8' (L04) (L05) (L06)
	047354-01-000	EA	Batt Strip - 825 Buff - Ceiling - 8'
	064389-05-000	EA	Batt Strip - Decor - Atrium Red - 8' (L04) (L05)
	064389-06-000	EA	Batt Strip - Decor - Atrium Winter - 8' (L06)
	068345-01-000	EA	Batt Strip - Bath Decor - Shells - 8' - Beige/Gray (M04) (M05) (M06)
	024700-06-000	LA	Cover - Roll Bar - Sidewall - Ivory
	024700-14-000	EA	Cover - Roll Bar - Russet Oak
	039512-13-000	EA	Cover - Hat Section - Russet Oak
	047488-01-000	EA	Cover - Corner - Hat/Hat
	047489-01-000	EA	Cover - Corner - Tube/Tube
	052859-01-J27	EA	Accent Trim - Acorn Brown Vinyl
	009767-05-000	FT	Walling - Light Brown
	009778-01-000	FT	U-Channel - 1" - Dark Brown
	009812-10-000	FT	Molding - Outside Corner - 50" - Birch
	009809-10-000	FT	Molding - Outside Corner - 1" - Birch
	022992-03-000	FT	Molding - Rev. Cove - Sandalwood
	009812-08-000	FT	Molding - Outside Corner - 50" - Teak

FABRICS AND FLOOR COVERINGS

Key	Part Number	U/M	Description
	064393-01-000	YD	Fabric - Drapery - Dublin Walnut - Light Brown (L04)
	064393-02-000	YD	Fabric - Drapery - Dublin Brown (L05)
	064393-03-000	YD	Fabric - Drapery - Dublin Blue (L06)
	062339-01-000	YD	Fabric - Drapery - Champagne (M04) (M05) (M06)
	064383-02-000	YD	Fabric - Upholstery - Quaker Rust (L04)
	064383-03-000	YD	Fabric - Upholstery - Quaker Brown (L05)
	064383-04-000	YD	Fabric - Upholstery - Quaker Blue (L06)
	068338-04-000	YD	Fabric - Upholstery - Rust (M04)
	068338-05-000	YD	Fabric - Upholstery - Blue (M05)
	068338-06-000	YD	Fabric - Upholstery - Beige (M06)
	053327-01-000	YD	Vinyl - Non Expanded - 27 oz. - Acorn Brown
	053327-02-000	YD	Vinyl - Expanded - 28 oz. - Acorn Brown
	053327-03-000	YD	Vinyl - Non Support - 16 Gauge Film - Acorn Brown
	064384-01-000	SY	Carpet - Ginger (L04)
	064384-02-000	SY	Carpet - Camel (L05) (L06)
	068340-01-000	SY	Carpet - Rust (M04)
	068340-02-000	SY	Carpet - Medium Brown (M05) (M06)

INTERIOR FINISH GROUP (CONTINUED)

CURTAIN HARDWARE

Key	Part Number	U/M	Description
	052327-04-236	EA	Track - Curtain - Brown Alum. - 89" w/Holes
	056116-01-000	FT	Track - Curtain - Brown Plastic
	056001-01-000	EA	Bracket - Shade - Left
	056002-01-000	EA	Bracket - Shade - Right
	056003-01-000	EA	Bracket - Drapery Retainer - Right
	056003-02-000	EA	Bracket - Drapery Retainer - Left
	053272-04-200	EA	Track - Curtain - Off White - 89" w/Holes
	056784-01-000	EA	Pull - Window Shades - Antique Brass
	009107-01-000	EA	Guide - Nylon Snap - Curt
	018031-42-000	EA	Track - Curtain - "L" Rod - Alum. Extr. - 90"
	009701-01-000	EA	Carrier - "L" Rod - Curtain
	009702-01-000	EA	End Stop - "L" Rod - Curtain
	056115-01-000	YD	Tape - Clear Plastic w/Guides
	048394-01-000	YD	Tape - Hook - 1" x 25 YD - Beige
	048395-01-000	YD	Tape - Loop - 1" x 25 YD - Beige

CABINETS AND TABLE HARDWARE

Key	Part Number	U/M	Description
	053103-01-L01	EA	Hinge Kit - Double Acting - Overhead Door
	052932-01-J30	EA	Hinge Kit - Cabinet Door - Antique Brass
	057672-02-000	EA	Latch - Cabinet Door - Pull Latch
	057895-01-000	EA	Back Plate w/Bolt - Pull Latch
	057850-01-000	EA	Strike - Pull Latch
	057672-02-000	EA	Drawer Pull
	057865-01-000	EA	Back Plate - Drawer Pull
	009112-01-000	EA	Change - 1" - Closet Rod
	053200-04-000	EA	Bracket - Upper Wall Mount - 23.5" - Black
	053200-03-000	EA	Bracket - Table Mount - 23" - Clear Anod.
	024275-01-000	EA	Rod - Table Lift - 8" x 23.5"
	024281-06-000	EA	Bracket - Lower Wall Mount - Brown - 22.12"
	024276-04-000	EA	Leg Asm. - Table - Brown - 29.5"
	064050-01-000	EA	Hinge - Table Leg - Brown
	024282-01-000	EA	Brace - Table Leg
	024283-01-000	EA	Clip - 1" O.D. Tube
	049493-02-000	EA	Catch - Table Leg - Mounts on Floor - Brown
	009040-02-000	EA	Leg - Pedestal Table - 27.5" x 2.25" O.D. - Chrome
	009040-03-000	EA	Base - Table Leg - Mounts on Table
	041194-01-000	EA	Base - Table Leg - Mounts in Floor
	057671-01-000	EA	Plastic - Screw Covers (No. 8)
	062046-01-000	EA	Clip - Leg Pedestal
	058335-02-000	EA	Latch - Bathroom Door w/o Lock
	058335-01-000	EA	Latch - Bathroom Door w/Lock

** The illustrated parts breakdown for this item is provided on the Common Items Fiche.

MISCELLANEOUS PARTS

Key	Part Number	U/M	Description
	053552-01-M04	FA	Handle Asm. - Interior Assist - Acorn Brown Vinyl
	041944-01-700	EA	Fire Extinguisher - w/Bracket - Dry Chemical
	041944-03-000	EA	Fire Extinguisher - w/Bracket - 5BC (Calif)
	054185-12-000	EA	Owner's Manual - Itasca - Winnebago
	007038-01-000	EA	Door Mat - Black Rubber - 10 1/2" x 26"
	040069-01-000	EA	Door Mat - Black Rubber - 10 1/2" x 26" - w/Itasca Logo

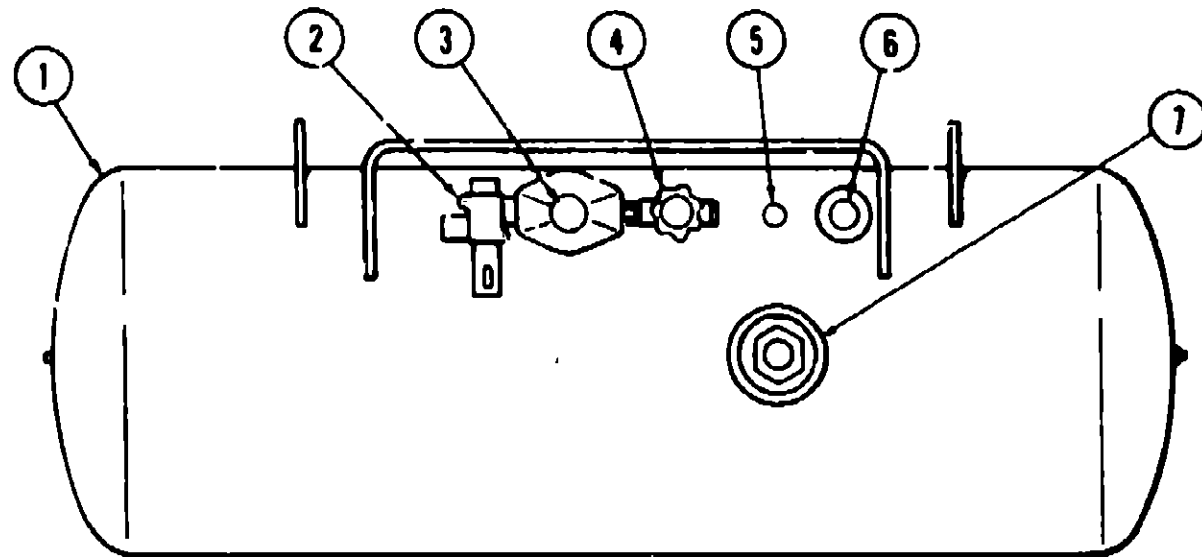
1981 ITASCA TABLE OF CONTENTS

IC419RB M1, IC419RB M2	A-1 - B-14
ICF22RB M1, ICF22RB M2	B-15 - D-14
ICN26RB M2	D-15 - F-10

1981 IC419RB M1, IC419RB M2 INDEX

Floor Plan	A-1 - A-2
Accessories Group	A-3 - A-4
Bath Group	A-5
Chassis Group	A-6
Curtain, Cushion and Pad Group	A-7 - A-13
Dinette Group	A-14 - A-15
Driver's Compartment Group	A-15
Electrical Group	A-16 - A-18
Exterior Body Group	A-19 - A-22
Galley Group	A-23
Heating & Air Conditioning Group	A-24
Interior Finish Group	B-1 - B-2
I.P. Group	B-3
Lounge Group	B-4
Water & Sewage Group	B-5
Window, Vent & Exterior Door Group	B-6 - B-14

LP GROUP



Key	Part Number	U/M	Description
1	052769-01-000	EA	Tank Asm. - LP - Frame Mount - 42 Pound
1	062026-01-000	EA	Tank Asm. - LP - Frame Mount - 28 Pound
2	047221-01-000	EA	Detector - LP Gas Leak
	047356-01-000	EA	Bracket - LP Detector
3	058706-01-000	EA	Cover - Regulator - 2 Stage
	058705-01-000	EA	Regulator - Two Stage - LP Gas
4	040421-01-703	EA	Valve - Vapor Relief
5	040421-01-700	EA	Gauge - Liquid Level - 20% LP
6	040421-01-701	EA	Valve - Filler - LP
	040421-01-702	EA	Cap - Plastic Fill Valve
7	042281-01-700	EA	Gauge - Float - w/ Visible Dial - 42 Pound Tank
	040421-01-706	EA	Dial - Visible Face - Float Gauge (Tank w/o Electric Transmitter)
	040421-01-705	EA	Dial - Transmitter - 290 Ohm (Float Gauge)
	045703-01-000	EA	Hose Asm. - LP 3/8" I.D. x 24"
	053112-02-000	EA	Support - LP Tank
	065741-01-000	EA	Gauge - Diaphragm Pressure
			Not Illustrated

WINN AIR WITH LANGL - HARTOG (C-BODY)

Key	Part Number	U/M	Description
	065279-01-000	EA	Relief Valve - Hydrostatic
	065287-02-000	EA	Valve - Gasoline Shut-Off
	065820-02-000	EA	Hose Asm. - High Pressure - 36"
	067290-01-001	EA	Hose - Vapor - 5/8" x 51"
	068050-04-000	EA	LP Mixer
	068163-01-000	EA	Strap - Converter Brace
	068197-01-000	EA	Instrument Asm. - LP
	068201-02-000	EA	Converter Asm. - LP - C-Body
	068240-01-000	EA	Support Brace - Converter
	035927-01-002	EA	Steel Rod - Threaded - 1/4" x 20" x 9"
	068143-01-000	EA	Tube Asm. - Converter - Copper w/Flare Nuts - 5/16" x 270" Bend

LOUNGE GROUP

FIXED LOUNGE AND OVERHEAD CABINET

Key	Part Number	U/M	Description
	M00297-01-L04	EA	Cabinet Asm. - Lounge Overhead - w/o Door or Hardware
	M68544-01-M04	EA	Cabinet Asm. - Lounge Overhead - w/o Door or Hardware
	M00074-26-L04	EA	Door Asm. - Galley and Lounge Overhead - 10.4" x 35.2" - w/o Hardware
	M00377-01-M04	EA	Door Asm. - Galley and Lounge Overhead - 10.4" x 35.2" - w/o Hardware

LESTER LOUNGE WITH PEDISTAL TABLE AND OVERHEAD CABINET

Key	Part Number	U/M	Description
	M00299-01-L04	EA	Cabinet Asm. - Overhead - w/o Doors or Hardware
	M67474-02-M04	EA	Cabinet Asm. - Overhead - w/o Doors or Hardware
	M00074-27-L04	EA	Door Asm. - Cabinet Overhead - 10.4" x 27.2" - w/o Hardware
	M00377-14-M04	EA	Door Asm. - Cabinet Overhead - 10.4" x 27.2" - w/o Hardware
	M00289-01-L04	EA	Panel - Face - Couch - w/o Door or Hardware
	066657-02-M04	EA	Panel - Face - Couch - w/o Door or Hardware
	057618-03-L04	EA	Panel - End - Couch
	057618-03-M04	EA	Panel - End - Couch
	M00074-35-L04	EA	Door Asm. - Couch - 12" x 37.2" - w/o Hardware
	M00377-02-M04	EA	Door Asm. - Couch - 12" x 37.2" - w/o Hardware
	M00319-01-L04	EA	Table Asm. - Pedestal - w/o Hardware - Burl Block
	M00319-01-M04	EA	Table Asm. - Pedestal - w/o Hardware - Burnt Sienna
	M00319-01-M05	EA	Table Asm. - Pedestal - w/o Hardware - Brown
	053163-01-000	EA	Racket Asm. - Couch Slide
	053347-C-000	EA	Wire - Pin - Spring 3/32
	053348-0-00	EA	Steel Pin - 1/4" x 4" with 3/32 Hole
	054398-01-000	EA	Bracket - Center Support - Lester Lounge - Brown
	056875-02-000	EA	Leg Asm. - Lester Lounge
	022517-01-000	EA	End Cap - Leg - 1" x 1" - Brown
	009040-02-000	EA	Leg - Pedestal Table - 27.5" x 2.25" O.D. - Chrome
	009040-03-000	EA	Base - Table Leg - Mounts on Table
	041194-01-000	EA	Base - Table Leg - Mounts in Floor
	062046-01-000	EA	Clip - Pedestal Leg
	056418-01-L05	EA	Plug Asm. - Pedestal - Table - Camel
	056418-01-L04	EA	Plug Asm. - Pedestal - Table - Ginger
	056093-01-M01	EA	Plug Asm. - Pedestal - Table - Rust
	056093-01-M02	EA	Plug Asm. - Pedestal - Table - Medium Brown

SPRUNG COUCH OPTION

Key	Part Number	U/M	Description
	M00289-01-L04	EA	Panel - Face - Couch - w/o Door or Hardware
	066657-02-M04	EA	Panel - Face - Couch - w/o Door or Hardware
	057618-03-L04	EA	Panel - End - Couch
	057618-03-M04	EA	Panel - End - Couch
	M00074-35-L04	EA	Door Asm. - Couch - 12" x 37.2" - w/o Hardware
	M00377-02-M04	EA	Door Asm. - Couch - 12" x 37.2" - w/o Hardware
	M00319-01-L04	EA	Table Asm. - Pedestal - w/o Hardware - Burl Block
	M00319-01-M04	EA	Table Asm. - Pedestal - w/o Hardware - Burnt Sienna
	M00319-01-M05	EA	Table Asm. - Pedestal - w/o Hardware - Brown
	009040-02-000	EA	Leg - Pedestal Table - 27.5" x 2.25" O.D. - Chrome
	009040-03-000	EA	Base - Table - Mounts on Table
	041194-01-000	EA	Base - Table - Mounts in Floor
	062046-01-000	EA	Clip - Pedestal Leg
	057468-02-000	EA	Frame Asm. - Sprung Couch - Right
	057468-03-000	EA	Frame Asm. - Sprung Couch - Left
	057468-04-000	EA	Frame Rails - 2 per Couch
	057469-01-000	EA	Leg Asm. - Sprung Couch (2 per Couch)
	056418-01-L05	EA	Plug Asm. - Pedestal - Table - Camel
	056418-01-L04	EA	Plug Asm. - Pedestal - Table - Ginger
	056093-01-M01	EA	Plug Asm. - Pedestal - Table - Rust
	056093-01-M02	EA	Plug Asm. - Pedestal - Table - Medium Brown

1981 ITASCA TABLE OF CONTENTS

IC419RB M1, IC419RB M2	A-1 - E-14
ICF22RB M1, ICF22RB M2	B-15 - D-14
ICN26RB M2	D-15 - F-10

1981 IC419RB M1, IC419RB M2 INDEX

Floor Plan	A-1 - A-2
Accessories Group	A-3 - A-4
Bath Group	A-5
Chassis Group	A-6
Curtain, Cushion and Pad Group	A-7 - A-13
Dinette Group	A-14 - A-15
Driver's Compartment Group	A-15
Electrical Group	A-16 - A-18
Exterior Body Group	A-19 - A-22
Galley Group	A-23
Heating & Air Conditioning Group	A-24
Interior Finish Group	B-1 - B-2
LP Group	B-3
Lounge Group	B-4
Water & Sewage Group	B-5
Window, Vent & Exterior Door Group	B-6 - B-14

WATER AND SEWAGE GROUP

PLUMBING REPAIR PARTS

Key	Part Number	U/M	Description
**	041279-02-000	EA	Pump - Water Flow 2.8 G.P.M. - PAR
**	063646-01-000	EA	Pump - Water - 2.8 G.P.M. - Direct Drive - US
**	063646-02-000	EA	Pump - Water - 2.8 G.P.M. - Direct Drive - CSA
**	039647-03-000	EA	Filter - Water Pump - 1/2" MPT
**	052962-01-000	EA	Valve - Stool - 90° 1/2 F x 3/8 MPT
**	039818-01-000	EA	Riser Asm. - 3/8" O.D. x 24" Tube
**	039818-02-000	EA	Riser Asm. - 3/8" O.D. x 36" Tube
**	039818-04-000	EA	Riser Asm. - 3/8" O.D. x 72" Tube
**	039818-05-000	EA	Riser Asm. - 3/8" O.D. x 48" Tube
**	035539-01-000	EA	Elbow - Plastic - 3/8 MPT x 3/8 Barb
**	052952-01-000	EA	Nut - Plastic - 1/2 F
**	052953-01-000	EA	Nut - Faucet - 1/2 Tube x 1/2 FPT
**	052954-01-000	EA	Adapter - Nose Cone - 3/8 or 1/2
**	052958-01-000	EA	Tee - Plastic - 1/2 F x 1/2 F x 1/2 F
**	052959-02-000	EA	Connector - Plastic - 1/2 F x 1/2 MPT
**	052959-03-000	EA	Connector - Plastic - 1/2 F x 3/8 MPT
**	052960-01-000	EA	Drain Valve - Line - 1/2 F x 1/2 F
**	052961-01-000	EA	Header - 1/2 F x 1/2 F x 1/2 F x 1/2 F
**	004020-01-000	QT	Adhesive - ABS Cement
**	010201-01-000	EA	Hose - Sewer - 3" x 8 Ft. w/ 1/2" Coupler
**	062415-01-000	EA	Cap - Sewer - 3"
**	062416-01-000	EA	Nose - Adapter - 3"
**	062417-01-000	EA	Adapter - Termination - 3"
**	062418-02-000	EA	Valve - 3" w/o Handle
**	062419-01-000	EA	Handle - Extension - w/6" Adapter
**	067421-01-000	EA	Valve - 1 1/2" - w/Handle
**	010006-01-000	EA	Elbow - Plastic - 1 1/2" x 45° - H x H
**	010008-01-000	EA	Elbow - Plastic - 1 1/2" x 90° - Long Turn
**	010134-01-000	EA	Adapter - Plastic - 1 1/2" M x MPT
**	010154-01-000	EA	Ring - Closet - Plastic - 4" F x 3" MPT x L
**	011091-01-000	EA	Waste - Continuous - Double Sink - 11 7/8"
**	011066-01-000	EA	P-Trap - Plastic - 1 1/4"
**	010079-01-000	EA	Tee - Plastic - 1 1/2 H x 1 1/2 H x 1 1/4 H
**	010091-01-000	EA	Wye - Plastic - 3" x 45° - H x H x H
**	010121-01-000	EA	Bushing - Plastic - 1 1/2 S x 1 1/4 H
**	031126-01-000	EA	Elbow - Plastic - 3" x 90° - Long Turn
**	010133-01-000	EA	Adapter - Trap - Plastic - 1 1/2" H x MPT
**	050780-01-000	EA	Coupler - Rubber - 3" x 3"
**	010219-01-000	EA	Elbow - 1 1/4 Barb x 1 1/4 MPT - 90°
**	044928-01-000	FT	Tubing - Flex - 1 1/4 ID x 10' Long
**	061607-01-000	EA	Grommet - Rubber - Holding Tank - 1 1/2" NPS
**	061607-02-000	EA	Grommet - Rubber - Holding Tank - 3" NPS
**	010197-01-000	FT	Pipe - ABS Plastic - 3" x 240"
**	065979-01-000	EA	Compartment Asm. - Sewer Hose
**	052957-02-000	EA	Elbow - Plastic - 1/2" F x 1/2" MPT
**	056134-01-000	EA	Holder - Ring - 3" Pipe
**	054535-01-000	EA	Vent - Mechanical - Trap Arm
**	052957-03-000	EA	Elbow - Plastic - 1/2" F x 1/4" MPT
**	061607-01-000	EA	Grommet - Holding Tank - 1 1/2" NPS
**	061607-02-000	EA	Grommet - Holding Tank - 3" NPS
**	046524-01-000	EA	Kit - Plastic Fittings - Holding Tank
**	046524-02-000	EA	Kit - Plastic Fittings - Water Tank

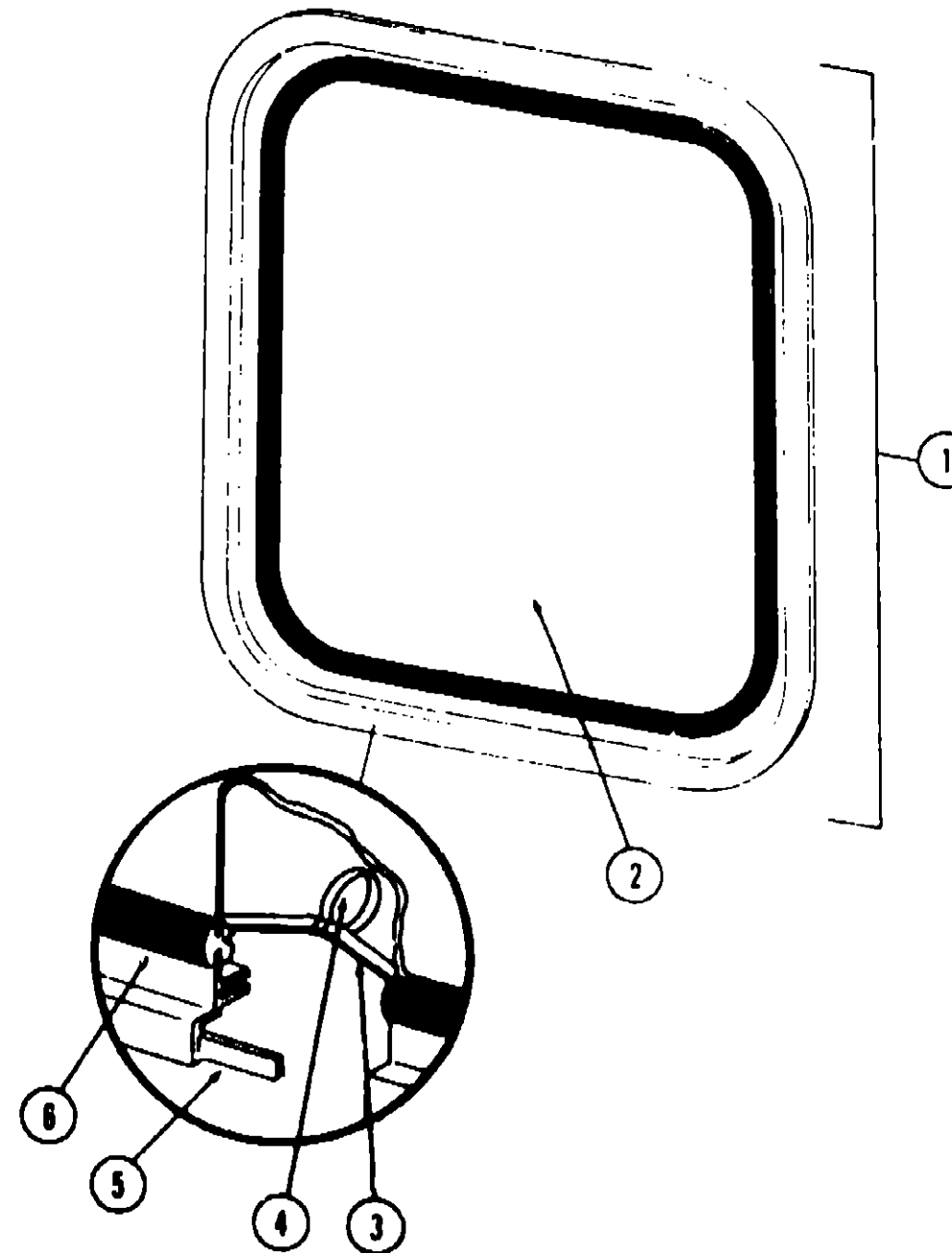
** The illustrated parts breakdown for this item is provided on the Common Items Fiche.

HOLDING TANKS AND WATER HEATERS

Key	Part Number	U/M	Description
**	066557-02-000	EA	Tank Asm. - Water - 26 Gallon w/Fittings
**	066557-01-000	EA	Tank Asm. - Water - 26 Gallon w/o Fittings
**	066480-02-000	EA	Tank Asm. - Holding - 23 Gallon - w/Fittings
**	066480-01-000	EA	Tank Asm. - Holding - 23 Gallon - w/o Fittings
**	051391-01-000	EA	Water Heater - 6 Gallon w/o Motor Aid - Atwood - G6A3

** The illustrated parts breakdown for this item is provided on the Common Items Fiche.

WINDOW, VENT AND EXTERIOR DOOR GROUP



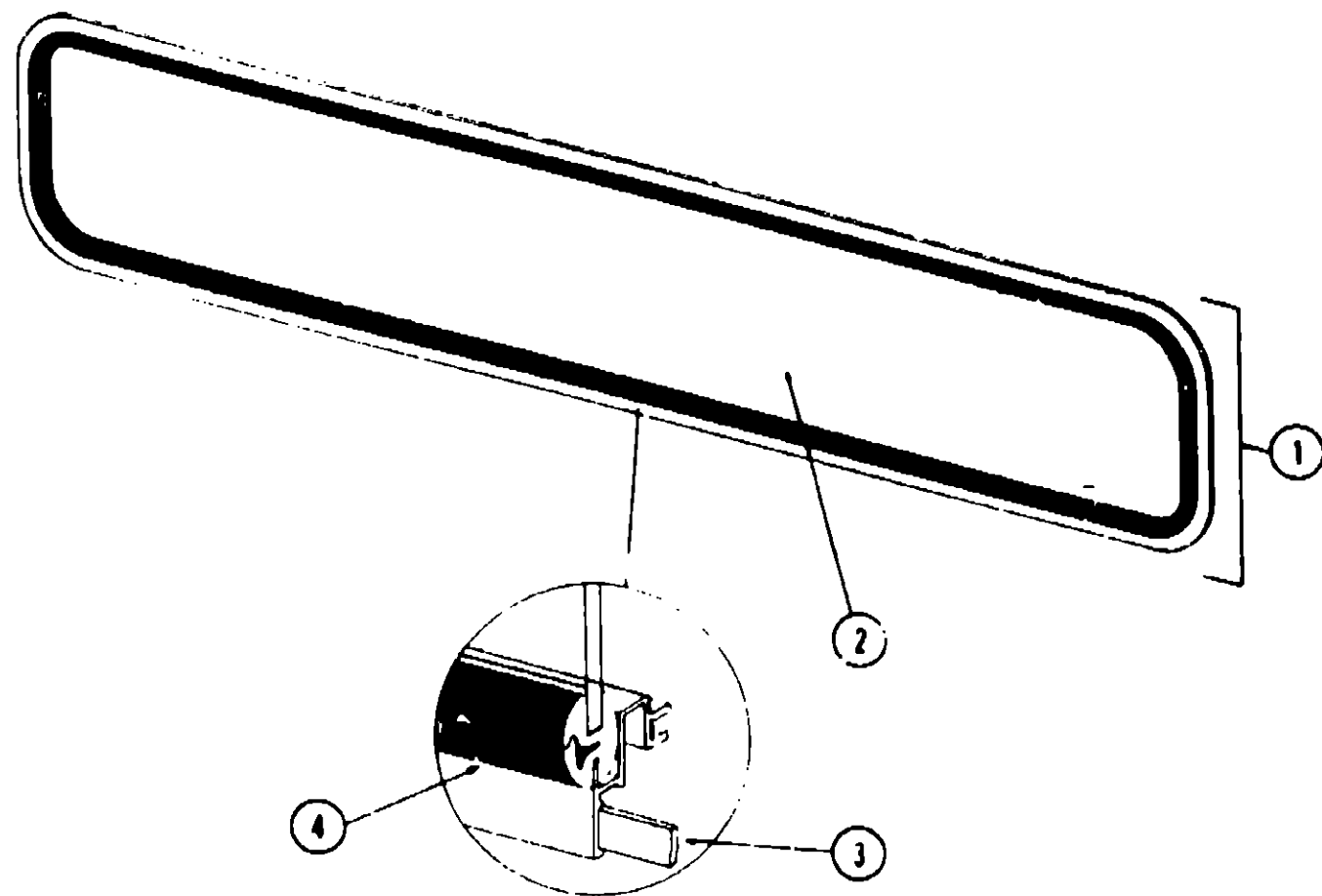
Key	Part Number	U/M	Description
1	064433-01-000	EA	Window Asm. - Rear Escape - 23" x 17" - Black Anod. (w/o inside frame)
2	041392-04-000	EA	Glass - 1/8" x 19.61" x 13.85"
3	002285-01-000	FT	Filler - Weatherstrip - Black
4	020395-01-000	EA	Slip - Pull Ring - Escape Window
5	053787-03-000	FT	Tape - 1/4" Bead x 20' - Gray
6	002282-01-000	FT	Weatherstrip - .125" - Black
*	042027-04-000	EA	Frame - Inside - Escape Window - 23" x 17" (not included in assembly)
*	006199-01-000	EA	Label - Exit - Escape Window
*	Not illustrated		

1981 ITASCA TABLE OF CONTENTS

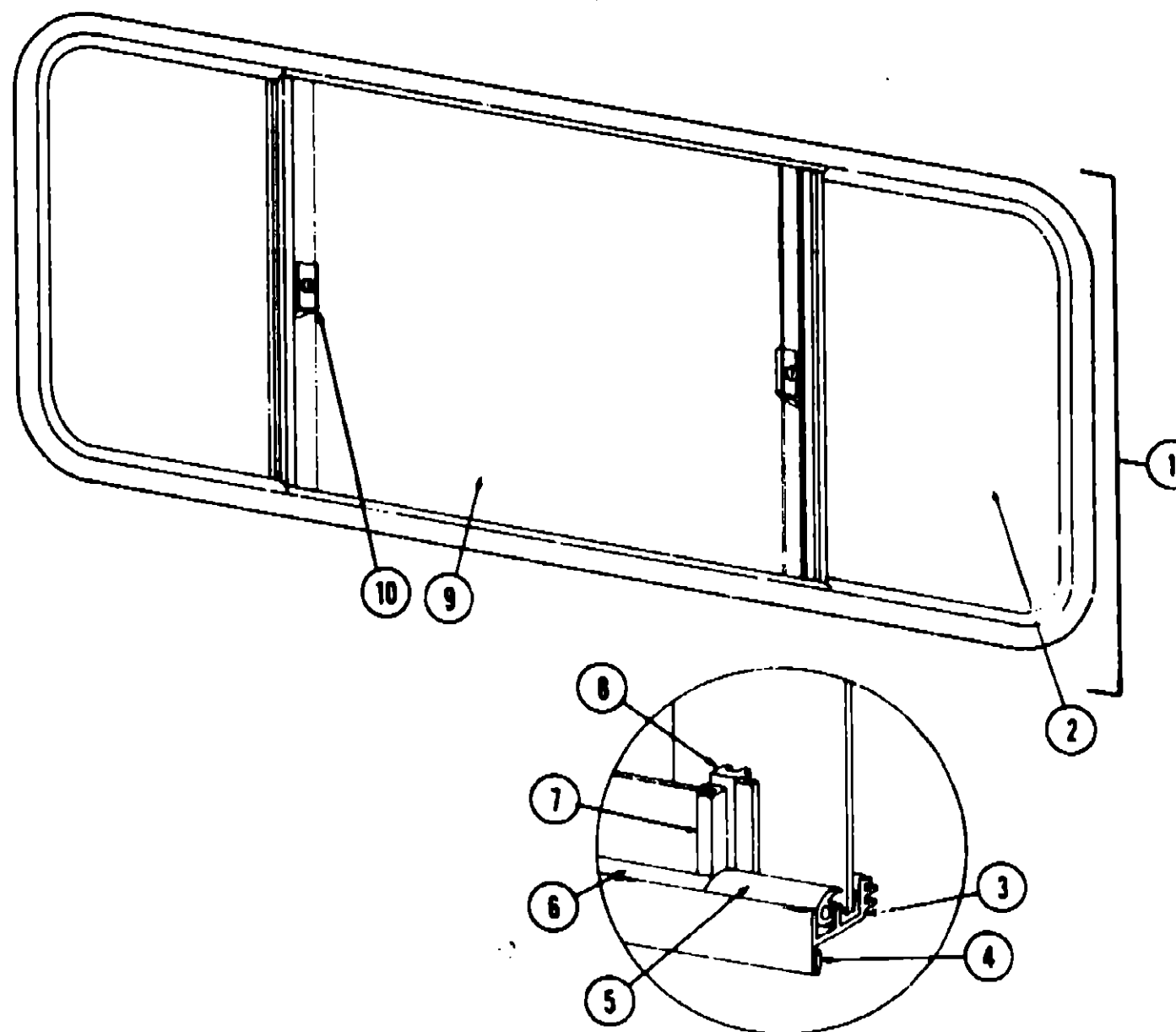
IC419RB M1, IC419RB M2	A-1 - B-14
ICF22RB M1, ICF22RB M2	B-15 - D-14
ICN26RB M2	D-15 - F-10

1981 IC419RB M1, IC419RB M2 INDEX

Floor Plan	A-1 - A-2
Accessories Group	A-3 - A-4
Bath Group	A-5
Chassis Group	A-6
Curtain, Cushion and Pad Group	A-7 - A-13
Dinette Group	A-14 - A-15
Driver's Compartment Group	A-15
Electrical Group	A-16 - A-18
Exterior Body Group	A-19 - A-22
Galley Group	A-23
Heating & Air Conditioning Group	A-24
Interior Finish Group	B-1 - B-2
LP Group	B-3
Lounge Group	B-4
Water & Sewage Group	B-5
Window, Vent & Exterior Door Group	B-6 - B-14



Key	Part Number	U/M	Description
1	041936-03-000	EA	Window Asm. - Front Picture - 14" x 69" - Black (w/o inside frame)
2	002200-02-000	EA	Glass - TP - Picture Window
3	053767-03-000	FT	Tape - 1/4" Bead x 20' - Gray
4	002281-01-000	FT	Weatherstrip - Self Seal - .06" Panel x 3/16" - Black
	037845-01-000	FT	Tape - Butyl - Window - 3/16" Bead - Black
	041939-02-000	EA	Frame - Inside - Picture Window (not included in assembly)
			Not Illustrated



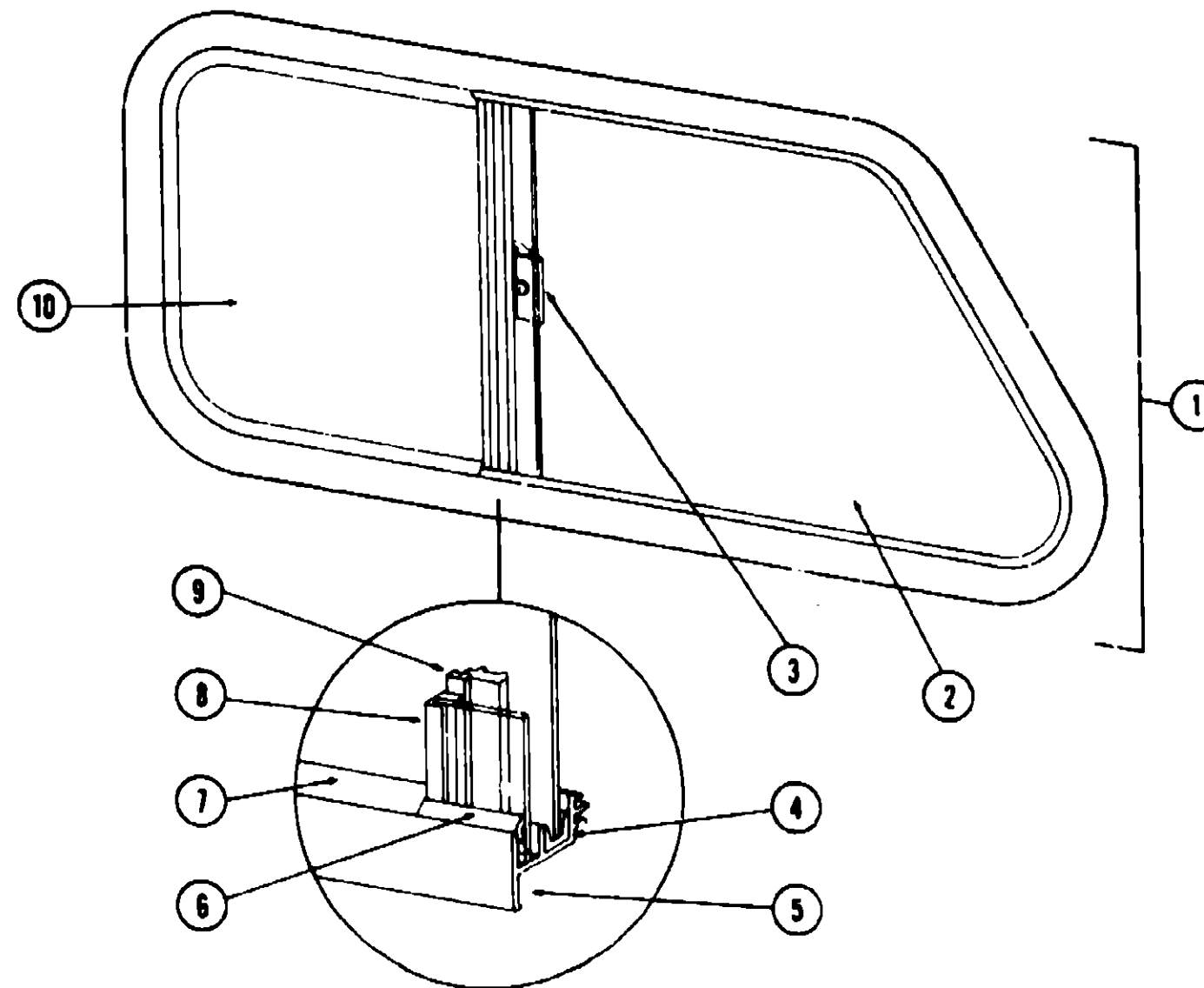
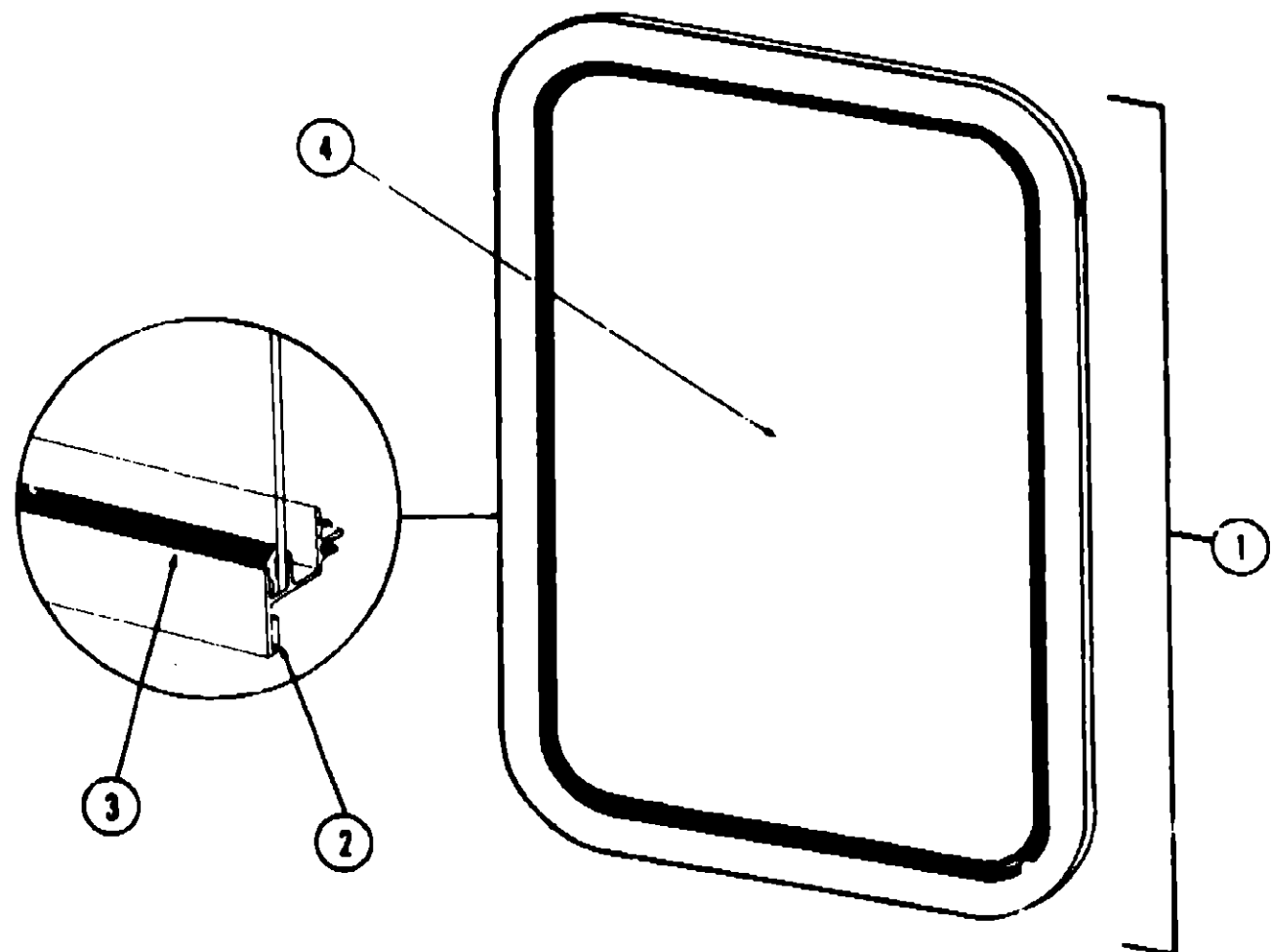
Key	Part Number	U/M	Description
1	048630-04-000	EA	Window Asm. - Double Slider - 23" x 65"
	042133-06-000	EA	Inside Frame - Brown
2	002188-01-000	EA	Glass - Stationary - 1/8" x 22" x 25"
3	047823-01-000	EA	Glass - Sliding - 1/8" x 22" x 21"
4	002324-02-000	FT	Channel - Weatherstrip - Glass
5	053767-03-000	FT	Tape - 1/4" Bead x 20' - Gray
6	057374-02-000	FT	Extr. Vinyl - Window Seal - Black
7	002309-02-000	FT	Spline - Glass - 1/8" Material - Black
8	018025-03-000	EA	Extr. - Holder - Glass Seal - 21.19" - Black
9	041894-02-000	EA	Mullion - Slider Window - Black
10	047369-01-700	EA	Latch - Window - Plastic - w/Fastener
	002293-01-000	SF	Screen - Window - 26" - Gray
	002298-01-000	FT	Spline - .130 Dia. - Gray (Screen)
	002288-01-000	FT	Seal - Fin - Pile - .34"
			Not Illustrated

1981 ITASCA
TABLE OF CONTENTS

IC419RB M1, IC419RB M2	A-1 - B-14
ICF22RB M1, ICF22RB M2	B-15 - D-14
ICN26RB M2	D-15 - F-10

1981 IC419RB M1, IC419RB M2 INDEX

Floor Plan	A-1 - A-2
Accessories Group	A-3 - A-4
Bath Group	A-5
Chassis Group	A-6
Curtain, Cushion and Pad Group	A-7 - A-13
Dinette Group	A-14 - A-15
Driver's Compartment Group	A-15
Electrical Group	A-16 - A-18
Exterior Body Group	A-19 - A-22
Galley Group	A-23
Heating & Air Conditioning Group	A-24
Interior Finish Group	B-1 - B-2
LP Group	B-3
Lounge Group	B-4
Water & Sewage Group	B-5
Window, Vent & Exterior Door Group	B-6 - B-14



**1981 ITASCA
TABLE OF CONTENTS**

IC419RB M1, IC419RB M2	A-1 - B-14
ICF22RB M1, ICF22RB M2	B-15 - D-14
ICN26RB M2	D-15 - F-10

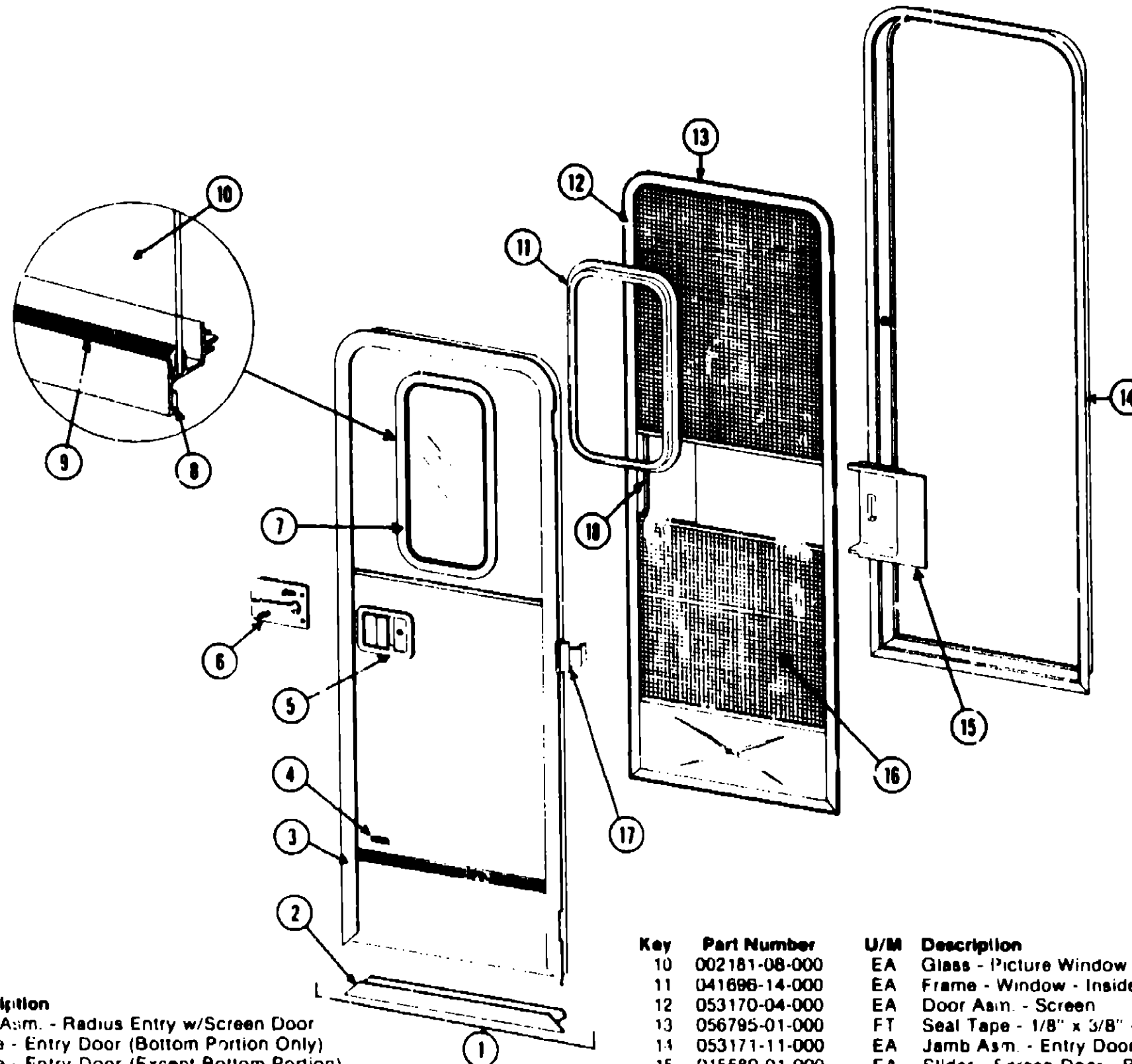
Key	Part Number	U/M	Description
1	056651-01-000	EA	Window Asm. - Picture - 20 3/4" x 20 3/4" - Black (w/o inside frame)
2	053767-02-000	FT	Tape - 3/16" Bead x 25' - Schnee Morehead
3	002309-02-000	FT	Spline - Glass - 1/8" - Black
4	002181-03-000	EA	Glass - .115" x 20.62" x 20.62" - Gray
.	056650-01-000	EA	Frame - Inside - Window (not included in assembly)
.	Not Illustrated		

Key	Part Number	U/M	Description
1	048632-03-000	EA	Window Asm. - Bunk - Slanted Slider - Right - Black (w/o inside frame)
1	048632-04-000	FA	Window Asm. - Bunk - Slanted Slider - Left - Black (w/o inside frame)
2	040919-01-000	EA	Glass - 1/8" x 11.98" x 19.42" - Gray - Stationary
3	047389-01-700	EA	Latch - Window - Plastic w/Fastener
.	023320-01-000	EA	Foam Pad - 3/8" Dia (used with plastic latch)
4	002324-02-000	FT	Channel - Weatherstrip - Glass Run - 1/8" Glass
5	053767-03-000	FT	Tape - 1/4" Bead x 20' - Gray
6	002309-02-000	FT	Spline - Glass - 1/8" - Black
7	024096-02-000	FT	Seal - Window Channel - Black
8	069886-03-005	EA	Holder - Glass Seal - Extr. - Anod. Black - 11.23"
9	069896-04-000	EA	Mullion - 11" - Black Anod.
10	047815-01-000	EA	Glass - 1/8" x 11.98" x 11.81" - Gray - Sliding
.	040916-03-000	EA	Frame - Window - Inside - Bunk Slant - Left (not included in assembly)
.	040916-04-000	EA	Frame - Window - Inside - Bunk Slant - Right (not included in assembly)
.	023713-02-000	EA	Cover - Weephole - Black
.	002298-01-000	FT	Spline - Gray - .130" Dia (Screen)
.	002291-01-000	SF	Screen - Gray - Window - 16"
.	Not Illustrated		

1981 IC419RB M1, IC419RB M2 INDEX

Floor Plan	A-1 - A-2
Accessories Group	A-3 - A-4
Bath Group	A-5
Chassis Group	A-6
Curtain, Cushion and Pad Group	A-7 - A-13
Dinette Group	A-14 - A-15
Driver's Compartment Group	A-15
Electrical Group	A-16 - A-18
Exterior Body Group	A-19 - A-22
Galley Group	A-23
Heating & Air Conditioning Group	A-24
Interior Finish Group	B-1 - B-2
LP Group	B-3
Lounge Group	B-4
Water & Sewage Group	B-5
Window, Vent & Exterior Door Group	B-6 - B-14

WINDOW, VENT AND EXTERIOR DOOR GROUP (CONTINUED)



Key	Part Number	U/M	Description
1	M00246-01-000	EA	Door Asm. - Radius Entry w/Screen Door
2	039737-01-000	EA	Frame - Entry Door (Bottom Portion Only)
3	039736-01-000	EA	Frame - Entry Door (Except Bottom Portion)
4	039874-01-000	EA	Holder Asm. - Entry Door - 1 1/2"
5	045017-01-000	EA	Paddle Asm. - Door Lock - Exterior
6	045017-01-700	EA	Lock Cylinder w/Keys - Lynor
7	039539-01-000	EA	Strike Bolt - Entry Door
8	039540-01-000	EA	Latch Claw - Entry Door
9	039979-01-000	EA	Lock Asm. - Complete - Lynor
10	041875-11-000	EA	Window Asm. - Picture - 17" x 23" - Black Anod. (inside frame not included in assembly)
11	053767-03-000	FT	Tape - 1/4" Bead x 20' - Gray
12	002309-02-000	FT	Spline - Glass - 1/8" Black
			Not Illustrated

Key	Part Number	U/M	Description
10	002181-08-000	EA	Glass - Picture Window - 1/8" x 16 1/4" x 22" - Gray
11	041896-14-000	EA	Frame - Window - Inside - 17" x 23" - Brown
12	053170-04-000	EA	Door Asm. - Screen
13	056795-01-000	FT	Seal Tape - 1/8" x 3/8" - Press On
14	053171-11-000	EA	Jamb Asm. - Entry Door
15	015580-01-000	EA	Slider - Screen Door - Brown Plastic
16	002293-01-000	SF	Screen - Window - 28" - Gray
17	039520-01-000	EA	Hinge - Entry Door (3 used per door)
18	015581-01-000	EA	Cap - Screen Door - Brown Plastic
	049176-01-000	EA	Hedlok II - 3/4" Diameter - Screw Mount (retains screen door to entry door)
	049797-01-000	EA	Hedlok II - 1" Diameter - Screw Mount (retains screen door to entry door)
	058025-02-000	EA	Clip - Roller Catch
	063618-01-000	EA	Strike - Screen Door
	039016-01-000	EA	Catch - Elbow - Spring Loaded
	044582-02-000	EA	Drip Cap - Jamb Mounted - Off White
	051390-01-000	FT	Seal - Bulb - Rubber
	039800-03-000	FT	Tubing - Polybutyl - 3/8" O.D. - Jamb.
			Not Illustrated

**1981 ITASCA
TABLE OF CONTENTS**

IC419RB M1, IC419RB M2	A-1 - B-14
ICF22RB M1, ICF22RB M2	B-15 - D-14
ICN28RB M2	D-15 - F-10

1981 IC419RB M1, IC419RB M2 INDEX

Floor Plan	A-1 - A-2
Accessories Group	A-3 - A-4
Bath Group	A-5
Chassis Group	A-6
Curtain, Cushion & Pad Group	A-7 - A-13
Dinette Group	A-14 - A-15
Driver's Compartment Group	A-15
Electrical Group	A-16 - A-18
Exterior Body Group	A-19 - A-22
Galley Group	A-23
Heating & Air Conditioning Group	A-24
Interior Finish Group	B-1 - B-2
LP Group	B-3
Lounge Group	B-4
Water & Sewage Group	B-5
Window, Vent & Exterior Door Group	B-6 - E-14

WINDOW, VENT AND EXTERIOR DOOR GROUP (CONTINUED)

VENTS

Key	Part Number	U/M	Description
	009407-01-000	EA	Frame - Base - Refrigerator Vent (w/o Cover)
	039778-01-000	EA	Cover - Vent - Refrigerator - Plastic
	049352-01-000	EA	Vent - Stove Hood - Outside - Off White
	002295-01-000	FT	Seal - Refrigerator Vent - Gray

ACCESS DOORS

Key	Part Number	U/M	Description
	042442-01-000	EA	Lock Asm. - Twist Type - (Power Cord)
	059727-01-000	EA	Door Asm. - Insulated Storage - w/Key Lock - Off White
	066824-01-000	EA	Door Asm. - Refrigerator Access - w/Twist Lock
	052009-01-000	EA	Door - Water Heater - Off White
	016945-02-000	EA	Holder Asm. - Luggage or Battery Door
	047305-01-000	EA	Lock Asm. - Key Type w/Clip
	042441-01-000	EA	Lock Asm. - Key Type (Gas Fill)
	055500-01-000	EA	Door Asm. - Fuel Fill - w/Key Lock
	059965-01-000	EA	Lock Asm. - Key Type - Fuel Fill
	033333-23-000	EA	Door Asm. - Battery & LP - Off White
	009003-01-000	EA	Lock Asm. - Twist Type - Metal
	054542-01-000	EA	Door Jamb - Power Cord
	057096-01-000	EA	Door Asm. - Power Cord - Off White
	U54543-01-000	EA	Hatch - Power Cord - Off White
	05712-01-000	FT	Door Seal - e/Section
	05713-01-000	EA	Door - Fuel Fill - Off White
	05714-01-000	EA	Jamb - Door - Fuel Fill - Off White

**1981 ITASCA
TABLE OF CONTENTS**

IC419RB M1, IC419RB M2	A-1 - B-14
ICF22RB M1, ICF22RB M2	B-15 - D-14
ICN26RB M2	D-15 - F-10

1981 IC419RB M1, IC419RB M2 INDEX

Floor Plan	A-1 - A-2
Accessories Group	A-3 - A-4
Bath Group	A-5
Chassis Group	A-6
Curtain, Cushion & Pad Group	A-7 - A-13
Dinette Group	A-14 - A-15
Driver's Compartment Group	A-15
Electrical Group	A-16 - A-18
Exterior Body Group	A-19 - A-22
Galley Group	A-23
Heating & Air Conditioning Group	A-24
Interior Finish Group	B-1 - B-2
LP Group	B-3
Lounge Group	B-4
Water & Sewage Group	B-5
Window, Vent & Exterior Door Group	B-6 - B-14