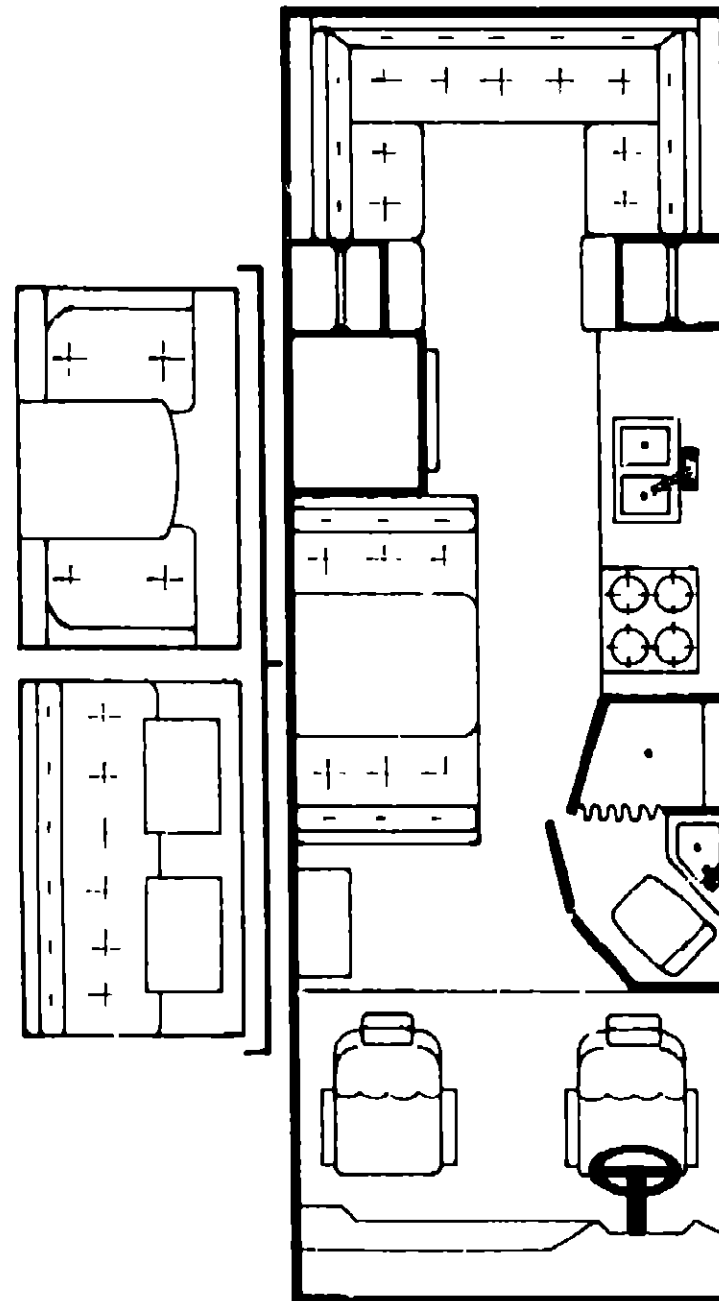


1980 WGF23RG LO



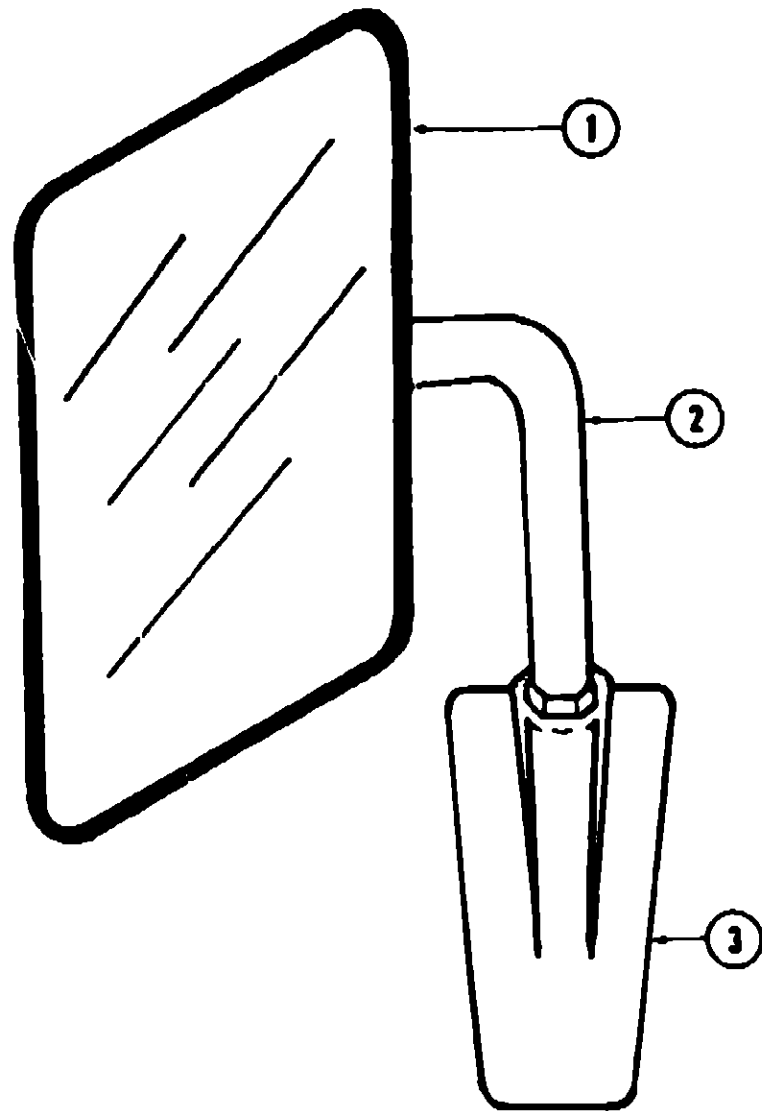
1980 WINNEBAGO TABLE OF CONTENTS

Introduction	A-1
Abbreviations	A-1
Alphabetical Index	A-2 - A-4
WD424RH LO	A-5 - B-18
WGF23RG LO	B-19 - D-12
WDN26RB LO	D-13 - F-2
WDN26RT LO	F-3 - G-24

1980 WGF23RG LO INDEX

Floor Plan	B-19 - B-20
Accessories (Group)	B-21 - B-22
Bath Group	B-23
Chassis Group	B-24
Curtain, Cushion & Pad Group	C-1 - C-6
Dinette Group	C-7
Driver's Compartment Group	C-8 - C-9
Electrical Group	C-10 - C-12
Exterior Body Group	C-13 - C-16
Galley Group	C-17
Heating & Air Conditioning Group	C-18 - C-19
Interior Finish (Group)	C-20 - C-21
LP Group	C-22
Lounge Group	C-23
Water & Sewage (Group)	C-24
Window, Vent & Exterior Door Group	D-1 - D-12

ACCESSORIES GROUP



Key	Part Number	U/M	Description
1	057461-01-000	EA	Mirror Head - 7 1/2" x 10 1/2" - w/Convex - Brite Finish
1	057461-02-000	EA	Mirror Head - 7 1/2" x 10 1/2" - w/Convex - Off White
2	049348-01-000	EA	Arm - Low Mount Mirror - Bright Finish
2	049348-02-000	EA	Arm - Low Mount Mirror - Off White
3	049944-02-000	EA	Bracket - Mirror - Outside - Off White
.	065116-01-000	EA	Mirror - West Coast - Double Mirror - Right
.	065116-02-000	EA	Mirror - West Coast - Double Mirror - Left
.			Not Illustrated

GENERATORS AND COMPONENTS

Key	Part Number	U/M	Description
	054429-01-000	EA	Generator - Onan - 40 kw
	701829-02-000	EA	Onan Installation Package
	024732-01-001	EA	Tailpipe - 1 1/2" O.D. x 23"
	740313-56-000	EA	Tray - Generator - 40 kw
	054428-01-000	EA	Muffler - Generator - w/Spark Arrestor

ACCESSORIES GROUP (CONTINUED)

RADIOS AND RELATED COMPONENTS

Key	Part Number	U/M	Description
	049730-01-000	EA	Radio - Clarion - AM w/Fader Switch
	049731-01-000	EA	Radio - Clarion - AM/FM/MPX - w/Fader Switch
	049732-01-000	EA	Radio - Clarion - AM/FM/MPX - 8 Track - w/Fader Switch
	053768-01-000	EA	Speaker - Recessed - 5 1/4" - 10 oz
	031105-01-000	EA	Antenna - Radio - Side Mount
	031105-01-700	EA	Holder - Antenna - Radio - Upper
	048153-01-000	EA	Antenna - CB Camper Style
	044328-01-000	EA	Switch - Fader - Speaker Balance
	050751-01-000	EA	Plaque - Fader/Mic Mounting
	055299-01-000	EA	Grille - Speaker - 5 1/4"
	083847-01-000	EA	CB Radio - Clarion - Control Box
	083847-02-000	EA	CB Radio - Clarion - JC2 Module

FRONT BUNK AND HARDWARE

Key	Part Number	U/M	Description
	058300-01-K01	EA	Cabinet Asm - Front Overhead
	053320-01-K01	EA	Bunk - Front Overhead - Board w/Rails
	053773-01-000	EA	Support - Overhead Bunk - Brown - Right
	053773-02-000	EA	Support - Overhead Bunk - Brown - Left
	040071-02-000	EA	Support - Bunk - Seat Belt
	041322-01-000	EA	Washer - Flat - 15/32" I.D. x 2 3/8" O.D.
	039518-02-000	EA	Catch - Bunk - Brown
	023812-22-000	EA	Rail - Bunk - 75" - Brown
	053774-01-000	EA	Torsion Rod - Overhead Bunk - Brown

MISCELLANEOUS ACCESSORIES

Key	Part Number	U/M	Description
	054185-03-000	EA	Owner's Manual - Winnebago
	006053-01-000	EA	Antenna - TV Braund Delux
	006053-01-700	EA	Parts Kit - Repair - Braund TV Antenna
	006093-01-000	EA	Jack - TV - Brown (Antenna)
	006076-01-000	EA	Ladder - Front Bunk
	017518-01-000	EA	Mud Flap - Black - 14" x 18" w/Holes
	008113-01-000	EA	Jack Hydraulic - 5 Ton
	041944-01-700	EA	Fire Extinguisher - w/Bracket - Dry Chemical
	041944-03-000	EA	Fire Extinguisher - 5BC (Calif)
	041648-01-000	EA	Luggage Carrier Asm. - Roof
**	059779-01-000	EA	Speed Control Package - Electric - Chevrolet
	034410-12-000	EA	Cover - Tire - 32" No "W"
**	031396-04-000	EA	Wheel Cover - 18" Chrome
	064082-01-800	EA	Wheel Cover - Delmet (Bolt On)
	064082-02-000	EA	Retaining Nut - Delmet Wheel Cover
	064082-05-700	EA	Retainer Bracket - Bolt On Wheel Cover - Chev. - Front
	064082-05-701	EA	Retainer Bracket - Bolt On Wheel Cover - Chev. - Rear
**	058253-01-000	EA	Ladder Asm. - w/Luggage Rack
**	041088-02-000	EA	Ladder Only - For Rack and Ladder Asm

**The illustrated parts breakdown for this item is provided on the Common Items Fiche

1980 WINNEBAGO TABLE OF CONTENTS

Introduction	A-1
Abbreviations	A-1
Alphabetical Index	A-2 - A-4
WD424RH LO	A-5 - B-18
WGF23RG LO	B-19 - D-12
WDN26RB LO	D-13 - F-2
WDN29RT LO	F-3 - G-24

1980 WGF23RG LO INDEX

Floor Plan	B-19 - B-20
Accessories Group	B-21 - B-22
Bath Group	B-23
Chassis Group	B-24
Curtain, Cushion and Pad Group	C-1 - C-6
Dinette Group	C-7
Driver's Compartment Group	C-8 - C-9
Electrical Group	C-10 - C-12
Exterior Body Group	C-13 - C-16
Galley Group	C-17
Heating & Air Conditioning Group	C-18 - C-19
Interior Finish Group	C-20 - C-21
LP Group	C-22
Lounge Group	C-23
Water & Sewage Group	C-24
Window, Vent & Exterior Door Group	D-1 - D-12

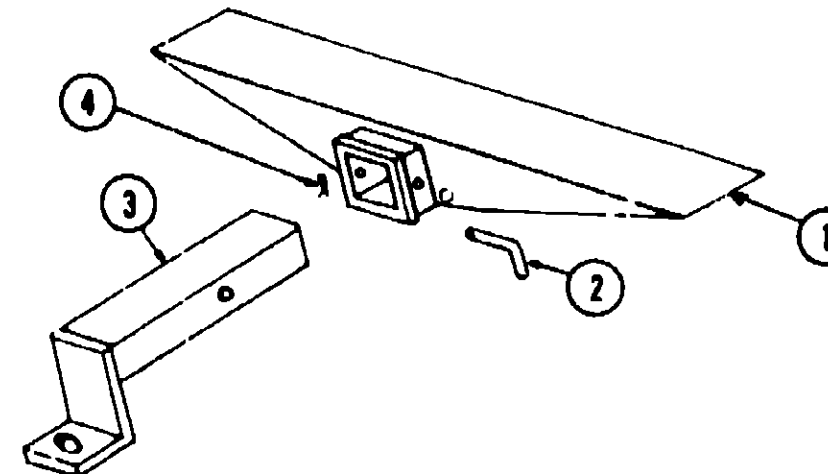
BATH GROUP

Key	Part Number	U/M	Description
	052564-01-K01	EA	Cabinet Asm. - Vanity - w/o Sink, Door or Hardware
	057992-26-K01	EA	Door Asm - Vanity Cabinet - 11 42" x 19 36" - w/o Hardware
	058233-02-K01	EA	Door Asm - Shower - 72 16" x 20 62" - w/o Hardware
	058335-01-000	EA	Latch - Bathroom Door
	058837-01-K01	EA	Door Asm - w/Mirror - 22 10" x 29 10"
	058331-01-000	EA	Mirror - Tempered Glass - 19" x 26"
	052583-01-000	EA	Rack - Towel - Mounts on Bath Door
	035337-22-000	EA	Trim - Inside Corner - Alum. - 80.88"
	034394-02-000	EA	Extr Vinyl Insert - Beige
	044067-01-000	EA	Sink - Bath - Ivory Plastic
**	011056-01-000	EA	Faucet - Lavatory
**	011048-01-000	EA	Shower Head - w/60" Hose
	011059-01-000	EA	Faucet - Shower
	011083-01-000	EA	Plug - 1 1/4" - w/Chain
**	011089-01-000	EA	Tailpiece - 1 1/4" x 4" - Brass
**	011086-01-000	EA	Strainer - Shower Pan
	053129-01-000	EA	Medicine Cabinet - 17 62" x 29 3/8"
	053129-01-700	EA	Mirror - Medicine Cabinet - Jensen - 26" x 18"
	053129-01-701	EA	Frame - Mirror - Jensen Medicine Cabinet
	053129-01-702	EA	Switch - Jensen Medicine Cabinet
	053130-02-702	EA	Catch - Medicine Cabinet Door
	036010-01-000	EA	Bulb - Medicine Cabinet - 1143 Frosted
	054282-01-000	EA	Shower Pan Asm - Ivory Plastic
	009134-01-000	EA	Holder - Tissue
	034689-03-000	EA	Cover Screw - PPH 10 - Ivory
**	036341-02-000	EA	Toilet - Marine - Thetford Aqua Magic Model SH - Ivory

**The illustrated parts breakdown for this item is provided on the Common Items Fiche

CHASSIS GROUP

Key	Part Number	U/M	Description
	024852-01-700	EA	Step Asm. - Entry
	058401-01-000	EA	Hoodboard - Steel - Upper Right
	058404-01-000	EA	Hoodboard - Steel - Upper Left
	058200-01-000	EA	Bumper - Front - Chrome
	058200-02-000	EA	Bumper - Front - Primed
	058439-01-000	EA	Bracket - Front Bumper - 4" x 28"
	058425-01-000	EA	Bracket - Bumper - Left - 5 31" x 4 82"
	058425-02-000	EA	Bracket - Bumper - Right - 5 31" x 4 82"
	021546-01-000	EA	Bumper Asm - Rear - 4" x 4"
	039779-01-000	EA	Cap - Rubber - Rear Bumper
	040974-01-000	EA	Bar - Retaining - Spare Tire - 2" x 6.75"
	041332-01-000	EA	Cover w/Reflector - Rear Bumper - Aluminum
	041332-02-000	EA	Reflector - For Rear Bumper Cover - 6 1/2" x 3/4"
	041332-03-000	EA	Cover w/o Reflector - Rear Bumper - Aluminum
	043043-08-000	EA	Bracket Asm - Bumper Mount - w/o Tire Carrier
	053371-01-000	EA	Bracket Asm - Bumper Mount - w/Tire Carrier
	022655-02-000	EA	Tailpipe - 2 1/4" x 8" - 454 Engine
	007125-08-000	EA	Clamp - Muffler - 2.25"
	061411-01-000	EA	Extension - Exhaust - 2" x 10"
	007125-05-000	EA	Clamp - Muffler - 2"
	042552-01-000	EA	Tank - Fuel - 40 4 Gallon - Step Tank
	043718-01-000	EA	Sending Unit - Fuel - 90 Ohm (042552 Tank)
	052759-01-000	EA	Tank - Fuel - 50 Gallon - 27 5" x 42" x 10"
	057038-01-000	EA	Sending Unit - Fuel - 90 Ohm (042759 Tank)
	058790-01-000	EA	Fill - Gas - w/Vent
	038882-01-000	EA	Tank - Fuel - 27 8 Gal. - 38" x 13" x 14 5"
	024611-04-000	EA	Cap - Gas - Pressure - 1 5" Chrome
	024611-01-000	EA	Cap - Gas - Pressure - 1 5" Black
	007111-01-000	EA	Hose - Fuel - 2 1/4" I D x 3'
	024141-01-000	FT	Hose - Rubber - 1/2" I D.
	024138-01-000	FT	Hose - Fuel - 5/16" I D
	048775-01-000	EA	Valve Asm. - Fuel Selector - 3 Way
	050227-01-000	EA	Canister Asm - Vapor - 2 Stage - . Port
	053249-01-000	EA	Battery Tray Asm
	051897-01-000	EA	Bracket - Battery Tie Down
	017516-01-000	EA	Mud Flap - Black - 14" x 18" w/Holes
	033499-01-000	EA	Power Cord Box - Plastic
	055080-01-000	EA	Wheel Well - Plastic
	740313-58-000	EA	Tray - Generator - 40 kw Onan
	052431-01-000	EA	Tray - Luggage Compartment (replaces generator tray)
	063976-02-000	EA	Step Asm - Driver Door - Lower
	063977-02-000	EA	Step Asm - Driver Door - Upper



Key	Part Number	U/M	Description
1	023695-01-000	EA	Hitch Asm. - w/o Drawbar
2	034512-01-000	EA	Pin - Locking - Drawbar
3	023690-01-000	EA	Drawbar Asm - Trailer Hitch
4	034513-01-000	EA	Pin Hitch 3/16" Wire Spring

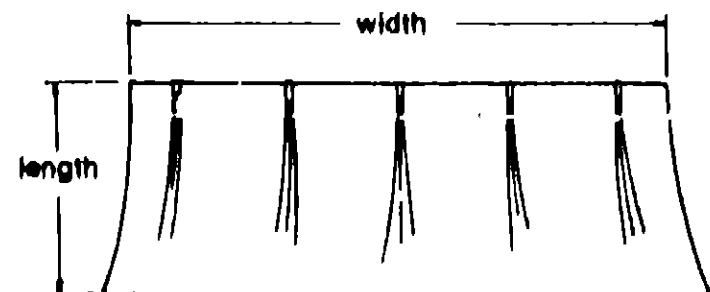
1980 WINNEBAGO TABLE OF CONTENTS

Introduction	A-1
Abbreviations	A-1
Alphabetical Index	A-2 - A-4
WD424RH LO	A-5 - F-18
WGF23RG LO	B-19 - D-12
WDN26RB LO	D-13 - F-2
WDN29RT LO	F-3 - G-24

1980 WGF23RG LO INDEX

Floor Plan	B-19 - B-20
Accessories Group	B-21 - B-22
Bath Group	B-23
Chassis Group	B-24
Curtain, Cushion & Pad Group	C-1 - C-6
Dinette Group	C-7
Driver's Compartment Group	C-8 - C-9
Electrical Group	C-10 - C-12
Exterior Body Group	C-13 - C-16
Galley Group	C-17
Heating & Air Conditioning Group	C-18 - C-19
Interior Finish Group	C-20 - C-21
LP Group	C-22
Lounge Group	C-23
Water & Sewage Group	C-24
Window, Vent & Exterior Door Group	D-1 - D-12

CURTAIN, CUSHION AND PAD GROUP



NOTE:
Use this illustration when determining length and width measurements for curtains. You will note the width measurement is taken on the top of the curtain with the curtain fully extended. The length measurement is taken from top to bottom

CURTAINS

Key	Part Number	U/M	Description
	054051-01-776	EA	Curtain Kit - Rust
	054051-01-777	EA	Curtain Kit - Blue
	054051-01-778	EA	Curtain Kit - Green
	056484-23-K01	EA	Curtain w/Taped Top - 23.5" x 19.5" - Rust
	056484-23-K02	EA	Curtain w/Taped Top - 23.5" x 19.5" - Blue
	056484-23-K21	EA	Curtain w/Taped Top - 23.5" x 19.5" - Green
	054051-36-K01	EA	Curtain w/Snap Top - Room Divider - 58" x 56" - Rust
	054051-36-K02	EA	Curtain w/Snap Top - Room Divider - 58" x 56" - Blue
	054051-36-K21	EA	Curtain w/Snap Top - Room Divider - 58" x 56" - Green
	054292-03-K01	EA	Curtain w/Snaps - Front Wraparound - Left - 27.5" x 81" - Rust
	054292-03-K02	EA	Curtain w/Snaps - Front Wraparound - Left - 27.5" x 81" - Blue
	054292-03-K21	EA	Curtain w/Snaps - Front Wraparound - Left - 27.5" x 81" - Green
	054293-03-K01	EA	Curtain w/Snaps - Front Wraparound - Right - 27.5" x 81" - Rust
	054293-03-K02	EA	Curtain w/Snaps - Front Wraparound - Right - 27.5" x 81" - Blue
	054293-03-K21	EA	Curtain w/Snaps - Front Wraparound - Right - 27.5" x 81" - Green
	054051-29-K01	EA	Curtain w/Snap Top - Front Bunk Privacy - 22" x 96" - Rust
	054051-29-K02	EA	Curtain w/Snap Top - Front Bunk Privacy - 22" x 96" - Blue
	054051-29-K21	EA	Curtain w/Snap Top - Front Bunk Privacy - 22" x 96" - Green
	054051-24-K01	EA	Curtain w/Snap Top - 34" x 37" - Rust
	054051-24-K02	EA	Curtain w/Snap Top - 34" x 37" - Blue
	054051-24-K21	EA	Curtain w/Snap Top - 34" x 37" - Green
	056484-01-K01	EA	Curtain w/Taped Top - 27.5" x 42" - Rust
	056484-01-K02	EA	Curtain w/Taped Top - 27.5" x 42" - Blue
	056484-01-K21	EA	Curtain w/Taped Top - 27.5" x 42" - Green
	056484-03-K01	EA	Curtain w/Taped Top - 22" x 19.5" - Rust
	056484-03-K02	EA	Curtain w/Taped Top - 22" x 19.5" - Blue
	056484-03-K21	EA	Curtain w/Taped Top - 22" x 19.5" - Green
	056484-15-K01	EA	Curtain w/Taped Top - 22" x 9" - Rust
	056484-15-K02	EA	Curtain w/Taped Top - 22" x 9" - Blue
	056484-15-K21	EA	Curtain w/Taped Top - 22" x 9" - Green

SHADES

Key	Part Number	U/M	Description
	059534-02-000	EA	Shade - Vinyl - 25.25" x 34" - Rust
	059534-01-000	EA	Shade - Vinyl - 25.25" x 34" - Blue
	059534-33-000	EA	Shade - Vinyl - 25.25" x 34" - Green
	059534-06-000	EA	Shade - Vinyl - 33.25" x 34" - Rust
	059534-05-000	EA	Shade - Vinyl - 33.25" x 34" - Blue
	059534-27-000	EA	Shade - Vinyl - 33.25" x 34" - Green
	059534-14-000	EA	Shade - Vinyl - 72.25" x 34" - Rust
	059534-13-000	EA	Shade - Vinyl - 72.25" x 34" - Blue
	059534-31-000	EA	Shade - Vinyl - 72.25" x 34" - Green
	059534-16-000	EA	Shade - Vinyl - 69.25" x 34" - Rust
	059534-15-000	EA	Shade - Vinyl - 69.25" x 34" - Blue
	059534-30-000	EA	Shade - Vinyl - 69.25" x 34" - Green

CURTAIN, CUSHION AND PAD GROUP (CONTINUED)

VALANCES AND TIE BACKS

Key	Part Number	U/M	Description
	056897-11-K01	EA	Valance - 5.5" x 34" - w/Rust Trim
	056897-11-K02	EA	Valance - 5.5" x 34" - w/Blue Trim
	056897-11-K21	EA	Valance - 5.5" x 34" - w/Green Trim
	056897-13-K01	EA	Valance - 5.5" x 42" - w/Rust Trim
	056897-13-K02	EA	Valance - 5.5" x 42" - w/Blue Trim
	056897-13-K21	EA	Valance - 5.5" x 42" - w/Green Trim
	056897-17-K01	EA	Valance - 5.5" x 78" - w/Rust Trim
	056897-17-K02	EA	Valance - 5.5" x 78" - w/Blue Trim
	056897-17-K21	EA	Valance - 5.5" x 78" - w/Green Trim
	056897-18-K01	EA	Valance - 5.5" x 81" - w/Rust Trim
	056897-18-K02	EA	Valance - 5.5" x 81" - w/Blue Trim
	056897-18-K21	EA	Valance - 5.5" x 81" - w/Green Trim
	054048-05-K01	EA	Tie Back - 2" x 18" - Rust
	054048-05-K02	EA	Tie Back - 2" x 18" - Blue
	054048-05-K21	EA	Tie Back - 2" x 18" - Green

FABRICS AND TRIMS

Key	Part Number	U/M	Description
	056784-02-000	YD	Fabric - Drapery - Rust
	056784-03-000	YD	Fabric - Drapery - Navy
	056784-04-000	YD	Fabric - Drapery - Green Forest
	057851-01-000	YD	Fabric - Upholstery - Main - Rust Plaid
	057851-02-000	YD	Fabric - Upholstery - Main - Blue Plaid
	057851-03-000	YD	Fabric - Upholstery - Main - Green Plaid
	057852-01-000	YD	Fabric - Upholstery - Accent - Rust
	057852-02-000	YD	Fabric - Upholstery - Accent - Navy
	057852-03-000	YD	Fabric - Upholstery - Accent - Green
	054676-08-K01	EA	Button Asm. - Covered - Rust Plaid
	054676-08-K02	EA	Button Asm. - Covered - Blue Plaid
	054676-08-K21	EA	Button Asm. - Covered - Green Plaid
	052859-01-J27	FT	Trim Asm. - Accent - Acorn Brown Vinyl
	053327-01-000	YD	Vinyl - Non Expanded - 27 oz. - Acorn Brown
	053327-02-000	YD	Vinyl - Expanded - 28 oz. - Acorn Brown
	053327-03-000	YD	Vinyl - Non Support - 16 Gauge Film - Acorn Brown

OVERHEAD BUNK CUSHIONS

Key	Part Number	U/M	Description
	055021-22-K01	EA	Cushion - Front Overhead Bunk - 31.5" x 79" x 5" - Rust
	055021-22-K02	EA	Cushion - Front Overhead Bunk - 31.5" x 79" x 5" - Blue
	055021-22-K21	EA	Cushion - Front Overhead Bunk - 31.5" x 79" x 5" - Green
	055022-24-K01	EA	Cover - Front Bunk Cushion - 31.5" x 79" x 5" - Rust
	055022-24-K02	EA	Cover - Front Bunk Cushion - 31.5" x 79" x 5" - Blue
	055022-24-K21	EA	Cover - Front Bunk Cushion - 31.5" x 79" x 5" - Green
	056897-03-000	EA	Cushion - Rear Overhead Bunk - 16" x 16" x 74" x 3"
	056898-03-000	EA	Cover - Rear Overhead Bunk Cushion - 16" x 16" x 74" x 3"

PADS

Key	Part Number	U/M	Description
	058444-01-K01	EA	Pad - End - Dinette Overhead Cabinet - Acorn Vinyl
	059607-01-K01	EA	Pad - Front Bunk Panel - Right - Acorn Vinyl
	059608-01-K01	EA	Pad - Front Bunk Panel - Left - Acorn Vinyl
	059414-01-000	EA	Pad - Sidewall Trim - Drivers
	059414-02-000	EA	Pad - Sidewall Trim - Passenger
	059467-03-K01	EA	Pad - Map Pocket - Drivers - Acorn Vinyl
	059467-04-K01	EA	Pad - Map Pocket - Passenger - Acorn Vinyl

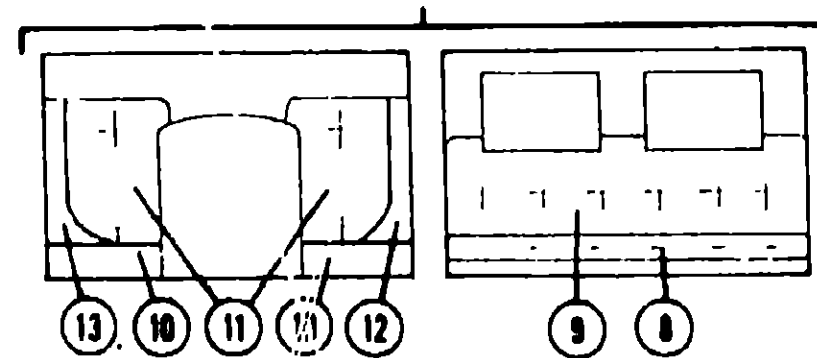
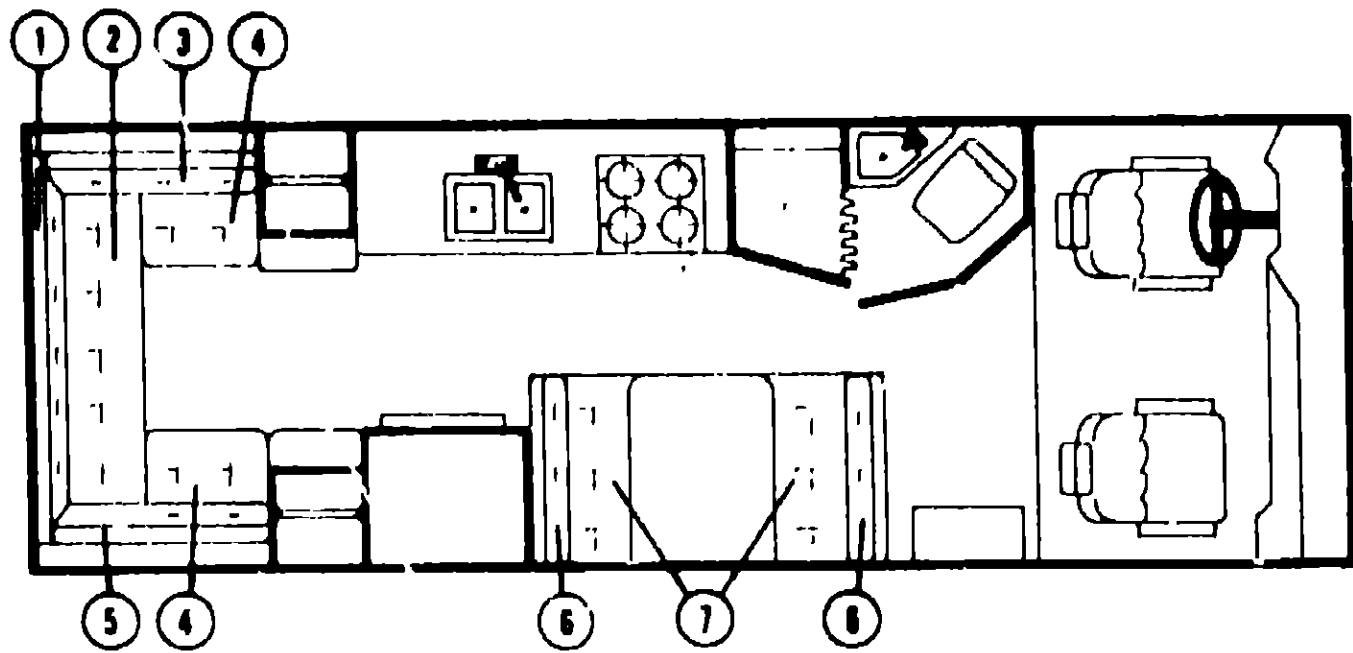
1980 WINNEBAGO TABLE OF CONTENTS

Introduction	A-1
Abbreviations	A-1
Alphabetical Index	A-2 - A-4
WD424RH LO	A-5 - B-18
WGF23RG LO	B-19 - D-12
WDN26RB LO	E-13 - F-2
WDN29RT LO	F-3 - G-24

1980 WGF23RG LO INDEX

Floor Plan	B-19 - B-20
Accessories Group	B-21 - B-22
Bath Group	B-23
Chassis Group	B-24
Curtain, Cushion & Pad Group	C-1 - C-6
Dinette Group	C-7
Driver's Compartment Group	C-8 - C-9
Electrical Group	C-10 - C-12
Exterior Body Group	C-13 - C-16
Galley Group	C-17
Heating & Air Conditioning Group	C-18 - C-19
Interior Finish Group	C-20 - C-21
LP Group	C-22
Lounge Group	C-23
Water & Sewage Group	C-24
Window, Vent & Exterior Door Group	D-1 - D-12

CURTAIN, CUSHION AND PAD GROUP (CONTINUED)



REAR LOUNGE CUSHIONS

Key	Part Number	U/M	Description
1	055021-23-K01	EA	Cushion - Lounge Back - 8" x 76" x 5" - Rust
1	055021-23-K02	EA	Cushion - Lounge Back - 8" x 76" x 5" - Blue
1	055021-23-K21	EA	Cushion - Lounge Back - 8" x 76" x 5" - Green
	055022-25-K01	EA	Cover - Lounge Back Cushion - 8" x 76" x 5" - Rust
	055022-25-K02	EA	Cover - Lounge Back Cushion - 8" x 76" x 5" - Blue
	055022-25-K21	EA	Cover - Lounge Back Cushion - 8" x 76" x 5" - Green
2	059055-01-K01	EA	Cushion - Lester Lounge - Complete - 76" - Rust
2	059055-01-K02	EA	Cushion - Lester Lounge - Complete - 76" - Blue
2	059055-01-K21	EA	Cushion - Lester Lounge - Complete - 76" - Green
	059056-01-K01	EA	Cover - Lester Lounge Cushion - 76" - Rust
	059056-01-K02	EA	Cover - Lester Lounge Cushion - 76" - Blue
	059056-01-K21	EA	Cover - Lester Lounge Cushion - 76" - Green
3	058911-05-K01	EA	Cushion - Lounge Back - Left - 13 5" x 43 5" x 40 5" x 5" - Rust
3	058911-05-K02	EA	Cushion - Lounge Back - Left - 13 5" x 43 5" x 40 5" x 5" - Blue
3	058911-05-K21	EA	Cushion - Lounge Back - Left - 13 5" x 43 5" x 40 5" x 5" - Green
	058912-05-K01	EA	Cover - Lounge Back Cushion - Left - 13 5" x 43 5" x 40 5" x 5" - Rust
	058912-05-K02	EA	Cover - Lounge Back Cushion - Left - 13 5" x 43 5" x 40 5" x 5" - Blue
	058912-05-K21	EA	Cover - Lounge Back Cushion - Left - 13 5" x 43 5" x 40 5" x 5" - Green
4	058900-09-K01	EA	Cushion - Lounge Seat - 24 5" x 18" x 6" - Rust
4	058900-09-K02	EA	Cushion - Lounge Seat - 24 5" x 18" x 6" - Blue
4	058900-09-K21	EA	Cushion - Lounge Seat - 24 5" x 18" x 6" - Green
	058901-08-K01	EA	Cover - Lounge Seat Cushion - 24 5" x 18" x 6" - Rust
	058901-08-K02	EA	Cover - Lounge Seat Cushion - 24 5" x 18" x 6" - Blue
	058901-08-K21	EA	Cover - Lounge Seat Cushion - 24 5" x 18" x 6" - Green
5	058911-04-K01	EA	Cushion - Lounge Back - Right - 13 5" x 43 5" x 40 5" x 5" - Rust
5	058911-04-K02	EA	Cushion - Lounge Back - Right - 13 5" x 43 5" x 40 5" x 5" - Blue
5	058911-04-K21	EA	Cushion - Lounge Back - Right - 13 5" x 43 5" x 40 5" x 5" - Green
	058912-04-K01	EA	Cover - Lounge Back Cushion - Right - 13 5" x 43 5" x 40 5" x 5" - Rust
	058912-04-K02	EA	Cover - Lounge Back Cushion - Right - 13 5" x 43 5" x 40 5" x 5" - Blue
	058912-04-K21	EA	Cover - Lounge Back Cushion - Right - 13 5" x 43 5" x 40 5" x 5" - Green

CURTAIN, CUSHION AND PAD GROUP (CONTINUED)

DINETTE SEAT CUSHIONS

Key	Part Number	U/M	Description
6	058900-02-K01	EA	Cushion - Dinette Back - 19.2" x 38" x 5" - Rust
6	058900-02-K02	EA	Cushion - Dinette Back - 19.2" x 38" x 5" - Blue
6	058900-02-K21	EA	Cushion - Dinette Back - 19.2" x 38" x 5" - Green
	058901-02-K01	EA	Cover - Dinette Back Cushion - 19.2" x 38" x 5" - Rust
	058901-02-K02	EA	Cover - Dinette Back Cushion - 19.2" x 38" x 5" - Blue
	058901-02-K21	EA	Cover - Dinette Back Cushion - 19.2" x 38" x 5" - Green
7	058900-01-K01	EA	Cushion - Dinette Bottom - 17.5" x 38" x 5" - Rust
7	058900-01-K02	EA	Cushion - Dinette Bottom - 17.5" x 38" x 5" - Blue
7	058900-01-K21	EA	Cushion - Dinette Bottom - 17.5" x 38" x 5" - Green
	058901-01-K01	EA	Cover - Dinette Bottom Cushion - 17.5" x 38" x 5" - Rust
	058901-01-K02	EA	Cover - Dinette Bottom Cushion - 17.5" x 38" x 5" - Blue
	058901-01-K21	EA	Cover - Dinette Bottom Cushion - 17.5" x 38" x 5" - Green

PRESTO BED CUSHIONS

Key	Part Number	U/M	Description
8	059085-01-K01	EA	Cushion - Presto Bed - Back - 76" - Rust
8	059085-01-K02	EA	Cushion - Presto Bed - Back - 76" - Blue
8	059085-01-K21	EA	Cushion - Presto Bed - Back - 76" - Green
	062753-03-K01	EA	Cover - Presto Bed Cushion - Back - 76" - Rust
	062753-03-K02	EA	Cover - Presto Bed Cushion - Back - 76" - Blue
	062753-03-K21	EA	Cover - Presto Bed Cushion - Back - 76" - Green
9	059086-01-K01	EA	Cushion - Presto Bed - Bottom - 76" - Rust
9	059086-01-K02	EA	Cushion - Presto Bed - Bottom - 76" - Blue
9	059086-01-K21	EA	Cushion - Presto Bed - Bottom - 76" - Green
	062753-04-K01	EA	Cover - Presto Bed Cushion - Bottom - 76" - Rust
	062753-04-K02	EA	Cover - Presto Bed Cushion - Bottom - 76" - Blue
	062753-04-K21	EA	Cover - Presto Bed Cushion - Bottom - 76" - Green

CORNER LOUNGE CHAIR CUSHIONS

Key	Part Number	U/M	Description
10	059742-02-K01	EA	Cushion - Lounge Chair Back - Rust
10	059742-02-K02	EA	Cushion - Lounge Chair Back - Blue
10	059742-02-K21	EA	Cushion - Lounge Chair Back - Green
	059745-02-K01	EA	Cover - Lounge Chair Back - Rust
	059745-02-K02	EA	Cover - Lounge Chair Back - Blue
	059745-02-K21	EA	Cover - Lounge Chair Back - Green
11	059743-02-K01	EA	Cushion - Lounge Chair Seat - Rust
11	059743-02-K02	EA	Cushion - Lounge Chair Seat - Blue
11	059743-02-K21	EA	Cushion - Lounge Chair Seat - Green
	059746-02-K01	EA	Cover - Lounge Chair Seat - Rust
	059746-02-K02	EA	Cover - Lounge Chair Seat - Blue
	059746-02-K21	EA	Cover - Lounge Chair Seat - Green
12	059744-04-K01	EA	Cushion - Chair Wedge - Left - Rust
12	059744-04-K02	EA	Cushion - Chair Wedge - Left - Blue
12	059744-04-K21	EA	Cushion - Chair Wedge - Left - Green
	059747-04-K01	EA	Cover - Chair Wedge - Left - Rust
	059747-04-K02	EA	Cover - Chair Wedge - Left - Blue
	059747-04-K21	EA	Cover - Chair Wedge - Left - Green
13	059744-03-K01	EA	Cushion - Chair Wedge - Right - Rust
13	059744-03-K02	EA	Cushion - Chair Wedge - Right - Blue
13	059744-03-K21	EA	Cushion - Chair Wedge - Right - Green
	059747-03-K01	EA	Cover - Chair Wedge - Right - Rust
	059747-03-K02	EA	Cover - Chair Wedge - Right - Blue
	059747-03-K21	EA	Cover - Chair Wedge - Right - Green

**1980 WINNEBAGO
TABLE OF CONTENTS**

Introduction	A-1
Abbreviations	A-1
Alphabetical Index	A-2 - A-4
WD424RH LO	A-5 - B-18
WGF23RG LO	B-19 - D-12
WDN26RB LO	D-13 - F-2
WDN29RT LO	F-3 - G-24

1980 WGF23RG LO INDEX

Floor Plan	B-19 - B-20
Accessories Group	B-21 - B-22
Bath Group	B-23
Chassis Group	B-24
Curtain, Cushion & Pad Group	C-1 - C-6
Dinette Group	C-7
Driver's Compartment Group	C-8 - C-9
Electrical Group	C-10 - C-12
Exterior Body Group	C-13 - C-16
Galley Group	C-17
Heating & Air Conditioning Group	C-18 - C-19
Interior Finish Group	C-20 - C-21
LP Group	C-22
Lounge Group	C-23
Water & Sewage Group	C-24
Window, Vent & Exterior Door Group	D-1 - D-12

CURTAIN, CUSHION AND PAD GROUP (CONTINUED)

LOWBACK BUCKET SEATS

Key	Part Number	U/M	Description
	061825-02-K01	EA	Seat Asm. - Single Bucket - w/o Armrests or Headrest - Rust
	061825-02-K02	EA	Seat Asm. - Single Bucket - w/o Armrests or Headrest - Blue
	061825-02-K21	EA	Seat Asm. - Single Bucket - w/o Armrests or Headrest - Green
	061836-01-K01	EA	Cover - Single Bucket - Back - Rust
	061836-01-K02	EA	Cover - Single Bucket - Back - Blue
	061836-01-K21	EA	Cover - Single Bucket - Back - Green
	061837-01-K01	EA	Cover - Single Bucket - Seat - Rust
	061837-01-K02	EA	Cover - Single Bucket - Seat - Blue
	061837-01-K21	EA	Cover - Single Bucket - Seat - Green

HIGHBACK BUCKET SEATS

Key	Part Number	U/M	Description
	061827-05-K01	EA	Seat Asm. - Single Bucket - w/Skirt and Armrests - Rust
	061827-05-K02	EA	Seat Asm. - Single Bucket - w/Skirt and Armrests - Blue
	061827-05-K21	EA	Seat Asm. - Single Bucket - w/Skirt and Armrests - Green
	061838-01-K01	EA	Cover - Single Bucket - Back - Rust
	061838-01-K02	EA	Cover - Single Bucket - Back - Blue
	061838-01-K21	EA	Cover - Single Bucket - Back - Green
	061839-01-K01	EA	Cover - Single Bucket - Bottom - Rust
	061839-01-K02	EA	Cover - Single Bucket - Bottom - Blue
	061839-01-K21	EA	Cover - Single Bucket - Bottom - Green
	054650-03-K01	EA	Skirt - Single Bucket - Rust
	054650-03-K02	EA	Skirt - Single Bucket - Blue
	054650-03-K21	EA	Skirt - Single Bucket - Green
	061832-01-K01	EA	Seat Asm. - Double Bucket - w/Skirt and Armrests - Rust
	061832-01-K02	EA	Seat Asm. - Double Bucket - w/Skirt and Armrests - Blue
	061832-01-K21	EA	Seat Asm. - Double Bucket - w/Skirt and Armrests - Green
	061840-01-K01	EA	Cover - Double Bucket - Back - Rust
	061840-01-K02	EA	Cover - Double Bucket - Back - Blue
	061840-01-K21	EA	Cover - Double Bucket - Back - Green
	061841-01-K01	EA	Cover - Double Bucket - Bottom - Rust
	061841-01-K02	EA	Cover - Double Bucket - Bottom - Blue
	061841-01-K21	EA	Cover - Double Bucket - Bottom - Green
	054650-04-K01	EA	Skirt - Double Bucket - Rust
	054650-04-K02	EA	Skirt - Double Bucket - Blue
	054650-04-K21	EA	Skirt - Double Bucket - Green

ARMRESTS AND HEADRESTS

Key	Part Number	U/M	Description
	050275-01-700	EA	Armrest Asm. - Foam w/o Cover - Right
	050276-01-700	EA	Armrest Asm. - Foam w/o Cover - Left
	053357-01-K01	EA	Cover - Armrest - Right or Left - Rust
	053357-01-K02	EA	Cover - Armrest - Right or Left - Blue
	053357-01-K21	EA	Cover - Armrest - Right or Left - Green
	019722-01-000	EA	Headrest Asm. - Foam w/o Cover
	053354-01-K01	EA	Cover - Headrest - Rust
	053354-01-K02	EA	Cover - Headrest - Blue
	053354-01-K21	EA	Cover - Headrest - Green

CURTAIN, CUSHION AND PAD GROUP (CONTINUED)

CURTAIN HARDWARE

Key	Part Number	U/M	Description
	062327-04-236	EA	Track - Curtain - Brown Alum. - 88" w/Holes
	056116-01-000	FT	Track - Curtain - Brown Plastic
	056001-01-000	EA	Bracket - Shade - Left
	056002-01-000	EA	Bracket - Shade - Right
	056003-01-000	EA	Bracket - Drapery Retainer - Right
	056003-02-000	EA	Bracket - Drapery Retainer - Left
	053272-04-200	EA	Track - Curtain - Off White - 88" w/Holes
	066784-01-000	EA	Pull - Window Shade - Antique Brass
	009107-01-000	EA	Guide - Nylon Snap - Curtain
	018031-42-000	EA	Track - Curtain - "L" Rod - Alum. - Extr. - 90"
	009701-01-000	EA	Carrier - "L" Rod - Curtain
	009702-01-000	EA	End Stop - "L" Rod - Curtain
	059430-01-000	EA	Track - Curtain - Front Wraparound Right or Left



Key	Part Number	U/M	Description
1	029130-01-000	EA	Socket - Snap Fastener
2	029155-01-000	EA	Cap - Snap - 15/16" Dia. x .17" Barrel
3	029156-01-000	EA	Socket - Snap Fastener
4	029092-01-000	EA	Stud - Nickel Finish
5	029093-01-000	EA	Eyelet - Nickel Finish

**1980 WINNEBAGO
TABLE OF CONTENTS**

Introduction	A-1
Abbreviations	A-1
Alphabetical Index	A-2 - A-4
WD424RH LO	A-5 - B-18
WGF23RG LO	B-19 - D-12
WDN26RB LO	D-13 - F-2
WDN29RT LO	F-3 - G-24

1980 WGF23RG LO INDEX

Floor Plan	B-19 - B-20
Accessories Group	B-21 - B-22
Bath Group	B-23
Chassis Group	B-24
Curtain, Cushion & Pad Group	C-1 - C-6
Dinette Group	C-7
Driver's Compartment Group	C-8 - C-9
Electrical Group	C-10 - C-12
Exterior Body Group	C-13 - C-16
Galley Group	C-17
Heating & Air Conditioning Group	C-18 - C-19
Interior Finish Group	C-20 - C-21
LP Group	C-22
Lounge Group	C-23
Water & Sewage Group	C-24
Window, Vent & Exterior Door Group	D-1 - D-12

DINETTE GROUP

CONVENTIONAL DINETTE W/FOLD DOWN TABLE AND OPPOSING BENCHES

Key	Part Number	U/M	Description
	063192-01-J30	EA	Table Asm. - Dinette - w/o Hardware - Butcher Block
	062488-01-K01	EA	Cabinet Asm. - Dinette Seat - Right
	062488-02-K01	EA	Cabinet Asm. - Dinette Seat - Left - w/o Door or Hardware
	067992-25-K01	EA	Door Asm. - Dinette Seat Cabinet - 19.22" x 11.34" - w/o Hardware
	067715-01-K01	EA	Cabinet Asm. - Dinette Overhead - w/o Door or Hardware
	067992-24-K01	EA	Door Asm. - Dinette Overhead Cabinet - 35.42" x 11.52" - w/o Hardware
**	063200-01-000	EA	Bracket - Upper Wall Mount - Brown - 23.5"
**	063201-01-000	EA	Bracket - Table Mount - Brown - 23"
**	024275-01-000	EA	Rod - Table Lift
**	024281-03-000	EA	Bracket - Lower Wall Mount - Brown - 22.12"
**	024276-04-000	EA	Leg Asm. - Table - Brown - 29.5"
**	024277-02-000	EA	Hinge - Table Leg - Brown
**	024282-01-000	EA	Brace - Table Leg
**	024283-01-000	EA	Clip - 1" O.D. Tube
**	049493-02-000	EA	Catch - Table Leg - Mounts on Floor - Brown

**The illustrated parts breakdown for this item is provided on the Common Items Fiche.

CORNER LOUNGE CHAIRS W/FOLD DOWN TABLE

Key	Part Number	U/M	Description
	061704-01-K01	EA	Table Asm. - Lounge - Butcher Block - w/o Hardware
	061882-01-000	EA	Leg Asm. - Table - Pivot
	061879-01-000	EA	Leg Asm. - Table - Fixed
	024275-04-000	EA	Rod - Table Lift
	024281-05-000	EA	Bracket - Table Lift - Mounts on Table
	053200-02-000	EA	Support - Table - 14 5" - Mounts on Wall
	061580-02-K01	EA	Cabinet Asm. - Lounge Chair - Left
	062376-01-K01	EA	Cabinet Asm. - Lounge Chair - Right
	059122-06-K01	EA	Door Asm. - Rolled - 17 7" x 13"

OPTIONAL COUCH W/TWIN PEDESTAL TABLES

Key	Part Number	U/M	Description
	053203-07-J30	EA	Table Asm. - Pedestal - w/o Hardware - Butcher Block
	009040-03-000	EA	Base - Table Leg - Mounts on Table
	041194-01-000	EA	Base - Table Leg - Floor Mount
	009040-02-000	EA	Leg - Pedestal Table - 27 5" - Chrome
	007021-01-000	EA	Seat Belt - 2" x 90" - Black
	041322-01-000	EA	Washer - Flat - 15/32" I D x 2 3/8" O D
	056418-01-K01	EA	Floor Plug - Pedestal Leg - Copper
	056418-01-K02	EA	Floor Plug - Pedestal Leg - Beige
	056418-01-K21	EA	Floor Plug - Pedestal Leg - Green

DRIVER'S COMPARTMENT GROUP

DASH PANEL AND COMPONENTS

Key	Part Number	U/M	Description
	061803-01-K01	EA	Dash Asm. - Complete w/Gauges and Switches
	022548-03-000	EA	Pad - Dash - Right - Dark Brown
	023242-05-000	EA	Pad - Dash - Left - Dark Brown
	024418-01-000	EA	Lamp Asm. - Map/Gauge
	023020-01-000	EA	Lamp Asm. - Teltale
	007308-01-000	EA	Dash Clock
	062367-01-000	EA	Lighter Asm. - Cigarette - 12 Volt
	007041-01-000	EA	Bezel - Cigarette Lighter
	007071-01-000	EA	Louver - Chrome - w/Chrome - Wheel
	024990-02-000	EA	Outlet - Defroster w/Swivel - 2' - Dark Brown
	039044-01-000	EA	Louver Asm. - A/C Adjustable
	050344-01-000	EA	Bezel - Entertainment Center No. 2 - w/Cut Out for Radio and Clock
	060345-01-000	EA	Bezel - Entertainment Center No. 3 - w/Cut Out for Radio, Clock, Hourmeter, Generator Start Stop Switch
	067487-02-000	EA	Bezel Complete - Control Panel
	023892-01-000	EA	Box - Glove Compartment - Black Fiberboard
	022219-01-000	EA	Door - Glove Compartment
	009118-01-000	EA	Twist Lock - Glove Compartment
	024598-01-000	EA	Hinge - Glove Compartment - 1 1/16" x 19"
	034309-01-000	EA	Chain - Glove Box Door
	023834-01-000	EA	Panel - Knee Kick - Bottom of Dash

DASH SWITCHES AND GAUGES

Key	Part Number	U/M	Description
	024461-01-000	EA	Switch - Battery
	024462-01-000	EA	Switch - Battery Condition
	024463-01-000	EA	Switch - Blinker
	024464-01-000	EA	Switch - Washer
	024465-01-000	EA	Switch - Fuel
	024467-01-000	EA	Switch - Wiper
	024976-01-000	EA	Switch - Generator w/o Circuit Board
	037387-01-000	EA	Switch - Generator w/Circuit Board
	024459-01-000	EA	Gauge - Voltmeter
	024460-01-000	EA	Gauge - Vacuum
	031035-01-000	EA	Gauge - Generator Hourmeter
	031376-01-000	EA	Control Asm. - Heater - 3 Speed
	055279-01-000	EA	Control Asm. - Heater A/C - 3 Speed

BUCKET SEAT PEDESTAL AND SEAT BELTS

Key	Part Number	U/M	Description
	049943-01-000	EA	Pedestal - Complete Swivel
	050447-02-000	EA	Pedestal Asm. - Tilt Seat - Right - Single Seat
	050447-01-000	EA	Pedestal Asm. - Tilt Seat - Left - Single Seat
	061609-01-000	EA	Pedestal Asm. - Tilt Seat - Double Seat
	007019-01-000	EA	Belt Asm. - Seat - 2" x 84" - Black
	041322-01-000	EA	Washer - Flat 15/32" I D x 2 3/8" O D

1980 WINNEBAGO TABLE OF CONTENTS

Introduction	A-1
Abbreviations	A-1
Alphabetical Index	A-2 - A-4
WD424RH LO	A-5 - B-18
WGF23RG LO	B-19 - D-12
WDN26RB LO	D-13 - F-2
WDN29RT LO	F-3 - G-24

1980 WGF23RG LO INDEX

Floor Plan	B-19 - B-20
Accessories Group	B-21 - B-22
Bath Group	B-23
Chassis Group	B-24
Curtain, Cushion & Pad Group	C-1 - C-8
Dinette Group	C-7
Driver's Compartment Group	C-8 - C-9
Electrical Group	C-10 - C-12
Exterior Body Group	C-13 - C-16
Galley Group	C-17
Heating & Air Conditioning Group	C-18 - C-19
Interior Finish Group	C-20 - C-21
LP Group	C-22
Lounge Group	C-23
Water & Sewage Group	C-24
Window, Vent & Exterior Door Group	D-1 - D-12

DRIVER'S COMPARTMENT GROUP (CONTINUED)

FRONT BUNK AND HARDWARE

Key	Part Number	U/M	Description
	068300-01-K01	EA	Cabinet Asm. - Front Overhead
	063320-01-K01	EA	Bunk - Front Overhead - Board w/Rails
	063773-01-000	EA	Support - Overhead Bunk - Brown - Right
	063773-02-000	EA	Support - Overhead Bunk - Brown - Left
	040071-02-000	EA	Support - Bunk - Seat Belt
	041322-01-000	EA	Washer - Flat - 15/32" I.D. x 2 3/8" O.D.
	039616-02-000	EA	Catch - Bunk - Brown
	023812-22-000	EA	Rail - Bunk - 75" - Brown
	063774-01-000	EA	Torsion Rod - Overhead Bunk - Brown

MISCELLANEOUS DRIVER'S COMPARTMENT COMPONENTS

Key	Part Number	U/M	Description
	056506-01-K01	EA	Sunvisor Asm. - Right Acorn Brown Vinyl - w/Mirror
	056506-02-K01	EA	Sunvisor Asm. - Left Acorn Brown Vinyl
	079143-01-000	EA	Mirror - Sunvisor - 1/8" x 3.5" x 8"
	040896-02-000	EA	Clip - Sunvisor
	061378-01-K01	EA	Beverage Tray Asm. - Matador Leather
	045795-01-000	EA	Holder - Glass - Dark Brown Plastic
	055500-01-000	EA	Tray - Utensil - Dark Brown Plastic
	034800-01-000	EA	Motor Cover - Plastic - 350 Engine
	034800-03-000	EA	Motor Cover - Plastic - 454 Engine
	039623-01-000	FT	Seal - Vinyl - Motor Cover
	035368-02-000	EA	Seal - Motor Cover - Alum. Extr.
	050796-01-000	EA	Pocket - Ashtray - Plastic
	050797-01-000	EA	Ashtray - Plastic
	039657-01-000	EA	Latch - Rubber - Draw Handle 5 3/4" w/Strike
	039658-01-000	EA	Latch - Rubber - Draw Handle 3" w/Strike
	042541-01-000	EA	Latch Asm. w/Strike - Chrome
	040519-01-000	EA	Boot - Rubber - Steering Column
	040520-01-000	EA	Boot Retainer - Steering Column
	007278-01-000	EA	Mirror - Inside Rear View - 4 1/2" x 9"
	034499-01-000	EA	Support - Dimmer Switch
	061350-01-000	EA	Trim - Interior - A Post w/Notch - Left
	061350-02-000	EA	Trim - Interior - A Post w/Notch - Right
	059414-01-000	EA	Pad - Sidewall Trim - Driver
	059414-02-000	EA	Pad - Sidewall Trim - Passenger
	059467-03-K01	EA	Pad - Map Pocket - Drivers - Acorn Vinyl
	059467-04-K01	EA	Pad - Map Pocket - Passenger - Acorn Vinyl

ELECTRICAL GROUP

BULBS

Key	Part Number	U/M	Description
	037935-01-000	EA	Bulb - 1157
	038010-01-000	EA	Bulb - 1143 - Frosted
	008103-01-000	EA	Bulb - 83
	008212-01-000	EA	Bulb - 87
	008214-01-000	EA	Bulb - 87
	008215-01-000	EA	Bulb - 1003
	008216-01-000	EA	Bulb - 1034
	008217-01-000	EA	Bulb - 1073
	008218-01-000	EA	Bulb - 1141
	008219-01-000	EA	Bulb - 868
	008220-01-000	EA	Bulb - 12V - 25W
	038196-01-000	EA	Bulb - 194
	700020-01-000	EA	Bulb - 12 V - 20W - 1363

FUSES AND CIRCUIT BREAKERS

Key	Part Number	U/M	Description
	056473-01-000	EA	Fuse - Slow Blow - 6 1/4 Amp.
	008233-01-000	EA	Fuse - 12 Volt - 6 Amp.
	008234-01-000	EA	Fuse - 12 Volt - 10 Amp.
	008235-01-000	EA	Fuse - 12 Volt - 15 Amp.
	008236-01-000	EA	Fuse - 12 Volt - 20 Amp.
	008248-01-000	EA	Fuse - 110 Volt - 30 Amp. - AGU
	008252-01-000	EA	Fuse - 110 Volt - 50 Amp.
	046893-04-000	EA	Fuse - AGC 12 Volt
	008208-01-000	EA	Circuit Breaker - 12 Volt - 40 Amp.
	008211-01-000	EA	Circuit Breaker - 12 Volt - 6 Amp
	008268-01-000	EA	Circuit Breaker - 12 Volt - 30 Amp. w/Mount
	033573-01-000	EA	Circuit Breaker - 12 Volt - 20 Amp w/Mount
	040051-01-000	EA	Circuit Breaker - 110 Volt - 20 Amp - TQL

INTERIOR LIGHTS

Key	Part Number	U/M	Description
	033508-02-000	EA	Light - Dome - Ivory - 1 Bulb - US
	033508-03-000	EA	Light - Dome - Ivory - 1 Bulb - CSA
	033509-02-000	EA	Light - Dome - Ivory - 2 Bulb - US
	033509-03-000	EA	Light - Dome - Ivory - 2 Bulb - CSA
	024842-01-701	EA	Lens - Dome Light - 1 Bulb
	024843-01-701	EA	Lens - Dome Light - 2 Bulb
	024418-01-000	EA	Lamp Asm. - Map/Gauge/Aisle
	024473-01-000	EA	Light - Aircraft - 1 Bulb - Gold
	053348-01-000	EA	Light - High Intensity - Brown Plastic

EXTERIOR LIGHTS

Key	Part Number	U/M	Description
	042405-03-000	EA	Base - Rectangular Clearance Light
	042405-04-000	EA	Lens - Clearance Light - Red
	042405-05-000	EA	Lens - Clearance Light - Amber
	008092-01-000	EA	Reflector - Stick On - Rectangular - Red
	008093-01-000	EA	Reflector - Stick On - Rectangular - Amber
	048817-01-000	EA	Assist Handle w/Light
	007309-01-000	EA	Light - Stepwell
	058032-01-000	EA	Tail Lamp Asm. - 2 Bulb Chrome
	058031-01-700	EA	Lens - Tail Lamp - Amber
	058031-01-701	EA	Lens - Tail Lamp - Red
	058031-01-702	EA	Lens - Tail Lamp - Clear (Back Up)
	058955-02-000	EA	Wedge - Tail Lamp
	058036-01-000	EA	Bracket - Tail Lamp
	058540-01-000	EA	Bracket - License Plate

1990 WINNEBAGO TABLE OF CONTENTS

Introduction	A-1
Abbreviations	A-1
Alphabetical Index	A-2 - A-4
WD424RH LO	A-5 - B-18
WGF23RG LO	B-19 - D-12
WDN26RB LO	D-13 - F-2
WDN29RT LO	F-3 - G-24

1990 WGF23RG LO INDEX

Floor Plan	B-19 - B-20
Accessories Group	B-21 - B-22
Bath Group	B-23
Chassis Group	B-24
Curtain, Cushion & Pad Group	C-1 - C-6
Dinette Group	C-7
Driver's Compartment Group	C-8 - C-9
Electrical Group	C-10 - C-12
Exterior Body Group	C-13 - C-16
Galley Group	C-17
Heating & Air Conditioning Group	C-18 - C-19
Interior Finish Group	C-20 - C-21
LP Group	C-22
Lounge Group	C-23
Water & Sewage Group	C-24
Window, Vent & Exterior Door Group	D-1 - D-12

ELECTRICAL GROUP (CONTINUED)

WINDSHIELD WIPER AND WASHER

Key	Part Number	U/M	Description
**	058000-02-000	EA	Washer Asm. - w/o Nozzles
	044313-02-000	EA	Motor Asm. - Windshield Wiper - 100"
**	044313-03-000	EA	Motor Asm. - Windshield - Wiper - 93"
**	048464-02-000	EA	Blade - Windshield Wiper - 20"
**	057653-01-000	EA	Arm - Windshield Wiper - 18"
**	037998-01-000	EA	Link Asm. - Connecting - 22.40'
**	065875-01-000	EA	Shaft and Pivot Asm.

**The illustrated parts breakdown for this item is provided on the Common Items Fiche.

MISCELLANEOUS ELECTRICAL COMPONENTS

Key	Part Number	U/M	Description
	047338-01-000	EA	Isolator - Dual Battery
	047399-01-700	EA	Battery - 12 Volt - 105 Amp. Deep Cycle - Dry
	057899-01-000	EA	Battery - 12 Volt Maintenance Free - Delco
	006188-01-000	EA	Solenoid - Dual Battery - Relay
**	046775-01-000	EA	Valve - Gas - Change Over
**	054544-01-000	EA	Control Center - 37 Amp. - UL
	039950-01-702	EA	Circuit Board - Control Center
	024459-01-000	EA	Gauge - Voltmeter
	024482-01-000	EA	Switch - Battery Condition
	031035-01-000	EA	Gauge - Hour Meter - Generator
	024976-01-000	EA	Switch - Generator w/o Circuit Board
	024480-01-000	EA	Gauge Vacuum
	048812-04-000	EA	Control Panel - Water/Double Sewage - Basic Panel
	048812-05-000	EA	Panel - Insert - w/Thermostat Holes
	048812-06-000	EA	Panel Insert - w/o Thermostat
	048812-07-000	EA	Panel Insert - Deluxe - w/Refrigerator Alarm, Clock, and Gauge
	048812-07-700	EA	Refrigerator Sensor - Refrigerator Alarm
	039881-01-000	EA	Sending Unit Kit - Wemac
	024461-01-000	EA	Switch - Battery - Changeover
	048885-01-000	EA	Plaque - Switch Mounting
	062408-01-000	EA	Heat Pusher - Duct Fan - Winterization Option
	062411-01-000	EA	Switch - Temperature Control - 38° Close - 48° Open - Winterization Option
	062411-02-000	EA	Switch - Temperature Control - 28° Close - 38° Open - Winterization Option
	062625-01-000	EA	Panel - Control - Wemac - Winterization Option
	062639-01-000	EA	Alarm - Warning - 12 Volt - Winterization Option

**The illustrated parts breakdown for this item is provided on the Common Items Fiche.

ELECTRICAL GROUP (CONTINUED)

WIRE, SWITCHES AND RECEPTACLES

Key	Part Number	U/M	Description
	008024-01-000	FT	Wire - 18.5 Bonded - Orange/White/Yellow/Blue/Brown
	008026-01-000	FT	Wire - 18.5 Bonded - Orange/White/Yellow/Blue/Green
	008028-01-000	FT	Wire - 18.5 Bonded - Blue/Red/Yellow/Orange/White
	008030-01-000	FT	Wire - 16.4 Bonded
	008251-01-000	EA	Holder - Fuse - Black - Screw Type
	008277-01-000	EA	Holder - Fuse - Black - Panel Mount
	008250-02-000	EA	Holder - Fuse - In Line - 15 Amp.
	008196-01-000	EA	Switch - Push Button - 12 Volt
	008077-01-000	EA	Plaque - Compressor Switch
	008054-01-000	EA	Cord - Power - 10-3 30 Amp. - 25' - UL
	008062-01-000	EA	Cord - Power - 10-3 30 Amp. - 25' - CSA
	034818-04-000	EA	Holder - Receptacle - Plastic
	039338-01-000	EA	Cover Plate - Receptacle - Plastic - Brown
	039342-01-000	EA	Receptacle - Duplex Brown - T Junction
	024571-01-000	EA	Cover - Plate - Receptacle - Jumbo Steel Brown
	039343-01-000	EA	Cap - End - Receptacle
	008162-01-000	EA	Switch - Double Toggle - Spade Brown
	008163-01-000	EA	Switch - Toggle Brown
	008164-01-000	EA	Cover Plate - Switch - Brown
	024924-01-000	EA	Receptacle - Power Cord
	008058-01-000	EA	Adaptor - Power Cord
	047353-01-000	EA	Cover - Receptacle - Ground Fault
	053126-01-000	EA	Receptacle - Ground Fault Interrupter - 125 Volt - Ivory
	008181-01-000	EA	Relay - 12 to 15 V - 27 Amp.
	036617-01-000	EA	Relay - Canister - 3PDT
	031720-01-000	EA	Plastic Spacer - Receptical - Brown - CSA

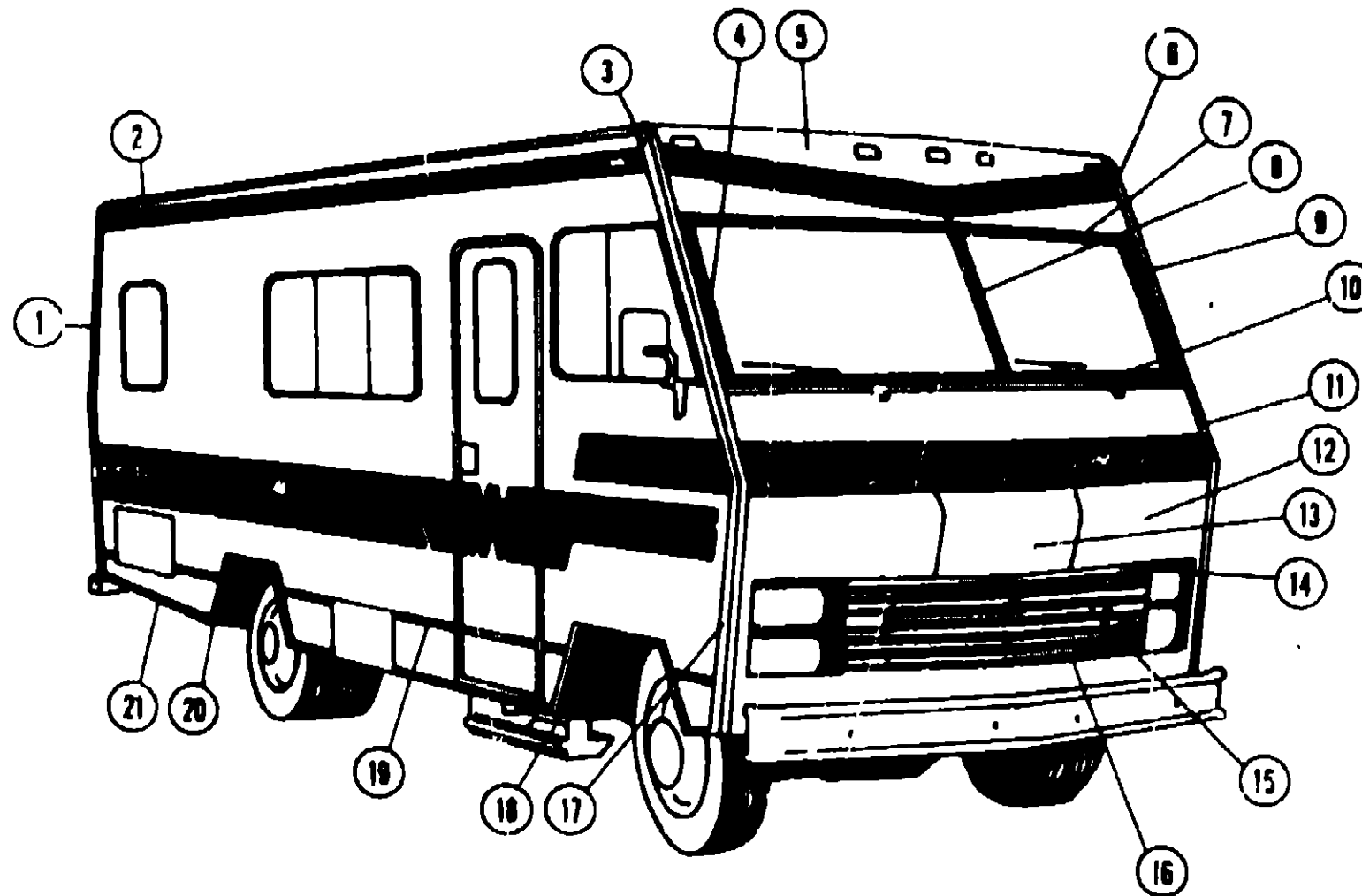
1980 WINNEBAGO TABLE OF CONTENTS

Introduction	A-1
Abbreviations	A-1
Alphabetical Index	A-2 - A-4
WD424RH LO	A-5 - B-18
WGF23RG LO	B-19 - D-12
WDN26RB LO	D-13 - F-2
WDN29RT LO	F-3 - G-24

1980 WGF23RG LO INDEX

Floor Plan	B-19 - B-20
Accessories Group	B-21 - B-22
Bath Group	B-23
Chassis Group	B-24
Curtain, Cushion & Pad Group	C-1 - C-6
Dinette Group	C-7
Driver's Compartment Group	C-8 - C-9
Electrical Group	C-10 - C-12
Exterior Body Group	C-13 - C-16
Galley Group	C-17
Heating & Air Conditioning Group	C-18 - C-19
Interior Finish Group	C-20 - C-21
LP Group	C-22
Lounge Group	C-23
Water & Sewage Group	C-24
Window, Vent & Exterior Door Group	D-1 - D-12

EXTERIOR BODY GROUP



1980 WINNEBAGO TABLE OF CONTENTS

Introduction	A-1
Abbreviations	A-1
Alphabetical Index	A-2 - A-4
WD424RH LO	A-5 - B-18
WGF23RG LO	B-19 - D-12
WON26RB LO	D-13 - F-2
WON29RT LO	F-3 - G-24

Key	Part Number	U/M	Description
1	039964-01-000	EA	Trim - Contour - Right Rear - Off White
2	039964-02-000	EA	Trim - Contour - Left Rear - Off White
3	058284-02-000	EA	Trim - Sidewall - Upper - Left or Right - Off White
4	058289-02-000	EA	Trim - Contour - Right Front Upper - Off White
5	054968-01-000	EA	Trim - Contour - Windshield - Right
6	062396-01-000	EA	Cap Asm. - Fiberglass - Over Windshield - Off White
7	058284-01-000	EA	Trim - Roof/Front Cap - 91"
8	058287-01-000	EA	Trim - Contour - Left Front Upper - Off White
9	042743-02-000	EA	Trim - Molding - Windshield - Upper
10	058288-01-000	EA	Trim - Corner Windshield - Upper
11	058288-01-000	EA	Trim Molding - Windshield - Center
12	058288-01-000	EA	Trim - Contour - Windshield - Left
13	058287-02-000	EA	Trim - Molding - Windshield - Lower
14	042743-01-000	EA	Trim - Corner Windshield - Lower

Key	Part Number	U/M	Description
11	058899-04-000	EA	Trim - Contour - Left Front Lower - Off White
12	058288-03-000	EA	Panel Asm. - Front Shroud
13	058878-01-000	EA	Access Panel - Off White
14	058722-01-000	EA	Pull Pin - Access Door Release
15	059123-03-000	EA	Grille Trim - Upper
16	059338-01-000	EA	Grille Asm
17	059124-03-000	EA	Grille Trim - Lower
18	058899-03-000	EA	Trim - Contour - Right Front Lower - Off White
19	052843-02-000	EA	Trim - Wheel Well - Front - Left or Right
20	002444-02-001	EA	Feature Strip - Extr Anod - 14' - w/o Insert
21	001030-08-100	EA	Insert - Feature Strip - Brown - 17'
22	052842-01-000	EA	Trim - Wheel Well - Rear - Right
23	052842-02-000	EA	Trim - Wheel Well - Rear - Left
24	002776-02-001	EA	Extr - U-Channel - 1 75" - 18'
			Not Illustrated

1980 WGF23RG LO INDEX

Floor Plan	B-19 - B-20
Accessories Group	B-21 - B-22
Bath Group	B-23
Chassis Group	B-24
Curtain, Cushion & Pad Group	C-1 - C-6
Dinette Group	C-7
Driver's Compartment Group	C-8 - C-9
Electrical Group	C-10 - C-12
Exterior Body Group	C-13 - C-16
Galley Group	C-17
Heating & Air Conditioning Group	C-18 - C-19
Interior Finish Group	C-20 - C-21
LP Group	C-22
Lounge Group	C-23
Water & Sewage Group	C-24
Window, Vent & Exterior Door Group	D-1 - D-12

EXTERIOR BODY GROUP (CONTINUED)

EXTERIOR BODY PANELS AND SHEET ALUMINUM

Key	Part Number	U/M	Description
	058415-02-K01	EA	Backwall Asm.
	058412-01-K01	EA	Sidewall Asm. - Right
	058411-01-K01	EA	Sidewall Asm. - Left
	058315-01-K01	EA	Roof Asm.
	039155-03-006	EA	Alum. - Off White Mesa I - .024" x 36" x 60"
	039155-03-003	EA	Alum. - Off White Mesa I - .024" x 36" x 360"
	039155-03-007	EA	Alum. - Off White Mesa I - .024" x 48" x 60"
	039155-03-005	EA	Alum. - Off White Mesa I - .024" x 48" x 360"
	039155-03-009	EA	Alum. - Off White Mesa I - .024" x 12" x 360"
	039155-28-001	EA	Alum. - Off White Mesa II - .024" x 36" x 60"
	039155-28-003	EA	Alum. - Off White Mesa II - .024" x 36" x 360"
	039155-28-004	EA	Alum. - Off White Mesa II - .024" x 48" x 60"
	039155-28-006	EA	Alum. - Off White Mesa II - .024" x 48" x 360"
	039155-28-007	EA	Alum. - Off White Mesa II - .024" x 12" x 360"
	044487-01-001	EA	Plain Roof Metal - 96" x 360"
	039155-07-010	EA	Off White Greyhound Alum. - 48" x 96"
	001054-01-011	EA	Off White Plain Alum. - 48" x 96"
	X0888-01-000	BF	Styrofoam - 3/4" x 24" x 96"
	X0870-01-000	BF	Styrofoam - 1 1/2" x 24" x 96"

NOTE: The raised portion of Mesa I aluminum is 1.657" wide.
The raised portion of Mesa II aluminum is .875" wide.

LABELS AND DECALS

Key	Part Number	U/M	Description
	0108031-01-000	EA	Label - Potable Water Only
	0108187-01-000	EA	Label - Sewage
	0106188-01-000	EA	Label - Waste Water
	0106199-01-000	EA	Label - Exit - Escape Window
	0106028-01-000	EA	Label - Drain Cap - 2" x 3"
	008012-01-000	EA	Reflector - Stick On - Rectangular - Red
	008013-01-000	EA	Reflector - Stick On - Rectangular - Amber
	040944-01-000	EA	Label - Open - Entrance Door
	047731-01-000	EA	Label - Emergency Exit
	0108041-01-000	EA	Tag - Gas - Refueling Warning
	0106062-01-000	EA	Tag - Electrical - 110V Connection
	054531-01-000	EA	Label - LP Gas Only
	061417-01-000	EA	Label - Fuel
	031161-01-000	EA	Label - Flying "W"
	050313-16-000	EA	Decal - Logo - "Winnebago" - 2 8" x 22" - Rust
	050313-17-000	EA	Decal - Logo - "Winnebago" - 2 8" x 22" - Orange
	050313-08-000	EA	Decal - Logo - "Winnebago" - 2 8" x 22" - Blue
	064459-01-000	EA	Decal - Logo - "Brave" - 4 3/4" x 31 1/2" - Rust
	064459-02-000	EA	Decal - Logo - "Brave" - 4 3/4" x 31 1/2" - Orange
	064459-03-000	EA	Decal - Logo - "Brave" - 4 3/4" x 31 1/2" - Blue
	065216-01-000	EA	Decal - W Surround - 16" x 9 5" - Right - Rust
	065216-02-000	EA	Decal - W Surround - 16" x 9 5" - Right - Orange
	065216-03-000	EA	Decal - W Surround - 16" x 9 5" - Right - Blue
	065216-04-000	EA	Decal - W Surround - 16" x 9 5" - Left - Rust
	065216-05-000	EA	Decal - W Surround - 16" x 9 5" - Left - Orange
	065216-06-000	EA	Decal - W Surround - 16" x 9 5" - Left - Blue
	065217-01-000	FT	Decal - Double 1 5" Stripes Premasked 3/4" Apart - Rust
	065217-02-000	FT	Decal - Double 1 5" Stripes Premasked 3/4" Apart - Orange
	065217-03-000	FT	Decal - Double 1 5" Stripes Premasked 3/4" Apart - Blue
	065218-01-000	FT	Decal - 1/2" Tape Stripe - Premasked - Rust
	065218-02-000	FT	Decal - 1/2" Tape Stripe - Premasked - Orange
	065218-03-000	FT	Decal - 1/2" Tape Stripe - Premasked - Blue
	065219-01-000	FT	Decal - Double 3/4" Stripes Premasked 2" Apart - Rust
	065219-02-000	FT	Decal - Double 3/4" Stripes Premasked 2" Apart - Orange
	065219-03-000	FT	Decal - Double 3/4" Stripes Premasked 2" Apart - Blue

EXTERIOR BODY GROUP (CONTINUED)

SEALANTS, ADHESIVES AND FASTENERS

Key	Part Number	U/M	Description
	034552-05-000	EA	Sealant - Off White Silicone
	034552-04-000	EA	Sealant - Beige Silicone
	034552-02-000	EA	Sealant - Clear Silicone
	034348-02-000	EA	Sealant - White Silicone
	009700-01-000	EA	Tape - Furnace - 1 1/2"
	004353-01-000	FT	Tape - Gasket - 1/8" x 3/4" - White
	002825-01-000	FT	Weather Stripping - Roof Vent
	002337-01-000	EA	Adhesive - 3M - 1300 Tube
	004006-01-000	GL	Adhesive - Swifts - Green - Glue (Sidewalls)
	004020-01-000	QT	Adhesive - ABS Cement (Plastic Fittings)
	029051-01-000	EA	Adhesive - Spray Vinyl
	042401-02-000	EA	Screw - 8 - 18 x 3/4" PH - Off White
	042403-02-000	EA	Screw - SF/DR - 11 - 18 x 1" SDPH - Off White
	053766-01-000	EA	Bedding Compound - Tube Black - Schnee Morehead
	053766-02-000	EA	Bedding Compound - Tube White - Schnee Morehead
	053767-01-000	FT	Tape - 1/2" x 1/8" x 30' - Gray - Schnee Morehead
	053767-03-000	FT	Tape - 1/4" Bead x 20' - Gray - Schnee Morehead
	053767-04-000	FT	Tape - 3/4" x 1/8" x 30' - Gray - Schnee Morehead
	053767-05-000	FT	Tape - 2" x 3/32" x 45' - Gray - Schnee Morehead

EXTERIOR PAINT

Key	Part Number	U/M	Description
	041561-01-000	EA	Paint - Off White - Acrylic Enamel - 1 Gal - Dupont 45398A
	041561-03-000	EA	Paint - Off White - Acrylic Enamel - 16 oz. Spray - Dupont 45398A
	041561-04-000	EA	Paint - Off White - Acrylic Lacquer - 1 Gal. - Dupont 45398L
	059380-03-000	EA	Paint - Brown - Acrylic Enamel - 16 oz. Spray - Dupont 29607
	057012-03-000	EA	Paint - Mariner Blue - Acrylic Enamel - 16 oz. Spray - Dupont 5183
	059362-03-000	EA	Paint - Orange - Acrylic Enamel - 16 oz. Spray - Dupont 7455
	065213-03-000	EA	Paint - Dark Brown - 10 oz. Spray - Dupont 44173

MISCELLANEOUS EXTERNALLY MOUNTED PARTS

Key	Part Number	U/M	Description
	010230-02-000	EA	Fill - City Water - Recessed - Off White
	058808-01-000	EA	Fill - Water - Lockable
**	011124-01-000	EA	Plumbing Seal - Roof Vent - 1 1/4" White
**	011129-01-000	EA	Plumbing Seal - Roof Vent - 1 1/2" White
	057461-01-000	EA	Mirror Head - 7 1/2" x 10 1/2" - w/Convex - Bright Finish
	057461-02-000	EA	Mirror Head - 7 1/2" x 10 1/2" - w/Convex - Off White
	049348-01-000	EA	Arm - Low Mount Mirror - Bright Finish
	049348-02-000	EA	Arm - Low Mount Mirror - Off White
	049944-02-000	EA	Bracket - Mirror - Outside - Off White
	048817-01-000	EA	Handle Asm - Assist w/Light

**The illustrated parts breakdown for this item is provided on the Common Items Fiche

1980 WINNEBAGO TABLE OF CONTENTS

Introduction	A-1
Abbreviations	A-1
Alphabetical Index	A-2 - A-4
WD424RH LO	A-5 - B-18
WGF23RG LO	B-19 - D-12
WDN26RB LO	D-13 - F-2
WON29RT LO	F-3 - G-24

1980 WGF23RG LO INDEX

Floor Plan	B-19 - B-20
Accessories Group	B-21 - B-22
Bath Group	B-23
Chassis Group	B-24
Curtain, Cushion & Pad Group	C-1 - C-6
Dinette Group	C-7
Driver's Compartment Group	C-8 - C-9
Electrical Group	C-10 - C-12
Exterior Body Group	C-13 - C-16
Galley Group	C-17
Heating & Air Conditioning Group	C-18 - C-19
Interior Finish Group	C-20 - C-21
LP Group	C-22
Lounge Group	C-23
Water & Sewage Group	C-24
Window, Vent & Exterior Door Group	D-1 - D-12

GALLEY GROUP

GALLEY CABINETRY

Key	Part Number	U/M	Description
	058304-01-U1	EA	Cabinet Asm. - Galley - w/o Countertop, Doors, Drawers or Hardware
	052588-01-K01	EA	Countertop Asm. - Galley - Almond Batik
	058023-05-K01	EA	Drawer Asm. - Galley Cabinet - 15.02" x 6" x 12.5" Deep - w/o Hardware
	057992-30-K01	EA	Door Asm. - Galley Cabinet - 13.82" x 30.62" - w/o Hardware
	057992-32-K01	EA	Door Asm. - Galley Cabinet - 14.82" x 9.72" - w/o Hardware
	057992-28-K01	EA	Door Asm. - Refrigerator Cabinet - 11.82" x 17.82" - w/o Hardware
	057677-01-K01	EA	Cabinet Asm. - Galley Overhead - w/o Drawers or Hardware
	057992-10-K01	EA	Door Asm. - Galley Overhead Cabinet - 11.82" x 10.02" - w/o Hardware
	057992-29-K01	EA	Door Asm. - Galley Overhead Cabinet - 9.82" x 15.82" - w/o Hardware

GALLEY HARDWARE AND APPLIANCES

Key	Part Number	U/M	Description
	053424-01-K01	EA	Sink Cover - Large - Almond Batik
	011032-01-000	EA	Sink - Stainless Steel - Double w/Bolts
**	011053-01-000	EA	Faucet - Swing Spout - 8" - US
**	011053-02-000	EA	Faucet - Swing Spout - 8" - C.S.A
**	011085-01-000	EA	Strainer - Sink
**	011053-01-700	EA	Aerator - Swing Spout Faucet
	058334-01-000	EA	Wastebasket - 9 3/4" x 7" x 10" - White Rubbermaid
	039873-01-000	EA	Catch and Strike - Nylon
	053333-01-000	EA	Range Hood - Non Power - Black
**	049930-07-000	EA	Range Hood - Powered - Almond - Jensen
	052771-02-000	EA	Microwave Oven - Magic Chef - MW207
	055282-02-000	EA	Range - 4 Burner - Small - Almond - Magic Chef
**	049175-02-000	EA	Refrigerator - AC/DC/Gas - Sibir ET150/2 - 1 Door Model
**	049174-02-000	EA	Refrigerator - AC/DC/Gas - Sibir ET230/2 - 2 Door Model

**The illustrated parts breakdown for this item is provided on the Common Items Fiche

HEATING AND AIR CONDITIONING GROUP

AUTOMOTIVE HEATER AND AIR CONDITIONER

Key	Part Number	U/M	Description
	039044-01-000	EA	Louver Asm. - A/C Adjustable
	047048-01-000	EA	Motor - 12 Volt - 3 Speed - Heater - Air Conditioner
	031043-01-000	EA	Valve - Heater - Water Flow Control
	031189-01-000	EA	Cable - Control - Flexible - 53"
	031189-02-000	EA	Cable - Control - Flexible - 48"
	031170-01-000	EA	Clamp - Cable - 3/16" Dia.
	024998-01-000	EA	Clutch - Magnetic - Compressor
	024999-01-000	EA	Compressor - Auto Air - 10.3" Cubic Inch
	058783-01-000	EA	Belt - Compressor Drive - Dayco 155x0
	047038-01-000	EA	Package Compressor Mount 350 C.I.D.
	048100-01-000	EA	Package Compressor Mount 454 C.I.D.
	048801-01-000	EA	Condenser - Radiator Mount
	008287-01-000	EA	Switch - Air Conditioner
	024887-01-000	EA	Valve - Thermostatic Expansion
	024997-01-000	EA	Core - Heater
	024998-01-000	EA	Wheel - Blower - 4.72" O.D.
	031393-01-000	EA	Coil - Evaporator
	031001-01-000	EA	Blower Housing
	007076-01-000	FT	Hose - Flexible PVC - 2" I.D.
	007108-01-000	FT	Hose - Heater - 5/8" I.D. SAE 20R3
	007281-01-000	FT	Hose - Flexible PVC - 2 1/2" I.D.
	007139-01-000	EA	Clamp - Worm Drive - .89" - 1.25" I.D.
	007140-01-000	EA	Clamp - Hose - 2" - 3" Dia.
	033258-01-000	EA	Hose - Refrigerant - .50" I.D. x 34.50"
	065208-01-000	EA	Hose - Refrigerant - .50" I.D. x 34.5" w/90° Elbow
	034222-01-000	EA	Hose - Refrigerant - .31" I.D. x 28"
	034222-02-000	EA	Hose - Refrigerant - .31" I.D. x 32"
	039180-01-000	EA	Hose - Refrigerant - 3/4" I.D. x 30"
	031981-01-000	EA	Hose - Refrigerant - 3/4" I.D. x 14.75"
	031981-02-000	EA	Hose - Refrigerant - 3/4" I.D. x 19"
	049401-01-000	EA	Heater Asm - Rear - Aux
	049401-01-700	EA	Valve - Water Control - (Aux. Heater)
	049401-01-701	EA	Control Cable - (Aux. Heater)
	049401-01-702	EA	Motor Asm. - (Aux. Heater)
	049401-01-703	EA	Heater Core - (Aux. Heater)
	049401-01-704	EA	Switch - (Aux. Heater)
	058908-01-000	EA	Control Panel - Auxiliary Rear Heater
	024888-01-000	EA	Receiver - Dehydrator
	031044-01-000	EA	Clamp - Receiver Dehydrator
	031982-01-000	EA	Bracket - Receiver Dehydrator
	048230-02-000	EA	Kit - Auto Air - 350 C.I.D. A-Body
	047232-02-000	EA	Kit - Auto Air - 454 C.I.D. A-Body
	058464-01-000	EA	Register - 4" Dia - Plastic w/Damper - Winterization Option
	062408-01-000	EA	Heat - Pusher - (Duct Fan) Winterization Option
	062411-01-000	EA	Switch - Temp Control - 38° Close - 48° Open - Winterization Option
	062411-02-000	EA	Switch - Temp Control - 28° Close - 30° Open - Winterization Option

1980 WINNEBAGO TABLE OF CONTENTS

Introduction	A-1
Abbreviations	A-1
Alphabetical Index	A-2 - A-4
WD424RH LO	A-5 - B-18
WGF23RG LO	B-19 - D-12
WDN26RB LO	D-13 - F-2
WDN29RT LO	F-3 - G-24

1980 WGF23RG LO INDEX

Floor Plan	B-19 - B-20
Accessories Group	B-21 - B-22
Bath Group	B-23
Chassis Group	B-24
Curtain, Cushion and Pad Group	C-1 - C-6
Dinette Group	C-7
Driver's Compartment Group	C-8 - C-9
Electrical Group	C-10 - C-12
Exterior Body Group	C-13 - C-16
Galley Group	C-17
Heating & Air Conditioning Group	C-18 - C-19
Interior Finish Group	C-20 - C-21
LP Group	C-22
Lounge Group	C-23
Water & Sewage Group	C-24
Window, Vent & Exterior Door Group	D-1 - D-12

HEATING AND AIR CONDITIONING GROUP (CONTINUED)

FACES AND ROOF AIR CONDITIONERS

Key	Part Number	U/M	Description
**	052508-01-000	EA	Furnace - 19,000 BTU - Under Counter Mount - 4319-729
**	059351-01-000	EA	Furnace - 24,000 BTU - w/Electric Ignition - 4324-749
**	059350-01-000	EA	Furnace - 30,000 BTU - w/Electric Ignition - 4330-749
	009198-01-000	FT	Duct - Flexible - 4" I.D. x 25'
	009200-01-000	EA	Tape - Furnace - 1 1/2"
	023148-01-000	EA	Clamp - Screw Type - 4"
	024985-01-000	EA	Heat Register - w/Damper - 9.8" x 4.8"
	031604-01-000	EA	Bonnet - Heat Register
	050784-01-000	EA	Vent Package - Furnace - 3" - 6" - Wall
	039505-02-000	EA	Thermostat - Horizontal Wall Mount
**	049777-02-000	EA	Air Conditioner - 110 Volt - Roof Mount - 11,000 BTU - Ivory Coleman (w/o inside shroud)
**	049778-02-000	EA	Shroud Asm. - Ceiling - Inside Roof Air - Cool Only - 11,000 BTU - Coleman
**	049774-02-000	EA	Air Conditioner - 110 Volt - Roof Mount - 13,500 BTU Ivory - Coleman (w/o inside shroud)
**	049775-02-000	EA	Shroud Asm. - Ceiling - Inside - Roof Air Cool Only - 13,500 BTU - Coleman
**	049776-01-000	EA	Shroud Asm. - Ceiling - Inside - Roof Air Heat and Cool - 13,500 BTU - Coleman

**The illustrated parts breakdown for this item is provided on the Common Items Fiche.

Key	Part Number	U/M	Description
	057856-01-000	SF	Paneling - 724 Vermont Oak - Plain - 48" x 96" (32 SF)
	057855-01-000	SF	Paneling - 724 Vermont Oak - V Groove - 48" x 96" (32 SF)
	048983-01-000	SF	Paneling - 825 Buff - 48" x 96" (32 SF)
	058348-01-000	SF	Paneling - Pompeii Beige - Bath - 48" x 96" (32 SF)
	058348-01-000	SF	Paneling - Paint Brush Rust - 48" x 84"
	058348-02-000	SF	Paneling - Paint Brush Brown - 48" x 84"
	058348-03-000	SF	Paneling - Paint Brush Green - 48" x 84"
	058219-01-000	SF	Plastic Laminate - Almond Balik
	059970-01-000	SF	Plastic Laminate - Matador Leather
	053339-01-000	SF	Plastic Laminate - Butcher Block - 48" x 96" (32 SF)
	053339-01-001	EA	Plastic Laminate - Butcher Block - 48" x 48"
	053339-01-002	EA	Plastic Laminate - Butcher Block - 1.19" x 96"

INTERIOR MOLDINGS AND TRIMS

Key	Part Number	U/M	Description
	047354-01-000	EA	Batt Strip - 825 Buff - Ceiling - 96"
	057868-01-000	EA	Batt Strip - 724 Vermont Oak - 96"
	058349-01-000	EA	Batt Strip - Paint Brush Rust - 96"
	058349-02-000	EA	Batt Strip - Paint Brush Brown - 96"
	058349-03-000	EA	Batt Strip - Paint Brush Green - 96"
	024700-08-000	EA	Cover - Roll Bar - Sidewall - Ivory
	024700-13-000	EA	Cover - Roll Bar - Vermont Oak
	039512-12-000	EA	Cover - Hat Section - Vermont Oak
	047488-01-000	EA	Cover - Corner - Hat/Hat
	047489-01-000	EA	Cover - Corner - Tube/Tube
	052859-01-J27	FT	Accent Trim - Acorn Brown Vinyl
	009813-01-000	FT	Molding - Outside Corner - .50" - Dark Pecan
	009767-05-000	FT	Molding - Light Brown
	009778-01-000	FT	U-Channel - 1" - Dark Brown
	052861-01-K01	FT	Molding Asm - Shelf
	009810-01-000	FT	Molding - Outside Corner - 1" - Dark Pecan
	035337-22-000	EA	Trim - Inside Corner - Alum - 80 88"
	034394-02-000	EA	Extr Vinyl Insert - Beige

FABRICS AND FLOOR COVERINGS

Key	Part Number	U/M	Description
	058784-02-000	YD	Fabric - Drapery - Rust
	058784-03-000	YD	Fabric - Drapery - Navy
	058784-04-000	YD	Fabric - Drapery - Green Forest
	057851-01-000	YD	Fabric - Upholstery - Main - Rust Plaid
	057851-02-000	YD	Fabric - Upholstery - Main - Blue Plaid
	057851-03-000	YD	Fabric - Upholstery - Main - Green Plaid
	057852-01-000	YD	Fabric - Upholstery - Accent - Rust
	057852-02-000	YD	Fabric - Upholstery - Accent - Navy
	057852-03-000	YD	Fabric - Upholstery - Accent - Green
	053327-01-000	YD	Vinyl - Non Expanded - 27 oz - Acorn Brown
	053327-02-000	YD	Vinyl - Expanded - 28 oz - Acorn Brown
	053327-03-000	YD	Vinyl - Non Support - 16 Gauge Film - Acorn Brown
	057897-07-000	SY	Carpet - Charade - Deep Copper
	057897-02-000	SY	Carpet - Beige
	057897-03-000	SY	Carpet - Green

INTERIOR FINISH GROUP

PANELING AND COUNTERTOP MATERIALS

1980 WINNEBAGO TABLE OF CONTENTS

Introduction	A-1
Abbreviations	A-1
Alphabetical Index	A-2 - A-4
V/D424RH LO	A-5 - B-18
WGF23RG LO	B-19 - D-12
WDN26RB LO	D-13 - F-2
WDN26RT LO	F-3 - G-24

1980 WGF23RG LO INDEX

Floor Plan	B-19 - B-20
Accessories Group	B-21 - B-22
Bath Group	B-23
Chassis Group	B-24
Curtain, Cushion and Pad Group	C-1 - C-6
Dinette Group	C-7
Driver's Compartment Group	C-8 - C-9
Electrical Group	C-10 - C-12
Exterior Body Group	C-13 - C-16
Galley Group	C-17
Heating & Air Conditioning Group	C-18 - C-19
Interior Finish Group	C-20 - C-21
LP Group	C-22
Lounge Group	C-23
Water & Sewage Group	C-24
Window, Vent & Exterior Door Group	D-1 - D-12

INTERIOR FINISH GROUP (CONTINUED)

CABINETS AND TABLE HARDWARE

Key	Part Number	U/M	Description
..	057946-01-K01	EA	Pull Kit - Cabinet Drawer - Flat Latch
..	062932-01-J30	EA	Hinge Kit - Cabinet Door - Antique Brass
..	067945-01-K01	EA	Latch Kit - Cabinet Door - Flat Latch
..	009112-01-000	EA	Flange - 1" - Closet Rod
..	053200-01-000	EA	Bracket - Upper Wall Mount - 23.5"
..	053201-01-000	EA	Bracket - Table Mount - Brown - 23"
..	024275-01-000	EA	Rod - Table Lift
..	024281-03-000	EA	Bracket - Lower Wall Mount - Brown - 22.12"
..	024276-04-000	EA	Leg Asm. - Table - Brown - 29.5"
..	024277-02-000	EA	Hinge - Table Leg - Brown
..	024282-01-000	EA	Brace - Table Leg
..	024283-01-000	EA	Clip - 1" O.D. Tube
..	049493-02-000	EA	Catch - Table Leg - Mounts on Floor - Brown
..	059753-01-000	EA	Slide - Drawer - Left
..	059753-02-000	EA	Slide - Drawer - Right
..	037668-01-000	FT	Rail - Drawer Glide
..	047744-01-000	EA	Kit - Drawer Glide

**The illustrated parts breakdown for this item is provided on the Common Items Fiche.

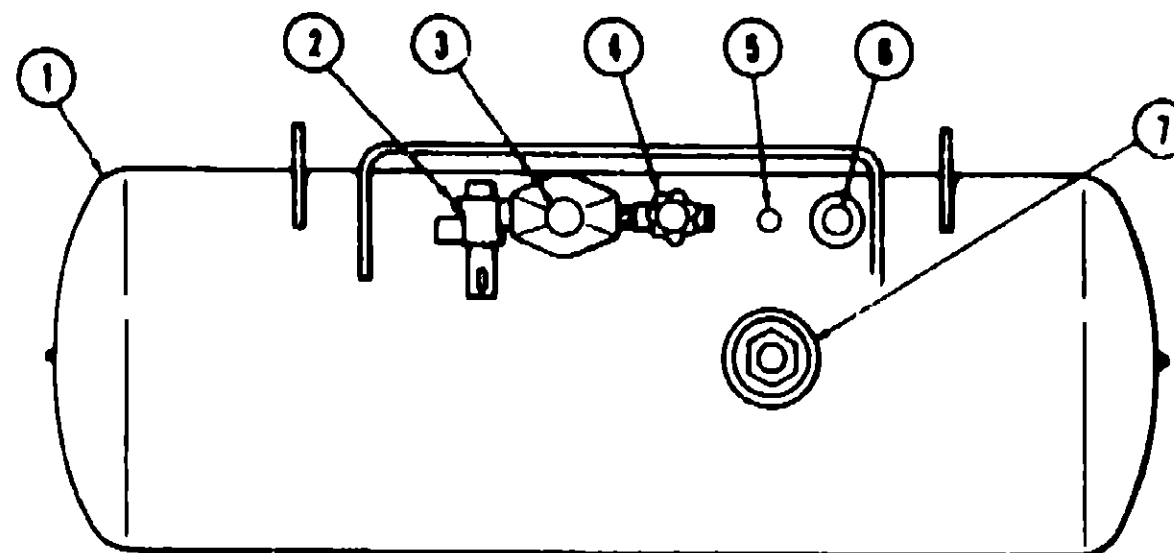
CURTAIN HARDWARE

Key	Part Number	U/M	Description
	052327-01-236	EA	Track - Curtain - Brown Alum. - 89" w/Holes
	056117-01-000	FT	Track - Curtain - Brown Plastic
	056011-01-000	EA	Bracket - Shade - Left
	056012-01-000	EA	Bracket - Shade - Right
	056013-01-000	EA	Bracket - Drapery Retainer - Right
	056013-02-000	EA	Bracket - Drapery Retainer - Left
	053272-01-200	EA	Track - Curtain - Off White - 89" w/Holes
	056784-01-000	EA	Pull - Window Shade - Antique Brass
	009107-01-000	EA	Guide - Nylon Snap - Curtain
	018031-42-000	EA	Track - Curtain - "L" Rod - Alum. Extr. - 90"
	009701-01-000	EA	Carrier - "L" Rod - Curtain
	009702-01-000	EA	End Stop - "L" Rod - Curtain
	059430-01-000	EA	Track - Curtain - Wraparound (2 required per unit)

MISCELLANEOUS

Key	Part Number	U/M	Description
	041944-01-700	EA	Fire Extinguisher - Dry Chemical w/Bracket
	041944-03-000	EA	Fire Extinguisher - 5BC (Calif.)
	007038-01-000	EA	Door Mat - Black Rubber - 10 1/2" x 26"
	053552-01-K01	EA	Assist Handle - Interior - Acorn Vinyl
	054185-03-000	EA	Owners Manual - Winnebago

LP GROUP



Key	Part Number	U/M	Description
1	052769-01-000	EA	Tank Asm. - LP - Frame Mount - 42 Pound
1	052770-01-000	EA	Tank Asm. - LP - Frame Mount - 85 Pound
2	047221-01-000	EA	Detector - LP Gas Leak - Rosan
2	065741-01-000	EA	Detector - LP Gas Leak - Marshalltown Instruments
3	058708-01-000	EA	Cover - Regulator - 2 Stage
3	058705-01-000	EA	Regulator - Two Stage - LP Gas
4	040421-01-703	EA	Valve - Vapor Relief
5	040421-01-700	EA	Gauge - Liquid Level - 20% LP
6	040421-01-701	EA	Valve - Filler - LP
6	040421-01-702	EA	Cap - Plastic Fill Valve
7	040421-01-707	EA	Gauge - Float - w/Visible Dial - 85 Pound Tank
7	042281-01-700	EA	Gauge - Float - w/Visible Dial - 42 Pound Tank
7	040421-01-706	EA	Dial - Visible Face - Float Gauge (Tank w/o Electric Transmitter)
7	040421-01-705	EA	Dial - Transmitter - 0 - 90 Ohm (Float Gauge)
7	045703-03-000	EA	Hose Asm. - LP - 3/8" I.D. x 14"
7	047737-02-000	EA	Support - LP Tank - 89.25"
7	047737-03-000	EA	Support - LP Tank - 30.50"
7	Not Illustrated		

1980 WINNEBAGO TABLE OF CONTENTS

Introduction	A-1
Abbreviations	A-1
Alphabetical Index	A-2 - A-4
WD424RH LO	A-5 - B-18
WGF23RG LO	B-19 - D-12
WDN28RB LO	D-13 - F-2
WDN29RT LO	F-3 - G-24

1980 WGF23RG LO INDEX

Floor Plan	B-19	B-20
Accessories Group	B-21	B-22
Bath Group		B-23
Chassis Group		B-24
Curtain, Cushion and Pad Group	C-1	C-6
Cinette Group		C-7
Driver's Compartment Group	C-8	C-9
Electrical Group	C-10	C-12
Exterior Body Group	C-13	C-16
Galley Group		C-17
Heating & Air Conditioning Group	C-18	C-19
Interior Finish Group	C-20	C-21
LP Group		C-22
Lounge Group		C-23
Water & Sewage Group		C-24
Window, Vent & Exterior Door Group	D-1	D-12

LOUNGE GROUP

Key	Part Number	U/M	Description
	052481-01-K01	EA	Cabinet Asm - Lounge - Right
	052482-01-K01	EA	Cabinet Asm. - Lounge - Left
	052483-01-K01	EA	Cabinet Asm. - Lounge - Center
	058872-01-K01	EA	Cabinet Asm. - Right Hamper - 51" x 20"
	058872-02-K01	EA	Cabinet Asm. - Left Hamper - 51" x 20"
	058301-01-K01	EA	Cabinet Asm. - Magazine - w/Roll Door - Left
	058301-02-K01	EA	Cabinet Asm. - Magazine - w/Roll Door - Right
	059122-09-K01	EA	Door - Roll Up - Magazine - 12" x 21 6"
	052486-01-K01	EA	Cabinet Asm. - Right Wardrobe - Upper - w/o Door or Hardware
	057992-20-K01	EA	Door Asm. - Wardrobe Cabinet - Right or Left - 12.52" x 54 12" - w/o Hardware
	058302-01-K01	EA	Cabinet Asm. - Right Wardrobe - Base - w/o Door or Hardware
	057992-22-K01	EA	Door Asm. - Right Wardrobe Cabinet - Lower - 14.52" x 15.82" - w/o Hardware
	052745-01-K01	EA	Countertop Asm. - Right Wardrobe Cabinet - Almond Batik
	052487-01-K01	EA	Cabinet Asm - Left Wardrobe - Upper - w/o Door or Hardware
	058303-01-K01	EA	Cabinet Asm. - Furnace - w/o Countertop, Door or Hardware
	052734-01-K01	EA	Countertop Asm - Furnace Cabinet - Almond Batik
	053944-02-K01	EA	Door Asm - Furnace - w/Brass Mesh Insert
	04/205-12-000	EA	Insert - Furnace Door - Brass Mesh - 14.5" x 10 06"
	039873-01-000	EA	Catch and Strike - Furnace Door
	059409-01-K01	EA	Cabinet Asm. - Rear Bunk - Fold Down - 73.9" x 17.5" - w/o Doors
	057992-33-K01	EA	Door Asm - Rear Bunk Cabinet - 15 02" x 11 72" - w/o Hardware
	023812-21-000	EA	Bunk Rail - 73.9" - Brown Alum.
	058249-01-000	EA	Bracket - Support - Rear Bunk (4 used per bunk)
	056302-02-000	EA	Strap Asm. - Bunk - w/Bracket
	053203-06-K01	EA	Table Asm. - Pedestal - w/o Hardware - Butcher Block
	041194-01-000	EA	Base - Table Leg - Mounts in Floor
	009011-02-000	EA	Leg - Pedestal Table - 27 5" x 2 25" O D - Chrome
	009040-03-000	EA	Base - Table Leg - Mounts on Table

WATER AND SEWAGE GROUP

PLUMBING REPAIR PARTS

Key	Part Number	U/M	Description
**	040639-01-000	EA	Kit - Repair - 3/8" O D. Plastic Tube
**	040540-01-000	EA	Kit - Repair - 1/2" O.D. Plastic Tube
**	040541-01-000	EA	Kit - Repair - 5/8" O.D. Plastic Tube
**	041279-02-000	EA	Pump - Water 2.8 G.P.M. - Belt Drive - PAR - US
**	041279-04-000	EA	Pump - Water - 2.8 G.P.M. - Belt Drive - PAR - C.S.A
**	039847-02-000	EA	Filter - Water Pump 1/2" MPT
**	063646-01-000	EA	Water Pump - Direct Drive - 2.8 GPM - PAR
**	063646-02-000	EA	Water Pump - Direct Drive - 2.8 GPM - PAR - CSA
**	039818-01-000	EA	Riser Asm. - 3/8" O.D. x 24" Tube
**	039818-02-000	EA	Riser Asm. - 3/8" O.D. x 36" Tube
**	039818-04-000	EA	Riser Asm. - 3/8" O.D. x 72" Tube
**	052952-01-000	EA	Nut - Plastic 1/2" F
**	052953-01-000	EA	Nut - Faucet - 1/2 Tube x 1/2 FPT
**	052954-01-000	EA	Adapter - Nose Cone 3/8 or 1/2
**	052955-01-000	EA	Tee Plastic 1/2 F x 1/2 F x 1/2 F
**	052959-02-000	EA	Connector - Plastic 1/2 F x 1/2 MPT
**	052960-01-000	EA	Valve - Line Drain
**	052961-01-000	EA	Header - 1/2 F x 1/2 F x 1/2 F x 1/2 F
**	054537-01-000	EA	Valve - Tank Drain
**	004020-01-000	QT	Adhesive - ABS Cement
**	010201-01-000	EA	Hose - Sewer 3" x 10 Ft w/Clamp
**	082415-01-000	EA	Cap - Sewer - 3"
**	082416-01-000	EA	Hose Adapter - 3"
**	082417-01-000	EA	Adapter - Termination - 3"
**	082418-01-000	EA	Valve - Dump - 3" w/Handle
**	082418-02-000	EA	Valve - Dump - 3" w/o Handle
**	082419-01-000	EA	Handle - Dump Valve Extension - 35" w/6" Adapter
**	082419-02-000	EA	Handle - Dump Valve Extension - 53" w/6" Adapter
**	082421-01-000	EA	Valve - 1 1/2" - w/Handle
**	081607-01-000	EA	Grommet - Holding Tank Coupler - 1 1/2"
**	081607-02-000	EA	Grommet - Holding Tank Coupler - 3"
**	011091-01-000	EA	Waste - Continuous - Double Sink 11 7/8"
**	011066-01-000	EA	P-Trap - Plastic - 1 1/4"
**	031126-01-000	EA	Elbow - Plastic - 1/4 BD 3 x 90 x LT
**	010133-01-000	EA	Adapter - Trap - Plastic 1 1/2" H x MPT
**	010073-01-000	EA	Tee - Plastic - 1 1/2" x 45 H x H x H
**	010079-01-000	EA	Tee - Plastic - 1 1/2" H x 1 1/2" H x 1 1/4" H
**	010091-01-000	EA	Wye - Plastic - 3" x 45 H x H x H
**	010117-01-000	EA	Coupling - Plastic - 3" H x H
**	010131-01-000	EA	Adapter - Plastic - 1 1/2" M x MPT
**	050780-01-000	EA	Coupler - Rubber - 3" x 3"
**	046574-01-000	EA	Kit - Plastic Fittings - Holding Tank
**	046521-02-000	EA	Kit - Plastic Fittings - Water Tank
**	037845-01-000	FT	Tape - Butyl - 3/16" - Bead - Black

**The illustrated parts breakdown for this item is provided on the Common Items Fiche

HOLDING TANKS AND WATER HEATERS

Key	Part Number	U/M	Description
	052555-03-000	EA	Tank Asm - Water - w/Fittings
	052555-01-000	EA	Tank Asm - Water - w/o Fittings
	051882-02-000	EA	Tank Asm - Holding - Main and Aux w/Fittings
**	051882-01-000	EA	Tank Asm - Holding - Main and Aux - w/o Fittings
**	051391-01-000	EA	Water Heater - 6 Gallon - w/c Motor Aid - Atwood G6A3
**	051392-01-000	EA	Water Heater - 6 Gallon - w/Motor Aid - Atwood GH63

**The illustrated parts breakdown for this item is provided on the Common Items Fiche

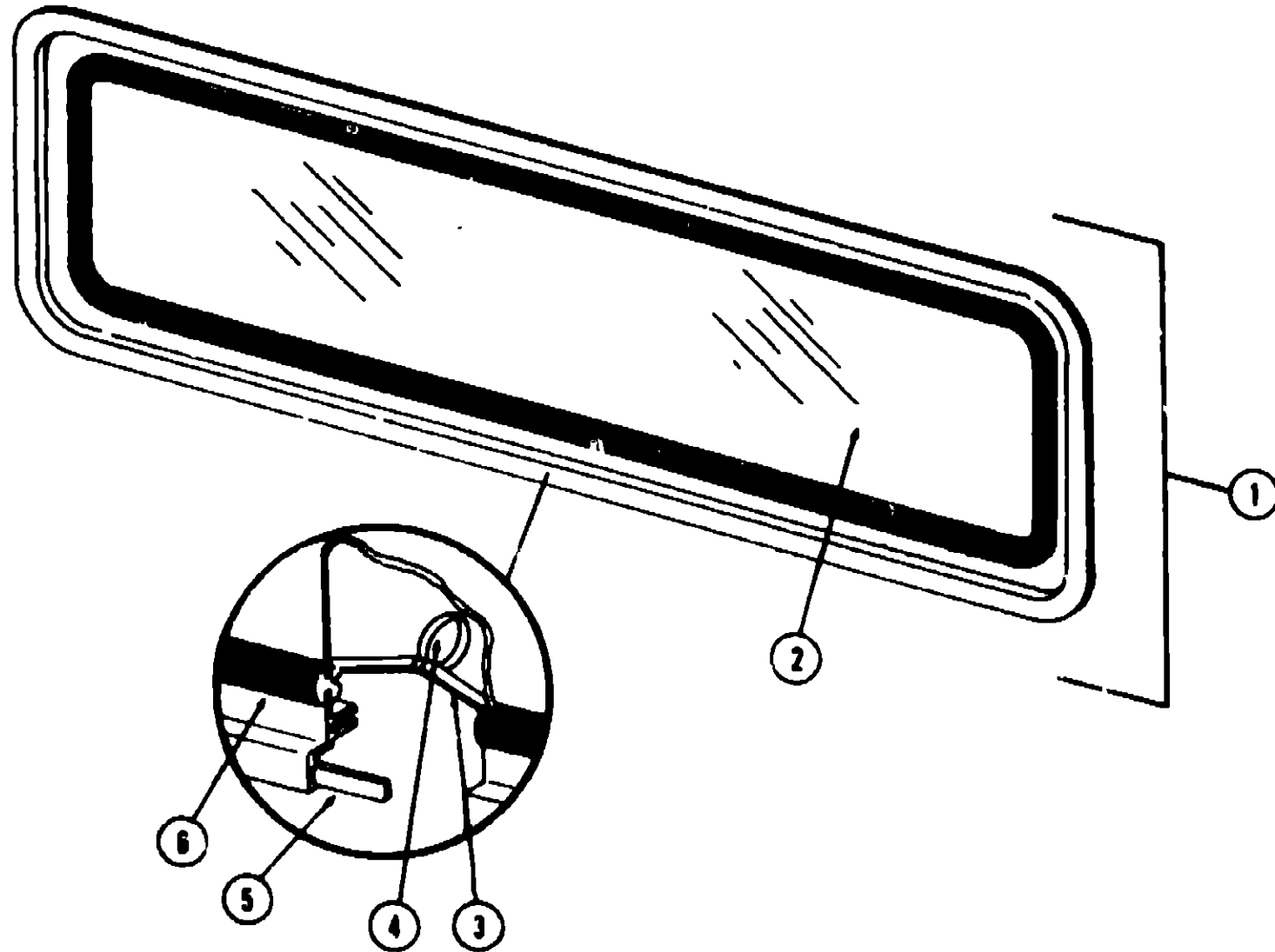
1980 WINNEBAGO TABLE OF CONTENTS

Introduction	A-1
Abbreviations	A-1
Alphabetical Index	A-2 - A-4
WD424RH LO	A-5 - B-18
WGF23RG LO	B-19 - D-12
WDN26RB LO	D-13 - F-2
WDN29RT LO	F-3 - G-24

1980 WGF23RG LO INDEX

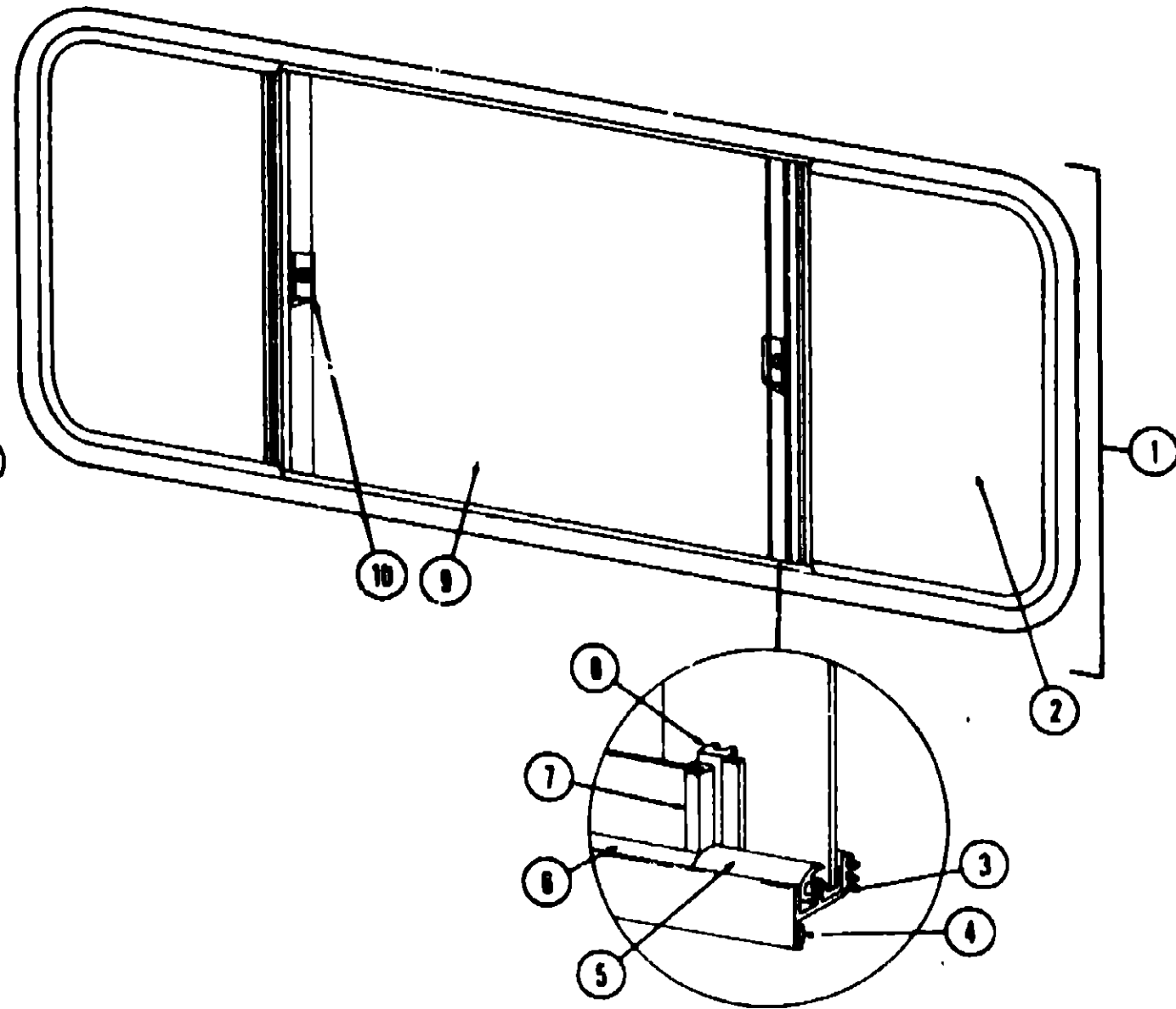
Floor Plan	B-19 - B-20
Accessories Group	B-21 - B-22
Bath Group	B-23
Chassis Group	B-24
Curtain, Cushion and Pad Group	C-1 - C-6
Dinette Group	C-7
Driver's Compartment Group	C-8 - C-9
Electrical Group	C-10 - C-12
Exterior Body Group	C-13 - C-16
Galley Group	C-17
Heating & Air Conditioning Group	C-18 - C-19
Interior Finish Group	C-20 - C-21
LP Group	C-22
Lounge Group	C-23
Water & Sewage Group	C-24
Window, Vent & Exterior Door Group	D-1 - D-12

WINDOW, VENT AND EXTERIOR DOOR GROUP



Key	Part Number	U/M	Description
1	020754-03-000	EA	Window Asm. - Escape - 23" x 68" Black Anod (w/o inside frame)
2	002178-01-000	EA	Glass - 1/8" x 19 61" x 64 80"
3	002285-01-000	FT	Weatherstrip Filler - Black
4	020395-01-000	EA	Slip Ring - Pull
5	053787-03-000	FT	Tape - 1/4" Bead x 20' - Gray - Schnee Moorehead
6	002282-01-000	F1	Weatherstrip - Window 125" Black
.	020752-03-000	EA	Frame - Window - Inside - Escape 23" x 68" (not included in assembly)
.	006199-01-000	EA	Label - Exit - Escape Window
.			Not Illustrated

WINDOW, VENT AND EXTERIOR DOOR GROUP (CONTINUED)



Key	Part Number	U/M	Description
1	048630-04-000	EA	Window Asm. - Double Slider - 23" x 65" - Black Anod (w/o inside frame)
2	047823-01-000	EA	Glass - 1/8" x 22" x 21.03" - Sliding (2 per window)
3	002324-01-000	FT	Channel - Weatherstrip - Glass Run - 1/8" Glass
4	053787-03-000	FT	Tape - 1/4" Bead x 20' - Gray - Schnee Moorehead
5	057374-02-000	FT	Seal - Window Channel - Black
6	002309-02-000	FT	Spline - Glass - 1/8" - Black
7	018025-03-000	EA	Holder - Glass Seal - Black Anod.
8	041894-02-000	EA	Mullion - Slider Window - 23" - Black Anod
9	002188-01-000	EA	Glass - 1/8" x 22" x 25.50" - Stationary
10	047369-01-700	EA	Latch - Window - Plastic w/Fastener
.	023320-01-000	EA	Foam Pad - 3/8" Dia. (used with plastic latch)
.	042133-08-000	EA	Frame - Inside - Double Slider Window (not included in assembly)
.	002298-01-000	FT	Spline - Gray - .130" Dia. - (Screen)
.	002293-01-000	SF	Screen - Window - 26" - Gray
.	023713-02-000	EA	Cover - Weephole - Plastic - Black
.			Not Illustrated

**1980 WINNEBAGO
TABLE OF CONTENTS**

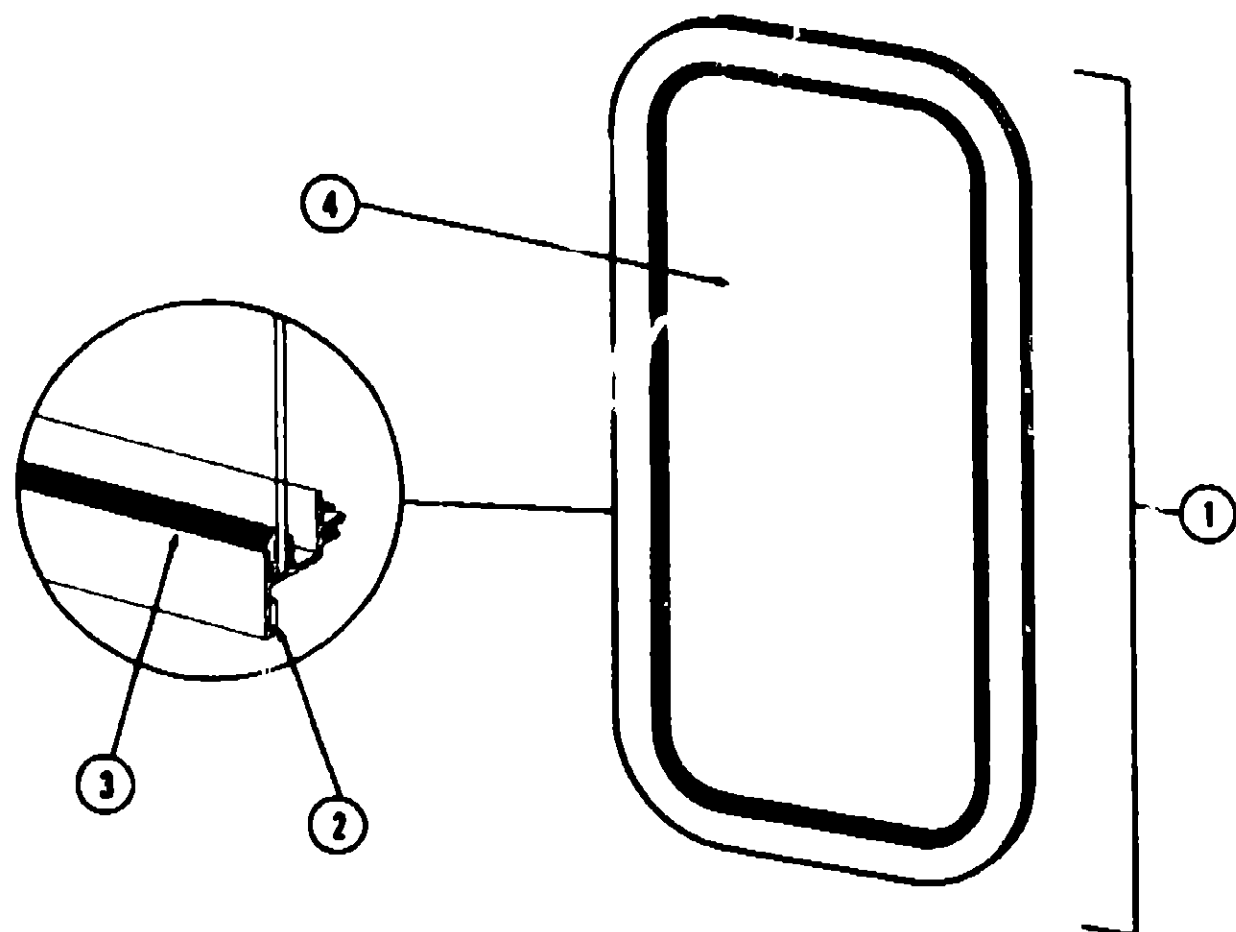
Introduction	A-1
Abbreviations	A-1
Alphabetical Index	A-2 - A-4
WD424RH LO	A-5 - B-18
WGF23RG LO	B-19 - D-12
WDN26RB LO	D-13 - F-2
WDN26RT LO	F-3 - G-24

1980 WGF23RG LO INDEX

Floor Plan	B-19 - B-20
Accessories Group	B-21 - B-22
Bath Group	B-23
Chassis Group	B-24
Curtain, Cushion and Pad Group	C-1 - C-6
Dinette Group	C-7
Driver's Compartment Group	C-8 - C-9
Electrical Group	C-10 - C-12
Exterior Body Group	C-13 - C-16
Galley Group	C-17
Heating & Air Conditioning Group	C-18 - C-19
Interior Finish Group	C-20 - C-21
LP Group	C-22
Lounge Group	C-23
Water & Sewage Group	C-24
Window, Vent & Exterior Door Group	D-1 - D-12

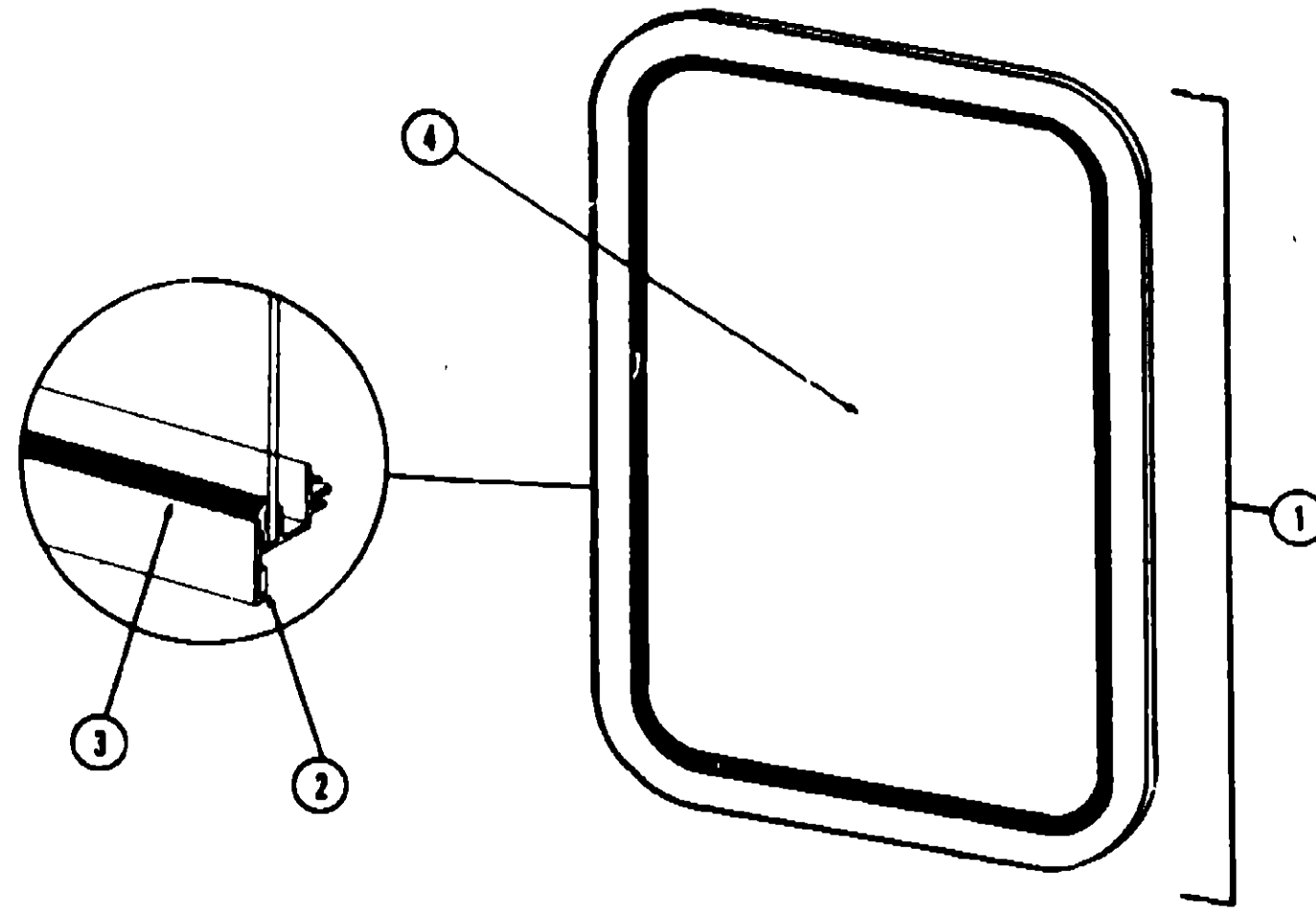
WINDOW, VENT AND EXTERIOR DOOR GROUP (CONTINUED)

WINDOW, VENT AND EXTERIOR DOOR GROUP (CONTINUED)



Key	Part Number	U/M	Description
1	041875-02-000	EA	Window Arm - Picture - 13" x 23" (w/o inside frame)
2	053767-03-000	EA	Tape - 1/4" Bead x 20' - Gray - Schnee Moorehead
3	002309-02-000	FT	Spline - 1/8" Glass - Black
4	002181-01-000	EA	Glass - 1/8" x 12" x 22" - Gray
	041886-02-000	EA	Frame - Inside - Window - 13" x 23" (Not included in assembly)

• Not Illustrated



Key	Part Number	U/M	Description
1	056651-01-000	EA	Window Arm - Picture - 20 3/4" x 20 3/4" - Black (w/o inside frame)
2	053767-03-000	FT	Tape - 1/4" Bead x 20' - Schnee Moorehead
3	002309-02-000	FT	Spline - Glass - 1/8" - Black
4	002181-03-000	EA	Glass - .115" x 20 6/2" x 20 6/2" - Gray
	056650-01-000	EA	Frame - Inside - Window (not included in assembly)
			• Not Illustrated

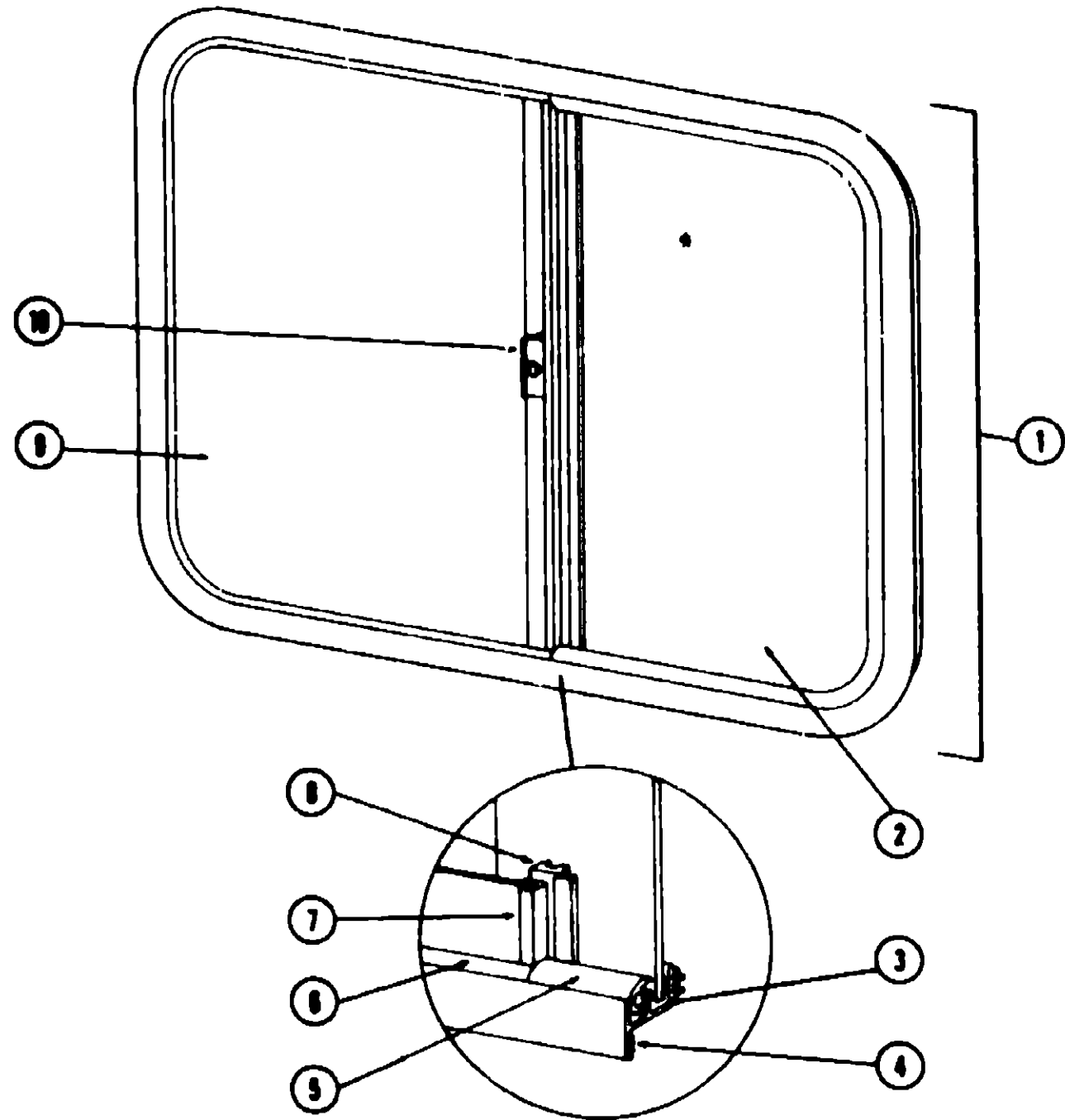
**1990 WINNEBAGO
TABLE OF CONTENTS**

Introduction	A-1
Abbreviations	A-1
Alphabetical Index	A-2 - A-4
WD424RH LO	A-5 - B-18
WG23RG LO	B-19 - D-12
WDN26RB LO	D-13 - F-2
WDN26RT LO	F-3 - G-24

1990 WGF23RG LO INDEX

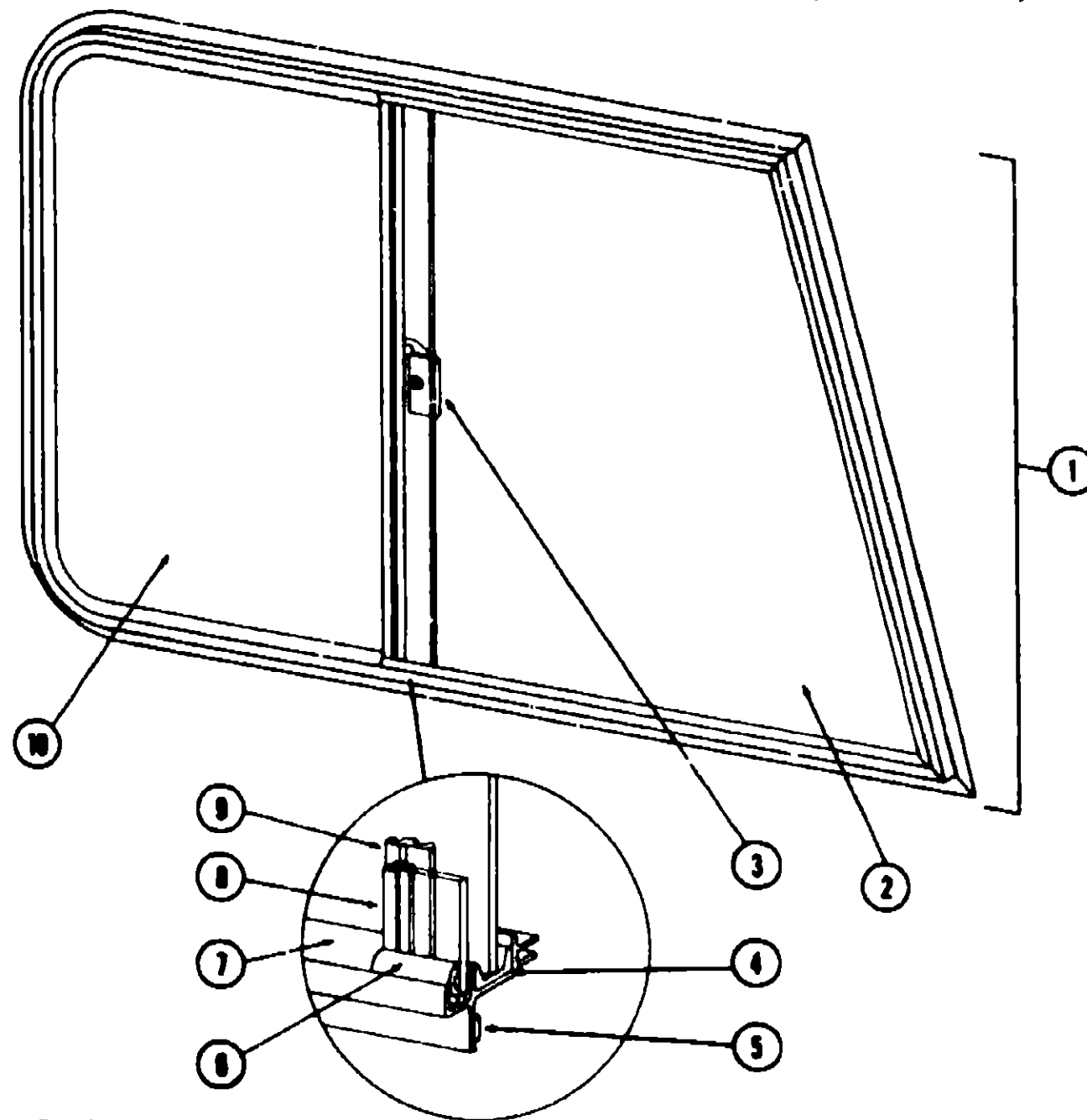
Floor Plan	B-19 - B-20
Accessories Group	B-21 - B-22
Bath Group	B-23
Chassis Group	B-24
Curtain, Cushion and Pad Group	C-1 - C-6
Dinette Group	C-7
Driver's Compartment Group	C-8 - C-9
Electrical Group	C-10 - C-12
Exterior Body Group	C-13 - C-16
Galley Group	C-17
Heating & Air Conditioning Group	C-18 - C-19
Interior Finish Group	C-20 - C-21
LP Group	C-22
Lounge Group	C-23
Water & Sewage Group	C-24
Window, Vent & Exterior Door Group	D-1 - D-12

WINDOW, VENT AND EXTERIOR DOOR GROUP (CONTINUED)



Key	Part Number	U/M	Description
1	048631-07-000	EA	Window Asm. - Right Single Slider - 23" x 29" Black Anod (w/o inside frame)
	048631-08-000	EA	Window Asm. - Left Single Slider - 23" x 29" Black Anod (w/o inside frame)
2	047813-01-000	EA	Glass - 1/8" x 22" x 13.88" - Sliding
3	002324-01-000	FT	Channel - Weatherstrip - Glass Run - 1/8" Glass
4	063767-03-000	FT	Tape - 1/4" Bead x 20' - Gray - Schnee Moorehead
5	067374-02-000	FT	Seal - Window Channel - Black
6	002308-02-000	FT	Spline - Glass - 1/8" - Black
7	018025-03-000	EA	Holder - Glass Seal - Black Anod.
8	041884-02-000	EA	Mullion - Slider Window - 23" - Black Anod.
9	002184-01-000	EA	Glass - Tempered Sheet - Stationary
10	047389-01-700	EA	Latch - Window - Plastic w/Fastener
	023320-01-000	EA	Foam Pad - 3/8" Dia. (used with plastic latch)
	042147-07-000	EA	Frame - Inside - Single Slider Window - Left or Right - 23" x 29" (not included in assembly)
	023713-02-000	EA	Cover - Plastic Weephole - Black
	002298-01-000	FT	Spline - Gray - .130" Dia (Screen)
	02283-01-000	SF	Screen - Window - 26" - Gray
			Not Illustrated

WINDOW, VENT AND EXTERIOR DOOR GROUP (CONTINUED)



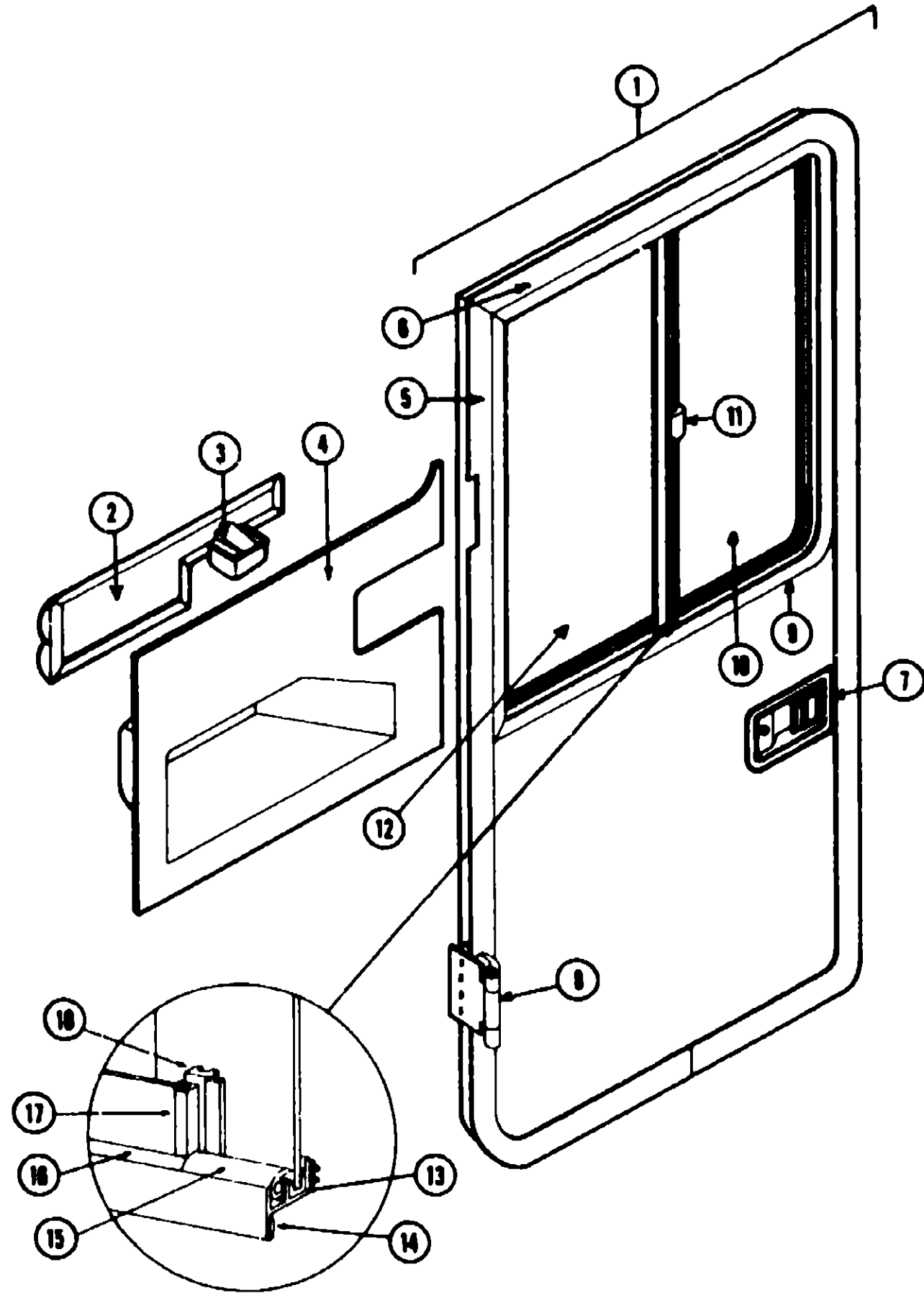
Key	Part Number	U/M	Description
1	068046-01-000	EA	Window Asm. - Right Front Slant Slider - 23" x 38" - Black Anod. (w/o inside frame)
	068046-02-000	EA	Window Asm. - Left Front Slant Slider - 23" x 38" - Black Anod. (w/o inside frame)
2	067868-01-000	EA	Glass - 3/16" x 24.88" x 25.30" - Stationary
3	047389-01-700	EA	Latch - Window - Plastic w/Fastener
	023320-01-000	EA	Foam Pad - 3/8" Dia. (used with plastic latch)
4	042077-01-000	FT	Channel - Weatherstrip - Glass Run - 3/16" Glass
5	063767-03-000	FT	Tape - 1/4" Bead x 20' - Gray - Schnee Moorehead
6	060218-02-000	FT	Spline - 3/16" Glass
7	041828-02-000	FT	Seal - Window Channel - 3/16" Glass - Black
8	002308-03-208	EA	Holder - Glass Seal - Black Anod. - 24.13"
9	067844-04-000	EA	Mullion - Window - Slant Slider
10	067867-01-000	EA	Glass - 3/16" x 24.88" x 14.70" - Sliding
	068042-01-000	EA	Inside Frame - Right Front Slant Slider (not included in assembly)
	068042-02-000	EA	Inside Frame - Left Front Slant Slider (not included in assembly)
	023713-02-000	EA	Cover - Weephole - Black
	066184-06-000	EA	Slider Screen Asm. - Right or Left - Black
	016310-03-000	EA	Handle - Slider Screen - Black
	002282-01-000	SF	Screen - Window - 20" - Gray
	002298-01-000	FT	Spline - Gray - .130" Dia.
			Not Illustrated

**1980 WINNEBAGO
TABLE OF CONTENTS**

Introduction	A-1
Abbreviations	A-1
Alphabetical Index	A-2 - A-4
WD424RH LO	A-5 - B-18
WGF23RG LO	B-19 - D-12
WDN28RB LO	D-13 - F-2
WDN28RT LO	F-3 - G-24

1980 WGF23RG LO INDEX

Floor Plan	B-19 - B-20
Accessories Group	B-21 - B-22
Bath Group	B-23
Chassis Group	B-24
Curtain, Cushion and Pad Group	C-1 - C-6
Dinette Group	C-7
Driver's Compartment Group	C-8 - C-9
Electrical Group	C-10 - C-12
Exterior Body Group	C-13 - C-16
Galley Group	C-17
Heating & Air Conditioning Group	C-18 - C-19
Interior Finish Group	C-20 - C-21
LP Group	C-22
Lounge Group	C-23
Water & Sewage Group	C-24
Window, Vent & Exterior Door Group	D-1 - D-12



DRIVER DOOR - OFF WHITE

Key	Part Number	U/M	Description
1	063991-02-000	EA	Door Asm - Driver - Off White
2	084088-01-000	EA	Pad Asm - Trim - Upper
3	081400-01-000	EA	Assist Strap - 12" - Light Brown
4	046888-01-000	EA	Ashtray Asm - Flush Mount - Chrome
5	084499-01-000	EA	Panel - Driver Door - Inner - Dark Brown Plastic
6	083350-02-000	EA	Trim - Door Frame - Front - Off White
7	083361-02-000	EA	Trim - Door Frame - Rear - Off White
8	045017-03-000	EA	Paddle - Door Lock - Exterior
9	045017-01-700	EA	Lock Cylinder w/Keys - Lynor
10	039979-02-000	EA	Inside Plate - Door Lock - w/Inside Handle
11	039540-02-000	EA	Latch Claw - Entry Door Lock
12	039738-01-000	EA	Deadbolt - Entrance Door Lock
13	039539-01-000	EA	Strike Bolt - Entrance Door (Jamb Mount)
14	083124-02-000	EA	Plate - Striker - 8 1/4" x 1" - Black
15	082879-02-000	EA	Jamb - Driver Door - Black Steel
16	084199-02-000	EA	Trim - Door Jamb - Rear - w/Drip Cap - Off White
17	084184-01-000	EA	Drip Cap - Driver Door
18	083368-02-000	EA	Trim - Door Jamb - Front - Off White
19	083768-01-000	EA	Shl Plate - Driver Door
20	083993-02-000	EA	Hinge Asm - Driver Door - Off White
21	084580-01-000	EA	Check Strap - Driver Door - Seat Belt Webbing
22	084219-01-000	EA	Retainer - Driver Door Check Strap
23	083888-02-000	EA	Assist Handle - Driver Door - Brown Steel Tube (2 required per door)
24	084075-01-000	EA	Bulb Seal - Driver Door - 145"
25	082982-01-000	EA	Window Asm - Driver Door - Single Slider - 23" x 25 5/8" - Black Anod (w/n inside frame)
26	057657-02-000	EA	Glass - 3/16" x 24 8/8" x 12" - Sliding
27	047389-01-700	EA	Latch - Window - Plastic w/Fastener
28	002188-04-000	EA	Glass - 3/16" x 24 8/8" - Stationary
29	002324-02-000	FT	Channel - Weatherstrip - Glass Run - 1/8" Glass
30	053767-03-000	FT	Tape - 1/4" Br. x 20' - Gray - Schnee Moorehead
31	024088-02-000	FT	Seal - Window; Channel - Black
32	002309-02-000	FT	Spline - Glass - Black
33	002389-03-204	EA	Holder - Glass Seal - Anod Black - 25.14"
34	002288-01-000	FT	Weatherstrip - Glass Seal
35	057844-04-000	EA	Mullion - Slider Window - Black Anod
36	083422-01-000	EA	Frame - Inside - Driver Door Window
37	023713-02-000	EA	Cover - Weephole - Black Plastic
38	055184-08-000	EA	Screen Asm - Slider
39	002282-01-000	SF	Screen - Window - 20" - Gray
40	002298-01-000	FT	Spline - Gray - Screen - 130" Dia.
41	018310-03-000	EA	Screen Handle - Black Anod
42	043485-02-000	FT	Screen Seal - Extr. Vinyl
43			Not Illustrated

1980 WINNEBAGO TABLE OF CONTENTS

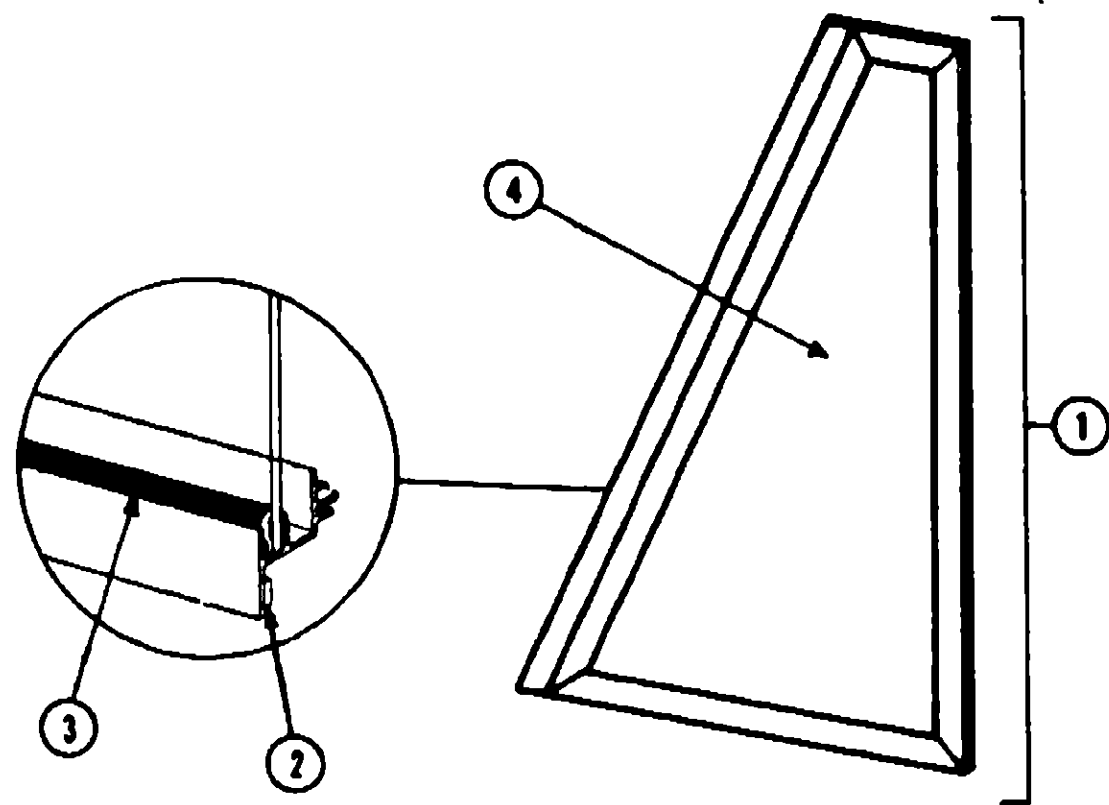
Introduction	A-1
Abbreviations	A-1
Alphabetical Index	A-2 - A-4
WD424RH LO	A-5 - B-18
WGF23RG LO	B-19 - D-12
WDN26RB LO	D-13 - F-2
WDN26RT LO	F-3 - G-24

1980 WGF23RG LO INDEX

Floor Plan	B-19 - B-20
Accessories Group	B-21 - B-22
Bath Group	B-23
Chassis Group	B-24
Curtain, Cushion and Pad Group	C-1 - C-6
Dinette Group	C-7
Driver's Compartment Group	C-8 - C-9
Electrical Group	C-10 - C-12
Exterior Body Group	C-13 - C-16
Galley Group	C-17
Heating & Air Conditioning Group	C-18 - C-19
Interior Finish Group	C-20 - C-21
LP Group	C-22
Lounge Group	C-23
Water & Sewage Group	C-24
Window, Vent & Exterior Door Group	D-1 - D-12

WINDOW, VENT AND EXTERIOR DOOR GROUP (CONTINUED)

WINDOW, VENT AND EXTERIOR DOOR GROUP (CONTINUED)



Key	Part Number	U/M	Description
1	062886-01-000	EA	Window Asm - Stationary - Drivers Slant - 14" x 25.32" - Black Anod (w/o inside frame)
2	063767-03-000	FT	Tape - 1/4" Dead x 20' - Gray - Schnee Moorehead
3	002309-02-000	FT	Spline - Glass - 1/8" - Black
4	057856-02-000	EA	Glass - 3/16" x 24 88" x 13 88"
*	063420-01-000	EA	Frame - Inside - Front Slant Window (not included in assembly)

*Not Illustrated

ACCESS DOORS

Key	Part Number	U/M	Description
	037804-17-000	EA	Door Asm. - Battery - Off White w/Twist Type Lock
	037804-16-000	EA	Door Asm. - LP - Off White w/Twist Type Lock
	047233-02-000	EA	Door Asm - Luggage - 13" x 35" - Off White w/Key Type Lock
	052776-01-000	EA	Door Asm - Luggage - 14 12" x 23" - Off White w/Key Type Lock
	054270-01-000	EA	Door Asm - Refrigerator Access - Off White w/Twist Type Lock
	055500-01-000	EA	Door Asm - Gas Fill - w/Key Type Lock
	042441-01-000	EA	Lock Asm. - Key Type - Gas Fill
	057096-01-000	EA	Door Asm - Power Cord w/Hatch - Off White
	052950-03-000	EA	Lock Asm - Twist Type - Straight Cam (Power Cord Door)
	047305-01-000	EA	Lock Asm. - Key Type w/Clip - Metal
	052950-01-700	EA	Lock Asm - Twist Type w/Clip - White Plastic
	016945-02-000	EA	Holder Asm - Battery and Luggage Doors
	052179-02-000	EA	Door Asm - Generator - Off White w/Twist Type Lock

WINDSHIELD

Key	Part Number	U/M	Description
	057459-01-000	EA	Glass - Windshield - Flat
	058272-01-000	EA	Frame Asm - Windshield
	038886-01-000	EA	Tape - Butyl - .31" x .31" x 148"

VENTS

Key	Part Number	U/M	Description
	039778-01-000	EA	Cover - Refrigerator Vent - Plastic
	009407-01-000	EA	Frame Asm - Refrigerator Vent
	049352-01-000	EA	Vent - Stovehood - Outside - Powered Hood - Off White
	053334-01-000	EA	Vent - Stovehood - Outside - Non Powered Hood - Off White
**	048769-01-000	EA	Vent Asm - Roof - Powered w/o Screen - Alum
**	048835-01-000	EA	Vent Asm - Roof - Non Powered - w/o Screen - Alum
**	056119-01-000	EA	Vent Asm. - Roof - Powered/Lighted - Jensen - White

**The illustrated parts breakdown for this item is provided on the Common Items Fiche

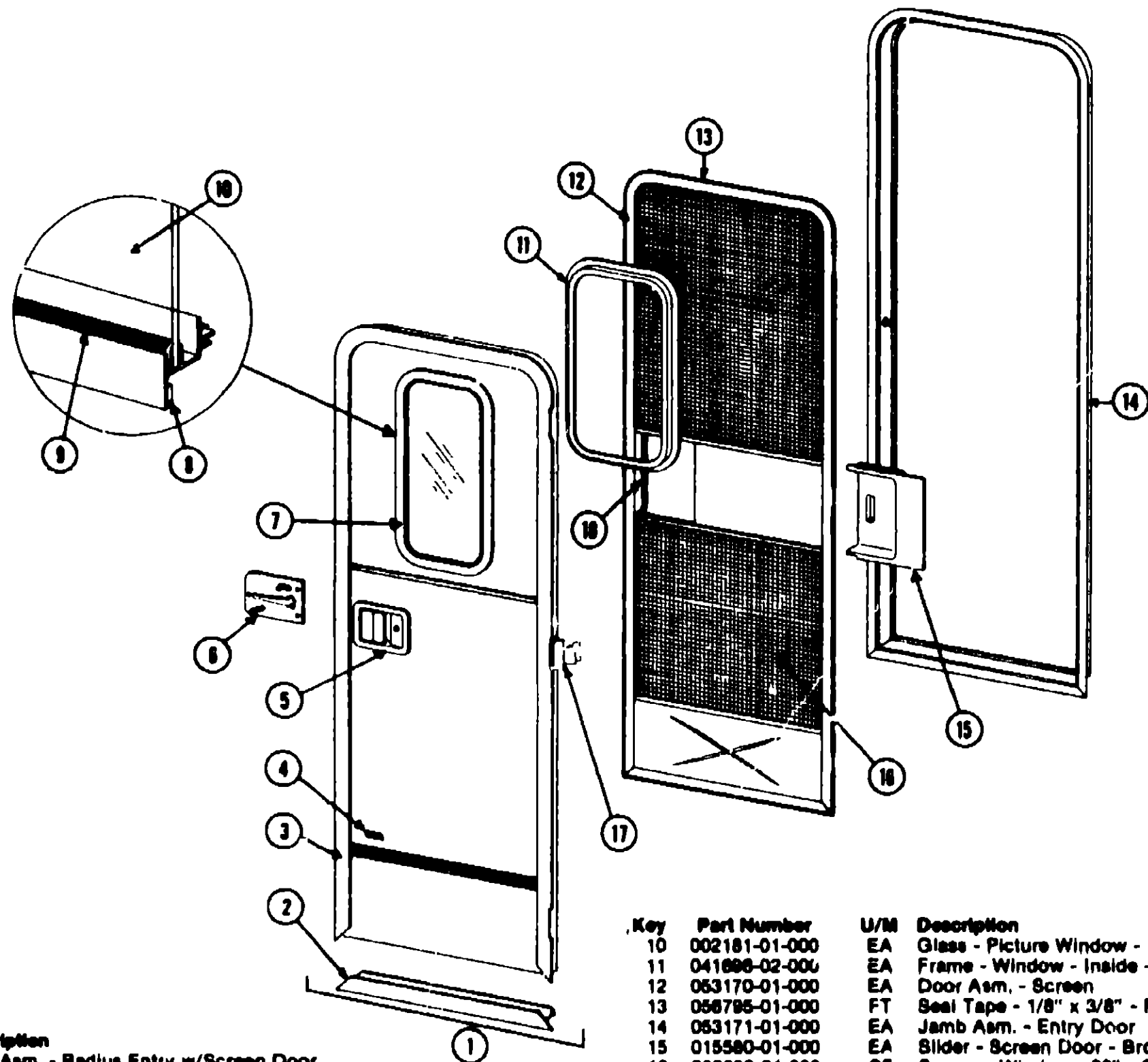
**1980 WINNEBAGO
TABLE OF CONTENTS**

Introduction	A-1
Abbreviations	A-1
Alphabetical Index	A-2 - A-4
WD424RH LO	A-5 - B-18
WGF23RG LO	B-19 - D-12
WDN26RB LO	D-13 - F-2
WDN26RT LO	F-3 - G-24

1980 WGF23RG LO INDEX

Floor Plan	B-19 - B-20
Accessories Group	B-21 - B-22
Bath Group	B-23
Chassis Group	B-24
Curtain, Cushion and Pad Group	C-1 - C-6
Dinette Group	C-7
Driver's Compartment Group	C-8 - C-9
Electrical Group	C-10 - C-12
Exterior Body Group	C-13 - C-16
Galley Group	C-17
Heating & Air Conditioning Group	C-18 - C-19
Interior Finish Group	C-20 - C-21
LP Group	C-22
Lounge Group	C-23
Water & Sewage Group	C-24
Window, Vent & Exterior Door Group	D-1 - D-12

WINDOW, VENT AND EXTERIOR DOOR GROUP (CONTINUED)



Key	Part Number	U/M	Description
1	053168-04-000	EA	Door Asm. - Radius Entry w/Screen Door
2	039737-01-000	EA	Frame - Entry Door (Bottom Portion Only)
3	039736-01-000	EA	Frame - Entry Door (Except Bottom Portion)
4	054530-01-000	EA	Holder Asm. - Entry Door
5	045017-01-000	EA	Paddle Asm. - Door Lock - Exterior
•	045017-01-700	EA	Lock Cylinder w/Keys - Lynor
•	039539-01-000	EA	Striker Bolt - Entry Door
•	039540-01-000	EA	Latch Claw - Entry Door
6	039979-01-000	EA	Plate - Lock - Inside - Including Inside Handle
•	052188-01-000	EA	Lock Asm. - Complete - Lynor
7	041875-02-000	EA	Window Asm. - Picture - 13" x 23" - Black Anod (Inside frame not included in assembly)
8	004363-01-000	FT	Tape - Foam - 3/16" x 1/2" - Gray
9	002308-02-000	FT	Spline - Glass - 1/8" Black

Key	Part Number	U/M	Description
10	002181-01-000	EA	Glass - Picture Window - 1/8" x 12" x 22" Gray
11	041898-02-000	EA	Frame - Window - Inside - 13" x 23" - Brown
12	053170-01-000	EA	Door Asm. - Screen
13	056795-01-000	FT	Seal Tape - 1/8" x 3/8" - Press On
14	053171-01-000	EA	Jamb Asm. - Entry Door
15	015580-01-000	EA	Slider - Screen Door - Brown Plastic
16	002293-01-000	SF	Screen - Window - 26" - Gray
17	039520-01-000	EA	Hinge - Entry Door (3 used per door)
18	015581-01-000	EA	Cap - Screen Door - Brown Plastic
•	049176-01-000	EA	Hedlok II - 3/4" Diameter - Screw Mount (Retains screen door to entry door)
•	049797-01-000	EA	Hedlok II - 1" Diameter - Screw Mount (Retains screen door to entry door)
•	058025-02-000	EA	Clip - Roller Catch
•	039863-01-000	EA	Catch Asm. - Single Roller w/Strike - Screen Door
•	051390-01-000	FT	Seal - Bulb - Rubber
•	039800-03-000	FT	Tubing - Polybutyl - 3/8" O.D. Jamb
•	044582-02-000	EA	Drip Cap - Jamb Mounted - Off White
•			Not Illustrated

1990 WINNEBAGO TABLE OF CONTENTS

Introduction	A-1
Abbreviations	A-1
Alphabetical Index	A-2 - A-4
WD424RH LO	A-5 - B-18
WGF23RG LO	B-19 - D-12
WDN26RB LO	D-13 - F-2
WDN26RT LO	F-3 - G-24

1990 WGF23RG LO INDEX

Floor Plan	B-19 - B-20
Accessories Group	B-21 - B-22
Bath Group	B-23
Chassis Group	B-24
Curtain, Cushion & Pad Group	C-1 - C-6
Dinette Group	C-7
Driver's Compartment Group	C-8 - C-9
Electrical Group	C-10 - C-12
Exterior Body Group	C-13 - C-16
Galley Group	C-17
Heating & Air Conditioning Group	C-18 - C-19
Interior Finish Group	C-20 - C-21
LP Group	C-22
Lounge Group	C-23
Water & Sewage Group	C-24
Window, Vent & Exterior Door Group	D-1 - D-12