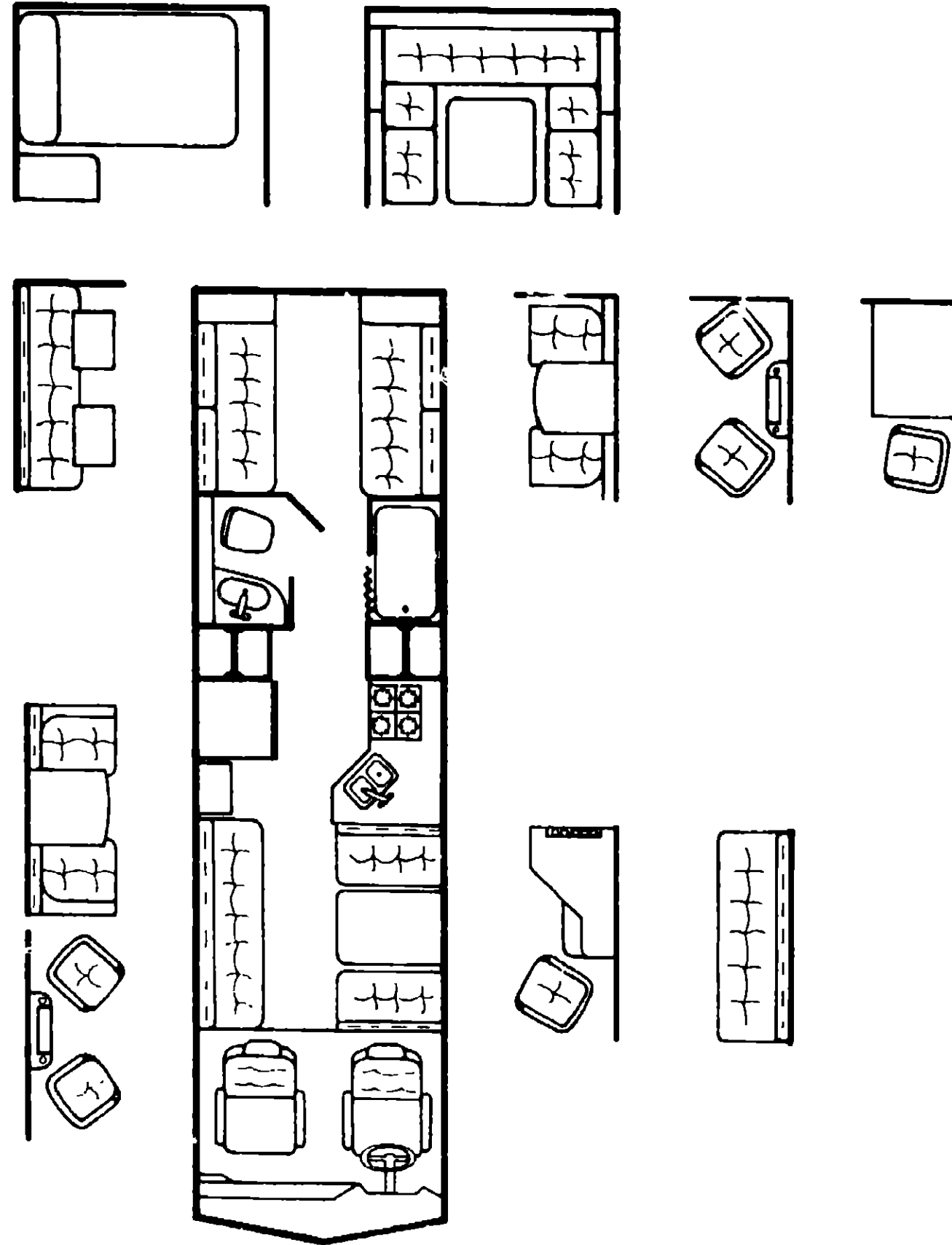


1980 WDN29RT L0



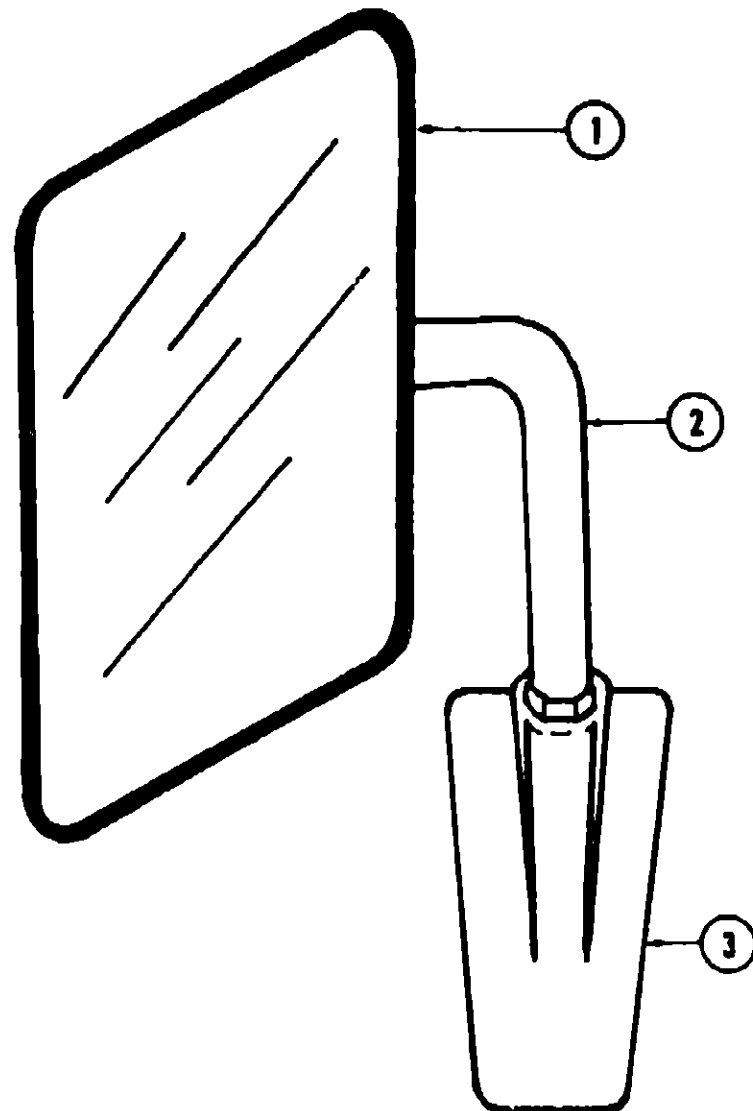
1980 WINNEBAGO TABLE OF CONTENTS

Introduction	A-1
Abbreviations	A-1
Alphabetical Index	A-2 - A-4
WD424RH LO	A-5 - B-18
WGF23RG LO	B-19 - D-12
WDN26RB LO	D-13 - F-2
WDN29RT LO	F-3 - G-24

1980 WDN29RT L0 INDEX

Floor Plan	F-3 - F-4
Accessories Group	F-5 - F-6
Bath Group	F-7 - F-8
Chassis Group	F-9
Curtain, Cushion and Pad Group	F-10 - F-15
Dinette Group	F-16 - F-17
Driver's Compartment Group	F-18 - F-19
Electrical Group	F-20 - F-22
Exterior Body Group	F-23 - G-2
Galley Group	G-3
Heating & Air Conditioning Group	G-4 - G-5
Interior Finish Group	G-6 - G-7
LP Group	G-8
Lounge Group	G-9 - G-10
Water & Sewage Group	G-11
Window, Vent & Exterior Door Group	G-12 - G-24

ACCESSORIES GROUP



Key	Part Number	U/M	Description
1	057461-01-000	EA	Mirror Head - 7 1/2" x 10 1/2" - w/Convex
2	049348-01-000	EA	Arm - Low Mount Mirror - Bright Finish
3	049944-01-000	EA	Bracket - Mirror - Outside - Beige
.	065116-01-000	EA	Mirror - West Coast - Double Mirror - Right
.	065116-02-000	EA	Mirror - West Coast - Double Mirror - Left
.			Not Illustrated

RADIOS AND RELATED COMPONENTS

Key	Part Number	U/M	Description
	031105-01-700	EA	Clip - Retaining - Side Mount Antenna
	031105-01-000	EA	Antenna - Radio - Side Mount
	049730-01-000	EA	Radio - AM - w/Fader - Clarion
	049731-01-000	EA	Radio - AM/FM/MPX - w/Fader - Clarion
	049732-01-000	EA	Radio - AM/FM/MPX - 8 Track - w/Fader - Clarion
	048153-01-000	EA	Antenna - CB Camper Style
	053768-01-000	EA	Speaker - Recessed - 5 1/4" - 10 Ounce
	055299-01-000	EA	Grille - Speaker - 5 1/4"
	050465-01-000	EA	Bezel - Entertainment Center - No 1 - w/Cut Out for Vehicle Sensor Panel
	050466-01-000	EA	Bezel - Entertainment Center - No 2 - w/Cut Out for Vehicle Sensor Panel, Radio and Clock
	050467-01-000	EA	Bezel - Entertainment Center - No 3 - w/Cut Out for Vehicle Sensor Panel, Radio, Clock, Hourmeter, Generator Start Stop Switch
	063647-01-000	EA	CB Radio - Clarion - Control Box
	063647-02-000	EA	CB Radio - Clarion - JC2 Module

ACCESSORIES GROUP (CONTINUED)

GENERATORS AND COMPONENTS

Key	Part Number	U/M	Description
	054429-01-000	EA	Generator - Onan - 4.0 kw
	054431-01-000	EA	Generator - Onan - 5.0 kw
	054433-01-000	EA	Generator - Onan - 6.5 kw
	701629-02-000	EA	Onan Installation Package
	050467-01-000	EA	Bezel - Entertainment Center No 3
	024732-01-001	EA	Tailpipe - 1 1/2" O D x 23"
	740313-56-000	EA	Tray - Generator - 4.0 - 5.0 kw Onan
	740313-57-000	EA	Tray - Generator - 6.5 kw Onan

FRONT OVERHEAD BUNK AND CABINET

Key	Part Number	U/M	Description
	058300-01-K04	EA	Cabinet Asm - Front Overhead
	053773-01-000	EA	Support Asm. - Overhead Bunk - Brown - Right
	053773-02-000	EA	Support Asm. - Overhead Bunk - Brown - Left
	053774-01-000	EA	Torsion Rod - Overhead Bunk - Brown
	040071-02-000	EA	Support - Overhead Bunk - Seat Belt
	039518-02-000	EA	Catch - Seat Belt - Overhead Bunk
	041322-01-000	EA	Washer - Flat - 15/32" I D x 2 3/8" O D
	063440-01-000	EA	Latch Asm - Bunk - w/Grommet
	058773-01-K04	EA	Bunk Board Asm - Front Overhead - w/o Rails
	059344-01-K04	EA	Bunk Board Asm - Front Overhead - w/Rails
	059333-01-K04	EA	Rail - Overhead Bunk - Padded - Acorn Vinyl
	059333-02-K04	EA	Rail - Overhead Bunk - Not Padded - Acorn Vinyl

MISCELLANEOUS ACCESSORIES

Key	Part Number	U/M	Description
	054185-03-000	EA	Owner's Manual - Winnebago
	017516-01-000	EA	Mudflap - Black - 14" x 18" w/Holes
	006069-01-000	EA	Case - Leather Key - Motorhome
	007038-01-000	EA	Mat - Door - Black Rubber - 10 1/2" x 26"
	006053-01-000	EA	Antenna - TV - Braund Delux
	006053-01-700	EA	Parts Kit - Repair - Braund TV Antenna
	008093-01-000	EA	Jack - TV - Brown (Antenna)
	008113-01-000	EA	Jack - Hydraulic 5 Ton
	041944-01-700	EA	Fire Extinguisher w/Bracket
	041944-03-000	EA	Fire Extinguisher - w/Bracket - 5BC (Calif)
**	031398-02-000	EA	Wheel Cover - 19.5" - Chrome
	064082-01-000	EA	Wheel Cover - Bolt On - Delmet
	064082-02-000	EA	Retaining Nut - Delmet Wheel Cover
	064082-03-700	EA	Retainer Bracket - Bolt On Wheel Cover - M-500 Dodge - Front
	064082-03-701	EA	Retainer Bracket - Bolt On Wheel Cover - M-500 Dodge - Rear
**	059778-01-000	EA	Speed Control - 440 C I D Dodge - A Body - Dana
	058793-01-000	EA	Steering Wheel - Custom - Brown
	058793-02-000	EA	Hub Kit - Custom Steering Wheel - M5 M6 Dodge
	052771-02-000	EA	Microwave Oven - Magic Chef - MW207 - C S A
	041048-01-000	EA	Luggage Carrier - Roof Mount - Complete
	039881-01-000	EA	Catch and Strike - Luggage Carrier
	031161-01-000	EA	Label - Flying "W" - Luggage Carrier
	052241-06-000	EA	Spare Tire Cover - Beige Plastic
	055285-01-000	EA	Vacuum Asm - Tevis Campbell
	055285-01-700	EA	Attachments - F/Vacuum - Tevis Campbell
	055285-01-701	EA	Vacuum Bags - Package of (12) - Tevis Campbell
	056253-01-000	EA	Ladder Asm - w/Luggage Rack
**	041066-02-000	EA	Ladder Only - For Rack and Ladder Asm
	057466-01-000	EA	TV - Color - 12" Sony
	062921-01-000	EA	Base - TV Swivel Slide

**The illustrated parts breakdown for this item is provided on the Common Items Fiche

1980 WINNEBAGO TABLE OF CONTENTS

Introduction	A-1
Abbreviations	A-1
Alphabetical Index	A-2 - A-4
WD424RH LO	A-5 - B-18
WGF23RG LO	B-19 - D-12
WDN26RB LO	D-13 - F-2
WDN29RT LO	F-3 - G-24

1980 WDN29RT LO INDEX

Floor Plan	F-3 - F-4
Accessories Group	F-5 - F-6
Bath Group	F-7 - F-8
Chassis Group	F-9
Curtain, Cushion and Pad Group	F-10 - F-15
Dinette Group	F-16 - F-17
Driver's Compartment Group	F-18 - F-19
Electrical Group	F-20 - F-22
Exterior Body Group	F-23 - G-2
Galley Group	G-3
Heating & Air Conditioning Group	G-4 - G-5
Interior Finish Group	G-6 - G-7
LP Group	G-8
Lounge Group	G-9 - G-10
Water & Sewage Group	G-11
Window, Vent & Exterior Door Group	G-12 - G-24

BATH GROUP

BATH CABINETRY

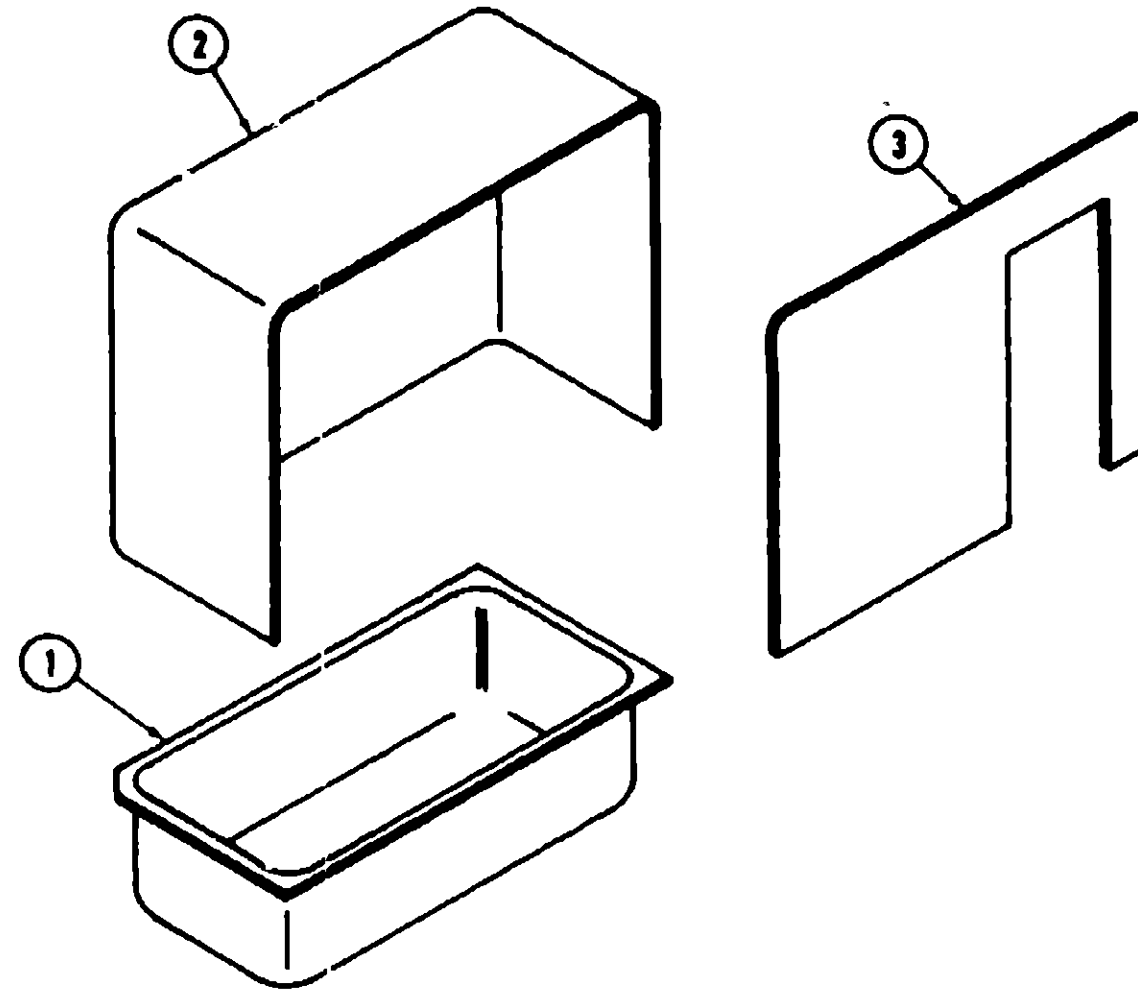
Key	Part Number	U/M	Description
	081941-01-K04	EA	Cabinet Asm - Lavatory - w/o Countertop, Doors or Hardware
	081940-01-K04	EA	Countertop Asm - Lavatory Cabinet - Stonehenge
	059122-10-K04	EA	Door Asm. - Rolled - Lavatory Cabinet - 28" x 26 5"
	061242-01-K04	EA	Cabinet Asm - Medicine - w/o Doors or Hardware
	059842-10-K04	EA	Door Asm - Medicine Cabinet - w/Mirror - 15 1" x 29 1" - w/o Hardware
	059092-46-K04	EA	Door Asm - Medicine Cabinet - 11 5" x 20 7" - w/o Hardware
	059837-01-K04	EA	Door Asm - Bath - w/Mirror - 22 1" x 29 1" - w/o Hardware
	058233-03-K04	EA	Door Asm - Bathroom - 74 2" x 23" - w/o Towel Rack or Hardware
	059842-07-K04	EA	Door Asm - Wardrobe - 13.1" x 45 1" - w/Mirror w/o Hardware
	059843-07-K04	EA	Door Asm - Furnace - 22 1" x 27 5" - w/o Hardware
	082906-01-000	EA	Door Asm - Shower - Folding - Complete w/Frame
	081943-01-K04	EA	Door Asm - Sliding - 27 4" x 75 2" - w/o Hardware

BATH HARDWARE

Key	Part Number	U/M	Description
**	011056-01-000	EA	Faucet - Lavatory - U S
**	011056-02-000	EA	Faucet - Lavatory - C S.A.
	058840-01-000	EA	Sink - Oval - Ivory Plastic
	011063-01-000	EA	Plug - Sink - 1 1/4" w/Chain
**	031558-01-000	EA	Faucet - Tub and Shower
**	011048-01-000	EA	Shower Head - w/60" Hose
**	010495-01-000	EA	Hose Clamp - 9/16"
**	011066-01-000	EA	Strainer - Shower Pan
**	011069-01-000	EA	Tailpiece - 1 1/4" x 4" - Brass
	009134-01-000	EA	Holder - Tissue
	058331-01-000	EA	Mirror - Safety Glass - 19" x 26"
	058331-03-000	EA	Mirror - Safety Glass - 10" x 42"
	058335-01-000	EA	Latch - Bathroom Door
	009155-01-000	EA	Track - Sliding Door
	009156-01-000	EA	Hanger - Sliding Door
**	058034-01-000	EA	Latch - Sliding Door
**	009112-01-000	EA	Flange - 1" Closet Rod
**	039341-02-000	EA	Toilet - Thetford Aqua Magic Model SH - Ivory

** The illustrated parts breakdown for this item is provided on the Common Items Fiche

BATH GROUP (CONTINUED)



Key	Part Number	U/M	Description
1	063370-01-000	EA	Bathtub Bottom - Ivory Plastic
2	062249-01-000	EA	Bathtub Rear - Ivory Plastic
3	062247-01-000	EA	Bathtub Front - Ivory Plastic

1980 WINNEBAGO TABLE OF CONTENTS

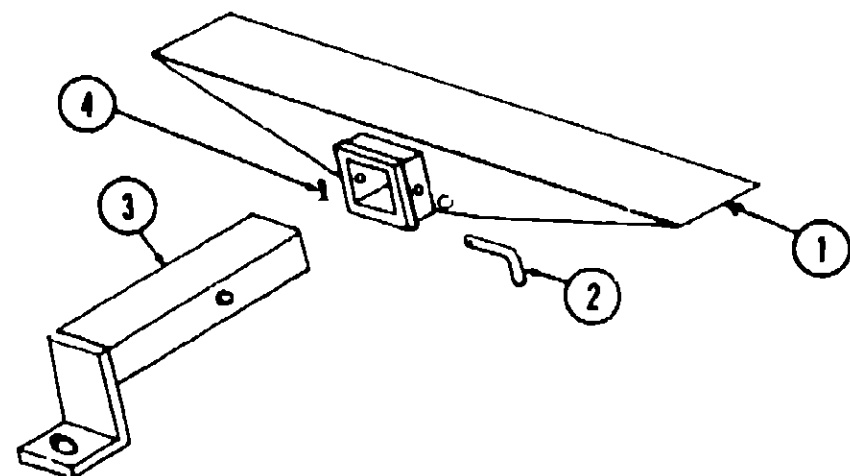
Introduction	A-1
Abbreviations	A-1
Alphabetical Index	A-2 - A-4
WD424RH LO	A-5 - B-18
WGF23RG LO	B-19 - D-12
WDN26RB LO	D-13 - F-2
WDN29RT LO	F-3 - G-24

1980 WDN29RT LO INDEX

Floor Plan	F-3 - F-4
Accessories Group	F-5 - F-6
Bath Group	F-7 - F-8
Chassis Group	F-9
Curtain, Cushion and Pad Group	F-10 - F-15
Dinette Group	F-16 - F-17
Driver's Compartment Group	F-18 - F-19
Electrical Group	F-20 - F-22
Exterior Body Group	F-23 - G-2
Galley Group	G-3
Heating & Air Conditioning Group	G-4 - G-5
Interior Finish Group	G-6 - G-7
LP Group	G-8
Lounge Group	G-9 - G-10
Water & Sewage Group	G-11
Window, Vent & Exterior Door Group	G-12 - G-24

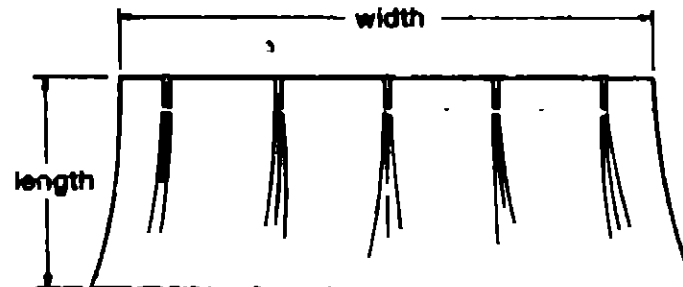
CHASSIS GROUP

Key	Part Number	U/M	Description
	048474-01-000	EA	Bumper - Rear Chrome
	048043-08-000	EA	Bracket - Rear Bumper
	040634-01-000	EA	Carrier - Spare Tire
	040974-01-000	EA	Bracket - Spare Tire Retainer - 2" x 6 75"
	058200-01-000	EA	Bumper - Front Chrome
	005200-01-000	EA	Bolt - Carriage - 7/16" x 14" x 1 1/4" - SST (Bumper)
	058416-01-000	EA	Bar - Front Bumper
	058439-01-000	EA	Bracket - Front Bumper
	051897-01-000	EA	Bracket - Battery Tie Down
	058401-01-000	EA	Hoodboard - Steel - Upper Right
	058404-01-000	EA	Hoodboard - Steel - Upper Left
	059583-03-000	EA	Housing - Headlamp - Left
	059583-04-000	EA	Housing - Headlamp - Right
	049358-01-000	EA	Bezel - Headlamp - Chrome - Left
	049358-02-000	EA	Bezel - Headlamp - Chrome - Right
	055374-01-000	EA	Wheel Well - Plastic - Left or Right
	035103-01-000	EA	Cover - Radiator - Rear Back - (Fan Shroud)
	052412-01-000	EA	Cover - Radiator Rear
	024652-01-700	EA	Step Asm. - Pull Out - Entry Door
	048594-01-000	EA	Tray Asm. - Battery - Steel
	007131-01-000	EA	Hanger - Tailpipe
	007125-07-000	EA	Clamp Asm. - Muffler - 2 50" Dia
	061419-01-000	EA	Tailpipe - Extension - 2 1/2" x 35"
	017516-01-000	EA	Mud Flap - 14" x 18" - w/Holes
	014909-01-000	EA	Shroud - Fuel Fill - DBI Black
	740313-56-000	EA	Tray - Generator - Onan 4 0 kw - 5 0 kw
	740313-57-000	EA	Tray - Generator - Onan - 6 5 kw



Key	Part Number	U/M	Description
1	023695-01-000	EA	Hitch Asm. - w/o Drawbar
2	034512-01-000	EA	Pin - Locking - Drawbar
3	023690-01-000	EA	Drawbar - Trailer Hitch
4	034513-01-000	EA	Pin - Hitch - 3/16" Wire Spring

CURTAIN, CUSHION AND PAD GROUP



NOTE

Use this illustration when determining length and width measurements for curtains. You will note the width measurement is taken on the top of the curtain with the curtain fully extended. The length measurement is taken from top to bottom.

CURTAINS AND TIEBACKS

Key	Part Number	U/M	Description
	054051-02-K04	EA	Curtain Asm. - w/Snap Top - 34" x 37" - Beige
	054292-02-K04	EA	Curtain Asm. w/Snap Top - Front Wraparound - Left - 27 5" x 81" - Beige
	054293-02-K04	EA	Curtain Asm. w/Snap Top - Front Wraparound - Right - 27.5" x 81" - Beige
	054051-22-K04	EA	Curtain Asm. w/Snap Top - Bunk Privacy - 22" x 96" - Beige
	054048-05-K04	EA	Tie Back Asm. - Curtain - 2" x 18" - Beige

SHADES

Key	Part Number	U/M	Description
	059369-01-000	EA	Shade - Woven Wood - 29" x 72" - Brown
	059369-07-000	EA	Shade - Woven Wood - 29" x 72" - Rust
	059369-13-000	EA	Shade - Woven Wood - 29" x 72" - Beige
	059369-02-000	EA	Shade - Woven Wood - 31" x 89" - Brown
	059369-08-000	EA	Shade - Woven Wood - 31" x 89" - Rust
	059369-14-000	EA	Shade - Woven Wood - 31" x 89" - Beige
	059369-03-000	EA	Shade - Woven Wood - 31" x 60" - Brown
	059369-09-000	EA	Shade - Woven Wood - 31" x 60" - Rust
	059369-15-000	EA	Shade - Woven Wood - 31" x 60" - Beige
	059369-05-000	EA	Shade - Woven Wood - 23" x 25" - Brown
	059369-11-000	EA	Shade - Woven Wood - 23" x 25" - Rust
	059369-17-000	EA	Shade - Woven Wood - 23" x 25" - Beige
	059369-06-000	EA	Shade - Woven Wood - 29" x 17" - Brown
	059369-12-000	EA	Shade - Woven Wood - 29" x 17" - Rust
	059369-18-000	EA	Shade - Woven Wood - 29" x 17" - Beige

FRONT BUNK CUSHIONS

Key	Part Number	U/M	Description
	055021-18-K04	EA	Cushion Asm. - Front Bunk - 47" x 79 25" x 5" - Brown
	055021-18-K05	EA	Cushion Asm. - Front Bunk - 47" x 79 25" x 5" - Rust
	055021-18-K06	EA	Cushion Asm. - Front Bunk - 47" x 79 25" x 5" - Beige
	055022-20-K04	EA	Cover - Front Bunk Cushion - 47" x 79 25" x 5" - Brown
	055022-20-K05	EA	Cover - Front Bunk Cushion - 47" x 79 25" x 5" - Rust
	055022-20-K06	EA	Cover - Front Bunk Cushion - 47" x 79 25" x 5" - Beige

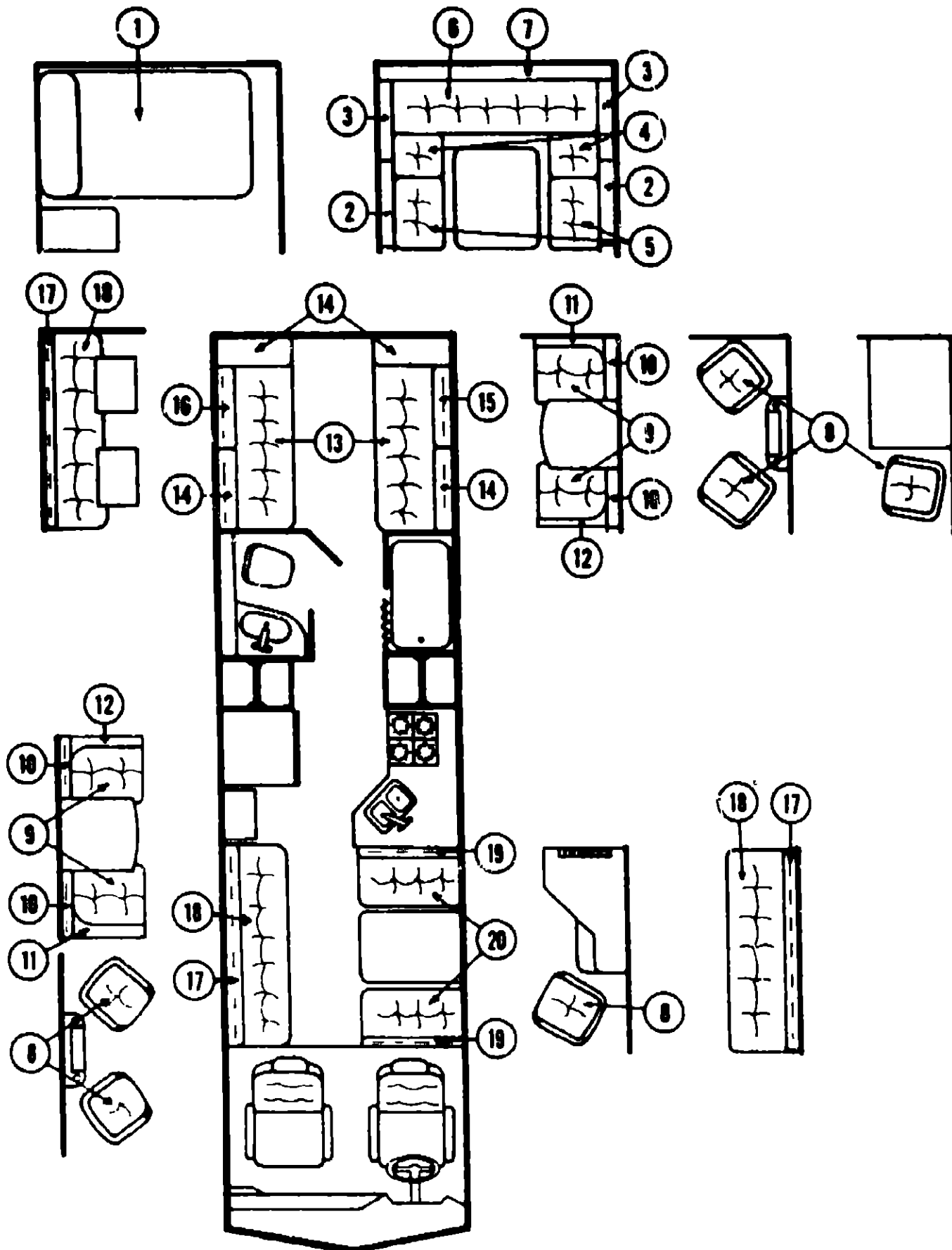
1980 WINNEBAGO TABLE OF CONTENTS

Introduction	A-1
Abbreviations	A-1
Alphabetical Index	A-2 - A-4
WD424RH LO	A-5 - B-18
WGF23RG LO	B-19 - D-12
WDN28RB LO	D-13 - F-2
WDN29RT LO	F-3 - G-24

1980 WDN29RT LO INDEX

Floor Plan	F-3 - F-4
Accessories Group	F-5 - F-6
Bath Group	F-7 - F-8
Chassis Group	F-9
Curtain, Cushion and Pad Group	F-10 - F-15
Dinette Group	F-16 - F-17
Driver's Compartment Group	F-18 - F-19
Electrical Group	F-20 - F-22
Exterior Body Group	F-23 - G-2
Galley Group	G-3
Heating & Air Conditioning Group	G-4 - G-5
Interior Finish Group	G-6 - G-7
LP Group	G-8
Lounge Group	G-9 - G-10
Water & Sewage Group	G-11
Window, Vent & Exterior Door Group	G-12 - G-24

CURTAIN, CUSHION AND PAD GROUP (CONTINUED)



DOUBLE BED MATTRESS

Key	Part Number	U/M	Description
1	055281-01-000	EA	Mattress - Inner Spring - Sealy - 54" x 75"

CURTAIN, CUSHION AND PAD GROUP (CONTINUED)

HORSESHOE LOUNGE CUSHIONS

Key	Part Number	U/M	Description
2	058913-08-K04	EA	Cushion - Lounge Back - 18" x 30.5" x 5" - Brown
2	058913-08-K05	EA	Cushion - Lounge Back - 18" x 30.5" x 5" - Rust
2	058913-08-K06	EA	Cushion - Lounge Back - 18" x 30.5" x 5" - Beige
	058914-08-K04	EA	Cover - Cushion - 18" x 30.5" x 5" - Brown
	058914-08-K05	EA	Cover - Cushion - 18" x 30.5" x 5" - Rust
	058914-08-K06	EA	Cover - Cushion - 18" x 30.5" x 5" - Beige
3	058915-01-K04	EA	Cushion - Lounge Back - 18" x 40.5" x 36.5" x 5" - Brown
3	058915-01-K05	EA	Cushion - Lounge Back - 18" x 40.5" x 36.5" x 5" - Rust
3	058915-01-K06	EA	Cushion - Lounge Back - 18" x 40.5" x 36.5" x 5" - Beige
	058916-01-K04	EA	Cover - Cushion - 18" x 40.5" x 36.5" x 5" - Brown
	058916-01-K05	EA	Cover - Cushion - 18" x 40.5" x 36.5" x 5" - Rust
	058916-01-K06	EA	Cover - Cushion - 18" x 40.5" x 36.5" x 5" - Beige
4	058913-05-K04	EA	Cushion - Lounge Seat - 24" x 15" x 5.5" - Brown
4	058913-05-K05	EA	Cushion - Lounge Seat - 24" x 15" x 5.5" - Rust
4	058913-05-K06	EA	Cushion - Lounge Seat - 24" x 15" x 5.5" - Beige
	058914-05-K04	EA	Cover - Cushion - 24" x 15" x 5.5" - Brown
	058914-05-K05	EA	Cover - Cushion - 24" x 15" x 5.5" - Rust
	058914-05-K06	EA	Cover - Cushion - 24" x 15" x 5.5" - Beige
5	058913-10-K04	EA	Cushion - Lounge Seat - 24" x 32" x 5.5" - Brown
5	058913-10-K05	EA	Cushion - Lounge Seat - 24" x 32" x 5.5" - Rust
5	058913-10-K06	EA	Cushion - Lounge Seat - 24" x 32" x 5.5" - Beige
	058914-10-K04	EA	Cover - Lounge Cushion - 24" x 32" x 5.5" - Brown
	058914-10-K05	EA	Cover - Lounge Cushion - 24" x 32" x 5.5" - Rust
	058914-10-K06	EA	Cover - Lounge Cushion - 24" x 32" x 5.5" - Beige
6	062663-01-K04	EA	Cushion - Lester Lounge - Complete - 76" - Brown
6	062663-01-K05	EA	Cushion - Lester Lounge - Complete - 76" - Rust
6	062663-01-K06	EA	Cushion - Lester Lounge - Complete - 76" - Beige
	062664-01-K04	EA	Cover - Lester Lounge - Brown
	062664-01-K05	EA	Cover - Lester Lounge - Rust
	062664-01-K06	EA	Cover - Lester Lounge - Beige
7	055021-23-K04	EA	Cushion - Lounge Back - 8" x 76" x 5" - Brown
7	055021-23-K05	EA	Cushion - Lounge Back - 8" x 76" x 5" - Rust
7	055021-23-K06	EA	Cushion - Lounge Back - 8" x 76" x 5" - Beige
	055022-25-K04	EA	Cover - Cushion - 8" x 76" x 5" - Brown
	055022-25-K05	EA	Cover - Cushion - 8" x 76" x 5" - Rust
	055022-25-K06	EA	Cover - Cushion - 8" x 76" x 5" - Beige

SWIVEL CHAIRS

Key	Part Number	U/M	Description
8	054674-09-K04	EA	Swivel Chair - Complete - Brown (Tan)
8	054674-09-K06	EA	Swivel Chair - Complete - Beige (Amber)
	054700-01-K04	EA	Cushion - Swivel Chair - Brown (Tan)
	054700-01-K06	EA	Cushion - Swivel Chair - Beige (Amber)
	035036-01-000	EA	Plate - Swivel Chair
	035036-02-000	EA	Base w/Legs - Swivel Chair

**1980 WINNEBAGO
TABLE OF CONTENTS**

Introduction	A-1
Abbreviations	A-1
Alphabetical Index	A-2 - A-4
WD424RH LO	A-5 - B-18
WGF23RG LO	B-19 - D-12
WDN26RB LO	D-13 - F-2
WDN29RT LO	F-3 - G-24

1980 WDN29RT LO INDEX

Floor Plan	F-3 - F-4
Accessories Group	F-5 - F-6
Bath Group	F-7 - F-8
Chassis Group	F-9
Curtain, Cushion and Pad Group	F-10 - F-15
Dinette Group	F-16 - F-17
Driver's Compartment Group	F-18 - F-19
Electrical Group	F-20 - F-22
Exterior Body Group	F-23 - G-2
Galley Group	G-3
Heating & Air Conditioning Group	G-4 - G-5
Interior Finish Group	G-6 - G-7
LP Group	G-8
Lounge Group	G-9 - G-10
Water & Sewage Group	G-11
Window, Vent & Exterior Door Group	G-12 - G-24

CURTAIN, CUSHION AND PAD GROUP (CONTINUED)

CORNER LOUNGE CHAIRS

Key	Part Number	U/M	Description
9	059743-01-K04	EA	Cushion Asm. - Corner Lounge Chair - Seat - Brown
9	059743-01-K08	EA	Cushion Asm. - Corner Lounge Chair - Seat - Beige
	059746-01-K04	EA	Cover - Corner Lounge Chair Seat - Brown
	059746-01-K08	EA	Cover - Corner Lounge Chair Seat - Beige
10	059742-01-K04	EA	Cushion Asm. - Corner Lounge Chair - Back - Brown
10	059742-01-K08	EA	Cushion Asm. - Corner Lounge Chair - Back - Beige
	059745-01-K04	EA	Cover - Corner Lounge Chair Back - Brown
	059745-01-K08	EA	Cover - Corner Lounge Chair Back - Beige
11	059744-02-K04	EA	Cushion Asm. - Corner Chair Wedge - Left - Brown
11	059744-02-K08	EA	Cushion Asm. - Corner Chair Wedge - Left - Beige
	059747-02-K04	EA	Cover - Wedge Cushion - Left - Brown
	059747-02-K08	EA	Cover - Wedge Cushion - Left - Beige
12	059744-01-K04	EA	Cushion Asm. - Corner Chair Wedge - Right - Brown
12	059744-01-K08	EA	Cushion Asm. - Corner Chair Wedge - Right - Beige
	059747-01-K04	EA	Cover - Wedge Cushion - Right - Brown
	059747-01-K08	EA	Cover - Wedge Cushion - Right - Beige

REAR TWIN BED CUSHIONS

Key	Part Number	U/M	Description
13	058913-07-K04	EA	Cushion - Rear Twin - Bottom - 28" x 76" x 5" - Brown
13	058913-07-K05	EA	Cushion - Rear Twin - Bottom - 28" x 76" x 5" - Rust
13	058913-07-K08	EA	Cushion - Rear Twin - Bottom - 28" x 76" x 5" - Beige
	058914-07-K04	EA	Cover - Cushion - 28" x 76" x 5" - Brown
	058914-07-K05	EA	Cover - Cushion - 28" x 76" x 5" - Rust
	058914-07-K08	EA	Cover - Cushion - 28" x 76" x 5" - Beige
14	058917-01-K04	EA	Cushion - Bolster - 8" x 10" x 14" x 28" - Brown
14	058917-01-K05	EA	Cushion - Bolster - 8" x 10" x 14" x 28" - Rust
14	058917-01-K08	EA	Cushion - Bolster - 8" x 10" x 14" x 28" - Beige
	058918-01-K04	EA	Cover - Cushion - 8" x 10" x 14" x 28" - Brown
	058918-01-K05	EA	Cover - Cushion - 8" x 10" x 14" x 28" - Rust
	058918-01-K08	EA	Cover - Cushion - 8" x 10" x 14" x 28" - Beige
15	058919-01-K04	EA	Cushion - Bolster - 8" x 10" x 14" x 40" x 38" - Left - Brown
15	058919-01-K05	EA	Cushion - Bolster - 8" x 10" x 14" x 40" x 38" - Left - Rust
5	058919-01-K08	EA	Cushion - Bolster - 8" x 10" x 14" x 40" x 38" - Left - Beige
	058920-01-K04	EA	Cover - Cushion - 8" x 10" x 14" x 40" x 38" - Left - Brown
	058920-01-K05	EA	Cover - Cushion - 8" x 10" x 14" x 40" x 38" - Left - Rust
	058920-01-K08	EA	Cover - Cushion - 8" x 10" x 14" x 40" x 38" - Left - Beige
16	058919-02-K04	EA	Cushion - Bolster - 8" x 10" x 14" x 40" x 38" - Right - Brown
16	058919-02-K05	EA	Cushion - Bolster - 8" x 10" x 14" x 40" x 38" - Right - Rust
16	058919-02-K08	EA	Cushion - Bolster - 8" x 10" x 14" x 40" x 38" - Right - Beige
	058920-02-K04	EA	Cover - Cushion - 8" x 10" x 14" x 40" x 38" - Right - Brown
	058920-02-K05	EA	Cover - Cushion - 8" x 10" x 14" x 40" x 38" - Right - Rust
	058920-02-K08	EA	Cover - Cushion - 8" x 10" x 14" x 40" x 38" - Right - Beige

PRESTO BED CUSHIONS

Key	Part Number	U/M	Description
17	059063-01-K04	EA	Cushion Asm. - Presto Bed - Back - 76" - Brown
17	059063-01-K05	EA	Cushion Asm. - Presto Bed - Back - 76" - Rust
17	059063-01-K08	EA	Cushion Asm. - Presto Bed - Back - 76" - Beige
	062753-01-K04	EA	Cover - Presto Bed Cushion - Back - 76" - Brown
	062753-01-K05	EA	Cover - Presto Bed Cushion - Back - 76" - Rust
	062753-01-K08	EA	Cover - Presto Bed Cushion - Back - 76" - Beige
18	059064-01-K04	EA	Cushion Asm. - Presto Bed - Bottom - 76" - Brown
18	059064-01-K05	EA	Cushion Asm. - Presto Bed - Bottom - 76" - Rust
18	059064-01-K08	EA	Cushion Asm. - Presto Bed - Bottom - 76" - Beige
	062753-02-K04	EA	Cover - Presto Bed Cushion - Bottom - 76" - Brown
	062753-02-K05	EA	Cover - Presto Bed Cushion - Bottom - 76" - Rust
	062753-02-K08	EA	Cover - Presto Bed Cushion - Bottom - 76" - Beige

CURTAIN, CUSHION AND PAD GROUP (CONTINUED)

DINETTE CUSHIONS

Key	Part Number	U/M	Description
19	058913-03-K04	EA	Cushion Asm. - Dinette Back - 19.2" x 38" x 5" - Tan
19	058913-03-K08	EA	Cushion Asm. - Dinette Back - 19.2" x 38" x 5" - Amber
	058914-03-K04	EA	Cover - Dinette Back Cushion - 19.2" x 38" x 5" - Tan
	058914-03-K08	EA	Cover - Dinette Back Cushion - 19.2" x 38" x 5" - Amber
20	058913-04-K04	EA	Cushion Asm. - Dinette Seat - 17.5" x 38" x 5" - Tan
20	058913-04-K08	EA	Cushion Asm. - Dinette Seat - 17.5" x 38" x 5" - Amber
	058914-04-K04	EA	Cover - Dinette Seat Cushion - 17.5" x 38" x 5" - Tan
	058914-04-K08	EA	Cover - Dinette Seat Cushion - 17.5" x 38" x 5" - Amber

BUCKET SEATS

Key	Part Number	U/M	Description
	061829-01-K04	EA	Seat Asm. - Single Bucket - Highback w/Armrests and Skirt - Brown
	061829-01-K05	EA	Seat Asm. - Single Bucket - Highback w/Armrests and Skirt - Rust
	061829-01-K08	EA	Seat Asm. - Single Bucket - Highback w/Armrests and Skirt - Beige
	061838-03-K04	EA	Cover - Back - Single Bucket - Brown
	061838-03-K05	EA	Cover - Back - Single Bucket - Rust
	061838-03-K08	EA	Cover - Back - Single Bucket - Beige
	061839-03-K04	EA	Cover - Bottom - Single Bucket - Brown
	061839-03-K05	EA	Cover - Bottom - Single Bucket - Rust
	061839-03-K08	EA	Cover - Bottom - Single Bucket - Beige
	054650-03-K04	EA	Skirt - Single Bucket - Brown
	054650-03-K05	EA	Skirt - Single Bucket - Rust
	054650-03-K08	EA	Skirt - Single Bucket - Beige
	061834-01-K04	EA	Seat Asm. - Double Bucket - Highback w/Armrests and Skirt - Brown
	061834-01-K05	EA	Seat Asm. - Double Bucket - Highback w/Armrests and Skirt - Rust
	061834-01-K08	EA	Seat Asm. - Double Bucket - Highback w/Armrests and Skirt - Beige
	061840-03-K04	EA	Cover - Back - Double Bucket - Brown
	061840-03-K05	EA	Cover - Back - Double Bucket - Rust
	061840-03-K08	EA	Cover - Back - Double Bucket - Beige
	061811-03-K04	EA	Cover - Bottom - Double Bucket - Brown
	061811-03-K05	EA	Cover - Bottom - Double Bucket - Rust
	061811-03-K08	EA	Cover - Bottom - Double Bucket - Beige
	054650-04-K04	EA	Skirt - Double Bucket - Brown
	054650-04-K05	EA	Skirt - Double Bucket - Rust
	054650-04-K08	EA	Skirt - Double Bucket - Beige
	050275-01-700	EA	Armrest Asm. - Foam w/o Cover - Right
	050276-01-700	EA	Armrest Asm. - Foam w/o Cover - Left
	053357-01-K04	EA	Cover - Armrest - Right or Left - Brown
	053357-01-K05	EA	Cover - Armrest - Right or Left - Rust
	053357-01-K08	EA	Cover - Armrest - Right or Left - Beige

FABRICS AND TRIMS

Key	Part Number	U/M	Description
	057874-01-000	YD	Fabric - Drapery - Beige
	057889-01-000	YD	Fabric - Upholstery - Main - Mahogany
	057889-02-000	YD	Fabric - Upholstery - Main - Terra Cotta
	057889-03-000	YD	Fabric - Upholstery - Main - Beige
	057893-04-000	YD	Fabric - Upholstery - Accent - Tan
	057893-05-000	YD	Fabric - Upholstery - Accent - Amber
	054676-01-K04	EA	Button Asm. - Covered - #30 - Brown
	054676-01-K05	EA	Button Asm. - Covered - #30 - Rust
	054676-01-K08	EA	Button Asm. - Covered - #30 - Beige
	054676-06-K04	EA	Button Asm. - Covered - #30 - Tan
	054676-06-K08	EA	Button Asm. - Covered - #30 - Amber
	052859-01 J10	FT	Trim - Accent - Acorn - Brown Vinyl
	053327-01-000	YD	Vinyl - Non Expanded - 27 oz - Acorn Brown
	053327-02-000	YD	Vinyl - Expanded - 28 oz - Acorn Brown
	053327-03-000	YD	Vinyl - Non Support - 16 Gauge Film - Acorn Brown
	057550-03-K04	EA	Button Asm. - Nail - Acorn Vinyl

**1980 WINNEBAGO
TABLE OF CONTENTS**

Introduction	A-1
Abbreviations	A-1
Alphabetical Index	A-2 - A-4
WD424RH LO	A-5 - B-18
WGF23RG LO	B-19 - D-12
WDN26RB LO	D-13 - F-2
WDN29RT LO	F-3 - G-24

1980 WDN29RT LO INDEX

Floor Plan	F-3 - F-4
Accessories Group	F-5 - F-6
Bath Group	F-7 - F-8
Chassis Group	F-9
Curtain, Cushion and Pad Group	F-10 - F-15
Dinette Group	F-16 - F-17
Driver's Compartment Group	F-18 - F-19
Electrical Group	F-20 - F-22
Exterior Body Group	F-23 - G-2
Galley Group	G-3
Heating & Air Conditioning Group	G-4 - G-5
Interior Finish Group	G-6 - G-7
LP Group	G-8
Lounge Group	G-9 - G-10
Water & Sewage Group	G-11
Window, Vent & Exterior Door Group	G-12 - G-24

CURTAIN, CUSHION AND PAD GROUP (CONTINUED)

PADS

Key	Part Number	U/M	Description
	058565-01-K04	EA	Pad - Pullout Table Cabinet - Acorn Vinyl
	083345-01-K04	EA	Pad - End - Front Lounge - Acorn Vinyl
	083338-01-K04	EA	Pad - End - Galley Overhead - Acorn Vinyl
	058333-01-K04	EA	Pad - Bunk Rail - Acorn Brown
	059414-01-000	EA	Pad - Sidewall Trim - Drivers
	059467-03-K04	EA	Pad - Map Pocket - Drivers - Acorn Vinyl
	059414-02-000	EA	Pad - Sidewall Trim - Passenger
	059467-04-K04	EA	Pad - Map Pocket - Passenger - Acorn Vinyl
	058948-01-K04	EA	Pad - Bunk Panel - Right
	058948-02-K04	EA	Pad - Bunk Panel - Left
	058444-03-K04	EA	Pad - Dinette Overhead Cabinets - Left Acorn Brown
	058444-04-K04	EA	Pad - Dinette Overhead Cabinet - Right Acorn Brown

CURTAIN HARDWARE

Key	Part Number	U/M	Description
	053272-04-200	EA	Track - Curtain - Ceiling - 89" - Off White
	053265-02-001	EA	Track - Curtain - Door - 16" - Anod
	059430-01-000	EA	Track - Curtain - Front Wraparound (2 per unit)
	056001-01-000	EA	Bracket - Shade - Left
	056002-01-000	EA	Bracket - Shade - Right
	009107-01-000	EA	Guide - Nylon Snap - Curtain
	018031-42-000	EA	Track - Curtain - "L" Rod - Alum. Extr - 90"
	009701-01-000	EA	Carrier - "L" Rod - Curtain
	009702-01-000	EA	End Stop - "L" Rod - Curtain



Key	Part Number	U/M	Description
1	029130-01-000	EA	Socket - Snap Fastener
2	029155-01-000	EA	Cap - Snap - 156" Dia x 17" Barrel
3	029156-01-000	EA	Socket - Snap Fastener
4	029092-01-000	EA	Stud - Nickel Finish
5	029093-01-000	EA	Eyelet - Nickel Finish

DINETTE GROUP

CONVENTIONAL DINETTE AND OVERHEAD CABINETS

Key	Part Number	U/M	Description
	053192-01-K04	EA	Table Asm - Dinette - w/o Hardware - Stonehenge
**	053200-01-000	EA	Bracket - Upper Wall Mount - Brown - 23 5"
**	053201-01-000	EA	Bracket - Table Mount - 23"
**	024275-01-000	EA	Rod - Table Lift - 8" x 23 5"
**	024281-03-000	EA	Bracket - Lower Wall Mount - Brown - 22 12"
**	024276-04-000	EA	Leg Asm. - Table - Brown - 29 5"
**	024277-02-000	EA	Hinge - Table Leg - Brown
**	024282-01-000	EA	Brace - Table Leg
**	024283-01-000	EA	Clip - 1" O.D Tube
**	049483-02-000	EA	Catch - Table Leg - Mounts on Floor - Brown
	082739-02-K04	EA	Cabinet Asm - Dinette Seat - Rear
	082739-01-K04	EA	Cabinet Asm - Dinette Seat - Front - w/o Door or Hardware
	059092-04-K04	EA	Door Asm - Front Dinette Seat Cabinet - 10 4" x 25" - w/o Hardware
	058825-05-K04	EA	Cabinet Asm - Right Front Overhead - w/o Doors or Hardware
	058825-06-K04	EA	Cabinet Asm - Left Front Overhead - w/o Doors or Hardware
	059092-01-K04	EA	Door Asm - Dinette Overhead Cabinets - 11 3" x 28" - w/o Hardware

** The illustrated parts breakdown for this item is provided on the Common Line Parts Fiche

SPRUNG COUCH AND PEDESTAL TABLE

Key	Part Number	U/M	Description
	057622-01-K04	EA	Cabinet Face - Sprung Couch - w/o Door or Hardware
	057618-01-K04	EA	Cabinet End - Sprung Couch
	059092-03-K04	EA	Door Asm - Couch Cabinet - 11 6" x 37" - w/o Hardware
	057468-02-000	EA	Frame Asm - Sprung Couch - Right
	057468-03-000	EA	Frame Asm. - Sprung Couch - Left
	057468-04-000	EA	Frame Rail - Sprung Couch (2 per couch)
	057468-01-000	EA	Leg Asm - Sprung Couch (2 per couch)
	053203-07-K04	EA	Table Asm. - Pedestal - w/o Hardware - Stonehenge
	009040-02-000	EA	Leg - Pedestal Table - 27 5" x 2 25" O D - Chrome
	009040-03-000	EA	Base - Table Leg - Mounts on Table
	041194-01-000	EA	Base - Table Leg - Mounts in Floor

CORNER LOUNGE CHAIRS

Key	Part Number	U/M	Description
	061558-02-K04	EA	Cabinet Asm - Corner Lounge Chair - Right
	061560-01-K04	EA	Cabinet Asm - Corner Lounge Chair - Left
	059122-06-K04	EA	Door Asm - Rolled - 17 7" x 13"
	059092-44-K04	EA	Door Asm - Lounge Cabinet - 12" x 19 5" - w/o Hardware
	061704-01-K01	EA	Table Asm - Lounge - Butcher Block
	061882-01-000	EA	Leg Asm - Table - Pivot
	061879-01-000	EA	Leg Asm - Table - Fixed
	024275-04-000	EA	Rod - Table Lift
	024281-05-000	EA	Bracket - Table Lift - Mounts on Table
	053200-02-000	EA	Support - Table - 14 5" - Mounts on Wall

1980 WINNEBAGO TABLE OF CONTENTS

Introduction	A-1
Abbreviations	A-1
Alphabetical Index	A-2 - A-4
WD424RH LO	A-5 - B-18
WGF23RG LO	B-19 - D-12
WDN28RB LO	D-13 - F-2
WDN29RT LO	F-3 - G-24

1980 WDN29RT LO INDEX

Floor Plan	F-3 - F-4
Accessories Group	F-5 - F-6
Bath Group	F-7 - F-8
Chassis Group	F-9
Curtain, Cushion and Pad Group	F-10 - F-15
Dinette Group	F-16 - F-17
Driver's Compartment Group	F-18 - F-19
Electrical Group	F-20 - F-22
Exterior Body Group	F-23 - G-2
Galley Group	G-3
Heating & Air Conditioning Group	G-4 - G-5
Interior Finish Group	G-6 - G-7
LP Group	G-8
Lounge Group	G-9 - G-10
Water & Sewage Group	G-11
Window, Vent & Exterior Door Group	G-12 - G-24

DINETTE GROUP (CONTINUED)

SWIVEL CHAIR AND TELEVISION CABINET

Key	Part Number	U/M	Description
	062486-01-700	EA	Cabinet Asm. - Entertainment Center - w/o Countertops, Doors or Hardware
	059122-11-K04	EA	Door Asm - Rolled - 17" x 20 4"
	062485-01-K04	EA	Countertop Asm - Entertainment Center - Upper - Camel
	062652-01-K04	EA	Countertop Asm - Entertainment Center - Lower - Camel
	063125-01-K04	EA	Rack - Glass - 6 Hole - 4" x 24"
	063159-01-K04	EA	Rack - Bottle - 6 Hole - 14" x 14" Triangle - Camel
	063163-01-K04	EA	Rack - Bottle - 4 Square Hole - 27 8" x 6"
	059092-50-KC4	EA	Door Asm - Cabinet - 11 2" x 13" - w/o Hardware
	059092-51-K04	EA	Door Asm - Cabinet - 14 5" x 13" - w/o Hardware
	062596-01-K04	EA	Door Asm - Cabinet - w/Brass Insert
	047205-09-000	EA	Insert - Cabinet Door - Brass Mesh - 13 1/4" x 7 3/8"

SWIVEL CHAIRS W/PULLOUT TABLE

Key	Part Number	U/M	Description
	054552-01-K04	EA	Table Asm - Pullout - Stonehenge
	058548-01-K04	EA	Cabinet Asm. - Pullout Table - w/o Countertop or Table
	058547-01-K04	EA	Countertop Asm. - Pullout Table Cabinet - Stonehenge
	054540-01-000	EA	Slide Asm - Ball Bearing
	009148-01-000	EA	Finger Pull - 3/4" Dia - Brass
	045795-01-000	EA	Holder - Glass - Dark Brown Plastic
	035036-01-000	EA	Plate - Swivel Chair
	035036-02-000	EA	Base w/LL - Swivel Chair

DRIVER'S COMPARTMENT GROUP

DASH PANEL AND COMPONENTS

Key	Part Number	U/M	Description
	059813-01-K04	EA	Dash Asm - Chieftain - Complete w/Gauges and Switches
	022548-03-000	EA	Pad - Dash - Foam - Right - Dark Brown
	023242-05-000	EA	Pad - Dash - Foam - Left - Dark Brown
	022219-01-0J0	EA	Door - Glove Compartment
	009118-01-000	EA	Lock - Twist w/Nut
	023892-01-000	EA	Box - Glove Compartment - Black Fiberboard
	024596-01-000	EA	Hinge - Continuous - Alum. 11/16" x 19"
	034309-01-000	EA	Chain - Bead - Glove Box Door
	023834-01-000	EA	Panel - Knee Kick - (Bottom of Dash)
	024418-01-000	EA	Lamp Asm - Map/Gauge
	007308-01-000	EA	Clock - Dash
	052367-01-000	EA	Lighter Asm - Cigarette - 12 Volt
	007041-01-000	EA	Bezel - Cigarette Lighter
	007071-01-000	EA	Louver - Chrome - w/Chrome Wheel
	023020-01-000	EA	Lamp Asm. - Tell Tale
	039044-01-000	EA	Louver Asm - A/C Adjustable
	040636-01-000	EA	Bracket Asm - Shift Lever
	042961-01-000	EA	Nameplate - Chieftain - Brown/Silver
	024990-02-000	EA	Outlet - Defroster - w/Swivel - 2" - Dark Brown
	050299-01-000	EA	Bezel - Instrument Panel
	050465-01-000	EA	Bezel - Entertainment Center - No. 1 - w/Cut Out for Vehicle Sensor Panel
	050466-01-000	EA	Bezel - Entertainment Center - No. 2 - w/Cut Out for Vehicle Sensor Panel, Radio and Clock
	050467-01-000	EA	Bezel - Entertainment Center - No. 3 - w/Cut Out for Vehicle Sensor Panel, Radio, Clock, Hourmeter, Generator Start Stop Switch

DASH SWITCHES AND GAUGES

Key	Part Number	U/M	Description
	055279-01-000	EA	Control Asm - Heater - A/C - 3 Speed
	024461-01-000	EA	Switch - Battery
	024463-01-000	EA	Switch - Blinker
	024464-01-000	EA	Switch - Washer
	024465-01-000	EA	Switch - Fuel
	024467-01-000	EA	Switch - Wiper
	024459-01-000	EA	Gauge Asm - Voltmeter
	024460-01-000	EA	Gauge - Vacuum Dash
	024462-01-000	EA	Switch - Battery Condition
	031035-01-000	EA	Gauge - Hourmeter - Generator
	024976-01-000	EA	Switch - Generator w/o Circuit Board
	037387-01-000	EA	Switch - Generator w/Circuit Board
	031376-01-000	EA	Heater Control Asm - 3 Speed

BUCKET SEAT PEDESTAL AND SEAT BELTS

Key	Part Number	U/M	Description
	049943-01-000	EA	Pedestal Asm - Swivel
	050447-01-000	EA	Pedestal Asm. - Tilt Seat - Left
	050447-02-000	EA	Pedestal Asm - Tilt Seat - Right - Single Seat
	050447-03-000	EA	Pedestal Asm - Tilt Seat - Right - Double Seat
	007019-01-000	EA	Belt Asm - Seat - 2" x 8 1/2" - Black
	041322-01-000	EA	Washer - Flat - 15/32" I.D. - 2 3/8" O.D. - Seat Belt

1980 WINNEBAGO TABLE OF CONTENTS

Introduction	A-1
Abbreviations	A-1
Alphabetical Index	A-2 - A-4
WD424RH LO	A-5 - B-18
WGF23RG LO	B-19 - D-12
WDN26RB LO	D-13 - F-2
WDN29RT LO	F-3 - G-24

1980 WDN29RT LO INDEX

Floor Plan	F-3 - F-4
Accessories Group	F-5 - F-6
Bath Group	F-7 - F-8
Chassis Group	F-9
Curtain, Cushion and Pad Group	F-10 - F-15
Dinette Group	F-16 - F-17
Driver's Compartment Group	F-18 - F-19
Electrical Group	F-20 - F-22
Exterior Body Group	F-23 - G-2
Galley Group	G-3
Heating & Air Conditioning Group	G-4 - G-5
Interior Finish Group	G-6 - G-7
LP Group	G-8
Lounge Group	G-9 - G-10
Water & Sewage Group	G-11
Window, Vent & Exterior Door Group	G-12 - G-24

DRIVER'S COMPARTMENT GROUP (CONTINUED)

FRONT OVERHEAD BUNK AND CABINET

Key	Part Number	U/M	Description
	058300-01-K04	EA	Cabinet Asm - Front Overhead
	053773-01-000	EA	Support Arm - Overhead Bunk - Brown - Right
	053773-02-000	EA	Support Arm - Overhead Bunk - Brown - Left
	052774-01-000	EA	Torsion Rod - Overhead Bunk - Brown
	040071-02-000	EA	Support - Overhead Bunk - Seat Belt
	039516-02-000	EA	Catch - Seat Belt - Overhead Bunk
	058773-01-K04	EA	Bunk Board Asm - Front Overhead - w/o Rails
	058344-01-K04	EA	Bunk Board Asm - Front Overhead - w/Rails
	058333-01-K04	EA	Rail - Overhead Bunk - Padded - Acorn Vinyl
	058333-02-K04	EA	Rail - Overhead Bunk - Not Padded - Acorn Vinyl

MISCELLANEOUS DRIVER'S COMPARTMENT COMPONENTS

Key	Part Number	U/M	Description
	034800-03-000	EA	Cover - Motor - Plastic
	039857-01-000	EA	Latch - Rubber - Draw Handle - 5 3/4" w/Strike (Motor Cover)
	039856-01-000	EA	Latch - Rubber - Draw Handle - 3" w/Strike (Motor Cover)
	035368-03-000	EA	Seal - Motor Cover - (Aluminum Extr.)
	034499-01-000	EA	Support - Dimmer Switch
	056508-02-K04	EA	Sunvisor Asm - Left - Brown Vinyl
	056508-01-K04	EA	Sunvisor Asm - Right - w/Mirror - Brown Vinyl
	009143-01-000	EA	Mirror - Sunvisor - 3 5" x 8"
	040895-02-000	EA	Clip - Sunvisor Rod
	007278-01-000	EA	Mirror - Rear View
	050796-01-000	EA	Pocket - Ash Tray - Plastic
	050797-01-000	EA	Ash Tray - Plastic
	061350-01-000	EA	Trim - Interior - "A" Post - Left - Dark Brown Plastic
	061350-02-000	EA	Trim - Interior - "A" Post - Right - Dark Brown Plastic
	059198-01-000	EA	Panel - Side - Driver - Dark Brown Plastic
	059197-01-000	EA	Panel - Side - Passenger - Dark Brown Plastic
	059412-01-K04	EA	Side Panel Pad - Right or Left - Brown
	059412-01-K05	EA	Side Panel Pad - Right or Left - Rust
	059412-01-K06	EA	Side Panel Pad - Right or Left - Beige
	059414-01-000	EA	Trim Pad - Left Sidewall
	059414-02-000	EA	Trim Pad - Right Sidewall
	059467-03-K04	EA	Pad - Map Pocket - Left - Brown
	059467-03-K05	EA	Pad - Map Pocket - Left - Rust
	059467-03-K06	EA	Pad - Map Pocket - Left - Beige
	059467-04-K04	EA	Pad - Map Pocket - Right - Brown
	059467-04-K05	EA	Pad - Map Pocket - Right - Rust
	059467-04-K06	EA	Pad - Map Pocket - Right - Beige
	064088-01-000	EA	Pad Asm - Driver Door Trim - Upper
	061400-01-000	EA	Assist Strap - Driver Door - 12" - Light Brown
	064499-01-000	EA	Panel - Driver Door - Inner - Dark Brown ABS Plastic
	046886-01-000	EA	Ashtray Asm - Driver Door - Flush Mount - Chrome

ELECTRICAL GROUP

BULBS

Key	Part Number	U/M	Description
	037935-01-000	EA	Bulb - 1157
	038010-01-000	EA	Bulb - 1143
	008103-01-000	EA	Bulb - 53
	007213-01-000	EA	Bulb - 57
	008214-01-000	EA	Bulb - 67
	008215-01-000	EA	Bulb - 1003
	008216-01-000	EA	Bulb - 1034
	008217-01-000	EA	Bulb - 1073
	008218-01-000	EA	Bulb - 1141
	008219-01-000	EA	Bulb - 656
	008220-01-000	EA	Bulb - 12V - 25W
	036196-01-000	EA	Bulb - 194
	700020-01-000	EA	Bulb - 12V - 20W - 1383

INTERIOR LIGHTS

Key	Part Number	U/M	Description
	033508-02-000	EA	Dome Light - Ivory - 1 Bulb - US
	033508-03-000	EA	Dome Light - Ivory - 1 Bulb - CSA
	033509-02-000	EA	Dome Light - Ivory - 2 Bulb - US
	033509-03-000	EA	Dome Light - Ivory - 2 Bulb - CSA
	008089-01-000	EA	Light - Porch - Recessed
	024642-01-701	EA	Lens - Domelight - 1 Bulb
	024643-01-701	EA	Lens - Dome Light - 2 Bulb
	007309-01-000	EA	Step Well Light
	024418-01-000	EA	Lamp Asm - Map/Gauge
	053346-01-000	EA	Light - High Intensity - Plastic - Brown
	061424-01-000	EA	Light - Rectangular Aisle - 4 1/2" x 1 1/2" - Reflectolite

EXTERIOR LIGHTS

Key	Part Number	U/M	Description
	048817-01-000	EA	Handle Asm - Assist w/Light
	042405-03-000	EA	Base - Rectangular Clearance Light
	042405-04-000	EA	Lens - Rectangular - Red w/o Reflector
	042405-05-000	EA	Lens - Rectangular - Amber w/o Reflector
	058031-01-000	EA	Tail Lamp Asm - 3 Bulb - Chrome
	058031-01-700	EA	Lens - Tail Lamp - Amber
	058031-01-701	EA	Lens - Tail Lamp - Rec
	058031-01-702	EA	Lens - Tail Lamp - Clear (Back up)
	062740-01-000	EA	Wedge - Tail Lamp - Beige - Plastic - Left
	062740-03-000	EA	Wedge - Tail Lamp - Beige - Plastic - Right
	059540-01-000	EA	Bracket - License Plate
	059036-01-000	EA	Bracket - Tail Light

FUSES AND CIRCUIT BREAKERS

Key	Part Number	U/M	Description
	056473-01-000	EA	Fuse - Slow Blow - 6 1/4 Amp
	008233-01-000	EA	Fuse - 12 Volt - 6 Amp
	008234-01-000	EA	Fuse - 12 Volt - 10 Amp
	008235-01-000	EA	Fuse - 12 Volt - 15 Amp
	008236-01-000	EA	Fuse - 12 Volt - 20 Amp
	008248-01-000	EA	Fuse - 110 Volt - 30 Amp - AGU
	008252-01-000	EA	Fuse - 110 Volt - 50 Amp
	008208-01-000	EA	Circuit Breaker - 12 Volt - 40 Amp
	008211-01-000	EA	Circuit Breaker - 12 Volt - 6 Amp
	008268-01-000	EA	Circuit Breaker - 12 Volt - 30 Amp w/Mount
	033573-01-000	EA	Circuit Breaker - 12 Volt - 20 Amp w/Mount
	033573-02-000	EA	Circuit Breaker - 12 Volt - 15 Amp w/Mount
	040051-01-000	EA	Circuit Breaker - 110 Volt - 20 Amp - TQL

1980 WINNEBAGO TABLE OF CONTENTS

Introduction	A-1
Abbreviations	A-1
Alphabetical Index	A-2 - A-4
WD424RH LO	A-5 - B-18
WGF23RG LO	B-19 - D-12
WDN26RB LO	D-13 - F-2
WDN29RT LO	F-3 - G-24

1980 WDN29RT LO INDEX

Floor Plan	F-3 - F-4
Accessories Group	F-5 - F-6
Bath Group	F-7 - F-8
Chassis Group	F-9
Curtain, Cushion and Pad Group	F-10 - F-15
Dinette Group	F-16 - F-17
Driver's Compartment Group	F-18 - F-19
Electrical Group	F-20 - F-22
Exterior Body Group	F-23 - G-2
Galley Group	G-3
Heating & Air Conditioning Group	G-4 - G-5
Interior Finish Group	G-6 - G-7
LP Group	G-8
Lounge Group	G-9 - G-10
Water & Sewage Group	G-11
Window, Vent & Exterior Door Group	G-12 - G-24

ELECTRICAL GROUP (CONTINUED)

WINDSHIELD WIPER AND WASHER

Key	Part Number	U/M	Description
**	007029-01-000	EA	Washer - Electric - Windshield
	057653-01-000	EA	Arm - Windshield Wiper - 18" Black
**	037998-01-000	EA	Link Asm. - Connecting - 22 40" Long
**	044313-02-000	EA	Motor Asm. - Windshield Wiper - 100"
**	044313-03-000	EA	Motor Asm. - Windshield Wiper - 93"
**	049464-02-000	EA	Blade - Windshield Wiper - 20" Black
**	055675-01-000	EA	Shaft and Pivot Asm.
	700073-05-000	EA	Pump and Cover Asm. - Windshield Washer
	700073-04-000	EA	Reservoir Only - Water - Windshield Washer
	700073-02-000	EA	Washer Nozzle Hardware Package

**The illustrated parts breakdown for this item is provided on the Common Items Fiche

WIRE, SWITCHES AND RECEPTACLES

Key	Part Number	U/M	Description
	008024-01-000	FT	Wire - 18 5 Bonded - Orange/White/Yellow/Blue/Brown
	008025-01-000	FT	Wire - 18 5 Bonded - Orange/White/Yellow/Blue/Green
	008028-01-000	FT	Wire - 18 5 Bonded - Blue/Red/Yellow/Orange/White
	008030-01-000	FT	Wire - 18 4 Bonded
	008250-02-000	EA	Holder - Fuse - In Line - 15 Amp
	008251-01-000	EA	Holder - Fuse - Black - Screw Type
	008277-01-000	EA	Holder - Fuse - Black - Panel Mount
	008195-01-000	EA	Switch - Push Button - 12 Volt
	058028-01-000	EA	Connector - Pig Tail - Clear Nylon
	008054-01-000	EA	Cord - Power - 10-3 30 Amp - 25' - UL
	008052-01-000	EA	Cord - Power - 10-3 30 Amp - 25' - CSA
	024571-04-000	EA	Cover Plate - Receptacle - Jumbo Brown - Plastic
	024571-03-000	EA	Cover Plate - Receptacle - Jumbo Brown
	039343-01-000	EA	Cap - End - Receptacle
	006162-01-000	EA	Switch - Double Toggle - Spade Brown
	008163-01-000	EA	Switch - Toggle Brown
	008164-01-000	EA	Cover Plate - Switch - Brown
	024924-01-000	EA	Receptacle - Power Cord
	008058-01-000	EA	Adapter - Power Cord
	047353-01-000	EA	Cover - Receptacle - Ground Fault
	053126-01-000	EA	Receptacle - GFI - 15A 125V - Ivory
	058707-01-000	EA	Receptacle - Single Brown - T & B
	058708-01-000	EA	Receptacle - Duplex Brown - T & B
	058048-01-000	EA	Electrical Box Covers - 2 75" x 4 5"
	008157-01-000	EA	Receptacle - Duplex Brown - Exterior
	008288-01-000	EA	Box - Electrical - Plastic - 3" x 3 1/2"
	008289-01-000	EA	Box - Electrical - Steel - 4" x 4 1/2"
	031720-01-000	EA	Spacer - Receptical - Brown Plastic - C S A

ELECTRICAL GROUP (CONTINUED)

MISCELLANEOUS ELECTRICAL COMPONENTS

Key	Part Number	U/M	Description
	047338-01-000	EA	Isolator - Dual Battery
	047389-01-700	EA	Battery - 12 Volt - 105 Amp Deep Cycle - Dry
	057899-01-000	EA	Battery - 12 Volt - Maintenance Free - Delco
	038188-01-000	EA	Solenoid - Dual Battery - Relay
	008181-01-000	EA	Relay - 12 - 15 V - 27 Amp
**	054545-01-000	EA	Control Center - 44 Amp - UL
	039950-01-702	EA	Circuit Board - Control Center
	024459-01-000	EA	Gauge - Voltmeter
	024462-01-000	EA	Switch - Battery Condition
	031035-01-000	EA	Gauge - Hour Meter - Generator
	024976-01-000	EA	Switch - Generator w/o Circuit Board
	024460-01-000	EA	Gauge Vacuum
	036617-01-000	EA	Canister - Relay - SPDT
	048812-04-000	EA	Control Panel - Water/Double Sewage - Basic Panel
	048812-05-000	EA	Panel Insert - w/Thermostat Holes
	048812-06-000	EA	Panel Insert - w/o Thermostat Holes
	048812-07-000	EA	Panel Insert - Deluxe w/Refrigerator Alarm, Clock and LP Gauge
	048812-07-700	EA	Refrigerator Sensor - Refrigerator Alarm
	039861-01-000	EA	Sending Unit Kit - Wemac

**The illustrated parts breakdown for this item is provided on the Common Items Fiche

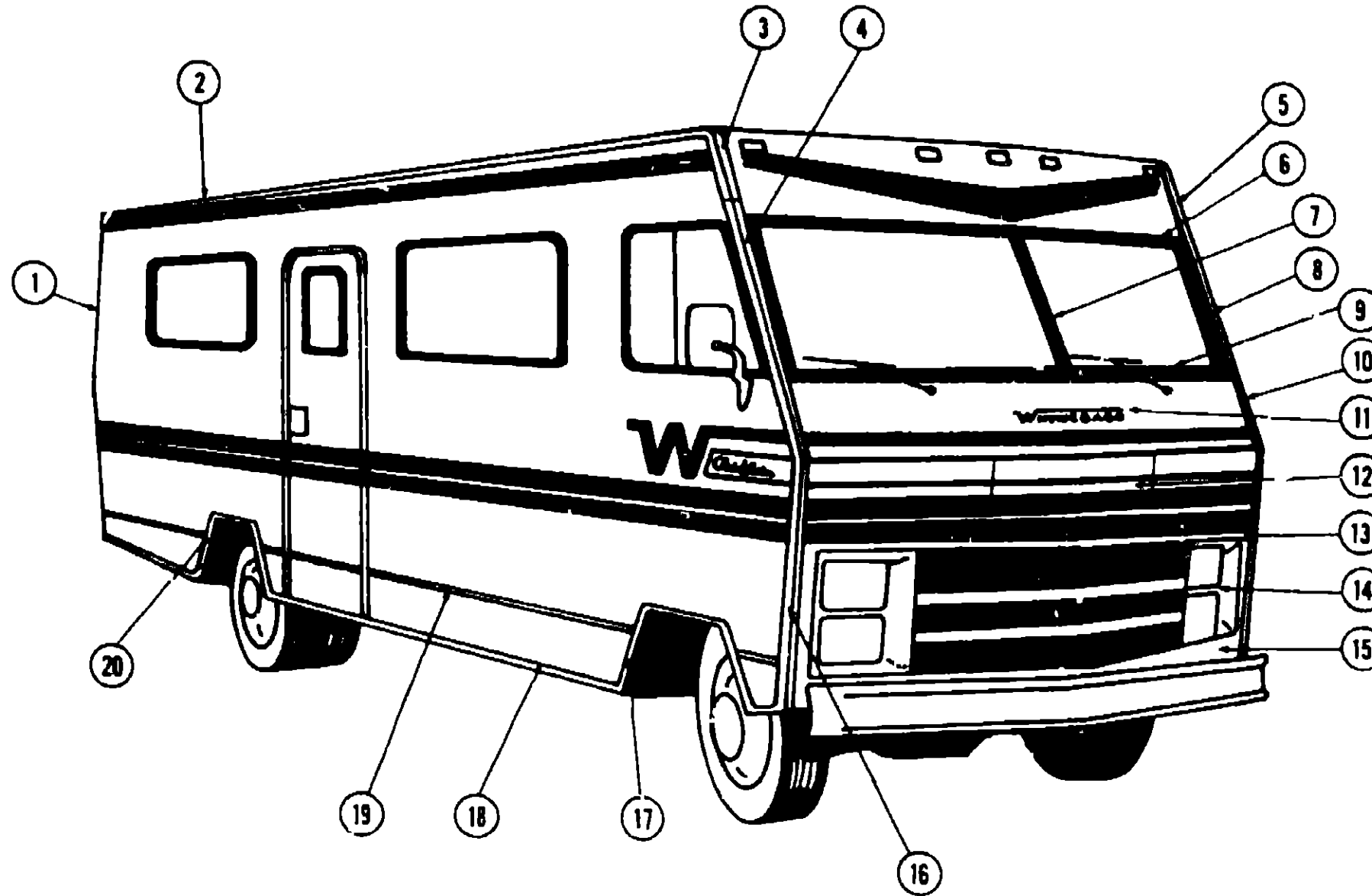
1980 WINNEBAGO TABLE OF CONTENTS

Introduction	A-1
Abbreviations	A-1
Alphabetical Index	A-2 - A-4
WD424RH LO	A-5 - B-18
WGF23RG LO	B-19 - D-12
WDN26RB LO	D-13 - F-2
WDN29RT LO	F-3 - G-24

1980 WDN29RT LO INDEX

Floor Plan	F-3 - F-4
Accessories Group	F-5 - F-6
Bath Group	F-7 - F-8
Chassis Group	F-9
Curtain, Cushion and Pad Group	F-10 - F-15
Dinette Group	F-16 - F-17
Driver's Compartment Group	F-18 - F-19
Electrical Group	F-20 - F-22
Exterior Body Group	F-23 - G-2
Galley Group	G-3
Heating & Air Conditioning Group	G-4 - G-5
Interior Finish Group	G-6 - G-7
LP Group	G-8
Lounge Group	G-9 - G-10
Water & Sewage Group	G-11
Window, Vent & Exterior Door Group	G-12 - G-24

EXTERIOR BODY GROUP



Key	Part Number	U/M	Description
1	039964-03-000	EA	Trim - Contour - Right Rear
•	039964-04-000	EA	Trim - Contour - Left Rear
2	034922-14-000	EA	Trim - Sidewall - Upper - Beige 141 7"
3	058284-04-000	EA	Trim - Contour - Right Front Upper - Beige
4	058289-02-000	EA	Trim - Contour - Windshield - Right
•	054968-02-000	EA	Cap Asm - Roof - Front - Plastic
•	062396-01-000	EA	Trim - Roof/Front Cap
5	058284-03-000	EA	Trim - Contour - Left Front Upper - Beige
6	058287-01-000	EA	Trim - Molding - Windshield - Upper
•	042743-02-000	EA	Trim - Corner - Windshield - Upper
7	058288-01-000	EA	Trim Molding - Windshield - Center
8	058289-01-000	EA	Trim - Contour - Windshield - Left
9	058287-02-000	EA	Trim Molding - Windshield - Lower
•	042743-01-000	EA	Trim - Corner - Windshield - Lower
10	058899-02-000	EA	Trim - Contour - Left Front Lower - Beige
11	058294-02-000	EA	Panel Asm - Front Shroud
12	058678-02-000	EA	Access Panel - Beige
•	058722-01-000	EA	Pull Pin - Access Door Release
•	058761-01-000	EA	Striker - Hood Latch

Key	Part Number	U/M	Description
13	059123-01-000	EA	Grille Trim - Upper
14	059399-01-000	EA	Grille Asm
15	059124-01-000	EA	Grille Trim - Lower
16	058899-01-000	EA	Trim - Contour - Right Front Lower - Beige
17	058543-02-000	EA	Trim - Wheel Well - Front Right
•	058543-01-000	EA	Trim - Wheel Well - Front Left
18	002939-02-002	EA	Extr - Anod - Rocker Panel - 18'
•	006067-01-000	EA	Plug - Rocker Panel - Wheel Well - Left
•	006068-01-000	EA	Plug - Rocker Panel - Wheel Well - Right
•	006083-01-000	EA	Plug - Rocker Panel - Right Rear - Left Front
•	006082-01-000	EA	Plug - Rocker Panel - Left Rear - Right Front
19	002444-02-001	EA	Extr Anod - Feature Strip - 14' w/o Insert
•	001030-09-100	EA	Insert - Feature Strip - Brown
•	009731-01-000	EA	End Cap - Feature Strip
20	058487-02-000	EA	Trim - Wheel Well - Rear Right
•	058487-01-000	EA	Trim - Wheel Well - Rear Left
•	002776-02-001	EA	Extr - U-Channel - 1 75" - 16
•	044381-01-004	EA	Extr - Awning Rail - 192"
•	002365-01-001	EA	Extr - U-Channel - 1' x 18'
•			Not Illustrated

1980 WINNEBAGO TABLE OF CONTENTS

Introduction	A-1
Abbreviations	A-1
Alphabetical Index	A-2 - A-4
WD424RH LO	A-5 - B-18
WGF23RG LO	B-19 - D-12
WDN26RB LO	D-13 - F-2
WDN29RT LO	F-3 - G-24

1980 WDN29RT LO INDEX

Floor Plan	F-3 - F-4
Accessories Group	F-5 - F-6
Bath Group	F-7 - F-8
Chassis Group	F-9
Curtain, Cushion & Pad Group	F-10 - F-15
Dinette Group	F-16 - F-17
Driver's Compartment Group	F-18 - F-19
Electrical Group	F-20 - F-22
Exterior Body Group	F-23 - G-2
Galley Group	G-3
Heating & Air Conditioning Group	G-4 - G-5
Interior Finish Group	G-6 - G-7
LP Group	G-8
Lounge Group	G-9 - G-10
Water & Sewage Group	G-11
Window, Vent & Exterior Door Group	G-12 - G-24

EXTERIOR BODY GROUP (CONTINUED)

EXTERIOR BODY PANELS AND SHEET ALUMINUM

Key	Part Number	U/M	Description
	061939-02-K0-	EA	Backwall Asm
	061099-01-K0-	EA	Roof Asm
	061693-01-K04	EA	Sidewall Asm - Right
	061694-01-K04	EA	Sidewall Asm - Left
	039155-02-008	EA	Alum - Beige - Mesa I Design - 024" x 36" x 60"
	039155-02-003	EA	Alum - Beige - Mesa I Design - 024" x 36" x 360"
	039155-02-007	EA	Alum - Beige - Mesa I Design - 024" x 48" x 60"
	039155-02-006	EA	Alum - Beige - Mesa I Design - 024" x 48" x 360"
	039155-02-009	EA	Alum - Beige - Mesa I Design - 024" x 12" x 360"
	044487-01-001	EA	Alum - Mill Finish - No Design (Roof) - 96" x 360"
	028545-01-000	EA	Alum - Beige Greyhound Design 48" x 96"
	031018-01-024	EA	Alum - Beige - No Design - 48" x 96"
	000868-01-000	BF	Styrofoam - 3/4" x 24" x 96"
	039155-30-001	EA	Alum - Beige - Mesa II Design - 024" x 36" x 60"
	039155-30-004	EA	Alum - Beige - Mesa II Design - 024" x 36" x 384"
	039155-30-005	EA	Alum - Beige - Mesa II Design - 024" x 48" x 60"
	039155-30-008	EA	Alum - Beige - Mesa II Design - 024" x 48" x 384"
	039155-30-009	EA	Alum - Beige - Mesa II Design - 024" x 12" x 360"

NOTE The raised portion of Mesa I aluminum is 1 657" wide
The raised portion of Mesa II aluminum is 857" wide

EXTERIOR PAINT

Key	Part Number	U/M	Description
	044486-01-000	EA	Paint - Beige - Acrylic Enamel - 1 Gal Dupont 7633A
	044486-03-000	EA	Paint - Beige - Acrylic Enamel - 16 oz Spray - Dupont 7633A
	044486-04-000	EA	Paint - Beige - Acrylic Lacquer - 1 Gal - Dupont 7633L
	055683-03-000	EA	Paint - Tan Bronze Metallic - 16 oz Spray - Dupont 44181
	056110-03-000	EA	Paint - Orange Flame Metallic - 16 oz Spray - Dupont 5435
	053759-03-000	EA	Paint - Tan Metallic - 16 oz Spray - Dupont 42846AH
	056006-03-000	EA	Paint - Lucerne Blue - 16 oz Spray - Dupont 42858

LABELS AND DECALS

Key	Part Number	U/M	Description
	050313-09-000	EA	Decal - Logo 'Winnebago' - Tamarak Bronze
	058719-01-000	EA	Decal - 'Chieftain'
	065220-01-000	EA	Decal - 3" Elbow - Bronze
	065221-01-000	FT	Decal Tape - 1 50" - Bronze - Premasked
	065222-01-000	FT	Decal Tape - Dual Stripe - Each 3/4" Premasked 3 Apart - Bronze
	055223-01-000	EA	Decal - Flying - "W" - Bronze - 8"
	031161-01-000	EA	Label - Flying W - 3" x 2"
	061417-01-000	EA	Label - Fuel
	006028-01-000	EA	Label - Drain Cap - 2" x 3"
	006031-01-000	EA	Label - Potable Water Only
	006187-01-000	EA	Label - Sewage
	006188-01-000	EA	Label - Waste Water
	006199-01-000	EA	Label - Exit - Escape Window
	040944-01-000	EA	Label - Open - Entrance Door
	047731-01-000	EA	Label - Emergency Exit
	050225-01-000	EA	Label - Warning - Stove Vent
	054531-01-000	EA	Label - LP Gas Only
	006040-01-000	EA	Tag - Gas Refueling Warning
	006062-01-000	EA	Tag - Electrical - 110 V Connection

EXTERIOR BODY GROUP (CONTINUED)

SEALANTS, ADHESIVES AND FASTENERS

Key	Part Number	U/M	Description
	034552-05-000	EA	Sealant - Off White Silicone
	034552-04-000	EA	Sealant - Beige Silicone
	034552-02-000	EA	Sealant - Clear Silicone
	004346-02-000	EA	Sealant - White Silicone
	009200-01-000	EA	Tape - Furnace - 1 1/2"
	004353-01-000	FT	Tape - Gasket - 1/8" x 3/4" - White
	002825-01-000	FT	Weather Stripping - Roof Vent
	002337-01-000	EA	Adhesive - 3M - 1300 Tube
	004005-01-000	GL	Adhesive - Swifts - Green - Glue (Sidewalls)
	004020-01-000	QT	Adhesive - ABS Cement (Plastic Fittings)
	029051-01-000	EA	Adhesive - Spray Vinyl
	042401-02-000	EA	Screw - 8 - 18 x 3/4" SDPH - Off White
	042403-02-000	EA	Screw - SF/DR - 8 - 18 x 1" SDPH - Off White
	053766-01-000	EA	Bedding Compound - Tube Black - Schnee Morehead
	053766-02-000	EA	Bedding Compound - Tube White - Schnee Morehead
	053767-01-000	FT	Tape - 1/2" x 1/8" x 30' - Gray - Schnee Morehead
	053767-03-000	FT	Tape - 1/4" Bead x 20' - Gray - Schnee Morehead
	053767-04-000	FT	Tape - 3/4" x 1/8" x 30' - Gray - Schnee Morehead
	053767-05-000	FT	Tape - 2" x 3/32" x 45' - Gray - Schnee Morehead

MISCELLANEOUS EXTERNALLY MOUNTED PARTS

Key	Part Number	U/M	Description
	048817-01-000	EA	Assist Handle - w/Light
	009126-01-000	EA	Assist Handle - Metal
	011129-01-000	EA	Plumbing Seal - Roof Vent - 1 1/2" White
	010230-03-000	EA	Fill - City Water - Recessed
	058808-02-000	EA	Waterfill - Lockable - Beige
	049348-01-000	EA	Arm - Low Mount Mirror - Brite Finish
	049944-01-000	EA	Bracket - Mirror - Outside - Beige - Mounts to Coach
	057461-01-000	EA	Mirror Head - 7 1/2" x 10 1/2" - w/Convex
	016253-01-000	EA	Fuel Fill - Recessed - Single - Beige
	015587-05-000	EA	Fuel Fill - Recessed - Double - Beige

1980 WINNEBAGO TABLE OF CONTENTS

Introduction	A-1
Abbreviations	A-1
Alphabetical Index	A-2 - A-4
WD424RH LO	A-5 - B-18
WGF23RG LO	B-19 - D-12
WDN26RB LO	D-13 - F-2
WDN29RT LO	F-3 - G-24

1980 WDN29RT LO INDEX

Floor Plan	F-3 - F-4
Accessories Group	F-5 - F-6
Bath Group	F-7 - F-8
Chassis Group	F-9
Curtain, Cushion & Pad Group	F-10 - F-15
Dinette Group	F-16 - F-17
Driver's Compartment Group	F-18 - F-19
Electrical Group	F-20 - F-22
Exterior Body Group	F-23 - G-2
Galley Group	G-3
Heating & Air Conditioning Group	G-4 - G-5
Interior Finish Group	G-6 - G-7
LP Group	G-8
Lounge Group	G-9 - G-10
Water & Sewage Group	G-11
Window, Vent & Exterior Door Group	G-12 - G-24

GALLEY GROUP

GALLEY CABINETRY

Key	Part Number	U/M	Description
	061725-01-K04	EA	Cabinet Asm. - Galley - w/o Doors, Drawers, Countertop or Hardware
	061726-01-K04	EA	Countertop Asm. - Galley Cabinet - Camel
	059092-47-K04	EA	Door Asm. - Galley Cabinet - 12.8" x 31.7" - w/o Hardware
	059092-48-K04	EA	Door Asm. - Galley Cabinet - 16.2" x 31.7" - w/o Hardware
	059092-49-K04	EA	Door Asm. - Galley Cabinet - 12" x 21.6" - w/o Hardware
	059915-01-K04	EA	Drawer Asm. - Galley Cabinet - 10.1" x 5" x 20" Deep
	059915-02-K04	EA	Drawer Asm. - Galley Cabinet - 10.1" x 5" x 14" Deep
	061807-01-K04	EA	Cabinet Asm. - Galley Overhead - w/o Doors or Hardware
	059092-33-K04	EA	Door Asm. - Galley Overhead Cabinet - 15.75" x 23.20" - w/o Hardware
	059092-45-K04	EA	Door Asm. - Wardrobe Cabinet - 17.6" x 47" - w/o Hardware
	059092-62-K04	EA	Door Asm. - Wardrobe Cabinet - 13.5" x 24.9" - w/o Hardware
	059913-04-K04	EA	Drawer Asm. - Wardrobe Cabinet - 12.4" x 10.2" x 20" Deep
	059843-01-K04	EA	Door Asm. - Furnace - w/Mesh Insert - 17.6" x 13.2" - w/o Hardware
	047205-12-000	EA	Insert - Furnace Door - 14.5" x 10" - Brass Mesh
	039873-01-000	EA	Catch and Strike - Furnace Door
	042488-03-000	EA	Folding Door - Maple - 37" x 77 1/8"

GALLEY HARDWARE AND APPLIANCES

Key	Part Number	U/M	Description
	011032-01-000	EA	Sink - Stainless Steel - Double w/Bolts
**	011053-01-000	EA	Faucet - 8" - Swing Spout - U.S.
**	011053-02-000	EA	Faucet - 8" - Swing Spout - C.S.A.
**	011053-01-700	EA	Aerator - Swing Spout Faucet
**	011085-01-000	EA	Strainer - Sink
	054028-01-K04	EA	Cover - Sink - Camel Laminate
	058334-01-000	EA	Wastebasket - 9 3/4" x 7" x 10" - White - Rubbermaid
	058841-01-K04	EA	Cover - Wastebasket - Camel Laminate
	059877-01-000	EA	Support - Wastebasket - White Plastic
**	046954-03-000	EA	Hood - Stove - w/Black Face - U.S.
**	046954-04-000	EA	Hood - Stove - w/Black Face - C.S.A.
**	049045-02-000	EA	Range - 4 Burner - Magic Chef
**	049174-02-000	EA	Refrigerator - AC/DC/Gas - Sibir ET230/2

**The illustrated parts breakdown for this item is provided on the Common Items Fiche.

HEATING AND AIR CONDITIONING GROUP

AUTOMOTIVE HEATER AND AIR CONDITIONER AND COMPONENTS

Key	Part Number	U/M	Description
	039044-01-000	EA	Louver Asm. - A/C Adjustable
	047046-01-000	EA	Motor - 12 Volt - 3 Speed - Heater - Air Conditioner
	024858-01-000	EA	Adapter Motor Mount
	031043-01-000	EA	Valve - Heater - Water Flow Control
	031189-01-000	EA	Cable - Control - Flexible - 53"
	031189-02-000	EA	Cable - Control - Flexible - 48"
	031170-01-000	EA	Clamp - Cable - 3/16" Dia.
	024998-01-000	EA	Clutch - Magnetic - Compressor
	024999-01-000	EA	Compressor - Auto Air - 10.3 Cubic Inch
	033295-01-000	EA	Compressor Mount Package - 440
	031394-01-000	EA	Condenser - Radiator Mount
	006267-01-000	EA	Switch - Auto Air Conditioner
	024867-01-000	EA	Valve - Thermostatic Expansion
	024997-01-000	EA	Core - Heater
	024998-01-000	EA	Wheel - Blower - 4.72" O.D.
	031001-01-000	EA	Blower Housing
	031393-01-000	EA	Coil - Evaporator
	007139-01-000	EA	Clamp - Worm Drive - .69" - 1.25" I.D.
	007140-01-000	EA	Clamp - Hose - 2" x 3" Dia.
	007076-01-000	FT	Hose - Flexible - PVC 2" I.D.
	007108-01-000	FT	Hose - Heater - 5/8" I.D. SAE 20R3
	007281-01-000	FT	Hose - Flexible - PVC 2 1/2" I.D.
	034222-02-000	EA	Hose - Refrigerant - .31" I.D. x 32"
	033258-01-000	EA	Hose - Refrigerant - .50" I.D. x 34.50"
	034222-01-000	EA	Hose - Refrigerant - .31" I.D. x 26"
	031960-01-000	EA	Hose - Refrigerant - .34" I.D. x 30"
	031961-01-000	EA	Hose - Refrigerant - .31" I.D. x 14.75"
	031961-02-000	EA	Hose - Refrigerant - .31" I.D. x 19"
	024868-01-000	EA	Receiver - Dehydrator
	031044-01-000	EA	Clamp - Receiver Dehydrator
	031962-01-000	EA	Bracket - Receiver Dehydrator
	031976-01-000	EA	Belt - Drive - .50" x .54" - 360 C.I.D. or 440 C.I.D.
	048229-02-000	EA	Kit - Auto Air - 440 C.I.D. A Body - Winnebago Heater
	049401-01-000	EA	Heater Asm. - Rear Aux.
	058906-01-000	EA	Control Panel - Rear Aux. Heater
	049401-01-700	EA	Valve - Water Control - Rear Aux. - Heater
	049401-01-701	EA	Control Cable - Rear Aux. Heater
	049401-01-702	EA	Motor Asm. - Rear Aux. Heater
	049401-01-703	EA	Heater Core - Rear Aux. Heater
	049401-01-704	EA	Switch - Rear Aux. Heater

1980 WINNEBAGO TABLE OF CONTENTS

Introduction	A-1
Abbreviations	A-1
Alphabetical Index	A-2 - A-4
WD424RH LO	A-5 - B-18
WGF23RG LO	B-19 - D-12
WDN26RB LO	D-13 - F-2
WDN29RT LO	F-3 - G-24

1980 WDN29RT LO INDEX

Floor Plan	F-3 - F-4
Accessories Group	F-5 - F-6
Bath Group	F-7 - F-8
Chassis Group	F-9
Curtain, Cushion & Pad Group	F-10 - F-15
Dinette Group	F-16 - F-17
Driver's Compartment Group	F-18 - F-19
Electrical Group	F-20 - F-22
Exterior Body Group	F-23 - G-2
Galley Group	G-3
Heating & Air Conditioning Group	G-4 - G-5
Interior Finish Group	G-6 - G-7
LP Group	G-8
Lounge Group	G-9 - G-10
Water & Sewage Group	G-11
Window, Vent & Exterior Door Group	G-12 - G-24

HEATING AND AIR CONDITIONING GROUP (CONTINUED)

FURNACES AND ROOF AIR CONDITIONERS

Key	Part Number	U/M	Description
**	059350-01-000	EA	Furnace - 30,000 BTU - w/Electric Ignition - Coleman - 4330-749
**	058824-01-000	EA	Furnace - 34,000 BTU - w/Electric Ignition - Coleman 4334-749
	049043-02-000	EA	Door - Furnace - Front - 4330-749
	058824-02-000	EA	Door - Furnace - Front - 4334-749
	039505-02-000	EA	Thermostat - Wall Mount - Black
	009198-01-000	FT	Duct - Flexible - 4" I.D. x 25'
	009200-01-000	EA	Tape - Furnace - 1 1/2"
	023148-01-000	EA	Clamp - Screw Type - 4"
	024965-01-000	EA	Register - Heat - w/Damper - 9.9" x 4.8"
	031804-01-000	EA	Bonnet - Heat Register
**	049777-02-000	EA	Air Conditioner - 110 Volt - Roof Mount - 11,000 BTU - Ivory Coleman (w/o inside shroud)
**	049778-02-000	EA	Shroud Asm. - Ceiling - Inside - Roof Air - Cool Only - 11,000 BTU - Coleman
**	049774-02-000	EA	Air Conditioner - 110 Volt - Roof Mount - 13,500 BTU Ivory - Coleman (w/o inside shroud)
**	049775-02-000	EA	Shroud Asm. - Ceiling - Inside - Roof Air - Cool Only - 13,500 BTU - Coleman
**	049776-01-000	EA	Shroud Asm. - Ceiling - Inside - Roof Air - Heat and Cool - 13,500 BTU - Coleman

**The illustrated parts breakdown for this item is provided on the Common Items Fiche.

INTERIOR FINISH GROUP

PANELING AND COUNTERTOP MATERIALS

Key	Part Number	U/M	Description
	057876-01-000	SF	Paneling - V Groove - 725 Russet Oak - 48" x 96" (32 SF)
	057877-01-000	SF	Paneling - Plain - 725 Russet Oak - 48" x 96" (32 SF)
	057879-01-000	SF	Paneling - Partial Board - .36" - 725 Russet Oak - 48" x 96" (32 SF)
	057881-01-000	SF	Paneling - Decorative - Brown Orient - 48" x 96" (32 SF)
	058042-01-000	SF	Paneling - Birch Trees - Bath Panel - 48" x 96" (32 SF)
	058220-01-000	SF	Plastic Laminate - Stonehenge - 48" x 96" (32 SF) Bath/Dinette
	058220-01-001	EA	Plastic Laminate - Stonehenge - 1.19" x 96"
	058340-01-000	SF	Plastic Laminate - Camel - 48" x 96" (32 SF) Galley
	058340-01-001	EA	Plastic Laminate - Camel - 1.19" x 96"

INTERIOR MOLDINGS AND TRIMS

Key	Part Number	U/M	Description
	024700-06-000	EA	Cover - Sidewall Roll Bar - Ivory
	024700-14-000	EA	Cover - Sidewall Roll Bar - Russet Oak
	039512-06-000	EA	Cover - Hat Section - Ivory
	039512-13-000	EA	Cover - Hat Section - Russet Oak
	047488-01-000	EA	Cover - Corner - Hat/Hat
	047489-01-000	EA	Cover - Corner - Tube/Tube
	042430-01-000	EA	Molding - Shelf - Wood
	009812-06-000	FT	Molding - Outside Corner - .50"
	009767-05-000	FT	Wetting - Light Brown
	009815-03-000	FT	T-Molding - .75" - Light Brown
	022992-03-000	FT	Molding - Reverse Cove - Sandalwood
	009778-01-000	FT	U-Channel - 1" - Dark Brown
	009779-03-000	FT	U-Channel - 1 1/2" - Light Brown
	052859-01-J10	FT	Accent Trim - Acorn Brown Vinyl
	059352-01-000	FT	Insert Vinyl - Style and Rail Door
	047354-01-000	EA	Batt Strip - Ceiling - 825 Buff - 8'
	057888-01-000	EA	Batt Strip - Russet Oak - 8'
	058043-01-000	EA	Batt Strip - Birch Trees - 8'

FABRICS AND CARPET

Key	Part Number	U/M	Description
	057874-01-000	YD	Fabric - Drapery - Beige
	057869-01-000	YD	Fabric - Upholstery - Main - Mahogany
	057869-02-000	YD	Fabric - Upholstery - Main - Terra Cotta
	057869-03-000	YD	Fabric - Upholstery - Main - Beige
	057869-04-000	YD	Fabric - Upholstery - Accent - Tan
	057869-05-000	YD	Fabric - Upholstery - Accent - Amber
	053327-01-000	YD	Vinyl - Non Expanded - 27 oz. - Acorn Brown
	053327-02-000	YD	Vinyl - Expanded - 28 oz. - Acorn Brown
	053327-03-000	YD	Vinyl - Non Support - 18 Gauge Film - Acorn Brown
	058798-01-000	SY	Carpet - Inner Beauty - Leather (Brown)
	058798-02-000	SY	Carpet - Inner Beauty - Mandarin (Rust)
	058798-03-000	SY	Carpet - Inner Beauty - Stone (Beige)
	057897-02-000	SY	Carpet - Beige (Used on units produced after serial number 58868)
	057897-07-000	SY	Carpet - Rust (Used on units produced after serial number 58868)

1980 WINNEBAGO TABLE OF CONTENTS

Introduction	A-1
Abbreviations	A-1
Alphabetical Index	A-2 - A-4
WD424RH LO	A-5 - B-10
WG23RG LO	B-19 - D-12
WDN26RB LO	D-13 - F-2
WDN29RT LO	F-3 - G-24

1980 WDN29RT LO INDEX

Floor Plan	F-3 - F-4
Accessories Group	F-5 - F-6
Bath Group	F-7 - F-8
Chassis Group	F-9
Curtain, Cushion & Pad Group	F-10 - F-15
Dinette Group	F-16 - F-17
Driver's Compartment Group	F-18 - F-19
Electrical Group	F-20 - F-22
Exterior Body Group	F-23 - G-2
Galley Group	G-3
Heating & Air Conditioning Group	G-4 - G-5
Interior Finish Group	G-6 - G-7
LP Group	G-8
Lounge Group	G-9 - G-10
Water & Sewage Group	G-11
Window, Vent & Exterior Door Group	G-12 - G-24

INTERIOR FINISH GROUP (CONTINUED)

CABINETS AND TABLE HARDWARE

Key	Part Number	U/M	Description
	047907-01-000	EA	Hinge - Brass - 14" w/Holes - Bath Vanity Door
	054529-01-000	EA	Latch - Slide Bolt - Antique Brass - Bath Door
**	052932-01-J30	EA	Hinge Kit - Cabinet Door - Antique Brass
	057898-01-000	EA	Latch - Hidden - Cabinet Door
	009112-01-000	EA	Flange - 1" - Chrome - Closet Rod
**	053200-01-000	EA	Bracket - Upper Wall Mount - Brown - 23.5"
**	053201-01-000	EA	Bracket - Table Mount - 23"
**	024275-01-000	EA	Rod - Table Lift - 8" x 23.5"
**	024281-03-000	EA	Bracket - Lower Wall Mount - Brown - 22.12"
**	024276-04-000	EA	Leg Asm. - Table - Brown - 29.5"
**	024277-02-000	EA	Hinge - Table Leg - Brown
**	024282-01-000	EA	Brace - Table Leg
**	024283-01-000	EA	Clip - 1" O.D. Tube
**	049493-02-000	EA	Catch - Table Leg - Mounts on Floor - Brown
**	059753-01-000	EA	Slide - Drawer - Left
**	059753-02-000	EA	Slide - Drawer - Right
**	037888-01-000	FT	Rail - Drawer Glide
**	047744-01-000	EA	Kit - Drawer Glide

**The illustrated parts breakdown for this item is provided on the Common Items Fiche.

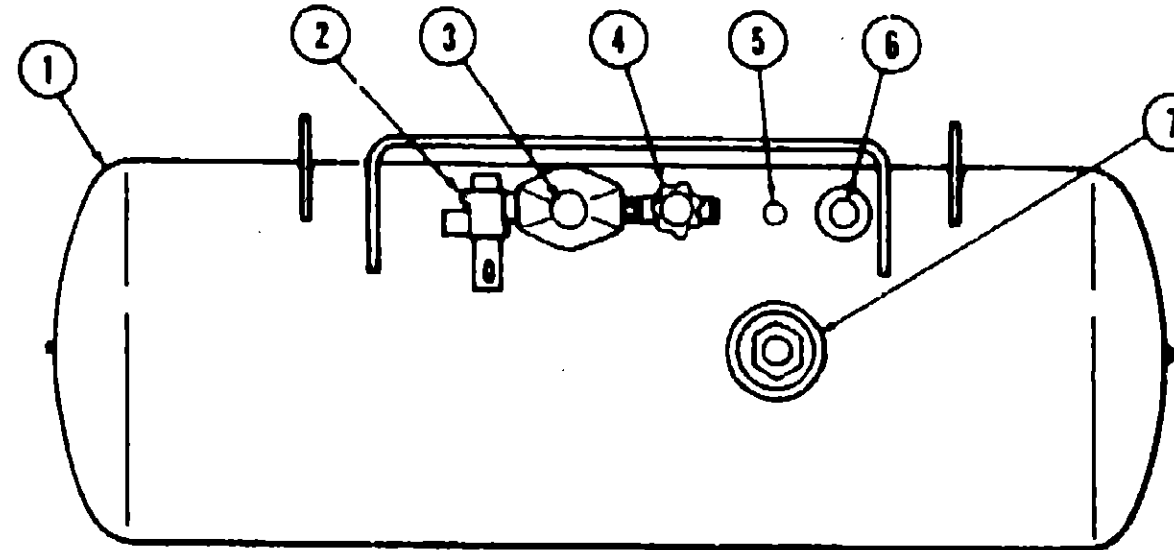
CURTAIN HARDWARE

Key	Part Number	U/M	Description
	053272-04-200	EA	Track - Curtain - Ceiling - 89" - Off White
	053265-02-001	EA	Track - Curtain - Door - 18" - Anod.
	056430-01-000	EA	Track - Curtain - Front Wraparound (2 per unit)
	056001-01-000	EA	Bracket - Shade - Left
	056002-01-000	EA	Bracket - Shade - Right
	009107-01-000	EA	Guide - Nylon Snap - Curtain
	018031-42-000	EA	Track - Curtain - "L" Rod - Alum. Extr. - 90"
	009701-01-000	EA	Carrier - "L" Rod - Curtain
	009702-01-000	EA	End Stop - "L" Rod - Curtain

MISCELLANEOUS PARTS

Key	Part Number	U/M	Description
	053552-01-K04	EA	Handle Asm. - Interior Assist - Acorn Brown Vinyl
	007038-01-000	EA	Mat - Door - Black Rubber - 10 1/2" x 26"
	041944-01-700	EA	Fire Extinguisher w/Bracket - Dry Chemical
	006113-01-000	EA	Jack - Hydraulic - 5 Ton - w/Handle
	054185-03-000	EA	Owner's Manual - Winnebago

LP GROUP



Key	Part Number	U/M	Description
1	052770-01-000	EA	Tank Asm. - LP - Frame Mount - 85 Pound
2	047221-01-000	EA	Detector - LP Gas Leak - Rosen
*	065741-01-000	EA	Detector - LP Gas Leak - Marshalltown Instruments
3	058706-01-000	EA	Cover - Regulator - 2 Stage
*	058705-01-000	EA	Regulator - Two Stage - LP Gas
4	040421-01-703	EA	Valve - Vapor Relief
5	040421-01-700	EA	Gauge - Liquid Level - 20% LP
6	040421-01-701	EA	Valve - Filler - LP
*	040421-01-702	EA	Cap - Plastic Fill Valve
*	040421-01-706	EA	Gauge - Float - w/Visible Dial - 85 Pound Tank
*	040421-01-705	EA	Dial - Visible Face - Float Gauge (Tank w/o Electric Transmitter)
*	045703-03-000	EA	Dial - Transmitter - 0 - 90 Ohm (Float Gauge)
*	047737-02-000	EA	Hose Asm. - LP - 3/8" I.D. x 14"
*	047737-03-000	EA	Support - LP Tank - 88.25"
*	No: Illustrated	EA	Support - LP Tank - 30.50"

1980 WINNEBAGO TABLE OF CONTENTS

Introduction	A-1
Abbreviations	A-1
Alphabetical Index	A-2 - A-4
WD424RH LO	A-5 - B-18
WGF23AG LO	B-19 - D-12
WDN26RB LO	D-13 - F-2
WDN29RT LO	F-3 - G-24

1980 WDN29RT LO INDEX

Floor Plan	F-3 - F-4
Accessories Group	F-5 - F-8
Bath Group	F-7 - F-8
Chassis Group	F-9
Curtain, Cushion & Pad Group	F-10 - F-15
Dinette Group	F-16 - F-17
Driver's Compartment Group	F-18 - F-19
Electrical Group	F-20 - F-22
Exterior Body Group	F-23 - G-2
Galley Group	G-3
Heating & Air Conditioning Group	G-4 - G-5
Interior Finish Group	G-6 - G-7
LP Group	G-8
Lounge Group	G-9 - G-10
Water & Sewage Group	G-11
Window, Vent & Exterior Door Group	G-12 - G-24

LOUNGE GROUP

LOUNGE OVERHEAD CABINERY

Key	Part Number	U/M	Description
	061958-01-K04	EA	Cabinet Asm. - Rear Overhead - Backwall - w/o Doors or Hardware
	061949-01-K04	EA	Cabinet Asm. - Rear Overhead - Right Sidewall - w/o Doors or Hardware
	061948-01-K04	EA	Cabinet Asm. - Rear Overhead - Left Sidewall - w/o Doors or Hardware
	059092-01-K04	EA	Door Asm. - Rear Overhead Cabinet - 11.3" x 28" - w/o Hardware

TWIN BED CABINERY

Key	Part Number	U/M	Description
	063238-01-K04	EA	Cabinet Asm. - Twin Bed - Left - w/o Door or Hardware
	063242-01-K04	EA	Cabinet Asm. - Twin Bed - Right - w/o Door or Hardware
	059092-21-K04	EA	Door Asm. - Twin Bed Cabinet - 10.10" x 27.05" - w/o Hardware
	054006-01-K04	EA	Cabinet Asm. - Nightstand Base - w/o Countertop, Doors or Hardware
	053998-01-K04	EA	Countertop Asm. - Nightstand Base - 24 1/2" x 23 3/8" - Camel
	053975-01-K04	EA	Cabinet Asm. - Nightstand Top - w/Roll up Door - w/o Countertop
	053999-01-K04	EA	Countertop Asm. - Nightstand Top - 23 1/2" x 8 1/2" - Camel
	043255-01-000	FT	Track - Roll up Door - Brown Plastic
	043256-01-000	EA	Spiral - Roll up Door - Plastic - Right
	043256-02-000	EA	Spiral - Roll up Door - Plastic - Left
	059122-07-K04	EA	Door Asm. - Rolled - 16" x 18"
	059092-63-K04	EA	Door Asm. - Nightstand Cabinet - 20" x 16.2" - w/o Hardware

HORSESHOE LOUNGE W/PEDESTAL TABLE

Key	Part Number	U/M	Description
	053203-06-K04	EA	Table Asm. - Pedestal - Stonehenge - w/o Hardware
	009040-03-000	EA	Base - Pedestal Table - Table Mount
	041194-01-000	EA	Base - Pedestal Table - Floor Mount
	009040-02-000	EA	Leg - Pedestal Table - 2.25" O.D. x 27.5" - Chrome
	063148-01-K04	EA	Cabinet Asm. - Right Gaucho
	063168-01-K04	EA	Cabinet Asm. - Center Gaucho
	063235-01-K04	EA	Cabinet Asm. - Left Gaucho
	059092-21-K04	EA	Door Asm. - Gaucho Cabinet - 10.1" x 27" - w/o Hardware
	063239-01-K04	EA	Cabinet Asm. - Hamper - Right
	063239-02-K04	EA	Cabinet Asm. - Hamper - Left

DOUBLE BED W/NIGHT STAND

Key	Part Number	U/M	Description
	063432-01-K04	EA	Headboard Asm. - Padded - Acorn Vinyl
	063444-01-K04	EA	Cabinet Asm. - Nightstand - w/o Countertop
	063445-01-K04	EA	Countertop Asm. - Nightstand Cabinet - Stonehenge
	063446-01-K04	EA	Cabinet Asm. - Hamper Cabinet - w/o Countertop
	063447-01-K04	EA	Countertop Asm. - Hamper Cabinet - Stonehenge
	059092-56-K04	EA	Door Asm. - Double Bed Cabinet - 10.6" x 19" - w/o Hardware
	059913-04-K04	EA	Drawer Asm. - Cabinet - 11.4 x 6" x 20" - w/o Hardware

LOUNGE GROUP (CONTINUED)

SPRUNG COUCH AND CORNER LOUNGE CHAIRS

Key	Part Number	U/M	Description
	063431-01-K04	EA	Panel - Couch Face - w/o Door or Hardware
	059092-04-K04	EA	Door Asm. - Sprung Couch - 10.4" x 25" - w/o Hardware
	057468-02-000	EA	Frame - Sprung Couch - Right
	057468-03-000	EA	Frame - Sprung Couch - Left
	057468-04-000	EA	Frame Rail - Sprung Couch (2 per couch)
	057469-01-000	EA	Leg Asm. - Sprung Couch (2 per couch)
	061558-01-K04	EA	Cabinet Asm. - Corner Lounge Chair - Right
	061561-01-K04	EA	Cabinet Asm. - Corner Lounge Chair - Left
	061704-01-K04	EA	Table Asm. - Lounge - Stonehenge
	061882-01-000	EA	Leg Asm. - Table - Pivot
	061879-01-000	EA	Leg Asm. - Table - Fixed
	024275-04-000	EA	Rod - Table Lift
	024181-05-000	EA	Bracket - Table Lift - Mounts on Table
	053200-02-000	EA	Support - Table - 14.5" - Mounts on Wall

SWIVEL CHAIRS AND PULLOUT TABLE

Key	Part Number	U/M	Description
	058548-01-K04	EA	Cabinet Asm. - Pullout Table - w/o Table, Countertop or Pad
	058547-01-K04	EA	Countertop Asm. - Pullout Table Cabinet - Stonehenge
	054552-01-K04	EA	Table Asm. - Pullout - Stonehenge
	058565-01-K04	EA	Pad - Pullout Table Cabinet - Acorn Vinyl
	045795-01-000	EA	Holder - Glass - Dark Brown Plastic
	054540-01-000	EA	Slide Asm. - Ball Bearing
	035036-01-000	EA	Plate - Swivel Chair
	035036-02-000	EA	Base w/Legs - Swivel Chair

SWIVEL CHAIR W/VANITY

Key	Part Number	U/M	Description
	054177-01-K04	EA	Cabinet Asm. - Vanity - w/o Countertop, Doors, Drawers or Hardware
	054235-02-K04	EA	Countertop Asm. - Vanity Cabinet - 46 1/2" x 27 1/4" - Camel
	054102-01-K04	EA	End Panel - Side Drawer - Right
	054102-02-K04	EA	End Panel - Side Drawer - Left
	054242-03-K04	EA	Drawer Asm. - Desk - 3 1/4" x 20 1/4" x 10 5/8" Deep - w/o Hardware
	059092-82-K04	EA	Door Asm. - Vanity Cabinet - 13.5" x 24.9" - w/o Hardware
	059913-06-K04	EA	Drawer Asm. - Vanity Cabinet - 3.5" x 14.1" x 20" Deep - w/o Hardware
	035036-01-000	EA	Plate - TT Chair
	035036-02-000	EA	Base w/Legs - TT Chair

1980 WINNEBAGO TABLE OF CONTENTS

Introduction	A-1
Abbreviations	A-1
Alphabetical Index	A-2 - A-4
WD424RH LO	A-5 - B-18
WGF23RG LO	B-19 - D-12
WDN28RB LO	D-13 - F-2
WDN29RT LO	F-3 - G-24

1980 WDN29RT LO INDEX

Floor Plan	F-3 - F-4
Accessories Group	F-5 - F-6
Bath Group	F-7 - F-8
Chassis Group	F-9
Curtain, Cushion & Pad Group	F-10 - F-15
Dinette Group	F-16 - F-17
Driver's Compartment Group	F-18 - F-19
Electrical Group	F-20 - F-22
Exterior Body Group	F-23 - G-2
Galley Group	G-3
Heating & Air Conditioning Group	G-4 - G-5
Interior Finish Group	G-6 - G-7
LP Group	G-8
Lounge Group	G-9 - G-10
Water & Sewage Group	G-11
Window, Vent & Exterior Door Group	G-12 - G-24

WATER AND SEWAGE GROUP

PLUMBING AND REPAIR PARTS

Key	Part Number	U/M	Description
**	041279-02-000	EA	Pump - Water - 2.8 G.P.M. - Belt Drive - U.S.
**	041279-04-000	EA	Pump - Water - 2.8 G.P.M. - Belt Drive - C.S.A.
**	063646-01-000	EA	Water Pump - Direct Drive - 2.8 G.P.M. - PAR
**	063646-02-000	EA	Water Pump - Direct Drive - 2.8 G.P.M. - PAR - CSA
**	039847-02-000	EA	Filter - Water Pump - 1/2 MPT
**	052959-03-000	EA	Connector - 1/2 F x 3/8 MPT - Plastic
**	052960-01-000	EA	Drain Valve - 1/2 F x 1/2 F - Plastic
**	052961-01-000	EA	Header - 1/2 F x 1/2 F x 1/2 F x 1/2 F
**	046524-02-000	EA	Kit - Water Tank Fittings - Blank Tank
**	046524-01-000	EA	Kit - Holding Tank Fittings - Blank Tank
**	010079-01-000	EA	Tee - Plastic - 1 1/2 H x 1 1/2 H x 1 1/4 H
**	010091-01-000	EA	Wye - Plastic - 3 x 45 H x H x H
**	010121-01-000	EA	Bushing - Plastic - 1 1/2 S x 1 1/4 H
**	010133-01-000	EA	Trap Adapter - Plastic - 1 1/2 H x MPT
**	010134-01-000	EA	Adapter - Plastic - 1 1/2 M x MPT
**	010006-01-000	EA	Elbow - Plastic - 1/8 BD 1 1/2 x 45 H x H
**	035539-01-000	EA	Elbow - Plastic - 3/8 MPT x 3/8 Barb.
**	010201-01-000	EA	Sewer Hose - 3" x 10' w/Clamp
**	062415-01-000	EA	Cap - Sewer - 3"
**	062416-01-000	EA	Hose Adapter - 3"
**	062417-01-000	EA	Adapter - Termination - 3"
**	062418-02-000	EA	Valve - 3" - w/o Handle
**	062419-02-000	EA	Handle - Extension - w/6" Adapter
**	062421-01-000	EA	Valve - 1 1/2" - w/Handle
**	061607-01-000	EA	Grommet - Holding Tank Coupler - 1 1/2"
**	061607-02-000	EA	Grommet - Holding Tank Coupler - 3"
**	010117-01-000	EA	Coupling - Plastic - 3 H x H
**	053335-01-000	EA	P-Trap - Plastic - 1 1/4 H x H - w/Union
**	011066-01-000	EA	P-Trap - 1 1/4" - Plastic
**	011091-01-000	EA	Waste - Continuous - Double Sink - 11 7/8"
**	031126-01-000	EA	Elbow - 1/4 BD 3 x 90
**	050780-01-000	EA	Rubber Coupler - 3" x 3"
**	004020-01-000	QT	Adhesive - ABS Cement
**	037845-01-000	FT	Tape - Butyl - 3/16" - Bead - Black
**	040539-01-000	EA	Kit - Repair - 3/8" O.D. Plastic Tube
**	040540-01-000	EA	Kit - Repair - 1/2" O.D. Plastic Tube
**	040541-01-000	EA	Kit - Repair - 5/8" O.D. Plastic Tube
**	039818-01-000	EA	Riser Asm. - 3/8" O.D. x 24" Tube
**	039818-02-000	EA	Riser Asm. - 3/8" O.D. x 36" Tube
**	039818-04-000	EA	Riser Asm. - 3/8" O.D. x 72" Tube
**	039818-05-000	EA	Riser Asm. - 3/8" O.D. x 48" Tube

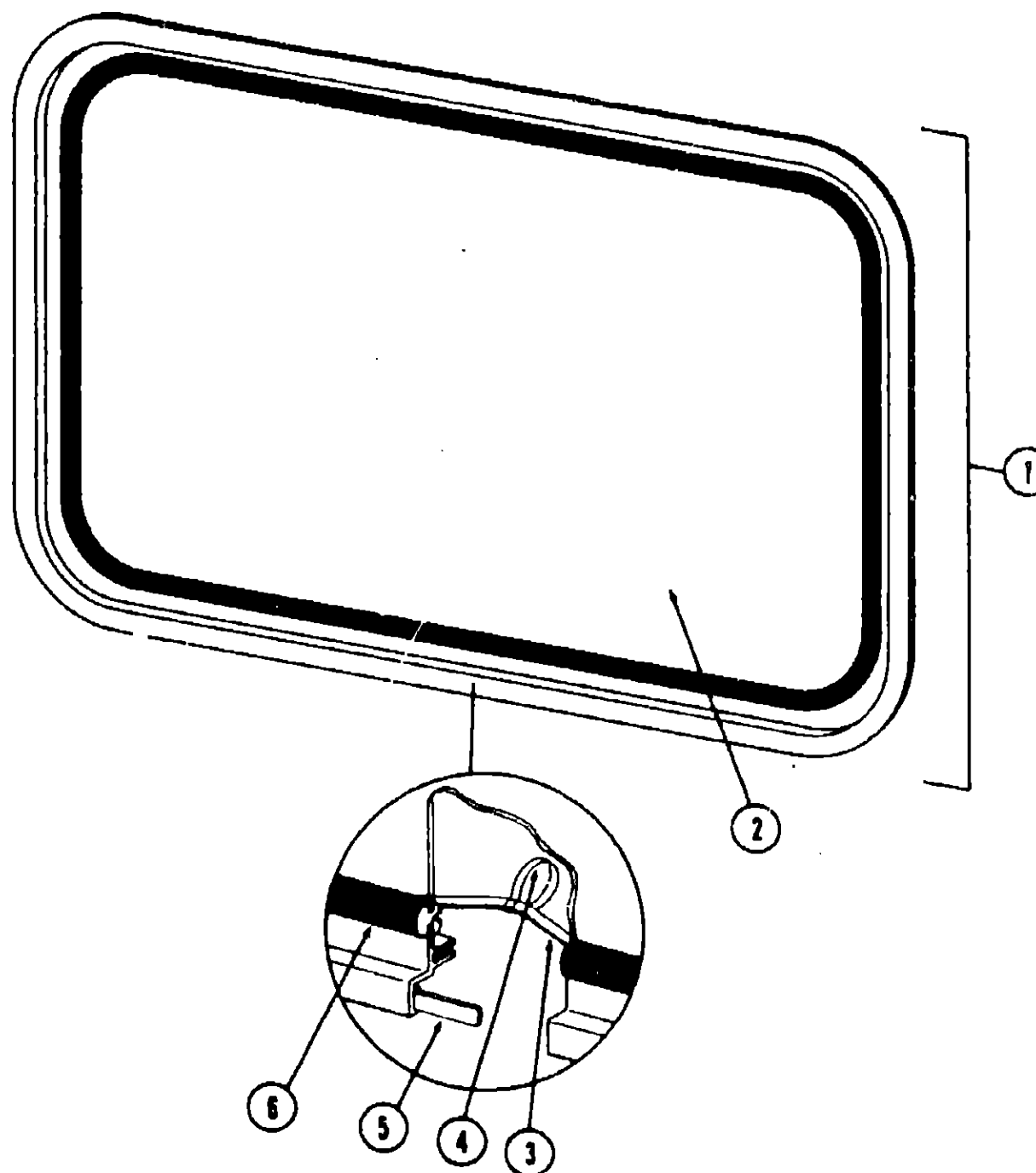
**The illustrated parts breakdown for this item is provided on the Common Items Fiche.

HOLDING TANKS AND WATER HEATERS

Key	Part Number	U/M	Description
**	061849-02-000	EA	Tank Asm. - Holding - w/Fittings - Aux.
**	061849-01-000	EA	Tank Asm. - Holding - w/o Fittings - Aux.
**	061805-02-000	EA	Tank Asm. - Holding - w/Fittings - Main
**	061805-01-000	EA	Tank Asm. - Holding - w/o Fittings - Main
**	045196-12-000	EA	Tank Asm. - Water - w/Fittings - 26 Gallon
**	045196-01-000	EA	Tank Asm. - Water - w/o Fittings - 26 Gallon
**	046942-04-000	EA	Tank Asm. - Water - w/Fittings - 45 Gallon
**	046942-01-000	EA	Tank Asm. - Water - w/o Fittings - 45 Gallon
**	051391-01-000	EA	Water Heater - w/o Motor Aid - G6A3

**The illustrated parts breakdown for this item is provided on the Common Items Fiche.

WINDOW, VENT AND EXTERIOR DOOR GROUP



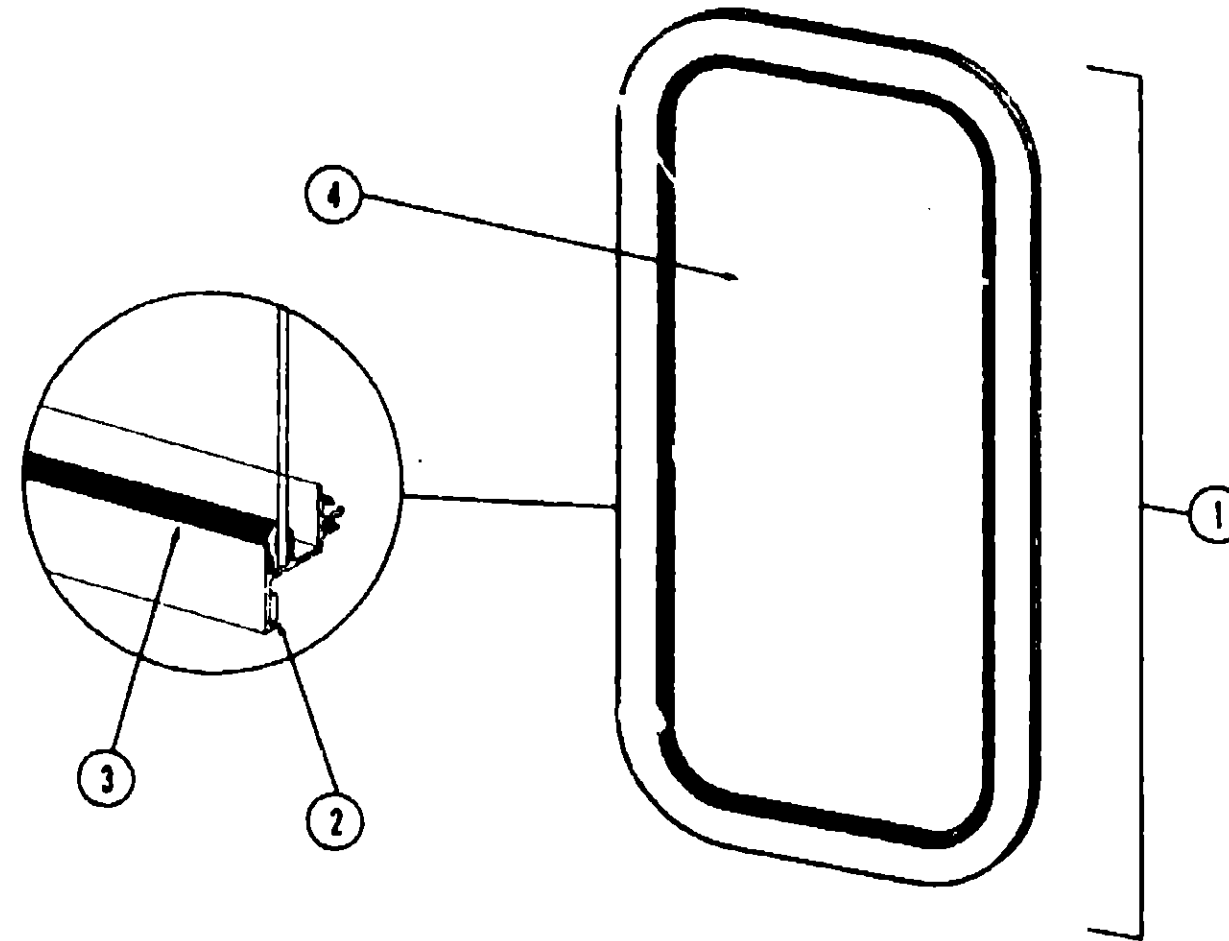
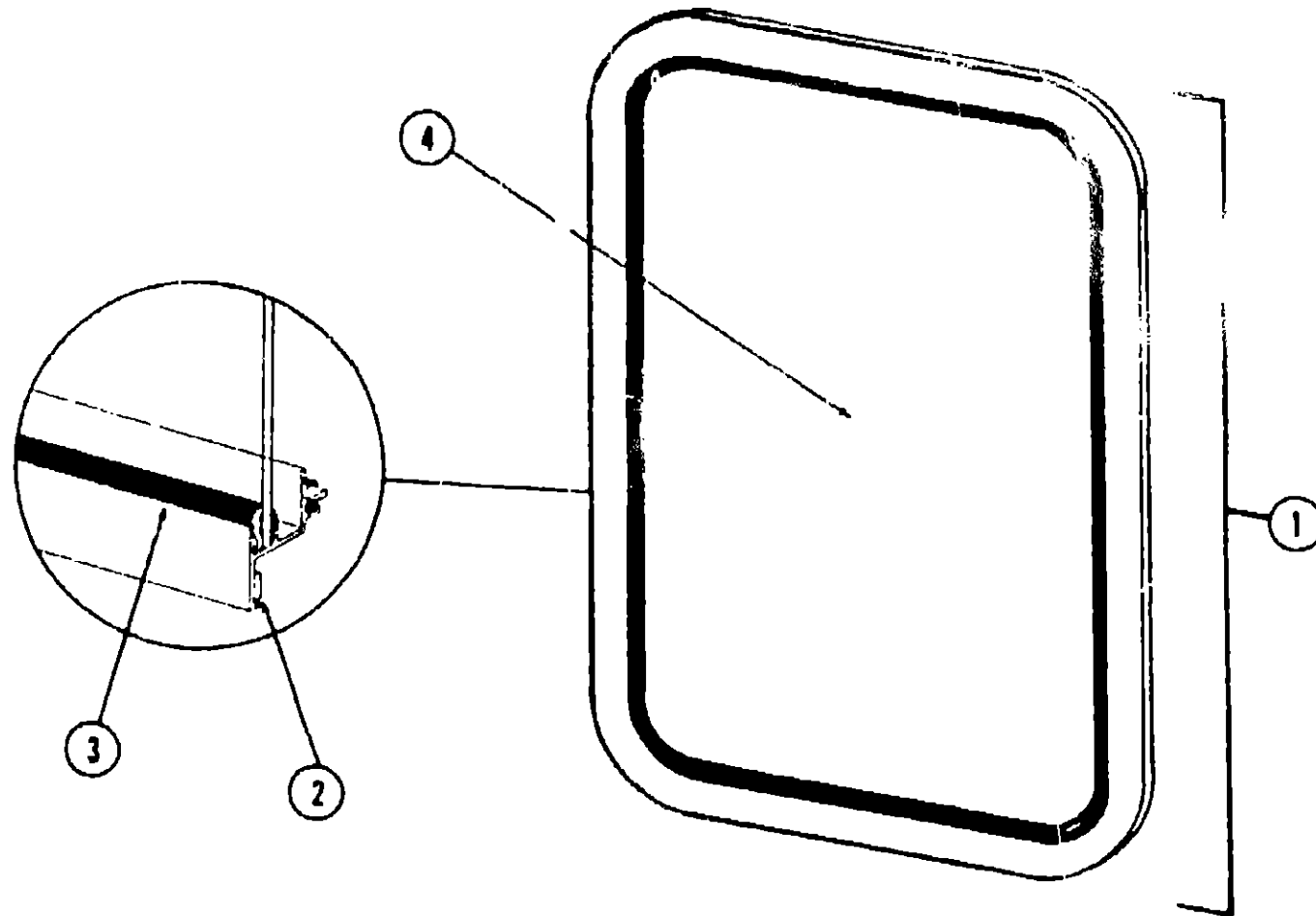
Key	Part Number	U/M	Description
1	020754-03-000	EA	Window Asm. - Escape - 23" x 68" Black Anod. (w/o inside frame)
2	002178-01-000	EA	Glass - 1/8" x 19.61" x 64.60"
3	002285-01-000	FT	Weatherstrip - Filler - Black
4	020395-01-000	EA	Slip Ring - Pull
5	053767-03-000	FT	Tape - 1/4" Bead x 20' - Gray - Schnee Moorehead
6	002282-01-000	FT	Weatherstrip - Window .125" Black
*	020752-03-000	EA	Frame - Window - Inside - Escape 23" x 68" (not included in assembly)
*	006199-01-000	EA	Label - Exit - Escape Window
*			Not Illustrated

1960 WINNEBAGO TABLE OF CONTENTS

Introduction	A-1
Abbreviations	A-1
Alphabetical Index	A-2 - A-4
WD424RH LO	A-5 - B-18
WGF23RG LO	B-19 - D-12
WDN26RB LO	D-13 - F-2
WDN29RT LO	F-3 - G-24

1960 WDN29RT LO INDEX

Floor Plan	F-3 - F-4
Accessories Group	F-5 - F-6
Bath Group	F-7 - F-8
Chassis Group	F-9
Curtain, Cushion & Pad Group	F-10 - F-15
Dinette Group	F-16 - F-17
Driver's Compartment Group	F-18 - F-19
Electrical Group	F-20 - F-22
Exterior Body Group	F-23 - G-2
Galley Group	G-3
Heating & Air Conditioning Group	G-4 - G-5
Interior Finish Group	G-6 - G-7
LP Group	G-8
Lounge Group	G-9 - G-10
Water & Sewage Group	G-11
Window, Vent & Exterior Door Group	G-12 - G-24



Key	Part Number	U/M	Description
1	056651-01-000	EA	Window Asm. - Pictura - 20 3/4" x 20 3/4" - Black (w/o inside frame)
2	053767-03-000	FT	Tape - 1/4" Bead x 20' - Schnee Moorehead
3	002309-02-000	FT	Spline - Glass - 1/8" - Black
4	002181-03-000	EA	Glass - .115" x 20.62" x 20.62" - Gray
.	056650-01-000	EA	Frame - Inside - Window (not included in assembly)
.	Not Illustrated		

Key	Part Number	U/M	Description
1	041875-04-000	EA	Window Asm. - Pictura - 13" x 25" (w/o inside frame)
2	053767-03-000	FT	Tape - 1/4" Bead x 20' - Schnee Moorehead
3	050216-02-000	FT	Spline - Vinyl - Glass - Black
4	002181-09-000	EA	Glass - 1/8" x 12" x 24" - Gray
.	041096-04-000	EA	Frame - Inside - Window - 13" x 25" (not included in assembly)
.	Not Illustrated		

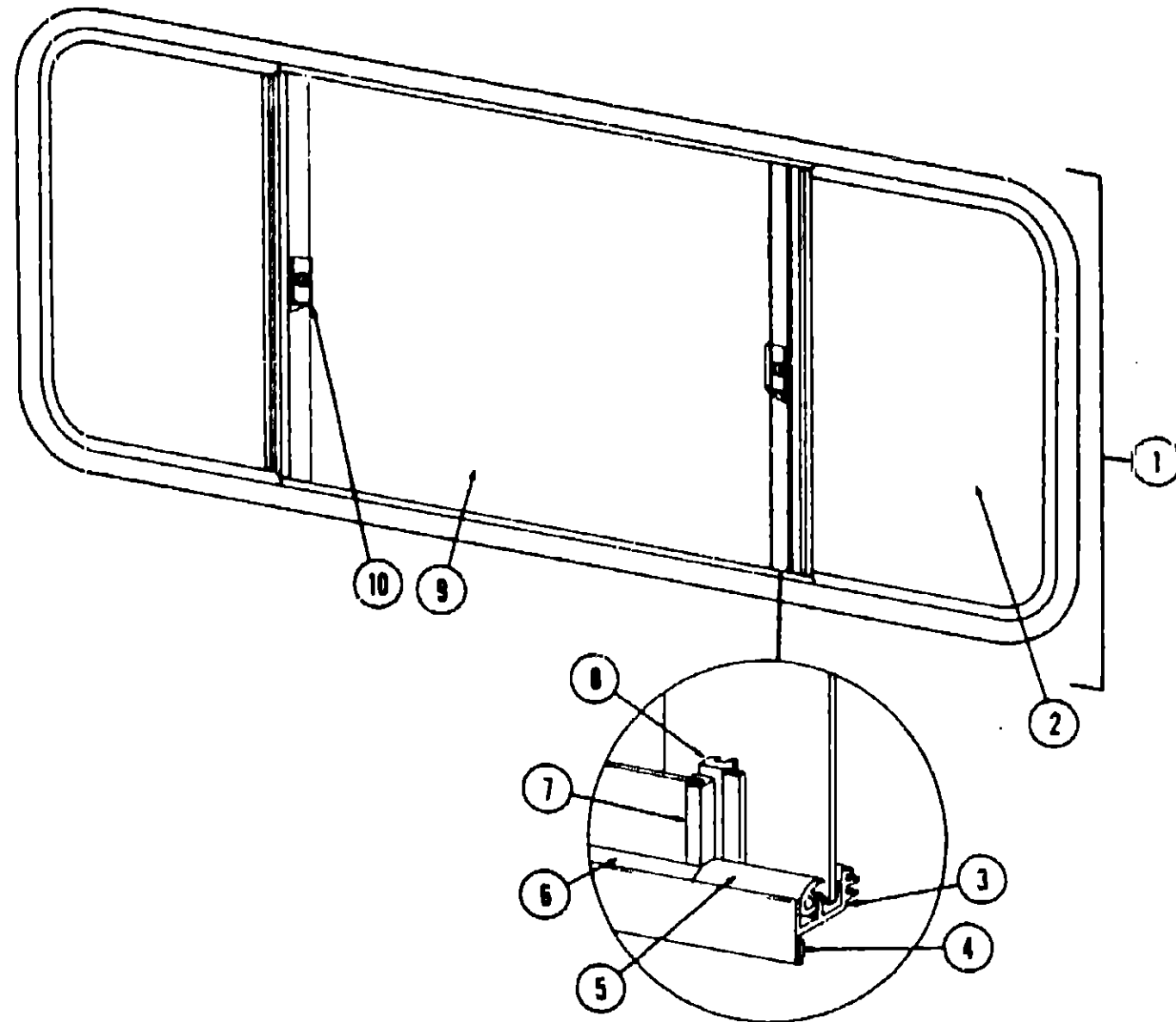
1980 WINNEBAGO
TABLE OF CONTENTS

Introduction	A-1
Abbreviations	A-1
Alphabetical Index	A-2 - A-4
WD424RH LO	A-5 - B-18
WGF23RG LO	B-19 - D-12
WDN26RB LO	D-13 - F-2
WDN29RT LO	F-3 - G-24

1980 WDN29RT LO INDEX

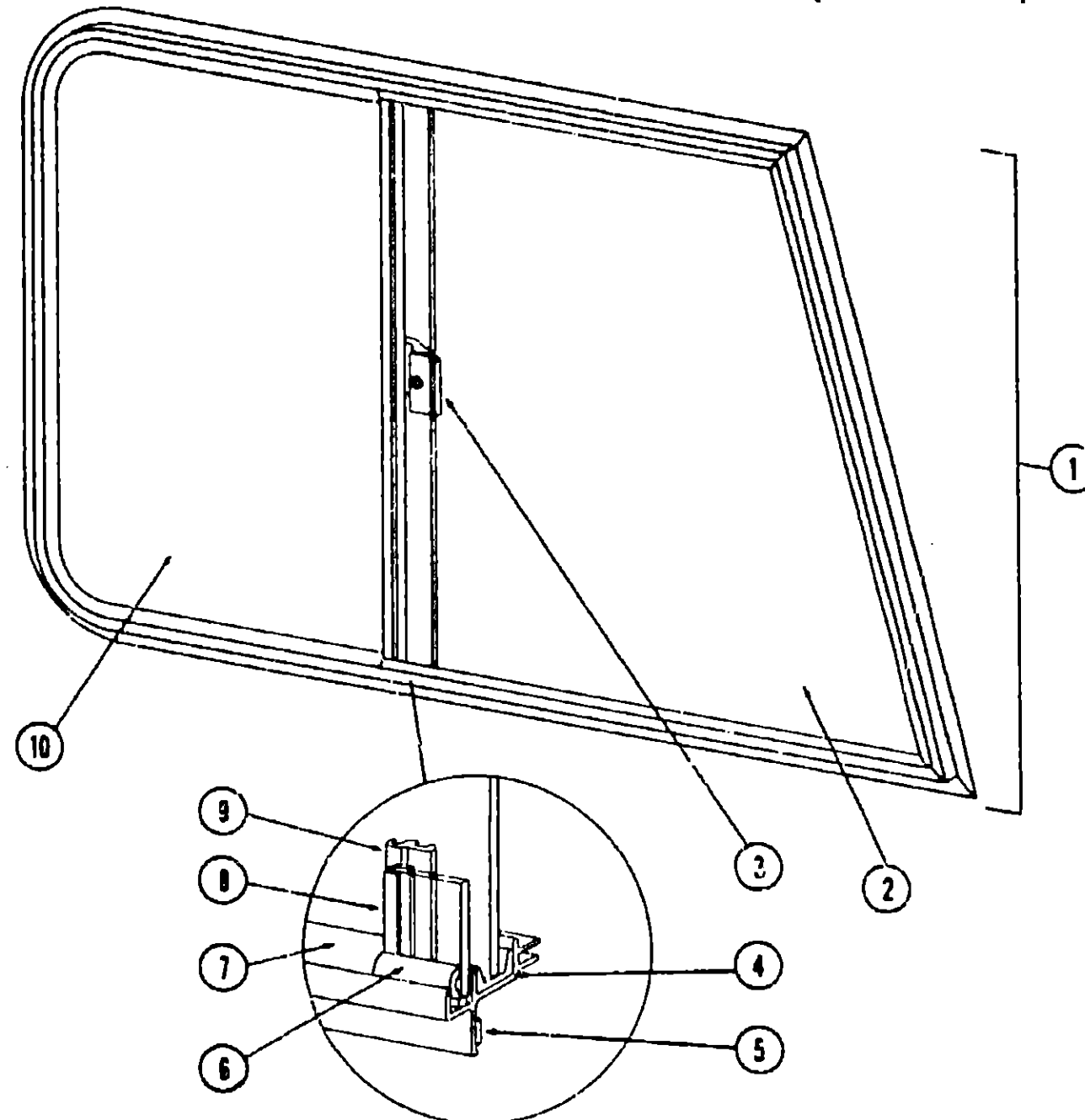
Floor Plan	F-3 - F-4
Accessories Group	F-5 - F-8
Bath Group	F-7 - F-8
Chassis Group	F-9
Curtain, Cushion & Pad Group	F-10 - F-15
Dinette Group	F-16 - F-17
Driver's Compartment Group	F-18 - F-19
Electrical Group	F-20 - F-22
Exterior Body Group	F-23 - G-2
Galley Group	G-3
Heating & Air Conditioning Group	G-4 - G-5
Interior Finish Group	G-6 - G-7
LP Group	G-8
Lounge Group	G-9 - G-10
Water & Sewage Group	G-11
Window, Vent & Exterior Door Group	G-12 - G-24

WINDOW, VENT AND EXTERIOR DOOR GROUP (CONTINUED)



Key	Part Number	U/M	Description
1	048630-08-000	EA	Window Asm - Double Slider - 25" x 65" Black Anod. (w/o inside frame)
2	047822-01-000	EA	Glass - Sliding - 3/16" x 24" x 21.03"
3	042077-01-000	FT	Channel - Weatherstrip - Glass Run - 3/16" Glass
4	053767-03-000	FT	Tape - 1/4" Bead x 20' - Gray - Schnee Moorehead
5	041928-02-000	FT	Seal - Window Channel - 3/16" Glass - Black
6	002308-02-000	FT	Spline - Glass - 1/8" - Black
7	002389-03-201	EA	Extr. - Holder - Glass Seal - 23.19" - Black
8	041894-04-000	EA	Mullion - Slider Window - 25" - Black
9	002188-02-000	EA	Glass - 3/16" x 24" x 25.5" - Stationary
10	047369-01-700	EA	Latch - Window - Plastic w/Fastener
*	023320-01-000	EA	Foam Pad - 3/8" Dia. (Used with plastic latch)
*	042133-09-000	EA	Frame Asm. - Window - Inside (not included in assembly)
*	023713-02-000	EA	Cover - Weephole - Plastic - Black
*	002298-01-000	FT	Spline - Gray - .130" Dia. (Screen)
*	002253-01-000	SF	Screen - Window - 26" - Gray
*			Not Illustrated

WINDOW, VENT AND EXTERIOR DOOR GROUP (CONTINUED)



Key	Part Number	U/M	Description
1	059046-01-000	EA	Window Asm. - Right Front Slant Slider - 23" x 39" - Black Anod. (w/o inside frame)
*	059046-02-000	EA	Window Asm. - Left Front Slant Slider - 23" x 39" - Black Anod. (w/o inside frame)
2	057956-01-000	EA	Glass - 3/16" x 24.88" x 25.30" - Stationary
3	047369-01-700	EA	Latch - Window - Plastic w/Fastener
*	023320-01-000	EA	Foam Pad - 3/8" Dia. (Used with plastic latch)
4	042077-01-000	FT	Channel - Weatherstrip - Glass Run - 3/16" Glass
5	053767-03-000	FT	Tape - 1/4" Bead x 20' - Gray - Schnee Moorehead
6	050216-02-000	FT	Spline - 3/16" Glass
7	041928-02-000	FT	Seal - Window Channel
8	002389-03-208	EA	Holder - Glass Seal - Black Anod. - 24.13"
9	057644-04-000	EA	Mullion - Window - Slant Slider
10	057657-01-000	EA	Glass - 3/16" x 24.88" x 14.70" - Sliding
*	059046-01-000	EA	Inside Frame - Right Front Slant Slider (not included in assembly)
*	059046-02-000	EA	Inside Frame - Left Front Slant Slider (not included in assembly)
*	023713-02-000	EA	Cover - Weephole - Black
*	055164-05-000	EA	Slider Screen Asm. - Right or Left - Black
*	016310-03-000	EA	Handle - Slider Screen - Black
*	002292-01-000	SF	Screen - Window - 20" - Gray
*	002298-01-000	FT	Spline - Gray - .130" Dia.
*			Not Illustrated

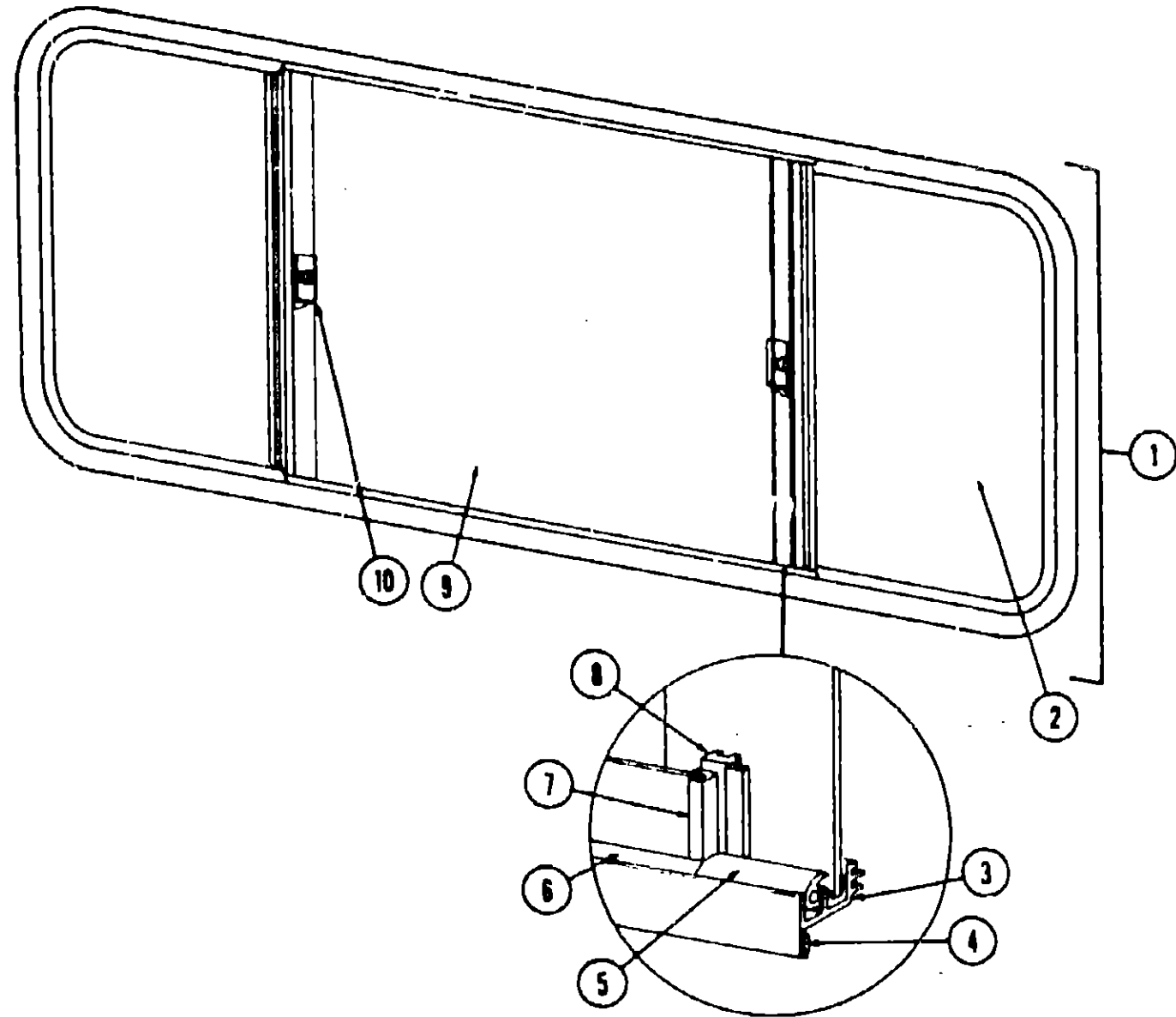
**1980 WINNEBAGO
TABLE OF CONTENTS**

Introduction	A-1
Abbreviations	A-1
Alphabetical Index	A-2 - A-4
WD424RH LO	A-5 - B-18
WG523RG LO	B-19 - D-12
WDN26RB LO	D-13 - F-2
WDN29RT LO	F-3 - G-24

1980 WDN29RT LO INDEX

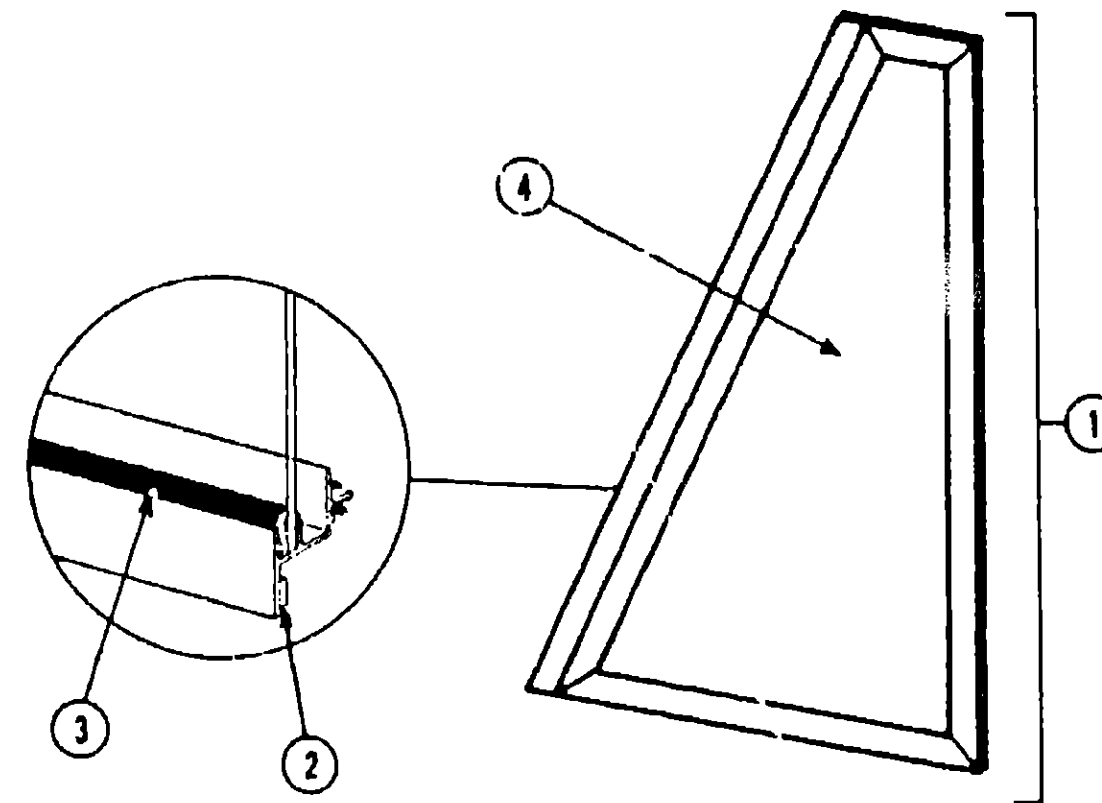
Floor Plan	F-3 - F-4
Accessories Group	F-5 - F-6
Bath Group	F-7 - F-8
Chassis Group	F-9
Curtain, Cushion & Pad Group	F-10 - F-15
Dinette Group	F-16 - F-17
Driver's Compartment Group	F-18 - F-19
Electrical Group	F-20 - F-22
Exterior Body Group	F-23 - G-2
Galley Group	G-3
Heating & Air Conditioning Group	G-4 - G-5
Interior Finish Group	G-6 - G-7
LP Group	G-8
Lounge Group	G-9 - G-10
Water & Sewage Group	G-11
Window, Vent & Exterior Door Group	G-12 - G-24

WINDOW, VENT AND EXTERIOR DOOR GROUP (CONTINUED)



Key	Part Number	U/M	Description
1	048630-06-000	EA	Window Asm. - Double Slider - 25" x 56" Black Anod. (w/o inside frame)
2	047822-03-000	EA	Glass - Sliding - 3/16" x 24" x 16.53"
3	042077-01-000	FT	Channel - Weatherstrip - Glass Run - 3/16" Glass
4	053767-03-000	FT	Tape - 1/4" Bead x 20' - Gray - Schnee Moorehead
5	041928-02-000	FT	Seal - Window Channel - 3/16" Glass - Black
6	002309-02-000	FT	Spline - Glass - 1/8" - Black
7	002389-03-201	EA	Extr. - Holder - Glass Seal - 23.19" - Black
8	041894-04-000	EA	Mullion - Slider Window - 25" - Black
9	002188-02-000	EA	Glass - 3/16" x 24" x 25.5" - Stationary
10	047389-01-700	EA	Latch - Window - Plastic w/Fastener
.	023320-01-000	EA	Foam Pad - 3/8" Dia. (Used with plastic latch)
.	042133-11-000	EA	Frame Asm. - Window - Inside (not included in assembly)
.	023713-02-000	EA	Cover - Weephole - Plastic - Black
.	002298-01-000	FT	Spline - Gray - .130" Dia. (Screen)
.	002293-01-000	SF	Screen - Window - 26" - Gray
.	Not Illustrated		

WINDOW, VENT AND EXTERIOR DOOR GROUP (CONTINUED)



Key	Part Number	U/M	Description
1	062896-01-000	EA	Window Asm. - Stationary - Drivers Slant - 14" x 25.32" Black Anod (w/o inside frame) used w/Driver Door
2	053767-03-000	FT	Tape - 1/4" Bead x 20' - Gray - Schnee Moorehead
3	002309-02-000	FT	Spline - Glass - 1/8" - Black
4	057856-02-000	EA	Glass - 3/16" x 24.88" x 13.86"
.	063420-01-000	EA	Frame - Inside - Front Slant Window (not included in assembly)
.	Not Illustrated		

1980 WINNEBAGO TABLE OF CONTENTS

Introduction	A-1
Abbreviations	A-1
Alphabetical Index	A-2 - A-4
WD424RH LO	A-5 - B-18
WGF23RG LO	B-19 - D-12
WDN26RB LO	D-13 - F-2
WDN29RT LO	F-3 - G-24

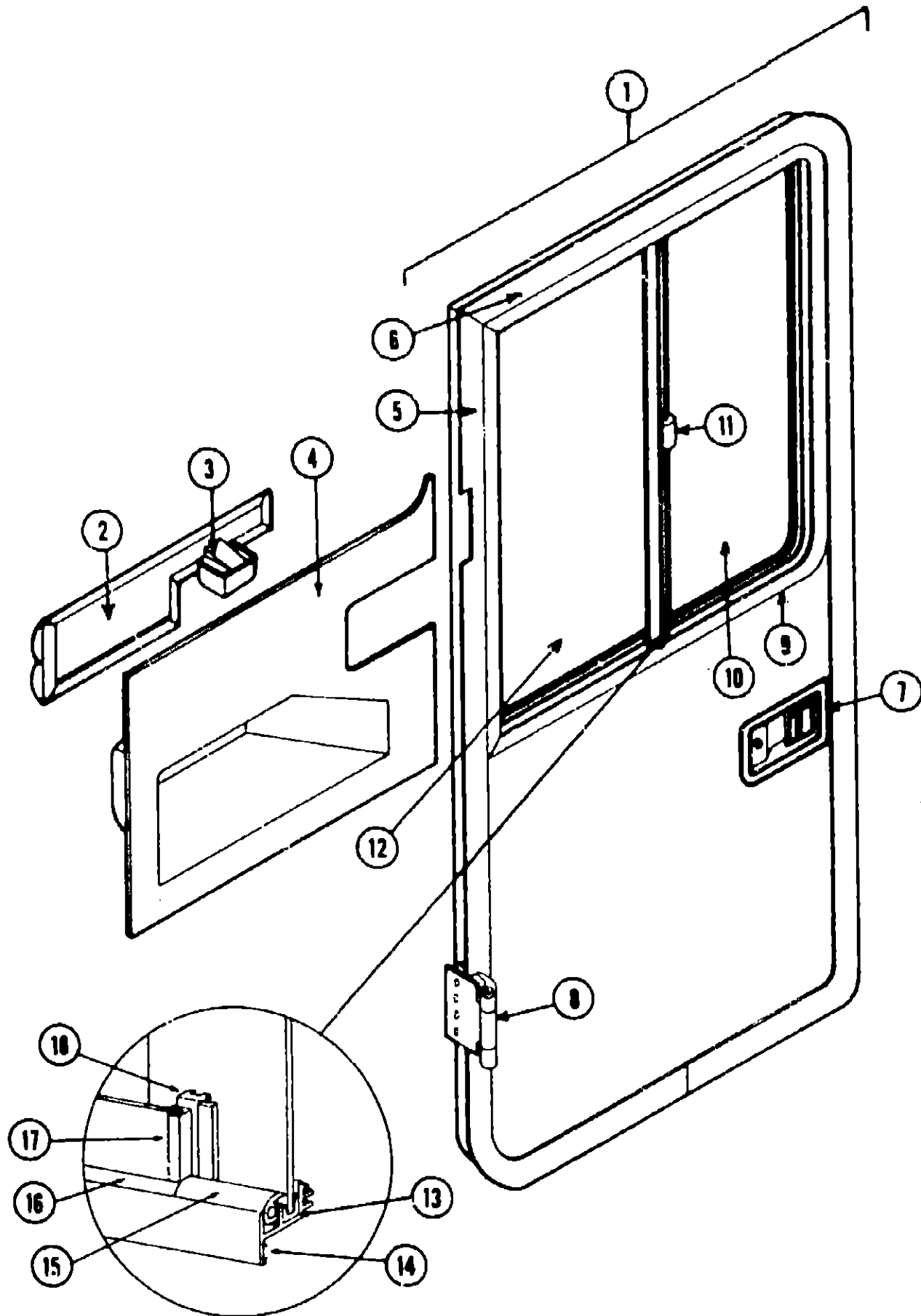
1980 WDN29RT LO INDEX

Floor Plan	F-3 - F-4
Accessories Group	F-5 - F-6
Bath Group	F-7 - F-8
Chassis Group	F-9
Curtain, Cushion & Pad Group	F-10 - F-15
Dinette Group	F-16 - F-17
Driver's Compartment Group	F-18 - F-19
Electrical Group	F-20 - F-22
Exterior Body Group	F-23 - G-2
Galley Group	G-3
Heating & Air Conditioning Group	G-4 - G-5
Interior Finish Group	G-6 - G-7
LP Group	G-8
Lounge Group	G-9 - G-10
Water & Sewage Group	G-11
Window, Vent & Exterior Door Group	G-12 - G-24

WINDOW, VENT AND EXTERIOR DOOR GROUP (CONTINUED)

WINDOW, VENT AND EXTERIOR DOOR GROUP (CONTINUED)

DRIVER DOOR - BEIGE



Key	Part Number	U/M	Description
1	063991-01-000	EA	Door Asm. - Driver - Beige
2	064068-01-000	EA	Pad Asm. - Trim - Upper
	061400-01-000	EA	Assist Strap - 12" - Light Brown
3	046888-01-000	EA	Ashtray Asm. - Flush Mount - Chrome
4	064499-01-000	EA	Panel - Driver Door - Inner - Dark Brown Plastic
5	063350-01-000	EA	Trim - Door Frame - Front - Beige
6	063351-01-000	EA	Trim - Door Frame - Rear - Beige
7	045017-03-000	EA	Paddle - Door Lock - Exterior
	045017-01-700	EA	Lock Cylinder w/Keys - Lynor
	039979-02-000	EA	Inside Plate - Door Lock - w/Inside Handle
	039540-02-000	EA	Latch Claw - Entry Door Lock
	039738-01-000	EA	Deadbolt - Entrance Door Lock
	039539-01-000	EA	Strike Bolt - Entrance Door (Jamb Mount)
	063124-02-000	EA	Plate - Striker - 8 1/4" x 1" - Black
	062879-02-000	EA	Jamb - Driver Door - Black Steel
	064199-01-000	EA	Trim - Door Jamb - Rear - w/Drip Cap - Beige
	064184-01-000	EA	Drip Cap - Driver Door
	063358-01-000	EA	Trim - Door Jamb - Front - Beige
	063788-01-000	EA	Sill Plate - Driver Door
8	063993-01-000	EA	Hinge Asm. - Driver Door - Beige
	064580-01-000	EA	Check Strap - Driver Door - Seat Belt Webbing
	064219-01-000	EA	Retainer - Driver Door Check Strap
	063886-02-000	EA	Assist Handle - Driver Door - Brown Steel Tube (2 required per door)
	064075-01-000	EA	Bulb Seal - Driver Door - 145"
9	062982-01-000	EA	Window Asm. - Driver Door - Single Slider - 23" x 25.5" - Black Anod. (w/o inside frame)
10	057657-02-000	EA	Glass - 3/16" x 24.88" x 12" - Sliding
11	047369-01-700	EA	Latch - Window - Plastic w/Fastener
12	002188-04-000	EA	Glass - 3/16" x 24.88" x 12" - Stationary
13	002324-02-000	FT	Channel - Weatherstrip - Glass Run - 1/8" Glass
14	053767-03-000	FT	Tape - 1/4" Bead x 30' - Gray - Schnee Moorehead
15	057374-02-000	FT	Seal - Window Channel - Black
16	002309-02-000	FT	Spline - Glass - Black
17	002389-03-204	EA	Holder - Glass Seal - Anod. Black - 25.14"
	002288-01-000	FT	Weatherstrip - Glass Seal
18	057644-04-000	EA	Mullion - Slider Window - Black Anod.
	063422-01-000	EA	Frame - Inside - Driver Door Window
	023713-02-000	EA	Cover - Weephole - Black Plastic
	055164-06-000	EA	Screen Asm. - Slider
	002292-01-000	SF	Screen - Window - 20" - Gray
	002298-01-000	FT	Spline - Gray - Screen - .130" Dia.
	016310-03-000	EA	Screen Handle - Black Anod.
	043485-02-000	FT	Screen Seal - Extr. Vinyl
			Not Illustrated

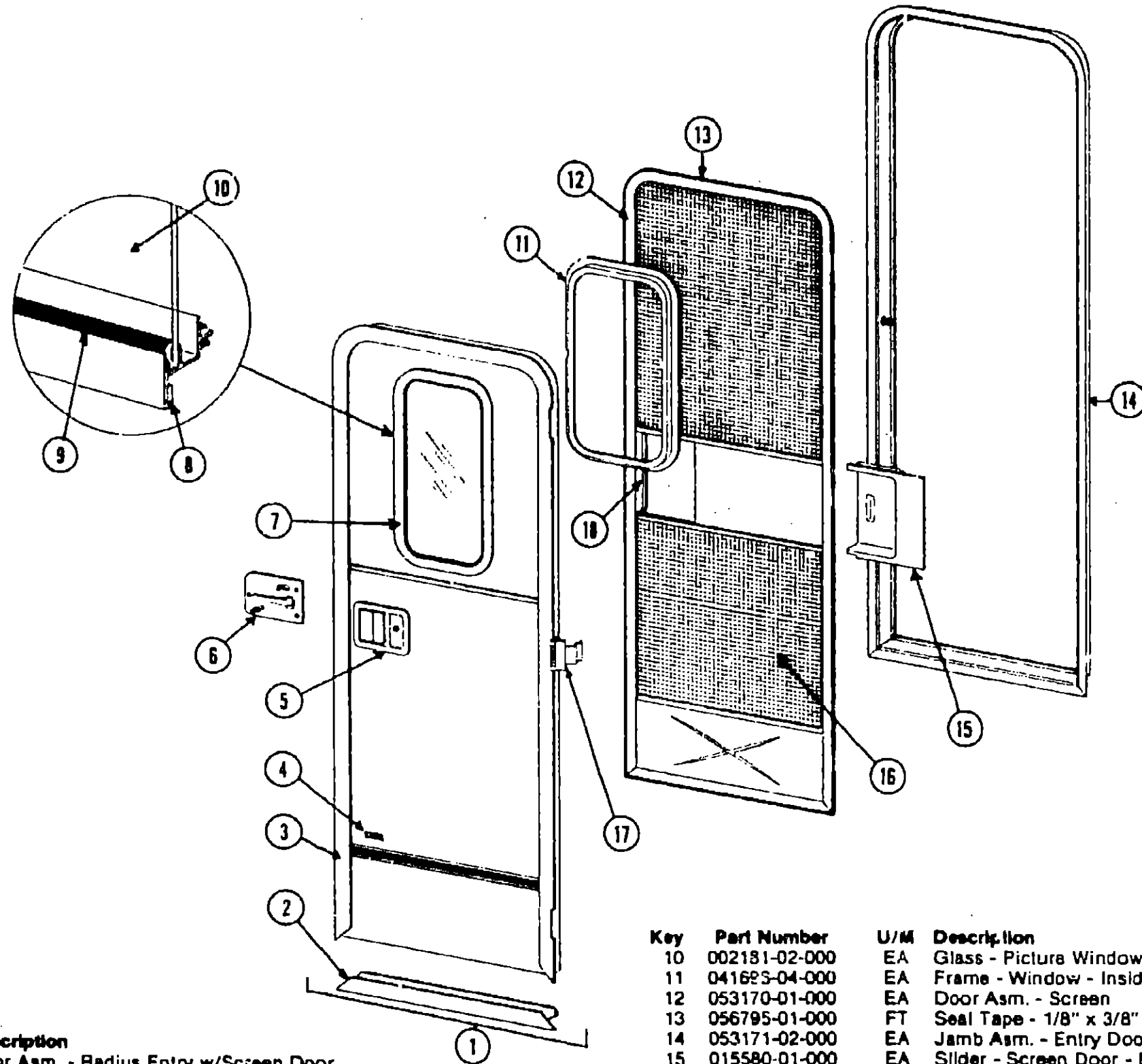
**1910 WINNEBAGO
TABLE OF CONTENTS**

Introduction	A-1
Abbreviations	A-1
Alphabetical Index	A-2 - A-4
WD424RH LO	A-5 - B-18
WGF23RG LO	B-19 - D-12
WDN26RB LO	D-13 - F-2
WDN29RT LO	F-3 - G-24

1980 W/DN29RT LO INDEX

Floor Plan	F-3 - F-4
Accessories Group	F-5 - F-6
Bath Group	F-7 - F-8
Chassis Group	F-9
Curtain, Cushion & Pad Group	F-10 - F-15
Dinette Group	F-16 - F-17
Driver's Compartment Group	F-18 - F-19
Electrical Group	F-20 - F-22
Exterior Body Group	F-23 - G-2
Galley Group	G-3
Heating & Air Conditioning Group	G-4 - G-5
Interior Finish Group	G-6 - G-7
LP Group	G-8
Lounge Group	G-9 - G-10
Water & Sewage Group	G-11
Window, Vent & Exterior Door Group	G-12 - G-24

WINDOW, VENT AND EXTERIOR DOOR GROUP (CONTINUED)



Key	Part Number	U/M	Description
1	053169-18-000	EA	Door Asm. - Radius Entry w/Screen Door
2	039737-02-000	EA	Frame - Entry Door (Bottom Portion Only)
3	039736-02-000	EA	Frame - Entry Door (Except Bottom Portion)
4	054530-01-000	EA	Holder - Entry Door - Mounts in Sidewall
5	045017-01-000	EA	Paddle Asm. - Door Lock - Exterior
	045017-01-700	EA	Lock Cylinder w/Keys
	039539-01-000	EA	Striker Bolt - Entry Door
	039540-01-000	EA	Latch Claw - Entry Door
6	039979-01-000	EA	Plate - Lock - Interior - Including Inside Handle
	052186-01-000	EA	Lock Asm. - Complete - Lynor
7	041875-04-000	EA	Window Asm. - Picture - 13" x 25" - Black Anod. (inside frame not included in assembly)
8	053767-03-000	FT	Tape - 1/4" Bead x 20' - Gray - Schnee Moorehead
9	002318-02-000	FT	Spline - Glass - 1/8" Black

Key	Part Number	U/M	Description
10	002181-02-000	EA	Glass - Picture Window - 1/8" x 12" x 24" - Gray
11	041623-04-000	EA	Frame - Window - Inside - 12" x 25" - Brown
12	053170-01-000	EA	Door Asm. - Screen
13	056795-01-000	FT	Seal Tape - 1/8" x 3/8" - Press On
14	053171-02-000	EA	Jamb Asm. - Entry Door
15	015580-01-000	EA	Slider - Screen Door - Brown Plastic
16	002293-01-000	SF	Screen - Window - 26" Gray
17	039520-01-000	EA	Hinge - Entry Door (3 used per door)
18	015581-01-000	EA	Cap - Screen Door - Brown Plastic
	049176-01-000	EA	Hedlok II - 3/4" Diameter - Screw Mount (Retains screen door to entry door)
	049797-01-000	EA	Hedlok II - 1" Diameter - Screw Mount (Retains screen door to entry door)
	063638-01-000	EA	Striker - Screen Door
	039883-01-000	EA	Catch Asm. - Single Roller w/Striker - Screen Door
	051390-01-000	FT	Seal - Jamb - Entry Door - Bulb Seal
	039800-01-000	FT	Tubing - Polybutyl - 1/2" O.D. - Jamb
	044582-01-000	EA	Drip Cap - Jamb Mounted - Belge - 33"
	Not Illustrated		

1980 WINNERAGO TABLE OF CONTENTS

Introduction	A-1
Abbreviations	A-1
Alphabetical Index	A-2 - A-4
WD424RH LO	A-5 - B-18
WGF23RG LO	B-19 - D-12
WDN26RB LO	D-13 - F-2
WDN29RT LO	F-3 - G-24

1980 WDN29RT LO INDEX

Floor Plan	F-3 - F-4
Accessories Group	F-5 - F-6
Bath Group	F-7 - F-8
Chassis Group	F-9
Curtain, Cushion & Pad Group	F-10 - F-15
Dinette Group	F-16 - F-17
Driver's Compartment Group	F-18 - F-19
Electrical Group	F-20 - F-22
Exterior Body Group	F-23 - G-2
Galley Group	G-3
Heating & Air Conditioning Group	G-4 - G-5
Interior Finish Group	G-6 - G-7
LP Group	G-8
Lounge Group	G-9 - G-10
Water & Sewage Group	G-11
Window, Vent & Exterior Door Group	G-12 - G-24

WINDOW, VENT AND EXTERIOR DOOR GROUP (CONTINUED)

WINDSHIELD

Key	Part Number	U/M	Description
	058272-01-000	EA	Frame Asm. - Windshield w/o Glass
	057459-01-000	EA	Glass - Windshield - Right or Left
	038886-01-000	EA	Tape - Butyl - .31" x .31" x 148"

VENTS

Key	Part Number	U/M	Description
	039778-01-000	EA	Cover - Refrigerator Vent
	009407-01-000	EA	Frame Asm. - Refrigerator Vent
	049352-02-000	EA	Vent - Stovehood - Outside - Beige
**	048789-01-000	EA	Vent Asm. - Roof - Powered w/o Screen - Alum.
**	048835-01-000	EA	Vent Asm. - Roof - Non Powered w/o Screen - Alum.
**	056119-01-000	EA	Vent Asm. - Roof - Powered/Lighted - Jensen - White Plastic

**The illustrated parts breakdown for this item is provided on the Common Items Fiche.

ACCESS DOORS

Key	Part Number	U/M	Description
	033333-30-000	EA	Door Asm. - Battery - 24.5" x 8.5" - Beige w/Twist Type Lock (2 doors per coach)
	033333-28-000	EA	Door Asm. - Luggage - 47.25" x 8.5" - Beige w/Key Lock
	047233-04-000	EA	Door Asm. - Luggage - 35.5" x 13" - Beige w/Key Type Lock
	054270-03-000	EA	Door Asm. - Refrigerator Access - Beige w/Twist Type Lock
	055500-03-000	EA	Door Asm. - Gas Fill - Beige w/Key Type Lock
	042441-01-000	EA	Lock Asm. - Key Type - Gas Fill
	047305-01-000	EA	Lock Asm. - Key Type w/Clip
	052950-02-700	EA	Lock Asm. - Twist Type w/Clip - Beige Plastic
	058808-02-000	EA	Waterfill - Lockable - Beige
	016545-02-000	EA	Holder Asm. - Battery and Luggage Door
	052179-08-000	EA	Door Asm. - Generator - Beige w/Twist Type Lock
	052181-03-000	EA	Baffle - Generator Door
	055500-04-000	EA	Door Asm. - Gas Fill - Beige w/Twist Lock
	057096-02-000	EA	Door Asm. - Power Cord w/Hatch
	042442-01-000	EA	Lock Asm. - Twist Type - Beige

1980 WINNEBAGO TABLE OF CONTENTS

Introduction	A-1
Abbreviations	A-1
Alphabetical Index	A-2 - A-4
WD424RH LO	A-5 - B-18
WGF23RG LO	B-19 - D-12
WDN23RB LO	D-13 - F-2
WDN29RT LO	F-3 - G-24

1980 WDN29RT LO INDEX

Floor Plan	F-3 - F-4
Accessories Group	F-5 - F-6
Bath Group	F-7 - F-8
Chassis Group	F-9
Curtain, Cushion and Pad Group	F-10 - F-15
Dinette Group	F-16 - F-17
Driver's Compartment Group	F-18 - F-19
Electrical Group	F-20 - F-22
Exterior Body Group	F-23 - G-2
Galley Group	G-3
Heating & Air Conditioning Group	G-4 - G-5
Interior Finish Group	G-6 - G-7
LP Group	G-8
Lounge Group	G-9 - G-10
Water & Sewage Group	G-11
Window, Vent & Exterior Door Group	G-12 - G-24