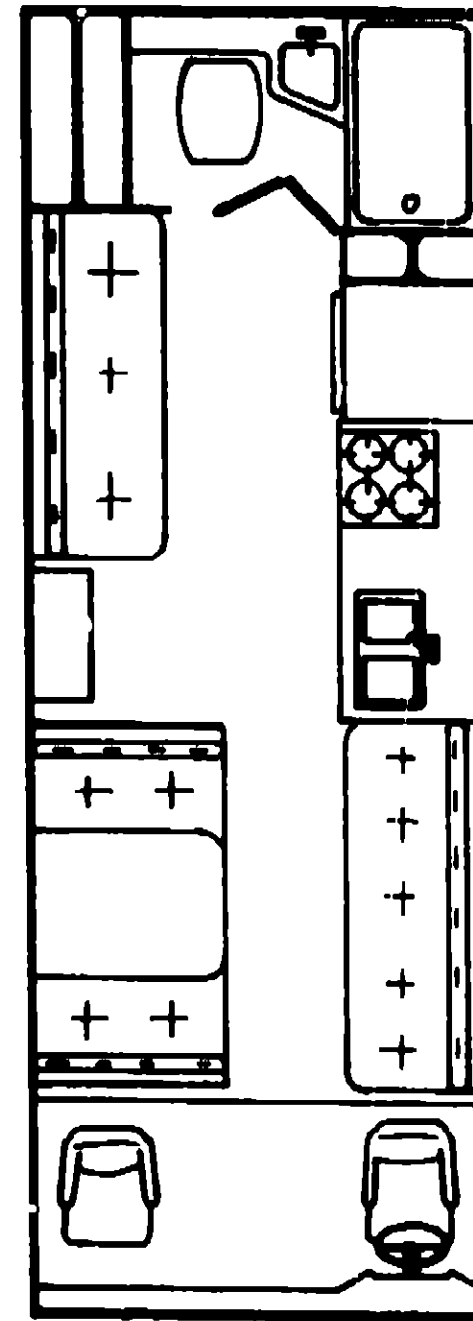
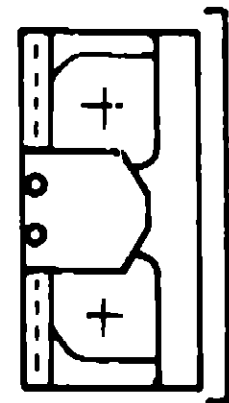


1980 WDN26RB L0



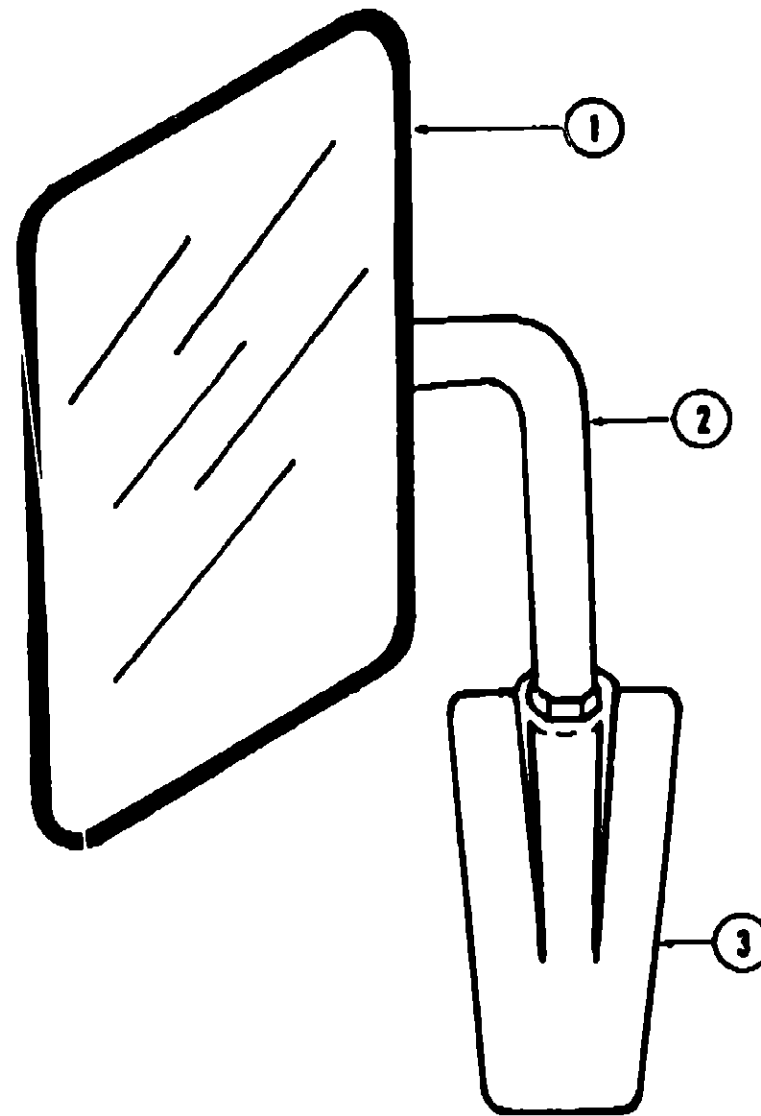
1980 WINNEBAGO TABLE OF CONTENTS

Introduction	A-1
Abbreviations	A-1
Alphabetical Index	A-2 - A-4
WD424RH LO	A-5 - B-18
WGF23RG LO	B-19 - D-12
WDN26RB LO	D-13 - F-2
WDN26RT LO	F-3 - G-24

1980 WDN26RB LO INDEX

Floor Plan	D-13 - D-14
Accessories Group	D-15 - D-16
Bath Group	D-17 - D-18
Chassis Group	D-19
Curtain, Cushion & Pad Group	D-20 - D-23
Dinette Group	D-24
Driver's Compartment Group	E-1 - E-2
Electrical Group	E-3 - E-4
Exterior Body Group	E-5 - E-8
Galley Group	E-9
Heating & Air Conditioning Group	E-10
Interior Finish Group	E-11 - E-12
LP Group	E-13
Lounge Group	E-14
Water & Sewage Group	E-15
Window, Vent & Exterior Door Group	E-16 - F-2

ACCESSORIES GROUP



Key	Part Number	U/M	Description
1	057451-01-000	EA	Mirror Head - 7 1/2" x 10 1/2" - w/Convex
2	049341-01-000	EA	Arm - Low Mount Mirror - Bright Finish
3	049844-01-000	EA	Bracket - Mirror - Outside - Beige
.	065116-01-000	EA	Mirror - West Coast - Double Mirror - Right
.	065116-02-000	EA	Mirror - West Coast - Double Mirror - Left
.	Not Illustrated		

GENERATORS AND COMPONENTS

Key	Part Number	U/M	Description
	054429-01-000	EA	Generator - Onan - 4.0 kw
	054431-01-000	EA	Generator - Onan - 5.0 kw
	054433-01-000	EA	Generator - Onan - 6.5 kw
	701629-02-000	EA	Onan Installation Package
	050467-01-000	EA	Bezel - Entertainment Center No. 3
	024732-01-000	EA	Telescope - 1 1/2" O.D. x 23"
	740313-56-001	EA	Tray Generator - 4.0 - 5.0 kw Onan
	740313-57-001	EA	Tray - Generator - 6.5 kw Onan

ACCESSORIES GROUP (CONTINUED)

RADIOS AND RELATED COMPONENTS

Key	Part Number	U/M	Description
	031105-01-700	EA	Clip - Retaining - Side Mount Antenna
	031105-01-000	EA	Antenna - Radio - Side Mount
	049730-01-000	EA	Radio - AM - w/Fader - Clarion
	049731-01-000	EA	Radio - AM/FM/MPX - w/Fader - Clarion
	049732-01-000	EA	Radio - AM/FM/MPX - 8 Track - w/Fader - Clarion
	048153-01-000	EA	Antenna - CB Camper Style
	063647-01-000	EA	CB Radio - Clarion - Control Box
	063647-02-000	EA	CB Radio - Clarion - JC-2-Module
	053768-01-000	EA	Speaker - Recessed - 5 1/4" - 10 ounce
	055299-01-000	EA	Grille - Speaker - 5 1/4"
	050465-01-000	EA	Bezel - Entertainment Center - No. 1 - w/Cut Out for Vehicle Sensor Panel
	050466-01-000	EA	Bezel - Entertainment Center - No. 2 - w/Cut Out for Vehicle Sensor Panel, Radio and Clock
	050467-01-000	EA	Bezel - Entertainment Center - No. 3 - w/Cut Out for Vehicle Sensor Panel, Radio, Clock, Hourmeter, Generator Start Stop Switch
	050751-01-000	EA	Plaque - Fader Switch/Mic Mounting

FRONT OVERHEAD BUNK AND CABINET

Key	Part Number	U/M	Description
	058300-01-K04	EA	Cabinet Asm. - Front Overhead
	053773-01-000	EA	Support Asm. - Overhead Bunk - Brown - Right
	053773-02-000	EA	Support Asm. - Overhead Bunk - Brown - Left
	053774-01-000	EA	Torsion Rod - Overhead Bunk - Brown
	040071-02-000	EA	Support - Overhead Bunk - Seat Belt
	039516-02-000	EA	Catch - Seat Belt - Overhead Bunk
	058773-01-K04	EA	Bunk Board Asm. - Front Overhead - w/o Rails
	058344-01-K04	EA	Bunk Board Asm. - Front Overhead - w/Rails
	058333-01-K04	EA	Rail - Overhead Bunk - Padded - Acorn Vinyl
	058333-02-K04	EA	Rail - Overhead Bunk - Not Padded - Acorn Vinyl

MISCELLANEOUS ACCESSORIES

Key	Part Number	U/M	Description
	054185-03-000	EA	Owner's Manual - Winnebago
	017516-01-000	EA	Mudflap - Black - 14" x 18" w/Holes
	006069-01-000	EA	Case - Leather Key - Motor Home
	007038-01-000	EA	Mat - Door - Black Rubber - 10 1/2" x 26"
	006053-01-000	EA	Antenna - TV - Braund Delux
	006053-01-700	EA	Parts Kit - Repair - Braund TV Antenna
	006093-01-000	EA	Jack - TV - Brown (Antenna)
	006113-01-000	EA	Jack - Hydraulic 5 Ton
	041944-01-700	EA	Fire Extinguisher w/Bracket
	041944-03-000	EA	Fire Extinguisher - w/Bracket - 5 BC (Calif.)
**	031396-01-000	EA	Wheel Cover - 17.5" - Chrome
	064082-01-000	EA	Wheel Cover - Delmet (Bolt on)
	064082-02-000	EA	Retaining Nut - Delmet Wheel Cover
	064082-03-700	EA	Retainer Bracket - Bolt on Wheel Cover - M500 Dodge - Front
	064082-03-701	EA	Retainer Bracket - Bolt on Wheel Cover - M500 Dodge - Rear
**	069776-01-000	EA	Speed Control - 440 C.I.D. Dodge - A Body - Dana
	058793-01-000	EA	Steering Wheel - Custom - Brown
	058793-02-000	EA	Hub Kit - Custom Steering Wheel - M5 M6 Dodge
	062771-02-000	EA	Microwave Oven - Magic Chef - MW207 - C.S.A.
**	041086-02-000	EA	Ladder Only For Rack and Ladder Asm.
**	041086-01-000	EA	Ladder Asm. - w/Luggage Rack - Round Tube
	041648-01-000	EA	Luggage Carrier - Roof Mount - Complete
	039881-01-000	EA	Catch and Strike - Luggage Carrier
	031181-01-000	EA	Label - Flying "W" - Luggage Carrier
	052241-04-000	EA	Spare Tire Cover - Beige Plastic
	057466-01-000	EA	Television - 12" Color - Sony Trinitron
	055285-01-000	EA	Vacuum Cleaner - Built In - Tevis Campbell
	055285-01-700	EA	Accessory Kit - Tevis Campbell Vacuum
	055285-01-701	EA	Filter Package - Vacuum Cleaner - Package of 12

1980 WINNEBAGO TABLE OF CONTENTS

Introduction	A-1
Abbreviations	A-1
Alphabetical Index	A-2 - A-4
WD424RH LO	A-5 - B-16
WGF23RG LO	B-19 - D-12
WDN26RB LO	D-13 - F-2
WDN29RT LO	F-3 - G-24

1980 WDN26RB LO INDEX

Floor Plan	D-13 - D-14
Accessories Group	D-15 - D-16
Bath Group	D-17 - D-18
Chassis Group	D-19
Curtain, Cushion & Pad Group	D-20 - D-23
Dinette Group	D-24
Driver's Compartment Group	E-1 - E-2
Electrical Group	E-3 - E-4
Exterior Body Group	E-5 - E-6
Galley Group	E-9
Heating & Air Conditioning Group	E-10
Interior Finish Group	E-11 - E-12
LP Group	E-13
Lounge Group	E-14
Water & Sewage Group	E-15
Window, Vent & Exterior Door Group	E-16 - F-2

BATH GROUP

BATH CABINETRY

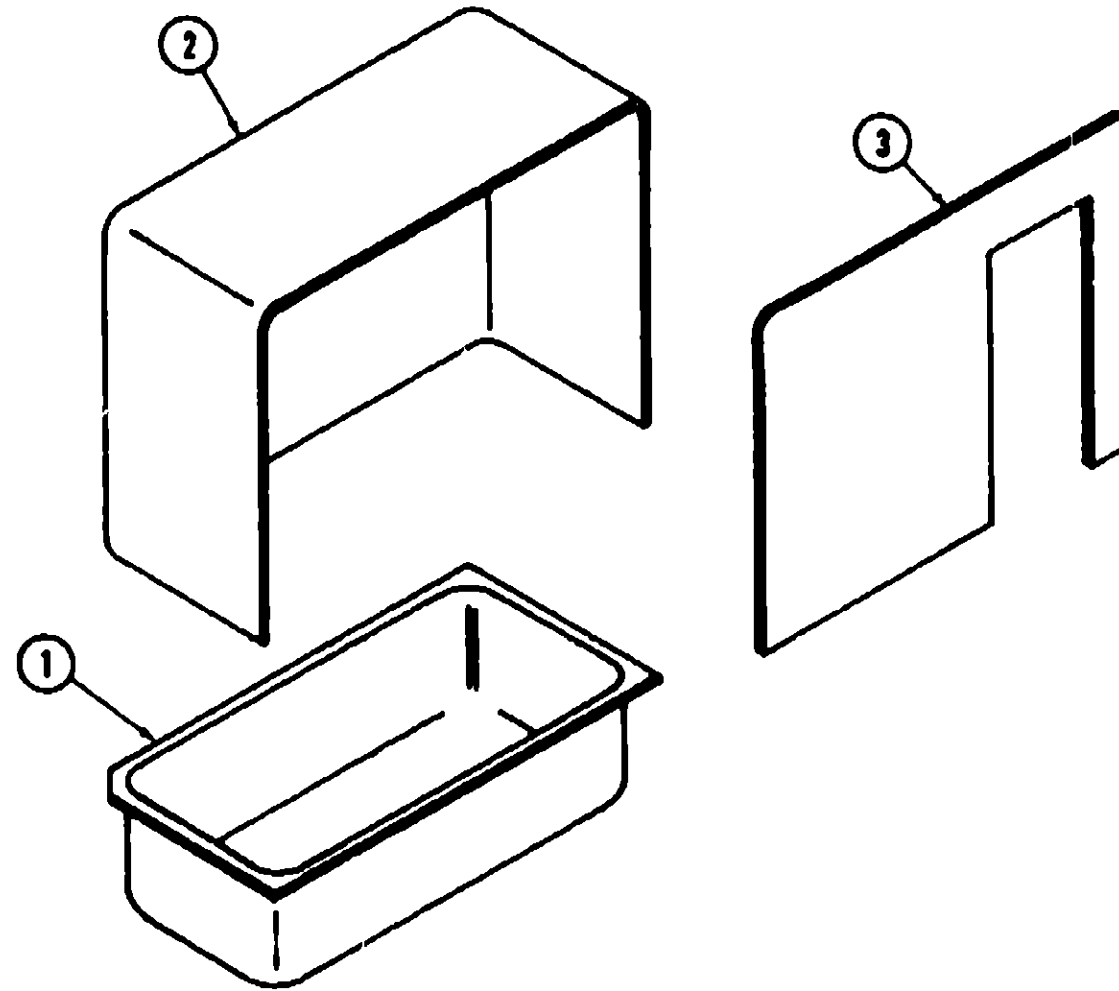
Key	Part Number	U/M	Description
	058538-01-K04	EA	Cabinet Asm - Lavatory - w/o Countertop
	058890-01-K04	EA	Countertop Asm - Lavatory - Stonehenge
	059122-03-000	EA	Door Asm - Rolled - 19" x 17 6"
	059122-04-000	EA	Door Asm. - Rolled - 19" x 13 2'
	059148-01-K04	EA	Door Asm - Lavatory Countertop - 14" x 9 3" - Stonehenge Laminate
	059842-01-K04	EA	Door Asm - w/Mirror
	059458-01-K04	EA	Panel - Folding Door (2 per door)
	052583-01-000	EA	Rack /asm - Towel
	053130-02-000	EA	Cabinet Asm - Medicine - 43 5" Wide Jensen
	038010-01-000	EA	Bulb - Medicine Cabinet - 1143 Frosted
	053130-02-700	EA	Mirror - Jensen Medicine Cabinet - 35 1/2" x 15"
	053130-02-701	EA	Frame Mirror - Jensen Medicine Cabinet
	053130-02-702	EA	Catch - Door - Jensen Medicine Cabinet
	053130-02-703	EA	Switch - Jensen Medicine Cabinet

BATH HARDWARE

Key	Part Number	U/M	Description
**	011058-01-000	EA	Faucet - Lavatory - U S
**	011058-02-000	EA	Faucet - Lavatory - C.S A
**	031558-01-000	EA	Faucet - Tub and Shower
**	058840-01-000	EA	Sink - Oval - Ivory Plastic
**	011083-01-000	EA	Plug - Sink - 1 1/4" w/Chain
**	011048-01-000	EA	Shower Head - w/60" Hose
**	010495-01-000	EA	Hose Clamp - 9/16"
**	011088-01-000	EA	Strainer - Shower Pan
**	011069-01-000	EA	Tailpiece - 1 1/4" x 4" - Brass
**	009134-01-000	EA	Holder - Tissue
**	054529-01-000	EA	Slide Bolt - Antique Brass
**	058344-01-000	EA	Hardware Package - Folding Bath Door
**	058344-02-000	EA	Track - Folding Bath Door
**	053280-05-000	EA	Trim - Shower Door - Bottom
**	053282-03-000	EA	Trim - Shower Door - Right
**	047907-01-000	EA	Hinge - Brass - 14" w/Holes - Vanity Door
**	053282-04-000	EA	Trim - Shower Door - Left
**	009112-01-000	EA	Flange - 1" Closet Rod
**	039341-02-000	EA	Toilet - Thetford Aqua Magic Model SH - Ivory

**The illustrated parts breakdown for this item is provided on the Common Items Fiche

BATH GROUP (CONTINUED)



Key	Part Number	U/M	Description
1	041828-01-000	EA	Bathtub Bottom - Ivory Plastic
2	041853-01-000	EA	Bathtub Rear - Ivory Plastic
3	041852-01-000	EA	Bathtub Front - Ivory Plastic

1980 WINNEBAGO TABLE OF CONTENTS

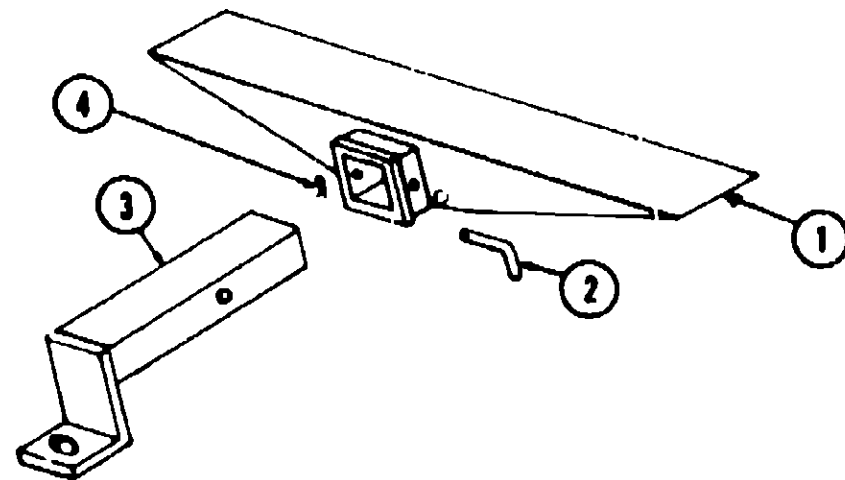
Introduction	A-1
Abbreviations	A-1
Alphabetical Index	A-2 - A-4
WD424RH LO	A-5 - B-18
WGF23RG LO	B-19 - D-12
WDN26RB LO	D-13 - F-2
WDN29RT LO	F-3 - G-24

1980 WDN26RB LO INDEX

Floor Plan	D-13 - D-14
Accessories Group	D-15 - D-16
Bath Group	D-17 - D-18
Chassis Group	D-19
Curtain, Cushion & Pad Group	D-20 - D-23
Dinette Group	D-24
Driver's Compartment Group	E-1 - E-2
Electrical Group	E-3 - E-4
Exterior Body Group	E-5 - E-8
Galley Group	E-9
Heating & Air Conditioning Group	E-10
Interior Finish Group	E-11 - E-12
LP Group	E-13
Lounge Group	E-14
Water & Sewage Group	E-15
Window, Vent & Exterior Door Group	E-16 - F-2

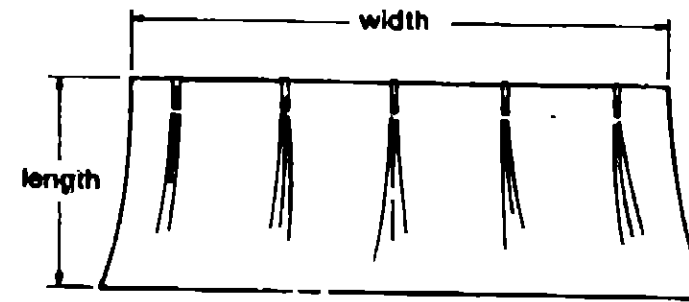
CHASSIS GROUP

Key	Part Number	U/M	Description
	048474-01-000	EA	Bumper - Rear Chrome
	058670-01-000	EA	Bracket - Tire Carrier
	058689-01-000	EA	Bracket Asm - Rear Bumper
	058200-01-000	EA	Bumper - Front Chrome
	058439-01-000	EA	Bracket - Front Bumper
	051697-01-000	EA	Bracket - Battery Tie Down
	058401-01-000	EA	Hoodboard - Steel - Upper Right
	058404-01-000	EA	Hoodboard - Steel - Upper Left
	058583-03-000	EA	Housing - Headlamp - Left
	058583-04-000	EA	Housing - Headlamp - Right
	049358-01-000	EA	Bezel - Headlamp - Chrome - Left
	049358-02-000	EA	Bezel - Headlamp - Chrome - Right
	055080-01-000	EA	Wheel Well - Plastic - Left or Right
	052412-01-000	EA	Cover - Radiator Rear
	024652-01-700	EA	Step Asm - Pull Out - Entry Door
	053249-01-000	EA	Tray Asm - Battery - Steel
	007131-01-000	EA	Hanger - Tailpipe
	007125-07-000	EA	Clamp Asm - Muffler - 2 50" Dia
	058728-03-000	EA	Tailpipe - Extension - 2 1/2" x 85"
	040078-01-000	EA	Fuel Tank - Aux - 27 8 Gallon (Aprox)
	007134-01-000	EA	Clamp - Hose - Spring Type - 9/16"
	024138-01-000	FT	Hose - Fuel - 5/16" I.D SAE30R1
	024647-01-000	EA	Hose - Fuel - 2 1/4" I.D
	007140-01-000	EA	Clamp - Hose - 2" to 3" Dia
	053921-01-000	EA	Fill - Gas - Single - Beige
	007138-01-000	EA	Clamp - 1/4" to 3/4" - Dia
	007160-01-000	EA	Gasket - 3/16" x 2" x 2" - Tire Carcass
	043986-01-000	EA	Strap - Fuel Tank Mount
	017571-02-000	EA	Support Asm - Auxiliary Fuel Tank
	031374-01-000	EA	Sending Unit - Engine Oil Pressure
	031375-01-000	EA	Sending Unit - Engine Water Temperature
	038883-01-000	EA	Sending Unit - Fuel 78 Ohm - Auxiliary Fuel Tank
	045814-01-000	EA	Fill - Gas - w/Vent 4 5"
	024611-04-000	EA	Cap - Gas Pressure 1 50" Chrome
	050227-01-000	EA	Canister - Vapor - 2 Stage - 3 Port
	048775-01-000	EA	Valve Asm - Fuel Selector - 3 Way
	014909-01-000	EA	Shroud - Fuel Fill - DBI Black
	740313-56-000	EA	Tray - Generator - Onan 4 0 kw - 5 0 kw
	740313-57-000	EA	Tray - Generator - Onan - 6 5 kw



Key	Part Number	U/M	Description
1	023885-01-000	EA	Hitch Asm - w/o Drawbar
2	034512-01-000	EA	Pin - Locking - Drawbar
3	023890-01-000	EA	Drawbar - Trailer Hitch
4	034513-01-000	EA	Pin - Hitch - 3/16" Wire Spring

CURTAIN, CUSHION AND PAD GROUP



NOTE

Use this illustration when determining length and width measurements for curtains. You will note the width measurement is taken on the top of the curtain with the curtain fully extended. The length measurement is taken from top to bottom.

CURTAINS AND TIE BACKS

Key	Part Number	U/M	Description
	054051-02-K04	EA	Curtain Asm. w/Snap Top - 34" x 37" - Beige
	054051-21-K04	EA	Curtain Asm. w/Snap Top - Privacy - 75" x 96" - Beige
	054292-02-K04	EA	Curtain Asm. w/Snap Top - Front Wraparound - Left - 27 5" x 81" - Beige
	054293-02-K04	EA	Curtain Asm. w/Snap Top - Front Wraparound - Right - 27 5" x 81" - Beige
	054051-22-K04	EA	Curtain Asm. w/Snap Top - Bunk Privacy - 22" x 96" - Beige
	054048-01-K04	EA	Tie Back Asm - Curtain - 2" x 14" - Beige
	054048-05-K04	EA	Tie Back Asm - Curtain - 2" x 18" - Beige

SHADES

Key	Part Number	U/M	Description
	059389-02-000	EA	Shade - Woven Wood - 29" x 72" - Brown
	059389-07-000	EA	Shade - Woven Wood - 29" x 72" - Rust
	059389-13-000	EA	Shade - Woven Wood - 29" x 72" - Beige
	059389-04-000	EA	Shade - Woven Wood - 27" x 40" - Brown
	059389-10-000	EA	Shade - Woven Wood - 27" x 40" - Rust
	059389-16-000	EA	Shade - Woven Wood - 27" x 40" - Beige
	059389-05-000	EA	Shade - Woven Wood - 23" x 25" - Brown
	059389-11-000	EA	Shade - Woven Wood - 23" x 25" - Rust
	059389-17-000	EA	Shade - Woven Wood - 23" x 25" - Beige

PADS

Key	Part Number	U/M	Description
	058442-01-K04	EA	Pad - End Cap - Galley Overhead Cabinet - Acorn Vinyl
	059082-01-K04	EA	Pad - Door Cover Panel - Acorn Vinyl
	058444-01-K04	EA	Pad - End Cap - Rear Lounge Overhead Cabinet - Left - Acorn Vinyl
	058444-04-K04	EA	Pad - End Cap - Rear Lounge Overhead Cabinet - Right - Acorn Vinyl
	059333-01-K04	EA	Pad - Bunk Rail - Acorn Brown
	059414-01-000	EA	Pad - Sidewall Trim - Drivers
	059487-01-K04	EA	Pad - Map Pocket - Drivers - Brown
	059487-01-K05	EA	Pad - Map Pocket - Drivers - Rust
	059487-01-K06	EA	Pad - Map Pocket - Drivers - Beige
	059414-02-000	EA	Pad - Sidewall Trim - Passenger
	059487-02-K04	EA	Pad - Map Pocket - Passenger - Brown
	059487-02-K05	EA	Pad - Map Pocket - Passenger - Rust
	059487-02-K06	EA	Pad - Map Pocket - Passenger - Beige
	058948-01-K04	EA	Pad - Bunk Panel - Right
	058948-02-K04	EA	Pad - Bunk Panel - Left
	058444-03-K04	EA	Pad - Dinette Overhead Cabinet - Left - Acorn Brown
	058444-04-K04	EA	Pad - Dinette Overhead Cabinet - Right - Acorn Brown
	058880-01-K04	EA	Pad - Armrest - Rear Lounge - 31.4" x 6 2" x 3"

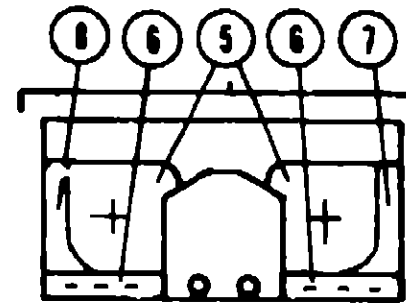
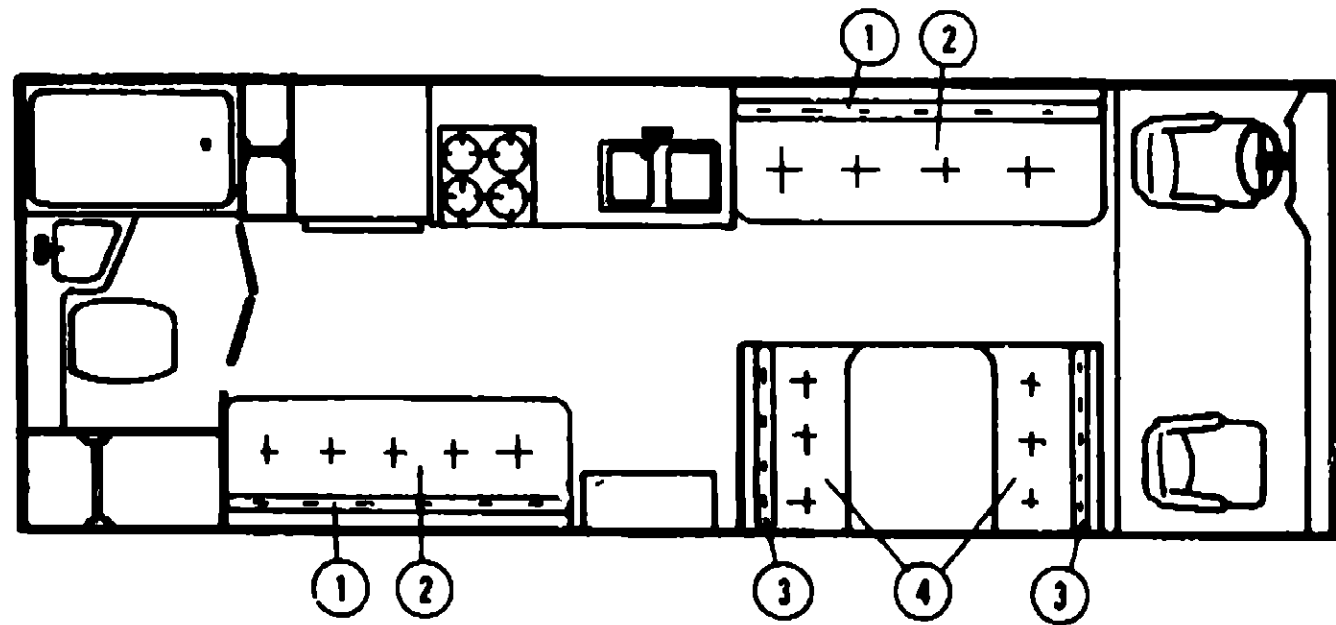
1980 WINNEBAGO TABLE OF CONTENTS

Introduction	A-1
Abbreviations	A-1
Alphabetical Index	A-2 - A-4
WD424RH LO	A-5 - B-18
WGF23RG LO	B-19 - D-12
WDN26RB LO	D-13 - F-2
WDN29RT LO	F-3 - G-24

1980 WDN26RB LO INDEX

Floor Plan	D-13 - D-14
Accessories Group	D-15 - D-16
Bath Group	D-17 - D-18
Chassis Group	D-19
Curtain, Cushion & Pad Group	D-20 - D-23
Dinette Group	D-24
Driver's Compartment Group	E-1 - E-2
Electrical Group	E-3 - E-4
Exterior Body Group	E-5 - E-8
Galley Group	E-9
Heating & Air Conditioning Group	E-10
Interior Finish Group	E-11 - E-12
LP Group	E-13
Lounge Group	E-14
Water & Sewage Group	E-15
Window, Vent & Exterior Door Group	E-16 - F-2

CURTAIN, CUSHION AND PAD GROUP (CONTINUED)



PRESTO BED CUSHIONS

Key	Part Number	U/M	Description
1	059063-01-K04	EA	Cushion Asm. - Presto Bed - Back - 76" - Brown
1	059063-01-K05	EA	Cushion Asm. - Presto Bed - Back - 76" - Rust
1	059063-01-K06	EA	Cushion Asm. - Presto Bed - Back - 76" - Beige
	062753-01-K04	EA	Cover - Presto Bed Cushion - Back - 76" - Brown
	062753-01-K05	EA	Cover - Presto Bed Cushion - Back - 76" - Rust
	062753-01-K06	EA	Cover - Presto Bed Cushion - Back - 76" - Beige
2	059064-01-K04	EA	Cushion Asm. - Presto Bed - Bottom - 76" - Brown
2	059064-01-K05	EA	Cushion Asm. - Presto Bed - Bottom - 76" - Rust
2	059064-01-K06	EA	Cushion Asm. - Presto Bed - Bottom - 76" - Beige
	062753-02-K04	EA	Cover - Presto Bed Cushion - Bottom - 76" - Brown
	062753-02-K05	EA	Cover - Presto Bed Cushion - Bottom - 76" - Rust
	062753-02-K06	EA	Cover - Presto Bed Cushion - Bottom - 76" - Beige

DINETTE CUSHIONS

Key	Part Number	U/M	Description
3	058913-03-K04	EA	Cushion Asm. - Dinette Back - 19.2" x 38" x 5" - Tan
3	058913-03-K06	EA	Cushion Asm. - Dinette Back - 19.2" x 38" x 5" - Amber
	058914-03-K04	EA	Cover - Dinette Back Cushion - 19.2" x 38" x 5" - Tan
	058914-03-K06	EA	Cover - Dinette Back Cushion - 19.2" x 38" x 5" - Amber
4	058913-04-K04	EA	Cushion Asm. - Dinette Seat - 17.5" x 38" x 5" - Tan
4	058913-04-K06	EA	Cushion Asm. - Dinette Seat - 17.5" x 38" x 5" - Amber
	058914-04-K04	EA	Cover - Dinette Seat Cushion - 17.5" x 38" x 5" - Tan
	058914-04-K06	EA	Cover - Dinette Seat Cushion - 17.5" x 38" x 5" - Amber

CURTAIN, CUSHION AND PAD GROUP (CONTINUED)

CORNER LOUNGE CHAIR CUSHIONS

Key	Part Number	U/M	Description
5	059743-01-K04	EA	Cushion Asm. - Corner Lounge Chair - Seat - Brown
5	059743-01-K06	EA	Cushion Asm. - Corner Lounge Chair - Seat - Beige
	059746-01-K04	EA	Cover - Corner Lounge Chair Seat - Brown
	059746-01-K06	EA	Cover - Corner Lounge Chair Seat - Beige
6	059742-01-K04	EA	Cushion Asm. - Corner Lounge Chair - Back - Brown
6	059742-01-K06	EA	Cushion Asm. - Corner Lounge Chair - Back - Beige
	059745-01-K04	EA	Cover - Corner Lounge Chair Back - Brown
	059745-01-K06	EA	Cover - Corner Lounge Chair Back - Beige
7	059744-02-K04	EA	Cushion Asm. - Corner Chair Wedge - Left - Brown
7	059744-02-K06	EA	Cushion Asm. - Corner Chair Wedge - Left - Beige
	059747-02-K04	EA	Cover - Wedge Cushion - Left - Brown
	059747-02-K06	EA	Cover - Wedge Cushion - Left - Beige
8	059744-01-K04	EA	Cushion Asm. - Corner Chair Wedge - Right - Brown
8	059744-01-K06	EA	Cushion Asm. - Corner Chair Wedge - Right - Beige
	059747-01-K04	EA	Cover - Wedge Cushion - Right - Brown
	059747-01-K06	EA	Cover - Wedge Cushion - Right - Beige

FRONT BUNK CUSHIONS

Key	Part Number	U/M	Description
	055021-18-K04	EA	Cushion Asm. - Front Bunk - 47" x 79.25" x 5" - Brown
	055021-18-K05	EA	Cushion Asm. - Front Bunk - 47" x 79.25" x 5" - Rust
	055021-18-K06	EA	Cushion Asm. - Front Bunk - 47" x 79.25" x 5" - Beige
	055022-20-K04	EA	Cover - Front Bunk Cushion - 47" x 79.25" x 5" - Brown
	055022-20-K05	EA	Cover - Front Bunk Cushion - 47" x 79.25" x 5" - Rust
	055022-20-K06	EA	Cover - Front Bunk Cushion - 47" x 79.25" x 5" - Beige

BUCKET SEATS

Key	Part Number	U/M	Description
	061829-01-K04	EA	Seat Asm. - Single Bucket - Highback w/Armrests and Skirt - Brown
	061829-01-K05	EA	Seat Asm. - Single Bucket - Highback w/Armrests and Skirt - Rust
	061829-01-K06	EA	Seat Asm. - Single Bucket - Highback w/Armrests and Skirt - Beige
	061838-03-K04	EA	Cover - Back - Single Bucket - Brown
	061838-03-K05	EA	Cover - Back - Single Bucket - Rust
	061838-03-K06	EA	Cover - Back - Single Bucket - Beige
	061839-03-K04	EA	Cover - Bottom - Single Bucket - Brown
	061839-03-K05	EA	Cover - Bottom - Single Bucket - Rust
	061839-03-K06	EA	Cover - Bottom - Single Bucket - Beige
	054650-03-K04	EA	Skirt - Single Bucket - Brown
	054650-03-K05	EA	Skirt - Single Bucket - Rust
	054650-03-K06	EA	Skirt - Single Bucket - Beige
	061834-01-K04	EA	Seat Asm. - Double Bucket - Highback w/Armrests and Skirt - Brown
	061834-01-K05	EA	Seat Asm. - Double Bucket - Highback w/Armrests and Skirt - Rust
	061834-01-K06	EA	Seat Asm. - Double Bucket - Highback w/Armrests and Skirt - Beige
	061840-03-K04	EA	Cover - Back - Double Bucket - Brown
	061840-03-K05	EA	Cover - Back - Double Bucket - Rust
	061840-03-K06	EA	Cover - Back - Double Bucket - Beige
	061841-03-K04	EA	Cover - Bottom - Double Bucket - Brown
	061841-03-K05	EA	Cover - Bottom - Double Bucket - Rust
	061841-03-K06	EA	Cover - Bottom - Double Bucket - Beige
	054650-04-K04	EA	Skirt - Double Bucket - Brown
	054650-04-K05	EA	Skirt - Double Bucket - Rust
	054650-04-K06	EA	Skirt - Double Bucket - Beige
	050275-01-700	EA	Armrest Asm. - Foam w/o Cover - Right
	050276-01-700	EA	Armrest Asm. - Foam w/o Cover - Left
	053357-01-K04	EA	Cover - Armrest - Right or Left - Brown
	053357-01-K05	EA	Cover - Armrest - Right or Left - Rust
	053357-01-K06	EA	Cover - Armrest - Right or Left - Beige

1980 WINNEBAGO TABLE OF CONTENTS

Introduction	A-1
Abbreviations	A-1
Alphabetical Index	A-2 - A-4
WD424RH LO	A-5 - B-18
WGF23RG LO	B-19 - D-12
WDN26RB LO	D-13 - F-2
WDN29RT LO	F-3 - G-24

1980 WDN26RB LO INDEX

Floor Plan	D-13 - D-14
Accessories Group	D-15 - D-16
Bath Group	D-17 - D-18
Chassis Group	D-19
Curtain, Cushion & Pad Group	D-20 - D-23
Dinette Group	D-24
Driver's Compartment Group	E-1 - E-2
Electrical Group	E-3 - E-4
Exterior Body Group	E-5 - E-8
Galley Group	E-9
Heating & Air Conditioning Group	E-10
Interior Finish Group	E-11 - E-12
LP Group	E-13
Lounge Group	E-14
Water & Sewage Group	E-15
Window, Vent & Exterior Door Group	E-16 - F-2

CURTAIN, CUSHION AND PAD GROUP (CONTINUED)

FABRICS AND TRIMS

Key	Part Number	U/M	Description
	057874-01-000	YD	Fabric - Drapery - Beige
	057869-01-000	YD	Fabric - Upholstery - Main - Mahogany
	057869-02-000	YD	Fabric - Upholstery - Main - Terra Cotta
	057869-03-000	YD	Fabric - Upholstery - Main - Beige
	057893-04-000	YD	Fabric - Upholstery - Accent - Tan
	057893-05-000	YD	Fabric - Upholstery - Accent - Amber
	054676-06-K04	EA	Button Asm - Upholstered - Tan
	054676-06-K06	EA	Button Asm - Upholstered - Amber
	052859-01-J10	FT	Trim - Accent - Acorn - Brown Vinyl
	053327-01-000	YD	Vinyl - Non Expanded - 27 oz - Acorn Brown
	053327-02-000	YD	Vinyl - Expanded - 28 oz - Acorn Brown
	053327-03-000	YD	Vinyl - Non Support - 16 Gauge Film - Acorn Brown

CURTAIN HARDWARE

Key	Part Number	U/M	Description
	053272-04-200	EA	Track - Curtain - Ceiling - 89" - Off White
	053265-02-001	EA	Track - Curtain - Door - 16' - Anod
	059430-01-000	EA	Track - Curtain - Front Wraparound (2 per unit)
	056001-01-000	EA	Bracket - Shade - Left
	056002-01-000	EA	Bracket - Shade - Right
	009107-01-000	EA	Guide - Nylon Snap - Curtain
	018031-42-000	EA	Track - Curtain - "L" Rod - Alum. Extr - 90"
	009701-01-000	EA	Carrier - "L" Rod - Curtain
	009702-01-000	EA	End Stop - "L" Rod - Curtain



Key	Part Number	U/M	Description
1	029130-01-000	EA	Socket - Snap Fastener
2	029155-01-000	EA	Cap - Snap - 1.58" Dia x 17" Barrel
3	029156-01-000	EA	Socket - Snap Fastener
4	029092-01-000	EA	Stud - Nickel Finish
5	029093-01-000	EA	Eyelet - Nickel Finish

DINETTE GROUP

Key	Part Number	U/M	Description
	053192-01-K04	EA	Table Asm. - Dinette - w/o Hardware - Stonehenge
**	053200-01-000	EA	Bracket - Upper Wall Mount - Brown - 23 5"
**	053201-01-000	EA	Bracket - Table Mount - 23"
**	024275-01-000	EA	Rod - Table Lift - 8" x 23 5"
**	024281-03-000	EA	Bracket - Lower Wall Mount - Brown - 22 12"
**	024276-04-000	EA	Leg Asm - Table - Brown - 29 5"
**	024277-02-000	EA	Hinge - Table Leg - Brown
**	024282-01-000	EA	Brace - Table Leg
**	024283-01-000	EA	Clip - 1" O D Tube
**	049493-02-000	EA	Catch - Table Leg - Mounts on Floor - Brown
	058759-01-K04	EA	Panel Asm. - Dinette Couch Front - w/o Doors or Hardware
	059092-06-K04	EA	Door Asm - Dinette Couch Cabinet - w/o Hardware
	059843-01-K04	EA	Door Asm - Furnace Access - w/Mesh Grille - w/o Hardware
	047205-12-000	EA	Mesh - Grille - 14 5" x 10" - Brass
	039873-01-000	EA	Catch and Strike - Nylon
	058825-01-K04	EA	Cabinet Asm. - Dinette Overhead - w/o Doors or Hardware
	058825-03-K04	EA	Cabinet Asm - Front Lounge Overhead - w/o Doors or Hardware
	059092-01-K04	EA	Door Asm - Dinette Overhead Cabinets - Right or Left - 27" x 10 3" - w/o Hardware
	058758-01-K04	EA	Cabinet Asm - Rear Dinette Seat - w/o Door or Hardware
	059092-04-K04	EA	Door Asm - Rear Dinette Seat Cabinet - 9 1/4" x 24" - w/o Hardware
	058758-02-K04	EA	Cabinet Asm - Front Dinette Seat - w/o Door or Hardware
	059092-05-K04	EA	Door Asm - Front Dinette Seat Cabinet - 11" x 18 8" w/o Hardware
	057468-02-000	EA	Frame - Sprung Couch - Right
	057468-03-000	EA	Frame - Sprung Couch - Left
	057468-04-000	EA	Frame Angle - Sprung Couch (2 per couch)
	057469-01-000	EA	Leg Asm - Sprung Couch (2 per couch)

**The illustrated parts breakdown for this item is provided on the Common Items Fiche

1980 WINNEBAGO TABLE OF CONTENTS

Introduction	A-1
Abbreviations	A-1
Alphabetical Index	A-2 - A-4
WD424RH LO	A-5 - B-16
WGF23RG LO	B-19 - D-12
WDN26RB LO	D-13 - F-2
WDN29RT LO	F-3 - G-24

1980 WDN26RB LO INDEX

Floor Plan	D-13 - D-14
Accessories Group	D-15 - D-16
Bath Group	D-17 - D-18
Chassis Group	D-19
Curtain, Cushion & Pad Group	D-20 - D-23
Dinette Group	D-24
Driver's Compartment Group	E-1 - E-2
Electrical Group	E-3 - E-4
Exterior Body Group	E-5 - E-8
Galley Group	E-9
Heating & Air Conditioning Group	E-10
Interior Finish Group	E-11 - E-12
LP Group	E-13
Lounge Group	E-14
Water & Sewage Group	E-15
Window, Vent & Exterior Door Group	E-16 - F-2

DRIVER'S COMPARTMENT GROUP

DASH PANEL AND COMPONENTS

Key	Part Number	U/M	Description
	009813-01-K04	EA	Dash Asm. - Chieftain - Complete w/Gauges and Switches
	022548-03-000	EA	Pad - Dash - Foam - Right - Dark Brown
	022742-05-000	EA	Pad - Dash - Foam - Left - Dark Brown
	022219-01-000	EA	Door - Glove Compartment
	009118-01-000	EA	Lock - Twist w/Nut
	023992-01-000	EA	Box - Glove Compartment - Black Fiberboard
	024598-01-000	EA	Hinge - Continuous - Alum 1 1/16" x 19"
	034309-01-000	EA	Chain - Bead - Glove Box Door
	023834-01-000	EA	Panel - Knee Kick - (Bottom of Dash)
	024418-01-000	EA	Lamp Asm - Map/Gauge
	007308-01-000	EA	Clock - Dash
	052367-01-000	EA	Lighter Asm - Cigarette - 12 Volt
	007041-01-000	EA	Bezel - Cigarette Lighter
	007071-01-000	EA	Louver - Chrome - w/Chrome Wheel
	023020-01-000	EA	Lamp Asm - Tail Tale
	039044-01-000	EA	Louver Asm. - A/C Adjustable
	040636-01-000	EA	Bracket Asm - Shift Lever
	042981-01-000	EA	Nameplate - Chieftain - Brown/Silver
	024990-02-000	EA	Outlet - Defroster - w/Swivel - 2" - Dark Brown
	050299-01-000	EA	Bezel - Instrument Panel
	050465-01-000	EA	Bezel - Entertainment Center - No 1 - w/Cut Out for Vehicle Sensor Panel
	050466-01-000	EA	Bezel - Entertainment Center - No 2 - w/Cut Out for Vehicle Sensor Panel, Radio and Clock
	050467-01-000	EA	Bezel - Entertainment Center - No 3 - w/Cut Out for Vehicle Sensor Panel, Radio, Clock, Hourmeter, Generator Start Stop Switch

DASH SWITCHES AND GAUGES

Key	Part Number	U/M	Description
	055279-01-000	EA	Control Asm - Heater - A/C - 3 Speed
	024461-01-000	EA	Switch - Battery
	024463-01-000	EA	Switch - Blinker
	024464-01-000	EA	Switch - Washer
	024465-01-000	EA	Switch - Fuel
	024467-01-000	EA	Switch - Wiper
	024459-01-000	EA	Gauge Asm - Voltmeter
	024460-01-000	EA	Gauge - Vacuum Dash
	024462-01-000	EA	Switch - Battery Condition
	031035-01-000	EA	Gauge - Hourmeter - Generator
	024976-01-000	EA	Switch - Generator w/o Circuit Board
	037387-01-000	EA	Switch - Generator w/Circuit Board
	031376-01-000	EA	Heater Control Asm - 3 Speed

BUCKET SEAT PEDESTAL AND SEAT BELTS

Key	Part Number	U/M	Description
	050447-01-000	EA	Pedestal Asm - Tilt Seat - Left
	050447-02-000	EA	Pedestal Asm - Tilt Seat - Right - Single Seat
	050447-03-000	EA	Pedestal Asm - Tilt Seat - Right - Double Seat
	007019-01-000	EA	Belt Asm - Seat - 2" x 84" - Black
	041322-01-000	EA	Washer - Flat - 15/32" I D x 2 3/8" O D - Seat Belt

DRIVER'S COMPARTMENT GROUP (CONTINUED)

FRONT OVERHEAD BUNK AND CABINET

Key	Part Number	U/M	Description
	058300-01-K04	EA	Cabinet Asm - Front Overhead
	053773-01-000	EA	Support Asm - Overhead Bunk - Brown - Right
	053773-02-000	EA	Support Asm - Overhead Bunk - Brown - Left
	053774-01-000	EA	Torsion Rod - Overhead Bunk - Brown
	040071-02-000	EA	Support - Overhead Bunk - Seat Belt
	039516-02-000	EA	Catch - Seat Belt - Overhead Bunk
	058773 01-K04	EA	Bunk Board Asm - Front Overhead

MISCELLANEOUS DRIVER'S COMPARTMENT COMPONENTS

Key	Part Number	U/M	Description
	034800-03-000	EA	Cover - Motor - Plastic
	039857-01-000	EA	Latch - Rubber - Draw Handle - 5 3/4" w/Strike (Motor Cover)
	039858-01-000	EA	Latch - Rubber - Draw Handle - 3" w/Strike (Motor Cover)
	035368-03-000	EA	Seal - Motor Cover - (Aluminum Extr)
	034499-01-000	EA	Support - Dimmer Switch
	058508-02-K04	EA	Sunvisor Asm - Left - Brown Vinyl
	058508-01-K04	EA	Sunvisor Asm - Right - w/Mirror - Brown Vinyl
	009143-01-000	EA	Mirror - Sunvisor - 3 5" x 8"
	040895-02-000	EA	Clip - Sunvisor Rod
	007278-01-000	EA	Mirror - Rear View
	050796-01-000	EA	Pocket - Ash Tray - Plastic
	050797-01-000	EA	Ash Tray - Plastic
	042341-03-000	EA	Trim - Interior - "A" Post - Left - Dark Brown Plastic
	042341-04-000	EA	Trim - Interior "A" Post - Right - Dark Brown Plastic
	059198-01-000	EA	Panel - Side - Driver - Dark Brown Plastic
	059197-01-000	EA	Panel - Side - Passenger - Dark Brown Plastic
	059412-01-K04	EA	Side Panel Pad - Right or Left - Brown
	059412-01-K05	EA	Side Panel Pad - Right or Left - Rust
	059412-01-K06	EA	Side Panel Pad - Right or Left - Beige
	059414-01-000	EA	Trim Pad - Left Sidewall
	059414-02-000	EA	Trim Pad - Right Sidewall
	059467-01-K04	EA	Pad - Map Pocket - Left - Brown
	059467-01-K05	EA	Pad - Map Pocket - Left - Rust
	059467-01-K06	EA	Pad - Map Pocket - Left - Beige
	059467-02-K04	EA	Pad - Map Pocket - Right - Brown
	059467-02-K05	EA	Pad - Map Pocket - Right - Rust
	059467-02-K06	EA	Pad - Map Pocket - Right - Beige
	064088-01-000	EA	Pad Assembly - Driver Door Trim - Upper
	061400-01-000	EA	Assist Strap - Driver Door - 12" - Light Brown
	064499-01-000	EA	Panel - Driver Door - Inner - Dark Brown ABS Plastic
	046886-01-000	EA	Ashtray Asm - Driver Door - Flush Mount - Chrome

1990 WINNEBAGO TABLE OF CONTENTS

Introduction	A-1
Abbreviations	A-1
Alphabetical Index	A-2 - A-4
WD424RH LO	A-5 - B-18
WGF23RG LO	B-19 - D-12
WDN26RB LO	D-13 - F-2
WDN29RT LO	F-3 - G-24

1990 WDN26RB LO INDEX

Floor Plan	D-13 - D-14
Accessories Group	D-15 - D-16
Bath Group	D-17 - D-18
Chassis Group	D-19
Curtain, Cushion & Pad Group	D-20 - D-23
Dinette Group	D-24
Driver's Compartment Group	E-1 - E-2
Electrical Group	E-3 - E-4
Exterior Body Group	E-5 - E-8
Galley Group	E-9
Heating & Air Conditioning Group	E-10
Interior Finish Group	E-11 - E-12
LP Group	E-13
Lounge Group	E-14
Water & Sewage Group	E-15
Window, Vent & Exterior Door Group	E-16 - F-2

ELECTRICAL GROUP

BULBS

Key	Part Number	U/M	Description
	037935-01-000	EA	Bulb - 1157
	038010-01-000	EA	Bulb - 1143 - Frosted - Medicine Cabinet
	008103-01-000	EA	Bulb - 83
	008213-01-000	EA	Bulb - 57
	008214-01-000	EA	Bulb - 87
	008216-01-000	EA	Bulb - 1003
	008216-01-000	EA	Bulb - 1034
	008217-01-000	EA	Bulb - 1073
	008218-01-000	EA	Bulb - 1141
	008219-01-000	EA	Bulb - 856
	008220-01-000	EA	Bulb - 12V - 25W
	038198-01-000	EA	Bulb - 194
	700020-01-000	EA	Bulb - 12V - 20W - 1383

INTERIOR LIGHTS

Key	Part Number	U/M	Description
	024418-01-000	EA	Lamp Asm. - Map/Gauge
	024473-01-000	EA	Light - Aircraft - 1 Bulb Gold
	033508-02-000	EA	Dome Light - Ivory - 1 Bulb - US
	033508-03-000	EA	Dome Light - Ivory - 1 Bulb - CSA
	033509-02-000	EA	Dome Light - Ivory - 2 Bulb - US
	033509-03-000	EA	Dome Light - Ivory - 2 Bulb - CSA
	007309-01-000	EA	Step Well Light
	024418-01-000	EA	Lamp Asm. - Map/Gauge
	081424-01-000	EA	Light - 12 Volt - Aisle - Rectangular
	053348-01-000	EA	Light - High Intensity - 3 6" x 5" - Brown Plastic

EXTERIOR LIGHTS

Key	Part Number	U/M	Description
	048817-01-000	EA	Handle Asm. - Assist w/Light
	042405-03-000	EA	Base - Rectangular Clearance Light
	042405-04-000	EA	Lens - Rectangular - Red w/o Reflector
	042405-05-000	EA	Lens - Rectangular - Amber w/o Reflector
	058031-01-000	EA	Tail Lamp Asm - 3 Bulb - Chrome
	058031-01-700	EA	Lens - Tail Lamp - Amber
	058031-01-701	EA	Lens - Tail Lamp - Red
	058031-01-702	EA	Lens - Tail Lamp - Clear (Back up)
	02740-03-000	EA	Wedge Asm - Tail Light - Beige
	059540-01-000	EA	Bracket - License Plate
	059036-01-000	EA	Bracket - Tail Light
	007309-01-000	EA	Step Well Light

FUSES AND CIRCUIT BREAKERS

Key	Part Number	U/M	Description
	058473-01-000	EA	Fuse - Slow Blow - 6 1/4 Amp
	008233-01-000	EA	Fuse - 12 Volt - 8 Amp
	008234-01-000	EA	Fuse - 12 Volt - 10 Amp
	008235-01-000	EA	Fuse - 12 Volt - 15 Amp
	008236-01-000	EA	Fuse - 12 Volt - 20 Amp
	008248-01-000	EA	Fuse - 110 Volt - 30 Amp - AGU
	008252-01-000	EA	Fuse - 110 Volt - 50 Amp
	008208-01-000	EA	Circuit Breaker - 12 Volt - 40 Amp
	008211-01-000	EA	Circuit Breaker - 12 Volt - 8 Amp
	008268-01-000	EA	Circuit Breaker - 12 Volt - 30 Amp w/Mount
	033573-01-000	EA	Circuit Breaker - 12 Volt - 20 Amp w/Mount
	040051-01-000	EA	Circuit Breaker - 110 Volt - 20 Amp. - TQL

ELECTRICAL GROUP (CONTINUED)

WIRE, SWITCHES AND RECEPTACLES

Key	Part Number	U/M	Description
	008024-01-000	FT	Wire - 18.5 Bonded - Orange/White/Yellow/Blue/Brown
	008025-01-000	FT	Wire - 18.5 Bonded - Orange/White/Yellow/Blue/Green
	008028-01-000	FT	Wire - 18.5 Bonded - Blue/Red/Yellow/Orange/White
	008030-01-000	FT	Wire - 18.4 Bonded
	008251-01-000	EA	Holder - Fuse - Black - Screw Type
	008277-01-000	EA	Holder - Fuse - Black - Panel Mount
	008195-01-000	EA	Switch - Push Button - 12 Volt
	008077-01-000	EA	Plaque - Compressor Switch
	008064-01-000	EA	Cord - Power - 10-3 30 Amp. - 25' - UL
	008062-01-000	EA	Cord - Power - 10-3 30 Amp. - 25' - CSA
	034818-04-000	EA	Holder - Receptacle - Plastic
	038338-01-000	EA	Cover Plate - Receptacle - Plastic - Brown
	038342-01-000	EA	Receptacle - Duplex Brown - T Junction
	024571-03-000	EA	Cover Plate - Receptacle - Jumbo Brown
	038343-01-000	EA	Cap - End - Receptacle
	008182-01-000	EA	Switch - Double Toggle - Spade Brown
	008103-01-000	EA	Switch - Toggle Brown
	008184-01-000	EA	Cover Plate - Switch - Brown
	024824-01-000	EA	Receptacle - Power Cord
	008068-01-000	EA	Adaptor - Power Cord
	047353-01-000	EA	Cover - Receptacle - Ground Fault
	047351-01-000	EA	Receptacle - Ground Fault Interrupter - 125 Volt, Black
	053128-02-000	EA	Receptacle - GFI - 15A 125V - Black
	058707-01-000	EA	Receptacle - Single Brown - T & B
	058708-01-000	EA	Receptacle - Duplex Brown - T & B
	058048-01-000	EA	Electrical Box Covers - 2 75" x 4 5"
	031720-01-000	EA	Spacer - Receptacle - Brown Plastic - CSA

WINDSHIELD WIPER AND WASHER

Key	Part Number	U/M	Description
**	007029-01-000	EA	Washer - Electric - Windshield
	057853-01-000	EA	Arm - Windshield Wiper - 18" Black
**	037998-01-000	EA	Link Asm. - Connecting - 22 40" Long
**	037999-01-000	EA	Motor Asm. - Windshield Wiper
**	049484-02-000	EA	Blade - Windshield Wiper - 20" Black
**	055875-01-000	EA	Shaft and Pivot Asm
	700073-05-000	EA	Pump and Cover Asm - Windshield Washer
	700073-04-000	EA	Reservoir Only - Water - Windshield Washer
	700073-02-000	EA	Washer Nozzle Hardware Package

**The illustrated parts breakdown for this item is provided on the Common Items Fiche

MISCELLANEOUS ELECTRICAL COMPONENTS

Key	Part Number	U/M	Description
	047338-01-000	EA	Isolator - Dual Battery
	047389-01-700	EA	Battery - 12 Volt - 105 Amp. Deep Cycle - Dry
	057899-01-000	EA	Battery - 12 Volt - Maintenance Free - Delco
	008188-01-000	EA	Solenoid - Dual Battery - Relay
**	048775-01-000	EA	Valve - Gas Change Over
	054544-01-000	EA	Control Center - 37 Amp - UL
	039950-01-702	EA	Circuit Board - Control Center - 37 Amp
	048812-04-000	EA	Control Panel - Water/Doub's Sewage - Basic Panel
	048812-05-000	EA	Panel Insert - w/Thermostat Holes
	048812-06-000	EA	Panel Insert - w/o Thermostat
	048812-07-000	EA	Panel Insert - Deluxe - w/Refrigerator Alarm, Clock, LP Gauge
	048812-07-700	EA	Refrigerator Sensor - Refrigerator Alarm
	039861-01-000	EA	Sending Unit Kit - Wemac
	024459-01-000	EA	Gauge - Voltmeter
	024482-01-000	EA	Switch - Battery Condition
	031035-01-000	EA	Gauge - Hour Meter - Generator
	024976-01-000	EA	Switch - Generator w/o Circuit Board
	024460-01-000	EA	Gauge - Vacuum

**The illustrated parts breakdown for this item is provided on the Common Items Fiche

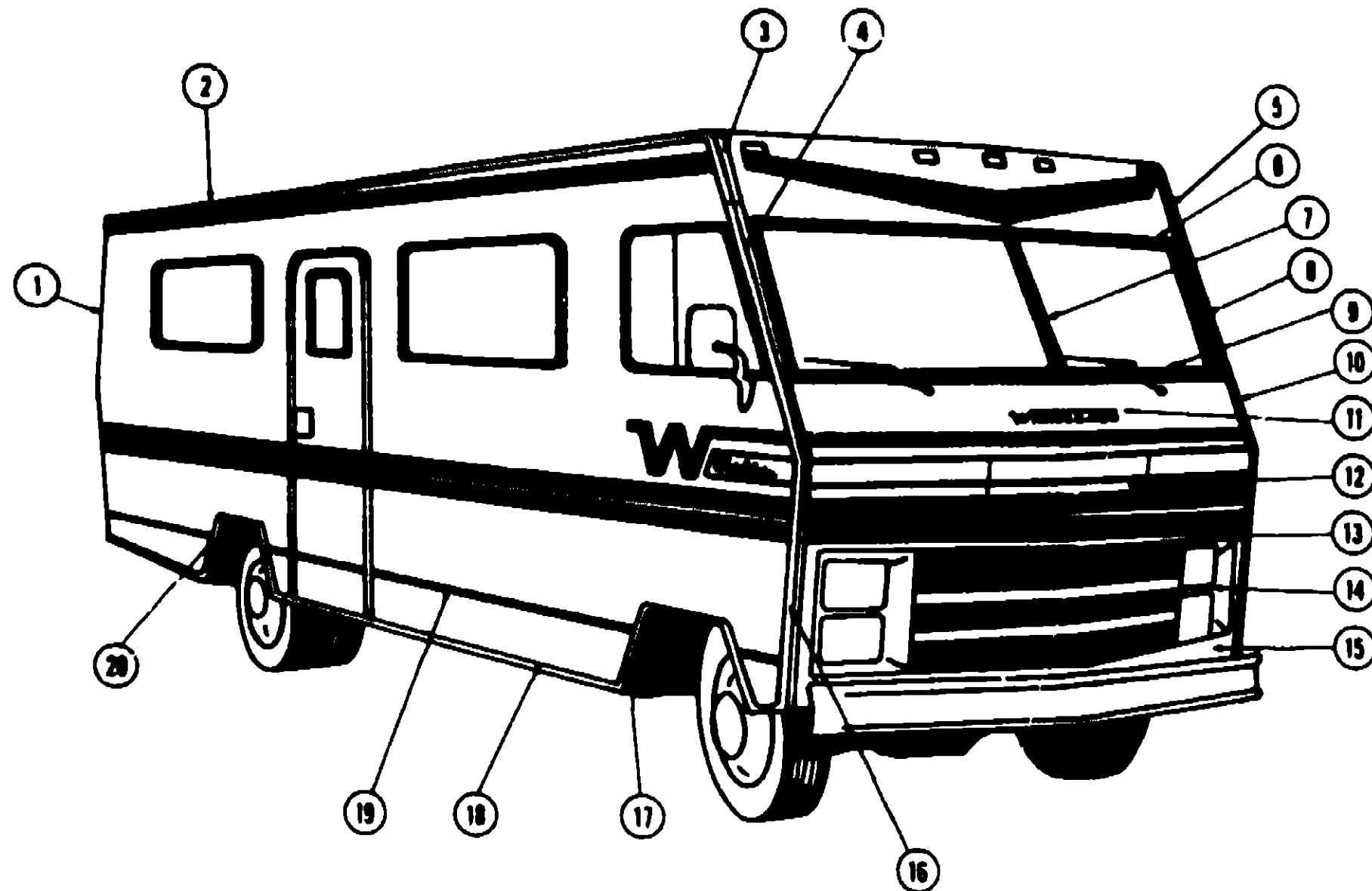
1980 WINNERAGO TABLE OF CONTENTS

Introduction	A-1
Abbreviations	A-1
Alphabetical Index	A-2 - A-4
WD424RH LO	A-5 - B-18
WGF23RG LO	B-19 - D-12
WDN26RB LO	D-13 - F-2
WDN28RT LO	F-3 - G-24

1980 WDN26RB LO INDEX

Floor Plan	D-13 - D-14
Accessories Group	D-15 - D-18
Bath Group	D-17 - D-18
Chassis Group	D-19
Curtain, Cushion & Pad Group	D-20 - D-23
Dinette Group	D-24
Driver's Compartment Group	E-1 - E-2
Electrical Group	E-3 - E-4
Exterior Body Group	E-5 - E-8
Galley Group	E-9
Heating & Air Conditioning Group	E-10
Interior Finish Group	E-11 - E-12
LP Group	E-13
Lounge Group	E-14
Water & Sewage Group	E-15
Window, Vent & Exterior Door Group	E-16 - F-2

EXTERIOR BODY GROUP



Key	Part Number	U/M	Description
1	039964-03-000	EA	Trim - Contour - Right Rear
·	039964-04-000	EA	Trim - Contour - Left Rear
2	034922-07-000	EA	Trim - Sidewall - Upper - Beige
3	058284-04-000	EA	Trim - Contour - Right Front Upper - Beige
4	058289-02-000	EA	Trim - Contour - Windshield - Right
·	054968-02-000	EA	Cap Asm - Roof - Front - Plastic
·	082396-01-000	EA	Trim - Roof/Front Cap
5	058284-03-000	EA	Trim - Contour - Left Front Upper - Beige
6	058287-01-000	EA	Trim Molding - Windshield - Upper
·	042743-02-000	EA	Trim - Corner - Windshield - Upper
7	058288-01-000	EA	Trim Molding - Windshield - Center
8	058289-01-000	EA	Trim - Contour - Windshield - Left
9	058287-02-000	EA	Trim Molding - Windshield - Lower
·	042743-01-000	EA	Trim - Corner - Windshield - Lower
10	058699-02-000	EA	Trim - Contour - Left Front Lower - Beige
11	058294-02-000	EA	Panel Asm - Front Shroud
12	058678-02-000	EA	Access Panel - Beige
·	058722-01-000	EA	Pull Pin - Access Door Release
·	058761-01-000	EA	Striker - Hood Latch

Key	Part Number	U/M	Description
13	059123-01-000	EA	Grille Trim - Upper
14	059399-01-000	EA	Grille Asm
15	059124-01-000	EA	Grille Trim - Lower
16	058699-01-000	EA	Trim - Contour - Right Front Lower - Beige
17	058543-02-000	EA	Trim - Wheel Well - Front Right
·	058543-01-000	EA	Trim - Wheel Well - Front Left
18	038908-02-001	EA	Extr - Anod - Rocker Panel - 18"
·	058395-01-000	EA	Plug - Rocker Panel - Left Rear - Right Front
·	058395-02-000	EA	Plug - Rocker Panel - Right Rear - Left Front
·	008087-01-000	EA	Plug - Rocker Panel - Wheel Well - Left
·	008088-01-000	EA	Plug - Rocker Panel - Wheel Well - Right
19	002444-02-001	EA	Extr Anod - Feature Strip - 14' w/o Insert
·	001030-09-100	EA	Insert - Feature Strip - Brown
·	009731-01-000	EA	End Cap - Feature Strip
20	058487-02-000	EA	Trim - Wheel Well - Rear Right
·	058487-01-000	EA	Trim - Wheel Well - Rear Left
·	002887-02-001	EA	Extr. - U-Channel - 1 7/8" - 16"
·	044381-01-004	EA	Extr. - Awning Rail - 192"
·	002385-01-001	EA	Extr. - U-Channel - 1" x 18"
·			Not Illustrated

1990 WINNERAGO TABLE OF CONTENTS

Introduction	A-1
Abbreviations	A-1
Alphabetical Index	A-2 - A-4
WD424RH LO	A-5 - B-18
WGF23RG LO	B-19 - D-12
WDN26RB LO	D-13 - F-2
WDN28RT LO	F-3 - G-24

1990 WDN26RB LO INDEX

Floor Plan	D-13 - D-14
Accessories Group	D-15 - D-16
Bath Group	D-17 - D-18
Chassis Group	D-19
Curtain, Cushion & Pad Group	D-20 - D-23
Dinette Group	D-24
Driver's Compartment Group	E-1 - E-2
Electrical Group	E-3 - E-4
Exterior Body Group	E-5 - E-8
Galley Group	E-9
Heating & Air Conditioning Group	E-10
Interior Finish Group	E-11 - E-12
LP Group	E-13
Lounge Group	E-14
Water & Sewage Group	E-15
Window, Vent & Exterior Door Group	E-16 - F-2

EXTERIOR BODY GROUP (CONTINUED)

EXTERIOR BODY PANELS AND SHEET ALUMINUM

Key	Part Number	U/M	Description
	058182-01-K04	EA	Backwall Asm
	058173-01-K04	EA	Sidewall Asm. - Right
	058174-01-K04	EA	Sidewall Asm. - Left
	058181-01-K04	EA	Roof Asm
	039155-02-008	EA	Alum. - Beige - Mesa I Design - .024" x 36" x 60"
	039155-02-003	EA	Alum. - Beige - Mesa I Design - .024" x 36" x 360"
	039155-02-007	EA	Alum. - Beige - Mesa I Design - .024" x 48" x 60"
	039155-02-008	EA	Alum. - Beige - Mesa I Design - .024" x 48" x 360"
	039155-02-009	EA	Alum. - Beige - Mesa I Design - .024" x 12" x 360"
	044487-01-001	EA	Alum. - Mill Finish - No Design (Roof) - 96" x 360"
	028645-01-000	EA	Alum. - Beige Greyhound Design 48" x 96"
	001018-01-024	EA	Alum. - Beige - No Design - 48" x 96"
	000868-01-000	BF	Styrofoam - 3/4" x 24" x 96"
	039155-30-001	EA	Alum. - Beige - Mesa II Design - .024" x 36" x 60"
	039155-30-004	EA	Alum. - Beige - Mesa II Design - .024" x 36" x 364"
	039155-30-005	EA	Alum. - Beige - Mesa II Design - .024" x 48" x 60"
	039155-30-008	EA	Alum. - Beige - Mesa II Design - .024" x 48" x 364"
	039155-30-009	EA	Alum. - Beige - Mesa II Design - .024" x 12" x 360"

NOTE: The raised portion of Mesa I aluminum is 1.657" wide
The raised portion of Mesa II aluminum is .857" wide

SEALANTS, ADHESIVES AND FASTENERS

Key	Part Number	U/M	Description
	034552-05-000	EA	Sealant - Off White Silicone
	034552-04-000	EA	Sealant - Beige Silicone
	034552-02-000	EA	Sealant - Clear Silicone
	004346-02-000	EA	Sealant - White Silicone
	041422-01-000	FT	Tape Sealer - 1/4" x 1/2"
	009200-01-000	EA	Tape - Furnace - 1 1/2"
	004353-01-000	FT	Tape - Gasket - 1/8" x 3/4" - White
	002825-01-000	FT	Weather Stripping - Roof Vent
	002337-01-000	EA	Adhesive - 3M - 1300 Tube
	004005-01-000	GL	Adhesive - Swifts - Green - Glue (Sidewalls)
	004020-01-000	QT	Adhesive - ABS Cement (Plastic Fittings)
	029051-01-000	EA	Adhesive - Spray Vinyl
	042401-02-000	EA	Screw - 8 - 18 x 3/4" SDPH - Off White
	042403-02-000	EA	Screw - SF/DR - 8 - 18 x 1" PH - Off White
	053766-01-000	EA	Bedding Compound - Tube Black - Schnee Morehead
	053766-02-000	EA	Bedding Compound - Tube White - Schnee Morehead
	053767-01-000	FT	Tape - 1/2" x 1/8" x 30' - Gray - Schnee Morehead
	053767-03-000	FT	Tape - 1/4" Bead x 20' - Gray - Schnee Morehead
	053767-04-000	FT	Tape - 3/4" x 1/8" x 30' - Gray - Schnee Morehead
	053767-05-000	FT	Tape - 2" x 3/32" x 45' - Gray - Schnee Morehead

EXTERIOR PAINT

Key	Part Number	U/M	Description
	044486-01-000	EA	Paint - Beige - Acrylic Enamel - 1 Gallon
	044486-03-000	EA	Paint - Beige - Acrylic Enamel - 16 oz Aerosol
	044486-04-000	EA	Paint - Beige - Acrylic Lacquer - 1 Gallon
	055883-03-000	EA	Paint - Tan Bronze Metallic - 16 oz. Spray - Dupont 44161
	056110-03-000	EA	Paint - Orange Flame Metallic - 16 oz Spray - Dupont 5435
	053759-03-000	EA	Paint - Tan Metallic - 16 oz Spray - Dupont 42846AH

EXTERIOR BODY GROUP (CONTINUED)

LABELS AND DECALS

Key	Part Number	U/M	Description
	060313-09-000	EA	Decal - Logo - "Winnebago" - Tamarak Bronze
	058718-01-000	EA	Decal - "Chieftain"
	085220-01-000	EA	Decal - Side Front - Elbow - Bronze
	086221-01-000	FT	Decal Tape - 1.50" - Bronze - Premasked
	086222-01-000	FT	Decal Tape - Dual Stripe - Each 3/4" Premasked 3" Apart - Bronze
	086223-01-000	EA	Decal - Flying "W" - Bronze - 8"
	031181-01-000	EA	Label - Flying W - 3" x 2"
	008023-01-000	EA	Label - Water Only
	008025-01-000	EA	Label - Gas
	008028-01-000	EA	Label - Drain Cap - 2" x 3"
	008031-01-000	EA	Label - Potable Water Only
	008187-01-000	EA	Label - Sewage
	008188-01-000	EA	Label - Waste Water
	008199-01-000	EA	Label - Exit - Escape Window
	040944-01-000	EA	Label - Open - Entrance Door
	047731-01-000	EA	Label - Emergency Exit
	050225-01-000	EA	Label - Warning - Stove Vent
	054531-01-000	EA	Label - LP Gas Only
	008040-01-000	EA	Tag - Gas Refueling Warning
	008062-01-000	EA	Tag - Electrical - 110 V Connection

MISCELLANEOUS EXTERNALLY MOUNTED PARTS

Key	Part Number	U/M	Description
	048017-01-000	EA	Assist Handle - w/Light
	018253-01-000	EA	Fuel Fill - Recessed - Single - Beige
	015587-05-000	EA	Fuel Fill - Recessed - Double - Beige
	017129-01-000	EA	Plumbing Seal - Roof Vent - 1 1/2" White
	010230-04-000	EA	Fill - City Water - Recessed
	058808-02-000	EA	Waterfill - Lockable - Beige
	049348-01-000	EA	Arm - Low Mount Mirror - Brite Finish
	049944-01-000	EA	Bracket - Mirror - Outside - Beige - Mounts to Coach
	057461-01-000	EA	Mirror Head - 7 1/2" x 10 1/2" - w/Convex

1990 WINNEBAGO TABLE OF CONTENTS

Introduction	A-1
Abbreviations	A-1
Alphabetical Index	A-2 - A-4
WD424RH LO	A-5 - B-18
WGF23RG LO	B-19 - D-12
WDN26RB LO	D-13 - F-2
WDN29RT LO	F-3 - G-24

1990 WDN26RB LO INDEX

Floor Plan	D-13 - D-14
Accessories Group	D-15 - D-16
Bath Group	D-17 - D-18
Chassis Group	D-19
Curtain, Cushion & Pad Group	D-20 - D-23
Dinette Group	D-24
Driver's Compartment Group	E-1 - E-2
Electrical Group	E-3 - E-4
Exterior Body Group	E-5 - E-8
Galley Group	E-9
Heating & Air Conditioning Group	E-10
Interior Finish Group	E-11 - E-12
LP Group	E-13
Lounge Group	E-14
Water & Sewage Group	E-15
Window, Vent & Exterior Door Group	E-16 - F-2

GALLEY GROUP

GALLEY CABINETRY

Key	Part Number	U/M	Description
	058886-01-K04	EA	Cabinet Asm. - Galley - w/o Countertop, Doors, Drawer or Hardware
	058888-01-K04	EA	Countertop Asm. - Galley Cabinet - Camel
	058892-07-K04	EA	Door Asm. - Galley Cabinet - 11 5" x 30" - w/o Hardware
	058892-08-K04	EA	Door Asm. - Galley Cabinet - 11.1" x 21.8" - w/o Hardware
	058915-01-K04	EA	Drawer Asm. - Galley Cabinet - 10.10" x 5" x 20" Deep - w/o Hardware
	058915-02-K04	EA	Drawer Asm. - Galley Cabinet - 10.10" x 5" x 10" Deep - w/o Hardware
	058774-01-K04	EA	Cabinet Asm. - Galley Overhead - w/o End Pad, Doors or Hardware
	058892-33-K04	EA	Door Asm. - Galley Overhead Cabinet - 15.8" x 23.7" - w/o Hardware
	058892-34-K04	EA	Door Asm. - Galley Overhead Cabinet - 15.8" x 21.4" - w/o Hardware
	058892-02-K04	EA	Door Asm. - Refrigerator Cabinet - 10.40" x 52 40" - w/o Hardware
	058892-09-K04	EA	Door Asm. - Refrigerator Cabinet - 17.7" x 13.8" - w/o Hardware
	058913-01-K04	EA	Drawer Asm. - Refrigerator Cabinet - 8" x 10 4" x 15 63" Deep - w/o Hardware

GALLEY HARDWARE AND APPLIANCES

Key	Part Number	U/M	Description
	011032-01-000	EA	Sink - Stainless Steel - Double w/Bolts
**	011053-01-000	EA	Faucet - 8" - Swing Spout - U.S.
**	011053-02-000	EA	Faucet - 8" - Swing Spout - C.S.A.
**	011053-01-700	EA	Aerator - Swing Spout Faucet
**	011085-01-000	EA	Strainer - Sink
	054028-01-K04	EA	Cover - Sink - Camel Laminate
	058334-01-000	EA	Wastebasket - 9 3/4" x 7" x 10" - White - Rubbermaid
	058841-01-K04	EA	Cover - Wastebasket - Camel Laminate
	058877-01-000	EA	Support - Wastebasket - White Plastic
**	048954-03-000	EA	Hood - Stove - w/Black Face - U.S.
**	048954-04-000	EA	Hood - Stove - w/Black Face - C.S.A.
**	048045-02-000	EA	Range - 4 Burner - Magic Chef
**	049174-02-000	EA	Refrigerator - AC/DC/Gas - Sibir ET 230/2

**The illustrated parts breakdown for this item is provided on the Common Items Fiche

HEATING AND AIR CONDITIONING GROUP

Key	Part Number	U/M	Description
	038044-01-000	EA	Louver Asm. - A/C Adjustable
	047046-01-000	EA	Motor - 12 Volt - 3 Speed - Heater - Air Conditioner
	024858-01-000	EA	Adapter Motor Mount
	031043-01-000	EA	Valve - Heater - Water Flow Control
	031189-01-000	EA	Cable - Control - Flexible - 53"
	031189-02-000	EA	Cable - Control - Flexible - 48"
	031170-01-000	EA	Clamp - Cable - 3/16" Dia.
	024898-01-000	EA	Clutch - Magnetic - Compressor
	024899-01-000	EA	Compressor - Auto Air - 10.3 Cubic Inch
	033286-01-000	EA	Compressor Mount Package - 440 C.I.D.
	031394-01-000	EA	Condenser - Radiator Mount
	008267-01-000	EA	Switch - Auto Air Conditioner
	024867-01-000	EA	Valve - Thermostatic Expansion
	024897-01-000	EA	Core - Heater
	024898-01-000	EA	Wheel - Blower - 4 7/2" O.D.
	031001-01-000	EA	Blower Housing
	031383-01-000	EA	Coil - Evaporator Auto Air
	008198-01-000	FT	Duct - Flexible - 4" I.D. x 25'
	008200-01-000	EA	Tape - Furnace - 1 1/2"
	023146-01-000	EA	Clamp - Screw Type - 4"
	024885-01-000	EA	Heat Register - w/Damper - 9 9" x 4 8"
	031804-01-000	EA	Bonnet - Heat Register - 4 3/8" x 8 4/3"
	007139-01-000	EA	Clamp - Worm Drive - .89" - 1 25" I.D.
	007140-01-000	EA	Clamp - Hose - 2" - 3" Dia.
	007076-01-000	FT	Hose - Flexible - PVC 2" I.D.
	007108-01-000	FT	Hose - Heater - 5/8" I.D. SAE 20R3
	007281-01-000	FT	Hose - Flexible - PVC 2 1/2" I.D.
	034222-02-000	EA	Hose - Refrigerant - 31" I.D. x 32"
	033258-01-000	EA	Hose - Refrigerant - 50" I.D. x 34 50"
	034222-01-000	EA	Hose - Refrigerant - .31" I.D. x 28"
	031980-01-000	EA	Hose - Refrigerant - 34" I.D. x 30"
	031981-01-000	EA	Hose - Refrigerant - 31" I.D. x 14 75"
	031981-02-000	EA	Hose - Refrigerant - 31" I.D. x 19"
	048401-01-000	EA	Heater Asm. - Rear
	024888-01-000	EA	Receiver Dehydrator - Auto Air
	031044-01-000	EA	Clamp Receiver Dehydrator Auto Air
	031982-01-000	EA	Bracket - Receiver Dehydrator Auto Air
	031976-01-000	EA	Belt - Drive - 50" x 54" - 380 C.I.D. or 440 C.I.D.
	048229-02-000	EA	Kit - Auto Air - 440 C.I.D. A Body - Winnebago Heater
**	058351-01-000	EA	Furnace - 24,000 BTU - Under Counter - Coleman - 4324-749
**	058350-01-000	EA	Furnace - 30,000 BTU - Under Counter - Coleman - 4330-749
**	049777-02-000	EA	Air Conditioner - 110 Volt - Roof Mount - 11,000 BTU - Ivory Coleman (w/o inside shroud)
**	049778-02-000	EA	Shroud Asm. - Ceiling - Inside - Roof Air Cool Only - 11,000 BTU - Coleman
**	049774-02-000	EA	Air Conditioner - 110 Volt - Roof Mount - 13,500 BTU Ivory - Coleman (w/o inside shroud)
**	049775-02-000	EA	Shroud Asm. - Ceiling - Inside - Roof Air Cool Only - 13,500 BTU - Coleman
**	049776-01-000	EA	Shroud Asm. - Ceiling - Inside - Roof Air - Heat and Cool - 13,500 BTU - Coleman

**The illustrated parts breakdown for this item is provided on the Common Items Fiche

1980 WINNEBAGO TABLE OF CONTENTS

Introduction	A-1
Abbreviations	A-1
Alphabetical Index	A-2 - A-4
WD424RH LO	A-5 - B-18
WGF23RG LO	B-19 - D-12
WDN26RB LO	D-13 - F-2
WDN28RT LO	F-3 - G-24

1980 WDN26RB LO INDEX

Floor Plan	D-13 - D-14
Accessories Group	D-15 - D-16
Bath Group	D-17 - D-18
Chassis Group	D-19
Curtain, Cushion & Pad Group	D-20 - D-23
Dinette Group	D-24
Driver's Compartment Group	E-1 - E-2
Electrical Group	E-3 - E-4
Exterior Body Group	E-5 - E-8
Galley Group	E-9
Heating & Air Conditioning Group	E-10
Interior Finish Group	E-11 - E-12
LP Group	E-13
Lounge Group	E-14
Water & Sewage Group	E-15
Window, Vent & Exterior Door Group	E-16 - F-2

INTERIOR FINISH GROUP

PANELING AND COUNTERTOP MATERIALS

Key	Part Number	U/M	Description
	057877-01-000	SF	Paneling - Plain - 726 Russet Oak - 48" x 96" (32 SF)
	057878-01-000	SF	Paneling - 726 Russet Oak - V-Groove - 48" x 96" (32 SF)
	057881-01-000	SF	Paneling - Decorative - Brown Orient - 48" x 96" (32 SF)
	058042-01-000	SF	Paneling - Birch Trees - Bath Panel - 48" x 96" (32 SF)
	058220-01-000	SF	Plastic Laminate - Stonehenge - 48" x 96" (32 SF) Bath/Dinette
	058220-01-001	EA	Plastic Laminate - Stonehenge - 1.19" x 96"
	058340-01-000	SF	Plastic Laminate - Camel - 48" x 96" (32 SF) Galley
	058340-01-001	EA	Plastic Laminate - Camel - 1.19" x 96"

INTERIOR MOLDINGS AND TRIMS

Key	Part Number	U/M	Description
	024700-08-000	EA	Cover - Sidewall Roll Bar - Ivory
	024700-14-000	EA	Cover - Sidewall Roll Bar - Russet Oak
	039512-08-000	EA	Cover - Hat Section - Ivory
	039512-13-000	EA	Cover - Hat Section - Russet Oak
	047488-01-000	EA	Cover - Corner - Hat/Hat
	047489-01-000	EA	Cover - Corner - Tube/Tube
	042430-01-000	EA	Molding - Shelf - Wood
	009812-08-000	FT	Molding - Outside Corner - .50"
	009787-05-000	FT	Wetting - Light Brown
	009815-03-000	FT	T-Molding - .75" - Light Brown
	022992-03-000	FT	Molding - Reverse Cove - Sandalwood
	009778-01-000	FT	U-Channel - 1" - Dark Brown
	009779-03-000	FT	U-Channel - 1 1/8" - Light Brown
	052859-01-J10	FT	Accent Trim - Acorn Brown Vinyl
	059352-01-000	FT	Insert Vinyl - Style and Rail Door
	047354-01-000	EA	Batt Strip - Ceiling - 825 Buff - 8'
	057888-01-000	EA	Batt Strip - Russet Oak - 8'
	058043-01-000	EA	Batt Strip - Birch Trees - 8'

FABRICS AND CARPET

Key	Part Number	U/M	Description
	057874-01-000	YD	Fabric - Drapery - Beige
	057889-01-000	YD	Fabric - Upholstery - Main - Mahogany
	057890-02-000	YD	Fabric - Upholstery - Main - Terra Cotta
	057899-03-000	YD	Fabric - Upholstery - Main - Beige
	057893-04-000	YD	Fabric - Upholstery - Accent - Tan
	057893-05-000	YD	Fabric - Upholstery - Accent - Amber
	053327-01-000	YD	Vinyl - Non Expanded - 27 oz - Acorn Brown
	053327-02-000	YD	Vinyl - Expanded - 28 oz - Acorn Brown
	053327-03-000	YD	Vinyl - Non Support - 18 Gauge Film - Acorn Brown
	058798-01-000	SY	Carpet - Inner Beauty - Leather (Brown)
	058798-02-000	SY	Carpet - Inner Beauty - Mandarin (Rust)
	058798-03-000	SY	Carpet - Inner Beauty - Stone (Beige)
	057897-02-000	SY	Carpet - Beige (used on serial #'s 55088-55103 and 55146-55151)

INTERIOR FINISH GROUP (CONTINUED)

CABINETS AND TABLE HARDWARE

Key	Part Number	U/M	Description
	047907-01-000	EA	Hinge - Brass - 14" w/Holes - Bath Vanity Door
	054528-01-000	EA	Latch - Slide Bolt - Antique Brass - Bath Door
..	052832-01-J30	EA	Hinge Kit - Cabinet Door - Antique Brass
	057898-01-000	EA	Latch - Hidden - Cabinet Door
	009112-01-000	EA	Flange - 1" - Chrome - Closet Rod
	059783-01-000	EA	Slide - Drawer - Left
	059783-02-000	EA	Slide - Drawer - Right
..	037888-01-000	FT	Rail - Drawer Glide
..	047744-01-000	EA	Kit - Drawer Glide

..The illustrated parts breakdown for this item is provided on the Common Items Fiche.

CURTAIN HARDWARE

Key	Part Number	U/M	Description
	053272-04-200	EA	Track - Curtain - Ceiling - 89" - Off White
	053285-02-001	EA	Track - Curtain - Door - 16" - Anod.
	059430-01-000	EA	Track - Curtain - Front Wraparound (2 per unit)
	056001-01-000	EA	Bracket - Shade - Left
	056002-01-000	EA	Bracket - Shade - Right
	009107-01-000	EA	Guide - Nylon Snap - Curtain
	018031-42-000	EA	Track - Curtain - "L" Rod - Alum. Extr - 90"
	009701-01-000	EA	Carrier - "L" Rod - Curtain
	009702-01-000	EA	End Stop - "L" Rod - Curtain

MISCELLANEOUS PARTS

Key	Part Number	U/M	Description
	053552-01-K04	EA	Handle Asm - Interior Assist - Acorn Brown Vinyl
	007038-01-000	EA	Mat - Door - Black Rubber - 10 1/2" x 26"
	041944-01-700	EA	Fire Extinguisher w/Bracket - Dry Chemical
	008113-01-000	EA	Jack - Hydraulic - 5 Ton - w/Handle
	054185-03-000	EA	Owner's Manual - Winnebago
..	053200-01-000	EA	Bracket - Upper Wall Mount - Brown - 23 5"
..	053201-01-000	EA	Bracket - Table Mount - 23"
..	024275-01-000	EA	Rod - Table Lift - 8" x 23 5"
..	024281-03-000	EA	Bracket - Lower Wall Mount - Brown - 22 12"
..	024278-04-000	EA	Leg Asm - Table - Brown - 29 5"
..	024277-02-000	EA	Hinge - Table Leg - Brown
..	024282-01-000	EA	Brace - Table Leg
..	024283-01-000	EA	Clip - 1" O D Tube
..	049493-02-000	EA	Catch - Table Leg - Mounts on Floor - Brown

..The illustrated parts breakdown for this item is provided on the Common Items Fiche.

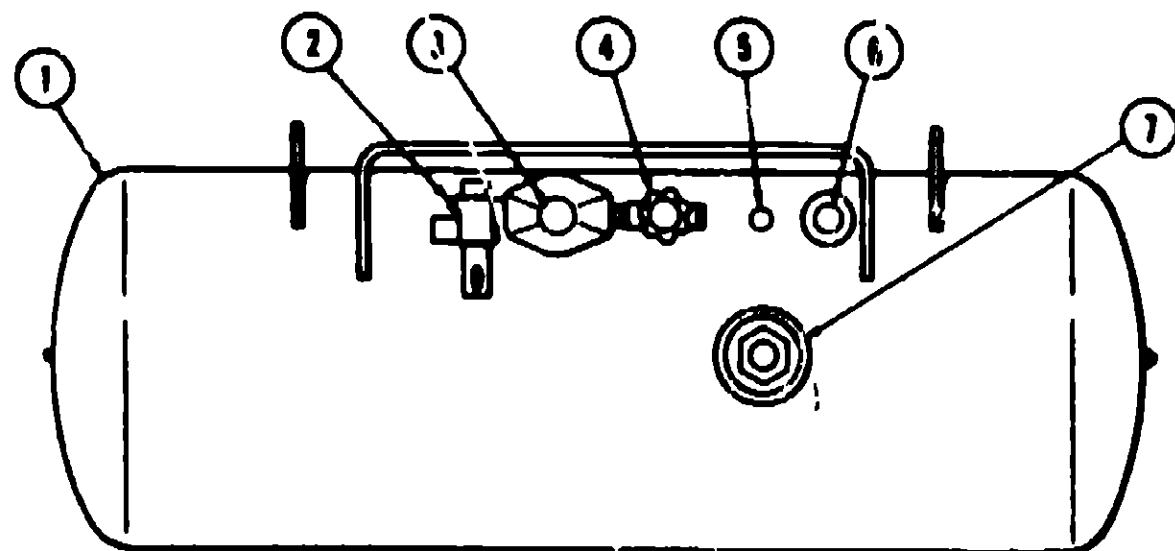
1990 WINNEBAGO TABLE OF CONTENTS

Introduction	A-1
Abbreviations	A-1
Alphabetical Index	A-2 - A-4
WD424RH LO	A-5 - B-18
WGF23RG LO	B-19 - D-12
WDN28RB LO	D-13 - F-2
WDN29RT LO	F-3 - G-24

1990 WDN28RB LO INDEX

Floor Plan	D-13 - D-14
Accessories Group	D-15 - D-16
Bath Group	D-17 - D-18
Chassis Group	D-19
Curtain, Cushion and Pad Group	D-20 - D-23
Dinette Group	D-24
Driver's Compartment Group	E-1 - E-2
Electrical Group	E-3 - E-4
Exterior Body Group	E-5 - E-8
Galley Group	E-9
Heating & Air Conditioning Group	E-10
Interior Finish Group	E-11 - E-12
LP Group	E-13
Lounge Group	E-14
Water & Sewage Group	E-15
Window, Vent & Exterior Door Group	E-16 - F-2

LP GROUP



Key	Part Number	U/M	Description
1	062770-01-000	EA	Tank Asm - LP - Frame Mount - 85 Pound
2	047221-01-000	EA	Detector - LP Gas Leak - Roman
	065741-01-000	EA	Detector - LP Gas Leak - Marshalltown Instruments
3	058706-01-000	EA	Cover - Regulator - 2 Stage
	058705-01-000	EA	Regulator - Two Stage - LP (Gas)
4	040421-01-703	EA	Valve - Vapor Relief
5	040421-01-700	EA	Gauge - Liquid Level - 20% LP
6	040421-01-701	EA	Valve - Filler - LP
	040421-01-702	EA	Cap - Plastic Fill Valve
7	040421-01-707	EA	Gauge - Float - w/Visible Dial - 85 Pound Tank
	040421-01-706	EA	Dial - Visible Face - Float Gauge (Tank w/o Electric Transmitter)
	040421-01-705	EA	Dial Transmitter - 0 - 90 Ohm (Float Gauge)
	045703-03-000	EA	Hose Asm - LP - 3/8" I.D. x 14"
	047737-02-000	EA	Support - LP Tank - 89 25"
	047737-03-000	EA	Support - LP Tank - 30 50"
			Not Illustrated

LOUNGE GROUP

Key	Part Number	U/M	Description
	057622-01-K04	EA	Panel Asm - Rear Couch Face - w/o Door or Hardware
	069092-03-K04	EA	Door Asm. - Rear Couch Cabinet - 38" x 10 6" - w/o Hardware
	058866-01-K04	EA	Cabinet Asm. - Arm Rest
	058860-01-K04	EA	Pad - Armrest - Rear Lounge - 31.4" x 6 2" x 3"
	069825-02-K04	EA	Cabinet Asm. - Rear Lounge Overhead
	069087-01-K04	EA	Door Asm. - Rear Lounge Overhead Cabinet - 28" x 11.3" - w/o Hardware
	067488-02-000	EA	Frame - Sprung Couch - Right Side
	067488-03-000	EA	Frame - Sprung Couch - Left Side
	067488-04-000	EA	Frame - Angle - Sprung Couch (2 per couch)
	057488-01-000	EA	Leg Asm. - Sprung Couch (2 per couch)

1980 WINNEBAGO TABLE OF CONTENTS

Introduction	A-1
Abbreviations	A-1
Alphabetical Index	A-2 - A-4
WD424RH LO	A-5 - B-18
WGF23RG LO	B-19 - D-12
WDN26RB LO	D-13 - F-2
WDN26RT LO	F-3 - G-24

1980 WDN26RB LO INDEX

Floor Plan	D-13 - D-14
Accessories Group	D-15 - D-16
Bath Group	D-17 - D-18
Chassis Group	D-19
Curtain, Cushion and Pad Group	D-20 - D-23
Dinette Group	D-24
Driver's Compartment Group	E-1 - E-2
Electrical Group	E-3 - E-4
Exterior Body Group	E-5 - E-8
Galley Group	E-9
Heating & Air Conditioning Group	E-10
Interior Finish Group	E-11 - E-12
LP Group	E-13
Lounge Group	E-14
Water & Sewage Group	E-15
Window, Vent & Exterior Door Group	E-16 - F-2

WATER AND SEWAGE GROUP

PLUMBING AND REPAIR PARTS

Key	Part Number	U/M	Description
..	083848-01-000	EA	Water Pump - 2.8 G.P.M. - Direct Drive - PAR - US
..	083848-02-000	EA	Water Pump - 2.8 G.P.M. - Direct Drive - PAR - CSA
..	041279-02-000	EA	Water Pump - Belt Drive - PAR - 2.8 G.P.M. - US
..	041279-04-000	EA	Water Pump - Belt Drive - PAR - 2.8 G.P.M. - CSA
..	038647-02-000	EA	Filter - Water Pump - 1/2 MPT
..	082988-03-000	EA	Connector - 1/2 F x 3/8 MPT - Plastic
..	052880-01-000	EA	Drain Valve - 1/2 F x 1/2 F - Plastic
..	052881-01-000	EA	Header - 1/2 F x 1/2 F x 1/2 F x 1/2 F
..	048524-02-000	EA	Kit - Water Tank Fittings - Blank Tank
..	048524-01-000	EA	Kit - Hotting Tank Fittings - Blank Tank
..	010079-01-000	EA	Tea - Plastic - 1 1/2 H x 1 1/2 H x 1 1/4 H
..	010091-01-000	EA	Wye - Plastic - 3 x 45 H x H x H
..	010121-01-000	EA	Bushing - Plastic 1 1/2 S x 1 1/4 H
..	010133-01-000	EA	Trap Adaptor - Plastic - 1 1/2 H x MPT
..	010134-01-000	EA	Adaptor - Plastic - 1 1/2 M x MPT
..	010201-01-000	EA	Sewer Hose - 3" x 10' w/Clamp
..	082415-01-000	EA	Cap - Sewer - 3"
..	082416-01-000	EA	Hose Adapter - 3"
..	082417-01-000	EA	Adapter - Termination - 3"
..	082418-02-000	EA	Valve - 3" - w/o Handle
..	082419-02-000	EA	Handle - Extension - w/6" Adapter
..	082421-01-000	EA	Valve - 1 1/2" - w/Handle
..	011088-01-000	EA	P-Trap - 1 1/4" - Plastic
..	011091-01-000	EA	Waste - Continuous - Double Sink - 11 7/8"
..	081807-01-000	EA	Grommet - Holding Tank Coupler - 1 1/2"
..	081807-02-000	EA	Grommet - Holding Tank Coupler - 3"
..	031126-01-000	EA	Elbow - 1/4 BD 3 x 90
..	050780-01-000	EA	Rubber Coupler - 3" x 3"
..	004020-01-000	QT	Adhesive - ABS Cement
..	037845-01-000	FT	Tape - Butyl - 3/16" - Bead - Black
..	040538-01-000	EA	Kit - Repair - 3/8" O.D. Plastic Tube
..	040540-01-000	EA	Kit - Repair - 1/2" O.D. Plastic Tube
..	040541-01-000	EA	Kit - Repair - 5/8" O.D. Plastic Tube
..	039818-01-000	EA	Riser Asm. - 3/8" O.D. x 24" Tube
..	039818-02-000	EA	Riser Asm. - 3/8" O.D. x 36" Tube
..	039818-04-000	EA	Riser Asm. - 3/8" O.D. x 72" Tube
..	039818-05-000	EA	Riser Asm. - 3/8" O.D. x 48" Tube

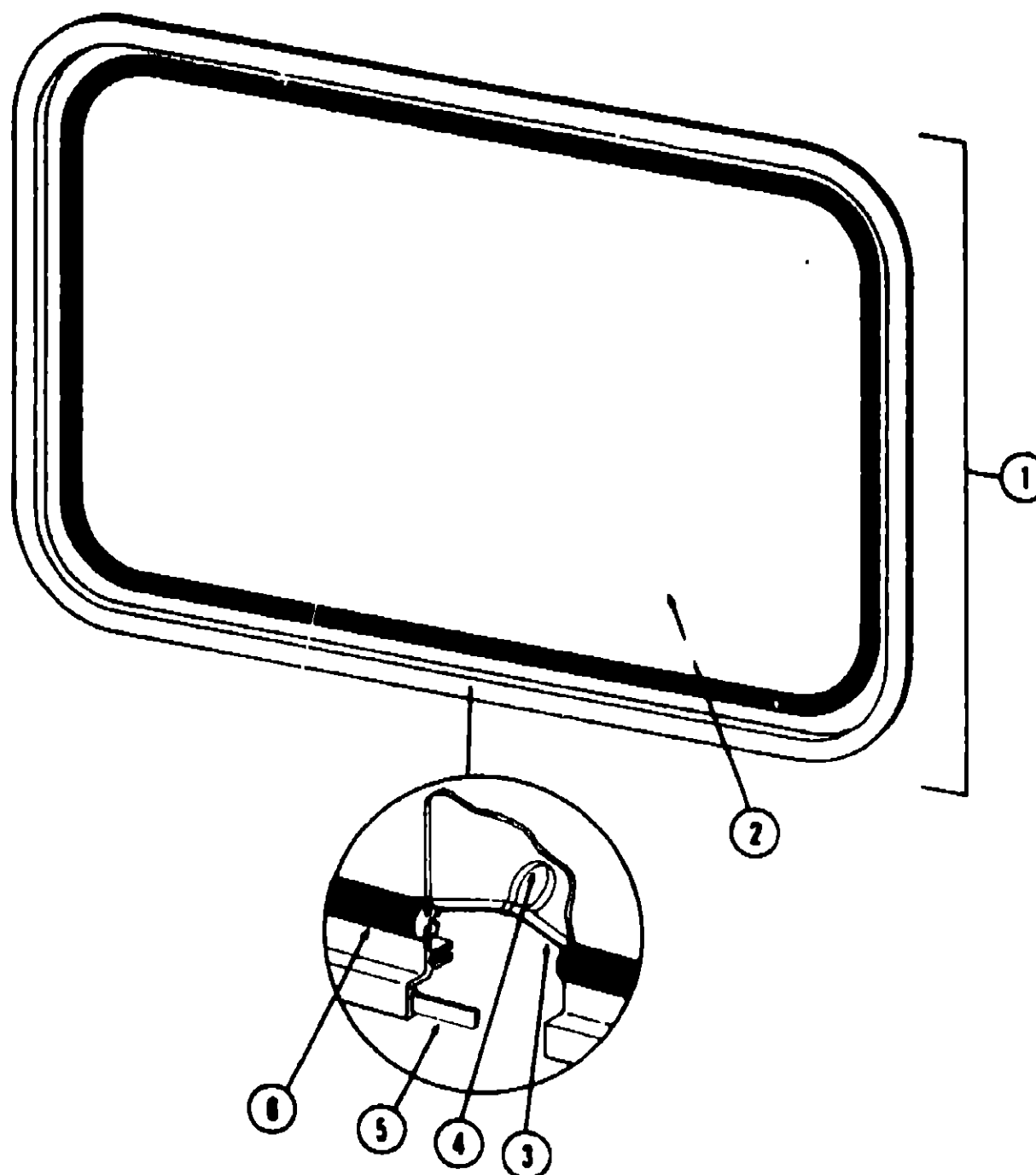
**The illustrated parts breakdown for this item is provided on the Common Items Fiche

HOLDING TANKS AND WATER HEATERS

Key	Part Number	U/M	Description
..	058731-02-000	EA	Tank Asm - Water - 52 Gallon - w/Fittings
..	058731-01-000	EA	Tank Asm - Water - 52 Gallon - w/o Fittings
..	054032-08-000	EA	Tank Asm - Holding - 25 Gallon - w/Fittings
..	054032-01-000	EA	Tank Asm - Holding - 25 Gallon - w/o Fittings
..	054033-04-000	EA	Tank Asm - Holding - 32 Gallon - w/Fittings
..	054033-01-000	EA	Tank Asm - Holding - 32 Gallon - w/o Fittings
..	051391-01-000	EA	Water Heater - w/o Motor Aid - G6A3

**The illustrated parts breakdown for this item is provided on the Common Items Fiche

WINDOW, VENT AND EXTERIOR DOOR GROUP



Key	Part Number	U/M	Description
1	042959-01-000	EA	Window Asm - Rear Escape - 23" x 36" - Black Anod (w/o inside frame)
2	041392-01-000	EA	Glass - 1/8" x 19 5/8" x 33 25"
3	002285-01-000	FT	Filler - Weatherstrip - Black
4	020395-01-000	EA	Slip - Pull Ring - Escape Window
5	053787-03-000	FT	Tape - 1/4" Bead x 20' - Gray - Schnee Moorehead
6	002282-01-000	FT	Weatherstrip - 125" Black
·	042027-01-000	EA	Frame - Inside - Escape Window - 23" x 36" (not included in assembly)
·	008199-01-000	EA	Label - Exit - Escape Window
·			Not Illustrated

1980 WINNEBAGO TABLE OF CONTENTS

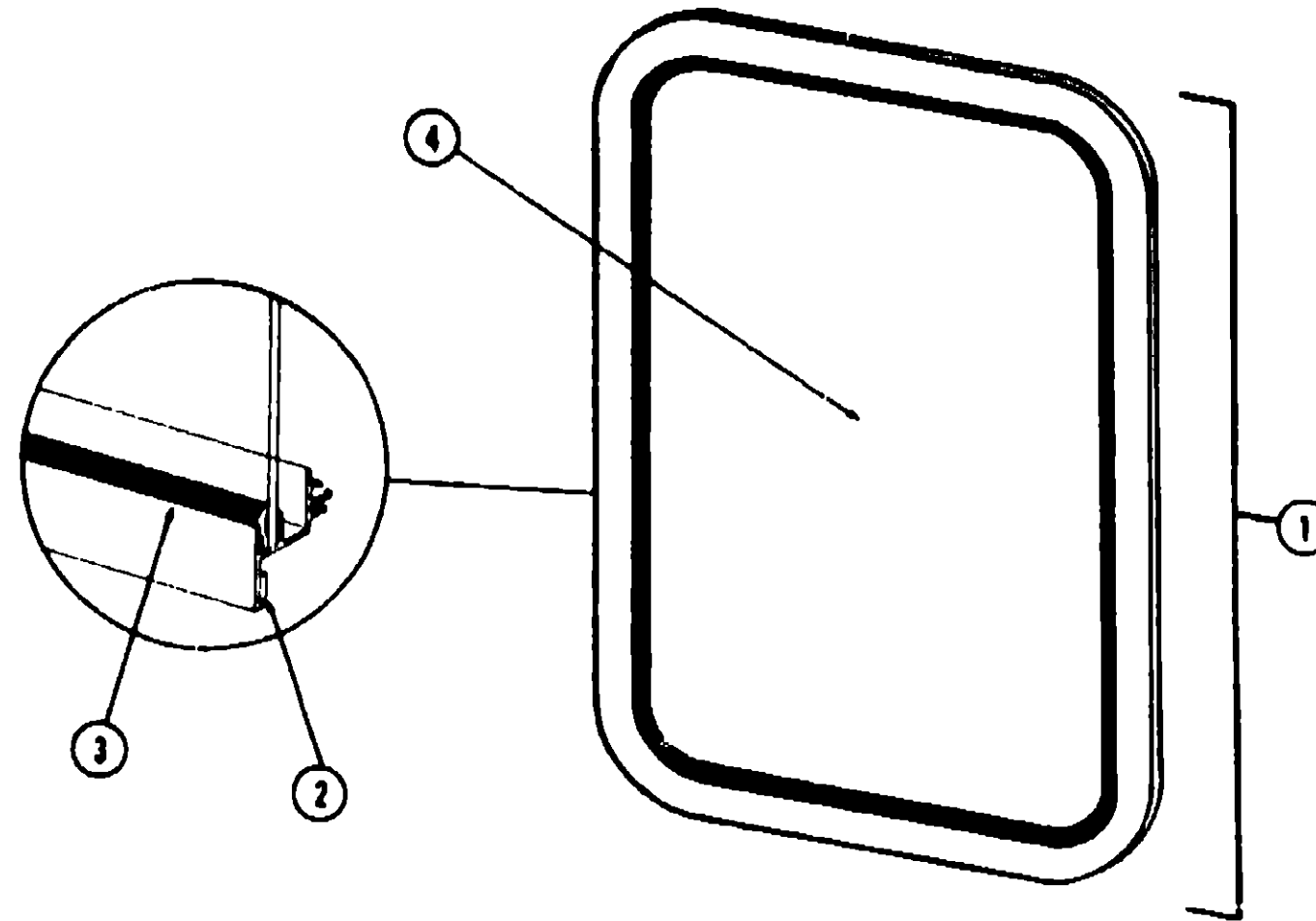
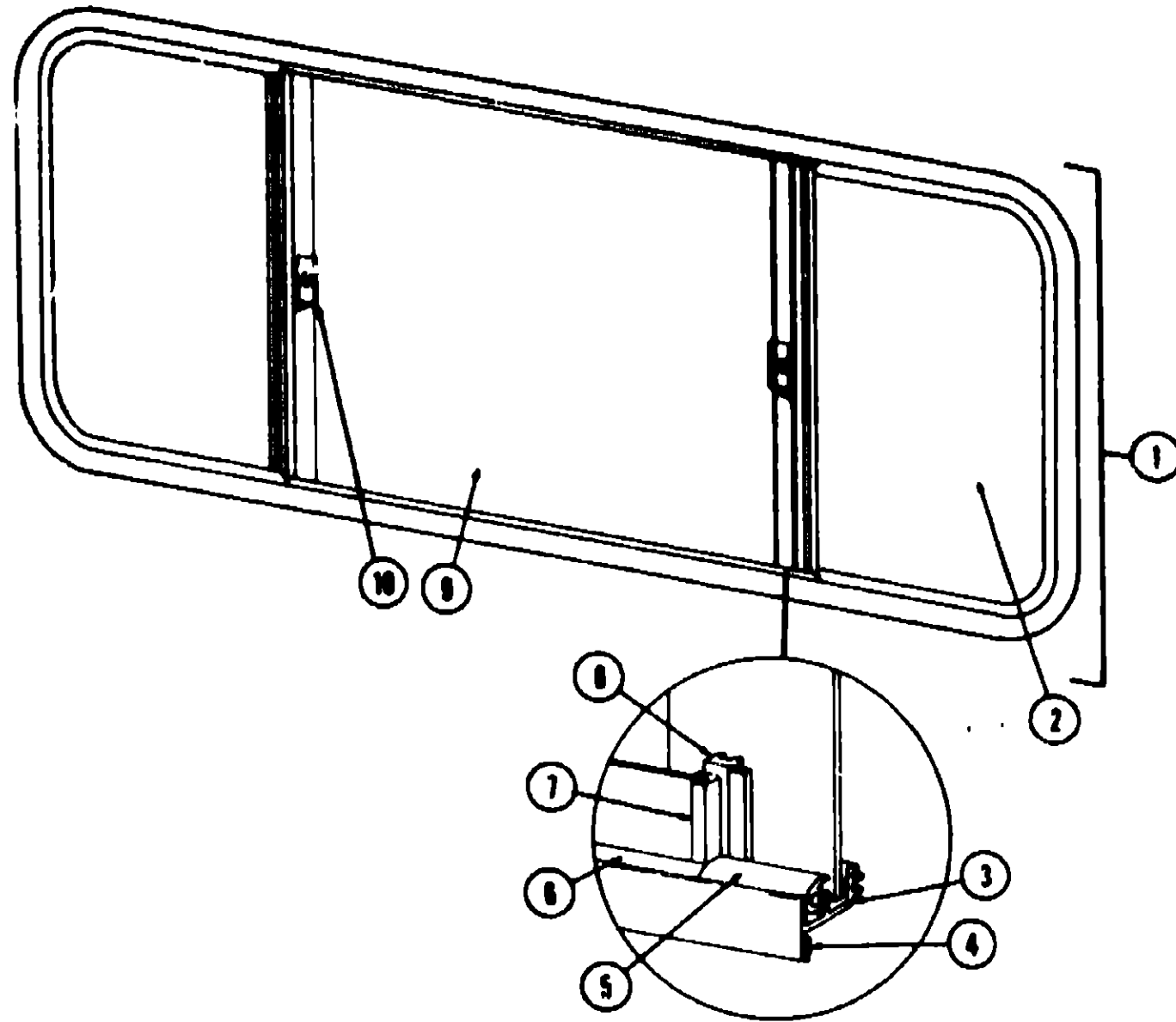
Introduction	A-1
Abbreviations	A-1
Alphabetical Index	A-2 - A-4
WD424RH LO	A-5 - D-18
WGF23RG LO	B-19 - D-22
WDN26RB LO	D-13 - F-2
WDN29RT LO	F-3 - G-24

1980 WDN26RB LO INDEX

Floor Plan	D-13 - D-14
Accessories Group	D-15 - D-16
Bath Group	D-17 - D-18
Chassis Group	D-19
Curtain, Cushion and Pad Group	D-20 - D-23
Dinette Group	D-24
Driver's Compartment Group	E-1 - E-2
Electrical Group	E-3 - E-4
Exterior Body Group	E-5 - E-8
Galley Group	E-9
Heating & Air Conditioning Group	E-10
Interior Finish Group	E-11 - E-12
LP Group	E-13
Lounge Group	E-14
Water & Sewage Group	E-15
Window, Vent & Exterior Door Group	E-16 - F-2

WINDOW, VENT AND EXTERIOR DOOR GROUP (CONTINUED)

WINDOW, VENT AND EXTERIOR DOOR GROUP (CONTINUED)



Key	Part Number	U/M	Description
1	048630-08-000	EA	Window Asm - Double Slider - 25" x 65" Black Anod (w/o inside frame)
2	047822-01-000	EA	Glass - Sliding - 3/16" x 24" x 21 03"
3	042077-01-000	FT	Channel - Weatherstrip - Glass Run - 3/16" Glass
4	053767-03-000	FT	Tape - 1/4" Bead x 20' - Gray - Schnee Moorehead
5	041926-02-000	FT	Seal - Window Channel - 3/16" Glass - Black
6	002309-02-000	FT	Spline - Glass - 1/8" - Black
7	002389-03-201	EA	Extr. - Holder - Glass Seal - 23 19" - Black
8	041894-04-000	EA	Mullion - Slider Window - 25" - Black
9	002188-02-000	EA	Glass - 3/16" x 24" x 25 5" - Stationary
10	047389-01-700	EA	Latch - Window - Plastic w/Fastener
.	023320-01-000	EA	Foam Pad - 3/8" Dia (used with plastic latch)
.	042133-09-000	EA	Frame Asm - Window - Inside (not included in assembly)
.	023713-02-000	EA	Cover - Weephole - Plastic - Black
.	002298-01-000	FT	Spline - Gray - 130" Dia (Screen)
.	002293-01-000	SF	Screen - Window - 26" - Gray
.			Not Illustrated

Key	Part Number	U/M	Description
1	056851-01-000	EA	Window Asm - Picture - 20 3/4" x 20 3/4" - Black (w/o inside frame)
2	053767-02-000	FT	Tape - 3/16" Bead x 25' - Schnee Moorehead
3	002309-02-000	FT	Spline - Glass - 1/8" - Black
4	002181-03-000	EA	Glass - 115" x 20 62" x 20 62" - Gray
.	056850-01-000	EA	Frame - Inside - Window (not included in assembly)
.			Not Illustrated

**1980 WINNEBAGO
TABLE OF CONTENTS**

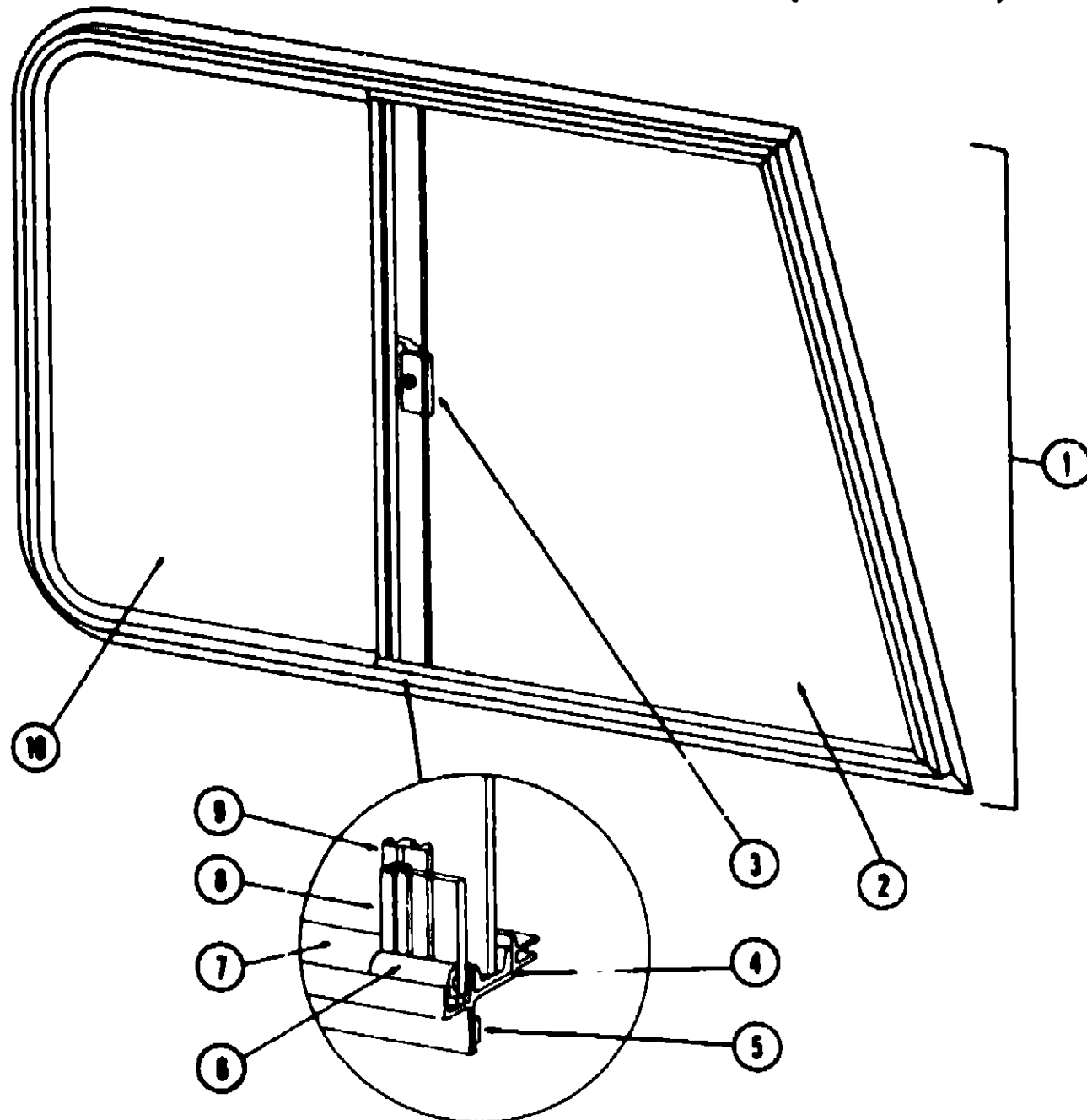
Introduction	A-1
Abbreviations	A-1
Alphabetical Index	A-2 - A-4
WD424RH LO	A-6 - B-18
WGF23RG LO	B-19 - D-12
WDN26RB LO	D-13 - F-2
WDN29RT LO	F-3 - G-24

1980 WDN26RB LO INDEX

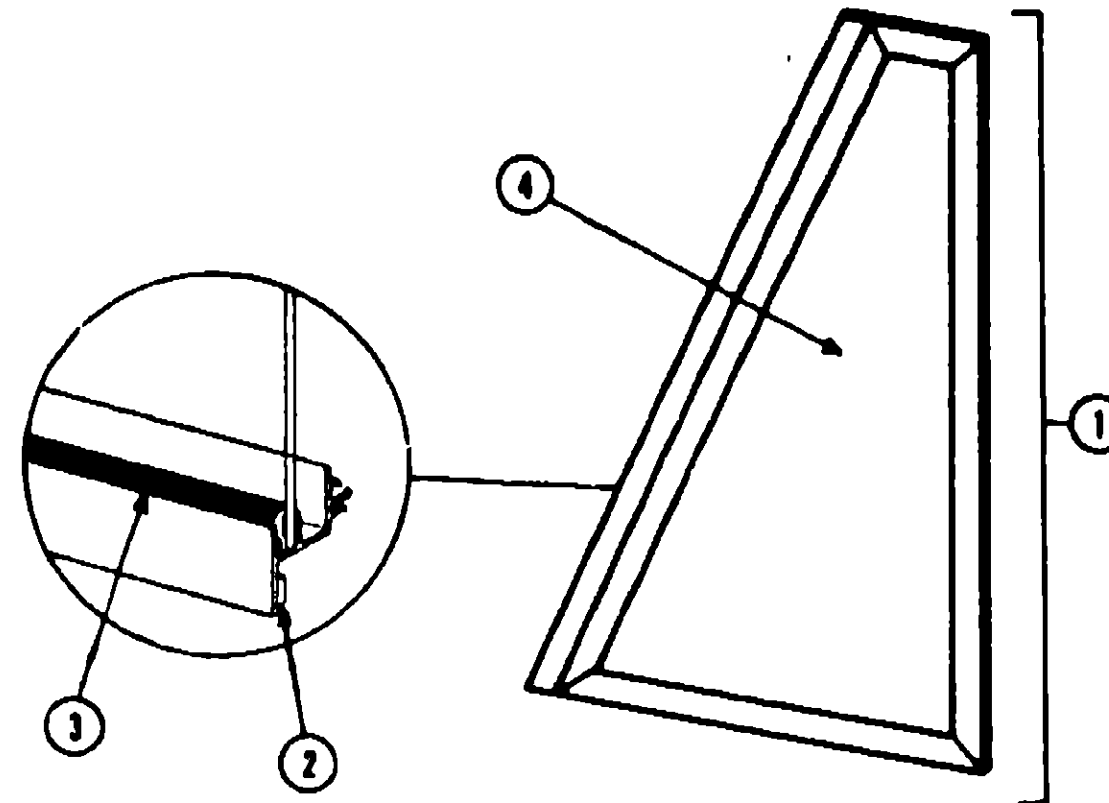
Floor Plan	D-13 - D-14
Accessories Group	D-15 - D-16
Bath Group	D-17 - D-18
Chassis Group	D-19
Curtain, Cushion and Pad Group	D-20 - D-23
Dinette Group	D-24
Driver's Compartment Group	E-1 - E-2
Electrical Group	E-3 - E-4
Exterior Body Group	E-5 - E-6
Galley Group	E-9
Heating & Air Conditioning Group	E-10
Interior Finish Group	E-11 - E-12
LP Group	E-13
Lounge Group	E-14
Water & Sewage Group	E-15
Window, Vent & Exterior Door Group	E-16 - F-2

WINDOW, VENT AND EXTERIOR DOOR GROUP (CONTINUED)

WINDOW, VENT AND EXTERIOR DOOR GROUP (CONTINUED)



Key	Part Number	U/M	Description
1	059046-01-000	EA	Window Arm - Right Front Slant Slider - 23" x 39" - Black Anod (w/o inside frame)
	059046-02-000	EA	Window Arm - Left Front Slant Slider - 23" x 39" - Black Anod (w/o inside frame)
2	057656-01-000	EA	Glass - 3/16" x 24 88" x 25 30" - Stationary
3	047369-01-700	EA	Latch - Window - Plastic w/Fastener
4	042077-01-000	FT	Channel - Weatherstrip - Glass Run - 3/16" Glass
5	053767-01-000	FT	Tape - 1/2" x 1/8" x 30" - Gray - Schnee Moorehead
6	050216-02-000	FT	Spline - 3/16" Glass
7	041926-02-000	FT	Seal - Window Channel - 3/16" Glass - Black
8	002389-03-206	EA	Holder - Glass Seal - Black Anod - 24 13"
9	057644-04-000	EA	Mullion - Window - Slanted Slider
10	057657-01-000	EA	Glass - 3/16" x 24 88" x 14 70" - Sliding
	059042-01-000	EA	Inside Frame - Right Front Slant Slider (not included in assembly)
	059042-02-000	EA	Inside Frame - Left Front Slant Slider (not included in assembly)
	023713-02-000	EA	Cover - Weephole - Black
	055164-05-000	EA	Slider Screen Arm - Right or Left - Black
	016310-03-000	EA	Handle - Slider Screen - Black
	002282-01-000	SF	Screen - Window - 20" - Gray
	002298-01-000	FT	Spline - Gray - 130" Dia
			Not Illustrated



Key	Part Number	U/M	Description
1	062696-01-000	EA	Window Arm - Stationary - Drivers Slant - 14" x 25 32" - Black Anod (w/o inside frame) used w/Driver Door
2	053767-03-000	FT	Tape - 1/4" Bead x 20" - Gray - Schnee Moorehead
3	002309-02-000	FT	Spline - Glass - 1/8" - Black
4	057656-02-000	EA	Glass - 3/16" x 24 88" x 13 66"
	063420-01-000	EA	Frame - Inside - Front Slant Window (not included in assembly)
			Not Illustrated

1990 WINNERAGO TABLE OF CONTENTS

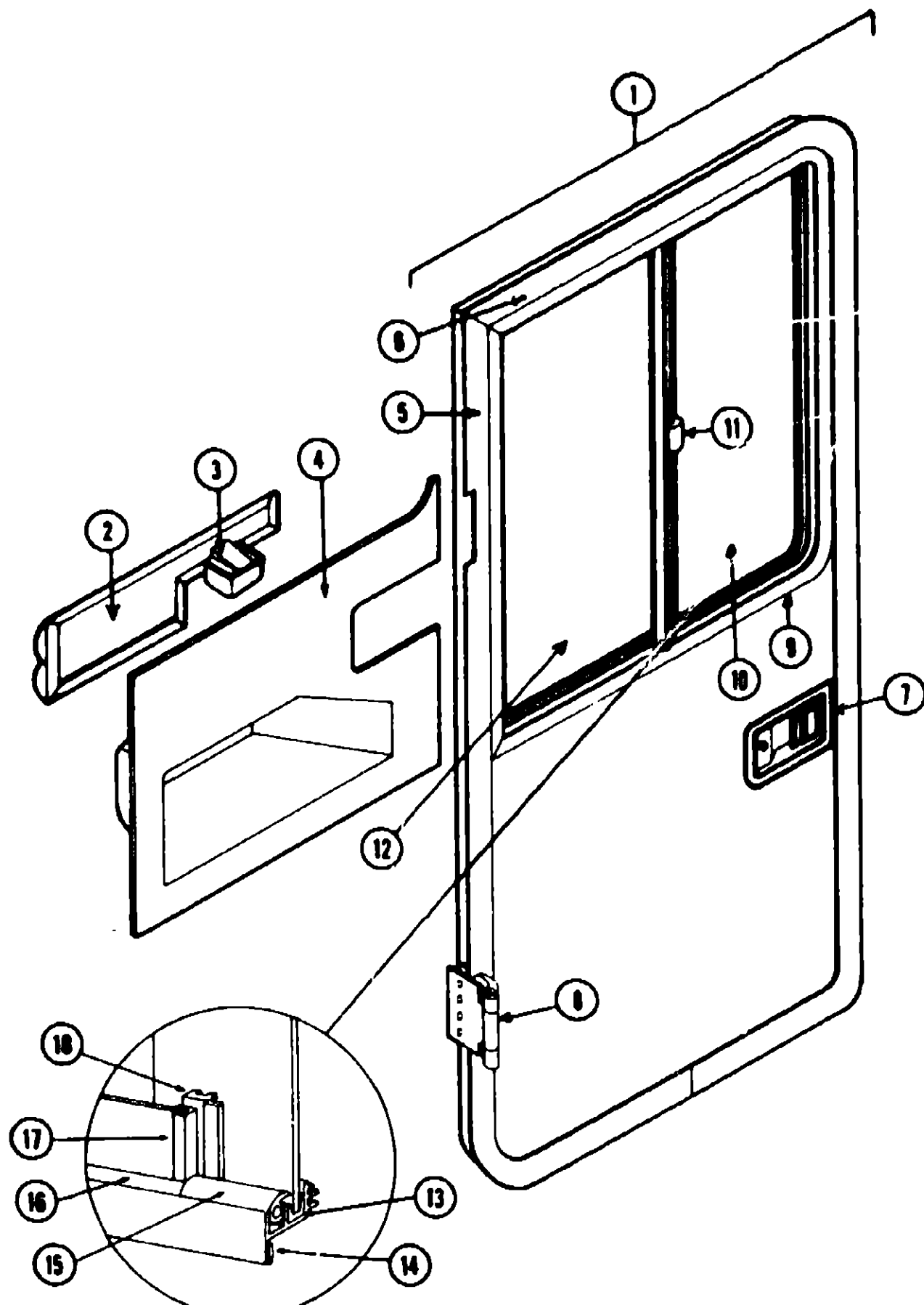
Introduction	A-1
Abbreviations	A-1
Alphabetical Index	A-2 - A-4
WD424RH LO	A-6 - B-18
WG23RG LO	B-19 - D-12
WDN26RB LO	D-13 - F-2
WDN29RT LO	F-3 - G-24

1990 WDN26RB LO INDEX

Floor Plan	D-13 - D-14
Accessories Group	D-15 - D-16
Bath Group	D-17 - D-18
Chassis Group	D-19
Curtain, Cushion and Pad Group	D-20 - D-23
Dinette Group	D-24
Driver's Compartment Group	E-1 - E-2
Electrical Group	E-3 - E-4
Exterior Body Group	E-5 - E-8
Galley Group	E-9
Heating & Air Conditioning Group	E-10
Interior Finish Group	E-11 - E-12
LP Group	E-13
Lounge Group	E-14
Water & Sewage Group	E-15
Window, Vent & Exterior Door Group	E-16 - F-2

DRIVER DOOR - BEIGE

Key	Part Number	U/M	Description
1	063891-01-000	EA	Door Asm. - Driver - Beige
2	084088-01-000	EA	Pad Asm. - Trim - Upper
3	081400-01-000	EA	Assist Strap - 12" - Light Brown
4	048886-01-000	EA	Ashtray Asm. - Flush Mount - Chrome
5	084489-01-000	EA	Panel - Driver Door - Inner - Dark Brown Plastic
6	063350-01-000	EA	Trim - Door Frame - Front - Beige
7	063351-01-000	EA	Trim - Door Frame - Rear - Beige
8	045017-03-000	EA	Paddle - Door Lock - Exterior
9	045017-01-700	EA	Lock Cylinder w/Keys - Lynor
10	038879-02-000	EA	Inside Plate - Door Lock - w/Inside Handle
11	038640-02-000	EA	Latch Claw - Entry Door Lock
12	038738-01-000	EA	Deadbolt - Entrance Door Lock
13	038639-01-000	EA	Strike Bolt - Entrance Door (Jamb Mount)
14	063124-02-000	EA	Plate - Striker - 8 1/4" x 1" - Black
15	062879-02-000	EA	Jamb - Driver - Door - Black Steel
16	064199-01-000	EA	Trim - Door Jamb - Rear - w/Drip Cap - Beige
17	064184-01-000	EA	Drip Cap - Driver Door
18	063368-01-000	EA	Trim - Door Jamb - Front - Beige
19	063768-01-000	EA	Sill Plate - Driver Door
20	063693-01-000	EA	Hinge Asm. - Driver Door - Beige
21	084580-01-000	EA	Check Strap - Driver Door - Seat Belt Webbing
22	084219-01-000	EA	Retainer - Driver Door Check Strap
23	063886-02-000	EA	Assist Handle - Driver Door - Brown Steel Tube (2 required per door)
24	064075-01-000	EA	Bulb Seal - Driver Door - 145"
25	062982-01-000	EA	Window Asm. - Driver Door - Single Slider - 23" x 25 5/8" - Black Anod (w/o inside frame)
26	057657-02-000	EA	Glass - 3/16" x 24 8/8" x 12" - Sliding
27	047389-01-700	EA	Latch - Window - Plastic w/Fastener
28	002188-04-000	EA	Glass - 3/16" x 24 8/8" x 12" - Stationary
29	002324-02-000	FT	Channel - Weatherstrip - Glass Run - 1/8" Glass
30	053767-03-000	FT	Tape - 1/4" Bead x 30' - Gray - Schnee Moorehead
31	024086-02-000	FT	Seal - Window Channel - Black
32	002309-02-000	FT	Spline - Glass - Black
33	002389-03-204	EA	Holder - Glass Seal - Anod Black - 25.14"
34	002288-01-000	FT	Weatherstrip - Glass Seal
35	057644-04-000	EA	Mullion - Slider Window - Black Anod
36	063422-01-000	EA	Frame - Inside - Driver Door Window
37	023713-02-000	EA	Cover - Weephole - Black Plastic
38	055184-06-000	EA	Screen Asm - Slider
39	002292-01-000	SF	Screen - Window - 20" - Gray
40	002298-01-000	FT	Spline - Gray - Screen - 130" Dia
41	018310-03-000	EA	Screen Handle - Black Anod
42	043485-02-000	FT	Screen Seal - Extr Vinyl
	Not Illustrated		



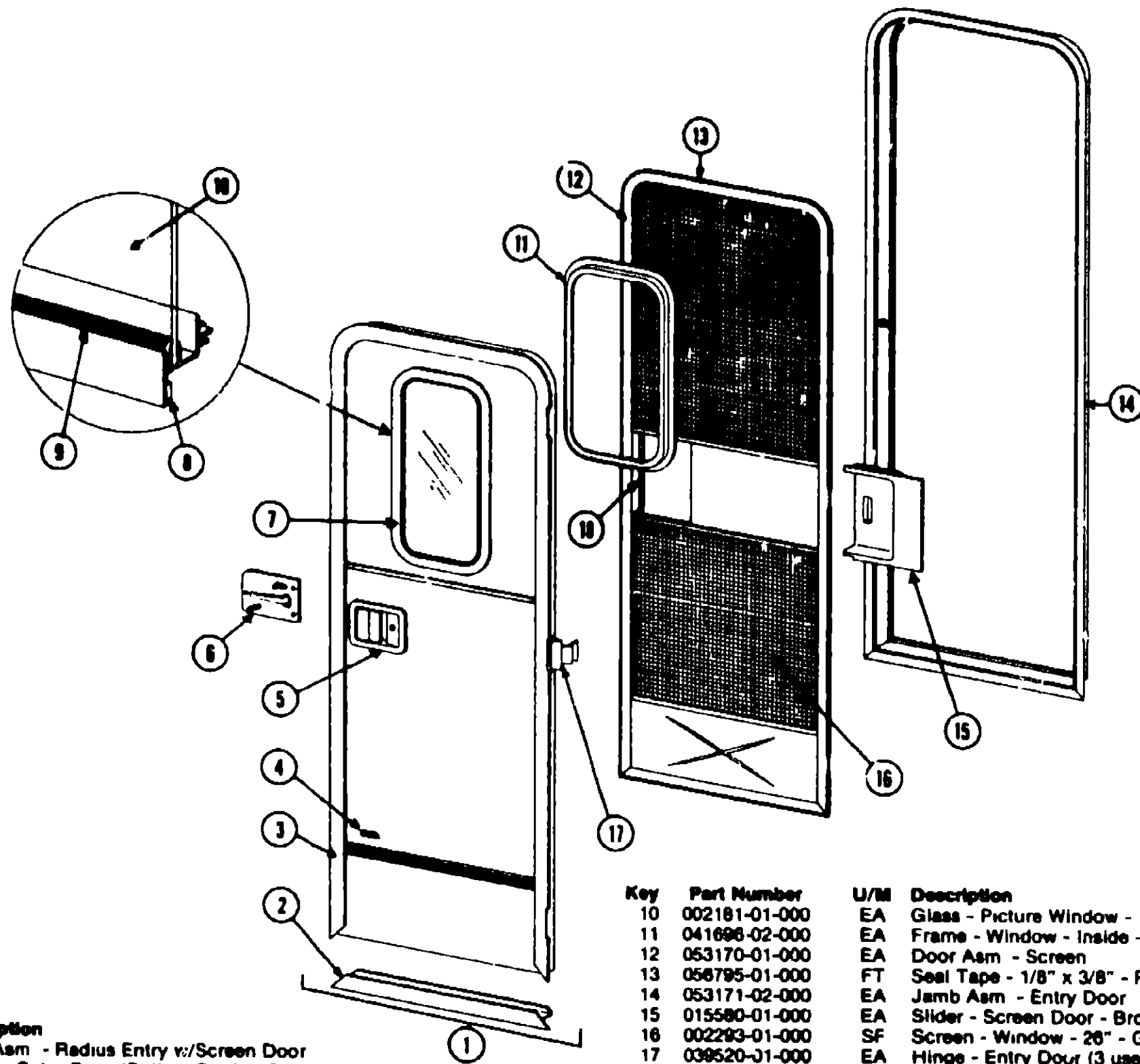
1990 WINNEBAGO
TABLE OF CONTENTS

Introduction	A-1
Abbreviations	A-1
Alphabetical Index	A-2 - A-4
WD424RH LO	A-5 - B-18
WGF23RG LO	B-19 - D-12
WDN26RB LO	D-13 - F-2
WDN29RT LO	F-3 - G-24

1990 WDN26RB LO INDEX

Floor Plan	D-13 - D-14
Accessories Group	D-15 - D-16
Bath Group	D-17 - D-18
Chassis Group	D-19
Curtain, Cushion and Pad Group	D-20 - D-23
Dinette Group	D-24
Driver's Compartment Group	E-1 - E-2
Electrical Group	E-3 - E-4
Exterior Body Group	E-5 - E-8
Galley Group	E-9
Heating & Air Conditioning Group	E-10
Interior Finish Group	E-11 - E-12
LP Group	E-13
Lounge Group	E-14
Water & Sewage Group	E-15
Window, Vent & Exterior Door Group	E-16 - F-2

WINDOW, VENT AND EXTERIOR DOOR GROUP (CONTINUED)



Key	Part Number	U/M	Description
1	053169-12-000	EA	Door Asm - Radius Entry w/Screen Door
2	039737-02-000	EA	Frame - Entry Door (Bottom Portion Only)
3	039736-02-000	EA	Frame - Entry Door (Except Bottom Portion)
4	054530-01-000	EA	Holder - Entry Door - Mounts on Sidewall
5	045017-01-000	EA	Paddle Asm - Door Lock - Exterior
	045017-01-700	EA	Lock Cylinder w/Keys
	039539-01-000	EA	Striker Bolt - Entry Door
	039540-01-000	EA	Latch Claw - Entry Door
6	039979-01-000	EA	Plate - Lock - Interior - Including Inside Handle
	052186-01-000	EA	Lock Asm. - Complete - Lynor
7	041875-02-000	EA	Window Asm - Picture - 13" x 23" - Black Anod (inside frame not included in assembly)
8	053767-03-000	FT	Tape - 1/4" Bead x 20' - Gray - Schnee Moorehead
9	002309-02-000	FT	Spline - Glass - 1/8" Black

Key	Part Number	U/M	Description
10	002181-01-000	EA	Glass - Picture Window - 1/8" x 12" x 22" - Gray
11	041696-02-000	EA	Frame - Window - Inside - 13" x 23" - Brown
12	053170-01-000	EA	Door Asm - Screen
13	056795-01-000	FT	Seal Tape - 1/8" x 3/8" - Press On
14	053171-02-000	EA	Jamb Asm - Entry Door
15	015580-01-000	EA	Slider - Screen Door - Brown Plastic
16	002293-01-000	SF	Screen - Window - 26" - Gray
17	039520-01-000	EA	Hinge - Entry Door (3 used per door)
18	015581-01-000	EA	Cap - Screen Door - Brown Plastic
	049176-01-000	EA	Headlok II - 3/4" Diameter - Screw Mount (Retains Screen Door to Entry Door)
	049797-01-000	EA	Headlok II - 1" Diameter - Screw Mount (Retains Screen Door to Entry Door)
	058025-02-000	EA	Clip - Roller Catch
	039863-01-000	EA	Catch Asm - Single Roller w/Sinke - Screen Door
	051390-01-000	FT	Seal - Jamb - Entry Door - Bulb Seal
	039800-01-000	FT	Tubing - Polybutyl - 1/2" O D - Jamb
	044582-01-000	EA	Drip Cap - Jamb Mounted - Beige - 33"
			Not Illustrated

**1990 WINNERAGO
TABLE OF CONTENTS**

Introduction	A-1
Abbreviations	A-1
Alphabetical Index	A-2 - A-4
WD424RH LO	A-5 - B-18
WGF23RG LO	B-19 - D-12
WDN26RB LO	D-13 - F-2
WDN29RT LO	F-3 - G-24

1990 WDN26RB LO INDEX

Floor Plan	D-13 - D-14
Accessories Group	D-15 - D-16
Bath Group	D-17 - D-18
Chassis Group	D-19
Curtain, Cushion and Pad Group	D-20 - D-23
Dinette Group	D-24
Driver's Compartment Group	E-1 - E-2
Electrical Group	E-3 - E-4
Exterior Body Group	E-5 - E-8
Galley Group	E-9
Heating & Air Conditioning Group	E-10
Interior Finish Group	E-11 - E-12
LP Group	E-13
Lounge Group	E-14
Water & Sewage Group	E-15
Window, Vent & Exterior Door Group	E-16 - F-2

WINDOW, VENT AND EXTERIOR DOOR GROUP (CONTINUED)

ACCESS DOORS

Key	Part Number	U/M	Description
	033333-18-000	EA	Door Asm - Battery - 10 25" x 24 75" - Beige w/Twist Type Lock (2 Doors per Coach)
	033333-19-000	EA	Door Asm - Luggage - 10 25" x 24.75" - Beige w/Key Type Lock (2 Doors per Coach)
	047233-04-000	EA	Door Asm. - Luggage - 35 5" x 13" - Beige w/Key Type Lock
	059727-02-000	EA	Door Asm. - Storage - Insulated - 29 9" x 10 36" - Beige w/Key Type Lock
	054270-04-000	EA	Door Asm - Refrigerator Access - Beige w/Twist Type Lock
	055500-03-000	EA	Door Asm - Gas Fill - Beige w/Key Type Lock
	042441-01-000	EA	Lock Asm - Key Type - Gas Fill
	047305-01-000	EA	Lock Asm - Key Type w/Clip
	052950-02-700	EA	Lock Asm - Twist Type w/Clip - Beige Plastic
	016945-02-000	EA	Holder Asm - Battery and Luggage Door
	052179-06-000	EA	Door Asm - Generator - Beige w/Twist Type Lock
	052181-03-000	EA	Baffle - Generator Door

WINDSHIELD

Key	Part Number	U/M	Description
	058272-01-000	EA	Frame Asm - Windshield w/o Glass
	057459-01-000	EA	Glass - Windshield - Right or Left
	038886-01-000	EA	Tape - Butyl - 31" x 31" x 148"

VENTS

Key	Part Number	U/M	Description
	039778-01-000	EA	Cover - Refrigerator Vent
	009407-01-000	EA	Frame - Asm - Refrigerator Vent
	049352-02-000	EA	Vent - Stovehood - Outside - Bronze
**	048789-01-000	EA	Vent Asm - Roof - Powered w/o Screen - Alum
**	048835-01-000	EA	Vent Asm - Roof - Non-powered - w/o Screen - Alum
**	056119-01-000	EA	Vent Asm - Roof - Powered/Lighted - Jensen - White

**The illustrated parts breakdown for this item is provided on the Common Items Fiche

1980 WINNEBAGO TABLE OF CONTENTS

Introduction	A-1
Abbreviations	A-1
Alphabetical Index	A-2 - A-4
WD424RH LO	A-5 - B-18
WGF23RG LO	B-19 - D-12
WDN26RB LO	D-13 - F-2
WDN26RT LO	F-3 - G-24

1980 WDN26RB LO INDEX

Floor Plan	D-13 - D-14
Accessories Group	D-15 - D-16
Bath Group	D-17 - D-18
Chassis Group	D-19
Curtain, Cushion and Pad Group	D-20 - D-23
Dinette Group	D-24
Driver's Compartment Group	E-1 - E-2
Electrical Group	E-3 - E-4
Exterior Body Group	E-5 - E-8
Galley Group	E-9
Heating & Air Conditioning Group	E-10
Interior Finish Group	E-11 - E-12
LP Group	E-13
Lounge Group	E-14
Water & Sewage Group	E-15
Window, Vent & Exterior Door Group	E-16 - F-2