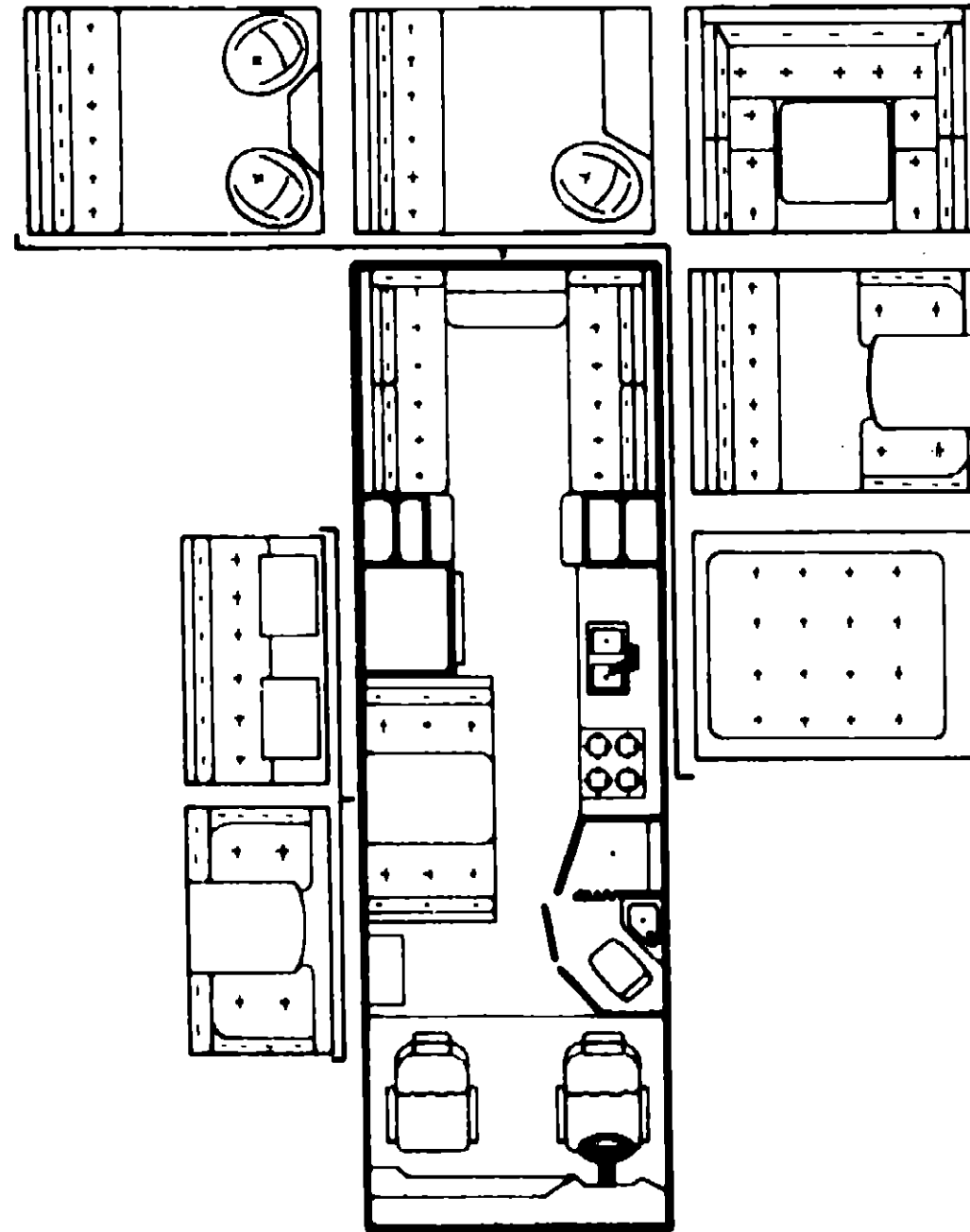


1980 WDF26RT L1



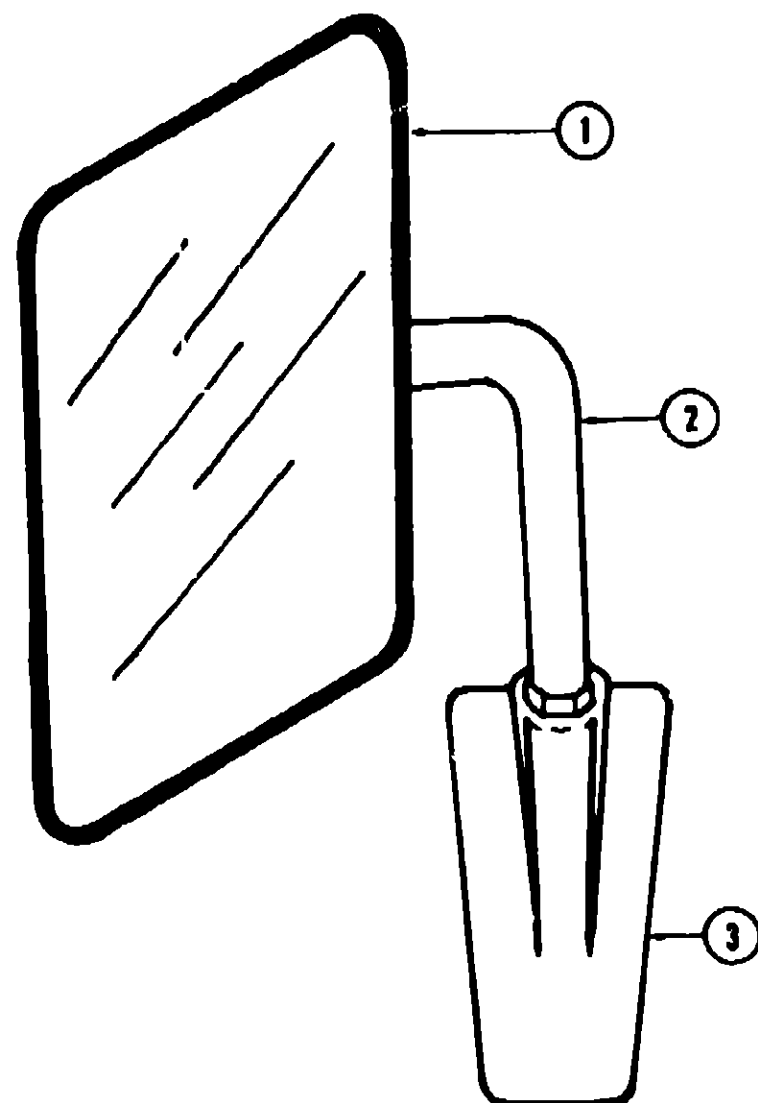
1980 WINNEBAGO TABLE OF CONTENTS

WD/WC420RG L1	A-1 - B-10
WDF26RH L1	B-11 - D-4
WDF26RT L1	D-5 - F-4
WD423RB L1	F-5 - G-18

1980 WDF26RT L1 INDEX

Floor Plan	D-5 - D-6
Accessories Group	D-7 - D-8
Bath Group	D-9
Chassis Group	D-10
Curtain, Cushion and Pad Group	D-11 - D-18
Dinette Group	D-19
Driver's Compartment Group	D-20 - D-21
Electrical Group	D-22 - D-24
Exterior Body Group	E-1 - E-4
Galley Group	E-5
Heating & Air Conditioning Group	E-6 - E-7
Interior Finish Group	E-8 - E-9
LP Group	E-10
Lounge Group	E-11 - E-13
Water & Sewage Group	E-14
Window, Vent & Exterior Door Group	E-15 - F-4

ACCESSORIES GROUP



Key	Part Number	U/M	Description
1	057481-01-000	EA	Mirror Head - 7 1/2" x 10 1/2" - w/Convex - Bright Finish
1	057481-02-000	EA	Mirror Head - 7 1/2" x 10 1/2" - w/Convex - Off White
2	048348-01-000	EA	Arm - Low Mount Mirror - Bright Finish
2	048348-02-000	EA	Arm - Low Mount Mirror - Off White
3	048944-02-000	EA	Bracket - Mirror - Outside - Off White

GENERATORS AND COMPONENTS

Key	Part Number	U/M	Description
**	054429-01-000	EA	Generator - Onan - 4.0 kw - BFA
**	054431-01-000	EA	Generator - Onan - 5.0 kw - BGA
	701829-02-000	EA	Onan Installation Package
	050467-01-000	EA	Base - Entertainment Center No. 3 - w/Cut Out for Vehicle Sensor Panel Radio, Clock, Hourmeter and Generator Start Stop Switch
	024732-01-001	EA	Tailpipe - 1 1/2" O.D. x 23"
	054428-01-000	EA	Muffler - Generator - w/Arrestor
	740313-88-000	EA	Tray - Generator - 4.0 - 5.0 kw Onan

**The illustrated parts breakdown for this item is provided on the Common Items Fiche.

ACCESSORIES GROUP (CONTINUED)

FRONT BUNK AND HARDWARE

Key	Part Number	U/M	Description
	058300-01-L01	EA	Cabinet Asm. - Front Overhead
	053320-01-L01	EA	Bunk Board Asm. - Front Overhead w/Rails
	053773-01-000	EA	Support - Overhead Bunk - Brown - Right
	053773-02-000	EA	Support - Overhead Bunk - Brown - Left
	040071-02-000	EA	Support - Bunk - Seat Belt
	038516-02-000	EA	Catch - Bunk - Brown
	023812-22-000	EA	Rail - Bunk - 80" - Brown
	053774-02-000	EA	Torsion Rod - Overhead Bunk - Brown

RADIOS AND RELATED COMPONENTS

Key	Part Number	U/M	Description
	049730-01-000	EA	Radio - Clarion - AM w/Fader Switch
	049731-01-000	EA	Radio - Clarion - AM/FM/MPX - w/Fader Switch
	049732-01-000	EA	Radio - Clarion - AM/FM/MPX - 8 Track - w/Fader Switch
	063647-01-000	EA	Control Box - Clarion CB
	063647-02-000	EA	Module - Clarion CB
	053768-01-000	EA	Speaker - Recessed - 5 1/4" - 10 oz.
	031105-01-000	EA	Antenna - Radio - Side Mount
	031106-01-700	EA	Holder - Antenna - Upper
	048153-01-000	EA	Antenna - CB Camper Style
	055299-01-000	EA	Grille - Speaker - 5 1/4"
	064785-01-000	EA	Radio - AM - Audiovox
	064786-01-000	EA	Radio - AM/FM/MPX - w/8 Track - Audiovox
	064787-01-000	EA	Radio - AM/FM/MPX - w/8 Track - Audiovox
	064788-01-000	EA	Radio - AM/FM - Digital - w/Cassette - Audiovox
	064789-01-000	EA	Radio - AM/FM - Digital - w/8 Track - Audiovox
	064791-01-000	EA	Speaker - Recessed - 5.25" Dia. - Audiovox
	064792-01-000	EA	Grille - Speaker - Brown - Audiovox
	064794-01-000	EA	Trimplate - Radio - Audiovox

MISCELLANEOUS ACCESSORIES

Key	Part Number	U/M	Description
	054185-08-000	EA	Owner's Manual - 1980 Winnebago
	008053-01-000	EA	Antenna - TV Braund Delux
	008053-01-700	EA	Parts Kit - Repair - Braund TV Antenna
	008093-01-000	EA	Jack - TV - Brown (Antenna)
	008076-01-000	EA	Ladder - Front Bunk
	017516-01-000	EA	Mud Flap - Black - 14" x 18" w/Holes
	008113-01-000	EA	Jack Hydraulic - 5 Ton
	041844-01-700	EA	Fire Extinguisher - w/Bracket
	041844-03-000	EA	Fire Extinguisher - 5 BC (Calif.)
	052771-02-000	EA	Oven - Microwave - Magic Chef MW207
	056253-01-000	EA	Ladder Asm. - w/Luggage Rack
	041088-02-000	EA	Ladder Asm.
	041848-01-000	EA	Luggage Carrier Assembly
	038881-01-000	EA	Catch and Strike - Luggage Carrier
**	031388-01-000	EA	Wheel Cover - 17.5" Chrome
**	058778-01-000	EA	Speed Control Package - Electric
	034410-12-000	EA	Cover - Spare Tire - 32"
	058794-01-000	EA	Steering Stabilizer

**The illustrated parts breakdown for this item is provided on the Common Items Fiche.

1980 WINNEBAGO TABLE OF CONTENTS

WD/WC420RG L1	A-1 - B-10
WDF26RH L1	B-11 - D-4
WDF26RT L1	D-5 - F-4
WD423RB L1	F-5 - G-16

1980 WDF26RT L1 INDEX

Floor Plan	D-5 - D-6
Accessories Group	D-7 - D-8
Bath Group	D-9
Chassis Group	D-10
Curtain, Cushion and Pad Group	D-11 - D-18
Dinette Group	D-19
Driver's Compartment Group	D-20 - D-21
Electrical Group	D-22 - D-24
Exterior Body Group	E-1 - E-4
Galley Group	E-5
Heating & Air Conditioning Group	E-6 - E-7
Interior Finish Group	E-8 - E-9
LP Group	E-10
Lounge Group	E-11 - E-13
Water & Sewage Group	E-14
Window, Vent & Exterior Door Group	E-15 - F-4

BATH GROUP

Key	Part Number	U/M	Description
	052564-01-L01	EA	Cabinet Asm. - Lavatory - w/o Door, Sink or Hardware
	057992-26-L01	EA	Door Asm. - Lavatory Cabinet - 9 5/8" x 18 1/8" - w/o Hardware
**	044067-01-000	EA	Bath Sink - Ivory Plastic
**	011066-01-000	EA	Faucet - Lavatory - U.S.
**	011056-02-000	EA	Faucet - Lavatory - C.S.A.
**	011063-01-000	EA	Plug - Sink - 1 1/4" - w/Chain
**	011048-02-000	EA	Shower Head - w/60" Hose
**	011059-03-000	EA	Faucet - Shower - U.S. - C.S.A.
**	011069-01-000	EA	Tailpiece - 1 1/4" x 4" - Brass
	011066-01-000	EA	Strainer - Shower Pan
	066440-01-000	EA	Strainer - Shower Pan - w/Rubber Washer
	046749-01-000	EA	Shower Pan - Ivory Plastic
	009134-01-000	EA	Holder - Tissue
	009133-01-000	EA	Bar - Towel Rack - 12" - Plastic
	023449-01-000	EA	Support - Towel Rack - Chrome
	058233-02-L01	EA	Door Asm. - Bathroom - w/o Hardware
	058335-01-000	EA	Latch - Bathroom Door
	035337-22-000	EA	Trim - 1/8 Corner - Aluminum - 80.88"
	034394-02-000	FT	Extr. Vinyl Insert - Beige
	054705-04-L01	EA	Door Asm. - w/Mirror
	058331-01-000	EA	Mirror - Tempered Glass - 19" x 26"
**	038341-02-000	EA	Toilet - Marine - Ivory - Aqua Magic

**The illustrated parts breakdown for this item is provided on the Common Items Fiche.

CHASSIS GROUP

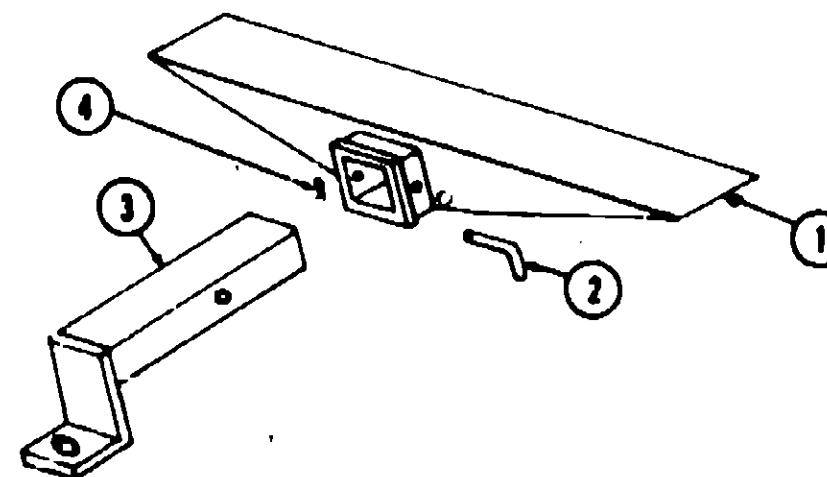
Key	Part Number	U/M	Description
	024652-01-700	EA	Step Asm. - Entry
	058401-01-000	EA	Hood Board - Upper - Right - Steel
	058404-01-000	EA	Hood Board - Upper - Left - Steel
	035103-01-000	EA	Cover - Radiator - Rear - Back - Fan Shroud
	052412-01-000	EA	Cover - Radiator - Rear
	052431-01-000	EA	Luggage Tray Asm.
	053249-01-000	EA	Battery Tray - Asm.
	051697-01-000	EA	Bracket - Battery Tie Down - 6.66"
	051697-04-000	EA	Bracket - Battery Tie Down - 9"
	058200-01-000	EA	Bumper - Front - Chrome
	058200-02-000	EA	Bumper - Front - Off White
	058439-01-000	EA	Bracket - Front Bumper - Black
	058416-01-000	EA	Bar - Front Bumper - Black
	021546-01-000	EA	Bumper Asm. - Rear
	041332-01-000	EA	Bumper Cover w/Reflector - Alum. - Fits 4" x 4" Rear Bumper
	041332-02-000	EA	Reflector - Bumper Cover - 6 1/2" x 3/4"
	041332-03-000	EA	Bumper Cover w/o Reflector - Alum. - Fits 4" x 4" Rear Bumper
	005200-01-000	EA	Bolt - Carriage - 7/16" - 14 x 1 1/4" SST (Chrome Bumper)
	039779-01-000	EA	Cap - Rubber - Rear Bumper
	040974-01-000	EA	Bar - Retaining - Spare Tire - 2" x 6.75"
	059670-02-000	EA	Bracket - Tire Carrier
	048043-08-000	EA	Bracket Asm. - Rear Bumper Mounting
	007125-01-000	EA	Clamp Asm. - Muffler - 1.62" Dia.
	007125-07-000	EA	Clamp Asm. - Muffler - 2.50" Dia.
	007125-08-000	EA	Clamp Asm. - Muffler - 3" Dia.
	007131-01-000	EA	Hanger - Tail Pipe
	056726-03-000	EA	Tailpipe - Extension - 2.5" x 65"
	056727-04-000	EA	Tailpipe - Extension - 3" x 65"
	017516-01-000	EA	Mud Flap - 14" x 18" w/Holes
	033499-01-000	EA	Power Cord Box - Plastic
	065080-01-000	EA	Wheel Well - Plastic
	740313-56-000	EA	Tray - Generator - Onan - 4.0 kw - 5.0 kw
	058794-01-000	EA	Steering Stabilizer
	014909-02-000	EA	Shroud - Fuel Fill - Double Black - Plastic - (Inside)
	024781-02-000	EA	Spacer - Rear Leaf Spring - 1/4" x 4" x 8"
	006086-01-000	EA	U-Bolt - Rear Leaf Spring - 13"

1980 WINNEBAGO TABLE OF CONTENTS

WD/WC420RG L1	A-1 - B-10
WDF26RH L1	B-11 - D-4
WDF26RT L1	D-5 - F-4
WD423RB L1	F-5 - G-16

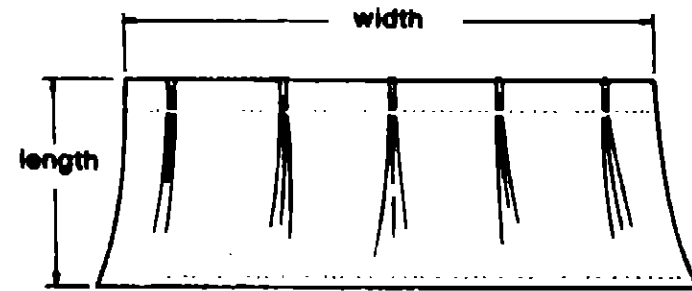
1980 WDF26RT L1 INDEX

Floor Plan	D-5 - D-6
Accessories Group	D-7 - D-8
Bath Group	D-9
Chassis Group	D-10
Curtain, Cushion and Pad Group	D-11 - D-18
Dinette Group	D-19
Driver's Compartment Group	D-20 - D-21
Electrical Group	D-22 - D-24
Exterior Body Group	E-1 - E-4
Galley Group	E-5
Heating & Air Conditioning Group	E-6 - E-7
Interior Finish Group	E-8 - E-9
LP Group	E-10
Lounge Group	E-11 - E-13
Water & Sewage Group	E-14
Window, Vent & Exterior Door Group	E-15 - F-4



Key	Part Number	U/M	Description
1	023896-01-000	EA	Hitch Asm. - w/o Drawbar
2	034512-01-000	EA	Pin - Locking - Drawbar
3	023890-01-700	EA	Drawbar - Trailer Hitch - Primed
4	034513-01-000	EA	Pin - Hitch - 3/16" Wire Spring

CURTAIN, CUSHION AND PAD GROUP (CONTINUED)



NOTE
Use this illustration when determining length and width measurements for curtains. You will note the width measurement is taken on the top of the curtain with the curtain fully extended. The length measurement is taken from top to bottom.

CURTAINS

Key	Part Number	U/M	Description
	054051-02-L01	EA	Curtain w/Snap Top - 34" x 37" - Dublin Flax
	056484-26-L01	EA	Curtain w/Taped Top - 22.5" x 19" - Dublin Flax
	056484-27-L01	EA	Curtain w/Taped Top - 27" x 19" - Dublin Flax
	056484-30-L01	EA	Curtain w/Taped Top - 24.5" x 19" - Dublin Flax
	054051-44-L01	EA	Curtain w/Snap Top - 58" x 58" - Privacy - Dublin Flax
	054051-41-L01	EA	Curtain w/Snap Top - 27.5" x 81" - Front Wrap Around (units w/o Driver Door) Dublin Flax
	054051-43-L01	EA	Curtain w/Snap Top - 27.5" x 125" - Front Wrap Around (units w/Driver Door) Dublin Flax
	056800-05-L01	EA	Curtain w/Snap Top - 29" x 30" - Front Wrap Around (units w/Driver Door) Dublin Flax

VALANCES

Key	Part Number	U/M	Description
	055892-01-L01	EA	Valance - 5" x 34" - Brown
	055892-01-L02	EA	Valance - 5" x 34" - Rust
	055892-01-L03	EA	Valance - 5" x 34" - Blue
	055892-06-L01	EA	Valance - 5" x 69" - Brown
	055892-06-L02	EA	Valance - 5" x 69" - Rust
	055892-06-L03	EA	Valance - 5" x 69" - Blue
	055892-07-L01	EA	Valance - 5" x 81" - Brown
	055892-07-L02	EA	Valance - 5" x 81" - Rust
	055892-07-L03	EA	Valance - 5" x 81" - Blue
	055892-08-L01	EA	Valance - 5" x 22.5" - Brown
	055892-08-L02	EA	Valance - 5" x 22.5" - Rust
	055892-08-L03	EA	Valance - 5" x 22.5" - Blue
	055892-09-L01	EA	Valance - 6.5" x 78" - Brown
	055892-09-L02	EA	Valance - 6.5" x 78" - Rust
	055892-09-L03	EA	Valance - 6.5" x 78" - Blue

TIE BACKS

Key	Part Number	U/M	Description
	054048-08-L01	EA	Tie Back Arm - 2" x 13" - Brown
	054048-08-L02	EA	Tie Back Arm - 2" x 13" - Rust
	054048-08-L03	EA	Tie Back Arm - 2" x 13" - Blue

CURTAIN, CUSHION AND PAD GROUP (CONTINUED)

VINYL SHADES

Key	Part Number	U/M	Description
	065657-01-L01	EA	Shade - Vinyl - 15" x 34" - w/Bronze Trim
	065657-01-L02	EA	Shade - Vinyl - 15" x 34" - w/Burnt Orange Trim
	065657-01-L03	EA	Shade - Vinyl - 15" x 34" - w/Blue Trim
	065657-03-L01	EA	Shade - Vinyl - 25" x 23" - w/Bronze Trim
	065657-03-L02	EA	Shade - Vinyl - 25" x 23" - w/Burnt Orange Trim
	065657-03-L03	EA	Shade - Vinyl - 25" x 23" - w/Blue Trim
	065657-11-L01	EA	Shade - Vinyl - 60" x 34" - w/Bronze Trim
	065657-11-L02	EA	Shade - Vinyl - 60" x 34" - w/Burnt Orange Trim
	065657-11-L03	EA	Shade - Vinyl - 60" x 34" - w/Blue Trim
	065657-12-L01	EA	Shade - Vinyl - 69" x 34" - w/Bronze Trim
	065657-12-L02	EA	Shade - Vinyl - 69" x 34" - w/Burnt Orange Trim
	065657-12-L03	EA	Shade - Vinyl - 69" x 34" - w/Blue Trim
	065657-13-L01	EA	Shade - Vinyl - 72" x 34" - w/Bronze Trim
	065657-13-L02	EA	Shade - Vinyl - 72" x 34" - w/Burnt Orange Trim
	065657-13-L03	EA	Shade - Vinyl - 72" x 34" - w/Blue Trim

WOVEN WOOD SHADES

Key	Part Number	U/M	Description
	065728-01-000	EA	Shade - Woven Wood - 15.5" x 31" - Brown
	065728-02-000	EA	Shade - Woven Wood - 15.5" x 31" - Rust
	065728-03-000	EA	Shade - Woven Wood - 15.5" x 31" - Blue
	065728-04-000	EA	Shade - Woven Wood - 25" x 23" - Brown
	065728-05-000	EA	Shade - Woven Wood - 25" x 23" - Rust
	065728-06-000	EA	Shade - Woven Wood - 25" x 23" - Blue
	065728-16-000	EA	Shade - Woven Wood - 60" x 29" - Brown
	065728-17-000	EA	Shade - Woven Wood - 60" x 29" - Rust
	065728-18-000	EA	Shade - Woven Wood - 60" x 29" - Blue
	065728-19-000	EA	Shade - Woven Wood - 61" x 31" - Brown
	065728-20-000	EA	Shade - Woven Wood - 61" x 31" - Rust
	065728-21-000	EA	Shade - Woven Wood - 61" x 31" - Blue
	065728-22-000	EA	Shade - Woven Wood - 72" x 25" - Brown
	065728-23-000	EA	Shade - Woven Wood - 72" x 25" - Rust
	065728-24-000	EA	Shade - Woven Wood - 72" x 25" - Blue

PADS

Key	Part Number	U/M	Description
	063634-03-L01	EA	Pad - Rear Overhead Bunk - 67" - Left - Acorn Vinyl
	063634-04-L01	EA	Pad - Rear Overhead Bunk - 67" - Right - Acorn Vinyl
	063632-01-L01	EA	Pad - Rear Overhead Bunk - 31" x 10.7" - Left - Acorn Vinyl
	063632-02-L01	EA	Pad - Rear Overhead Bunk - 31" x 10.7" - Right - Acorn Vinyl
	067489-01-L01	EA	Pad - Headboard - Double Bed - Brown
	067489-01-L02	EA	Pad - Headboard - Double Bed - Rust
	067489-01-L03	EA	Pad - Headboard - Double Bed - Blue
	063708-01-000	EA	Cover - Air Conditioner - White Vinyl
	063708-01-000	EA	Cover - Roof Vent - White Vinyl
	066666-01-L01	EA	Pad - Pullout Table - Acorn Vinyl
	066607-01-L01	EA	Pad - Front Bunk Panel - Right - Acorn Vinyl
	066608-01-L01	EA	Pad - Front Bunk Panel - Left - (units w/o driver door) Acorn Vinyl
	066608-02-L01	EA	Pad - Front Bunk Panel - Left (units w/Driver Door) Acorn Vinyl
	069414-01-000	EA	Pad - Sidewall Trim - Drivers
	069414-02-000	EA	Pad - Sidewall Trim - Passenger
	069467-03-L01	EA	Pad - Map Pocket - Left - Acorn Vinyl
	069467-04-L01	EA	Pad - Map Pocket - Right - Acorn Vinyl
	068444-01-L01	EA	Pad - End - Dinette Overhead Cabinet

1990 WINNEBAGO TABLE OF CONTENTS

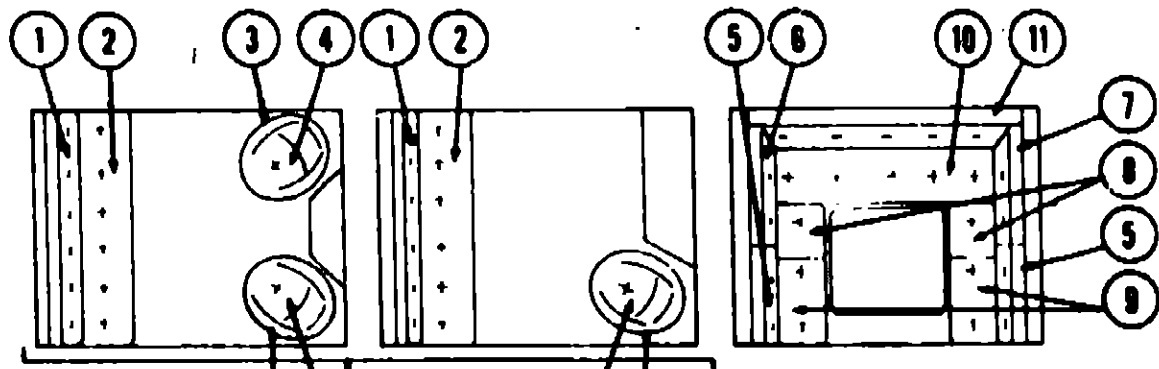
WD/WC420RG L1	A-1 - B-10
WDF26RH L1	B-11 - D-4
WDF26RT L1	D-5 - F-4
WD423RB L1	F-5 - G-16

1990 WDF26RT L1 INDEX

Floor Plan	D-5 - D-6
Accessories Group	D-7 - D-8
Bath Group	D-9
Chassis Group	D-10
Curtain, Cushion and Pad Group	D-11 - D-18
Dinette Group	D-19
Driver's Compartment Group	D-20 - D-21
Electrical Group	D-22 - D-24
Exterior Body Group	E-1 - E-4
Galley Group	E-5
Heating & Air Conditioning Group	E-6 - E-7
Interior Finish Group	E-8 - E-9
LP Group	E-10
Lounge Group	E-11 - E-13
Water & Sewage Group	E-14
Window, Vent & Exterior Door Group	E-15 - F-4

CURTAIN, CUSHION AND PAD GROUP (CONTINUED)

CURTAIN, CUSHION AND PAD GROUP (CONTINUED)



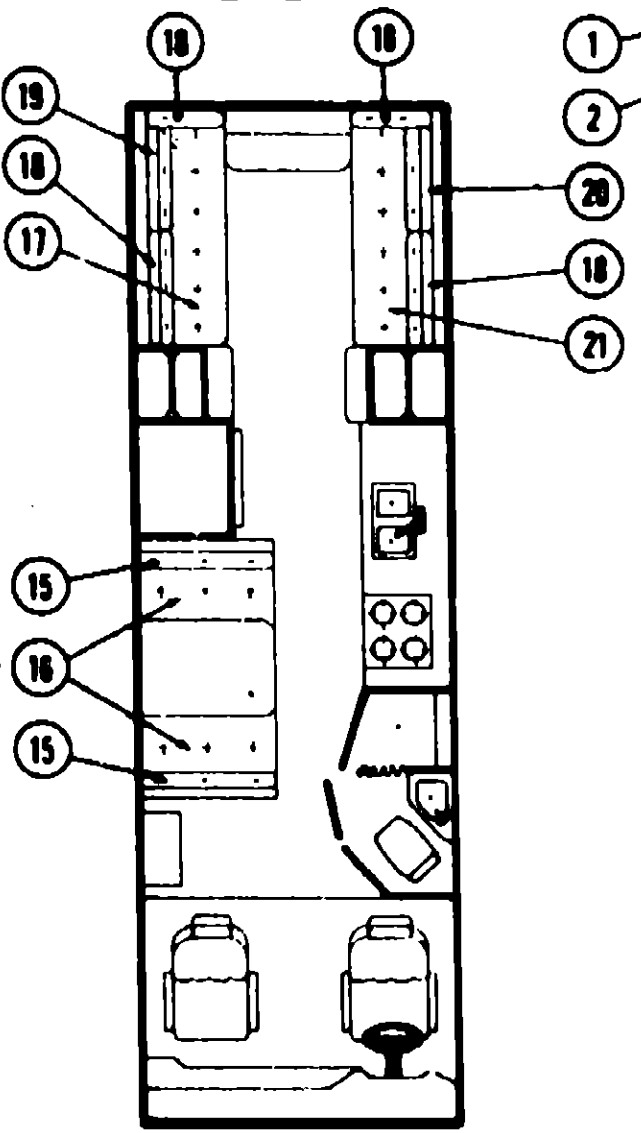
Key	Part Number	U/M	Description
3	054674-12-L01	EA	Swivel Chair - w/o Base - Brown
3	054674-12-L02	EA	Swivel Chair - w/o Base - Rust
3	054674-12-L03	EA	Swivel Chair - w/o Base - Blue
4	054700-10-L01	EA	Cushion - Swivel Chair - Brown
4	054700-10-L02	EA	Cushion - Swivel Chair - Rust
4	054700-10-L03	EA	Cushion - Swivel Chair - Blue
	035036-01-000	EA	Plate - Swivel Chair
	035036-02-000	EA	Base - w/Legs - Swivel Chair

SWIVEL CHAIRS

U/M	Description
EA	Swivel Chair - w/o Base - Brown
EA	Swivel Chair - w/o Base - Rust
EA	Swivel Chair - w/o Base - Blue
EA	Cushion - Swivel Chair - Brown
EA	Cushion - Swivel Chair - Rust
EA	Cushion - Swivel Chair - Blue
EA	Plate - Swivel Chair
EA	Base - w/Legs - Swivel Chair

HORSESHOE LOUNGE CUSHIONS

Key	Part Number	U/M	Description
5	064700-05-L01	EA	Cushion - Lounge Back - 16" x 30.5" x 4.5" - Brown
5	064700-05-L02	EA	Cushion - Lounge Back - 16" x 30.5" x 4.5" - Rust
5	064700-05-L03	EA	Cushion - Lounge Back - 16" x 30.5" x 4.5" - Blue
	064701-04-L01	EA	Cover - Lounge Back - 16" x 30.5" x 4.5" - Brown
	064701-04-L02	EA	Cover - Lounge Back - 16" x 30.5" x 4.5" - Rust
	064701-04-L03	EA	Cover - Lounge Back - 16" x 30.5" x 4.5" - Blue
6	064702-01-L01	EA	Cushion - Lounge Back - 16" x 40.5" x 36.5" x 4.5" - Right - Brown
6	064702-01-L02	EA	Cushion - Lounge Back - 16" x 40.5" x 36.5" x 4.5" - Right - Rust
6	064702-01-L03	EA	Cushion - Lounge Back - 16" x 40.5" x 36.5" x 4.5" - Right - Blue
	064703-01-L01	EA	Cover - Lounge Back - 16" x 40.5" x 36.5" x 4.5" - Right - Brown
	064703-01-L02	EA	Cover - Lounge Back - 16" x 40.5" x 36.5" x 4.5" - Right - Rust
	064703-01-L03	EA	Cover - Lounge Back - 16" x 40.5" x 36.5" x 4.5" - Right - Blue
7	064702-02-L01	EA	Cushion - Lounge Back - 16" x 40.5" x 36.5" x 4.5" - Left - Brown
7	064702-02-L02	EA	Cushion - Lounge Back - 16" x 40.5" x 36.5" x 4.5" - Left - Rust
7	064702-02-L03	EA	Cushion - Lounge Back - 16" x 40.5" x 36.5" x 4.5" - Left - Blue
	064703-02-L01	EA	Cover - Lounge Back - 16" x 40.5" x 36.5" x 4.5" - Left - Brown
	064703-02-L02	EA	Cover - Lounge Back - 16" x 40.5" x 36.5" x 4.5" - Left - Rust
	064703-02-L03	EA	Cover - Lounge Back - 16" x 40.5" x 36.5" x 4.5" - Left - Blue
8	064700-06-L01	EA	Cushion - Lounge Seat - 24" x 16.5" x 5" - Brown
8	064700-06-L02	EA	Cushion - Lounge Seat - 24" x 16.5" x 5" - Rust
8	064700-06-L03	EA	Cushion - Lounge Seat - 24" x 16.5" x 5" - Blue
	064701-05-L01	EA	Cover - Lounge Seat - 24" x 16.5" x 5" - Brown
	064701-05-L02	EA	Cover - Lounge Seat - 24" x 16.5" x 5" - Rust
	064701-05-L03	EA	Cover - Lounge Seat - 24" x 16.5" x 5" - Blue
9	064700-07-L01	EA	Cushion - Lounge Seat - 24" x 30.5" x 5" - Brown
9	064700-07-L02	EA	Cushion - Lounge Seat - 24" x 30.5" x 5" - Rust
9	064700-07-L03	EA	Cushion - Lounge Seat - 24" x 30.5" x 5" - Blue
	064701-06-L01	EA	Cover - Lounge Seat - 24" x 30.5" x 5" - Brown
	064701-06-L02	EA	Cover - Lounge Seat - 24" x 30.5" x 5" - Rust
	064701-06-L03	EA	Cover - Lounge Seat - 24" x 30.5" x 5" - Blue
10	064708-01-L01	EA	Cushion - Two Fold - Lester Lounge - 76" - Brown
10	064708-01-L02	EA	Cushion - Two Fold - Lester Lounge - 76" - Rust
10	064708-01-L03	EA	Cushion - Two Fold - Lester Lounge - 76" - Blue
	064707-01-L01	EA	Cover - Two Fold Lester Lounge - 76" - Brown
	064707-01-L02	EA	Cover - Two Fold Lester Lounge - 76" - Rust
	064707-01-L03	EA	Cover - Two Fold Lester Lounge - 76" - Blue
11	065985-01-L01	EA	Cushion - Lounge Back - 8" x 76" x 4.5" - Brown
11	065985-01-L02	EA	Cushion - Lounge Back - 8" x 76" x 4.5" - Rust
11	065985-01-L03	EA	Cushion - Lounge Back - 8" x 76" x 4.5" - Blue
	065986-01-L01	EA	Cover - Lounge Cushion - 8" x 76" x 4.5" - Brown
	065986-01-L02	EA	Cover - Lounge Cushion - 8" x 76" x 4.5" - Rust
	065986-01-L03	EA	Cover - Lounge Cushion - 8" x 76" x 4.5" - Blue



PRESTO BED CUSHIONS

Key	Part Number	U/M	Description
1	064704-01-L01	EA	Cushion - Presto Bed - Back - 76" - Brown
1	064704-01-L02	EA	Cushion - Presto Bed - Back - 76" - Rust
1	064704-01-L03	EA	Cushion - Presto Bed - Back - 76" - Blue
	064723-01-L01	EA	Cover - Presto Bed - Back - 76" - Brown
	064723-01-L02	EA	Cover - Presto Bed - Back - 76" - Rust
	064723-01-L03	EA	Cover - Presto Bed - Back - 76" - Blue
2	064706-01-L01	EA	Cushion - Presto Bed - Bottom - 76" - Brown
2	064706-01-L02	EA	Cushion - Presto Bed - Bottom - 76" - Rust
2	064706-01-L03	EA	Cushion - Presto Bed - Bottom - 76" - Blue
	064723-02-L01	EA	Cover - Presto Bed - Bottom - 76" - Brown
	064723-02-L02	EA	Cover - Presto Bed - Bottom - 76" - Rust
	064723-02-L03	EA	Cover - Presto Bed - Bottom - 76" - Blue

1980 WINNEBAGO TABLE OF CONTENTS

WD/WC420RG L1	A-1 - B-10
WDF26RH L1	B-11 - D-4
WDF26RT L1	D-5 - F-4
WD423RB L1	F-5 - G-16

1980 WDF26RT L1 INDEX

Floor Plan	D-5 - D-6
Accessories Group	D-7 - D-8
Bath Group	D-9
Chassis Group	D-10
Curtain, Cushion and Pad Group	D-11 - D-16
Dinette Group	D-19
Driver's Compartment Group	D-20 - D-21
Electrical Group	D-22 - D-24
Exterior Body Group	E-1 - E-4
Galley Group	E-5
Heating & Air Conditioning Group	E-6 - E-7
Interior Finish Group	E-8 - E-9
LP Group	E-10
Lounge Group	E-11 - E-13
Water & Sewage Group	E-14
Window, Vent & Exterior Door Group	E-15 - F-4

CURTAIN, CUSHION AND PAD GROUP (CONTINUED)

CORNER LOUNGE CHAIR CUSHIONS

Key	Part Number	U/M	Description
12	059742-05-L01	EA	Cushion - Lounge Chair Back - Brown
12	059742-05-L02	EA	Cushion - Lounge Chair Back - Rust
12	059742-05-L03	EA	Cushion - Lounge Chair Back - Blue
	059745-05-L01	EA	Cover - Chair Back Cushion - Brown
	059745-05-L02	EA	Cover - Chair Back Cushion - Rust
	059745-05-L03	EA	Cover - Chair Back Cushion - Blue
13	059743-05-L01	EA	Cushion - Lounge Chair Seat - Brown
13	059743-05-L02	EA	Cushion - Lounge Chair Seat - Rust
13	059743-05-L03	EA	Cushion - Lounge Chair Seat - Blue
	059746-05-L01	EA	Cover - Chair Seat Cushion - Brown
	059746-05-L02	EA	Cover - Chair Seat Cushion - Rust
	059746-05-L03	EA	Cover - Chair Seat Cushion - Blue
	059744-09-L01	EA	Cushion - Chair Wedge - Right - Brown
	059744-09-L02	EA	Cushion - Chair Wedge - Right - Rust
	059744-09-L03	EA	Cushion - Chair Wedge - Right - Blue
	059747-09-L01	EA	Cover - Chair Wedge - Right - Brown
	059747-09-L02	EA	Cover - Chair Wedge - Right - Rust
	059747-09-L03	EA	Cover - Chair Wedge - Right - Blue
	059744-10-L01	EA	Cushion - Chair Wedge - Left - Brown
	059744-10-L02	EA	Cushion - Chair Wedge - Left - Rust
	059744-10-L03	EA	Cushion - Chair Wedge - Left - Blue
	059747-10-L01	EA	Cover - Chair Wedge - Left - Brown
	059747-10-L02	EA	Cover - Chair Wedge - Left - Rust
	059747-10-L03	EA	Cover - Chair Wedge - Left - Blue

DOUBLE BED MATTRESS

Key	Part Number	U/M	Description
14	055281-01-000	EA	Mattress - Inner Spring - Sealy - 54" x 75"

CONVENTIONAL DINETTE CUSHIONS

Key	Part Number	U/M	Description
15	084700-02-L01	EA	Cushion - Dinette Back - 19 2" x 38" x 4 5" - Brown
15	084700-02-L02	EA	Cushion - Dinette Back - 19 2" x 38" x 4 5" - Rust
15	084700-02-L03	EA	Cushion - Dinette Back - 19 2" x 38" x 4 5" - Blue
	084701-02-L01	EA	Cover - Dinette Back - 19 2" x 38" x 4 5" - Brown
	084701-02-L02	EA	Cover - Dinette Back - 19 2" x 38" x 4 5" - Rust
	084701-02-L03	EA	Cover - Dinette Back - 19 2" x 38" x 4 5" - Blue
16	084700-01-L01	EA	Cushion - Dinette Seat - 17 5" x 38" x 4 5" - Brown
16	084700-01-L02	EA	Cushion - Dinette Seat - 17 5" x 38" x 4 5" - Rust
16	084700-01-L03	EA	Cushion - Dinette Seat - 17 5" x 38" x 4 5" - Blue
	084701-01-L01	EA	Cover - Dinette Seat - 17 5" x 38" x 4 5" - Brown
	084701-01-L02	EA	Cover - Dinette Seat - 17 5" x 38" x 4 5" - Rust
	084701-01-L03	EA	Cover - Dinette Seat - 17 5" x 38" x 4 5" - Blue

CURTAIN, CUSHION AND PAD GROUP (CONTINUED)

REAR TWIN BED CUSHIONS

Key	Part Number	U/M	Description
17	084700-03-L01	EA	Cushion - Rear Twin - 34" x 76" x 4 5" - Right - Brown
17	084700-03-L02	EA	Cushion - Rear Twin - 34" x 76" x 4 5" - Right - Rust
17	084700-03-L03	EA	Cushion - Rear Twin - 34" x 76" x 4 5" - Right - Blue
	084701-03-L01	EA	Cover - Rear Twin Cushion - 34" x 76" x 4 5" - Right - Brown
	084701-03-L02	EA	Cover - Rear Twin Cushion - 34" x 76" x 4 5" - Right - Rust
	084701-03-L03	EA	Cover - Rear Twin Cushion - 34" x 76" x 4 5" - Right - Blue
18	085884-01-L01	EA	Cushion - Bolster - 8" x 10" x 14" x 33" - Brown
18	085884-01-L02	EA	Cushion - Bolster - 8" x 10" x 14" x 33" - Rust
18	085884-01-L03	EA	Cushion - Bolster - 8" x 10" x 14" x 33" - Blue
	085885-01-L01	EA	Cover - Bolster - 8" x 10" x 14" x 33" - Brown
	085885-01-L02	EA	Cover - Bolster - 8" x 10" x 14" x 33" - Rust
	085885-01-L03	EA	Cover - Bolster - 8" x 10" x 14" x 33" - Blue
19	085886-01-L01	EA	Cushion - Angled Bolster - 8" x 10" x 14" x 33" x 35" - Right - Brown
19	085886-01-L02	EA	Cushion - Angled Bolster - 8" x 10" x 14" x 33" x 35" - Right - Rust
19	085886-01-L03	EA	Cushion - Angled Bolster - 8" x 10" x 14" x 33" x 35" - Right - Blue
	085887-01-L01	EA	Cover - Angled Bolster - 8" x 10" x 14" x 33" x 35" - Right - Brown
	085887-01-L02	EA	Cover - Angled Bolster - 8" x 10" x 14" x 33" x 35" - Right - Rust
	085887-01-L03	EA	Cover - Angled Bolster - 8" x 10" x 14" x 33" x 35" - Right - Blue
20	085888-02-L01	EA	Cushion - Angled Bolster - 8" x 10" x 14" x 33" x 35" - Left - Brown
20	085888-02-L02	EA	Cushion - Angled Bolster - 8" x 10" x 14" x 33" x 35" - Left - Rust
20	085888-02-L03	EA	Cushion - Angled Bolster - 8" x 10" x 14" x 33" x 35" - Left - Blue
	085887-02-L01	EA	Cover - Angled Bolster - 8" x 10" x 14" x 33" x 35" - Left - Brown
	085887-02-L02	EA	Cover - Angled Bolster - 8" x 10" x 14" x 33" x 35" - Left - Rust
	085887-02-L03	EA	Cover - Angled Bolster - 8" x 10" x 14" x 33" x 35" - Left - Blue
21	084700-04-L01	EA	Cushion - Rear Twin - 34" x 76" x 4 5" - Left - Brown
21	084700-04-L02	EA	Cushion - Rear Twin - 34" x 76" x 4 5" - Left - Rust
21	084700-04-L03	EA	Cushion - Rear Twin - 34" x 76" x 4 5" - Left - Blue
	084701-03-L01	EA	Cover - Rear Twin - 34" x 76" x 4 5" - Left - Brown
	084701-03-L02	EA	Cover - Rear Twin - 34" x 76" x 4 5" - Left - Rust
	084701-03-L03	EA	Cover - Rear Twin - 34" x 76" x 4 5" - Left - Blue

HIGHBACK BUCKET SEATS, ARMRESTS AND SKIRTS

Key	Part Number	U/M	Description
	085937-06-L01	EA	Seat Asm. - Single Bucket - w/Skirt and Armrests - Brown
	085937-06-L02	EA	Seat Asm. - Single Bucket - w/Skirt and Armrests - Rust
	085937-06-L03	EA	Seat Asm. - Single Bucket - w/Skirt and Armrests - Blue
	085943-01-L01	EA	Cover - Single Bucket - Back - Brown
	085943-01-L02	EA	Cover - Single Bucket - Back - Rust
	085943-01-L03	EA	Cover - Single Bucket - Back - Blue
	085944-01-L01	EA	Cover - Single Bucket - Bottom - Brown
	085944-01-L02	EA	Cover - Single Bucket - Bottom - Rust
	085944-01-L03	EA	Cover - Single Bucket - Bottom - Blue
	088916-01-L01	EA	Skirt - Single Bucket - 6" x 71" - Brown
	088916-01-L02	EA	Skirt - Single Bucket - 6" x 71" - Rust
	088916-01-L03	EA	Skirt - Single Bucket - 6" x 71" - Blue
	088940-01-L01	EA	Seat Asm. - Double Bucket - w/Skirt and Armrests - Brown
	088940-01-L02	EA	Seat Asm. - Double Bucket - w/Skirt and Armrests - Rust
	088940-01-L03	EA	Seat Asm. - Double Bucket - w/Skirt and Armrests - Blue
	088946-01-L01	EA	Cover - Double Bucket - Back - Brown
	088946-01-L02	EA	Cover - Double Bucket - Back - Rust
	088946-01-L03	EA	Cover - Double Bucket - Back - Blue
	088946-01-L01	EA	Cover - Double Bucket - Bottom - Brown
	088946-01-L02	EA	Cover - Double Bucket - Bottom - Rust
	088946-01-L03	EA	Cover - Double Bucket - Bottom - Blue
	088916-01-L01	EA	Skirt - Double Bucket - 6" x 99" - Brown
	088916-01-L02	EA	Skirt - Double Bucket - 6" x 99" - Rust
	088916-01-L03	EA	Skirt - Double Bucket - 6" x 99" - Blue

**1980 WINNEBAGO
TABLE OF CONTENTS**

WD/WC420RG L1	A-1 - B-10
WDF26RH L1	B-11 - D-4
WDF26RT L1	D-5 - F-4
WD423RB L1	F-5 - G-16

1980 WDF26RT L1 INDEX

Floor Plan	D-5 - D-6
Accessories Group	D-7 - D-8
Bath Group	D-9
Chassis Group	D-10
Curtain, Cushion and Pad Group	D-11 - D-16
Dinette Group	D-19
Driver's Compartment Group	D-20 - D-21
Electrical Group	D-22 - D-24
Exterior Body Group	E-1 - E-4
Galley Group	E-5
Heating & Air Conditioning Group	E-6 - E-7
Interior Finish Group	E-8 - E-9
LP Group	E-10
Lounge Group	E-11 - E-13
Water & Sewage Group	E-14
Window, Vent & Exterior Door Group	E-15 - F-4

CURTAIN, CUSHION AND PAD GROUP (CONTINUED)

LOWBACK BUCKET SEATS

Key	Part Number	U/M	Description
	061825-01-L01	EA	Seat Asm - Single Bucket - w/o Arm or Headrest - Brown
	061825-01-L02	EA	Seat Asm - Single Bucket - w/o Arm or Headrest - Rust
	061825-01-L03	EA	Seat Asm - Single Bucket - w/o Arm or Headrest - Blue
	061836-01-L01	EA	Cover - Single Bucket - Back - Brown
	061836-01-L02	EA	Cover - Single Bucket - Back - Rust
	061836-01-L03	EA	Cover - Single Bucket - Back - Blue
	061837-01-L01	EA	Cover - Single Bucket - Bottom - Brown
	061837-01-L02	EA	Cover - Single Bucket - Bottom - Rust
	061837-01-L03	EA	Cover - Single Bucket - Bottom - Blue

CURTAIN HARDWARE

Key	Part Number	U/M	Description
	052327-04-238	EA	Track - Curtain - Brown Alum - 88" w/Holes
	056116-01-000	FT	Track - Curtain - Brown Plastic
	056001-01-000	EA	Bracket - Shade - Left
	056002-01-000	EA	Bracket - Shade - Right
	056003-01-000	EA	Bracket - Drapery Retainer - Right
	056003-02-000	EA	Bracket - Drapery Retainer - Left
	053272-04-200	EA	Track - Curtain - Off White - 88" w/Holes
	056784-01-000	EA	Pull - Window Shade - Antique Brass
	009107-01-000	EA	Guide - Nylon Snap - Curtain
	018031-42-000	EA	Track - Curtain - "L" Rod - Alum Extr - 90"
	009701-01-000	EA	Corner - "L" Rod - Curtain
	009702-01-000	EA	End Stop - "L" Rod - Curtain
	059430-01-000	EA	Track - Curtain - Wraparound - 32" x 45"
	059430-02-000	EA	Track - Curtain - Wraparound - 32" x 88" - Used w/Driver Door



Key	Part Number	U/M	Description
1	029130-01-000	EA	Socket - Snap Fastener
2	029156-01-000	EA	Cap - Snap - 1.56" Dia x .17" Barrel
3	029158-01-000	EA	Socket - Snap Fastener
4	029082-01-000	EA	Stud - Nickel Finish
5	029083-01-000	EA	Eyelet - Nickel Finish

CURTAIN, CUSHION AND PAD GROUP (CONTINUED)

OVERHEAD PULL DOWN BUNKS

Key	Part Number	U/M	Description
	055021-37-L01	EA	Cushion - Front Bunk - 31.5" x 79" x 4" - Brown
	055021-37-L02	EA	Cushion - Front Bunk - 31.5" x 79" x 4" - Rust
	055021-37-L03	EA	Cushion - Front Bunk - 31.5" x 79" x 4" - Blue
	055022-39-L01	EA	Cover - Front Bunk Cushion - 31.5" x 79" x 4" - Brown
	055022-39-L02	EA	Cover - Front Bunk Cushion - 31.5" x 79" x 4" - Rust
	055022-39-L03	EA	Cover - Front Bunk Cushion - 31.5" x 79" x 4" - Blue
	055021-38-L01	EA	Cushion - Rear Bunk - 42" x 80.2" x 4" - Brown
	055021-38-L02	EA	Cushion - Rear Bunk - 42" x 80.2" x 4" - Rust
	055021-38-L03	EA	Cushion - Rear Bunk - 42" x 80.2" x 4" - Blue
	055022-40-L01	EA	Cover - Rear Bunk Cushion - 42" x 80.2" x 4" - Brown
	055022-40-L02	EA	Cover - Rear Bunk Cushion - 42" x 80.2" x 4" - Rust
	055022-40-L03	EA	Cover - Rear Bunk Cushion - 42" x 80.2" x 4" - Blue

FABRICS AND TRIMS

Key	Part Number	U/M	Description
	064383-04-000	YD	Fabric - Drapery - Dublin Flax
	064383-01-000	YD	Fabric - Upholstery - Biscayne Brown
	064383-06-000	YD	Fabric - Upholstery - Biscayne Rust
	064383-07-000	YD	Fabric - Upholstery - Biscayne Blue
	054676-05-L01	EA	Button Asm. - Covered - Bronze
	054676-05-L02	EA	Button Asm. - Covered - Burnt Orange
	054676-05-L03	EA	Button Asm. - Covered - Beige
	052859-01-J27	FT	Trim Asm. - Accent - Acorn Brown Vinyl
	053327-01-000	YD	Vinyl - Non Expanded - 27 oz. - Acorn Brown
	053327-02-000	YD	Vinyl - Expanded - 28 oz. - Acorn Brown
	053327-03-000	YD	Vinyl - Non Support - 18 Gauge Film - Acorn Brown

**1980 WINNEBAGO
TABLE OF CONTENTS**

WD/WC420RG L1	A-1 - B-10
WDF26RH L1	B-11 - D-4
WDF26RT L1	D-5 - F-4
WD423RB L1	F-5 - G-18

1980 WDF26RT L1 INDEX

Floor Plan	D-5 - D-6
Accessories Group	D-7 - D-8
Bath Group	D-9
Chassis Group	D-10
Curtain, Cushion and Pad Group	D-11 - D-18
Dinette Group	D-19
Driver's Compartment Group	D-20 - D-21
Electrical Group	D-22 - D-24
Exterior Body Group	E-1 - E-4
Galley Group	E-5
Heating & Air Conditioning Group	E-6 - E-7
Interior Finish Group	E-8 - E-9
LP Group	E-10
Lounge Group	E-11 - E-13
Water & Sewage Group	E-14
Window, Vent & Exterior Door Group	E-15 - F-4

DINETTE GROUP

STANDARD DINETTE W/OPOSING BENCHES AND FOLD DOWN TABLE

Key	Part Number	U/M	Description
	057715-01-L01	EA	Cabinet Asm - Dinette Overhead - w/o Doors or Hardware
	057992-24-L01	EA	Door Asm. - Dinette Overhead Cabinet - 35 42" x 11 52" - w/o Hardware
	052488-01-L01	EA	Cabinet Asm. - Right Dinette Seat
	052488-02-L01	EA	Cabinet Asm. - Left Dinette Seat - w/o Door or Hardware
	057992-25-L01	EA	Door Asm - Dinette Seat Cabinet - 19 22" x 11 34" - w/o Hardware
	053192-01-L01	EA	Table Asm - Dinette w/o Hardware - Bone
**	053200-04-000	EA	Bracket - Upper Wall Mount - Brown - 23 5"
**	053201-03-000	EA	Bracket - Table Mount - 23"
**	024275-01-000	EA	Rod - Table Lift - 8" x 23 5"
**	024281-06-000	EA	Bracket - Lower Wall Mount - Brown
**	024276-04-000	EA	Leg Asm - Table - Brown - 29 5"
**	064050-01-000	EA	Hinge - Table Leg - Brown
**	024282-01-000	EA	Brace - Table Leg
**	024283-01-000	EA	Clip - 1" O.D. Tube
**	049493-02-000	EA	Catch - Table Leg - Mounts on Floor - Brown

**The illustrated parts breakdown for this item is provided on the Common Items Fiche

SPRUNG COUCH W/PEDESTAL TABLES

Key	Part Number	U/M	Description
	053203-07-L01	EA	Table Asm - Pedestal - w/o Hardware - Butcher Block
	041194-01-000	EA	Base - Table Leg - Mounts in Floor
	009040-03-000	EA	Base - Table Leg - Mounts on Table
	009040-02-000	EA	Leg - Pedestal Table - 2 25" O.D. x 27.5" - Chrome
	057622-01-L01	EA	Panel Asm. - Couch Front - 75 4" x 14 6" - w/o Door or Hardware
	057618-01-L01	EA	Panel Asm - Couch End
	057992-27-L01	EA	Door Asm - Couch Cabinet - 37 42" x 11 62" - w/o Hardware
	057468-02-000	EA	Frame Asm - Sprung Couch - Right
	057468-03-000	EA	Frame Asm - Sprung Couch - Left
	057468-04-000	EA	Frame Rails - Sprung Couch (2 per couch)
	057469-01-000	EA	Leg Asm - Sprung Couch

CORNER LOUNGE CHAIRS W/FOLD DOWN TABLE

Key	Part Number	U/M	Description
	061559-01-L01	EA	Cabinet Asm. - Corner Lounge Chair - Right
	061560-02-L01	EA	Cabinet Asm. - Corner Lounge Chair - Left
	061704-01-L01	EA	Table Asm. - Lounge - Bone
	061892-01-000	EA	Leg Asm - Table - Pivot
	061879-01-000	EA	Leg Asm - Table - Fixed
	024275-04-000	EA	Rod - Table Lift
	024281-06-000	EA	Bracket - Table Lift - Mounts on Table
	053200-02-000	EA	Support - Table - 14.5" - Mounts on Wall

DRIVER'S COMPARTMENT GROUP

DASH PANEL AND COMPONENTS

Key	Part Number	U/M	Description
	059813-01-L01	EA	Dash Asm - Complete w/Gauges and Switches
	022548-03-000	EA	Pad - Dash - Right - Dark Brown
	023242-05-000	EA	Pad - Dash - Left - Dark Brown
	024418-01-000	EA	Lamp Asm. - Map/Gauge
	023020-01-000	EA	Lamp Asm. - Telltale
	007308-01-000	EA	Dash Clock
	052367-01-000	EA	Lighter Asm - Cigarette - 12 Volt
	007041-01-000	EA	Bezel - Cigarette Lighter
	007071-01-000	EA	Louver - Chrome - w/Chrome Wheel
	024990-02-000	EA	Outlet - Defroster w/Swivel - 2" Dark Brown
	007281-01-000	EA	Hose - Flexible - 2 1/2" I.D. - Defroster
	039044-01-000	EA	Louver Asm - A/C Adjustable
	050299-01-000	EA	Bezel - Instrument Panel
	050465-01-000	EA	Bezel - Entertainment Center No 1 w/Cut Out for Vehicle Sensor Panel
	050466-01-000	EA	Bezel - Entertainment Center No 2 - w/Cut Out for Vehicle Sensor Panel, Radio and Clock
	050467-01-000	EA	Bezel - Entertainment Center No 3 - w/Cut Out for Vehicle Sensor Panel, Radio, Clock, Hourmeter and Generator Start Stop Switch
	023892-01-000	EA	Box - Glove Compartment - Black Fiberboard
	022219-01-000	EA	Door - Glove Compartment
	009118-01-000	EA	Twist Lock - Glove Compartment
	024598-01-000	EA	Hinge - Glove Compartment - 1 1/16" x 18"
	034309-01-000	EA	Chain - Glove Box Door
	023834-01-000	EA	Panel - Knee Kick - Bottom of Dash

DASH SWITCHES AND GAUGES

Key	Part Number	U/M	Description
	024461-01-000	EA	Switch - Battery
	024462-01-000	EA	Switch - Battery Condition
	024464-01-000	EA	Switch - Washer
	024467-01-000	EA	Switch - Wiper
	024976-01-000	EA	Switch - Generator w/o Circuit Board
	037387-01-000	EA	Switch - Generator w/Circuit Board
	024459-01-000	EA	Gauge - Voltmeter
	024460-01-000	EA	Gauge - Vacuum
	031035-01-000	EA	Gauge - Generator Hourmeter
	031376-01-000	EA	Control Asm. - Heater - 3 Speed
	066279-01-000	EA	Control Asm. - Heater A/C - 3 Speed

FRONT BUNK AND HARDWARE

Key	Part Number	U/M	Description
	068300-01-L01	EA	Cabinet Asm. - Front Overhead
	063320-01-L01	EA	Bunk Board Asm. - Front Overhead w/Rails
	063773-01-000	EA	Support - Overhead Bunk - Brown - Right
	063773-02-000	EA	Support - Overhead Bunk - Brown - Left
	040071-02-000	EA	Support - Bunk - Seat Belt
	041322-01-000	EA	Washer - Flat - 15/32" I.D. x 2 3/4" O.D.
	039616-02-000	EA	Catch - Bunk - Brown
	023812-22-000	EA	Rail - Bunk - 80" - Brown
	063774-02-000	EA	Torsion Rod - Overhead Bunk - Brown

1980 WINNEBAGO TABLE OF CONTENTS

WD/WC420RG L1	A-1 - B-10
WDF26RH L1	B-11 - D-4
WDF26RT L1	D-5 - F-4
WD423RB L1	F-5 - G-18

1980 WDF26RT L1 INDEX

Floor Plan	D-5 - D-6
Accessories Group	D-7 - D-8
Bath Group	D-9
Chassis Group	D-10
Curtain, Cushion & Pad Group	D-11 - D-18
Dinette Group	D-19
Driver's Compartment Group	D-20 - D-21
Electrical Group	D-22 - D-24
Exterior Body Group	E-1 - E-4
Galley Group	E-5
Heating & Air Conditioning Group	E-6 - E-7
Interior Finish Group	E-8 - E-9
LP Group	E-10
Lounge Group	E-11 - E-13
Water & Sewage Group	E-14
Window, Vent & Exterior Door Group	E-15 - F-4

DRIVER'S COMPARTMENT GROUP (CONTINUED)

BUCKET SEAT PEDESTAL AND SEAT BELTS

Key	Part Number	U/M	Description
	050447-01-000	EA	Pedestal Asm - Tilt Seat - Left
	050447-02-000	EA	Pedestal Asm - Tilt Seat - Right - Single Seat
	050447-04-000	EA	Pedestal Asm - Tilt Seat - Right - Double Seat
	007019-01-000	EA	Belt Asm - Seat - 2" x 84" - Black
	041322-01-000	EA	Washer - Flat 15/32" I.D. x 2 3/8" O.D. - Seat Belt
	049943-01-000	EA	Pedestal - Complete - Swivel
	051382-01-000	EA	Adjuster Asm - Seat w/Lock (Tilt Seat)
	051383-01-000	EA	Adjuster Asm - Seat w/o Lock (Tilt Seat)
	007224-02-000	EA	Handle - Seat Adjuster - 9" (Tilt Seat)

MISCELLANEOUS DRIVER'S COMPARTMENT COMPONENTS

Key	Part Number	U/M	Description
	061378-01-L01	EA	Beverage Tray Asm. - Matador Leather Laminate
	055000-01-000	EA	Tray - Utensil - Dark Brown Plastic
	045795-01-000	EA	Glass Holder - Dark Brown Plastic
	050798-01-000	EA	Pocket - Ash Tray - Plastic
	050797-01-000	EA	Ash Tray - Plastic
	038857-01-000	EA	Latch - Rubber - Draw Handle 5 3/4" w/Strike
	038858-01-000	EA	Latch - Rubber - Draw Handle 3" w/Strike
	035388-03-000	EA	Seal - Motor Cover - Alum Angle
	038823-01-000	EA	Seal - Motor Cover - Neoprene Rubber
	034800-03-000	EA	Cover - Motor - Plastic
	052783-01-000	EA	Seal - Motor Cover - Alum (Mounts on Motor Cover)
	040519-01-000	EA	Boot - Rubber Steering Column
	040520-01-000	EA	Boot - Retainer - Steering Column
	007278-01-000	EA	Mirror - Inside - Rear View 4 1/2" x 9"
	034489-01-070	EA	Support - Dimmer Switch - Dark Brown Plastic
	040885-02-000	EA	Clip - Sunvisor
	058508-01-L01	EA	Sunvisor Asm - Right - Acorn Brown - w/Mirror
	058508-02-L01	EA	Sunvisor Asm. - Left - Acorn Brown
	009143-01-000	EA	Mirror - Sunvisor - 1/8" x 3 5/8" x 8"
	059197-01-000	EA	Side Panel - Passenger (Under Slider Window) Dark Brown ABS
	059198-01-000	EA	Side Panel - Driver (Under Slider Window) Dark Brown ABS
	064088-01-000	EA	Pad Asm - Driver Door Trim - Upper
	061400-01-000	EA	Assist Strap - Driver Door - 12" - Light Brown
	064489-01-000	EA	Panel - Driver Door - Inner - Dark Brown ABS Plastic
	048888-01-000	EA	Ashtray Asm - Driver Door - Flush Mount - Chrome
	059414-01-000	EA	Pad - Trim - Left Sidewall
	059414-02-000	EA	Pad - Trim - Right Sidewall
	059467-03-L01	EA	Pad - Map Pocket - Left - Acorn Vinyl
	059467-04-L01	EA	Pad - Map Pocket - Right - Acorn Vinyl
	061350-01-000	EA	Trim - Interior "A" Post w/Notch - Left
	061350-02-000	EA	Trim - Interior "A" Post w/Notch - Right

ELECTRICAL GROUP

BULBS

Key	Part Number	U/M	Description
	037835-01-000	EA	Bulb - 1157
	038010-01-000	EA	Bulb - 1143
	008103-01-000	EA	Bulb - 53
	008213-01-000	EA	Bulb - 57
	008214-01-000	EA	Bulb - 87
	008215-01-000	EA	Bulb - 1003
	008216-01-000	EA	Bulb - 1034
	008217-01-000	EA	Bulb - 1073
	008218-01-000	EA	Bulb - 1141
	008219-01-000	EA	Bulb - 656
	008220-01-000	EA	Bulb - 12V - 25W
	038198-01-000	EA	Bulb - 194
	700020-01-000	EA	Bulb - 12V - 20W - 1383

FUSES AND CIRCUIT BREAKERS

Key	Part Number	U/M	Description
	056473-01-000	EA	Fuse - Slow Blow - 8 1/4 Amp
	008233-01-000	EA	Fuse - 12 Volt - 6 Amp
	008234-01-000	EA	Fuse - 12 Volt - 10 Amp
	008235-01-000	EA	Fuse - 12 Volt - 15 Amp
	008236-01-000	EA	Fuse - 12 Volt - 20 Amp
	008248-01-000	EA	Fuse - 110 Volt - 30 Amp - AGU
	008252-01-000	EA	Fuse - 110 Volt - 50 Amp
	008208-01-000	EA	Circuit Breaker - 12 Volt - 40 Amp.
	008211-01-000	EA	Circuit Breaker - 12 Volt - 6 Amp
	008258-01-000	EA	Circuit Breaker - 12 Volt - 30 Amp w/Mount
	033573-01-000	EA	Circuit Breaker - 12 Volt - 20 Amp w/Mount
	033573-02-000	EA	Circuit Breaker - 12 Volt - 15 Amp w/Mount
	040051-01-000	EA	Circuit Breaker - 110 Volt - 20 Amp - TQL

EXTERIOR LIGHTS

Key	Part Number	U/M	Description
	042405-03-000	EA	Base - Rectangular Clearance Light
	042405-04-000	EA	Lens - Clearance Light - Red
	042405-05-000	EA	Lens - Clearance Light - Amber
	008082-01-000	EA	Reflector - Stick On - Rectangular - Red
	008083-01-000	EA	Reflector - Stick On - Rectangular - Amber
	007309-01-000	EA	Light - Step Well
	058032-01-000	EA	Tail Lamp 2 Bulb Chrome
	058031-01-700	EA	Lens - Tail Lamp - Amber
	058031-01-701	EA	Lens - Tail Lamp - Red
	058031-01-702	EA	Lens - Tail Lamp - Clear (Back Up)
	062740-04-000	EA	Wedge Asm. - Tail Lamp - Plastic - Left
	062740-02-000	EA	Wedge Asm. - Tail Lamp - Plastic - Right
	058038-01-000	EA	Bracket - Tail Lamp
	058540-01-000	EA	Bracket - License Plate
	048817-01-000	EA	Assist Handle - w/Light

**1980 WINNEBAGO
TABLE OF CONTENTS**

WD/WC420RG L1	A-1 - B-10
WDF26RH L1	B-11 - D-4
WDF26RT L1	D-5 - F-4
WD423RB L1	F-5 - G-16

1980 WDF26RT L1 INDEX

Floor Plan	D-5 - D-8
Accessories Group	D-7 - D-8
Bath Group	D-9
Chassis Group	D-10
Curtain, Cushion and Pad Group	D-11 - D-18
Dinette Group	D-19
Driver's Compartment Group	D-20 - D-21
Electrical Group	D-22 - D-24
Exterior Body Group	E-1 - E-4
Galley Group	E-5
Heating & Air Conditioning Group	E-6 - E-7
Interior Finish Group	E-8 - E-9
LP Group	E-10
Lounge Group	E-11 - E-13
Water & Sewage Group	E-14
Window, Vent & Exterior Door Group	E-15 - F-4

ELECTRICAL GROUP (CONTINUED)

INTERIOR LIGHTS

Key	Part Number	U/M	Description
	033508-02-000	EA	Light - Dome - Ivory - 1 Bulb - US
	033508-03-000	EA	Light - Dome - Ivory - 1 Bulb - CSA
	033509-02-000	EA	Light - Dome - Ivory - 2 Bulbs - US
	033509-03-000	EA	Light - Dome - Ivory - 2 Bulb - CSA
	024842-01-701	EA	Lens - Domelight - 1 Bulb
	024843-01-701	EA	Lens - Domelight - 2 Bulb
	024418-01-000	EA	Lamp Asm - Map/Gauge/Aisle
	053348-01-000	EA	Light - High Intensity - Brown

WINDSHIELD WIPER AND WASHER

Key	Part Number	U/M	Description
**	056000-02-000	EA	Washer Asm - Windshield
**	057853-01-000	EA	Arm - Windshield Wiper - 18" Black
**	037998-01-000	EA	Link Asm. - Connecting - 22 40" Long
**	057474-01-000	EA	Windshield Wiper Asm
**	044313-02-000	EA	Motor Asm - Windshield - Wiper - 100°
**	044313-03-000	EA	Motor Asm - Windshield Wiper - 93°
**	049484-02-000	EA	Blade - Windshield Wiper - 20" Black
**	055675-01-000	EA	Shaft and Pivot Asm

**The illustrated parts breakdown for this item is provided on the Common Items Fiche

WIRE, SWITCHES AND RECEPTACLES

Key	Part Number	U/M	Description
	008024-01-000	FT	Wire - 18 5 Bonded - Orange/White/Yellow/Blue/Brown
	008025-01-000	FT	Wire - 18.5" Bonded - Orange/White/Yellow/Blue/Green
	008028-01-000	FT	Wire - 18 5" Bonded - Blue/Red/Yellow/Orange/White
	008030-01-000	FT	Wire - 18 4 Bonded
	008251-01-000	EA	Holder - Fuse - Black - Screw Type
	008277-01-000	EA	Holder - Fuse - Black - Panel Mount
	008250-02-000	EA	Fuse Holder - In Line - 15 Amp
	008195-01-000	EA	Switch - Push Button - 12 Volt
	008077-01-000	EA	Plaque - Compressor Switch
	008054-01-000	EA	Cord - Power - 10-3 30 Amp - 25' - UL
	008052-01-000	EA	Cord - Power - 10-3 30 Amp - 25' - CSA
	034818-04-000	EA	Holder - Receptacle - Plastic
	038342-01-000	EA	Receptacle - Duplex Brown - T Junction
	024571-04-000	EA	Cover Plate - Receptacle - Jumbo Plastic Ivory
	038343-01-000	EA	Cap - End - Receptacle
	008182-01-000	EA	Switch - Double Toggle - Spade Brown
	008183-01-000	EA	Switch - Toggle Brown
	008184-01-000	EA	Cover Plate - Switch - Brown
	024924-01-000	EA	Receptacle - Power Cord
	008058-01-000	EA	Adapter - Power Cord
	047353-01-000	EA	Cover - Receptacle - Ground Fault
	053128-01-000	EA	Receptacle - Ground Fault Interrupter - 125 Volt, Ivory
	053128-02-000	EA	Receptacle - Ground Fault Interrupter - 125 Volt - Brown
	058707-01-000	EA	Receptacle - Single - Brown - Thomas & Betts
	058708-01-000	EA	Receptacle - Duplex - Brown - Thomas & Betts
	008187-01-000	EA	Receptacle - Duplex - Brown - (Exterior Backwalls)
	088048-01-000	EA	Cover - Electrical Box - 4.8" x 2.75"
	008288-01-000	EA	Box - Electrical - 3" x 3 1/2"
	008289-01-000	EA	Box - Electrical - 4" x 4 1/2"
	088028-01-000	EA	Connector - Pigtail - Clear Nylon
	031720-01-000	EA	Spacer - Receptical - Brown Plastic - C.S.A.
	008294-01-000	EA	Cover Plate - Steel - 4" x 4 1/2"

ELECTRICAL GROUP (CONTINUED)

MISCELLANEOUS ELECTRICAL COMPONENTS

Key	Part Number	U/M	Description
	047389-01-700	EA	Battery - 12 Volt - 105 Amp Deep Cycle - Dry
	057899-01-000	EA	Battery - 12 Volt - Maintenance Free - Delco
	008188-01-000	EA	Solenoid - Dual Battery - Relay
**	054544-01-000	EA	Control Center - 37 Amp - UL
	039950-01-702	EA	Circuit Board - Control Center
	057043-01-000	EA	Control Center - 37 Amp - CSA
	024459-01-000	EA	Gauge - Voltmeter
	024462-01-000	EA	Switch - Battery Condition
	031035-01-000	EA	Gauge - Hourmeter - Generator
	024978-01-000	EA	Switch - Generator w/o Circuit Board
	024460-01-000	EA	Gauge - Vacuum
	008181-01-000	EA	Relay - 12 - 15V - 27 Amp
	038617-01-000	EA	Relay - Canister - SPDT
	039881-01-000	EA	Sending Unit Kit - Wemac
	048812-04-000	EA	Control Panel - Water/Double Sewage - Basic Panel
	048812-05-000	EA	Panel Insert - w/Thermostat Holes
	048812-06-000	EA	Panel Insert - w/o Thermostat Holes
	048812-07-000	EA	Panel Insert - Deluxe w/Refrigerator Alarm, Clock and LP Gauge
	048812-07-700	EA	Refrigerator Sensor - Refrigerator Alarm

**The illustrated parts breakdown for this item is provided on the Common Items Fiche

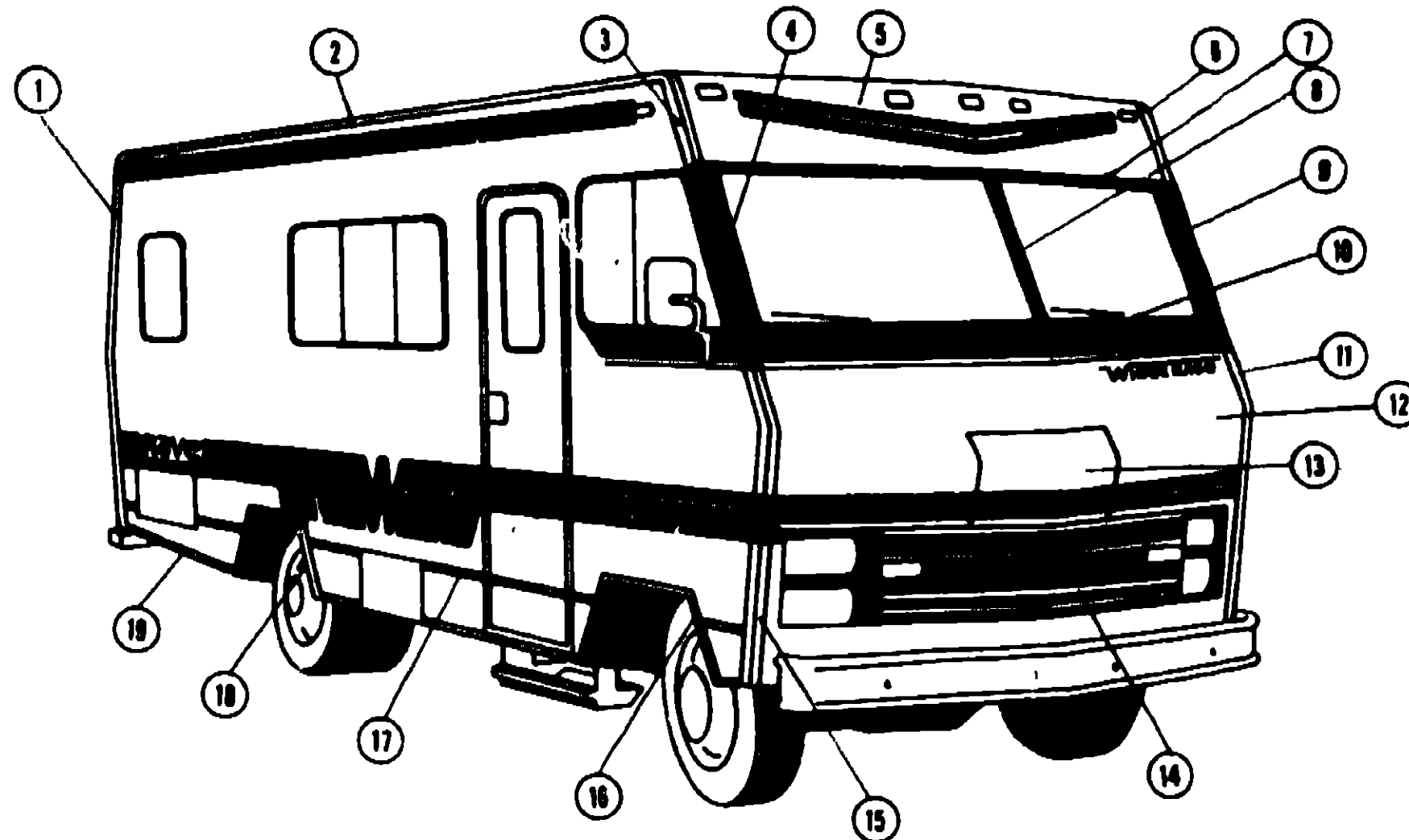
1980 WINNEBAGO TABLE OF CONTENTS

WD/WC420RG L1	A-1 - B-10
.VDF26RH L1	B-11 - D-4
WDF26RT L1	D-5 - F-4
WD423RB L1	F-5 - G-18

1980 WDF26RT L1 INDEX

Floor Plan	D-5 - D-6
Accessories Group	D-7 - D-8
Bath Group	D-9
Chassis Group	D-10
Curtain, Cushion and Pad Group	D-11 - D-18
Dinetto Group	D-19
Driver's Compartment Group	D-20 - D-21
Electrical Group	D-22 - D-24
Exterior Body Group	E-1 - E-4
Galley Group	E-5
Heating & Air Conditioning Group	E-6 - E-7
Interior Finish Group	E-8 - E-9
LP Group	E-10
Lounge Group	E-11 - E-13
Water & Sewage Group	E-14
Window, Vent & Exterior Door Group	E-15 - F-4

EXTERIOR BODY GROUP



1980 WINNERAGO TABLE OF CONTENTS

WD/WC420RG L1
WDF26RH L1
WDF26RT L1
WD423RB L1

A-1 - B-10
B-11 - D-4
D-5 - F-4
F-5 - G-16

Key	Part Number	U/M	Description
1	038864-01-000	EA	Trim - Contour - Right Rear - Off White
•	038864-02-000	EA	Trim - Contour - Left Rear - Off White
2	034922-04-000	EA	Trim - Sidewall - Upper - Left or Right - Off White
3	058284-02-000	EA	Trim - Contour - Right Front Upper - Off White
4	058289-02-000	EA	Trim - Contour - Windshield - Right
5	054988-01-000	EA	Cap Asm - Fiberglass - Over Windshield - Off White
•	082386-01-000	EA	Trim - Roof/Front Cap
6	058284-01-000	EA	Trim - Contour - Left Front Upper - Off White
7	058287-01-000	EA	Trim - Molding - Windshield - Upper
•	042743-02-000	EA	Trim - Corner Windshield - Upper
8	058288-01-000	EA	Trim Molding - Windshield - Center
9	058289-01-000	EA	Trim - Contour - Windshield - Left
10	058287-02-000	EA	Trim - Molding - Windshield - Lower
•	042743-01-000	EA	Trim - Corner Windshield - Lower

Key	Part Number	U/M	Description
11	058899-04-000	EA	Trim - Contour - Left Front Lower - Off White
12	086634-01-000	EA	Panel Asm - Front Shroud - Includes Access Panel, Lower Shroud and Headlamp Cans
13	086632-01-000	EA	Access Panel - Off White
•	058722-01-000	EA	Pull Pin - Access Door Release
•	058752-01-000	EA	Hinge - Access Panel - Right
•	058752-02-000	EA	Hinge - Access Panel - Left
•	058583-01-000	EA	Headlamp Housing - w/Lamps and Bezel - Left
•	058583-02-000	EA	Headlamp Housing - w/Lamps and Bezel - Right
•	048358-01-000	EA	Bezel - Headlamp - Left
•	048358-02-000	EA	Bezel - Headlamp - Right
14	086779-01-000	EA	Grille Asm.
15	058899-03-000	EA	Trim - Contour - Right Front Lower - Off White
16	052843-02-000	EA	Trim - Wheel Well - Front - Left or Right
17	002444-02-001	EA	Feature Strip - Extr Anod - 14' - w/o Insert
•	001030-08-100	EA	Insert - Feature Strip - Brown - 17'
•	009731-01-000	EA	End Cap - Feature Strip
18	052842-01-000	EA	Trim - Wheel Well - Rear - Right or Left
19	002776-02-001	EA	Extr - U-Channel - 1.75" x 18" - Anod.
•	002385-02-001	EA	Extr. - U-Channel - 1" x 18" Anod
•	044380-01-001	EA	Extr - Drip Rail - 192"
•			Not Illustrated

1980 WDF26RT L1 INDEX

Ficor Plan	D-5 - D-6
Accessories Group	D-7 - D-8
Bath Group	D-9
Chassis Group	D-10
Curtain, Cushion and Pad Group	D-11 - D-18
Dinette Group	D-19
Driver's Compartment Group	D-20 - D-21
Electrical Group	D-22 - D-24
Exterior Body Group	E-1 - E-4
Galley Group	E-5
Heating & Air Conditioning Group	E-6 - E-7
Interior Finish Group	E-8 - E-9
LP Group	E-10
Lounge Group	E-11 - E-13
Water & Sewage Group	E-14
Window, Vent & Exterior Door Group	E-15 - F-4

EXTERIOR BODY GROUP (CONTINUED)

EXTERIOR BODY PANELS AND SHEET ALUMINUM

Key	Part Number	U/M	Description
	088415-02-L01	EA	Backwall Asm.
	088414-01-L01	EA	Sidewall Asm. - Right
	088413-01-L01	EA	Sidewall Asm. - Left
	088318-01-L01	EA	Roof Asm.
	038155-03-008	EA	Alum. - Off White Mesa I - .024" x 36" x 60"
	038155-03-003	EA	Alum. - Off White Mesa I - .024" x 36" x 360"
	038155-03-007	EA	Alum. - Off White Mesa I - .024" x 48" x 60"
	038155-03-008	EA	Alum. - Off White Mesa I - .024" x 48" x 360"
	038155-03-009	EA	Alum. - Off White Mesa I - .024" x 12" x 360"
	038155-28-001	EA	Alum. - Off White Mesa II - .024" x 36" x 60"
	038155-28-003	EA	Alum. - Off White Mesa II - .024" x 36" x 360"
	038155-28-004	EA	Alum. - Off White Mesa II - .024" x 48" x 60"
	038155-28-006	EA	Alum. - Off White Mesa II - .024" x 48" x 360"
	038155-28-007	EA	Alum. - Off White Mesa II - .024" x 12" x 360"
	044487-01-001	EA	Plain Roof Metal - 96" x 360"
	038155-07-010	EA	Off White Grayhound Alum - 48" x 96"
	001084-01-011	EA	Off White Plain Alum - 48" x 96"
	000886-01-000	BF	Styrofoam - 3/4" x 24" x 96"
	000870-01-000	BF	Styrofoam - 1 1/2" x 24" x 96"

NOTE: The raised portion of Mesa I aluminum is 1.875" wide
The raised portion of Mesa II aluminum is .875" wide

EXTERIOR PAINT

Key	Part Number	U/M	Description
	041561-01-000	EA	Paint - Off White - Acrylic Enamel - 1 Gal Dupont 45385A
	041561-03-000	EA	Paint - Off White - Acrylic Enamel - 16 oz Spray - Dupont 45385A
	041561-04-000	EA	Paint - Off White - Acrylic Lacquer - 1 Gal. - Dupont 45388L
	056380-03-000	EA	Paint - Brown - Acrylic Enamel - 16 oz Spray - Dupont 28807
	057012-03-000	EA	Paint - Mariner Blue - Acrylic Enamel - 16 oz Spray - Dupont 5183
	056382-03-000	EA	Paint - Orange - Acrylic Enamel - 16 oz Spray - Dupont 7455
	056213-03-000	EA	Paint - Dark Brown - 16 oz Spray - Dupont 44173

SEALANTS, ADHESIVES AND FASTENERS

Key	Part Number	U/M	Description
	034552-05-000	EA	Sealant - Off White Silicone
	034552-04-000	EA	Sealant - Beige Silicone
	034552-02-000	EA	Sealant - Clear Silicone
	004346-02-000	EA	Sealant - White Silicone
	008200-01-000	EA	Tape - Furnace - 1 1/2"
	004363-01-000	FT	Tape - Gasket - 1/8" x 3/4" - White
	002825-01-000	FT	Weather Stripping - Roof Vent
	002337-01-000	EA	Adhesive - 3M - 1300 Tolu
	004006-01-000	EA	Adhesive - Swifts - Green Glue (Sidewalls)
	004020-01-000	QT	Adhesive - ABS Cement (Plastic Fittings)
	028051-01-000	EA	Adhesive - Spray Vinyl
	042401-02-000	EA	Screw - 8 - 18 x 3/4" SDPH - Off White
	042403-02-000	EA	Screw - SF/CR - 8 - 18 x 1" SDPH - Off White
	053766-01-000	EA	Bedding Compound - Tube Black - Schnee Moorehead
	053766-02-000	EA	Bedding Compound - Tube White - Schnee Moorehead
	053767-01-000	FT	Tape - 1/2" x 1/8" x 30' - Gray - Schnee Moorehead
	053767-03-000	FT	Tape - 1/4" Bead x 20' - Gray - Schnee Moorehead
	053767-04-000	FT	Tape - 3/4" x 1/8" x 30' - Gray - Schnee Moorehead
	053767-05-000	FT	Tape - 2" x 3/32" x 45' - Gray - Schnee Moorehead
	053752-03-000	EA	Seam Sealer - Tube - White - #5517 - Schvr. Moorehead

EXTERIOR BODY GROUP (CONTINUED)

LABELS AND DECALS

Key	Part Number	U/M	Description
	008031-01-000	EA	Label - Potable Water Only
	008167-01-000	EA	Label - Sewage
	008188-01-000	EA	Label - Waste Water
	008188-01-000	EA	Label - Exit - Escape Window
	008028-01-000	EA	Label - Drain Cap - 2" x 3"
	008082-01-000	EA	Reflector - Stick On - Rectangular - Red
	008083-01-000	EA	Reflector - Stick On - Rectangular - Amber
	040844-01-000	EA	Label - Open - Entrance Door
	047731-01-000	EA	Label - Emergency Exit
	008040-01-000	EA	Tag - Gas - Refueling Warning
	008082-01-000	EA	Label - LP Gas Only
	081417-01-000	EA	Label - Fuel
	084378-01-000	EA	Label - Flying "W" - Thermo Panel Construction
	060313-06-000	EA	Decal - Logo - "Winnebago" - 2.8" x 22" - Rust
	060313-07-000	EA	Decal - Logo - "Winnebago" - 2.8" x 22" - Orange
	060313-08-000	EA	Decal - Logo - "Winnebago" - 2.8" x 22" - Blue
	084458-01-000	EA	Decal - Logo - "Brave" - 4 3/4" x 31 1/2" - Rust
	084458-02-000	EA	Decal - Logo - "Brave" - 4 3/4" x 31 1/2" - Orange
	084458-03-000	EA	Decal - Logo - "Brave" - 4 3/4" x 31 1/2" - Blue
	085218-01-000	EA	Decal - W Surround - 16" x 9.5" - Right - Rust
	085218-02-000	EA	Decal - W Surround - 16" x 9.5" - Right - Orange
	085218-03-000	EA	Decal - W Surround - 16" x 9.5" - Right - Blue
	085218-04-000	EA	Decal - W Surround - 16" x 9.5" - Left - Rust
	085218-05-000	EA	Decal - W Surround - 16" x 9.5" - Left - Orange
	085218-06-000	EA	Decal - W Surround - 16" x 9.5" - Left - Blue
	085217-01-000	FT	Decal - Double 1.5" Stripes Premasked 3/4" Apart - Rust
	085217-02-000	FT	Decal - Double 1.5" Stripes Premasked 3/4" Apart - Orange
	085217-03-000	FT	Decal - Double 1.5" Stripes Premasked 3/4" Apart - Blue
	085218-01-000	FT	Decal - 1/2" Tape Stripe - Premasked - Rust
	085218-02-000	FT	Decal - 1/2" Tape Stripe - Premasked - Orange
	085218-03-000	FT	Decal - 1/2" Tape Stripe - Premasked - Blue
	085219-01-000	FT	Decal - Double 3/4" Stripes Premasked 2" Apart - Rust
	085219-02-000	FT	Decal - Double 3/4" Stripes Premasked 2" Apart - Orange
	085219-03-000	FT	Decal - Double 3/4" Stripes Premasked 2" Apart - Blue
	008001-01-000	EA	Nameplate - Winnebago - Plastic Chrome
	081601-01-000	EA	Decal - Winnebago - 3.62" x .50" - Black
	031181-01-000	EA	Label - Flying W
	050225-01-000	EA	Label - Warning - Stove Vent - U S
	008084-01-000	EA	Label - Seat - w/o Seat Belt
	008015-01-000	EA	Label - Patent - Motor Home

MISCELLANEOUS EXTERNALLY MOUNTED PARTS

Key	Part Number	U/M	Description
**	010230-02-000	EA	Fill - City Water - Recessed - Off White
**	058808-01-000	EA	Fill - Water - Lockable
**	011124-01-000	EA	Plumbing Seal - Roof Vent - 1 1/4" White
**	011129-01-000	EA	Plumbing Seal - Roof Vent - 1 1/2" White
	057481-01-000	EA	Mirror Head - 7 1/2" x 10 1/2" - w/Convex - Stainless Steel
	057481-02-000	EA	Mirror Head - 7 1/2" x 10 1/2" - w/Convex - Off White
	048348-01-000	EA	Arm - Low Mount Mirror - Brite Finish
	048348-03-000	EA	Arm - Low Mount Mirror - Black
	048944-02-000	EA	Bracket - Mirror - Outside - Off White - Mounts to Coach
	048944-04-000	EA	Bracket - Mirror - Outside - Black Mounts to Coach
	048817-01-000	EA	Handle Asm - Assist w/Light

**The illustrated parts breakdown for this item is provided on the Common Items Fiche

1990 WINNEBAGO TABLE OF CONTENTS

WD/WC420RG L1	A-1 - B-10
WDF26RH L1	B-11 - D-4
WDF26RT L1	D-5 - F-4
WD423RB L1	F-5 - G-16

1990 WDF26RT L1 INDEX

Floor Plan	D-5 - D-6
Accessories Group	D-7 - D-8
Bath Group	D-9
Chassis Group	D-10
Curtain, Cushion & Pad Group	D-11 - D-18
Dinette Group	D-19
Driver's Compartment Group	D-20 - D-21
Electrical Group	D-22 - D-24
Exterior Body Group	E-1 - E-4
Galley Group	E-5
Heating & Air Conditioning Group	E-6 - E-7
Interior Finish Group	E-8 - E-9
LP Group	E-10
Lounge Group	E-11 - E-13
Water & Sewage Group	E-14
Window, Vent & Exterior Door Group	E-15 - F-4

GALLEY GROUP

GALLEY CABINET

Key	Part Number	U/M	Description
	058304-01-L01	EA	Cabinet Asm. - Galley - w/o Countertop, Doors, Drawers or Hardware
	052566-01-L01	EA	Countertop Asm. - Galley Cabinet - Bone
	058023-06-L01	EA	Drawer Asm. - Galley Cabinet - 14 1" x 5.3" x 20" - w/o Hardware
	057982-30-L01	EA	Door Asm. - Galley Cabinet - 13 82" x 30.82" - w/o Hardware
	057982-31-L01	EA	Door Asm. - Galley Cabinet - 14 88" x 8.02" - w/o Hardware
	057982-32-L01	EA	Door Asm. - Galley Cabinet - 14.82" x 9.72" - w/o Hardware
	057982-28-L01	EA	Door Asm. - Refrigerator Cabinet - 11.82" x 17 82" - w/o Hardware
	057677-01-L01	EA	Cabinet Asm. - Galley Overhead - w/o Doors or Hardware
	057982-10-L01	EA	Door Asm. - Microwave Cabinet - 11.82" x 18 02" - w/o Doors or Hardware
	057982-29-L01	EA	Door Asm. - Galley Overhead Cabinet - 9.82" x 15 82" - w/o Hardware
	053424-01-L01	EA	Sink Cover - Large - Bone

GALLEY HARDWARE AND APPLIANCES

Key	Part Number	U/M	Description
	011032-01-00	EA	Sink - Stainless Steel - Double w/Boils
..	011063-01-000	EA	Faucet - Swing Spout - 8" - U.S.
..	011063-02-000	EA	Faucet - Swing Spout - 8" - C.S.A.
..	011063-01-700	EA	Aerator - Swing Spout Faucet
..	011085-01-000	EA	Strainer - Sink
	058334-01-000	EA	Waste Basket - 9 3/4" x 7" x 10" - White
	053333-01-000	EA	Hood - Range - Non Power - Black - Jensen - U.S.
	053333-02-000	EA	Hood - Range - Non Power - Black - Jensen - C.S.A.
..	048830-07-000	EA	Hood - Range - Powered - Almond - Jensen - U.S.
..	048830-08-000	EA	Hood - Range - Powered - Almond - Jensen - C.S.A.
	055282-02-000	EA	Range - 4 Burner - Almond - Magic Chef
	052771-02-000	EA	Oven - Microwave - Magic Chef - MW207
..	048175-02-000	EA	Refrigerator - AC/DC/Gas - 1 Door - ET 150/2
..	048174-02-000	EA	Refrigerator - AC/DC/Gas - 2 Door - ET 230/2

.. The illustrated parts breakdown for this item is provided on the Common Items Fiche

HEATING AND AIR CONDITIONING GROUP

AUTOMOTIVE HEATER/AIR CONDITIONER AND COMPONENTS

Key	Part Number	U/M	Description
	031378-01-000	EA	Control Asm. - Heater - 3 Spd
	065278-01-000	EA	Control Asm. - Heater and Air Conditioner
	007076-01-000	FT	Hose - Flexible PVC - 2" I.D.
	007108-01-000	FT	Heater Hose - 5/8" I.D.
	062401-01-000	EA	Clamp - Worm Drive - .89" x 1.25"
	062401-06-000	EA	Clamp - Hose - Worm Gear - 2" - 3" I.D.
	007281-01-000	FT	Hose - Flexible PVC - 2 1/2" I.D.
	038044-01-000	EA	Louver Asm. - A/C Adjustable
	047048-01-000	EA	Motor - 12 Volt - 3 Speed - Heater - Air Conditioner
	024888-01-000	EA	Adapter - Motor Mount
	031043-01-000	EA	Valve - Heater - Water Flow Control
	031188-01-000	EA	Cable - Control - Flexible - 53"
	031188-02-000	EA	Cable - Control - Flexible - 48"
	031170-01-000	EA	Clamp Cable - 3/16" Dia
	024888-01-000	EA	Clutch - Magnetic - Compressor
	024888-01-000	EA	Compressor - Auto Air - 10.3 Cubic Inch
	062637-01-000	EA	Package - Compressor Mount 380 C.I.D.
	033295-01-000	EA	Package - Compressor Mount - 440 C.I.D.
	031384-01-000	EA	Condenser - Radiator Mount
	008287-01-000	EA	Switch - Air Conditioner
	024887-01-000	EA	Valve - Thermostatic Expansion
	024887-01-000	EA	Core - Heater
	024888-01-000	EA	Wheel - Blower - 4 72" O.D.
	031383-01-000	EA	Coil - Evaporator
	031001-01-000	EA	Blower Housing
	065208-01-000	EA	Hose - Refrigerant - 50" I.D. x 34 50"
	034222-02-000	EA	Hose - Refrigerant - .31" I.D. x 32"
	034222-01-000	EA	Hose - Refrigerant - .31" I.D. x 26"
	031880-01-000	EA	Hose - Refrigerant - .34" I.D. x 30"
	031881-01-000	EA	Hose - Refrigerant - .31" I.D. x 14 75"
	031881-02-000	EA	Hose - Refrigerant - .31" I.D. x 18"
	024888-01-000	EA	Receiver - Dehydrator
	031044-01-000	EA	Clamp - Receiver Dehydrator
	031882-01-000	EA	Bracket - Receiver Dehydrator
	031876-01-000	EA	Belt - Drive - 50" x 54" - 380 C.I.D. or 440 C.I.D.
	048228-02-000	EA	Kit - Auto Air - 380 C.I.D. A-Body - Winnebago Heater
	048229-02-000	EA	Kit - Auto Air - 440 C.I.D. A Body - Winnebago Heater
	048401-01-000	EA	Heater Asm. - Rear - Aux.
	048401-01-700	EA	Valve - Water Control - (Aux Heater)
	048401-01-701	EA	Control Cable - (Aux Heater)
	048401-01-702	EA	Motor Asm. - (Aux Heater)
	048401-01-703	EA	Heater Core - (Aux Heater)
	048401-01-704	EA	Switch - (Aux Heater)
	058808-01-000	EA	Control Panel - Aux Rear Heater
	058484-01-000	EA	Register - 4" Dia. - Plastic w/Damper - Winterization Option
	062408-01-000	EA	Heat - Pusher - (Duct Fan) Winterization Option
	062411-01-000	EA	Switch - Temp Control - 38° Close - 48° Open - Winterization Option
	062411-02-000	EA	Switch - Temp Control - 28° Close - 30° Open - Winterization Option

1980 WINNEBAGO TABLE OF CONTENTS

WD/WC420RG L1	A-1 - B-10
WDF28RH L1	B-11 - D-4
WDF28RT L1	D-5 - F-4
WD423RB L1	F-5 - G-18

1980 WDF28RT L1 INDEX

Floor Plan	D-5 - D-8
Accessories Group	D-7 - D-8
Bath Group	D-9
Chassis Group	D-10
Curtain, Cushion & Pad Group	D-11 - D-18
Dinette Group	D-19
Driver's Compartment Group	D-20 - D-21
Electrical Group	D-22 - D-24
Exterior Body Group	E-1 - E-4
Galley Group	E-5
Heating & Air Conditioning Group	E-6 - E-7
Interior Finish Group	E-8 - E-9
LP Group	E-10
Lounge Group	E-11 - E-13
Water & Sewage Group	E-14
Window, Vent & Exterior Door Group	E-15 - F-4

HEATING AND AIR CONDITIONING GROUP (CONTINUED)

FURNACES AND ROOF AIR CONDITIONERS

Key	Part Number	U/M	Description
**	052588-01-000	EA	Furnace - 19,000 Btu - Under Counter Mount - Coleman - 4319-729
**	056380-01-000	EA	Furnace - 30,000 Btu - w/Electronic Ignition - 4330-749
**	056351-01-000	EA	Furnace - 24,000 Btu - w/Electronic Ignition - 4324-749
**	038505-02-000	EA	Thermostat - Horizontal Wall Mount - Black
**	056464-01-000	EA	Register - Heat - Round - 4" Dia.
**	024885-01-000	EA	Register - Heat - w/Damper - 9.8" x 4.8"
**	031804-01-000	EA	Bonnet - Heat Register
**	009198-01-000	FT	Duct - Flexible - 4" I.D. x 25'
**	023146-01-000	EA	Clamp - Screw Type - 4"
**	049042-02-000	EA	Door - Furnace - Front - 4319
**	049043-02-000	EA	Door - Furnace Front - 4324, 4330
**	050783-01-000	EA	Vent Package - Furnace - 1 - 3" Wall
**	009200-01-000	EA	Tape - Furnace - 1 1/2"
**	049777-03-000	EA	Air Conditioner - 110 Volt - Roof Mount - 11,000 BTU - Ivory (w/o inside shroud) - Coleman 8744A80
**	049778-02-000	EA	Shroud Asm. - Ceiling - Inside Roof Air Cool Only - 11,000 Btu - Coleman
**	049774-02-000	EA	Air Conditioner - 110 Volt - Roof Mount - 13,500 Btu Ivory - Coleman (w/o inside shroud)
**	049775-02-000	EA	Shroud Asm. - Ceiling - Inside - Roof Air Cool Only - 13,500 Btu - Coleman
**	049776-01-000	EA	Shroud Asm. - Ceiling - Inside - Roof Air Heat and Cool - 13,500 BTU - Coleman

**The illustrated parts breakdown for this item is provided on the Common Items Fiche.

INTERIOR FINISH GROUP

PANELING AND COUNTERTOP MATERIALS

Key	Part Number	U/M	Description
**	064385-01-000	SF	Paneling - Main - 772 Birch - 48" x 96" (32 SF)
**	045883-01-000	SF	Paneling - Ceiling - 825 Buff - 48" x 96" (32 SF)
**	064388-01-000	SF	Paneling - Galley Decor - "Ferns" - Beige
**	064388-02-000	SF	Paneling - Galley Decor - "Ferns" - Burgundy
**	064388-03-000	SF	Paneling - Galley Decor - "Ferns" - Blue
**	065739-03-000	SF	Paneling - Bath Decor - "Ferns" - Beige
**	065739-04-000	SF	Paneling - Bath Door - "Ferns" - Burgundy
**	065739-05-000	SF	Paneling - Bath Decor - "Ferns" - Blue
**	064387-01-000	SF	Plastic Laminate - Bone - 60" x 96" (40 SF)
**	069970-01-000	SF	Plastic Laminate - Matador Leather - 48" x 96" (32 SF)

INTERIOR MOLDINGS AND TRIM

Key	Part Number	U/M	Description
**	064386-01-000	EA	Batt Strip - 772 Birch - 8'
**	047354-01-000	EA	Batt Strip - 825 Buff - Ceiling - 8'
**	064389-01-000	EA	Batt Strip - Galley Decor - "Ferns" - 8' Beige
**	064389-02-000	EA	Batt Strip - Galley Decor - "Ferns" - 8' Burgundy
**	064389-03-000	EA	Batt Strip - Galley Decor - "Ferns" - 8' Blue
**	024700-08-000	EA	Cover - Roll Bar - Sidewall - Ivory
**	024700-14-000	EA	Cover - Roll Bar - Russet Oak
**	039512-13-000	EA	Cover - Hat Section - Russet Oak
**	047488-01-000	EA	Cover - Corner - Hat/Hat
**	047489-01-000	EA	Cover - Corner - Tube/Tube
**	052859-01-J27	FT	Accent Trim - Acorn Brown Vinyl
**	009787-05-000	FT	Wetting - Light Brown
**	009778-01-000	FT	U-Channel - 1" - Dark Brown
**	009812-10-000	FT	Molding - Outside Corner - .50" - Birch
**	009809-10-000	FT	Molding - Outside Corner - 1" - Birch

CABINETS AND TABLE HARDWARE

Key	Part Number	U/M	Description
**	053103-01-L01	EA	Hinge Kit - Double Acting - Overhead Door
**	052932-01-J30	EA	Hinge Kit - Cabinet Door - Antique Brass
**	057945-01-K01	EA	Latch Kit - Cabinet Door - Flat Latch
**	009112-01-000	EA	Flange - 1" - Closet Rod
**	053200-04-000	EA	Bracket - Upper Wall Mount - 23.5" - Black
**	053201-03-000	EA	Bracket - Table Mount - 23" - Clear Anod.
**	024275-01-000	EA	Rod - Table Lift - 8" x 23.5"
**	024281-08-000	EA	Bracket - Lower Wall Mount - Brown - 22.12"
**	024276-04-000	EA	Leg Asm. - Table - Brown - 29.5"
**	064050-01-000	EA	Hinge - Table Leg - Brown
**	024282-01-000	EA	Brace - Table Leg
**	024283-01-000	EA	Clip - 1" O.D. Tube
**	049493-02-000	EA	Catch - Table Leg - Mounts on Floor - Brown
**	059753-01-000	EA	Slide - Drawer - Left
**	059753-02-000	EA	Slide - Drawer - Right
**	037888-01-000	FT	Rail - Drawer Glide
**	047744-01-000	EA	Kit - Drawer Glide
**	058335-01-000	EA	Latch - Bathroom Door

**The illustrated parts breakdown for this item is provided on the Common Items Fiche.

1990 WINNEBAGO TABLE OF CONTENTS

WD/WC420RG L1	A-1 - B-10
WDF26RH L1	B-11 - D-4
WDF26RT L1	D-5 - F-4
WD423RB L1	F-5 - G-16

1990 WDF26RT L1 INDEX

Floor Plan	D-5 - D-6
Accessories Group	D-7 - D-8
Bath Group	D-9
Chassis Group	D-10
Curtain, Cushion & Pad Group	D-11 - D-18
Dinette Group	D-19
Driver's Compartment Group	D-20 - D-21
Electrical Group	D-22 - D-24
Exterior Body Group	E-1 - E-4
Galley Group	E-5
Heating & Air Conditioning Group	E-6 - E-7
Interior Finish Group	E-8 - E-9
LP Group	E-10
Lounge Group	E-11 - E-13
Water & Sewage Group	E-14
Window, Vent & Exterior Door Group	E-15 - F-4

INTERIOR FINISH GROUP (CONTINUED)

CURTAIN HARDWARE

Key	Part Number	U/M	Description
	052327-04-238	EA	Track - Curtain - Brown Alum. - 88" w/Holes
	056118-01-000	FT	Track - Curtain - Brown Plastic
	056001-01-000	EA	Bracket - Shade - Left
	056002-01-000	EA	Bracket - Shade - Right
	056003-01-000	EA	Bracket - Drapery Retainer - Right
	056003-02-000	EA	Bracket - Drapery Retainer - Left
	053272-04-200	EA	Track - Curtain - Off White - 88" w/Holes
	056784-01-000	EA	Full - Window Shade - Antique Brass
	008107-01-000	EA	Guide - Nylon Snap - Curtain
	018031-42-000	EA	Track - Curtain - "L" Rod - Alum. Extr. - 90"
	008701-01-000	EA	Carrier - "L" Rod - Curtain
	008702-01-000	EA	End Stop - "L" Rod - Curtain
	056430-01-000	EA	Track - Curtain - Wraparound (32" x 45")
	056430-02-000	EA	Track - Curtain - Wraparound - 32" x 88" - used w/Driver Door

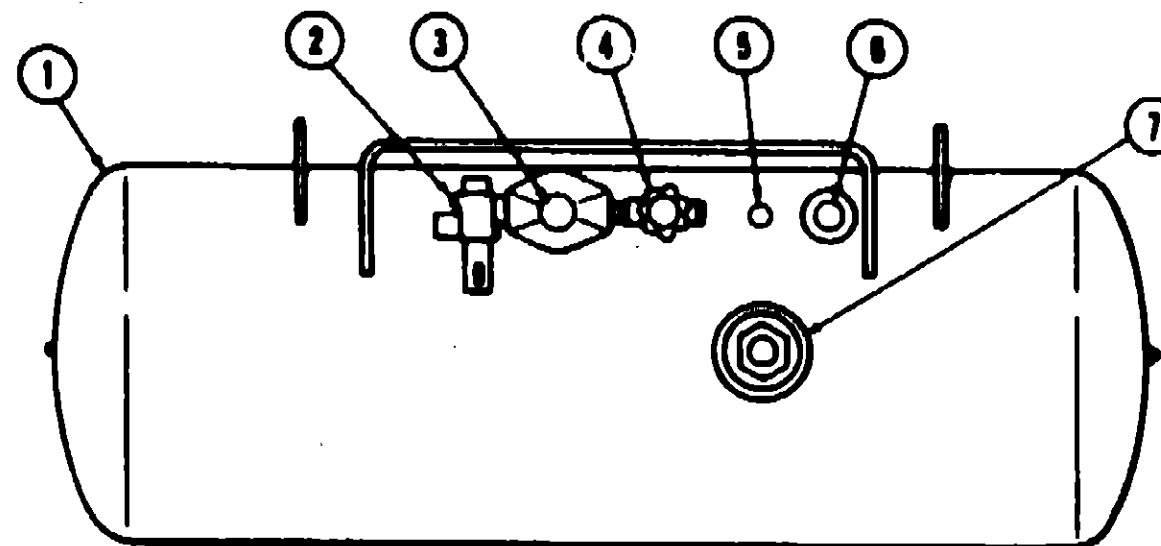
FABRICS AND FLOOR COVERINGS

Key	Part Number	U/M	Description
	084383-04-000	YD	Fabric - Drapery - Dublin Flax
	084383-01-000	YD	Fabric - Upholstery - Sienna Brown
	084383-06-000	YD	Fabric - Upholstery - Bleacayne Rust
	084383-07-000	YD	Fabric - Upholstery - Bleacayne Blue
	053327-01-000	YD	Vinyl - Non Expanded - 27 oz. - Acorn Brown
	053327-02-000	YD	Vinyl - Expanded - 28 oz. - Acorn Brown
	053327-03-000	YD	Vinyl - Non Support - 16 Gauge Film - Acorn Brown
	054384-02-000	SY	Carpet - Camel
	054384-01-000	SY	Carpet - Ginger
	084392-01-000	SY	Vinyl Floor Covering - Armstrong Castilian

MISCELLANEOUS

Key	Part Number	U/M	Description
	041844-01-700	EA	Fire Extinguisher - Dry Chemical w/Bracket
	041844-03-000	EA	Fire Extinguisher - 5 BC - Calif.
	007036-01-000	EA	Door Mat - Black Rubber - 10 1/2" x 26"
	053552-01-K01	EA	Assist - Handle - Interior - Acorn Vinyl
	054185-06-000	EA	Owners Manual - Winnebago - 1980

LP GROUP



Key	Part Number	U/M	Description
1	052789-01-000	EA	Tank Asm. - LP - Frame Mount - 42 Pound
1	052770-01-000	EA	Tank Asm. - LP - Frame Mount - 85 Pound
2	047221-01-000	EA	Detector - LP Gas Leak
3	058708-01-000	EA	Cover - Regulator - 2 Stage
	058705-01-000	EA	Regulator - Two Stage - LP Gas
4	040421-01-703	EA	Valve - Vapor Relief
5	040421-01-700	EA	Gauge - Liquid Level - 20% LP
6	040421-01-701	EA	Valve - Filler - LP
	049421-01-702	EA	Cap - Plastic Fill Valve
7	040421-01-707	EA	Gauge - Float - w/Visible Dial - 85 Pound Tank
	042281-01-700	EA	Gauge - Float - w/Visible Dial - 42 Pound Tank
	040421-01-708	EA	Dial - Visible Face - Float Gauge (Tank w/o Electric Transmitter)
	040421-01-705	EA	Dial - Transmitter - 0 - 90 Ohm (Float Gauge)
	045703-01-000	EA	Hose Asm. - LP - 3/8" I.D. x 24"
	045703-03-000	EA	Hose Asm. - LP - 3/8" I.D. x 14"
	047737-02-000	EA	Support - LP Tank - 89.25"
	047737-03-000	EA	Support - LP Tank - 30.50"
			Not Illustrated

1980 WINNEBAGO TABLE OF CONTENTS

WD/WC420RG L1	A-1 - B-10
WDF26RH L1	B-11 - D-4
WDF26RT L1	D-5 - F-4
WD423RB L1	F-5 - G-16

1980 WDF26RT L1 INDEX

Floor Plan	D-5 - D-6
Accessories Group	D-7 - D-8
Bath Group	D-9
Chassis Group	D-10
Curtain, Cushion & Pad Group	D-11 - D-18
Dinette Group	D-19
Driver's Compartment Group	D-20 - D-21
Electrical Group	D-22 - D-24
Exterior Body Group	E-1 - E-4
Galley Group	E-5
Heating & Air Conditioning Group	E-6 - E-7
Interior Finish Group	E-8 - E-9
LP Group	E-10
Lounge Group	E-11 - E-13
Water & Sewage Group	E-14
Window, Vent & Exterior Door Group	E-15 - F-4

LOUNGE GROUP

WARDROBE CABINETS

Key	Part Number	U/M	Description
	053985-01-L01	EA	Cabinet Asm. - Left Wardrobe Upper - w/o Doors or Hardware
	053986-01-L01	EA	Cabinet Asm. - Furnace - w/o Countertop, Door or Hardware
	053983-01-L01	EA	Countertop Asm. - Furnace Cabinet - Bone
	053944-01-L01	EA	Door Asm. - Furnace - 15 1/4" x 13 1/4" - w/o Mesh Insert
	047205-00-000	EA	Insert - Furnace Door - 10 1/8" x 12 1/2" - Brass Mesh
	053973-01-000	EA	Catch and Strike - Furnace Door - Nylon
	052812-13-L01	EA	Door Asm. - Wardrobe Cabinet - 9 1/4" x 14 7/8" - w/o Hardware
	057982-21-L01	EA	Door Asm. - Wardrobe Cabinet - 20.12" x 47.42" - w/o Hardware
	053708-01-L01	EA	Cabinet Asm. - Right Wardrobe - Upper - w/o Doors or Hardware
	053307-01-L01	EA	Cabinet Asm. - Right Wardrobe - Base - w/o Doors or Hardware
	053983-01-L01	EA	Countertop Asm. - Right Wardrobe - Bone
	057982-23-L01	EA	Door Asm. - Wardrobe Cabinet - 22.22" x 22.22" - w/o Hardware

TWIN BED CABINETS

Key	Part Number	U/M	Description
	053794-01-L01	EA	Cabinet Asm. - Twin Bed - Left
	053794-02-L01	EA	Cabinet Asm. - Twin Bed - Right
	054006-01-L01	EA	Cabinet Asm. - Nightstand Base - w/o Countertop, Doors or Hardware
	053998-01-L01	EA	Countertop Asm. - Nightstand Base - 24 1/2" x 23 3/8" - Almond Batik
	053976-01-L01	EA	Cabinet Asm. - Nightstand Top - w/Roll up Door - w/c Countertop
	053999-01-L01	EA	Countertop Asm. - Nightstand Top - 23 1/2" x 8 1/2" - Almond Batik
	059122-07-L01	EA	Door Asm. - Roll Up - 18" x 18" - w/Handle
	052997-01-198	EA	Handle - Roll Up Door - Wood - 19.8"
	043255-01-000	FT	Track - Roll up Door - Brown Plastic
	043256-01-000	EA	Spiral - Roll up Door - Plastic - Right
	053256-02-000	EA	Spiral - Roll up Door - Plastic - Left
	057992-34-L01	EA	Door Asm. - Nightstand Cabinet - 10.42" x 17.22" - w/o Hardware

REAR OVERHEAD CABINETS w/STANDARD FOLD DOWN BUNK

Key	Part Number	U/M	Description
	057751-01-L01	EA	Cabinet Asm. - Overhead - Left - Complete w/Roll up Doors
	057751-02-L01	EA	Cabinet Asm. - Overhead - Right - Complete w/Roll up Doors
	059122-08-L01	EA	Door Asm. - Rolled - 12" x 23.5" - w/Handle
	052997-01-198	EA	Handle - Roll up Door - Wood - 19.8"
	059409-01-L01	EA	Front Asm. - Fold Down Bunk - 17 1/2" x 74 3/8" - w/o Doors or Hardware
	058314-01-L01	EA	Bottom Asm. - Fold Down Bunk - 14.5" x 74 3/8"
	057992-33-L01	EA	Door Asm. - Fold Down Bunk Cabinet - 15.12" x 11.72" - w/o Hardware
	023812-21-000	EA	Rail Bunk - 73.9" - Brown
	041789-01-000	EA	Hinge - Rear Bunk - Brown - 72.5"
	058249-01-000	EA	Bracket - Rear Bunk Support - "L" - 6.5" x 2.5" (4 per Bunk)
	056302-02-000	EA	Web Strap - Bunk Support - 38"
	061804-01-000	EA	Slide Bolt - Antique Brass

LOUNGE GROUP (CONTINUED)

HORSESHOE LOUNGE W/PEDESTAL TABLE

Key	Part Number	U/M	Description
	053203-05-L01	EA	Table Asm. - Pedestal - 32" x 24" - Bone - w/o Hardware
	009040-03-000	EA	Base - Pedestal Table - Table Mount
	041194-01-000	EA	Base - Pedestal Table - Floor Mount
	009040-02-000	EA	Leg - Pedestal Table - 2.25" O.D. x 27.5" - Chrome
	052483-01-L01	EA	Cabinet Asm. - Center Gaucho
	053837-01-L01	EA	Cabinet Asm. - Right Gaucho
	053838-01-L01	EA	Cabinet Asm. - Left Gaucho
	053163-01-000	EA	Bracket - Couch Side
	058971-01-L01	EA	Cabinet Asm. - Hamper - Right - 75.8" x 20"
	058971-02-L01	EA	Cabinet Asm. - Hamper - Left - 75.8" x 20"

DOUBLE BED W/NIGHT STAND

Key	Part Number	U/M	Description
	057489-01-L01	EA	Head Board Asm. - Padded - Brown
	057489-01-L02	EA	Head Board Asm. - Padded - Rust
	057489-01-L03	EA	Head Board Asm. - Padded - Blue
	057982-40-L01	EA	Door Asm. - Cabinet - 8.42" x 14.72" - w/o Hardware
	058083-02-L01	EA	Drawer Asm. Blanket - Double Bed - 11.37" x 31.72" x 20" Deep - w/o Hardware
	057387-01-L01	EA	Cabinet Asm. - Night Stand/Hamper - w/o Countertop, Doors, Drawers or Hardware
	057388-01-L01	EA	Countertop Asm. - Nightstand - 14.4" x 26.8" - Bone
	057336-01-L01	EA	Countertop Asm. - Hamper Lid - 9.4" x 12.2" - Bone
	058023-07-L01	EA	Drawer Asm. - Nightstand Cabinet - 6.02" x 11.32" x 20" Deep - w/o Hardware

PRESTO BED W/CORNER LOUNGE CHAIRS

Key	Part Number	U/M	Description
	051558-01-L01	EA	Cabinet Asm. - Corner Lounge Chair - Right
	051561-01-L01	EA	Cabinet Asm. - Corner Lounge Chair - Left
	051704-01-L01	EA	Table Asm. - Lounge - Bone
	051862-01-000	EA	Leg Asm. - Table - Pivot
	051879-01-000	EA	Leg Asm. - Table - Fixed
	024275-04-000	EA	Rod - Table Lift
	024281-05-000	EA	Bracket - Lower Wall Mount - 13.5" - Brown
	053200-02-000	EA	Bracket - Upper Wall Mount - 14.5" - Brown
	053201-02-000	EA	Bracket - Table Mount - 13.5" - Brown

1990 WINNERAGO TABLE OF CONTENTS

WD/WC420RG L1	A-1 - B-10
WDF26RH L1	B-11 - D-4
WDF26RT L1	D-5 - F-4
WD423RB L1	F-5 - G-18

1990 WDF26RT L1 INDEX

Floor Plan	D-5 - D-6
Accessories Group	D-7 - D-8
Bath Group	D-9
Chassis Group	D-10
Curtain, Cushion & Pad Group	D-11 - D-18
Dinette Group	D-19
Driver's Compartment Group	D-20 - D-21
Electrical Group	D-22 - D-24
Exterior Body Group	E-1 - E-4
Galley Group	E-5
Heating & Air Conditioning Group	E-6 - E-7
Interior Finish Group	E-8 - E-9
LP Group	E-10
Lounge Group	E-11 - E-13
Water & Sewage Group	E-14
Window, Vent & Exterior Door Group	E-15 - F-4

LOUNGE GROUP (CONTINUED)

REAR OVERHEAD CABINETS W/OPTIONAL GLIDE-A-WAY

Key	Part Number	U/M	Description
	053320-04-L01	EA	Bunk Board Asm. - Rear Glide-A-Way - w/Rail
	023812-22-000	EA	Rail - Bunk - 80" - Brown
	063631-01-L01	EA	Cabinet Asm. - Rear Overhead - w/o Doors or Hardware
	057992-24-L01	EA	Door Asm. - Rear Overhead Cabinet - 35.4" x 11.8" - w/o Hardware
	042201-01-000	EA	Support Asm. - Complete - Glide-A-Way - Right and Left w/Stabilizer - Outlets
	038616-02-000	EA	Catch - Overhead Bunk - Seat Belt
	040071-02-000	EA	Support - Overhead Bunk - Buckle and Strap

SPRUNG COUCH W/SWIVEL CHAIRS AND PULL OUT TABLE

Key	Part Number	U/M	Description
	058548-01-L01	EA	Cabinet Asm. - Pull Out Table - w/o Countertop or Pad
	058547-01-L01	EA	Countertop Asm. - Pull Out Table Cabinet - Bone
	009148-01-000	EA	Pull - Finger - 3/4" Dia. - Brass
	054540-01-000	EA	Slide Asm. - Ball Bearing - Accuride
	058585-01-L01	EA	Pad Asm. - Pull Out Table Cabinet
	054552-01-L01	EA	Table Asm. - Pull Out - Bone
	045795-01-000	EA	Holder - Glass - Dark Brown Plastic
	057720-01-L01	EA	Panel Asm. - Couch Face - 73 5" x 14.82" - w/o Door or Hardware
	057992-27-L01	EA	Door Asm. - Couch Cabinet - 37 42" x 11.82" - w/o Hardware
	057488-02-000	EA	Frame - Couch - Right
	057488-03-000	EA	Frame - Couch - Left
	057488-04-000	EA	Frame Rail - Couch (2 per couch)
	057488-01-000	EA	Leg - Sprung Couch (2 per couch)
	036036-01-000	EA	Plate - TT Chair
	036036-02-000	EA	Base w/Legs - TT Chair
	045787-01-000	EA	Guard - Fabric - Presto Bed

SPRUNG COUCH W/TT CHAIR AND VANITY/DESK CABINET

Key	Part Number	U/M	Description
	054177-01-L01	EA	Cabinet Asm. - Vanity - w/o Countertop, Doors, Drawers and Hardware
	054236-01-L01	EA	Countertop Asm. - Vanity Cabinet - 46 1/2" x 27 1/4" - Bone
	054282-02-L01	EA	Cabinet Asm. - Desk Drawer - Mounts on Vanity Cabinet
	054242-02-L01	EA	Drawer Asm. - Desk 3 1/4" x 20 1/4" x 10 5/8" Deep w/o Hardware
	057882-35-L01	EA	Door Asm. - Vanity Cabinet - 12 3/4" x 25" - w/o Hardware
	058023-08-L01	EA	Drawer Asm. - Vanity Cabinet - 14 1/8" x 5 1/4" x 20" Deep - w/o Hardware
	057720-01-L01	EA	Panel Asm. - Couch Face - 73 5" x 14.82" - w/o Door or Hardware
	057992-27-L01	EA	Door Asm. - Couch Cabinet - 37 42" x 11.82" - w/o Hardware
	057488-02-000	EA	Frame - Couch - Right
	057488-03-000	EA	Frame - Couch - Left
	057488-04-000	EA	Frame Rail - Couch (2 per couch)
	057488-01-000	EA	Leg - Sprung Couch (2 per couch)
	036036-01-000	EA	Plate - TT Chair
	036036-02-000	EA	Base w/Legs - TT Chair

WATER AND SEWAGE GROUP

PLUMBING REPAIR PARTS

Key	Part Number	U/M	Description
**	040538-01-000	EA	Kit - Repair - 3/8" O.D. Plastic Tube
**	040540-01-000	EA	Kit - Repair - 1/2" O.D. Plastic Tube
**	040541-01-000	EA	Kit - Repair - 5/8" O.D. Plastic Tube
**	063648-01-000	EA	Water Pump - 2.8 G.P.M. - Direct Drive - PAR - U.S.
**	063648-02-000	EA	Water Pump - 2.8 G.P.M. - Direct Drive - PAR - CSA
**	038847-02-000	EA	Filter - Water Pump 1/2" MPT
**	038809-01-000	EA	Valve - Stool - Plastic 3/8" x 1/2" F.P.T.
**	038818-01-000	EA	Riser Asm. - 3/8" O.D. x 24" Tube
**	038818-02-000	EA	Riser Asm. - 3/8" O.D. x 36" Tube
**	038818-04-000	EA	Riser Asm. - 3/8" O.D. x 72" Tube
**	038818-05-000	EA	Riser Asm. - 3/8" O.D. x 48" Tube
**	041819-01-000	EA	Nut and Cone - Plastic 1/2" O.D. Tube
**	038307-01-000	EA	Valve - Drain - Brass - 1/2" MPT
**	004020-01-000	QT	Adhesive - ABS Cement
**	010201-01-000	EA	Hose - Sewer 3" x 10 FT w/Clump
**	082415-01-000	EA	Cap - Sewer - 3"
**	082416-01-000	EA	Hose - Adapter - 3"
**	082417-01-000	EA	Adapter - Termination - 3"
**	082418-01-000	EA	Valve - Dump - 3" - w/Handle
**	082418-02-000	EA	Valve - Dump - 3" - w/o Handle
**	082419-01-000	EA	Handle - Dump Valve Extension - 75" w/6" Adapter
**	082419-02-000	EA	Handle - Dump Valve Extension - 63" w/6" Adapter
**	082421-01-000	EA	Valve - 1/2" w/Handle
**	011091-01-000	EA	Waste - Continuous - Double Sink 11 7/8"
**	011088-01-000	EA	P-Trap - Plastic - 1 1/4"
**	010133-01-000	EA	Adapter - Trap - Plastic 1 1/2" H x MPT
**	010071-01-000	EA	Tee - Plastic - 1 1/2" H x H x H
**	010073-01-000	EA	Wye - Plastic - 1 1/2" x 45 H x H x H
**	010133-01-000	EA	Adapter - Trap - Plastic - 1 1/2" H x MPT
**	010079-01-000	EA	Tee - Plastic - 1 1/2" H x 1 1/2" H x 1 1/4" H
**	010091-01-000	EA	Wye - Plastic - 3" x 45 H x H x H
**	010117-01-000	EA	Coupling - Plastic - 3" H x H
**	010134-01-000	EA	Adapter - Plastic - 1 1/2" M x MPT
**	050780-01-000	EA	Coupler - Rubber - 3" x 3"
**	052952-01-000	EA	Nut - Plastic - 1/2" F
**	052953-01-000	EA	Nut - Faucet - 1/2" Tube x 1/2" FPT
**	052954-01-000	EA	Adapter - Nose Cone - 3/8" x 1/2"
**	052958-01-000	EA	Tee - Plastic - 1/2" F x 1/2" F x 1/2" F
**	052959-02-000	EA	Connector - Plastic - 1/2" F x 1/2" MPT
**	052960-01-000	EA	Valve - Line Drain - 1/2" F x 1/2" F
**	052961-01-000	EA	Header - 1/2" F x 1/2" F x 1/2" F x 1/2" F
**	054837-01-000	EA	Valve - Tank Drain
**	081807-01-000	EA	Grommet - Holding Tank - 1 1/2"
**	081807-02-000	EA	Grommet - Holding Tank - 3"
**	048524-01-000	EA	Kit - Plastic Fittings - Holding Tank
**	048524-02-000	EA	Kit - Plastic Fittings - Water Tank

**The illustrated parts breakdown for this item is provided on the Common Items Fiche.

HOLDING TANKS AND WATER HEATERS

Key	Part Number	U/M	Description
**	051882-02-000	EA	Tank Asm. - Holding w/Fittings - Double
**	051882-01-000	EA	Tank Asm. - Holding w/o Fittings - Double
**	052555-03-000	EA	Tank Asm. - Water w/Fittings
**	052555-01-000	EA	Tank Asm. - Water w/o Fittings
**	051391-01-000	EA	Water Heater - 6 Gallon w/o Motor Aid - Atwood G6A-3

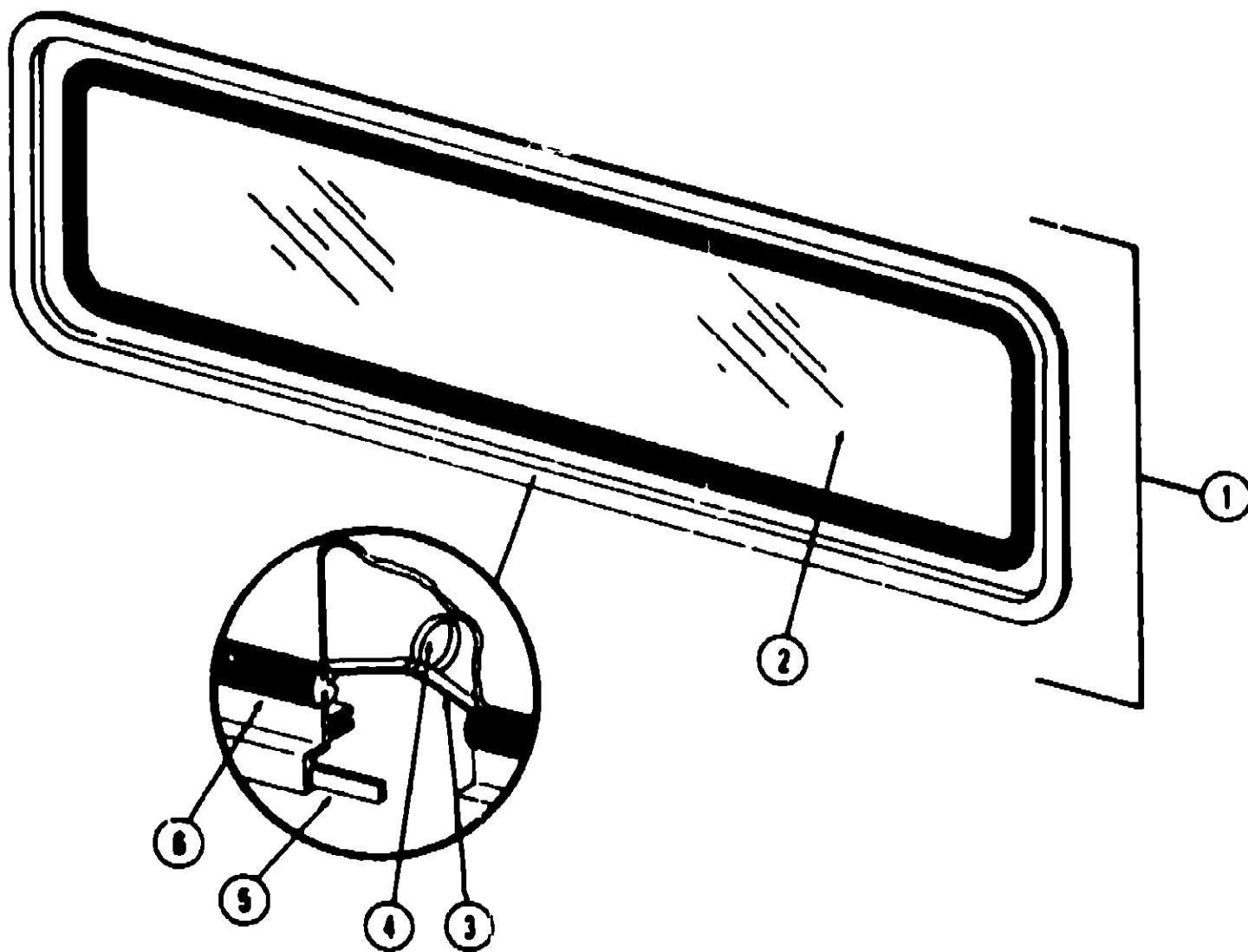
**The illustrated parts breakdown for this item is provided on the Common Items Fiche.

1990 WINNEBAGO TABLE OF CONTENTS

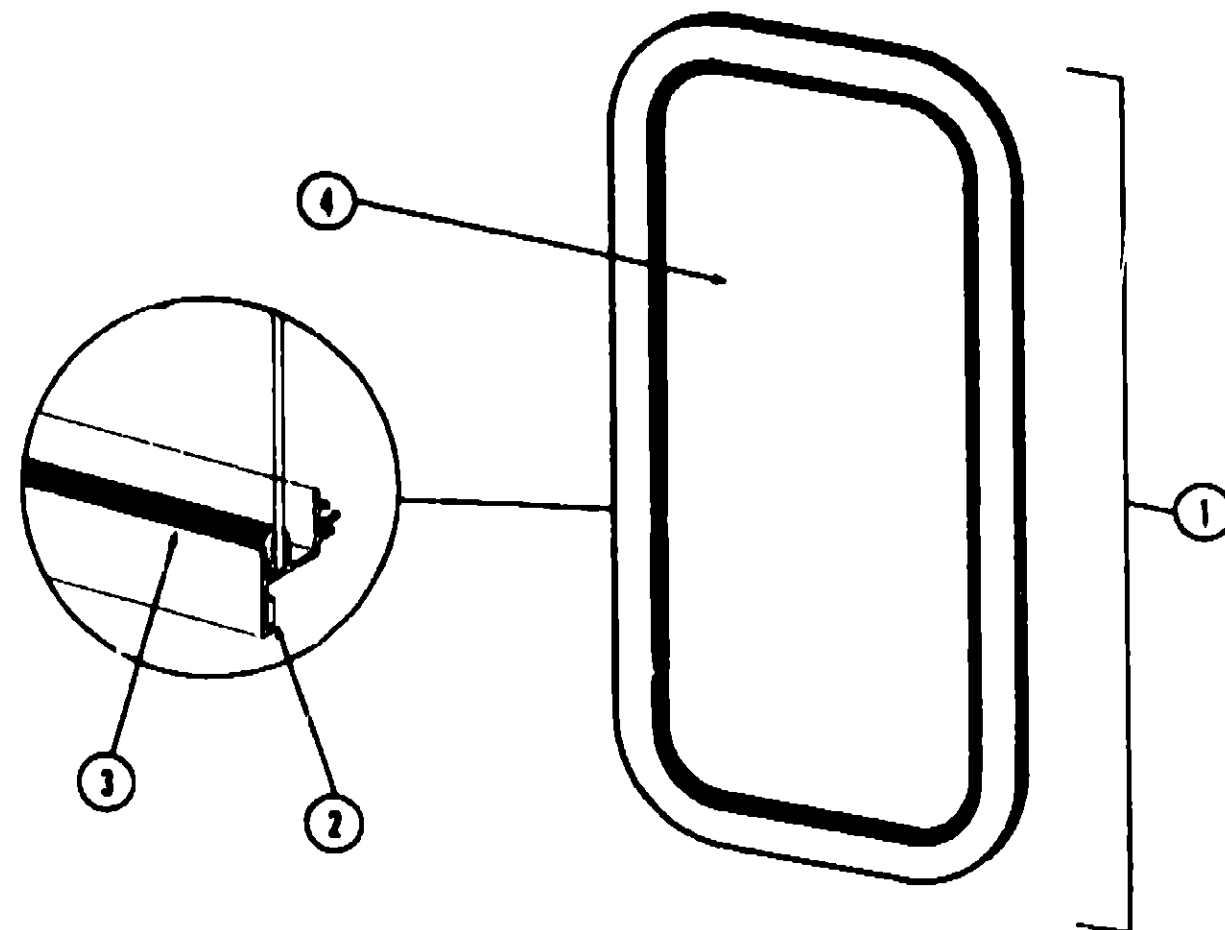
WD/WC420RG L1	A-1 - B-10
WDF26RH L1	B-11 - D-4
WDF26RT L1	D-5 - F-4
WD423RB L1	F-5 - G-16

1990 WDF26RT L1 INDEX

Floor Plan	D-5 - D-6
Accessories Group	D-7 - D-8
Bath Group	D-9
Chassis Group	D-10
Curtain, Cushion & Pad Group	D-11 - D-18
Dinette Group	D-19
Driver's Compartment Group	D-20 - D-21
Electrical Group	D-22 - D-24
Exterior Body Group	E-1 - E-4
Galley Group	E-5
Heating & Air Conditioning Group	E-6 - E-7
Interior Finish Group	E-8 - E-9
LP Group	E-10
Lounge Group	E-11 - E-13
Water & Sewage Group	E-14
Window, Vent & Exterior Door Group	E-15 - F-4



Key	Part Number	U/M	Description
1	020754-03-000	EA	Window Asm - Escape - 23" x 68" Black Anod (w/o inside frame)
2	002178-01-000	EA	Glass - 1/8" x 19 61" x 64 80"
3	002285-01-000	FT	Weatherstrip - Filler - Black
4	020385-01-000	EA	Slip Ring - Pull
5	053767-03-000	FT	Tape - 1/4" Bead x 20' - Gray
6	002282-01-000	FT	Weatherstrip - Window .125" Black
.	020752-03-000	EA	Frame - Window - Inside - Escape 23" x 68" (not included in assembly)
.	008198-01-000	EA	Label - Exit - Escape Window
.			Not Illustrated



Key	Part Number	U/M	Description
1	041875-11-000	EA	Window Asm - Picture - 17" x 23" - Black (w/o inside frame)
2	053767-03-000	FT	Tape - 1/4" Bead x 20' - Gray
3	002309-02-000	FT	Spline - Glass - 1/8" - Black
4	002181-08-000	EA	Glass - 115" x 16 25" x 22" - Gray
.	041898-14-000	EA	Frame - Inside - Picture Window - 17" x 23" (not included in assembly)
.			Not Illustrated

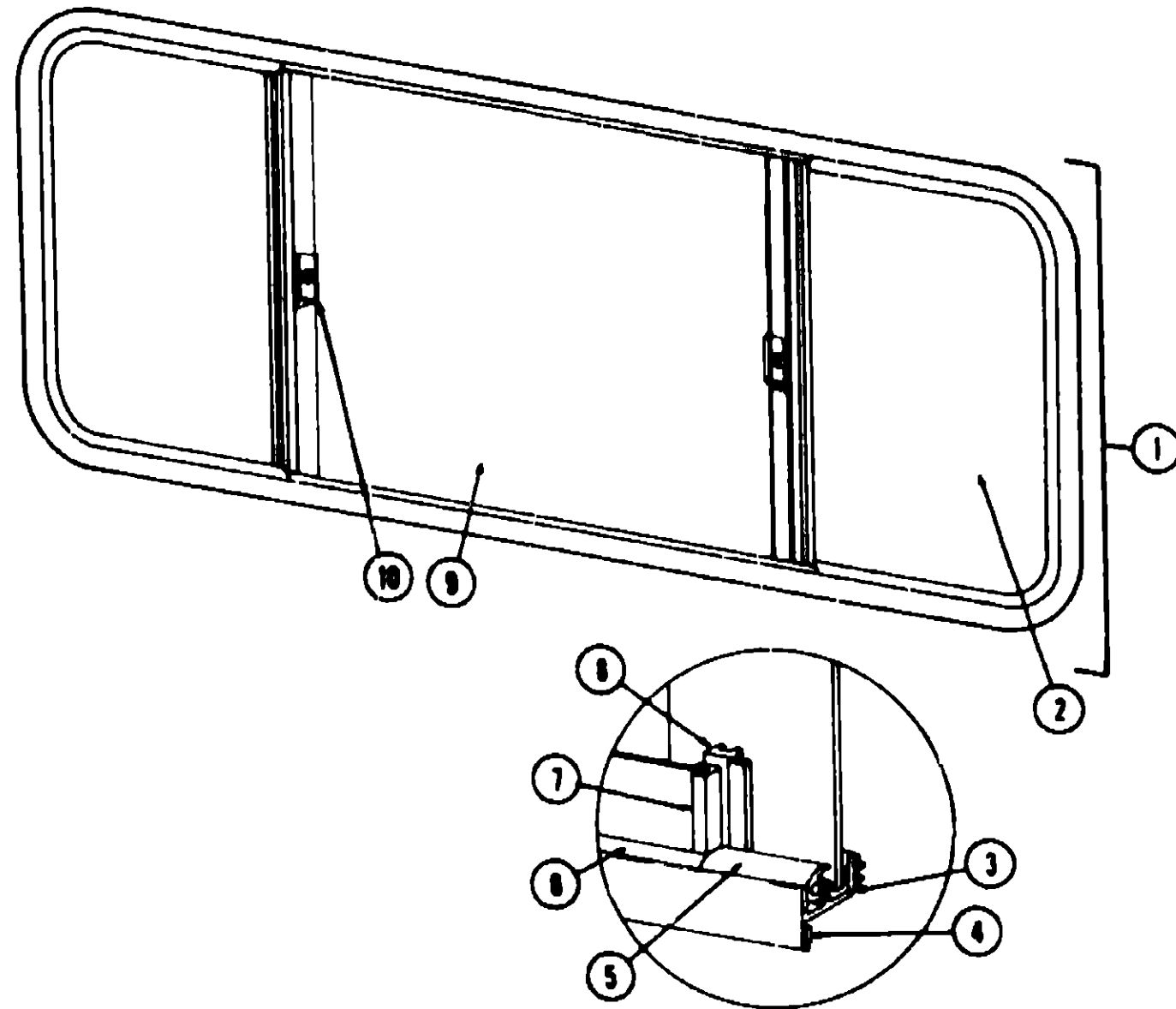
1980 WINNEBAGO
TABLE OF CONTENTS

WD/WC420HG L1	A-1 - B-10
WDF26RH L1	B-11 - D-4
WDF26RT L1	D-5 - F-4
WD423RB L1	F-5 - G-16

1980 WDF26RT L1 INDEX

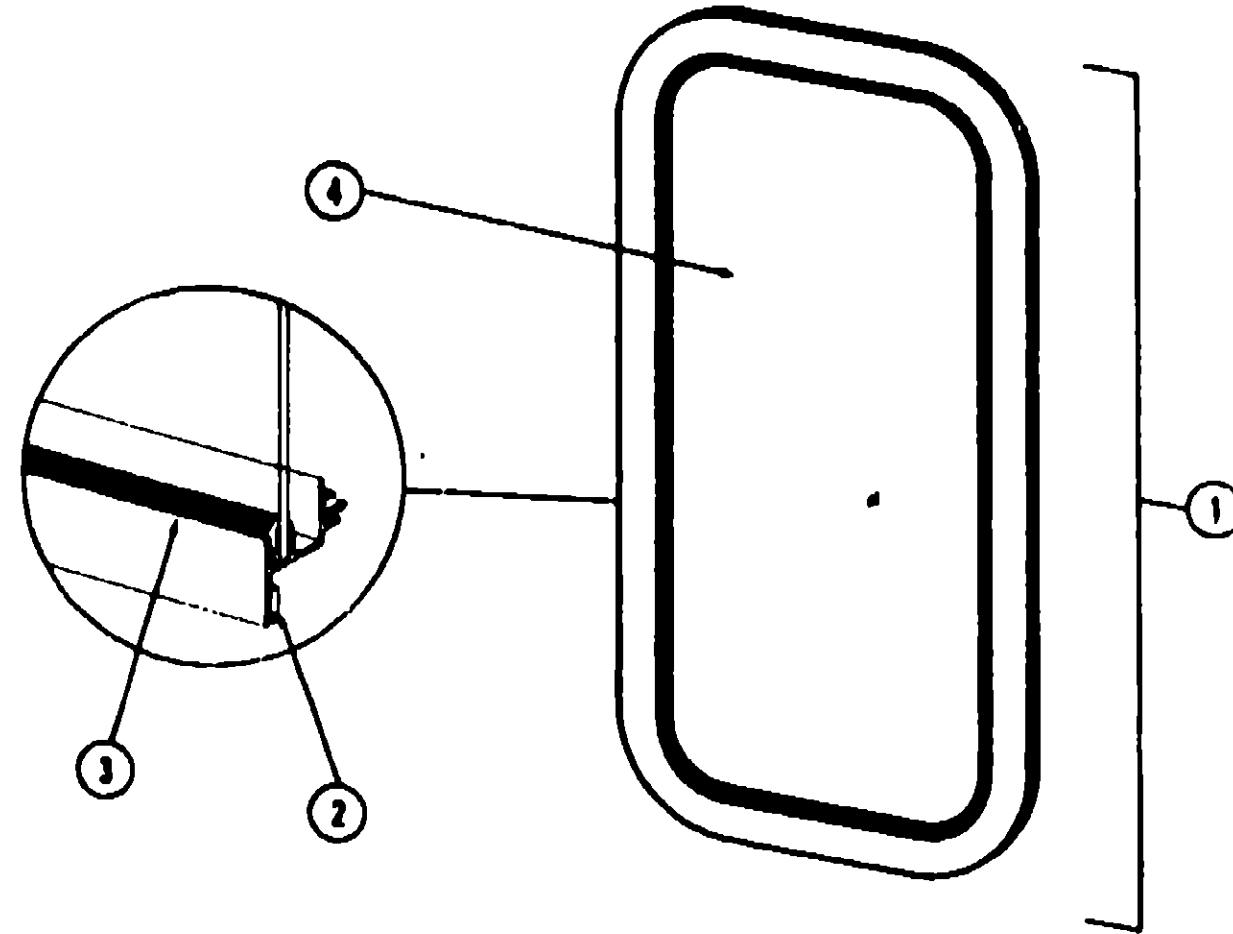
Floor Plan	D-5 - D-6
Accessories Group	D-7 - D-8
Bath Group	D-9
Chassis Group	D-10
Curtain, Cushion & Pad Group	D-11 - D-18
Dinette Group	D-19
Driver's Compartment Group	D-20 - D-21
Electrical Group	D-22 - D-24
Exterior Body Group	E-1 - E-4
Galley Group	E-5
Heating & Air Conditioning Group	E-6 - E-7
Interior Finish Group	E-8 - E-9
LP Group	E-10
Lounge Group	E-11 - E-13
Water & Sewage Group	E-14
Window, Vent & Exterior Door Group	E-15 - F-4

WINDOW, VENT AND EXTERIOR DOOR GROUP (CONTINUED)



Key	Part Number	U/M	Description
1	048630-04-000	EA	Window Asm - Double Slider - 23" x 65" - Black Anod (w/o inside frame)
2	047823-01-000	EA	Glass - 1/8" x 22" x 21.03" - Sliding (2 per window)
3	002324-01-000	FT	Channel - Weatherstrip - Glass Run - 1/8" Glass
4	053787-03-000	FT	Tape - 1/4" Bead x 20' - Gray
5	024098-02-000	FT	Seal - Window Channel - Black
6	002309-02-000	FT	Spline - Glass - 1/8" - Black
7	018025-03-000	EA	Holder - Glass Seal - Black Anod.
8	041894-02-000	EA	Mullion - Slider Window - 23" - Black Anod
9	002188-01-000	EA	Glass - 1/8" x 22" x 25.50" - Stationary
10	047389-01-700	EA	Latch - Window - Plastic w/Fastener
.	023320-01-000	EA	Foam Pad - 3/8" Dia (used with plastic latch)
.	042133-06-000	EA	Frame - Inside - Double Slider Window (not included in assembly)
.	002288-01-000	FT	Spline - Gray - .130" Dia - (Screen)
.	002283-01-000	SF	Screen - Window - 28" - Gray
.	023713-02-000	EA	Cover - Weephole - Plastic - Black
.			Not Illustrated

WINDOW, VENT AND EXTERIOR DOOR GROUP (CONTINUED)



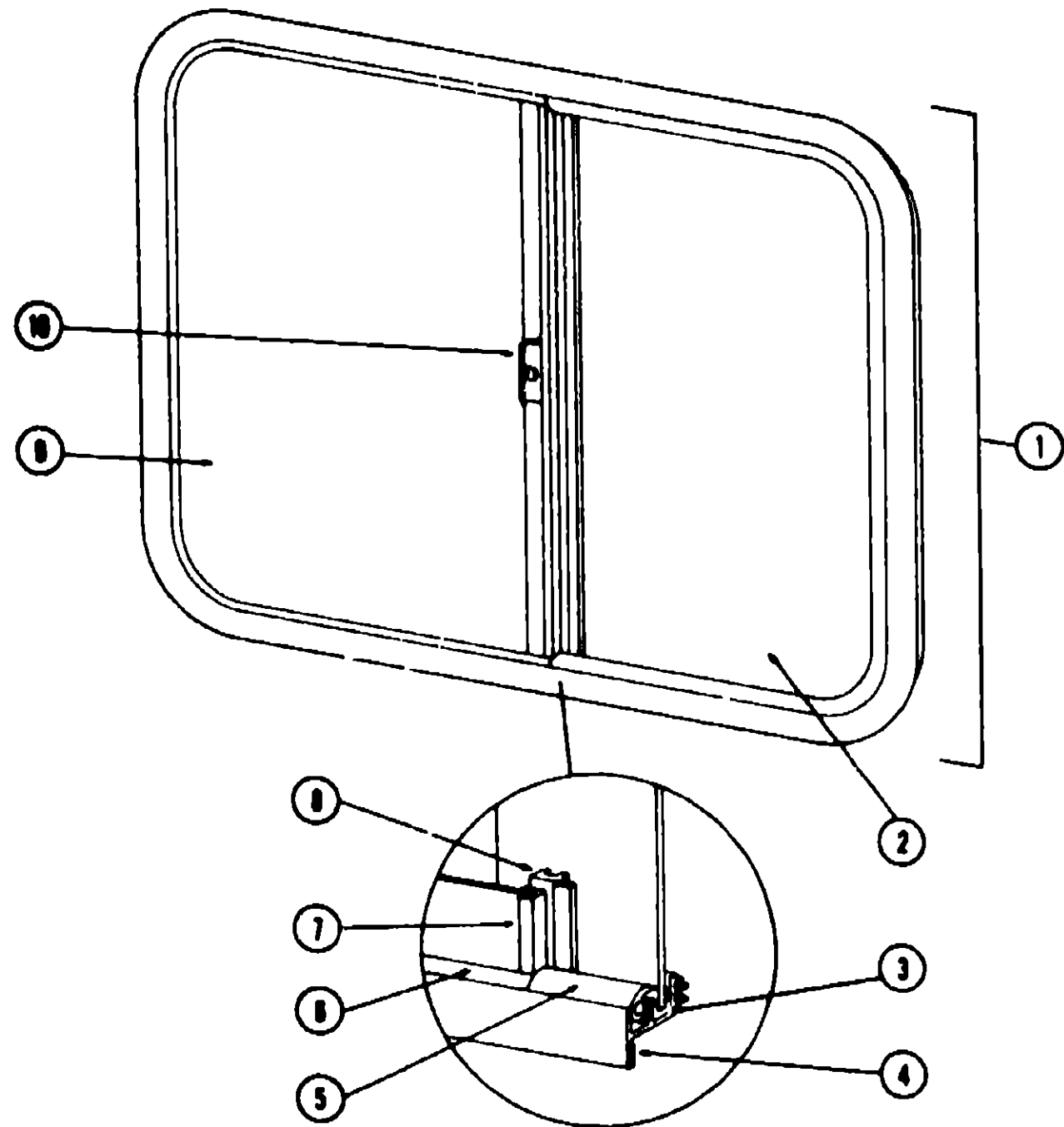
Key	Part Number	U/M	Description
1	041875-02-000	EA	Window Asm. - Picture - 13" x 20" - Black (w/o inside frame)
2	053787-03-000	FT	Tape - 1/4" Bead x 20' - Gray
3	002309-02-000	FT	Spline - Glass - 1/8" - Black
4	002181-01-000	EA	Glass - .115" x 12" x 22" - Gray
.	041898-02-000	EA	Frame - Inside - Picture Window - 13" x 20" (not included in assembly)
.			Not Illustrated

**1990 WINNERAGO
TABLE OF CONTENTS**

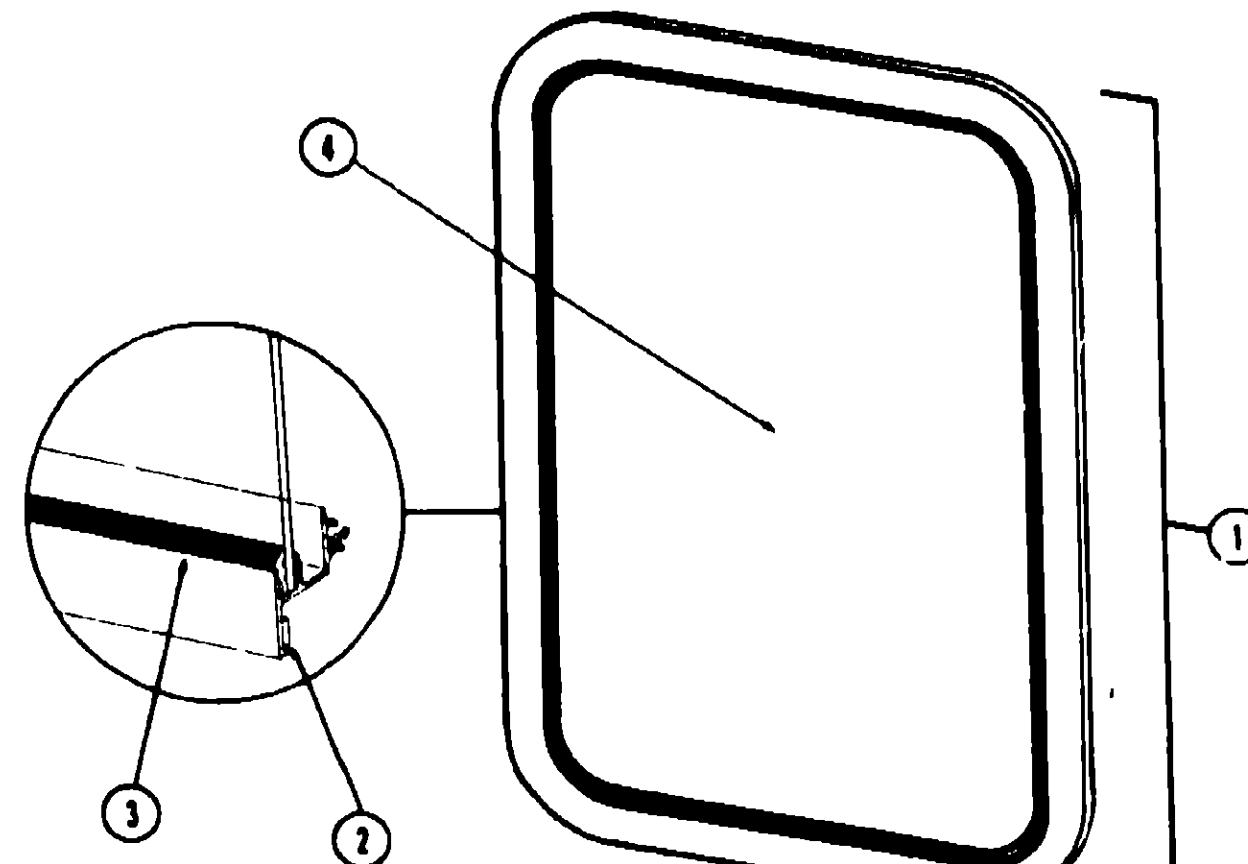
WD/WC420RG L1	A-1 - B-10
WDF26RH L1	B-11 - D-4
WDF26RT L1	D-5 - F-4
WD423RB L1	F-5 - G-18

1990 WDF26RT L1 INDEX

Floor Plan	D-5 - D-6
Accessories Group	D-7 - D-8
Bath Group	D-9
Chassis Group	D-10
Curtain, Cushion & Pad Group	D-11 - D-18
Dinette Group	D-19
Driver's Compartment Group	D-20 - D-21
Electrical Group	D-22 - D-24
Exterior Body Group	E-1 - E-4
Galley Group	E-5
Heating & Air Conditioning Group	E-6 - E-7
Interior Finish Group	E-8 - E-9
LP Group	E-10
Lounge Group	E-11 - E-13
Water & Sewage Group	E-14
Window, Vent & Exterior Door Group	E-15 - F-4



Key	Part Number	U/M	Description
1	048631-27-000	EA	Window Asm - Right Single Slider - 23" x 56" - Black (w/o inside frame)
1	048631-28-000	EA	Window Asm - Left Single Slider - 23" x 56" - Black (w/o inside frame)
2	052503-02-000	EA	Glass - Sliding - 1/8" x 22" x 27.1/4" - Gray
3	002324-02-000	FT	Channel - Weatherstrip - Glass Run - 1/8" Glass
4	053767-03-000	FT	Tape - 1/4" Bead x 20' - Gray
5	057374-02-000	FT	Seal - Window Channel - Black
6	002308-02-000	FT	Spline - Glass - 1/8" - Black
7	018025-03-000	EA	Holder - Glass Seal
.	002288-01-000	FT	Weatherstrip - Glass Seal - 30 Pile
8	041894-02-000	EA	Mullion - 23" - Black Anod
.	042078-01-000	FT	Weatherstrip - Mullion - 34 Pile
9	052505-02-000	EA	Glass - Stationary - 1/8" x 22" x 29.68" - Gray
10	047388-01-700	EA	Latch - Window - Plastic w/Fastener
.	023320-01-000	EA	Foam Pad - 3/8" Dia (use w/plastic latch)
.	042133-07-000	EA	Inside Frame - Single Slider - Right or Left - 23" x 56" - Brown
.	023713-02-000	EA	Weephole Cover - Black Plastic
.	002283-01-000	SF	Screen - Window - 28" - Gray
.	002289-01-000	FT	Spline - Screen - 13" Dia. - Gray
.	Not Illustrated		



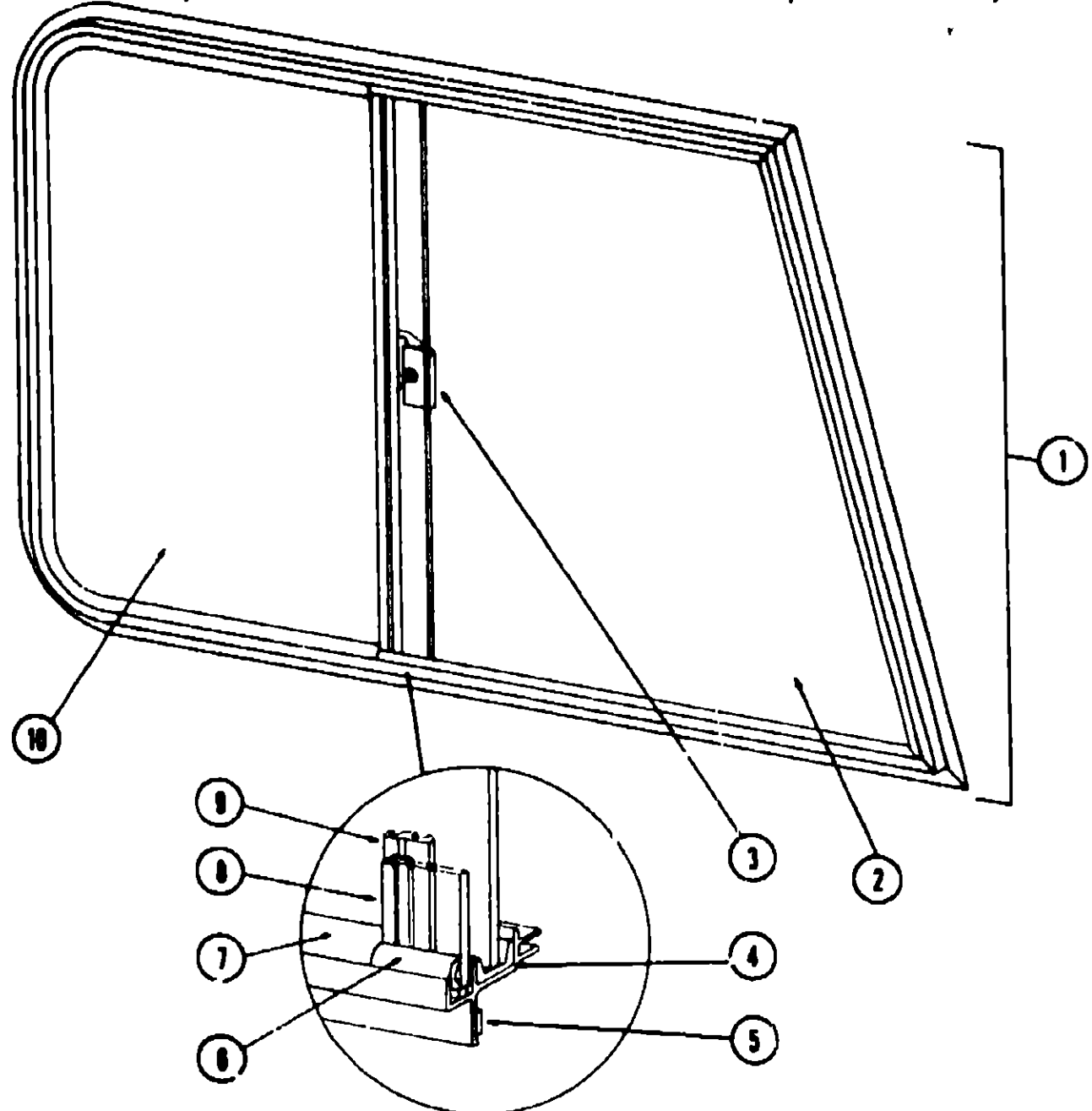
Key	Part Number	U/M	Description
1	056851-01-000	EA	Window Asm - Picture - 20 3/4" x 20 3/4" - Black (w/o inside frame)
2	053767-03-000	FT	Tape - 1/4" Bead x 20' Schnee Moorehead
3	002308-02-000	FT	Spline - Glass - 1/8" - Black
4	002181-03-000	EA	Glass - .115" x 20 62" x 20 62" - Gray
.	056850-01-000	EA	Frame - Inside - Window (not included in assembly)
.	Not Illustrated		

1980 WINNEBAGO
TABLE OF CONTENTS

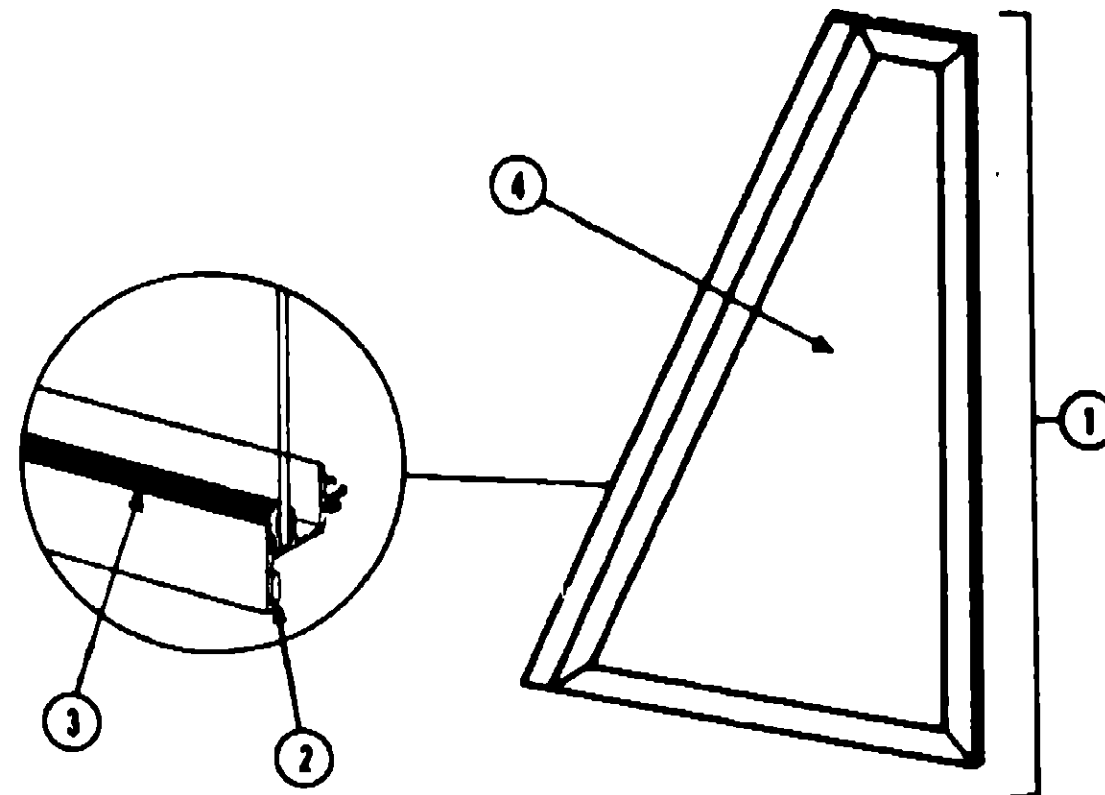
WD/WC420RG L1	A-1 - B-10
WDF26RH L1	B-11 - D-4
WDF26RT L1	D-5 - F-4
WD423RB L1	F-5 - Q-18

1980 WDF26RT L1 INDEX

Floor Plan	D-5 - D-6
Accessories Group	D-7 - D-8
Bath Group	D-9
Chassis Group	D-10
Curtain, Cushion and Pad Group	D-11 - D-18
Dinette Group	D-19
Driver's Compartment Group	D-20 - D-21
Electrical Group	D-22 - D-24
Exterior Body Group	E-1 - E-4
Galley Group	E-5
Heating & Air Conditioning Group	E-6 - E-7
Interior Finish Group	E-8 - E-9
LP Group	E-10
Lounge Group	E-11 - E-13
Water & Sewage Group	E-14
Window, Vent & Exterior Door Group	E-15 - F-4



Key	Part Number	U/M	Description
1	058046-01-000	EA	Window Asm - Right Front Slant Slider - 23" x 39" - Black Anod (w/o inside frame)
1	058046-02-000	EA	Window Asm - Left Front Slant Slider - 23" x 39" - Black Anod (w/o inside frame)
2	057656-01-000	EA	Glass - 3/16" x 24 88" x 25 30" - Stationary
3	047389-01-700	EA	Latch - Window - Plastic w/Fastener
.	023320-01-000	EA	Foam Pad - 3/8" Dia (used with plastic latch)
4	042077-01-000	FT	Channel - Weatherstrip - Glass Run - 3/16" Glass
5	053767-03-000	FT	Tape - 1/4" Bead x 20' - Gray - Schnee Moorehead
6	050216-02-000	FT	Spline - 3/16" Glass
7	041828-02-000	FT	Seal - Window Channel - 3/16" Glass - Black
8	002389-03-208	EA	Holder - Glass Seal - Black Anod - 24 13"
9	057844-04-000	EA	Mullion - Window - Slanted Slider
10	057657-01-000	EA	Glass - 3/16" x 24 88" x 14 70" - Sliding
.	058042-01-000	EA	Inside Frame - Right Front Slant Slider (not included in assembly)
.	058042-02-000	EA	Inside Frame - Left Front Slant Slider (not included in assembly)
.	023713-02-000	EA	Cover - Weephole - Black
.	055164-05-000	EA	Slider Screen Asm. - Right or Left - Black
.	016310-03-000	EA	Handle - Slider Screen - Black
.	002282-01-000	SF	Screen - Window - 20" - Gray
.	002288-01-000	FT	Spline - Gray - 130" Dia
.	Not Illustrated		



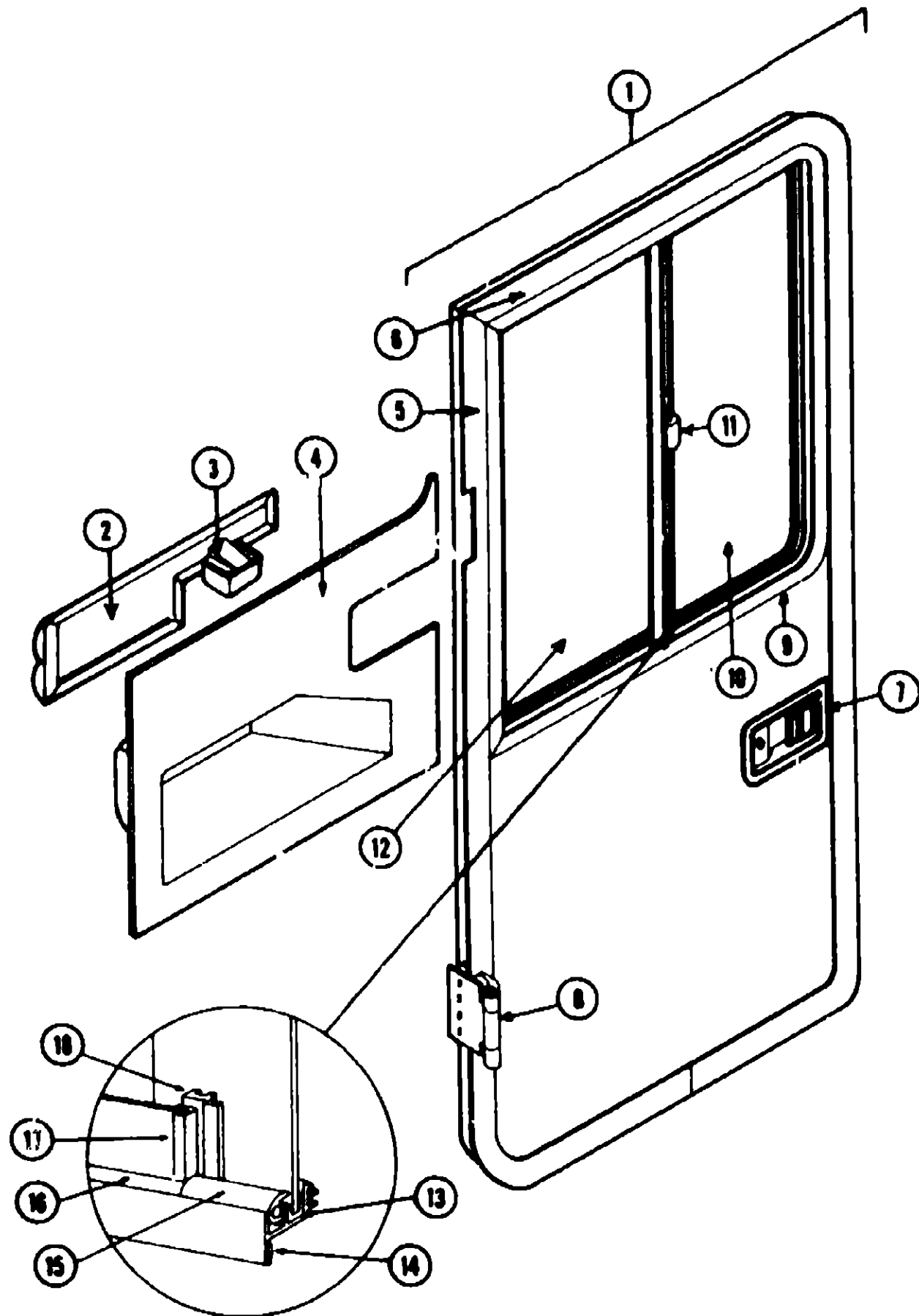
Key	Part Number	U/M	Description
1	062898-01-000	EA	Window Asm - Stationary - Drivers Slant - 14" x 25 32" - Black Anod (w/o inside frame)
2	053767-03-000	FT	Tape - 1/4" Bead x 20' - Gray - Schnee Moorehead
3	002309-02-000	FT	Spline - Glass - 1/8" - Black
4	057656-02-000	EA	Glass - 3/16" x 24.88" x 13.66"
.	063420-01-000	EA	Frame - Inside - Front Slant Window (not included in assembly)
.	Not Illustrated		

1980 WINNEBAGO
TABLE OF CONTENTS

WD/WC420RG L1	A-1 - B-10
WDF26RH L1	B-11 D-4
WDF26RT L1	D-5 - F-4
WD423RB L1	F-5 - G-16

1980 WDF26RT L1 INDEX

Floor Plan	D-5 - D-6
Accessories Group	D-7 - D-8
Bath Group	D-9
Chassis Group	D-10
Curtain, Cushion and Pad Group	D-11 - D-18
Dinette Group	D-19
Driver's Compartment Group	D-20 - D-21
Electrical Group	D-22 - D-24
Exterior Body Group	E-1 - E-4
Galley Group	E-5
Heating & Air Conditioning Group	E-6 - E-7
Interior Finish Group	E-8 - E-9
LP Group	E-10
Lounge Group	E-11 - E-13
Water & Sewage Group	E-14
Window, Vent & Exterior Door Group	E-15 - F-4



DRIVER DOOR

Key	Part Number	U/M	Description
1	063991-02-000	EA	Door Asm. - Driver - Off White
2	064068-01-000	EA	Pad Asm. - Trim - Upper
	061400-01-000	EA	Assist Strap - 12" - Light Brown
3	046888-01-000	EA	Ashtray Asm. - Flush Mount - Chrome
4	064499-01-000	EA	Panel - Driver Door - Inner - Dark Brown Plastic
5	063350-02-000	EA	Trim - Door Frame - Front - Off White
6	063351-02-000	EA	Trim - Door Frame - Rear - Off White
7	045017-03-000	EA	Paddle - Door Lock - Exterior
	045017-01-700	EA	Lock Cylinder w/Keys - Lynor
	039977-02-000	EA	Inside Plate - Door Lock - w/Inside Handle
	039540-02-000	EA	Latch Claw - Entry Door Lock
	039738-01-000	EA	Deadbolt - Entrance Door Lock
	039539-01-000	EA	Strike Bolt - Entrance Door (Jamb Mount)
	063124-02-000	EA	Plate - Striker - 8 1/4" x 1" - Black
	062879-02-000	EA	Jamb - Driver Door - Black Steel
	064199-02-000	EA	Trim - Door Jamb - Rear - w/Drip Cap - Off White
	064184-01-000	EA	Drip Cap - Driver Door
	063358-02-000	EA	Trim - Door Jamb - Front - Off White
	063768-01-000	EA	Sill Plate - Driver Door
8	063993-02-000	EA	Hinge Asm. - Driver Door - Off White
	064580-01-000	EA	Check Strap - Driver Door - Seat Belt Webbing
	064219-01-000	EA	Retainer - Driver Door Check Strap
	063886-02-000	EA	Assist Handle - Driver Door - Brown Steel Tube (2 required per door)
	064075-01-000	EA	Bulb Seal - Driver Door - 145"
9	062982-01-000	EA	Window Asm. - Driver Door - Single Slider - 23" x 25 5/8" - Black Anod (w/o inside frame)
10	057657-02-000	EA	Glass - 3/16" x 24 8/8" x 12" - Sliding
11	047369-01-700	EA	Latch - Window - Plastic w/Fastener
12	002188-C4-000	EA	Glass - 3/16" x 24 8/8" x 12" - Stationary
13	002324-02-000	FT	Channel - Weatherstrip - Glass Run - 1/8" Glass
14	053787-03-000	FT	Tape - 1/4" Bead x 30' - Gray - Schree Moorehead
15	024096-02-000	FT	Seal - Window Channel - Black
16	002309-02-000	FT	Spline - Glass - Black
17	002389-03-204	EA	Holder - Glass Seal - Anod Black - 25 1/4"
	002788-01-000	FT	Weatherstrip - Glass Seal
18	057644-04-000	EA	Mullion - Slider Window - Black Anod.
	063422-01-000	EA	Frame - Inside - Driver Door Window
	023713-02-000	EA	Cover - Weephole - Black Plastic
	055184-06-000	EA	Screen Asm. - Slider
	002292-01-000	SF	Screen - Window - 20" - Gray
	002296-01-000	FT	Spline - Gray - Screen - 130" Dia
	018310-03-000	EA	Screen Handle - Black Anod
	043485-02-000	FT	Screen Seal - Extr Vinyl
			Not Illustrated

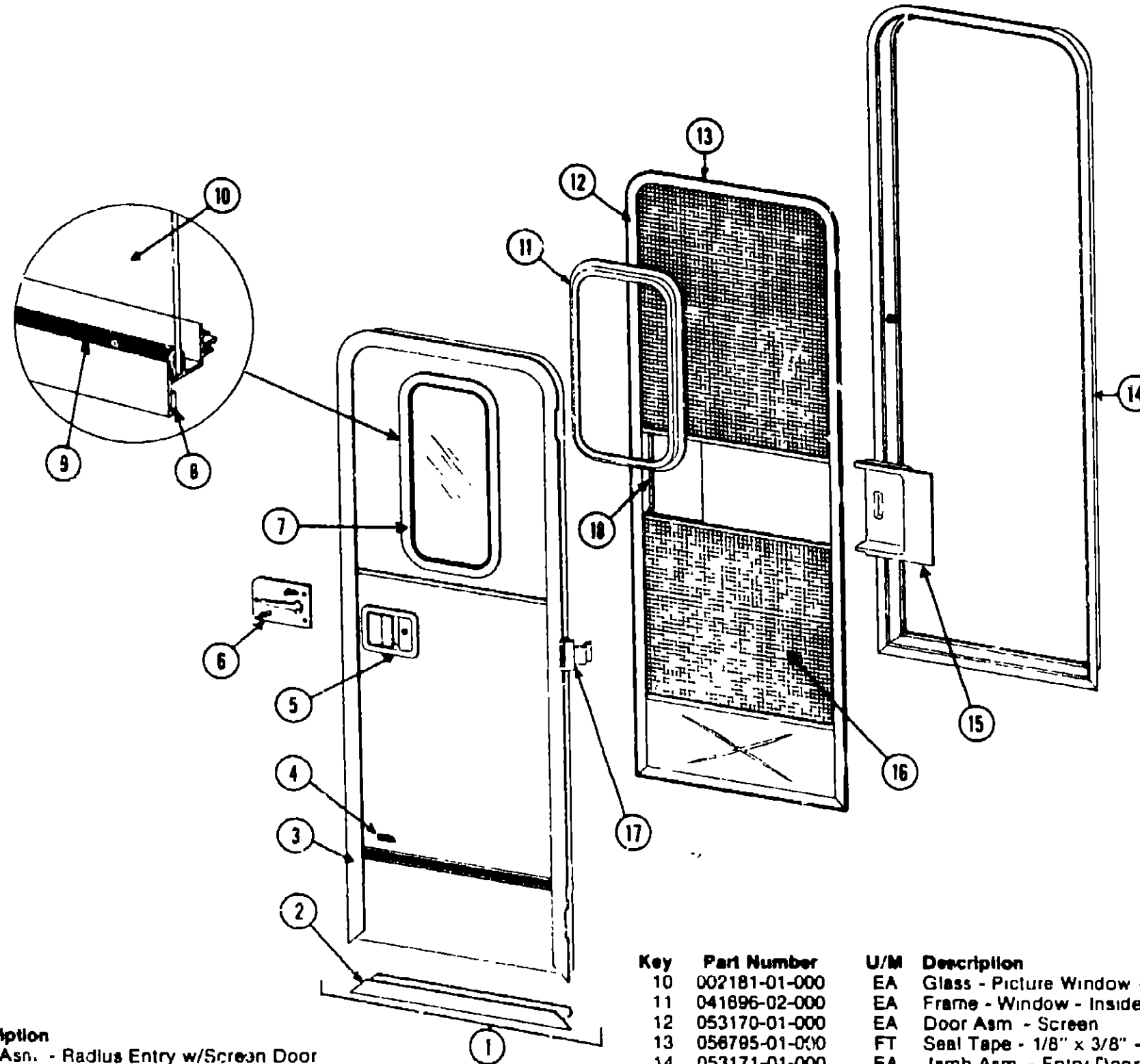
1980 WINNEBAGO
TABLE OF CONTENTS

WD/WC420RG L1	A-1 - B-10
WDF26RH L1	E-11 - D-4
WDF26RT L1	D-6 - F-4
WD423RB L1	F-5 - G-16

1980 WDF26RT L1 INDEX

Floor Plan	D-5 - D-6
Accessories Group	D-7 - D-8
Bath Group	D-9
Chassis Group	D-10
Curtain, Cushion and Pad Group	D-11 - D-18
Dinette Group	D-19
Driver's Compartment Group	D-20 - D-21
Electrical Group	D-22 - D-24
Exterior Body Group	E-1 - E-4
Galley Group	E-5
Heating & Air Conditioning Group	E-6 - E-7
Interior Finish Group	E-8 - E-9
LP Group	E-10
Lounge Group	E-11 - E-13
Water & Sewage Group	E-14
Window, Vent & Exterior Door Group	E-15 - F-4

WINDOW, VENT AND EXTERIOR DOOR GROUP (CONTINUED)



Key	Part Number	U/M	Description
1	053169-04-000	EA	Door Asn. - Radius Entry w/Screen Door
2	039737-01-000	EA	Frame - Entry Door (Bottom Portion Only)
3	039736-01-000	EA	Frame - Entry Door (Except Bottom Portion)
4	054530-01-000	EA	Holder Asm - Entry Door
5	045017-01-000	EA	Paddle Asm - Door Lock - Exterior
	045017-01-700	EA	Lock Cylinder w/Keys - Lynor
	039539-01-000	EA	Striker Bolt - Entry Door
	039540-01-000	EA	Latch Claw - Entry Door
6	039979-01-000	EA	Plate - Lock - Inside - Including Inside Handle
	052186-01-000	EA	Lock Asm - Complete - Lynor
7	041875-02-000	EA	Window Asm - Picture - 13" x 23" - Black Anod (inside frame not included assembly)
8	004363-01-000	FT	Tape - Foam - 3/16" x 1/2" - Gray
9	002309-02-000	FT	Spline - Glass - 1/8" Black

Key	Part Number	U/M	Description
10	002181-01-000	EA	Glass - Picture Window - 1/8" x 12" x 22" Gray
11	041896-02-000	EA	Frame - Window - Inside - 13" x 23" - Brown
12	053170-01-000	EA	Door Asm - Screen
13	056795-01-000	FT	Seal Tape - 1/8" x 3/8" - Press On
14	053171-01-000	EA	Jamb Asm - Entry Door
15	015580-01-000	EA	Slider - Screen Door - Brown Plastic
16	002293-01-000	SF	Screen - Window - 26" - Gray
17	039520-01-000	EA	Hinge - Entry Door (3 used per door)
18	015581-01-000	EA	Cap - Screen Door - Brown Plastic
	049176-01-000	EA	Hedlok II - 3/4" Diameter - Screw Mount (Retains screen door to entry door)
	049797-01-000	EA	Hedlok II - 1" Diameter - Screw Mount (Retains screen door to entry door)
	058025-02-000	EA	Clip - Roller Catch
	039863-01-000	EA	Catch Asm - Single Follower w/Strike - Screen Door
	051390-01-000	FT	Seal - Bulb - Rubber
	039800-03-000	FT	Tubing - Polybutyl - 3/8" O D - Jamb
	044582-02-000	EA	Drip Cap - Jamb Mounted - Off White
			Not Illustrated

F-1

1980 WINNEBAGO TABLE OF CONTENTS

WD/WC420RG L1
WDF26RH L1
WDF26RT L1
WD423RB L1

A-1 - B-10
B-11 - D-4
D-5 - F-4
F-5 - G-16

1980 WDF26RT L1 INDEX

Floor Plan	D-5 - D-6
Accessories Group	D-7 - D-8
Bath Group	D-9
Chassis Group	D-10
Curtain, Cushion and Pad Group	D-11 - D-18
Dinette Group	D-19
Driver's Compartment Group	D-20 - D-21
Electrical Group	D-22 - D-24
Exterior Body Group	E-1 - E-4
Galley Group	E-5
Heating & Air Conditioning Group	E-6 - E-7
Interior Finish Group	E-8 - E-9
LP Group	E-10
Lounge Group	E-11 - E-13
Water & Sewage Group	E-14
Window, Vent & Exterior Door Group	E-15 - F-4

F-2

WINDOW, VENT AND EXTERIOR DOOR GROUP (CONTINUED)

STORM WINDOWS

Key	Part Number	U/M	Description
	062635-01-000	EA	Storm Window - Plexiglas - 23 94" x 16 15"
	062635-04-000	EA	Storm Window - Plexiglas - 22 07" x 22 07"
	062635-05-000	EA	Storm Window - Plexiglas - 23 94" x 13 94"
	062635-06-000	EA	Storm Window - Plexiglas - 23 94" x 57 15"
	009166-01-000	EA	Latch - Storm Window - Nylon

ACCESS DOORS

Key	Part Number	U/M	Description
	037804-17-000	EA	Door Asm - Battery - Off White w/Twist Type Lock
	037804-18-000	EA	Door Asm - LP - Off White w/Twist Type Lock
	047233-01-000	EA	Door Asm - Luggage - 13" x 35" - Off White w/Key Type Lock
	037804-21-000	EA	Door Asm - Storage - 7 3/4" x 37 1/4" - Off White w/Key Type Lock
	054270-01-000	EA	Door Asm - Refrigerator Access - Off White w/Twist Type Lock
	055500-01-000	EA	Door Asm - Gas Fill - w/Key Type Lock
	042441-01-000	EA	Lock Asm - Key Type - Gas Fill
	057096-01-000	EA	Door Asm - Power Cord w/Hatch - Off White
	052950-03-000	EA	Lock Asm - Twist Type - Straight Cam (Power Cord Door)
	047305-01-000	EA	Lock Asm - Key Type w/Clip - Metal
	052950-01-700	EA	Lock Asm - Twist Type w/Clip - White Plastic
	018945-02-000	EA	Holder Asm - Battery and Luggage Doors
	052179-07-000	EA	Door Asm - Generator - Off White w/Twist Type Lock

WINDSHIELD

Key	Part Number	U/M	Description
	057459-01-000	EA	Glass - Windshield - Flat
	058282-01-000	EA	Frame Asm - Windshield
	038886-01-000	EA	Tape - Butyl - 31" x 31" x 148
	042743-01-000	EA	Corner - Windshield - Lower
	042743-02-000	EA	Corner - Windshield - Upper

VENTS

Key	Part Number	U/M	Description
	039778-01-000	EA	Cover - Refrigerator Vent - Plastic
	009407-01-000	EA	Frame Asm - Refrigerator Vent
	049352-01-000	EA	Vent - Stovehood - Outside - Powered Hood - Off White
	053334-01-000	EA	Vent - Stovehood - Outside - Non Powered Hood - Off White
**	048789-01-000	EA	Vent Asm - Roof - Powered w/o Screen - Alum
**	048835-01-000	EA	Vent Asm - Roof - Non-Powered - w/o Screen - Alum
**	056119-01-000	EA	Vent Asm - Roof - Powered/Lighted - Jersan - White

**The illustrated parts breakdown for this item is provided on the Common Items Fiche

1980 WINNEBAGO TABLE OF CONTENTS

WD/WC420RG L1	A-1 - B-10
WDF26RH L1	B-11 - D-4
WDF26RT L1	D-5 - F-4
WD423RB L1	F-5 - G-16

1980 WDF26RT L1 INDEX

Floor Plan	D-5 - D-6
Accessories Group	D-7 - D-8
Bath Group	D-9
Chassis Group	D-10
Curtain, Cushion & Pad Group	D-11 - D-18
Dinette Group	D-19
Driver's Compartment Group	D-20 - D-21
Electrical Group	D-22 - D-24
Exterior Body Group	E-1 - E-4
Galley Group	E-5
Heating & Air Conditioning Group	E-6 - E-7
Interior Finish Group	E-8 - E-9
LP Group	E-10
Lounge Group	E-11 - E-13
Water & Sewage Group	E-14
Window, Vent & Exterior Door Group	E-15 - F-4