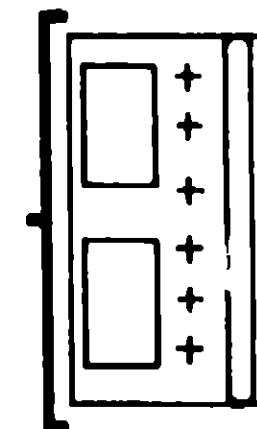
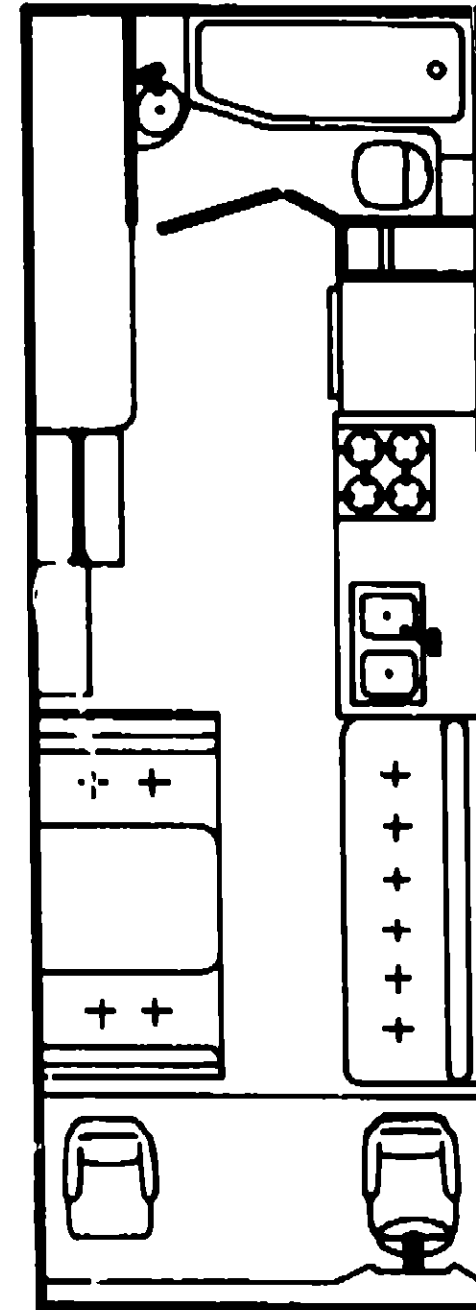
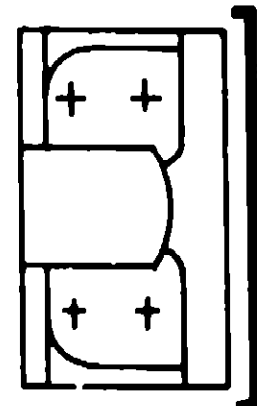


1980 WDF26RH L1



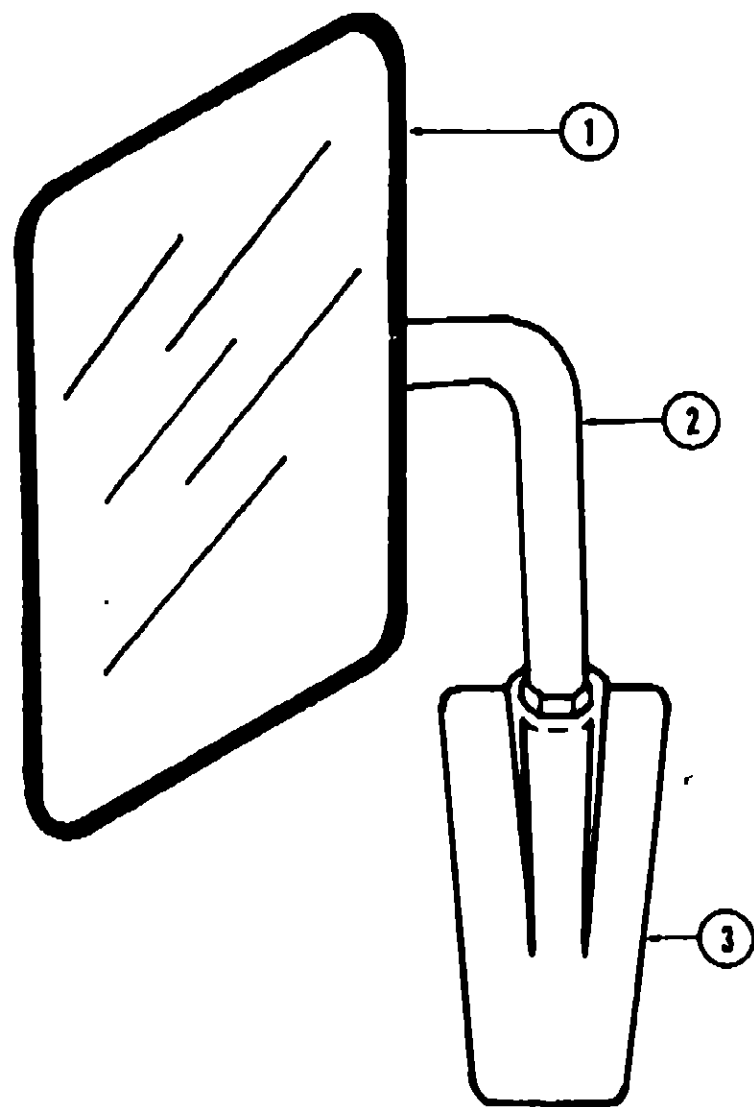
1980 WINNEBAGO TABLE OF CONTENTS

WD/WC420RG L1	A-1 - B-10
WDF26RH L1	B-11 - D-4
WDF26RT L1	D-5 - F-4
WD423RB L1	F-5 - G-18

1980 WDF26RH L1 INDEX

Floor Plan	B-11 - B-12
Accessories Group	B-13 - B-14
Bath Group	B-15 - B-16
Chassis Group	B-17
Curtain, Cushion & Pad Group	B-18 - B-24
Dinette Group	C-1
Driver's Compartment Group	C-2 - C-3
Electrical Group	C-4 - C-5
Exterior Body Group	C-6 - C-9
Galley Group	C-10
Heating & Air Conditioning Group	C-11 - C-12
Interior Finish Group	C-13 - C-14
LP Group	C-15
Lounge Group	C-16
Water & Sewage Group	C-17
Window, Vent & Exterior Door Group	C-18 - D-4

ACCESSORIES GROUP (CONTINUED)



Key	Part Number	U/M	Description
1	057461-01-000	EA	Mirror Head - 7 1/2" x 10 1/2" - w/Convex - Stainless Steel
1	057461-02-000	EA	Mirror Head - 7 1/2" x 10 1/2" - w/Convex - Off White
2	049348-01-000	EA	Arm - Low Mount Mirror - Bright Finish
2	049348-03-000	EA	Arm - Low Mount Mirror - Black
3	049944-02-000	EA	Bracket - Mirror - Outside - Off White
3	049944-04-000	EA	Bracket - Mirror - Outside - Black

GENERATORS AND COMPONENTS

Key	Part Number	U/M	Description
**	054429-01-000	EA	Generator - Onan - 4.0 kw - BFA
**	054431-01-000	EA	Generator - Onan - 5.0 kw - BGA
	701629-02-000	EA	Onan Installation Package
	050467-01-000	EA	Bezel - Entertainment Center No. 3 - w/Cut Out for Vehicle Sensor Panel Radio, Clock, Hourmeter and Generator Start Stop Switch
	024732-01-001	EA	Tailpipe - 1 1/2" O.D. x 23"
	024732-01-009	EA	Tailpipe - 1 1/2" O.D. x 9"
	740313-56-000	EA	Tray - Generator - 4.0 - 5.0 kw Onan

**The illustrated parts breakdown for this item is provided on the Common Items Fiche.

ACCESSORIES GROUP (CONTINUED)

RADIOS AND RELATED COMPONENTS

Key	Part Number	U/M	Description
	049730-01-000	EA	Radio - Clarion - AM w/Fader Switch
	049731-01-000	EA	Radio - Clarion - AM/FM/MPX - w/Fader Switch
	049732-01-000	EA	Radio - Clarion - AM/FM/MPX - 8 Track - w/Fader Switch
	063647-01-000	EA	Control Box - CB Radio - Clarion
	063647-02-000	EA	JC-2 Module - CB Radio - Clarion
	053768-01-000	EA	Speaker - Recessed - 5 1/4" - 10 oz.
	031105-01-000	EA	Antenna - Radio - Side Mount
	031105-01-700	EA	Holder - Antenna - Radio - Upper
	048153-01-000	EA	Antenna - CB Camper Style
	055299-01-000	EA	Grille - Speaker - 5 1/4"

FRONT BUNK AND HARDWARE

Key	Part Number	U/M	Description
	058300-01-L01	EA	Cabinet Asm. - Front Overhead
	058844-01-L01	EA	Bunk Board Asm. - Front Overhead w/Rails
	053773-01-000	EA	Support - Overhead Bunk - Brown - Right
	053773-02-000	EA	Support - Overhead Bunk - Brown - Left
	040071-02-000	EA	Support - Bunk - Seat Belt
	041322-01-000	EA	Washer - Flat - 15/32" I.D. x 2 3/8" O.D.
	039516-02-000	EA	Catch - Bunk - Brown
	023812-22-000	EA	Rail - Bunk - 80" - Brown
	053774-02-000	EA	Torsion Rod - Overhead Bunk - Brown

MISCELLANEOUS ACCESSORIES

Key	Part Number	U/M	Description
	054185-06-000	EA	Owners Manual - Winnebago
	008053-01-000	EA	Antenna - TV Braund Delux
	008063-01-700	EA	Parts Kit - Repair - Braund TV Antenna
	008083-01-000	EA	Jack - TV - Brown (Antenna)
	008076-01-000	EA	Ladder - Front Bunk
	017516-01-000	EA	Mud Flap - Black - 14" x 18" w/Holes
	008113-01-000	EA	Jack Hydraulic - 5 Ton
	041944-01-700	EA	Fire Extinguisher - w/Bracket
	041944-03-000	EA	Fire Extinguisher - w/Bracket - 5 BC (Calif.)
	052771-02-000	EA	Oven - Microwave - Magic Chef MW207
	058253-01-000	EA	Ladder Asm. - w/Luggage Rack
**	041088-02-000	EA	Ladder Asm.
	041646-01-000	EA	Luggage Carrier Assembly
	039881-01-000	EA	Catch and Strike - Luggage Carrier
**	031398-01-000	EA	Wheel Cover - 17.5" Chrome
	041332-01-000	EA	Wheel Cover - 17.5" Chrome - w/Reflector
	008089-01-000	EA	Key Case - Leather
	064082-01-000	EA	Wheel Cover - Spin On - Helmet
	064082-02-000	EA	Retaining Nut - Helmet Wheel Cover
	064082-03-700	EA	Retainer - Threaded Wheel Cover - M-500 Dodge - Front
	064082-03-701	EA	Retainer - Threaded Wheel Cover - M-500 Dodge - Rear
**	059778-01-000	EA	Speed Control Package - Electric
	034410-12-000	EA	Cover - Spare Tire - 32"
	058794-01-000	EA	Steering Stabilizer

**The illustrated parts breakdown for this item is provided on the Common Items Fiche.

1980 WINNEBAGO TABLE OF CONTENTS

WD/WC420RG L1	A-1 - B-10
WDF26RH L1	B-11 - D-4
WDF26RT L1	D-5 - F-4
WD423RB L1	F-5 - G-16

1980 WDF26RH L1 INDEX

Floor Plan	B-11 - B-12
Accessories Group	B-13 - B-14
Bath Group	B-15 - B-16
Chassis Group	B-17
Curtain, Cushion & Pad Group	B-18 - B-24
Dinette Group	C-1
Driver's Compartment Group	C-2 - C-3
Electrical Group	C-4 - C-5
Exterior Body Group	C-6 - C-9
Galley Group	C-10
Heating & Air Conditioning Group	C-11 - C-12
Interior Finish Group	C-13 - C-14
LP Group	C-15
Lounge Group	C-16
Water & Sewage Group	C-17
Window, Vent & Exterior Door Group	C-18 - D-4

BATH GROUP

BATH CABINETRY

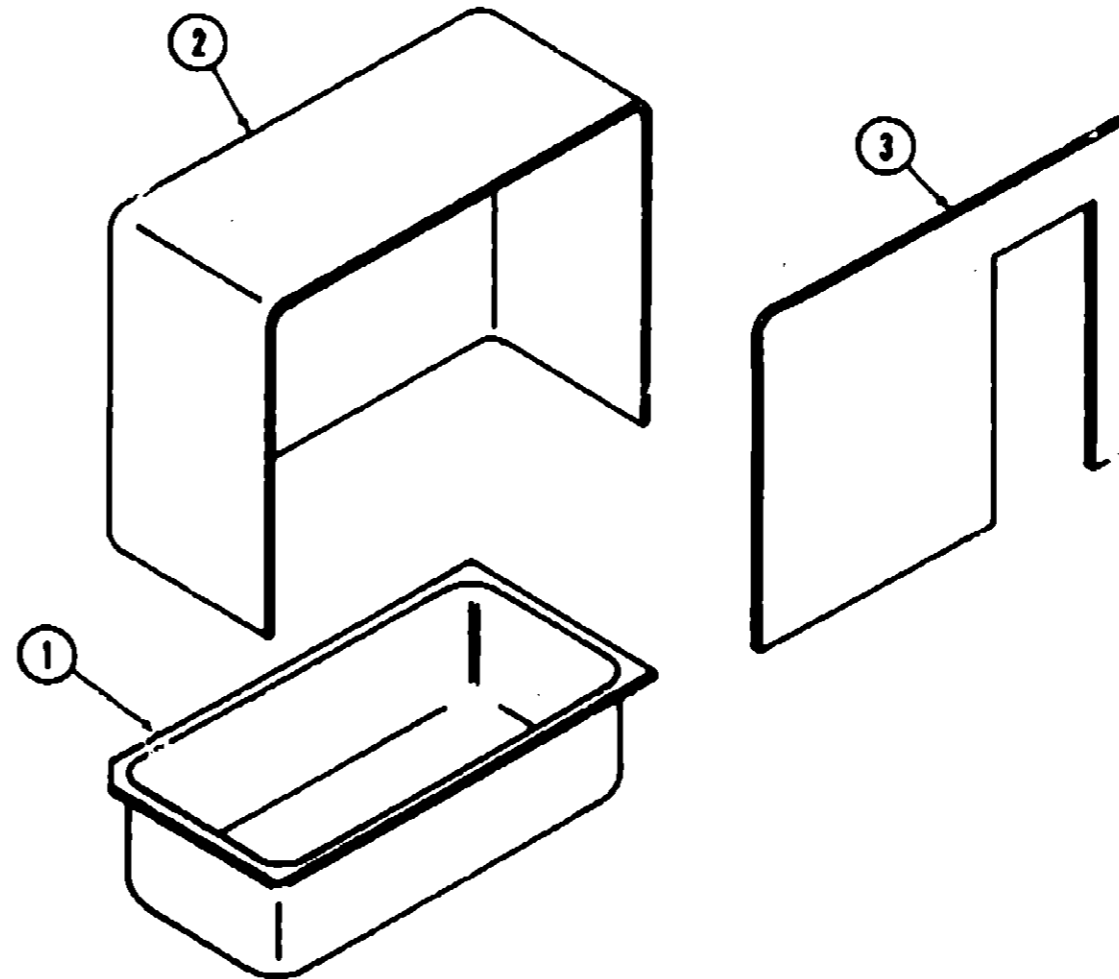
Key	Part Number	U/M	Description
	061171-01-L01	EA	Cabinet Asm. - Vanity - w/o Countertop or Hardware
	059431-01-L01	EA	Countertop Asm. - Vanity Cabinet - Bone
	059122-01-L01	EA	Door Asm. - Rolling - 19" x 17.6" - w/Handle
	059122-02-L01	EA	Door Asm. - Rolling - 19" x 13.2" - w/Handle
	059883-01-L01	EA	Door Asm. - Vanity Countertop - Bone Laminate
	052563-02-000	EA	Towel Rack Asm. - Wood - Mounts on Folding Door Panel
	061782-01-L01	EA	Panel - Folding Door (2 required per unit)
	053130-03-000	EA	Cabinet Asm. - Medicine - 33"
	053130-03-700	EA	Mirror - Jensen Medicine Cabinet - 24 1/2" x 15"
	053130-03-701	EA	Frame - Mirror - Jensen Medicine Cabinet
	053130-02-702	EA	Catch - Door - Jensen Medicine Cabinet
	053130-02-703	EA	Switch - Jensen Medicine Cabinet
	038010-01-000	EA	Bulb - 1143 Frosted

BATH HARDWARE

Key	Part Number	U/M	Description
	058713-01-000	EA	Sink - Bath - Ivory Plastic
..	011056-01-000	EA	Faucet - Sink
	011083-01-000	EA	Plug - Sink - 1 1/4" w/Chain
..	031558-03-000	EA	Faucet - Tub and Shower
..	011088-01-000	EA	Strainer - Shower Pan
..	011089-01-000	EA	Tailpiece - 1 1/4" x 4" - Brass
	011048-02-000	EA	Shower Head - w/60" Hose
	009134-01-000	EA	Holder Tissue
	058331-02-000	EA	Mirror - Tempered Glass - 12" x 36"
	053280-05-000	EA	Trim - Shower Door - Bottom
	053282-04-000	EA	Trim - Shower Door - Left
	053282-01-000	EA	Trim - Shower Door - Right
	068344-02-000	EA	Track - Steel - Folding Door
	058344-01-000	EA	Hardware Package - Folding Door
	067834-01-000	EA	Tie Back - 6" - Clear Plastic
..	038341-02-000	EA	Toilet - Marine - Thetford Aqua Magic SH - Ivory

**The illustrated parts breakdown for this item is provided on the Common Items Fiche.

BATH GROUP (CONTINUED)



Key	Part Number	U/M	Description
1	041826-01-000	EA	Bathtub Bottom - Ivory Plastic
2	041853-01-000	EA	Bathtub Back - Ivory Plastic
3	041852-01-000	EA	Bathtub Front - Ivory Plastic

1980 WINNEBAGO TABLE OF CONTENTS

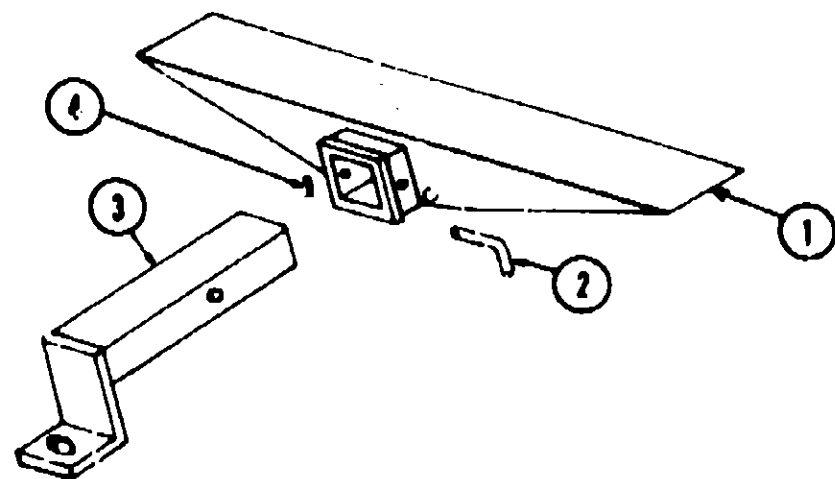
WD/WC420RG L1	A-1 - B-10
WDF26RH L1	B-11 - D-4
WDF26RT L1	D-5 - F-4
WD423RB L1	F-5 - G-18

1980 WDF26RH L1 INDEX

Floor Plan	B-11 - B-12
Accessories Group	B-13 - B-14
Bath Group	B-15 - B-18
Chassis Group	B-17
Curtain, Cushion & Pad Group	B-18 - B-24
Dinette Group	C-1
Driver's Compartment Group	C-2 - C-3
Electrical Group	C-4 - C-5
Exterior Body Group	C-6 - C-9
Galley Group	C-10
Heating & Air Conditioning Group	C-11 - C-12
Interior Finish Group	C-13 - C-14
LP Group	C-15
Lounge Group	C-16
Water & Sewage Group	C-17
Window, Vent & Exterior Door Group	C-18 - D-4

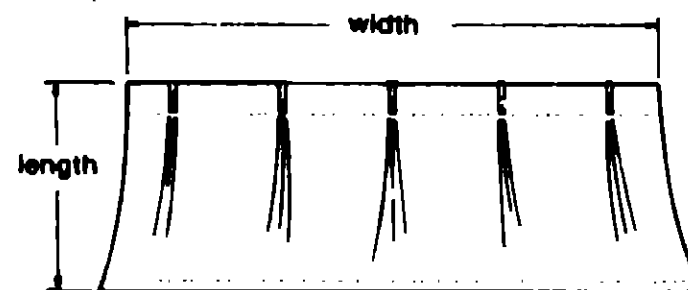
CHASSIS GROUP

Key	Part Number	U/M	Description
	024652-01-700	EA	Step Asm. - Entry
	058401-01-000	EA	Hood Board - Upper - Right - Steel
	058404-01-000	EA	Hood Board - Upper - Left - Steel
	035103-01-000	EA	Cover - Radiator - Rear - Back - Fan Shroud
	052412-01-000	EA	Cover - Radiator - Rear
	052431-01-000	EA	Luggage Tray Asm.
	053249-01-000	EA	Battery Tray - Asm.
	051697-01-000	EA	Bracket - Battery Tie Down - 6.65"
	051697-04-000	EA	Bracket - Battery Tie Down - 9"
	058200-01-000	EA	Bumper - Front - Chrome
	058200-02-000	EA	Bumper - Front - Off White
	058439-01-000	EA	Bracket - Front Bumper - Black
	058416-01-000	EA	Bar - Front Bumper - Black
	021546-01-000	EA	Bumper Asm. - Rear
	041332-01-000	EA	Bumper Cover w/Reflector - Alum. - Fits 4" x 4" Rear Bumper
	041332-02-000	EA	Reflector - Bumper Cover - 6 1/2" x 3/4"
	041332-03-000	EA	Bumper Cover w/o Reflector - Alum. - Fits 4" x 4" Rear Bumper
	005200-01-000	EA	Bolt - Carriage - 7/16" - 14 x 1 1/4" SST (Chrome Bumper)
	039779-01-000	EA	Cap - Rubber - Rear Bumper
	040974-01-000	EA	Bar - Retaining - Spare Tire - 2" x 6.75"
	059870-02-000	EA	Bracket - Tire Carrier
	040043-08-000	EA	Bracket Asm. - Rear Bumper Mounting
	007125-01-000	EA	Clamp Asm. - Muffler - 1.62" Dia.
	007125-07-000	EA	Clamp Asm. - Muffler - 2.50" Dia.
	007125-08-000	EA	Clamp Asm. - Muffler - 3" Dia.
	007131-01-000	EA	Hanger - Tail Pipe
	056728-03-000	EA	Tailpipe - Extension - 2.5" x 65"
	056727-04-000	EA	Tailpipe - Extension - 3" x 65"
	017516-01-000	EA	Mud Flap - 14" x 18" w/Holes
	033128-01-000	EA	Power Cord Box - Plastic
	053700-01-000	EA	Wheel Well - Plastic
	740017-08-000	EA	Tray - Generator - Onan - 4.0 kw - 5.0 kw
	050794-01-000	EA	Steering Stabilizer
	014900-02-000	EA	Shroud - Fuel Fill - Double Black - Plastic - (Inside)
	040001-02-000	EA	Spacer - Rear Leaf Spring - 1/4" x 4" x 6"
	005088-01-000	EA	U-Bolt - Rear Leaf Spring - 13"



Key	Part Number	U/M	Description
1	023606-01-000	EA	Hitch Asm. - w/o Drawbar
2	034512-01-000	EA	Pin - Locking - Drawbar
3	023680-01-700	EA	Drawbar - Trailer Hitch - Primed
4	034513-01-000	EA	Pin - Hitch - 3/16" Wire Spring

CURTAIN, CUSHION AND PAD GROUP



NOTE:

Use this illustration when determining length and width measurements for curtains. You will note the width measurement is taken on the top of the curtain with the curtain fully extended. The length measurement is taken from top to bottom.

1980 WINNEBAGO TABLE OF CONTENTS

WD/WC420RG L1	A-1 - B-10
WDF26RH L1	B-11 - D-4
WDF26RT L1	D-5 - F-4
WD423RB L1	F-5 - G-16

CURTAINS

Key	Part Number	U/M	Description
	054051-02-L01	EA	Curtain w/Snap Top - 34" x 37" - Dublin Flax
	056484-26-L01	EA	Curtain w/Taped Top - 22.5" x 19" - Dublin Flax
	056484-25-L01	EA	Curtain w/Taped Top - 21" x 19" - Dublin Flax
	056484-27-L01	EA	Curtain w/Taped Top - 27" x 19" - Dublin Flax
	054051-43-L01	EA	Curtain w/Snap Top - 27.5" x 125" - Dublin Flax
	058800-05-L01	EA	Curtain Asm. - 29" x 30" - Dublin Flax
	054051-41-L01	EA	Curtain Asm. - w/Snap Top - 27.5" x 61" - Dublin Flax
	054051-45-L01	EA	Curtain Asm. - w/Snap Top - 75" x 48" - Dublin Flax
	054051-22-L01	EA	Curtain Asm. - w/Snap Top - 22" x 96" - Dublin Flax

SHADES

Key	Part Number	U/M	Description
	085657-03-L01	EA	Shade Asm. - 25" x 23" - Brown
	085657-03-L02	EA	Shade Asm. - 25" x 23" - Rust
	085657-03-L03	EA	Shade Asm. - 25" x 23" - Blue
	085657-06-L01	EA	Shade Asm. - 33" x 34" - Brown
	085657-06-L02	EA	Shade Asm. - 33" x 34" - Rust
	085657-06-L03	EA	Shade Asm. - 33" x 34" - Blue
	085657-08-L01	EA	Shade Asm. - 37" x 23" - Brown
	085657-08-L02	EA	Shade Asm. - 37" x 23" - Rust
	085657-08-L03	EA	Shade Asm. - 37" x 23" - Blue
	085657-12-L01	EA	Shade Asm. - 69" x 34" - Brown
	085657-12-L02	EA	Shade Asm. - 69" x 34" - Rust
	085657-12-L03	EA	Shade Asm. - 69" x 34" - Blue
	085728-04-000	EA	Shade - Woven Wood - 25" x 23" - Brown
	085728-05-000	EA	Shade - Woven Wood - 25" x 23" - Rust
	085728-06-000	EA	Shade - Woven Wood - 25" x 23" - Blue
	085728-10-000	EA	Shade - Woven Wood - 33" x 31" - Brown
	085728-11-000	EA	Shade - Woven Wood - 33" x 31" - Rust
	085728-12-000	EA	Shade - Woven Wood - 33" x 31" - Blue
	085728-13-000	EA	Shade - Woven Wood - 38" x 22" - Brown
	085728-14-000	EA	Shade - Woven Wood - 38" x 22" - Rust
	085728-15-000	EA	Shade - Woven Wood - 38" x 22" - Blue
	085728-19-000	EA	Shade - Woven Wood - 69" x 31" - Brown
	085728-20-000	EA	Shade - Woven Wood - 69" x 31" - Rust
	085728-21-000	EA	Shade - Woven Wood - 69" x 31" - Blue

1980 WDF26RH L1 INDEX

Floor Plan	B-11 - B-12
Accessories Group	B-13 - B-14
Bath Group	B-15 - B-16
Chassis Group	B-17
Curtain, Cushion & Pad Group	B-18 - B-24
Dinette Group	C-1
Driver's Compartment Group	C-2 - C-3
Electrical Group	C-4 - C-5
Exterior Body Group	C-6 - C-9
Galley Group	C-10
Heating & Air Conditioning Group	C-11 - C-12
Interior Finish Group	C-13 - C-14
LP Group	C-15
Lounge Group	C-16
Water & Sewage Group	C-17
Window, Vent & Exterior Door Group	C-18 - D-4

CURTAIN, CUSHION AND PAD GROUP (CONTINUED)

VALANCES AND TIE BACKS

Key	Part Number	U/M	Description
	054048-08-L01	EA	Tie Back Asm - 2" x 18" - Brown
	054048-08-L02	EA	Tie Back Asm - 2" x 18" - Rust
	054048-08-L03	EA	Tie Back Asm - 2" x 18" - Blue
	057534-01-000	EA	Tie Back Asm. - 6" - Clear Plastic
	065892-01-L01	EA	Valance Asm - 5" x 34" - Brown
	065892-01-L02	EA	Valance Asm - 5" x 34" - Rust
	065892-01-L03	EA	Valance Asm - 5" x 34" - Blue
	065892-05-L01	EA	Valance Asm - 5" x 78" - Brown
	065892-05-L02	EA	Valance Asm. - 5" x 78" - Rust
	065892-05-L03	EA	Valance Asm - 5" x 78" - Blue
	065892-10-L01	EA	Valance Asm - 5" x 35" - Brown
	065892-10-L02	EA	Valance Asm - 5" x 35" - Rust
	065892-10-L03	EA	Valance Asm - 5" x 35" - Blue
	065892-11-L01	EA	Valance Asm - 6 5" x 44 5" - Brown
	065892-11-L02	EA	Valance Asm. - 6 5" x 44 5" - Rust
	065892-11-L03	EA	Valance Asm - 6 5" x 44 5" - Blue

CURTAIN HARDWARE

Key	Part Number	U/M	Description
	056116-01-000	FT	Track - Curtain - Brown Plastic
	056001-01-000	EA	Bracket - Shade - Left
	056002-01-000	EA	Bracket - Shade - Right
	056003-01-000	EA	Bracket - Drapery Retainer - Right
	056003-02-000	EA	Bracket - Drapery Retainer - Left
	053272-04-200	EA	Track - Curtain - Off White - 89" w/Holes
	056784-01-000	EA	Pull - Window Shade - Antique Brass
	009107-01-010	EA	Guide - Nylon Snap - Curtain
	018031-41-010	EA	Track - Curtain - "L" Rod - Alum. - Extr - 90"
	009701-01-000	EA	Carrier - "L" Rod - Curtain
	009702-01-000	EA	End Stop - "L" Rod - Curtain
	059430-02-000	EA	Track - Curtain - Front Wraparound Right or Left
	056289-05-000	EA	Track - Curtain - 90 Degree - 40" x 11"



Key	Part Number	U/M	Description
1	029130-01-000	EA	Socket - Snap Fastener
2	029155-01-000	EA	Cap - Snap - .156" Dia. x 17" Barrel
3	029156-01-000	EA	Socket - Snap Fastener
4	029092-01-000	EA	Stud - Nickel Finish
5	029093-01-000	EA	Eyelet - Nickel Finish

CURTAIN, CUSHION AND PAD GROUP (CONTINUED)

HIGHBACK BUCKET SEATS

Key	Part Number	U/M	Description
	065937-05-L01	EA	Seat Asm. - Single Bucket - w/Skirt and Armrests - Brown
	065937-05-L02	EA	Seat Asm - Single Bucket - w/Skirt and Armrests - Rust
	065937-05-L03	EA	Seat Asm. - Single Bucket - w/Skirt and Armrests - Blue
	065943-01-L01	EA	Cover - Single Bucket - Back - Brown
	065943-01-L02	EA	Cover - Single Bucket - Back - Rust
	065943-01-L03	EA	Cover - Single Bucket - Back - Blue
	065944-01-L01	EA	Cover - Single Bucket - Bottom - Brown
	065944-01-L02	EA	Cover - Single Bucket - Bottom - Rust
	065944-01-L03	EA	Cover - Single Bucket - Bottom - Blue
	068915-01-L01	EA	Skirt - Single Bucket - Brown
	068915-01-L02	EA	Skirt - Single Bucket - Rust
	068915-01-L03	EA	Skirt - Single Bucket - Blue
	065940-01-L01	EA	Seat Asm. - Double Bucket - w/Skirt and Armrests - Brown
	065940-01-L02	EA	Seat Asm - Double Bucket - w/Skirt and Armrests - Rust
	065940-01-L03	EA	Seat Asm. - Double Bucket - w/Skirt and Armrests - Blue
	065945-01-L01	EA	Cover - Double Bucket - Back - Brown
	065945-01-L02	EA	Cover - Double Bucket - Back - Rust
	065945-01-L03	EA	Cover - Double Bucket - Back - Blue
	065946-01-L01	EA	Cover - Double Bucket - Bottom - Brown
	065946-01-L02	EA	Cover - Double Bucket - Bottom - Rust
	065946-01-L03	EA	Cover - Double Bucket - Bottom - Blue
	068916-01-L01	EA	Skirt - Double Bucket - Brown
	068916-01-L02	EA	Skirt - Double Bucket - Rust
	068916-01-L03	EA	Skirt - Double Bucket - Blue

LOWBACK BUCKET SEATS

Key	Part Number	U/M	Description
	061825-01-L01	EA	Seat Asm. - Single Bucket - w/o Armrests or Headrests - Brown
	061825-01-L02	EA	Seat Asm - Single Bucket - w/o Armrests or Headrests - Rust
	061825-01-L03	EA	Seat Asm. - Single Bucket - w/o Armrests or Headrests - Blue
	061836-01-L01	EA	Cover - Single Bucket - Back - Brown
	061836-01-L02	EA	Cover - Single Bucket - Back - Rust
	061836-01-L03	EA	Cover - Single Bucket - Back - Blue
	061837-01-L01	EA	Cover - Single Bucket - Seat - Brown
	061837-01-L02	EA	Cover - Single Bucket - Seat - Rust
	061837-01-L03	EA	Cover - Single Bucket - Seat - Blue

ARMREST

Key	Part Number	U/M	Description
	050276-01-700	EA	Armrest Asm. - Foam w/o Cover - Right
	050276-01-700	EA	Armrest Asm. - Foam w/o Cover - Left
	065774-01-L01	EA	Cover - Armrest - Right or Left - Brown
	065774-01-L02	EA	Cover - Armrest - Right or Left - Rust
	065774-01-L03	EA	Cover - Armrest - Right or Left - Blue

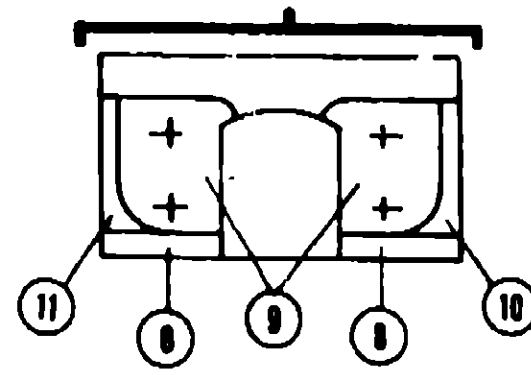
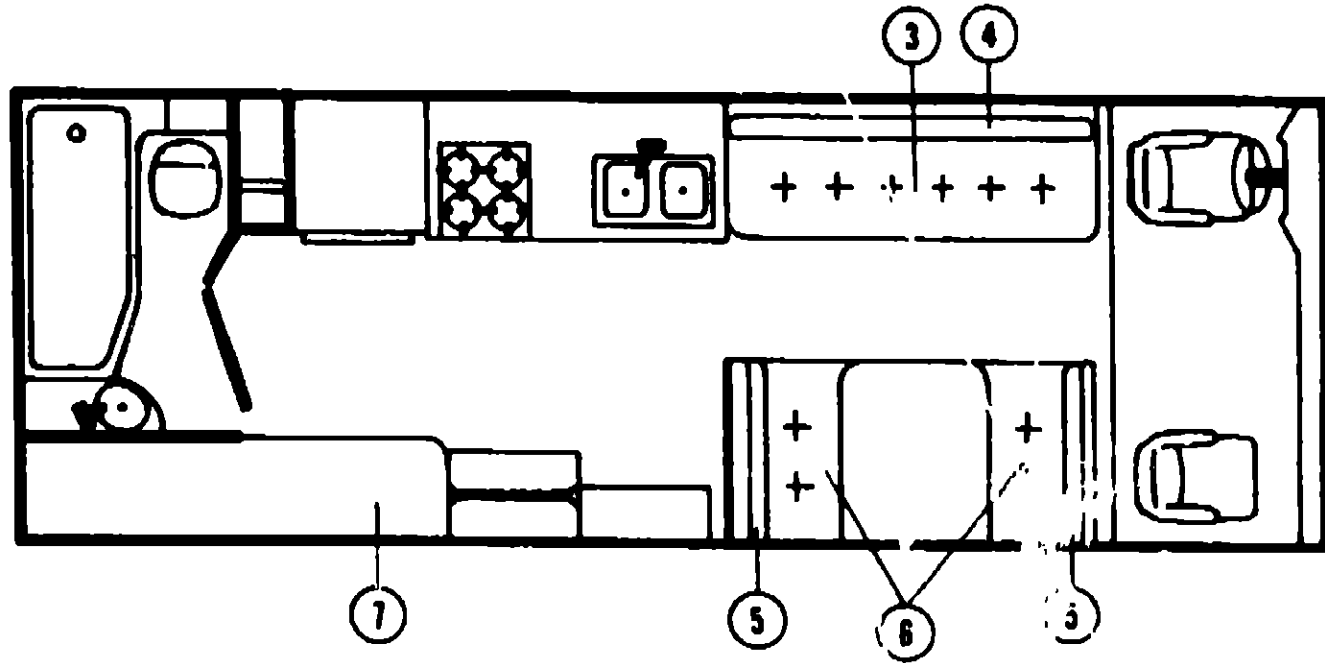
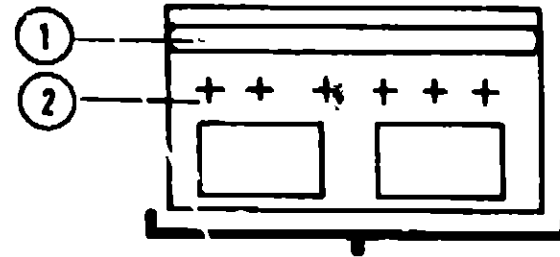
1980 WINNEBAGO TABLE OF CONTENTS

WD/WC420RG L1	A-1 - B-10
WDF26RH L1	B-11 - D-4
WDF26RT L1	D-5 - F-4
WD423RB L1	F-5 - G-16

1980 WDF26RH L1 INDEX

Floor Plan	B-11 - B-12
Accessories Group	B-13 - B-14
Bath Group	B-15 - B-16
Chassis Group	B-17
Curtain, Cushion & Pad Group	B-18 - B-24
Dinette Group	C-1
Driver's Compartment Group	C-2 - C-3
Electrical Group	C-4 - C-5
Exterior Body Group	C-6 - C-9
Galley Group	C-10
Heating & Air Conditioning Group	C-11 - C-12
Interior Finish Group	C-13 - C-14
LP Group	C-15
Lounge Group	C-16
Water & Sewage Group	C-17
Window, Vent & Exterior Door Group	C-18 - D-4

CURTAIN, CUSHION AND PAD GROUP (CONTINUED)



PRESTO BED CUSHIONS

Key	Part Number	U/M	Description
1	084704-01-L01	EA	Cushion - Presto Bed - Back - 76" - Brown
1	084704-01-L02	EA	Cushion - Presto Bed - Back - 76" - Rust
1	084704-01-L03	EA	Cushion - Presto Bed - Back - 76" - Blue
	084723-02-L01	EA	Cover - Presto Bed Cushion - Back - 76" - Brown
	084723-02-L02	EA	Cover - Presto Bed Cushion - Back - 76" - Rust
	084723-02-L03	EA	Cover - Presto Bed Cushion - Back - 76" - Blue
2	084705-01-L01	EA	Cushion - Presto Bed - Bottom - 76" - Brown
2	084705-01-L02	EA	Cushion - Presto Bed - Bottom - 76" - Rust
2	084705-01-L03	EA	Cushion - Presto Bed - Bottom - 76" - Blue
	084723-01-L01	EA	Cover - Presto Bed Cushion - Bottom - 76" - Brown
	084723-01-L02	EA	Cover - Presto Bed Cushion - Bottom - 76" - Rust
	084723-01-L03	EA	Cover - Presto Bed Cushion - Bottom - 76" - Blue

CURTAIN, CUSHION AND PAD GROUP (CONTINUED)

LESTER LOUNGE CUSHIONS

Key	Part Number	U/M	Description
3	084706-01-L01	EA	Cushion - Lester Lounge - Complete - 76" - Brown
3	084706-01-L02	EA	Cushion - Lester Lounge - Complete - 76" - Rust
3	084706-01-L03	EA	Cushion - Lester Lounge - Complete - 76" - Blue
	084707-01-L01	EA	Cover - Lester Lounge Cushion - 76" - Brown
	084707-01-L02	EA	Cover - Lester Lounge Cushion - 76" - Rust
	084707-01-L03	EA	Cover - Lester Lounge Cushion - 76" - Blue
4	085985-01-L01	EA	Cushion - Lounge - 8" x 76" x 4.5" - Brown
4	085985-01-L02	EA	Cushion - Lounge - 8" x 76" x 4.5" - Rust
4	085985-01-L03	EA	Cushion - Lounge - 8" x 76" x 4.5" - Blue
	085986-01-L01	EA	Cover - Lounge Cushion - 8" x 76" x 4.5" - Brown
	085986-01-L02	EA	Cover - Lounge Cushion - 8" x 76" x 4.5" - Rust
	085986-01-L03	EA	Cover - Lounge Cushion - 8" x 76" x 4.5" - Blue

CONVENTIONAL DINETTE CUSHIONS

Key	Part Number	U/M	Description
5	084700-02-L01	EA	Cushion - Dinette Back - 19.2" x 38" x 4.5" - Brown
5	084700-02-L02	EA	Cushion - Dinette Back - 19.2" x 38" x 4.5" - Rust
5	084700-02-L03	EA	Cushion - Dinette Back - 19.2" x 38" x 4.5" - Blue
	084701-02-L01	EA	Cover - Dinette Back Cushion - 19.2" x 38" x 4.5" - Brown
	084701-02-L02	EA	Cover - Dinette Back Cushion - 19.2" x 38" x 4.5" - Rust
	084701-02-L03	EA	Cover - Dinette Back Cushion - 19.2" x 38" x 4.5" - Blue
6	084700-01-L01	EA	Cushion - Dinette Bottom - 17.5" x 38" x 4.5" - Brown
6	084700-01-L02	EA	Cushion - Dinette Bottom - 17.5" x 38" x 4.5" - Rust
6	084700-01-L03	EA	Cushion - Dinette Bottom - 17.5" x 38" x 4.5" - Blue
	084701-01-L01	EA	Cover - Dinette Bottom Cushion - 17.5" x 38" x 4.5" - Brown
	084701-01-L02	EA	Cover - Dinette Bottom Cushion - 17.5" x 38" x 4.5" - Rust
	084701-01-L03	EA	Cover - Dinette Bottom Cushion - 17.5" x 38" x 4.5" - Blue

REAR BUNK CUSHIONS

Key	Part Number	U/M	Description
7	055021-34-L01	EA	Cushion - Rear Bunk - 29" x 75.5" x 4.5" - Brown
7	055021-34-L02	EA	Cushion - Rear Bunk - 29" x 75.5" x 4.5" - Rust
7	055021-34-L03	EA	Cushion - Rear Bunk - 29" x 75.5" x 4.5" - Blue
	055022-36-L01	EA	Cover - Rear Bunk Cushion - 29" x 75.5" x 4.5" - Brown
	055022-36-L02	EA	Cover - Rear Bunk Cushion - 29" x 75.5" x 4.5" - Rust
	055022-36-L03	EA	Cover - Rear Bunk Cushion - 29" x 75.5" x 4.5" - Blue

**1980 WINNEBAGO
TABLE OF CONTENTS**

WD/WC420RG L1	A-1 - B-10
WDF26RH L1	B-11 - D-4
WDF26RT L1	D-5 - F-4
WD423RB L1	F-5 - G-16

1980 WDF26RH L1 INDEX

Floor Plan	B-11 - B-12
Accessories Group	B-13 - B-14
Bath Group	B-15 - B-16
Chassis Group	B-17
Curtain, Cushion & Pad Group	B-18 - B-24
Dinette Group	C-1
Driver's Compartment Group	C-2 - C-3
Electrical Group	C-4 - C-5
Exterior Body Group	C-6 - C-9
Galley Group	C-10
Heating & Air Conditioning Group	C-11 - C-12
Interior Finish Group	C-13 - C-14
LP Group	C-15
Lounge Group	C-16
Water & Sewage Group	C-17
Window, Vent & Exterior Door Group	C-18 - D-4

CURTAIN, CUSHION AND PAD GROUP (CONTINUED)

CORNER LOUNGE CHAIR CUSHIONS

Key	Part Number	U/M	Description
8	059742-05-L01	EA	Cushion - Lounge Chair Back - Brown
8	059742-05-L02	EA	Cushion - Lounge Chair Back - Rust
8	059742-05-L03	EA	Cushion - Lounge Chair Back - Blue
	059745-05-L01	EA	Cover - Lounge Chair Back - Brown
	059745-05-L02	EA	Cover - Lounge Chair Back - Rust
	059745-05-L03	EA	Cover - Lounge Chair Back - Blue
9	059743-05-L01	EA	Cushion - Lounge Chair Seat - Brown
9	059743-05-L02	EA	Cushion - Lounge Chair Seat - Rust
9	059743-05-L03	EA	Cushion - Lounge Chair Seat - Blue
	059746-05-L01	EA	Cover - Lounge Chair Seat - Brown
	059746-05-L02	EA	Cover - Lounge Chair Seat - Rust
	059746-05-L03	EA	Cover - Lounge Chair Seat - Blue
10	059744-09-L01	EA	Cushion - Chair Wedge - Left - Brown
10	059744-09-L02	EA	Cushion - Chair Wedge - Left - Rust
10	059744-09-L03	EA	Cushion - Chair Wedge - Left - Blue
	059747-09-L01	EA	Cover - Chair Wedge - Left - Brown
	059747-09-L02	EA	Cover - Chair Wedge - Left - Rust
	059747-09-L03	EA	Cover - Chair Wedge - Left - Blue
11	059744-10-L01	EA	Cushion - Chair Wedge - Right - Brown
11	059744-10-L02	EA	Cushion - Chair Wedge - Right - Rust
11	059744-10-L03	EA	Cushion - Chair Wedge - Right - Blue
	059747-10-L01	EA	Cover - Chair Wedge - Right - Brown
	059747-10-L02	EA	Cover - Chair Wedge - Right - Rust
	059747-10-L03	EA	Cover - Chair Wedge - Right - Blue

FABRICS AND TRIMS

Key	Part Number	U/M	Description
	054676-01-01	EA	Button Asm - Cloth - No 30 - Bronze
	054676-01-02	EA	Button Asm - Cloth - No 30 - Burnt Orange
	054676-01-03	EA	Button Asm - Cloth - No 30 - Beige
	054676-05-L01	EA	Button Asm - Cloth - No 45 - Bronze
	054676-05-L02	EA	Button Asm - Cloth - No 45 - Burnt Orange
	054676-05-L03	EA	Button Asm - Cloth - No 45 - Beige
	064383-01-000	YD	Fabric - Upholstery - Sienna Brown
	064383-06-000	YD	Fabric - Upholstery - Biscayne Rust
	064383-07-000	YD	Fabric - Upholstery - Biscayne Blue
	064383-04-000	YD	Fabric - Drapery - Dublin Flax
	053327-01-000	YD	Vinyl - Non Expanded - 27 oz - Acorn Brown
	053327-02-000	YD	Vinyl - Expanded - 28 oz - Acorn Brown
	053327-03-000	YD	Vinyl - Non Support - 18 Gauge Film - Acorn Brown

CURTAIN, CUSHION AND PAD GROUP (CONTINUED)

PADS

Key	Part Number	U/M	Description
	058442-01-K01	EA	Pad - End - Galley Overhead Cabinet - Acorn Vinyl
	058444-03-K01	EA	Pad - End - Dinette Overhead Cabinet - Left - Acorn Vinyl
	058444-04-K01	EA	Pad - End - Dinette Overhead Cabinet - Right - Acorn Vinyl
	058948-01-K01	EA	Pad - Front Overhead Bunk - Right - Acorn Vinyl
	058948-02-K01	EA	Pad - Front Overhead Bunk - Left - Acorn Vinyl
	059438-01-K01	EA	Pad - End - Nightstand Overhead - Acorn Vinyl
	059414-01-000	EA	Pad - Sidewall Trim - Drivers
	059414-02-000	EA	Pad - Sidewall Trim - Passenger
	059467-03-K01	EA	Pad - Map Pocket - Left - Acorn Vinyl
	059467-04-K01	EA	Pad - Map Pocket - Right - Acorn Vinyl

FRONT OVERHEAD BUNK CUSHIONS

Key	Part Number	U/M	Description
	055021-33-L01	EA	Cushion - Front Bunk - 47" x 79 1/4" x 4" - Brown
	055021-33-L02	EA	Cushion - Front Bunk - 47" x 79 1/4" x 4" - Rust
	055021-33-L03	EA	Cushion - Front Bunk - 47" x 79 1/4" x 4" - Blue
	055022-35-L01	EA	Cover - Front Bunk Cushion - 47" x 79 1/4" x 4" - Brown
	055022-35-L02	EA	Cover - Front Bunk Cushion - 47" x 79 1/4" x 4" - Rust
	055022-35-L03	EA	Cover - Front Bunk Cushion - 47" x 79 1/4" x 4" - Blue

1980 WINNEBAGO TABLE OF CONTENTS

WD/WC420RG L1	A-1 - B-10
WDF26RH L1	B-11 - D-4
WDF26RT L1	D-5 - F-4
WD423FB L1	F-5 - G-16

1980 WDF26RH L1 INDEX

Floor Plan	B-11 - B-12
Accessories Group	B-13 - B-14
Bath Group	B-15 - B-16
Chassis Group	B-17
Curtain, Cushion & Pad Group	B-18 - B-24
Dinette Group	C-1
Driver's Compartment Group	C-2 - C-3
Electrical Group	C-4 - C-5
Exterior Body Group	C-6 - C-9
Galley Group	C-10
Heating & Air Conditioning Group	C-11 - C-12
Interior Finish Group	C-13 - C-14
LP Group	C-15
Lounge Group	C-16
Water & Sewage Group	C-17
Window, Vent & Exterior Door Group	C-18 - D-4

DINETTE GROUP

STANDARD DINETTE W/OPOSING BENCHES AND LESTER LOUNGE

Key	Part Number	U/M	Description
	050825-01-L01	EA	Cabinet Asm. - Right - Dinette Overhead - w/o Doors or Hardware
	050825-03-L01	EA	Cabinet Asm. - Dinette Couch Overhead - w/o Doors or Hardware
	057992-56-L01	EA	Door Asm. - Dinette Overhead Cabinet - 28 22" x 11.52" - w/o Hardware
	058758-01-L01	EA	Cabinet Asm. - Rear Dinette Seat - w/o Door or Hardware
	057992-56-L01	EA	Door Asm. - Dinette Seat Cabinet - 25.22" x 10.62" - w/o Hardware
	058758-02-L01	EA	Cabinet Asm. - Front Dinette Seat - w/o Door or Hardware
	057992-54-L01	EA	Door Asm. - Dinette Seat Cabinet - 20 02" x 12.22" - w/o Hardware
	061653-01-L01	EA	Cabinet Asm. - Lester Lounge - w/o Doors or Hardware
	057992-46-L01	EA	Door Asm. - Lester Lounge - 11.72" x 26.72" - w/o Hardware
	058875-02-000	EA	Leg Asm. - Couch
	022517-01-000	EA	End Cap - Couch Leg - 1" x 1" - Brown
	053944-02-L01	EA	Door Asm. - Furnace Grille - w/o Catch
	047205-12-000	EA	Insert - Furnace Grille - 10.06" x 14.5" - Brass Mesh
	039873-01-000	EA	Catch and Strike - Furnace Door
	053192-01-L01	EA	Table Asm. - Dinette - w/o Hardware - Bone
**	024276-01-000	EA	Leg Asm. - Dinette Table - Brown - 29 5"
**	024277-02-000	EA	Hinge - Table Leg - Brown
**	024282-01-000	EA	Brace - Table Leg
**	024283-01-000	EA	Clip - 1" O.D. Tube
**	019493-02-000	EA	Catch - Table Leg - Mounts on Floor - Brown
**	024275-01-000	EA	Rod - Table Lift - 8" x 23.5"
**	024275-04-000	EA	Rod - Table Lift - 8" x 14.5"
**	024281-05-000	EA	Bracket - Lower Wall Mount - Brown - 13 5"
**	024281-06-000	EA	Bracket - Lower Wall Mount - Black - 22 12"
**	024281-03-000	EA	Bracket - Lower Wall Mount - Brown - 22.12"
**	053200-02-000	EA	Bracket - Upper Wall Mount - 14.5"
**	053200-01-000	EA	Bracket - Upper Wall Mount - Brown - 23 5"
**	053201-01-000	EA	Bracket - Table Mount - Brown - 23"

**The illustrated parts breakdown for this item is provided on the Common Items Fiche

SPRUNG COUCH W/PEDESTAL TABLES

Key	Part Number	U/M	Description
	053203-07-L01	EA	Table Asm. - Pedestal - w/o Hardware - Bone
	041194-01-000	EA	Base - Table Leg - Mounts in Floor
	009040-03-000	EA	Base - Table Leg - Mounts on Table
	009040-02-000	EA	Leg - Pedestal Table - 2 25" O D x 27 5" - Chrome
	058759-01-L01	EA	Panel Asm. - Couch Front - w/o Door or Hardware
	057618-01-L01	EA	End Panel - Sprung Couch - Front
	057468-02-000	EA	Frame Asm. - Sprung Couch - Right
	057468-03-000	EA	Frame Asm. - Sprung Couch - Left
	057468-04-000	EA	Frame Rails - Sprung Couch (2 per couch)
	057469-01-000	EA	Leg Asm. - Sprung Couch
	053944-02-L01	EA	Door Asm. - Furnace - w/Brass Mesh Insert
	047205-12-000	EA	Insert - Furnace Door - 14 5" x 10" - Brass Mesh
	039873-01-000	EA	Catch and Strike - Furnace Door

CORNER LOUNGE CHAIRS W/FOLD DOWN TABLE

Key	Part Number	U/M	Description
	061558-02-L01	EA	Cabinet Asm. - Corner Lounge Chair - Right
	061560-01-L01	EA	Cabinet Asm. - Corner Lounge Chair - Left
	061704-01-L01	EA	Table Asm. - Lounge - Bone
	061682-01-000	EA	Leg Asm. - Table - Pivot
	061879-01-000	EA	Leg Asm. - Table - Fixed
	024275-04-000	EA	Rod - Table Lift
	024281-05-000	EA	Bracket - Table Lift - Mounts on Table
	053200-02-000	EA	Support - Table - 14 5" - Mounts on Wall
	057992-60-L01	EA	Door Asm. - Corner Lounge Chair Cabinet - 19 72" x 12 22" - w/o Hardware
	059122-06-L01	EA	Door Asm. - Rolling - 17 7" x 13" - w/Handle

C-1

DRIVER'S COMPARTMENT GROUP

DASH PANEL AND COMPONENTS

Key	Part Number	U/M	Description
	059813-01-L01	EA	Dash Asm. - Complete w/Gauges and Switches
	022548-03-000	EA	Pad - Dash - Right - Dark Brown
	023242-05-000	EA	Pad - Dash - Left - Dark Brown
	024418-01-000	EA	Lamp Asm. - Map/Gauge
	023020-01-000	EA	Lamp Asm. - Teltale
	007308-01-000	EA	Dash Clock
	052387-01-000	EA	Lighter Asm. - Cigarette - 12 Volt
	007041-01-000	EA	Bezel - Cigarette Lighter
	007071-01-000	EA	Louver - Chrome - w/Chrome Wheel
	024990-02-000	EA	Outlet - Defroster w/Swivel - 2" Dark Brown
	007281-01-000	FT	Hose - Defroster - Flexible PVC - 2 1/2" I.D.
	039044-01-000	EA	Louver Asm. - A/C Adjustable
	050299-01-000	EA	Bezel - Instrument Panel
	050465-01-000	EA	Bezel - Entertainment Center No. 1 w/Cut Out for Vehicle Sensor Panel
	050466-02-000	EA	Bezel - Entertainment Center No. 2 - w/Cut Out for Vehicle Sensor Panel
			Radio and Clock
	050467-01-000	EA	Bezel - Entertainment Center No. 3 - w/Cut Out for Vehicle Sensor Panel, Radio, Clock, Hourmeter and Generator Start Stop Switch
	023892-01-000	EA	Box - Glove Compartment - Black Fiberboard
	022219-01-000	EA	Door - Glove Compartment
	009118-01-000	EA	Twist Lock - Glove Compartment
	024598-01-000	EA	Hinge - Glove Compartment - 1 1/16" x 19"
	034309-01-000	EA	Chain - Glove Box Door
	023834-01-000	EA	Panel - Knee Kick - Bottom of Dash

DASH SWITCHES AND GAUGES

Key	Part Number	U/M	Description
	024461-01-000	EA	Switch - Battery
	024462-01-000	EA	Switch - Battery Condition
	024464-01-000	EA	Switch - Washer
	024467-01-000	EA	Switch - Wiper
	024976-01-000	EA	Switch - Generator w/o Circuit Board
	037387-01-000	EA	Switch - Generator w/Circuit Board
	024459-01-000	EA	Gauge - Voltmeter
	024460-01-000	EA	Gauge - Vacuum
	031035-01-000	EA	Gauge - Generator Hourmeter
	031376-01-000	EA	Control Asm. - Heater - 3 Speed
	055279-01-000	EA	Control Asm. - Heater A/C - 3 Speed

BUCKET SEAT PEDESTAL AND SEAT BELTS

Key	Part Number	U/M	Description
	050447-01-000	EA	Pedestal Asm. - Tilt Seat - Left
	050447-02-000	EA	Pedestal Asm. - Tilt Seat - Right - Single Seat
	050447-04-000	EA	Pedestal Asm. - Tilt Seat - Right - Double Seat
	007019-01-000	EA	Belt Asm. - Seat - 2" x 84" - Black
	041322-01-000	EA	Washer - Flat 15/32" I.D. x 2 3/8" O.D. - Seat Belt
	049943-01-000	EA	Pedestal - Complete - Swivel

1980 WINNEBAGO TABLE OF CONTENTS

WD/WC420RG L1	A-1 - B-10
WDF26RH L1	B-11 - D-4
WDF26RT L1	D-5 - F-4
WD423RB L1	F-5 - G-16

1980 WDF26RH I.1 INDEX

Floor Plan	B-11 - B-12
Accessories Group	B-13 - B-14
Bath Group	B-15 - B-16
Chassis Group	B-17
Curtain, Cushion and Pad Group	B-18 - B-24
Dinette Group	C-1
Driver's Compartment Group	C-2 - C-3
Electrical Group	C-4 - C-5
Exterior Body Group	C-6 - C-9
Galley Group	C-10
Heating & Air Conditioning Group	C-11 - C-12
Interior Finish Group	C-13 - C-14
LP Group	C-15
Lounge Group	C-16
Water & Sewage Group	C-17
Window, Vent & Exterior Door Group	C-18 - D-4

C-2

DRIVER'S COMPARTMENT GROUP (CONTINUED)

ELECTRICAL GROUP

FRONT BUNK AND HARDWARE

Key	Part Number	U/M	Description
	058300-01-L01	EA	Cabinet Asm. - Front Overhead
	058844-01-L01	EA	Bunk Board Asm. - Front Overhead w/Rails
	053773-01-000	EA	Support - Overhead Bunk - Brown - Right
	053773-02-000	EA	Support - Overhead Bunk - Brown - Left
	040071-02-000	EA	Support - Bunk - Seat Belt
	041322-01-000	EA	Washer - Flat - 15/32" I.D. x 2 3/8" O.D.
	039516-02-000	EA	Catch - Bunk - Brown
	023812-22-000	EA	Rail - Bunk - 80" - Brown
	053774-02-000	EA	Torsion Rod - Overhead Bunk - Brown

MISCELLANEOUS DRIVER'S COMPARTMENT COMPONENTS

Key	Part Number	U/M	Description
	061376-01-L01	EA	Beverage Tray Asm. - Matador Leather Laminate
	055000-01-000	EA	Tray - Utensil - Dark Brown Plastic
	045795-01-000	EA	Glass Holder - Dark Brown Plastic
	050796-01-000	EA	Pocket - Ash Tray - Plastic
	050797-01-000	EA	Ash Tray - Plastic
	039857-01-000	EA	Latch - Rubber - Draw Handle 5 3/4" w/Strike
	039858-01-000	EA	Latch - Rubber - Draw Handle 3" w/Strike
	052783-01-000	EA	Seal - Motor Cover - Alum
	042541-01-000	EA	Latch Asm. w/Strike - Chrome
	034800-03-000	EA	Cover - Motor - Plastic
	040519-01-000	EA	Boot - Rubber Steering Column
	040520-01-000	EA	Boot - Retainer - Steering Column
	007276-01-000	EA	Mirror - Inside - Rear View 4 1/2" x 9"
	034499-01-000	EA	Support - Dimmer Switch
	040895-02-000	EA	Clip - Sunvisor
	056508-01-L01	EA	Sunvisor Asm - Right - Acorn Brown - w/Mirror
	056508-02-L01	EA	Sunvisor Asm - Left - Acorn Brown
	009143-01-000	EA	Mirror - Sunvisor - 1/8" x 3.5" x 8"
	040836-01-000	EA	Bracket Asm. - Shift Lever
	059197-01-000	EA	Side Panel - Passenger (Under Slider Window) Dark Brown ABS
	059198-01-000	EA	Side Panel - Driver (Under Slider Window) Dark Brown ABS
	064068-01-000	EA	Pad Asm. - Driver Door Trim - Upper
	061400-01-000	EA	Assist Strap - Driver Door - 12" - Light Brown
	064499-01-000	EA	Panel - Driver Door - Inner - Dark Brown ABS Plastic
	048886-01-000	EA	Ashtray Asm. - Driver Door - Flush Mount - Chrome
	061350-01-000	EA	Trim - Interior A Post - with Notch - Plastic
	061350-02-000	EA	Trim - Interior A Post - with Notch - Plastic
	059414-01-000	EA	Pad Asm - Left Sidewall Trim - 7 62" x 30"
	059414-02-000	EA	Pad Asm - Right Sidewall Trim - 7 62" x 33 20"
	059467-03-L01	EA	Pad Asm - Map Pocket - Left
	059467-04-L01	EA	Pad Asm. - Map Pocket - Right

BULBS

Key	Part Number	U/M	Description
	037935-01-000	EA	Bulb - 1157
	038010-01-000	EA	Bulb - 1143
	008103-01-000	EA	Bulb - 53
	008213-01-000	EA	Bulb - 57
	008214-01-000	EA	Bulb - 67
	008215-01-000	EA	Bulb - 1003
	008216-01-000	EA	Bulb - 1034
	008217-01-000	EA	Bulb - 1073
	008218-01-000	EA	Bulb - 1141
	008219-01-000	EA	Bulb - 856
	008220-01-000	EA	Bulb - 12V - 25W
	038196-01-000	EA	Bulb - 194
	700020-01-000	EA	Bulb - 12V - 20W - 1383

**1980 WINNEBAGO
TABLE OF CONTENTS**

WD/WC420RG L1	A-1 - B-10
WDF26RH L1	B-11 - D-4
WDF26RT L1	D-5 - F-4
WD423RB L1	F-5 - G-18

FUSES AND CIRCUIT BREAKERS

Key	Part Number	U/M	Description
	056473-01-000	EA	Fuse - Slow Blow - 6 1/4 Amp.
	008233-01-000	EA	Fuse - 12 Volt - 6 Amp.
	008234-01-000	EA	Fuse - 12 Volt - 10 Amp.
	008235-01-000	EA	Fuse - 12 Volt - 15 Amp.
	008236-01-000	EA	Fuse - 12 Volt - 20 Amp.
	008248-01-000	EA	Fuse - 110 Volt - 30 Amp - AGU
	008252-01-000	EA	Fuse - 110 Volt - 50 Amp.
	008208-01-000	EA	Circuit Breaker - 12 Volt - 40 Amp.
	008211-01-000	EA	Circuit Breaker - 12 Volt - 6 Amp.
	008268-01-000	EA	Circuit Breaker - 12 Volt - 30 Amp. w/Mount
	033573-01-000	EA	Circuit Breaker - 12 Volt - 20 Amp. w/Mount
	033573-02-000	EA	Circuit Breaker - 12 Volt - 15 Amp w/Mount
	040051-01-000	EA	Circuit Breaker - 110 Volt - 20 Amp. - TQL

MISCELLANEOUS ELECTRICAL COMPONENTS

Key	Part Number	U/M	Description
	047359-01-700	EA	Battery - 12 Volt - 105 Amp. Deep Cycle - Dry
	057899-01-000	EA	Battery - 12 Volt - Maintenance Free - Delco
**	008188-01-000	EA	Solenoid - Dual Battery - Relay
	054544-01-000	EA	Control Center - 37 Amp - UL
	039950-01-702	EA	Circuit Board - Control Center
	057043-01-000	EA	Control Center - 37 Amp - CSA
	024459-01-000	EA	Gauge - Voltmeter
	024482-01-000	EA	Switch - Battery Condition
	031035-01-000	EA	Gauge - Hourmeter - Generator
	024976-01-000	EA	Switch - Generator w/o Circuit Board
	024460-01-000	EA	Gauge - Vacuum
	008181-01-000	EA	Relay - 12 - 15V - 27 Amp
	036617-01-000	EA	Relay - Canister - SPDT
	039861-01-000	EA	Sending Unit Kit - Wemac
	048812-04-000	EA	Control Panel - Water/Double Sewage - Basic Panel
	048812-05-000	EA	Panel Insert - w/Thermostat Holes
	048812-06-000	EA	Panel Insert - w/o Thermostat Holes
	048812-07-000	EA	Panel Insert - Deluxe w/Refrigerator Alarm, Clock and LP Gauge
	048812-07-700	EA	Refrigerator Sensor - Refrigerator Alarm

**The illustrated parts breakdown for this item is provided on the Common Items Fiche

1980 WDF26RH L1 INDEX

Floor Plan	B-11 - B-12
Accessories Group	B-13 - B-14
Bath Group	B-15 - B-16
Chassis Group	B-17
Curtain, Cushion and Pad Group	B-18 - B-24
Dinette Group	C-1
Driver's Compartment Group	C-2 - C-3
Electrical Group	C-4 - C-5
Exterior Body Group	C-6 - C-9
Galley Group	C-10
Heating & Air Conditioning Group	C-11 - C-12
Interior Finish Group	C-13 - C-14
LP Group	C-15
Lounge Group	C-16
Water & Sewage Group	C-17
Window, Vent & Exterior Door Group	C-18 - D-4

INTERIOR LIGHTS

Key	Part Number	U/M	Description
	033508-02-000	EA	Light - Dome - Ivory - 1 Bulb - US
	033508-03-000	EA	Light - Dome - Ivory - 1 Bulb - CSA
	033509-02-000	EA	Light - Dome - Ivory - 2 Bulbs - US
	033509-03-000	EA	Light - Dome - Ivory - 2 Bulbs - CSA
	024642-01-701	EA	Lens - Domelight - 1 Bulb
	024643-01-701	EA	Lens - Domelight - 2 Bulb
	024418-01-000	EA	Lamp Asm - Map/Gauge/Aisle
	0533-6-01-000	EA	Light - High Intensity - Brown

ELECTRICAL GROUP (CONTINUED)

WINDSHIELD WIPER AND WASHER

Key	Part Number	U/M	Description
**	056000-02-000	EA	Washer Asm. - Windshield
**	057853-01-000	EA	Arm - Windshield Wiper - 18" Black
**	037998-01-000	EA	Link Asm. - Connecting - 22 40" Long
**	057474-01-000	EA	Windshield Wiper Asm.
**	044313-02-000	EA	Motor Asm. - Windshield - Wiper - 100"
**	044313-03-000	EA	Motor Asm. - Windshield Wiper - 93"
**	049464-02-000	EA	Blade - Windshield Wiper - 20" Black
**	055875-01-000	EA	Shaft and Pivot Asm.

**The illustrated parts breakdown for this item is provided on the Common Items Fiche.

WIRE, SWITCHES AND RECEPTACLES

Key	Part Number	U/M	Description
	008024-01-000	FT	Wire - 18.5 Bonded - Orange/White/Yellow/Blue/Brown
	008025-01-000	FT	Wire - 18.5" Bonded - Orange/White/Yellow/Blue/Green
	008028-01-000	FT	Wire - 18.5" Bonded - Blue/Red/Yellow/Orange/White
	008030-01-000	FT	Wire - 18.4 Bonded
	008251-01-000	EA	Holder - Fuse - Black - Screw Type
	008277-01-000	EA	Holder - Fuse - Black - Panel Mount
	008250-02-000	EA	Fuse Holder - In Line - 15 Amp
	008195-01-000	EA	Switch - Push Button - 12 Volt
	008077-01-000	EA	Plaque - Compressor Switch
	008054-01-000	EA	Cord - Power - 10-3 30 Amp. - 25' - UL
	008052-01-000	EA	Cord - Power - 10-3 30 Amp. - 25' - CSA
	034818-04-000	EA	Holder - Receptacle - Plastic
	039342-01-000	EA	Receptacle - Duplex Brown - T Junction
	024571-04-000	EA	Cover Plate - Receptacle - Jumbo Plastic Ivory
	039343-01-000	EA	Cap - End - Receptacle
	008182-01-000	EA	Switch - Double Toggle - Spade Brown
	008183-01-000	EA	Switch - Toggle Brown
	008184-01-000	EA	Cover Plate - Switch - Brown
	024924-01-000	EA	Receptacle - Power Cord
	008058-01-000	EA	Adapter - Power Cord
	047353-01-000	EA	Cover - Receptacle - Ground Fault
	053126-01-000	EA	Receptacle - Ground Fault Interrupter - 125 Volt, Ivory
	053126-02-000	EA	Receptacle - Ground Fault Interrupter - 125 Volt - Brown
	058707-01-000	EA	Receptacle - Single - Brown - Thomas & Belts
	058708-01-000	EA	Receptacle - Duplex - Brown - Thomas & Belts
	008157-01-000	EA	Receptacle - Duplex - Brown - (Exterior Backwalls)
	058048-01-000	EA	Cover - Electrical Box - 4 5" x 2 75"
	008288-01-000	EA	Box - Electrical - 3" x 3 1/2"
	008289-01-000	EA	Box - Electrical - 4" x 4 1/2"
	058028-01-000	EA	Connector - Pigtail - Clear Nylon
	031720-01-000	EA	Spacer - Receptical - Brown Plastic - C S A
	008294-01-000	EA	Cover Plate - Steel - 4" x 4 1/2"

EXTERIOR LIGHTS

Key	Part Number	U/M	Description
	042405-03-000	EA	Base - Rectangular Clearance Light
	042405-04-000	EA	Lens - Clearance Light - Red
	042405-05-000	EA	Lens - Clearance Light - Amber
	008092-01-000	EA	Reflector - Stick On - Rectangular - Red
	008093-01-000	EA	Reflector - Stick On - Rectangular - Amber
	007309-01-000	EA	Light - Step Well
	058032-01-000	EA	Tail Lamp 2 Bulb Chrome
	058031-01-700	EA	Lens - Tail Lamp - Amber
	058031-01-701	EA	Lens - Tail Lamp - Red
	058031-01-702	EA	Lens - Tail Lamp - Clear (Back Up)
	082740-04-000	EA	Wedge Asm - Tail Lamp - Plastic - Left
	082740-02-000	EA	Wedge Asm - Tail Lamp - Plastic - Right
	058036-01-000	EA	Bracket - Tail Lamp
	058540-01-000	EA	Bracket - License Plate
	048817-01-000	EA	Assist Handle - w/Light

EXTERIOR BODY GROUP

EXTERIOR BODY PANELS AND SHEET ALUMINUM

Key	Part Number	U/M	Description
	069711-01-L01	EA	Sidewall Asm. - Right
	069713-01-L01	EA	Sidewall Asm. - Left
	069709-01-L01	EA	Backwall Asm.
	069708-01-L01	EA	Roof Asm.
	039155-03-008	EA	Alum. - Off White Mesa I - .024" x 36" x 60"
	039155-03-003	EA	Alum. - Off White Mesa I - .024" x 36" x 360"
	039155-03-007	EA	Alum. - Off White Mesa I - .024" x 48" x 60"
	039155-03-006	EA	Alum. - Off White Mesa I - .024" x 48" x 360"
	039155-03-009	EA	Alum. - Off White Mesa I - .024" x 12" x 360"
	039155-28-001	EA	Alum. - Off White Mesa II - .024" x 36" x 60"
	039155-28-003	EA	Alum. - Off White Mesa II - .024" x 36" x 360"
	039155-28-004	EA	Alum. - Off White Mesa II - .024" x 48" x 60"
	039155-28-008	EA	Alum. - Off White Mesa II - .024" x 48" x 360"
	039155-28-007	EA	Alum. - Off White Mesa II - .024" x 12" x 360"
	044487-01-001	EA	Plain Roof Metal - 96" x 360"
	039155-07-010	EA	Off White Grayhound Alum. - 48" x 96"
	001054-01-011	EA	Off White Plain Alum. - 48" x 96"
	000866-01-000	BF	Styrofoam - 3/4" x 24" x 96"
	000870-01-000	BF	Styrofoam - 1 1/2" x 24" x 96"

NOTE: The raised portion of Mesa I aluminum is 1.657" wide
The raised portion of Mesa II aluminum is .875" wide.

EXTERIOR PAINT

Key	Part Number	U/M	Description
	041561-01-000	EA	Paint - Off White - Acrylic Enamel - 1 Gal. Dupont 45398A
	041561-03-000	EA	Paint - Off White - Acrylic Enamel - 16 oz Spray - Dupont 45398A
	041561-04-000	EA	Paint - Off White - Acrylic Lacquer - 1 Gal. - Dupont 45398L
	059360-03-000	EA	Paint - Brown - Acrylic Enamel - 16 oz. Spray - Dupont 29807
	057012-03-000	EA	Paint - Mariner Blue - Acrylic Enamel - 16 oz. Spray - Dupont 5183
	059362-03-000	EA	Paint - Orange - Acrylic Enamel - 16 oz Spray - Dupont 7455
	085213-03-000	EA	Paint - Dark Brown - 16 oz Spray - Dupont 44173

MISCELLANEOUS EXTERNALLY MOUNTED PARTS

Key	Part Number	U/M	Description
**	010230-02-000	EA	Fill - City Water - Recessed - Off White
**	058808-01-000	EA	Fill - Water - Lockable
**	011124-01-000	EA	Plumbing Seal - Roof Vent - 1 1/4" White
**	011129-01-000	EA	Plumbing Seal - Roof Vent - 1 1/2" White
	057461-01-000	EA	Mirror Head - 7 1/2" x 10 1/2" - w/Convex - Stainless Steel
	057461-02-000	EA	Mirror Head - 7 1/2" x 10 1/2" - w/Convex - Off White
	049348-01-000	EA	Arm - Low Mount Mirror - Brite Finish
	049348-03-000	EA	Arm - Low Mount Mirror - Black
	049944-02-000	EA	Bracket - Mirror - Outside - Off White - Mounts to Coach
	049944-04-000	EA	Bracket - Mirror - Outside - Black Mounts to Coach
	048817-01-000	EA	Handle Asm - Assist w/Light

**The illustrated parts breakdown for this item is provided on the Common Items Fiche

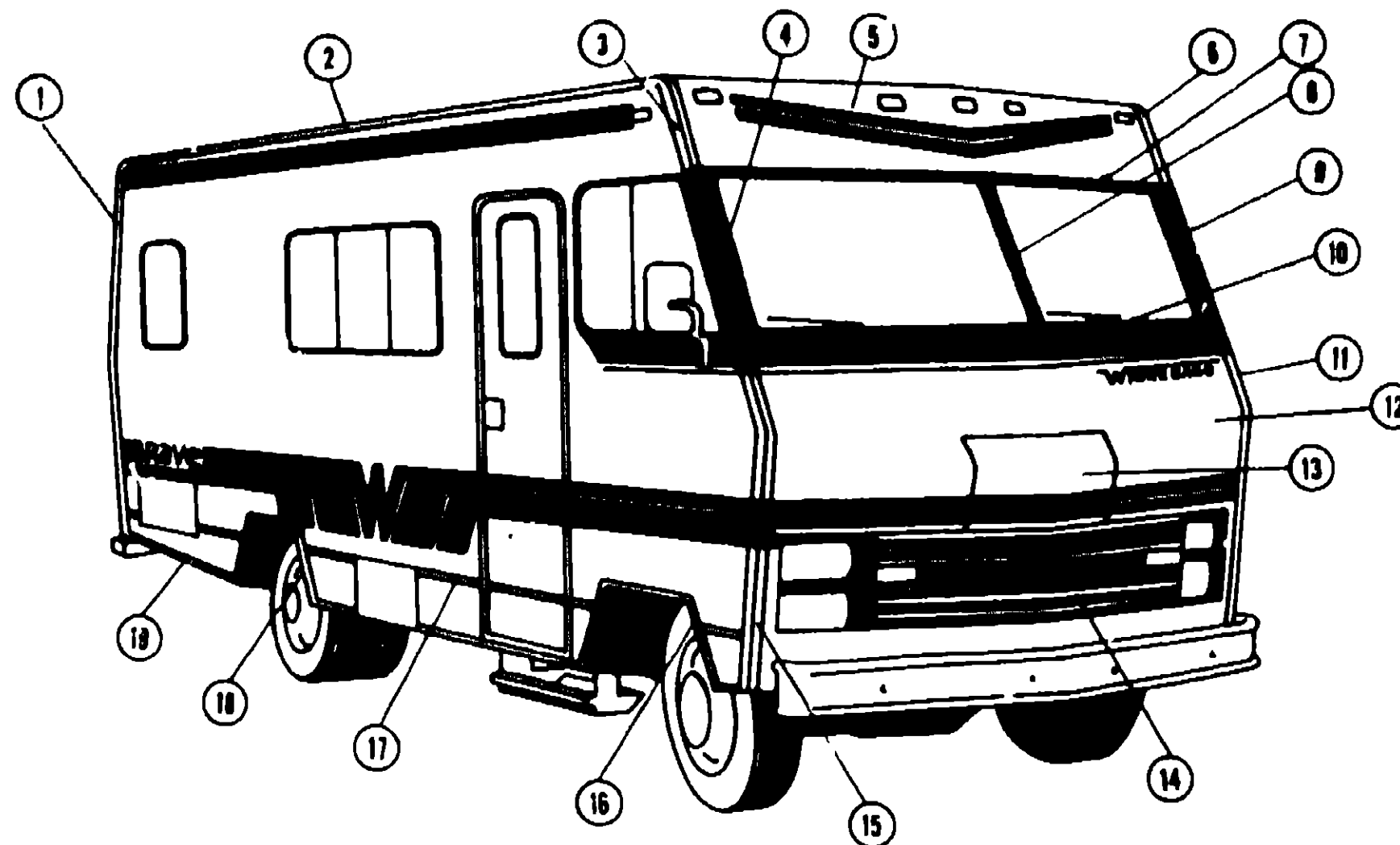
**1980 WINNEBAGO
TABLE OF CONTENTS**

WD/WC420RG L1	A-1 - B-10
WDF26RH L1	B-11 - D-4
WDF26RT L1	D-5 - F-4
WD423RB L1	F-5 - G-16

1980 WDF26RH L1 INDEX

Floor Plan	B-11 - B-12
Accessories Group	B-13 - B-14
Bath Group	B-15 - B-16
Chassis Group	B-17
Curtain, Cushion and Pad Group	B-18 - B-24
Dinette Group	C-1
Driver's Compartment Group	C-2 - C-3
Electrical Group	C-4 - C-5
Exterior Body Group	C-6 - C-9
Galley Group	C-10
Heating & Air Conditioning Group	C-11 - C-12
Interior Finish Group	C-13 - C-14
LP Group	C-15
Lounge Group	C-16
Water & Sewage Group	C-17
Window, Vent & Exterior Door Group	C-18 - D-4

EXTERIOR BODY GROUP (CONTINUED)



1980 WINNEBAGO TABLE OF CONTENTS

WD/WC420RG L1
WDF26RH L1
WDF26RT L1
WD423RB L1

A-1 - B-10
B-11 - D-4
D-5 - F-4
F-5 - G-16

1980 WDF26RH L1 INDEX

Floor Plan	B-11 - B-12
Accessories Group	B-13 - B-14
Bath Group	B-15 - B-16
Chassis Group	B-17
Curtain, Cushion and Pad Group	B-18 - B-24
Dinette Group	C-1
Driver's Compartment Group	C-2 - C-3
Electrical Group	C-4 - C-5
Exterior Body Group	C-6 - C-9
Galley Group	C-10
Heating & Air Conditioning Group	C-11 - C-12
Interior Finish Group	C-13 - C-14
LP Group	C-15
Lounge Group	C-16
Water & Sewage Group	C-17
Window, Vent & Exterior Door Group	C-18 - D-4

Key	Part Number	U/M	Description
1	039984-01-000	EA	Trim - Contour - Right Rear - Off White
2	039984-02-000	EA	Trim - Contour - Left Rear - Off White
3	034922-04-000	EA	Trim - Sidewall - Upper - Left or Right - Off White
4	058284-02-000	EA	Trim - Contour - Right Front Upper - Off White
5	058289-02-000	EA	Trim - Contour - Windshield - Right
6	054988-01-000	EA	Cap Asm - Fiberglass - Over Windshield - Off White
7	062398-01-000	EA	Trim - Roof/Front Cap
8	058284-01-000	EA	Trim - Contour - Left Front Upper - Off White
9	058287-01-000	EA	Trim - Molding - Windshield - Upper
10	042743-02-000	EA	Trim - Corner Windshield - Upper
11	058288-01-000	EA	Trim Molding - Windshield - Center
12	058289-01-000	EA	Trim - Contour - Windshield - Left
13	058287-02-000	EA	Trim - Molding - Windshield - Lower
14	042743-01-000	EA	Trim - Corner Windshield - Lower

Key	Part Number	U/M	Description
11	058899-04-000	EA	Trim - Contour - Left Front Lower - Off White
12	066634-01-000	EA	Panel Asm. - Front Shroud - Includes Access Panel, Lower Shroud and Headlamp Cans
13	066632-01-000	EA	Access Panel - Off White
14	058722-01-000	EA	Pull Pin - Access Door Release
15	058752-01-000	EA	Hinge - Access Panel - Right
16	058752-02-000	EA	Hinge - Access Panel - Left
17	058583-01-000	EA	Headlamp Housing - w/Lamps and Bezel - Left
18	059583-02-000	EA	Headlamp Housing - w/Lamps and Bezel - Right
19	049358-01-000	EA	Bezel - Headlamp - Left
20	049358-02-000	EA	Bezel - Headlamp - Right
21	066779-01-000	EA	Grille Asm
22	058899-03-000	EA	Trim - Contour - Right Front Lower - Off White
23	052843-02-000	EA	Trim - Wheel Well - Front - Left or Right
24	002444-02-001	EA	Feature Strip - Extr. Anod - 14' - w/o Insert
25	001030-08-100	EA	Insert - Feature Strip - Brown - 17'
26	009731-01-000	EA	End Cap - Feature Strip
27	052842-01-000	EA	Trim - Wheel Well - Rear - Right or Left
28	002776-02-001	EA	Extr - U-Channel - 1.75" x 18' - Anod
29	002385-02-001	EA	Extr - U-Channel - 1" x 18' Anod
30	044380-01-001	EA	Extr - Drip Rail - 192"
31	Not Illustrated		

EXTERIOR BODY GROUP (CONTINUED)

SEALANTS, ADHESIVES AND FASTENERS

Key	Part Number	U/M	Description
	034552-05-000	EA	Sealant - Off White Silicone
	034552-04-000	EA	Sealant - Beige Silicone
	034552-02-000	EA	Sealant - Clear Silicone
	004346-02-000	EA	Sealant - White Silicone
	009200-01-000	EA	Tape - Furnace - 1 1/2"
	004353-01-000	FT	Tape - Gasket - 1/8" x 3/4" - White
	002825-01-000	FT	Weather Stripping - Roof Vent
	002337-01-000	EA	Adhesive - 3M - 131 Tube
	004005-01-000	GL	Adhesive - Swifts - Green Glue (Sidewalls)
	004020-01-000	QT	Adhesive - ABS Cement (Plastic Fittings)
	029051-01-000	EA	Adhesive - Spray Vinyl
	042401-02-000	EA	Screw - 8 - 18 x 3/4" SDPH - Off White
	042403-02-000	EA	Screw - SF/DR - 8 - 18 x 1" SDPH - Off White
	053766-01-000	EA	Bedding Compound - Tube Black - Schnee Moorehead
	053766-02-000	EA	Bedding Compound - Tube White - Schnee Moorehead
	053767-01-000	FT	Tape - 1/2" x 1/8" x 30' - Gray - Schnee Moorehead
	053767-03-000	FT	Tape - 1/4" Bead x 20' - Gray - Schnee Moorehead
	053767-04-000	FT	Tape - 3/4" x 1/8" x 30' - Gray - Schnee Moorehead
	053767-05-000	FT	Tape - 2" x 3/32" x 45' - Gray - Schnee Moorehead
	053752-03-000	EA	Seam Sealer - Tube - White - #5517 - Schnee Moorehead

LABELS AND DECALS

Key	Part Number	U/M	Description
	008031-01-000	EA	Label - Potable Water Only
	008187-01-000	EA	Label - Sewage
	008188-01-000	EA	Label - Waste Water
	008199-01-000	EA	Label - Exit - Escape Window
	008028-01-000	EA	Label - Drain Cap - 2" x 3"
	008092-01-000	EA	Reflector - Stick On - Rectangular - Red
	008093-01-000	EA	Reflector - Stick On - Rectangular - Amber
	040944-01-000	EA	Label - Open - Entrance Door
	047731-01-000	EA	Label - Emergency Exit
	008040-01-000	EA	Tag - Gas - Refueling Warning
	008082-01-000	EA	Label - LP Gas (Only)
	061417-01-000	EA	Label - Fuel
	064378-01-000	EA	Label - Flying "W" - Thermo Panel Construction
	050313-06-000	EA	Decal - Logo - "Winnebago" - 2 8" x 22" - Rust
	050313-07-000	EA	Decal - Logo - "Winnebago" - 2 8" x 22" - Orange
	050313-08-000	EA	Decal - Logo - "Winnebago" - 2 8" x 22" - Blue
	064459-01-000	EA	Decal - Logo - "Brave" - 4 3/4" x 31 1/2" - Rust
	064459-02-000	EA	Decal - Logo - "Brave" - 4 3/4" x 31 1/2" - Orange
	064459-03-000	EA	Decal - Logo - "Brave" - 4 3/4" x 31 1/2" - Blue
	065216-01-000	EA	Decal - W Surround - 16" x 9 5" - Right - Rust
	065216-02-000	EA	Decal - W Surround - 16" x 9 5" - Right - Orange
	065216-03-000	EA	Decal - W Surround - 16" x 9 5" - Right - Blue
	065216-04-000	EA	Decal - W Surround - 16" x 9 5" - Left - Rust
	065216-05-000	EA	Decal - W Surround - 16" x 9 5" - Left - Orange
	065216-06-000	EA	Decal - W Surround - 16" x 9 5" - Left - Blue
	065217-01-000	FT	Decal - Double 1 5" Stripes Premasked 3/4" Apart - Rust
	065217-02-000	FT	Decal - Double 1 5" Stripes Premasked 3/4" Apart - Orange
	065217-03-000	FT	Decal - Double 1 5" Stripes Premasked 3/4" Apart - Blue
	065218-01-000	FT	Decal - 1/2" Tape Stripe - Premasked - Rust
	065218-02-000	FT	Decal - 1/2" Tape Stripe - Premasked - Orange
	065218-03-000	FT	Decal - 1/2" Tape Stripe - Premasked - Blue
	065219-01-000	FT	Decal - Double 3/4" Stripes Premasked 2" Apart - Rust
	065219-02-000	FT	Decal - Double 3/4" Stripes Premasked 2" Apart - Orange
	065219-03-000	FT	Decal - Double 3/4" Stripes Premasked 2" Apart - Blue
	008001-01-000	EA	Nameplate - Winnebago - Plastic Chrome
	061601-01-000	EA	Decal - Winnebago - 3 62" x 50" - Black
	031161-01-000	EA	Label - Flying W
	050225-01-000	EA	Label - Warning - Stove Vent - U S
	008084-01-000	EA	Label - Seat - w/o Seat Belt
	008015-01-000	EA	Label - Patent - Motor Home

GALLEY GROUP

GALLEY CABINETRY

Key	Part Number	U/M	Description
	059998-02-L01	EA	Cabinet Asm. - Galley - w/o Countertop, Doors, Drawers or Hardware
	059998-01-L01	EA	Countertop Asm. - Galley Cabinet - Bone
	057992-50-L01	EA	Door Asm. - Galley Cabinet - 11.02" x 31 22" - w/o Hardware
	057992-51-L01	EA	Door Asm. - Galley Cabinet - 11.72" x 31.22" - w/o Hardware
	057992-52-L01	EA	Door Asm. - Galley Cabinet - 16.72" x 22.12" - w/o Hardware
	059915-01-L01	EA	Drawer Asm. - Galley Cabinet - 8" x 10.1" x 20" Deep - w/o Hardware
	059915-02-L01	EA	Drawer Asm. - Galley Cabinet - 8" x 10.1" x 14" Deep - w/o Hardware
	058023-10-L01	EA	Drawer Asm. - Refrigerator Cabinet - 6 02" x 10.12" x 16" Deep - w/o Hardware
	057992-62-L01	EA	Door Asm. - Refrigerator Cabinet - 12.32" x 17.72" - w/o Hardware
	058774-01-L01	EA	Cabinet Asm. - Galley Overhead - w/o End Pad, Doors or Hardware
	057992-10-L01	EA	Door Asm. - Galley Overhead Cabinet - 11.62" x 18.02" - w/o Hardware
	057992-57-L01	EA	Door Asm. - Galley (Power Converter) - 17.92" x 14.02" - w/o Hardware
	057992-53-L01	EA	Door Asm. - Refrigerator Cabinet - 10 60" x 52.60" - w/o Hardware
	057992-58-L01	EA	Door Asm. - Galley Overhead Cabinet - 10.8" x 15.9" - w/o Hardware

GALLEY HARDWARE AND APPLIANCES

Key	Part Number	U/M	Description
	011032-01-000	EA	Sink - Stainless Steel - Double w/Bolts
**	011053-01-000	EA	Faucet - Swing Spout - 8" - U.S.
**	011053-02-000	EA	Faucet - Swing Spout - 8" - C.S.A.
**	011053-01-700	EA	Aerator - Swing Spout Faucet
**	011085-01-000	EA	Strainer - Sink
	058334-01-000	EA	Waste Basket - 9 3/4" x 7" x 10" - White
	058841-01-L01	EA	Cover - Wastebasket - Bone
	054028-01-L01	EA	Cover - Sink - Bone
	052771-02-000	EA	Oven - Microwave - Magic Chef MW207
	053333-01-000	EA	Hood - Range - Non Power - Black - Jensen - U.S.
	053333-02-000	EA	Hood - Range - Non Power - Black - Jensen - C.S.A.
**	049930-07-000	EA	Hood - Range - Powered - Jensen - Almond - U.S.
**	049930-08-000	EA	Hood - Range - Powered - Jensen - Almond - C.S.A.
	055282-02-000	EA	Range - 4 Burner - Magic Chef - Almond
**	049175-02-000	EA	Refrigerator - AC/DC/Gas - 1 Door - ET150/2
**	049174-02-000	EA	Refrigerator - AC/DC/Gas - 2 Door - ET230/2
	054450-01-000	EA	Level - Refrigerator

**The illustrated parts breakdown for this item is provided on the Common Items Fiche.

**1980 WINNEBAGO
TABLE OF CONTENTS**

WD/WC420RG L1	A-1 - B-10
WDF26RH L1	B-11 - D-4
WDF26RT L1	D-5 - F-4
WD423RB L1	F-5 - G-16

1980 WDF26RH L1 INDEX

Floor Plan	B-11 - B-12
Accessories Group	B-13 - B-14
Bath Group	B-15 - B-16
Chassis Group	B-17
Curtain, Cushion and Pad Group	B-18 - B-24
Dinette Group	C-1
Driver's Compartment Group	C-2 - C-3
Electrical Group	C-4 - C-5
Exterior Body Group	C-6 - C-9
Galley Group	C-10
Heating & Air Conditioning Group	C-11 - C-12
Interior Finish Group	C-13 - C-14
LP Group	C-15
Lounge Group	C-16
Water & Sewage Group	C-17
Window, Vent & Exterior Door Group	C-18 - D-4

HEATING AND AIR CONDITIONING GROUP

AUTOMOTIVE HEATER/AIR CONDITIONER AND COMPONENTS

Key	Part Number	U/M	Description
	031376-01-000	EA	Control Asm. - Heater - 3 Speed
	058279-01-000	EA	Control Asm. - Heater and Air Conditioner
	007076-01-000	FT	Hose - Flexible PVC - 2" I.D.
	007106-01-000	FT	Heater Hose - 5/8" I.D.
	082401-01-000	EA	Clamp - Worm Drive - .89" x 1.25"
	082401-05-000	EA	Clamp - Hose - Worm Gear - 2" - 3" I.D.
	007281-01-000	FT	Hose - Flexible PVC - 2 1/2" I.D.
	039044-01-000	EA	Louver Asm. - A/C Adjustable
	047046-01-000	EA	Motor - 12 Volt - 3 Speed - Heater - Air Conditioner
	024858-01-000	EA	Adapter - Motor Mount
	031043-01-000	EA	Valve - Heater - Water Flow Control
	031169-01-000	EA	Cable - Control - Flexible - 53"
	031169-02-000	EA	Cable - Control - Flexible - 48"
	031170-01-000	EA	Clamp Cable - 3/16" Dia.
	024995-01-000	EA	Clutch - Magnetic - Compressor
	024999-01-000	EA	Compressor - Auto Air - 10.3 Cubic Inch
	082837-01-000	EA	Package - Compressor Mount 360 C.I.D.
	033295-01-000	EA	Package - Compressor Mount - 440 C.I.D.
	031394-01-000	EA	Condensor - Radiator Mount
	008267-01-000	EA	Switch - Air Conditioner
	024887-01-000	EA	Valve - Thermostatic Expansion
	024997-01-000	EA	Core - Heater
	024998-01-000	EA	Wheel - Blower - 4 7/2" O.D.
	031393-01-000	EA	Coil - Evaporator
	031001-01-000	EA	Blower Housing
	085208-01-000	EA	Hose - Refrigerant - .50" I.D. x 34.50"
	034222-02-000	EA	Hose - Refrigerant - .31" I.D. x 32"
	034222-01-000	EA	Hose - Refrigerant - .31" I.D. x 26"
	031960-01-000	EA	Hose - Refrigerant - .34" I.D. x 30"
	031961-01-000	EA	Hose - Refrigerant - 31" I.D. x 14.75"
	031961-02-000	EA	Hose - Refrigerant - .31" I.D. x 19"
	024888-01-000	EA	Receiver - Dehydrator
	031044-01-000	EA	Clamp - Receiver Dehydrator
	031962-01-000	EA	Bracket - Receiver Dehydrator
	031976-01-000	EA	Bell - Drive - .50" x 54" - 360 C.I.D. or 440 C.I.D.
	048226-02-000	EA	Kit - Auto Air - 360 C.I.D. A-Body - Winnebago Heater
	048229-02-000	EA	Kit - Auto Air - 440 C.I.D. A Body - Winnebago Heater
	049401-01-000	EA	Heater Asm - Rear - Aux
	049401-01-700	EA	Valve - Water Control - (Aux. Heater)
	049401-01-701	EA	Control Cable - (Aux. Heater)
	049401-01-702	EA	Motor Asm. - (Aux. Heater)
	049401-01-703	EA	Heater Core - (Aux. Heater)
	049401-01-704	EA	Switch - (Aux. Heater)
	058906-01-000	EA	Control Panel - Aux. Rear Heater
	058464-01-000	EA	Register - 4" Dia. - Plastic w/Damper - Winterization Option
	082408-01-000	EA	Heat - Pusher - (Duct Fan) Winterization Option
	082411-01-000	EA	Switch - Temp. Control - 38° Close - 48° Open - Winterization Option
	082411-02-000	EA	Switch - Temp. Control - 28° Close - 30° Open - Winterization Option

HEATING AND AIR CONDITIONING GROUP (CONTINUED)

FURNACES AND ROOF AIR CONDITIONERS

Key	Part Number	U/M	Description
**	057598-01-000	EA	Furnace - 19,000 Btu - Under Counter Mount - Coleman - 4319-729
**	054350-01-000	EA	Furnace - 30,000 Btu - w/Electronic Ignition - 4330-748
**	054351-01-000	EA	Furnace - 24,000 Btu - w/Electronic Ignition - 4324-749
	034505-02-000	EA	Thermostat - Horizontal Wall Mount - Black
	054484-01-000	EA	Register - Heat - Round - 4" Dia
	024985-01-000	EA	Register - Heat - w/Damper - 9.9" x 4.8"
	031804-01-000	EA	Bonnet - Heat Register
	005198-01-000	FT	Duct - Flexible - 4" I.D. x 25'
	023146-01-000	EA	Clamp - Screw Type - 4"
	046042-02-000	EA	Door - Furnace - Front - 4319
	048043-02-000	EA	Door - Furnace Front - 4324, 4330
	050783-01-000	EA	Vent Package - Furnace - 1 - 3" Wall
	008200-01-000	EA	Tape - Furnace - 1 1/2"
**	049777-03-000	EA	Air Conditioner - 110 Volt - Roof Mount - 11,000 BTU - Ivory (w/o inside shroud) - Coleman 8744A90
**	049778-02-000	EA	Shroud Asm. - Ceiling - Inside Roof Air Cool Only - 11,000 Btu - Coleman
**	049774-02-000	EA	Air Conditioner - 110 Volt - Roof Mount - 13,500 Btu Ivory - Coleman (w/o inside shroud)
**	049775-02-000	EA	Shroud Asm. - Ceiling - Inside - Roof Air Cool Only - 13,500 Btu - Coleman
**	049776-01-000	EA	Shroud Asm. - Ceiling - Inside - Roof Air Heat and Cool - 13,500 BTU - Coleman

**The illustrated parts breakdown for this item is provided on the Common Items Fiche.

1980 WINNEBAGO TABLE OF CONTENTS

WD/WC420RG L1	A-1 - B-10
WDF26RH L1	B-11 - D-4
WDF26RT L1	D-5 - F-4
WD423RB L1	F-5 - G-16

1980 WDF26RH L1 INDEX

Floor Plan	B-11 - B-12
Accessories Group	B-13 - B-14
Bath Group	B-15 - B-16
Chassis Group	B-17
Curtain, Cushion & Pad Group	B-18 - B-24
Dinette Group	C-1
Driver's Compartment Group	C-2 - C-3
Electrical Group	C-4 - C-5
Exterior Body Group	C-6 - C-9
Galley Group	C-10
Heating & Air Conditioning Group	C-11 - C-12
Interior Finish Group	C-13 - C-14
LP Group	C-15
Lounge Group	C-16
Water & Sewage Group	C-17
Window, Vent & Exterior Door Group	C-18 - D-4

INTERIOR FINISH GROUP

PANELING AND COUNTERTOP MATERIALS

Key	Part Number	U/M	Description
	045963-01-000	SF	Paneling - Ceiling - 825 Buff - 48" x 96" (32 SF)
	064385-01-000	SF	Paneling - 772 Birch - 48" x 96"
	064386-01-000	SF	Paneling - Decor - Ferns - Beige
	064388-02-000	SF	Paneling - Decor - Ferns - Burgundy
	064388-03-000	SF	Paneling - Decor - Ferns - Blue
	064387-01-000	SF	Plastic Laminat - Bone - 60" x 96" (40 SF)

INTERIOR MOLDINGS AND TRIM

Key	Part Number	U/M	Description
	064386-01-000	EA	Batt Strip - 772 Birch - 8'
	064389-01-000	EA	Batt Strip - Decor - Ferns - Beige - 8'
	064389-02-000	EA	Batt Strip - Decor - Ferns - Burgundy - 8'
	064389-03-000	EA	Batt Strip - Decor - Ferns - Blue - 8'
	047364-01-000	EA	Batt Strip - 825 Buff - Ceiling - 8'
	009767-05-000	FT	Wetling - Light Brown
	009778-01-000	FT	U-Channel - 1" - Dark Brown
	024700-06-000	EA	Cover - Roll Bar - Sidewall - Ivory
	024700-14-000	EA	Cover - Roll Bar - Russet Oak
	047488-01-000	EA	Cover - Corner - Hat/Hat
	047489-01-000	EA	Cover - Corner - Tube/Tube
	039512-06-000	EA	Cover - Hat Section - Ivory
	039512-13-000	EA	Cover - Hat Section - Russet Oak
	022962-04-000	FT	Molding - Reverse Cove
	009779-03-000	FT	U-Channel - Light Brown - 1 1/8"
	009815-03-000	FT	T-Molding - 3/4" - Light Brown
	052859-01-J27	FT	Trim Asm. - Accent - Acorn Brown Vinyl
	009812-10-000	FT	Molding - Plastic - Outside - Corner - 50" - Birch
	009809-10-000	FT	Molding - Outside - Corner - 1" - Birch

CABINETS AND TABLE HARDWARE

Key	Part Number	U/M	Description
	057946-01-K01	EA	Pull Kit - Cabinet Drawer - Flat Latch
**	052932-01-J30	EA	Hinge Kit - Cabinet Door - Antique Brass
	057945-01-K01	EA	Latch Kit - Cabinet Door - Flat Latch
	009112-01-000	EA	Flange - 1" Closet Rod
**	053200-01-000	EA	Bracket - Upper Wall Mount - 23.5"
**	053200-02-000	EA	Bracket - Upper Wall Mount - 14.5"
**	053201-01-000	EA	Bracket - Table Mount - Brown - 23"
	024275-04-000	EA	Rod - Table Lift - 8" x 14.5"
	024281-05-000	EA	Bracket - Lower Wall Mount - Brown - 13.5"
**	024275-01-000	EA	Rod - Table Lift - 8" x 23.5"
	024281-06-000	EA	Bracket - Lower Wall Mount - Black - 22.12"
**	024276-04-000	EA	Leg Asm - Table - Brown - 29.5"
**	024277-02-000	EA	Hinge - Table Leg - Brown
**	024282-01-000	EA	Brace - Table Leg
**	024283-01-000	EA	Clip - 1" O D Tube
**	049493-02-000	EA	Catch - Table Leg - Mounts on Floor - Brown
	059753-01-000	EA	Slide - Drawer - Left
	059753-02-000	EA	Slide - Drawer - Right
**	037688-01-000	FT	Rail - Drawer Glide
**	047744-01-000	EA	Kit - Drawer Glide
	061882-01-000	EA	Leg Asm - Pivot - Table
	061879-01-000	EA	Leg Asm - Fixed - Table
	009151-01-000	EA	Warp Guard - 48"

**The illustrated parts breakdown for this item is provided on the Common Items Fiche

INTERIOR FINISH GROUP (CONTINUED)

FABRICS AND FLOOR COVERINGS

Key	Part Number	U/M	Description
	064392-01-000	SY	Vinyl - Floor Covering - Armstrong - Castilian
	064384-02-000	SY	Carpet - Camel
	064384-01-000	SY	Carpet - Ginger
	064393-04-000	YD	Fabric - Drapery - Dublin Flax
	064383-01-000	YD	Fabric - Upholstery - Sienna Brown
	064383-06-000	YD	Fabric - Upholstery - Blecayne Rust
	064383-07-000	YD	Fabric - Upholstery - Blecayne Blue
	053327-01-000	YD	Vinyl - Non Expanded - 27 oz. - Acorn Brown
	053327-02-000	YD	Vinyl - Expanded - 28 oz. - Acorn Brown
	053327-03-000	YD	Vinyl - Non Support - 16 Gauge Film - Acorn Brown

CURTAIN HARDWARE

Key	Part Number	U/M	Description
	062327-04-236	EA	Track - Curtain - Brown Alum. - 89" w/Holes
	056116-01-000	FT	Track - Curtain - Brown Plastic
	056001-01-000	EA	Bracket - Shade - Left
	056002-01-000	EA	Bracket - Shade - Right
	056003-01-000	EA	Bracket - Drapery Retainer - Right
	056003-02-000	EA	Bracket - Drapery Retainer - Left
	053272-04-200	EA	Track - Curtain - Off White - 89" w/Holes
	056784-01-000	EA	Pull - Window Shade - Antique Brass
	009107-01-000	EA	Guide - Nylon Snap - Curtain
	018031-42-000	EA	Track - Curtain - "L" Rod - Alum Extr. - 90"
	009701-01-000	EA	Carrier - "L" Rod - Curtain
	009702-01-000	EA	End Stop - "L" Rod - Curtain
	059430-01-000	EA	Track - Curtain - Wraparound (2 required per unit)

MISCELLANEOUS

Key	Part Number	U/M	Description
	041944-01-700	EA	Fire Extinguisher - Dry Chemical w/Bracket
	041944-03-000	EA	Fire Extinguisher - 5BC (Calif)
	007038-01-000	EA	Door Mat - Black Rubber - 10 1/2" x 28"
	053552-01-L01	EA	Assist Handle - Interior - Acorn Vinyl
	054185-06-000	EA	Owners Manual - Winnebago
	008069-01-000	EA	Key Case - Leather

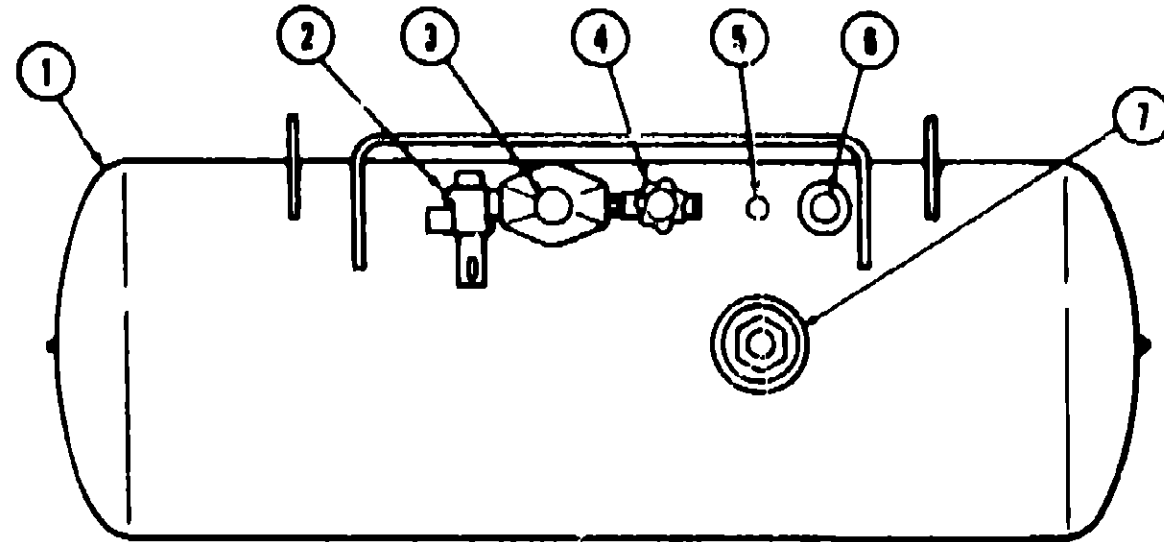
1980 WINNEBAGO TABLE OF CONTENTS

WD/WC420RG L1	A-1 - B-10
WDF26RH L1	B-11 - D-4
WDF26RT L1	D-5 - F-4
WD423RB L1	F-5 - G-16

1980 WDF26RH L1 INDEX

Floor Plan	B-11 - B-12
Accessories Group	B-13 - B-14
Bath Group	B-15 - B-16
Chassis Group	B-17
Curtain, Cushion & Pad Group	B-18 - B-24
Dinette Group	C-1
Driver's Compartment Group	C-2 - C-3
Electrical Group	C-4 - C-5
Exterior Body Group	C-6 - C-9
Galley Group	C-10
Heating & Air Conditioning Group	C-11 - C-12
Interior Finish Group	C-13 - C-14
LP Group	C-15
Lounge Group	C-16
Water & Sewage Group	C-17
Window, Vent & Exterior Door Group	C-18 - D-4

LP GROUP



Key	Part Number	U/M	Description
1	05276R-01-000	EA	Tank Asm. - LP - Frame Mount - 42 Pound
1	05277U-01-000	EA	Tank Asm. - LP - Frame Mount - 85 Pound
2	047221-01-000	EA	Detector - LP Gas Leak - Rosan
*	047356-01-000	EA	Bracket - LP Detector
3	024712-01-000	EA	Cover - Regulator
*	052163-01-000	EA	Regulator - Two Stage - LP Gas
4	040421-01-703	EA	Valve - Vapor Relief
5	040421-01-700	EA	Gauge - Liquid Level - 20% LP
6	040421-01-701	EA	Valve - Filler - LP
*	040421-01-702	EA	Cap - Plastic Fill Valve
7	040421-01-707	EA	Gauge - Float - w/Visible Dial - 85 Pound Tank
*	042261-01-700	EA	Gauge - Float - w/Visible Dial - 42 Pound Tank
*	040421-01-708	EA	Dial - Visible Face - Float Gauge (Tank w/o Electric Transmitter)
*	040421-01-705	EA	Dial - Transmitter - 0 - 90 Ohm (Float Gauge)
*	045703-01-000	EA	Hose Asm. - 3/8" I.D. x 24"
*	045703-03-000	EA	Hose Asm. - LP - 3/8" I.D. x 14"
*	047737-02-000	EA	Support - LP Tank - 89 25"
*	047737-03-000	EA	Support - LP Tank - 30 50"
*	Not Illustrated		

LOUNGE GROUP

Key	Part Number	U/M	Description
	058383-01-L01	EA	Cabinet Asm. - Nightstand - w/o Countertop, Drawers or Hardware
	058384-01-L01	EA	Countertop Asm. - Nightstand Cabinet - Bone
	058023-09-L01	EA	Drawer Asm. - Nightstand Cabinet - 8" x 11.22" x 24" Deep - w/o Hardware
	057992-47-L01	EA	Door Asm. - Wardrobe Cabinet - 69.02" x 14.32" - w/o Hardware
	057992-48-L01	EA	Door Asm. - Wardrobe Cabinet - 28.42" x 12.12" - w/o Hardware
	058437-01-L01	EA	Cabinet Asm. - Nightstand Overhead - w/o Door or Hardware
	057992-49-L01	EA	Door Asm. - Nightstand Overhead Cabinet - 20.82" x 11.52" - w/o Hardware
	061801-02-K01	EA	Cabinet Asm. - Overhead Wemac - Padded - Acorn Vinyl
	064634-01-000	EA	Bunk Board - Upper - w/Trim
	009112-01-000	EA	Flange - 1" - Closet Rod
	067208-03-000	EA	Support - Rear Bunk - Extr. Angle

**1980 WINNEBAGO
TABLE OF CONTENTS**

WD/WC420RG L1	A-1 - B-10
WDF26RH L1	B-11 - D-4
WDF26HT L1	D-5 - F-4
WD423RB L1	F-5 - G-16

1980 WDF26RH L1 INDEX

Floor Plan	B-11 - B-12
Accessories Group	B-13 - B-14
Bath Group	B-15 - B-16
Chassis Group	B-17
Curtain, Cushion & Pad Group	B-18 - B-24
Dinette Group	C-1
Driver's Compartment Group	C-2 - C-3
Electrical Group	C-4 - C-5
Exterior Body Group	C-6 - C-9
Galley Group	C-10
Heating & Air Conditioning Group	C-11 - C-12
Interior Finish Group	C-13 - C-14
LP Group	C-15
Lounge Group	C-16
Water & Sewage Group	C-17
Window, Vent & Exterior Door Group	C-18 - D-4

WATER AND SEWAGE GROUP

PLUMBING REPAIR PARTS

Key	Part Number	U/M	Description
**	041638-01-000	EA	Kit - Repair - 3/8" O.D. Plastic Tube
**	041640-01-000	EA	Kit - Repair - 1/2" O.D. Plastic Tube
**	041641-01-000	EA	Kit - Repair - 5/8" O.D. Plastic Tube
**	081646-01-000	EA	Water Pump - Direct Drive - 2.8 G.P.M. - PAR
**	081646-02-000	EA	Water Pump - Direct Drive - 2.8 G.P.M. - PAR - CSA
**	031647-02-000	EA	Filter - Water Pump 1/2" MPT
**	031618-01-000	EA	Riser Asm. - 3/8" O.D. x 24" Tube
**	031618-02-000	EA	Riser Asm. - 3/8" O.D. x 36" Tube
**	031618-04-000	EA	Riser Asm. - 3/8" O.D. x 72" Tube
**	031618-05-000	EA	Riser Asm. - 3/8" O.D. x 48" Tube
**	004020-01-000	QT	Adhesive - ABS Cement
**	010201-01-000	EA	Hose - Sewer 3" x 10 FT w/Clamp
**	010078-01-000	EA	Tee - Plastic - 1 1/2 H x 1 1/2 H x 1 1/4 H
**	010153-01-000	EA	Ring - Closet - Plastic - 4 x 3 MPT
**	031111-01-000	EA	Elbow - Plastic - 1/4 BD x 1 1/4 x 90 x LT
**	082422-01-000	EA	Adapter - Offset Reducer - 3" x 1 1/2"
**	082632-01-000	EA	Wye - 3 x 3 x 1 1/2 - Slip
**	082415-01-000	EA	Cap - Sewer - 3"
**	082416-01-000	EA	Hose - Adapter - 3"
**	082417-01-000	EA	Adapter - Termination - 3"
**	082418-01-000	EA	Valve - 3" - w/o Handle
**	082419-01-000	EA	Handle - Extension - w/6" Adapter
**	082421-01-000	EA	Valve - 1 1/2" - w/Handle
**	011091-01-000	EA	Waste - Continuous - Double Sink 11 7/8"
**	011066-01-000	EA	P-Trap - Plastic - 1 1/4"
**	010133-01-000	EA	Adapter - Trap - Plastic 1 1/2" H x MPT
**	010134-01-000	EA	Adapter - Plastic - 1 1/2" M x MPT
**	010224-01-000	EA	Adapter - Plastic - 3/8 MPT x 3/8 Barb
**	060780-01-000	EA	Coupler - Rubber - 3" x 3"
**	052952-01-000	EA	Nut - Plastic - 1/2" F
**	052953-01-000	EA	Nut - Faucet - 1/2" Tube x 1/2" FPT
**	052954-01-000	EA	Adapter - Nose Cone - 3/8" x 1/2"
**	052955-01-000	EA	Tee - Plastic - 1/2 F x 1/2 F x 1/2 MPT
**	052956-01-000	EA	Tee - Plastic - 1/2 F x 1/2 MPT x 1/2 F
**	052957-01-000	EA	Elbow - Plastic - 1/2 F x 3/8 MPT
**	052958-01-000	EA	Tee - Plastic - 1/2" F x 1/2" F x 1/2 F
**	052959-03-000	EA	Connector - Plastic - 1/2" F x 3/8" MPT
**	052960-01-000	EA	Valve - Line Drain - 1/2" F x 1/2" F
**	052961-01-000	EA	Header - 1/2" F x 1/2" F x 1/2" F x 1/2" F
**	010121-01-000	EA	Bushing - Plastic - 1 1/2 S x 1 1/4 H
**	031126-01-000	EA	Elbow - Plastic - 1/4 BD 3 x 90 x LT
**	061607-01-000	EA	Grommet - Holding Tank - 1 1/2" Rubber
**	061607-02-000	EA	Grommet - Holding Tank - 3" - Rubber
**	046524-01-000	EA	Kit - Plastic Fittings - Holding Tank - Spinweld
**	046524-02-000	EA	Kit - Plastic Fittings - Water Tank - Spin Weld
**	037645-01-000	FT	Tape - Butyl - 3/16" - Bead - Black

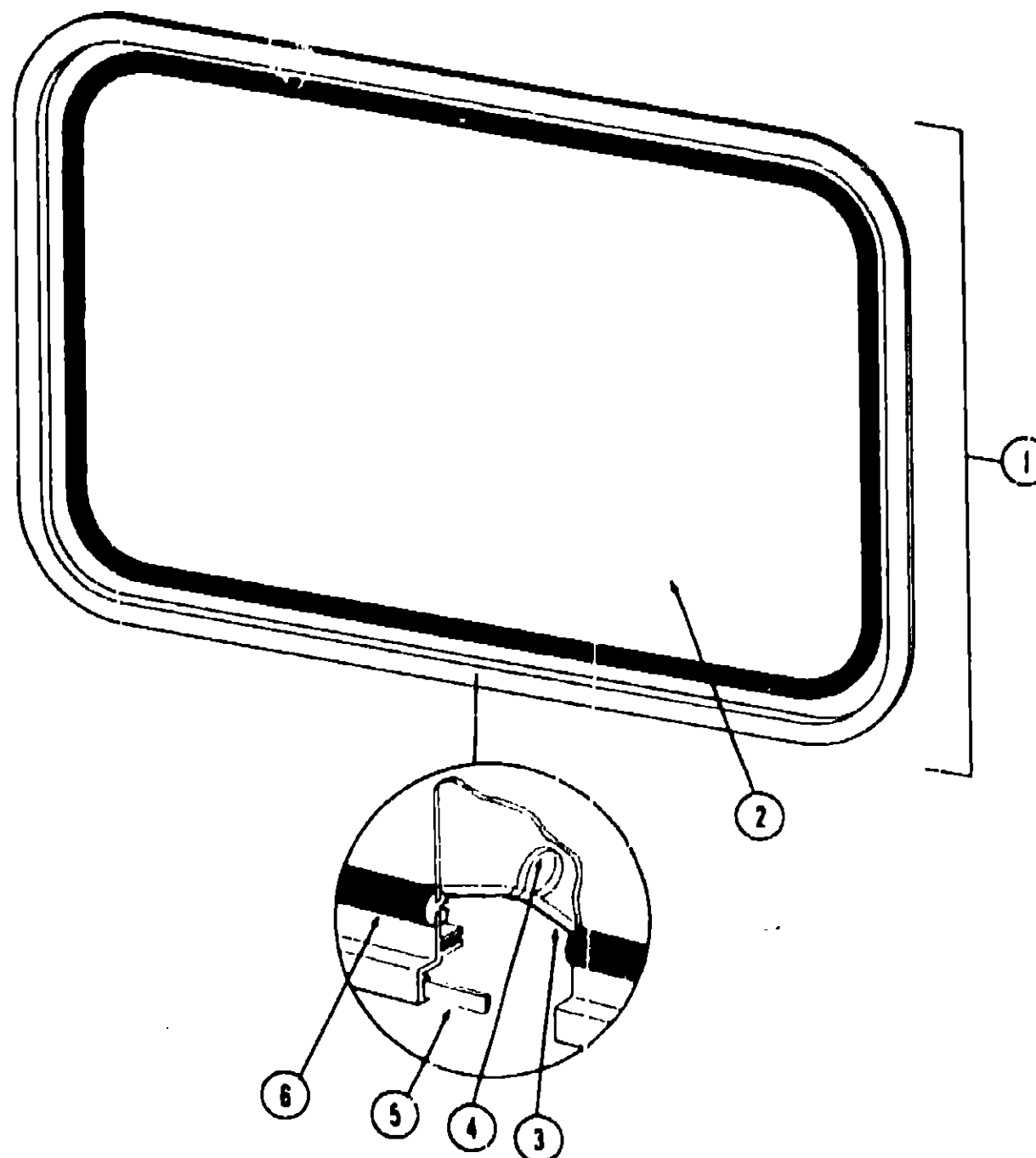
**The illustrated parts breakdown for this item is provided on the Common Items Fiche.

HOLDING TANKS AND WATER HEATERS

Key	Part Number	U/M	Description
**	054032-06-000	EA	Tank Asm. - Holding w/Fittings - Aux.
**	054032-01-000	EA	Tank Asm. - Holding w/o Fittings - Aux.
**	054033-05-000	EA	Tank Asm. - Holding w/Fittings - Main
**	054033-01-000	EA	Tank Asm. - Holding w/o Fittings - Main
**	058731-02-000	EA	Tank Asm. - Water w/Fittings
**	058731-01-000	EA	Tank Asm. - Water w/o Fittings
**	051391-01-000	EA	Water Heater - 6 Gallon w/o Motor Aid - Atwood G6A-3

**The illustrated parts breakdown for this item is provided on the Common Items Fiche.

WINDOW, VENT AND EXTERIOR DOOR GROUP



Key	Part Number	U/M	Description
1	020751-03-000	EA	Window Asm. - Rear Escape - 23" x 29" - Black Anod. (w/o inside frame)
2	062174-01-000	EA	Glass - Window - 1/8" x 11.61" x 25.92"
3	002285-01-000	FT	Weatherstrip - Black
4	020395-01-000	EA	Slip Ring - Escape Window
5	004363-01-000	FT	Tape - Foam - 3/16" x 1/2" - Gray
6	002282-01-000	FT	Weatherstrip - .125" - Black
.	020749-03-000	EA	Inside Frame - Escape Window - 23" x 29" (not included in assembly)
.	008199-01-000	EA	Label - Exit - Escape Window
.			Not Illustrated

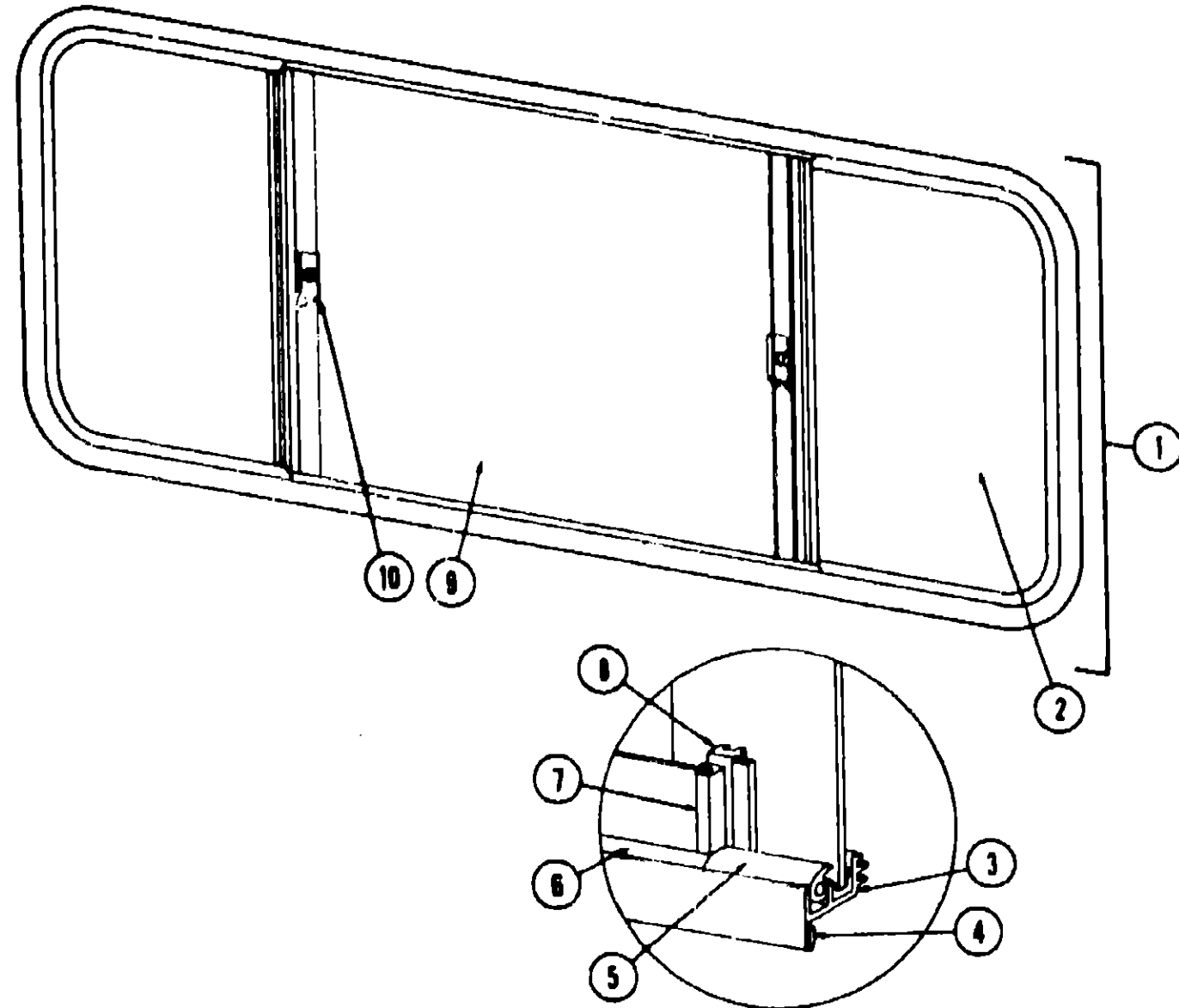
1990 WINNEBAGO TABLE OF CONTENTS

WD/WC420RG L1	A-1 - J-10
WDF26RH L1	B-11 - D-4
WDF26RT L1	D-5 - F-4
WD423RB L1	F-5 - G-16

1990 WDF26RH L1 INDEX

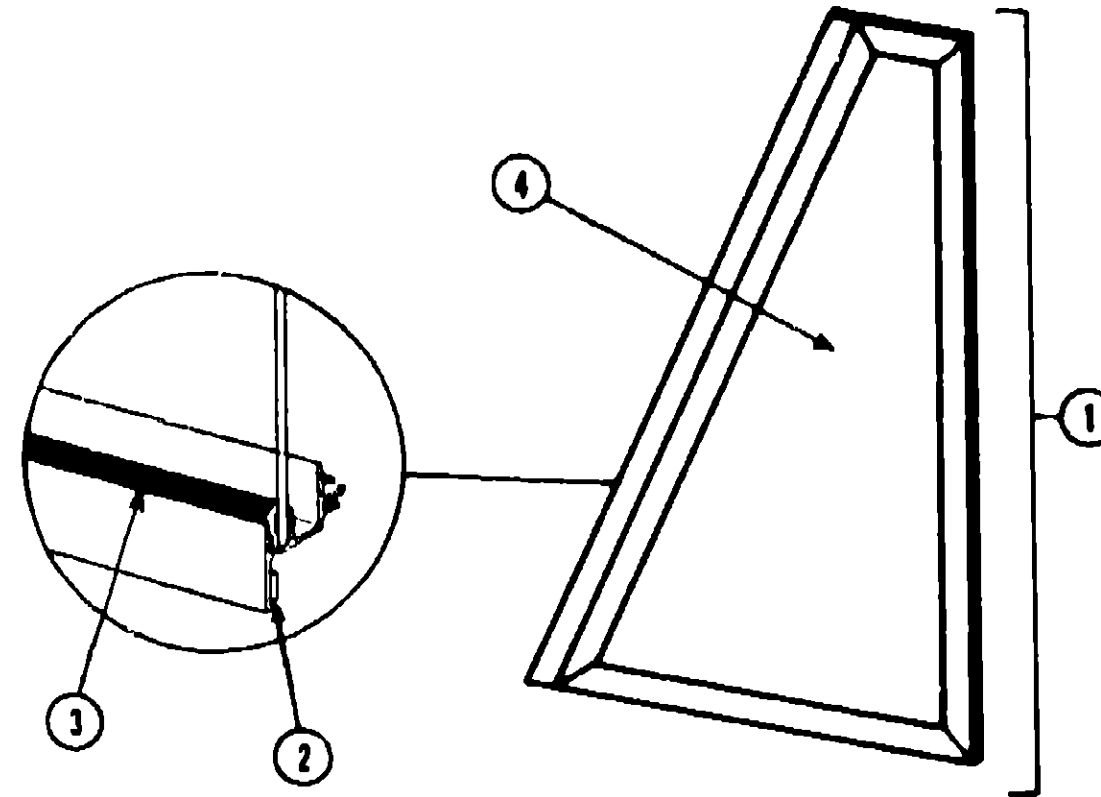
Floor Plan	B-11 - B-12
Accessories Group	B-13 - B-14
Bath Group	B-15 - B-16
Chassis Group	B-17
Curtain, Cushion & Pad Group	B-18 - B-24
Dinette Group	C-1
Driver's Compartment Group	C-2 - C-3
Electrical Group	C-4 - C-5
Exterior Body Group	C-6 - C-9
Galley Group	C-10
Heating & Air Conditioning Group	C-11 - C-12
Interior Finish Group	C-13 - C-14
LP Group	C-15
Lounge Group	C-16
Water & Sewage Group	C-17
Window, Vent & Exterior Door Group	C-18 - D-4

WINDOW, VENT AND EXTERIOR DOOR GROUP (CONTINUED)



Key	Part Number	U/M	Description
1	048630-08-000	EA	Window Asm. - Double Slider - 25" x 65" Black Anod. (w/o inside frame)
2	047822-01-000	EA	Glass - Sliding - 3/16" x 24" x 21.03"
3	042077-01-000	FT	Channel - Weatherstrip - Glass Run - 3/16" Glass
4	053767-03-000	FT	Tape - 1/4" Bead x 20' - Gray - Schnee Moorehead
5	041928-02-000	FT	Seal - Window Channel - 3/16" Glass - Black
6	002309-02-000	FT	Spline - Glass - 1/8" - Black
7	002389-03-201	EA	Extr. - Holder - Glass Seal - 23.19" - Black
8	041894-04-000	EA	Mullion - Slider Window - 25" - Black
9	002188-02-000	EA	Glass - 3/16" x 24" x 25.5" - Stationary
10	047368-01-700	EA	Latch - Window - Plastic w/Fastener
.	023320-01-000	EA	Foam Pad - 3/8" Dia. (used with plastic latch)
.	042133-09-000	EA	Frame Asm. - Window - Inside (not included in assembly)
.	023713-02-000	EA	Cover - Weephole - Plastic - Black
.	002298-01-000	FT	Spline - Gray - .130" Dia. (Screen)
.	002283-01-000	SF	Screen - Window - 26" - Gray
.			Not Illustrated

WINDOW, VENT AND EXTERIOR DOOR GROUP (CONTINUED)



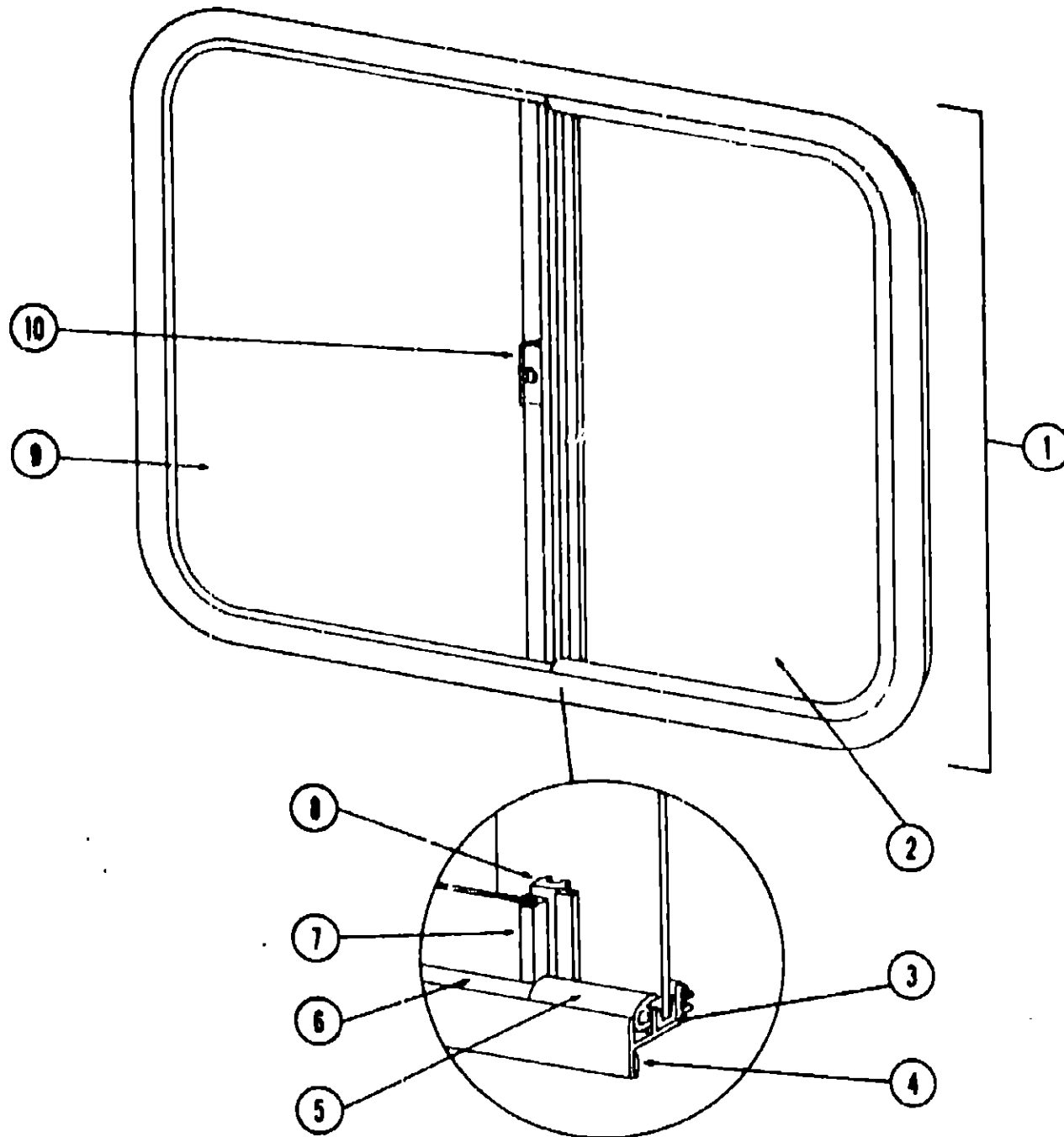
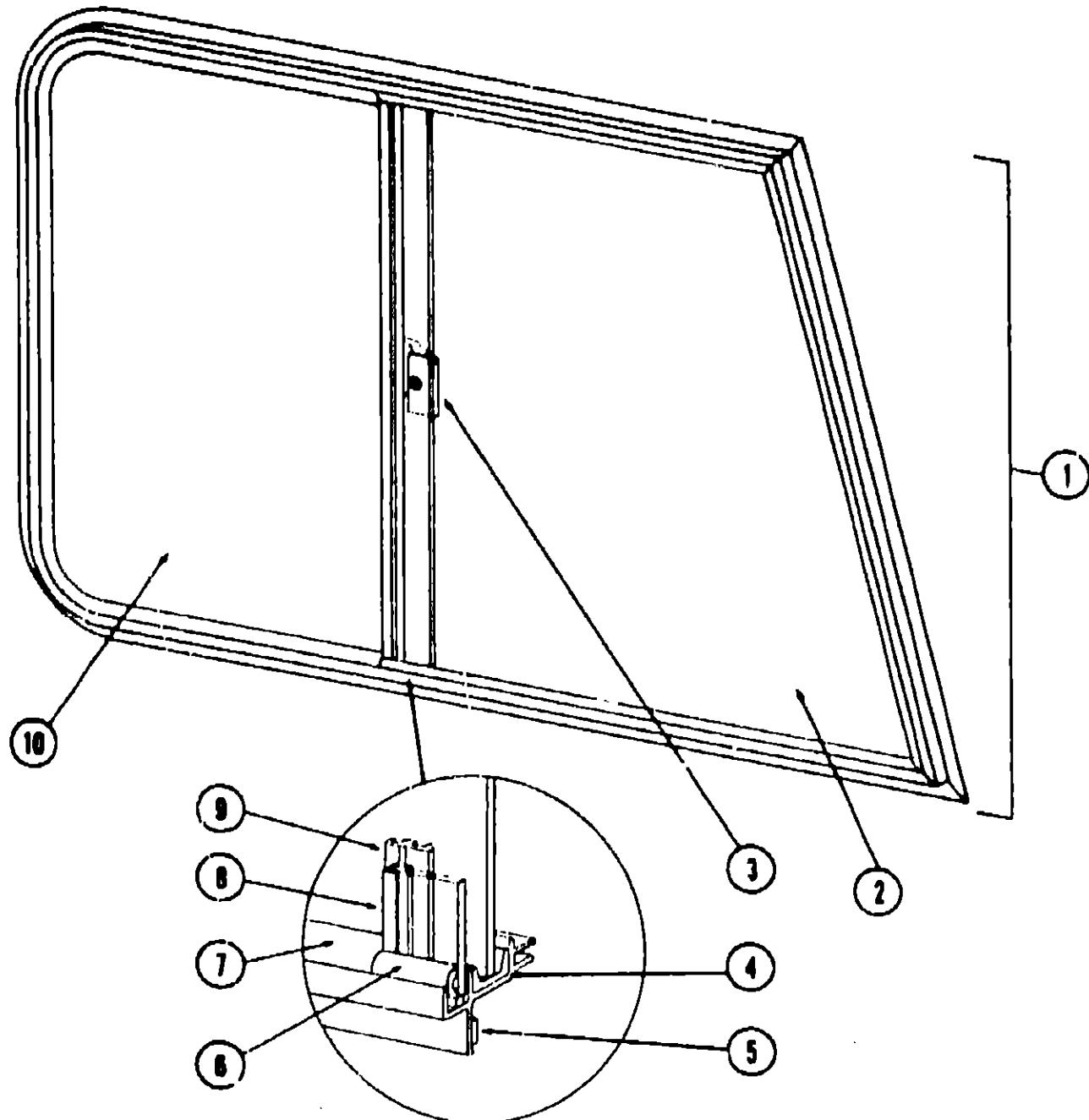
Key	Part Number	U/M	Description
1	082866-01-000	EA	Window Asm. - Stationary - Drivers Slant - 14" x 25.32" - Black Anod. (w/o inside frame)
2	053767-03-000	FT	Tape - 1/4" Bead x 20' - Gray - Schnee Moorehead
3	002309-02-000	FT	Spline - Glass - 1/8" - Black
4	057658-02-000	EA	Glass - 3/16" x 24.88" x 13.66"
.	063420-01-000	EA	Frame - Inside - Front Slant Window (not included in assembly)
.			Not Illustrated

**1980 WINNEBAGO
TABLE OF CONTENTS**

WD/WC420RG L1	A-1 - B-10
WDF26RH L1	B-11 - D-4
WDF26RT L1	D-5 - F-4
WD423RB L1	F-5 - G-16

1980 WDF26RH L1 INDEX

Floor Plan	B-11 - B-12
Accessories Group	B-13 - B-14
Bath Group	B-15 - B-16
Chassis Group	B-17
Curtain, Cushion & Pad Group	B-18 - B-24
Dinette Group	C-1
Driver's Compartment Group	C-2 - C-3
Electrical Group	C-4 - C-5
Exterior Body Group	C-6 - C-9
Galley Group	C-10
Heating & Air Conditioning Group	C-11 - C-12
Interior Finish Group	C-13 - C-14
LP Group	C-15
Lounge Group	C-16
Water & Sewage Group	C-17
Window, Vent & Exterior Door Group	C-18 - D-4



Key	Part Number	U/M	Description
1	059046-01-000	EA	Window Asm. - Right Front Slant Slider - 23" x 39" - Black Anod. (w/o inside frame)
	059046-02-000	EA	Window Asm. - Left Front Slant Slider - 23" x 39" - Black Anod. (w/o inside frame)
2	057856-01-000	EA	Glass - 3/16" x 24.88" x 25.30" - Stationary
3	047369-01-700	EA	Latch - Window - Plastic w/Fastener
	023320-01-000	EA	Foam Pad - 3/8" Dia. (Used with Plastic Latch)
4	042077-01-000	FT	Channel - Weatherstrip - Glass Run - 3/16" Glass
5	053767-01-000	FT	Tape - 1/2" x 1/8" x 30' - Gray - Schnee Moorehead
6	050216-02-000	FT	Spline - 3/16" Glass
7	041928-02-000	FT	Seal - Window Channel - 3/16" Glass - Black
8	002369-03-208	EA	Holder - Glass Seal - Black Anod. - 24.13"
9	057644-04-000	EA	Mullion - Window - Slant Slider
10	057657-01-000	EA	Glass - 3/16" x 24.88" x 14.70" - Sliding
	059042-01-000	EA	Inside Frame - Right Front Slant Slider (not included in assembly)
	059042-02-000	EA	Inside Frame - Left Front Slant Slider (not included in assembly)
	023713-02-000	EA	Cover - Weephole - Black
	055164-05-000	EA	Slider Screen Asm. - Right or Left - Black
	016310-03-000	EA	Handle - Slider Screen - Black
	002292-01-000	SF	Screen - Window - 20" - Gray
	002298-01-000	FT	Spline - Gray - .130" Dia.
			Not Illustrated

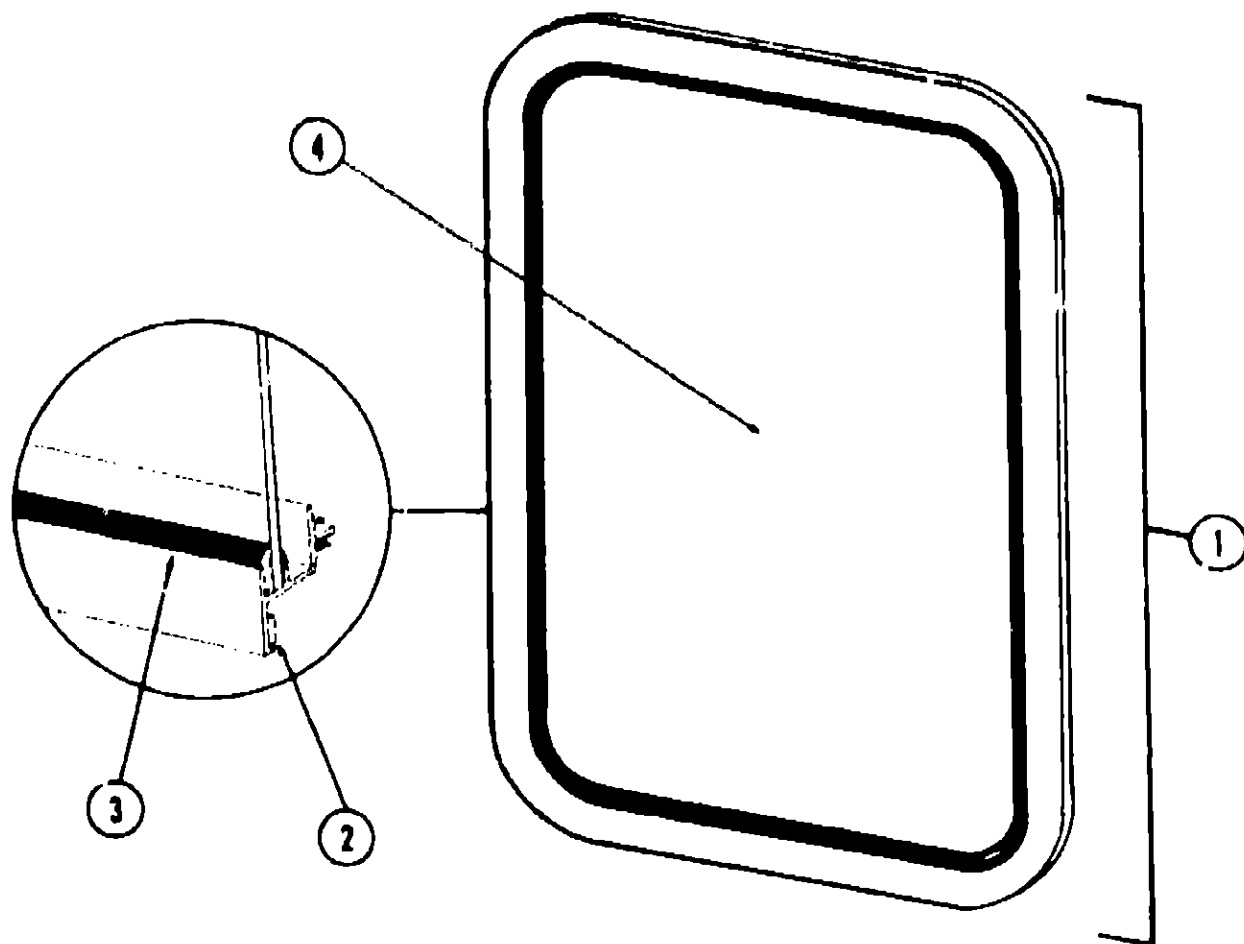
1990 WINNEBAGO
TABLE OF CONTENTS

WD/WC420RG L1	A-1 - B-10
WDF26RH L1	B-11 - D-4
WDF26RT L1	D-5 - F-4
WD423RB L1	F-5 - G-18

1990 WDF26RH L1 INDEX

Floor Plan	B-11 - B-12
Accessories Group	B-13 - B-14
Bath Group	B-15 - B-16
Chassis Group	B-17
Curtain, Cushion and Pad Group	P-18 - B-24
Dinette Group	C-1
Driver's Compartment Group	C-2 - C-3
Electrical Group	C-4 - C-5
Exterior Body Group	C-6 - C-9
Galley Group	C-10
Heating & Air Conditioning Group	C-11 - C-12
Interior Finish Group	C-13 - C-14
LP Group	C-15
Lounge Group	C-16
Water & Sewage Group	C-17
Window, Vent & Exterior Door Group	C-18 - D-4

Key	Part Number	U/M	Description
1	045556-06-000	EA	Window Asm. - Right Single Slider - 15" x 37" - Black Anod. (w/o inside frame)
2	002208-02-000	EA	Glass - Sliding - 1/8" x 14.4" x 19" - Gray
3	002324-01-000	FT	Channel - Weatherstrip - Glass Run - 1/8" Glass
4	053767-03-000	FT	Tape - 1/4" Bead x 20' - Gray
5	057374-02-000	FT	Seal - Window Channel Black
6	002369-02-000	FT	Spline - Glass - 1/8" - Black
7	002390-03-205	EA	Holder - Glass Seal - 13.60" - Black
8	041894-25-000	EA	Mullion - Sliding Window - 13.44" - Black Anod.
9	002207-01-000	EA	Glass - Stationary - 1/8" x 14.4" x 21.32"
10	047369-01-700	EA	Latch - Window - Plastic w/Fastener
	023320-01-000	EA	Foam Pad - 3/8" Dia (Used with plastic latch)
	017451-03-000	EA	Inside Frame - Single Slider Window - 15" x 37" (not included in assembly)
	023713-02-000	EA	Cover - Plastic Weephole - Black
	002298-01-000	FT	Spline - Gray - .130" Dia. (Screen)
	002293-01-000	SF	Screen - Window - 26" - Gray
			Not Illustrated



Key	Part Number	U/M	Description
1	056651-01-000	EA	Window Asm. - Picture - 20 3/4" x 20 3/4" - Black (w/o inside frame)
2	053767-02-000	FT	Tape - 3/16" Bead x 25' - Schnee Moorehead
3	002309-02-000	FT	Spline - Glass - 1/8" - Black
4	002181-03-000	EA	Glass - .115" x 20.62" x 20.62" - Gray
*	056650-01-000	EA	Frame - Inside - Window (not included in assembly)
*			Not Illustrated

VENTS

Key	Part Number	U/M	Description
	039776-01-000	EA	Cover - Refrigerator Vent - Plastic
	009407-01-000	EA	Frame Asm. - Refrigerator Vent
	049352-01-000	EA	Vent - Stovehood - Outside - Powered Hood - Off White
	053334-01-000	EA	Vent - Stovehood - Outside - Non Powered Hood - Off White
**	048789-01-000	EA	Vent Asm. - Roof - Powered w/o Screen - Alum.
**	045835-01-000	EA	Vent Asm. - Roof - Non Powered w/o Screen - Alum.
**	056119-01-000	EA	Vent Asm. - Roof - Powered/Lighted - Jensen - White Plastic

**The illustrated parts breakdown for this item is provided on the Common Items Fiche.

WINDSHIELD

Key	Part Number	U/M	Description
	057459-01-000	EA	Glass - Windshield - Flat
	058272-01-000	EA	Frame Asm. - Windshield
	038886-01-000	EA	Tape - Butyl - .31" x .31" x 148"
	042743-01-000	EA	Corner - Windshield - Lower
	042743-02-000	EA	Corner - Windshield - Upper

ACCESS DOORS

Key	Part Number	U/M	Description
	037804-16-000	EA	Door Asm. - LP - Off White w/Twist Type Lock
	047233-02-000	EA	Door Asm. - Luggage - 13" x 35" - Off White w/Key Type Lock
	054270-02-000	EA	Door Asm. - Refrigerator Access - Off White w/Twist Type Lock
	058727-01-000	EA	Door Asm. - Storage - Insulated - 29.41" x 9.85" - Off White w/Key Type Lock
	037804-22-000	EA	Door Asm. - Luggage - 24.56" x 10" - Off White w/Key Type Lock
	055500-01-000	EA	Door Asm. - Gas Fill - w/Key Type Lock
	042441-01-000	EA	Lock Asm. - Key Type - Gas Fill
	009426-01-000	EA	Hatch - Power Cord - White
	057096-01-000	EA	Door Asm. - Power Cord w/Hatch - Off White
	052950-03-000	EA	Lock Asm. - Twist Type - Straight Cam (Power Cord Door)
	047305-01-000	EA	Lock Asm. - Key Type w/Clip - Metal
	052950-01-700	EA	Lock Asm. - Twist Type w/Clip - White Plastic
	052951-01-000	EA	Clip - Lock Retainer
	018945-02-000	EA	Holder Asm. - Battery and Luggage Doors
	052179-07-000	EA	Door Asm. - Generator - Off White w/Twist Type Lock
	052181-01-000	EA	Baffle - Generator Door
	052009-01-000	EA	Door - Water Heater - Off White - Atwood

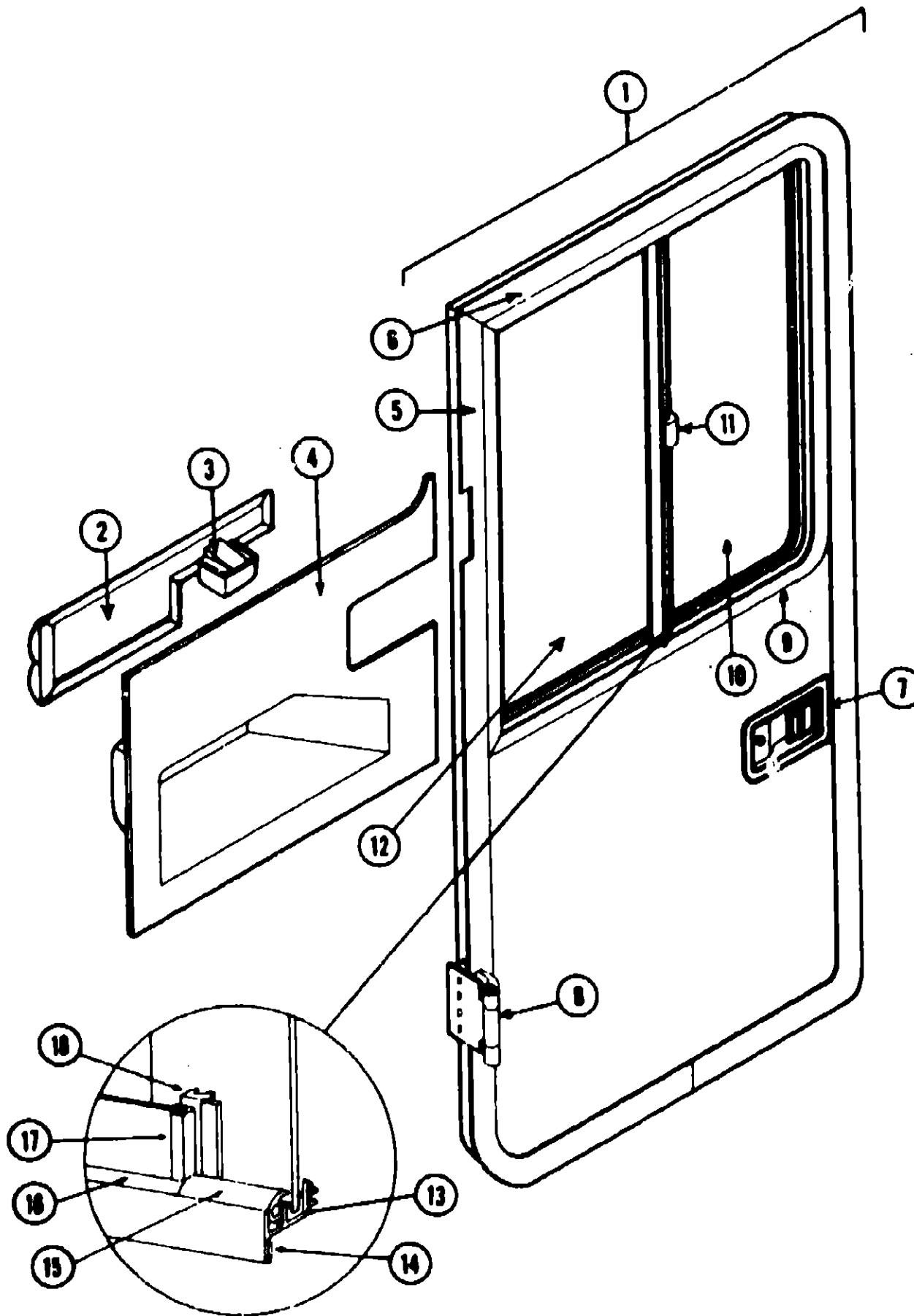
1980 WINNEBAGO
TABLE OF CONTENTS

WD/WC420RG L1	A-1 - B-10
WDF26RH L1	B-11 - D-4
WDF26RT L1	D-5 - F-4
WD423RB L1	F-5 - G-16

1980 WDF26RH L1 INDEX

Floor Plan	B-11 - B-12
Accessories Group	B-13 - B-14
Bath Group	B-15 - B-16
Chassis Group	B-17
Curtain, Cushion and Pad Group	B-18 - B-24
Dinette Group	C-1
Driver's Compartment Group	C-2 - C-3
Electrical Group	C-4 - C-5
Exterior Body Group	C-6 - C-9
Galley Group	C-10
Heating & Air Conditioning Group	C-11 - C-12
Interior Finish Group	C-13 - C-14
LP Group	C-15
Lounge Group	C-16
Water & Sewage Group	C-17
Window, Vent & Exterior Door Group	C-18 - D-4

DRIVER DOOR -



Key	Part Number	U/M	Description
1	063991-02-000	EA	Door Asm. - Driver - Off White
2	064088-01-000	EA	Pad Asm. - Trim - Upper
	061400-01-000	EA	Assist Strap - 12" - Light Brown
3	048886-01-000	EA	Ashtray Asm. - Flush Mount - Chrome
4	064499-01-000	EA	Panel - Driver Door - Inner - Dark Brown Plastic
5	063350-02-000	EA	Trim - Door Frame - Front - Off White
6	063351-02-000	EA	Trim - Door Frame - Rear - Off White
7	045017-03-000	EA	Paddle - Door Lock - Exterior
	045017-01-700	EA	Lock Cylinder w/Keys - Lynor
	039979-02-000	EA	Inside Plate - Door Lock - w/Inside Handle
	039540-02-000	EA	Latch Claw - Entry Door Lock
	039738-01-000	EA	Deadbolt - Entrance Door Lock
	039539-01-000	EA	Strike Bolt - Entrance Door (Jamb Mount)
	063124-02-000	EA	Plate - Striker - 8 1/4" x 1" - Black
	062879-02-000	EA	Jamb - Driver Door - Black Steel
	064199-02-000	EA	Trim - Door Jamb - Rear - w/Drip Cap - Off White
	064184-01-000	EA	Drip Cap - Driver Door
	063358-02-000	EA	Trim - Door Jamb - Front - Off White
	063788-01-000	EA	Sill Plate - Driver Door
8	063993-02-000	EA	Hinge Asm. - Driver Door - Off White
	064580-01-000	EA	Check Strap - Driver Door - Seat Belt Webbing
	064219-01-000	EA	Retainer - Driver Door Check Strap
	063886-02-000	EA	Assist Handle - Driver Door - Brown Steel Tube (2 required per door)
	064075-01-000	EA	Bulb Seal - Driver Door - 145"
9	062982-01-000	EA	Window Asm. - Driver Door - Single Slider - 23" x 25.5" - Black Anod. (w/o inside frame)
10	057657-02-000	EA	Glass - 3/16" x 24.88" x 12" - Sliding
11	047399-01-700	EA	Latch - Window - Plastic w/Fastener
12	002188-04-000	EA	Glass - 3/16" x 24.88" x 12" - Stationary
13	002324-02-000	FT	Channel - Weatherstrip - Glass Run - 1/8" Glass
14	053767-03-000	FT	Tape - 1/4" Bead x 30' - Gray - Schnee Moorehead
15	024096-02-000	FT	Seal - Window Channel - Black
16	002309-02-000	FT	Spline - Glass - Black
17	002389-03-204	EA	Holder - Glass Seal - Anod. Black - 25.14"
	002288-01-000	FT	Weatherstrip - Glass Seal
18	057644-04-000	EA	Mullion - Slider Window - Black Anod.
	063422-01-000	EA	Frame - Inside - Driver Door Window
	023713-02-000	EA	Cover - Weephole - Black Plastic
	055184-08-000	EA	Screen Asm. - Slider
	002292-01-000	SF	Screen - Window - 20" - Gray
	002298-01-000	FT	Spline - Gray - Screen - .130" Dia.
	018310-03-000	EA	Screen Handle - Black Anod.
	043485-02-000	FT	Screen Seal - Extr. Vinyl
			Not Illustrated

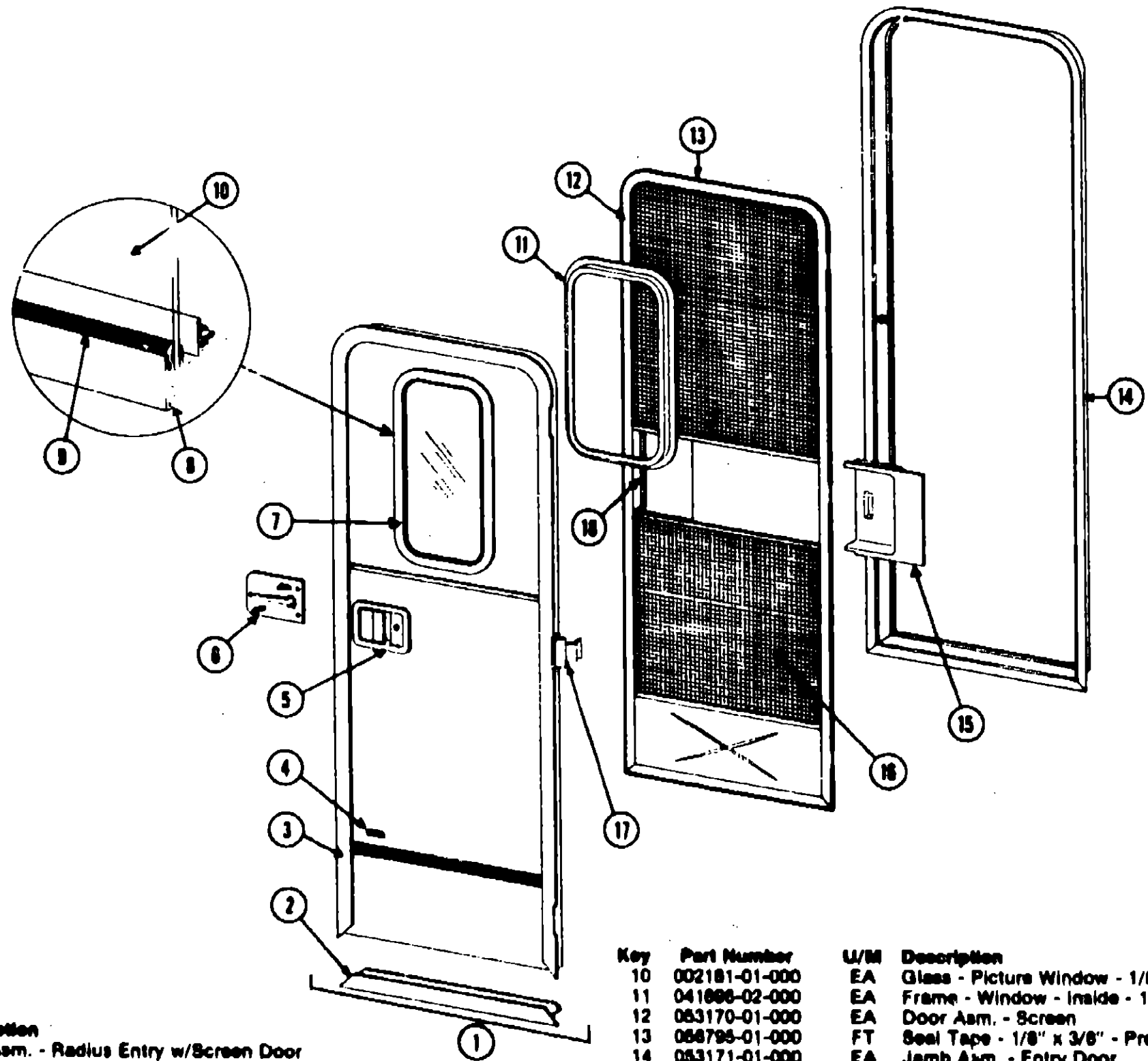
1980 WINNEBAGO
TABLE OF CONTENTS

WD/WC420RG L1	A-1 - B-10
WDF26RH L1	B-11 - D-4
WDF26RT L1	D-5 - F-4
WD423RB L1	F-5 - G-16

1980 WDF26RH L1 INDEX

Floor Plan	B-11 - B-12
Accessories Group	B-13 - B-14
Bath Group	B-15 - B-16
Chassis Group	B-17
Curtain, Cushion and Pad Group	B-18 - B-24
Dinette Group	C-1
Driver's Compartment Group	C-2 - C-3
Electrical Group	C-4 - C-5
Exterior Body Group	C-6 - C-9
Galley Group	C-10
Heating & Air Conditioning Group	C-11 - C-12
Interior Finish Group	C-13 - C-14
LP Group	C-15
Lounge Group	C-16
Water & Sewage Group	C-17
Window, Vent & Exterior Door Group	C-18 - D-4

WINDOW, VENT AND EXTERIOR DOOR GROUP (CONTINUED)



Key	Part Number	U/M	Description
1	053189-04-000	EA	Door Asm. - Radius Entry w/Screen Door
2	039737-01-000	EA	Frame - Entry Door (Bottom Portion Only)
3	039736-01-000	EA	Frame - Entry Door (Except Bottom Portion)
4	054630-01-000	EA	Holder Asm. - Entry Door
5	045017-01-000	EA	Paddle Asm. - Door Lock - Exterior
6	045017-01-700	EA	Lock Cylinder w/Keys - Lynor
7	039639-01-000	EA	Striker Bolt - Entry Door
8	039640-01-000	EA	Latch Claw - Entry Door
9	039979-01-000	EA	Plate - Lock - Inside - Including Inside Handle
10	052185-01-000	EA	Lock Asm. - Complete - Lynor
11	039738-01-000	EA	Dead Bolt - Entrance Door
12	041875-02-000	EA	Window Asm. - Picture - 13" x 23" - Black Anod. (Inside frame not included in assembly)
13	053767-03-000	FT	Tape - 1/4" Bead x 20' - Gray - Schnee Moorehead
14	002309-02-000	FT	Spine - Glass - 1/8" Black

Key	Part Number	U/M	Description
10	002181-01-000	EA	Glass - Picture Window - 1/8" x 12" x 22" - Gray
11	041896-02-000	EA	Frame - Window - Inside - 13" x 23" - Brown
12	053170-01-000	EA	Door Asm. - Screen
13	056795-01-000	FT	Seal Tape - 1/8" x 3/8" - Press On
14	053171-01-000	EA	Jamb Asm. - Entry Door
15	015580-01-000	EA	Slider - Screen Door - Brown Plastic
16	002293-01-000	BF	Screen - Window - 26" - Gray
17	036520-01-000	EA	Hinge - Entry Door (3 used per door)
18	015561-01-000	EA	Cap - Screen Door - Brown Plastic
	049797-01-000	EA	Hedlok II - 3/4" Diameter - Screw Mount (Retains screen door to entry door)
	049797-01-000	EA	Hedlok II - 1" Diameter - Screw Mount (Retains screen door to entry door)
	053638-01-000	EA	Striker - Screen Door
	039853-01-000	EA	Catch Asm. - Single Roller w/Strike - Screen Door
	051390-01-000	FT	Seal - Bulb - Rubber
	039900-03-000	FT	Tubing - Polybutyl - 3/8" O.D. - Jamb
	044532-02-000	EA	Drip Cap - Jamb Mounted - Off White
	Not Illustrated		

1990 WINNEBAGO TABLE OF CONTENTS

WD/WC420RG L1	A-1 - B-10
WC F26RH L1	B-11 - D-4
WDF26RT L1	D-5 - F-4
WD423RB L1	F-5 - G-16

1990 WDF26RH L1 INDEX

Floor Plan	B-11 - B-12
Accessories Group	B-13 - B-14
Bath Group	B-15 - B-16
Chassis Group	B-17
Curtain, Cushion and Pad Group	B-18 - B-24
Dinette Group	C-1
Driver's Compartment Group	C-2 - C-3
Electrical Group	C-4 - C-5
Exterior Body Group	C-6 - C-9
Galley Group	C-10
Heating & Air Conditioning Group	C-11 - C-12
Interior Finish Group	C-13 - C-14
LP Group	C-15
Lounge Group	C-16
Water & Sewage Group	C-17
Window, Vent & Exterior Door Group	C-18 - D-4