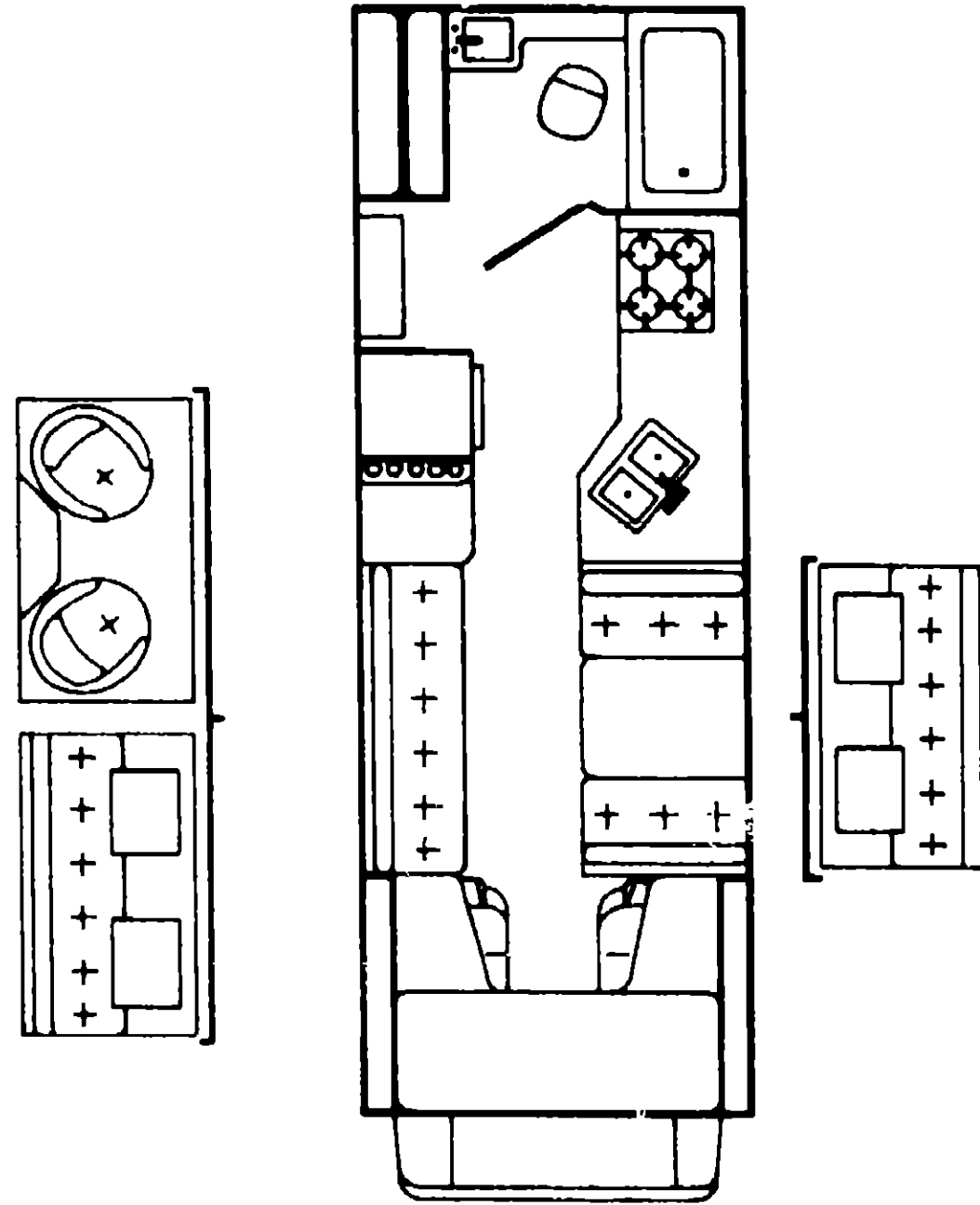


1980 WD423RB L1



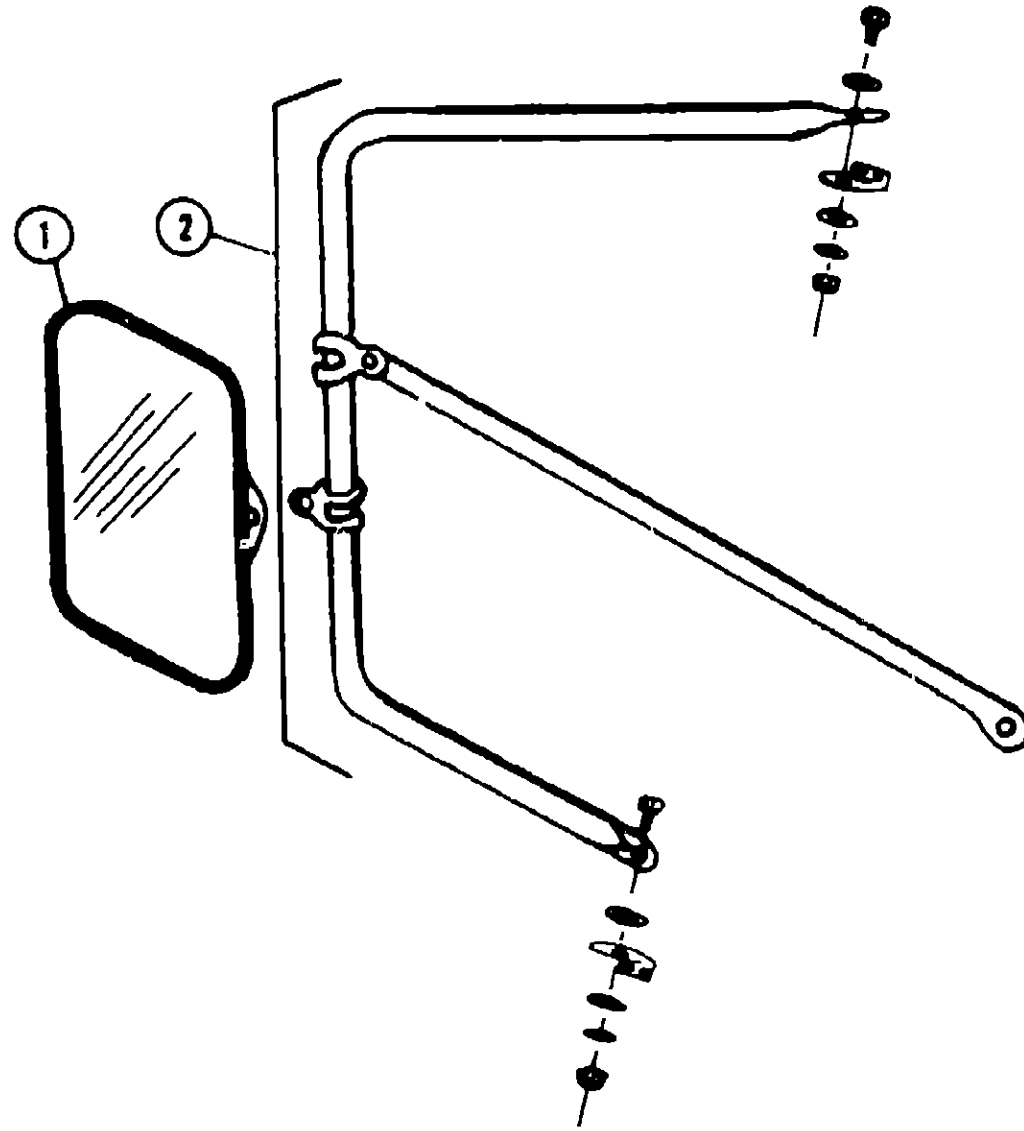
1980 WINNEBAGO TABLE OF CONTENTS

WD/WC420RG L1	A-1 - B-10
WDF26RH L1	B-11 - D-4
WDF26RT L1	D-5 - F-4
WD423RB L1	F-5 - G-16

1980 WD423RB L1 INDEX

Floor Plan	F-5 - F-6
Accessories Group	F-7 - F-8
Bath Group	F-9
Chassis Group	F-10
Curtain, Cushion and Pad Group	F-11 - F-15
Dinette Group	F-16
Driver's Compartment Group	F-17
Electrical Group	F-18 - F-19
Exterior Body Group	F-20 - F-23
Galley Group	F-24
Heating & Air Conditioning Group	G-1
Interior Finish Group	G-2 - G-3
LP Group	G-4
Lounge Group	G-5
Water & Sewage Group	G-6
Window, Vent & Exterior Door Group	G-7 - G-16

ACCESSORIES GROUP



Key	Part Number	U/M	Description
1	057461-01-000	EA	Mirror Head - 7.5" x 10.5" w/Convex - Bright Finish
1	057461-02-000	EA	Mirror Head - 7.5" x 10.5" - w/Convex - Off White
2	049349-01-000	EA	Arm - West Coast Mirror - Bright Finish
2	049349-02-000	EA	Arm - West Coast Mirror - Off White

ACCESSORIES GROUP (CONTINUED)

RADIOS AND RELATED COMPONENTS

Key	Part Number	U/M	Description
	007004-01-000	EA	Antenna - Radio - Cab Mount
	045838-02-000	EA	Plate - Radio Cover
	049730-01-000	EA	Radio - Clarion - AM/w/Fader Switch
	049731-01-000	EA	Radio - Clarion - AM/FM/MPX w/Fader Switch
	049732-01-000	EA	Radio - Clarion - AM/FM/MPX/8-Track w/Fader Switch
	053768-01-000	EA	Speaker - Recessed - 5 1/4" - 10 oz.
	055299-01-000	EA	Grille - Speaker - 5 1/4"
	048153-01-000	EA	Antenna - CB Camper Style
	056458-01-000	EA	Speaker - 4" x 6" - Oval - Clarion

GENERATORS AND INSTALLATION KITS

Key	Part Number	U/M	Description
**	054427-01-000	EA	Generator - 3.0 kw Onan
	701629-02-000	EA	Installation Package - Onan Generator
	049380-02-000	EA	Overhead Console
	057652-01-000	EA	Muffler - Generator - 3.0 AJ
	024732-01-001	EA	Tail Pipe - 1 1/2" O.D. x 23"
	740313-72-000	EA	Tray - Generator - 3.0 kw - Onan

**The illustrated parts breakdown for this item is provided on the Common Items Fiche.

MISCELLANEOUS ACCESSORIES

Key	Part Number	U/M	Description
	056253-01-000	EA	Luggage Rack and Ladder Asm.
**	041086-02-000	EA	Ladder Asm. - w/o Luggage Rack
	008053-01-000	EA	Antenna Asm. - TV - Braund Delux
	008053-01-700	EA	Parts Kit - Repair - Braund TV Antenna
	008093-01-000	EA	Jack - TV - Brown
	052771-02-000	EA	Microwave Oven - Magic Chef MW207
**	059778-01-000	EA	Speed Control - Dodge - Electric - Dana
**	059779-01-000	EA	Speed Control - Chev. - Electric - Dana
**	031395-03-000	EA	Wheel Cover - 16.5" - Chrome
	040466-07-000	EA	Cover - Spare Tire - 29" - Off White
	008113-01-000	EA	Jack - Hydraulic - 5 Ton
	041944-03-000	EA	Fire Extinguisher - 5 BC
	054185-06-000	EA	Owners Manual - 1980 Winnebago
	007038-01-000	EA	Mat - Door - Black Rubber - 10 1/2" x 26"
	017516-01-000	EA	Mudflap - Black Rubber - 14" x 18" w/Holes

**The illustrated parts breakdown for this item is provided on the Common Items Fiche.

1980 WINNEBAGO TABLE OF CONTENTS

WD/WC420RG L1
WDF26RH L1
WDF26RT L1
WD423RB L1

A-1 - B-10
B-11 - D-4
D-5 - F-4
F-5 - G-16

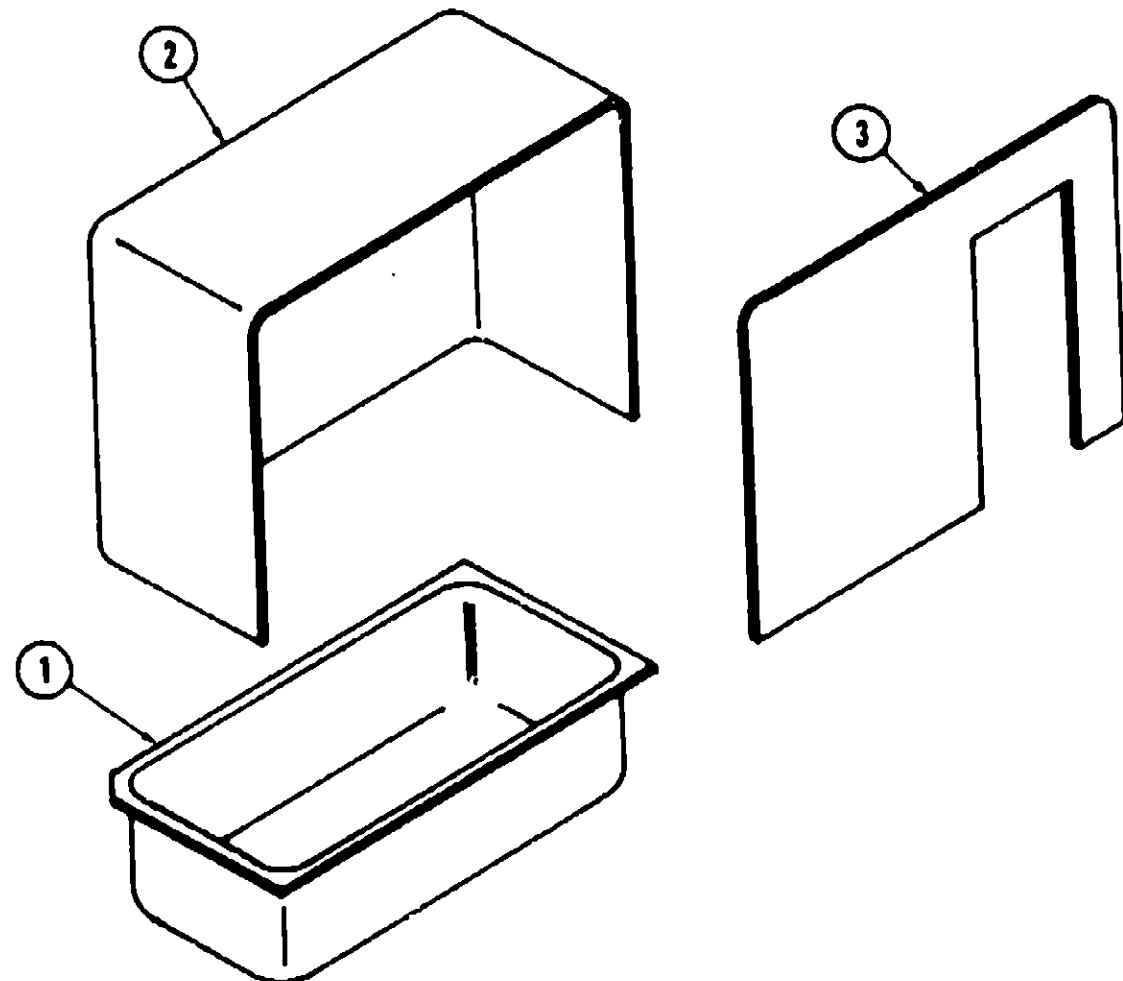
1980 WD423RB L1 INDEX

Floor Plan	F-5 - F-6
Accessories Group	F-7 - F-8
Bath Group	F-9
Chassis Group	F-10
Curtain, Cushion and Pad Group	F-11 - F-15
Dinette Group	F-16
Driver's Compartment Group	F-17
Electrical Group	F-18 - F-19
Exterior Body Group	F-20 - F-23
Galley Group	F-24
Heating & Air Conditioning Group	G-1
Interior Finish Group	G-2 - G-3
LP Group	G-4
Lounge Group	G-5
Water & Sewage Group	G-6
Window, Vent & Exterior Door Group	G-7 - G-16

BATH GROUP

Key	Part Number	U/M	Description
	058941-01-L01	EA	Cabinet Asm. - Vanity w/o Top - w/Doors
	058880-01-L01	EA	Countertop Asm. - Vanity Cabinet - Bone
	059122-03-L01	EA	Door Asm. - Rolled - Vanity Cabinet - 25" x 17.35" - Butternut
	059122-04-L01	EA	Door Asm. - Rolled - Vanity Cabinet - 25" x 13.2" - Butternut
	061709-01-L01	EA	Door Asm. - Wardrobe Cabinet - 45.02" x 21.72" - w/Mirror - w/o Hardware
	058331-02-000	EA	Mirror - Tempered Glass - 12" x 36"
	059148-01-L01	EA	Door Asm. - Vanity Countertop - 14" x 7.8" - Bone Laminate
	057992-20-L01	EA	Door Asm. - Wardrobe Cabinet - 12.5" x 54.1" - w/o Hardware
	009150-01-000	EA	Warp Guard - 64"
	058233-04-L01	EA	Door Asm. - Bath - 74.2" x 23" - w/o Hardware
	058335-01-000	EA	Latch - Bathroom Door
	053130-02-000	EA	Cabinet Asm. - Medicine - 43.5" Wide
	009112-01-000	EA	Flange - 1" - Closet Rod
	058640-01-000	EA	Sink - Large Oval - Ivory Plastic
**	011056-01-000	EA	Faucet - Sink
	011083-01-000	EA	Plug - Sink - 1 1/4" w/Chain
	009134-01-000	EA	Holder - Tissue
**	031558-03-000	EA	Faucet - Tub and Shower
	066440-01-000	EA	Strainer - Shower Pan - w/Rubber Washer
**	011048-01-000	EA	Shower Head - w/60" Hose
	053280-05-000	EA	Trim - Shower Door - Bottom
	053262-04-000	EA	Trim - Shower Door - Left
	053262-01-000	EA	Trim - Shower Door - Right
**	063740-01-000	EA	Toilet - Aqua Magic Model IV - Thetford - Ivory

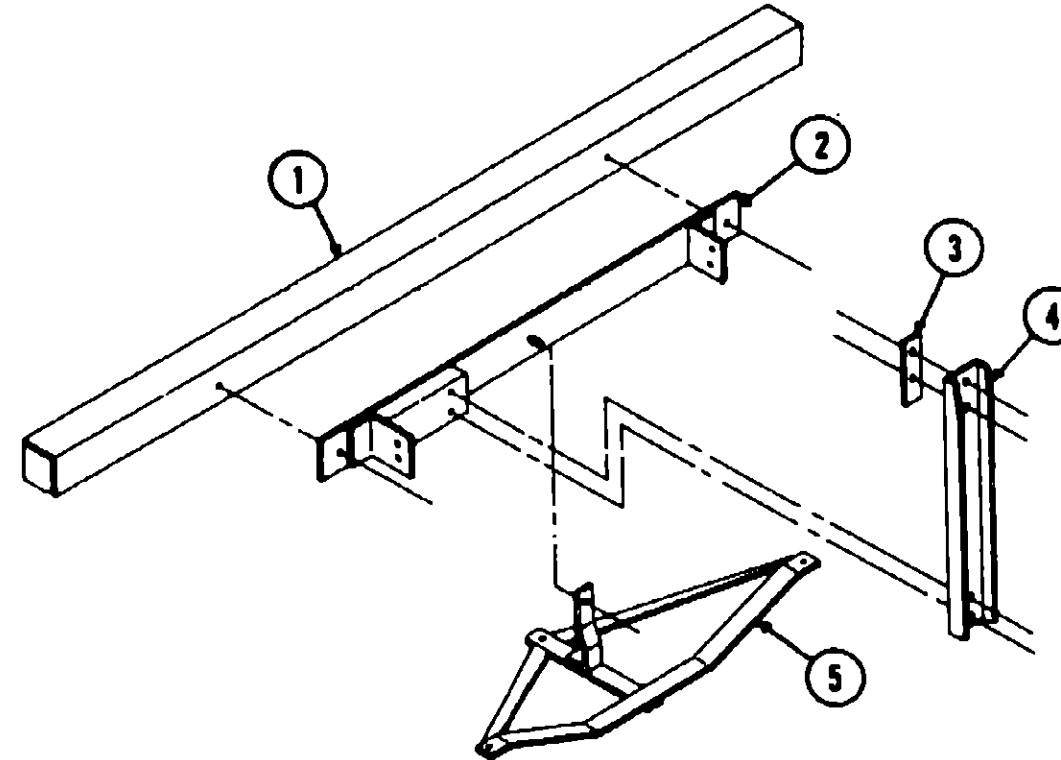
**The illustrated parts breakdown for this item is provided on the Common Items Fiche.



Key	Part Number	U/M	Description
1	041826-01-000	EA	Bathtub Bottom
2	041853-01-000	EA	Bathtub Back
3	041852-01-000	EA	Bathtub Front

CHASSIS GROUP

Key	Part Number	U/M	Description
	057822-01-000	EA	Tray Asm. - Battery
	051897-03-000	EA	Bracket - Battery Tie Down
	051983-02-000	EA	Shroud - Fuel Fill - Interior
	051986-02-000	EA	Bezel - Fuel Fill - Recessed
	041385-01-000	EA	Tailpipe Extension - Curved - 3" O.D. x 14"
	007125-08-000	EA	Clamp - Muffler - 3" Dia.
	024852-01-700	EA	Step Asm. - Entry Door
	057724-01-000	EA	Wheelwell - Black Plastic
	017518-01-000	EA	Mud Flap - Black Rubber - 14" x 18"
	033499-03-000	EA	Box - Power Cord - Black Plastic



Key	Part Number	U/M	Description
1	064602-01-000	EA	Bumper Asm. - Square - 92" - Off White
*	039779-01-000	EA	Cap - Rubber - 4" x 4" - Square Bumper
2	064801-01-000	EA	Bracket - Bumper Mount
3	040974-01-000	EA	Bracket - Spare Tire Retainer - 2" x 6.75"
4	064598-01-000	EA	Bracket Asm. - Spare Tire Carrier
5	064833-02-000	EA	Trailer Hitch Asm.
*	041332-01-000	EA	Bumper Cover w/Reflector - Aluminum - Fits 4" Square Bumper
*	041332-02-000	EA	Reflector - 6 1/2" x 3/4" - Bumper Cover
*	041332-03-000	EA	Bumper Cover - Aluminum Fits 4" Square Bumper
*			Not Illustrated

1980 WINNEBAGO TABLE OF CONTENTS

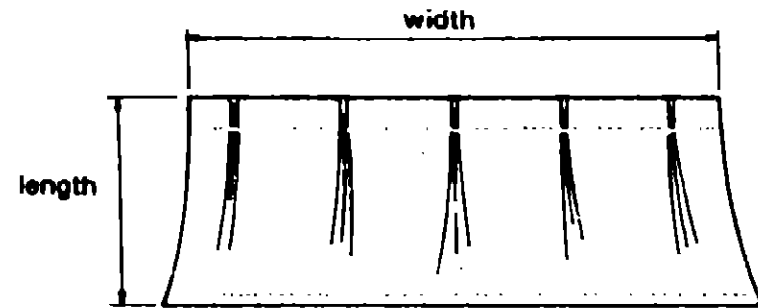
WD/WC420RG L1
WDF26RH L1
WDF26RT L1
WD423RB L1

A-1 - B-10
B-11 - D-4
D-5 - F-4
F-5 - G-18

1980 WD423RB L1 INDEX

Floor Plan	F-5 - F-6
Accessories Group	F-7 - F-8
Bath Group	F-9
Chassis Group	F-10
Curtain, Cushion and Pad Group	F-11 - F-15
Dinette Group	F-16
Driver's Compartment Group	F-17
Electrical Group	F-18 - F-19
Exterior Body Group	F-20 - F-23
Galley Group	F-24
Heating & Air Conditioning Group	G-1
Interior Finish Group	G-2 - G-3
LP Group	G-4
Lounge Group	G-5
Water & Sewage Group	G-6
Window, Vent & Exterior Door Group	G-7 - G-16

CURTAIN, CUSHION AND PAD GROUP



NOTE:

Use this illustration when determining length and width measurements for curtains. You will note the width measurement is taken on the top of the curtain with the curtain fully extended. The length measurement is taken from top to bottom.

CURTAINS

Key	Part Number	U/M	Description
	054045-03-L01	EA	Curtain w/Snap Top and Bottom - 17.5" x 42" - Dublin Flax
	054051-02-L01	EA	Curtain w/Snap Top - 34" x 37" - Dublin Flax
	054051-11-L01	EA	Curtain w/Snap Top - 32" x 96" - Dublin Flax
	054103-01-L01	EA	Curtain w/Snap Top - 15.5" x 42" - Dublin Flax
	056484-28-L01	EA	Curtain w/Taped Top - 28.5" x 19" - Dublin Flax
	056484-29-L01	EA	Curtain w/Taped Top - 31.2" x 19" - Dublin Flax
	056484-30-L01	EA	Curtain w/Taped Top - 24.5" x 19" - Dublin Flax
	059900-02-L01	EA	Curtain w/Snap Top - Front Wraparound - 23" x 84" - Dublin Flax

VALANCES

Key	Part Number	U/M	Description
	065892-01-L01	EA	Valance - 5" x 34" - Brown
	065892-01-L02	EA	Valance - 5" x 34" - Rust
	065892-01-L03	EA	Valance - 5" x 34" - Blue
	065892-05-L01	EA	Valance - 5" x 78" - Brown
	065892-05-L02	EA	Valance - 5" x 78" - Rust
	065892-05-L03	EA	Valance - 5" x 78" - Blue
	065892-12-L01	EA	Valance - 5" x 49" - Brown
	065892-12-L02	EA	Valance - 5" x 49" - Rust
	065892-12-L03	EA	Valance - 5" x 49" - Blue

TIE BACKS

Key	Part Number	U/M	Description
	054048-08-L01	EA	Tie Back Asm. - 2" x 18" - Brown
	054048-08-L02	EA	Tie Back Asm. - 2" x 18" - Rust
	054048-08-L03	EA	Tie Back Asm. - 2" x 18" - Blue

VINYL SHADES

Key	Part Number	U/M	Description
	065657-03-L01	EA	Shade - Vinyl - 25" x 23" - w/Bronze Trim
	065657-03-L02	EA	Shade - Vinyl - 25" x 23" - w/Rust Trim
	065657-03-L03	EA	Shade - Vinyl - 25" x 23" - w/Blue Trim
	065657-09-L01	EA	Shade - Vinyl - 40" x 34" - w/Bronze Trim
	065657-09-L02	EA	Shade - Vinyl - 40" x 34" - w/Rust Trim
	065657-09-L03	EA	Shade - Vinyl - 40" x 34" - w/Blue Trim
	065657-12-L01	EA	Shade - Vinyl - 69" x 34" - w/Bronze Trim
	065657-12-L02	EA	Shade - Vinyl - 69" x 34" - w/Rust Trim
	065657-12-L03	EA	Shade - Vinyl - 69" x 34" - w/Blue Trim

CURTAIN, CUSHION AND PAD GROUP (CONTINUED)

WOVEN WOOD SHADES

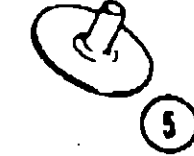
Key	Part Number	U/M	Description
	065728-04-000	EA	Shade - Woven Wood - 25" x 23" - Brown
	065728-05-000	EA	Shade - Woven Wood - 25" x 23" - Rust
	065728-06-000	EA	Shade - Woven Wood - 25" x 23" - Blue
	065728-13-000	EA	Shade - Woven Wood - 38" x 22" - Brown
	065728-14-000	EA	Shade - Woven Wood - 38" x 22" - Rust
	065728-15-000	EA	Shade - Woven Wood - 38" x 22" - Blue
	065728-19-000	EA	Shade - Woven Wood - 69" x 31" - Brown
	065728-20-000	EA	Shade - Woven Wood - 69" x 31" - Rust
	065728-21-000	EA	Shade - Woven Wood - 69" x 31" - Blue

FABRICS, TRIMS AND PADS

Key	Part Number	U/M	Description
	064383-04-000	YD	Fabric - Drapery - Dublin Flax
	064383-01-000	YD	Fabric - Upholstery - Sienna Brown
	064383-08-000	YD	Fabric - Upholstery - Biscayne Rust
	064383-07-000	YD	Fabric - Upholstery - Biscayne - Blue
	054676-05-L01	EA	Button Asm. - Covered - #45 - Bronze
	054676-05-L02	EA	Button Asm. - Covered - #45 - Burnt Orange
	054676-05-L03	EA	Button Asm. - Covered - #45 - Beige
	052859-01-J27	FT	Trim - Accent - Acorn Vinyl - Dinette Bench
	053327-01-000	YD	Vinyl - Non Expanded - 27 oz. - Acorn Brown
	053327-02-000	YD	Vinyl - Expanded - 28 oz. - Acorn Brown
	053327-03-000	YD	Vinyl - Non Support - 16 Gauge Film - Acorn Brown
	057794-01-L01	EA	Pad - End Panel - Dinette Overhead Cabinet - Acorn Vinyl
	053720-01-L01	EA	Headliner - Cab - Acorn Vinyl
	054015-01-L01	EA	Pad - Cab Door Trim - Acorn Vinyl - Left
	054015-02-L01	EA	Pad - Cab Door Trim - Acorn Vinyl - Right
	057794-02-L01	EA	Pad - End Panel - Lounge Overhead Cabinet - Acorn Vinyl

CURTAIN HARDWARE

Key	Part Number	U/M	Description
	052327-04-238	EA	Track - Curtain - Brown Alum. - 89" w/Holes
	058116-01-000	FT	Track - Curtain - Brown Plastic
	056001-01-000	EA	Bracket - Shade - Left
	056002-01-000	EA	Bracket - Shade - Right
	056003-01-000	EA	Bracket - Drapery Retainer - Right
	056003-02-000	EA	Bracket - Drapery Retainer - Left
	053272-04-200	EA	Track - Curtain - Off White - 89" w/Holes
	056784-01-000	EA	Pull - Window Shade - Antique Brass
	009107-01-000	EA	Guide - Nylon Snap - Curtain
	018031-42-000	EA	Track - Curtain - "L" Rod - Alum. Extr. - 90"
	009701-01-000	EA	Carrier - "L" Rod - Curtain
	009702-01-000	EA	End Stop - "L" Rod - Curtain



Key	Part Number	U/M	Description
1	029130-01-000	EA	Socket - Snap Fastener
2	029155-01-000	EA	Cap - Snap - .158" Dia. x .17" Barrel
3	029158-01-000	EA	Socket - Snap Fastener
4	029092-01-000	EA	Stud - Nickel Finish
5	029093-01-000	EA	Eyelet - Nickel Finish

1980 WINNEBAGO TABLE OF CONTENTS

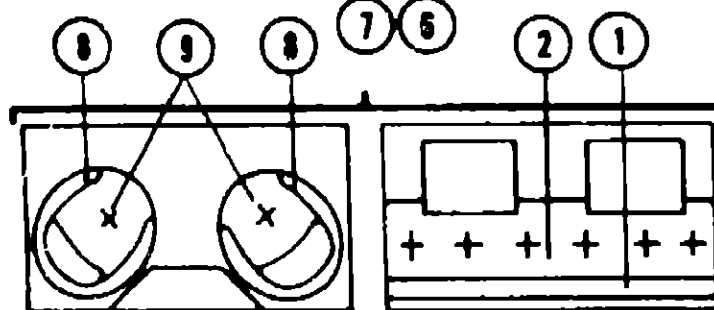
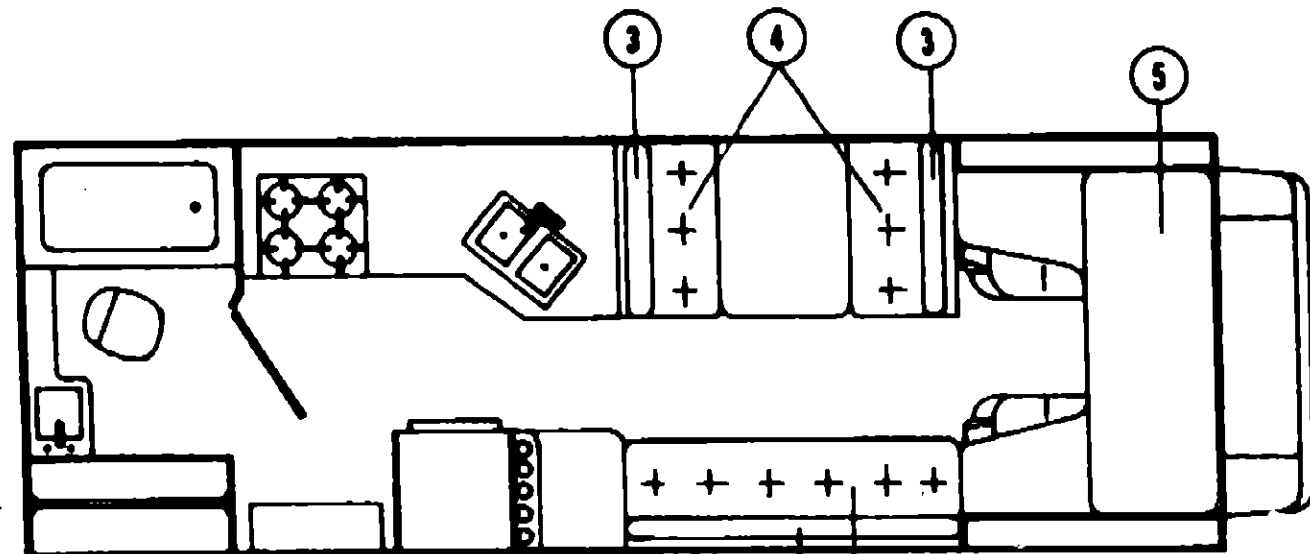
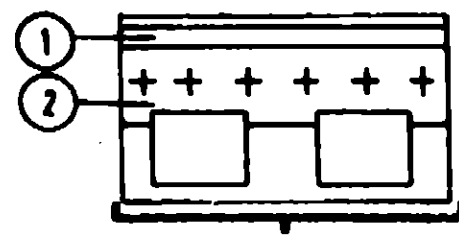
WD/WC420RG L1	A-1 - B-10
WDF26RH L1	B-11 - D-4
WDF26RT L1	D-5 - F-4
WD423RB L1	F-5 - G-16

1980 WD423RB L1 INDEX

Floor Plan	F-5 - F-6
Accessories Group	F-7 - F-8
Bath Group	F-9
Chassis Group	F-10
Curtain, Cushion and Pad Group	F-11 - F-15
Dinette Group	F-16
Driver's Compartment Group	F-17
Electrical Group	F-18 - F-19
Exterior Body Group	F-20 - F-23
Galley Group	F-24
Heating & Air Conditioning Group	G-1
Interior Finish Group	G-2 - G-3
LP Group	G-4
Lounge Group	G-5
Water & Sewage Group	G-6
Window, Vent & Exterior Door Group	G-7 - G-16

CURTAIN, CUSHION AND PAD GROUP (CONTINUED)

CURTAIN, CUSHION AND PAD GROUP (CONTINUED)



PRESTO BED CUSHIONS

Key	Part Number	U/M	Description
1	064704-01-L01	EA	Cushion - Presto Bed - Back - 76" - Brown
1	064704-01-L02	EA	Cushion - Presto Bed - Back - 76" - Rust
1	064704-01-L03	EA	Cushion - Presto Bed - Back - 76" - Blue
	064723-01-L01	EA	Cover - Presto Bed - Back - 76" - Brown
	064723-01-L02	EA	Cover - Presto Bed - Back - 76" - Rust
	064723-01-L03	EA	Cover - Presto Bed - Back - 76" - Blue
2	064705-01-L01	EA	Cushion - Presto Bed - Bottom - 76" - Brown
2	064705-01-L02	EA	Cushion - Presto Bed - Bottom - 76" - Rust
2	064705-01-L03	EA	Cushion - Presto Bed - Bottom - 76" - Blue
	064723-02-L01	EA	Cover - Presto Bed - Bottom - 76" - Brown
	064723-02-L02	EA	Cover - Presto Bed - Bottom - 76" - Rust
	064723-02-L03	EA	Cover - Presto Bed - Bottom - 76" - Blue

CONVENTIONAL DINETTE CUSHIONS

Key	Part Number	U/M	Description
3	064700-02-L01	EA	Cushion - Dinette Back - 19.2" x 36" x 4.5" - Brown
3	064700-02-L02	EA	Cushion - Dinette Back - 19.2" x 36" x 4.5" - Rust
3	064700-02-L03	EA	Cushion - Dinette Back - 19.2" x 36" x 4.5" - Blue
	064701-02-L01	EA	Cover - Dinette Back Cushion - 19.2" x 36" x 4.5" - Brown
	064701-02-L02	EA	Cover - Dinette Back Cushion - 19.2" x 36" x 4.5" - Rust
	064701-02-L03	EA	Cover - Dinette Back Cushion - 19.2" x 36" x 4.5" - Blue
4	064700-01-L01	EA	Cushion - Dinette Seat - 17.5" x 36" x 4.5" - Brown
4	064700-01-L02	EA	Cushion - Dinette Seat - 17.5" x 36" x 4.5" - Rust
4	064700-01-L03	EA	Cushion - Dinette Seat - 17.5" x 36" x 4.5" - Blue
	064701-01-L01	EA	Cover - Dinette Seat Cushion - 17.5" x 36" x 4.5" - Brown
	064701-01-L02	EA	Cover - Dinette Seat Cushion - 17.5" x 36" x 4.5" - Rust
	064701-01-L03	EA	Cover - Dinette Seat Cushion - 17.5" x 36" x 4.5" - Blue

FRONT BUNK MATTRESS

Key	Part Number	U/M	Description
5	058897-11-L01	EA	Mattress - Two Fold - 24.5" x 29.5" x 76" - Brown
5	058897-11-L02	EA	Mattress - Two Fold - 24.5" x 29.5" x 76" - Rust
5	058897-11-L03	EA	Mattress - Two Fold - 24.5" x 29.5" x 76" - Blue
	058898-11-L01	EA	Cover - Two Fold Mattress - 24.5" x 29.5" x 76" - Brown
	058898-11-L02	EA	Cover - Two Fold Mattress - 24.5" x 29.5" x 76" - Rust
	058898-11-L03	EA	Cover - Two Fold Mattress - 24.5" x 29.5" x 76" - Blue

LESTER LOUNGE CUSHIONS

Key	Part Number	U/M	Description
6	064706-02-L01	EA	Cushion - Lester Lounge - Two Fold - 73.5" - Brown
6	064706-02-L02	EA	Cushion - Lester Lounge - Two Fold - 73.5" - Rust
6	064706-02-L03	EA	Cushion - Lester Lounge - Two Fold - 73.5" - Blue
	064707-02-L01	EA	Cover - Lester Lounge - Two Fold - 73.5" - Brown
	064707-02-L02	EA	Cover - Lester Lounge - Two Fold - 73.5" - Rust
	064707-02-L03	EA	Cover - Lester Lounge - Two Fold - 73.5" - Blue
7	065985-02-L01	EA	Cushion - Lounge - 8" x 73.5" x 4.5" - Brown
7	065985-02-L02	EA	Cushion - Lounge - 8" x 73.5" x 4.5" - Rust
7	065985-02-L03	EA	Cushion - Lounge - 8" x 73.5" x 4.5" - Blue
	065986-02-L01	EA	Cover - Lounge Cushion - 8" x 73.5" x 4.5" - Brown
	065986-02-L02	EA	Cover - Lounge Cushion - 8" x 73.5" x 4.5" - Rust
	065986-02-L03	EA	Cover - Lounge Cushion - 8" x 73.5" x 4.5" - Blue

SWIVEL CHAIRS

Key	Part Number	U/M	Description
8	054674-05-L01	EA	Swivel Chair - Complete - Brown
8	054674-05-L02	EA	Swivel Chair - Complete - Rust
8	054674-05-L03	EA	Swivel Chair - Complete - Blue
9	054700-C5-L01	EA	Cushion - Swivel Chair - Brown
9	054700-05-L02	EA	Cushion - Swivel Chair - Rust
9	054700-05-L03	EA	Cushion - Swivel Chair - Blue
	062754-01-L01	EA	Cover - Swivel Chair Cushion - Brown
	062754-01-L02	EA	Cover - Swivel Chair Cushion - Rust
	062754-01-L03	EA	Cover - Swivel Chair Cushion - Blue
	035036-01-000	EA	Plate - Swivel Chair
	035036-02-000	EA	Base w/Legs - Swivel Chair

**1980 WINNEBAGO
TABLE OF CONTENTS**

WD/WC420RG L1	A-1 - B-10
WDF26RH L1	B-11 - D-4
WDF26RT L1	D-5 - F-4
WD423RB L1	F-5 - G-16

1980 WD423RB L1 INDEX

Floor Plan	F-5 - F-6
Accessories Group	F-7 - F-8
Bath Group	F-9
Chassis Group	F-10
Curtain, Cushion and Pad Group	F-11 - F-15
Dinette Group	F-16
Driver's Compartment Group	F-17
Electrical Group	F-18 - F-19
Exterior Body Group	F-20 - F-23
Galley Group	F-24
Heating & Air Conditioning Group	G-1
Interior Finish Group	G-2 - G-3
LP Group	G-4
Lounge Group	G-5
Water & Sewage Group	G-6
Window, Vent & Exterior Door Group	G-7 - G-16

CURTAIN, CUSHION AND PAD GROUP (CONTINUED)

BUCKET SEATS, ARMRESTS AND HEADRESTS

Key	Part Number	U/M	Description
	067035-03-L01	EA	Slip Cover - Dodge Bucket Seat - Brown
	067035-03-L02	EA	Slip Cover - Dodge Bucket Seat - Rust
	067035-03-L03	EA	Slip Cover - Dodge Bucket Seat - Blue
	065937-01-L01	EA	Seat Asm. - High Back Bucket w/Right Armrest - Brown
	065937-01-L02	EA	Seat Asm. - High Back Bucket w/Right Armrest - Rust
	065937-01-L03	EA	Seat Asm. - High Back Bucket w/Right Armrest - Blue
	065937-02-L01	EA	Seat Asm. - High Back Bucket w/Left Armrest - Brown
	065937-02-L02	EA	Seat Asm. - High Back Bucket w/Left Armrest - Rust
	065937-02-L03	EA	Seat Asm. - High Back Bucket w/Left Armrest - Blue
	065943-01-L01	EA	Cover - Bucket Seat - Back - Brown
	065943-01-L02	EA	Cover - Bucket Seat - Back - Rust
	065943-01-L03	EA	Cover - Bucket Seat - Back - Blue
	065944-01-L01	EA	Cover - Bucket Seat - Bottom - Brown
	065944-01-L02	EA	Cover - Bucket Seat - Bottom - Rust
	065944-01-L03	EA	Cover - Bucket Seat - Bottom - Blue
	050275-01-700	EA	Armrest Asm. - Foam w/o Cover - Right
	050276-01-700	EA	Armrest Asm. - Foam w/o Cover - Left
	065774-01-L01	EA	Cover - Armrest - Right or Left - Brown
	065774-01-L02	EA	Cover - Armrest - Right or Left - Rust
	065774-01-L03	EA	Cover - Armrest - Right or Left - Blue
	066915-01-L01	EA	Skirt - Single Bucket - 6" x 71" - Brown
	066915-01-L02	EA	Skirt - Single Bucket - 6" x 71" - Rust
	066915-01-L03	EA	Skirt - Single Bucket - 6" x 71" - Blue

DINETTE GROUP

CONVENTIONAL DINETTE (Driver's Side)

Key	Part Number	U/M	Description
	053192-01-L01	EA	Table Asm. - Dinette - w/o Hardware - Bone
	058873-01-L01	EA	Cabinet Asm. - Dinette Seat - Front
	058874-01-L01	EA	Cabinet Asm. - Dinette Seat - Rear
	058935-01-L01	EA	Cabinet Asm. - Dinette Overhead - w/o Doors or Hardware
	057992-02-L01	EA	Door Asm. - Dinette Overhead Cabinet - 10.32" x 35.22" - w/o Hardware
	007019-01-000	EA	Seat Belt - 2" x 84" - Black
	041322-01-000	EA	Washer - Flat - 15/32" I.D. x 2 3/8" O.D.
**	053200-04-000	EA	Bracket - Upper Wall Mount - Brown - 23.5"
**	053201-03-000	EA	Bracket - Table Mount - Brown - 23"
**	024275-01-000	EA	Rod - Table Lift
**	024281-06-000	EA	Bracket - Lower Wall Mount - Black - 22.12"
**	024276-04-000	EA	Leg Asm. - Table - Brown - 29.5"
**	064050-01-000	EA	Hinge - Table Leg - Brown
**	024282-01-000	EA	Brace - Table Leg
**	024283-01-000	EA	Clip - 1" O.D. Tube
**	049493-02-000	EA	Catch - Table Leg - Mounts on Floor - Brown

**The illustrated parts breakdown for this item is provided on the Common Items Fiche.

OPTIONAL DINETTE COUCH (Driver's Side)

Key	Part Number	U/M	Description
	053203-07-L01	EA	Table Asm. - Pedestal - w/o Hardware - Bone
	009040-02-000	EA	Leg - Pedestal Table - 27.5" x 2.25" O.D.
	009040-03-000	EA	Base - Table Mounts on Table
	041194-01-000	EA	Base - Table - Mounts in Floor
	057468-02-000	EA	Frame Asm. - Sprung Couch - Right
	057468-03-000	EA	Frame Asm. - Sprung Couch - Left
	057468-04-000	EA	Frame Rails - 2 per Couch
	057468-01-000	EA	Leg Asm. - Sprung Couch (2 per couch)
	057618-02-L01	EA	Panel - End - Sprung Couch
	057620-01-L01	EA	Panel - Face - Sprung Couch

**1990 WINNEBAGO
TABLE OF CONTENTS**

WD/WC420RG L1	A-1 - B-10
WDF26RH L1	B-11 - D-4
WDF26RT L1	C-5 - F-4
WD423RB L1	F-5 - G-16

1990 WD423RB L1 INDEX

Floor Plan	F-5 - F-6
Accessories Group	F-7 - F-8
Bath Group	F-9
Chassis Group	F-10
Curtain, Cushion and Pad Group	F-11 - F-15
Dinette Group	F-16
Driver's Compartment Group	F-17
Electrical Group	F-18 - F-19
Exterior Body Group	F-20 - F-23
Galley Group	F-24
Heating & Air Conditioning Group	G-1
Interior Finish Group	G-2 - G-3
LP Group	G-4
Lounge Group	G-5
Water & Sewage Group	G-6
Window, Vent & Exterior Door Group	G-7 - G-16

DRIVER'S COMPARTMENT GROUP

Key	Part Number	U/M	Description
	050447-01-000	EA	Pedestal Asm. - Tilt Seat - Drivers
	050447-02-000	EA	Pedestal Asm. - Tilt Seat - Passengers
	007222-01-000	EA	Seat Belt - 2" x 60" - Black
	007224-02-000	EA	Handle - Seat Adjuster - 9"
	057775-01-L01	EA	Cabinet Asm. - Head Board - Left
	057776-01-L01	EA	Cabinet Asm. - Head Board - Right
	057992-06-L01	EA	Door Asm. - Head Board Cabinet - w/o Hardware
	052859-01-K01	FT	Trim Asm. - Accent - Acorn Brown Vinyl
	054015-01-L01	EA	Trim Asm. - Over Door - Left - Acorn - Brown Vinyl
	054015-02-L01	EA	Trim Asm. - Over Door - Right - Acorn Brown Vinyl
	049380-03-000	EA	Console - Overhead
	050015-01-000	EA	Bracket - Overhead Console
	052577-01-000	EA	Gauge - Voltmeter w/Bracket
	024462-01-000	EA	Switch - Battery Condition
	055279-01-000	EA	Control Asm. - Heater and A/C

ELECTRICAL GROUP

BULBS

Key	Part Number	U/M	Description
	037935-01-000	EA	Bulb - 1157
	038010-01-000	EA	Bulb - 1143 - Frosted
	008103-01-000	EA	Bulb - 53
	008213-01-000	EA	Bulb - 57
	008214-01-000	EA	Bulb - 67
	008215-01-000	EA	Bulb - 1003
	008216-01-000	EA	Bulb - 1034
	008217-01-000	EA	Bulb - 1073
	008218-01-000	EA	Bulb - 1141
	008219-01-000	EA	Bulb - 858
	008220-01-000	EA	Bulb - 12V - 25W
	036196-01-000	EA	Bulb - 194
	700020-01-000	EA	Bulb - 12V - 20W - 1383

FUSES AND CIRCUIT BREAKER

Key	Part Number	U/M	Description
	056473-02-000	EA	Fuse - Slow Blow - 5 Amp.
	008233-01-000	EA	Fuse - 12 Volt - 6 Amp.
	008234-01-000	EA	Fuse - 12 Volt - 10 Amp.
	008235-01-000	EA	Fuse - 12 Volt - 15 Amp.
	008236-01-000	EA	Fuse - 12 Volt - 20 Amp.
	008248-01-000	EA	Fuse - 110 Volt - 30 Amp. AGU
	008252-01-000	EA	Fuse - 110 Volt - 50 Amp.
	008208-01-000	EA	Circuit Breaker - 12 Volt - 40 Amp.
	008211-01-000	EA	Circuit Breaker - 12 Volt - 6 Amp.
	008268-01-000	EA	Circuit Breaker - 12 Volt - 30 Amp. w/Mount
	033573-01-000	EA	Circuit Breaker - 12 Volt - 20 Amp. w/Mount
	040051-01-000	EA	Circuit Breaker - 110 Volt - 20 Amp. - TQL

INTERIOR LIGHTS

Key	Part Number	U/M	Description
	024418-01-000	EA	Lamp Asm. - Map/Gauge/Isle
	024473-01-000	EA	Light - Aircraft - 1 Bulb - Gold
	033508-02-000	EA	Light - Dome - Ivory - 1 Bulb
	024842-01-701	EA	Lens - Dome Light - 1 Bulb
	033509-02-000	EA	Light - Dome - Ivory - 2 Bulb
	024843-01-701	EA	Lens - Dome Light - 2 Bulb
	033508-03-000	EA	Light - Dome - Ivory - 1 Bulb CSA
	033509-03-000	EA	Light - Dome - Ivory - 2 Bulb CSA
	053348-01-000	EA	Light - High Intensity - Brown Plastic

EXTERIOR LIGHTS

Key	Part Number	U/M	Description
	042405-03-000	EA	Base - Rectangular Clearance Light
	042405-04-000	EA	Lens - Clearance Light - Red
	042405-05-000	EA	Lens - Clearance Light - Amber
	048817-01-000	EA	Assist Handle w/Light
	007309-01-000	EA	Step Well Light
	058032-01-000	EA	Tail Lamp Asm. - 2 Bulb Chrome
	058031-01-700	EA	Lens - Tail Lamp - Amber
	058031-01-701	EA	Lens - Tail Lamp - Red
	058031-01-702	EA	Lens - Tail Lamp - Clear (Back Up)
	062740-04-000	EA	Wedge Asm. - Tail Lamp
	062742-04-000	EA	Wedge Asm. - Tail Lamp w/License Bracket
	059540-01-000	EA	Bracket - License Plate
	008092-01-000	EA	Reflector - Stick On - Rectangular - Red
	008093-01-000	EA	Reflector - Stick On - Rectangular - Amber

1980 WINNEBAGO TABLE OF CONTENTS

WD/WC420RG L1	A-1 - B-10
WDF26RH L1	B-11 - D-4
WDF26RT L1	D-5 - F-4
WD423RB L1	F-5 - G-16

1980 WD423RB L1 INDEX

Floor Plan	F-5 - F-6
Accessories Group	F-7 - F-8
Bath Group	F-9
Chassis Group	F-10
Curtain, Cushion and Pad Group	F-11 - F-15
Dinette Group	F-16
Driver's Compartment Group	F-17
Electrical Group	F-18 - F-19
Exterior Body Group	F-20 - F-23
Galley Group	F-24
Heating & Air Conditioning Group	G-1
Interior Finish Group	G-2 - G-3
LP Group	G-4
Lounge Group	G-5
Water & Sewage Group	G-6
Window, Vent & Exterior Door Group	G-7 - G-16

ELECTRICAL GROUP (CONTINUED)

WIRE, SWITCHES AND RECEPTACLES

Key	Part Number	U/M	Description
	008024-01-000	FT	Wire - 18 5 Bonded - Orange/White/Yellow/Blue/Brown
	008025-01-000	FT	Wire - 18 5 Bonded - Orange/White/Yellow/Blue/Green
	008028-01-000	FT	Wire - 18 5 Bonded - Blue/Red/Yellow/Orange/White
	008030-01-000	FT	Wire - 18 4 Bonded
	008251-01-000	EA	Holder - Fuse - Black - Screw Type
	008277-01-000	EA	Holder - Fuse - Black - Panel Mount
	008195-01-000	EA	Switch - Push Button - 12 Volt
	008077-01-000	EA	Plaque - Compressor Switch
	008054-01-000	EA	Cord - Power - 10-3 30 Amp - 25' - UL
	034818-04-000	EA	Holder - Receptacle - Plastic
	039338-01-000	EA	Cover Plate - Receptacle - Plastic - Brown
	039342-01-000	EA	Receptacle - Duplex Brown - T Junction
	024571-01-000	EA	Cover Plate - Receptacle - Jumbo Steel Brown
	031720-01-000	EA	Spacer - Receptacle - Brown Plastic - CSA
	008182-01-000	EA	Switch - Double Toggle - Spade Brown
	008183-01-000	EA	Switch - Toggle Brown
	008184-01-000	EA	Cover Plate - Switch - Brown
	024924-01-000	EA	Receptacle - Power Cord
	008058-01-000	EA	Adaptor - Power Cord
	047353-01-000	EA	Cover - Receptacle - Ground Fault
	047351-01-000	EA	Receptacle - Ground Fault Interrupter - 125 Volt, Black
	053126-01-000	EA	Receptacle - Ground Fault Interrupter - 125 Volt - Ivory
	053126-02-000	EA	Receptacle - Ground Fault Interrupter - 125 Volt - Brown
	058707-01-000	EA	Receptacle - Single Brown - Thomas & Betts
	058708-01-000	EA	Receptacle - Duplex - Brown - Thomas & Betts

MISCELLANEOUS ELECTRICAL COMPONENTS

Key	Part Number	U/M	Description
	047389-01-700	EA	Battery - 12 Volt - 105 Amp Deep Cycle - Dry
	057899-01-000	EA	Battery - 12 Volt - Maintenance Free - Delco
	008188-01-000	EA	Solenoid - Dual Battery - Relay
	048812-04-000	EA	Control Panel - Water/Double Sewage - Basic Panel
	048812-05-000	EA	Panel Insert - w/Thermostat Holes
	048812-06-000	EA	Panel Insert - w/o Thermostat
	048812-09-000	EA	Panel Insert - Deluxe - w/Refrigerator Alarm, Clock, LP Gauge
	048812-07-700	EA	Refrigerator Sensor - Refrigerator Alarm
	039950-01-702	EA	Circuit Board - Control Center - 37 Amp
	039981-01-000	EA	Sending Unit Kit - Wemac
	052577-01-000	EA	Gauge - Voltmeter - w/Bracket
	024462-01-000	EA	Switch - Battery Condition
	031035-01-000	EA	Gauge - Hour Meter - Generator
**	024978-01-000	EA	Switch - Generator w/o Circuit Board
**	054544-02-000	EA	Control Center - 38 Amp
	024461-01-000	EA	Switch - Battery
	046885-01-000	EA	Plaque - Switch Mounting
	008077-01-000	EA	Plaque - Compressor Switch

**The illustrated parts breakdown for this item is provided on the Common Items Fiche

EXTERIOR BODY GROUP

EXTERIOR BODY PANELS AND SHEET METAL

Key	Part Number	U/M	Description
	058379-02-L01	EA	Panel Asm - Sleeper Board
	058930-01-L01	EA	Backwall Asm
	085164-01-L01	EA	Roof Asm
	085162-01-L01	EA	Sidewall Asm - Right
	085049-01-L01	EA	Sidewall Asm - Left
	058703-02-L01	EA	Wingwall Asm - Left
	058703-01-L01	EA	Wingwall Asm - Right
	039155-03-008	EA	Alum - Off White Mesa I - 024" x 36" x 60"
	039155-03-003	EA	Alum - Off White Mesa I - 024" x 36" x 360"
	039155-03-007	EA	Alum - Off White Mesa I - 024" x 48" x 80"
	039155-03-008	EA	Alum - Off White Mesa I - 024" x 48" x 360"
	039155-03-009	EA	Alum - Off White Mesa I - 024" x 12" x 360"
	039155-28-001	EA	Alum - Off White Mesa II - 024" x 36" x 60"
	039155-28-003	EA	Alum - Off White Mesa II - 024" x 36" x 360"
	039155-28-004	EA	Alum - Off White Mesa II - 024" x 48" x 80"
	039155-28-008	EA	Alum - Off White Mesa II - 024" x 48" x 360"
	039155-28-007	EA	Alum - Off White Mesa II - 024" x 12" x 360"
	044487-01-001	EA	Plain Roof Metal - 96" x 360"
	039155-07-010	EA	Off White Greyhound Alum - 48" x 96"
	001054-01-011	EA	Off White Pizin Alum - 48" x 96"
	000868-01-000	BF	Styrofoam - 3/4" x 24" x 96"
	000870-01-000	BF	Styrofoam - 1 1/2" x 24" x 96"

NOTE The raised portion of Mesa I aluminum is 1 657" wide
The raised portion of Mesa II aluminum is 875" wide

EXTERIOR PAINT

Key	Part Number	U/M	Description
	041561-01-000	EA	Paint - Off White - Acrylic Enamel - 1 Gallon
	041561-03-000	EA	Paint - Off White - Acrylic Enamel - 16 oz Aerosol
	041561-04-000	EA	Paint - Off White - Acrylic Lacquer - 1 Gallon
	059360-03-000	EA	Paint - Brown - 16 oz Spray - Dupont 29807
	059362-03-000	EA	Paint - Orange - 16 oz Spray - Dupont 7455
	057012-03-000	EA	Paint - Mariner Blue - 16 oz Spray - Dupont 5183A
	085213-03-000	EA	Paint - Dark Brown - 16 oz Spray - Dupont 44173

MISCELLANEOUS EXTERNALLY MOUNTED PARTS

Key	Part Number	U/M	Description
	036579-03-000	EA	Fuel Fill - Recessed - Single - Off White
**	011124-01-000	EA	Plumbing Seal - Roof Vent - 1 1/4" White
**	011129-01-000	EA	Plumbing Seal - Roof Vent - 1 1/2" White
**	010230-02-000	EA	Fill - City Water - Recessed - Off White - w/Screw on Cap
**	011020-01-000	EA	Fill - Water - Recessed - Off White
	058808-01-000	EA	Waterfill - Lockable - White
	048817-01-000	EA	Assist Handle - w/Light

**The illustrated parts breakdown for this item is provided on the Common Items Fiche

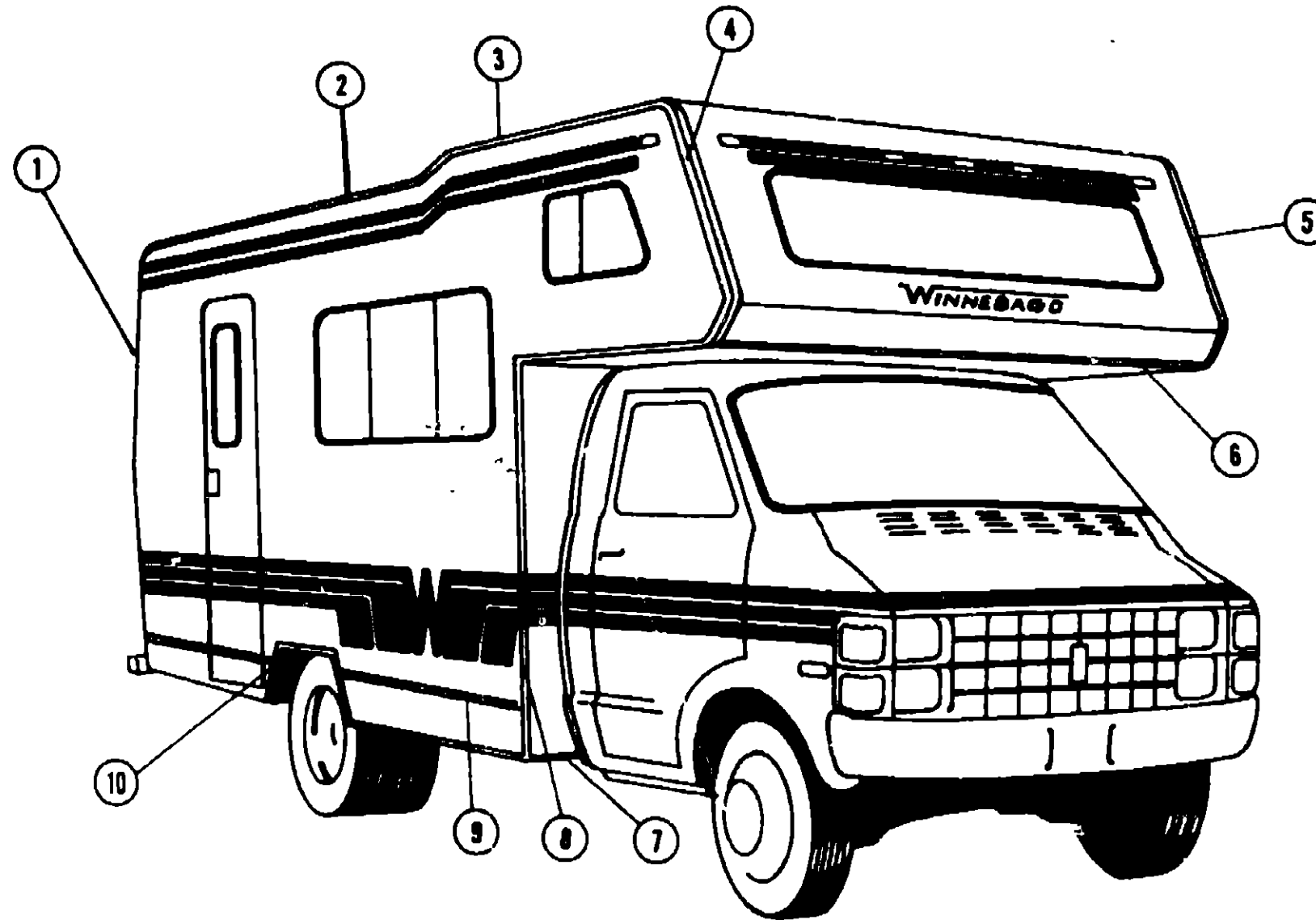
1980 WINNEBAGO TABLE OF CONTENTS

WD/WC420HG L1	A-1 - B-10
WDF26RH L1	B-11 - D-4
WDF26RT L1	D-5 - F-4
WD423RB L1	F-5 - G-16

1980 WD423RB L1 INDEX

Floor Plan	F-5 - F-6
Accessories Group	F-7 - F-8
Bath Group	F-9
Chassis Group	F-10
Curtain, Cushion and Pad Group	F-11 - F-15
Dinette Group	F-16
Driver's Compartment Group	F-17
Electrical Group	F-18 - F-19
Exterior Body Group	F-20 - F-23
Galley Group	F-24
Heating & Air Conditioning Group	G-1
Interior Finish Group	G-2 - G-3
LP Group	G-4
Lounge Group	G-5
Water & Sewage Group	G-6
Window, Vent & Exterior Door Group	G-7 - G-16

EXTERIOR BODY GROUP (CONTINUED)



1980 WINNEBAGO
TABLE OF CONTENTS

WD/WC420RG L1	A-1 - B-10
WDF26RH L1	B-11 - D-4
WDF26RT L1	D-5 - F-4
WD423RB L1	F-5 - G-16

1980 WD423RB L1 INDEX

Floor Plan	F-5 - F-6
Accessories Group	F-7 - F-8
Bath Group	F-9
Chassis Group	F-10
Curtain, Cushion & Pad Group	F-11 - F-15
Dinette Group	F-16
Driver's Compartment Group	F-17
Electrical Group	F-18 - F-19
Exterior Body Group	F-20 - F-23
Galley Group	F-24
Heating & Air Conditioning Group	G-1
Interior Finish Group	G-2 - G-3
LP Group	G-4
Lounge Group	G-5
Water & Sewage Group	G-6
Window, Vent & Exterior Door Group	G-7 - G-16

Key	Part Number	U/M	Description
1	039964-01-000	EA	Trim - Contour - Backwall - Right - Off White
•	039964-02-000	EA	Trim - Contour - Backwall - Left - Off White
2	042170-03-000	EA	Trim - Contour - Roof - Rear Right - Off White
•	042170-04-000	EA	Trim - Contour - Roof - Rear Left - Off White
3	056240-01-000	EA	Trim - Contour - Roof - Front Right - Off White
•	056240-02-000	EA	Trim - Contour - Roof - Front Left - Off White
4	052799-01-000	EA	Trim - Contour - Sleeper - Right - Off White
5	052799-02-000	EA	Trim - Contour - Sleeper - Left - Off White
6	039644-05-000	EA	Trim - Sleeper Board - Front
7	054459-01-000	EA	Trim - Wingwall - Bottom - Right
•	054459-02-000	EA	Trim - Wingwall - Bottom - Left
•	048610-01-000	EA	Corner Trim - Plastic - Left Front Overhang - Off White
•	048610-02-000	EA	Corner Trim - Plastic - Right Front Overhang - Off White

Key	Part Number	U/M	Description
8	036478-09-000	EA	Trim - Corner - Wingwall - Right
•	036478-10-000	EA	Trim - Corner - Wingwall - Left
9	002444-02-001	EA	Feature Strip - Extr Alum - 14'
•	001030-09-100	EA	Insert - Feature Strip - Brown - 17"
•	009731-01-000	EA	End Cap - Feature Strip
•	041748-01-000	FT	Extr Vinyl - Bubble Seal - Wingwall
10	042141-02-000	EA	Trim - Wheel Well - Rear - Left or Right
•	050630-03-000	EA	Trim - Backwall - Lower
•	002792-01-003	EA	Extrusion - Contour Trim - 222"
•			Not Illustrated

EXTERIOR BODY GROUP (CONTINUED)

LABELS AND DECALS

Key	Part Number	U/M	Description
	006025-01-000	EA	Label - Gas
	006028-01-000	EA	Label - Drain Cap - 2" x 3"
	006031-01-000	EA	Label - Potable Water Only
	006040-01-000	EA	Tag - Gas Refueling Warning
	006062-01-000	EA	Tag - Electrical - 110 Volt Connection
	006187-01-000	EA	Label - Sewage
	006188-01-000	EA	Label - Waste Water
	006199-01-000	EA	Label - Exit - Escape Window
	047731-01-000	EA	Label - Emergency Exit
	054531-01-000	EA	Label - LP Gas Only
	039716-01-000	EA	Stencil - Minnie Winnie
	053349-01-000	EA	Nameplate - Minnie Winnie
	008092-01-000	EA	Reflector - Stick On - Rectangular - Red
	008093-01-000	EA	Reflector - Stick On - Rectangular - Amber
	050313-06-000	EA	Decal - Logo - "Winnebago" - 2.8" x 22" - Rust
	050313-07-000	EA	Decal - Logo - "Winnebago" - 2.8" x 22" - Orange
	050313-08-000	EA	Decal - Logo - "Winnebago" - 2.8" x 22" - Blue
	065214-01-000	EA	Decal - Stripe - Hood Edge (Corner) - Rust
	065214-02-000	EA	Decal - Stripe - Hood Edge (Corner) - Orange
	065214-03-000	EA	Decal - Stripe - Hood Edge (Corner) - Blue
	065216-01-000	EA	Decal - W Surround - 16" x 9.5" - Right - Rust
	065216-02-000	EA	Decal - W Surround - 16" x 9.5" - Right - Orange
	065216-03-000	EA	Decal - W Surround - 16" x 9.5" - Right - Blue
	065216-04-000	EA	Decal - W Surround - 16" x 9.5" - Left - Rust
	065216-05-000	EA	Decal - W Surround - 16" x 9.5" - Left - Orange
	065216-06-000	EA	Decal - W Surround - 16" x 9.5" - Left - Blue
	065217-01-000	FT	Decal - Double 1.5" Stripes Premasked 3/4" Apart - Rust
	065217-02-000	FT	Decal - Double 1.5" Stripes Premasked 3/4" Apart - Orange
	065217-03-000	FT	Decal - Double 1.5" Stripes Premasked 3/4" Apart - Blue
	065218-01-000	FT	Decal - 1/2" Tape Stripe - Premasked - Rust
	065218-02-000	FT	Decal - 1/2" Tape Stripe - Premasked - Orange
	065218-03-000	FT	Decal - 1/2" Tape Stripe - Premasked - Blue
	065219-01-000	FT	Decal - Double 3/4" Stripes Premasked 2" Apart - Rust
	065219-02-000	FT	Decal - Double 3/4" Stripes Premasked 2" Apart - Orange
	065219-03-000	FT	Decal - Double 3/4" Stripes Premasked 2" Apart - Blue

SEALANTS, ADHESIVES AND FASTENERS

Key	Part Number	U/M	Description
	034552-05-000	EA	Sealant - Off White Silicone
	034552-04-000	EA	Sealant - Beige Silicone
	034552-02-000	EA	Sealant - Clear Silicone
	004346-02-000	EA	Sealant - White Silicone
	041422-01-000	FT	Tape - Sealer - 1/4" x 1/2"
	009200-01-000	EA	Tape - Furnace - 1 1/2"
	004353-01-000	FT	Tape - Gasket - 1/8" x 3/4" - White
	002825-01-000	FT	Weather Stripping - Roof Vent
	002337-01-000	EA	Adhesive - 3M - 1300 Tube
	004005-01-000	GL	Adhesive - Swifts - Green - Glue (Sidewalls)
	004020-01-000	QT	Adhesive - ABS Cement (Plastic Fittings)
	029051-01-000	EA	Adhesive - Spray Vinyl
	042401-02-000	EA	Screw - 8 - 18 x 3/4" SDPH - Off White
	042403-02-000	EA	Screw - SF/DR - 8 - 18 x 1" SDPH - Off White
	005058-01-000	EA	Screw - Wood - 12 - 11 x 3" P.O.H. Zinc
	053766-01-000	EA	Bedding Compound - Tube Black - Schnee Moorehead
	053766-02-000	EA	Bedding Compound - Tube White - Schnee Moorehead
	053767-01-000	FT	Tape - 1/2" x 1/8" x 30' - Gray - Schnee Moorehead
	053767-03-000	FT	Tape - 1/4" Bead x 20' - Gray - Schnee Moorehead
	053767-04-000	FT	Tape - 3/4" x 1/8" x 30' - Gray - Schnee Moorehead
	053767-05-000	FT	Tape - 2" x 3/32" x 45' - Gray - Schnee Moorehead

GALLEY GROUP

GALLEY CABINETRY

Key	Part Number	U/M	Description
	065234-01-000	EA	Cabinet Asm. - Galley - w/o Countertop, Doors, Drawers or Hardware
	065228-01-L01	EA	Countertop Asm. - Galley Cabinet - Bone
	058023-04-L01	FA	Drawer Asm. - Galley Cabinet - 10.12" x 6" x 20" Deep - w/o Hardware
	057992-36-L01	EA	Door Asm. - Galley Cabinet - 6.22" x 14.82" - w/o Hardware
	057992-89-L01	EA	Door Asm. - Galley Cabinet - 14.9" x 27" - w/o Hardware
	058934-01-L01	EA	Cabinet Asm. - Galley Overhead - w/o Doors or Hardware
	057992-10-L01	EA	Door Asm. - Galley Overhead Cabinet - 11.62" x 16.02" - w/o Hardware
	058023-08-L01	EA	Drawer Asm. - Refrigerator Cabinet - 23.22" x 6" x 20" Deep - w/o Hardware
	057992-39-L01	EA	Door Asm. - Refrigerator Cabinet - 10.52" x 23.02" - w/o Hardware
	057992-15-L01	EA	Door Asm. - Refrigerator Cabinet - 12.52" x 19.52" - w/o Hardware
	053424-01-L01	EA	Sink Cover - Large - Bone

GALLEY HARDWARE AND APPLIANCES

Key	Part Number	U/M	Description
	011032-01-000	EA	Sink - Stainless Steel - Double w/Bolts
**	011053-01-000	EA	Faucet - Swing Spout - 8"
**	011053-01-700	EA	Aerator - Swing Spout Faucet
	056437-01-000	EA	Strainer w/Basket - Sink
	053333-01-000	EA	Range Hood - Non Power - Black - Jensen - U.S.
**	049930-07-000	EA	Range Hood - Powered - Almond - Jensen - U.S.
	055282-02-000	EA	Range - 4 Burner - Small - Almond - Magic Chef
	052771-02-000	EA	Microwave Oven - Magic Chef - MW207
**	049175-02-000	EA	Refrigerator - AC/DC/Gas - Sibir ET150/2 - 1 Door Model
**	049174-02-000	EA	Refrigerator - ACDC/Gas - Sibir ET230/2 - 2 Door Model

**The illustrated parts breakdown for this item is provided on the Common Items Fiche.

1980 WINNEBAGO TABLE OF CONTENTS

WD/WC420RG L1	A-1 - B-10
WDF26RH L1	B-11 - D-4
WDF26RT L1	D-5 - F-4
WD423RB L1	F-5 - G-16

1980 WD423RB L1 INDEX

Floor Plan	F-5 - F-6
Accessories Group	F-7 - F-8
Bath Group	F-9
Chassis Group	F-10
Curtain, Cushion and Pad Group	F-11 - F-15
Dinette Group	F-16
Driver's Compartment Group	F-17
Electrical Group	F-18 - F-19
Exterior Body Group	F-20 - F-23
Galley Group	F-24
Heating & Air Conditioning Group	G-1
Interior Finish Group	G-2 - G-3
LP Group	G-4
Lounge Group	G-5
Water & Sewage Group	G-6
Window, Vent & Exterior Door Group	G-7 - G-16

HEATING AND AIR CONDITIONING GROUP

COACH HEATING AND A/C

Key	Part Number	U/M	Description
	039505-02-000	EA	Thermostat - Horizontal Wall Mount - Black
	009200-01-000	EA	Tape - Furnace - 1 1/2"
	023146-01-000	EA	Clamp - Screw Type - 4"
	024985-01-000	EA	Register w/Damper - 9.9" x 4.8"
	009198-01-000	EA	Duct - Flexible - 4" I.D. x 25'
	031604-01-000	EA	Bonnet - Heat Register
	052464-01-000	EA	Register - 4" Dia. - Plastic
	049401-01-000	EA	Heater Asm. - Rear Auxiliary
	049401-01-700	EA	Valve - Water Control - Rear Aux. Heater
	049401-01-701	EA	Control Cable - Rear Aux. Heater
	049401-01-702	EA	Motor Asm. - Rear Aux. Heater
	049401-01-703	EA	Heater Core - Rear Aux. Heater
	049401-01-704	EA	Switch - Rear Aux. Heater
	058906-01-000	EA	Control Panel - Rear Aux. Heater
	066438-01-000	EA	Furnace - 16,000 BTU - Coleman - 4316-A-769
**	059351-01-000	EA	Furnace - 24,000 BTU - w/Electric Ignition - Coleman 4324-749
**	049777-03-000	EA	Air Conditioner - 110 Volt - Roof Mount - 11,000 BTU - Coleman 6744A90 (w/o inside shroud)
**	049778-02-000	EA	Shroud Asm. - Ceiling - Inside - Roof Air - Cool Only 11,000 BTU - Coleman

**The illustrated parts breakdown for this item is provided on the Common Items Fiche.

AUTOMOTIVE AIR CONDITIONER

Key	Part Number	U/M	Description
	051770-01-000	EA	Compressor - Auto Air - Dodge or Chevrolet C-Body - ARA
	062424-01-000	EA	Evaporator - Auto Air - Dodge or Chevrolet C-Body - ARA
	056460-01-000	EA	Condenser Asm. - Auto Air - Dodge or Chevrolet C-Body - ARA
	056779-01-000	EA	Clutch - Auto Air - 7" Drive - Dodge or Chev. C-Body - ARA
	062637-01-000	EA	Mount - Compressor - Dodge - 360 C.I.D.
	062636-01-000	EA	Mount - Compressor - Dodge 440 C.I.D.
	055279-01-000	EA	Control Asm. - Heater and Air Conditioner

INTERIOR FINISH GROUP

PANELING AND COUNTERTOP MATERIALS

Key	Part Number	U/M	Description
	064385-01-000	SF	Paneling - Main - 772 Birch - 48" x 96" (32 SF)
	045983-01-000	SF	Paneling - Ceiling - 825 Buff - 48" x 96" (32 SF)
	064388-01-000	SF	Paneling - Galley Decor - "Ferns" - Beige
	064388-02-000	SF	Paneling - Galley Decor - "Ferns" - Burgundy
	064388-03-000	SF	Paneling - Galley Decor - "Ferns" - Blue
	055739-03-000	SF	Paneling - Bath Decor - "Ferns" - Beige
	065739-04-000	SF	Paneling - Bath Decor - "Ferns" - Burgundy
	065739-05-000	SF	Paneling - Bath Decor - "Ferns" - Blue
	064387-01-000	SF	Plastic Laminate - Bone - 60" x 96" (40 SF)

INTERIOR MOLDINGS AND TRIMS

Key	Part Number	U/M	Description
	064386-01-000	EA	Batt Strip - 772 Birch - 8'
	047354-01-000	EA	Batt Strip - 825 Buff - Ceiling - 8'
	064389-01-000	EA	Batt Strip - Galley Decor - "Ferns" - 8' - Beige
	064389-02-000	EA	Batt Strip - Galley Decor - "Ferns" - 8' - Burgundy
	064389-03-000	EA	Batt Strip - Galley Decor - "Ferns" - 8' - Blue
	024700-06-000	EA	Cover - Roll Bar - Sidewall - Ivory
	024700-14-000	EA	Cover - Roll Bar - Russet Oak
	039512-13-000	EA	Cover - Hat Section - Russet Oak
	047488-01-000	EA	Cover - Corner - Hat/Hat
	047489-01-000	EA	Cover - Corner - Tube/Tube
	052859-01-J27	EA	Accent Trim - Acorn Brown Vinyl
	009767-05-000	FT	Walling - Light Brown
	009778-01-000	FT	U-Channel - 1" - Dark Brown
	009812-10-000	FT	Molding - Outside Corner - 50" - Birch
	009809-10-000	FT	Molding - Outside Corner - 1" - Birch

FABRICS AND FLOOR COVERINGS

Key	Part Number	U/M	Description
	064393-04-000	YD	Fabric - Drapery - Dublin Flax
	064383-01-000	YD	Fabric - Upholstery - Sienna Brown
	064383-06-000	YD	Fabric - Upholstery - Biscayne Rust
	064383-07-000	YD	Fabric - Upholstery - Biscayne Blue
	053327-01-000	YD	Vinyl - Non Expanded - 27 oz. - Acorn Brown
	053327-02-000	YD	Vinyl - Expanded - 28 oz. - Acorn Brown
	053327-03-000	YD	Vinyl - Non Support - 16 Gauge Film - Acorn Brown
	064384-02-000	SY	Carpet - Camel
	064384-01-000	SY	Carpet - Ginger

1980 WINNEBAGO TABLE OF CONTENTS

WD/WC420RG L1	A-1 - B-10
WDF26RH L1	B-11 - D-4
WDF26RT L1	D-5 - F-4
WD423RB L1	F-5 - G-16

1980 WD423RB L1 INDEX

Floor Plan	F-5 - F-6
Accessories Group	F-7 - F-8
Bath Group	F-9
Chassis Group	F-10
Curtain, Cushion & Pad Group	F-11 - F-15
Dinette Group	F-16
Driver's Compartment Group	F-17
Electrical Group	F-18 - F-19
Exterior Body Group	F-20 - F-23
Galley Group	F-24
Heating & Air Conditioning Group	G-1
Interior Finish Group	G-2 - G-3
LP Group	G-4
Lounge Group	G-5
Water & Sewage Group	G-6
Window, Vent & Exterior Door Group	G-7 - G-16

INTERIOR FINISH GROUP (CONTINUED)

CABINETS AND TABLE HARDWARE

Key	Part Number	U/M	Description
	053103-01-L01	EA	Hinge Kit - Double Acting - Overhead Door
**	052932-01-J30	EA	Hinge Kit - Cabinet Door - Antiqua Brass
	057945-01-K01	EA	Latch Kit - Cabinet Door - Flat Latch
	009112-01-000	EA	Flange - 1" - Closet Rod
**	053200-04-000	EA	Bracket - Upper Wall Mount - 23.5" - Black
**	053201-03-000	EA	Bracket - Table Mount - 23" - Clea. Anod.
**	024275-01-000	EA	Rod - Table Lift - 8" x 23.5"
**	024281-06-000	EA	Bracket - Lower Wall Mount - Brown - 22.12"
**	024276-04-000	EA	Leg Asm. - Table - Brown - 29.3"
**	064050-01-000	EA	Hinge - Table Leg - Brown
**	024282-01-000	EA	Brace - Table Leg
**	024283-01-000	EA	Clip - 1" O.D. Tube
**	049493-02-000	EA	Catch - Table Leg - Mounts on Floor - Brown
**	059753-01-000	EA	Slide - Drawer - Left
**	059753-02-000	EA	Slide - Drawer - Right
**	037688-01-000	FT	Rail - Drawer Glide
**	047744-01-000	EA	Kit - Drawer Glide
**	009059-01-000	EA	Hinge - Drop Leaf Extension - 2" - Gold
**	009049-01-000	EA	Support - Drop Leaf Extension
**	058335-01-000	EA	Latch - Bathroom Door

**The illustrated parts breakdown for this item is provided on the Common Items Fiche.

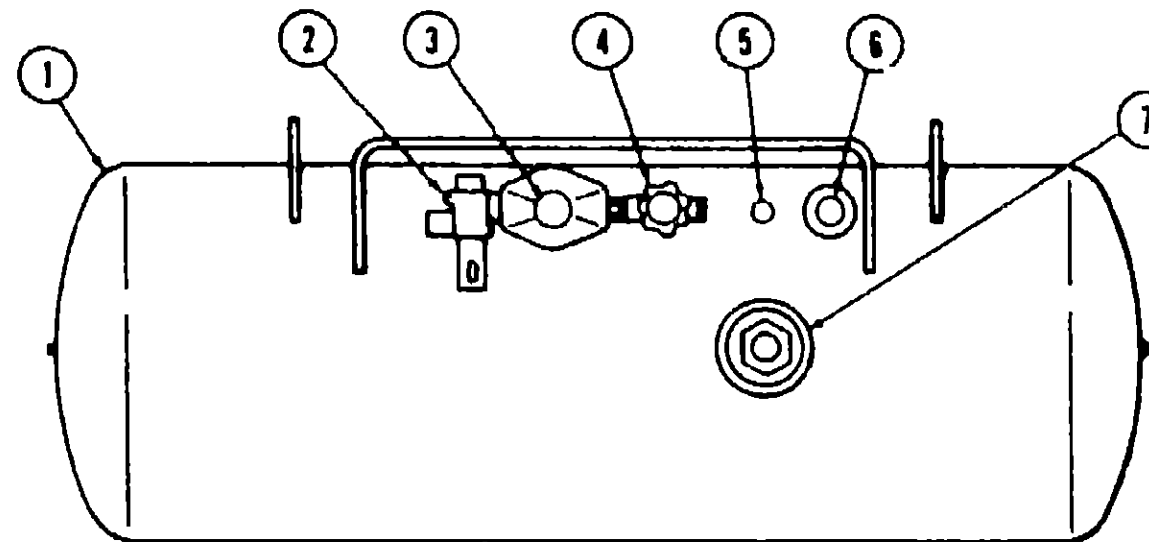
CURTAIN HARDWARE

Key	Part Number	U/M	Description
	052327-04-236	EA	Track - Curtain - Brown Alum. - 89" w/Holes
	056116-01-000	FT	Track - Curtain - Brown Plastic
	056001-01-000	EA	Bracket - Shade - Left
	056002-01-000	EA	Bracket - Shade - Right
	056003-01-000	EA	Bracket - Drapery Retainer - Right
	056003-02-000	EA	Bracket - Drapery Retainer - Left
	053272-04-200	EA	Track - Curtain - Off White - 89" w/Holes
	058784-01-000	EA	Pull - Window Shade - Antique Brass
	009107-01-000	EA	Guide - Nylon Snap - Curtain
	018031-42-000	EA	Track - Curtain - "L" Rod - Alum. Extr. - 90"
	009701-01-000	EA	Carrier - "L" Rod - Curtain
	009702-01-000	EA	End Stop - "L" Rod - Curtain

MISCELLANEOUS

Key	Part Number	U/M	Description
	041944-01-700	EA	Fire Extinguisher - Dry Chemical w/Bracket
	041944-03-000	EA	Fire Extinguisher - 5BC - Calif.
	007038-01-000	EA	Door Mat - Black Rubber - 10 1/2" x 28"
	053552-01-K01	EA	Assist - Handle - Interior - Acorn Vinyl
	054185-06-000	EA	Owners Manual - Winnebago - 1980

LP GROUP



Key	Part Number	U/M	Description
1	052789-01-000	EA	Tank Asm. - LP - Frame Mount - 42 Pound
1	062026-01-000	EA	Tank Asm. - LP - Frame Mount - 28 Pound
2	047221-01-000	EA	Detector - LP Gas Leak
.	047356-01-000	EA	Bracket - LP Detector
3	058706-01-000	EA	Cover - Regulator - 2 Stage
.	058705-01-000	EA	Regulator - Two Stage - LP Gas
4	040421-01-703	EA	Valve - Vapor Relief
5	040421-01-700	EA	Gauge - Liquid Level - 20% LP
6	040421-01-701	EA	Valve - Filler - LP
.	040421-01-702	EA	Cap - Plastic Fill Valve
7	042281-01-700	EA	Gauge - Float - w/Visible Dial - 42 Pound Tank
.	040421-01-708	EA	Dial - Visible Face - Float Gauge (Tank w/o Electric Transmitter)
.	040421-01-705	EA	Dial - Transmitter - 0 90 Ohm (Float Gauge)
.	045703-03-000	EA	Hose Asm. - LP 3/8" I.D. x 14"
.	047737-02-060	EA	Support - LP Tank - 89.25"
.	047737-03-000	EA	Support - LP Tank - 30.50"
.			Not Illustrated

1980 WINNEBAGO TABLE OF CONTENTS

WD/WC420RG L1	A-1 - B-10
WDF26RH L1	B-11 - D-4
WDF26RT L1	D-5 - F-4
WD423RB L1	F-5 - G-18

1980 WD423RB L1 INDEX

Floor Plan	F-5 - F-6
Accessories Group	F-7 - F-8
Bath Group	F-9
Chassis Group	F-10
Curtain, Cushion & Pad Group	F-11 - F-15
Dinette Group	F-16
Driver's Compartment Group	F-17
Electrical Group	F-18 - F-19
Exterior Body Group	F-20 - F-23
Galley Group	F-24
Heating & Air Conditioning Group	G-1
Interior Finish Group	G-2 - G-3
LP Group	G-4
Lounge Group	G-5
Water & Sewage Group	G-6
Window, Vent & Exterior Door Group	G-7 - G-18

LOUNGE GROUP

LOUNGE OVERHEAD CABINET, FURNACE CABINET AND COUCH CABINET

Key	Part Number	U/M	Description
	058937-01-L01	EA	Cabinet Asm. - Lounge Overhead - w/o Doors or Hardware
	057992-02-L01	EA	Door Asm. - Lounge Overhead Cabinet - 10.32" x 35.22" - w/o Hardware
	058936-01-L01	EA	Cabinet Asm. - Couch
	058938-02-L01	EA	Cabinet Asm. - Furnace - w/o Countertop, Door or Hardware
	058943-01-L01	EA	Countertop Asm. - Furnace Cabinet - Bone
	058230-01-L01	EA	Door Asm. - Furnace - w/Brass Mesh Insert
	047205-07-000	EA	Insert - Furnace Door - 11 1/4" x 13 7/8" - Brass Mesh
	039873-01-000	EA	Catch and Strike - Furnace Door
	058945-01-L01	EA	Holder - Glass - Furnace Countertop

SPRUNG COUCH

Key	Part Number	U/M	Description
	057620-01-L01	EA	Panel Asm. - Couch Face - w/o Door or Hardware
	057619-01-L01	EA	Panel Asm. - Couch End
	057468-02-000	EA	Frame Asm. - Sprung Couch - Right
	057468-03-000	EA	Frame Asm. - Sprung Couch - Left
	057468-04-000	EA	Frame Rail - Sprung Couch (2 per couch)
	057469-01-000	EA	Leg Asm. - Sprung Couch (2 per couch)

LOUNGE W/SWIVEL CHAIRS

Key	Part Number	U/M	Description
	054552-01-L01	EA	Table Asm. - Pullout - Bone
	058548-01-L01	EA	Cabinet Asm. - Pullout Table - w/o Countertop, Table or Pad
	058547-01-L01	EA	Countertop Asm. - Pullout Table Cabinet - Bone
	054540-01-000	EA	Slide Asm. - Ball Bearing - Accuride
	045795-01-000	EA	Holder - Glass - Dark Brown Plastic
	009148-01-000	EA	Pull - Finger - 3/4" Dia. - Brass

WATER AND SEWAGE GROUP

PLUMBING REPAIR PARTS

Key	Part Number	U/M	Description
**	040539-01-000	EA	Kit - Repair - 3/8" O.D. Plastic Tube
**	040540-01-000	EA	Kit - Repair - 1/2" O.D. Plastic Tube
**	040541-01-000	EA	Kit - Repair - 5/8" O.D. Plastic Tube
**	039818-01-000	EA	Riser Asm. - 3/8" O.D. x 24" Tube
**	039818-02-000	EA	Riser Asm. - 3/8" O.D. x 36" Tube
**	039818-04-000	EA	Riser Asm. - 3/8" O.D. x 72" Tube
**	039818-05-000	EA	Riser Asm. - 3/8" O.D. x 48" Tube
	035539-01-000	EA	Elbow - Plastic - 3/8 MPT x 3/8 Barb
	052953-01-000	EA	Plut - Faucet - 1/2 Tube x 1/2 FPT
	052952-01-000	EA	Nut - Plastic - 1/2 F
	052954-01-000	EA	Adapter - Nose Cone - 3/8 or 1/2
	052955-01-000	EA	Tee - Plastic - 1/2 F x 1/2 F x 1/2 MPT
	052957-02-000	EA	Elbow - Plastic - 1/2 F x 1/2 MPT
	052957-03-000	EA	Elbow - Plastic - 1/2 F x 1/4 MPT
	052958-01-000	EA	Tee - Plastic - 1/2 F x 1/2 F x 1/2 F
	052959-03-000	EA	Connector - Plastic - 1/2 F x 3/8 MPT
	052980-01-000	EA	Valve - Line Drain - 1/2 F x 1/2 F
	052981-01-000	EA	Header - 1/2 F x 1/2 F x 1/2 F x 1/2 F
	052984-01-000	EA	Connector - Plastic - 1/2 F x 3/8 MPT
**	010079-01-000	EA	Tee - Plastic - 1 1/2 H x 1 1/2 H x 1 1/4 H
	010134-01-000	EA	Adapter - Plastic - 1 1/2 M x MPT
	010154-01-000	EA	Ring - Closet - Plastic - 4 F x 3 MPT
	031126-01-000	EA	Elbow - Plastic - 1/4 BD 3 x 90 x LT
	004020-01-000	QT	Adhesive - ABS Cement
**	010201-01-000	EA	Hose - Sewer 3" x 10 FT w/Clamp
**	011091-01-000	EA	Waste - Continuous - Double Sink 11 7/8"
**	011086-01-000	EA	P-Trap - Plastic - 1 1/4"
**	010133-01-000	EA	Adapter - Trap - Plastic 1 1/2" H x MPT
**	050780-01-000	EA	Coupler - Rubber - 3" x 3"
	061607-01-000	EA	Grommet - Rubber - Holding Tank Fitting - 1 1/2"
	061607-02-000	EA	Grommet - Rubber - Holding Tank Fitting - 3"
**	048524-01-000	EA	Kit - Plastic Fittings - Holding Tank
**	048524-02-000	EA	Kit - Plastic Fittings - Water Tank
	037845-01-000	FT	Tape - Butyl - 3/16" - Bead - Black
	010224-01-000	EA	Adapter - Plastic - 3/8 MPT x 3/8 Barb
	010000-01-000	EA	Elbow - Plastic - 1/8 BD 1 1/4 x 45 H x H
	010006-01-000	EA	Elbow - Plastic - 1/8 BD 1 1/2 x 45 H x H
	010051-01-000	EA	Elbow - ST - Plastic - 1/8 BD 1 1/2 x 45
	034250-01-000	EA	Elbow - Plastic - 1/4 BD 1 1/2 x 90 H x H
	062415-01-000	EA	Cap - Sewer - 3"
	062416-01-000	EA	Hose Adapter - 3"
	062417-01-000	EA	Adapter - Termination - 3"
	062418-02-000	EA	Valve - 3" - w/o Handle
	062419-01-000	EA	Extension Handle - w/6" Adapter
	063421-01-000	EA	Valve - 1 1/2" - w/Handle
	062422-01-000	EA	Adapter - Offset Reducer - 3" x 1 1/2"
	062632-01-000	EA	Wye - 3" x 3" x 1 1/2" Slip
**	063646-01-000	EA	Water Pump - Direct Drive - 2.8 GPM - PAR
**	063646-02-000	EA	Water Pump - Direct Drive - 2.8 GPM - PAR - CSA
	039847-02-000	EA	Filter - Water Pump - 1/2" MPT

**The illustrated parts breakdown for this item is provided on the Common Items Fiche.

WATER HEATERS AND HOLDING TANKS

Key	Part Number	U/M	Description
**	051391-01-000	EA	Water Heater - w/o Motor Aid - G6A3
	045196-08-000	EA	Tank Asm. - Plastic Water - 26 Gallon - w/Fittings - Rear Dinette Seat
	045196-01-000	EA	Tank Asm. - Plastic Water - 26 Gallon - w/o Fittings
	045196-10-000	EA	Tank Asm. - Plastic Water - 26 Gallon - w/Fittings - Front Dinette Seat
	056403-04-000	EA	Tank Asm. - Holding w/Fittings - 36 Gallon
**	056403-01-000	EA	Tank Asm. - Holding w/o Fittings - 36 Gallon
	058589-03-000	EA	Tank Asm. - Holding w/Fittings - 20 Gallon
**	058589-01-000	EA	Tank Asm. - Holding w/o Fittings - 20 Gallon

**The illustrated parts breakdown for this item is provided on the Common Items Fiche.

1980 WINNEBAGO TABLE OF CONTENTS

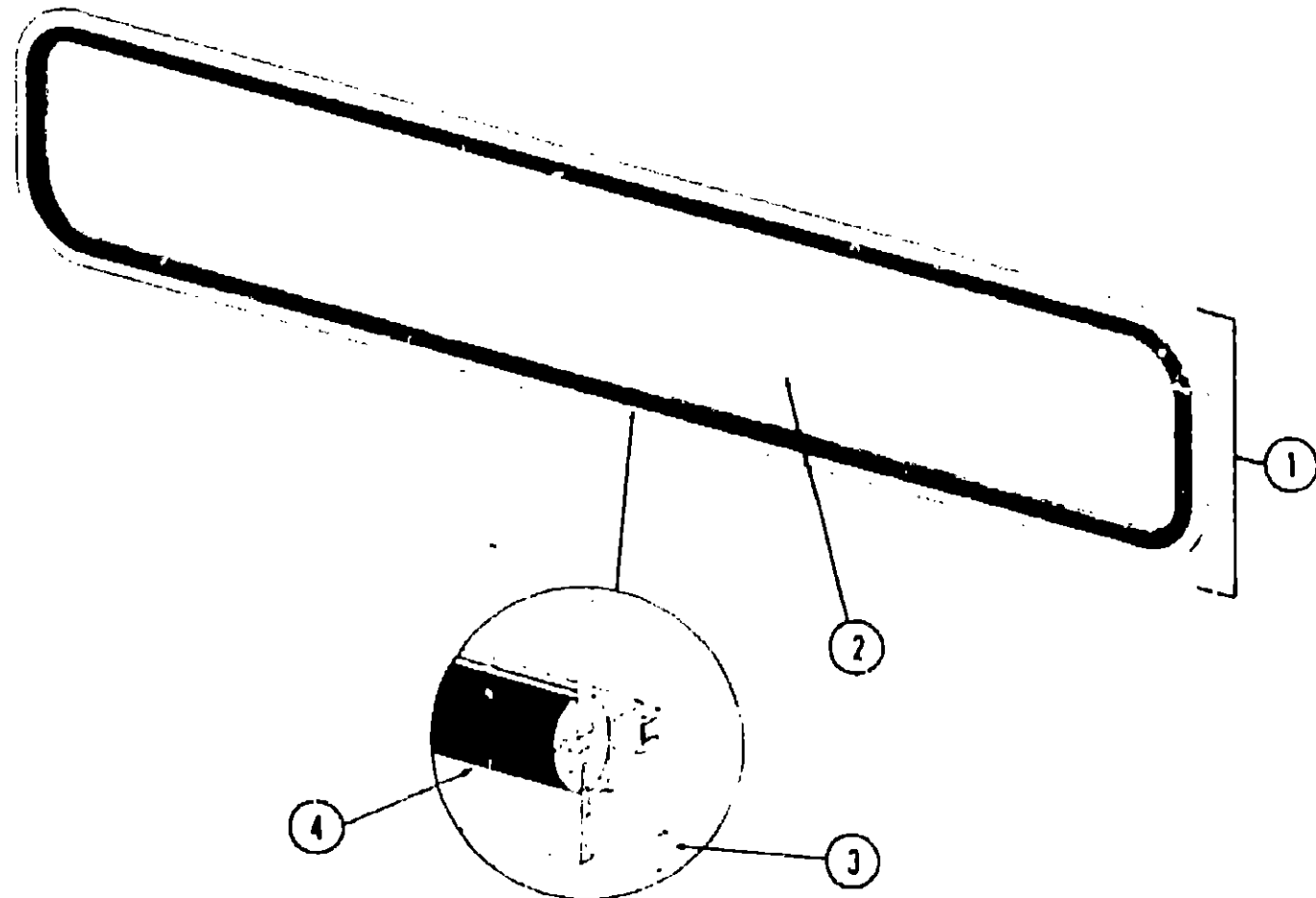
WD/WC420RG L1	A-1 - B-10
WDF26RH L1	B-11 - D-4
WDF26RT L1	D-5 - F-4
WD423RB L1	F-5 - G-16

1980 WD423RB L1 INDEX

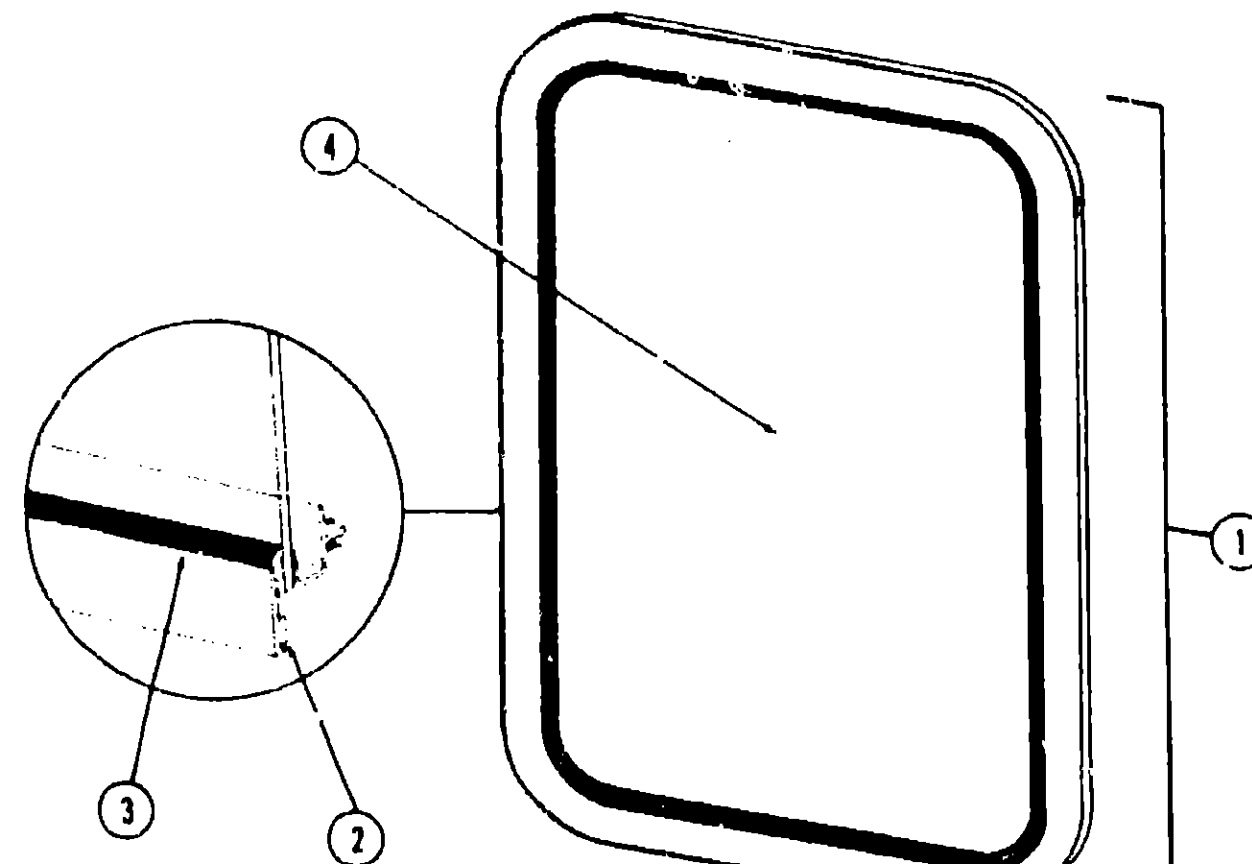
Floor Plan	F-5 - F-6
Accessories Group	F-7 - F-8
Bath Group	F-9
Chassis Group	F-10
Curtain, Cushion & Pad Group	F-11 - F-15
Dinette Group	F-16
Driver's Compartment Group	F-17
Electrical Group	F-18 - F-19
Exterior Body Group	F-20 - F-23
Galley Group	F-24
Heating & Air Conditioning Group	G-1
Interior Finish Group	G-2 - G-3
LP Group	G-4
Lounge Group	G-5
Water & Sewage Group	G-6
Window, Vent & Exterior Door Group	G-7 - G-18

WINDOW, VENT AND EXTERIOR DOOR GROUP

WINDOW, VENT AND EXTERIOR DOOR GROUP (CONTINUED)



Key	Part Number	U/M	Description
1	041936-01-000	EA	Window Asm. - Front Picture - 14" x 89" - Black (w/o inside frame)
2	002200-02-000	EA	Glass - TP - Picture Window
3	063767-03-000	FT	Tape - 1/4" Bead x 20' - Gray
4	002281-01-000	FT	Weatherstrip - Self Seal - .08" Panel x 3/16" - Black
.	037645-01-000	FT	Tape - Butyl - Window - 3/16" Bead - Black
.	041936-01-000	EA	Frame - Inside - Picture Window (not included in assembly)
.			Not Illustrated



Key	Part Number	U/M	Description
1	056651-01-000	EA	Window Asm. - Picture - 20 3/4" x 20 3/4" - Black (w/o inside frame)
2	053767-02-000	FT	Tape - 3/16" Bead x 25' - Schnee Moorehead
3	002309-02-000	FT	Spline - Glass - 1/8" - Black
4	002181-03-000	EA	Glass - .115" x 20.62" x 20.62" - Gray
.	056650-01-000	EA	Frame - Inside - Window (not included in assembly)
.			Not Illustrated

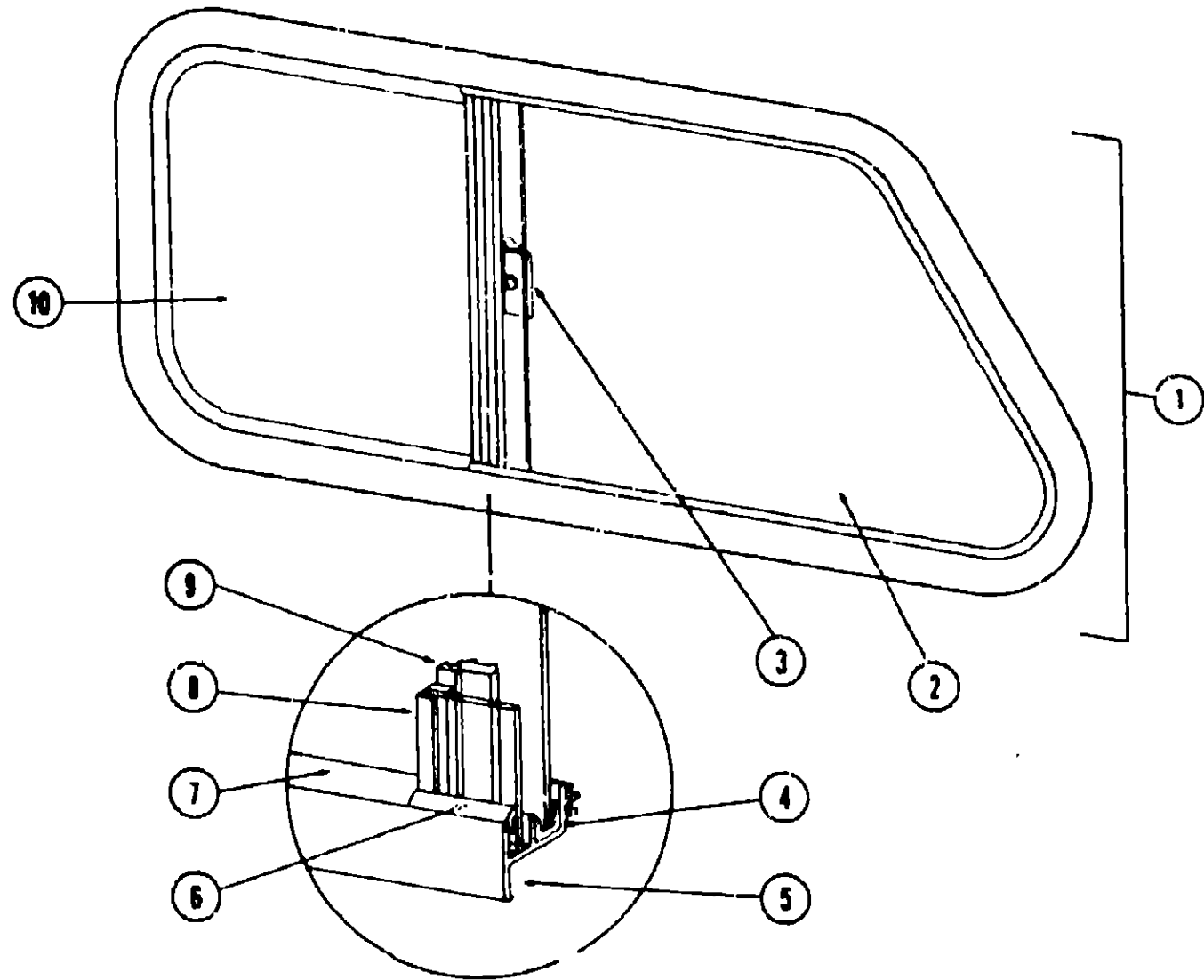
**1980 WINNEBAGO
TABLE OF CONTENTS**

WD/WC420RG L1	A-1 - B-10
WDF26RH L1	B-11 - D-4
WDF26RT L1	D-5 - F-4
WD423RB L1	F-5 - G-16

1980 WD423RB L1 INDEX

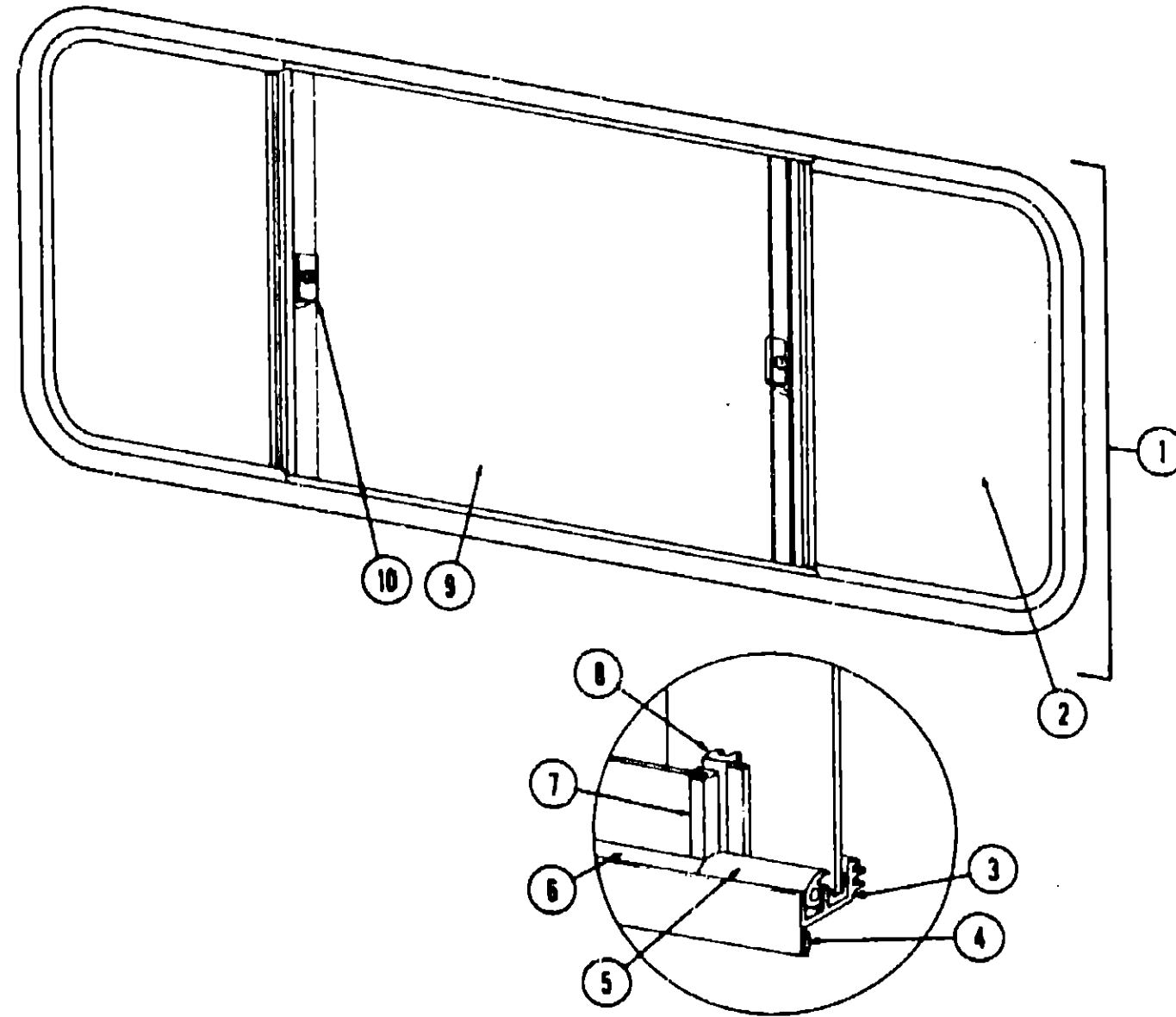
Floor Plan	F-5 - F-6
Accessories Group	F-7 - F-8
Bath Group	F-9
Chassis Group	F-10
Curtain, Cushion & Pad Group	F-11 - F-15
Dinette Group	F-16
Driver's Compartment Group	F-17
Electrical Group	F-18 - F-19
Exterior Body Group	F-20 - F-23
Galley Group	F-24
Heating & Air Conditioning Group	G-1
Interior Finish Group	G-2 - G-3
LP Group	G-4
Lounge Group	G-5
Water & Sewage Group	G-6
Window, Vent & Exterior Door Group	G-7 - G-16

WINDOW, VENT AND EXTERIOR DOOR GROUP (CONTINUED)



Key	Part Number	U/M	Description
1	048632-03-000	EA	Window Asm. - Bunk - Slanted Slider - Right - Black (w/o inside frame)
	048632-04-000	EA	Window Asm. - Bunk - Slanted Slider - Left - Black (w/o inside frame)
2	040919-01-000	EA	Glass - 1/8" x 11.98" x 19.42" - Gray - Stationary
3	047369-01-700	EA	Latch - Window - Plastic w/Fastener
4	023320-01-000	EA	Foam Pad - 3/8" Dia. (used with plastic latch)
5	053767-03-000	FT	Channel - Weatherstrip - Glass Run - 1/8" Glass
6	002309-02-000	FT	Tape - 1/4" Bead x 20" - Gray
7	024096-02-000	FT	Spline - Glass - 1/8" - Black
8	002380-03-201	EA	Holder - Glass Seal - Extr. - Anod. Black - 11.23"
9	041894-07-000	EA	Mullion - 13" - Black Anod.
10	047815-01-000	EA	Glass - 1/8" x 11.98" x 11.81" - Gray - Sliding
	040916-03-000	EA	Frame - Window - Inside - Bunk Slant - Left (not included in assembly)
	040916-04-000	EA	Frame - Window - Inside - Bunk Slant - Right (not included in assembly)
	023713-02-000	EA	Cover - Weephole - Black
	002298-01-000	FT	Spline - Gray - .130" Dia. (Screen)
	002291-01-000	SF	Screen - Gray - Window - 16"
			Not Illustrated

WINDOW, VENT AND EXTERIOR DOOR GROUP (CONTINUED)



Key	Part Number	U/M	Description
1	048630-08-000	EA	Window Asm. - Double Slider - 25" x 63" Black Anod. (w/o inside frame)
2	047822-01-000	EA	Glass - Sliding - 3/16" x 24" x 21.03"
3	042077-01-000	FT	Channel - Weatherstrip - Glass Run - 3/16" Glass
4	053767-03-000	FT	Tape - 1/4" Bead x 20" - Gray
5	041928-02-000	FT	Seal - Window Channel - 3/16" Glass - Black
6	002309-02-000	FT	Spline - Glass - 1/8" - Black
7	002389-03-201	EA	Extr. - Holder - Glass Seal - 23.19" - Black
8	041894-04-000	EA	Mullion - Slider Window - 25" - Black
9	002188-02-000	EA	Glass - 3/16" x 24" x 25.5" - Stationary
10	047369-01-700	EA	Latch - Window - Plastic w/Fastener
	023320-01-000	EA	Foam Pad - 3/8" Dia. (used with plastic latch)
	042133-09-000	EA	Frame Asm. - Window - Inside (not included in assembly)
	023713-02-000	EA	Cover - Weephole - Plastic - Black
	002298-01-000	FT	Spline - Gray - .130" Dia. (Screen)
	002293-01-000	SF	Screen - Window - 28" - Gray
			Not Illustrated

**1980 WINNEBAGO
TABLE OF CONTENTS**

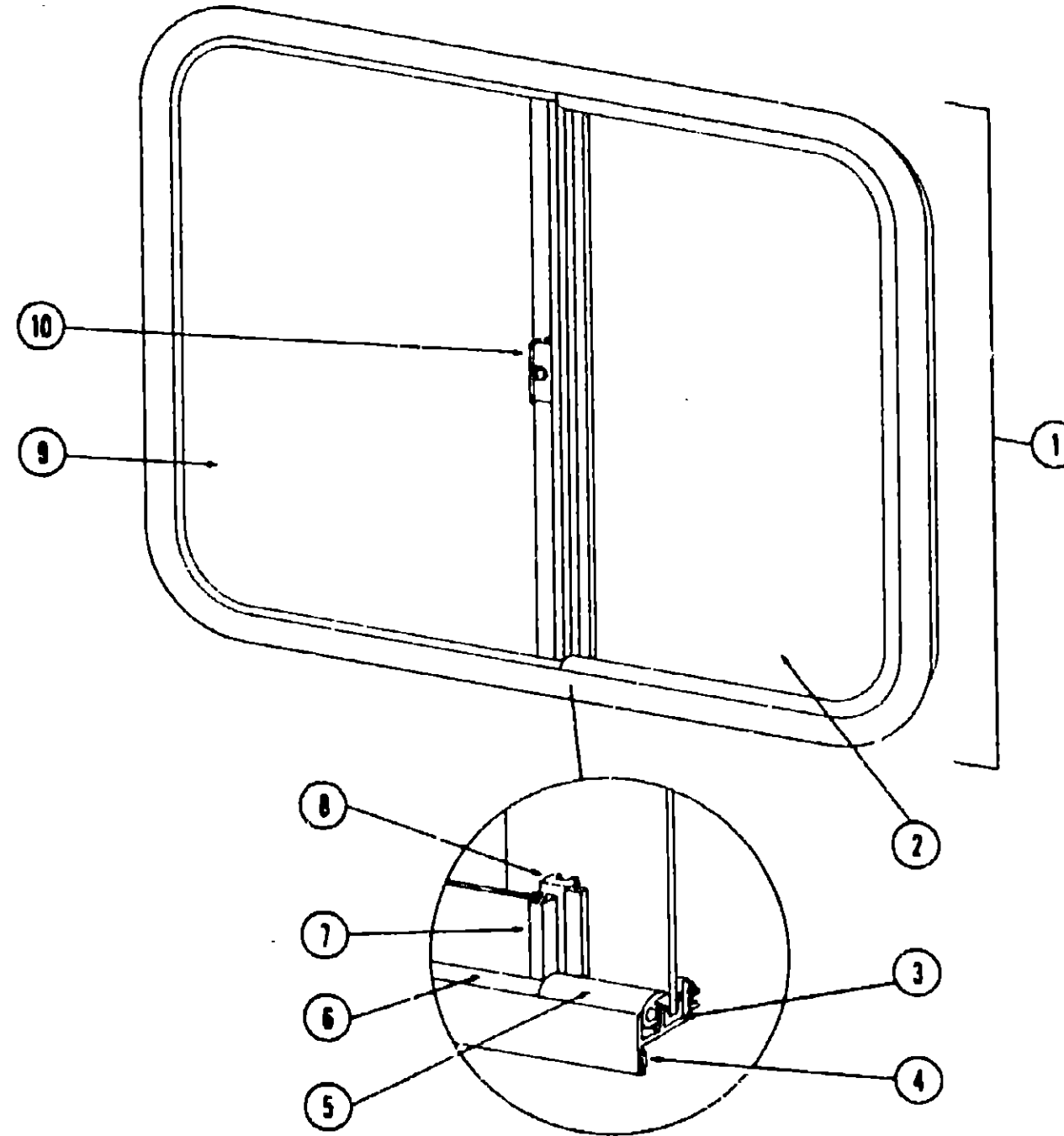
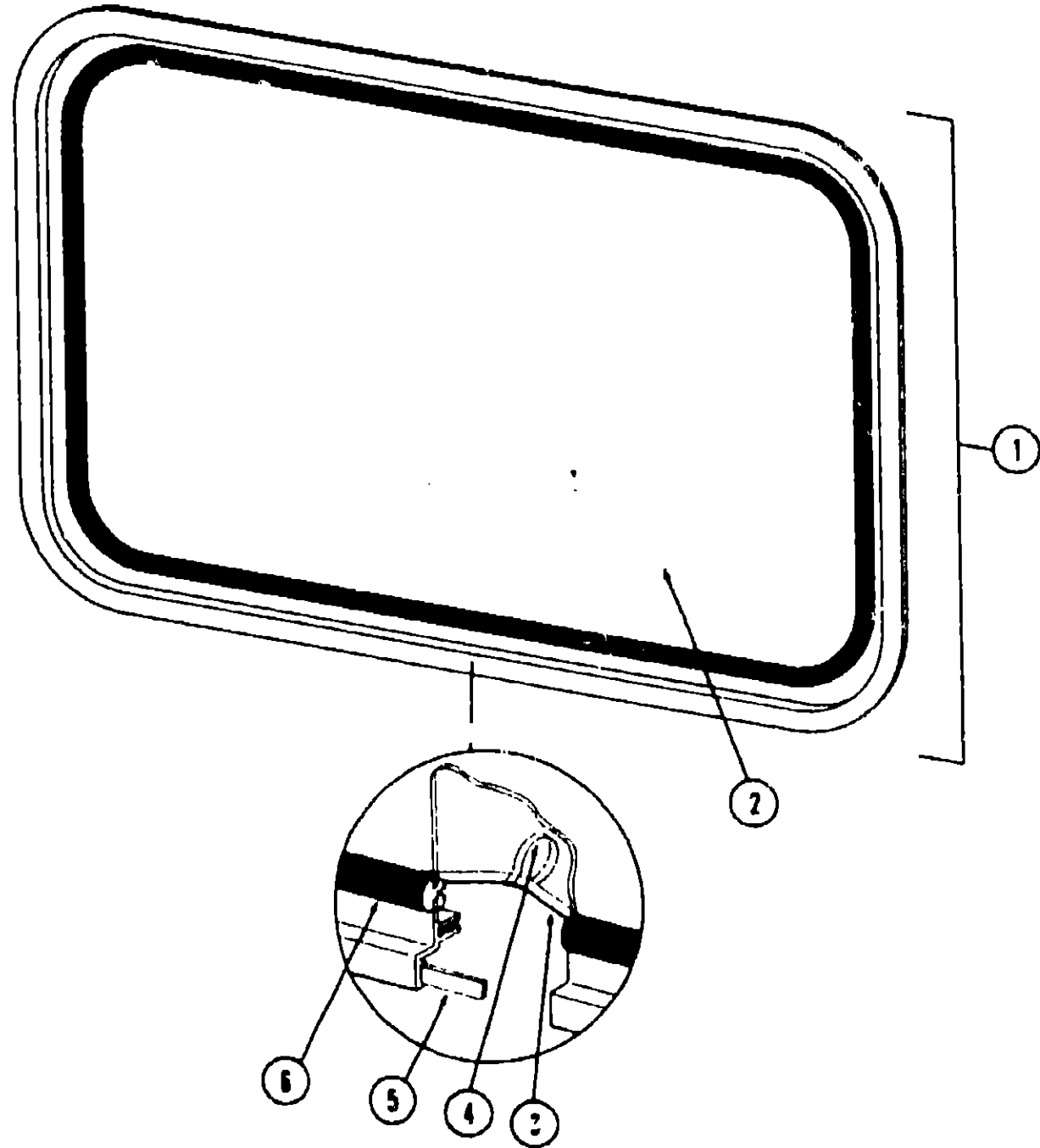
WD/WC420RG L1	A-1 - B-10
WDF26RH L1	B-11 - D-4
WDF26RT L1	D-5 - F-4
WD423RB L1	F-5 - G-16

1980 WD423RB L1 INDEX

Floor Plan	F-5 - F-6
Accessories Group	F-7 - F-8
Bath Group	F-9
Chassis Group	F-10
Curtain, Cushion & Pad Group	F-11 - F-15
Dinette Group	F-16
Driver's Compartment Group	F-17
Electrical Group	F-18 - F-19
Exterior Body Group	F-20 - F-23
Galley Group	F-24
Heating & Air Conditioning Group	G-1
Interior Finish Group	G-2 - G-3
LP Group	G-4
Lounge Group	G-5
Water & Sewage Group	G-6
Window, Vent & Exterior Door Group	G-7 - G-16

WINDOW, VENT AND EXTERIOR DOOR GROUP (CONTINUED)

WINDOW, VENT AND EXTERIOR DOOR GROUP (CONTINUED)



1980 WINNEBAGO
TABLE OF CONTENTS

WD/WC420RG L1
WDF26RH L1
WDF26RT L1
WD423RB L1

A-1 - B-10
B-11 - D-4
D-5 - F-4
F-5 - G-16

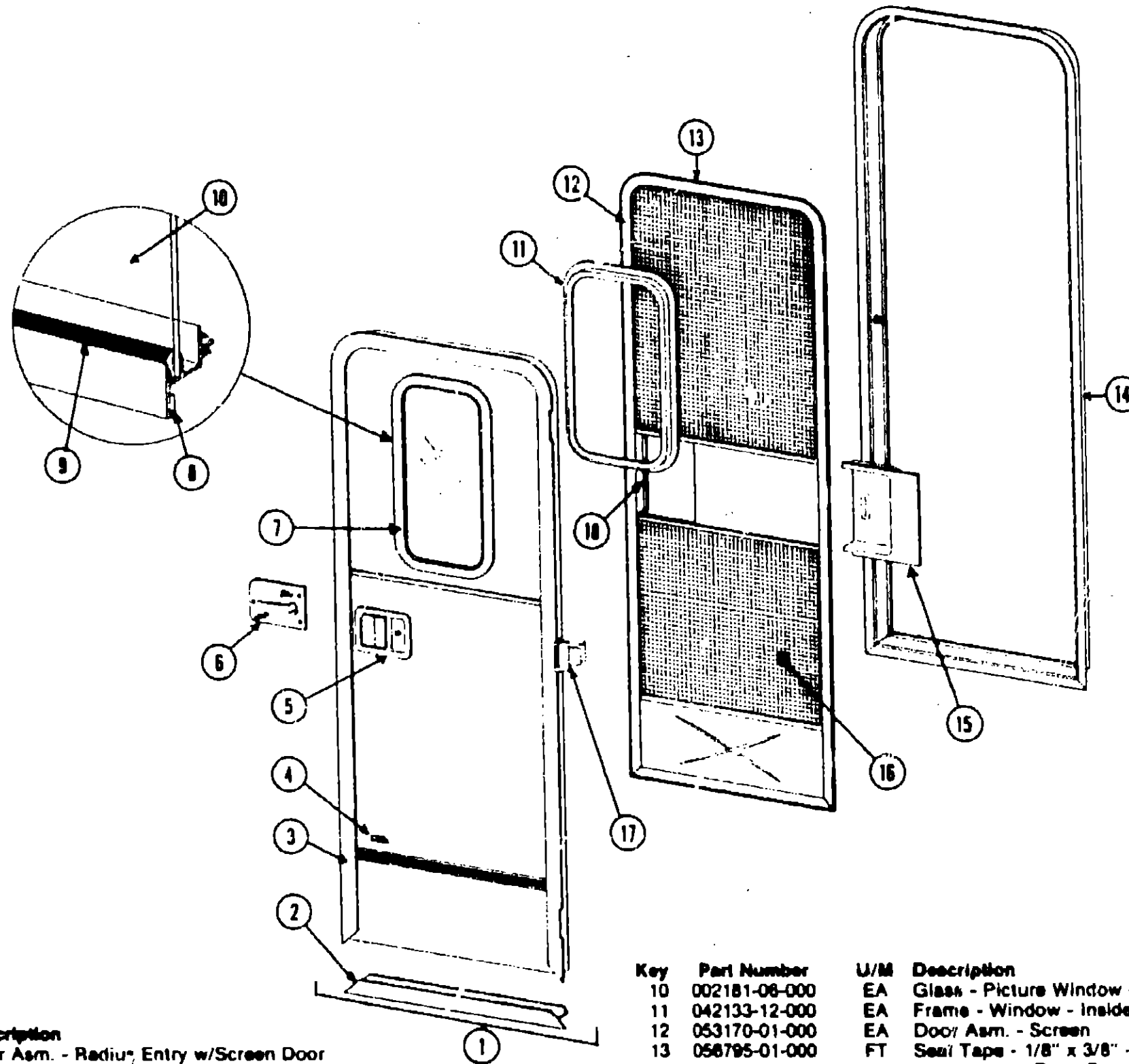
1980 WD423RB L1 INDEX

Floor Plan	F-5 - F-6
Accessories Group	F-7 - F-8
Bath Group	F-9
Chassis Group	F-10
Curtain, Cushion & Pad Group	F-11 - F-15
Dinette Group	F-16
Driver's Compartment Group	F-17
Electrical Group	F-18 - F-19
Exterior Body Group	F-20 - F-23
Galley Group	F-24
Heating & Air Conditioning Group	G-1
Interior Finish Group	G-2 - G-3
LP Group	G-4
Lounge Group	G-5
Water & Sewage Group	G-6
Window, Vent & Exterior Door Group	G-7 - G-16

Key	Part Number	U/M	Description
1	042959-01-000	EA	Window Asm. - Rear Escape - 23" x 36" - Black Anod. (w/o inside frame)
2	041392-01-000	EA	Glass - 1/8" x 19.61" x 33.25"
3	002285-01-000	FT	Filler - Weatherstrip - Black
4	020395-01-000	EA	Slip - Pull Ring - Escape Window
5	053767-03-000	FT	Tape - 1/4" Bead x 20' - Gray
6	002282-01-000	FT	Weatherstrip - .125" - Black
	042027-01-000	EA	Frame - Inside - Escape Window - 23" x 36" (not included in assembly)
	008199-01-000	EA	Label - Exit - Escape Window
	Not Illustrated		

Key	Part Number	U/M	Description
1	066785-03-000	EA	Window Asm. - Single Slider - 25" x 65" - Black Anod. (w/o inside frame)
2	066727-02-000	EA	Glass - Sliding - 1/8" x 12" x 24"
3	002324-02-000	FT	Channel - Weatherstrip - Glass Run - 1/8" Glass
4	053767-03-000	FT	Tape - 1/4" Bead x 20' - Gray
5	057374-02-000	FT	Seal - Window Channel - Black
6	002309-02-000	FT	Spline - Glass - Black
7	002390-03-002	EA	Holder - Glass Seal - Black Anod. Extr.
8	041894-04-000	EA	Mullion - Slider Window - 25" - Black Anod. Extr.
9	066726-02-000	EA	Glass - Stationary - 1/8" x 21.03" x 24"
10	047399-01-700	EA	Latch - Window - Plastic - w/Fastener
	023320-01-000	EA	Pad - Foam - 3/8" Dia. (used w/Plastic Latch)
	042076-01-000	FT	Seal - Fin - Pile - .34" - Mullion
	023713-02-000	EA	Cover - Weep Hole - Black
	042133-09-000	EA	Frame - Inside - Single Slider - 25" x 65"
	Not Illustrated		

WINDOW, VENT AND EXTERIOR DOOR GROUP (CONTINUED)



Key	Part Number	U/M	Description
1	064324-10-000	EA	Door Asm. - Radius, Entry w/Screen Door
2	039737-01-000	EA	Frame - Entry Door (Bottom Portion Only)
3	039736-01-000	EA	Frame - Entry Door (Except Bottom Portion)
4	039874-01-000	EA	Holder Asm. - Entry Door - 1 1/2"
5	045017-01-000	EA	Paddle Asm. - Door Lock - Exterior
•	045017-01-700	EA	Lock Cylinder w/Keys - Lynor
•	039539-01-000	EA	Striker Bolt - Entry Door
•	039540-01-000	EA	Latch Claw - Entry Door
6	039979-01-000	EA	Plate - Lock - Inside - Including Inside Handle
•	052186-01-000	EA	Lock Asm. - Complete - Lynor
7	041875-09-000	EA	Window Asm. - Picture - 17" x 25" - Black Anod. (inside frame not included in assembly)
8	053767-03-000	FT	Tape - 1/4" Bead x 20' - Gray
9	002309-02-000	FT	Spline - Glass - 1/8" Black
•	Not Illustrated		

Key	Part Number	U/M	Description
10	002181-06-000	EA	Glass - Picture Window - 1/8" x 16 1/4" x 24" - Gray
11	042133-12-000	EA	Frame - Window - Inside - 17" x 25" - Brown
12	053170-01-000	EA	Door Asm. - Screen
13	056795-01-000	FT	Seal Tape - 1/8" x 3/8" - Press On
14	053171-01-000	EA	Jamb Asm. - Entry Door
15	015580-01-000	EA	Slider - Screen Door - Brown Plastic
16	002293-01-000	SF	Screen - Window - 26" - Gray
17	039520-01-000	EA	Hinge - Entry Door (3 used per door)
18	015581-01-000	EA	Cap - Screen Door - Brown Plastic
•	049176-01-000	EA	Hedlok II - 3/4" Diameter - Screw Mount (retains screen door to entry door)
•	049797-01-000	EA	Hedlok II - 1" Diameter - Screw Mount (retains screen door to entry door)
•	058025-02-000	EA	Clip - Roller Catch
•	039883-01-000	EA	Catch Asm. - Single Roller w/Strike - Screen Door
•	044582-02-000	EA	Drip Cap - Jamb Mounted - Off White
•	051390-01-000	FT	Seal - Bulb - Rubber
•	039800-03-000	FT	Tubing - Polybutyl - 3/8" O.D. - Jamb
•	Not Illustrated		

1980 WINNEBAGO
TABLE OF CONTENTS

WD/WC420RG L1
WDF26RH L1
WDF26RT L1
WD423RB L1

A-1 - B-10
B-11 - D-4
D-5 - F-4
F-5 - G-16

1980 WD423RB L1 INDEX

Floor Plan	F-5 - F-6
Accessories Group	F-7 - F-8
Bath Group	F-9
Chassis Group	F-10
Curtain, Cushion & Pad Group	F-11 - F-15
Dinette Group	F-16
Driver's Compartment Group	F-17
Electrical Group	F-18 - F-19
Exterior Body Group	F-20 - F-23
Galley Group	F-24
Heating & Air Conditioning Group	G-1
Interior Finish Group	G-2 - G-3
LP Group	G-4
Lounge Group	G-5
Water & Sewage Group	G-6
Window, Vent & Exterior Door Group	G-7 - G-16

WINDOW, VENT AND EXTERIOR DOOR GROUP (CONTINUED)

VENTS

Key	Part Number	U/M	Description
	039770-01-000	EA	Cover - Refrigerator Vent - Plastic
	009407-01-000	EA	Base - Frame - Refrigerator Vent w/o Cover
	049352-01-000	EA	Vent - Outside - Stovehood - Off White
**	048789-01-000	EA	Vent Asm. - Roof - Powered w/o Screen - Alum.
**	048835-01-000	EA	Vent Asm. - Roof - Non Powered - w/o Screen - Alum.
**	056119-01-000	EA	Vent Asm. - Roof - Powered/Lighted - Jensen - White

**The illustrated parts breakdown for this item is provided on the Common Items Fiche.

ACCESS DOORS

Key	Part Number	U/M	Description
	052775-01-000	EA	Door Asm. - Generator - Off White w/Twist Lock
	052743-01-000	EA	Baffle - Generator Door
	055500-01-000	EA	Door Asm. - Gas Fill - Off White w/Key Lock
	057086-01-000	EA	Door Asm. - Power Cord - w/Hatch - Off White w/Twist Lock
	052950-03-700	EA	Lock Asm. - Key Type - Power Cord Door - Straight Cam
	033333-25-000	EA	Door Asm. - Storage - 33.8" x 8.9" - Off White w/Key Lock
	052009-01-000	EA	Door Asm. - Water Heater Access - Off White - Atwood
	033333-22-000	EA	Door Asm. - LP - Off White w/Twist Type Plastic Latch
	052776-01-000	EA	Door Asm. - Luggage - Off White w/Key Type Lock
	054270-07-000	EA	Door Asm. - Refrigerator Access - Off White w/Twist Type Lock
	047305-01-000	EA	Lock Asm. - Key Type w/Clip
	052950-01-700	EA	Lock Asm. - Twist Type - White Plastic w/Retainer Clip
	016945-02-000	EA	Holder Asm. - Battery or Luggage Door (Holds door open)

1980 WINNEBAGO TABLE OF CONTENTS

WD/WC420RG L1	A-1 - B-10
WDF26RH L1	B-11 - D-4
WDF26RT L1	D-5 - F-4
WD423RB L1	F-5 - G-16

1980 WD423RB L1 INDEX

Floor Plan	F-5 - F-6
Accessories Group	F-7 - F-8
Bath Group	F-9
Chassis Group	F-10
Curtain, Cushion & Pad Group	F-11 - F-15
Dinette Group	F-16
Driver's Compartment Group	F-17
Electrical Group	F-18 - F-19
Exterior Body Group	F-20 - F-23
Galley Group	F-24
Heating & Air Conditioning Group	G-1
Interior Finish Group	G-2 - G-3
LP Group	G-4
Lounge Group	G-5
Water & Sewage Group	G-6
Window, Vent & Exterior Door Group	G-7 - G-16