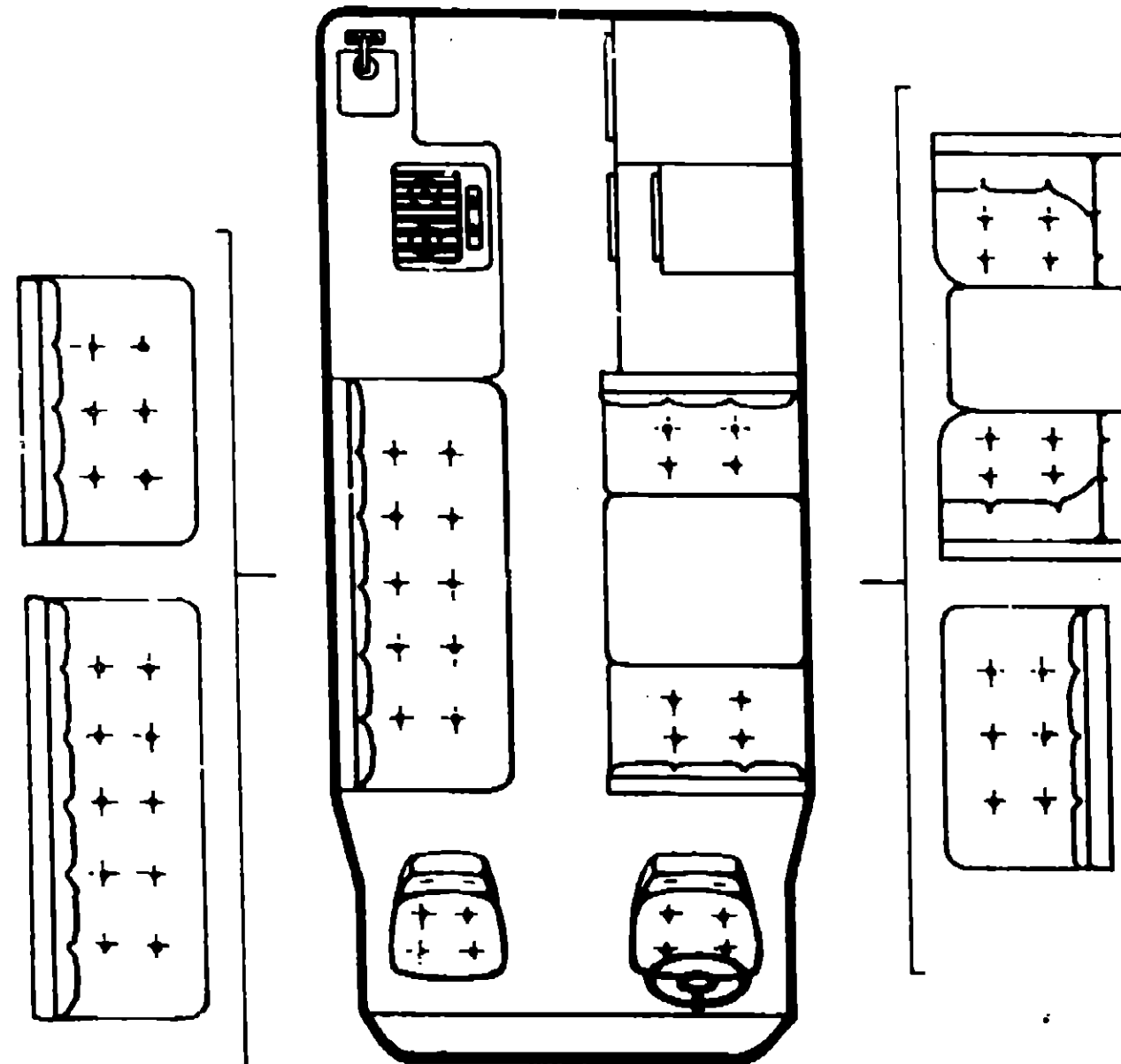


1980 WD319RK L1



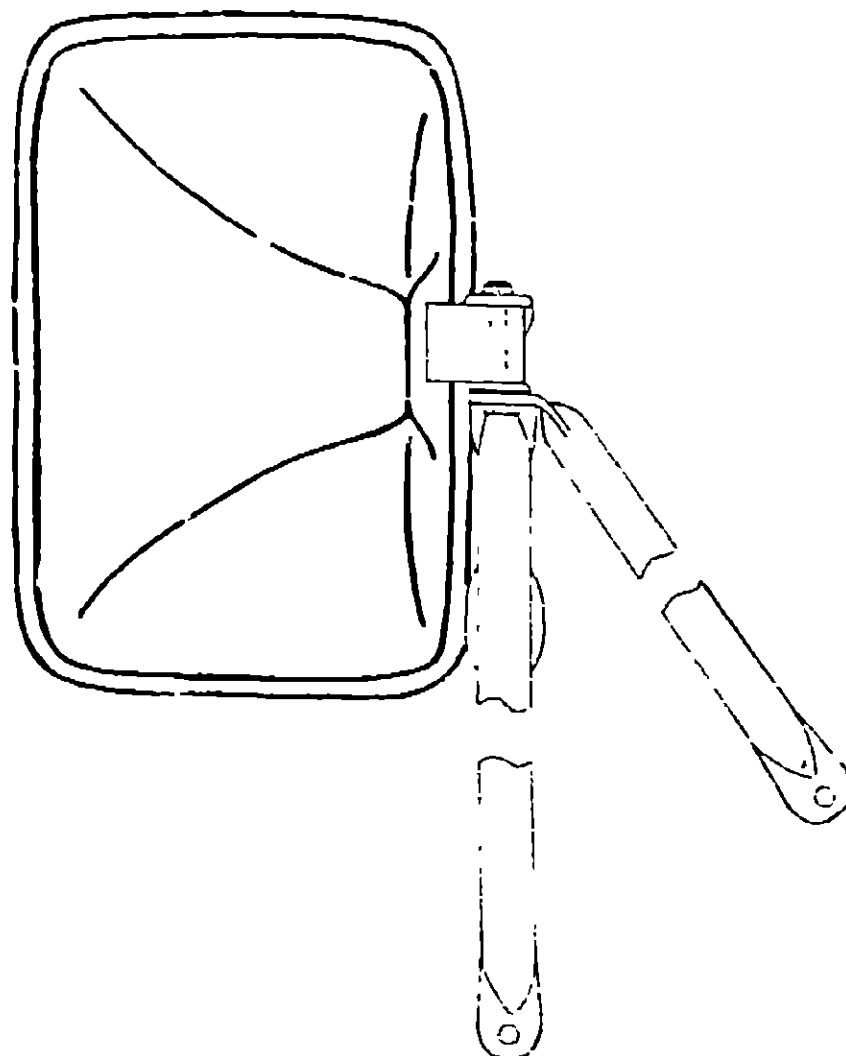
1980 WINNEBAGO TABLE OF CONTENTS

WC/WG/WDF22RB L1	A-1 - B-20
WC/WDN26RB L1	B-21 - D-16
WD319RK L1	D-17 - E-20

1980 WD319RK INDEX

Floor Plan	D-17 - D-18
Accessories Group	D-19 - D-20
Chassis Group	D-21
Curtain, Cushion and Pad Group	D-22 - E-2
Dinette Group	E-3
Driver's Compartment Group	E-4
Electrical Group	E-5 - E-6
Exterior Body Group	E-7 - E-8
Galley Group	E-9
Heating & Air Conditioning Group	E-10
Interior Finish Group	E-11 - E-12
LP Group	E-13
Lounge Group	E-14
Water & Sewage Group	E-15
Window, Vent & Exterior Door Group	E-16 - E-20

ACCESSORIES GROUP



Key	Part Number	U/M	Description
1	066431-02-000	EA	Mirror Head - Satin - 8.75" x 10.25"
1	066431-01-000	EA	Mirror Head - Off White - 6.75" x 10.25"
2	066431-05-000	EA	Arm - Off White - Right - Dodge
2	066431-06-000	EA	Arm - Off White - Left - Dodge

ACCESSORIES GROUP (CONTINUED)

RADIOS AND RELATED COMPONENTS

Key	Part Number	U/M	Description
	007004-01-000	EA	Antenna - Radio - Cab Mount
	064785-01-000	EA	Radio - AM - Audiovox
	064786-01-000	EA	Radio - AM/FM/MPX - w/8 Track - Audiovox
	064787-01-000	EA	Radio - AM/FM/MPX - w/Cassette - Audiovox
	064788-01-000	EA	Radio - AM/FM - Digital - w/Cassette - Audiovox
	064789-01-000	EA	Radio - AM/FM - Digital - w/8 Track - Audiovox
	064790-01-000	EA	Speaker - Recessed - 5.25" Dia. - Audiovox
	064792-01-000	EA	Grille - Speaker - Brown - Audiovox
	064793-01-000	EA	Trimplate - Radio - Dodge C-Body

MISCELLANEOUS ACCESSORIES

Key	Part Number	U/M	Description
**	059778-01-000	EA	Speed Control - Dodge - Electric - Dana
	065713-01-000	EA	Sport Steering Wheel
	065748-02-000	EA	Hub Kit - Sport Steering Wheel
	062647-01-000	EA	Cab Screen - Window - Right - Dodge
	062647-03-000	EA	Cab Screen - Window - Left - Dodge
	063739-01-000	EA	Battery - 12 Volt - Gould
	062645-01-000	EA	Mag Wheel - 8" x 16.5"
	062645-04-000	EA	Hub Kit - Mag Wheel
**	031306-03-000	EA	Wheel Cover - 16.5" - Chrome
	064477-02-000	EA	Cover - Spare Tire - Off White
	008115-01-000	EA	Jack - Hydraulic - 5 Ton
	C41944-03-000	EA	Fire Extinguisher - 5 BC
	054185-08-000	EA	Owners Manual - 1980 Winnebago
	007038-01-000	EA	Mat - Door - Black Rubber - 10 1/2" x 26"
	066736-01-000	EA	Ladder - Ladder - Folding - Ladder & Rack
	067854-01-700	EA	Luggage Rack w/o Ladder
	044783-01-000	EA	Mud Flap - Front - Black Rubber
	017516-01-000	EA	Mudflap - Black Rubber - 14" x 18" w/Holes

**The illustrated parts breakdown for this item is provided on the Common Items Fiche

1980 WINNEBAGO TABLE OF CONTENTS

WC/WG/WDF22RB L1
WC/WDN28RB L1
WD319RK L1

A-1 - B-20
B-21 - D-16
D-17 - E-20

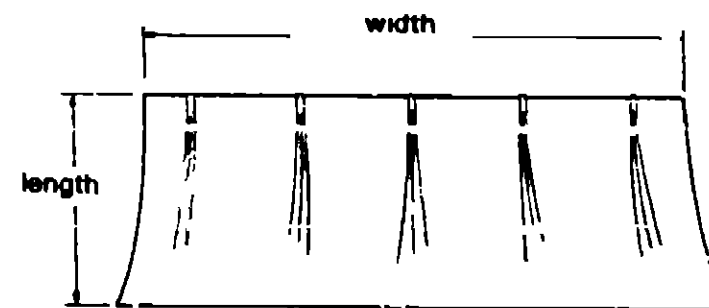
1980 WD319RK INDEX

Floor Plan	D-17 - D-18
Accessories Group	D-19 - D-20
Chassis Group	D-21
Curtain, Cushion & Pad Group	D-22 - E-2
Dinette Group	E-3
Driver's Compartment Group	E-4
Electrical Group	E-5 - E-6
Exterior Body Group	E-7 - E-8
Galley Group	E-9
Heating & Air Conditioning Group	E-10
Interior Finish Group	E-11 - E-12
LP Group	E-13
Lounge Group	E-14
Water & Sewage Group	E-15
Window, Vent & Exterior Door Group	E-16 - E-20

CHASSIS GROUP

Key	Part Number	U/M	Description
	063739-01-000	EA	Battery - 12 Volt - Gould
	065118-01-000	EA	Wheel - 6.75" x 16.5" - Dodge
	049407-01-000	EA	Tire - 8.75" x 16.5" - 8 Ply - Goodyear
	017516-01-000	EA	Mud Flap - Black Rubber - 14" x 19"
	044763-01-000	EA	Mud Flap - Front - Black Rubber
	062322-01-000	EA	Wheel Well - Steel
	062289-01-000	EA	Luggage Compartment - Plastic
	062641-01-000	EA	Front Bumper - Chrome
	063870-02-000	EA	Bumper Asm Rear - Chrome
	063870-03-000	EA	Bumper Asm - Rear - Pnmed
	023690-02-000	EA	Drawbar Asm
	034512-01-000	EA	Locking Pin - Drawbar
	034513-01-000	EA	Pin - Hitch - 3/16" Wire
	064741-01-000	EA	Spare Tire Bracket

CURTAIN, CUSHION AND PAD GROUP



NOTE:

Use this illustration when determining length and width measurements for curtains. You will note the width measurement is taken on the top of the curtain with the curtain fully extended. The length measurement is taken from top to bottom.

1980 WINNEBAGO TABLE OF CONTENTS

WC/WG/WDF22RB L1	A-1 - B-20
WC/WDN26RB L1	B-21 - D-16
WD319RK L1	D-17 - E-20

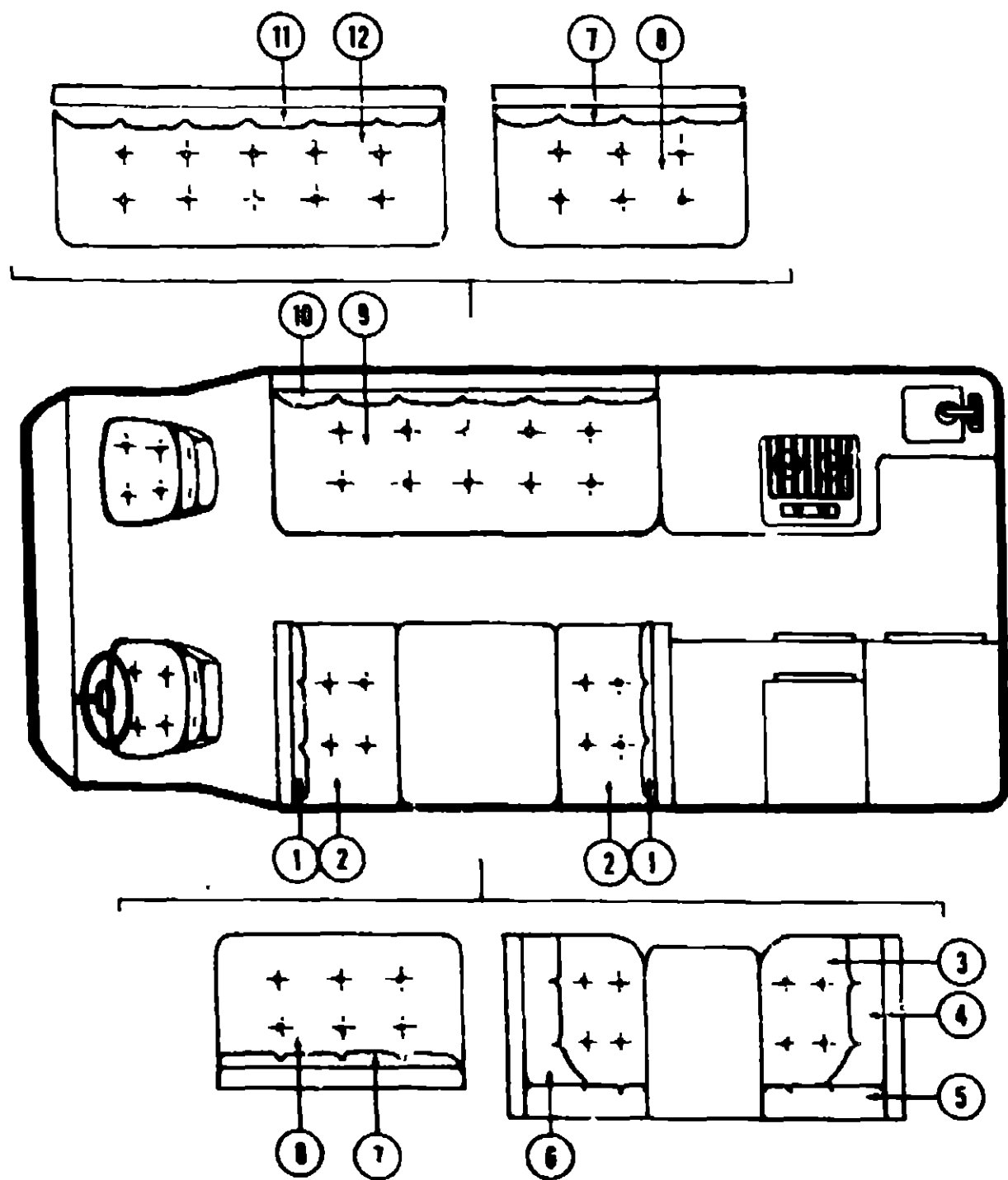
CURTAINS & BLINDS

Key	Part Number	U/M	Description
	067715-02-L16	EA	Curtain Asm - Wraparound - Left - Rust
	067715-02-L17	EA	Curtain Asm - Wraparound - Left - Beige
	M67715-02-L16	EA	Curtain Asm - Wraparound - Left - Red
	M67715-02-L17	EA	Curtain Asm - Wraparound - Left - Ivory
	067715-01-L16	EA	Curtain Asm - Wraparound - Right - Rust
	067715-01-L17	EA	Curtain Asm - Wraparound - Right - Beige
	M67715-01-L16	EA	Curtain Asm - Wraparound - Right - Red
	M67715-01-L17	EA	Curtain Asm - Wraparound - Right - Ivory
	063621-01-L16	EA	Curtain Asm - Snap Top and Bottom - 25" x 15" - Rust
	063621-01-L17	EA	Curtain Asm - Snap Top and Bottom - 25" x 15" - Beige
	M63621-01-L16	EA	Curtain Asm - Snap Top and Bottom - 25" x 45" - Red
	M63621-01-L17	EA	Curtain Asm - Snap Top and Bottom - 25" x 45" - Ivory
	063621-02-L16	EA	Curtain Asm - Snap Top and Bottom - 25" x 12" - Rust
	063621-02-L17	EA	Curtain Asm - Snap Top and Bottom - 25" x 12" - Beige
	M63621-02-L16	EA	Curtain Asm - Snap Top and Bottom - 25" x 12" - Red
	M63621-02-L17	EA	Curtain Asm - Snap Top and Bottom - 25" x 12" - Ivory
	063621-03-L16	EA	Curtain Asm - Snap Top and Bottom - 23 1/4" x 12" - Rust
	063621-03-L17	EA	Curtain Asm - Snap Top and Bottom - 23 1/4" x 12" - Beige
	M63621-03-L16	EA	Curtain Asm - Snap Top and Bottom - 23 1/4" x 12" - Red
	M63621-03-L17	EA	Curtain Asm - Snap Top and Bottom - 23 1/4" x 12" - Ivory
	065683-01-L16	EA	Curtain Asm - Velcro in Corners - 12" x 27.5" - Rust
	065683-01-L17	EA	Curtain Asm - Velcro in Corners - 12" x 27.5" - Beige
	M65683-01-L16	EA	Curtain Asm - Velcro in Corners - 12" x 27" - Red
	M65683-01-L17	EA	Curtain Asm - Velcro in Corners - 12" x 27" - Ivory
	065685-01-L16	EA	Curtain Asm - Snap - 19.5" x 54" - Rust
	065685-01-L17	EA	Curtain Asm - Snap - 19.5" x 54" - Beige
	M65685-01-L16	EA	Curtain Asm - Snap - 19.5" x 54" - Red
	M65685-01-L17	EA	Curtain Asm - Snap - 19.5" x 54" - Ivory
	062032-01-000	EA	Blinds - Levelor - Polished Aluminum - 68" x 25"
	062032-02-000	EA	Blinds - Levelor - Polished Aluminum - 16" x 25"

1980 WD319RK INDEX

Floor Plan	D-17 - D-18
Accessories Group	D-19 - D-20
Chassis Group	D-21
Curtain, Cushion & Pad Group	D-22 - E-2
Dinette Group	E-3
Driver's Compartment Group	E-4
Electrical Group	E-5 - E-6
Exterior Body Group	E-7 - E-8
Galley Group	E-9
Heating & Air Conditioning Group	E-10
Interior Finish Group	E-11 - E-12
LP Group	E-13
Lounge Group	E-14
Water & Sewage Group	E-15
Window, Vent & Exterior Door Group	E-16 - E-20

CURTAIN, CUSHION AND PAD GROUP (CONTINUED)



CONVENTIONAL DINETTE CUSHIONS

Key	Part Number	U/M	Description
1	063327-01-L16	EA	Cushion - Dinette Back - 14 8" x 35" x 5" - Blue/Rust
1	063327-01-L17	EA	Cushion - Dinette Back - 14 8" x 35" x 5" - Brown/Beige
1	063327-01-L18	EA	Cushion - Dinette Back - 14 8" x 35" x 5" - Rust/Rust
	M00044-01-L16	EA	Cover - Dinette Cushion - 14 8" x 35" x 5" - Blue/Rust
	M00044-01-L17	EA	Cover - Dinette Cushion - 14 8" x 35" x 5" - Brown/Beige
	M00044-01-L18	EA	Cover - Dinette Cushion - 14 8" x 35" x 5" - Rust/Rust
2	063327-02-L16	EA	Cushion - Dinette Bottom - 21.8" x 37" x 5" - Blue/Rust
2	063327-02-L17	EA	Cushion - Dinette Bottom - 21.8" x 37" x 5" - Brown/Beige
2	063327-02-L18	EA	Cushion - Dinette Bottom - 21.8" x 37" x 5" - Rust/Rust
	M00044-02-L15	EA	Cover - Dinette Cushion - 21.8" x 37" x 5" - Blue/Rust
	M00044-02-L17	EA	Cover - Dinette Cushion - 21.8" x 37" x 5" - Brown/Beige
	M00044-02-L18	EA	Cover - Dinette Cushion - 21.8" x 37" x 5" - Rust/Rust

CURTAIN, CUSHION AND PAD GROUP (CONTINUED)

CORNER LOUNGE CUSHIONS

Key	Part Number	U/M	Description
3	063428-01-L16	EA	Cushion - Corner Lounge Bottom - 26" x 28" x 4.5" - Blue/Rust
3	063428-01-L17	EA	Cushion - Corner Lounge Bottom - 26" x 28" x 4.5" - Brown/Beige
3	063428-01-L18	EA	Cushion - Corner Lounge Bottom - 26" x 28" x 4.5" - Rust/Rust
	M00048-03-L16	EA	Cover - Corner Lounge Cushion - 26" x 28" x 4.5" - Blue/Rust
	M00048-03-L17	EA	Cover - Corner Lounge Cushion - 26" x 28" x 4.5" - Brown/Beige
	M00048-03-L18	EA	Cover - Corner Lounge Cushion - 26" x 28" x 4.5" - Rust/Rust
4	063429-02-L16	EA	Cushion - Corner Lounge Wedge - Right - 14" x 23" - Blue/Rust
4	063429-02-L17	EA	Cushion - Corner Lounge Wedge - Right - 14" x 23" - Brown/Beige
4	063429-02-L18	EA	Cushion - Corner Lounge Wedge - Right - 14" x 23" - Rust/Rust
	M00044-06-L16	EA	Cover - Corner Lounge Wedge - Right - 14" x 23" - Blue/Rust
	M00044-06-L17	EA	Cover - Corner Lounge Wedge - Right - 14" x 23" - Brown/Beige
	M00044-06-L18	EA	Cover - Corner Lounge Wedge - Right - 14" x 23" - Rust/Rust
5	063427-01-L16	EA	Cushion - Corner Lounge Back - 11" x 26" x 4.5" - Blue/Rust
5	063427-01-L17	EA	Cushion - Corner Lounge Back - 11" x 26" x 4.5" - Brown/Beige
5	063427-01-L18	EA	Cushion - Corner Lounge Back - 11" x 26" x 4.5" - Rust/Rust
	M00048-01-L16	EA	Cover - Corner Lounge Cushion - 11" x 26" x 4.5" - Blue/Rust
	M00048-01-L17	EA	Cover - Corner Lounge Cushion - 11" x 26" x 4.5" - Brown/Beige
	M00048-01-L18	EA	Cover - Corner Lounge Cushion - 11" x 26" x 4.5" - Rust/Rust
6	063429-01-L16	EA	Cushion - Corner Lounge Wedge - Left - 14" x 23" - Blue/Rust
6	063429-01-L17	EA	Cushion - Corner Lounge Wedge - Left - 14" x 23" - Brown/Beige
6	063429-01-L18	EA	Cushion - Corner Lounge Wedge - Left - 14" x 23" - Rust/Rust
	M00044-05-L16	EA	Cover - Corner Lounge Wedge - Left - 14" x 23" - Blue/Rust
	M00044-05-L17	EA	Cover - Corner Lounge Wedge - Left - 14" x 23" - Brown/Beige
	M00044-05-L18	EA	Cover - Corner Lounge Wedge - Left - 14" x 23" - Rust/Rust

LOUNGE CUSHIONS

Key	Part Number	U/M	Description
7	067025-03-L16	EA	Sprung Couch - Back - 64" x 13 63" - Blue/Rust
7	067025-03-L17	EA	Sprung Couch - Back - 64" x 13 63" - Brown/Beige
7	067025-03-L18	EA	Sprung Couch - Back - 64" x 13 63" - Rust/Rust
	M00044-20-L16	EA	Cover Asm. - Sprung Couch Back - 64" x 13 63" - Blue/Rust
	M00044-20-L17	EA	Cover Asm. - Sprung Couch Back - 64" x 13 63" - Brown/Beige
	M00044-20-L18	EA	Cover Asm. - Sprung Couch Back - 64" x 13 63" - Rust/Rust
	066737-05-000	EA	Bracket - Sprung Couch - Hold Down
	066737-06-000	EA	Folding Leg - Sprung Couch - 11 40"
	066737-07-000	EA	Bracket - Folding Leg - Sprung Couch
8	067024-03-L16	EA	Sprung Couch - Bottom - 64" x 29.25" - Blue/Rust
8	067024-03-L17	EA	Sprung Couch - Bottom - 64" x 29.25" - Brown/Beige
8	067024-03-L18	EA	Sprung Couch - Bottom - 64" x 29.25" - Rust/Rust
	M00044-19-L16	EA	Cover Asm. - Sprung Couch Bottom - 64" x 29.25" - Blue/Rust
	M00044-19-L17	EA	Cover Asm. - Sprung Couch Bottom - 64" x 29.25" - Brown/Beige
	M00044-19-L18	EA	Cover Asm. - Sprung Couch Bottom - 64" x 29.25" - Rust/Rust
9	063329-01-L16	EA	Lester Lounge Asm. - 13" x 17.8" x 72.75" x 5" - Two Fold - Blue/Rust
9	063329-01-L17	EA	Lester Lounge Asm. - 13" x 17.8" x 72.75" x 5" - Two Fold - Brown/Beige
9	063329-01-L18	EA	Lester Lounge Asm. - 13" x 17.8" x 72.75" x 5" - Two Fold - Rust/Rust
	M00047-01-L16	EA	Cover - Lester Lounge - 13" x 17.8" x 72.75" - Two Fold - Blue/Rust
	M00047-01-L17	EA	Cover - Lester Lounge - 13" x 17.8" x 72.75" - Two Fold - Brown/Beige
	M00047-01-L18	EA	Cover - Lester Lounge - 13" x 17.8" x 72.75" - Two Fold - Rust/Rust
10	063330-01-L16	EA	Cushion - Lester Lounge - 11.5" x 72.75" x 5" - Blue/Rust
10	063330-01-L17	EA	Cushion - Lester Lounge - 11.5" x 72.75" x 5" - Brown/Beige
10	063330-01-L18	EA	Cushion - Lester Lounge - 11.5" x 72.75" x 5" - Rust/Rust
	M00046-01-L16	EA	Cover - Lester Lounge - 11.5" x 72.75" x 5" - Blue/Rust
	M00046-01-L17	EA	Cover - Lester Lounge - 11.5" x 72.75" x 5" - Brown/Beige
	M00046-01-L18	EA	Cover - Lester Lounge - 11.5" x 72.75" x 5" - Rust/Rust

1980 WINNEBAGO TABLE OF CONTENTS

WC/WG/WDF22RB L1	A-1 - B-20
WC/WDN26RB L1	B-21 - D-16
WD319RK L1	D-17 - E-20

1980 WD319RK INDEX

Floor Plan	D-17 - D-18
Accessories Group	D-19 - D-20
Chairs Group	D-21
Curtain, Cushion & Pad Group	D-22 - E-2
Dinette Group	E-3
Driver's Compartment Group	E-4
Electrical Group	E-5 - E-6
Exterior Body Group	E-7 - E-8
Galley Group	E-9
Heating & Air Conditioning Group	E-10
Interior Finish Group	E-11 - E-12
LP Group	E-13
Lounge Group	E-14
Water & Sewage Group	E-15
Window, Vent & Exterior Door Group	E-16 - E-20

CURTAIN, CUSHION AND PAD GROUP (CONTINUED)

LOUNGE CUSHION

Key	Part Number	U/M	Description
11	067024-01-L16	EA	Sprung Couch - Back - 69.75" x 13.63" - Blue/Rust
11	067024-01-L17	EA	Sprung Couch - Back - 69.75" x 13.63" - Brown/Beige
11	067024-01-L18	EA	Sprung Couch - Back - 69.75" x 13.63" - Rust/Rust
	M00044-13-L16	EA	Cover - Sprung Couch Back - 69.75" x 13.63" - Blue/Rust
	M00044-13-L17	EA	Cover - Sprung Couch Back - 69.75" x 13.63" - Brown/Beige
	M00044-13-L18	EA	Cover - Sprung Couch Back - 69.75" x 13.63" - Rust/Rust
12	067025-01-L16	EA	Sprung Couch - Bottom - 69.75" x 29.25" - Blue/Rust
12	067025-01-L17	EA	Sprung Couch - Bottom - 69.75" x 29.25" - Brown/Beige
12	067025-01-L18	EA	Sprung Couch - Bottom - 69.75" x 29.25" - Rust/Rust
	M00044-14-L16	EA	Cover - Sprung Couch Bottom - 69.75" x 29.25" - Blue/Rust
	M00044-14-L17	EA	Cover - Sprung Couch Bottom - 69.75" x 29.25" - Brown/Beige
	M00044-14-L18	EA	Cover - Sprung Couch Bottom - 69.75" x 29.25" - Rust/Rust

BUCKET SEATS AND ARMRESTS

Key	Part Number	U/M	Description
	065939-01-L16	EA	Seat Asm. - High Back Bucket w/Right Armrest and Skirt - Blue/Rust
	065939-01-L17	EA	Seat Asm. - High Back Bucket w/Right Armrest and Skirt - Brown/Beige
	065939-01-L18	EA	Seat Asm. - High Back Bucket w/Right Armrest and Skirt - Rust/Rust
	065939-02-L16	EA	Seat Asm. - High Back Bucket w/Left Armrest and Skirt - Blue/Rust
	065939-02-L17	EA	Seat Asm. - High Back Bucket w/Left Armrest and Skirt - Brown/Beige
	065939-02-L18	EA	Seat Asm. - High Back Bucket w/Left Armrest and Skirt - Rust/Rust
	065943-03-L16	EA	Cover - Bucket Seat - Back - Blue/Rust
	065943-03-L17	EA	Cover - Bucket Seat - Back - Brown/Beige
	065943-03-L18	EA	Cover - Bucket Seat - Back - Rust/Rust
	065944-03-L16	EA	Cover - Bucket Seat - Bottom - Blue/Rust
	065944-03-L17	EA	Cover - Bucket Seat - Bottom - Brown/Beige
	065944-03-L18	EA	Cover - Bucket Seat - Bottom - Rust/Rust
	050275-01-700	EA	Armrest Asm. - Foam w/o Cover - Right
	050276-01-700	EA	Armrest Asm. - Foam w/o Cover - Left
	065774-03-L16	EA	Cover - Armrest - Right or Left - Blue/Rust
	065774-03-L17	EA	Cover - Armrest - Right or Left - Brown/Beige
	065774-03-L18	EA	Cover - Armrest - Right or Left - Rust/Rust
	066015-03-L16	EA	Skirt - High Back Bucket - Blue/Rust
	066015-03-L17	EA	Skirt - High Back Bucket - Brown/Beige
	066015-03-L18	EA	Skirt - High Back Bucket - Rust/Rust
	067035-01-L16	EA	Slip Cover - Dodge Bucket Seat - Blue/Rust
	067035-01-L17	EA	Slip Cover - Dodge Bucket Seat - Brown/Beige
	067035-01-L18	EA	Slip Cover - Dodge Bucket Seat - Rust/Rust
	061825-01-L16	EA	Seat Asm. - Low Back Bucket - Blue/Rust
	061825-01-L17	EA	Seat Asm. - Low Back Bucket - Brown/Beige
	061825-01-L18	EA	Seat Asm. - Low Back Bucket - Rust/Rust
	061836-01-L16	EA	Cover - Low Bucket - Back - Blue/Rust
	061836-01-L17	EA	Cover - Low Bucket - Back - Brown/Beige
	061836-01-L18	EA	Cover - Low Bucket - Back - Rust/Rust
	061837-01-L16	EA	Cover - Low Bucket - Bottom - Blue/Rust
	061837-01-L17	EA	Cover - Low Bucket - Bottom - Brown/Beige
	061837-01-L18	EA	Cover - Low Bucket - Bottom - Rust/Rust

CURTAIN, CUSHION AND PAD GROUP (CONTINUED)

FABRICS, TRIMS AND PADS

Key	Part Number	U/M	Description
	053327-01-000	YD	Vinyl - Non Expanded - 27 oz. Acorn Brown
	053327-02-000	YD	Vinyl - Expanded - 28 oz. Acorn Brown
	053327-03-000	YD	Vinyl - Non Support - 16 Gr.uge Film - Acorn Brown
	056784-02-000	YD	Fabric - Drapery - Rust
	057074-01-000	YD	Fabric - Drapery - Beige
	048328-03-000	YD	Fabric - Drapery - Red
	058333-01-000	YD	Fabric - Drapery - Ivory
	062823-02-000	YD	Fabric - Upholstery - Lagoon (Blue/Rust) - Main
	062823-03-000	YD	Fabric - Upholstery - Mushroom (Brown/Beige) - Main
	062823-01-000	YD	Fabric - Upholstery - Russell (Rust/Rust) - Main
	062822-02-000	YD	Fabric - Upholstery - Federal (Blue/Rust) - Accent
	062822-03-000	YD	Fabric - Upholstery - Fawn (Brown/Beige) - Accent
	062822-01-000	YD	Fabric - Upholstery - Clay (Rust/Rust) - Accent
	052858-01-J27	FT	Accent Trim - Acorn Brown Vinyl

CURTAIN HARDWARE

Key	Part Number	U/M	Description
	052327-04-236	EA	Track - Curtain - Brown - 88" w/Holes
	009107-01-000	EA	Guide - Nylon Snap - Curtain
	018031-42-000	EA	Track - Curtain - "L" Rod - Alum. Extr. - 90"
	009701-01-000	EA	Carrier - "L" Rod - Curtain
	009702-02-000	EA	End Stop - "L" Rod - Curtain



Key	Part Number	U/M	Description
1	029130-01-000	EA	Socket - Snap Fastener
2	029155-01-000	EA	Cap - Snap - .156" Dia. x .17" Barrel
3	029158-01-000	EA	Socket - Snap Fastener
4	029082-01-000	EA	Stud - Nickel Finish
5	029093-01-000	EA	Eyelet - Nickel Finish

**1990 WINNEBAGO
TABLE OF CONTENTS**

WC/W3/WDF22RB L1	A-1 - B-20
WC/WDN28RB L1	B-21 - D-16
WD319RK L1	D-17 - E-20

1990 WD319RK INDEX

Floor Plan	D-17 - D-18
Accessories Group	D-19 - D-20
Chassis Group	D-21
Curtain, Cushion & Pad Group	D-22 - E-2
Dinette Group	E-3
Driver's Compartment Group	E-4
Electrical Group	E-5 - E-6
Exterior Body Group	E-7 - E-8
Galley Group	E-9
Heating & Air Conditioning Group	E-10
Interior Finish Group	E-11 - E-12
LP Group	E-13
Lounge Group	E-14
Water & Sewage Group	E-15
Window, Vent & Exterior Door Group	E-16 - E-20

DINETTE GROUP

CONVENTIONAL DINETTE

Key	Part Number	U/M	Description
	M0110-01-L16	EA	Dinette Seat Cabinet - Right - w/o Door and Hardware
	M0112-01-L16	EA	Dinette Seat Cabinet - Left - w/o Door and Hardware
	063224-03-L16	EA	Door Asm - Rolled - 11.6" x 18.75"
	053248-05-L14	EA	Table Asm. - Dinette - Blue - 27.2" x 36"
	053248-05-L15	EA	Table Asm. - Dinette - Rust Fiesta - 27.2" x 36"
	053248-05-L16	EA	Table Asm. - Dinette - Bone - 27.2" x 36"
	009040-03-000	EA	Base - Table - Raised
	009040-02-000	EA	Leg - Pedestal Table - 27.5"
	041194-01-000	EA	Base - Table - Flush Mount

CORNER LOUNGE CHAIRS

Key	Part Number	U/M	Description
	063623-01-L16	EA	Cabinet Asm. - Corner Lounge Chair - Left - w/o Door and Hardware
	063675-01-L16	EA	Cabinet Asm. - Corner Lounge Chair Right - w/o Door and Hardware
	063224-03-L16	EA	Door Asm - Rolled - 11.6" x 18.75"
	085461-01-L14	EA	Table Asm. - 21" x 30.8" - Blue
	085461-01-L15	EA	Table Asm. - 21" x 30.8" - Rust Fiesta
	085461-01-L16	EA	Table Asm. - 21" x 30.8" - Bone
	086441-01-000	EA	Leg - Folding - 11.5"
	009040-03-000	EA	Base - Table - Raised
	009040-02-000	EA	Leg - Pedestal Table - 27.5"

DRIVER'S COMPARTMENT GROUP

PANEL, GAUGE AND SWITCHES

Key	Part Number	U/M	Description
	024461-01-000	EA	Switch - Dual Battery
	046885-01-000	EA	Plaque - Switch Mounting
	008277-01-000	EA	Fuse Holder - Panel Mount - Black
	008233-01-000	EA	Fuse - 12V - 6 Amp
	052577-01-000	EA	Gauge - Voltmeter w/Bracket
	024462-01-000	EA	Switch - Battery Condition
	064950-01-000	EA	Map Lite - Chrome - w/Plaque and Switch Jensen
	064956-01-000	EA	Travel Center Panel - Black w/Voltmeter, Digital Clock and Map Lite
	067026-01-000	EA	Bezel - Overhead Console - w/Cut Out for Dual Battery Switch and Fuse
	067026-02-000	EA	Bezel - Overhead Console - w/Cut Out For Dual Battery Switch Fuse Voltmeter and Map Lite
	067026-03-000	EA	Bezel - Overhead Console - w/Cut Out for Map Lite

MISCELLANEOUS COMPARTMENTS

Key	Part Number	U/M	Description
	067950-01-000	EA	Pedestal - Dodge - Right
	057950-02-000	EA	Pedestal - Dodge - Left
	050447-01-000	EA	Pedestal Asm - Tilt - Left
	050447-02-000	EA	Pedestal Asm - Tilt - Right
	051382-01-000	EA	Adjuster Asm - Bucket Seat - w/Lock
	051383-01-000	EA	Adjuster Asm. - Bucket Seat - w/o Lock
	007019-01-000	EA	Seat Belt Asm - 2" x 84"
	065746-01-000	EA	Sport Steering Wheel
	065746-02-000	EA	Hub Kit - Sport Steering Wheel
	062647-01-000	EA	Screen - Cab Window - Right
	062647-02-000	EA	Screen - Cab Window - Left

1980 WINNER/GO TABLE OF CONTENTS

WC/WG/WDF22RB L1	A-1 - B-20
WC/WDN28RB L1	B-21 - D-16
WD319RK L1	D-17 - E-20

1980 WD319RK INDEX

Floor Plan	D-17 - D-18
Accessories Group	D-19 - D-20
Chassis Group	D-21
Curtain, Cushion & Pad Group	D-22 - E-2
Dinette Group	E-3
Driver's Compartment Group	E-4
Electrical Group	E-5 - E-6
Exterior Body Group	E-7 - E-8
Galley Group	E-9
Heating & Air Conditioning Group	E-10
Interior Finish Group	E-11 - E-12
LP Group	E-13
Lounge Group	E-14
Water & Sewage Group	E-15
Window, Vent & Exterior Door Group	E-16 - E-20

ELECTRICAL GROUP

BULBS

Key	Part Number	U/M	Description
	037935-01-000	EA	Bulb - 1157
	038010-01-000	EA	Bulb - 1143 - Frosted
	008103-01-000	EA	Bulb - 53
	008213-01-000	EA	Bulb - 57
	008214-01-000	EA	Bulb - 67
	008215-01-000	EA	Bulb - 1003
	008216-01-000	EA	Bulb - 1034
	008217-01-000	EA	Bulb - 1073
	008218-01-000	EA	Bulb - 1141
	008219-01-000	EA	Bulb - 656
	008220-01-000	EA	Bulb - 12V - 25W
	038196-01-000	EA	Bulb - 194
	700070-01-000	EA	Bulb - 12V - 20W - 1383

INTERIOR LIGHTS

Key	Part Number	U/M	Description
	024418-01-000	EA	Lamp Asm - Map/Gauge/Isle
	033508-02-000	EA	Light - Dome - Ivory - 1 Bulb
	024642-01-701	EA	Lens - Dome Light - 1 Bulb
	033509-02-000	EA	Light - Dome - Ivory - 2 Bulb
	024643-01-701	EA	Lens - Dome Light - 2 Bulb
	033508-03-000	EA	Light - Dome - Ivory - 1 Bulb CSA
	033509-03-000	EA	Light - Dome - Ivory - 2 Bulb CSA
	063256-01-000	EA	Light - Ceiling - Recessed - 1 Bulb
	063254-01-000	EA	Light - Overhead Console w/Fader

EXTERIOR LIGHTS

Key	Part Number	U/M	Description
	062648-01-000	EA	Clearance Lite - Red
	062648-02-000	EA	Clearance Lite - Amber
	062900-01-000	EA	Light - Side Marker
	062649-01-000	EA	Tail Lamp Asm
	062649-02-000	EA	Lens - Tail Lamp
	066432-01-000	EA	Bracket - License - Tail Lamp

ELECTRICAL GROUP (CONTINUED)

FUSES AND CIRCUIT BREAKER

Key	Part Number	U/M	Description
	056473-02-000	EA	Fuse - Slow Blow - 5 Amp
	008233-01-000	EA	Fuse - 12 Volt - 6 Amp.
	008234-01-000	EA	Fuse - 12 Volt - 10 Amp
	008235-01-000	EA	Fuse - 12 Volt - 15 Amp.
	008236-01-000	EA	Fuse - 12 Volt - 20 Amp.
	008246-01-000	EA	Fuse - 110 Volt - 30 Amp - 1GU
	008252-01-000	EA	Fuse - 110 Volt - 50 Amp.
	008208-01-000	EA	Circuit Breaker - 12 Volt - 40 Amp
	008211-01-000	EA	Circuit Breaker - 12 Volt - 6 Amp.
	008268-01-000	EA	Circuit Breaker - 12 Volt - 30 Amp w/Mount
	033573-01-000	EA	Circuit Breaker - 12 Volt - 20 Amp w/Mount
	040051-01-000	EA	Circuit Breaker - 110 Volt - 20 Amp - TQL

WIRE, SWITCHES AND RECEPTACLES

Key	Part Number	U/M	Description
	008251-01-000	EA	Holder - Fuse - Black - Screw Type
	008277-01-000	EA	Holder - Fuse - Black - Panel Mount
	008054-01-000	EA	Power Cord - 10-3 30 Amp. - 25' UL
	008058-01-000	EA	Adaptor - Power Cord
	024571-01-000	EA	Cover Plate - Receptacle - Jumbo Steel Brown
	031720-01-000	EA	Spacer - Receptacle - Brown Plastic - CSA
	008162-01-000	EA	Switch - Double Toggle - Spade Brown
	008707-01-000	EA	Receptacle - Single Brown - Thomas & Belts
	008708-01-000	EA	Receptacle - Duplex - Brown - Thomas & Belts
	008709-01-000	EA	Housing Asm - Trailer Receptacle
	064450-01-000	EA	Housing Asm - Trailer Plug

MISCELLANEOUS ELECTRICAL COMPONENTS

Key	Part Number	U/M	Description
	047389-01-700	EA	Battery - 12 Volt - 105 Amp Deep Cycle - Dry
	057899-01-000	EA	Battery - 12 Volt - Maintenance Free - Delco
	063739-01-000	EA	Battery - 12 Volt - Gould
	052413-02-000	EA	Control Center - 31 Amp - w/Charger - C.S.A
	002413-01-000	EA	Control Center - 31 Amp. - w/Charger
	007378-01-000	EA	Cover - Control Center
	003160-01-000	EA	Fuse Block - 8 Fuse
	051028-01-000	EA	Connector - Pigtail - Clear Nylon
	052577-01-000	EA	Gauge - Voltmeter - w/Bracket
	024162-01-000	EA	Switch - Battery Condition
	054144-02-000	EA	Control Center - 38 Amp.
	024451-01-000	EA	Switch - Dual Battery
	046815-01-000	EA	Plaque - Switch Mounting
	008017-01-000	EA	Plaque - Compressor Switch

** The illus rated parts breakdown for this item is provided on the Common Items Fiche

1999 WINNER 2000 TABLE OF CONTENTS

WC/WG/WDF22RB L1	A-1 - B-20
WC/WDN26RB L1	B-21 - D-16
WD319RK L1	D-17 - E-20

1999 WD319RK INDEX

Floor Plan	D-17 - D-18
Accessories Group	D-19 - D-20
Chassis Group	D-21
Curtain, Cushion & Pad Group	D-22 - E-2
Dinette Group	E-3
Driver's Compartment Group	E-4
Electrical Group	E-5 - E-8
Exterior Body Group	E-7 - E-8
Galley Group	E-9
Heating & Air Conditioning Group	E-10
Interior Finish Group	E-11 - E-12
LP Group	E-13
Lounge Group	E-14
Water & Sewage Group	E-15
Window, Vent & Exterior Door Group	E-16 - E-20

EXTERIOR BODY GROUP

EXTERIOR BODY PANELS AND MISCELLANEOUS COMPONENTS

Key	Part Number	U/M	Description
	063289-01-000	EA	Sidewall Asm. - Right
	063285-01-010	EA	Sidewall Asm. - Left
	063282-01-000	EA	Backwall Asm
	M00228-01-000	EA	Roof Cap Asm
	M00227-01-000	EA	Rear Cap Asm
	053289-01-000	EA	Sidewall Asm - Right - Dual Wheel
	063285-03-000	EA	Sidewall Asm - Left - Dual Wheel
	062322-01-000	EA	Wheel Well Asm.
	063686-01-000	EA	Trim - U-Channel - Backwall - 1"

EXTERIOR PAINT

Key	Part Number	U/M	Description
	041581-01-000	EA	Paint - Off White - Acrylic Enamel - 1 Gallon - Dupont 45388A
	041581-03-000	EA	Paint - Off White - Acrylic Enamel - 16 oz. Spray - Dupont 45388A
	065505-03-000	EA	Paint - Bright Blue Metallic - Acrylic Enamel - 16 oz. Spray - Dupont 5330
	065213-03-000	EA	Paint - Dark Brown - Acrylic Enamel - 16 oz. Spray - Dupont 44173
	065506-03-000	EA	Paint - Russet - Acrylic Enamel - 16 oz. Spray - Dupont 44185
	065503-03-000	EA	Paint - Perammon Metallic - Acrylic Enamel - 16 oz. Spray - Dupont 43458
	065504-03-000	EA	Paint - Saddle Firemist - Acrylic Enamel - 16 oz. Spray - Dupont 45197

LABELS AND DECALS

Key	Part Number	U/M	Description
	008006-01-000	EA	Label - Thermo Panel - 2 1/4" x 2 1/4"
	008064-01-000	EA	Label - Seat w/o Seat Belt
	031181-01-000	EA	Label - Flying W
	038290-01-000	EA	Label - Warning Exit
	047336-01-000	EA	Label - Warning - Lug Nuts
	054531-01-000	EA	Label - LP Gas Only
	057040-01-000	EA	Label - Load Recommendation
	061417-01-000	EA	Label - Fuel
	065508-01-000	EA	Decal - Logo Winnie Wagon II
	041273-22-000	FT	Decal Striping - .75" Gold
	065509-01-000	FT	Decal Striping - 2.25" Gold
	065513-01-000	FT	Decal Striping - 7.70" Gold
	065510-01-000	EA	Decal Stripe - Bottom Side - Right Rear
	065510-02-000	EA	Decal Stripe - Bottom Side - Left Rear
	065511-01-000	EA	Decal Stripe - Side Rear - 2.25"
	065512-01-000	EA	Decal Stripe - Side Rear - .75"
	065514-01-000	FT	Tape - Rear - .18" x .13" x .18" - Rust
	065515-01-000	EA	Decal - C - Rear Stripe - Right
	065515-02-000	EA	Decal - C - Rear Stripe - Left
	065523-01-000	EA	Decal Stripe - Transition Panel - 2.25" - Left
	065523-02-000	EA	Decal Stripe - Transition Panel - 2.25" - Right
	065524-01-000	EA	Decal Stripe - Transition Panel - .75" - Left
	065524-02-000	EA	Decal Stripe - Transition Panel - .75" - Right

EXTERIOR BODY GROUP (CONTINUED)

SEALANTS, ADHESIVES AND FASTENERS

Key	Part Number	U/M	Description
	034552-05-000	EA	Sealant - Off White Silicone
	034552-04-000	EA	Sealant - Beige Silicone
	034552-02-000	EA	Sealant - Clear Silicone
	004346-02-000	EA	Sealant - White Silicone
	041422-01-000	FT	Tape - Sealer - 1/4" x 1/2"
	002200-01-000	EA	Tape - Furnace - 1 1/2"
	004353-01-000	FT	Tape - Gasket - 1/8" x 3/4" - White
	002225-01-000	FT	Weather Stripping - Roof Vent
	002337-01-000	FA	Adhesive - 3M - 1300 Tube
	004005-01-000	GL	Adhesive - Swifts - Green - Glue (Sidewalls)
	004020-01-000	QT	Adhesive - ABS Cement (Plastic Frittings)
	028051-01-000	EA	Adhesive - Spray Vinyl
	042401-02-000	EA	Screw - 8 - 18 x 3/4" SDPH - Off White
	042403-02-000	EA	Screw - SF/DR - 8 - 18 x 1" SDPH - Off White
	005058-01-000	EA	Screw - Wood - 12 - 11 x 3" P.O.H. Zinc
	053788-01-000	EA	Bedding Compound - Tube Black - Schnee Moorehead
	053788-02-000	EA	Bedding Compound - Tube White - Schnee Moorehead
	053787-01-000	FT	Tape - 1/2" x 1/8" x 30' - Gray - Schnee Moorehead
	053787-03-000	FT	Tape - 1/4" Bead x 20' - Gray - Schnee Moorehead
	053787-04-000	FT	Tape - 3/4" x 1/8" x 30' - Gray - Schnee Moorehead
	053787-05-000	FT	Tape - 2" x 3/32" x 45' - Gray - Schnee Moorehead

1980 WINNEBAGO TABLE OF CONTENTS

WC/WG/WDF22RB L1	A-1 - B-20
WC/WDN26RB L1	B-21 - D-16
WD319RK L1	D-17 - E-20

1980 WD319RK INDEX

Floor Plan	D-17 - D-18
Accessories Group	D-19 - D-20
Chassis Group	D-21
Curtain, Cushion & Pad Group	D-22 - E-2
Dinette Group	E-3
Driver's Compartment Group	E-4
Electrical Group	E-5 - E-6
Exterior Body Group	E-7 - E-8
Galley Group	E-9
Heating & Air Conditioning Group	E-10
Interior Finish Group	E-11 - E-12
LP Group	E-13
Lounge Group	E-14
Water & Sewage Group	E-15
Window, Vent & Exterior Door Group	E-16 - E-20

GALLEY GROUP

GALLEY CABINETRY

Key	Part Number	U/M	Description
	062301-01-L14	EA	Countertop Asm. - Galley - Blue
	062301-01-L15	EA	Countertop Asm. - Galley - Rust Fiesta
	062301-01-L16	EA	Countertop Asm. - Galley - Bone
	065167-02-L14	EA	Countertop Asm. - Refrigerator Cabinet - Blue
	065167-02-L15	EA	Countertop Asm. - Refrigerator Cabinet - Rust Fiesta
	065167-02-L16	EA	Countertop Asm. - Refrigerator Cabinet - Bone
	M00094-02-L16	EA	Cabinet Asm. - Galley w/o Countertop, Doors, Drawers and Hardware
	M00058-14-L16	EA	Door Asm - 15 3" x 15 2" - w/o Hardware
	M00074-07-L16	EA	Door Asm - 15 3" x 8 3" - w/o Hardware
	M00116-02-L16	EA	Drawer Asm - Galley - w/o Hardware
	062337-01-L16	EA	Cabinet Asm. - Galley Overhead - Double - w/o Doors and Hardware
	063275-01-L16	EA	Cabinet Asm - Galley Overhead - Single - w/o Doors and Hardware
	063224-02-L16	EA	Door Asm - Roll Up - 12 7" x 14 7" - w/o Hardware

GALLEY HARDWARE AND APPLIANCES

Key	Part Number	U/M	Description
	058913-01-000	EA	Range - 2 Burner - Chrome
	758913-02-000	EA	Range - 2 Burner - Black
	063257-01-000	EA	Roof Vent - Powered - 6" Dia.
	003355-03-000	EA	Ice Box - 50 lb. - Mirror Finish
	062843-01-000	EA	Refrigerator - 2 Way - 2 Cu. Ft. - Norcold
	011029-01-000	EA	Sink - SST - Single w/Bolts
	057488-01-000	EA	Hand Pump - Galley - Chrome
	037888-02-000	EA	Glide - Side Corner L - Drawer
	037888-04-000	EA	Bracket - Rail Mounting Front - Drawer

HEATING AND AIR CONDITIONING GROUP

AUTOMOTIVE AIR CONDITIONER

Key	Part Number	U/M	Description
	051770-01-000	EA	Compressor - Auto Air - Dodge or Chev. C-Body - ARA
	062424-01-000	EA	Evaporator - Auto Air - Dodge or Chev. C-Body - ARA
	056480-01-000	EA	Condenser Asm - Auto Air - Dodge or Chevrolet C-Body - ARA
	055779-01-000	EA	Clutch - Auto Air - 7" Drive - Dodge or Chev. C-Body - ARA
	062837-01-000	EA	Mount - Compressor - Dodge 360 C.I.D.
	062838-01-000	EA	Mount - Compressor - Dodge 440 C.I.D.
	055279-01-000	EA	Control Asm - Heater and Air Conditioner

COACH HEATING AND A/C

Key	Part Number	U/M	Description
	007108-01-000	FT	Hose - Heater - 5/8" I.D. - SAE 20R3
	049401-01-000	EA	Heater Asm - Rear Auxiliary
	049401-01-703	EA	Valve - Water Control - Rear Aux. Heater
	049401-01-701	EA	Control Cable - Rear Aux. Heater
	049401-01-702	EA	Motor Asm - Rear Aux. Heater
	049401-01-703	EA	Heater Core - Rear Aux. Heater
	049401-01-704	EA	Switch - Rear Aux. Heater
	058906-01-000	EA	Control Panel - Rear Aux. Heater
	062414-01-000	EA	Furnace - 12,000 BTU - Duo-Therm - 88012
	063385-01-000	EA	Vent Package - Furnace - 6800 Series
	063257-01-000	EA	Air Conditioner - 110 Volt - Roof Mount - 7,000 BTU - Duo-Therm

1990 WINNEBAGO TABLE OF CONTENTS

WC/WG/WDF22RB L1	A-1 - B-20
WC/WDN28RB L1	B-21 - D-16
WU319RK L1	D-17 - E-20

1990 WDS19RK INDEX

Floor Plan	D-17 - D-18
Accessories Group	D-19 - D-20
Chassis Group	D-21
Curtain, Cushion & Pad Group	D-22 - E-2
Denette Group	E-3
Driver's Compartment Group	E-4
Electrical Group	E-5 - E-8
Exterior Body Group	E-7 - E-8
Galley Group	E-9
Heating & Air Conditioning Group	E-10
Interior Finish Group	E-11 - E-12
LP Group	E-13
Lounge Group	E-14
Water & Sewage Group	E-15
Window, Vent & Exterior Door Group	E-16 - E-20

INTERIOR FINISH GROUP

PANELING AND COUNTERTOP MATERIALS

Key	Part Number	U/M	Description
	084387-01-000	SF	Plastic Laminate - Bone - 60" x 96" (40SF)
	058340-03-000	SF	Plastic Laminate - Rust Fiesta - 36" x 120" (30 SF)
	064387-04-000	SF	Plastic Laminate - Blue - 60" x 96" (40 SF)
	058700-01-000	SF	Paneling - Band Saw Cedar - 48" x 96" (32 SF)
	053338-01-000	SF	Plastic Laminate - Butcher Block
	058219-01-000	SF	Plastic Laminate - Almond Bark

INTERIOR MOLDINGS AND TRIMS

Key	Part Number	U/M	Description
	038615-02-000	FT	T-Molding - .75" - Brown
	009812-08-000	FT	Molding - Plastic - Outside Corner - .50"
	009815-03-000	FT	T-Molding - .75" - Light Brown
	085122-02-000	FT	T-Molding - 1" - Caramel
	041958-01-000	FT	Trim - Vinyl - Flex Edging - Brown - (U Shaped w/Groppers)
	052639-01-J27	FT	Accent Trim - Acorn Brown Vinyl
	009767-35-000	FT	Waiting - Light Brown
	009151-01-000	EA	Warp Guard - 48"
	034384-02-000	FT	Extr. - Vinyl Insert - Beige
	035337-22-000	EA	Trim - Inside Corner - 60" - Beige Alum
	065057-01-000	EA	Molding - Trim Panel - Between Roof and Sidewall
	064009-01-000	EA	Trim Panel - Upper Rear - Plastic
	064010-01-000	EA	Trim Panel - Rear Lower Right - Plastic
	064017-01-000	EA	Trim Panel - Upper Cab - Plastic
	064016-01-000	EA	Trim Panel - Transition Panel - Center - Plastic
	064015-02-000	EA	Trim Panel - Transition Panel - Left - Plastic
	064015-01-000	EA	Trim Panel - Transition Panel - Right - Plastic
	064014-02-000	EA	Trim Panel - Side Filler - Left - Plastic
	064014-01-000	EA	Trim Panel - Side Filler - Right - Plastic
	064013-01-000	EA	Trim Panel - Side Upper - Deluxe - Plastic
	064012-03-000	EA	Trim Panel - Side Upper - Plastic
	064011-01-000	EA	Trim Panel - Side Rear - Plastic

CURTAIN HARDWARE

Key	Part Number	U/M	Description
	029130-01-000	EA	Socket - Snap Fastener - Screw
	029155-01-000	EA	Cap - Snap - .156" Dia. x .17" Barrel
	029156-01-000	EA	Socket - Snap Fastener
	029082-01-000	EA	Stud - Nickel Finish
	029083-01-000	EA	Eyelet - Nickel Finish
	052327-04-236	EA	Track - Curtain - Brown Alum
	009107-01-000	EA	Guide - Nylon Snap - Curtain
	018031-42-000	EA	Track - Curtain - "L" Rod - Alum. Extr. - 90"
	009701-01-000	EA	Carrier - "L" Rod - Curtain
	009702-01-000	EA	End Stop - "L" Rod - Curtain

INTERIOR FINISH GROUP (CONTINUED)

FABRICS AND FLOOR COVERINGS

Key	Part Number	U/M	Description
	053327-01-000	YD	Vinyl - Non Expanded - 27 oz. - Acorn Brown
	053327-02-000	YD	Vinyl - Expanded - 28 oz. - Acorn Brown
	053327-03-000	YD	Vinyl - Non Support - 18 Gauge Film - Acorn Brown
	058784-02-000	YD	Fabric - Drapery - Rust
	057874-01-000	YD	Fabric - Drapery - Beige
	049328-03-000	YD	Fabric - Drapery - Red
	058333-01-000	YD	Fabric - Drapery - Ivory
	062823-02-000	YD	Fabric - Upholstery - Lagoon (Blue/Rust) - Main
	062823-03-000	YD	Fabric - Upholstery - Mushroom (Brown/Beige) - Main
	062823-01-000	YD	Fabric - Upholstery - Russell (Rust/Rust) - Main
	062822-02-000	YD	Fabric - Upholstery - Federal (Blue/Rust) - Accent
	062822-03-000	YD	Fabric - Upholstery - Fern - (Brown/Beige) - Accent
	062822-01-000	YD	Fabric - Upholstery - Clay (Rust/Rust) - Accent
	064384-07-000	SY	Carpet - Alabama Clay (Pust)
	064374-13-000	SY	Carpet - Linen (Beige)

CABINETS AND TABLE HARDWARE

Key	Part Number	U/M	Description
	057888-01-000	EA	Latch - Hidden
	057888-02-000	EA	Strike - Hidden Latch
	061804-01-000	EA	Slide Bolt - Antique Brass
	053331-01-000	EA	Hinge - Overlay - Antique Brass
	037888-01-000	FT	Rail - Drawer Guide V
	037888-02-000	EA	Glide - Side Corner L - Drawer
	037888-03-000	EA	Glide - Center - Drawer
	037888-04-000	EA	Bracket - Rail Mounting - Front - Drawer
	037888-05-000	EA	Bracket - Rail Mounting - Rear - Drawer
	008040-03-000	EA	Base - Table - Raised
	008040-02-000	EA	Leg - Pedestal Table - 27 5"
	041194-01-000	EA	Base - Table - Flush Mount
	068441-01-000	EA	Leg - Folding - 11 5"
	008044-01-000	EA	Leg - Folding - 26 5"
	058335-01-000	EA	Latch - Bathroom Door
	043255-01-000	FT	Track - Plastic - Roll-up Doors
	043255-01-000	EA	Spiral - Plastic - Roll-up Cabinet Doors - Right
	043255-02-000	EA	Spiral - Plastic - Roll-up Cabinet Doors - Left

MISCELLANEOUS

Key	Part Number	U/M	Description
	041944-01-700	EA	Fire Extinguisher - Dry Chemical w/Bracket
	041944-03-000	EA	Fire Extinguisher - SBC - Call.
	007038-01-000	EA	Door Mat - Black Rubber - 10 1/2" x 28"
	054185-08-000	EA	Owner's Manual - Winnabago - 1980

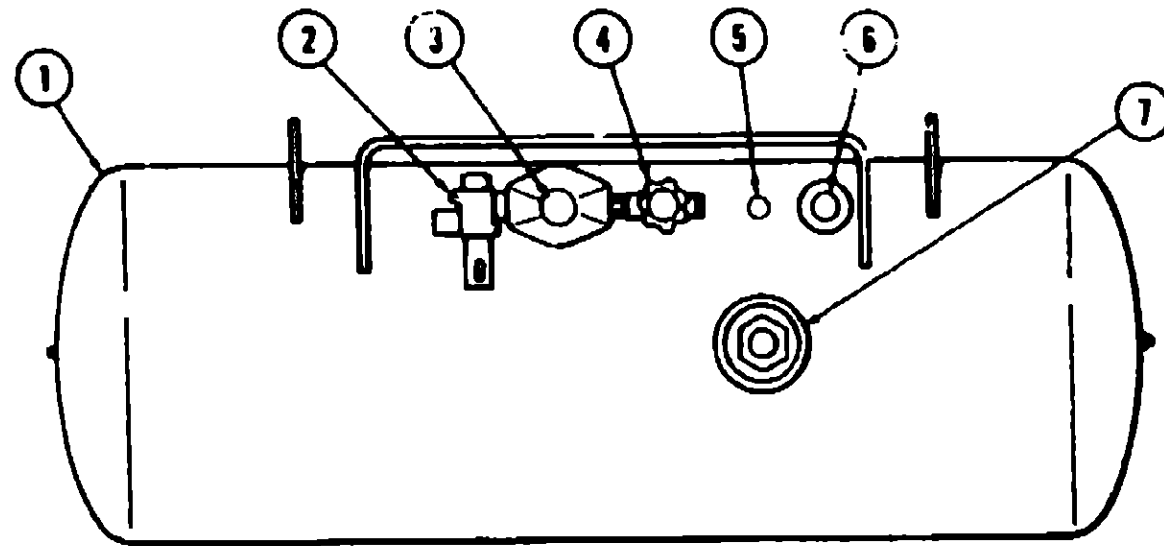
1980 WINNABAGO TABLE OF CONTENTS

WC/WG/WDF22RB L1	A-1 - B-20
WC/WDN28RB L1	B-21 - D-18
WD319RK L1	D-17 - E-20

1980 WD319RK INDEX

Floor Plan	D-17 - D-18
Accessories Group	D-19 - D-20
Chassis Group	D-21
Curtain, Cushion & Pad Group	D-22 - E-2
Dinette Group	E-3
Driver's Compartment Group	E-4
Electrical Group	E-5 - E-6
Exterior Body Group	E-7 - E-8
Galley Group	E-9
Heating & Air Conditioning Group	E-10
Interior Finish Group	E-11 - E-12
LP Group	E-13
Lounge Group	E-14
Water & Sewage Group	E-15
Window, Vent & Exterior Door Group	E-16 - E-20

LP GROUP



Key	Part Number	U/M	Description
1	062026-01-000	EA	Tank Asm - LP - Frame Mount - 28 Pound
2	047221-01-000	EA	Detector - LP Gas Leak
3	047356-01-000	EA	Bracket - LP Leak Detector
3	058706-01-000	EA	Cover - Regulator - 2 Stage
3	058705-01-000	EA	Regulator - Two Stage - LP Gas
4	040421-01-703	EA	Valve - Vapor Relief
5	040421-01-700	EA	Gauge - Liquid Level - 20% LP
6	040421-01-701	EA	Valve - Filter - LP
6	040421-01-702	EA	Cap - Plastic Fill Valve
7	042281-01-700	EA	Gauge - Float - w/Visible Dial - 42 Pound Tank
7	040421-01-706	EA	Dial - Visible Face - Float Gauge (Tank w/o Electric Transmitter)
7	040421-01-705	EA	Dial - Transmitter - 0-90 Ohm (Float Gauge)
7	045703-01-000	EA	Hose Asm - LP - 3/8" ID x 24"
7	045703-03-000	EA	Hose Asm - LP - 3/8" ID x 14"
7	045703-02-000	EA	Hose Asm - LP - 3/8" ID x 24" - C.S.A.
7	045703-04-000	EA	Hose Asm - LP - 3/8" ID x 14" - C.S.A.
7	047737-03-000	EA	Support - LP Tank - 30 50'
7	Not Illustrated		

LOUNGE GROUP

Key	Part Number	U/M	Description
	067155-01-L16	EA	Cabinet Face Asm - Couch - Front Right - 72.3"
	M00074-08-L16	EA	Door Asm - 10 6" x 37.4" - w/o Hardware
	067677-01-L18	EA	Cabinet Face Asm. - Couch - Front Left - 65 3"
	067678-01-L18	EA	Cabinet Face Asm. - Couch - Front Right - 65 3"

1980 WINNEBAGO TABLE OF CONTENTS

WC/WG/WDF22RB L1	A-1 - B-20
WC/WD*28RB L1	B-21 - D-18
WD319RK L1	D-17 - E-20

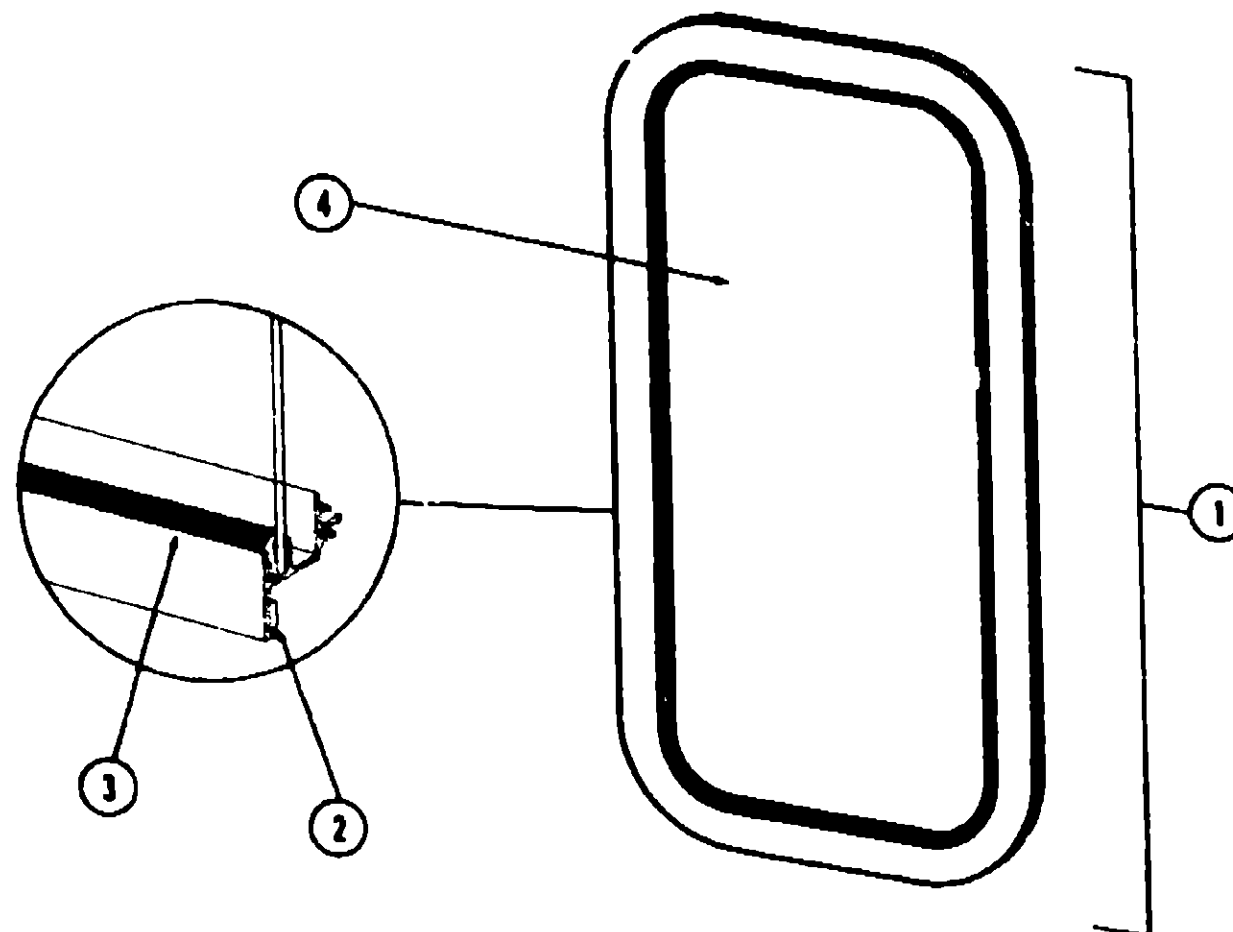
1980 WDS19RK INDEX

Floor Plan	D-17 - D-18
Accessories Group	D-19 - D-20
Chassis Group	D-21
Curtain, Cushion & Pad Group	D-22 - E-2
Dinette Group	E-3
Driver's Compartment Group	E-4
Electrical Group	E-5 - E-8
Exterior Body Group	E-7 - E-8
Galley Group	E-9
Heating & Air Conditioning Group	E-10
Interior Finish Group	E-11 - E-12
LP Group	E-13
Lounge Group	E-14
Water & Sewage Group	E-15
Window, Vent & Exterior Door Group	E-16 - E-20

WATER AND SEWAGE GROUP

WINDOW, VENT AND EXTERIOR DOOR GROUP

Key	Part Number	U/M	Description
	062644-01-000	EA	Toilet - Portable - Almond - Thetford
	050346-01-000	EA	Water Tank - 5 Gallon - w/Siphon
	053770-01-000	EA	P-Trap - Plastic
	065735-01-000	EA	Adaptor - Swivelnut - .75" Barb x GHT - Plastic
	062401-03-000	EA	Hose Clamp - Worm Gear - .22" - 1" I.D.
	011085-01-000	EA	Sink Strainer



Key	Part Number	U/M	Description
1	041875-02-000	EA	Window Asm. - Picture - 13" x 23" (w/o inside frame)
2	053767-03-000	EA	Tape - 1/4" Bead x 20' - Gray - Schuss Moorehead
3	002308-02-000	FT	Spline - 1/8" Glass - Black
4	002181-01-000	EA	Glass - 1/8" x 12" x 22" - Gray
.	041896-02-000	EA	Frame - Inside - Window - 13" x 23"
.			(Not included in assembly)
.			Not Illustrated

1980 WINNEBAGO TABLE OF CONTENTS

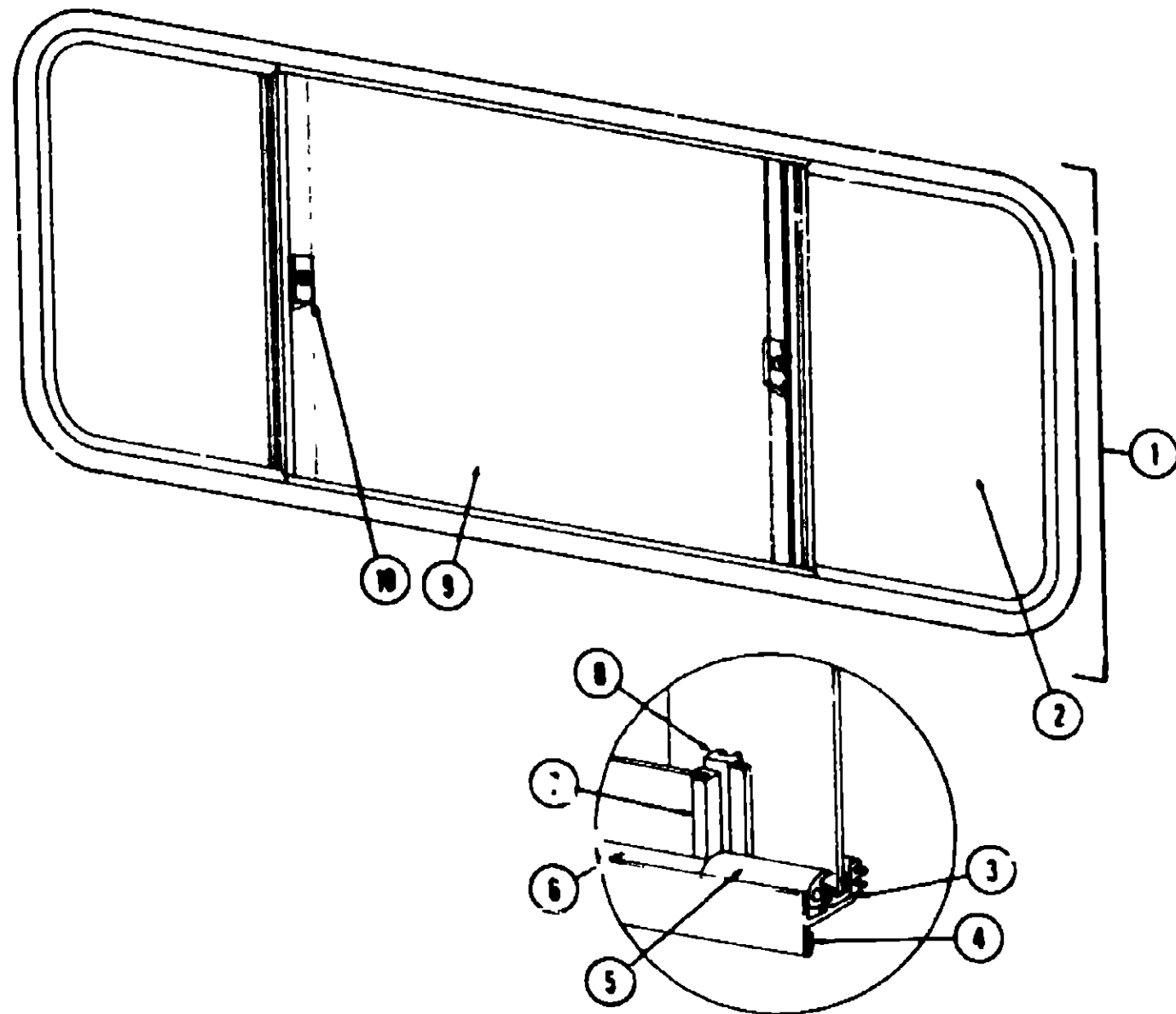
WC/WG/WDF22RB L1	A-1 - B-20
WC/WDN28RB L1	B-21 - D-16
WD318RK L1	D-17 - E-20

1980 WD318RK INDEX

Floor Plan	D-17 - D-18
Accessories Group	D-19 - D-20
Chassis Group	D-21
Curtain, Cushion & Pad Group	D-22 - E-2
Dinette Group	E-3
Driver's Compartment Group	E-4
Electrical Group	E-5 - E-6
Exterior Body Group	E-7 - E-8
Galley Group	E-9
Heating & Air Conditioning Group	E-10
Interior Finish Group	E-11 - E-12
LP Group	E-13
Lounge Group	E-14
Water & Sewage Group	E-15
Window, Vent & Exterior Door Group	E-16 - E-20

WINDOW, VENT AND EXTERIOR DOOR GROUP (CONTINUED)

WINDOW, VENT AND EXTERIOR DOOR GROUP (CONTINUED)



Key	Part Number	U/M	Description
1	048630-04-000	EA	Window Asm. - Double Slider - 23" x 65" - Black Anod (w/o inside frame)
2	047823-01-000	EA	Glass - 1/8" x 22" x 21.03" - Sliding (2 per window)
3	002324-01-000	FT	Channel - Weatherstrip - Glass Run - 1/8" Glass
4	003767-03-000	FT	Tape - 1/4" Bead x 20' - Gray - Schnee Moorehead
5	057374-02-000	FT	Seal - Window Channel - Black
6	002309-02-000	FT	Spline - Glass - 1/8" - Black
7	018025-03-000	EA	Holder - Glass Seal - Black Anod.
8	041894-02-000	EA	Mullion - Slider Window - 23" - Black Anod
9	002188-01-000	EA	Glass - 1/8" x 22" x 25.50" - Stationary
10	047389-01-700	EA	Latch - Window - Plastic w/Fastener
.	023320-01-000	EA	Foam Pad - 3/8" Dia. (used with plastic latch)
.	042133-08-000	EA	Frame - Inside - Double Slider Window (not included in assembly)
.	002298-01-000	FT	Spline - Gray - .130" Dia. - (Screen)
.	002293-01-000	SF	Screen - Window - 26" - Gray
.	023713-02-000	EA	Cover - Weephole - Plastic - Black
.			Not Illustrated

WINDOWS

Key	Part Number	U/M	Description
	085721-01-000	EA	Front Overhead Window
	082311-01-000	EA	Glass - Side Overhead - 1/8" x 20" x 6.35"
	082310-01-000	EA	Glass - Transition Panel - 15 7" x 6 63"
	082847-01-000	EA	Screen - Cab Window - Dodge Right
	082847-03-000	EA	Screen - Cab Window - Dodge Left

ACCESS DOORS

Key	Part Number	U/M	Description
	084742-01-000	EA	Door Asm. - Luggage Compartment - Key Type Lock - 29 5" x 9 28"
	084742-02-000	EA	Door Asm. - LP Compartment - Twist Type Lock - 29 5" x 9 28"
	084909-01-000	EA	Door Asm. - Fuel Fill
	042442-01-000	EA	Lock Asm. - Twist Type
	042441-01-000	EA	Lock Asm. - Key Type

VENTS

Key	Part Number	U/M	Description
	083257-01-000	EA	Roof Vent - Powered - 6" Dia.
	083257-02-000	EA	Roof Vent - Non Powered - 6" Dia.
	084470-01-000	EA	Roof Vent - Non Powered - Jensen

**1980 WINNEBAGO
TABLE OF CONTENTS**

WC/WG/WDF22RB L1	A-1 - B-20
WC/WDN28RB L1	B-21 - D-18
WDJ18RK L1	D-17 - E-20

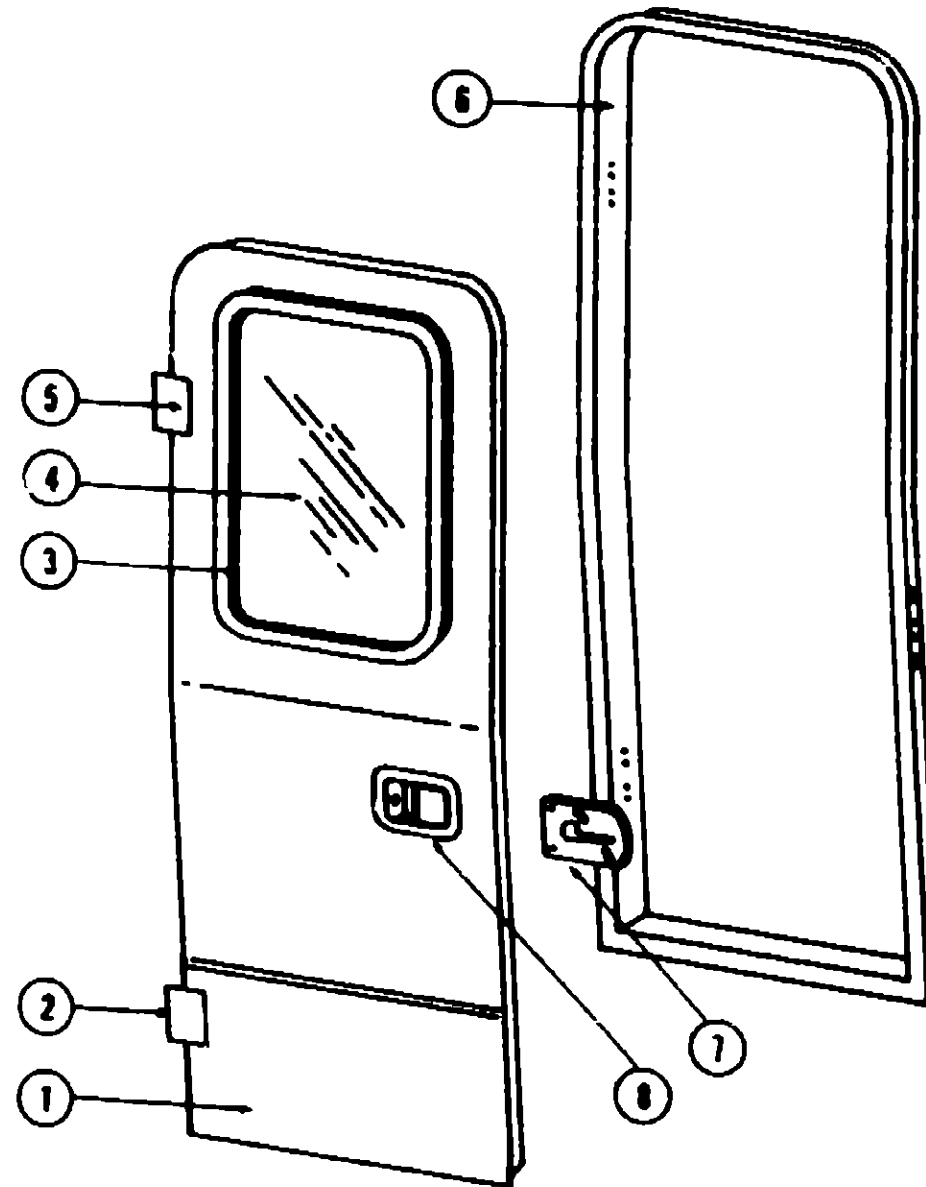
1980 WDJ18RK INDEX

Floor Plan	D-17 - D-18
Accessories Group	D-19 - D-20
Chassis Group	D-21
Curtain, Cushion or J Pad Group	D-22 - E-2
Dinette Group	E-3
Driver's Compartment Group	E-4
Electrical Group	E-5 - E-8
Exterior Body Group	E-7 - E-8
Galley Group	E-9
Heating & Air Conditioning Group	E-10
Interior Finish Group	E-11 - E-12
LP Group	E-13
Lounge Group	E-14
Water & Sewage Group	E-15
Window, Vent & Exterior Door Group	E-16 - E-20

1990 WINNEBAGO
TABLE OF CONTENTS

WC/WG/WDF22RB L1
WC/WDN28RB L1
WD318RK L1

A-1 - B-20
B-21 - D-16
D-17 - E-20



Key	Part Number	U/M	Description
1	M00082-01-L16	EA	Entrance Door Asm
2	064276-01-000	EA	Hinge Asm - Lower
3	041875-02-000	EA	Window Asm - Picture
4	002181-01-000	EA	Glass - Picture Window - .115" x 12" x 22"
	041898-02-000	EA	Frame - Inside Window - 13" x 23" Brown
	002308-02-000	EA	Spline - Glass - 1/8" - Black
	053767-03-000	FT	Tape - 1/4" Bead x 20' - Gray - Schnee Morehead
	053767-01-000	FT	Tape - 1/2" x 1/8" x 30' - Gray - Schnee Morehead
5	064275-01-000	EA	Hinge Asm - Upper
6	084005-01-000	EA	Jamb Asm - Entry Door
7	038879-02-000	EA	Cover Asm - Latch Plate - Interior - Including Handle - Left Hand
8	045017-02-000	EA	Latch Entry Door - Exterior - Left Hand
	045017-01-700	EA	Lock Cylinder w/Keys
	038538-01-000	EA	Strike Bolt - Entry Door
	051380-01-000	FT	Bulb Seal - Jamb - Entry Door
	038738-01-000	EA	Dead Bolt Asm

1990 WD318RK INDEX

Floor Plan	D-17 - D-18
Accessories Group	D-19 - D-20
Chassis Group	D-21
Curtain, Cushion and Pad Group	D-22 - E-2
Dinette Group	E-3
Driver's Compartment Group	E-4
Electrical Group	E-5 - E-8
Exterior Body Group	E-7 - E-8
Galley Group	E-9
Heating & Air Conditioning Group	E-10
Interior Finish Group	E-11 - E-12
LP Group	E-13
Lounge Group	E-14
Water & Sewage Group	E-15
Window, Vent & Exterior Door Group	E-16 - E-20