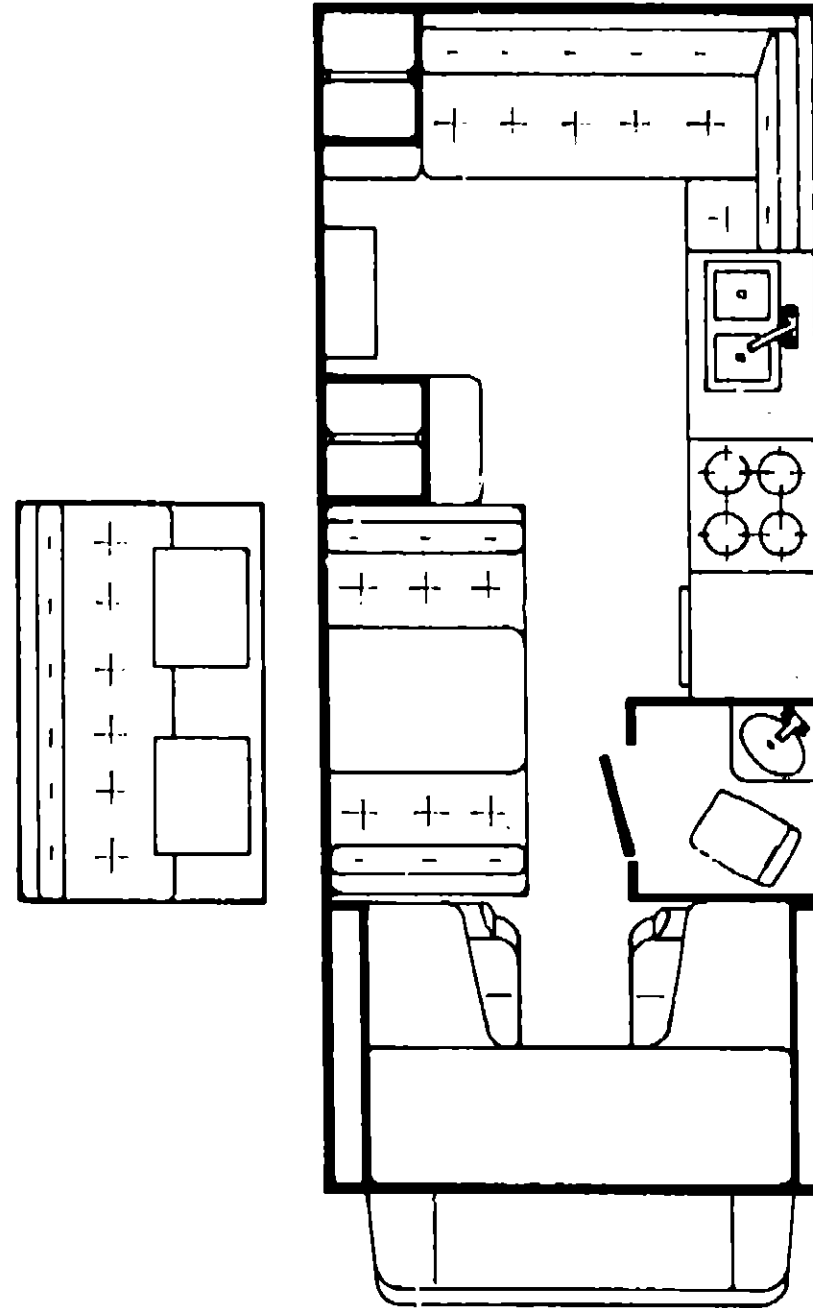


# 1980 WD/WC420RG L1



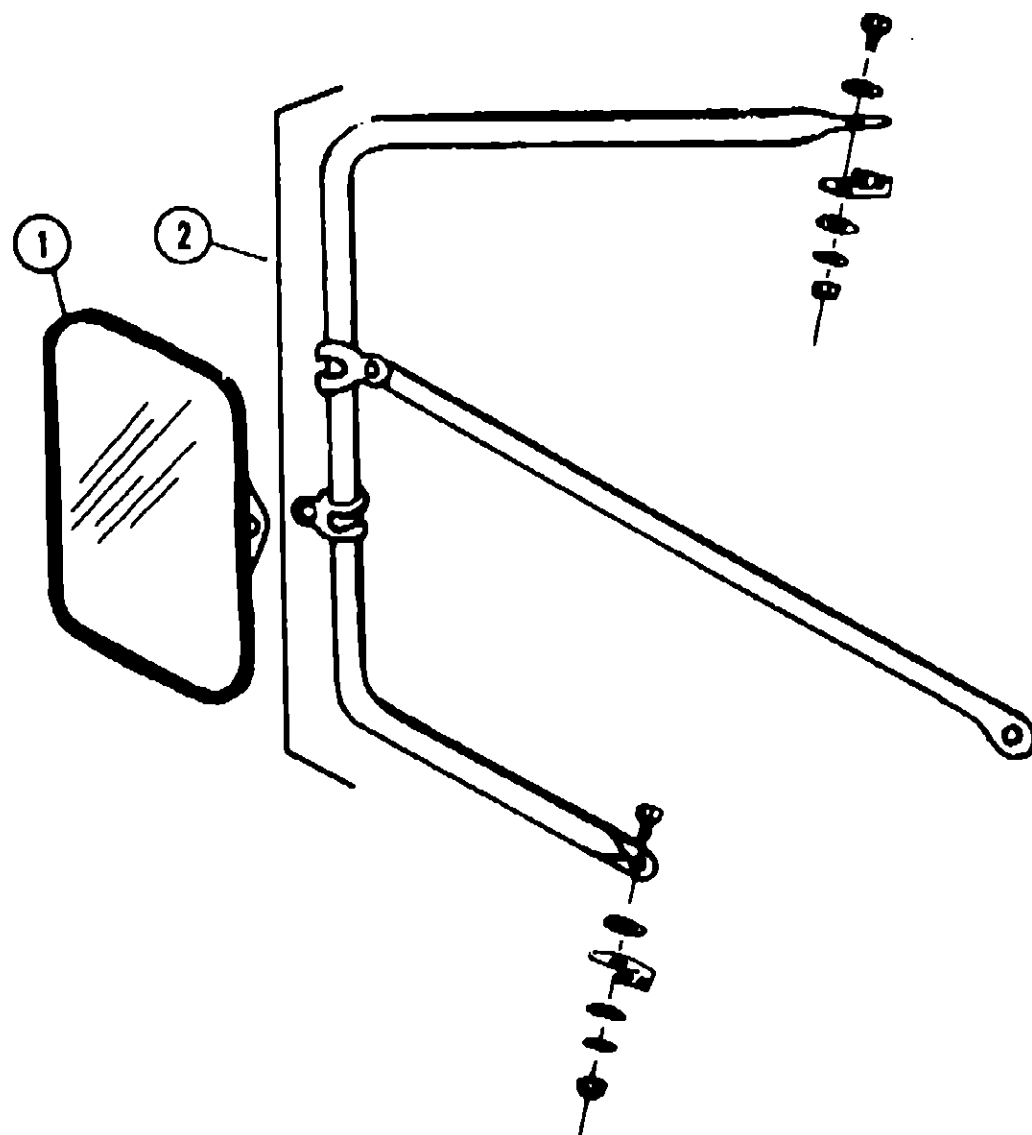
## 1980 WINNEBAGO TABLE OF CONTENTS

WD/WC420RG L1	A-1 - B-10
WDF26RH L1	B-11 - D-4
WDF26RT L1	D-5 - F-4
WD423RB L1	F-5 - G-16

## 1980 WD/WC420RG L1 INDEX

Floor Plan	A-1 - A-2
Accessories Group	A-3 - A-4
Bath Group	A-5
Chassis Group	A-6
Curtain, Cushion and Pad Group	A-7 - A-10
Dinette Group	A-11
Driver's Compartment Group	A-11
Electrical Group	A-12 - A-13
Exterior Body Group	A-14 - A-18
Galley Group	A-19
Heating & Air Conditioning Group	A-20
Interior Finish Group	A-21 - A-22
LP Group	A-23
Lounge Group	A-24
Water & Sewage Group	B-1
Window, Vent & Exterior Door Group	B-2 - B-10

## ACCESSORIES GROUP



Key	Part Number	U/M	Description
1	057461-01-000	EA	Mirror Head - 7.5" x 10.5" w/Convex - Bright Finish
1	057461-02-000	EA	Mirror Head - 7.5" x 10.5" - w/Convex - Off White
2	049349-01-000	EA	Arm - West Coast Mirror - Bright Finish
2	049349-02-000	EA	Arm - West Coast Mirror - Off White

### GENERATORS AND INSTALLATION KITS

Key	Part Number	U/M	Description
**	054427-01-000	EA	Generator - 3.0 kw Onan
	701629-02-000	EA	Installation Package - Onan Generator
	049370-02-000	EA	Overhead Console
	057852-01-000	EA	Muffler - Generator - 3.0 AJ
	024732-01-001	EA	Tail Pipe - 1 1/2" O.D. x 23"
	740313-72-000	EA	Tray - Generator - 3.0 kw - Onan

\*\*The illustrated parts breakdown for this item is provided on the Common Items Fiche.

## ACCESSORIES GROUP (CONTINUED)

### RADIOS AND RELATED COMPONENTS

Key	Part Number	U/M	Description
	007004-01-000	EA	Antenna - Radio - Cab Mount
	045838-02-000	EA	Plate - Radio Cover
	049730-01-000	EA	Radio - Clarion - AM/w/Fader Switch
	049731-01-000	EA	Radio - Clarion - AM/FM/MPX w/Fader Switch
	049732-01-000	EA	Radio - Clarion - AM/FM/MPX/8-Track w/Fader Switch
	053768-01-000	EA	Speaker - Recessed - 5 1/4" - 10 oz.
	055299-01-000	EA	Grille - Speaker - 5 1/4"
	048153-01-000	EA	Antenna - CB Camper Style
	056458-01-000	EA	Speaker - 4" x 8" - Oval - Clarion
	064785-01-000	EA	Radio - AM - Audiovox
	064786-01-000	EA	Radio - AM/FM/MPX - w/8 Track - Audiovox
	064787-01-000	EA	Radio - AM/FM/MPX - w/Cassette - Audiovox
	064788-01-000	EA	Radio - AM/FM - Digital - w/Cassette - Audiovox
	064789-01-000	EA	Radio - AM/FM - Digital - w/8 Track - Audiovox
	064791-01-000	EA	Speaker - Recessed - 5.25" Dia.
	064792-01-000	EA	Grille - Speaker - Brown
	064793-01-000	EA	Trimplate - Radio - Dodge C-Body

### MISCELLANEOUS ACCESSORIES

Key	Part Number	U/M	Description
	056253-01-000	EA	Luggage Rack and Ladder Asm.
**	041086-02-000	EA	Ladder Asm. - w/o Luggage Rack
	008053-01-000	EA	Antenna Asm. - TV - Braund Delux
	008053-01-700	EA	Parts Kit - Repair - Braund TV Antenna
	008093-01-000	EA	Jack - TV - Brown
	052771-02-000	EA	Microwave Oven - Magic Chef MW207
**	059778-01-000	EA	Speed Control - Dodge - Electric - Dana
**	059779-01-000	EA	Speed Control - Chev. - Electric - Dana
**	031398-03-000	EA	Wheel Cover - 16.5" - Chrome
	040466-07-000	EA	Cover - Spare Tire - 29" - Off White
	006113-01-000	EA	Jack - Hydraulic - 5 Ton
	041944-03-000	EA	Fire Extinguisher - 5 BC
	054185-06-000	EA	Owners Manual - 1980 Winnebago
	007038-01-000	EA	Mat - Door - Black Rubber - 10 1/2" x 26"
	017516-01-000	EA	Mudflap - Black Rubber - 14" x 18" w/Holes

\*\*The illustrated parts breakdown for this item is provided on the Common Items Fiche.

## 1980 WINNEBAGO TABLE OF CONTENTS

WD/WC420RG L1	A-1 - B-10
WDF26RH L1	B-11 - D-4
WDF26RT L1	D-5 - F-4
WD423RB L1	F-5 - G-16

## 1980 WD/WC420RG L1 INDEX

Floor Plan	A-1 - A-2
Accessories Group	A-3 - A-4
Bath Group	A-5
Chassis Group	A-6
Curtain, Cushion and Pad Group	A-7 - A-10
Dinette Group	A-11
Driver's Compartment Group	A-11
Electrical Group	A-12 - A-13
Exterior Body Group	A-14 - A-16
Galley Group	A-19
Heating & Air Conditioning Group	A-20
Interior Finish Group	A-21 - A-22
LP Group	A-23
Lounge Group	A-24
Water & Sewage Group	B-1
Window, Vent & Exterior Door Group	B-2 - B-10

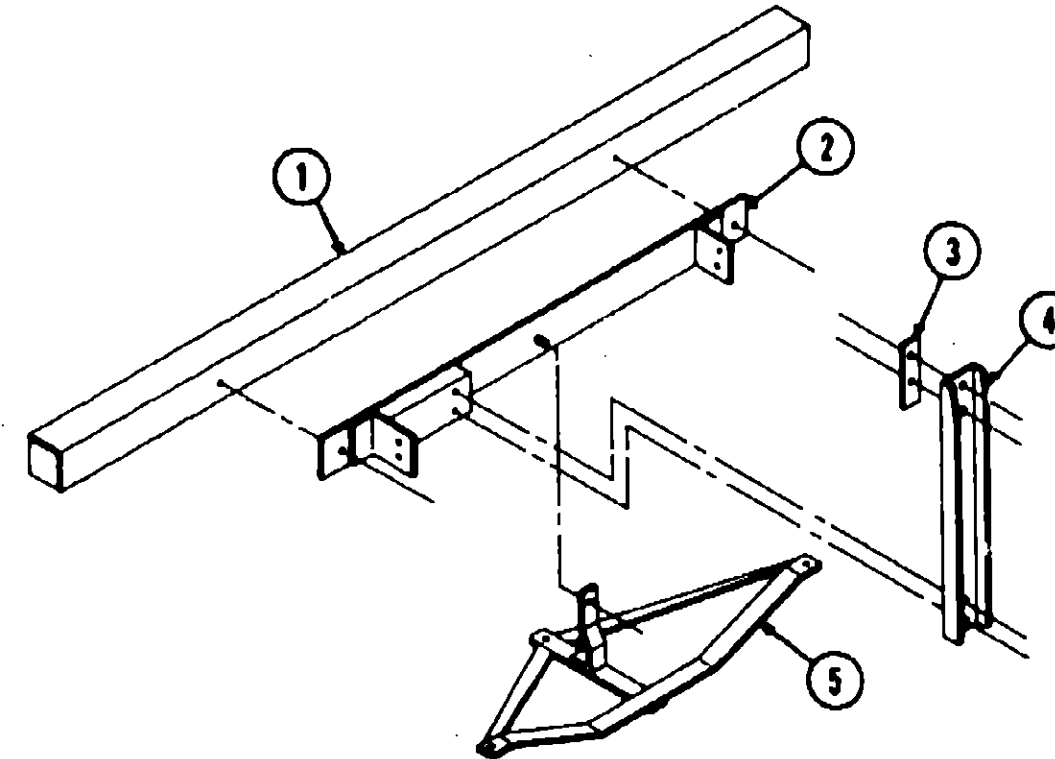
## BATH GROUP

Key	Part Number	U/M	Description
	058233-07-L01	EA	Door Asm. - Bathroom - w/o Hardware
	009150-01-000	EA	Warp Guard - 64"
	058335-01-000	EA	Latch - Bathroom Door
	064595-01-000	EA	Sink - Lavatory - Ivory Plastic
**	011056-01-000	EA	Faucet - Lavatory - U.S.
**	011056-02-000	EA	Faucet - Lavatory - C.S.A.
	011059-03-000	EA	Faucet - Shower
	011063-01-000	EA	Plug - Sink - 1 1/4" - w/Chain
**	011048-01-000	EA	Shower Head - w/60" Hose
	010495-01-000	EA	Clamp - Shower Hose - 9/16"
	046112-04-000	EA	Mirror - Plastic - 1/8" x 19" x 26"
	046113-01-000	EA	Rosette - Mirror Mounting
	009134-01-000	EA	Holder - Tissue
	057671-01-000	EA	Cover - Screw - No. 8
	009252-01-000	EA	Cabinet - Medicine - Gold
	009256-01-000	EA	Mirror - Medicine Cabinet Door - 9 7/8" x 14 7/8"
	035337-22-000	EA	Trim - I/S Corner - Aluminum - 80.66"
	034394-02-000	EA	Extr. Vinyl Insert - Beige
**	011069-01-000	EA	Tailpiece - 1 1/4" x 4" - Brass
	064389-01-000	EA	Shower Pan - 29" x 41" - Ivory Plastic
	066440-01-000	EA	Strainer - Shower Pan - w/Rubber Washer
	064076-01-000	EA	Toilet - Marine - Thetford - Ivory

\*\*The illustrated parts breakdown for this item is provided on the Common Items Fiche.

## CHASSIS GROUP

Key	Part Number	U/M	Description
	057822-01-000	EA	Tray - Battery - Steel
	057724-01-000	EA	Wheelwell - Black Plastic
	740313-72-000	EA	Tray - Generator - 3.0 kw - Onan
	051897-01-000	EA	Bracket - Battery Tie Down - 6.88"
	051897-02-000	EA	Bracket - Battery Tie Down - 12"
	051897-03-000	EA	Bracket - Battery Tie Down - 13 3/4"
	024652-01-700	EA	Step Asm. - Entry Door
	063303-02-000	EA	Shroud - Fuel Fill - Interior
	007125-01-000	EA	Clamp - Muffler - 1.62" Dia. - Generator
	017516-01-000	EA	Mud Flap - Black Rubber - 14" x 18"



Key	Part Number	U/M	Description
1	064802-01-000	EA	Bumper Asm. - Square - 92" - Off White
*	039779-01-000	EA	Cap - Rubber - 4" x 4" - Square Bumper
2	064801-01-000	EA	Bracket - Bumper Mount
3	040974-01-000	EA	Bracket - Spare Tire Retainer - 2" x 6.75"
4	064596-01-000	EA	Bracket Asm. - Spare Tire Carrier
5	064833-02-000	EA	Trailer Hitch Asm.
*	041332-01-000	EA	Bumper Cover w/Reflector - Aluminum - Fits 4" Square Bumper
*	041332-02-000	EA	Reflector - 6 1/2" x 3/4" - Bumper Cover
*	041332-03-000	EA	Bumper Cover - Aluminum Fits 4" Square Bumper

\*The illustrated parts breakdown for this item is provided on the Common Items Fiche.

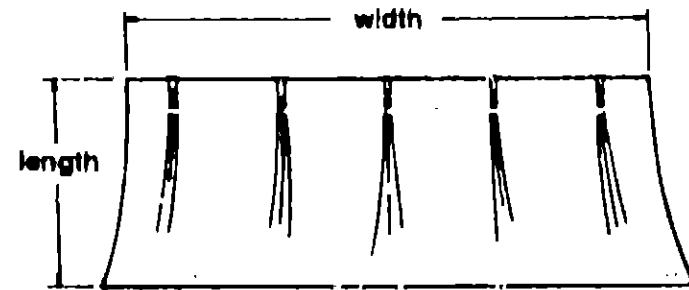
## 1980 WINNEBAGO TABLE OF CONTENTS

WD/WC420RG L1	A-1 - B-10
WDF26RH L1	B-11 - D-4
WDF26RT L1	D-5 - F-4
WD423RB L1	F-5 - G-16

## 1980 WD/WC420RG L1 INDEX

Floor Plan	A-1 - A-2
Accessories Group	A-3 - A-4
Bath Group	A-5
Chassis Group	A-6
Curtain, Cushion and Pad Group	A-7 - A-10
Dinette Group	A-11
Driver's Compartment Group	A-11
Electrical Group	A-12 - A-13
Exterior Body Group	A-14 - A-18
Galley Group	A-19
Heating & Air Conditioning Group	A-20
Interior Finish Group	A-21 - A-22
LP Group	A-23
Lounge Group	A-24
Water & Sewage Group	B-1
Window, Vent & Exterior Door Group	B-2 - B-10

**CURTAIN, CUSHION AND PAD GROUP**



**NOTE:**  
Use this illustration when determining length and width measurements for curtains. You will note the width measurement is taken on the top of the curtain with the curtain fully extended. The length measurement is taken from top to bottom.

**CURTAINS**

Key	Part Number	U/M	Description
	054045-03-L01	EA	Curtain Asm. w/Snap Top and Bottom - 17.5" x 42" - Dublin Flax
	054045-24-L01	EA	Curtain Asm. w/Snap Top and Bottom - 30.5" x 42" - Dublin Flax
	054051-02-L01	EA	Curtain Asm. w/Snap Top - 34" x 37" - Dublin Flax
	054051-11-L01	EA	Curtain Asm. w/Snap Top - 32" x 36" - Dublin Flax
	054103-01-L01	EA	Curtain Asm. w/Snap Top - 15.5" x 42" - Dublin Flax
	056484-06-L01	EA	Curtain w/Tape Top - 28" x 42" - Dublin Flax
	056484-35-L01	EA	Curtain w/Tape Top - 30.5" x 19" - Dublin Flax
	056484-36-L01	EA	Curtain w/Tape Top - 40.5" x 19" - Dublin Flax
	056484-34-L01	EA	Curtain w/Taped Top - 32.2" x 19" - Dublin Flax
	059900-02-L01	EA	Curtain Asm. - Front Wraparound - 23" x 64" - Dublin Flax

**VALANCES**

Key	Part Number	U/M	Description
	065892-09-L01	EA	Valance Asm. - 6.5" x 78" - Bronze
	065892-09-L02	EA	Valance Asm. - 6.5" x 78" - Rust
	065892-09-L03	EA	Valance Asm. - 6.5" x 78" - Blue
	065892-14-L01	EA	Valance Asm. - 6.5" x 67" - Bronze
	065892-14-L02	EA	Valance Asm. - 6.5" x 67" - Rust
	065892-14-L03	EA	Valance Asm. - 6.5" x 67" - Blue
	065892-15-L01	EA	Valance Asm. - 6.5" x 81" - Bronze
	065892-15-L02	EA	Valance Asm. - 6.5" x 81" - Rust
	065892-15-L03	EA	Valance Asm. - 6.5" x 81" - Blue

**SHADES**

Key	Part Number	U/M	Description
	065657-02-L01	EA	Shade Asm. - 21" x 34" - White w/Bronze Tan
	065657-02-L02	EA	Shade Asm. - 21" x 34" - White w/Rust Trim
	065657-02-L03	EA	Shade Asm. - 21" x 34" - White w/Blue Trim
	065657-07-L01	EA	Shade Asm. - 33" x 50" - White w/Bronze Trim
	065657-07-L02	EA	Shade Asm. - 33" x 50" - White w/Rust Trim
	065657-07-L03	EA	Shade Asm. - 33" x 50" - White w/Blue Trim
	065657-12-L01	EA	Shade Asm. - 69" x 34" - White w/Bronze Trim
	065657-12-L02	EA	Shade Asm. - 69" x 34" - White w/Rust Trim
	065657-12-L03	EA	Shade Asm. - 69" x 34" - White w/Blue Trim
	065657-13-L01	EA	Shade Asm. - 72" x 34" - White w/Bronze Trim
	065657-13-L02	EA	Shade Asm. - 72" x 34" - White w/Rust Trim
	065657-13-L03	EA	Shade Asm. - 72" x 34" - White w/Blue Trim

**CURTAIN, CUSHION AND PAD GROUP (CONTINUED)**

**TIE BACKS**

Key	Part Number	U/M	Description
	054048-08-L01	EA	Tie Back - Curtain - 2" x 18" - Brown
	054048-08-L02	EA	Tie Back - Curtain - 2" x 18" - Rust
	054048-08-L03	EA	Tie Back - Curtain - 2" x 18" - Blue

**BUCKET SEATS AND ARMRESTS**

Key	Part Number	U/M	Description
	067035-03-L01	EA	Slip Cover - Dodge Bucket Seat - Brown
	067035-03-L02	EA	Slip Cover - Dodge Bucket Seat - Rust
	067035-03-L03	EA	Slip Cover - Dodge Bucket Seat - Blue
	065937-01-L01	EA	Seat Asm. - High Back Bucket w/Right Armrest - Brown
	065937-01-L02	EA	Seat Asm. - High Back Bucket w/Right Armrest - Rust
	065937-01-L03	EA	Seat Asm. - High Back Bucket w/Right Armrest - Blue
	065937-02-L01	EA	Seat Asm. - High Back Bucket w/Left Armrest - Brown
	065937-02-L02	EA	Seat Asm. - High Back Bucket w/Left Armrest - Rust
	065937-02-L03	EA	Seat Asm. - High Back Bucket w/Left Armrest - Blue
	065943-01-L01	EA	Cover - Bucket Seat - Back - Brown
	065943-01-L02	EA	Cover - Bucket Seat - Back - Rust
	065943-01-L03	EA	Cover - Bucket Seat - Back - Blue
	065944-01-L01	EA	Cover - Bucket Seat - Bottom - Brown
	065944-01-L02	EA	Cover - Bucket Seat - Bottom - Rust
	065944-01-L03	EA	Cover - Bucket Seat - Bottom - Blue
	050275-01-700	EA	Armrest Asm. - Foam w/o Cover - Right
	050276-01-700	EA	Armrest Asm. - Foam w/o Cover - Left
	065774-01-L01	EA	Cover - Armrest - Right or Left - Brown
	065774-01-L02	EA	Cover - Armrest - Right or Left - Rust
	065774-01-L03	EA	Cover - Armrest - Right or Left - Blue

**FABRICS, TRIMS AND PADS**

Key	Part Number	U/M	Description
	064393-04-000	YD	Fabric - Drapery - Dublin Flax
	064393-01-000	YD	Fabric - Upholstery - Sienna Brown
	064393-06-000	YD	Fabric - Upholstery - Biscayne Rust
	064393-07-000	YD	Fabric - Upholstery - Biscayne Blue
	054676-05-L01	EA	Button Asm. - Covered - #45 - Bronze
	054676-05-L02	EA	Button Asm. - Covered - #45 - Burnt Orange
	054676-05-L03	EA	Button Asm. - Covered - #45 - Beige
	052859-01-J27	FT	Trim - Accent - Acorn Vinyl - Dinette Bench
	053327-01-000	YD	Vinyl - Non Expanded - 27 oz. - Acorn Brown
	053327-02-000	YD	Vinyl - Expanded - 28 oz. - Acorn Brown
	053327-03-000	YD	Vinyl - Non Support - 18 Gauge Film - Acorn Brown
	057794-02-K01	EA	Pad - End Panel - Dinette Overhead Cabinet - Acorn Vinyl
	053720-01-J27	EA	Headliner - Cab - Acorn Vinyl
	054015-01-K01	EA	Pad - Cab Door Trim - Acorn Vinyl - Left
	054015-02-K01	EA	Pad - Cab Door Trim - Acorn Vinyl - Right

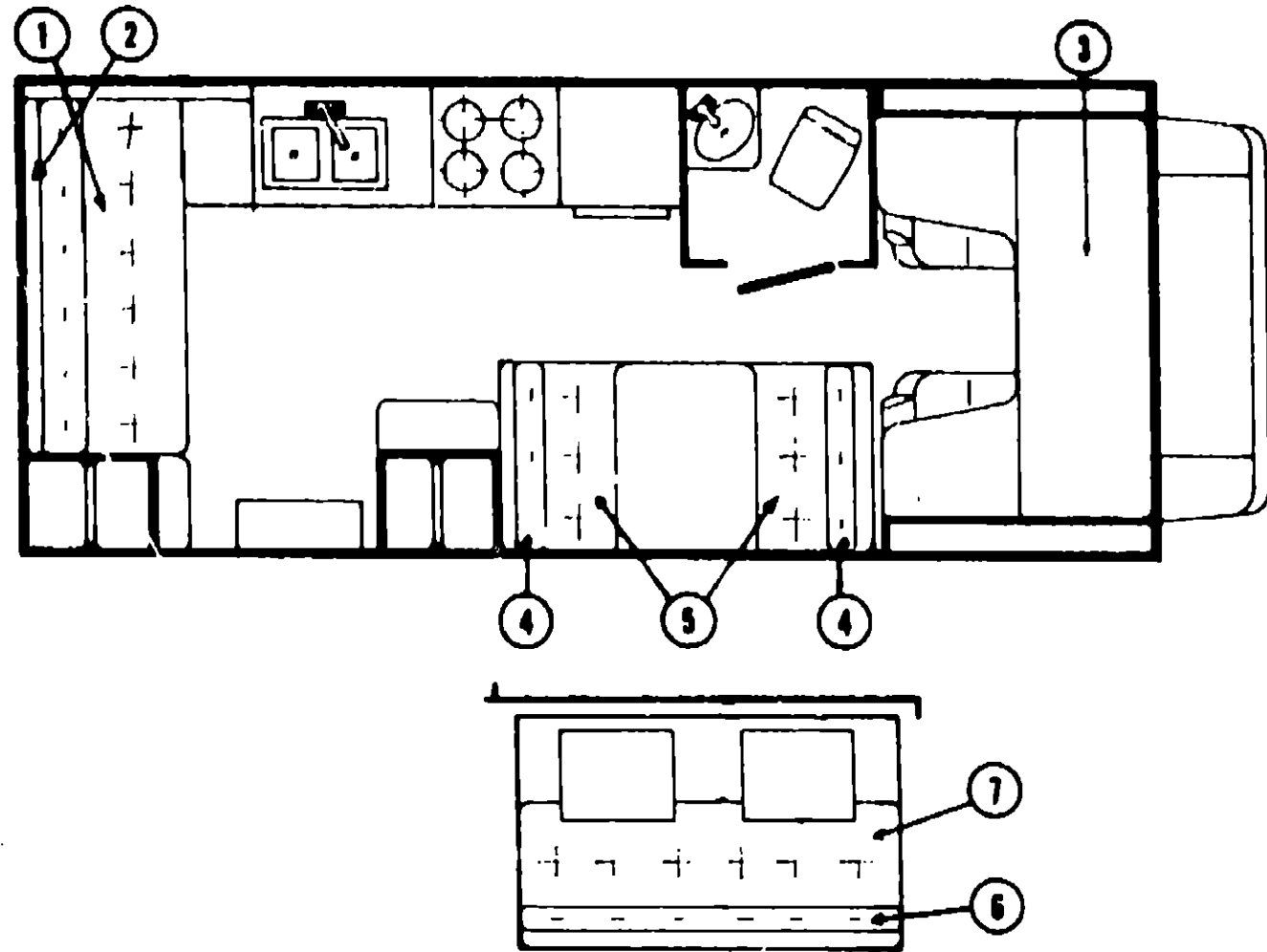
**1990 WINNEBAGO  
TABLE OF CONTENTS**

WD/WC420RG L1	A-1 - B-10
WDF26RH L1	B-11 - D-4
WDF26RT L1	D-5 - F-4
WD423RB L1	F-5 - G-16

**1990 WD/WC420RG L1 INDEX**

Floor Plan	A-1 - A-2
Accessories Group	A-3 - A-4
Bath Group	A-5
Chassis Group	A-6
Curtain, Cushion and Pad Group	A-7 - A-10
Dinette Group	A-11
Driver's Compartment Group	A-11
Electrical Group	A-12 - A-13
Exterior Body Group	A-14 - A-18
Galley Group	A-19
Heating & Air Conditioning Group	A-20
Interior Finish Group	A-21 - A-22
LP Group	A-23
Lounge Group	A-24
Water & Sewage Group	B-1
Window, Vent & Exterior Door Group	B-2 - B-10

**CURTAIN, CUSHION AND PAD GROUP (CONTINUED)**



**REAR LOUNGE CUSHIONS**

Key	Part Number	U/M	Description
1	064706-01-L01	EA	Cushion - Lester Lounge - Two Fold - 76" - Brown
1	064706-01-L02	EA	Cushion - Lester Lounge - Two Fold - 76" - Rust
1	064706-01-L03	EA	Cushion - Lester Lounge - Two Fold - 76" - Blue
	064707-01-L01	EA	Cover - Lester Lounge - Two Fold - 76" - Brown
	064707-01-L02	EA	Cover - Lester Lounge - Two Fold - 76" - Rust
	064707-01-L03	EA	Cover - Lester Lounge - Two Fold - 76" - Blue
2	065085-03-L01	EA	Cushion - Lounge - 6" x 76" x 4.5" - Brown
2	065085-03-L02	EA	Cushion - Lounge - 6" x 76" x 4.5" - Rust
2	065085-03-L03	EA	Cushion - Lounge - 6" x 76" x 4.5" - Blue
	065086-03-L01	EA	Cover - Lounge Cushion - 6" x 76" x 4.5" - Brown
	065086-03-L02	EA	Cover - Lounge Cushion - 6" x 76" x 4.5" - Rust
	065086-03-L03	EA	Cover - Lounge Cushion - 6" x 76" x 4.5" - Blue

**FRONT BUNK MATTRESS**

Key	Part Number	U/M	Description
3	058897-11-L01	EA	Mattress - Two Fold - 24.5" x 29.5" x 76" - Brown
3	058897-11-L02	EA	Mattress - Two Fold - 24.5" x 29.5" x 76" - Rust
3	058897-11-L03	EA	Mattress - Two Fold - 24.5" x 29.5" x 76" - Blue
	058898-11-L01	EA	Cover - Two Fold Mattress - 24.5" x 29.5" x 76" - Brown
	058898-11-L02	EA	Cover - Two Fold - Mattress - 24.5" x 29.5" x 76" - Rust
	058898-11-L03	EA	Cover - Two Fold Mattress - 24.5" x 29.5" x 76" - Blue

**CURTAIN, CUSHION AND PAD GROUP (CONTINUED)**

**CONVENTIONAL DINETTE CUSHIONS**

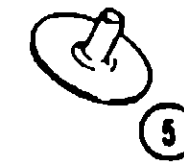
Key	Part Number	U/M	Description
4	064700-02-L01	EA	Cushion - Dinette Back - 19.2" x 38" x 4.5" - Brown
4	064700-02-L02	EA	Cushion - Dinette Back - 19.2" x 38" x 4.5" - Rust
4	064700-02-L03	EA	Cushion - Dinette Back - 19.2" x 38" x 4.5" - Blue
	064701-02-L01	EA	Cover - Dinette Back Cushion - 19.2" x 38" x 4.5" - Brown
	064701-02-L02	EA	Cover - Dinette Back Cushion - 19.2" x 38" x 4.5" - Rust
	064701-02-L03	EA	Cover - Dinette Back Cushion - 19.2" x 38" x 4.5" - Blue
5	064700-01-L01	EA	Cushion - Dinette Seat - 17.5" x 38" x 4.5" - Brown
5	064700-01-L02	EA	Cushion - Dinette Seat - 17.5" x 38" x 4.5" - Rust
5	064700-01-L03	EA	Cushion - Dinette Seat - 17.5" x 38" x 4.5" - Blue
	064701-01-L01	EA	Cover - Dinette Seat Cushion - 17.5" x 38" x 4.5" - Brown
	064701-01-L02	EA	Cover - Dinette Seat Cushion - 17.5" x 38" x 4.5" - Rust
	064701-01-L03	EA	Cover - Dinette Seat Cushion - 17.5" x 38" x 4.5" - Blue

**PRESTO BED CUSHIONS**

Key	Part Number	U/M	Description
6	064704-01-L01	EA	Cushion - Presto Bed - Back - 76" - Brown
6	064704-01-L02	EA	Cushion - Presto Bed - Back - 76" - Rust
6	064704-01-L03	EA	Cushion - Presto Bed - Back - 76" - Blue
	064723-01-L01	EA	Cover - Presto Bed Back - 76" - Brown
	064723-01-L02	EA	Cover - Presto Bed Back - 76" - Rust
	064723-01-L03	EA	Cover - Presto Bed Back - 76" - Blue
7	064705-01-L01	EA	Cushion - Presto Bed - Bottom - 76" - Brown
7	064705-01-L02	EA	Cushion - Presto Bed - Bottom - 76" - Rust
7	064705-01-L03	EA	Cushion - Presto Bed - Bottom - 76" - Blue
	064723-02-L01	EA	Cover - Presto Bed Bottom - 76" - Brown
	064723-02-L02	EA	Cover - Presto Bed Bottom - 76" - Rust
	064723-02-L03	EA	Cover - Presto Bed Bottom - 76" - Blue

**CURTAIN HARDWARE**

Key	Part Number	U/M	Description
	052327-04-238	EA	Track - Curtain - Brown Alum. - 89" w/Holes
	058001-01-000	EA	Bracket - Shade - Left
	058002-01-000	EA	Bracket - Shade - Right
	058003-01-000	EA	Bracket - Drapery Retainer - Right
	058003-02-000	EA	Bracket - Drapery Retainer - Left
	053272-04-200	EA	Track - Curtain - Off White - 89" w/Holes
	058784-01-000	EA	Pull - Window Shade - Antique Brass
	009107-01-000	EA	Guide - Nylon Snap - Curtain
	018031-42-000	EA	Track - Curtain - "L" Rod - Alum. Extr. - 90"
	009701-01-000	EA	Carrier - "L" Rod - Curtain
	009702-01-000	EA	End Stop - "L" Rod - Curtain



Key	Part Number	U/M	Description
1	029130-01-000	EA	Socket - Snap Fastener
2	029155-01-000	EA	Cap - Snap - .156" Dia. x .17" Barrel
3	029156-01-000	EA	Socket - Snap Fastener
4	029092-01-000	EA	Stud - Nickel Finish
5	029093-01-000	EA	Eyelet - Nickel Finish

**1980 WINNEBAGO  
TABLE OF CONTENTS**

WD/WC420RG L1	A-1 - B-10
WDF26RH L1	B-11 - D-4
WDF26RT L1	D-5 - F-4
WD423RB L1	F-5 - G-16

**1980 WD/WC420RG L1 INDEX**

Floor Plan	A-1 - A-2
Accessories Group	A-3 - A-4
Bath Group	A-5
Chassis Group	A-6
Curtain, Cushion & Pad Group	A-7 - A-10
Dinette Group	A-11
Driver's Compartment Group	A-11
Electrical Group	A-12 - A-13
Exterior Body Group	A-14 - A-18
Galley Group	A-19
Heating & Air Conditioning Group	A-20
Interior Finish Group	A-21 - A-22
LP Group	A-23
Lounge Group	A-24
Water & Sewage Group	B-1
Window, Vent & Exterior Door Group	B-2 - B-10

## DINETTE GROUP

### CONVENTIONAL DINETTE W/FOLD DOWN TABLE AND OPPOSING BENCHES

Key	Part Number	U/M	Description
	053192-01-L01	EA	Table Asm. - Dinette w/o Hardware - Bone
	057739-01-L01	EA	Cabinet Asm. - Dinette Seat - Front - w/o Door or Hardware
	066641-01-L01	EA	Cabinet Asm. - Dinette Seat - Rear
	057992-07-L01	EA	Door Asm. - Dinette Seat Cabinet - 20.02" x 12.52" - w/o Hardware
	057836-01-L01	EA	Cabinet Asm. - Dinette Overhead - w/o Doors or Hardware
	057992-02-L01	EA	Door Asm. - Dinette Overhead Cabinet - 10.32" x 35.22" - w/o Hardware
**	053200-04-000	EA	Bracket - Upper Wall Mount - 23.5" - Black
**	053201-03-000	EA	Bracket - Table Mount - 23" - Clear Anod.
**	024275-01-000	EA	Rod - Table Lift - 8" x 23.5"
**	024261-06-000	EA	Bracket - Lower Wall Mount - Brown - 22.12"
**	024276-04-000	EA	Leg Asm. - Table - Brown - 29.5"
**	064050-01-000	EA	Hinge - Table Leg - Brown
**	024262-01-000	EA	Brace - Table Leg
**	024263-01-000	EA	Clip - 1" O.D. Tube
**	049493-02-000	EA	Catch - Table Leg - Mounts on Floor - Brown

\*\*The illustrated parts breakdown for this item is provided on the Common Items Fiche.

### OPTIONAL COUCH W/TWIN PEDESTAL TABLES

Key	Part Number	U/M	Description
	053203-07-L01	EA	Table Asm. - Pedestal - w/o Hardware - Bone
	066657-01-L01	EA	Panel Asm. - Couch Front - w/o Door or Hardware
	057616-01-L01	EA	Panel Asm. - Couch End
	057992-03-L01	EA	Door Asm. - Couch - Cabinet - 11.82" x 37.22" - w/o Hardware
	057466-02-000	EA	Frame Asm. - Sprung Couch - Right
	057466-03-000	EA	Frame Asm. - Sprung Couch - Left
	057466-04-000	EA	Couch Rails - Front or Rear (2 per couch)
	057466-01-000	EA	Leg Asm. - Sprung Couch (2 per couch)
	009040-02-000	EA	Leg - Pedestal Table - 27.5" - Chrome
	009040-03-000	EA	Base - Table Leg - Table Mount
	041194-01-000	EA	Base - Table Leg - Floor Mount

### DRIVER'S COMPARTMENT GROUP

Key	Part Number	U/M	Description
	057776-01-L01	EA	Cabinet Asm. - Head Board - Left
	057776-01-L01	EA	Cabinet Asm. - Head Board - Right
	057992-06-L01	EA	Door Asm. - Head Board Cabinet - 25.02" x 5.42" - w/o Hardware
	049380-07-000	EA	Console - Overhead
	052577-01-000	EA	Gauge - Voltmeter w/Bracket
	024462-01-000	EA	Switch - Battery Condition
	055279-01-000	EA	Control Asm. - Heater and A/C
	054015-01-J27	EA	Trim Asm. - Over Door - Left - Acorn Brown Vinyl
	054015-02-J27	EA	Trim Asm. - Over Door - Right - Acorn Brown Vinyl
	053720-01-J27	EA	Headliner Asm. - Acorn Brown Vinyl
	007223-01-000	EA	Adjuster Asm. - Bucket Seat - w/Lock
	007227-01-000	EA	Adjuster Asm. - Bucket Seat - w/o Lock

## ELECTRICAL GROUP

### BULBS

Key	Part Number	U/M	Description
	037935-01-000	EA	Bulb - 1157
	038010-01-000	EA	Bulb - 1143 - Frosted
	008103-01-000	EA	Bulb - 33
	008213-01-000	EA	Bulb - 57
	008214-01-000	EA	Bulb - 67
	008215-01-000	EA	Bulb - 1003
	008216-01-000	EA	Bulb - 1034
	008217-01-000	EA	Bulb - 1073
	008218-01-000	EA	Bulb - 1141
	008219-01-000	EA	Bulb - 658
	008220-01-000	EA	Bulb - 12V - 25W
	036196-01-000	EA	Bulb - 194
	700020-01-000	EA	Bulb - 12V - 20W - 1363

### FUSES AND CIRCUIT BREAKER

Key	Part Number	U/M	Description
	056473-02-000	EA	Fuse - Slow Blow - 5 Amp.
	008233-01-000	EA	Fuse - 12 Volt - 0 Amp.
	008234-01-000	EA	Fuse - 12 Volt - 10 Amp.
	008235-01-000	EA	Fuse - 12 Volt - 15 Amp.
	008236-01-000	EA	Fuse - 12 Volt - 20 Amp.
	008246-01-000	EA	Fuse - 110 Volt - 30 Amp. AGU
	008252-01-000	EA	Fuse - 110 Volt - 50 Amp.
	008208-01-000	EA	Circuit Breaker - 12 Volt - 40 Amp.
	008211-01-000	EA	Circuit Breaker - 12 Volt - 6 Amp.
	008268-01-000	EA	Circuit Breaker - 12 Volt - 30 Amp. w/Mount
	033573-01-000	EA	Circuit Breaker - 12 Volt - 20 Amp. w/Mount
	040051-01-000	EA	Circuit Breaker - 110 Volt - 20 Amp. - TQL

### WIRE, SWITCHES AND RECEPTACLES

Key	Part Number	U/M	Description
	008024-01-000	FT	Wire - 18.5 Bonded - Orange/White/Yellow/Blue/Brown
	008025-01-000	FT	Wire - 18.5 Bonded - Orange/White/Yellow/Blue/Green
	008026-01-000	FT	Wire - 18.5 Bonded - Blue/Red/Yellow/Orange/White
	008030-01-000	FT	Wire - 18.4 Bonded
	008251-01-000	EA	Holder - Fuse - Black - Screw Type
	008277-01-000	EA	Holder - Fuse - Black - Panel Mount
	008195-01-000	EA	Switch - Push Button - 12 Volt
	008077-01-000	EA	Plaque - Compressor Switch
	008054-01-000	EA	Cord - Power - 10-3 30 Amp. - 25' - UL
	034816-04-000	EA	Holder - Receptacle - Plastic
	039336-01-000	EA	Cover Plate - Receptacle - Plastic - Brown
	039342-01-000	EA	Receptacle - Duplex Brown - T Junction
	024571-01-000	EA	Cover Plate - Receptacle - Jumbo Steel Brown
	031720-01-000	EA	Spacer - Receptacle - Brown Plastic - CSA
	008162-01-000	EA	Switch - Double Toggle - Spade Brown
	008163-01-000	EA	Switch - Toggle Brown
	008164-01-000	EA	Cover Plate - Switch - Brown
	024924-01-000	EA	Receptacle - Power Cord
	008058-01-000	EA	Adaptor - Power Cord
	047353-01-000	EA	Cover - Receptacle - Ground Fault
	047351-01-000	EA	Receptacle - Ground Fault Interrupter - 125 Volt, Black
	053126-01-000	EA	Receptacle - Ground Fault Interrupter - 125 Volt - Ivory
	053126-02-000	EA	Receptacle - Ground Fault Interrupter - 125 Volt - Brown
	058707-01-000	EA	Receptacle - Single Brown - Thomas & Betts
	058708-01-000	EA	Receptacle - Duplex - Brown - Thomas & Betts

## 1980 WINNEBAGO TABLE OF CONTENTS

WD/WC420RG L1	A-1 - B-10
WDF26RH L1	B-11 - D-4
WDF26RT L1	D-5 - F-4
WD423RB L1	F-5 - G-16

## 1980 WD/WC420RG L1 INDEX

Floor Plan	A-1 - A-2
Accessories Group	A-3 - A-4
Bath Group	A-5
Chassis Group	A-6
Curtain, Cushion & Pad Group	A-7 - A-10
Dinette Group	A-11
Driver's Compartment Group	A-11
Electrical Group	A-12 - A-13
Exterior Body Group	A-14 - A-18
Galley Group	A-19
Heating & Air Conditioning Group	A-20
Interior Finish Group	A-21 - A-22
LP Group	A-23
Lounge Group	A-24
Water & Sewage Group	B-1
Window, Vent & Exterior Door Group	B-2 - B-10

## ELECTRICAL GROUP (CONTINUED)

### EXTERIOR LIGHTS

Key	Part Number	U/M	Description
	042405-03-000	EA	Base - Rectangular Clearance Light
	042405-04-000	EA	Lens - Clearance Light - Red
	042405-05-000	EA	Lens - Clearance Light - Amber
	048817-01-000	EA	Assist Handle w/Light
	007309-01-000	EA	Step Well Light
	058032-01-000	EA	Tail Lamp Asm. - 2 Bulb Chrome
	058031-01-700	EA	Lens - Tail Lamp - Amber
	058031-01-701	EA	Lens - Tail Lamp - Red
	058031-01-702	EA	Lens - Tail Lamp - Clear (Back Up)
	062740-04-000	EA	Wedge Asm. - Tail Lamp
	062742-04-000	EA	Wedge Asm. - Tail Lamp w/License Bracket
	058540-01-000	EA	Bracket - License Plate
	008092-01-000	EA	Reflector - Stick On - Rectangular - Red
	008093-01-000	EA	Reflector - Stick On - Rectangular - Amber

### INTERIOR LIGHTS

Key	Part Number	U/M	Description
	024418-01-000	EA	Lamp Asm. - Map/Gauge/Isle
	024473-01-000	EA	Light - Aircraft - 1 Bulb - Gold
	033508-02-000	EA	Light - Dome - Ivory - 1 Bulb
	024842-01-701	EA	Lens - Dome Light - 1 Bulb
	033509-02-000	EA	Light - Dome - Ivory - 2 Bulb
	024843-01-701	EA	Lens - Dome Light - 2 Bulb
	033508-03-000	EA	Light - Dome - Ivory - 1 Bulb CSA
	033509-03-000	EA	Light - Dome - Ivory - 2 Bulb CSA
	053348-01-000	EA	Light - High Intensity - Brown Plastic

### MISCELLANEOUS ELECTRICAL COMPONENTS

Key	Part Number	U/M	Description
	047338-01-000	EA	Isolator - Dual Battery
	047389-01-700	EA	Battery - 12 Volt - 105 Amp. Deep Cycle - Dry
	057899-01-000	EA	Battery - 12 Volt - Maintenance Free - Delco
	008188-01-000	EA	Solenoid - Dual Battery - Relay
	048812-04-000	EA	Control Panel - Water/Double Sewage - Basic Panel
	048812-05-000	EA	Panel Insert - w/Thermostat Holes
	048812-06-000	EA	Panel Insert - w/o Thermostat
	048812-08-000	EA	Panel Insert - Deluxe - w/Refrigerator Alarm, Clock, LP Gauge
	048812-07-700	EA	Refrigerator Sensor - Refrigerator Alarm
	039950-01-702	EA	Circuit Board - Control Center - 37 Amp.
	039961-01-000	EA	Sending Unit Kit - Wamac
	052577-01-000	EA	Gauge - Voltmeter - w/Bracket
	024462-01-000	EA	Switch - Battery Condition
	031035-01-000	EA	Gauge - Hour Meter - Generator
**	024976-01-000	EA	Switch - Generator w/o Circuit Board
**	054544-02-700	EA	Control Center - 38 Amp.
	024461-01-000	EA	Switch - Battery
	048885-01-000	EA	Plaque - Switch Mounting
	008077-01-000	EA	Plaque - Compressor Switch

\*\*The illustrated parts breakdown for this item is provided on the Common Items Fiche.

## EXTERIOR BODY GROUP

### EXTERIOR BODY PANELS AND SHEET ALUMINUM

Key	Part Number	U/M	Description
	064838-01-L01	EA	Sidewall Asm. - Right
	064478-02-L01	EA	Sidewall Asm. - Left
	064147-01-L01	EA	Backwall Asm.
	065474-01-L01	EA	Roof Asm.
	068146-01-700	EA	Roof Section - Cab Over to First Seam
	066379-02-L01	EA	Sleeper Board Asm.
	044487-01-001	EA	Alum. - Mill Finish - Nu Design (Roof) - 96" x 360"
	039155-07-010	EA	Alum. - Off White - Grayhound Design - 48" x 96"
	001064-01-011	EA	Alum. - Off White - No Design - 48" x 96"
	039155-03-008	EA	Alum. - Off White Mesa I - .024" x 36" x 60"
	039155-03-003	EA	Alum. - Off White Mesa I - .024" x 36" x 360"
	039155-03-007	EA	Alum. - Off White Mesa I - .024" x 48" x 60"
	039155-03-006	EA	Alum. - Off White Mesa I - .024" x 48" x 360"
	039155-03-009	EA	Alum. - Off White Mesa I - .024" x 12" x 360"
	039155-28-001	EA	Alum. - Off White Mesa II - .024" x 36" x 60"
	039155-28-003	EA	Alum. - Off White Mesa II - .024" x 36" x 360"
	039155-28-004	EA	Alum. - Off White Mesa II - .024" x 48" x 60"
	039155-28-006	EA	Alum. - Off White Mesa II - .024" x 48" x 360"
	039155-28-007	EA	Alum. - Off White Mesa II - .024" x 12" x 360"

NOTE: The raised portion of Mesa I Aluminum is 1.657" wide.  
The raised portion of Mesa II Aluminum is .875" wide.

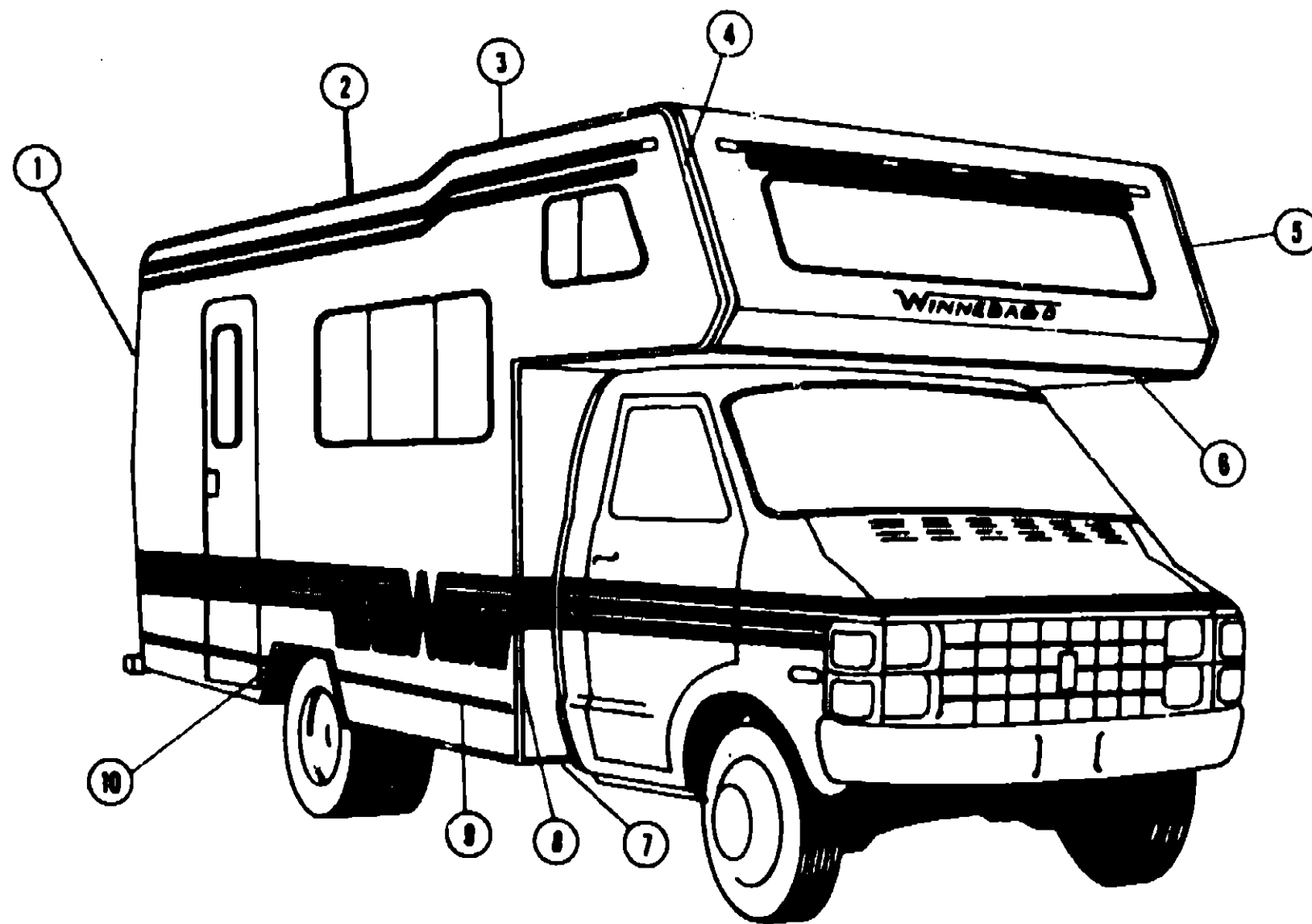
## 1990 WINNEBAGO TABLE OF CONTENTS

WD/WC420RG L1	A-1 - B-10
WDF26RH L1	B-11 - D-4
WDF26RT L1	D-5 - F-4
WD423RB L1	F-5 - G-16

## 1990 WD/WC420RG L1 INDEX

Floor Plan	A-1 - A-2
Accessories Group	A-3 - A-4
Bath Group	A-5
Chassis Group	A-6
Curtain, Cushion & Pad Group	A-7 - A-10
Dinette Group	A-11
Driver's Compartment Group	A-11
Electrical Group	A-12 - A-13
Exterior Body Group	A-14 - A-18
Galley Group	A-19
Heating & Air Conditioning Group	A-20
Interior Finish Group	A-21 - A-22
LP Group	A-23
Lounge Group	A-24
Water & Sewage Group	B-1
Window, Vent & Exterior Door Group	B-2 - B-10

EXTERIOR BODY GROUP (CONTINUED)



1980 WINNEBAGO  
TABLE OF CONTENTS

WD/WC420RG L1	A-1 - B-10
WDF26RH L1	B-11 - D-4
WDF26RT L1	D-5 - F-4
WD423RB L1	F-5 - G-10

1980 WD/WC420RG L1 INDEX

Floor Plan	A-1 - A-2
Accessories Group	A-3 - A-4
Bath Group	A-5
Chassis Group	A-6
Curtain, Cushion and Pad Group	A-7 - A-10
Dinette Group	A-11
Driver's Compartment Group	A-11
Electrical Group	A-12 - A-13
Exterior Body Group	A-14 - A-16
Galley Group	A-19
Heating & Air Conditioning Group	A-20
Interior Finish Group	A-21 - A-22
LP Group	A-23
Lounge Group	A-24
Water & Sewage Group	B-1
Window, Vent & Exterior Door Group	B-2 - B-10

Key	Part Number	U/M	Description
1	039984-01-000	EA	Trim - Contour - Backwall - Right - Off White
•	039984-02-000	EA	Trim - Contour - Backwall - Left - Off White
2	042170-03-000	EA	Trim - Contour - Roof - Rear Right - Off White
•	042170-04-000	EA	Trim - Contour - Roof - Rear Left - Off White
3	058240-01-000	EA	Trim - Contour - Roof - Front Right - Off White
•	058240-02-000	EA	Trim - Contour - Roof - Front Left - Off White
4	052799-01-000	EA	Trim - Contour - Sleeper - Right - Off White
5	052799-02-000	EA	Trim - Contour - Sleeper - Left - Off White
6	039844-05-000	EA	Trim - Sleeper Board - Front
7	054459-01-000	EA	Trim - Wingwall - Bottom - Right
•	054459-02-000	EA	Trim - Wingwall - Bottom - Left
•	048810-01-000	EA	Corner Trim - Plastic - Left Front Overhang - Off White
•	048810-02-000	EA	Corner Trim - Plastic - Right Front Overhang - Off White

Key	Part Number	U/M	Description
8	038476-09-000	EA	Trim - Corner - Wingwall - Right
•	038476-10-000	EA	Trim - Corner - Wingwall - Left
9	002444-02-001	EA	Feature Strip - Extr. Alum. - 14'
•	001030-09-100	EA	Insert - Feature Strip - Brown - 17"
•	009731-01-000	EA	End Cap - Feature Strip
•	041748-01-000	FT	Extr. Vinyl - Bubble Seal - Wingwall
10	042141-02-000	EA	Trim - Wheel Well - Rear - Left or Right
•	050830-03-000	EA	Trim - Backwall - Lower
•	002792-01-003	EA	Extrusion - Contour Trim - 222"
•			Not Illustrated



## EXTERIOR BODY GROUP (CONTINUED)

### LABELS AND DECALS

Key	Part Number	U/M	Description
	006025-01-000	EA	Label - Gas
	006028-01-000	EA	Label - Drain Cap - 2" x 3"
	006031-01-000	EA	Label - Potable Water Only
	006040-01-000	EA	Tag - Gas Refueling Warning
	006062-01-000	EA	Tag - Electrical - 110 Volt Connection
	006187-01-000	EA	Label - Sewage
	006188-01-000	EA	Label - Waste Water
	006199-01-000	EA	Label - Exit - Escape Window
	047731-01-000	EA	Label - Emergency Exit
	054531-01-000	EA	Label - LP Gas Only
	039716-01-000	EA	Stencil - Minnie Winnie
	053349-01-000	EA	Nameplate - Minnie Winnie
	006092-01-000	EA	Reflector - Stick On - Rectangular - Red
	006093-01-000	EA	Reflector - Stick On - Rectangular - Amber
	050313-06-000	EA	Decal - Logo - "Winnebago" - 2.8" x 22" - Rust
	050313-07-000	EA	Decal - Logo - "Winnebago" - 2.8" x 22" - Orange
	050313-08-000	EA	Decal - Logo - "Winnebago" - 2.8" x 22" - Blue
	065214-01-000	EA	Decal - Stripe - Hood Edge (Corner) - Rust
	065214-02-000	EA	Decal - Stripe - Hood Edge (Corner) - Orange
	065214-03-000	EA	Decal - Stripe - Hood Edge (Corner) - Blue
	065216-01-000	EA	Decal - W Surround - 16" x 9.5" - Right - Rust
	065216-02-000	EA	Decal - W Surround - 16" x 9.5" - Right - Orange
	065216-03-000	EA	Decal - W Surround - 16" x 9.5" - Right - Blue
	065216-04-000	EA	Decal - W Surround - 16" x 9.5" - Left - Rust
	065216-05-000	EA	Decal - W Surround - 16" x 9.5" - Left - Orange
	065216-06-000	EA	Decal - W Surround - 16" x 9.5" - Left - Blue
	065217-01-000	FT	Decal - Double 1.5" Stripes Premasked 3/4" Apart - Rust
	065217-02-000	FT	Decal - Double 1.5" Stripes Premasked 3/4" Apart - Orange
	065217-03-000	FT	Decal - Double 1.5" Stripes Premasked 3/4" Apart - Blue
	065218-01-000	FT	Decal - 1/2" Tape Stripe - Premasked - Rust
	065218-02-000	FT	Decal - 1/2" Tape Stripe - Premasked - Orange
	065218-03-000	FT	Decal - 1/2" Tape Stripe - Premasked - Blue
	065219-01-000	FT	Decal - Double 3/4" Stripes Premasked 2" Apart - Rust
	065219-02-000	FT	Decal - Double 3/4" Stripes Premasked 2" Apart - Orange
	065219-03-000	FT	Decal - Double 3/4" Stripes Premasked 2" Apart - Blue

### EXTERIOR PAINT

Key	Part Number	U/M	Description
	041561-01-000	EA	Paint - Off White - Acrylic Enamel - 1 Gallon
	041561-03-000	EA	Paint - Off White - Acrylic Enamel - 16 oz. Aerosol
	041561-04-000	EA	Paint - Off White - Acrylic Lacquer - 1 Gallon
	059360-03-000	EA	Paint - Brown - 16 oz. Spray - Dupont 29607
	059362-03-000	EA	Paint - Orange - 16 oz. Spray - Dupont 7455
	057012-03-000	EA	Paint - Mariner Blue - 16 oz. Spray - Dupont 5183A
	065213-03-000	EA	Paint - Dark Brown - 16 oz. Spray - Dupont 44173

## EXTERIOR BODY GROUP (CONTINUED)

### SEALANTS, ADHESIVES AND FASTENERS

Key	Part Number	U/M	Description
	034552-05-000	EA	Sealant - Off White Silicone
	034552-04-000	EA	Sealant - Beige Silicone
	034552-02-000	EA	Sealant - Clear Silicone
	004346-02-000	EA	Sealant - White Silicone
	041422-01-000	FT	Tape - Sealer - 1/4" x 1/2"
	009200-01-000	EA	Tape - Furnace - 1 1/2"
	004363-01-000	FT	Tape - Gasket - 1/8" x 3/4" - White
	002825-01-000	FT	Weather Stripping - Roof Vent
	002337-01-000	EA	Adhesive - 3M - 1300 Tube
	004005-01-000	GL	Adhesive - Swifts - Green - Glue (Sidewalls)
	004020-01-000	QT	Adhesive - ABS Cement (Plastic Fittings)
	029051-01-000	EA	Adhesive - Spray Vinyl
	042401-02-000	EA	Screw - 8 - 18 x 3/4" SDPH - Off White
	042403-02-000	EA	Screw - SF/DR - 8 - 18 x 1" SDPH - Off White
	005058-01-000	EA	Screw - Wood - 12 - 11 x 3" P.O.H. Zinc
	053766-01-000	EA	Bedding Compound - Tube Black - Schnee Moorehead
	053766-02-000	EA	Bedding Compound - Tube White - Schnee Moorehead
	053767-01-000	FT	Tape - 1/2" x 1/8" x 30' - Gray - Schnee Moorehead
	053767-03-000	FT	Tape - 1/4" Bead x 20' - Gray - Schnee Moorehead
	053767-04-000	FT	Tape - 3/4" x 1/8" x 30' - Gray - Schnee Moorehead
	053767-05-000	FT	Tape - 2" x 3/32" x 45' - Gray - Schnee Moorehead

### MISCELLANEOUS EXTERNALLY MOUNTED PARTS

Key	Part Number	U/M	Description
	038579-03-000	EA	Fuel Fill - Recessed - Single - Off White
**	011124-01-000	EA	Plumbing Seal - Roof Vent - 1 1/4" White
**	011129-01-000	EA	Plumbing Seal - Roof Vent - 1 1/2" White
**	010230-02-000	EA	Fill - City Water - Recessed - Off White - w/Screw on Cap
**	011020-01-000	EA	Fill - Water - Recessed - Off White
	058808-01-000	EA	Waterfill - Lockable - White
	048817-01-000	EA	Assist Handle - w/Light

\*\*The illustrated parts breakdown for this item is provided on the Common Items Fiche.

## 1980 WINNEBAGO TABLE OF CONTENTS

WD/WC420RG L1	A-1 - B-10
WDF26RH L1	B-11 - D-5
WCF26RT L1	D-5 - F-4
WD423RB L1	F-5 - G-18

## 1980 WD/WC420RG L1 INDEX

Floor Plan	A-1 - A-2
Accessories Group	A-3 - A-4
Bath Group	A-5
Chassis Group	A-6
Curtain, Cushion and Pad Group	A-7 - A-10
Dinette Group	A-11
Driver's Compartment Group	A-11
Electrical Group	A-12 - A-13
Exterior Body Group	A-14 - A-18
Galley Group	A-19
Heating & Air Conditioning Group	A-20
Interior Finish Group	A-21 - A-22
LP Group	A-23
Lounge Group	A-24
Water & Sewage Group	B-1
Window, Vent & Exterior Door Group	B-2 - B-10

## GALLEY GROUP

### GALLEY CABINETRY

Key	Part Number	U/M	Description
	060032-01-L01	EA	Cabinet Asm. - Galley - w/o Countertop, Doors, Drawers or Hardware
	060240-01-L01	EA	Countertop Asm. - Galley Cabinet - Bone
	060529-01-L01	EA	Extension Asm. - Galley Countertop - w/o Hardware - Bone
	053424-01-L01	EA	Sink Cover - Large - Bone
	057992-92-L01	EA	Door Asm. - Refrigerator Cabinet - 24.2" x 15.2" - w/o Hardware
	057992-91-L01	EA	Door Asm. - Refrigerator Cabinet - 24.2" x 20" - w/o Hardware
	057992-94-L01	EA	Door Asm. - Galley Cabinet - 22" x 8.5" - w/o Hardware
	057992-95-L01	EA	Door Asm. - Galley Cabinet - 22" x 11.7" - w/o Hardware
	057992-93-L01	EA	Door Asm. - Galley Cabinet - 11.9" x 32.1" - w/o Hardware
	059915-01-L01	EA	Drawer Asm. - Galley Cabinet - 10" x 5" x 20" Deep
	059915-02-L01	EA	Drawer Asm. - Galley Cabinet - 10" x 5" x 14" Deep
	059915-05-L01	EA	Drawer Asm. - Galley Cabinet - 10" x 5" x 12" Deep

### GALLEY HARDWARE AND APPLIANCES

Key	Part Number	U/M	Description
	011032-01-000	EA	Sink - Stainless Steel - Double w/Bolts
**	011053-01-000	EA	Faucet - Swing Spout - 8"
	011053-01-700	EA	Aerator - Swing Spout Faucet
	066437-01-000	EA	Strainer - Sink
	009049-01-000	EA	Support - Galley Extension Table
	009059-01-000	EA	Hinge - 2" - Gold - Galley Extension Table
	053333-01-000	EA	Stove Hood - Non Power - Black - Jenson
	049930-03-000	EA	Stove Hood - Powered - Black - Jenson
	062025-01-000	EA	Range - 3 Burner w/o Oven - Black - Magic Chef BT35G-3
	052771-02-000	EA	Oven - Microwave - Magic Chef MW207
	055282-02-000	EA	Range - 4 Burner - Small Oven - Almond - Magic Chef
**	049175-02-000	EA	Refrigerator - AC/DC/Gas - Sibir ET 150/2

\*\*The illustrated parts breakdown for this item is provided on the Common Items Fiche.

## HEATING AND AIR CONDITIONING GROUP

### AUTOMOTIVE AIR CONDITIONER

Key	Part Number	U/M	Description
	051770-01-000	EA	Compressor - Auto Air - Dodge or Chev. C-Body - ARA
	082424-01-000	EA	Evaporator - Auto Air - Dodge or Chev. C-Body - ARA
	056460-01-000	EA	Condenser Asm. - Auto Air - Dodge or Chevrolet C-Body - ARA
	056779-01-000	EA	Clutch - Auto Air - 7" Drive - Dodge or Chev. C-Body - ARA
	062637-01-000	EA	Mount - Compressor - Dodge 360 C.I.D.
	062636-01-000	EA	Mount - Compressor - Dodge 440 C.I.D.
	056459-01-000	EA	Mount - Compressor - Chevrolet
	055279-01-000	EA	Control Asm. - Heater and Air Conditioner

### COACH HEATING AND A/C

Key	Part Number	U/M	Description
	039505-02-000	EA	Thermostat - Horizontal Wall Mount - Black
	009200-01-000	EA	Tape - Furnace - 1 1/2"
	023148-01-000	EA	Clamp - Screw Type - 4"
	024985-01-000	EA	Reglater w/Damper - 9.9" x 4.8"
	009198-01-000	EA	Duct - Flexible - 4" I.D. x 25'
	031804-01-000	EA	Bonnet - Heat Register
	056464-01-000	EA	Register - 4" Dia. - Plastic
	049401-01-000	EA	Heater Asm. - Rear Auxiliary
	049401-01-700	EA	Valve - Water Control - Rear Aux. Heater
	049401-01-701	EA	Control Cable - Rear Aux. Heater
	049401-01-702	EA	Motor Asm. - Rear Aux. Heater
	049401-01-703	EA	Heater Core - Rear Aux. Heater
	049401-01-704	EA	Switch - Rear Aux. Heater
	058906-01-000	EA	Control Panel - Rear Aux. Heater
	066438-01-000	EA	Furnace - 16,000 BTU - Coleman 4316-A-769
**	059351-01-000	EA	Furnace - 24,000 BTU - w/Electric Ignition - Coleman 4324-749
**	049777-03-000	EA	Air Conditioner - 110 Volt - Roof Mount - 11,000 BTU - Coleman 6744A90 (w/o inside shroud)
**	049778-02-000	EA	Shroud Asm. - Ceiling - Inside - Roof Air - Cool Only 11,000 BTU - Coleman

\*\* The illustrated parts breakdown for this item is provided on the Common Items Fiche.

## 1980 WINNEBAGO TABLE OF CONTENTS

WD/WC420RG L1	A-1 - B-10
WDF26RH L1	B-11 - D-4
WDF26RT L1	D-5 - F-4
WD123RB L1	F-5 - G-16

## 1980 WD/WC420RG L1 INDEX

Floor Plan	A-1 - A-2
Accessories Group	A-3 - A-4
Bath Group	A-5
Chassis Group	A-6
Curtain, Cushion and Pad Group	A-7 - A-10
Dinette Group	A-11
Driver's Compartment Group	A-11
Electrical Group	A-12 - A-13
Exterior Body Group	A-14 - A-18
Galley Group	A-19
Heating & Air Conditioning Group	A-20
Interior Finish Group	A-21 - A-22
LP Group	A-23
Lounge Group	A-24
Water & Sewage Group	B-1
Window, Vent & Exterior Door Group	B-2 - B-10

## INTERIOR FINISH GROUP

### PANELING AND COUNTERTOP MATERIALS

Key	Part Number	U/M	Description
	064385-01-000	SF	Paneling - Main - 772 Birch - 48" x 96" (32 SF)
	045963-01-000	SF	Paneling - Ceiling - 825 Buff - 48" x 96" (32 SF)
	064388-01-000	SF	Paneling - Galley Decor - "Ferns" - Beige
	064388-02-000	SF	Paneling - Galley Decor - "Ferns" - Burgundy
	064388-03-000	SF	Paneling - Galley Decor - "Ferns" - Blue
	065739-03-000	SF	Paneling - Bath Decor - "Ferns" - Beige
	065739-04-000	SF	Paneling - Bath Decor - "Ferns" - Burgundy
	065739-05-000	SF	Paneling - Bath Decor - "Ferns" - Blue
	064387-01-000	SF	Plastic Laminated - Bone - 60" x 96" (40 SF)

### INTERIOR MOLDINGS AND TRIMS

Key	Part Number	U/M	Description
	064386-01-000	EA	Batt Strip - 772 Birch - 8'
	047354-01-000	EA	Batt Strip - 825 Buff - Ceiling - 8'
	064389-01-000	EA	Batt Strip - Galley Decor - "Ferns" - 8' - Beige
	064389-02-000	EA	Batt Strip - Galley Decor - "Ferns" - 8' - Burgundy
	064389-03-000	EA	Batt Strip - Galley Decor - "Ferns" - 8' - Blue
	024700-08-000	EA	Cover - Roll Bar - Sidewall - Ivory
	024700-14-000	EA	Cover - Roll Bar - Russet Oak
	039512-13-000	EA	Cover - Hat Section - Russet Oak
	047488-01-000	EA	Cover - Corner - Hat/Hat
	047489-01-000	EA	Cover - Corner - Tube/Tube
	052859-01-J27	EA	Accent Trim - Acorn Brown Vinyl
	009767-05-000	FT	Welling - Light Brown
	009778-01-000	FT	U-Channel - 1" - Dark Brown
	009812-13-000	FT	Molding - Outside Corner - .50" - Birch
	009809-10-000	FT	Molding - Outside Corner - 1" - Birch

### FABRICS AND FLOOR COVERINGS

Key	Part Number	U/M	Description
	064393-04-000	YD	Fabric - Drapery - Dublin Flax
	064383-01-000	YD	Fabric - Upholstery - Sienna Brown
	064383-06-000	YD	Fabric - Upholstery - Biscayne Rust
	064383-07-000	YD	Fabric - Upholstery - Biscayne Blue
	053327-01-000	YD	Vinyl - Non Expanded - 27 oz. - Acorn Brown
	053327-02-000	YD	Vinyl - Expanded - 28 oz. - Acorn Brown
	053327-03-000	YD	Vinyl - Non Support - 18 Gauge Film - Acorn Brown
	064384-02-000	SY	Carpet - Camel
	064384-01-000	SY	Carpet - Ginger

## INTERIOR FINISH GROUP (CONTINUED)

### CABINETS AND TABLE HARDWARE

Key	Part Number	U/M	Description
	053103-01-L01	EA	Hinge Kit - Double Acting - Overhead Door
**	052932-01-J30	EA	Hinge Kit - Cabinet Door - Antique Brass
	057945-01-K01	EA	Latch Kit - Cabinet Door - Flat Latch
**	009112-01-000	EA	Flange - 1" - Closet Rod
**	053200-04-000	EA	Bracket - Upper Wall Mount - 23.5" - Black
**	053201-03-000	EA	Bracket - Table Mount - 23" - Clear Anod.
**	024275-01-000	EA	Rod - Table Lift - 8" x 23.5"
**	024281-04-000	EA	Bracket - Lower Wall Mount - Brown - 22.12"
**	024276-04-000	EA	Leg Asm. - Table - Brown - 29.5"
**	064050-01-000	EA	Hinge - Table Leg - Brown
**	024282-01-000	EA	Brace - Table Leg
**	024283-01-000	EA	Clip - 1" O.D. Tube
**	049493-02-000	EA	Catch - Table Leg - Mounts on Floor - Brown
**	059753-01-000	EA	Slide - Drawer - Left
**	059753-02-000	EA	Slide - Drawer - Right
**	037688-01-000	FT	Rail - Drawer Glide
**	047744-01-000	EA	Kit - Drawer Glide
**	009059-01-000	EA	Hinge - Drop Leaf Extension - 2" - Gold
**	009049-01-000	EA	Support - Drop Leaf Extension
**	058335-01-000	EA	Latch - Bathroom Door

\*\*The illustrated parts breakdown for this item is provided on the Common Items Fiche.

### CURTAIN HARDWARE

Key	Part Number	U/M	Description
	052327-04-236	EA	Track - Curtain - Brown Alum. - 89" w/Holes
	058118-01-000	FT	Track - Curtain - Brown Plastic
	056001-01-000	EA	Bracket - Shade - Left
	056002-01-000	EA	Bracket - Shade - Right
	056003-01-000	EA	Bracket - Drapery Retainer - Right
	056003-02-000	EA	Bracket - Drapery Retainer - Left
	053272-04-200	EA	Track - Curtain - Off White - 89" w/Holes
	058784-01-000	EA	Pull - Window Shade - Antique Brass
	009107-01-000	EA	Guide - Nylon Snap - Curtain
	018031-42-000	EA	Track - Curtain - "L" Rod - Alum. Extr. - 90"
	009701-01-000	EA	Carrier - "L" Rod - Curtain
	009702-01-000	EA	End Stop - "L" Rod - Curtain

### MISCELLANEOUS

Key	Part Number	U/M	Description
	041944-01-700	EA	Fire Extinguisher - Dry Chemical w/Bracket
	041944-03-000	EA	Fire Extinguisher - 5BC - Calif.
	007038-01-000	EA	Door Mat - Black Rubber - 10 1/2" x 26"
	053552-01-K01	EA	Assist - Handle - Interior - Acorn Vinyl
	054185-06-000	EA	Owners Manual - Winnebago - 1980

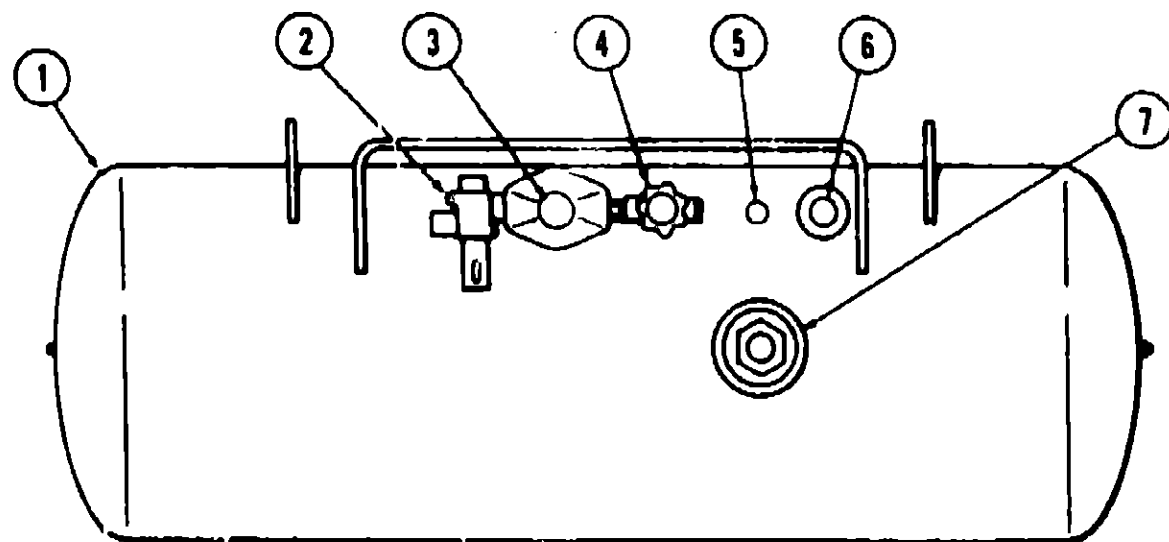
## 1980 WINNEBAGO TABLE OF CONTENTS

V/D/WC420RG L1	A-1 - B-10
WDF26RH L1	B-11 - D-4
WDF26RT L1	D-5 - F-4
WD423RB L1	F-5 - G-18

## 1980 WD/WC420RG L1 INDEX

Floor Plan	A-1 - A-2
Accessories Group	A-3 - A-4
Bath Group	A-5
Chassis Group	A-6
Curtain, Cushion and Pad Group	A-7 - A-10
Dinette Group	A-11
Driver's Compartment Group	A-11
Electrical Group	A-12 - A-13
Exterior Body Group	A-14 - A-18
Galley Group	A-19
Heating & Air Conditioning Group	A-20
Interior Finish Group	A-21 - A-22
LP Group	A-23
Lounge Group	A-24
Water & Sewage Group	B-1
Window, Vent & Exterior Door Group	B-2 - B-10

## LP GROUP



Key	Part Number	U/M	Description
1	052789-01-000	EA	Tank Asm. - LP - Frame Mount - 42 Pound
1	062026-01-000	EA	Tank Asm. - LP - Frame Mount - 28 Pound
2	047221-01-000	EA	Detector - LP Gas Leak
3	058706-01-000	EA	Cover - Regulator - 2 Stage
4	058705-01-000	EA	Regulator - Two Stage - LP Gas
4	040421-01-703	EA	Valve - Vapor Relief
5	040421-01-700	EA	Gauge - Liquid Level - 20% LP
6	040421-01-701	EA	Valve - Filler - LP
6	040421-01-702	EA	Cap - Plastic Fill Valve
7	042281-01-700	EA	Gauge - Float - w/Visible Dial - 42 Pound Tank
7	040421-01-706	EA	Dial - Visible Face - Float Gauge (Tank w/o Electric Transmitter)
7	040421-01-705	EA	Dial - Transmitter - 0-90 Ohm (float Gauge)
7	045703-03-000	EA	Hose Asm. - LP - 3/8" I.D. x 14"
7	047737-02-000	EA	Support - LP Tank - 69.25"
7	047737-03-000	EA	Support - LP Tank - 30.50"
			Not Illustrated

## LOUNGE GROUP

Key	Part Number	U/M	Description
	066123-01-L01	EA	Cabinet Asm. - Furnace - w/o Countertop, Door or Hardware
	057785-01-L01	EA	Countertop Asm. - Furnace Cabinet - Bone
	057992-05-L01	EA	Door Asm. - Wardrobe Cabinet - 12.02" x 42.02" - w/o Hardware
	057992-07-L01	EA	Door Asm. - Wardrobe Cabinet - 11.8" x 61" - w/o Hardware
	009151-01-000	EA	Warp Guard - 48"
	009112-01-000	EA	Flange - 1" Closet Rod - Chrome
	057837-01-L01	EA	Cabinet Asm. - Rear Overhead - w/o Doors or Hardware
	057992-02-L01	EA	Door Asm. - Rear Overhead Cabinet - 10.32" x 35.22" - w/o Hardware
	066133-01-L01	EA	Cabinet Asm. - Couch - w/o Drawer or Hardware
	058093-01-L01	EA	Drawer Asm. - Blanket - 28.72" x 10.72" x 19.62" Deep - w/o Hardware
	053203-07-L01	EA	Table Asm. - Pedestal - w/o Hardware - Bone
	009040-02-000	EA	Leg - Pedestal Table - 2.25" O.D. x 27.5" - Chrome
	009040-03-000	EA	Base - Table Leg - Mounts on Table
	041194-01-000	EA	Base - Table Leg - Mounts in Floor

## 1980 WINNERAGO TABLE OF CONTENTS

WD/WC420RG L1	A-1 - B-10
WDF26HH L1	B-11 - D-4
WDF26RT L1	D-5 - F-4
WD423RB L1	F-5 - G-16

## 1980 WD/WC420RG L1 INDEX

Floor Plan	A-1 - A-2
Accessories Group	A-3 - A-4
Bath Group	A-5
Chassis Group	A-6
Curtain, Cushion and Pad Group	A-7 - A-10
Dinette Group	A-11
Driver's Compartment Group	A-11
Electrical Group	A-12 - A-13
Exterior Body Group	A-14 - A-18
Galley Group	A-19
Heating & Air Conditioning Group	A-20
Interior Finish Group	A-21 - A-22
LP Group	A-23
Lounge Group	A-24
Water & Sewage Group	B-1
Window, Vent & Exterior Door Group	B-2 - B-10

## WATER AND SEWAGE GROUP

### PLUMBING REPAIR PARTS

Key	Part Number	U/M	Description
**	040539-01-000	EA	Kit - Repair - 3/8" O.D. Plastic Tube
**	040540-01-000	EA	Kit - Repair - 1/2" O.D. Plastic Tube
**	040541-01-000	EA	Kit - Repair - 5/8" O.D. Plastic Tube
**	083646-01-000	EA	Water Pump - 2.8 G.P.M. - Direct Drive - PAR
**	083646-02-000	EA	Water Pump - 2.8 G.P.M. - Direct Drive - PAR - CSA
**	039847-02-000	EA	Filter - Water Pump 1/2" MPT
**	052958-01-000	EA	Tee - Plastic - 1/2 F x 1/2 F x 1/2 F
**	052959-02-000	EA	Connector - Plastic - 1/2 F x 1/2 MPT
**	052959-03-000	EA	Connector - Plastic - 1/2 F x 3/8 MPT
**	052960-01-000	EA	Drain Valve - Line - 1/2 F x 1/2 F
**	039818-01-000	EA	Riser Asm. - 3/8" O.D. x 24" Tube
**	039818-02-000	EA	Riser Asm. - 3/8" O.D. x 36" Tube
**	039818-04-000	EA	Riser Asm. - 3/8" O.D. x 72" Tube
**	039818-05-000	EA	Riser Asm. - 3/8" O.D. x 48" Tube
**	004020-01-000	OT	Adhesive - ABS Cement
**	010201-01-000	EA	Hose - Sewer - 3" x 10 Ft. w/Clamp
**	082422-01-000	EA	Adapter - Offset Reducer - 3" x 1 1/2"
**	082827-01-000	EA	Valve - Dual - 3" x 1 1/2" - Offset
**	082415-01-000	EA	Cap - Sewer - 3"
**	082416-01-000	EA	Hose Adapter - Sewer - 3"
**	082416-02-000	EA	Valve - Sewer - 3" - w/o Handle
**	011091-01-000	EA	Waste - Continuous - Double Sink - 11 7/8"
**	011086-01-000	EA	P-Trap - Plastic - 1 1/4"
**	010079-01-000	EA	Tee - Plastic - 1 1/2 H x 1 1/2 H x 1 1/4 H
**	010091-01-000	EA	Wye - Plastic - 3" x 45 H x H x H
**	010115-01-000	EA	Coupling - Plastic - 1 1/2 H x H
**	010121-01-000	EA	Bushing - Plastic - 1 1/2 S x 1 1/4 H
**	050780-01-000	EA	Coupler - Rubber - 3" x 3"
**	037845-01-000	FT	Tape - Butyl - 3/16" Bead - Black
**	081807-01-000	EA	Grommet - Rubber - Holding Tank Fitting - 1 1/2"
**	081807-02-000	EA	Grommet - Rubber - Holding Tank Fitting - 3"
**	048524-01-000	EA	Kit - Plastic Fittings - Holding Tank
**	048524-02-000	EA	Kit - Plastic Fittings - Water Tank

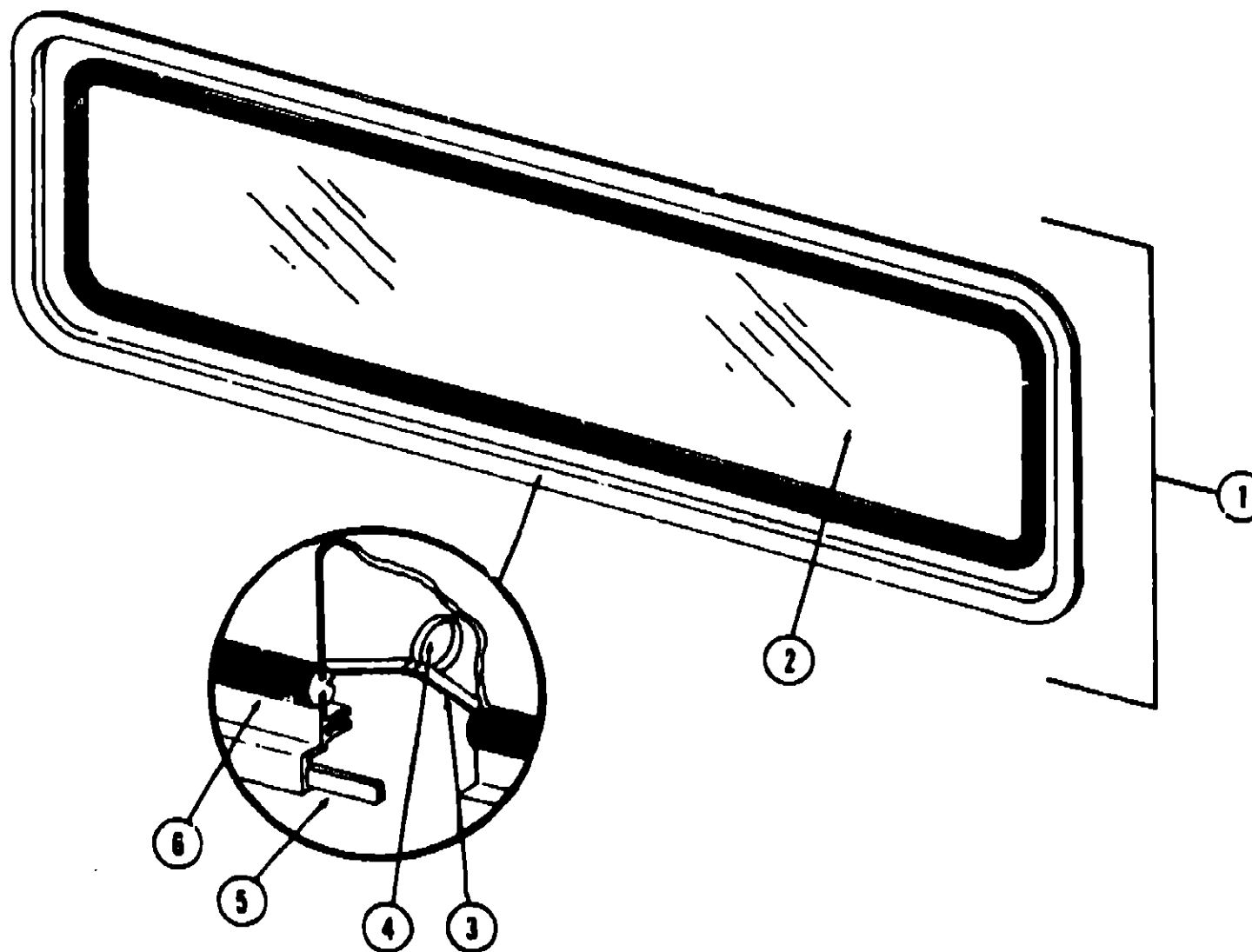
\*\*The illustrated parts breakdown for this item is provided on the Common Items Fiche.

### HOLDING TANKS AND WATER HEATER

Key	Part Number	U/M	Description
**	057063-02-000	EA	Tank Asm. - Water - 28 Gallon w/Fitting
**	057063-01-000	EA	Tank - Water - 28 Gallon w/o Fittings
**	084368-01-000	EA	Tank - Holding - Main - 12 Gallon - w/o Fittings
**	084370-01-000	EA	Tank - Holding - Aux. - 12 Gallon - w/o Fittings
**	051391-01-000	EA	Water Heater - 6 Gallon w/o Motor Aid - Atwood - GH63

\*\*The illustrated parts breakdown for this item is provided on the Common Items Fiche.

## WINDOW, VENT AND EXTERIOR DOOR GROUP



Key	Part Number	U/M	Description
1	020754-03-000	EA	Window Asm. - Escape - 23" x 68" Black Anod. (w/o inside frame)
2	002178-01-000	EA	Glass 1/8" x 19.61" x 64.80"
3	002285-01-000	FT	Weatherstrip - Filler - Black
4	020395-01-000	EA	Slip Ring - Pull
5	053767-03-000	FT	Tape - 1/4" Bead x 20' - Gray
6	002282-01-000	FT	Weatherstrip - Window .125" Black
*	020752-03-000	EA	Frame - Window - Inside - Escape - 23" x 68" (not included in assembly)
*	008199-01-000	EA	Label - Exit - Escape Window
*	Not Illustrated		

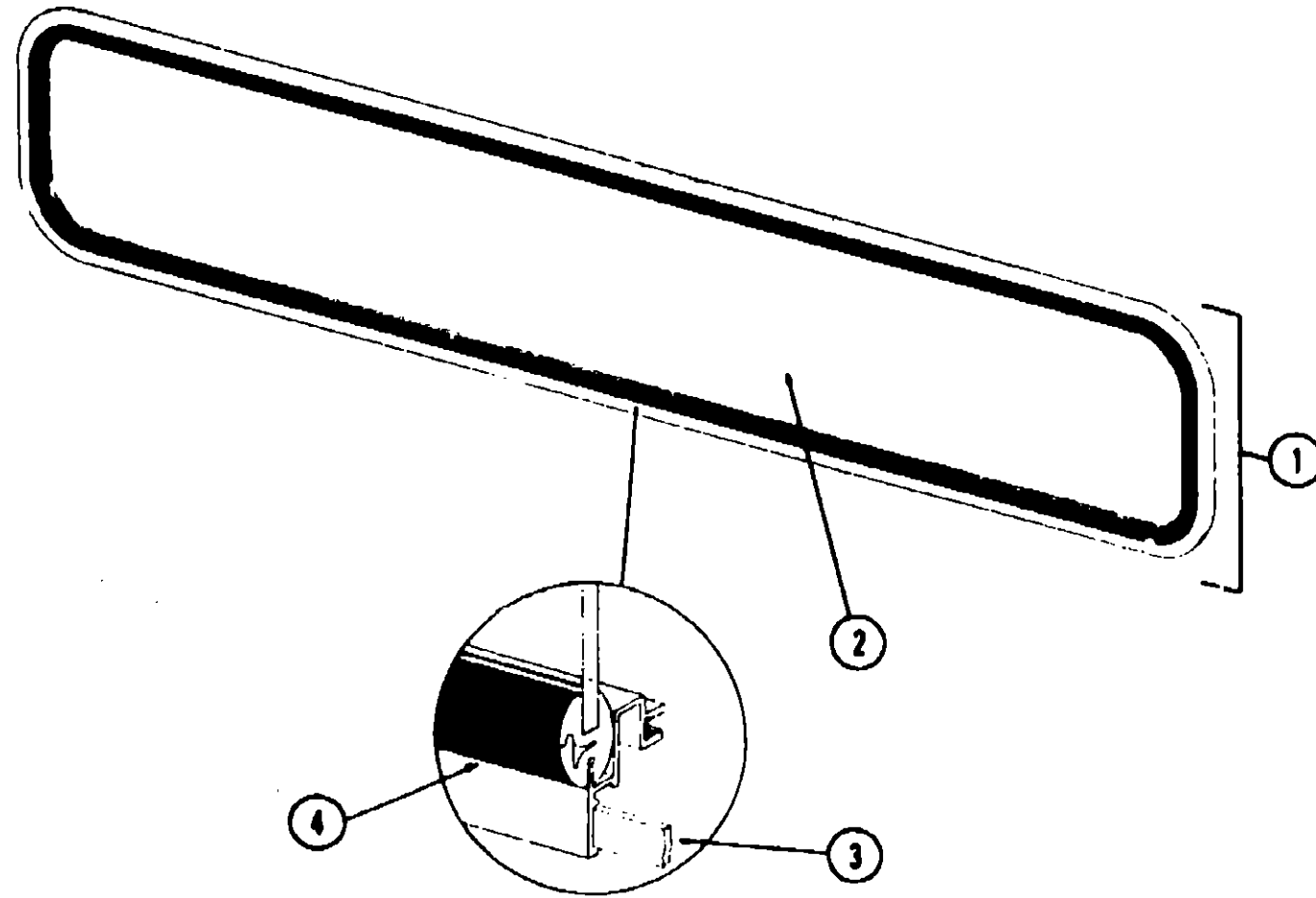
### 1980 WINNEBAGO TABLE OF CONTENTS

WD/WC420RG L1	A-1 - B-10
WDF26RH L1	B-11 - D-4
WDF26RT L1	D-5 - F-4
WD423RB L1	F-5 - G-16

### 1980 WD/WC420RG L1 INDEX

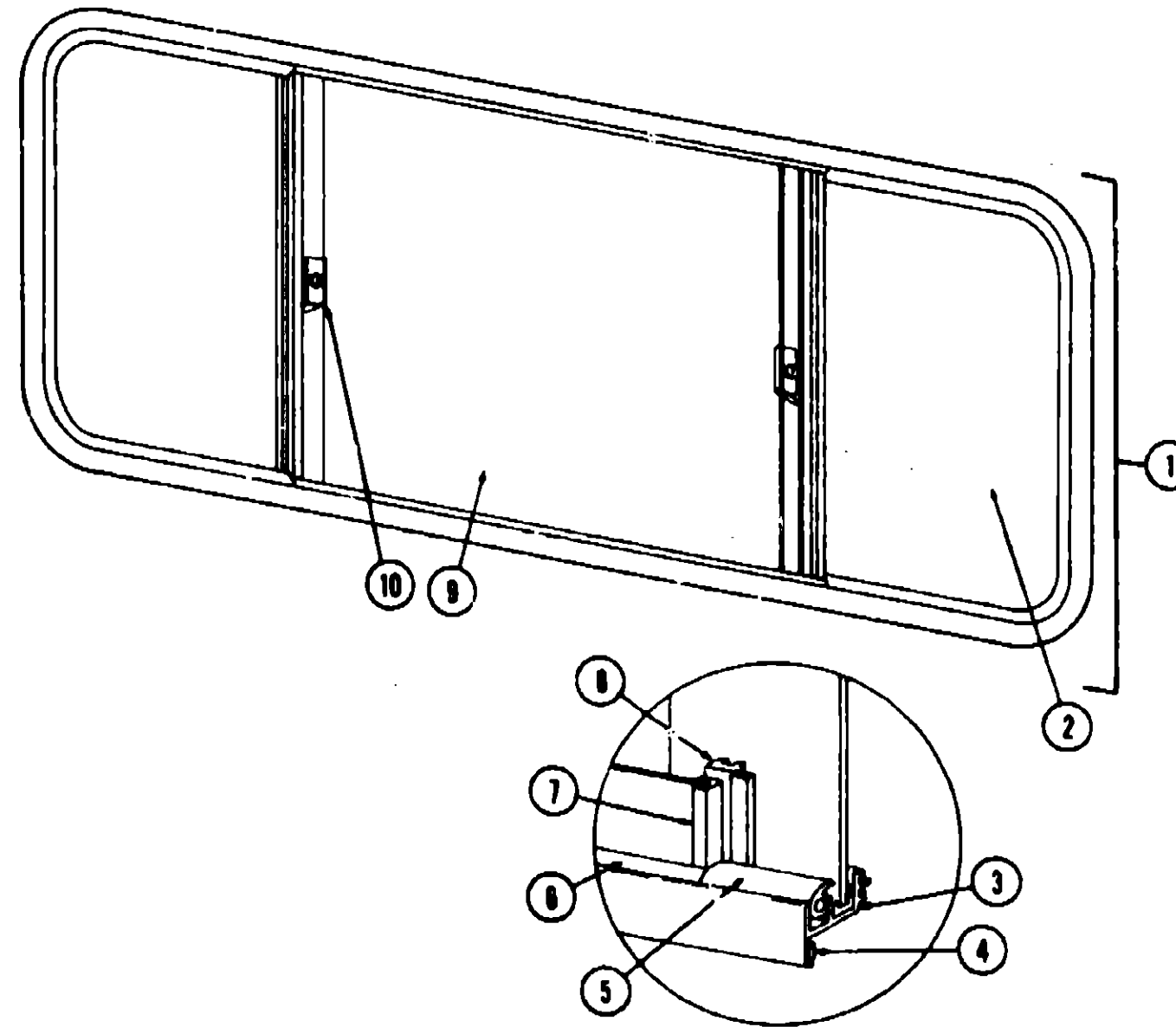
Floor Plan	A-1 - A-2
Accessories Group	A-3 - A-4
Bath Group	A-5
Chassis Group	A-6
Curtain, Cushion & Pad Group	A-7 - A-10
Dinette Group	A-11
Driver's Compartment Group	A-11
Electrical Group	A-12 - A-13
Exterior Body Group	A-14 - A-18
Galley Group	A-19
Heating & Air Conditioning Group	A-20
Interior Finish Group	A-21 - A-22
LP Group	A-23
Lounge Group	A-24
Water & Sewage Group	B-1
Window, Vent & Exterior Door Group	B-2 - B-10

**WINDOW, VENT AND EXTERIOR DOOR GROUP (CONTINUED)**



Key	Part Number	U/M	Description
1	041936-01-000	EA	Window Asm. - Front Picture - 14" x 59" - Black (w/o inside frame)
2	002200-02-000	EA	Glass - TP - Picture Window
3	053767-03-000	FT	Tape - 1/4" Bead x 20' - Gray
4	002281-01-000	FT	Weatherstrip - Self Seal - .06" Panel x 3/16" - Black
.	037845-01-000	FT	Tape - Butyl - Window - 3/16" Bead - Black
.	041936-01-000	EA	Frame - Inside - Picture Window (not included in assembly)
.	Not Illustrated		

**WINDOW, VENT AND EXTERIOR DOOR GROUP (CONTINUED)**



Key	Part Number	U/M	Description
1	048630-08-000	EA	Window Asm. - Double - Slider - 25" x 65" Black Anod. (w/o inside frame)
2	047622-01-000	EA	Glass - Sliding - 3/16" x 24" x 21.03"
3	042077-01-000	FT	Channel - Weatherstrip - Glass Run 3/16" Glass
4	053767-03-000	FT	Tape - 1/4" Bead x 20' - Gray
5	041928-02-000	FT	Seal - Window Channel - Black
6	050216-02-000	FT	Spline - Glass
7	002389-03-201	EA	Extr. - Holder - Glass Seal - 23.19"
8	041894-04-000	EA	Mullion - Slider Window - 25"
9	002186-02-000	EA	Glass - 3/16" x 24" x 25.50" - Stationary
10	047369-01-700	EA	Latch - Window - Plastic
.	023320-01-000	EA	Foam Pad - 3/8" Dia. (used with plastic latch)
.	042133-09-000	EA	Frame Asm. - Window - Inside (not included in assembly)
.	023713-02-000	EA	Cover - Weephole - Plastic - Black
.	002298-01-000	FT	Spline - Gray - .130" Dia. (Screen)
.	002293-01-000	SF	Screen - Window - 26" - Gray
.	Not Illustrated		

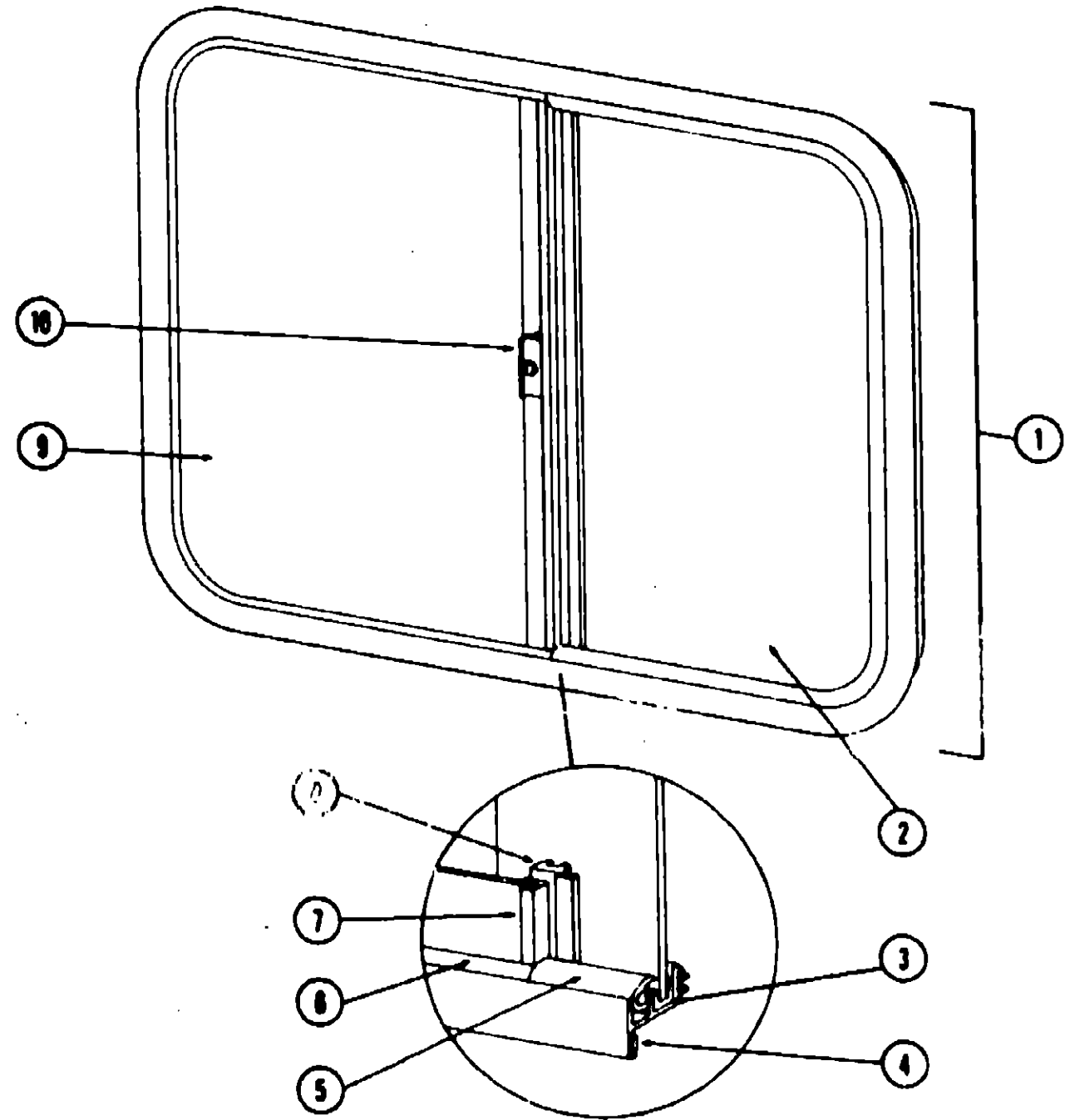
**1980 WINNEBAGO  
TABLE OF CONTENTS**

WD/WC420RG L1	A-1 - B-10
WDF26RH L1	B-11 - D-4
WDF26RT L1	D-5 - F-4
WD423RB L1	F-5 - G-16

**1980 WD/WC420RG L1 INDEX**

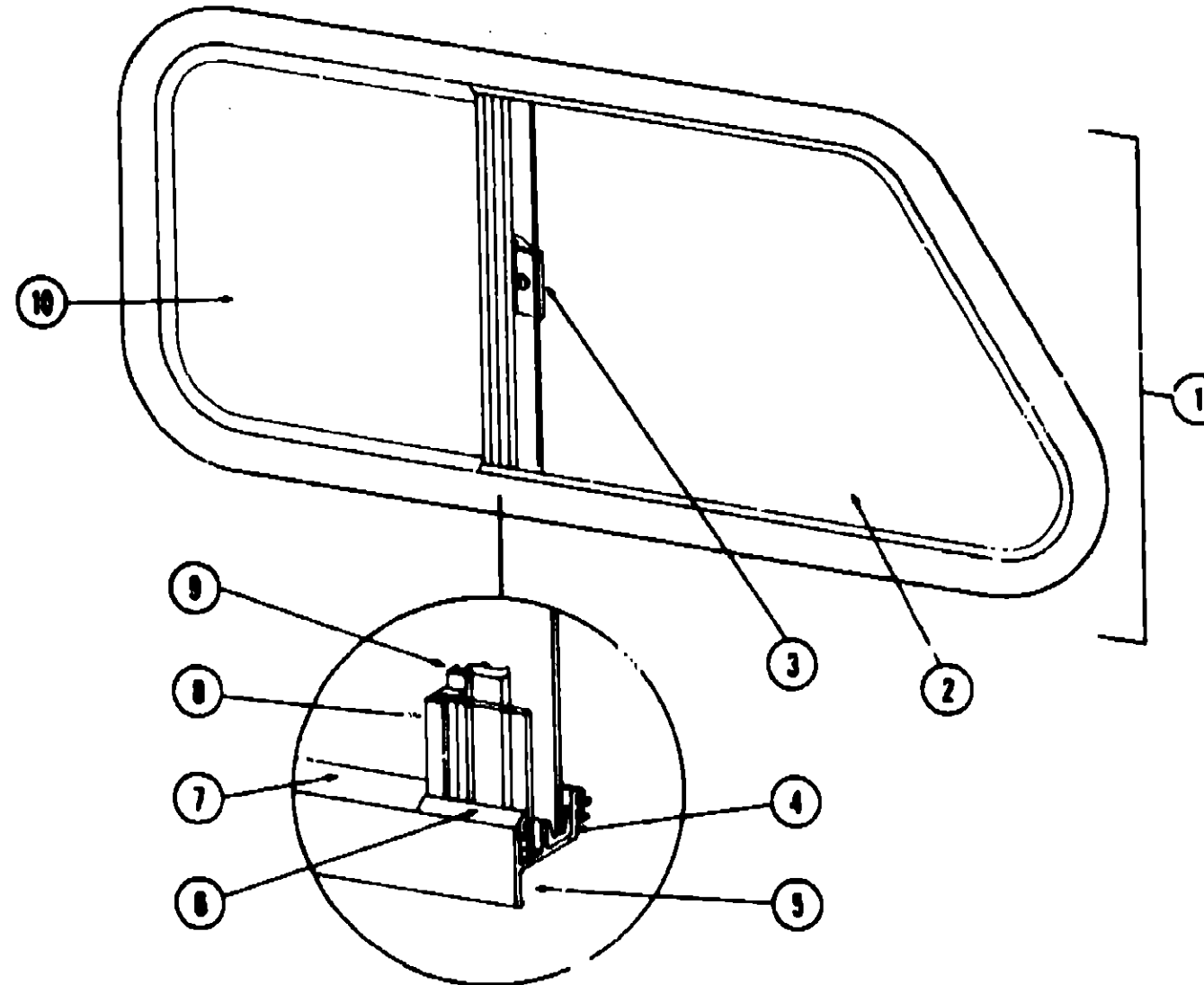
Floor Plan	A-1 - A-2
Accessories Group	A-3 - A-4
Bath Group	A-5
Chassis Group	A-6
Curtain, Cushion & Pad Group	A-7 - A-10
Dinette Group	A-11
Driver's Compartment Group	A-11
Electrical Group	A-12 - A-13
Exterior Body Group	A-14 - A-16
Galley Group	A-19
Heating & Air Conditioning Group	A-20
Interior Finish Group	A-21 - A-22
LP Group	A-23
Lounge Group	A-24
Water & Sewage Group	B-1
Window, Vent & Exterior Door Group	B-2 - B-10

WINDOW, VENT AND EXTERIOR DOOR GROUP (CONTINUED)



Key	Part Number	U/M	Description
1	066785-03-000	EA	Window Asm. - Single Slider - 25" x 65" - Black Anod. (w/o inside frame)
2	066727-02-000	EA	Glass - Sliding - 1/8" x 12" x 24"
3	002324-02-000	FT	Channel - Weatherstrip - Glass Run - 1/8" Glass
4	063787-03-000	FT	Tape - 1/4" Bead x 20' - Gray
5	067374-02-000	FT	Seal - Window Channel - Black
6	002309-02-000	FT	Spline - Glass - Black
7	002380-03-002	EA	Holder - Glass Seal - Black Anod. Extr.
8	041894-04-000	EA	Mullion - Slider Window - 25" - Black Anod. Extr.
9	066726-02-000	EA	Glass - Stationary - 1/8" x 21.03" x 24"
10	047389-01-700	EA	Latch - Window - Plastic w/Fastener
	023320-01-000	EA	Part - Foam - 3/8" Dia. (used w/Plastic Latch)
	042076-01-000	FT	Seal - Fin - Pile - .34" - Mullion
	023713-02-000	EA	Cover - Weep Hole - Black
	042133-09-000	EA	Frame - Inside - Single Slider - 25" x 65"
			Not Illustrated

WINDOW, VENT AND EXTERIOR DOOR GROUP (CONTINUED)



Key	Part Number	U/M	Description
1	048632-03-000	EA	Window Asm. - Bunk - Slanted Slider - Right - Black (w/o inside frame)
	048632-04-000	EA	Window Asm. - Bunk - Slanted Slider - Left - Black (w/o inside frame)
2	040918-01-000	EA	Glass - 1/8" x 11.96" x 19.42" - Gray - Stationary
3	047389-01-700	EA	Latch - Window - Plastic - w/Fastener
	023320-01-000	EA	Foam Pad - 3/8" Dia. (used with plastic latch)
4	002324-01-000	FT	Channel - Weatherstrip - Glass Run - 1/8" Glass
5	063787-03-000	FT	Tape - 1/4" Bead x 20' - Gray
6	002309-02-000	FT	Spline - Glass - 1/8" - Black
7	024086-02-000	FT	Seal - Window Channel - Black
8	002380-03-200	EA	Holder - Glass Seal - Extr. - Anod. Black - 11.23"
9	041894-07-000	EA	Mullion - 13" - Black Anod.
10	047815-01-000	EA	Glass - 1/8" x 11.96" x 11.81" - Gray - Sliding
	040918-03-000	EA	Frame - Window - Inside - Bunk Slant - Left (not included in assembly)
	040918-04-000	EA	Frame - Window - Inside - Bunk Slant - Right (not included in assembly)
	023713-02-000	EA	Cover - Weep Hole - Black
	002298-01-000	FT	Spline - Gray - .130" Dia. (Screen)
	002291-01-000	SF	Screen - Gray - Window - 16"
			Not Illustrated

1980 WINNEBAGO  
TABLE OF CONTENTS

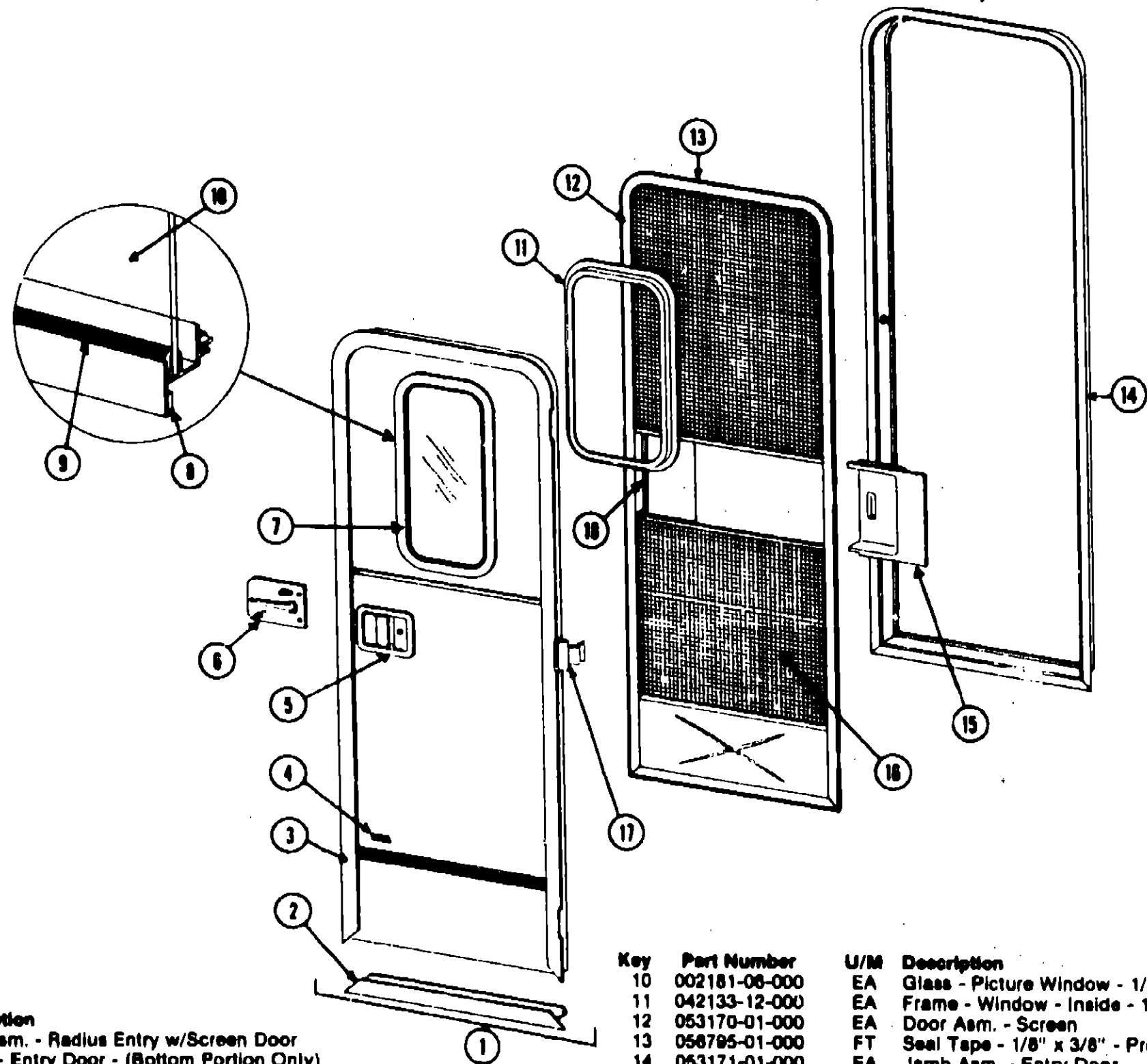
WD/WC420RG L1  
WDF26RH L1  
WDF26RT L1  
WD423RB L1

A-1 - B-10  
B-11 - D-4  
D-5 - F-4  
F-5 - G-18

1980 WD/WC420RG L1 INDEX

Floor Plan	A-1 - A-2
Accessories Group	A-3 - A-4
Bath Group	A-5
Chassis Group	A-6
Curtain, Cushion & Pad Group	A-7 - A-10
Dinette Group	A-11
Driver's Compartment Group	A-11
Electrical Group	A-12 - A-13
Exterior Body Group	A-14 - A-18
Galley Group	A-19
Heating & Air Conditioning Group	A-20
Interior Finish Group	A-21 - A-22
LP Group	A-23
Lounge Group	A-24
Water & Sewage Group	B-1
Window, Vent & Exterior Door Group	B-2 - B-10

# WINDOW, VENT AND EXTERIOR DOOR GROUP (CONTINUED)



Key	Part Number	U/M	Description
1	084324-10-000	EA	Door Asm. - Radius Entry w/Screen Door
2	039737-01-000	EA	Frame - Entry Door - (Bottom Portion Only)
3	039736-01-000	EA	Frame - Entry Door (Except Bottom Portion)
4	039974-01-000	EA	Holder Asm. - Entry Door - 1 1/2"
5	045017-01-000	EA	Paddle Asm. - Door Lock - Exterior
	045017-01-700	EA	Lock Cylinder w/Keys - Lynor
	039539-01-000	EA	Striker Bolt - Entry Door
	039540-01-000	EA	Latch Claw - Entry Door
6	039979-01-000	EA	Plate - Lock - Inside - Including Inside Handle
	052186-01-000	EA	Lock Asm. - Complete - Lynor
7	041875-09-000	EA	Window Asm. - Picture - 17" x 25" - Black Anod. (Inside frame not include in assembly)
8	053767-03-000	FT	Tape - 1/4" Bead x 20' - Gray
9	002309-02-000	FT	Spline - Glass - 1/8" Black
			Not Illustrated

Key	Part Number	U/M	Description
10	002181-06-000	EA	Glass - Picture Window - 1/8" x 16 1/4" x 24" Gray
11	042133-12-000	EA	Frame - Window - Inside - 17" x 25" - Brown
12	053170-01-000	EA	Door Asm. - Screen
13	056795-01-000	FT	Seal Tape - 1/8" x 3/8" - Press On
14	053171-01-000	EA	Jamb Asm. - Entry Door
15	015580-01-000	EA	Slider - Screen Door - Brown Plastic
16	002293-01-000	SF	Screen - Window - 28" - Gray
17	039520-01-000	EA	Hinge - Entry Door (3 used per door)
18	015581-01-000	EA	Cap - Screen Door - Brown Plastic
	049176-01-000	EA	Hedlok II - 3/4" Diameter - Screw Mount (retains screen door to entry door)
	049797-01-000	EA	Hedlok II - 1" Diameter - Screw Mount (retains screen door to entry door)
	058025-02-000	EA	Clip - Roller Catch
	039863-01-000	EA	Catch Asm. - Single Roller w/Strike - Screen Door
	044582-02-000	EA	Drip Cap - Jamb Mounted - Off White
	051360-01-000	FT	Seal - Bulb - Rubber
	039800-03-000	FT	Tubing - Polybutyl - 3/8" O.D. - Jamb
			Not Illustrated

## 1980 WINNEBAGO TABLE OF CONTENTS

WD/WC420RG L1	A-1 - B-10
WDF26RH L1	B-11 - D-4
WDF26RT L1	D-5 - F-4
WD423RB L1	F-5 - G-16

## 1980 WD/WC420RG L1 INDEX

Floor Plan	A-1 - A-2
Accessories Group	A-3 - A-4
Bath Group	A-5
Chassis Group	A-6
Curtain, Cushion & Pad Group	A-7 - A-10
Dinette Group	A-11
Driver's Compartment Group	A-11
Electrical Group	A-12 - A-13
Exterior Body Group	A-14 - A-18
Galley Group	A-19
Heating & Air Conditioning Group	A-20
Interior Finish Group	A-21 - A-22
LP Group	A-23
Lounge Group	A-24
Water & Sewage Group	B-1
Window, Vent & Exterior Door Group	B-2 - B-10



# WINDOW, VENT AND EXTERIOR DOOR GROUP (CONTINUED)

## ACCESS DOORS

Key	Part Number	U/M	Description
	052009-01-000	EA	Door Asm - Water Heater Access - Off White - Atwood
	033333-23-000	EA	Door Asm - Battery - Off White w/Twist Type Lock
	054270-02-000	EA	Door Asm - Refrigerator Access - Off White w/Twist Type Lock
	052776-01-000	EA	Door Asm - Luggage - 14 1/4" x 23" - Off White w/Key Type Lock
	052775-01-000	EA	Door Asm - Generator - Off White w/Twist Type Lock
	052743-01-000	EA	Baffle - Generator Door
	055500-01-000	EA	Door Asm - Gas Fill - w/Key Type Lock
	042441-01-000	EA	Lock Asm - Key Type - Gas Fill
	063946-01-000	EA	Door Asm - Power Cord w/Hatch - Off White w/Twist Type Lock
	052950-03-700	EA	Lock Asm - Power Cord Door - Twist Type - Straight Cam
	047305-01-000	EA	Lock Asm - Key Type w/Clip
	052950-01-700	EA	Lock Asm - Twist Type - White Plastic w/Retainer Clip
	016945-02-000	EA	Holder Asm - Battery or Luggage Door (holds door open)

## VENTS

Key	Part Number	U/M	Description
	039778-01-000	EA	Cover - Refrigerator Vent - Plastic
	009407-01-000	EA	Base - Frame - Refrigerator Vent w/o Cover
**	048789-01-000	EA	Vent Asm. - Roof - Powered w/o Screen - Alum
**	048835-01-000	EA	Vent Asm. - Roof - Non Powered - w/o Screen - Alum
**	056119-01-000	EA	Vent Asm. - Roof - Powered/Lighted - Jensen - White

\*\*The illustrated parts breakdown for this item is provided on the Common Items Fiche

## 1980 WINNEBAGO TABLE OF CONTENTS

WD/WC420RG L1	A-1 - B-10
WDF26RH L1	B-11 - D-4
WDF26RT L1	D-5 - F-4
WD423RB L1	F-5 - G-16

## 1980 WD/WC420RG L1 INDEX

Floor Plan	A-1 - A-2
Accessories Group	A-3 - A-4
Bath Group	A-5
Chassis Group	A-6
Curtain, Cushion & Pad Group	A-7 - A-10
Dinette Group	A-11
Driver's Compartment Group	A-11
Electrical Group	A-12 - A-13
Exterior Body Group	A-14 - A-18
Galley Group	A-19
Heating & Air Conditioning Group	A-20
Interior Finish Group	A-21 - A-22
LP Group	A-23
Lounge Group	A-24
Water & Sewage Group	B-1
Window, Vent & Exterior Door Group	B-2 - B-10