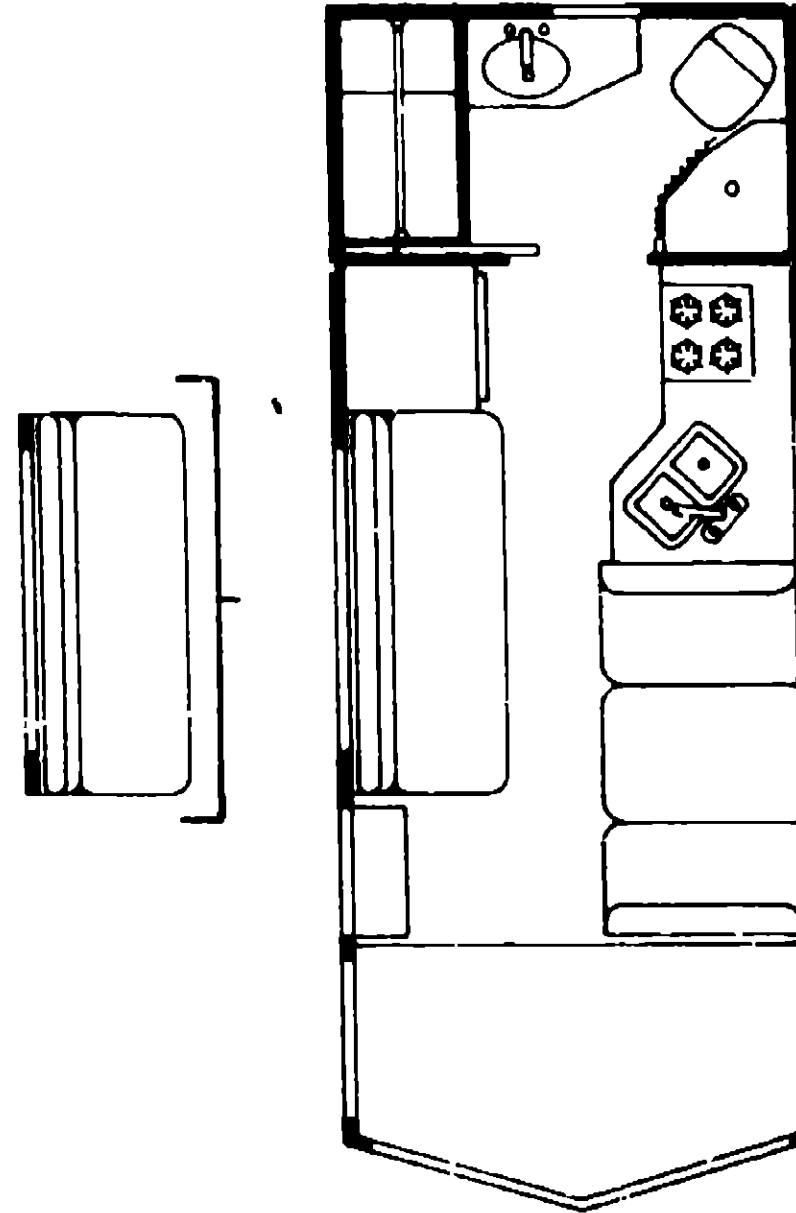


**1980**

**WC/WG/WDF22RB L1**



**1980 WINNEBAGO  
TABLE OF CONTENTS**

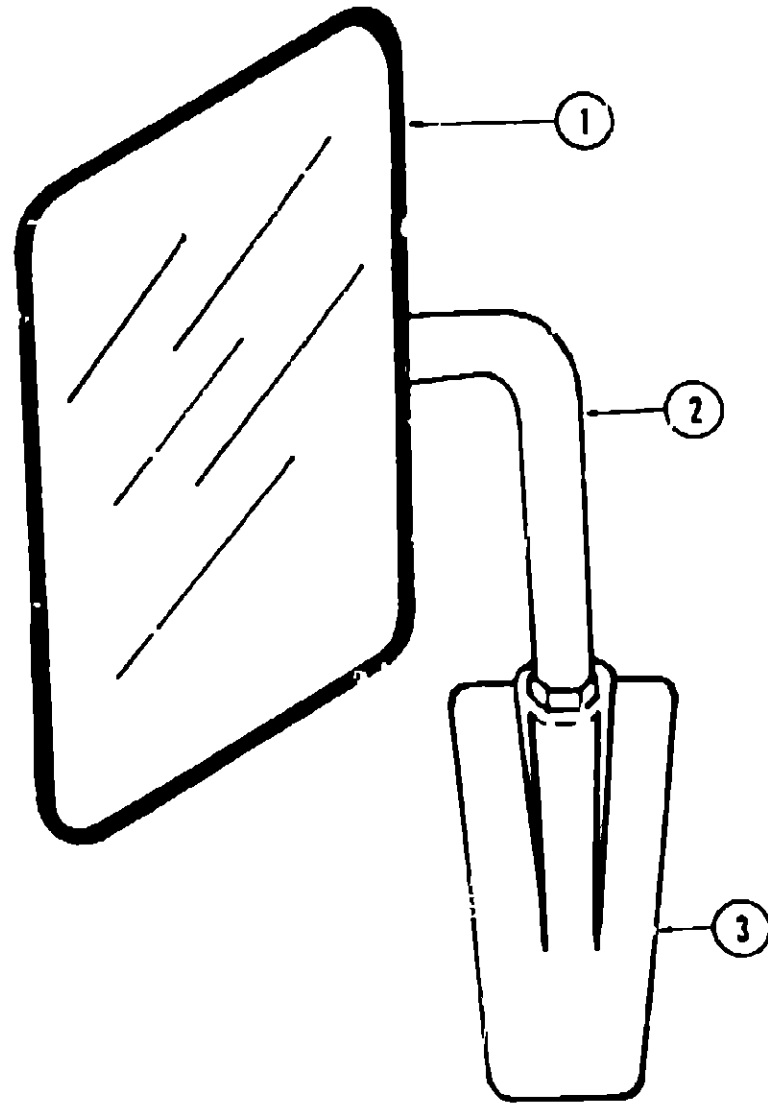
WC/WG/WDF22RB L1  
WC/WDN26RB L1  
WD319AK L1

A-1 - B-20  
B-21 - D-16  
D-17 - E-20

**1980 WD/WC/WGF22RB L1 INDEX**

Floor Plan	A-1 - A-2
Accessories Group	A-3 - A-4
Bath Group	A-5
Chassis Group	A-6 - A-8
Curtain, Cushion & Pad Group	A-9 - A-13
Dinette Group	A-14
Driver's Compartment Group	A-15 - A-16
Electrical Group	A-17 - A-19
Exterior Body Group	A-20 - A-23
Galley Group	A-24
Heating & Air Conditioning Group	B-1 - B-3
Interior Finish Group	B-4 - B-5
LP Group	B-6 - B-7
Lounge Group	B-8
Water & Sewage Group	B-9 - B-10
Window, Vent & Exterior Door Group	B-11 - B-20

## ACCESSORIES GROUP



Key	Part Number	U/M	Description
1	057461-01-000	EA	Mirror Head - 7 1/2' x 10 1/2' - w/Convex - Bright Finish
1	057461-02-000	EA	Mirror Head - 7 1/2' x 10 1/2' - w/Convex - Off White
2	049348-01-000	EA	Arm - Low Mount Mirror - Bright Finish
2	049348-02-000	EA	Arm - Low Mount Mirror - Off White
2	049944-02-000	EA	Bracket - Mirror - Outside - Off White
3	049944-04-000	EA	Bracket - Mirror - Outside - Black

### FRONT BUNK AND HARDWARE

Key	Part Number	U/M	Description
	058300-01-L01	EA	Cabinet Asm - Front Overhead
	053320-01-L01	EA	Bunk Board Asm - Front Overhead w/Rails
	053773-01-000	EA	Support - Overhead Bunk - Brown - Right
	053773-02-000	EA	Support - Overhead Bunk - Brown - Left
	046071-02-000	EA	Support - Bunk - Seat Belt
	039516-02-000	EA	Catch - Bunk - Brown
	023812-22-000	EA	Rail - Bunk - 80" - Brown
	053774-02-000	EA	Torsion Rod - Overhead Bunk - Brown
	041322-01-000	EA	Washer - Flat - 15/32' I D x 2 3/8' O D

A-3

## ACCESSORIES GROUP (CONTINUED)

### RADIOS AND RELATED COMPONENTS

Key	Part Number	U/M	Description
	049730-01-000	EA	Radio - Clarion - AM w/Fader Switch
	049731-01-000	EA	Radio - Clarion - AM/FM/MPX - w/Fader Switch
	049732-01-000	EA	Radio - Clarion - AM/FM/MPX - 8 Track - w/Fader Switch
	063647-01-000	EA	Control Box - Clarion CB
	063647-02-000	EA	Module - Clarion CB
	053768-01-000	EA	Speaker - Recessed - 5 1/4" - 10 oz
	031105-01-000	EA	Antenna - Radio - Side Mount
	031105-01-700	EA	Holder - Antenna - Upper
	048153-01-000	EA	Antenna - CB Camper Style
	055299-01-000	EA	Grille - Speaker - 5 1/4"
	064785-01-000	EA	Radio - AM - Audiovox
	064786-01-000	EA	Radio - AM/FM/MPX - w/8 Track - Audiovox
	064787-01-000	EA	Radio - AM/FM/MPX - w/8 Cassette - Audiovox
	064788-01-000	EA	Radio - AM/FM - Digital - w/Cassette - Audiovox
	064789-01-000	EA	Radio - AM/FM - Digital - w/8 Track - Audiovox
	064791-01-000	EA	Speaker - Recessed - 5 25" Dia - Audiovox
	064792-01-000	EA	Grille - Speaker - Brown - Audiovox
	064794-01-000	EA	Trimplate Radio - Audiovox

### GENERATORS AND COMPONENTS

Key	Part Number	U/M	Description
**	054429-01-000	EA	Generator - Onan - 4.0 kw - BF.1
	701629-02-000	EA	Onan Installation Package
	050467-01-000	EA	Bezel - Entertainment Center No. 3 - w/Cut Out for Vehicle Sensor Panel Radio, Clock, Hourmeter and Generator Start Stop Switch
	024732-01-001	EA	Tailpipe - 1 1/2" O D x 23"
	054426-01-000	EA	Muffler - Generator - w/Arrestor
	740313-56-000	EA	Tray - Generator - 4.0 - 5.0 kw Onan

\*\*The illustrated parts breakdown for this item is provided on the Common Items Fiche

### MISCELLANEOUS ACCESSORIES

Key	Part Number	U/M	Description
	054185-06-000	EA	Owner's Manual - 1980 Winnebago
	006053-01-000	EA	Antenna - TV Braund Delux
	006053-01-700	EA	Parts Kit - Repair - Braund TV Antenna
	006093-01-000	EA	Jack - TV - Brown (Antenna)
	006076-01-000	EA	Ladder - Front Bunk
	017516-01-000	EA	Mud Flap - Black - 14" x 18" w/Holes
	006113-01-000	EA	Jack Hydraulic - 5 Ton
	041941-01-700	EA	Fire Extinguisher - w/Bracket
	041944-03-700	EA	Fire Extinguisher - 5 BC (Calif.)
	052771-02-000	EA	Oven - Microwave - Magic Chef MW207
	067203-01-700	EA	Ladder Asm - w/Luggage Rack
	067203-01-000	EA	Ladder Asm.
	041646-01-000	EA	Luggage Corner Assembly
	039681-01-000	EA	Catch and Strike - Luggage Carrier
**	031396-01-000	EA	Wheel Cover - 17.5" Chrome
**	059778-01-000	EA	Speed Control Package - Electric - Dodge
**	059779-01-000	EA	Speed Control Package - Electric - Chev
	034410-12-000	EA	Cover - Spare Tire - 32"
	058794-01-000	EA	Steering Stabilizer

\*\*The illustrated parts breakdown for this item is provided on the Common Items Fiche

A-4

## 1980 WINNEBAGO TABLE OF CONTENTS

WC/WC/WDF22RB L1	A-1 - B-20
WC/WDN28RB L1	B-21 - D-16
WD319RK L1	D-17 - E-20

## 1980 WD/WC/WGF22RS L1 INDEX

Floor Plan	A-1 - A-2
Accessories Group	A-3 - A-4
Bath Group	A-5
Chassis Group	A-6 - A-8
Curtain, Cushion & Pad Group	A-9 - A-13
Dinette Group	A-14
Driver's Compartment Group	A-15 - A-16
Electrical Group	A-17 - A-19
Exterior Body Group	A-20 - A-23
Galley Group	A-24
Heating & Air Conditioning Group	B-1 - B-3
Interior Finish Group	B-4 - B-5
LP Group	B-6 - B-7
Lounge Group	B-8
Water & Sewage Group	B-9 - B-10
Window, Vent & Exterior Door Group	B-11 - B-20

## BATH GROUP

### BATH CABINETRY

Key	Part Number	U/M	Description
	065425-01-L01	EA	Door Asm - Sliding - 74 1/2" x 25 8/16" - w/o Hardware
	065919-01-L01	EA	Cabinet Asm - Vanity - w/o Countertop or Hardware
	065918-01-L01	EA	Countertop Asm - Vanity Cabinet - Bone
	065260-10-L01	EA	Door Asm - 15 2/3" x 61 2/3" - w/o Hardware
	065260-11-L01	EA	Door Asm - 13 2/3" x 27 1/2" - w/o Hardware
	065260-14-L01	EA	Door Asm - 14" x 28 1/2" - w/o Hardware
	066166-01-L01	EA	Door Asm - 28.7" x 18 9/16" - w/o Hardware
	065260-17-L01	EA	Door Asm - 11 5/8" x 24 9/16" - w/o Hardware
	065452-01-L01	EA	Cabinet Asm - Ovhd - Bath - w/o Doors or Hardware
	053130-03-000	EA	Cabinet Asm - Medicine - 33"
	053130-03-700	EA	Mirror - Jensen Medicine Cabinet - 24 1/2" x 15"
	053130-03-701	EA	Frame - Mirror - Jensen Medicine Cabinet
	053130-02-702	EA	Catch - Door - Jensen Medicine Cabinet
	052113-02-703	EA	Switch - Jensen Medicine Cabinet
	038013-01-000	EA	Bulb - 1143 Frosted

### BATH HARDWARE

Key	Part Number	U/M	Description
	009133-02-000	EA	Bar - Towel Rack - 10' - Plastic
	023449-01-000	EA	Support - Chrome - Towel Rack
	009155-01-000	EA	Track - Sliding Door
	017768-01-000	FT	Extr.-U-Channel - Brown - 105" - 187" Inside Dimensions
	009156-01-000	EA	Hanger - Slider Door
	058034-01-000	EA	Door Latch
**	011056-01-000	EA	Faucet - Lavatory - U S
**	011056-02-000	EA	Faucet - Lavatory - C S A
	011059-01-000	EA	Faucet - Shower
**	011069-01-000	EA	Tailpiece - 1 1/4" x 4" - Plastic
	011069-02-000	EA	Tailpiece - 1 1/4" x 4" - Brass
	058640-01-000	EA	Sink - Oval - Ivory Plastic
**	011083-01-000	EA	Plug - Sink - 1 1/4" w/Chain
	011048-01-000	EA	Shower Head - w/60" Hose
	010495-01-000	EA	Hose Clamp - 9/16"
	066795-01-000	EA	Shower Pan
	066440-01-000	EA	Strainer w/Rubber Washer
	035337-22-000	EA	Trim - 1/S Corner - Beige Aluminum - 80 88"
	034394-02-000	FT	Extr - Vinyl Insert - Beige
	009112-01-000	EA	Flange - 1" Closet Rod
	057534-01-000	EA	Tie Back - 6" - Clear Plastic
	058331-05-000	EA	Mirror - Tempered Glass - 12" x 26"
	011069-02-000	EA	Tailpiece - 1 1/4" x 4" - Brass
	009134-01-000	EA	Tissue Holder
	066433-01-000	EA	Hook - Bright Finish
	066349-03-000	EA	Hamper Bag - Fabric
	064076-01-000	EA	Toilet - Aqua Magic - Model 50 - Ivory
	067487-01-000	EA	Toilet - Aqua Magic IV - Short - Ivory

## CHASSIS GROUP

### CHEVROLET/GMC

Key	Part Number	U/M	Description
	024652-01-700	EA	Step Asm - Entry
	058401-01-000	EA	Hoodboard - Steel - Upper Right
	058404-01-000	EA	Hoodboard - Steel - Upper Left
	058200-01-000	EA	Bumper - Front - Chrome
	058200-02-000	EA	Bumper - Front - Primed
	058439-01-000	EA	Bracket - Front Bumper - 4" x 28"
	058416-01-000	EA	Bar Bumper - 3" x 11 7/8"
	005200-01-000	EA	Bolt - Crutlage - 7/16" x 14" x 1 1/4" SST
	059617-01-000	EA	Battery Tray Asm
	051697-01-000	EA	Bracket - Battery Tie Down
	017516-01-000	EA	Mud Flap - Black - 14" x 18" w/Holes
	033499-04-000	EA	Power Cord Box - Plastic
	055080-01-000	EA	Wheel Well - Plastic
	740313-56-000	EA	Tray - Generator - 40 - 5.0 kw - Onan
	740313-57-000	EA	Tray - Generator - 6.5 kw - Onan
	052431-02-000	EA	Tray - Luggage Compartment (replaces generator tray)
	063976-02-000	EA	Step Asm - Driver Door - Lower
	063977-02-000	EA	Step Asm - Driver Door - Upper
	035103-01-000	EA	Cover - Radiator - Rear Beck
	052412-01-000	EA	Cover - Radiator - Rear
	064096-01-000	EA	Fuel Tank - 60.4 Gallon
	057038-04-000	EA	Sending Unit - 78 Ohm
	044317-01-000	FT	Hose - Fuel - 3/6" I.D. SAE 30RI
	062401-03-000	EA	Clamp - Hose - Wormgear - 22" - 1" I.D.
	063386-02-000	EA	Hanger - Fuel Tank
	063386-03-000	EA	Strap - Fuel Tank Hanger
	064091-01-000	EA	Hose - Fuel - 2" I.D. - 90° Bend
	024141-01-000	FT	Hose - Rubber - 1/2" I.D.
	064954-01-000	EA	Pipe - Fuel Fill - w/Vent
	022655-02-000	EA	Tailpipe - 2 1/4" x 8" - 454 Engine
	007125-06-000	EA	Clamp - Muffler - 2.25"
	061411-01-000	EA	Extension - Exhaust - 2" x 10"
	007125-05-000	EA	Clamp - Muffler - 2"
	058794-01-000	EA	Steering Stabilizer

## 1980 WINNEBAGO TABLE OF CONTENTS

WC/WG/WDF22RB L1	A-1 - B-20
WC/WDN28RB L1	B-21 - D-16
WD319RK L1	D-17 - E-20

## 1980 WD/WC/WGF22RB L1 INDEX

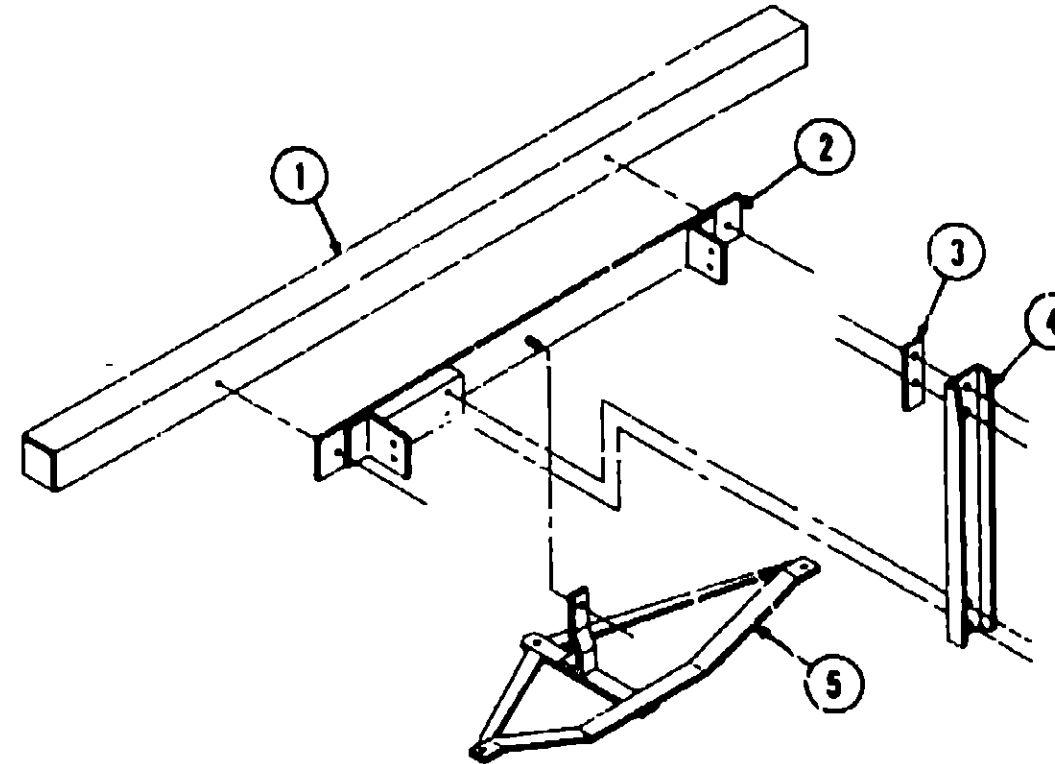
Floor Plan	A-1 - A-2
Accessories Group	A-3 - A-4
Bath Group	A-5
Chassis Group	A-6 - A-8
Curtain, Cushion & Pad Group	A-9 - A-13
Dinette Group	A-14
Driver's Compartment Group	A-15 - A-16
Electrical Group	A-17 - A-19
Exterior Body Group	A-20 - A-23
Galley Group	A-24
Heating & Air Conditioning Group	B-1 - B-3
Interior Finish Group	B-4 - B-5
LP Group	B-6 - B-7
Lounge Group	B-8
Water & Sewage Group	B-9 - B-10
Window, Vent & Exterior Door Group	B-11 - B-20

## CHASSIS GROUP (CONTINUED)

### DODGE

Key	Part Number	U/M	Description
	024652-01-700	EA	Step Asm - Entry
	058401-01-000	EA	Hoodboard - Steel - Upper Right
	058404-01-000	EA	Hoodboard - Steel - Upper Left
	058200-01-000	EA	Bumper - Front - Chrome
	058200-02-000	EA	Bumper - Front - Prim. 1
	058438-01-000	EA	Bracket - Front Bumper - 4" x 28"
	058416-01-000	EA	Bar Bumper - 3" x 11 7/8"
	005200-01-000	EA	Bolt - Carriage - 7/16" - 14 - 1 1/4" SST
	059617-01-000	EA	Battery Tray Asm
	051697-01-000	EA	Bracket - Battery Tie Down
	017516-01-000	EA	Mud Flap - Black - 14" x 18" w/ holes
	033499-04-000	EA	Power Cord Box - Plastic
	055080-01-000	EA	Wheel Well - Plastic
	740313-56-000	EA	Tray - Generator - 4.0 - 5.0 kw - Onan
	740313-57-000	EA	Tray - Generator - 6.5 kw - Onan
	052431-01-000	EA	Tray - Luggage Compartment (replaces generator tray)
	063976-02-000	EA	Step Asm - Driver Door - Lower
	063977-02-000	EA	Step Asm - Driver Door - Upper
	035103-01-000	EA	Cover - Radiator - Rear Back
	052412-01-000	EA	Cover - Radiator - Rear
	064096-01-000	EA	Fuel Tank - 60.4 Gallon
	057038-04-000	EA	Sending Unit - 78 Ohm
	044317-01-000	FT	Hose - Fuel - 3/8" I.D. SAE 30RI
	062401-03-000	EA	Clamp - Hose - Wormgear - 22" - 1" I.D.
	063386-02-000	EA	Hanger - Fuel Tank
	063386-03-000	EA	Strap - Fuel Tank Hanger
	064091-01-000	EA	Hose - Fuel - 2" I.D. - 90° Bend
	024141-01-000	FT	Hose - Rubber - 1/2" I.D.
	056727-05-000	EA	Tailpipe Extension - 10" x 3" I.D.
	058794-01-000	EA	Steering Stabilizer

## CHASSIS GROUP (CONTINUED)



Key	Part Number	U/M	Description
1	064602-01-000	EA	Bumper Asm - Square - 92" - Off White
•	039779-01-000	EA	Cap - Rubber - 4" x 4" - Square Bumper
2	064601-01-000	EA	Bracket - Bumper Mount
3	040974-01-000	EA	Bracket - Spare Tire Retainer - 2" x 6 7/8"
4	064596-01-000	EA	Bracket Asm - Spare Tire Carrier
5	064833-02-000	EA	Trailer Hitch Asm
•	041332-01-000	EA	Bumper Cover w/Reflector - Aluminum - Fits 4" Square Bumper
•	041332-02-000	EA	Reflector - 6 1/2" x 3/4" - Bumper Cover
•	041332-03-000	EA	Bumper Cover - Aluminum Fits 4" Square Bumper

\*The illustrated parts breakdown for this item is provided on the Common Items Fiche

## 1990 WINNEBAGO TABLE OF CONTENTS

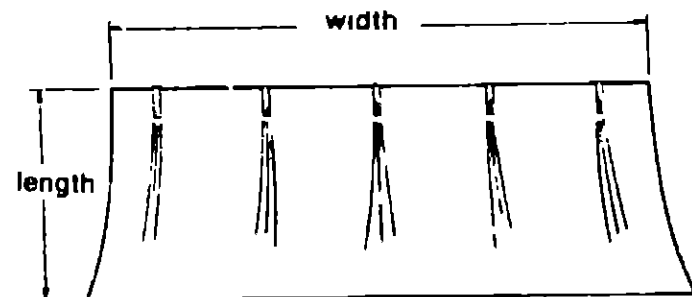
WC/WG/WDF22RB L1  
WC/WDN26RB L1  
WD318RM L1

A-1 - B-20  
B-21 - D-16  
D-17 - E-20

## 1990 WD/WC/WGF22RB L1 INDEX

Floor Plan	A-1 - A-2
Accessories Group	A-3 - A-4
Bath Group	A-5
Chassis Group	A-6 - A-8
Curtain, Cushion & Pad Group	A-9 - A-13
Dinette Group	A-14
Driver's Compartment Group	A-15 - A-16
Electrical Group	A-17 - A-19
Exterior Body Group	A-20 - A-23
Galley Group	A-24
Heating & Air Conditioning Group	B-1 - B-3
Interior Finish Group	B-4 - B-5
LP Group	B-6 - B-7
Lounge Group	B-8
Water & Sewage Group	B-9 - B-10
Window, Vent & Exterior Door Group	B-11 - B-20

## CURTAIN, CUSHION AND PAD GROUP



### NOTE

Use this illustration when determining length and width measurements for curtains. You will note the width measurement is taken on the top of the curtain with the curtain fully extended. The length measurement is taken from top to bottom.

### CURTAIN AND TIE BACKS

Key	Part Number	U/M	Description
	054048-08-L01	EA	Tie Back Asm - 2" x 18" - Brown
	054048-08-L02	EA	Tie Back Asm - 2" x 18" - Rust
	054048-08-L03	EA	Tie Back Asm - 2" x 18" - Blue
	057534-01-000	EA	Tie Back Asm - 6" - Clear Plastic
	056484-01-L01	EA	Curtain Asm - 27 5" x 42" - Taped Top - Dublin Flax
	056484-26-L01	EA	Curtain Asm - 22 5" x 19" - Taped Top - Dublin Flax
	056484-27-L01	EA	Curtain Asm - 27" x 19" - Taped Top - Dublin Flax
	054051-41-L01	EA	Curtain Asm - Front Wraparound - 27 5" x 81" - Dublin Flax
	054051-22-L01	EA	Curtain Asm - 22" x 96" - Dublin Flax
	054051-02-L01	EA	Curtain Asm - 34" x 37" - Dublin Flax

### SHADES

Key	Part Number	U/M	Description
	065657-03-L01	EA	Shade Asm - 25" x 23" - Brown
	065657-03-L02	EA	Shade Asm - 25" x 23" - Rust
	065657-03-L03	EA	Shade Asm - 25" x 23" - Blue
	065657-05-L01	EA	Shade Asm - 31" x 34" - Brown
	065657-05-L02	EA	Shade Asm - 31" x 34" - Rust
	065657-05-L03	EA	Shade Asm - 31" x 34" - Blue
	065657-12-L01	EA	Shade Asm - 69" x 34" - Brown
	065657-12-L02	EA	Shade Asm - 69" x 34" - Rust
	065657-12-L03	EA	Shade Asm - 69" x 34" - Blue
	067528-04-000	EA	Shade - Woven Wood - Brown - 25" x 23"
	067528-05-000	EA	Shade - Woven Wood - Rust - 25" x 23"
	067528-06-000	EA	Shade - Woven Wood - Blue - 25" x 23"
	067528-10-000	EA	Shade - Woven Wood - Brown - 33" x 31"
	067528-11-000	EA	Shade - Woven Wood - Rust - 33" x 31"
	067528-12-000	EA	Shade - Woven Wood - Blue - 33" x 31"
	067528-19-000	EA	Shade - Woven Wood - Brown - 69" x 31"
	067528-20-000	EA	Shade - Woven Wood - Rust - 69" x 31"
	067528-21-000	EA	Shade - Woven Wood - Blue - 69" x 31"

### VALANCES

Key	Part Number	U/M	Description
	065892-01-L01	EA	Valance Asm - 5' x 34" - Brown
	065892-01-L02	EA	Valance Asm - 5' x 34" - Rust
	065892-01-L03	EA	Valance Asm - 5' x 34" - Blue
	065892-02-L01	EA	Valance Asm - 5' x 40" - Brown
	065892-02-L02	EA	Valance Asm - 5' x 40" - Rust
	065892-02-L03	EA	Valance Asm - 5' x 40" - Blue
	065892-09-L01	EA	Valance Asm - 6 5" x 78" - Brown
	065892-09-L02	EA	Valance Asm - 6 5" x 78" - Rust
	065892-09-L03	EA	Valance Asm - 6 5" x 78" - Blue

## CURTAIN, CUSHION AND PAD GROUP (CONTINUED)

### CURTAIN HARDWARE

Key	Part Number	U/M	Description
	052327-04-236	EA	Track - Curtain - Brown Alum - 89" w/Holes
	056116-01-000	FT	Track - Curtain - Brown Plastic
	056001-01-000	EA	Bracket - Shade - Left
	056002-01-000	EA	Bracket - Shade - Right
	056003-01-000	EA	Bracket - Drapery Retainer - Right
	056003-02-000	EA	Bracket - Drapery Retainer - Left
	053272-04-200	EA	Track - Curtain - Off White - 89" w/Holes
	056784-01-000	EA	Pull - Window Shade - Antique Brass
	009107-01-000	EA	Guide - Nylon Snap - Curtain
	018031-42-000	EA	Track - Curtain - "L" Rod - Alum - Extr - 90"
	009701-01-000	EA	Carrier - "L" Rod - Curtain
	009702-01-000	EA	End Stop - "L" Rod - Curtain
	059430-01-000	EA	Track - Curtain - Front Wraparound Right or Left
	056115-01-000	YD	Tape - Clear Plastic - w/Guides



Key	Part Number	U/M	Description
1	029130-01-000	EA	Socket - Snap Fastener
2	029135-01-000	EA	Cap - Snap - 1.56" Dia x .17" Barrel
3	029156-01-000	EA	Socket - Snap Fastener
4	029092-01-000	EA	Stud - Nickel Finish
5	029093-01-000	EA	Eyelet - Nickel Finish

### FABRICS AND TRIMS

Key	Part Number	U/M	Description
	064393-04-000	YD	Fabric Drapery - Dublin Flax
	064383-01-000	YD	Fabric - Upholstery - Biscayne Sienna - (Brown)
	064383-06-000	YD	Fabric - Upholstery - Biscayne Rust
	064383-07-000	YD	Fabric - Upholstery - Biscayne Blue
	052859-01-J27	FT	Trim Asm - Accent - Acorn Brown Vinyl
	053327-01-000	YD	Vinyl - Non Expanded - 27 oz - Acorn Brown
	053327-02-000	YD	Vinyl - Expanded - 28 oz - Acorn Brown
	053327-03-000	YD	Vinyl - Non Support - 16 Gauge Film - Acorn Brown
	054676-05-L01	EA	Button Asm - Cloth - No 45 - Bronze
	054676-05-L02	EA	Button Asm - Cloth - No 45 - Burnt Orange
	054676-05-L03	EA	Button Asm - Cloth - No 45 - Blue

### OVERHEAD BUNK CUSHIONS

Key	Part Number	U/M	Description
	055021-37-L01	EA	Cushion - Front Overhead Bunk - 31 5" x 79" x 4" - Brown
	055021-37-L02	EA	Cushion - Front Overhead Bunk - 31 5" x 79" x 4" - Rust
	055021-37-L03	EA	Cushion - Front Overhead Bunk - 31 5" x 79" x 4" - Blue
	055022-39-L01	EA	Cover - Front Bunk Cushion - 31 5" x 79" x 4" - Brown
	055022-39-L01	EA	Cover - Front Bunk Cushion - 31 5" x 79" x 4" - Rust
	055022-39-L01	EA	Cover - Front Bunk Cushion - 31 5" x 79" x 4" - Blue

## 1990 WINNEBAGO TABLE OF CONTENTS

WC/WG/WDF22RB L1  
WC/WDN28RB L1  
WD319R/L1

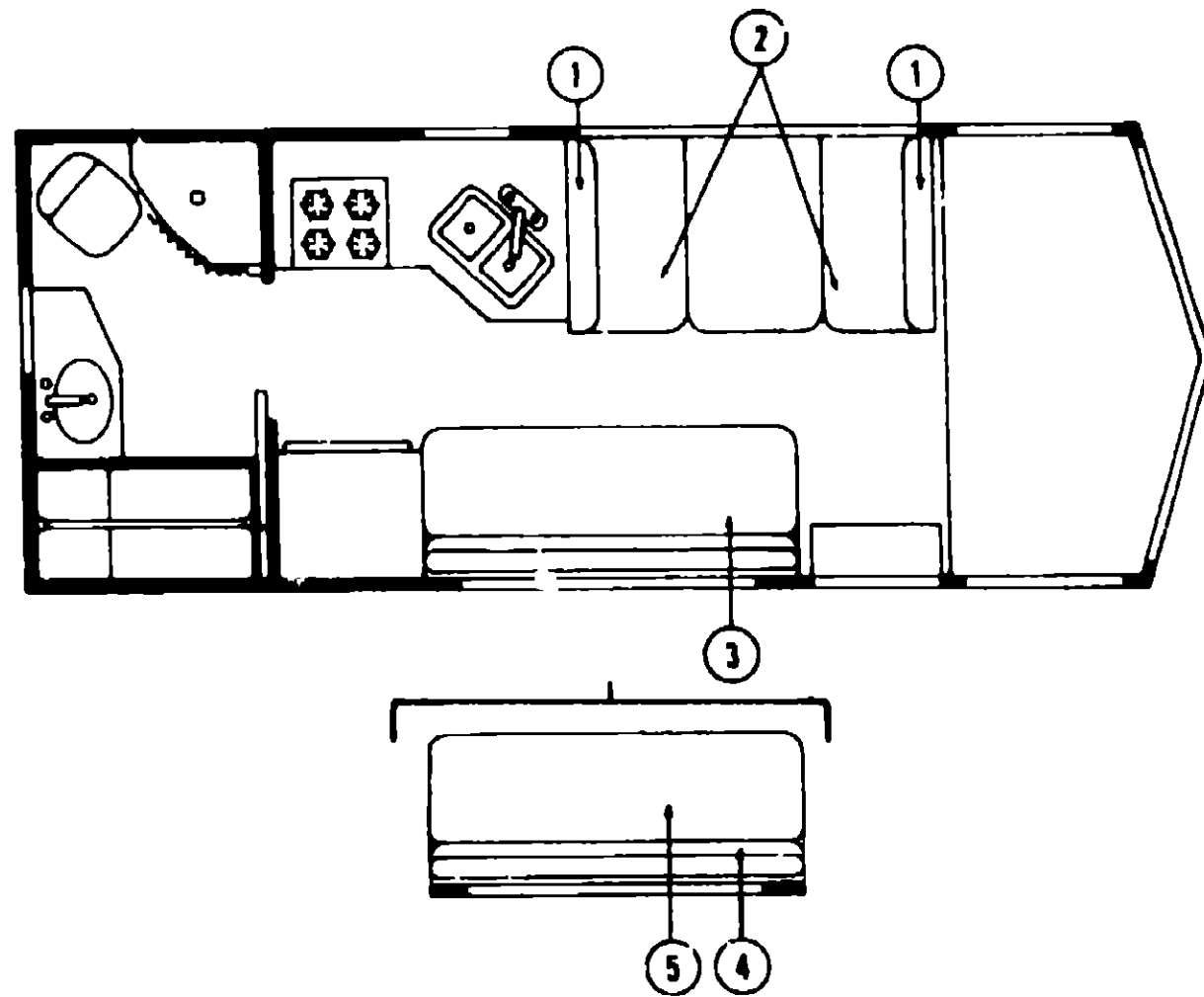
A-1 - B-20  
B-21 - D-16  
D-17 - E-20

## 1990 WD/WC/WGF22RB L1 INDEX

Floor Plan	A-1 - A-2
Accessories Group	A-3 - A-4
Bath Group	A-5
Chassis Group	A-6 - A-8
Curtain, Cushion & Pad Group	A-9 - A-13
Dinette Group	A-14
Driver's Compartment Group	A-15 - A-16
Electrical Group	A-17 - A-19
Exterior Body Group	A-20 - A-23
Galley Group	A-24
Heating & Air Conditioning Group	B-1 - B-3
Interior Finish Group	B-4 - B-5
LP Group	B-6 - B-7
Lounge Group	B-8
Water & Sewage Group	B-9 - B-10
Window, Vent & Exterior Door Group	B-11 - B-20

**CURTAIN, CUSHION AND PAD GROUP (CONTINUED)**

**CURTAIN, CUSHION AND PAD GROUP (CONTINUED)**



**DINETTE CUSHIONS**

Key	Part Number	U/M	Description
1	064700-02-L01	EA	Cushion - Dinette Back - 19 2" x 38" x 4 5" - Brown
1	064700-02-L02	EA	Cushion - Dinette Back - 19 2" x 38" x 4 5" - Rust
1	064700-02-L03	EA	Cushion - Dinette Back - 19 2" x 38" x 4 5" - Blue
	064701-02-L01	EA	Cover - Dinette Back Cushion - 19 2" x 38" x 4 5" - Brown
	064701-02-L02	EA	Cover - Dinette Back Cushion - 19 2" x 38" x 4 5" - Rust
	064701-02-L03	EA	Cover - Dinette Back Cushion - 19 2" x 38" x 4 5" - Blue
2	064700-01-L01	EA	Cushion - Dinette Bottom - 17 5" x 38" x 4 5" - Brown
2	064700-01-L02	EA	Cushion - Dinette Bottom - 17 5" x 38" x 4 5" - Rust
2	064700-01-L03	EA	Cushion - Dinette Bottom - 17 5" x 38" x 4 5" - Blue
	064701-01-L01	EA	Cover - Dinette Bottom Cushion - 17 5" x 38" x 4 5" - Brown
	064701-01-L02	EA	Cover - Dinette Bottom Cushion - 17 5" x 38" x 4 5" - Rust
	064701-01-L03	EA	Cover - Dinette Bottom Cushion - 17 5" x 38" x 4 5" - Blue

**LOUNGE CUSHIONS**

Key	Part Number	U/M	Description
3	064706-01-L01	EA	Lester Lounge - Complete - 76" - Brown
3	064706-01-L02	EA	Lester Lounge - Complete - 76" - Rust
3	064706-01-L03	EA	Lester Lounge - Complete - 76" - Blue
	064707-01-L01	EA	Cover - Lester Lounge - 76" - Brown
	064707-01-L02	EA	Cover Lester Lounge - 76" - Rust
	064707-01-L03	EA	Cover Lester Lounge - 76" - Blue
	065985-01-L01	EA	Cushion - 8" x 76" x 4 5" - Brown
	065985-01-L02	EA	Cushion - 8" x 76" x 4 5" - Rust
	065985-01-L03	EA	Cushion - 8" x 76" x 4 5" - Blue
	065986-01-L01	EA	Cover - Cushion - 8" x 76" x 4 5" - Brown
	065986-01-L02	EA	Cover - Cushion - 8" x 76" x 4 5" - Rust
	065986-01-L03	EA	Cover - Cushion - 8" x 76" x 4 5" - Blue
4	064704-01-L01	EA	Presto Bed - Back Cushion - Mitered - Brown
4	064704-01-L02	EA	Presto Bed - Back Cushion - Mitered - Rust
4	064704-01-L03	EA	Presto Bed - Back Cushion - Mitered - Blue
	064723-01-L01	EA	Cover - Presto Bed Back Cushion - Mitered - Brown
	064723-01-L02	EA	Cover - Presto Bed Back Cushion - Mitered - Rust
	064723-01-L03	EA	Cover - Presto Bed Back Cushion - Mitered - Blue
4	057615-01-L01	EA	Presto Bed - Back Cushion - Waterfall - Brown
4	057615-01-L02	EA	Presto Bed - Back Cushion - Waterfall - Rust
4	057615-01-L03	EA	Presto Bed - Back Cushion - Waterfall - Blue
5	064705-01-L01	EA	Presto Bed - Bottom Cushion - Mitered - Brown
5	064705-01-L02	EA	Presto Bed - Bottom Cushion - Mitered - Rust
5	064705-01-L03	EA	Presto Bed - Bottom Cushion - Mitered - Blue
	064723-02-L01	EA	Cover - Presto Bed Bottom Cushion - Mitered - Brown
	064723-02-L02	EA	Cover - Presto Bed Bottom Cushion - Mitered - Rust
	064723-02-L03	EA	Cover - Presto Bed Bottom Cushion - Mitered - Blue
5	057612-01-L01	EA	Presto Bed - Bottom Cushion - Waterfall - Brown
5	057612-01-L02	EA	Presto Bed - Bottom Cushion - Waterfall - Rust
5	057612-01-L03	EA	Presto Bed - Bottom Cushion - Waterfall - Blue

**PADS**

Key	Part Number	U/M	Description
	058444-04-L01	EA	Pad - End - Dinette Overhead Cabinet - Acorn Vinyl
	059414-01-000	EA	Pad - Sidewall Trim - Drivers
	059414-02-000	EA	Pad - Sidewall Trim - Passenger

**1980 WINNEBAGO  
TABLE OF CONTENTS**

WC/WG/WDF22RB L1	A-1 - B-20
WC/WDN28RB L1	B-21 - D-16
WD319RK L1	D-17 - E-20

**1980 WD/WC/WGF22RB L1 INDEX**

Floor Plan	A-1 - A-2
Accessories Group	A-3 - A-4
Bath Group	A-5
Chess Group	A-6 - A-8
Curtain, Cushion and Pad Group	A-9 - A-13
Dinette Group	A-14
Driver's Compartment Group	A-15 - A-16
Electrical Group	A-17 - A-19
Exterior Body Group	A-20 - A-23
Galley Group	A-24
Heating & Air Conditioning Group	B-1 - B-3
Interior Finish Group	B-4 - B-5
LP Group	B-6 - B-7
Lounge Group	B-8
Water & Sewage Group	B-9 - B-10
Window, Vent & Exterior Door Group	B-11 - B-20

## CURTAIN, CUSHION AND PAD GROUP (CONTINUED)

### LOWBACK BUCKET SEATS

Key	Part Number	U/M	Description
	061825-02-L01	EA	Seat Asm - Single Bucket - w/o Armrests or Headrest - Brown
	061825-02-L02	EA	Seat Asm. - Single Bucket - w/o Armrests or Headrest - Rust
	061825-02-L03	EA	Seat Asm - Single Bucket - w/o Armrests or Headrest - Blue
	061836-01-L01	EA	Cover - Single Bucket - Back - Brown
	061836-01-L02	EA	Cover - Single Bucket - Back - Rust
	061836-01-L03	EA	Cover - Single Bucket - Back - Blue
	061837-01-L01	EA	Cover - Single Bucket - Seat - Brown
	061837-01-L02	EA	Cover - Single Bucket - Seat - Rust
	061837-01-L03	EA	Cover - Single Bucket - Seat - Blue

### HIGHBACK BUCKET SEATS

Key	Part Number	U/M	Description
	065937-05-L01	EA	Seat Asm - Single Bucket - w/Skirt and Armrests - Brown
	065937-05-L02	EA	Seat Asm - Single Bucket - w/Skirt and Armrests - Rust
	065937-05-L03	EA	Seat Asm. - Single Bucket - w/Skirt and Armrests - Blue
	065943-01-L01	EA	Cover - Single Bucket - Back - Brown
	065943-01-L02	EA	Cover - Single Bucket - Back - Rust
	065943-01-L03	EA	Cover - Single Bucket - Back - Blue
	065944-01-L01	EA	Cover - Single Bucket - Bottom - Brown
	065944-01-L02	EA	Cover - Single Bucket - Bottom - Rust
	065944-01-L03	EA	Cover - Single Bucket - Bottom - Blue
	066915-01-L01	EA	Skirt - Single Bucket - Brown
	066915-01-L02	EA	Skirt - Single Bucket - Rust
	066915-01-L03	EA	Skirt - Single Bucket - Blue
	065940-01-L01	EA	Seat Asm. - Double Bucket - w/Skirt and Armrests - Brown
	065940-01-L02	EA	Seat Asm - Double Bucket - w/Skirt and Armrests - Rust
	065940-01-L03	EA	Seat Asm - Double Bucket - w/Skirt and Armrests - Blue
	065945-01-L01	EA	Cover - Double Bucket - Back - Brown
	065945-01-L02	EA	Cover - Double Bucket - Back - Rust
	065945-01-L03	EA	Cover - Double Bucket - Back - Blue
	065946-01-L01	EA	Cover - Double Bucket - Bottom - Brown
	065946-01-L02	EA	Cover - Double Bucket - Bottom - Rust
	065946-01-L03	EA	Cover - Double Bucket - Bottom - Blue
	066916-01-L01	EA	Skirt - Double Bucket - Brown
	066916-01-L02	EA	Skirt - Double Bucket - Rust
	066916-01-L03	EA	Skirt - Double Bucket - Blue

### ARMRESTS AND HEADRESTS

Key	Part Number	U/M	Description
	050275-01-700	EA	Armrest Asm - Foam w/o Cover - Right
	050276-01-700	EA	Armrest Asm - Foam w/o Cover - Left
	065774-01-L01	EA	Cover - Armrest - Right or Left - Brown
	065774-01-L02	EA	Cover - Armrest - Right or Left - Rust
	065774-01-L03	EA	Cover - Armrest - Right or Left - Blue

## DINETTE GROUP

### CONVENTIONAL DINETTE W/FOLD DOWN TABLE AND OPPOSING BENCHES

Key	Part Number	U/M	Description
	053192-01-L01	EA	Table Asm - Dinette - w/o Hardware - Bone
	064821-01-L01	EA	Cabinet Asm - Dinette Seat - Right
	065659-01-L01	EA	Cabinet Asm - Dinette Seat - Left - w/o Door or Hardware
	065080-01-L01	EA	Cabinet Asm - Dinette Overhead - w/o Door or Hardware
	057992-56-L01	EA	Door Asm - Dinette Overhead Cabinet - 28 2" x 11 5" - w/o Hardware
**	053200-01-000	EA	Bracket - Upper Wall Mount - Brown - 23 5"
**	053201-03-000	EA	Bracket - Table Mount - 23" Anod
**	024275-01-000	EA	Roxi - Table Lift
**	024281-06-000	EA	Bracket - Lower Wall Mount - Black - 22 12"
**	024276-04-000	EA	Leg Asm - Table - Brown - 29 5"
	064050-01-000	EA	Hinge - Table Leg
**	024282-01-000	EA	Brace - Table Leg
**	024283-01-000	EA	Clip - 1" O D Tube
**	049493-02-000	EA	Catch - Table Leg - Mounts on Floor - Brown

\*\*The illustrated parts breakdown for this item is provided on the Common Items Fiche

## 1990 WINNEBAGO TABLE OF CONTENTS

WC/WG/VDF22RB L1	A-1 - B-20
WC/WDN26RB L1	B-21 - D-16
WD319RK L1	D-17 - E-20

## 1990 WD/WC/WGF22RB L1 INDEX

Floor Plan	A-1 - A-2
Accessories Group	A-3 - A-4
Bath Group	A-5
Chassis Group	A-6 - A-8
Curtain, Cushion and Pad Group	A-9 - A-13
Dinette Group	A-14
Driver's Compartment Group	A-15 - A-18
Electrical Group	A-17 - A-19
Exterior Body Group	A-20 - A-23
Galley Group	A-24
Heating & Air Conditioning Group	B-1 - B-3
Interior Finish Group	B-4 - B-5
LP Group	B-6 - B-7
Lounge Group	B-8
Water & Sewage Group	B-9 - B-10
Window, Vent & Exterior Door Group	B-11 - B-20

## DRIVER'S COMPARTMENT GROUP

### DASH PANEL AND COMPONENTS

Key	Part Number	U/M	Description
	059613-02-L01	EA	Dash Asm - Complete w/Gauges and Switches
	022548-03-000	EA	Pad - Dash - Right - Dark Brown
	023242-05-000	EA	Pad - Dash - Left - Dark Brown
	024418-01-000	EA	Lamp Asm - Map/Gauge
	023020-01-000	EA	Lamp Asm - Telltale
	007308-01-000	EA	Dash Clock
	052367-01-000	EA	Lighter Asm - Cigarette - 12 Volt
	007041-01-000	EA	Bezel - Cigarette Lighter
	007071-01-000	EA	Louver - Chrome - w/Chrome - Wheel
	024990-02-000	EA	Outlet - Defroster w/Swivel - 2" - Dark Brown
	039044-01-000	EA	Louver Asm - A/C Adjustable
	050465-01-000	EA	Bezel - Entertainment Center No 1 - w/Cut Out for Vehicle Sensor Panel
	067340-01-000	EA	Bezel - Entertainment Center No 7 w/Cut Out for - Vehicle Sensor Panel - Radio, Hourmeter, Generator Start Stop Switch
	067342-01-000	EA	Bezel - Entertainment Center No 8 - w/Cut Out for Vehicle Sensor Panel - Hourmeter, Generator Start Stop Switch
	050299-01-000	EA	Bezel - Instrument Panel - 5 77" x 8 06"
	023892-01-000	EA	Box - Glove Compartment - Black Fiberboard
	022219-01-000	EA	Door - Glove Compartment
	009118-01-000	EA	Twist Lock - Glove Compartment
	024598-01-000	EA	Hinge - Glove Compartment - 1 1/16" x 19"
	034309-01-000	EA	Chain - Glove Box Door
	023834-01-000	EA	Panel - Knee Kick - Bottom of Dash

### DASH SWITCHES AND GAUGES

Key	Part Number	U/M	Description
	024464-02-000	EA	Switch - Battery - Dual Boost
	024462-01-000	EA	Switch - Battery Condition
	024464-01-000	EA	Switch - Washer
	024465-01-000	EA	Switch - Fuel
	024467-01-000	EA	Switch - Wiper
	024976-01-000	EA	Switch - Generator w/o Circuit Board
	037387-01-000	EA	Switch - Generator w/Circuit Board
	024459-01-000	EA	Gauge - Voltmeter
	024463-01-000	EA	Gauge - Vacuum
	031035-01-000	EA	Gauge - Generator Hourmeter
	031376-01-000	EA	Control Asm - Heater - 3 Speed
	055279-01-000	EA	Control Asm - Heater A/C - 3 Speed

### BUCKET SEAT PEDESTAL AND SEAT BELTS

Key	Part Number	U/M	Description
	049943-01-000	EA	Pedestal - Complete Swivel
	050447-02-000	EA	Pedestal Asm - Tilt Seat - Right - Single Seat
	050447-01-000	EA	Pedestal Asm - Tilt Seat - Left - Single Seat
	050447-04-000	EA	Pedestal Asm - Tilt Seat - Double Seat
	007019-01-000	EA	Belt Asm - Seat - 2" x 84" - Black
	041322-01-000	EA	Washer - Flat 15/32" I D x 2 3/8" O.D

## DRIVER'S COMPARTMENT GROUP (CONTINUED)

### FRONT BUNK AND HARDWARE

Key	Part Number	U/M	Description
	058300-01-L01	EA	Cabinet Asm - Front Overhead
	053320-01-L01	EA	Bunk - Front Overhead - Board w/Rails
	053773-01-000	EA	Support - Overhead Bunk - Brown - Right
	053773-02-000	EA	Support - Overhead Bunk - Brown - Left
	040071-02-000	EA	Support - Bunk - Seat Belt
	041322-01-000	EA	Washer - Flat - 15/32" I D x 2 3/8" O D
	039518-02-000	EA	Catch - Bunk - Brown
	023812-22-000	EA	Rail - Bunk - 75" - Brown
	053774-02-000	EA	Torsion Rod - Overhead Bunk - Brown
	059608-01-L01	EA	Panel Asm - Bunk - Padded - Left
	066705-01-L01	EA	Panel Asm - Bunk - Padded - Right

### MISCELLANEOUS DRIVER'S COMPARTMENT COMPONENTS

Key	Part Number	U/M	Description
	056503-01-L01	EA	Sunvisor Asm - Right Acorn Brown Vinyl - w/Mirror
	056508-02-L01	EA	Sunvisor Asm - Left Acorn Brown Vinyl
	009143-01-000	EA	Mirror - Sunvisor - 1/8" x 3 5" x 8"
	040695-02-000	EA	Clip - Sunvisor
	061378-01-L01	EA	Beverage Tray Asm - Matador Leather
	045795-01-000	EA	Holder - Glass - Dark Brown Plastic
	055500-01-000	EA	Tray - Lensil - Dark Brown Plastic
	034800-01-000	EA	Motor Cover - Plastic - 350 Engine
	034800-03-000	EA	Motor Cover - Plastic - 454 Engine
	039623-01-000	FT	Seal - Vinyl - Motor Cover
	052783-01-000	EA	Seal - Motor Cover - Alum Extr. - Brown
	050796-01-000	EA	Pocket - Ashtray - Plastic
	050797-01-000	EA	Ashtray - Plastic
	039637-01-000	EA	Latch - Rubber - Draw Handle 5 3/4" w/Strike
	039856-01-000	EA	Latch - Rubber - Draw Handle 3" w/Strike
	042541-01-000	EA	Latch Asm w/Strike - Chrome
	040519-01-000	EA	Boot - Rubber - Steering Column
	040520-01-000	EA	Boot Retainer - Steering Column
	040714-01-000	EA	Mirror - Inside Rear View
	034499-01-000	EA	Support - Dimmer Switch
	053794-01-000	EA	Steering - Stabilizer
	061350-01-000	EA	Trim - Interior - A Post w/Notch - Left
	061350-02-000	EA	Trim - Interior - A Post w/Notch - Right
	059414-01-000	EA	Pad - Sidewall Trim - Driver
	059414-02-000	EA	Pad - Sidewall Trim - Passenger
	059467-03-K01	EA	Pad - Map Pocket - Drivers - Acorn Vinyl
	059467-04-K01	EA	Pad - Map Pocket - Passenger - Acorn Vinyl
	033860-02-000	EA	Cable - Bowden - 46"
	038846-01-000	EA	Retainer - Bowden Cable - Dash

## 1990 WINNEBAGO TABLE OF CONTENTS

WC/WG/WDF22RB L1	A-1 - B-20
WC/WDN26RB L1	B-21 - D-18
WD319RK L1	D-17 - E-20

## 1990 WD/WC/WGF22RB L1 INDEX

Floor Plan	A-1 - A-2
Accessories Group	A-3 - A-4
Bath Group	A-5
Chassis Group	A-6 - A-8
Curtain, Cushion and Pad Group	A-9 - A-13
Dinette Group	A-14
Driver's Compartment Group	A-15 - A-16
Electrical Group	A-17 - A-19
Exterior Body Group	A-20 - A-23
Galley Group	A-24
Heating & Air Conditioning Group	B-1 - B-3
Interior Finish Group	B-4 - B-5
LP Group	B-6 - B-7
Lounge Group	B-8
Water & Sewage Group	B-9 - B-10
Window, Vent & Exterior Door Group	B-11 - B-20



## ELECTRICAL GROUP

### BULBS

Key	Part Number	U/M	Description
	037935-01-000	EA	Bulb - 1157
	038010-01-000	EA	Bulb - 1143 - Frosted
	008103-01-000	EA	Bulb - 53
	008213-01-000	EA	Bulb - 57
	008214-01-000	EA	Bulb - 67
	038215-01-000	EA	Bulb - 1003
	038216-01-000	EA	Bulb - 1034
	008217-01-000	EA	Bulb - 1073
	008218-01-000	EA	Bulb - 1141
	008219-01-000	EA	Bulb - 656
	008220-01-000	EA	Bulb - 12V - 25W
	036196-01-000	EA	Bulb - 194
	700020-01-000	EA	Bulb - 12V - 20W - 1383

### INTERIOR LIGHTS

Key	Part Number	U/M	Description
	033508-02-000	EA	Light - Dome - Ivory - 1 Bulb - US
	033508-03-000	EA	Light - Dome - Ivory - 1 Bulb - CSA
	033509-02-000	EA	Light - Dome - Ivory - 2 Bulb - US
	033509-03-000	EA	Light - Dome - Ivory - 2 Bulb - CSA
	024642-01-701	EA	Lens - Dome Light - 1 Bulb
	024643-01-701	EA	Lens - Dome Light - 2 Bulb
	024418-01-000	EA	Lamp Asm. - Map/Gauge/Aisle
	024473-01-000	EA	Light - Aircraft - 1 Bulb - Gold
	053346-01-000	EA	Light - High Intensity - Brown Plastic
	061424-01-000	EA	Light - 12 Volt - Rectangular - Aisle Light - 1 1/4" x 4 1/4"

### EXTERIOR LIGHTS

Key	Part Number	U/M	Description
	042405-03-000	EA	Base - Rectangular Clearance Light
	042405-04-000	EA	Lens - Clearance Light - Red
	042405-05-000	EA	Lens - Clearance Light - Amber
	008092-01-000	EA	Reflector - Stick On - Rectangular - Red
	008093-01-000	EA	Reflector - Stick On - Rectangular - Amber
	048817-01-000	EA	Assist Handle w/Light
	007309-01-000	EA	Light - Stepwell
	058032-01-000	EA	Tail Lamp Asm. - 2 Bulb Chrome
	058031-01-700	EA	Lens - Tail Lamp - Amber
	058031-01-701	EA	Lens - Tail Lamp - Red
	058031-01-702	EA	Lens - Tail Lamp - Clear (Back Up)
	059036-01-000	EA	Bracket - Tail Lamp
	059540-01-000	EA	Bracket - License Plate
	062740-02-000	EA	Wedge - Tail Lamp - Off White - w/Holes For License Plate Brackets
	062740-04-000	EA	Wedge - Tail Lamp - Off White

### WINDSHIELD WIPER AND WASHER

Key	Part Number	U/M	Description
..	056000-02-000	EA	Washer Asm. - w/r, Nozzles
..	044313-02-000	EA	Motor Asm. - Windshield Wiper - 100°
..	044313-03-000	EA	Motor Asm. - Windshield Wiper - 93°
..	049464-02-000	EA	Blade - Windshield Wiper - 20"
..	057653-01-000	EA	Arm - Windshield Wiper - 18"
..	055675-01-000	EA	Shaft and Pivot Asm.

..The illustrated parts breakdown for this item is provided on the Common Items Fiche.

## ELECTRICAL GROUP (CONTINUED)

### FUSES AND CIRCUIT BREAKERS

Key	Part Number	U/M	Description
	056473-01-000	EA	Fuse - Slow Blow - 6 1/4 Amp.
	056473-02-000	EA	Fuse - MDL - 5 Amp.
	008233-01-000	EA	Fuse - 12 Volt - 6 Amp.
	008234-01-000	EA	Fuse - 12 Volt - 10 Amp.
	008235-01-000	EA	Fuse - 12 Volt - 15 Amp.
	008236-01-000	EA	Fuse - 12 Volt - 20 Amp
	008248-01-000	EA	Fuse - 110 Volt - 30 Amp. - AGU
	008252-01-000	EA	Fuse - 110 Volt - 50 Amp.
	046893-04-000	EA	Fuse - AGC 12 Volt
	008208-01-000	EA	Circuit Breaker - 12 Volt - 40 Amp.
	008211-01-000	EA	Circuit Breaker - 12 Volt - 6 Amp.
	008268-01-000	EA	Circuit Breaker - 12 Volt - 30 Amp w/Mount
	033573-01-000	EA	Circuit Breaker - 12 Volt - 20 Amp. w/Mount
	040051-01-000	EA	Circuit Breaker - 110 Volt - 20 Amp. - TQL

### WIRE, SWITCHES AND RECEPTACLES

Key	Part Number	U/M	Description
	008024-01-000	FT	Wire - 18.5 Bonded - Orange/White/Yellow/Blue/Brown
	008025-01-000	FT	Wire - 18.5 Bonded - Orange/White/Yellow/Blue/Green
	008028-01-000	FT	Wire - 18.5 Bonded - Blue/Red/Yellow/Orange/White
	008030-01-000	FT	Wire - 18.4 Bonded
	008251-01-000	EA	Holder - Fuse - Black - Screw Type
	008277-01-000	EA	Holder - Fuse - Black - Panel Mount
	008250-02-000	EA	Holder - Fuse - In Line - 15 Amp
	008195-01-000	EA	Switch - Push Button - 12 Volt
	006077-01-000	EA	Plaque - Compressor Switch
	008054-01-000	EA	Cord - Power - 10-3 30 Amp. - 25' - UL
	008052-01-000	EA	Cord - Power - 10-3 30 Amp. - 25' - CSA
	024571-01-000	EA	Cover - Plate - Receptacle - Jumbo Steel Brown
	024571-03-000	EA	Cover - Plate - Receptacle - Jumbo Plastic
	008162-01-000	EA	Switch - Double Toggle - Spade Brown
	008163-01-000	EA	Switch - Toggle Brown
	008164-01-000	EA	Cover Plate - Switch - Brown
	024924-01-000	EA	Receptacle - Power Cord
	008058-01-000	EA	Adaptor - Power Cord
	047353-01-000	EA	Cover - Receptacle - Ground Fault
	053126-02-000	EA	Receptacle - Ground Fault Interrupter - 125 Volt - Brown
	008288-01-000	EA	Box - Electrical - Plastic - 3" x 3 1/2"
	008289-01-000	EA	Box - Electrical - Steel - 4" x 4" - 1/2 & 3/4" UL
	008294-01-000	EA	Cover Plate - Steel - 4" x 4"
	058707-01-000	EA	Receptacle - Single Brown - Thomas & Betts
	058708-01-000	EA	Receptacle - Double Brown - Thomas & Betts
	058048-01-000	EA	Cover - Electrical - Rain Tight - (Exterior)
	008157-01-000	EA	Receptacle - Duplex - Brown (Exterior)
	058049-01-000	EA	Box - Electrical - 2" x 3" x 2.25"

## 1980 WINNEBAGO TABLE OF CONTENTS

WC/WG/WDF22RB L1	A-1 - B-20
WC/WDN26RB L1	B-21 - D-16
WD310RK L1	D-17 - E-20

## 1980 WD/WC/WGF22RB L1 INDEX

Floor Plan	A-1 - A-2
Accessories Group	A-3 - A-4
Bath Group	A-5
Chassis Group	A-6 - A-8
Curtain, Cushion and Pad Group	A-9 - A-13
Dinette Group	A-14
Driver's Compartment Group	A-15 - A-16
Electrical Group	A-17 - A-19
Exterior Body Group	A-20 - A-23
Galley Group	A-24
Heating & Air Conditioning Group	B-1 - B-3
Interior Finish Group	B-4 - B-5
LP Group	B-6 - B-7
Lounge Group	B-8
Water & Sewage Group	B-9 - B-10
Window, Vent & Exterior Door Group	B-11 - B-20

## ELECTRICAL GROUP (CONTINUED)

### MISCELLANEOUS ELECTRICAL COMPONENTS

Key	Part Number	U/M	Description
	047389-01-700	EA	Battery - 12 Volt - 105 Amp. Deep Cycle - Dry
	057899-01-000	EA	Battery - 12 Volt Maintenance Free - Delco
	018188-01-000	EA	Solenoid - Dual Battery - Relay
	008181-01-000	EA	Relay - 12 - 15 Volt - 27 Amp.
	036617-01-000	EA	Relay - Canister - SPDT
	031720-01-000	EA	Plastic Spacer - Receptacle - Brown CSA
	058028-01-000	EA	Connector - Pigtail - Clear Nylon
	046775-01-000	EA	Valve - Gas - Change Over
	054544-02-000	EA	Control Center - 37 Amp. - UL - w/o Charger
	054544-01-000	EA	Control Center - 37 Amp. - UL
	039951-01-702	EA	Circuit Board - Control Center
	024459-01-000	EA	Gauge - Voltmeter
	021462-01-000	EA	Switch - Battery Condition
	031035-01-000	EA	Gauge - Hour Meter - Generator
	024976-01-000	EA	Switch - Generator w/o Circuit Board
	024460-01-000	EA	Gauge Vacuum
	048812-04-000	EA	Control Panel - Water/Double Sewage - Basic Panel
	048812-05-000	EA	Panel - Insert - w/Thermostat Holes
	048812-06-000	EA	Panel Insert - w/o Thermostat
	048812-07-000	EA	Panel Insert - Deluxe - w/Refrigerator Alarm, Clock and Gauge
	048812-07-700	EA	Refrigerator Sensor - Refrigerator Alarm
	039861-01-000	EA	Sending Unit Kit - Wemac
	024461-01-000	EA	Switch - Battery - Changeover
	040885-01-000	EA	Plaque - Switch Mounting
	062408-01-000	EA	Heat Pusher - Duct Fan - Winterization Option
	062411-01-000	EA	Switch - Temperature Control - 38° Close - 48° Open - Winterization Option
	062411-02-000	EA	Switch - Temperature Control - 28° Close - 38° Open - Winterization Option
	062625-01-000	EA	Panel - Control - Wemac - Winterization Option
	062639-01-000	EA	Alarm - Warning - 12 Volt - Winterization Option

\*\* The illustrated parts breakdown for this item is provided on the Common Items Fiche.

## EXTERIOR BODY GROUP

### EXTERIOR BODY PANELS AND SHEET ALUMINUM

Key	Part Number	U/M	Description
	065166-01-L01	EA	Backwall Asm.
	064991-01-L01	EA	Sidewall Asm. - Right
	065157-01-L01	EA	Sidewall Asm. - Left
	065060-01-L01	EA	Roof Asm.
	039155-03-008	EA	Alum. - Off White Mesa I - .024" x 36" x 60"
	039155-03-003	EA	Alum. - Off White Mesa I - .024" x 36" x 360"
	039155-03-007	EA	Alum. - Off White Mesa I - .024" x 48" x 60"
	039155-03-006	EA	Alum. - Off White Mesa I - .024" x 48" x 360"
	039155-03-009	EA	Alum. - Off White Mesa I - .024" x 12" x 360"
	039155-28-001	EA	Alum. - Off White Mesa II - .024" x 36" x 60"
	039155-28-003	EA	Alum. - Off White Mesa II - .024" x 36" x 360"
	039155-28-004	EA	Alum. - Off White Mesa II - .024" x 48" x 60"
	039155-20-006	EA	Alum. - Off White Mesa II - .024" x 48" x 360"
	039155-28-007	EA	Alum. - Off White Mesa II - .024" x 12" x 360"
	044487-01-001	EA	Plain Roof Metal - 96" x 360"
	039155-07-010	EA	Off White Greyhound Alum. - 48" x 96"
	001054-01-011	EA	Off White Plain Alum. - 48" x 96"
	000868-01-000	BF	Styrofoam - 3/4" x 24" x 96"
	000870-01-000	BF	Styrofoam - 1 1/2" x 24" x 96"

NOTE: The raised portion of Mesa I aluminum is 1.657" wide.  
The raised portion of Mesa II aluminum is .875" wide.

### EXTERIOR PAINT

Key	Part Number	U/M	Description
	041561-01-000	EA	Paint - Off White - Acrylic Enamel - 1 Gal. - Dupont 45396A
	041561-03-000	EA	Paint - Off White - Acrylic Enamel - 16 oz. Spray - Dupont 45396A
	041561-04-000	EA	Paint - Off White - Acrylic Lacquer - 1 Gal. - Dupont 45396L
	059360-03-000	EA	Paint - Brown - Acrylic Enamel - 16 oz. Spray - Dupont 29607
	057012-03-000	EA	Paint - Mariner Blue - Acrylic Enamel - 16 oz. Spray - Dupont 5183
	059362-03-000	EA	Paint - Orange - Acrylic Enamel - 16 oz. Spray - Dupont 7455
	065213-03-000	EA	Paint - Dark Brown - 16 oz. Spray - Dupont 44173

### SEALANTS, ADHESIVES AND FASTENERS

Key	Part Number	U/M	Description
	034552-05-000	EA	Sealant - Off White Silicone
	034552-04-000	EA	Sealant - Beige Silicone
	034552-02-000	EA	Sealant - Clear Silicone
	004346-02-000	EA	Sealant - White Silicone
	009200-01-000	EA	Tape - Furnace - 1 1/2"
	004353-01-000	FT	Tape - Gasket - 1/8" x 3/4" - White
	002825-01-000	FT	Weather Stripping - Roof Vent
	002337-01-000	EA	Adhesive - 3M - 1300 Tube
	004005-01-000	GL	Adhesive - Swifts - Green - Glue (Sidewalls)
	004020-01-000	QT	Adhesive - ABS Cement (Plastic Fittings)
	029051-01-000	EA	Adhesive - Spray Vinyl
	042401-02-000	EA	Screw - 8 - 18 x 3/4" PH - Off White
	042403-02-000	EA	Screw - SF/DR - 8 - 18 x 1" SDPH - Off White
	053788-01-000	EA	Bedding Compound - Tube Black - Schnee Morehead
	053788-02-000	EA	Bedding Compound - Tube White - Schnee Morehead
	053787-01-000	FT	Tape - 1/2" x 1/8" x 30' - Gray - Schnee Morehead
	053787-03-000	FT	Tape - 1/4" Bead x 20' - Gray - Schnee Morehead
	053787-04-000	FT	Tape - 3/4" x 1/8" x 30' - Gray - Schnee Morehead
	053787-05-000	FT	Tape - 2" x 3/32" x 45' - Gray - Schnee Morehead

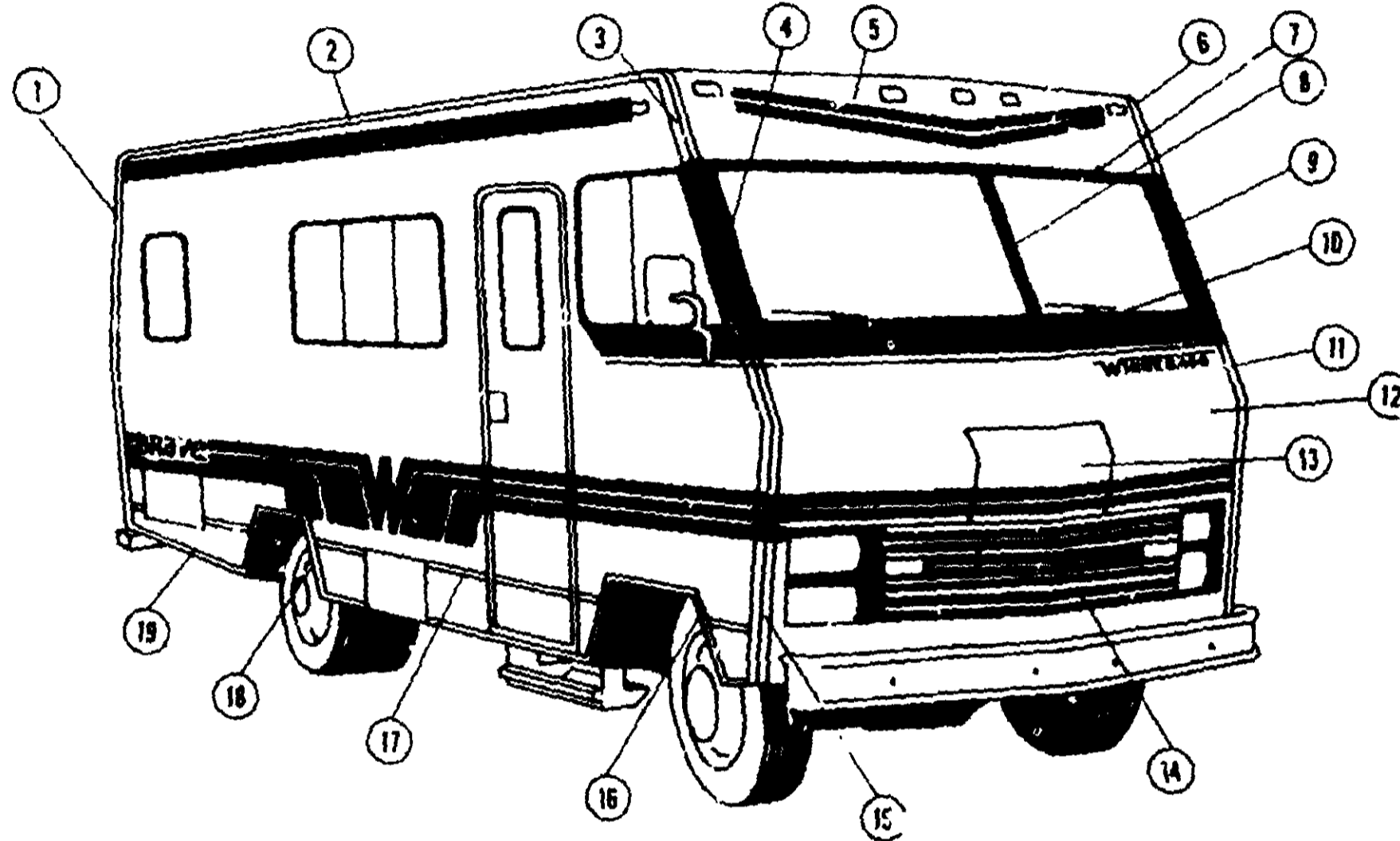
## 1980 WINNEBAGO TABLE OF CONTENTS

WC/WG/WDF22RB L1	A-1 - B-20
WC/WDN20RB L1	B-21 - D-18
WD319RK L1	D-17 - E-20

## 1980 WD/WC/WGF22RB L1 INDEX

Floor Plan	A-1 - A-2
Accessories Group	A-3 - A-4
Bain Group	A-5
Chassis Group	A-6 - A-8
Curtain, Cushion and Pad Group	A-9 - A-13
Dinette Group	A-14
Driver's Compartment Group	A-15 - A-18
Electrical Group	A-17 - A-19
Exterior Body Group	A-20 - A-23
Galley Group	A-24
Heating & Air Conditioning Group	B-1 - B-3
Interior Finish Group	B-4 - B-5
LP Group	B-6 - B-7
Lounge Group	B-8
Water & Sewage Group	B-9 - B-10
Window, Vent & Exterior Door Group	B-11 - B-20

EXTERIOR BODY GROUP (CONTINUED)



1980 WINNEBAGO  
TABLE OF CONTENTS

WC/WG/WDF22RB L1  
WC/WDN28RB L1  
WD319RK L1

A-1 - B-20  
B-21 - D-18  
D-17 - E-20

1980 WC/WG/WGF22RB L1 INDEX

Floor Plan	A-1 - A-2
Accessories Group	A-3 - A-4
Bath Group	A-5
Chassis Group	A-6 - A-8
Curtain, Cushion and Pad Group	A-9 - A-13
Dinette Group	A-14
Driver's Compartment Group	A-15 - A-16
Electrical Group	A-17 - A-19
Exterior Body Group	A-20 - A-23
Kitchen Group	A-24
Heating & Air Conditioning Group	B-1 - B-3
Interior Finish Group	B-4 - B-5
LP Group	B-6 - B-7
Lounges Group	B-8
Water & Sewage Group	B-9 - B-10
Window, Vent & Exterior Door Group	B-11 - B-20

Key	Part Number	U/M	Description
1	039964-01-000	EA	Trim - Contour - Right Rear - Off White
2	039964-02-000	EA	Trim - Contour - Left Rear - Off White
3	034922-10-000	EA	Trim - Sidewall - Upper - Left or Right - Off White
4	058284-02-000	EA	Trim - Contour - Right Front Upper - Off White
5	058289-02-000	EA	Trim - Contour - Windshield - Right
6	054868-01-000	EA	Cap Asm. - Fiberglass - Over Windshield - Off White
7	062396-01-000	EA	Trim - Roof/Front Cap - 91"
8	058284-01-000	EA	Trim - Contour - Left Front Upper - Off White
9	058287-01-000	EA	Trim - Molding - Windshield - Upper
10	042743-02-000	EA	Trim - Corner Windshield - Upper
11	058289-01-000	EA	Trim - Molding - Windshield - Center
12	058289-01-000	EA	Trim - Contour - Windshield - Left
13	058287-02-000	EA	Trim - Molding - Windshield - Lower
14	042743-01-000	EA	Trim - Corner Windshield - Lower

A-21

Key	Part Number	U/M	Description
11	058899-04-000	EA	Trim - Contour - Left Front Lower - Off White
12	066634-01-000	EA	Panel Asm - Front Shroud - Includes Access Panel, Lower Shroud and Headlamp Cans
13	066632-01-000	EA	Access Panel - Off White
14	058722-01-000	EA	Pull Pin - Access Door Release
15	058752-01-000	EA	Hinge - Access Panel - Right
16	058752-02-000	EA	Hinge - Access Panel - Left
17	059583-01-000	EA	Headlamp Housing - w/Lamps and Bezel - Left
18	059583-02-000	EA	Headlamp Housing - w/Lamps and Bezel - Right
19	049358-01-000	EA	Bezel - Headlamp - Left
20	049358-02-000	EA	Bezel - Headlamp - Right
21	065779-01-000	EA	Grille Asm
22	058899-03-000	EA	Trim - Contour - Right Front Lower - Off White
23	052843-02-000	EA	Trim - Wheel Well - Front - Left or Right
24	002444-02-001	EA	Feature Strip - Extr. Anod - 14' - w/o Insert
25	001030-09-100	EA	Insert - Feature Strip - Brown - Stucco - 17'
26	009731-01-000	EA	End Cap - Feature Strip
27	052842-01-000	EA	Trim - Wheel Well - Rear - Right or Left
28	002776-02-000	EA	Extr. - U-Channel - 175" x 16' - Anod
29	002365-02-001	EA	Extr. - U-Channel - 1" x 18' Anod
30	044390-01-001	EA	Extr. - Dnp Rail - 192"
			Not Illustrated

A-22

## EXTERIOR BODY GROUP (CONTINUED)

### LABELS AND DECALS

Key	Part Number	U/M	Description
	006001-01-000	EA	Name Plate - Winnebago - Plastic Chrome
	006015-01-000	EA	Label - Patent
	006064-01-000	EA	Label - Seat - w/o Seat Belt
	064378-01-000	EA	Label - Flying W/Thermopanel
	057467-01-000	EA	Label - Exterior Loading Limit
	006187-01-000	EA	Label - Sewage
	006188-01-000	EA	Label - Waste Water
	006199-01-000	EA	Label - Exit - Escape Window
	008092-01-000	EA	Reflector - Stick On - Rectangular - Red
	008093-01-000	EA	Reflector - Stick On - Rectangular - Amber
	040944-01-000	EA	Label - Open - Entrance Door
	047731-01-000	EA	Label - Emergency Exit
	006040-01-000	EA	Tag - Gas - Refueling Warning
	006062-01-000	EA	Tag - Electrical - 110V Connection
	054531-01-000	EA	Label - LP Gas Only
	061417-01-000	EA	Label - Fuel
	031161-01-000	EA	Label - Flying "W"
	050313-06-000	EA	Decal - Logo - "Winnebago" - 2.8" x 22" - Rust
	050313-07-000	EA	Decal - Logo - "Winnebago" - 2.8" x 22" - Orange
	050313-08-000	EA	Decal - Logo - "Winnebago" - 2.8" x 22" - Blue
	064459-01-000	EA	Decal - Logo - "Brave" - 4 3/4" x 31 1/2" - Rust
	064459-02-000	EA	Decal - Logo - "Brave" - 4 3/4" x 31 1/2" - Orange
	064459-03-000	EA	Decal - Logo - "Brave" - 4 3/4" x 31 1/2" - Blue
	065216-01-000	EA	Decal - W Surround - 16" x 9.5" - Right - Rust
	065216-02-000	EA	Decal - W Surround - 16" x 9.5" - Right - Orange
	065216-03-000	EA	Decal - W Surround - 16" x 9.5" - Right - Blue
	065216-04-000	EA	Decal - W Surround - 16" x 9.5" - Left - Rust
	065216-05-000	EA	Decal - W Surround - 16" x 9.5" - Left - Orange
	065216-06-000	EA	Decal - W Surround - 16" x 9.5" - Left - Blue
	065217-01-000	FT	Decal - Double 1.5" Stripes Premasked 3/4" Apart - Rust
	065217-02-000	FT	Decal - Double 1.5" Stripes Premasked 3/4" Apart - Orange
	065217-03-000	FT	Decal - Double 1.5" Stripes Premasked 3/4" Apart - Blue
	065218-01-000	FT	Decal - 1/2" Tape Stripe - Premasked - Rust
	065218-02-000	FT	Decal - 1/2" Tape Stripe - Premasked - Orange
	065218-03-000	FT	Decal - 1/2" Tape Stripe - Premasked - Blue
	065219-01-000	FT	Decal - Double 3/4" Stripes Premasked 2" Apart - Rust
	065219-02-000	FT	Decal - Double 3/4" Stripes Premasked 2" Apart - Orange
	065219-03-000	FT	Decal - Double 3/4" Stripes Premasked 2" Apart - Blue

### MISCELLANEOUS EXTERNALLY MOUNTED PARTS

Key	Part Number	U/M	Description
	010230-02-000	EA	Fill - City Water - Recessed - Off White
	058806-01-000	EA	Fill - Water - Lockable
**	011124-01-000	EA	Plumbing Seal - Roof Vent - 1 1/4" White
**	011129-01-000	EA	Plumbing Seal - Roof Vent - 1 1/2" White
	057461-01-000	EA	Mirror Head - 7 1/2" x 10 1/2" - w/Convex - Bright Finish
	057461-02-000	EA	Mirror Head - 7 1/2" x 10 1/2" - w/Convex - Off White
	049348-01-000	EA	Arm - Low Mount Mirror - Bright Finish
	049348-02-000	EA	Arm - Low Mount Mirror - Off White
	049944-04-000	EA	Bracket - Mirror - Outside - Black
	049944-02-000	EA	Bracket - Mirror - Outside - Off White
	048817-01-000	EA	Handle Asm. - Assist w/Light

\*\*The illustrated parts breakdown for this item is provided on the Common Items Fiche.

## GALLEY GROUP

### GALLEY CABINETRY

Key	Part Number	U/M	Description
	065839-01-L01	EA	Cabinet Asm. - Galley - w/o Countertop, Doors, Drawers or Hardware - (3 Burner Range)
	065672-01-L01	EA	Cabinet Asm. - Galley - w/o Countertop, Doors, Drawers or Hardware - (4 Burner Range)
	065525-01-L01	EA	Countertop Asm. - Galley - Bone
	058023-12-L01	EA	Drawer Asm. - Galley Cabinet - 9.42" x 17.5" - w/o Hardware
	058023-13-L01	EA	Drawer Asm. - Galley Cabinet - 9.42" x 13" - w/o Hardware
	065260-15-L01	EA	Door Asm. - Galley Cabinet - 17.10" x 33.4" - w/o Hardware
	065260-16-L01	EA	Door Asm. - Galley Cabinet - 11.2" x 33.4" - w/o Hardware
	066166-04-L01	EA	Door Asm. - Galley Cabinet - 12.2" x 22" - w/o Hardware
	066166-02-L01	EA	Door Asm. - Galley Cabinet - 17.1" x 11.02" - w/Hole For Latch 3" From End - w/o Hardware
	066166-03-L01	EA	Door Asm. - Galley Cabinet - 17.1" x 11.02" - w/Hole for Latch 8.02" From End - w/o Hardware
	057992-47-L01	EA	Door Asm. - Galley Cabinet - 14.3" x 58.2" - w/o Hardware
	057992-48-L01	EA	Door Asm. - Galley Cabinet - 15.4" x 12.1" - w/o Hardware
	057992-55-L01	EA	Door Asm. - Galley Cabinet - 25.2" x 10.6" - w/o Hardware
	057992-60-L01	EA	Door Asm. - Galley Cabinet - 19.7" x 12.2" - w/o Hardware
	055260-22-L01	EA	Door Asm. - Galley Cabinet - 12.5" x 19.7" - Right - w/o Hardware
	065260-23-L01	EA	Door Asm. - Galley Cabinet - 12.5" x 19.7" - Left - w/o Hardware
	065841-01-L01	EA	Cabinet Asm. - Galley - w/o Doors or Hardware
	054450-01-000	EA	Level - Refrigerator

\*\*The illustrated parts breakdown for this item is provided on the Common Items Fiche.

### GALLEY HARDWARE AND APPLIANCES

Key	Part Number	U/M	Description
	053424-01-L01	EA	Sink Cover - Large - Bone
	011032-01-000	EA	Sink - Stainless Steel - Double w/Bolts
**	011053-01-000	EA	Faucet - Swing Spout - 8" - US
**	011053-02-000	EA	Faucet - Swing Spout - 8" - C.S.A.
	066437-01-000	EA	Strainer - Sink
**	011053-01-700	EA	Aerator - Swing Spout Faucet
	058334-01-000	EA	Wastebasket - 9 3/4" x 7" x 10" - White Rubbermaid
	059877-01-000	EA	Support - Wastebasket
	058841-01-L10	EA	Cover - Wastebasket - Bone
	053333-01-000	EA	Range Hood - Non Power - Black - U.S.
	053333-02-000	EA	Range Hood - Non Power - Black - C.S.A.
**	049930-07-000	EA	Range Hood - Powered - Almond - Jensen.
	052771-02-000	EA	Microwave Oven - Magic Chef - MW207
	062025-01-000	EA	Range Top - 3 Burner - Black - Magic Chef
	055282-02-000	EA	Range - 4 Burner - Small Oven - Almond - Magic Chef
**	049175-02-000	EA	Refrigerator - AC/DC/Gas - Sibir ET150/2 - 1 Door Model
**	049174-02-000	EA	Refrigerator - AC/DC/Gas - Sibir ET230/2 - 2 Door Model

## 1990 WINNEBAGO TABLE OF CONTENTS

WC/WG/WDF22RB L1	A-1 - B-20
WC/WDN26RB L1	B-21 - D-16
WD319AK L1	D-17 - E-20

## 1990 WD/WC/WGF22RB L1 INDEX

Floor Plan	A-1 - A-2
Accessories Group	A-3 - A-4
Bath Group	A-5
Chassis Group	A-6 - A-8
Curtain, Cushion & Pad Group	A-9 - A-13
Dinette Group	A-14
Driver's Compartment Group	A-15 - A-16
Electrical Group	A-17 - A-19
Exterior Body Group	A-20 - A-23
Galley Group	A-24
Heating & Air Conditioning Group	B-1 - B-3
Interior Finish Group	B-4 - B-5
LP Group	B-6 - B-7
Lounge Group	B-8
Water & Sewage Group	B-9 - B-10
Window, Vent & Exterior Door Group	B-11 - B-20

## HEATING AND AIR CONDITIONING GROUP

### AUTOMOTIVE HEATER AND AIR CONDITIONER (Chevrolet/GMC)

Key	Part Number	U/M	Description
	039044-01-000	EA	Louver Asm - A/C Adjustable
	047046-01-000	EA	Motor - 12 Volt - 3 Speed - Heater - Air Conditioner
	031043-01-000	EA	Valve - Heater - Water Flow Control
	031169-01-000	EA	Cable - Control - Flexible - 53'
	031169-02-000	EA	Cable - Control - Flexible - 48"
	031170-01-000	EA	Clamp - Cable - 3/16" Dia
	024996-01-000	EA	Clutch - Magnetic - Compressor
	024999-01-000	EA	Compressor - Auto Air - 10.3 Cubic Inch
	058783-01-000	EA	Belt - Compressor Drive - Dayco 15520
	047036-01-000	EA	Package Compressor Mount 350 C I D
	048100-01-000	EA	Package Compressor Mount 454 C I D
	048801-01-000	EA	Condensator - Radiator Mount
	008267-01-000	EA	Switch - Air Conditioner
	024867-01-000	EA	Valve - Thermostatic Expansion
	024997-01-000	EA	Core - Heater
	024998-01-000	EA	Wheel - Blower - 4.72" O D
	031393-01-000	EA	Coil - Evaporator
	031001-01-000	EA	Blower Housing
	007076-01-000	FT	Hose - Flexible PVC - 2" I D
	007108-01-000	FT	Hose - Heater - 5/8" I D. SAE 20R3
	007231-01-000	FT	Hose - Flexible PVC - 2 1/2" I D
	062401-04-000	EA	Clamp - Worm Drive - .69" - 1.25" I D.
	062401-05-000	EA	Clamp - Hose - 2" - 3" Dia
	033258-01-000	EA	Hose - Refrigerant - 50" I D x 34.50"
	065208-01-000	EA	Hose - Refrigerant - 50" I D x 34.5" w/90° Elbow
	034222-01-000	EA	Hose - Refrigerant - 31" I D x 26"
	034222-02-000	EA	Hose - Refrigerant - 31" I D x 32"
	039160-01-000	EA	Hose - Refrigerant - 34" I D x 30"
	031961-01-000	EA	Hose - Refrigerant - 31" I D x 14.75"
	031961-02-000	EA	Hose - Refrigerant - 31" I D x 19"
	049401-01-000	EA	Heater Asm - Rear - Aux
	049401-01-700	EA	Valve - Water Control - (Aux Heater)
	049401-01-701	EA	Control Cable - (Aux Heater)
	049401-01-702	EA	Motor Asm - (Aux Heater)
	049401-01-703	EA	Heater Core - (Aux Heater)
	049401-01-704	EA	Switch - (Aux Heater)
	058908-01-000	EA	Control Panel - Auxiliary Rear Heater
	024868-01-000	EA	Receiver - Dehydrator
	031044-01-000	EA	Clamp - Receiver Dehydrator
	031962-01-000	EA	Bracket - Receiver Dehydrator
	048230-02-000	EA	Kit - Auto Air - 350 C I D A-Body
	047232-02-000	EA	Kit - Auto Air - 454 C I D A-Body
	056464-01-000	EA	Register - 4" Dia - Plastic w/Damper - Winterization Option
	062408-01-000	EA	Heat - Pusher - (Duct Fan) Winterization Option
	062411-01-000	EA	Switch - Temp Control - 38° Close - 48° Open - Winterization Option
	062411-02-000	EA	Switch - Temp Control - 28° Close - 30° Open - Winterization Option

## HEATING AND AIR CONDITIONING GROUP (CONTINUED)

### AUTOMOTIVE HEATER AND AIR CONDITIONER (Dodge)

Key	Part Number	U/M	Description
	039044-01-000	EA	Louver Asm - A/C Adjustable
	047046-01-000	EA	Motor - 12 Volt - 3 Speed - Heater - Air Conditioner
	031043-01-000	EA	Valve - Heater - Water Flow Control
	031169-01-000	EA	Cable - Control - Flexible - 53'
	031169-02-000	EA	Cable - Control - Flexible - 48"
	031170-01-000	EA	Clamp - Cable - 3/16" Dia
	033860-02-000	EA	Cable - Control - Flexible - 46"
	038946-01-000	EA	Retainer - Control Cable - Dash
	024996-01-000	EA	Clutch - Magnetic - Compressor
	024999-01-000	EA	Compressor - Auto Air - 10.3 Cubic Inch
	058783-01-000	EA	Belt - Compressor Drive - Dayco 15520
	062637-01-000	EA	Package Compressor Mount 360 C I D - Dodge
	063908-01-000	EA	Package Compressor Mount 440 C I D - Dodge
	031394-01-000	EA	Condensator - Radiator Mount 360 C I D - Dodge
	008267-01-000	EA	Switch - Air Conditioner
	031376-01-000	EA	Control Asm - Heater - 3 Speed
	055279-01-000	EA	Control Asm - Heater & Air Conditioner
	024867-01-000	EA	Valve - Thermostatic Expansion
	024997-01-000	EA	Core - Heater
	024998-01-000	EA	Wheel - Blower - 4.72" O D
	031393-01-000	EA	Coil - Evaporator
	031001-01-000	EA	Blower Housing
	007076-01-000	FT	Hose - Flexible PVC - 2" I D
	007108-01-000	FT	Hose - Heater - 5/8" I D SAE 20R3
	007281-01-000	FT	Hose - Flexible PVC - 2 1/2" I D
	062401-04-000	EA	Clamp - Worm Drive - .69" - 1.25" I D
	062401-05-000	EA	Clamp - Hose - 2" - 3" Dia
	033258-01-000	EA	Hose - Refrigerant - 50" I D x 34.50"
	065208-01-000	EA	Hose - Refrigerant - 50" I D x 34.5" w/90° Elbow
	034222-01-000	EA	Hose - Refrigerant - 31" I D x 26"
	034222-02-000	EA	Hose - Refrigerant - 31" I D x 32"
	039160-01-000	EA	Hose - Refrigerant - 34" I D x 30"
	031961-01-000	EA	Hose - Refrigerant - 31" I D x 14.75"
	031961-02-000	EA	Hose - Refrigerant - 31" I D x 19"
	049401-01-000	EA	Heater Asm - Rear - Aux
	049401-01-700	EA	Valve - Water Control - (Aux Heater)
	049401-01-701	EA	Control Cable - (Aux Heater)
	049401-01-702	EA	Motor Asm - (Aux Heater)
	049401-01-703	EA	Heater Core - (Aux Heater)
	049401-01-704	EA	Switch - (Aux Heater)
	058908-01-000	EA	Control Panel - Auxiliary Rear Heater
	024868-01-000	EA	Receiver - Dehydrator
	031044-01-000	EA	Clamp - Receiver Dehydrator
	031962-01-000	EA	Bracket - Receiver Dehydrator
	048228-02-000	EA	Kit - Auto Air - 360 C I D A-Body - Dodge
	048229-02-000	EA	Kit - Auto Air - 440 C I D A-Body - Dodge
	056464-01-000	EA	Register - 4" Dia - Plastic w/Damper - Winterization Option
	062408-01-000	EA	Heat - Pusher (Duct Fan) Winterization Option
	062411-01-000	EA	Switch - Temp Control - 38° Close - 48° Open - Winterization Option
	062411-02-000	EA	Switch - Temp Control - 28° Close - 30° Open - Winterization Option

## 1980 WINNEBAGO TABLE OF CONTENTS

WC/WG/WDF22RB L1	A-1 - B-20
WC/WDN28RB L1	B-21 - D-18
WD318RK L1	D-17 - E-20

## 1980 WD/WC/WGF22RB L1 INDEX

Floor Plan	A-1 - A-2
Accessories Group	A-3 - A-4
Bath Group	A-5
Chassis Group	A-6 - A-8
Curtain Cushion & Pad Group	A-9 - A-13
Dinette Group	A-14
Driver's Compartment Group	A-15 - A-16
Electrical Group	A-17 - A-19
Exterior Body Group	A-20 - A-23
Galley Group	A-24
Heating & Air Conditioning Group	B-1 - B-3
Interior Finish Group	B-4 - B-5
LP Group	B-6 - B-7
Lounge Group	B-8
Water & Sewage Group	B-9 - B-10
Window, Vent & Exterior Door Group	B-11 - B-20

## HEATING AND AIR CONDITIONING GROUP (CONTINUED)

### FURNACES AND ROOF AIR CONDITIONERS

Key	Part Number	U/M	Description
**	052598-01-000	EA	Furnace - 19,000 BTU - Under Counter Mount 4319-729
**	059351-01-000	EA	Furnace - 24,000 BTU - w/Electric Ignition - 4324-749
	049043-02-000	EA	Door - Furnace Front
	056464-01-000	EA	Register - 4" Dia - Plastic
	009198-01-000	FI	Duct - Flexible - 4" I.D. x 25'
	009200-01-000	EA	Tape - Furnace - 1 1/2"
	023146-01-000	EA	Clamp - Screw Type - 4"
	024985-01-000	EA	Heat Register - w/Damper - 9 9" x 4 8"
	031804-01-000	EA	Bonnet - Heat Register
	050784-01-000	EA	Vent Package - Furnace - 3" - 6" - Well
	039505-02-000	EA	Thermostat - Horizontal Wall Mount
	063903-01-000	EA	Air Conditioner - 110 Volt - Roof Mount - 13,500 BTU - Rotary - Ivory - Coleman (w/o inside shroud)
**	049775-02-000	EA	Shroud Asm. - Ceiling - Inside - Roof Air Cool Only - 13,500 BTU - Coleman
**	049776-01-000	EA	Shroud Asm. - Ceiling - Inside - Roof Air Heat and Cool - 13,500 BTU - Coleman

\*\*The illustrated parts breakdown for this item is provided on the Common Items Fiche

## INTERIOR FINISH GROUP

### PANELING AND COUNTERTOP MATERIALS

Key	Part Number	U/M	Description
	045963-01-000	SF	Paneling - 825 Buff - 48" x 96" (32 SF)
	084385-01-000	SF	Paneling - 722 Bellweather - 48" x 96" (32 SF)
	065739-03-000	SF	Paneling - Decorative - Beige
	065739-04-000	SF	Paneling - Decorative - Burgandy
	065739-05-000	SF	Paneling - Decorative - Blue
	064388-01-000	SF	Paneling - Ferns - Beige
	064388-02-000	SF	Paneling - Ferns - Burgandy
	064388-03-000	SF	Paneling - Ferns - Blue
	058219-01-000	SF	Plastic Laminate - Almond Batik
	064387-01-000	SF	Plastic Laminate - Bone
	053339-01-000	SF	Plastic Laminate - Butcher Block - 48" x 96" (32 SF)
	053339-01-001	EA	Plastic Laminate - Butcher Block - 48" x 48"
	053339-01-002	EA	Plastic Laminate - Butcher Block - 1.19' x 96"

### INTERIOR MOLDINGS AND TRIMS

Key	Part Number	U/M	Description
	047354-01-000	EA	Batt Strip - 825 Buff - Ceiling - 96"
	064386-01-000	EA	Batt Strip - 722 Bellweather - 96"
	064389-01-000	EA	Batt Strip - Decorative Ferns - Beige
	064389-02-000	EA	Batt Strip - Decorative Ferns - Burgandy
	064389-03-000	EA	Batt Strip - Decorative Ferns - Blue
	024700-08-000	EA	Cover - Roll Bar - Sidewall - Ivory
	021700-14-000	EA	Cover - Roll Bar - Russel Oak
	052859-01-J27	FT	Accent Trim - Acorn Brown Vinyl
	006813-01-000	FT	Molding - Outside Corner - 50" - Dark Pecan
	009767-05-000	FT	Wetling - Light Brown
	009778-01-000	FT	U-Channel - 1" - Dark Brown
	052861-01-K01	FT	Molding Asm - Shelf
	008810-01-000	FT	Molding - Outside Corner - 1" - Dark Pecan
	008815-03-000	FT	T-Molding - .75" - Light Brown
	072992-04-000	FT	Molding - Reverse Cove
	035337-22-000	EA	Trim - Inside Corner - Alum - 80 88"
	034384-02-000	EA	Extr Vinyl Insert - Beige

### FABRICS AND FLOOR COVERINGS

Key	Part Number	U/M	Description
	064383-04-000	YD	Fabric - Drapery - Dublin Flax
	064383-01-000	YD	Fabric - Upholstery - Blackayne Sienna - Brown
	064383-08-000	YD	Fabric - Upholstery - Blackayne Rust
	064383-07-000	YD	Fabric - Upholstery - Blackayne Blue
	053327-01-000	YD	Vinyl - Non Expanded - 27 oz. - Acorn Brown
	053327-02-000	YD	Vinyl - Expanded - 28 oz. - Acorn Brown
	053327-03-000	YD	Vinyl - Non Support - 16 Gauge Film - Acorn Brown
	064384-02-000	SY	Carpet - Camel
	064392-01-000	SY	Vinyl Floor Covering - Armstrong - Castilian

## 1990 WINNEBAGO TABLE OF CONTENTS

WC/WG/WDF22RB L1	A-1 - B-20
WC/WDN26RB L1	B-21 - D-18
WD319RK L1	D-17 - E-20

## 1990 WD/WC/WGF22RB L1 INDEX

Floor Plan	A-1 - A-2
Accessories Group	A-3 - A-4
Bath Group	A-5
Chassis Group	A-6 - A-8
Curtain, Cushion & Pad Group	A-9 - A-10
Dinette Group	A-14
Driver's Compartment Group	A-15 - A-18
Electrical Group	A-17 - A-19
Exterior Body Group	A-20 - A-23
Galley Group	A-24
Heating & Air Conditioning Group	B-1 - B-3
Interior Finish Group	B-4 - B-5
LP Group	B-6 - B-7
Lounge Group	B-8
Water & Sewage Group	B-9 - B-10
Window, Vent & Exterior Door Group	B-11 - B-20

## INTERIOR FINISH GROUP (CONTINUED)

### CURTAIN HARDWARE

Key	Part Number	U/M	Description
	052327-04-23C	EA	Track - Curtain - Brown Alum. - 89" w/Holes
	056116-01-000	FT	Track - Curtain - Brown Plastic
	053001-01-000	EA	Bracket - Shade - Left
	056002-01-000	EA	Bracket - Shade - Right
	056003-01-000	EA	Bracket - Drapery Retainer - Right
	056003-02-000	EA	Bracket - Drapery Retainer - Left
	053272-04-200	EA	Track - Curtain - Off White - 89" w/Holes
	056784-01-000	EA	Pull - Window Shade - Antique Brass
	009107-01-000	EA	Guide - Nylon Snap - Curtain
	018031-42-000	EA	Track - Curtain - "L" Rod - Alum Extr. - 90"
	009701-01-000	EA	Corner - "L" Rod - Curtain
	009702-01-000	EA	End Stop - "L" Rod - Curtain
	059430-01-000	EA	Track - Curtain - Wraparound (2 required per unit)
	056115-01-000	YD	Tape - Clear Plastic - w/Guides

### CABINETS AND TABLE HARDWARE

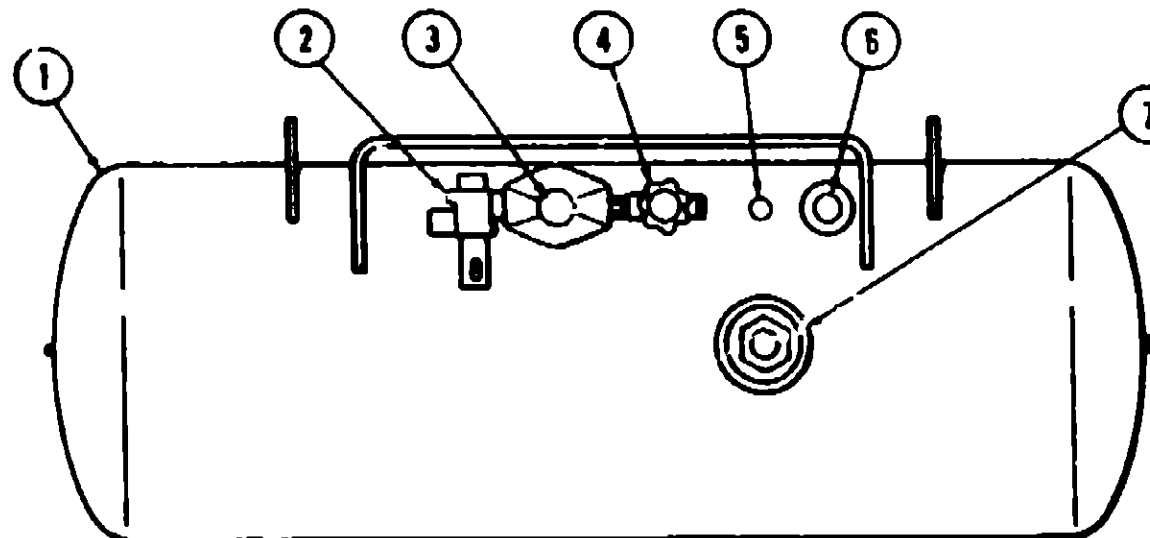
Key	Part Number	U/M	Description
	057946-01-L01	EA	Pull Kit - Cabinet Drawer - Flat Latch
**	052832-01-J3U	EA	Hinge Kit - Cabinet Door - Antique Brass
	057945-01-K01	FA	Latch Kit - Cabinet Door - Flat Latch
	009112-01-000	EA	Flange - 1" - Closet Rod
**	053203-01-000	EA	Bracket - Upper Wall Mount - 23 5"
**	053204-02-000	EA	Bracket - Table Mount - 23" Anod
**	024271-01-000	EA	Head - Table Lift
**	024271-02-000	EA	Bracket - Lower Wall Mount - Black - 22 12"
**	024276-04-000	EA	Hose Asm - Table - Brown - 29 5"
**	064050-01-000	EA	Hinge - Table Leg
**	024282-01-000	EA	Brace - Table Leg
**	024283-01-000	EA	Clip - 1" O D Tube
**	049483-02-000	EA	Catch - Table Leg - Mount on Floor - Brown
**	059753-01-000	EA	Slide - Drawer - Left
**	059753-02-000	EA	Slide - Drawer - Right
**	037688-01-000	FT	Rail - Drawer Glide
**	047744-01-000	EA	Kit - Drawer Glide

\*\*The illustrated parts breakdown for this item is provided on the Common Items Fiche

### MISCELLANEOUS

Key	Part Number	U/M	Description
	041944-01-700	EA	Fire Extinguisher - Dry Chemical w/Bracket
	041944-03-C30	EA	Fire Extinguisher - SBC (Call)
	007038-01-000	EA	Door Mat - Black Rubber - 10 1/2" x 28"
	053552-01-K01	EA	Assist Handle - Interior - Acorn Vinyl
	054185-06-000	EA	Owners Manual - Winnebago
	047205-08-000	EA	Brass Mesh - 10 1/8" x 12 1/2" - Furnace Grill
	006089-01-000	EA	Key Case - Leather

## LP GROUP



## 1980 WINNEBAGO TABLE OF CONTENTS

WC/WG/WDF22RB L1  
WC/WDN28RB L1  
WDS18PK L1

A-1 - B-20  
B-21 - D-18  
D-17 - E-20

Key	Part Number	U/M	Description
	052769-01-000	EA	Tank Asm - LP - Frame Mount - 42 Pound
	063388-01-000	EA	Tank Asm - LP - Frame Mount - 80 Pound
	047221-01-000	EA	Detector - LP Gas Leak - Rosen
	047356-01-000	EA	Bracket - LP Detector - Rosen
	065741-01-C30	EA	Detector - LP Gas Leak - Marshalltown Instruments
	058706-01-000	EA	Cover - Regulator - 2 Stage
	058705-01-000	EA	Regulator - Two Stage - LP Gas
	040421-01-703	EA	Valve - Vapor Relief
	040421-01-700	EA	Gauge - Liquid Level - 20% LP
	040421-01-701	EA	Valve - Filler - LP
	040421-01-702	EA	Cap - Plastic Fill Valve
	040421-01-707	EA	Gauge - Float - w/Visible Dial - 80 Pound Tank
	042281-01-700	EA	Gauge - Float - w/Visible Dial - 42 Pound Tank
	040421-01-706	EA	Dial - Visible Face - Float Gauge (Tank w/o Electric Transmitter)
	040421-01-705	EA	Dial - Transmitter - 0 - 90 Ohm (Float Gauge)
	045703-01-000	EA	Hose Asm. - LP - 3/8" I D x 24'
	045703-03-000	EA	Hose Asm. - LP - 3/8" I D x 14'
	047737-02-000	EA	Support - LP Tank - 89 25"
	047737-03-000	EA	Support - LP Tank - 30 50"
			Not Illustrated

## 1980 WD/WC/WDF22RB L1 INDEX

Floor Plan	A-1 - A-2
Accessories Group	A-3 - A-4
Bath Group	A-5
Chassis Group	A-6 - A-8
Curtain, Cushion & Pad Group	A-9 - A-13
Dinette Group	A-14
Driver's Compartment Group	A-15 - A-18
Electrical Group	A-17 - A-19
Exterior Body Group	A-20 - A-23
Galley Group	A-24
Heating & Air Conditioning Group	B-1 - B-3
Interior Finish Group	B-4 - B-5
LP Group	B-6 - B-7
Lounge Group	B-8
Water & Sewage Group	B-9 - B-10
Window, Vent & Exterior Door Group	B-11 - B-20

## LP GROUP (CONTINUED)

### WINNAIR LP SYSTEMS AND COMPONENTS

Key	Part Number	U/M	Description
	068123-01-000	EA	WinnAir LP Kit - 360-1 Dodge
	068123-04-000	EA	WinnAir LP Kit - 440-1 Dodge
	068123-06-000	EA	WinnAir LP Kit - 350 Chevrolet
	068123-08-000	EA	WinnAir LP Kit - 454 Chevrolet
	068123-10-000	EA	WinnAir LP Kit - 351 Ford
	065802-01-000	EA	Gauge - LP Level - w/Hardware
	065963-01-000	EA	Switch - Fuel Change Over
	067494-01-000	EA	Fuel Lock Filter
	067495-01-000	EA	Converter - Tromasa
	067495-02-000	EA	Converter - Century
	065279-01-000	EA	Hydrostatic Relief Valve
	065287-02-000	EA	Gasoline Shut Off Valve
	067497-01-000	EA	Connection - Water Hose
	067498-01-000	EA	Safety Vacuum Switch
	068028-01-000	EA	Vapor Elbow O-Ring
	068124-01-000	EA	Wire Harness - Change Over Switch and Gauge
	067499-01-001	EA	Hose - LP Vapor - 3/4 I.D. x 40"
	065800-01-000	EA	Tee - Steel - 1/4 FPT
	065293-01-000	EA	Elbow - 90° - 1/8 MPT to 1/4" Hose
	065278-01-000	EA	Fitting - 45° Flare - Swivel - FPT
	065277-01-000	EA	Straight Fitting - 1/4 - 18 MPT
	065276-01-001	EA	Hose - Wire Braid - 3/16 I.D. Aeroquip FC321 - 144'
	068079-01-000	EA	Diffuser Plate - Chevy
	068079-02-000	EA	Diffuser Plate - Ford/Dodge
	068154-06-000	EA	Air Valve Asm - Chevy 350
	068154-01-000	EA	Air Valve Asm - Dodge 360
	068154-08-000	EA	Air Valve Asm - Chevy 454 (350) with 454 Air Cleaner
	068154-10-000	EA	Air Valve Asm - Ford

## LOUNGE GROUP

Key	Part Number	U/M	Description
	058093-03-L01	EA	Drawer Asm - Blanket - 19 62" x 30 63"
	056875-02-000	EA	Leg Asm - Couch
	022517-01-000	EA	End Cap - 1" x 1" - Brown
	066379-01-L01	EA	Cabinet Asm - Pullout Couch
	065990-01-L01	EA	Cabinet Asm - Armrest
	065987-01-L01	EA	Armrest Asm - Brown/Beige
	065987-01-L02	EA	Armrest Asm - Rust
	065987-01-L03	EA	Armrest Asm - Blue
	057992-56-L01	EA	Door Asm - Cabinet - 28 2" x 11 5"
	065981-01-L01	EA	Cabinet Asm - Overhead - Lounge
	065988-01-L01	EA	Front Panel Asm - Sprung Couch
	065394-01-L01	EA	End Panel - Sprung Couch
	057468-02-000	EA	Base Asm - Couch - Right - Sprung Couch
	057468-03-000	EA	Base Asm - Couch - Left - Sprung Couch
	057468-04-000	EA	Base Asm - Couch - Spacers - Sprung Couch
	057469-01-000	EA	Leg Asm - Sprung Couch

### 1980 WINNEBAGO TABLE OF CONTENTS

WC/WG/WDF22RB L1	A-1 - B-20
WC/WDN28RB L1	B-21 - D-16
WD319RK L1	D-17 - E-20

### 1980 WD/WC/WGF22RB L1 INDEX

Floor Plan	A-1 - A-2
Accessories Group	A-3 - A-4
Bath Group	A-5
Chassis Group	A-6 - A-8
Curtain, Cushion & Pad Group	A-9 - A-13
Dinette Group	A-14
Driver's Compartment Group	A-15 - A-16
Electrical Group	A-17 - A-19
Exterior Body Group	A-20 - A-23
Galley Group	A-24
Heating & Air Conditioning Group	B-1 - B-3
Interior Finish Group	B-4 - B-5
LP Group	B-6 - B-7
Lounge Group	B-8
Water & Sewage Group	B-9 - B-10
Window, Vent & Exterior Door Group	B-11 - B-20



**WATER AND SEWAGE GROUP**

**WATER AND SEWAGE GROUP (CONTINUED)**

**PLUMBING REPAIR PARTS**

**HOLDING TANKS AND WATER HEATERS**

Key	Part Number	U/M	Description
**	040539-01-000	EA	Kit - Repair - 3/8" O D Plastic Tube
**	040540-01-000	EA	Kit - Repair - 1/2" O D. Plastic Tube
**	040541-01-000	EA	Kit - Repair - 5/8" O D Plastic Tube
**	039647-02-000	EA	Filter - Water Pump 1/2" MPT
**	063646-01-000	EA	Water Pump - Direct Drive - 2.8 GPM - PAR
**	063646-02-000	EA	Water Pump - Direct Drive - 2.8 GPM - PAR - CSA
**	039818-01-000	EA	Riser Asm - 3/8" O D x 24" Tube
**	039818-02-000	EA	Riser Asm. - 3/8" O D. x 36" Tube
**	039818-04-000	EA	Riser Asm. - 3/8" O D. x 72" Tube
**	010224-01-000	EA	Adapter - Plastic - 3/8 MPT x 3/8 Barb
**	052952-01-000	EA	Nut - Plastic 1/2" F
**	052953-01-000	EA	Nut - Faucet - 1/2 Tube x 1/2 FPT
**	052954-01-000	EA	Adapter - Nose Cone 3/8 or 1/2
**	052956-01-000	EA	Tee - Plastic - 1/2 F x 1/2 MPT x 1/2 F
**	052957-01-000	EA	Elbow - Plastic - 1/2 F x 3/8 MPT
**	052957-02-000	EA	Elbow - Plastic - 1/2 F x 1/2 MPT
**	052958-01-000	EA	Tee Plastic 1/2 F x 1/2 F x 1/2 F
**	052959-02-000	EA	Connector - Plastic 1/2 F x 1/2 MPT
**	052960-01-000	EA	Valve - Line Drain
**	052361-01-000	EA	Headc: - 1/2 F x 1/2 F x 1/2 F x 1/2 F
**	05453 -01-01.0	EA	Valve - Tank Drain
**	004020-01-000	QT	Adhesive - ABS Cement
**	010201-01-000	EA	Hose - Sewer 3" x 10 Ft w/Clamp
**	062415-01-000	EA	Cap - Sewer - 3"
**	062416-01-000	EA	Hose Adapter - 3"
**	062417-01-000	EA	Adapter - Termination - 3"
**	062418-01-000	EA	Valve - Dump - 3" w/Handle
**	062418-02-000	EA	Valve - Dump - 3" w/o handle
**	062419-01-000	EA	Handle - Dump Valve Extension - 35" w/6" Adapter
**	062419-02-000	EA	Handle - Dump Valve Extension - 53" w/6" Adapter
**	062421-01-000	EA	Valve - 1 1/2" - w/Handle
**	061607-01-000	EA	Grommet - Holding Tank Coupler - 1 1/2"
**	061607-02-000	EA	Grommet - Holding Tank Coupler - 3"
**	011091-01-000	EA	Waste - Continuous Double Sink 11 7/8"
**	011066-01-000	EA	P-Trap - Plastic - 1 1/4"
**	031126-01-000	EA	Elbow - Plastic - 1/4 BD 3 x 90 x LT
**	010006-01-000	EA	Elbow - Plastic - 1/8 BD 1 1/2 x 45 H x H
**	010008-01-000	EA	Elbow - Plastic - 1/4 BD 1 1/2 x 90 x LT
**	010051-01-000	EA	Elbow - ST - Plastic - 1/8 BD 1 1/2 x 45
**	010071-01-000	EA	Tee - Plastic - 1 1/2 H x H x H
**	010121-01-000	EA	Bushing - Plastic - Red - 1 1/2 S x 1 1/4 H
**	010133-01-000	EA	Adapter - Trap - Plastic 1 1/2" H x MPT
**	010073-01-000	EA	Tee - Plastic - 1 1/2" x 45 H x H x H
**	010079-01-000	EA	Tee - Plastic - 1 1/2" H x 1 1/2" H x 1 1/4" H
**	010091-01-000	EA	Wye - Plastic - 3" x 45 H x H x H
**	010117-01-000	EA	Coupling - Plastic - 3" H x H
**	010134-01-000	EA	Adapter - Plastic - 1 1/2" M x MPT
**	050780-01-000	EA	Coupler - Rubber - 3" x 3"
**	046524-01-000	EA	Kit - Plastic Fittings - Holding Tank
**	046524-02-000	EA	Kit - Plastic Fittings - Water Tank
**	037845-01-000	FT	Tape - Butyl - 3/16" - Bead - Black

\*\*The illustrated parts breakdown for this item is provided on the Common Items Fiche

Key	Part Number	U/M	Description
**	064591-02-000	EA	Tank Asm. - Holding - Main - w/Fittings
**	064591-01-000	EA	Tank Asm - Holding - Main - w/o Fittings
**	064592-02-000	EA	Tank Asm - Holding - Aux. - w/Fittings
**	064592-01-000	EA	Tank Asm - Holding - Aux - w/o Fittings
**	045196-18-000	EA	Tank Asm - Water - 26 Gal - (Front Dinette Seat)
**	045196-17-000	EA	Tank Asm - Water - 26 Gal - (Rear Dinette Seat)
**	045196-01-000	EA	Tank Asm - Water - 26 Gal - w/o Fittings
**	051391-01-000	EA	Water Heater - 6 Gallon - w/o Motor Aid - Atwood G6A3
**	051392-01-000	EA	Water Heater - 6 Gallon - w/Motor Aid - Atwood GH63

\*\*The illustrated parts breakdown for this item is provided on the Common Items Fiche

**1980 WINNEBAGO  
TABLE OF CONTENTS**

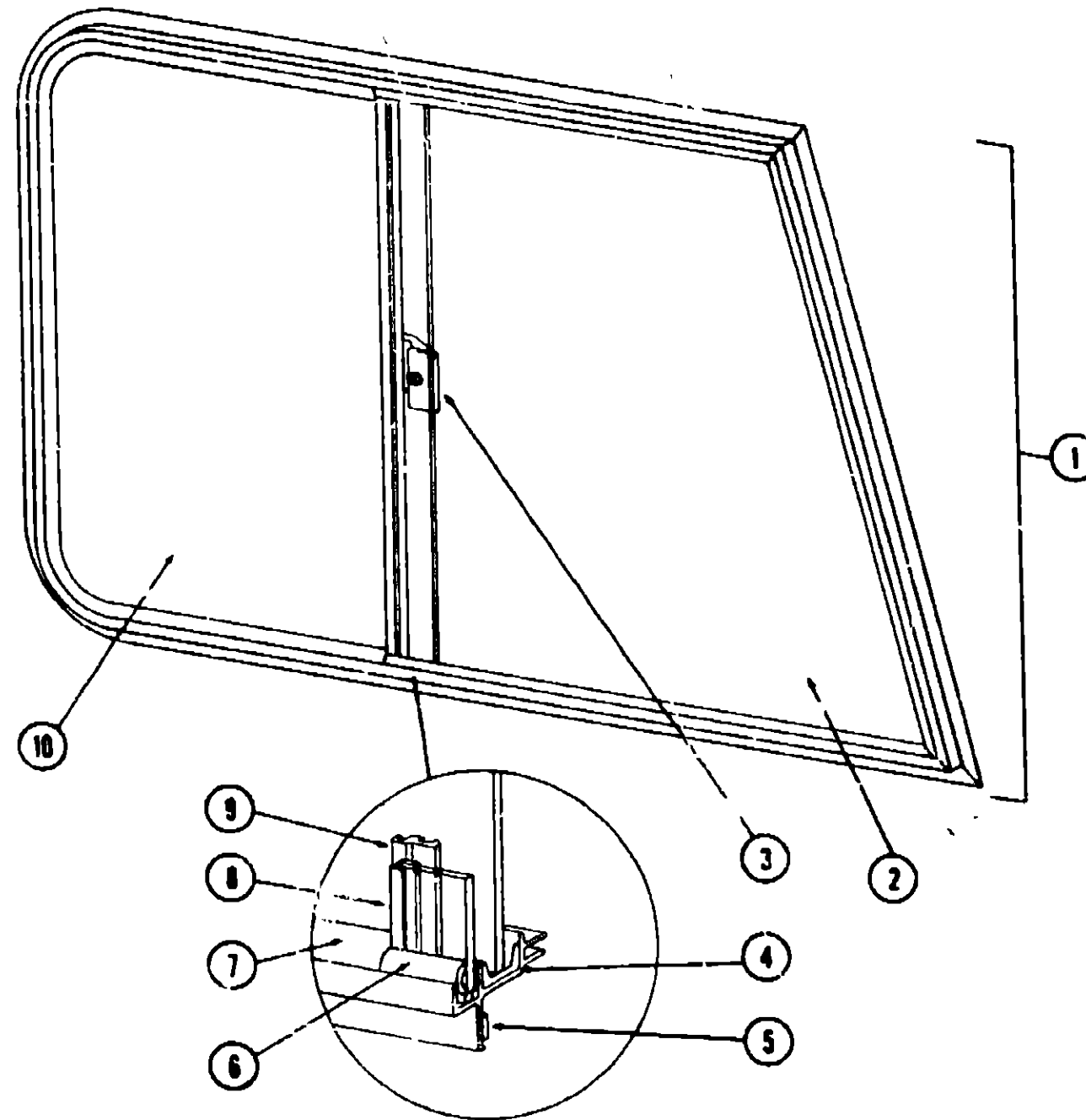
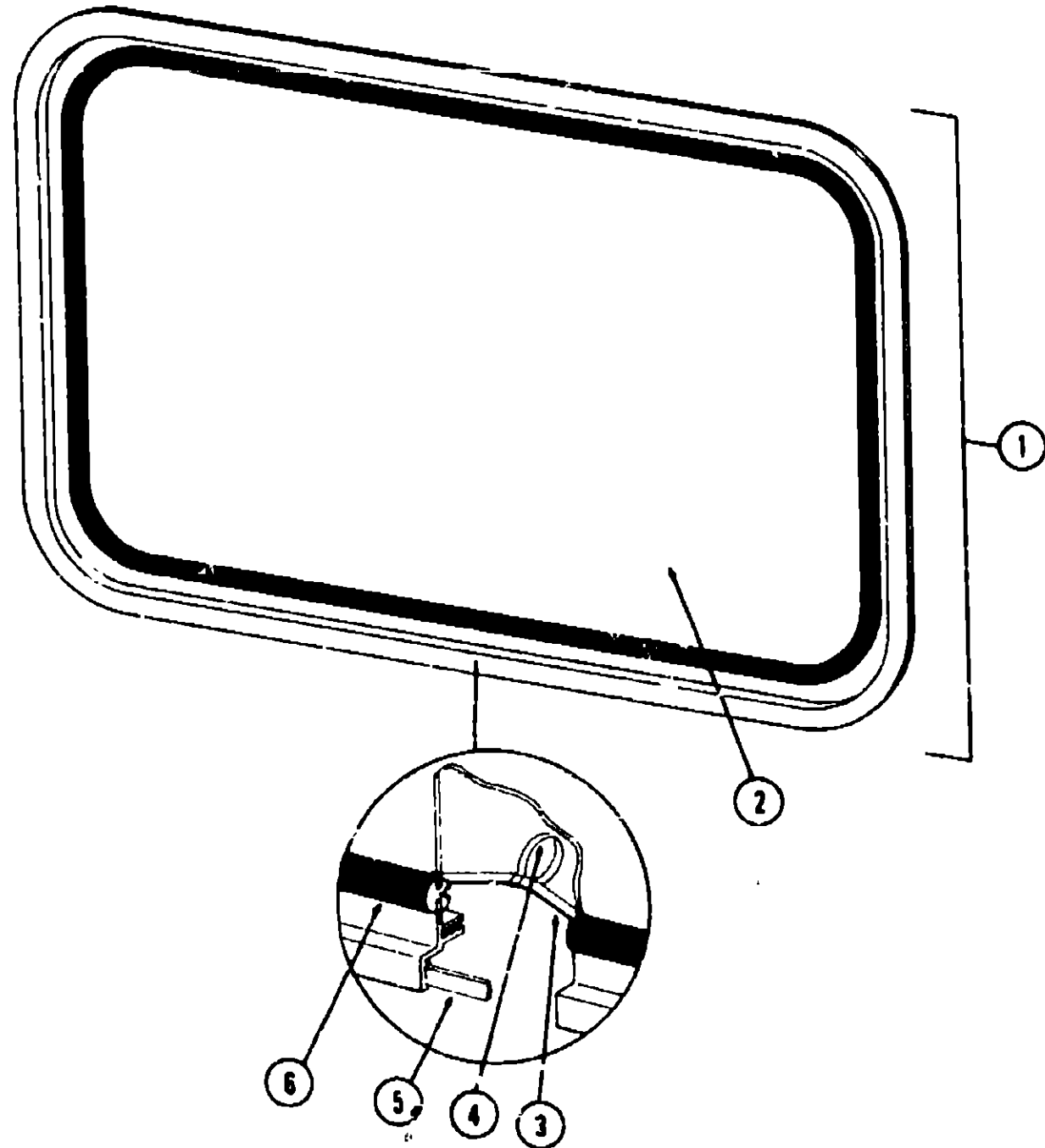
WC/WG/WDF22RB L1	A-1 - B-20
WC/WDN26RB L1	B-21 - D-18
WD319AK L1	D-17 - E-20

**1980 WD/WC/WGF22RB L1 INDEX**

Floor Plan	A-1 - A-2
Accessories Group	A-3 - A-4
Bath Group	A-5
Chassis Group	A-6 - A-8
Curtain, Cushion & Pad Group	A-9 - A-13
Dinette Group	A-14
Driver's Compartment Group	A-15 - A-16
Electrical Group	A-17 - A-19
Exterior Body Group	A-20 - A-23
Galley Group	A-24
Heating & Air Conditioning Group	B-1 - B-3
Interior Finish Group	B-4 - B-5
LP Group	B-6 - B-7
Lounge Group	B-8
Water & Sewage Group	B-9 - B-10
Window, Vert & Exterior Door Group	B-11 - B-20

**WINDOW, VENT AND EXTERIOR DOOR GROUP**

**WINDOW, VENT AND EXTERIOR DOOR GROUP (CONTINUED)**



**1990 WINNEBAGO  
TABLE OF CONTENTS**

WC/WG/WDF22RB L1	A-1 - B-20
WC/WDN26RB L1	B-21 - D-16
WD319RK L1	D-17 - E-20

**1990 WD/WC/WG/22RB L1 INDEX**

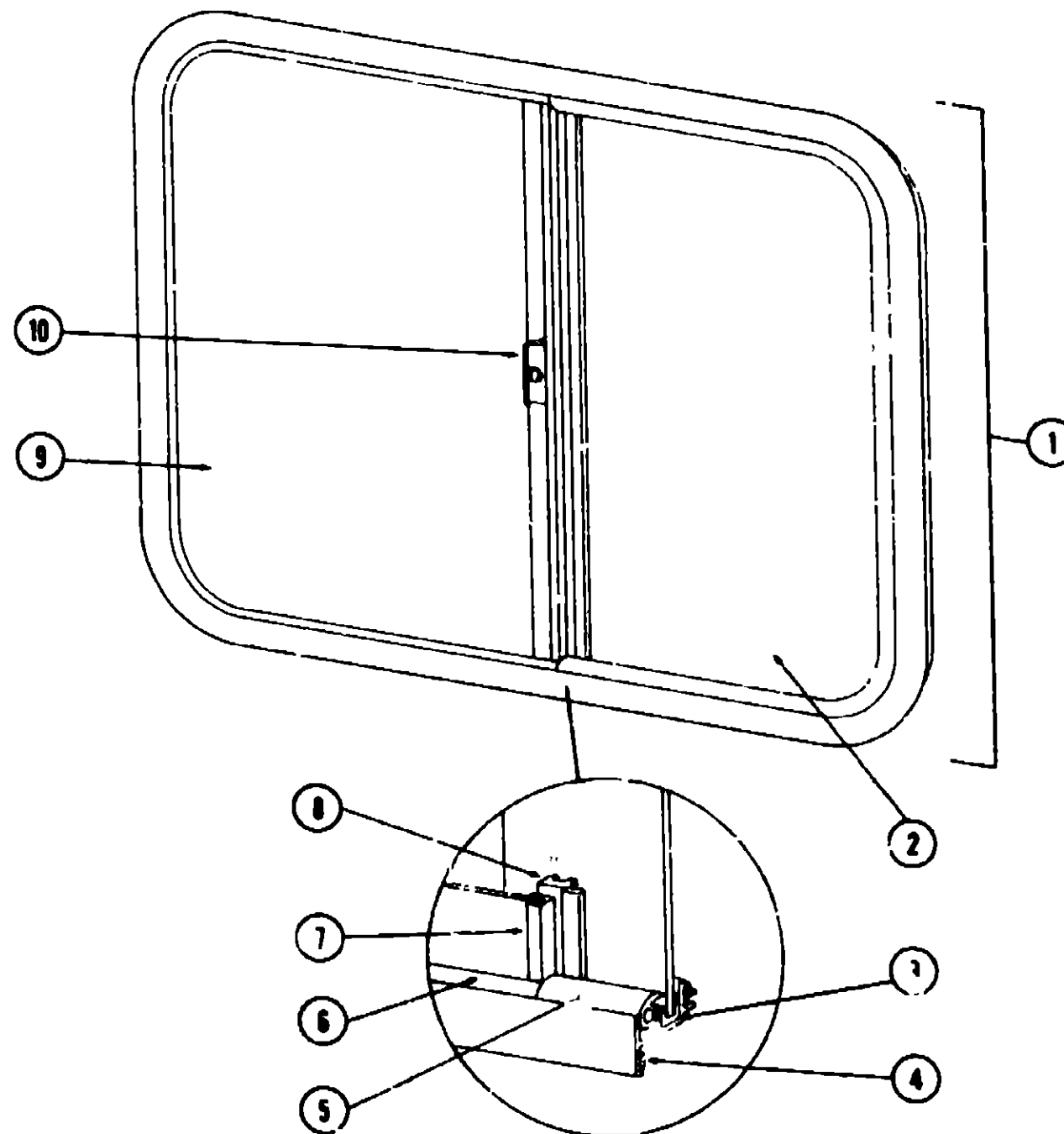
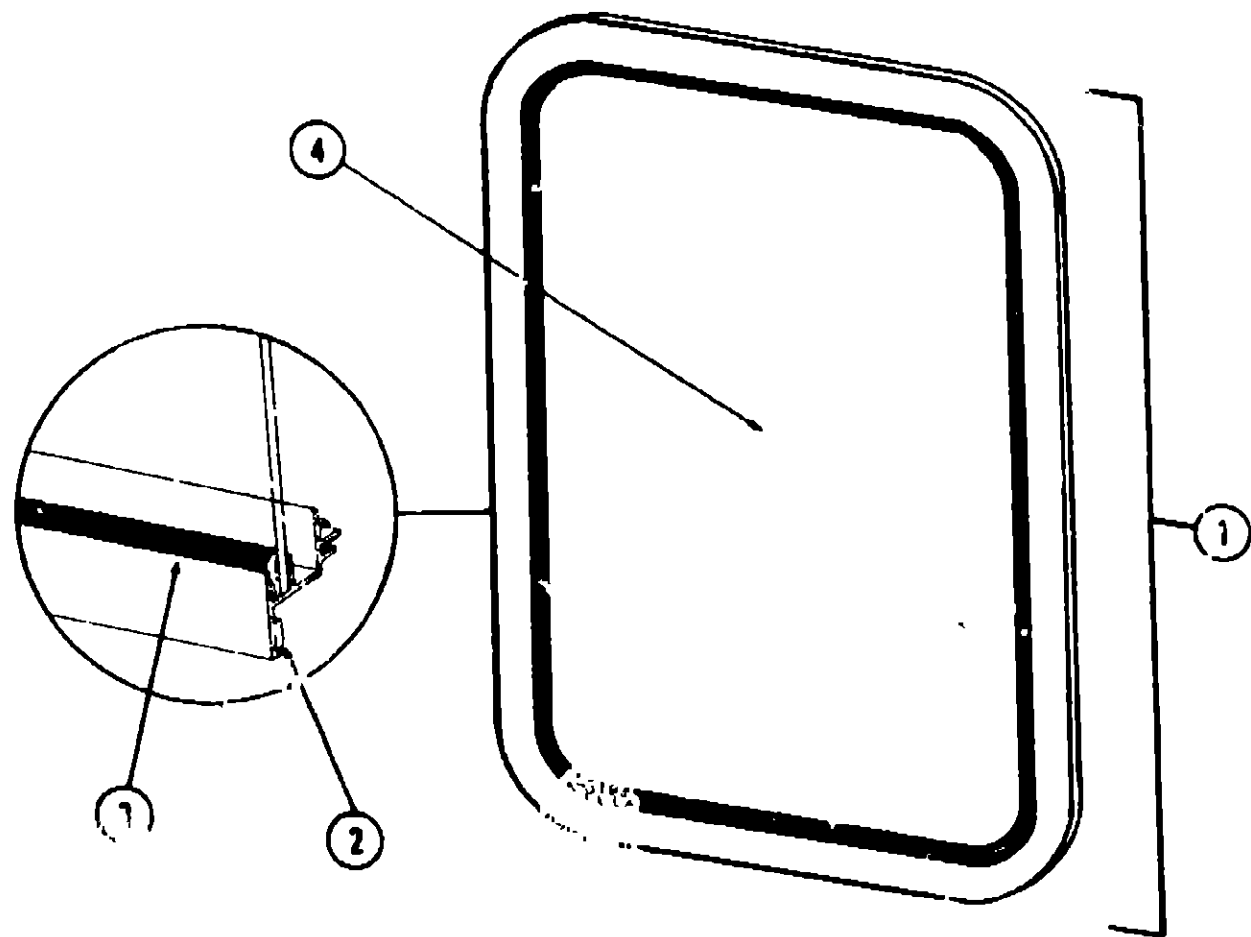
Floor Plan	A-1 - A-2
Accessories Group	A-3 - A-4
Bath Group	A-5
Chassis Group	A-6 - A-8
Curtain, Cushion & Pad Group	A-9 - A-13
Dinette Group	A-14
Driver's Compartment Group	A-15 - A-16
Electrical Group	A-17 - A-19
Exterior Body Group	A-20 - A-23
Galley Group	A-24
Heating & Air Conditioning Group	B-1 - B-3
Interior Finish Group	B-4 - B-5
LP Group	B-6 - B-7
Lounge Group	B-8
Water & Sewage Group	B-9 - B-10
Window, Vent & Exterior Door Group	B-11 - B-20

Key	Part Number	U/M	Description
1	020751-03-000	EA	Window Asm. - Hear Escape - 23" x 29" - Black Anod (w/o inside frame)
2	002174-01-000	EA	Glass - Window - 1/8" x 19 61" x 25 92"
3	002285-01-000	FT	Weatherstrip - Black
4	020395-01-000	EA	Slip Ring - Escape Window
5	004383-01-000	FT	Tape - Foam - 3/16" x 1/2" - Gray
6	002282-01-000	FT	Weatherstrip - 125" - Black
.	020749-03-000	EA	Inside Frame - Escape Window - 23" x 29" (not included in assembly)
.	006199-01-000	EA	Label - Exit - Escape Window
.	Not Illustrated		

Key	Part Number	U/M	Description
1	059046-01-000	EA	Window Asm. - Right Front Slant Slider - 23" x 39" - Black Anod (w/o inside frame)
	059046-02-000	EA	Window Asm. - Left Front Slant Slider - 23" x 39" - Black Anod (w/o inside frame)
2	057656-01-000	EA	Glass - 3/16" x 24 88" x 25 30" - Stationary
3	047369-01-700	EA	Latch Window - Plastic w/Fastener
.	023320-01-000	EA	Foam Pad - 3/8" Dia. (used with plastic latch)
4	042071-01-000	FT	Channel - Weatherstrip - Glass Run - 3/16" Glass
5	053767-03-000	FT	Tape - 1/4" Bead x 20' - Gray - Schnee Moorehead
6	050218-02-000	FT	Spline - 3/16" Glass
7	041928-02-000	FT	Seal - Window Channel - 3/16" Glass - Black
8	002389-03-208	EA	Holder - Glass Seal - Black Anod - 24 13"
9	057644-04-000	EA	Mullion - Window - Slant Slider
10	057657-01-000	EA	Glass - 3/16" x 24 88" x 14 70" - Sliding
.	069042-01-000	EA	Inside Frame - Right Front Slant Slider (not included in assembly)
.	059042-02-000	EA	Inside Frame - Left Front Slant Slider (not included in assembly)
.	023713-02-000	EA	Cover - Weephole - Black
.	055164-05-000	EA	Slider Screen Asm. - Right or Left - Black
.	016310-03-000	EA	Handle - Slider Screen - Black
.	002292-01-000	SF	Screen - Window - 20" - Gray
.	002298-01-000	FT	Spline - Gray - .130" Dia.
.	Not Illustrated		

WINDOW, VENT AND EXTERIOR DOOR GROUP (CONTINUED)

WINDOW, VENT AND EXTERIOR DOOR GROUP (CONTINUED)



Key	Part Number	U/M	Description
1	056651-01-000	EA	Window Asm - Picture - 20 3/4" x 20 3/4" - Black (w/o inside frame)
2	053767-03-000	FT	Tape - 1/4" Bead x 20' - Schinee Morehead
3	002309-02-000	FT	Spline - Glass - 1/8" - Black
4	002181-03-000	EA	Glass - .115" x 20 62" x 20 62" - Gray
.	056650-01-000	EA	Frame - Inside - Window (not included in assembly)
.			Not Illustrated

Key	Part Number	U/M	Description
1	066765-03-000	EA	Window Asm. - Single Slider - 25" x 65" - Black Anod (w/o inside frame)
2	066727-02-000	EA	Glass - Sliding - 1/8" x 12" x 24"
3	002324-02-000	FT	Channel - Weatherstrip - Glass Run - 1/8" Glass
4	053767-03-000	FT	Tape - 1/4" Bead x 20' - Gray
5	057374-02-000	FT	Seal - Window Channel - Black
6	002309-02-000	FT	Spline - Glass - Black
7	002390-03-002	EA	Holder - Glass Seal - Black Anod Extr
8	041894-04-000	EA	Mullion - Slider Window - 25" - Black Anod Extr
9	066726-02-000	EA	Glass - Stationary - 1/8" x 21 03" x 24"
10	047388-01-700	EA	Latch - Window - Plastic w/Fastener
.	023320-01-000	EA	Pad - Foam - 3/8" Dia (used w/Plastic Latch)
.	042077-01-000	FT	Seal - Fin - Pile - 34" - Mullion
.	023713-02-000	EA	Cover - Weep Hole - Black
.	042133-09-000	EA	Frame - Inside - Single Slider - 25" x 65"
.			Not Illustrated

1990 WINNEBAGO  
TABLE OF CONTENTS

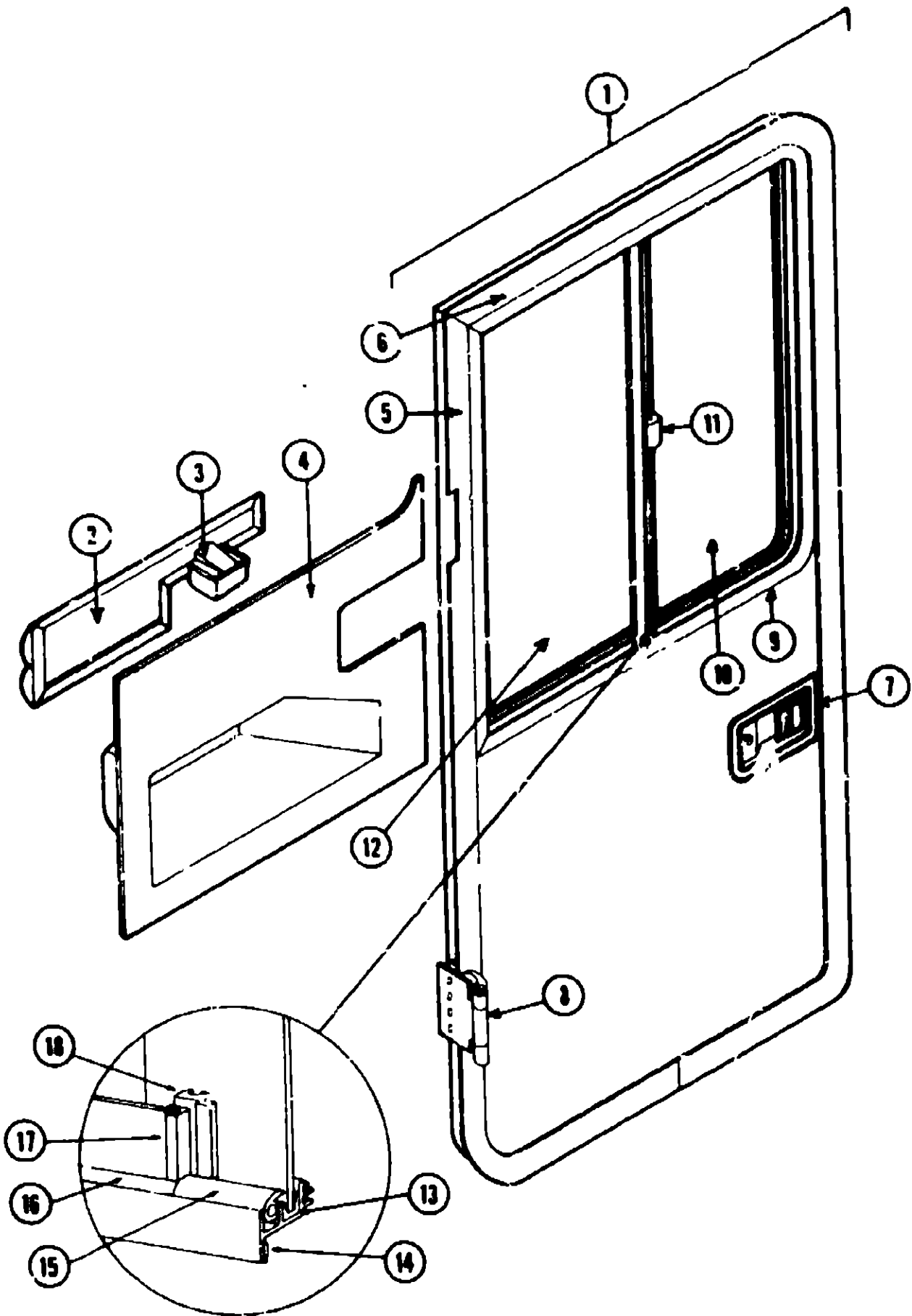
WC/WG/WDF22RB L1  
WC/WDN26RD L1  
WD318RK L1

A-1 - B-20  
B-21 - D-16  
D-17 - E-20

1990 WD/WC/WGF22RB L1 INDEX

Floor Plan	A-1 - A-2
Accessories Group	A-3 - A-4
Bath Group	A-5
Chassis Group	A-6 - A-8
Curtain, Cushion and Pad Group	A-9 - A-13
Dinette Group	A-14
Driver's Compartment Group	A-15 - A-16
Electrical Group	A-17 - A-18
Exterior Body Group	A-20 - A-23
Galley Group	A-24
Heating & Air Conditioning Group	B-1 - B-3
Interior Finish Group	B-4 - B-5
LP Group	B-6 - B-7
Lounge Group	B-8
Water & Sewage Group	B-9 - B-10
Window, Vent & Exterior Door Group	B-11 - B-20

DRIVER DOOR - OFF WHITE



Key	Part Number	U/M	Description
1	063991-C2-000	EA	Door Asm - Driver - Off White
2	064088-01-000	EA	Pad Asm - Trim - Upper
3	061400-01-000	EA	Assist Strap - 12" - Light Brown
4	046886-01-000	EA	Ashtray Asm - Flush Mount - Chrome
5	064499-01-000	EA	Panel - Driver Door - Inner - Dark Brown Plastic
6	063350-02-000	EA	Trim - Door Frame - Front - Off White
7	063351-02-000	EA	Trim - Door Frame - Rear - Off White
8	045017-03-000	EA	Paddle - Door Lock - Exterior
	045017-01-700	EA	Lock Cylinder w/Keys - 1.ynor
	039979-02-000	EA	Inside Plate - Door Lock - w/Inside Handle
	039540-02-000	EA	Latch Claw - Entry Door Lock
	039738-01-000	EA	Deadbolt - Entrance Door Lock
	039539-01-000	EA	Strike Bolt - Entrance Door (Jamb Mount)
	063124-02-000	EA	Plate - Striker - 8 1/4" x 1" - Black
	062979-02-000	EA	Jamb - Driver Door - Black Steel
	064199-02-000	EA	Trim - Door Jamb - Rear - w/Drip Cap - Off White
	064184-01-000	EA	Drip Cap - Driver Door
	063358-02-000	EA	Trim - Door Jamb - Front - Off White
	063768-01-000	EA	Sill Plate - Driver Door
8	063993-02-000	EA	Hinge Asm - Driver Door - Off White
	064580-01-000	EA	Check Strap - Driver Door - Seat Belt Webbing
	064219-01-000	EA	Retainer - Driver Door Check Strap
	063886-02-000	EA	Assist Handle - Driver Door - Brown Steel Tube (2 required per door)
	064075-01-000	EA	Bulb Seal - Driver Door - 145"
9	062982-01-000	EA	Window Asm. - Driver Door - Single Slider - 23" x 25 5/8" - Black Anod (w/o inside frame)
10	057857-02-000	EA	Glass - 3/16" x 24 8/8" x 12" - Sliding
11	047369-01-700	EA	Latch - Window - Plastic w/Fastener
12	002188-04-000	EA	Glass - 3/16" x 24 8/8" - Stationary
13	002324-02-000	FT	Channel - Weatherstrip - Glass Run - 1/8" Glass
14	053767-03-000	FT	Tape - 1/4" Bead x 20' - Gray - Schnee Morehead
15	024096-02-000	FT	Seal - Window Channel - Black
16	002309-02-000	FT	Spline - Glass - Black
17	002389-03-204	EA	Holder - Glass Seal - Anod Black - 25 1/4"
	002288-01-000	FT	Weatherstrip - Glass Seal
18	057844-04-000	EA	Mullion - Slider Window - Black Anod
	063422-01-000	EA	Frame - Inside - Driver Door Window
	023713-02-000	EA	Cover - Weephole - Black Plastic
	055184-08-000	EA	Screen Asm - Slider
	002292-01-000	SF	Screen - Window - 20" - Gray
	002298-01-000	FT	Spline - Gray - Screen - 130" Dia
	018310-03-000	EA	Screen Handle - Black Anod
	043485-02-000	FT	Screen Seal - Extr Vinyl
			Not Illustrated

1980 WINNEBAGO  
TABLE OF CONTENTS

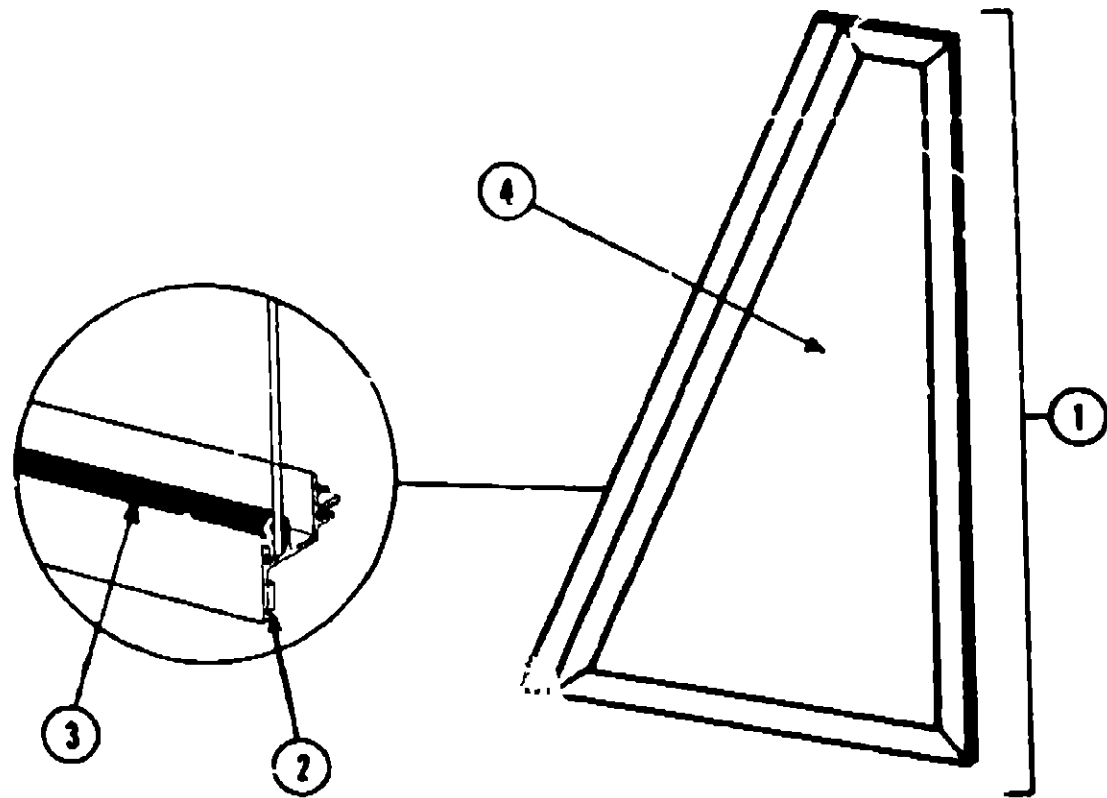
WC/WG/WDF22RB L1	A-1 - B-20
WC/WDN26RB L1	B-21 - D-18
WD319AK L1	D-17 - E-20

1980 WD/WC/WGF22RB L1 INDEX

Floor Plan	A-1 - A-2
Accessories Group	A-3 - A-4
Bath Group	A-5
Chassis Group	A-6 - A-8
Curtain, Cushion and Pad Group	A-9 - A-13
Dinette Group	A-14
Driver's Compartment Group	A-15 - A-18
Electrical Group	A-17 - A-19
Exterior Body Group	A-20 - A-23
Galley Group	A-24
Heating & Air Conditioning Group	B-1 - B-3
Interior Finish Group	B-4 - B-5
LP Group	B-6 - B-7
Lounge Group	B-8
Water & Sewage Group	B-9 - B-10
Window, Vent & Exterior Door Group	B-11 - B-20

**WINDOW, VENT AND EXTERIOR DOOR GROUP (CONTINUED)**

**WINDOW, VENT AND EXTERIOR DOOR GROUP (CONTINUED)**



Key	Part Number	U/M	Description
1	062896-01-000	EA	Window Asm - Stationary - Drivers Slant - 14' x 25 32' - Black Anod (w/o inside frame)
2	053767-03-000	FT	Tape - 1/4" Bead x 20 - Gray - Schnee Moorehead
3	002309-02-000	FT	Spline - Glass - 1/8" - Black
4	057656-02-000	EA	Glass - 3/16" x 24 88" x 13 66"
	063420-01-000	EA	Frame - Inside - Front Slant Window (not included in assembly)
			Not Illustrated

**WINDSHIELD**

Key	Part Number	U/M	Description
	057459-01-000	EA	Glass - Windshield - Flat
	058272-01-000	EA	Frame Asm - Windshield
	038886-01-000	EA	Tape - Butyl - 31" x 31' x 148"

**STORM WINDOWS**

Key	Part Number	U/M	Description
	008166-01-000	EA	Latch Nylon - Storm Windows
	062635-01-000	EA	Storm Window - Plexiglass - 23 94' x 66 15
	062635-04-000	EA	Storm Window - Plexiglass - 22 07' x 22 07
	062635-15-000	EA	Storm Window - Plexiglass - 23 94" x 18 19

**VENTS**

Key	Part Number	U/M	Description
	039778-01-000	EA	Cover - Refrigerator Vent - Plastic
	009407-01-000	EA	Frame Asm - Refrigerator Vent
	049352-01-000	EA	Vent - Stovehood - Outside - Powered Hood - Off White
	053334-01-000	EA	Vent - Stovehood - Outside - Non Powered Hood - Off White
**	048789-01-000	EA	Vent Asm - Roof - Powered w/o Screen - Alum
**	048835-01-000	EA	Vent Asm - Roof - Non Powered - w/o Screen - Alum

\*\*The illustrated parts breakdown for this item is provided on the Common Items Fiche

**ACCESS DOORS**

Key	Part Number	U/M	Description
	059727-01-000	EA	Door Asm - Storage - Insulated - 19 30" x 29 9"
	033333-39-000	EA	Door Asm - LP - Off White w/Key Type Lock
	047233-02-000	EA	Door Asm - Luggage - 13" x 35" - Off White w/Key Type Lock
	033333-38-000	EA	Door Asm - Luggage - Off White w/Twist Type Lock
	054270-07-000	EA	Door Asm - Refrigerator Access - Off White w/Twist Type Lock
	064692-04-000	EA	Door Asm - Gas Fill - w/Key Type Lock
	042441-01-000	EA	Lock Asm - Key Type - Gas Fill
	057098-01-000	EA	Door Asm - Power Cord w/Hatch - Off White
	052950-03-000	EA	Lock Asm - Twist Type - Straight Cut (Power Cord Door)
	047305-01-000	EA	Lock Asm - Key Type w/Clip - Meta
	052950-01-700	EA	Lock Asm - Twist Type w/Clip - White Plastic
	018945-02-000	EA	Holder Asm - Battery and Luggage Doors
	052179-07-000	EA	Door Asm - Generator - Off White w/Twist Type Lock

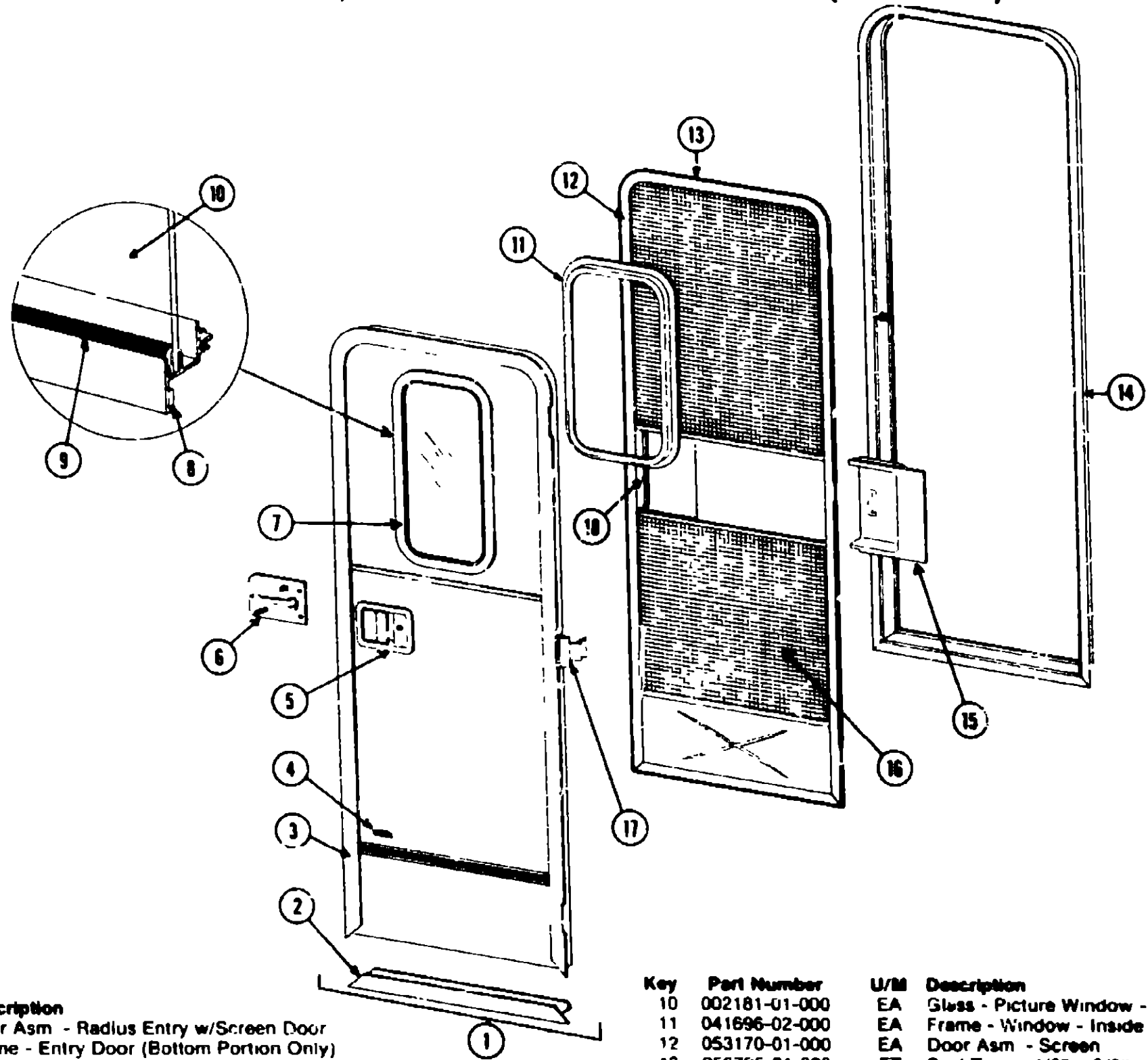
**1990 WINNEBAGO TABLE OF CONTENTS**

WC/WG/WDF22RB L1	A-1 - B-20
WC/WDN26R5 L1	B-21 - D-16
WD318RK L1	D-17 - E-20

**1990 WD/WC/WGF22RB L1 INDEX**

Floor Plan	A-1 - A-2
Accessories Group	A-3 - A-4
Bath Group	A-5
Chassis Group	A-6 - A-8
Curtain, Cushion and Pad Group	A-9 - A-13
Dinette Group	A-14
Driver's Compartment Group	A-15 - A-16
Electrical Group	A-17 - A-19
Exterior Body Group	A-20 - A-23
Galley Group	A-24
Heating & Air Conditioning Group	B-1 - B-3
Interior Finish Group	B-4 - B-5
LP Group	B-6 - B-7
Lounge Group	B-8
Water & Sewage Group	B-9 - B-10
Window, Vent & Exterior Door Group	B-11 - B-20

# WINDOW, VENT AND EXTERIOR DOOR GROUP (CONTINUED)



Key	Part Number	U/M	Description
1	064324-03-000	EA	Door Asm - Radius Entry w/Screen Door
2	039737-01-000	FA	Frame - Entry Door (Bottom Portion Only)
3	039736-01-000	EA	Frame - Entry Door (Except Bottom Portion)
4	054530-01-000	EA	Holder Asm - Entry Door
5	045017-01-000	EA	Paddle Asm - Door Lock - Exterior
	045017-01-700	EA	Lock Cylinder w/Keys - Lynor
	039539-01-000	EA	Striker Bolt - Entry Door
	039540-01-000	EA	Latch Claw - Entry Door
6	039979-01-000	EA	Plate - Lock - Inside - Including Inside Handle
	052186-01-000	EA	Lock Asm - Complete - Lynor
7	041875-02-000	EA	Window Asm - Picture - 13" x 23" - Black Anod (inside frame not included in assembly)
8	004363-01-000	FT	Tape - Foam - 3/16" x 1/2" - Gray
9	002309-02-000	FT	Spline - Glass - 1/8" Black
	009016-01-000	EA	Catch - Elbow - Spring Loaded
	063636-01-000	EA	Strike - Screen Door

Key	Part Number	U/M	Description
10	002181-01-000	EA	Glass - Picture Window - 1/8" x 12" x 22" - Gray
11	041696-02-000	EA	Frame - Window - Inside - 13" x 23" - Brown
12	053170-01-000	EA	Door Asm - Screen
13	056795-01-000	FT	Seal Tape - 1/8" x 3/8" - Press On
14	053171-01-000	EA	Jamb Asm - Entry Door
15	015580-01-000	EA	Slider - Screen Door - Brown Plastic
16	002253-01-000	SF	Screen - Window - 26" - Gray
17	039520-01-000	EA	Hinge - Entry Door (3 used per door)
18	015581-01-000	EA	Cap - Screen Door - Brown Plastic
	049176-01-000	EA	Hedlok II - 3/4" Diameter - Screw Mount (Retains screen door to entry door)
	049797-01-000	EA	Hedlok II - 1" Diameter - Screw Mount (Retains screen door to entry door)
	058025-02-000	EA	Clip - Roller Catch
	039883-01-000	EA	Catch Asm - Single Roller w/Strike - Screen Door
	051390-01-000	FT	Seal - Bulb - Rubber
	039800-03-000	FT	Tubing - Polybutyl - 3/8" O D Jamb
	044582-02-000	EA	Drip Cap - Jamb Mounted - Off White
			Not Illustrated

B-19

## 1980 WINNEBAGO TABLE OF CONTENTS

WC/WG/WDF22RB L1  
WC/WDN26RB L1  
WD318AK L1

A-1 - B-20  
B-21 - D-13  
D-17 - E-20

## 1980 WD/WC/WGF22RB L1 INDEX

Floor Plan	A-1 - A-2
Accessories Group	A-3 - A-4
Bath Group	A-5
Chassis Group	A-6 - A-8
Curtain, Cushion and Pad Group	A-9 - A-13
Dinette Group	A-14
Driver's Compartment Group	A-15 - A-16
Electrical Group	A-17 - A-19
Exterior Body Group	A-20 - A-23
Galley Group	A-24
Heating & Air Conditioning Group	B-1 - B-3
Interior Finish Group	B-4 - B-5
LP Group	B-6 - B-7
Lounge Group	B-8
Water & Sewage Group	B-9 - B-10
Window, Vent & Exterior Door Group	B-11 - B-20

B-20