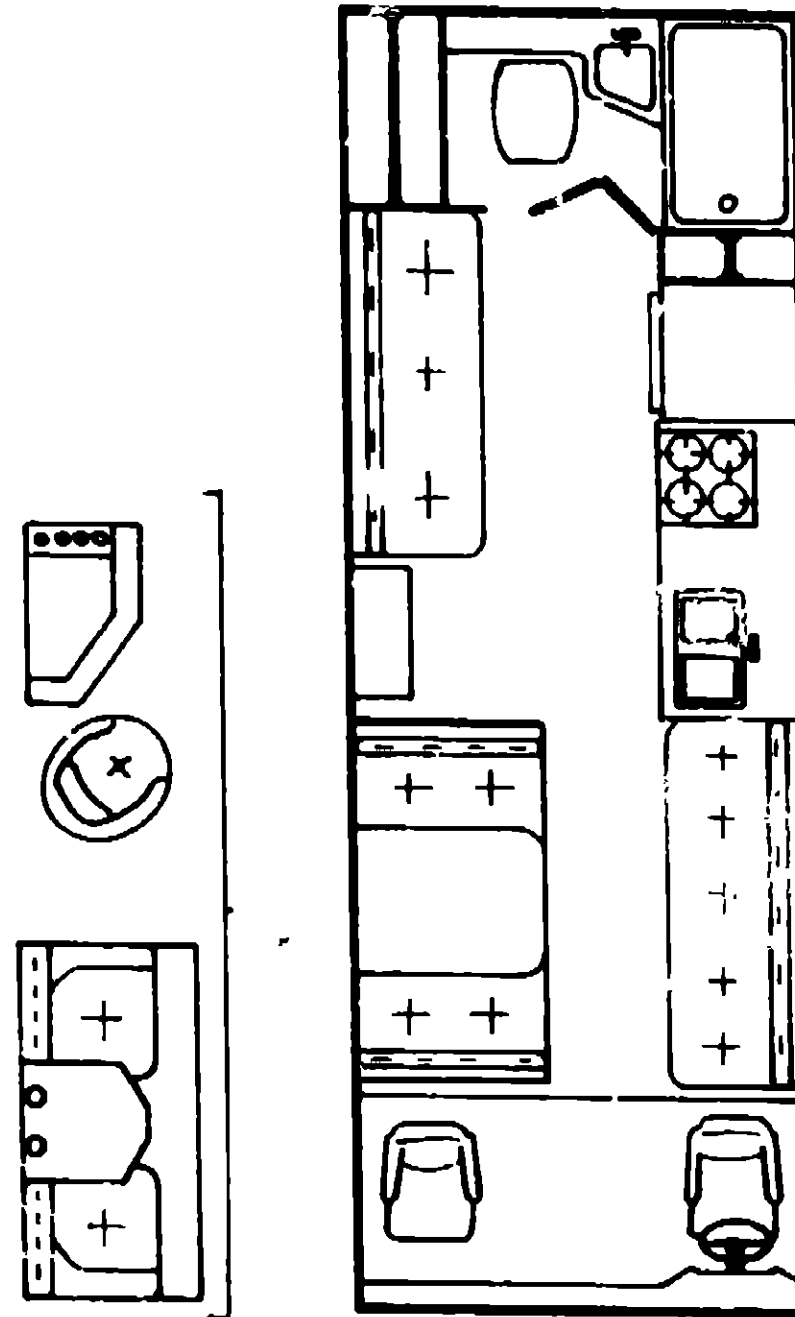


# 1980 WC/WDN26RB L1



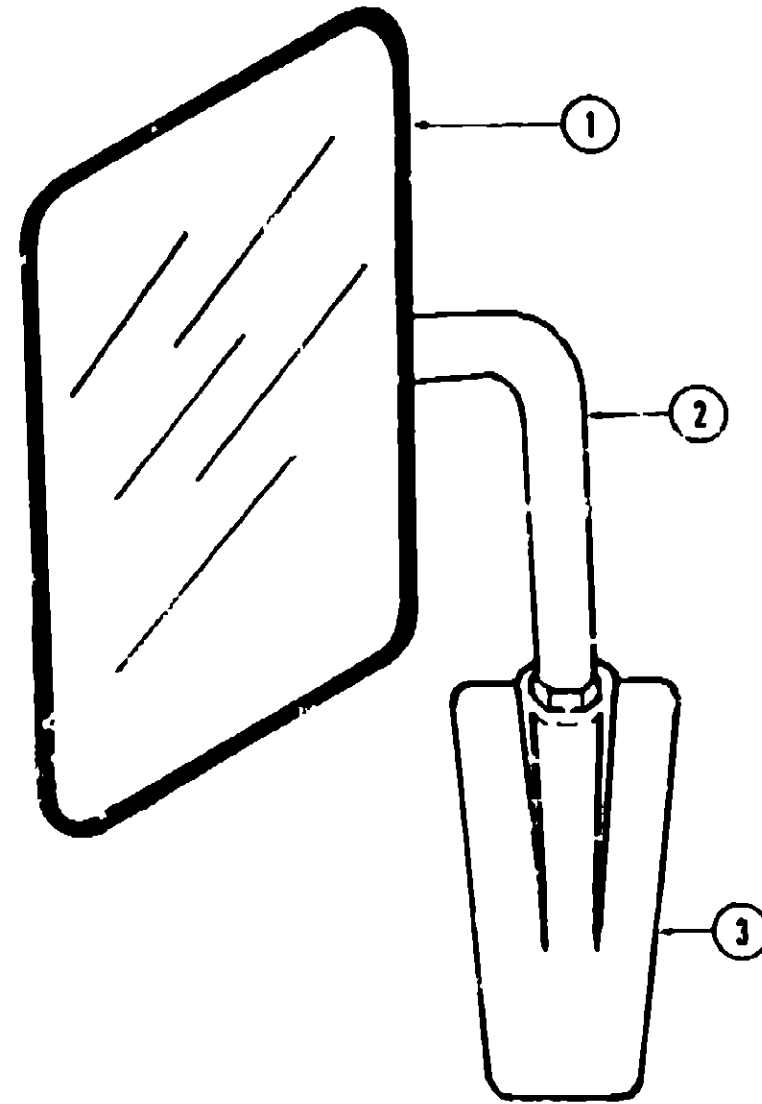
## 1980 WINNEBAGO TABLE OF CONTENTS

WC/WG/WDF22RB L1	A-1 - B-20
WC/WDN26RB L1	B-21 - D-16
WD319RK L1	D-17 - E-20

## 1980 WC/WDN26RB L1 INDEX

Floor Plan	E-21 - B-22
Accessories Group	B-23 - C-1
Bath Group	C-2 - C-3
Chassis Group	C-4 - C-6
Curtain, Cushion & Pad Group	C-7 - C-11
Dinette Group	C-12
Driver's Compartment Group	C-13 - C-14
Electrical Group	C-15 - C-17
Exterior Body Group	C-18 - C-21
Galley Group	C-22
Heating & Air Conditioning Group	C-23 - C-24
Interior Finish Group	D-1 - D-2
L <sup>o</sup> Group	D-3
Lounge Group	D-4
Water & Sewage Group	D-5 - D-6
Window, Vent & Exterior Door Group	D-7 - D-16

## ACCESSORIES GROUP



Key	Part Number	U/M	Description
1	057461-01-000	EA	Mirror Head - 7 1/2" x 10 1/2" - w/Convex
2	049348-01-000	EA	Arm - Low Mount Mirror - Bright Finish
3	049944-01-000	EA	Bracket - Mirror - Outside - Blue
.	065116-01-000	EA	Mirror - West Coast - Double Mirror - Right
.	065118-02-000	EA	Mirror - West Coast - Double Mirror - Left
.	Not Illustrated		

## ACCESSORIES GROUP (CONTINUED)

### RADIOS AND RELATED COMPONENTS

Key	Part Number	U/M	Description
	031105-01-700	EA	Clip - Retaining - Side Mount Antenna
	031105-01-000	EA	Antenna - Radio - Side Mount
	049730-01-000	EA	Radio - AM - w/Fader - Clarion
	049731-01-000	EA	Radio - AM/FM/MPX - w/Fader - Clarion
	049732-01-000	EA	Radio - AM/FM/MPX - 8 Track - w/Fader - Clarion
	048153-01-000	EA	Antenna - CB Camper Style
	063647-01-000	EA	CB Radio - Clarion - Control Box
	063647-02-000	EA	CB Radio - Clarion - JC-2-Module
	053768-01-000	EA	Speaker - Recessed - 5 1/4" - 10 ounce
	055295-01-000	EA	Grille - Speaker - 5 1/4"
	050465-01-000	EA	Bezel - Entertainment Center - No 1 - w/Cut Out for Vehicle Sensor Panel
	050466-01-000	EA	Bezel - Entertainment Center - No 2 - w/Cut Out for Vehicle Sensor Panel
	050467-01-000	EA	Bezel - Entertainment Center - No 3 - w/Cut Out for Vehicle Sensor Panel, Radio, Clock, Hourmeter, Generator Start Stop Switch
	050751-01-000	EA	Plaque - Fader Switch/Mic Mounting
	064785-01-000	EA	Radio - AM - Audiovox
	064786-01-000	EA	Radio - AM/FM/MPX - w/8 Track - Audiovox
	064787-01-000	EA	Radio - AM/FM/MPX - w/Cassette - Audiovox
	064788-01-000	EA	Radio - AM/FM - Digital - w/Cassette - Audiovox
	064789-01-000	EA	Radio - AM/FM - Digital - w/8 Track - Audiovox
	064791-01-000	EA	Speaker - Recessed - 5 25" Dia - Audiovox
	064792-01-000	EA	Grille - Speaker - Brown - Audiovox
	064794-01-000	EA	Trimplate - Radio - Audiovox

### FRONT OVERHEAD BUNK AND CABINET

Key	Part Number	U/M	Description
	058300-01-L10	EA	Cabinet Asm - Front Overhead
	053773-01-000	EA	Support Arm - Overhead Bunk - Brown - Right
	053773-02-000	EA	Support Arm - Overhead Bunk - Brown - Left
	053774-01-000	EA	Torsion Rod - Overhead Bunk - Bunk
	040071-02-000	EA	Support - Overhead Bunk - Seat Belt
	039516-02-000	EA	Catch - Seat belt - Overhead Bunk
	058814-01-L10	EA	Bunk Body Asm - Front Overhead - w/Rails
	059333-01-K04	EA	Rail - Overhead Bunk - Padded - Acorn Vinyl
	023812-22-000	EA	Rail - Overhead Bunk - Extr - Brown

### GENERATORS AND COMPONENTS

Key	Part Number	U/M	Description
**	054429-01-000	EA	Generator - Onan - 4.0 kw
**	054431-01-000	EA	Generator - Onan - 5.0 kw
**	054433-01-000	EA	Generator - Onan - 6.5 kw
	701629-02-000	EA	Onan Installation Package
	050467-01-000	EA	Bezel - Entertainment Center No 3
	024732-01-000	EA	Tailpipe - 1 1/2" O.D. x 23'
	740313-56-000	EA	Tray - Generator - 4.0 - 5.0 kw Onan
	740313-57-000	EA	Tray - Generator - 6.5 kw Onan

\*\*The illustrated parts breakdown for this item is provided on the Common Items Fiche

## 1980 WINNEBAGO TABLE OF CONTENTS

WC/WG/ADF22RB L1	A-1 - B-20
WC/WDN26RB L1	B-21 - D-16
WD319RK L1	D-17 - E-20

## 1980 WC/WDN26RB L1 INDEX

Floor Plan	B-21 - B-22
Accessories Group	B-23 - C-1
Bath Group	C-2 - C-3
Chassis Group	C-4 - C-6
Curtain, Cushion & Pad Group	C-7 - C-11
Dinette Group	C-12
Driver's Compartment Group	C-13 - C-14
Electrical Group	C-15 - C-17
Exterior Body Group	C-18 - C-21
Galley Group	C-22
Heating & Air Conditioning Group	C-23 - C-24
Interior Finish Group	D-1 - D-2
LP Group	D-3
Lounge Group	D-4
Water & Sewage Group	D-5 - D-6
Window, Vent & Exterior Door Group	D-7 - D-16

## ACCESSORIES GROUP (CONTINUED)

### MISCELLANEOUS ACCESSORIES

Key	Part Number	U/M	Description
	054185-06-000	EA	Owner's Manual - Winnebago
	017516-01-000	EA	Mudflap - Black - 14" x 18" w/Holes
	006069-01-000	EA	Case - Leather Key - Motor Home
	007036-01-000	EA	Mat - Door - Black Rubber - 10 1/2" x 26"
	006053-01-000	EA	Antenna - TV - Brauned Delux
	006053-01-700	EA	Parts Kit - Repair - Brauned TV Antenna
	006053-01-000	EA	Jack - TV - Brown (Antenna)
	006113-01-000	EA	Jack - Hydraulic 5 Ton
	041944-01-700	EA	Fire Extinguisher w/Bracket
	041944-03-000	EA	Fire Extinguisher - w/Bracket - 5 BC (Calif)
**	031396-01-000	EA	Wheel Cover - 17 5" - Chrome
	064082-01-000	EA	Wheel Cover - Delmet (Bolt on)
	064082-02-000	EA	Retaining Nut - Delmet Wheel Cover
	064082-03-700	EA	Retainer Bracket - Bolt on Wheel Cover - M500 Dodge - Front
	064082-03-701	EA	Retainer Bracket - Bolt on Wheel Cover - M500 Dodge - Rear
	058799-01-000	EA	Steering Wheel - Custom - Brown
	058794-01-000	EA	Steering Stabilizer
	058793-02-000	EA	Hub Kit - Custom Steering Wheel - M5 M6 Dodge
	052771-02-000	EA	Microwave Oven - Magic Chef - MW207 - C S A
	067203-01-000	EA	Ladder Only For Rack and Ladder Asm
	067203-01-700	EA	Ladder Asm - w/Luggage Rack - Round Tube
	041646-01-000	EA	Luggage Carrier - Rack Mount - Complete
	035881-01-000	EA	Catch and Strike - Luggage Carrier
	031161-01-000	EA	Label - Flying W - Luggage Carrier
	052241-04-000	EA	Spare Tire Cover - Beige Plastic
**	059778-01-000	EA	Speed Control - Electric - Dodge
**	059779-01-000	EA	Speed Control - Electric - Chevrolet
	064375-01-000	EA	TV - Color - Panasonic - Model CT22
	055285-01-000	EA	Vacuum Cleaner - Built In - Tevis Campbell
	055285-01-700	EA	Accessory Kit - Tevis Campbell Vacuum
	055285-01-701	EA	Filler Package - Vacuum Cleaner - Package of 12

\*\*The illustrated parts breakdown for this item is provided on the Common Items Fiche

## BATH GROUP

### BATH CABINETS

Key	Part Number	U/M	Description
	058536-01-L10	EA	Cabinet Asm - Lavatory - w/o Countertop
	058880-01-L10	EA	Countertop Asm - Lavatory - Rust
	058880-01-L11	EA	Countertop Asm - Lavatory Blue
	058880-01-L12	EA	Countertop Asm - Lavatory Brown
	043258-01-000	EA	Door Asm - Rolled - 4" x 8"
	059122-03-L10	EA	Door Asm - Rolled - 19" x 17 6"
	059122-04-L10	EA	Door Asm - Rolled - 19" x 13 2"
	059148-01-L10	EA	Door Asm - Lavatory Countertop - 14" x 9 3" - Rust
	059148-01-L11	EA	Door Asm - Lavatory Countertop - 14" x 9 3" - Blue
	059146-01-L12	EA	Door Asm - Lavatory Countertop - 14" x 9 3" - Brown
	059550-09-700	EA	Door Asm - w/Mirror - 15 1" x 59" - w/c Hardware
	059458-01-L10	EA	Panel - Folding Door (2 per door)
	052563-01-000	EA	Rack Asm - Towel
	053130-02-000	EA	Cabinet Asm - Medicine - 43 5" Wide Jensen
	038010-01-000	EA	Bulb - Medicine Cabinet - 1143 Frosted
	053130-02-700	EA	Mirror - Jensen Medicine Cabinet - 35 1/2" x 15"
	053130-02-701	EA	Frame Mirror - Jensen Medicine Cabinet
	053130-02-702	EA	Catch - Door - Jensen Medicine Cabinet
	053130-02-703	EA	Switch - Jensen Medicine Cabinet

### BATH HARDWARE

Key	Part Number	U/M	Description
**	011056-01-000	EA	Faucet - Lavatory - U S
**	011056-02-000	EA	Faucet - Lavatory - C S A
**	031558-01-000	EA	Faucet - Tub and Shower - C S A
**	031558-03-000	EA	Faucet - Tub and Shower - U S
	058640-01-000	EA	Sink - Oval - Ivory Plastic
	011083-01-000	EA	Plug - Sink - 1 1/4" w/Chain
	011048-02-000	EA	Shower Head - w/60" Hose - w/g Vacuum Breaker
	010495-01-000	EA	Hose Clamp - 9/16"
	066729-01-000	EA	Strainer - Shower Pan
	011060-01-000	EA	Tail Piece - Plastic - 1 1/4" x 4"
**	011069-01-000	EA	Tailpiece - 1 1/4" x 4" - Brass
	009134-01-000	EA	Holder - Tissue
	054529-01-000	EA	Slide Bolt - Antique Brass
	058344-01-000	EA	Hardware Package - Folding Bath Door
	058344-02-000	EA	Track - Folding Bath Door
	057534-01-000	EA	Tie Back - 6" - Clear Plastic
	033580-01-000	EA	Towel Ring - Chrome - w/Plastic Ring
	053262-05-000	EA	Trim - Shower Door - Bottom
	053262-01-000	EA	Trim - Shower Door - Right
	047907-01-000	EA	Hinge - Brass - 14" w/Holes - Vanity Door
	053262-04-000	EA	Trim - Shower Door - Left
	009112-01-000	EA	Flange - 1" Closet Rod
	063740-01-000	EA	Toilet - Thetford Aqua Magic IV - Ivory

\*\*The illustrated parts breakdown for this item is provided on the Common Items Fiche

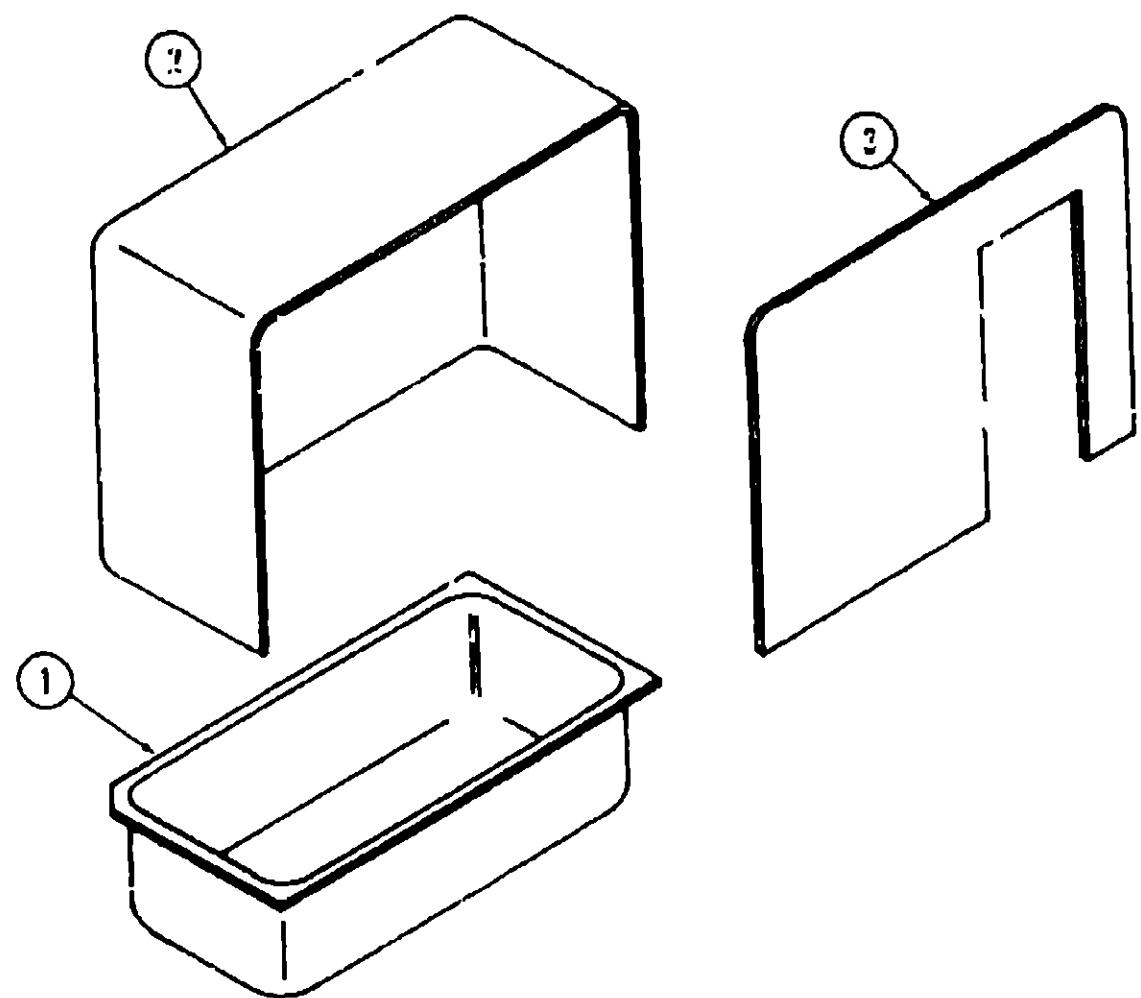
## 1980 WINNEBAGO TABLE OF CONTENTS

WC/WG/WDF22RB L1	A-1 - B-20
WC/WDN26RB L1	B-21 - D-16
WD319RK L1	D-17 - E-20

## 1980 WC/WDN26RB L1 INDEX

Floor Plan	B-21 - B-22
Accessories Group	B-23 - C-1
Bath Group	C-2 - C-3
Chassis Group	C-4 - C-6
Curtain, Cushion & Pad Group	C-7 - C-11
Dinette Group	C-12
Driver's Compartment Group	C-13 - C-14
Electrical Group	C-15 - C-17
Exterior Body Group	C-18 - C-21
Galley Group	C-22
Heating & Air Conditioning Group	C-23 - C-24
Interior Finish Group	D-1 - D-2
LP Group	D-3
Lounge Group	D-4
Water & Sewage Group	D-5 - D-6
Window, Vent & Exterior Door Group	D-7 - D-16

**BATH GROUP (CONTINUED)**



Key	Part Number	U/M	Description
1	041826-01-000	EA	Bathtub Bottom - Ivory Plastic
2	041853-01-000	EA	Bathtub Rear - Ivory Plastic
3	041852-01-000	EA	Bathtub Front - Ivory Plastic

**CHASSIS GROUP**

**DODGE CHASSIS**

Key	Part Number	U/M	Description
	048474-01-000	EA	Bumper - Rear Chrome
	059670-03-000	EA	Bracket - Tire Carrier
	040974-01-000	EA	Bracket - Spare Tire - 2" x 6 75"
	022150-01-000	EA	Bracket Asm - Rear Bumper
	058200-01-000	EA	Bumper - Front Chrome
	058439-01-000	EA	Bracket - Front Bumper
	051697-01-000	EA	Bracket - Battery Tie Down - 6 88"
	051697-04-000	EA	Bracket - Battery Tie Down - 9
	051697-05-000	EA	Bracket - Battery Tie Down - 10 25"
	058401-01-000	EA	Hoodboard - Steel - Upper Right
	058404-01-000	EA	Hoodboard - Steel - Upper Left
	059583-03-000	EA	Housing - Headlamp - Left
	059583-04-000	EA	Housing - Headlamp - Right
	049358-01-000	EA	Bezel - Headlamp - Chrome - Left
	049358-02-000	EA	Bezel - Headlamp - Chrome - Right
	055080-01-000	EA	Wheel Well - Plastic - Left or Right
	052412-01-000	EA	Cover - Radiator Rear
	035103-01-000	EA	Cover Radiator - Rear Back
	024652-01-700	EA	Step Asm - Pull Out - Entry Door
	053249-01-000	EA	Tray Asm - Battery - Steel
	007131-01-000	EA	Hanger - Tailpipe
	007125-07-000	EA	Clamp Asm - Muffler - 2 50" Dia
	056728-03-000	EA	Tailpipe Extension - 2 1/2" x 65
	053921-01-000	EA	Fill - Gas - Single - Beige
	031374-01-000	EA	Sending Unit - Engine Oil Pressure
	031375-01-000	EA	Sending Unit - Engine Water Temperature
	038883-01-000	EA	Sending Unit - Fuel 78 Ohm - Auxiliary Fuel Tank
	045814-01-000	EA	Fill - Gas - w/Vent 4 5"
	024611-04-000	EA	Cap - Gas Pressure 1 50" Chrome
	050227-01-000	EA	Canister - Vapor - 2 Stage - 3 Port
	041309-02-000	EA	Shroud - Fuel Fill - DBI Black
	740313-56-000	EA	Tray - Generator - Onan 4 0 kw - 5 0 kw
	740313-57-000	EA	Tray - Generator - Onan - 6 5 kw
	059794-01-000	EA	Steering Stabilizer
	052431-01-000	EA	Tray - Luggage
	005200-01-000	EA	Bolt - Carriage - 7/16" - 14 x 1 1/4" Stainless Steel
	063976-02-000	EA	Step - Assist - Black - Lower (Driver Door Option)
	063977-02-000	EA	Step - Assist - Black - Upper (Driver Door Option)

**1990 WINNEBAGO  
TABLE OF CONTENTS**

WC/WG/WDF22RB L1	A-1 - B-20
WC/WDN26RB L1	B-21 - D-18
WD319RK L1	D-17 - E-20

**1990 WC/WDN26RB L1 INDEX**

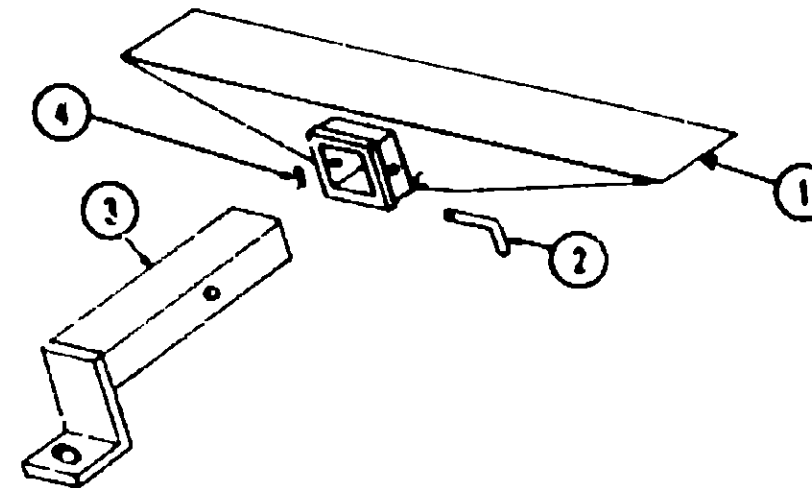
Floor Plan	B-21 - B-22
Accessories Group	B-23 - C-1
Bath Group	C-2 - C-3
Chassis Group	C-4 - C-6
Curtain, Cushion and Pad Group	C-7 - C-11
Dinette Group	C-12
Driver's Compartment Group	C-13 - C-14
Electrical Group	C-15 - C-17
Exterior Body Group	C-18 - C-21
Galley Group	C-22
Heating & Air Conditioning Group	C-23 - C-24
Interior Finish Group	D-1 - D-2
Lift Group	D-3
Lounge Group	D-4
Water & Sewage Group	D-5 - D-6
Window, Vent & Exterior Door Group	D-7 - D-16

## CHASSIS GROUP (CONTINUED)

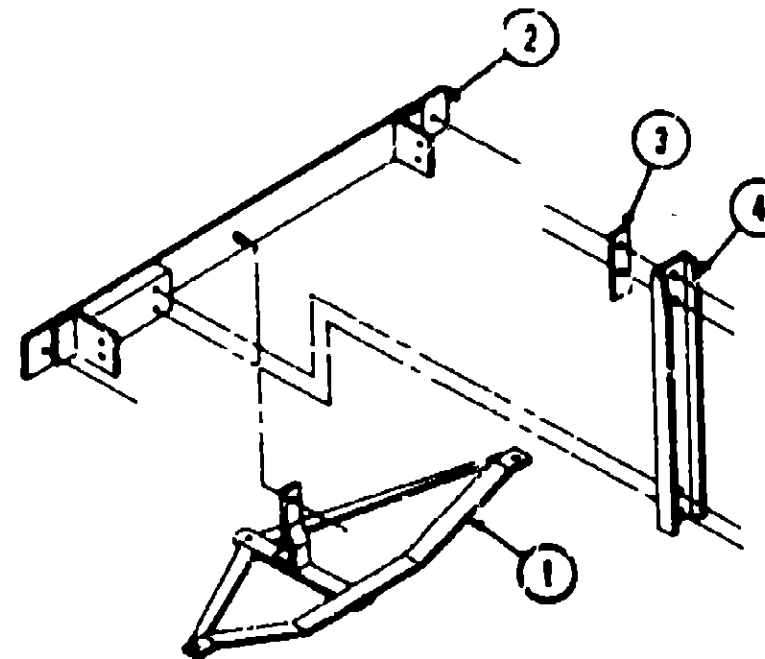
### CHEVY CHASSIS

Key	Part Number	U/M	Description
	067058-01-000	EA	Tank - Fuel - Main - 69.7 Gallon
	057036-02-000	EA	Sending Uni - 90 OHM
	064098-01-000	EA	Fuel Fill - 18 Ga Steel
	065743-01-000	EA	Gas Cap
	024138-01-000	FT	Hose - Fuel - 5/16 I.D. SAE 30RI
	024141-01-000	FT	Hose Rubber - 1/2" I.D.
	007134-01-000	EA	Clamp - Hose - Spring Type - 9/16
	063386-02-000	EA	Hanger - Fuel Tank Mounting
	063386-01-000	EA	Strap - Fuel Tank Mounting
	064091-01-000	EA	Hose - Fuel - 2" I.D. - 90° Bend
	062401-05-000	EA	Clamp - Worm Gear - 2" - 3"
	062401-04-000	EA	Clamp - Hose - Worm Gear - .69" - 1.25"
	062401-03-000	EA	Clamp - Worm Drive - 22" - 1 I.D.
	048474-01-000	EA	Bumper - Rear - Chrome
	058401-01-000	EA	Hood Board - Upper - Right - Steel
	058404-01-000	EA	Hood Board - Upper - Left - Steel
	056818-01-000	EA	Cover - Radiator - Rear
	056817-01-000	EA	Cover - Radiator - Rear Back - Fan Shroud
	058200-01-000	EA	Bumper - Front - Chrome
	005200-01-000	EA	Bolt - Carriage - 7/16" - 14 x 1 1/4 S&T
	058439-01-000	EA	Bracket - Front Bumper - Black
	740313-56-000	EA	Tray - Generator - Onan - 4.0 kw - 5.0 kw
	740313-57-000	EA	Tray - Generator - Onan - 6.5 kw
	012431-01-000	EA	Luggage Tray
	027655-02-000	EA	Tailpipe - 2 1/4" x 8" - 454 Engine
	007125-06-000	EA	Clamp Asm - Muffler - 2 1/4"
	017116-01-000	EA	Mud Flap - Black - 14" x 18" w/Holes
	051697-01-000	EA	Bracket - Battery Tie Down
	063976-02-000	EA	Step - Assist - Black - Lower (Driver Door Option)
	063977-02-000	EA	Step - Assist - Black - Upper (Driver Door Option)
	024652-01-700	EA	Step Asm - Entry
	024190-01-000	EA	Power Cord Box - Plastic
	055080-01-000	EA	Wheel Well - Plastic
	052349-01-000	EA	Battery Tray Asm
	058794-01-000	EA	Steering Stabilizer

## CHASSIS GROUP (CONTINUED)



Key	Part Number	U/M	Description
1	023695-01-000	EA	Hitch As'n - w/o Drawbar
2	034512-01-000	EA	Pin - Locking - Drawbar
3	023690-01-000	EA	Drawbar - Trailer Hitch
4	034513-01-000	EA	Pin - Hitch - 3/16" Wire Spring



Key	Part Number	U/M	Description
1	064833-01-000	EA	Trailer Hitch Asm.
2	064831-02-000	EA	Bracket - Bumper Mount
3	040974-01-000	EA	Bracket - Spare Tire Retainer - 2" x 3.75"
4	064598-01-000	EA	Bracket Asm - Spare Tire Carrier

## 1980 WINNERAGO TABLE OF CONTENTS

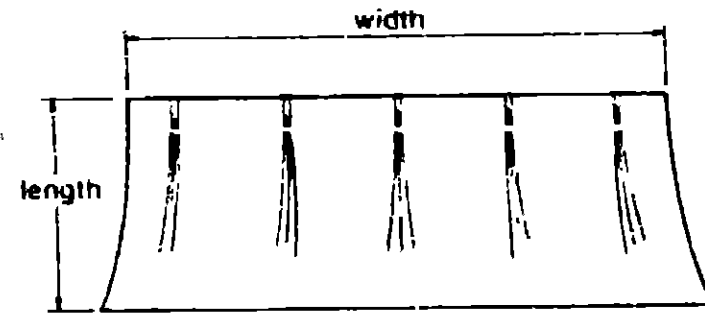
WC/WG/WDF22RB L1  
WC/WDN26RB L1  
WD31PRK L1

A-1 - B-20  
B-21 - D-16  
D-17 - E-20

## 1980 WC/WDN26RB L1 INDEX

Floor Plan	B-21 - B-22
Accessories Group	B-23 - C-1
Bath Group	C-2 - C-3
Chassis Group	C-4 - C-6
Curtain, Cushion and Pad Group	C-7 - C-11
Dinette Group	C-12
Driver's Compartment Group	C-13 - C-14
Electrical Group	C-15 - C-17
Exterior Body Group	C-18 - C-21
Galley Group	C-22
Heating & Air Conditioning Group	C-23 - C-24
Interior Finish Group	D-1 - D-2
LP Group	D-3
Lounge Group	D-4
Water & Sewage Group	D-5 - D-6
Window, Vent & Exterior Door Group	D-7 - D-16

## CURTAIN, CUSHION AND PAD GROUP



### NOTE

Use this illustration when determining length and width measurements for curtains. You will note the width measurement is taken on top of the curtain with the curtain fully extended. The length measurement is taken from top to bottom.

### CURTAINS AND TIE BACKS

Key	Part Number	U/M	Description
	054051-02-L10	EA	Curtain Asm - w/Snap Top - 34" x 37" - Rust
	054051-02-L11	EA	Curtain Asm - w/Snap Top - 34" x 37" - Blue
	054051-02-L12	EA	Curtain Asm - w/Snap Top - 34" x 37" - Brown
	054051-22-L10	EA	Curtain Asm - w/Snap Top - Bunk Privacy - 22' x 96" - Rust
	054051-22-L11	EA	Curtain Asm - w/Snap Top - Bunk Privacy - 22' x 96" - Blue
	054051-22-L12	EA	Curtain Asm - w/Snap Top - Bunk Privacy - 22' x 96" - Brown
	054051-21-L10	EA	Curtain Asm - w/Snap Top - Privacy - 75" x 96" - Rust
	054051-21-L11	EA	Curtain Asm - w/Snap Top - Privacy - 75" x 96" - Blue
	054051-21-L12	EA	Curtain Asm - w/Snap Top - Privacy - 75" x 96" - Brown
	054051-41-L10	EA	Curtain Asm - w/Snap Top - Front Wraparound - 27.5" x 81" - Rust (2 per unit)
	054051-41-L11	EA	Curtain Asm - w/Snap Top - Front Wraparound - 27.5" x 81" - Blue (2 per unit)
	054051-41-L12	EA	Curtain Asm - w/Snap Top - Front Wraparound - 27.5" x 81" - Brown (2 per unit)
	054048-05-L10	EA	Tie Back Asm - 2' x 18" - Rust
	054048-05-L11	EA	Tie Back Asm - 2' x 18" - Blue
	054048-05-L12	EA	Tie Back Asm - 2' x 18" - Brown

### SHADES

Key	Part Number	U/M	Description
	066473-02-L10	EA	Roman Shade - 31' x 69" - Rust
	066473-02-L11	EA	Roman Shade - 31' x 69" - Blue
	066473-02-L12	EA	Roman Shade - 31' x 69" - Brown
	059547-08-000	EA	Shade - Woven Wood - 31" x 69" - Rust
	059547-02-000	EA	Shade - Woven Wood - 31" x 69" - Blue (Gray)
	059547-14-000	EA	Shade - Woven Wood - 31" x 69" - Brown
	059547-10-000	EA	Shade - Woven Wood - 27" x 40" - Rust
	059547-04-000	EA	Shade - Woven Wood - 27" x 40" - Blue (Gray)
	059547-16-000	EA	Shade - Woven Wood - 27" x 40" - Brown
	059547-11-000	EA	Shade - Woven Wood - 23" x 25" - Rust
	059547-05-000	EA	Shade - Woven Wood - 23" x 25" - Blue (Gray)
	059547-17-000	EA	Shade - Woven Wood - 23" x 25" - Brown

## CURTAIN, CUSHION AND PAD GROUP (CONTINUED)

### BLINDS AND VALANCES

Key	Part Number	U/M	Description
	064971-01-000	EA	Blinds - Vanilla - 25" Wide x 24" Long
	064971-04-000	EA	Blinds - Vanilla - 40" wide x 28" Long
	065892-01-L10	EA	Valance Asm - 5" x 34" - Rust
	065892-01-L11	EA	Valance Asm - 5" x 34" - Blue
	065892-01-L12	EA	Valance Asm - 5" x 34" - Brown
	065892-13-L10	EA	Valance Asm - 5" x 41" - Rust
	065892-13-L11	EA	Valance Asm - 5" x 41" - Blue
	065892-13-L12	EA	Valance Asm - 5" x 41" - Brown
	066474-02-L10	EA	Valance Asm - 7.5" x 76" - Rust
	066474-02-L11	EA	Valance Asm - 7.5" x 76" - Blue
	066474-02-L12	EA	Valance Asm - 7.5" x 76" - Brown

### FABRICS AND TRIMS

Key	Part Number	U/M	Description
	064393-08-000	YD	Fabric - Drapery - Rust
	064393-09-000	YD	Fabric - Drapery - Blue
	064393-10-000	YD	Fabric - Drapery - Brown
	064383-17-000	YD	Fabric - Upholstery - Rust
	064383-18-000	YD	Fabric - Upholstery - Blue
	064383-19-000	YD	Fabric - Upholstery - Brown
	053327-01-000	YD	Vinyl - Non Expanded - 27 oz - Acorn Brown
	053327-02-000	YD	Vinyl - Expanded - 28 oz - Acorn Brown
	053327-03-000	YD	Non Support - 16 Gauge Film - Acorn Brown
	052859-01-J10	FT	Trim - Accent - Acorn Brown Vinyl
	054676-01-L10	EA	Button Asm - #30 - Rust
	054676-01-L11	EA	Button Asm - #30 - Blue
	054676-01-L12	EA	Button Asm - #30 - Brown

### PADS

Key	Part Number	U/M	Description
	058442-01-K04	EA	Pad - End Cap - Galley Overhead Cabinet - Acorn Vinyl
	058444-01-K04	EA	Pad - End Cap - Rear Lounge Overhead Cabinet - Left - Acorn Vinyl
	058444-04-K04	EA	Pad - End Cap - Rear Lounge Overhead Cabinet - Right - Acorn Vinyl
	059333-01-K04	EA	Pad - Bunk Rail - Acorn Brown
	059467-03-L10	EA	Pad - Map Pocket - Drivers - Acorn Brown Vinyl
	059414-02-000	EA	Pad - Sidewall Trim - Passenger
	059467-04-L10	EA	Pad - Map Pocket - Passenger - Acorn Brown Vinyl
	059609-02-L10	EA	Pad - Bunk Panel - Left - Acorn Brown Vinyl (Driver Door)
	058444-03-L10	EA	Pad - Dinette Overhead Cabinet - Left - Acorn Brown
	058444-04-L10	EA	Pad - Dinette Overhead Cabinet - Right - Acorn Brown
	058860-01-L10	EA	Pad - Armrest - Rear Lounge - 31.4" x 6.2" x 3" - Rust
	058860-01-L11	EA	Pad - Armrest - Rear Lounge - 31.4" x 6.2" x 3" - Blue
	058860-01-L12	EA	Pad - Armrest - Rear Lounge - 31.4" x 6.2" x 3" - Brown

### FRONT BUNK CUSHIONS

Key	Part Number	U/M	Description
	055021-33-L10	EA	Cushion Asm - Front Bunk - 47" x 79.25" x 4" - Rust
	055021-33-L11	EA	Cushion Asm - Front Bunk - 47" x 79.25" x 4" - Blue
	055021-33-L12	EA	Cushion Asm - Front Bunk - 47" x 79.25" x 4" - Brown
	055022-35-L10	EA	Cover - Front Bunk Cushion - 47" x 79.25" x 4" - Rust
	055022-35-L11	EA	Cover - Front Bunk Cushion - 47" x 79.25" x 4" - Blue
	055022-35-L12	EA	Cover - Front Bunk Cushion - 47" x 79.25" x 4" - Brown

## 1990 WINNEBAGO TABLE OF CONTENTS

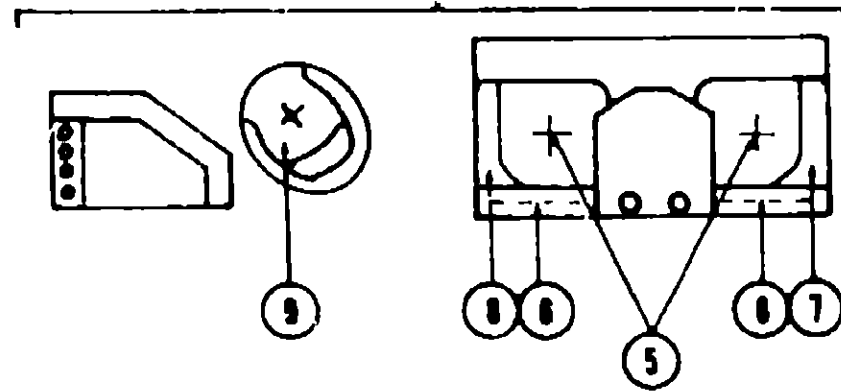
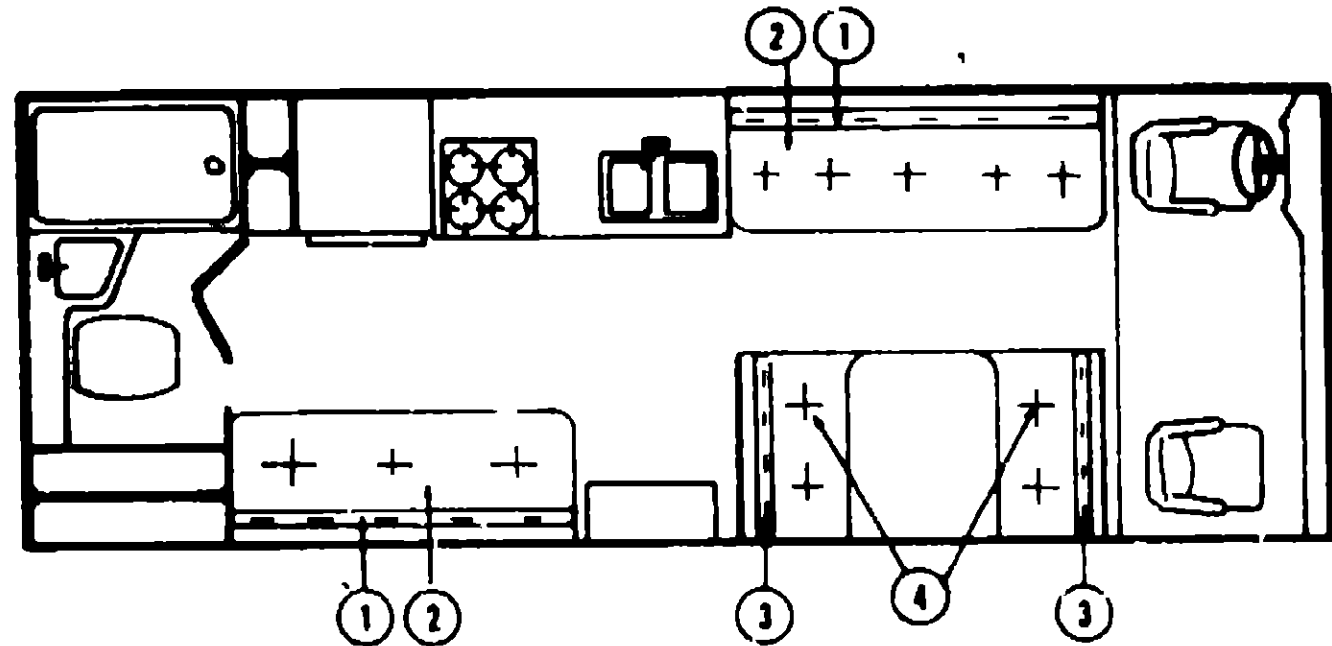
WC/WG/WDF22RB L1  
WC/WDN26RB L1  
WD319PK L1

A-1 - B-20  
B-21 - D-16  
D-17 - E-20

## 1990 WC/WDN26RB L1 INDEX

Floor Plan	B-21 - B-22
Accessories Group	B-23 - C-1
Bath Group	C-2 - C-3
Chairs Group	C-4 - C-6
Curtain, Cushion & Pad Group	C-7 - C-11
Dinette Group	C-12
Driver's Compartment Group	C-13 - C-14
Electrical Group	C-15 - C-17
Exterior Body Group	C-18 - C-21
Galley Group	C-22
Heating & Air Conditioning Group	C-23 - C-24
Interior Finish Group	D-1 - D-2
LP Group	D-3
Lounge Group	D-4
Water & Sewage Group	D-5 - D-6
Window, Vent & Exterior Door Group	D-7 - D-16

**CURTAIN, CUSHION AND PAD GROUP (CONTINUED)**



**PRESTO BED CUSHIONS**

Key	Part Number	U/P.	Description
1	059063-03-L10	EA	Cushion Asm - Presto Bed - Back - 76" - Rust
1	059063-03-L11	EA	Cushion Asm - Presto Bed - Back - 76" - Blue
1	059063-03-L12	EA	Cushion Asm - Presto Bed - Back - 76" - Brown
	063753-05-L10	EA	Cover - Presto Bed Cushion - Back - 76" - Rust
	062753-05-L11	EA	Cover - Presto Bed Cushion - Back - 75" - Blue
	062753-05-L12	EA	Cover - Presto Bed Cushion - Back - 76" - Brown
2	059064-03-L10	EA	Cushion Asm - Presto Bed - Bottom - 76" - Rust
2	059064-03-L11	EA	Cushion Asm - Presto Bed - Bottom - 76" - Blue
2	059064-03-L12	EA	Cushion Asm - Presto Bed - Bottom - 76" - Brown
	062753-06-L10	EA	Cover - Presto Bed Cushion - Bottom - 76" - Rust
	062753-06-L11	EA	Cover - Presto Bed Cushion - Bottom - 76" - Blue
	062753-06-L12	EA	Cover - Presto Bed Cushion - Bottom - 76" - Brown

**CURTAIN, CUSHION AND PAD GROUP (CONTINUED)**

**DINETTE CUSHIONS**

Key	Part Number	U/M	Description
3	064708-02-L10	EA	Cushion Asm - Dinette Back - 19 2" x 38" x 5" - Rust
3	064708-02-L11	EA	Cushion Asm - Dinette Back - 19 2" x 32" x 5" - Blue
3	064708-02-L12	EA	Cushion Asm - Dinette Back - 19 2" x 38" x 5" - Brown
	064709-02-L10	EA	Cover - Dinette Back Cushion - 19 2" x 38" x 5" - Rust
	064709-02-L11	EA	Cover - Dinette Back Cushion - 19 2" x 38" x 5" - Blue
	064709-02-L12	EA	Cover - Dinette Back Cushion - 19 2" x 38" x 5" - Brown
4	064708-01-L10	EA	Cushion Asm - Dinette Seat - 17 5" x 38" x 5" - Rust
4	064708-01-L11	EA	Cushion Asm - Dinette Seat - 17 5" x 38" x 5" - Blue
4	064708-01-L12	EA	Cushion Asm - Dinette Seat - 17 5" x 38" x 5" - Brown
	064709-01-L10	EA	Cover - Dinette Seat Cushion - 17 5" x 38" x 5" - Rust
	064709-01-L11	EA	Cover - Dinette Seat Cushion - 17 5" x 38" x 5" - Blue
	064709-01-L12	EA	Cover - Dinette Seat Cushion - 17 5" x 38" x 5" - Brown

**CORNER LOUNGE CHAIR CUSHIONS**

Key	Part Number	U/M	Description
5	059743-04-L10	EA	Cushion Asm - Corner Lounge Chair - Seat - Rust
5	059743-04-L11	EA	Cushion Asm - Corner Lounge Chair - Seat - Blue
5	059743-04-L12	EA	Cushion Asm - Corner Lounge Chair - Seat - Brown
	059746-04-L10	EA	Cover - Corner Lounge Chair - Seat - Rust
	059746-04-L11	EA	Cover - Corner Lounge Chair - Seat - Blue
	059746-04-L12	EA	Cover - Corner Lounge Chair - Seat - Brown
6	059742-04-L10	EA	Cushion Asm - Corner Lounge Chair - Back - Rust
6	059742-04-L11	EA	Cushion Asm - Corner Lounge Chair - Back - Blue
6	059742-04-L12	EA	Cushion Asm - Corner Lounge Chair - Back - Brown
	059745-04-L10	EA	Cover - Corner Lounge Chair - Back - Rust
	059745-04-L11	EA	Cover - Corner Lounge Chair - Back - Blue
	059745-04-L12	EA	Cover - Corner Lounge Chair - Back - Brown
7	059744-08-L10	EA	Cushion Asm - Corner Chair Wedge - Left - Rust
7	059744-08-L11	EA	Cushion Asm - Corner Chair Wedge - Left - Blue
7	059744-08-L12	EA	Cushion Asm - Corner Chair Wedge - Left - Brown
	059747-08-L10	EA	Cover - Wedge Cushion - Left - Rust
	059747-08-L11	EA	Cover - Wedge Cushion - Left - Blue
	059747-08-L12	EA	Cover - Wedge Cushion - Left - Brown
8	059744-07-L10	EA	Cushion Asm - Corner Chair Wedge - Right - Rust
8	059744-07-L11	EA	Cushion Asm - Corner Chair Wedge - Right - Blue
8	059744-07-L12	EA	Cushion Asm - Corner Chair Wedge - Right - Brown
	059747-07-L10	EA	Cover - Wedge Cushion - Right - Rust
	059747-07-L11	EA	Cover - Wedge Cushion - Right - Blue
	059747-07-L12	EA	Cover - Wedge Cushion - Right - Brown

**SWIVEL CHAIRS**

Key	Part Number	U/M	Description
9	054674-11-L10	EA	Swivel Chair Complete - Rust
9	054674-11-L11	EA	Swivel Chair Complete - Blue
9	054674-11-L12	EA	Swivel Chair Complete - Brown
	054700-10-L10	EA	Cushion - Swivel Chair - Rust
	054700-10-L11	EA	Cushion - Swivel Chair - Blue
	054700-10-L12	EA	Cushion - Swivel Chair - Brown
	035036-01-000	EA	Plate - Swivel Chair
	035036-02-000	EA	Base w/Legs - Swivel Chair

**1980 WINNEBAGO  
TABLE OF CONTENTS**

WC/WG/WDF22RB L1	A-1 - B-20
WC/WDN26RB L1	B-21 - D-16
WD318RK L1	D-17 - E-20

**1980 WC/WDN26RB L1 INDEX**

Floor Plan	B-21 - B-22
Accessories Group	B-23 - C-1
Bath Group	C-2 - C-3
Chassis Group	C-4 - C-6
Curtain, Cushion & Pad Group	C-7 - C-11
Dinette Group	C-12
Driver's Compartment Group	C-13 - C-14
Electrical Group	C-15 - C-17
Exterior Body Group	C-18 - C-21
Galley Group	C-22
Heating & Air Conditioning Group	C-23 - C-24
Interior Finish Group	D-1 - D-2
LP Group	D-3
Lounge Group	D-4
Water & Sewage Group	D-5 - D-6
Window, Vent & Exterior Door Group	D-7 - D-16

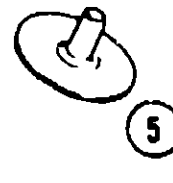
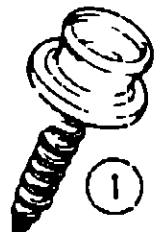
## CURTAIN, CUSHION AND PAD GROUP (CONTINUED)

### BUCKET SEATS

Key	Part Number	U/M	Description
	065938-01-L10	EA	Seat Asm - Single Bucket - Highback w/Armrests and Skirt - Rust
	065938-01-L11	EA	Seat Asm - Single Bucket - Highback w/Armrests and Skirt - Blue
	065938-01-L12	EA	Seat Asm - Single Bucket - Highback w/Armrests and Skirt - Brown
	065943-02-L10	EA	Cover - Back - Single Bucket - Rust
	065943-02-L11	EA	Cover - Back - Single Bucket - Blue
	065943-02-L12	EA	Cover - Back - Single Bucket - Brown
	065944-02-L10	EA	Cover - Bottom - Single Bucket - Rust
	065944-02-L11	EA	Cover - Bottom - Single Bucket - Blue
	065944-02-L12	EA	Cover - Bottom - Single Bucket - Brown
	066915-02-L10	EA	Skirt - Single Bucket - Rust
	066915-02-L11	EA	Skirt - Single Bucket - Blue
	066915-02-L12	EA	Skirt - Single Bucket - Brown
	061834-01-L10	EA	Seat Asm - Double Bucket - Highback w/Armrests and Skirt - Rust
	061834-01-L11	EA	Seat Asm - Double Bucket - Highback w/Armrests and Skirt - Blue
	061834-01-L12	EA	Seat Asm - Double Bucket - Highback w/Armrests and Skirt - Brown
	061840-03-L10	EA	Cover - Back - Double Bucket - Rust
	061840-03-L11	EA	Cover - Back - Double Bucket - Blue
	061840-03-L12	EA	Cover - Back - Double Bucket - Brown
	061841-03-L10	EA	Cover - Bottom - Double Bucket - Rust
	061841-03-L11	EA	Cover - Bottom - Double Bucket - Blue
	061841-03-L12	EA	Cover - Bottom - Double Bucket - Brown
	054650-04-L10	EA	Skirt - Double Bucket - Rust
	054650-04-L11	EA	Skirt - Double Bucket - Blue
	054650-04-L12	EA	Skirt - Double Bucket - Brown
	050275-01-700	EA	Armrest Asm - Foam w/o Cover - Right
	050276-01-700	EA	Armrest Asm - Foam w/o Cover - Left
	065774-02-L10	EA	Cover - Armrest - Right or Left - Rust
	065774-02-L11	EA	Cover - Armrest - Right or Left - Blue
	065774-02-L12	EA	Cover - Armrest - Right or Left - Brown

### CURTAIN HARDWARE

Key	Part Number	U/M	Description
	053272-04-200	EA	Track - Curtain - Ceiling - 89" - Off White
	053265-02-001	EA	Track - Curtain - Door - 16" - Anod
	059430-01-000	EA	Track - Curtain - Front Wraparound (2 per unit)
	009107-01-000	EA	Guide - Nylon Snap - Curtain
	018031-42-000	EA	Track - Curtain - L" Rod - Alum Extr - 90°
	009701-01-000	EA	Carrier - L" Rod - Curtain
	009702-01-000	EA	End Stop - L" Rod - Curtain



Key	Part Number	U/M	Description
1	029130-01-000	EA	Socket - Snap Fastener
2	029155-01-000	EA	Cap - Snap - .156" Dia x 17 Barrel
3	029156-01-000	EA	Socket - Snap Fastener
4	029032-01-000	EA	Stud - Nickel Finish
5	029033-01-000	EA	Eyelet - Nickel Finish

C-11

## DINETTE GROUP

### STANDARD DINETTE CONFIGURATION

Key	Part Number	U/M	Description
	053192-01-L10	EA	Table Asm. - Dinette - w/o Hardware - Rust
	053192-01-L11	EA	Table Asm. - Dinette - w/o Hardware - Blue
	053192-01-L12	EA	Table Asm. - Dinette - w/o Hardware - Brown
**	053200-04-000	EA	Bracket - Upper Wall Mount - 23 5" - Black Anod
**	053201-03-000	EA	Bracket - Table Mount - 23" - Clear Anod
**	024275-01-000	EA	Rod - Table Lift - 8" x 23 5"
**	024281-06-000	EA	Bracket - Lower Wall Mount - Black - 22.12"
**	021276-04-000	EA	Leg Asm - Table - Brown - 29 5"
**	064050-01-000	EA	Hinge - Table Leg - Brown
**	024282-01-000	EA	Brace - Table Leg
**	021283-01-000	EA	Clip - 1" O D Tube
**	049493-02-000	EA	Catch - Table Leg - Mounts on Floor - Brown
	057818-01-L10	EA	Panel Asm. - Dinette Couch End
	058759-01-L10	EA	Panel Asm. - Dinette Couch Front - w/o Doors or Hardware
	059550-05-700	EA	Door Asm - Dinette Couch Cabinet - 11 6" x 26 5" - w/o Hardware
	059844-01-L10	EA	Door Asm - Furnace Access - w/Mesh Grille - w/o Hardware
	047205-12-000	EA	Mesh - Grille - 14 5" x 10" - Brass
	039873-01-000	EA	Catch and Strike - Nylon
	058075-01-L10	EA	Cabinet Asm - Dinette Overhead - w/o Doors or Hardware
	058825-03-L10	EA	Cabinet Asm - Front Lounge Overhead - w/o Doors or Hardware
	059551-01-700	EA	Door Asm - Dinette Overhead Cabinets - Right or Left - 28" x 11 3" - w/o Hardware
	058758-01-L10	EA	Cabinet Asm - Rear Dinette Seat - w/o Door or Hardware
	059550-03-700	EA	Door Asm - Rear Dinette Seat Cabinet - 10 4" x 25" - w/o Hardware
	058756-02-L10	EA	Cabinet Asm - Front Dinette Seat - w/o Door or Hardware
	059550-04-700	EA	Door Asm - Front Dinette Seat Cabinet - 12" x 19 8" w/o Hardware
	057466-02-000	EA	Frame - Sprung Couch - Right
	057468-03-000	EA	Frame - Sprung Couch - Left
	057468-04-000	EA	Frame Angle - Sprung Couch (2 per couch)
	057499-01-000	EA	Leg Asm - Sprung Couch (2 per couch)

\*\*The illustrated parts breakdown for this item is provided on the Common Items Fiche

### CORNER LOUNGE CHAIRS W/FOLD DOWN TABLE

Key	Part Number	U/M	Description
	053249-02-L10	EA	Table Asm - Corner Lounge Chairs - Rust
	053249-02-L11	EA	Table Asm - Corner Lounge Chairs - Blue
	053248-02-L12	EA	Table Asm - Corner Lounge Chairs - Brown
	009040-02-000	EA	Leg - Pedestal Table - 27.5" - Chrome
	041194-01-000	EA	Base - Table Leg - Mounts in Floor
	009040-03-000	EA	Base - Table Leg - Mounts on Table
	061558-02-L10	EA	Cabinet Asm - Corner Lounge Chair - Right
	061560-01-000	EA	Cabinet Asm - Corner Lounge Chair - Left

### ENTERTAINMENT CENTER CABINETRY AND COMPONENTS

Key	Part Number	U/M	Description
	066502-01-L10	EA	Cabinet Asm - Entertainment
	066503-01-L10	EA	Countertop - Upper - Entertainment Center - Rust
	066503-01-L11	EA	Countertop - Upper - Entertainment Center - Blue
	066503-01-L12	EA	Countertop - Upper - Entertainment Center - Brown
	066504-01-L10	EA	Countertop - Lower - Entertainment Center - Rust
	066504-01-L11	EA	Countertop - Lower - Entertainment Center - Blue
	066504-01-L12	EA	Countertop - Lower - Entertainment Center - Brown
	059122-11-L10	EA	Door Asm - Rolled - 28" x 28 8"
	063224-14-L10	EA	Door Asm - Rolled - 20 4" x 17"
	059550-44-700	EA	Door Asm - 11 2" x 13" - w/o Hardware
	059550-45-700	EA	Door Asm - 14 5" x 13" - w/o Hardware
	059550-46-700	EA	Door Asm - 10 5" x 16 4" - w/o Hardware

C-11

## 1990 WINNEBAGO TABLE OF CONTENTS

WC/WG/WDF22RB L1  
WC/WDN26RB L1  
WD319AK L1

A-1 - B-20  
B-21 - D-16  
D-17 - E-20

### 1990 WC/WDN26RB L1 INDEX

Floor Plan	B-21 - B-22
Accessories Group	B-23 - C-1
Bath Group	C-2 - C-3
Chassis Group	C-4 - C-6
Curtain, Cushion & Pad Group	C-7 - C-11
Dinette Group	C-12
Driver's Compartment Group	C-13 - C-14
Electrical Group	C-15 - C-17
Exterior Body Group	C-18 - C-21
Galley Group	C-22
Heating & Air Conditioning Group	C-23 - C-24
Interior Finish Group	D-1 - D-2
LP Group	D-3
Lounge Group	D-4
Water & Sewage Group	D-5 - D-6
Window, Vent & Exterior Door Group	D-7 - D-16

C-12



## DRIVER'S COMPARTMENT GROUP

### DASH PANEL AND COMPONENTS

Key	Part Number	U/M	Description
	059613-03-L10	EA	Dash Asm - Chieftain - Complete w/Gauges and Switches
	022548-03-000	EA	Pad - Dash - Foam Right - Dark Brown
	023242-05-000	EA	Pad - Dash - Foam - Left - Dark Brown
	022219-01-000	EA	Door - Glove Compartment
	009118-01-000	EA	Lock - Twist w/Nut
	023892-01-000	EA	Box - Glove Compartment - Black Fiberboard
	024598-01-000	EA	Hinge - Continuous - Alum 11/16" x 19"
	034309-01-000	EA	Chain - Bead - Glove Box Door
	024418-01-000	EA	Lamp Asm - Map/Gauge
	007308-01-000	EA	Clock - Dash
	052367-01-000	EA	Lighter Asm. - Cigarette - 12 Volt
	007041-01-000	EA	Bezel - Cigarette Lighter
	007071-01-000	EA	Louver - Chrome - w/Chrome Wheel
	023020-01-000	EA	Lamp Asm - Tell Tale
	039044-01-000	EA	Louver Asm - A/C Adjustable
	040626-01-000	EA	Bracket Asm - Shift Lever
	042951-01-000	EA	Nameplate - Chieftain - Brown/Silver
	024990-02-000	EA	Outlet - Defroster - w/Swivel - 2 - Dark Brown
	050295-01-000	EA	Bezel - Instrument Panel
	050465-01-000	EA	Bezel - Entertainment Center - No 1 - w/Cut Out for Vehicle Sensor Panel
	050466-01-000	EA	Bezel - Entertainment Center - No 2 - w/Cut Out for Vehicle Sensor Panel
			Radio and Clock
	050467-01-000	EA	Bezel - Entertainment Center - No 3 - w/Cut Out for Vehicle Sensor Panel,
			Radio, Clock, Hourmeter, Generator Start Stop Switch
	063248-01-000	EA	Panel - Knee Kick

### DASH SWITCHES AND GAUGES

Key	Part Number	U/M	Description
	055279-01-000	EA	Control Asm - Heater - A.C - 3 Speed
	024464-02-000	EA	Switch - Battery - Dual Boost
	024463-01-000	EA	Switch - Blinker
	024464-01-000	EA	Switch - Washer
	024465-01-000	EA	Switch - Fuel
	024467-01-000	EA	Switch - Wiper
	024459-01-000	EA	Gauge Asm - Voltmeter
	024460-01-000	EA	Gauge - Vacuum Dash
	024462-01-000	EA	Switch - Battery Condition
	031035-01-000	EA	Gauge - Hourmeter - Generator
	024976-01-000	EA	Switch - Generator w/o Circuit Board
	037387-01-000	EA	Switch - Generator w/Circuit Board
	031376-01-000	EA	Heater Control Asm - 3 Speed

### BUCKET SEAT PEDESTAL AND SEAT BELTS

Key	Part Number	U/M	Description
	050447-01-000	EA	Pedestal Asm - Tilt Seat - Left
	050447-02-000	EA	Pedestal Asm - Tilt Seat - Right - Single Seat
	050447-04-000	EA	Pedestal Asm - Tilt Seat - Right - Double Seat
	007019-01-000	EA	Belt Asm - Seat - 2 x 84" - Black
	041322-01-000	EA	Washer - Flat - 15/32" I.D x 2 3/8" O.D - Seat Belt

## DRIVER'S COMPARTMENT GROUP (CONTINUED)

### FRONT OVERHEAD BUNK AND CABINET

Key	Part Number	U/M	Description
	058300-01-L10	EA	Cabinet Asm - Front Overhead
	053773-01-000	EA	Support Asm - Overhead Bunk - Brown - Right
	053773-02-000	EA	Support Asm - Overhead Bunk - Brown - Left
	053774-02-000	EA	Torsion Rod - Overhead Bunk - Brown
	040071-02-000	EA	Support - Overhead Bunk - Seat Belt
	039516-02-000	EA	Catch - Seat Belt - Overhead Bunk
	056844-01-L10	EA	Bunk Board Asm - Front Overhead - w/Rail
	059333-01-K04	EA	Rail - Overhead Bunk - Padded - Acorn Vinyl
	023812-22-000	EA	Rail - Overhead Bunk - Extr - Brown

### MISCELLANEOUS DRIVER'S COMPARTMENT COMPONENTS

Key	Part Number	U/M	Description
	034800-03-000	EA	Cover - Motor - Plastic
	039857-01-000	EA	Latch - Rubber - Draw Handle - 5 3/4" w/Strike (Motor Cover)
	039856-01-000	EA	Latch - Rubber - Draw Handle - 3" w/Strike (Motor Cover)
	035368-03-000	EA	Seal - Motor Cover - (Aluminum Extr)
	039673-01-000	FT	Seal - Motor Cover - (Rubber Exterior)
	034499-01-000	EA	Support - Dimmer Switch
	056508-02-L10	EA	Sunvisor Asm - Left - Brown Vinyl
	056508-01-L10	EA	Sunvisor Asm - Right - w/Mirror - Brown Vinyl
	009143-01-000	EA	Mirror - Sunvisor - 3 5/8" x 8"
	040695-02-000	EA	Clip - Sunvisor Rod
	007278-01-000	EA	Mirror - Rear View
	050796-01-000	EA	Pocket - Ash Tray - Plastic
	050797-01-000	EA	Ash Tray - Plastic
	061350-01-000	EA	Trim - Interior - "A" Post - Left - Dark Brown Plastic
	061350-02-000	EA	Trim - Interior - "A" Post - Right - Dark Brown Plastic
	059198-01-000	EA	Panel - Side - Driver - Dark Brown Plastic
	059197-01-000	EA	Panel - Side - Passenger - Dark Brown Plastic
	059414-01-000	EA	Trim Pad - Left Sidewall
	059414-02-000	EA	Trim Pad - Right Sidewall
	059467-03-L10	EA	Pad - Map Pocket - Left - Acorn Brown
	059467-04-L10	EA	Pad - Map Pocket - Right - Acorn Brown
	064088-01-000	EA	Pad Assembly - Driver Door Trim - Upper
	061400-01-000	EA	Assist Strap - Driver Door - 12" - Light Brown
	064499-01-000	EA	Panel - Driver Door - Inner - Dark Brown ABS Plastic
	046886-01-000	EA	Ashtray Asm - Driver Door - Flush Mount - Chrome
	061378-01-000	EA	Beverage Tray Asm
	045795-01-000	EA	Glass Holder - Plastic
	055000-01-000	EA	Tray - Utensil - Plastic
	033860-02-000	EA	Cable - Control - Flexible 46" - (Bowden)
	038846-01-000	EA	Retainer - Control Cable

## 1980 WINNEBAGO TABLE OF CONTENTS

WC/WG/WDF22RB L1	A-1 - B-20
WC/WDN28RB L1	B-21 - D-16
WD319RK L1	D-17 - E-20

## 1980 WC/WDN28RB L1 INDEX

Floor Plan	B-21 - B-22
Accessories Group	B-23 - C-1
Bath Group	C-2 - C-3
Chassis Group	C-4 - C-6
Curtain, Cushion & Pad Group	C-7 - C-11
Dinette Group	C-12
Driver's Compartment Group	C-13 - C-14
Electrical Group	C-15 - C-17
Exterior Body Group	C-18 - C-21
Galley Group	C-22
Heating & Air Conditioning Group	C-23 - C-24
Interior Finish Group	D-1 - D-2
LP Group	D-3
Lounge Group	D-4
Water & Sewage Group	D-5 - D-6
Window, Vent & Exterior Door Group	D-7 - D-16

## ELECTRICAL GROUP

### BULBS

Key	Part Number	U/M	Description
	037935-01-000	EA	Bulb - 1157
	038010-01-000	EA	Bulb - 1143 - Frosted - Medicine Cabinet
	008103-01-000	EA	Bulb - 53
	008213-01-000	EA	Bulb - 57
	008214-01-000	EA	Bulb - 67
	008215-01-000	EA	Bulb - 1003
	008216-01-000	EA	Bulb - 1034
	008217-01-000	EA	Bulb - 1073
	008218-01-000	EA	Bulb - 1141
	008219-01-000	EA	Bulb - 656
	008220-01-000	EA	Bulb - 12V - 25W
	036196-01-000	EA	Bulb - 194
	700020-01-000	EA	Bulb - 12 V - 20W - 1383

### FUSES AND CIRCUIT BREAKERS

Key	Part Number	U/M	Description
	056473-01-000	EA	Fuse - Slow Blow - 6 1/4 Amp
	056473-02-000	EA	Fuse - 12 Volt - 5 Amp
	008233-01-000	EA	Fuse - 12 Volt - 6 Amp
	008234-01-000	EA	Fuse - 12 Volt - 10 Amp
	008235-01-000	EA	Fuse - 12 Volt - 15 Amp
	008236-01-000	EA	Fuse - 12 Volt - 20 Amp
	008248-01-000	EA	Fuse - 110 Volt - 30 Amp - AGU
	008252-01-000	EA	Fuse - 110 Volt - 50 Amp
	008208-01-000	EA	Circuit Breaker - 12 Volt - 40 Amp
	008211-C1-000	EA	Circuit Breaker - 12 Volt - 6 Amp
	008268-01-000	EA	Circuit Breaker - 12 Volt - 30 Amp w/Mount
	033573-01-000	EA	Circuit Breaker - 12 Volt - 20 Amp w/Mount
	033573-02-000	EA	Circuit Breaker - 12 Volt - 15 Amp w/Mount
	040051-G1-000	EA	Circuit Breaker - 110 Volt - 20 Amp - TQL

### EXTERIOR LIGHTS

Key	Part Number	U/M	Description
	048817-01-000	EA	Handle Asm - Assist w/Light
	042405-03-000	EA	Base - Rectangular Clearance Light
	042405-04-000	EA	Lens - Rectangular - Red w/o Reflector
	042405-05-000	EA	Lens - Rectangular - Amber w/o Reflector
	058031-01-000	EA	Tail Lamp Asm - 3 Bulb - Chrome
	058031-01-700	EA	Lens - Tail Lamp - Amber
	058031-01-701	EA	Lens - Tail Lamp - Red
	058031-01-702	EA	Lens - Tail Lamp - Clear (Back Up)
	062740-03-000	EA	Wedge Asm - Tail Light - Beige
	062740-01-000	EA	Wedge Asm - Tail Light - Beige - w/Holes for License Plate Lights
	059540-01-000	EA	Bracket - License Plate
	059036-01-000	EA	Bracket - Tail Light
	007309-01-000	EA	Step Well Light - 1.5" Dia

## ELECTRICAL GROUP (CONTINUED)

### INTERIOR LIGHTS

Key	Part Number	U/M	Description
	024418-01-000	EA	Lamp Asm. - Map/Gauge
	033508-02-000	EA	Dome Light - Ivory - 1 Bulb - US
	033508-03-000	EA	Dome Light - Ivory - 1 Bulb - CSA
	033509-02-000	EA	Dome Light - Ivory - 2 Bulb - US
	033509-03-000	EA	Dome Light - Ivory - 2 Bulb - CSA
	051424-01-000	EA	Light - 12 Volt - Asle - Rectangular
	053346-01-000	EA	Light - High Intensity - 3 6" x 5" - Brown Plastic

### WIRE, SWITCHES AND RECEPTACLES

Key	Part Number	U/M	Description
	008024-01-000	FT	Wire - 18 5 Bonded - Orange/White/Yellow/Blue/Brown
	008025-01-000	FT	Wire - 18 5 Bonded - Orange/White/Yellow/Blue/Green
	008028-01-000	FT	Wire - 18 5 Bonded - Blue/Red/Yellow/Orange/White
	008030-01-000	FT	Wire - 18 4 Bonded
	008251-01-000	EA	Holder - Fuse - Black - Screw Type
	008277-G1-000	EA	Holder - Fuse - Black - Panel Mount
	008195-01-000	EA	Switch - Push Button - 12 Volt
	006077-01-000	EA	Plaque - Compressor Switch
	008054-01-000	EA	Cord - Power - 10-3 30 Amp - 25' - UL
	008052-01-000	EA	Cord - Power - 10-3 30 Amp - 25' - CSA
	034818-04-000	EA	Holder - Receptacle - Plastic
	039338-01-000	EA	Cover Plate - Receptacle - Plastic - Brown
	039342-01-000	EA	Receptacle - Duplex Brown - T Junction
	024571-03-000	EA	Cover Plate - Receptacle - Jumbo Brown
	039343-01-000	EA	Cap - End - Receptacle
	008162-01-000	EA	Switch - Double Toggle - Spade Brown
	008163-01-000	EA	Switch - Toggle Brown
	008164-01-000	EA	Cover Plate - Switch - Brown
	024924-01-000	EA	Receptacle - Power Cord
	008058-01-000	EA	Adaptor - Power Cord
	047353-01-000	EA	Cover - Receptacle - Ground Fault
	047351-01-000	EA	Receptacle - Ground Fault Interrupter - 125 Volt, Black
	053126-01-000	EA	Receptacle - GFI - 15A 125V - Ivory
	058707-01-000	EA	Receptacle - Single Brown - T & B
	058708-01-000	EA	Receptacle - Duplex Brown - T & B
	008157-01-000	EA	Receptacle - Duplex Brown - (Exterior)
	058048-01-000	EA	Electrical Box Covers - 2 75" x 4 5" - (Exterior)
	031720-01-000	EA	Spacer - Receptacle - Brown Plastic - CSA
	008289-01-000	EA	Box - Electrical - Steel - 4" x 4" - 1/2" x 3/4" UL
	008294-01-000	EA	Cover Plate - Electrical Box - Steel - 4" x 4"
	058028-01-000	EA	Connector - Pigtail - Clear Nylon
	008288-01-000	EA	Box - Electrical - Plastic - 3" x 3 1/2"
	058049-01-000	EA	Box - Electrical - Steel - 2" x 3" x 2.25"
	024471-01-000	EA	Cover Plate - Electrical Box - Brown Plastic - 3 1/2" x 5 1/4"

**TABLE OF CONTENTS**

WDF22RB L1  
WDN28RB L1  
WD318RK L1

A-1 - B-20  
B-21 - D-16  
D-17 - E-30

### 1980 WC/WDN28RB L1 INDEX

Floor Plan	B-21 - B-22
Accessories Group	B-23 - C-1
Bath Group	C-2 - C-3
Chassis Group	C-4 - C-6
Curtain, Cushion & Pad Group	C-7 - C-11
Dinette Group	C-12
Driver's Compartment Group	C-13 - C-14
Electrical Group	C-15 - C-17
Exterior Body Group	C-18 - C-21
Galley Group	C-22
Heating & Air Conditioning Group	C-23 - C-24
Interior Finish Group	D-1 - D-2
LP Group	D-3
Lounge Group	D-4
Water & Sewage Group	D-5 - D-6
Window, Vent & Exterior Door Group	D-7 - D-16

## ELECTRICAL GROUP (CONTINUED)

### WINDSHIELD WIPER AND WASHER

Key	Part Number	U/M	Description
**	056000-02-000	EA	Washer Asm - Windshield
	057474-01-000	EA	Wiper Asm
	057653-01-000	EA	Arm - Windshield Wiper - 18" Black
**	044313-02-000	EA	Motor Asm - Windshield Wiper - 100"
**	044313-03-000	EA	Motor Asm - Windshield Wiper - 93"
**	049464-02-000	EA	Blade - Windshield Wiper - 20" Black
**	055675-01-000	EA	Shaft and Pivot Asm

\*\*The illustrated parts breakdown for this item is provided on the Common Items Fiche

### MISCELLANEOUS ELECTRICAL COMPONENTS

Key	Part Number	U/M	Description
	047389-01-700	EA	Battery - 12 Volt - 105 Amp Deep Cycle - Dry
	057899-01-000	EA	Battery - 12 Volt - Maintenance Free - Delco
	008188-01-000	EA	Solenoid - Dual Battery - Relay
	008181-01-000	EA	Relay - 12 - 15 Volt - 27 Amp
**	063912-01-000	EA	Relay - Canister - SPDT - w/Ground
**	054544-01-000	EA	Control Center - 37 Amp - UL
	039950-01-702	EA	Circuit Board - Control Center - 37 Amp
	048812-04-000	EA	Control Panel - Water/Double Sewage - Basic Panel
	048812-05-000	EA	Panel Insert - w/Thermostat Holes
	048812-06-000	EA	Panel Insert - w/o Thermostat
	048812-07-000	EA	Panel Insert - Deluxe - w/Refrigerator Alarm, Clock LP Gauge
	048812-07-700	EA	Refrigerator Sensor - Refrigerator Alarm
	039861-01-000	EA	Sending Unit Kit - Wemac
	024459-01-000	EA	Gauge - Voltmeter
	024462-01-000	EA	Switch - Battery Condition
	031035-01-000	EA	Gauge - Hour Meter - Generator
	024976-01-000	EA	Switch - Generator w/o Circuit Board
	024460-01-000	EA	Gauge - Vacuum

\*\*The illustrated parts breakdown for this item is provided on the Common Items Fiche

## EXTERIOR BODY GROUP

### EXTERIOR BODY PANELS AND SHEET ALUMINUM

Key	Part Number	U/M	Description
	058192-01-L10	EA	Backwall Asm
	058173-01-L10	EA	Sidewall Asm - Right
	058174-01-L10	EA	Sidewall Asm - Left
	058191-01-L10	EA	Roof Asm.
	039155-02-008	EA	Alum - Beige - Mesa I Design - 024" x 36" x 60"
	039155-02-003	EA	Alum - Beige - Mesa I Design - 024" x 36" x 360"
	039155-02-007	EA	Alum - Beige - Mesa I Design - 024" x 48" x 60"
	039155-02-006	EA	Alum - Beige - Mesa I Design - 024" x 48" x 360"
	039155-02-009	EA	Alum - Beige - Mesa I Design - 024" x 12" x 360"
	044487-01-001	EA	Alum - Mill Finish - No Design (Roof) - 96" x 360"
	028545-01-000	EA	Alum - Beige Greyhound Design 48" x 96"
	001010-01-024	EA	Alum - Beige - No Design - 48" x 96"
	000868-01-000	BF	Styrofoam - 3/4" x 24" x 96"
	039155-30-001	EA	Alum - Beige - Mesa II Design - 024" x 36" x 60"
	039155-30-004	EA	Alum - Beige - Mesa II Design - 024" x 36" x 384"
	039155-30-005	EA	Alum - Beige - Mesa II Design - 024" x 48" x 60"
	039155-30-008	EA	Alum - Beige - Mesa II Design - 024" x 48" x 384"
	039155-30-009	EA	Alum - Beige - Mesa II Design - 024" x 12" x 360"

NOTE The raised portion of Mesa I aluminum is 1657" wide  
The raised portion of Mesa II aluminum is 857" wide

### LABELS AND DECALS

Key	Part Number	U/M	Description
	006015-01-000	F	Label - Patent - Motor Home
	006064-01-000	EA	Label - Seat w/o Seat Belt
	057467-01-000	EA	Label - Exterior Loading Limits
	061417-01-000	EA	Label - Fuel
	064378-01-000	EA	Label - Flying W/Thermo Panel
	051161-01-000	EA	Label - Flying W - 3" x 2"
	006028-01-000	EA	Label - Drain Cap - 2" x 3"
	006187-01-000	EA	Label - Sewage
	006188-01-000	EA	Label - Waste Water
	006199-01-000	EA	Label - Exit - Escape Window
	040944-01-000	EA	Label - Open - Entrance Door
	047731-01-000	EA	Label - Emergency Exit
	050225-01-000	EA	Label - Warning - Stove Vent
	054531-01-000	EA	Label - LP Gas Only
	006040-01-000	EA	Tag - Gas Refueling Warning
	006062-01-000	EA	Tag - Electrical - 110 V Connection
	006701-01-000	EA	Name Plate - Chrome Plastic - Winnebago
	061601-01-000	EA	Decal - Winnebago - 5" x 3 5/8" - Black
	050313-09-000	EA	Decal - Logo - "Winnebago" - Tamarak Bronze
	058719-01-000	EA	Decal - "Chieftain"
	065220-01-000	EA	Decal - Side Front - Elbow - Bronze
	065221-01-000	FT	Decal Tape - 1 5/8" - Bronze - Premasked
	065222-01-000	FT	Decal Tape - Dual Stripe - Exch 3/4" Premasked 3" Apart - Bronze
	065223-01-000	EA	Decal - Flying "W" - Bronze - Front Side - Right
	065223-02-000	EA	Decal - Flying "W" - Bronze - Front Side - Left
	067064-01-000	EA	Decal - C Shape - Front Side - Right - Brown
	067064-02-000	EA	Decal - C Shape - Front Side - Left - Brown

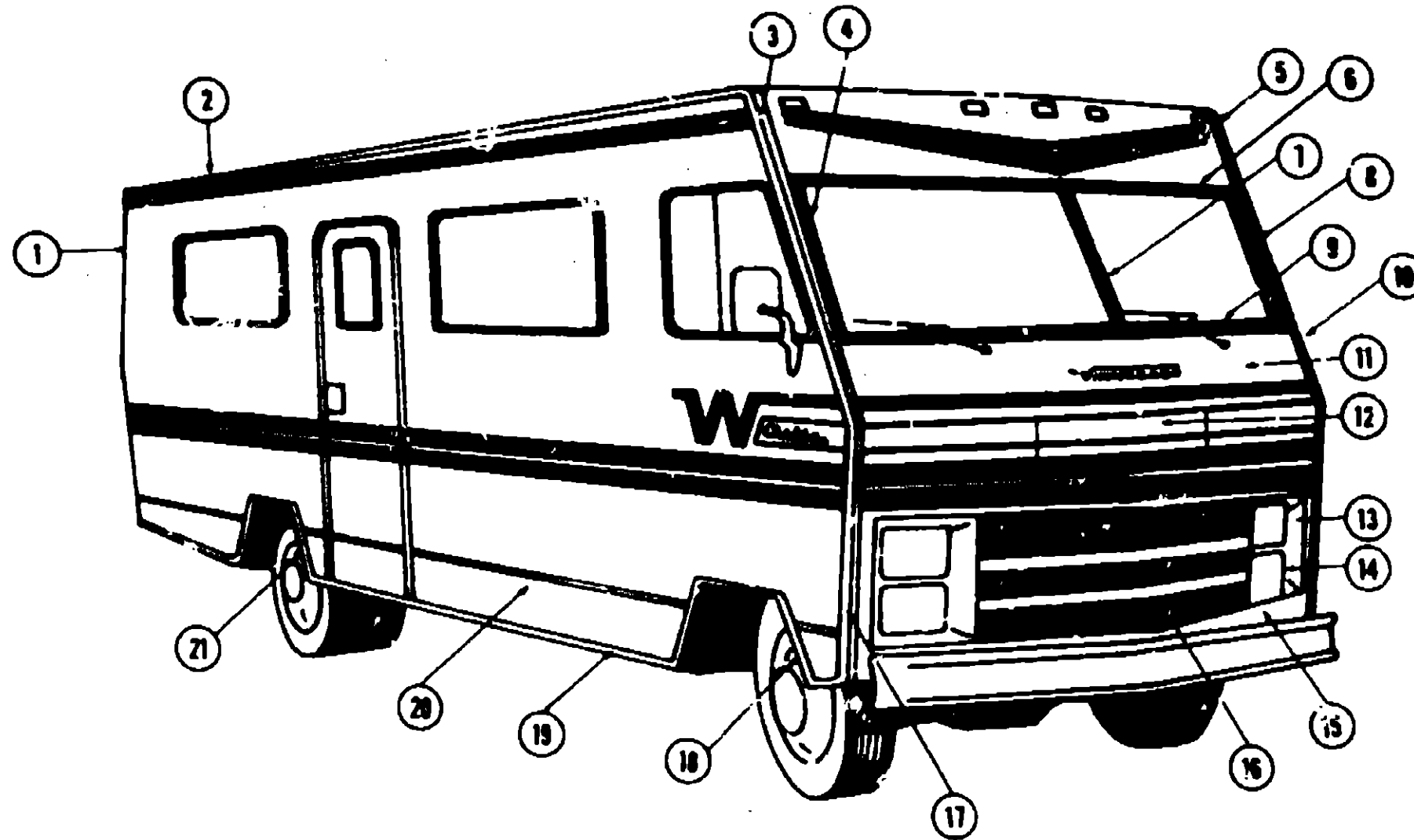
## 1980 WINNEBAGO TABLE OF CONTENTS

WC/WG/WDF22RB L1	A-1 - B-20
WC/WDN26RB L1	B-21 - D-16
WD319RK L1	D-17 - E-20

## 1980 WC/WDN26RB L1 INDEX

Floor Plan	B-21 - B-22
Accessories Group	B-23 - C-1
Bath Group	C-2 - C-3
Chassis Group	C-4 - C-6
Curtain, Cushion & Pad Group	C-7 - C-11
Dinette Group	C-12
Driver's Compartment Group	C-13 - C-14
Electrical Group	C-15 - C-17
Exterior Body Group	C-18 - C-21
Galley Group	C-22
Heating & Air Conditioning Group	C-23 - C-24
Interior Finish Group	D-1 - D-2
LP Group	D-3
Lounge Group	D-4
Water & Sewage Group	D-5 - D-6
Window, Vent & Exterior Door Group	D-7 - D-16

## EXTERIOR BODY GROUP (CONTINUED)



### 1980 WINNEBAGO TABLE OF CONTENTS

WC/WG/WDF22RB L1  
WC/WDN26RB L1  
WD319RK L1

A-1 - B-20  
B-21 - D-16  
D-17 - E-20

### 1980 WC/WDN26RB L1 INDEX

Floor Plan	B-21 - B-22
Accessories Group	B-23 - C-1
Bath Group	C-2 - C-3
Chassis Group	C-4 - C-6
Curtain, Cushion and Pad Group	C-7 - C-11
Dinette Group	C-12
Driver's Compartment Group	C-13 - C-14
Electrical Group	C-15 - C-17
Exterior Body Group	C-18 - C-21
Galley Group	C-22
Heating & Air Conditioning Group	C-23 - C-24
Interior Finish Group	D-1 - D-2
LP Group	D-3
Lounge Group	D-4
Water & Sewage Group	D-5 - D-6
Window, Vent & Exterior Door Group	D-7 - D-16

Key	Part Number	U/M	Description
1	039964-03-000	EA	Trim - Contour - Right Rear
2	039964-04-000	EA	Trim - Contour - Left Rear
3	034922-07-000	EA	Trim - Sidewall - Upper - Beige
4	058284-04-000	EA	Trim - Contour - Right Front Upper - Beige
5	058289-02-000	EA	Trim - Contour - Windshield - Right
6	054966-02-000	EA	Cap Asm. - Roof - Front - Plastic
7	062396-01-000	EA	Trim - Roof/Front Cap
8	058284-03-000	EA	Trim - Contour - Left Front Upper - Beige
9	058287-01-000	EA	Trim Molding - Windshield - Upper
10	042743-02-000	EA	Trim - Corner - Windshield - Upper
11	058288-01-000	EA	Trim Molding - Windshield - Center
12	058289-01-000	EA	Trim - Contour - Windshield - Left
13	058287-02-000	EA	Trim Molding - Windshield - Lower
14	042743-01-000	EA	Trim - Corner - Windshield - Lower
15	056899-02-000	EA	Trim - Contour - Left Front Lower - Beige
16	066634-02-000	EA	Panel Asm. - Front Shroud
17	066632-02-000	EA	Access Panel - Beige
18	058722-01-000	EA	Pull Pin - Access Door Release
19	058761-01-000	EA	Striker - Hood Latch
20	058752-01-000	EA	Hinge Asm. - Hood - Right
21	058752-02-000	EA	Hinge Asm. - Hood - Left

Key	Part Number	U/M	Description
13	049358-01-000	EA	Bezel - Headlite - Chrome - Left
14	049358-02-000	EA	Bezel - Headlite - Chrome - Right
15	058298-03-000	EA	Headlamp Housing Asm. - w/Bezel - Left
16	058298-04-000	EA	Headlamp Housing Asm. - w/Bezel - Right
17	058392-02-000	EA	Panel Asm. - Front Lower
18	066778-01-000	EA	Grille Asm.
19	058899-01-000	EA	Trim - Contour - Right Front Lower - Beige
20	058543-01-000	EA	Trim - Wheel Well - Front
21	036908-02-001	EA	Extr. - Anod. - Rocker Panel - 18"
	059395-01-000	EA	Plug - Rocker Panel - Left Rear - Right Front
	059395-02-000	EA	Plug - Rocker Panel - Right Rear - Left Front
	006067-01-000	EA	Plug - Rocker Panel - Wheel Well - Left
	006068-01-000	EA	Plug - Rocker Panel - Wheel Well - Right
	002444-02-001	EA	Extr. Anod. - Feature Strip - 14' w/o Insert
	001030-09-100	EA	Insert - Feature Strip - Brown
	009731-01-000	EA	End Cap - Feature Strip
	058487-01-000	EA	Trim - Wheel Well - Rear Right
	002776-02-001	EA	Extr. - U-Channel - 1.75" - 16'
	044381-01-004	EA	Extr. - Awning Rail - 192"
	002365-02-001	EA	Extr. - U-Channel - 1" x 18'
			Not Illustrated

## EXTERIOR BODY GROUP (CONTINUED)

### EXTERIOR PAINT

Key	Part Number	U/M	Description
	044486-01-000	EA	Paint - Beige - Acrylic Enamel - 1 Gallon
	044486-03-000	EA	Paint - Beige - Acrylic Enamel - 16 oz. Aerosol
	044486-04-000	EA	Paint - Beige - Acrylic Lacquer - 1 Gallon
	055683-03-000	EA	Paint - Tan Bronze Metallic - 16 oz. Spray - Dupont 44161
	056110-03-000	EA	Paint - Orange Flame Metallic - 16 oz. Spray - Dupont 5435
	053759-03-000	EA	Paint - Tan Metallic - 16 oz. Spray - Dupont 42846AH

### SEALANTS, ADHESIVES AND FASTENERS

Key	Part Number	U/M	Description
	034552-05-000	EA	Sealant - Off White Silicone
	034552-04-000	EA	Sealant - Beige Silicone
	034552-02-000	EA	Sealant - Clear Silicone
	004346-02-000	EA	Sealant - White Silicone
	041422-01-000	FT	Tape Sealer - 1/4" x 1/2"
	009200-01-000	EA	Tape - Furnace - 1 1/2"
	004353-01-000	FT	Tape - Gasket - 1/8" x 3/4" - White
	002825-01-000	FT	Weather Stripping - Roof Vent
	002337-01-000	EA	Adhesive - 3M - 1300 Tube
	004005-01-000	GL	Adhesive - Swifts - Green Glue (Sidewalls)
	004020-01-000	QT	Adhesive - ABS Cement (Plastic Fittings)
	029051-01-000	EA	Adhesive - Spray Vinyl
	042401-02-000	EA	Screw - 8 - 18 x 3/4" SDPH - Off White
	042403-02-000	EA	Screw - SF/DR - 8 - 18 x 1" PH - Off White
	053766-01-000	EA	Bedding Compound - Tube Black - Schnee Morehead
	053766-02-000	EA	Bedding Compound - Tube White - Schnee Morehead
	053767-01-000	FT	Tape - 1/2" x 1/8" x 30' - Gray - Schnee Morehead
	053767-03-000	FT	Tape - 1/4" Bead x 20' - Gray - Schnee Morehead
	053767-04-000	FT	Tape - 3/4" x 1/8" x 30' - Gray - Schnee Morehead
	053767-05-000	FT	Tape - 2" x 3/32" x 45' - Gray - Schnee Morehead

### MISCELLANEOUS EXTERNALLY MOUNTED PARTS

Key	Part Number	U/M	Description
	048517-01-000	EA	Assist Handle - w/Light
	016253-01-000	EA	Fuel Fill - Recessed - Single - Beige
	015587-05-000	EA	Fuel Fill - Recessed - Double - Beige
	011129-01-000	EA	Plumbing Seal - Roof Vent - 1 1/2" White
	010230-03-000	EA	Fill - City Water - Recessed - Beige
	058808-02-000	EA	Waterfill - Lockable - Beige
	049348-01-000	EA	Arm - Low Mount Mirror - Brite Finish
	049944-01-000	EA	Bracket - Mirror - Outside - Beige - Mounts to Coach
	057461-01-000	EA	Mirror Head - 7 1/2" x 10 1/2" - w/Convex

## GALLEY GROUP

### GALLEY CABINET

Key	Part Number	U/M	Description
	059695-01-L10	EA	Cabinet Asm. - Galley - w/o Countertop, Doors, Drawer Lt Hardware
	059696-01-L10	EA	Countertop Asm. - Galley Cabinet - Rust
	059696-01-L11	EA	Countertop Asm. - Galley Cabinet - Blue
	059696-01-L12	EA	Countertop Asm. - Galley Cabinet - Brown
	054028-01-L10	EA	Cover - Sink - Rust
	054028-01-L11	EA	Cover - Sink - Blue
	054028-01-L12	EA	Cover - Sink - Brown
	058841-01-L10	EA	Cover - Wastebasket - Rust
	058841-01-L11	EA	Cover - Wastebasket - Blue
	053841-01-L12	EA	Cover - Wastebasket - Brown
	059550-06-700	EA	Door Asm. - Galley Cabinet - 11.6" x 30" - w/o Hardware
	059550-07-700	EA	Door Asm. - Galley Cabinet - 11.1" x 21.9" - w/o Hardware
	059915-01-L10	EA	Drawer Asm. - Galley Cabinet - 10.10" x 5" x 20" Deep - w/o Hardware
	059915-02-L10	EA	Drawer Asm. - Galley Cabinet - 10.10" x 5" x 10" Deep - w/o Hardware
	058774-01-L10	EA	Cabinet Asm. - Galley Overhead - w/o End Pad, Doors or Hardware
	059551-07-700	EA	Door Asm. - Galley Overhead Cabinet - 15.8" x 23.2" - w/o Hardware
	059551-08-700	EA	Door Asm. - Galley Overhead Cabinet - 15.8" x 21.4" - w/o Hardware
	059550-01-700	EA	Door Asm. - Refrigerator Cabinet - 10.4" x 52.5" - w/o Hardware
	059550-06-700	EA	Door Asm. - Refrigerator Cabinet - 17.7" x 13.8" - w/o Hardware
	059913-01-L10	EA	Drawer Asm. - Refrigerator Cabinet - 6" x 10.4" x 15.63" Deep - w/o Hardware

### GALLEY HARDWARE AND APPLIANCES

Key	Part Number	U/M	Description
	011037-01-000	EA	Sink - Stainless Steel - Double w/Bolts
	011053-01-000	EA	Faucet - 8" - Swing Spout - U.S.
	011053-02-000	EA	Faucet - 8" - Swing Spout - C.S.A.
	011053-01-700	EA	Aerator - Swing Spout Faucet
	066437-01-000	EA	Strainer - Sink
	058334-01-000	EA	Wastebasket - 9 3/4" x 7" x 10" - White - Rubbermaid
	059077-01-000	EA	Support - Wastebasket - White Plastic
	046954-03-000	EA	Hood - Stove - w/Black Face - U.S.
	046954-04-000	EA	Hood - Stove - w/Black Face - C.S.A.
	049045-02-000	EA	Range - 4 Burner - Magic Chef
	049174-02-000	EA	Refrigerator - AC/DC/Gas - Sibir ET 230/2

\*\*The illustrated parts breakdown for this item is provided on the Common Items Fiche.

## 1990 WINNEBAGO TABLE OF CONTENTS

WC/WG/WDF22RB L1	A-1 - B-20
WC/WDN26RB L1	B-21 - D-16
WD319PK L1	D-17 - E-20

## 1990 WC/WDN26RB L1 INDEX

Floor Plan	B-21 - B-22
Accessories Group	B-23 - C-1
Bath Group	C-2 - C-3
Chassis Group	C-4 - C-6
Curtain, Cushion and Pad Group	C-7 - C-11
Dinette Group	C-12
Driver's Compartment Group	C-13 - C-14
Electrical Group	C-15 - C-17
Exterior Body Group	C-18 - C-21
Galley Group	C-22
Heating & Air Conditioning Group	C-23 - C-24
Interior Finish Group	D-1 - D-2
LP Group	D-3
Lounge Group	D-4
Water & Sewage Group	D-5 - D-6
Window, Vent & Exterior Door Group	D-7 - D-16

# HEATING AND AIR CONDITIONING GROUP

# HEATING AND AIR CONDITIONING GROUP (CONTINUED)

## AUTOMOTIVE HEATING AND AIR CONDITIONING

Key	Part Number	U/M	Description
	039044-01-000	EA	Louver Asm. - A/C Adjustable
	047046-01-000	EA	Motor - 12 Volt - 3 Speed - Heater - Air Conditioner
	024858-01-000	EA	Adapter Motor Mount
	031043-01-000	EA	Valve - Heater - Water Flow Control
	031169-01-000	EA	Cable - Control - Flexible - 53"
	031169-02-000	EA	Cable - Control - Flexible - 48"
	031170-01-000	EA	Clamp - Cable - 3/16" Dia
	033860-02-000	EA	Cable Control - Flexible - 46"
	038846-01-000	EA	Cable Retainer - Dash
	024996-01-000	EA	Clutch - Magnetic - Compressor
	024999-01-000	EA	Compressor - Auto Air - 10.3 Cubic Inch
	033295-01-000	EA	Compressor Mount Package - 440 C.I.D.
	031394-01-000	EA	Condenser - Radiator Mount
	031394-02-000	EA	Condenser - Radiator Mount - Chevy
	008267-01-000	EA	Switch - Auto Air Conditioner
	031376-01-000	EA	Control Asm. - 3 Speed
	055279-01-000	EA	Control Asm. - Heater and Air Conditioner
	024867-01-000	EA	Valve - Thermostatic Expansion
	024997-01-000	EA	Core - Heater
	024998-01-000	EA	Wheel - Blower - 4.75" O.D.
	031001-01-000	EA	Blower Housing
	031393-01-000	EA	Coil - Evaporator Auto Air
	062401-04-000	EA	Clamp - Worm Drive - .69" - 1.25" I.D.
	062401-05-000	EA	Clamp - Hose - 2" - 3" Dia.
	007076-01-000	FT	Hose - Flexible - PVC 2" I.D.
	007108-01-000	FT	Hose - Heater - 5/8" I.D. SAE 20R3
	007281-01-000	FT	Hose - Flexible - PVC 2 1/2" I.D.
	034222-02-000	EA	Hose - Refrigerant - .31" I.D. x 32"
	033250-01-000	EA	Hose - Refrigerant - .50" I.D. x 34.50"
	034222-01-000	EA	Hose - Refrigerant - .31" I.D. x 26"
	031970-01-000	EA	Hose - Refrigerant - .34" I.D. x 30"
	031961-01-000	EA	Hose - Refrigerant - .31" I.D. x 14.75"
	031961-02-000	EA	Hose - Refrigerant - .31" I.D. x 19"
	065208-01-000	EA	Hose - Refrigerant - .50" x 34.5"
	049401-01-000	EA	Heater Asm. - Rear
	058906-01-000	EA	Control Panel - Rear Aux. Heater
	049401-01-700	EA	Valve - Water Control - Rear Aux. Heater
	049401-01-701	EA	Control Cable - Rear Aux. Heater
	049401-01-702	EA	Motor Asm. - Rear Aux. Heater
	049401-01-703	EA	Heater Core - Rear Aux. Heater
	049401-01-704	EA	Switch - Rear Aux. Heater
	024868-01-000	EA	Receiver Dehydrator - Auto Air
	031044-01-000	EA	Clamp Receiver Dehydrator Auto Air
	031962-01-000	EA	Bracket - Receiver Dehydrator Auto Air
	031976-01-000	EA	Belt - Drive - .50" x .54" - 360 C.I.D. or 440 C.I.D.
	048229-02-000	EA	Kit - Auto Air - 440 C.I.D. A Body - Winnebago Heater
	048232-02-000	EA	Kit - Auto Air - 454 C.I.D. - A-Body
	056464-01-000	EA	Register - 4" Dia. - Plastic w/Damper - Winterization Option
	062408-01-000	EA	Heat Pusher (Duct Fan) - Winterization Option
	062411-01-000	EA	Switch - Temp. Control - 38° Close - 48° Open - Winterization Option
	062411-02-000	EA	Switch - Temp. Control - 28° Close - 38° Open - Winterization Option
	048648-01-000	EA	Motor - Blower Fan - Winterization Option
	048649-01-000	EA	Blade - Blower Fan - Winterization Option

## FURNACES AND ROOF AIR CONDITIONERS

Key	Part Number	U/M	Description
	009198-01-000	FT	Duct - Flexible - 1" I.D. x 25'
	009200-01-000	EA	Tape - Furnace - 1 1/2"
	023146-01-000	EA	Clamp - Screw Type - 4"
	024985-01-000	EA	Heat Register - w/Damper - 9.9" x 4.8"
	031504-01-000	EA	Bonnet - Heat Register - 4.38" x 8.43"
	049042-02-000	EA	Door - Furnace Front - (Coleman 4324)
	049043-02-000	EA	Door - Furnace Front - (Coleman - 4330)
	050783-01-000	EA	Vent - Furnace - 1-3" V/All
**	059351-01-000	EA	Furnace - 24,000 BTU - Linder Counter - Coleman - 4324-749
**	059350-01-000	EA	Furnace - 30,000 BTU - Under Counter - Coleman - 4330-749
**	049777-03-000	EA	Air Conditioner - 110 Volt - Roof Mount - 11,000 BTU - Ivory (w/o inside shroud) Coleman 6744A90
**	049774-02-000	EA	Air Conditioner - 110 Volt - Roof Mount - 13,500 BTU Ivory - Coleman (w/o inside shroud)
**	049775-02-000	EA	Shroud Asm. - Ceiling - Inside - Roof Air Cool Only - Coleman
**	049776-01-000	EA	Shroud Asm. - Ceiling - Inside - Roof Air - Heat and Cool - 13,500 BTU - Coleman

\*\*The illustrated parts breakdown for this item is provided on the Common Items Fiche

## 1980 WINNEBAGO TABLE OF CONTENTS

WC/WG/WDF22RB L1	A-1 - B-20
WC/WDN26RB L1	B-21 - D-16
WD319RK L1	D-17 - E-20

## 1980 WC/WDN26RB L1 INDEX

Floor Plan	B-21 - B-22
Accessories Group	B-23 - C-1
Bath Group	C-2 - C-3
Chassis Group	C-4 - C-6
Curtain, Cushion and Pad Group	C-7 - C-11
Dinette Group	C-12
Driver's Compartment Group	C-13 - C-14
Electrical Group	C-15 - C-17
Exterior Body Group	C-18 - C-21
Galley Group	C-22
Heating & Air Conditioning Group	C-23 - C-24
Interior Finish Group	D-1 - D-2
LP Group	D-3
Lounge Group	D-4
Water & Sewage Group	D-5 - D-6
Window, Vent & Exterior Door Group	D-7 - D-16

## INTERIOR FINISH GROUP

### INTERIOR MOLDINGS AND TRIMS

Key	Part Number	U/M	Description
	024700-06-000	EA	Cover - Sidewall Roll Bar - Ivory
	024700-14-000	EA	Cover - Sidewall Roll Bar - Fussel Oak
	039512-06-000	EA	Cover - Hat Section - Ivory
	039512-13-000	EA	Cover - Hat Section - Russet Oak
	047488-01-000	EA	Cover - Corner - Hat/Hat
	047489-01-000	EA	Cover - Corner - Tube/Tube
	042430-01-000	EA	Molding - Shelf - Wood
	009812-08-000	FT	Molding - Outside Corner - .50"
	009767-05-000	FT	Wetling - Light Brown
	009815-03-000	FT	T-Molding - 75" - Light Brown
	022992-03-000	FT	Molding - Reverse Cover - Sandalwood
	009778-01-000	FT	U-Channel - 1" - Dark Brown
	009779-03-000	FT	U-Channel - 1 1/8" - Light Brown
	052859-01-L10	FT	Accent Trim - Acorn Brown Vinyl
	059352-01-000	FT	Insert Vinyl - Style and Rail Door
	047354-01-000	EA	Batt Strip - Ceiling - 825 Buff - 8'
	064389-14-000	EA	Batt Strip - Beige - 8'
	064389-15-000	EA	Batt Strip - Blue - 8'
	058711-01-000	EA	Batt Strip - Bandsaw Cedar
	073704-01-000	EA	Batt Strip - 159 Elm
	009609-08-000	FT	Molding - Plastic Corner - O S - 1"
	009812-08-000	FT	Molding - Plastic Corner - O S - .50"

### PANELING AND COUNTERTOP MATERIALS

Key	Part Number	U/M	Description
	058700-01-000	SF	Paneling - Band Saw Cedar - Grooved
	065738-01-000	SF	Paneling - Band Saw Cedar (Particle Board Backing)
	064387-03-000	SF	Plastic Laminate - Rust
	064387-04-000	SF	Plastic Laminate - Blue
	064387-05-000	SF	Plastic Laminate - Coco Brown
	064388-13-000	SF	Paneling - Decorative - New Wheat Berge
	064388-14-000	SF	Paneling - Decorative - New Wheat Blue
	064388-01-000	SF	Paneling - Berge Ferns
	058209-01-000	SF	Paneling - 159 Elm
	058042-01-000	SF	Paneling - Birch Trees
	058702-01-000	SF	Particle Board - .75" - Bandsaw Cedar Sorrel
	057878-02-000	SF	Particle Board - 75" - 159 Elm

### MISCELLANEOUS PARTS

Key	Part Number	U/M	Description
	053552-01-L10	EA	Handle Arm - Interior Ass:st - Acorn Brown Vinyl
	007038-01-000	EA	Mat - Door - Black Rubber - 10 1/2" x 28"
	041944-01-700	EA	Fire Extinguisher w/Bracket - Dry Chemical
	041944-03-000	EA	Fire Extinguisher w/Bracket - Dry Chemical (5 BC Calif)
	006113-01-000	EA	Jack - Hydraulic - 5 Ton - w/Handle
	054185-06-000	EA	Owner's Manual - Winnebago

## INTERIOR FINISH GROUP (CONTINUED)

### CABINETRY AND TABLE HARDWARE

Key	Part Number	U/M	Description
	047907-01-000	EA	Hinge - Brass - 14" w/Holes - Bath Vanity Door
	054529-01-000	EA	Latch - Slide Bolt - Antique Brass - Bath Door
**	052932-01-L10	EA	Hinge Kit - Cabinet Door - Antique Brass
	057898-01-000	EA	Latch - Hidden - Cabinet Door
	057673-01-000	EA	Drawer Pull
	057865-01-000	EA	Back Plate - Drawer Pull
	041434-01-000	EA	Hinge - Double Acting - Cabinet Door
	009112-01-000	EA	Flange - 1" - Chrome - Closet Rod
	059753-01-000	EA	Slide - Drawer - Left
	059753-02-000	EA	Slide - Drawer - Right
**	037688-01-000	FT	Rail - Drawer Glide
**	047744-01-000	EA	Kit - Drawer Glide
**	043255-01-000	FT	Track - Plastic - Roll-up Doors
**	043256-01-000	EA	Spiral - Plastic - Roll-up Cabinet Doors - Right
**	043256-02-000	EA	Spiral - Plastic - Roll-up Cabinet Doors - Left
**	053200-04-000	EA	Bracket - Upper Wall Mount - Black Anod - 23 5"
**	053201-03-000	EA	Bracket - Table Mount - 23" - Clear Anod
**	024275-01-000	EA	Rod - Table Lift - 8" x 23 5"
**	024281-06-000	EA	Bracket - Lower Wall Mount - 22 12" - Black Anod
**	024276-04-000	EA	Leg Asm - Table - Brown - 29 5"
**	064050-01-000	EA	Hing: - Table Leg - Brown
**	024282-01-000	EA	Brace - Table Leg
**	024283-01-000	EA	Clip - 1" O D Tube
**	049493-02-000	EA	Catch - Table Leg - Mounts on Floor - Brown

\*\*The illustrated parts breakdown for this item is provided on the Common Items Fiche

### FABRICS AND CARPET

Key	Part Number	U/M	Description
	053327-01-000	YD	Vinyl - Non Expanded - 27 oz - Acorn Brown
	053327-02-000	YD	Vinyl - Expanded - 28 oz - Acorn Brown
	053327-03-000	YD	Vinyl - Non Support - 16 Gauge Film - Acorn Brown
	064383-08-000	YD	Fabric - Drapery - Rust
	064383-09-000	YD	Fabric - Drapery - Blue
	064383-10-000	YD	Fabric - Drapery - Brown
	064383-17-000	YD	Fabric - Upholstery - Rust
	064383-18-000	YD	Fabric - Upholstery - Blue
	064383-19-000	YD	Fabric - Upholstery - Brown
	064384-09-000	SY	Carpet - Carleton Fox Fire (Rust)
	064384-10-000	SY	Carpet - Carleton Blue
	064384-11-000	SY	Carpet - Carleton Saddle (Brown)
	054384-02-000	SY	Carpet - Camel
	064384-14-000	SY	Carpet - Mahogany

### CURTAIN HARDWARE

Key	Part Number	U/M	Description
	053272-04-200	EA	Track - Curtain - Ceiling - 88" - Off White
	053285-02-001	EA	Track - Curtain - Driver's Door - 16 - Anod
	058430-01-000	EA	Track - Curtain - Front Wraparound (2 per unit)
	009107-01-000	EA	Guide - Nylon Snap - Curtain
	018031-42-000	EA	Track - Curtain - "L" Rod - Alum Extr. - 90"
	009701-01-000	EA	Carrier - "L" Rod - Curtain
	009702-01-000	EA	End Stop - "L" Rod - Curtain
	009224-01-000	EA	Rod - Curtain - Flat - Extends - 28" - 48"
	042439-01-000	EA	Bracket - Curtain Rod

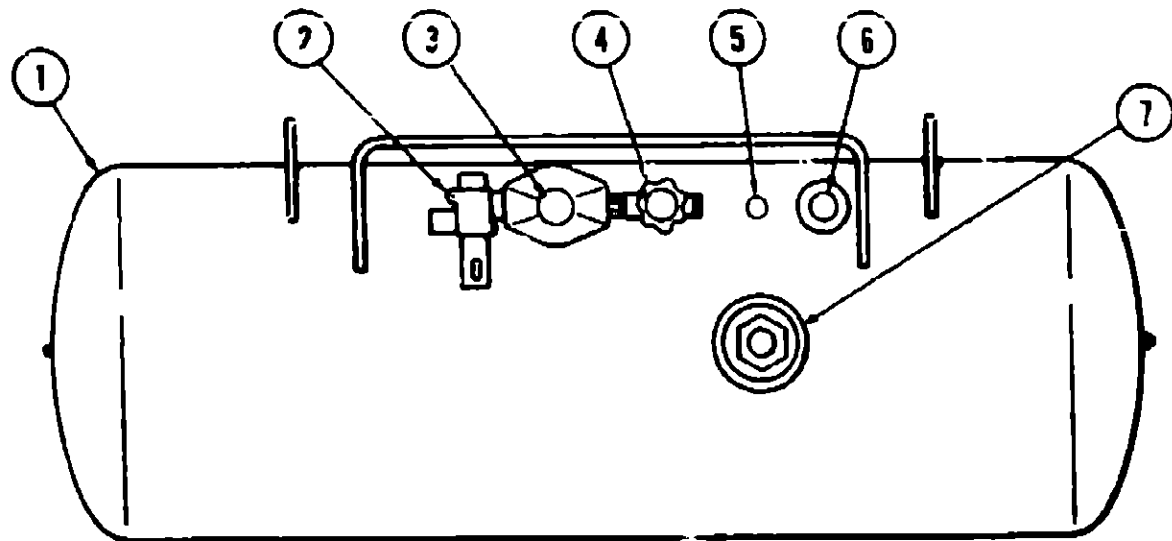
## 1990 WINNEBAGO TABLE OF CONTENTS

WC/WG/WDF22RB L1	A-1 - B-20
WC/WDN26RB L1	B-21 - D-16
WD319RK L1	D-17 - E-20

## 1990 WC/WDN26RB L1 INDEX

Floor Plan	B-21 - B-22
Accessories Group	B-23 - C-1
Bath Group	C-2 - C-3
Chassis Group	C-4 - C-6
Curtain, Cushion and Pad Group	C-7 - C-11
Dinette Group	C-12
Driver's Compartment Group	C-13 - C-14
Electrical Group	C-15 - C-17
Exterior Body Group	C-18 - C-21
Galley Group	C-22
Heating & Air Conditioning Group	C-23 - C-24
Interior Finish Group	D-1 - D-2
LP Group	D-3
Lounge Group	D-4
Water & Sewage Group	D-5 - D-6
Window, Vent & Exterior Door Group	D-7 - D-16

**LP GROUP**



Key	Part Number	U/M	Description
1	063378-01-000	EA	Tank Asm - LP - Frame Mount - 80#
2	047221-01-000	EA	Detector - LP Gas Leak - Rosan
	047356-01-000	EA	Bracket - LP Detector
	065741-01-000	EA	Detector - LP Gas Leak - Marshalltown Instruments
3	058706-01-000	EA	Cover - Regulator - 2 Stage
	058705-01-000	EA	Regulator - Two Stage - LP Gas
4	040421-01-703	EA	Valve - Vapor Relief
5	040421-01-700	EA	Gauge - Liquid Level - 20% LP
6	040421-01-701	EA	Valve - Filler - LP
	040421-01-702	EA	Cap - Plastic Fill Valve
7	040421-01-707	EA	Gauge - Float - w/Visible Dial - 90 Pound Tank
	040421-01-706	EA	Dial - Visible Face - Float Gauge (Tank w/o Electric Transmitter)
	040421-01-705	EA	Dial - Transmitter - 0 - 90 Ohm (Float Gauge)
	045703-01-000	EA	Hose Asm - LP - 3/8 I.D. x 24
	045703-03-000	EA	Hose Asm - LP - 3/8 I.D. x 14
	047737-02-000	EA	Support - LP Tank - 89.25
	047737-03-000	EA	Support - LP Tank - 30.50
	Not Illustrated		

**WinnAir LP SYSTEMS & COMPONENTS**

Key	Part Number	U/M	Description
	068123-01-000	EA	WinnAir LP Kit - 360-1 Dodge
	068123-04-000	EA	WinnAir LP Kit - 440-1 Dodge
	068123-06-000	EA	WinnAir LP Kit - 350 - Chevy
	068123-08-000	EA	WinnAir LP Kit - 454 - Chevy
	068123-01-700	EA	WinnAir Hardware Package - Universal
	065279-01-000	EA	Hydrostatic Relief Valve
	065287-02-000	EA	Shut Off Valve - Gasoline
	067498-01-000	EA	Safety Switch - Vacuum
	068150-01-000	EA	Converter Asm - LP
	068153-01-000	EA	Control Asm - Dual Fuel
	068154-01-000	EA	Air Valve Asm
	068079-02-000	EA	Diffuser Plate - 7.50" Dia

**LOUNGE GROUP**

Key	Part Number	U/M	Description
	057622-01-L10	EA	Panel Asm - Rear Couch Face - w/o Door or Hardware
	059550-02-700	EA	Door Asm - Rear Couch Cabinet - 37" x 11 6" - w/o Hardware
	058760-01-L10	EA	End Panel Asm - Sprung Couch Cabinet
	058856-01-L10	EA	Cabinet Asm - Arm Rest
	058860-01-L10	EA	Pad - Armrest - Rear Lounge - 31 4" x 6 2" x 3" - Rust
	058860-01-L11	EA	Pad - Armrest - Rear Lounge - 31 4" x 6 2" x 3" - Blue
	058860-01-L12	EA	Pad - Armrest - Rear Lounge - 31 4" x 6 2" x 3" - Brown
	058825-02-L10	EA	Cabinet Asm - Rear Lounge Overhead
	059551-01-700	EA	Door Asm - Rear Lounge Overhead Cabinet - 28" x 11 3" - w/o Hardware
	057468-02-000	EA	Frame - Sprung Couch - Right Side
	057468-03-000	EA	Frame - Sprung Couch - Left Side
	057468-04-000	EA	Frame - Angle - Sprung Couch (2 per couch)
	057469-01-000	EA	Leg Asm - Sprung Couch (2 per couch)

**1980 WINNEBAGO  
TABLE OF CONTENTS**

WC/WG/WDF22RB L1	A-1 - B-20
WC/WDN28RB L1	B-21 - C-16
WD318RK L1	D-17 - E-20

**1980 WC/WDN28RB L1 INDEX**

Floor Plan	B-21 - B-22
Accessories Group	B-23 - C-1
Bath Group	C-2 - C-3
Chassis Group	C-4 - C-6
Curtain, Cushion and Pad Group	C-7 - C-11
Dinette Group	C-12
Driver's Compartment Group	C-13 - C-14
Electrical Group	C-15 - C-17
Exterior Body Group	C-18 - C-21
Galley Group	C-22
Heating & Air Conditioning Group	C-23 - C-24
Interior Finish Group	D-1 - D-2
LP Group	D-3
Lounge Group	D-4
Water & Sewage Group	D-5 - D-6
Window, Vent & Exterior Door Group	D-7 - D-16



**WATER AND SEWAGE GROUP**

**WATER AND SEWAGE GROUP (CONTINUED)**

**PLUMBING AND REPAIR PARTS**

**HOLDING TANKS AND WATER HEATERS**

Key	Part Number	U/M	Description
**	063646-01-000	EA	Water Pump - 2 1/2 G.P.M. - Direct Drive - PAR - US
**	063646-02-000	EA	Water Pump - 2 1/2 G.P.M. - Direct Drive - PAR - CSA
	039647-02-000	EA	Filter - Water Pump - 1/2 MPT
	010006-01-000	EA	Elbow - Plastic - 1 1/8 BD 1 1/2 x 45 H x H
	010008-01-000	EA	Elbow - Plastic - 1/4 BD 1 1/2 x 90 x LT
	010153-01-000	EA	Closet Ring - Plastic - 4 F x 3 MPT
	031111-01-000	EA	Elbow - Plastic - 1/4 BD 1 1/4 x 90 x LT
	031126-01-000	EA	Elbow - Plastic - 1 1/4 BD 3 x 90 x LT
	034250-01-000	EA	Elbow - Plastic - 1/4 BD 1 1/2 x 90 H x H
	041956-01-000	EA	Elbow - ST - Plastic - 1/4 BD 3 x 90 x LT
	049910-01-000	EA	Tee - Plastic - 1 1/4 H x H x H
	059536-01-000	EA	Elbow - 1 1/4 - Slip Joint Ends
**	010079-01-000	EA	Tee - Plastic - 1 1/2 H x 1 1/2 H x 1 1/4 H
**	010091-01-000	EA	Wye - Plastic - 3 x 45 H x H x H
**	010121-01-000	EA	Bushing - Plastic 1 1/2 S x 1 1/4 H
**	010133-01-000	EA	Trap Adapter - Plastic - 1 1/2 H x MPT
	010134-01-000	EA	Adapter - Plastic - 1 1/2 M x MPT
**	010201-01-000	EA	Sewer Hose - 3 x 10 w/Clamp
	062415-01-000	EA	Cap - Sewer - 3
	062416-01-000	EA	Hose Adapter - 3'
	062417-01-000	EA	Adapter - Termination - 3
	062418-02-000	EA	Valve - 3" - w/o Handle
	062419-01-000	EA	Handle - Extension - w/6 Adapter
	062422-01-000	EA	Adapter - Offset Reducer - 3 x 1 1/2
	062632-01-000	EA	Wye - 3 x 3 x 1 1/2 Slip
	062421-01-000	EA	Valve - 1 1/2 - w/Handle
**	011066-01-000	EA	P-Trap - 1 1/4" - Plastic
**	011091-01-000	EA	Waste - Continuous - Double Sink - 11 7/8
	061607-01-000	EA	Grommet - Holding Tank Coupler - 1 1/2" - Rubber
	061607-02-000	EA	Grommet - Holding Tank Coupler - 3" - Rubber
**	050780-01-000	EA	Rubber Coupler - 3' x 3
	004020-01-000	QT	Adhesive - ABS Cement
	037845-01-000	FT	Tape - Butyl - 3/16" - Bead - Plastic
**	046524-02-000	EA	Kit - Water Tank Fittings - Blank Tank - Spinweld
**	046524-01-000	EA	Kit - Holding Tank Fittings - Blank Tank - Spinweld
	010224-01-000	EA	Adapter - Plastic - 3/8 MPT x 3/8 Elvb
	052952-01-000	EA	Nut - Plastic - 1/2 F
	052953-01-000	EA	Nut - Faucet - 1/2 Tube x 1/2 FPT
	052953-03-000	EA	Connector - 1/2 F x 3/8 MPT - Plastic
	052954-01-000	EA	Adapter - Nose Cone - 3/8 or 1/2
	052955-01-000	FA	Tee - Plastic - 1/2 F x 1/2 F x 1/2 MPT
	052956-01-000	EA	Tee - Plastic - 1/2 F x 1/2 MPT x 1/2 F
	052957-01-000	EA	Elbow - Plastic - 1/2 F x 3/8 MPT
	052958-01-000	EA	Tee - Plastic - 1/2 F x 1/2 F x 1/2 F
	052559-03-000	EA	Connector - Plastic - 1/2 F x 3/8 MPT
	052980-01-000	EA	Drain Valve - 1/2 F x 1/2 F - Plastic
	040539-01-000	EA	Kit - Repair - 3/8" O.D. Plastic Tube
**	040540-01-000	EA	Kit - Repair - 1/2" O.D. Plastic Tube
**	040541-01-000	EA	Kit - Repair - 5/8" O.D. Plastic Tube
**	039818-01-000	EA	Riser Asm - 3/8" O.D. x 24" Tube
**	039818-02-000	EA	Riser Asm - 3/8" O.D. x 36" Tube
**	039818-04-000	EA	Riser Asm - 3/8" O.D. x 72" Tube
**	039818-05-000	EA	Riser Asm - 3/8" O.D. x 48" Tube

Key	Part Number	U/M	Description
	058731-02-000	EA	Tank Asm - Water - 52 Gallon - w/Fittings
	058731-01-000	EA	Tank Asm - Water - 52 Gallon - w/o Fittings
	054032-06-000	EA	Tank Asm - Holding - 25 Gallon - w/Fittings
*	054032-01-000	EA	Tank Asm - Holding - 25 Gallon - w/o Fittings
	054033-04-000	EA	Tank Asm - Holding - 32 Gallon - w/Fittings
**	054033-01-000	EA	Tank Asm - Holding - 32 Gallon - w/o Fittings
**	051391-01-000	EA	Water Heater - w/o Motor Aid - G6A3
**	051392-01-000	EA	Water Heater - w/Motor Aid - GH6-3

\*\* The illustrated parts breakdown for this item is provided on the Common Items Fiche

**1980 WINNERAGO  
TABLE OF CONTENTS**

WC/WG/WDF22RB L1	A-1 - B-20
WC/WDN28RB L1	B-21 - D-16
WD318RK L1	D-17 - E-20

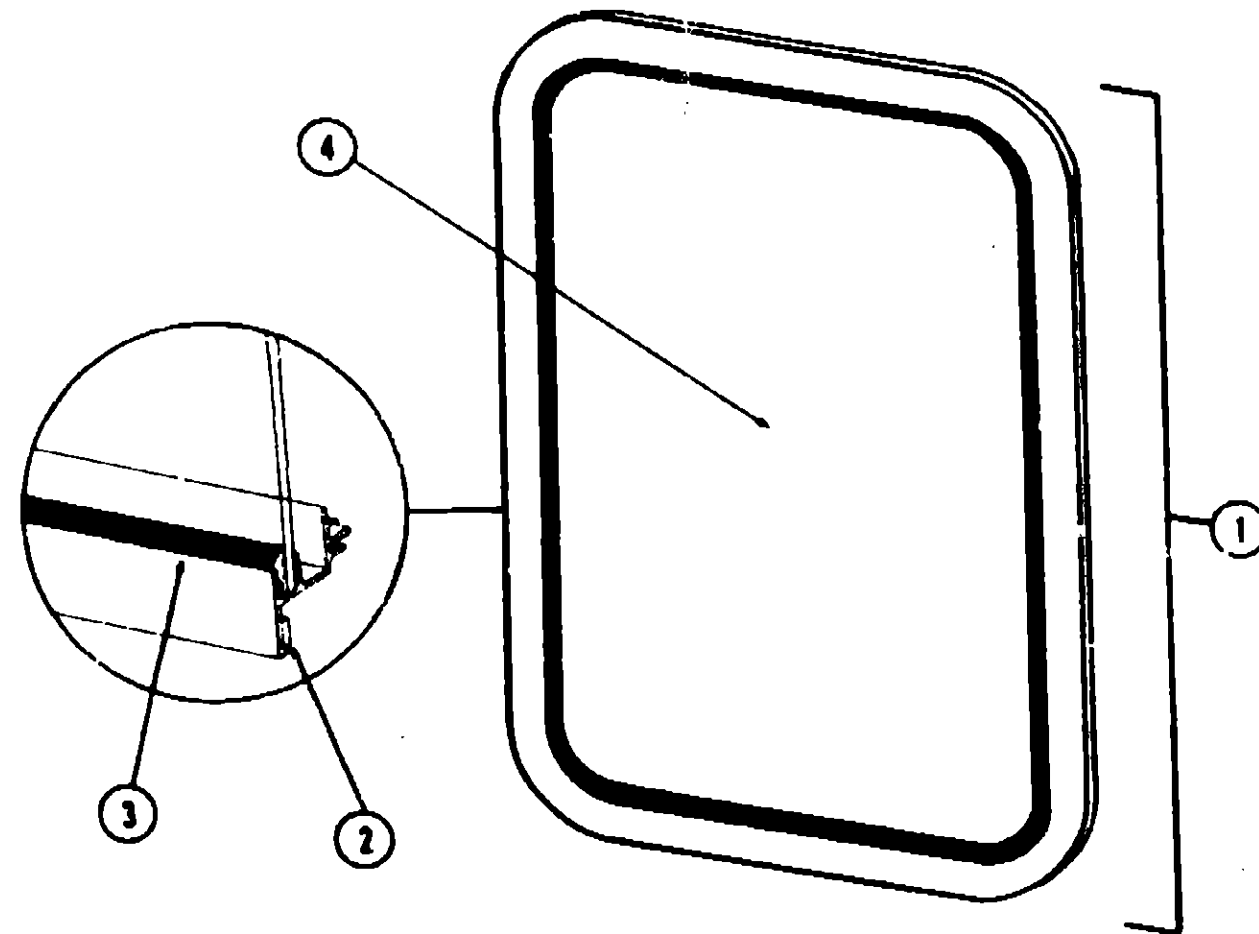
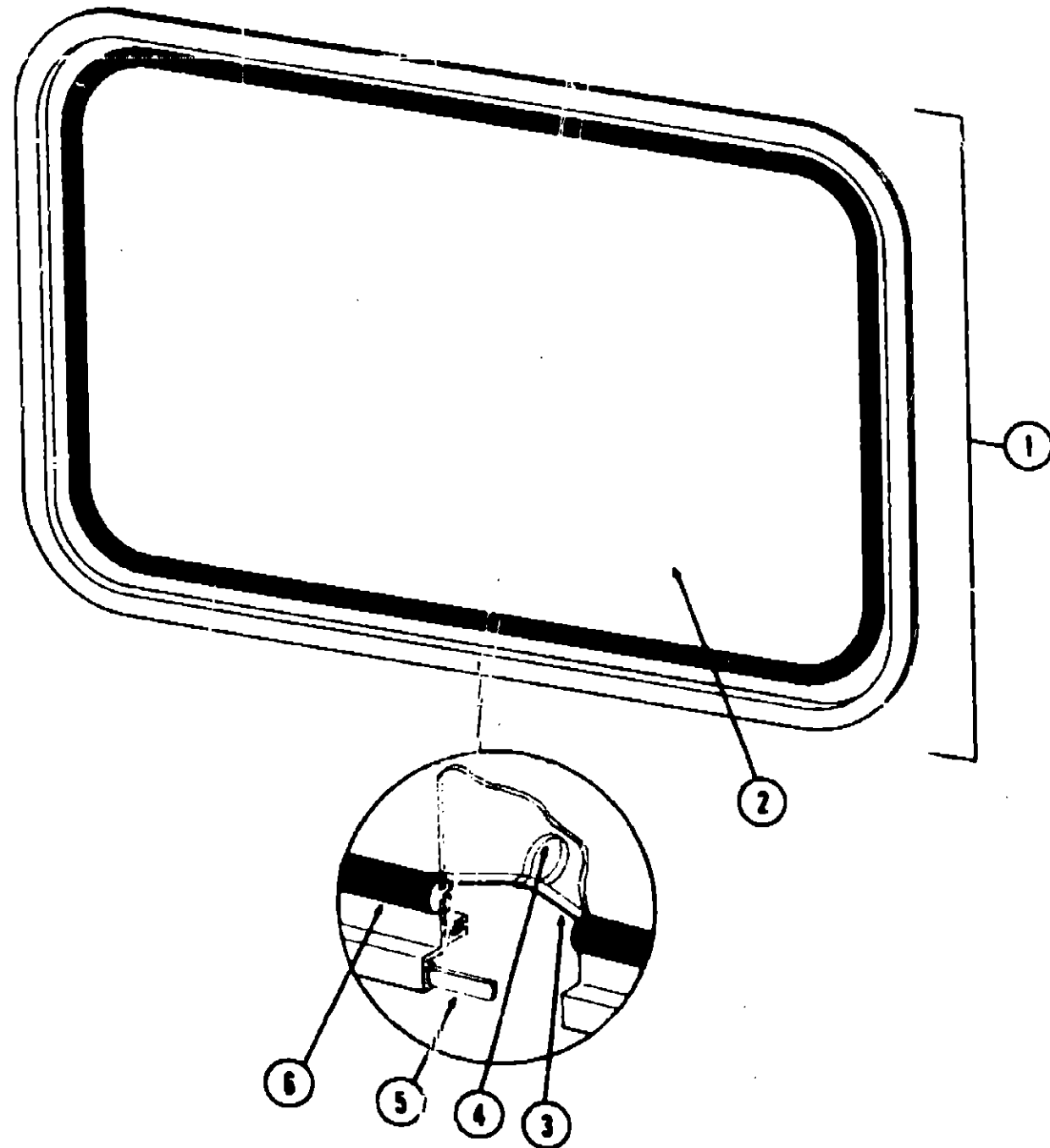
**1980 WC/WDN28RB L1 INDEX**

Floor Plan	B-21 - B-22
Accessories Group	B-23 - C-1
Bath Group	C-2 - C-3
Chassis Group	C-4 - C-6
Curtain, Cushion and Pad Group	C-7 - C-11
Drivette Group	C-12
Driver's Compartment Group	C-13 - C-14
Electrical Group	C-15 - C-17
Exterior Body Group	C-18 - C-21
Galley Group	C-22
Heating & Air Conditioning Group	C-23 - C-24
Interior Finish Group	D-1 - D-2
LP Group	D-3
Lounge Group	D-4
Water & Sewage Group	D-5 - D-8
Window, Vent & Exterior Door Group	D-7 - D-16

\*\* The illustrated parts breakdown for this item is provided on the Common Items Fiche

**WINDOW, VENT AND EXTERIOR DOOR GROUP**

**WINDOW, VENT AND EXTERIOR DOOR GROUP (CONTINUED)**



Key	Part Number	U/M	Description
1	042959-01-000	EA	Window Arm. - Rear Escape - 23" x 36" - Black Anod. (w/o inside frame)
2	041392-01-000	EA	Glass - 1/8" x 16.61" x 33.25"
3	002285-01-000	FT	Filter - Weatherstrip - Black
4	020385-01-000	EA	Slip - Pull Ring - Escape Window
5	053767-03-000	FT	Tape - 1/4" Bead x 20" - Gray - Schnee Morehead
6	002282-01-000	FT	Weatherstrip - .125" Black
	042027-01-000	EA	Frame - Inside - Escape Window - 23" x 36" (not included in assembly)
	008199-01-000	EA	Label - Exit - Escape Window
	Not Illustrated		

Key	Part Number	U/M	Description
1	058651-01-000	EA	Window Arm. - Picture - 20 3/4" x 20 3/4" - Black (w/o inside frame)
2	053767-02-000	FT	Tape - 3/16" Bead x 25" - Schnee Morehead
3	002309-02-000	FT	Spline - Glass - 1/8" - Black
4	002181-03-000	EA	Glass - .115" x 20.62" x 20.62" - Gray
	058650-01-000	EA	Frame - Inside - Window (not included in assembly)
	Not Illustrated		

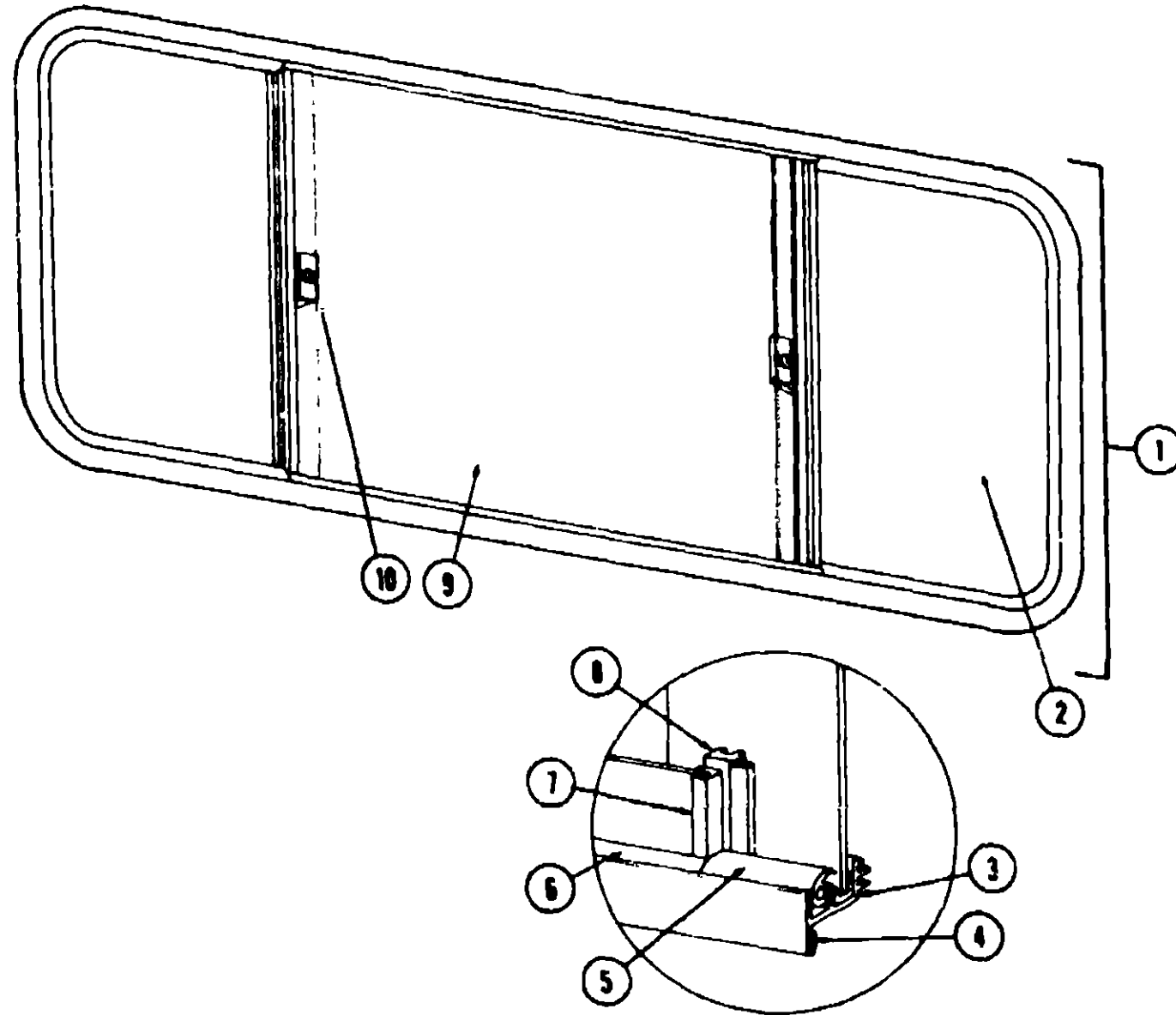
**1990 WINNEBAGO  
TABLE OF CONTENTS**

WC/WG/WDF22RB L1	A-1 - B-20
WC/WDN28RB L1	B-21 - D-16
WD319AK L1	D-17 - E-20

**1990 WC/WDN28RB L1 INDEX**

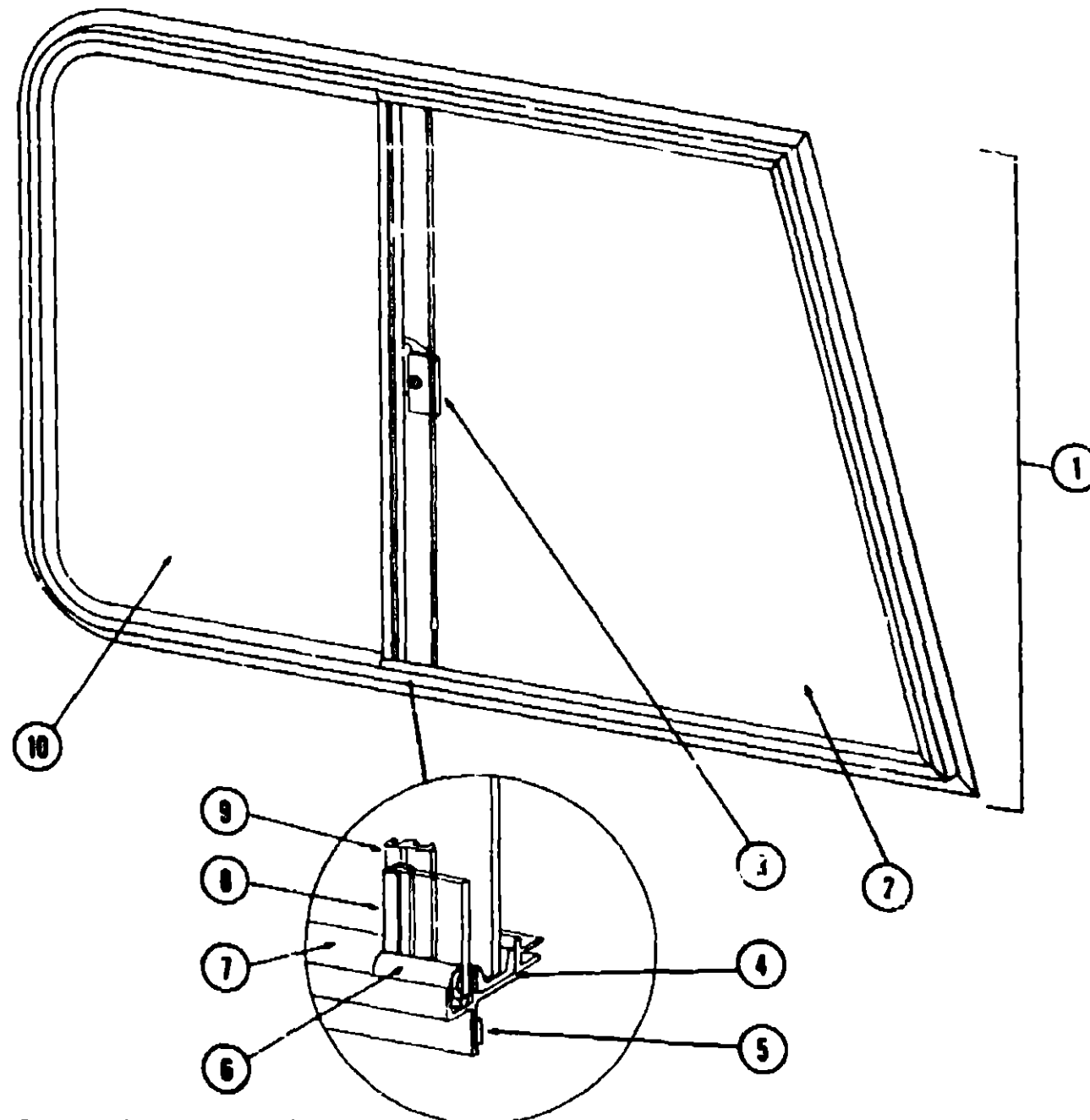
Floor Plan	B-21 - B-22
Accessories Group	B-23 - C-1
Bath Group	C-2 - C-3
Chassis Group	C-4 - C-6
Curtain, Cushion & Pad Group	C-7 - C-11
Dinette Group	C-12
Driver's Compartment Group	C-13 - C-14
Electrical Group	C-15 - C-17
Exterior Body Group	C-18 - C-21
Galley Group	C-22
Heating & Air Conditioning Group	C-23 - C-24
Interior Finish Group	D-1 - D-2
LP Group	D-3
Lounge Group	D-4
Water & Sewage Group	D-5 - D-6
Window, Vent & Exterior Door Group	D-7 - D-16

**WINDOW, VENT AND EXTERIOR DOOR GROUP (CONTINUED)**



Key	Part Number	U/M	Description
1	048630-08-000	EA	Window Asm - Double Slider - 25" x 65" Black Anod (w/o inside frame)
2	047622-01-000	EA	Glass - Sliding - 3/16" x 24" x 21 03"
3	042077-01-000	FT	Channel - Weatherstrip - Glass Run - 3/16" Glass
4	053767-03-000	FT	Tape - 1/4" Bead x 20' - Gray - Schnee Morehead
5	041928-02-000	FT	Seal - Window Channel - 3/16" Glass - Black
6	002309-02-000	FT	Spline - Glass - 1/8" - Black
7	002389-03-201	EA	Extr. - Holder - Glass Seal - 23 19" - Black
8	041894-04-000	EA	Mullion - Slider Window - 25" - Black
9	002188-02-000	EA	Glass - 3/16" x 24" x 25 5" - Stationary
10	047389-01-700	EA	Latch - Window - Plastic w/Fastener
	023320-01-000	EA	Foam Pad - 3/8" Dia (used with plastic latch)
	042133-08-000	EA	Frame Asm - Window - Inside (not included in assembly)
	023713-02-000	EA	Cover - Weephole - Plastic - Black
	002298-01-000	FT	Spline - Gray - 130" Dia (Screen)
	002293-01-000	SF	Screen - Window - 28" - Gray
			Not Illustrated

**WINDOW, VENT AND EXTERIOR DOOR GROUP (CONTINUED)**



Key	Part Number	U/M	Description
1	059046-01-000	EA	Window Asm - Right Front Slant Slider - 23" x 39" - Black Anod (w/o inside frame)
	059046-02-000	EA	Window Asm. - Left Front Slant Slider - 23" x 39" - Black Anod (w/o inside frame)
2	057656-01-000	EA	Glass - 3/16" x 24.88" x 25 30" - Stationary
3	047389-01-700	EA	Latch - Window - Plastic w/Fastener
4	042077-01-000	FT	Channel - Weatherstrip - Glass Run - 3/16" Glass
5	053767-01-000	FT	Tape - 1/2" x 1/8" x 30' - Gray - Schnee Morehead
6	050216-02-000	FT	Spline - 3/16" Glass
7	041928-02-000	FT	Seal - Window Channel - 3/16" Glass - Black
8	002389-03-208	EA	Holder - Glass Seal - Black Anod - 24 13"
9	057644-04-000	EA	Mullion - Window - Slanted Slider
10	057657-01-000	EA	Glass - 3/16" x 24.88" x 14 70" - Sliding
	053042-01-000	EA	Inside Frame - Right Front Slant Slider (not included in assembly)
	053042-02-000	EA	Inside Frame - Left Front Slant Slider (not included in assembly)
	023713-02-000	EA	Cover - Weephole - Black
	055164-05-000	EA	Slider Screen Asm - Right or Left - Black
	018310-03-000	EA	Handle - Slider Screen - Black
	002292-01-000	SF	Screen - Window - 20" - Gray
	002298-01-000	FT	Spline - Gray - .130" Dia.
			Not Illustrated

**1980 WINNEBAGO  
TABLE OF CONTENTS**

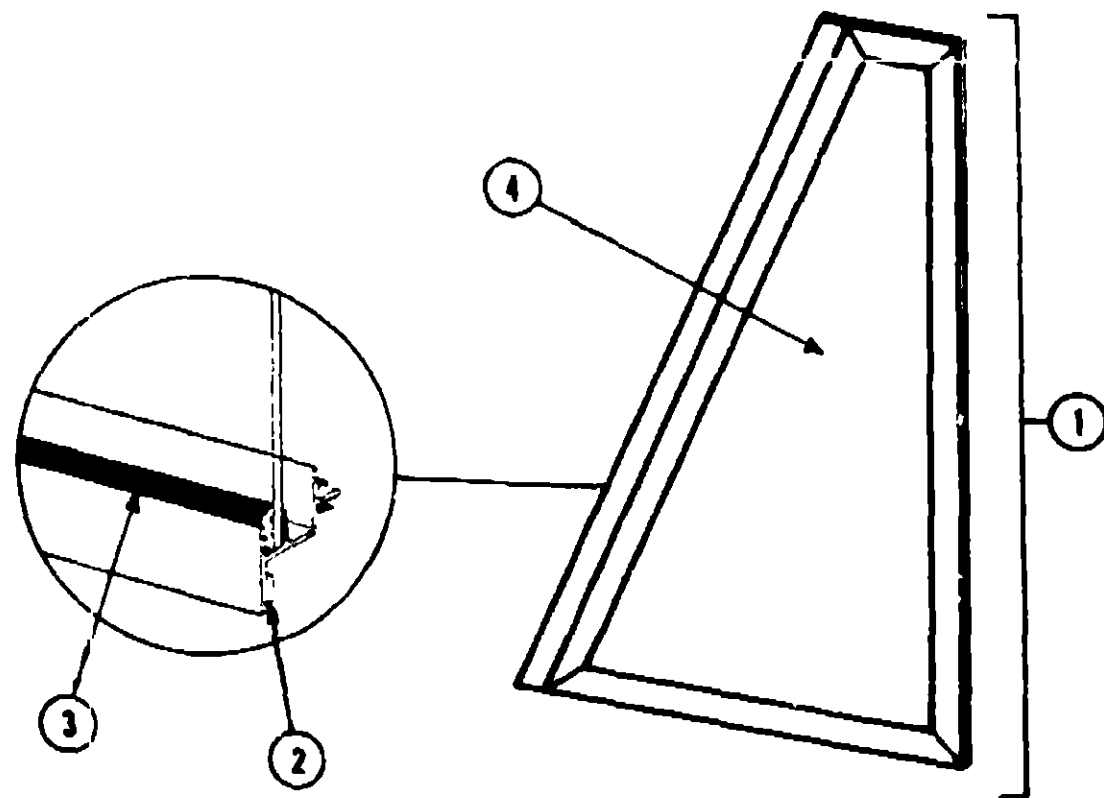
WC/WG/WDF22RB L1	A-1 - B-20
WC/WDN26RB L1	B-21 - D-16
WD319RK L1	D-17 - E-20

**1980 WC/WDN26RB L1 INDEX**

Floor Plan	B-21 - B-22
Accessories Group	B-23 - C-1
Bath Group	C-2 - C-3
Cheese Group	C-4 - C-6
Curtain, Cushion & Pad Group	C-7 - C-11
Dinette Group	C-12
Driver's Compartment Group	C-13 - C-14
Electrical Group	C-15 - C-17
Exterior Body Group	C-18 - C-21
Galley Group	C-22
Heating & Air Conditioning Group	C-23 - C-24
Interior Finish Group	D-1 - D-2
LP Group	D-3
Lounge Group	D-4
Water & Sewage Group	D-5 - D-6
Window, Vent & Exterior Door Group	D-7 - D-16

**WINDOW, VENT AND EXTERIOR DOOR GROUP (CONTINUED)**

**WINDOW, VENT AND EXTERIOR DOOR GROUP (CONTINUED)**



Key	Part Number	U/M	Description
1	062896-01-000	EA	Window Asm - Stationary - Drivers Slant - 14" x 25 3/4" - Black Anod (w/o inside frame) used w./Driver Door
2	053767-03-000	FT	Tape - 1/4" Bead x 20' - Gray - Schriebe Morehead
3	002309-02-000	FT	Spline - Glass - 1/8" - Black
4	057656-02-000	EA	Glass - 3/16" x 24 88" x 13 66"
.	063420-01-000	EA	Frame - Inside - Front Slant Window (not included in assembly)
.			Not Illustrated

**STORM WINDOWS**

Key	Part Number	U/M	Description
	062635-04-000	EA	Storm Window - Flexiglass - 22.07' x 22.07"
	062635-08-000	EA	Storm Window - Plexiglass - 25.94" x 16.15"
	062635-15-000	EA	Storm Window - Plexiglass - 23.94" x 18.19"
	009166-01-000	EA	Latch - Storm Window - Nylon

**ACCESS DOORS**

Key	Part Number	U/M	Description
	033333-18-000	EA	Door Asm. - Battery - 10 25" x 24 75" - Beige w/Twist Type Lock (2 doors per coach)
	033333-19-000	EA	Door Asm - Luggage - 10 25" x 24 75" - Beige w/Key Type Lock (2 doors per coach)
	047233-04-000	EA	Door Asm - Luggage - 35 5" x 13" - Beige w/Key Type Lock
	059727-02-000	EA	Door Asm. - Storage - Insulated - 29 8" x 10 36" - Beige w/Key Type Lock
	054270-10-000	EA	Door Asm - Refrigerator Access - Beige w/Twist Type Lock
	055500-03-000	EA	Door Asm - Gas Fill - Beige w/Key Type Lock
	042441-01-000	EA	Lock Asm - Key Type - Gas Fill
	047305-01-000	EA	Lock Asm - Key Type w/Clip
	052950-02-700	EA	Lock Asm - Twist Type w/Clip - Beige Plastic
	016945-02-000	EA	Holder Asm - Battery and Luggage Door
	054530-01-000	EA	Door Stop - Battery Access Door
	052179-01-300	EA	Door Asm - Generator - Beige w/Twist Type Lock
	052181-03-000	EA	Baffle - Generator Door

**WINDSHIELD**

Key	Part Number	U/M	Description
	058272-01-000	EA	Frame Asm - Windshield w/o Glass
	057459-01-000	EA	Glass - Windshield - Right or Left
	038886-01-000	EA	Tape - Butyl - 31" x 31" x 148"

**VENTS**

Key	Part Number	U/M	Description
	038778-01-000	EA	Cover - Refrigerator Vent
	008407-01-000	EA	Frame Asm - Refrigerator Vent
	048352-02-000	EA	Vent - Stovehood - Outside - Beige
**	048789-01-000	EA	Vent Asm. - Roof - Powered w/o Screen - Alum.
**	048835-01-000	EA	Vent Asm. - Roof - Non Powered - w/o Screen - Alum
**	058119-01-000	EA	Vent Asm - Roof - Powered/Lighted - Jensen - White

\*\*The illustrated parts breakdown for this item is provided on the Common Name Fiche.

**1980 WINNEBAGO TABLE OF CONTENTS**

WC/WG/WDF22RB L1	A-1 - B-20
WC/WDN26RB L1	B-21 - D-16
WD319AK L1	D-17 - E-20

**1980 WC/WDN26RB L1 INDEX**

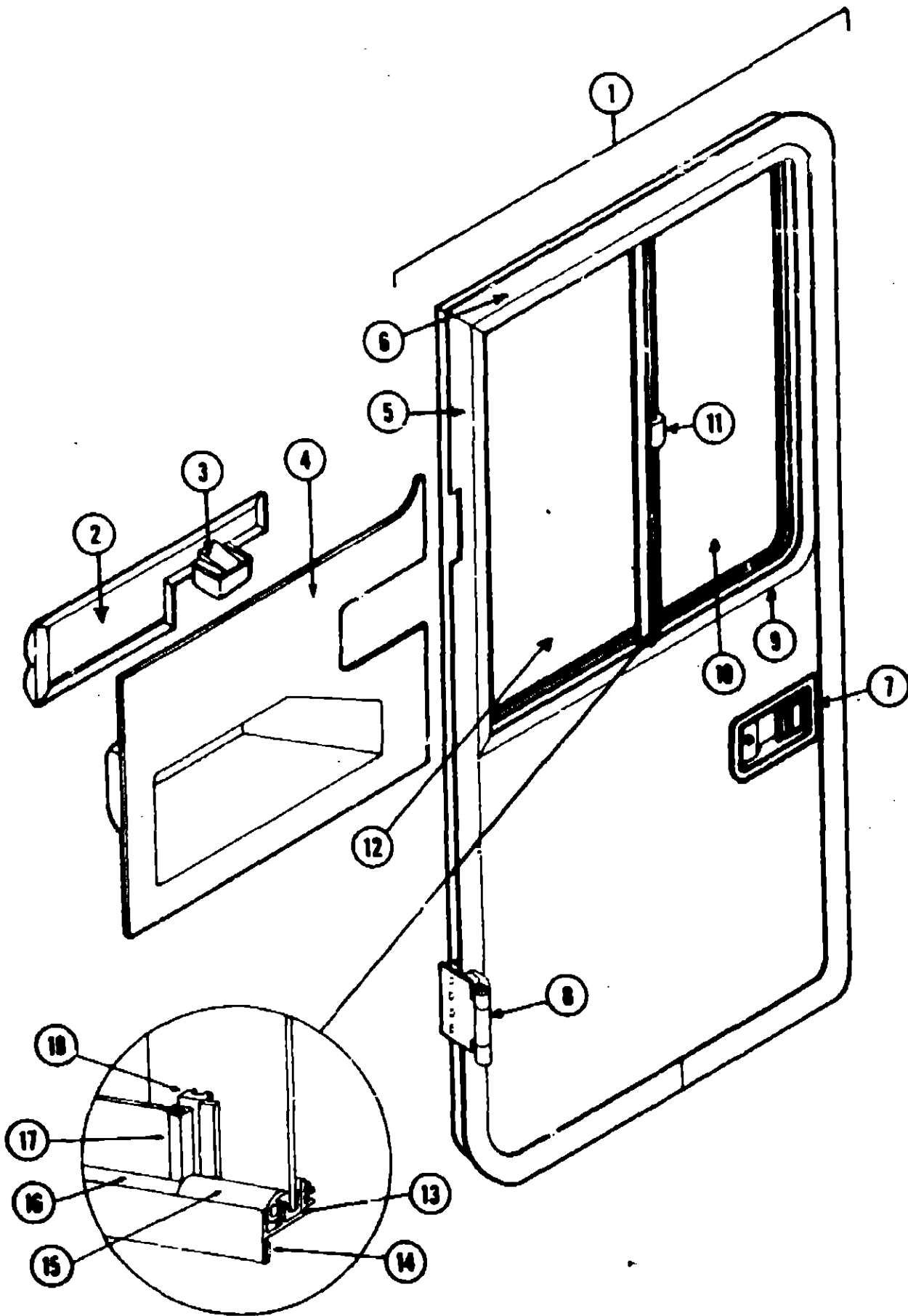
Floor Plan	B-21 - B-22
Accessories Group	B-23 - C-1
Bath Group	C-2 - C-3
Chassis Group	C-4 - C-6
Curtain, Cushion & Pad Group	C-7 - C-11
Dinette Group	C-12
Driver's Compartment Group	C-13 - C-14
Electrical Group	C-15 - C-17
Exterior Body Group	C-18 - C-21
Galley Group	C-22
Heating & Air Conditioning Group	C-23 - C-24
Interior Finish Group	D-1 - D-2
LP Group	D-3
Lounge Group	D-4
Water & Sewage Group	D-5 - D-6
Window, Vent & Exterior Door Group	D-7 - D-16

WINDOW, VENT AND EXTERIOR DOOR GROUP (CONTINUED)

WINDOW, VENT AND EXTERIOR DOOR GROUP (CONTINUED)

DRIVER DOOR - BEIGE

Key	Part Number	U/M	Description
1	063991-01-000	EA	Door Asm. - Driver - Beige
2	064088-01-000	EA	Pad Asm. - Trim - Upper
3	061400-01-000	EA	Assist Strap - 12" - Light Brown
4	046886-01-000	EA	Ashtray Asm. - Flush Mount - Chrome
5	064499-01-000	EA	Panel - Driver Door - Inner - Dark Brown Plastic
6	063350-01-000	EA	Trim - Door Frame - Front - Beige
7	062351-01-000	EA	Trim - Door Frame - Rear - Beige
8	045017-03-000	EA	Paddle - Door Lock - Exterior
9	045017-01-700	EA	Lock Cylinder w/Keys - Lynor
10	039979-02-000	EA	Inside Plate - Door Lock - w/Inside Handle
11	039540-02-000	EA	Latch Claw - Entry Door Lock
12	039736-01-000	EA	Deadbolt - Entrance Door Lock
13	039539-01-000	EA	Strike Bolt - Entrance Door (Jamb Mount)
14	063124-02-000	EA	Plate - Striker - 8 1/4" x 1" - Black
15	062879-02-000	EA	Jamb - Driver - Door - Black Steel
16	064199-01-000	EA	Trim - Door Jamb - Rear - w/Drip Cap - Beige
17	064184-01-000	EA	Drip Cap - Driver Door
18	063358-01-000	EA	Trim - Door Jamb - Front - Beige
19	063768-01-000	EA	Sill Plate - Driver Door
20	063993-01-000	EA	Hinge Asm. - Driver Door - Beige
21	064580-01-000	EA	Check Strap - Driver Door - Seat Belt Webbing
22	064219-01-000	EA	Retainer - Driver Door Check Strap
23	063886-02-000	EA	Assist Handle - Driver Door - Brown Steel Tube (2 require per door)
24	064075-01-000	EA	Bulb Seal - Driver Door - 145"
25	062982-01-000	EA	Window Asm. - Driver Door - Single Slider - 23" x 25.5" - Black Anod. (w/o inside frame)
26	057657-02-000	EA	Glass - 3/16" x 24.88" x 12" - Sliding
27	047389-01-000	EA	Latch - Window - Plastic w/Fastener
28	002188-04-000	EA	Glass - 3/16" x 24.88" x 12" - Stationary
29	002324-02-000	FT	Channel - Weatherstrip - Glass Run - 1/8" Glass
30	053787-03-000	FT	Tape - 1/4" Bead x 30' - Gray - Schnee Morehead
31	024086-02-000	FT	Seal - Window Channel - Black
32	002309-02-000	FT	Spline - Glass - Black
33	002389-03-204	EA	Holder - Glass Seal - Anod. Black - 25.14"
34	002288-01-000	FT	Weatherstrip - Glass Seal
35	057644-04-000	EA	Mullion - Slider Window - Black Anod.
36	063422-01-000	EA	Frame - Inside - Driver Door Window
37	023713-02-000	EA	Cover - Weephole - Black Plastic
38	055164-06-000	EA	Screen Asm. - Slider
39	002292-01-000	SF	Screen - Window - 20" - Gray
40	002298-01-000	FT	Spline - Gray - Screen - .130" Dia.
41	016310-03-000	EA	Screen Handle - Black Anod.
42	013485-02-000	FT	Screen Seal - Extr. Vinyl
			Not Illustrated



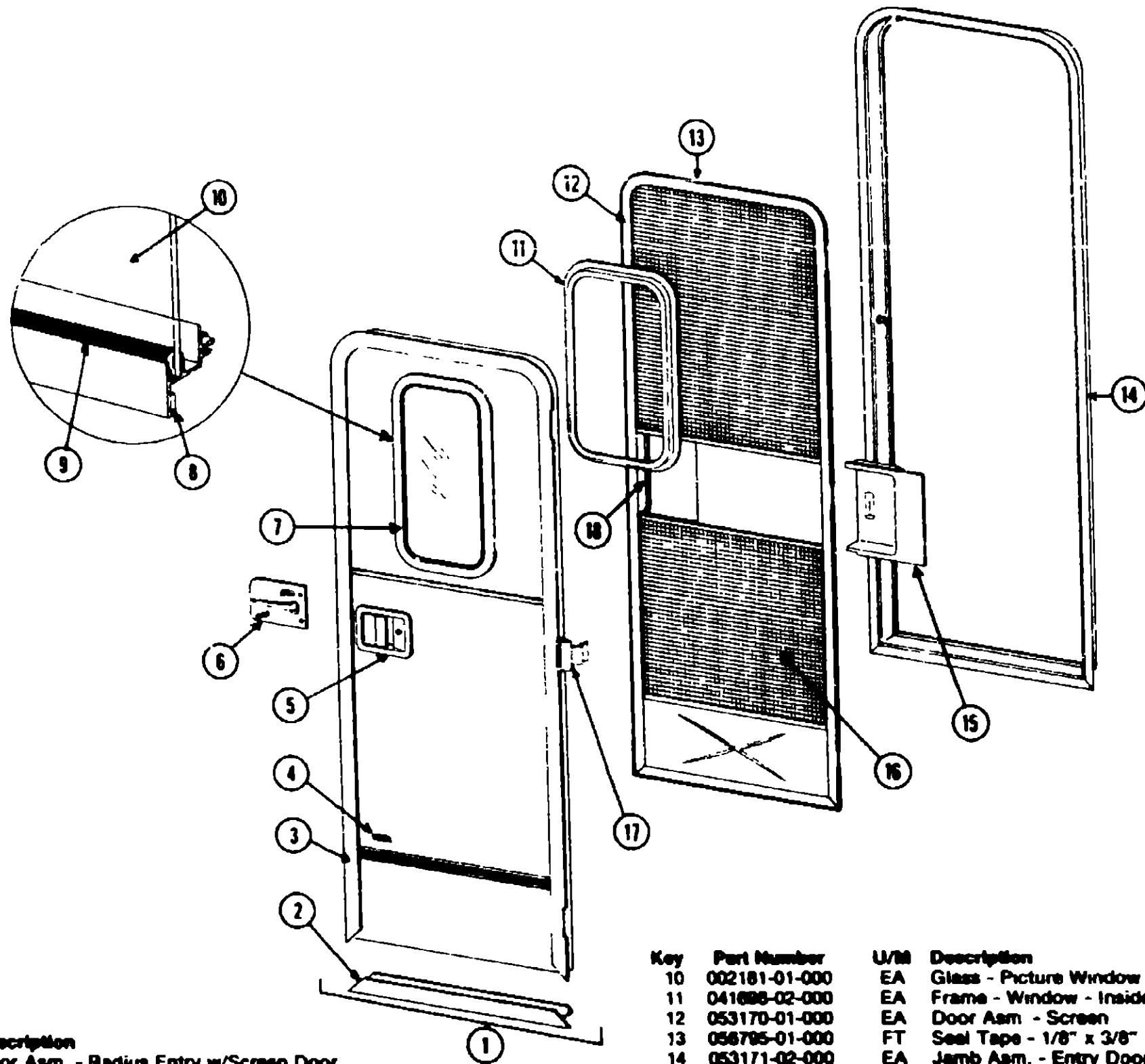
1980 WINNEBAGO  
TABLE OF CONTENTS

WC/WG/WDF22RB L1	A-1 - B-20
WC/WDN26RB L1	B-21 - D-16
WD319RK L1	D-17 - E-20

1980 WC/WDN26RB L1 INDEX

Floor Plan	B-21 - B-22
Accessories Group	B-23 - C-1
Bath Group	C-2 - C-3
Chassis Group	C-4 - C-6
Curtain, Cushion & Pad Group	C-7 - C-11
Dinette Group	C-12
Driver's Compartment Group	C-13 - C-14
Electrical Group	C-15 - C-17
Exterior Body Group	C-18 - C-21
Galley Group	C-22
Heating & Air Conditioning Group	C-23 - C-24
Interior Finish Group	D-1 - D-2
LP Group	D-3
Lounge Group	D-4
Water & Sewage Group	D-5 - D-6
Window, Vent & Exterior Door Group	D-7 - D-16

WINDOW, VENT AND EXTERIOR DOOR GROUP (CONTINUED)



Key	Part Number	U/M	Description
1	053169-12-000	EA	Door Asm - Radius Entry w/Screen Door
2	039737-02-000	EA	Frame - Entry Door (Bottom Portion Only)
3	039736-02-000	EA	Frame - Entry Door (Except Bottom Portion)
4	054530-01-000	EA	Holder - Entry Door - Mounts on Sidewall
5	045017-01-000	EA	Paddle Asm. - Door Lock - Exterior
	045017-01-700	EA	Lock Cylinder w/Keys
	039539-01-000	EA	Striker Bolt - Entry Door
	039540-01-000	EA	Latch Claw - Entry Door
6	039579-01-000	EA	Plate - Lock - Interior - Including Inside Handle
	052188-01-000	EA	Lock Asm - Complete - Lynor
7	041875-02-000	EA	Window Asm - Picture - 13" x 23" - Black Anod (inside frame not included in assembly)
8	053767-03-000	FT	Tape - 1/4" Bead x 20' - Gray - Schnee Morehead
9	002309-02-000	FT	Spine - Glass - 1/8" Black

Key	Part Number	U/M	Description
10	002181-01-000	EA	Glass - Picture Window - 1/8" x 12" x 22" - Gray
11	041686-02-000	EA	Frame - Window - Inside - 13" x 23" - Brown
12	053170-01-000	EA	Door Asm - Screen
13	056795-01-000	FT	Seal Tape - 1/8" x 3/8" - Press On
14	053171-02-000	EA	Jamb Asm. - Entry Door
15	015580-01-000	EA	Slider - Screen Door - Brown Plastic
16	002293-01-000	SF	Screen - Window - 26" - Gray
17	039520-01-000	EA	Hinge - Entry Door (3 used per door)
18	015581-01-000	EA	Cap - Screen Door - Brown Plastic
	049176-01-000	EA	Hedlok II - 3/4" Diameter - Screw Mount (Retains screen door to entry door)
	049797-01-000	EA	Hedlok II - 1" Diameter - Screw Mount (Retains screen door to entry door)
	058025-02-000	EA	Clip - Roller Catch
	039893-01-000	EA	Catch Asm - Single Roller w/Strike - Screen Door
	061390-01-000	FT	Seal - Jamb - Entry Door - Bulb Seal
	039800-01-000	FT	Tubing - Polybutyl - 1/2" O.D. - Jamb
	044982-01-000	EA	Drip Cap - Jamb Mounted - Beige - 33"
			Not Illustrated

1990 WINNEBAGO TABLE OF CONTENTS

WC/WG/WDF22RB L1	A-1 - B-20
WC/WDN26RB L1	B-21 - D-16
WD319RK L1	D-17 - E-20

1990 WC/WDN26RB L1 INDEX

Floor Plan	B-21 - B-22
Accessories Group	B-23 - C-1
Bath Group	C-2 - C-3
Chassis Group	C-4 - C-6
Curtain, Cushion and Pad Group	C-7 - C-11
Dinette Group	C-12
Driver's Compartment Group	C-13 - C-14
Electrical Group	C-15 - C-17
Exterior Body Group	C-18 - C-21
Galley Group	C-22
Heating & Air Conditioning Group	C-23 - C-24
Interior Finish Group	D-1 - D-2
LP Group	D-3
Lounge Group	D-4
Water & Sewage Group	D-5 - D-6
Window, Vent & Exterior Door Group	D-7 - D-16