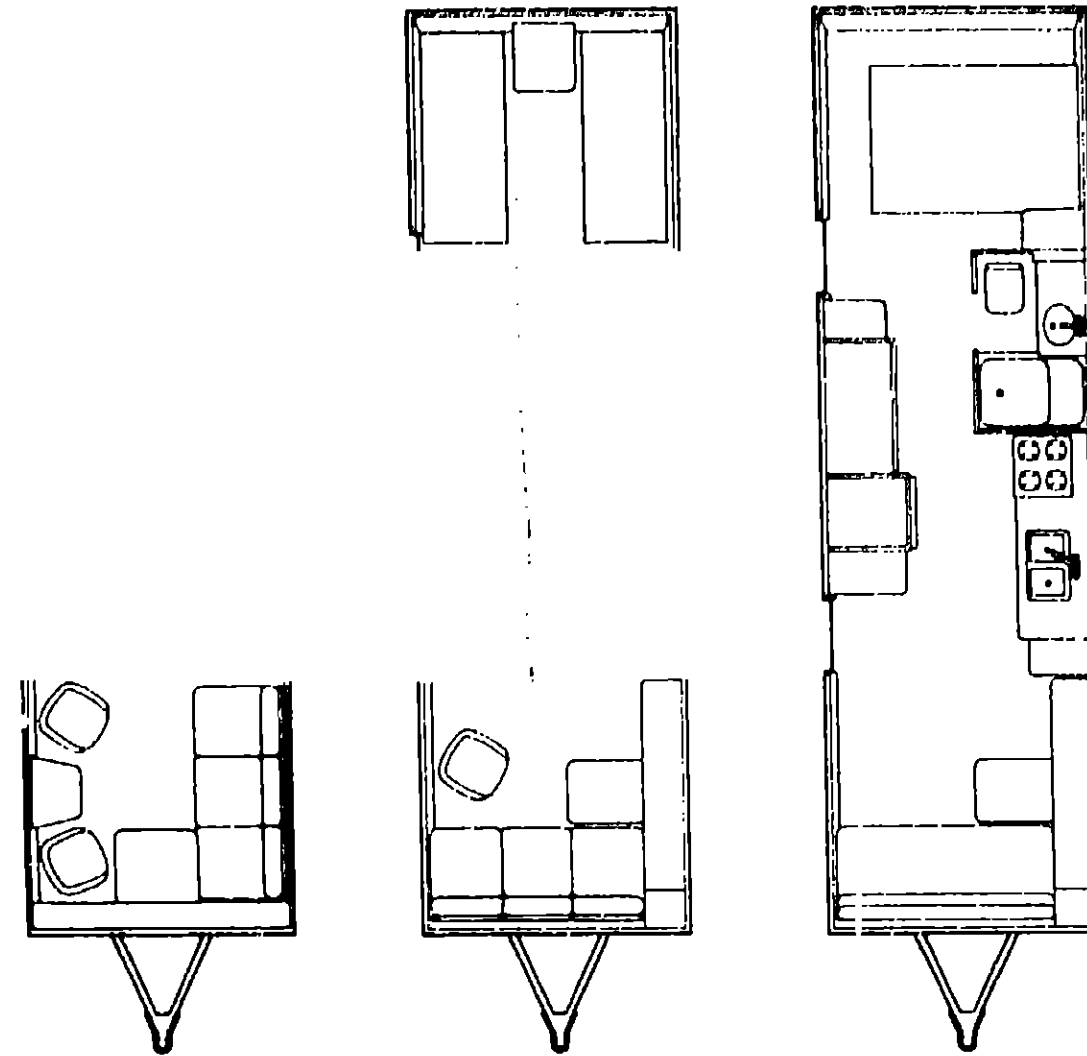


1980 TWP30RU/RT



1980 WINNEBAGO TABLE OF CONTENTS

Introduction	A-1
Abbreviations	A-1
Alphabetical Index	A-2 - A-4
TWP25RB/RV	A-5 - B-8
TWP27RB/RV	B-9 - C-12
TWP30RU/RT	C-13 - D-16

1980 TWP30RU/RT INDEX

Floor Plan	C-13 - C-14
Accessories Group	C-15
Bath Group	C-16
Chassis Group	C-17
Curtain, Cushion & Pad Group	C-18 - C-21
Dinette Group	C-22
Electrical Group	C-23 - C-24
Exterior Body Group	D-1 - D-4
Galley Group	D-5
Heating & Air Conditioning Group	D-6
Interior Finish Group	D-7 - D-8
LP Group	D-9
Lounge Group	D-10
Water & Sewage Group	D-11
Window, Vent & Exterior Door Group	D-12 - D-16

ACCESSORIES GROUP

Key	Part Number	U/M	Description
	040466-07-000	EA	Tire Cover - Off White - Vinyl
	001406-01-000	EA	Kit - Electric Brakes - 2 or 4 Wheels - Under Dash Control Mount
	047389-01-700	EA	Battery - 12 Volt - 105 Amp - Deep Cycle
	058818-01-000	EA	Hub Cap - 4 Bar
	061049-01-000	EA	Wheel Cover - 15"
	059541-01-000	EA	Wheel and Tire Asm. - 15"
	058812-01-000	EA	Box - Battery - White
	056014-01-000	EA	Radio - AM/FM Stereo/8 Track - Motorola
	056014-02-000	EA	Radio - AM/FM Stereo/Cassette - Motorola
	056725-01-000	EA	Grille - Speaker
	056726-01-000	EA	Speaker - Radio
	056785-01-000	EA	Antenna - AM/FM - Side Mount
	006053-01-000	EA	Antenna - TV - Brauned Delux
	006093-01-000	EA	Jack - TV - Brown
	M00059-11-L20	EA	Mirror Asm. - 15" x 29" w/Safety Glass and Oak Frame
	058331-05-000	EA	Mirror - 12" x 28" - Safety Glass
	064890-01-L20	EA	Rack Asm. - Magazine
	063648-01-000	EA	Awning - Front Window - 25" x 84"

OVERHEAD BUNK CABINETS

Key	Part Number	U/M	Description
	059227-01-L20	EA	Cabinet Asm. - Front or Rear Overhead Bunk - w/o Doors or Hardware
	059210-02-L20	EA	Door Asm. - Overhead Bunk - 11.44" x 15.5" - w/o Hardware
	023812-23-000	EA	Rail - Bunk - 82.7" - Brown
	061604-01-000	EA	Slide Bolt - Antique Brass
	041389-01-000	EA	Hinge - Bunk - 72.5" - Brown

BATH GROUP

BATH CABINETS

Key	Part Number	U/M	Description
	M00021-01-L20	EA	Cabinet Asm. - Bath Lavatory - w/o Countertop, Doors or Hardware
	064869-01-L20	EA	Countertop Asm. - Bath Lavatory - Mocha Leather
	059210-06-L20	EA	Door Asm. - Lavatory Cabinet - 10.4" x 22" - w/o Hardware
	064873-01-L20	EA	Cabinet Asm. - Hall Vanity - 20.75" x 13.6" w/o Countertop
	064874-02-L20	EA	Countertop Asm. - Hall Vanity - 22" x 14.5" - Mocha Leather
	059210-03-L20	EA	Door Asm. - Hall Wardrobe - 20 3/4" x 58 1/4" - w/o Hardware
	M00060-03-L20	EA	Drawer Asm. - Hall Wardrobe - 6" x 20.7" x 10" Deep
	M00019-01-L20	EA	Cabinet Asm. - Medicine - w/o Door or Hardware
	M00059-11-L20	EA	Door Asm. - Medicine Cabinet - 15.1" x 29.1" - w/Mirror - w/o Hardware
	058331-05-000	EA	Mirror - Safety Glass - 12" x 28"
	059210-07-L20	EA	Door Asm. - Bath - 20 3/4" x 73 1/4"

BATH HARDWARE

Key	Part Number	U/M	Description
	058713-01-000	EA	Sink - Oval - Ivory Plastic
**	011056-01-000	EA	Faucet - Lavatory
	011059-01-000	EA	Faucet - Shower
	011085-01-000	EA	Plug w/Stopper - 1 1/4" x 5"
**	011089-01-000	EA	Tailpiece - 1 1/4" x 4" - Brass
**	011088-01-000	EA	Strainer - Shower Pan
	062834-01-000	EA	Bathtub - 27 1/8" x 38 1/4" - Off White Plastic
**	011048-01-000	EA	Shower Head - w/60" Hose
	008133-02-000	EA	Bar - Towel Rack - 18" - Plastic
	023449-01-000	EA	Support - Towel Bar
	033580-01-000	EA	Ring - Towel - Chrome - w/Plastic Ring
	058331-04-000	EA	Mirror - Safety Glass - 1/8" x 12" x 42"
	009089-01-000	EA	Clip - Mirror
	009134-01-000	EA	Holder - Tissue
	009151-01-000	EA	Warp Guard - 48"
	059783-01-000	FT	Closet Bar - Slotted Aluminum
	063740-01-000	EA	Toilet - Thetford Aqua Magic - Ivory

**The illustrated parts breakdown for this item is provided on the Common Items Fiche.

1980 WINNEBAGO TABLE OF CONTENTS

Introduction	A-1
Abbreviations	A-1
Alphabetical Index	A-2 - A-4
TWP25RB/RV	A-5 - B-8
TWP27RB/RV	B-9 - C-12
TWP30RU/RT	C-13 - D-16

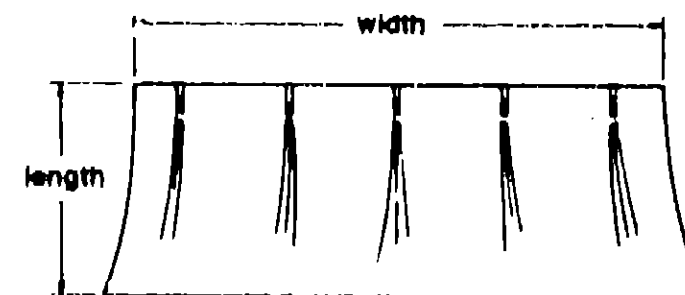
1980 TWP30RU/RT INDEX

Floor Plan	C-13 - C-14
Accessories Group	C-15
Bath Group	C-16
Chassis Group	C-17
Curtain, Cushion & Pad Group	C-18 - C-21
Dinette Group	C-22
Electrical Group	C-23 - C-24
Exterior Body Group	D-1 - D-4
Galley Group	D-5
Heating & Air Conditioning Group	D-6
Interior Finish Group	D-7 - D-8
LP Group	D-9
Lounge Group	D-10
Water & Sewage Group	D-11
Window, Vent & Exterior Door Group	D-12 - D-16

CHASSIS GROUP

Key	Part Number	U/M	Description
	001482-01-000	EA	Safety Chain - w/Hook - 5/16" x 3/8"
	058811-01-000	EA	Coupler - A Frame - Atwood
	058810-02-000	EA	Jack - Side Wind - 2,000 Pound Capacity - Atwood
	065101-01-000	EA	Jack - Tongue - Electric - 12 V
	058809-02-000	EA	Caster - Steel - 2,000 Pound Capacity - Atwood
	024652-01-700	EA	Step Asm. - Pull Out
	058813-01-000	EA	Drop Axle - 4" - Dexter H4
	058813-01-700	EA	Grease Seal - Dexter - 10-4
	058813-01-701	EA	Inner Bearing - Dexter - LM - 48548
	058813-01-702	EA	Inner Cup - Dexter - LM - 48510
	058813-01-703	EA	Shoe and Lining Assembly (Primary) - Dexter - 40-17
	058813-01-704	EA	Retractor Spring - Dexter - 46-9
	058813-01-705	EA	Shoe and Lining Assembly (Secondary) - Dexter - 40-21
	058813-01-706	EA	Outer Cup - Dexter - L44610
	058813-01-707	EA	Outer Bearing - Dexter - L44649
	058813-01-708	EA	Magnet Assembly - Dexter - 42-72
	058813-01-709	EA	Magnet Spring - Dexter - 46-2
	058813-01-710	EA	Hub Assembly - Complete w/Cups - Dexter - 8-152-4
	061086-01-000	EA	Wheel Well - Tandem Axle
	024053-01-000	EA	Tire Carrier - Fold Down
	024053-02-000	EA	Tire Carrier - Permanent Mount
	061091-01-000	EA	Bumper Asm. - Primed - 4" x 4"
	039779-01-000	EA	Cap - Rubber - 4" x 4" - Bumper
	058812-01-000	EA	Box - Battery - White
	065102-01-000	EA	Jack - Stabilizing - Frame Mount
	045423-01-000	EA	Pan - LP Cylinder - Double Rack
	059541-01-000	EA	Wheel and Tire Asm. - 15"

CURTAIN, CUSHION AND PAD GROUP



NOTE:

Use this illustration when determining length and width measurements for curtains. You will note the width measurement is taken on top of the curtain with the curtain fully extended. The length measurement is taken from top to bottom.

1980 WINNEBAGO TABLE OF CONTENTS

Introduction	A-1
Abbreviations	A-1
Alphabetical Index	A-2 - A-4
TWP25RB/RV	A-5 - B-8
TWP27RB/RV	B-9 - C-12
TWP30RU/RT	C-13 - D-16

CURTAINS AND TIE BACKS

Key	Part Number	U/M	Description
	064913-01-L20	EA	Curtain w/Snap Top - 25" x 33" - Dublin Flax
	064913-02-L20	EA	Curtain w/Snap Top - 25" x 45" - Dublin Flax
	064913-03-L20	EA	Curtain w/Snap Top - 25" x 60" - Dublin Flax
	064913-04-L20	EA	Curtain w/Snap Top - 39" x 31" - Dublin Flax
	064913-05-L20	EA	Curtain w/Snap Top - 75" x 36" - Dublin Flax
	066226-01-L20	EA	Curtain - Rod Mount - 24" x 32" - Sheer Champagne
	066226-02-L20	EA	Curtain - Rod Mount - 24" x 45" - Sheer Champagne
	054048-01-L20	EA	Tie Back - Curtain - 2" x 14" - Dublin Flax
	054048-01-L21	EA	Tie Back - Curtain - 2" x 14" - Sheer Champagne
	054048-02-L20	EA	Tie Back - Curtain - 2" x 14" - Acorn Vinyl

VALANCES AND SHADES

Key	Part Number	U/M	Description
	064914-01-L20	EA	Valance - Stapled - 5" x 208" - Rust
	064914-01-L21	EA	Valance - Stapled - 5" x 208" - Brown
	064914-01-L22	EA	Valance - Stapled - 5" x 208" - Silver
	064914-01-L23	EA	Valance - Stapled - 5" x 208" - Blue
	064914-02-L20	EA	Valance - Stapled - 5" x 233" - Rust
	064914-02-L21	EA	Valance - Stapled - 5" x 233" - Brown
	064914-02-L22	EA	Valance - Stapled - 5" x 233" - Silver
	064914-02-L23	EA	Valance - Stapled - 5" x 233" - Blue
	064915-01-L20	EA	Valance - Rod Mount - 5" x 37" - Rust
	064915-01-L21	EA	Valance - Rod Mount - 5" x 37" - Brown
	064915-01-L22	EA	Valance - Rod Mount - 5" x 37" - Silver
	064915-01-L23	EA	Valance - Rod Mount - 5" x 37" - Blue
	064915-02-L20	EA	Valance - Rod Mount - 5" x 52" - Rust
	064915-02-L21	EA	Valance - Rod Mount - 5" x 52" - Brown
	064915-02-L22	EA	Valance - Rod Mount - 5" x 52" - Silver
	064915-02-L23	EA	Valance - Rod Mount - 5" x 52" - Blue
	065657-14-L20	EA	Shade Asm. - Vinyl - 47" x 34" - Rust
	065657-14-L21	EA	Shade Asm. - Vinyl - 47" x 34" - Brown
	065657-14-L22	EA	Shade Asm. - Vinyl - 47" x 34" - Silver
	065657-14-L23	EA	Shade Asm. - Vinyl - 47" x 34" - Blue

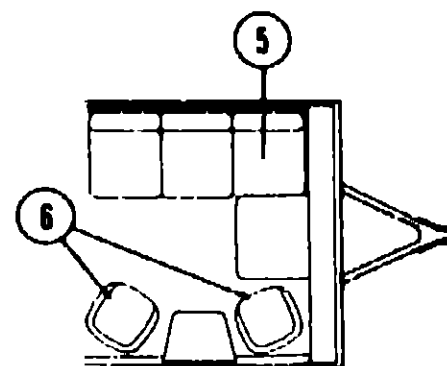
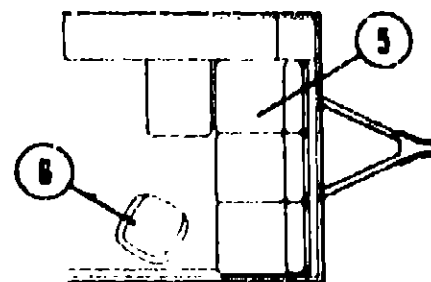
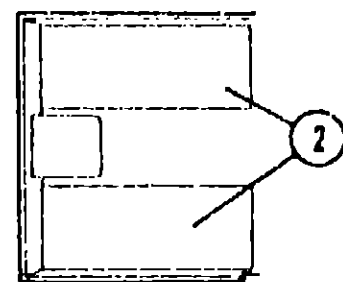
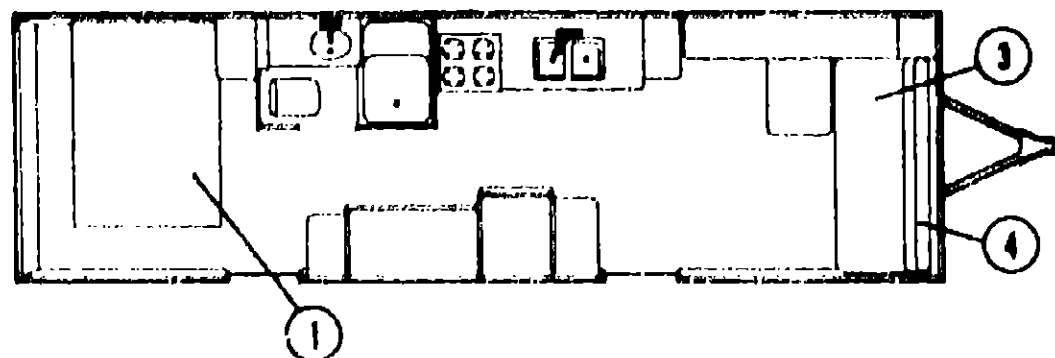
OVERHEAD BUNK MATTRESS (FRONT OR REAR)

Key	Part Number	U/M	Description
	061689-02-000	EA	Mattress - Overhead Bunk - 18" x 18" x 86.8" x 2" - Two Fold
	061690-02-000	EA	Cover - Overhead Bunk Mattress - 18" x 18" x 86.8" x 2" - Two Fold

1980 TWP30RU/RT INDEX

Floor Plan	C-13 - C-14
Accessories Group	C-15
Bath Group	C-16
Chassis Group	C-17
Curtain, Cushion and Pad Group	C-18 - C-21
Dinette Group	C-22
Electrical Group	C-23 - C-24
Exterior Body Group	D-1 - D-4
Galley Group	D-5
Heating & Air Conditioning Group	D-6
Interior Finish Group	D-7 - D-8
LP Group	D-9
Lounge Group	D-10
Water & Sewage Group	D-11
Window, Vent & Exterior Door Group	D-12 - D-16

CURTAIN, CUSHION AND PAD GROUP (CONTINUED)



REAR LOUNGE CUSHIONS

Key	Part Number	U/M	Description
1	058709-02-000	EA	Mattress - Innerspring - 54" x 75" - Sealy
2	058709-01-000	EA	Mattress - Innerspring - 30" x 75" - Sealy
	065203-01-000	EA	Bedspread w/2 Pillows and Shams - 56" x 77"
	065203-02-000	EA	Bedspread w/1 Pillow and Sham - 32" x 77"

LESTER LOUNGE CUSHIONS

Key	Part Number	U/M	Description
3	064916-01-L20	EA	Cushion - Lester Lounge - 16" x 21" x 76" x 5" - Two Fold - Rust
3	064916-01-L21	EA	Cushion - Lester Lounge - 16" x 21" x 76" x 5" - Two Fold - Brown
3	064916-01-L22	EA	Cushion - Lester Lounge - 16" x 21" x 76" x 5" - Two Fold - Silver
3	064916-01-L23	EA	Cushion - Lester Lounge - 16" x 21" x 76" x 5" - Two Fold - Blue
	M00115-01-L20	EA	Cover - Cushion - Two Fold - 16" x 21" x 76" x 5" - Rust
	M00115-01-L21	EA	Cover - Cushion - Two Fold - 16" x 21" x 76" x 5" - Brown
	M00115-01-L22	EA	Cover - Cushion - Two Fold - 16" x 21" x 76" x 5" - Silver
	M00115-01-L23	EA	Cover - Cushion - Two Fold - 16" x 21" x 76" x 5" - Blue
4	063330-02-L20	EA	Cushion - Lounge - 7" x 76" x 5" - Rust
4	063330-02-L21	EA	Cushion - Lounge - 7" x 76" x 5" - Brown
4	063330-02-L22	EA	Cushion - Lounge - 7" x 76" x 5" - Silver
4	063330-02-L23	EA	Cushion - Lounge - 7" x 76" x 5" - Blue
	M00046-02-L20	EA	Cover - Cushion - 7" x 76" x 5" - Rust
	M00046-02-L21	EA	Cover - Cushion - 7" x 76" x 5" - Brown
	M00046-02-L22	EA	Cover - Cushion - 7" x 76" x 5" - Silver
	M00046-02-L23	EA	Cover - Cushion - 7" x 76" x 5" - Blue

CURTAIN, CUSHION AND PAD GROUP (CONTINUED)

MAGIC BED

Key	Part Number	U/M	Description
5	057037-09-000	EA	Magic Bed - w/Bolsters and Armrests - 74" - Flexsteel - Rust
5	057037-10-000	EA	Magic Bed - w/Bolsters and Armrests - 74" - Flexsteel - Brown
5	057037-11-000	EA	Magic Bed - w/Bolsters and Armrests - 74" - Flexsteel - Blue
5	057037-12-000	EA	Magic Bed - w/Bolsters and Armrests - 74" - Flexsteel - Silver

SWIVEL CHAIRS

Key	Part Number	U/M	Description
6	054674-13-L20	EA	Swivel Chair - Complete - Rust
6	054674-13-L21	EA	Swivel Chair - Complete - Brown
6	054674-13-L22	EA	Swivel Chair - Complete - Silver
6	054674-13-L23	EA	Swivel Chair - Complete - Blue
	054700-07-L20	EA	Cushion - Swivel Chair - Rust
	054700-07-L21	EA	Cushion - Swivel Chair - Brown
	054700-07-L22	EA	Cushion - Swivel Chair - Silver
	054700-07-L23	EA	Cushion - Swivel Chair - Blue
	035036-01-000	EA	Plate - Swivel Chair
	035036-02-000	EA	Base - Swivel Chair w/Legs
	035036-03-000	EA	Base - Swivel Chair w/Glides

FABRICS AND TRIM

Key	Part Number	U/M	Description
	064383-04-000	YD	Fabric - Drapery - Dublin Flax
	064383-11-000	YD	Fabric - Drapery - Sheer - Champagne
	064383-06-000	YD	Fabric - Upholstery - Biscayne Rust
	064383-05-000	YD	Fabric - Upholstery - Biscayne Brown
	064383-08-000	EA	Fabric - Upholstery - Biscayne Silver
	064383-07-000	YD	Fabric - Upholstery - Biscayne Blue
	053327-01-000	YD	Vinyl - Non Expanded - 27 Oz. - Acorn
	053327-02-000	YD	Vinyl - Expanded - 28 Oz. - Acorn
	053327-03-000	YD	Vinyl - Non Support - 16 Gauge Film - Acorn
	042356-01-000	EA	Button Asm. - 3/8" Dia. - Mahogany
	054676-03-L20	EA	Button Asm. - #45 - Rust
	054676-03-L21	EA	Button Asm. - #45 - Brown
	054676-03-L22	EA	Button Asm. - #45 - Silver
	054675-03-L23	EA	Button Asm. - #45 - Blue

**1990 WINNEBAGO
TABLE OF CONTENTS**

Introduction	A-1
Abbreviations	A-1
Alphabetical Index	A-2 - A-4
TWP25RB/RV	A-5 - B-8
TWP27RB/RV	B-9 - C-12
TWP30RU/RT	C-13 - D-16

1990 TWP30RU/RT INDEX

Floor Plan	C-13 - C-14
Accessories Group	C-15
Bath Group	C-16
Chassis Group	C-17
Curtain, Cushion and Pad Group	C-18 - C-21
Dinette Group	C-22
Electrical Group	C-23 - C-24
Exterior Body Group	D-1 - D-4
Galley Group	D-5
Heating & Air Conditioning Group	D-6
Interior Finish Group	D-7 - D-8
LP Group	D-9
Lounge Group	D-10
Water & Sewage Group	D-11
Window, Vent & Exterior Door Group	D-12 - D-16

CURTAIN, CUSHION AND PAD GROUP (CONTINUED)

CURTAIN HARDWARE

Key	Part Number	U/M	Description
	052327-04-236	EA	Track - Curtain - Brown Alum. - 84" w/Holes
	053272-04-200	EA	Track - Curtain - Off White Alum. - 89" w/Holes
	056001-01-000	EA	Bracket - Shade - Left
	056002-01-000	EA	Bracket - Shade - Right
	009107-01-000	EA	Guide - Nylon Snap - Curtain
	016031-42-000	EA	Track - Curtain - "L" Rod - Alum. Extr. - 90"
	009701-01-000	EA	Carrier - "L" Rod - Curtain
	009702-01-000	EA	End Stop - "L" Rod - Curtain
	009223-02-000	EA	Curtain Rod - Flat - Extends 48" to 84"
	009224-01-000	EA	Curtain Rod - Flat - Extends 28" to 48"
	039175-01-000	EA	Curtain Rod - Cafe - Extends 48" to 84"
	039175-02-000	EA	Bracket - Cafe Curtain Rod



Key	Part Number	U/M	Description
1	029130-01-000	EA	Socket - Snap Fastener
2	029155-01-000	EA	Cap - Snap - .156" Dia. x .17" Barrel
3	029156-01-000	EA	Socket - Snap Fastener
4	029092-01-000	EA	Stud - Nickel Finish
5	029093-01-000	EA	Eyelet - Nickel Finish

DINETTE GROUP

DINETTE W/COUCH ON FRONT WALL

Key	Part Number	U/M	Description
	064869-01-L20	EA	Table Asm. - Fold Down - 28" x 22 3/4" Wide w/Two Leaves - Mocha Leather - w/o Hardware
	009027-01-000	EA	Latch - Table Mount
	009050-01-000	EA	Leveler - Table Leaf (six used per table)
	009210-01-000	EA	Table Slide - 18" to 50"
**	024276-06-000	EA	Leg Asm. - Table - Brown
**	024277-02-000	EA	Hinge - Table Leg - Brown
**	024282-01-000	EA	Brace - Table Leg
	041389-01-000	EA	Hinge - Piano - Brown - 72.5"
	M00024-01-L20	EA	Cabinet Asm. - Front Gaucho
	059228-01-L20	EA	Cabinet Asm. - Front Overhead - w/o Doors or Hardware
	M00017-01-L20	EA	Cabinet Asm. - Hamper - w/o Countertop - Mounts on Left Sidewall
	064862-01-L20	EA	Countertop Asm. - Hamper Cabinet - Front - 14 1/4" x 13.2" - Mocha Leather
	064863-01-L20	EA	Countertop Asm. - Hamper Cabinet - Rear - 14 1/4" x 76" - Mocha Leather
	035036-01-000	EA	Plate - Swivel Chair
	035036-02-000	EA	Base - Swivel Chair w/Legs
	035036-03-000	EA	Base - Swivel Chair w/Glides

**The illustrated parts breakdown for this item is provided on the Common Items Fiche.

DINETTE W/COUCH ON SIDE WALL

Key	Part Number	U/M	Description
	M00072-01-L20	A	Cabinet Asm. - Television - w/Countertop - w/o Drawer
	062850-01-L20	EA	Countertop Asm. - Television Cabinet - Mocha Leather
	M00060-05-L20	EA	Drawer Asm. - Television Cabinet - 6" x 11.4" x 13.5"
	062797-01-L20	EA	Countertop Asm. - Front Header - 9 3/4" x 92" - Mocha Leather
	062813-01-L20	EA	Table Asm. - Fold Down - 28" x 30" Wide w/Two 10" Leaves - Mocha Leather - w/o Hardware
	009027-01-000	EA	Latch - Table Mount
	009050-01-000	EA	Leveler - Table Leaf - Six used per table
	009210-01-000	EA	Table Slide - 18" to 50"
**	024276-06-000	EA	Leg Asm. - Table - Brown
**	024277-02-000	EA	Hinge - Table Leg - Brown
**	024282-01-000	EA	Brace - Table Leg
	041389-01-000	EA	Hinge - Piano - Brown - 72.5"

**The illustrated parts breakdown for this item is provided on the Common Items Fiche.

1980 INNEBAGO TABLE OF CONTENTS

Introduction	A-1
Abbreviations	A-1
Alphabetical Index	A-2 - A-4
TWP25RB/RV	A-5 - B-8
TWP27RB/RV	B-9 - C-12
TWP30RU/RT	C-13 - D-16

1980 TWP30RU/RT INDEX

Finish Plan	C-13 - C-14
Accessories Group	C-15
Bath Group	C-16
Chassis Group	C-17
Curtain, Cushion and Pad Group	C-18 - C-21
Dinette Group	C-22
Electrical Group	C-23 - C-24
Exterior Body Group	D-1 - D-4
Galley Group	D-5
Heating & Air Conditioning Group	D-6
Interior Finish Group	D-7 - D-8
LP Group	D-9
Lounge Group	D-10
Water & Sewage Group	D-11
Window, Vent & Exterior Door Group	D-12 - D-16

ELECTRICAL GROUP

BULBS

Key	Part Number	U/M	Description
	037935-01-000	EA	Bulb - 1157
	063914-01-000	EA	Bulb - 1143 or 1139
	008103-01-000	EA	Bulb - 53
	008213-01-000	EA	Bulb - 57
	008214-01-000	EA	Bulb - 67
	008215-01-000	EA	Bulb - 1003
	008216-01-000	EA	Bulb - 1034
	008217-01-000	EA	Bulb - 1073
	008218-01-000	EA	Bulb - 1141
	008219-01-000	EA	Bulb - 656
	008220-01-000	EA	Bulb - 12V - 25W
	036196-01-000	EA	Bulb - 194
	700020-01-000	EA	Bulb - 12V - 20W - 1383

FUSES AND CIRCUIT BREAKER

Key	Part Number	U/M	Description
	056473-01-000	EA	Fuse - Slow Blow - 6 1/4 Amp.
	008233-01-000	EA	Fuse - 12 Volt - 6 Amp.
	008234-01-000	EA	Fuse - 12 Volt - 10 Amp.
	008235-01-000	EA	Fuse - 12 Volt - 15 Amp.
	008236-01-000	EA	Fuse - 12 Volt - 20 Amp.
	008248-01-000	EA	Fuse - 110 Volt - 30 Amp. - AGU
	008252-01-000	EA	Fuse - 110 Volt - 50 Amp.
	008206-01-000	EA	Circuit Breaker - 12 Volt - 40 Amp.
	008211-01-000	EA	Circuit Breaker - 12 Volt - 6 Amp
	008268-01-000	EA	Circuit Breaker - 12 Volt - 30 Amp. w/Mount
	033573-02-000	EA	Circuit Breaker - 12 Volt - 15 Amp. w/Mount
	040051-01-000	EA	Circuit Breaker - 110 Volt - 20 Amp. - TQL

INTERIOR LIGHTS

Key	Part Number	U/M	Description
	033508-02-000	EA	Light Dome - Ivory - 1 Bulb
	033509-02-000	EA	Light Dome - Ivory - 2 Bulb
	024642-01-701	EA	Lens - Dome Light - 1 Bulb
	024643-01-701	EA	Lens - Dome Light - 2 Bulbs
	065202-01-000	EA	Lamp - Wall - Brass - 2 Bulb
	065201-01-000	EA	Shade - Wall Lamp - White Flax

ELECTRICAL GROUP (CONTINUED)

EXTERIOR LIGHTS

Key	Part Number	U/M	Description
	058636-01-000	EA	Porch Light - w/Amber Lens
	058635-02-000	EA	Porch Light - w/Clear Lens
	042405-03-000	EA	Base - Rectangular Clearance Lights
	042405-04-000	EA	Lens - Rectangular Clearance Lights - Red
	042405-05-000	EA	Lens - Rectangular - Clearance Lights - Amber
	064474-01-000	EA	Talllamp Asm. - w/Plate Bracket
	064775-01-000	EA	Talllamp Asm. - w/o Plate Bracket
	064776-01-000	EA	Bezel - Talllamp
	064474-01-700	EA	Lens - Talllamp Asm.
	064775-01-700	EA	Lens - Talllamp Asm.

MISCELLANEOUS ELECTRICAL COMPONENTS

Key	Part Number	U/M	Description
	008077-01-000	EA	Plaque - Compressor Switch
	008195-01-000	EA	Switch - Push Button - 12 Volt
	008182-01-000	EA	Switch - DBL Toggle - Brown
	053126-02-000	EA	Receptacle - Ground Fault Interrupter - 15 Amp. - 125 Volt - Brown
	047353-01-000	EA	Cover - Receptacle - Ground Fault
	024571-03-000	EA	Cover Plate - Receptacle - Jumbo Plastic - Brown
	008268-01-000	EA	Box - Electrical - Plastic - 3" x 3 1/2"
	008289-01-000	EA	Box - Electrical - Steel - 4" x 4"
	008204-01-000	EA	Cover Plate - Steel - 4" x 4"
	058707-01-000	EA	Receptacle - Single Brown - Thomas and Belts
	058708-01-000	EA	Receptacle - Duplex Brown - Thomas and Belts
	008157-01-000	EA	Receptacle - Duplex - Brown (Exterior)
	058048-01-000	EA	Cover - Electrical Box - 4.5" x 2.75" - Rain Tight (Exterior)
	008054-01-000	EA	Power Cord - 10-3 30 Amp. - 25' UL
	054544-01-000	EA	Control Center - 37 Amp. - UL
	039950-01-702	EA	Circuit Board - Control Center
	047389-01-700	EA	Battery - 12 Volt - 105 Amp. Deep Cycle - Dry
	058812-01-000	EA	Battery Box - White Plastic
	039881-01-000	EA	Sending Unit Kit - Wamac
	024583-01-000	EA	Breakaway Switch
	058028-01-000	EA	Connector - Pigtail - Clear Nylon
	059530-02-000	EA	Connector Asm. - 7 Way - Trailer End
	065207-01-000	EA	Control Panel - Water/Double Sewage - Wamac

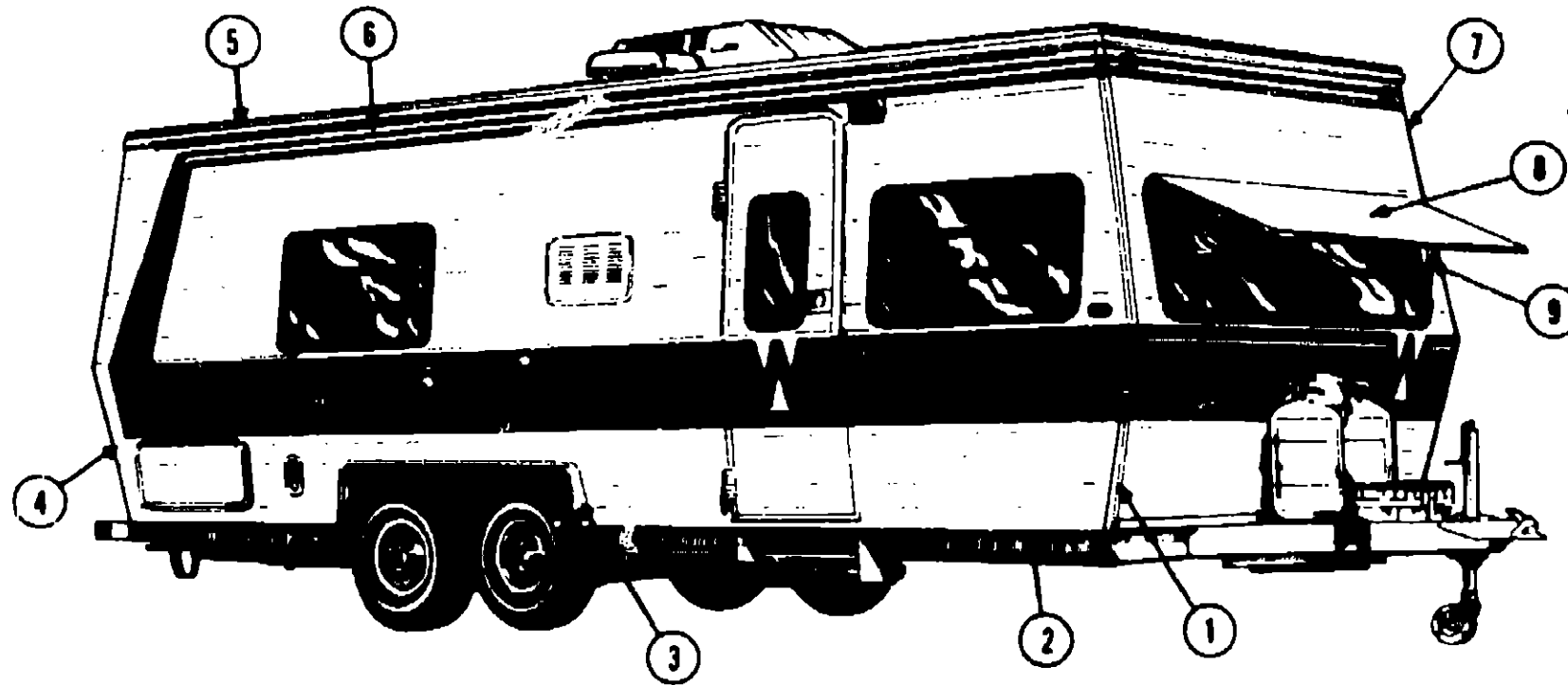
1980 WINNEBAGO TABLE OF CONTENTS

Introduction	A-1
Abbreviations	A-1
Alphabetical Index	A-2 - A-4
TWP25RB/RV	A-5 - B-8
TWP27RB/RV	B-9 - C-12
TWP30RU/RT	C-13 - D-16

1980 TWP30RU/RT INDEX

Floor Plan	C-13 - C-14
Accessories Group	C-15
Bath Group	C-16
Chassis Group	C-17
Curtain, Cushion and Pad Group	C-18 - C-21
Dinette Group	C-22
Electrical Group	C-23 - C-24
Exterior Body Group	D-1 - D-4
Galley Group	D-5
Heating & Air Conditioning Group	D-6
Interior Finish Group	D-7 - D-8
LP Group	D-9
Lounge Group	D-10
Water & Sewage Group	D-11
Window, Vent & Exterior Door Group	D-12 - D-16

EXTERIOR BODY GROUP



1980 WINNEBAGO TABLE OF CONTENTS

Introduction	A-1
Abbreviations	A-1
Alphabetical Index	A-2 - A-4
TWP25RB/RV	A-5 - B-8
TWP27RB/RV	B-9 - C-12
TWP30RU/RT	C-13 - D-16

Key	Part Number	U/M	Description
1	059250-01-000	EA	Trim - Contour - Front Right
2	002755-01-002	EA	Extr. Angie - 1 1/8" x 1 1/8" x 18'
3	059251-01-000	EA	Trim - Wheel Well - Off White
	058473-01-000	EA	Extr. Trim - Wheel Well - 192"
4	059250-02-000	EA	Trim - Contour - Rear Right
	059250-01-000	EA	Trim - Contour - Rear Left
5	062812-02-C10	EA	Roof Trim - U-Channel - 1.45" x 121"
	062803-01-A10	EA	Roof Trim - Radius - 16'
6	062811-02-C10	EA	Trim - Awning Rail - 121"
7	059250-02-000	EA	Trim - Contour - Front Left
8	063648-01-000	EA	Awning - Front Window - 25" x 84"
	037052-01-001	EA	Extr. - Awning Hinge - Male - 18'
	059289-01-000	EA	Extr. - Awning Hinge - Female
9	035255-01-000	EA	Bracket - Awning Mount - (2 per awning)
	Not Illustrated		

1980 TWP30RU/RT INDEX

Floor Plan	C-13 - C-14
Accessories Group	C-15
Bath Group	C-16
Chassis Group	C-17
Curtain, Cushion and Pad Group	C-18 - C-21
Dinette Group	C-22
Electrical Group	C-23 - C-24
Exterior Body Group	D-1 - D-4
Galley Group	D-5
Heating & Air Conditioning Group	D-6
Interior Finish Group	D-7 - D-8
LP Group	D-9
Lounge Group	D-10
Water & Sewage Group	D-11
Window, Vent & Exterior Door Group	D-12 - D-16

EXTERIOR BODY GROUP (CONTINUED)

EXTERIOR BODY PANELS AND SHEET ALUMINUM

Key	Part Number	U/M	Description
	062855-01-L20	EA	Frontwall Asm.
	062856-01-L20	EA	Backwall Asm.
	062857-01-L20	EA	Sidewall Asm. - Left
	062858-01-L20	EA	Sidewall Asm. - Right
	062859-01-L20	EA	Roof Asm.
	039155-28-001	EA	Alum. - Off White Mesa II - .024" x 36" x 60"
	039155-28-003	EA	Alum. - Off White Mesa II - .024" x 36" x 360"
	039155-28-004	EA	Alum. - Off White Mesa II - .024" x 48" x 60"
	039155-28-006	EA	Alum. - Off White Mesa II - .024" x 48" x 360"
	039155-28-007	EA	Alum. - Off White Mesa II - .024" x 12" x 360"
	039155-07-010	EA	Off White Greyhound Alum. - 48" x 96"
	044487-01-000	EA	Plain Roof Metal - 96" x 360"
	001054-01-011	EA	Off White Plain Alum. - 48" x 96"
	000868-01-000	BF	Styrofoam - 3/4" x 24" x 96"
	000870-01-000	BF	Styrofoam - 1 1/2" x 24" x 96"
	001044-02-100	EA	Alum. - Off White - Leather Grain - 18" x 8"

EXTERIOR PAINT

Key	Part Number	U/M	Description
	041561-01-000	EA	Paint - Off White - Acrylic Enamel - 1 Gal.
	041561-03-000	EA	Paint - Off White - Acrylic Enamel - 16 oz. Aerosol
	041561-04-000	EA	Paint - Off White - Acrylic Lacquer - 1 Gal.
	055681-03-000	EA	Paint - Copper Tan - Metallic - 16 oz. Aerosol
	058329-03-000	EA	Paint - Tan - 16 oz. Aerosol

LABELS AND DECALS

Key	Part Number	U/M	Description
	006031-01-000	EA	Label - Potable Water Only
	006187-01-000	EA	Label - Sewage
	006188-01-000	EA	Label - Waste Water
	006199-01-000	EA	Label - Exit - Escape Window
	006028-01-000	EA	Label - Drain Cap - 2" x 3"
	047731-01-000	EA	Label - Emergency Exit
	008062-01-000	EA	Tag - Electrical - 110 V Connection
	054531-01-000	EA	Label - LP Gas Only
	050225-01-000	EA	Label - Warning - Stove Vent - US
	006001-01-000	EA	Name Plate - Winnebago Plastic Chrome - .88" x 5.05"

EXTERIOR BODY GROUP (CONTINUED)

SEALANTS, ADHESIVES AND FASTENERS

Key	Part Number	U/M	Description
	034552-05-000	EA	Sealant - Off White Silicone
	034552-04-000	EA	Sealant - Beige Silicone
	034552-02-000	EA	Sealant - Clear Silicone
	004348-02-000	EA	Sealant - White Silicone
	009200-01-000	EA	Tape - Furnace - 1 1/2"
	004353-01-000	FT	Tape - Gasket - 1/8" x 3/4" - White
	002625-01-000	FT	Weather Stripping - Roof Vent
	002337-01-000	EA	Adhesive - 3M - 1300 Tube
	004005-01-000	GL	Adhesive - Swifts - Green - Glue (Sidewalls)
	004020-01-000	QT	Adhesive - ABS Cement (Plastic Fittings)
	029051-01-000	EA	Adhesive - Spray Vinyl
	042401-02-000	EA	Screw - 8 - 18 x 3/4" SDPH - Off White
	042403-02-000	EA	Screw - SF/DR - 8 - 18 x 1" SDPH - Off White
	053786-01-000	EA	Bedding Compound - Tube Black - Schnee Moorehead
	053786-02-000	EA	Bedding Compound - Tube White - Schnee Moorehead
	053787-01-000	FT	Tape - 1/2" x 1/8" x 30' - Gray - Schnee Moorehead
	053787-03-000	FT	Tape - 1/4" Bead x 20' - Gray - Schnee Moorehead
	053787-04-000	FT	Tape - 3/4" x 1/8" x 30' - Gray - Schnee Moorehead
	053767-05-000	FT	Tape - 2" x 3/32" x 45' - Gray - Schnee Moorehead
	053752-03-000	EA	Sealing Compound - Seam Sealer - White

MISCELLANEOUS EXTERNALLY MOUNTED PARTS

Key	Part Number	U/M	Description
**	011129-01-000	EA	Plumbing Seal - Roof Vent - 1 1/2" White
	009128-01-000	EA	Assist Handle - Metal
	058812-01-000	EA	Battery Box - White Plastic
	010230-02-000	EA	Fill - City - Water - Recessed - Off White
	058806-01-000	EA	Fill - Water - Lockable

**The illustrated parts breakdown for this item is provided on the Common Items Fiche.

1980 WINNEBAGO TABLE OF CONTENTS

Introduction	A-1
Abbreviations	A-1
Alphabetical Index	A-2 - A-4
TWP25RB/RV	A-5 - B-8
TWP27RB/RV	B-9 - C-12
TWP30RU/RT	C-13 - D-16

1980 TWP30RU/RT INDEX

Floor Plan	C-13 - C-14
Accessories Group	C-15
Bath Group	C-16
Chassis Group	C-17
Curtain, Cushion and Pad Group	C-18 - C-21
Dinette Group	C-22
Electrical Group	C-23 - C-24
Exterior Body Group	D-1 - D-4
Galley Group	D-5
Heating & Air Conditioning Group	D-6
Interior Finish Group	D-7 - D-8
LP Group	D-9
Lounge Group	D-10
Water & Sewage Group	D-11
Window, Vent & Exterior Door Group	D-12 - D-16

GALLEY GROUP

GALLEY CABINETRY

Key	Part Number	U/M	Description
	059217-02-L20	EA	Cabinet Asm. - Galley - w/o Countertop, Doors, Drawers or Hardware
	059218-01-L20	EA	Countertop Asm. - Galley Cabinet - Burl Block
	M00060-01-L20	EA	Drawer Asm. - Galley Cabinet - 6" x 11.12" x 20" Deep - w/o Hardware
	059210-01-L20	EA	Door Asm. - Galley Cabinet - 12.38" x 32" - w/o Hardware
	059305-01-L20	EA	Cutting Board - Drawer - Burl Block
	059216-01-L20	EA	Cabinet Asm. - Galley Overhead - w/o Doors or Hardware
	059210-02-L20	EA	Door Asm. - Cabinet - 11.44" x 15.5" - w/o Hardware
	059220-01-L20	EA	Cabinet Asm. - Pantry - w/o Countertop, Drawer or Hardware
	059221-01-L20	EA	Countertop Asm. - Pantry - Mocha Leather
	059231-01-L20	EA	Drawer Asm. - Pantry - 27.5" x 7" x 20" Deep
	054028-01-L20	EA	Sink Cover - Burl Block
	059210-06-L20	EA	Door Asm. - Galley Cabinet - 10.38" x 22" - w/o Hardware
	M00049-01-L20	EA	Cabinet Asm. - Radio - w/o Countertop
	064893-01-L20	EA	Countertop Asm. - Radio Cabinet - Mocha Leather

GALLEY HARDWARE AND APPLIANCES

Key	Part Number	U/M	Description
	011032-01-000	EA	Sink - Stainless Steel - Double w/Bolt
**	011053-01-000	EA	Faucet - 8" - Swing Spout
**	011085-01-000	EA	Strainer - Sink
	009133-01-000	EA	Bar - Towel Rack - 12" - Plastic
	023449-01-000	EA	Support - Towel Rack - Chrome
**	039873-01-700	EA	Catch Asm. - Cabinet Door - w/Strike
	042596-01-000	EA	Slide Asm. - Drawer - 22" x 23.88"
**	049930-03-000	EA	Hood - Range - Powered - Black
	064782-01-000	EA	Range - 4 Burner - Black w/Chrome Top - Magic Chef BT185-4Z
	064472-01-000	EA	Refrigerator - 2 Way - 6 Cubic Foot - Norcold
	052771-02-000	EA	Oven - Microwave - Magic Chef MW207

**The illustrated parts breakdown for this item is provided on the Common Items Fiche.

HEATING AND AIR CONDITIONING GROUP

Key	Part Number	U/M	Description
	009198-01-000	FT	Duct - Flexible - 4" I.D. x 25'
	009200-01-000	EA	Furnace Tape - 1 1/2" - Gray
	023148-01-000	EA	Clamp - Screw Type - 4"
	024985-01-000	EA	Heat Register - w/Damper - 9.9" x 4.8"
	031604-01-000	EA	Bonnet - Heat Register
	039505-02-000	EA	Thermostat - Horizontal Wall Mount - Black
	050783-01-000	EA	Vent Package - Furnace - 1" x 3" Wall
**	059350-01-000	EA	Furnace - 30,000 BTU - w/Electric Ignition - Coleman - 4330-749
**	059351-02-000	EA	Furnace - 24,000 BTU - w/Piezo Ignitor - Coleman
**	049042-02-000	EA	Door - Furnace - 24,000 Coleman
**	049777-02-000	EA	Air Conditioner - 110 Volt - Roof Mount - 11,000 BTU - Ivory Coleman (w/o inside shroud)
**	049778-02-000	EA	Shroud Asm. - Ceiling - Inside - Roof Air - Cool Only - 11,000 BTU - Coleman
**	049774-02-000	EA	Air Conditioner - 110 Volt - Roof Mount - 13,500 BTU Ivory - Coleman (w/o inside shroud)
**	049775-02-000	EA	Shroud Asm. - Ceiling - Inside - Roof Air - Cool Only - 13,500 BTU - Coleman
**	043776-01-000	EA	Shroud Asm. - Ceiling Inside - Roof Air - Heat and Cool - 13,500 BTU - Coleman

**The illustrated parts breakdown for this item is provided on the Common Items Fiche.

1990 WINNEBAGO TABLE OF CONTENTS

Introduction	A-1
Abbreviations	A-1
Alphabetical Index	A-2 - A-4
TWP25RB/RV	A-5 - B-8
TWP27RB/RV	B-9 - C-12
TWP30RU/RT	C-13 - D-16

1990 TWP30RU/RT INDEX

Floor Plan	C-13 - C-14
Accessories Group	C-15
Bath Group	C-16
Chassis Group	C-17
Curtain, Cushion and Pad Group	C-18 - C-21
Dinette Group	C-22
Electrical Group	C-23 - C-24
Exterior Body Group	D-1 - D-4
Galley Group	D-5
Heating & Air Conditioning Group	D-6
Interior Finish Group	D-7 - D-8
LP Group	D-9
Lounge Group	D-10
Water & Sewage Group	D-11
Window, Vent & Exterior Door Group	D-12 - D-16

INTERIOR FINISH GROUP (CONTINUED)

PANELING AND COUNTERTOP MATERIALS

Key	Part Number	U/M	Description
	064385-02-000	SF	Paneling - 900 Russet Oak - 48" x 96" (32 SF)
	064385-03-000	SF	Paneling - Autumn Cork - 48" x 96" (32 SF)
	064388-04-000	SF	Paneling - Bath - Atrium Red - 48" x 96" (32 SF)
	064388-05-000	SF	Paneling - Bath - Atrium Winter - 48" x 96" (32 SF)
	058039-01-000	SF	Plastic Laminate - Burl Block - 48" x 96" (32 SF)
	062852-01-000	SF	Plastic Laminate - Mocha Leather - 48" x 96" (32 SF)

INTERIOR MOLDINGS AND TRIMS

Key	Part Number	U/M	Description
	064386-02-000	EA	Batt Strip - 900 Russet Oak - 8'
	064389-04-000	EA	Batt Strip - Autumn Cork - 8'
	064389-05-000	EA	Batt Strip - Atrium Red - 8'
	064389-06-000	EA	Batt Strip - Atrium Winter (Blue/Gray) - 8'
	009767-05-000	FT	Welting - Light Brown
	009812-06-000	FT	Molding - Plastic - Outside Corner - .50"
	009778-03-000	FT	U-Channel - Light Brown - 1"
	064468-01-000	FT	Gimp - Teak - 3/4" Wide - Ceiling
	009779-03-000	FT	U-Channel - Light Brown - 1 1/8"
	062029-01-000	EA	Trim - Woodgrain Vinyl - Adhesive Back - 2 1/8" x 78"
	002804-01-203	EA	Extr. - Sweep, Out - Door Threshold - 24.5"

FABRICS AND FLOOR COVERINGS

Key	Part Number	U/M	Description
	064393-04-000	YD	Fabric - Drapery - Dublin Flax
	064393-11-000	YD	Fabric - Drapery - Sheer - Champagne
	064383-06-000	YD	Fabric - Upholstery - Biscayne Rust
	064383-05-000	YD	Fabric - Upholstery - Biscayne Brown
	064383-08-000	YD	Fabric - Upholstery - Biscayne Silver
	064383-07-000	YD	Fabric - Upholstery - Biscayne Blue
	053327-01-000	YD	Vinyl - Non Expanded - 27 oz. - Acorn
	053327-02-000	YD	Vinyl - Expanded - 28 oz. - Acorn
	053327-03-000	YD	Vinyl - Non Support - 16 Gauge Film- Acorn
	064384-01-000	SY	Carpet - Ginger (Fluat Unit)
	064384-14-000	SY	Carpet - 792 Mahogany (Brown Unit)
	049311-01-000	SY	Carpet - Irish Linen (Silver or Blue Unit)
	058325-01-000	SY	Vinyl - Floor Covering - Terra Cotta

INTERIOR FINISH GROUP (CONTINUED)

CABINETS AND TABLE HARDWARE

Key	Part Number	U/M	Description
**	046543-01-000	EA	Kit - Drawer Pull - Rustic Early American - Antique Brass
**	039873-01-700	EA	Catch w/Strike - Nylon - Cabinet Door
**	059777-01-000	EA	Hinge - Cabinet Door - Antique Brass
**	059322-01-000	EA	Kit - Door Pull - Rustic Early American
**	041938-01-000	EA	Hinge Kit - Upper Door - Double Acting
**	058034-01-000	EA	Latch - Sliding Door - Bath
**	009155-01-000	EA	Track - Sliding Door - Bath
**	009156-01-000	EA	Hanger - Sliding Door - Bath
**	059783-01-000	FT	Closet Bar - Slotted Aluminum
**	024276-06-000	EA	Leg Asm. - Dinette Table
**	024277-02-000	EA	Hinge - Table Leg
**	024282-01-000	EA	Brace - Table Leg
**	024283-01-000	EA	Clip - Table Leg
**	024275-03-000	EA	Rod - Table Lift
**	024281-03-000	EA	Bracket - Table Lift
**	053200-01-000	EA	Support - Table - 23.5"
**	053201-01-000	EA	Hanger - Table - 23"
**	042596-05-000	EA	Slide Asm. - Drawer - 18"
**	081604-01-000	EA	Slide Bolt - Antique Brass - Front Bunk
**	037688-01-000	FT	Rail - Drawer Glide
**	047744-01-000	EA	Kit - Drawer Glide

**The illustrated parts breakdown for this item is provided on the Common Items Fiche.

CURTAIN HARDWARE

Key	Part Number	U/M	Description
	052327-04-236	EA	Track - Curtain - Brown Alum. - 89" w/Holes
	053272-04-200	EA	Track - Curtain - Off White Alum. - 89" w/Holes
	058001-01-000	EA	Bracket - Shade - Left
	058002-01-000	EA	Bracket - Shade - Right
	009107-01-000	EA	Guide - Nylon Snap - Curtain
	018031-42-000	EA	Track - Curtain - "L" Rod - Alum. Extr. - 90"
	009701-01-000	EA	Carrier - "L" Rod - Curtain
	009702-01-000	EA	End Stop - "L" Rod - Curtain
	039175-01-000	EA	Curtain Rod - Cafe - Extends 48" to 84"
	039175-02-000	EA	Bracket - Cafe Curtain Rod
	009224-01-000	EA	Curtain Rod - Flat - Extends 28" to 48"

MISCELLANEOUS

Key	Part Number	U/M	Description
	041944-01-700	EA	Fire Extinguisher - Dry Chemical w/Bracket
	054185-10-000	EA	Owner's Manual - Travel Trailer
	007038-01-000	EA	Door Mat - Black Rubber - 10 1/2" x 28"

**1980 WINNEBAGO
TABLE OF CONTENTS**

Introduction	A-1
Abbreviations	A-1
Alphabetical Index	A-2 - A-4
TWP25RB/RV	A-5 - B-8
TWP27RB/RV	B-9 - C-12
TWP30RU/RT	C-13 - D-16

1980 TWP30RU/RT INDEX

Floor Plan	C-13 - C-14
Accessories Group	C-15
Bath Group	C-16
Chassis Group	C-17
Curtain, Cushion and Pad Group	C-18 - C-21
Dinette Group	C-22
Electrical Group	C-23 - C-24
Exterior Body Group	D-1 - D-4
Galley Group	D-5
Heating & Air Conditioning Group	D-6
Interior Finish Group	D-7 - D-8
LP Group	D-9
Lounge Group	D-10
Water & Sewage Group	D-11
Window, Vent & Exterior Door Group	D-12 - D-16

LP GROUP

Key	Part Number	U/M	Description
	00802-01-000	EA	Tank - LP - 30# - Vertical
	00815-01-000	EA	Regulator - LP Automatic - (Tradon Eng.)
	024712-01-000	EA	Cover - Automatic Regulator
	058705-01-000	EA	Regulator - LP - Automatic - (Marshall Brass)
	058706-01-000	EA	Cover - Automatic Regulator - (Marshall Brass)
	022886-01-000	EA	Hose Asm. - LP 1/4 I.D. x 18"
	045703-01-000	EA	Hose Asm. - LP 3/8 I.D. x 24"
	047221-01-000	EA	Detector - LP - Gas Leak - Rosan
	085741-01-000	EA	Detector - LP - Gas Leak - Marshalltown Instruments
	058792-01-000	EA	Tray - LP and Hold Down Kit

LOUNGE GROUP

LOUNGE WITH DOUBLE BED

Key	Part Number	U/M	Description
	084872-01-L20	EA	Cabinet Asm. - Bedroom - 13.6" x 20.75" x 27.5" High - 2 Drawer - w/o Drawers or Countertop
	084909-01-L20	EA	Cabinet Asm. - Bedroom - 13.6" x 20.85" x 29.4" High - 4 Drawer - w/o Drawers or Countertop
	084874-01-L20	EA	Countertop Asm. - Bedroom Cabinet - 22" x 14.5" - Mocha Leather
	M00080-05-L20	EA	Drawer Asm. - Bedroom Cabinet - 6" x 11.4" x 13.5" Deep - w/o Hardware

LOUNGE WITH TWIN BEDS

Key	Part Number	U/M	Description
	084884-01-L20	EA	Cabinet Asm. - Nightstand - 23.3" x 24.75" x 27.4" High - w/o Countertop, Door or Hardware
	084885-01-L20	EA	Countertop Asm. - Nightstand - 24.88" x 25.5" - Mocha Leather

REAR OVERHEAD CABINETS

Key	Part Number	U/M	Description
	059227-01-L20	EA	Cabinet Asm. - Overhead Bunk - w/o Doors or Hardware (optional)
	023812-23-000	EA	Rail - Bunk - 82.7" - Brown
	041389-01-000	EA	Hinge - Plano - 72.5" - Brown
	081804-01-000	EA	Slide Bolt - Overhead Bunk - Antique Brass
	059228-01-L20	EA	Cabinet Asm. - Rear Overhead - w/o Doors or Hardware
	059210-02-L20	EA	Door Asm. - Overhead Cabinet - 11.44" x 15.5" - w/o Hardware

1990 WINNEBAGO TABLE OF CONTENTS

Introduction	A-1
Abbreviations	A-1
Alphabetical Index	A-2 - A-4
TWP25RB/RV	A-5 - B-8
TWP27RB/RV	B-9 - C-12
TWP30RU/RT	C-13 - D-16

1990 TWP30RU/RT INDEX

Floor Plan	C-13 - C-14
Accessories Group	C-15
Bath Group	C-16
Chassis Group	C-17
Curtain, Cushion and Pad Group	C-18 - C-21
Dinette Group	C-22
Electrical Group	C-23 - C-24
Exterior Body Group	D-1 - D-4
Galley Group	D-5
Heating & Air Conditioning Group	D-6
Interior Finish Group	D-7 - D-8
LP Group	D-9
Lounge Group	D-10
Water & Sewage Group	D-11
Window, Vent & Exterior Door Group	D-12 - D-16

WATER AND SEWAGE GROUP

PLUMBING REPAIR PARTS

Key	Part Number	U/M	Description
**	040539-01-000	EA	Kit - Repair - 3/8" O.D. Plastic Tube
**	040540-01-000	EA	Kit - Repair - 1/2" O.D. Plastic Tube
**	040541-01-000	EA	Kit - Repair - 5/8" O.D. Plastic Tube
**	063646-01-000	EA	Pump - Water Flow 2.6 G.P.M. - PAR
**	039647-02-000	EA	Filter - Water Pump 1/2" MPT
**	039618-01-000	EA	Riser Asm. - 3/8" O.D. x 24" Tube
**	039618-02-000	EA	Riser Asm. - 3/8" O.D. x 36" Tube
**	039618-04-000	EA	Riser Asm. - 3/8" O.D. x 72" Tube
**	052952-01-000	EA	Nut - Plastic - 1/2" F
**	052953-01-000	EA	Nut - Faucet - 1/2 Tube x 1/2 FPT
**	052954-01-000	EA	Adapter - Nose Cone 3/8 or 1/2
**	052958-01-000	EA	Tee Plastic 1/2 F x 1/2 F x 1/2 F
**	052959-01-000	EA	Connector - Plastic 1/2 F x 1/4 MPT
**	052960-01-000	EA	Valve - Line Drain 1/2 F x 1/2 F
**	007134-01-000	EA	Clamp - Hose - Spring Type - 9/16"
**	052955-01-000	EA	Tee - Plastic - 1/2 F x 1/2 F x 1/2 MPT
**	010224-01-000	EA	Adapter - Plastic - 3/8 MPT x 3/8 Barb
**	010326-01-000	EA	Adapter Flare - 3/8 F x 1/2 M
**	063641-01-000	EA	Flange - Closet - 4" x 3" Spigot - 2.75" Long
**	061607-01-000	EA	Grommet - Holding Tank - 1 1/2"
**	061607-02-000	EA	Grommet - Holding Tank - 3"
**	062422-01-000	EA	Adapter - Offset Reducer - 3" x 1 1/2"
**	011091-01-000	EA	Waste - Continuous - Double Sink 12"
**	011066-01-000	EA	P-Trap - Plastic - 1 1/4"
**	031126-01-000	EA	Elbow - Plastic - 1/4 BD 3 x 90 x LT
**	031111-01-000	EA	Elbow - Plastic - 1/4 BD 1 1/4 x 90 x LT
**	010133-01-000	EA	Adapter - Trap - Plastic 1 1/2" H x MPT
**	010079-01-000	EA	Tee - Plastic - 1 1/2" H x 1 1/2 H x 1 1/4" H
**	010000-01-000	EA	Elbow - Plastic - 1/8 BD 1 1/4 x 45 H x H
**	010121-01-000	EA	Bushing - Plastic - 1 1/2 S x 1 1/4 H
**	049910-01-000	EA	Tee - Plastic - 1 1/4 H x H x H
**	034250-01-000	EA	Elbow - Plastic - 1/4 BD 1 1/2 x 90 H x H
**	004020-01-000	QT	Adhesive - ABS Cement
**	010201-01-000	EA	Hose - Sewer 3" x 10 Ft. w/Clamp
**	062415-01-000	EA	Cap - Sewer - 3"
**	062416-01-000	EA	Hose Adapter - 3"
**	062627-01-000	EA	Valve - Dual - 3" x 1 1/2" - Off Set - w/Cap
**	050780-01-000	EA	Coupler - Rubber - 3" x 3"
**	046524-01-000	EA	Kit - Plastic Fittings - Holding Tank
**	046524-02-000	EA	Kit - Plastic Fittings - Water Tank
**	037845-01-000	FT	Tape - Butyl - 3/16" - Bead - Black

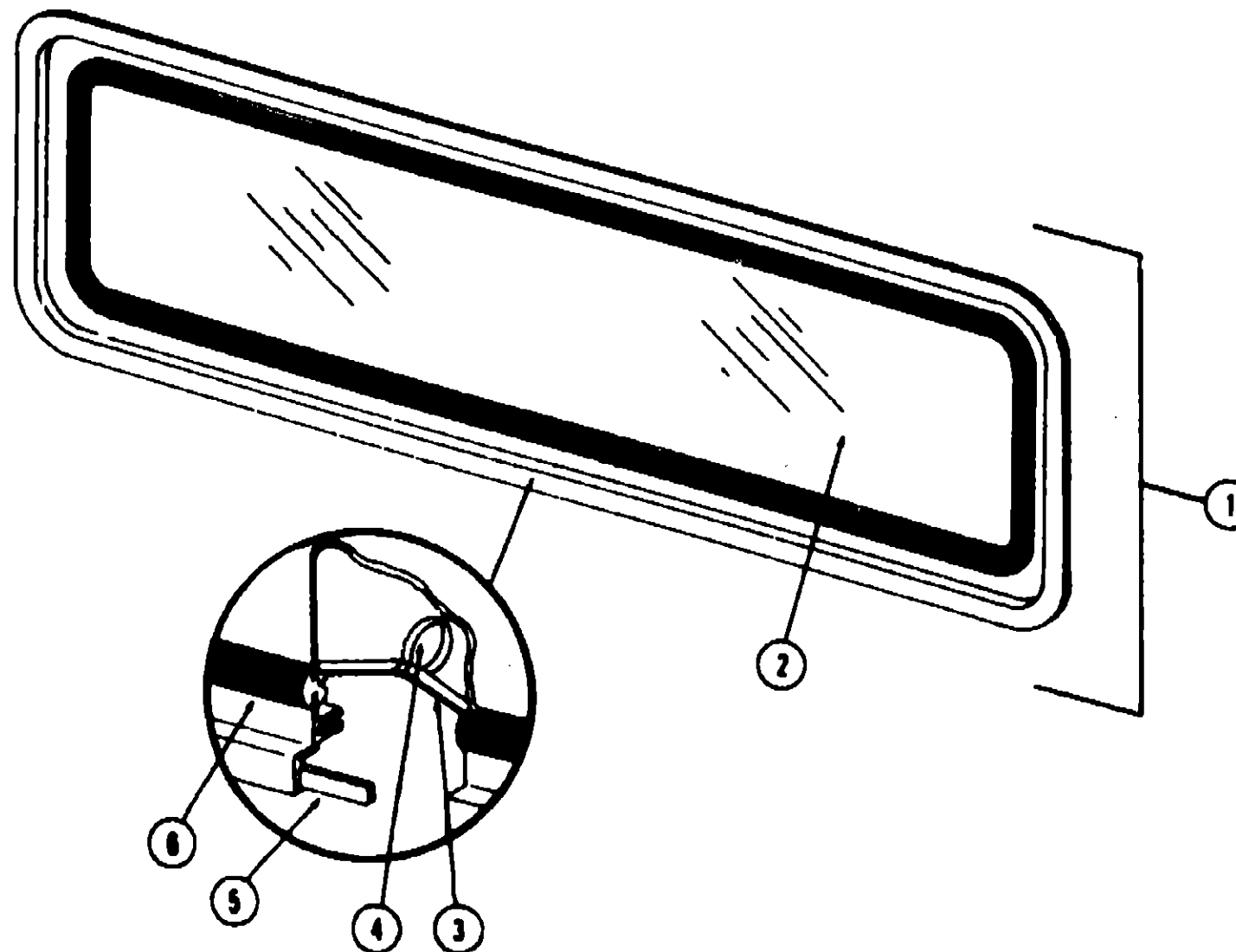
**The illustrated parts breakdown for this item is provided on the Common Items Fiche.

HOLDING TANKS AND WATER HEATER

Key	Part Number	U/M	Description
**	059028-02-000	EA	Tank Asm. - Water - 44 Gallon w/Fittings
**	059028-01-000	EA	Tank Asm. - Water - 44 Gallon w/o Fittings
**	053369-05-000	EA	Tank Asm. - Sewage - 43 Gallon w/Fittings
**	053369-06-000	EA	Tank Asm. - Gray Water - 43 Gallon w/Fittings
**	053369-01-000	EA	Tank Asm. - Sewage or Gray Water - 43 Gallon w/o Fittings
**	051391-01-000	EA	Water Heater - w/o Motor Aid - Atwood G&A-3

**The illustrated parts breakdown for this item is provided on the Common Items Fiche.

WINDOW, VENT AND EXTERIOR DOOR GROUP



Key	Part Number	U/M	Description
1	020754-03-000	EA	Window Asm. - Escape - 23" x 66" Black Anod. (w/o inside frame)
2	002178-01-000	EA	Glass - 1/8" x 19.61" x 64.60"
3	002285-01-000	FT	Weatherstrip - Filler - Black
4	020395-01-000	EA	Slip Ring - Pull
5	053767-03-000	FT	Tape - 1/4" Bead x 20' - Gray - Schnee Moorehead
6	002282-01-000	FT	Weatherstrip - Window .125" Black
.	020752-03-000	EA	Frame - Window - Inside - Escape 23" x 66" (not included in assembly)
.	006199-01-000	EA	Label - Exit - Escape Window
.	Not Illustrated		

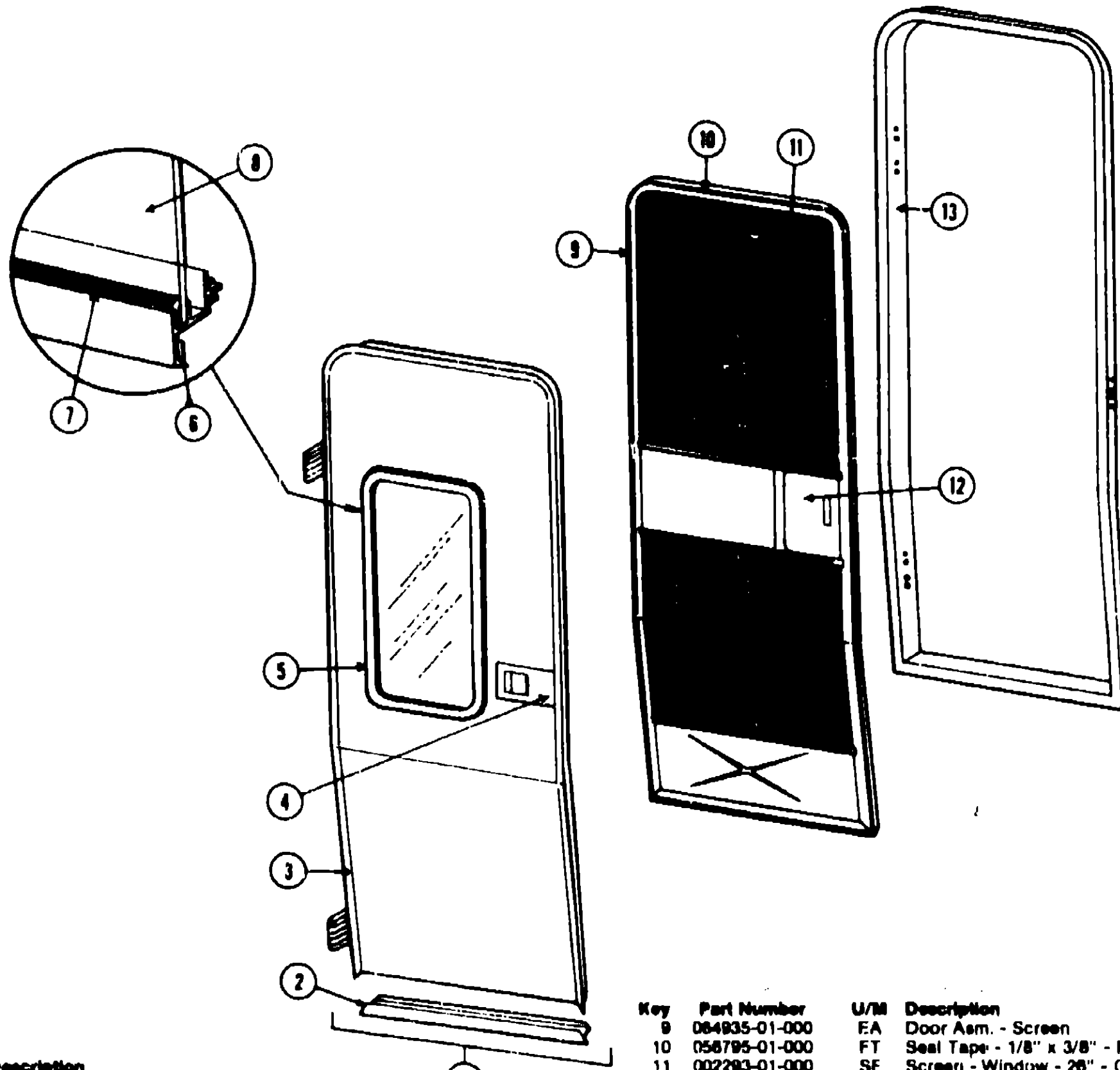
1990 WINNEBAGO TABLE OF CONTENTS

Introduction	A-1
Abbreviations	A-1
Alphabetical Index	A-2 - A-4
TWP25RB/RV	A-5 - B-8
TWP27RB/RV	B-9 - C-12
TWP30RU/RT	C-13 - C-16

1990 TWP30RU/RT INDEX

Floor Plan	C-13 - C-14
Accessories Group	C-15
Bath Group	C-16
Chassis Group	C-17
Curtain, Cushion & Pad Group	C-18 - C-21
Dinette Group	C-22
Electrical Group	C-23 - C-24
Exterior Body Group	D-1 - D-4
Galley Group	D-5
Heating & Air Conditioning Group	D-6
Interior Finish Group	D-7 - D-8
LP Group	D-9
Lounge Group	D-10
Water & Sewage Group	D-11
Window, Vent & Exterior Door Group	D-12 - D-16

WINDOW, VENT AND EXTERIOR DOOR GROUP (CONTINUED)



Key	Part Number	U/M	Description
1	064908-01-000	EA	Door Asm. - Entrance w/Screen Door - Travel Trailer
2	039737-01-000	EA	Frame - Entrance Door - Bottom
3	064932-01-000	EA	Frame - Entrance Door (Except Bottom)
4	024094-01-000	EA	Lock Asm. - Entrance Door - Hartwell
	024094-01-705	EA	Lock Cylinder w/Key - Hartwell
	024094-01-706	EA	Key Blank - Hartwell Lock
5	041875-02-000	EA	Window Asm. - Picture - 13" x 23" - Black Anod. (Inside frame not included in assembly)
6	053767-03-000	FT	Tape - 1/4" Bead x 20' - Gray
7	002309-02-000	FT	Spline - 1/8" Glass - Black
8	002181-01-000	EA	Glass - Door Window - 1/8" x 12" x 22" - Gray
	041896-01-000	EA	Frame - Window - Inside - 13" x 23"

Key	Part Number	U/M	Description
9	064935-01-000	EA	Door Asm. - Screen
10	056795-01-000	FT	Seal Tape - 1/8" x 3/8" - Press On
11	002293-01-000	SF	Screen - Window - 26" - Gray
	002294-01-000	FT	Spline - Screen - Black
	015581-01-000	EA	Cap - Screen Door - Dark Brown Plastic
12	015580-01-000	EA	Slider - Screen Door - Dark Brown Plastic
13	059272-02-000	EA	Jamb Asm. - Entrance Door
	064930-02-000	EA	Hinge Asm. - Entrance Door - Lower
	064930-01-000	EA	Hinge Asm. - Entrance Door - Upper
	054530-01-000	EA	Catch - Door - Mounts on Sidewall
	009016-01-000	EA	Catch - Elbow - Screen Door
	039863-01-000	EA	Catch Asm. - Single Roller w/Strike
	051390-01-000	FT	Bulb Seal - Rubber
	Not Illustrated		

**1980 WINNEBAGO
TABLE OF CONTENTS**

Introduction	A-1
Abbreviations	A-1
Alphabetical Index	A-2 - A-4
TWP25RB/RV	A-5 - B-8
TWP27RB/RV	B-9 - C-12
TWP30RU/RT	C-13 - D-16

1980 TWP30RU/RT INDEX

Floor Plan	C-13 - C-14
Accessories Group	C-15
Bath Group	C-16
Chassis Group	C-17
Curtain, Cushion & Pad Group	C-18 - C-21
Dinette Group	C-22
Electrical Group	C-23 - C-24
Exterior Body Group	D-1 - D-4
Galley Group	D-5
Heating & Air Conditioning Group	D-6
Interior Finish Group	D-7 - D-8
LP Group	D-9
Lounge Group	D-10
Water & Sewage Group	D-11
Window, Vent & Exterior Door Group	D-12 - D-16

WINDOW, VENT AND EXTERIOR DOOR GROUP (CONTINUED)

WINDOWS

Key	Part Number	U/M	Description
	059531-01-000	EA	Window - Push Out Bunk - Regular Glass
	059531-02-000	EA	Window - Push Out Bunk - Safety Glass
	063384-01-000	EA	Inside Frame - Bunk Window - 9" x 14 1/2"
	065501-01-000	EA	Window - Awning - 2 Panel - 18" x 41.88" - Regular Glass
	065501-02-000	EA	Window - Awning - 2 Panel - 18" x 41.88" - Safety Glass
	063384-02-000	EA	Frame - Inside - Awning Window - 18" x 44.88"
	065501-03-000	EA	Window - Awning - 2 Panel - 18" x 29.88" - Regular Frosted
	065501-06-000	EA	Window - Awning - 2 Panel - 18" x 29.88" - Safety Frosted
	063384-06-000	EA	Frame - Inside - Awning Window - 18" x 30"
	065502-01-000	EA	Window - Awning - 3 Panel - 22.12" x 41.88" - Regular Glass
	065502-04-000	EA	Window - Awning - 3 Panel - 22.12" x 41.88" - Safety Glass
	063384-05-000	EA	Frame - Inside - Awning Window - 22.12" x 41.88"
	065502-03-000	EA	Window Awning - 3 Panel - 22.12" x 66" - Regular Glass
	065502-06-000	EA	Window - Awning - 3 Panel - 22.12" x 66" - Safety Glass
	063384-04-000	EA	Frame - Inside - Awning Window - 22.12" x 66"
	065502-07-000	EA	Window - Awning - 3 Panel - 22.12" x 72" - Regular Glass
	065502-08-000	EA	Window - Awning - 3 Panel - 22.12" x 72" - Safety Glass
	063384-07-000	EA	Frame - Inside - Awning Window - 22" x 72"
	067052-01-000	EA	Knob - Awning Window - w/Screw

VENTS

Key	Part Number	U/M	Description
	065103-01-000	EA	Roof Vent - Refrigerator
	064469-01-000	EA	Roof Vent - Powered - Jensen
	064470-01-000	EA	Roof Vent - Nonpowered - Jensen
	056119-01-701	EA	Cover - Roof Vent - Jensen - White
	046954-01-700	EA	Motor - 12 Volt - Jensen - U.S.
	049930-04-700	EA	Motor - 12 Volt - Jensen - C.S.A.
	009439-01-000	EA	Crank - Roof Vent
	056119-01-702	EA	Fan - Plastic
	049930-01-702	EA	Switch - Jensen - U.S.
	053130-02-703	EA	Switch - Jensen - C.S.A.

ACCESS DOORS

Key	Part Number	U/M	Description
	062777-02-L20	EA	Door Asm. - Luggage - 30" x 10.3" - Off White w/Key Lock
	059247-02-000	EA	Door Asm. - Refrigerator Access - Off White w/Twist Lock
	059240-01-000	EA	Doc. Asm. - Luggage - 12 3/4" x 35" - Off White w/Key Lock
	009181-01-000	FT	Chain - Trunk Door
	009085-01-000	EA	Hinge - Continuous Alum. - 1 1/2" x 98"
	041312-01-000	FT	Bulb Seal - "E" Section
	052009-01-000	EA	Door - Water Heater - Off White - Atwood
	063946-01-000	EA	Door Asm. - Power Cord w/Hatch - Off White
	052950-03-700	EA	Lock Asm. - Twist Type w/Clip (Power Cord Door)
	052950-01-700	EA	Lock Asm. - Twist Type w/Clip - White Plastic

1990 WINNEBAGO TABLE OF CONTENTS

Introduction	A-1
Abbreviations	A-1
Alphabetical Index	A-2 - A-4
TWP25RB/RV	A-5 - B-8
TWP27RB/RV	B-9 - C-12
TWP30RU/RT	C-13 - D-16

1990 TWP30RU/RT INDEX

Floor Plan	C-13 - C-14
Accessories Group	C-15
Bath Group	C-16
Chassis Group	C-17
Curtain, Cushion & Pad Group	C-18 - C-21
Dinette Group	C-22
Electrical Group	C-23 - C-24
Exterior Body Group	D-1 - D-4
Galley Group	D-5
Heating & Air Conditioning Group	D-6
Interior Finish Group	D-7 - D-8
LP Group	D-9
Lounge Group	D-10
Water & Sewage Group	D-11
Window, Vent & Exterior Door Group	D-12 - D-16