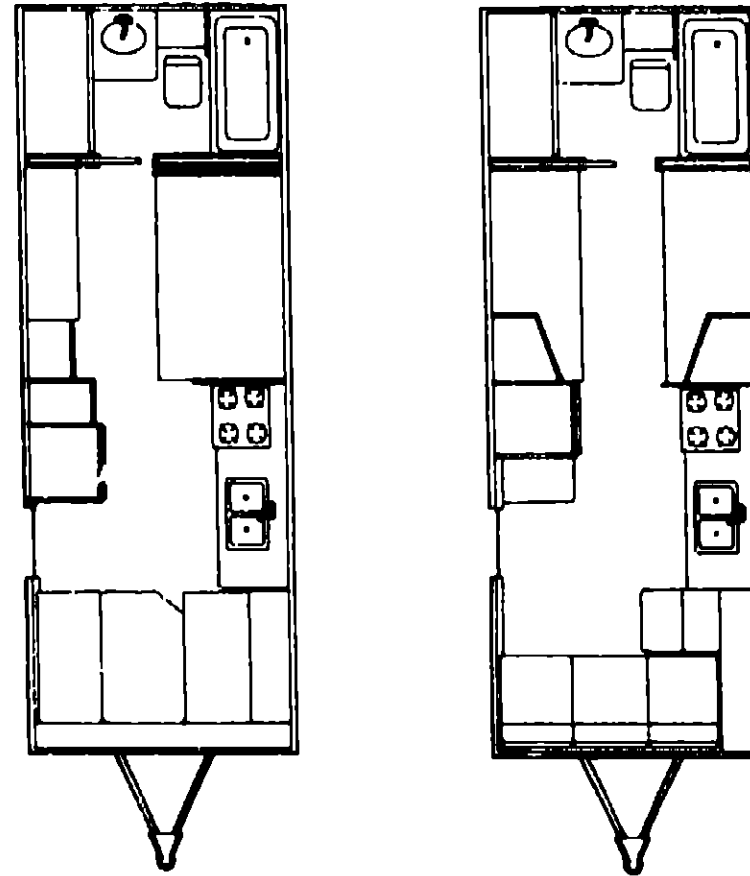


1980 TWP25RB/RV



1980 WINNEBAGO TABLE OF CONTENTS

Introduction	A-1
Abbreviations	A-1
Alphabetical Index	A-2 - A-4
TWP25RB/RV	A-5 - B-8
TWP27RB/RV	B-9 - C-12
TWP30RU/RT	C-13 - D-16

1980 TWP25RB/RV INDEX

Floor Plan	A-5 - A-6
Accessories Group	A-7
Bath Group	A-8
Chassis Group	A-9
Curtain, Cushion and Pad Group	A-10 - A-13
Dinette Group	A-14
Electrical Group	A-15 - A-16
Exterior Body Group	A-17 - A-20
Galley Group	A-21
Heating & Air Conditioning Group	A-22
Interior Finish Group	A-23 - A-24
LP Group	B-1
Lounge Group	B-2
Water & Sewage Group	B-3
Window, Vent & Exterior Door Group	B-4 - B-8

ACCESSORIES GROUP

Key	Part Number	U/M	Description
	040466-07-000	EA	Tire Cover - Off White - Vinyl
	001406-01-000	EA	Kit - Electric Brakes - 2 or 4 Wheels - Under Dash Control Mount
	047389-01-000	EA	Battery - 12 Volt - 105 Amp - Deep Cycle
	068816-01-000	EA	Hub Cap - 4 Bar
	081049-01-000	EA	Wheel Cover - 15"
	059541-01-000	EA	Wheel and Tire Asm. - 15"
	058812-01-000	EA	Box - Battery - White
	058014-01-000	EA	Radio - AM/FM Stereo/8 Track - Motorola
	058014-02-000	EA	Radio - AM/FM Stereo/Cassette - Motorola
	058725-01-000	EA	Grille - Speaker
	058726-01-000	EA	Speaker - Radio
	006053-01-000	EA	Antenna - TV - Braund Delux
	006093-01-000	EA	Jack - TV - Brown
	M00059-11-L20	EA	Mirror Asm. - 15" x 29" w/Safety Glass and Oak Frame
	058331-05-000	EA	Mirror - 12" x 28" - Safety Glass
	084890-01-L20	EA	Rack Asm. - Magazine
	063648-01-000	EA	Awning - Front Window - 25" x 84"

OVERHEAD BUNK CABINERY

Key	Part Number	U/M	Description
	059226-01-L20	EA	Cabinet Asm. - Side Overhead Bunk - Right or Left
	059227-01-L20	EA	Cabinet Asm. - Front Overhead Bunk - w/o Doors or Hardware
	059210-02-L20	EA	Door Asm. - Front Overhead - 11.44" x 15.5" - w/o Hardware
	023812-23-000	EA	Rail - Bunk - 82.7" - Brown
	081804-01-000	EA	Slide Bolt - Antique Brass
	041389-01-000	EA	Hinge - Bunk - 72.5" - Brown

BATH GROUP

BATH HARDWARE

Key	Part Number	U/M	Description
	069640-01-000	EA	Sink - Large Oval - Ivory Plastic
**	011056-01-000	EA	Faucet - Lavatory
	011063-01-000	EA	Plug w/Stopper - 1 1/4" x 5"
	059259-01-000	EA	Bathtub - Off White Plastic
**	011089-01-000	EA	Tailpiece - 1 1/4" x 4" - Brass
**	031558-01-000	EA	Faucet - Tub and Shower
**	011086-01-000	EA	Strainer - Shower Pan
**	011048-02-000	EA	Shower Head - w/60" Hose
	009133-02-000	EA	Bar - Towel Rack - 18" - Plastic
	023449-01-000	EA	Support - Towel Bar
	033580-01-000	EA	Ring - Towel - Chrome - w/Plastic Ring
	058331-03-000	EA	Mirror - Safety Glass - 1/8" x 10" x 42"
	009021-01-000	EA	Catch - Nylon
	009021-02-000	EA	Strike - Nylon Catch
	057671-01-000	EA	Cover - No. 8 Screw - Antique White
	058331-05-000	EA	Mirror - Safety Glass - 12" x 28"
	009089-01-000	EA	Clip - Mirror
	058034-01-000	EA	Latch - Sliding Door
	009155-01-000	EA	Track - Sliding Door
	009156-01-000	EA	Hanger - Sliding Door
	009134-01-000	EA	Holder - Tissue
	009151-01-000	EA	Warp Guard - 48"
	059783-01-000	FT	Closest Bar - Slotted Aluminum
	083740-01-000	EA	Toilet - Thetford Aqua Magic - Ivory

**The illustrated parts breakdown for this item is provided on the Common Items Fiche.

BATH CABINERY

Key	Part Number	U/M	Description
	059200-01-L20	EA	Cabinet Asm. - Lavatory w/o Countertop, Door or Hardware
	059201-01-L20	EA	Countertop Asm. - Lavatory Cabinet - Mocha Leather
	059210-03-L20	EA	Door Asm. - Wardrobe Cabinet - 20.75" x 58.25" - w/o Hardware
	059210-04-L20	EA	Door Asm. - 10" x 37.5" - w/o Hardware
	059210-05-L20	EA	Door Asm. - 20.25" x 29.25" - w/o Hardware
	059208-01-L20	EA	Door Asm. - Sliding Bath - w/Hanger - w/o Latch
	062867-01-L20	EA	Cabinet Asm. - Medicine - w/o Door or Hardware
	M00059-11-L20	EA	Door Asm. - w/Mirror - 15.1" x 29.1"

1980 WINNEBAGO TABLE OF CONTENTS

Introduction	A-1
Abbreviations	A-1
Alphabetical Index	A-2 - A-4
TWP25RB/RV	A-5 - B-8
TWP27RB/RV	B-9 - C-12
TWP30RU/RT	C-13 - D-16

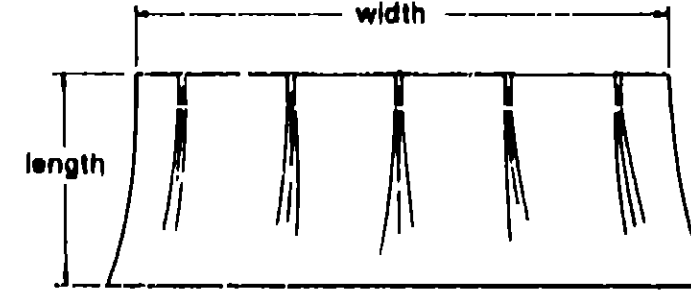
1980 TWP25RB/RV INDEX

Floor Plan	A-5 - A-6
Accessories Group	A-7
Bath Group	A-8
Chassis Group	A-9
Curtain, Cushion and Pad Group	A-10 - A-13
Dinette Group	A-14
Electrical Group	A-15 - A-16
Exterior Body Group	A-17 - A-20
Galley Group	A-21
Heating & Air Conditioning Group	A-22
Interior Finish Group	A-23 - A-24
LP Group	B-1
Lounge Group	B-2
Water & Sewage Group	B-3
Window, Vent & Exterior Door Group	B-4 - B-8

CHASSIS GROUP

Key	Part Number	U/M	Description
	001482-01-000	EA	Safety Chain - w/Hook - 5/16" x 3/8"
	058811-01-000	EA	Coupler - A Frame - Atwood
	058810-02-000	EA	Jack - Side Wind - 2,000 Pound Capacity - Atwood
	065101-01-000	EA	Jack - Tongue - Electric - 12 V
	058809-02-000	EA	Caster - Steel - 2,000 Pound Capacity - Atwood
	024652-01-700	EA	Step Asm. - Pull Out
	058813-01-000	EA	Drop Axle - 4" - Dexter H4
	058813-01-700	EA	Grease Seal - Dexter - 10-4
	058813-01-701	EA	Inner Bearing - Dexter - LM - 48548
	058813-01-702	EA	Inner Cup - Dexter - LM - 46510
	058813-01-703	EA	Shoe and Lining Assembly (Primary) - Dexter - 40-17
	058813-01-704	EA	Retractor Spring - Dexter - 46-9
	058813-01-705	EA	Shoe and Lining Assembly (Secondary) - Dexter - 40-21
	058813-01-706	EA	Outer Cup - Dexter - L44510
	058813-01-707	EA	Outer Bearing - Dexter - L 44849
	058813-01-708	EA	Magnet Assembly - Dexter - 42-72
	058813-01-709	EA	Magnet Spring - Dexter - 46-2
	058813-01-710	EA	Hub Assembly - Complete w/Cups - Dexter - B-152-4
	061086-01-000	EA	Wheel Well - Tandem Axle
	024053-01-000	EA	Tire Carrier - Fold Down
	024053-02-000	EA	Tire Carrier - Permanent Mount
	061091-01-000	EA	Bumper Asm - Primed - 4" x 4"
	039779-01-000	EA	Cap - Rubber - 4" x 4" - Bumper
	058812-01-000	EA	Box - Battery - White
	065102-01-000	EA	Jack - Stabilizing - Frame Mount
	045423-01-000	EA	Pan - LP Cylinder - Double Rack
	059541-01-000	EA	Wheel and Tire Asm - 15"

CURTAIN, CUSHION AND PAD GROUP



NOTE:

Use this illustration when determining length and width measurement for curtains. You will note the width measurement is taken on the top of the curtain with the curtain fully extended. The length measurement is taken from top to bottom.

Key	Part Number	U/M	Description
	064913-04-L20	EA	Curtain w/Snap Top - 39" x 31" - Dublin Flax
	064913-01-L20	EA	Curtain w/Snap Top - 25" x 33" - Dublin Flax
	064913-03-L20	EA	Curtain w/Snap Top - 25" x 60" - Dublin Flax
	064913-07-L20	EA	Curtain w/Snap Top - 57" x 42" - Dublin Flax
	066226-01-L20	EA	Curtain - Rod Mount - 24" x 32" - Sheer Champagne
	066226-02-L20	EA	Curtain - Rod Mount - 24" x 45" - Sheer Champagne

CURTAINS

VALANCES

Key	Part Number	U/M	Description
	064914-03-L20	EA	Valance Asm - Stapled Top - 5" x 183" - Rust
	064914-03-L21	EA	Valance Asm - Stapled Top - 5" x 183" - Brown
	064914-03-L22	EA	Valance Asm - Stapled Top - 5" x 183" - Silver
	064914-03-L23	EA	Valance Asm - Stapled Top - 5" x 183" - Blue
	064914-04-L20	EA	Valance Asm - Stapled Top - 5" x 51 5" - Rust
	064914-04-L21	EA	Valance Asm - Stapled Top - 5" x 51 5" - Brown
	064914-04-L22	EA	Valance Asm - Stapled Top - 5" x 51 5" - Silver
	064914-04-L23	EA	Valance Asm - Stapled Top - 5" x 51 5" - Blue
	064915-02-L20	EA	Valance Asm - Rod Mount - 5" x 52" - Rust
	064915-02-L21	EA	Valance Asm - Rod Mount - 5" x 52" - Brown
	064915-02-L22	EA	Valance Asm - Rod Mount - 5" x 52" - Silver
	064915-02-L23	EA	Valance Asm - Rod Mount - 5" x 52" - Blue
	064915-03-L20	EA	Valance Asm - Rod Mount - 5" x 47" - Rust
	064915-03-L21	EA	Valance Asm - Rod Mount - 5" x 47" - Brown
	064915-03-L22	EA	Valance Asm - Rod Mount - 5" x 47" - Silver
	064915-03-L23	EA	Valance Asm - Rod Mount - 5" x 47" - Blue

TIE BACKS

Key	Part Number	U/M	Description
	054048-02-L20	EA	Tie Back - 2" x 14" - Acorn Vinyl
	054048-09-L20	EA	Tie Back - 2" x 14" - Rust
	054048-09-L21	EA	Tie Back - 2" x 14" - Brown
	054048-09-L22	EA	Tie Back - 2" x 14" - Silver
	054048-09-L23	EA	Tie Back - 2" x 14" - Blue

1980 WINNEBAGO TABLE OF CONTENTS

Introduction	A-1
Abbreviations	A-1
Alphabetical Index	A-2 - A-4
TWP25RB/RV	A-5 - B-8
TWP27RB/RV	B-9 - C-12
TWP30RU/RT	C-13 - D-18

1980 TWP25RB/RV INDEX

Floor Plan	A-5 - A-6
Accessories Group	A-7
Bath Group	A-8
Chassis Group	A-9
Curtain, Cushion and Pad Group	A-10 - A-13
Dinette Group	A-14
Electrical Group	A-15 - A-16
Exterior Body Group	A-17 - A-20
Galley Group	A-21
Heating & Air Conditioning Group	A-22
Interior Finish Group	A-23 - A-24
LP Group	B-1
Lounge Group	B-2
Water & Sewage Group	B-3
Window, Vent & Exterior Door Group	B-4 - B-8

CURTAIN, CUSHION AND PAD GROUP (CONTINUED)

SHADES

Key	Part Number	U/M	Description
	065657-09-L20	EA	Shade - Vinyl - 40" x 34" - w/Burnt Orange Trim
	065657-09-L21	EA	Shade - Vinyl - 40" x 34" - w/Brown Trim
	065658-09-L22	EA	Shade - Vinyl - 40" x 34" - w/Gray Trim
	065657-09-L23	EA	Shade - Vinyl - 40" x 34" - w/Blue Trim
	065657-14-L20	EA	Shade - Vinyl - 47 1/4" x 34" - w/Burnt Orange Trim
	065657-14-L21	EA	Shade - Vinyl - 47 1/4" x 34" - w/Brown Trim
	065657-14-L22	EA	Shade - Vinyl - 47 1/4" x 34" - w/Gray Trim
	065657-14-L23	EA	Shade - Vinyl - 47 1/4" x 34" - w/Blue Trim

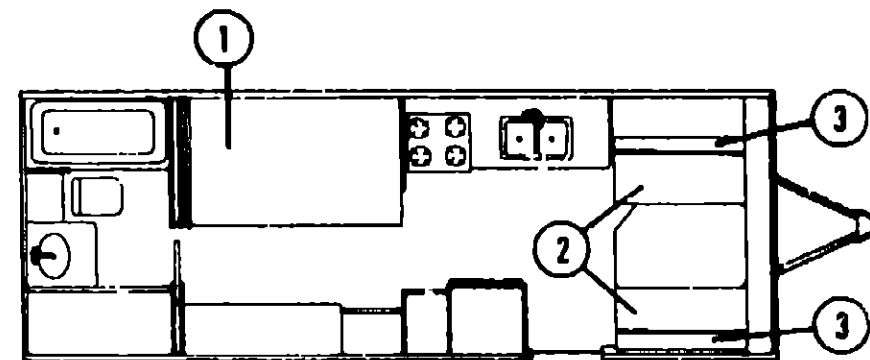
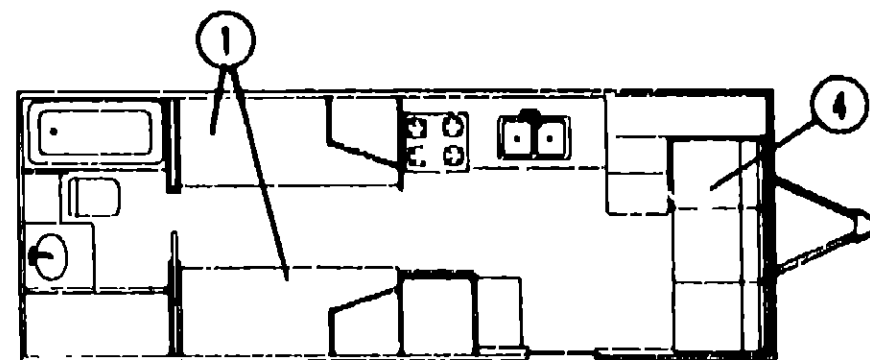
OVERHEAD BUNK MATTRESSES

Key	Part Number	U/M	Description
	061689-01-000	EA	Mattress - Side Overhead Bunk - 11" x 16" x 75" x 2" - Two Fold
	061690-01-000	EA	Cover - Side Overhead Bunk Mattress - 11" x 16" x 75" x 2" - Two Fold
	061689-02-000	EA	Mattress - Front Overhead Bunk - 18" x 18" x 86 8" x 2" - Two Fold
	061690-02-000	EA	Cover - Front Overhead Bunk Mattress - 18" x 18" x 86 8" x 2" - Two Fold

FABRICS AND TRIM

Key	Part Number	U/M	Description
	064393-04-000	YD	Fabric - Drapery - Dublin Flax
	064393-11-000	YD	Fabric - Drapery - Sheer - Champagne
	064383-06-000	YD	Fabric - Upholstery - Biscayne Rust
	064383-05-000	YD	Fabric - Upholstery - Biscayne Brown
	064383-08-000	YD	Fabric - Upholstery - Biscayne Silver
	064383-07-000	YD	Fabric - Upholstery - Biscayne Blue
	053327-01-000	YD	Vinyl - Non Expanded - 27 oz. - Acorn
	053327-02-000	YD	Vinyl - Expanded - 28 oz. - Acorn
	053327-03-000	YD	Vinyl - Non Support - 16 Gauge Film - Acorn
	042356-01-000	EA	Button Asm - 3/8" Dia - Mahogany
	054676-03-L20	EA	Button Asm - #45 - Rust
	054676-03-L21	EA	Button Asm - #45 - Brown
	054676-03-L22	EA	Button Asm - #45 - Silver
	054676-03-L23	EA	Button Asm - #45 - Blue

CURTAIN, CUSHION AND PAD GROUP (CONTINUED)



REAR LOUNGE CUSHIONS

Key	Part Number	U/M	Description
1	058709-01-000	EA	Mattress - Inner Spring - 30" x 75" - Sealy
	065203-03-000	EA	Bedsread - w/Pillows and Sham - 32" x 77" - Off White
1	058709-03-000	EA	Mattress - Inner Spring - 48" x 75" - Sealy
	065203-02-000	EA	Bedsread w/2 Pillows and Shams - 50" x 77" - Off White

DINETTE CUSHIONS

Key	Part Number	U/M	Description
2	064920-01-L20	EA	Cushion - Dinette Bottom - 14" x 48" x 5" - Rust
2	064920-01-L21	EA	Cushion - Dinette Bottom - 14" x 48" x 5" - Brown
2	064920-01-L22	EA	Cushion - Dinette Bottom - 14" x 48" x 5" - Silver
2	064920-01-L23	EA	Cushion - Dinette Bottom - 14" x 48" x 5" - Blue
	M00133-01-L20	EA	Cover - Dinette Cushion - 14" x 48" x 5" - Rust
	M00133-01-L21	EA	Cover - Dinette Cushion - 14" x 48" x 5" - Brown
	M00133-01-L22	EA	Cover - Dinette Cushion - 14" x 48" x 5" - Silver
	M00133-01-L23	EA	Cover - Dinette Cushion - 14" x 48" x 5" - Blue
3	064920-02-L20	EA	Cushion - Dinette Back - 24" x 48" x 5" - Rust
3	064920-02-L21	EA	Cushion - Dinette Back - 24" x 48" x 5" - Brown
3	064920-02-L22	EA	Cushion - Dinette Back - 24" x 48" x 5" - Silver
3	064920-02-L23	EA	Cushion - Dinette Back - 24" x 48" x 5" - Blue
	M00133-02-L20	EA	Cover - Dinette Cushion - 24" x 48" x 5" - Rust
	M00133-02-L21	EA	Cover - Dinette Cushion - 24" x 48" x 5" - Brown
	M00133-02-L22	EA	Cover - Dinette Cushion - 24" x 48" x 5" - Silver
	M00133-02-L23	EA	Cover - Dinette Cushion - 24" x 48" x 5" - Blue
4	057037-09-000	EA	Magic Bed - w/Bolsters and Armrests - Flexsteel - Rust
4	057037-10-000	EA	Magic Bed - w/Bolsters and Armrests - Flexsteel - Brown
4	057037-11-000	EA	Magic Bed - w/Bolsters and Armrests - Flexsteel - Silver
4	057037-12-000	EA	Magic Bed - w/Bolsters and Armrests - Flexsteel - Blue

**1980 WINNEBAGO
TABLE OF CONTENTS**

Introduction	A-1
Abbreviations	A-1
Alphabetical Index	A-2 - A-4
TWP25RB/RV	A-5 - B-8
TWP27RB/RV	B-9 - C-12
TWP30RU/RT	C-13 - D-16

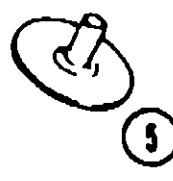
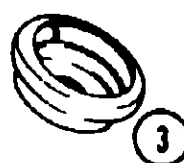
1980 TWF 25H/RV INDEX

Floor Plan	A-5 - A-6
Accessories Group	A-7
Bath Group	A-8
Chassis Group	A-9
Curtain, Cushion and Pad Group	A-10 - A-13
Dinette Group	A-14
Electrical Group	A-15 - A-16
Exterior Body Group	A-17 - A-20
Galley Group	A-21
Heating & Air Conditioning Group	A-22
Interior Finish Group	A-23 - A-24
LP Group	B-1
Lounge Group	B-2
Water & Sewage Group	B-3
Window, Vent & Exterior Door Group	B-4 - B-8

CURTAIN, CUSHION AND PAD GROUP (CONTINUED)

CURTAIN HARDWARE

Key	Part Number	U/M	Description
	052327-04-236	EA	Track - Curtain - Brown Alum. - 89" w/Holes
	053272-04-200	EA	Track - Curtain - Off White Alum. - 89" w/Holes
	056001-01-000	EA	Bracket - Shade - Left
	056002-01-000	EA	Bracket - Shade - Right
	009107-01-000	EA	Guide - Nylon Snap - Curtain
	018031-42-000	EA	Track - Curtain - "L" Rod - Alum. Extr. - 90"
	009701-01-000	EA	Carrier - "L" Rod - Curtain
	009702-01-000	EA	End Stop - "L" Rod - Curtain
	009224-01-000	EA	Curtain Rod - Flat - Extends 28" x 48"
	039175-01-000	EA	Curtain Rod - Cafe - Extends 48" x 84"
	039175-02-000	EA	Bracket - Cafe Curtain Rod



Key	Part Number	U/M	Description
1	029130-01-000	EA	Socket - Snap Fastener
2	029155-01-000	EA	Cap - Snap - .156" Dia x 17" Barrel
3	029156-01-000	EA	Socket - Snap Fastener
4	029092-01-000	EA	Stud - Nickel Finish
5	029093-01-000	EA	Eyelet - Nickel Finish

DINETTE GROUP

CONVENTIONAL DINETTE W/FOLD DOWN TABLE

Key	Part Number	U/M	Description
	M00075-01-L20	EA	Cabinet Asm. - Dinette Seat - Left
	M00076-01-L20	EA	Cabinet Asm. - Dinette Seat - Right
	M00077-01-L20	EA	Cabinet Asm. - Dinette Seat Header - 86 9" Long x 29.4" High
	059234-01-L20	EA	Countertop Asm. - Dinette Seat Header - 92" x 9.5" - Mocha Leather
	059239-01-L20	EA	Countertop Asm. - Hamper Cabinet - 14 1/4" x 47.2" - Mocha Leather
	059228-01-L20	EA	Cabinet Asm. - Front Overhead - w/o Doors or Hardware
	059210-02-L20	EA	Door Asm. - Front Overhead Cabinet - 11.44" x 15.5" - w/o Hardware
	059237-01-L20	EA	Table Asm. - Dinette - w/o Hardware - Mocha Leather
	024275-03-000	EA	Rod - Table Lift - Brown
	024281-01-000	EA	Bracket - Table Lift - Brown
	049493-02-000	EA	Catch - Table Leg (Mounts on Floor)
	024276-06-000	EA	Leg Asm. - Table - Brown
	024277-02-000	EA	Hinge - Table Leg - Brown
	024282-01-000	EA	Brace - Table Leg
	024283-01-000	EA	Clip - Table Leg
	053201-01-000	EA	Hanger - Table - 23"
	053200-01-000	EA	Support - Table - 23 5" - Brown

MAGIC BED W/FOLDING TABLE

Key	Part Number	U/M	Description
	064889-01-L20	EA	Table Asm. - Fold Down w/Two Leaf - Mocha Leather - w/o Hardware
	M00134-01-L20	EA	Cabinet Asm. - Hamper/Fold Down Table - w/o Countertop
	062827-01-L20	EA	Countertop Asm. - Hamper Cabinet - 9 1/4" x 14 1/4" - Mocha Leather
	009027-01-000	EA	Latch - Table Mount
	009050-01-000	EA	Leveler - Table Leaf (Six used per table)
	009210-01-000	EA	Table Slide - 18" to 50"
	024276-06-000	EA	Leg Asm. - Table - Brown
	024277-02-000	EA	Hinge - Table Leg - Brown
	024282-01-000	EA	Brace - Table Leg
	041389-01-000	EA	Hinge - Piano - Brown - 72 5"

FRONT OVERHEAD BUNK (OPTIONAL)

Key	Part Number	U/M	Description
	059227-01-L20	EA	Cabinet Asm. - Front Overhead Bunk - w/o Doors or Hardware
	059210-02-L20	EA	Door Asm. - Front Overhead - 11.44" x 15.5" - w/o Hardware
	023812-23-000	EA	Rail - Bunk - 82.70" - Brown
	081804-01-000	EA	Slide - Bolt - Antique Brass
	041389-01-000	EA	Hinge - Bunk - 72 5" - Brown

1980 WINNEBAGO TABLE OF CONTENTS

Introduction	A-1
Abbreviations	A-1
Alphabetical Index	A-2 - A-4
TWP25RB/RV	A-5 - B-8
TWP27RB/RV	B-9 - C-12
TWP30RU/RT	C-13 - D-16

1980 TWP25RB/RV INDEX

Floor Plan	A-5 - A-6
Accessories Group	A-7
Bath Group	A-8
Chassis Group	A-9
Curtain, Cushion and Pad Group	A-10 - A-13
Dinette Group	A-14
Electrical Group	A-15 - A-16
Exterior Body Group	A-17 - A-20
Galley Group	A-21
Heating & Air Conditioning Group	A-22
Interior Finish Group	A-23 - A-24
LP Group	B-1
Lounge Group	B-2
Water & Sewage Group	B-3
Window, Vent & Exterior Door Group	B-4 - B-8

ELECTRICAL GROUP

BULBS

Key	Part Number	U/M	Description
	037935-01-000	EA	Bulb - 1157
	063914-01-000	EA	Bulb - 1143 or 1139
	008103-01-000	EA	Bulb - 53
	008213-01-000	EA	Bulb - 57
	008214-01-000	EA	Bulb - 67
	008215-01-000	EA	Bulb - 1003
	008216-01-000	EA	Bulb - 1034
	008217-01-000	EA	Bulb - 1073
	008218-01-000	EA	Bulb - 1141
	008219-01-000	EA	Bulb - 858
	008220-01-000	EA	Bulb - 12V - 25W
	036196-01-000	EA	Bulb - 194
	700020-01-000	EA	Bulb - 12V - 20W - 1383

FUSES AND CIRCUIT BREAKER

Key	Part Number	U/M	Description
	056473-01-000	EA	Fuse - Slow Blow - 6 1/4 Amp
	008233-01-000	EA	Fuse - 12 Volt - 8 Amp
	008234-01-000	EA	Fuse - 12 Volt - 10 Amp
	008235-01-000	EA	Fuse - 12 Volt - 15 Amp
	008236-01-000	EA	Fuse - 12 Volt - 20 Amp
	008248-01-000	EA	Fuse - 110 Volt - 30 Amp. - AGU
	008252-01-000	EA	Fuse - 110 Volt - 50 Amp
	008208-01-000	EA	Circuit Breaker - 12 Volt - 40 Amp
	008211-01-000	EA	Circuit Breaker - 12 Volt - 6 Amp
	008268-01-000	EA	Circuit Breaker - 12 Volt - 30 Amp w/Mount
	033573-02-000	EA	Circuit Breaker - 12 Volt - 15 Amp w/Mount
	040051-01-000	EA	Circuit Breaker - 110 Volt - 20 Amp - TQL

INTERIOR LIGHTS

Key	Part Number	U/M	Description
	033508-02-000	EA	Light Dome - Ivory - 1 Bulb
	033509-02-000	EA	Light Dome - Ivory - 2 Bulb
	024642-01-701	EA	Lens - Dome Light - 1 Bulb
	024643-01-701	EA	Lens - Dome Light - 2 Bulbs
	065202-01-000	EA	Lamp - Wall - Brass - 2 Bulb
	065201-01-000	EA	Shade - Wall Lamp - White Flax

ELECTRICAL GROUP (CONTINUED)

EXTERIOR LIGHTS

Key	Part Number	U/M	Description
	058635-01-000	EA	Porch Light - w/Amber Lens
	058635-02-000	EA	Porch Light - w/Clear Lens
	042405-03-000	EA	Base - Rectangular Clearance Lights
	042405-04-000	EA	Lens - Rectangular Clearance Light. - Red
	042405-05-000	EA	Lens - Rectangular - Clearance Lights - Amber
	064474-01-000	EA	Taillamp Asm. - w/Plate Bracket
	064776-01-000	EA	Taillamp Asm. - w/o Plate Bracket
	064776-01-000	EA	Bezel - Taillamp
	064474-01-700	EA	Lens - Taillamp Asm.
	064775-01-700	EA	Lens - Taillamp Asm.

MISCELLANEOUS ELECTRICAL COMPONENTS

Key	Part Number	U/M	Description
	008077-01-000	EA	Plaque - Compressor Switch
	008195-01-000	EA	Switch - Push Button - 12 Volt
	008182-01-000	EA	Switch - DBL Toggle - Brown
	053128-02-000	EA	Receptacle - Ground Fault Interrupter - 15 Amp - 125 Volt - Brown
	047353-01-000	EA	Cover - Receptacle - Ground Fault
	024571-03-000	EA	Cover Plate - Receptacle - Jumbo Plastic - Brown
	008288-01-000	EA	Box - Electrical - Plastic - 3" x 3 1/2"
	008289-01-000	EA	Box - Electrical - Steel - 4" x 4"
	008294-01-000	EA	Cover Plate - Steel - 4" x 4"
	058707-01-000	EA	Receptacle - Single Brown - Thomas and Betts
	058708-01-000	EA	Receptacle - Duplex Brown - Thomas and Betts
	003157-01-000	EA	Receptacle - Duplex - Brown (Exterior)
	058048-01-000	EA	Cover - Electrical Box - 4 5/8" x 2 7/8" - Rain Tight (Exterior)
	008054-01-000	EA	Power Cord - 10-3 30 Amp - 25' UL
	054544-01-000	EA	Control Center - 37 Amp - UL
	039950-01-702	EA	Circuit Board - Control Center
	047389-01-700	EA	Battery - 12 Volt - 105 Amp Deep Cycle - Dry
	058812-01-000	EA	Battery Box - White Plastic
	039861-01-000	EA	Sending Unit Kit - Wemac
	024583-01-000	EA	Breakaway Switch
	058028-01-000	EA	Connector - Pigtail - Clear Nylon
	059530-02-000	EA	Connector Asm - 7 Way - Trailer End
	065207-01-000	EA	Control Panel - Water/Double Sewage - Wemac

** The illustrated parts breakdown for this item is provided on the Common Items Fiche

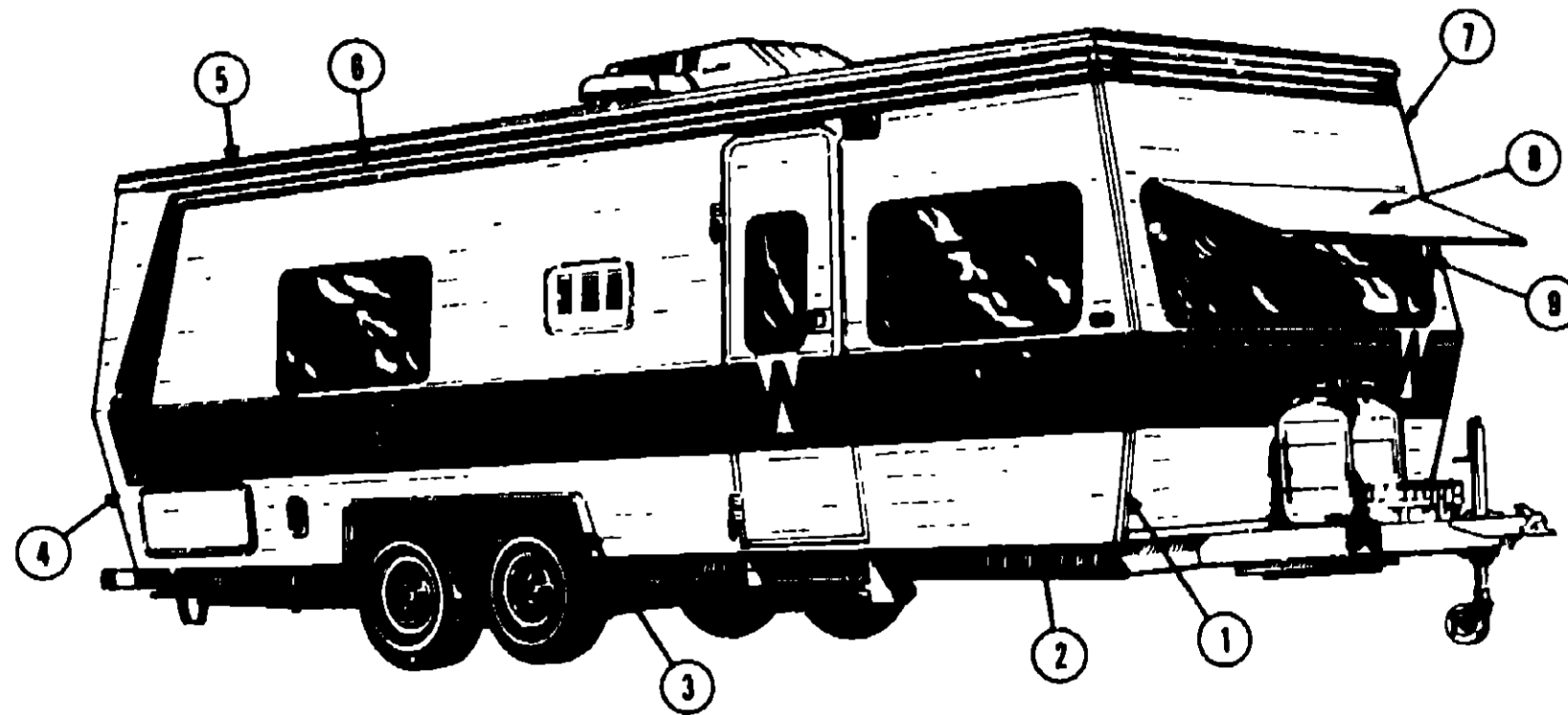
1980 WINNEBAGO TABLE OF CONTENTS

Introduction	A-1
Abbreviations	A-1
Alphabetical Index	A-2 - A-4
TWP25RB/RV	A-5 - B-8
TWP27RB/RV	B-9 - C-12
TWP30RU/HT	C-13 - D-16

1980 TWP25RB/RV INDEX

Floor Plan	A-5 - A-6
Accessories Group	A-7
Bath Group	A-8
Chassis Group	A-9
Curtain, Cushion & Pad Group	A-10 - A-13
Dinette Group	A-14
Electrical Group	A-15 - A-16
Exterior Body Group	A-17 - A-20
Galley Group	A-21
Heating & Air Conditioning Group	A-22
Interior Finish Group	A-23 - A-24
LP Group	B-1
Lounge Group	B-2
Water & Sewage Group	B-3
Window, Vent & Exterior Door Group	B-4 - B-8

EXTERIOR BODY GROUP



Key	Part Number	U/M	Description
1	059250-01-000	EA	Trim - Contour - Front Right
2	002755-01-002	EA	Extr Angle - 1 1/8" x 1 1/8" x 18'
3	059251-01-000	EA	Trim - Wheel Well - Off White
4	059250-02-000	EA	Trim - Contour - Rear Right
5	062812-02-C10	EA	Roof Trim - U-Channel - 1 45" x 121"
6	062803-01-000	EA	Roof Trim - Radius - 16'
7	059250-02-000	EA	Trim - Contour - Front Left
8	063648-01-000	EA	Awning - Front Window - 25" x 84"
9	037052-01-001	EA	Extr - Awning Hing - Male - 18'
	059289-01-000	EA	Extr - Awning Hing - Female
	035255-01-000	EA	Bracket - Awning MoJn. - (2 per awning)
	Not Illustrated		

1990 WINNEBAGO TABLE OF CONTENT'S

Introduction	A-1
Abbreviations	A-1
Alphabetical Index	A-2 - A-4
TWP25RB/RV	A-5 - B-8
TWP27RB/RV	B-9 - C-12
TWP30RU/RT	C-13 - D-18

1990 TWP25RB/RV INDEX

Floor Plan	A-5 - A-6
Accessories Group	A-7
Bath Group	A-8
Chassis Group	A-9
Curtain, Cushion and Pad Group	A-10 - A-13
Dinette Group	A-14
Electrical Group	A-15 - A-16
Exterior Body Group	A-17 - A-20
Galley Group	A-21
Heating & Air Conditioning Group	A-22
Interior Finish Group	A-23 - A-24
LP Group	B-1
Lounge Group	B-2
Water & Sewage Group	B-3
Window, Vent & Exterior Door Group	B-4 - B-8

EXTERIOR BODY GROUP (CONTINUED)

EXTERIOR BODY PANELS AND SHEET ALUMINUM

Key	Part Number	U/M	Description
	059263-01-L20	EA	Sidewall Asm. - Right
	059264-01-L20	EA	Sidewall Asm. - Left
	059205-01-L20	EA	Rearwall Asm.
	059266-01-L20	EA	Frontwall Asm.
	059268-01-L20	EA	Roof Asm.
	039155-28-001	EA	Alum. - Off White Mesa II - .024" x 36" x 60"
	039155-28-003	EA	Alum. - Off White Mesa II - .024" x 36" x 360"
	039155-28-004	EA	Alum. - Off White Mesa II - .024" x 48" x 60"
	039155-28-006	EA	Alum. - Off White Mesa II - .024" x 48" x 360"
	039155-28-007	EA	Alum. - Off White Mesa II - .024" x 12" x 360"
	044487-01-001	EA	Plain Roof Metal - 96" x 330"
	039155-07-010	EA	Off White Greyhound Alum. - 48" x 96"
	001054-01-011	EA	Off White Plain Alum. - 48" x 96"
	000868-01-000	BF	Styrofoam - 3/4" x 24" x 96"
	000870-01-000	BF	Styrofoam - 1 1/2" x 24" x 96"
	001044-02-100	EA	Alum. - Off White - Leather Grain - 18" x 8"

EXTERIOR PAINT

Key	Part Number	U/M	Description
	041561-01-000	EA	Paint - Off White - Acrylic Enamel - 1 Gal
	041561-03-000	EA	Paint - Off White - Acrylic Enamel - 16 oz Aerosol
	041561-04-000	EA	Paint - Off White - Acrylic Lacquer - 1 Gal
	055681-03-000	EA	Paint - Copper Tan - Metallic - 16 oz Aerosol
	058329-03-000	EA	Paint - Tan - 16 oz Aerosol

LABELS AND DECALS

Key	Part Number	U/M	Description
	006031-01-000	EA	Label - Potable Water Only
	006187-01-000	EA	Label - Sewage
	006188-01-000	EA	Label - Waste Water
	006199-01-000	EA	Label - Exit - Escape Window
	006028-01-000	EA	Label - Drain Cap - 2" x 3"
	047731-01-000	EA	Label - Emergency Exit
	006062-01-000	EA	Tag - Electrical - 110 V Connection
	054531-01-000	EA	Label - LP Gas Only
	050225-01-000	EA	Label - Warning - Stove Vent - US
	006001-01-000	EA	Name Plate - Winnebago Plastic Chrome - 88" x 5 05"

EXTERIOR BODY GROUP (CONTINUED)

SEALANTS, ADHESIVES AND FASTENERS

Key	Part Number	U/M	Description
	021552-05-000	EA	Sealant - Off White Silicone
	034552-04-000	EA	Sealant - Beige Silicone
	034552-02-000	EA	Sealant - Clear Silicone
	004344-02-000	EA	Sealant - White Silicone
	009200-01-000	EA	Tape - Furnace - 1 1/2"
	004353-01-000	FT	Tape - Gasket - 1/8" x 3/4" - White
	002825-01-000	FT	Weather Stripping - Roof Vent
	000337-01-000	EA	Adhesive - 3M - 1300 Tube
	004005-01-000	Gl.	Adhesive - Swifts - Green - Glue (Sidewalls)
	004020-01-000	QT	Adhesive - ABS Cement (Plastic Fittings)
	029051-01-000	EA	Adhesive - Spray Vinyl
	042401-02-000	EA	Screw - 8 - 18 x 3/4" SDPH - Off White
	042403-02-000	EA	Screw - SF/DR - 8 - 18 x 1" SDPH - Off White
	053766-01-000	EA	Bedding Compound - Tube Black - Schnee Moorehead
	053766-02-000	EA	Bedding Compound - Tube White - Schnee Moorehead
	053787-01-000	FT	Tape - 1/2" x 1/8" x 30' - Gray - Schnee Moorehead
	053787-03-000	FT	Tape - 1/4" Bead x 20' - Gray - Schnee Moorehead
	053787-04-000	FT	Tape - 3/4" x 1/8" x 30' - Gray - Schnee Moorehead
	053787-05-000	FT	Tape - 2" x 3/32" x 45' - Gray - Schnee Moorehead
	053752-03-000	EA	Sealing Compound - Seam Sealer - White

MISCELLANEOUS EXTERNALLY MOUNTED PARTS

Key	Part Number	U/M	Description
**	011129-01-000	EA	Plumbing Seal - Roof Vent - 1 1/2" White
	009126-01-000	EA	Assist Handle - Metal
	058812-01-000	EA	Battery Box - White Plastic
	010230-02-000	EA	Fill - City - Water - Recessed - Off White
	058808-01-000	EA	Fill - Water - Lockable

**The illustrated parts breakdown for this item is provided on the Common Items Fiche

1980 WINNEBAGO TABLE OF CONTENTS

Introduction	A-1
Abbreviations	A-1
Alphabetical Index	A-2 - A-4
TWP25RB/RV	A-5 - B-8
TWP27RB/RV	B-9 - C-12
TWP30RU/RT	C-13 - D-16

1980 TWP25RB/RV INDEX

Floor Plan	A-5 - A-6
Accessories Group	A-7
Bath Group	A-8
Chassis Group	A-9
Curtain, Cushion and Pad Group	A-10 - A-13
Dinette Group	A-14
Electrical Group	A-15 - A-16
Exterior Body Group	A-17 - A-20
Galley Group	A-21
Heating & Air Conditioning Group	A-22
Interior Finish Group	A-23 - A-24
LP Group	B-1
Lounge Group	B-2
Water & Sewage Group	B-3
Window, Vent & Exterior Door Group	B-4 - B-8

GALLEY GROUP

GALLEY CABINETRY

Key	Part Number	U/M	Description
	059217-02-L20	EA	Cabinet Asm. - Galley - w/o Countertop, Doors, Drawers or Hardware
	059218-01-L20	EA	Countertop Asm. - Galley Cabinet - Burl Block
	M00060-01-L20	EA	Drawer Asm. - Galley Cabinet - 6" x 11.12" x 20" Deep - w/o Hardware
	059210-01-L20	EA	Door Asm. - Galley Cabinet - 12.38" x 32" - w/o Hardware
	059305-01-L20	EA	Cutting Board - Drawer - Burl Block
	059216-01-L20	EA	Cabinet Asm. - Galley Overhead - w/o Doors or Hardware
	059210-02-L20	EA	Door Asm. - Cabinet - 11 44" x 16.5" - w/o Hardware
	059220-01-L20	EA	Cabinet Asm. - Pantry - w/o Countertop, Drawer or Hardware
	059221-01-L20	EA	Countertop Asm. - Pantry - Mocha Leather
	059231-01-L20	EA	Drawer Asm. - Pantry - 27 5" x 7" x 20" Deep
	054028-01-L20	FA	Sink Cover - Burl Block
	059210-06-L20	EA	Door Asm. - Galley Cabinet - 10.38" x 22" - w/o Hardware
	M00049-01-L20	EA	Cabinet Asm. - Radio - w/o Countertop
	064893-01-L20	EA	Countertop Asm. - Radio Cabinet - Mocha Leather

GALLEY HARDWARE AND APPLIANCES

Key	Part Number	U/M	Description
	011032-01-000	EA	Sink - Stainless Steel - Double w/Bolt
**	011053-01-000	EA	Faucet - 8" - Swing Spout
**	011085-01-000	EA	Strainer - Sink
	009133-01-000	EA	Bar - Towel Rack - 12" - Plastic
	023449-01-000	EA	Support - Towel Rack - Chrome
**	039873-01-700	EA	Catch Asm. - Cabinet Door - w/Strike
	042598-01-000	EA	Slide Asm. - Drawer - 22" x 23 88"
**	049930-03-000	EA	Hood - Range - Powered - Black
	064782-01-000	EA	Range - 4 Burner - Black w/Chrome Top - Magic Chef BT185-4Z
	064472-01-000	EA	Refrigerator - 2 Way - 6 Cubic Foot - Norcold
	052771-02-000	EA	Oven - Microwave - Magic Chef MW207

**The illustrated parts breakdown for this item is provided on the Common Items Fiche

HEATING AND AIR CONDITIONING GROUP

Key	Part Number	U/M	Description
	009198-01-000	FT	Duct - Flexible - 4" I.D. x 25'
	009200-01-000	EA	Furnace Tape - 1 1/2" - Gray
	023148-01-000	EA	Clamp - Screw Type - 4"
	024985-01-000	EA	Heat Register - w/Damper - 9.9" x 4.8"
	031804-01-000	EA	Bonnet - Heat Register
	039505-02-000	EA	Thermostat - Horizontal Wall Mount - Black
	050783-01-000	EA	Vent Package - Furnace - 1" x 3" Wall
**	059350-01-000	EA	Furnace - 30,000 BTU - w/Electric Ignition - Coleman - 4330-749
**	059351-02-000	EA	Furnace - 24,000 BTU - w/Piezo Ignitor - Coleman
**	049042-02-000	EA	Door - Furnace - 24,000 Coleman
**	049777-02-000	EA	Air Conditioner - 110 Volt - Roof Mount - 11,000 B TU - Ivory Coleman (w/o inside shroud)
**	049778-02-000	EA	Shroud Asm. - Ceiling - Inside - Roof Air - Cool Only - 11,000 BTU - Coleman
**	049774-02-000	EA	Air Conditioner - 110 Volt - Roof Mount - 13,500 BTU Ivory - Coleman (w/o inside shroud)
**	049775-02-000	EA	Shroud Asm. - Ceiling - Inside - Roof Air - Cool Only - 13,500 BTU - Coleman
**	043776-01-000	EA	Shroud Asm. - Ceiling Inside - Roof Air - Heat and Cool - 13,500 BTU - Coleman

**The illustrated parts breakdown for this item is provided on the Common Items Fiche

1980 WINNEBAGO TABLE OF CONTENTS

Introduction	A-1
Abbreviations	A-1
Alphabetical Index	A-2 - A-4
TWP25RB/RV	A-5 - B-8
TWP27RB/RV	B-9 - C-12
TWP30RU/RT	C-13 - D-16

1980 TWP25RB/RV INDEX

Floor Plan	A-5 - A-6
Accessories Group	A-7
Bath Group	A-8
Chassis Group	A-9
Curtain, Cushion and Pad Group	A-10 - A-13
Dinette Group	A-14
Electrical Group	A-15 - A-16
Exterior Body Group	A-17 - A-20
Galley Group	A-21
Heating & Air Conditioning Group	A-22
Interior Finish Group	A-23 - A-24
LP Group	B-1
Lounge Group	B-2
Water & Sewage Group	B-3
Window, Vent & Exterior Door Group	B-4 - B-8

INTERIOR FINISH GROUP

PANELING AND COUNTERTOP MATERIALS

Key	Part Number	U/M	Description
	064385-02-000	SF	Paneling - 900 Russet Oak - 48" x 96" (32 SF)
	064385-03-000	SF	Paneling - Autumn Cork - 48" x 96" (32 SF)
	064388-04-000	CF	Paneling - Bath - Atrium Red - 48" x 96" (32 SF)
	064388-05-000	SF	Paneling - Bath - Atrium Winter - 48" x 96" (32 SF)
	058039-01-000	SF	Plastic Laminate - Burl Block - 48" x 96" (32 SF)
	062852-01-000	SF	Plastic Laminate - Mocha Leather - 48" x 96" (32 SF)

INTERIOR MOLDINGS AND TRIMS

Key	Part Number	U/M	Description
	064386-02-000	EA	Batt Strip - 900 Russet Oak - 8'
	064389-04-000	EA	Batt Strip - Autumn Cork - 8'
	061389-05-000	EA	Batt Strip - Atrium Red - 8'
	064389-06-000	EA	Batt Strip - Atrium Winter (Blue/Gray) - 8'
	009767-05-000	FT	Wetling - Light Brown
	009812-06-000	FT	Molding - Plastic - Outside Corner - 50"
	009776-03-000	FT	U-Channel - Light Brown - 1"
	064488-01-000	FT	Gimp - Teak - 3/4" Wide - Ceiling
	009779-03-000	FT	U-Channel - Light Brown - 1 1/8"
	062026-01-000	EA	Trim - Woodgrain Vinyl - Adhesive Back - 2 1/8" x 76"
	002804-01-203	EA	Extr - Sweep Out - Door Threshold - 24 5"

FABRICS AND FLOOR COVERINGS

Key	Part Number	U/M	Description
	064393-04-000	YD	Fabric - Drapery - Dublin Flax
	064393-11-000	YD	Fabric - Drapery - Sheer - Champagne
	064383-06-000	YD	Fabric - Upholstery - Biscayne Rust
	064383-05-000	YD	Fabric - Upholstery - Biscayne Brown
	064383-08-000	YD	Fabric - Upholstery - Biscayne Silver
	064383-07-000	YD	Fabric - Upholstery - Biscayne Blue
	053327-01-000	YD	Vinyl - Non Expanded - 27 oz - Acorn
	053327-02-000	YD	Vinyl - Expanded - 28 oz - Acorn
	053327-03-000	YD	Vinyl - Non Support - 16 Gauge Film - Acorn
	064384-01-000	SY	Carpet - Ginger (Rust Unit)
	064384-14-000	SY	Carpet - 792 Mahogany (Brown Unit)
	049311-01-000	SY	Carpet - Irish Linen (Silver or Blue Unit)
	058325-01-000	SY	Vinyl - Floor Covering - Terra Cotta

INTERIOR FINISH GROUP (CONTINUED)

CABINETS AND TABLE HARDWARE

Key	Part Number	U/M	Description
**	046543-01-000	EA	Kit - Drawer Pull - Rustic Early American - Antique Brass
**	039873-01-700	EA	Catch w/Strike - Nylon - Cabinet Door
	059777-01-000	EA	Hinge - Cabinet Door - Antique Brass
**	059322-01-000	EA	Kit - Door Pull - Rustic Early American
**	041939-01-000	EA	Hinge Kit - Upper Door - Double Acting
	058034-01-000	EA	Latch - Sliding Door - Bath
	009155-01-000	EA	Track - Sliding Door - Bath
	009156-01-000	EA	Hanger - Sliding Door - Bath
	058783-01-000	FT	Closet Bar - Slotted Aluminum
**	024276-06-000	EA	Leg Asm. - Dinette Table
**	024277-02-000	EA	Hinge - Table Leg
**	024282-01-000	EA	Brace - Table Leg
**	024283-01-000	EA	Clip - Table Leg
**	024275-03-000	EA	Rod - Table Lift
**	024281-03-000	EA	Bracket - Table Lift
**	053200-01-000	EA	Support - Table - 23 5"
**	053201-01-000	EA	Hanger - Table - 23"
	042596-05-000	EA	Slide Asm. - Drawer - 18"
**	061604-01-000	EA	Slide Bolt - Antique Brass - Front Bunk
**	037666-01-000	FT	Rail - Drawer Glide
**	047741-01-000	EA	Kit - Drawer Glide

**The illustrated parts breakdown for this item is provided on the Common Items Fiche

CURTAIN HARDWARE

Key	Part Number	U/M	Description
	052327-04-236	EA	Track - Curtain - Brown Alum - 89" w/Holes
	053272-04-200	EA	Track - Curtain - Off White Alum - 89" w/Holes
	056001-01-000	EA	Bracket - Shade - Left
	056002-01-000	EA	Bracket - Shade - Right
	009107-01-000	EA	Guide - Nylon Snap - Curtain
	018031-42-000	EA	Track - Curtain - "L" Rod - Alum Extr - 90"
	009701-01-000	EA	Carrier - "L" Rod - Curtain
	009702-01-000	EA	End Stop - "L" Rod - Curtain
	039175-01-000	EA	Curtain Rod - Cafe - Extends 48" to 84"
	039175-02-000	EA	Bracket - Cafe Curtain Rod
	009224-01-000	EA	Curtain Rod - Flat - Extends 28" to 48"

MISCELLANEOUS

Key	Part Number	U/M	Description
	041944-01-700	EA	Fire Extinguisher - Dry Chemical w/Bracket
	054185-10-000	EA	Owner's Manual - Travel Trailer
	007038-01-000	EA	Door Mat - Black Rubber - 10 1/2" x 26"

1980 WINNEBAGO TABLE OF CONTENTS

Introduction	A-1
Abbreviations	A-1
Alphabetical Index	A-2 - A-4
TWP25RB/RV	A-5 - B-8
TWP27RB/RV	B-9 - C-12
TWP30RU/RT	C-13 - D-18

1980 TWP25RB/RV INDEX

Floor Plan	A-5 - A-6
Accessories Group	A-7
Bath Group	A-8
Chassis Group	A-9
Curtain, Cushion and Pad Group	A-10 - A-13
Dinette Group	A-14
Electrical Group	A-15 - A-16
Exterior Body Group	A-17 - A-20
Galley Group	A-21
Heating & Air Conditioning Group	A-22
Interior Finish Group	A-23 - A-24
LP Group	B-1
Lounge Group	B-2
Water & Sewage Group	B-3
Window, Vent & Exterior Door Group	B-4 - B-8

LP GROUP

Key	Part Number	U/M	Description
	008802-01-000	EA	Tank - LP - 30# - Vertical
	008815-01-000	EA	Regulator - LP Automatic - (Tradon Eng)
	024712-01-000	EA	Cover - Automatic Regulator
	058705-01-000	EA	Regulator - LP - Automatic - (Marshall Brass)
	058706-01-000	EA	Cover - Automatic Regulator - (Marshall Brass)
	022886-01-000	EA	Hose Asm - LP 1/4 ID x 16"
	045703-01-000	EA	Hose Asm - LP 3/8 ID x 24"
	047221-01-000	EA	Detector - LP - Gas Leak - Rosan
	065741-01-000	EA	Detector - LP - Gas Leak - Marshalltown Instruments
	058792-01-000	EA	Tray - LP and Hold Down Kit

LOUNGE GROUP

LOUNGE WITH TWIN BEDS

Key	Part Number	U/M	Description
	M00141-01-L20	EA	Cabinet Asm - Twin Bed - Right - w/o Drawer
	M00140-01-L20	EA	Cabinet Asm - Twin Bed - Left - w/o Drawer
	M00060-04-L20	EA	Drawer Asm - Twin Bed Cabinet - 31" x 15" x 12.4"
	M00059-10-L20	EA	Door Asm - Furnace - 13 4" x 16" - w/Mesh Insert
	047205-13-000	EA	Insert - Furnace Door - 13 3/8" x 10 1/2" - Brass Mesh
	059232-01-L20	EA	Cabinet Asm - Twin Bed Overhead - Right or Left - w/o Doors or Hardware
	059210-02-L20	EA	Door Asm - Twin Bed Overhead - 11.44" x 15 5" - w/o Hardware
	059225-01-L20	EA	Cabinet Asm - Shirt Closet - Right - w/o Door or Hardware
	059225-02-L20	EA	Cabinet Asm - Shirt Closet - Left - w/o Door or Hardware
	059210-05-L20	EA	Door Asm - Shirt Closet Cabinet - 20 25" x 29 25" - w/o Hardware
	059226-01-L20	EA	Cabinet Asm - Side Overhead Bunk - Right or Left - w/o Doors or Hardware
	061604-01-000	EA	Slide Bolt - Antique Brass

LOUNGE WITH DOUBLE BED

Key	Part Number	U/M	Description
	064852-01-L20	EA	Cabinet Asm - Vanity - w/o Drawers or Countertop
	064853-01-L20	EA	Countertop Asm - Vanity Cabinet - Mocha Leather
	M00034-01-L20	EA	Cabinet Asm - Overhead Vanity
	M00035-01-L20	EA	Cabinet Asm - Pantry - w/o Door or Hardware

1980 WINNEBAGO TABLE OF CONTENTS

Introduction	A-1
Abbreviations	A-1
Alphabetical Index	A-2 - A-4
TWP25RB/RV	A-5 - B-8
TWP27RB/RV	B-9 - C-12
TWP30RU/RT	C-13 - D-16

1980 TWP25RB/RV INDEX

Floor Plan	A-5 - A-8
Accessories Group	A-7
Bath Group	A-8
Chassis Group	A-9
Curtain, Cushion & Pad Group	A-10 - A-13
Dinette Group	A-14
Electrical Group	A-15 - A-16
Exterior Body Group	A-17 - A-20
Galley Group	A-21
Heating & Air Conditioning Group	A-22
Interior Finish Group	A-23 - A-24
LP Group	B-1
Lounge Group	B-2
Water & Sewage Group	B-3
Window, Vent & Exterior Door Group	B-4 - B-8

WATER AND SEWAGE GROUP

PLUMBING REPAIR PARTS

Key	Part Number	U/M	Description
**	040539-01-000	EA	Kit - Repair - 3/8" O D Plastic Tube
**	040540-01-000	EA	Kit - Repair - 1/2" O D Plastic Tube
**	040541-01-000	EA	Kit - Repair - 5/8" O D Plastic Tube
**	063646-01-000	EA	Pump - Water Flow 2.8 GPM - PAR
**	039647-02-000	EA	Filter - Water Pump 1/2" MPT
**	039818-01-000	EA	Riser Asm - 3/8" O.D x 24" Tube
**	039818-02-000	EA	Riser Asm - 3/8" O D x 36" - Tube
**	039818-04-000	EA	Riser Asm. - 3/8" O D. x 72" Tube
**	052952-01-000	EA	Nut - Plastic - 1/2" F
**	052953-01-000	EA	Nut - Faucet - 1/2 Tube x 1/2 FPT
**	052954-01-000	EA	Adapter - Nose Cone 3/8 or 1/2
**	052958-01-000	EA	Tee Plastic 1/2 F x 1/2 F x 1/2 F
**	052959-01-000	EA	Connector - Plastic 1/2 F x 1/4 MPT
**	052960-01-000	EA	Valve - Line Drain 1/2 F x 1/2 F
**	007134-01-000	EA	Clamp - Hose - Spring Type - 8/16"
**	052955-01-000	EA	Tee - Plastic - 1/2 F x 1/2 F x 1/2 MPT
**	010224-01-000	EA	Adapter - Plastic - 3/8 MPT x 3/8 Barb
**	010326-01-000	EA	Adapter Flare - 3/8 F x 1/2 M
**	063641-01-000	EA	Flange - Closet - 4" x 3" Spigot - 2.75" Long
**	061607-01-000	EA	Grommet - Holding Tank - 1 1/2"
**	061607-02-000	EA	Grommet - Holding Tank - 3"
**	062422-01-000	EA	Adapter - Offset Reducer - 3" x 1 1/2"
**	011091-01-000	EA	Waste - Continuous - Double Sink 12"
**	011066-01-000	EA	P-Trap - Plastic - 1 1/4"
**	031126-01-000	EA	Elbow - Plastic - 1/4 BD 3 x 90 x LT
**	031111-01-000	EA	Elbow - Plastic - 1/4 BD 1 1/4 x 90 x LT
**	010133-01-000	EA	Adapter - Trap - Plastic 1 1/2" H x MPT
**	010079-01-000	EA	Tee - Plastic - 1 1/2" H x 1 1/2 H x 1 1/4" H
**	010000-01-000	EA	Elbow - Plastic - 1/8 BD 1 1/4 x 45 H x H
**	010121-01-000	EA	Bushing - Plastic - 1 1/2 S x 1 1/4 H
**	049910-01-000	EA	Tee - Plastic - 1 1/4 H x H x H
**	034250-01-000	EA	Elbow - Plastic - 1/4 BD 1 1/2 x 90 H x H
**	004020-01-000	QT	Adhesive - ABS Cement
**	010201-01-000	EA	Hose - Sewer 3" x 10 Ft w/Clamp
**	062415-01-000	EA	Cap - Sewer - 3"
**	062416-01-000	EA	Hose Adapter - 3"
**	062627-01-000	EA	Valve - Dual - 3" x 1 1/2" - Off Set - w/Cap
**	050780-01-000	EA	Coupler - Rubber - 3" x 3"
**	046524-01-000	EA	Kit - Plastic Fittings - Holding Tank
**	046524-02-000	EA	Kit - Plastic Fittings - Water Tank
**	037845-01-000	FT	Tape - Butyl - 3/16" - Bead - Black

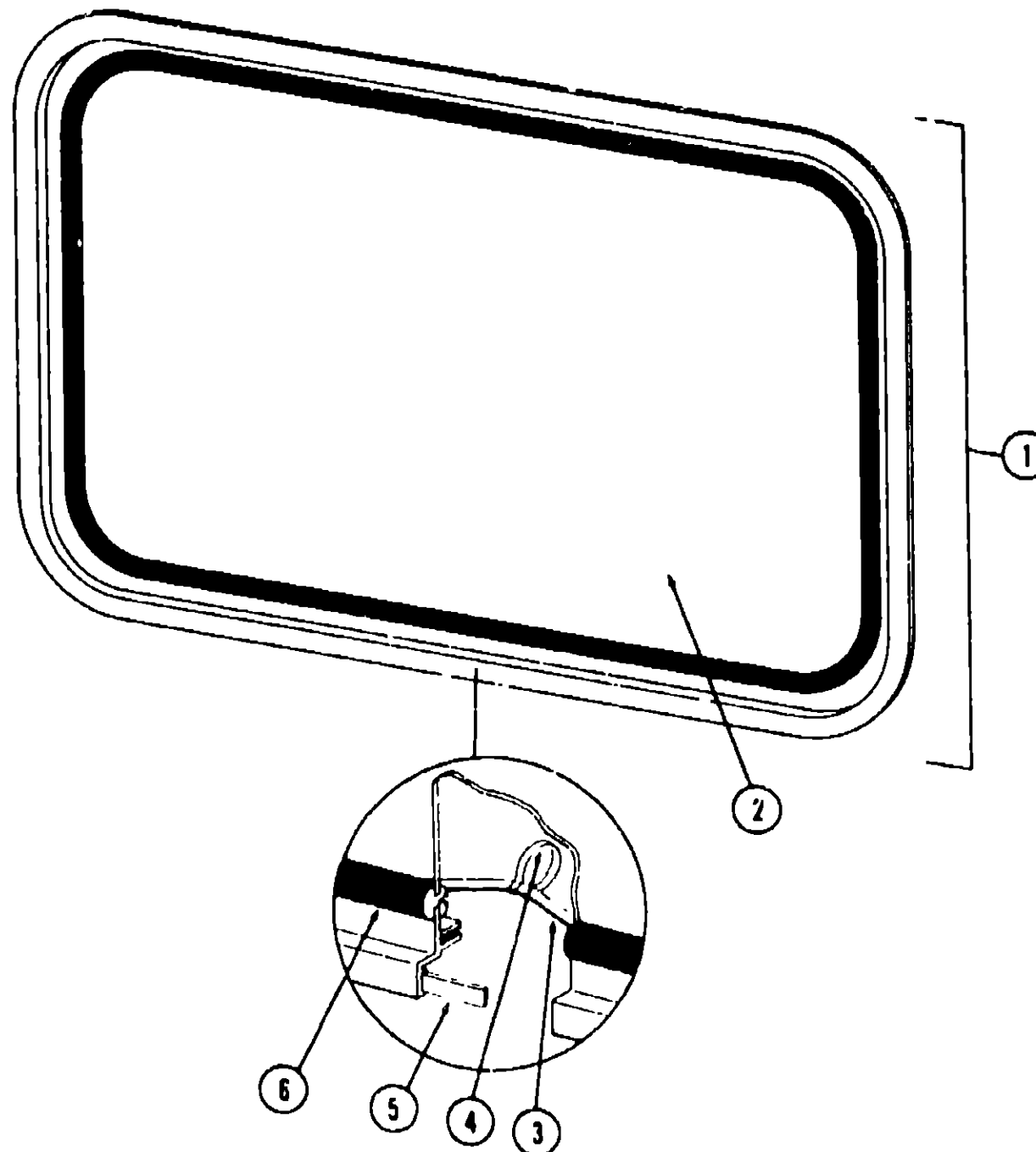
**The illustrated parts breakdown for this item is provided on the Common Items Fiche

HOLDING TANKS AND WATER HEATER

Key	Part Number	U/M	Description
**	059028-02-000	EA	Tank Asm - Water - 44 Gallon - w/Fittings
**	059028-01-000	EA	Tank Asm. - Water - 44 Gallon - w/o Fittings
**	053369-03-000	EA	Tank Asm - Holding - 43 Gallon - w/Fittings - Aux
**	053369-04-000	EA	Tank Asm - Holding - 43 Gallon - w/Fittings - Main
**	053369-01-000	EA	Tank Asm - Holding - 43 Gallon - w/o Fittings - Main or Aux.
**	051391-01-000	EA	Water Heater - w/o Motor Aid - Atwood G6A-3

**The illustrated parts breakdown for this item is provided on the Common Items Fiche

WINDOW, VENT AND EXTERIOR DOOR GROUP



Key	Part Number	U/M	Description
1	020751-03-000	EA	Window Asm. - Rear Escape - 23" x 29" - Black Anod (w/o inside frame)
2	002174-01-000	EA	Glass - Window - 1/8" x 19 61" x 25 92"
3	002285-01-000	FT	Filler - Weatherstrip - Black
4	020395-01-000	EA	Slip Ring - Escape Window
5	053767-03-000	FT	Tape - 1/4" Bead x 20' - Gray
6	002282-01-000	FT	Weatherstrip - 125" - Black
*	020749-03-000	EA	Inside Frame - Escape Window - 23" x 29" (not included in assembly)
*	006199-01-000	EA	Label - Exit - Escape Window
*			Not Illustrated

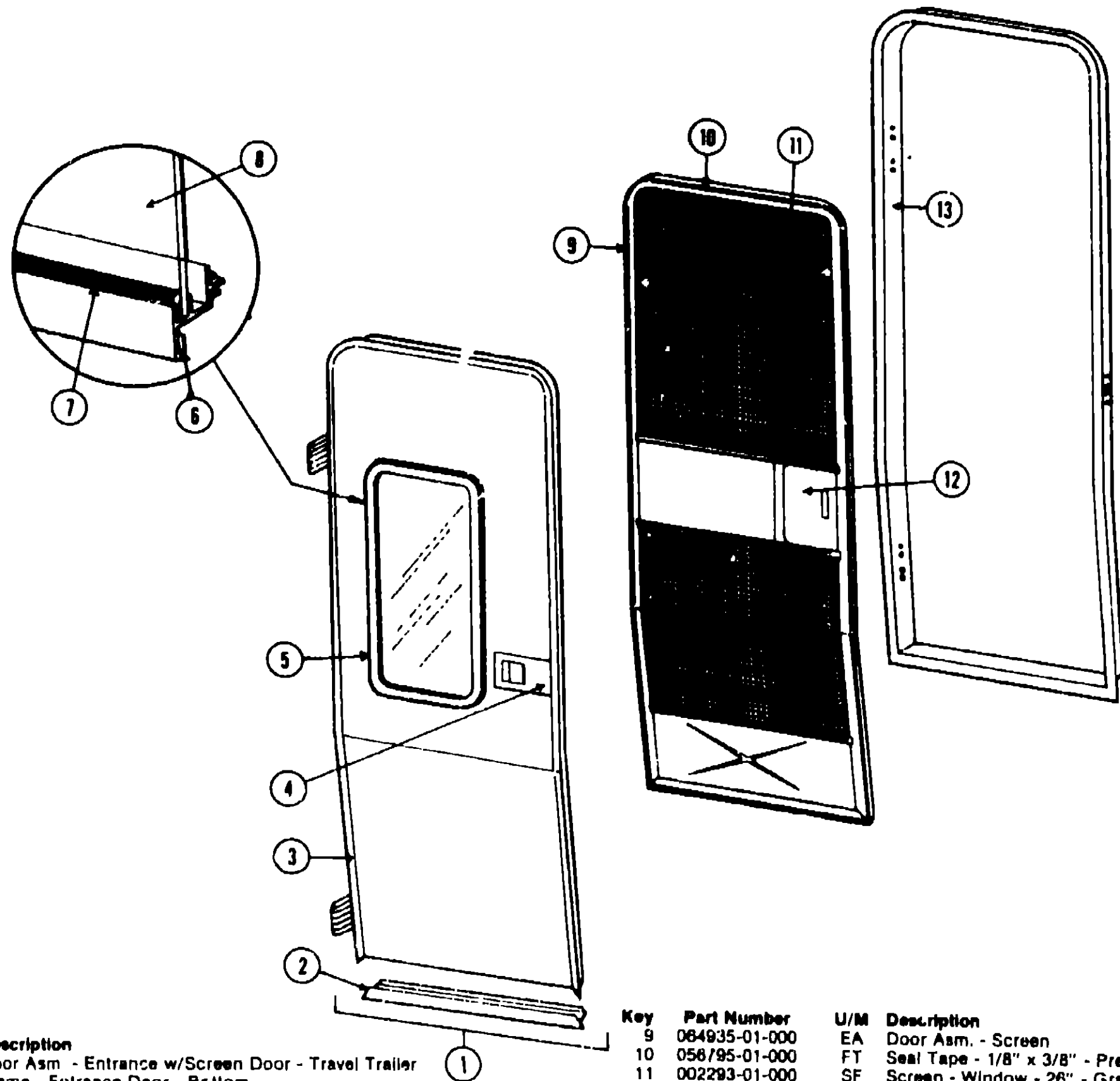
1980 WINNEBAGO TABLE OF CONTENTS

Introduction	A-1
Abbreviations	A-1
Alphabetical Index	A-2 - A-4
TWP25RB/RV	A-5 - B-8
TWP27RB/RV	B-9 - C-12
TWP30RU/RT	C-13 - D-16

1980 TWP25RB/RV INDEX

Floor Plan	A-5 - A-6
Accessories Group	A-7
Bath Group	A-8
Chassis Group	A-9
Curtain, Cushion & Pad Group	A-10 - A-13
Dinette Group	A-14
Electrical Group	A-15 - A-16
Exterior Body Group	A-17 - A-20
Galley Group	A-21
Heating & Air Conditioning Group	A-22
Interior Finish Group	A-23 - A-24
LP Group	B-1
Lounge Group	B-2
Water & Sewage Group	B-3
Window, Vent & Exterior Door Group	B-4 - B-8

WINDOW, VENT AND EXTERIOR DOOR GROUP (CONTINUED)



Key	Part Number	U/M	Description
1	064908-01-000	EA	Door Asm - Entrance w/Screen Door - Travel Trailer
2	039737-01-000	EA	Frame - Entrance Door - Bottom
3	064932-01-000	EA	Frame - Entrance Door (Except Bottom)
4	024094-01-000	EA	Lock Asm - Entrance Door - Hartwell
•	024094-01-705	EA	Lock Cylinder w/Key - Hartwell
•	024094-01-706	EA	Key Blank - Hartwell Lock
5	041875-02-000	EA	Window Asm - Picture - 13" x 23" - Black Anod (Inside frame not included in assembly)
6	053767-03-000	FT	Tape - 1/4" Bead x 20' - Gray
7	002309-02-000	FT	Spline - 1/8" Glass - Black
8	002181-01-000	EA	Glass - Door Window - 1/8" x 12" x 22" - Gray
•	041686-01-000	EA	Frame - Window - Inside - 13" x 23"

Key	Part Number	U/M	Description
9	064935-01-000	EA	Door Asm. - Screen
10	058795-01-000	FT	Seal Tape - 1/8" x 3/8" - Press On
11	002293-01-000	SF	Screen - Window - 26" - Gray
•	002294-01-000	FT	Spline - Screen - Black
•	015581-01-000	EA	Cap - Screen Door - Dark Brown Plastic
12	015580-01-000	EA	Slider - Screen Door - Dark Brown Plastic
13	059272-02-000	EA	Jamb Asm - Entrance Door
•	064930-02-000	EA	Hinge Asm - Entrance Door - Lower
•	064930-01-000	EA	Hinge Asm - Entrance Door - Upper
•	054530-01-000	EA	Catch - Door - Mounts on Sidewall
•	009018-01-000	EA	Catch - Elbow - Screen Door
•	039863-01-000	EA	Catch Asm. - Single Roller w/Strike
•	051390-01-000	FT	Bulb Seal - Rubber
•			Not Illustrated

1980 WINNEBAGO
TABLE OF CONTENTS

Introduction	A-1
Abbreviations	A-1
Alphabetical Index	A-2 - A-4
TWP25RB/RV	A-5 - B-8
TWP27RB/RV	B-9 - C-12
TWP30RU/RT	C-13 - D-18

1980 TWP25RB/RV INDEX

Floor Plan	A-5 - A-6
Accessories Group	A-7
Bath Group	A-8
Chassis Group	A-9
Curtain, Cushion & Pad Group	A-10 - A-13
Dinette Group	A-14
Electrical Group	A-15 - A-16
Exterior Body Group	A-17 - A-20
Galley Group	A-21
Heating & Air Conditioning Group	A-22
Interior Finish Group	A-23 - A-24
LP Group	B-1
Lounge Group	B-2
Water & Sewage Group	B-3
Window, Vent & Exterior Door Group	B-4 - B-8

WINDOW, VENT AND EXTERIOR DOOR GROUP (CONTINUED)

WINDOWS

Key	Part Number	U/M	Description
	065501-01-000	EA	Window - Awning - 2 Panel - 18" x 41.88" - Regular Glass
	065501-02-000	EA	Window - Awning - 2 Panel - 18" x 41.88" - Safety Glass
	063384-02-000	EA	Inside Frame - Awning Window - 18" x 41.88"
	065502-01-000	EA	Window - Awning - 3 Panel - 22.12" x 41.88" - Regular Glass
	065502-04-000	EA	Window - Awning - 3 Panel - 22.12" x 41.88" - Safety Glass
	063384-05-000	EA	Inside Frame - Awning Window - 22.12" x 41.88"
	065502-07-000	EA	Window - Awning - 3 Panel - 22.12" x 72" - Regular Glass
	065502-08-000	EA	Window - Awning - 3 Panel - 22.12" x 72" - Safety Glass
	063384-07-000	EA	Inside Frame - Awning Window - 22" x 72"
	065502-02-000	EA	Window - Awning - 3 Panel - 22.12" x 78" - Regular Glass
	065502-05-000	EA	Window - Awning - 3 Panel - 22.12" x 78" - Safety Glass
	063384-03-000	EA	Inside Frame - Awning Window - 22" x 78"
	059531-01-000	EA	Window - Pushout Bunk - Regular Glass
	059531-02-000	EA	Window - Pushout Bunk - Safety Glass
	063384-01-000	EA	Inside Frame - Bunk Window - 9" x 14 1/2"
	067052-01-000	EA	Knob - Awning Window - w/Screw

VENTS

Key	Part Number	U/M	Description
	065103-01-000	EA	Roof Vent - Refrigerator
	064469-01-000	EA	Roof Vent - Powered - Jensen
	064470-01-000	EA	Roof Vent - Nonpowered - Jensen
	056119-01-701	EA	Cover - Roof Vent - Jensen - White
	048954-01-700	EA	Motor - 12 Volt - Jensen - U.S.
	049330-04-700	EA	Motor - 12 Volt - Jensen - C.S.A.
	009439-01-000	EA	Crank - Roof Vent
	056119-01-702	EA	Fan - Plastic
	049330-01-702	EA	Switch - Jensen - U.S.
	053130-02-703	EA	Switch - Jensen - C.S.A.

ACCESS DOORS

Key	Part Number	U/M	Description
	059247-02-000	EA	Door Asm. - Refrigerator Access - Off White w/Twist Lock
	059240-01-000	EA	Door Asm. - Luggage - 12 3/4" x 35" - Off White w/Key Lock
	009161-01-000	FT	Chain - Trunk Door
	009065-01-000	EA	Hinge - Continuous Alum. - 1 1/2" x 96"
	041312-01-000	FT	Bulb Seal - "E" Section
	052009-01-000	EA	Door - Water Heater - Off White - Atwood
	057096-01-000	EA	Door Asm. - Power Cord w/Hatch - Off White
	052950-03-700	EA	Lock Asm. - Twist Type w/Clip (Power Cord Door)
	052950-01-700	EA	Lock Asm. - Twist Type w/Clip - White Plastic

1980 WINNEBAGO TABLE OF CONTENTS

Introduction	A-1
Abbreviations	A-1
Alphabetical Index	A-2 - A-4
TWP25RB/RV	A-5 - B-8
TWP27RB/RV	B-9 - C-12
TWP30RU/RT	C-13 - D-18

1980 TWP25RB/RV INDEX

Floor Plan	A-5 - A-8
Accessories Group	A-7
Bath Group	A-8
Chassis Group	A-9
Curtain, Cushion & Pad Group	A-10 - A-13
Dinette Group	A-14
Electrical Group	A-15 - A-16
Exterior Body Group	A-17 - A-20
Galley Group	A-21
Heating & Air Conditioning Group	A-22
Interior Finish Group	A-23 - A-24
LP Group	B-1
Lounge Group	B-2
Water & Sewage Group	B-3
Window, Vent & Exterior Door Group	B-4 - B-8