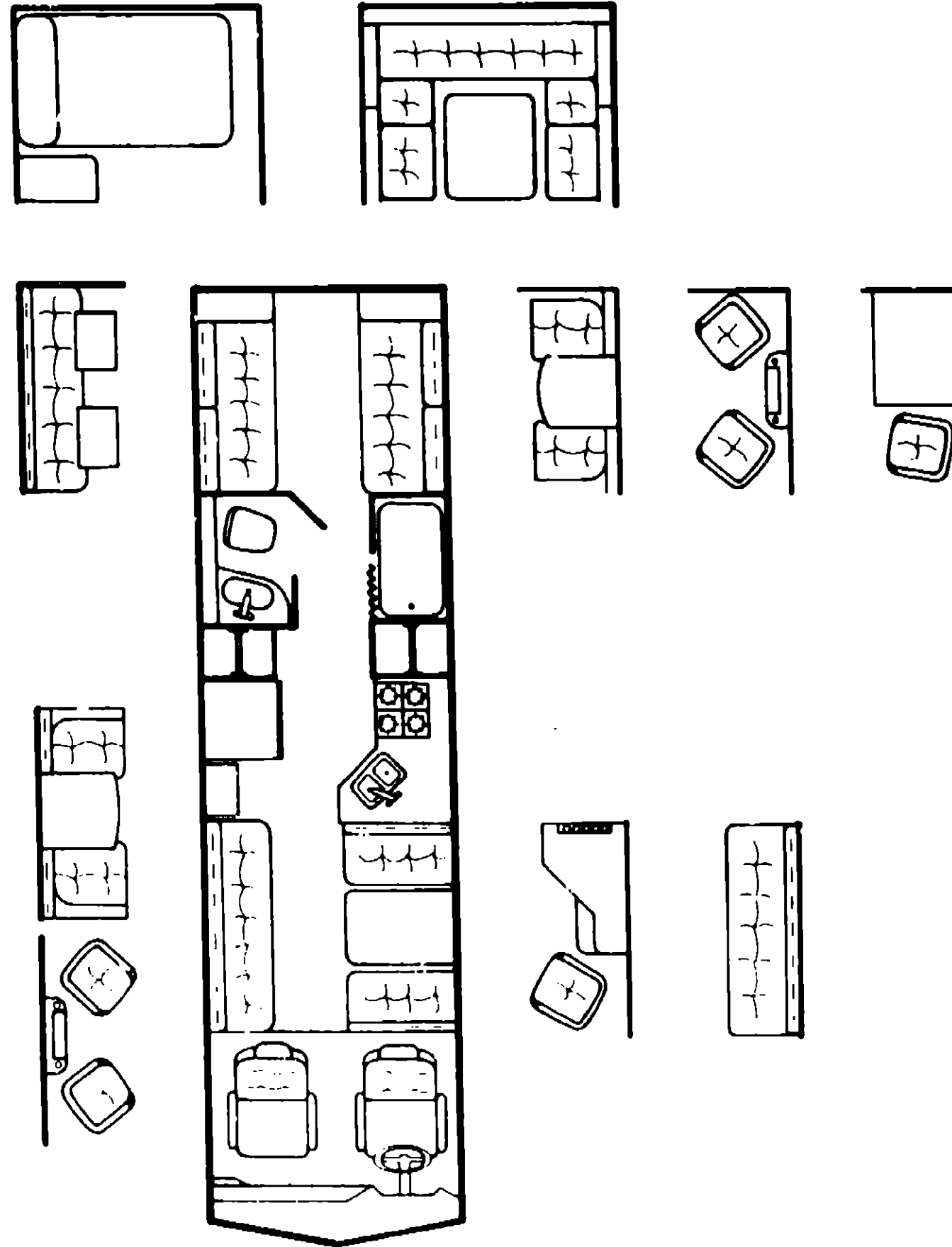


1980 ICN29RT L1



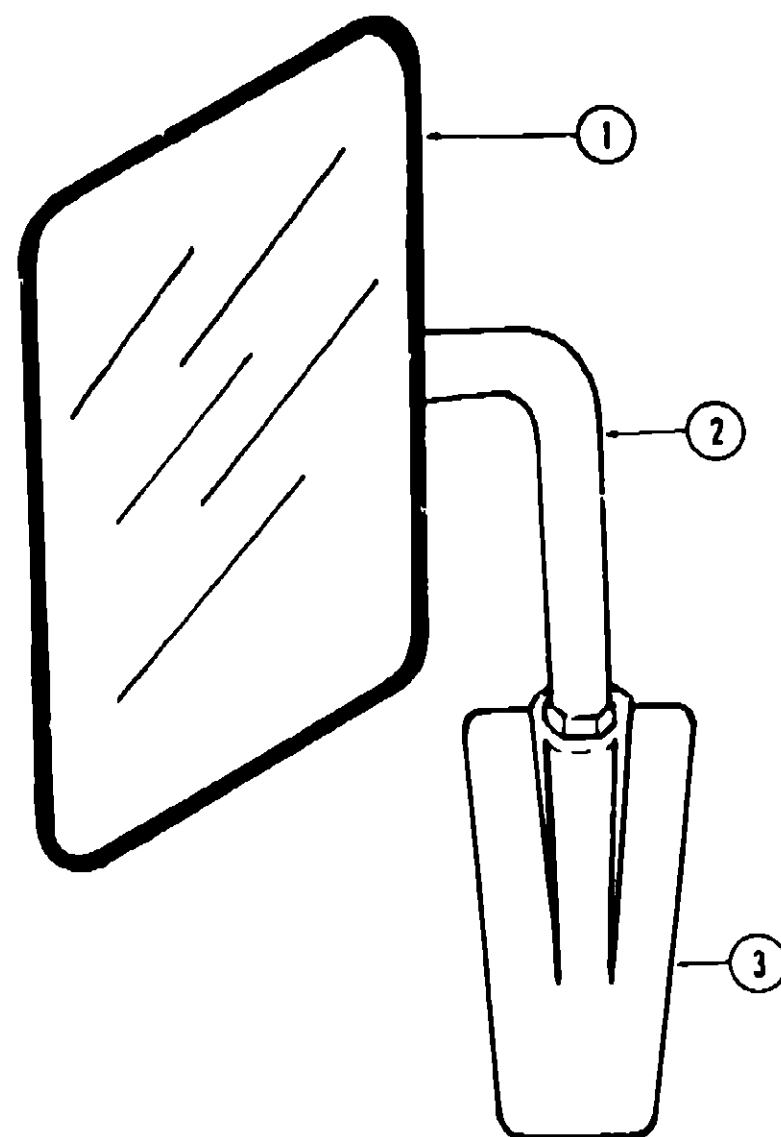
1980 ITASCA TABLE OF CONTENTS

ICF22RB L1	A-1 - B-16
ICN29RT L1	B-17 - D-18
IC319RK L1	D-19 - E-20

1980 ICN29RT L1 INDEX

Floor Plan	B-17 - B-18
Accessories Group	B-19 - B-21
Bath Group	B-22 - B-23
Chassis Group	B-24 - C-1
Curtain, Cushion and Pad Group	C-2 - C-8
Dinette Group	C-9 - C-10
Driver's Compartment Group	C-11 - C-12
Electrical Group	C-13 - C-15
Exterior Body Group	C-16 - C-19
Galley Group	C-20
Heating & Air Conditioning Group	C-21 - C-22
Interior Finish Group	C-23 - C-24
LP Group	D-1
Lounge Group	D-2 - D-3
Water & Sewage Group	D-4 - D-5
Window, Vent & Exterior Door Group	D-5 - D-18

ACCESSORIES GROUP



Key	Part Number	U/M	Description
1	057461-01-000	EA	Mirror Head - 7 1/2" x 10 1/2" - w/Convex - Stainless Steel
1	057461-02-000	EA	Mirror Head - 7 1/2" x 10 1/2" - w/Convex - Off White
2	049348-01-000	EA	Arm - Low Mount Mirror - Bright Finish
2	049348-02-000	EA	Arm - Low Mount Mirror - Off White
3	049944-02-000	EA	Bracket - Mirror - Outside - Off White
•	065116-01-000	EA	Mirror - West Coast - Double Mirror - Right
•	065116-02-000	EA	Mirror - West Coast - Double Mirror - Left
•	049348-03-000	EA	Arm - Low Mount Mirror - Black
•	049944-04-000	EA	Bracket - Mirror O/S, Black
•	Not Illustrated		

ACCESSORIES GROUP (CONTINUED)

GENERATORS AND COMPONENTS

Key	Part Number	U/M	Description
**	054429-01-000	EA	Generator - Onan - 4.0 kw - BFA
**	054433-01-000	EA	Generator - Onan - 6.5 kw
	701629-02-000	EA	Onan Installation Package
	024732-01-001	EA	Tailpipe - 1 1/2" O.D. x 23"
	054426-01-000	EA	Muffler - Generator - w/Spark Arrestor
	740313-56-000	EA	Tray - Generator - 4.0 - kw Onan
	740313-57-000	EA	Tray - Generator - 6.5 - kw Onan

**This illustrated parts breakdown for this item is provided on the Common Items Fiche.

RADIOS AND RELATED COMPONENTS

Key	Part Number	U/M	Description
	064791-01-000	EA	Speaker - Recessed - 5 1/4"
	031105-01-000	EA	Antenna - Radio - Side Mount
	031105-01-700	EA	Holder - Antenna - Radio - Upper
	048153-01-000	EA	Antenna - CB Camper Style
	044328-01-000	EA	Switch - Fader - Speaker Balance
	050751-01-000	EA	Plaque - Fader/Mic Mounting
	055299-01-000	EA	Grille - Speaker - 5 1/4"
	063647-01-000	EA	Control Box - Clarion CB
	063647-02-000	EA	Module - Clarion CB
	064786-01-000	EA	Radio - AM/FM MPX - w/8 Track
	064787-01-000	EA	Radio - AM/FM MPX - w/Cassette
	064788-01-000	EA	Radio - AM/FM Digital - w/Cassette
	064789-01-000	EA	Radio - AM/FM Digital - w/8 Track
	058014-01-000	EA	Radio - AM/FM - Stereo Cassette
	065124-01-000	EA	Wiring - Power Adapter
	056725-01-000	EA	Grill Asm. - Radio
	056726-01-000	EA	Speaker - Radio

FRONT BUNK AND HARDWARE

Key	Part Number	U/M	Description
	058300-01-L07	EA	Cabinet Asm. - Front Overhead
	058843-01-L07	EA	Bunk Board Asm. - Front Overhead w/Rails
	053773-01-000	EA	Support - Overhead Bunk - Brown - Right
	053773-02-000	EA	Support - Overhead Bunk - Brown - Left
	040071-02-000	EA	Support - Bunk - Seat Belt
	041322-01-000	EA	Washer - Flat - 15/32" I.D. x 2 3/8" O.D.
	039516-02-000	EA	Catch - Bunk - Brown
	023812-22-000	EA	Rail - Bunk - 80" - Brown
	033774-01-000	EA	Torsion Rod - Overhead Bunk - Brown
	048394-01-000	YD	Tape Hook - 1" x 25 YD - Beige
	048395-01-000	YD	Tape Loop - 1" x 25 YD - Beige
	058837-01-000	EA	Bracket - Bunk - Rear - Right
	058837-02-000	EA	Bracket - Bunk - Rear - Left

1980 ITASCA TABLE OF CONTENTS

ICF22RB L1
ICN29RT L1
IC319AK L1

A-1 - B-16
B-17 - D-18
D-19 - E-20

1980 ICN29RT L1 INDEX

Floor Plan	B-17 - B-18
Accessories Group	B-19 - B-21
Bath Group	B-22 - B-23
Chassis Group	B-24 - C-1
Curtain, Cushion and Pad Group	C-2 - C-8
Dinette Group	C-9 - C-10
Driver's Compartment Group	C-11 - C-12
Electrical Group	C-13 - C-15
Exterior Body Group	C-16 - C-19
Galley Group	C-20
Heating & Air Conditioning Group	C-21 - C-22
Interior Finish Group	C-23 - C-24
LP Group	D-1
Lounge Group	D-2 - D-3
Water & Sewage Group	D-4 - D-5
Window, Vent & Exterior Door Group	D-5 - D-18

ACCESSORIES GROUP (CONTINUED)

MISCELLANEOUS ACCESSORIES

Key	Part Number	U/M	Description
	054185-12-000	EA	Owners Manual - Itasca
	008053-01-000	EA	Antenna - TV Braund Delux
	008053-01-700	EA	Parts Kit - Repair - Braund TV Antenna
	008093-01-000	EA	Jack - TV - Brown (Antenna)
	008076-01-000	EA	Ladder - Front Bunk
	017516-01-000	EA	Mud Flap - Black - 14" x 18" w/Holes
	008113-01-000	EA	Jack Hydraulic - 5 Ton
	041944-01-700	EA	Fire Extinguisher - w/Bracket
	041944-03-000	EA	Fire Extinguisher - w/Bracket - 5 BC (Calif.)
	052771-02-000	EA	Oven - Microwave - Magic Chef MW207
**	087125-01-000	EA	Ladder Asm. - w/Luggage Rack - Standoff
**	087203-02-000	EA	Ladder Asm.
	041848-01-000	EA	Luggage Carrier Assembly
	039881-01-000	EA	Catch and Strike - Luggage Carrier
**	031396-04-000	EA	Wheel Cover - 16" Chrome
	064022-01-000	EA	Wheel Cover - Helmet - (Bolt On)
	064082-02-000	EA	Retaining Nut - Helmet - Wheel Cover
	064082-05-700	EA	Retainer Bracket - Bolt On Wheel Cover - Chevrolet - Front
	064082-05-701	EA	Retainer Bracket - Bolt On Wheel Cover - Chevrolet - Rear
**	059779-01-000	EA	Speed Control Package - Electric - Chevrolet - Dana
	052241-02-000	EA	Cover - Spare Tire - Gray Plastic
	067483-01-000	EA	TV - Color 13"
	062921-01-000	EA	Base - TV, Swivel Slide
	067130-01-000	EA	Step Ladder
	067166-01-000	EA	Cap - Step Ladder
	055285-01-000	EA	Vacuum Cleaner - Built In - Tevis Campbell
	055285-01-700	EA	Accessories Kit - Standard - Tevis Campbell
	055295-01-701	EA	Filter - 10 per Consumer Package - Tevis Campbell
	061613-01-000	EA	Clock - Batt. Round Gold Face

**The illustrated parts breakdown for this item is provided on the Common Items Fiche.

BATH GROUP

BATH CABINETRY

Key	Part Number	U/M	Description
	061941-01-L07	EA	Cabinet Asm. - Lavatory - w/o Countertop, Doors or Hardware
	061940-01-L07	EA	Countertop Asm. - Lavatory Cabinet - Stonehenge
	063224-18-L07	EA	Door Asm. - Rolled - Lavatory Cabinet - 20.9" x 20"
	061942-01-L07	EA	Cabinet Asm. - Medicine - w/o Doors or Hardware
	059550-40-700	EA	Door Asm. - Medicine Cabinet - w/Mirror - 15.1" x 29.1" - w/o Hardware
	059551-13-700	EA	Door Asm. - Medicine Cabinet - 11.5" x 20.7" - w/o Hardware
	058233-03-L07	EA	Door Asm. - Bathroom - 74.2" x 23" - w/o Towel Rack or Hardware
	059550-48-700	EA	Door Asm. - Wardrobe - 13.1" x 45.1" - w/Mirror w/o Hardware
	082651-01-700	EA	Door Asm. - Furnace - 22.1" x 27.5" - w/o Hardware
	082906-01-000	EA	Door Asm. - Shower - Folding - Complete w/Frame
	065889-01-L07	EA	Door Asm. - Sliding - 28" x 74.1" - w/o Hardware

BATH HARDWARE

Key	Part Number	U/M	Description
**	011056-01-000	EA	Faucet - Lavatory - U.S.
**	011056-02-000	EA	Faucet - Lavatory - C.S.A.
	058640-01-000	EA	Sink - Oval - Ivory Plastic
	011083-01-000	EA	Plug - Sink - 1 1/4" w/Chain
**	031558-01-000	EA	Faucet - Tub and Shower
**	011048-01-000	EA	Shower Head - w/60" Hose
	010495-01-000	EA	Hose Clamp - 9/16"
**	011088-01-000	EA	Strainer - Shower Pan
**	011089-01-000	EA	Tailpiece - 1 1/4" x 4" - Brass
	009134-01-000	EA	Holder - Tissue
	058331-01-000	EA	Mirror - Safety Glass - 19" x 26"
	058331-03-000	EA	Mirror - Safety Glass - 10" x 42"
	058331-05-000	EA	Mirror - Safety Glass - 12" x 26"
	058335-01-000	EA	Latch - Bathroom Door
	009155-01-000	EA	Track - Sliding Door
	009156-01-000	EA	Hanger - Sliding Door
	058034-01-000	EA	Latch - Sliding Door
	009112-01-000	EA	Flange - 1" - Closet Rod
**	039341-02-000	EA	Toilet - Thetford Aqua Magic Model SH - Ivory
	066436-01-000	EA	Nut - Slip - 1.5" Tailpiece
	066425-01-000	EA	Nut - Strainer
	066729-01-000	EA	Strainer - Tub - Shower Drain
	009133-01-000	EA	Towel Bar
	023449-01-000	EA	Towel Bar Supports

**The illustrated parts breakdown for this item is provided on the Common Items Fiche.

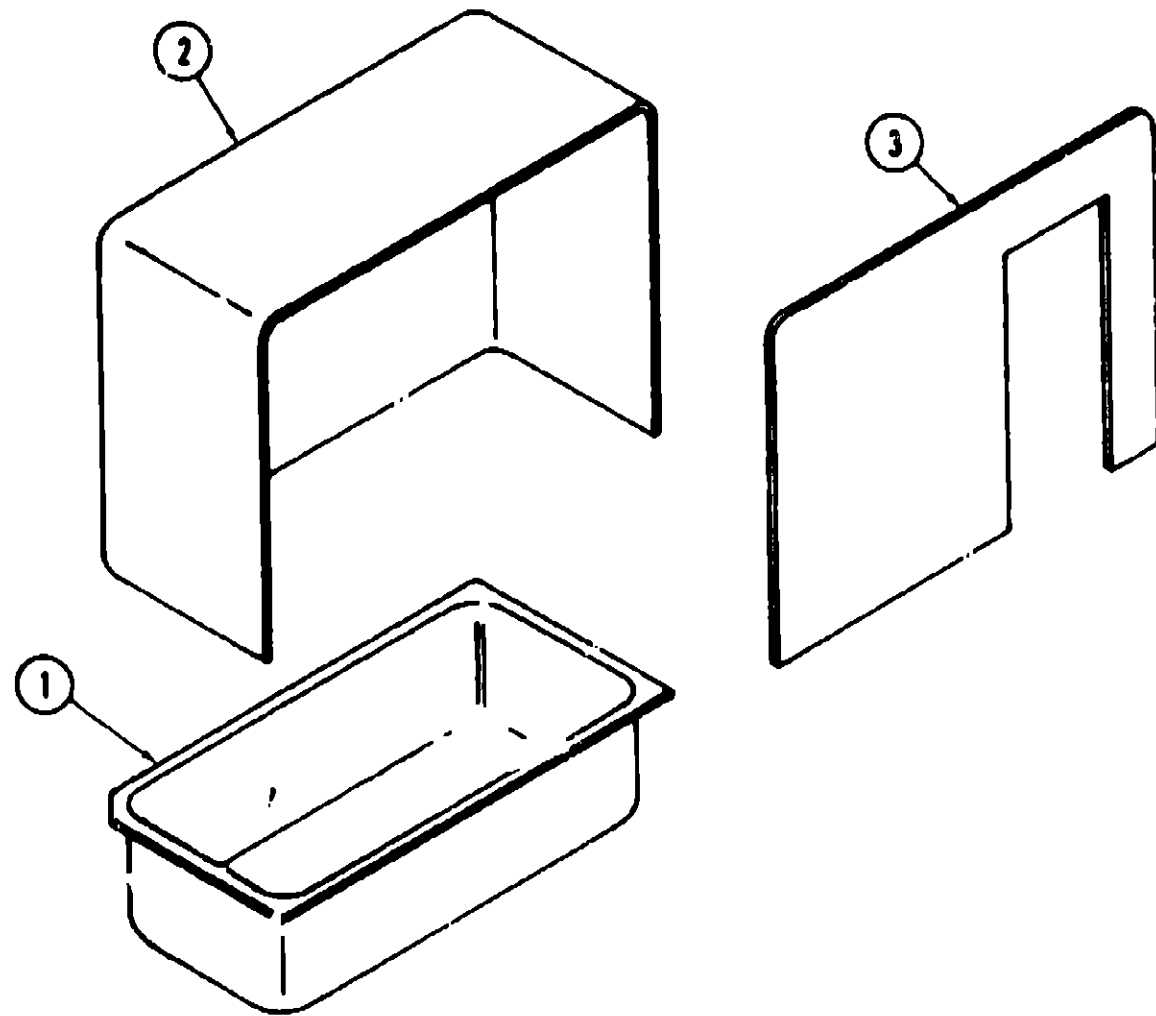
1980 ITASCA TABLE OF CONTENTS

ICF22RB L1	A-1 - B-16
ICN29RT L1	B-17 - D-18
IC319RK L1	D-19 - E-20

1980 ICN29RT L1 INDEX

Floor Plan	B-17 - B-18
Accessories Group	B-19 - B-21
Bath Group	B-22 - B-23
Chassis Group	B-24 - C-1
Curtain, Cushion & Pad Group	C-2 - C-8
Dinette Group	C-9 - C-10
Driver's Compartment Group	C-11 - C-12
Electrical Group	C-13 - C-15
Exterior Body Group	C-16 - C-19
Galley Group	C-20
Heating & Air Conditioning Group	C-21 - C-22
Interior Finish Group	C-23 - C-24
LP Group	D-1
Lounge Group	D-2 - D-3
Water & Sewage Group	D-4 - D-5
Window, Vent & Exterior Door Group	D-5 - D-18

BATH GROUP (CONTINUED)



Key	Part Number	U/M	Description
1	062240-01-000	EA	Bathtub Bottom - Ivory Plastic
2	062249-01-000	EA	Bathtub Rear - Ivory Plastic
3	062247-01-000	EA	Bathtub Front - Ivory Plastic

CHASSIS GROUP

Key	Part Number	U/M	Description
	058790-01-000	EA	Gas Fill - w/Vent
	024811-04-000	EA	Cap - Gas - Pressure - 1.5" Chrome
	024138-01-000	FT	Hose - Fuel - 5/16" I.D. SAE 30RI
	024141-01-000	FT	Hose Rubber - 1/2" I.D.
	007134-01-000	EA	Clamp - Hose - Spring Type - 9/16"
	063383-01-000	EA	Tank - Fuel - 67.5 Gallon
	057038-02-000	EA	Sending Unit - Fuel - 90 Ohm.
	063386-01-000	EA	Strap - Fuel Tank Mounting
	063388-02-000	EA	Hanger - Fuel Tank Mounting
	062401-02-000	EA	Clamp - Worm Gear - 15/16" to 1 5/16"
	062401-03-000	EA	Clamp - Worm Drive - .22" - 1" I.D.
	050227-01-000	EA	Canister Asm. - Vapor - 2 Stage - 3 Port
	007111-01-000	FT	Hose - Fuel - 2 1/4" I.D. SAE 30RI
	024190-01-000	EA	Power Cord Box - Plastic
	055174-01-000	EA	Wheel Well - Plastic
	740313-56-000	EA	Tray - Generator - Onan - 4.0 kw
	740313-57-000	EA	Tray - Generator - Onan - 6.5 kw
	052431-01-000	EA	Luggage Tray
	022855-02-000	EA	Tailpipe - 2 1/4" x 8" - 454 Engine
	007125-08-000	EA	Clamp Asm. - Muffler - 2 1/4"
	017516-01-000	EA	Mud Flap - Black - 14" x 18" w/Holes
	051817-01-000	EA	Bracket - Battery Tie Down
	048594-01-000	EA	Battery Tray Asm.
	047441-01-000	EA	Terminal - Battery - Horizontal Lug
	024852-01-700	EA	Steer. Asm. - Entry
	048474-01-000	EA	Bumper - Rear - Chrome
	058401-01-000	EA	Hood Board - Upper - Right - Steel
	058404-01-000	EA	Hood Board - Upper - Left - Steel
	056818-01-000	EA	Cover - Radiator - Rear
	056817-01-000	EA	Cover - Radiator - Rear Back - (Fan Shield)
	058200-01-000	EA	Bumper - Front - Chrome
	005200-01-000	EA	Bolt - Carriage - 7/16" x 1 1/4" SST.
	058439-01-000	EA	Bracket - Front Bumper - Black
	058416-01-000	EA	Bar - Front Bumper - Black
	063977-02-000	EA	Step Asm. - Upper Driver Door - Black
	063976-02-000	EA	Step Asm. - Lower Driver Door - Black
	044987-01-000	EA	Shield - Heat Muffler
	058125-01-000	EA	Bracket - Bumper - Front - Left
	058125-02-000	EA	Bracket - Bumper - Front - Right
	056832-01-000	EA	Filler - Radiator Cover
	047743-01-000	EA	Spacer - Rear Spring/Axle Stop
	007131-01-000	EA	Hanger - Tail Pipe
	007324-01-000	EA	Tire - 800 x 19.5 - Radial
	051759-01-000	EA	Tire - 800 x 19.5 - 10 Ply Poly
	052185-03-000	EA	Shock Cord - Rubber - 24"
	081681-01-000	EA	Bracket - Spare Tire Cover
	064963-01-000	EA	Bracket - Tire Carrier
	064963-01-000	EA	Rim - Wheel - 19.5 x 6.75

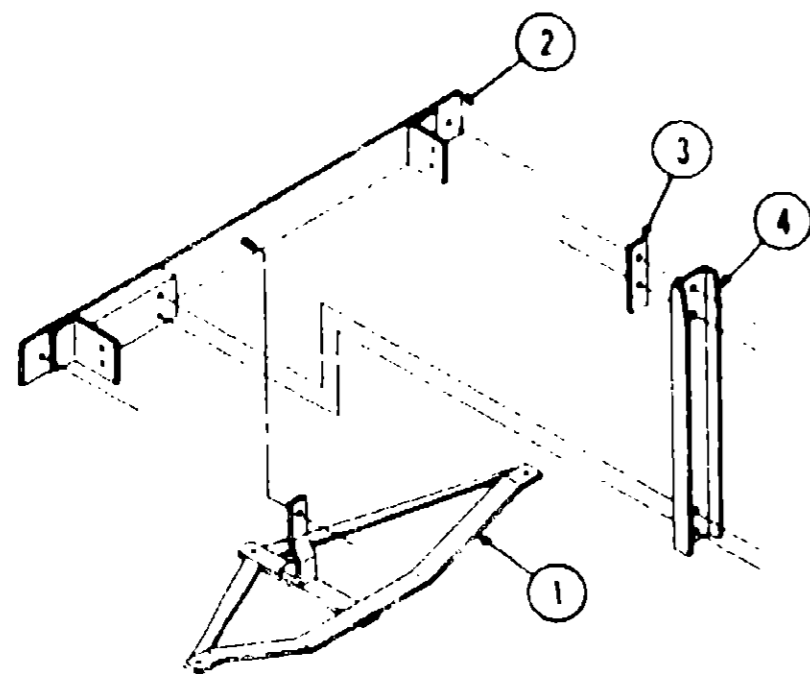
1980 ITASCA TABLE OF CONTENTS

ICF22RB L1	A-1 - B-16
ICN29RT L1	B-17 - D-18
IC319RK L1	D-19 - E-20

1980 ICN29RT L1 INDEX

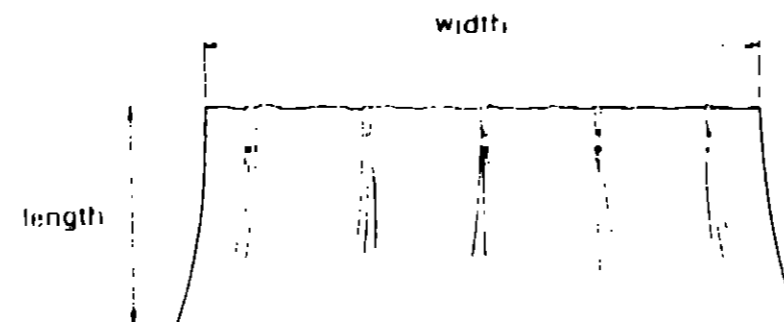
Floor Plan	B-17 - B-18
Accessories Group	B-19 - B-21
Bath Group	B-22 - B-23
Chassis Group	B-24 - C-1
Curtain, Cushion & Fad Group	C-2 - C-8
Dinette Group	C-9 - C-10
Driver's Compartment Group	C-11 - C-12
Electrical Group	C-13 - C-15
Exterior Body Group	C-16 - C-19
Galley Group	C-20
Heating & Air Conditioning Group	C-21 - C-22
Interior Finish Group	C-23 - C-24
LP Group	D-1
Lounge Group	D-2 - D-3
Water & Sewage Group	D-4 - D-5
Windows, Vent & Exterior Door Group	D-5 - D-18

CHASSIS GROUP (CONTINUED)



Key	Part Number	U/M	Description
1	064833-01-000	EA	Trailer Hitch Asm
2	064601-02-000	EA	Bracket - Bumper Mount
3	040974-01-000	EA	Bracket - Spare Tire - Retaining Bar - 2" x 6.75"
4	059670-03-000	EA	Bracket - U-Channel - 27.12" - Tire Carrier

CURTAIN, CUSHION AND PAD GROUP



NOTE

Use this illustration when determining length and width measurements for curtains. You will note the width measurement is taken on the top of the curtain with the curtain fully extended. The length measurement is taken from top to bottom.

1980 ITASCA TABLE OF CONTENTS

ICF22RB L1
ICN29RT L1
IC319RK L1

A-1 - B-16
B-17 - D-18
D-19 - E-20

CURTAINS AND TIE BACKS

Key	Part Number	U/M	Description
	054051-02-L07	EA	Curtain w/Snap Top - 34" x 37" - Brown
	054051-22-L07	EA	Curtain w/Snap Top - Bunk Privacy - 22" x 96" - Brown
	054051-41-L07	EA	Curtain w/Snaps - Wraparound - 27.5" x 81" - Brown
	054051-43-L07	EA	Curtain w/Snaps - 27.5" x 125" - Brown
	059900-05-L07	EA	Curtain w/Snaps - Right Wraparound - 29" x 30"
	054048-08-L07	EA	Tie Back Asm. - Curtain - 2" x 18"
	057534-03-000	EA	Tie Back - Clear Plastic - 7.5"

SHADES

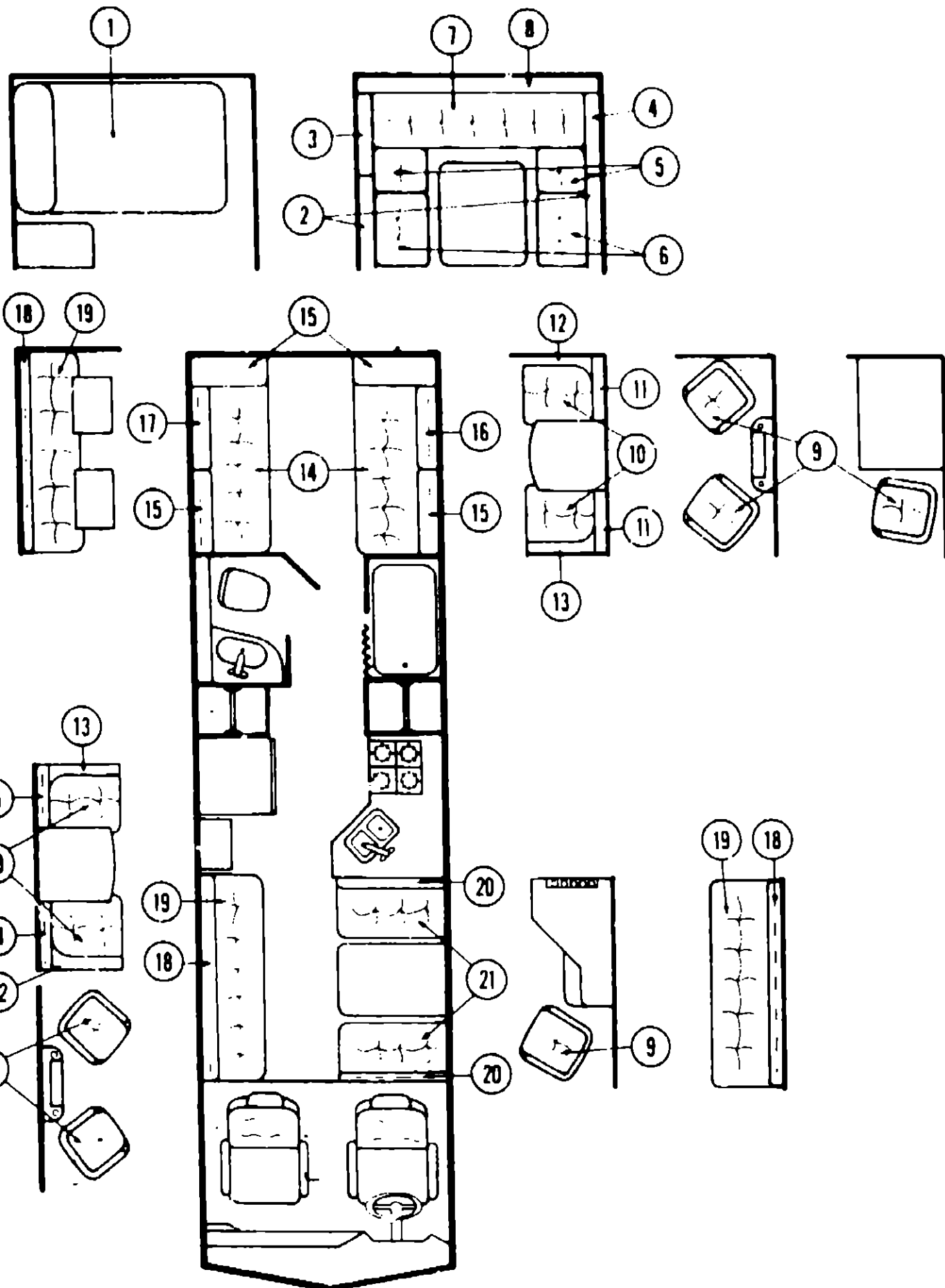
Key	Part Number	U/M	Description
	059547-01-000	EA	Shade - Woven Wood - 29" x 72" - Gray
	059547-07-000	EA	Shade - Woven Wood - 29" x 72" - Rust
	059547-13-000	EA	Shade - Woven Wood - 29" x 72" - Brown
	059547-02-000	EA	Shade - Woven Wood - 31" x 69" - Gray
	059547-08-000	EA	Shade - Woven Wood - 31" x 69" - Rust
	059547-14-000	EA	Shade - Woven Wood - 31" x 69" - Brown
	059547-03-000	EA	Shade - Woven Wood - 31" x 60" - Gray
	059547-09-000	EA	Shade - Woven Wood - 31" x 60" - Rust
	059547-15-000	EA	Shade - Woven Wood - 31" x 60" - Brown
	059547-05-000	EA	Shade - Woven Wood - 23" x 25" - Gray
	059547-11-000	EA	Shade - Woven Wood - 23" x 25" - Rust
	059547-17-000	EA	Shade - Woven Wood - 23" x 25" - Brown
	059547-06-000	EA	Shade - Woven Wood - 29" x 17" - Gray
	059547-12-000	EA	Shade - Woven Wood - 29" x 17" - Rust
	059547-18-000	EA	Shade - Woven Wood - 29" x 17" - Brown

1980 ICN29RT L1 INDEX

Floor Plan	B-17 - B-18
Accessories Group	B-19 - B-21
Bath Group	B-22 - B-23
Chassis Group	B-24 - C-1
Curtain, Cushion and Pad Group	C-2 - C-8
Dinette Group	C-9 - C-10
Driver's Compartment Group	C-11 - C-12
Electrical Group	C-13 - C-15
Exterior Body Group	C-16 - C-19
Galley Group	C-20
Heating & Air Conditioning Group	C-21 - C-22
Interior Finish Group	C-23 - C-24
LP Group	D-1
Lounge Group	D-2 - D-3
Water & Sewage Group	D-4 - D-5
Window, Vent & Exterior Door Group	D-5 - D-18

CURTAIN, CUSHION AND PAD GROUP (CONTINUED)

CURTAIN, CUSHION AND PAD GROUP (CONTINUED)



DOUBLE BED MATTRESS

Key	Part Number	U/M	Description
1	055281-01-000	EA	Mattress - Inner Spring - Sealy - 54" x 75"

HORSESHOE LOUNGE CUSHIONS

Key	Part Number	U/M	Description
2	064710-06-L07	EA	Cushion - Lounge Back - 16" x 32.5" x 5" - Brown
2	064710-06-L08	EA	Cushion - Lounge Back - 16" x 32.5" x 5" - Rust
2	064710-06-L09	EA	Cushion - Lounge Back - 16" x 32.5" x 5" - Green
	064711-06-L07	EA	Cover - Cushion - 16" x 32.5" x 5" - Brown
	064711-06-L08	EA	Cover - Cushion - 16" x 32.5" x 5" - Rust
	064711-06-L09	EA	Cover - Cushion - 16" x 32.5" x 5" - Green
3	064712-01-L07	EA	Cushion - Lounge Back - 16" x 39" x 35" x 5" - Brown - Left
3	064712-01-L08	EA	Cushion - Lounge Back - 16" x 39" x 35" x 5" - Rust - Left
3	064712-01-L09	EA	Cushion - Lounge Back - 16" x 39" x 35" x 5" - Green - Left
	064713-01-L07	EA	Cover - Cushion - 16" x 39" x 35" x 5" - Brown - Left
	064713-01-L08	EA	Cover - Cushion - 16" x 39" x 35" x 5" - Rust - Left
	064713-01-L09	EA	Cover - Cushion - 16" x 39" x 35" x 5" - Green - Left
4	064712-02-L07	EA	Cushion - Lounge Back - 16" x 39" x 35" x 5" - Brown - Right
4	064712-02-L08	EA	Cushion - Lounge Back - 16" x 39" x 35" x 5" - Rust - Right
4	064712-02-L09	EA	Cushion - Lounge Back - 16" x 39" x 35" x 5" - Green - Right
	M64713-02-L07	EA	Cover - Cushion - 16" x 39" x 35" x 5" - Brown - Right
	M64713-02-L08	EA	Cover - Cushion - 16" x 39" x 35" x 5" - Rust - Right
	M64713-02-L09	EA	Cover - Cushion - 16" x 39" x 35" x 5" - Green - Right
5	064710-04-L07	EA	Cushion - Lounge Seat - 24" x 15" x 5.5" - Brown
5	064710-04-L08	EA	Cushion - Lounge Seat - 24" x 15" x 5.5" - Rust
5	064710-04-L09	EA	Cushion - Lounge Seat - 24" x 15" x 5.5" - Green
	064711-04-L07	EA	Cover - Cushion - 24" x 15" x 5.5" - Brown
	064711-04-L08	EA	Cover - Cushion - 24" x 15" x 5.5" - Rust
	064711-04-L09	EA	Cover - Cushion - 24" x 15" x 5.5" - Green
6	064710-05-L07	EA	Cushion - Lounge Seat - 24" x 32" x 5.5" - Brown
6	064710-05-L08	EA	Cushion - Lounge Seat - 24" x 32" x 5.5" - Rust
6	064710-05-L09	EA	Cushion - Lounge Seat - 24" x 32" x 5.5" - Green
	064711-05-L07	EA	Cover - Cushion - 24" x 32" x 5.5" - Brown
	064711-05-L08	EA	Cover - Cushion - 24" x 32" x 5.5" - Rust
	064711-05-L09	EA	Cover - Cushion - 24" x 32" x 5.5" - Green

**1980 ITASCA
TABLE OF CONTENTS**

ICF22RB L1	A-1 - B-16
ICN29RT L1	B-17 - D-18
IC315AK L1	D-19 - E-20

LESTER LOUNGE CUSHIONS

Key	Part Number	U/M	Description
7	064718-01-L07	EA	Cushion - Lester Lounge - Complete - 76" - Brown
7	064718-01-L08	EA	Cushion - Lester Lounge - Complete - 76" - Rust
7	064718-01-L09	EA	Cushion - Lester Lounge - Complete - 76" - Green
	064719-01-L07	EA	Cover - Lester Lounge - Brown
	064719-01-L08	EA	Cover - Lester Lounge - Rust
	064719-01-L09	EA	Cover - Lester Lounge - Green
8	055021-23-L07	EA	Cushion - Lounge Back - 8" x 76" x 5" - Brown
8	055021-23-L08	EA	Cushion - Lounge Back - 8" x 76" x 5" - Rust
8	055021-23-L09	EA	Cushion - Lounge Back - 8" x 76" x 5" - Green
	055022-25-L07	EA	Cover - Cushion - 8" x 76" x 5" - Brown
	055022-25-L08	EA	Cover - Cushion - 8" x 76" x 5" - Rust
	055022-25-L09	EA	Cover - Cushion - 8" x 76" x 5" - Green

SWIVEL CHAIRS

Key	Part Number	U/M	Description
9	054674-11-L07	EA	Swivel Chair - Complete - Brown
9	054674-11-L08	EA	Swivel Chair - Complete - Rust
9	054674-11-L09	EA	Swivel Chair - Complete - Green
	054700-10-L07	EA	Cushion - Swivel Chair - Brown
	054700-10-L08	EA	Cushion - Swivel Chair - Rust
	054700-10-L09	EA	Cushion - Swivel Chair - Green
	035036-01-000	EA	Plate - Swivel Chair
	03LJ36-02-000	EA	Base w/Legs - Swivel Chair

1980 ICN29RT L1 INDEX

Floor Plan	B-17 - B-18
Accessories Group	B-19 - B-21
Bath Group	B-22 - B-23
Chassis Group	B-24 - C-1
Curtain, Cushion and Pad Group	C-2 - C-8
Dinette Group	C-9 - C-10
Driver's Compartment Group	C-11 - C-12
Electrical Group	C-13 - C-15
Exterior Body Group	C-16 - C-19
Galley Group	C-20
Heating & Air Conditioning Group	C-21 - C-22
Interior Finish Group	C-23 - C-24
LP Group	D-1
Lounge Group	D-2 - D-3
Water & Sewage Group	D-4 - D-5
Window, Vent & Exterior Door Group	D-5 - D-18

CURTAIN, CUSHION AND PAD GROUP (CONTINUED)

CORNER LOUNGE CHAIR CUSHIONS

Key	Part Number	U/M	Description
10	059743-05-L07	EA	Cushion - Lounge Chair Bottom - Brown
10	059743-05-L08	EA	Cushion - Lounge Chair Bottom - Rust
10	059743-05-L09	EA	Cushion - Lounge Chair Bottom - Green
	059746-05-L07	EA	Cover - Lounge Chair Bottom Cushion - Brown
	059746-05-L08	EA	Cover - Lounge Chair Bottom Cushion - Rust
	059746-05-L09	EA	Cover - Lounge Chair Bottom Cushion - Green
11	059742-05-L07	EA	Cushion - Lounge Chair Back - Brown
11	059742-05-L08	EA	Cushion - Lounge Chair Back - Rust
11	059742-05-L09	EA	Cushion - Lounge Chair Back - Green
	059745-05-L07	EA	Cover - Lounge Chair Back Cushion - Brown
	059745-05-L08	EA	Cover - Lounge Chair Back Cushion - Rust
	059745-05-L09	EA	Cover - Lounge Chair Back Cushion - Green
12	059744-09-L07	EA	Cushion - Chair Wedge - Left - Brown
12	059744-09-L08	EA	Cushion - Chair Wedge - Left - Rust
12	059744-09-L09	EA	Cushion - Chair Wedge - Left - Green
	059747-09-L07	EA	Cover - Chair Wedge Cushion - Left - Brown
	059747-09-L08	EA	Cover - Chair Wedge Cushion - Left - Rust
	059747-09-L09	EA	Cover - Chair Wedge Cushion - Left - Green
13	059744-10-L07	EA	Cushion - Chair Wedge - Right - Brown
13	059744-10-L08	EA	Cushion - Chair Wedge - Right - Rust
13	059744-10-L09	EA	Cushion - Chair Wedge - Right - Green
	059747-10-L07	EA	Cover - Chair Wedge Cushion - Right - Brown
	059747-10-L08	EA	Cover - Chair Wedge Cushion - Right - Rust
	059747-10-L09	EA	Cover - Chair Wedge Cushion - Right - Green

REAR TWIN BED CUSHIONS

Key	Part Number	U/M	Description
14	064710-03-L07	EA	Cushion - Rear Twin - Bottom - 28" x 76" x 5" - Brown
14	064710-03-L08	EA	Cushion - Rear Twin - Bottom - 28" x 76" x 5" - Rust
14	064710-03-L09	EA	Cushion - Rear Twin - Bottom - 28" x 76" x 5" - Green
	064711-03-L07	EA	Cover - Cushion - 28" x 76" x 5" - Brown
	064711-03-L08	EA	Cover - Cushion - 28" x 76" x 5" - Rust
	064711-03-L09	EA	Cover - Cushion - 28" x 76" x 5" - Green
15	064714-01-L07	EA	Cushion - Bolster - 8" x 10" x 14" x 28" - Brown
15	064714-01-L08	EA	Cushion - Bolster - 8" x 10" x 14" x 28" - Rust
15	064714-01-L09	EA	Cushion - Bolster - 8" x 10" x 14" x 28" - Green
	064715-01-L07	EA	Cover - Cushion - 8" x 10" x 14" x 28" - Brown
	064715-01-L08	EA	Cover - Cushion - 8" x 10" x 14" x 28" - Rust
	064715-01-L09	EA	Cover - Cushion - 8" x 10" x 14" x 28" - Green
16	064716-01-L07	EA	Cushion - Bolster - 8" x 10" x 14" x 40" x 38" - Left - Brown
16	064716-01-L08	EA	Cushion - Bolster - 8" x 10" x 14" x 40" x 38" - Left - Rust
16	064716-01-L09	EA	Cushion - Bolster - 8" x 10" x 14" x 40" x 38" - Left - Green
	064717-01-L07	EA	Cover - Cushion - 8" x 10" x 14" x 40" x 38" - Left - Brown
	064717-01-L08	EA	Cover - Cushion - 8" x 10" x 14" x 40" x 38" - Left - Rust
	064717-01-L09	EA	Cover - Cushion - 8" x 10" x 14" x 40" x 38" - Left - Green
17	064716-02-L07	EA	Cushion - Bolster - 8" x 10" x 14" x 40" x 38" - Right - Brown
17	064716-02-L08	EA	Cushion - Bolster - 8" x 10" x 14" x 40" x 38" - Right - Rust
17	064716-02-L09	EA	Cushion - Bolster - 8" x 10" x 14" x 40" x 38" - Right - Green
	064717-02-L07	EA	Cover - Cushion - 8" x 10" x 14" x 40" x 38" - Right - Brown
	064717-02-L08	EA	Cover - Cushion - 8" x 10" x 14" x 40" x 38" - Right - Rust
	064717-02-L09	EA	Cover - Cushion - 8" x 10" x 14" x 40" x 38" - Right - Green

CURTAIN, CUSHION AND PAD GROUP (CONTINUED)

PRESTO BED CUSHIONS

Key	Part Number	U/M	Description
18	064720-01-L07	EA	Cushion Asm. - Presto Bed - Back - 76" - Brown
18	064720-01-L08	EA	Cushion Asm. - Presto Bed - Back - 76" - Rust
18	064720-01-L09	EA	Cushion Asm. - Presto Bed - Back - 76" - Green
	064724-01-L07	EA	Cover - Presto Bed Back - 76" - Brown
	064724-01-L08	EA	Cover - Presto Bed Back - 76" - Rust
	064724-01-L09	EA	Cover - Presto Bed Back - 76" - Green
19	064721-01-L07	EA	Cushion Asm. - Presto Bed - Bottom - 76" - Brown
19	064721-01-L08	EA	Cushion Asm. - Presto Bed - Bottom - 76" - Rust
19	064721-01-L09	EA	Cushion Asm. - Presto Bed - Bottom - 76" - Green
	064724-02-L07	EA	Cover - Presto Bed Bottom - 76" - Brown
	064724-02-L08	EA	Cover - Presto Bed Bottom - 76" - Rust
	064724-02-L09	EA	Cover - Presto Bed Bottom - 76" - Green

DINETTE CUSHIONS

Key	Part Number	U/M	Description
20	064710-02-L07	EA	Cushion - Dinette Back - 19.2" x 38" x 5" - Brown
20	064710-02-L08	EA	Cushion - Dinette Back - 19.2" x 38" x 5" - Rust
20	064710-02-L09	EA	Cushion - Dinette Back - 19.2" x 38" x 5" - Green
	064711-02-L07	EA	Cover - Dinette Back Cushion - 19.2" x 38" x 5" - Brown
	064711-02-L08	EA	Cover - Dinette Back Cushion - 19.2" x 38" x 5" - Rust
	064711-02-L09	EA	Cover - Dinette Back Cushion - 19.2" x 38" x 5" - Green
21	064710-01-L07	EA	Cushion - Dinette Bottom - 17.5" x 38" x 5" - Brown
21	064710-01-L08	EA	Cushion - Dinette Bottom - 17.5" x 38" x 5" - Rust
21	064710-01-L09	EA	Cushion - Dinette Bottom - 17.5" x 38" x 5" - Green
	064711-01-L07	EA	Cover - Dinette Bottom Cushion - 17.5" x 38" x 5" - Brown
	064711-01-L08	EA	Cover - Dinette Bottom Cushion - 17.5" x 38" x 5" - Rust
	064711-01-L09	EA	Cover - Dinette Bottom Cushion - 17.5" x 38" x 5" - Green

FRONT BUNK CUSHIONS

Key	Part Number	U/M	Description
	055021-33-L07	EA	Cushion Asm. - Front Bunk - 47" x 75.2" x 4" - Brown
	055021-33-L08	EA	Cushion Asm. - Front Bunk - 47" x 79.2" x 4" - Rust
	055021-33-L09	EA	Cushion Asm. - Front Bunk - 47" x 79.2" x 4" - Green
	055022-35-L07	EA	Cover - Front Bunk Cushion - 47" x 79.2" x 4" - Brown
	055022-35-L08	EA	Cover - Front Bunk Cushion - 47" x 79.2" x 4" - Rust
	055022-35-L09	EA	Cover - Front Bunk Cushion - 47" x 79.2" x 4" - Green

PADS

Key	Part Number	U/M	Description
	058565-01-K04	EA	Pad - Pullout Table Cabinet - Acorn Vinyl
	053345-01-K04	EA	Pad - End - Front Lounge - Acorn Vinyl - Right
	063345-02-K04	EA	Pad - End - Front Lounge - Acorn Vinyl - Left
	063338-01-K04	EA	Pad - End - Galley Overhead - Acorn Vinyl
	059333-01-K04	EA	Pad - Bunk Rail - Acorn Vinyl
	059414-01-000	EA	Pad - Sidewall Trim - Drivers - Acorn Vinyl
	059467-03-K04	EA	Pad - Map Pocket - Drivers - Acorn Vinyl
	059414-02-000	EA	Pad - Sidewall Trim - Passenger - Acorn Vinyl
	059467-04-K04	EA	Pad - Map Pocket - Passenger - Acorn Vinyl
	058948-01-K04	EA	Pad - Bunk Panel - Right - Acorn Vinyl
	058948-02-K04	EA	Pad - Bunk Panel - Left - Acorn Vinyl
	058444-03-K04	EA	Pad - Dinette Overhead Cabinets - Left - Acorn Vinyl
	058444-04-K04	EA	Pad - Dinette Overhead Cabinet - Right - Acorn Vinyl

**1980 ITASCA
TABLE OF CONTENTS**

ICF22RB L1	A-1 - B-16
ICN29RT L1	B-17 - D-18
IC319RK L1	D-19 - E-20

1980 ICN29RT L1 INDEX

Floor Plan	B-17 - B-18
Accessories Group	B-19 - B-21
Bath Group	B-22 - B-23
Chassis Group	B-24 - C-1
Curtain, Cushion & Pad Group	C-2 - C-8
Dinette Group	C-9 - C-10
Driver's Compartment Group	C-11 - C-12
Electrical Group	C-13 - C-15
Exterior Body Group	C-16 - C-19
Galley Group	C-20
Heating & Air Conditioning Group	C-21 - C-22
Interior Finish Group	C-23 - C-24
LP Group	D-1
Lounge Group	D-2 - D-3
Water & Sewage Group	D-4 - D-5
Window, Vent & Exterior Door Group	D-5 - D-18

CURTAIN, CUSHION AND PAD GROUP (CONTINUED)

BUCKET SEATS

Key	Part Number	U/M	Description
	065939-03-L07	EA	Seat Asm. - Single Bucket - Highback w/Armrests and Skirt - Brown
	065939-03-L08	EA	Seat Asm. - Single Bucket - Highback w/Armrests and Skirt - Rust
	065939-03-L09	EA	Seat Asm. - Single Bucket - Highback w/Armrests and Skirt - Green
	065943-03-L07	EA	Cover - Back - Single Bucket - Brown
	065943-03-L08	EA	Cover - Back - Single Bucket - Rust
	065943-03-L09	EA	Cover - Back - Single Bucket - Green
	065944-03-L07	EA	Cover - Bottom - Single Bucket - Brown
	065944-03-L08	EA	Cover - Bottom - Single Bucket - Rust
	065944-03-L09	EA	Cover - Bottom - Single Bucket - Green
	066915-03-L07	EA	Skirt - Single Bucket - Brown
	066915-03-L08	EA	Skirt - Single Bucket - Rust
	066915-03-L09	EA	Skirt - Single Bucket - Green
	065942-01-L07	EA	Seat Asm. - Double Bucket - Highback w/Armrests and Skirt - Brown
	065942-01-L08	EA	Seat Asm. - Double Bucket - Highback w/Armrests and Skirt - Rust
	065942-01-L09	EA	Seat Asm. - Double Bucket - Highback w/Armrests and Skirt - Green
	065945-03-L07	EA	Cover - Back - Double Bucket - Brown
	065945-03-L08	EA	Cover - Back - Double Bucket - Rust
	065945-03-L09	EA	Cover - Back - Double Bucket - Green
	065946-03-L07	EA	Cover - Bottom - Double Bucket - Brown
	065946-03-L08	EA	Cover - Bottom - Double Bucket - Rust
	065946-03-L09	EA	Cover - Bottom - Double Bucket - Green
	066916-03-L07	EA	Skirt - Double Bucket - Brown
	066916-03-L08	EA	Skirt - Double Bucket - Rust
	066916-03-L09	EA	Skirt - Double Bucket - Green
	067661-02-000	EA	Armrest Asm. - Foam w/o Cover - Right
	067661-01-000	EA	Armrest Asm. - Foam w/o Cover - Left
	065774-03-L07	EA	Cover - Armrest - Right or Left - Brown
	065774-03-L08	EA	Cover - Armrest - Right or Left - Rust
	065774-03-L09	EA	Cover - Armrest - Right or Left - Green

FABRICS AND TRIMS

Key	Part Number	U/M	Description
	064393-04-000	YD	Fabric - Drapery - Dublin Flax
	064393-05-000	YD	Fabric - Drapery - Super Satin Molasses
	064383-14-000	YD	Fabric - Upholstery - Caprice Cinnamon
	064383-15-000	YD	Fabric - Upholstery - Caprice Clax
	064383-16-000	YD	Fabric - Upholstery - Caprice Seafoam
	057093-01-L07	EA	Button Asm. - Covered #60 - Nail - Brown
	057093-01-L08	EA	Button Asm. - Covered #60 - Nail - Rust
	057093-01-L09	EA	Button Asm. - Covered #60 - Nail - Green
	052859-01-K11	FT	Trim Asm. - Accent - Acorn Brown Vinyl
	053327-01-000	YD	Vinyl - Non Expanded - 27 oz. - Acorn Brown
	053327-02-000	YD	Vinyl - Expanded - 28 oz. Acorn Brown
	053327-03-000	YD	Vinyl - Non Support - 16 Gauge Film - Acorn Brown
	038421-01-000	YD	Tickling - Mattress - Gold
	057592-02-L07	EA	Button Asm. - Pivot #30 - Brown
	057592-02-L08	EA	Button Asm. - Pivot #30 - Rust
	057592-02-L09	EA	Button Asm. - Pivot #30 - Green
	054676-06-L07	EA	Button Asm. - Cloth #30 - Brown
	054676-06-L08	EA	Button Asm. - Cloth #30 - Rust
	054676-06-L09	EA	Button Asm. - Cloth #30 - Green
	057550-05-K01	EA	Button Asm. - Nail - Vinyl Acorn

CURTAIN, CUSHION AND PAD GROUP (CONTINUED)

CURTAIN HARDWARE

Key	Part Number	U/M	Description
	053272-04-200	EA	Track - Curtain - Ceiling - 89" - Off White
	053265-02-001	EA	Track - Curtain - Door - 18" - Anod.
	059430-01-000	EA	Track - Curtain - Front Wraparound (2 per unit)
	058001-01-000	EA	Bracket - Shade - Left
	058002-01-000	EA	Bracket - Shade - Right
	009107-01-000	EA	Guide - Nylon Snap - Curtain
	018031-42-000	EA	Track - Curtain - "L" Rod - Alum. Extr. - 90"
	009701-01-000	EA	Carrier - "L" Rod - Curtain
	009702-01-000	EA	End Stop - "L" Rod - Curtain



Key	Part Number	U/M	Description
1	029130-01-000	EA	Socket - Snap Fastener
2	029155-01-000	EA	Cap - Snap - .156" Dia x 17" Barrel
3	029156-01-000	EA	Socket - Snap Fastener
4	029092-01-000	EA	Stud - Nickel Finish
5	029093-01-000	EA	Eyelet - Nickel Finish

**1980 ITASCA
TABLE OF CONTENTS**

ICF22RB L1	A-1 - B-16
ICN29RT L1	B-17 - D-18
IC319AK L1	D-19 - E-20

1980 ICN29RT L1 INDEX

Floor Plan	B-17 - B-18
Accessories Group	B-19 - B-21
Bath Group	B-22 - B-23
Chassis Group	B-24 - C-1
Curtain, Cushion & Pad Group	C-2 - C-8
Dinette Group	C-9 - C-10
Driver's Compartment Group	C-11 - C-12
Electrical Group	C-13 - C-15
Exterior Body Group	C-16 - C-19
Galley Group	C-20
Heating & Air Conditioning Group	C-21 - C-22
Interior Finish Group	C-23 - C-24
LP Group	D-1
Lounge Group	D-2 - D-3
Water & Sewage Group	D-4 - D-5
Window, Vent & Exterior Door Group	D-5 - D-18

DINETTE GROUP

CONVENTIONAL DINETTE AND OVERHEAD CABINERY

Key	Part Number	U/M	Description
**	053248-02-L07	EA	Table Asm. - Dinette - w/o Hardware - Stonehenge
**	053200-04-000	EA	Bracket - Upper Wall Mount - Brown - 23.5"
**	053201-03-000	EA	Bracket - Table Mount - Brown - 23"
**	024275-01-000	EA	Rod - Table Lift - 8 x 23.5"
**	024281-06-000	EA	Bracket - Lower Wall Mount - Black - 22.12"
**	024276-04-000	EA	Leg Asm. - Table - Brown - 29.5"
**	064250-01-000	EA	Hinge - Table Leg
**	024282-01-000	EA	Brace - Table Leg
**	024283-01-000	EA	Clip - 1" O.D. Tube
**	049493-02-000	EA	Catch - Table Leg - Mounts on Floor - Brown
**	065484-01-L07	EA	Cabinet Asm. - Dinette Seat - Left
**	064646-01-L07	EA	Cabinet Asm. - Dinette Seat - Right
**	059550-04-700	EA	Door Asm. - Front Dinette Seat Cabinet - 12" x 19.8" - w/o Hardware
**	064649-01-L07	EA	Cabinet Asm. - Right Front Overhead - w/o Doors or Hardware
**	064649-02-L07	EA	Cabinet Asm. - Left Front Overhead - w/o Doors or Hardware
**	059551-01-700	EA	Door Asm. - Dinette Overhead Cabinet - 11.3" x 28" - w/o Hardware
**	053103-01-L07	EA	Hinge Kit - Double Acting Spring

**The illustrated parts breakdown for this item is provided on the Common Items Fiche.

SPRUNG COUCH AND PEDESTAL TABLE

Key	Part Number	U/M	Description
	057622-02-L07	EA	Cabinet Face - Sprung Couch - w/o Door or Hardware
	059550-02-700	EA	Door Asm. - Couch Cabinet - 11.6" x 37" - w/o Hardware
	057468-02-000	EA	Frame Asm. - Sprung Couch - Right
	057468-03-000	EA	Frame Asm. - Sprung Couch - Left
	057468-04-000	EA	Frame Rails - Sprung Couch (2 per couch)
	057469-01-000	EA	Leg Asm. - Sprung Couch (2 per couch)
	053203-07-L07	EA	Table Asm. - Pedestal - w/o Hardware - Stonehenge
	009040-02-000	EA	Leg - Pedestal Table - 27.5" x 2.25" O.D. - Chrome
	009040-03-000	EA	Base - Table Leg - Mounts on Table
	041194-01-000	EA	Base - Table Leg - Mounts in Floor - Flush
	057618-01-L07	EA	Panel Asm. - End Sprung Couch

CORNER LOUNGE CHAIRS

Key	Part Number	U/M	Description
	061558-02-L07	EA	Cabinet Asm. - Corner Lounge Chair - Right
	061560-01-L07	EA	Cabinet Asm. - Corner Lounge Chair - Left
	059122-06-M10	EA	Door Asm. - Rolled - 17.7" x 13"
	061704-01-L07	EA	Table Asm. - Lounge - Stonehenge
	061882-01-000	EA	Leg Asm. - Table - Pivot
	061879-01-000	EA	Leg Asm. - Table - Fixed
	024275-04-000	EA	Rod - Table Lift
	024281-05-000	EA	Bracket - Table Lift - Mounts on Table
	053200-02-000	EA	Support - Table - 14.5" - Mounts on Wall

DINETTE GROUP (CONTINUED)

SWIVEL CHAIRS W/PULLOUT TABLE

Key	Part Number	U/M	Description
	054552-01-L07	EA	Table Asm. - Pullout - Stonehenge
	058548-01-L07	EA	Cabinet Asm. - Pullout Table - w/o Countertop or Table
	058547-01-L07	EA	Countertop Asm. - Pullout Table Cabinet - Stonehenge
	054540-01-L07	EA	Slide Asm. - Ball Bearing
	009148-01-000	EA	Finger Pull - 3/4" Dia. - Brass
	045795-01-000	EA	Holder - Glass - Dark Brown Plastic
	035036-01-000	EA	Plate - Swivel Chair
	035036-02-000	EA	Base w/Leg - Swivel Chair

SWIVEL CHAIR AND TELEVISION CABINET

Key	Part Number	U/M	Description
	062486-01-L07	EA	Cabinet Asm. - Entertainment Center - w/o Countertops, Doors or Hardware
	059122-11-L07	EA	Door Asm. - Rolled - 17" x 20.4"
	063224-13-L04	EA	Door Asm. - Rolled - 13" x 17.5"
	062485-01-L07	EA	Countertop Asm. - Entertainment Center - Upper - Stonehenge
	062652-01-L07	EA	Countertop Asm. - Entertainment Center - Lower - Stonehenge
	063125-01-K11	EA	Rack - Glass - 6 Hole - 4" x 24"
	063159-01-L07	EA	Rack - Bottle - 6 Hole - 14" x 14" Triangles - Stonehenge
	063163-01-K11	EA	Rack - Bottle - 4 Square Hole - 27.6" x 6"
	059052-50-K11	EA	Door Asm. - Cabinet - 11.2" x 13" - w/o Hardware
	059092-51-K11	EA	Door Asm. - Cabinet - 14.5" x 13" - w/o Hardware
	062566-01-K11	EA	Door Asm. - Cabinet - w/Brass Insert
	047205-09-000	EA	Insert - Cabinet Door - Brass Mesh - 13 3/8" x 7 1/2"
	047033-01-000	EA	Cork - 1/8 x 12 x 24 - Sand Natural
	062921-01-000	EA	Base - TV Swivel Slide

**1980 ITASCA
TABLE OF CONTENTS**

ICF22RB L1	A-1 - B-16
ICN29RT L1	B-17 - D-18
IC319RK L1	D-19 - E-20

1980 ICN29RT L1 INDEX

Floor Plan	B-17 - B-18
Accessories Group	B-19 - B-21
Bath Group	B-22 - B-23
Chassis Group	B-24 - C-1
Curtain, Cushion and Pad Group	C-2 - C-8
Dinette Group	C-9 - C-10
Driver's Compartment Group	C-11 - C-12
Electrical Group	C-13 - C-15
Exterior Body Group	C-16 - C-19
Galley Group	C-20
Heating & Air Conditioning Group	C-21 - C-22
Interior Finish Group	C-23 - C-24
LP Group	D-1
Lounge Group	D-2 - D-3
Water & Sewage Group	D-4 - D-5
Window, Vent & Exterior Door Group	D-5 - D-18

DRIVER'S COMPARTMENT GROUP

DASH PANEL AND COMPONENTS

Key	Part Number	U/M	Description
	061803-01-K11	EA	Dash Asm. - Complete w/Gauges and Switches
	022548-04-000	EA	Pad - Dash - Right - Dark Brown
	023242-06-000	EA	Pad - Dash - Left - Dark Brown
	024418-01-000	EA	Lamp Asm. - Map/Gauge
	023020-01-000	EA	Lamp Asm. - Telltale
	007308-01-000	EA	Dash Clock
	052367-01-000	EA	Lighter Asm. - Cigarette - 12 Volt
	007041-01-000	EA	Bezel - Cigarette Lighter
	007071-01-000	EA	Louwer - Chrome - w/Chrome Wheel
	024990-02-000	EA	Outlet - Defroster w/Swivel - 2" Dark Brown
	039044-01-000	EA	Louwer Asm. - A/C Adjustable
	050344-02-000	EA	Bezel - Entertainment Center No. 2 - w/Cut Out for Radio and Clock
	050345-02-000	EA	Bezel - Entertainment Center No. 3 - w/Cut Out for Radio, Clock, Hourmeter and Generator Start Stop Switch
	057487-07-000	EA	Bezel - Control Panel
	023892-01-000	EA	Box - Glove Compartment - Black Fiberboard
	022219-01-000	EA	Door - Glove Compartment
	009118-01-000	EA	Twist Lock - Glove Compartment
	024598-01-000	EA	Hinge - Glove Compartment - 1 1/16" x 19"
	034309-01-000	EA	Chain - Glove Box Door
	023834-01-000	EA	Panel - Knee Kick - Bottom of Dash
	031035-01-000	EA	Gauge Asm. - Hourmeter
	024849-01-000	EA	Damper Asm. - Fresh Air

DASH SWITCHES AND GAUGES

Key	Part Number	U/M	Description
	024461-01-000	EA	Switch - Battery
	024462-01-000	EA	Switch - Battery Condition
	024464-02-000	EA	Switch - Battery - Dual Boost
	024463-01-000	EA	Switch - Blinker
	024464-01-000	EA	Switch - Washer
	024465-01-000	EA	Switch - Fuel
	024467-01-000	EA	Switch - Wiper
	024976-01-000	EA	Switch - Generator w/o Circuit Board
	037387-01-000	EA	Switch - Generator w/Circuit Board
	024459-01-000	EA	Gauge - Voltmeter
	024460-01-000	EA	Gauge - Vacuum
	031035-01-000	EA	Gauge - Generator Hourmeter
	031376-01-000	EA	Control Asm. - Heater - 3 Speed
	055279-01-000	EA	Control Asm. - Heater A/C - 3 Speed

BUCKET SEAT PEDESTAL AND SEAT BELTS

Key	Part Number	U/M	Description
	050447-01-000	EA	Pedestal Asm. - Tilt Seat - Left
	050447-02-000	EA	Pedestal Asm. - Tilt Seat - Right - Single Seat
	050447-04-000	EA	Pedestal Asm. - Tilt Seat - Right - Double Seat
	007019-01-000	EA	Belt Asm. - Seat - 2" x 84" - Black
	041322-01-000	EA	Washer - Flat 15/32" I.D. x 2 3/8" O.D. - Seat Belt
	049943-01-000	EA	Pedestal - Complete - Swivel
	007222-01-000	EA	Belt Asm. - Seat - 2" x 60" - Black
	043910-01-000	EA	Bracket Asm. - Seat Belt
	058375-01-000	EA	Bracket - Seat Belt - Washer
	051382-01-000	EA	Adjuster Asm. - Seat w/Lock
	051383-01-000	EA	Adjuster Asm. - Seat w/o Lock

DRIVER'S COMPARTMENT GROUP (CONTINUED)

FRONT BUNK AND HARDWARE

Key	Part Number	U/M	Description
	058300-01-K11	EA	Cabinet Asm. - Front Overhead
	058844-01-K11	EA	Bunk Board Asm. - Front Overhead w/Rails
	053773-01-000	EA	Support - Overhead Bunk - Brown - Right
	053773-02-000	EA	Support - Overhead Bunk - Brown - Left
	040071-02-000	EA	Support Bunk - Seat Belt
	041322-01-000	EA	Washer - Flat - 15/32" I.D. x 2 3/8" O.D.
	039516-02-000	EA	Catch - Bunk - Brown
	023812-22-000	EA	Rail - Bunk - 80" - Brown
	053774-01-000	EA	Torsion Rod - Overhead Bunk - Brown
	058948-02-L07	EA	Panel Asm. - Bunk - Padded - Left
	058948-03-L07	EA	Panel Asm. - Bunk - Padded - Left (Door)

MISCELLANEOUS DRIVER'S COMPARTMENT COMPONENTS

Key	Part Number	U/M	Description
	061378-01-K11	EA	Beverage Tray Asm. - Matador Leather Laminate
	055000-01-000	EA	Tray - Utensil - Dark Brown Plastic
	045795-01-000	EA	Glass Holder - Dark Brown Plastic
	050796-01-000	EA	Pocket - Ash Tray - Plastic
	050797-01-000	EA	Ash Tray - Plastic
	039857-01-000	EA	Latch - Rubber - Draw Handle - 5 3/4" w/Strike
	039856-01-000	EA	Latch - Rubber - Draw Handle - 3" w/Strike
	042541-01-000	EA	Latch Asm. w/Strike - Chrome
	034800-01-000	EA	Cover - Motor - Plastic 454 C.I.D.
	039333-01-000	EA	Cover - Motor - Plastic - 350 C.I.D.
	035368-02-000	EA	Seal - Motor Cover - Alum.
	059623-01-000	FT	Seal - Cover - Engine - Neoprene
	052783-02-000	EA	Seal - Cover - Motor - Upper
	040519-01-000	EA	Boot - Rubber Steering Column
	040520-01-000	EA	Boot - Retainer - Steering Column
	040714-01-000	EA	Mirror - Inside - Rear View - Glare Proof
	034499-01-000	EA	Support - Dimmer Switch
	040695-02-000	EA	Clip - Sunvisor
	056508-01-K11	EA	Sunvisor Asm. - Right - Acorn Brown - w/Mirror
	056508-02-K11	EA	Sunvisor Asm. - Left - Acorn Brown
	061350-01-000	EA	Trim - Interior - "A" Post - Brown Plastic - Left
	061350-02-000	EA	Trim - Interior - "A" Post - Brown Plastic - Right
	009143-01-000	EA	Mirror - 1/8" x 3.5" x 8" - Sunvisor
	059198-02-000	EA	Panel - Side - Left - Dark Brown
	059197-01-000	EA	Panel - Side - Right - Dark Brown
	067490-01-000	EA	Button - Mirror - Rear View - Support

**1980 ITASCA
TABLE OF CONTENTS**

ICF22RB L1	A-1 - B-18
ICN29RT L1	B-17 - D-18
IC319RK L1	D-19 - E-20

1980 ICN29RT L1 INDEX

Floor Plan	B-17 - B-18
Accessories Group	B-19 - B-21
Bath Group	B-22 - B-23
Chassis Group	B-24 - C-1
Curtain, Cushion & Pad Group	C-2 - C-8
Dinette Group	C-9 - C-10
Driver's Compartment Group	C-11 - C-12
Electrical Group	C-13 - C-15
Exterior Body Group	C-16 - C-19
Galley Group	C-20
Heating & Air Conditioning Group	C-21 - C-22
Interior Finish Group	C-23 - C-24
LP Group	D-1
Lounge Group	D-2 - D-3
Water & Sewage Group	D-4 - D-5
Window, Vent & Exterior Door Group	D-5 - D-18

ELECTRICAL GROUP

BULBS

Key	Part Number	U/M	Description
	037935-01-000	EA	Bulb - 1157
	038010-01-000	EA	Bulb - 1143
	008103-01-000	EA	Bulb - 53
	008213-01-000	EA	Bulb - 57
	008217-01-000	EA	Bulb - 87
	008215-01-000	EA	Bulb - 1003
	008216-01-000	EA	Bulb - 1034
	008217-01-070	EA	Bulb - 1073
	008218-01-000	EA	Bulb - 1141
	008219-01-000	EA	Bulb - 656
	008220-01-000	EA	Bulb - 12V - 25W
	038198-01-000	EA	Bulb - 194
	700020-01-000	EA	Bulb - 12V - 20W - 1393

FUSES AND CIRCUIT BREAKER

Key	Part Number	U/M	Description
	056473-01-000	EA	Fuse - Slow Blow - 6 1/4 Amp.
	008233-01-000	EA	Fuse - 12 Volt - 6 Amp.
	008234-01-000	EA	Fuse - 12 Volt - 10 Amp.
	008235-01-000	EA	Fuse - 12 Volt - 15 Amp.
	008236-01-000	EA	Fuse - 12 Volt - 20 Amp.
	008248-01-000	EA	Fuse - 110 Volt - 30 Amp. - AGU
	008252-01-000	EA	Fuse - 110 Volt - 50 Amp.
	008208-01-000	EA	Circuit Breaker - 12 Volt - 40 Amp.
	008211-01-000	EA	Circuit Breaker - 12 Volt - 6 Amp.
	008268-01-000	EA	Circuit Breaker - 12 Volt - 30 Amp. w/Mount
	033573-02-000	EA	Circuit Breaker - 12 Volt - 15 Amp. w/Mount
	040051-01-000	EA	Circuit Breaker - 110 Volt - 20 Amp. TQL
	033573-01-000	EA	Circuit Breaker - 12 V - 20 Amp. w/Mount
	008273-03-000	EA	Circuit Breaker - 15/20 Amp. TQL

EXTERIOR LIGHTS

Key	Part Number	U/M	Description
	007309-01-000	EA	Light - Step Well
	058030-01-000	EA	Tail Lamp Asm. - 3 Bulb - Chrome - Right
	058030-02-000	EA	Tail Lamp Asm. - 3 Bulb - Chrome - Left
	058030-01-700	EA	Lens - Tail Lamp - Red
	058030-01-701	EA	Lens - Tail Lamp - Back Up
	059036-01-000	EA	Bracket - Tail Lamp
	059540-01-000	EA	Bracket - License Plate
	062742-01-000	EA	Wedge - Tail Lamp - Left
	062741-03-000	EA	Wedge - Tail Lamp - Right
	042405-03-000	EA	Base - Rectangular Clearance Light
	042405-04-000	EA	Lens - Clearance Light - Red
	042405-05-000	EA	Lens - Clearance Light - Amber
	008089-01-000	EA	Light - Porch - Recessed

ELECTRICAL GROUP (CONTINUED)

INTERIOR LIGHTS

Key	Part Number	U/M	Description
	033508-02-000	EA	Light - Dome - Ivory - 1 Bulb - US - Progressive Dynamics, Inc.
	033508-03-000	EA	Light - Dome - Ivory - 1 Bulb - CSA - Progressive Dynamics, Inc.
	033509-02-000	EA	Light - Dome - Ivory - 2 Bulb - US - Progressive Dynamics, Inc.
	033509-03-000	EA	Light - Dome - Ivory - 2 Bulb - CSA - Progressive Dynamics, Inc.
	064778-01-000	EA	Light - Dome - Off White - Double Jensen
	064778-02-000	EA	Light - Dome - Off White - Single - Jensen
	061424-01-000	EA	Light - 12V Receptacle - Aisle - IP
	024842-01-701	EA	Lens - Domelight - 1 Bulb
	024843-01-701	EA	Lens - Domelight - 2 Bulb
	024418-01-000	EA	Lamp Asm. - Map/Gauge/Aisle
	053348-01-000	EA	Light - High Intensity - Brown

WIRE, SWITCHES AND RECEPTACLES

Key	Part Number	U/M	Description
	008024-01-000	FT	Wire - 18.5 Bonded - Orange/White/Yellow/Blue/Brown
	008025-01-000	FT	Wire - 18.5 Bonded - Orange/White/Yellow/Blue/Green
	008028-01-000	FT	Wire - 18.5 Bonded - Blue/Red/Yellow/Orange/White
	008030-01-000	FT	Wire - 18.4 Bonded
	008251-01-000	EA	Holder - Fuse - Black - Screw Type
	008277-01-000	EA	Holder - Fuse - Black - Panel Mount
	008195-01-000	EA	Switch - Push Button - 12 Volt
	006077-01-000	EA	Plaque - Compressor Switch
	008054-01-000	EA	Cord - Power - 10-3 30 Amp. - 25' - UL
	008052-01-000	EA	Cord - Power - 10-3 30 Amp. - 25' - CSA
	034818-04-000	EA	Holder - Receptacle - Plastic
	039342-01-000	EA	Receptacle - Duplex Brown - T Junction
	024571-01-000	EA	Cover Plate - Receptacle - Jumbo Steel - Brown
	024571-03-000	EA	Cover Plate - Receptacle - Jumbo Plastic - Brown
	024571-04-000	EA	Cover Plate - Receptacle - Jumbo Plastic - Ivory
	024471-01-000	EA	Cover Plate - Electrical Box - 5 1/4" x 3 1/2"
	058028-01-000	EA	Connector - Pigtail - Clear - Nylon
	039343-01-000	EA	Cap - End - Receptacle
	008162-01-000	EA	Switch - Double Toggle - Spade Brown
	008163-01-000	EA	Switch - Toggle Brown
	056264-01-000	EA	Switch - Leaf Actuator
	063912-01-000	EA	Relay - Canister, Spot w/Ground
	008164-01-000	EA	Cover Plate - Switch - Brown
	024924-01-000	EA	Receptacle - Power Cord
	008058-01-000	EA	Adaptor - Power Cord
	047353-01-000	EA	Cover - Receptacle - Ground Fault
	053126-01-000	EA	Receptacle - Ground Fault Interrupter - 125 Volt, Ivory
	053126-02-000	EA	Receptacle - Ground Fault Interrupter - 125 Volt - Brown
	058707-01-000	EA	Receptacle - Single - Brown - Thomas & Belts
	058708-01-000	EA	Receptacle - Duplex - Brown - Thomas & Belts
	008157-01-000	EA	Receptacle - Duplex - Brown - (Exterior Backwall)
	058048-01-000	EA	Cover - Electrical Box - 4.5" x 2.75" - Rain Tight (Exterior)
	008289-01-000	EA	Box - Electrical - Plastic - 3" x 3.5"
	008288-01-000	EA	Box - Electrical - Steel 4 x 4 - 1/2 & 3/4 UL
	064398-01-000	EA	Housing Asm. - Trailer Receptacle
	064399-01-000	EA	Housing Asm. - Trailer Pin
	064450-01-000	EA	Housing Asm. - Trailer Plug
	035417-01-000	EA	Terminal - Pin Receptacle .125 Dia.
	035833-01-000	EA	Receptacle - HSG - 12 Position
	054545-01-000	EA	Housing - Pin - 6 Position
	031968-01-000	EA	Contact - Plug - Brass - Tin Plated
	035290-17-000	EA	Cable Asm. - Battery - 1 AWG Strand - 282"

1980 ITASCA TABLE OF CONTENTS

ICF22RB L1	A-1 - B-16
ICN29RT L1	B-17 - D-16
IC319RK L1	D-19 - E-20

1980 ICN29RT L1 INDEX

Floor Plan	B-17 - B-18
Accessories Group	B-19 - B-21
Bath Group	B-22 - B-23
Chassis Group	B-24 - C-1
Curtain, Cushion and Pad Group	C-2 - C-8
Dinette Group	C-9 - C-10
Driver's Compartment Group	C-11 - C-12
Electrical Group	C-13 - C-15
Exterior Body Group	C-16 - C-19
Galley Group	C-20
Heating & Air Conditioning Group	C-21 - C-22
Interior Finish Group	C-23 - C-24
LP Group	D-1
Lounge Group	D-2 - D-3
Water & Sewage Group	D-4 - D-5
Window, Vent & Exterior Door Group	D-5 - D-18

ELECTRICAL GROUP (CONTINUED)

WINDSHIELD WIPER AND WASHER

Key	Part Number	U/M	Description
**	057000-02-000	EA	Washer Asm. - Windshield
**	057653-01-000	EA	Arm - Windshield Wiper - 18" - Black
**	044313-02-000	EA	Motor Asm. - Windshield Wiper - 100"
**	044313-03-000	EA	Motor Asm. - Windshield Wiper - 93"
**	037998-01-000	EA	Link Asm. - Connecting - 22.40" Long
**	057474-01-000	EA	Windshield Wiper Asm.
**	049464-02-000	EA	Blade - Windshield Wiper - 20" Black
**	055675-01-000	EA	Shaft and Pivot Asm.

**The illustrated parts breakdown for this item is provided on the Common Items Fiche.

MISCELLANEOUS ELECTRICAL COMPONENTS

Key	Part Number	U/M	Description
	047358-01-000	EA	Isolator - Dual Battery
	047589-01-700	EA	Battery - 12 Volt - 105 Amp. Deep Cycle - Dry
	057899-01-000	EA	Battery - 12 Volt - Maintenance Free - Delco
	008188-01-000	EA	Solenoid - Dual Battery - Relay
	054544-01-000	EA	Control Center - 37 Amp. - UL
	031720-01-000	EA	Spacer - Receptacle - Brown Plastic - CSA
	039950-01-702	EA	Circuit Board - Control Center
	024459-01-000	EA	Gauge - Voltmeter
	024462-01-000	EA	Switch - Battery Condition
	031035-01-000	EA	Gauge - Hourmeter - Generator
	024976-01-000	EA	Switch - Generator w/o Circuit Board
	024460-01-000	EA	Gauge - Vacuum
	039861-01-000	EA	Sending Unit Kit - Wemac
	048812-01-000	EA	Control Panel - Water/Double Sewage - Base Panel
	048812-05-000	EA	Panel - Insert - w/Thermostat Holes
	048812-06-000	EA	Panel Insert - w/o Thermostat Holes
	048812-07-000	EA	Panel Insert - Deluxe - w/Refrigerator Alarm, Clock and LP Gauge
	048812-07-700	EA	Refrigerator Sensor - Refrigerator Alarm
	048812-04-000	EA	Panel - Insert Basic
	048812-09-000	EA	Panel - Insert w/LP Alarm - Refrigerator
	057044-01-000	EA	Control Center - 44 AMP - CSA
	054545-01-000	EA	Control Center - 44 Amp. UL

EXTERIOR BODY GROUP

EXTERIOR BODY PANELS AND SHEET ALUMINUM

Key	Part Number	U/M	Description
	064641-01-L07	EA	Roof Asm.
	065019-01-L07	EA	Backwall Asm.
	064639-01-L07	EA	Sidewall Asm. - Right
	064635-01-L07	EA	Sidewall Asm. - Left
	039155-32-001	EA	Alum. - Gray - Mesa I - .024" x 48" x 360"
	039155-32-002	EA	Alum. - Gray - Mesa I - .024" x 36" x 360"
	030155-32-003	EA	Alum. - Gray - Mesa I - .024" x 48" x 300"
	039155-32-004	EA	Alum. - Gray - Mesa I - .024" x 36" x 300"
	039155-32-005	EA	Alum. - Gray - Mesa I - .024" x 12" x 360"
	039155-33-001	EA	Alum. - Gray - Grayhound Design - 48" x 96"
	001054-03-003	EA	Alum. - Gray - No Design - 48" x 96"
	044487-01-001	EA	Alum. - Mill Finish - No Design (Roof) 96" x 360"
	000868-01-000	SF	Styrofoam - 3/4" x 24" x 96"
	000870-01-000	SF	Styrofoam - 1 1/2" x 24" x 96"

1980 ITASCA TABLE OF CONTENTS

ICF22RB L1
ICN29RT L1
IC319RK L1

A-1 - B-16
B-17 - D-18
D-19 - E-20

LABELS AND DECALS

Key	Part Number	U/M	Description
	006031-01-000	EA	Label - Potable Water Only
	006187-01-000	EA	Label - Sewage
	006188-01-000	EA	Label - Waste Water
	006199-01-000	EA	Label - Exit - Escape Window
	006028-01-000	EA	Label - Drain Cap - 2" x 3"
	008092-01-000	EA	Reflector - Stick On - Rectangular - Red
	008093-01-000	EA	Reflector - Stick On - Rectangular - Amber
	040944-01-000	EA	Label - Open - Entrance Door
	047731-01-000	EA	Label - Emergency Exit
	006040-01-000	EA	Tag - Gas - Refueling Warning
	006062-01-000	EA	Tag - Electrical - 110V Connection
	054531-01-000	EA	Label - LP Gas Only
	061417-01-000	EA	Label - Fuel
	050225-01-000	EA	Label - Warning - Stove Vent - US
	041273-17-000	FT	Decal Stripe - .63" Black
	056251-01-000	EA	Decal - Front Side Upper - U-Shaped - Right
	056251-02-000	EA	Decal - Front Side Upper - U-Shaped - Left
	059528-01-000	EA	Decal - "L" Black - 5.57" - Right Front - Clearance Lite to Roof
	059528-02-000	EA	Decal - "L" Black - 5.57" - Left Front - Clearance Lite to Roof
	059529-01-000	EA	Decal - "L" Black - 9.12" - Right Front - Clearance Lite to Roof
	059529-02-000	EA	Decal - "L" Black - 9.12" - Left Front - Clearance Lite to Roof
	056004-11-000	EA	Decal - Logo - Itasca - 5.25" High - Lucerne Blue/Gray
	058718-01-000	EA	Decal - Sunflyer
	059374-01-000	EA	Decal - Stencil - C - 11.62" - Right
	059374-02-000	EA	Decal - Stencil - C - 11.62" - Left
	059525-01-000	EA	Stencil - End Strip - 2.37" High
	065206-01-000	EA	Decal - Stripe - Side Rear
	065205-01-000	FT	Tape - Premasked - .62" x .75" - Flat Black

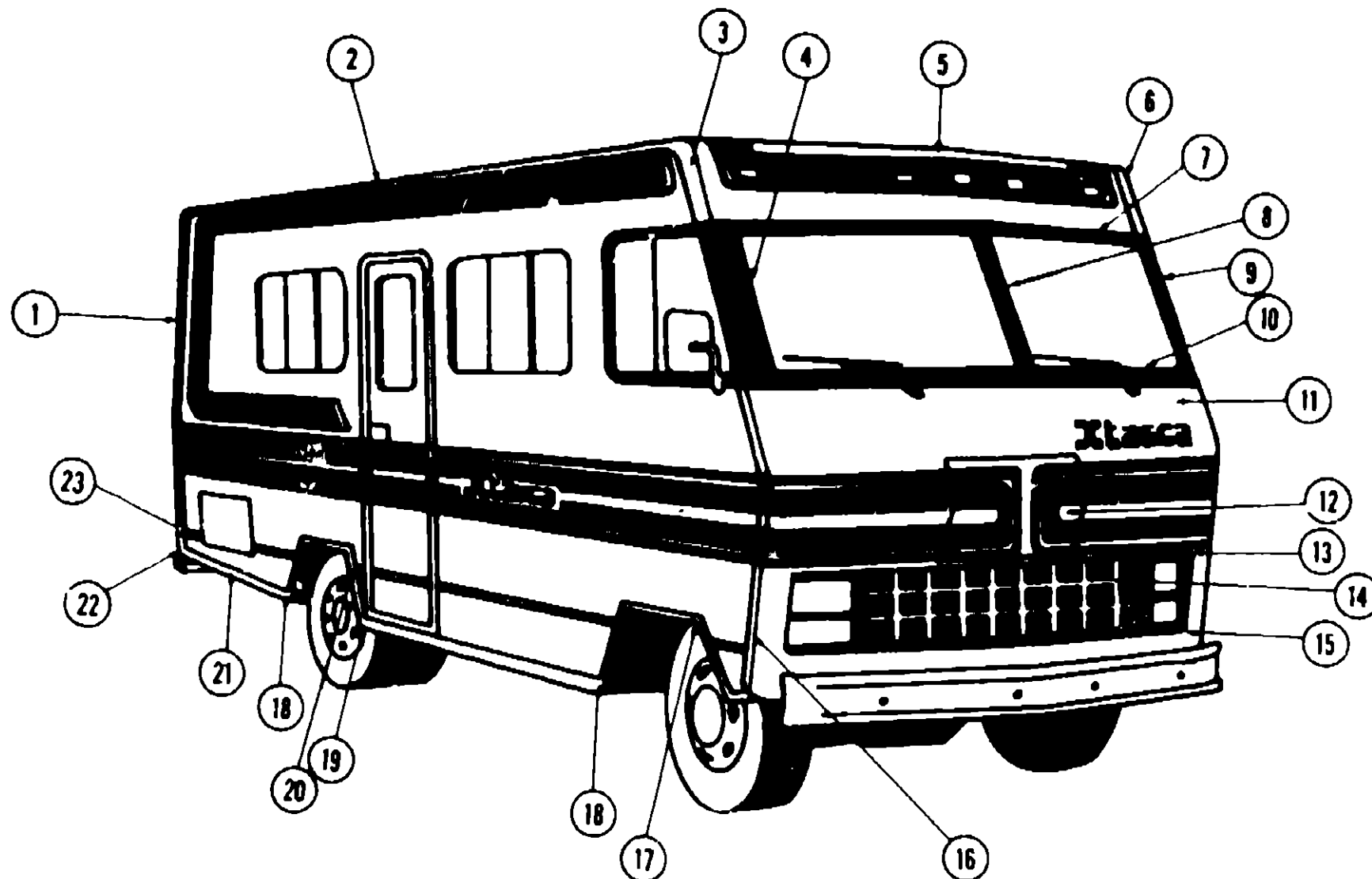
1980 ICN29RT L1 INDEX

Floor Plan	B-17 - B-18
Accessories Group	B-19 - B-21
Bath Group	B-22 - B-23
Chassis Group	B-24 - C-1
Curtain, Cushion & Pad Group	C-2 - C-8
Dinette Group	C-9 - C-10
Driver's Compartment Group	C-11 - C-12
Electrical Group	C-13 - C-15
Exterior Body Group	C-16 - 1C-19
Galley Group	C-20
Heating & Air Conditioning Group	C-21 - C-22
Interior Finish Group	C-23 - C-24
LP Group	D-1
Lounge Group	D-2 - D-3
Water & Sewage Group	D-4 - D-5
Window, Vent & Exterior Door Group	D-5 - D-18

EXTERIOR PAINT

Key	Part Number	U/M	Description
	045861-01-000	EA	Paint - Gloss Black - Acrylic Enamel - 1 Gallon (99A Dupont)
	045861-03-000	EA	Paint - Gloss Black - Acrylic Enamel - 16 oz. Aerosol (99A Dupont)
	056006-03-000	EA	Paint - Lucerne Blue - Acrylic Enamel - 16 oz. Aerosol (42858 Dupont)
	059358-03-000	EA	Paint - Gray - Metallic - Acrylic Enamel - 16 oz. Aerosol (Trim) (43538 Dupont)
	058637-01-000	EA	Paint - Gray - Acrylic Enamel - 1 Gallon - (Sidewall) (71537 Dupont)
	058637-02-000	EA	Paint - Gray - Acrylic Enamel - 16 oz. Aerosol (Sidewall) (71537 Dupont)
	065106-03-000	EA	Paint - Light Blue Metallic - Acrylic Enamel - 16 oz. Aerosol (44717 Dupont)

EXTERIOR BODY GROUP (CONTINUED)



1980 ITASCA
TABLE OF CONTENTS

ICF22RB L1
ICN29RT L1
IC319AK L1

A-1 - B-16
B-17 - D-18
D-19 - E-20

Key	Part Number	U/M	Description
1	039964-05-000	EA	Trim - Contour - Right Rear - Gray
2	039964-06-000	EA	Trim - Contour - Left Rear - Gray
2	034922-19-000	EA	Trim - Sidewall - Upper - Left or Right - Gray
3	058284-03-000	EA	Trim - Contour - Right Front Upper - Gray
4	058289-02-000	EA	Trim - Contour - Windshield - Right
5	054957-02-000	EA	Cap - Fiberglass - Over Windshield - Gray
6	062396-01-000	EA	Trim - Roof/Front Cap
6	058284-05-000	EA	Trim - Contour - Left Front Upper - Gray
7	058287-01-000	EA	Trim - Molding - Windshield - Upper
7	042743-02-000	EA	Trim - Corner Windshield - Upper
8	058288-01-000	EA	Trim Molding - Windshield - Center
9	058289-01-000	EA	Trim - Contour - Windshield - Left
10	058287-02-000	EA	Trim - Molding - Windshield - Lower
10	042743-01-000	EA	Trim - Corner Windshield - Lower
11	058291-01-000	EA	Panel Asm. - Front Shroud - Gray
11	058722-01-000	EA	Pull Pin - Release Hinge - (Access Panel)
11	058761-01-000	EA	Striker - Hood Latch
11	058392-03-000	EA	Panel Asm. - Front Lower Gray
12	058678-01-000	EA	Access Panel - Gray
13	058123-01-000	EA	Grill Trim - Upper
14	058400-01-000	EA	Grill Asm.
14	057473-01-000	EA	Headlamp Bezel - Left
14	057473-02-000	EA	Headlamp Bezel - Right
15	058124-01-000	EA	Grill Trim - Lower
16	058899-05-000	EA	Trim - Fiberglass Panel - Right
16	058899-06-000	EA	Trim - Fiberglass Panel - Left

Key	Part Number	U/M	Description
17	058543-06-000	EA	Trim - Wheel Well - Front - Gray
17	063799-01-000	EA	Trim - Backwall - Lower
17	009065-01-000	EA	Hinge - Continuous - Al. 1 1/2" x 96" - Plain
18	059185-01-000	EA	Plug - Rocker Panel - w/Well - Left
19	059185-06-000	EA	Plug - Rocker Panel - w/Well - Right
20	058487-06-000	EA	Trim - Wheel Well - Rear - Gray
20	058826-02-000	EA	Rod - Hood Prop
20	002776-02-001	EA	Extr. - U-Channel - 1.75" x 16" Anod.
20	002365-02-001	EA	Extr. - U-Channel - 1" x 18"
20	009717-01-002	EA	Extr. - Rail - Drip - 19'
20	062556-03-001	EA	Extr. - Rail - Awning - 192.0" Gray
20	058285-01-001	EA	Extr. - Trim - 192.0" - Gray
21	039068-10-000	EA	Extr. - Rocker Panel - Gray
22	059395-05-000	EA	Plug - Rocker Panel - Right Rear
22	059395-06-000	EA	Plug - Rocker Panel - Left Rear
22	058330-01-000	EA	Parking Lamp Asm.
22	058320-01-000	EA	Housing - Headlamp - Left Hand
22	058320-02-000	EA	Housing - Headlamp - Right Hand
23	002444-02-001	EA	Feature Strip - Extr. Anod. - 14' - w/o Insert
23	009731-01-000	EA	End Cap - Feature Strip Insert
23	001030-11-100	EA	Insert - Feature Strip - Gray - 17'
C-17			Not Illustrated

1980 ICN29RT L1 INDEX

Floor Plan	B-17 - B-18
Accessories Group	B-19 - B-21
Bath Group	B-22 - B-23
Chassis Group	B-24 - C-1
Curtain, Cushion & Pad Group	C-2 - C-8
Dinette Group	C-9 - C-10
Driver's Compartment Group	C-11 - C-12
Electrical Group	C-13 - C-15
Exterior Body Group	C-16 - C-19
Galley Group	C-20
Heating & Air Conditioning Group	C-21 - C-22
Interior Finish Group	C-23 - C-24
LP Group	D-1
Lounge Group	D-2 - D-3
Water & Sewage Group	D-4 - D-5
Window, Vent & Exterior Door Group	D-5 - D-18

EXTERIOR BODY GROUP (CONTINUED)

SEALANTS, ADHESIVES AND FASTENERS

Key	Part Number	U/M	Description
	034552-06-000	EA	Sealant - Off White Silicone
	034552-04-000	EA	Sealant - Beige Silicone
	034552-02-000	EA	Sealant - Clear Silicone
	004349-01-000	EA	Sealant - Black Silicone
	004342-01-000	EA	Sealant - Weatherban 202 Tube
	004346-02-000	EA	Sealant - White Silicone
	009200-01-000	EA	Tape - Furnace - 1 1/2"
	004353-01-000	FT	Tape - Gasket - 1/8" x 3/4" - White
	002825-01-000	FT	Weather Stripping - Roof Vent
	002337-01-000	EA	Adhesive - 3M - 1300 Tube
	004005-01-000	GL	Adhesive - Swifts - Green - Glue (Sidewalls)
	004020-01-000	QT	Adhesive - AJS Cement - (Plastic Fittings)
	029051-01-000	EA	Adhesive - Spray Vinyl
	042401-02-000	EA	Screw - 8 - 18 x 3/4" SDPH - Off White
	042403-02-000	EA	Screw - 8 - 18 x 1" SDPH - Off White
	053766-01-000	EA	Bedding Compound - Tube Black - Schnee Morehead
	053766-02-000	EA	Bedding Compound - Tube White - Schnee Morehead
	053767-01-000	FT	Tape - 1/2" x 1/8" x 30' - Gray - Schnee Morehead
	053767-03-000	FT	Tape - 1/4" Bead x 20' - Gray - Schnee Morehead
	053767-04-000	FT	Tape - 3/4" x 1/8" x 30' - Gray - Schnee Morehead
	053767-05-000	FT	Tape - 2" x 3/32" x 45' - Gray - Schnee Morehead

MISCELLANEOUS EXTERNALLY MOUNTED PARTS

Key	Part Number	U/M	Description
**	011124-01-000	EA	Plumbing Seal - Roof Vent - 1 1/4" - White
**	011129-01-000	EA	Plumbing Seal - Roof Vent - 1 1/2" - White
	009126-01-000	EA	Assist Handle - Metal
	010230-04-000	EA	Fill - City Water - Recessed - Gray
	058808-03-000	EA	Water Fill - Lockable - Gray
	035579-03-000	EA	Fuel Fill - Recessed - Single - Off White
	055500-05-000	EA	Door Asm. - Gas Fill - Gray

**The illustrated parts breakdown for this item is provided on the Common Items Fiche.

GALLEY GROUP

GALLEY CABINETRY

Key	Part Number	U/M	Description
	061725-01-L07	EA	Cabinet Asm - Galley w/o Doors, Drawers, Countertop or Hardware
	067803-01-L07	EA	Countertop Asm. - Galley Cabinet - Stonehenge
	059550-41-700	EA	Door Asm - Galley Cabinet - 12.8" x 31.7" - w/o Hardware
	059550-42-700	EA	Door Asm. - Galley Cabinet - 16.2" x 31.7" - w/o Hardware
	059550-43-700	EA	Door Asm. - Galley Cabinet - 12" x 21.6" - w/o Hardware
	059915-01-L07	EA	Drawer Asm. - Galley Cabinet - 10.1" x 5" x 20" Deep
	059915-02-L07	EA	Drawer Asm. - Galley Cabinet - 10.1" x 5" x 14" Deep
	051807-01-L07	EA	Cabinet Asm. - Galley Overhead - w/o Doors or Hardware
	059551-07-700	EA	Door Asm. - Galley Overhead Cabinet - 15.75" x 23.20" - w/o Hardware
	059092-45-700	EA	Door Asm. - Wardrobe Cabinet - 17.6" x 47" - w/o Hardware
	059550-84-700	EA	Door Asm. - Wardrobe Cabinet - 13.5" x 24.9" - w/o Hardware
	059913-05-L07	EA	Drawer Asm. - Galley Cabinet - 19.8" x 23.5" - w/o Hardware
	059844-01-700	EA	Door Asm. - Furnace - w/Mesh Insert - 17.6" x 13.2" - w/o Hardware
	047205-12-000	EA	Insert - Furnace Door - 14.5" x 10" - Brass Mesh
	039873-01-000	EA	Catch and Strike - Furnace Door
	042488-03-000	EA	Folding Door - Maple - 37" x 77 1/8"
	063338-01-L07	EA	Cap Asm. - End - Galley Overhead - Vinyl

GALLEY HARDWARE AND APPLIANCES

Key	Part Number	U/M	Description
	011032-01-000	EA	Sink - Stainless Steel - Double w/Bolts
**	011053-01-000	EA	Faucet - 8" - Swing Spout - U.S.
**	011053-02-000	EA	Faucet - 8" - Swing Spout - C.S.A.
	064952-01-000	EA	Faucet - Galley - Single Control
	065250-01-000	EA	Bracket Asm. - Tie Down - Refrigerator
**	011053-01-700	EA	Aerator - Swing Spout Faucet
**	066437-01-000	EA	Strainer - Sink - w/Basket
	054028-01-L07	EA	Cover - Sink - Stonehenge Laminate
	058304-01-000	EA	Wastebasket - 9 3/4" x 7" x 10" - White - Rubbermaid
	058841-01-L07	EA	Cover - Wastebasket - Stonehenge Laminate
	059877-01-000	EA	Support - Wastebasket - White Plastic
**	046954-03-000	EA	Hood - Stove - w/Black Face - U.S.
**	046954-04-000	EA	Hood - Stove - w/Black Face - C.S.A.
**	049045-02-000	EA	Hood - Stove - Magic Chef
**	049174-02-000	EA	Refrigerator - AC/DC/Gas - Sibii ET230/2

**The illustrated parts breakdown for this item is provided on the Common Items Fiche.

1980 ITASCA TABLE OF CONTENTS

ICF22RB L1	A-1 - B-18
ICN29RT L1	B-17 - D-18
IC318RK L1	D-19 - E-20

1980 ICN29RT L1 INDEX

Floor Plan	B-17 - B-18
Accessories Group	B-19 - B-21
Bath Group	B-22 - B-23
Chassis Group	B-24 - C-1
Curtain, Cushion and Pad Group	C-2 - C-8
Dinette Group	C-9 - C-10
Driver's Compartment Group	C-11 - C-12
Electrical Group	C-13 - C-15
Exterior Body Group	C-16 - C-19
Galley Group	C-20
Heating & Air Conditioning Group	C-21 - C-22
Interior Finish Group	C-23 - C-24
LP Group	D-1
Lounge Group	D-2 - D-3
Water & Sewage Group	D-4 - D-5
Window, Vent & Exterior Door Group	D-5 - D-18

HEATING AND AIR CONDITIONING GROUP

HEATING AND AIR CONDITIONING GROUP (CONTINUED)

AUTOMOTIVE HEATER AND AIR CONDITIONER

Key	Part Number	U/M	Description
	039044-01-000	EA	Louver Asm. - A/C Adjustable
	047046-01-000	EA	Motor - 12 Volt - 3 Speed - Heater - Air Conditioner
	031043-01-000	EA	Valve - Heater - Water Flow Control
	031169-01-000	EA	Cable - Control - Flexible - 53"
	031169-02-000	EA	Cable - Control - Flexible - 48"
	031170-01-000	EA	Clamp - Cable - 3/16" Dia.
	024996-01-000	EA	Clutch - Magnetic - Compressor
	024996-01-000	EA	Compressor - Auto Air - 10.3" Cubic Inch
	048100-01-000	EA	Package - Compressor Mount 454 C.I.D.
	048801-01-000	EA	Condenser - Radiator Mount
	068267-01-000	EA	Switch - Air Conditioner
	024867-01-000	EA	Valve - Thermostatic Expansion
	024997-01-000	EA	Core - Heater
	024998-01-000	EA	Wheel - Blower - 4.72" O.D.
	031393-01-000	EA	Coil - Evaporator
	031001-01-000	EA	Blower Housing
	007076-01-000	FT	Hose - Flexible PVC - 2" I.D.
	007108-01-000	FT	Hose - Heater - 5/8" I.D. SAE 20R3
	007281-01-000	FT	Hose - Flexible PVC - 2 1/2" I.D.
	007139-01-000	EA	Clamp - Worm Drive - 69" - 1.25" I.D.
	007140-01-000	EA	Clamp - Hose - 2" - 3" Dia.
	033258-01-000	EA	Hose - Refrigerant - .50" I.D. x 34.50"
	034222-01-000	EA	Hose - Refrigerant - .31" I.D. x 26"
	034222-02-000	EA	Hose - Refrigerant - .31" I.D. x 31"
	031960-01-000	EA	Hose - Refrigerant - .34" I.D. x 31"
	031961-01-000	EA	Hose - Refrigerant - .31" I.D. x 14.5"
	031961-02-000	EA	Hose - Refrigerant - .31" I.D. x 14"
	049401-01-000	EA	Heater Asm. - Rear - Auxiliary
	049401-01-700	EA	Valve - Water Control - (Aux. Heater)
	049401-01-701	EA	Control Cable - (Aux. Heater)
	049401-01-702	EA	Motor Asm. - (Aux. Heater)
	049401-01-703	EA	Heater Core - (Aux. Heater)
	049401-01-704	EA	Switch - (Aux. Heater)
	058906-01-000	EA	Control Panel - (Auxiliary Rear Heater)
	024868-01-000	EA	Receiver - Dehydrator
	031044-01-000	EA	Clamp - Receiver Dehydrator
	031962-01-000	EA	Bracket - Receiver Dehydrator
	048232-02-000	EA	Kit - Auto Air - 454 C.I.D. A-Body
	051392-01-000	EA	Water Heater - Motor Aid - GH6-3
	051393-01-000	EA	Water Heater - Motor Aid - Direct Ignition - GH5-3E
	024851-01-000	EA	Door Asm. - Defroster - A/C

FURNACES AND ROOF AIR CONDITIONERS

Key	Part Number	U/M	Description
**	058824-01-000	EA	Furnace - 34,000 BTU - w/Electric Ignition - 4334-749
**	029350-01-000	EA	Furnace - 30,000 BTU - w/Electric Ignition - 4330-749
	009198-01-000	FT	Duct - Flexible - 4" I.D. x 25'
	009200-01-000	EA	Tape - Furnace - 1 1/2"
	023146-01-000	EA	Clamp - Screw Type - 4"
	024985-01-000	EA	Heat Register - w/Damper - 9 9" x 4 8"
	031604-01-700	EA	Bonnet - Heat Register
	058824-02-000	EA	Door - Furnace - Front - 4334
	049043-02-000	EA	Door - Furnace - Front - 4330
	050783-01-000	EA	Vent Package - Furnace - 1-3" Wall
	050784-01-000	EA	Vent Package - Furnace - 3-6" Wall
	039505-02-000	EA	Thermostat - Horizontal Wall Mount
**	049777-02-000	EA	Air Conditioner - 110 Volt - Roof Mount - 11,000 BTU - Ivory Coleman (w/o inside shroud)
**	049778-02-000	EA	Shroud Asm. - Ceiling - Inside Roof Air - Cool Only - 11,000 BTU - Coleman
**	049774-02-000	EA	Air Conditioner - 110 Volt - Roof Mount - 13,500 BTU Ivory - Coleman (w/o inside shroud)
**	049775-02-000	EA	Shroud Asm. - Ceiling - Inside - Roof Air Cool Only - 13,500 BTU - Coleman
**	049776-01-000	EA	Shroud Asm. - Ceiling - Inside - Roof Air Heat and Cool Only - 13,500 BTU - Coleman
**	063903-01-000	EA	Air Conditioner - 110 Volt - Roof Mount - 13.5 BTU Rotary

**The illustrated parts breakdown for this item is provided on the Common Items Fiche

1980 ITASCA TABLE OF CONTENTS

ICF22HB L1	A-1 - B-16
ICN29RT L1	B-17 - D-18
IC319AK L1	D-19 - E-20

1980 ICN29RT L1 INDEX

Floor Plan	B-17 - B-18
Accessories Group	B-19 - B-21
Bath Group	B-22 - B-23
Chassis Group	B-24 - C-1
Curtain, Cushion & Pad Group	C-2 - C-8
Dinette Group	C-9 - C-10
Driver's Compartment Group	C-11 - C-12
Electrical Group	C-13 - C-15
Exterior Body Group	C-16 - 1C-19
Galley Group	C-20
Heating & Air Conditioning Group	C-21 - C-22
Interior Finish Group	C-23 - C-24
LP Group	D-1
Lounge Group	D-2 - D-3
Water & Sewage Group	D-4 - D-5
Window, Vent & Exterior Door Group	D-5 - D-18

INTERIOR FINISH GROUP

PANELING AND COUNTERTOP MATERIALS

Key	Part Number	U/M	Description
	058348-01-000	SF	Paneling - Pompen Beige
	058209-01-000	SF	Paneling - Plain Elm - 48" x 96" (32 SF)
	045983-01-000	SF	Paneling - 825 Buff - Ceiling - 48" x 94"
	058339-01-000	SF	Paneling - Back Splash - Diamond Luster
	058220-01-000	SF	Plastic Laminate - 48" x 96" (32 SF) - Stonehenge
	059970-01-000	SF	Plastic Laminate - Matador Leather - 48" x 96" (32 SF)

INTERIOR MOLDINGS AND TRIMS

Key	Part Number	U/M	Description
	024700-06-000	EA	Cover - Sidewall Roll Bar - Ivory
	024700-14-000	EA	Cover - Sidewall Roll Bar - Russet Oak
	039512-06-000	EA	Cover - Hat Section - Ivory
	039512-13-000	EA	Cover - Hat Section - Russet Oak
	047488-01-000	EA	Cover - Corner - Hat/Hat
	047489-01-000	EA	Cover - Corner - Tube/Tube
	042430-01-000	EA	Molding - Shelf - Wood
	009812-08-000	FT	Molding - Outside Corner - 50"
	009787-05-000	FT	Welling - Light Brown
	009815-03-000	FT	T-Molding - .75" - Light Brown
	022997-03-000	FT	Molding - Reverse Cove - Sandalwood
	009778-01-000	FT	U-Channel - 1" - Dark Brown
	009779-03-000	FT	U-Channel - 1 1/8" - Light Brown
	052859-01-L07	FT	Accent Trim - Acorn Brown Vinyl
	059352-01-000	FT	Insert - Vinyl - Style and Rail Door
	047354-01-000	EA	Batt Strip - Ceiling - 825 Buff - 8'
	058204-01-000	EA	Batt Strip - 8' Elm
	058797-01-000	EA	Batt Strip - Sandflower Cork - 8'

CABINETS AND TABLE HARDWARE

Key	Part Number	U/M	Description
	047907-01-000	EA	Hinge - Brass - 14" w/Holes - Bath Vanity Door
	054529-01-000	EA	Latch - Slide Bolt - Antique Brass - Bath Door
**	052932-01-J30	EA	Hinge Kit - Cabinet Door - Antique Brass
	057898-01-000	EA	Latch - Hidden - Cabinet Door
	009112-01-000	EA	Flange - 1" - Chrome - Closet Rod
**	053200-01-000	EA	Bracket - Upper Wall Mount - Brown - 23.5"
**	053201-01-000	EA	Bracket - Table Mount - Brown - 23"
**	024275-02-000	EA	Rod - Table Lift - 7.5" x 23.5"
**	024281-03-000	EA	Bracket - Lower Wall Mount - Brown - 22.12"
**	024276-04-000	EA	Leg Asm. - Table - Brown - 29.5"
**	024277-02-000	EA	Hinge - Table Leg - Brown
**	024282-01-000	EA	Brace - Table Leg
**	024283-01-000	EA	Clip - 1" O.D. Tube
**	049493-02-000	EA	Catch - Table Leg - Mounts on Floor - Brown
	059753-01-000	EA	Slide - Drawer - Left
	059753-02-000	EA	Slide - Drawer - Right
**	037688-01-000	FT	Rail - Drawer Glide
**	047744-01-000	EA	Kit - Drawer Glide
	053331-01-000	EA	Hinge - Overlay - Antique Brass
	047205-12-000	EA	Mesh - Grill - Brass - 14.5" x 10.06"

**The illustrated parts breakdown for this item is provided on the Common Item File.

INTERIOR FINISH GROUP (CONTINUED)

FABRICS AND CARPET

Key	Part Number	U/M	Description
	084393-05-000	YD	Fabric - Drapery - Super Satin - Molasses
	084383-14-000	YD	Fabric - Upholstery - Caprice Cinnamon
	084383-15-000	YD	Fabric - Upholstery - Caprice Clax
	084383-16-000	YD	Fabric - Upholstery - Caprice Seafoam
	053327-01-000	YD	Vinyl - Non Expanded - 27 oz. - Acorn Brown
	053327-02-000	YD	Vinyl - Expanded - 28 oz. - Acorn Brown
	053327-03-000	YD	Vinyl - Non Support - 16 Gauge Film - Acorn Brown
	054384-06-000	SY	Carpet - Carleton Cedarwood
	054384-07-000	SY	Carpet - Carleton Alabama Clay
	054384-08-000	SY	Carpet - Carleton Terrace Green

CURTAIN HARDWARE

Key	Part Number	U/M	Description
	053272-04-200	EA	Track - Curtain - Ceiling - 89" - Off White
	053285-02-001	EA	Track - Curtain - Door - 16" - Anod.
	059430-01-000	EA	Track - Curtain - Front Wraparound (2 per unit)
	056001-01-000	EA	Bracket - Shade - Left
	056002-01-000	EA	Bracket - Shade - Right
	009107-01-000	EA	Guide - Spring Snap - Curtain
	018031-42-000	EA	Track - Curtain - "L" Rod - Alum. Extr. - 90"
	009701-01-000	EA	Carrier - "L" Rod - Curtain
	009702-01-000	EA	End Stop - "L" Rod - Curtain

MISCELLANEOUS PARTS

Key	Part Number	U/M	Description
	053552-01-K04	EA	Handle Asm. - Interior Assist - Acorn Brown Vinyl
	041944-01-700	EA	Fire Extinguisher w/Bracket - Dry Chemical
	041944-03-000	EA	Fire Extinguisher - w/Bracket - 5BC - (Calif.)
	006113-01-000	EA	Jack - Hydraulic - 5 Ton - w/Handle
	054185-07-000	EA	Owner's Manual - Itasca
	040063-01-000	EA	Mat - Door - Black Rubber - 10 1/2" x 26" - Itasca

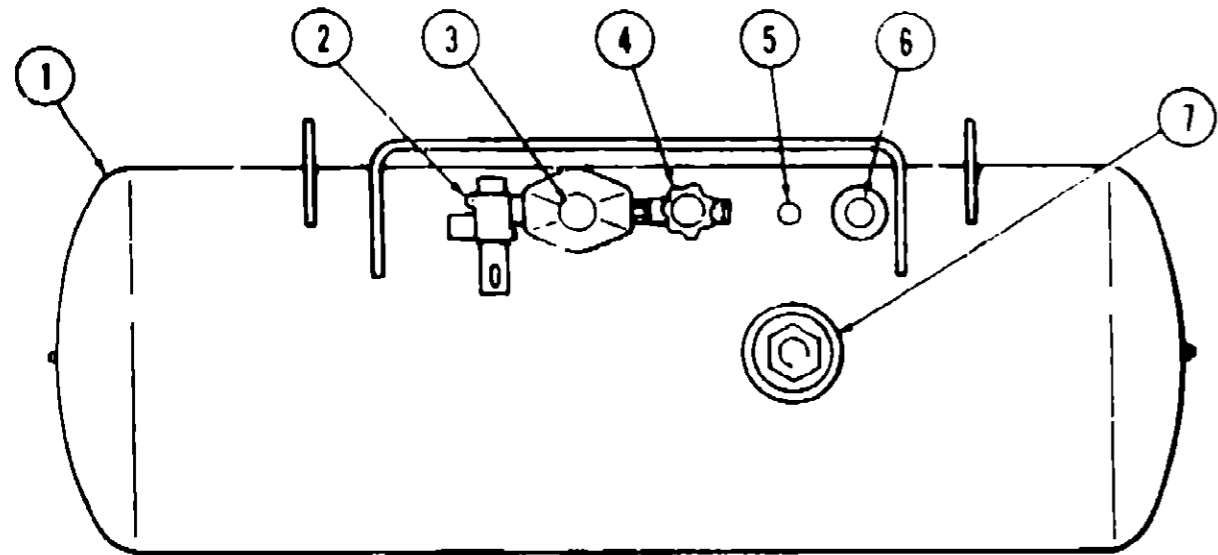
1980 ITASCA TABLE OF CONTENTS

ICF22RB L1	A-1 - B-16
ICN29RT L1	E-17 - D-18
IC319RK L1	D-19 - E-20

1980 ICN29RT L1 INDEX

Floor Plan	B-17 - B-18
Accessories Group	B-19 - B-21
Bath Group	B-22 - B-23
Chassis Group	B-24 - C-1
Curtain, Cushion and Pad Group	C-2 - C-8
Dinette Group	C-9 - C-10
Driver's Compartment Group	C-11 - C-12
Electrical Group	C-13 - C-15
Exterior Body Group	C-16 - C-19
Kitchen Group	C-20
Heating & Air Conditioning Group	C-21 - C-22
Interior Finish Group	C-23 - C-24
LP Group	D-1
Lounge Group	D-2 - D-3
Water & Sewage Group	D-4 - D-5
Window, Vent & Exterior Door Group	D-5 - D-18

LP GROUP



Key	Part Number	U/M	Description
1	052770-01-000	EA	Tank Asm - LP - Frame Mount - 80 Pound
2	047221-01-000	EA	Detector - LP Gas Leak
*	065741-01-000	EA	Detector - LP Gas Leak - Marshalltown Instruments
3	058706-01-000	EA	Cover - Regulator - 2 Stage
*	058705-01-000	EA	Regulator - Two Stage - LP Gas
4	040421-01-703	EA	Valve - Vapor Relief
5	040421-01-700	EA	Gauge - Liquid Level - 20% LP
6	040421-01-701	EA	Valve - Filler - LP
*	040421-01-702	EA	Cap - Plastic Fill Valve
7	040421-01-707	EA	Gauge - Float - w/Visible Dial - 80 Pound Tank
*	040421-01-706	EA	Dial - Visible Face - Float Gauge (Tank w/o Electric Transmitter)
*	040421-01-705	EA	Dial - Transmitter - 0 - 90 Ohm (Float Gauge)
*	045703-01-000	EA	Hose Asm. - LP - 3/8" I.D. x 24"
*	045703-02-000	EA	Hose Asm. - LP 3/8 I.D. x 24" - CSA
*	047737-02-000	EA	Support - LP Tank - 89.25"
*	047737-03-000	EA	Support - LP Tank - 30.50"
*	052112-02-000	EA	Bracket - LP Support

LOUNGE GROUP

LOUNGE OVERHEAD CABINETRY

Key	Part Number	U/M	Description
	061958-01-L07	EA	Cabinet Asm - Rear Overhead - Backwall - w/o Doors or Hardware
	064648-01-L07	EA	Cabinet Asm - Rear Overhead - Right Sidewall - w/o Doors or Hardware
	064647-01-L07	EA	Cabinet Asm - Rear Overhead - Left Sidewall - w/o Doors or Hardware
	059551-01-700	EA	Door Asm - Rear Overhead Cabinet - 11.3" x 28" - w/o Hardware
	061947-01-L07	EA	Cap Asm. - End - Right Rear Over Head - Vinyl
	057550-05-K01	EA	Button Asm. - Nail - Vinyl

SPRUNG COUCH AND CORNER LOUNGE CHAIRS

Key	Part Number	U/M	Description
	057622-02-L07	EA	Panel - Couch Face - w/o Door or Hardware
	059550-21-700	EA	Door Asm. - Sprung Couch - 11.7" x 37.1" - w/o Hardware
	057468-02-000	EA	Frame - Sprung Couch - Right
	057468-03-000	EA	Frame - Sprung Couch - Left
	057468-04-000	EA	Frame Rail - Sprung Couch (2 per couch)
	057469-01-000	EA	Leg Asm. - Sprung Couch (2 per couch)
	061558-02-L07	EA	Cabinet Asm - Corner Lounge Chair - Right
	061560-01-L07	EA	Cabinet Asm - Corner Lounge Chair - Left
	061704-01-L07	EA	Table Asm. - Lounge - Stonehenge
	061882-01-000	EA	Leg Asm. - Table - Pivot
	061879-01-000	EA	Leg Asm. - Table - Fixed
	024275-04-000	EA	Rod - Table Lift
	024281-05-000	EA	Bracket - Table Lift - Mounts on Table
	053200-02-000	EA	Support - Table - 14.5" - Mounts on Wall

SWIVEL CHAIRS AND PULLOUT TABLE

Key	Part Number	U/M	Description
	058548-01-L07	EA	Cabinet Asm - Pullout Table - w/o Table, Countertop or Pad
	058547-01-L07	EA	Countertop Asm. - Pullout Table Cabinet - Stonehenge
	054552-01-L07	EA	Table Asm. - Pullout - Stonehenge
	058565-01-L07	EA	Pad - Pullout Table Cabinet - Acorn Vinyl
	045795-01-000	EA	Holder - Glass - Dark Brown Plastic
	054540-01-000	EA	Slide Asm. - Ball Bearing
	035036-01-000	EA	Plate - Swivel Chair
	035036-02-000	EA	Base w/ Legs - Swivel Chair

DOUBLE BED W/NIGHT STAND

Key	Part Number	U/M	Description
	063432-01-L07	EA	Headboard Asm. - Padded - Acorn Vinyl
	063444-01-L07	EA	Cabinet Asm. - Nightstand - w/o Countertop
	063445-01-L07	EA	Countertop Asm. - Nightstand Cabinet - Stonehenge
	063446-01-L07	EA	Cabinet Asm. - Hamper Cabinet - w/o Countertop
	063447-01-L07	EA	Countertop Asm. - Hamper Cabinet - Stonehenge
	059550-51-L07	EA	Door Asm. - Cabinet - 17.1" x 13.2" - w/o Hardware

1980 ITASCA TABLE OF CONTENTS

ICF22RB L1	A-1 - B-16
ICN29RT L1	B-17 - D-16
IC319RK L1	D-19 - E-20

1980 ICN29RT L1 INDEX

Floor Plan	B-17 - B-18
Accessories Group	B-19 - B-21
Bath Group	B-22 - B-23
Chassis Group	B-24 - C-1
Curtain, Cushion and Pad Group	C-2 - C-8
Dinette Group	C-9 - C-10
Driver's Compartment Group	C-11 - C-12
Electrical Group	C-13 - C-15
Exterior Body Group	C-16 - C-19
Galley Group	C-20
Heating & Air Conditioning Group	C-21 - C-22
Interior Finish Group	C-23 - C-24
LP Group	D-1
Lounge Group	D-2 - D-3
Water & Sewage Group	D-4 - D-5
Window, Vent & Exterior Door Group	D-5 - D-18

LOUNGE GROUP (CONTINUED)

TWIN BED CABINERY

Key	Part Number	U/M	Description
	063238-01-L07	EA	Cabinet Asm. - Twin Bed - Left - w/o Door or Hardware
	064643-01-L07	EA	Cabinet Asm. - Twin Bed - Right - w/o Door or Hardware
	059550-61-L07	EA	Door Asm. - Twin Bed Cabinet - 10.10" x 27.05" - w/o Hardware
	054006-01-L07	EA	Cabinet Asm. - Nightstand Base - w/o Countertop, Doors or Hardware
	053996-01-L07	EA	Countertop Asm. - Nightstand Base - 24 1/2" x 23 3/8" - Stonehenge
	057976-01-L07	EA	Cabinet Asm. - Nightstand Top - w/Roll up Door - w/o Countertop
	053999-01-L07	EA	Countertop Asm. - Nightstand Top - 23 1/2" x 8 1/2" - Stonehenge
	043255-01-000	FT	Track - Roll up Door - Brown Plastic
	043256-01-000	EA	Spiral - Roll up Door - Plastic - Right
	043256-02-000	EA	Spiral - Roll up Door - Plastic - Left
	063224-19-L07	EA	Door Asm. - Rolled - 16" x 18"
	059550-66-L07	EA	Door Asm. - Nightstand Cabinet - 20" x 16.2" - w/o Hardware

SWIVEL CHAIR W/VANITY

Key	Part Number	U/M	Description
	054177-01-L07	EA	Cabinet Asm. - Vanity - w/o Countertop, Doors, Drawers and Hardware
	054231-02-L07	EA	Countertop Asm. - Vanity Cabinet - 46 1/2" x 27 1/4" - Stonehenge
	054102-01-L07	EA	End Panel - Side Drawer - Right
	054102-02-L07	EA	End Panel - Side Drawer - Left
	054242-03-L07	EA	Drawer Asm. - Desk - 3 1/4" x 20 1/4" x 10 5/8" Deep - w/o Hardware
	059550-65-L07	EA	Door Asm. - Vanity Cabinet - 13.5" x 24.9" - w/o Hardware
	059913-06-L07	EA	Drawer Asm. - Vanity Cabinet - 3.5" x 14.1" x 20" Deep - w/o Hardware
	035036-01-000	EA	Plate - TT Chair
	035036-02-000	EA	Base w/Legs - TT Chair

HORSESHOE LOUNGE W/PEDESTAL TABLE

Key	Part Number	U/M	Description
	053203-06-L07	EA	Table Asm. - Pedestal - Stonehenge - w/o Hardware
	009040-03-000	EA	Base - Pedestal Table - Table Mount
	041194-01-000	EA	Base - Pedestal Table - Floor Mount
	009040-02-000	EA	Leg - Pedestal Table - 2.25" O D x 27.5" - Chrome
	064642-01-L07	EA	Cabinet Asm. - Right Gaucho
	063166-01-L07	EA	Cabinet Asm. - Center Gaucho
	063235-01-L07	EA	Cabinet Asm. - Left Gaucho
	059550-61-L07	EA	Door Asm. - Gaucho Cabinet - 10.1" x 27" - w/o Hardware
	063239-01-L07	EA	Cabinet Asm. - Hamper - Right
	063239-02-L07	EA	Cabinet Asm. - Hamper - Left
	056418-01-L07	EA	Plug Asm. - Pedestal - Table - Brown
	056418-01-L08	EA	Plug Asm. - Pedestal - Table - Rust
	056418-01-L09	EA	Plug Asm. - Pedestal - Table - Green
	053163-01-000	EA	Bracket - Couch Side
	053347-01-000	EA	Pin - Spring - 3/32 Wire

WATER AND SEWAGE GROUP

PLUMBING AND REPAIR PARTS

Key	Part Number	U/M	Description
**	041279-02-000	EA	Pump - Water Flow - 2.8 G.P.M. US
**	039647-02-000	EA	Filter - Water Pump - 1/2 MPT
**	041279-04-000	EA	Pump - Water Flow - 2.8 G.P.M. - CSA
**	063646-01-000	EA	Water Pump - 2.8 G.P.M. - Direct Drive - PAR - US
**	063646-02-000	EA	Water Pump - 2.8 G.P.M. - Direct Drive - PAR - CSA
**	052952-01-000	EA	Nut - Plastic - 1/2 F
**	052953-01-000	EA	Nut Faucet - 1/2 Tube x 1/2 FPT
**	052954-01-000	EA	Adapter - Nose Cone - 3/8" or 1/2"
**	052955-01-000	EA	Tee - Plastic - 1/2 F x 1/2 F x 1/2 MPT
**	052957-01-000	EA	Elbow - Plastic - 1/2 F x 3/8 MPT
**	052958-01-000	EA	Tee - Plastic - 1/2 F x 1/2 F x 1/2 F
**	052959-03-000	EA	Connector - 1/2 F x 3/8 MPT - Plastic
**	052960-01-000	EA	Drain Valve - 1/2 F x 1/2 F - Plastic
**	052961-01-000	EA	Header - 1/2 F x 1/2 F x 1/2 F x 1/2 F
**	046524-02-000	EA	Kit - Water Tank Fittings - Blank Tank
**	046524-01-000	EA	Kit - Holding Tank Fittings - Blank Tank
**	010079-01-000	EA	Tee - Plastic - 1 1/2 H x 1 1/2 H x 1 1/4 H
**	010091-01-000	EA	Wye - Plastic - 3 x 45 H x H x H
**	010121-01-000	EA	Bushing - Plastic - 1 1/2 S x 1 1/4 H
**	010006-01-000	EA	Elbow - Plastic - 1/8 BD 1 1/2 x 45 H x H
**	010133-01-000	EA	Trap Adaptor - Plastic - 1 1/2 H x MPT
**	010134-01-000	EA	Adaptor - Plastic - 1 1/2 M x MPT
**	062422-01-000	EA	Adapter - Offset Reducer - 3" x 1 1/2"
**	010224-01-000	EA	Adapter - Plastic - 3/8 MPT x 3/8 Barb
**	010000-01-000	EA	Elbow - Plastic - 1/8 Bend - 1 1/4 x 45° H x H
**	010197-01-000	EA	Pipe - Plastic - 3" x 240"
**	031111-01-000	EA	Elbow - Plastic - 1 1/4 x 90° - Long Turn - H x H
**	056134-01-000	EA	Holder - Ring - Pipe Support
**	062632-01-000	EA	Wye - 3" x 3" x 1 1/2" Slip
**	010201-01-000	EA	Sewer Hose - 3" x 8' w/Clamp
**	062415-01-000	EA	Sewage Cap - 3"
**	065979-01-000	EA	Compartment Asm. - Sewer Hose
**	062416-01-000	EA	Hose Adapter - 3"
**	062417-01-000	EA	Termination Adapter - 3"
**	062418-01-000	EA	Valve - 3" - w/o Handle
**	062419-01-000	EA	Handle - 35" Extension - w/6" Adapter
**	062419-02-000	EA	Handle - 53 Extension - w/6" Adapter
**	063641-01-000	EA	Flange - Closet - 4" x 3" Spigot 2.75"
**	010219-01-000	EA	Elbow - 1 1/4 barb x 1 1/4 MPT 90°
**	023441-01-000	EA	Tee - Plastic - 3/8 Barb
**	035539-01-000	EA	Elbow - Plastic 3/8 MPT x 3/8 Barb
**	044928-01-000	EA	Tubing - Flex - 1 1/4 I.D. x 10'
**	062421-01-000	EA	Valve - 1 1/2" - w/Handle
**	061607-01-000	EA	Grommet - Holding Tank Coupler - 1 1/2"
**	061607-02-000	EA	Grommet - Holding Tank Coupler - 3"
**	053335-01-000	EA	P-Trap - Plastic - 1 1/4 H x H - w/Union
**	011066-01-000	EA	P-Trap - 1 1/4" - Plastic
**	011091-01-000	EA	Waste - Continuous - Double Sink - 11 7/8"
**	031126-02-000	EA	Elbow - 3" x 90° x Long Turn - CSA
**	050780-01-000	EA	Rubber Coupler - 3" x 3"
**	004020-01-000	QT	Adhesive - ABS Cement
**	037845-01-000	FT	Tape - Butyl - 3/16" - Bead - Black
**	040539-01-000	EA	Kit - Repair - 3/8" O D Plastic Tube
**	040540-01-000	EA	Kit - Repair - 1/2" O D Plastic Tube
**	040541-01-000	EA	Kit - Repair - 5/8" O D Plastic Tube
**	039818-01-000	EA	Riser Asm. - 3/8" O D x 24" Tube
**	039818-02-000	EA	Riser Asm. - 3/8" O D x 36" Tube
**	039818-04-000	EA	Riser Asm. - 3/8" O D x 72" Tube
**	039818-05-000	EA	Riser Asm. - 3/8" O D x 48" Tube

** The illustrated parts breakdown for this item is provided on the Common Items Fiche.

1980 ITASCA TABLE OF CONTENTS

ICF22RB L1	A-1 - B-16
ICN29RT L1	B-17 - D-18
ICJ19RK L1	D-19 - E-20

1980 ICN29RT L1 INDEX

Floor Plan	B-17 - B-18
Accessories Group	B-19 - B-21
Bath Group	B-22 - B-23
Chassis Group	B-24 - C-1
Curtain, Cushion and Pad Group	C-2 - C-8
Dinette Group	C-9 - C-10
Driver's Compartment Group	C-11 - C-12
Electrical Group	C-13 - C-15
Exterior Body Group	C-16 - C-19
Galley Group	C-20
Heating & Air Conditioning Group	C-21 - C-22
Interior Finish Group	C-23 - C-24
LP Group	D-1
Lounge Group	D-2 - D-3
Water & Sewage Group	D-4 - D-5
Window, Vent & Exterior Door Group	D-5 - D-18

WATER AND SEWAGE GROUP (CONTINUED)

HOLDING TANKS AND WATER HEATERS

Key	Part Number	U/M	Description
	061804-02-000	EA	Tank Asm. - Holding - w/Fittings - Auxiliary
**	061804-01-000	EA	Tank Asm. - Holding - w/o Fittings - Auxiliary
	061805-02-000	EA	Tank Asm. - Holding - w/Fittings - Main
**	061805-01-000	EA	Tank Asm. - Holding - w/o Fittings - Main
	C45196-12-000	EA	Tank Asm. - Water - Plastic - 26 Gallon w/Fittings
	045196-13-000	EA	Tank Asm. - Water - Plastic - 26 Gallon w/Drain (Fittings end of tank)
	045196-14-000	EA	Tank Asm. - Water - Plastic - 26 Gallon w/Drain (Fittings side of tank)
	045196-01-000	EA	Tank Asm. - Water - Plastic - 26 Gallon - w/o Fittings
	046842-04-000	EA	Tank Asm. - Water - Plastic - 45 Gallon - w/Fittings
	046842-01-000	EA	Tank Asm. - Water - Plastic - 45 Gallon - w/o Fittings
**	051393-01-000	EA	Water Heater - Motor Aid - Direct Ignition
**	051392-01-000	EA	Water Heater - w/Motor Aid

**The illustrated parts breakdown for this item is provided on the Common Items Fiche.

WINDOW, VENT AND EXTERIOR DOOR GROUP

WINDSHIELD

Key	Part Number	U/M	Description
	056272-01-000	EA	Frame Asm. - Windshield w/o Glass
	057459-01-000	EA	Glass - Windshield - Right or Left
	038888-01-000	EA	Tape - Butyl - .31" x .31" x 148"
	042743-01-000	EA	Corner - Windshield - Lower
	042743-02-000	EA	Corner - Windshield - Upper

VENTS

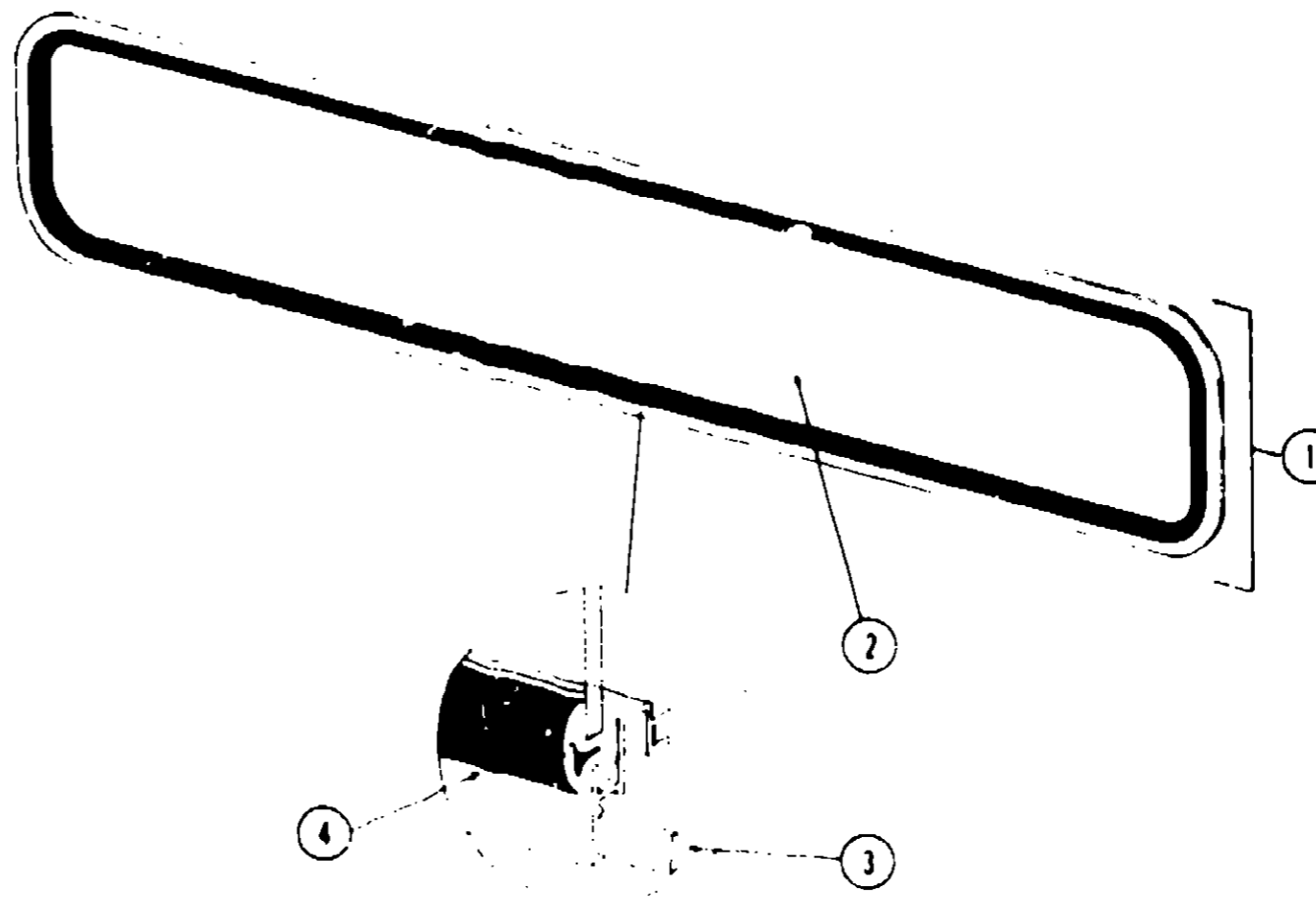
Key	Part Number	U/M	Description
	039778-01-000	EA	Cover - Refrigerator Vent
	009407-01-000	EA	Frame Asm. - Refrigerator Vent
	049352-03-000	EA	Vent - Stovehood - Outside - Gray
**	048789-01-000	EA	Vent Asm. - Roof - Powered - w/o Screen - Alum.
**	048835-01-000	EA	Vent Asm. - Roof - Non Powered - w/o Screen - Alum
**	056119-01-000	EA	Vent Asm. - Roof - Powered/Lighted - Jensen - White

**The illustrated parts breakdown for this item is provided on the Common Items Fiche

ACCESS DOORS

Key	Part Number	U/M	Description
	033333-31-000	EA	Door Asm. - Battery - 24.5" x 8.5" - Gray w/Twist Type Lock
	033333-29-000	EA	Door Asm. - Luggage - 47.25" x 8.5" - Gray w/Key Lock
	047233-03-000	EA	Door Asm. - Luggage - 35.5" x 13" - Gray w/Key Type Lock
	054270-12-000	EA	Door Asm. - Refrigerator Access - Gray w/Twist Type Lock
	055500-05-000	EA	Door Asm. - Gas Fill - Gray w/Key Type Lock
	042441-01-000	EA	Lock Asm. - Key Type - Gas Fill
	047305-01-000	EA	Lock Asm. - Key Type w/Clip
	018945-02-000	EA	Holder Asm. - Battery and Luggage Door
	052179-09-000	EA	Door Asm. - Generator - Gray w/Twist Type Lock
	052181-02-000	EA	Baffle - Generator Door
	055500-06-000	EA	Door Asm. - Gas Fill - Gray w/Twist Type Lock
	063948-03-000	EA	Door Asm. - Power Cord w/Hatch - Gray
	009003-01-000	EA	Lock Asm. - Twist Type
	052009-03-000	EA	Door Asm. - Water Heater - Gray
	041312-01-000	FT	Door Seal - Bulb - E Section

WINDOW, VENT AND EXTERIOR DOOR GROUP (CONTINUED)



Key	Part Number	U/M	Description
1	020754-03-000	EA	Window Asm. - Escape - 23" x 68" Black Anod (w/o inside frame)
2	002178-01-000	EA	Glass - 1/8" x 19 5/8" x 64 8/10"
3	002285-01-000	FT	Weatherstrip - Filler - Black
4	020395-01-000	EA	Slip Ring - Pull
5	053767-03-000	FT	Tape - 1/4" Bead x 20' - Gray - Schnee Morehead
6	002282-01-000	FT	Weatherstrip - Window 125" Black
.	020752-03-000	EA	Frame - Window - Inside - Escape 23" x 68" (not included in assembly)
.	006199-01-000	EA	Label - Exit - Escape Window
.			Not Illustrated

1980 ITASCA TABLE OF CONTENTS

ICF22RB L1
ICN29RT L1
IC319AK L1

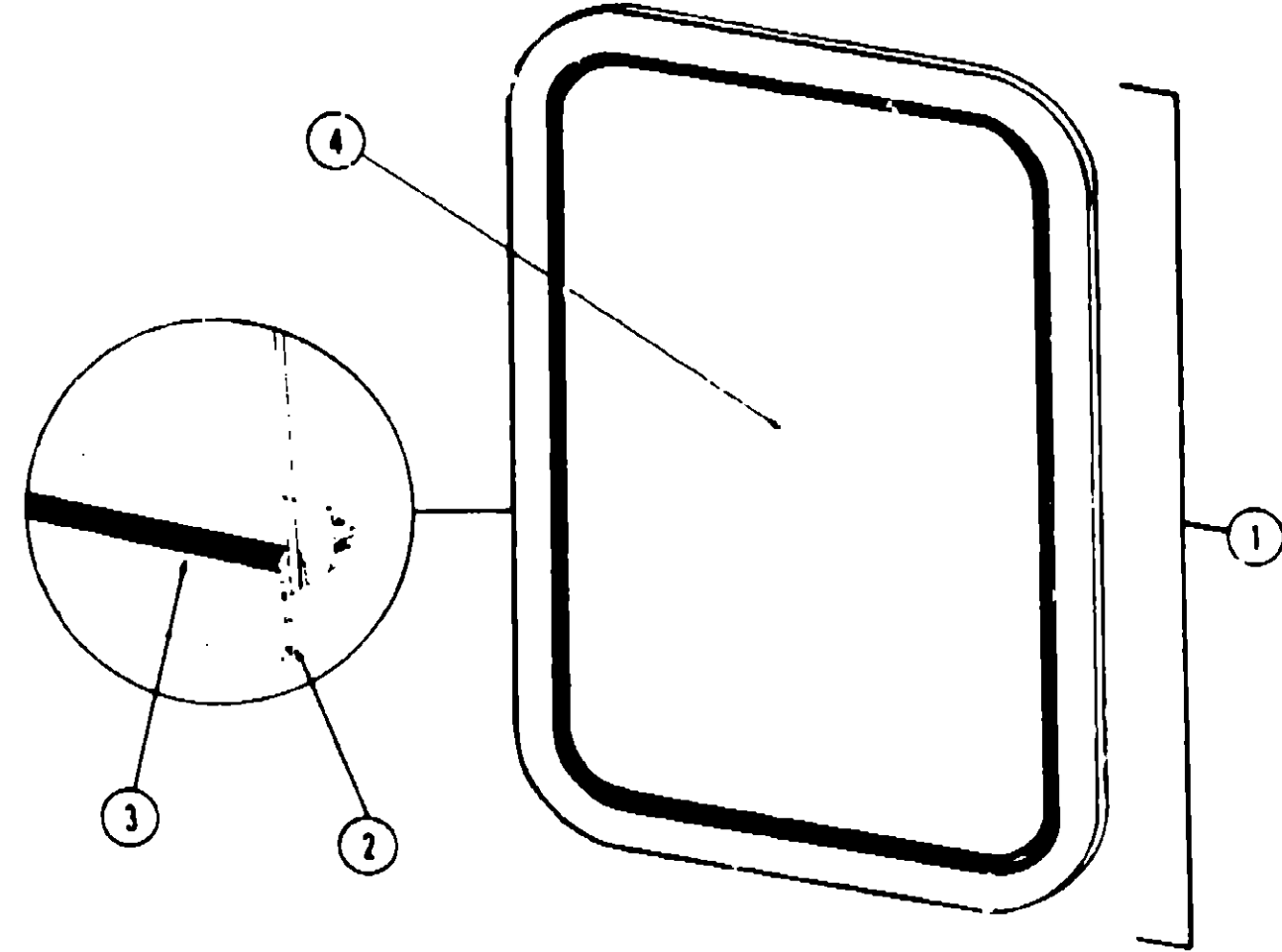
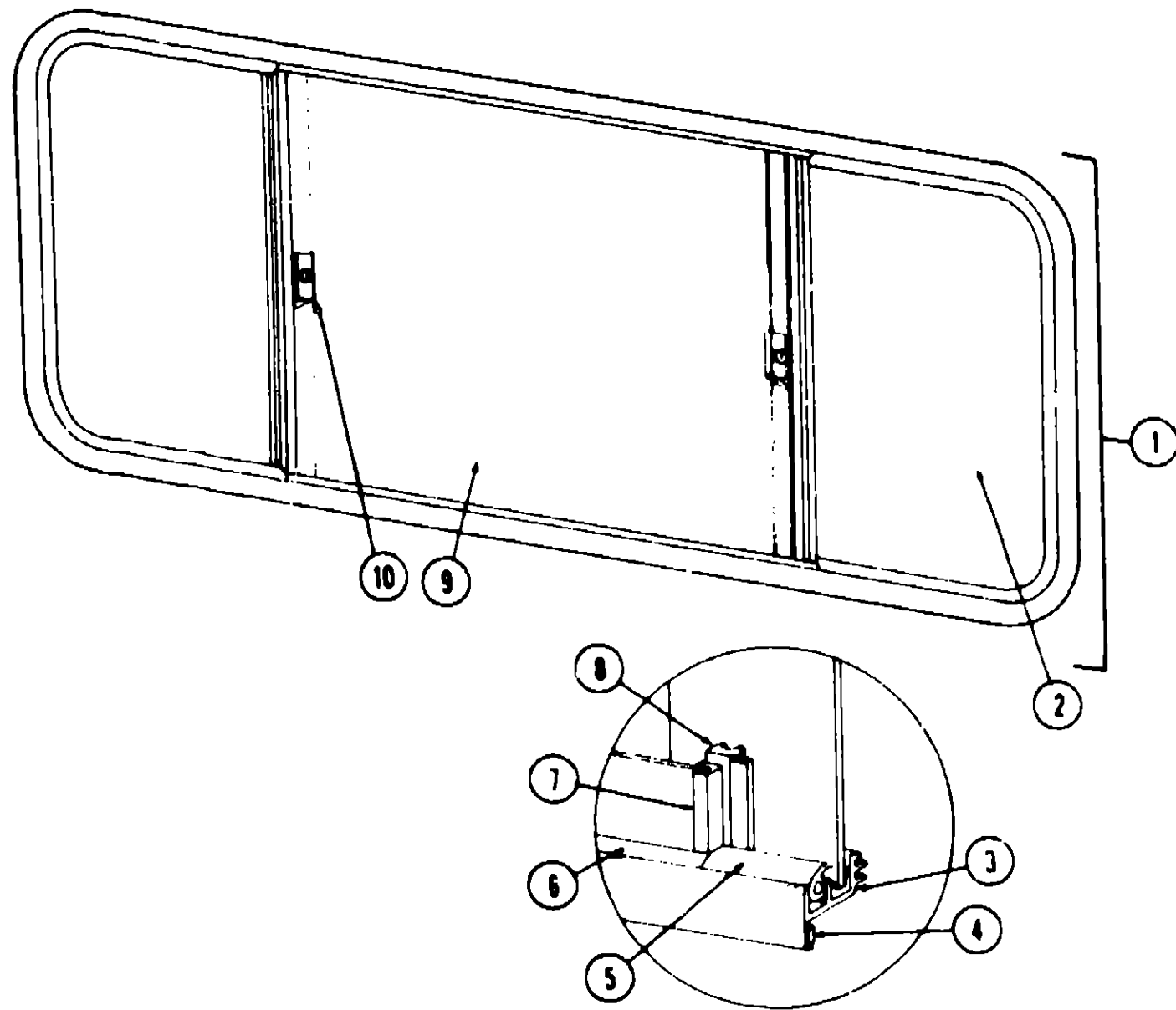
A-1 - B-16
B-17 - D-18
D-19 - E-20

1980 ICN29RT L1 INDEX

Floor Plan	B-17 - B-18
Accessories Group	B-19 - B-21
Bath Group	B-22 - B-23
Chassis Group	B-24 - C-1
Curtain, Cushion & Pad Group	C-2 - C-8
Dinette Group	C-9 - C-10
Driver's Compartment Group	C-11 - C-12
Electrical Group	C-13 - C-15
Exterior Body Group	C-16 - C-19
Galley Group	C-20
Heating & Air Conditioning Group	C-21 - C-22
Interior Finish Group	C-23 - C-24
LP Group	D-1
Lounge Group	D-2 - D-3
Water & Sewage Group	D-4 - D-5
Window, Vent & Exterior Door Group	D-5 - D-18

WINDOW, VENT AND EXTERIOR DOOR GROUP (CONTINUED)

WINDOW, VENT AND EXTERIOR DOOR GROUP (CONTINUED)



**1980 ITASCA
TABLE OF CONTENTS**

ICF22RB L1
ICN29RT L1
IC319AK L1

A-1 - B-16
B-17 - D-18
D-19 - E-20

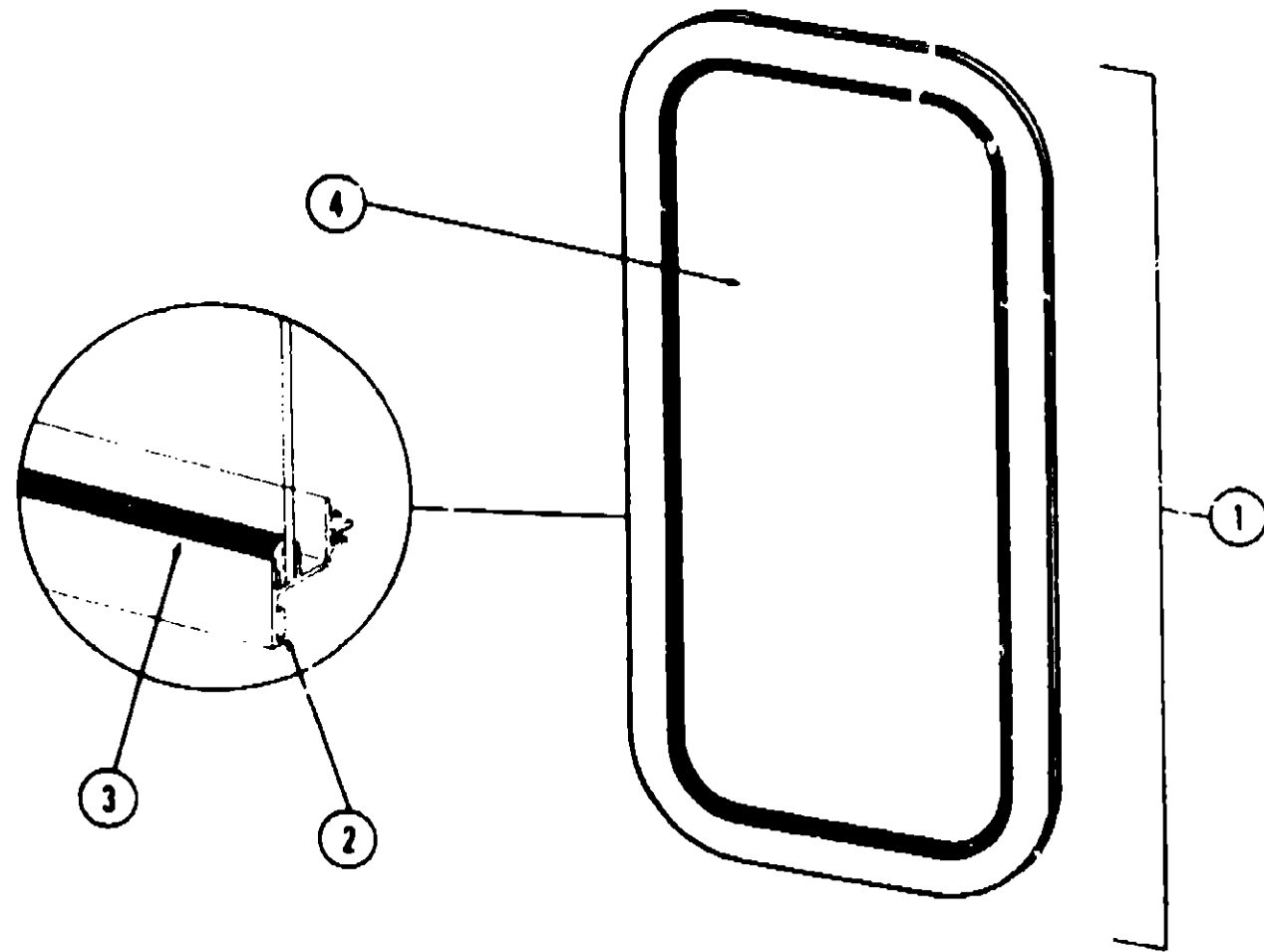
1980 ICN29RT L1 INDEX

Floor Plan	B-17 - B-18
Accessories Group	B-19 - B-21
Bath Group	B-22 - B-23
Chassis Group	B-24 - C-1
Curtain, Cushion & Pad Group	C-2 - C-8
Dinette Group	C-9 - C-10
Driver's Compartment Group	C-11 - C-12
Electrical Group	C-13 - C-15
Exterior Body Group	C-16 - C-19
Galley Group	C-20
Heating & Air Conditioning Group	C-21 - C-22
Interior Finish Group	C-23 - C-24
LP Group	D-1
Lounge Group	D-2 - D-3
Water & Sewage Group	D-4 - D-5
Window, Vent & Exterior Door Group	D-5 - D-18

Key	Part Number	U/M	Description
1	048630-06-000	EA	Window Asm. - Double Slider - 25" x 56" Black Anod. (w/o inside frame)
2	047822-03-000	EA	Glass - Sliding - 3/16" x 24" x 18 5/8"
3	042077-01-000	FT	Channel - Weatherstrip - Glass Run - 3/16" Glass
4	053787-03-000	FT	Tape - 1/4" Bead x 20" - Gray - Schnee Morehead
5	041928-02-000	FT	Seal - Window Channel - 3/16" Glass - Black
6	002309-02-000	FT	Spline - Glass - 1/8" - Black
7	002389-03-201	EA	Extr. - Holder - Glass Seal - 23.19" - Black
8	041894-04-000	EA	Mullion - Slider Window - 25" - Black
9	002188-02-000	EA	Glass - 3/16" x 24" x 25 5/8" - Stationary
10	047389-01-700	EA	Latch - Window - Plastic w/Fastener
.	023320-01-000	EA	Foam Pad - 3/8" Dia (used with plastic latch)
.	042133-11-000	EA	Frame Asm. - Window - Inside (not included in assembly)
.	023713-02-000	EA	Cover - Weephole - Plastic - Black
.	002298-01-000	FT	Spline - Gray - 130" Dia (Screen)
.	002293-01-000	SF	Screen - Window - 26" - Gray
.	Not Illustrated		

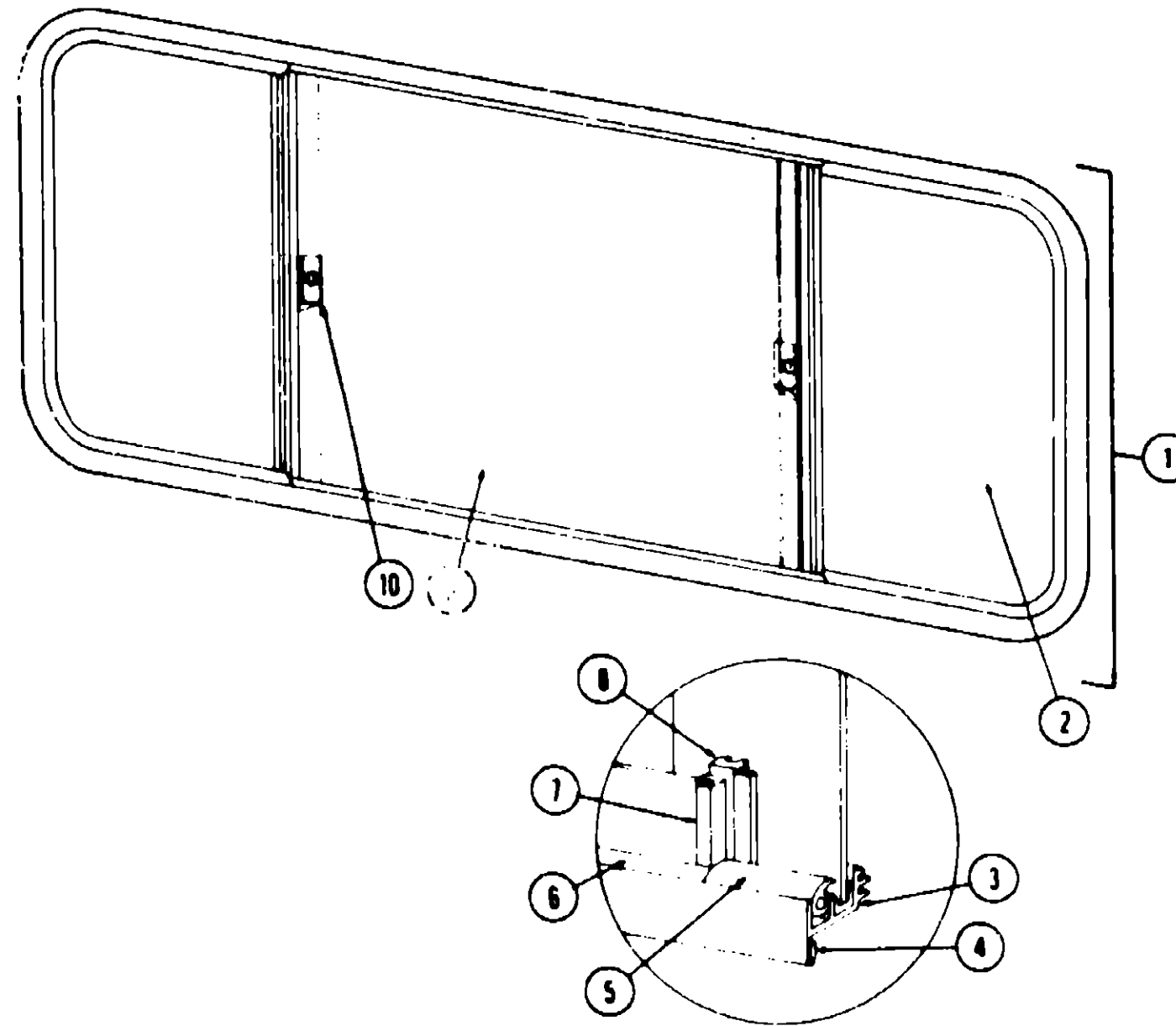
Key	Part Number	U/M	Description
1	058851-01-000	EA	Window Asm - Picture - 20 3/4" x 20 3/4" - Black (w/o inside frame)
2	053767-02-000	FT	Tape - 3/16" Bead x 25" - Schnee Morehead
3	002309-02-000	FT	Spline - Glass - 1/8" - Black
4	002181-03-000	EA	Glass - 115" x 20 8/2" x 20 8/2" - Gray
.	058850-01-000	EA	Frame - Inside - Window (not included in assembly)
.	Not Illustrated		

WINDOW, VENT AND EXTERIOR DOOR GROUP (CONTINUED)



Key	Part Number	U/M	Description
1	041875-04-000	EA	Window Asm. - Picture - 13" x 25" (w/o inside frame)
2	053787-03-000	FT	Tape - 1/4" Bead x 20' - Gray - Schnee Morehead
3	002318-02-000	FT	Spline - Glass - 1/8" Black
4	002181-02-000	EA	Glass - TP - 1/8" x 12" x 24"
.	041886-04-000	EA	Frame - Window - Inside - 13" x 25" (not included in assembly)
.			Not Illustrated

WINDOW, VENT AND EXTERIOR DOOR GROUP (CONTINUED)



Key	Part Number	U/M	Description
1	048630-08-000	EA	Window Asm. - Double Slider - 25" x 65" Black Anod. (w/o inside frame)
2	047822-01-000	EA	Glass - Sliding - 3/16" x 24" x 21 03"
3	042077-01-000	FT	Channel - Weatherstrip - Glass Run - 3/16" Glass
4	053787-03-000	FT	Tape - 1/4" Bead x 20' - Gray - Schnee Morehead
5	041928-02-000	FT	Seal - Window Channel - 3/16" Glass - Black
6	002309-02-000	FT	Spline - Glass - 1/8" - Black
7	002389-03-201	EA	Extr. - Holder - Glass Seal - 23 19" - Black
8	041894-04-000	EA	Mullion - Slider Window - 25" - Black
9	002188-02-000	EA	Glass - 3/16" x 24" x 25 5" - Stationary
10	047369-01-700	EA	Latch - Window - Plastic w/Fastener
.	023320-01-000	EA	Foam Pad - 3/8" Dia (used with plastic latci.)
.	042133-09-000	EA	Frame Asm - Window - Inside (not included in assembly)
.	023713-02-000	EA	Cover - Weephole - Plastic - Black
.	002298-01-000	FT	Spline - Gray - .130" Dia (Screen)
.	002293-01-000	Sf	Screen - Window - 26" - Gray
.			Not Illustrated

**1980 ITASCA
TABLE OF CONTENTS**

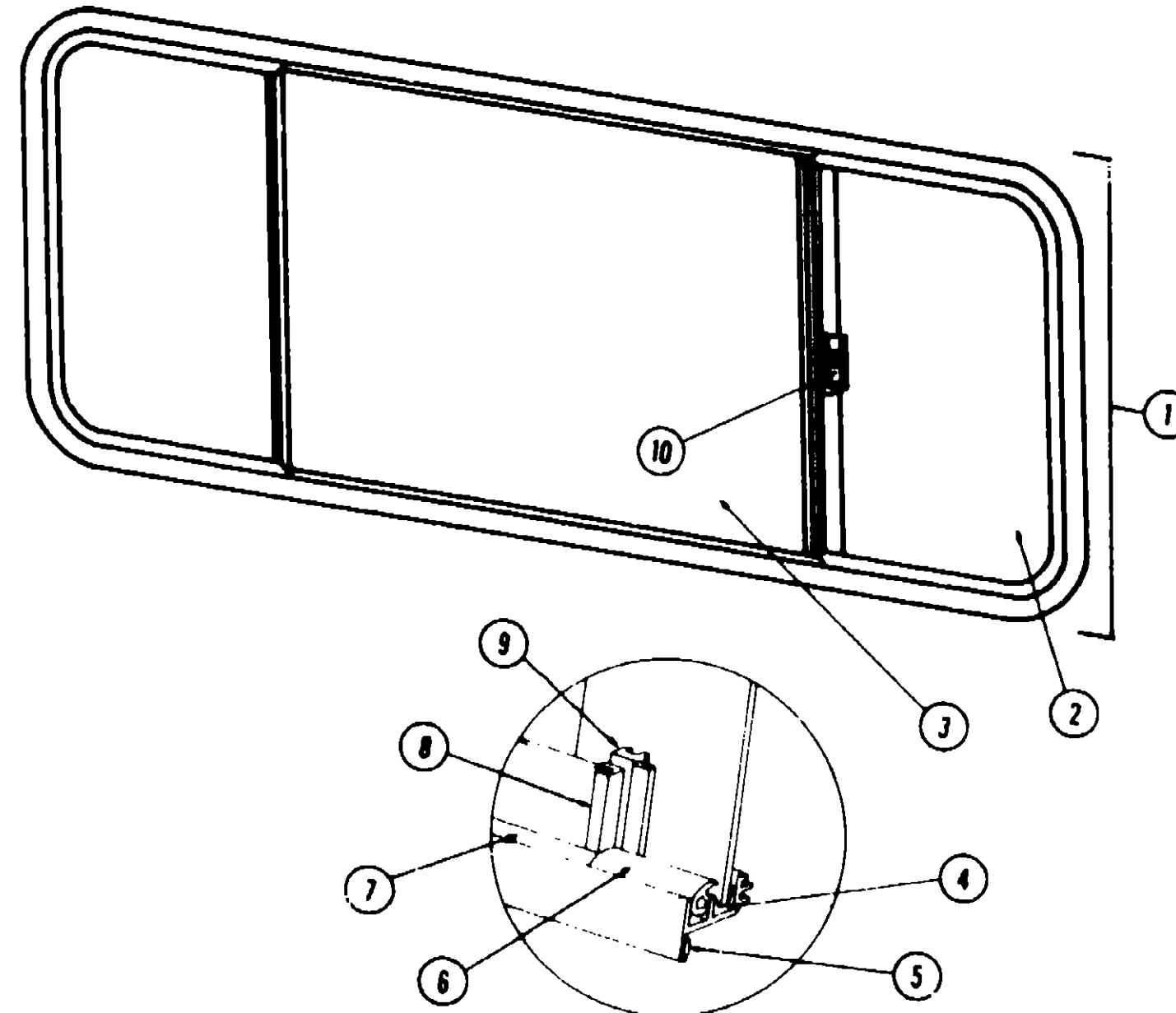
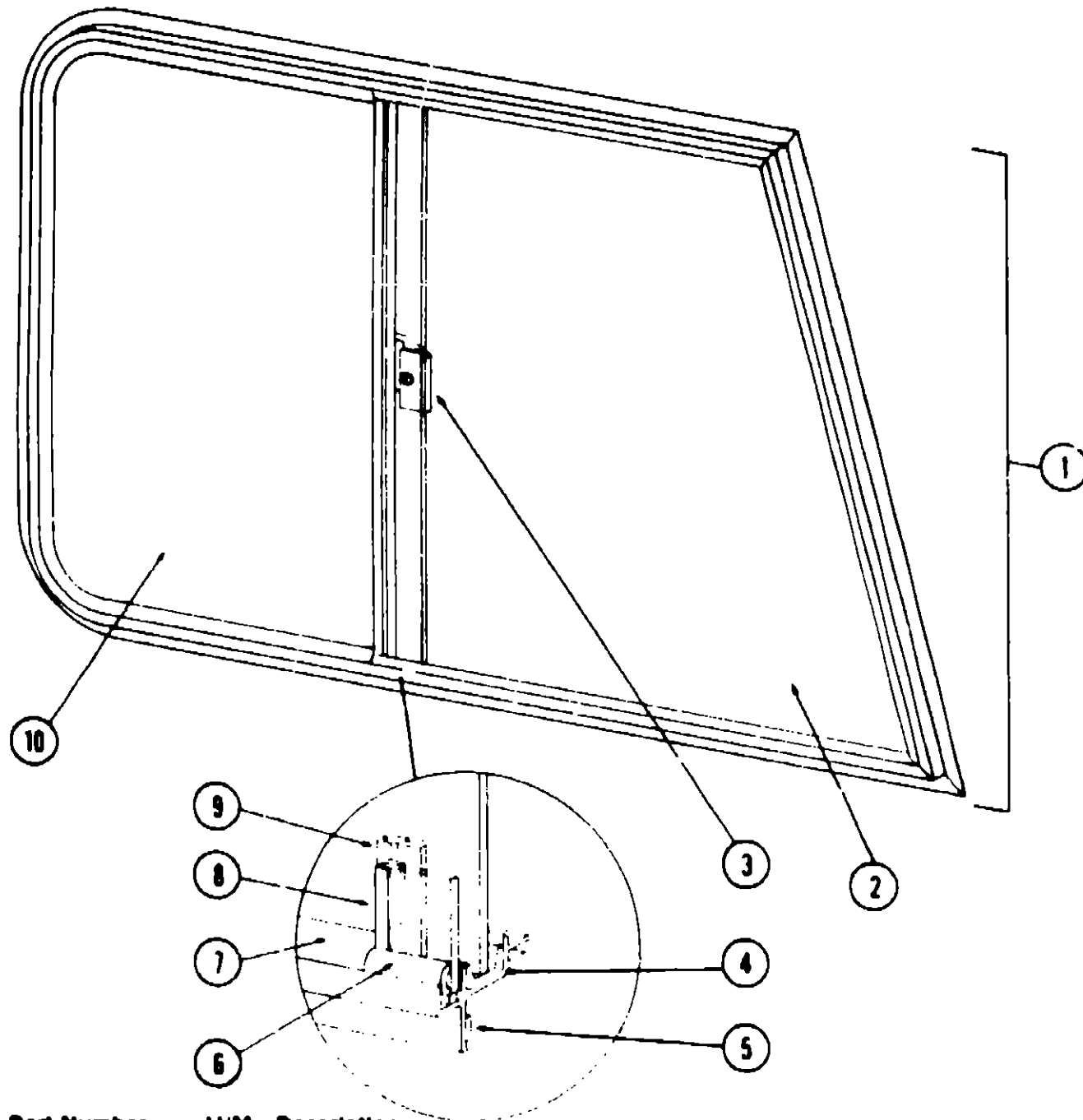
ICF22RB L1	A-1 - B-16
ICN29RT L1	B-17 - D-18
IC319RK L1	D-19 - E-20

1980 ICN29RT L1 INDEX

Floor Plan	B-17 - B-18
Accessories Group	B-19 - B-21
Bath Group	B-22 - B-23
Chassis Group	B-24 - C-1
Curtain, Cushion & Pad Group	C-2 - C-8
Dinette Group	C-9 - C-10
Driver's Compartment Group	C-11 - C-12
Electrical Group	C-13 - C-15
Exterior Body Group	C-16 - 1C-19
Galley Group	C-20
Heating & Air Conditioning Group	C-21 - C-22
Interior Finish Group	C-23 - C-24
LP Group	D-1
Lounge Group	D-2 - D-3
Water & Sewage Group	D-4 - D-5
Window, Vent & Exterior Door Group	D-5 - D-18

WINDOW, VENT AND EXTERIOR DOOR GROUP (CONTINUED)

WINDOW, VENT AND EXTERIOR DOOR GROUP (CONTINUED)



Key	Part Number	U/M	Description
1	059046-01-000	EA	Window Asm. - Right Front Slant Slider - 23" x 39" - Black Anod. (w/o inside frame)
	059046-02-000	EA	Window Asm. - Left Front Slant Slider - 23" x 39" - Black Anod. (w/o inside frame)
2	057656-01-000	EA	Glass - 3/16" x 24.98" x 25.30" - Stationary
3	047369-01-700	EA	Latch - Window - Plastic w/Fastener
	023320-01-000	EA	Foam Pad - 3/8" Dia. (used with plastic latch)
4	042077-01-000	FT	Channel - Weatherstrip - Glass Run - 3/16" Glass
5	053767-01-000	FT	Tape - 1/2" x 1/8" x 30" - Gray - Schnee Morehead
6	050216-02-000	FT	Spline - 3/16" Glass
7	041928-02-000	FT	Seal - Window Channel - 3/16" Glass - Black
8	002369-03-206	EA	Holder - Glass Seal - Black Anod. - 24.13"
9	057644-04-000	EA	Mullion - Window - Slant Slider
10	057657-01-000	EA	Glass - 3/16" x 24.66" x 14.70" - Sliding
	059042-01-000	EA	Inside Frame - Right Front Slant Slider (not included in assembly)
	059042-02-000	EA	Inside Frame - Left Front Slant Slider (not included in assembly)
	023713-02-000	EA	Cover - Weephole - Black Anod.
	055164-05-000	EA	Slider Screen Asm. - Right or Left - Black
	016310-03-000	EA	Handle - Slider Screen - Black
	002292-01-000	SF	Screen - Window - 20" - Gray
	002298-01-000	FT	Spline - Gray - 130" Dia.
			Not Illustrated

**1980 ITASCA
TABLE OF CONTENTS**

ICF22RB L1
ICN29RT L1
IC319RK L1

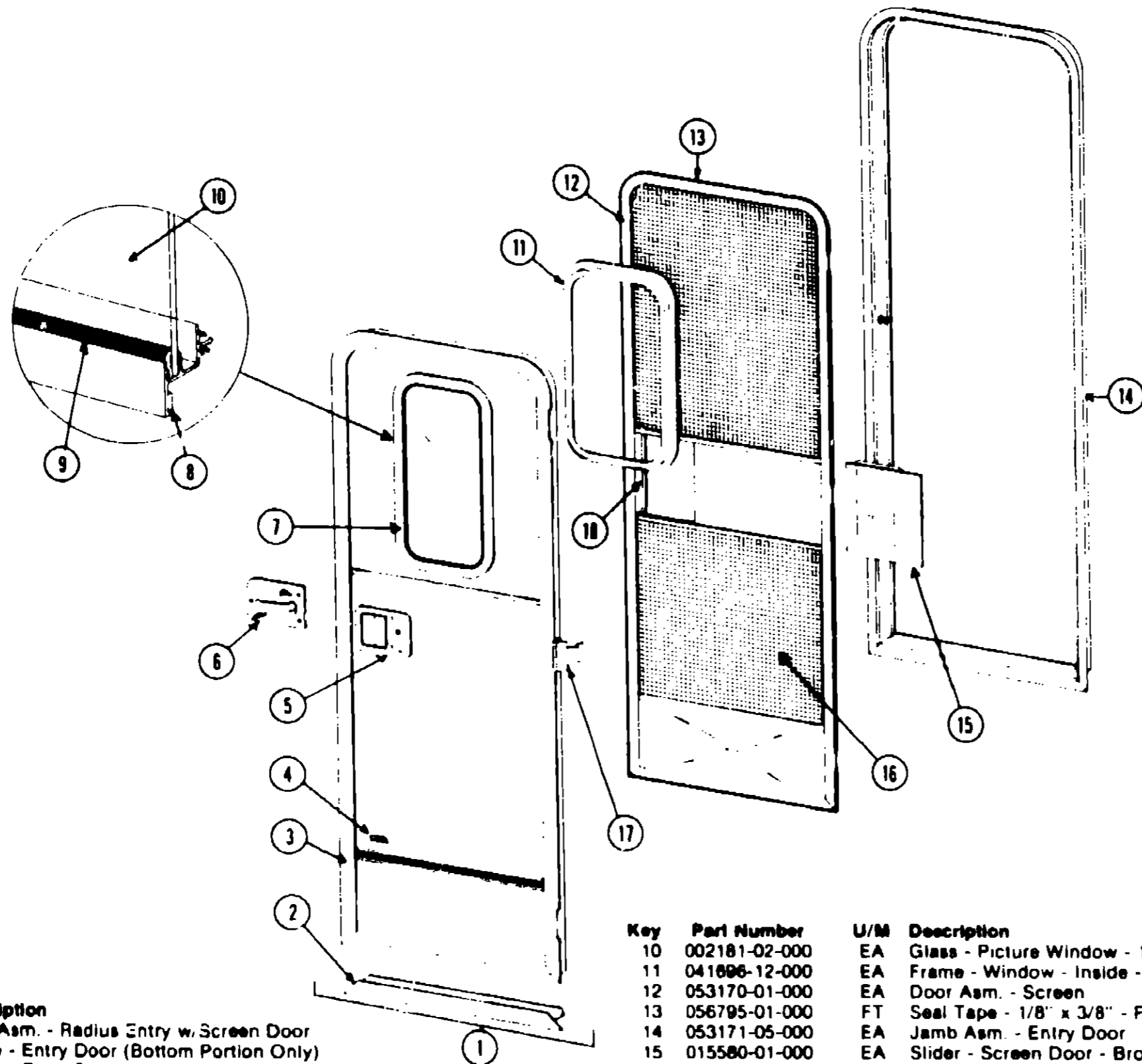
A-1 - B-16
B-17 - D-18
D-19 - E-20

Key	Part Number	U/M	Description
1	066785-03-000	EA	Window Asm. - Single Slider - 25" x 65"
	042133-09-000	EA	Inside Frame - Brown
2	066726-02-000	EA	Glass - Stationary - 1/8" x 21.3" x 24"
3	066727-02-000	EA	Glass - Sliding - 1/8" x 12" x 24"
4	002324-02-000	FT	Channel - Weatherstrip - Glass
5	053767-03-000	FT	Tape - 1/4" Bead x 20" - Gray
6	057374-02-000	FT	Extr. Vinyl - Window Seal - Black
7	002309-02-000	FT	Spline - Glass - 1/8" Material - Black
8	002390-03-002	EA	Extr. - Holder - Glass Seal - 023.19" - Black
9	041894-04-000	EA	Mullion - Sliding Window - 25" - Black
10	047369-01-000	EA	Latch - Window - Plastic - w/Fastener
	002293-01-000	SF	Screen - Window - 26" - Gray
	002298-01-000	FT	Spline - .130 Dia. - Gray (Screen)
	042076-01-000	FT	Seal - Fin - Pile .34"
			Not Illustrated

1980 ICN29RT L1 INDEX

Floor Plan	B-17 - B-18
Accessories Group	B-19 - B-21
Bath Group	B-22 - B-23
Chassis Group	B-24 - C-1
Curtain, Cushion and Pad Group	C-2 - C-8
Dinette Group	C-9 - C-10
Driver's Compartment Group	C-11 - C-12
Electrical Group	C-13 - C-15
Exterior Body Group	C-16 - C-19
Galley Group	C-20
Heating & Air Conditioning Group	C-21 - C-22
Interior Finish Group	C-23 - C-24
LP Group	D-1
Lounge Group	D-2 - D-3
Water & Sewage Group	D-4 - D-5
Window, Vent & Exterior Door Group	D-5 - D-18

WINDOW, VENT AND EXTERIOR DOOR GROUP (CONTINUED)



**1980 ITASCA
TABLE OF CONTENTS**

ICF22RB L1
ICN29RT L1
IC319AK L1

A-1 - B-16
B-17 - D-18
D-19 - E-20

1980 ICN29RT L1 INDEX

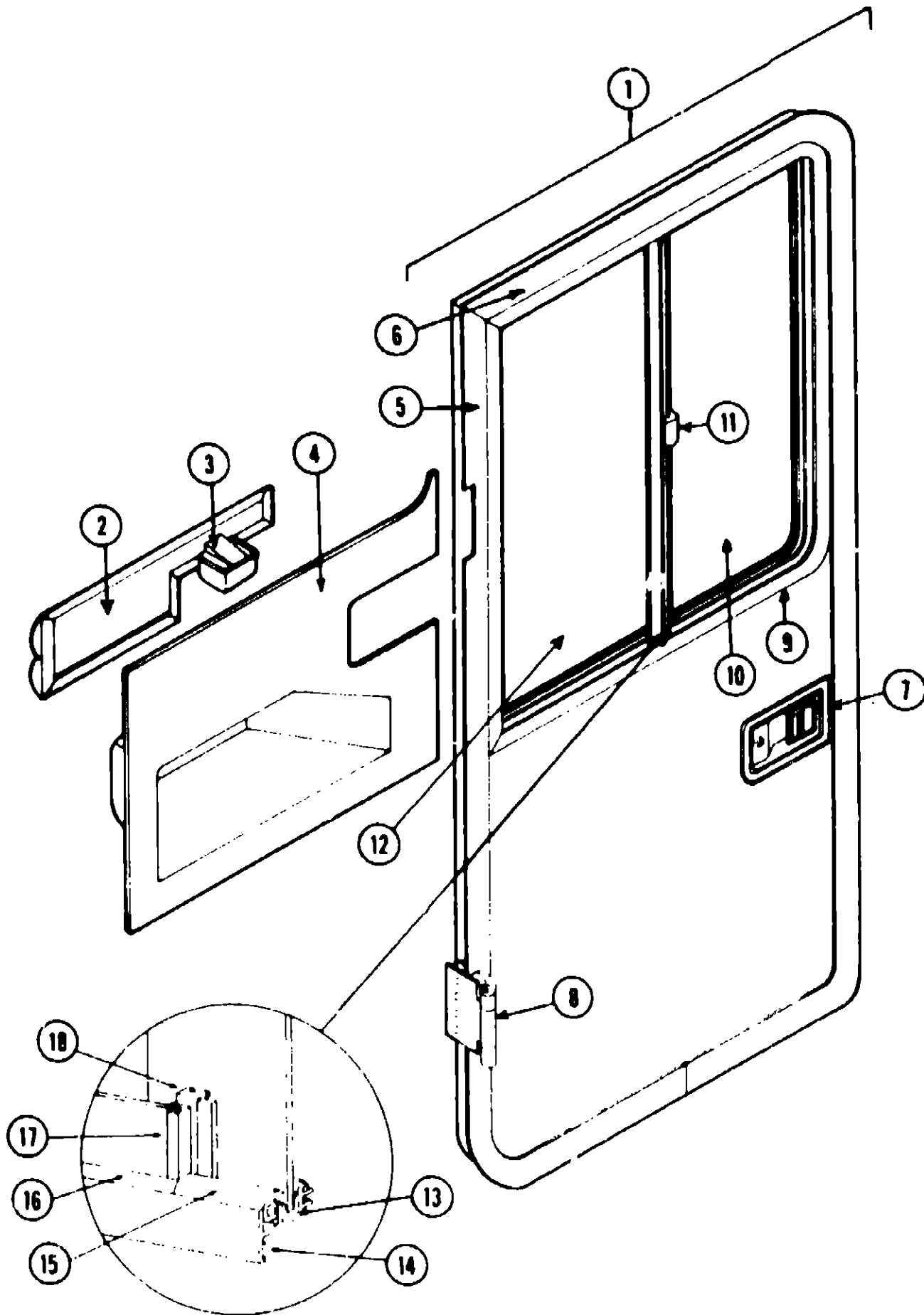
Floor Plan	B-17 - B-18
Accessories Group	B-19 - B-21
Bath Group	B-22 - B-23
Chassis Group	B-24 - C-1
Curtain, Cushion & Pad Group	C-2 - C-8
Dinette Group	C-9 - C-10
Driver's Compartment Group	C-11 - C-12
Electrical Group	C-13 - C-15
Exterior Body Group	C-16 - C-19
Galley Group	C-20
Heating & Air Conditioning Group	C-21 - C-22
Interior Finish Group	C-23 - C-24
LP Group	D-1
Lounge Group	D-2 - D-3
Water & Sewage Group	D-4 - D-5
Window, Vent & Exterior Door Group	D-5 - D-18

Key	Part Number	U/M	Description
1	064324-05-000	EA	Door Asm. - Radius Entry w. Screen Door
2	039737-06-000	EA	Frame - Entry Door (Bottom Portion Only)
3	039736-05-000	EA	Frame - Entry Door (Except Bottom Portion)
4	054530-01-000	EA	Holder - Entry Door - Mounts on Sidewall
5	045017-01-000	EA	Paddle Asm. - Door Lock - Exterior
•	045017-01-700	EA	Lock Cylinder w/Keys
•	039539-01-000	EA	Striker Bolt - Entry Door
•	039540-01-000	EA	Latch Claw - Entry Door
6	039979-01-000	EA	Plate - Lock - Interior - Including Inside Handle
•	052186-01-000	EA	Lock Asm. - Complete - Lynor
7	041875-09-000	EA	Window Asm. - Picture - 13" x 25" - Black Anod. (Inside frame not included in assembly)
8	004363-01-000	FT	Tape - Foam - 3/16" x 1/2" - Gray
9	002309-02-000	EA	Spline - Glass - 1/8" Black
•	044582-06-000	EA	Cap - Drip Jamb - Mounted
•	Not Illustrated		

Key	Part Number	U/M	Description
10	002181-02-000	EA	Glass - Picture Window - 1/8" x 12" x 24" - Gray
11	041866-12-000	EA	Frame - Window - Inside - 13" x 25" - Brown
12	053170-01-000	EA	Door Asm. - Screen
13	056795-01-000	FT	Seal Tape - 1/8" x 3/8" - Press On
14	053171-05-000	EA	Jamb Asm. - Entry Door
15	015580-01-000	EA	Slider - Screen Door - Brown Plastic
16	002293-01-000	SF	Screen - Window - 26" - Gray
17	039520-01-000	EA	Hinge - Entry Door (3 used per door)
18	015581-01-000	EA	Cap - Screen Door - Brown Plastic
•	049176-01-000	EA	Hedlok II - 3/4" Diameter - Screw Mount (Retains screen door to entry door)
•	049797-01-000	EA	Hedlok II - 1" Diameter - Screw Mount (Retains screen door to entry door)
•	063638-01-000	EA	Striker - Screen Door
•	039863-01-000	EA	Catch Asm. - Single Roller w/Strike - Screen Door
•	051390-01-000	FT	Seal - Jamb - Entry Door - Bulb Seal
•	039800-01-000	FT	Tubing - Polybutyl - 1/2" O.D. - Jamb
•	009018-01-000	EA	Catch - Elbow - Spring Loaded - Zink
•	009018-01-000	EA	Catch Asm. - Single Roller
•	Not Illustrated		

DRIVER DOOR - GRAY

Key	Part Number	U/M	Description
1	063991-03-000	EA	Door Asm. - Driver - Gray
2	064066-01-000	EA	Pad Asm. - Trim - Upper
3	061400-01-000	EA	Assist Strap - 12" - Light Brown
4	046886-01-000	EA	Ashtray Asm. - Flush Mount - Chrome
5	064499-01-000	EA	Panel - Driver Door - Inner - Dark Brown Plastic
6	063350-03-000	EA	Trim - Door Frame - Front - Gray
7	063351-03-000	EA	Trim - Door Frame - Rear - Gray
8	045017-03-000	EA	Paddle - Door Lock - Exterior
9	045017-01-700	EA	Lock Cylinder w/Keys - Lynor
10	039979-02-000	EA	Inside Plate - Door Lock - w/Inside Handle
11	039540-02-000	EA	Latch Claw - Entry Door Lock
12	039738-01-000	EA	Deadbolt - Entrance Door Lock
13	039539-01-000	EA	Strike Bolt - Entrance Door (Jamb Mount)
14	063124-02-000	EA	Plate - Striker - 8 1/4" x 1" - Black
15	062879-02-000	EA	Jamb - Driver Door - Black Steel
16	064199-03-000	EA	Trim - Door Jamb - Rear - w/Drip Cap - Gray
17	064184-01-000	EA	Drip Cap - Driver Door
18	063358-03-000	EA	Trim - Door Jamb - Front - Gray
19	063768-01-000	EA	Sill Plate - Driver Door
20	063993-03-000	EA	Hinge Asm. - Driver Door - Gray
21	064580-01-000	EA	Check Strap - Driver Door - Seat Belt Webbing
22	064219-01-000	EA	Retainer - Driver Door Check Strap
23	063986-02-000	EA	Assist Handle - Driver Door - Brown Steel Tube (2 required per door)
24	064075-01-000	EA	Bulb Seal - Driver Door - 145"
25	062982-01-000	EA	Window Asm. - Driver Door - Single Slider - 23" x 25.5" - Black Anod. (w/o inside frame)
26	057657-02-000	EA	Glass - 3/16" x 24.88" x 12" - Sliding
27	047389-01-700	EA	Latch - Window - Plastic w/Fastener
28	002188-04-000	EA	Glass - 3/16" x 24.88" x 12" - Stationary
29	002324-02-000	FT	Channel - Weatherstrip - Glass Run - 1/8" Glass
30	053767-03-000	FT	Tape - 1/4" Bead x 30" - Gray - Schnee Morehead
31	024096-02-000	FT	Seal - Window Channel - Black
32	002309-02-000	FT	Spline - Glass - Black
33	002389-03-204	EA	Holder - Glass Seal - Anod. Black - 25.14"
34	002288-01-000	FT	Weatherstrip - Glass Seal
35	057644-04-000	EA	Mullion - Slider Window - Black Anod
36	063422-01-000	EA	Frame - Inside - Driver Door Window
37	023713-02-000	EA	Cover - Weephole - Black Plastic
38	055184-06-000	EA	Screen Asm. - Slider
39	002292-01-000	SF	Screen - Window - 20" - Gray
40	002296-01-000	FT	Spline - Gray - Screen - .130" Dia.
41	016310-03-000	EA	Screen Handle - Black Anod.
42	043485-02-000	FT	Screen Seal - Extr. Vinyl
	Not Illustrated		



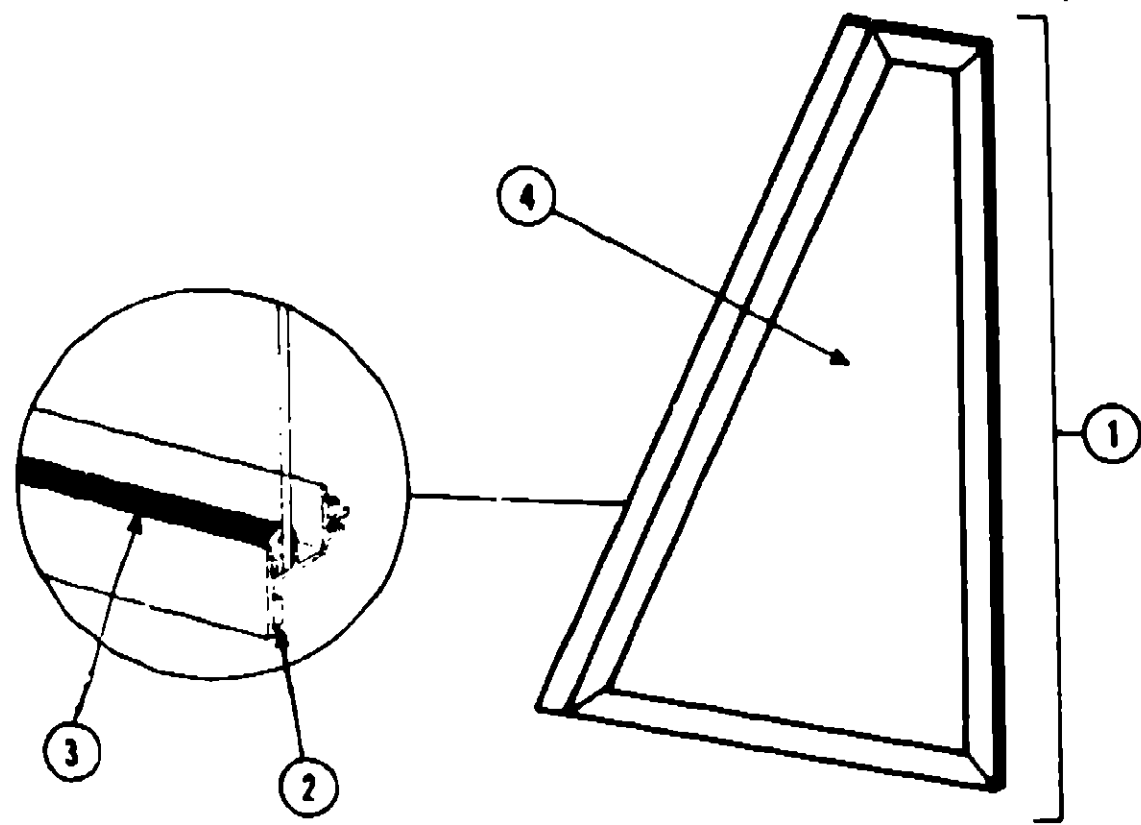
1980 ITASCA
TABLE OF CONTENTS

ICF22RB L1	A-1 - B-16
ICN29RT L1	B-17 - D-18
IC319RK L1	D-19 - E-20

1980 ICN29RT L1 INDEX

Floor Plan	B-17 - B-18
Accessories Group	B-19 - B-21
Bath Group	B-22 - B-23
Chassis Group	B-24 - C-1
Curtain, Cushion & Pad Group	C-2 - C-8
Dinette Group	C-9 - C-10
Driver's Compartment Group	C-11 - C-12
Electrical Group	C-13 - C-15
Exterior Body Group	C-16 - 1C-19
Galley Group	C-20
Heating & Air Conditioning Group	C-21 - C-22
Interior Finish Group	C-23 - C-24
LP Group	D-1
Lounge Group	D-2 - D-3
Water & Sewage Group	D-4 - D-5
Window, Vent & Exterior Door Group	D-5 - D-18

WINDOW, VENT AND EXTERIOR DOOR GROUP (CONTINUED)



Key	Part Number	U/M	Description
1	082896-01-000	EA	Window Asm. - Stationary - Drivers Slant - 14" x 25 3/2"
			Black Anod. (w/o inside frame)
2	053767-03-000	FT	Tape - 1/4" Seal x 20' - Gray - Schnee Morehead
3	002309-02-000	FT	Spilne - Glass - 1/8" - Black
4	057856-02-000	EA	Glass - 3/16" x 24.88" x 13.86"
.	083420-01-000	EA	Frame - Inside - Front Slant Window (not included in assembly)
.	Not Illustrated		

**1980 ITASCA
TABLE OF CONTENTS**

ICF22RB L1	A-1 - B-16
ICN29RT L1	B-17 - D-18
IC319AK L1	D-19 - E-20

1980 ICN29RT L1 INDEX

Floor Plan	B-17 - B-18
Accessories Group	B-19 - B-21
Bath Group	B-22 - B-23
Chassis Group	B-24 - C-1
Curtain, Cushion and Pad Group	C-2 - C-8
Dinette Group	C-9 - C-10
Driver's Compartment Group	C-11 - C-12
Electrical Group	C-13 - C-15
Exterior Body Group	C-16 - C-19
Galley Group	C-20
Heating & Air Conditioning Group	C-21 - C-22
Interior Finish Group	C-23 - C-24
LP Group	D-1
Lounge Group	D-2 - D-3
Water & Sewage Group	D-4 - D-5
Window, Vent & Exterior Door Group	D-5 - D-18