

1980 ICN29RT LO



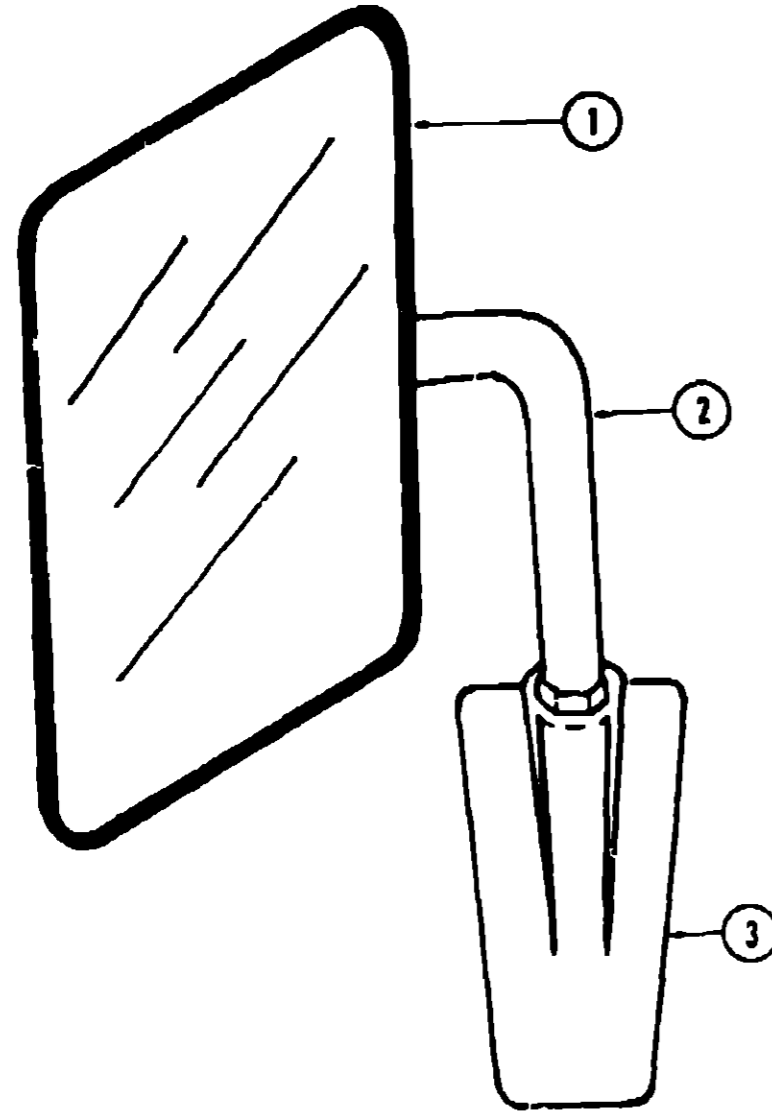
1980 ITASCA TABLE OF CONTENTS

Introduction	A-1
Abbreviations	A-1
Alphabetical Index	A-2 - A-4
ICF26RH LO	A-5 - B-22
ICF26RT LO	B-23 - D-16
ICN26RB LO	D-17 - F-8
ICN29RT LO	F-9 - H-5

1980 ICN29RT LO INDEX

Floor Plan	F-9 - F-10
Accessories Group	F-11 - F-12
Bath Group	F-13 - F-14
Chassis Group	F-15
Curtain, Cushion and Pad Group	F-16 - F-21
Dinette Group	F-22 - F-23
Driver's Compartment Group	F-24 - G-1
Electrical Group	G-2 - G-4
Exterior Body Group	G-5 - G-8
Galley Group	G-9
Heating & Air Conditioning Group	G-10 - G-11
Interior Finish Group	G-12 - G-13
LP Group	G-14
Luggage Group	G-15 - G-16
Water & Sewage Group	G-17
Window, Vent & Exterior Door Group	G-18 - H-5

ACCESSORIES GROUP



Key	Part Number	U/M	Description
1	057461-01-000	EA	Mirror Head - 7 1/2" x 10 1/2" - w/Convex - Stainless Steel
1	057461-02-000	EA	Mirror Head - 7 1/2" x 10 1/2" - w/Convex - Off White
2	049348-01-000	EA	Arm - Low Mount Mirror - Bright Finish
2	049348-02-000	EA	Arm - Low Mount Mirror - Off White
3	049944-02-000	EA	Bracket - Mirror - Outside - Off White
-	065116-01-000	EA	Mirror - West Coast - Double Mirror - Right
-	065116-02-000	EA	Mirror - West Coast - Double Mirror - Left
-	Not Illustrated		

GENERATORS AND COMPONENTS

Key	Part Number	U/M	Description
**	054429-01-000	EA	Generator - Onan - 4.0 kw - BFA
**	054431-01-000	EA	Generator - Onan - 5.0 kw - BGA
**	054433-01-000	EA	Generator - Onan - 6.5 kw
**	701629-02-000	EA	Onan Installation Package
**	024752-01-000	EA	Tailpipe - 1 1/2" O.D. x 23
**	054426-01-000	EA	Muffler - Generator - w/Spark Arrestor
**	740313-56-000	EA	Tray - Generator - 4.0 - 5.0 kw Onan
**	740313-57-000	EA	Tray - Generator - 6.5 kw - Onan

** The illustrated parts breakdown for this item is provided on the Common Items Fiche

ACCESSORIES GROUP (CONTINUED)

FRONT BUNK AND HARDWARE

Key	Part Number	U/M	Description
	058300-01-K11	EA	Cabinet Asm. - Front Overhead
	058843-01-K11	EA	Bunk Board Asm. - Front Overhead w/Rails
	053773-01-000	EA	Support - Overhead Bunk - Brown - Right
	053773-02-000	EA	Support - Overhead Bunk - Brown - Left
	040071-02-000	EA	Support - Bunk - Seat Belt
	041322-01-000	EA	Washer - Flat - 15/32" I.D. x 2 3/8" O.D.
	039516-02-000	EA	Catch - Bunk - Brown
	023812-22-000	EA	Rail - Bunk - 80" - Brown
	053774-01-000	EA	Torsion Rod - Overhead Bunk - Brown

RADIOS AND RELATED COMPONENTS

Key	Part Number	U/M	Description
	049730-01-000	EA	Radio - Clarion - AM/w/Fader Switch
	049731-01-000	EA	Radio - Clarion - AM/FM/MPX - w/Fader Switch
	049732-01-000	EA	Radio - Clarion - AM/FM/MPX - 8 Track - w/Fader Switch
	056014-02-000	EA	Radio - Motorola - AM/FM Stereo, Cassette
	056014-01-000	EA	Radio - Motorola - AM/FM Stereo, 8 Track
	053768-01-000	EA	Speaker - Recessed - 5 1/4" - 10 oz.
	031105-01-000	EA	Antenna - Radio - Side Mount
	031105-01-700	EA	Holder - Antenna - Radio - Upper
	048153-01-000	EA	Antenna - CB Camper Style
	044328-01-000	EA	Switch - Fader - Speaker Balance
	050751-01-000	EA	Plaque - Fader/Mic Mounting
	055299-01-000	EA	Grille - Speaker - 5 1/4"
	063647-01-000	EA	Control Box - Clarion CB
	063647-02-000	EA	Module - Clarion CB

MISCELLANEOUS ACCESSORIES

Key	Part Number	U/M	Description
	054185-04-000	EA	Owners Manual - Itasca
	006053-01-000	EA	Antenna - TV Braund Delux
	006053-01-700	EA	Parts Kit - Repair - Braund TV Antenna
	006093-01-000	EA	Jack - TV - Brown (Antenna)
	006076-01-000	EA	Ladder - Front Bunk
	017516-01-000	EA	Mud Flap - Black - 14" x 18" w/Holes
	006113-01-000	EA	Jack Hydraulic - 5 Ton
	041944-01-700	EA	Fire Extinguisher - w/Bracket
	041944-03-000	EA	Fire Extinguisher - w/Bracket - 5BC (Calif)
	052771-02-000	EA	Oven - Microwave - Magic Chef MW207
**	041066-01-000	EA	Ladder Asm. - w/Luggage Rack
**	041086-02-000	EA	Ladder Asm.
**	041646-01-000	EA	Luggage Carrier Assembly
**	037791-01-000	EA	Catch and Strike - Luggage Carrier
**	031396-04-000	EA	Wheel Cover - 16" Chrome
**	064382-01-000	EA	Wheel Cover - Delmet - (Bolt On)
**	064082-02-000	EA	Retaining Nut - Delmet - Wheel Cover
**	064082-05-700	EA	Retainer Bracket - Bolt On Wheel Cover - Chev - Front
**	064082-05-701	EA	Retainer Bracket - Bolt On Wheel Cover - Chev - Rear
**	059779-01-000	EA	Speed Control Package - Electric - Chev - Dana
**	052241-02-000	EA	Cover - Spare Tire - Gray Plastic

** The illustrated parts breakdown for this item is provided on the Common Items Fiche

1980 ITASCA TABLE OF CONTENTS

Introduction	A-1
Abbreviations	A-1
Alphabetical Index	A-2 - A-4
ICF26RH LO	A-5 - B-22
ICF26RT LO	B-23 - D-16
ICN26RB LO	D-17 - F-8
ICN29RT LO	F-9 - H-5

1980 ICN29RT LO INDEX

Floor Plan	F-9 - F-10
Accessories Group	F-11 - F-12
Bath Group	F-13 - F-14
Chassis Group	F-15
Curtain, Cushion, Pad Group	F-16 - F-21
Dinette Group	F-22 - F-23
Driver's Compartment Group	F-24 - F-31
Electrical Group	G-2 - G-4
Exterior Body Group	G-5 - G-6
Galley Group	G-9
Heating & Air Conditioning Group	G-10 - G-13
Interior Finish Group	G-12 - G-13
LP Group	G-14
Lounge Group	G-15 - G-16
Water & Sewage Group	G-17
Window, Vent & Exterior Door Group	G-18 - H-5

BATH GROUP

BATH CABINETRY

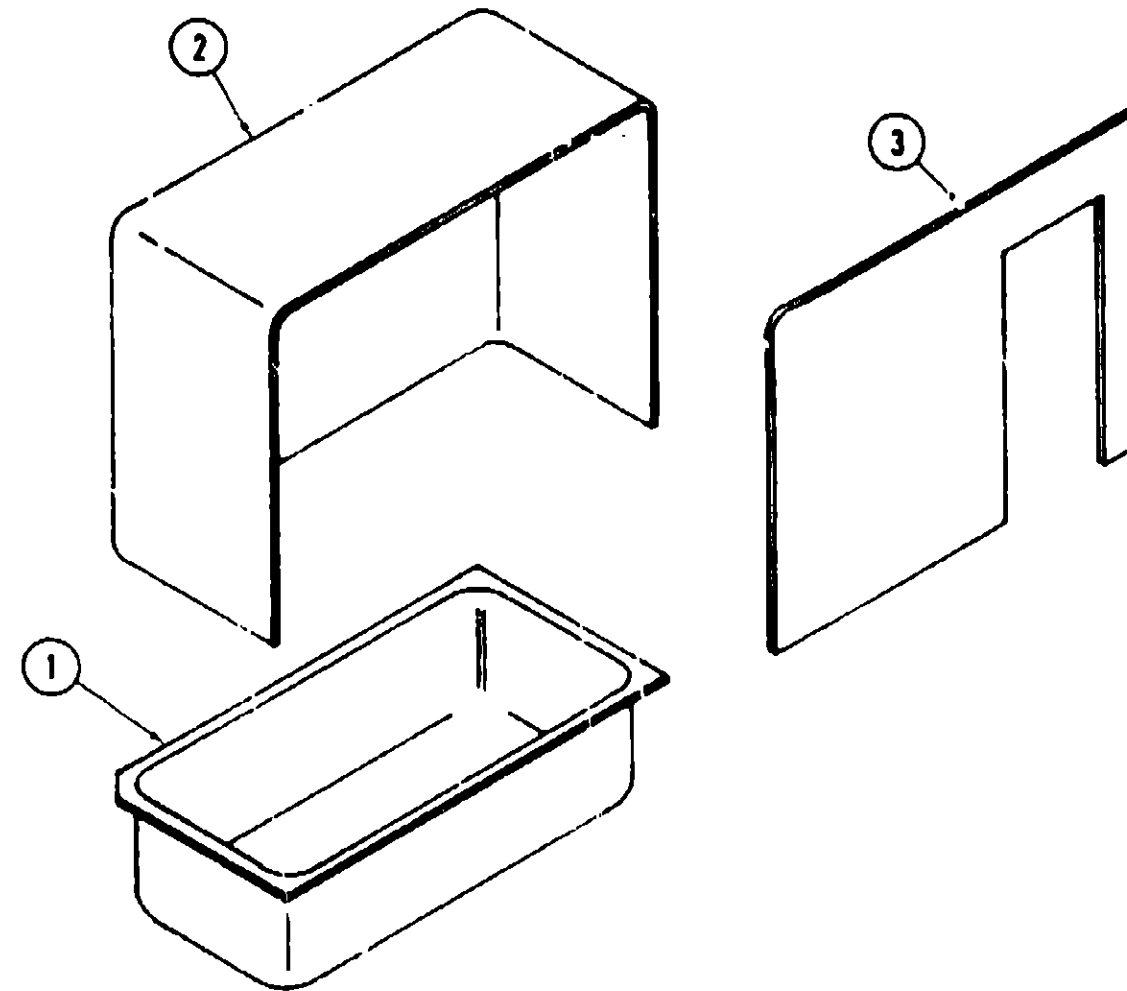
Key	Part Number	U/M	Description
	061941-01-K11	EA	Cabinet Asm. - Lavatory - w/o Countertop, Doors or Hardware
	061940-01-K11	EA	Countertop Asm. - Lavatory Cabinet - Camel
	059122-10-K11	EA	Door Asm. - Rolled - Lavatory Cabinet - 28" x 28.6"
	061942-01-K11	EA	Cabinet Asm. - Medicine - w/o Doors or Hardware
	059842-10-K11	EA	Door Asm. - Medicine Cabinet - w/Mirror - 15.1" x 29.1" - w/o Hardware
	059092-46-K11	EA	Door Asm. - Medicine Cabinet - 11.5" x 20.7" - w/o Hardware
	059837-01-K11	EA	Door Asm. - Bath - w/Mirror - 22.1" x 29.1" - w/o Hardware
	058233-03-K11	EA	Door Asm. - Bathroom - 74.2" x 23" - w/o Towel Rack or Hardware
	052563-01-000	EA	Rack Asm. - Towel - Mounts on Bath Door
	059842-07-K11	EA	Door Asm. - Wardrobe - 13.1" x 45.1" - w/Mirror w/o Hardware
	059843-07-K11	EA	Door Asm. - Furnace - 22.1" x 27.5" - w/o Hardware
	062906-01-000	EA	Door Asm. - Shower - Folding - Complete w/Frame
	061943-01-K11	EA	Door Asm. - Sliding - 27.4" x 75.2" - w/o Hardware

BATH HARDWARE

Key	Part Number	U/M	Description
**	011056-01-000	EA	Faucet - Lavatory - U.S.
**	011056-02-000	EA	Faucet - Lavatory - C.S.A.
**	011056-01-000	EA	Sink - Oval - Ivory Plastic
**	011056-01-000	EA	Plug - Sink - 1 1/4" w/Chain
**	011056-01-000	EA	Faucet - Tub and Shower
**	011056-01-000	EA	Shower Head - w/50" Hose
**	011056-01-000	EA	Hose Clamp - 9/16"
**	011056-01-000	EA	Strainer - Shower Pan
**	011056-01-000	EA	Tailpiece - 1 1/4" x 4" - Brass
**	011056-01-000	EA	Holder - Tissue
**	011056-01-000	EA	Mirror - Safety Glass - 19" x 26"
**	011056-01-000	EA	Mirror - Safety Glass - 10" x 42"
**	011056-01-000	EA	Mirror - Safety Glass - 12" x 26"
**	011056-01-000	EA	Latch - Bathroom Door
**	011056-01-000	EA	Track - Sliding Door
**	011056-01-000	EA	Roller - Sliding Door
**	011056-01-000	EA	Roller - Sliding Door
**	011056-01-000	EA	Roller - Sliding Door
**	011056-01-000	EA	Rod - 1" Closet Rod
**	011056-01-000	EA	Seat - Thetford Aqua Magic Model SH - Ivory
**	011056-01-000	EA	Seat - Thetford Aqua Magic Model SH - Ivory

If this item is provided on the Common Items Fiche

BATH GROUP (CONTINUED)



Key	Part Number	U/M	Description
1	063370-01-000	EA	Bathtub Bottom - Ivory Plastic
2	062249-01-000	EA	Bathtub Rear - Ivory Plastic
3	062247-01-000	EA	Bathtub Front - Ivory Plastic

1980 ITASCA TABLE OF CONTENTS

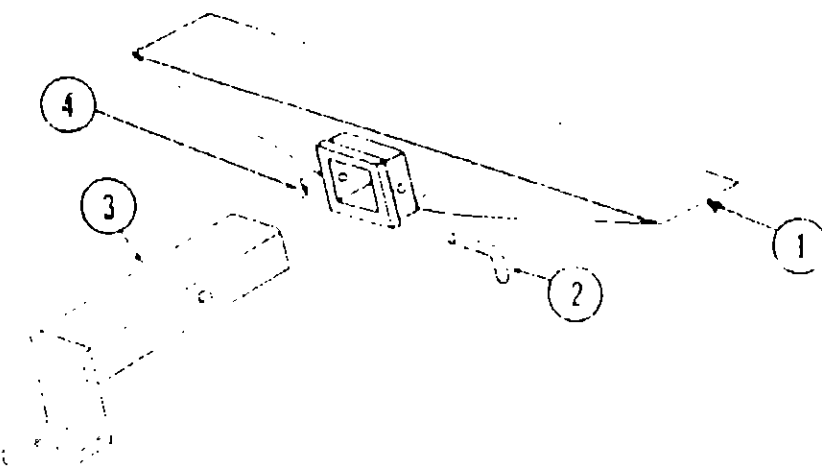
Introduction	A-1
Abbreviations	A-1
Alphabetical Index	A-2 - A-4
ICF26RH LO	A-5 - B-22
ICF26RT LO	B-23 - D-15
ICN26RB LO	D-17 - F-8
ICN29RT LO	F-9 - H-5

1990 ICN29RT LO INDEX

Floor Plan	F-9 - F-10
Accessories Group	F-11 - F-12
Bath Group	F-13 - F-14
Chassis Group	F-15
Curtain, Cushion and Pad Group	F-16 - F-21
Dinette Group	F-22 - F-23
Driver's Compartment Group	F-24 - G-1
Electrical Group	G-2 - G-4
Exterior Body Group	G-5 - G-8
Galley Group	G-9
Heating & Air Conditioning Group	G-10 - G-11
Interior Finish Group	G-12 - G-13
LP Group	G-14
Lounge Group	G-15 - G-16
Water & Sewage Group	G-17
Window, Vent & Exterior Door Group	G-18 - H-5

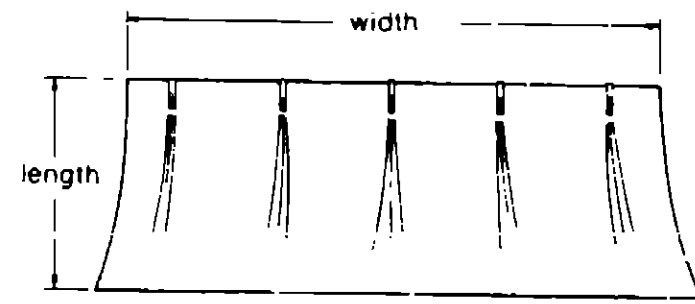
CHASSIS GROUP

Key	Part Number	U/M	Description
	058790-01-000	EA	Gas Fill - w/Vent
	024611-04-000	EA	Cap - Gas - Pressure - 1.5" Chrome
	024138-01-000	FT	Hose - Fuel - 5/16" I.D. SAE 30RI
	024141-01-000	FT	Hose Rubber - 1/2" I.D.
	007134-01-000	EA	Clamp - Hose - Spring Type - 9/16"
	063383-01-000	EA	Tank - Fuel - 67.5 Gallon
	057038-02-000	EA	Sending Unit - Fuel - 90 Ohm.
	063386-01-000	EA	Strap - Fuel Tank Mounting
	063386-02-000	EA	Hanger - Fuel Tank Mounting
	062401-02-000	EA	Clamp - Worm Gear - 15/16" to 1 5/16"
	062401-03-000	EA	Clamp - Worm Drive - .22" - 1" I.D.
	043477-01-000	EA	Valve Asm - Fuel Selector - 2 Way - 6 Port
	046775-01-000	EA	Valve Asm. - Fuel Selector - 3 Way
	050227-01-000	EA	Canistor Asm. - Vapor - 2 Stage - 3 Port
	007111-01-000	FT	Hose - Fuel - 2 1/4" I.D. SAE 30RI
	033499-01-000	EA	Power Cord Box - Plastic
	055374-01-000	EA	Wheel Well - Plastic
	740313-56-000	EA	Tray - Generator - Onan - 4.0 kw - 5.0 kw
	740313-57-000	EA	Tray - Generator - Onan - 6.5 kw
	052431-01-000	EA	Luggage Tray
	022655-02-000	EA	Tailpipe - 2 1/4" x 8" - 454 Engine
	007125-06-000	EA	Clamp Asm. - Muffler - 2 1/4"
	017516-01-000	EA	Mud Flap - Black - 14" x 18" w/Holes
	051697-01-000	EA	Bracket - Battery Tie Down
	048594-01-000	EA	Battery Tray Asm.
	024652-01-700	EA	Step Asm - Entry
	048474-01-000	EA	Bumper - Rear - Chrome
	040974-01-000	EA	Bracket - Spare Tire - Retaining Bar - 2" x 6.75"
	040634-01-000	EA	Carrier - Spare Tire
	046043-06-000	EA	Bracket Asm. - Rear Bumper Mounting
	058401-01-000	EA	Hood Board - Upper - Right - Steel
	058404-01-000	EA	Hood Board - Upper - Left - Steel
	056818-01-000	EA	Cover - Radiator - Rear
	056817-01-000	EA	Cover - Radiator - Rear Back - (Fan Shroud)
	058200-01-000	EA	Bumper - Front - Chrome
	005200-01-000	EA	Bolt - Carriage - 7/16" - 14 x 1 1/4" SST.
	058419-01-000	EA	Bracket - Front Bumper - Black
	058416-01-000	EA	Bar - Front Bumper - Black



Key	Part Number	U/M	Description
1	023695-01-000	EA	Hitch Kit - 5 Drawbar
2	034512-01-000	EA	Pin - Locking - Drawbar
3	023699-01-000	EA	Drawbar Asm. - Trailer Hitch - Finished
4	034513-01-000	EA	Pin Hitch - 5/16" Wire Spring

CURTAIN, CUSHION AND PAD GROUP



NOTE:
Use this illustration when determining length and width measurements for curtains. You will note the width measurement is taken on the top of the curtain with the curtain fully extended. The length measurement is taken from the top to bottom.

Key	Part Number	U/M	Description
	054051-02-K11	EA	Curtain w/Snap Top - 34" x 37" - White
	054051-02-K13	EA	Curtain w/Snap Top - 34" x 37" - Ivory
	054051-22-K11	EA	Curtain w/Snap Top - Bunk Privacy - 22" x 96" - White
	054051-22-K13	EA	Curtain w/Snap Top - Bunk Privacy - 22" x 96" - Ivory
	054292-02-K11	EA	Curtain w/Snaps - Left Wraparound - 27.5" x 81" - White
	054292-02-K13	EA	Curtain w/Snaps - Left Wraparound - 27.5" x 81" - Ivory
	054293-02-K11	EA	Curtain w/Snaps - Right Wraparound - 27.5" x 81" - White
	054293-02-K13	EA	Curtain w/Snaps - Right Wraparound - 27.5" x 81" - Ivory
	054048-05-K11	EA	Tie Back Asm. - Curtain - 2" x 18" - White
	054048-05-K13	EA	Tie Back Asm. - Curtain - 2" x 18" - Ivory

CURTAINS AND TIE BACKS

FRONT BUNK CUSHIONS

Key	Part Number	U/M	Description
	055021-18-K11	EA	Cushion Asm. - Front Bunk - 47" x 79.25" x 5" - Blue/Green
	055021-18-K12	EA	Cushion Asm. - Front Bunk - 47" x 79.25" x 5" - Rust
	055021-18-K13	EA	Cushion Asm. - Front Bunk - 47" x 79.25" x 5" - Brown
	055022-20-K11	EA	Cover - Front Bunk Cushion - 47" x 79.25" x 5" - Blue/Green
	055022-20-K12	EA	Cover - Front Bunk Cushion - 47" x 79.25" x 5" - Rust
	055022-20-K13	EA	Cover - Front Bunk Cushion - 47" x 79.25" x 5" - Brown

SHADES

Key	Part Number	U/M	Description
	059547-01-000	EA	Shade - Woven Wood - 29" x 72" - Gray
	059547-07-000	EA	Shade - Woven Wood - 29" x 72" - Rust
	059547-13-000	EA	Shade - Woven Wood - 29" x 72" - Brown
	059547-02-000	EA	Shade - Woven Wood - 31" x 69" - Gray
	059547-03-000	EA	Shade - Woven Wood - 31" x 69" - Rust
	059547-14-000	EA	Shade - Woven Wood - 31" x 69" - Brown
	059547-04-000	EA	Shade - Woven Wood - 31" x 69" - Gray
	059547-05-000	EA	Shade - Woven Wood - 31" x 69" - Rust
	059547-15-000	EA	Shade - Woven Wood - 31" x 69" - Brown
	059547-06-000	EA	Shade - Woven Wood - 31" x 69" - Gray
	059547-08-000	EA	Shade - Woven Wood - 31" x 69" - Rust
	059547-16-000	EA	Shade - Woven Wood - 31" x 69" - Brown
	059547-09-000	EA	Shade - Woven Wood - 31" x 69" - Gray
	059547-10-000	EA	Shade - Woven Wood - 31" x 69" - Rust
	059547-11-000	EA	Shade - Woven Wood - 31" x 69" - Brown
	059547-12-000	EA	Shade - Woven Wood - 31" x 69" - Gray
	059547-17-000	EA	Shade - Woven Wood - 29" x 47" - Rust
	059547-18-000	EA	Shade - Woven Wood - 29" x 47" - Brown

1960 ITASCA

TABLE OF CONTENTS

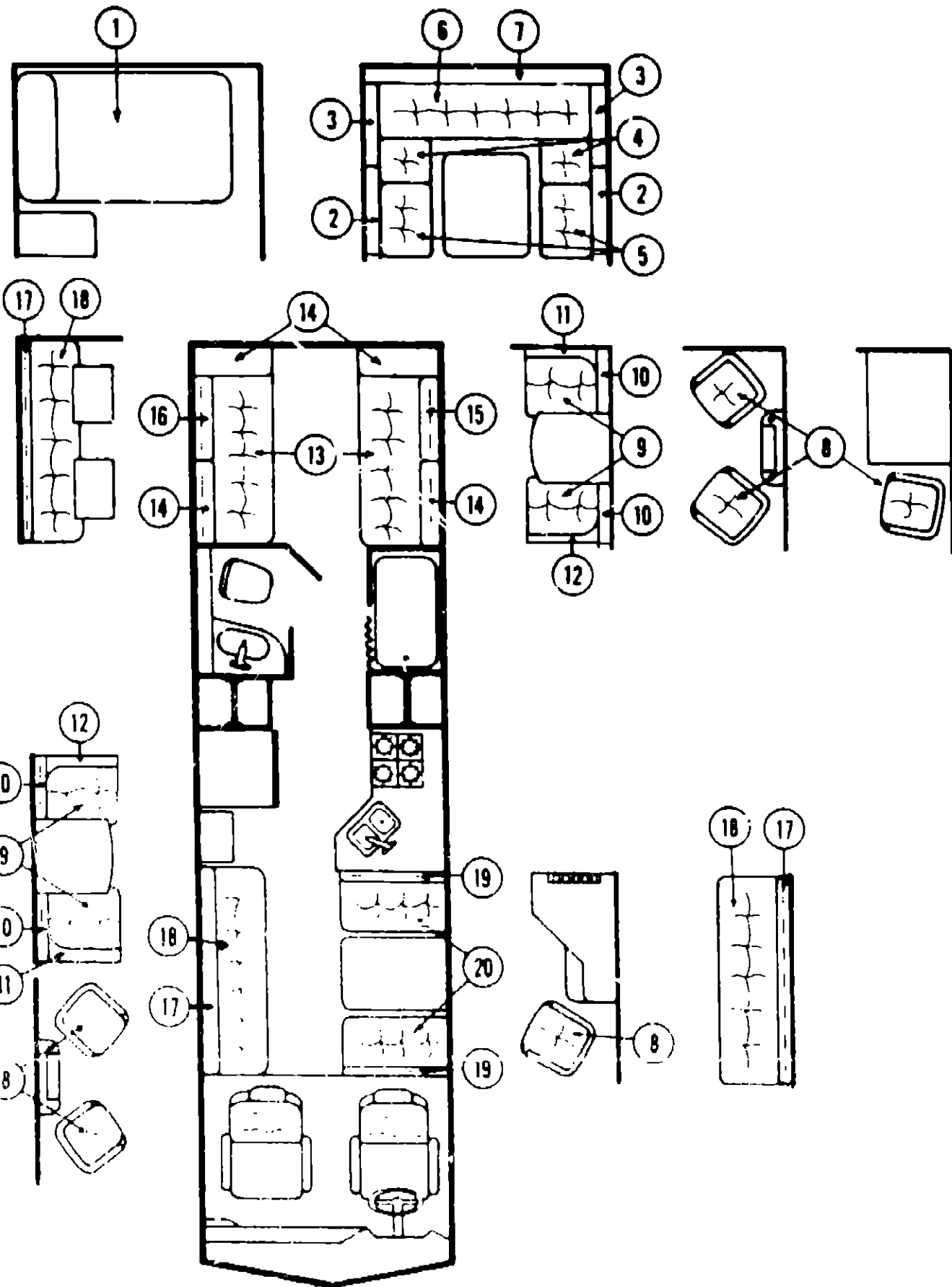
Introduction	A-1
Abbreviations	A-1
Alphabetical Index	A-2 - A-4
ICF26RH LO	A-5 - B-22
ICF26RT LO	B-23 - D-16
ICN26HB LO	D-17 - F-8
ICN29RT LO	F-9 - H-5

1980 ICN29RT LO INDEX

Floor Plan	F-9 - F-10
Accessories Group	F-11 - F-12
Bath Group	F-13 - F-14
Chassis Group	F-15
Curtain, Cushion and Pad Group	F-16 - F-21
Diets Group	F-22 - F-23
Driver's Compartment Group	F-24 - G-1
Electrical Group	G-2 - G-4
Exterior Body Group	G-5 - G-8
Galley Group	G-9
Heating & Air Conditioning Group	G-10 - G-11
Interior Finish Group	G-12 - G-13
LP Group	G-14
Lounge Group	G-15 - G-16
Water & Sewage Group	G-17
Window, Vent & Exterior Door Group	G-18 - H-5

CURTAIN, CUSHION AND PAD GROUP (CONTINUED)

CURTAIN, CUSHION AND PAD GROUP (CONTINUED)



DOUBLE RED MATTRESS

Key	Part Number	U/M	Description
1	055061-01-000	EA	Mattress - Inner Spring - Sealy - 54" x 72" x 4"

HORSESHOE LOUNGE CUSHIONS

Key	Part Number	U/M	Description
2	058913-08-K11	EA	Cushion - Lounge Back - 16" x 30.5" x 5" - Blue/Green
2	058913-08-K12	EA	Cushion - Lounge Back - 16" x 30.5" x 5" - Rust
2	058913-08-K13	EA	Cushion - Lounge Back - 16" x 30.5" x 5" - Brown
	058914-08-K11	EA	Cover - Cushion - 16" x 30.5" x 5" - Blue/Green
	058914-08-K12	EA	Cover - Cushion - 16" x 30.5" x 5" - Rust
	058914-08-K13	EA	Cover - Cushion - 16" x 30.5" x 5" - Brown
3	058915-01-K11	EA	Cushion - Lounge Back - 16" x 40.5" x 36.5" x 5" - Blue/Green
3	058915-01-K12	EA	Cushion - Lounge Back - 16" x 40.5" x 36.5" x 5" - Rust
3	058915-01-K13	EA	Cushion - Lounge Back - 16" x 40.5" x 36.5" x 5" - Brown
	058916-01-K11	EA	Cover - Cushion - 16" x 40.5" x 36.5" x 5" - Blue/Green
	058916-01-K12	EA	Cover - Cushion - 16" x 40.5" x 36.5" x 5" - Rust
	058916-01-K13	EA	Cover - Cushion - 16" x 40.5" x 36.5" x 5" - Brown
4	058913-05-K11	EA	Cushion - Lounge Seat - 24" x 15" x 5.5" - Blue/Green
4	058913-05-K12	EA	Cushion - Lounge Seat - 24" x 15" x 5.5" - Rust
4	058913-05-K13	EA	Cushion - Lounge Seat - 24" x 15" x 5.5" - Brown
	058914-05-K11	EA	Cover - Cushion - 24" x 15" x 5.5" - Blue/Green
	058914-05-K12	EA	Cover - Cushion - 24" x 15" x 5.5" - Rust
	058914-05-K13	EA	Cover - Cushion - 24" x 15" x 5.5" - Brown
5	059913-06-K11	EA	Cushion - Lounge Seat - 24" x 32" x 5.5" - Blue/Green
5	058913-06-K12	EA	Cushion - Lounge Seat - 24" x 32" x 5.5" - Rust
5	058913-06-K13	EA	Cushion - Lounge Seat - 24" x 32" x 5.5" - Brown
	058914-06-K11	EA	Cover - Cushion - 24" x 32" x 5.5" - Blue/Green
	058914-06-K12	EA	Cover - Cushion - 24" x 32" x 5.5" - Rust
	058914-06-K13	EA	Cover - Cushion - 24" x 32" x 5.5" - Brown
6	062663-01-K11	EA	Cushion - Lester Lounge - Complete - 76" - Blue/Green
6	062663-01-K12	EA	Cushion - Lester Lounge - Complete - 76" - Rust
6	062663-01-K13	EA	Cushion - Lester Lounge - Complete - 76" - Brown
	062664-01-K11	EA	Cover - Lester Lounge - Blue/Green
	062664-01-K12	EA	Cover - Lester Lounge - Rust
	062664-01-K13	EA	Cover - Lester Lounge - Brown
7	055021-23-K11	EA	Cushion - Lounge Back - 8" x 76" x 5" - Blue/Green
7	055021-23-K12	EA	Cushion - Lounge Back - 8" x 76" x 5" - Rust
7	055021-23-K13	EA	Cushion - Lounge Back - 8" x 76" x 5" - Brown
	055022-25-K11	EA	Cover - Cushion - 8" x 76" x 5" - Blue/Green
	055022-25-K12	EA	Cover - Cushion - 8" x 76" x 5" - Rust
	055022-25-K13	EA	Cover - Cushion - 8" x 76" x 5" - Brown

SWIVEL CHAIRS

Key	Part Number	U/M	Description
8	054674-07-K11	EA	Swivel Chair - Complete - Blue/Green
8	054674-07-K12	EA	Swivel Chair - Complete - Rust
8	054674-07-K13	EA	Swivel Chair - Complete - Brown
	054700-07-K11	EA	Cushion - Swivel Chair - Blue/Green
	054700-07-K12	EA	Cushion - Swivel Chair - Rust
	054700-07-K13	EA	Cushion - Swivel Chair - Brown
	035036-01-000	EA	Plate - Swivel Chair
	035036-02-000	EA	Base w/legs - Swivel Chair

**1980 ITASCA
TABLE OF CONTENTS**

Introduction	A-1
Abbreviations	A-1
Alphabetical Index	A-2 - A-4
ICF26RH LO	A-5 - B-22
ICF26RT LO	B-23 - D-16
ICN26RB LO	D-17 - F-8
ICN29RT LO	F-9 - H-5

1980 ICN29RT LO INDEX

Floor Plan	F-9 - F-10
Accessories Group	F-11 - F-12
Bath Group	F-13 - F-14
Chassis Group	F-15
Curtain, Cushion and Pad Group	F-16 - F-21
Dinette Group	F-22 - F-23
Driver's Compartment Group	F-24 - G-1
Electrical Group	G-2 - G-4
Exterior Body Group	G-5 - G-8
Galley Group	G-9
Heating & Air Conditioning Group	G-10 - G-11
Interior Finish Group	G-12 - G-13
LP Group	G-14
Lounge Group	G-15 - G-16
Water & Sewage Group	G-17
Window, Vent & Exterior Door Group	G-18 - H-5

CURTAIN, CUSHION AND PAD GROUP (CONTINUED)

CORNER LOUNGE CHAIR CUSHIONS

Key	Part Number	U/M	Description
9	059743-04-K11	EA	Cushion - Lounge Chair Bottom - Blue/Green
9	059743-04-K12	EA	Cushion - Lounge Chair Bottom - Rust
9	059743-04-K13	EA	Cushion - Lounge Chair Bottom - Brown
	059746-04-K11	EA	Cover - Lounge Chair Bottom Cushion - Blue/Green
	059746-04-K12	EA	Cover - Lounge Chair Bottom Cushion - Rust
	059746-04-K13	EA	Cover - Lounge Chair Bottom Cushion - Brown
10	059742-04-K11	EA	Cushion - Lounge Chair Back - Blue/Green
10	059742-04-K12	EA	Cushion - Lounge Chair Back - Rust
10	059742-04-K13	EA	Cushion - Lounge Chair Back - Brown
	059745-04-K11	EA	Cover - Lounge Chair Back Cushion - Blue/Green
	059745-04-K12	EA	Cover - Lounge Chair Back Cushion - Rust
	059745-04-K13	EA	Cover - Lounge Chair Back Cushion - Brown
11	059744-08-K11	EA	Cushion - Chair Wedge - Left - Blue/Green
11	059744-08-K12	EA	Cushion - Chair Wedge - Left - Rust
11	059744-08-K13	EA	Cushion - Chair Wedge - Left - Brown
	059747-08-K11	EA	Cover - Chair Wedge Cushion - Left - Blue/Green
	059747-08-K12	EA	Cover - Chair Wedge Cushion - Left - Rust
	059747-08-K13	EA	Cover - Chair Wedge Cushion - Left - Brown
12	059744-07-K11	EA	Cushion - Chair Wedge - Right - Blue/Green
12	059744-07-K12	EA	Cushion - Chair Wedge - Right - Rust
12	059744-07-K13	EA	Cushion - Chair Wedge - Right - Brown
	059747-07-K11	EA	Cover - Chair Wedge Cushion - Right - Blue/Green
	059747-07-K12	EA	Cover - Chair Wedge Cushion - Right - Rust
	059747-07-K13	EA	Cover - Chair Wedge Cushion - Right - Brown

REAR TWIN BED CUSHIONS

Key	Part Number	U/M	Description
13	058913-07-K11	EA	Cushion - Rear Twin - Bottom - 28" x 76" x 5" - Blue/Green
13	058913-07-K12	EA	Cushion - Rear Twin - Bottom - 28" x 76" x 5" - Rust
13	058913-07-K13	EA	Cushion - Rear Twin - Bottom - 28" x 76" x 5" - Brown
	058914-07-K11	EA	Cover - Cushion - 28" x 76" x 5" - Blue/Green
	058914-07-K12	EA	Cover - Cushion - 28" x 76" x 5" - Rust
	058914-07-K13	EA	Cover - Cushion - 28" x 76" x 5" - Brown
14	058917-01-K11	EA	Cushion - Bolster - 8" x 10" x 14" x 28" - Blue/Green
14	058917-01-K12	EA	Cushion - Bolster - 8" x 10" x 14" x 28" - Rust
14	058917-01-K13	EA	Cushion - Bolster - 8" x 10" x 14" x 28" - Brown
	058918-01-K11	EA	Cover - Cushion - 8" x 10" x 14" x 28" - Blue/Green
	058918-01-K12	EA	Cover - Cushion - 8" x 10" x 14" x 28" - Rust
	058918-01-K13	EA	Cover - Cushion - 8" x 10" x 14" x 28" - Brown
15	058919-01-K11	EA	Cushion - Bolster - 8" x 10" x 14" x 40" x 38" - Left - Blue/Green
15	058919-01-K12	EA	Cushion - Bolster - 8" x 10" x 14" x 40" x 38" - Left - Rust
15	058919-01-K13	EA	Cushion - Bolster - 8" x 10" x 14" x 40" x 38" - Left - Brown
	058920-01-K11	EA	Cover - Cushion - 8" x 10" x 14" x 40" x 38" - Left - Blue/Green
	058920-01-K12	EA	Cover - Cushion - 8" x 10" x 14" x 40" x 38" - Left - Rust
	058920-01-K13	EA	Cover - Cushion - 8" x 10" x 14" x 40" x 38" - Left - Brown
16	058919-02-K11	EA	Cushion - Bolster - 8" x 10" x 14" x 40" x 38" - Right - Blue/Green
16	058919-02-K12	EA	Cushion - Bolster - 8" x 10" x 14" x 40" x 38" - Right - Rust
16	058919-02-K13	EA	Cushion - Bolster - 8" x 10" x 14" x 40" x 38" - Right - Brown
	058920-02-K11	EA	Cover - Cushion - 8" x 10" x 14" x 40" x 38" - Right - Blue/Green
	058920-02-K12	EA	Cover - Cushion - 8" x 10" x 14" x 40" x 38" - Right - Rust
	058920-02-K13	EA	Cover - Cushion - 8" x 10" x 14" x 40" x 38" - Right - Brown

CURTAIN, CUSHION AND PAD GROUP (CONTINUED)

PRESTO BED CUSHIONS

Key	Part Number	U/M	Description
17	059063-02-K11	EA	Cushion Asm. - Presto Bed - Back - 76" - Blue/Green
17	059063-02-K12	EA	Cushion Asm. - Presto Bed - Back - 76" - Rust
17	059063-02-K13	EA	Cushion Asm. - Presto Bed - Back - 76" - Brown
	062753-02-K11	EA	Cover - Presto Bed Back - 76" - Blue/Green
	062753-02-K12	EA	Cover - Presto Bed Back - 76" - Rust
	062753-02-K13	EA	Cover - Presto Bed Back - 76" - Brown
18	059064-02-K11	EA	Cushion Asm. - Presto Bed - Bottom - 76" - Blue/Green
18	059064-02-K12	EA	Cushion Asm. - Presto Bed - Bottom - 76" - Rust
18	059064-02-K13	EA	Cushion Asm. - Presto Bed - Bottom - 76" - Brown
	062753-04-K11	EA	Cover - Presto Bed Bottom - 76" - Blue/Green
	062753-04-K12	EA	Cover - Presto Bed Bottom - 76" - Rust
	062753-04-K13	EA	Cover - Presto Bed Bottom - 76" - Brown

DINETTE CUSHIONS

Key	Part Number	U/M	Description
19	058913-02-K11	EA	Cushion - Dinette Back - 19.2" x 38" x 5" - Blue/Green
19	058913-02-K12	EA	Cushion - Dinette Back - 19.2" x 38" x 5" - Rust
19	058913-02-K13	EA	Cushion - Dinette Back - 19.2" x 38" x 5" - Brown
	058914-02-K11	EA	Cover - Dinette Back Cushion - 19.2" x 38" x 5" - Blue/Green
	058914-02-K12	EA	Cover - Dinette Back Cushion - 19.2" x 38" x 5" - Rust
	058914-02-K13	EA	Cover - Dinette Back Cushion - 19.2" x 38" x 5" - Brown
20	058913-01-K11	EA	Cushion - Dinette Bottom - 17.5" x 38" x 5" - Blue/Green
20	058913-01-K12	EA	Cushion - Dinette Bottom - 17.5" x 38" x 5" - Rust
20	058913-01-K13	EA	Cushion - Dinette Bottom - 17.5" x 38" x 5" - Brown
	058914-01-K11	EA	Cover - Dinette Bottom Cushion - 17.5" x 38" x 5" - Blue/Green
	058914-01-K12	EA	Cover - Dinette Bottom Cushion - 17.5" x 38" x 5" - Rust
	058914-01-K13	EA	Cover - Dinette Bottom Cushion - 17.5" x 38" x 5" - Brown

BUCKET SEATS

Key	Part Number	U/M	Description
	061830-03-K11	EA	Seat Asm. - Single Bucket - Highback w/Armrests and Skirt - Blue/Green
	061830-03-K12	EA	Seat Asm. - Single Bucket - Highback w/Armrests and Skirt - Rust
	061830-03-K13	EA	Seat Asm. - Single Bucket - Highback w/Armrests and Skirt - Brown
	061838-04-K11	EA	Cover - Back - Single Bucket - Blue/Green
	061838-04-K12	EA	Cover - Back - Single Bucket - Rust
	061338-04-K13	EA	Cover - Back - Single Bucket - Brown
	061839-04-K11	EA	Cover - Bottom - Single Bucket - Blue/Green
	061839-04-K12	EA	Cover - Bottom - Single Bucket - Rust
	061839-04-K13	EA	Cover - Bottom - Single Bucket - Brown
	054650-07-K11	EA	Skirt - Single Bucket - Blue/Green
	054650-07-K12	EA	Skirt - Single Bucket - Rust
	054650-07-K13	EA	Skirt - Single Bucket - Brown
	061835-01-K11	EA	Seat Asm. - Double Bucket - Highback w/Armrests and Skirt - Blue/Green
	061835-01-K12	EA	Seat Asm. - Double Bucket - Highback w/Armrests and Skirt - Rust
	061835-01-K13	EA	Seat Asm. - Double Bucket - Highback w/Armrests and Skirt - Brown
	061840-04-K11	EA	Cover - Back - Double Bucket - Blue/Green
	061840-04-K12	EA	Cover - Back - Double Bucket - Rust
	061840-04-K13	EA	Cover - Back - Double Bucket - Brown
	061841-04-K11	EA	Cover - Bottom - Double Bucket - Blue/Green
	061841-04-K12	EA	Cover - Bottom - Double Bucket - Rust
	061841-04-K13	EA	Cover - Bottom - Double Bucket - Brown
	054650-08-K11	EA	Skirt - Double Bucket - Blue/Green
	054650-08-K12	EA	Skirt - Double Bucket - Rust
	054650-08-K13	EA	Skirt - Double Bucket - Brown
	050275-01-700	EA	Armrest Asm. - Foam w/o Cover - Right
	050276-01-700	EA	Armrest Asm. - Foam w/o Cover - Left
	053357-05-K11	EA	Cover - Armrest - Right or Left - Blue/Green
	053357-05-K12	EA	Cover - Armrest - Right or Left - Rust
	053357-05-K13	EA	Cover - Armrest - Right or Left - Brown

1980 ITASCA

TABLE OF CONTENTS

Introduction	A-1
Abbreviations	A-1
Alphabetical Index	A-2 - A-4
ICF26RH LO	A-5 - B-22
ICF26RT LO	B-23 - D-16
ICN26RB LO	D-17 - F-8
ICN29RT LO	F-9 - H-5

1980 ICN29RT LO INDEX

Floor Plan	F-9 - F-10
Accessories Group	F-11 - F-12
Bath Group	F-13 - F-14
Chassis Group	F-15
Curtain, Cushion & Pad Group	F-16 - F-21
Dinette Group	F-22 - F-23
Driver's Compartment Group	F-24 - G-1
Electrical Group	G-2 - G-4
Exterior Body Group	G-5 - G-8
Galley Group	G-9
Heating & Air Conditioning Group	G-10 - G-11
Interior Finish Group	G-12 - G-13
LP Group	G-14
Lounge Group	G-15 - G-16
Water & Sewage Group	G-17
Window, Vent & Exterior Door Group	G-18 - H-5

CURTAIN, CUSHION AND PAD GROUP (CONTINUED)

FABRICS AND TRIMS

Key	Part Number	U/M	Description
	058333-02-000	YD	Fabric - Drapery - White
	058333-01-000	YD	Fabric - Drapery - Ivory
	062626-01-000	YD	Fabric - Upholstery - Blue
	062626-02-000	YD	Fabric - Upholstery - Sunset Rust
	062626-03-000	YD	Fabric - Upholstery - Brown
	054676-01-K11	EA	Button Asm. - Covered #30 - Blue/Green
	054676-01-K12	EA	Button Asm. - Covered #30 - Rust
	054676-01-K13	EA	Button Asm. - Covered #30 - Brown
	052859-01-K11	FT	Trim Asm. - Accent - Acorn Brown Vinyl
	053327-01-000	YD	Vinyl - Non Expanded - 27 oz. - Acorn Brown
	053327-02-000	YD	Vinyl - Expanded - 28 oz. Acorn Brown
	053327-03-000	YD	Vinyl - Non Support - 16 Gauge Film - Acorn Brown

PADS

Key	Part Number	U/M	Description
	058565-01-K04	EA	Pad - Pullout Table Cabinet - Acorn Vinyl
	063345-01-K04	EA	Pad - End - Front Lounge - Acorn Vinyl - Right
	063345-02-K04	EA	Pad - End - Front Lounge - Acorn Vinyl - Left
	063338-01-K04	EA	Pad - End - Galley Overhead - Acorn Vinyl
	059333-01-K04	EA	Pad - Bunk Rail - Acorn Vinyl
	059414-01-000	EA	Pad - Sidewall Trim - Drivers - Acorn Vinyl
	059467-03-K04	EA	Pad - Map Pocket - Drivers - Acorn Vinyl
	059414-02-000	EA	Pad - Sidewall Trim - Passenger - Acorn Vinyl
	059467-04-K04	EA	Pad - Map Pocket - Passenger - Acorn Vinyl
	058948-01-K04	EA	Pad - Bunk Panel - Right - Acorn Vinyl
	058948-02-K04	EA	Pad - Bunk Panel - Left - Acorn Vinyl
	058444-03-K04	EA	Pad - Dinette Overhead Cabinets - Left - Acorn Vinyl
	058444-04-K04	EA	Pad - Dinette Overhead Cabinet - Right - Acorn Vinyl

CURTAIN HARDWARE

Key	Part Number	U/M	Description
	059272-04-200	EA	Track - Curtain - Ceiling - 89" - Off White
	059265-02-001	EA	Track - Curtain - Door - 16" - Anod
	059459-01-000	EA	Track - Curtain - Front Wraparound (2 per unit)
	056001-01-000	EA	Bracket - Shade - Left
	056001-02-000	EA	Bracket - Shade - Right
	056001-03-000	EA	Guide - Nylon Snap - Curtain
	056001-04-000	EA	Track - Curtain - L Rod - Alum Extr - 90"
	056001-05-000	EA	Carrier - L Rod - Curtain
	056001-06-000	EA	End Stop - L Rod - Curtain



Key	Part Number	U/M	Description
1	029135-01-000	EA	Socket - Snap Fastener
2	029155-01-000	EA	Cap - Snap - 15/16" Dia. x 17" Barrel
3	029136-01-000	EA	Socket - Snap Fastener
4	029002-01-000	EA	Stud - Nickel Finish
5	029093-01-000	EA	Eyelet - Nickel Finish

DINETTE GROUP

CONVENTIONAL DINETTE AND OVERHEAD CABINERY

Key	Part Number	U/M	Description
	053192-01-K11	EA	Table Asm. - Dinette - w/o Hardware - Camel Impression
**	053200-01-000	EA	Bracket - Upper Wall Mount - Brown - 23.5"
**	053201-01-000	EA	Bracket - Table Mount - Brown - 23"
**	024275-02-000	EA	Rod - Table Lift - 7.5" x 23.5"
**	024281-03-000	EA	Bracket - Lower Wall Mount - Brown - 22.12"
**	024276-04-000	EA	Leg Asm. - Table - Brown - 29.5"
**	024277-02-000	EA	Hinge - Table Leg - Brown
**	024282-01-000	EA	Brace - Table Leg
**	024283-01-000	EA	Clip - 1" O.D. Tube
**	049493-02-000	EA	Catch - Table Leg - Mounts on Floor - Brown
	062739-02-K11	EA	Cabinet Asm. - Dinette Seat - Rear
	062739-01-K11	EA	Cabinet Asm. - Dinette Seat - Front - w/o Door or Hardware
	059092-04-K11	EA	Door Asm. - Front Dinette Seat Cabinet - 10.4" x 25" - w/o Hardware
	058825-05-K11	EA	Cabinet Asm. - Right Front Overhead - w/o Doors or Hardware
	058825-06-K11	EA	Cabinet Asm. - Left Front Overhead - w/o Doors or Hardware
	059092-01-K11	EA	Door Asm. - Dinette Overhead Cabinets - 11.3" x 28" - w/o Hardware

**The illustrated parts breakdown for this item is provided on the Common Items Fiche.

SPRUNG COUCH AND PEDESTAL TABLE

Key	Part Number	U/M	Description
	057622-01-K11	EA	Cabinet Face - Sprung Couch - w/o Door or Hardware
	059092-03-K11	EA	Door Asm. - Couch Cabinet - 11.6" x 37" - w/o Hardware
	057468-02-000	EA	Frame Asm. - Sprung Couch - Right
	057468-03-000	EA	Frame Asm. - Sprung Couch - Left
	057468-04-000	EA	Frame Rails - Sprung Couch (2 per couch)
	057469-01-000	EA	Leg Asm. - Sprung Couch (2 per couch)
	053203-07-K11	EA	Table Asm. - Pedestal - w/o Hardware - Camel Impression
	009040-02-000	EA	Leg - Pedestal Table - 27.5" x 2.25" O.D. - Chrome
	009040-03-000	EA	Base - Table Leg - Mounts on Table
	041194-01-000	EA	Base - Table Leg - Mounts in Floor

CORNER LOUNGE CHAIRS

Key	Part Number	U/M	Description
	061556-02-K11	EA	Cabinet Asm. - Corner Lounge Chair - Right
	061560-01-K11	EA	Cabinet Asm. - Corner Lounge Chair - Left
	059122-06-K11	EA	Door Asm. - Rolled - 17.7" x 13"
	059092-44-K11	EA	Door Asm. - Lounge Cabinet - 12" x 19.5" - w/o Hardware
	061704-01-K11	EA	Table Asm. - Lounge - Camel Impressions
	061882-01-000	EA	Leg Asm. - Table - Pivot
	061879-01-000	EA	Leg Asm. - Table - Fixed
	024275-04-000	EA	Rod - Table Lift
	024281-05-000	EA	Bracket - Table Lift - Mounts on Table
	053200-02-000	EA	Support - Table - 14.5" - Mounts on Wall

1980 ITASCA

TABLE OF CONTENTS

Introduction	A-1
Abbreviations	A-1
Alphabetical Index	A-2 - A-4
ICF26RH LO	A-5 - B-22
ICF26RT LO	B-23 - D-16
ICN26RB LO	D-17 - F-8
ICN29RT LO	F-9 - H-5

1980 ICN29RT LO INDEX

Floor Plan	F-9 - F-10
Accessories Group	F-11 - F-12
Bath Group	F-13 - F-14
Chassis Group	F-15
Curtain, Cushion & Pad Group	F-16 - F-21
Dinette Group	F-22 - F-23
Driver's Compartment Group	F-24 - G-1
Electrical Group	G-2 - G-4
Exterior Body Group	G-5 - G-8
Galley Group	G-9
Heating & Air Conditioning Group	G-10 - G-11
Interior Finish Group	G-12 - G-13
LP Group	G-14
Lounge Group	G-15 - G-16
Water & Sewage Group	G-17
Window, Vent & Exterior Door Group	G-18 - H-5

DINETTE GROUP (CONTINUED)

SWIVEL CHAIRS W/PULLOUT TABLE

Key	Part Number	U/M	Description
	054552-01-K11	EA	Table Asm. - Pullout - Stonehenge
	058548-01-K11	EA	Cabinet Asm. - Pullout Table - w/o Countertop or Table
	058547-01-K11	EA	Countertop Asm. - Pullout Table Cabinet - Camel
	054540-01-000	EA	Slide Asm. - Ball Bearing
	009148-01-000	EA	Finger Pull - 3/4" Dia. - Brass
	045795-01-000	EA	Holder - Glass - Dark Brown Plastic
	035036-01-000	EA	Plate - Swivel Chair
	035036-02-000	EA	Base w/Leg - Swivel Chair

SWIVEL CHAIR AND TELEVISION CABINET

Key	Part Number	U/M	Description
	062466-01-700	EA	Cabinet Asm. - Entertainment Center - w/c Countertops, Doors or Hardware
	059122-11-K11	EA	Door Asm. - Rolled - 17" x 20.4"
	062485-01-K11	EA	Countertop Asm. - Entertainment Center - Upper - Camel
	062652-01-K11	EA	Countertop Asm. - Entertainment Center - Lower - Camel
	063125-01-K11	EA	Rack - Glass - 6 Hole - 4" x 24"
	063159-01-K11	EA	Rack - Bottle - 6 Hole - 14" x 14" Triangle - Camel
	063163-01-K11	EA	Rack - Bottle - 4 Square Hole - 27.6" x 6"
	059092-50-K11	EA	Door Asm. - Cabinet - 11.2" x 13" - w/o Hardware
	059092-51-K11	EA	Door Asm. - Cabinet - 14.5" x 13" - w/o Hardware
	062566-01-K11	EA	Door Asm. - Cabinet - w/Brass Insert
	047205-09-000	EA	Insert - Cabinet Door - Brass Mesh - 13 1/4" x 7 3/8"

DRIVER'S COMPARTMENT GROUP

DASH PANEL AND COMPONENTS

Key	Part Number	U/M	Description
	061803-01-K11	EA	Dash Asm. - Complete w/Gauges and Switches
	022548-04-000	EA	Pad - Dash - Right - Dark Brown
	023242-06-000	EA	Pad - Dash - Left - Dark Brown
	024418-01-000	EA	Lamp Asm. - Map/Gauge
	023020-01-000	EA	Lamp Asm. - Telltale
	007308-01-000	EA	Dash Clock
	052367-01-000	EA	Lighter Asm. - Cigarette - 12 Volt
	007041-01-000	EA	Bezel - Cigarette Lighter
	007071-01-000	EA	Louver - Chrome - w/Chrome Wheel
	024990-02-000	EA	Outlet - Defroster w/Swivel - 2" Dark Brown
	039044-01-000	EA	Louver Asm. - A/C Adjustable
	050344-01-000	EA	Bezel - Entertainment Center No. 2 - w/Cut Out for Radio and Clock
	050345-01-000	EA	Bezel - Entertainment Center No. 3 - w/Cut Out for Radio, Clock, Hourmeter and Generator Start Stop Switch
	057487-02-000	EA	Bezel - Control Panel
	023892-01-000	EA	Box - Glove Compartment - Black Fiberboard
	022219-01-000	EA	Door - Glove Compartment
	009118-01-000	EA	Twist Lock - Glove Compartment
	024598-01-000	EA	Hinge - Glove Compartment - 1 1/16" x 19"
	034309-01-000	EA	Chain - Glove Box Door
	023834-01-000	EA	Panel - Knee Kick - Bottom of Dash

DASH SWITCHES AND GAUGES

Key	Part Number	U/M	Description
	024461-01-000	EA	Switch - Battery
	024462-01-000	EA	Switch - Battery Condition
	024463-01-000	EA	Switch - Blinker
	024464-01-000	EA	Switch - Washer
	024465-01-000	EA	Switch - Fuel
	024467-01-000	EA	Switch - Wiper
	024976-01-000	EA	Switch - Generator w/o Circuit Board
	037397-01-000	EA	Switch - Generator w/Circuit Board
	024459-01-000	EA	Gauge - Voltmeter
	024460-01-000	EA	Gauge - Vacuum
	031035-01-000	EA	Gauge - Generator Hourmeter
	031376-01-000	EA	Control Asm. - Heater - 3 Speed
	055279-01-000	EA	Control Asm. - Heater A/C - 3 Speed

FRONT BUNK AND HARDWARE

Key	Part Number	U/M	Description
	058300-01-K11	EA	Cabinet Asm. - Front Overhead
	058314-01-K11	EA	Bunk Board Asm. - Front Overhead w/Rails
	053773-01-000	EA	Support - Overhead Bunk - Brown - Right
	053773-02-000	EA	Support - Overhead Bunk - Brown - Left
	040071-02-000	EA	Support - Bunk - Seat Belt
	041322-01-000	EA	Washer - Flat - 15 3/2" I.D. x 2 3/8" O.D.
	039516-02-000	EA	Catch - Bunk - Brown
	023812-22-000	EA	Rail - Bunk - 60" - Brown
	053774-01-000	EA	Torsion Rod - Overhead Bunk - Brown

1980 ITASCA TABLE OF CONTENTS

Introduction	A-1
Abbreviations	A-1
Alphabetical Index	A-2 - A-4
ICF26RH LO	A-5 - B-22
ICF26RT LO	B-23 - D-16
ICN26RB LO	D-17 - F-8
ICN29RT LO	F-9 - H-5

1980 ICN29RT LO INDEX

Floor Plan	F-9 - F-10
Accessories Group	F-11 - F-12
Bath Group	F-13 - F-14
Chassis Group	F-15
Curtain, Cushion & Pad Group	F-16 - F-21
Dinette Group	F-22 - F-23
Driver's Compartment Group	F-24 - G-1
Electrical Group	G-2 - G-4
Exterior Body Group	G-5 - G-8
Galley Group	G-9
Heating & Air Conditioning Group	G-10 - G-11
Interior Finish Group	G-12 - G-13
LP Group	G-14
Lounge Group	G-15 - G-16
Water & Sewage Group	G-17
Window, Vent & Exterior Door Group	G-18 - H-5

ELECTRICAL GROUP (CONTINUED)

WIRE, SWITCHES, AND RECEPTACLES

Key	Part Number	U/M	Description
	006024-01-000	FI	Wire - 18.5 Banded - Orange-White-Yellow-Blue-Brown
	006025-01-000	FI	Wire - 18.5 Banded - Orange-White-Yellow-Blue-Brown
	006026-01-000	FI	Wire - 18.5 Banded - Blue-Red-Yellow-Orange-White
	006027-01-000	FI	Wire - 18.4 Banded
	006051-01-000	EA	Holder - Fuse - Black - Screw Type
	006052-01-000	EA	Holder - Fuse - Black - Panel Mount
	006105-01-000	EA	Switch - Push Button - 12 Volt
	006077-01-000	EA	Plaque - Compressor Switch
	006054-01-000	EA	Cord - Power - 10-3 30 Amp - 25' - UL
	006055-01-000	EA	Cord - Power - 10-3 30 Amp - 25' - CSA
	004818-04-000	EA	Holder - Receptacle - Plastic
	005342-01-000	EA	Receptacle - Duplex - Brown - T Junction
	004571-04-000	EA	Cover Plate - Receptacle - Junction Plastic Ivory
	004571-01-000	EA	Cover Plate - Receptacle - Junction - Brown
	004471-01-000	EA	Cover Plate - Electrical Box - 5 1/4 x 3 1/2
	006028-01-000	EA	Connector - Pigtail - Clear - Nylon
	003343-01-000	FA	Cap - End - Receptacle
	008152-01-000	EA	Switch - Double Toggle - Spade Brown
	005153-01-000	EA	Switch - Toggle - Power
	005154-01-000	EA	Cover Plate - Switch - Brown
	004924-01-000	EA	Receptacle - Power Cord
	005056-01-000	EA	Adaptor - Power Cord
	047351-01-000	EA	Cover - Receptacle - Ground Fault
	003125-01-000	EA	Receptacle - Ground Fault Interrupter - 125 Volt Ivory
	003126-02-000	EA	Receptacle - Ground Fault Interrupter - 125 Volt - Brown
	005707-01-000	EA	Receptacle - Single - Brown - Thomas & Betts
	005708-01-000	EA	Receptacle - Duplex - Brown - Thomas & Betts
	005157-01-000	EA	Receptacle - Duplex - Brown - (Exterior Backwash)
	005145-01-000	EA	Cover - Electrical Box - 4 5/8 x 2 7/8 - Horn Tight (Exterior)
	008286-01-000	EA	Box - Electrical - Plastic - 3 x 3 5/8

WINDSHIELD WIPER AND WASHER

Key	Part Number	U/M	Description
**	056000-02-000	EA	Washer Asm - Windshield
**	057653-01-000	EA	Arm - Windshield Wiper - 18" - Black
**	044313-02-000	EA	Motor Asm - Windshield Wiper - 100"
**	044313-03-000	EA	Motor Asm - Windshield Wiper - 93"
**	037996-01-000	EA	Link Asm - Connecting - 22 40" Long
**	057474-01-000	EA	Windshield Wiper Asm
**	049464-02-000	EA	Blade - Windshield Wiper - 20" Black
**	055675-01-000	EA	Shaft and Pivot Asm

**The illustrated parts breakdown for this item is provided on the Common Items Fiche

ELECTRICAL GROUP (CONTINUED)

MISCELLANEOUS ELECTRICAL COMPONENTS

Key	Part Number	U/M	Description
	047038-01-000	EA	Isolator - Dual Battery
	047039-01-000	EA	Battery - 12 Volt - 105 Amp Deep Cycle - Dry
	057200-01-000	EA	Battery - 12 Volt - Maintenance Free - Dry
	006180-01-000	EA	Solenoid - Dual Battery - Heavy
	046775-01-000	EA	Valve - Gas - Charge Over - 3 Way
	042477-01-000	EA	Valve - Gas - Charge Over - 6 Way
	054544-01-000	EA	Control Center - 37 Amp - III
	031720-01-000	EA	Spacer - Receptacle - Brown Plastic - CSA
	039550-01-000	EA	Circuit Board - Control Center
	024459-01-000	FA	Gauge - Voltmeter
	024462-01-000	EA	Switch - Battery Condition
	031035-01-000	EA	Gauge - Hourmeter - Generator
	024976-01-000	EA	Switch - Generator w/o Circuit Board
	024460-01-000	EA	Gauge - Vacuum
	039661-01-000	EA	Wending Unit Kit - Wemac
	048510-01-000	EA	Control Panel - Water Double Sewage - Base Panel
	040512-05-000	EA	Panel - Insert - w Thermostat Holes
	048512-05-000	EA	Panel Insert - w/o Thermostat Holes
	040512-07-000	EA	Panel Insert - Deluxe - w Refrigerator Alarm Clock and LP Gauge
	048512-07-700	EA	Refrigerator Sensor - Refrigerator Alarm

1980 ITASCA

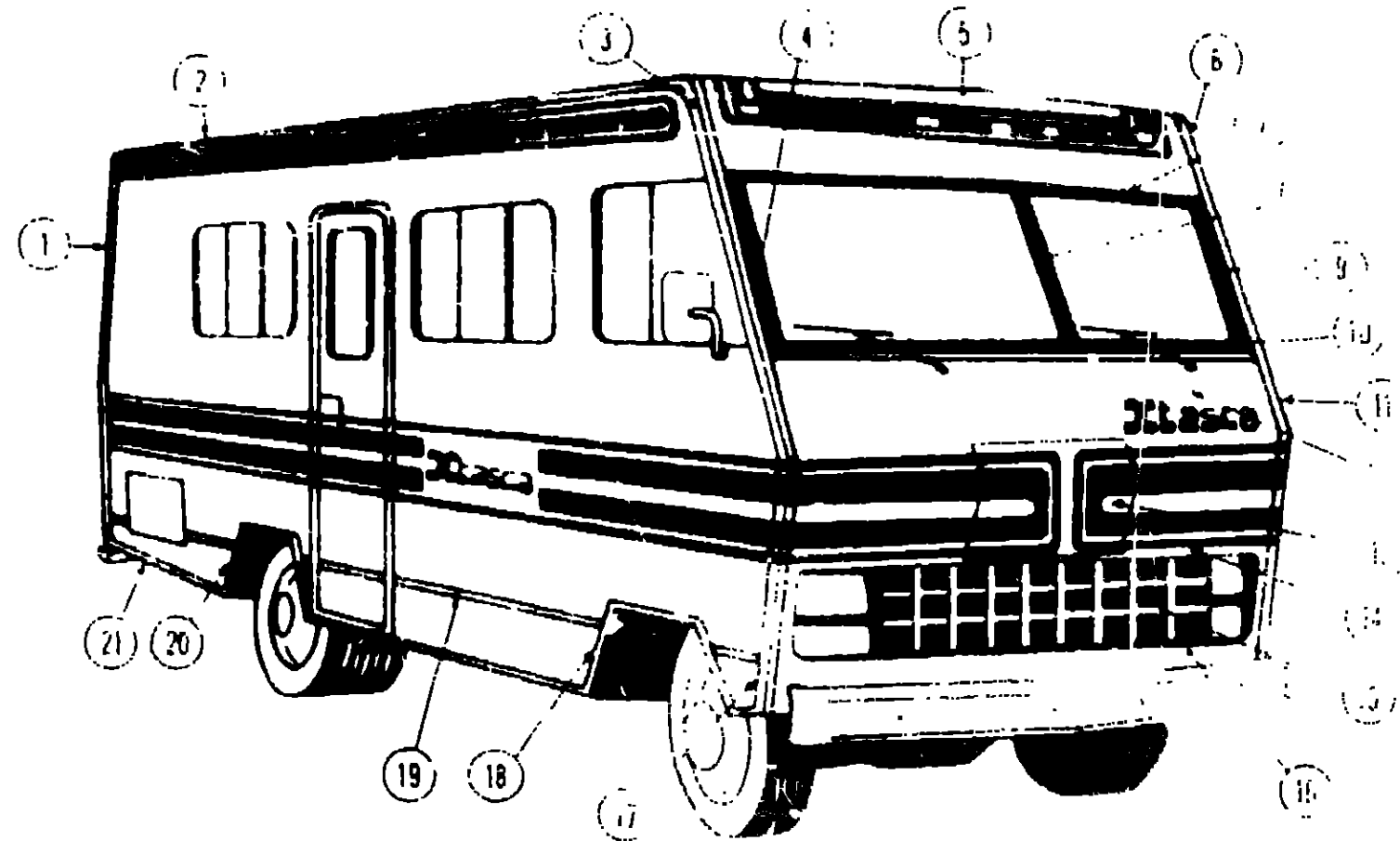
TABLE OF CONTENTS

Introduction	A-1
Abbreviations	A-1
Alphabetical Index	A-1 - A-4
ICF26RH LO	A-5 - A-22
ICF26RT LO	B-23 - D-16
ICN26RB LO	D-17 - I-5
ICN29RT LO	F-1 - I-5

1980 ICN29RT LO INDEX

Floor Plan	F-5 - F-10
Accessories Group	F-11 - F-12
Bath Group	F-13 - F-14
Chassis Group	F-15
Curtain, Cushion & Pad Group	F-16 - F-21
Dinette Group	F-22 - F-23
Driver's Compartment Group	F-24 - G-1
Electrical Group	G-2 - G-4
Exterior Body Group	G-5 - G-8
Galley Group	G-9
Heating & Air Conditioning Group	G-10 - G-11
Interior Finish Group	G-12 - G-13
LP Group	G-14
Lounge Group	G-15 - G-16
Water & Sewage Group	G-17
Window, Vent & Exterior Door Group	G-18 - H-5

EXTERIOR BODY GROUP



1980 J/Busco

TABLE OF CONTENTS

1	2	3	4	5	6	7	8	9	10	11	12	13	14	15	16	17	18	19	20	21
1	2	3	4	5	6	7	8	9	10	11	12	13	14	15	16	17	18	19	20	21

Key	Part Number	U/M	Description
1	059964-05-000	EA	Trim - Contour - Right Rear - Gray
2	059964-05-000	EA	Trim - Contour - Left Rear - Gray
3	034922-20-000	EA	Trim - Side Wall - Upper - Left or Right - Gray
4	058284-06-000	EA	Trim - Contour - Right Front Upper - Gray
5	058289-02-000	EA	Trim - Contour - Windshield - Right
6	054947-02-000	EA	Cap - Fiberglass - Over Windshield - Gray
7	062396-01-000	EA	Trim - Roof Front Top
8	058284-05-000	EA	Trim - Contour - Left Front Upper - Gray
9	058287-01-000	EA	Trim - Molding - Windshield - Upper
10	042743-02-000	EA	Trim - Molding - Windshield - Upper
11	058288-01-000	EA	Trim Molding - Windshield - Center
12	058289-01-000	EA	Trim - Contour - Windshield - Left
13	058287-02-000	EA	Trim - Molding - Windshield - Lower
14	042743-01-000	EA	Trim - Corner Windshield - Lower

Key	Part Number	U/M	Description
11	05982-05-000	EA	Trim - Contour - Left Front Lower - Gray
12	059124-05-000	EA	Trim - Contour - Front Hood - Gray
13	058722-01-000	EA	Trim - Hood - Front Hood - Gray
14	058761-01-000	EA	Striker - Hood Latch
15	058392-05-000	EA	Panel Asm - Front Lower Grate
16	059876-05-000	EA	Access Panel - Gray
17	059125-01-000	EA	Grille Trim - Upper
18	059126-01-000	EA	Grille Asm
19	057412-01-000	EA	Headlamp Bezel - Left
20	057473-02-000	EA	Headlamp Bezel - Right
21	059124-01-000	EA	Grille Trim - Lower
22	058899-05-000	EA	Trim - Contour - Left Front Lower - Gray
23	058543-05-000	EA	Trim - Wheel Well - Front Right - Gray
24	058543-04-000	EA	Trim - Wheel Well - Front Left - Gray
25	002444-02-001	EA	Feature Strip - Extrusion - 14" - w/o Insert
26	009731-01-000	EA	End Cap - Feature Strip Insert
27	001030-11-100	EA	Insert - Feature Strip - Gray - 17"
28	058487-05-000	EA	Trim - Wheel Well - Rear - Front - Gray
29	058487-04-000	EA	Trim - Wheel Well - Rear - Left - Gray
30	002776-02-000	EA	Extr - U-Chair - 176" x 10" Anod
31	002365-01-001	EA	Extr - U-Chair - 176" x 18"
32			Not Illustrated

1980 J/Busco

1	2	3	4	5	6	7	8	9	10	11	12	13	14	15	16	17	18	19	20	21
1	2	3	4	5	6	7	8	9	10	11	12	13	14	15	16	17	18	19	20	21

EXTERIOR BODY GROUP (CONTINUED)

CONTENTS

100	101	102	103	104	105	106	107	108	109	110	111	112	113	114	115	116	117	118	119	120	121	122	123	124	125	126	127	128	129	130	131	132	133	134	135	136	137	138	139	140	141	142	143	144	145	146	147	148	149	150	151	152	153	154	155	156	157	158	159	160	161	162	163	164	165	166	167	168	169	170	171	172	173	174	175	176	177	178	179	180	181	182	183	184	185	186	187	188	189	190	191	192	193	194	195	196	197	198	199	200
-----	-----	-----	-----	-----	-----	-----	-----	-----	-----	-----	-----	-----	-----	-----	-----	-----	-----	-----	-----	-----	-----	-----	-----	-----	-----	-----	-----	-----	-----	-----	-----	-----	-----	-----	-----	-----	-----	-----	-----	-----	-----	-----	-----	-----	-----	-----	-----	-----	-----	-----	-----	-----	-----	-----	-----	-----	-----	-----	-----	-----	-----	-----	-----	-----	-----	-----	-----	-----	-----	-----	-----	-----	-----	-----	-----	-----	-----	-----	-----	-----	-----	-----	-----	-----	-----	-----	-----	-----	-----	-----	-----	-----	-----	-----	-----	-----	-----	-----	-----	-----

EXTERIOR BODY AND MINIMUM

200	201	202	203	204	205	206	207	208	209	210	211	212	213	214	215	216	217	218	219	220	221	222	223	224	225	226	227	228	229	230	231	232	233	234	235	236	237	238	239	240	241	242	243	244	245	246	247	248	249	250	251	252	253	254	255	256	257	258	259	260	261	262	263	264	265	266	267	268	269	270	271	272	273	274	275	276	277	278	279	280	281	282	283	284	285	286	287	288	289	290	291	292	293	294	295	296	297	298	299	300
-----	-----	-----	-----	-----	-----	-----	-----	-----	-----	-----	-----	-----	-----	-----	-----	-----	-----	-----	-----	-----	-----	-----	-----	-----	-----	-----	-----	-----	-----	-----	-----	-----	-----	-----	-----	-----	-----	-----	-----	-----	-----	-----	-----	-----	-----	-----	-----	-----	-----	-----	-----	-----	-----	-----	-----	-----	-----	-----	-----	-----	-----	-----	-----	-----	-----	-----	-----	-----	-----	-----	-----	-----	-----	-----	-----	-----	-----	-----	-----	-----	-----	-----	-----	-----	-----	-----	-----	-----	-----	-----	-----	-----	-----	-----	-----	-----	-----	-----	-----	-----

PAINT

300	301	302	303	304	305	306	307	308	309	310	311	312	313	314	315	316	317	318	319	320	321	322	323	324	325	326	327	328	329	330	331	332	333	334	335	336	337	338	339	340	341	342	343	344	345	346	347	348	349	350	351	352	353	354	355	356	357	358	359	360	361	362	363	364	365	366	367	368	369	370	371	372	373	374	375	376	377	378	379	380	381	382	383	384	385	386	387	388	389	390	391	392	393	394	395	396	397	398	399	400
-----	-----	-----	-----	-----	-----	-----	-----	-----	-----	-----	-----	-----	-----	-----	-----	-----	-----	-----	-----	-----	-----	-----	-----	-----	-----	-----	-----	-----	-----	-----	-----	-----	-----	-----	-----	-----	-----	-----	-----	-----	-----	-----	-----	-----	-----	-----	-----	-----	-----	-----	-----	-----	-----	-----	-----	-----	-----	-----	-----	-----	-----	-----	-----	-----	-----	-----	-----	-----	-----	-----	-----	-----	-----	-----	-----	-----	-----	-----	-----	-----	-----	-----	-----	-----	-----	-----	-----	-----	-----	-----	-----	-----	-----	-----	-----	-----	-----	-----	-----	-----

EXTERIOR BODY GROUP (CONTINUED)

SEALED AIRLINE FASTENERS

400	401	402	403	404	405	406	407	408	409	410	411	412	413	414	415	416	417	418	419	420	421	422	423	424	425	426	427	428	429	430	431	432	433	434	435	436	437	438	439	440	441	442	443	444	445	446	447	448	449	450	451	452	453	454	455	456	457	458	459	460	461	462	463	464	465	466	467	468	469	470	471	472	473	474	475	476	477	478	479	480	481	482	483	484	485	486	487	488	489	490	491	492	493	494	495	496	497	498	499	500
-----	-----	-----	-----	-----	-----	-----	-----	-----	-----	-----	-----	-----	-----	-----	-----	-----	-----	-----	-----	-----	-----	-----	-----	-----	-----	-----	-----	-----	-----	-----	-----	-----	-----	-----	-----	-----	-----	-----	-----	-----	-----	-----	-----	-----	-----	-----	-----	-----	-----	-----	-----	-----	-----	-----	-----	-----	-----	-----	-----	-----	-----	-----	-----	-----	-----	-----	-----	-----	-----	-----	-----	-----	-----	-----	-----	-----	-----	-----	-----	-----	-----	-----	-----	-----	-----	-----	-----	-----	-----	-----	-----	-----	-----	-----	-----	-----	-----	-----	-----	-----

**1980 ITASCA
TABLE OF CONTENTS**

Introduction	A-1
Abbreviations	A-1
Alphabetical Index	A-2 - A-4
ICN26RT LO	A-5 - B-22
ICN26RT LO	B-23 - D-16
ICN26RE LO	D-17 - F-8
ICN29RT LO	F-9 - H-5

1980 ICN29RT LO INDEX

Accessories Group	F-9 - F-10
Accessories Group	F-11 - F-12
Bath Group	F-13 - F-14
Chassis Group	F-15
Control, Cushion and Pad Group	F-16 - F-21
Door Group	F-22 - F-23
Engine Compartment Group	F-24 - G-1
Electrical Group	G-2 - G-4
Exterior Body Group	G-5 - G-8
Galley Group	G-9
Heating & Air Conditioning Group	G-10 - G-11
Interior Finish Group	G-12 - G-13
Lighting Group	G-14
Living Group	G-15 - G-16
Plumbing & Sewage Group	G-17
Windows, Vent & Exterior Door Group	G-18 - H-5

GALLEY GROUP

GALLEY CABINETRY

Key	Part Number	U/M	Description
	061725-01-K11	EA	Cabinet Asm - Galley - w/o Doors, Drawers, Countertop or Hardware
	061726-01-K11	EA	Countertop Asm - Galley Cabinet - Camel
	059092-47-K11	EA	Door Asm - Galley Cabinet - 12.8" x 31.7" - w/o Hardware
	059092-48-K11	EA	Door Asm - Galley Cabinet - 16.2" x 31.7" - w/o Hardware
	059092-49-K11	EA	Door Asm - Galley Cabinet - 12" x 21.6" - w/o Hardware
	059915-01-K11	EA	Drawer Asm - Galley Cabinet - 10.1" x 5" x 20" Deep
	059915-02-K11	EA	Drawer Asm - Galley Cabinet - 10.1" x 5" x 14" Deep
	061807-01-K11	EA	Cabinet Asm - Galley Overhead - w/o Doors or Hardware
	059092-33-K11	EA	Door Asm - Galley Overhead Cabinet - 15.75" x 23.20" - w/o Hardware
	059092-45-K11	EA	Door Asm - Wardrobe Cabinet - 17.6" x 47" - w/o Hardware
	059092-62-K11	EA	Door Asm - Wardrobe Cabinet - 13.5" x 24.9" - w/o Hardware
	059913-04-K11	EA	Drawer Asm - Wardrobe Cabinet - 12.4" x 10.2" x 20" Deep
	059943-01-K11	EA	Door Asm - Furnace - w/ Mesh Insert - 17.6" x 13.2" - w/o Hardware
	047205-12-000	EA	Insert - Furnace Door - 14.5" x 10" - Brass Mesh
	039373-01-000	EA	Catch and Strike - Furnace Door
	042428-03-000	EA	Folding Door - Maple - 37" x 77.1" B

GALLEY HARDWARE AND APPLIANCES

Key	Part Number	U/M	Description
	011032-01-000	EA	Sink - Stainless Steel - Double w Bolts
..	011053-01-000	EA	Faucet - B - Swing Spout - U.S.
..	011053-02-000	EA	Faucet - B - Swing Spout - C.S.A.
..	011053-01-700	EA	Aerator - Swing Spout Faucet
..	011085-01-000	EA	Strainer - Sink
	054026-01-K11	EA	Cover - Sink - Camel Laminate
	058334-01-000	EA	Wastebasket - 9.34" x 7" x 10" - White - Rubbermaid
	058841-01-K11	EA	Cover - Wastebasket - Camel Laminate
	059677-01-000	EA	Support - Wastebasket - White Plastic
..	046954-03-000	EA	Hood - Stove - w Black Face - U.S.
..	046954-04-000	EA	Hood - Stove - w Black Face - C.S.A.
..	049745-02-000	EA	Range - 4 Burner - Magic Chef
..	049174-02-000	EA	Refrigerator - AC/DC Gas - Sibir ET230.2

.. The illustrated parts breakdown for this item is provided on the Common Items Fiche

HEATING AND AIR CONDITIONING GROUP

AUTOMOTIVE HEATER AND AIR CONDITIONER

Key	Part Number	U/M	Description
	029914-01-000	EA	Louver Asm - A/C Adjustable
	047046-01-000	EA	Motor - 12 Volt - 3 Speed - Heater - Air Conditioner
	031043-01-000	EA	Valve - Heater - Water Flow Control
	031169-01-000	EA	Cable - Control - Flexible - 53"
	031169-02-000	EA	Cable - Control - Flexible - 48"
	031170-01-000	EA	Clamp - Cable - 3/16" Dia.
	024996-01-000	EA	Clutch - Magnetic - Compressor
	024999-01-000	EA	Compressor - Auto Air - 10.3" Cubic Inch
	048100-01-000	EA	Package - Compressor Mount 454 C.I.D.
	048801-01-000	EA	Condensor - Radiator Mount
	008267-01-000	EA	Switch - Air Conditioner
	024867-01-000	EA	Valve - Thermostatic Expansion
	024997-01-000	EA	Core - Heater
	024998-01-000	EA	Wheel - Blower - 4.72" O.D.
	031393-01-000	EA	Coil - Evaporator
	031001-01-000	EA	Blower Housing
	007076-01-000	FT	Hose - Flexible PVC - 2" I.D.
	007108-01-000	FT	Hose - Heater - 5.8" I.D. SAE 20RB
	007261-01-000	FT	Hose - Flexible PVC - 2.1-2" I.D.
	007139-01-000	EA	Clamp - Worm Drive - 69" - 1.25" I.D.
	007140-01-000	EA	Clamp - Hose - 2" - 3" Dia.
	033258-01-000	EA	Hose - Refrigerant - 50" I.D. x 34.50"
	034222-01-000	EA	Hose - Refrigerant - 31" I.D. x 26"
	034222-02-000	EA	Hose - Refrigerant - 31" I.D. x 32"
	031960-01-000	EA	Hose - Refrigerant - 34" I.D. x 30"
	031961-01-000	EA	Hose - Refrigerant - 31" I.D. x 14.75"
	031961-02-000	EA	Hose - Refrigerant - 31" I.D. x 19"
	049401-01-000	EA	Heater Asm - Rear - Auxiliary
	049401-01-700	EA	Valve - Water Control - (Aux. Heater)
	049401-01-701	EA	Control Cable - (Aux. Heater)
	049401-01-702	EA	Motor Asm - (Aux. Heater)
	049401-01-703	EA	Heater Core - (Aux. Heater)
	049401-01-704	EA	Switch - (Aux. Heater)
	058906-01-000	EA	Control Panel - Auxiliary Rear Heater
	024868-01-000	EA	Receiver - Dehydrator
	031044-01-000	EA	Clamp - Receiver Dehydrator
	031962-01-000	EA	Bracket - Receiver Dehydrator
	048232-02-000	EA	Kit - Auto Air - 454 C.I.D. A-Body

1980 ITASCA

TABLE OF CONTENTS

Introduction	A-1
Abbreviations	A-1
Alphabetical Index	A-2 - A-4
ICF26RH LO	A-5 - B-22
ICF26RT LO	B-1 - D-16
ICN26RB LO	:
ICN29RT LO	:

1980 ICN29RT LO INDEX

Floor Plan	F-9 - F-10
Accessories Group	F-11 - F-12
Bath Group	F-13 - F-14
Chassis Group	F-15
Curtain, Cushion and Pad Group	F-16 - F-21
Dinette Group	F-22 - F-23
Driver's Compartment Group	F-24 - G-1
Electrical Group	G-2 - G-4
Exterior Body Group	G-5 - G-8
Galley Group	G-9
Heating & Air Conditioning Group	G-10 - G-11
Interior Finish Group	G-12 - G-13
LP Group	G-14
Lounge Group	G-15 - G-16
Water & Sewage Group	G-17
Window, Vent & Exterior Door Group	G-18 - H-5

HEATING AND AIR CONDITIONING GROUP (CONTINUED)

FURNACES AND ROOF AIR CONDITIONERS

Key	Part Number	U/M	Description
**	058824-01-000	EA	Furnace - 34,000 BTU - w/Electric Ignition - 4334-749
**	059350-01-000	EA	Furnace - 30,000 BTU - w/Electric Ignition - 4330-749
	009198-01-000	FT	Duct - Flexible - 4" I.D. x 25'
	009200-01-000	EA	Tape - Furnace - 1 1/2"
	023146-01-000	EA	Clamp - Screw Type - 4"
	024985-01-000	EA	Heat Register - w/Damper - 9 9" x 4 8"
	031604-01-000	EA	Bonnet - Heat Register
	058824-02-000	EA	Door - Furnace - Front - 4334
	049043-02-000	EA	Door - Furnace - Front - 4330
	050783-01-000	EA	Vent Package - Furnace - 1-3" Wall
	050784-01-000	EA	Vent Package - Furnace - 3" - 6" Wall
	039505-02-000	EA	Thermostat - Horizontal Wall Mount
**	049777-02-000	EA	Air Conditioner - 110 Volt - Roof Mount - 11,000 BTU - Ivory Coleman (w/o inside shroud)
**	049778-02-000	EA	Shroud Asm - Ceiling - Inside Roof Air - Cool Only - 11,000 BTU - Coleman
**	049774-02-000	EA	Air Conditioner - 110 Volt - Roof Mount - 13,500 BTU Ivory - Coleman (w/o inside shroud)
**	049775-02-000	EA	Shroud Asm - Ceiling - Inside - Roof Air Cool Only - 13,500 BTU - Coleman
**	049776-01-000	EA	Shroud Asm - Ceiling - Inside - Roof Air Heat and Cool Only - 13,500 BTU - Coleman

**The illustrated parts breakdown for this item is provided on the Common Items Fiche

INTERIOR FINISH GROUP

PANELING AND COUNTERTOP MATERIALS

Key	Part Number	U/M	Description
	057880-01-000	SF	Paneling - Pluswood - 725 Russet Oak - V Groove - 48" x 96" (32 SF)
	057877-01-000	SF	Paneling - Plain - 725 Russet Oak - 48" x 96" (32 SF)
	045963-01-000	SF	Paneling - 825 Buff - Ceiling - 48" x 94"
	058339-01-000	SF	Paneling - Backsplaty - Diamond Luster
	058221-01-000	SF	Plastic Laminate - Camel Impression - 48" x 96" (32 SF)
	058340-01-000	SF	Plastic Laminate - Camel - 48" x 96" (32 SF)

INTERIOR MOLDINGS AND TRIMS

Key	Part Number	U/M	Description
	024700-06-000	EA	Cover - Sidewall Roll Bar - Ivory
	024700-14-000	EA	Cover - Sidewall Roll Bar - Russet Oak
	039512-06-000	EA	Cover - Hat Section - Ivory
	039512-13-000	EA	Cover - Hat Section - Russet Oak
	047488-01-000	EA	Cover - Corner - Hat/Hat
	047489-01-000	EA	Cover - Corner - Tube/Tube
	042430-01-000	EA	Molding - Shelf - Wood
	009812-08-000	FT	Molding - Outside Corner - 50"
	009767-05-000	FT	Wetling - Light Brown
	009815-03-000	FT	T-Molding - .75" - Light Brown
	022992-03-000	FT	Molding - Reverse Cove - Sandalwood
	009778-01-000	FT	U-Channel - 1" - Dark Brown
	009779-03-000	FT	U-Channel - 1 1/8" - Light Brown
	052859-01-J10	FT	Accent Trim - Acorn Brown Vinyl
	059352-01-000	FT	Insert - Vinyl - Style and Rail Door
	047354-01-000	EA	Batt Strip - Ceiling - 825 Buff - 8'
	057888-01-000	EA	Batt Strip - Russet Oak - 8'
	058797-01-000	EA	Batt Strip - Sandflower Cork - 8'

CABINETS AND TABLE HARDWARE

Key	Part Number	U/M	Description
	047907-01-000	EA	Hinge - Brass - 14' w/Holes - Bath Vanity Door
	054529-01-000	EA	Latch - Slide Bolt - Antique Brass - Bath Door
**	052932-01-J30	EA	Hinge Kit - Cabinet Door - Antique Brass
	057898-01-000	EA	Latch - Hidden - Cabinet Door
	009112-01-000	EA	Flange - 1" - Chrome - Closet Rod
**	053200-01-000	EA	Bracket - Upper Wall Mount - Brown - 23 5"
**	053201-01-000	EA	Bracket - Table Mount - Brown - 23"
**	024275-02-000	EA	Rod - Table Lift - 7 5" x 23 5"
**	024281-03-000	EA	Bracket - Lower Wall Mount - Brown - 22 12"
**	024276-04-000	EA	Leg Asm. - Table - Brown - 29 5"
**	024277-02-000	EA	Hinge - Table Leg - Brown
**	024282-01-000	EA	Brace - Table Leg
**	024283-01-000	EA	Clip - 1" O D Tube
**	049493-02-000	EA	Catch - Table Leg - Mounts on Floor - Brown
	059753-01-000	EA	Slide - Drawer - Left
	059753-02-000	EA	Slide - Drawer - Right
**	037688-01-000	FT	Rail - Drawer Glide
**	047744-01-000	EA	Kit - Drawer Glide

**The illustrated parts breakdown for this item is provided on the Common Items Fiche.

1980 ITASCA

TABLE OF CONTENTS

Introduction	A-1
Abbreviations	A-1
Alphabetical Index	A-2 - A-4
ICF26RH LO	A-5 - B-22
ICF26RT LO	B-23 - D-16
ICN26RB LO	D-17 - F-8
ICN29RT LO	F-9 - H-5

1980 ICN29RT LO INDEX

Floor Plan	F-9 - F-10
Accessories Group	F-11 - F-12
Bath Group	F-13 - F-14
Chassis Group	F-15
Curtain, Cushion and Pad Group	F-16 - F-21
Dinette Group	F-22 - F-23
Driver's Compartment Group	F-24 - G-1
Electrical Group	G-2 - G-4
Exterior Body Group	G-5 - G-8
Galley Group	G-9
Heating & Air Conditioning Group	G-10 - G-11
Interior Finish Group	G-12 - G-13
LP Group	G-14
Lounge Group	G-15 - G-16
Water & Sewage Group	G-17
Window, Vent & Exterior Door Group	G-18 - H-5

INTERIOR FINISH GROUP (CONTINUED)

FABRICS AND CARPET

Key	Part Number	U/M	Description
	058336-02-000	YD	Fabric - Drapery - White
	058336-01-000	YD	Fabric - Drapery - Ivory
	058336-03-000	YD	Fabric - Upholstery - Blue
	058336-04-000	YD	Fabric - Upholstery - Blue
	058336-05-000	YD	Fabric - Upholstery - Blue
	053327-01-000	YD	Vinyl - Non Expanded - 24" - Acorn
	053327-02-000	YD	Vinyl - Expanded - 24" - Acorn Blue
	053327-03-000	YD	Vinyl - Non Support - 16 Gauge Film - Brown
	058798-04-000	SY	Carpet - Inner Beauty - Green
	058798-05-000	SY	Carpet - Inner Beauty - Topaz
	058798-06-000	SY	Carpet - Inner Beauty - Brown

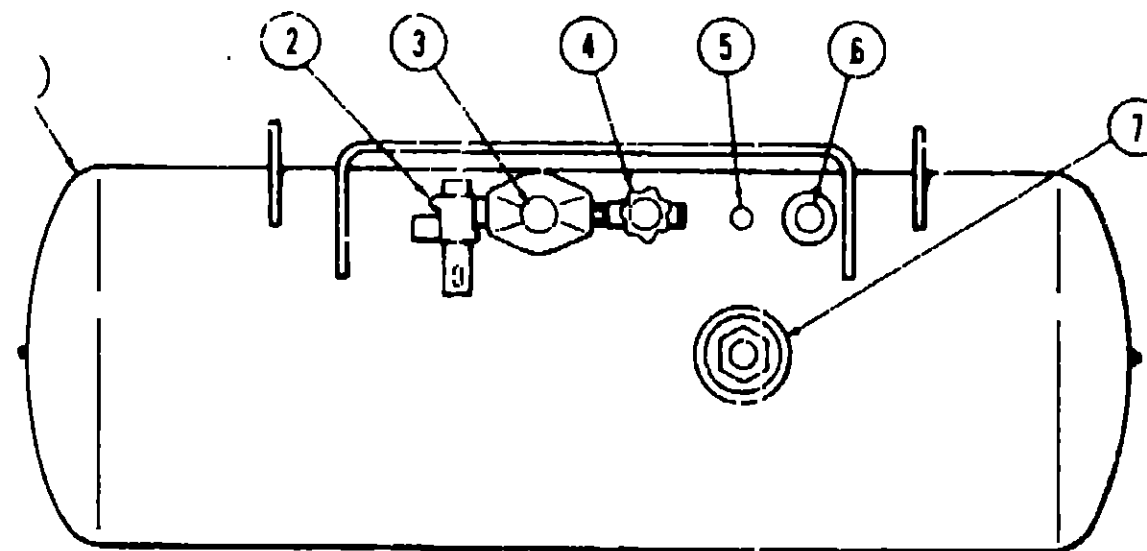
CURTAIN HARDWARE

Key	Part Number	U/M	Description
	053272-04-200	EA	Track - Curtain - Ceiling - 89" - Off White
	053265-02-001	EA	Track - Curtain - Door - 16" - Anod
	059430-01-000	EA	Track - Curtain - Front Wraparound (2 per unit)
	056001-01-000	EA	Bracket - Shade - Left
	056002-01-000	EA	Bracket - Shade - Right
	009107-01-000	EA	Guide - Nylon Snap - Curtain
	018031-42-000	EA	Track - Curtain - "L" Rod - Alum Extr - (2)
	009701-01-000	EA	Carrier - "L" Rod - Curtain
	009702-01-000	EA	End Stop - "L" Rod - Curtain

MISCELLANEOUS PARTS

Key	Part Number	U/M	Description
	051552-01-K04	EA	Handle Asm - Interior Assist - Acorn Brown Vinyl
	041944-01-700	EA	Fire Extinguisher w/Bracket - Dry Chemical
	041944-03-000	EA	Fire Extinguisher - w/Bracket - 5BC - (Calif.)
	005113-01-000	EA	Jack - Hydraulic - 5 Ton - w/Handle
	054185-04-000	EA	Owner's Manual - Itasca
	040069-01-000	EA	Mat - Door - Black Rubber - 10 1/2" x 26" - Itasca

LP GROUP



Key	Part Number	U/M	Description
1	052770-01-000	EA	Tank Asm. - LP - Frame Mount - 35 Pound
2	047221-01-000	EA	Detector - LP Gas Leak
3	065741-01-000	EA	Detector - LP Gas Leak - Marshalltown Instruments
4	058706-01-000	EA	Cover - Regulator - 2 Stage
5	056705-01-000	EA	Regulator - Two Stage - LP Gas
6	040421-01-703	EA	Valve - Vapor Relief
7	040421-01-700	EA	Gauge - Liquid Level - 20% LP
8	040421-01-701	EA	Valve - Filler - LP
9	040421-01-702	EA	Cap - Plastic Fill Valve
10	040421-01-707	EA	Gauge - Float - w/Visible Dial - 65 Pound Tank
11	040421-01-706	EA	Dial - Visible Face - Float Gauge (Tank w/o Electric Transmitter)
12	040421-01-705	EA	Dial - Transmitter - 0 - 90 Ohm (Float Gauge)
13	045703-03-000	EA	Hose Asm. - LP - 3/8" I.D. x 14"
14	047737-02-000	EA	Support - LP Tank - 89.25"
15	047737-03-000	EA	Support - LP Tank - 30.50"
			Not Illustrated

1980 ITASCA TABLE OF CONTENTS

Introduction	A-1
Abbreviations	A-1
Alphabetical Index	A-2 - A-4
ICF26RH LO	A-5 - B-22
ICF26RT LO	B-23 - D-16
ICN26RB LO	D-17 - F-8
ICN29RT LO	F-9 - H-5

1980 ICN29RT LO INDEX

Floor Plan	F-9 - F-10
Accessories Group	F-11 - F-12
Bath Group	F-13 - F-14
Chassis Group	F-15
Curtain, Cushion and Pad Group	F-16 - F-21
Dinette Group	F-22 - F-23
Driver's Compartment Group	F-24 - G-1
Electrical Group	G-2 - G-4
Exterior Body Group	G-5 - G-8
Galley Group	G-9
Heating & Air Conditioning Group	G-10 - G-11
Interior Finish Group	G-12 - G-13
LP Group	G-14
Lounge Group	G-15 - G-16
Water & Sewage Group	G-17
Window, Vent & Exterior Door Group	G-18 - H-5

LOUNGE GROUP

LOUNGE OVERHEAD CABINERY

Key	Part Number	U/M	Description
	061958-01-K04	EA	Cabinet Asm - Rear Overhead - Backwall - w/o Doors or Hardware
	061949-01-K04	EA	Cabinet Asm - Rear Overhead - Right Sidewall - w/o Doors or Hardware
	051948-01-K04	EA	Cabinet Asm - Rear Overhead - Left Sidewall - w/o Doors or Hardware
	059092-01-K04	EA	Door Asm - Rear Overhead Cabinet - 11 3/4" x 25" - w/o Hardware

TWIN BED CABINERY

Key	Part Number	U/M	Description
	063238-01-K04	EA	Cabinet Asm - Twin Bed - Left - w/o Door or Hardware
	063242-01-K04	EA	Cabinet Asm - Twin Bed - Right - w/o Door or Hardware
	059092-21-K04	EA	Door Asm - Twin Bed Cabinet - 10 10" x 27 05" - w/o Hardware
	054006-01-K04	EA	Cabinet Asm - Nightstand Base - w/o Countertop, Doors or Hardware
	053998-01-K11	EA	Countertop Asm - Nightstand Base - 24 1/2" x 23 5/8" - Camel
	053976-01-K04	EA	Cabinet Asm - Nightstand Top - w/ Roll up Door - w/o Countertop
	053999-01-K11	EA	Countertop Asm - Nightstand - Top - 23 1/2" x 8 1/2" - Camel
	043255-01-000	FT	Track - Roll up Door - Brown Plastic
	043256-01-000	EA	Spiral - Roll up Door - Plastic - Right
	043256-02-000	EA	Spiral - Roll up Door - Plastic - Left
	059122-07-K04	EA	Door Asm - Rolled - 16" x 18"
	059092-63-K04	EA	Door Asm - Nightstand Cabinet - 20" x 16 2" - w/o Hardware

HORSESHOE LOUNGE W/PEDESTAL TABLE

Key	Part Number	U/M	Description
	053203-06-K11	EA	Table Asm - Pedestal - Camel - w/o Hardware
	009770-03-000	EA	Base - Pedestal Table - Table Mount
	041774-01-000	EA	Base - Pedestal Table - Floor Mount
	009770-02-000	EA	Leg - Pedestal Table - 2.25" O D x 27 5" - Chrome
	063148-01-K04	EA	Cabinet Asm - Right Gaucho
	063168-01-K04	EA	Cabinet Asm - Center Gaucho
	063235-01-K04	EA	Cabinet Asm - Left Gaucho
	059092-21-K04	EA	Door Asm - Gaucho Cabinet - 10 1/2" x 27" - w/o Hardware
	063239-01-K04	EA	Cabinet Asm - Hamper - Right
	063239-02-K04	EA	Cabinet Asm - Hamper - Left

DOUBLE BED W/NIGHT STAND

Key	Part Number	U/M	Description
	063432-01-K04	EA	Headboard Asm - Padded - Acorn Vinyl
	053444-01-K04	EA	Cabinet Asm - Nightstand - w/o Countertop
	063445-01-K11	EA	Countertop Asm - Nightstand Cabinet - Camel
	063446-01-K04	EA	Cabinet Asm - Hamper Cabinet - w/o Countertop
	063447-01-K11	EA	Countertop Asm - Hamper Cabinet - Camel
	059092-53-K04	EA	Door Asm - Cabinet - 17 1/2" x 13 2" - w/o Hardware

LOUNGE GROUP (CONTINUED)

SPRUNG COUCH AND CORNER LOUNGE CHAIRS

Key	Part Number	U/M	Description
	063431-01-K04	EA	Panel - Couch Face - w/o Door or Hardware
	059092-04-K04	EA	Door Asm - Sprung Couch - 10 4" x 25" - w/o Hardware
	057419-02-000	EA	Frame - Sprung Couch - Right
	057419-03-000	EA	Frame - Sprung Couch - Left
	057419-04-000	EA	Frame Rail - Sprung Couch (2 per couch)
	057419-01-000	EA	Leg Asm - Sprung Couch (2 per couch)
	061558-01-K04	EA	Cabinet Asm - Corner Lounge Chair - Right
	061561-01-K04	EA	Cabinet Asm - Corner Lounge Chair - Left
	061714-01-K11	EA	Table Asm - Lounge - Camel
	061872-01-000	EA	Leg Asm - Table - Pivot
	061873-01-000	EA	Leg Asm - Table - Fixed
	024275-04-000	EA	Rod - Table Lift
	024181-05-000	EA	Bracket - Table Lift - Mounts on Table
	053200-02-000	EA	Support - Table - 14 5" - Mounts on Wall

SWIVEL CHAIRS AND PULLOUT TABLE

Key	Part Number	U/M	Description
	058548-01-K11	EA	Cabinet Asm - Pullout Table - w/o Table, Countertop or Pad
	058547-01-K11	EA	Countertop Asm - Pullout Table Cabinet - Camel
	054552-01-K11	EA	Table Asm - Pullout - Camel
	058565-01-K11	EA	Pad - Pullout Table Cabinet - Acorn Vinyl
	045795-01-000	EA	Holder - Glass - Dark Brown Plastic
	054540-01-000	EA	Slide Asm - Ball Bearing
	035036-01-000	EA	Plate - Swivel Chair
	035036-02-000	EA	Base w/Legs - Swivel Chair

SWIVEL CHAIR W/VANITY

Key	Part Number	U/M	Description
	054177-01-K11	EA	Cabinet Asm - Vanity - w/o Countertop, Doors, Drawers and Hardware
	054235-02-K11	EA	Countertop Asm - Vanity Cabinet - 46 1/2" x 27 1/4" - Camel
	054102-01-K04	EA	End Panel - Side Drawer - Right
	054102-02-K04	EA	End Panel - Side Drawer - Left
	054242-03-K04	EA	Drawer Asm - Desk - 3 1/4" x 20 1/4" x 10 5 8" Deep - w/o Hardware
	059092-62-K04	EA	Door Asm - Vanity Cabinet - 13 5" x 24 9" - w/o Hardware
	059913-06-K04	EA	Drawer Asm - Vanity Cabinet - 3 5" x 14 1" x 20" Deep - w/o Hardware
	035036-01-000	EA	Plate - TT Chair
	035036-02-000	EA	Base w/Legs - TT Chair

1980 ITASCA

TABLE OF CONTENTS

Introduction	A-1
Abbreviations	A-1
Alphabetical Index	A-2 - A-4
ICF26RH LO	A-5 - B-22
ICF26R1 LO	B-23 - D-16
ICN26RB LO	D-17 - F-8
ICN29RT LO	F-9 - H-5

1980 ICN29RT LO INDEX

Floor Plan	F-9 - F-10
Accessories Group	F-11 - F-12
Bath Group	F-13 - F-14
Chassis Group	F-15
Curtain, Cushion and Pad Group	F-16 - F-21
Dinette Group	F-22 - F-23
Driver's Compartment Group	F-24 - G-1
Electrical Group	G-2 - G-4
Exterior Body Group	G-5 - G-8
Galley Group	G-9
Heating & Air Conditioning Group	G-10 - G-11
Interior Finish Group	G-12 - G-13
LP Group	G-14
Lounge Group	G-15 - G-16
Water & Sewage Group	G-17
Window, Vent & Exterior Door Group	G-18 - H-5

WATER AND SEWAGE GROUP

PLUMBING AND REPAIR PARTS

Key	Part Number	U/M	Description
**	04121-02-000	EA	Pump - Water - 1/2 - 1/2 G.P.M. - US
**	039647-02-000	EA	Fitter - Water - 1/2 MPT
**	04119-04-000	EA	Pump - Water - 1/2 - 2 G.P.M. - CSA
**	063046-01-000	EA	Water Pump - 1/2 - 8 G.P.M. - Direct Drive - PAR - US
**	063046-01-000	EA	Water Pump - 1/2 - 8 G.P.M. - Direct Drive - PAR - CSA
**	052952-01-000	EA	Nut - Plastic - 1/2 F
**	052953-01-000	EA	Nut - Plastic - 1/2 Tube - 1/2 FPT
**	052954-01-000	EA	Adapter - Plastic - 1/2" x 1/2"
**	052955-01-000	EA	Adapter - Plastic - 1/2" x 1/2" x 1/2" MPT
**	052957-01-000	EA	Adapter - Plastic - 1/2" x 3/8 MPT
**	052958-01-000	EA	Adapter - Plastic - 1/2" x 1/2 F - 1/2 F
**	052959-01-000	EA	Connect - 1/2" x 3/8 MPT - Plastic
**	052960-01-000	EA	Drain Valve - 1/2 F x 1/2 F - Plastic
**	052961-01-000	EA	Drain Valve - 1/2 F x 1/2 F - 1/2 F
**	046114-02-000	EA	Kit - Water Tank Fittings - Blank Tank
**	046114-01-000	EA	Kit - Water Tank Fittings - Blank Tank
**	011079-01-000	EA	Teel - Plastic - 1 1/2" x 1 1/2" H x 1 1/2" H
**	011091-01-000	EA	Valve - Plastic - 1 1/2" H x 1 1/2" H
**	011121-01-000	EA	Elbow - Plastic - 1 1/2 S x 1 1/2 S
**	010006-01-000	EA	Elbow - Plastic - 1 1/2 BD
**	010133-01-000	EA	Trap Adapter - Plastic - 1 1/2" MPT
**	010134-01-000	EA	Adapter - Plastic - 1 1/2" MPT
**	010201-01-000	EA	Sewer Adapter - 3" x 8" w/ 3"
**	062410-01-000	EA	Sewage Adapter - 3"
**	062410-01-000	EA	Hose Adapter - 3"
**	062410-01-000	EA	Terminal - 3" Adapter - 3"
**	062410-01-000	EA	Valve - 3" w/ Handle
**	062410-01-000	EA	Handle - 3" w/ 5" Adapter
**	062421-01-000	EA	Valve - 3" w/ Handle
**	061007-01-000	EA	Brommet - Holding Tank Coupler - 1 1/2"
**	061007-02-000	EA	Brommet - Holding Tank Coupler - 1 1/2"
**	053335-01-000	EA	Trap - Plastic - 1 1/2" H x H - w/ 1/2"
**	011066-01-000	EA	P-Trap - 1 1/2" - Plastic
**	011091-01-000	EA	Waste - Continuous - Double Sink - 11 7/8"
**	031126-01-000	EA	Elbow - 1 1/4 BD 3" - 3"
**	050780-01-000	EA	Rupture Coupler - 1 1/2 x 3"
**	004020-01-000	OT	Adapter - AES Element
**	037845-01-000	FT	Tape - Butyl - 3/16" - Bead - Black
**	040339-01-000	EA	Kit - Repair - 1 1/2" O.D. Plastic Tube
**	040540-01-000	EA	Kit - Repair - 1 1/2" O.D. Plastic Tube
**	040541-01-000	EA	Kit - Repair - 1 1/2" O.D. Plastic Tube
**	035818-01-000	EA	Water Asm. - 3/8" O.D. x 24" Tube
**	035818-02-000	EA	Water Asm. - 3/8" O.D. x 36" Tube
**	035818-04-000	EA	Water Asm. - 3/8" O.D. x 72" Tube
**	035818-05-000	EA	Water Asm. - 3/8" O.D. x 48" Tube

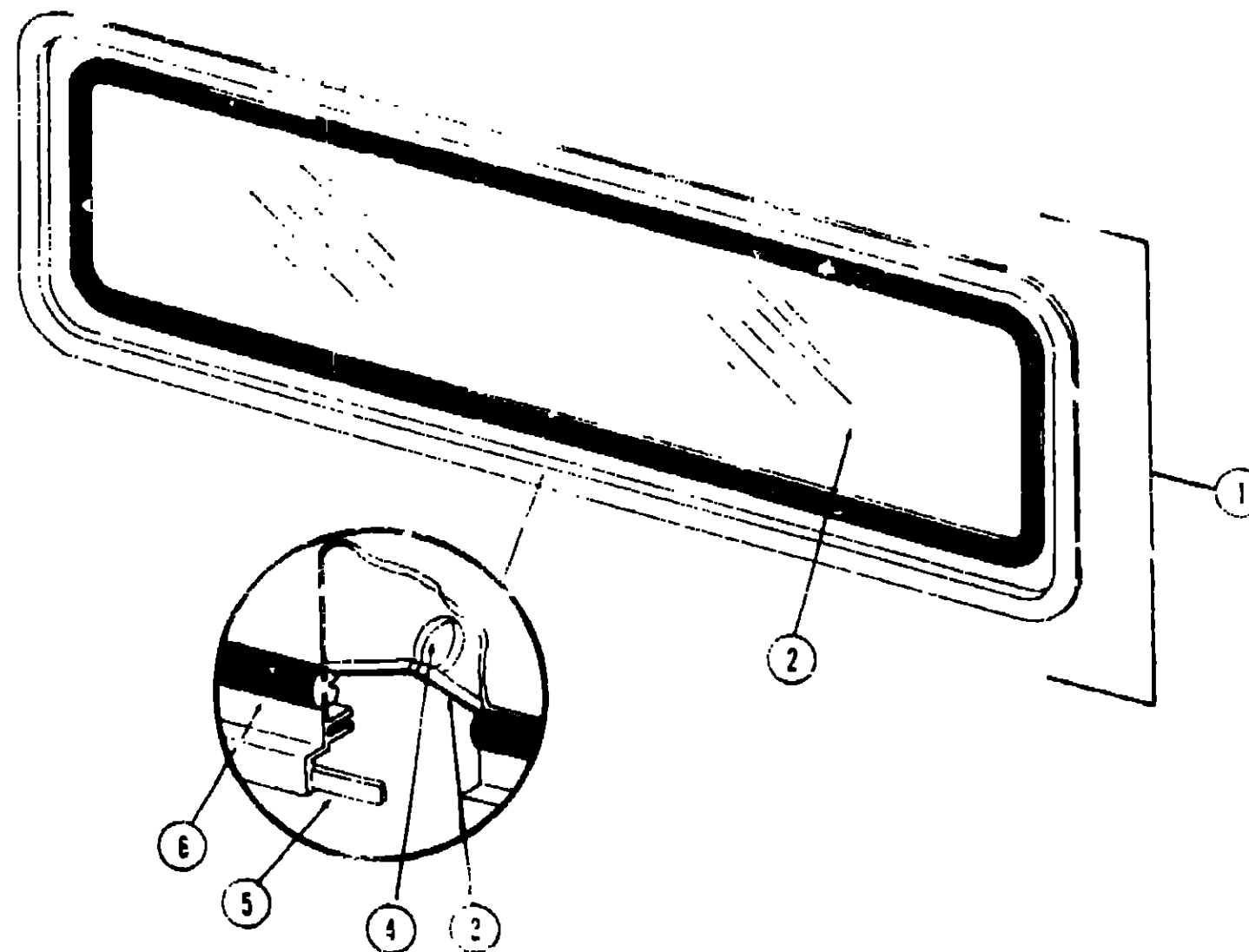
**The illustrated parts breakdown for this item is provided on the Common Items Fiche.

HOLDING TANKS AND WATER HEATERS

Key	Part Number	U/M	Description
**	061904-01-000	EA	Tank Asm. - Holding - w/ Fittings - Auxiliary
**	061904-01-000	EA	Tank - Asm. - Holding - w/o Fittings - Auxiliary
**	061905-02-000	EA	Tank Asm. - Holding - w/ Fittings - Main
**	061905-01-000	EA	Tank Asm. - Holding - w/o Fittings - Main
**	045196-12-000	EA	Tank Asm. - Water - Plastic - 26 Gallon - w/ Fittings
**	045196-01-000	EA	Tank Asm. - Water - Plastic - 26 Gallon - w/ Fittings
**	046942-04-000	EA	Tank Asm. - Water - Plastic - 45 Gallon - w/ Fittings
**	046942-01-000	EA	Tank Asm. - Water - Plastic - 45 Gallon - w/ Fittings
**	051391-01-000	EA	Water Heater - w/o Motor Aid - G6A3

**The illustrated parts breakdown for this item is provided on the Common Items Fiche.

WINDOW, VENT AND EXTERIOR DOOR GROUP



Key	Part Number	U/M	Description
1	020754-03-000	EA	Window Asm. - Escape - 23" x 68" Black Anod. (w/o inside frame)
2	002178-01-000	EA	Glass - 1/8" x 19.61" x 64.89"
3	002285-01-000	FT	Weatherstrip - Filler - Black
4	020395-01-000	EA	Stop Ring - Pull
5	003767-03-000	FT	Tape - 1/4" Bead x 20' - Gray - Schnee Moorehead
6	002282-01-000	FT	Weatherstrip - Window - 1.5" Black
*	020752-03-000	EA	Frame - Window - Inside - Escape 23" x 68" (not included in assembly)
*	006199-01-000	EA	Label - Exit - Escape Window
*			Not Illustrated

1980 ITASCA

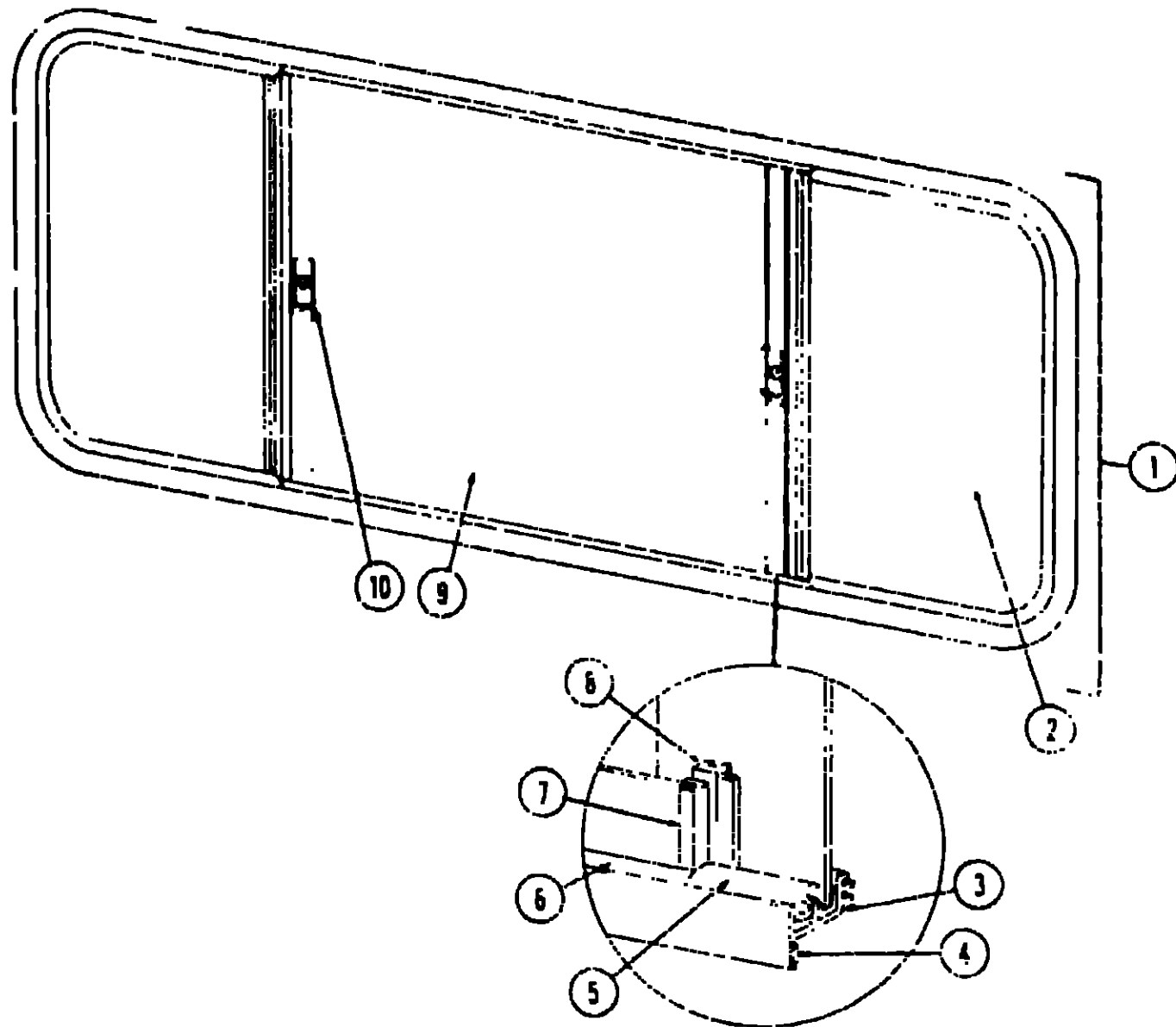
TABLE OF CONTENTS

Introduction	A-1
Abbreviations	A-1
Alphabetical Index	A-2 - A-4
ICF26RH LO	A-5 - B-22
ICF26RT LO	B-23 - D-16
ICN26RB LO	D-17 - F-8
ICN29RT LO	F-9 - H-5

1980 ICN29RT LO INDEX

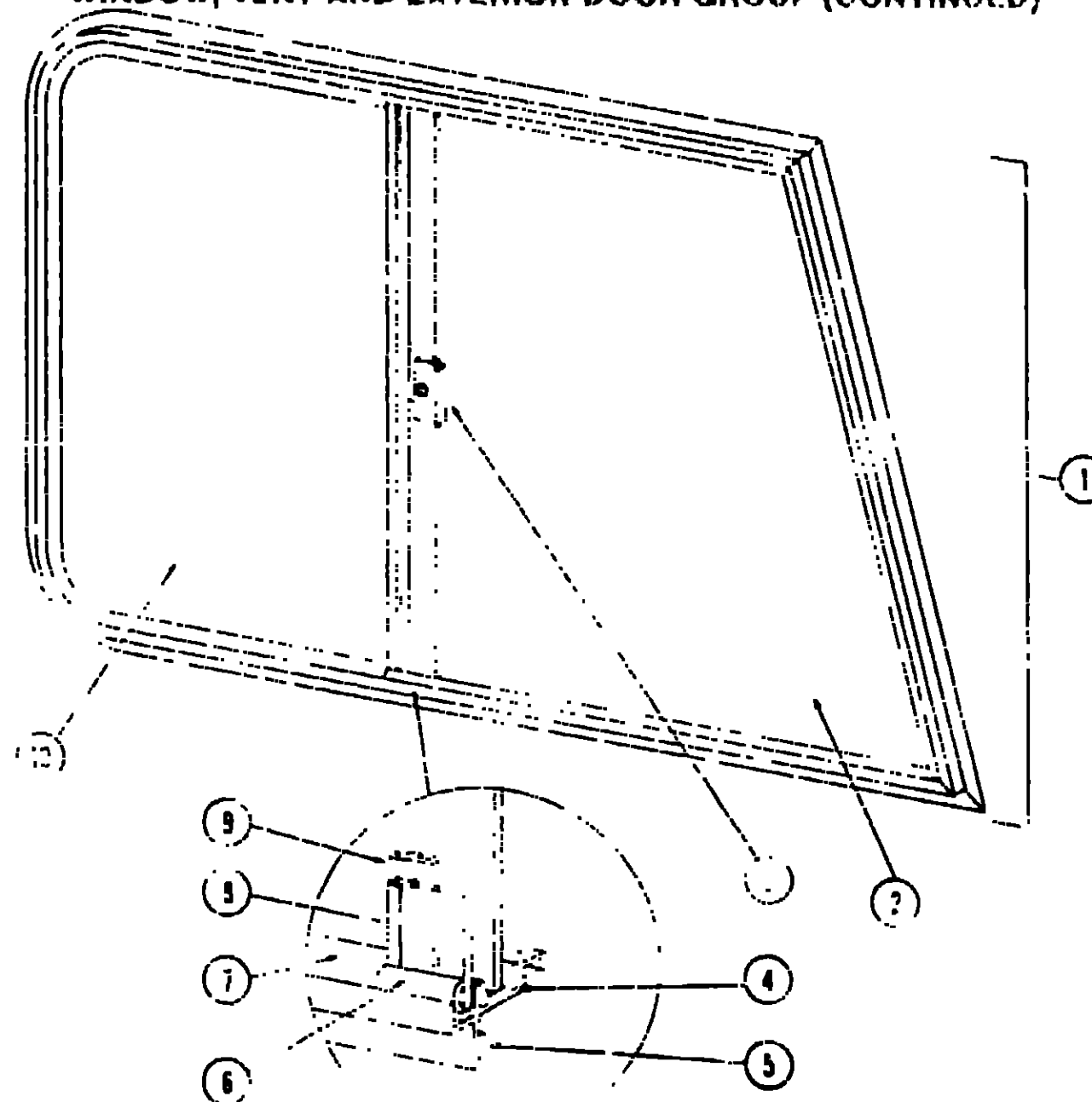
Floor Plan	F-9 - F-10
Accessories Group	F-11 - F-12
Bath Group	F-13 - F-14
Chassis Group	F-15
Curtain, Cushion and Pad Group	F-16 - F-21
Dineite Group	F-22 - F-23
Driver's Compartment Group	F-24 - G-1
Electrical Group	G-2 - G-4
Exterior Body Group	G-5 - G-8
Galley Group	G-9
Heating & Air Conditioning Group	G-10 - G-11
Interior Finish Group	G-12 - G-13
LP Group	G-14
Lounge Group	G-15 - G-16
Water & Sewage Group	G-17
Window, Vent & Exterior Door Group	G-18 - H-5

WINDOW, VENT AND EXTERIOR DOOR GROUP (CONTINUED)



Key	Part Number	U.M.	Description
1	010030-06-000	EA	Window Asm - Double Slant - 23" x 39" - Black Anod. (w/o inside frame)
2	047522-03-000	EA	Glass - Slant - 3/16" x 24" x 16.53"
3	042077-01-000	FT	Channel - Weatherstrip - Glass Run - 3/16" Glass
4	053767-01-000	FI	Tape - 1/8" x 1/8" x 20" - Gray - Schnee Moorehead
5	011528-02-000	FI	Seal - Window Channel - 3/16" Glass - Black
6	050099-02-000	FT	Spline - Gray - .130" Dia. - Black
7	011528-03-201	EA	Seal - Window Channel - 3/16" Glass - Black
8	021594-04-000	EA	Handle - Slant Window - 23" - Black
9	021594-04-000	EA	Handle - Slant Window - 23" - Black
10	021594-04-000	EA	Handle - Slant Window - 23" - Black
			Latch - Window - Plastic w/Fastener
		EA	Foam Pad - 3/8" Dia. (used with plastic latch)
		EA	Frame - Inside - Window - Inside
			(not included in assembly)
		EA	Cover - Weephole - Plastic - Black
		FT	Screen - Gray - 130 Dia. - Screen
		FI	Screen - Window - 20" - Gray
			Not Illustrated

WINDOW, VENT AND EXTERIOR DOOR GROUP (CONTINUED)



Key	Part Number	U.M.	Description
1	059046-01-000	EA	Window Asm - Right Front Slant Slider - 23" x 39" - Black Anod. (w/o inside frame)
2	059046-01-000	EA	Window Asm - Left Front Slant Slider - 23" x 39" - Black Anod. (w/o inside frame)
3	011528-01-000	EA	Glass - 3/16" x 24.88" x 25.30" - Stationary
4	047369-01-700	EA	Latch - Window - Plastic w/Fastener
5	023320-01-000	L	Foam Pad - 3/8" Dia. (used with plastic latch)
6	042077-01-000	FI	Channel - Weatherstrip - Glass Run - 3/16" Glass
7	053767-01-000	FT	Tape - 1/8" x 1/8" x 20" - Gray - Schnee Moorehead
8	050211-02-000	FT	Spline - 3/16" Glass
9	011528-02-000	FI	Seal - Window Channel - 3/16" Glass - Black
10	02369-03-206	EA	Handle - Glass Seal - Black Anod. - 24.13"
	011528-04-000	EA	Mullion - Window - Slant Slider
	057157-01-000	EA	Glass - 3/16" x 24.88" x 14.70" - Sliding
	059042-01-000	EA	Inside Frame - Right Front Slant Slider (not included in assembly)
	059042-02-000	EA	Inside Frame - Left Front Slant Slider (not included in assembly)
	021513-02-000	EA	Cover - Weephole - Black Anod.
	055164-05-000	EA	Slider Screen Asm. - Right or Left - Black
	016310-03-000	EA	Handle - Slider Screen - Black
	002292-01-000	SF	Screen - Window - 20" - Gray
	002299-01-000	FT	Spline - Gray - .130" Dia.
			Not Illustrated

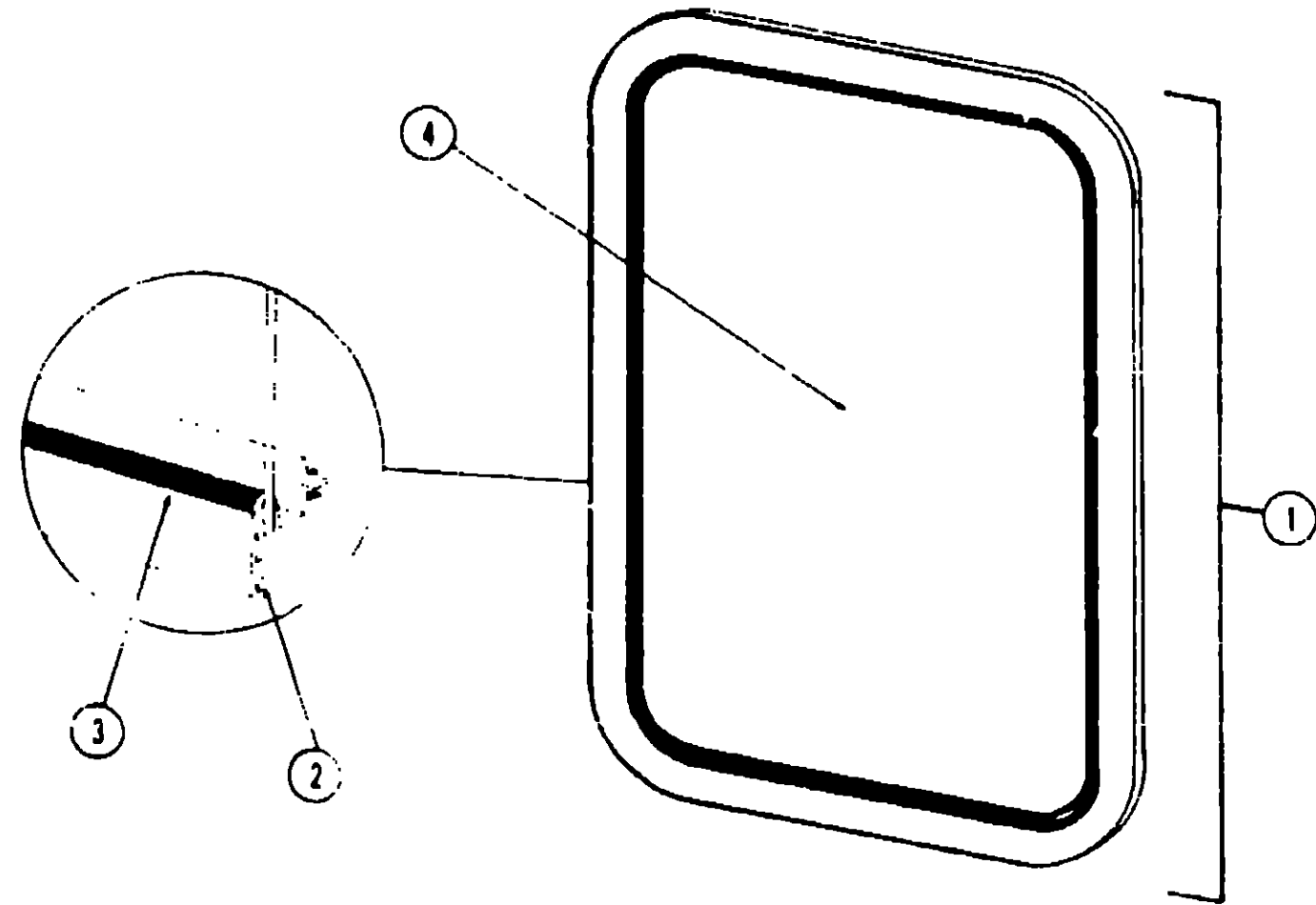
**1980 ITASCA
TABLE OF CONTENTS**

Introduction	A-1
Abbreviations	A-1
Alphabetical Index	A-2 - A-4
ICF26HM LO	A-5 - B-22
ICF26RT LO	B-23 - D-16
ICN26RB LO	D-17 - F-8
ICN29RT LO	F-9 - H-5

1980 ICN29RT LO INDEX

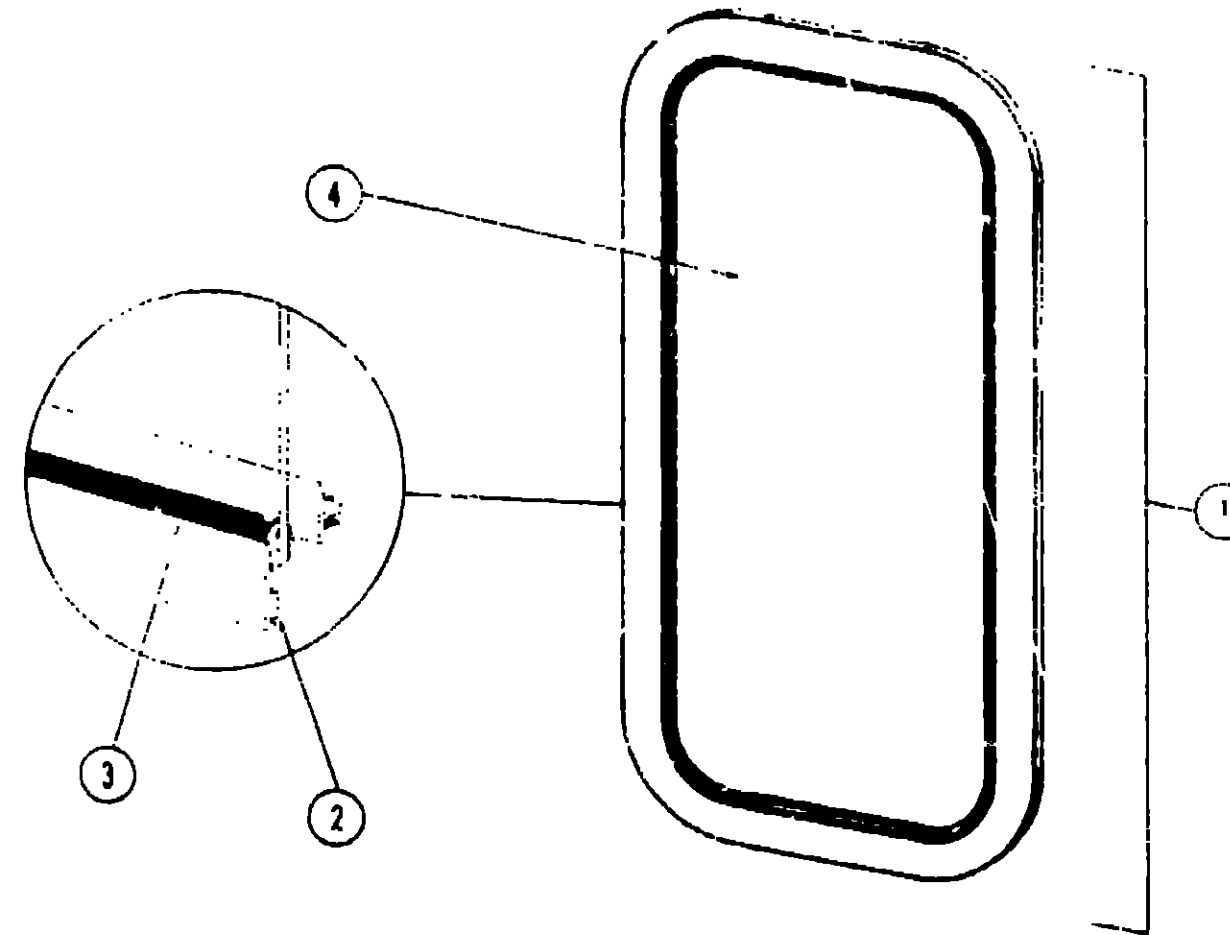
Floor Plan	F-9 - F-10
Accessories Group	F-11 - F-12
Bath Group	F-13 - F-14
Chassis Group	F-15
Curtain, Cushion and Pad Group	F-16 - F-21
Dinette Group	F-22 - F-23
Driver's Compartment Group	F-24 - G-1
Electrical Group	G-2 - G-4
Exterior Body Group	G-5 - G-8
Galley Group	G-9
Heating & Air Conditioning Group	G-10 - G-11
Interior Finish Group	G-12 - G-13
LP Group	G-14
Lounge Group	G-15 - G-16
Water & Sewage Group	G-17
Window, Vent & Exterior Door Group	G-18 - H-5

WINDOW, VENT AND EXTERIOR DOOR GROUP (CONTINUED)



Key	Part Number	U/M	Description
1	056651-01-000	EA	Window Asm. - Picture - 20 3/4" x 20 3/4" - Black (w/o inside frame)
2	053767-02-000	FT	Tape - 3/16" Bead x 25" - Schnee Moorehead
3	002309-02-000	FT	Spline - Glass - 1/8" - Black
4	002151-03-000	EA	Glass - 13.5" x 20.62" x 20.62" - Gray
.	056650-01-000	EA	Frame - Inside - Window (not included in assembly)
.			Not Illustrated

WINDOW, VENT AND EXTERIOR DOOR GROUP (CONTINUED)



Key	Part Number	U/M	Description
1	041875-04-000	EA	Window Asm. - Picture - 13" x 25" (w/o inside frame)
2	053767-03-000	FT	Tape - 1/4" Bead x 20" - Gray - Schnee Moorehead
3	002318-02-000	FT	Spline - Glass - 1/8" Black
4	002181-02-000	EA	Glass - TP - 1/8" x 12" x 24"
.	041696-04-000	EA	Frame - Window - Inside - 13" x 25" (not included in assembly)
.			Not Illustrated

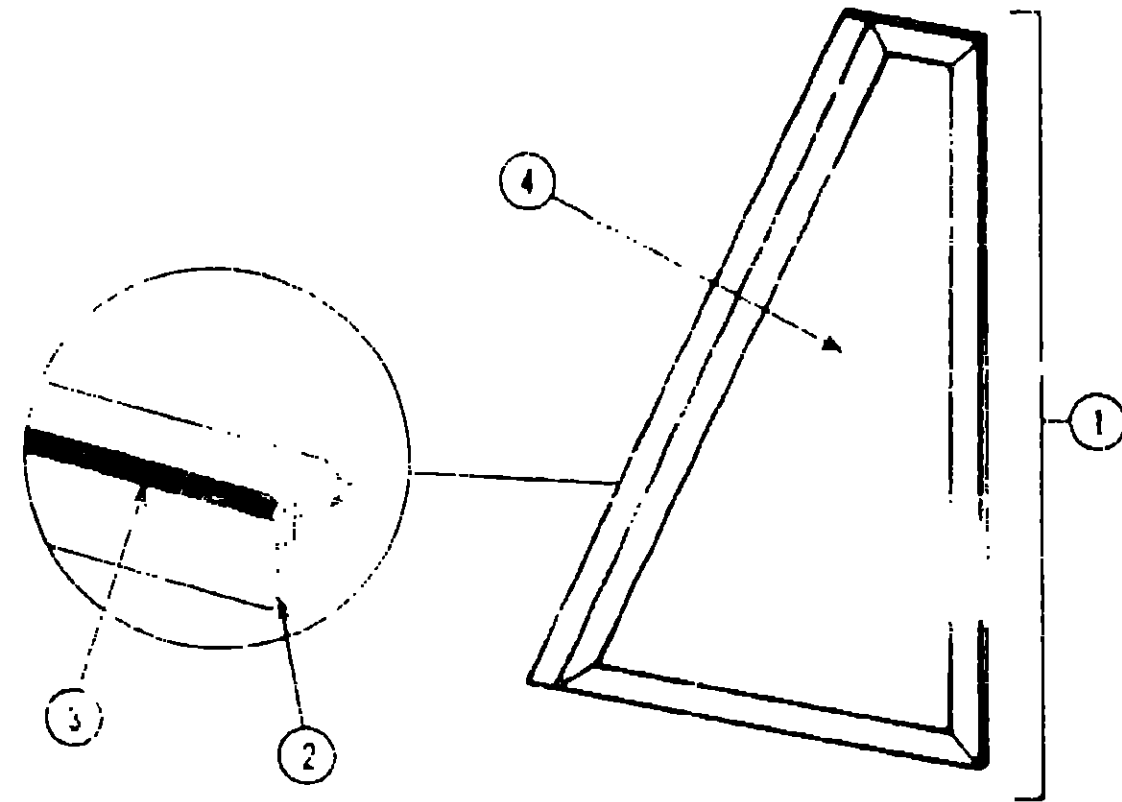
1980 ITASCA
TABLE OF CONTENTS

Introduction	A-1
Abbreviations	A-1
Alphabetical Index	A-2 - A-4
ICF26RLL LO	A-5 - B-22
ICF26RT LO	B-23 - D-16
ICN26RB LO	D-17 - F-8
ICN29RT LO	F-9 - H-5

1980 ICN29RT LO INDEX

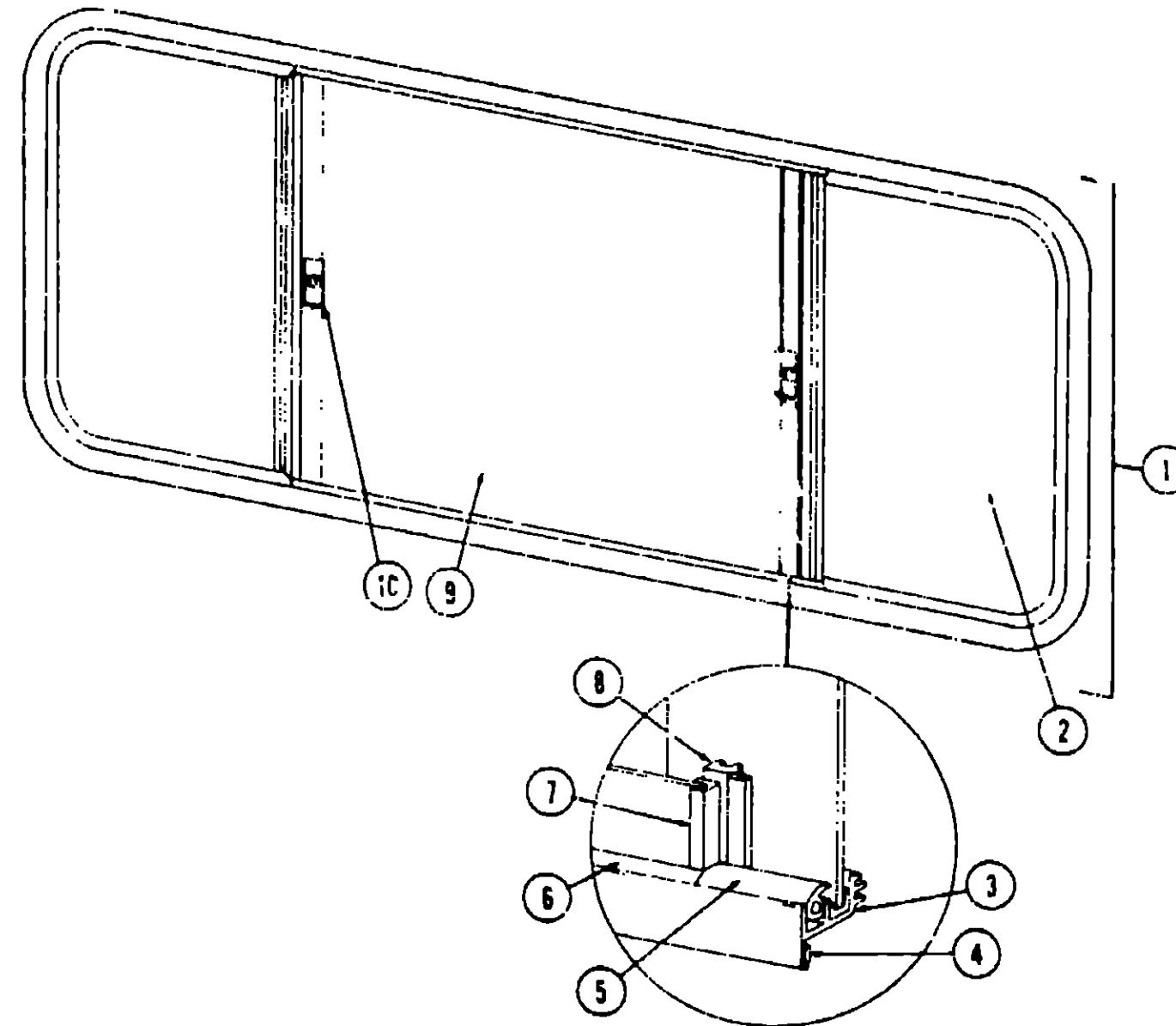
Floor Plan	F-9 - F-10
Accessories Group	F-11 - F-12
Bath Group	F-13 - F-14
Chassis Group	F-15
Curtain, Cushion & Pad Group	F-16 - F-21
Dinette Group	F-22 - F-23
Driver's Compartment Group	F-24 - G-1
Electrical Group	G-2 - G-4
Exterior Body Group	G-5 - G-8
Galley Group	G-9
Heating & Air Conditioning Group	G-10 - G-11
Interior Finish Group	G-12 - G-13
LP Group	G-14
Lounge Group	G-15 - G-16
Water & Sewage Group	G-17
Window, Vent & Exterior Door Group	G-18 - H-5

WINDOW, VENT AND EXTERIOR DOOR GROUP (CONTINUED)



Key	Part Number	U/M	Description
1	052555-01-000	EA	Window Asm. - Stationary - Drivers Slant - 14" x 25.32" - Black Anod (w/o inside frame)
2	053767-03-000	FT	Tape - 1/4" Bead x 20' - Gray - Schnee Moorehead
3	002309-02-000	F1	Spline - Glass - 1/8" - Black
4	057656-02-000	EA	Glass - 3/16" x 24.88" x 13.66"
5	063420-01-000	EA	Frame - Inside - Front Slant Window (not included in assembly)
			Not Illustrated

WINDOW, VENT AND EXTERIOR DOOR GROUP (CONTINUED)



Key	Part Number	U/M	Description
1	048630-08-000	EA	Window Asm - Double Slider - 25" x 65" Black Anod. (w/o inside frame)
2	047822-01-000	EA	Glass - Sliding - 3/16" x 24" x 21.03"
3	042077-01-000	FT	Channel - Weatherstrip - Glass Run - 3/16" Glass
4	053767-03-000	FT	Tape - 1/4" Bead x 20' - Gray - Schnee Moorehead
5	041928-02-000	FT	Seal - Window Channel - 3/16" Glass - Black
6	002309-02-000	FT	Spline - Glass - 1/8" - Black
7	002389-03-201	EA	Extr. - Holder - Glass Seal - 23.19" - Black
8	041894-04-000	EA	Mullion - Slider Window - 25" - Black
9	002188-02-000	EA	Glass - 3/16" x 24" x 25.5" - Stationary
10	047369-01-700	EA	Latch - Window - Plastic w/Fastener
	023320-01-000	EA	Foam Pad - 3/8" Dia (used with plastic latch)
	042133-09-000	EA	Frame Asm. - Window - Inside (not included in assembly)
	023713-02-000	EA	Cover - Weephole - Plastic - Black
	002298-01-000	FT	Spline - Gray - .130" Dia. (Screen)
	002293-01-000	SF	Screen - Window - 26" - Gray
			Not Illustrated

1980 ITASCA
TABLE OF CONTENTS

Introduction	A-1
Abbreviations	A-1
Alphabetical Index	A-2 - A-4
ICF26RH LO	A-5 - B-22
ICF26RT LO	B-23 - D-16
CN26RB LO	D-17 - F-8
ICN29RT LO	F-9 - H-5

1980 ICN29RT LO INDEX

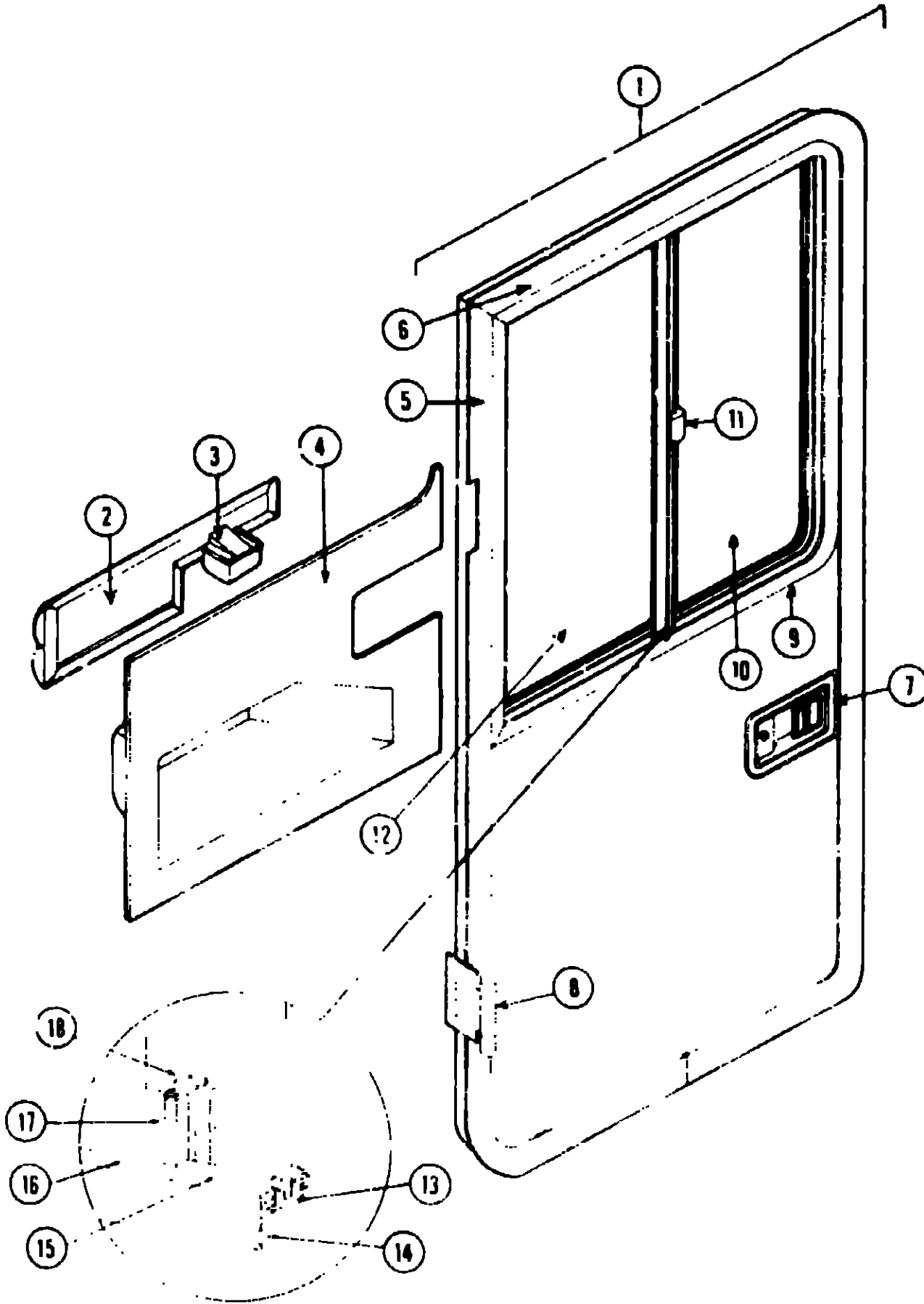
Floor Plan	F-9 - F-10
Accessories Group	F-11 - F-12
Bath Group	F-13 - F-14
Chassis Group	F-15
Curtain, Cushion & Pad Group	F-16 - F-21
Dinette Group	F-22 - F-23
Driver's Compartment Group	F-24 - G-1
Electrical Group	G-2 - G-4
Exterior Body Group	G-5 - G-8
Galley Group	G-9
Heating & Air Conditioning Group	G-10 - G-11
Interior Finish Group	G-12 - G-13
LP Group	G-14
Lounge Group	G-15 - G-16
Water & Sewage Group	G-17
Window, Vent & Exterior Door Group	G-18 - H-5

WINDOW, VENT AND EXTERIOR DOOR GROUP (CONTINUED)

WINDOW, VENT AND EXTERIOR DOOR GROUP (CONTINUED)

DRIVER DOOR - GRAY

Key	Part Number	U/M	Description
1	063991-03-000	EA	Door Asm. - Driver - Gray
2	064088-01-000	EA	Pad Asm. - Trim - Upper
	061400-01-000	EA	Assist Strap - 12" x Light Brown
3	046886-01-000	EA	Ashtray Asm. - Flush Mount - Chrome
4	064489-01-000	EA	Panel - Driver Door - Inner - Dark Brown Plastic
5	063350-03-000	EA	Trim - Door Frame - Front - Gray
6	063351-03-000	EA	Trim - Door Frame - Rear - Gray
7	045017-03-000	EA	Paddle - Door Lock - Exterior
	045017-01-700	EA	Lock Cylinder w/Keys - Lynor
	039979-02-000	EA	Inside Plate - Door Lock - w/Inside Handle
	039540-02-000	EA	Latch Claw - Entry Door Lock
	039738-01-000	EA	Deadbolt - Entrance Door Lock
	039539-01-000	EA	Strike Bolt - Entrance Door (Jamb Mount)
	063124-02-000	EA	Plate - Striker - 8 1/4" x 1" - Black
	062879-02-000	EA	Jamb - Driver Door - Black Steel
	064199-03-000	EA	Trim - Door Jamb - Rear - w/Drip Cap - Gray
	064184-01-000	EA	Drip Cap - Driver Door
	063358-03-000	EA	Trim - Door Jamb - Front - Gray
	063768-01-000	FA	Sill Plate - Driver Door
8	063993-03-000	EA	Hinge Asm. - Driver Door - Gray
	064580-01-000	EA	Check Strap - Driver Door - Seat Belt Webbing
	064219-01-000	EA	Retainer - Driver Door Check Strap
	063886-02-000	EA	Assist Handle - Driver Door - Brown Steel Tube (2 required per door)
	064075-01-000	EA	Bulb Seal - Driver Door - 145"
9	062982-01-000	EA	Window Asm. - Driver Door - Single Slider - 23" x 25.5" - Black Anod. (w/o inside frame)
	057657-02-000	EA	Glass - 3/16" x 24.88" x 12" - Sliding
11	047369-01-700	EA	Latch - Window - Plastic w/Fastener
12	002188-04-000	EA	Glass - 3/16" x 24.88" x 12" - Stationary
13	002324-02-000	FT	Channel - Weatherstrip - Glass Run - 1/8" Glass
14	053767-03-000	FT	Tape - 1/4" Bead x 30' - Gray - Schnee Moorehead
15	024096-02-000	FT	Seal - Window Channel - Black
16	002309-02-000	FT	Spline - Glass - Black
17	002389-03-204	EA	Holder - Glass Seal - Anod. Black - 25.14"
	002288-01-000	FT	Weatherstrip - Glass Seal
18	057644-04-000	EA	Mullion - Slider Window - Black Anod.
	063422-01-000	EA	Frame - Inside - Driver Door Window
	023713-02-000	EA	Cover - Weephole - Black Plastic
	055164-06-000	EA	Screen Asm - Slider
	002292-01-000	SF	Screen - Window - 20" - Gray
	002298-01-000	FT	Spline - Gray - Screen - .130" Dia
	016310-03-000		Screen Handle - Black Anod.
	043485-02-L		Screen Seal - Extr. Vinyl
			Not Illustrate.



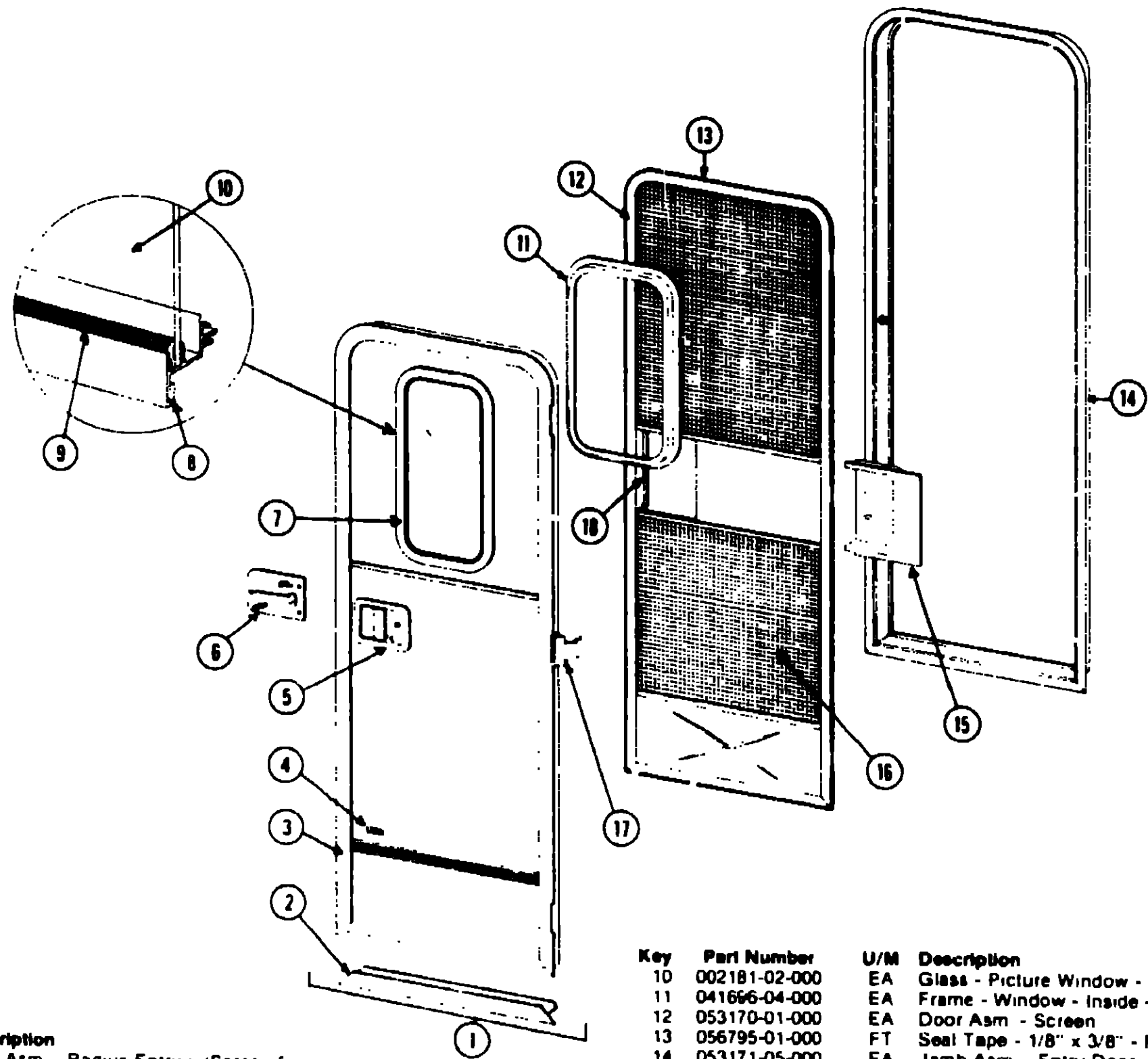
1980 ITASCA
TABLE OF CONTENTS

Introduction	A-1
Abbreviations	A-1
Alphabetical Index	A-2 - A-4
ICF26RH LO	A-5 - B-22
ICF26RT LO	B-23 - D-16
ICN26RB LO	D-17 - F-8
ICN29RT LO	F-9 - H-5

1980 ICN29RT LO INDEX

Floor Plan	F-9 - F-10
Accessories Group	F-11 - F-12
Bath Group	F-13 - F-14
Chassis Group	F-15
Curtain, Cushion & Pad Group	F-16 - F-21
Dinette Group	F-22 - F-23
Driver's Compartment Group	F-24 - G-1
Electrical Group	G-2 - G-4
Exterior Body Group	G-5 - G-8
Galley Group	G-9
Heating & Air Conditioning Group	G-10 - G-11
Interior Finish Group	G-12 - G-13
LP Group	G-14
Lounge Group	G-15 - G-16
Water & Sewage Group	G-17
Window, Vent & Exterior Door Group	G-18 - H-5

WINDOW, VENT AND EXTERIOR DOOR GROUP (CONTINUED)



Key	Part Number	U/M	Description
1	053169-19-000	EA	Door Asm - Radius Entry w/Screen Floor
2	039737-06-000	EA	Frame - Entry Door (Bottom Portion Only)
3	039736-05-000	EA	Frame - Entry Door (Except Bottom Portion)
4	054530-01-000	EA	Holder - Entry Door - Mounts on Sidewall
5	045017-01-000	EA	Paddle Asm - Door Lock - Exterior
	045017-01-700	EA	Lock Cylinder w/Keys
	039539-01-000	EA	Striker Bolt - Entry Door
	039540-01-000	EA	Latch Claw - Entry Door
6	039979-01-000	EA	Plate - Lock - Interior - Including Inside Handle
	052186-01-000	EA	Lock Asm - Complete - Exterior
7	041875-04-000	EA	Window Asm - Picture - 13" x 25" - Black Anod (inside frame not included in assembly)
8	004363-01-000	FT	Tape - Foam - 3/16" x 1/2" - Gray
9	002318-02-000	EA	Spine - Glass - 1/8" Black

Key	Part Number	U/M	Description
10	002181-02-000	EA	Glass - Picture Window - 1/8" x 12" x 24" - Gray
11	041666-04-000	EA	Frame - Window - Inside - 13" x 25" - Brown
12	053170-01-000	EA	Door Asm - Screen
13	056795-01-000	FT	Seal Tape - 1/8" x 3/8" - Press On
14	053171-05-000	EA	Jamb Asm - Entry Door
15	015580-01-000	EA	Slider - Screen Door - Brown Plastic
16	002293-01-000	SF	Screen - Window - 25" - Gray
17	039520-01-000	EA	Hinge - Entry Door (3 used per door)
18	015581-01-000	EA	Cap - Screen Door - Brown Plastic
	049176-01-000	EA	Hedlok II - 3/4" Diameter - Screw Mount (Retains screen door to entry door)
	049797-01-000	EA	Hedlok II - 1" Diameter - Screw Mount (Retains screen door to entry door)
	063638-01-000	EA	Striker - Screen Door
	039863-01-000	EA	Catch Asm - Single Roller w/Strike - Screen Door
	051390-01-000	FT	Seal - Jamb - Entry Door - Bulb Seal
	039800-01-000	FT	Tubing - Polybutyl - 1/2" O.D. - Jamb
			Not Illustrated

1980 ITASCA TABLE OF CONTENTS

Introduction	A-1
Abbreviations	A-1
Alphabetical Index	A-2 - A-4
ICF26FH LO	A-5 - B-22
ICF26RT LO	B-23 - D-16
ICN26RB LO	D-17 - F-8
ICN29RT LO	F-9 - H-5

1980 ICN29RT LO INDEX

Floor Plan	F-9 - F-10
Accessories Group	F-11 - F-12
Bath Group	F-13 - F-14
Chassis Group	F-15
Curtain, Cushion & Pad Group	F-16 - F-21
Dinette Group	F-22 - F-23
Driver's Compartment Group	F-24 - G-1
Electrical Group	G-2 - G-4
Exterior Body Group	G-5 - G-8
Galley Group	G-9
Heating & Air Conditioning Group	G-10 - G-11
Interior Finish Group	G-12 - G-13
LP Group	G-14
Lounge Group	G-15 - G-16
Water & Sewage Group	G-17
Window, Vent & Exterior Door Group	G-18 - H-5

WINDOW, VENT AND EXTERIOR DOOR GROUP (CONTINUED)

WINDSHIELD

Key	Part Number	U/P	Description
	058272-01-000	EA	Frame Asm. - Windshield w/o Glass
	057459-01-000	EA	Glass - Windshield - Right or Left
	038886-01-000	EA	Tape - Butyl - 31" x 31" x 148"

VENTS

Key	Part Number	U/M	Description
	038778-01-000	EA	Cover - Refrigerator Vent
	009407-01-000	EA	Frame - Asm - Refrigerator Vent
	049352-03-000	EA	Vent - Stovehood - Outside - Gray
**	048789-01-000	EA	Vent Asm - Roof - Powered w/o Screen - Alum
**	048835-01-000	EA	Vent Asm - Roof - Non Powered - w/o Screen - Alum.
**	056119-01-000	EA	Vent Asm. - Roof - Powered/Lighted - Jensen - White

**The illustrated parts breakdown for this item is provided on the Common Items Fiche.

ACCESS DOORS

Key	Part Number	U/M	Description
	033333-31-000	EA	Door Asm - Battery - 24.5" x 8.5" - Gray w/Twist Type Lock
	033333-29-000	EA	Door Asm - Luggage - 47.25" x 8.5" - Gray w/Key Lock
	047233-03-000	EA	Door Asm - Luggage - 35.5" x 13" - Gray w/Key Type Lock
	054270-06-000	EA	Door Asm - Refrigerator Access - Gray w/Twist Type Lock
	055500-05-000	EA	Door Asm - Gas Fill - Gray w/Key Type Lock
	042441-01-000	EA	Lock Asm. - Key Type - Gas Fill
	047305-01-000	EA	Lock Asm - Key Type w/Clip
	018945-02-000	EA	Holder Asm. - Battery and Luggage Door
	052179-09-000	EA	Door Asm - Generator - Gray w/Twist Type Lock
	052181-02-000	EA	Baffle - Generator Door
	055500-06-000	EA	Door Asm - Gas Fill - Gray w/Twist Type Lock
	057096-03-000	EA	Door Asm - Power Cord w/Hatch - Gray
	042442-01-000	EA	Lock Asm - Twist Type
	052009-03-000	EA	Door Asm - Water Heater - Gray

1980 ITASCA

TABLE OF CONTENTS

Introduction	A-1
Abbreviations	A-1
Alphabetical Index	A-2 - A-4
ICF26RH LO	A-5 - B-21
ICF26RT LO	B-23 - D-11
ICN26RB LO	D-17 - E-6
ICN29RT LO	F-9 - H-5

1980 ICN29RT LO INDEX

Floor Plan	F-9 - F-10
Accessories Group	F-11 - F-12
Bath Group	F-13 - F-14
Chassis Group	F-15
Curtain, Cushion & Pad Group	F-16 - F-21
Dinette Group	F-22 - F-23
Driver's Compartment Group	F-24 - G-1
Electrical Group	G-2 - G-4
Exterior Body Group	G-5 - G-8
Galley Group	G-9
Heating & Air Conditioning Group	G-10 - G-11
Interior Finish Group	G-12 - G-13
LP Group	G-14
Lounge Group	G-15 - G-16
Water & Sewage Group	G-17
Window, Vent & Exterior Door Group	G-18 - H-5