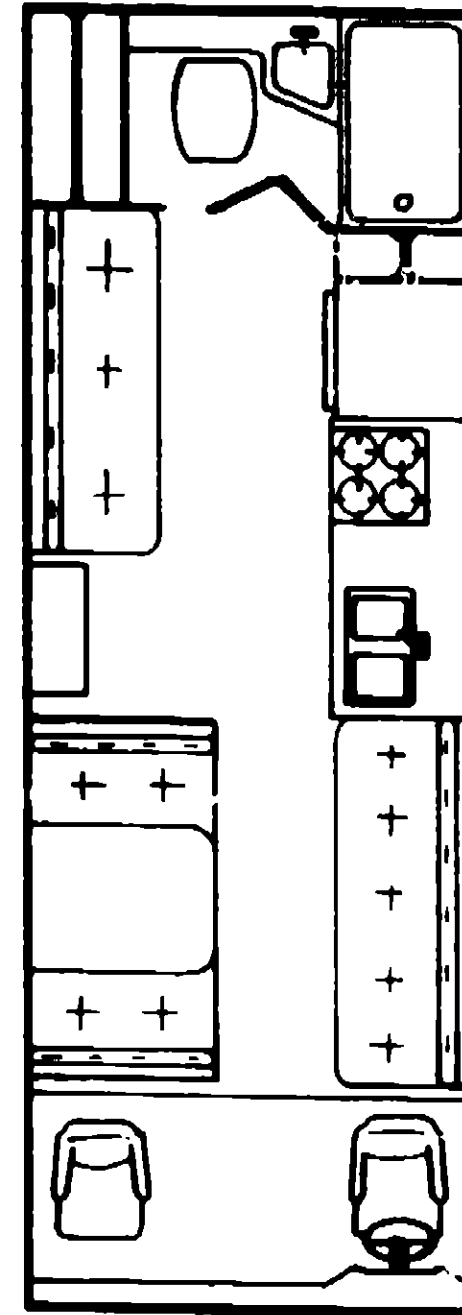
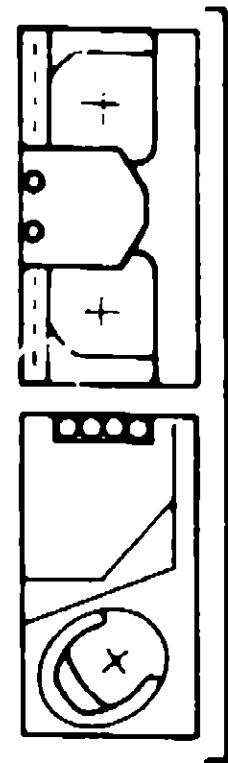


# 1980 ICN26RB L1



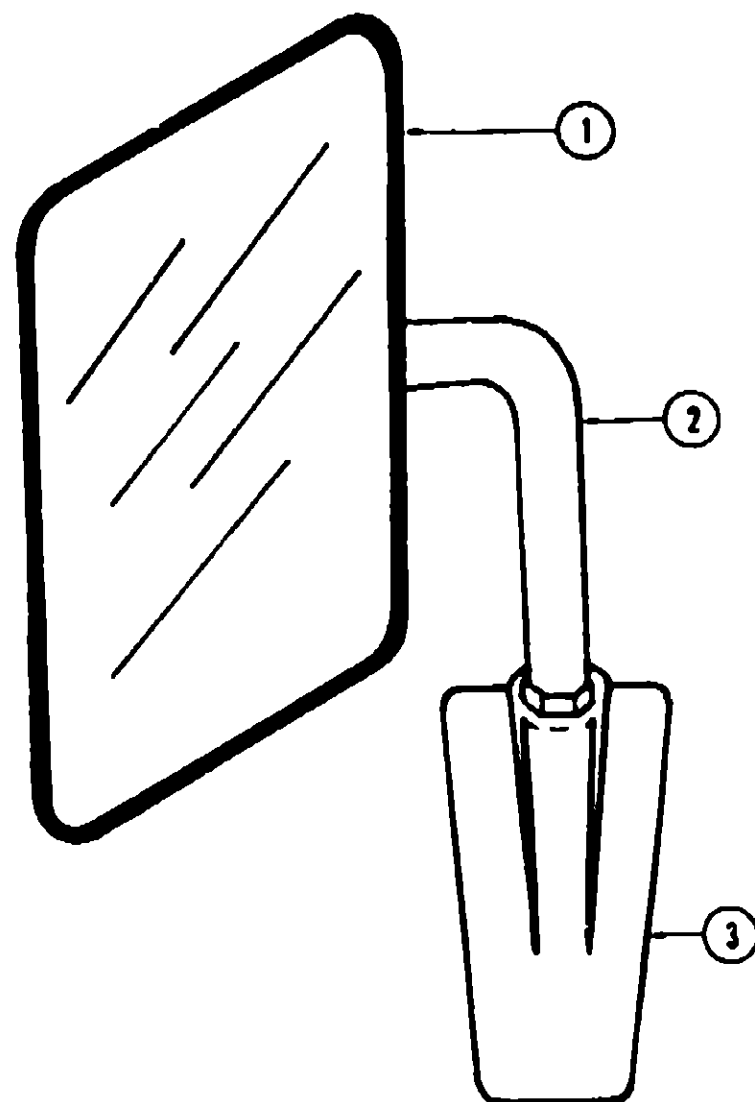
## 1980 ITASCA TABLE OF CONTENTS

ICS24RH L1	A-1 - B-16
IC625RB L1	B-17 - D-4
ICN26RB L1	D-5 - E-22

## 1980 ICN26RB L1 INDEX

Floor Plan	D-5 - D-6
Accessories Group	D-7 - D-8
Bath Group	D-9
Chassis Group	D-10
Curtain, Cushion and Pad Group	D-11 - D-15
Dinette Group	D-16
Driver's Compartment Group	D-17 - D-18
Electrical Group	D-19 - D-21
Exterior Body Group	D-22 - E-1
Galley Group	E-2
Heating & Air Conditioning Group	E-3 - E-4
Interior Finish Group	E-5 - E-6
LP Group	E-7
Lounge Group	E-8
Water & Sewage Group	E-9 - E-10
Window, Vent & Exterior Door Group	E-11 - E-22

## ACCESSORIES GROUP



Key	Part Number	U/M	Description
1	057481-01-000	EA	Mirror Head - 7 1/2" x 10 1/2" - w/Convex - Stainless Steel
1	057481-02-000	EA	Mirror Head - 7 1/2" x 10 1/2" - w/Convex - Off White
2	048348-03-000	EA	Arm - Low Mount Mirror - Black
2	048348-02-000	EA	Arm - Low Mount Mirror - Off White
3	048844-04-000	EA	Bracket - Mirror - Outside - Black
.	085116-01-000	EA	Mirror - West Coast - Double Mirror - Right
.	085116-02-000	EA	Mirror - West Coast - Double Mirror - Left
.			Not Illustrated

## GENERATORS AND COMPONENTS

Key	Part Number	U/M	Description
**	054428-01-000	EA	Generator - Onan - 4.0 kw - BFA
**	054431-01-000	EA	Generator - Onan - 5.0 kw - BGA
	701829-02-000	EA	Onan Installation Package
	024732-01-001	EA	Tailpipe - 1 1/2" O.D. x 23"
	054428-01-000	EA	Muffler - Generator - w/Spark Arrestor
	740313-68-000	EA	Tray - Generator - 4.0 - 5.0 kw Onan

\*\*The illustrated parts breakdown for this item is provided on the Common Items Fiche.

D-7

## ACCESSORIES GROUP (CONTINUED)

### RADIOS AND RELATED COMPONENTS

Key	Part Number	U/M	Description
	049730-01-000	EA	Radio - Clarion - AM/w/Fader Switch
	049731-01-000	EA	Radio - Clarion - AM/FM/MPX - w/Fader Switch
	049732-01-000	EA	Radio - Clarion - AM/FM/MPX - 8 Track - w/Fader Switch
	058014-02-000	EA	Radio - Motorola - AM/FM Stereo - Cassette
	058014-01-000	EA	Radio - Motorola - AM/FM Stereo, 8 Track
	053788-01-000	EA	Speaker - Recessed - 5 1/4" - 10 oz.
	031105-01-000	EA	Antenna - Radio - Side Mount
	031105-01-700	EA	Holder - Antenna - Radio - Upper
	048153-01-000	EA	Antenna - CB Camper Style
	063847-01-000	EA	Control Box - Clarion CB
	063847-02-000	EA	Module - Clarion CB
	084785-01-000	EA	Radio - Audio Vox - AM
	084786-01-000	EA	Radio - Audio Vox - AM/FM/MPX w/8 Track
	084787-01-000	EA	Radio - Audio Vox - AM/FM/MPX w/Cassette
	084788-01-000	EA	Radio - Audio Vox - AM/FM - Cassette - w/Digital Clock
	084789-01-000	EA	Radio - Audio Vox - AM/FM - 8 Track - w/Digital Clock
	084791-01-000	EA	Speaker - Recessed - 5 1/4" - Audio Vox
	084792-01-000	EA	Speaker Grille - 5 1/4" - Brown - Audio Vox

### FRONT BUNK AND HARDWARE

Key	Part Number	U/M	Description
	058300-01-L07	EA	Cabinet Asm. - Front Overhead
	058844-01-L07	EA	Bunk Board Asm. - Front Overhead w/Rails
	053773-01-000	EA	Support - Overhead Bunk - Brown - Right
	053773-02-000	EA	Support - Overhead Bunk - Brown - Left
	040071-02-000	EA	Support - Bunk - Seat Belt
	041322-01-000	EA	Washer - Flat - 15/32" I.D. x 2 3/8" O.D.
	038516-02-000	EA	Catch - Bunk - Brown
	023812-22-000	EA	Rail - Bunk - 80" - Brown
	053774-01-000	EA	Torsion Rod - Overhead Bunk - Brown

### MISCELLANEOUS ACCESSORIES

Key	Part Number	U/M	Description
	054185-07-000	EA	Owners Manual - Itasca
	008053-01-000	EA	Antenna - TV Braunl Detux
	008053-01-700	EA	Parts Kit - Repair - Braunl TV Antenna
	008089-01-000	EA	Jack - TV - Brown (Antenna)
	008078-01-000	EA	Ladder - Front Bunk
	017518-01-000	EA	Mud Flap - Black - 14" x 18" w/Holes
	008113-01-000	EA	Jack Hydraulic - 5 Ton
	041844-01-700	EA	Fire Extinguisher - w/Bracket
	041844-03-000	EA	Fire Extinguisher w/Bracket - SBC (Calif.)
	052771-02-000	EA	Oven - Microwave - Magic Chef MW207
	055285-01-000	EA	Vacuum Asm. - Tevis Campbell
	055285-01-700	EA	Attachments for Vacuum - Tevis Campbell
	055285-01-701	EA	Vacuum Bags - Package of 12 - Tevis Campbell
	084375-01-000	EA	TV - Color - Panasonic
	058254-01-000	EA	Ladder Asm. - w/Luggage Rack
	058254-02-000	EA	Ladder Asm.
	041846-01-000	EA	Luggage Carrier Assembly
	038881-01-000	EA	Catch and Strike - Luggage Carrier
**	031386-04-000	EA	Wheel Cover - 16" Chrome
**	058778-01-000	EA	Speed Control Package - Electric - Chev. - Dana
	052241-02-000	EA	Cover - Spare Tire - Gray Plastic

\*\*The illustrated parts breakdown for this item is provided on the Common Items Fiche.

D-8

## 1990 ITASCA TABLE OF CONTENTS

IC524RH L1	A-1 - B-16
IC625RB L1	B-17 - D-4
ICN26RB L1	D-5 - E-22

## 1990 ICN26RB L1 INDEX

Floor Plan	D-5 - D-6
Accessories Group	D-7 - D-8
Bath Group	D-9
Chassis Group	D-10
Curtain, Cushion and Pad Group	D-11 - D-15
Dinette Group	D-16
Driver's Compartment Group	D-17 - D-18
Electrical Group	D-19 - D-21
Exterior Body Group	D-22 - E-1
Galley Group	E-2
Heating & Air Conditioning Group	E-3 - E-4
Interior Finish Group	E-5 - E-8
LP Group	E-7
Lounge Group	E-8
Water & Sewage Group	E-9 - E-10
Window, Vent & Exterior Door Group	E-11 - E-22

## BATH GROUP

### BATH CABINETRY

Key	Part Number	U/M	Description
	065894-01-L07	EA	Cabinet Asm. - Lavatory - w/o Countertop
	065897-01-L07	EA	Countertop Asm. - Lavatory - Stonehenge
	063224-11-L07	FA	Door Asm. - Rolled - 12.4" x 24"
	063224-12-L07	EA	Door Asm. - Rolled - 16.1" x 24"
	058550-71-700	EA	Door Asm. - 9.6" x 25.35" - w/o Hardware
	058550-09-700	EA	Door Asm. - 12" x 18.3" - w/o Hardware
	053130-05-000	EA	Cabinet Asm. - Medicine - 37.75" x 15"
	053130-02-702	EA	Catch - Door - Jensen Medicine Cabinet
	065889-01-L07	EA	Door Asm. - Sliding - 28" x 75" - w/o Hardware

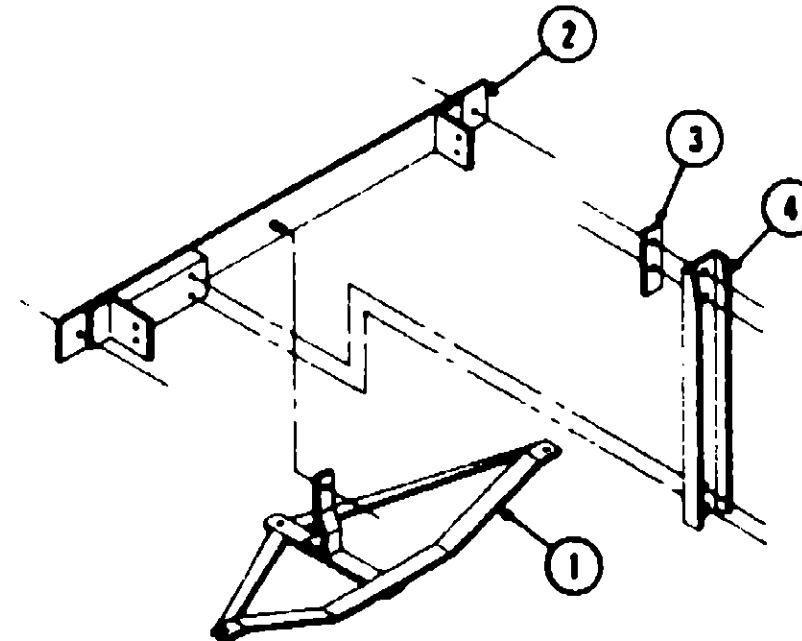
### BATH HARDWARE

Key	Part Number	U/M	Description
	064953-01-000	EA	Faucet - Lavatory
	058640-01-000	EA	Sink - Oval - Ivory Plastic
	011083-01-000	EA	Plug - Sink - 1 1/4" w/Chain
**	011048-01-000	EA	Shower Head - w/80" Hose
	011048-02-000	EA	Shower Head - w/80" Hose - w/o Vacuum Breaker
	010485-01-000	EA	Hose Clamp - 9/16"
**	031558-01-000	EA	Faucet - Tub and Shower
	066729-01-000	EA	Strainer - Shower Pan
**	011089-01-000	EA	Tailpiece - 1 1/4" x 4" - Brass
	064552-01-000	EA	Shower Pan Asm.
	008134-01-000	EA	Holder - Tissue
	057871-01-000	EA	Cover - Screw #8 - Antique White
	066348-01-000	EA	Hamper Bag
	058331-02-000	EA	Mirror - Safety Glass - 12" x 36"
	057534-01-000	EA	Tie Back - Clear Plastic - 6"
	009156-01-000	EA	Hanger - Sliding Door
	009155-01-000	EA	Track - Sliding Door
	017788-05-000	FT	Extr. - U-Channel - 3/16" - Light Brown
	064487-01-000	EA	Guide - Door Pocket - Wall Mount
	058034-01-000	EA	Door Latch - Sliding Door
	009112-01-000	EA	Flange - 1" Closet Rod
	063740-01-000	EA	Toilet - Aqua Magic IV - Ivory

\*\*The illustrated parts breakdown for this item is provided on the Common Items Fiche

## CHASSIS GROUP

Key	Part Number	U/M	Description
	067058-01-000	EA	Tank - Fuel - Main - 69.7 Gallon
	057038-02-000	EA	Sending Unit - 90 Ohm
	064088-01-000	EA	Fuel Fill - 18 Ga. Steel
	065743-01-000	EA	Gas Cap
	024138-01-000	FT	Hose - Fuel - 5/16" I.D. SAE 30R1
	024141-01-000	FT	Hose Rubber - 1/2" I.D.
	007134-01-000	EA	Clamp - Hose - Spring Type - 9/16"
	063388-02-000	EA	Hanger - Fuel Tank Mounting
	063388-01-000	EA	Strap - Fuel Tank Mounting
	064091-01-000	EA	Hose - Fuel - 2" I.D. - 90° Bend
	062401-05-000	EA	Clamp - Worm Gear - 2" - 3"
	062401-03-000	EA	Clamp - Worm Drive - 22" - 1" I.D.
	048474-01-000	EA	Bumper - Rear - Chrome
	058401-01-000	EA	Hood Board - Upper - Right - Steel
	058404-01-000	EA	Hood Board - Upper - Left - Steel
	056818-01-000	EA	Cover - Radiator - Rear
	056817-01-000	EA	Cover - Radiator - Rear Back - (Fan Shroud)
	058200-01-000	EA	Bumper - Front - Chrome
	005200-01-000	EA	Bolt - Carriage - 7/16" - 14 x 1 1/4" SST
	058438-01-000	EA	Bracket - Front Bumper - Black
	740313-56-000	EA	Tray - Generator - Onan - 4.0 kw - 5.0 kw
	740313-57-000	EA	Tray - Generator - Onan - 6.5 kw
	052431-01-000	EA	Luggage Tray
	022655-02-000	EA	Tailpipe - 2 1/4" x 8" - 454 Engine
	007125-06-000	EA	Clamp Asm. - Muffler - 2 1/4"
	017516-01-000	EA	Mud Flap - Black - 14" x 18" w/Holes
	051897-01-000	EA	Bracket - Battery Tie Down
	063976-02-000	EA	Step - Assist - Black - Lower (Driver Door Option)
	063977-02-000	EA	Step - Assist - Black - Upper (Driver Door Option)
	024652-01-700	EA	Step Asm. - Entry
	024490-01-000	EA	Power Cord Box - Plastic
	055080-01-000	EA	Wheel Well - Plastic
	053249-01-000	EA	Battery Tray Asm.



Key	Part Number	U/M	Description
1	064833-01-000	EA	Trailer Hitch Asm.
2	064801-02-000	EA	Bracket - Bumper Mount
3	040974-01-000	EA	Bracket - Spare Tire Retainer - 2" x 6.75"
4	064588-01-000	EA	Bracket Asm. - Spare Tire Carrier

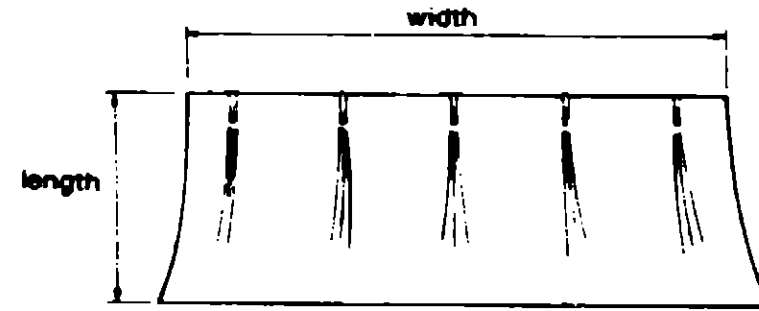
## 1980 ITASCA TABLE OF CONTENTS

IC524RH L1	A-1 - B-16
IC625RB L1	B-17 - D-4
ICN26RB L1	D-5 - E-22

## 1980 ICN26RB L1 INDEX

Floor Plan	D-5 - D-6
Accessories Group	D-7 - D-8
Bath Group	D-9
Chassis Group	D-10
Curtain, Cushion and Pad Group	D-11 - D-15
Dinette Group	D-16
Driver's Compartment Group	D-17 - D-18
Electrical Group	D-19 - D-21
Exterior Body Group	D-22 - E-1
Galley Group	E-2
Heating & Air Conditioning Group	E-3 - E-4
Interior Finish Group	E-5 - E-6
LP Group	E-7
Lounge Group	E-8
Water & Sewage Group	E-9 - E-10
Window, Vent & Exterior Door Group	E-11 - E-22

**CURTAIN, CUSHION AND PAD GROUP**



**NOTE:**  
Use this illustration when determining length and width measurements for curtains. You will note the width measurement is taken on the top of the curtain with the curtain fully extended. The length measurement is taken from the top to bottom.

**CURTAIN AND TIE BACKS**

Key	Part Number	U/M	Description
	054048-05-L07	EA	Tie Back Asm. - 2" x 18" - Super Satin
	057534-01-000	EA	Tie Back Asm. - 6" - Clear Plastic
	054051-02-L07	EA	Curtain Asm. - w/Snaps - 34" x 37" - Super Satin
	054051-41-L07	EA	Curtain Asm. - w/Snaps - 27.5" x 81" - Super Satin
	054051-22-L07	EA	Curtain Asm. - w/Snaps - 22" x 96" - Super Satin
	054051-21-L07	EA	Curtain Asm. - w/Snaps - 75" x 96" - Super Satin

**SHADES**

Key	Part Number	U/M	Description
	056547-14-000	EA	Shade - Woven Wood - 31" x 89" - Brown
	065224-03-000	EA	Shade - Woven Wood - 31" x 89" - Rust
	065224-02-000	EA	Shade - Woven Wood - 31" x 89" - Jade
	056547-17-000	EA	Shade - Woven Wood - 23" x 25" - Brown
	065224-06-000	EA	Shade - Woven Wood - 23" x 25" - Rust
	065224-05-000	EA	Shade - Woven Wood - 23" x 25" - Jade
	065224-16-000	EA	Shade - Woven Wood - 32" x 28" - Brown
	065224-18-000	EA	Shade - Woven Wood - 32" x 28" - Rust
	065224-07-000	EA	Shade - Woven Wood - 32" x 28" - Jade

**PADS**

Key	Part Number	U/M	Description
	056082-01-K04	EA	Pad - Door Cover Panel - Acorn Vinyl
	056444-01-L07	EA	Pad - End Cap - Rear Lounge Overhead Cabinet - Left - Acorn Vinyl
	056444-04-L07	EA	Pad - End Cap - Rear Lounge Overhead Cabinet - Right - Acorn Vinyl
	056333-01-K04	EA	Pad - Bunk Rail - Acorn Brown
	056414-01-000	EA	Pad - Seatbelt Trim - Drivers
	056467-03-L07	EA	Pad - Map Pockets - Drivers - Acorn Vinyl
	056414-02-000	EA	Pad - Seatbelt Trim - Passenger
	056467-04-L07	EA	Pad - Map Pocket - Passenger - Acorn Vinyl
	056948-01-L07	EA	Pad - Bunk Panel - Right - Acorn Vinyl
	056948-02-L07	EA	Pad - Bunk Panel - Left - Acorn Vinyl
	056444-03-L07	EA	Pad - Dinette Overhead Cabinets - Left - Acorn Brown
	056444-04-L07	EA	Pad - Dinette Overhead Cabinets - Right - Acorn Brown
	056660-01-L07	EA	Pad - Armrest - Rear Lounge - 31.4" x 6.2" x 3" - Brown
	056660-01-L08	EA	Pad - Armrest - Rear Lounge - 31.4" x 6.2" x 3" - Rust
	056660-01-L09	EA	Pad - Armrest - Rear Lounge - 31.4" x 6.2" x 3" - Jade

**CURTAIN, CUSHION AND PAD GROUP (CONTINUED)**

**FABRICS AND TRIMS**

Key	Part Number	U/M	Description
	053327-01-000	YD	Vinyl - Non Expanded - 27 oz. - Acorn Brown
	053327-02-000	YD	Vinyl - Expanded - 28 oz. - Acorn Brown
	053327-03-000	YD	Vinyl - Non Support - 16 Gauge Film - Acorn Brown
	064383-05-000	YD	Fabric - Curtain - Super Satin
	064383-11-000	YD	Fabric - Upholstery - Main - Brown - (Clinton Cedar)
	064383-14-000	YD	Fabric - Upholstery - Accent - Brown - (Caprice Cinnamon)
	064383-12-000	YD	Fabric - Upholstery - Main - Rust - (Clinton Rust)
	064383-15-000	YD	Fabric - Upholstery - Accent - Rust - (Caprice Clay)
	064383-13-000	YD	Fabric - Upholstery - Main - Jade - (Clinton Seafoam)
	064383-16-000	YD	Fabric - Upholstery - Accent - Jade - (Caprice Seafoam)
	054676-06-L07	EA	Button Asm. - Covered #30 - E. Oak
	054676-06-L08	EA	Button Asm. - Covered #30 - Rust
	054676-06-L09	EA	Button Asm. - Covered #30 - Jade
	052859-01-K11	FT	Trim Asm. - Accent - Acorn Brown Vinyl

**BUCKET SEATS**

Key	Part Number	U/M	Description
	065939-03-L07	EA	Seat Asm. - Single Bucket - Highback w/Armrests and Skirt - Brown
	065939-03-L08	EA	Seat Asm. - Single Bucket - Highback w/Armrests and Skirt - Rust
	065939-03-L09	EA	Seat Asm. - Single Bucket - Highback w/Armrests and Skirt - Jade
	065943-03-L07	EA	Cover - Back - Single Bucket - Brown
	065943-03-L08	EA	Cover - Back - Single Bucket - Rust
	065943-03-L09	EA	Cover - Back - Single Bucket - Jade
	065944-03-L07	EA	Cover - Bottom - Single Bucket - Brown
	065944-03-L08	EA	Cover - Bottom - Single Bucket - Rust
	065944-03-L09	EA	Cover - Bottom - Single Bucket - Jade
	066915-03-L07	EA	Skirt - Single Bucket - Brown
	066915-03-L08	EA	Skirt - Single Bucket - Rust
	066915-03-L09	EA	Skirt - Single Bucket - Jade
	065942-01-L07	EA	Seat Asm. - Double Bucket - Highback w/Armrests and Skirt - Brown
	065942-01-L08	EA	Seat Asm. - Double Bucket - Highback w/Armrests and Skirt - Rust
	065942-01-L09	EA	Seat Asm. - Double Bucket - Highback w/Armrests and Skirt - Jade
	065945-03-L07	EA	Cover - Back - Double Bucket - Brown
	065945-03-L08	EA	Cover - Back - Double Bucket - Rust
	065945-03-L09	EA	Cover - Back - Double Bucket - Jade
	065946-03-L07	EA	Cover - Bottom - Double Bucket - Brown
	065946-03-L08	EA	Cover - Bottom - Double Bucket - Rust
	065946-03-L09	EA	Cover - Bottom - Double Bucket - Jade
	066916-03-L07	EA	Skirt - Double Bucket - Brown
	066916-03-L08	EA	Skirt - Double Bucket - Rust
	066916-03-L09	EA	Skirt - Double Bucket - Jade
	050275-01-700	EA	Armrest Asm. - Foam w/o Cover - Right
	050276-01-700	EA	Armrest Asm. - Foam w/o Cover - Left
	065774-03-L07	EA	Cover - Armrest - Right or Left - Brown
	065774-03-L08	EA	Cover - Armrest - Right or Left - Rust
	065774-03-L09	EA	Cover - Armrest - Right or Left - Jade

**FRONT BUNK CUSHIONS**

Key	Part Number	U/M	Description
	055021-33-L07	EA	Cushion Asm. - Front Bunk - 47" x 79.25" x 5" - Brown
	055021-33-L08	EA	Cushion Asm. - Front Bunk - 47" x 79.25" x 5" - Rust
	055021-33-L09	EA	Cushion Asm. - Front Bunk - 47" x 79.25" x 5" - Jade
	055022-35-L07	EA	Cover - Front Bunk Cushion - 47" x 79.25" x 5" - Brown
	055022-35-L08	EA	Cover - Front Bunk Cushion - 47" x 79.25" x 5" - Rust
	055022-35-L09	EA	Cover - Front Bunk Cushion - 47" x 79.25" x 5" - Jade

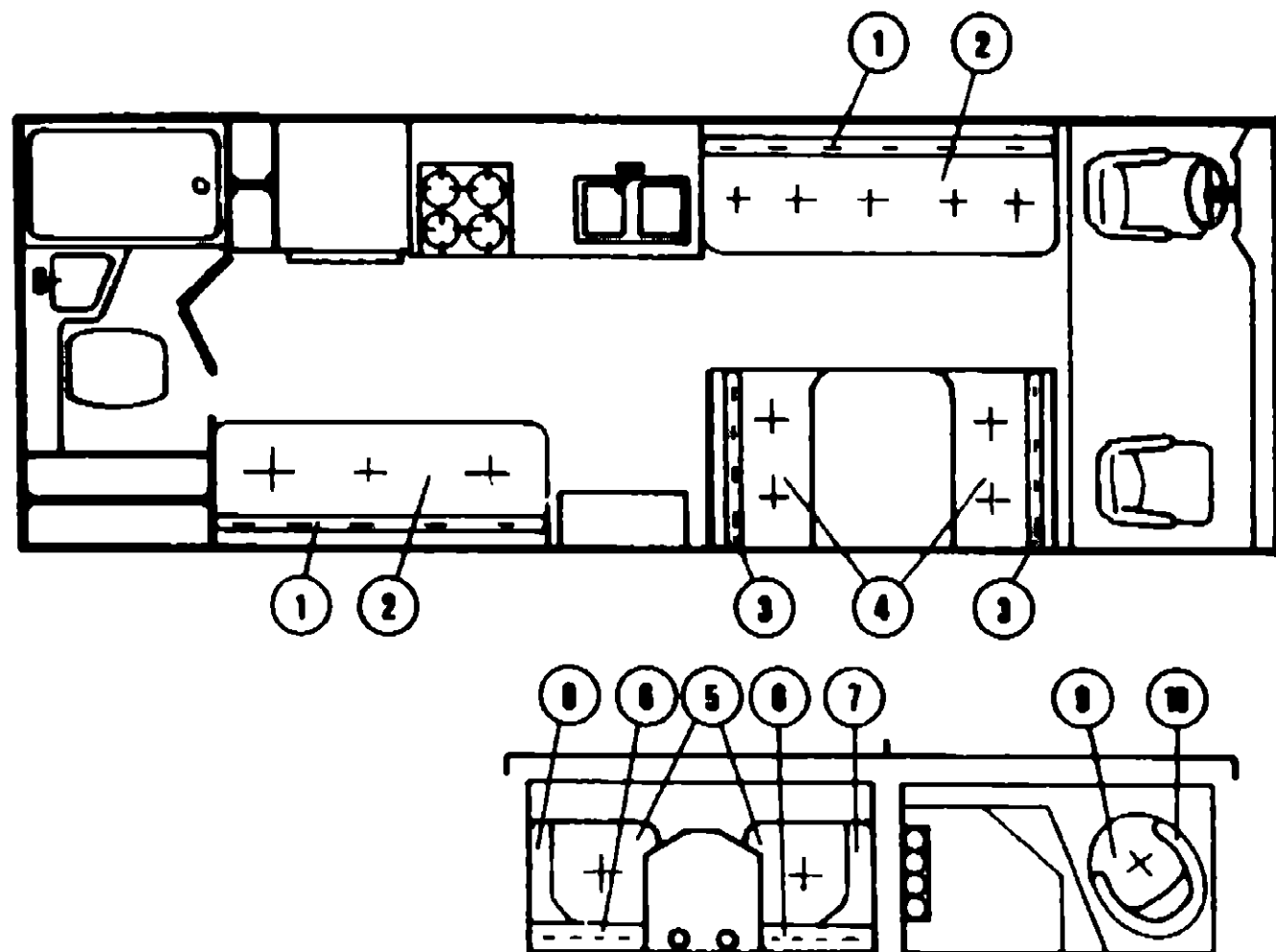
**1990 ITASCA  
TABLE OF CONTENTS**

IC524RH L1	A-1 - B-16
IC625RB L1	B-17 - D-4
ICN26RB L1	D-5 - E-22

**1990 ICN26RB L1 INDEX**

Floor Plan	D-5 - D-6
Accessories Group	D-7 - D-8
Bath Group	D-9
Chassis Group	D-10
Curtain, Cushion and Pad Group	D-11 - D-15
Dinette Group	D-16
Driver's Compartment Group	D-17 - D-18
Electrical Group	D-19 - D-21
Exterior Body Group	D-22 - E-1
Galley Group	E-2
Heating & Air Conditioning Group	E-3 - E-4
Interior Finish Group	E-5 - E-6
LP Group	E-7
Lounge Group	E-8
Water & Sewage Group	E-9 - E-10
Window, Vent & Exterior Door Group	E-11 - E-22

**CURTAIN, CUSHION AND PAD GROUP (CONTINUED)**



**PRESTO BED CUSHIONS**

Key	Part Number	U/M	Description
1	064720-01-L07	EA	Cushion - Presto Bed - 76" Back - Brown
1	064720-01-L08	EA	Cushion - Presto Bed - 76" Back - Rust
1	064720-01-L09	EA	Cushion - Presto Bed - 76" Back - Jade
	064724-01-L07	EA	Cover - Presto Bed Back - Brown
	064724-01-L08	EA	Cover - Presto Bed Back - Rust
	064724-01-L09	EA	Cover - Presto Bed Back - Jade
2	064721-01-L07	EA	Cushion - Presto Bed - 76" Bottom - Brown
2	064721-01-L08	EA	Cushion - Presto Bed - 76" Bottom - Rust
2	064721-01-L09	EA	Cushion - Presto Bed - 76" Bottom - Jade
	064724-02-L07	EA	Cover - Presto Bed Bottom - Brown
	064724-02-L08	EA	Cover - Presto Bed Bottom - Rust
	064724-02-L09	EA	Cover - Presto Bed Bottom - Jade

**CURTAIN, CUSHION AND PAD GROUP (CONTINUED)**

**DINETTE CUSHIONS**

Key	Part Number	U/M	Description
3	064710-02-L07	EA	Cushion - Dinette Back - 19.2" x 38" x 5" - Brown
3	064710-02-L08	EA	Cushion - Dinette Back - 19.2" x 38" x 5" - Rust
3	064710-02-L09	EA	Cushion - Dinette Back - 19.2" x 38" x 5" - Jade
	067711-02-L07	EA	Cover - Dinette Back Cushion - 19.2" x 38" x 5" - Brown
	067711-02-L08	EA	Cover - Dinette Back Cushion - 19.2" x 38" x 5" - Rust
	067711-02-L09	EA	Cover - Dinette Back Cushion - 19.2" x 38" x 5" - Jade
4	064710-01-L07	EA	Cushion - Dinette Bottom - 17.5" x 38 1/2" x 5" - Brown
4	064710-01-L08	EA	Cushion - Dinette Bottom - 17.5" x 38 1/2" x 5" - Rust
4	064710-01-L09	EA	Cushion - Dinette Bottom - 17.5" x 38 1/2" x 5" - Jade
	064711-01-L07	EA	Cover - Dinette Bottom Cushion - 17.5" x 38 1/2" x 5" - Brown
	064711-01-L08	EA	Cover - Dinette Bottom Cushion - 17.5" x 38 1/2" x 5" - Rust
	061711-01-L09	EA	Cover - Dinette Bottom Cushion - 17.5" x 38 1/2" x 5" - Jade

**CORNER LOUNGE CHAIR CUSHIONS**

Key	Part Number	U/M	Description
5	059743-05-L07	EA	Cushion - Lounge Chair Bottom - Brown
5	059743-05-L08	EA	Cushion - Lounge Chair Bottom - Rust
5	059743-05-L09	EA	Cushion - Lounge Chair Bottom - Jade
	059746-05-L07	EA	Cover - Lounge Chair Bottom Cushion - Brown
	059746-05-L08	EA	Cover - Lounge Chair Bottom Cushion - Rust
	059746-05-L09	EA	Cover - Lounge Chair Bottom Cushion - Jade
6	059742-05-L07	EA	Cushion - Lounge Chair Back - Brown
6	059742-05-L08	EA	Cushion - Lounge Chair Back - Rust
6	059742-05-L09	EA	Cushion - Lounge Chair Back - Jade
	059745-05-L07	EA	Cover - Lounge Chair Back Cushion - Brown
	059745-05-L08	EA	Cover - Lounge Chair Back Cushion - Rust
	059745-05-L09	EA	Cover - Lounge Chair Back Cushion - Jade
7	059744-10-L07	EA	Cushion - Chair Wedge - Left - Brown
7	059744-10-L08	EA	Cushion - Chair Wedge - Left - Rust
7	059744-10-L09	EA	Cushion - Chair Wedge - Left - Jade
	059747-10-L07	EA	Cover - Chair Wedge Cushion - Left - Brown
	059747-10-L08	EA	Cover - Chair Wedge Cushion - Left - Rust
	059747-10-L09	EA	Cover - Chair Wedge Cushion - Left - Jade
8	059744-09-L07	EA	Cushion - Chair Wedge - Right - Brown
8	059744-09-L08	EA	Cushion - Chair Wedge - Right - Rust
8	059744-09-L09	EA	Cushion - Chair Wedge - Right - Jade
	059747-09-L07	EA	Cover - Chair Wedge Cushion - Right - Brown
	059747-09-L08	EA	Cover - Chair Wedge Cushion - Right - Rust
	059747-09-L09	EA	Cover - Chair Wedge Cushion - Right - Jade

**SWIVEL CHAIRS**

Key	Part Number	U/M	Description
9	054700-10-L07	EA	Cushion - Swivel Chair - Brown
9	054700-10-L08	EA	Cushion - Swivel Chair - Rust
9	054700-10-L09	EA	Cushion - Swivel Chair - Jade
10	054674-11-L07	EA	Swivel Chair - Complete - Brown
10	054674-11-L08	EA	Swivel Chair - Complete - Rust
10	054674-11-L09	EA	Swivel Chair - Complete - Jade
	035036-01-000	EA	Plate - Swivel Chair
	035036-02-000	EA	Base w/Legs - Swivel Chairs

**1990 ITASCA  
TABLE OF CONTENTS**

IC524RH L1	A-1 - B-16
IC625RB L1	B-17 - D-4
ICN26RB L1	D-5 - E-22

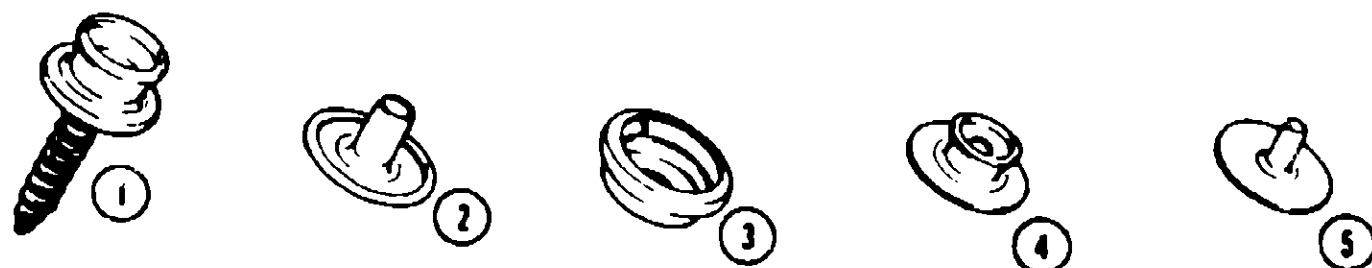
**1990 ICN26RB L1 INDEX**

Floor Plan	D-5 - D-6
Accessories Group	D-7 - D-8
Bath Group	D-9
Chassis Group	D-10
Curtain, Cushion and Pad Group	D-11 - D-15
Dinette Group	D-16
Driver's Compartment Group	D-17 - D-18
Electrical Group	D-19 - D-21
Exterior Body Group	D-22 - E-1
Galley Group	E-2
Heating & Air Conditioning Group	E-3 - E-4
Interior Finish Group	E-5 - E-6
LP Group	E-7
Lounge Group	E-8
Water & Sewage Group	E-9 - E-10
Window, Vent & Exterior Door Group	E-11 - E-22

## CURTAIN, CUSHION AND PAD GROUP (CONTINUED)

### CURTAIN HARDWARE

Key	Part Number	U/M	Description
	053272-04-200	EA	Track - Curtain - Ceiling - 89" - Off White
	053265-02-001	EA	Track - Curtain - Door - 18" - Anod.
	059430-01-000	EA	Track - Curtain - Front Wraparound (2 per unit)
	009107-01-000	EA	Guide - Nylon Snap - Curtain
	018031-42-000	EA	Track - Curtain - "L" Rod - Alum. Extr. - 90"
	009701-01-000	EA	Carrier - "L" Rod - Curtain
	009702-01-000	EA	End Stop - "L" Rod - Curtain



Key	Part Number	U/M	Description
1	029130-01-000	EA	Socket - Snap Fastener
2	029155-01-000	EA	Cap - Snap - .156" Dia. x .17" Barrel
3	029156-01-000	EA	Socket - Snap Fastener
4	029092-01-000	EA	Stud - Nickel Finish
5	029093-01-000	EA	Eyelet - Nickel Finish

## DINETTE GROUP

### CONVENTIONAL DINETTE, OVERHEAD CABINETS AND DINETTE COUCH

Key	Part Number	U/M	Description
	053192-01-L07	EA	Table Asm. - Dinette - w/o Hardware - Stonehenge
	053200-04-000	EA	Bracket - Upper Wall Mount - 23.5 Black Anod.
**	053201-03-000	EA	Bracket - Table Mount - 23"
**	024275-01-000	EA	Rod - Table Lift - 8.5" x 23.5"
**	024281-06-000	EA	Bracket - Lower Wall Mount - 22.12" - Black Anod.
**	024276-04-000	EA	Leg Asm. - Table - Brown - 29.5"
**	064050-01-000	EA	Hinge - Table Leg
**	024282-01-000	EA	Brace - Table Leg
**	024283-01-000	EA	Clip - 1" O.D. Tube
**	049493-02-000	EA	Catch - Table Leg - Mounts on Floor - Brown
	059825-01-L07	EA	Cabinet Asm. - Dinette Overhead - w/o Doors or Hardware
	059551-01-700	EA	Door Asm. - Overhead Cabinet - 8.2" x 24.9"
	067033-01-L07	EA	Cabinet Asm. - Overhead Front Lounge
	068006-01-L07	EA	Cabinet Asm. - Dinette Seat - w/o Door or Hardware - Right
	059550-03-700	EA	Door Asm. - Dinette Seat - Cabinet - 7.3" x 21.9" - w/o Hardware
	068006-02-L07	EA	Cabinet Asm. - Dinette Seat - w/o Door or Hardware
	059550-04-700	EA	Door Asm. - Dinette Seat Cabinet - 8.9" x 18.7" w/o Hardware
	057468-02-000	EA	Frame - Sprung Couch - Right Side
	057468-03-000	EA	Frame - Sprung Couch - Left Side
	057468-04-000	EA	Frame Angle - Sprung Couch (2 per couch)
	057468-01-000	EA	Leg Asm. - Sprung Couch (2 per couch)
	067032-01-L07	EA	Panel Asm. - Dinette Couch Front - w/o Doors or Hardware
	059844-01-L07	EA	Door Asm. - Furnace Access - w/Mesh Grille - w/o Hardware
	047205-12-000	EA	Mesh - Grille - 14.5" x 10" - Brass
	039873-01-000	EA	Catch and Strike - Nylon
	053248-02-L07	EA	Table Asm. - Pedestal - w/o Hardware - Stonehenge
	009040-02-000	EA	Leg - Pedestal Table - 27.5" x 2.25" O.D. - Chrome
	009040-03-000	EA	Brace - Pedestal Table - Mounts on Table
	041194-01-000	EA	Base - Pedestal Table - Mounts in Floor

\*\*The illustrated parts breakdown for this item is provided on the Common Items Fiche.

## 1990 ITASCA TABLE OF CONTENTS

IC524RH L1	A-1 - B-16
IC625RB L1	B-17 - D-4
ICN26RB L1	D-5 - E-22

### CORNER LOUNGE CHAIRS

Key	Part Number	U/M	Description
	061704-01-L07	EA	Table Asm. - Corner Lounge - w/o Hardware
	061882-01-000	EA	Leg Asm. - Table - Pivot
	061879-01-000	EA	Leg Asm. - Table - Fixed
	024275-04-000	EA	Rod - Table Lift
	024281-05-000	EA	Bracket - Table Lift - Mounts on Table
	053200-02-000	EA	Support - Table - 14.5" - Mounts on Wall
	061558-02-L07	EA	Cabinet Asm. - Lounge Chair - Right
	061580-01-L07	EA	Cabinet Asm. - Lounge Chair - Left
	059122-08-L07	EA	Door Asm. - Rolled - 17.7" x 13" - w/Handle

### ENTERTAINMENT CENTER

Key	Part Number	U/M	Description
	068502-02-700	EA	Cabinet Asm. - Entertainment Center - w/o Countertop - Doors and Hardware
	068503-01-L07	EA	Countertop Asm. - Upper - Entertainment Center - Stonehenge
	068504-01-L07	EA	Countertop Asm. - Lower - Entertainment Center - Stonehenge
	063224-14-L07	EA	Door Asm. - Rolled - 20.4" x 17"
	059121-11-L07	EA	Door Asm. - Rolled - 17" x 20.4"
	059550-03-700	EA	Door Asm. - 7.3" x 21.9" - w/o Hardware
	059550-46-700	EA	Door Asm. - 10.5" x 16.4" - w/o Hardware
	059550-76-700	EA	Door Asm. - 9.1" x 19.6"

### 1990 ICN26RB L1 INDEX

Floor Plan	D-5 - D-6
Accessories Group	D-7 - D-8
Bath Group	D-9
Chassis Group	D-10
Curtain, Cushion and Pad Group	D-11 - D-15
Dinette Group	D-16
Driver's Compartment Group	D-17 - D-18
Electrical Group	D-19 - D-21
Exterior Body Group	D-22 - E-1
Galley Group	E-2
Heating & Air Conditioning Group	E-3 - E-4
Interior Finish Group	E-5 - E-6
LP Group	E-7
Lounge Group	E-8
Water & Sewage Group	E-9 - E-10
Window, Vent & Exterior Door Group	E-11 - E-22

## DRIVER'S COMPARTMENT GROUP

### DASH PANEL AND COMPONENTS

Key	Part Number	U/M	Description
	061803-01-L07	EA	Dash Asm. - Complete w/Gauges and Switches
	022548-04-000	EA	Pad - Dash - Right - Dark Brown
	023242-08-000	EA	Pad - Dash - Left - Dark Brown
	024418-01-000	EA	Lamp Asm. - Map/Gauge
	023020-01-000	EA	Lamp Asm. - Tell Tale
	007308-01-000	EA	Dash Clock
	052367-01-000	EA	Lighter Asm. - Cigarette - 12 Volt
	007041-01-000	EA	Bezel - Cigarette Lighter
	007071-01-000	EA	Louver - Chrome - w/Chrome Wheel
	024880-02-000	EA	Outlet - Defroster w/Swivel - 2" Dark Brown
	038044-01-000	EA	Louver Asm. - A/C Adjustable
	050344-02-000	EA	Bezel - Entertainment Center No. 2 - w/Cut Out for Radio and Clock
	050345-02-000	EA	Bezel - Entertainment Center No. 3 - w/Cut Out for Radio, Clock Hourmeter and Generator Start Stop Switch
	057487-02-000	EA	Bezel - Control Panel
	023882-01-000	EA	Box - Glove Compartment - Black Fiberboard
	022219-01-000	EA	Door - Glove Compartment
	009118-01-000	EA	Turn Lock - Glove Compartment
	024588-01-000	EA	Hinge - Glove Compartment - 1 1/16" x 1 1/8"
	034308-01-000	EA	Chain - Glove Box Door
	023834-01-000	EA	Panel - Knee Kick - Bottom of Dash
	033880-01-000	EA	Cable - Bowden - 48"
	038846-01-000	EA	Retainer - Cable - Dash

### DASH SWITCHES AND GAUGES

Key	Part Number	U/M	Description
	024464-02-000	EA	Switch - Battery - Dual/Boost
	024462-01-000	EA	Switch - Battery Condition
	024463-01-000	EA	Switch - Blinker
	024464-01-000	EA	Switch - Washer
	024465-01-000	EA	Switch - Fuel
	024467-01-000	EA	Switch - Wiper
	024876-01-000	EA	Switch - Generator w/o Circuit Board
	037387-01-000	EA	Switch - Generator w/Circuit Board
	024458-01-000	EA	Gauge - Voltmeter
	024460-01-000	EA	Gauge - Vacuum
	031035-01-000	EA	Gauge - Generator Hourmeter
	031378-01-000	EA	Control Asm. - Heater - 3 Speed
	055279-01-000	EA	Control Asm. - Heater A/C - 3 Speed

### BUCKET SEAT PEDESTAL AND SEAT BELTS

Key	Part Number	U/M	Description
	050447-01-000	EA	Pedestal Asm. - Tilt Seat - Left
	050447-02-000	EA	Pedestal Asm. - Tilt Seat - Right - Single Seat
	050447-04-000	EA	Pedestal Asm. - Tilt Seat - Right - Double Seat
	007019-01-000	EA	Belt Asm. - Seat - 2" x 84" - Black
	041322-01-000	EA	Washer - Flat 15/32" I.D. x 2 3/8" O.D. - Seat Belt
	048943-01-000	EA	Pedestal - Complete - Swivel

## DRIVER'S COMPARTMENT GROUP (CONTINUED)

### FRONT BUNK AND HARDWARE

Key	Part Number	U/M	Description
	058300-01-L07	EA	Cabinet Asm. - Front Overhead
	058844-01-L07	EA	Bunk Board Asm. - Front Overhead w/Rails
	053773-01-000	EA	Support - Overhead Bunk - Brown - Right
	053773-02-000	EA	Support - Overhead Bunk - Brown - Left
	040071-02-000	EA	Support - Bunk - Seat Belt
	041322-01-000	EA	Washer - Flat - 15/32" I.D. x 2 3/8" O.D.
	038516-02-000	EA	Catch - Bunk - Brown
	023812-22-000	EA	Rail - Bunk - 80" - Brown
	053774-01-000	EA	Torsion Rod - Overhead Bunk - Brown

### MISCELLANEOUS DRIVER'S COMPARTMENT COMPONENTS

Key	Part Number	U/M	Description
	061378-01-L07	EA	Beverage Tray Asm. - Stonehenge Laminat
	055000-01-000	EA	Tray - Utensil - Dark Brown Plastic
	045785-01-000	EA	Glass Holder - Dark Brown Plastic
	050796-01-000	EA	Pocket - Ash Tray - Plastic
	050797-01-000	EA	Ash Tray - Plastic
	038857-01-000	EA	Latch - Rubber - Draw Handle 5 3/4" w/Strike
	038858-01-000	EA	Latch - Rubber - Draw Handle - 3" w/Strike
	042541-01-000	EA	Latch Asm. w/Strike - Chrome
	034800-01-000	EA	Cover - Motor - Plastic - 454 C.I.D.
	038823-01-000	EA	Seal - Motor Cover - Extr. - Rubber
	002782-01-001	EA	Seal - Motor Cover - Alum. Angle - 1/2" x 7/8"
	040519-01-000	EA	Boot - Rubber Steering Column
	040520-01-000	EA	Boot - Retainer - Steering Column
	007278-01-000	EA	Mirror - Inside - Rear View 4 1/2" x 8"
	034489-01-000	EA	Support - Dimmer Switch
	040885-02-000	EA	Clip - Sunvisor
	058508-01-L07	EA	Sunvisor Asm. - Right - Acorn Brown - w/Mirror
	058508-02-L07	EA	Sunvisor Asm. - Left - Acorn Brown
	061350-01-000	EA	Trim - Interior - "A" Post - Brown Plastic - Left
	061350-02-000	EA	Trim - Interior - "A" Post - Brown Plastic - Right
	009143-01-000	EA	Mirror - 1/8" x 3.5" x 8" - Sunvisor
	059188-02-000	EA	Panel - Side - Left - Dark Brown
	059187-01-000	EA	Panel - Side - Right - Dark Brown
	059414-01-000	EA	Pad Asm. - Trim - 30" x 7.62" - Acorn Brown
	059414-02-000	EA	Pad Asm. - Trim - 33.2" x 7.62" - Acorn Brown
	059467-03-L07	EA	Pad Asm. - Map Pocket - Left - Acorn Brown
	059467-04-L07	EA	Pad Asm. - Map Pocket - Right - Acorn Brown

## 1980 ITASCA TABLE OF CONTENTS

IC524RH L1	A-1 - B-16
IC625RB L1	B-17 - D-4
ICN26RB L1	D-5 - E-22

## 1980 ICN26RB L1 INDEX

Floor Plan	D-5 - D-6
Accessories Group	D-7 - D-8
Bath Group	D-9
Chassis Group	D-10
Curtain, Cushion and Pad Group	D-11 - D-15
Dinette Group	D-16
Driver's Compartment Group	D-17 - D-18
Electrical Group	D-19 - D-21
Exterior Body Group	D-22 - E-1
Galley Group	E-2
Heating & Air Conditioning Group	E-3 - E-4
Interior Finish Group	E-5 - E-6
LP Group	E-7
Lounge Group	E-8
Water & Sewage Group	E-9 - E-10
Window, Vent & Exterior Door Group	E-11 - E-22

## ELECTRICAL GROUP

### BULBS

Key	Part Number	U/M	Description
	037935-01-000	EA	Bulb - 1157
	038010-01-000	EA	Bulb - 1143
	008103-01-000	EA	Bulb - 53
	008213-01-000	EA	Bulb - 57
	008214-01-000	EA	Bulb - 67
	008215-01-000	EA	Bulb - 1003
	008216-01-000	EA	Bulb - 1034
	008217-01-000	EA	Bulb - 1073
	008218-01-000	EA	Bulb - 1141
	008219-01-000	EA	Bulb - 856
	008220-01-000	EA	Bulb - 12V - 25W
	036198-01-000	EA	Bulb - 194
	700020-01-000	EA	Bulb - 12V - 20W - 1383

### FUSES AND CIRCUIT BREAKER

Key	Part Number	U/M	Description
	058473-01-000	EA	Fuse - Slow Blow - 6 1/4 Amp.
	058473-02-000	EA	Fuse - 12 Volt - 5 Amp.
	008233-01-000	EA	Fuse - 12 Volt - 6 Amp.
	008234-01-000	EA	Fuse - 12 Volt - 10 Amp.
	008235-01-000	EA	Fuse - 12 Volt - 15 Amp.
	008236-01-000	EA	Fuse - 12 Volt - 20 Amp.
	008242-01-000	EA	Fuse - 110 Volt - 30 Amp. - AGU
	008252-01-000	EA	Fuse - 110 Volt - 50 Amp.
	008208-01-000	EA	Circuit Breaker - 12 Volt - 40 Amp.
	008211-01-000	EA	Circuit Breaker - 12 Volt - 6 Amp.
	008288-01-000	EA	Circuit Breaker - 12 Volt - 30 Amp. w/Mount
	033573-01-000	EA	Circuit Breaker - 12 Volt - 20 Amp. w/Mount
	033573-02-000	EA	Circuit Breaker - 12 Volt - 15 Amp. w/Mount
	040051-01-000	EA	Circuit Breaker - 110 Volt - 20 Amp. - TQL
	084488-01-000	EA	Circuit Breaker - 110 Volt - 30/115 Amp. Double

### EXTERIOR LIGHTS

Key	Part Number	U/M	Description
	048817-01-000	EA	Handle Asm. - Assist w/Light
	007308-01-000	EA	Light - Step Well
	058030-01-000	EA	Tail Lamp Asm. - 3 Bulb - Chrome - Right
	058030-02-000	EA	Tail Lamp Asm. - 3 Bulb - Chrome - Left
	058030-01-701	EA	Lens - Tail Lamp - Red
	058030-01-701	EA	Lens - Tail Lamp - Back Up
	058038-01-000	EA	Bracket - Tail Lamp
	058540-01-000	EA	Bracket - License Plate
	082741-01-000	EA	Wedge - Tail Lamp - Left
	082741-03-000	EA	Wedge - Tail Lamp - Right
	042405-03-000	EA	Base - Rectangular Clearance Light
	042405-04-000	EA	Lens - Clearance Light - Red
	042405-05-000	EA	Lens - Clearance Light - Amber
	058330-01-000	EA	Parking Lamp - Ford

## ELECTRICAL GROUP (CONTINUED)

### INTERIOR LIGHTS

Key	Part Number	U/M	Description
	033508-02-000	EA	Light - Dome - Ivory - 1 Bulb - US
	033508-03-000	EA	Light - Dome - Ivory - 1 Bulb - CSA
	033508-02-000	EA	Light - Dome - Ivory - 2 Bulb - US
	033508-03-000	EA	Light - Dome - Ivory - 2 Bulb - CSA
	024842-01-701	EA	Lens - Dome Light - 1 Bulb
	024843-01-701	EA	Lens - Dome Light - 2 Bulb
	024418-01-000	EA	Lamp Asm. - Map/Gauge/Aisle
	053348-01-000	EA	Light - High Intensity - Brown
	081424-01-000	EA	Light - Aisle - 1 1/4" x 4 1/4"

### WINDSHIELD WIPER AND WASHER

Key	Part Number	U/M	Description
**	058000-02-000	EA	Washer Asm. - Windshield
**	057853-01-000	EA	Arm - Windshield Wiper - 18" - Black
**	044313-02-000	EA	Motor Asm. - Windshield Wiper - 100°
**	044313-03-000	EA	Motor Asm. - Windshield Wiper - 93°
**	057474-01-000	EA	Windshield Wiper Asm.
**	048464-02-000	EA	Blade - Windshield Wiper - 20" Black
**	055875-01-000	EA	Shaft and Pivot Asm.

\*\*The illustrated parts breakdown for this item is provided on the Common Items Fiche.

### WIRE, SWITCHES AND RECEPTACLES

Key	Part Number	U/M	Description
	008024-01-000	FT	Wire - 18.5 Bonded - Orange/White/Yellow/Blue/Brown
	008025-01-000	FT	Wire - 18.5 Bonded - Orange/White/Yellow/Blue/Green
	008028-01-000	FT	Wire - 18.5 Bonded - Blue/Red/Yellow/Orange/White
	008030-01-000	FT	Wire - 18.4 Bonded
	008251-01-000	EA	Holder - Fuse - Black - Screw Type
	008277-01-000	EA	Holder - Fuse - Black - Panel Mount
	008185-01-000	EA	Switch - Push Button - 12 Volt
	008077-01-000	EA	Plaque - Compressor Switch
	008054-01-000	EA	Cord - Power - 10-3 30 Amp. - 25' - UL
	008052-01-000	EA	Cord - Power - 10-3 30 Amp. - 25' - CSA
	034818-04-000	EA	Holder - Receptacle - Plastic
	038342-01-000	EA	Receptacle - Duplex Brown - T Junction
	024571-04-000	EA	Cover Plate - Receptacle - Jumbo Plastic Ivory
	024571-01-000	EA	Cover Plate - Receptacle - Jumbo - Brown
	024471-01-000	EA	Cover Plate - Electrical Box - 5 1/4" x 3 1/2"
	058028-01-000	EA	Connector - Pigtail - Clear - Nylon
	038343-01-000	EA	Cap - End - Receptacle
	008182-01-000	EA	Switch - Double Toggle - Spade Brown
	008183-01-000	EA	Switch - Toggle Brown
	008184-01-000	EA	Cover Plate - Switch - Brown
	024824-01-000	EA	Receptacle - Power Cord
	008058-01-000	EA	Adaptor - Power Cord
	047353-01-000	EA	Cover - Receptacle - Ground Fault
	053126-01-000	EA	Receptacle - Ground Fault Interrupter - 125 Volt Ivory
	053126-02-000	EA	Receptacle - Ground Fault Interrupter - 125 Volt Brown
	058707-01-000	EA	Receptacle - Single Brown - Thomas & Betts
	058708-01-000	EA	Receptacle - Duplex - Brown - Thomas & Betts
	008157-01-000	EA	Receptacle - Duplex - Brown - (Exterior Backwall)
	058048-01-000	EA	Cover - Electrical Box - 4 5/8" x 2.75" - Rain Tight (Exterior)
	008288-01-000	EA	Box - Electrical - Plastic - 3" x 3.5"
	008289-01-000	EA	Box - Electrical - Steel - 4" x 4 1/2" x 8 3/4" UL & CSA
	008294-01-000	EA	Cover Plate - Steel - 4" x 4" - UL
	008294-02-000	EA	Cover Plate - Steel - 4" x 4" - CSA

## 1980 ITASCA TABLE OF CONTENTS

IC524RH L1	A-1 - B-16
IC625RB L1	B-17 - D-4
ICN26RB L1	D-5 - E-22

## 1980 ICN26RB L1 INDEX

Floor Plan	D-5 - E-6
Accessories Group	D-7 - D-8
Bath Group	D-9
Chassis Group	D-10
Curtain, Cushion and Pad Group	D-11 - D-15
Dinette Group	D-16
Driver's Compartment Group	D-17 - D-18
Electrical Group	D-19 - D-21
Exterior Body Group	D-22 - E-1
Galley Group	E-2
Heating & Air Conditioning Group	E-3 - E-4
Interior Finish Group	E-5 - E-6
LP Group	E-7
Lounge Group	E-8
Water & Sewage Group	E-9 - E-10
Window, Vent & Exterior Door Group	E-11 - E-22



## ELECTRICAL GROUP (CONTINUED)

### MISCELLANEOUS ELECTRICAL COMPONENTS

Key	Part Number	U/M	Description
	047388-01-700	EA	Battery - 12 Volt - 105 Amp. Deep Cycle - Dry
	057889-01-000	EA	Battery - 12 Volt - Maintenance Free - Delco
	008188-01-000	EA	Solenoid - Dual Battery - Relay
**	054544-01-000	EA	Control Center - 37 Amp. - UL
	057043-01-000	EA	Control Center - 37 Amp. - CSA
	031720-01-000	EA	Spacer - Receptacle - Brown Plastic - CSA
	039950-01-702	EA	Circuit Board - Control Center
	024459-01-000	EA	Gauge - Voltmeter
	024462-01-000	EA	Switch - Battery Condition
	031035-01-000	EA	Gauge - Hourmeter - Generator
	024876-01-000	EA	Switch - Generator w/o Circuit Board
	024460-01-000	EA	Gauge - Vacuum
	039851-01-000	EA	Sending Unit Kit - Wernac
	048812-04-000	EA	Control Panel - Water/Double Sewage - Base Panel
	048812-05-000	EA	Panel - Insert - w/Thermostat Holes
	048812-06-000	EA	Panel Insert - w/o Thermostat Holes
	048812-07-000	EA	Panel Insert - Deluxe - w/Refrigerator Alarm, Clock and LP Gauge
	048812-07-700	EA	Refrigerator Sensor - Refrigerator Alarm
	038617-01-000	EA	Relay - Canister - SPDT

\*\*The illustrated parts breakdown for this item is provided on the Common Items Fiche.

## EXTERIOR BODY GROUP

### EXTERIOR BODY PANELS AND SHEET ALUMINUM

Key	Part Number	U/M	Description
	065082-01-L07	EA	Roof Asm.
	065080-01-L07	EA	Backwall Asm.
	065078-01-L07	EA	Sidewall Asm. - Right
	065078-01-L07	EA	Sidewall Asm. - Left
	039155-32-001	EA	Alum. - Gray - Mesa I - .024" x 48" x 300"
	039155-32-002	EA	Alum. - Gray - Mesa I - .024" x 36" x 300"
	039155-32-003	EA	Alum. - Gray - Mesa I - .024" x 48" x 300"
	039155-32-004	EA	Alum. - Gray - Mesa I - .024" x 36" x 300"
	039155-32-005	EA	Alum. - Gray - Mesa I - .024" x 12" x 300"
	039155-33-001	EA	Alum. - Gray - Grayhound Design - 48" x 96"
	001054-03-003	EA	Alum. - Gray - No Design - 48" x 96"
	044487-01-001	EA	Alum. - Mill Finish - No Design (Roof) 96" x 360"
	000888-01-000	BF	Styrofoam - 3/4" x 24" x 96"
	000870-01-000	BF	Styrofoam - 1 1/2" x 24" x 96"

### LABELS AND DECALS

Key	Part Number	U/M	Description
	008031-01-000	EA	Label - Potable Water Only
	008187-01-000	EA	Label - Sewage
	008188-01-000	EA	Label - Waste Water
	008199-01-000	EA	Label - Exit - Escape Window
	040944-01-000	EA	Label - Open - Entrance Door
	047731-01-000	EA	Label - Emergency Exit
	008040-01-000	EA	Tag - Gas - Refueling Warning
	008082-01-000	EA	Tag - Electrical - 110V Connection
	054531-01-000	EA	Label - LP Gas Only
	081417-01-000	EA	Label - Fuel
	050225-01-000	EA	Label - Warning - Stove Vent - US
	041273-17-000	FT	Decal Stripe - .63" Black
	058528-01-000	EA	Decal - "L" Black - 5.57" - Right Front - Clearance Lite to Roof
	058528-02-000	EA	Decal - "L" Black - 5.57" - Left Front - Clearance Lite - Roof
	058529-01-000	EA	Decal - "L" Black - 9.12" - Right Front - Clearance Lite to Roof
	058529-02-000	EA	Decal - "L" Black - 9.12" - Left Front - Clearance Lite to Roof
	058718-01-000	EA	Decal - Sunflyer
	058374-01-000	EA	Decal - Stencil - C - 11.62" - Right
	058374-02-000	EA	Decal - Stencil - C - 11.62" - Left
	058525-01-000	EA	Stencil - End Strip - 2.37" High
	058251-01-000	EA	Decal - Front Side Upper - U-Shaped - Right
	058251-02-000	EA	Decal - Front Side Upper - U Shaped - Left
	058004-01-000	EA	Decal - Logo Itasca - 5.25" High - Orange/White
	081600-01-000	EA	Decal - Itasca - .5" x 2.64" - Black
	008008-01-000	EA	Label - Thermo Panel - 2 1/4" x 2 1/4"
	008015-01-000	EA	Label - Patent - Motor Home
	008084-01-000	EA	Label - Seat w/o Seat Belt
	057487-01-000	EA	Label - Exterior Loading Limit
	031181-01-000	EA	Label - Flying "W" (Roof Luggage Carrier)
	065206-01-000	EA	Decal - Stripe - Side Rear

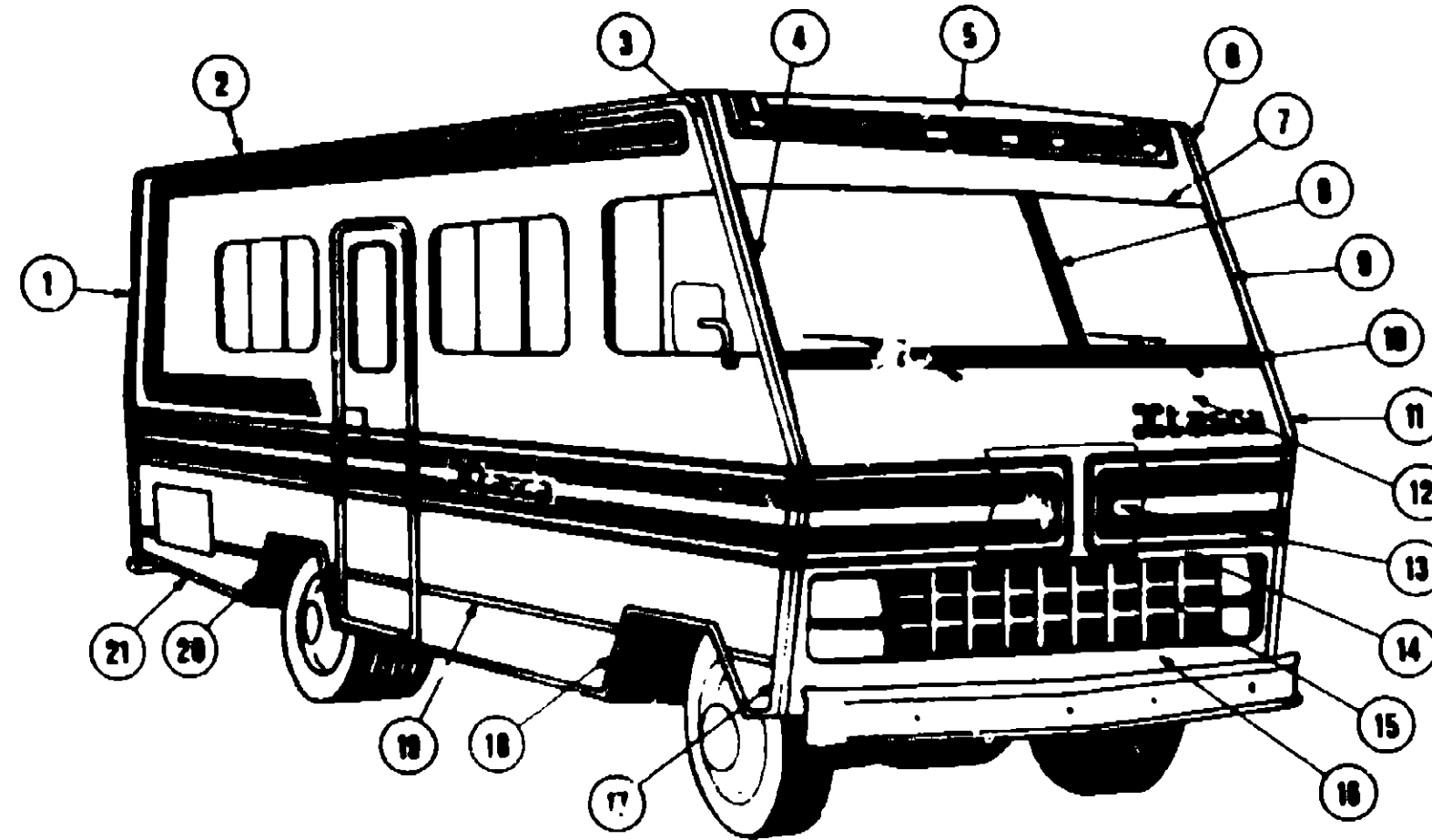
## 1980 ITASCA TABLE OF CONTENTS

IC524RH L1	A-1 - B-16
IC625RB L1	B-17 - D-4
ICN26RB L1	D-5 - E-22

## 1980 ICN26RB L1 INDEX

Floor Plan	D-5 - D-6
Accessories Group	D-7 - D-8
Bath Group	D-9
Chassis Group	D-10
Curtain, Cushion and Pad Group	D-11 - D-15
Dinette Group	D-16
Driver's Compartment Group	D-17 - D-18
Electrical Group	D-19 - D-21
Exterior Body Group	D-22 - E-1
Galley Group	E-2
Heating & Air Conditioning Group	E-3 - E-4
Interior Finish Group	E-5 - E-6
LP Group	E-7
Lounge Group	E-8
Water & Sewage Group	E-9 - E-10
Window Vent & Exterior Door Group	E-11 - E-22

EXTERIOR BODY GROUP (CONTINUED)



1980 ITASCA  
TABLE OF CONTENTS

IC524RH L1  
IC625RB L1  
ICN26RB L1

A-1 - B-16  
B-17 - D-4  
D-5 - E-22

Key	Part Number	U/M	Description
1	039964-05-000	EA	Trim - Contour - Right Rear - Gray
2	039964-06-000	EA	Trim - Contour - Left Rear - Gray
3	034922-20-000	EA	Trim - Sidewall - Upper - Left or Right - Gray
4	058284-06-000	EA	Trim - Contour - Right Front Upper - Gray
5	058289-02-100	EA	Trim - Contour - Windshield - Right
6	054957-01-000	EA	Cap - Fiberglass - Over Windshield - Gray
7	062398-01-000	EA	Trim - Roof/Front Cap
8	058284-05-000	EA	Trim - Contour - Left Front Upper - Gray
9	058287-01-000	EA	Trim - Molding - Windshield - Upper
10	042743-02-000	EA	Trim - Corner Windshield - Upper
11	058288-01-000	EA	Trim - Molding - Windshield - Center
12	058289-01-000	EA	Trim - Contour - Windshield - Left
13	058287-02-000	EA	Trim - Molding - Windshield - Lower
14	042743-01-000	EA	Trim - Corner Windshield - Lower
15	058899-06-000	EA	Trim - Contour - Left Front Lower - Gray
16	058296-02-000	EA	Panel Asm. - Front Shroud - Gray
17	058722-01-000	EA	Pull Pin - Release Hinge - (Access Panel)
18	058761-01-000	EA	Striker - Hood Latch
19	058392-03-000	EA	Panel Asm. - Front Lower Gray

Key	Part Number	U/M	Description
13	058678-03-000	EA	Access Panel - Gray
14	058752-01-000	EA	Hinge Asm. - Access Panel - Right
15	058752-02-000	EA	Hinge Asm. - Access Panel - Left
16	059123-01-000	EA	Grille Trim - Upper
17	059400-01-000	EA	Grille Asm.
18	057473-01-000	EA	Headlamp Bezel - Left
19	057473-02-000	EA	Headlamp Bezel - Right
20	059124-01-000	EA	Grille Trim - Lower
21	058899-05-000	EA	Trim - Contour - Left Front Lower - Gray
22	058543-07-000	EA	Trim - Wheel Well - Front Right - Gray
23	058543-06-000	EA	Trim - Wheel Well - Front Left - Gray
24	059185-05-000	EA	Plug - Wheel Well - Dark Gray - Left
25	059185-06-000	EA	Plug - Wheel Well - Dark Gray - Right
26	002444-02-001	EA	Feature Strip - Extr. Anod. - 14' - w/o Insert
27	009731-01-000	EA	End Cap - Feature Strip Insert
28	001030-01-100	EA	Insert - Feature Strip - Black - 17'
29	058487-06-000	EA	Trim - Wheel Well - Rear - Gray
30	002776-02-001	EA	Extr. - U-Channel - 1 7/8" x 16' Anod.
31	002385-01-001	EA	Extr. - U-Channel - 1" x 18'
32	062558-03-001	EA	Extr. - Awning Rail - 16' - Gray
33	058395-06-000	EA	Plug - Rocker Panel - Dark Gray - Right Rear - Left Front
34	058395-05-000	EA	Plug - Rocker Panel - Dark Gray - Left Rear - Right Front

1980 ICN26RB L1 INDEX

Floor Plan	D-5 - D-6
Accessories Group	D-7 - D-8
Bath Group	D-9
Chassis Group	D-10
Curtain, Cushion & Pad Group	D-11 - D-15
Director Group	D-16
Driver's Compartment Group	D-17 - D-18
Electrical Group	D-19 - D-21
Exterior Body Group	D-22 - E-1
Galley Group	E-2
Heating & Air Conditioning Group	E-3 - E-4
Interior Finish Group	E-5 - E-6
LP Group	E-7
Lounge Group	E-8
Water & Sewage Group	E-9 - E-10
Window, Vent & Exterior Group	E-11 - E-22

## EXTERIOR BODY GROUP (CONTINUED)

### EXTERIOR PAINT

Key	Part Number	U/M	Description
	059358-03-000	EA	Paint - Gray Metallic - Acrylic Enamel - 16 oz. Aerosol (Trim) (43538 Dupont)
	058637-01-000	EA	Paint - Gray - Acrylic Enamel - 1 Gallon - (Sidewall) (71537 Dupont)
	058637-05-000	EA	Paint - Gray - Acrylic Enamel - 16 oz. Aerosol - (Sidewall) (71537 Dupont)
	059359-03-000	EA	Paint - Brown Metallic - Acrylic Enamel - 16 oz. Aerosol - (44721 Dupont)
	059354-03-000	EA	Paint - Bronze Metallic - Acrylic Enamel - 16 oz. Aerosol - (7864 Dupont)
	067927-03-000	EA	Paint - Medium Tan Metallic - Acrylic Enamel - 16 oz. Aerosol - (7561 Dupont)
	065105-03-000	EA	Paint - Carmel Tan Metallic - Acrylic Enamel - 16 oz. Aerosol - Fade Color (44126 Dupont)
	059359-03-000	EA	Paint - Brown Metallic - Acrylic Enamel - 16 oz. Aerosol - Fade Color (44721 Dupont)

### SEALANTS, ADHESIVES AND FASTENERS

Key	Part Number	U/M	Description
	034552-05-000	EA	Sealant - Off White Silicone
	034552-04-000	EA	Sealant - Beige Silicone
	034552-02-000	EA	Sealant - Clear Silicone
	004346-C7-000	EA	Sealant - White Silicone
	009200-01-000	EA	Tape - Furnace - 1 1/2"
	004553-01-000	FT	Tape - Gasket - 1 8" x 3 4" - White
	002825-01-000	FT	Weather Stripping - Roof Vent
	002337-01-000	EA	Adhesive - 3M - 1300 Tube
	004005-01-000	GL	Adhesive - Swifts - Green - Glue (Sidewalls)
	004020-01-000	QT	Adhesive - ABS Cement (Plastic Fittings)
	029051-01-000	EA	Adhesive - Spray Vinyl
	042401-02-000	EA	Screw - 8-18 x 3 4" SDPH - Off White
	042403-02-000	EA	Screw - SF DR - 8-18 x 1" SDPH - Off White
	053766-01-000	EA	Bedding Compound - Tube Black - Schnee Morehead
	053766-02-000	EA	Bedding Compound - Tube White - Schnee Morehead
	053767-01-000	FT	Tape - 1 2" x 1 8" x 30' - Gray - Schnee Morehead
	053767-03-000	FT	Tape - 1 4" Bead x 20' - Gray - Schnee Morehead
	053767-04-000	FT	Tape - 3 4" x 1 8" x 30' - Gray - Schnee Morehead
	053767-05-000	FT	Tape - 2" x 3 32" x 45' - Gray - Schnee Morehead

### MISCELLANEOUS EXTERNALLY MOUNTED PARTS

Key	Part Number	U/M	Description
**	011124-01-000	EA	Plumbing Seal - Roof Vent - 1 1/4" - White
**	011129-01-000	EA	Plumbing Seal - Roof Vent - 1 1/2" - White
	048817-01-000	EA	Assist Handle - w/ Light
	010230-04-000	EA	Fill - City Water - Recessed - Gray
	058118-03-000	EA	Water Fill - Lockable - Gray
	064576-01-000	EA	Shroud - Fuel Fill
	064692-06-000	EA	Door Asm - Gas Fill - Gray

\*\*The illustrated parts breakdown for this item is provided on the Common Items Fiche.

## GALLEY GROUP

### GALLEY CABINET

Key	Part Number	U/M	Description
	067335-01-L07	EA	Cabinet Asm - Galley - w/o Countertop Doors, Drawer or Hardware
	067336-02-L07	EA	Countertop Asm - Galley Cabinet - Stonehenge
	059550-06-700	EA	Door Asm - Galley Cabinet - 8 6" x 26 9" - w/o Hardware
	059550-07-700	EA	Door Asm - Galley Cabinet - 8" x 18 8" - w/o Hardware
	058774-01-L07	EA	Cabinet Asm - Galley Overhead - w/o End Pad, Doors or Hardware
	059551-07-700	EA	Door Asm - Galley Overhead - 12 7" x 20 1" - w/o Hardware
	059551-08-700	EA	Door Asm - Galley Overhead - 12 8" x 18 5" - w/o Hardware
	057882-01-022	EA	Door Asm - Roll Up - 22 62" x 39 62"

### GALLEY HARDWARE AND APPLIANCES

Key	Part Number	U/M	Description
	011032-01-000	EA	Sink - Stainless Steel - Double w/ Boils
	064952-01-000	EA	Faucet - 8" - Swing Spout - U S
	011053-02-000	EA	Faucet - 8" - Swing Spout - C S A
	066437-01-000	EA	Strainer - w/ Basket - Sink
	054028-01-L07	EA	Cover - Sink - Stonehenge
	058334-01-000	EA	Wastebasket - 9 3/4" x 7" x 10" - White - Rubbermaid
	058478-01-000	EA	Bracket - Wastebasket Support - Door Mount
**	046954-01-000	EA	Hood - Stove - w/ Black Face - US - Chrome Sides
**	046954-02-000	EA	Hood - Stove - w/ Black Face - CSA - Chrome Sides
**	046954-03-000	EA	Hood - Stove - w/ Black Face - U S - Brown Sides
**	046954-04-000	EA	Hood - Stove - w/ Black Face - C S A - Brown Sides
**	049045-02-000	EA	Range - 4 Burner - Magic Chef
**	049174-02-000	EA	Refrigerator - AC DC Gas - Sibir ET 230 2

\*\*The illustrated parts breakdown for this item is provided on the Common Items Fiche.

## 1980 ITASCA TABLE OF CONTENTS

IC524RH L1	A-1 - B-16
IC625RB L1	B-17 - D-4
ICN26RB L1	D-5 - E-22

## 1980 ICN26RB L1 INDEX

Floor Plan	D-5 - D-6
Accessories Group	D-7 - D-8
Bath Group	D-9
Chassis Group	D-10
Curtain, Cushion & Pad Group	D-11 - D-15
Dinette Group	D-16
Driver's Compartment Group	D-17 - D-18
Electrical Group	D-19 - D-21
Exterior Body Group	D-22 - E-1
Galley Group	E-2
Heating & Air Conditioning Group	E-3 - E-4
Interior Finish Group	E-5 - E-6
LP Group	E-7
Lounge Group	E-8
Water & Sewage Group	E-9 - E-10
Window, Vent & Exterior Door Group	E-11 - E-22

# HEATING AND AIR CONDITIONING GROUP

# HEATING AND AIR CONDITIONING GROUP (CONTINUED)

## AUTOMOTIVE HEATER AND AIR CONDITIONER

Key	Part Number	U/M	Description
	039044-01-000	EA	Louver Asm - A-C Adjustable
	047046-01-000	EA	Motor - 12 Volt - 3 Speed - Heater - Air Conditioner
	031043-01-000	EA	Valve - Heater - Water Flow Control
	031169-01-000	EA	Cable - Control - Flexible - 53"
	031169-02-000	EA	Cable - Control - Flexible - 48"
	031170-01-000	EA	Clamp - Cable - 3/16" Dia.
	024996-01-000	EA	Clutch - Magnetic - Compressor
	024999-01-000	EA	Compressor - Auto Air - 10.3" Cubic Inch
	048100-01-000	EA	Package - Compressor Mount - 454 C.I.D.
	048801-01-000	EA	Condenser - Radiator Mount
	008267-01-000	EA	Switch - Air Conditioner
	024867-01-000	EA	Valve - Thermostatic Expansion
	024997-01-000	EA	Core - Heater
	024998-01-000	EA	Wheel - Blower - 4 7/2" O.D.
	031383-01-000	EA	Coil - Evaporator
	031001-01-000	EA	Blower Housing
	067076-01-000	FT	Hose - Flexible PVC - 2" I.D.
	007176-01-000	FT	Hose - Heater - 5/8" I.D. SAE 20R3
	007261-01-000	FT	Hose - Flexible PVC - 2 1/2" I.D.
	062401-04-000	EA	Clamp - Worm Drive - 69" - 1 25" I.D.
	062401-05-000	EA	Clamp - Hose - 2" - 3" Dia.
	033258-01-000	EA	Hose - Refrigerant - 50" I.D. x 34.50"
	034222-01-000	EA	Hose - Refrigerant - 31" I.D. x 26"
	034222-02-000	EA	Hose - Refrigerant - 31" I.D. x 32"
	031960-01-000	EA	Hose - Refrigerator - 34" I.D. x 30"
	031961-01-000	EA	Hose - Refrigerant - 31" I.D. x 14.75"
	031961-02-000	EA	Hose - Refrigerant - 31" I.D. x 19"
	049401-01-600	EA	Heater Asm. - Rear - Auxiliary
	049401-01-700	EA	Valve - Water Control - (Aux. Heater)
	049401-01-701	EA	Control Cable - (Aux. Heater)
	049401-01-702	EA	Motor Asm. - (Aux. Heater)
	049401-01-703	EA	Heater Core - (Aux. Heater)
	049401-01-704	EA	Switch - (Aux. Heater)
	058906-01-000	EA	Control Panel - Auxiliary Rear Heater
	024866-01-000	EA	Receiver - Dehydrator
	031044-01-000	EA	Clamp - Receiver Dehydrator
	041306-01-000	EA	Bracket - Receiver Dehydrator
	048232-02-000	EA	Kit - Auto Air - 454 C.I.D. A-Body
	056464-01-000	EA	Register - 4" Dia - Plastic w/Damper - Winterization Option
	062408-01-000	EA	Heat - Pusher - (Duct Fan) Winterization Option
	062411-01-000	EA	Switch - Temp Control - 30° Close - 48° Open - Winterization Option
	062411-02-000	EA	Switch - Temp Control - 26° Close - 30° Open - Winterization Option

## FURNACES AND ROOF AIR CONDITIONERS

Key	Part Number	U/M	Description
**	058051-01-000	EA	Furnace - 24,000 BTU - w/Electric Ignition - 4324-749
**	058050-01-000	EA	Furnace - 30,000 BTU - w/Electric Ignition - 4330-749
	009198-01-000	FT	Duct - Flexible - 4" I.D. x 25'
	009200-01-000	EA	Tape - Furnace - 1 1/2"
	023146-01-000	EA	Clamp - Screw Type - 4"
	056464-01-000	EA	Register - Round - 4" Dia - w/Damper
	056464-02-000	EA	Register - Round - 4" Dia - w/o Damper
	049042-02-000	EA	Door Furnace - Front - 4324
	049043-02-000	EA	Door - Furnace - Front - 4330
	050783-01-000	EA	Vent Package - Furnace - 1-3" Wall
	050784-01-000	EA	Vent Package - Furnace - 3" - 6" Wall
	038505-02-000	EA	Thermostat - Horizontal Wall Mount
	049777-03-000	EA	Air Conditioner - 110 Volt - Roof Mount - 11,000 BTU - Ivory Coleman (w/o inside shroud) - 6744A90
	063903-01-000	EA	Air Conditioner - 110 Volt - Roof Mount - 13,500 BTU Ivory - Coleman (w/o inside shroud) - Rotary - 6749-76
**	049775-02-000	EA	Shroud Asm. - Ceiling - Inside - Roof Air Cool Only - Coleman
**	049776-01-000	EA	Shroud Asm. - Ceiling - Inside - Roof Air Heat and Cool Only - 13,500 BTU - Coleman

\*\*The illustrated parts breakdown for this item is provided on the Common Items Fiche

## 1980 ITASCA TABLE OF CONTENTS

ICS24RH L1	A-1 - B-18
IC625RB L1	B-17 - D-4
ICN26RB L1	D-5 - E-22

## 1980 ICN26RB L1 INDEX

Floor Plan	D-5 - D-6
Accessories Group	D-7 - D-8
Bath Group	D-9
Chassis Group	D-10
Curtain, Cushion & Pad Group	D-11 - D-15
Dinette Group	D-16
Driver's Compartment Group	D-17 - D-18
Electrical Group	D-19 - D-21
Exterior Body Group	D-22 - E-1
Galley Group	E-2
Heating & Air Conditioning Group	E-3 - E-4
Interior Finish Group	E-5 - E-6
LP Group	E-7
Lounge Group	E-8
Water & Sewage Group	E-9 - E-10
Window, Vent & Exterior Door Group	E-11 - E-22

## INTERIOR FINISH GROUP

### PANELING AND COUNTERTOP MATERIALS

Key	Part Number	U/M	Description
	058209-01-000	SF	Paneling - Plain Elm - 48" x 96" (32 SF)
	045883-01-000	SF	Paneling - B25 Buff - Ceiling - 48" x 94"
	058220-01-000	SF	Plastic Laminate - Stonehenge - 48" x 96" (32 SF)
	058970-01-000	SF	Plastic Laminate - Matador Leather - 48" x 96" (32 SF)
	058338-01-000	SF	Paneling - Back Splash - Luster - 48" x 96" (32 SF)

### INTERIOR MOLDINGS AND TRIMS

Key	Part Number	U/M	Description
	024700-06-000	EA	Cover - Sidewall Roll Bar - Ivory
	024700-14-000	EA	Cover - Sidewall Roll Bar - Russet Oak
	038512-06-000	EA	Cover - Hat Section - Ivory
	038512-13-000	EA	Cover - Hat Section - Russet Oak
	047488-01-000	EA	Cover - Corner - Hat/Hat
	047488-01-000	EA	Cover - Corner - Tube Tube
	042430-01-000	EA	Molding - Shelf - Wood
	008812-06-000	FT	Molding - Outside Corner - .50"
	008767-05-000	FT	Wetling - Light Brown
	008815-02-000	FT	T-Molding - .75" - Brown
	008815-03-000	FT	T-Molding - .75" - Light Brown
	022982-03-000	FT	Molding - Reverse Cove - Sandalwood
	008778-01-000	FT	U-Channel - 1" - Dark Brown
	008778-03-000	FT	U-Channel - 1" - Light Brown
	008779-03-000	FT	U-Channel - 1 1/8" - Light Brown
	052858-01-J10	FT	Accent Trim - Acorn Brown Vinyl
	047354-01-000	EA	Batt Strip - Ceiling - B25 Buff - 8"
	058204-01-000	EA	Batt Strip - Elm - 8"
	058797-01-000	EA	Batt Strip - Sandflower Cork - 8"

### FABRICS AND FLOOR COVERINGS

Key	Part Number	U/M	Description
	053327-01-000	YD	Vinyl - Non Expanded - 27 oz. - Acorn Brown
	053327-02-000	YD	Vinyl - Expanded - 26 oz. - Acorn Brown
	053327-03-000	YD	Vinyl - Non Support - 16 Gauge Film - Acorn Brown
	084383-05-000	YD	Fabric - Curtain - Super Satin
	084383-11-000	YD	Fabric - Upholstery - Main - Brown - (Clinton Cedar)
	084383-14-000	YD	Fabric - Upholstery - Accent - Brown - (Caprice Cinnamon)
	064383-12-000	YD	Fabric - Upholstery - Main - Rust - (Clinton Rust)
	084383-15-000	YD	Fabric - Upholstery - Accent - Rust - (Caprice Clay)
	084383-13-000	YD	Fabric - Upholstery - Main - Jade - (Clinton Seafoam)
	084383-16-000	YD	Fabric - Upholstery - Accent - Jade - (Caprice Seafoam)
	054678-06-L07	EA	Button Asm. - Covered #30 - Brown
	054678-06-L08	EA	Button Asm. - Covered #30 - Rust
	054678-06-L09	EA	Button Asm. - Covered #30 - Jade
	052858-01-K11	FT	Trim Asm. - Accent - Acorn Brown Vinyl
	084384-06-000	SY	Carpet - Cedarwood - Brown
	084384-07-000	SY	Carpet - Laberna Clay - Rust
	084384-08-000	SY	Carpet - Terrace Green - Jade

## INTERIOR FINISH GROUP (CONTINUED)

### CABINETRY AND TABLE HARDWARE

Key	Part Number	U/M	Description
	058034-01-000	EA	Latch - Sliding Door - Bath
**	052837-01-J30	EA	Hinge Kit - Cabinet Door - Antique Brass
	041434-01-000	EA	Hinge - Double Acting
	057888-01-000	EA	Latch - Hidden - Cabinet Door
	008112-01-000	EA	Flange - 1" - Chrome - Closet Rod
	053200-04-000	EA	Bracket - Upper Wall Mount - 23 5" - Black Anod.
	053201-03-000	EA	Bracket - Table Mount - 23" - Black Anod.
**	024275-01-000	EA	Rod - Table Lift - 8 5" x 23 5"
	024281-06-000	EA	Bracket - Lower Wall Mount - 22 12" - Black Anod
**	024276-04-000	EA	Leg Asm. - Table - Brown - 29 5"
	064050-01-000	EA	Hinge - Table Leg
**	024282-01-000	EA	Brace - Table Leg
**	024283-01-000	EA	Clip - 1" O.D. Tube
**	049493-02-000	EA	Catch - Table Leg - Mounts on Floor - Brown
	062897-01-120	EA	Handle - Wood - 12" (For roll up doors)

\*\*The illustrated parts breakdown for this item is provided on the Common Items Fiche.

### CURTAIN HARDWARE

Key	Part Number	U/M	Description
	053272-04-200	EA	Track - Curtain - Ceiling - 89" - Off White
	053285-02-001	EA	Track - Curtain - Door - 16" - Anod.
	058430-01-000	EA	Track - Curtain - Front Wraparound (2 per unit)
	008107-01-000	EA	Guide - Nylon Snap - Curtain
	018031-42-000	EA	Track - Curtain - "L" Rod - Alum. Extr. - 90"
	008701-01-000	EA	Carrier - "L" Rod - Curtain
	008702-01-000	EA	End Stop - "L" Rod - Curtain

### MISCELLANEOUS PARTS

Key	Part Number	U/M	Description
	053652-01-L07	EA	Handle Asm. - Interior Assist - Acorn Brown Vinyl
	041944-01-700	EA	Fire Extinguisher w/Bracket - Dry Chemical
	041944-03-000	EA	Fire Extinguisher w/Bracket - SBC - (Calif.)
	008113-01-000	EA	Jack - Hydraulic - 5 Ton - w/Handle
	054185-07-000	EA	Owner's Manual - Itasca
	040089-01-000	EA	Mat - Door - Black Rubber - 10 1/2" x 26" - Itasca

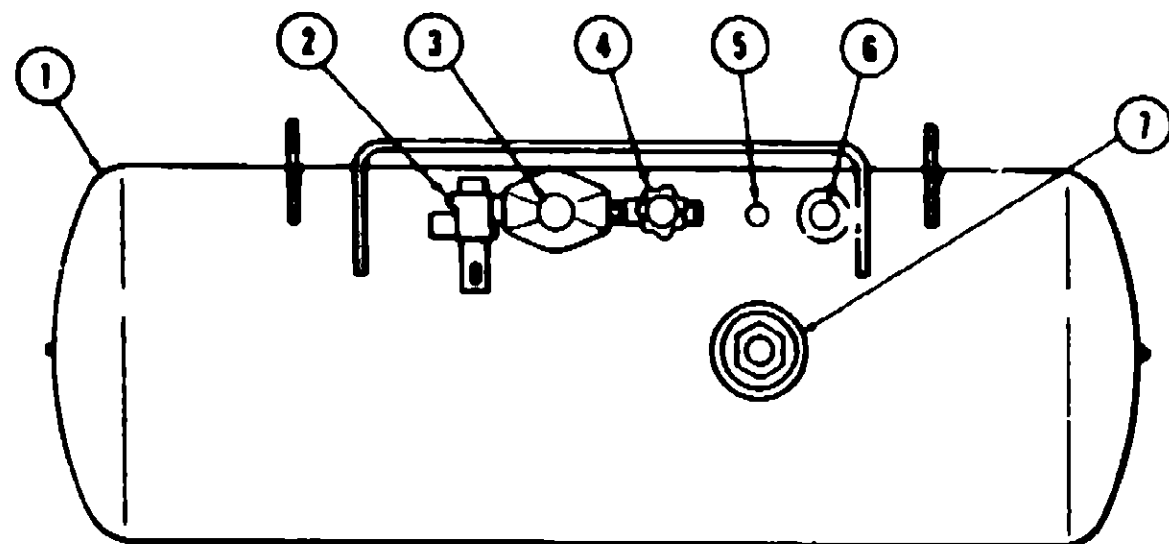
## 1980 ITASCA TABLE OF CONTENTS

IC524RH L1	A-1 - B-16
IC825RB L1	B-17 - D-4
ICN26RB L1	D-5 - E-22

## 1980 ICN26RB L1 INDEX

Floor Plan	D-5 - D-6
Accessories Group	D-7 - D-8
Bath Group	D-9
Chassis Group	D-10
Curtain, Cushion & Pad Group	D-11 - D-15
Dinette Group	D-16
Driver's Compartment Group	D-17 - D-18
Electrical Group	D-19 - D-21
Exterior Body Group	D-22 - E-1
Galley Group	E-2
Heating & Air Conditioning Group	E-3 - E-4
Interior Finish Group	E-5 - E-8
LP Group	E-7
Lounge Group	E-8
Water & Sewage Group	E-9 - E-10
Window, Vent & Exterior Door Group	E-11 - E-22

### LP GROUP



Key	Part Number	U/M	Description
1	063376-01-000	EA	Tank Asm. - LP - Frame Mount - 80 Pound
2	047221-01-000	EA	Detector - LP Gas Leak - Rosen
·	085741-01-000	EA	Detector - LP Gas Leak - Marshalltown Instruments
3	058708-01-000	EA	Cover - Regulator - 2 Stage
·	058705-01-000	EA	Regulator - Two Stage - LP Gas
4	040421-01-703	EA	Valve - Vapor Relief
5	040421-01-700	EA	Gauge - Liquid Level - 20% LP
6	040421-01-701	EA	Valve - Filler - LP
·	040421-01-702	EA	Cap - Plastic Fill Valve
7	040421-01-707	EA	Gauge - Float w/Visible Dial - 85 Pound Tank
·	040421-01-706	EA	Dial - Visible Face - Float Gauge (Tank w/o Electric Transmitter)
·	040421-01-705	EA	Dial - Transmitter - 0 - 90 Ohm (Float Gauge)
·	045703-03-000	EA	Hose Asm. - LP - 3/8" I.D. x 14"
·	047737-02-000	EA	Support - LP Tank - 89.25"
·	047737-03-000	EA	Support - LP Tank - 30.50"
·	Not Illustrated		

### LOUNGE GROUP

Key	Part Number	U/M	Description
	057822-01-L07	EA	Panel Asm. - Rear Couch Face - w/o Door or Hardware
	058856-01-L07	EA	Cabinet Asm. - Arm Rest
	059550-02-700	EA	Door Asm. - 8 5" x 33 9" - w/o Hardware
	059551-01-700	EA	Door Asm. - Overhead Cabinet - 8 5" x 33 9" - w/o Hardware
	058825-02-L07	EA	Cabinet Asm. - Rear Lounge Overhead
	057468-02-000	EA	Frame - Sprung Couch - Right Side
	057468-03-000	EA	Frame - Sprung Couch - Left Side
	057468-04-000	EA	Frame Angle - Sprung Couch (2 per couch)
	057468-01-000	EA	Leg Asm. - Sprung Couch - (2 per couch)

### 1980 ITASCA TABLE OF CONTENTS

IC524RH L1	A-1 - B-16
IC625RB L1	B-17 - D-4
ICN26RB L1	D-5 - E-22

### 1980 ICN26RB L1 INDEX

Floor Plan	D-5 - D-6
Accessories Group	D-7 - D-8
Bath Group	D-9
Chassis Group	D-10
Curtain, Cushion & Pad Group	D-11 - D-15
Dinette Group	D-16
Driver's Compartment Group	D-17 - D-18
Electrical Group	D-19 - D-21
Exterior Body Group	D-22 - E-1
Galley Group	E-2
Heating & Air Conditioning Group	E-3 - E-4
Interior Finish Group	E-5 - E-6
LP Group	E-7
Lounge Group	E-8
Water & Sewage Group	E-9 - E-10
Window, Vent & Exterior Door Group	E-11 - E-22

**WATER AND SEWAGE GROUP**

**WATER AND SEWAGE GROUP (CONTINUED)**

**PLUMBING AND REPAIR PARTS**

**HOLDING TANKS AND WATER HEATERS**

Key	Part Number	U/M	Description
	03947-02-000	EA	Fitter - Water Pump - 1/2 MPT
**	063948-01-000	EA	Water Pump - 2.8 G.P.M. - Direct Drive - PAR - US
**	063948-02-000	EA	Water Pump - 2.8 G.P.M. - Direct Drive - PAR - CSA
	062953-01-000	EA	Nut Faucet - 1/2 Tube x 1/2 FPT
	052964-01-000	EA	Adapter - Nose Cone - 3/8" or 1/2"
	062966-01-000	EA	Tee - Plastic - 1/2 F x 1/2 F x 1/2 MPT
	062967-02-000	EA	Elbow - Plastic - 1/2 F x 1/2 MPT
	052968-01-000	EA	Tee - Plastic - 1/2 F x 1/2 F x 1/2 F
	052969-01-000	EA	Connector - Plastic - 1/2 F x 1/4 MPT
	052969-02-000	EA	Connector - 1/2 F x 1/2 MPT - Plastic
	052980-01-000	EA	Drain Valve - 1/2 F x 1/2 F - Plastic
	052981-01-000	EA	Header - 1/2 F x 1/2 F x 1/2 F x 1/2 F
	010224-01-000	EA	Adapter - Plastic - 3/8 MPT x 3/8 Barb
	010073-01-000	EA	Wye - Plastic - 1 1/4 x 45 H x H x H
	031111-01-000	EA	Elbow - Plastic - 1/4 BD 1 1/4 x 90 x LT
	031802-02-000	EA	Adapter - Female
	048910-01-000	EA	Tee - Plastic - 1 1/4 H x H x H
	058538-01-000	EA	Elbow - 1 1/4 - Slip Joint Ends
**	010079-01-000	EA	Tee - Plastic - 1 1/2 H x 1 1/2 H x 1 1/4 H
**	010081-01-000	EA	Wye - Plastic - 3 x 45 H x H x H
**	010121-01-000	EA	Bushing - Plastic - 1 1/2 S x 1 1/4 H
	010008-01-000	EA	Elbow - Plastic - 1/8 BD
**	010133-01-000	EA	Trap Adaptor - Plastic - 1 1/2 H x MPT
	010134-01-000	EA	Adapter - Plastic - 1 1/2 M x MPT
**	010201-01-000	EA	Sewer Hose - 3" x 10' w/Clamp
	082415-01-000	EA	Sewage Cap - 3"
	082416-01-000	EA	Hose Adapter - 3"
	082417-01-000	EA	Termination Adapter - 3"
	082418-01-000	EA	Valve - 3" - w/o Handle
	082419-01-000	EA	Handle - Extension - w/8" Adapter
	082421-01-000	EA	Valve - 1 1/2" - w/Handle
	082422-01-000	EA	Adapter - Offset Reducer - 3 x 1 1/2
	082827-01-000	EA	Valve - Dual - 3 x 1 1/2 - Offset
	083841-01-000	EA	Flange - Closet - 4 x 3 - Spigot - 2.75
**	048524-02-000	EA	Kit - Water Tank Fittings - Stand Tank
**	048524-01-000	EA	Kit - Holding Tank Fittings - Blank Tank
**	011088-01-000	EA	P-Trap - 1 1/4" - Plastic
**	011091-01-000	EA	Waste - Continuous - Double Sink - 11 7/8"
	081807-01-000	EA	Grommet - Holding Tank Coupler - 1 1/2" - Rubber
	081807-02-000	EA	Grommet - Holding Tank Coupler - 3" - Rubber
	031128-01-000	EA	Elbow - 1/4 BD 3 x 90
**	060780-01-000	EA	Rubber Coupler - 3" x 3"
	004020-01-000	QT	Adhesive - ABS Cement
	037845-01-000	FT	Tape - Butyl - 3/16" - Bead - Black
**	040538-01-000	EA	Kit - Repair - 3/8" O.D. Plastic Tube
**	040540-01-000	EA	Kit - Repair - 1/2" O.D. Plastic Tube
**	040541-01-000	EA	Kit - Repair - 5/8" O.D. Plastic Tube
**	038818-01-000	EA	Riser Ass. - 3/8" O.D. x 24" Tube
**	038818-02-000	EA	Riser Ass. - 3/8" O.D. x 36" Tube
**	038818-04-010	EA	Riser Ass. - 3/8" O.D. x 72" Tube
**	038818-05-000	EA	Riser Ass. - 3/8" O.D. x 48" Tube

\*\*The illustrated parts breakdown for this item is provided on the Common Items Fiche.

Key	Part Number	U/M	Description
	084888-02-000	EA	Tank Ass. - Holding - 38 Gallon - w/Fittings
	084888-01-000	EA	Tank Ass. - Holding - 38 Gallon - w/o Fittings
	084887-02-000	EA	Tank Ass. - Holding - 22 Gallon - w/Fittings
	084887-01-000	EA	Tank Ass. - Holding - 22 Gallon - w/o Fittings
	087333-02-000	EA	Tank Ass. - Water - w/Fittings
	087333-01-000	EA	Tank Ass. - Water - w/o Fittings
**	051383-01-000	EA	Water Heater - w/Motor Aid - Electric Ignition - GH8-3E - Atwood
**	051382-01-000	EA	Water Heater - w/Motor Aid - GH8-3 - Atwood

\*\*The illustrated parts breakdown for this item is provided on the Common Items Fiche.

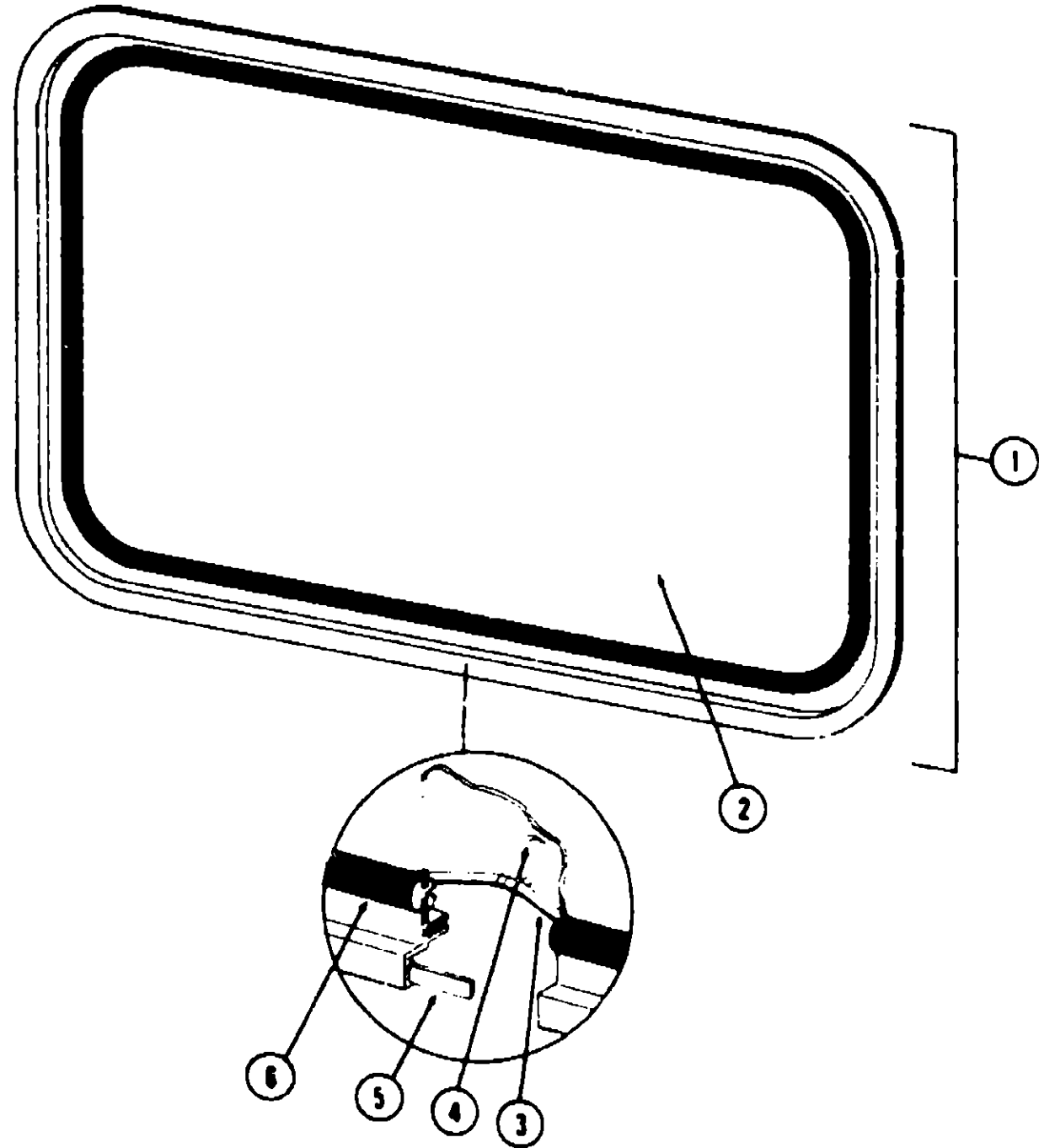
**1980 ITASCA  
TABLE OF CONTENTS**

IC524RH L1	A-1 - B-16
IC625RB L1	B-17 - D-4
ICN26RB L1	D-5 - E-22

**1980 ICN26RB L1 INDEX**

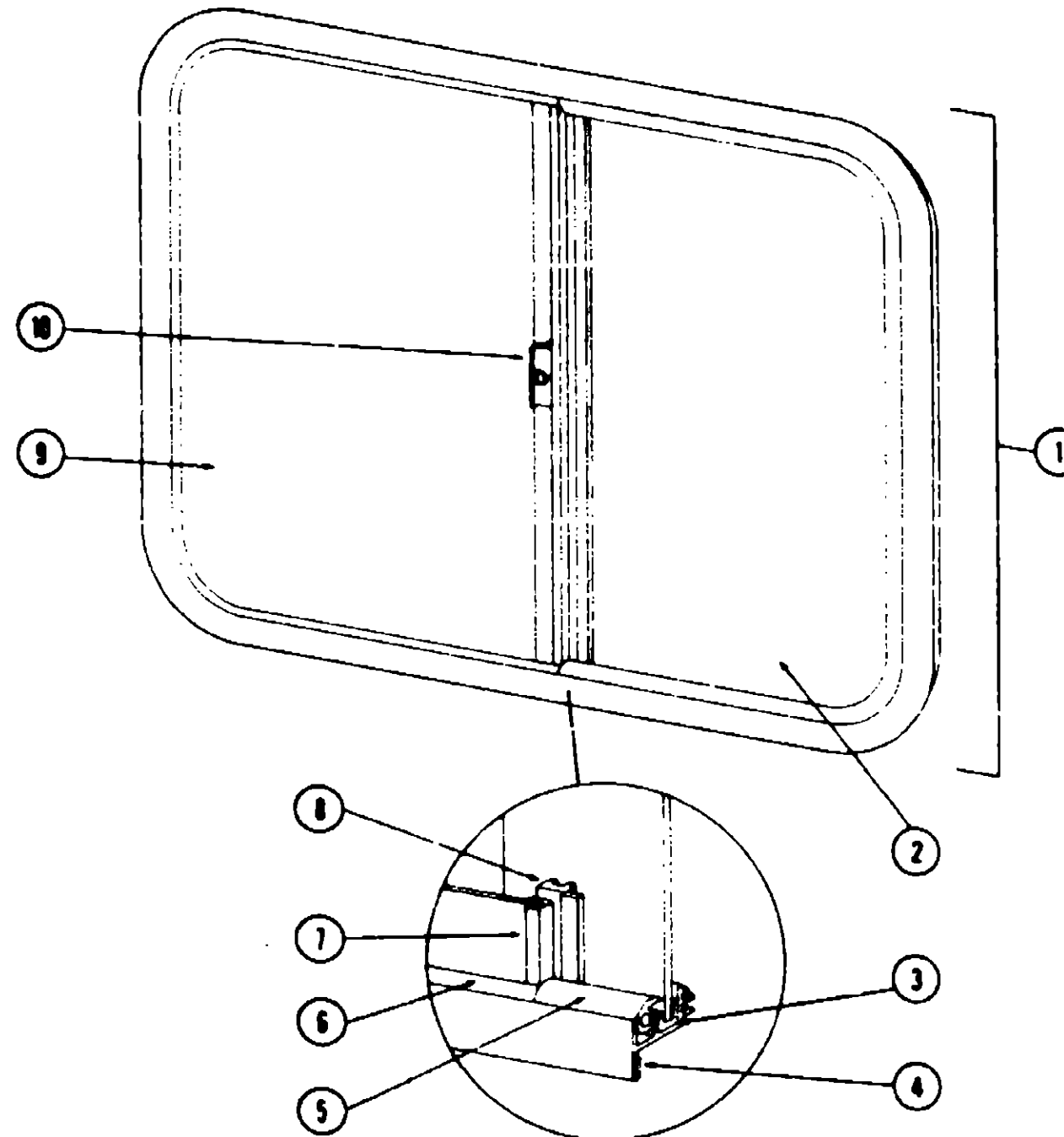
Floor Plan	D-5 - D-6
Accessories Group	D-7 - D-8
Bath Group	D-9
Chassis Group	D-10
Curtain, Cushion & Pad Group	D-11 - D-15
Dinette Group	D-16
Driver's Compartment Group	D-17 - D-18
Electrical Group	D-19 - D-21
Exterior Body Group	D-22 - E-1
Galley Group	E-2
Heating & Air Conditioning Group	E-3 - E-4
Interior Finish Group	E-5 - E-6
LP Group	E-7
Lounge Group	E-8
Water & Sewage Group	E-9 - E-10
Window, Vent & Exterior Door Group	E-11 - E-22

**WINDOW, VENT AND EXTERIOR DOOR GROUP**



Key	Part Number	U/M	Description
1	020751-03-000	EA	Window Asm. - Rear Escape - 23" x 29" - Black Anod. (w/o inside frame)
2	002174-01-000	EA	Glass - Window - 1/8" x 19.61" x 25.92"
3	002285-01-000	FT	Weatherstrip - Black
4	020385-01-000	EA	Slip Ring - Escape Window
5	004383-01-000	FT	Tape - Foam - 3/16" x 1/2" - Gray
6	002282-01-000	FT	Weatherstrip - .125" - Black
.	020748-03-000	EA	Inside Frame - Escape Window - 23" x 29" (not included in L. Assembly)
.	008199-01-000	EA	Label - Exit - Escape Window
.			Not Illustrated

**WINDOW, VENT AND EXTERIOR DOOR GROUP (CONTINUED)**



Key	Part Number	U/M	Description
1	086785-03-000	EA	Window Asm. - Single Slider - 25" x 65" - Black Anod. (w/o inside frame)
2	086727-02-000	EA	Glass - Sliding - 1/8" x 12" x 24"
3	002324-02-000	FT	Channel - Weatherstrip - Glass Run - 1/8" Glass
4	053787-03-000	FT	Tape - 1/4" Bead x 20" - Gray
5	057374-02-000	FT	Seal - Window Channel - Black
6	002309-02-000	FT	Spline - Glass - Black
7	002380-03-002	EA	Holder - Glass Seal - Black Anod. Extr.
8	041884-04-000	EA	Mullion - Slider Window - 25" - Black Anod. Extr.
9	086726-02-000	EA	Glass - Stationary - 1/8" x 21.03" x 24"
10	047389-01-700	EA	Latch - Window - Plastic w/Fastener
.	023320-01-000	EA	Pad - Foam - 3/8" Dia. (used w/Plastic Latch)
.	042076-01-000	FT	Seal - Fin - Pile - .34" - Mullion
.	023713-02-000	EA	Cover - Weep Hole - Black
.	042133-08-000	EA	Frame - Inside - Single Slider - 25" x 65"
.			Not Illustrated

**1980 ITASCA  
TABLE OF CONTENTS**

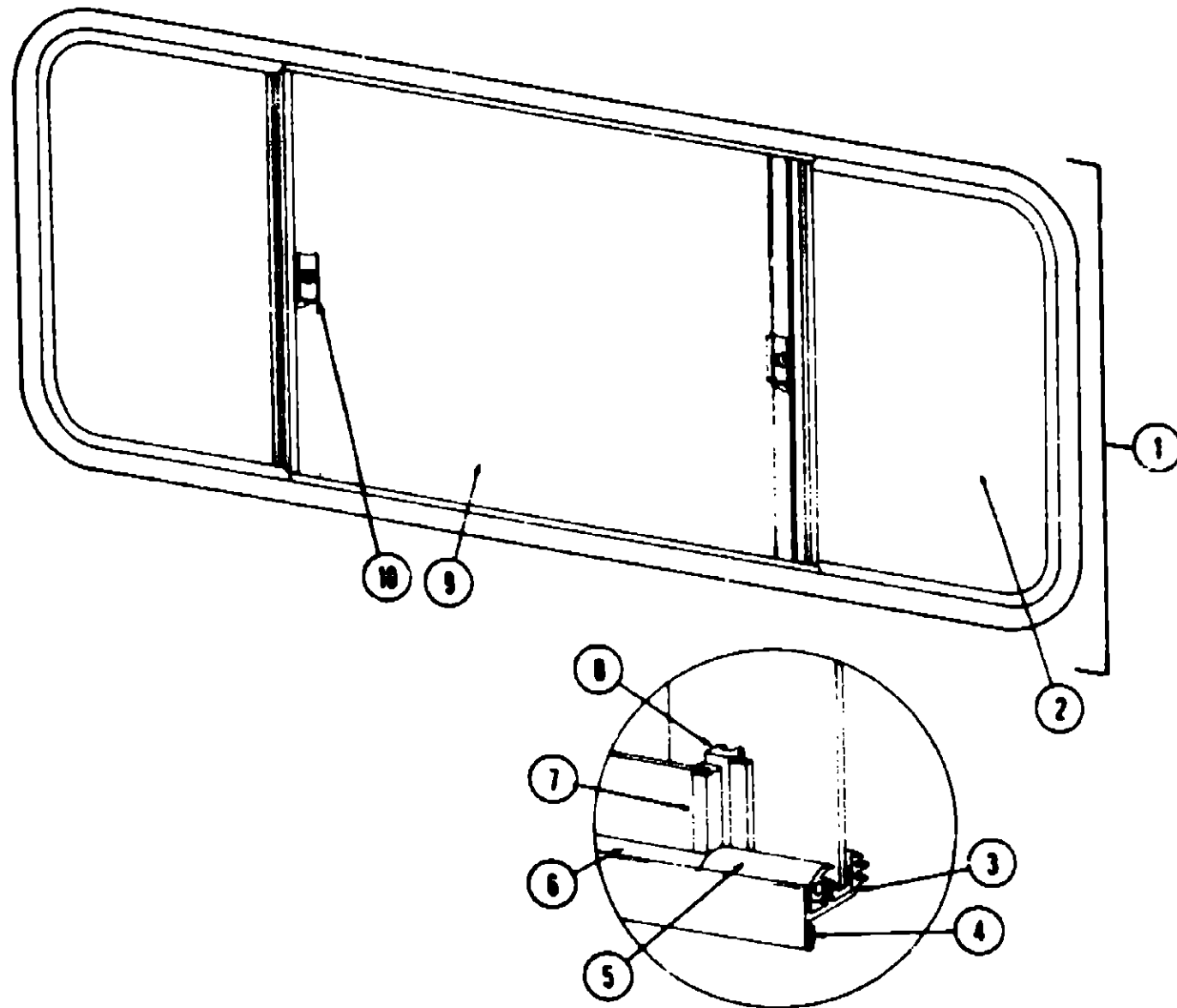
ICS24RH L1	A-1 - B-16
IC625RB L1	B-17 - D-4
ICN26RB L1	D-5 - E-22

**1980 ICN26RB L1 INDEX**

Floor Plan	D-5 - D-6
Accessories Group	D-7 - D-8
Bath Group	D-9
Chassis Group	D-10
Curtain, Cushion & Pad Group	D-11 - D-15
Dinette Group	D-16
Driver's Compartment Group	D-17 - D-18
Electrical Group	D-19 - D-21
Exterior Body Group	D-22 - E-1
Galley Group	E-2
Heating & Air Conditioning Group	E-3 - E-4
Interior Finish Group	E-5 - E-6
LP Group	E-7
Lounge Group	E-8
Water & Sewage Group	E-9 - E-10
Window, Vent & Exterior Door Group	E-11 - E-22

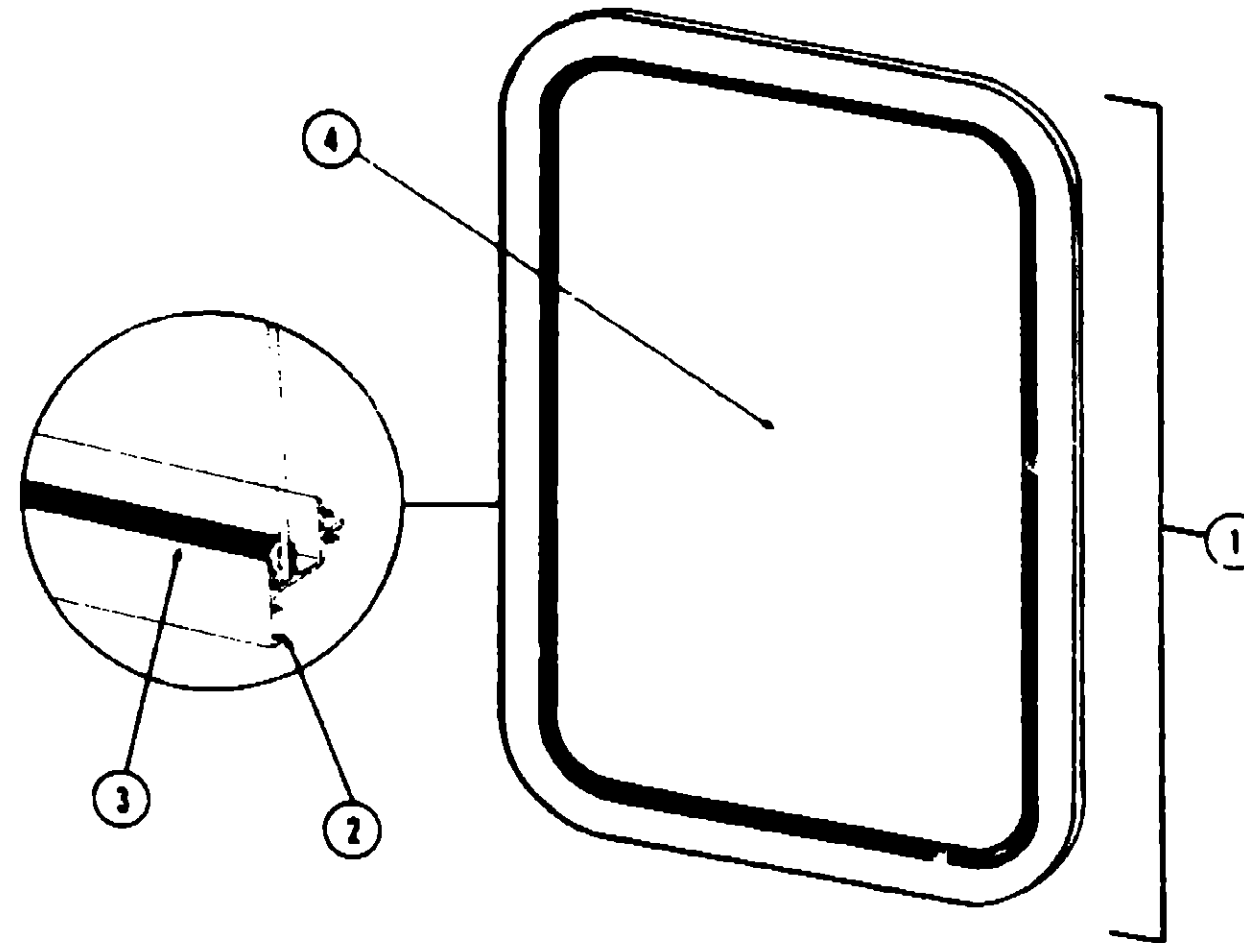


**WINDOW, VENT AND EXTERIOR DOOR GROUP (CONTINUED)**



Key	Part Number	U/M	Description
1	048630-08-000	EA	Window Asm. - Double Slider - 25" x 65" Black Anod. (w/o inside frame)
2	047822-01-000	EA	Glass - Sliding - 3/16" x 24" x 21.03"
3	042077-01-000	FT	Channel - Weatherstrip - Glass Run - 3/16" Glass
4	053767-03-000	FT	Tape - 1/4" Bead x 20" - Schnee Morehead
5	041928-02-000	FT	Seal - Window Channel - 3/16" Glass - Black
6	002308-02-000	FT	Spline - Glass - 1/8" - Black
7	002389-03-201	EA	Extr. Holder - Glass Seal - 23.18" - Black
8	041894-04-000	EA	Mutton - Slider Window - 25" - Black
9	002186-02-000	EA	Glass - 3/16" x 24" x 25.5" - Stationary
10	047389-01-700	EA	Latch - Window - Plastic w/Fastener
.	023320-01-010	EA	Foam Pad - 3/8" Dia. (used with plastic latch)
.	042133-08-000	EA	Frame Asm. - Window - Inside (not included in assembly)
.	023713-02-000	EA	Cover - Weephole - Plastic - Black
.	002288-01-000	FT	Spline - Gray - .130" Dia. (Screen)
.	002293-01-000	SF	Screen - Window - 26" - Gray
.			Not Illustrated

**WINDOW, VENT AND EXTERIOR DOOR GROUP (CONTINUED)**



Key	Part Number	U/M	Description
1	058651-01-000	EA	Window Asm. - Picture - 20 3/4" x 20 3/4" - Black (w/o inside frame)
2	053767-02-000	FT	Tape - 3/16" Bead x 25" - Schnee Morehead
3	002308-02-000	FT	Spline - Glass - 1/8" - Black
4	002181-03-000	EA	Glass - .115" x 20 62" x 20 62" - Gray
.	058650-01-000	EA	Frame - Inside - Window (not included in assembly)
.			Not Illustrated

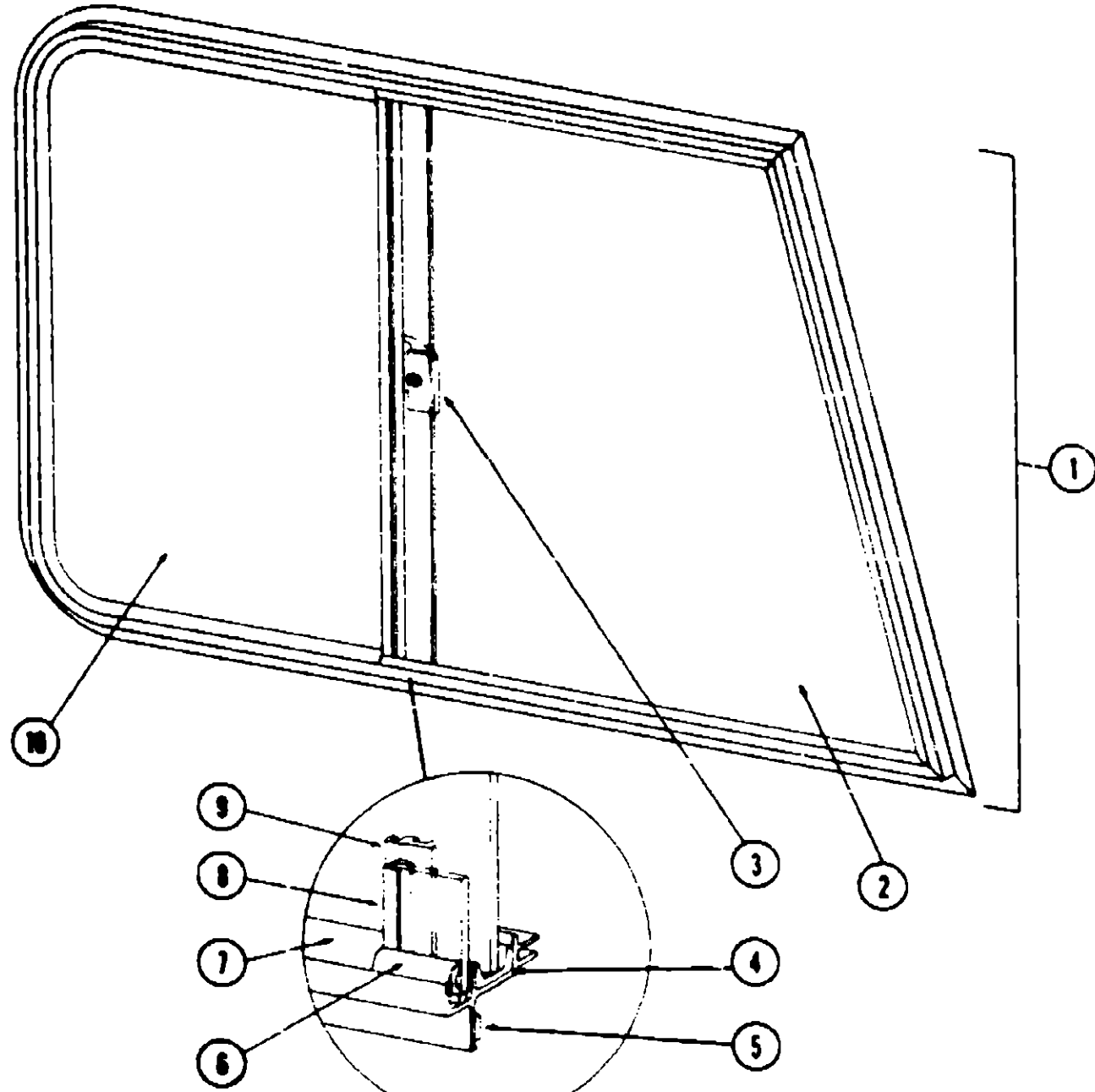
**1980 ITASCA  
TABLE OF CONTENTS**

ICS24RH L1	A-1 - B-16
IC625RB L1	B-17 - D-4
ICN26RB L1	D-5 - E-22

**1980 ICN26RB L1 INDEX**

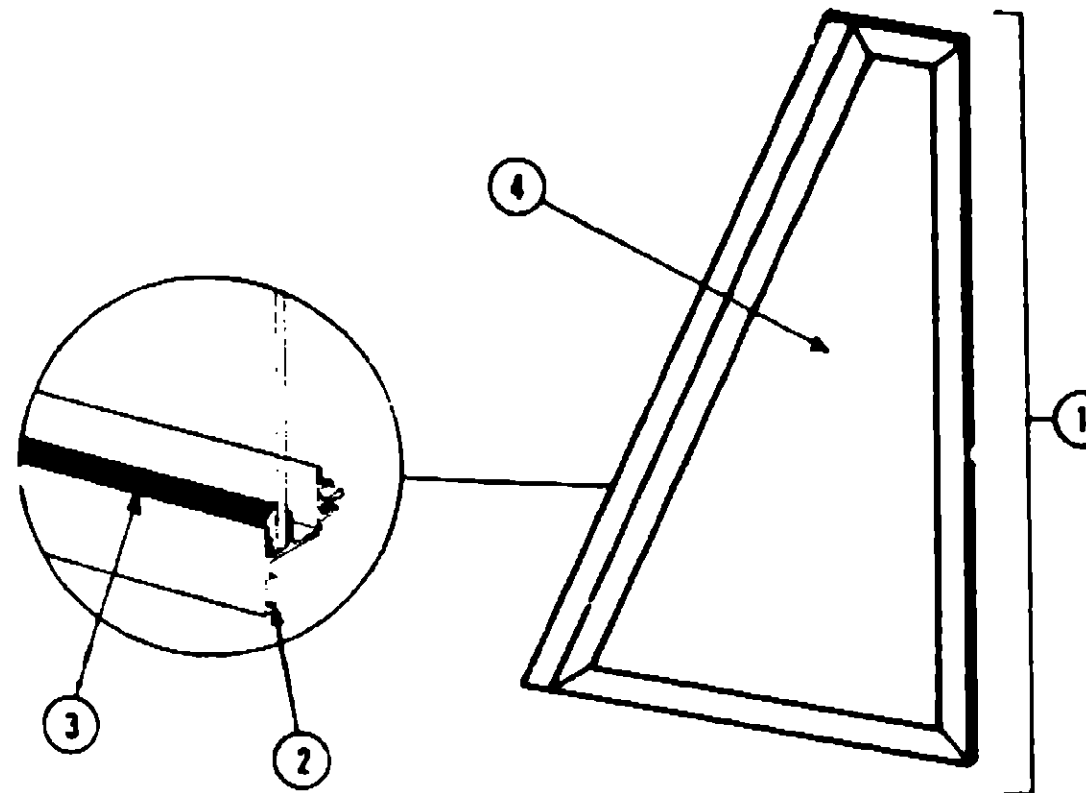
Floor Plan	D-5 - D-6
Accessories Group	D-7 - D-8
Bath Group	D-9
Chassis Group	D-10
Curtain, Cushion & Pad Group	D-11 - D-15
Dinette Group	D-16
Driver's Compartment Group	D-17 - D-18
Electrical Group	D-19 - D-21
Exterior Body Group	D-22 - E-1
Galley Group	E-2
Heating & Air Conditioning Group	E-3 - E-4
Interior Finish Group	E-5 - E-6
LP Group	E-7
Lounge Group	E-8
Water & Sewage Group	E-9 - E-10
Window, Vent & Exterior Door Group	E-11 - E-22

**WINDOW, VENT AND EXTERIOR DOOR GROUP (CONTINUED)**



Key	Part Number	U/M	Description
1	058046-01-000	EA	Window Asm. - Right Front Slant Slider - 23" x 39" - Black Anod. (w/o inside frame)
	058046-02-000	EA	Window Asm. - Left Front Slant Slider - 23" x 38" - Black Anod. (w/o inside frame)
2	057656-01-000	EA	Glass - 3/16" x 24.88" x 25.30" - Stationary
3	047389-01-700	EA	Latch - Window - Plastic w/Fastener
	023320-01-000	EA	Foam Pad - 3/8" Dia. (used with plastic latch)
4	042077-01-000	FT	Channel - Weatherstrip - Glass Run - 3/16" Glass
5	053767-01-000	FT	Tape - 1/2" x 1/8" x 30" - Gray - Schnee Morehead
6	050216-02-000	FT	Spline - 3/16" Glass
7	041828-02-000	FT	Seal - Window Channel - 3/16" Glass - Black
8	002389-03-208	EA	Holder - Glass Seal - Black Anod. - 24.13"
9	057644-04-000	EA	Mullion - Window - Slant Slider
10	057657-01-000	EA	Glass - 3/16" x 24.88" x 14.70" - Sliding
	058042-01-000	EA	Inside Frame - Right Front Slant Slider (not included in assembly)
	058042-02-000	EA	Inside Frame - Left Front Slant Slider (not included in assembly)
	023713-02-000	EA	Cover - Weephole - Black Anod.
	055164-05-000	EA	Slider Screen Asm. - Right or Left - Black
	016310-03-000	EA	Handle - Slider Screen - Black
	002282-01-000	SF	Screen - Window - 20" - Gray
	002228-01-000	FT	Spline - Gray - .130" Dia.
	Not Illustrated		

**WINDOW, VENT AND EXTERIOR DOOR GROUP (CONTINUED)**



Key	Part Number	U/M	Description
1	062896-01-000	EA	Window Asm. - Stationary - Drivers Slant - 14" x 25.32" Black Anod. (w/o inside frame)
2	053767-03-000	FT	Tape - 1/4" Bead x 20" - Gray - Schnee Morehead
3	002309-02-000	FT	Spline - Glass - 1/8" - Black
4	057656-02-000	EA	Glass - 3/16" x 24.88" x 13.66"
	063420-01-000	EA	Frame - Inside - Front Slant Window (not included in assembly)
	Not Illustrated		

**1980 ITASCA  
TABLE OF CONTENTS**

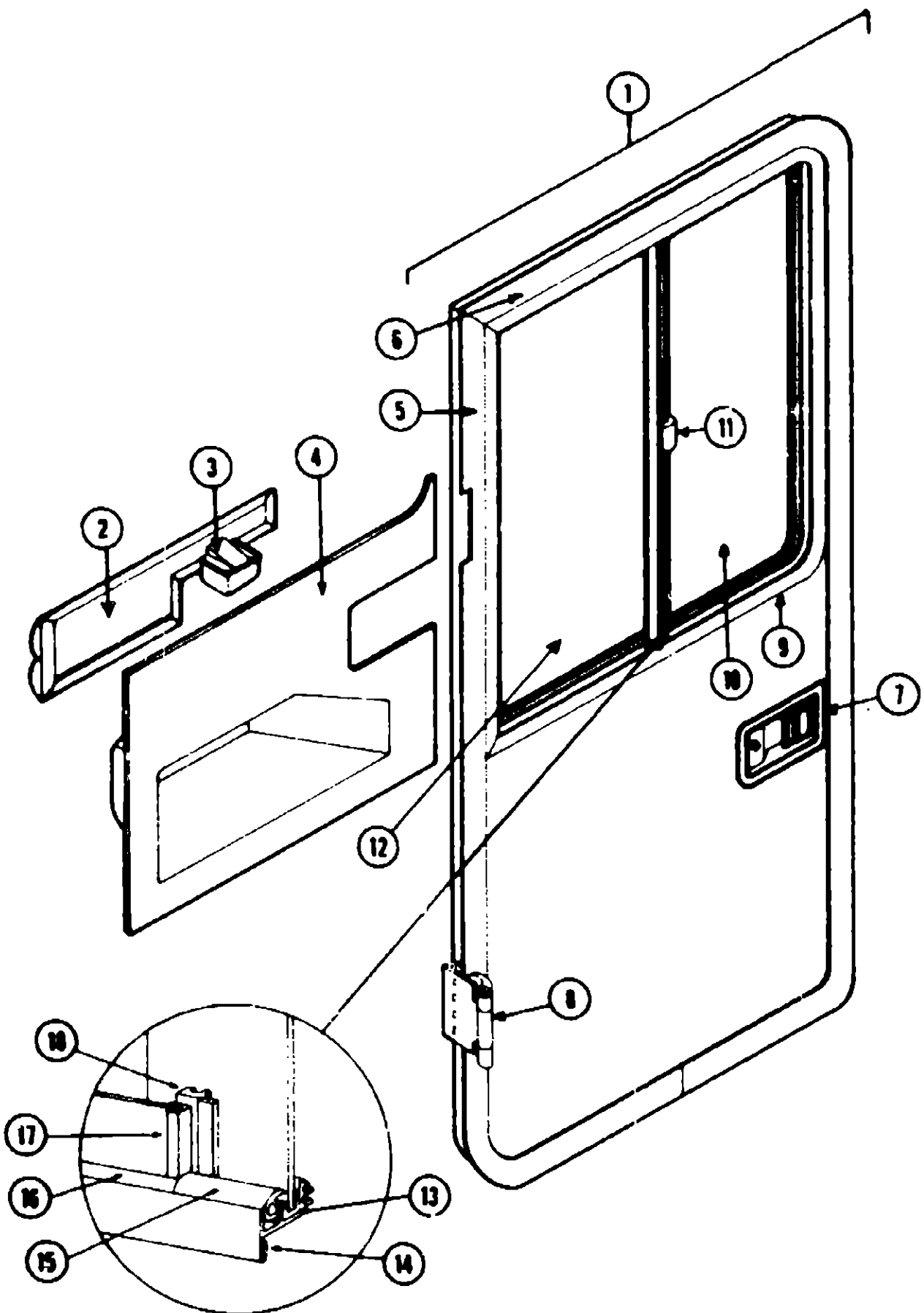
IC524RH L1	A-1 - B-16
IC625RB L1	B-17 - D-4
ICN26RB L1	D-5 - E-22

**1980 ICN26RB L1 INDEX**

Floor Plan	D-5 - D-6
Accessories Group	D-7 - D-8
Bath Group	D-9
Chassis Group	D-10
Curtain, Cushion & Pad Group	D-11 - D-15
Dinette Group	D-16
Driver's Compartment Group	D-17 - D-18
Electrical Group	D-19 - D-21
Exterior Body Group	D-22 - E-1
Galley Group	E-2
Heating & Air Conditioning Group	E-3 - E-4
Interior Finish Group	E-5 - E-6
LP Group	E-7
Lounge Group	E-8
Water & Sewage Group	E-9 - E-10
Window, Vent & Exterior Door Group	E-11 - E-22

DRIVER DOOR - GRAY

Key	Part Number	U/M	Description
1	063991-03-000	EA	Door Asm. - Driver - Gray
2	064088-01-000	EA	Pad Asm. - Trim - Upper
	061400-01-000	EA	Assist Strap - 12" - Light Brown
3	046788-01-000	EA	Ashtray Asm. - Flush Mount - Chrome
4	064499-01-000	EA	Panel - Driver Door - Inner - Dark Brown Plastic
5	063350-03-000	EA	Trim - Door Frame - Front - Gray
6	063351-03-000	EA	Trim - Door Frame - Rear - Gray
7	045017-03-000	EA	Paddle - Door Lock - Exterior
	045017-01-700	EA	Lock Cylinder w/Keys - Lynor
	039979-02-000	EA	Inside Plate - Door Lock - w/Inside Handle
	039540-02-000	EA	Latch Claw - Entry Door Lock
	039738-01-000	EA	Headbolt - Entrance Door Lock
	038539-01-000	EA	Strike Bolt - Entrance Door (Jamb Mount)
	063124-02-000	EA	Plate - Striker - 8 1/4" x 1" - Black
	063879-02-000	EA	Jamb - Driver Door - Black Steel
	064199-03-000	EA	Trim - Door Jamb - Rear - w/Drip Cap - Gray
	064184-01-000	EA	Drip Cap - Driver Door
	063358-03-000	EA	Trim - Door Jamb - Front - Gray
	063768-01-000	EA	Sill Plate - Driver Door
8	063993-03-000	EA	Hinge Asm. - Driver Door - Gray
	064580-01-000	EA	Check Strap - Driver Door - Seat Belt Webbing
	064219-01-000	EA	Retainer - Driver Door Check Strap
	063886-02-000	EA	Assist Handle - Driver Door - Brown Steel Tube (2 required per door)
	064075-01-000	EA	Bulb Seal - Driver Door - 145"
9	062982-01-000	EA	Window Asm. - Driver Door - Single Slider - 23" x 25 5/8" - Black Anod. (w/o inside frame)
10	057657-02-000	EA	Glass - 3/16" x 24 8/8" x 12" - Sliding
11	047369-01-700	EA	Latch - Window - Plastic w/Fastener
12	002188-04-000	EA	Glass - 3/16" x 24 8/8" x 12" - Stationary
13	002324-02-000	FT	Channel - Weatherstrip - Glass Run - 1/8" Glass
14	053767-03-000	FT	Tape - 1/4" Bead x 30' - Gray - Schnee Morehead
15	024096-02-000	FT	Seal - Window Channel - Black
16	002309-02-000	FT	Spline - Glass - Black
17	002389-03-204	EA	Holder - Glass Seal - Anod. Black - 25.14"
	002288-01-000	FT	Weatherstrip - Glass Seal
18	057644-04-000	EA	Mullion - Slider Window - Black Anod.
	063422-01-000	EA	Frame - Inside - Driver Door Window
	023713-02-000	EA	Cover - Weephole - Black Plastic
	055164-06-000	EA	Screen Asm. - Slider
	002292-01-000	SF	Screen - Window - 20" - Gray
	002298-01-000	FT	Spline - Gray - Screen - .130" Dia.
	016310-03-000	EA	Screen Handle - Black Anod.
	043485-02-000	FT	Screen Seal - Extr. Anod.
			Not Illustrated



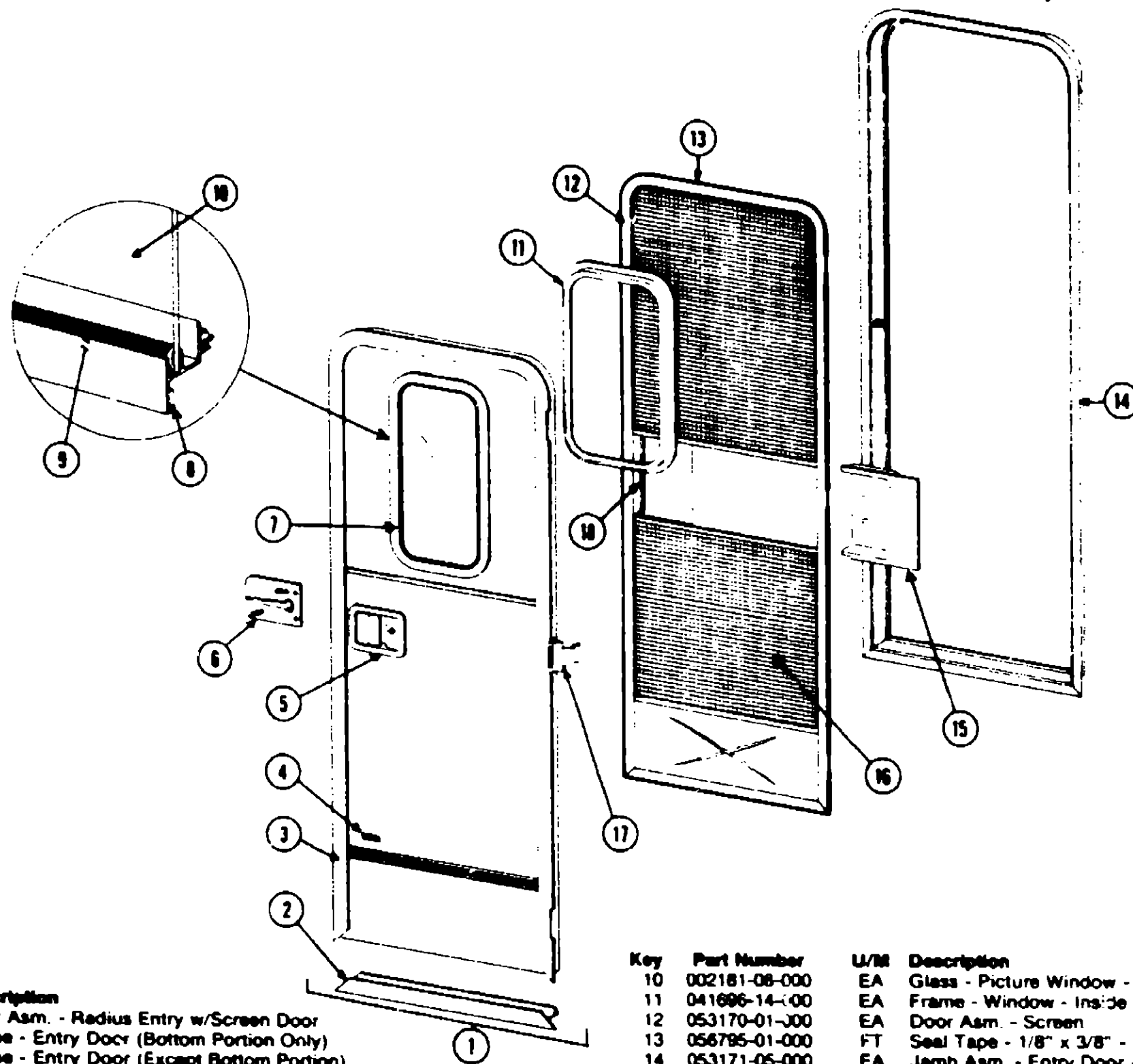
1980 ITASCA  
TABLE OF CONTENTS

IC524RH L1	A-1 - B-16
IC625RB L1	B-17 - D-4
ICN26RB L1	D-5 - E-22

1980 ICN26RB L1 INDEX

Floor Plan	D-5 - D-6
Accessories Group	D-7 - D-8
Bath Group	D-9
Chassis Group	D-10
Curtain, Cushion and Pad Group	D-11 - D-15
Dinette Group	D-16
Driver's Compartment Group	D-17 - D-18
Electrical Group	D-19 - D-21
Exterior Body Group	D-22 - E-1
Galley Group	E-2
Heating & Air Conditioning Group	E-3 - E-4
Interior Finish Group	E-5 - E-6
LP Group	E-7
Lounge Group	E-8
Water & Sewage Group	E-9 - E-10
Window, Vent & Exterior Door Group	E-11 - E-22

# WINDOW, VENT AND EXTERIOR DOOR GROUP (CONTINUED)



Key	Part Number	U/M	Description
1	084324-03-000	EA	Door Asm. - Radius Entry w/Screen Door
2	039737-06-000	EA	Frame - Entry Door (Bottom Portion Only)
3	039736-05-000	EA	Frame - Entry Door (Except Bottom Portion)
4	054530-01-000	EA	Holder - Entry Door - Mounts on Sidewall
5	045017-01-000	EA	Paddle Asm. - Door Lock - Exterior
	045017-01-700	EA	Lock Cylinder w/Keys
	039539-01-000	EA	Striker Bolt - Entry Door
	039540-01-000	EA	Latch Claw - Entry Door
6	039979-01-000	EA	Plate - Lock - Interior - Including Inside Handle
	052186-01-000	EA	Lock Asm. - Complete - Lynor
	039738-01-000	EA	Dead Bolt Asm.
7	041875-11-000	EA	Window Asm. - Picture - 17" x 23" - Black Anod. (inside frame not included in assembly)
8	053787-03-000	FT	Tape - 1/4" Bead x 20' - Schnee Morehead
9	002309-02-000	FT	Spline - Glass - 1/8" Black

Key	Part Number	U/M	Description
10	002181-08-000	EA	Glass - Picture Window - 1/8" x 16.25" x 22" - Gray
11	041896-14-000	EA	Frame - Window - Inside - Brown
12	053170-01-000	EA	Door Asm. - Screen
13	056795-01-000	FT	Seal Tape - 1/8" x 3/8" - Press On
14	053171-05-000	EA	Jamb Asm. - Entry Door - Gray
15	015580-01-000	EA	Slider - Screen Door - Brown Plastic
16	002290-01-700	SF	Screen - Window - 26" - Gray
17	035520-01-000	EA	Hinge - Entry Door (3 used per door)
18	015581-01-000	EA	Cap - Screen Door - Brown Plastic
	049176-01-000	EA	Hedlok II - 3/4" Diameter - Screw Mount (Retains screen door to entry door)
	049797-01-000	EA	Hedlok II - 1" Diameter - Screw Mount (Retains screen door to entry door)
	063638-01-000	EA	Striker - Screen Door
	039863-01-000	EA	Catch Asm. - Single Roller w/Strike - Screen Door
	008016-01-000	EA	Catch - Elbow - Spring Loaded
	051380-01-000	FT	Seal - Jamb - Entry Door - Bulb Seal
	039800-03-000	FT	Tubing - Polybutyl - 3/8" O.D. Jamb
	044582-08-000	EA	Drip Cap - Jamb Mounted - Gray
			Not Illustrated

## 1980 ITASCA TABLE OF CONTENTS

IC524RH L1  
IC625FB L1  
ICN26RB L1

A-1 - B-16  
B-17 - D-4  
D-5 - E-22

## 1980 ICN26RB L1 INDEX

Floor Plan:	D-5 - D-6
Accessories Group	D-7 - D-8
Bath Group	D-9
Chassis Group	D-10
Curtain, Cushion and Pad Group	D-11 - D-15
Dinette Group	D-16
Driver's Compartment Group	D-17 - D-18
Electrical Group	D-19 - D-21
Exterior Body Group	D-22 - E-1
Galley Group	E-2
Heating & Air Conditioning Group	E-3 - E-4
Interior Finish Group	E-5 - E-6
LP Group	E-7
Lounge Group	E-8
Water & Sewage Group	E-9 - E-10
Window, Vent & Exterior Door Group	E-11 - E-22

## WINDOW, VENT AND EXTERIOR DOOR GROUP (CONTINUED)

### WINDSHIELD

Key	Part Number	U/M	Description
	058272-01-000	EA	Frame Asm - Windshield w/o Glass
	057458-01-000	EA	Glass - Windshield - Right or Left
	038886-01-000	EA	Tape - Butyl - .31" x .31" x 148"

### STORM WINDOWS

Key	Part Number	U/M	Description
	062635-04-000	EA	Storm Window - Plexiglass - 22.07" x 22.07"
	062635-08-000	EA	Storm Window - Plexiglass - 25.94" x 16.15"
	062635-15-000	EA	Storm Window - Plexiglass - 23.94" x 18.19"
	009166-01-000	EA	Latch - Storm Window - Nylon

### VENTS

Key	Part Number	U/M	Description
	039778-01-000	EA	Cover - Refrigerator Vent
	009407-01-000	EA	Frame Asm. - Refrigerator Vent
**	049352-03-000	EA	Vent - Stovehood - Outside - Gray
**	048789-01-000	EA	Vent Asm. - Roof - Powered - w/o Screen - Alum.
**	048835-01-000	EA	Vent Asm. - Roof - Non Powered - w/o Screen - Alum.
**	056119-01-000	EA	Vent Asm. - Roof - Powered/Lighted - Jensen - White

\*\*The illustrated parts breakdown for this item is provided on the Common Items Fiche.

### ACCESS DOORS

Key	Part Number	U/M	Description
	033333-36-000	EA	Door Asm. - Battery - 10.25" x 24.75" - Gray w/Twist Lock
	033333-26-000	EA	Door Asm. - Spare Tire Compartment - Gray - w/Key Type Lock
	047233-03-000	EA	Door Asm. - Luggage - 35.5" x 13" - Gray w/Key Lock
	059727-03-000	EA	Door Asm. - Storage - Insulated - 29.9" x 10.36" - Gray w/Key Lock
	054270-11-000	EA	Door Asm. - Refrigerator Access - Gray - w/Twist Lock
	064682-06-000	EA	Door Asm. - Gas Fill - Gray w/Key Lock
	042441-01-000	EA	Lock Asm. - Key Type - Gas Fill
	042442-01-000	EA	Lock Asm. - Twist Type - Gas Fill
	047305-01-000	EA	Lock Asm. - Key Type w/Clip
	009003-01-000	EA	Lock Asm. - Twist Type w/Clip
	018945-02-000	EA	Holder Asm. - Battery and Luggage Door
	052179-09-000	EA	Door Asm. - Generator - Gray w/Twist Type Lock
	052181-02-000	EA	Baffle - Generator Door
	063946-03-000	EA	Door Asm. - Power Cord - w/Hatch
	037804-25-000	EA	Door Asm. - Storage - Gray - 47.49" x 10.2"

## 1980 ITASCA TABLE OF CONTENTS

IC5247H L1	A-1 - B-16
IC625RB L1	B-17 - D-4
ICN26RB L1	D-5 - E-22

## 1980 ICN26RB L1 INDEX

Floor Plan	D-5 - D-6
Accessories Group	D-7 - D-8
Bath Group	D-9
Chassis Group	D-10
Curtain, Cushion and Pad Group	D-11 - D-15
Dinette Group	D-16
Driver's Compartment Group	D-17 - D-18
Electrical Group	D-19 - D-21
Exterior Body Group	D-22 - E-1
Galley Group	E-2
Heating & Air Conditioning Group	E-3 - E-4
Interior Finish Group	E-5 - E-8
LP Group	E-9
Lounge Group	E-10
Water & Sewage Group	E-11 - E-12
Window, Vent & Exterior Door Group	E-13 - E-22