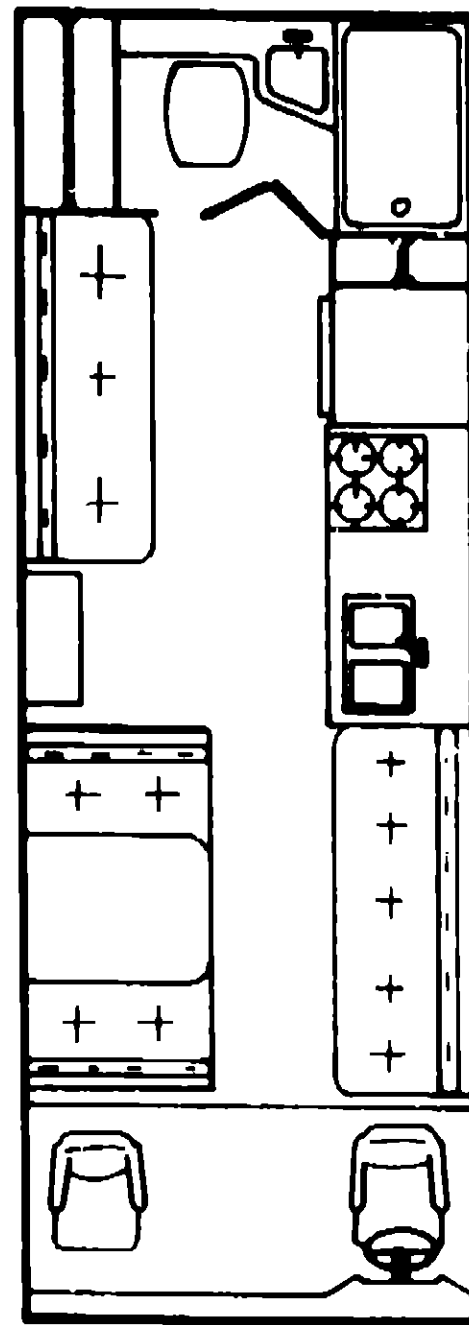
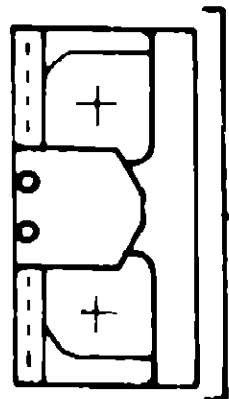


1980 ICN26RB L0



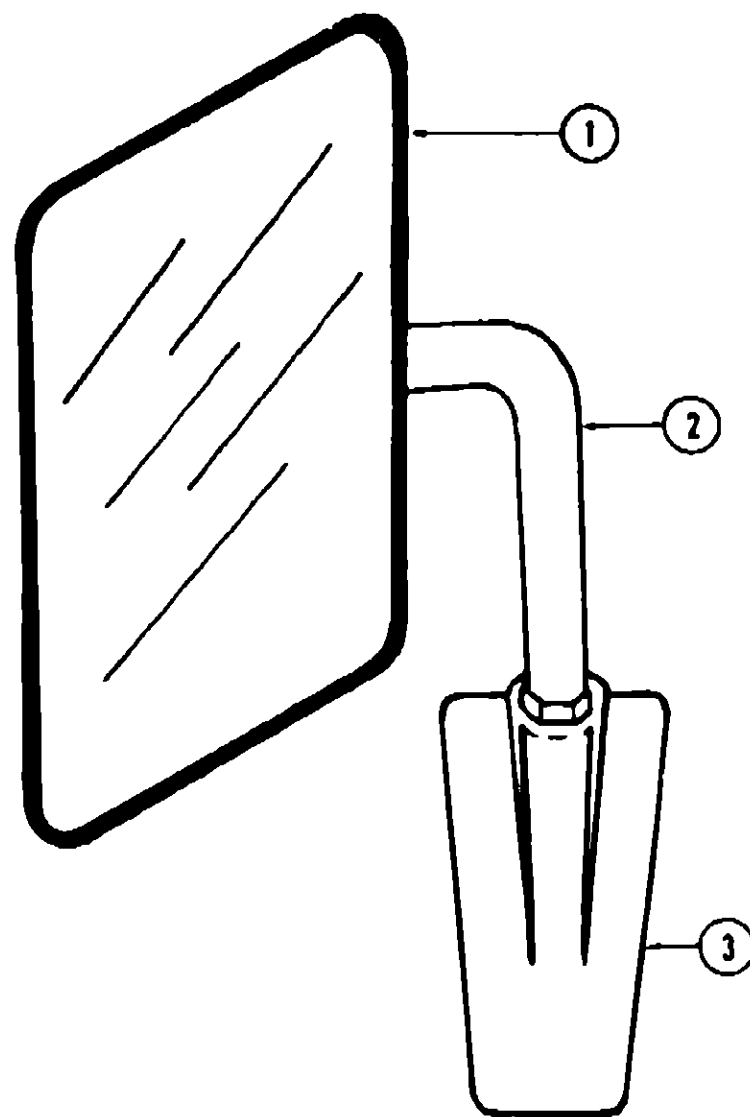
1980 ITASCA TABLE OF CONTENTS

Introduction	A-1
Abbreviations	A-1
Alphabetical Index	A-2 - A-4
ICF26RH LO	A-5 - B-22
ICF26RT LO	B-23 - D-16
ICN26RB LO	D-17 - F-8
ICN26RT LO	F-9 - H-5

1980 ICN26RB LO INDEX

Floor Plan	D-17 - C-18
Accessories Group	D-19 - D-20
Bath Group	D-21 - D-22
Chassis Group	D-23
Curtain, Cushion & Pad Group	D-24 - E-4
Dinette Group	E-5
Driver's Compartment Group	E-6 - E-7
Electrical Group	E-8 - E-10
Exterior Body Group	E-11 - E-14
Galley Group	E-15
Heating & Air Conditioning Group	E-16 - E-17
Interior Finish Group	E-18 - E-19
LP Group	E-20
Lounge Group	E-21
Water & Sewage Group	E-22
Window, Vent & Exterior Door Group	E-23 - F-8

ACCESSORIES GROUP



Key	Part Number	U/M	Description
1	057461-01-000	EA	Mirror Head - 7 1/2" x 10 1/2" - w/Convex - Stainless Steel
1	057461-02-000	EA	Mirror Head - 7 1/2" x 10 1/2" - w/Convex - Off White
2	049348-01-000	EA	Arm - Low Mount Mirror - Bright Finish
2	049348-02-000	EA	Arm - Low Mount Mirror - Off White
3	049944-02-000	EA	Bracket - Mirror - Outside - Off White
.	065116-01-000	EA	Mirror - West Coast - Double Mirror - Right
.	065116-02-000	EA	Mirror - West Coast - Double Mirror - Left
.			Not Illustrated

GENERATORS AND COMPONENTS

Key	Part Number	U/M	Description
**	054429-01-000	EA	Generator - Onan - 4.0 kw - BFA
**	054431-01-000	EA	Generator - Onan - 5.0 kw - BGA
**	054433-01-000	EA	Generator - Onan - 6.5 kw
.	701629-02-000	EA	Onan Installation Package
.	024732-01-001	EA	Tailpipe - 1 1/2" O.D. x 23"
.	054426-01-000	EA	Muffler - Generator - w/Spark Arrestor
.	740313-56-000	EA	Tray - Generator - 4.0 - 5.0 kw Onan
.	740313-57-000	EA	Tray - Generator - 6.5 kw - Onan

**The illustrated parts breakdown for this item is provided on the Common Items Fiche

ACCESSORIES GROUP (CONTINUED)

RADIOS AND RELATED COMPONENTS

Key	Part Number	U/M	Description
	049730-01-000	EA	Radio - Clarion - AM/w/Fader Switch
	049731-01-000	EA	Radio - Clarion - AM/FM/MPX - w/Fader Switch
	049732-01-000	EA	Radio - Clarion - AM/FM/MPX - 8 Track - w/Fader Switch
	056014-02-000	EA	Radio - Motorola - AM/FM Stereo, Cassette
	058014-01-000	EA	Radio - Motorola - AM/FM Stereo, 8 Track
	053768-01-000	EA	Speaker - Recessed - 5 1/4" - 10 oz.
	031105-01-000	EA	Antenna - Radio - Side Mount
	031105-01-700	EA	Holder - Antenna - Radio - Upper
	048153-01-000	EA	Antenna - CB Camper Style
	044328-01-000	EA	Switch - Fader - Speaker Balance
	050751-01-000	EA	Plaque - Fader/Mic Mounting
	055299-01-000	EA	Grille - Speaker - 5 1/4"
	063647-01-000	EA	Control Box - Clarion CB
	063647-02-000	EA	Module - Clarion CB

FRONT BUNK AND HARDWARE

Key	Part Number	U/M	Description
	058300-01-K11	EA	Cabinet Asm. - Front Overhead
	058844-01-K11	EA	Bunk Board Asm. - Front Overhead w/Rails
	053773-01-000	EA	Support - Overhead Bunk - Brown - Right
	053773-02-000	EA	Support - Overhead Bunk - Brown - Left
	040071-02-000	EA	Support - Bunk - Seat Belt
	041322-01-000	EA	Washer - Flat - 15/32" I.D. x 2 3/8" O.D.
	039516-02-000	EA	Catch - Bunk - Brown
	023812-22-000	EA	Rail - Bunk - 80" - Brown
	053774-01-000	EA	Torsion Rod - Overhead Bunk - Brown

MISCELLANEOUS ACCESSORIES

Key	Part Number	U/M	Description
	054185-04-000	EA	Owners Manual - Itasca
	008053-01-000	EA	Antenna - TV Braund Delux
	006053-01-700	EA	Parts Kit - Repair - Braund TV Antenna
	008093-01-000	EA	Jack - TV - Brown (Antenna)
	006076-01-000	EA	Ladder - Front Bunk
	017516-01-000	EA	Mud Flap - Black - 14" x 18" w/Holes
	006113-01-000	EA	Jack Hydraulic - 5 Ton
	041944-01-700	EA	Fire Extinguisher - w/Bracket
	041944-03-000	EA	Fire Extinguisher w/Bracket - 5BC (Calif.)
	052771-02-000	EA	Oven - Microwave - Magic Chef MW207
**	041086-01-000	EA	Ladder Asm. - w/Luggage Rack
**	041086-02-000	EA	Ladder Asm.
	041646-01-000	EA	Luggage Carrier Assembly
	039881-01-000	EA	Catch and Strike - Luggage Carrier
**	031396-04-000	EA	Wheel Cover - 16" Chrome
	064082-01-000	EA	Wheel Cover - Delmet - (Bolt On)
	064082-02-000	EA	Retaining Nut - Delmet - Wheel Cover
	064082-05-700	EA	Retainer Bracket - Bolt On Wheel Cover - Chev. - Front
	064082-05-701	EA	Retainer Bracket - Bolt On Wheel Cover - Chev. - Rear
**	059779-01-000	EA	Speed Control Package - Electric - Chev. - Dana
	052241-02-000	EA	Cover - Spare Tire - Gray Plastic

**The illustrated parts breakdown for this item is provided on the Common Items Fiche

1980 ITASCA TABLE OF CONTENTS

Introduction	A-1
Abbreviations	A-1
Alphabetical Index	A-2 - A-4
ICF26RH LO	A-5 - B-22
ICF26RT LO	B-23 - D-16
ICN26RB LO	D-17 - F-8
ICN26RT LO	F-9 - H-5

1980 ICN26RB LO INDEX

Floor Plan	D-17 - D-18
Accessories Group	D-19 - D-20
Bath Group	D-21 - D-22
Chassis Group	D-23
Curtain, Cushion & Pad Group	D-24 - E-4
Dinette Group	E-5
Driver's Compartment Group	E-6 - E-7
Electrical Group	E-8 - E-10
Exterior Body Group	E-11 - E-14
Galley Group	E-15
Heating & Air Conditioning Group	E-16 - E-17
Interior Finish Group	E-18 - E-19
LP Group	E-20
Lounge Group	E-21
Water & Sewage Group	E-22
Window, Vent & Exterior Door Group	E-23 - F-8

BATH GROUP

BATH CABINETRY

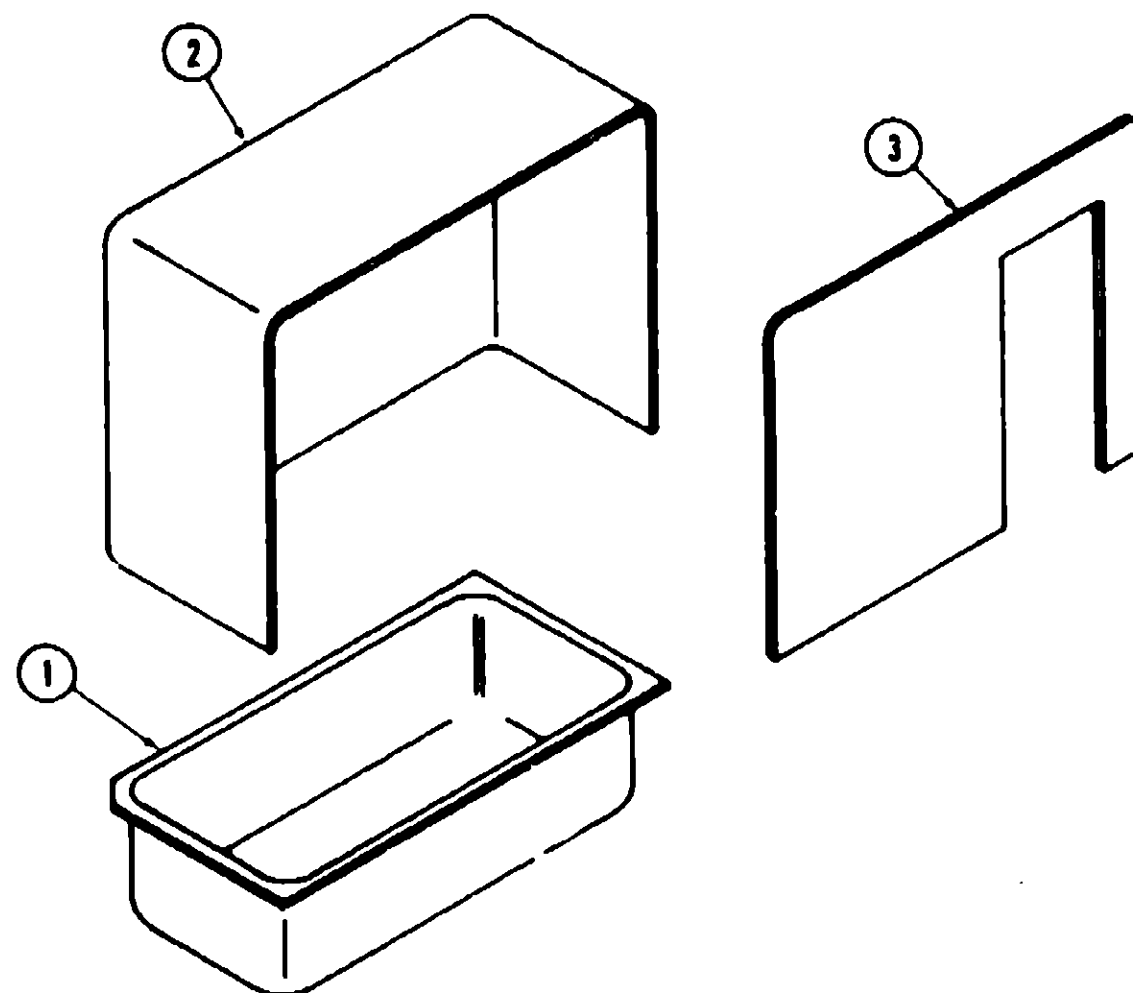
Key	Part Number	U/M	Description
	058536-01-K11	EA	Cabinet Asm. - Lavatory - w/o Countertop
	058880-01-K11	EA	Countertop Asm. - Lavatory - Camel
	059122-03-K11	EA	Door Asm. - Rolled - 19" x 17.8"
	059122-04-K11	EA	Door Asm. - Rolled - 19" x 13.2"
	059148-01-K11	EA	Door Asm. - Lavatory Countertop - 14" x 9.3" - Camel Laminate
	059842-01-K11	EA	Door Asm. - w/Mirror
	059458-01-K11	EA	Panel - Folding Door (2 per door)
	052583-01-000	EA	Rack Asm. - Towel
	053130-02-000	EA	Cabinet Asm. - Medicine - 43.5" wide
	053130-02-700	EA	Mirror - Jensen Medicine Cabinet - 35 1/2" x 15"
	053130-02-701	EA	Frame - Mirror - Jensen Medicine Cabinet
	039910-01-000	EA	Bulb - 1143 Frosted
	053130-02-702	EA	Catch - Door - Jensen Medicine Cabinet
	053130-02-703	EA	Switch - Jensen Medicine Cabinet

BATH HARDWARE

Key	Part Number	U/M	Description
**	011056-01-000	EA	Faucet - Lavatory - U.S.
**	011056-02-000	EA	Faucet - Lavatory - C.S.A.
	058640-01-000	EA	Sink - Oval - Ivory Plastic
	011083-01-000	EA	Plug - Sink - 1 1/4" w/Chain
**	011048-01-000	EA	Shower Head - w/60" Hose
	010495-01-000	EA	Hose Clamp - 9/16"
**	031558-01-000	EA	Faucet - Tub and Shower
**	011086-01-000	EA	Strainer - Shower Pan
**	011069-01-000	EA	Tailpiece - 1 1/4" x 4" - Brass
	009134-01-000	EA	Holder - Tissue
	054529-01-000	EA	Slide Bolt - Antique Brass
	058344-01-000	EA	Hardware Package - Folding Bath Door
	058344-02-000	EA	Track - Folding Bath Door
	053260-05-000	EA	Trim - Shower Door - Bottom
	053262-01-000	EA	Trim - Shower Door - Right
	047907-01-000	EA	Hinge - Brass - 14" w/Holes - Vanity Door
	053262-04-000	EA	Trim - Shower Door - Left
**	009112-01-000	EA	Flange - 1" Closet Rod
**	039341-02-000	EA	Toilet - Thetford Aqua Magic Model SH - Ivory

** The illustrated parts breakdown for this item is provided on the Common Items Fiche

BATH GROUP (CONTINUED)



Key	Part Number	U/M	Description
1	041826-01-000	EA	Bathtub Bottom - Ivory Plastic
2	041853-01-000	EA	Bathtub Rear - Ivory Plastic
3	041852-01-000	EA	Bathtub Front - Ivory Plastic

1980 ITASCA TABLE OF CONTENTS

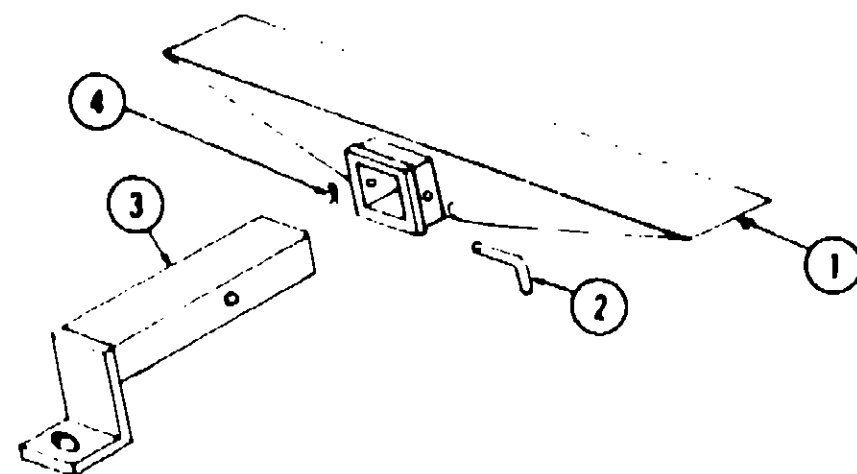
Introduction	A-1
Abbreviations	A-1
Alphabetical Index	A-2 - A-4
ICF26RH LO	A-5 - B-22
ICF26RT LO	B-23 - D-16
ICN26RB LO	D-17 - F-8
ICN26RT LO	F-9 - H-5

1980 ICN26RB LO INDEX

Floor Plan	D-17 - D-18
Accessories Group	D-19 - D-20
Bath Group	D-21 - D-22
Chassis Group	D-23
Curtain, Cushion & Pad Group	D-24 - E-4
Dinette Group	E-5
Driver's Compartment Group	E-6 - E-7
Electrical Group	E-8 - E-10
Exterior Body Group	E-11 - E-14
Galley Group	E-15
Heating & Air Conditioning Group	E-16 - E-17
Interior Finish Group	E-18 - E-19
LP Group	E-20
Lounge Group	E-21
Water & Sewage Group	E-22
Window, Vent & Exterior Door Group	E-23 - F-8

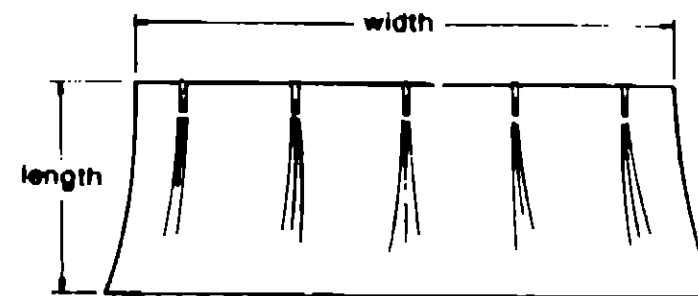
CHASSIS GROUP

Key	Part Number	U/M	Description
	058029-01-000	EA	Tank - Fuel - Main
	061402-01-000	EA	Sending Unit - Main Fuel Tank - 90 Ohm.
	058790-01-000	EA	Gas Fill - w/Vent
	024611-04-000	EA	Cap - Gas - Pressure - 1.5" Chrome
	024138-01-000	FT	Hose - Fuel - 5/16" I.D. SAE 30RI
	024141-01-000	FT	Hose Rubber - 1/2" I.D.
	007134-01-000	EA	Clamp - Hose - Spring Type - 9/16"
	040078-01-000	EA	Tank - Fuel - 27.8 Gallon - Auxiliary
	040079-01-000	EA	Sending Unit - Fuel - 78 Ohm. - Aux.
	043986-01-000	EA	Strap - Fuel Tank Mounting - 13.5"
	024647-01-000	EA	Hose - Fuel - 2 1/4" I.D.
	007137-01-000	EA	Clamp - Worm Gear - 1 5/16" to 2 1/4"
	007138-01-000	EA	Clamp - Worm Drive - .22" - 1" I.D.
	043477-01-000	EA	Valve Asm. - Fuel Selector - 2 Way 6 Port
	048775-01-000	EA	Valve Asm. - Fuel Selector - 3 Way
	050227-01-000	EA	Canistor Asm. - Vapor - 2 Stage - 3 Port
	007111-01-000	FT	Hose - Fuel - 2 1/4" I.D. SAE 30RI
	033499-01-000	EA	Power Cord Box - Plastic
	055080-01-000	EA	Wheel Well - Plastic
	740313-56-000	EA	Tray - Generator - Onan - 4.0 kw - 5.0 kw
	740313-57-000	EA	Tray - Generator - Onan - 6.5 kw
	052431-01-000	EA	Luggage Tray
	022655-02-000	EA	Tailpipe - 2 1/4" x 8" - 45° Engine
	007125-06-000	EA	Clamp Asm. - Muffler - 2 1/4"
	017516-01-000	EA	Mud Flap - Black - 14" x 18" w/Holes
	051897-01-000	EA	Bracket - Battery Tie Down
	053249-01-000	EA	Battery Tray Asm.
	024652-01-700	EA	Step Asm. - Entry
	048474-01-000	EA	Bumper - Rear - Chrome
	040974-01-000	EA	Bracket - Spare Tire - Retaining Bar - 2" x 6 7/8"
	040634-03-000	EA	Carrier - Spare Tire
	046043-06-000	EA	Bracket Asm. - Rear Bumper Mounting
	058401-01-000	EA	Hood Board - Upper - Right - Steel
	058404-01-000	EA	Hood Board - Upper - Left - Steel
	056818-01-000	EA	Cover - Radiator - Rear
	056817-01-000	EA	Cover - Radiator - Rear Back - (Fan Shroud)
	058200-01-000	EA	Bumper - Front - Chrome
	005200-01-000	EA	Bolt - Carriage - 7/16" - 14 x 1 1/4" SST
	058439-01-000	EA	Bracket - Front Bumper - Black
	058416-01-000	EA	Bar - Front Bumper - Black



Key	Part Number	U/M	Description
1	023695-01-000	EA	Hitch Kit - w/o Drawbar
2	034512-01-000	EA	Pin - Locking - Drawbar
3	023690-01-000	EA	Drawbar Asm. - Trailer Hitch - Primed
4	034513-01-000	EA	Pin Hitch - 3/16" Wire Spring

CURTAIN, CUSHION AND PAD GROUP



NOTE:

Use this illustration when determining length and width measurements for curtains. You will note the width measurement is taken on the top of the curtain with the curtain fully extended. The length measurement is taken from the top to bottom.

CURTAIN AND TIE BACKS

Key	Part Number	U/M	Description
	054051-24-K11	EA	Curtain w/Snap Top - 34" x 37" - White
	054051-24-K13	EA	Curtain w/Snap Top - 34" x 37" - Ivory
	054051-28-K11	EA	Curtain w/Snap Top - Bunk Privacy - 22" x 96" - White
	054051-28-K13	EA	Curtain w/Snap Top - Bunk Privacy - 22" x 96" - Ivory
	054051-30-K11	EA	Curtain w/Snap Top - Privacy - 75" x 96" - White
	054051-30-K13	EA	Curtain w/Snap Top - Privacy - 75" x 96" - Ivory
	054292-03-K11	EA	Curtain w/Snaps - Left Wraparound - 27.5" x 81" - White
	054292-03-K13	EA	Curtain w/Snaps - Left Wraparound - 27.5" x 81" - Ivory
	054293-03-K11	EA	Curtain w/Snaps - Right Wraparound - 27.5" x 81" - White
	054293-03-K13	EA	Curtain w/Snaps - Right Wraparound - 27.5" x 81" - Ivory
	054049-05-K11	EA	Tie Back Asm. - Curtain - 2" x 18" - White
	054048-05-K13	EA	Tie Back Asm. - Curtain - 2" x 18" - Ivory

SHADES

Key	Part Number	U/M	Description
	059547-02-000	EA	Shade - Woven Wood - 31" x 69" - Gray
	059547-06-000	EA	Shade - Woven Wood - 31" x 69" - Rust
	059547-14-000	EA	Shade - Woven Wood - 31" x 69" - Brown
	059547-04-000	EA	Shade - Woven Wood - 27" x 40" - Gray
	059547-10-000	EA	Shade - Woven Wood - 27" x 40" - Rust
	059547-16-000	EA	Shade - Woven Wood - 27" x 40" - Brown
	059547-05-000	EA	Shade - Woven Wood - 23" x 25" - Gray
	059547-11-000	EA	Shade - Woven Wood - 23" x 25" - Rust
	059547-17-000	EA	Shade - Woven Wood - 23" x 25" - Brown

PADS

Key	Part Number	U/M	Description
	059062-01-K04	EA	Pad - Door Cover Panel - Acorn Vinyl
	058444-01-K04	EA	Pad - End Cap - Rear Lounge Overhead Cabinet - Left - Acorn Vinyl
	058444-04-K04	EA	Pad - End Cap - Rear Lounge Overhead Cabinet - Right - Acorn Vinyl
	059333-01-K04	EA	Pad - Bunk Rail - Acorn Brown
	059414-01-000	EA	Pad - Sidewall Trim - Drivers
	059467-03-K08	EA	Pad - Map Pockets - Drivers - Acorn Vinyl
	059414-02-000	EA	Pad - Sidewall Trim - Passenger
	059467-04-K08	EA	Pad - Map Pocket - Passenger - Acorn Vinyl
	058948-01-K04	EA	Pad - Bunk Panel - Right - Acorn Vinyl
	058948-02-K04	EA	Pad - Bunk Panel - Left - Acorn Vinyl
	058444-03-K04	EA	Pad - Dinette Overhead Cabinets - Left - Acorn Brown
	058444-04-K04	EA	Pad - Dinette Overhead Cabinets - Right - Acorn Brown
	058860-01-K11	EA	Pad - Armrest - Rear Lounge - 31.4" x 6.2" x 3" - Blue/Green
	058860-01-K12	EA	Pad - Armrest - Rear Lounge - 31.4" x 6.2" x 3" - Rust
	058860-01-K13	EA	Pad - Armrest - Rear Lounge - 31.4" x 6.2" x 3" - Brown

1980 ITASCA

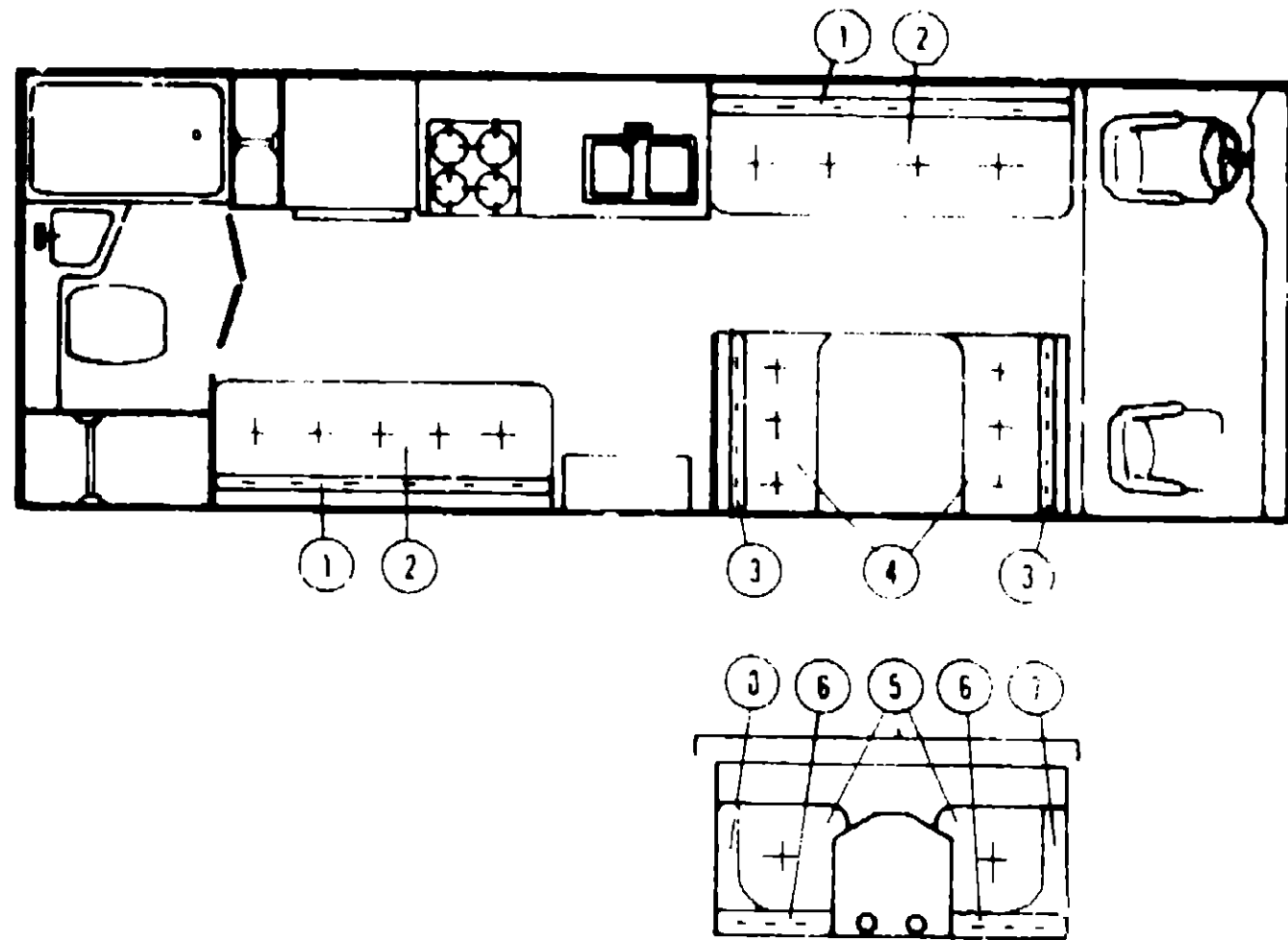
TABLE OF CONTENTS

Introduction	A-1
Abbreviations	A-1
Alphabetical Index	A-2 - A-4
ICF26RH LO	A-5 - B-22
ICF26RT LO	B-23 - D-16
ICN26RB LO	D-17 - F-8
ICN29RT LO	F-9 - I-5

1980 ICN26RB LO INDEX

Floor Plan	D-17 - D-18
Accessories Group	D-19 - D-20
Bath Group	D-21 - D-22
Chassis Group	D-23
Curtain, Cushion & Pad Group	D-24 - E-4
Dinette Group	E-5
Driver's Compartment Group	E-6 - E-7
Electrical Group	E-8 - E-10
Exterior Body Group	E-11 - E-14
Galley Group	E-15
Heating & Air Conditioning Group	E-16 - E-17
Interior Finish Group	E-18 - E-19
LP Group	E-20
Lounge Group	E-21
Water & Sewage Group	E-22
Window, Vent & Exterior Door Group	E-23 - F-8

CURTAIN, CUSHION AND PAD GROUP (CONTINUED)



PRESTO BED CUSHIONS

Key	Part Number	U/M	Description
1	059063-02-K11	EA	Cushion Asm - Presto Bed - Back - Blue Green
1	059063-02-K12	EA	Cushion Asm - Presto Bed - Back - Rust
1	059063-02-K13	EA	Cushion Asm - Presto Bed - Back - Brown
2	059064-02-K11	EA	Cushion Asm - Presto Bed - Bottom - Blue Green
2	059064-02-K12	EA	Cushion Asm - Presto Bed - Bottom - Rust
2	059064-02-K13	EA	Cushion Asm - Presto Bed - Bottom - Brown

DINETTE CUSHIONS

Key	Part Number	U/M	Description
3	058913-02-K11	EA	Cushion - Dinette Back - 19 2" x 38" x 5" - Blue Green
3	058913-02-K12	EA	Cushion - Dinette Back - 19 2" x 38" x 5" - Rust
3	058913-02-K13	EA	Cushion - Dinette Back - 19 2" x 38" x 5" - Brown
	058914-02-K11	EA	Cover - Dinette Back Cushion - 19 2" x 38" x 5" - Blue/Green
	058914-02-K12	EA	Cover - Dinette Back Cushion - 19 2" x 38" x 5" - Rust
	058914-02-K13	EA	Cover - Dinette Back Cushion - 19 2" x 38" x 5" - Brown
4	058913-01-K11	EA	Cushion - Dinette Bottom - 17 5" x 38" x 5" - Blue/Green
4	058913-01-K12	EA	Cushion - Dinette Bottom - 17 5" x 38" x 5" - Rust
4	058913-01-K13	EA	Cushion - Dinette Bottom - 17 5" x 38" x 5" - Brown
	058914-01-K11	EA	Cover - Dinette Bottom Cushion - 17 5" x 38" x 5" - Blue/Green
	058914-01-K12	EA	Cover - Dinette Bottom Cushion - 17 5" x 38" x 5" - Rust
	058914-01-K13	EA	Cover - Dinette Bottom Cushion - 17 5" x 38" x 5" - Brown

CURTAIN, CUSHION AND PAD GROUP (CONTINUED)

CORNER LOUNGE CHAIR CUSHIONS

Key	Part Number	U/M	Description
5	059743-04-K11	EA	Cushion - Lounge Chair Bottom - Blue/Green
5	059743-04-K12	EA	Cushion - Lounge Chair Bottom - Rust
5	059743-04-K13	EA	Cushion - Lounge Chair Bottom - Brown
	059746-04-K11	EA	Cover - Lounge Chair Bottom Cushion - Blue/Green
	059746-04-K12	EA	Cover - Lounge Chair Bottom Cushion - Rust
	059746-04-K13	EA	Cover - Lounge Chair Bottom Cushion - Brown
6	059742-04-K11	EA	Cushion - Lounge Chair Back - Blue Green
6	059742-04-K12	EA	Cushion - Lounge Chair Back - Rust
5	059742-04-K13	EA	Cushion - Lounge Chair Back - Brown
	059745-04-K11	EA	Cover - Lounge Chair Back Cushion - Blue/Green
	059745-04-K12	EA	Cover - Lounge Chair Back Cushion - Rust
	059745-04-K13	EA	Cover - Lounge Chair Back Cushion - Brown
7	059744-08-K11	EA	Cushion - Chair Wedge - Left - Blue Green
	059744-08-K12	EA	Cushion - Chair Wedge - Left - Rust
	059744-08-K13	EA	Cushion - Chair Wedge - Left - Brown
	059747-08-K11	EA	Cover - Chair Wedge Cushion - Left - Blue/Green
	059747-08-K12	EA	Cover - Chair Wedge Cushion - Left - Rust
	059747-08-K13	EA	Cover - Chair Wedge Cushion - Left - Brown
8	059744-07-K11	EA	Cushion - Chair Wedge - Right - Blue/Green
8	059744-07-K12	EA	Cushion - Chair Wedge - Right - Rust
8	059744-07-K13	EA	Cushion - Chair Wedge - Right - Brown
	059747-07-K11	EA	Cover - Chair Wedge Cushion - Right - Blue Green
	059747-07-K12	EA	Cover - Chair Wedge Cushion - Right - Rust
	059747-07-K13	EA	Cover - Chair Wedge Cushion - Right - Brown

FABRICS AND TRIMS

Key	Part Number	U/M	Description
	058333-02-000	YD	Fabric - Drapery - White
	058333-01-000	YD	Fabric - Drapery - Ivory
	058338-01-000	YD	Fabric - Upholstery - Blue Green
	058338-02-000	YD	Fabric - Upholstery - Rust
	058338-03-000	YD	Fabric - Upholstery - Brown
	054676-01-K11	EA	Button Asm - Covered #30 - Blue/Green
	054676-01-K12	EA	Button Asm - Covered #30 - Rust
	054676-01-K13	EA	Button Asm - Covered #30 - Brown
	052859-01-K11	FT	Trim Asm - Accent - Acorn Brown Vinyl
	053327-01-000	YD	Vinyl - Non Expanded - 27 oz - Acorn Brown
	053327-02-000	YD	Vinyl - Expanded - 28 oz - Acorn Brown
	053327-03-000	YD	Vinyl - Non Support - 16 Gauge Film - Acorn Brown

**1980 ITASCA
TABLE OF CONTENTS**

Introduction	A-1
Abbreviations	A-1
Alphabetical Index	A-2 A-4
ICF26RH LO	A-5 - B-22
ICF26RT LO	B-23 - D-16
ICN26RB LO	D-17 - F-8
ICN29RT LO	F-9 - H-5

1980 ICN26RB LO INDEX

Floor Plan	D-17 - D-18
Accessories Group	D-19 - D-20
Bath Group	D-21 - D-22
Chassis Group	D-23
Curtain, Cushion & Pad Group	D-24 - E-4
Dinette Group	E-5
Driver's Compartment Group	E-6 - E-7
Electrical Group	E-8 - E-10
Exterior Body Group	E-11 - E-14
Galley Group	E-15
Heating & Air Conditioning Group	E-16 - E-17
Interior Finish Group	E-18 - E-19
LP Group	E-20
Lounge Group	E-21
Water & Sewage Group	E-22
Window, Vent & Exterior Door Group	E-23 - F-8

CURTAIN, CUSHION AND PAD GROUP (CONTINUED)

BUCKET SEATS

Key	Part Number	U/M	Description
	061830-03-K11	EA	Seat Asm. - Single Bucket - Highback w/Armrests and Skirt - Blue/Green
	061830-03-K12	EA	Seat Asm. - Single Bucket - Highback w/Armrests and Skirt - Rust
	061830-03-K13	EA	Seat Asm. - Single Bucket - Highback w/Armrests and Skirt - Brown
	061838-04-K11	EA	Cover - Back - Single Bucket - Blue/Green
	061838-04-K12	EA	Cover - Back - Single Bucket - Rust
	061838-04-K13	EA	Cover - Back - Single Bucket - Brown
	061839-04-K11	EA	Cover - Bottom - Single Bucket - Blue/Green
	061839-04-K12	EA	Cover - Bottom - Single Bucket - Rust
	061839-04-K13	EA	Cover - Bottom - Single Bucket - Brown
	054650-07-K11	EA	Skirt - Single Bucket - Blue/Green
	054650-07-K12	EA	Skirt - Single Bucket - Rust
	054650-07-K13	EA	Skirt - Single Bucket - Brown
	061835-01-K11	EA	Seat Asm. - Double Bucket - Highback w/Armrests and Skirt - Blue/Green
	061835-01-K12	EA	Seat Asm. - Double Bucket - Highback w/Armrests and Skirt - Rust
	061835-01-K13	EA	Seat Asm. - Double Bucket - Highback w/Armrests and Skirt - Brown
	061840-04-K11	EA	Cover - Back - Double Bucket - Blue/Green
	061840-04-K12	EA	Cover - Back - Double Bucket - Rust
	061840-04-K13	EA	Cover - Back - Double Bucket - Brown
	061841-04-K11	EA	Cover - Bottom - Double Bucket - Blue/Green
	061841-04-K12	EA	Cover - Bottom - Double Bucket - Rust
	061841-04-K13	EA	Cover - Bottom - Double Bucket - Brown
	054650-08-K11	EA	Skirt - Double Bucket - Blue/Green
	054650-08-K12	EA	Skirt - Double Bucket - Rust
	054650-08-K13	EA	Skirt - Double Bucket - Brown
	050275-01-700	EA	Armrest Asm. - Foam w/o Cover - Right
	050276-01-700	EA	Armrest Asm. - Foam w/o Cover - Left
	053357-05-K11	EA	Cover - Armrest - Right or Left - Blue/Green
	053357-05-K12	EA	Cover - Armrest - Right or Left - Rust
	053357-05-K13	EA	Cover - Armrest - Right or Left - Brown

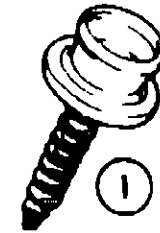
FRONT BUNK CUSHIONS

Key	Part Number	U/M	Description
	055021-18-K11	EA	Cushion Asm. - Front Bunk - 47" x 79.25" x 5" - Blue/Green
	055021-18-K12	EA	Cushion Asm. - Front Bunk - 47" x 79.25" x 5" - Rust
	055021-18-K13	EA	Cushion Asm. - Front Bunk - 47" x 79.25" x 5" - Brown
	055022-20-K11	EA	Cover - Front Bunk Cushion - 47" x 79.25" x 5" - Blue/Green
	055022-20-K12	EA	Cover - Front Bunk Cushion - 47" x 79.25" x 5" - Rust
	055022-20-K13	EA	Cover - Front Bunk Cushion - 47" x 79.25" x 5" - Brown

CURTAIN, CUSHION AND PAD GROUP (CONTINUED)

CURTAIN HARDWARE

Key	Part Number	U/M	Description
	053272-04-200	EA	Track - Curtain - Ceiling - 89" - Off White
	053265-02-001	EA	Track - Curtain - Door - 18" - Anod
	059430-01-000	EA	Track - Curtain - Front Wraparound (2 per unit)
	056001-01-000	EA	Bracket - Shade - Left
	056002-01-000	EA	Bracket - Shade - Right
	009107-G1-000	EA	Guide - Nylon Snap - Curtain
	018031-42-000	EA	Track - Curtain - "L" Rod - Alum. Extr. - 90"
	003701-01-000	EA	Carrier - "L" Rod - Curtain
	009702-01-000	EA	End Stop - "L" Rod - Curtain



Key	Part Number	U/M	Description
1	029130-01-000	EA	Socket - Snap Fastener
2	029155-01-000	EA	Cap - Snap - .156" Dia. x .17" Barrel
3	029156-01-000	EA	Socket - Snap Fastener
4	029092-01-000	EA	Stud - Nickel Finish
5	029093-01-000	EA	Eyelet - Nickel Finish

1980 ITASCA TABLE OF CONTENTS

Introduction	A-1
Abbreviations	A-1
Alphabetical Index	A-2 - A-4
ICF26RH LO	A-5 - B-22
ICF26RT LO	B-23 - D-16
ICN26RB LO	D-17 - F-8
ICN29RT LO	F-9 - H-5

1980 ICN26RB LO INDEX

Floor Plan	D-17 - D-18
Accessories Group	D-19 - D-20
Bath Group	D-21 - D-22
Chassis Group	D-23
Curtain, Cushion & Pad Group	D-24 - E-4
Dinette Group	E-5
Driver's Compartment Group	E-6 - E-7
Electrical Group	E-8 - E-10
Exterior Body Group	E-11 - E-14
Galley Group	E-15
Heating & Air Conditioning Group	E-16 - E-17
Interior Finish Group	E-18 - E-19
LP Group	E-20
Lounge Group	E-21
Water & Sewage Group	E-22
Window, Vent & Exterior Door Group	E-23 - F-8

DINETTE GROUP

CONVENTIONAL DINETTE, OVERHEAD CABINETS AND DINETTE COUCH

Key	Part Number	U/M	Description
..	053192-01-K11	EA	Table Asm - Dinette - w/o Hardware - Camel
..	053200-01-000	EA	Bracket - Upper Wall Mount - Brown - 23 5"
..	053201-01-000	EA	Bracket - Table Mount - Brown - 23"
..	024275-02-000	EA	Rod - Table Lift - 7 5" x 23 5"
..	024281-03-000	EA	Bracket - Lower Wall Mount - Brown - 22 12"
..	024276-04-000	EA	Leg Asm - Table - Brown - 29 5"
..	024277-02-000	EA	Hinge - Table Leg - Brown
..	024282-01-000	EA	Brace - Table Leg
..	024283-01-000	EA	Clip - 1" O D Tube
..	049493-02-000	EA	Catch - Table Leg - Mounts on Floor - Brown
..	058759-01-K11	EA	Panel Asm - Dinette Couch Front - w/o Doors or Hardware
..	059092-06-K11	EA	Door Asm - Dinette Couch Cabinet - w/o Hardware
..	059843-01-K11	EA	Door Asm - Furnace Access - w/Mesh Grille - w/o Hardware
..	047205-12-000	EA	Mesh - Grille - 14 5" x 10" - Brass
..	039873-01-000	EA	Catch and Strike - Nylon
..	058825-01-K11	EA	Cabinet Asm - Dinette Overhead - w/o Doors or Hardware
..	058825-03-K11	EA	Cabinet Asm - Front Lounge Overhead - w/o Doors or Hardware
..	059092-01-K11	EA	Door Asm - Dinette Overhead Cabinets - Right or Left - 27" x 10 3" - w/o Hardware
..	058758-01-K11	EA	Cabinet Asm - Rear Dinette Seat - w/o Door or Hardware
..	059092-04-K11	EA	Door Asm - Rear Dinette Seat Cabinet - 9 1/4" x 24" - w/o Hardware
..	058758-02-K11	EA	Cabinet Asm - Front Dinette Seat - w/o Door or Hardware
..	059092-05-K11	EA	Door Asm - Front Dinette Seat Cabinet - 11" x 18 8" w/o Hardware
..	057468-02-000	EA	Frame - Sprung Couch - Right Side
..	057468-03-000	EA	Frame - Sprung Couch - Left Side
..	057468-04-000	EA	Frame Angle - Sprung Couch (2 per couch)
..	057469-01-000	EA	Leg Asm - Sprung Couch (2 per couch)

.. The illustrated parts breakdown for this item is provided on the Common Items Fiche.

CORNER LOUNGE CHAIRS

Key	Part Number	U/M	Description
..	061704-01-K11	EA	Table Asm - Corner Lounge - w/o Hardware - Camel
..	061882-01-000	EA	Leg Asm - Table - Pivot
..	061879-01-000	EA	Leg Asm - Table - Fixed
..	024275-04-000	EA	Rod - Table Lift
..	024281-05-000	EA	Bracket - Table Lift - Mounts on Table
..	053200-02-000	EA	Support - Table - 14 5" - Mounts on Wall
..	061558-02-K11	EA	Cabinet Asm - Lounge Chair - Right
..	061560-01-K11	EA	Cabinet Asm - Lounge Chair - Left
..	059122-06-K11	EA	Door Asm - Rolled - 17.7" x 13" - w/Handle
..	053203-07-K11	EA	Table Asm - Pedestal - w/o Hardware - Camel
..	009040-02-000	EA	Leg - Pedestal Table - 27.5" x 2 25" O D - Chrome
..	009040-03-000	EA	Base - Pedestal Table - Mounts on Table
..	041194-01-000	EA	Base - Pedestal Table - Mounts in Floor

DRIVER'S COMPARTMENT GROUP

DASH PANEL AND COMPONENTS

Key	Part Number	U/M	Description
..	061803-01-K11	EA	Dash Asm - Complete w/Gauges and Switches
..	022548-04-000	EA	Pad - Dash - Right - Dark Brown
..	023242-08-000	EA	Pad - Dash - Left - Dark Brown
..	024418-01-000	EA	Lamp Asm - Map/Gauge
..	023020-01-000	EA	Lamp Asm - Tell Tale
..	007308-01-000	EA	Dash Clock
..	052387-01-000	EA	Lighter Asm - Cigarette - 12 Volt
..	007041-01-000	EA	Bezel - Cigarette Lighter
..	007071-01-000	EA	Louver - Chrome - w/Chrome Wheel
..	024990-02-000	EA	Outlet - Defroster w/Swivel - 2" Dark Brown
..	039044-01-000	EA	Louver Asm - A/C Adjustable
..	050344-01-000	EA	Bezel - Entertainment Center No. 2 - w/Cut Out for Radio and Clock
..	050345-01-000	EA	Bezel - Entertainment Center No. 3 - w/Cut Out for Radio, Clock, Hourmeter and Generator Start Stop Switch
..	057487-02-000	EA	Bezel - Control Panel
..	023892-01-000	EA	Box - Glove Compartment - Black Fiberboard
..	022219-01-000	EA	Door - Glove Compartment
..	009118-01-000	EA	Twist Lock - Glove Compartment
..	024598-01-000	EA	Hinge - Glove Compartment - 1 1/16" x 19"
..	034309-01-000	EA	Chain - Glove Box Door
..	023834-01-000	EA	Panel - Knee Kick - Bottom of Dash

BUCKET SEAT PEDESTAL AND SEAT BELTS

Key	Part Number	U/M	Description
..	050447-01-000	EA	Pedestal Asm - Tilt Seat - Left
..	050447-02-000	EA	Pedestal Asm - Tilt Seat - Right - Single Seat
..	050447-04-000	EA	Pedestal Asm - Tilt Seat - Right - Double Seat
..	007019-01-000	EA	Belt Asm - Seat - 2" x 84" - Black
..	041322-01-000	EA	Washer - Flat 15/32" I D. x 2 3/8" O.D - Seat Belt
..	049943-01-000	EA	Pedestal - Complete - Swivel

DASH SWITCHES AND GAUGES

Key	Part Number	U/M	Description
..	024461-01-000	EA	Switch - Battery
..	024462-01-000	EA	Switch - Battery Condition
..	024463-01-000	EA	Switch - Blinker
..	024464-01-000	EA	Switch - Washer
..	024465-01-000	EA	Switch - Fuel
..	024467-01-000	EA	Switch - Wiper
..	024976-01-000	EA	Switch - Generator w/o Circuit Board
..	037387-01-000	EA	Switch - Generator w/Circuit Board
..	024459-01-000	EA	Gauge - Voltmeter
..	024460-01-000	EA	Gauge - Vacuum
..	031035-01-000	EA	Gauge - Generator Hourmeter
..	031376-01-000	EA	Control Asm - Heater - 3 Speed
..	055279-01-000	EA	Control Asm - Heater A/C - 3 Speed

1980 ITASCA

TABLE OF CONTENTS

Introduction	A-1
Abbreviations	A-1
Alphabetical Index	A-2 - A-4
ICF26RH LO	A-5 - B-22
ICF26RT LO	B-23 - D-16
ICN26RB LO	D-17 - F-8
ICN26RT LO	F-9 - H-5

1980 ICN26RB LO INDEX

Floor Plan	D-17 - D-18
Accessories Group	D-19 - D-20
Bath Group	D-21 - D-22
Chassis Group	D-23
Curtain, Cushion & Pad Group	D-24 - E-4
Dinette Group	E-5
Driver's Compartment Group	E-6 - E-7
Electrical Group	E-8 - E-10
Exterior Body Group	E-11 - E-14
Galley Group	E-15
Heating & Air Conditioning Group	E-16 - E-17
Interior Finish Group	E-18 - E-19
LP Group	E-20
Lounge Group	E-21
Water & Sewage Group	E-22
Window, Vent & Exterior Door Group	E-23 - F-8

DRIVER'S COMPARTMENT GROUP (CONTINUED)

FRONT BUNK AND HARDWARE

Key	Part Number	U/M	Description
	058300-01-K11	EA	Cabinet Asm. - Front Overhead
	058844-01-K11	EA	Bunk Board Asm. - Front Overhead w/Rails
	053773-01-000	EA	Support - Overhead Bunk - Brown - Right
	053773-02-000	EA	Support - Overhead Bunk - Brown - Left
	040071-02-000	EA	Support - Bunk - Seat Belt
	041322-01-000	EA	Washer - Flat - 15/32" I.D. x 2 3/8" O.D.
	039518-02-000	EA	Catch - Bunk - Brown
	023812-22-000	EA	Rail - Bunk - 80" - Brown
	053774-01-000	EA	Torsion Rod - Overhead Bunk - Brown

MISCELLANEOUS DRIVER'S COMPARTMENT COMPONENTS

Key	Part Number	U/M	Description
	061378-01-K11	EA	Beverage Tray Asm. - Matador Leather Laminate
	055000-01-000	EA	Tray - Utensil - Dark Brown Plastic
	045795-01-000	EA	Glass Holder - Dark Brown Plastic
	050796-01-000	EA	Pocket - Ash Tray - Plastic
	050797-01-000	EA	Ash Tray - Plastic
	039857-01-000	EA	Latch - Rubber - Draw Handle 5 3/4" w/Strike
	039856-01-000	EA	Latch - Rubber - Draw Handle 3" w/Strike
	042541-01-000	EA	Latch Asm. w/Strike - Chrome
	034800-01-000	EA	Cover - Motor - Plastic 454 C.I.D.
	039333-01-000	EA	Cover - Motor - Plastic - 350 C.I.D.
	035361-02-000	EA	Seal - Motor Cover - Alum.
	040515-01-000	EA	Boot - Rubber Steering Column
	040520-01-000	EA	Boot - Retainer - Steering Column
	007278-01-000	EA	Mirror - Inside - Rear View 4 1/2" x 9"
	034499-01-000	EA	Support - Dimmer Switch
	040695-02-000	EA	Clip - Sunvisor
	056508-01-K11	EA	Sunvisor Asm. - Right - Acorn Brown - w/Mirror
	056508-02-K11	EA	Sunvisor Asm. - Left - Acorn Brown
	061350-01-000	EA	Trim - Interior - "A" Post - Brown Plastic - Left
	061350-02-000	EA	Trim - Interior - "A" Post - Brown Plastic - Right
	009143-01-000	EA	Mirror - 1/8" x 3 5/8" x 8" - Sunvisor
	059198-01-000	EA	Panel - Side - Left - Dark Brown
	059197-01-000	EA	Panel - Side - Right - Dark Brown

ELECTRICAL GROUP

BULBS

Key	Part Number	U/M	Description
	037835-01-000	EA	Bulb - 1157
	038019-01-000	EA	Bulb - 1143
	008103-01-000	EA	Bulb - 53
	008213-01-000	EA	Bulb - 57
	008214-01-000	EA	Bulb - 67
	008215-01-000	EA	Bulb - 1003
	008218-01-000	EA	Bulb - 1034
	008217-01-000	EA	Bulb - 1073
	008218-01-000	EA	Bulb - 1141
	008219-01-000	EA	Bulb - 656
	008220-01-000	EA	Bulb - 12V - 25W
	038198-01-000	EA	Bulb - 184
	700020-01-000	EA	Bulb - 12V - 20W - 1383

INTERIOR LIGHTS

Key	Part Number	U/M	Description
	033508-02-000	EA	Light - Dome - Ivory - 1 Bulb - US
	033508-03-000	EA	Light - Dome - Ivory - 1 Bulb - CSA
	033509-02-000	EA	Light - Dome - Ivory - 2 Bulb - US
	033509-03-000	EA	Light - Dome - Ivory - 2 Bulb - CSA
	024642-01-701	EA	Lens - Domelight - 1 Bulb
	024643-01-701	EA	Lens - Domelight - 2 Bulb
	024418-01-000	EA	Lamp Asm. - Map/Gauge/Aisle
	053346-01-000	EA	Light - High Intensity - Brown

EXTERIOR LIGHTS

Key	Part Number	U/M	Description
	048817-01-000	EA	Handle Asm. - Assist w/Light
	007309-01-000	EA	Light - Step Well
	058030-01-000	EA	Tail Lamp Asm. - 3 Bulb - Chrome - Right
	058030-02-000	EA	Tail Lamp Asm. - 3 Bulb - Chrome - Left
	058030-01-700	EA	Lens - Tail Lamp - Red
	058030-01-701	EA	Lens - Tail Lamp - Back Up
	059036-01-000	EA	Bracket - Tail Lamp
	059540-01-000	EA	Bracket - License Plate
	062741-01-000	EA	Wedge - Tail Lamp - Left
	062741-03-000	EA	Wedge - Tail Lamp - Right
	042405-03-000	EA	Base - Rectangular Clearance Light
	042405-04-000	EA	Lens - Clearance Light - Red
	042405-05-000	EA	Lens - Clearance Light - Amber

FUSES AND CIRCUIT BREAKER

Key	Part Number	U/M	Description
	056473-01-000	EA	Fuse - Slow Blow - 6 1/4 Amp.
	008233-01-000	EA	Fuse - 12 volt - 6 Amp.
	008234-01-000	EA	Fuse - 12 Volt - 10 Amp.
	008235-01-000	EA	Fuse - 12 Volt - 15 Amp.
	008236-01-000	EA	Fuse - 12 volt - 20 Amp.
	008248-01-000	EA	Fuse - 110 Volt - 30 Amp. - AGU
	008252-01-000	EA	Fuse - 110 volt - 50 Amp.
	008208-01-000	EA	Circuit Breaker - 12 Volt - 40 Amp.
	008211-01-000	EA	Circuit Breaker - 12 volt - 6 Amp.
	008268-01-000	EA	Circuit Breaker - 12 volt - 30 Amp. w/Mount
	033573-02-000	EA	Circuit Breaker - 12 volt - 15 Amp. w/Mount
	040051-01-000	EA	Circuit Breaker - 110 Volt - 20 Amp. - TQL

1980 ITASCA TABLE OF CONTENTS

Introduction	A-1
Abbreviations	A-1
Alphabetical Index	A-2 - A-4
ICF26RH LO	A-5 - B-22
ICF26RT LO	B-23 - D-16
ICN26RB LO	D-17 - F-8
ICN26RT LO	F-9 - H-5

1980 ICN26RB LO INDEX

Floor Plan	D-17 - D-18
Accessories Group	D-19 - D-20
Bath Group	D-21 - D-22
Chassis Group	D-23
Curtain, Cushion & Pad Group	D-24 - E-4
Dinette Group	E-5
Driver's Compartment Group	E-6 - E-7
Electrical Group	E-8 - E-10
Exterior Body Group	E-11 - E-14
Galley Group	E-15
Heating & Air Conditioning Group	E-16 - E-17
Interior Finish Group	E-18 - E-19
LP Group	E-20
Lounge Group	E-21
Water & Sewage Group	E-22
Window, Vent & Exterior Door Group	E-23 - F-8

ELECTRICAL GROUP (CONTINUED)

WINDSHIELD WIPER AND WASHER

Key	Part Number	U/M	Description
**	056000-02-000	EA	Washer Asm. - Windshield
**	057653-01-000	EA	Arm - Windshield Wiper - 18" - Black
**	044313-02-000	EA	Motor Asm. - Windshield Wiper - 100"
**	044313-03-000	EA	Motor Asm. - Windshield Wiper - 93"
**	037996-01-000	EA	Link Asm. - Connecting - 22 40" Long
**	057474-01-000	EA	Windshield Wiper Asm
**	049464-02-000	EA	Blade - Windshield Wiper - 20" Black
**	055675-01-000	EA	Shaft and Pivot Asm.

**The illustrated parts breakdown for this item is provided on the Common Items Fiche.

WIRE, SWITCHES, AND RECEPTACLES

Key	Part Number	U/M	Description
	008024-01-000	FT	Wire - 18 5 Bonded - Orange/White/Yellow/Blue/Brown
	008025-01-000	FT	Wire - 18 5 Bonded - Orange/White/Yellow/Blue/Green
	008028-01-000	FT	Wire - 18 5 Bonded - Blue/Red/Yellow/Orange/White
	008030-01-000	FT	Wire - 18 4 Bonded
	008251-01-000	EA	Holder - Fuse - Black - Screw Type
	008277-01-000	EA	Holder - Fuse - Black - Panel Mount
	008195-01-000	EA	Switch - Push Button - 12 Volt
	006077-01-000	EA	Plaque - Compressor Switch
	008054-01-000	EA	Cord - Power - 10-3 30 Amp - 25' - UL
	008052-01-000	EA	Cord - Power - 10-3 30 Amp - 25' - CSA
	034818-04-000	EA	Holder - Receptacle - Plastic
	039342-01-000	EA	Receptacle - Duplex Brown - T Junction
	024571-04-000	EA	Cover Plate - Receptacle - Jumbo Plastic Ivory
	024571-01-000	EA	Cover Plate - Receptacle - Jumbo - Brown
	024471-01-000	EA	Cover Plate - Electrical Box - 5 1/4" x 3 1/2"
	058028-01-000	EA	Connector - Pigtail - Clear - Nylon
	039343-01-000	EA	Cap - End - Receptacle
	008162-01-000	EA	Switch - Double Toggle - Spade Brown
	008163-01-000	EA	Switch - Toggle Brown
	008164-01-000	EA	Cover Plate - Switch - Brown
	024924-01-000	EA	Receptacle - Power Cord
	008058-01-000	EA	Adaptor - Power Cord
	047353-01-000	EA	Cover - Receptacle - Ground Fault
	053126-01-000	EA	Receptacle - Ground Fault Interrupter - 125 Volt, Ivory
	053126-02-000	EA	Receptacle - Ground Fault Interrupter - 125 Volt - Brown
	058707-01-000	EA	Receptacle - Single - Brown - Thomas & Betts
	058708-01-000	EA	Receptacle - Duplex - Brown - Thomas & Betts
	008157-01-000	EA	Receptacle - Duplex - Brown - (Exterior Backwall)
	058048-01-000	EA	Cover - Electrical Box - 4 5" x 2 75" - Rain Tight (Exterior)
	008288-01-000	EA	Box - Electrical - Plastic - 3" x 3 5

ELECTRICAL GROUP (CONTINUED)

MISCELLANEOUS ELECTRICAL COMPONENTS

Key	Part Number	U/M	Description
	047338-01-000	EA	Isolator - Dual Battery
	047389-01-700	EA	Battery - 12 Volt - 105 Amp. Deep Cycle - Dry
	057899-01-000	EA	Battery - 12 Volt - Maintenance Free - Delco
	008188-01-000	EA	Solenoid - Dual Battery - Relay
	046775-01-000	EA	Valve - Gas - Change Over - 3 Way
	043477-01-000	EA	Valve - Gas - Change Over - 6 Way
	054544-01-000	EA	Control Center - 37 Amp. - UL
	031720-01-000	EA	Spacer - Receptacle - Brown Plastic - CSA
	039950-01-702	EA	Circuit Board - Control Center
	024459-01-000	EA	Gauge - Voltmeter
	024462-01-000	EA	Switch - Battery Condition
	031035-01-000	EA	Gauge - Hourmeter - Generator
	024976-01-000	EA	Switch - Generator w/o Circuit Board
	024460-01-000	EA	Gauge - Vacuum
	039961-01-000	EA	Sending Unit Kit - Wemac
	048812-04-000	EA	Control Panel - Water/Double Sewage - Base Panel
	048812-05-000	EA	Panel - Insert - w/Thermostat Holes
	048812-06-000	EA	Panel Insert - w/o Thermostat Holes
	048812-07-000	EA	Panel Insert - Deluxe - w/Refrigerator Alarm, Clock and LP Gauge
	048812-07-700	EA	Refrigerator Sensor - Refrigerator Alarm

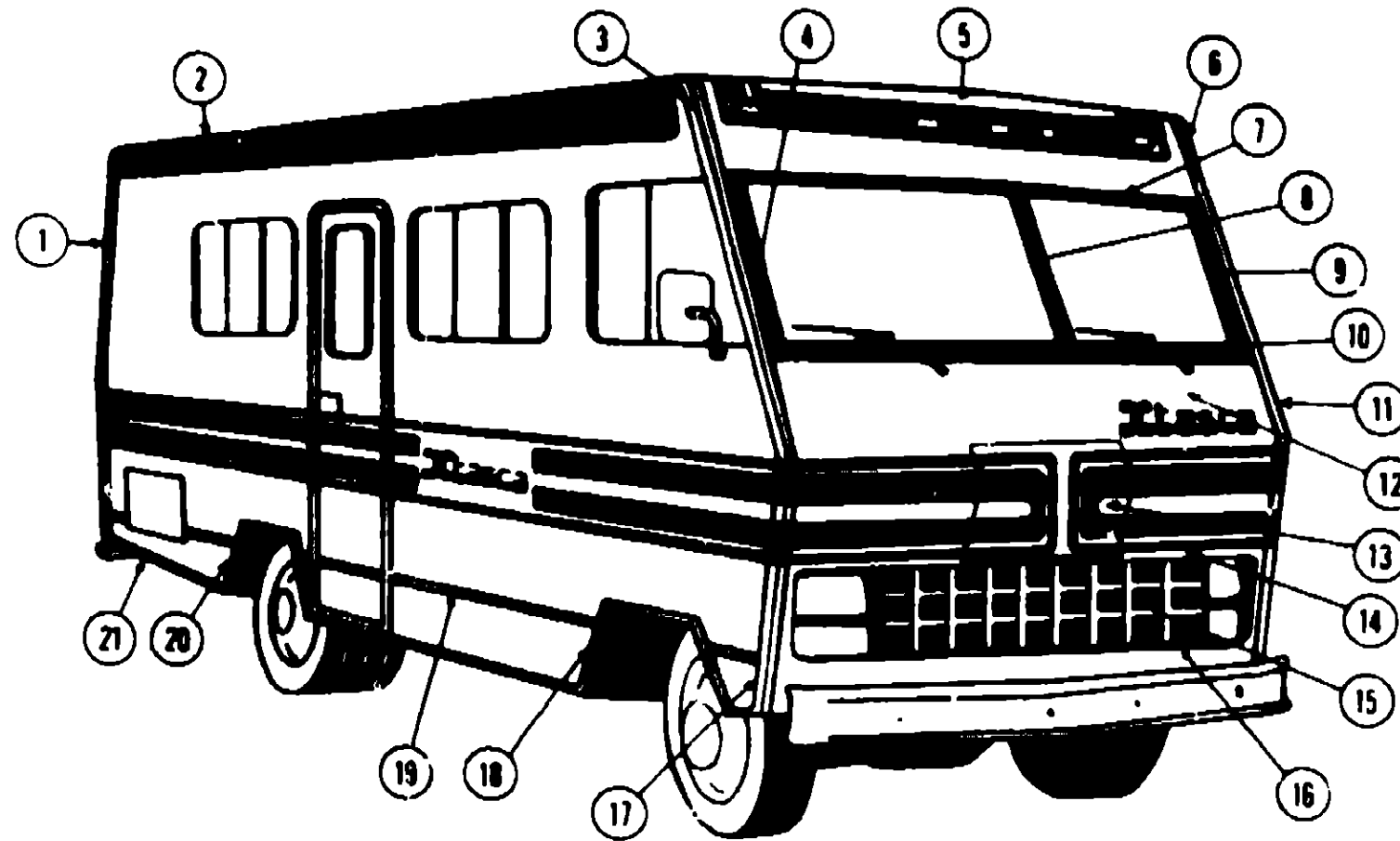
1980 ITASCA TABLE OF CONTENTS

Introduction	A-1
Abbreviations	A-1
Alphabetical Index	A-2 - A-4
ICF26RH LO	A-5 - B-22
ICF26RT LO	B-23 - D-16
ICN26RB LO	D-17 - F-8
ICN26RT LO	F-9 - H-5

1980 ICN26RB LO INDEX

Floor Plan	D-17 - D-18
Accessories Group	D-19 - D-20
Bath Group	D-21 - D-22
Chassis Group	D-23
Curtain, Cushion & Pad Group	D-24 - E-4
Dinette Group	E-5
Driver's Compartment Group	E-6 - E-7
Electrical Group	E-8 - E-10
Exterior Body Group	E-11 - E-14
Galley Group	E-15
Heating & Air Conditioning Group	E-16 - E-17
Interior Finish Group	E-18 - E-19
LP Group	E-20
Lounge Group	E-21
Water & Sewage Group	E-22
Window, Vent & Exterior Door Group	E-23 - F-8

EXTERIOR BODY GROUP



1980 ITASCA TABLE OF CONTENTS

Introduction	A-1
Abbreviations	A-1
Alphabetical Index	A-2 - A-4
ICF26RH LO	A-5 - B-22
ICF26RT LO	B-23 - D-16
ICN26RB LO	D-17 - F-8
ICN26RT LO	F-9 - H-5

Key	Part Number	U/M	Description
1	039964-05-000	EA	Trim - Contour - Right Rear - Gray
.	039964-06-000	EA	Trim - Contour - Left Rear - Gray
2	034922-20-000	EA	Trim - Sidewall - Upper - Left or Right - Gray
3	058284-06-000	EA	Trim - Contour - Right Front Upper - Gray
4	058289-02-000	EA	Trim - Contour - Windshield - Right
5	054947-02-000	EA	Cap - Fiberglass - Over Windshield - Gray
.	062396-01-000	EA	Trim - Roof/Front Cap
6	058284-05-000	EA	Trim - Contour - Left Front Upper - Gray
7	058287-01-000	EA	Trim - Molding - Windshield - Upper
.	042743-02-000	EA	Trim - Corner Windshield - Upper
8	058288-01-000	EA	Trim Molding - Windshield - Center
9	058289-01-000	EA	Trim - Contour - Windshield - Left
10	058287-02-000	EA	Trim - Molding - Windshield - Lower
.	042743-01-000	EA	Trim - Corner Windshield - Lower

Key	Part Number	U/M	Description
11	058899-06-000	EA	Trim - Contour - Left Front Lower - Gray
12	058294-03-000	EA	Panel Asm. - Front Shroud - Gray
.	058722-01-000	EA	Pull Pin - Release Hinge - (Access Panel)
.	058761-01-000	EA	Striker - Hood Latch
.	058392-03-000	EA	Panel Asm. - Front Lower Gray
13	058678-03-000	EA	Access Panel - Gray
14	059123-01-000	EA	Grille Trim - Upper
15	059400-01-000	EA	Grille Asm.
.	057473-01-000	EA	Headlamp Bezel - Left
.	057473-02-000	EA	Headlamp Bezel - Right
16	059124-01-000	EA	Grille Trim - Lower
17	058899-05-000	EA	Trim - Contour - Left Front Lower - Gray
18	058543-05-000	EA	Trim - Wheel Well - Front Right - Gray
.	058543-04-000	EA	Trim - Wheel Well - Front Left - Gray
19	002444-02-001	EA	Feature Strip - Extr. Anod. - 14' - w/o Insert
.	003731-01-000	EA	End Cap - Feature Strip Insert
.	001030-11-100	EA	Insert - Feature Strip - Gray - 17'
20	058487-05-000	EA	Trim - Wheel Well - Rear - Right - Gray
.	058497-04-000	EA	Trim - Wheel Well - Rear - Left - Gray
21	002776-02-000	EA	Extr. - U-Channel - 1.75" x 16' Anod.
.	002365-01-001	EA	Extr. - U-Channel - 1" x 18'
.			Not Illustrated

1980 ICN26RB LO INDEX

Floor Plan	D-17 - D-18
Accessories Group	D-19 - D-20
Bath Group	D-21 - D-22
Chassis Group	D-23
Curtain, Cushion & Pad Group	D-24 - E-4
Dinette Group	E-5
Driver's Compartment Group	E-6 - E-7
Electrical Group	E-8 - E-10
Exterior Body Group	E-11 - E-14
Galley Group	E-15
Heating & Air Conditioning Group	E-16 - E-17
Interior Finish Group	E-18 - E-19
LP Group	E-20
Lounge Group	E-21
Water & Sewage Group	E-22
Window, Vent & Exterior Door Group	E-23 - F-8

EXTERIOR BODY GROUP (CONTINUED)

EXTERIOR BODY PANELS AND SHEET ALUMINUM

Key	Part Number	U/M	Description
	058191-01-K11	EA	Roof Asm.
	059090-01-K11	EA	Backwall Asm.
	059091-01-K11	EA	Sidewall Asm. - Right
	058745-01-K11	EA	Sidewall Asm. - Left
	039155-32-001	EA	Alum. - Gray - Mesa I - .024" x 41" x 360"
	039155-32-002	EA	Alum. - Gray - Mesa I - .024" x 36" x 360"
	039155-32-003	EA	Alum. - Gray - Mesa I - .024" x 48" x 300"
	039155-32-004	EA	Alum. - Gray - Mesa I - .024" x 36" x 300"
	039155-32-005	EA	Alum. - Gray - Mesa I - .024" x 12" x 360"
	039155-33-001	EA	Alum. - Gray - Greyhound Design - 48" x 96"
	001054-03-003	EA	Alum. - Gray - No Design - 48" x 96"
	044487-01-001	EA	Alum. - Mill Finish - No Design (Roof) 96" x 360"
	000868-01-000	BF	Styrofoam - 3/4" x 24" x 96"
	000870-01-000	BF	Styrofoam - 1 1/2" x 24" x 96"

EXTERIOR PAINT

Key	Part Number	U/M	Description
	045861-01-000	EA	Paint - Gloss Black - Acrylic Enamel - 1 Gallon (99A Dupont)
	045861-03-000	EA	Paint - Gloss Black - Acrylic Enamel - 16 oz. Aerosol (99A Dupont)
	056006-03-000	EA	Paint - Lucerne Blue - Acrylic Enamel - 16 oz. Aerosol (42858 Dupont)
	059358-03-000	EA	Paint - Gray Metallic - Acrylic Enamel - 16 oz. Aerosol (Trim) (43538 Dupont)
	058637-01-000	EA	Paint - Gray - Acrylic Enamel - 1 Gallon - (Sidewall) (71537 Dupont)
	058637-02-000	EA	Paint - Gray - Acrylic Enamel - 16 oz. Aerosol - (Sidewall) (71537 Dupont)
	065106-03-000	EA	Paint - Light Blue Metallic - Acrylic Enamel - 16 oz. Aerosol (44717 Dupont)

LABELS AND DECALS

Key	Part Number	U/M	Description
	006031-01-000	EA	Label - Potable Water Only
	006187-01-000	EA	Label - Sewage
	006188-01-000	EA	Label - Waste Water
	006199-01-000	EA	Label - Exit - Escape Window
	006028-01-000	EA	Label - Drain Cap - 2" x 3"
	008092-01-000	EA	Reflector - Stick on - Rectangular - Red
	008093-01-000	EA	Reflector - Stick on - Rectangular - Amber
	040944-01-000	EA	Label - Open - Entrance Door
	047731-01-000	EA	Label - Emergency Exit
	006040-01-000	EA	Tag - Gas - Refueling Warning
	006062-01-000	EA	Tag - Electrical - 110V Connection
	054531-01-000	EA	Label - LP Gas Only
	061417-01-000	EA	Label - Fuel
	050225-01-000	EA	Label - Warning - Stove Vent - US
	041273-17-000	FT	Decal Stripe - .63" Black
	056251-01-000	EA	Decal - Front Side Upper - U-Shaped - Right
	056251-02-000	EA	Decal - Front Side Upper - U Shaped - Left
	059528-01-000	EA	Decal - "L" Black - 5.57" - Right Front - Clearance Lite to Roof
	059528-02-000	EA	Decal - "L" Black - 5.57" - Left Front - Clearance Lite to Roof
	059529-01-000	EA	Decal - "L" Black - 9.12" - Right Front - Clearance Lite to Roof
	059529-02-000	EA	Decal - "L" Black - 9.12" - Left Front - Clearance Lite to Roof
	056004-09-000	EA	Decal - Logo - Itasca - 5.25" High - Lucerne Blue/Gray
	058718-01-000	EA	Decal - Sunflyer
	059374-01-000	EA	Decal - Stencil - C - 11.62" - Right
	059374-02-000	EA	Decal - Stencil - C - 11.62" - Left
	059525-01-000	EA	Stencil - End Strip - 2.37" High
	065206-01-000	EA	Decal - Stripe - Side Rear

EXTERIOR BODY GROUP (CONTINUED)

SEALANTS, ADHESIVES AND FASTENERS

Key	Part Number	U/M	Description
	034552-05-000	EA	Sealant - Off White Silicone
	034552-04-000	EA	Sealant - Beige Silicone
	034552-02-000	EA	Sealant - Clear Silicone
	004349-01-000	EA	Sealant - Black Silicone
	004342-01-000	EA	Sealant - Weatherban 20z Tube
	004346-02-000	EA	Sealant - White Silicone
	009200-01-000	EA	Tape - Furnace - 1 1/2"
	004353-01-000	FT	Tape - Gasket - 1/8" x 3/4" - White
	002825-01-000	FT	Weather Stripping - Roof Vent
	002337-01-000	EA	Adhesive - 3M - 1300 Tube
	004005-01-000	GL	Adhesive - Swifts - Green - Glue (Sidewalls)
	004020-01-000	QT	Adhesive - ABS Cement (Plastic Fittings)
	029051-01-000	EA	Adhesive - Spray Vinyl
	042401-02-000	EA	Screw - 8 - 18 x 3/4" SDPH - Off White
	042403-02-000	EA	Screw - SF/DR - 8 - 18 x 1" SDPH - Off White
	053766-01-000	EA	Bedding Compound - Tube Black - Schnee Morehead
	053766-02-000	EA	Bedding Compound - Tube White - Schnee Morehead
	053767-01-000	FT	Tape - 1/2" x 1/8" x 30' - Gray - Schnee Morehead
	053767-03-000	FT	Tape - 1/4" Bead x 20' - Gray - Schnee Morehead
	053767-04-000	FT	Tape - 3/4" x 1/8" x 30' - Gray - Schnee Morehead
	053767-05-000	FT	Tape - 2" x 3/32" x 45' - Gray - Schnee Morehead

MISCELLANEOUS EXTERNALLY MOUNTED PARTS

Key	Part Number	U/M	Description
**	011124-01-000	EA	Plumbing Seal - Roof Vent - 1 1/4" - White
**	011129-01-000	EA	Plumbing Seal - Roof Vent - 1 1/2" - White
	048817-01-000	EA	Assist Handle - w/Light
	010230-04-000	EA	Fill - City Water - Recessed - Gray
	058808-03-000	EA	Water Fill - Lockable - Gray
	036579-03-000	EA	Fuel Fill - Recessed - Single - Off White
	055500-05-000	EA	Door Asm. - Gas Fill - Gray

**The illustrated parts breakdown for this item is provided on the Common Items Fiche.

1980 ITASCA

TABLE OF CONTENTS

Introduction	A-1
Abbreviations	A-1
Alphabetical Index	A-2 - A-4
ICF26RH LO	A-5 - B-22
ICF26RT LO	B-23 - D-16
ICN26RB LO	D-17 - F-8
ICN29RT LO	F-9 - H-5

1980 ICN26RB LO INDEX

Floor Plan	D-17 - D-13
Accessories Group	D-19 - D-20
Bath. Group	D-21 - D-22
Chassis Group	D-23
Curtain, Cushion & Pad Group	D-24 - E-4
Dinette Group	E-5
Driver's Compartment Group	E-6 - E-7
Electrical Group	E-8 - E-10
Exterior Body Group	E-11 - E-14
Galley Group	E-15
Heating & Air Conditioning Group	E-16 - E-17
Interior Finish Group	E-18 - E-19
LP Group	E-20
Lounge Group	E-21
Water & Sewage Group	E-22
Window, Vent & Exterior Door Group	E-23 - F-8

GALLEY GROUP

GALLEY CABINETS

Key	Part Number	U/M	Description
	059095-01-K11	EA	Cabinet Asm. - Galley - w/o Countertop, Doors, Drawer or Hardware
	059096-01-K11	EA	Countertop Asm. - Galley Cabinet - Camel
	059092-07-K11	EA	Door Asm. - Galley Cabinet - 11.5" x 30" - w/o Hardware
	059092-08-K11	EA	Door Asm. - Galley Cabinet - 11.1" x 21.91" - w/o Hardware
	059915-01-K11	EA	Drawer Asm. - Galley Cabinet - 10.10" x 5" x 20" Deep - w/o Hardware
	059915-02-K11	EA	Drawer Asm. - Galley Cabinet - 10.10" x 5" x 10" Deep - w/o Hardware
	058774-01-K11	EA	Cabinet Asm. - Galley Overhead - w/o End Pad, Doors or Hardware
	059092-33-K11	EA	Door Asm. - Galley Overhead Cabinet - 15.75" x 23.2" - w/o Hardware
	059092-34-K11	EA	Door Asm. - Galley Overhead Cabinet - 15.75" x 21.35" - w/o Hardware
	059092-02-K11	EA	Door Asm. - Refrigerator Cabinet - 10.40" x 52.40" - w/o Hardware
	059092-09-K11	EA	Door Asm. - Refrigerator Cabinet - 17.7" x 13.8" - w/o Hardware
	059913-01-K11	EA	Drawer Asm. - Refrigerator Cabinet - 6" x 10.4" x 15.63" Deep - w/o Hardware

GALLEY HARDWARE AND APPLIANCES

Key	Part Number	U/M	Description
	011032-01-000	EA	Sink - Stainless Steel - Double w/Bolts
**	011053-01-000	EA	Faucet - 8" - Swing Spout - U.S.
**	011053-02-000	EA	Faucet - 8" - Swing Spout - C.S.A.
**	011053-01-700	EA	Aerator - Swing Spout Faucet
**	011085-01-000	EA	Strainer - Sink
	054928-01-K11	EA	Cover - Sink - Camel Laminate
	058334-01-000	EA	Wastebasket - 9 3/4" x 7" x 10" - White - Rubbermaid
	058841-01-K11	EA	Cover - Wastebasket - Camel Laminate
	059877-01-000	EA	Support - Wastebasket - White Plastic
**	046954-01-000	EA	Hood - Stove - w/Black Face - US - Chrome Sides
**	046954-02-000	EA	Hood - Stove - w/Black Face - CSA - Chrome Sides
**	046954-03-000	EA	Hood - Stove - w/Black Face - U.S. - Brown Sides
**	046954-04-000	EA	Hood - Stove - w/Black Face - C.S.A. - Brown Sides
**	049045-02-000	EA	Range - 4 Burner - Magic Chef
**	049174-02-000	EA	Refrigerator - AC/DC/Gas - Simi ET 230/2

**The illustrated parts breakdown for this item is provided on the Common Items Fiche.

HEATING AND AIR CONDITIONING GROUP

FURNACES AND ROOF AIR CONDITIONERS

Key	Part Number	U/M	Description
**	052508-01-000	EA	Furnace - 19,000 BTU - Under Counter Mount - 4319-729
**	059351-01-000	EA	Furnace - 24,000 BTU - w/Electric Ignition - 4324-749
**	059350-01-000	EA	Furnace - 30,000 BTU - w/Electric Ignition - 4330 - 749
**	009198-01-000	FT	Duct - Flexible - 4" I.D. x 25'
**	009200-01-000	EA	Tape - Furnace - 1 1/2"
**	023146-01-000	EA	Clamp - Screw Type - 4"
**	024985-01-000	EA	Heat Register - w/Damper - 9.8" x 4.8"
**	031804-01-000	EA	Bonnet - Heat Register
**	049042-02-000	EA	Door Furnace - Front - 4324
**	049043-02-000	EA	Door - Furnace - Front - 4330
**	050783-01-000	EA	Vent Package - Furnace - 1-3" Wall
**	050784-01-000	EA	Vent Package - Furnace - 3" - 8" Wall
**	039505-02-000	EA	Thermostat - Horizontal Wall Mount
**	049777-02-000	EA	Air Conditioner - 110 Volt - Roof Mount - 11,000 BTU - Ivory Coleman (w/o Inside Shroud)
**	049778-02-000	EA	Shroud Asm. - Ceiling - Inside Roof Air - Cool Only - 11,000 BTU - Coleman
**	049774-02-000	EA	Air Conditioner - 110 Volt - Roof Mount - 13,500 BTU Ivory - Coleman (w/o Inside Shroud)
**	049775-02-000	EA	Shroud Asm. - Ceiling - Inside - Roof Air Cool Only - 13,500 BTU - Coleman
**	049776-01-000	EA	Shroud Asm. - Ceiling - Inside - Roof Air Heat and Cool Only - 13,500 BTU - Coleman

**The illustrated parts breakdown for this item is provided on the Common Items Fiche.

1980 ITASCA TABLE OF CONTENTS

Introduction	A-1
Abbreviations	A-1
Alphabetical Index	A-2 - A-4
ICF26RH LO	A-5 - B-22
ICF26RT LO	B-23 - D-16
ICN26RB LO	D-17 - F-8
ICN26RT LO	F-9 - H-5

1980 ICN26RB LO INDEX

Floor Plan	D-17 - D-18
Accessories Group	D-19 - D-20
Bath Group	D-21 - D-22
Chassis Group	D-23
Curtain, Cushion & Pad Group	D-24 - E-4
Dinette Group	E-5
Driver's Compartment Group	E-6 - E-7
Electrical Group	E-8 - E-10
Exterior Body Group	E-11 - E-14
Galley Group	E-15
Heating & Air Conditioning Group	E-16 - E-17
Interior Finish Group	E-18 - E-19
LP Group	E-20
Lounge Group	E-21
Water & Sewage Group	E-22
Window, Vent & Exterior Door Group	E-23 - F-8

HEATING AND AIR CONDITIONING GROUP (CONTINUED)

AUTOMOTIVE HEATER AND AIR CONDITIONER

Key	Part Number	U/M	Description
	039044-01-000	EA	Louver Asm. - A/C Adjustable
	047048-01-000	EA	Motor - 12 Volt - 3 Speed - Heater - Air Conditioner
	031043-01-000	EA	Valve - Heater - Water Flow Control
	031169-01-000	EA	Cable - Control - Flexible - 53"
	031169-02-000	EA	Cable - Control - Flexible - 48"
	031170-01-000	EA	Clamp - Cable - 3/16" Dia.
	024996-01-000	EA	Clutch - Magnetic - Compressor
	024999-01-000	EA	Compressor - Auto Air - 10.3" Cubic Inch
	047036-01-000	EA	Package Compressor Mount 350 C.I.D.
	048100-01-000	EA	Package - Compressor Mount 454 C.I.D.
	048801-01-000	EA	Condensor - Radiator Mount
	006267-01-000	EA	Switch - Air Conditioner
	024867-01-000	EA	Valve - Thermostatic Expansion
	024997-01-000	EA	Core - Heater
	024998-01-000	EA	Wheel - Blower - 4.72" O.D.
	031393-01-000	EA	Coil - Evaporator
	031001-01-000	EA	Blower Housing
	007076-01-000	FT	Hose - Flexible PVC - 2" I.D.
	007108-01-000	FT	Hose - Heater - 5/8" I.D. SAE 20R3
	007281-01-000	FT	Hose - Flexible PVC - 2 1/2" I.D.
	007139-01-000	EA	Clamp - Worm Drive - .69" - 1.25" I.D.
	007140-01-000	EA	Clamp - Hose - 2" - 3" Dia.
	033258-01-000	EA	Hose - Refrigerant - .50" I.D. x 34.50"
	034222-01-000	EA	Hose - Refrigerant - .31" I.D. x 28"
	034222-02-000	EA	Hose - Refrigerant - .31" I.D. x 32"
	031850-01-000	EA	Hose - Refrigerant - .34" I.D. x 30"
	031961-01-000	EA	Hose - Refrigerant - .31" I.D. x 14.75"
	021961-02-000	EA	Hose - Refrigerant - .31" I.D. x 19"
	049401-01-000	EA	Heater Asm. - Rear - Auxiliary
	049401-01-700	EA	Valve - Water Control - (Aux. Heater)
	049401-01-701	EA	Control Cable - (Aux. Heater)
	049401-01-702	EA	Motor Asm. - (Aux. Heater)
	049401-01-703	EA	Heater Core - (Aux. Heater)
	049401-01-704	EA	Switch - (Aux. Heater)
	058906-01-000	EA	Control Panel - Auxiliary Rear Heater
	024868-01-000	EA	Receiver - Dehydrator
	031044-01-000	EA	Clamp - Receiver Dehydrator
	031962-01-000	EA	Bracket - Receiver Dehydrator
	048230-02-000	EA	Kit - Auto Air - 350 C.I.D. A-Body
	048232-02-000	EA	Kit - Auto Air - 454 C.I.D. A-Body
	056464-01-000	EA	Register - 4" Dia. - Plastic w/Damper - Winterization Option
	062408-01-000	EA	Heat - Pusher - (Duct Fan) Winterization Option
	062411-01-000	EA	Switch - Temp Control - 38° Close - 48° Open - Winterization Option
	062411-02-000	EA	Switch - Temp Control - 28° Close - 30° Open - Winterization Option

INTERIOR FINISH GROUP

PANELING AND COUNTERTOP MATERIALS

Key	Part Number	U/M	Description
	057880-01-000	SF	Paneling - Pluswood - 725 Russet Oak - V Groove - 48" x 96" (32 SF)
	057877-01-000	SF	Paneling - Plain - 725 Russet Oak - 48" x 96" (32 SF)
	045963-01-000	SF	Paneling - 825 Buff - Ceiling - 48" x 94"
	058339-01-000	SF	Paneling - Backsp. - Diamond Luster
	058221-01-000	SF	Plastic Laminate - Camel Impression - 48" x 96" (32 SF)
	058340-01-000	SF	Plastic Laminate - Camel - 48" x 96" (32 SF)

INTERIOR MOLDINGS AND TRIMS

Key	Part Number	U/M	Description
	024700-06-000	EA	Cover - Sidewall Roll Bar - Ivory
	024700-14-000	EA	Cover - Sidewall Roll Bar - Russet Oak
	039512-06-000	EA	Cover - Hat Section - Ivory
	039512-13-000	EA	Cover - Hat Section - Russet Oak
	047488-01-000	EA	Cover - Corner - Hat/Hat
	047489-01-000	EA	Cover - Corner - Tube/Tube
	042430-01-000	EA	Molding - Shelf - Wood
	009812-08-000	FT	Molding - Outside Corner - .50"
	009767-05-000	FT	Wetling - Light Brown
	009815-03-000	FT	T-Molding - .75" - Light Brown
	022992-03-000	FT	Molding - Reverse Cove - Sandalwood
	009778-01-000	FT	U-Channel - 1" - Dark Brown
	009779-03-000	FT	U-Channel - 1 1/8" - Light Brown
	052859-01-J10	FT	Accent Trim - Acorn Brown Vinyl
	059352-01-000	FT	Insert - Vinyl - Style and Rail Door
	047354-01-000	EA	Batt Strip - Ceiling - 825 Buff - 8'
	057888-01-000	EA	Batt Strip - Russet Oak - 8'
	058797-01-000	EA	Batt Strip - Sandflower Cork - 8'

CABINETS AND TABLE HARDWARE

Key	Part Number	U/M	Description
	047907-01-000	EA	Hinge - Brass - 14" w/Holes - Bath Vanity Door
	054529-01-000	EA	Latch - Slide Bolt - Antique Brass - Bath Door
**	052932-01-J30	EA	Hinge Kit - Cabinet Door - Antique Brass
	057898-01-000	EA	Latch - Hidden - Cabinet Door
	009112-01-000	EA	Flange - 1" - Chrome - Closet Rod
**	053200-01-000	EA	Bracket - Upper Wall Mount - Brown - 23 5"
**	053201-01-000	EA	Bracket - Table Mount - Brown - 23"
**	024275-02-000	EA	Rod - Table Lift - 7.5" x 23.5"
**	024281-03-000	EA	Bracket - Lower Wall Mount - Brown - 22.12"
**	024276-04-000	EA	Leg Asm. - Table - Brown - 29.5"
**	024277-02-000	EA	Hinge - Table Leg - Brown
**	024282-01-000	EA	Brace - Table Leg
**	024283-01-000	EA	Clip - 1" O.D. Tube
**	049493-02-000	EA	Catch - Table Leg - Mounts on Floor - Brown
**	059753-01-000	EA	Slide - Drawer - Left
**	059753-02-000	EA	Slide - Drawer - Right
**	037688-01-000	FT	Rail - Drawer Glide
**	047744-01-000	EA	Kit - Drawer Glide

**The illustrated parts breakdown for this item is provided on the Common Items Fiche.

1980 ITASCA

TABLE OF CONTENTS

Introduction	A-1
Abbreviations	A-1
Alphabetical Index	A-2 - A-4
ICF26RH LO	A-5 - B-22
ICF26RT LO	B-23 - D-16
ICN26RB LO	D-17 - F-8
ICN26RT LO	F-9 - H-5

1980 ICN26RB LO INDEX

Floor Plan	D-17 - D-18
Accessories Group	D-19 - D-20
Bath Group	D-21 - D-22
Chassis Group	D-23
Curtain, Cushion & Pad Group	D-24 - E-4
Dinette Group	E-5
Driver's Compartment Group	E-6 - E-7
Electrical Group	E-8 - E-10
Exterior Body Group	E-11 - E-14
Galley Group	E-15
Heating & Air Conditioning Group	E-16 - E-17
Interior Finish Group	E-18 - E-19
LP Group	E-20
Lounge Group	E-21
Water & Sewage Group	E-22
Window, Vent & Exterior Door Group	E-23 - F-8

INTERIOR FINISH GROUP (CONTINUED)

FABRICS AND CARPET

Key	Part Number	U/M	Description
	058333-02-000	YD	Fabric - Drapery - White
	058333-01-000	YD	Fabric - Drapery - Ivory
	058338-01-000	YD	Fabric - Upholstery - Blue/Green
	058338-02-000	YD	Fabric - Upholstery - Rust
	058338-03-000	YD	Fabric - Upholstery - Brown
	053327-01-000	YD	Vinyl - Non Expanded - 27 oz. - Acorn Brown
	053327-02-000	YD	Vinyl - Expanded - 28 oz. - Acorn Brown
	053327-03-000	YD	Vinyl - Non Support - 16 Gauge Film - Acorn Brown
	058798-04-000	SY	Carpet - Inner Beauty - Green
	058798-05-000	SY	Carpet - Inner Beauty - Topaz
	058798-06-000	SY	Carpet - Inner Beauty - Brown

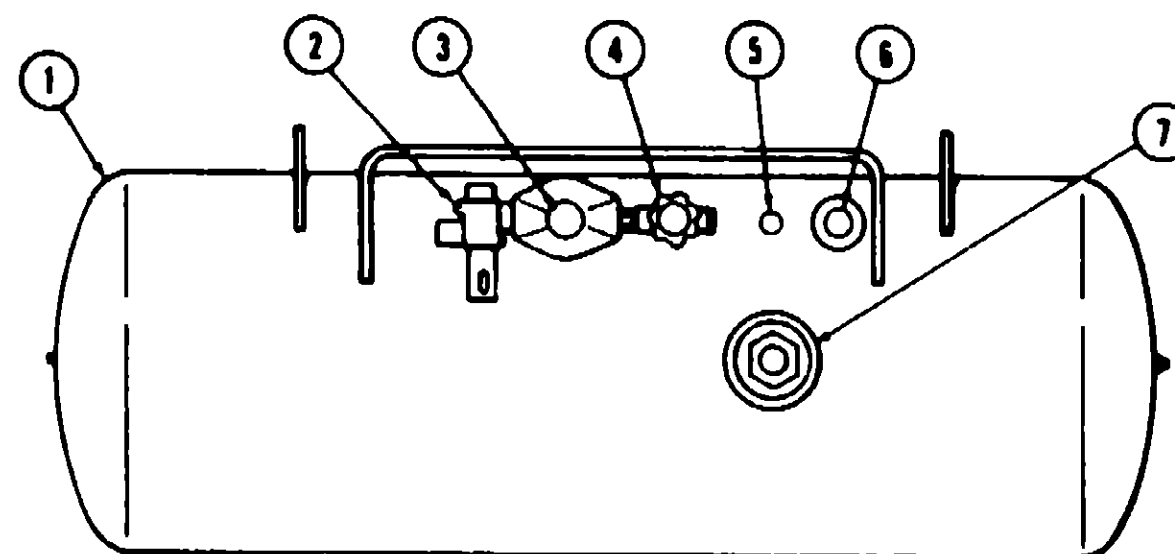
CURTAIN HARDWARE

Key	Part Number	U/M	Description
	053272-04-200	EA	Track - Curtain - Ceiling - 89" - Off White
	053265-02-001	EA	Track - Curtain - Door - 16" - Anod.
	059430-01-000	EA	Track - Curtain - Front Wraparound (2 per unit)
	056001-01-000	EA	Bracket - Shade - Left
	056002-01-000	EA	Bracket - Shade - Right
	009107-01-000	EA	Guide - Nylon Snap - Curtain
	018031-42-000	EA	Track - Curtain - "L" Rod - Alum. Extr. - 90"
	009701-01-000	EA	Carrier - "L" Rod - Curtain
	009702-01-000	EA	End Stop - "L" Rod - Curtain

MISCELLANEOUS PARTS

Key	Part Number	U/M	Description
	053552-01-K04	EA	Handle Asm. - Interior Assist - Acorn Brown Vinyl
	041944-01-700	EA	Fire Extinguisher w/Bracket - Dry Chemical
	041944-03-000	EA	Fire Extinguisher - w/Bracket - 5BC - (Calif.)
	006113-01-000	EA	Jack - Hydraulic - 5 Ton - w/Handle
	054185-04-000	EA	Owner's Manual - Itasca
	040069-01-000	EA	Mat - Door - Black Rubber - 10 1/2" x 26" - Itasca

LP GROUP



Key	Part Number	U/M	Description
1	052770-01-000	EA	Tank Asm. - LP - Frame Mount - 85 Pound
2	047221-01-000	EA	Detector - LP Gas Leak - Rosan
	065741-01-000	EA	Detector - LP Gas Leak - Marshalltown Instruments
3	058706-01-000	EA	Cover - Regulator - 2 Stage
	058705-01-000	EA	Regulator - Two Stage - LP Gas
4	040421-01-703	EA	Valve - Vapor Relief
5	040421-01-700	EA	Gauge - Liquid Level - 20% LP
6	040421-01-701	EA	Valve - Filler - LP
	040421-01-702	EA	Cap - Plastic Fill Valve
7	040421-01-707	EA	Gauge - Float - w/Visible Dial - 85 Pound Tank
	040421-01-706	EA	Dial - Visible Face - Float Gauge (Tank w/o Electric Transmitter)
	040421-01-705	EA	Dial - Transmitter - 0 - 90 Ohm (Float Gauge)
	045703-03-000	EA	Hose Asm. - LP - 3/8" I.D. x 14"
	047737-02-000	EA	Support - LP Tank - 89.25"
	047737-03-000	EA	Support - LP Tank - 30.50"
			Not Illustrated

1980 ITASCA TABLE OF CONTENTS

Introduction	A-1
Abbreviations	A-1
Alphabetical Index	A-2 - A-4
ICF26RH LO	A-5 - B-22
ICF26RT LO	B-23 - D-16
ICN26RB LO	D-17 - F-8
ICN26RT LO	F-9 - H-5

1980 ICN26RB LO INDEX

Floor Plan	D-17 - D-18
Accessories Group	D-19 - D-20
Bath Group	D-21 - D-22
Chassis Group	D-23
Curtain, Cushion and Pad Group	D-24 - E-4
Dinette Group	E-5
Driver's Compartment Group	E-6 - E-7
Electrical Group	E-8 - E-10
Exterior Body Group	E-11 - E-14
Galley Group	E-15
Heating & Air Conditioning Group	E-16 - E-17
Interior Finish Group	E-18 - E-19
LP Group	E-20
Lounge Group	E-21
Water & Sewage Group	E-22
Window, Vent & Exterior Door Group	E-23 - F-8

LOUNGE GROUP

Key	Part Number	U/M	Description
	057822-01-K11	EA	Panel Asm. - Rear Couch Face - w/o Door or Hardware
	059092-03-K11	EA	Door Asm. - Rear Couch Cabinet - 36" x 10.6" - w/o Hardware
	058858-01-K11	EA	Cabinet Asm. - Arm Rest
	058860-01-K11	EA	Pad - Armrest - Rear Lounge - 31.4" x 8.2" x 3"
	058825-02-K11	EA	Cabinet Asm. - Rear Lounge Overhead
	059092-01-K11	EA	Door Asm. - Rear Lounge Overhead Cabinet - 27" x 10.3" - w/o Hardware
	057468-02-000	EA	Frame - Sprung Couch - Right Side
	057468-03-000	EA	Frame - Sprung Couch - Left Side
	057468-04-000	EA	Frame Angle - Sprung Couch (2 per couch)
	057469-01-000	EA	Leg Asm. - Sprung Couch - (2 per couch)

WATER AND SEWAGE GROUP

PLUMBING AND REPAIR PARTS

Key	Part Number	U/M	Description
**	041279-02-000	EA	Pump - Water Flow - 2.8 G.P.M. US
**	038847-02-000	EA	Filter - Water Pump - 1/2 MPT
**	041279-04-000	EA	Pump - Water Flow - 2.8 G.P.M. - CSA
**	063646-01-000	EA	Water Pump - 2.8 G.P.M. - Direct Drive - PAR - US
**	063646-02-000	EA	Water Pump - 2.8 G.P.M. - Direct Drive - PAR - CSA
**	052953-01-000	EA	Nut Faucet - 1/2 Tube x 1/2 FPT
**	052954-01-000	EA	Adapter - Nose Cone - 3/8" or 1/2"
**	052958-01-000	EA	Tee - Plastic - 1/2 F x 1/2 F x 1/2 F
**	052959-03-000	EA	Connector - 1/2 F x 3/8 MPT - Plastic
**	052960-01-000	EA	Drain Valve - 1/2 F x 1/2 F - Plastic
**	052961-01-000	EA	Reducer - 1/2 F x 1/2 F x 1/2 F x 1/2 F
**	046524-02-000	EA	Kit - Water Tank Fittings - Blank Tank
**	046524-01-000	EA	Kit - Holding Tank Fittings - Blank Tank
**	010079-01-000	EA	Tee - Plastic - 1 1/2 H x 1 1/2 H x 1 1/4 H
**	010091-01-000	EA	Wye - Plastic - 3 x 45 H x H x H
**	010121-01-000	EA	Bushing - Plastic - 1 1/2 S x 1 1/4 H
**	010006-01-000	EA	Elbow - Plastic - 1/8 BD
**	010133-01-000	EA	Trap Adaptor - Plastic - 1 1/2 H x MPT
**	010134-01-000	EA	Adapter - Plastic - 1 1/2 M x MPT
**	010201-01-000	EA	Sewer Hose - 3" x 10' w/Clamp
**	062415-01-000	EA	Sewage Cap - 3"
**	062416-01-000	EA	Hose Adapter - 3"
**	062417-01-000	EA	Termination Adapter - 3"
**	062418-01-000	EA	Valve - 3" - w/o Handle
**	062419-01-000	EA	Handle - Extension - w/6" Adapter
**	062421-01-000	EA	Valve - 1 1/2" - w/Handle
**	011066-01-000	EA	P-Trap - 1 1/4" - Plastic
**	011091-01-000	EA	Waste - Continuous - Double Sink - 1 7/8"
**	061607-01-000	EA	Grommet - Holding Tank Coupler - 1 1/2"
**	061607-02-000	EA	Grommet - Holding Tank Coupler - 3"
**	031126-01-000	EA	Elbow - 1/4 BD 3 x 90
**	050780-01-000	EA	Rubber Coupler - 3" x 3"
**	004020-01-000	QT	Adhesive - ABS Cement
**	037845-01-000	FT	Tape - Butyl - 3/16" - Bead - Black
**	040539-01-000	EA	Kit - Repair - 3/8" O.D. Plastic Tube
**	040540-01-000	EA	Kit - Repair - 1/2" O.D. Plastic Tube
**	040541-01-000	EA	Kit - Repair - 5/8" O.D. Plastic Tube
**	039818-01-000	EA	Riser Asm. - 3/8" O.D. x 24" Tube
**	039818-02-000	EA	Riser Asm. - 3/8" O.D. x 36" Tube
**	039818-04-000	EA	Riser Asm. - 3/8" O.D. x 72" Tube
**	039818-05-000	EA	Riser Asm. - 3/8" O.D. x 48" Tube

**The illustrated parts breakdown for this item is provided on the Common Items Fiche.

HOLDING TANKS AND WATER HEATERS

Key	Part Number	U/M	Description
**	058731-02-000	EA	Tank Asm. - Water - 52 Gallon - w/Fittings
**	058731-01-000	EA	Tank Asm. - Water - 52 Gallon - w/o Fittings
**	054032-06-000	EA	Tank Asm. - Holding - 25 Gallon - w/Fittings
**	054032-01-000	EA	Tank Asm. - Holding - 25 Gallon - w/o Fittings
**	054033-04-000	EA	Tank Asm. - Holding - 32 Gallon - w/Fittings
**	054033-01-000	EA	Tank Asm. - Holding - 32 Gallon - w/o Fittings
**	051391-01-000	EA	Water Heater - w/o Motor Aid - G6A3

**The illustrated parts breakdown for this item is provided on the Common Items Fiche.

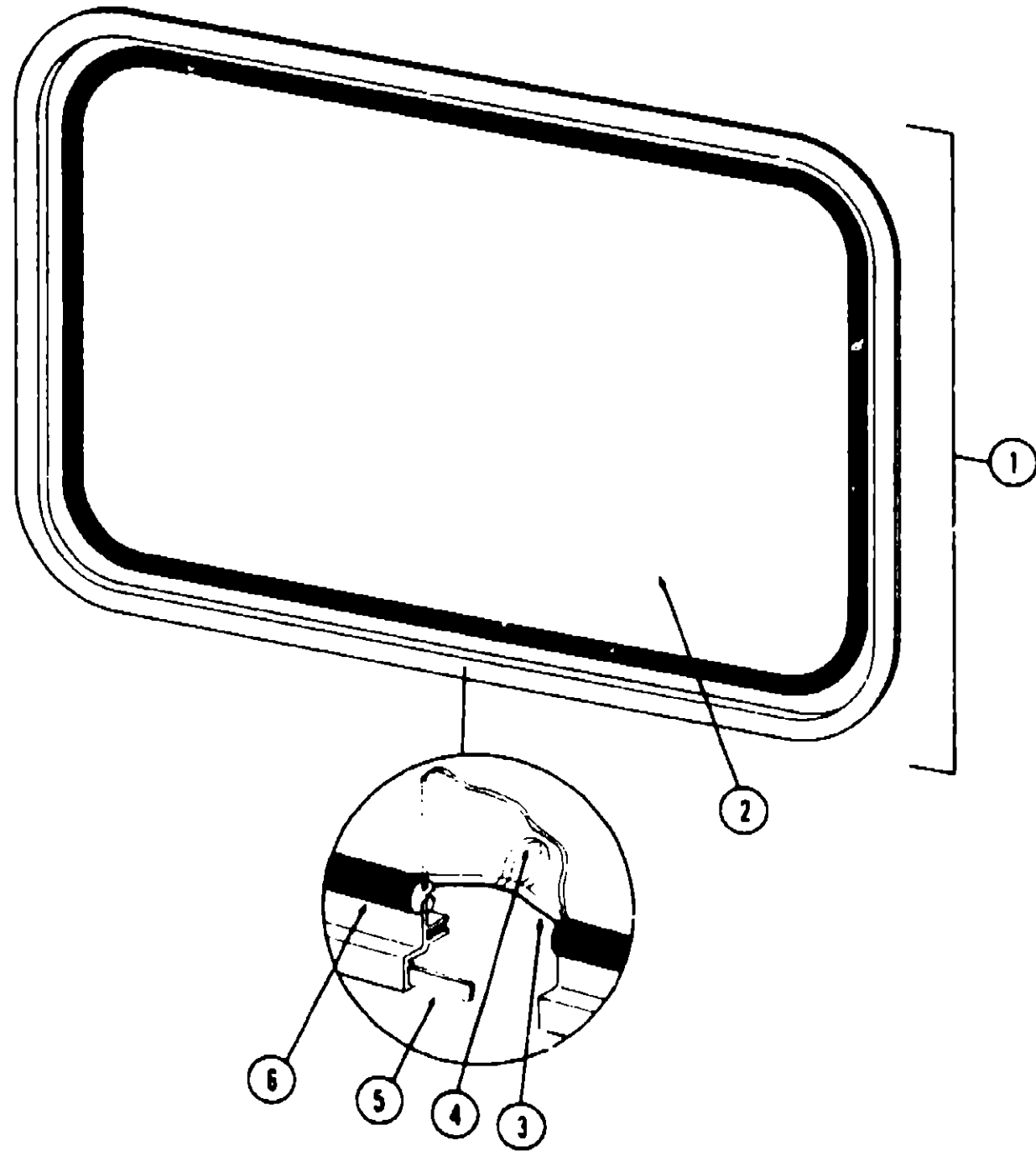
1980 ITASCA TABLE OF CONTENTS

Introduction	A-1
Abbreviations	A-1
Alphabetical Index	A-2 - A-4
ICF26RH LO	A-5 - B-22
ICF26RT LO	B-23 - D-16
ICN26RB LO	D-17 - F-8
ICN29RT LO	F-9 - H-5

1980 ICN26RB LO INDEX

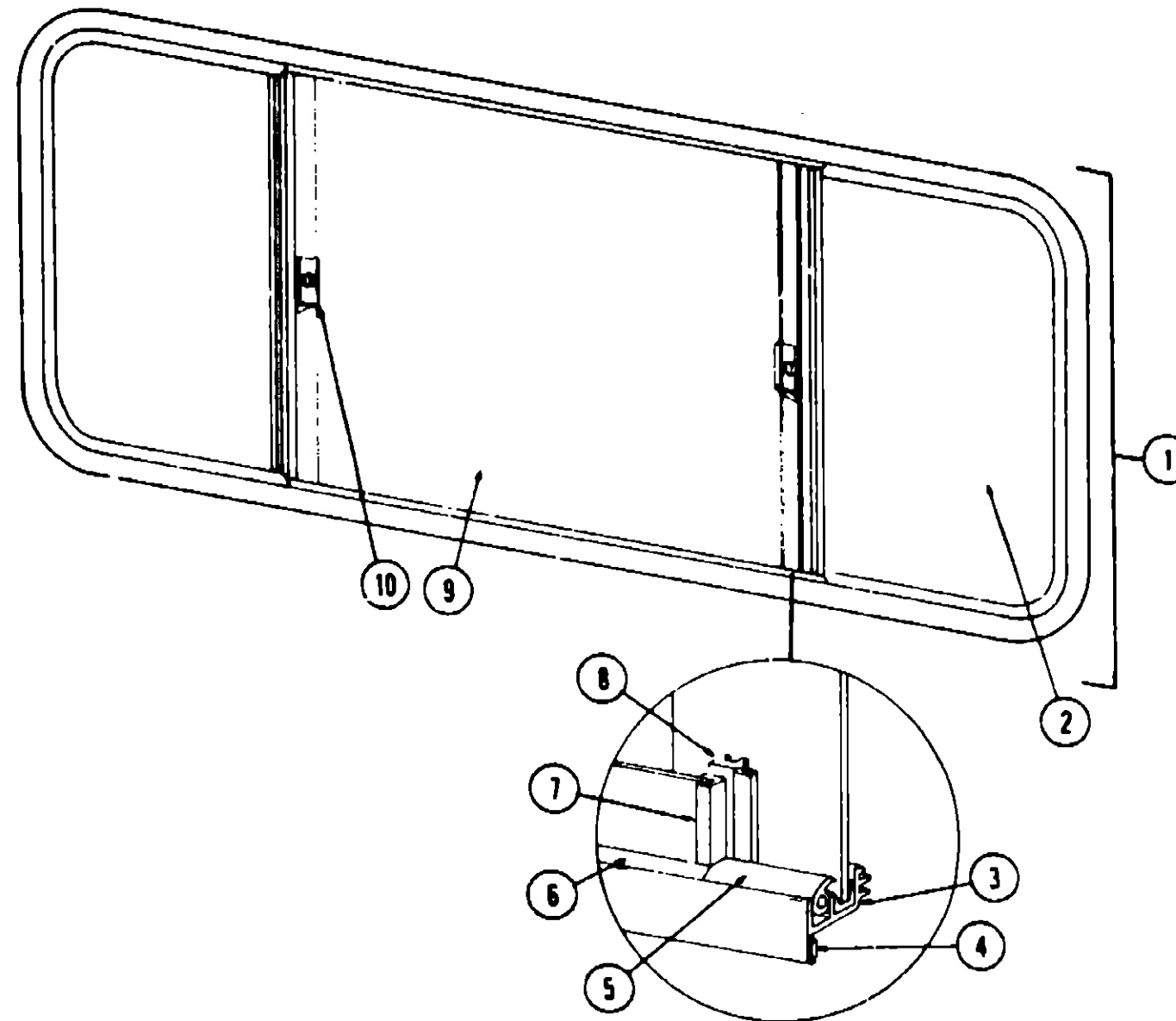
Floor Plan	D-17 - D-18
Accessories Group	D-19 - D-20
Bath Group	D-21 - D-22
Chassis Group	D-23
Curtain, Cushion and Pad Group	D-24 - E-4
Dinette Group	E-5
Driver's Compartment Group	E-6 - E-7
Electrical Group	E-8 - E-10
Exterior Body Group	E-11 - E-14
Galley Group	E-15
Heating & Air Conditioning Group	E-16 - E-17
Interior Finish Group	E-18 - E-19
LP Group	E-20
Lounge Group	E-21
Water & Sewage Group	E-22
Window, Vent & Exterior Door Group	E-23 - F-8

WINDOW, VENT AND EXTERIOR DOOR GROUP



Key	Part Number	U/M	Description
1	042959-01-000	EA	Window Asm. - Rear Escape - 23" x 36" - Black Anod. (w/o inside frame)
2	041392-01-000	EA	Glass - 1/8" x 19.61" x 33.25"
3	002285-01-000	FT	Filler - Weatherstrip - Black
4	020395-01-000	EA	Slip - Pull Ring - Escape Window
5	053767-03-000	FT	Tape - 1/4" Bead x 20" - Schnee Moorehead
6	002282-01-000	FT	Weatherstrip - .125" Black
	042027-01-000	EA	Frame - Inside - Escape Window - 23" x 36" (not included in assembly)
	006199-01-000	EA	Label - Exit - Escape Window
	Not Illustrated		

WINDOW, VENT AND EXTERIOR DOOR GROUP (CONTINUED)



Key	Part Number	U/M	Description
1	048630-08-000	EA	Window Asm. - Double Slider - 25" x 65" Black Anod. (w/o inside frame)
2	047822-01-000	EA	Glass - Sliding - 3/16" x 24" x 21.03"
3	042077-01-000	FT	Channel - Weatherstrip - Glass Run - 3/16" Glass
4	053767-03-000	FT	Tape - 1/4" Bead x 20" - Schnee Moorehead
5	041928-02-000	FT	Seal - Window Channel - 3/16" Glass - Black
6	002309-02-000	FT	Spline - Glass - 1/8" - Black
7	002389-03-201	EA	Extr. Holder - Glass Seal - 23.19" - Black
8	041894-04-000	EA	Mullion - Slider Window - 25" - Black
9	002188-02-000	EA	Glass - 3/16" x 24" x 25.5" - Stationary
10	047369-01-700	EA	Latch - Window - Plastic w/Fastener
	023320-01-000	EA	Foam Pad - 3/8" Dia. (used with plastic latch)
	042133-09-000	EA	Frame Asm. - Window - Inside (not included in assembly)
	023713-02-000	EA	Cover - Weephole - Plastic - Black
	002298-01-000	FI	Spline - Gray - .130" Dia. (Screen)
	002293-01-000	SF	Screen - Window - 26" - Gray
	Not Illustrated		

1980 ITASCA TABLE OF CONTENTS

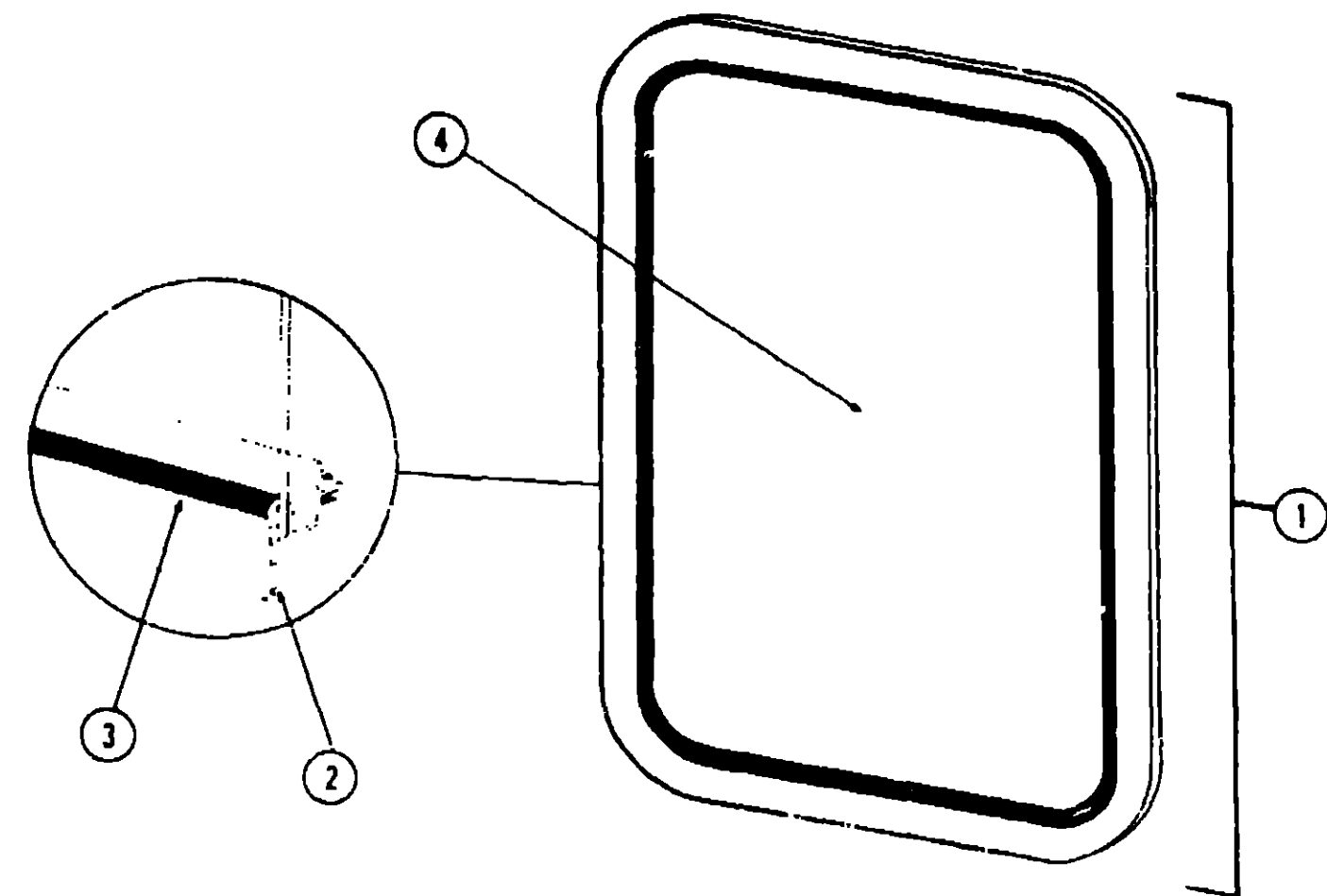
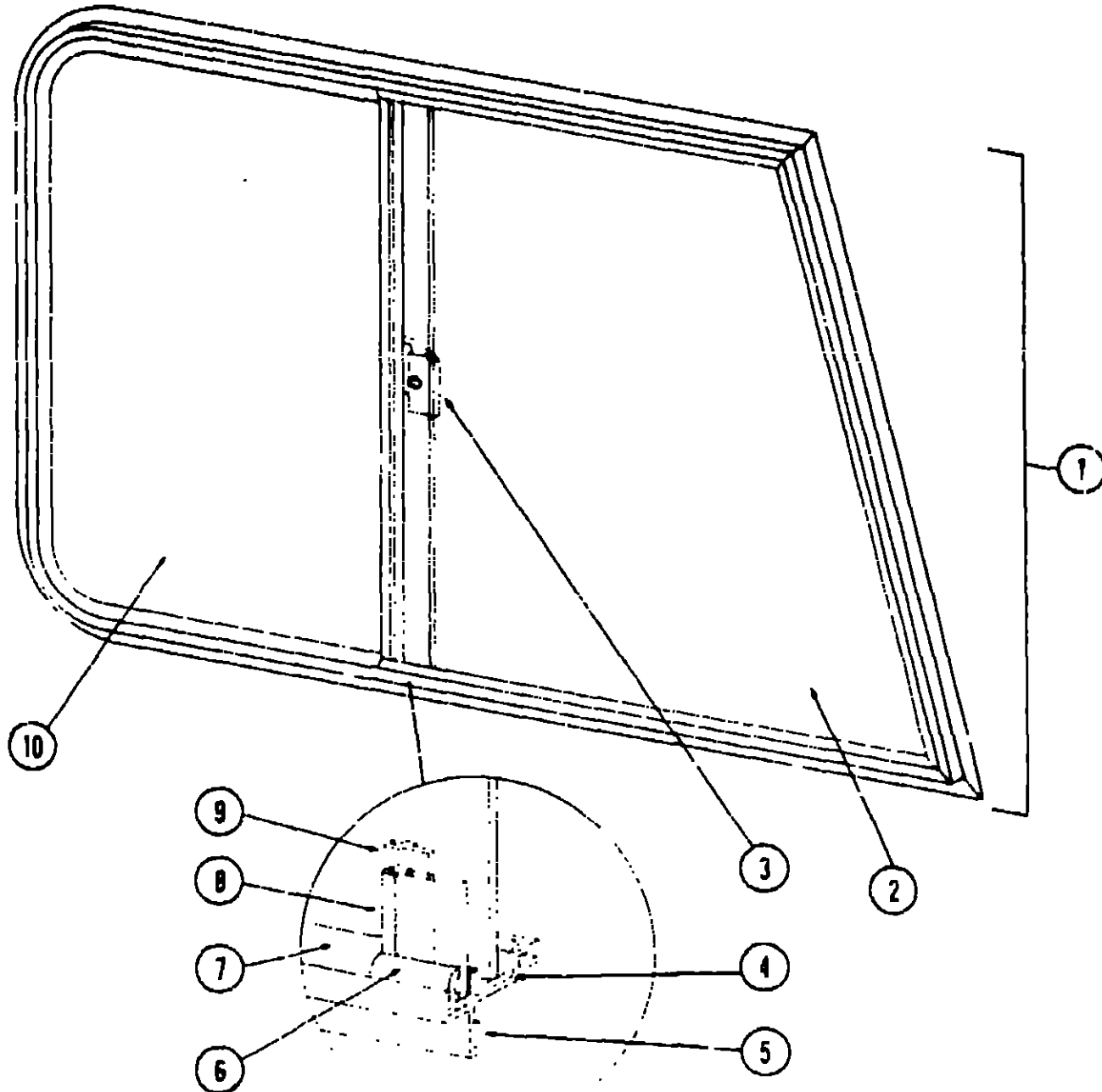
Introduction	A-1
Abbreviations	A-1
Alphabetical Index	A-2 - A-4
ICF26RH LO	A-5 - B-22
ICF26RT LO	B-23 - D-16
ICN26RB LO	D-17 - F-8
ICN29RT LO	F-9 - H-5

1980 ICN26RB LO INDEX

Floor Plan	D-17 - D-18
Accessories Group	D-19 - D-20
Bath Group	D-21 - D-22
Chassis Group	D-23
Curtain, Cushion and Pad Group	D-24 - E-4
Dinette Group	E-5
Driver's Compartment Group	E-6 - E-7
Electrical Group	E-8 - E-10
Exterior Body Group	E-11 - E-14
Galley Group	E-15
Heating & Air Conditioning Group	E-16 - E-17
Interior Finish Group	E-18 - E-19
LP Group	E-20
Lounge Group	E-21
Water & Sewage Group	E-22
Window, Vent & Exterior Door Group	E-23 - F-8

WINDOW, VENT AND EXTERIOR DOOR GROUP (CONTINUED)

WINDOW, VENT AND EXTERIOR DOOR GROUP (CONTINUED)



Key	Part Number	U/M	Description
1	059046-01-000	EA	Window Asm - Right Front Slant Slider - 25" x 39" - Black Anod (w/o inside frame)
	059046-02-000	EA	Window Asm - Left Front Slant Slider - 23" x 39" - Black Anod (w/o inside frame)
2	057050-01-010	EA	Glass - 3.16" x 24.88" x 25.30" - Stationary
3	057358-01-700	EA	Latch - Window - Plastic w Fastener
	023020-01-000	EA	Foam Pad - 3.6" Dia (used with plastic latch)
4	042077-01-000	FT	Channel - Weatherstrip - Glass Run - 3.16" Glass
5	053711-01-000	FT	Tape - 1.2" x 1.87" x .30" - Gray - Schnee Morehead
6	050215-02-000	FT	Spline - 3.16" Glass
7	051000-02-000	FT	Seal - Window Channel - 3.16" Glass - Black
8	010250-03-105	EA	Holder - Glass Seal - Black Anod - 24.13"
9	057048-01-000	EA	Mullion - Window - Slant Slider
10	057057-01-000	EA	Glass - 3.16" x 24.88" x 14.70" - Sliding
	052042-01-000	EA	Inside Frame - Right Front Slant Slider (not included in assembly)
	052042-02-000	EA	Inside Frame - Left Front Slant Slider (not included in assembly)
	053115-02-000	EA	Cover - Weatherstrip - Black Anod
	053117-02-000	EA	Slider Screen Asm - Right or Left - Black
	015119-03-000	EA	Handle - Slider Screen - Black
	002222-01-000	SF	Screen - Window - 20" - Gray
	002298-01-000	FT	Spline - Gray - 1.30" Dia
			Not Illustrated

Key	Part Number	U/M	Description
1	056651-01-000	EA	Window Asm - Picture - 20 3/4" x 20 3/4" - Black (w/o inside frame)
2	053767-02-000	FT	Tape - 3.16" Bead x 25" - Schnee Morehead
3	002309-02-000	FT	Spline - Glass - 1.8" - Black
4	002181-03-000	EA	Glass - 115" x 20.62" x 20.62" - Gray
	056550-01-000	EA	Frame - Inside - Window (not included in assembly)
			Not Illustrated

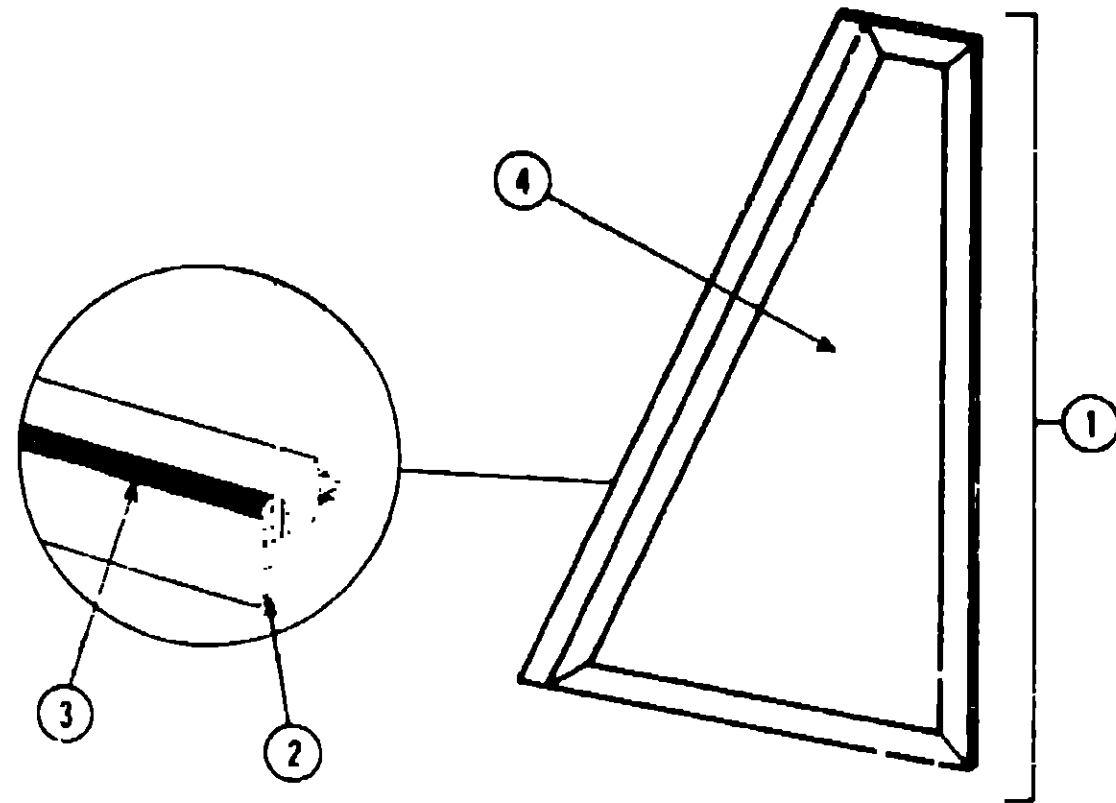
**1980 ITASCA
TABLE OF CONTENTS**

Introduction	A-1
Abbreviations	A-1
Alphabetical Index	A-2 - A-4
ICF26RH LO	A-5 - B-22
ICF26RT LO	B-23 - D-16
ICN26RB LO	D-17 - F-8
ICN29RT LO	F-9 - H-5

1980 ICN26RB LO INDEX

Floor Plan	D-17 - D-18
Accessories Group	D-19 - D-20
Bath Group	D-21 - D-22
Chassis Group	D-23
Curtain Cushion and Pad Group	D-24 - E-4
Dinette Group	E-5
Driver's Compartment Group	E-6 - E-7
Electrical Group	E-8 - E-10
Exterior Body Group	E-11 - E-14
Galley Group	E-15
Heating & Air Conditioning Group	E-16 - E-17
Interior Finish Group	E-18 - E-19
LP Group	E-20
Lounge Group	E-21
Water & Sewage Group	E-22
Window, Vent & Exterior Door Group	E-23 - F-8

WINDOW, VENT AND EXTERIOR DOOR GROUP (CONTINUED)



Key	Part Number	U/M	Description
1	052895-01-000	EA	Window Asm. - Stationary - Drivers Slant - 14" x 25.32" Black Anod. (w.o. inside frame)
2	053767-03-000	FT	Tape - 1/4" Bead x 20' - Gray - Schnee Moorehead
3	052369-02-000	FT	Spline - Glass - 1/8" - Black
4	057656-02-000	EA	Glass - 3 16" x 24 88" x 13 66"
-	063420-01-000	EA	Frame - Inside - Front Slant Window (not included in assembly)
-	Not Illustrated		

WINDOW, VENT AND EXTERIOR DOOR GROUP (CONTINUED)

ACCESS DOORS

Key	Part Number	U/M	Description
	033333-26-000	EA	Door Asm. - Battery - 10.25" x 24.75" - Gray w/Twist Lock (2 doors per coach)
	033333-27-000	EA	Door Asm. - Luggage - 10.25" x 24.75" - Gray w/Key Lock (2 doors per coach)
	047233-03-000	EA	Door Asm. - Luggage - 35.5" x 13" - Gray w/Key Lock
	059727-03-000	EA	Door Asm. - Storage - Insulated - 29.9" x 10.36" - Beige w/Key Lock
	054270-05-000	EA	Door Asm. - Refrigerator Access - Gray - w/Twist Lock
	055500-05-000	EA	Door Asm. - Gas Fill - Gray w/Key Lock
	042441-01-000	EA	Lock Asm. - Key Type - Gas Fill
	042442-01-000	EA	Lock Asm. - Twist Type - Gas Fill
	047305-01-000	EA	Lock Asm. - Key Type w/Clip
	052950-02-700	EA	Lock Asm. - Twist Type w/Clip - Beige Plastic
	016945-02-000	EA	Holder Asm. - Battery and Luggage Door
	052179-05-000	EA	Door Asm. - Generator - Gray w/Twist Type Lock
	052181-02-000	EA	Baffle - Generator Door
	009426-01-000	EA	Hatch - Power Cord - White

WINDSHIELD

Key	Part Number	U/M	Description
	058272-01-000	EA	Frame Asm. - Windshield w/o Glass
	057459-01-000	EA	Glass - Windshield - Right or Left
	038886-01-000	EA	Tape - Butyl - 31" x 31" x 148"

VENTS

Key	Part Number	U/M	Description
	039778-01-000	EA	Cover - Refrigerator Vent
	009407-01-000	EA	Frame Asm. - Refrigerator Vent
	049352-03-000	EA	Vent - Stovehood - Outside - Gray
**	048789-01-000	EA	Vent Asm. - Roof - Powered - w/o Screen - Alum.
**	048835-01-000	EA	Vent Asm. - Roof - Non Powered - w/o Screen - Alum.
**	056119-01-000	EA	Vent Asm. - Roof - Powered - Lighted - Jensen - White

**The illustrated parts breakdown for this item is provided on the Common Items Fiche

**1980 ITASCA
TABLE OF CONTENTS**

Introduction	A-1
Abbreviations	A-1
Alphabetical Index	A-2 - A-4
ICF26RH LO	A-5 - B-22
ICF26RT LO	B-23 - D-16
ICN26RB LO	D-17 - F-8
ICN29RT LO	F-9 - H-5

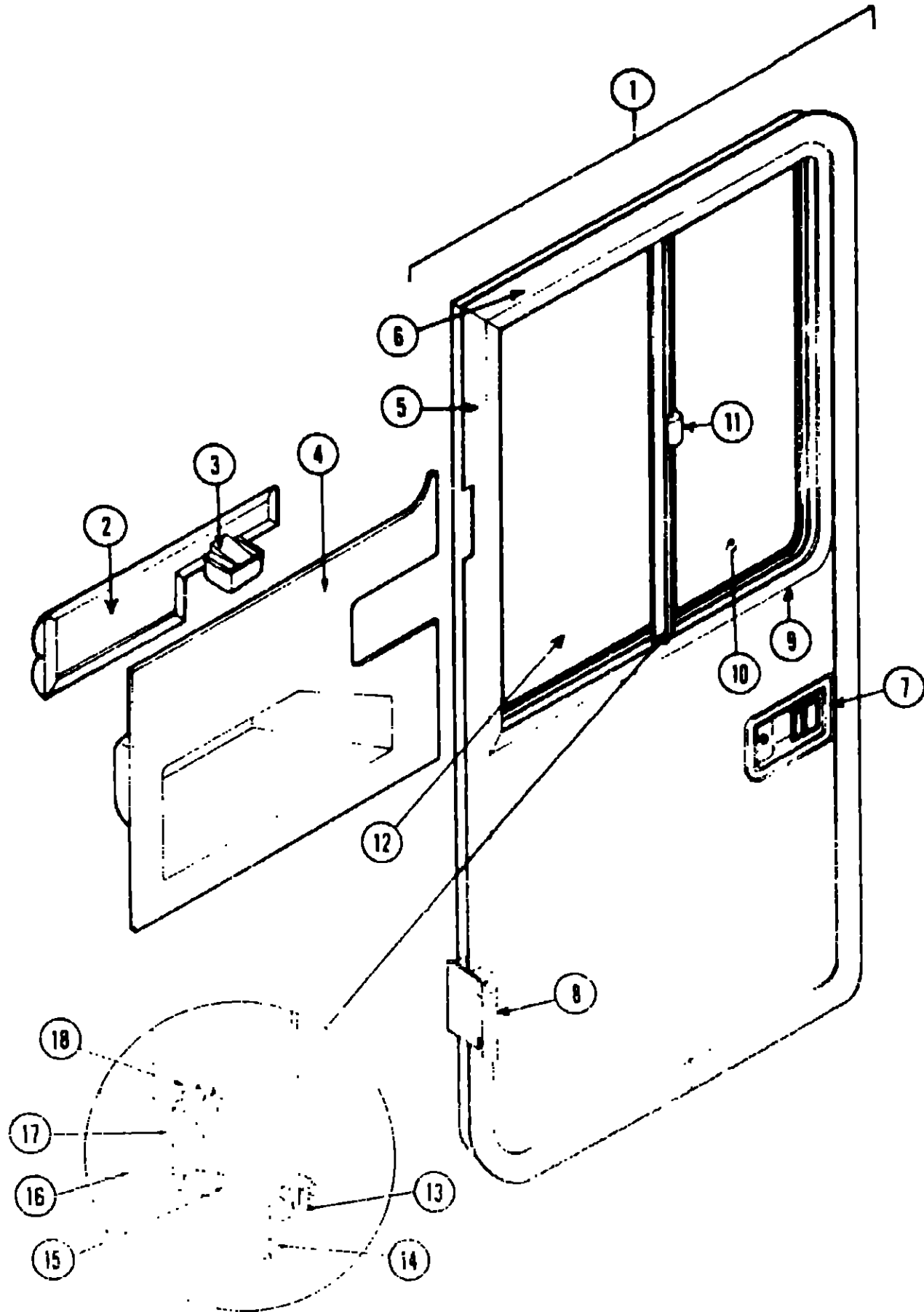
1980 ICN26RB LO INDEX

Floor Plan	D-17 - D-18
Accessories Group	D-19 - D-20
Bath Group	D-21 - D-22
Chassis Group	D-23
Curtain, Cushion and Pad Group	D-24 - E-4
Dineite Group	E-5
Driver's Compartment Group	E-6 - E-7
Electrical Group	E-8 - E-10
Exterior Body Group	E-11 - E-14
Galley Group	E-15
Heating & Air Conditioning Group	E-16 - E-17
Interior Finish Group	E-18 - E-19
LP Group	E-20
Lounge Group	E-21
Water & Sewage Group	E-22
Window, Vent & Exterior Door Group	E-23 - F-8

WINDOW, VENT AND EXTERIOR DOOR GROUP (CONTINUED)

WINDOW, VENT AND EXTERIOR DOOR GROUP (CONTINUED)

DRIVER DOOR - GRAY



Key	Part Number	U/M	Description
1	063991-03-000	EA	Door Asm. - Driver - Gray
2	064088-01-000	EA	Pad Asm. - Trim - Upper
	061400-01-000	EA	Assist Strap - 12" - Light Brown
3	046886-01-000	EA	Ashtray Asm - Flush Mount - Chrome
4	064499-01-000	EA	Panel - Driver Door - Inner - Dark Brown Plastic
5	063350-03-000	EA	Trim - Door Frame - Front - Gray
6	063351-03-000	EA	Trim - Door Frame - Rear - Gray
7	045017-03-000	EA	Paddle - Door Lock - Exterior
	045017-01-700	EA	Lock Cylinder w/Keys - Lynor
	039979-02-000	EA	Inside Plate - Door Lock - w/Inside Handle
	039540-02-000	EA	Latch Claw - Entry Door Lock
	039738-01-000	EA	Deadbolt - Entrance Door Lock
	039539-01-000	EA	Strike Bolt - Entrance Door (Jamb Mount)
	063124-02-000	EA	Plate - Striker - 8 1/4" x 1" - Black
	062879-02-000	EA	Jamb - Driver Door - Black Steel
	064199-03-000	EA	Trim - Door Jamb - Rear - w/Drip Cap - Gray
	064184-01-000	EA	Drip Cap - Driver Door
	063358-03-000	EA	Trim - Door Jamb - Front - Gray
	063768-01-000	EA	Sill Plate - Driver Door
8	063993-03-000	EA	Hinge Asm - Driver Door - Gray
	064580-01-000	EA	Check Strap - Driver Door - Seat Belt Webbing
	064219-01-000	EA	Retainer - Driver Door Check Strap
	063886-02-000	EA	Assist Handle - Driver Door - Brown Steel Tube (2 required per door)
	064075-01-000	EA	Bulb Seal - Driver Door - 145"
9	062982-01-000	EA	Window Asm - Driver Door - Single Slider - 23" x 25 5" - Black Anod (w.o inside frame)
10	057657-02-000	EA	Glass - 3.16" x 24.88" x 12" - Sliding
11	047369-01-700	EA	Latch - Window - Plastic w/Fastener
12	002188-04-000	EA	Glass - 3.16" x 24.88" x 12" - Stationary
13	002324-02-000	FT	Channel - Weatherstrip - Glass Run - 1.8" Glass
14	053767-03-000	FT	Tape - 1.4" Bead x 30' - Gray - Schnee Moorehead
15	024096-02-000	FT	Seal - Window Channel - Black
16	002309-02-000	FT	Spline - Glass - Black
17	002389-03-204	EA	Holder - Glass Seal - Anod Black - 25.14"
	002288-01-000	FT	Weatherstrip - Glass Seal
18	057644-04-000	EA	Mullion - Slider Window - Black Anod
	063422-01-000	EA	Frame - Inside - Driver Door Window
	023713-02-000	EA	Cover - Weephore - Black Plastic
	055164-06-000	EA	Screen Asm - Slider
	052292-01-000	SF	Screen - Window - 20" - Gray
	002298-01-000	FT	Spline - Gray - Screen - 130" Dia
	016310-03-000	EA	Screen Handle - Black Anod
	043485-02-000	FT	Screen Seal - Extr Vinyl
			Not Illustrated

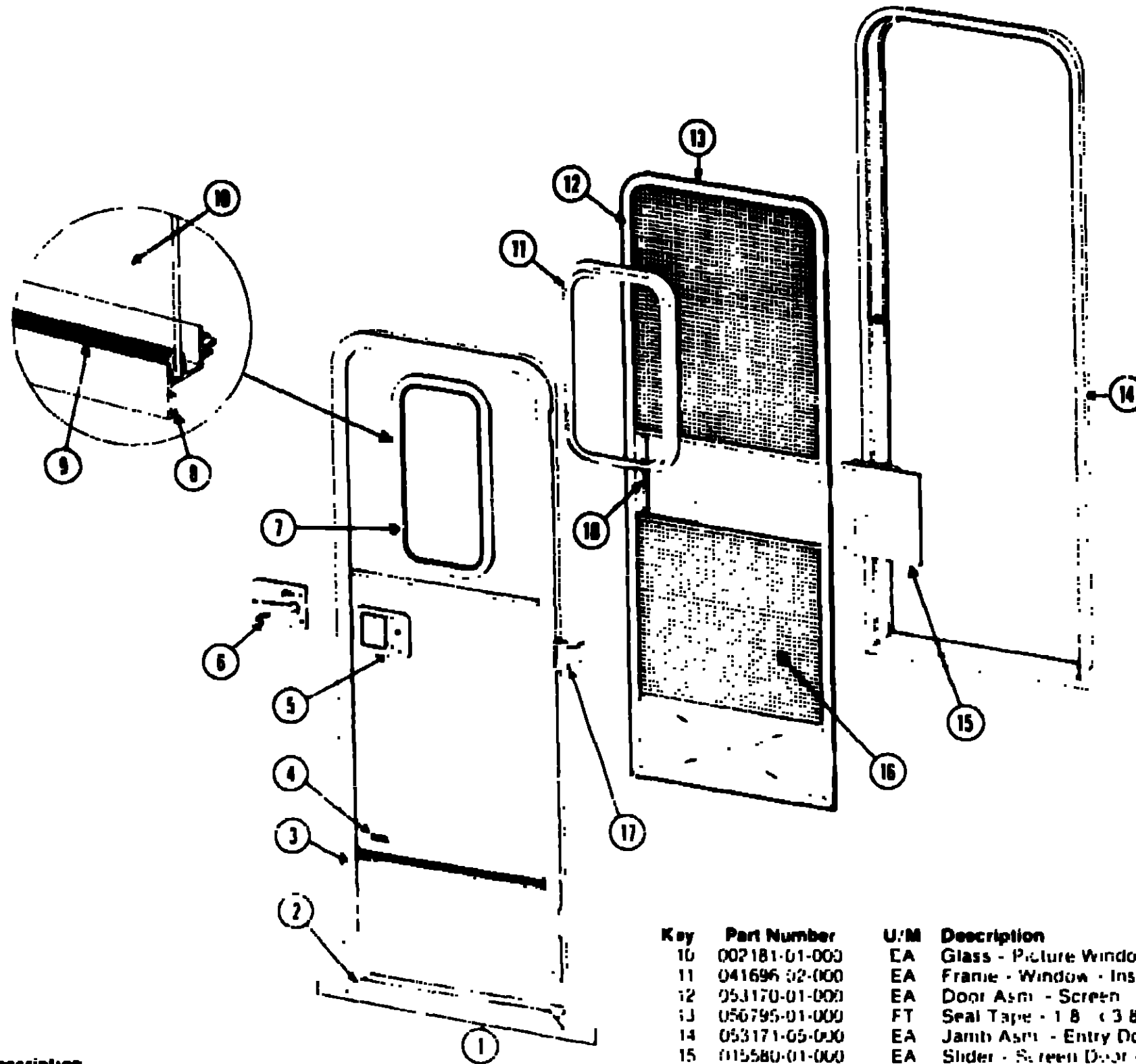
**1980 ITASCA
TABLE OF CONTENTS**

Introduction	A-1
Abbreviations	A-1
Alphabetical Index	A-2 - A-4
ICF26RH LO	A-5 - B-22
ICF26RT LO	B-23 - D-16
ICN26RB LO	D-17 - F-8
ICN29RT LO	F-9 - H-5

1980 ICN26RB LO INDEX

Floor Plan	D-17 - D-18
Accessories Group	D-19 - D-20
Bath Group	D-21 - D-22
Chassis Group	D-23
Curtain, Cushion and Pad Group	D-24 - E-4
Dinette Group	E-5
Driver's Compartment Group	E-6 - E-7
Electrical Group	E-8 - E-10
Exterior Body Group	E-11 - E-14
Galley Group	E-15
Heating & Air Conditioning Group	E-16 - E-17
Interior Finish Group	E-18 - E-19
LP Group	E-20
Lounge Group	E-21
Water & Sewage Group	F-22
Window, Vent & Exterior Door Group	F-23 - F-8

WINDOW, VENT AND EXTERIOR DOOR GROUP (CONTINUED)



Key	Part Number	U/M	Description
1	043169-01-000	EA	Door Asm - Radius Entry w Screen Door
2	041696-02-000	EA	Frame - Entry Door (Bottom Portion Only)
3	053170-01-000	EA	Frame - Entry Door (Except Bottom Portion)
4	054530-01-000	EA	Holder - Entry Door - Mount on Sidewall
5	045017-01-000	EA	Handle Asm - Door Lock - Exterior
6	045017-01-700	EA	Lock Cylinder w Key
7	049539-01-000	EA	Striker Bolt - Entry Door
8	049539-01-000	EA	Lock Bolt - Entry Door
9	049539-01-000	EA	Pin - Lock - Entry Door (Retains Screen Door to Entry Door)
10	049539-01-000	EA	Pin - Lock - Entry Door (Retains Screen Door to Entry Door)
11	049539-01-000	EA	Pin - Lock - Entry Door (Retains Screen Door to Entry Door)
12	049539-01-000	EA	Pin - Lock - Entry Door (Retains Screen Door to Entry Door)
13	049539-01-000	EA	Pin - Lock - Entry Door (Retains Screen Door to Entry Door)
14	049539-01-000	EA	Pin - Lock - Entry Door (Retains Screen Door to Entry Door)
15	049539-01-000	EA	Pin - Lock - Entry Door (Retains Screen Door to Entry Door)
16	049539-01-000	EA	Pin - Lock - Entry Door (Retains Screen Door to Entry Door)
17	049539-01-000	EA	Pin - Lock - Entry Door (Retains Screen Door to Entry Door)

Key	Part Number	U/M	Description
10	002181-01-000	EA	Glass - Picture Window - 18" x 12" x 22" - Gray
11	041696-02-000	EA	Frame - Window - Inside - 13' x 23' - Brown
12	053170-01-000	EA	Door Asm - Screen
13	056795-01-000	FT	Seal Tape - 18" x 38" - Press On
14	053171-05-000	EA	Jamb Asm - Entry Door - Gray
15	015580-01-000	EA	Slider - Screen Door - Brown Plastic
16	002293-01-000	SF	Screen - Window - 26" - Gray
17	049539-01-000	EA	Minge - Entry Door (Retains Screen Door to Entry Door)
18	013081-01-000	EA	Cap - Screen Door - Brown Plastic
	049170-01-000	EA	Headlok II - 3/4" Diameter - Screw Mount (Retains Screen Door to Entry Door)
	049797-01-000	EA	Headlok II - 1" Diameter - Screw Mount (Retains Screen Door to Entry Door)
	018019-01-000	EA	Striker - Screen Door
	049539-01-000	EA	Catch Asm - Single Roller w Strike - Screen Door
	049539-01-000	EA	Seal - Jamb - Entry Door - Bulb Seal
	049539-01-000	EA	Tubing - Polybutyl - 1/2" O.D. - Jamb
	049539-01-000	EA	Strip Cap - Jamb Mounted - Gray

1980 ITASCA TABLE OF CONTENTS

Introduction	A-1
Abbreviations	A-1
Alphabetical Index	A-2 - A-4
ICF26RH LO	A-5 - B-22
ICF26RT LO	B-23 - D-16
ICN26RB LO	D-17 - F-8
ICN26RT LO	F-9 - H-5

1980 ICN26RB LO INDEX

Floor Plan	D-17 - D-18
Accessories Group	D-19 - D-20
Bath Group	D-21 - D-22
Chassis Group	D-23
Curtain, Cushion and Pad Group	D-24 - E-4
Dinette Group	E-5
Driver's Compartment Group	E-6 - E-7
Electrical Group	E-8 - E-10
Exterior Body Group	E-11 - E-14
Galley Group	E-15
Heating & Air Conditioning Group	E-16 - E-17
Interior Finish Group	E-18 - E-19
LP Group	E-20
Lounge Group	E-21
Water & Sewage Group	L-22
Window, Vent & Exterior Door Group	E-23 - F-8