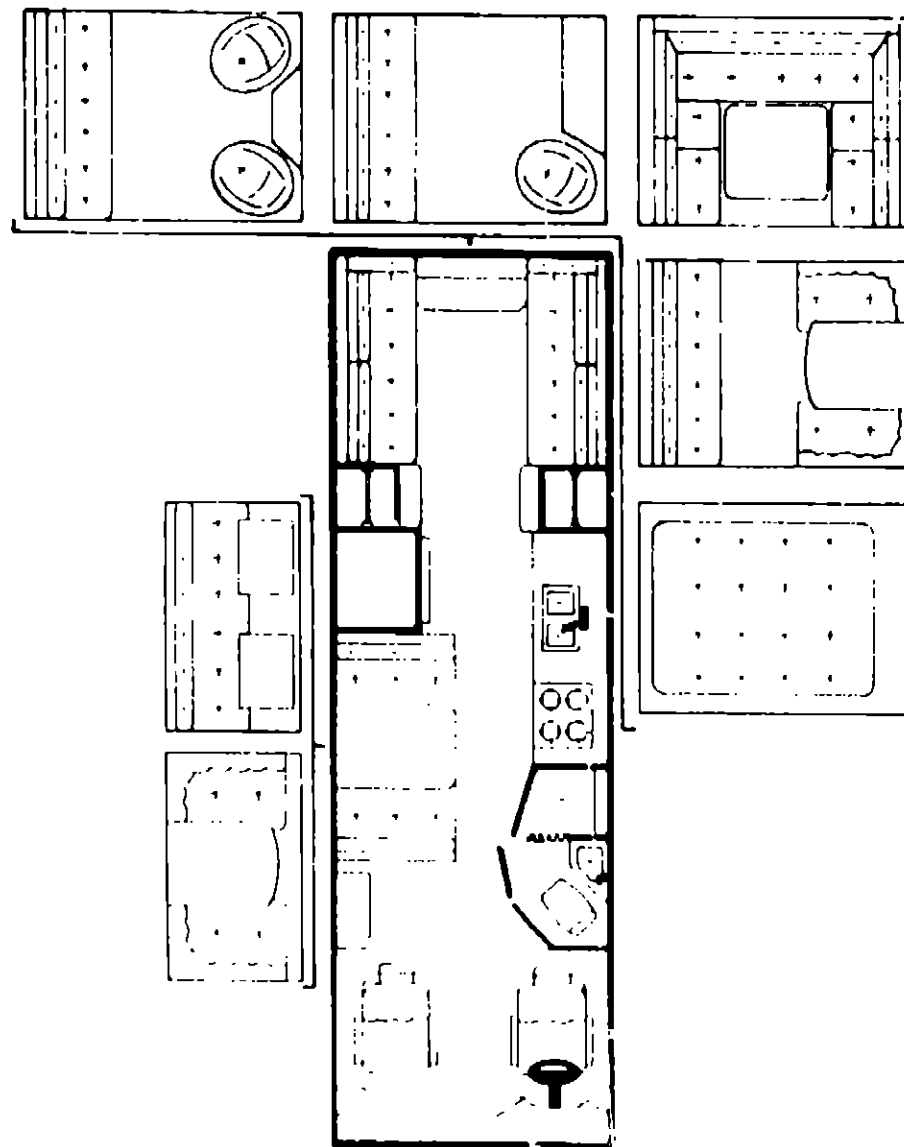


1980 ICF26RT LO



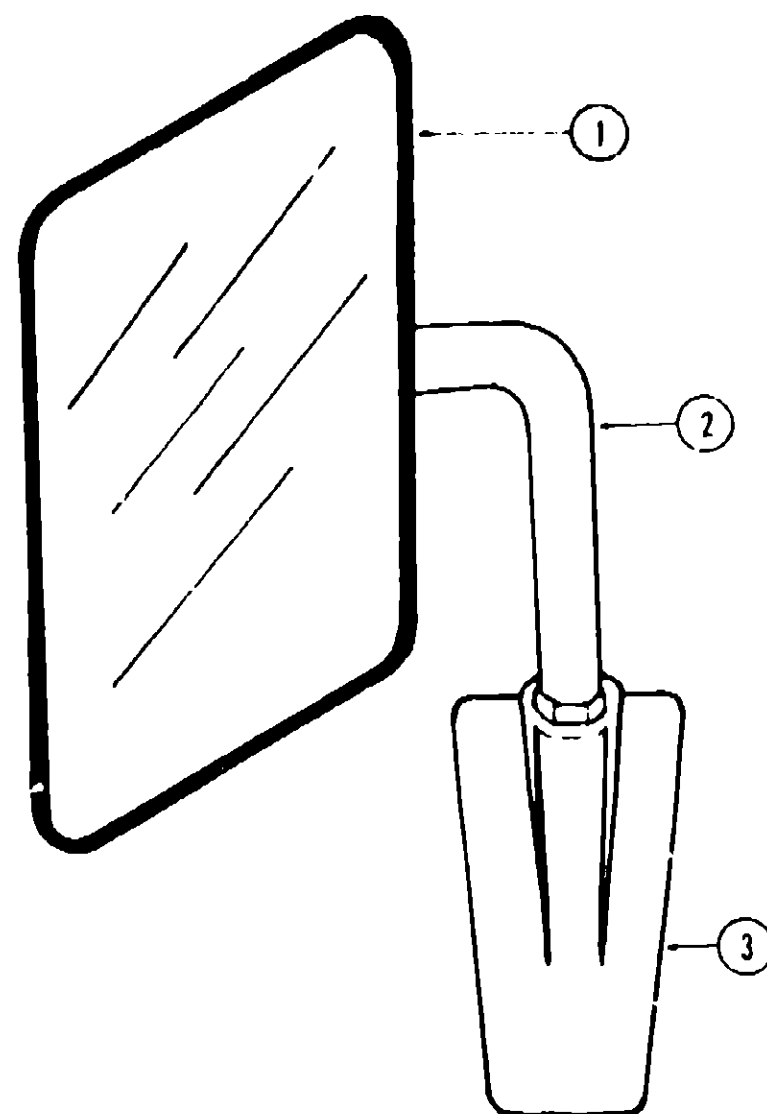
1980 ITASCA TABLE OF CONTENTS

Introduction	A-1
Abbreviations	A-1
Alphabetical Index	A-2 - A-4
ICF26RH LO	A-5 - B-22
ICF26RT LO	B-23 - D-16
ICN26RB LO	D-17 - F-8
ICN29RT LO	F-9 - H-5

1980 ICF26RT LO INDEX

Floor Plan	B-23 - B-24
Accessories Group	C-1 - C-2
Bath Group	C-3
Chassis Group	C-4
Curtain, Cushion and Pad Group	C-5 - C-12
Dinette Group	C-13
Driver's Compartment Group	C-14 - C-15
Electrical Group	C-16 - C-17
Exterior Body Group	C-18 - C-21
Galley Group	C-22
Heating & Air Conditioning Group	C-23
Interior Finish Group	C-24 - D-1
LP Group	D-2
Lounge Group	D-3 - D-4
Water & Sewage Group	D-5
Window, Vent & Exterior Door Group	D-6 - D-16

ACCESSORIES GROUP



Key	Part Number	U/M	Description
1	057461-02-000	EA	Mirror Head - 7 1/2" x 10 1/2" - w/Convex - Off White
1	057461-01-000	EA	Mirror Head - 7 1/2" x 10 1/2" - w/Convex - Stainless Steel
2	049348-01-000	EA	Arm - Low Mount Mirror - Bright Finish
2	049348-02-000	EA	Arm - Low Mount Mirror - Off White
3	049944-03-000	EA	Bracket - Mirror - Outside - Black

GENERATORS AND COMPONENTS

Key	Part Number	U/M	Description
**	054429-01-000	EA	Generator - Onan - 4.0 kw - BFA
**	054431-01-000	EA	Generator - Onan - 5.0 kw - BGA
	701629-02-000	EA	Onan Installation Package
	024732-01-001	EA	Tailpipe - 1 1/2" O.D. x 23"
	054426-01-000	EA	Muffler - Generator - w/Spark Arrestor
	740313-56-000	EA	Tray - Generator - 4.0 - 5.0 kw Onan

**The illustrated parts breakdown for this item is provided on the Common Items Fiche.

ACCESSORIES GROUP (CONTINUED)

RADIOS AND RELATED COMPONENTS

Key	Part Number	U/M	Description
	049730-01-000	EA	Radio - Clarion - AM/w/Fader Switch
	049731-01-000	EA	Radio - Clarion - AM/FM/MPX - w/Fader Switch
	049732-01-000	EA	Radio - Clarion - AM/FM/MPX - 8 Track - w/Fader Switch
	053788-01-000	EA	Speaker - Recessed - 5 1/4" - 10 oz
	031105-01-000	EA	Antenna - Radio - Side Mount
	031105-01-700	EA	Holder - Antenna - Radio - Upper
	048153-01-000	EA	Antenna - CB Camper Style
	044328-01-000	FA	Switch - Fader - Speaker Balance
	050751-01-000	EA	Plaque - Fader/Mic Mounting
	055299-01-000	EA	Grille - Speaker - 5 1/4"
	063647-01-000	EA	Control Box - Clarion CB
	063647-02-000	EA	Module - Clarion CB

FRONT BUNK AND HARDWARE

Key	Part Number	U/M	Description
	052300-01-K01	EA	Cabinet Asm. - Front Overhead
	053320-01-K01	EA	Bunk Board Asm. - Front Overhead w/Rails
	053773-01-000	EA	Support - Overhead Bunk - Brown - Right
	053773-02-000	EA	Support - Overhead Bunk - Brown - Left
	040071-02-000	EA	Support - Bunk - Seat Belt
	041322-01-000	EA	Washer - Flat - 15/32" I.D. x 2 3/8" O.D
	039516-02-000	EA	Catch - Bunk - Brown
	023812-04-000	EA	Rail - Bunk - 75" - Brown
	053774-01-000	EA	Torsion Rod - Overhead Bunk - Brown

MISCELLANEOUS ACCESSORIES

Key	Part Number	U/M	Description
	054185-04-000	EA	Owners Manual - Itasca
	006053-01-000	EA	Antenna - TV Braund Delux
	006053-01-700	EA	Parts Kit - Repair - Braund TV Antenna
	006093-01-000	EA	Jack - TV - Brown (Antenna)
	006076-01-000	EA	Ladder - Front Bunk
	017516-01-000	EA	Mud Flap - Black - 14" x 18" w/Holes
	006113-01-000	EA	Jack Hydraulic - 5 Ton
	041944-01-700	EA	Fire Extinguisher - w/Bracket
	041944-03-000	EA	Fire Extinguisher - w/Bracket - 5BC (Calif.)
	052771-02-000	EA	Oven - Microwave - Magic Chef MW207
**	041086-01-000	EA	Ladder Asm. - w/Luggage Rack
**	041086-02-000	EA	Ladder Asm.
	041646-01-000	EA	Luggage Carrier Assembly
**	039881-01-000	EA	Catch and Strike - Luggage Carrier
**	031396-04-000	EA	Wheel Cover - 16" Chrome
	064082-01-000	EA	Wheel Cover - Delmet - (Bolt On)
	064082-02-000	EA	Retaining Nut - Delmet Wheel Cover
	064082-05-700	EA	Retainer Bracket - Bolt On Wheel Cover - Chev. - Front
	061082-05-701	EA	Retainer Bracket - Bolt On Wheel Cover - Chev. - Rear
**	059779-01-000	EA	Speed Control Package - Electric - Chev - Dana
**	034410-12-000	EA	Cover - Spare Tire - 32"

**The illustrated parts breakdown for this item is provided on the Common Items Fiche.

1980 ITASCA TABLE OF CONTENTS

Introduction	A-1
Abbreviations	A-1
Alphabetical Index	A-2 - A-4
ICF26RH LO	A-5 - B-22
ICF26RT LO	B-23 - D-16
ICN26RB LO	D-17 - F-8
ICN29RT LO	F-9 - H-5

1980 ICF26RT LO INDEX

Floor Plan	B-23 - B-24
Accessories Group	C-1 - C-2
Bath Group	C-3
Chassis Group	C-4
Curtain, Cushion and Pad Group	C-5 - C-12
Dinette Group	C-13
Driver's Compartment Group	C-14 - C-15
Electrical Group	C-16 - C-17
Exterior Body Group	C-18 - C-21
Galley Group	C-22
Heating & Air Conditioning Group	C-23
Interior Finish Group	C-24 - D-1
LP Group	D-2
Lounge Group	D-3 - D-4
Water & Sewage Group	D-5
Window, Vent & Exterior Door Group	D-6 - D-16

BATH GROUP

Key	Part Number	U/M	Description
	052464-01-K01	EA	Cabinet Asm. - Lavatory - w/o Door, Sink or Hardware
	057042-26-K01	EA	Door Asm. - Lavatory Cabinet - 9 5/8" x 18 1/8" - w/o Hardware
**	044977-01-000	EA	Enth Sink - Ivory Plastic
**	011056-01-000	EA	Faucet - Lavatory - U.S.
**	011059-02-000	EA	Faucet - Lavatory - C.S.A.
**	011085-01-000	EA	Plug - Sink - 1 1/4" - w/Chain
**	011048-01-000	EA	Shower Head - w/60" Hose
**	011059-01-000	EA	Faucet - Shower - U.S. - C.S.A.
**	011069-01-000	EA	Tailpiece - 1 1/4" x 4" - Brass
**	011086-01-000	EA	Strainer - Shower Pan
**	046749-01-000	EA	Shower Pan - Ivory Plastic
**	009134-01-000	EA	Holder - Tissue
**	052563-01-000	EA	Rack Asm. - Towel - Bath Door
**	058233-02-K01	EA	Door Asm. - Bath - w/o Hardware
**	058335-01-000	EA	Latch - Bathroom Door
**	034394-02-000	EA	Insert - Extr. Vinyl - Shower Corner
**	053129-01-000	EA	Cabinet - Medicine - 17.62" x 29.3/8" - Jensen
**	053129-01-700	EA	Mirror - Jensen Medicine Cabinet - 26" x 18"
**	053129-01-701	EA	Frame - Mirror - Jensen Medicine Cabinet
**	053129-01-702	EA	Switch - Jensen Medicine Cabinet
**	053130-02-702	EA	Catch - Door - Jensen Medicine Cabinet
**	038010-01-000	EA	Bulb - 1143 Frosted
**	050837-01-K01	EA	Door Asm. - w/Mirror
**	051531-01-000	EA	Mirror - Tempered Glass - 19" x 26"
**	039341-02-000	EA	Toilet - Marine - Ivory - Aqua Magic

** The illustrated parts breakdown for this item is provided on the Common Items Fiche.

CHASSIS GROUP

Key	Part Number	U/M	Description
	024852-01-700	EA	Step Asm. - Entry
	053401-01-000	EA	Hood Board - Upper - Right - Steel
	052404-01-000	EA	Hood Board - Upper - Left - Steel
	015103-01-000	EA	Cover - Radiator - Rear
	032750-01-000	EA	Tank - Fuel - 50 Gallon
	057038-01-000	EA	Sending Unit - Fuel - 90 OHM
	058790-01-000	EA	Gas Fill - w/Vent
	024611-04-000	EA	Cap - Gas - Pressure - 1.5" Chrome
	024138-01-000	FT	Hose - Fuel - 5/16" I.D. SAE 30RI
	024141-01-000	FT	Hose Rubber - 1/2" I.D.
	007134-01-000	EA	Clamp - Hose - Spring Type - 9/16"
	038882-01-000	EA	Tank - Fuel - 27.0 Gallon - Auxiliary
	038883-01-000	EA	Sending Unit - Fuel - 78 Ohm.
	043986-01-000	EA	Strap - Fuel Tank Mounting - 13.5"
	024647-01-000	EA	Hose - Fuel - 2 1/4" I.D.
	007137-01-000	EA	Clamp - Worm Gear - 1 5/16" to 2 1/4"
	007138-01-000	EA	Clamp - Worm Drive - .22" - 1" I.D.
	043477-01-000	EA	Valve Asm. - Fuel Selector - 2 Way 6 Port
	046775-01-000	EA	Valve Asm. - Fuel Selector - 3 Way
	050227-01-000	EA	Canister Asm. - Vapor - 2 Stage - 3 Port
	053249-01-000	EA	Battery Tray Asm.
	051697-01-000	EA	Bracket - Battery Tie Down
	058200-01-000	EA	Bumper - Front - Chrome
	005200-01-000	EA	Bolt - Carriage - 7/16" - 14" x 1 1/4" SST
	058200-02-000	EA	Bumper - Front - Off White
	058439-01-000	EA	Bracket - Front Bumper - Black
	058416-01-000	EA	Bar - Front Bumper - Black
	021546-01-000	EA	Bumper Asm. - Rear
	039779-01-000	EA	Cap Rubber - Rear Bumper - 4" x 4"
	040974-01-000	EA	Bar - Retaining - Spare Tire - 2" x 6.75"
	016452-01-000	EA	Bracket - Tire Carrier - 25" x 5"
	046043-06-000	EA	Bracket Asm. - Rear Bumper Mounting
	033499-01-000	EA	Power Cord Box - Plastic
	055080-01-000	EA	Wheel Well - Plastic
	740313-56-000	EA	Tray - Generator - Onan - 4.0 kw - 5.0 kw
	022655-02-000	EA	Tailpipe - 2 1/4" x 8" - 454 Engine
	041332-01-000	EA	Bumper Cover - w/Reflector - (4" x 4" Rear Bumper)
	041332-03-000	EA	Bumper Cover - (4" x 4" Rear Bumper)
	041332-02-000	EA	Reflector - 3/4" x 6 1/2" - Bumper Cover

Key	Part Number	U/M	Description
1	023695-01-000	EA	Hitch Kit - w/o Drawbar
2	034512-01-000	EA	Pin - Locking - Drawbar
3	023690-01-000	EA	Drawbar Asm. - Trailer Hitch
4	034513-01-000	EA	Pin Hitch - 3/16" Wire Spring

C-3

1980 ITASCA TABLE OF CONTENTS

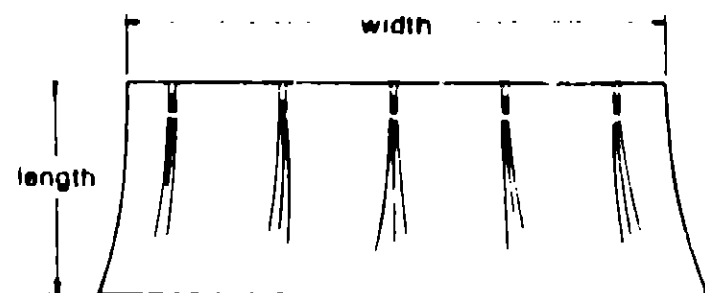
Introduction	A-1
Abbreviations	A-1
Alphabetical Index	A-2 - A-4
ICF26RH LO	A-5 - B-22
ICN26RT LO	B-23 - D-16
ICN26RB LO	D-17 - F-8
ICN26RT LO	F-9 - H-5

1980 ICF 26RT LO INDEX

Floor Plan	B-23 - B-24
Accessories Group	C-1 - C-2
Bath Group	C-3
Chassis Group	C-4
Curtain, Cushion and Pad. Group	C-5 - C-12
Dinette Group	C-13
Driver's Compartment Group	C-14 - C-15
Electrical Group	C-16 - C-17
Exterior Body Group	C-18 - C-21
Galley Group	C-22
Heating & Air Conditioning Group	C-23
Interior Finish Group	C-24 - D-1
LP Group	D-2
Lounge Group	D-3 - D-4
Water & Sewage Group	D-5
Window, Vent & Exterior Door Group	D-6 - D-16

C-4

CURTAIN, CUSHION AND PAD GROUP



NOTE
Use this illustration when determining length and width measurements for curtains. You will note the width measurement is taken on the top of the curtain with the curtain fully extended. The length measurement is taken from top to bottom.

CURTAINS

Key	Part Number	U/M	Description
	054051-01-788	EA	Curtain Kit - Green Forest
	054051-01-789	EA	Curtain Kit - Navy
	054051-01-790	EA	Curtain Kit - Brick
	054051-36-K08	EA	Curtain Asm - 58" x 56" - Rear Privacy - Green Forest
	054051-36-K09	EA	Curtain Asm - 58" x 56" - Rear Privacy - Navy
	054051-36-110	EA	Curtain Asm - 58" x 56" - Rear Privacy - Brick
	054051-24-K08	EA	Curtain w/Snap Top - 34" x 37" - Green Forest
	054051-24-K09	EA	Curtain w/Snap Top - 34" x 37" - Navy
	054051-24-K10	EA	Curtain w/Snap Top - 34" x 37" - Brick
	056484-19-K08	EA	Curtain w/Taped Top - 22.5" x 19.5" - Green Forest
	056484-19-K09	EA	Curtain w/Taped Top - 22.5" x 19.5" - Navy
	056484-19-K10	EA	Curtain w/Taped Top - 22.5" x 19.5" - Brick
	056484-20-K08	EA	Curtain w/Taped Top - 24.5" x 42" - Green Forest
	056484-20-K09	EA	Curtain w/Taped Top - 24.5" x 42" - Navy
	046484-20-K10	EA	Curtain w/Taped Top - 24.5" x 42" - Brick
	056484-21-K08	EA	Curtain w/Taped Top - 27.5" x 42" - Green Forest
	055484-21-K09	EA	Curtain w/Taped Top - 27.5" x 42" - Navy
	056484-21-K10	EA	Curtain w/Taped Top - 27.5" x 42" - Brick
	054292-03-K08	EA	Curtain w/Snap Top - Front Wraparound - Left - 27.5" x 81" - Green Forest
	054292-03-K09	EA	Curtain w/Snap Top - Front Wraparound - Left - 27.5" x 81" - Navy
	054292-03-K10	EA	Curtain w/Snap Top - Front Wraparound - Left - 27.5" x 81" - Brick
	054293-03-K08	EA	Curtain w/Snap Top - Front Wraparound - Right - 27.5" x 81" - Green Forest
	054293-03-K09	EA	Curtain w/Snap Top - Front Wraparound - Right - 27.5" x 81" - Navy
	054293-03-K10	EA	Curtain w/Snap Top - Front Wraparound - Right - 27.5" x 81" - Brick
	054051-29-K08	EA	Curtain w/Snap Top - Blackout - 22" x 96" - Green Forest
	054051-29-K09	EA	Curtain w/Snap Top - Blackout - 22" x 96" - Navy
	054051-29-K10	EA	Curtain w/Snap Top - Blackout - 22" x 96" - Brick

VALANCES

Key	Part Number	U/M	Description
	056897-17-K08	EA	Valance Asm - 5.5" x 78" - w/Green Trim
	056897-17-K09	EA	Valance Asm - 5.5" x 78" - w/Blue Trim
	056897-17-K10	EA	Valance Asm - 5.5" x 78" - w/Burgundy Trim
	056897-18-K08	EA	Valance Asm - 5.5" x 81" - w/Green Trim
	056897-18-K09	EA	Valance Asm - 5.5" x 81" - w/Blue Trim
	056897-18-K10	EA	Valance Asm - 5.5" x 81" - w/Burgundy Trim
	056897-16-K08	EA	Valance Asm - 5.5" x 69" - w/Green Trim
	056897-16-K09	EA	Valance Asm - 5.5" x 69" - w/Blue Trim
	056897-16-K10	EA	Valance Asm - 5.5" x 69" - w/Burgundy Trim
	057791-09-K08	EA	Valance Asm - 4.5" x 32" - w/Green Trim
	057791-09-K09	EA	Valance Asm - 4.5" x 32" - w/Blue Trim
	057791-09-K10	EA	Valance Asm - 4.5" x 32" - w/Burgundy Trim

CURTAIN, CUSHION AND PAD GROUP (CONTINUED)

SHADES

Key	Part Number	U/M	Description
	059534-28-000	EA	Shade - Vinyl - 60.25" x 34" - Green
	059534-11-000	EA	Shade - Vinyl - 60.25" x 34" - Blue
	059534-20-000	EA	Shade - Vinyl - 60.25" x 34" - Burgundy
	059534-30-000	EA	Shade - Vinyl - 69.25" x 34" - Green
	059534-15-000	EA	Shade - Vinyl - 69.25" x 34" - Blue
	059534-21-000	EA	Shade - Vinyl - 69.25" x 34" - Burgundy
	059534-31-000	EA	Shade - Vinyl - 72.25" x 34" - Green
	059534-13-000	EA	Shade - Vinyl - 72.25" x 34" - Blue
	059534-22-000	EA	Shade - Vinyl - 72.25" x 34" - Burgundy
	057967-01-000	EA	Blinds - Levelor - 23.5" x 25.5" - Camel

TIE BACKS

Key	Part Number	U/M	Description
	054048-05-K08	EA	Tie Back Asm. - 2" x 18" - Green Forest
	054048-05-K09	EA	Tie Back Asm. - 2" x 18" - Navy
	054048-05-K10	EA	Tie Back Asm. - 2" x 18" - Brick

FABRICS AND TRIMS

Key	Part Number	U/M	Description
	058784-04-000	YD	Fabric - Drapery - Green Forest
	058784-03-000	YD	Fabric - Drapery - Navy
	058784-05-000	YD	Fabric - Drapery - Brick (Burgundy)
	057964-01-000	YD	Fabric - Upholstery - Emerald Green - Wide Stripe
	057964-02-000	YD	Fabric - Upholstery - Royal Blue - Wide Stripe
	057964-03-000	YD	Fabric - Upholstery - Oxford Burgundy - Wide Stripe
	057965-01-000	YD	Fabric - Upholstery - Emerald Green - Narrow Stripe
	057965-02-000	YD	Fabric - Upholstery - Royal Blue - Narrow Stripe
	057965-03-000	YD	Fabric - Upholstery - Oxford Burgundy - Narrow Stripe
	057966-01-000	YD	Fabric - Upholstery - Accent - Camel
	057966-03-000	YD	Fabric - Upholstery - Accent - Burgundy
	054676-06-K08	EA	Button Asm. - Covered - #45 - Green
	054676-06-K09	EA	Button Asm. - Covered - #45 - Blue
	054676-06-K10	EA	Button Asm. - Covered - #45 - Burgundy
	054676-09-K08	EA	Button Asm. - Covered - #30 - Green
	054676-09-K09	EA	Button Asm. - Covered - #30 - Blue
	054676-09-K10	EA	Button Asm. - Covered - #30 - Burgundy
	052859-01-J27	FT	Trim Asm. - Accent - Acorn Brown Vinyl
	053327-01-000	YD	Vinyl - Non Expanded - 27 oz. - Acorn Brown
	053327-02-000	YD	Vinyl - Expanded - 28 oz. - Acorn Brown
	053327-03-000	YD	Vinyl - Non Support - 15 Gauge Film - Acorn Brown

FRONT OVERHEAD BUNK CUSHIONS

Key	Part Number	U/M	Description
	055021-21-K08	EA	Cushion - Front Bunk - 31.5" x 79" x 5" - Green
	055021-21-K09	EA	Cushion - Front Bunk - 31.5" x 79" x 5" - Blue
	055021-21-K10	EA	Cushion - Front Bunk - 31.5" x 79" x 5" - Burgundy
	055022-21-K08	EA	Cushion - Front Bunk Cushion - 31.5" x 79" x 5" - Green
	055022-21-K09	EA	Cushion - Front Bunk Cushion - 31.5" x 79" x 5" - Blue
	055022-21-K10	EA	Cushion - Front Bunk Cushion - 31.5" x 79" x 5" - Burgundy

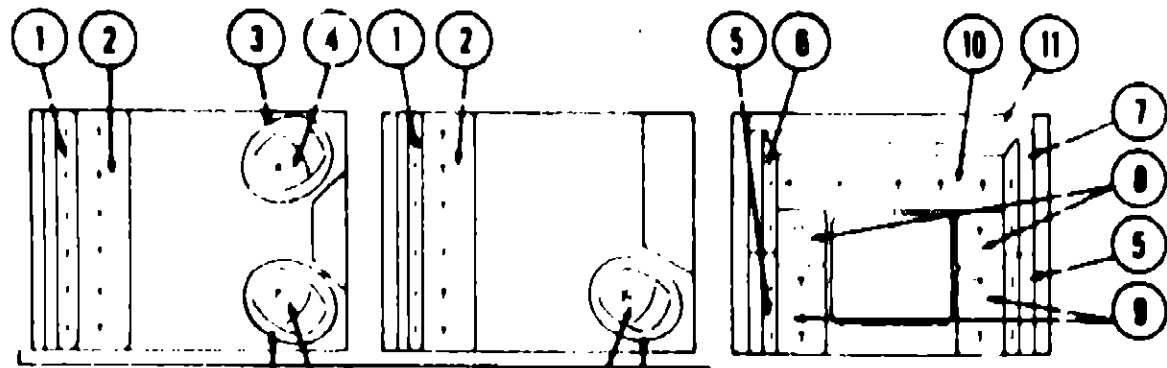
**1980 ITASCA
TABLE OF CONTENTS**

Introduction	A-1
Abbreviations	A-1
Alphabetical Index	A-2 - A-4
ICF26RH LO	A-5 - B-22
ICF26RT LO	B-23 - D-18
ICN26RB LO	D-17 - F-8
ICN29RT LO	F-9 - H-5

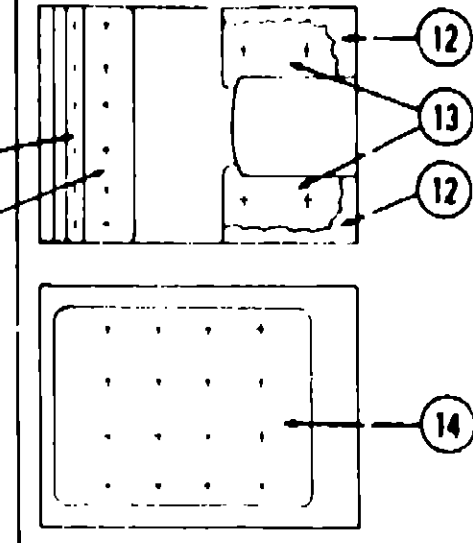
1980 ICF26RT LO INDEX

Floor Plan	B-23 - B-24
Accessories Group	C-1 - C-2
Bath Group	C-3
Chassis Group	C-4
Curtain, Cushion and Pad Group	C-5 - C-12
Dinette Group	C-13
Driver's Compartment Group	C-14 - C-15
Electrical Group	C-16 - C-17
Exterior Body Group	C-18 - C-21
Galley Group	C-22
Heating & Air Conditioning Group	C-23
Interior Finish Group	C-24 - D-1
LP Group	D-2
Lounge Group	D-3 - D-4
Water & Sewage Group	D-5
Window, Vent & Exterior Door Group	D-6 - D-16

CURTAIN, CUSHION AND PAD GROUP (CONTINUED)



Key	Part Number
1	054674-06-K08
1	054674-06-K09
3	054674-06-K10
4	054700-06-K08
4	054700-06-K09
4	054700-06-K10
	035036-01-000
	035036-02-000



Key	Part Number
5	058900-08-K08
5	058900-08-K09
5	058900-08-K10
	058901-07-K08
	058901-07-K09
	058901-07-K10
6	058911-02-K08
6	058911-02-K09
6	058911-02-K10
	058912-02-K08
	058912-02-K09
	058912-02-K10
7	058911-03-K08
7	058911-03-K09
7	058911-03-K10
	058912-03-K08
	058912-03-K09
	058912-03-K10
8	058900-07-K08
8	058900-07-K09
8	058900-07-K10
	058901-06-K08
	058901-06-K09
	058901-06-K10
9	058900-06-K08
9	058900-06-K09
9	058900-06-K10
	058901-05-K08
	058901-05-K09
	058901-05-K10
10	059055-01-K08
10	059055-01-K09
10	059055-01-K10
	059056-01-K08
	059056-01-K09
	059056-01-K10
11	055021-23-K08
11	055021-23-K09
11	055021-23-K10
	055022-25-K08
	055022-25-K09
	055022-25-K10

SWIVEL CHAIRS

U/M	Description
EA	Swivel Chair - Complete - Green
EA	Swivel Chair - Complete - Blue
EA	Swivel Chair - Complete - Burgundy
EA	Cushion - Swivel Chair - Green
EA	Cushion - Swivel Chair - Blue
EA	Cushion - Swivel Chair - Burgundy
EA	Plate - Swivel Chair
EA	Base w/Legs - Swivel Chair

HORSESHOE LOUNGE CUSHIONS

U/M	Description
EA	Cushion - Lounge Back - 16" x 30.5" x 5" - Green
EA	Cushion - Lounge Back - 16" x 30.5" x 5" - Blue
EA	Cushion - Lounge Back - 16" x 30.5" x 5" - Burgundy
EA	Cover - Lounge Back Cushion - 16" x 30.5" x 5" - Green
EA	Cover - Lounge Back Cushion - 16" x 30.5" x 5" - Blue
EA	Cover - Lounge Back Cushion - 16" x 30.5" x 5" - Burgundy
EA	Cushion - Lounge Back - 16" x 40.5" x 36.5" x 5" - Right - Green
EA	Cushion - Lounge Back - 16" x 40.5" x 36.5" x 5" - Right - Blue
EA	Cushion - Lounge Back - 16" x 40.5" x 36.5" x 5" - Right - Burgundy
EA	Cover - Lounge Back Cushion - 16" x 40.5" x 36.5" x 5" - Right - Green
EA	Cover - Lounge Back Cushion - 16" x 40.5" x 36.5" x 5" - Right - Blue
EA	Cover - Lounge Back Cushion - 16" x 40.5" x 36.5" x 5" - Right - Burgundy
EA	Cushion - Lounge Back - 16" x 40.5" x 36.5" x 5" - Left - Green
EA	Cushion - Lounge Back - 16" x 40.5" x 36.5" x 5" - Left - Blue
EA	Cushion - Lounge Back - 16" x 40.5" x 36.5" x 5" - Left - Burgundy
EA	Cover - Lounge Back Cushion - 16" x 40.5" x 36.5" x 5" - Left - Green
EA	Cover - Lounge Back Cushion - 16" x 40.5" x 36.5" x 5" - Left - Blue
EA	Cover - Lounge Back Cushion - 16" x 40.5" x 36.5" x 5" - Left - Burgundy
EA	Cushion - Lounge Seat - 24" x 15" x 5.5" - Green
EA	Cushion - Lounge Seat - 24" x 15" x 5.5" - Blue
EA	Cushion - Lounge Seat - 24" x 15" x 5.5" - Burgundy
EA	Cover - Lounge Seat Cushion - 24" x 15" x 5.5" - Green
EA	Cover - Lounge Seat Cushion - 24" x 15" x 5.5" - Blue
EA	Cover - Lounge Seat Cushion - 24" x 15" x 5.5" - Burgundy
EA	Cushion - Lounge Seat - 24" x 32" x 5.5" - Green
EA	Cushion - Lounge Seat - 24" x 32" x 5.5" - Blue
EA	Cushion - Lounge Seat - 24" x 32" x 5.5" - Burgundy
EA	Cover - Lounge Seat Cushion - 24" x 32" x 5.5" - Green
EA	Cover - Lounge Seat Cushion - 24" x 32" x 5.5" - Blue
EA	Cover - Lounge Seat Cushion - 24" x 32" x 5.5" - Burgundy
EA	Cushion - Two Fold - Lester Lounge - 76" - Green
EA	Cushion - Two Fold - Lester Lounge - 76" - Blue
EA	Cushion - Two Fold - Lester Lounge - 76" - Burgundy
EA	Cover - Two Fold Cushion - Lester Lounge - 76" - Green
EA	Cover - Two Fold Cushion - Lester Lounge - 76" - Blue
EA	Cover - Two Fold Cushion - Lester Lounge - 76" - Burgundy
EA	Cushion - Lounge Back - 9.5" x 76" x 5" - Green
EA	Cushion - Lounge Back - 9.5" x 76" x 5" - Blue
EA	Cushion - Lounge Back - 9.5" x 76" x 5" - Burgundy
EA	Cover - Lounge Back Cushion - 9.5" x 76" x 5" - Green
EA	Cover - Lounge Back Cushion - 9.5" x 76" x 5" - Blue
EA	Cover - Lounge Back Cushion - 9.5" x 76" x 5" - Burgundy

PRESTO BED CUSHIONS

Key	Part Number	U/M	Description
1	059065-01-K08	EA	Cushion - Presto Bed - Back - 76" - Green
1	059065-01-K09	EA	Cushion - Presto Bed - Back - 76" - Blue
1	059065-01-K10	EA	Cushion - Presto Bed - Back - 76" - Burgundy
2	059066-01-K08	EA	Cushion - Presto Bed - Bottom - 76" - Green
2	059066-01-K09	EA	Cushion - Presto Bed - Bottom - 76" - Blue
2	059066-01-K10	EA	Cushion - Presto Bed - Bottom - 76" - Burgundy

CURTAIN, CUSHION AND PAD GROUP (CONTINUED)

1980 ITASCA

TABLE OF CONTENTS

Introduction	A-1
Abbreviations	A-1
Alphabetical Index	A-2 - A-4
ICF26RH LO	A-5 - B-22
ICF26RT LO	B-23 - D-16
ICN26RB LO	D-17 - F-8
ICN29RT LO	F-9 - H-5

1980 ICF26RT LO INDEX

Floor Plan	B-23 - B-24
Accessories Group	C-1 - C-2
Bath Group	C-3
Chassis Group	C-4
Curtain, Cushion and Pad Group	C-5 - C-12
Dinette Group	C-13
Driver's Compartment Group	C-14 - C-15
Electrical Group	C-16 - C-17
Exterior Body Group	C-18 - C-21
Galley Group	C-22
Heating & Air Conditioning Group	C-23
Interior Finish Group	C-24 - D-1
LP Group	D-2
Lounge Group	D-3 - D-4
Water & Sewage Group	D-5
Window, Vent & Exterior Door Group	D-6 - D-16

CURTAIN, CUSHION AND PAD GROUP (CONTINUED)

CORNER LOUNGE CHAIR CUSHIONS

Key	Part Number	U/M	Description
12	059742-03-K08	EA	Cushion - Lounge Chair Back - Green
12	059742-03-K09	EA	Cushion - Lounge Chair Back - Blue
12	059742-03-K10	EA	Cushion - Lounge Chair Back - Burgundy
	059745-03-K08	EA	Cover - Chair Back Cushion - Green
	059745-03-K09	EA	Cover - Chair Back Cushion - Blue
	059745-03-K10	EA	Cover - Chair Back Cushion - Burgundy
13	059743-03-K08	EA	Cushion - Lounge Chair Seat - Green
13	059743-03-K09	EA	Cushion - Lounge Chair Seat - Blue
13	059743-03-K10	EA	Cushion - Lounge Chair Seat - Burgundy
	059746-03-K08	EA	Cover - Chair Seat Cushion - Green
	059746-03-K09	EA	Cover - Chair Seat Cushion - Blue
	059746-03-K10	EA	Cover - Chair Seat Cushion - Burgundy
	059744-05-K08	EA	Cushion - Chair Wedge - Right - Green
	059744-05-K09	EA	Cushion - Chair Wedge - Right - Blue
	059744-05-K10	EA	Cushion - Chair Wedge - Right - Burgundy
	059747-05-K08	EA	Cover - Wedge Cushion - Right - Green
	059747-05-K09	EA	Cover - Wedge Cushion - Right - Blue
	059747-05-K10	EA	Cover - Wedge Cushion - Right - Burgundy
	059744-06-K08	EA	Cushion - Chair Wedge - Left - Green
	059744-06-K09	EA	Cushion - Chair Wedge - Left - Blue
	059744-06-K10	EA	Cushion - Chair Wedge - Left - Burgundy
	059747-06-K08	EA	Cover - Wedge Cushion - Left - Green
	059747-06-K09	EA	Cover - Wedge Cushion - Left - Blue
	059747-06-K10	EA	Cover - Wedge Cushion - Left - Burgundy

DOUBLE BED MATTRESS

Key	Part Number	U/M	Description
14	055281-01-000	EA	Mattress - Inner Spring - Sealy - 54" x 75"

CONVENTIONAL DINETTE CUSHIONS

Key	Part Number	U/M	Description
15	058900-02-K08	EA	Cushion - Dinette Back - 19.2" x 38" x 5" - Green
15	058900-02-K09	EA	Cushion - Dinette Back - 19.2" x 38" x 5" - Blue
15	058900-02-K10	EA	Cushion - Dinette Back - 19.2" x 38" x 5" - Burgundy
	058901-02-K08	EA	Cover - Dinette Back Cushion - 19.2" x 38" x 5" - Green
	058901-02-K09	EA	Cover - Dinette Back Cushion - 19.2" x 38" x 5" - Blue
	058901-02-K10	EA	Cover - Dinette Back Cushion - 19.2" x 38" x 5" - Burgundy
16	058900-01-K08	EA	Cushion - Dinette Seat - 17.5" x 38" x 5" - Green
16	058900-01-K09	EA	Cushion - Dinette Seat - 17.5" x 38" x 5" - Blue
16	058900-01-K10	EA	Cushion - Dinette Seat - 17.5" x 38" x 5" - Burgundy
	058901-01-K08	EA	Cover - Dinette Seat Cushion - 17.5" x 38" x 5" - Green
	058901-01-K09	EA	Cover - Dinette Seat Cushion - 17.5" x 38" x 5" - Blue
	058901-01-K10	EA	Cover - Dinette Seat Cushion - 17.5" x 38" x 5" - Burgundy

CURTAIN, CUSHION AND PAD GROUP (CONTINUED)

REAR TWIN BED CUSHIONS

Key	Part Number	U/M	Description
17	058900-04-K08	EA	Cushion - Rear Twin - Bottom - 34" x 76" x 5" - Right - Green
17	058900-04-K09	EA	Cushion - Rear Twin - Bottom - 34" x 76" x 5" - Right - Blue
17	058900-04-K10	EA	Cushion - Rear Twin - Bottom - 34" x 76" x 5" - Right - Burgundy
	058901-04-K08	EA	Cover - Rear Twin Bottom Cushion - 34" x 76" x 5" - Right - Green
	058901-04-K09	EA	Cover - Rear Twin Bottom Cushion - 34" x 76" x 5" - Right - Blue
	058901-04-K10	EA	Cover - Rear Twin Bottom Cushion - 34" x 76" x 5" - Right - Burgundy
18	058907-01-K08	EA	Cushion - Bolster - 8" x 10" x 14" x 33" - Green
18	058907-01-K09	EA	Cushion - Bolster - 8" x 10" x 14" x 33" - Blue
18	058907-01-K10	EA	Cushion - Bolster - 8" x 10" x 14" x 33" - Burgundy
	058908-01-K08	EA	Cover - Bolster Cushion - 8" x 10" x 14" x 33" - Green
	058908-01-K09	EA	Cover - Bolster Cushion - 8" x 10" x 14" x 33" - Blue
	058908-01-K10	EA	Cover - Bolster Cushion - 8" x 10" x 14" x 33" - Burgundy
19	058909-01-K08	EA	Cushion - Angled Bolster - 8" x 10" x 14" x 35" x 33" - Right - Green
19	058909-01-K09	EA	Cushion - Angled Bolster - 8" x 10" x 14" x 35" x 33" - Right - Blue
19	058909-01-K10	EA	Cushion - Angled Bolster - 8" x 10" x 14" x 35" x 33" - Right - Burgundy
	058910-01-K08	EA	Cover - Angled Bolster Cushion - 8" x 10" x 14" x 35" x 33" - Right - Green
	058910-01-K09	EA	Cover - Angled Bolster Cushion - 8" x 10" x 14" x 35" x 33" - Right - Blue
	058910-01-K10	EA	Cover - Angled Bolster Cushion - 8" x 10" x 14" x 35" x 33" - Right - Burgundy
20	058909-02-K08	EA	Cushion - Angled Bolster - 8" x 10" x 14" x 35" x 33" - Left - Green
20	058909-02-K09	EA	Cushion - Angled Bolster - 8" x 10" x 14" x 35" x 33" - Left - Blue
20	058909-02-K10	EA	Cushion - Angled Bolster - 8" x 10" x 14" x 35" x 33" - Left - Burgundy
	058910-02-K08	EA	Cover - Angled Bolster Cushion - 8" x 10" x 14" x 35" x 33" - Left - Green
	058910-02-K09	EA	Cover - Angled Bolster Cushion - 8" x 10" x 14" x 35" x 33" - Left - Blue
	058910-02-K10	EA	Cover - Angled Bolster Cushion - 8" x 10" x 14" x 35" x 33" - Left - Burgundy
21	058900-05-K08	EA	Cushion - Rear Twin - Bottom - 34" x 76" x 5" - Left - Green
21	058900-05-K09	EA	Cushion - Rear Twin - Bottom - 34" x 76" x 5" - Left - Blue
21	058900-05-K10	EA	Cushion - Rear Twin - Bottom - 34" x 76" x 5" - Left - Burgundy
	058901-04-K08	EA	Cover - Rear Twin Bottom Cushion - 34" x 76" x 5" - Left - Green
	058901-04-K09	EA	Cover - Rear Twin Bottom Cushion - 34" x 76" x 5" - Left - Blue
	058901-04-K10	EA	Cover - Rear Twin Bottom Cushion - 34" x 76" x 5" - Left - Burgundy

PADS

Key	Part Number	U/M	Description
	058548-01-K08	EA	Pad - Pull Out Table - Acorn Vinyl
	059607-01-K01	EA	Pad - Bunk Panel - Right - Acorn Vinyl
	059608-01-K01	EA	Pad - Bunk Panel - Left - Acorn Vinyl
	058444-01-K01	EA	Pad - End - Dinette Overhead - Acorn Vinyl
	059414-01-000	EA	Pad - Sidewall Trim - Drivers
	059414-02-000	EA	Pad - Sidewall Trim - Passenger
	059467-03-K08	EA	Pad - Map Pocket - Left - Green
	059467-03-K09	EA	Pad - Map Pocket - Left - Blue
	059467-03-K10	EA	Pad - Map Pocket - Left - Burgundy
	059467-04-K08	EA	Pad - Map Pocket - Right - Green
	059467-04-K09	EA	Pad - Map Pocket - Right - Blue
	059467-04-K10	EA	Pad - Map Pocket - Right - Burgundy

1980 ITASCA

TABLE OF CONTENTS

Introduction	A-1
Abbreviations	A-1
Alphabetical Index	A-2 - A-4
ICF26RH LO	A-5 - B-22
ICF26RT LO	B-23 - D-16
ICN26RB LO	D-17 - F-8
ICN29RT LO	F-9 - H-5

1980 ICF26RT LO INDEX

Floor Plan	B-23 - B-24
Accessories Group	C-1 - C-2
Bath Group	C-3
Chassis Group	C-4
Curtain, Cushion and Pad Group	C-5 - C-12
Dinette Group	C-13
Driver's Compartment Group	C-14 - C-15
Electrical Group	C-16 - C-17
Exterior Body Group	C-18 - C-21
Galley Group	C-22
Heating & Air Conditioning Group	C-23
Interior Finish Group	C-24 - D-1
LP Group	D-2
Lounge Group	D-3 - D-4
Water & Sewage Group	D-5
Window, Vent & Exterior Door Group	D-6 - D-16

CURTAIN, CUSHION AND PAD GROUP (CONTINUED)

LOWBACK BUCKET SEATS

Key	Part Number	U/M	Description
	061826-01-K08	EA	Seat Asm. - Single Lowback - w/o Arm or Headrest - Green
	061826-01-K09	EA	Seat Asm. - Single Lowback - w/o Arm or Headrest - Blue
	061826-01-K10	EA	Seat Asm. - Single Lowback - w/o Arm or Headrest - Burgundy
	061836-02-K08	EA	Cover - Single Lowback Bucket - Back - Green
	061836-02-K09	EA	Cover - Single Lowback Bucket - Back - Blue
	061836-02-K10	EA	Cover - Single Lowback Bucket - Back - Burgundy
	061837-02-K08	EA	Cover - Single Lowback Bucket - Bottom - Green
	061837-02-K09	EA	Cover - Single Lowback Bucket - Bottom - Blue
	061837-02-K10	EA	Cover - Single Lowback Bucket - Bottom - Burgundy

HIGHBACK BUCKET SEATS

Key	Part Number	U/M	Description
	061828-03-K08	EA	Seat Asm. - Single Highback - w/Skirt and Armrests - Green
	061828-03-K09	EA	Seat Asm. - Single Highback - w/Skirt and Armrests - Blue
	061828-03-K10	EA	Seat Asm. - Single Highback - w/Skirt and Armrests - Burgundy
	061838-02-K08	EA	Cover - Single Highback Bucket - Back - Green
	061838-02-K09	EA	Cover - Single Highback Bucket - Back - Blue
	061838-02-K10	EA	Cover - Single Highback Bucket - Back - Burgundy
	061839-02-K08	EA	Cover - Single Highback Bucket - Bottom - Green
	061839-02-K09	EA	Cover - Single Highback Bucket - Bottom - Blue
	061839-02-K10	EA	Cover - Single Highback Bucket - Bottom - Burgundy
	054650-06-K08	EA	Skirt - Single Bucket - Green
	054650-06-K09	EA	Skirt - Single Bucket - Blue
	054650-06-K10	EA	Skirt - Single Bucket - Burgundy
	061833-01-K08	EA	Seat Asm. - Double Highback - w/Skirt and Armrests - Green
	061833-01-K09	EA	Seat Asm. - Double Highback - w/Skirt and Armrests - Blue
	061833-01-K10	EA	Seat Asm. - Double Highback - w/Skirt and Armrests - Burgundy
	061840-02-K08	EA	Cover - Double Highback Bucket - Back - Green
	061840-02-K09	EA	Cover - Double Highback Bucket - Back - Blue
	061840-02-K10	EA	Cover - Double Highback Bucket - Back - Burgundy
	061841-02-K08	EA	Cover - Double Highback Bucket - Bottom - Green
	061841-02-K09	EA	Cover - Double Highback Bucket - Bottom - Blue
	061841-02-K10	EA	Cover - Double Highback Bucket - Bottom - Burgundy
	054650-08-K08	EA	Skirt - Double Highback Bucket - Green
	054650-08-K09	EA	Skirt - Double Highback Bucket - Blue
	054650-08-K10	EA	Skirt - Double Highback Bucket - Burgundy

ARMRESTS

Key	Part Number	U/M	Description
	050275-01-700	EA	Armrest Asm. - Foam w/o Cover - Right
	050276-01-700	EA	Armrest Asm. - Foam w/o Cover - Left
	053357-04-K08	EA	Cover - Armrest - Right or Left - Green
	053357-04-K09	EA	Cover - Armrest - Right or Left - Blue
	053357-04-K10	EA	Cover - Armrest - Right or Left - Burgundy

CURTAIN, CUSHION AND PAD GROUP (CONTINUED)

CURTAIN HARDWARE

Key	Part Number	U/M	Description
	052327-04-238	EA	Track - Curtain - Brown Alum. - 89" w/Holes
	056116-01-000	FT	Track - Curtain - Brown Plastic
	056001-01-000	EA	Bracket - Shade - Left
	056002-01-000	EA	Bracket - Shade - Right
	056003-01-000	EA	Bracket - Drapery Retainer - Right
	056003-02-000	EA	Bracket - Drapery Retainer - Left
	053272-04-200	EA	Track - Curtain - Off White - 89" w/Holes
	056784-01-000	EA	Pull - Window Shade - Antique Brass
	009107-01-000	EA	Guide - Nylon Snap Curtain
	018031-42-000	EA	Track - Curtain - "L" Rod - Alum. Extr. - 90"
	009701-01-000	EA	Carrier - "L" Rod - Curtain
	009702-01-000	EA	End Stop - "L" Rod - Curtain
	059430-01-000	EA	Track - Curtain - Wraparound (2 required per unit)



Key	Part Number	U/M	Description
1	029130-01-000	EA	Socket - Snap Fastener
2	029155-01-000	EA	Cap - Snap - .156" Dia. x .17" Barrel
3	029156-01-000	EA	Socket - Snap Fastener
4	029092-01-000	EA	Stud - Nickel Finish
5	029093-01-000	EA	Eyebolt - Nickel Finish

**1980 ITASCA
TABLE OF CONTENTS**

Introduction	A-1
Abbreviations	A-1
Alphabetical Index	A-2 - A-4
ICF26RH LO	A-5 - B-22
ICF26RT LO	B-23 - D-16
ICN26RB LO	D-17 - F-8
ICN29RT LO	F-9 - H-5

1980 ICF26RT LO INDEX

Floor Plan	B-23 - B-24
Accessories Group	C-1 - C-2
Bath Group	C-3
Chassis Group	C-4
Curtain, Cushion and Pad Group	C-5 - C-12
Dinette Group	C-13
Driver's Compartment Group	C-14 - C-15
Electrical Group	C-16 - C-17
Exterior Body Group	C-18 - C-21
Galley Group	C-22
Heating & Air Conditioning Group	C-23
Interior Finish Group	C-24 - D-1
LP Group	D-2
Lounge Group	D-3 - D-4
Water & Sewage Group	D-5
Window, Vent & Exterior Door Group	D-6 - D-16

DINETTE GROUP

STANDARD DINETTE W/OPOSING BENCHES AND FOLD DOWN TABLE

Key	Part Number	U/M	Description
	057715-01-K01	EA	Cabinet Asm. - Dinette Overhead - w/o Doors or Hardware
	057032-24-K01	EA	Door Asm. - Dinette Overhead Cabine. - 35.42" x 11.52" - w/o Hardware
	052488-01-K01	EA	Cabinet Asm. - Right Dinette Seat
	052488-02-K01	EA	Cabinet Asm. - Left Dinette Seat - w/o Door or Hardware
	057992-25-K01	EA	Door Asm. - Dinette Seat Cabinet - 19.22" x 11.34" - w/o Hardware
	053192-01-K08	EA	Table Asm. - Dinette w/o Hardware - Butcher Block
**	053200-01-000	EA	Bracket - Upper Wall Mount - Brown - 23.5"
**	053201-01-000	EA	Bracket - Table Mount - Brown - 23"
**	024275-02-000	EA	Rod - Table Lift - 7.5" x 23.5"
**	024281-03-000	EA	Bracket - Lower Wall Mount - Brown - 22.12"
**	024276-04-000	EA	Leg Asm. - Table - Brown - 29.5"
**	024277-02-000	EA	Hinge - Table Leg - Brown
**	024282-01-000	EA	Brace - Table Leg
**	024283-01-000	EA	Clip - 1" O.D. Tube
**	049493-02-000	EA	Catch - Table Leg - Mounts on Floor - Brown

**The illustrated parts breakdown for this item is provided on the Common Items Fiche.

CORNER LOUNGE CHAIRS W/FOLD DOWN TABLE

Key	Part Number	U/M	Description
	061558-01-K01	EA	Cabinet Asm. - Corner Lounge Chair - Right
	061560-02-K01	EA	Cabinet Asm. - Corner Lounge Chair - Left
	061704-01-K01	EA	Table Asm. - Lounge - Butcher Block
	061882-01-000	EA	Leg Asm. - Table - Pivot
	061879-01-000	EA	Leg Asm. - Table - Fixed
	024275-04-000	EA	Rod - Table Lift
	024281-05-000	EA	Bracket - Table Lift - Mounts on Table
	053200-02-000	EA	Support - Table - 14.5" - Mounts on Wall

SPRUNG COUCH W/PEDESTAL TABLES

Key	Part Number	U/M	Description
	053203-07-K01	EA	Table Asm. - Pedestal - w/o Hardware - Butcher Block
	041194-01-000	EA	Base - Table Leg - Mounts in Floor
	009040-03-000	EA	Base - Table Leg - Mounts on Table
	009040-02-000	EA	Leg - Pedestal Table - 2.25" O.D. x 27.5" - Chrome
	057622-01-K01	EA	Panel Asm. - Couch Front - 75.4" x 14.6" - w/o Door or Hardware
	057992-27-K01	EA	Door Asm. - Couch Cabinet - 37.42" x 11.82" - w/o Hardware
	057468-02-000	EA	Frame Asm. - Sprung Couch - Right
	057468-03-000	EA	Frame Asm. - Sprung Couch - Left
	057468-04-000	EA	Frame Rails - Sprung Couch (2 per couch)
	057469-01-000	EA	Leg Asm. - Sprung Couch

DRIVER'S COMPARTMENT GROUP

DASH PANEL AND COMPONENTS

Key	Part Number	U/M	Description
	081803-01-K08	EA	Dash Asm. - Complete w/Gauges and Switches
	022548-04-000	EA	Pad - Dash - Right - Dark Brown
	023242-06-000	EA	Pad - Dash - Left - Dark Brown
	024418-01-000	EA	Lamp Asm. - Map/Gauge
	023020-01-000	EA	Lamp Asm. - Telltale
	007308-01-000	EA	Dash Clock
	052387-01-000	EA	Lighter Asm. - Cigarette - 12 Volt
	007041-01-000	EA	Bezel - Cigarette Lighter
	007071-01-000	EA	Louver - Chrome - w/Chrome Wheel
	024990-02-000	EA	Outlet - Defroster w/Swivel - 2" Dark Brown
	039044-01-000	EA	Louver Asm. - A/C Adjustable
	050344-01-000	EA	Bezel - Entertainment Center No. 2 - w/Cut Out for Radio and Clock
	023892-01-000	EA	Box - Glove Compartment - Black Fiberboard
	022219-01-000	EA	Door - Glove Compartment
	009118-01-000	EA	Twist Lock - Glove Compartment
	024598-01-000	EA	Hinge - Glove Compartment - 1 1/16" x 19"
	034309-01-000	EA	Chain - Glove Box Door
	023834-01-000	EA	Panel - Knee Kick - Bottom of Dash

DASH SWITCHES AND GAUGES

Key	Part Number	U/M	Description
	024461-01-000	EA	Switch - Battery
	024462-01-000	EA	Switch - Battery Condition
	024463-01-000	EA	Switch - Blinker
	024464-01-000	EA	Switch - Washer
	024465-01-000	EA	Switch - Fuel
	024467-01-000	EA	Switch - Wiper
	024976-01-000	EA	Switch - Generator w/o Circuit Board
	037387-01-000	EA	Switch - Generator w/Circuit Board
	024459-01-000	EA	Gauge - Voltmeter
	024460-01-000	EA	Gauge - Vacuum
	031035-01-000	EA	Gauge - Generator Hourmeter
	031376-01-000	EA	Control Asm. - Heater - 3 Speed
	055279-01-000	EA	Control Asm. - Heater A/C - 3 Speed

BUCKET SEAT PEDESTAL AND SEAT BELTS

Key	Part Number	U/M	Description
	050447-01-000	EA	Pedestal Asm. - Tilt Seat - Left
	050447-02-000	EA	Pedestal Asm. - Tilt Seat - Right - Single Seat
	050447-04-000	EA	Pedestal Asm. - Tilt Seat - Right - Double Seat
	007019-01-000	EA	Belt Asm. - Seat - 2" x 84" - Black
	041322-01-000	EA	Washer - Flat 15/32" I.D. x 2 3/8" O.D. - Seat Belt
	049943-01-000	EA	Pedestal - Complete - Swivel

FRONT BUNK AND HARDWARE

Key	Part Number	U/M	Description
	058300-01-K01	EA	Cabinet Asm. - Front Overhead
	053320-01-K01	EA	Bunk Board Asm. - Front Overhead w/Rails
	053773-01-000	EA	Support - Overhead Bunk - Brown - Right
	053773-02-000	EA	Support - Overhead Bunk - Brown - Left
	040071-02-000	EA	Support - Bunk - Seat Belt
	041322-01-000	EA	Washer - Flat - 15/32" I.D. x 2 3/8" O.D.
	039516-02-000	EA	Catch - Bunk - Brown
	023812-04-000	EA	Rail - Bunk - 75" - Brown
	053774-01-000	EA	Torsion Rod - Overhead Bunk - Brown

1980 ITASCA

TABLE OF CONTENTS

Introduction	A-1
Abbreviations	A-1
Alphabetical Index	A-2 - A-4
ICF26RH LO	A-5 - B-22
ICF26RT LO	B-23 - D-18
ICN26RB LO	D-17 - F-8
ICN26RT LO	F-9 - H-5

1980 ICF26RT LO INDEX

Floor Plan	B-23 - B-24
Accessories Group	C-1 - C-2
Bath Group	C-3
Chassis Group	C-4
Curtain, Cushion and Pad Group	C-5 - C-12
Dinette Group	C-13
Driver's Compartment Group	C-14 - C-15
Electrical Group	C-16 - C-17
Exterior Body Group	C-18 - C-21
Galley Group	C-22
Heating & Air Conditioning Group	C-23
Interior Finish Group	C-24 - D-1
LP Group	D-2
Lounge Group	D-3 - D-4
Water & Sewage Group	D-5
Window, Vent & Exterior Door Group	D-6 - D-16

DRIVER'S COMPARTMENT GROUP (CONTINUED)

MISCELLANEOUS DRIVER'S COMPARTMENT COMPONENTS

Key	Part Number	U/M	Description
	081378-01-K01	EA	Beverage Tray Asm. - Matador Leather Laminate
	055000-01-000	EA	Tray - Utensil - Dark Brown Plastic
	045795-01-000	EA	Glass Holder - Dark Brown Plastic
	050798-01-000	EA	Pocket - Ash Tray - Plastic
	050797-01-000	EA	Ash Tray - Plastic
	039857-01-000	EA	Latch - Rubber - Draw Handle 5 3/4" w/Strike
	039856-01-000	EA	Latch - Rubber - Draw Handle 3" w/Strike
	042541-01-000	EA	Latch Asm. w/Strike - Chrome
	034800-01-000	EA	Cover - Motor - Plastic 454 C.I.D.
	039333-01-000	EA	Cover - Motor - Plastic - 350 C.I.D.
	035388-02-000	EA	Seal - Motor Cover - Alum.
	040519-01-000	EA	Boot - Rubber Steering Column
	040520-01-000	EA	Boot - Retainer - Steering Column
	007278-01-000	EA	Mirror - Inside - Rear View 4 1/2" x 9"
	034499-01-000	EA	Support - Dimmer Switch
	040695-02-000	EA	Clip - Sunvisor
	056508-01-K01	EA	Sunvisor Asm. - Right - Acorn Brown - w/Mirror
	056508-02-K01	EA	Sunvisor Asm. - Left - Acorn Brown
	061350-01-000	EA	Trim - Interior - "A" Post - Brown Plastic - Left
	061350-02-000	EA	Trim - Interior - "A" Post - Brown Plastic - Right
	009143-01-000	EA	Mirror - 1/8" x 3.5" x 8" - Sunvisor
	059198-01-000	EA	Panel - Side - Left - Dark Brown
	059197-01-000	EA	Panel - Side - Right - Dark Brown
	061350-01-000	EA	Trim - Interior - A-Post - w/Notch Left
	061350-02-000	EA	Trim - Interior - A-Post - w/Notch Right

ELECTRICAL GROUP

BULBS

Key	Part Number	U/M	Description
	037955-01-000	EA	Bulb - 1157
	038010-01-000	EA	Bulb - 1143
	008103-01-000	EA	Bulb - 53
	008213-01-000	EA	Bulb - 57
	008214-01-000	EA	Bulb - 67
	008215-01-000	EA	Bulb - 1003
	008216-01-000	EA	Bulb - 1034
	008217-01-000	EA	Bulb - 1073
	008218-01-000	EA	Bulb - 1141
	008219-01-000	EA	Bulb - 656
	008220-01-000	EA	Bulb - 12V - 25W
	038196-01-000	EA	Bulb - 194
	700020-01-000	EA	Bulb - 12V - 20W - 1383

FUSES AND CIRCUIT BREAKER

Key	Part Number	U/M	Description
	056473-01-000	EA	Fuse - Slow Blow - 6 1/4 Amp.
	008233-01-000	EA	Fuse - 12 Volt - 6 Amp.
	008234-01-000	EA	Fuse - 12 Volt - 10 Amp.
	008235-01-000	EA	Fuse - 12 Volt - 15 Amp.
	008236-01-000	EA	Fuse - 12 Volt - 20 Amp.
	008248-01-000	EA	Fuse - 110 Volt - 30 Amp. - AGU
	008252-01-000	EA	Fuse - 110 Volt - 50 Amp.
	008208-01-000	EA	Circuit Breaker - 12 Volt - 40 Amp.
	008211-01-000	EA	Circuit Breaker - 12 Volt - 6 Amp.
	008268-01-000	EA	Circuit Breaker - 12 Volt - 30 Amp. w/Mount
	033573-01-000	EA	Circuit Breaker - 12 Volt - 20 Amp. w/Mount
	040051-01-000	EA	Circuit Breaker - 110 Volt - 20 Amp. - TQL

EXTERIOR LIGHTS

Key	Part Number	U/M	Description
	042405-03-000	EA	Base - Rectangular Clearance Light
	042405-04-000	EA	Lens - Clearance Light - Red
	042405-05-000	EA	Lens - Clearance Light - Amber
	008092-01-000	EA	Reflector - Stick on - Rectangular - Red
	008093-01-000	EA	Reflector - Stick on - Rectangular - Amber
	007309-01-000	EA	Light - Step Well
	059353-02-000	EA	Lamp Asm. - Tail - 2 Bulb
	058030-01-700	EA	Lens - Tail Lamp - Red
	058030-01-701	EA	Lens - Tail Lamp - Backup
	058958-02-000	EA	Wedge Asm. - Tail Lamp
	059036-01-000	EA	Bracket - Tail Lamp
	059540-01-000	EA	Bracket - License Plate
	048817-01-000	EA	Assist Handle - w/Light

INTERIOR LIGHTS

Key	Part Number	U/M	Description
	033508-02-000	EA	Light - Dome - Ivory - 1 Bulb - US
	033508-03-000	EA	Light - Dome - Ivory - 1 Bulb - CSA
	033509-02-000	EA	Light - Dome - Ivory - 2 Bulb - US
	033509-03-000	EA	Light - Dome - Ivory - 2 Bulb - CSA
	024642-01-701	EA	Lens - Domelight - 1 Bulb
	024643-01-701	EA	Lens - Domelight - 2 Bulb
	024418-01-000	EA	Lamp Asm. - Map/Gauge/Aisle
	053346-01-000	EA	Light - High Intensity - Brown

1980 ITASCA TABLE OF CONTENTS

Introduction	A-1
Abbreviations	A-1
Alphabetical Index	A-2 - A-4
ICF26RH LO	A-5 - B-22
ICF26RT LO	B-23 - D-16
ICN26RB LO	D-17 - F-8
ICN29RT LO	F-9 - H-5

1980 ICF26RT LO INDEX

Floor Plan	EI-23 - B-24
Accessories Group	C-1 - C-2
Bath Group	C-3
Chassis Group	C-4
Curtain, Cushion and Pad Group	C-5 - C-12
Dinette Group	C-13
Driver's Compartment Group	C-14 - C-15
Electrical Group	C-16 - C-17
Exterior Body Group	C-18 - C-21
Galley Group	C-22
Heating & Air Conditioning Group	C-23
Interior Finish Group	C-24 - D-1
LP Group	D-2
Lounge Group	D-3 - D-4
Water & Sewage Group	D-5
Window, Vent & Exterior Door Group	D-6 - D-16

ELECTRICAL GROUP (CONTINUED)

WINDSHIELD WIPER AND WASHER

Key	Part Number	U/M	Description
**	056000-02-000	EA	Washer Asm. - Windshield
**	057653-01-000	EA	Arm - Windshield Wiper - 18" Black
**	044313-02-000	EA	Motor Asm. - Windshield Wiper - 1900
**	044313-03-000	EA	Motor Asm. - Windshield Wiper - 937
**	037998-01-000	EA	Link Asm. - Connecting - 22 3/4" Long
**	057474-01-000	EA	Windshield Wiper Asm.
**	049464-02-000	EA	Blade - Windshield Wiper - 20" Black
**	055675-01-000	EA	Shaft and Pivot Asm.

**The illustrated parts breakdown for this item is provided on the Common Items Fiche.

WIRE, SWITCHES, AND RECEPTACLES

Key	Part Number	U/M	Description
	008024-01-000	FT	Wire - 18.5 Bonded - Orange/White/Yellow/Blue/Brown
	008025-01-000	FT	Wire - 18.5" Bonded - Orange/White/Yellow/Blue/Green
	008028-01-000	FT	Wire - 18.5 Bonded - Blue/Red/Yellow/Orange/White
	008030-01-000	FT	Wire - 18.4 Bonded
	008251-01-000	EA	Holder - Fuse - Black - Screw Type
	008277-01-000	EA	Holder - Fuse - Black - Panel Mount
	008195-01-000	EA	Switch - Push Button - 12 Volt
	006077-01-000	EA	Plaque - Compressor Switch
	008054-01-000	EA	Cord - Power - 10-3 30 Amp. - 25' - UL
	008052-01-000	EA	Cord - Power - 10-3 30 Amp. - 25' - CSA
	034818-04-000	EA	Holder - Receptacle - Plastic
	039342-01-000	EA	Receptacle - Duplex Brown - T Junction
	024571-04-000	EA	Cover Plate - Receptacle - Jumbo Plastic
	039343-01-000	EA	Cap - End - Receptacle
	008162-01-000	EA	Switch - Double Toggle - Space Brown
	008163-01-000	EA	Switch - Toggle Brown
	008164-01-000	EA	Cover Plate - Switch - Brown
	024924-01-000	EA	Receptacle - Power Cord
	008058-01-000	EA	Adaptor - Power Cord
	047353-01-000	EA	Cover - Receptacle - Ground Fault
	053126-01-000	EA	Receptacle - Ground Fault Interrupter - 125 Volt, Ivory
	053126-02-000	EA	Receptacle - Ground Fault Interrupter - 125 Volt - Brown
	058707-01-000	EA	Receptacle - Single - Brown - Thomas & Belts
	058708-01-000	EA	Receptacle - Duplex - Brown - Thomas & Belts
	008157-01-000	EA	Receptacle - Duplex - Brown - (Exterior Backwall)
	058048-01-000	EA	Cover - Electrical Box - 4.5" x 2.75" - Rain Tight (Exterior)

MISCELLANEOUS ELECTRICAL COMPONENTS

Key	Part Number	U/M	Description
	047338-01-000	EA	Isolator - Dual Battery
	047389-01-700	EA	Battery - 12 Volt - 105 Amp. Deep Cycle - Dry
	057890-01-000	EA	Battery - 12 Volt - Maintenance Free - Delco
	008188-01-000	EA	Solenoid - Dual Battery - Relay
	046775-01-000	EA	Valve - Gas - Change Over - 3 Way
	043477-01-000	EA	Valve - Gas - Change Over - 2 Way 6 Port
**	054544-01-000	EA	Control Cente. - 37 Amp - UL
	031720-01-000	EA	Spacer - Receptacle - Brown Plastic - CSA
	039950-01-702	EA	Circuit Board - Control Center
	048812-04-000	EA	Control Panel - Water/Double Sewage - Basic Panel
	048812-05-000	EA	Panel Insert - w/Thermostat Holes
	048812-06-000	EA	Panel Insert - w/o Thermostat Holes
	048812-07-000	EA	Panel Insert - Deluxe w/Refrigerator Alarm, Clock and LP Gauge
	048812-07-700	EA	Refrigerator Sensor - Refrigerator Alarm
	039861-01-000	EA	Sending Unit Kit - Wemac
	024459-01-000	EA	Gauge - Voltmeter
	024452-01-000	EA	Switch - Battery Condition
	031035-01-000	EA	Gauge - Hour Meter - Generator
	024976-01-000	EA	Switch - Generator w/o Circuit Board
	024460-01-000	EA	Gauge - Vacuum

**The illustrated parts breakdown for this item is provided on the Common Items Fiche.

EXTERIOR BODY GROUP

LABELS AND DECALS

Key	Part Number	U/M	Description
	006031-01-000	EA	Label - Potable Water Only
	006187-01-000	EA	Label - Sewage
	006188-01-000	EA	Label - Waste Water
	006199-01-000	EA	Label - Exit - Escape Window
	006028-01-000	EA	Label - Drain Cap - 2" x 3"
	008092-01-000	EA	Reflector - Stick On - Rectangular - 1 1/2"
	008093-01-000	EA	Reflector - Stick On - Rectangular - 2"
	040944-01-000	EA	Label - Open - Entrance Door
	047731-01-000	EA	Label - Emergency Exit
	006199-01-000	EA	Tag - Gas - Refueling Warning
	006199-01-000	EA	Tag - Electrical - 110 Volt Connection
	054531-01-000	EA	Label - LP Gas Only
	006147-01-000	EA	Label - Fuel
	056225-01-000	EA	Label - Warning - Stove Vent - US
	046401-04-000	EA	Decal - Logo - Itasca - 25" High - Black/Gold
	055289-01-000	EA	Decal - Logo - Sun Cruiser
	065209-01-000	EA	Decal - Stencil
	065210-01-000	EA	Stencil - Stripe - Right - Rear Side
	065210-02-000	EA	Stencil - Stripe - Left Rear Side

SEALANTS, ADHESIVES AND FASTENER

Key	Part Number	U/M	Description
	034552-05-000	EA	Sealant - Off White Silicone
	034552-04-000	EA	Sealant - Beige Silicone
	034552-02-000	EA	Sealant - Clear Silicone
	009200-01-000	EA	Tape - Furnace - 1 1/2"
	004353-01-000	FT	Tape - Gasket - 1/8" x 3/4" - White
	002825-01-000	FT	Weather Stripping - Roof Vent
	002337-01-000	EA	Adhesive - 3M - 1300 Tube
	004005-01-000	GL	Adhesive - Swifts - Green - G (Sidewalls)
	004020-01-000	QT	Adhesive - ABS Cement (Plastic Fittings)
	029051-01-000	EA	Adhesive - Spray Vinyl
	042401-02-000	EA	Screw - 8 - 18 x 3/4" SDPH - Off White
	042403-02-000	EA	Screw - SF/DS - 8 - 18 x 1" SDPH - Off White
	053766-01-000	EA	Bedding - Compound - Tube Black - Schnee Moorehead
	053766-02-000	EA	Bedding Compound - Tube White - Schnee Moorehead
	053767-01-000	FT	Tape - 1 2" x 1/8" x 30' - Gray - Schnee Moorehead
	053767-03-000	FT	Tape - 1/4" Bead x 20' - Gray - Schnee Moorehead
	053767-04-000	FT	Tape - 3/4" x 1/8" x 30' - Gray - Schnee Moorehead
	053767-05-000	FT	Tape - 2" x 3/32" x 45' - Gray - Schnee Moorehead

MISCELLANEOUS EXTERNALLY MOUNTED PARTS

Key	Part Number	U/M	Description
	010230-02-000	EA	Fill - City Water - Recessed - Off White
	058808-01-000	EA	Fill - Water - Lockable
**	011124-01-000	EA	Plumbing Seal - Roof Vent - 1 1/4" White
**	011129-01-000	EA	Plumbing Seal - Roof Vent - 1 1/2" White
	057461-02-000	EA	Mirror Head - 7 1/2" x 10 1/2" - w/Convex - Off White
	049348-01-000	EA	Arm - Low Mount Mirror - Brite Finish
	049348-02-000	EA	Arm - Low Mount Mirror - Off White
	049944-03-000	EA	Bracket - Mirror - Outside - Black - Mounts to Coach
	045814-01-000	EA	Fill - Gas w/Vent - 5.44" Long
	048817-01-000	EA	Handle Asm. - Assist w/Light

**The illustrated parts breakdown for this item is provided on the Common Items Fiche.

1980 ITASCA

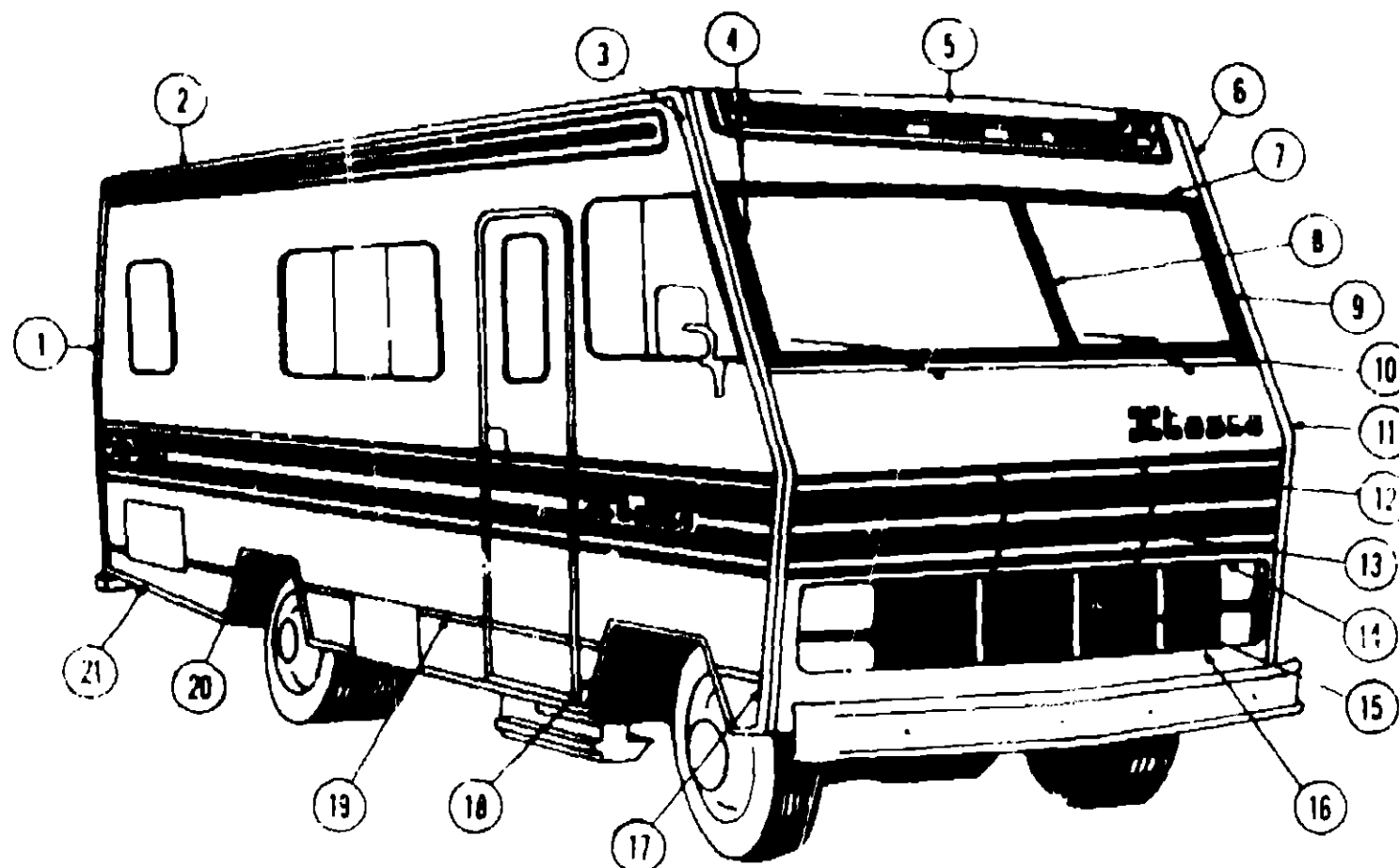
TABLE OF CONTENTS

Introduction	A-1
Abbreviations	A-1
Alphabetical Index	A-2 - A-4
ICF26RH LO	A-5 - B-22
ICF26RT LO	B-23 - D-16
ICN26P LO	D-17 - F-8
ICN26R LO	F-9 - H-5

1980 ICF26RT LO INDEX

Floor Plan	B-23 - B-24
Accessories Group	C-1 - C-2
Bath Group	C-3
Chassis Group	C-4
Curtain, Cushion and Floor Group	C-5 - C-12
Dinette Group	C-13
Driver's Compartment Group	C-14 - C-15
Electrical Group	C-16 - C-17
Exterior Body Group	C-18 - C-21
Galley Group	C-22
Heating & Air Conditioning Group	C-23
Interior Finish Group	C-24 - D-1
LP Group	D-2
Lounge Group	D-3 - D-4
Water & Sewage Group	D-5
Window, Vent & Exterior Door Group	D-6 - D-16

EXTERIOR BODY GROUP (CONTINUED)



1980 ITASCA
TABLE OF CONTENTS

Introduction	A-1
Abbreviations	A-1
Alphabetical Index	A-2 - A-4
ICF26RH LO	A-5 - B-22
ICF26RT LO	B-23 - D-16
ICN26RB LO	D-17 - F-8
ICN29RT LO	F-9 - H-5

Key	Part Number	U/M	Description
1	039964-01-000	EA	Trim - Contour - Right Rear - Off White
·	039964-02-000	EA	Trim - Contour - Left Rear - Off White
2	034922-04-000	EA	Trim - Sidewall - Upper - Left or Right - Off White
3	058284-02-000	EA	Trim - Contour - Right Front Upper - Off White
4	058289-02-000	EA	Trim - Contour - Windshield - Right
5	054957-01-000	EA	Cap Asm - Fiberglass - Over Windshield - Off White
·	062396-01-000	EA	Trim - Roof/Front Cap
6	058284-01-000	EA	Trim - Contour - Left Front Upper - Off White
7	058287-01-000	EA	Trim - Molding - Windshield - Upper
·	042743-02-000	EA	Trim - Corner Windshield - Upper
8	058288-01-000	EA	Trim Molding - Windshield - Center
9	058289-01-000	EA	Trim - Contour - Windshield - Left
10	058287-02-000	EA	Trim - Molding - Windshield - Lower
·	042743-01-000	EA	Trim - Corner Windshield - Lower

Key	Part Number	U/M	Description
11	058899-04-000	EA	Trim - Contour - Left Front Lower - Off White
12	058294-04-000	EA	Panel Asm - Front Shroud
·	058722-01-000	EA	Pull Pin - Release Hinge - (Access Panel)
·	058761-01-000	EA	Striker - Hood Latch
13	058678-01-000	EA	Access Panel - Off White
14	059123-03-000	EA	Grille Trim - Upper
15	059339-01-000	EA	Grille Asm. - Right - Outer
·	059340-01-000	EA	Grille Asm. - Right - Inner
·	059341-01-000	EA	Grille Asm. - Left - Inner
·	059342-01-000	EA	Grille Asm. - Left - Outer
·	057473-01-000	EA	Bezel - Headlamp - Right
·	057473-02-000	EA	Bezel - Headlamp - Left
16	059124-03-000	EA	Grille Trim - Lower
17	058899-03-000	EA	Trim - Contour - Left Front Lower - Off White
18	052843-02-000	EA	Trim - Wheel Well - Front - Left or Right
19	002444-01-001	EA	Feature Strip - Extr. Anod. - 14' - w/o Insert
·	009731-01-000	EA	End Cap - Feature Strip
·	001030-10-11	EA	Insert - Feature Strip - Gold - 17'
20	052642-01-000	EA	Trim - Wheel Well - Rear - Right or Left
21	002776-02-001	EA	Extr. - U-Channel - 1.75" x 16" - Anod.
·			Not Illustrated

1980 ICF26RT LO INDEX

Floor Plan	B-23 - B-24
Accessories Group	C-1 - C-2
Bath Group	C-3
Chassis Group	C-4
Curtain, Cushion & Pad Group	C-5 - C-12
Dinette Group	C-13
Driver's Compartment Group	C-14 - C-15
Electrical Group	C-16 - C-17
Exterior Body Group	C-18 - C-21
Galley Group	C-22
Heating & Air Conditioning Group	C-23
Interior Finish Group	C-24 - D-1
LP Group	D-2
Lounge Group	D-3 - D-4
Water & Sewage Group	D-5
Window, Vent & Exterior Door Group	D-6 - D-16

EXTERIOR BODY GROUP (CONTINUE)

EXTERIOR BODY PANELS AND SHEET ALUMINUM

Key	Part Number	U/M	Description
	059709-01-K08	EA	Back wall Asm
	059708-01-K08	EA	Roof Alum
	059713-01-K08	EA	Sidewall Asm - Left
	059711-01-K08	EA	Sidewall Asm - Right
	039155-03-008	EA	Alum - Off White Mesa I - 024" x 36" x 60"
	039155-03-003	EA	Alum - Off White Mesa I - 024" x 36" x 360"
	039155-03-007	EA	Alum - Off White Mesa I - 024" x 48" x 60"
	039155-03-006	EA	Alum - Off White Mesa I - 024" x 48" x 360"
	039155-03-009	EA	Alum - Off White Mesa I - 024" x 12" x 360"
	039155-28-001	EA	Alum - Off White Mesa II - 024" x 36" x 60"
	039155-28-003	EA	Alum - Off White Mesa II - 024" x 36" x 360"
	039155-28-004	EA	Alum - Off White Mesa II - 024" x 48" x 60"
	039155-28-006	EA	Alum - Off White Mesa II - 024" x 48" x 360"
	039155-28-007	EA	Alum - Off White Mesa II - 024" x 12" x 360"
	044487-01-001	EA	Plain Roof Metal - 96" x 360"
	039155-07-010	EA	Off White Greyhound Alum. - 48" x 96"
	001054-01-011	EA	Off White Plain Alum. - 48" x 96"
	000868-01-000	BF	Styrofoam - 3/4" x 24" x 96"
	000870-01-000	BF	Styrofoam - 1 1/2" x 24" x 96"

NOTE: The raised portion of Mesa I aluminum is 1.657" wide
The raised portion of Mesa II aluminum is .875" wide

EXTERIOR PAINT

Key	Part Number	U/M	Description
	041561-01-000	EA	Paint - Off White - Acrylic Enamel - 1 Gal.
	041561-03-000	EA	Paint - Off White - Acrylic Enamel - 16 oz. Aerosol
	041561-04-000	EA	Paint - Off White - Acrylic Lacquer - 1 Gal.
	059952-03-000	EA	Paint - Gold - Acrylic Enamel - 16 oz. Aerosol (43496 Dupont)
	065109-03-000	EA	Paint - Mahogany - Acrylic Enamel - 16 oz. Aerosol (44745 Dupont)
	065112-03-000	EA	Paint - Chron. Orange Acrylic Enamel - 16 oz. Aerosol (29818 Dupont)
	045681-01-000	EA	Paint - Gloss Black - Acrylic Enamel - 1 Gallon (99A)
	045681-03-000	EA	Paint - Gloss Black - Acrylic Enamel - 16 oz. Aerosol (99A)
	065108-03-000	EA	Paint - Acrylic Enamel - Grabber Blue - 16 oz. Aerosol - Dupont 42800
	065107-03-000	EA	Paint - Acrylic Enamel - Orange - 16 oz. Aerosol - Dupont 5583
	059950-03-000	EA	Paint - Acrylic Enamel - Dark Blue - 16 oz. Aerosol - Dupont 63203
	066734-03-000	EA	Paint - Acrylic Enamel - Candy Apple Red - 16 oz. Aerosol - Dupont 4737
	065110-03-000	EA	Paint - Acrylic Enamel - Chrome Yellow - 16 oz. Aerosol - Dupont 6561

GALLEY GROUP

GALLEY CABINETRY

Key	Part Number	U/M	Description
	058304-01-K01	EA	Cabinet Asm - Galley - w/o Countertop, Doors, Drawers or Hardware
	052588-01-K08	EA	Countertop Asm - Galley Cabinet - Pot Pourri Tan
	058023-05-K01	EA	Drawer Asm - Galley Cabinet - 14.1" x 5.3" x 20" - w/o Hardware
	057992-30-K01	EA	Door Asm - Galley Cabinet - 13.62" x 30.62" - w/o Hardware
	057992-31-K01	EA	Door Asm - Galley Cabinet - 14.68" x 6.02" - w/o Hardware
	057992-32-K01	EA	Door Asm - Galley Cabinet - 14.82" x 9.72" - w/o Hardware
	057992-28-K01	EA	Door Asm - Refrigerator Cabinet - 11.82" x 17.62" - w/o Hardware
	057677-01-K01	EA	Cabinet Asm - Galley Overhead - w/o Doors or Hardware
	057992-10-K01	EA	Door Asm - Microwave Cabinet - 11.62" x 16.02" - w/o Doors or Hardware
	057992-29-K01	EA	Door Asm - Galley Overhead Cabinet - 9.82" x 15.92" - w/o Hardware

GALLEY HARDWARE AND APPLIANCES

Key	Part Number	U/M	Description
	011032-01-000	EA	Sink - Stainless Steel - Double w/Bolts
..	011053-01-000	EA	Faucet - Swing Spout - 8" - U.S.
..	011053-02-000	EA	Faucet - Swing Spout - 8" - C.S.A.
..	011053-01-700	EA	Aerator - Swing Spout Faucet
..	011085-01-000	EA	Strainer - Sink
	058334-01-000	EA	Waste Basket - 9 3/4" x 7" x 10" - White
	052771-02-000	EA	Oven - Microwave - Magic Chef MW207
	053333-01-000	EA	Hood - Range - Non Power - Black - Jenson - U.S.
	053333-02-000	EA	Hood - Range - Non Power - Black - Jenson - C.S.A.
..	049930-03-000	EA	Hood - Range - Powered - Black Jenson - U.S.
..	049930-04-000	EA	Hood - Range - Powered - Black - Jenson - C.S.A.
..	055282-03-000	EA	Range - 4 Burner - Black - Magic Chef
..	049175-02-000	EA	Refrigerator - AC/DC/Gas - 1 Door - ET 150/2
..	049174-02-000	EA	Refrigerator - AC/DC/Gas - 2 Door - ET 230/2

The illustrated parts breakdown for this item is provided on the Common Items Fiche

1980 ITASCA TABLE OF CONTENTS

Introduction	A-1
Abbreviations	A-1
Alphabetical Index	A-2 - A-4
ICF26RH LO	A-5 - B-22
ICF26RT LO	B-23 - D-16
ICN26RH LO	D-17 - F-8
ICN29RT LO	F-9 - H-5

1980 ICF26RT LO INDEX

Floor Plan	B-23 - B-24
Accessories Group	C-1 - C-2
Bath Group	C-3
Chassis Group	C-4
Curtain, Cushion & Pad Group	C-5 - C-12
Dinette Group	C-13
Driver's Compartment Group	C-14 - C-15
Electrical Group	C-16 - C-17
Exterior Body Group	C-18 - C-21
Galley Group	C-22
Heating & Air Conditioning Group	C-23
Interior Finish Group	C-24 - D-1
LP Group	D-2
Lounge Group	D-3 - D-4
Water & Sewage Group	D-5
Window, Vent & Exterior Door Group	D-6 - D-16

HEATING AND AIR CONDITIONING GROUP

Key	Part Number	U/M	Description
	031376-01-000	EA	Control Asm. - Heater - 3 Speed
	007076-01-000	FT	Hose - Flexible PVC - 2" I.D.
	007100-01-000	FT	Heater Hose - 5/8" I.D.
	007139-01-000	EA	Clamp - Worm Drive - .69" - 1.25"
	007140-01-000	EA	Clamp - Hose - 2" x 3" - Dia.
	007281-01-000	FT	Hose - Flexible PVC - 2 1/2" I.D.
	039044-01-000	EA	Louver Asm. - A/C Adjustable
	047046-01-000	EA	Motor - 12 Volt - 3 Speed - Heater - Air Conditioner
	024858-01-000	EA	Adapter - Motor Mount
	031043-01-000	EA	Valve - Heater - Water Flow Control
	033860-01-000	EA	Cable - Control - Flexible - 48"
	021169-02-000	EA	Cable - Control - Flexible - 48"
	024996-01-000	EA	Clutch - Magnetic - Compressor
	024999-01-000	EA	Compressor - Auto Air - 10.3 Cubic Inch
	048801-01-000	EA	Condensor - 350 C.I.D. - 454 C.I.D.
	047036-01-000	EA	Compressor Mount Package - 350 C.I.D.
	048100-01-000	EA	Compressor Mount Package - 454 C.I.D.
	004267-01-000	EA	Switch - Air Conditioner
	024867-01-000	EA	Valve - Thermostatic Expansion
	024997-01-000	EA	Core - Heater
	024998-01-000	EA	Wheel - Blower - 4 7/8" O.D.
	031393-01-000	EA	Coil - Evaporator
	031001-01-000	EA	Blower Housing
	033258-01-000	EA	Hose - Refrigerant - 50" I.D. x 34.50"
	034222-02-000	EA	Hose - Refrigerant - 31" I.D. x 32"
	034222-01-000	EA	Hose - Refrigerant - 31" I.D. x 26"
	031960-01-000	EA	Hose - Refrigerant - 34" I.D. x 30"
	031961-01-000	EA	Hose - Refrigerant - 31" I.D. x 14.75"
	031961-02-000	EA	Hose - Refrigerant - 31" I.D. x 19"
	024868-01-000	EA	Receiver - Dehydrator
	031044-01-000	EA	Clamp - Receiver Dehydrator
	048230-02-000	EA	Kit - Auto Air - 350 C.I.D. A Body
	048232-02-000	EA	Kit - Auto Air - 454 C.I.D. A Body
	049401-01-000	EA	Heater Asm. - Rear
	058906-01-000	EA	Control Panel - Aux Heater
**	052598-01-000	EA	Furnace - 19,000 BTU - Under Counter Mount - Coleman - 4319-723
**	059350-01-000	EA	Furnace - 30,000 BTU - w/Electronic Ignition - 4330-749
	039505-02-000	EA	Thermostat - Horizontal Wall Mount - Black
	024985-01-000	EA	Register - Heat - w/Damper - 9.9" x 4.8"
	031604-01-000	EA	Bonnet - Heat Register
	009198-01-000	FT	Duct - Flexible - 4" I.D. x 25'
	009200-01-000	EA	Tape - Furnace - 1 1/2"
**	049777-02-000	EA	Air Conditioner - 110 Volt - Roof Mount - 11,000 BTU - Ivory Coleman (w/o inside shroud)
**	049778-02-000	EA	Shroud Asm. - Ceiling - Inside Roof Air Cool Only - 11,000 BTU - Coleman
**	049774-02-000	EA	Air Conditioner - 110 Volt - Roof Mount - 13,500 BTU Ivory - Coleman (w/o inside shroud)
**	049775-02-000	EA	Shroud Asm. - Ceiling - Inside - Roof Air Cool Only - 13,500 BTU - Coleman
**	049776-01-000	EA	Shroud Asm. - Ceiling - Inside - Roof Air Heat and Cool - 13,500 BTU - Coleman

** The illustrated parts breakdown for this item is provided on the Common Items Fiche

INTERIOR FINISH GROUP

PANELING AND COUNTERTOP MATERIALS

Key	Part Number	U/M	Description
	057856-01-000	SF	Paneling - 724 Vermont Oak - Plain - 48" x 96" (32SF)
	057855-01-000	SF	Paneling - 724 Vermont Oak - V Groove - 48" x 96" (32SF)
	045963-01-000	SF	Paneling - 825 Buff - 48" x 96" (32SF)
	058348-01-000	SF	Paneling - Pompeii Beige - Bath - 48" x 96" (32SF)
	057857-02-000	SF	Paneling - Galley Backsplash - Beige
	057869-01-000	SF	Plastic Laminate - Pot Pourri Tan - 48" x 96" (32SF)
	059970-01-000	SF	Plastic Laminate - Matador Leather - 48" x 96" (32 Sr)
	058219-01-000	SF	Plastic Laminate - Almond Batik
	053339-01-000	SF	Plastic Laminate - Butcher Block - 48" x 96" (32SF)
	053339-01-001	EA	Plastic Laminate - Butcher Block - 48" x 48"
	053339-01-002	EA	Plastic Laminate - Butcher Block - 1 1/2" x 96"
	063649-J1 .30	SF	Paneling - High Low, Marigold (Dry Bath Area)
	058346-01-000	SF	Paneling - Paintbrush - Rust
	058346-02-000	SF	Paneling - Paintbrush - Brown
	058346-03-000	SF	Paneling - Paintbrush - Green

INTERIOR MOLDINGS AND TRIMS

Key	Part Number	U/M	Description
	047354-01-000	EA	Batt Strip - 825 Buff - Ceiling - 96"
	057868-01-000	EA	Batt Strip - 724 Vermont Oak - 96"
	063725-01-000	EA	Batt Strip - Marigold
	058349-01-000	EA	Batt Strip - Paintbrush - Rust
	058349-01-000	EA	Batt Strip - Paintbrush - Brown
	058349-03-000	EA	Batt Strip - Paintbrush - Green
	024700-06-000	EA	Cover - Roll Bar - Sidewall - Ivory
	024700-13-000	EA	Cover - Roll Bar - Vermont Oak
	039512-12-000	EA	Cover - Hat Section - Vermont Oak
	047488-01-000	EA	Cover - Corner - Hat/Hc.
	047489-01-000	EA	Cover - Corner - Tube/Tube
	052859-01-J27	FT	Accent Trim - Acorn Brown Vinyl
	009813-01-000	FT	Molding - Outside Corner - 50" - Dark Pecan
	009767-05-000	FT	Welling - Light Brown
	009778-01-000	FT	U-Channel - 1" - Dark Brown
	009810-01-000	FT	Molding - Outside Corner - 1" - Dark Pecan
	042430-01-000	EA	Molding - Shelf - Wood

FABRIC AND FLOOR COVERINGS

Key	Part Number	U/M	Description
	058784-04-000	YD	Fabric - Drapery - Green Forest
	058784-03-000	YD	Fabric - Drapery - Navy
	058784-05-000	YD	Fabric - Drapery - Brick (Burgundy)
	057964-01-000	YD	Fabric - Upholstery - Emerald Green - Wide Stripe
	057964-02-000	YD	Fabric - Upholstery - Royal Blue - Wide Stripe
	057964-03-000	YD	Fabric - Upholstery - Oxford Burgundy - Wide Stripe
	057965-01-000	YD	Fabric - Upholstery - Emerald Green - Narrow Stripe
	057965-02-000	YD	Fabric - Upholstery - Royal Blue - Narrow Stripe
	057965-03-000	YD	Fabric - Upholstery - Oxford Burgundy - Narrow Stripe
	057966-01-000	YD	Fabric - Upholstery - Accent - Camel
	057966-03-000	YD	Fabric - Upholstery - Accent - Burgundy
	053327-01-000	YD	Vinyl - Non Expanded - 27 oz - Acorn Brown
	053327-02-000	YD	Vinyl - Expanded - 28 oz - Acorn Brown
	053327-03-000	YD	Vinyl - Non Support - 16 Gauge Film - Acorn Brown
	057897-04-000	SY	Carpet - Charade - Cocoa Mist

1980 ITASCA TABLE OF CONTENTS

Introduction	A-1
Abbreviations	A-1
Alphabetical Index	A-1 - A-4
ICF26RH LO	A-1 - B-22
ICF26RT LO	D-25 - D-18
ICN26RB LO	D-17 - F-8
ICN29RT LO	F-9 - H-5

1980 ICF26RT LO INDEX

Floor Plan	B-23 - B-24
Accessories Group	C-1 - C-2
Bath Group	C-3
Chassis Group	C-4
Curtain, Cushion & Pad Group	C-5 - C-12
Dinette Group	C-13
Driver's Compartment Group	C-14 - C-15
Electrical Group	C-16 - C-17
Exterior Body Group	C-18 - C-21
Galley Group	C-22
Heating & Air Conditioning Group	C-23
Interior Finish Group	C-24 - D-1
LP Group	D-2
Lounge Group	D-3 - D-4
Water & Sewage Group	D-5
Window, Vent & Exterior Door Group	D-6 - D-16

INTERIOR FINISH GROUP

CABINETRY AND TABLE HARDWARE

Key	Part Number	U/M	Description
..	057946-01-K01	EA	Pull Kit - Cabinet Drawer - Flat Latch
..	052932-01-J30	EA	Hinge Kit - Cabinet Door - Antique Brass
..	057945-01-K08	EA	Latch Kit - Cabinet Door - Flat Latch
..	009112-01-000	EA	Flange - 1" - Closet Rod
..	053200-01-000	EA	Bracket - Upper Wall Mount - Brown - 23.5"
..	053201-01-000	EA	Bracket - Table Mount - Brown - 23"
..	024275-02-000	EA	Rod - Table Lift - 7.5" x 23.5"
..	024281-03-000	EA	Bracket - Lower Wall Mount - Brown - 22 1/2"
..	024276-04-000	EA	Leg Asm. - Table - Brown - 29.5"
..	024277-02-000	EA	Hinge - Table Leg - Brown
..	024282-01-000	EA	Brace - Table Leg
..	024283-01-000	EA	Clip - 1" O D Tube
..	049493-02-000	EA	Catch - Table Leg - Mounts on Floor - Brown
..	059753-01-000	EA	Slide - Drawer - Left
..	059753-02-000	EA	Slide - Drawer - Right
..	037688-01-000	FT	Rail - Drawer Glide
..	047744-01-000	EA	Kit - Drawer Glide
..	009059-01-000	EA	Hinge - Drop Leaf Extension - 2" - Gold
..	009049-01-000	EA	Support - Drop Leaf Extension
..	058335-01-000	EA	Latch - Bathroom Door
..	039873-01-000	EA	Catch and Strike - Nylon

** The illustrated parts breakdown for this item is provided on the Common Items Fiche

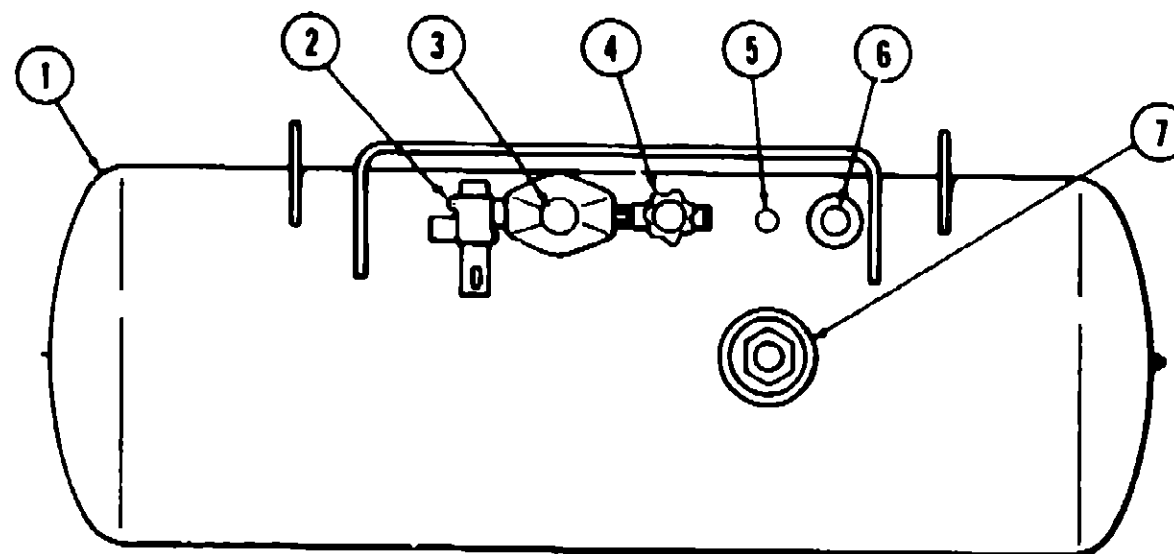
CURTAIN HARDWARE

Key	Part Number	U/M	Description
..	052327-04-236	EA	Track - Curtain - Brown Alum - 89" w/Holes
..	056116-01-000	FT	Track - Curtain - Brown Plastic
..	056001-01-000	EA	Bracket - Shade - Left
..	056002-01-000	EA	Bracket - Shade - Right
..	056003-01-000	EA	Bracket - Drapery Retainer - Right
..	056003-02-000	EA	Bracket - Drapery Retainer - Left
..	053272-04-200	EA	Track - Curtain - Cl White - 89" w/Holes
..	056784-01-000	EA	Pull - Window Shade - Antique Brass
..	009107-01-000	EA	Guide - Nylon Snap Curtain
..	018031-42-000	EA	Track - Curtain - "L" Rod - Alum Extr - 90"
..	009701-01-000	EA	Carrier - "L" Rod - Curtain
..	009702-01-000	EA	End Stop - "L" Rod - Curtain

MISCELLANEOUS

Key	Part Number	U/M	Description
..	041944-01-700	EA	Fire Extinguisher - Dry Chemical w Bracket
..	041944-03-000	EA	Fire Extinguisher - Dry Chemical - w/Bracket - 5BC (Calif.)
..	040069-01-000	EA	Door Mat - Black Rubber - 10 1/2" x 26" - Itasca
..	054185-04-000	EA	Owners Manual - Itasca

LP GROUP



Key	Part Number	U/M	Description
1	052769-01-000	EA	Tank Asm. - LP - Frame Mount - 42 Pound
1	052770-01-000	EA	Tank Asm. - LP - Frame Mount - 85 Pound
2	047221-01-000	EA	Detector - LP Gas Leak
2	065741-01-000	EA	Detector - LP Gas Leak - Marshalltown Instruments
3	058706-01-000	EA	Cover - Regulator - 2 Stage
3	058705-01-000	EA	Regulator - Two Stage - LP Gas
4	040421-01-703	EA	Valve - Vapor Relief
5	040421-01-700	EA	Gauge - Liquid Level - 20% LP
6	040421-01-701	EA	Valve - Filler - LP
6	040421-01-702	EA	Cap - Plastic Fill Valve
7	040421-01-707	EA	Gauge - Float - w Visible Dial - 85 Pound Tank
7	042281-01-700	EA	Gauge - Float - w Visible Dial - 42 Pound Tank
7	040421-01-706	EA	Dial - Visible Face - Float Gauge (Tank w Electric Transmitter)
7	040421-01-705	EA	Dial - Transmitter - 0 - 90 Ohm (Float Gauge)
7	045793-03-000	EA	Hose Asm. - LP - 3/8 I.D. x 14
7	047737-02-000	EA	Support - LP Tank - 89 3/4"
7	047737-03-000	EA	Support - LP Tank - 30 5/8"
7			Not Illustrated

1980 ITASCA TABLE OF CONTENTS

Introduction	A-1
Abbreviations	A-1
Alphabetical Index	A-2 - A-4
ICF26RH LO	A-5 - B-22
ICF26RT LO	B-23 - D-16
ICN26RB LO	D-17 - F-8
ICN26RT LO	F-9 - H-5

1980 ICF26RT LO INDEX

Floor Plan	B-23 - B-24
Accessories Group	C-1 - C-2
Bath Group	C-3
Chassis Group	C-4
Curtain, Cushion & Pad Group	C-5 - C-12
Dinette Group	C-13
Drapery Compartment Group	C-14 - C-15
Electrical Group	C-16 - C-17
Exterior Body Group	C-18 - C-21
Galley Group	C-22
Heating & Air Conditioning Group	C-23
Interior Finish Group	C-24 - D-1
LP Group	D-2
Lounge Group	D-3 - D-4
Water & Sewage Group	D-5
Window, Vent & Exterior Door Group	D-6 - D-16

LOUNGE GROUP

WARDROBE CABINERY

Key	Part Number	U/M	Description
	053895-01-K01	EA	Cabinet Asm. - Left Wardrobe Upper - w/o Doors or Hardware
	058308-01-K01	EA	Cabinet Asm. - Furnace - w/o Countertop, Door or Hardware
	053883-01-K08	EA	Countertop Asm. - Furnace Cabinet - Pot Pourri Tan
	053944-01-K01	EA	Door Asm. - Furnace - 15 5/8" x 13 1/4" - w/Brass Mesh Insert
	047205-08-000	EA	Insert - Furnace Door - 10 1/8" x 12 1/2" - Brass
	039873-01-000	EA	Catch and Strike - Furnace Door - Nylon
	052812-13-K01	EA	Door Asm. - Wardrobe Cabinet - 9 1/4" x 14 7/8" - w/o Hardware
	057992-21-K01	EA	Door Asm. - Wardrobe Cabinet - 20.12" x 47.42" - w/o Hardware
	053706-01-K01	EA	Cabinet Asm. - Right Wardrobe - Upper - w/o Doors or Hardware
	058307-01-K01	EA	Cabinet Asm. - Right Wardrobe - Base - w/o Doors or Hardware
	053993-01-K08	EA	Countertop Asm. - Right Wardrobe - Pot Pourri Tan
	057992-23-K01	EA	Door Asm. - Wardrobe Cabinet - 22 22" x 22.22" - w/o Hardware

REAR OVERHEAD CABINERY

Key	Part Number	U/M	Description
	057751-01-K01	EA	Cabinet Asm. - Overhead - Left - Complete w/Roll up Doors
	057751-02-K01	EA	Cabinet Asm. - Overhead - Right - Complete w/Roll up Doors
	059122-08-K08	EA	Door Asm. - Roll - Lounge Overhead Cabinet
	043257-01-000	FT	Handle - Roll up Door - Wood
	059409-01-K01	EA	Front Asm. - Fold Down Bunk - 17 1/2" x 74 3/8" - w/o Doors or Hardware
	058314-01-K01	EA	Bottom Asm. - Fold Down Bunk - 14.5" x 74 3/8"
	057992-33-K01	EA	Door Asm. - Fold Down Bunk Cabinet - 15.12" x 11.72" - w/o Hardware
	023812-21-000	EA	Rail Bunk - 73 90" - Brown
	041389-01-000	EA	Hinge - Rear Bunk - Brown - 72.5"
	058249-01-000	EA	Bracket - Rear Bunk Support - "L" - 3.5" x 2.5" (4 per Bunk)
	056302-02-000	EA	Web Strap - Bunk Support - .36"
	061604-01-000	EA	Slide Bolt - Antique Brass

TWIN BED CABINERY

Key	Part Number	U/M	Description
	053794-01-K01	EA	Cabinet Asm. - Twin Bed - Left
	053794-02-K01	EA	Cabinet Asm. - Twin Bed - Right
	054006-01-J30	EA	Cabinet Asm. - Nightstand Base - w/o Countertop, Doors or Hardware
	053998-01-K08	EA	Countertop Asm. - Nightstand Base - 24 1/2" x 23 3/8" - Pot Pourri Tan
	053976-01-K01	EA	Cabinet Asm. - Nightstand Top - w/Roll up Door - w/o Countertop
	053999-01-K08	EA	Countertop Asm. - Nightstand Top - 23 1/2" x 8 1/2" Pot Pourri Tan
	059122-07-K08	EA	Door Asm. - Roll - Nightstand
	043257-01-000	FT	Handle - Roll up Door - Wood
	043255-01-000	FT	Track - Roll up Door - Brown Plastic
	043256-01-000	EA	Spiral - Roll up Door - Plastic - Right
	043256-02-000	EA	Spiral - Roll up Door - Plastic - Left
	057992-34-K01	EA	Door Asm. - Nightstand Cabinet - 10 42" x 17 22" - w/o Hardware

PRESTO BED W/CORNER LOUNGE CHAIRS

Key	Part Number	U/M	Description
	061558-01-K01	EA	Cabinet Asm. - Corner Lounge Chair - Right
	061561-01-K01	EA	Cabinet Asm. - Corner Lounge Chair - Left
	061704-01-K01	EA	Table Asm. - Lounge - Butcher Block
	061882-01-000	EA	Leg Asm. - Table - Fixed
	061879-01-000	EA	Leg Asm. - Table - Fixed
	024275-04-000	EA	Rod - Table Lift
	024281-05-000	EA	Bracket - Table Lift - Mounts on Table
	053200-02-000	EA	Support - Table - 14.5" - Mounts on Wall
	057720-01-K08	EA	Panel - Couch Face - w/o Door or Hardware
	057992-27-K08	EA	Door Asm. - Couch Cabinet - 37 42" x 11 82" - w/o Hardware
	057468-02-000	EA	Frame - Sprung Couch - Right
	057468-03-000	EA	Frame - Sprung Couch - Left
	057468-04-000	EA	Frame Rail - Sprung Couch (2 per couch)
	057469-01-000	EA	Leg - Sprung Couch (2 per couch)

LOUNGE GROUP (CONTINUED)

HORSESHOE LOUNGE W/PEDESTAL TABLE

Key	Part Number	U/M	Description
	053203-06-J30	EA	Table Asm. - Pedestal - Butcher Block - w/o Hardware
	009040-03-000	EA	Base - Pedestal Table - Table Mount
	041194-01-000	EA	Base - Pedestal Table - Floor Mount
	009040-02-000	EA	Leg - Pedestal Table - 2.25" O.D. x 27.5" - Chrome
	052483-01-K01	EA	Cabinet Asm. - Center Gaucho
	053837-01-K01	EA	Cabinet Asm. - Right Gaucho
	053838-01-K01	EA	Cabinet Asm. - Left Gaucho
	053163-01-000	EA	Bracket - Couch Side
	058871-01-K01	EA	Cabinet Asm. - Hamper - Right - 75.8" x 20"
	058871-02-K01	EA	Cabinet Asm. - Hamper - Left - 75.8" x 20"

SPRUNG COUCH W/TT CHAIR AND VANITY/DESK CABINET

Key	Part Number	U/M	Description
	054177-01-K01	EA	Cabinet Asm. - Vanity - w/o Countertop, Doors, Drawers and Hardware
	054235-01-K08	EA	Countertop Asm. - Vanity Cabinet - 46 1/2" x 27 1/4" - Pot Pourri Tan
	054102-02-K01	EA	Cabinet Asm. - Desk Drawer - Mounts on Vanity Cabinet
	054242-02-K01	EA	Drawer Asm. - Desk - 3 1/4" x 20 1/4" x 10 5/8" Deep w/o Hardware
	057992-35-K01	EA	Door Asm. - Vanity Cabinet - 12 3/4" x 25" - w/o Hardware
	058023-06-K01	EA	Drawer Asm. - Vanity Cabinet - 14 1/8" x 5 1/4" x 20" Deep - w/o Hardware
	057720-01-K01	EA	Panel Asm. - Couch Face - 73 5" x 14 62" - w/o Door or Hardware
	057992-27-K01	EA	Door Asm. - Couch Cabinet - 37 42" x 11 82" - w/o Hardware
	057468-02-000	EA	Frame - Couch - Right
	057468-03-000	EA	Frame - Couch - Left
	057468-04-000	EA	Frame Rail - Couch (2 per couch)
	057469-01-000	EA	Leg - Sprung Couch (2 per couch)
	035036-01-000	EA	Plate - TT Chair
	035036-02-000	EA	Base w/Legs - TT Chair

DOUBLE BED W/NIGHT STAND

Key	Part Number	U/M	Description
	057489-02-K08	EA	Head Board Asm. - Padded - Green
	057489-02-K09	EA	Head Board Asm. - Padded - Blue
	057489-02-K10	EA	Head Board Asm. - Padded - Burgundy
	057992-40-K01	EA	Door Asm. - Cabinet - 8 42" x 14 72" - w/o Hardware
	058093-02-K01	EA	Drawer Asm. Blanket - Double Bed - 11 37" x 31 72" x 20" Deep - w/o Hardware
	057387-01-K01	EA	Cabinet Asm. - Night Stand/Hamper - w/o Countertop, Doors, Drawer or Hardware
	057385-01-K08	EA	Countertop Asm. - Nightstand - 14 4" x 26 8" - Pot Pourri Tan
	057385-01-K08	EA	Countertop Asm. - Hamper Lid - 9 4" x 12 2" - Pot Pourri Tan
	058023-07-K01	EA	Drawer Asm. - Night Stand Cabinet - 6 02" x 11 32" x 20" Deep - w/o Hardware

SPRUNG COUCH W/SWIVEL CHAIRS AND PULL OUT TABLE

Key	Part Number	U/M	Description
	058548-01-K08	EA	Cabinet Asm. - Pullout Table - w/o Countertop
	058547-01-K08	EA	Countertop Asm. - Pullout Table Cabinet - Butcher Block
	054552-01-K01	EA	Table Asm. - Pull Out - Butcher Block
	058565-01-K08	EA	Pad Asm. - Pull Out Table Cabinet
	045795-01-000	EA	Holder - Glass - Dark Brown Plastic
	057720-01-K08	EA	Panel Asm. - Couch Face - 73 5" x 14 62" - w/o Door or Hardware
	057992-27-K01	EA	Door Asm. - Couch Cabinet - 37 42" x 11 82" - w/o Hardware
	057468-02-000	EA	Frame - Couch - Right
	057468-03-000	EA	Frame - Couch - Left
	057468-04-000	EA	Frame Rail - Couch (2 per couch)
	057469-01-000	EA	Leg - Sprung Couch (2 per couch)
	035036-01-000	EA	Plate - TT Chair
	035036-02-000	EA	Base w/Legs - TT Chair

1980 ITASCA TABLE OF CONTENTS

Introduction	A-1
Abbreviations	A-1
Alphabetical Index	A-2 - A-4
ICF26RH LO	A-5 - B-22
ICF26RT LO	B-23 - D-16
ICF26RB LO	D-17 - F-8
ICN29RT LO	F-9 - H-5

1980 ICF26RT LO INDEX

Floor Plan	B-23 - B-24
Accessories Group	C-1 - C-2
Bath Group	C-3
Chassis Group	C-4
Curtain, Cushion & Pad Group	C-5 - C-6
Dinette Group	C-7
Driver's Compartment Group	C-14 - C-15
Electrical Group	C-16 - C-17
Exterior Body Group	C-18 - C-19
Galley Group	C-20
Heating & Air Conditioning Group	C-21
Interior Finish Group	C-22 - C-23
LP Group	D-1
Lounge Group	D-3 - D-4
Water & Sewage System	D-5
Window, Vent & Exterior Door Group	D-6 - D-7

WATER AND SEWAGE GROUP

PLUMBING REPAIR PARTS

Key	Part Number	U/M	Description
**	040539-01-000	EA	Kit - Repair - 3/8" O.D. Plastic Tube
**	040540-01-000	EA	Kit - Repair - 1/2" O.D. Plastic Tube
**	040541-01-000	EA	Kit - Repair - 5/8" O.D. Plastic Tube
**	041279-02-000	EA	Pump - Water Flow 2 1/2 G.P.M. - PAR US
**	039647-02-000	EA	Filter - Water Pump 1/2" MPT
**	041279-04-000	EA	Pump - Water Flow 2 1/2 G.P.M. - PAR - CSA
**	063646-01-000	EA	Pump - Water Flow 2 1/2 G.P.M. - Direct Drive - PAR - US
**	063646-02-000	EA	Pump - Water Flow 2 1/2 G.P.M. - Direct Drive - PAR - CSA
**	062415-01-000	EA	Sewage Cap - 3"
**	062416-01-000	EA	Hose Adapter - 3"
**	062417-01-000	EA	Termination Adapter - 3"
**	062418-01-000	EA	Valve - 3" - w/o Handle
**	062419-01-000	EA	Handle - Extension - w/6" Adapter - 35"
**	062419-02-000	EA	Handle - Extension - 53"
**	062421-01-000	EA	Valve - 1 1/2" - w/Handle
**	011066-01-000	EA	P-Trap - 1 1/4" - Plastic
**	011091-01-000	EA	Waste - Continuous - Double Sink - 11 7/8"
**	061607-01-000	EA	Grommet - Holding Tank Coupler - 1 1/2"
**	061607-02-000	EA	Grommet - Holding Tank Coupler - 3"
**	039809-01-000	EA	Valve - Stool - Plastic 3/8" x 1/2" F.P.T.
**	039818-01-000	EA	Riser Asm - 3/8" O.D. x 24" Tube
**	039818-02-000	EA	Riser Asm - 3/8" O.D. x 36" Tube
**	039818-04-000	EA	Riser Asm - 3/8" O.D. x 72" Tube
**	039818-05-000	EA	Riser Asm - 3/8" O.D. x 48" Tube
**	041819-01-000	EA	Nut and Cone - Plastic 1/2" O.D. Tube
**	004020-01-000	QT	Adhesive - ABS Cement
**	010201-01-000	EA	Hose - Sewer 3" x 10 FT w/Clamp
**	010133-01-000	EA	Adapter - Trap - Plastic - 1 1/2" H x MPT
**	010071-01-000	EA	Tee - Plastic - 1 1/2" H x H x H
**	010073-01-000	EA	Wye - Plastic - 1 1/2" x 45 H x H x H
**	010079-01-000	EA	Tee - Plastic - 1 1/2" H x 1 1/2" H x 1 1/4" H
**	010091-01-000	EA	Wye - Plastic - 3" x 45 H x H x H
**	010117-01-000	EA	Coupling - Plastic - 3" H x H
**	010124-01-000	EA	Adapter - Plastic - 1 1/2" M x MPT
**	050780-01-000	EA	Coupler - Rubber - 3" x 3"
**	052952-01-000	EA	Nut - Plastic - 1/2" F
**	052953-01-000	EA	Nut - Faucet - 1/2" Tube x 1/2" FPT
**	052954-01-000	EA	Adapter - Nose Cone - 3/8" or 1/2"
**	052958-01-000	EA	Tee - Plastic - 1/2" F x 1/2" F x 1/2" F
**	052959-02-000	EA	Connector - Plastic - 1/2" F x 1/2" MPT
**	052960-01-000	EA	Valve - Line Drain - 1/2" F x 1/2" F
**	052961-01-000	EA	Header - 1/2" F x 1/2" F x 1/2" F x 1/2" F
**	054517-01-000	EA	Valve - Tank Drain
**	046524-01-000	EA	Kit - Plastic Fittings - Holding Tank
**	046524-02-000	EA	Kit - Plastic Fittings - Water Tank
**	037845-01-000	ET	Tape - Butyl - 3-18" - Bead - Black

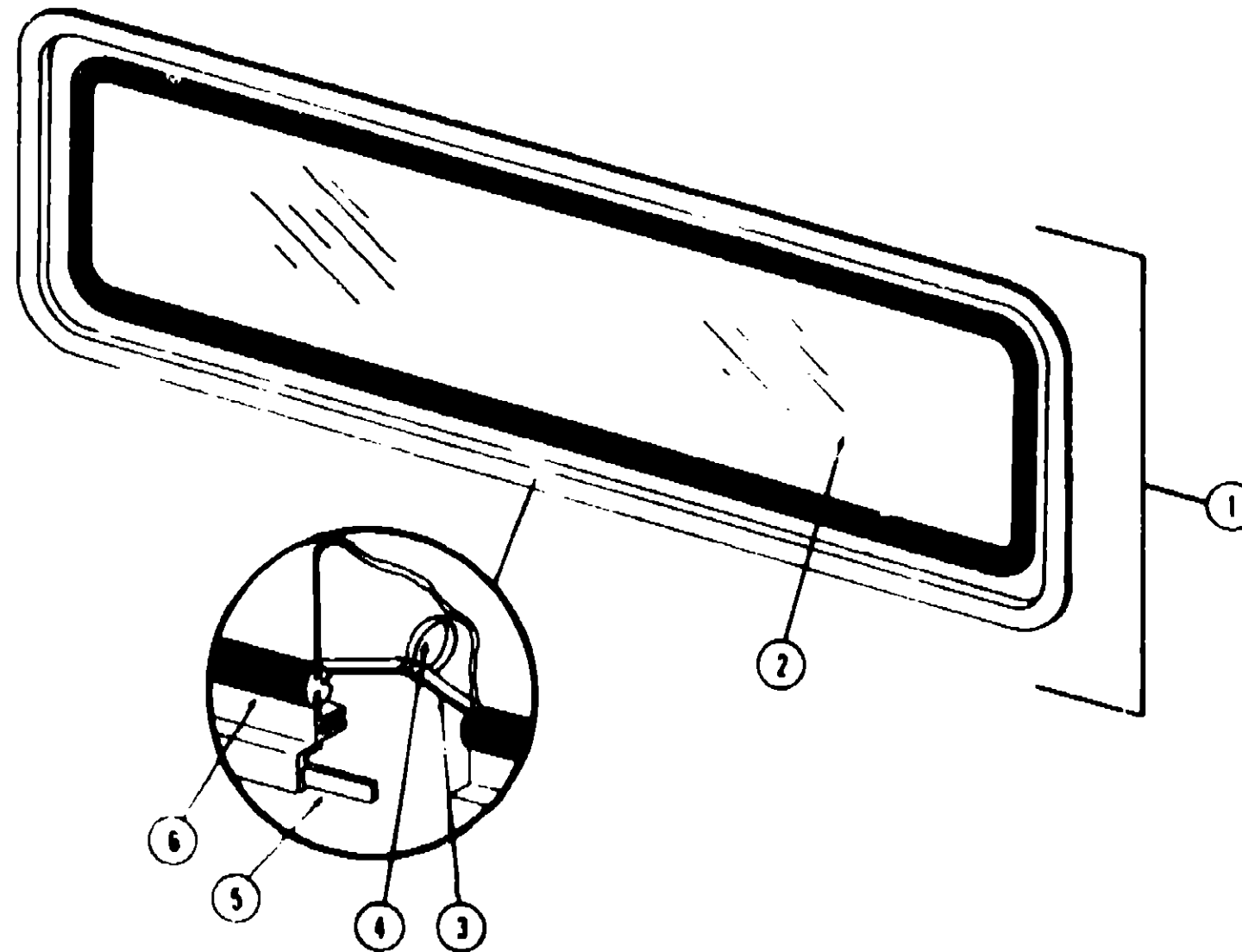
** The illustrated parts for this item is provided on the Common Items Fiche

HOLDING TANKS AND WATER HEATERS

Key	Part Number	U/M	Description
**	051882-02-000	EA	Tank Asm - Holding w/ Fittings - Double
**	051882-01-000	EA	Tank Asm - Holding w/o Fittings - Double
**	052555-03-000	EA	Tank Asm - Water w/ Fittings
**	052555-01-000	EA	Tank Asm - Water w/o Fittings
**	051391-01-000	EA	Water Heater - 6 Gallon w/o Muffler - Alwood G6A-3

** The illustrated parts for this item is provided on the Common Items Fiche

WINDOW, VENT AND EXTERIOR DOOR GROUP



Key	Part Number	U/M	Description
1	020754-03-000	EA	Window Asm - Escape - 23" x 68" Black Anod (w/o inside frame)
2	002178-01-000	EA	Glass - 1/8" x 19 5/8" x 64 8/0
3	002285-01-000	ET	Weatherstrip - Filler - Black
4	020395-01-000	EA	Slip Ring - Pull
5	053767-03-000	ET	Tape - 1/4" Bead x 20' - Gray - Schnee Moorehead
6	002282-01-000	ET	Weatherstrip - Window - 125" Black
*	020752-03-000	EA	Frame - Window - Inside - Escape 23" x 68" (not included in assembly)
*	006199-01-000	EA	Label - Exit - Escape Window
*			Not Illustrated

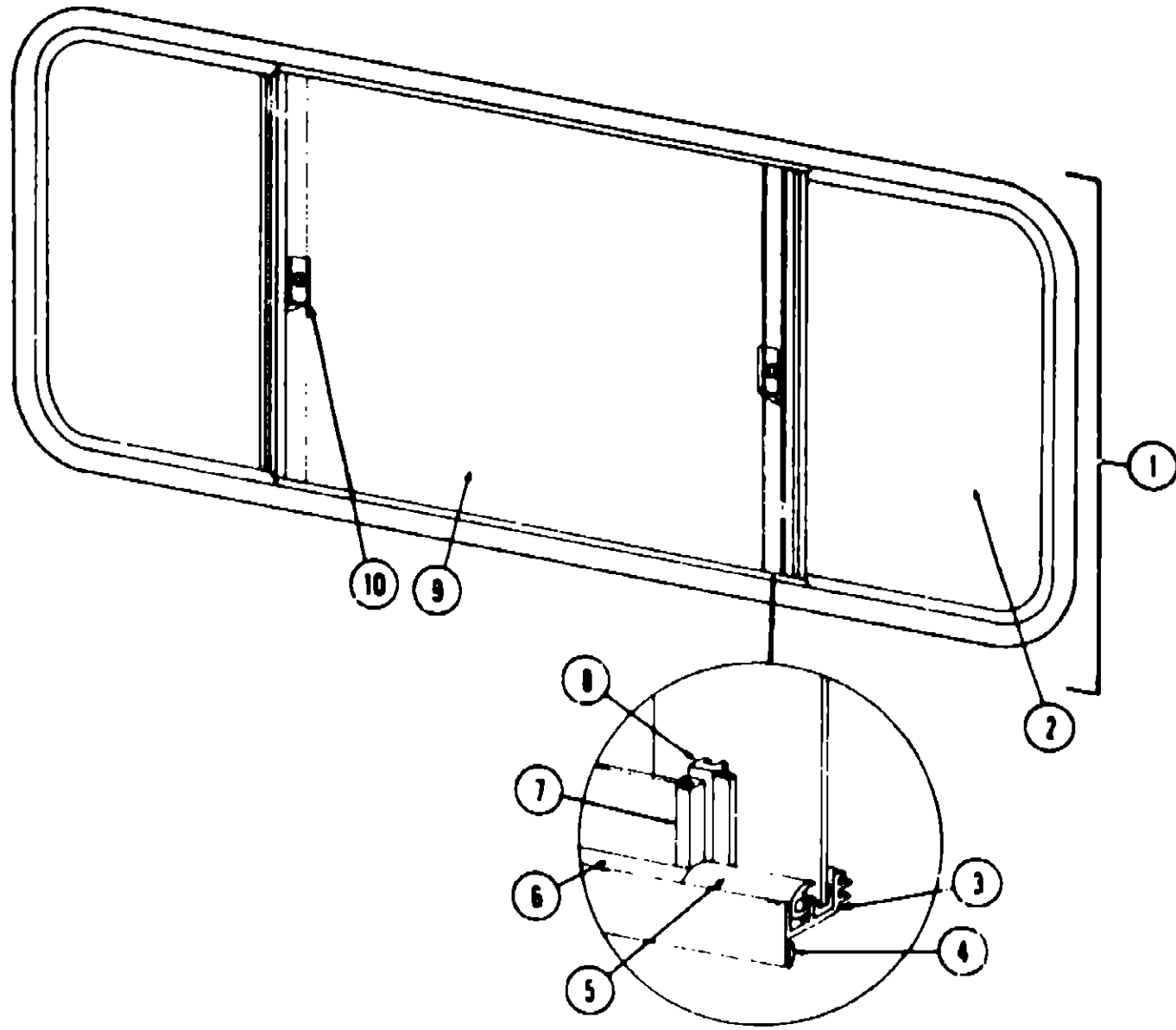
1980 ITASCA TABLE OF CONTENTS

Introduction	A-1
Abbreviations	A-1
Alphabetical Index	A-2 - A-4
ICF26RH LO	A-5 - B-22
ICF26RT LO	B-23 - D-16
ICN26RB LO	D-17 - F-8
ICN29RT LO	F-9 - H-5

1980 ICF26RT LO INDEX

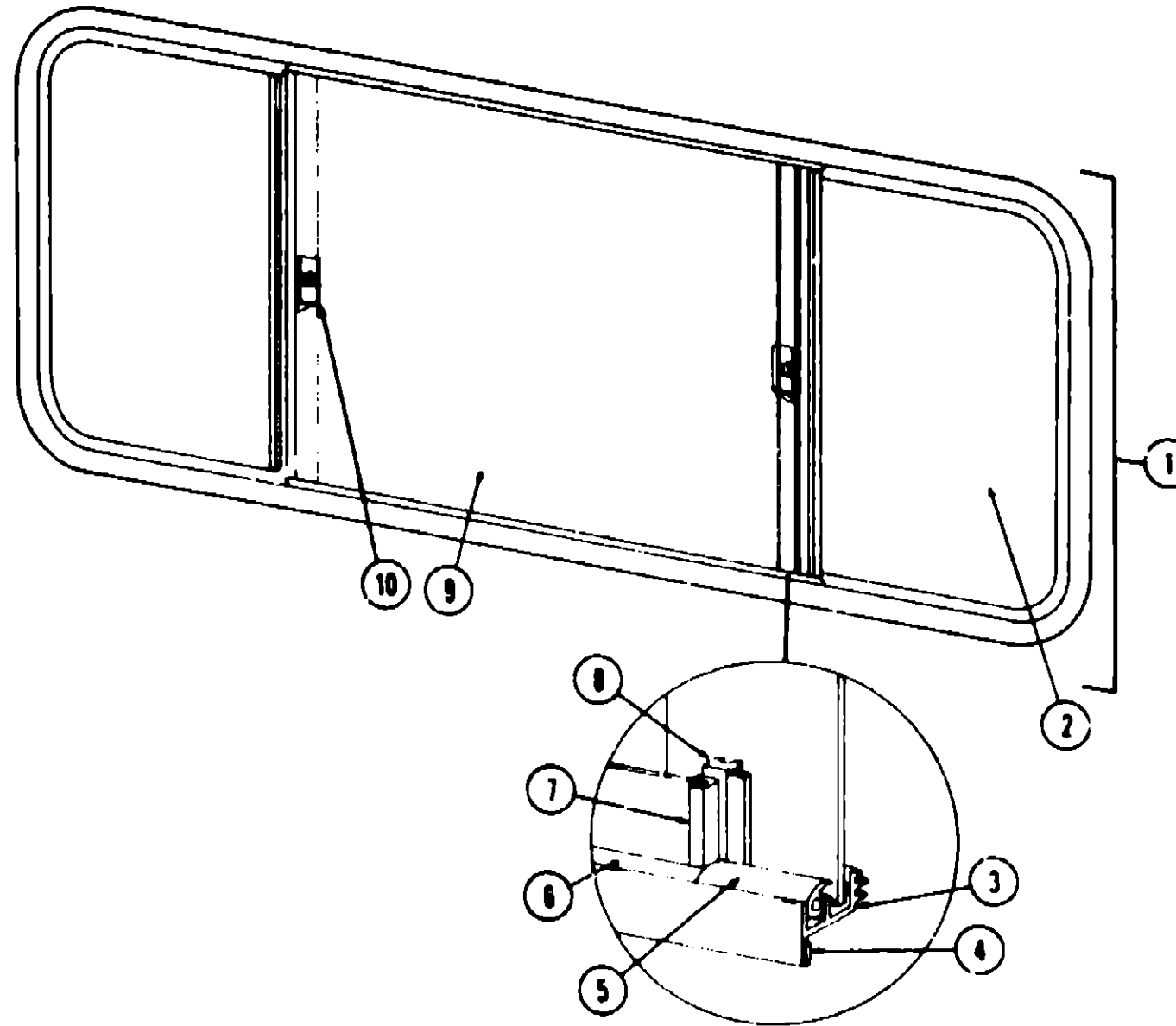
Floor Plan	B-23 - B-24
Accessories Group	C-1 - C-2
Bath Group	C-3
Chassis Group	C-4
Curtain, Cushion & Pad Group	C-5 - C-12
Dinette Group	C-13
Driver's Compartment Group	C-14 - C-15
Electrical Group	C-16 - C-17
Exterior Body Group	C-18 - C-21
Galley Group	C-22
Heating & Air Conditioning Group	C-23
Interior Finish Group	C-24 - D-1
LP Group	D-2
Lounge Group	D-3 - D-4
Water & Sewage Group	D-5
Window, Vent & Exterior Door Group	D-6 - D-16

WINDOW, VENT AND EXTERIOR DOOR GROUP (CONTINUED)



Key	Part Number	U/M	Description
1	048630-04-000	EA	Window Asm - Double Slider - 23" x 65" - Black Anod (w/o inside frame)
2	047823-01-000	EA	Glass - 1/8" x 22" x 21 03" - Sliding (2 per window)
3	002324-01-000	FT	Channel - Weatherstrip - Glass Run - 1/8" Glass
4	053767-03-000	FT	Tape - 1/4" Bead x 20' - Gray - Schnee Moorehead
5	057374-02-000	FT	Seal - Window Channel - Black
6	002309-02-000	FT	Spline - Glass - 1/8" - Black
7	018025-03-000	EA	Holder - Glass Seal - Black Anod
8	041894-02-000	EA	Mullion - Slider Window - 23" - Black Anod
9	002188-01-000	EA	Glass - 1/8" x 22" x 25 50" - Stationary
10	047369-01-700	EA	Latch - Window - Plastic w/Fastener
.	023320-01-000	EA	Foam Pad - 3/8" Dia (used with plastic latch)
.	042133-06-000	EA	Frame - Inside - Double Slider Window (not included in assembly)
.	002298-01-000	FT	Spline - Gray - 130" Dia - (Screen)
.	002293-01-000	SF	Screen - Window - 26" - Gray
.	023713-02-000	EA	Cover - Weephole - Plastic - Black
.			Not Illustrated

WINDOW, VENT AND EXTERIOR DOOR GROUP (CONTINUED)



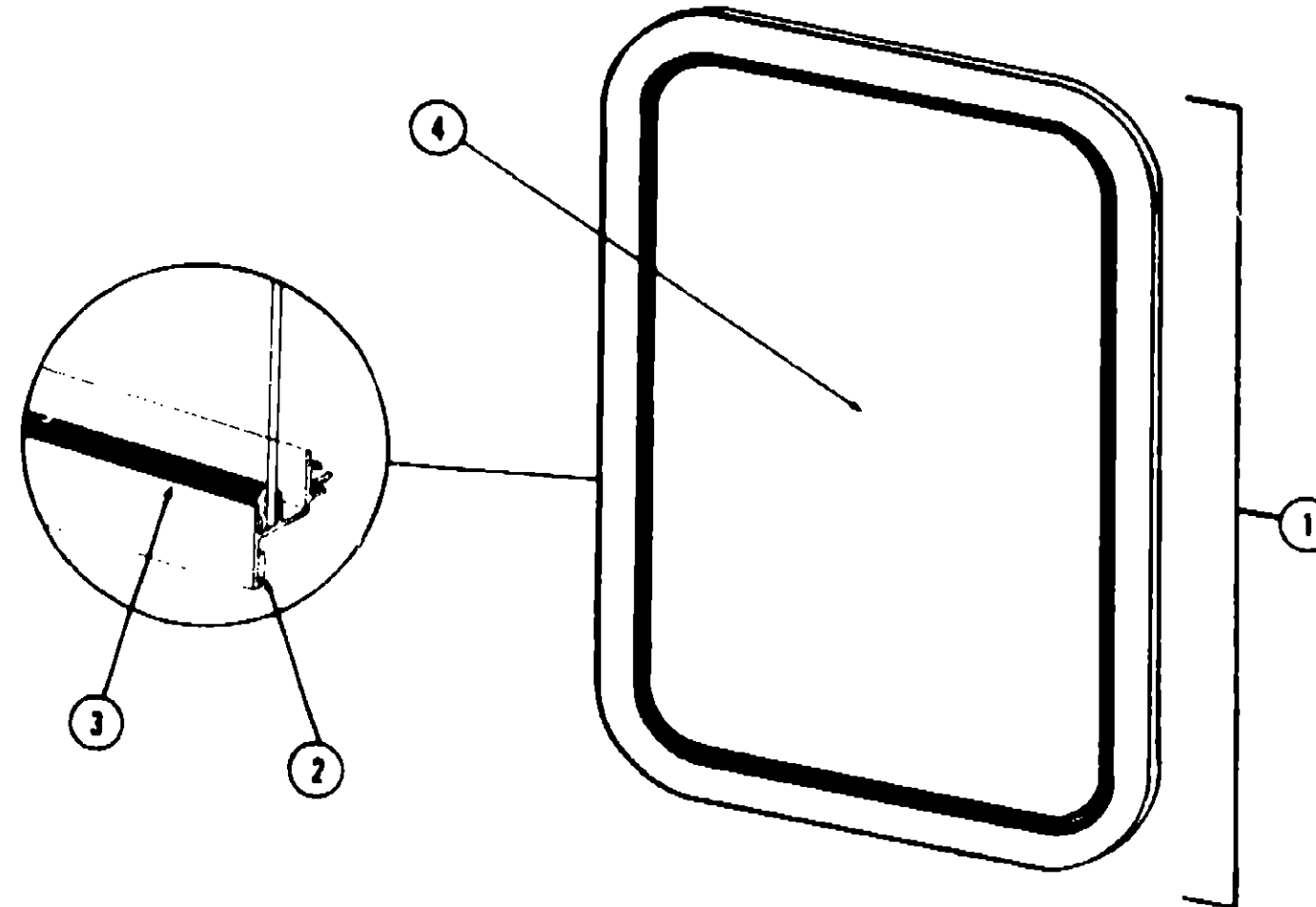
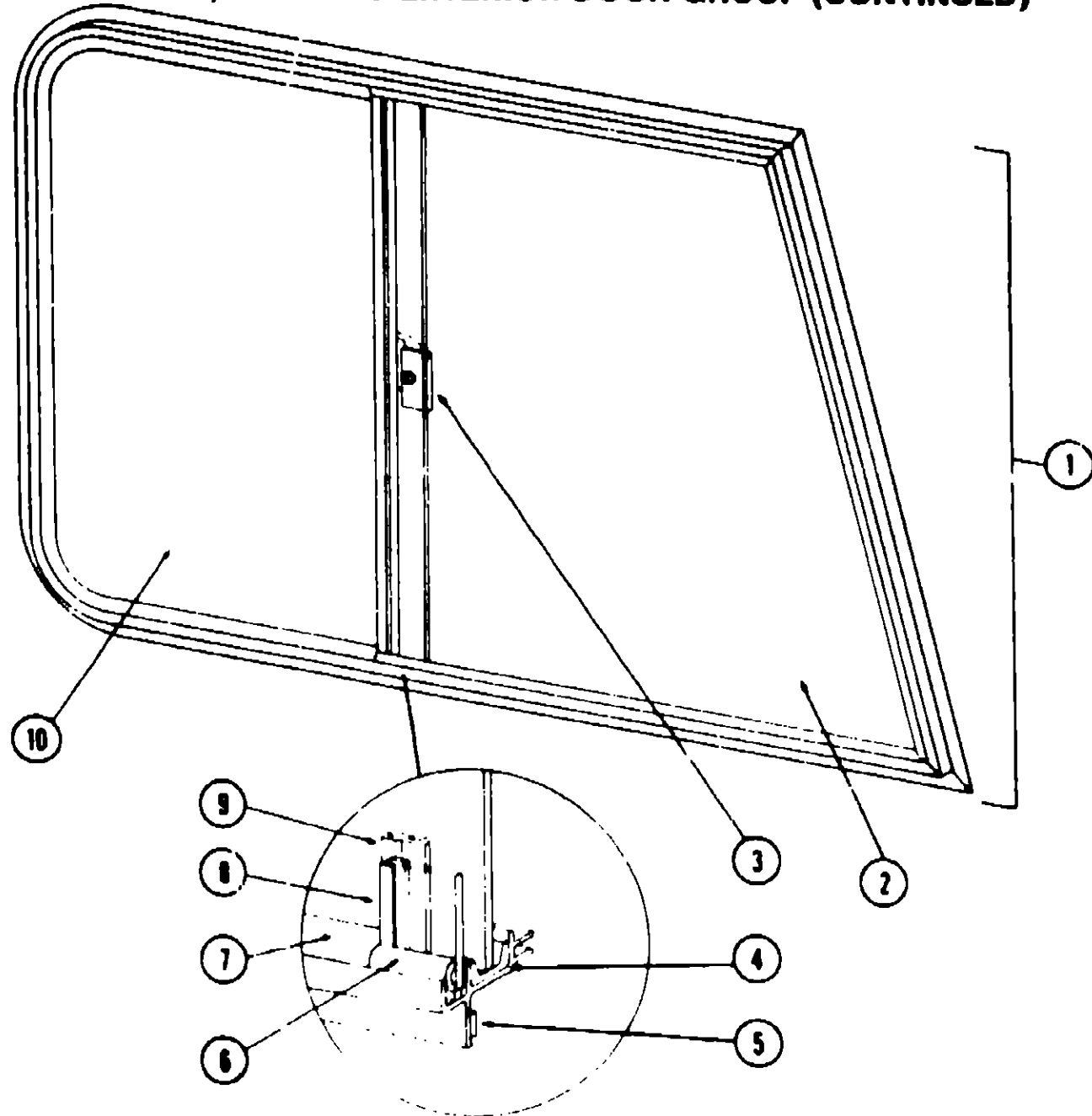
Key	Part Number	U/M	Description
1	048630-02-000	EA	Window Asm - Double Slider - 23" x 56" - Black Anod (w/o inside frame)
2	047816-01-000	EA	Glass - 1/8" x 22" x 16 53" - Sliding (2 per window)
3	002324-01-000	FT	Channel - Weatherstrip - Glass Run - 1/8" Glass
4	053767-03-000	FT	Tape - 1/4" Bead x 20' - Gray - Schnee Moorehead
5	057374-02-000	FT	Seal - Window Channel - Black
6	002309-02-000	FT	Spline - Glass - 1/8" - Black
7	018025-03-000	EA	Holder - Glass Seal - Black Anod
8	041894-02-000	EA	Mullion - Slider Window - 23" Black Anod
9	002188-01-000	EA	Glass - 1/8" x 22" x 21 03" - Stationary
10	047369-01-700	EA	Latch - Window - Plastic
.	023320-01-000	EA	Foam Pad - 3/8" Dia (used with plastic latch)
.	042133-06-000	EA	Frame - Inside - Double Slider Window (not included in assembly)
.	002298-01-000	FT	Spline - Gray - 130" Dia - (Screen)
.	002293-01-000	SF	Screen - Window - 26" - Gray
.	023713-02-000	EA	Cover - Weephole - Plastic - Black
.			Not Illustrated

**1980 ITASCA
TABLE OF CONTENTS**

Introduction	A-1
Abbreviations	A-1
Alphabetical Index	A-2 - A-4
ICF26RH LO	A-5 - B-22
ICF26RT LO	B-23 - D-16
ICN26RB LO	D-17 - F-8
ICN26RT LO	F-9 - H-5

1980 ICF26RT LO INDEX

Floor Plan	B-23 - B-24
Accessories Group	C-1 - C-2
Bath Group	C-3
Chassis Group	C-4
Curtain, Cushion & Pad Group	C-5 - C-12
Dinette Group	C-13
Driver's Compartment Group	C-14 - C-15
Electrical Group	C-16 - C-17
Exterior Body Group	C-18 - C-21
Galley Group	C-22
Heating & Air Conditioning Group	C-23
Interior Finish Group	C-24 - D-1
LP Group	D-2
Lounge Group	D-3 - D-4
Water & Sewage Group	D-5
Window, Vent & Exterior Door Group	D-6 - D-16



Key	Part Number	U/M	Description
1	059046-01-000	EA	Window Asm - Right Front Slant Slider - 23" x 39" - Black Anod (w/o inside frame)
	059046-02-000	EA	Window Asm - Left Front Slant Slider - 23" x 39" - Black Anod (w/o inside frame)
2	057656-01-000	EA	Glass - 3/16" x 24 88" x 25 30" - Stationary
3	047369-01-700	EA	Latch - Window - Plastic w/Fastener
	023320-01-000	EA	Foam Pad - 3/8" Dia (used with plastic latch)
4	042077-01-000	FT	Channel - Weatherstrip - Glass Run - 3/16" Glass
5	053767-01-000	FT	Tape - 1/2" x 1/8" x 30' - Gray - Schnee Moorehead
6	050216-02-000	FT	Spline - Glass - 3/16"
7	041928-02-000	FT	Seal - Window Channel - 3/16" Glass - Black
8	002389-03-208	EA	Holder - Glass Seal - Black Anod - 24 13"
9	057644-01-000	EA	Mullion - Window - Slant Slider
10	057657-01-000	EA	Glass - 3/16" x 24 88" x 14 70" - Sliding
	059042-01-000	FA	Inside Frame - Right Front Slant Slider (not included in assembly)
	059042-02-000	EA	Inside Frame - Left Front Slant Slider (not included in assembly)
	023713-02-000	EA	Cover - Weephole - Black Plastic
	055164-05-000	EA	Slider Screen Asm - Right or Left - Black
	016310-03-000	EA	Handle - Slider Screen - Black
	002292-01-000	SF	Screen - Window - 20" - Gray
	002298-01-000	FT	Spline - Gray - 130" Dia
			Not Illustrated

Key	Part Number	U/M	Description
1	056651-01-000	EA	Window Asm - Picture - 20 3/4" x 20 3/4" - Black (w/o inside frame)
2	053767-02-000	FT	Tape - 3/16" Bead x 25' - Schnee Morehead
3	002309-02-000	FT	Spline - Glass - 1/8" - Black
4	002181-03-000	EA	Glass - 115" x 20 62" x 20 62" - Gray
	056650-01-000	EA	Frame - Inside - Window (not included in assembly)
			Not Illustrated

1980 ITASCA
TABLE OF CONTENTS

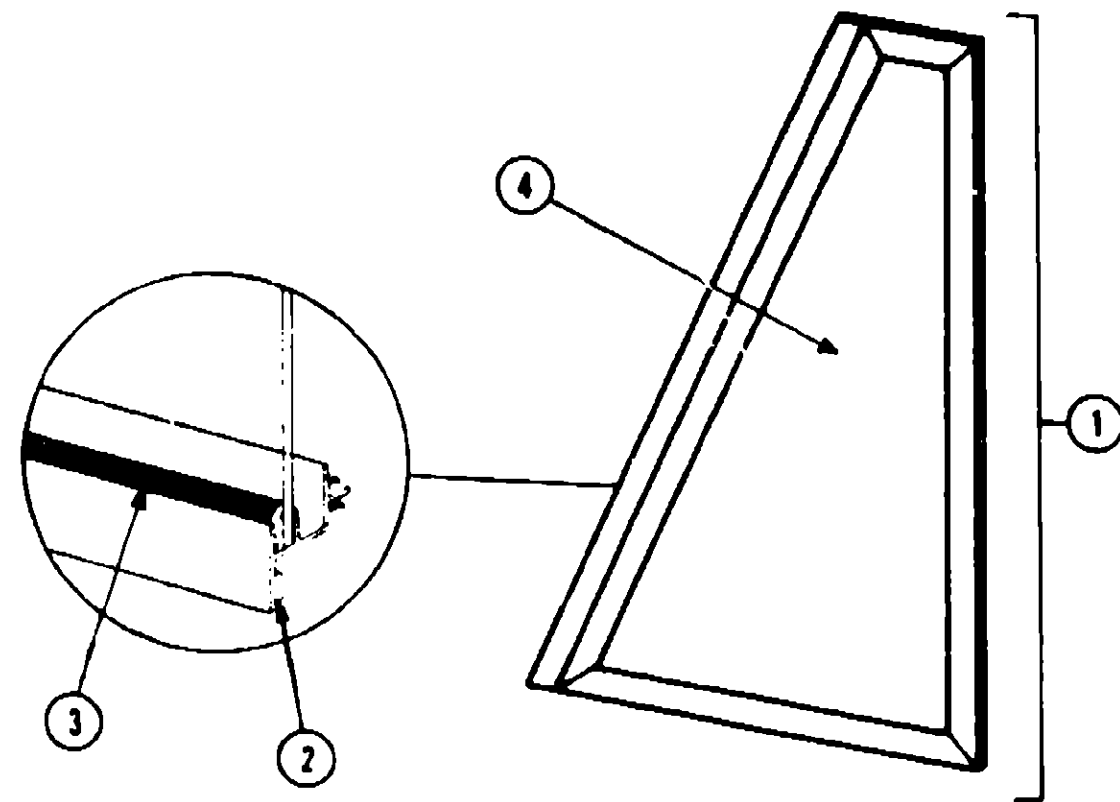
Introduction	A-1
Abbreviations	A-1
Alphabetical Index	A-2 - A-4
ICF26RH LO	A-5 - B-22
ICF26RT LO	B-23 - D-16
ICN26RB LO	D-17 - F-8
ICN29RT LO	F-9 - H-5

1980 ICF26RT LO INDEX

Floor Plan	B-23 - B-24
Accessories Group	C-1 - C-2
Bath Group	C-3
Chassis Group	C-4
Curtain, Cushion & Pad Group	C-5 - C-12
Dinette Group	C-13
Driver's Compartment Group	C-14 - C-15
Electrical Group	C-16 - C-17
Exterior Body Group	C-18 - C-21
Galley Group	C-22
Heating & Air Conditioning Group	C-23
Interior Finish Group	C-24 - D-1
LP Group	D-2
Lounge Group	D-3 - D-4
Water & Sewage Group	D-5
Window, Vent & Exterior Door Group	D-6 - D-16

WINDOW, VENT AND EXTERIOR DOOR GROUP (CONTINUED)

WINDOW, VENT AND EXTERIOR DOOR GROUP (CONTINUED)



Key	Part Number	U/M	Description
1	062896-01-000	EA	Window Asm - Stationary - Drivers Slant - 14" x 25.32" - Black Anod (w/o inside frame)
2	053767-03-000	FT	Tape - 1/4" Bead x 20' - Gray - Schnee Moorehead
3	002309-02-000	FT	Spline - Glass - 1.8" - Black
4	057656-02-000	EA	Glass - 3/16" x 24.88" x 13.66"
.	063420-01-000	EA	Frame - Inside - Front Slant Window (not included in assembly)
.	Not Illustrated		

ACCESS DOORS

Key	Part Number	U/M	Description
	037804-17-000	EA	Door Asm. - Battery - Off White w/Twist Type Lock
	037804-16-000	EA	Door Asm. - LP - Off White w/Twist Type Lock
	047233-02-000	EA	Door Asm. - Luggage - 13" x 35" - Off White w/Key Type Lock
	037804-21-000	EA	Door Asm. - Storage - 7 3/4" x 37 1/4" - Off White w/Key Type Lock
	054270-01-000	EA	Door Asm. - Refrigerator Access - Off White w/Twist Type Lock
	055500-01-000	EA	Door Asm. - Gas Fill - w/Key Type Lock
	042441-01-000	EA	Lock Asm. - Key Type - Gas Fill
	057098-01-000	EA	Door Asm. - Power Cord w/Hatch - Off White
	052950-03-000	EA	Lock Asm. - Twist Type - Straight Cam (Power Cord Door)
	047305-01-000	EA	Lock Asm. - Key Type w/Clip - Metal
	052950-01-700	EA	Lock Asm. - Twist Type w/Clip - White Plastic
	016945-02-000	EA	Holder Asm. - Battery and Luggage Doors
	052179-02-000	EA	Door Asm. - Generator - Off White w/Twist Type Lock
	052181-01-000	EA	Baffle - Generator Door
	052009-01-000	EA	Door - Water Heater - Off White - Atwood

WINDSHIELD

Key	Part Number	U/M	Description
	057459-01-000	EA	Glass - Windshield - Flat
	057372-01-000	EA	Frame Asm. - Windshield
	036386-01-000	EA	Tape - Butyl - .31" x .31" x 148"

VENTS

Key	Part Number	U/M	Description
	039778-01-000	EA	Cover - Refrigerator Vent - Plastic
	009407-01-000	EA	Frame Asm. - Refrigerator Vent
	049352-01-000	EA	Vent - Stovehood - Outside - Powered Hood - Off White
	053334-01-000	EA	Vent - Stovehood - Outside - Non Powered Hood - Off White
**	048789-01-000	EA	Vent Asm - Roof - Powered w/o Screen - Alum.
**	048835-01-000	EA	Vent Asm - Roof - Non Powered w/o Screen - Alum.
**	058119-01-000	EA	Vent Asm - Roof - Powered/Lighted - Jensen - White

**The illustrated parts breakdown for this item is provided on the Common Items Fiche.

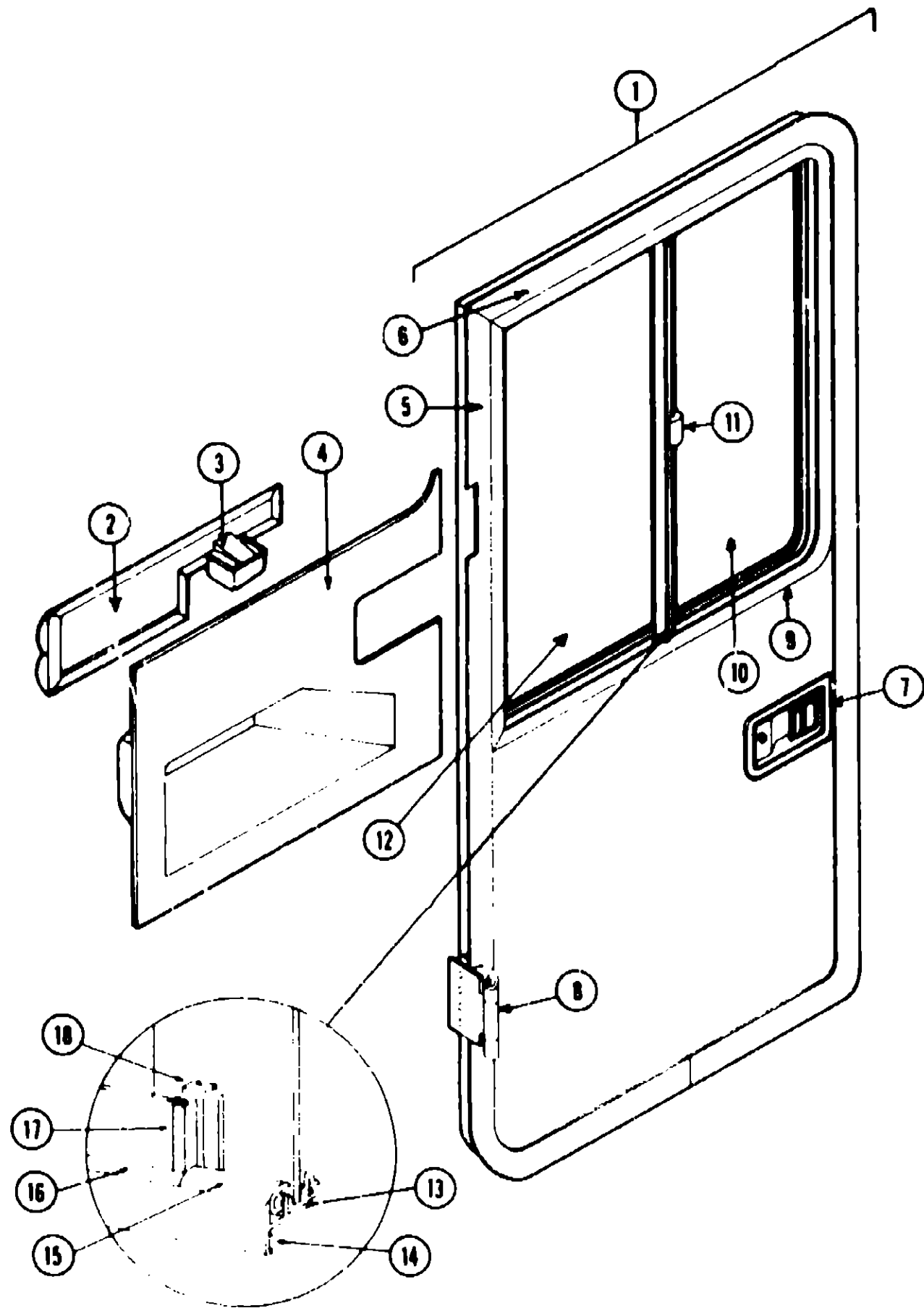
**1980 ITASCA
TABLE OF CONTENTS**

Introduction	A-1
Abbreviations	A-1
Alphabetical Index	A-2 - A-4
ICF26RH LO	A-5 - B-22
ICF26RT LO	B-23 - D-16
ICN26RB LO	D-17 - F-8
ICN29RT LO	F-9 - H-5

1980 ICF26RT LO INDEX

Floor Plan	B-23 - B-24
Accessories Group	C-1 - C-2
Bath Group	C-3
Chassis Group	C-4
Curtain, Cushion & Pad Group	C-5 - C-12
Dinette Group	C-13
Driver's Compartment Group	C-14 - C-15
Electrical Group	C-16 - C-17
Exterior Body Group	C-18 - C-21
Galley Group	C-22
Heating & Air Conditioning Group	C-23
Interior Finish Group	C-24 - D-1
LP Group	D-2
Lounge Group	D-3 - D-4
Water & Sewage Group	D-5
Window, Vent & Exterior Door Group	D-6 - D-16

WINDOW, VENT AND EXTERIOR DOOR GROUP (CONTINUED)



WINDOW, VENT AND EXTERIOR DOOR GROUP (CONTINUED)

DRIVER DOOR - OFF WHITE

Key	Part Number	U/M	Description
1	083991-02-000	EA	Door Asm. - Driver - Off White
2	084088-01-000	EA	Pad Asm. - Trim - Upper
	081400-01-000	EA	Assist Strap - 12" - Light Brown
3	046886-01-000	EA	Ashtray Asm. - Flush Mount - Chrome
4	064499-01-000	EA	Panel - Driver Door - Inner - Dark Brown Plastic
5	063350-02-000	EA	Trim - Door Frame - Front - Off White
6	063351-02-000	EA	Trim - Door Frame - Rear - Off White
7	045017-03-000	EA	Paddle - Door Lock - Exterior
	045017-01-700	EA	Lock Cylinder w/Keys - Lynor
	039979-02-000	EA	Inside Plate - Door Lock - w/Inside Handle
	039540-02-000	EA	Latch Claw - Entry Door Lock
	039738-01-000	EA	Deadbolt - Entrance Door Lock
	039539-01-000	EA	Strike Bolt - Entrance Door (Jamb Mount)
	063124-02-000	EA	Plate - Striker - 8 1/4" x 1" - Black
	062679-02-000	EA	Jamb - Driver Door - Black Steel
	064199-02-000	EA	Trim - Door Jamb - Rear - w/Drip Cap - Off White
	064184-01-000	EA	Drip Cap - Driver Door
	063358-02-000	EA	Trim - Door Jamb - Front - Off White
	063788-01-000	EA	Sill Plate - Driver Door
8	063993-02-000	EA	Hinge Asm. - Driver Door - Off White
	064580-01-000	EA	Check Strap - Driver Door - Seat Belt Webbing
	064219-01-000	EA	Retainer - Driver Door Check Strap
	063886-02-000	EA	Assist Handle - Driver Door - Brown Steel Tube (2 required per door)
	064075-01-000	EA	Bulb Seal - Driver Door - 145"
9	062982-01-000	EA	Window Asm. - Driver Door - Single Slider - 23" x 25.5" - Black Anod. (w/o inside frame)
10	057657-02-000	EA	Glass - 3/16" x 24.88" x 12" - Sliding
11	047369-01-700	EA	Latch - Window - Plastic w/Fastener
12	002188-04-000	EA	Glass - 3/16" x 24.88" x 12" - Stationary
13	002324-02-000	FT	Channel - Weatherstrip - Glass Run - 1/8" Glass
14	053767-03-000	FT	Tape - 1/4" Bead x 30' - Gray - Schnee Moorehead
15	024096-02-000	FT	Seal - Window Channel - Black
16	002309-02-000	FT	Spline - Glass - Black
17	002389-03-204	EA	Holder - Glass Seal - Anod. Black - 25.14"
	002288-01-000	FT	Weatherstrip - Glass Seal
18	057644-04-000	EA	Mullion - Slider Window - Black Anod.
	063422-01-000	EA	Frame - Inside - Driver Door Window
	023713-02-000	EA	Cover - Weephole - Black Plastic
	055164-06-000	EA	Screen Asm. - Slider
	002292-01-000	SF	Screen - Window - 20" - Gray
	002298-01-000	FT	Spline - Gray - Screen - 130" Dia.
	016310-03-000	EA	Screen Handle - Black Anod.
	043485-02-000	FT	Screen Seal - Extr. Vinyl
			Not Illustrated

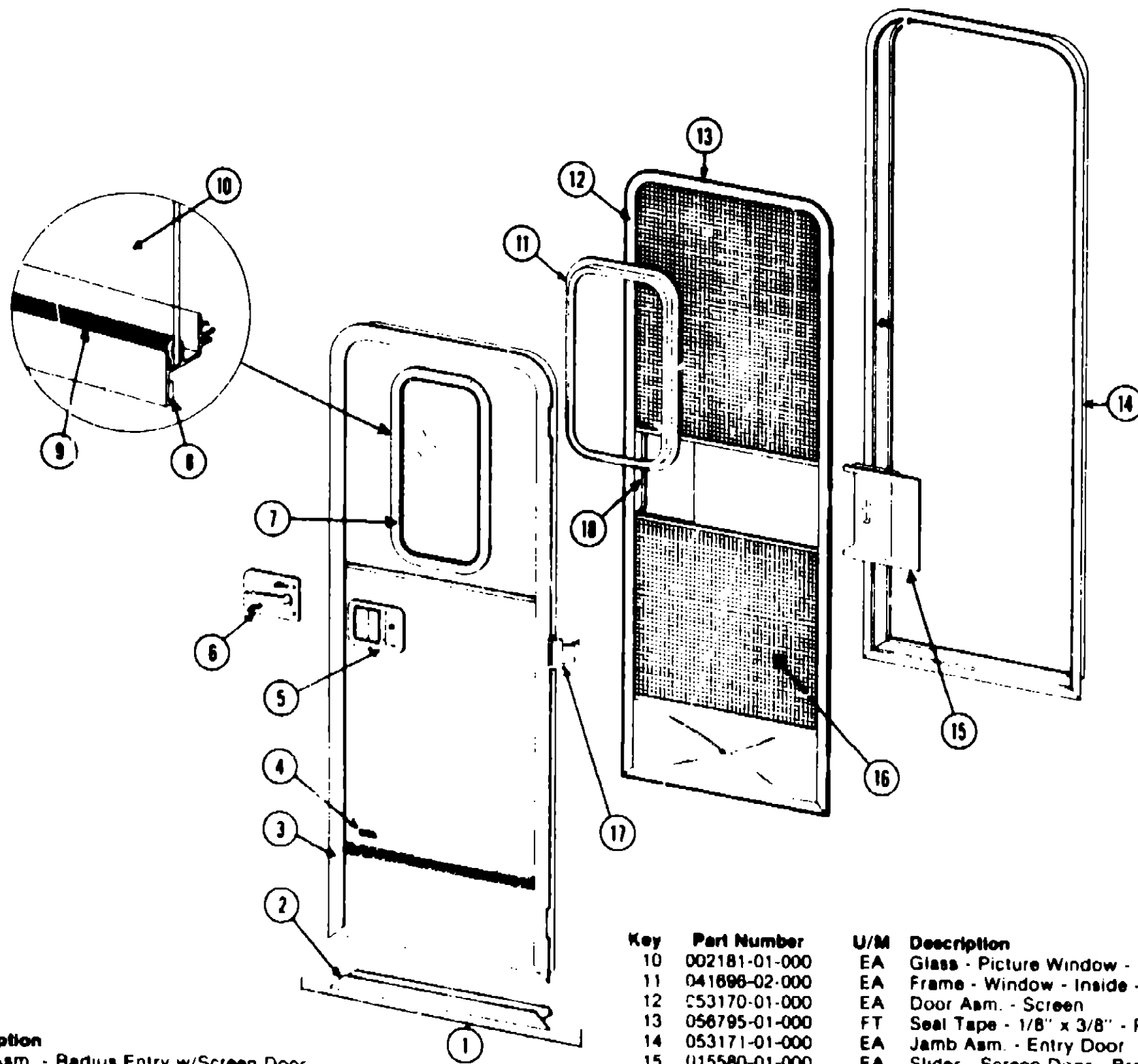
**1980 ITASCA
TABLE OF CONTENTS**

Introduction	A-1
Abbreviations	A-1
Alphabetical Index	A-2 - A-4
ICF26RH LO	A-5 - B-22
ICF26RT LO	B-23 - D-16
ICN26RB LO	D-17 - F-8
ICN29RT LO	F-9 - H-5

1980 ICF26RT LO INDEX

Floor Plan	B-23 - B-24
Accessories Group	C-1 - C-2
Bath Group	C-3
Chassis Group	C-4
Curtain, Cushion & Pad Group	C-5 - C-12
Dinette Group	C-13
Driver's Compartment Group	C-14 - C-15
Electrical Group	C-16 - C-17
Exterior Body Group	C-18 - C-21
Galley Group	C-22
Heating & Air Conditioning Group	C-23
Interior Finish Group	C-24 - D-1
LP Group	D-2
Lounge Group	D-3 - D-4
Water & Sewage Group	D-5
Window, Vent & Exterior Door Group	D-6 - D-16

WINDOW, VENT AND EXTERIOR DOOR GROUP (CONTINUED)



Key	Part Number	U/M	Description
1	053169-04-000	EA	Door Asm. - Radius Entry w/Screen Door
2	038737-01-000	EA	Frame - Entry Door (Bottom Portion Only)
3	038736-01-000	EA	Frame - Entry Door (Except Bottom Portion)
4	054530-01-000	EA	Holder Asm. - Entry Door
5	045017-01-000	EA	Padlock Asm. - Door Lock - Exterior
6	045017-01-700	EA	Lock Cylinder w/Keys - Lynor
7	039539-01-000	EA	Strike Bolt - Entry Door
8	039540-01-000	EA	Latch Jaw - Entry Door
9	039979-01-000	EA	Plate - Lock - Inside - Including Inside Handle
10	052186-01-000	EA	Lock Asm. - Complete - Lynor
11	041875-02-000	EA	Window Asm. - Picture - 13" x 23" - Black Anod. (inside frame not included in assembly)
12	053767-03-000	FT	Tape - 1 1/4" Bead x 20' - Schnee Mourehead
13	002309-02-000	FT	Spline - Glass - 1/8" Black

Key	Part Number	U/M	Description
10	002181-01-000	EA	Glass - Picture Window - 1/8" x 12" x 22" Gray
11	041898-02-000	EA	Frame - Window - Inside - 13" x 23" - Brown
12	053170-01-000	EA	Door Asm. - Screen
13	056795-01-000	FT	Seal Tape - 1/8" x 3/8" - Press On
14	053171-01-000	EA	Jamb Asm. - Entry Door
15	015580-01-000	EA	Slider - Screen Door - Brown Plastic
16	002293-01-000	SF	Screen - Window - 26" - Gray
17	039520-01-000	EA	Hinge - Entry Door (3 used per door)
18	015581-01-000	EA	Cap - Screen Door - Brown Plastic
	049176-01-000	EA	Hedlok II - 3/4" Diameter - Screw Mount (Retains screen door to entry door)
	049797-01-000	EA	Hedlok II - 1" Diameter - Screw Mount (Retains screen door to entry door)
	018019-01-000	EA	Striker - Screen Door
	039863-01-000	EA	Catch Asm. - Single Roller w/Strike - Screen Door
	051390-01-000	FT	Seal - Bulb - Rubber
	039800-03-000	FT	Tubing - Polybutyl - 3/8" O.D. - Jamb
	041582-02-000	EA	Drip Cap - Jamb Mounted - Off White
			Not Illustrated

1980 ITASCA TABLE OF CONTENTS

Introduction	A-1
Abbreviations	A-1
Alphabetical Index	A-2 - A-4
ICF26RH LO	A-5 - B-22
ICF26RT LO	B-23 - D-16
ICN26RB LO	D-17 - F-8
ICN26RT LO	F-9 - H-5

1980 ICF26RT LO INDEX

Floor Plan	B-23 - B-24
Accessories Group	C-1 - C-2
Bath Group	C-3
Chassis Group	C-4
Curtain, Cushion & Pad Group	C-5 - C-12
Dinette Group	C-13
Driver's Compartment Group	C-14 - C-15
Electrical Group	C-16 - C-17
Exterior Body Group	C-18 - C-21
Galley Group	C-22
Heating & Air Conditioning Group	C-23
Interior Finish Group	C-24 - D-1
LP Group	D-2
Lounge Group	D-3 - D-4
Water & Sewage Group	D-5
Window, Vent & Exterior Door Group	D-6 - D-16