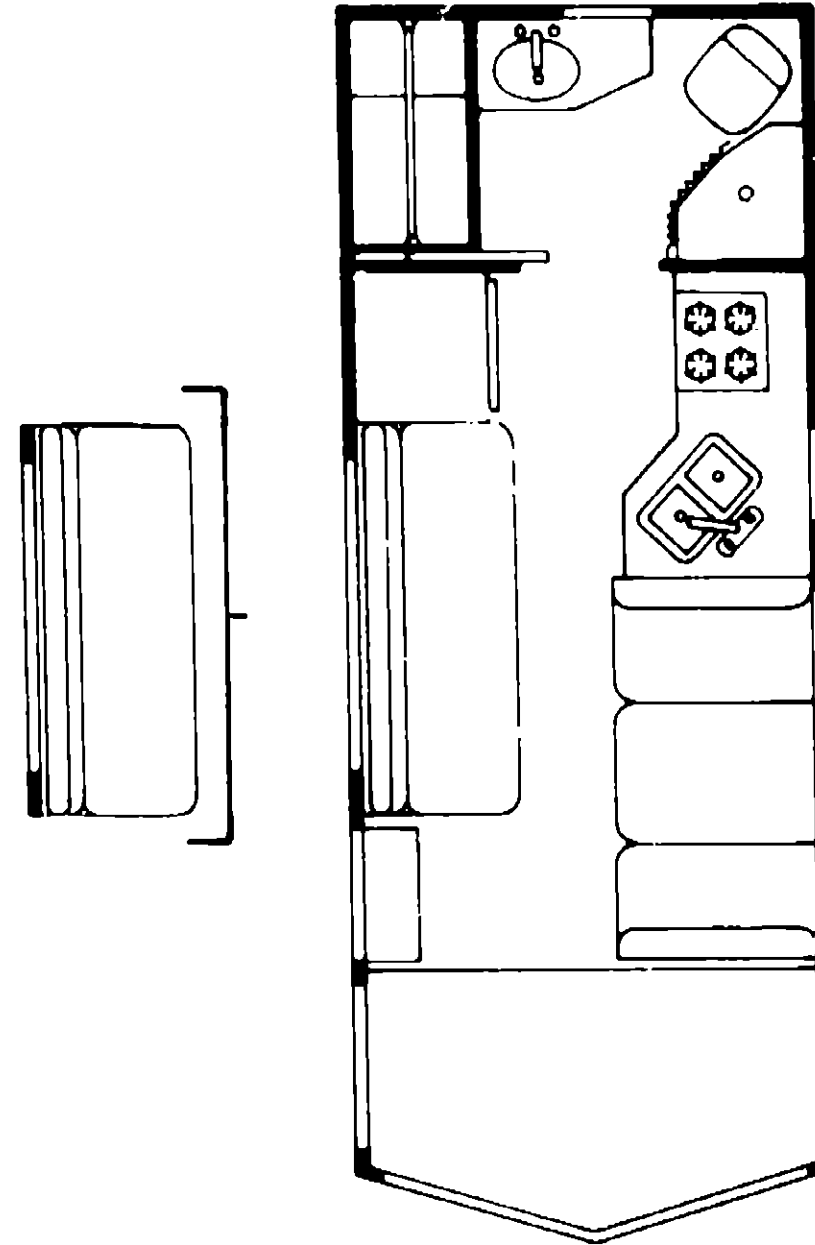


1980 ICF22RB L1



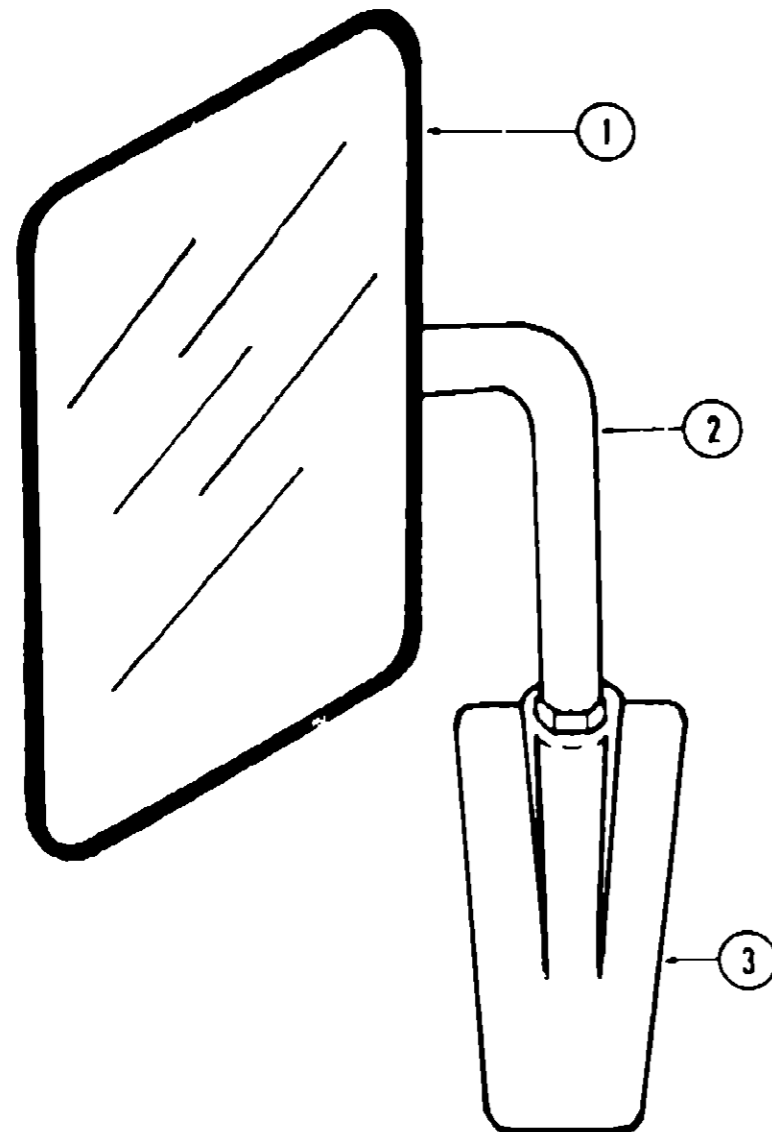
1980 ITASCA TABLE OF CONTENTS

ICF22RB L1	A-1 - B-16
ICN29RT L1	B-17 - D-18
IC319RK L1	D-19 - E-20

1980 ICF22RB L1 INDEX

Floor Plan	A-1 - A-2
Accessories Group	A-3 - A-4
Bath Group	A-5
Chassis Group	A-6 - A-7
Curtain, Cushion & Pad Group	A-8 - A-12
Dinette Group	A-13
Driver's Compartment Group	A-14 - A-15
Electrical Group	A-16 - A-18
Exterior Body Group	A-19 - A-22
Galley Group	A-23
Heating & Air Conditioning Group	A-24 - B-1
Interior Finish Group	B-2 - B-3
LP Group	B-4
Lounge Group	B-5
Water & Sewage Group	B-5 - B-6
Window, Vent & Exterior Door Group	B-7 - B-16

ACCESSORIES GROUP



Key	Part Number	U/M	Description
1	057461-01-000	EA	Mirror Head - 7 1/2" x 10 1/2" - w/Convex - Bright Finish
1	057461-02-000	EA	Mirror Head - 7 1/2" x 10 1/2" - w/Convex - Off White
2	049348-01-000	EA	Arm - Low Mount Mirror - Bright Finish
2	049348-02-000	EA	Arm - Low Mount Mirror - Off White
3	049944-02-000	EA	Bracket - Mirror - Outside - Off White
3	049944-04-000	EA	Bracket - Mirror - Outside - Black

FRONT BUNK AND HARDWARE

Key	Part Number	U/M	Description
	058300-01-L04	EA	Cabinet Asm. - Front Overhead
	053320-01-L01	EA	Bunk Board Asm. - Front Overhead w/Rails
	053773-01-000	EA	Support - Overhead Bunk - Brown - Right
	053773-02-000	EA	Support - Overhead Bunk - Brown - Left
	040071-02-000	EA	Support - Bunk - Seat Belt
	039516-02-000	EA	Catch - Bunk - Brown
	023812-22-000	EA	Rail - Bunk - 80" - Brown
	053774-02-000	EA	Torsion Rod - Overhead Bunk - Brown
	041322-01-000	EA	Washer - Flat - 15/32" I.D. x 2 3/8" O.D.

ACCESSORIES GROUP (CONTINUED)

RADIOS AND RELATED COMPONENTS

Key	Part Number	U/M	Description
	049730-01-000	EA	Radio - Clarion - AM w/Fader Switch
	049731-01-000	EA	Radio - Clarion - AM/FM/MPX - w/Fader Switch
	049732-01-000	EA	Radio - Clarion - AM/FM/MPX - 8 Track - w/Fader Switch
	063647-01-000	EA	Control Box - Clarion CB
	063647-02-000	EA	Module - Clarion CB
	053788-01-000	EA	Speaker - Recessed - 5 1/4" - 10 oz.
	031105-01-000	EA	Antenna - Radio - Side Mount
	031105-01-700	EA	Holder - Antenna - Upper
	048153-01-000	EA	Antenna - CB Camper Style
	055299-01-000	EA	Grille - Speaker - 5 1/4"
	064785-01-000	EA	Radio - AM - Audiovox
	064786-01-000	EA	Radio - AM/FM/MPX - w/8 Track - Audiovox
	064787-01-000	EA	Radio - AM/FM/MPX - w/Cassette - Audiovox
	064786-01-000	EA	Radio - AM/FM - Digital - w/Cassette - Audiovox
	064789-01-000	EA	Radio - AM/FM - Digital - w/8 Track - Audiovox
	064791-01-000	EA	Speaker - Recessed - 5.25" Dia. - Audiovox
	064792-01-000	EA	Grille - Speaker - Brown - Audiovox
	064794-01-000	EA	Trimplate - Radio - Audiovox

GENERATORS AND COMPONENTS

Key	Part Number	U/M	Description
**	054429-01-000	EA	Generator - Onan - 4.0 kw - BFA
	701629-02-000	EA	Onan Installation Package
	050467-01-000	EA	Bezel - Entertainment Center No. 3 - w/Cut Out for Vehicle Sensor Panel, Radio, Clock, Hourmeter and Generator Start Stop Switch
	024732-01-001	EA	Tailpipe - 1 1/2" O.D. x 23"
	054426-01-000	EA	Muffler - Generator - w/Arrestor
	740313-56-000	EA	Tray - Generator - 4.0 kw Onan

**The illustrated parts breakdown for this item is provided on the Common Items Fiche.

MISCELLANEOUS ACCESSORIES

Key	Part Number	U/M	Description
	054185-07-000	EA	Owner's Manual - 1980 Itasca
	006053-01-000	EA	Antenna - TV Braund Delux
	006053-01-700	EA	Parts Kit - Repair - Braund TV Antenna
	006093-01-000	EA	Jack - TV - Brown (Antenna)
	006076-01-000	EA	Ladder - Front Bunk
	017516-01-000	EA	Mud Flap - Black - 14" x 18" w/Holes
	006113-01-000	EA	Jack Hydraulic - 5 Ton
	041941-01-700	EA	Fire Extinguisher - w/Bracket
	041944-03-000	EA	Fire Extinguisher - 5 BC (Calif.)
	052771-02-000	EA	Oven - Microwave - Magic Chef MW207
	067125-01-000	EA	Standoff - Rack & Ladder
	067203-01-000	EA	Ladder Asm.
	041646-01-000	EA	Luggage Carrier Assembly
	039881-01-000	EA	Catch and Strike - Luggage Carrier
**	031396-04-000	EA	Wheel Cover - 16" - Chrome
**	059779-01-000	EA	Speed Control Package - Electric - Chev.
	034410-12-000	EA	Cover - Spare Tire - 3.2"
	058794-01-000	EA	Steering Stabilizer
	064398-01-000	EA	Housing Asm. - Trailer Receptacle
	064450-01-000	EA	Housing Asm. - Trailer Plug
	067130-01-000	EA	Step Ladder

**The illustrated parts breakdown for this item is provided on the Common Items Fiche.

**1980 ITASCA
TABLE OF CONTENTS**

ICF22RB L1	A-1 - B-16
ICN29RT L1	B-17 - D-18
IC319RK L1	D-19 - E-20

1980 ICF22RB L1 INDEX

Floor Plan	A-1 - A-2
Accessories Group	A-3 - A-4
Bath Group	A-5
Chassis Group	A-6 - A-7
Curtain, Cushion & Pad Group	A-8 - A-12
Dinette Group	A-13
Driver's Compartment Group	A-14 - A-15
Electrical Group	A-16 - A-18
Exterior Body Group	A-19 - A-22
Galley Group	A-23
Heating & Air Conditioning Group	A-24 - B-1
Interior Finish Group	B-2 - B-3
LP Group	B-4
Lounge Group	B-5
Water & Sewage Group	B-5 - B-6
Window, Vent & Exterior Door Group	B-7 - B-16

BATH GROUP

BATH CABINETS

Key	Part Number	U/M	Description
	065428-01-L04	EA	Door Asm. - Sliding - 74.1" x 25.8" - w/o Hardware
	065919-01-L04	EA	Cabinet Asm. - Vanity - w/o Countertop or Hardware
	065918-01-L04	EA	Countertop Asm. - Vanity Cabinet - Burt Block
	065260-10-L04	EA	Door Asm. - 15.2" x 61.2" - w/o Hardware
	065260-11-L04	EA	Door Asm. - 13.2" x 27.2" - w/o Hardware
	065260-14-L04	EA	Door Asm. - 14" x 28.7" - w/o Hardware
	066166-01-L04	EA	Door Asm. - 28.7" x 18.9" - w/o Hardware
	065260-17-L04	EA	Door Asm. - 11.5" x 24.9" - w/o Hardware
	065452-01-L04	EA	Cabinet Asm. - Ovhd. - Bath - w/o Doors or Hardware
	053130-03-000	EA	Cabinet Asm. - Medicine - 33"
	053130-03-700	EA	Mirror - Jensen Medicine Cabinet - 24 1/2" x 15"
	053130-03-701	EA	Frame - Mirror - Jensen Medicine Cabinet
	053130-02-702	EA	Catch - Door - Jensen Medicine Cabinet
	053130-02-703	EA	Switch - Jensen Medicine Cabinet
	038010-01-000	EA	Bulb - 1143 Frosted

BATH HARDWARE

Key	Part Number	U/M	Description
	009133-02-000	EA	Bar - Towel Rack - 18" - Plastic
	023449-01-000	EA	Support - Chrome - Towel Rack
	009155-01-000	EA	Track - Sliding Door
	017768-01-000	FT	Extr.-U-Channel - Brown - .1875 x 16"
	009156-01-000	EA	Hanger - Slider Door
	058034-01-000	EA	Door Latch
**	011056-01-000	EA	Faucet - Lavatory - U.S.
**	011056-02-000	EA	Faucet - Lavatory - C.S.A.
	011059-01-000	EA	Faucet - Shower
	011059-03-000	EA	Faucet - Shower - U.S.A.
**	011069-01-000	EA	Tailpiece - 1 1/4" x 4" - Plastic
	011069-02-000	EA	Tailpiece - 1 1/4" x 4" - Brass
	058640-01-000	EA	Sink - Oval - Ivory Plastic
	011083-01-000	EA	Plug - Sink - 1 1/4" w/Chain
**	011048-01-000	EA	Shower Head - w/60" Hose
	010495-01-000	EA	Hose Clamp - 9/16"
	066795-01-000	EA	Shower Pan
	066440-01-000	EA	Strainer w/Rubber Washer
	035337-22-000	EA	Trim - I/S Corner - Beige Aluminum - 90.88"
	034394-02-000	FT	Extr. - Vinyl Insert - Beige
	009112-01-000	EA	Flange - 1" Closet Rod
	057534-01-000	EA	Tie Back - 6" - Clear Plastic
	058331-05-000	EA	Mirror - Tempered Glass - 12" x 26"
	009134-01-000	EA	Tissue Holder
	066433-01-000	EA	Hook - Bright Finish
	066348-03-000	EA	Hamper Bag - Fabric
	064076-01-000	EA	Toilet - Aqua Magic - Model 50 - Ivory
	067487-01-000	EA	Toilet - Aqua Magic IV - Short - Ivory

**The illustrated parts breakdown for this item is provided on the Common Items Fiche.

CHASSIS GROUP

Key	Part Number	U/M	Description
	024652-01-700	EA	Step Asm. - Entry
	058401-01-000	EA	Hoodboard - Steel - Upper Right
	058404-01-000	EA	Hoodboard - Steel - Upper Left
	058200-01-000	EA	Bumper - Front - Chrome
	058200-02-000	EA	Bumper - Front - Primed
	041253-01-000	EA	Bumper - Rear
	048474-01-000	EA	Bumper - Rear - Chrome
	058425-01-000	EA	Bracket - Front Bumper - Left
	058425-02-000	EA	Bracket - Front Bumper - Right
	058439-01-000	EA	Bracket - Front Bumper - 4" x 28"
	058418-01-000	EA	Bar Bumper - 3" x 11.75"
	005200-01-000	EA	Bolt - Carriage - 7/16" x 14" x 1 1/4" SST
	059617-01-000	EA	Battery Tray Asm.
	051697-01-000	EA	Bracket - Battery Tie Down
	017516-01-000	EA	Mud Flap - Black - 14" x 18" w/Holes
	033499-04-000	EA	Power Cord Box - Plastic
	055080-01-000	EA	Wheel Well - Plastic
	740313-56-000	EA	Tray - Generator - 4.0 kw - Onan
	740313-57-000	EA	Tray - Generator - 6.5 kw - Onan
	052431-02-000	EA	Tray - Luggage Compartment (replaces generator tray)
	063976-02-000	EA	Step Asm. - Driver Door - Lower
	062977-02-000	EA	Step Asm. - Driver Door - Upper
	035103-01-000	EA	Cover - Radiator - Rear Back
	052412-01-000	EA	Cover - Radiator - Rear
	064096-01-000	EA	Fuel Tank - 60.4 Gallon
	057038-04-000	EA	Sending Unit - 78 Ohm
	044317-01-000	FT	Hose - Fuel - 3/8" I.D. SAE 30RI
	062401-03-000	EA	Clamp - Hose - Wormgear - .22" - 1" I.D.
	063386-02-000	EA	Hanger - Fuel Tank
	063386-04-000	EA	Strap - Fuel Tank Hanger
	064091-01-000	EA	Hose - Fuel - 2" I.D. - 90° Bend
	024141-01-000	FT	Hose - Rubber - 1/2" I.D.
	064954-01-000	EA	Pipe - Fuel Fill - w/Vent
	022655-02-000	EA	Tailpipe - 2 1/4" x 8" - 454 Engine
	007125-06-000	EA	Clamp - Muffler - 2.25"
	061411-01-000	EA	Extension - Exhaust - 2" x 10"
	007125-05-000	EA	Clamp - Muffler - 2"
	058794-01-000	EA	Steering Stabilizer
	007111-02-000	EA	Hose - Fuel Fill 2.00 I.D.
	062401-05-000	EA	Clamp - Wormgear 2-3
	064098-01-000	EA	Fill - Fuel - Leaded
	065743-01-000	EA	Cap - Fuel Fill

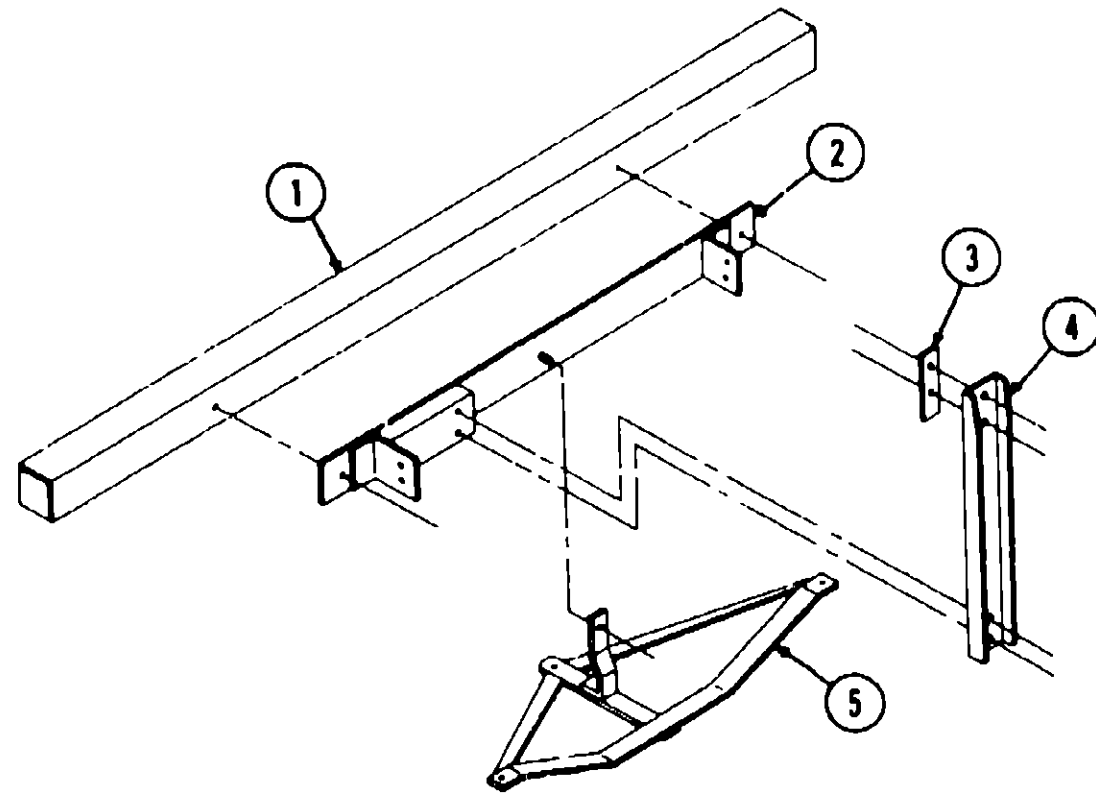
1980 ITASCA TABLE OF CONTENTS

ICF22RB L1	A-1 - B-16
ICN29RT L1	B-17 - D-18
IC319RK L1	D-19 - E-20

1980 ICF22RB L1 INDEX

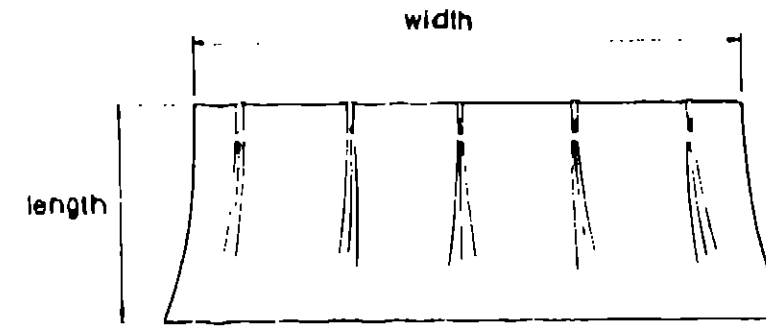
Floor Plan	A-1 - A-2
Accessories Group	A-3 - A-4
Bath Group	A-5
Chassis Group	A-6 - A-7
Curtain, Cushion and Pad Group	A-8 - A-12
Dinette Group	A-13
Driver's Compartment Group	A-14 - A-15
Electrical Group	A-16 - A-18
Exterior Body Group	A-19 - A-22
Galley Group	A-23
Heating & Air Conditioning Group	A-24 - B-1
Interior Finish Group	B-2 - B-3
LP Group	B-4
Lounge Group	B-5
Water & Sewage Group	B-5 - B-6
Window, Vent & Exterior Door Group	B-7 - B-10

CHASSIS GROUP (CONTINUED)



Key	Part Number	U/M	Description
1	064602-01-000	EA	Bumper Asm. - Square - 92" - Off White
•	039779-01-000	EA	Cap - Rubber - 4" x 4" - Square Bumper
2	064601-01-000	EA	Bracket - Bumper Mount
3	040974-01-000	EA	Bracket - Spare Tire Retainer - 2" x 6.75"
4	064598-01-000	EA	Bracket Asm. - Spare Tire Carrier
5	064833-02-000	EA	Trailer Hitch Asm.
•	041332-01-000	EA	Bumper Cover w/Reflector - Aluminum - Fits 4" Square Bumper
•	041332-02-000	EA	Reflector - 6 1/2" x 3/4" - Bumper Cover
•	041332-03-000	EA	Bumper Cover - Aluminum Fits 4" Square Bumper
•	Not Illustrated		

CURTAIN, CUSHION AND PAD GROUP



NOTE:

Use this illustration when determining length and width measurements for curtains. You will note the width measurement is taken on the top of the curtain with the curtain fully extended. The length measurement is taken from top to bottom.

CURTAIN AND TIE BACKS

Key	Part Number	U/M	Description
	054048-08-L04	EA	Tie Back Asm. - 2" x 18" - Rust
	054048-08-L05	EA	Tie Back Asm. - 2" x 18" - Brown
	054048-08-L06	EA	Tie Back Asm. - 2" x 18" - Blue
	057534-03-000	EA	Tie Back Asm. - 7.5" - Clear Plastic
	056484-26-L04	EA	Curtain Asm. - 22.5" x 19" - Taped Top - Walnut
	056484-27-L04	EA	Curtain Asm. - 27" x 19" - Taped Top - Walnut
	054051-41-L04	EA	Curtain Asm. - Front Wraparound - 27.5" x 81" - Walnut
	054051-22-L04	EA	Curtain Asm. - 22" x 96" - Walnut
	054051-02-L04	EA	Curtain Asm. - 34" x 37" - Walnut

SHADES

Key	Part Number	U/M	Description
	065657-03-L04	EA	Shade Asm. - 25" x 23" - Rust
	065657-03-L05	EA	Shade Asm. - 25" x 23" - Brown
	065657-03-L06	EA	Shade Asm. - 25" x 23" - Blue
	065657-05-L04	EA	Shade Asm. - 31" x 34" - Rust
	065657-05-L05	EA	Shade Asm. - 31" x 34" - Brown
	065657-05-L06	EA	Shade Asm. - 31" x 34" - Blue
	065657-12-L04	EA	Shade Asm. - 69" x 34" - Rust
	065657-12-L05	EA	Shade Asm. - 69" x 34" - Brown
	065657-12-L06	EA	Shade Asm. - 69" x 34" - Blue
	065728-04-000	EA	Shade - Woven Wood - Brown - 25" x 23"
	065728-05-000	EA	Shade - Woven Wood - Rust - 25" x 23"
	065728-06-000	EA	Shade - Woven Wood - Blue - 25" x 23"
	065728-10-000	EA	Shade - Woven Wood - Brown - 33" x 31"
	065728-11-000	EA	Shade - Woven Wood - Rust - 33" x 31"
	065728-12-000	EA	Shade - Woven Wood - Blue - 33" x 31"
	065728-18-000	EA	Shade - Woven Wood - Brown - 69" x 31"
	065728-20-000	EA	Shade - Woven Wood - Rust - 69" x 31"
	065728-21-000	EA	Shade - Woven Wood - Blue - 69" x 31"

1980 ITASCA TABLE OF CONTENTS

ICF22RB L1	A-1 - B-16
ICN29RT L1	B-17 - D-18
IC319AK L1	D-19 - E-20

1980 ICF22RB L1 INDEX

Floor Plan	A-1 - A-2
Accessories Group	A-3 - A-4
Bath Group	A-5
Chassis Group	A-6 - A-7
Curtain, Cushion & Pad Group	A-8 - A-12
Dinette Group	A-13
Driver's Compartment Group	A-14 - A-15
Electrical Group	A-16 - A-18
Exterior Body Group	A-19 - A-22
Galley Group	A-23
Heating & Air Conditioning Group	A-24 - B-1
Interior Finish Group	B-2 - B-3
LP Group	B-4
Lounge Group	B-5
Water & Sewage Group	B-5 - B-6
Window, Vent & Exterior Door Group	B-7 - B-16

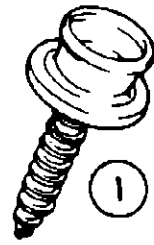
CURTAIN, CUSHION AND PAD GROUP (CONTINUED)

VALANCES

Key	Part Number	U/M	Description
	065892-01-L04	EA	Valance Asm. - 5" x 34" - Rust
	065892-01-L05	EA	Valance Asm. - 5" x 34" - Brown
	065892-01-L08	EA	Valance Asm. - 5" x 34" - Blue
	065892-02-L04	EA	Valance Asm. - 5" x 40" - Rust
	065892-02-L05	EA	Valance Asm. - 5" x 40" - Brown
	065892-02-L08	EA	Valance Asm. - 5" x 40" - Blue
	065892-09-L04	EA	Valance Asm. - 6.5-r x 78" - Rust
	065892-09-L05	EA	Valance Asm. - 6.5" x 78" - Brown
	065892-09-L08	EA	Valance Asm. - 6.5" x 78" - Blue

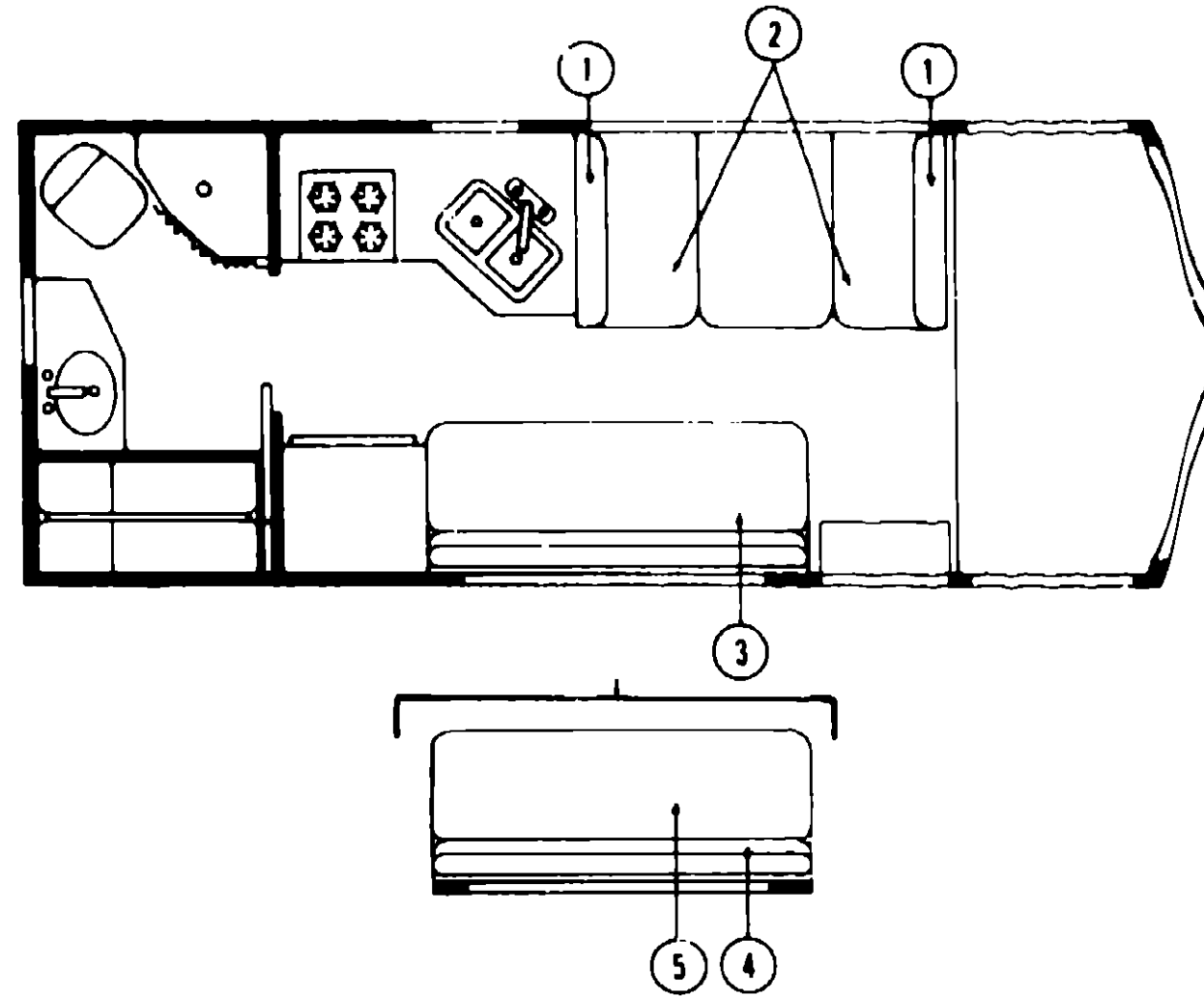
CURTAIN HARDWARE

Key	Part Number	U/M	Description
	052327-04-236	EA	Track - Curtain - Brown Alum. - 89" w/Holes
	056116-01-000	FT	Track - Curtain - Brown Plastic
	056001-01-000	EA	Bracket - Shade - Left
	056002-01-000	EA	Bracket - Shade - Right
	056003-01-000	EA	Bracket - Drapery Retainer - Right
	056003-02-000	EA	Bracket - Drapery Retainer - Left
	053272-04-200	EA	Track - Curtain - Off White - 89" w/Holes
	056784-01-000	EA	Pull - Window Shade - Antique Brass
	009107-01-000	EA	Guide - Nylon Snap - Curtain
	018031-42-000	EA	Track - Curtain - "L" Rod - Alum. - Extr. - 90"
	009701-01-000	EA	Carrier - "L" Rod - Curtain
	009702-01-000	EA	End Stop - "L" Rod - Curtain
	059430-01-000	EA	Track - Curtain - Front Wraparound Right or Left
	056115-01-000	YD	Tape - Clear Plastic - w/Guides



Key	Part Number	U/M	Description
1	029130-01-000	EA	Socket - Snap Fastener
2	029155-01-000	EA	Cap - Snap - .156" Dia. x .17" Barrel
3	029156-01-000	EA	Socket - Snap Fastener
4	029092-01-000	EA	Stud - Nickel Finish
5	029093-01-000	EA	Eyelet - Nickel Finish

CURTAIN, CUSHION AND PAD GROUP (CONTINUED)



DINETTE CUSHIONS

Key	Part Number	U/M	Description
1	064700-02-L04	EA	Cushion - Dinette Back - 19.2" x 38" x 4.5" - Rust
1	064700-02-L05	EA	Cushion - Dinette Back - 19.2" x 38" x 4.5" - Brown
1	064700-02-L06	EA	Cushion - Dinette Back - 19.2" x 38" x 4.5" - Blue
	064701-02-L04	EA	Cover - Dinette Back Cushion - 19.2" x 38" x 4.5" - Rust
	064701-02-L05	EA	Cover - Dinette Back Cushion - 19.2" x 38" x 4.5" - Brown
	064701-02-L06	EA	Cover - Dinette Back Cushion - 19.2" x 38" x 4.5" - Blue
2	064700-01-L04	EA	Cushion - Dinette Bottom - 17.5" x 38" x 4.5" - Rust
2	064700-01-L05	EA	Cushion - Dinette Bottom - 17.5" x 38" x 4.5" - Brown
2	064700-01-L06	EA	Cushion - Dinette Bottom - 17.5" x 38" x 4.5" - Blue
	064701-01-L04	EA	Cover - Dinette Bottom Cushion - 17.5" x 38" x 4.5" - Rust
	064701-01-L05	EA	Cover - Dinette Bottom Cushion - 17.5" x 38" x 4.5" - Brown
	064701-01-L06	EA	Cover - Dinette Bottom Cushion - 17.5" x 38" x 4.5" - Blue

**1980 ITASCA
TABLE OF CONTENTS**

ICF22RB L1	A-1 - B-16
ICN29RT L1	B-17 - D-18
IC319RK L1	D-19 - E-20

1980 ICF22RB L1 INDEX

Floor Plan	A-1 - A-2
Accessories Group	A-3 - A-4
Bath Group	A-5
Chassis Group	A-6 - A-7
Curtain, Cushion & Pad Group	A-8 - A-12
Dinette Group	A-13
Driver's Compartment Group	A-14 - A-15
Electrical Group	A-16 - A-18
Exterior Body Group	A-19 - A-22
Galley Group	A-23
Heating & Air Conditioning Group	A-24 - B-1
Interior Finish Group	B-2 - B-3
LP Group	B-4
Lounge Group	B-5
Water & Sewage Group	B-5 - B-6
Window, Vent & Exterior Door Group	B-7 - B-16

CURTAIN, CUSHION AND PAD GROUP (CONTINUED)

LOUNGE CUSHIONS

Key	Part Number	U/M	Description
3	064706-01-L04	EA	Lester Lounge - Complete - 76" - Rust
3	064706-01-L05	EA	Lester Lounge - Complete - 76" - Brown
3	064706-01-L06	EA	Lester Lounge - Complete - 76" - Blue
	064707-01-L04	EA	Cover - Lester Lounge - 76" - Rust
	064707-01-L05	EA	Cover - Lester Lounge - 76" - Brown
	064707-01-L06	EA	Cover - Lester Lounge - 76" - Blue
	065985-01-L04	EA	Cushion - 8" x 76" x 4.5" - Rust
	065985-01-L05	EA	Cushion - 8" x 76" x 4.5" - Brown
	065985-01-L06	EA	Cushion - 8" x 76" x 4.5" - Blue
	065986-01-L04	EA	Cover - Cushion - 8" x 76" x 4.5" - Rust
	065986-01-L05	EA	Cover - Cushion - 8" x 76" x 4.5" - Brown
	065986-01-L06	EA	Cover - Cushion - 8" x 76" x 4.5" - Blue
4	064704-01-L04	EA	Presto Bed - Back Cushion - Mitered - Rust
4	064704-01-L05	EA	Presto Bed - Back Cushion - Mitered - Brown
4	064704-01-L06	EA	Presto Bed - Back Cushion - Mitered - Blue
	064723-01-L04	EA	Cover - Presto Bed Back Cushion - Mitered - Rust
	064723-01-L05	EA	Cover - Presto Bed Back Cushion - Mitered - Brown
	064723-01-L06	EA	Cover - Presto Bed Back Cushion - Mitered - Blue
4	057615-01-L04	EA	Presto Bed - Back Cushion - Waterfall - Rust
4	057615-01-L05	EA	Presto Bed - Back Cushion - Waterfall - Brown
4	057615-01-L06	EA	Presto Bed - Back Cushion - Waterfall - Blue
5	064705-01-L04	EA	Presto Bed - Bottom Cushion - Mitered - Rust
5	064705-01-L05	EA	Presto Bed - Bottom Cushion - Mitered - Brown
5	064705-01-L06	EA	Presto Bed - Bottom Cushion - Mitered - Blue
	064723-02-L04	EA	Cover - Presto Bed Bottom Cushion - Mitered - Rust
	064723-02-L05	EA	Cover - Presto Bed Bottom Cushion - Mitered - Brown
	064723-02-L06	EA	Cover - Presto Bed Bottom Cushion - Mitered - Blue
5	057612-01-L04	EA	Presto Bed - Bottom Cushion - Waterfall - Rust
5	057612-01-L05	EA	Presto Bed - Bottom Cushion - Waterfall - Brown
5	057612-01-L06	EA	Presto Bed - Bottom Cushion - Waterfall - Blue

PADS

Key	Part Number	U/M	Description
	058444-04-L01	EA	Pad - End - Dinette Overhead Cabinet - Acorn Vinyl
	059414-01-000	EA	Pad - Sidewall Trim - Drivers
	059414-02-000	EA	Pad - Sidewall Trim - Passenger

FABRICS AND TRIMS

Key	Part Number	U/M	Description
	064393-01-000	YD	Fabric Drapery - Dublin Walnut
	064383-02-000	YD	Fabric - Upholstery - Tara Rust
	064383-03-000	YD	Fabric - Upholstery - Tara Brown
	064383-04-000	YD	Fabric - Upholstery - Tara Blue
	052859-01-J27	FT	Trim Asm. - Accent - Acorn Brown Vinyl
	053327-01-000	YD	Vinyl - Non Expanded - 27 oz. - Acorn Brown
	053327-02-000	YD	Vinyl - Expanded - 28 oz. - Acorn Brown
	053327-03-000	YD	Vinyl - Non Support - 16 Gauge Film - Acorn Brown
	054676-05-L04	EA	Button Asm. - Cloth - No. 45 - Burnt Orange
	054676-05-L05	EA	Button Asm. - Cloth - No. 45 - Cocoa
	054676-05-L06	EA	Button Asm. - Cloth - No. 45 - Blue
	038421-01-000	YD	Tickling - Mattress - Gold

CURTAIN, CUSHION AND PAD GROUP (CONTINUED)

OVERHEAD BUNK CUSHIONS

Key	Part Number	U/M	Description
	055021-37-L04	EA	Cushion - Front Overhead Bunk - 31.5" x 79" x 4" - Rust
	055021-37-L05	EA	Cushion - Front Overhead Bunk - 31.5" x 79" x 4" - Brown
	055021-37-L06	EA	Cushion - Front Overhead Bunk - 31.5" x 79" x 4" - Blue
	055022-39-L04	EA	Cover - Front Bunk Cushion - 31.5" x 79" x 4" - Rust
	055022-39-L05	EA	Cover - Front Bunk Cushion - 31.5" x 79" x 4" - Brown
	055022-39-L06	EA	Cover - Front Bunk Cushion - 31.5" x 79" x 4" - Blue

LOWBACK BUCKET SEATS

Key	Part Number	U/M	Description
	061825-02-L04	EA	Seat Asm. - Single Bucket - w/o Armrests or Headrest - Rust
	061825-02-L05	EA	Seat Asm. - Single Bucket - w/o Armrests or Headrest - Brown
	061825-02-L06	EA	Seat Asm. - Single Bucket - w/o Armrests or Headrest - Blue
	061836-01-L04	EA	Cover - Single Bucket - Back - Rust
	061836-01-L05	EA	Cover - Single Bucket - Back - Brown
	061836-01-L06	EA	Cover - Single Bucket - Back - Blue
	061837-01-L04	EA	Cover - Single Bucket - Seat - Rust
	061837-01-L05	EA	Cover - Single Bucket - Seat - Brown
	061837-01-L06	EA	Cover - Single Bucket - Seat - Blue

HIGHBACK BUCKET SEATS

Key	Part Number	U/M	Description
	065937-05-L04	EA	Seat Asm. - Single Bucket - w/Skirt and Armrests - Rust
	065937-05-L05	EA	Seat Asm. - Single Bucket - w/Skirt and Armrests - Brown
	065937-05-L06	EA	Seat Asm. - Single Bucket - w/Skirt and Armrests - Blue
	065943-01-L04	EA	Cover - Single Bucket - Back - Rust
	065943-01-L05	EA	Cover - Single Bucket - Back - Brown
	065943-01-L06	EA	Cover - Single Bucket - Back - Blue
	065944-01-L04	EA	Cover - Single Bucket - Bottom - Rust
	065944-01-L05	EA	Cover - Single Bucket - Bottom - Brown
	065944-01-L06	EA	Cover - Single Bucket - Bottom - Blue
	066915-01-L04	EA	Skirt - Single Bucket - Rust
	066915-01-L05	EA	Skirt - Single Bucket - Brown
	066915-01-L06	EA	Skirt - Single Bucket - Blue
	065940-01-L04	EA	Seat Asm. - Double Bucket - w/Skirt and Armrests - Rust
	065940-01-L05	EA	Seat Asm. - Double Bucket - w/Skirt and Armrests - Brown
	065940-01-L06	EA	Seat Asm. - Double Bucket - w/Skirt and Armrests - Blue
	065945-01-L04	EA	Cover - Double Bucket - Back - Rust
	065945-01-L05	EA	Cover - Double Bucket - Back - Brown
	065945-01-L06	EA	Cover - Double Bucket - Back - Blue
	065946-01-L04	EA	Cover - Double Bucket - Bottom - Rust
	065946-01-L05	EA	Cover - Double Bucket - Bottom - Brown
	065946-01-L06	EA	Cover - Double Bucket - Bottom - Blue
	066916-01-L04	EA	Skirt - Double Bucket - Rust
	066916-01-L05	EA	Skirt - Double Bucket - Brown
	066916-01-L06	EA	Skirt - Double Bucket - Blue

ARMRESTS AND HEADRESTS

Key	Part Number	U/M	Description
	050275-01-700	EA	Armrest Asm. - Foam w/o Cover - Right
	050276-01-700	EA	Armrest Asm. - Foam w/o Cover - Left
	065774-01-L04	EA	Cover - Armrest - Right or Left - Rust
	065774-01-L05	EA	Cover - Armrest - Right or Left - Brown
	065774-01-L06	EA	Cover - Armrest - Right or Left - Blue

**1980 ITASCA
TABLE OF CONTENTS**

ICF22RB L1	A-1 - B-16
ICN29RT L1	B-17 - D-18
IC319RK L1	D-19 - E-20

1980 ICF22RB L1 INDEX

Floor Plan	A-1 - A-2
Accessories Group	A-3 - A-4
Bath Group	A-5
Chassis Group	A-6 - A-7
Curtain, Cushion & Pad Group	A-8 - A-12
Dinette Group	A-13
Driver's Compartment Group	A-14 - A-15
Electrical Group	A-16 - A-18
Exterior Body Group	A-19 - A-22
Galley Group	A-23
Heating & Air Conditioning Group	A-24 - B-1
Interior Finish Group	B-2 - B-3
LP Group	B-4
Lounge Group	B-5
Water & Sewage Group	B-5 - B-6
Window, Vent & Exterior Door Group	B-7 - B-16

DINETTE GROUP

CONVENTIONAL DINETTE W/FOLD DOWN TABLE AND OPPOSING BENCHES

Key	Part Number	U/M	Description
	053192-01-L04	EA	Table Asm. - Dinette - w/o Hardware - 29.75" x 37.75" - Burl Block
	064621-01-L04	EA	Cabinet Asm. - Dinette Seat - Right
	065659-01-L04	EA	Cabinet Asm. - Dinette Seat - Left - w/o Door or Hardware
	065960-01-L04	EA	Cabinet Asm. - Dinette Overhead - w/o Door or Hardware
	057992-56-L04	EA	Door Asm. - Dinette Overhead Cabinet - 28.2" x 11.5" - w/o Hardware
**	053200-04-000	EA	Bracket - Upper Wall Mount - Brown - 23.5"
**	053201-03-000	EA	Bracket - Table Mount - 23" Anod.
**	024275-01-000	EA	Rod - Table Lift
**	024281-06-000	EA	Bracket - Lower Wall Mount - Black - 22.12"
**	024276-04-000	EA	Leg Asm. - Table - Brown - 29.5"
**	064050-01-000	EA	Hinge - Table Leg
**	024282-01-000	EA	Brace - Table Leg
**	024283-01-000	EA	Clip - 1" O.D. Tube
**	049493-02-000	EA	Catch - Table Leg - Mounts on Floor - Brown

**The illustrated parts breakdown for this item is provided on the Common Items Fiche.

DRIVER'S COMPARTMENT GROUP

DASH PANEL AND COMPONENTS

Key	Part Number	U/M	Description
	061803-04-L04	EA	Dash Asm. - Complete w/Gauges and Switches
	022548-03-000	EA	Pad - Dash - Right - Dark Brown
	023242-05-000	EA	Pad - Dash - Left - Dark Brown
	024418-01-000	EA	Lamp Asm. - Map/Gauge
	023020-01-000	EA	Lamp Asm. - Telltale
	007308-01-000	EA	Dash Clock
	052387-01-000	EA	Lighter Asm. - Cigarette - 12 Volt
	007041-01-000	EA	Bezel - Cigarette Lighter
	007071-01-000	EA	Louver - Chrome - w/Chrome - Wheel
	024990-02-000	EA	Outlet - Defroster w/Swivel - 2" - Dark Brown
	039044-01-000	EA	Louver Asm. - A/C Adjustable
	050465-01-000	EA	Bezel - Entertainment Center No. 1 - w/Cut Out for Vehicle Sensor Panel
	050344-02-000	EA	Bezel - Entertainment Center No. 2 - w/Cutout for Radio Clock
	050345-02-000	EA	Bezel - Entertainment Center No. 3 - w/Cutout for Clock, Hourmeter, Radio, Generator Start Stop Switch
	067337-01-000	EA	Bezel - Entertainment Center - No. 6 - w/Cutout for Radio
	067340-01-000	EA	Bezel - Entertainment Center No. 7 - w/Cut Out for Vehicle Sensor Panel - Radio, Hourmeter, Generator Start Stop Switch
	067342-01-000	EA	Bezel - Entertainment Center No. 8 - w/Cut Out for Vehicle Sensor Panel - Hourmeter, Generator Start Stop Switch
	023892-01-000	EA	Box - Glove Compartment - Black Fiberboard
	022219-01-000	EA	Door - Glove Compartment
	009118-01-000	EA	Twist Lock - Glove Compartment
	024598-01-000	EA	Hinge - Glove Compartment - 1 1/16" x 19"
	034309-01-000	EA	Chain - Glove Box Door
	023834-01-000	EA	Panel - Knee Kick - Bottom of Dash
	039847-07-000	EA	Bezel - Control Panel

DASH SWITCHES AND GAUGES

Key	Part Number	U/M	Description
	024464-02-000	EA	Switch - Battery - Dual Boost
	024462-01-000	EA	Switch - Battery Condition
	024464-01-000	EA	Switch - Washer
	024465-01-000	EA	Switch - Fuel
	024467-01-000	EA	Switch - Wiper
	024976-01-000	EA	Switch - Generator w/o Circuit Board
	037387-01-000	EA	Switch - Generator w/Circuit Board
	024459-01-000	EA	Gauge - Voltmeter
	024460-01-000	EA	Gauge - Vacuum
	031035-01-000	EA	Gauge - Generator Hourmeter
	031376-01-000	EA	Control Asm. - Heater - 3 Speed
	055279-01-000	EA	Control Asm. - Heater A/C - 3 Speed

BUCKET SEAT PEDESTAL AND SEAT BELTS

Key	Part Number	U/M	Description
	049943-01-000	EA	Pedestal - Complete Swivel
	050447-02-000	EA	Pedestal Asm. - Tilt Seat - Right - Single Seat
	050447-01-000	EA	Pedestal Asm. - Tilt Seat - Left - Single Seat
	050447-04-000	EA	Pedestal Asm. - Tilt Seat - Double Seat
	007019-01-000	EA	Belt Asm. - Seat - 2" x 84" - Black
	041322-01-000	EA	Washer - Flat 15/32" I.D. x 2 3/8" O.D.

1980 ITASCA TABLE OF CONTENTS

ICF22RB L1	A-1 - B-16
ICN29RT L1	B-17 - D-18
IC319RK L1	D-19 - E-20

1980 ICF22RB L1 INDEX

Floor Plan	A-1 - A-2
Accessories Group	A-3 - A-4
Bath Group	A-5
Chassis Group	A-6 - A-7
Curtain, Cushion and Pad Group	A-8 - A-12
Dinette Group	A-13
Driver's Compartment Group	A-14 - A-15
Electrical Group	A-16 - A-18
Exterior Body Group	A-19 - A-22
Galley Group	A-23
Heating & Air Conditioning Group	A-24 - B-1
Interior Finish Group	B-2 - B-3
LP Group	B-4
Lounge Group	B-5
Water & Sewage Group	B-5 - B-6
Window, Vent & Exterior Door Group	B-7 - B-16

DRIVER'S COMPARTMENT GROUP (CONTINUED)

FRONT BUNK AND HARDWARE

Key	Part Number	U/M	Description
	058300-01-L04	EA	Cabinet Asm. - Front Overhead
	053320-01-L01	EA	Bunk - Front Overhead - Board w/Rails
	053773-01-000	EA	Support - Overhead Bunk - Brown - Right
	053773-02-000	EA	Support - Overhead Bunk - Brown - Left
	040071-02-000	EA	Support - Bunk - Seat Belt
	041322-01-000	EA	Washer - Flat - 15/32" I.D. x 2 3/8" O.D.
	039516-02-000	EA	Catch - Bunk - Brown
	023812-22-000	EA	Rail - Bunk - 75" - Brown
	053774-02-000	EA	Torsion Rod - Overhead Bunk - Brown
	059808-01-L01	EA	Panel Asm. - Bunk - Padded - Left
	059808-02-L01	EA	Panel Asm. - Bunk - Padded - Left (Door)
	066705-01-L01	EA	Panel Asm. - Bunk - Padded - Right
	057550-03-L01	EA	Button Asm. - Nail - Vinyl

MISCELLANEOUS DRIVER'S COMPARTMENT COMPONENTS

Key	Part Number	U/M	Description
	058508-01-L01	EA	Sunvisor Asm. - Right Acorn Brown Vinyl - w/Mirror
	058508-02-L01	EA	Sunvisor Asm. - Left Acorn Brown Vinyl w/o Mirror
	009143-01-000	EA	Mirror - Sunvisor - 1/8" x 3.5" x 8"
	040695-02-000	EA	Clip - Sunvisor
	061378-01-L01	EA	Beverage Tray Asm. - Mat&dor Leather
	045795-01-000	EA	Holder - Glass - Dark Brown Plastic
	055500-01-000	EA	Tray - Utensil - Dark Brown Plastic
	034800-01-000	EA	Motor Cover - Plastic - 350 Engine
	034800-03-000	EA	Motor Cover - Plastic - 454 Engine
	039623-01-000	FT	Seal - Vinyl - Motor Cover
	052783-01-000	EA	Seal - Motor Cover - Alum. Extr. - Brown
	050796-01-000	EA	Pocket - Ashtray - Plastic
	050797-01-000	EA	Ashtray - Plastic
	039857-01-000	EA	Latch - Rubber - Draw Handle 5 3/4" w/Strike
	039856-01-000	EA	Latch - Rubber - Draw Handle 3" w/Strike
	042541-01-000	EA	Latch Asm. w/Strike - Chrome
	040519-01-000	EA	Boot - Rubber - Steering Column
	040520-01-000	EA	Boot Retainer - Steering Column
	040714-01-000	EA	Mirror - Inside Rear View
	034499-01-000	EA	Support - Dimmer Switch
	058794-01-000	EA	Steering Stabilizer
	061350-01-000	EA	Trim - Interior - A Post w/Notch - Left
	061350-02-000	EA	Trim - Interior - A Post w/Notch - Right
	059414-01-000	EA	Pad - Sidewall Trim - Driver
	059414-02-000	EA	Pad - Sidewall Trim - Passenger
	059467-03-K01	EA	Pad - Map Pocket - Drivers - Acorn Vinyl
	059467-04-K01	EA	Pad - Map Pocket - Passenger - Acorn Vinyl
	033880-02-000	EA	Cable - Bowden - 46"
	038846-01-000	EA	Retainer - Bowden Cable - Dash

ELECTRICAL GROUP

BULBS

Key	Part Number	U/M	Description
	037935-01-000	EA	Bulb - 1157
	038010-01-000	EA	Bulb - 1143 - Frosted
	008102-01-000	EA	Bulb - 53
	008213-01-000	EA	Bulb - 57
	008214-01-000	EA	Bulb - 67
	008215-01-000	EA	Bulb - 1033
	008216-01-000	EA	Bulb - 1034
	008217-01-000	EA	Bulb - 1073
	008218-01-000	EA	Bulb - 1141
	008219-01-000	EA	Bulb - 656
	008220-01-000	EA	Bulb - 12V - 25W
	036198-01-000	EA	Bulb - 194
	700020-01-000	EA	Bulb - 12V - 20W - 1383

FUSES AND CIRCUIT BREAKERS

Key	Part Number	U/M	Description
	056473-01-000	EA	Fuse - Slow Blow - 6 1/4 Amp.
	056473-02-000	EA	Fuse - MDL - 5 Amp.
	008233-01-000	EA	Fuse - 12 Volt - 6 Amp.
	008234-01-000	EA	Fuse - 12 Volt - 10 Amp.
	046893-01-000	EA	Fuse - AGC - 12V - 13 Amp.
	008235-01-000	EA	Fuse - 12 Volt - 15 Amp.
	008236-01-000	EA	Fuse - 12 Volt - 20 Amp.
	008248-01-000	EA	Fuse - 110 Volt - 30 Amp. - AGU
	008252-01-000	EA	Fuse - 110 Volt - 50 Amp
	046893-04-000	EA	Fuse - AGC 12 Volt
	008208-01-000	EA	Circuit Breaker - 12 Volt - 40 Amp.
	008211-01-000	EA	Circuit Breaker - 12 Volt - 6 Amp.
	008268-01-000	EA	Circuit Breaker - 12 Volt - 30 Amp. w/Mount
	033573-01-000	EA	Circuit Breaker - 12 Volt - 20 Amp. w/Mount
	040051-01-000	EA	Circuit Breaker - 110 Volt - 20 Amp. TQL
	064466-01-000	EA	Circuit Breaker - 30/15 DBL.

WINDSHIELD WIPER AND WASHER

Key	Part Number	U/M	Description
**	056000-02-000	EA	Washer Asm. - w/o Nozzles
**	044313-02-000	EA	Motor Asm. - Windshield Wiper - 100°
**	044313-03-000	EA	Motor Asm. - Windshield Wiper - 93°
**	049464-02-000	EA	Blade - Windshield Wiper - 20"
**	057653-01-000	EA	Arm - Windshield Wiper - 18"
**	055675-01-000	EA	Shaft and Pivot Asm.

**The illustrated parts breakdown for this item is provided on the Common Items Fiche.

1980 ITASCA TABLE OF CONTENTS

ICF22RB L1	A-1 - B-16
ICN29RT L1	B-17 - D-18
IC319RK L1	D-19 - E-20

1980 ICF22RB L1 INDEX

Floor Plan	A-1 - A-2
Accessories Group	A-3 - A-4
Bath Group	A-5
Chassis Group	A-6 - A-7
Curtain, Cushion and Pad Group	A-8 - A-12
Dinette Group	A-13
Driver's Compartment Group	A-14 - A-15
Electrical Group	A-16 - A-18
Exterior Body Group	A-19 - A-22
Galley Group	A-23
Heating & Air Conditioning Group	A-24 - B-1
Interior Finish Group	B-2 - B-3
LP Group	B-4
Lounge Group	B-5
Water & Sewage Group	B-5 - B-6
Window, Vent & Exterior Door Group	B-7 - B-16

ELECTRICAL GROUP (CONTINUED)

WIRE, SWITCHES AND RECEPTACLES

Key	Part Number	U/M	Description
	008024-01-000	FT	Wire - 18.5 Bonded - Orange/White/Yellow/Blue/Brown
	008025-01-000	FT	Wire - 18.5 Bonded - Orange/White/Yellow/Blue/Green
	008028-01-000	FT	Wire - 18.5 Bonded - Blue/Red/Yellow/Orange/White
	008030-01-000	FT	Wire - 18.4 Bonded
	008251-01-000	EA	Holder - Fuse - Black - Screw Type
	008277-01-000	EA	Holder - Fuse - Black - Panel Mount
	008250-02-000	EA	Holder - Fuse - In Line - 15 Amp.
	008195-01-000	EA	Switch - Push Button - 12 Volt
	008077-01-000	EA	Plaque - Compressor Switch
	008054-01-000	EA	Cord - Power - 10-3 30 Amp. - 25' - UL
	008052-01-000	EA	Cord - Power - 10-3 30 Amp. - 25' - CSA
	024571-01-000	EA	Cover - Plate - Receptacle - Jumbo Steel Brown
	024571-03-000	EA	Cover - Plate - Receptacle - Jumbo Plastic
	008162-01-000	EA	Switch - Double Toggle - Spade Brown
	008163-01-000	EA	Switch - Toggle Brown
	008164-01-000	EA	Cover Plate - Switch - Brown
	024924-01-000	EA	Receptacle - Power Cord
	008058-01-000	EA	Adaptor - Power Cord
	047353-01-000	EA	Cover - Receptacle - Ground Fault
	053126-02-000	EA	Receptacle - Ground Fault Interrupter - 125 Volt - Brown
	008288-01-000	EA	Box - Electrical - Plastic - 3" x 3 1/2"
	008289-01-000	EA	Box - Electrical - Steel - 4" x 4" - 1/2 & 3/4" UL
	008294-01-000	EA	Cover Plate - Steel - 4" x 4"
	058707-01-000	EA	Receptacle - Single Brown - Thomas & Belts
	058708-01-000	EA	Receptacle - Double Brown - Thomas & Belts
	058048-01-000	EA	Cover - Electrical - Rain Tight - (Exterior)
	008157-01-000	EA	Receptacle - Duplex - Brown (Exterior)
	058049-01-000	EA	Box - Electrical - 2" x 3" x 2.25"

EXTERIOR LIGHTS

Key	Part Number	U/M	Description
	042405-03-000	EA	Base - Rectangular Clearance Light
	042405-04-000	EA	Lens - Clearance Light - Red
	042405-02-000	EA	Lens - Clearance Light - Amber
	008052-01-000	EA	Reflector - Stick On - Rectangular - Red
	008093-01-000	EA	Reflector - Stick On - Rectangular - Amber
	048817-01-000	EA	Assist Handle w/Light
	007309-01-000	EA	Light - Stepwell
	059353-01-000	EA	Tail Lamp Asm. - 2 Bulb Chrome
	058031-01-700	EA	Lens - Tail Lamp - Amber
	058031-01-701	EA	Lens - Tail Lamp - Red
	058031-01-702	EA	Lens - Tail Lamp - Clear (Back Up)
	059036-01-000	EA	Bracket - Tail Lamp
	059540-01-000	EA	Bracket - License Plate
	062741-02-000	EA	Wedge - Tail Lamp - Off White
	062742-02-000	EA	Wedge Asm. - Tail Light - Off White with License Plate Bracket

ELECTRICAL GROUP (CONTINUED)

INTERIOR LIGHTS

Key	Part Number	U/M	Description
	033508-02-000	EA	Light - Dome - Ivory - 1 Bulb - US
	033508-03-000	EA	Light - Dome - Ivory - 1 Bulb - CSA
	033509-02-000	EA	Light - Dome - Ivory - 2 Bulb - US
	033509-03-000	EA	Light - Dome - Ivory - 2 Bulb - CSA
	064778-02-000	EA	Light - Dome - Off White - 1 Bulb
	024842-01-701	EA	Lens - Dome Light - 1 Bulb
	024843-01-701	EA	Lens - Dome Light - 2 Bulb
	024418-01-000	EA	Lamp Asm. - Map/Gauge/Aisle
	024473-01-000	EA	Light - Aircraft - 1 Bulb - Gold
	053346-01-000	EA	Light - High Intensity - Brown Plastic
	061424-01-000	EA	Light - 12 Volt - Rectangular - Aisle Light - 1 1/4" x 4 1/4"

MISCELLANEOUS ELECTRICAL COMPONENTS

Key	Part Number	U/M	Description
	047389-01-700	EA	Battery - 12 Volt - 105 Amp. Deep Cycle - Dry
	057899-01-000	EA	Battery - 12 Volt Maintenance Free - Delco
	008188-01-000	EA	Solenoid - Dual Battery - Relay
	008181-01-000	EA	Relay - 12 - 15 Volt - 27 Amp.
	036617-01-000	EA	Relay - Canister - SPDT
	031720-01-000	EA	Plastic Spacer - Receptacle - Brown CSA
	058028-01-000	EA	Connector - Pigtail - Clear Nylon
	054544-02-000	EA	Control Center - 37 Amp. UL - w/o Charger
**	054544-01-000	EA	Control Center - 37 Amp. UL
	039950-01-700	EA	Circuit Board - Control Center
	024459-01-000	EA	Gauge - Voltmeter
	024482-01-000	EA	Switch - Battery Condition
	031035-01-000	EA	Gauge - Hourmeter - Generator
	024976-01-000	EA	Switch - Generator w/o Circuit Board
	024480-01-000	EA	Gauge Vacuum
	048812-04-000	EA	Control Panel - Water/Double Sewage - Basic Panel
	048812-05-000	EA	Panel - Insert - w/Thermostat Holes
	048812-06-000	EA	Panel Insert - w/o Thermostat
	048812-07-000	EA	Panel Insert - Deluxe - w/Refrigerator Alarm, Clock and Gauge
	049812-07-700	EA	Refrigerator Sensor - Refrigerator Alarm
	048812-09-000	EA	Panel - Insert - w/LP Alarm - Refrigerator
	039861-01-000	EA	Sending Unit Kit - Wemac
	024461-01-000	EA	Switch - Battery - Changeover
	056264-01-000	EA	Switch - Leaf Actuator
	055417-01-000	EA	Terminal - Pin Receptacle
	035653-01-000	EA	Receptacle Housing
	064398-01-000	EA	Housing Asm. - Trailer, Receptacle
	064550-01-000	EA	Housing Asm. - Trailer Plug
	046885-01-000	EA	Plaque - Switch Mounting
	062408-01-000	EA	Heat Pusher - Duct Fan - Winterization Option
	062411-01-000	EA	Switch - Temperature Control - 38° Close - 48° Open - Winterization Option
	062411-02-000	EA	Switch - Temperature Control - 28° Close - 38° Open - Winterization Option
	062625-01-000	EA	Panel - Control - Wemac - Winterization Option
	062639-01-000	EA	Alarm - Warning - 12 Volt - Winterization Option

**The illustrated parts breakdown for this item is provided on the Common Items Fiche.

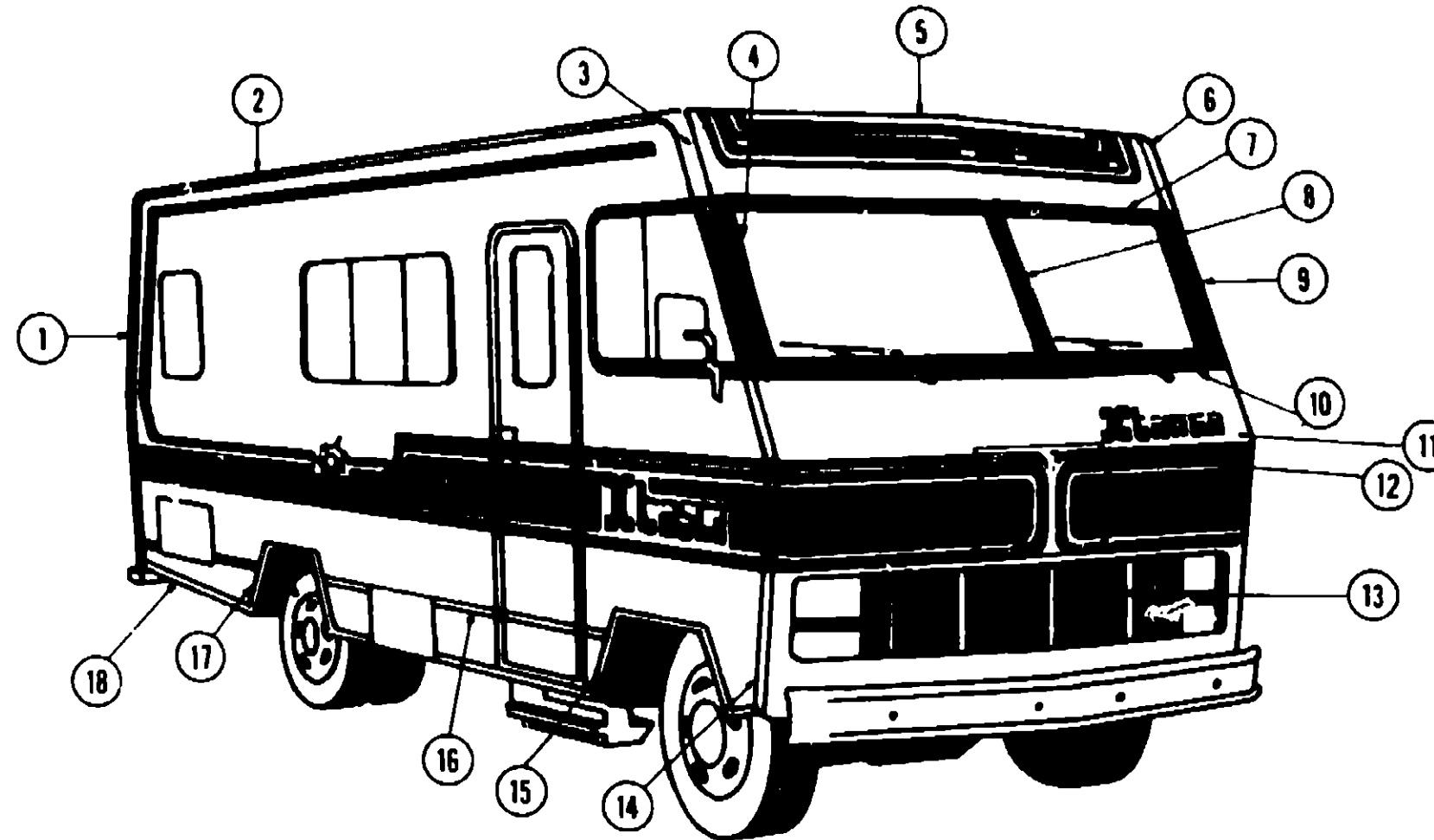
**1980 ITASCA
TABLE OF CONTENTS**

ICF22RB L1	A-1 - B-16
ICN29RT L1	B-17 - D-18
IC319RK L1	D-19 - E-20

1980 ICF22RB L1 INDEX

Floor Plan	A-1 - A-2
Accessories Group	A-3 - A-4
Bath Group	A-5
Chassis Group	A-6 - A-7
Curtain, Cushion and Pad Group	A-8 - A-12
Dinette Group	A-13
Driver's Compartment Group	A-14 - A-15
Electrical Group	A-16 - A-18
Exterior Body Group	A-19 - A-22
Galley Group	A-23
Heating & Air Conditioning Group	A-24 - B-1
Interior Finish Group	B-2 - B-3
LP Group	B-4
Lounge Group	B-5
Water & Sewage Group	B-5 - B-6
Window, Vent & Exterior Door Group	B-7 - B-16

EXTERIOR BODY GROUP



1980 ITASCA TABLE OF CONTENTS

ICF22RB L1
ICN29RT L1
IC319RK L1

A-1 - B-16
B-17 - D-18
D-19 - E-20

Key	Part Number	U/M	Description
1	039964-01-000	EA	Trim - Contour - Right Rear - Off White
•	039964-02-000	EA	Trim - Contour - Left Rear - Off White
2	062396-01-000	EA	Trim - Sidewall - Upper - Left or Right - Off White
3	058284-02-000	EA	Trim - Contour - Right Front Upper - Off White
4	058289-02-000	EA	Trim - Contour - Windshield - Right
5	055400-01-000	EA	Cap Asm. - Fiberglass - Over Windshield - Off White
•	062396-01-000	EA	Trim - Roof/Front Cap - 91"
6	058284-01-000	EA	Trim - Contour - Left Front Upper - Off White
7	058287-01-000	EA	Trim - Molding - Windshield - Upper
•	042743-02-000	EA	Trim - Corner Windshield - Upper
•	042743-01-000	EA	Trim - Corner Windshield - Lower
8	058238-01-000	EA	Trim Molding - Windshield - Center
9	058239-01-000	EA	Trim - Contour - Windshield - Left
10	058287-02-000	EA	Trim - Molding - Windshield - Lower
11	058296-01-000	EA	Panel Asm. - Front Shroud - Includes Access Panel, Lower Shroud and Headlamp Cans
12	058678-01-000	EA	Access Panel - Off White
•	058722-01-000	EA	Pull Pin - Access Door Release
•	058752-01-000	EA	Hinge - Access Panel - Right
•	058752-02-000	EA	Hinge - Access Panel - Left
•	058754-01-000	EA	Hinge - Arm - Hood - Left Hand

Key	Part Number	U/M	Description
13	059343-01-000	EA	Grill Asm. - Suncruiser
•	058320-01-000	EA	Headlamp Housing - w/Lamps and Bezel - Left
•	058320-02-000	EA	Headlamp Housing - w/Lamps and Bezel - Right
•	057473-01-000	EA	Bezel - Headlamp - Left
•	057473-02-000	EA	Bezel - Headlamp - Right
•	058899-04-000	EA	Trim - Fiberglass Panel - Off White - Left
14	058899-03-000	EA	Trim - Fiberglass Panel - Off White - Right
•	050406-02-000	EA	Trim - Backwall - Lower
15	052843-02-000	EA	Trim - Wheel Well - Front - Left or Right
16	002444-02-001	EA	Feature Strip - Extr. Anod. - 14' - w/o Insert
•	001030-01-100	EA	Insert - Feature Strip - Black - Stucco - 17'
•	009731-01-000	EA	End Cap - Feature Strip
17	052842-01-000	EA	Trim - Wheel Well - Rear - Right or Left
18	002776-02-000	EA	Extr. - U-Channel - 1.75" x 16' - Anod.
•	002365-02-001	EA	Extr. - U-Channel - 1" x 18' Anod.
•	044380-01-001	EA	Extr. - Drip Rail - 192"
•	002755-01-002	EA	Extr. Angle - 1.12" x 1.12" x 192"
•	002726-01-001	EA	Extr. - Garnish - 1.38" x 22.8" - Window
•	058761-01-000	EA	Striker - Hood Latch
•	058762-01-000	EA	Bracket Asm. - Latch Mounting
•			Not Illustrated

1980 ICF22RB L1 INDEX

Floor Plan	A-1 - A-2
Accessories Group	A-3 - A-4
Bath Group	A-5
Chassis Group	A-6 - A-7
Curtain, Cushion and Pad Group	A-8 - A-12
Dinette Group	A-13
Driver's Compartment Group	A-14 - A-15
Electrical Group	A-16 - A-18
Exterior Body Group	A-19 - A-22
Galley Group	A-23
Heating & Air Conditioning Group	A-24 - B-1
Interior Finish Group	B-2 - B-3
LP Group	B-4
Lounge Group	B-5
Water & Sewage Group	B-5 - B-6
Window, Vent & Exterior Door Group	B-7 - B-16

EXTERIOR BODY GROUP (CONTINUED)

EXTERIOR BODY PANELS AND SHEET ALUMINUM

Key	Part Number	U/M	Description
	065166-01-L04	EA	Backwall Asm.
	064991-01-L04	EA	Sidewall Asm. - Right
	065157-01-L04	EA	Sidewall Asm. - Left
	065060-01-L04	EA	Roof Asm.
	039155-03-006	EA	Alum. - Off White Mesa I - .024" x 36" x 60"
	039155-03-003	EA	Alum. - Off White Mesa I - .024" x 36" x 360"
	039155-03-007	EA	Alum. - Off White Mesa I - .024" x 48" x 60"
	039155-03-008	EA	Alum. - Off White Mesa I - .024" x 48" x 360"
	039155-03-009	EA	Alum. - Off White Mesa I - .024" x 12" x 360"
	039155-28-031	EA	Alum. - Off White Mesa II - .024" x 36" x 60"
	039155-28-003	EA	Alum. - Off White Mesa II - .024" x 36" x 360"
	039155-28-004	EA	Alum. - Off White Mesa II - .024" x 48" x 60"
	039155-28-006	EA	Alum. - Off White Mesa II - .024" x 48" x 360"
	039155-28-007	EA	Alum. - Off White Mesa II - .024" x 12" x 360"
	044487-01-001	EA	Plain Roof Metal - 96" x 360"
	039155-07-010	EA	Off White Greyhound Alum. - 48" x 96"
	001054-01-011	EA	Off White Plain Alum. - 48" x 96"
	000668-01-000	SF	Styrofoam - 3/4" x 24" x 96"
	000870-01-000	SF	Styrofoam - 1 1/2" x 24" x 96"

NOTE: The raised portion of Mesa I aluminum is 1.657" wide.
The raised portion of Mesa II aluminum is .875" wide.

SEALANTS, ADHESIVES AND FASTENERS

Key	Part Number	U/M	Description
	034552-05-000	EA	Sealant - Off White Silicone
	034552-04-000	EA	Sealant - Beige Silicone
	034552-02-000	EA	Sealant - Clear Silicone
	004346-02-000	EA	Sealant - White Silicone
	009200-01-000	EA	Tape - Furnace - 1 1/2"
	004353-01-000	FT	Tape - Gasket - 1/8" x 3/4" - White
	002825-01-000	FT	Weather Stripping - Roof Vent
	002337-01-000	EA	Adhesive - 3M - 1300 Tube
	004005-01-000	GL	Adhesive - Swifts - Green Glue (Sidewalls)
	004020-01-000	QT	Adhesive - ABS Cement (Plastic Fittings)
	029051-01-000	EA	Adhesive - Spray Vinyl
	042401-02-000	EA	Screw - 8 - 18 x 3/4" PH - Off White
	042403-02-000	EA	Screw - 8 - 18 x 1" SDPH - Off White
	053766-01-000	EA	Bedding Compound - Tube Black - Schnee Morehead
	053766-02-000	EA	Bedding Compound - Tube White - Schnee Morehead
	053767-01-000	FT	Tape - 1/2" x 1/8" x 30' - Gray - Schnee Morehead
	053767-03-000	FT	Tape - 1/4" Bead x 20' - Gray - Schnee Morehead
	053767-04-000	FT	Tape - 3/4" x 1/8" x 30' - Gray - Schnee Morehead
	053767-05-000	FT	Tape - 2" x 3/32" x 45' - Gray - Schnee Morehead

EXTERIOR BODY GROUP (CONTINUED)

EXTERIOR PAINT

Key	Part Number	U/M	Description
	041561-01-000	EA	Paint - Off White - Acrylic Enamel - 1 Gal. - Dupont 45396A
	041561-03-000	EA	Paint - Off White - Acrylic Enamel - 16 oz. Spray - Dupont 45396A
	059952-03-00J	EA	Paint - Gold - Acrylic Enamel - 16 oz. Spray Dupont 43496
	065107-03-000	EA	Paint - Orange - Acrylic Enamel - 16 oz. Spray - Dupont 5583
	065109-03-000	EA	Paint - Mahogany - Acrylic Enamel - 16 oz. Spray - Dupont 44745
	059950-03-000	EA	Paint - Dark Blue - Acrylic Enamel - 16 oz. Spray - Dupont 63203
	065108-03-000	EA	Paint - Grabber Blue - Acrylic Enamel - 16 oz. Spray - Fade Color - Dupont 42636
	066734-03-000	EA	Paint - Candy Apple Red - Acrylic Enamel - 16 oz. Spray - Fade Color - Dupont 4737
	065110-03-000	EA	Paint - Chrome Yellow - Acrylic Enamel - 16 oz. Spray - Fade Color - Dupont 6561

LABELS AND DECALS

Key	Part Number	U/M	Description
	006015-01-000	EA	Label - Patent
	006064-01-000	EA	Label - Seat - w/o Seat Belt
	006006-01-000	EA	Label - Thermopanel
	057467-01-000	EA	Label - Exterior Loading Limit
	006187-01-000	EA	Label - Sewage
	006188-01-000	EA	Label - Waste Water
	006199-01-000	EA	Label - Exit - Escape Window
	008092-01-000	EA	Reflector - Stick On - Rectangular - Red
	008093-01-000	EA	Reflector - Stick On - Rectangular - Amber
	040944-01-000	EA	Label - Open - Entrance Door
	047731-01-000	EA	Label - Emergency Exit
	006040-01-000	EA	Tag - Gas - Refueling Warning
	006062-01-000	EA	Tag - Electrical - 110V Connection
	054531-01-000	EA	Label - LP Gas Only
	061417-01-000	EA	Label - Fuel
	065209-01-000	EA	Decal - Stencil, C. Black
	061600-01-000	EA	Decal - Itasca
	046400-04-000	EA	Decal - Logo - Itasca
	055299-01-000	EA	Decal - Logo - Suncruiser
	065211-01-000	EA	Decal - Stencil Stripe - Side Swirl
	065210-01-00J	EA	Stencil - Stripe - Side Rear Right Hand
	065210-02-000	EA	Stencil - Stripe - Side Rear Left Hand
	065205-01-000	FT	Tape - Premasked - Black

MISCELLANEOUS EXTERNALLY MOUNTED PARTS

Key	Part Number	U/M	Description
	010230-02-000	EA	Fill - City Water - Recessed - Off White
	058608-01-000	EA	Fill - Water - Lockable
**	011124-01-000	EA	Plumbing Seal - Roof Vent - 1 1/4" White
**	011129-01-000	EA	Plumbing Seal - Roof Vent - 1 1/2" White
	057461-01-000	EA	Mirror Head - 7 1/2" x 10 1/2" - w/Convex - Bright Finish
	057461-02-000	EA	Mirror Head - 7 1/2" x 10 1/2" - w/Convex - Off White
	049348-01-000	EA	Arm - Low Mount Mirror - Bright Finish
	049348-02-000	EA	Arm - Low Mount Mirror - Off White
	049348-03-000	EA	Arm - Low Mount Mirror - Black
	049944-04-000	EA	Bracket - Mirror - Outside - Black
	049944-02-000	EA	Bracket - Mirror - Outside - Off White
	048817-01-000	EA	Handle Asm. - Assist w/Light

**The illustrated parts breakdown for this item is provided on the Common Items Fiche.

**1980 ITASCA
TABLE OF CONTENTS**

ICF22RB L1	A-1 - B-16
ICN29RT L1	B-17 - D-16
IC3194K L1	D-19 - E-20

1980 ICF22RB L1 INDEX

Floor Plan	A-1 - A-2
Accessories Group	A-3 - A-4
Bath Group	A-5
Chassis Group	A-6 - A-7
Curtain, Cushion and Pad Group	A-8 - A-13
Dinette Group	A-14
Driver's Compartment Group	A-14 - A-15
Electrical Group	A-16 - A-18
Exterior Body Group	A-19 - A-21
Galley Group	A-22
Heating & Air Conditioning Group	A-24 - B-1
Interior Finish Group	B-2 - B-4
LP Group	B-5
Lounge Group	B-6
Water & Sewage Group	B-5 - B-4
Window, Vent & Exterior Door Group	B-7 - B-10

GALLEY GROUP

GALLEY CABINETRY

Key	Part Number	U/M	Description
	065672-01-L04	EA	Cabinet Asm. - Galley - w/o Countertop, Doors, Drawers or Hardware - (4 Burner Range)
	065525-01-L04	EA	Countertop Asm. - Galley - Dual Control
	065525-02-L04	EA	Countertop Asm. - Galley - Single Control
	058023-12-L04	EA	Drawer Asm. - Galley Cabinet - 9.42" x 17.5" - w/o Hardware
	058023-13-L04	EA	Drawer Asm. - Galley Cabinet - 9.42" x 13" - w/o Hardware
	065260-15-L04	EA	Door Asm. - Galley Cabinet - 17.10" x 33.4" - w/o Hardware
	065260-16-L04	EA	Door Asm. - Galley Cabinet - 11.2" x 33.4" - w/o Hardware
	066166-04-L04	EA	Door Asm. - Galley Cabinet - 12.2" x 22" - w/o Hardware
	057992-56-L04	EA	Door Asm. - Galley Cabinet - 25.2" x 10.8" - w/o Hardware
	057992-60-L04	EA	Door Asm. - Galley Cabinet - 19.7" x 12.2" - w/o Hardware
	065260-22-L04	EA	Door Asm. - Galley Cabinet - 12.5" x 19.7" - Right - w/o Hardware
	065260-23-L04	EA	Door Asm. - Galley Cabinet - 12.5" x 19.7" - Left - w/o Hardware
	065841-01-L04	EA	Cabinet Asm. - Galley Overhead - w/o Doors or Hardware
	054450-01-000	EA	Level - Refrigerator
	063224-13-L04	EA	Door Asm. - Rolled 13" x 17.7"
	059122-08-L04	EA	Door Asm. - Rolled - 17.7" x 13"
	065260-12-L04	EA	Door Asm. - 15.90" x 9.12" w/o Hardware
	065260-18-L04	EA	Door Asm. - 15.90" x 11.60" - w/o Hardware

GALLEY HARDWARE AND APPLIANCES

Key	Part Number	U/M	Description
	053424-01-L04	EA	Sink Cover - Large - Burl Block
	011032-01-000	EA	Sink - Stainless Steel - Double w/Bolts
**	011053-01-000	EA	Faucet - Swing Spout - 8" - US
**	011053-02-000	EA	Faucet - Swing Spout - 8" - C.S.A.
	064952-01-000	EA	Faucet - Galley - Single Control
	066437-01-000	EA	Strainer - Sink
**	011053-01-700	EA	Aerator - Swing Spout Faucet
	058334-01-000	EA	Wastebasket - 9 3/4" x 7" x 10" - Vanity
	058877-01-000	EA	Support - Wastebasket
	058841-01-L04	EA	Cover - Wastebasket - Burl Block
	053333-01-000	EA	Range Hood - Non Power - Black - U.S.
	053333-02-000	EA	Range Hood - Non Power - Black - C.S.A.
	049930-04-000	EA	Range Hood - Power - Black C.S.A.
**	049930-07-000	EA	Range Hood - Powered - Almond - Jensen
	052771-02-000	EA	Microwave Oven - Magic Chef - MW207
	062025-01-000	EA	Range Top - 3 Burner - Black - Magic Chef
	055262-03-000	EA	Range - 4 Burner - Small Oven - Almond - Magic Chef
**	049175-02-000	EA	Refrigerator - AC/DC/Gas - Sibir ET150/2 - 1 Door Model
**	049174-02-000	EA	Refrigerator - AC/DC/Gas - Sibir ET230/2 - 2 Door Model
	053334-01-000	EA	Vent - Stove - Nonpower - Off White
	053287-07-000	EA	Bracket Asm. - Microwave - Right Hand
	053287-08-000	EA	Bracket Asm. - Microwave - Left Hand

**The illustrated parts breakdown for this item is provided on the Common Items Fiche.

HEATING AND AIR CONDITIONING GROUP

AUTOMOTIVE HEATER AND AIR CONDITIONER

Key	Part Number	U/M	Description
	039044-01-000	EA	Louver Asm. - A/C Adjustable
	047046-01-000	EA	Motor - 12 Volt - 3 Speed - Heater - Air Conditioner
	031043-01-000	EA	Valve - Heater - Water Flow Control
	031169-01-000	EA	Cable - Control - Flexible - 53"
	031169-02-000	EA	Cable - Control - Flexible - 48"
	031170-01-000	EA	Clamp - Cable - 3/16" Dia.
	024996-01-000	EA	Clutch - Magnetic - Compressor
	024999-01-000	EA	Compressor - Auto Air - 10.3 Cubic Inch
	056783-01-000	EA	Belt - Compressor Drive - Dayco 15520
	047036-01-000	EA	Package Compressor Mount - 350 C.I.D.
	048100-01-000	EA	Package Compressor Mount - 454 C.I.D.
	048801-01-000	EA	Condensor - Radiator Mount
	008267-01-000	EA	Switch - Air Conditioner
	024867-01-000	EA	Valve - Thermostatic Expansion
	024997-01-000	EA	Core - Heater
	024996-01-000	EA	Wheel - Blower - 4.72" O.D.
	031393-01-000	EA	Coil - Evaporator
	031001-01-000	EA	Blower Housing
	007076-01-000	FT	Hose - Flexible PVC - 2" I.D.
	007108-01-000	FT	Hose - Heater - 5/8" I.D. SAE 20R3
	007281-01-000	FT	Hose - Flexible PVC - 2 1/2" I.D.
	062401-04-000	EA	Clamp - Worm Drive - .69" - 1.25" I.D.
	062401-05-000	EA	Clamp - Hose - 2" x 3" Dia.
	033253-01-000	EA	Hose - Refrigerant - .50" I.D. x 34.50"
	065208-01-000	EA	Hose - Refrigerant - .50" I.D. x 34.5" w/90° Elbow
	034222-01-000	EA	Hose - Refrigerant - .31" I.D. x 26"
	034222-02-000	EA	Hose - Refrigerant - .31" I.D. x 32"
	039180-01-000	EA	Hose - Refrigerant - .34" I.D. x 30"
	031961-01-000	EA	Hose - Refrigerant - .31" I.D. x 14.75"
	031961-02-000	EA	Hose - Refrigerant - .31" I.D. x 19"
	049401-01-000	EA	Heater Asm. - Rear - Aux.
	049401-01-700	EA	Valve - Water Control - (Aux. Heater)
	049401-01-701	EA	Control Cable - (Aux. Heater)
	049401-01-702	EA	Motor Asm. - (Aux. Heater)
	049401-01-703	EA	Heater Core - (Aux. Heater)
	049401-01-704	EA	Switch - (Aux. Heater)
	058906-01-000	EA	Control Panel - Auxiliary Rear Heater
	024868-01-000	EA	Receiver - Dehydrator
	031044-01-000	EA	Clamp - Receiver Dehydrator
	031962-01-000	EA	Bracket - Receiver Dehydrator
	048230-02-000	EA	Kit - Auto Air - 350 C.I.D. A-Body
	047232-01-000	EA	Kit - Auto Air - 454 C.I.D. A-Body
	056464-01-000	EA	Register - 4" Dia. - Plastic w/Dampers - Winterization Option
	062408-01-000	EA	Heat - Pusher - (Duct Fan) Winterization Option
	062411-01-000	EA	Switch - Temp. Control - 38° Close - 48° Open - Winterization Option
	062411-02-000	EA	Switch - Temp. Control - 28° Close - 30° Open - Winterization Option

1980 ITASCA TABLE OF CONTENTS

ICF22RB L1	A-1 - B-16
ICN29RT L1	B-17 - D-18
IC319RK L1	D-19 - E-20

1980 ICF22RB L1 INDEX

Floor Plan	A-1 - A-2
Accessories Group	A-3 - A-4
Bath Group	A-5
Chassis Group	A-6 - A-7
Curtain, Cushion and Pad Group	A-8 - A-12
Dinette Group	A-13
Driver's Compartment Group	A-14 - A-15
Electrical Group	A-16 - A-18
Exterior Body Group	A-19 - A-22
Galley Group	A-23
Heating & Air Conditioning Group	A-24 - B-1
Interior Finish Group	B-2 - B-3
LP Group	B-4
Lounge Group	B-5
Water & Sewage Group	B-5 - B-6
Window, Vent & Exterior Door Group	B-7 - B-16

HEATING AND AIR CONDITIONING GROUP (CONTINUED)

FURNACES AND ROOF AIR CONDITIONERS

Key	Part Number	U/M	Description
**	052588-01-000	EA	Furnace - 19,000 BTU - Under Counter Mount - 4319-729
**	058351-01-000	EA	Furnace - 24,000 BTU - w/Electric Ignition - 4324-749
	048043-02-000	EA	Door - Furnace Front
	056464-01-000	EA	Register - 4" Dia. - Plastic
	009198-01-000	FT	Duct - Flexible - 4" I.D. x 25'
	009200-01-000	EA	Tape - Furnace - 1 1/2"
	023146-01-000	EA	Clamp - Screw Type - 4"
	024965-01-000	EA	Heat Register - w/Damper - 9.9" x 4.8"
	031804-01-000	EA	Bonnet - Heat Register
	050784-01-000	EA	Vent Package - Furnace - 3" - 6" - Wall
	039505-02-000	EA	Thermostat - Horizontal Wall Mount
	063708-01-000	EA	Cover - AC - Vinyl 26" x 29"
	063903-01-000	EA	Air Conditioner - 110 Volt - Roof Mount - 13,500 BTU - Rotary Ivory - Coleman (w/o inside shroud)
**	049775-02-000	EA	Shroud Asm. - Ceiling - Inside - Roof Air Cool Only - 13,500 BTU - Coleman
**	049776-01-000	EA	Shroud Asm. - Ceiling - Inside - Roof Air Heat and Cool - 13,500 BTU - Coleman

**The illustrated parts breakdown for this item is provided on the Common Items Fiche.

Key	Part Number	U/M	Description
	045983-01-000	SF	Paneling - 825 Buff - 48" x 96" (32 SF)
	064385-02-000	SF	Paneling - 48" x 96" (32 SF) (900 Rustic Oak)
	065739-07-000	SF	Paneling - Decorative - Atrium Winter
	065739-06-000	SF	Paneling - Decorative - Atrium - Red
	064388-05-000	SF	Paneling - Decor, Atrium Winter
	064388-04-000	SF	Paneling - Decor, Atrium Red
	058219-01-000	SF	Plastic Laminate - Almond Batik
	058039-01-000	SF	Plastic Laminate - Burl Block
	053339-01-000	SF	Plastic Laminate - Butcher Block - 48" x 96" (32 SF)
	053339-01-001	EA	Plastic Laminate - Butcher Block - 48" x 48"
	053339-01-002	EA	Plastic Laminate - Butcher Block - 1.19" x 96"
	059970-01-000	SF	Plastic Laminate - Matador Leather

INTERIOR MOLDINGS AND TRIMS

Key	Part Number	U/M	Description
	047354-01-000	EA	Batt Strip - 825 Buff - Ceiling - 96"
	064386-02-000	EA	Batt Strip - 900 Oak - 96"
	064389-04-000	EA	Batt Strip - Decorative - Atrium - Cork
	064389-05-000	EA	Batt Strip - Decorative - Atrium - Red
	064389-06-000	EA	Batt Strip - Decorative - Blue/Gray
	024700-06-000	EA	Cover - Roll Bar - Sidewall - Ivory
	024700-14-000	EA	Cover - Roll Bar - Russet Oak
	052859-01-J27	FT	Accent Trim - Acorn Brown Vinyl
	009812-08-000	FT	Molding - Outside Corner - .50" - Teak
	009767-05-000	FT	Welting - Light Brown
	009778-01-000	FT	U-Channel - 1" - Dark Brown
	009779-03-000	FT	U-Channel 1" LT. Brown
	052931-01-K01	FT	Molding Asm. - Shelf
	009815-03-000	FT	T-Molding - .75" - Light Brown
	022992-03-000	FT	Molding - Reverse Cove
	035337-22-000	EA	Trim - Inside Corner - Alum. - 80.88"
	034394-02-000	EA	Extr. Vinyl Insert - Beige

FABRICS AND FLOOR COVERINGS

Key	Part Number	U/M	Description
	064393-01-000	YD	Fabric - Drapery - Walnut
	064383-01-000	YD	Fabric - Upholstery - Tara Brown
	064383-02-000	YD	Fabric - Upholstery - Tara Rust
	064383-07-000	YD	Fabric - Upholstery - Tara Blue
	053327-01-000	YD	Vinyl - Non Expanded - 27 oz. - Acorn Brown
	053327-02-000	YD	Vinyl - Expanded - 28 oz. - Acorn Brown
	053327-03-000	YD	Vinyl - Non Support - 16 Gauge Film - Acorn Brown
	064384-01-000	SY	Carpet - Ginger
	064384-02-000	SY	Carpet - Camel
	064392-01-000	SY	Vinyl Floor Covering - Armstrong - Castilian
	057852-05-000	YD	Fabric - Upholstery - Suede - Burnt Orange
	057852-06-000	YD	Fabric - Upholstery - Suede - Cocoa

INTERIOR FINISH GROUP

PANELING AND COUNTERTOP MATERIALS

1980 ITASCA TABLE OF CONTENTS

ICF22RB L1	A-1 - B-16
ICN29RT L1	B-17 - D-18
IC319AK L1	D-19 - E-20

1980 ICF22RB L1 INDEX

Floor Plan	A-1 - A-2
Accessories Group	A-3 - A-4
Bath Group	A-5
Chassis Group	A-6 - A-7
Curtain, Cushion and Pad Group	A-8 - A-12
Dinette Group	A-13
Driver's Compartment Group	A-14 - A-15
Electrical Group	A-16 - A-16b
Exterior Body Group	A-19 - A-22
Galley Group	A-23
Heating & Air Conditioning Group	A-24 - B-1
Interior Finish Group	B-2 - B-3
LP Group	B-4
Lounge Group	B-5
Water & Sewage Group	B-5 - B-6
Window, Vent & Exterior Door Group	B-7 - E-16

INTERIOR FINISH GROUP (CONTINUED)

CABINERY AND TABLE HARDWARE

Key	Part Number	U/M	Description
	057946-01-L04	EA	Pull Kit - Cabinet Drawer - Flat Latch
**	052932-01-J30	EA	Hinge Kit - Cabinet Door - Antique Brass
	057945-01-K01	EA	Latch Kit - Cabinet Door - Flat Latch
	009112-01-000	EA	Flange - 1" - Closet Rod
**	053200-01-000	EA	Bracket - Upper Wall Mount - 23.5"
**	053201-03-000	EA	Bracket - Table Mount - 23" Anod.
**	024275-01-000	EA	Rod - Table Lift
**	024281-06-000	EA	Bracket - Lower Wall Mount - Black - 22.12"
**	024276-04-000	EA	Leg Asm. - Table - Brown - 29.5"
	064050-01-000	EA	Hinge - Table Leg
**	024282-01-000	EA	Brace - Table Leg
**	024283-01-000	EA	Clip - 1" O.D. Tube
**	049493-02-000	EA	Catch - Table Leg - Mounts on Floor - Brown
	059753-01-000	EA	Slide - Drawer - Left
	059753-02-000	EA	Slide - Drawer - Right
**	037688-01-000	FT	Rail - Drawer Glide
**	047744-01-000	EA	Kit - Drawer Glide

**The illustrated parts breakdown for this item is provided on the Common Items Fiche.

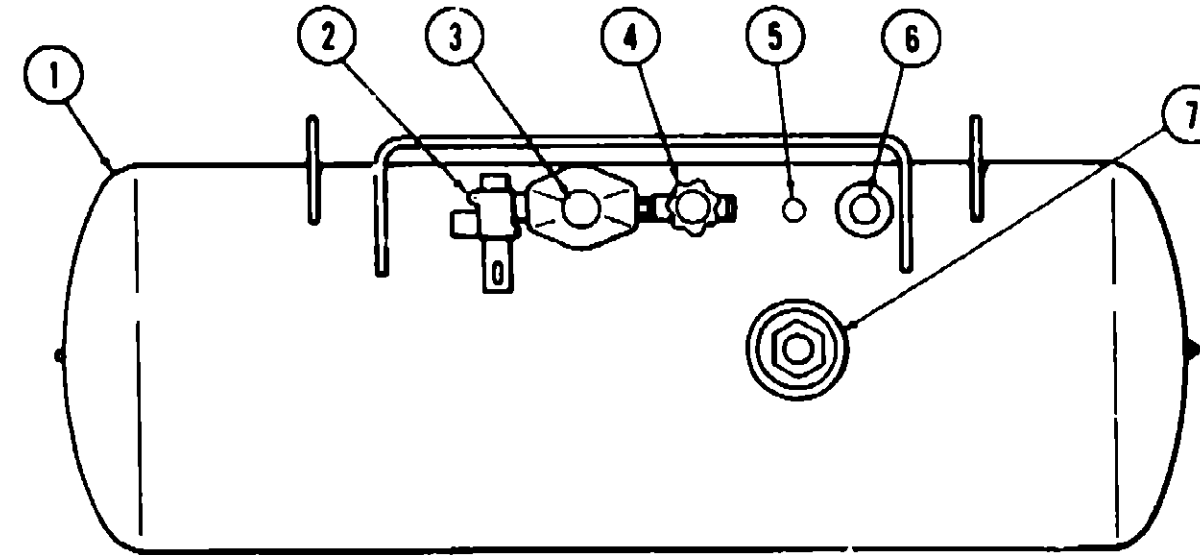
CURTAIN HARDWARE

Key	Part Number	U/M	Description
	052327-04-238	EA	Track - Curtain - Brown Alum. - 89" w/Holes
	056116-01-000	FT	Track - Curtain - Brown Plastic
	056001-01-000	EA	Bracket - Shade - Left
	056002-01-000	EA	Bracket - Shade - Right
	056003-01-000	EA	Bracket - Drapery Retainer - Right
	056003-02-000	EA	Bracket - Drapery Retainer - Left
	053272-04-200	EA	Track - Curtain - Off White - 89" w/Holes
	056784-01-000	EA	Pull - Window Shade - Antique Brass
	009107-01-000	EA	Guide - Nylon Snap - Curtain
	018031-42-000	EA	Track - Curtain - "L" Rod - Alum. Extr. - 90"
	009701-01-000	EA	Carrier - "L" Rod - Curtain
	009702-01-000	EA	End Stop - "L" Rod - Curtain
	059430-01-000	EA	Track - Curtain - Wraparound (2 required per unit)
	056115-01-000	YD	Tape - Clear Plastic - w/Guides

MISCELLANEOUS

Key	Part Number	U/M	Description
	041944-01-700	EA	Fire Extinguisher - Dry Chemical w/Bracket
	041944-03-000	EA	Fire Extinguisher - 5BC (Calif.)
	053552-01-L04	EA	Assist Handle - Interior - Acorn Vinyl
	054185-07-000	EA	Owners Manual - Itasca
	047205-08-000	EA	Brass Mesh - 10 1/8" x 12 1/2" - Furnace Grill
	006069-01-000	EA	Key Case - Leather
	040069-01-000	EA	Door Mat - Black Rubber - 10 1/2" x 26"

LP GROUP



Key	Part Number	U/M	Description
1	052769-01-000	EA	Tank Asm. - LP - Frame Mount - 42 Pound
1	063398-01-000	EA	Tank Asm. - LP - Frame Mount - 80 Pound
2	047221-01-000	EA	Detector - LP Gas Leak - Rosan
.	047356-01-000	EA	Bracket - LP Detector - Rosan
.	065741-01-000	EA	Detector - LP Gas Leak - Marshalltown Instruments
3	058706-01-000	EA	Cover - Regulator - 2 Stage
.	058705-01-000	EA	Regulator - Two Stage - LP Gas
4	040421-01-703	EA	Valve - Vapor Relief
5	040421-01-700	EA	Gauge - Liquid Level - 20% LP
6	040421-01-701	EA	Valve - Filler - LP
.	040421-01-702	EA	Cap - Plastic Fill Valve
7	040421-01-707	EA	Gauge - Float - w/Visible Dial - 80 Pound Tank
.	042281-01-700	EA	Gauge - Float - w/Visible Dial - 42 Pound Tank
.	040421-01-706	EA	Dial - Visible Face - Float Gauge (Tank w/o Electric Transmitter)
.	042421-01-705	EA	Dial - Transmitter - 0 - 90 Ohm (Float Gauge)
.	045703-01-000	EA	Hose Asm. - LP - 3/8" I.D. x 24"
.	045703-02-000	EA	Hose Asm. - LP - 3/8" I.D. x 24" Canada
.	045703-03-000	EA	Hose Asm. - LP - 3/8" I.D. x 14"
.	047737-02-000	EA	Support - LP Tank - 89.25"
.	047737-03-000	EA	Support - LP Tank - 30.50"
.	Not Illustrated		

**1980 ITASCA
TABLE OF CONTENTS**

ICF22RB L1	A-1 - B-16
ICN29RT L1	B-17 - D 18
IC319RK L1	D-19 - E-20

1980 ICF22RB L1 INDEX

Floor Plan	A-1 - A-2
Accessories Group	A-3 - A-4
Bath Group	A-5
Chassis Group	A-6 - A-7
Curtain, Cushion and Pad Group	A-8 - A-12
Dinette Group	A-13
Driver's Compartment Group	A-14 - A-15
Electrical Group	A-16 - A-18
Exterior Body Group	A-19 - A-22
Galley Group	A-23
Heating & Air Conditioning Group	A-24 - B-1
Interior Finish Group	B-2 - B-3
LP Group	B-4
Lounge Group	B-5
Water & Sewage Group	B-5 - B-6
Window, Vent & Exterior Door Group	B-7 - B-16

LOUNGE GROUP

Key	Part Number	U/M	Description
	058093-03-L04	EA	Drawer Asm. - Blanket - 19.62" x 30.63"
	058875-02-000	EA	Leg Asm. - Couch
	022517-01-000	EA	End Cap - 1" x 1" - Brown
	066379-01-L04	EA	Cabinet Asm. - Pullout Couch
	065990-01-L04	EA	Cabinet Asm. - Armrest
	065987-01-L05	EA	Armrest Asm. - Brown/Beige
	065987-01-L04	EA	Armrest Asm. - Rust
	065987-01-L08	EA	Armrest Asm. - Blue
	057992-56-L04	EA	Door Asm. - Cabinet - 28.2" x 11.5"
	065981-01-L04	EA	Cabinet Asm. - Overhead - Lounge
	065988-01-L04	EA	Front Panel Asm. - Sprung Couch
	065394-01-L04	EA	End Panel - Sprung Couch
	057468-02-000	EA	Base Asm. - Couch - Right - Sprung Couch
	057468-03-000	EA	Base Asm. - Couch - Left - Sprung Couch
	057468-04-000	EA	Base Asm. - Couch - Spacers - Sprung Couch
	057469-01-000	EA	Leg Asm. - Sprung Couch
	066712-01-L04	EA	Cabinet Asm. - Lounge Chair - Right Hand
	066716-01-L04	EA	Cabinet Asm. - Lounge Chair - Left Hand

WATER AND SEWAGE GROUP

HOLDING TANKS AND WATER HEATERS

Key	Part Number	U/M	Description
	064591-02-000	EA	Tank Asm. - Holding - Main - w/Fittings
	064591-01-000	EA	Tank Asm. - Holding - Main - w/o Fittings
	064592-02-000	EA	Tank Asm. - Holding - Aux. - w/Fittings
	064592-01-000	EA	Tank Asm. - Holding - Aux. - w/o Fittings
	045196-18-000	EA	Tank Asm. - Water - 26 Gal. - (Front Dinette Seat)
	045196-17-000	EA	Tank Asm. - Water - 26 Gal. - (Rear Dinette Seat)
	045196-01-000	EA	Tank Asm. - Water - 26 Gal. - w/o Fittings
	045196-16-000	EA	Tank Asm. - Water - 26 Gal. - w/Fittings
	067333-02-000	EA	Tank Asm. - Water - (Lounge, Sprung Couch)
**	051391-01-000	EA	Water Heater - 6 Gallon - w/o Motor Aid - Atwood G6A3
**	051392-01-000	EA	Water Heater - 6 Gallon - w/Motor Aid - Atwood GH63

**The illustrated parts breakdown for this item is provided on the Common Items Fiche.

WATER AND SEWAGE GROUP (CONTINUED)

PLUMBING REPAIR PARTS

Key	Part Number	U/M	Description
**	040539-01-000	EA	Kit - Repair - 3/8" O.D. Plastic Tube
**	040540-01-000	EA	Kit - Repair - 1/2" O.D. Plastic Tube
**	040541-01-000	EA	Kit - Repair - 5/8" O.D. Plastic Tube
**	039847-02-000	EA	Filter - Water Pump 1/2" MPT
**	063648-01-000	EA	Water Pump - Direct Drive - 2.8 GPM - PAR
**	063648-02-000	EA	Water Pump - Direct Drive - 2.8 GPM - PAR - CSA
**	039818-01-000	EA	Riser Asm. - 3/8" O.D. x 24" Tube
**	039818-02-000	EA	Riser Asm. - 3/8" O.D. x 36" Tube
**	039818-04-000	EA	Riser Asm. - 3/8" O.D. x 72" Tube
**	010224-01-000	EA	Adapter - Plastic - 3/8 MPT x 3/8 Barb
**	052952-01-000	EA	Nut - Plastic 1/2" F
**	052953-01-000	EA	Nut - Faucet - 1/2 Tube x 1/2 FPT
**	052954-01-000	EA	Adapter - Nose Cone 3/8 or 1/2
**	052956-01-000	EA	Tee - Plastic - 1/2 F x 1/2 MPT x 1/2 F
**	052957-01-000	EA	Elbow - Plastic - 1/2 F x 3/8 MPT
**	052957-02-000	EA	Elbow - Plastic - 1/2 F x 1/2 MPT
**	052958-01-000	EA	Tee Plastic 1/2 F x 1/2 F x 1/2 F
**	052958-02-000	EA	Connector - Plastic 1/2 F x 1/2 MPT
**	052960-01-000	EA	Valve - Line Drain
**	052961-01-000	EA	Header - 1/2 F x 1/2 F x 1/2 F x 1/2 F
**	054537-01-000	EA	Valve - Tank Drain
**	034020-01-000	QT	Adhesive - ABS Cement
**	010201-01-000	EA	Hose - Sewer 3" x 10 Ft w/Clamp
**	062415-01-000	EA	Cap - Sewer - 3"
**	062416-01-000	EA	Hose Adapter - 3"
**	062417-01-000	EA	Adapter - Termination - 3"
**	062418-01-000	EA	Valve - Dump - 3" w/Handle
**	062418-02-000	EA	Valve - Dump - 3" w/o Handle
**	062419-01-000	EA	Handle - Dump Valve Extension - 35" w/6" Adapter
**	062419-02-000	EA	Handle - Dump Valve Extension - 53" w/6" Adapter
**	062421-01-000	EA	Valve - 1 1/2" - w/Handle
**	061607-01-000	EA	Grommet - Holding Tank Coupler - 1 1/2"
**	061607-02-000	EA	Grommet - Holding Tank Coupler - 3"
**	011091-01-000	EA	Waste - Continuous Double Sink 11 7/8"
**	011068-01-000	EA	P-Trap - Plastic - 1 1/4"
**	053335-01-000	EA	P-Trap - Plastic 1 1/4" H/H w/Union
**	056134-01-000	EA	Holder - Ring
**	052962-01-000	EA	Valve - Stool - 90° - 1/2 F x 3/8 MPT
**	058808-01-000	EA	Waterfill - Lockable - White
**	062401-05-000	EA	Clamp - Hose - 2-3"
**	011129-01-000	EA	Seal - Roof - Plumbing Pipe
**	033302-02-000	EA	Adapter Asm. - SWVC Strain 1 1/2
**	044928-01-000	EA	Tubing - Flex - 1 1/4" ID x 10'
**	031126-01-000	EA	Elbow - Plastic - 1/4 BD 3 x 90 x LT
**	010008-01-000	EA	Elbow - Plastic - 1/8 BD 1 1/2 x 45 H x H
**	010008-01-000	EA	Elbow - Plastic - 1/4 BD 1 1/2 x 90 x LT
**	010051-01-000	EA	Elbow - ST - Plastic - 1/8 BD 1 1/2 x 45
**	010071-01-000	EA	Tee - Plastic - 1 1/2 H x H x H
**	010121-01-000	EA	Bushing - Plastic - Red - 1 1/2 S x 1 1/4 H
**	010133-01-000	EA	Adapter - Trap - Plastic 1 1/2" H x MPT
**	010073-01-000	EA	Tee - Plastic - 1 1/2" x 45 H x H x H
**	010079-01-000	EA	Tee - Plastic - 1 1/2" H x 1 1/2" H x 1 1/4" H
**	010031-01-000	EA	Wye - Plastic - 3" x 45 H x H x H
**	010117-01-000	EA	Coupling - Plastic - 3" H x H
**	010134-01-000	EA	Adapter - Plastic - 1 1/2" M x MPT
**	050780-01-000	EA	Coupler - Rubber - 3" x 3"
**	046524-01-000	EA	Kit - Plastic Fittings - Holding Tank
**	046524-02-000	EA	Kit - Plastic Fittings - Water Tank
**	037845-01-000	FT	Tape - Butyl - 3/16" - Bead - Black
**	042989-02-000	EA	Fitting - Spinweld - Plastic 1/2" NPT
**	042989-03-000	EA	Fitting - Spinweld - Plastic 1/4" NPT
**	042989-04-000	EA	Fitting - Spinweld - Plastic 3/8" NPT
**	004381-01-000	FT	Tape - Foam - 1/4 x 1 1/2 Gray - One Side
**	007161-01-000	EA	Clamp - Hose - Spring Type 112
**	010190-01-000	FT	Tubing - Black Plastic - 3/8"

**The illustrated parts breakdown for this item is provided on the Common Items Fiche.

**1980 ITASCA
TABLE OF CONTENTS**

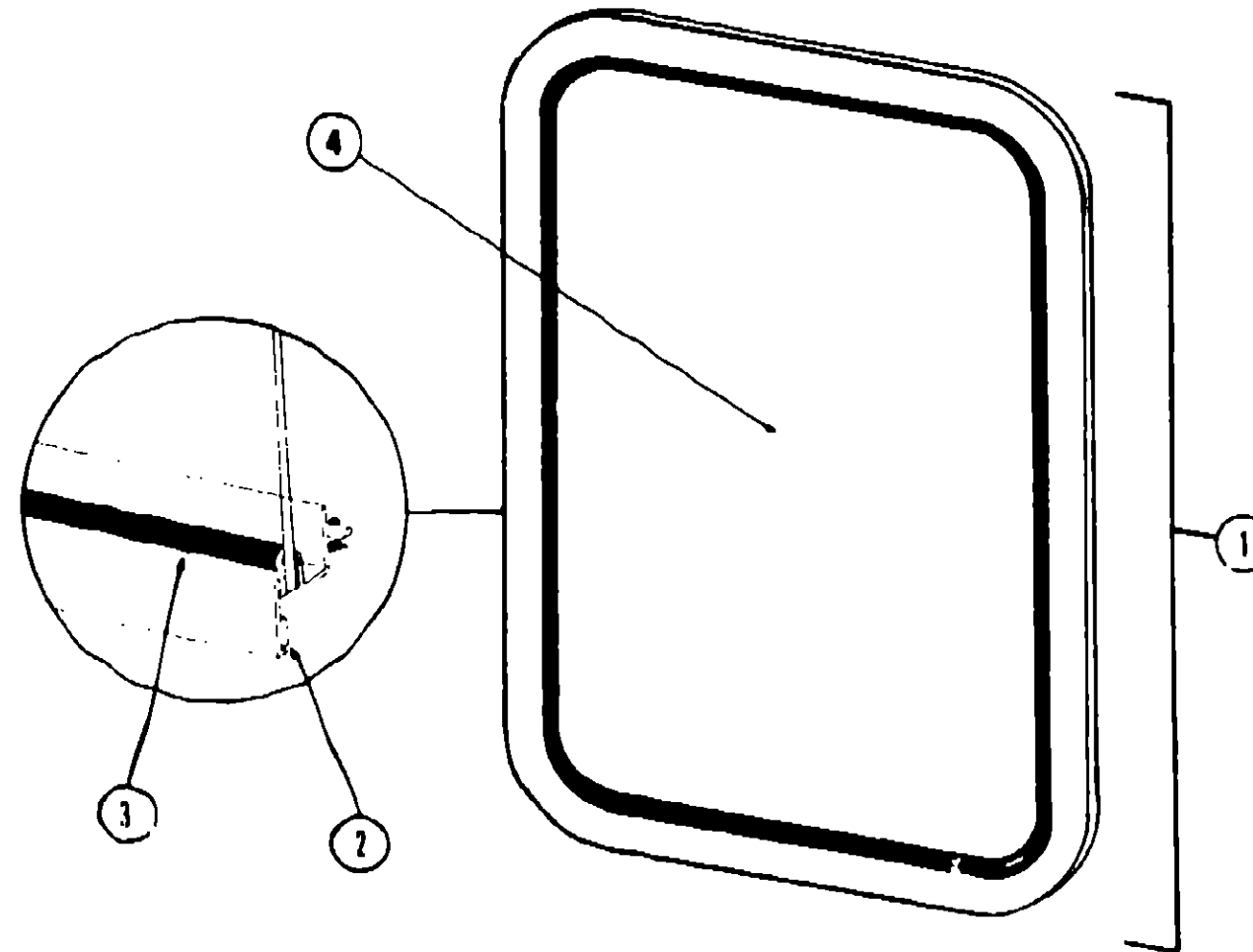
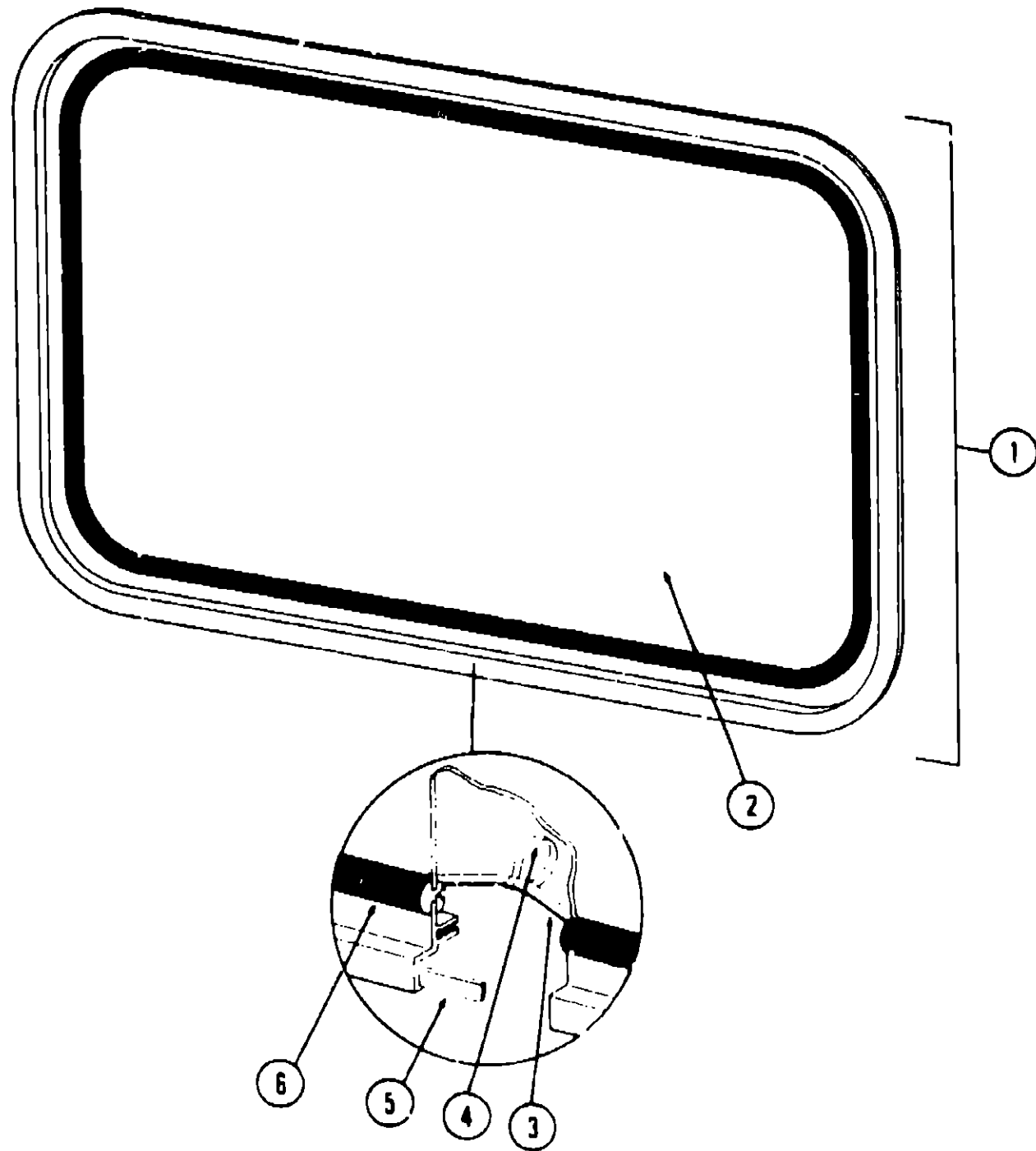
ICF22RB L1	A-1 - B-16
ICN29RT L1	B-17 - D-18
IC319FK L1	D-19 - F-20

1980 ICF22RB L1 INDEX

Floor Plan	A-1 - A-2
Accessories Group	A-3 - A-4
Bath Group	A-5
Chassis Group	A-6 - A-7
Curtain, Cushion and Pad Group	A-8 - A-12
Dinette Group	A-13
Driver's Compartment Group	A-14 - A-15
Electrical Group	A-16 - A-18
Exterior Body Group	A-19 - A-22
Galley Group	A-23
Heating & Air Conditioning Group	A-24 - B-1
Interior Finish Group	B-2 - B-3
LP Group	B-4
Lounge Group	B-5
Water & Sewage Group	B-5 - B-6
Window, Vent & Exterior Door Group	B-7 - B-16

WINDOW, VENT AND EXTERIOR DOOR GROUP

WINDOW, VENT AND EXTERIOR DOOR GROUP (CONTINUED)



**1980 ITASCA
TABLE OF CONTENTS**

ICF22RB L1
ICN26RT L1
IC319RK L1

A-1 - B-16
B-17 - D-18
D-19 - E-20

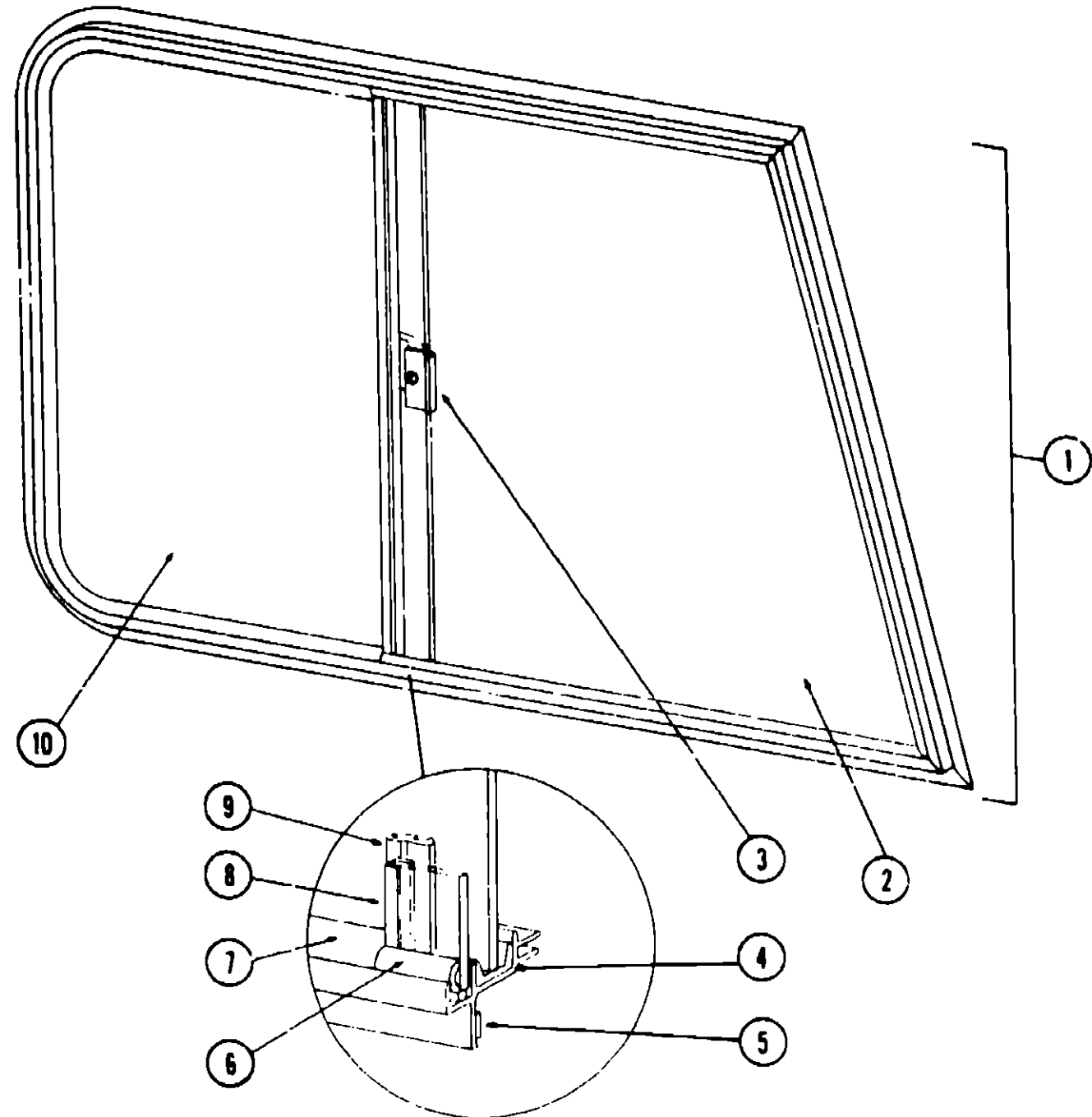
1980 ICF22RB L1 INDEX

Floor Plan	A-1 - A-2
Accessories Group	A-3 - A-4
Bath Group	A-5
Chassis Group	A-6 - A-7
Curtain, Cushion & Pad Group	A-8 - A-12
Dinette Group	A-13
Driver's Compartment Group	A-14 - A-15
Electrical Group	A-16 - A-18
Exterior Body Group	A-19 - A-22
Galley Group	A-23
Heating & Air Conditioning Group	A-24 - B-1
Interior Finish Group	B-2 - B-3
I.P. Group	B-4
Lounge Group	B-5
Water & Sewage Group	B-5 - B-6
Window, Vent & Exterior Door Group	B-7 - B-16

Key	Part Number	U/M	Description
1	020751-03-000	EA	Window Asm. - Rear Escape - 23" x 29" - Black Anod. (w/o inside frame)
2	002174-01-000	EA	Glass - Window - 1/8" x 19.61" x 25.92"
3	002285-01-000	FT	Weatherstrip - Black
4	020395-01-000	EA	Slip Ring - Escape Window
5	004363-01-000	FT	Tape - Foam - 3/16" x 1/2" - Gray
6	002282-01-000	FT	Weatherstrip - .125" - Black
.	020749-03-000	EA	Inside Frame - Escape Window - 23" x 29" (not included in assembly)
.	006199-01-000	EA	Label - Exit - Escape Window
.			Not Illustrated

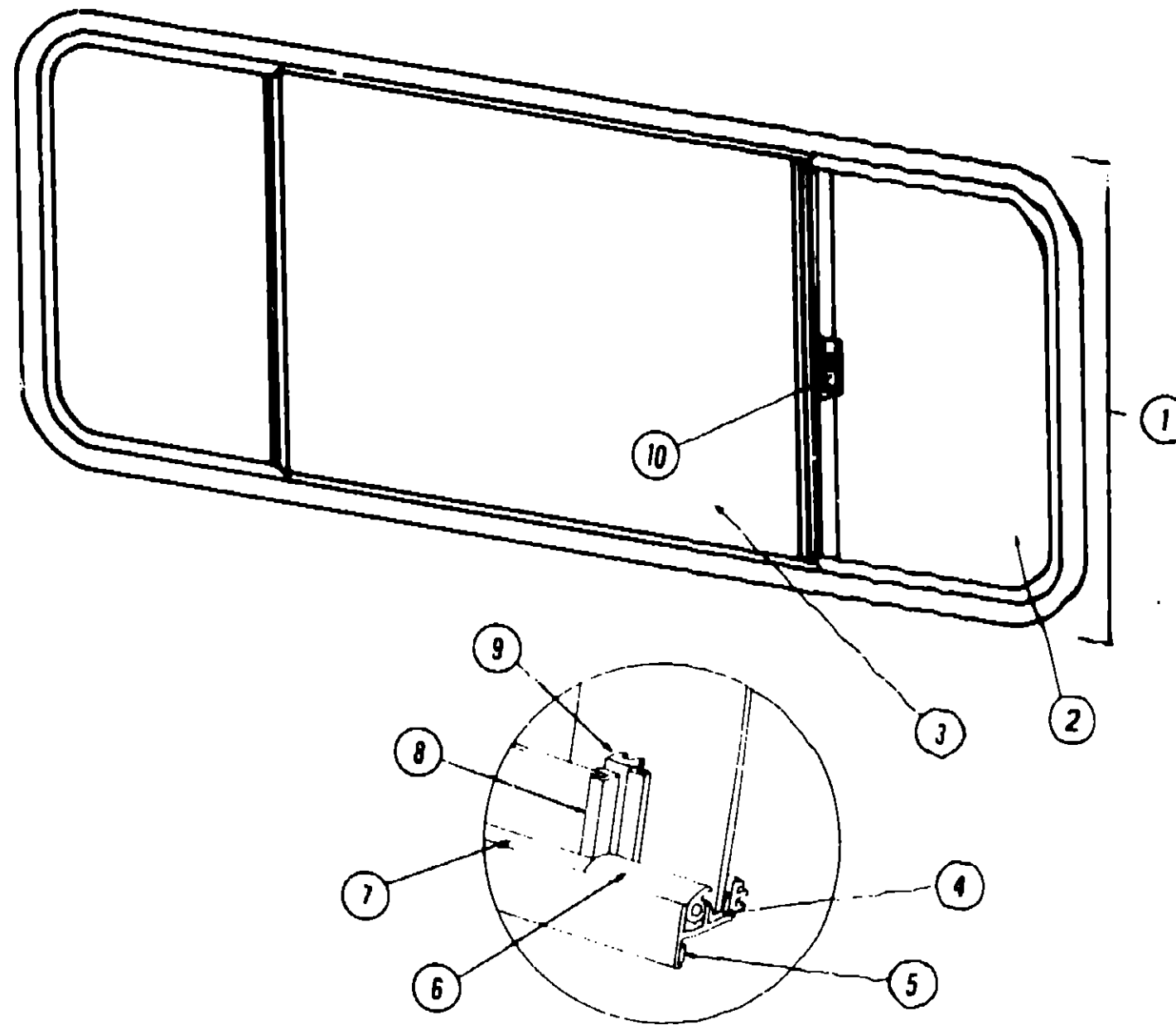
Key	Part Number	U/M	Description
1	056651-01-000	EA	Window Asm. - Picture - 20 3/4" x 20 3/4" - Black (w/o inside frame)
2	053767-03-000	FT	Tape - 1/4" Bead x 20' - Schnee Morehead
3	002309-02-000	FT	Spline - Glass - 1/8" - Black
4	002181-03-000	EA	Glass - .115" x 20.62" x 20.62" - Gray
.	056650-01-000	EA	Frame - Inside - Window (not included in assembly)
.			Not Illustrated

WINDOW, VENT AND EXTERIOR DOOR GROUP (CONTINUED)



Key	Part Number	U/M	Description
1	059046-01-000	EA	Window Asm. - Right Front Slant Slider - 23" x 39" - Black Anod. (w/o inside frame)
	059046-02-000	EA	Window Asm. - Left Front Slant Slider - 23" x 39" - Black Anod. (w/o inside frame)
2	057856-01-000	EA	Glass - 3/16" x 24.88" x 25.30" - Stationary
3	047389-01-700	EA	Latch - Window - Plastic w/Fastener
	023320-01-000	EA	Foam Pad - 3/8" Dia. (used with plastic latch)
4	042077-01-000	FT	Channel - Weatherstrip - Glass Run - 3/16" Glass
5	053767-03-000	FT	Tape - 1/4" Bead x 20" - Gray - Schnee Morthead
6	050216-02-000	FT	Spline - 3/16" Glass
7	041928-02-000	FT	Seal - Window Channel - 3/16" Glass - Black
8	002389-03-206	EA	Holder - Glass Seal - Black Anod. - 24.13"
9	057644-04-000	EA	Mullion - Window - Slant Slider
10	057657-01-000	EA	Glass - 3/16" x 24.88" x 14.70" - Sliding
	059042-01-000	EA	Inside Frame - Right Front Slant Slider (not included in assembly)
	059042-02-000	EA	Inside Frame - Left Front Slant Slider (not included in assembly)
	023713-02-000	EA	Cover - Weephole - Black
	055164-05-000	EA	Slider Screen Asm. - Right or Left - Black
	018310-03-000	EA	Handle - Slider Screen - Black
	002292-01-000	SF	Screen - Window - 20" - Gray
	002298-01-000	FT	Spline - Gray - .130" Dia.
			Not Illustrated

WINDOW, VENT AND EXTERIOR DOOR GROUP (CONTINUED)



Key	Part Number	U/M	Description
1	066785-01-000	EA	Window Asm. - Single Slider 23" x 65"
	042133-06-000	EA	Inside Frame - Brown
2	066726-04-000	EA	Glass - Stationary - 1/8" x 21.03" x 22"
3	066727-01-000	EA	Glass - Sliding - 1/8" x 25.5" x 22"
4	002324-02-000	FT	Channel - Weatherstrip - Glass
5	053767-03-000	FT	Tape - 1/4" Bead x 20" - Gray
6	057374-02-000	FT	Seal - Window Channel - Black
7	002303-02-000	FT	Spline - Glass - Black
8	018025-03-000	EA	Seal - Black Holder - Glass
9	041834-02-000	EA	Mullion - Slid. Wdw 23" - Black
10	047339-01-700	EA	Latch - Window - Plastic - w/Fastener
	023320-01-000	EA	Pad - Foam - 3/8 Dia. (used with plastic latch)
	002293-01-000	SF	Screen - Window - 26"
	042076-01-000	FT	Seal - Fin - Pile - .34"
			Not Illustrated

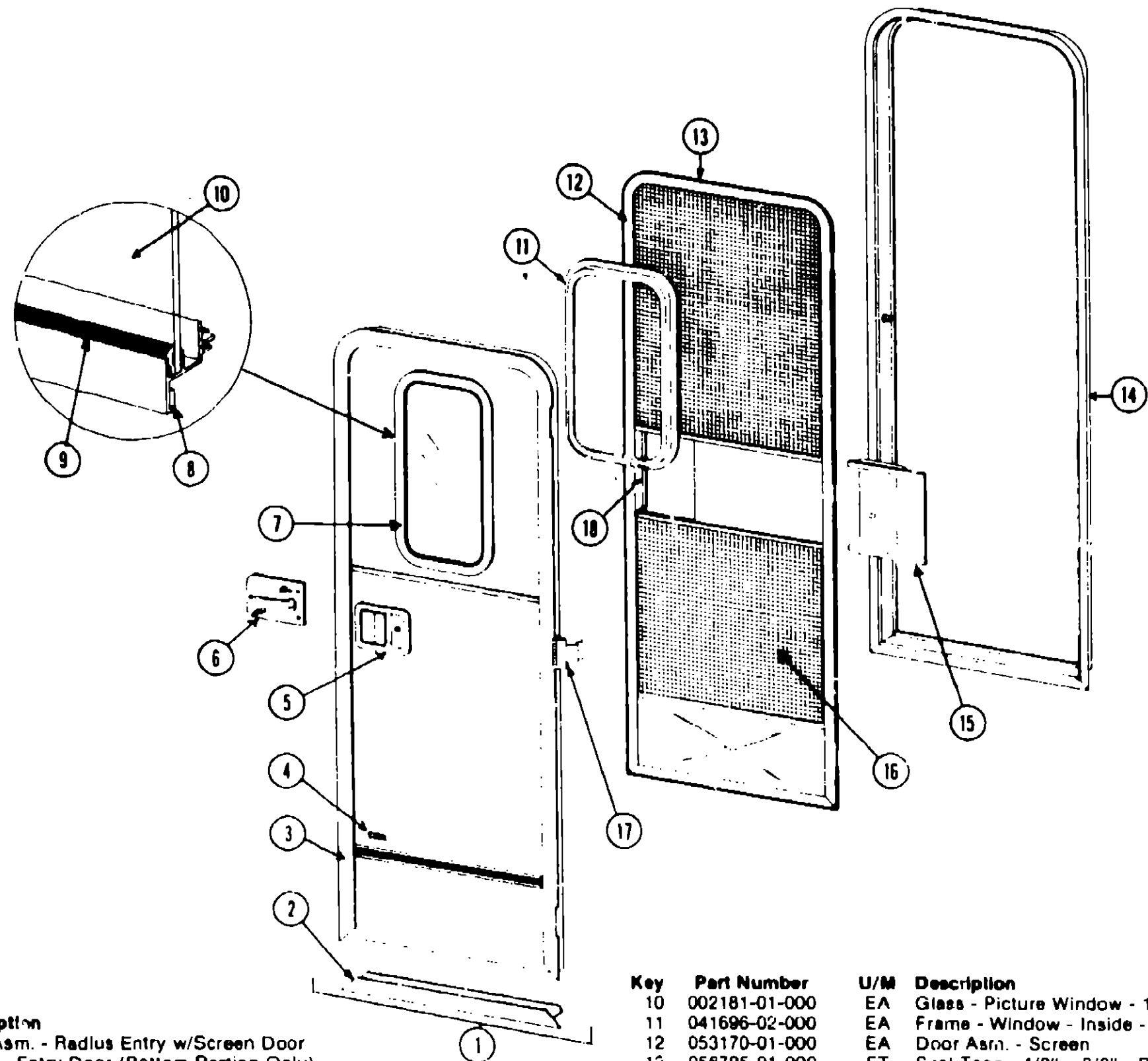
**1980 ITASCA
TABLE OF CONTENTS**

ICF22RB L1	A-1 - B-16
ICN29RT L1	B-17 - D-18
IC319RK L1	D-19 - E-20

1980 ICF22RB L1 INDEX

Floor Plan	A-1 - A-2
Accessories Group	A-3 - A-4
Bath Group	A-5
Chassis Group	A-6 - A-7
Curtain, Cushion & Pad Group	A-8 - A-12
Dinette Group	A-13
Driver's Compartment Group	A-14 - A-15
Electrical Group	A-16 - A-18
Exterior Body Group	A-19 - A-22
Galley Group	A-23
Heating & Air Conditioning Group	A-24 - B-1
Interior Finish Group	B-2 - B-3
LP Group	B-4
Lounge Group	B-5
Water & Sewage Group	B-5 - B-6
Window, Vent & Exterior Door Group	B-7 - B-16

WINDOW, VENT AND EXTERIOR DOOR GROUP (CONTINUED)



Key	Part Number	U/M	Description
1	064324-08-000	EA	Door Asm. - Radius Entry w/Screen Door
2	039737-01-000	EA	Frame - Entry Door (Bottom Portion Only)
3	039736-01-000	EA	Frame - Entry Door (Except Bottom Portion)
4	054530-01-000	EA	Holder Asm. - Entry Door
5	045017-01-000	EA	Paddle Asm. - Door Lock - Exterior
	045017-01-700	EA	Lock Cylinder w/Keys - Lynor
	039539-01-000	EA	Striker Bolt - Entry Door
	039540-01-000	EA	Latch Claw - Entry Door
6	039979-01-000	EA	Plate - Lock - Inside - Including Inside Handle
	052186-01-000	EA	Lock Asm. - Complete - Lynor
7	041975-02-000	EA	Window Asm. - Picture - 13" x 23" - Black Anod. (inside frame not included in assembly)
8	004363-01-000	FT	Tape - Foam - 3/16" x 1/2" - Gray
9	002309-02-000	FT	Spline - Glass - 1/8" Black
	009016-01-000	EA	Catch - Elbow - Spring Loaded
	063638-01-000	EA	Strike - Screen Door
			Not Illustrated

Key	Part Number	U/M	Description
10	002181-01-000	EA	Glass - Picture Window - 1/8" x 12" x 22" - Gray
11	041696-02-000	EA	Frame - Window - Inside - 13" x 23" - Brown
12	053170-01-000	EA	Door Asm. - Screen
13	058795-01-000	FT	Seal Tape - 1/8" x 3/8" - Press On
14	053171-01-000	EA	Jamb Asm. - Entry Door
15	015580-01-000	EA	Slider - Screen Door - Brown Plastic
16	002293-01-000	SF	Screen - Window - 26" - Gray
17	039520-01-000	EA	Hinge - Entry Door (3 used per door)
18	015581-01-000	EA	Cap - Screen Door - Brown Plastic
	049176-01-000	EA	Hedlok II - 3/4" Diameter - Screw Mount (Retains screen door to entry door)
	049797-01-000	EA	Hedlok II - 1" Diameter - Screw Mount (Retains screen door to entry door)
	058025-02-000	EA	Clip - Roller Catch
	039953-01-000	EA	Catch Asm. - Single Roller w/Strike - Screen Door
	031367-01-000	FT	Seal - Bulb - Rubber
	039800-03-000	FT	Tubing - Polybutyl - 3/8" O.D. Jamb
	044582-02-000	EA	Drip Cap - Jamb Mounted - Off White
			Not Illustrated

1980 ITASCA
TABLE OF CONTENTS

ICF22RB L1	A-1 - B-16
ICN20RT L1	B-17 - D-18
IC319AK L1	D-19 - E-20

1980 ICF22RB L1 INDEX

Floor Plan	A-1 - A-2
Accessories Group	A-3 - A-4
Bath Group	A-5
Chassis Group	A-6 - A-7
Curtain, Cushion & Pad Group	A-8 - A-12
Dinette Group	A-13
Driver's Compartment Group	A-14 - A-15
Electrical Group	A-16 - A-18
Exterior Body Group	A-19 - A-22
Galley Group	A-23
Heating & Air Conditioning Group	A-24 - B-1
Interior Finish Group	B-2 - B-3
LP Group	B-4
Lounge Group	B-5
Water & Sewage Group	B-5 - B-8
Window, Vent & Exterior Door Group	B-7 - B-16

DRIVER DOOR - OFF WHITE

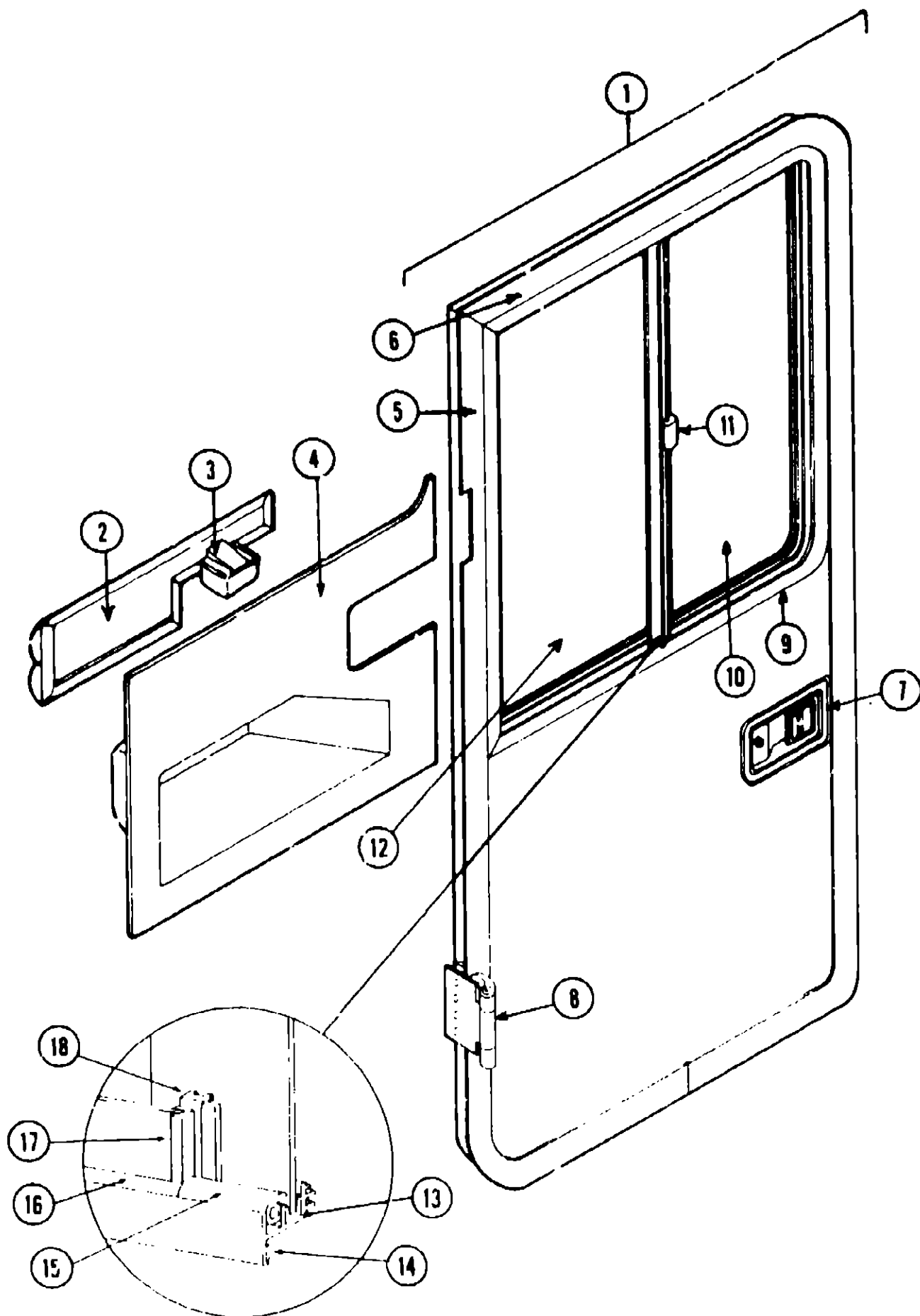
Key	Part Number	U/M	Description
1	063991-02-000	EA	Door Asm. - Driver - Off White
2	064088-01-000	EA	Pad Asm. - Trim - Upper
3	061400-01-000	EA	Assist Strap - 12" - Light Brown
4	046886-01-000	EA	Ashtray Asm. - Flush Mount - Chrome
5	064499-01-000	EA	Panel - Driver Door - Inner - Dark Brown Plastic
6	063350-02-000	EA	Trim - Door Frame - Front - Off White
7	063351-02-000	EA	Trim - Door Frame - Rear - Off White
8	045017-03-000	EA	Paddle - Door Lock - Exterior
9	045017-01-700	EA	Lock Cylinder w/Keys - Lynor
10	039979-02-000	EA	Inside Plate - Door Lock - w/Inside Handle
11	039540-02-000	EA	Latch Claw - Entry Door Lock
12	039738-01-000	EA	Deadbolt - Entrance Door Lock
13	039539-01-000	EA	Strike Bolt - Entrance Door (Jamb Mount)
14	058806-02-000	EA	Plug - Tapered - Plastic
15	063124-02-000	EA	Plate - Striker - 8 1/4" x 1" - Black
16	062879-01-000	EA	Jamb - Driver Door
17	062878-01-000	EA	Frame Asm. - Drivers Door
18	063731-01-000	EA	Cap - Push On
19	057374-02-000	Fi	Extr. - Vinyl Window Seal - Black
20	050216-02-000	FT	Spline - Vinyl - Glass - .19 - Black
21	042076-01-000	FT	Seal - Fin - Pile - .34"
22	064199-02-000	EA	Trim - Door Jamb - Rear - w/Drip Cap - Off White
23	064184-01-000	EA	Drip Cap - Driver Door
24	063358-02-000	EA	Trim - Door Jamb - Front - Off White
25	063768-01-000	EA	Sill Plate - Driver Door
26	063993-02-000	EA	Hinge Asm. - Driver Door - Off White
27	064580-01-000	EA	Check Strap - Driver Door - Seat Belt Webbing
28	064219-01-000	EA	Retainer - Driver Door Check Strap
29	063886-02-000	EA	Assist Handle - Driver Door - Brown Steel Tube (2 required per door)
30	064075-01-000	EA	Bulb Seal - Driver Door - 145"
31	062982-01-000	EA	Window Asm. - Driver Door - Single Slider - 23" x 25.5" Black Anod. (w/o inside frame)
32	057657-02-000	EA	Glass - 3/16" x 24.88" x 12" - Sliding
33	047389-01-700	EA	Latch - Window - Plastic w/Fastener
34	002188-04-000	EA	Glass - 3/16" x 24.88" - Stationary
35	002324-02-000	FT	Channel - Weatherstrip - Glass Run - 1/8" Glass
36	053767-03-000	FT	Tape - 1/4" Bead x 20' - Gray - Schnee Morehead
37	024096-02-000	FT	Seal - Window Channel - Black
38	002309-02-000	FT	Spline - Glass - Black
39	002389-03-204	EA	Holder - Glass Seal - Anod Black - 25.14"
40	002288-01-000	FT	Weatherstrip - Glass Seal
41	057644-04-000	EA	Mullion - Slider Window - Black Anod.
42	063422-01-000	EA	Frame - Inside - Driver Door Window
43	023713-02-000	EA	Cover - Weephole - Black Plastic
44	055167-06-000	EA	Screen Asm. - Slider
45	002292-01-000	SF	Screen - Window - 20" - Gray
46	002298-01-000	FT	Spline - Gray - Screen - .130" Dia.
47	016310-03-000	EA	Screen Handle - Black Anod.
48	043485-02-000	FT	Screen Seal - Extr. Vinyl
			Not Illustrated

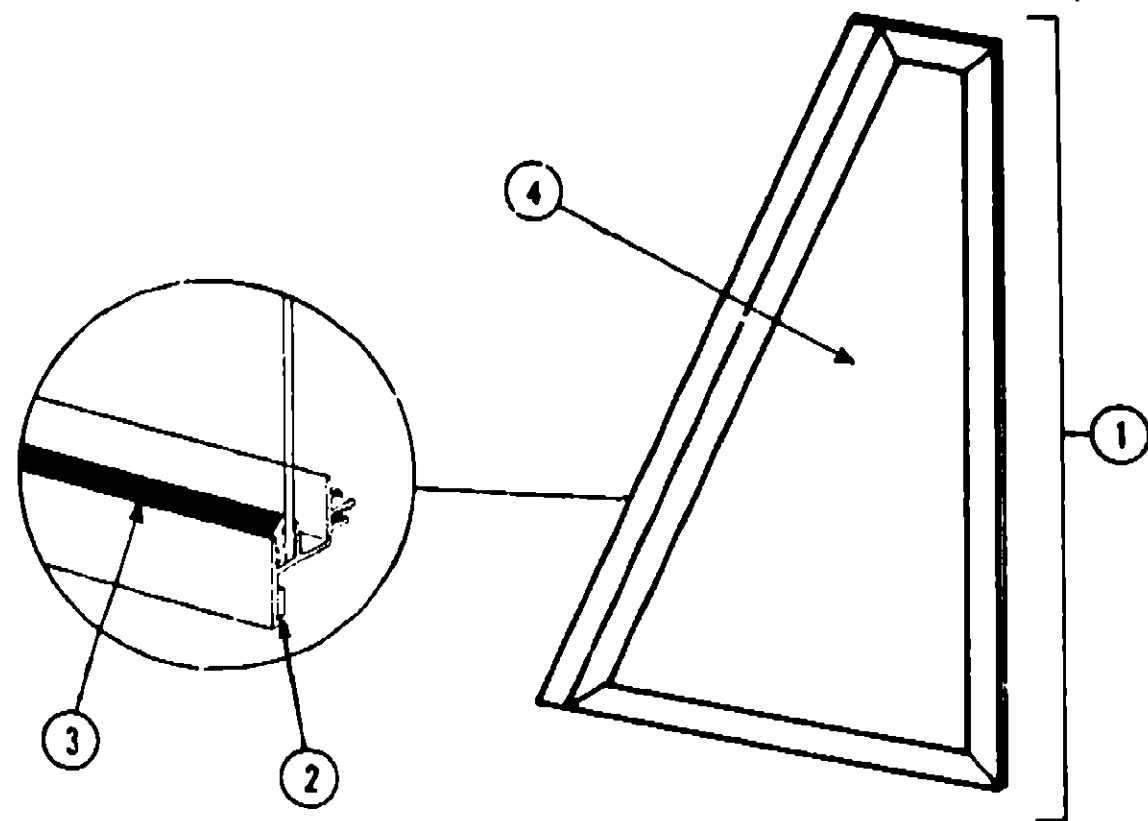
1980 ITASCA
TABLE OF CONTENTS

ICF22RB L1	A-1 - B-16
ICN29RT L1	B-17 - D-18
IC319RK L1	D-19 - E-20

1980 ICF22RB L1 INDEX

Floor Plan	A-1 - A-2
Accessories Group	A-3 - A-4
Bath Group	A-5
Chassis Group	A-6 - A-7
Curtain, Cushion & Pad Group	A-8 - A-12
Dinette Group	A-13
Driver's Compartment Group	A-14 - A-15
Electrical Group	A-16 - A-18
Exterior Body Group	A-19 - A-22
Galley Group	A-23
Heating & Air Conditioning Group	A-24 - B-1
Interior Finish Group	B-2 - B-3
LP Group	B-4
Lounge Group	B-5
Water & Sewage Group	B-5 - B-6
Window, Vent & Exterior Door Group	B-7 - B-16





Key	Part Number	U/M	Description
1	062896-01-000	EA	Window Asm. - Stationary - Drivers Slant - 14" x 25.32" Black Anod. (w/o inside frame)
2	053767-03-000	FT	Tape - 1/4" Bead x 20' - Gray - Schnee Morehead
3	002309-02-000	FT	Spline - Glass - 1/8" - Black
4	057856-02-000	EA	Glass - 3/16" x 24.88" x 13.66"
.	063420-01-000	EA	Frame - Inside - Front Slant Window (not included in assembly)
.	Not illustrated		

STORM WINDOWS

Key	Part Number	U/M	Description
	009166-01-000	EA	Latch - Nylon - Storm Windows
	062635-01-000	EA	Storm Window - Plexiglass - 23.94" x 66.15"
	062635-04-000	EA	Storm Window - Plexiglass - 22.07" x 22.07"
	062635-15-000	EA	Storm Window - Plexiglass - 23.94" x 18.19"

WINDSHIELD

Key	Part Number	U/M	Description
	057459-01-000	EA	Glass - Windshield - Flat
	058272-01-000	EA	Frame Asm. - Windshield
	038886-01-000	EA	Tape - Butyl - .31" x .31" x 148"
	042743-01-000	EA	Corner - Window - Lower
	042743-02-000	EA	Corner - Window - Upper

VENTS

Key	Part Number	U/M	Description
	033778-01-000	EA	Cover - Refrigerator Vent - Plastic
	009407-01-000	EA	Frame Asm. - Refrigerator Vent
	043352-01-000	EA	Vent - Stovehood - Outside - Powered Hood - Off White
	053334-01-000	EA	Vent - Stovehood - Outside - Non Powered Hood - Off White
**	048789-01-000	EA	Vent Asm. - Roof - Powered w/o Screen - Alum.
**	048835-01-000	EA	Vent Asm. - Roof - Non Powered - w/o Screen - Alum.
	057048-01-000	EA	Vent - Roof - Powered - 16.25 x 16.25 C.S.A

**The illustrated parts breakdown for this item is provided on the Common Items Fiche.

ACCESS DOORS

Key	Part Number	U/M	Description
	059727-01-000	EA	Door Asm. - Storage - Insulated - 10.36" x 29.9"
	033333-39-000	EA	Door Asm. - LP - Off White w/Key Type Lock
	047233-02-000	EA	Door Asm. - Luggage - 13" x 35" - Off White w/Key Type Lock
	033333-38-000	EA	Door Asm. - Luggage - Off White w/Twist Type Lock
	054270-07-000	EA	Door Asm. - Refrigerator Access - Off White w/Twist Type Lock
	066824-01-000	EA	Door Asm. - Refrigerator - White
	064892-04-000	EA	Door Asm. - Gas Fill - w/Key Type Lock
	042441-01-000	EA	Lock Asm. - Key Type - Gas Fill
	057096-01-000	EA	Door Asm. - Power Cord w/Hatch - Off White
	052950-03-000	EA	Lock Asm. - Twist Type - Straight Cam (Power Cord Door)
	047305-01-000	EA	Lock Asm. - Key Type w/Clip - Metal
	052950-01-700	EA	Lock Asm. - Twist Type w/Clip - White Plastic
	016945-02-000	EA	Holder Asm. - Battery and Luggage Doors
	052179-07-000	EA	Door Asm. - Generator - Off White w/Twist Type Lock
	064693-01-000	EA	Door Asm. - Battery Access - Step - 13.80" x 22.30"

1980 ITASCA
TABLE OF CONTENTS

ICF22RB L1	A-1 - B-16
ICN29RT L1	B-17 - D-18
IC319AK L1	D-19 - E-20

1980 ICF22RB L1 INDEX

Floor Plan	A-1 - A-2
Accessories Group	A-3 - A-4
Bath Group	A-5
Chassis Group	A-6 - A-7
Curtain, Cushion & Pad Group	A-8 - A-12
Dinette Group	A-13
Driver's Compartment Group	A-14 - A-15
Electrical Group	A-16 - A-18
Exterior Body Group	A-19 - A-22
Galley Group	A-23
Heating & Air Conditioning Group	A-24 - B-1
Interior Finish Group	B-2 - B-3
LP Group	B-4
Lounge Group	B-5
Water & Sewage Group	B-6 - B-6
Window, Vent & Exterior Door Group	B-7 - B-16