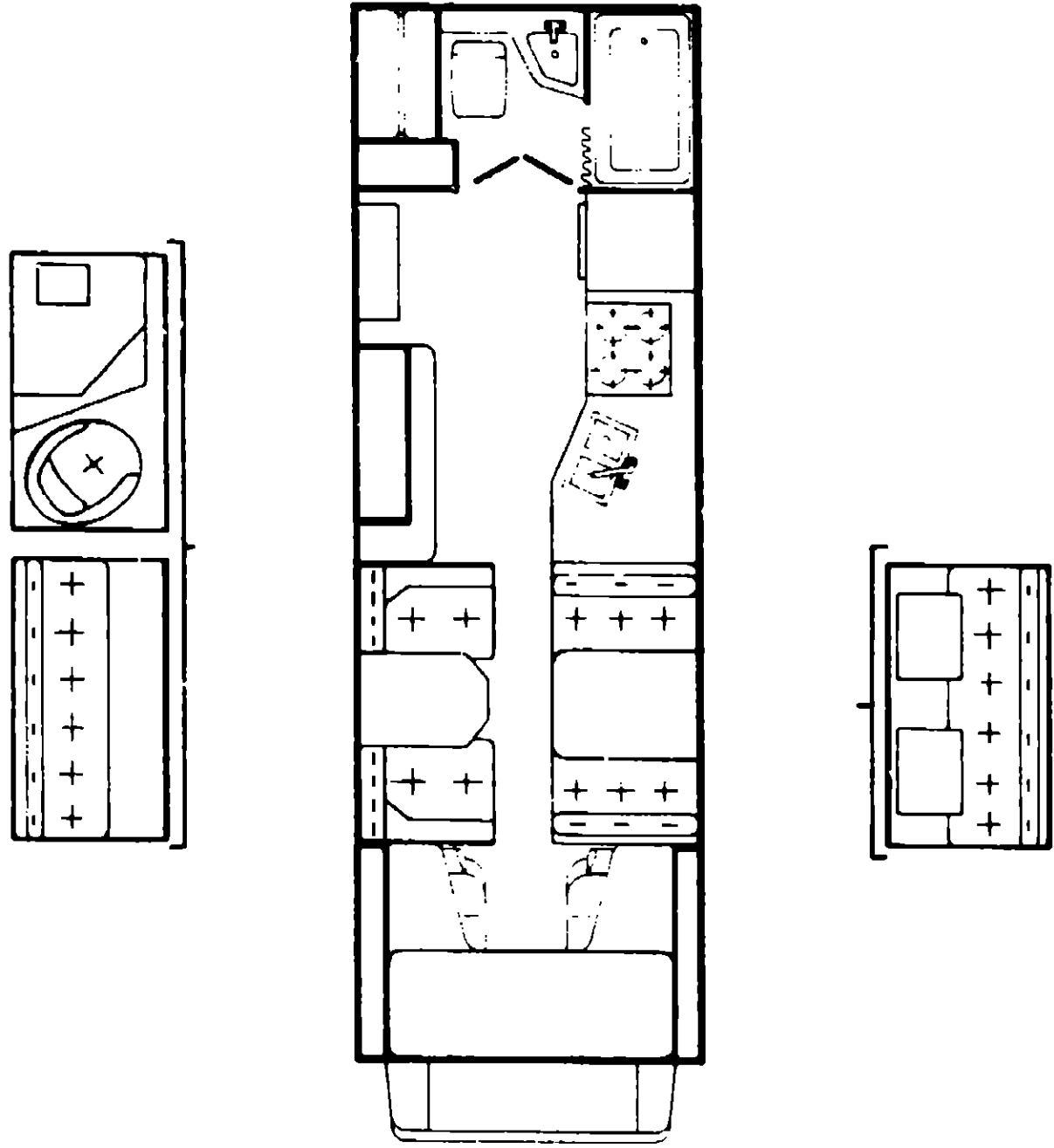


1980 IC625RB L1



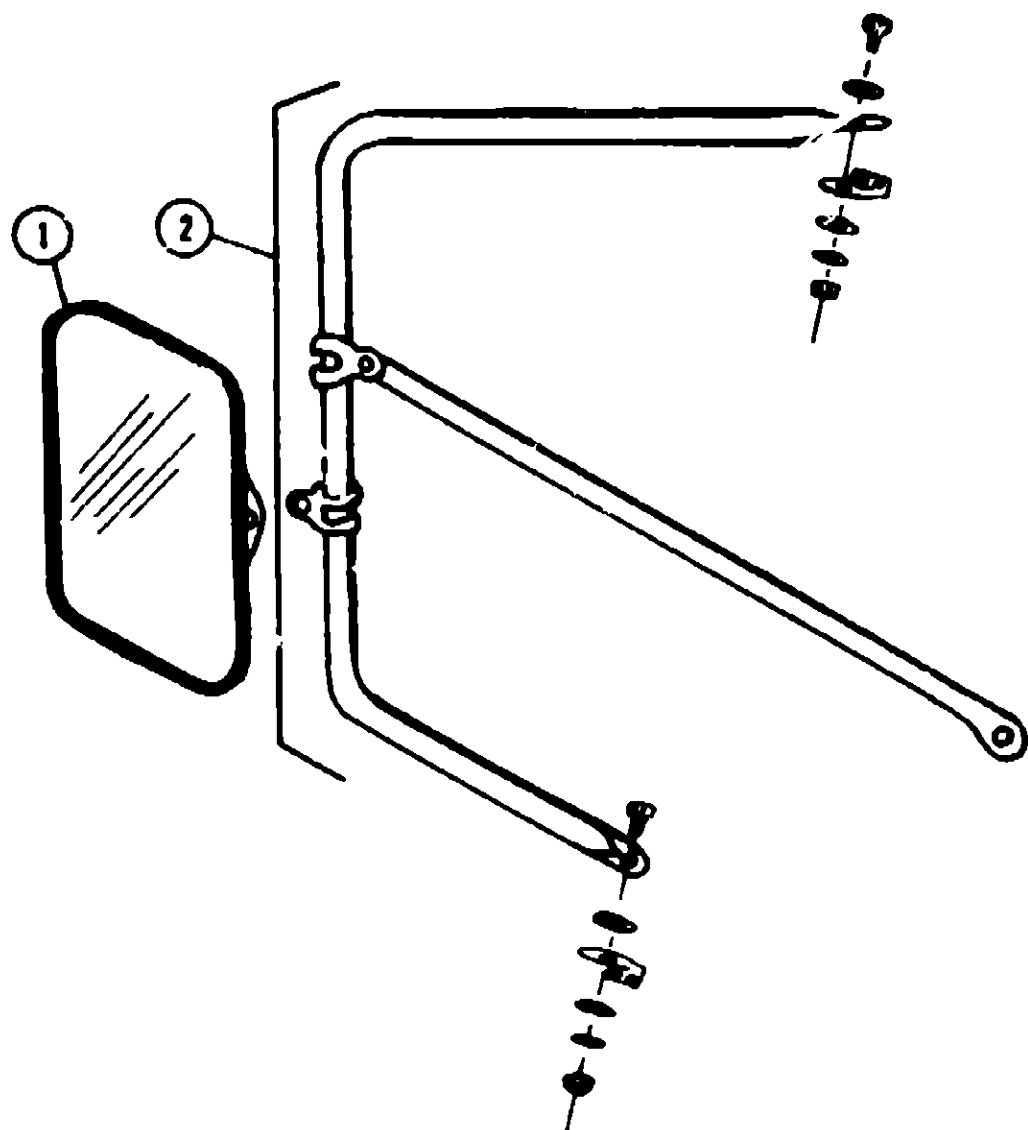
1980 ITASCA TABLE OF CONTENTS

IC524RH L1	A-1 - B-16
IC625RB L1	B-17 - D-4
ICN26HB L1	D-5 - E-22

1980 IC625RB L1 INDEX

Floor Plan	B-17 - B-18
Accessories Group	B-19 - B-20
Bath Group	B-21 - B-22
Chassis Group	B-23
Curtain, Cushion & Pad Group	B-24 - C-3
Dinette Group	C-4
Driver's Compartment Group	C-5
Electrical Group	C-6 - C-8
Exterior Body Group	C-9 - C-12
Galley Group	C-13
Heating & Air Conditioning Group	C-14
Interior Finish Group	C-15 - C-16
LP Group	C-17
Lounge Group	C-18
Water & Sewage Group	C-19 - C-20
Window, Vent & Exterior Door Group	C-21 - D-4

ACCESSORIES GROUP



Key	Part Number	U/M	Description
1	057461-01-000	EA	Mirror Head - 7 1/2" x 10 1/2" - w/Convex
2	062047-01-000	EA	Arm - West Coast Mirror - Off White

ACCESSORIES GROUP (CONTINUED)

RADIOS AND RELATED COMPONENTS

Key	Part Number	U/M	Description
	046730-01-000	EA	Radio - Clarion - AM - w/Fader Switch
	049731-01-000	EA	Radio - Clarion - AM/FM/MPX - w/Fader Switch
	049732-01-000	EA	Radio - Clarion - AM/FM/MPX/8 Track - w/Fader Switch
	050765-01-000	EA	Switch - Rear Volume Control
	007004-01-000	EA	Antenna - Radio - Cab Mount
	048153-01-000	EA	Antenna - CB - Camper Style
	053788-01-000	EA	Speaker - Recessed - 5 1/4" x 10 oz.
	055209-01-000	EA	Grille - Speaker - 5 1/4"
	058458-01-000	EA	Speaker - 4" x 6" - Oval
	084785-01-000	EA	Radio - AM - Audiovox
	084786-01-000	EA	Radio - AM/FM/MPX - w/8 Track - Audiovox
	084787-01-000	EA	Radio - AM/FM/MPX - w/Cassette - Audiovox
	084788-01-000	EA	Radio - AM/FM - Digital - w/Cassette - Audiovox
	084789-01-000	EA	Radio - AM/FM - Digital - w/8 Track - Audiovox
	084791-01-000	EA	Speaker - Recessed - 5.25" Dia.
	084792-01-000	EA	Grille - Speaker - Brown
	084793-01-000	EA	Trimplate - Radio - Dodge C-Body

GENERATOR AND COMPONENTS

Key	Part Number	U/M	Description
**	054429-01-000	EA	Generator - 4.0 kw - Onan
	701629-02-000	EA	Package - Onan Installation
	052814-01-000	EA	Tailpipe - Generator - 90° - 1 1/2" O.D.
	054428-01-000	EA	Muffler - Generator - w/Arrestor
	740313-58-000	EA	Tray - Generator - 4.0 - 5.0 kw - Onan
	049380-07-000	EA	Overhead Console
	050015-01-000	EA	Bracket Overhead Console

** The illustrated parts breakdown for this item is provided on the Common Items Fiche.

MISCELLANEOUS ACCESSORIES

Key	Part Number	U/M	Description
	008053-01-000	EA	Antenna - TV - Braund Delux
	008053-01-700	EA	Repair Parts Kits - Braund TV Antenna
	006083-01-000	EA	Jack - TV - Brown
	052771-02-000	EA	Oven - Microwave - Magic Chef 207-4
	008113-01-000	EA	Jack - Hydraulic - 5 Ton
	040088-01-000	EA	Mat - Door - Black Rubber - 10 1/2" x 28"
	041944-01-700	EA	Fire Extinguisher - Dry Chemical w/Bracket
	041944-03-000	EA	Fire Extinguisher - Dry Chemical w/Bracket - 5BC (Calif)
	054185-07-000	EA	Owner's Manual - Itasca
	047389-01-700	EA	Battery - 12V - 105 Amp. - Deep Cycle - Dry
	057899-01-000	EA	Battery - 12V - Maintenance Free - Delco
	084088-01-000	EA	Mud Flap - Black - Rubber - 20.62" x 12.38"
	084477-01-000	EA	Cover - Spare Tire - Plastic - Off White
**	031386-03-000	EA	Wheel Cover - 18.5" - Chrome
**	059779-01-000	EA	Speed Control - Electric - Chevrolet
	087181-01-000	EA	Ladder Asm. - For Luggage Rack
	087181-01-700	EA	Ladder Asm. - w/Luggage Rack
	041846-01-000	EA	Luggage Carrier Asm. - Roof Mounted
	038881-01-000	EA	Catch and Strike - Luggage Carrier
	058335-01-000	EA	Wastebasket - 9 3/4" x 7" x 10" - White - Rubbermaid
	084375-01-000	EA	TV - Color - Panasonic

** The illustrated parts breakdown for this item is provided on the Common Items Fiche.

1980 ITASCA TABLE OF CONTENTS

IC524RH L1	A-1 - C-16
IC625RB L1	B-17 - D-4
ICN23RB L1	D-5 - E-22

1980 IC625RB L1 INDEX

Floor Plan	G-17 - B-18
Accessories Group	B-19 - B-20
Bath Group	B-21 - B-22
Chassis Group	B-23
Curtain, Cushion and Pad Group	B-24 - C-3
Dinette Group	C-4
Driver's Compartment Group	C-5
Electrical Group	C-6 - C-8
Exterior Body Group	C-9 - C-12
Galley Group	C-13
Heating & Air Conditioning Group	C-14
Interior Finish Group	C-15 - C-16
LP Group	C-17
Lounge Group	C-18
Water & Sewage Group	C-19 - C-20
Window, Vent & Exterior Door Group	C-21 - D-4

BATH GROUP

BATH CABINETS

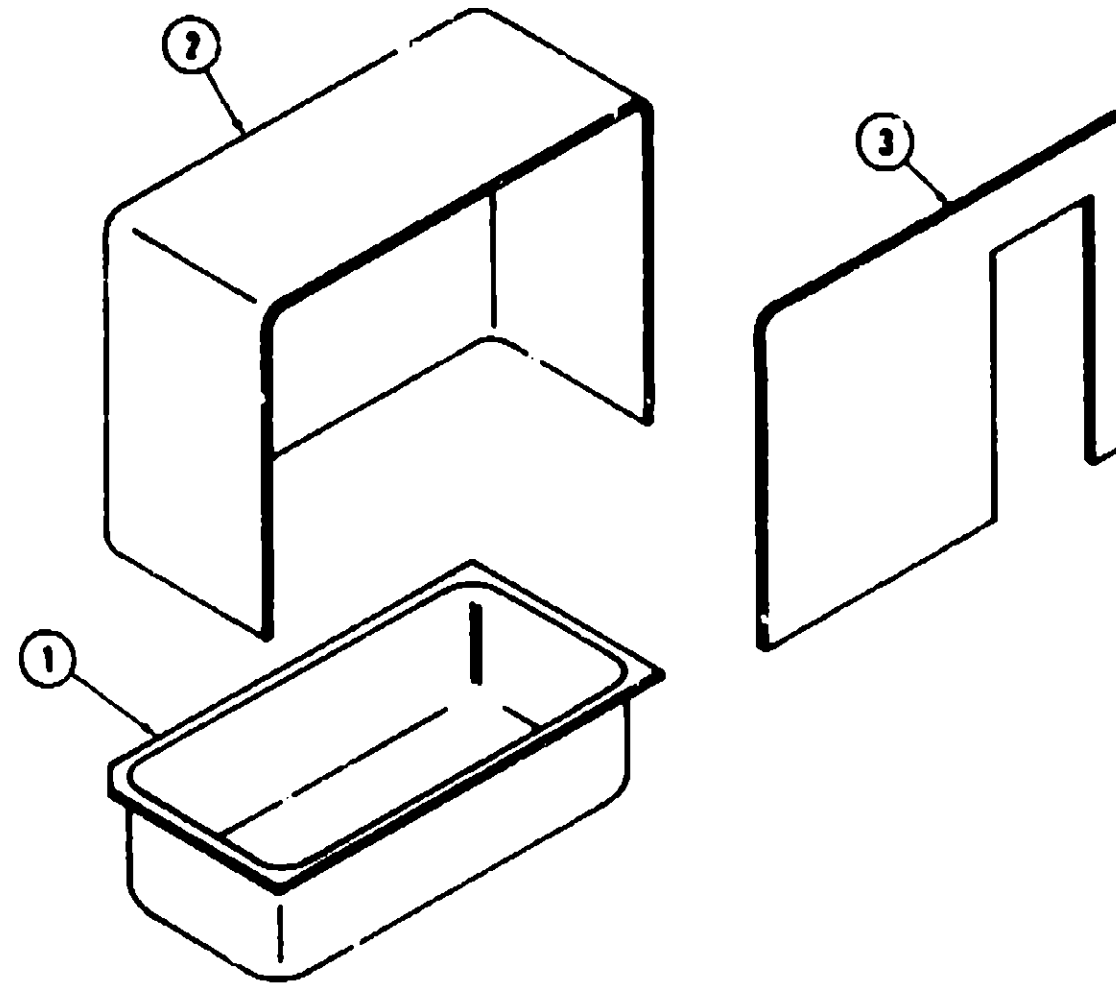
Key	Part Number	U/M	Description
	084808-01-L07	EA	Countertop Asm. - Vanity - Stonehenge
	083224-08-L07	EA	Door Asm. - Potted - 14.4" x 25"
	085325-17-L07	EA	Door Asm. - 8.2" x 15.20"
	085325-03-L07	EA	Door Asm. - 10.7" x 43"
	085325-07-L07	EA	Door Asm. - 24.1" x 74.20"
	085237-01-L07	EA	Door Asm. - w/Mirror - Wardrobe - 15" x 59"

BATH HARDWARE

Key	Part Number	U/M	Description
	058840-01-000	EA	Sink - Oval - Ivory Plastic
	053130-01-000	EA	Cabinet - Medicine - 41" wide
	053130-02-702	EA	Catch - Door - Medicine Cabinet
	053130-02-703	EA	Switch - Medicine Cabinet
	038010-01-000	EA	Bulb - 1143
	053280-05-000	EA	Trim - Shower Door - Bottom
	053282-04-000	EA	Trim - Shower Door - Left
	053282-01-000	EA	Trim - Shower Door - Right
	009134-01-000	EA	Holder - Tissue
**	011056-01-000	EA	Faucet - Lavatory
	011056-02-000	EA	Faucet - Lavatory - CSA
	011083-02-000	EA	Plug w/Chain - 1 1/4"
**	011048-01-000	EA	Shower Head - w/60" Hose
	011048-02-000	EA	Shower Head - w/60" Hose - w/o Vacuum Breaker
**	011089-01-000	EA	Tailpiece - 1 1/4" x 4" - Brass
**	011070-01-000	EA	Tailpiece - 1 1/4" x 6" - Brass
	085729-01-000	EA	Strainer - Shower Pan
	031558-03-000	EA	Faucet - Tub and Shower - US
**	031558-01-000	EA	Faucet - Tub and Shower - CSA
	058331-04-000	EA	Mirror - Safety Glass - 12" x 42"
	009153-01-000	EA	Bar - Towel Rack - 12" Plastic
	023449-01-000	EA	Support - Towel Bar - Chrome
	058335-02-000	EA	Latch - Bathroom Door
	083740-01-000	EA	Toilet - Aquat. Magic IV - Ivory

**The illustrated parts breakdown for this item is provided on the Common Items Fiche.

BATH GROUP (CONTINUED)



Key	Part Number	U/M	Description
1	041828-01-000	EA	Bathtub - Bottom - Ivory Plastic
2	041853-01-000	EA	Bathtub - Rear - Ivory Plastic
3	041852-01-000	EA	Bathtub - Front - Ivory Plastic

1980 ITASCA TABLE OF CONTENTS

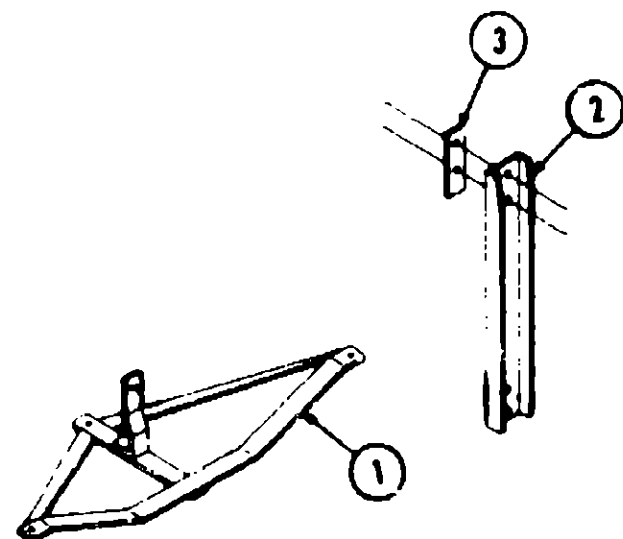
IC524RH L1	A-1 - B-16
IC625RB L1	B-17 - D-4
ICN26RB L1	D-5 - E-22

1980 IC625RB L1 INDEX

Floor Plan	B-17 - B-18
Accessories Group	B-19 - B-20
Bath Group	B-21 - B-22
Chassis Group	B-23
Curtain, Cushion & Pad Group	B-24 - C-3
Dinette Group	C-4
Driver's Compartment Group	C-5
Electrical Group	C-6 - C-8
Exterior Body Group	C-9 - C-12
Galley Group	C-13
Heating & Air Conditioning Group	C-14
Interior Finish Group	C-15 - C-18
LP Group	C-17
Lounge Group	C-19
Water & Sewage Group	C-19 - C-20
Window, Vent & Exterior Door Group	C-21 - D-4

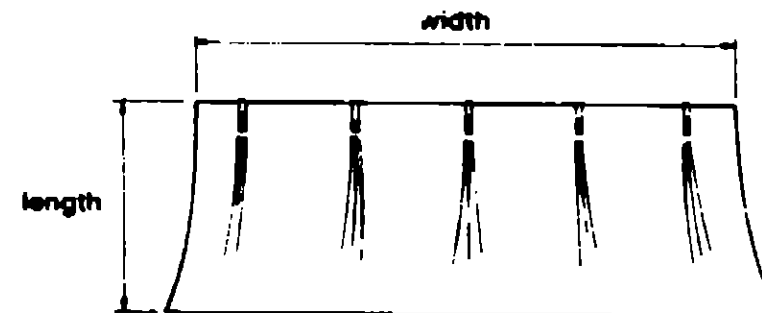
CHASSIS GROUP

Key	Part Number	U/M	Description
	055449-01-000	EA	Wheel Well - Plastic - Left or Right Rear
	081411-01-000	EA	Tail Pipe Extension - 2" O.D. x 10"
	007125-05-000	EA	Clamp Asm. - Muffler - 2" Dia.
	051897-01-000	EA	Bracket - Battery Tie Down - 6.88"
	051897-02-000	EA	Bracket - Battery Tie Down - 12"
	024862-01-700	EA	Step Asm. - Coach Entry Door
	047912-01-000	EA	Step Asm. Assist - Cab
	084089-01-000	EA	Mud Flap - Black - 20.82" x 12.38"
	044783-01-000	EA	Splashguard - Front - Black Rubber
	084378-01-000	EA	Bumper - Rear - Contoured
	081189-01-000	EA	Bracket Asm. - Rear Bumper Mount - Left
	081189-02-000	EA	Bracket Asm. - Rear Bumper Mount - Right
	084213-01-000	EA	Box - Power Cord
	084572-01-000	EA	Storage Compartment
	083371-02-000	EA	Tray - Luggage, Generator - 38.23" x 22.5"
	084291-01-000	EA	Tray Battery - 20.5" x 15.38"



Key	Part Number	U/M	Description
1	084833-01-000	EA	Trailer Hitch Asm.
2	084588-02-000	EA	Bracket Asm. - Tire Carrier
3	040974-01-000	EA	Bracket - Spare Tire Retainer - 2" x 6.75"

CURTAIN, CUSHION AND PAD GROUP



NOTE:

Use this illustration when determining length and width measurements for curtains. You will note the width measurement is taken on the top of the curtain with the curtain fully extended. The length measurement is taken from top to bottom.

1980 ITASCA TABLE OF CONTENTS

IC524RH L1
IC625RB L1
ICN26RB L1

A-1 - B-16
B-17 - D-4
D-5 - E-22

CURTAINS AND TIE BACKS

Key	Part Number	U/M	Description
	054048-05-L07	EA	Tie Back - Curtain - 2" x 18" - Super Satin
	054045-17-L07	EA	Curtain w/Snap Top - 18" x 44" - Super Satin
	054051-33-L07	EA	Curtain w/Snap Top - 36" x 38" - Super Satin
	054051-34-L07	EA	Curtain w/Snap Top - 25" x 70" - Super Satin
	054103-08-L07	EA	Curtain w/Snap Top - 12" x 38" - Super Satin
	059900-03-L07	EA	Curtain Asm. - Wraparound - 25" x 80" - Super Satin

SHADES

Key	Part Number	U/M	Description
	065224-19-000	EA	Shade - Woven Wood - 70" x 33" - Brown
	065224-20-000	EA	Shade - Woven Wood - 70" x 33" - Russet
	065224-21-000	EA	Shade - Woven Wood - 70" x 33" - Jade
	065224-22-000	EA	Shade - Woven Wood - 39" x 29.5" - Brown
	065224-23-000	EA	Shade - Woven Wood - 39" x 29.5" - Russet
	065224-24-000	EA	Shade - Woven Wood - 39" x 29.5" - Jade
	065224-25-000	EA	Shade - Woven Wood - 24" x 26" - Brown
	065224-26-000	EA	Shade - Woven Wood - 24" x 26" - Russet
	065224-27-000	EA	Shade - Woven Wood - 24" x 26" - Jade

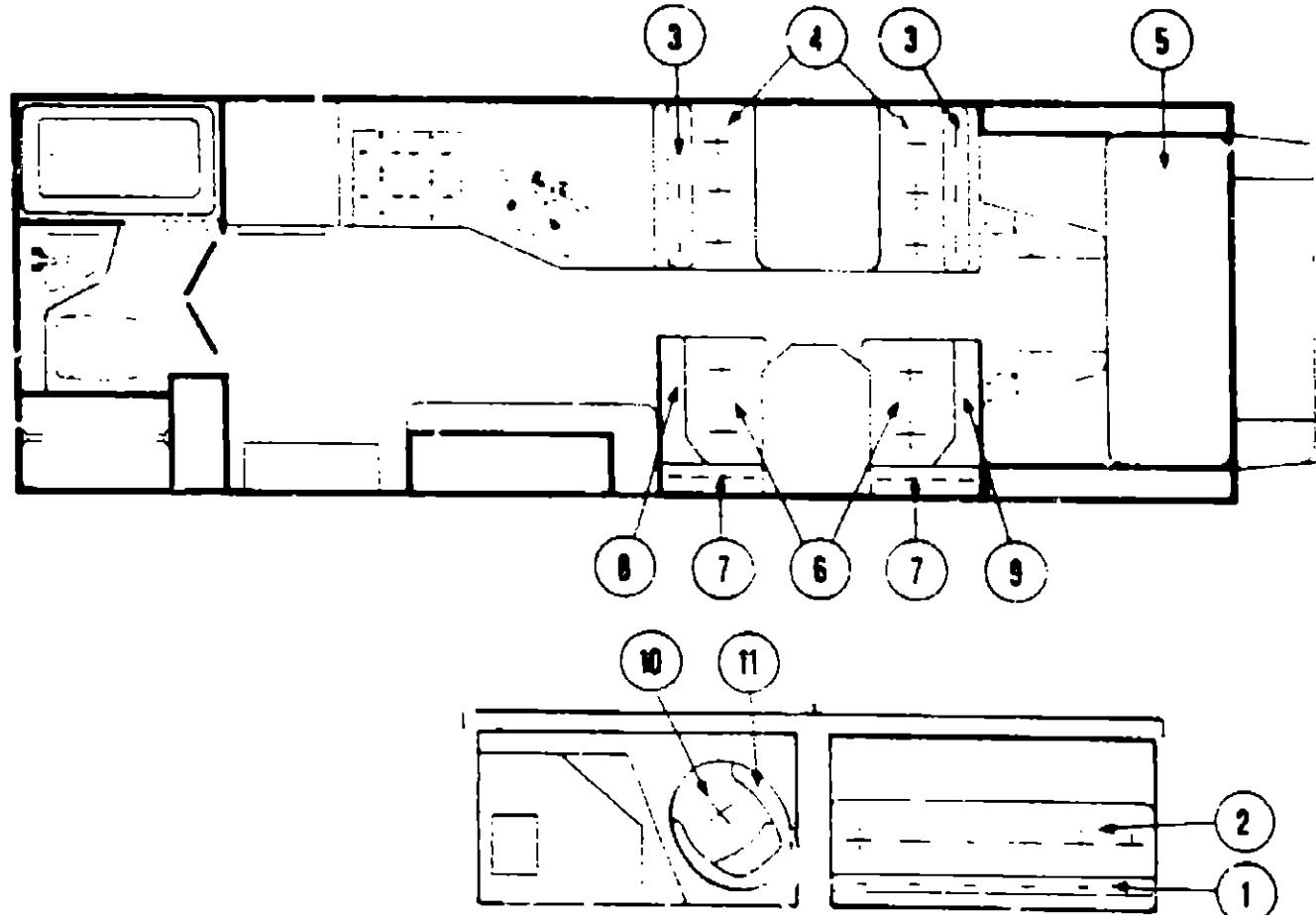
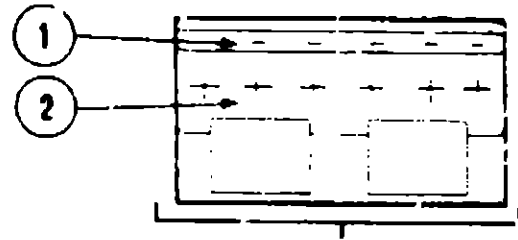
BUCKET SEATS

Key	Part Number	U/M	Description
	065939-01-L07	EA	Seat Asm. - High Back Single Bucket - w/Right Armrest - Brown
	065939-01-L08	EA	Seat Asm. - High Back Single Bucket - w/Right Armrest - Rust
	065939-01-L09	EA	Seat Asm. - High Back Single Bucket - w/Right Armrest - Jade
	065939-02-L07	EA	Seat Asm. - High Back Single Bucket - w/Left Armrest - Brown
	065939-02-L08	EA	Seat Asm. - High Back Single Bucket - w/Left Armrest - Rust
	065939-02-L09	EA	Seat Asm. - High Back Single Bucket - w/Left Armrest - Jade
	050276-01-700	EA	Armrest Asm. - Foam w/o Cover - Right
	050276-01-700	EA	Armrest Asm. - Foam w/o Cover - Left
	065774-03-L07	EA	Cover - Armrest - Right or Left - Brown
	065774-03-L08	EA	Cover - Armrest - Right or Left - Rust
	065774-03-L09	EA	Cover - Armrest - Right or Left - Jade
	065943-03-L07	EA	Cover - Back - Bucket Seat - Brown
	065943-03-L08	EA	Cover - Back - Bucket Seat - Rust
	065943-03-L09	EA	Cover - Back - Bucket Seat - Jade
	065944-03-L07	EA	Cover - Bottom - Bucket Seat - Brown
	065944-03-L08	EA	Cover - Bottom - Bucket Seat - Rust
	065944-03-L09	EA	Cover - Bottom - Bucket Seat - Jade
	066915-03-L07	EA	Skirt - Bottom - Bucket Seat - 6" x 71" - Brown
	066915-03-L08	EA	Skirt - Bottom - Bucket Seat - 6" x 71" - Rust
	066915-03-L09	EA	Skirt - Bottom - Bucket Seat - 6" x 71" - Jade

1980 IC625RB L1 INDEX

Floor Plan	B-17 - B-18
Accessories Group	B-19 - B-20
Bath Group	B-21 - B-22
Chassis Group	B-23
Curtain, Cushion & Pad Group	B-24 - C-3
Dinette Group	C-4
Driver's Compartment Group	C-5
Electrical Group	C-6 - C-8
Exterior Body Group	C-9 - C-12
Galley Group	C-13
Heating & Air Conditioning Group	C-14
Interior Finish Group	C-15 - C-16
LP Group	C-17
Lounge Group	C-18
Water & Sewage Group	C-19 - C-20
Window, Vent & Exterior Floor Group	C-21 - D-4

CURTAIN, CUSHION AND PAD GROUP (CONTINUED)



DINETTE CUSHIONS

Key	Part Number	U/M	Description
1	064720-01-L07	EA	Cushion - Presto Bed Back - 76" - Brown
1	064720-01-L08	EA	Cushion - Presto Bed Back - 76" - Rust
1	064720-01-L09	EA	Cushion - Presto Bed Back - 76" - Jade
	064724-01-L07	EA	Cover - Presto Bed Back Cushion - 76" - Brown
	064724-01-L08	EA	Cover - Presto Bed Back Cushion - 76" - Rust
	064724-01-L09	EA	Cover - Presto Bed Back Cushion - 76" - Jade
2	064721-01-L07	EA	Cushion - Presto Bed Bottom - 76" - Brown
2	064721-01-L08	EA	Cushion - Presto Bed Bottom - 76" - Rust
2	064721-01-L09	EA	Cushion - Presto Bed Bottom - 76" - Jade
	064724-02-L07	EA	Cover - Presto Bed Bottom Cushion - 76" - Brown
	064724-02-L08	EA	Cover - Presto Bed Bottom Cushion - 76" - Rust
	064724-02-L09	EA	Cover - Presto Bed Bottom Cushion - 76" - Jade

CURTAIN, CUSHION AND PAD GROUP (CONTINUED)

DINETTE CUSHIONS

Key	Part Number	U/M	Description
3	064710-08-L07	EA	Cushion - Dinette Back - 19" x 38.5" x 5" - Brown
3	064710-08-L08	EA	Cushion - Dinette Back - 19" x 38.5" x 5" - Rust
3	064710-08-L09	EA	Cushion - Dinette Back - 19" x 38.5" x 5" - Jade
	064711-08-L07	EA	Cover - Dinette Back Cushion - 19" x 38.5" x 5" - Brown
	064711-08-L08	EA	Cover - Dinette Back Cushion - 19" x 38.5" x 5" - Rust
	064711-08-L09	EA	Cover - Dinette Back Cushion - 19" x 38.5" x 5" - Jade
4	064710-07-L07	EA	Cushion - Dinette Bottom - 17" x 37.5" x 5" - Brown
4	064710-07-L08	EA	Cushion - Dinette Bottom - 17" x 37.5" x 5" - Rust
4	064710-07-L09	EA	Cushion - Dinette Bottom - 17" x 37.5" x 5" - Jade
	064711-07-L07	EA	Cover - Dinette Bottom Cushion - 17" x 37.5" x 5" - Brown
	064711-07-L08	EA	Cover - Dinette Bottom Cushion - 17" x 37.5" x 5" - Rust
	064711-07-L09	EA	Cover - Dinette Bottom Cushion - 17" x 37.5" x 5" - Jade

FRONT OVERHEAD BUNK MATTRESS

Key	Part Number	U/M	Description
5	058897-12-L07	EA	Mattress - Overhead Bunk - Two Fold - 19" x 34" x 75" x 4" - Brown
5	058897-12-L08	EA	Mattress - Overhead Bunk - Two Fold - 19" x 34" x 75" x 4" - Rust
5	058897-12-L09	EA	Mattress - Overhead Bunk - Two Fold - 19" x 34" x 75" x 4" - Jade
	058899-12-L07	EA	Cover - Overhead Bunk Mattress - Two Fold - 19" x 34" x 75" x 4" - Brown
	058899-12-L08	EA	Cover - Overhead Bunk Mattress - Two Fold - 19" x 34" x 75" x 4" - Rust
	058899-12-L09	EA	Cover - Overhead Bunk Mattress - Two Fold - 19" x 34" x 75" x 4" - Jade

CORNER LOUNGE CHAIRS

Key	Part Number	U/M	Description
6	059743-05-L07	EA	Cushion - Corner Lounge Chair - Bottom - Brown
6	059743-05-L08	EA	Cushion - Corner Lounge Chair - Bottom - Rust
6	059743-05-L09	EA	Cushion - Corner Lounge Chair - Bottom - Jade
	059746-05-L07	EA	Cover - Corner Lounge Chair - Bottom - Brown
	059746-05-L08	EA	Cover - Corner Lounge Chair - Bottom - Rust
	059746-05-L09	EA	Cover - Corner Lounge Chair - Bottom - Jade
7	059742-05-L07	EA	Cushion - Corner Lounge Chair - Back - Brown
7	059742-05-L08	EA	Cushion - Corner Lounge Chair - Back - Rust
7	059742-05-L09	EA	Cushion - Corner Lounge Chair - Back - Jade
	059745-05-L07	EA	Cover - Corner Lounge Chair - Back - Brown
	059745-05-L08	EA	Cover - Corner Lounge Chair - Back - Rust
	059745-05-L09	EA	Cover - Corner Lounge Chair - Back - Jade
8	059744-10-L07	EA	Cushion - Corner Chair Wedge - Left - Brown
8	059744-10-L08	EA	Cushion - Corner Chair Wedge - Left - Rust
8	059744-10-L09	EA	Cushion - Corner Chair Wedge - Left - Jade
	059747-10-L07	EA	Cover - Wedge Cushion - Left - Brown
	059747-10-L08	EA	Cover - Wedge Cushion - Left - Rust
	059747-10-L09	EA	Cover - Wedge Cushion - Left - Jade
9	059744-09-L07	EA	Cushion - Corner Chair Wedge - Right - Brown
9	059744-09-L08	EA	Cushion - Corner Chair Wedge - Right - Rust
9	059744-09-L09	EA	Cushion - Corner Chair Wedge - Right - Jade
	059747-09-L07	EA	Cover - Wedge Cushion - Right - Brown
	059747-09-L08	EA	Cover - Wedge Cushion - Right - Rust
	059747-09-L09	EA	Cover - Wedge Cushion - Right - Jade

SWIVEL CHAIRS

Key	Part Number	U/M	Description
10	054700-10-L07	EA	Cushion - Swivel Chair - Brown
10	054700-10-L08	EA	Cushion - Swivel Chair - Rust
10	054700-10-L09	EA	Cushion - Swivel Chair - Jade
11	054674-11-L07	EA	Swivel Chair - Complete - Brown
11	054674-11-L08	EA	Swivel Chair - Complete - Rust
11	054674-11-L09	EA	Swivel Chair - Complete - Jade
	035036-01-000	EA	Plate - Swivel Chair
	035036-02-000	EA	Base w Legs - Swivel Chairs

**1980 ITASCA
TABLE OF CONTENTS**

IC524RH L1	A-1 - B-16
IC625RB L1	B-17 - D-4
ICN26RB L1	D-5 - E-22

1980 IC625RB L1 INDEX

Floor Plan	B-17 - B-18
Accessories Group	B-19 - B-20
Bath Group	B-21 - B-22
Chassis Group	B-23
Curtain, Cushion & Pad Group	B-24 - C-3
Dinette Group	C-4
Driver's Compartment Group	C-5
Electrical Group	C-6 - C-8
Exterior Body Group	C-9 - C-12
Galley Group	C-13
Heating & Air Conditioning Group	C-14
Interior Finish Group	C-15 - C-16
LP Group	C-17
Lounge Group	C-18
Water & Sewage Group	C-19 - C-20
Window, Vent & Exterior Door Group	C-21 - D-4

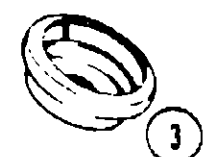
CURTAIN, CUSHION AND PAD GROUP (CONTINUED)

FABRICS, TRIMS AND PADS

Key	Part Number	U/M	Description
	053719-01-L07	EA	Headliner Asm. - Acorn Brown Vinyl
	056051-01-L07	EA	Pad Asm. - Sleeper Board - Left - Acorn Brown
	056051-02-L07	EA	Pad Asm. - Sleeper Board - Right - Acorn Brown
	056053-01-L07	EA	Pad Asm. - Hinging Pillar - Right - Acorn Brown
	056053-02-L07	EA	Pad Asm. - Hinging Pillar - Left - Acorn Brown
	056054-01-L07	EA	Pad Asm. - Headliner - Left - Acorn Brown
	056054-02-L07	EA	Pad Asm. - Headliner - Right - Acorn Brown
	053327-01-000	YD	Vinyl - Non Expanded - 27 oz. - Acorn Brown
	053327-02-000	YD	Vinyl - Expanded - 28 oz. - Acorn Brown
	053327-03-000	YD	Vinyl - Non Support - 16 Gauge Film - Acorn Brown
	052859-01-L07	FT	Trim - Accent - Acorn Brown Vinyl
	064393-05-000	YD	Fabric - Curtain - Super Satin
	064383-11-000	YD	Fabric - Upholstery - Main - Brown - (Clinton Cedar)
	064383-14-000	YD	Fabric - Upholstery - Accent - Brown - (Caprice Cinnamon)
	064383-12-000	YD	Fabric - Upholstery - Main - Rust - (Clinton Rust)
	064383-15-000	YD	Fabric - Upholstery - Accent - Rust - (Caprice Clay)
	064383-13-000	YD	Fabric - Upholstery - Main - Jade - (Clinton Seafoam)
	064383-16-000	YD	Fabric - Upholstery - Accent - Jade - (Caprice Seafoam)
	054676-06-L07	EA	Button Asm. - Cloth Covered - #30 - Brown
	054675-06-L08	EA	Button Asm. - Cloth Covered - #30 - Rust
	054676-06-L09	EA	Button Asm. - Cloth Covered - #30 - Jade

CURTAIN HARDWARE

Key	Part Number	U/M	Description
	052327-04-210	EA	Track - Curtain - Brown Alum. - 89" w. Holes
	053272-04-200	EA	Track - Curtain - Off White Alum. - 89" w. Holes
	009107-01-000	EA	Guide - Nylon Snap - Curtain
	018031-42-000	EA	Track - Curtain - "L" Rod - Alum. Extr. - 90"
	009701-01-000	EA	Carrier - "L" Rod - Curtain
	009702-01-000	EA	End Stop - "L" Rod - Curtain



Key	Part Number	U/M	Description
1	029130-01-000	EA	Socket - Snap Fastener
2	029155-01-000	EA	Cap - Snap - 156 Dia x 17" Barrel
3	029156-01-000	EA	Socket - Snap Fastener
4	029092-01-000	EA	Stud - Nickel Finish
5	029093-01-000	EA	Eyelet - Nickel Finish

DINETTE GROUP

CONVENTIONAL DINETTE W/FOLD DOWN TABLE

Key	Part Number	U/M	Description
	053192-02-L07	EA	Table Top Asm.
**	024276-04-000	EA	Leg Asm. - Table - Brown - 29.5"
	064050-01-000	EA	Hinge - Table Leg
**	024282-01-000	EA	Brace - Table Leg
**	024283-01-000	EA	Clip - 1" - 1.125" O.D. Tube
**	049493-02-000	EA	Catch - Table Leg - Mounts on Floor - Brown
**	024275-01-000	EA	Rod - Table Lift - 8" x 23.5"
	024281-03-000	EA	Bracket - Lower Wall Mount - Brown - 22.12"
	053201-01-000	EA	Bracket - Table Mount - 23" - Brown
	053200-01-000	EA	Bracket - Upper Wall Mount - 23.5" - Brown
	066042-01-L07	EA	Cabinet Asm. - Dinette Overhead - w/o Doors or Hardware
	063224-08-L07	EA	Door Asm. - Dinette Overhead Cabinet - w/o Hardware
	059596-01-L07	EA	Cabinet Asm. - Right Dinette Seat
	059596-02-L07	EA	Cabinet Asm. - Left Dinette Seat

**The illustrated parts breakdown for this item is provided on the Common Items Fiche.

DINETTE COUCH W/PEDESTAL TABLES

Key	Part Number	U/M	Description
	053203-07-L07	EA	Table Asm. - Pedestal - Stonehenge - w/o Hardware
	009040-02-000	EA	Leg - Pedestal Table - 27.5" x 2.25" O.D. Chrome
	009040-03-000	EA	Base - Table Leg - Mounts on Table
	041194-01-000	EA	Base - Table Leg - Mounts in Floor
	057468-02-000	EA	Frame - Sprung Couch - Right
	057468-03-000	EA	Frame - Sprung Couch - Left
	057468-04-000	EA	Frame Rails - 2 per couch
	057469-01-000	EA	Leg Asm. - Sprung Couch
	057620-01-L07	EA	Panel - Couch Face - w/o Door or Hardware
	063896-01-L07	EA	End Panel - Sprung Couch
	065325-18-000	EA	Door Asm. - 11.8" x 37.4" - w/o Hardware

1980 ITASCA TABLE OF CONTENTS

IC524RH L1	A-1 - B-16
IC625RB L1	B-17 - D-4
ICN26RB L1	D-5 - E-22

1980 IC625RB L1 INDEX

Floor Plan	B-17 - B-18
Accessories Group	B-19 - B-20
Bath Group	B-21 - B-22
Chassis Group	B-23
Curtain, Cushion & Pad Group	B-24 - C-3
Dinette Group	C-4
Driver's Compartment Group	C-5
Electrical Group	C-6 - C-8
Exterior Body Group	C-9 - C-12
Galley Group	C-13
Heating & Air Conditioning Group	C-14
Interior Finish Group	C-15 - C-16
LP Group	C-17
Lounge Group	C-18
Water & Sewage Group	C-19 - C-20
Window, Vent. & Exterior Door Group	C-21 - D-4

DRIVER'S COMPARTMENT GROUP

Key	Part Number	U/M	Description
	044880-01-000	EA	Mat - Stepwell - Black Rubber - Left
	044880-02-000	EA	Mat - Stepwell - Black Rubber - Right
	053719-01-L07	EA	Headliner Asm. - Acorn Brown Vinyl
	056051-01-L07	EA	Pad Asm. - Sleeper Board - Left - Acorn Brown
	056051-02-L07	EA	Pad Asm. - Sleeper Board - Right - Acorn Brown
	058053-01-L07	EA	Pad Asm. - Hinging Pillar - Right - Acorn Brown
	058053-02-L07	EA	Pad Asm. - Hinging Pillar - Left - Acorn Brown
	058054-01-L07	EA	Pad Asm. - Headliner - Left - Acorn Brown
	058054-02-L07	EA	Pad Asm. - Headliner - Right - Acorn Brown
	007222-01-000	EA	Belt Asm. - Seat - 2" x 80" - Black
	041332-01-000	EA	Washer - Flat - 1 1/32" I.D. x 2 3/8" O.D.
	048380-07-000	EA	Console - Overhead - w/o Gauges or Switches
	031035-01-000	EA	Gauge - Hourmeter - Generator
	024978-01-000	EA	Switch - Generator - w/o Circuit Board
	024482-01-000	EA	Switch - Battery Condition
	046885-01-000	EA	Plaque - Mounting - Battery Switch
	024461-01-000	EA	Switch - Battery Changeover
	050615-01-000	EA	Bracket - Overhead Console
	052744-02-000	EA	Bazel - Transmission Control
	052577-01-000	EA	Gauge - Voltmeter w/ Bracket
	057577-01-000	EA	Cover - Engine
	059784-02-000	EA	Controller - Wiper Intermittant
	056846-01-000	EA	Trim Panel - Door - Right - Primed
	056846-02-000	EA	Trim Panel - Door - Left - Primed
	064185-01-000	EA	Trim Panel - Plastic - Right - Bunk Window
	064186-01-000	EA	Trim Panel - Plastic - Left - Bunk Window
	049943-01-000	EA	Pedestal - Complete - Swivel Seat
	050447-01-000	EA	Pedestal Asm. - Tilt Seat
	051761-01-000	EA	Plate - Steel - Tilt Seat Pedestal Adapter

ELECTRICAL GROUP

BULBS

Key	Part Number	U/M	Description
	037935-01-000	EA	Bulb - 1157
	037936-01-000	EA	Bulb - 1157 A
	038010-01-000	EA	Bulb - 1147
	008103-01-000	EA	Bulb - 53
	008213-01-000	EA	Bulb - 57
	008214-01-000	EA	Bulb - 67
	008215-01-000	EA	Bulb - 1003
	008216-01-000	EA	Bulb - 1034
	008217-01-000	EA	Bulb - 1073
	008218-01-000	EA	Bulb - 1141
	008219-01-000	EA	Bulb - 656
	008220-01-000	EA	Bulb - 12V - 25W
	036196-01-000	EA	Bulb - 194
	000020-01-000	EA	Bulb - 12V - 20W - 1383

FUSES AND CIRCUIT BREAKERS

Key	Part Number	U/M	Description
	056473-01-000	EA	Fuse - Slow Blow - 6 1/4 Amp.
	056473-02-000	EA	Fuse - 12 Volt - 5 Amp
	008233-01-000	EA	Fuse - 12 Volt - 6 Amp
	008234-01-000	EA	Fuse - 12 Volt - 10 Amp.
	008235-01-000	EA	Fuse - 12 Volt - 15 Amp.
	008236-01-000	EA	Fuse - 12 Volt - 20 Amp
	008248-01-000	EA	Fuse - 110 Volt - 30 Amp Jagu
	008252-01-000	EA	Fuse - 110 Volt - 50 Amp
	008208-01-000	EA	Circuit Breaker - 12 Volt - 40 Amp
	008211-01-000	EA	Circuit Breaker - 12 Volt - 6 Amp.
	008268-01-000	EA	Circuit Breaker - 12 Volt - 30 Amp. w Mount
	033573-01-000	EA	Circuit Breaker - 12 Volt - 20 Amp. w Mount
	040051-01-000	EA	Circuit Breaker - 110 Volt - 20 Amp. TQL
	033573-02-000	EA	Circuit Breaker - 12 Volt - 15 Amp - w Mount

EXTERIOR LIGHTS

Key	Part Number	U/M	Description
	048817-01-000	EA	Handle Asm. - Assist w/ Light
	007309-01-000	EA	Light - Step Well
	042405-03-000	EA	Base - Rectangular Clearance Light
	042405-04-000	EA	Lens - Clearance Light - Red
	042405-05-000	EA	Lens - Clearance Light - Amber
	057668-01-000	EA	Lamp Asm. - Side Marker - Right
	057668-02-000	EA	Lamp Asm. - Side Marker - Left
	058030-01-000	EA	Taillamp Asm. - 3 Bulb - Right
	058030-02-000	EA	Taillamp Asm. - 3 Bulb - Left
	058030-01-700	EA	Lens - Tail Lamp - Red
	058030-01-701	EA	Lens - Tail Lamp - Backup
	062742-01-000	EA	Wedge - Tail Lamp - Left
	062741-03-000	EA	Wedge - Tail Lamp - Right
	059036-01-000	EA	Bracket - Tail Lamp
	059540-01-000	EA	Bracket - License Plate

1980 ITASCA TABLE OF CONTENTS

IC524RH L1	A-1 - B-16
IC625RB L1	B-17 - D-4
ICN26RB L1	D-5 - E-22

1980 IC625RB L1 INDEX

Floor Plan	B-17 - B-18
Accessories Group	B-19 - B-20
Bath Group	B-21 - B-22
Chassis Group	B-23
Curtain, Cushion & Pad Group	B-24 - C-3
Dinette Group	C-4
Driver's Compartment Group	C-5
Electrical Group	C-6 - C-8
Exterior Body Group	C-9 - C-12
Galley Group	C-13
Heating & Air Conditioning Group	C-14
Interior Finish Group	C-15 - C-18
LP Group	C-17
Lounge Group	C-18
Water & Sewage Group	C-19 - C-20
Window, Vent & Exterior Door Group	C-21 - D-4

ELECTRICAL GROUP (CONTINUED)

INTERIOR LIGHTS

Key	Part Number	U/M	Description
	024418-01-000	EA	Lamp Asm. - Map Gauge/Isle
	033508-03-000	EA	Light - Dome - Ivory - 1 Bulb - CSA
	024642-01-701	EA	Lens - Dome Light - 1 Bulb
	033509-03-000	EA	Light - Dome - Ivory - 2 Bulb - C.S.A.
	024643-01-701	EA	Lens - Dome Light - 2 Bulb
	053346-01-000	EA	Light - High Intensity - Brown Plastic
	056288-01-000	EA	Dome Light Asm.
	061424-01-000	EA	Light - Aisle - Rectangular - 1 1/4" x 4 1/4"
	064778-01-000	EA	Light - Dome - Off White - 2 Bulb - Jensen
	064778-02-000	EA	Light - Dome - Off White - 1 Bulb - Jensen

WIRE, SWITCHES AND RECEPTACLES

Key	Part Number	U/M	Description
	008024-01-000	FT	Wire - 18.5 Bonded - Orange/White/Yellow/Blue/Brown
	008025-01-000	FT	Wire - 18.5 Bonded - Orange/White/Yellow/Blue/Green
	008026-01-000	FT	Wire - 18.5 Bonded - Blue/Red/Yellow/Orange/White
	008030-01-000	FT	Wire - 18.4 Bonded
	008251-01-000	EA	Holder - Fuse - Black - Screw Type
	008277-01-000	EA	Holder - Fuse - Black - Panel Mount
	008195-01-000	EA	Switch - Push Button - 12 Volt
	006077-01-000	EA	Plaque - Compressor Switch
	008054-01-000	EA	Cord - Power - 10-3 30 Amp. - 25' - UL
	034818-03-000	EA	Holder - Receptacle - Plastic
	024571-03-000	EA	Cover Plate - Receptacle - Jumbo Brown Plastic
	039342-02-000	EA	Receptacle - Single Ivory
	039342-01-000	EA	Receptacle - Duplex Brown - T Junction
	024571-01-000	EA	Cover Plate - Receptacle - Jumbo Steel Brown
	008294-01-000	EA	Cover Plate - Brown Steel - 4" x 4"
	008289-01-000	EA	Box - Electrical - Steel - 4" x 4"
	039343-01-000	EA	Cap - End - Receptacle
	008162-01-000	EA	Switch - Double Toggle - Spade Brown
	008163-01-000	EA	Switch - Toggle Brown
	008164-01-000	EA	Cover Plate - Switch - Brown
	024924-01-000	EA	Receptacle - Power Cord
	008058-01-000	EA	Adapter - Power Cord
	047353-01-000	EA	Cover - Receptacle - Ground Fault
	053126-02-000	EA	Receptacle - Ground Fault - Interrupter - 125 Volt - Brown
	058707-01-000	EA	Receptacle - Single - Brown - Thomas & Belts
	058708-01-000	EA	Receptacle - Duplex - Brown - Thomas & Belts
	058048-01-000	EA	Cover - Electrical - Rain Tight - (Exterior)
	008157-01-000	EA	Receptacle - Single (Exterior)
	061405-02-000	EA	Plate - Receptacle - Duplex - Pewter
	061406-02-000	EA	Plate - Single Switch - Pewter
	061407-02-000	EA	Plate - Double Switch - Pewter

ELECTRICAL GROUP (CONTINUED)

MISCELLANEOUS ELECTRICAL COMPONENTS

Key	Part Number	U/M	Description
	047389-01-700	EA	Battery - 12 Volt - 105 Amp Deep Cycle - Dry
	057899-01-000	EA	Battery - 12 Volt - Maintenance Free
	008188-01-000	EA	Solenoid - Dual Battery - Relay
	052577-01-000	EA	Gauge - Voltmeter - w/Bracket
	024462-01-000	EA	Switch - Battery Condition
	031035-01-000	EA	Gauge - Hour Meter - Generator
	024976-01-000	EA	Switch - Generator w/o Circuit Board
	024460-01-000	EA	Gauge Vacuum
	024461-01-000	EA	Switch - Battery - Changeover
	046885-01-000	EA	Plaque - Switch Mounting
	046520-01-000	EA	Switch Asm - Door Jamb
	031720-01-000	EA	Spacer - Receptacle - Brown Plastic - CSA
	059784-02-000	EA	Controller - Wiper Intermittant
	057043-01-000	EA	Control Center - 37 Amp. - CSA
**	054544-01-000	EA	Control Center - 37 Amp.
	039950-01-702	EA	Circuit Board - Control Center
	039861-01-000	EA	Sending Unit - Wemac
	048812-04-000	EA	Control Panel - Water/Double Sewage - Basic Panel
	048812-06-000	EA	Panel Insert - w/o Thermostat Holes
	048812-08-000	EA	Panel Insert - w/LP Alarm, Alarm Clock, Refrigerator Light and Sensor
	048812-09-000	EA	Panel Insert - w/LP Alarm, Clock, Refrigerator Light and Sensor
	048812-12-000	EA	Sensor - Wemac Panel - Sibir Refrigerator
	048812-13-000	EA	Sensor - Wemac Panel - Dometic Refrigerator

** The illustrated parts breakdown for this item is provided on the Common Items Fiche.

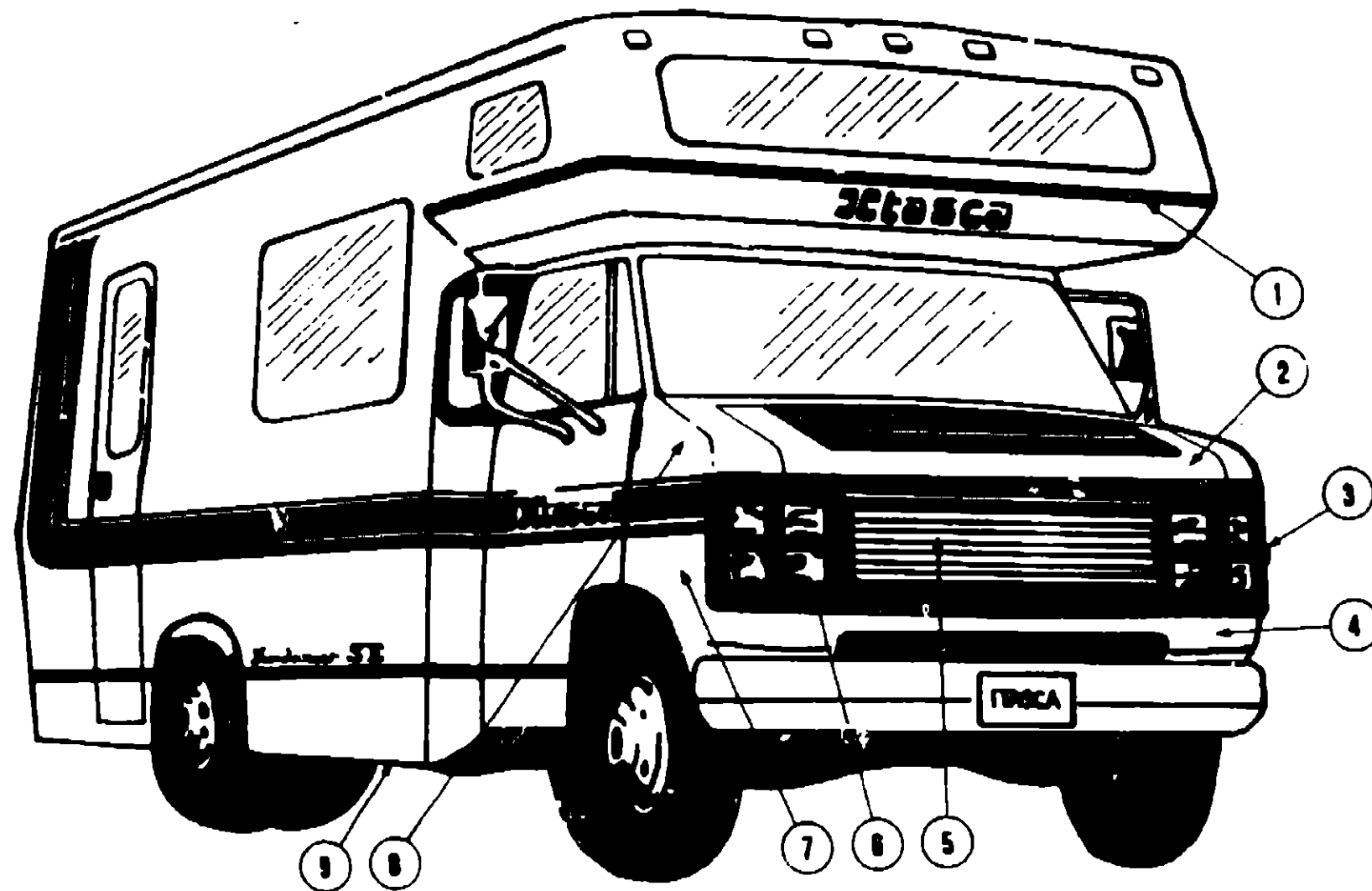
1980 ITASCA TABLE OF CONTENTS

IC524RH L1	A-1 - B-18
IC625RB L1	B-17 - D-4
ICN26RB L1	D-5 - E-22

1980 IC625RB L1 INDEX

Floor Plan	B-17 - B-18
Accessories Group	B-19 - B-20
Bath Group	B-21 - B-22
Chassis Group	B-23
Curtain, Cushion & Pad Group	B-24 - C-3
Dinette Group	C-4
Driver's Compartment Group	C-5
Electrical Group	C-6 - C-8
Exterior Body Group	C-9 - C-12
Galley Group	C-13
Heating & Air Conditioning Group	C-14
Interior Finish Group	C-15 - C-16
LP Group	C-17
Lounge Group	C-18
Water & Sewage Group	C-19 - C-20
Window, Vent & Exterior Door Group	C-21 - D-4

EXTERIOR BODY GROUP



Key	Part Number	U/M	Description
1	062765-01-000	EA	Trim Front Cap
.	055146-01-000	EA	Insert - Black Flexible Vinyl
2	058361-01-000	EA	Hood Asm.
.	057896-01-000	EA	Hinge Asm. - Hood
.	007160-01-000	EA	Gasket - Tire Carcass - 3/16" x 2" x 2"
3	054901-01-000	EA	Bezel - Headlamp - Left
4	054898-01-000	EA	Panel - Lower Grille - Valance
5	052847-01-000	EA	Grille Asm.
6	054901-02-000	EA	Bezel - Headlamp - Right
.	049185-01-000	EA	Capsule Asm. - Headlamp Rectangular - Left - High/Low Beam
.	049186-01-000	EA	Capsule Asm. - Headlamp Rectangular - Right - High/Low Beam
.	049187-01-000	EA	Capsule Asm. - Headlamp Rectangular - Left - High Beam
.	049188-01-000	EA	Capsule Asm. - Headlamp Rectangular - Right - High Beam
.	050030-01-000	EA	Housing Asm. - Headlamp
7	054863-02-000	EA	Panel - Wheel House - Front Half - Right
.	054863-01-000	EA	Panel - Wheel House - Front Half - Left
8	058360-02-000	EA	Front End Asm. - Fiberglass - Includes Hood w/o Front Grille
9	052650-01-003	EA	Trim - Sidewall - 150"
.			Not Illustrated

1960 ITASCA TABLE OF CONTENTS

IC524RH L1
IC625RB L1
ICN26RB L1

A-1 - B-16
B-17 - D-4
D-5 - E-22

1960 IC625RB L1 INDEX

Floor Plan	B-17 - B-18
Accessories Group	B-19 - B-20
Bath Group	B-21 - B-22
Chassis Group	B-23
Curtain, Cushion & Pad Group	B-24 - C-3
Dinette Group	C-4
Driver's Compartment Group	C-5
Electrical Group	C-6 - C-8
Exterior Body Group	C-9 - C-12
Galley Group	C-13
Heating & Air Conditioning Group	C-14
Interior Finish Group	C-15 - C-16
LP Group	C-17
Lounge Group	C-18
Water & Sewage Group	C-19 - C-20
Window, Vent & Exterior Door Group	C-21 - D-4

EXTERIOR BODY GROUP (CONTINUED)

EXTERIOR BODY PANELS AND SHEET ALUMINUM

Key	Part Number	U/M	Description
	053394-01-L07	EA	Sidewall Asm. - Right
	085998-01-L07	EA	Sidewall Asm. - Left
	087221-01-L07	EA	Roof Asm.
	053401-01-L07	EA	Backwall Asm.
	055457-01-L07	EA	Sleeper Board Asm.
	085031-01-000	EA	Cap - Backwall - Off White Fiberglass
	054894-01-000	EA	Cap - Upper Front - Outer - Off White Fiberglass
	054893-01-000	EA	Cap - Upper Front - Inner - Off White Fiberglass
	053933-03-000	EA	Valance Panel Asm. - Right Rear
	064565-01-000	EA	Valance Panel Asm. - Right Front
	053934-03-000	EA	Valance Panel Asm. - Left Rear
	064566-01-000	EA	Valance Panel Asm. - Left Front
	001054-01-041	EA	Off White Plain Alum. - 48" x 360"
	044487-01-001	EA	Plain Roof Metal - 96" x 360"
	039155-07-010	EA	Off White Greyhound Alum. - 48" x 96"
	001054-01-011	EA	Off White Plain Alum. - 48" x 96"
	000868-01-000	BF	Styrofoam - 3/4" x 24" x 96"
	000870-01-000	BF	Styrofoam - 1 1/2" x 24" x 96"

NOTE: The raised portion of Mesa I is 1.657" wide.
The raised portion of Mesa II aluminum is .875" wide.

EXTERIOR PAINT

Key	Part Number	U/M	Description
	041561-01-000	EA	Paint - Off White - Acrylic Enamel - 1 Gallon - (Dupont 45346A)
	041561-03-000	EA	Paint - Off White - Acrylic Enamel - 16 oz. Aerosol - (Dupont 45396A)
	041561-04-000	EA	Paint - Off White - Acrylic Lacquer - 1 Gallon - (Dupont 45396A)
	045681-03-000	EA	Paint - Gloss Black - Acrylic Enamel - 16 oz. Aerosol - (Dupont 43492)
	066442-03-000	EA	Paint - Gray Metallic - Acrylic Enamel - 16 oz. - Aerosol (Dupont 43492)
	059359-03-000	EA	Paint - Brown Metallic - Acrylic Enamel - 16 oz. Aerosol (Dupont 44721)
	059354-03-000	EA	Paint - Bronze Metallic - Acrylic Enamel - 16 oz. Aerosol (Dupont 7864)
	067927-03-000	EA	Paint - Medium Tan Metallic - Acrylic Enamel - 16 oz. Aerosol - (Dupont #7591)

LABELS AND DECALS

Key	Part Number	U/M	Description
	041273-25-000	EA	Decal - Stripping - .75" - Gray Metallic
	056004-02-000	EA	Decal - Logo Itasca - 5.25" High - Gray/White
	056004-03-000	EA	Decal - Logo - Itasca - 5.25" High - Black/Gray
	059526-03-000	EA	Decal - Sundance - w/o Sunburst
	059527-02-000	EA	Decal - SE - 4" - White
	066443-01-000	EA	Decal - C - Rear Stripe
	066444-01-000	EA	Decal - Stripe - Rear Side
	066445-01-000	EA	Stencil - Stripe - Top Rear Side - Right
	066445-02-000	EA	Stencil - Stripe - Top Rear Side - Left
	066446-01-000	EA	Stencil - Stripe - Bottom Rear Side - Right - 1.50"
	066446-02-000	EA	Stencil - Stripe - Bottom Rear Side - Left - 1.50"
	066446-03-000	EA	Stencil - Stripe - Bottom Rear Side - 5.87"
	066446-04-000	EA	Stencil - Stripe - Bottom Rear Side - 8.25"
	006006-01-000	EA	Label - Thermo Panel - 2 1/4" x 2 1/4"
	006064-01-000	EA	Label - Seat w/o Seat Belt
	057467-01-000	EA	Label - Exterior Loading Limit
	006031-01-000	EA	Label - Potable Water Only
	006040-01-000	EA	Tag - Gas Refueling Warning
	008062-01-000	EA	Tag - Electrical - 110 Volt Connection
	006187-01-000	EA	Label - Sewage
	006188-01-000	EA	Label - Waste Water
	006199-01-000	EA	Label - Exit - Escape Window
	061417-01-000	EA	Label - Fuel
	047731-01-000	EA	Label - Emergency Exit
	050225-01-000	EA	Label - Warning - Stove Vent - U.S.
	054531-01-000	EA	Label - LP Gas Only

EXTERIOR BODY GROUP (CONTINUED)

SEALANTS, ADHESIVES AND FASTENERS

Key	Part Number	U/M	Description
	034552-05-000	EA	Sealant - Off White Silicone
	034552-04-000	EA	Sealant - Beige Silicone
	034552-02-000	EA	Sealant - Clear Silicone
	004346-02-000	EA	Sealant - White Silicone
	004357-01-000	FT	Tape - Sealer - 1/8" x 3/8" - Adhesive
	009200-01-000	EA	Tape - Furnace - 1 1/2"
	004353-01-000	FT	Tape - Gasket - 1/8" x 3/4" - White
	002825-01-000	FT	Weather Stripping - Roof Vent
	002537-01-000	EA	Adhesive - 3M - 1300 Tube
	004005-01-000	GL	Adhesive - Swifts - Green - Glue (Sidewalls)
	004012-01-000	EA	Adhesive - 3M - 4475 Tube
	004020-01-000	QT	Adhesive - ABS Cement (Plastic Fittings)
	029051-01-000	EA	Adhesive - Spray Vinyl
	042401-02-000	EA	Screw - 8 - 18 x 3/4" SDPH - Off White
	042403-02-000	EA	Screw - SF'DR - 8 - 18 x 1" SDPH - Off White
	053766-01-000	EA	Bedding Compound - Tube Black - Schnee Morehead
	053766-02-000	EA	Bedding Compound - Tube White - Schnee Morehead
	053767-01-000	FT	Tape - 1/2" x 1/8" x 30' - Gray - Schnee Morehead
	053767-03-000	FT	Tape - 1/4" Bead x 20' - Gray - Schnee Morehead
	053767-04-000	FT	Tape - 3/4" x 1/8" x 30' - Gray - Schnee Morehead
	053767-05-000	FT	Tape - 2" x 3/32" x 45' - Gray - Schnee Morehead

MISCELLANEOUS EXTERNALLY MOUNTED PARTS

Key	Part Number	U/M	Description
**	011124-01-000	EA	Plumbing Seal - Roof Vent - 1 1/4" - White
**	011129-01-000	EA	Plumbing Seal - Roof Vent - 1 1/2" - White
	048817-01-000	EA	Assist Handle - w/Light
	010230-02-000	EA	Fill - City Water - Recessed - Off White
	058808-01-000	EA	Water Fill - Lockable - Off White
	036575-03-000	EA	Fuel Fill - Recessed - Single - Off White
	061187-01-000	EA	Door Asm. - Gas Fill - Off White - w/Key Lock

**The illustrated parts breakdown for this item is provided on the Common Items Fiche

1980 ITASCA TABLE OF CONTENTS

IC524RH L1	A-1 - B-16
IC625RB L1	B-17 - D-4
ICN2GRB L1	D-5 - E-22

1980 IC625RB L1 INDEX

Floor Plan	B-17 - B-18
Accessories Group	B-19 - B-20
Bath Group	B-21 - B-22
Chassis Group	B-23
Curtain, Cushion & Pad Group	B-24 - C-3
Dinette Group	C-4
Driver's Compartment Group	C-5
Electrical Group	C-6 - C-8
Exterior Body Group	C-9 - C-12
Galley Group	C-13
Heating & Air Conditioning Group	C-14
Interior Finish Group	C-15 - C-16
LP Group	C-17
Lounge Group	C-18
Water & Sewage Group	C-19 - C-20
Window, Vent & Exterior Door Group	C-21 - D-4

GALLEY GROUP

GALLEY CABINETRY

Key	Part Number	U/M	Description
	064767-01-700	EA	Cabinet Asm. - Galley - w/o Countertop, Doors or Hardware
	064768-01-L07	EA	Countertop Asm. - Galley Cabinet - Stonehenge
	065325-05-L07	EA	Door Asm. - Galley Cabinet - 13" x 32 4" - w/o Hardware
	065325-06-L07	EA	Door Asm. - Galley Cabinet - 15.7" x 21.9" - w/o Hardware
	066043-01-L07	EA	Cabinet Asm. - Overhead - Left - w/o Door or Hardware
	063224-09-000	EA	Door Asm. - Rolled - 23.9" x 22" - w/o Hardware
	063224-10-000	EA	Door Asm. - Rolled - 25.5" x 22" - w/o Hardware
	064804-01-700	EA	Cabinet Asm. - Buffet - w/o Countertop, Doors, Drawers or Hardware
	064803-01-L07	EA	Countertop Asm. - Buffet Cabinet - Stonehenge
	065325-01-L07	EA	Door Asm. - Buffet Cabinet - 9" x 11.60" - w/o Hardware
	065325-02-L07	EA	Door Asm. - Buffet Cabinet - 10.6" x 13.3" - w/o Hardware
	065325-04-L07	EA	Door Asm. - Buffet Cabinet - 11.6" x 13.3" - w/o Hardware
	065325-10-L07	EA	Door Asm. - Buffet Cabinet - 10.5" x 12.1" - w/o Hardware
	065328-01-L07	EA	Door Asm. - Furnace - w/Mesh Insert - w/o Hardware
	047205-08-000	EA	insert - Furnace Door - 10 1/8" x 12 1/2" - Brass Mesh
	039873-01-000	EA	Catch and Strike - Furnace Door
	066491-01-L07	EA	Drawer Asm. - 15.20" x 20" Deep - w/o Hardware
	066041-01-L07	EA	Cabinet Asm. - Overhead - Right - w/o Door or Hardware
	057882-01-018	EA	Door Asm. - Rolled - 3.25" x 23.5" - w/o Hardware

GALLEY HARDWARE AND APPLIANCES

Key	Part Number	U/M	Description
	011032-01-000	EA	Sink - Double - Stainless Steel w/Bolts
	064952-01-000	EA	Faucet - Single - Galley Sink
	064952-02-000	EA	Faucet - Single - Galley Sink - CSA
	066437-01-000	EA	Strainer - w/Basket - Sink
	053424-01-L07	EA	Sink Cover - Large - Stonehenge
	050580-01-000	EA	Hand Rail - Teak - 1 Loop - 13"
**	046954-03-000	EA	Hood - Stove - Powered w/Spice Rack - Black Face - U.S.
**	046954-04-000	EA	Hood - Stove - Powered w/Spice Rack - Black Face - C.S.A.
	055282-03-000	EA	Range - 4 Burner - Small Oven - Black - Magic Chef
**	049175-02-000	EA	Refrigerator - AC/DC/Gas - Sibir ET 150/2
**	049174-02-000	EA	Refrigerator - AC/DC/Gas - Sibir ET 230/2
	054450-01-000	EA	Level - Refrigerator
	052771-02-000	EA	Oven - Microwave - Magic Chef 207-4

**The illustrated parts breakdown for this item is provided on the Common Items Fiche.

HEATING AND AIR CONDITIONING GROUP

Key	Part Number	U/M	Description
	051768-01-000	EA	A/C - Compressor Mount Package - 350 C.I.D.
	051770-01-000	EA	A/C - Compressor - Rotolock - 10.3"
	056460-01-000	EA	A/C - Condenser Asm. - 350 C.I.D. C-Body
	056455-01-000	EA	A/C - Evaporator Asm.
	024888-01-000	EA	A/C - Clutch - 6" Drive
	049401-01-000	EA	Heater Asm. - Rear - (Auxiliary)
	049401-01-700	EA	Valve - Water Control - (Auxiliary Heater)
	049401-01-701	EA	Control Cable - (Auxiliary Heater)
	049401-01-702	EA	Motor Asm. - (Auxiliary Heater)
	049401-01-703	EA	Heater Core - (Auxiliary Heater)
	049401-01-704	EA	Switch - (Auxiliary Heater)
	059806-01-000	EA	Control Panel - (Auxiliary Rear Heater)
	024985-01-000	EA	Register w/Damper - 9.8" x 4.8"
	009198-01-000	EA	Duct - Flexible - 4" I.D. x 25'
	031804-01-000	EA	Bonnet - Heat Register
	039505-02-000	EA	Thermostat - Horizontal Wall Mount - Black
	009200-01-000	EA	Tape - Furnace - 1 1/2"
	023146-01-000	EA	Clamp - Screw Type - 4"
	050784-01-000	EA	Vent Package - Furnace - 3-6" Wall
	049042-02-000	EA	Doc - Furnace - Front
	059351-02-000	EA	Furnace - 24,000 BTU - w/Piezo Ignition
**	059351-01-000	EA	Furnace - 24,000 BTU - w/Electric Ignition - Coleman 4324-749
**	059350-01-000	EA	Furnace - 30,000 BTU - w Electric Ignition - Coleman 4330-749
**	049777-03-000	EA	Air Conditioner - 110 Volt - Roof Mount - 11,000 BTU Ivory - Coleman (w/o inside shroud) - (6744A90)
**	063903-01-000	EA	Air Conditioner - 110 Volt - Roof Mount - 13,500 BTU Ivory - Coleman (w/o inside shroud) - (6749-70)
**	049775-02-000	EA	Shroud Asm. - Ceiling - Inside - Roof Air - Cool Only 13,500 BTU - Coleman
**	049776-01-000	EA	Shroud Asm. - Ceiling - Inside - Roof Air - Heat and Cool 13,500 BTU - Coleman

**The illustrated parts breakdown for this item is provided on the Common Items Fiche.

1980 ITASCA TABLE OF CONTENTS

IC524RH L1	A-1 - B-16
IC625RB L1	B-17 - D-4
ICN26RB L1	D-5 - E-22

1980 IC625RB L1 INDEX

Floor Plan	B-17 - B-18
Accessories Group	B-19 - B-20
Bath Group	B-21 - B-22
Chassis Group	B-23
Curtain, Cushion and Fad Group	B-24 - C-3
Dinette Group	C-4
Driver's Compartment Group	C-5
Electrical Group	C-6 - C-8
Exterior Body Group	C-9 - C-12
Galley Group	C-13
Heating & Air Conditioning Group	C-14
Interior Finish Group	C-15 - C-16
LP Group	C-17
Lounge Group	C-18
Water & Sewage Group	C-19 - C-20
Window, Vent; & Exterior Door Group	C-21 - D-4

INTERIOR FINISH GROUP

PANELING AND COUNTERTOP MATERIALS

Key	Part Number	U/M	Description
	045883-01-000	SF	Paneling - 825 Buff - Ceiling - 48" x 96" (32 SF)
	058208-01-000	SF	Paneling - Elm - Plain - 48" x 96" (32 SF)
	058220-01-000	SF	Plastic Laminate - Stonehenge - 48" x 96" (32 SF)
	058970-01-000	SF	Plastic Laminate - Matador Leather - 48" x 96" (32 SF)

INTERIOR MOLDINGS AND TRIMS

Key	Part Number	U/M	Description
	047354-01-000	EA	Batt Strip - 825 Buff - Ceiling - 96"
	058204-01-000	EA	Batt Strip - Elm
	024700-06-000	EA	Cover - Roll Bar - Sidewall - Ivory
	039512-06-000	EA	Cover - Hat Section - Ivory
	047488-01-000	EA	Cover - Corner - Hat/Hat
	047489-01-000	EA	Cover - Corner - Tube/Tube
	052859-01-L07	FT	Accent Trim - Acorn Brown Vinyl
	042357-06-000	FT	Molding - Radius - Outside Corner Plastic
	041886-01-003	EA	Extr. - Alum. - Radius Corner Molding
	009767-05-J0	FT	Wetling - Light Brown
	009778-01-000	FT	U-Channel - 1" - Dark Brown
	009815-03-000	FT	T-Molding - .75" - Light Brown
	022892-03-000	FT	Molding - Reversal Cove - Sandalwood
	041858-01-000	FT	Trim - Vinyl - Flex Edging - Brown

FABRICS AND FLOOR COVERINGS

Key	Part Number	U/M	Description
	053327-01-000	YD	Vinyl - Non Expanded - 27 oz. - Acorn Brown
	053327-02-000	YD	Vinyl - Expanded - 28 oz. - Acorn Brown
	053327-03-000	YD	Vinyl - Non Support - 16 Gauge Film - Acorn Brown
	064383-05-007	YD	Fabric - Curtain - Super Satin
	064383-11-000	YD	Fabric - Upholstery - Main - Brown - (Clinton Cedar)
	064383-14-000	YD	Fabric - Upholstery - Accent - Brown - (Caprice Cinnamon)
	064383-12-000	YD	Fabric - Upholstery - Main - Rust - (Clinton Rust)
	064383-15-000	YD	Fabric - Upholstery - Accent - Rust - (Caprice Clay)
	064383-13-000	YD	Fabric - Upholstery - Main - Jade - (Clinton Seafoam)
	064383-16-000	YD	Fabric - Upholstery - Accent - Jade - (Caprice Seafoam)
	064384-06-000	SY	Carpet - Carleton Cedarwood - Brown
	064384-07-000	SY	Carpet - Carleton Alabama Clay - Rust
	064384-08-000	SY	Carpet - Carleton Terrace Green - Jade

CURTAIN HARDWARE

Key	Part Number	U/M	Description
	052327-04-236	EA	Track - Curtain - Brown Alum. - 89" w/Holes
	05272-04-200	EA	Track - Curtain - Off White Alum. - 86" w/Holes
	009107-01-000	EA	Guide - Nylon Strap - Curtain
	018031-42-000	EA	Track - Curtain - "L" Rod - Alum. Extr. - 90"
	009701-01-000	EA	Carrier - "L" Rod - Curtain
	009702-01-000	EA	End Stop - "L" Rod - Curtain

INTERIOR FINISH GROUP (CONTINUED)

CABINETRY AND TABLE HARDWARE

Key	Part Number	U/M	Description
	061882-01-000	EA	Leg Arm - Pivot - Table
	061879-01-000	EA	Leg Arm - Fixed - Table
**	024276-04-000	EA	Leg Arm - Table - Brown - 29.5"
	064050-01-000	EA	Hinge - Table Leg
**	024282-01-000	EA	Brace - Table Leg
**	024283-01-000	EA	Clip - 1" - 1.125" O.D. Tube
**	049493-02-000	EA	Catch - Table Leg - Mounts on Floor - Brown
**	024275-01-000	EA	Rod - Table Lift - 8" x 23.5"
	024275-04-000	EA	Rod - Table Lift - 8" x 14.5"
	024281-05-000	EA	Bracket - Table Lift - Brown - 13.5"
	024281-06-000	EA	Bracket - Lower Wall Mount - Black Anod. - 22.12"
	053201-03-000	EA	Bracket - Table Mount - 23"
	053200-04-000	EA	Bracket - Upper Wall Mount
	053200-02-000	EA	Bracket - Upper Wall Mount - 14.5"
**	058335-02-000	EA	Latch - Bathroom Door
**	057898-01-000	EA	Hidden Latch - Cabinet Door
	057898-02-000	EA	Strike - Hidden Latch
	053331-01-000	EA	Hinge - Overlay - Antique Brass
	052832-01-K26	EA	Hinge Kit - Cabinet Door - Antique Brass
	052830-01-K26	EA	Pull Kit - Cabinet Drawer - Antique Brass
	009040-02-000	EA	Leg - Pedestal Table - 27.5" x 2.25" O.D. - Chrome
	009040-03-000	EA	Base - Table Leg - Mounts on Table
	041194-01-000	EA	Base - Table Leg - Recessed in Floor
	039873-01-000	EA	Catch and Strike - Furnace Door
	009112-01-000	EA	Flange - 1" - Closet Rod
**	037688-01-000	FT	Rail - Drawer Glide
**	047744-01-000	EA	Kit - Drawer Glide

**The illustrated parts breakdown for this item is provided on the Common Items Fiche.

MISCELLANEOUS

Key	Part Number	U/M	Description
	041944-01-700	EA	Fire Extinguisher - Dry Chemical w/Bracket
	041944-03-000	EA	Fire Extinguisher - Dry Chemical w/Bracket - 5 BC (Calif.)
	053552-01-K01	EA	Assist Handle - Interior - Acorn Vinyl
	054185-07-000	EA	Owners Manual - Itasca
	040069-01-000	EA	Door Mat - Black Rubber - 10 1/2" x 26" w/Itasca Logo

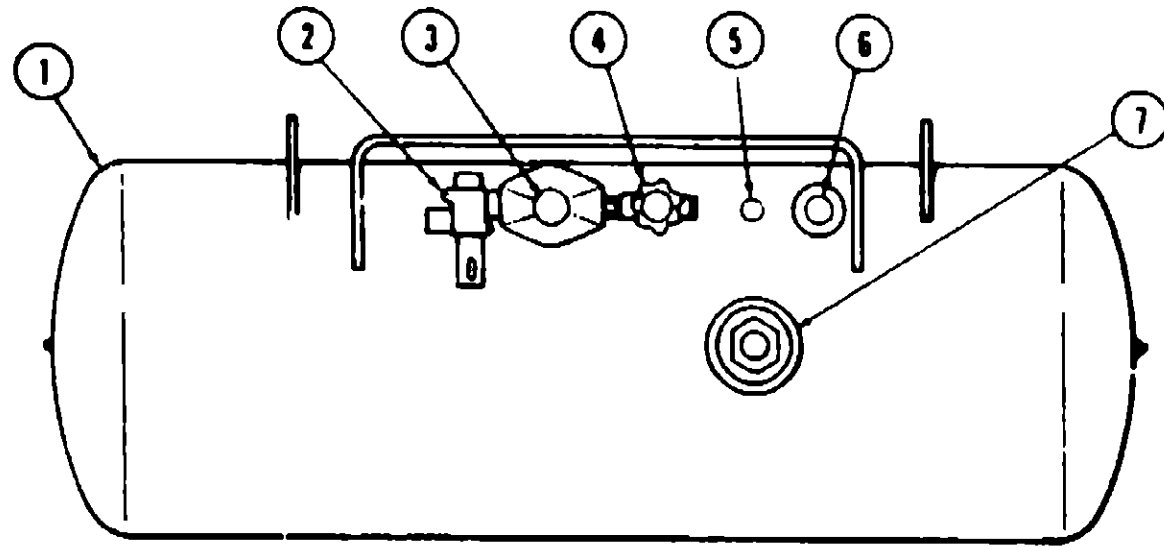
1980 ITASCA TABLE OF CONTENTS

IC524RH L1	A-1 - B-16
IC625RB L1	B-17 - D-4
ICN26RB L1	D-5 - E-22

1980 IC625RB L1 INDEX

Floor Plan	B-17 - B-18
Accessories Group	B-19 - U-20
Bath Group	B-21 - B-22
Chassis Group	B-23
Curtain, Cushion and Pad Group	B-24 - C-3
Dinette Group	C-4
Driver's Compartment Group	C-5
Electrical Group	C-6 - C-8
Exterior Body Group	C-9 - C-12
Galley Group	C-13
Heating & Air Conditioning Group	C-14
Interior Finish Group	C-15 - C-16
LP Group	C-17
Lounge Group	C-18
Water & Sewage Group	C-19 - C-20
Window, Vent & Exterior Door Group	C-21 - D-4

LP GROUP



Key	Part Number	U/M	Description
1	052789-01-000	EA	Tank Asm. - LP - Frame Mount - 42 Pound
1	063378-01-000	EA	Tank Asm. - LP - Frame Mount - 80 Pound
2	047221-01-000	EA	Detector - LP Gas Leak - Rosan
*	047356-01-000	EA	Bracket - LP Detector
3	058706-01-000	EA	Cover - Regulator - 2 Stage
*	058705-01-000	EA	Regulator - Two Stage - LP Gas
4	040421-01-703	EA	Valve - Vapor Relief
5	040421-01-700	EA	Gauge - Liquid Level - 20% LP
6	040421-01-701	EA	Valve - Filler - LP
*	040421-01-702	EA	Cap - Plastic Fill Valve
7	040421-01-707	EA	Gauge - Float - w/Visible Dial - 85 Pound Tank
*	042281-01-700	EA	Gauge - Float - w/Visible Dial - 42 Pound Tank
*	040421-01-706	EA	Dial - Visible Face - Float Gauge (Tank w/o Electric Transmitter)
*	040421-01-705	EA	Dial - Transmitter - 0-90 Ohm (Float Gauge)
*	045703-03-000	EA	Hose Asm. - LP - 3/8" I.D. x 14"
*	047737-02-000	EA	Support - LP Tank - 89.25"
*	047737-03-000	EA	Support - LP Tank - 30.50"
*			Not Illustrated

LOUNGE GROUP

LOUNGE OVERHEAD CABINETS

Key	Part Number	U/M	Description
	066046-01-L07	EA	Cabinet Asm. - Overhead - Right Front
	057882-01-018	EA	Door Asm. - Rollup - 3.25" x 23.5"

SPRUNG COUCH AND CORNER LOUNGE CHAIRS

Key	Part Number	U/M	Description
	061704-01-L07	EA	Table Asm. - Lounge - Stonehenge
	061882-01-000	EA	Leg Asm. - Table - Pivot
	016879-01-000	EA	Leg Asm. - Table - Fixed
	024275-04-000	EA	Rod - Table Lift
	024181-05-000	EA	Bracket - Table Lift - Mounts on Table
	053200-02-000	EA	Support - Table - 14.5" - Mounts on Wall
	066235-01-L07	EA	Cabinet Asm. - Corner Lounge Chair - Right
	065924-01-L07	EA	Cabinet Asm. - Corner Lounge Chair - Left
	063224-07-L07	EA	Door Asm. - Roll - 12.86" x 15.5"
	057620-01-L07	EA	Panel - Couch Face
	057468-02-000	EA	Frame - Sprung Couch - Right
	057468-03-000	EA	Frame - Sprung Couch - Left
	057468-04-000	EA	Frame Rail - Sprung Couch (2 per couch)
	057469-01-000	EA	Leg Asm. - Sprung Couch (2 per couch)
	065325-18-000	EA	Door Asm. - 11.8" x 37.4" - w/o Hardware

SWIVEL CHAIR W/ENTERTAINMENT CENTER

Key	Part Number	U/M	Description
	035036-01-000	EA	Plate - TT Chair
	035036-02-000	EA	Base w/Legs - TT Chair
	065833-01-L07	EA	Countertop Asm. - Entertainment Center
	065834-01-L07	EA	Cabinet Asm. - Entertainment Center
	065860-01-L07	EA	Tray Asm. - Bottle - Entertainment Center
	065830-01-L07	EA	Tray Asm. - Glass - Entertainment Center
	063224-04-L07	EA	Door Asm. - Rolled - 16.5" x 17.7"
	063224-05-L07	EA	Door Asm. - Rolled - 16.5" x 16.7"

1980 ITASCA TABLE OF CONTENTS

IC524RH L1	A-1 - B-16
IC625RB L1	B-17 - D-4
ICN26RB L1	D-5 - E-22

1980 IC625RB L1 INDEX

Floor Plan	B-17 - B-18
Accessories Group	B-19 - B-20
Bath Group	B-21 - B-22
Chassis Group	B-23
Curtain, Cushion and Pad Group	B-24 - C-3
Dinette Group	C-4
Driver's Compartment Group	C-5
Electrical Group	C-6 - C-8
Exterior Body Group	C-9 - C-12
Galley Group	C-13
Heating & Air Conditioning Group	C-14
Interior Finish Group	C-15 - C-16
LP Group	C-17
Lounge Group	C-18
Water & Sewage Group	C-19 - C-20
Window, Vent & Exterior Door Group	C-21 - D-4

WATER AND SEWAGE GROUP

WATER AND SEWAGE GROUP (CONTINUED)

PLUMBING REPAIR PARTS

Key	Part Number	U/M	Description
**	040539-01-000	EA	Kit - Repair - 3/8" O.D. Plastic Tube
**	040540-01-000	EA	Kit - Repair - 1/2" O.D. Plastic Tube
**	040541-01-000	EA	Kit - Repair - 5/8" O.D. Plastic Tube
**	063646-01-000	EA	Pump - Water - 2.8 G.P.M. - Direct Drive - US
**	063646-02-000	EA	Pump - Water - 2.8 G.P.M. - Direct Drive - CSA
**	039847-02-000	EA	Fitter - Water Pump - 1/2" MPT
**	039818-01-000	EA	Riser Asm. - 3/8" O.D. x 24" Tube
**	039818-02-000	EA	Riser Asm. - 3/8" O.D. x 36" Tube
**	039818-04-000	EA	Riser Asm. - 3/8" O.D. x 72" Tube
**	039818-05-000	EA	Riser Asm. - 3/8" O.D. x 48" Tube
**	010219-01-000	EA	Elbow - 1 1/4 Barb x 1 1/4 MPT 90
**	010224-01-000	EA	Adapter - Plastic - 3/8 MPT x 3/8 Barb
**	035539-01-000	EA	Elbow - Plastic - 3/8 MPT x 3/8 Barb
**	052952-01-000	EA	Nut - Plastic - 1/2 F
**	052953-01-000	EA	Nut - Faucet - 1/2 Tube x 1/2 FPT
**	052954-01-000	EA	Adapter - Nose Cone - 3/8 or 1/2
**	052957-02-000	EA	Elbow - Plastic - 1/2 F x 1/2 MPT
**	052958-01-000	EA	Tee - Plastic - 1/2 F x 1/2 F x 1/2 F
**	052959-01-000	EA	Connector - 1/2 F x 1/4 MPT
**	052959-02-000	EA	Connector - Plastic - 1/2 F x 1/2 MPT
**	052959-03-000	EA	Connector - Plastic - 1/2 F x 3/8 MPT
**	052960-01-000	EA	Drain Valve - Linx - 1/2 F x 1/2 F
**	052961-01-000	EA	Header - 1/2 F x 1/2 F x 1/2 F x 1/2 F
**	004029-01-000	OT	Adhesive - ABS Cement
**	010201-01-000	EA	Hose - Sewer - 3" x 8 ft. w/Clamp
**	062415-01-000	EA	Cap - Sewer - 3"
**	062416-01-000	EA	Hose - Adapter - 3"
**	062417-01-000	EA	Adapter - Termination - 3"
**	062418-02-000	EA	Valve - 3" w/o Handle
**	062419-01-000	EA	Handle - Extension - w/6" Adapter
**	062421-01-000	EA	Valve - 1 1/2" - w/Handle
**	062632-01-000	EA	Wye - 3 x 3 x 1 1/2 Slip
**	010006-01-000	EA	Elbow - Plastic - 1/8 BD 1 1/2 x 45 H x H
**	010006-01-000	EA	Elbow - Plastic - 1/4 BD 1 1/2 x 90 x LT
**	062422-01-000	EA	Adapter - Off Set Reducer - 3 x 1 1/2
**	063941-01-000	EA	Flange - Closet - 4" x 3" Spigot - 2.75" Long
**	010024-01-000	EA	Elbow - Plastic - 1/8 BD 3 x 45 H x H
**	010051-01-000	EA	Elbow - ST - Plastic - 1/8 BD 1 1/2 x 45
**	010061-01-000	EA	Elbow - ST - Plastic - 1/8 BD 3 x 45 S x H
**	010071-01-000	EA	Tee - Plastic - 1 1/2 H x H x H
**	033761-01-000	EA	Elbow - ST - Plastic - 1/4 BD 1 1/2 x 90 x LT
**	034250-01-000	EA	Elbow - Plastic - 1/4 BD 1 1/2 x 90 H x H
**	010134-01-000	EA	Adapter - Plastic - 1 1/2 M x MPT
**	010154-01-000	EA	Ring - Closet - Plastic - 4 F x 3 MPT x L
**	011091-01-000	EA	Waste - Continuous - Double Sink - 11 7/8"
**	011096-01-000	EA	P-Trap - Plastic - 1 1/4"
**	010179-01-000	EA	Tee - Plastic - 1 1/2 H x 1 1/2 H x 1 1/4 H
**	010091-01-000	EA	Wye - Plastic - 3 x 45 - H x H x H
**	010121-01-000	EA	Bushing - Plastic - 1 1/2 S x 1 1/4 H
**	031126-01-000	EA	Elbow - Plastic - 1/4 BD - 3 x 90 x LT
**	010133-01-000	EA	Adapter - Trap - Plastic - 1 1/2" H x MPT
**	050780-01-000	EA	Coupler - Rubber - 3" x 3"
**	061607-01-000	EA	Grommet - Rubber - Holding Tank Coupler - 1 1/2"
**	061607-02-000	EA	Grommet - Rubber - Holding Tank Coupler - 3"
**	046524-01-000	EA	Kit - Plastic Fittings - Holding Tank
**	046524-02-000	EA	Kit - Plastic Fittings - Water Tank

**The illustrated parts breakdown for this item is provided on the Common Items Fiche.

HOLDING TANKS AND WATER HEATERS

Key	Part Number	U/M	Description
**	053520-02-000	EA	Tank Asm. - Water - 20 Gallon w/Fittings
**	053520-01-000	EA	Tank Asm. - Water - 20 Gallon w/o Fittings
**	053519-03-000	EA	Tank Asm. - Water - 40 Gallon w/Fittings
**	053519-01-000	EA	Tank Asm. - Water - 40 Gallon w/o Fittings
**	054033-07-000	EA	Tank Asm. - Holding - 32 Gallon - Sewage - w/Fittings
**	054033-01-000	EA	Tank Asm. - Holding - 32 Gallon - Sewage - w/o Fittings
**	054032-07-000	EA	Tank Asm. - Holding - 25 Gallon - Gray Water - w/Fittings
**	054032-01-000	EA	Tank Asm. - Holding - 25 Gallon - Gray Water - w/o Fittings
**	051391-01-000	EA	Water Heater - 6 Gallon w/Motor Aid - Atwood - GH63
**	055283-01-000	EA	Water Heater - w/Motor Aid - Direct Ignition - Atwood - GH610E

**The illustrated parts breakdown for this item is provided on the Common Items Fiche.

**1980 ITASCA
TABLE OF CONTENTS**

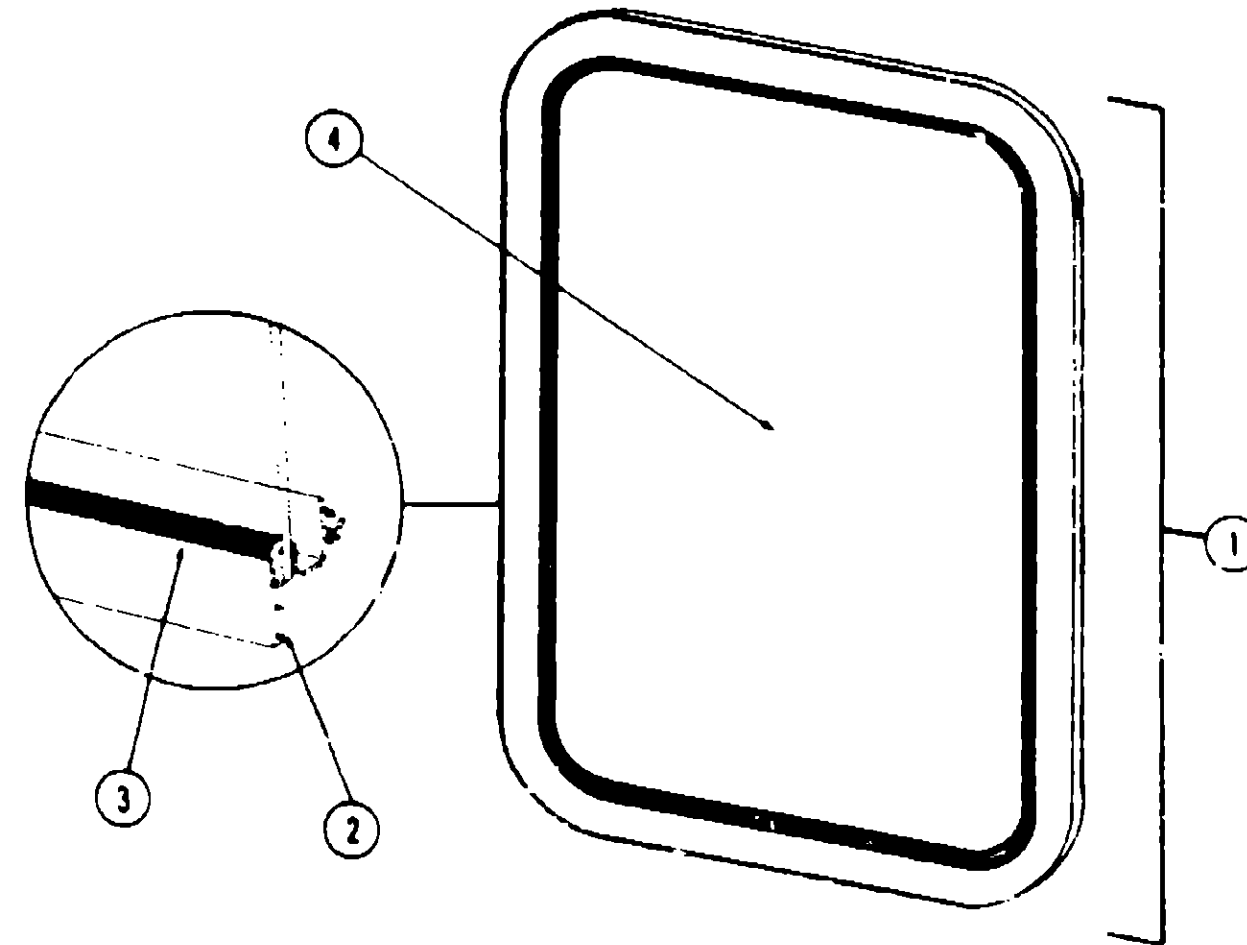
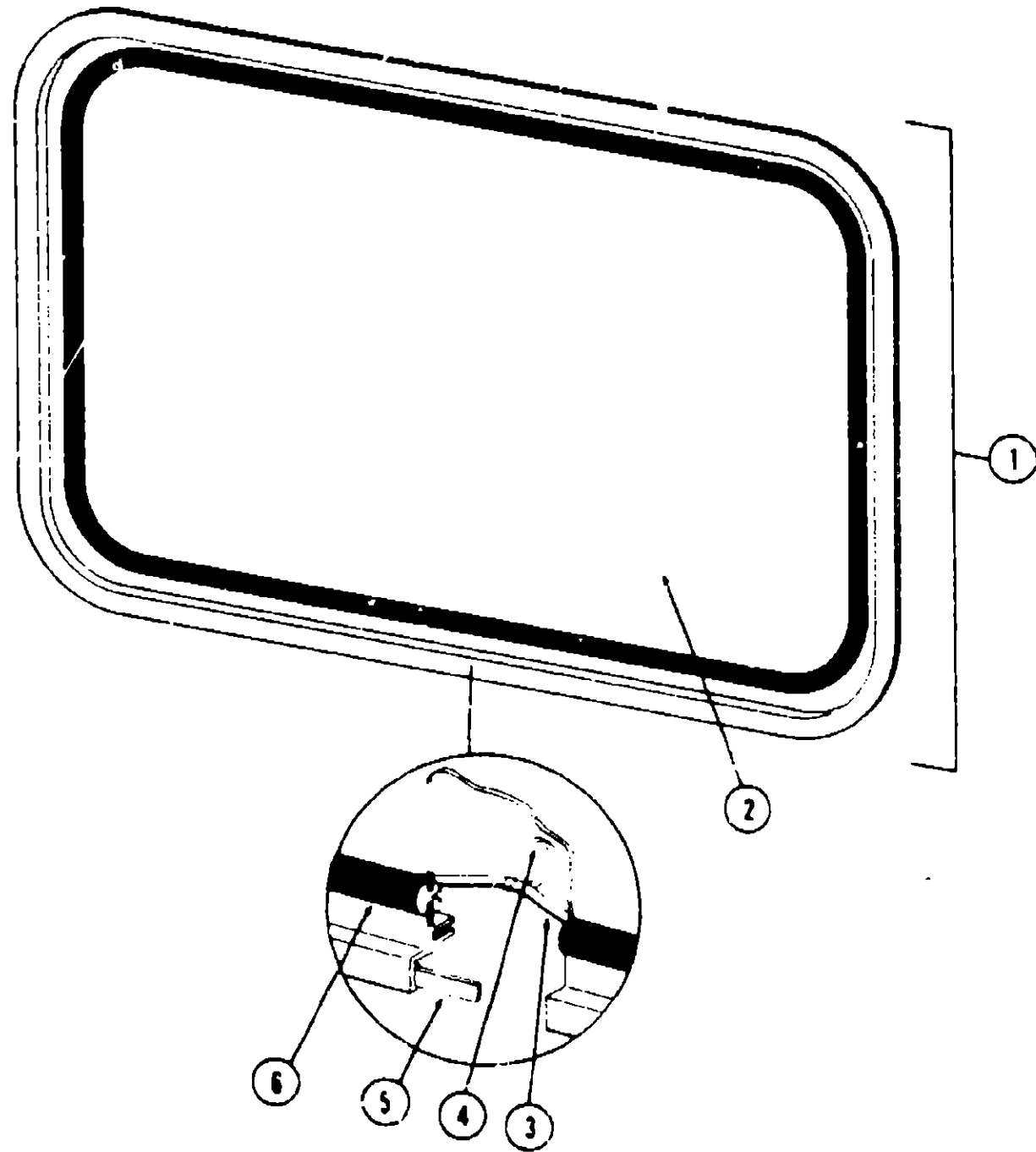
IC524RH L1	A-1 - B-16
IC625RB L1	B-17 - D-4
ICN26RB L1	D-5 - E-22

1980 IC625RB L1 INDEX

Floor Plan	B-17 - B-18
Accessories Group	B-19 - B-20
Bath Group	B-21 - B-22
Chassis Group	B-23
Curtain, Cushion and Pad Group	C-24 - C-3
Dinette Group	C-4
Driver's Compartment Group	C-5
Electrical Group	C-6 - C-8
Exterior Body Group	C-9 - C-12
Galley Group	C-13
Heating & Air Conditioning Group	C-14
Interior Finish Group	C-15 - C-16
LP Group	C-17
Lounge Group	C-18
Water & Sewage Group	C-19 - C-20
Window, Vent & Exterior Door Group	C-21 - D-4

WINDOW, VENT AND EXTERIOR DOOR GROUP

WINDOW, VENT AND EXTERIOR DOOR GROUP (CONTINUED)



Key	Part Number	U/M	Description
1	056772-01-000	EA	Window Asm - Rear Escape - 24" x 33" - Black Anod. (w/o inside frame)
2	041392-02-000	EA	Glass - 1/8" x 24 08" x 33 25"
3	002285-01-000	FT	Filler - Weatherstripping - Black
4	020395-01-000	EA	Pull Ring - Escape Window
5	053767-02-000	FT	Tape - 3/16" Bead x 25' - Gray
6	002282-01-000	FT	Weatherstrip - 125" Window
.	056770-01-000	EA	Frame - Inside - Escape Window - 24" x 33" (not included in assembly)
.	006199-01-000	EA	Label - Exit - Escape Window
.			Not Illustrated

Key	Part Number	U/M	Description
1	056651-01-000	EA	Window Asm. - Picture - 20 3/4" x 20 3/4" - Black (w/o inside frame)
2	053767-02-000	FT	Tape - 3/16" Bead x 25' - Schnee Morehead
3	002309-02-000	FT	Spline - Glass - 1/8" - Black
4	002181-03-000	EA	Glass - .115" x 20 62" x 20 62" - Gray
.	056650-01-000	EA	Frame - Inside - Window (not included in assembly)
.			Not Illustrated

**1980 ITASCA
TABLE OF CONTENTS**

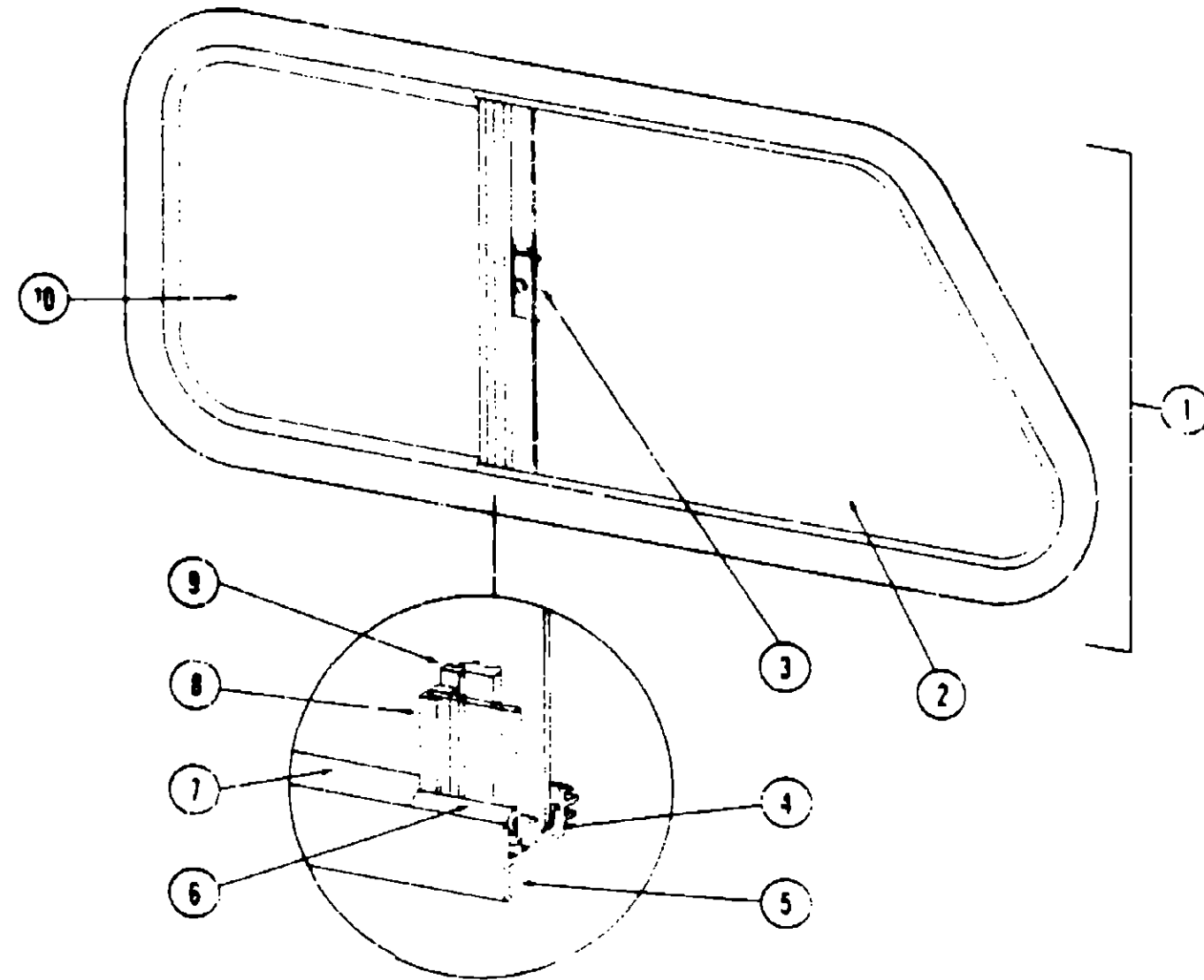
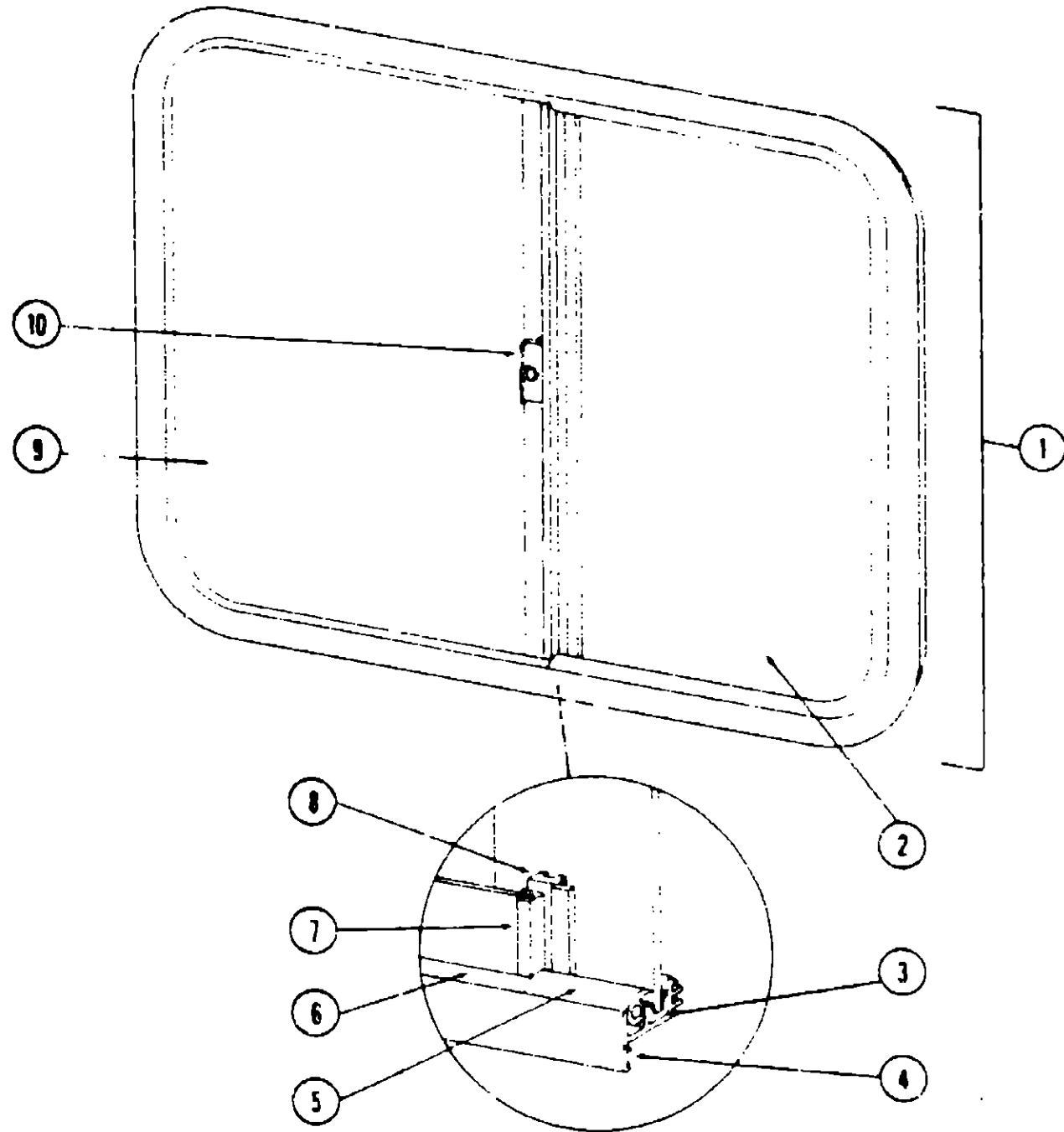
IC524RH L1	A-1 - B-16
IC625RB L1	B-17 - D-4
ICN26RB L1	D-5 - E-22

1980 IC625RB L1 INDEX

Floor Plan	B-17 - B-18
Accessories Group	B-19 - B-20
Bath Group	B-21 - B-22
Chassis Group	B-23
Curtain, Cushion and Pad Group	B-24 - C-3
Dinette Group	C-4
Driver's Compartment Group	C-5
Electrical Group	C-6 - C-8
Exterior Body Group	C-9 - C-12
Galley Group	C-13
Heating & Air Conditioning Group	C-14
Interior Finish Group	C-15 - C-16
LP Group	C-17
Lounge Group	C-18
Water & Sewage Group	C-19 - C-20
Window, Vent & Exterior Door Group	C-21 - D-4

WINDOW, VENT AND EXTERIOR DOOR GROUP (CONTINUED)

WINDOW, VENT AND EXTERIOR DOOR GROUP (CONTINUED)



**1980 ITASCA
TABLE OF CONTENTS**

IC524RH L1	A-1 - B-16
IC625RB L1	B-17 - D-4
ICN26RB L1	D-5 - E-22

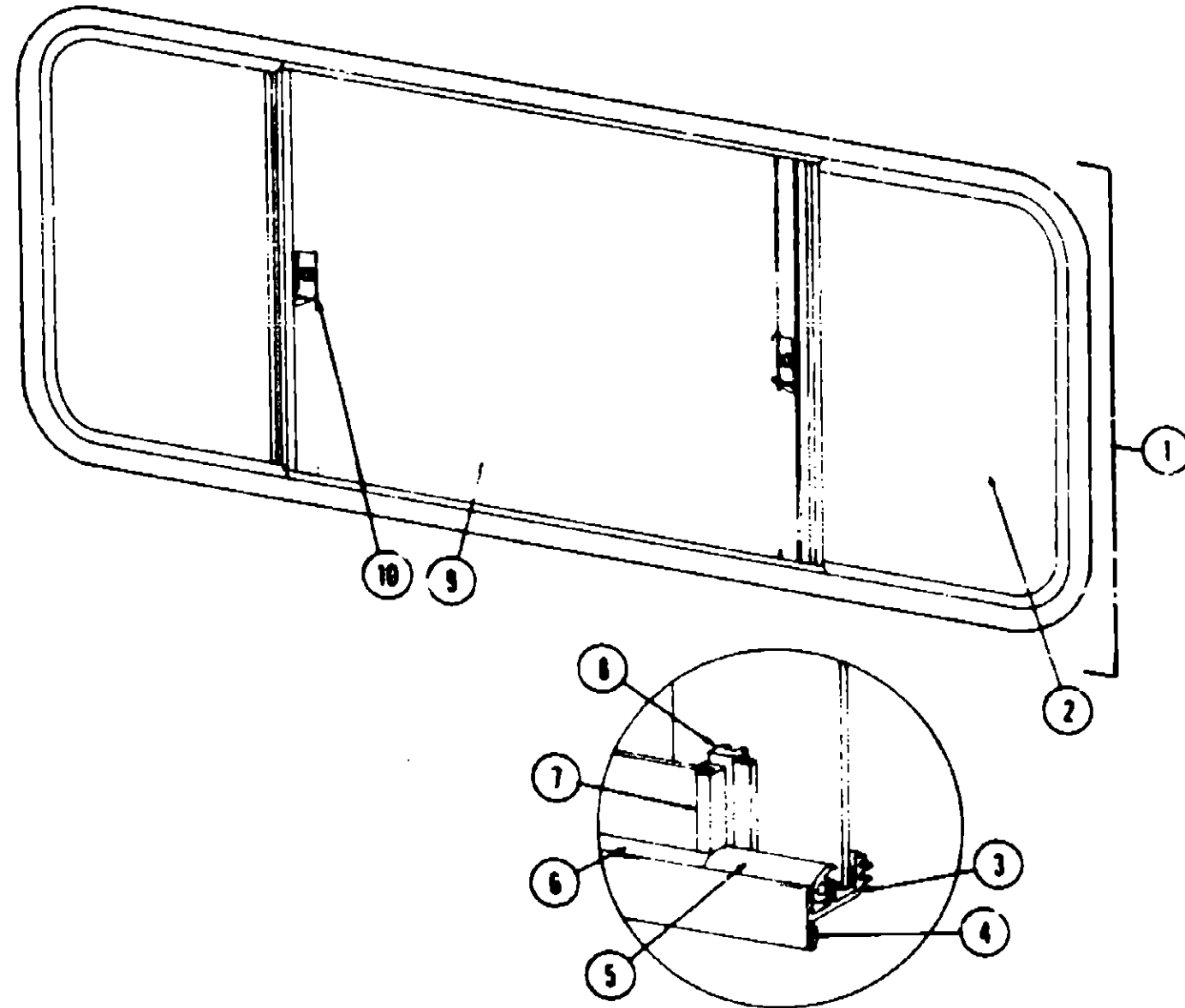
Key	Part Number	U/M	Description
1	066785-04-000	EA	Window Asm - Single Slider - 27" x 65" - Black Anod. Extr. (w/o inside frame)
2	066727-03-000	EA	Glass - Sliding - 1/8" x 13.5" x 27"
3	002324-02-000	FT	Channel - Weatherstrip - Glass Run - 1/8" Glass
4	053767-03-000	FT	Tape - 1/4" Bead x 20" - Gray
5	057374-02-000	FT	Seal - Window Channel - Black
6	002309-02-000	EA	Spline - Glass - Black
7	002390-03-002	EA	Holder - Glass Seal - Black Anod. Extr.
8	041894-27-000	EA	Mullion - Slider Window - 26" - Black Anod. Extr.
9	066726-03-000	EA	Glass - Stationary - 1/8" x 21.03" x 27"
10	047369-01-700	EA	Latch - Window - Plastic w/ Fastener
.	023320-01-000	EA	Pad - Foam - 3/8" Dia. (used w/ Plastic Latch)
.	042076-01-000	FT	Seal - Fin - Pile - .34" - Mullion
.	023713-02-000	EA	Cover - Weep Hole - Black
.	042133-09-000	EA	Frame - Inside - Single Slider - 25" x 65"
.			Not Illustrated

Key	Part Number	U/M	Description
1	056555-01-000	EA	Window Asm. - Bunk Slant Slider - Right - (w/o inside frame)
.	056655-02-000	EA	Window Asm. - Bunk Slant Slider - Left - (w/o inside frame)
2	040919-02-000	EA	Glass - 1/8" x 9.54" x 16.62" - Gray - Stationary
3	047369-01-700	EA	Latch - Window - Plastic - w/ Fastener
4	002324-01-000	FT	Channel - Weatherstrip - Glass Run - 1/8" Glass
5	053767-02-000	FT	Tape - 3/16" Bead x 25" - Gray
5	004363-01-000	FT	Tape - Foam - 3/16" x 1/2" - Gray
6	002309-02-000	FT	Spline - Glass - 1/8" - Black
7	057374-02-000	FT	Seal - Window Channel - 1/8" Glass - Black
8	002390-03-204	EA	Holder - Glass Seal - Extr. - Anod Black - 8.38"
9	041894-22-000	EA	Mullion - 8" - Black Anod.
10	047815-02-000	EA	Glass - 1/8" - Gray - Sliding
.	056654-01-000	EA	Frame - Window - Inside - Bunk Slant - Right (not included in assembly)
.	056654-02-000	EA	Frame - Window - Inside - Bunk Slant - Left (not included in assembly)
.	023713-02-000	EA	Cover - Weep Hole - Black
.	002298-01-000	FT	Spline - Gray - .130" Dia (Screen)
.	002291-01-000	SF	Screen - Gray - Window - 16"
.			Not Illustrated

1980 IC625RB L1 INDEX

Floor Plan	B-17 - B-18
Accessories Group	B-19 - B-20
Bath Group	B-21 - B-22
Chassis Group	B-23
Curtain, Cushion and Pad Group	B-24 - C-3
Dinette Group	C-4
Driver's Compartment Group	C-5
Electrical Group	C-6 - C-8
Exterior Body Group	C-9 - C-12
Galley Group	C-13
Heating & Air Conditioning Group	C-14
Interior Finish Group	C-15 - C-16
LP Group	C-17
Lounge Group	C-18
Water & Sewage Group	C-19 - C-20
Window, Vent & Exterior Door Group	C-21 - D-4

WINDOW, VENT AND EXTERIOR DOOR GROUP (CONTINUED)



Key	Part Number	U/M	Description
1	048630-11-000	EA	Window Asm - Double Slider - 27" x 65" Black Anod. (w/o inside frame)
2	047822-02-000	EA	Glass - Sliding - 3 1/8" x 27" x 21.03"
3	042077-01-000	FT	Channel - Weatherstrip - Glass Run 3 1/8" Glass
4	004383-01-000	FT	Tape - Foam - 3 1/8" x 1/2" - Gray
5	041928-02-000	FT	Seal - Window Channel - Black
6	050218-02-000	FT	Spline - Glass
7	002389-03-203	EA	Extr. - Holder - Glass Seal - 27 1/2"
8	041984-27-000	EA	Mullion - Slider Window - 26"
9	002133-03-000	EA	Glass - 3 1/8" x 27" x 25.50" - Stationary
10	047389-01-700	EA	Latch - Window - Plastic
.	042133-12-000	EA	Frame Asm. - Window - Inside (not included in assembly)
.	023713-02-000	EA	Cover - Weephole - Plastic - Black
.	002298-01-000	FT	Spline - Gray - .130" Dia (Screen)
.	002293-01-000	SF	Screen - Window - 26" - Gray
.	Not Illustrated		

WINDOW, VENT AND EXTERIOR DOOR GROUP (CONTINUED)

WINDOWS

Key	Part Number	U/M	Description
	054558-01-000	EA	Glass - Wingwall Transition Panel
	058044-01-000	FT	Weatherseal - Wingwall Transition Panel
	054557-01-000	EA	Glass - Upper Front Cap
	056903-01-000	FT	Weatherstrip - Upper Front Cap

VENTS

Key	Part Number	U/M	Description
	009407-01-000	EA	Frame - Base - Refrigerator Vent (w/o cover)
	039778-01-000	EA	Cover - Vent - Refrigerator - Plastic
	049352-01-000	EA	Vent - Stove Hood - Outside - Off White
..	048789-01-000	EA	Vent Asm. - Roof - Powered - w/o Screen - Alum
..	048835-01-000	EA	Vent Asm. - Roof - Nonpowered - w/o Screen - Alum

..The illustrated parts breakdown for this item is provided on the Common Items Fiche

ACCESS DOORS

Key	Part Number	U/M	Description
	063946-01-000	EA	Door Asm - Power Cord w/Hatch - Off White
	052950-03-700	EA	Lock Asm - Twist Type w/Clip - White (Power Cord)
	047233-01-000	EA	Door Asm. - Luggage - 35" x 12 3/4" - Off White - w/Key Lock
	054270-08-000	EA	Door Asm. - Refrigerator Access - Off White w/Twist Lock
	052179-07-000	EA	Door Asm - Generator - Off White w/Twist Lock
	042181-01-000	EA	Baffle - Generator Door
	042009-01-000	EA	Door - Water Heater - Off White
	016945-02-000	EA	Holder Asm - Luggage or Battery Door
	047305-01-000	EA	Lock Asm. - Key Type w Clip
	042441-01-000	EA	Lock Asm - Key Type (Gas Fill)
	081187-01-000	EA	Door Asm - Fuel Fill - Off White w/Key Lock
	059965-01-000	EA	Lock Asm - Key Type - Fuel Fill
	058199-04-000	EA	Door Asm - Valance - LP Storage - 36 7/2" x 9 6/8" - Off White w. Key Lock
	058199-05-000	EA	Door Asm - Valance - Battery - 18 6/8" x 11 2/4" - Off White w Twist Lock
	058199-03-000	EA	Door Asm - Valance - 27 6/8" x 11 2/6" - Off White w. Turn Lock
	048118-01-000	EA	Lock Asm - Twist Type - Metal
	042441-01-000	EA	Lock Asm - Key Type - Valance Door

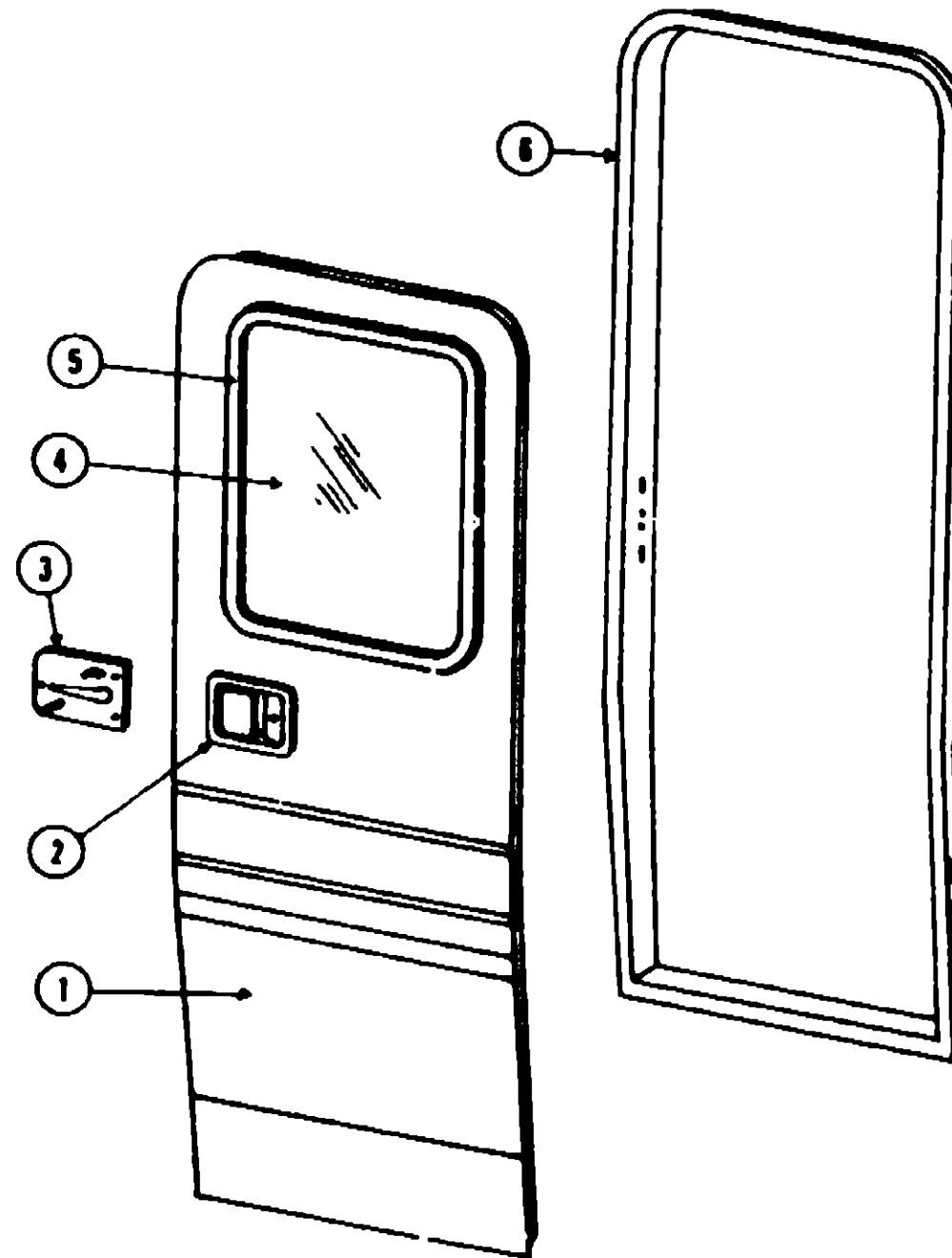
**1980 ITASCA
TABLE OF CONTENTS**

IC524RH L1	A-1 - B-16
IC625RB L1	B-17 - D-4
ICN26RB L1	D-5 - E-22

1980 IC625RB L1 INDEX

Floor Plan	B-17 - B-18
Accessories Group	B-19 - B-20
Bath Group	B-21 - B-22
Chassis Group	B-23
Curtain, Cushion and Pad Group	B-24 - C-3
Dinette Group	C-4
Driver's Compartment Group	C-5
Electrical Group	C-6 - C-8
Exterior Body Group	C-9 - C-12
Galley Group	C-13
Heating & Air Conditioning Group	C-14
Interior Finish Group	C-15 - C-16
LP Group	C-17
Lounge Group	C-18
Water & Sewage Group	C-19 - C-20
Window, Vent & Exterior Door Group	C-21 - D-4

WINDOW, VENT AND EXTERIOR DOOR GROUP (CONTINUED)



Key	Part Number	U/M	Description
1	083720-01-000	EA	Door Asm. - Fiberglass Entry - w/Latch and Hinges
2	045017-01-000	EA	Paddle Asm. - Door Lock - Exterior
	045017-01-700	EA	Lock Cylinder w/Keys - Lynor
	038539-01-000	EA	Striker Bolt - Entry Door
	038540-01-000	EA	Latch Claw - Entry Door
3	038878-01-000	EA	Plate - Lock - Inside - Including Inside Handle
	052188-01-000	EA	Lock Asm. - Complete - Lynor
4	002181-05-000	EA	Glass - Entry Door Picture Window - 1/8" x 17.12" x 26.88"
5	058803-01-000	FT	Weatherstrip - Picture Window - Entry Door

Key	Part Number	U/M	Description
	088253-01-000	EA	Window Asm. - Vertical Slider - 28.8" x 17.6" - w/o Inside Frame
	002241-04-000	EA	Glass - Vertical Slider - 1/8" x 17.5" x 13.5"
	047820-03-000	EA	Glass - Vertical Slider - 1/8" x 17.5" x 14.5"
	047388-01-700	EA	Latch - Window - Black Plastic
	086252-01-000	EA	Inside Frame - Vertical Slider - 28.8" x 17.6"
6	082545-01-000	EA	Jamb Asm. - Entry Door
	033482-01-700	FT	Seal - Entry Door Jamb - "D" - Rubber
	085043-01-000	EA	Hinge Asm. - Entry Door - Lower
	085046-01-000	EA	Hinge Asm. - Entry Door - Upper
	082408-01-000	EA	Pull - Interior - Door
			Not Illustrated

1980 ITASCA TABLE OF CONTENTS

IC524RH L1	A-1 - B-16
IC625RB L1	B-17 - D-4
ICN26RB L1	D-5 - E-22

1980 IC625RB L1 INDEX

Floor Plan	B-17 - B-18
Accessories Group	B-19 - B-20
Bath Group	B-21 - B-22
Chassis Group	B-23
Curtain, Cushion and Pad Group	B-24 - C-3
Dinette Group	C-4
Driver's Compartment Group	C-5
Electrical Group	C-6 - C-8
Exterior Body Group	C-9 - C-12
Galley Group	C-13
Heating & Air Conditioning Group	C-14
Interior Finish Group	C-15 - C-16
LP Group	C-17
Lounge Group	C-18
Water & Sewage Group	C-19 - C-20
Window, Vent & Exterior Door Group	C-21 - D-4