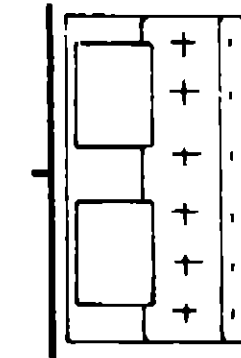
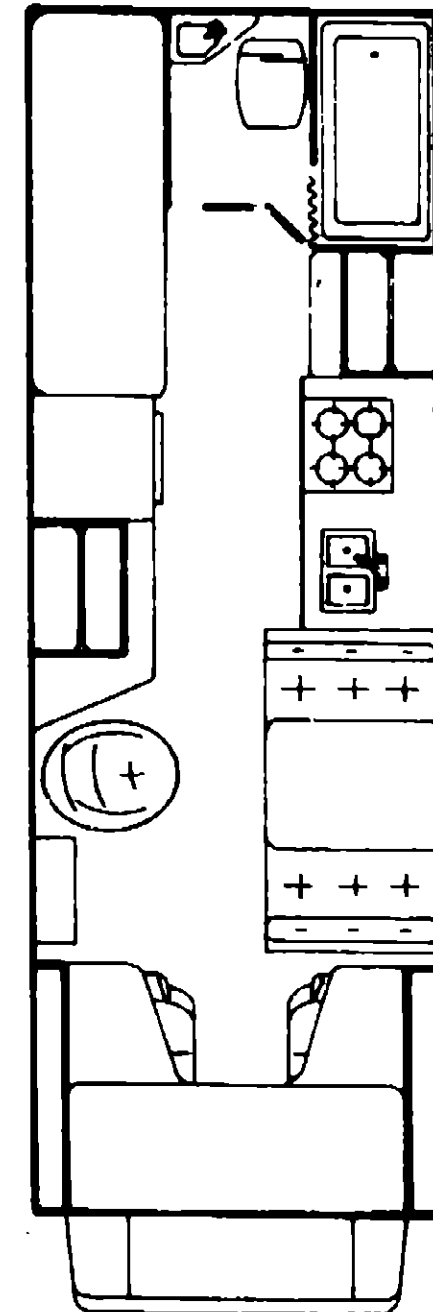


1980 IC524RH L1



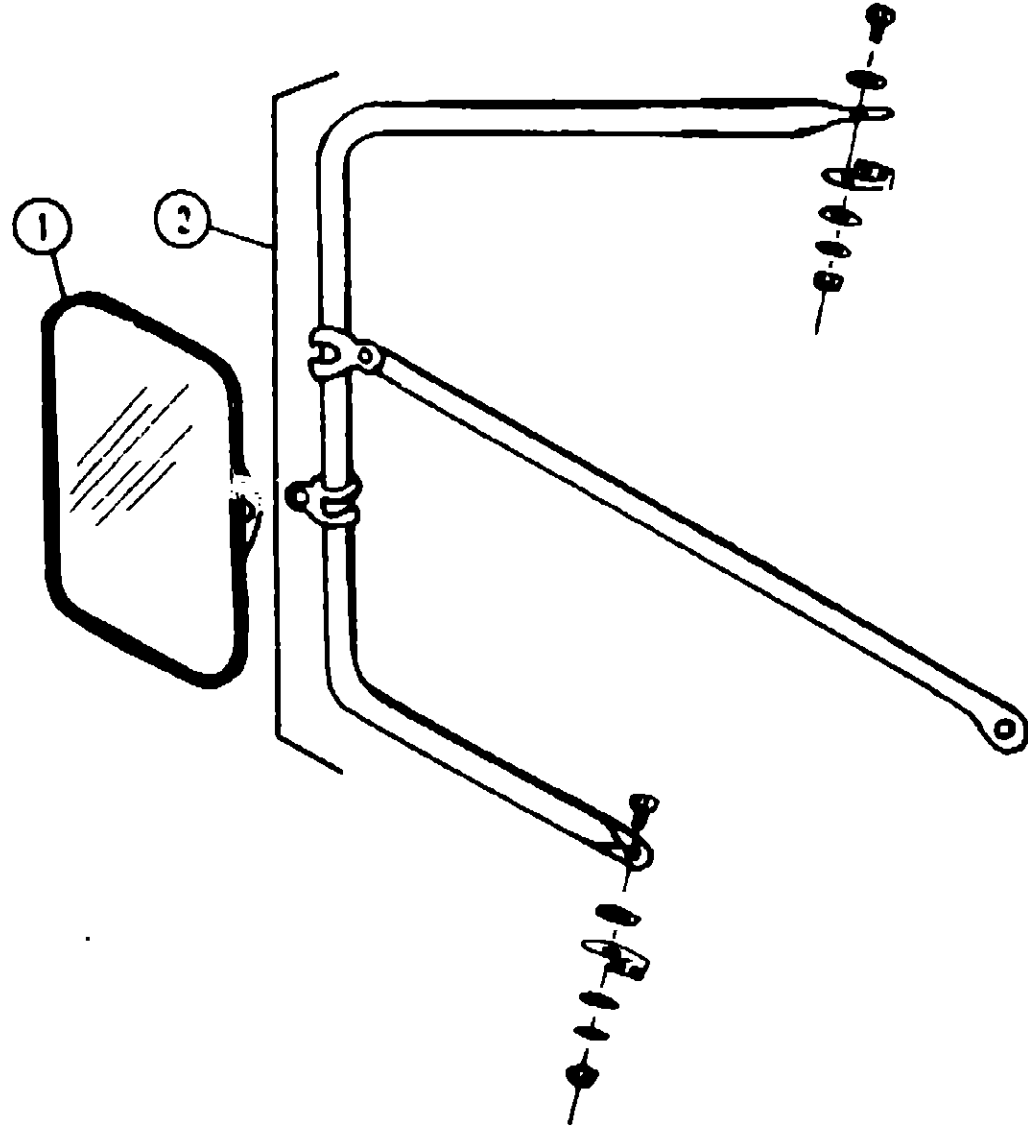
1980 ITASCA TABLE OF CONTENTS

IC524RH L1	A-1 - B-16
IC625RB L1	B-17 - D-4
ICN26RB L1	D-5 - E-22

1980 IC524RH L1 INDEX

Floor Plan	A-1 - A-2
Accessories Group	A-3 - A-4
Bath Group	A-5 - A-6
Chassis Group	A-7
Curtain, Cushion and Pad Group	A-8 - A-12
Dinette Group	A-13
Driver's Compartment Group	A-14
Electrical Group	A-15 - A-16
Exterior Body Group	A-17 - A-20
Galley Group	A-21
Heating & Air Conditioning Group	A-22
Interior Finish Group	A-23 - A-24
LP Group	B-1
Lounge Group	B-2
Water & Sewage Group	B-3 - B-4
Window, Vent & Exterior Door Group	B-5 - B-16

ACCESSORIES GROUP



Key	Part Number	U/M	Description
1	057461-01-000	EA	Mirror Head - 7 1/2" x 10 1/2" w/Convex - Stainless Steel
1	057461-02-000	EA	Mirror Head - 7 1/2" x 10 1/2" w/Convex - Off White
2	082047-01-000	EA	Arm - West Coast Mirror - Stainless Steel
2	082047-02-000	EA	Arm - West Coast Mirror - Off White

ACCESSORIES GROUP (CONTINUED)

RADIOS AND RELATED COMPONENTS

Key	Part Number	U/M	Description
	007004-01-000	EA	Antenna - Radio - Cab Mount
	045836-02-000	EA	Plate - Radio Cover
	049730-01-000	EA	Radio - Clarion - AM w/Fader Switch
	049731-01-000	EA	Radio - Clarion - AM/FM/MPX w/Fader Switch
	049732-01-000	EA	Radio - Clarion - AM/FM/MPX/8-Track w/Fader Switch
	053788-01-000	EA	Speaker - Recessed - 5 1/4" - 10 oz.
	055289-01-000	EA	Grille - Speaker - 5 1/4"
	048153-01-000	EA	Antenna - CB Camper Style
	056458-01-000	EA	Speaker - 4" x 6" - Oval - Clarion
	064785-01-000	EA	Radio - Audiovox - AM
	064786-01-000	EA	Radio - Audiovox - AM/FM/MPX w/8 Track
	064787-01-000	EA	Radio - Audiovox - AM/FM/MPX w/Cassette
	064788-01-000	EA	Radio - Audiovox - AM/FM - Cassette - w/Digital Clock
	064789-01-000	EA	Radio - Audio Vox - AM/FM - 8 Track - w/Digital Clock
	064791-01-000	EA	Speaker - Recessed - 5 1/4" - Audiovox
	064792-01-000	EA	Speaker Grille - 5 1/4" - Brown - Audiovox

GENERATOR AND INSTALLATION KITS

Key	Part Number	U/M	Description
**	054429-01-000	EA	Generator - 4.0 kw Onan
	701628-02-000	EA	Installation Package - Onan Generator
	049360-07-000	EA	Overhead Console
	050015-01-000	EA	Bracket - Overhead Console
	740313-56-000	EA	Tray - Generator - 4.0 kw - Onan
	054426-01-000	EA	Muffler - Generator w/Arrestor
	052814-01-000	EA	Tailpipe - Generator - 90 Degree - 1 1/2" O.D.

** The illustrated parts breakdown for this item is provided on the Common Items Fiche.

MISCELLANEOUS ACCESSORIES

Key	Part Number	U/M	Description
	059778-01-000	EA	Speed Control - Chevrolet - Electric - Fine
**	031306-03-000	EA	Wheel Cover - 16.5" - Chrome
	052771-02-000	EA	Microwave Oven - Magic Chef MW207
	047389-01-700	EA	Battery - 12V - 105A Deep Cycle - Dry
	057899-01-000	EA	Battery - 12 V - Maintenance Free - Delco
	041646-01-000	EA	Luggage Carrier Asm.
	039881-01-000	EA	Catch and Strike - Luggage Carrier
	056254-01-000	EA	Luggage Rack and Ladder Asm.
**	041088-02-000	EA	Ladder Asm. - w/o Luggage Rack
	008053-01-000	EA	Antenna Asm. - TV - Braund Delux
	008053-01-700	EA	Repair Parts Kits - Braund TV Antenna
	008083-01-000	EA	Jack - TV - Brown
	040485-07-000	EA	Cover - Spare Tire - 29" - Off White
	006113-01-000	EA	Jack - Hydraulic - 5 Ton
	041944-01-700	EA	Fire Extinguisher w/Bracket
	041944-03-000	EA	Fire Extinguisher - w/Bracket - (5 BC - Calif.)
	064089-01-000	EA	Mudflap - Black Rubber - 20.62" x 12.38"
	016518-01-000	EA	Mudflap - Black Rubber - 14" x 18" w/Holes

**The illustrated parts breakdown for this item is provided on the Common Items Fiche.

1980 ITASCA TABLE OF CONTENTS

IC524RH L1	A-1 - B-16
IC625RB L1	B-17 - D-4
ICN26RB L1	D-5 - E-22

1980 IC524RH L1 INDEX

Floor Plan	A-1 - A-2
Accessories Group	A-3 - A-4
Bath Group	A-5 - A-6
Chassis Group	A-7
Curtain, Cushion and Pad Group	A-8 - A-12
Dinette Group	A-13
Driver's Compartment Group	A-14
Electrical Group	A-15 - A-16
Exterior Body Group	A-17 - A-20
Galley Group	A-21
Heating & Air Conditioning Group	A-22
Interior Finish Group	A-23 - A-24
LP Group	B-1
Lounge Group	B-2
Water & Sewage Group	B-3 - B-4
Window, Vent & Exterior Door Group	B-5 - B-16

BATH GROUP

BATH CABINETRY

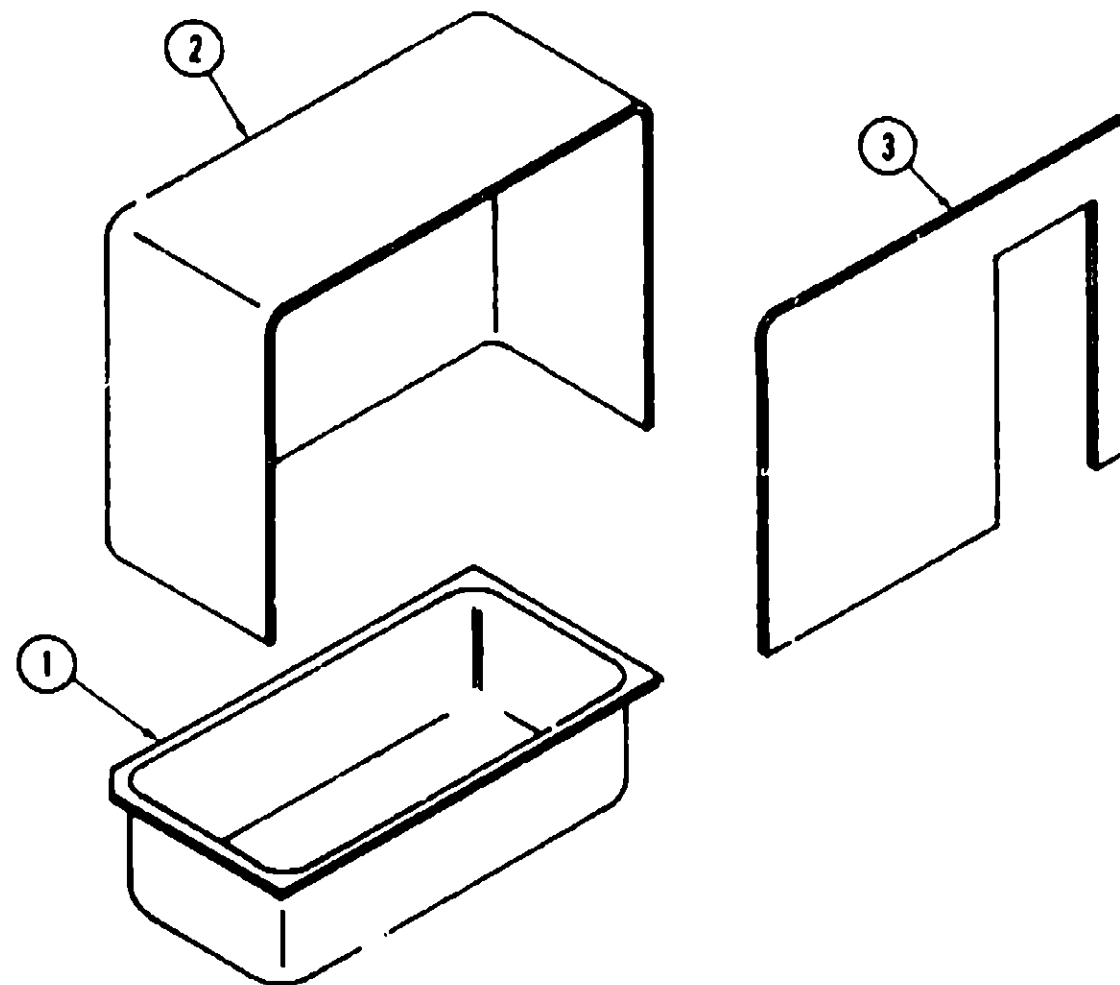
Key	Part Number	U/M	Description
	059072-01-L04	EA	Cabinet Asm. - Vanity - w/o Countertop or Hardware
	059431-01-L04	EA	Countertop Asm. - Vanity Cabinet - Burl Block
	063224-15-L04	EA	Door Asm. - Rolling - 19" x 17.7" - w/Handle
	063224-16-L04	EA	Door Asm. - Rolling - 19" x 13.2" - w/Handle
	043257-01-C30	FT	Handle - Wood - Roll Up Door
	059883-01-L04	EA	Door Asm. - Vanity Countertop - Burl Block - Laminate
	058484-02-L04	EA	Cabinet Asm. - Rear Wardrobe - Lower - w/o Door or Hardware
	059724-01-L04	EA	Cabinet Asm. - Rear Wardrobe - Upper - w/o Door or Hardware
	058023-11-L04	EA	Drawer Asm. - Rear Wardrobe Cabinet - 6.02" H x 14.82" W - w/o Hardware
	057992-42-L04	EA	Door Asm. - Rear Wardrobe Cabinet - 18.82" x 54.02" - w/o Hardware
	053130-03-000	EA	Medicine Cabinet - Jensen - 33" Wide
	053130-03-700	EA	Mirror - Medicine Cabinet - 24.5" x 15"
	053130-03-701	EA	Frame - Mirror - Medicine Cabinet
	053130-02-702	EA	Catch - Door - Medicine Cabinet
	053130-02-703	EA	Switch - Medicine Cabinet
	038010-01-000	EA	Bulb - 1143
	058233-05-L04	EA	Door Asm. - Bathroom

BATH HARDWARE

Key	Part Number	U/M	Description
	058713-01-000	EA	Sink - Bath - Ivory Plastic
**	011056-01-000	EA	Faucet - Sink
**	011056-02-000	EA	Faucet - Sink - CSA
	011083-02-000	EA	Plug - Sink - 1 1/4" w/Chain
**	031558-01-000	EA	Faucet - Tub and Shower
**	011086-01-000	EA	Strainer - Shower Pan
**	011048-01-000	EA	Shower Head - w/60" Hose
**	011048-02-000	EA	Shower Head - w/60" Hose - w/o Vacuum Breaker
	009150-01-000	EA	Wrap Guard - 64"
	009151-01-000	EA	Wrap Guard - 48"
	058335-02-000	EA	Latch - Bathroom Door
	009134-01-000	EA	Holder - Tissue
	058331-02-000	EA	Mirror - Tempered Glass - 12" x 36"
	053260-05-000	EA	Trim - Shower Door - Bottom
	053262-04-000	EA	Trim - Shower Door - Left
	053262-01-000	EA	Trim - Shower Door - Right
	057534-01-000	EA	Tie Back - 6" - Clear Plastic
	063740-01-000	EA	Toilet - Aqua Magic IV - Ivory

**The illustrated parts breakdown for this item is provided on the Common Items Fiche.

BATH GROUP (CONTINUED)



Key	Part Number	U/M	Description
1	041826-01-000	EA	Bathtub Bottom - Ivory Plastic
2	041853-01-000	EA	Bathtub Back - Ivory Plastic
3	041852-01-000	EA	Bathtub Front - Ivory Plastic

1980 ITASCA TABLE OF CONTENTS

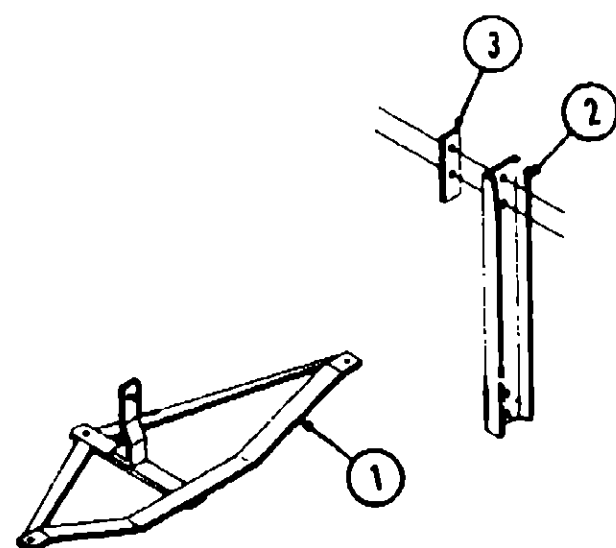
IC524RH L1	A-1 - B-16
IC625RB L1	B-17 - D-4
ICN26RB L1	D-5 - E-22

1980 IC524RH L1 INDEX

Floor Plan	A-1 - A-2
Accessories Group	A-3 - A-4
Bath Group	A-5 - A-6
Chassis Group	A-7
Curtain, Cushion and Pad Group	A-8 - A-12
Dinette Group	A-13
Driver's Compartment Group	A-14
Electrical Group	A-15 - A-16
Exterior Body Group	A-17 - A-20
Galley Group	A-21
Heating & Air Conditioning Group	A-22
Interior Finish Group	A-23 - A-24
LP Group	B-1
Lounge Group	B-2
Water & Sewage Group	B-3 - B-4
Window, Vent & Exterior Door Group	B-5 - B-15

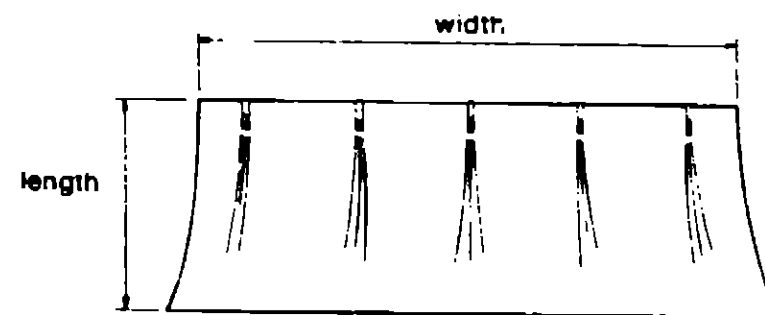
CHASSIS GROUP

Key	Part Number	U/M	Description
	041253-01-000	EA	Bumper - Rear - Off White
	022150-02-000	EA	Bracket - Rear Bumper
	048474-01-000	EA	Bumper - Rear - Chrome
	055080-01-000	EA	Wheel Well - Plastic - Left or Right Rear
	081411-01-000	EA	Tail Pipe Extension - 2" O.D. x 10"
	007125-05-000	EA	Clamp Asm. - Muffler - 2" Dia.
	064062-01-000	EA	Tray - Battery
	051697-01-000	EA	Bracket - Battery Tie Down
	024652-01-700	EA	Step Asm. - Coach Entry Door
	049912-01-000	EA	Step Asm. Assist - Cab
	064069-01-000	EA	Mud Flap - Black Rubber - 20.62" x 12.38"
	051983-02-000	EA	Shroud - Fuel Fill - Inside Coach



Key	Part Number	U/M	Description
1	064833-01-000	EA	Trailer Hitch Asm.
2	064598-02-000	EA	Bracket Asm. - Tire Carrier
3	040974-01-000	EA	Bracket - Spare Tire Retainer - 2" x 6.75"

CURTAIN, CUSHION AND PAD GROUP



NOTE:
Use this illustration when determining length and width measurements for curtains. You will note the width measurement is taken on the top of the curtain with the curtain fully extended. The length measurement is taken from top to bottom.

1980 ITASCA TABLE OF CONTENTS

IC524RH L1	A-1 - B-16
IC625RB L1	B-17 - D-4
ICN26RB L1	D-5 - E-22

CURTAINS

Key	Part Number	U/M	Description
	054051-11-L04	EA	Curtain Asm. - 32" x 56" - Dublin Walnut - w/Snaps
	054045-03-L04	EA	Curtain Asm. - 17.5" x 42" - Dublin Walnut - w/Snaps
	054051-02-L04	EA	Curtain Asm. - 34" x 37" - Dublin Walnut - w/Snaps
	054103-01-L04	EA	Curtain Asm. - 15.5" x 42" - Dublin Walnut - w/Snaps
	056484-25-L04	EA	Curtain Asm. - 21" x 19" - Dublin Walnut - Plastic Tape w/Guides
	056484-26-L04	EA	Curtain Asm. - 22.5" x 19" - Dublin Walnut - Plastic Tape w/Guides
	056484-27-L04	EA	Curtain Asm. - 27" x 19" - Dublin Walnut - Plastic Tape w/Guides
	056484-28-L04	EA	Curtain Asm. - 28.0" x 19" - Dublin Walnut - Plastic Tape w/Guides
	056484-29-L04	EA	Curtain Asm. - 31.2" x 19" - Dublin Walnut - Plastic Tape w/Guides
	059900-02-L04	EA	Curtain Asm. - Front Wraparound - 23" x 64" - Dublin Walnut
	054051-03-L04	EA	Curtain Asm. - Divider - 76" x 57" - Dublin Walnut

SHADES

Key	Part Number	U/M	Description
	065657-03-L04	EA	Shade Asm. - 25" x 23" - Burnt Orange
	065657-03-L05	EA	Shade Asm. - 25" x 23" - Brown
	065657-03-L06	EA	Shade Asm. - 25" x 23" - Blue
	065657-05-L04	EA	Shade Asm. - 31" x 34" - Burnt Orange
	065657-05-L05	EA	Shade Asm. - 31" x 34" - Brown
	065657-05-L06	EA	Shade Asm. - 31" x 34" - Blue
	065657-06-L04	EA	Shade Asm. - 33" x 34" - Burnt Orange
	065657-06-L05	EA	Shade Asm. - 33" x 34" - Brown
	065657-06-L06	EA	Shade Asm. - 33" x 34" - Blue
	065657-10-L04	EA	Shade Asm. - 44" x 23" - Burnt Orange
	065657-10-L05	EA	Shade Asm. - 44" x 23" - Brown
	065657-10-L06	EA	Shade Asm. - 44" x 23" - Blue
	065657-12-L04	EA	Shade Asm. - 69" x 34" - Burnt Orange
	065657-12-L05	EA	Shade Asm. - 69" x 34" - Brown
	065657-12-L06	EA	Shade Asm. - 69" x 34" - Blue
	065728-04-000	EA	Shade - Woven Wood - 25" x 23" - Brown
	065728-05-000	EA	Shade - Woven Wood - 25" x 23" - Rust
	065728-06-000	EA	Shade - Woven Wood - 25" x 23" - Blue
	065728-10-000	EA	Shade - Woven Wood - 33" x 31" - Brown
	065728-11-000	EA	Shade - Woven Wood - 33" x 31" - Rust
	065728-12-000	EA	Shade - Woven Wood - 33" x 31" - Blue
	065728-19-000	EA	Shade - Woven Wood - 69" x 31" - Brown
	065728-20-000	EA	Shade - Woven Wood - 69" x 31" - Rust
	065728-21-000	EA	Shade - Woven Wood - 69" x 31" - Blue
	065728-25-000	EA	Shade - Woven Wood - 43" x 23" - Brown
	065728-26-000	EA	Shade - Woven Wood - 43" x 23" - Rust
	065728-27-000	EA	Shade - Woven Wood - 43" x 23" - Blue

1980 IC524RH L1 INDEX

Floor Plan	A-1 - A-2
Accessories Group	A-3 - A-4
Bath Group	A-5 - A-6
Chassis Group	A-7
Curtain, Cushion and Pad Group	A-8 - A-12
Dinette Group	A-13
Driver's Compartment Group	A-14
Electrical Group	A-15 - A-16
Exterior Body Group	A-17 - A-20
Galley Group	A-21
Heating & Air Conditioning Group	A-22
Interior Finish Group	A-23 - A-24
LP Group	B-1
Lounge Group	B-2
Water & Sewage Group	B-3 - B-4
Window, Vent & Exterior Door Group	B-5 - B-16

CURTAIN, CUSHION AND PAD GROUP (CONTINUED)

TIEBACKS AND VALANCES

Key	Part Number	U/M	Description
	054048-08-L04	EA	Tie Back Asm. - 2" x 18" - Tara Rust
	054048-08-L05	EA	Tie Back Asm. - 2" x 18" - Tara Brown
	054048-08-L06	EA	Tie Back Asm. - 2" x 18" - Tara Blue
	065892-01-L04	EA	Valance Asm. - 5" x 34" - Tara Rust
	065892-01-L05	EA	Valance Asm. - 5" x 34" - Tara Brown
	065892-01-L06	EA	Valance Asm. - 5" x 34" - Tara Blue
	065892-02-L04	EA	Valance Asm. - 5" x 40" - Tara Rust
	065892-02-L05	EA	Valance Asm. - 5" x 40" - Tara Brown
	065892-02-L06	EA	Valance Asm. - 5" x 40" - Tara Blue
	065892-03-L04	EA	Valance Asm. - 5" x 42" - Tara Rust
	065892-03-L05	EA	Valance Asm. - 5" x 42" - Tara Brown
	065892-03-L06	EA	Valance Asm. - 5" x 42" - Tara Blue
	065892-04-L04	EA	Valance Asm. - 5" x 52.8" - Tara Rust
	065892-04-L05	EA	Valance Asm. - 5" x 52.8" - Tara Brown
	065892-04-L06	EA	Valance Asm. - 5" x 52.8" - Tara Blue
	065892-05-L04	EA	Valance Asm. - 5" x 78" - Tara Rust
	065892-05-L05	EA	Valance Asm. - 5" x 78" - Tara Brown
	065892-05-L06	EA	Valance Asm. - 5" x 78" - Tara Blue

HIGH BACK BUCKET SEATS

Key	Part Number	U/M	Description
	065937-03-L04	EA	Bucket Seat - High Back - w/Skirt and Right Armrest - Rust
	065937-03-L05	EA	Bucket Seat - High Back - w/Skirt and Right Armrest - Brown
	065937-03-L06	EA	Bucket Seat - High Back - w/Skirt and Right Armrest - Blue
	065937-04-L04	EA	Bucket Seat - High Back - w/Skirt and Left Armrest - Rust
	065937-04-L05	EA	Bucket Seat - High Back - w/Skirt and Left Armrest - Brown
	065937-04-L06	EA	Bucket Seat - High Back - w/Skirt and Left Armrest - Blue
	065943-01-L04	EA	Cover - High Back Bucket - Back - Rust
	065943-01-L05	EA	Cover - High Back Bucket - Back - Brown
	065943-01-L06	EA	Cover - High Back Bucket - Back - Blue
	065944-01-L04	EA	Cover - High Back Bucket - Seat - Rust
	065944-01-L05	EA	Cover - High Back Bucket - Seat - Brown
	065944-01-L06	EA	Cover - High Back Bucket - Seat - Blue
	066915-01-L04	EA	Skirt - High Back Bucket - Rust
	066915-01-L05	EA	Skirt - High Back Bucket - Brown
	066915-01-L06	EA	Skirt - High Back Bucket - Blue
	050275-01-700	EA	Armrest Asm. - Foam w/o Cover - Right
	050275-01-700	EA	Armrest Asm. - Foam w/o Cover - Left
	065774-01-L04	EA	Cover - Armrest - Rust
	065774-01-L05	EA	Cover - Armrest - Brown
	065774-01-L06	EA	Cover - Armrest - Blue

LOW BACK BUCKET SEATS

Key	Part Number	U/M	Description
	061825-02-L04	EA	Bucket Seat - Low Back - w/o Arm or Headrests - Rust/Orange
	061825-02-L05	EA	Bucket Seat - Low Back - w/o Arm or Headrest - Brown
	061825-02-L06	EA	Bucket Seat - Low Back - w/o Arm or Headrest - Blue
	061836-01-L04	EA	Cover - Low Back Bucket - Back - Rust/Orange
	061836-01-L05	EA	Cover - Low Back Bucket - Back - Brown
	061836-01-L06	EA	Cover - Low Back Bucket - Back - Blue
	061837-01-L04	EA	Cover - Low Back Bucket - Bottom - Rust/Orange
	061837-01-L05	EA	Cover - Low Back Bucket - Bottom - Brown
	061837-01-L06	EA	Cover - Low Back Bucket - Bottom - Blue

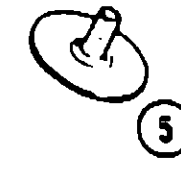
CURTAIN, CUSHION AND PAD GROUP (CONTINUED)

FABRIC TRIMS AND PADS

Key	Part Number	U/M	Description
	064393-01-000	YD	Fabric - Drapery - Dublin Walnut
	064383-02-000	YD	Fabric - Upholstery - Tara Rust
	064383-03-000	YD	Fabric - Upholstery - Tara Brown
	064383-04-000	YD	Fabric - Upholstery - Tara Blue
	057842-05-000	YD	Fabric - Accent - Burnt Orange
	057852-06-000	YD	Fabric - Accent - Suede Cocoa
	057028-02-000	YD	Fabric - Accent Blue
	054676-05-L04	EA	Button Asm. - Covered - #45" - Burnt Orange
	054676-05-L05	EA	Button Asm. - Covered - #45" - Suede Cocoa
	054676-05-L06	EA	Button Asm. - Covered - #45" - Accent Blue
	054676-06-L04	EA	Button Asm. - Covered - #30 - Burnt Orange
	054676-06-L05	EA	Button Asm. - Covered - #30 - Suede Cocoa
	054676-06-L06	EA	Button Asm. - Covered - #30 - Accent Blue
	052859-01-J27	F	Trim Asm. - Accent - Acorn Brown Vinyl
	053327-01-000	YD	Vinyl - Non Expanded - 27 oz. - Acorn Brown
	053327-02-000	YD	Vinyl - Expanded - 28 oz. - Acorn Brown
	053327-03-000	YD	Vinyl - Non Support - 16 Gauge Film - Acorn Brown
	058654-01-L04	EA	Pad - End - Galley Overhead Cabinet - Acorn Vinyl

CURTAIN HARDWARE

Key	Part Number	U/M	Description
	052327-04-236	EA	Track - Curtain - Brown Alum. - 89" w/Holes
	056116-01-000	FT	Track - Curtain - Brown Plastic
	056001-01-000	EA	Bracket - Shade - Left
	056002-01-000	EA	Bracket - Shade - Right
	056003-01-000	EA	Bracket - Drapery Retainer - Right
	056003-02-000	EA	Bracket - Drapery Retainer - Left
	053272-04-200	EA	Track - Curtain - Off White - 83" w/Holes
	056784-01-000	EA	Pull - Window Shade - Antique Brass
	009107-01-000	EA	Guide - Nylon Snap - Curtain
	018031-42-000	EA	Track - Curtain - "L" Rod - Alum. Extr. - 90"
	009701-01-000	EA	Carrier - "L" Rod - Curtain
	009702-01-000	EA	End Stop - "L" Rod - Curtain
	056289-05-000	EA	Track - Curtain - 90" - 40" x 11"
	056115-01-000	YD	Tape - Clear Plastic - w/Guides



Key	Part Number	U/M	Description
1	029130-01-000	EA	Socket - Snap Fastener
2	029155-01-000	EA	Cap - Snap - .156" Dia. x .17" Barrel
3	029156-01-000	EA	Socket - Snap Fastener
4	029082-01-000	EA	Stud - Nickel Finish
5	029083-01-000	EA	Eyelet - Nickel Finish

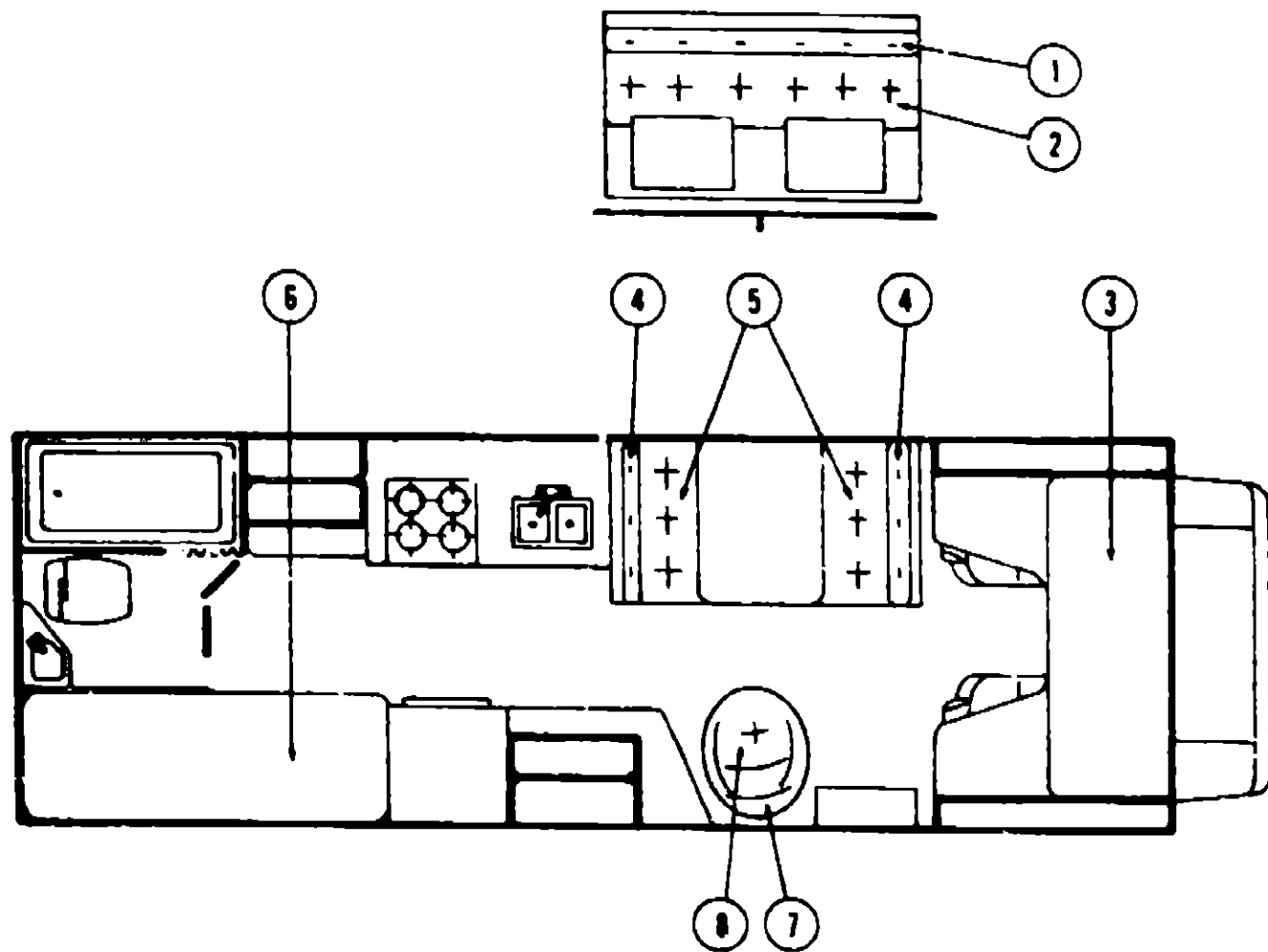
**1980 ITASCA
TABLE OF CONTENTS**

IC524RH L1	A-1 - B-16
IC625RB L1	B-17 - D-4
ICN26RB L1	D-5 - E-22

1980 IC524RH L1 INDEX

Floor Plan	A-1 - A-2
Accessories Group	A-3 - A-4
Bath Group	A-5 - A-6
Chassis Group	A-7
Curtain, Cushion and Pad Group	A-8 - A-12
Dinette Group	A-13
Driver's Compartment Group	A-14
Electrical Group	A-15 - A-16
Exterior Body Group	A-17 - A-20
Galley Group	A-21
Heating & Air Conditioning Group	A-22
Interior Finish Group	A-23 - A-24
LP Group	B-1
Lounge Group	B-2
Water & Sewage Group	B-3 - B-4
Window, Vent & Exterior Door Group	B-5 - B-16

CURTAIN, CUSHION AND PAD GROUP (CONTINUED)



PRESTO BED CUSHIONS

Key	Part Number	U/M	Description
1	064704-01-L04	EA	Cushion - Presto Bed Back - 75" - Tara Rust
1	064704-01-L05	EA	Cushion - Presto Bed Back - 75" - Tara Brown
1	064704-01-L06	EA	Cushion - Presto Bed Back - 75" - Tara Blue
	064723-01-L04	EA	Cover - Presto Bed Back - 75" - Tara Rust
	064723-01-L05	EA	Cover - Presto Bed Back - 75" - Tara Brown
	064723-01-L06	EA	Cover - Presto Bed Back - 75" - Tara Blue
2	064705-01-L04	EA	Cushion - Presto Bed Bottom - 75" - Tara Rust
2	064705-01-L05	EA	Cushion - Presto Bed Bottom - 75" - Tara Brown
2	064705-01-L06	EA	Cushion - Presto Bed Bottom - 75" - Tara Blue
	064723-02-L04	EA	Cover - Presto Bed Bottom - 75" - Tara Rust
	064723-02-L05	EA	Cover - Presto Bed Bottom - 75" - Tara Brown
	064723-02-L06	EA	Cover - Presto Bed Bottom - 75" - Tara Blue

FRONT BUNK CUSHIONS

Key	Part Number	U/M	Description
3	058897-13-L04	EA	Mattress - Front Bunk - 24.5" x 29.5" x 76" - Rust
3	058897-13-L05	EA	Mattress - Front Bunk - 24.5" x 29.5" x 76" - Brown
3	058897-13-L06	EA	Mattress - Front Bunk - 24.5" x 29.5" x 76" - Blue
	058898-13-L04	EA	Cover - Front Bunk Mattress - 24.5" x 29.5" x 76" - Rust
	058898-13-L05	EA	Cover - Front Bunk Mattress - 24.5" x 29.5" x 76" - Brown
	058898-13-L06	EA	Cover - Front Bunk Mattress - 24.5" x 29.5" x 76" - Blue

CURTAIN, CUSHION AND PAD GROUP (CONTINUED)

CONVENTIONAL DINETTE CUSHIONS

Key	Part Number	U/M	Description
4	064700-02-L04	EA	Cushion - Dinette Back - 19.2" x 38" x 4.5" - Rust
4	064700-02-L05	EA	Cushion - Dinette Back - 19.2" x 38" x 4.5" - Brown
4	064700-02-L06	EA	Cushion - Dinette Back - 19.2" x 38" x 4.5" - Blue
	064701-02-L04	EA	Cover - Dinette Back Cushion - 19.2" x 38" x 4.5" - Rust
	064701-02-L05	EA	Cover - Dinette Back Cushion - 19.2" x 38" x 4.5" - Brown
	064701-02-L06	EA	Cover - Dinette Back Cushion - 19.2" x 38" x 4.5" - Blue
5	064700-01-L04	EA	Cushion - Dinette Bottom - 17.5" x 38" x 4.5" - Rust
5	064700-01-L05	EA	Cushion - Dinette Bottom - 17.5" x 38" x 4.5" - Brown
5	064700-01-L06	EA	Cushion - Dinette Bottom - 17.5" x 38" x 4.5" - Blue
	064701-01-L04	EA	Cover - Dinette Bottom Cushion - 17.5" x 38" x 4.5" - Rust
	064701-01-L05	EA	Cover - Dinette Bottom Cushion - 17.5" x 38" x 4.5" - Brown
	064701-01-L06	EA	Cover - Dinette Bottom Cushion - 17.5" x 38" x 4.5" - Blue

REAR BUNK CUSHIONS

Key	Part Number	U/M	Description
6	055021-36-L04	EA	Cushion - Rear Bunk - 29" x 76.5" x 4.5" - Rust
6	055021-36-L05	EA	Cushion - Rear Bunk - 29" x 76.5" x 4.5" - Brown
6	055021-36-L06	EA	Cushion - Rear Bunk - 29" x 76.5" x 4.5" - Blue
	055022-38-L04	EA	Cover - Rear Bunk Cushion - 29" x 76.5" x 4.5" - Rust
	055022-38-L05	EA	Cover - Rear Bunk Cushion - 29" x 76.5" x 4.5" - Brown
	055022-38-L06	EA	Cover - Rear Bunk Cushion - 29" x 76.5" x 4.5" - Blue
6	055021-35-L04	EA	Cushion - Rear Bunk - 29" x 75.5" x 4.5" - Rust
6	055021-35-L05	EA	Cushion - Rear Bunk - 29" x 75.5" x 4.5" - Brown
6	055021-35-L06	EA	Cushion - Rear Bunk - 29" x 75.5" x 4.5" - Blue
	055022-37-L04	EA	Cover - Rear Bunk Cushion - 29" x 75.5" x 4.5" - Rust
	055022-37-L05	EA	Cover - Rear Bunk Cushion - 29" x 75.5" x 4.5" - Brown
	055022-37-L06	EA	Cover - Rear Bunk Cushion - 29" x 75.5" x 4.5" - Blue

SWIVEL CHAIRS

Key	Part Number	U/M	Description
7	054674-12-L04	EA	Swivel Chair - Complete - Rust
7	054674-12-L05	EA	Swivel Chair - Complete - Brown
7	054674-12-L06	EA	Swivel Chair - Complete - Blue
8	054700-10-L04	EA	Cushion - Swivel Chair - Rust
8	054700-10-L05	EA	Cushion - Swivel Chair - Brown
8	054700-10-L06	EA	Cushion - Swivel Chair - Blue
	035036-01-000	EA	Plate - Swivel Chair
	035036-02-000	EA	Base w/Legs - Swivel Chair

**1980 ITASCA
TABLE OF CONTENTS**

IC524RH L1	A-1 - B-16
IC625RB L1	B-17 - D-4
ICN26RB L1	D-5 - E-22

1980 IC524RH L1 INDEX

Floor Plan	A-1 - A-2
Accessories Group	A-3 - A-4
Bath Group	A-5 - A-6
Chassis Group	A-7
Curtain, Cushion and Pad Group	A-8 - A-12
Dinette Group	A-13
Driver's Compartment Group	A-14
Electrical Group	A-15 - A-16
Exterior Body Group	A-17 - A-20
Galley Group	A-21
Heating & Air Conditioning Group	A-22
Interior Finish Group	A-23 - A-24
LP Group	B-1
Lounge Group	B-2
Water & Sewage Group	B-3 - B-4
Window, Vent & Exterior Door Group	B-5 - B-16

DINETTE GROUP

DINETTE OVERHEAD CABINERY

Key	Part Number	U/M	Description
	065246-01-L04	EA	Cabinet Asm. - Dinette Overhead - w/o Doors or Hardware
	057992-14-L04	EA	Door Asm. - Dinette Overhead Cabinet - w/o Hardware

CONVENTIONAL DINETTE W/OPOSING BENCHES

Key	Part Number	U/M	Description
	053192-01-L04	EA	Table Asm. - Dinette - w/o Hardware - Burl Block
**	024276-04-000	EA	Leg Asm. - Table - Brown - 29.5"
	084050-01-000	EA	Hinge - Table Leg
**	024282-01-000	EA	Brace - Table Leg
**	024283-01-000	EA	Clip - 1" - 1.125" O.D. Tube
**	049493-02-000	EA	Catch - Table Leg - Mounts on Floor - Brown
**	024275-01-000	EA	Rod - Table Lift - 8" x 23.5"
	024281-06-000	EA	Bracket - Lower Wall Mount - Black Anod. - 22.12"
	053201-03-000	EA	Bracket - Table Mount - 23"
	053200-04-000	EA	Bracket - Upper Wall Mount
	058873-01-L04	EA	Cabinet Asm. - Dinette Seat - Front
	058874-01-L04	EA	Cabinet Asm. - Dinette Seat - Rear
	007019-01-000	EA	Seat Belt - 2" x 84" - Black
	041322-01-000	EA	Washer - Flat - 15/32" I.D. x 2 3/8" O.D.

**The illustrated parts breakdown for this item is provided on the Common Items Fiche.

OPTIONAL DINETTE W/TWIN PEDESTAL TABLES

Key	Part Number	U/M	Description
	053248-02-L04	EA	Table Asm. - Pedestal - Burl Block - w/o Hardware
	009040-02-000	EA	Leg - Pedestal Table - 2.25" O.D. x 27.5" - Chrome
	009040-03-000	EA	Base - Table Leg - Mounts on Table
	041194-01-000	EA	Base - Table Leg - Mounts in Floor
	057468-02-000	EA	Frame - Sprung Couch - Right
	057468-03-000	EA	Frame - Sprung Couch - Left
	057468-04-000	EA	Frame Rails - Sprung Couch (2 per couch)
	057469-01-000	EA	Leg Asm. - Sprung Couch (2 per couch)
	057520-01-L04	EA	Panel - Couch Front - 75" x 14.6"
	057618-01-L04	EA	Panel - Couch End

DRIVER'S COMPARTMENT GROUP

Key	Part Number	U/M	Description
	058556-01-L04	EA	Cabinet Asm. - Headboard - Right - w/o Door or Hardware
	058557-01-L04	EA	Cabinet Asm. - Headboard - Left - w/o Door or Hardware
	048380-07-000	EA	Console - Overhead - Brown Plastic
	052577-01-000	EA	Gauge Asm. - Voltmeter w/Bracket
	024462-01-000	EA	Switch - Battery Condition
	041958-01-000	FT	Trim - Vinyl Flex Edging - Brown
	053719-01-L04	EA	Headliner Asm. - w/Vinyl
	058051-01-L04	EA	Pad Asm. - Sleeper Board - Left - Acorn Brown
	058051-02-L04	EA	Pad Asm. - Sleeper Board - Right - Acorn Brown
	058052-01-L04	EA	Pad Asm. - Locking Pillar - Left - Acorn Brown
	058052-02-L04	EA	Pad Asm. - Locking Pillar - Right - Acorn Brown
	058053-01-L04	EA	Pad Asm. - Hinging Pillar - Right - Acorn Brown
	058053-02-L04	EA	Pad Asm. - Hinging Pillar - Left - Acorn Brown
	058054-01-L04	EA	Pad Asm. - Headliner - Left - Acorn Brown
	058054-02-L04	EA	Pad Asm. - Headliner - Right - Acorn Brown
	058846-01-000	EA	Trim Panel - Door - Right - Primed
	058846-02-000	EA	Trim Panel - Door - Left - Primed
	049843-01-000	EA	Pedestal Asm. - Swivel
	051382-01-000	EA	Seat Adjuster Asm. - w/Lock
	051383-01-000	EA	Seat Adjuster Asm. - w/o Lock

1980 ITASCA TABLE OF CONTENTS

IC524RH L1	A-1 - B-16
IC625RB L1	B-17 - D-4
ICN26RB L1	D-5 - E-22

1980 IC524RH L1 INDEX

Floor Plan	A-1 - A-2
Accessories Group	A-3 - A-4
Bath Group	A-5 - A-6
Chassis Group	A-7
Curtain, Cushion and Pad Group	A-8 - A-12
Dinette Group	A-13
Driver's Compartment Group	A-14
Electrical Group	A-15 - A-16
Exterior Body Group	A-17 - A-20
Galley Group	A-21
Heating & Air Conditioning Group	A-22
Interior Finish Group	A-23 - A-24
LP Group	B-1
Lounge Group	B-2
Water & Sewage Group	B-3 - B-4
Window, Vent & Exterior Door Group	B-5 - B-16

ELECTRICAL GROUP

BULBS

Key	Part Number	U/M	Description
	037935-01-000	EA	Bulb - 1157
	038110-01-000	EA	Bulb - 1143
	008103-01-000	EA	Bulb - 73
	008213-01-000	EA	Bulb - 57
	008214-01-000	EA	Bulb - 67
	008215-01-000	EA	Bulb - 1003
	008216-01-000	EA	Bulb - 1034
	008217-01-000	EA	Bulb - 1073
	008218-01-000	EA	Bulb - 1141
	008219-01-000	EA	Bulb - 656
	008227-01-000	EA	Bulb - 12V - 25W
	036196-01-000	EA	Bulb - 194
	700020-01-000	EA	Bulb - 12V - 20W - 1383
	037936-01-000	EA	Bulb - 12V - 1157-A

FUSES AND CIRCUIT BREAKERS

Key	Part Number	U/M	Description
	056473-01-000	EA	Fuse - Slow Blow - 6 1/4" Amp.
	056473-02-000	EA	Fuse - 12 Volt - 5 Amp
	008233-01-000	EA	Fuse - 12 Volt - 6 Amp.
	008234-01-000	EA	Fuse - 12 Volt - 10 Amp.
	008235-01-000	EA	Fuse - 12 Volt - 15 Amp.
	008236-01-000	EA	Fuse - 12 Volt - 20 Amp.
	008248-01-000	EA	Fuse - 110 Volt - 30 Amp. AGU
	008252-01-000	EA	Fuse - 120 Volt - 50 Amp.
	008208-01-000	EA	Circuit Breaker - 12 Volt - 40 Amp.
	008211-01-000	EA	Circuit Breaker - 12 Volt - 6 Amp.
	008268-01-000	EA	Circuit Breaker - 12 Volt - 30 Amp w/Mount
	033573-01-000	EA	Circuit Breaker - 12 Volt - 20 Amp. w/Mount
	040051-01-000	EA	Circuit Breaker - 110 Volt - 20 Amp. - TQL

INTERIOR LIGHTS

Key	Part Number	U/M	Description
	024418-01-000	EA	Lamp Asm. - Map/Gauge/Isle
	064778-01-000	EA	Light - Dome - Off White - 2 Bulb
	064778-02-000	EA	Light - Dome - Off White - 1 Bulb
	033508-03-000	EA	Light - Dome - Ivory - 1 Bulb - CSA
	024642-01-701	EA	Lens - Dome Light - 1 Bulb
	024642-03-000	EA	Light - Dome - Ivory - 2 Bulb - CSA
	024642-01-701	EA	Lens - Dome Light - 2 Bulb
	024642-04-000	EA	Light - High Intensity - Brown Plastic
	061424-01-000	EA	Light - Aisle - 1 1/4" x 4 1/4"

EXTERIOR LIGHTS

Key	Part Number	U/M	Description
	040817-01-000	EA	Handle Asm. - Assist w/Light
	042405-03-000	EA	Rese - Rectangular Clearance Light
	042405-04-000	EA	Lens - Clearance Light - Red
	042405-05-000	EA	Lens - Clearance Light - Amber
	007309-01-000	EA	Light - Stepwell
	058353-01-000	EA	Tail Lamp Asm. - Chrome - 2 Bulb - Right
	058353-02-000	EA	Tail Lamp Asm. - Chrome - 2 Bulb - Left
	058030-01-700	EA	Lens - Tail Lamp - Red
	058030-01-701	EA	Lens - Tail Lamp - Back Up
	058036-01-000	EA	Bracket - Tail Lamp
	058540-01-000	EA	Bracket - Licensed Plate
	082742-02-000	EA	Wedge - Tail Lamp - Left
	082741-04-000	EA	Wedge - Tail Lamp - Right
	057608-01-000	EA	Lamp Asm. - Side Marker - Right
	057608-02-000	EA	Lamp Asm. - Side Marker - Left

ELECTRICAL GROUP (CONTINUED)

WIRE, SWITCHES AND RECEPTACLES

Key	Part Number	U/M	Description
	008024-01-000	FT	Wire - 18.5 Bonded - Orange/White/Yellow/Blue/Brown
	008025-01-000	FT	Wire - 18.5 Bonded - Orange/White/Yellow/Blue/Green
	008026-01-000	FT	Wire - 18.5 Bonded - Blue/Red/Yellow/Orange/White
	008030-01-000	FT	Wire - 18.4 Bonded
	008251-01-000	EA	Holder - Fuse - Black - Screw Type
	008277-01-000	EA	Holder - Fuse - Black - Panel Mount
	008195-01-000	EA	Switch - Push Button - 12 Volt
	008077-01-000	EA	Plaque - Compressor Switch
	009054-01-000	EA	Cord - Power - 10-3 30 Amp. 25' - UL
	034818-04-000	EA	Holder - Receptacle - Plastic
	058028-01-000	EA	Connector - Pigtail - Clear Nylon
	008268-01-000	EA	Box - Electrical - Plastic - 3" x 3 1/2"
	008289-01-000	EA	Box - Electrical - Steel - 4" x 4"
	008294-01-000	EA	Cover Plate - Steel - 4" x 4"
	031142-01-000	EA	Cover - Electrical Box - 4 3/4" Raised
	029338-01-000	EA	Cover Plate - Receptacle - Plastic - Brown
	039342-01-000	EA	Receptacle - Duplex Brown - T Junction
	024571-01-000	EA	Cover Plate - Receptacle - Jumbo Steel Brown
	039343-01-000	EA	Cap - End - Receptacle
	008162-01-000	EA	Switch - Double Toggle - Spade Brown
	008163-01-000	EA	Switch - Toggle Brown
	008164-01-000	EA	Cover Plate - Switch - Brown
	031143-01-000	EA	Cover Plate - Switch - Brass
	024924-01-000	EA	Receptacle - Power Cord
	008058-01-000	EA	Adapter - Power Cord
	017353-01-000	EA	Cover - Receptacle - Ground Fault
	053126-01-000	EA	Receptacle - Ground Fault Interrupter - 125 Volt, Ivory
	058707-01-000	EA	Receptacle - Single - Brown - Thomas & Betts
	058708-01-000	EA	Receptacle - Duplex - Brown - Thomas & Betts
	008157-01-000	EA	Receptacle - Duplex Brown (Exterior)
	058048-01-000	EA	Cover - Electrical - Rain Tight (Exterior)
	024571-04-000	EA	Cover - Plate - Receptacle - Jumbo Plastic
	058264-01-000	EA	Switch - Leaf Actuator - Robertshaw

MISCELLANEOUS ELECTRICAL COMPONENTS

Key	Part Number	U/M	Description
	047389-01-700	EA	Battery - 12 Volt - 105 Amp. Deep Cycle - Dry
	057899-01-000	EA	Battery - 12 Volt - Maintenance Free - Delco
	008188-01-000	EA	Solenoid - Dual Battery - Relay
	024461-01-000	EA	Switch - Battery - Changeover
	046885-01-000	EA	Plaque - Switch Mounting
	031720-01-000	EA	Spacer - Receptacle - Brown Plastic - CSA
	052577-01-000	EA	Gauge - Voltmeter - w/Bracket
	024452-01-000	EA	Switch - Battery Condition
	031035-01-000	EA	Gauge - Hour Meter - Generator
	024976-01-000	EA	Switch - Generator w/o Circuit Board
	024450-01-000	EA	Gauge Vacuum
	054544-01-000	EA	Control Center - 37 Amp.
	039850-01-702	EA	Circuit Board - Control Center
	057043-01-000	EA	Control Center - 37 Amp. CSA
	085875-01-000	EA	Control Center - w/Charger - 37/15 Amp
	039861-01-000	EA	Sending Unit Kit - Wemac
	048812-04-000	EA	Control Panel - Water/Double Sewage - Basic Panel
	048812-09-000	EA	Panel Insert - w/LP Alarm, Clock, Refrigerator Light & Sensor
	048812-07-000	EA	Refrigerator Sensor - Control Panel - Sibir Refrigerator

** The illustrated parts breakdown for this item is provided on the Common Items Fiche.

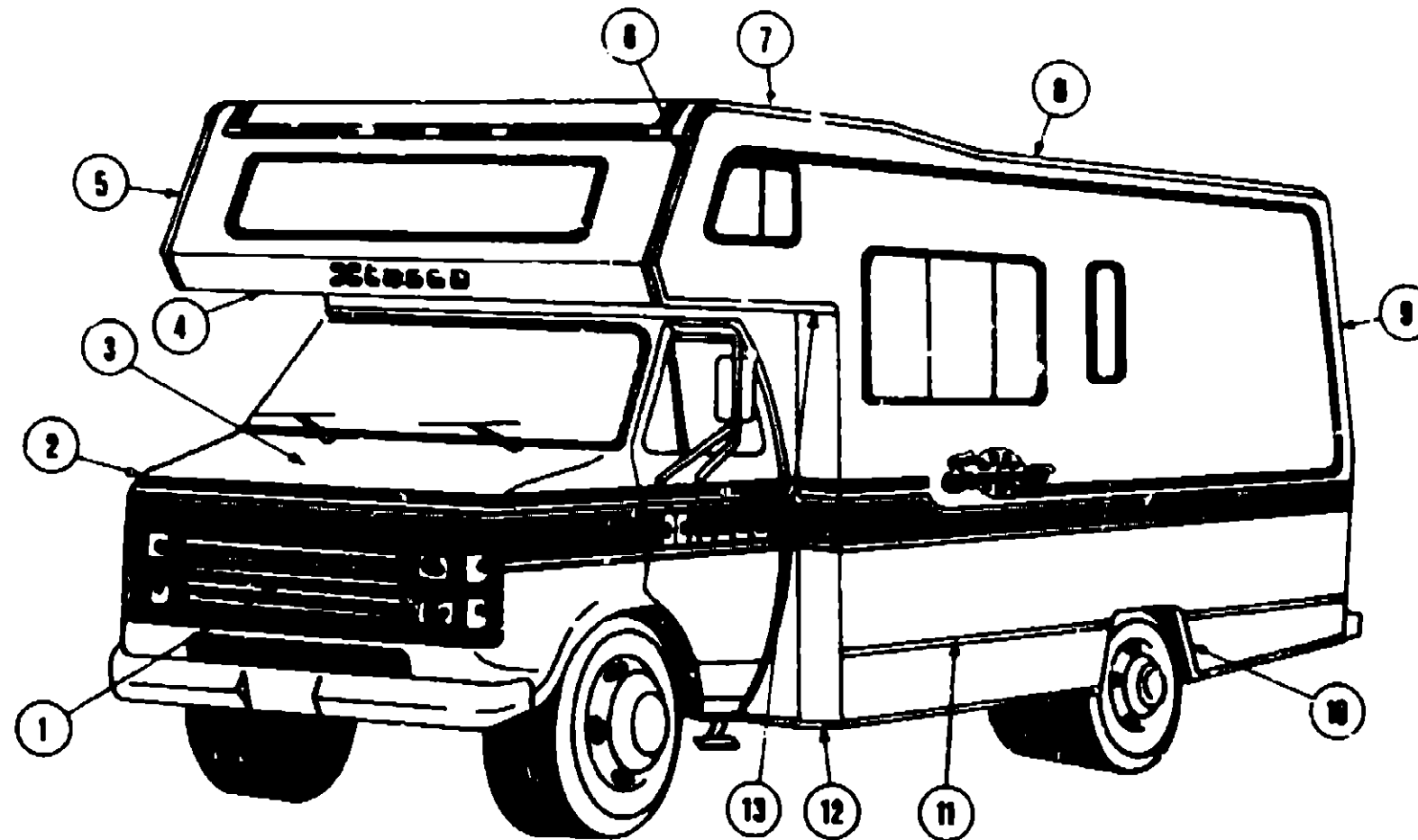
1980 ITASCA TABLE OF CONTENTS

IC524RH L1	A-1 - A-2
IC625RB L1	B-17 - D-4
ICN26RB L1	D-5 - E-22

1980 IC524RH L1 INDEX

Floor Plan	A-1 - A-2
Accessories Group	A-3 - A-4
Bath Group	A-5 - A-6
Chassis Group	A-7
Curtain, Cushion and Pad Group	A-8 - A-12
Dinette Group	A-13
Driver's Compartment Group	A-14
Electrical Group	A-15 - A-16
Exterior Body Group	A-17 - A-20
Galley Group	A-21
Heating & Air Conditioning Group	A-22
Interior Finish Group	A-23 - A-24
LP Group	B-1
Lounge Group	B-2
Water & Sewage Group	B-3 - B-4
Window, Vent & Exterior Door Group	B-5 - B-16

EXTERIOR BODY GROUP



1980 ITASCA TABLE OF CONTENTS

IC524RH L1
IC625RB L1
ICN26RB L1

A-1 - B-16
B-17 - D-4
D-5 - E-22

1980 IC524RH L1 INDEX

Floor Plan	A-1 - A-2
Accessories Group	A-3 - A-4
Bath Group	A-5 - A-6
Chassis Group	A-7
Curtain, Cushion and Pad Group	A-8 - A-12
Dinette Group	A-13
Driver's Compartment Group	A-14
Electrical Group	A-15 - A-16
Exterior Body Group	A-17 - A-20
Galley Group	A-21
Heating & Air Conditioning Group	A-22
Interior Finish Group	A-23 - A-24
LP Group	B-1
Lounge Group	B-2
Water & Sewage Group	B-3 - B-4
Window, Vert & Exterior Door Group	B-5 - B-16

Key	Part Number	U/M	Description
1	052847-01-000	EA	Grille Asm.
2	085856-01-000	EA	Front End Asm. - Fiberglass - Includes Hood w/o Front Grille
	054863-01-000	EA	Panel - Wheel House - Front Half - Left
	054863-02-000	EA	Panel - Wheel House - Front Half - Right
	058361-01-000	EA	Hood Asm.
	057896-01-000	EA	Hinge Asm. - Hood
	007180-01-000	EA	Gasket - Tire Carcass - 3/16" x 2" x 2"
	049185-01-000	EA	Capsule Asm. - Headlamp Rectangular - Left - High/Low Beam
	049186-01-000	EA	Capsule Asm. - Headlamp Rectangular - Right - High/Low Beam
	049187-01-000	EA	Capsule Asm. - Headlamp Rectangular - Left - High Beam
	049188-01-000	EA	Capsule Asm. - Headlamp Rectangular - Right - High Beam
	050030-01-000	EA	Housing Asm. - Headlamp
	054901-01-070	EA	Bezel - Headlamp - Left
	054901-02-000	EA	Bezel - Headlamp - Right
	054898-01-000	EA	Panel - Lower Grille - Valance
4	039644-05-000	EA	Trim - Sleeper Board
5	039635-02-000	EA	Trim - Contour - Sleeper Section - Right
6	039635-01-000	EA	Trim - Contour - Sleeper Section - Left
7	039634-07-000	EA	Trim - Contour - Roof - Left
	039634-08-000	EA	Trim - Contour - Roof - Right

Key	Part Number	U/M	Description
8	034922-21-000	EA	Trim - Sidewall/Roof - Upper - Left or Right
9	039964-02-000	EA	Trim - Contour - Backwall - Left
	039964-01-000	EA	Trim - Contour - Backwall - Right
10	039624-06-000	EA	Trim - Wheel Well - Rear - Left
	039624-07-000	EA	Trim - Wheel Well - Rear - Right
11	002444-02-001	EA	Feature Strip - Extr. Alum. - 14' w/o Insert
	001030-01-100	EA	Insert - Feature Strip - Black - 17"
	009731-01-000	EA	End Cap - Feature Strip
12	058248-05-000	EA	Trim - Wingwall - Bottom Left
	058248-04-000	EA	Trim - Wingwall - Bottom Right
13	048610-01-000	EA	Trim - Corner - Wingwall - Left
	048610-02-000	EA	Trim - Corner - Wingwall - Right
	002365-02-001	EA	Extr. - U - Channel - 1" Serrated - 18' - Anod.
	002776-02-001	EA	Extr. - U - Channel - 1 3/4" - Anod. - 18'
	041746-01-000	FT	Extr. - Vinyl - Bubble Seal

*Not Illustrated

EXTERIOR BODY GROUP (CONTINUED)

EXTERIOR BODY PANELS AND SHEET ALUMINUM

Key	Part Number	U/M	Description
	061597-01-L04	EA	Sleeper Board Asm.
	056800-01-L04	EA	Backwall Asm.
	068547-01-L04	EA	Roof Asm.
	058603-01-L04	EA	Sidewall Asm. - Right
	065173-01-L04	EA	Sidewall Asm. - Left
	039155-03-008	EA	Alum. - Off White - Mesa I - .024" x 36" x 80"
	039155-03-003	EA	Alum. - Off White - Mesa I - .024" x 36" x 360"
	039155-03-007	EA	Alum. - Off White - Mesa I - .024" x 48" x 60"
	039155-03-006	EA	Alum. - Off White - Mesa I - .024" x 48" x 360"
	039155-03-009	EA	Alum. - Off White - Mesa I - .024" x 12" x 360"
	039155-28-001	EA	Alum. - Off White - Mesa II - .024" x 36" x 60"
	039155-28-003	EA	Alum. - Off White - Mesa II - .024" x 36" x 360"
	039155-28-004	EA	Alum. - Off White - Mesa II - .024" x 48" x 60"
	039155-28-006	EA	Alum. - Off White - Mesa II - .024" x 48" x 360"
	039155-28-007	EA	Alum. - Off White - Mesa II - .024" x 12" x 360"
	044487-01-001	EA	Plain Roof Metal - 96" x 360"
	039155-07-010	EA	Off White Greyhound Alum. - 48" x 96"
	001054-01-011	EA	Off White Plain Alum. - 8" x 96"
	000868-01-000	BF	Styrofoam - 3/4" x 24" x 96"
	000870-01-000	BF	Styrofoam - 1 1/2" x 24" x 96"
	046817-01-000	EA	Panel Asm. - Valance - Off White

NOTE: The raised portion of Mesa I is 1.657" wide.
The raised portion of Mesa II is .873" wide.

EXTERIOR PAINT

Key	Part Number	U/M	Description
	041561-01-000	EA	Paint - Off White - Acrylic Enamel - 1 Gal.
	041561-03-000	EA	Paint - Off White - Acrylic Enamel - 16 oz. Aerosol
	041561-04-000	EA	Paint - Off White - Acrylic Lacquer - 1 Gal.
	059950-03-000	EA	Paint - Dark Blue - Acrylic Enamel - 16 oz. Aerosol - Dupont #63203
	065509-03-000	EA	Paint - Mahogany - Acrylic Enamel - 16 oz. Aerosol - Dupont #44743
	065107-03-000	EA	Paint - Orange - Acrylic Enamel - 16 oz. Aerosol - Dupont #5583
	059952-03-000	EA	Paint - Gold - Acrylic Enamel - 16 oz. Aerosol - Dupont #43396

SEALANTS, ADHESIVES AND FASTENERS

Key	Part Number	U/M	Description
	034552-05-000	EA	Sealant - Off White Silicone
	034552-04-000	EA	Sealant - Beige Silicone
	034552-02-000	EA	Sealant - Clear Silicone
	004346-02-000	EA	Sealant - White Silicone
	008200-01-000	EA	Tape - Furnace - 1 1/2"
	004353-01-000	FT	Tape - Gasket - 1/8" x 3/4" - White
	002825-01-000	FT	Weatherstripping - Roof Vent
	002337-01-000	EA	Adhesive - 3M - 1300 Tube
	004005-01-000	GL	Adhesive - Swifts - Green - Glue (Sidewalls)
	004020-01-000	QT	Adhesive - ABS Cement (Plastic Fittings)
	029051-01-000	EA	Adhesive - Spray Vinyl
	042401-02-000	EA	Screw - 8 - 18 x 3/4" SDPH - Off White
	042403-02-000	EA	Screw - SF/DR - 8 - 18 x 1" SDPH - Off White
	053786-01-000	EA	Bedding Compound - Tube Black - Schnee Moorehead
	053786-02-000	EA	Bedding Compound - Tube White - Schnee Moorehead
	053767-01-000	FT	Tape - 1/2" x 1/8" x 30' - Gray - Schnee Moorehead
	053767-03-000	FT	Tape - 1/4" Bead x 20' - Gray - Schnee Moorehead
	053767-04-000	FT	Tape - 3/4" x 1/8" x 30' - Gray - Schnee Moorehead
	053767-05-000	FT	Tape - 2" x 3/32" x 45' - Gray - Schnee Moorehead

EXTERIOR BODY GROUP (CONTINUED)

LABELS AND DECALS

Key	Part Number	U/M	Description
	006025-01-000	EA	Label - Gas
	006028-01-000	EA	Label - Drain Caps - 2" x 3"
	006031-01-000	EA	Label - Potable Water Only
	006040-01-000	EA	Tag - Gas Refueling Warning
	006062-01-000	EA	Tag - Electrical - 110 Volt Connection
	006187-01-000	EA	Label - Sewage
	006188-01-000	EA	Label - Waste Water
	006199-01-000	EA	Label - Exit - Escape Window
	041273-17-000	FT	Decal - Stripe - 63" - Black
	065210-01-000	EA	Stencil Stripe - Rear Side - Right
	065210-02-000	EA	Stencil Stripe - Rear Side - Left
	065211-01-000	EA	Decal - Stencil Stripe - Side Swirl
	006064-01-000	EA	Label - Seat w/o Seat Belt
	037467-01-000	EA	Label - Exterior Loading Limit
	047731-01-000	EA	Label - Emergency Exit
	050225-01-000	EA	Label - Warning - Stove Vent - U.S.
	054531-01-000	EA	Label - LP Gas Only
	059526-01-000	EA	Decal - Sundancer - 4"
	046400-04-000	EA	Decal - Logo - Itasca - 5.25" High - Black/Gold
	008092-01-000	EA	Reflector - Stick On - Rectangular - Red
	008093-01-000	EA	Reflector - Stick On - Rectangular - Amber
	031161-01-000	EA	Label - Flying W - (Luggage Carrier)
	051763-01-000	EA	Label - Plexiglass Cleaning Instructions

MISCELLANEOUS EXTERNALLY MOUNTED PARTS

Key	Part Number	U/M	Description
**	011124-01-000	EA	Plumbing Seal - Roof Vent - 1 1/4" - White
**	011129-01-000	EA	Plumbing Seal - Roof Vent - 1 1/2" - White
**	048817-01-000	EA	Assist Handle - w/Light
**	010230-02-000	EA	Fill - City Water - Recessed - Off/White
	058808-01-000	EA	Water Fill - Lockable - White
	036579-03-000	EA	Fuel Fill - Recessed - Single - Off White
	062047-02-000	EA	Arm - West Coast Mirror - Off White
	062047-01-000	EA	Arm West Coast Mirror - Stainless Steel
	057461-02-000	EA	Mirror Head - Exterior - w/Convex - Off White
	057461-01-000	EA	Mirror Head - Exterior w/Convex - Stainless Steel

** The illustrated parts breakdown for this item is provided on the Common Items Fiche.

1980 ITASCA TABLE OF CONTENTS

IC524RH L1	A-1 - B-16
IC625RB L1	B-17 - D-4
ICN26RB L1	D-5 - E-22

1980 IC524RH L1 INDEX

Floor Plan	A-1 - A-2
Accessories Group	A-3 - A
Bath Group	A-5 - A-
Chassis Group	A-7
Curtain, Cushion and Pad Group	A-8 - A-12
Dinette Group	A-13
Driver's Compartment Group	A-14
Electrical Group	A-15 - A-16
Exterior Body Group	A-17 - A-20
Galley Group	A-21
Heating & Air Conditioning Group	A-22
Interior Finish Group	A-23 - A-24
LP Group	B-1
Lounge Group	B-2
Water & Sewage Group	B-3 - B-4
Window, Vent & Exterior Door Group	B-5 - B-10

GALLEY GROUP

GALLEY CABINETRY

Key	Part Number	U/M	Description
	059723-01-L04	EA	Cabinet Asm. - Galley - w/o Countertop, Doors, Drawers or Hardware
	058960-01-L04	EA	Countertop Asm. - Galley Cabinetry - Burl Block
	058023-03-L04	EA	Drawer Asm. - Galley Cabinet - 7.52" x 6.02" x 11" Deep - w/o Hardware
	057992-17-L04	EA	Door Asm. - Galley Cabinet - 22.02" x 14.82" - w/o Hardware
	057992-18-L04	EA	Door Asm. - Galley Cabinet - 3.02" x 8.82" - w/o Hardware
	057992-19-L04	EA	Door Asm. - Galley Cabinet - 12.22" x 19.52" - w/o Hardware
	057992-43-L04	EA	Door Asm. - Galley Cabinet - 11.12" x 14.82" - w/o Hardware
	058653-01-L04	EA	Cabinet Asm. - Galley Overhead - w/o Doors or Hardware
	057992-10-L04	EA	Door Asm. - Galley Overhead Cabinet - 11.82" x 16.02" - w/o Hardware
	057992-15-L04	EA	Door Asm. - Refrigerator Cabinet - 12.52" x 19.52" - w/o Hardware
	057992-75-L04	EA	Door Asm. - Refrigerator Cabinet - 11.6" x 15.9" - w/o Hardware
	057992-45-L04	EA	Door Asm. - Refrigerator Cabinet - 12.42" x 16.12" - w/o Hardware
	053424-02-L04	EA	Sink Cover - Large - Burl Wood

GALLEY HARDWARE AND APPLIANCES

Key	Part Number	U/M	Description
	011032-01-000	EA	Sink - Stainless Steel - Double w/Bolts
**	011053-01-000	EA	Faucet - 8" - Swing Spout
	011065-01-000	EA	Strainer - Sink
	053333-01-000	EA	Hood - Range - Non Power - Black - Jensen - U.S.
	053333-02-000	EA	Hood - Range - Non Power - Black - Jensen - C.S.A.
**	049930-03-000	EA	Hood - Range - Powered - Black - Jensen
	055282-03-000	EA	Range - 4 Burner - Magic Chef - Smeli - Black
	052771-02-000	EA	Microwave Oven - Magic Chef MW207
**	049175-02-000	EA	Refrigerator - AC/DC/Gas - 1 Door - S bir ET150/2
**	049174-02-000	EA	Refrigerator - AC/DC/Gas - 2 Door - S bir ET230/2
	054450-01-000	EA	Level - Refrigerator

**The illustrated parts breakdown for this item is provided on the Common Items Fiche.

HEATING AND AIR CONDITIONING GROUP

Key	Part Number	U/M	Description
	051768-01-000	EA	A/C - Compressor Mount Package - 350 C.I.D.
	051770-01-000	EA	A/C - Compressor - Rotolock - 10.3
	056460-01-000	EA	A/C - Condenser Asm. - 350 C.I.D. C-Body
	056455-01-000	EA	A/C - Evaporator Asm.
	024996-01-000	EA	A/C - Clutch - 6" Drive
	049401-01-000	EA	Heater Asm. - (Rear Aux. Heater)
	049401-01-700	EA	Valve - Water Control - (Rear Aux. Heater)
	049401-01-701	EA	Control Cable - (Rear Aux. Heater)
	049401-01-702	EA	Motor Asm. - (Rear Aux. Heater)
	049401-01-703	EA	Heater Core - (Rear Aux. Heater)
	049401-01-704	EA	Switch - (Rear Aux. Heater)
	058906-01-000	EA	Control Panel - (Rear Aux. Heater)
	024985-01-000	EA	Register w/Damper - 9.9" x 4.8"
	056464-01-000	EA	Register - Round - 4" Dia.
	023146-01-000	EA	Clamp - Screw Type - 4"
	009198-01-000	EA	Duct - Flexible - 4" I.D. x 25'
	031604-01-000	EA	Bonnet - Heat Register
	039505-02-000	EA	Thermostat - Horizontal Wall Mount - Black
	009200-01-000	EA	Tape - Furnace - 1 1/2"
	049042-02-000	EA	Door - Furnace - Front - Coleman 4319-729
	049043-02-000	EA	Door - Furnace - Front - Coleman 4324-749, 4330-749
	050784-01-000	EA	Vent Package - Furnace - 3" - 6" Wall
**	052598-01-000	EA	Furnace - 19,000 BTU - Coleman - 4319-729
**	059351-01-000	EA	Furnace - 24,000 BTU - w/Electric Ignition - Coleman 4324-749
**	059350-01-000	EA	Furnace - 30,000 BTU - w/Electric Ignition - Coleman 4330-749
**	049777-03-000	EA	Air Conditioner - 110 Volt - Roof Mount - 11,000 BTU Ivory - Coleman (w/o inside shroud) - 6743A71
**	049778-02-000	EA	Shroud Asm. - Ceiling - Inside - Roof Air - Cool Only 11,000 BTU - Coleman
**	049774-02-000	EA	Air Conditioner - 110 Volt - Roof Mount - 13,500 BTU Ivory - Coleman (w/o inside shroud)
**	049775-02-000	EA	Shroud Asm. - Ceiling - Inside - Roof Air - Cool Only 13,500 BTU - Coleman
**	049776-01-000	EA	Shroud Asm. - Ceiling - Inside - Roof Air - Heat and Cool 13,500 BTU - Coleman

**The illustrated parts breakdown for this item is provided on the Common Items Fiche.

1980 ITASCA TABLE OF CONTENTS

IC524RH L1	A-1 - B-16
IC625RB L1	B-17 - D-4
ICN26RB L1	D-5 - E-22

1980 IC524RH L1 INDEX

Floor Plan	A-1 - A-2
Accessories Group	A-3 - A-4
Bath Group	A-5 - A-8
Chassis Group	A-7
Curtain, Cushion & Pad Group	A-8 - A-12
Dinette Group	A-13
Driver's Compartment Group	A-14
Electrical Group	A-15 - A-16
Exterior Body Group	A-17 - A-20
Galley Group	A-21
Heating & Air Conditioning Group	A-22
Interior Finish Group	A-23 - A-25
LP Group	B-1
Lounge Group	B-2
Water & Sewage Group	B-3 - B-4
Window, Vent & Exterior Door Group	B-5 - B-16

INTERIOR FINISH GROUP

PANELING AND COUNTERTOP MATERIALS

Key	Part Number	U/M	Description
	045863-01-000	SF	Paneling - 825 Buff - 48" x 96" (32SF)
	064385-02-000	SF	Paneling - 900 Rustic Oak - 48" x 96" (32 SF)
	064388-04-000	SF	Paneling - Bath - Atrium Red - 48" x 96" (32 SF)
	064388-05-000	SF	Paneling - Bath - Atrium Winter - 48" x 96" (32 SF)
	068039-01-000	SF	Plastic Laminate - Blurl Block - 48" x 96" (32 SF)

INTERIOR MOLDINGS AND TRIMS

Key	Part Number	U/M	Description
	047354-01-000	EA	Batt Strip - 825 Buff - Ceiling - 96"
	064386-02-000	EA	Batt Strip - 900 Rustic Oak - 96"
	022982-03-000	FT	Molding - Reverse Cove - Sandal Wood
	009812-08-000	FT	Molding - Outside Corner - .50" - Teak
	009767-05-000	FT	Wetting - Light Brown
	009779-03-000	FT	U-Channel - 1 1/8" - Light Brown
	009779-01-000	FT	U-Channel - 1 1/8" - Dark Brown
	052859-01-J27	FT	Accent Trim - Acorn Brown Vinyl
	041958-01-000	FT	Trim - Brown Vinyl - Flex Edging - .50"

CABINETS AND TABLE HARDWARE

Key	Part Number	U/M	Description
	057946-01-L04	EA	Pull Kit - Cabinet Drawer - Flat Latch
**	052932-01-J30	EA	Hinge Kit - Cabinet Door - Antique Brass
**	057945-01-L04	EA	Latch Kit - Cabinet Door - Flat Latch
	009112-01-000	EA	Flange - 1" - Closet Rod
	059753-01-000	EA	Slide - Drawer - Left
	059753-02-000	EA	Slide - Drawer - Right
	037688-01-000	FT	Rail - Drawer Glide
**	047744-01-000	EA	Kit - Drawer Glide
	008059-01-000	EA	Hinge - Drop Leaf Extension - 2" - Gold
	008049-01-000	EA	Support - Drop Leaf Extension
	058335-02-000	EA	Latch - Bathroom Door
	039873-01-000	EA	Catch and Strike - Nylon
	009040-02-000	EA	Leg - Pedestal Table - 2.25" O.D. x 27.5" - Chrome
	009040-03-000	EA	Base - Table Leg - Mounts on Table
	041164-01-000	EA	Base - Table Leg - Mounts in Floor
**	024276-04-000	EA	Leg Asm. - Table - Brown - 29.5"
**	064050-01-000	EA	Hinge - Table Leg
**	024282-01-000	EA	Brace - Table Leg
**	024283-01-000	EA	Clip - 1" - 1.125" OD Tube
**	049493-02-000	EA	Catch - Table Leg - Mounts on Floor - Brown
**	024275-01-000	EA	Rod - Table Lift - 8" x 23.5"
	024281-06-000	EA	Bracket - Lower Wall Mount - Black Anod. - 22.12"
	053201-03-000	EA	Bracket - Table Mount - 23"
	053200-04-000	EA	Bracket - Upper Wall Mount

**The illustrated parts breakdown for this item is provided for on the Common Items Fiche.

INTERIOR FINISH GROUP (CONTINUED)

FABRICS AND FLOOR COVERINGS

Key	Part Number	U/M	Description
	064383-01-000	YD	Fabric - Drapery - Dublin Walnut
	064383-02-000	YD	Fabric - Upholstery - Tara Rust
	064383-03-000	YD	Fabric - Upholstery - Tara Brown
	064383-04-000	YD	Fabric - Upholstery - Tara Blue
	057852-05-000	YD	Fabric - Accent - Burnt Orange
	057852-06-000	YD	Fabric - Accent - Suede Cocoa
	057028-02-000	YD	Fabric - Accent - Blue
	054676-05-L04	EA	Button Asm. - Covered - #45 - Burnt Orange
	054676-05-L05	EA	Button Asm. - Covered - #45 - Suede Cocoa
	054676-05-L08	EA	Button Asm. - Covered - #45 - Accent Blue
	054676-06-L04	EA	Button Asm. - Covered - #30 - Burnt Orange
	054676-06-L05	EA	Button Asm. - Covered - #30 - Suede Cocoa
	054676-06-L06	EA	Button Asm. - Covered - #30 - Accent Blue
	052859-01-J27	FT	Trim Asm. - Accent - Acorn Brown Vinyl
	053327-01-000	YD	Vinyl - Non Expanded - 27 oz. - Acorn Brown
	053327-02-000	YD	Vinyl - Expanded - 28 oz. - Acorn Brown
	053327-03-000	YD	Vinyl - Non Support - 16 Gauge Film - Acorn Brown
	064374-01-000	SY	Carpet - Ginger
	042720-03-000	SY	Vinyl - Floor Covering - 90" - Tan

CURTAIN HARDWARE

Key	Part Number	U/M	Description
	052327-04-236	EA	Track - Curtain - Brown Alum. - 89" w/Holes
	056116-01-000	FT	Track - Curtain - Brown Plastic
	056001-01-000	EA	Bracket - Shade - Left
	056002-01-000	EA	Bracket - Shade - Right
	056003-01-000	EA	Bracket - Drapery Retainer - Right
	056003-02-000	EA	Bracket - Drapery Retainer - Left
	053272-04-200	EA	Track - Curtain - Off White - 89" w/Holes
	056784-01-000	EA	Pull - Window Shade - Antique Brass
	009107-01-000	EA	Guide - Nylon Strap - Curtain
	018031-42-000	EA	Track - Curtain - "L" Rod - Alum. Extr. - 90"
	009701-01-000	EA	Carrier - "L" Rod - Curtain
	009702-01-000	EA	End Stop - "L" Rod - Curtain
	056239-05-000	EA	Track - Curtain - 90" - 40" x 11"
	056115-01-000	YD	Tape - Clear Plastic - w/Guides

MISCELLANEOUS

Key	Part Number	U/M	Description
	041944-01-700	EA	Fire Extinguisher - Dry Chemical w/Bracket
	041944-03-000	EA	Fire Extinguisher - Dry Chemical w/Bracket - (SB Co Calif)
	007038-01-000	EA	Door Mat - Black Rubber - 10 1/2" x 26" - Winnebago
	054185-07-000	EA	Owners Manual - 1979 Itasca
	008069-01-000	EA	Key Case - Leather
	053552-01-L04	EA	Assist Handle - Interior - Acorn Brown

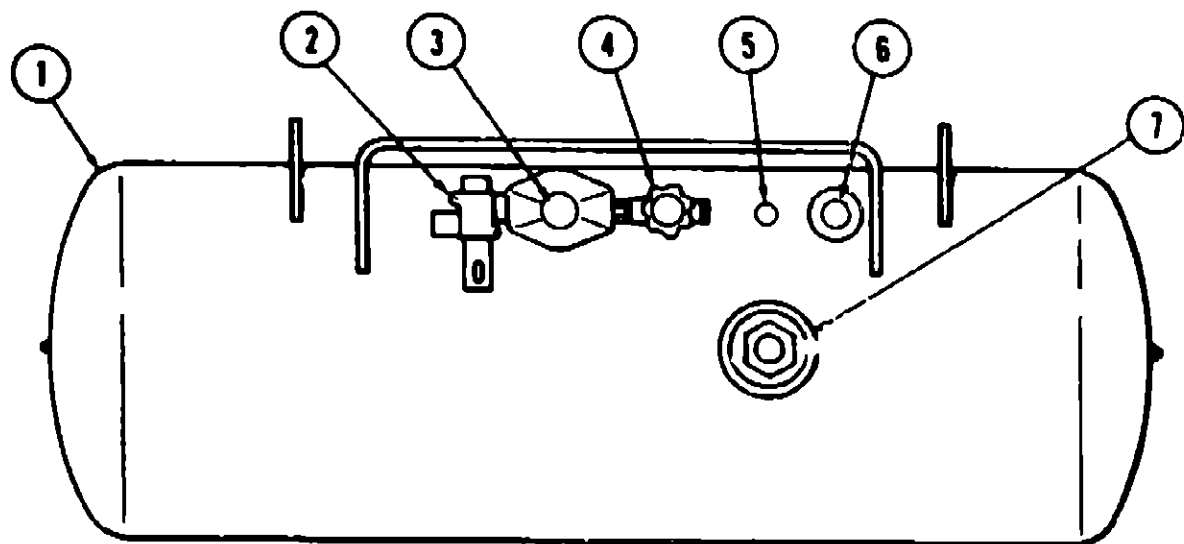
1980 ITASCA TABLE OF CONTENTS

IC524RH L1	A-1 - B-18
IC625RB L1	B-17 - D-4
ICN26RB L1	D-5 - E-22

1980 IC524RH L1 INDEX

Floor Plan	A-1 - A-2
Accessories Group	A-3 - A-4
Bath Group	A-5 - A-8
Chassis Group	A-7
Curtain, Cushion & Pad Group	A-9 - A-12
Dinette Group	A-13
Driver's Compartment Group	A-14
Electrical Group	A-15 - A-16
Exterior Body Group	A-17 - A-20
Galley Group	A-21
Heating & Air Conditioning Group	A-22
Interior Finish Group	A-23 - A-24
LP Group	B-1
Lounge Group	B-2
Water & Sewage Group	B-3 - B-4
Window, Vent & Exterior Door Group	B-5 - B-16

LP GROUP



Key	Part Number	U/M	Description
1	052769-01-000	EA	Tank Asm. - LP - Frame Mount - 42 Pound
1	063378-01-000	EA	Tank Asm. - LP - Frame Mount - 80 Pound
2	047221-01-000	EA	Detector - LP Gas Leak - Rosan
	047356-01-000	EA	Bracket - LP Detector
3	058706-01-000	EA	Cover - Regulator - 2 Stage
	058705-01-000	EA	Regulator - Two Stage - LP Gas
4	040421-01-703	EA	Valve - Vapor Relief
5	040421-01-700	EA	Gauge - Liquid Level - 20% LP
6	040421-01-701	EA	Valve - Filler - LP
	040421-01-702	EA	Cap - Plastic Fill Valve
7	040421-01-707	EA	Gauge - Float - w/Visible Dial - 80 Pound Tank
	042281-01-700	EA	Gauge - Float - w/Visible Dial - 42 Pound Tank
	040421-01-706	EA	Dial - Visible Face - Float Gauge (Tank w/o Electric Transmitter)
	040421-01-705	EA	Dial - Transmitter - 0 - 90 Ohm (Float Gauge)
	045703-01-000	EA	Hose Asm. - LP - 3/8" I.D. x 24"
	045703-03-000	EA	Hose Asm. - LP - 3/8" I.D. x 14"
	047737-02-000	EA	Support - LP Tank - 89.25"
	047737-03-000	EA	Support - LP Tank - 30.50"
	Not Illustrated		

LOUNGE GROUP

Key	Part Number	U/M	Description
	061911-01-L04	EA	Cabinet Asm. - Buffet - w/o Countertop, Doors, Drawers or Hardware
	061912-01-L04	EA	Countertop Asm. - Buffet Cabinet - Burl Block
	058023-04-L04	EA	Drawer Asm. - Buffet Cabinet - 14.82" x 6.02" x 20" Deep - w/o Hardware
	057992-11-L04	EA	Door Asm. - Buffet Cabinet - 15.32" x 12.42" - w/o Hardware
	057992-6-L04	EA	Door Asm. - Buffet Cabinet - 18" x 12.5" - w/o Hardware
	057992-41-L04	EA	Door Asm. - Front Wardrobe - 18.52" x 51.32" - w/o Hardware
	058659-01-L04	EA	Cabinet Asm. - Lounge Overhead - w/o Doors or Hardware
	057992-14-L04	EA	Door Asm. - Lounge Overhead Cabinet - 27.22" x 10.52" - w/o Hardware
	059715-01-L04	EA	Door Asm. - Furnace - w/Mesh Insert - w/o Catch
	047205-07-000	EA	Insert - Furnace Door - Brass Mesh - 11 1/4" x 13 7/8"
	039873-01-000	EA	Catch and Strike - Furnace Door
	009112-01-000	EA	Flange - 1" - Closet Rod
	064632-01-000	EA	Bunk Board - Upper - 76" x 28.8"

**1980 ITASCA
TABLE OF CONTENTS**

IC524RH L1	A-1 - B-16
IC625RB L1	B-17 - D-4
ICN26RB L1	D-5 - E-22

1980 IC524RH L1 INDEX

Floor Plan	A-1 - A-2
Accessories Group	A-3 - A-4
Bath Group	A-5 - A-8
Chassis Group	A-7
Curtain, Cushion & Pad Group	A-8 - A-12
Dinette Group	A-13
Driver's Compartment Group	A-14
Electrical Group	A-15 - A-16
Exterior Body Group	A-17 - A-20
Galley Group	A-21
Heating & Air Conditioning Group	A-22
Interior Finish Group	A-23 - A-24
LP Group	B-1
Lounge Group	B-2
Water & Sewage Group	B-3 - B-4
Window, Vent & Exterior Door Group	B-5 - B-16

WATER AND SEWAGE GROUP

WATER AND SEWAGE GROUP (CONTINUED)

PLUMBING REPAIR PARTS

Key	Part Number	U/M	Description
**	040539-01-000	EA	Kit - Repair - 3/8" O.D. Plastic Tube
**	040540-01-000	EA	Kit - Repair - 1/2" O.D. Plastic Tube
**	040541-01-000	EA	Kit - Repair - 5/8" O.D. Plastic Tube
**	063646-01-000	EA	Pump - Water - 2.8 G.P.M. - Direct Drive - US
**	063646-02-000	EA	Pump - Water - 2.8 G.P.M. - Direct Drive - CSA
**	039847-02-000	EA	Filter - Water Pump - 1/2" MPT
**	039818-01-000	EA	Riser Asm. - 3/8" O.D. x 24" Tube
**	039818-02-000	EA	Riser Asm. - 3/8" O.D. x 36" Tube
**	039818-04-000	EA	Riser Asm. - 3/8" O.D. x 72" Tube
**	039818-05-000	EA	Riser Asm. - 3/8" O.D. x 48" Tube
**	004020-01-000	QT	Adhesive - ABS Cement
**	010201-01-000	EA	Hose - Sewer - 3" x 10 Ft. w/Clamp
**	062415-01-000	EA	Cap - Sewer - 3"
**	062416-01-000	EA	Hose Adapter - 3"
**	062417-01-000	EA	Termination Adapter - 3"
**	062418-02-000	EA	Valve - 3" - w/o Handle
**	062419-01-000	EA	Extension Handle - w/6" Adapter - 35"
**	062419-02-000	EA	Extension Handle - w/6" Adapter - 53"
**	062421-01-000	EA	Valve - 1 1/2" - w/Handle
**	062422-01-000	EA	Adapter - Offset Reducer - 3" x 1 1/2"
**	062832-01-000	EA	Wye - 3" x 3" x 1 1/2" Slip
**	011091-01-000	EA	Waste - Continuous - Double Sink - 11 7/8"
**	011086-01-000	EA	P-Trap - Plastic - 1 1/4"
**	010134-01-000	EA	Adapter - Plastic - 1 1/2" Mx MPT
**	010154-01-000	EA	Ring - Closet - Plastic - 4F x 3MPT
**	010079-01-000	EA	Tee - Plastic - 1 1/2 H x 1 1/2 H x 1 1/4 H
**	010000-01-000	EA	Elbow - Plastic - 1/8 BD 1 1/4 x 45 H x H
**	010006-01-000	EA	Elbow - Plastic - 1/8 BD 1 1/2 x 45 H x H
**	031111-01-000	EA	Elbow - Plastic - 1/4 BD 1 1/4 x 90 x LT
**	041956-01-000	EA	Elbow - ST - Plastic - 1/4 BD 3 x 90 x LT
**	049910-01-000	EA	Tee - Plastic - 1 1/4 H x H x H
**	010121-01-000	EA	Bushing - Plastic - 1 1/2 S x 1 1/4 H
**	010133-01-000	EA	Adapter - Trap - Plastic - 1 1/2 H x MPT
**	035539-01-000	EA	Elbow - Plastic - 3/8 MPT
**	031126-01-000	EA	Elbow - Plastic - 1/4 BD - 3" x 90 LT
**	052952-01-000	EA	Nut - Plastic - 1/2" F
**	052953-01-000	EA	Nut - Faucet - 1/2" Tube x 1/2 FPT
**	052954-01-000	EA	Adapter - Nose Cone - 3/8" or 1/2"
**	052955-01-000	EA	Tee - Plastic - 1/2 F x 1/2 F x 1/2 MPT
**	052957-02-000	EA	Elbow - Plastic - 1/2 F x 1/2 MPT
**	052958-01-000	EA	Tee - Plastic - 1/2 F x 1/2 F x 1/2 F
**	052959-02-000	EA	Connector - Plastic - 1/2 F x 1/2 MPT
**	052959-03-000	EA	Connector - Plastic - 1/2 F x 3/8 MPT
**	052960-01-000	EA	Drain Valve - Line 1/2 F x 1/2 F
**	052961-01-000	EA	Header - 1/2 F x 1/2 F x 1/2 F x 1/2 F
**	050760-01-000	EA	Coupler - Rubber - 3" x 3"
**	037845-01-000	FT	Tape - Butyl - 3/16" Bead - Black
**	035539-01-000	EA	Elbow - Plastic - 3/8 MPT x 3/8 BARB
**	044927-01-000	EA	Adapter - Plastic - 1 1/4 MPT x 1 1/4 BARB
**	046524-01-000	EA	Kit - Plastic Fittings - Holding Tank
**	046524-02-000	EA	Kit - Plastic Fittings - Water Tank

**The illustrated parts breakdown for this item is provided on the Common Items Fiche.

HOLDING TANKS AND WATER HEATERS

Key	Part Number	U/M	Description
**	045196-09-000	EA	Tank Asm. - Water - 26 Gallon w/Fittings (Mounts under rear dinette)
**	045196-10-000	EA	Tank Asm. - Water - 26 Gallon w/Fittings (Mounts under front dinette)
**	045196-01-000	EA	Tank - Water - 26 Gallon w/o Fittings
**	054033-06-000	EA	Tank Asm. - Sewage - 32 Gallon w/Fittings
**	054033-01-000	EA	Tank - Sewage - 32 Gallon w/o Fittings
**	058589-02-000	EA	Tank Asm. - Gray Water - 20 Gallon w/Fittings
**	058589-01-000	EA	Tank Asm. - Gray Water - 20 Gallon w/o Fittings
**	051391-01-000	EA	Water Heater - 6 Gallon w/o Motor Aid - Atwood - GH63

**The illustrated parts breakdown for this item is provided on the Common Items Fiche.

**1980 ITASCA
TABLE OF CONTENTS**

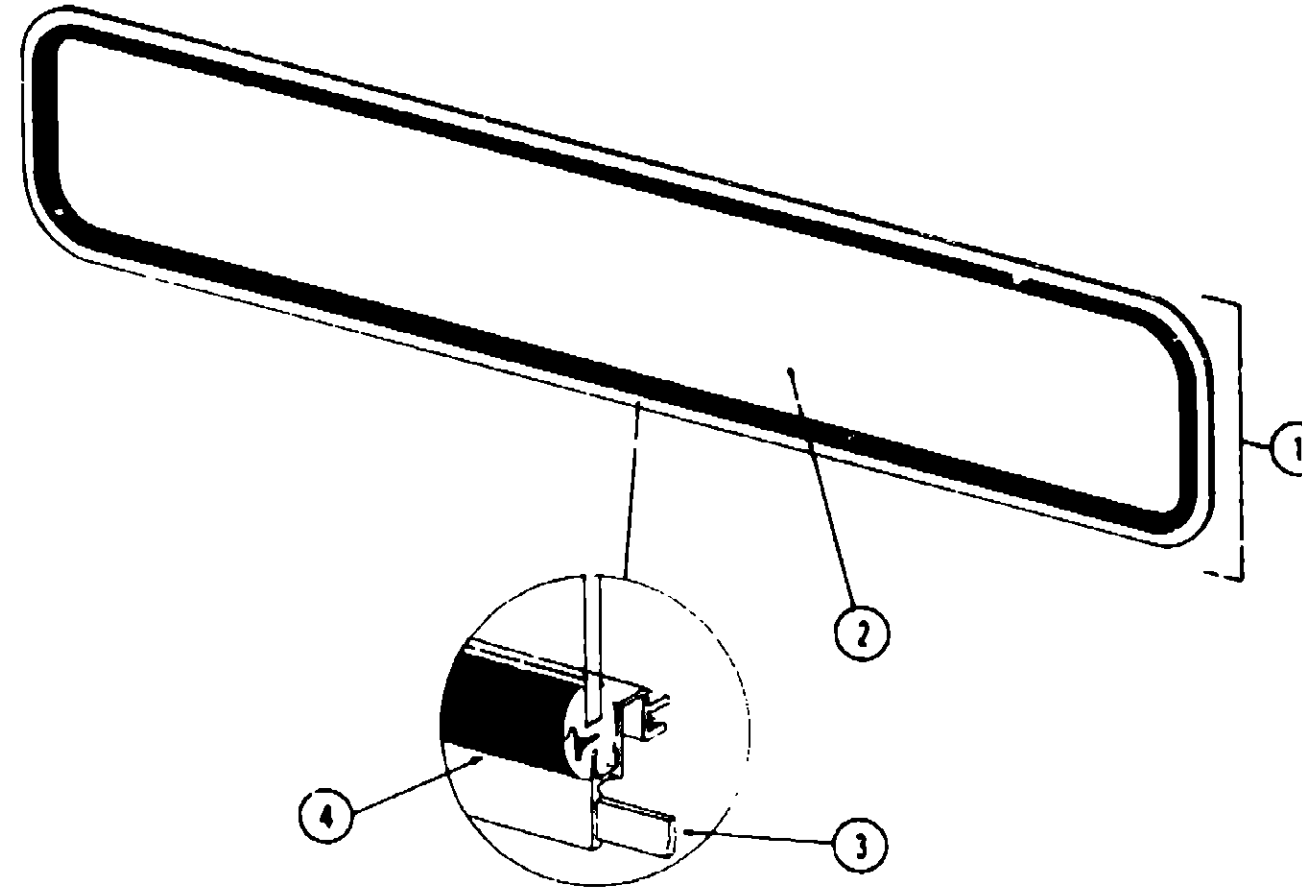
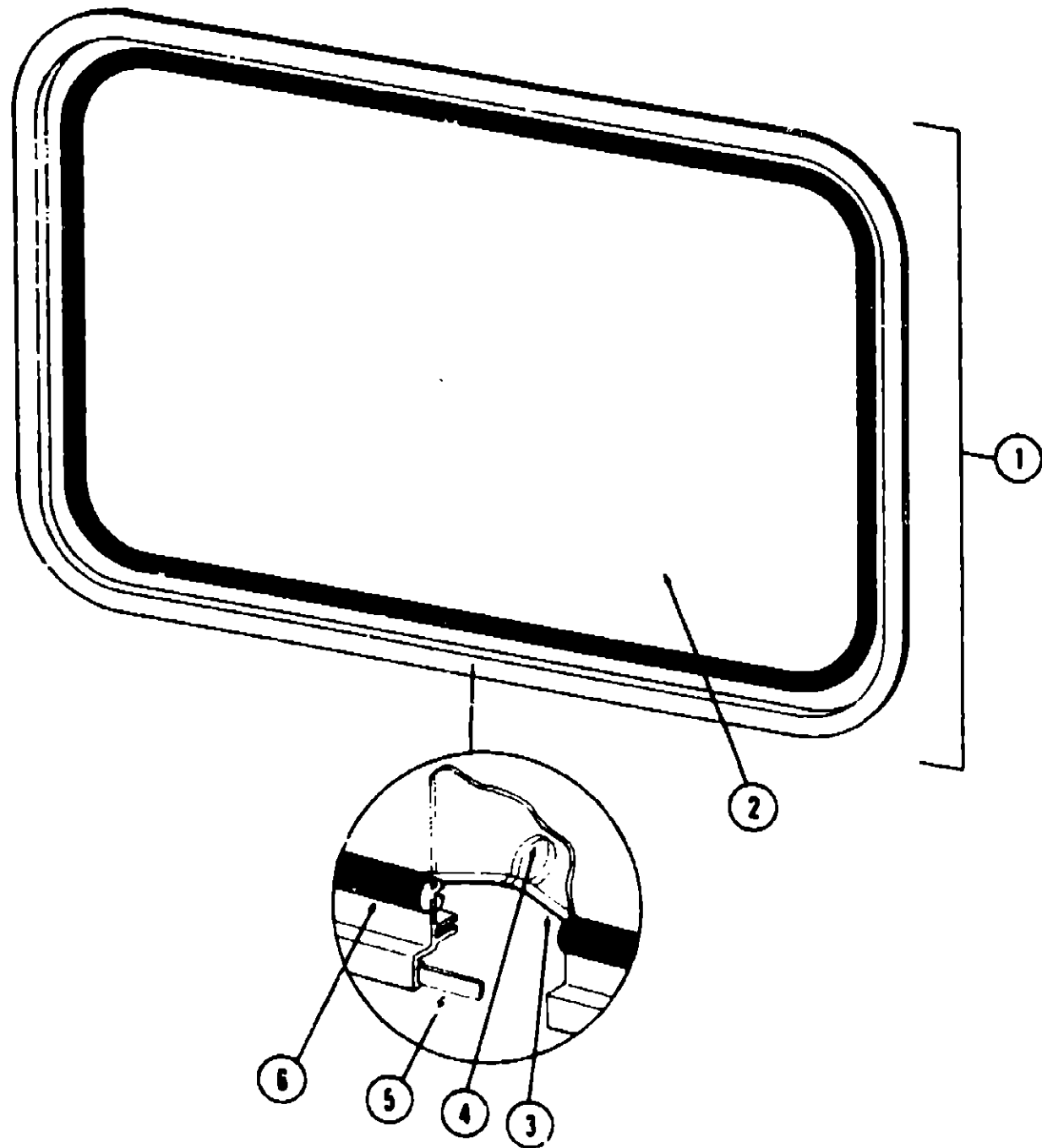
IC524RH L1	A-1 - B-16
IC625RB L1	B-17 - D-4
ICN26RB L1	D-5 - E-22

1980 IC524RH L1 INDEX

Floor Plan	A-1 - A-2
Accessories Group	A-3 - A-4
Bath Group	A-5 - A-6
Chassis Group	A-7
Curtain, Cushion & Pad Group	A-8 - A-12
Dinette Group	A-13
Driver's Compartment Group	A-14
Electrical Group	A-15 - A-16
Exterior Body Group	A-17 - A-20
Galley Group	A-21
Heating & Air Conditioning Group	A-22
Interior Finish Group	A-23 - A-24
LP Group	B-1
Lounge Group	B-2
Water & Sewage Group	B-3 - B-4
Window, Vent & Exterior Door Group	B-5 - B-16

WINDOW, VENT AND EXTERIOR DOOR GROUP

WINDOW, VENT AND EXTERIOR DOOR GROUP (CONTINUED)



Key	Part Number	U/M	Description
1	020751-03-000	EA	Window Asm. - Rear Escape - 23" x 29" - Black Anod. (w/o inside frame)
2	002174-01-000	EA	Glass - Window - 1/8" x 19.61" x 25.92"
3	002285-01-000	FT	Filler - Weatherstrip - Black
4	020395-01-000	EA	Slip Ring - Escape Window
5	004363-01-000	EA	Tape - Foam - 3/16" x 1/2" - Gray
6	002282-01-000	FT	Weatherstrip - .125" - Black
.	020749-03-000	EA	Inside Frame - Escape Window - 23" x 29" (not included in assembly)
.	006199-01-000	EA	Label - Exit - Escape Window
.			Not Illustrated

Key	Part Number	U/M	Description
1	041936-01-000	EA	Window Asm. - Front Picture - 14" x 68" - Black (w/o inside frame)
2	002200-02-000	EA	Glass - TF - Picture Window
3	004363-01-000	FT	Tape - Sealer - 3/16" x 1/2" Foam
4	002281-01-000	FT	Weatherstrip - Self Seal - .06" Panel x 3/16" - Black
.	037845-01-000	FT	Tape - Butyl - Window - 3/16" Bead - Black
.	041938-C1-000	EA	Frame - Inside - Picture Window (not included in assembly)
.			Not Illustrated

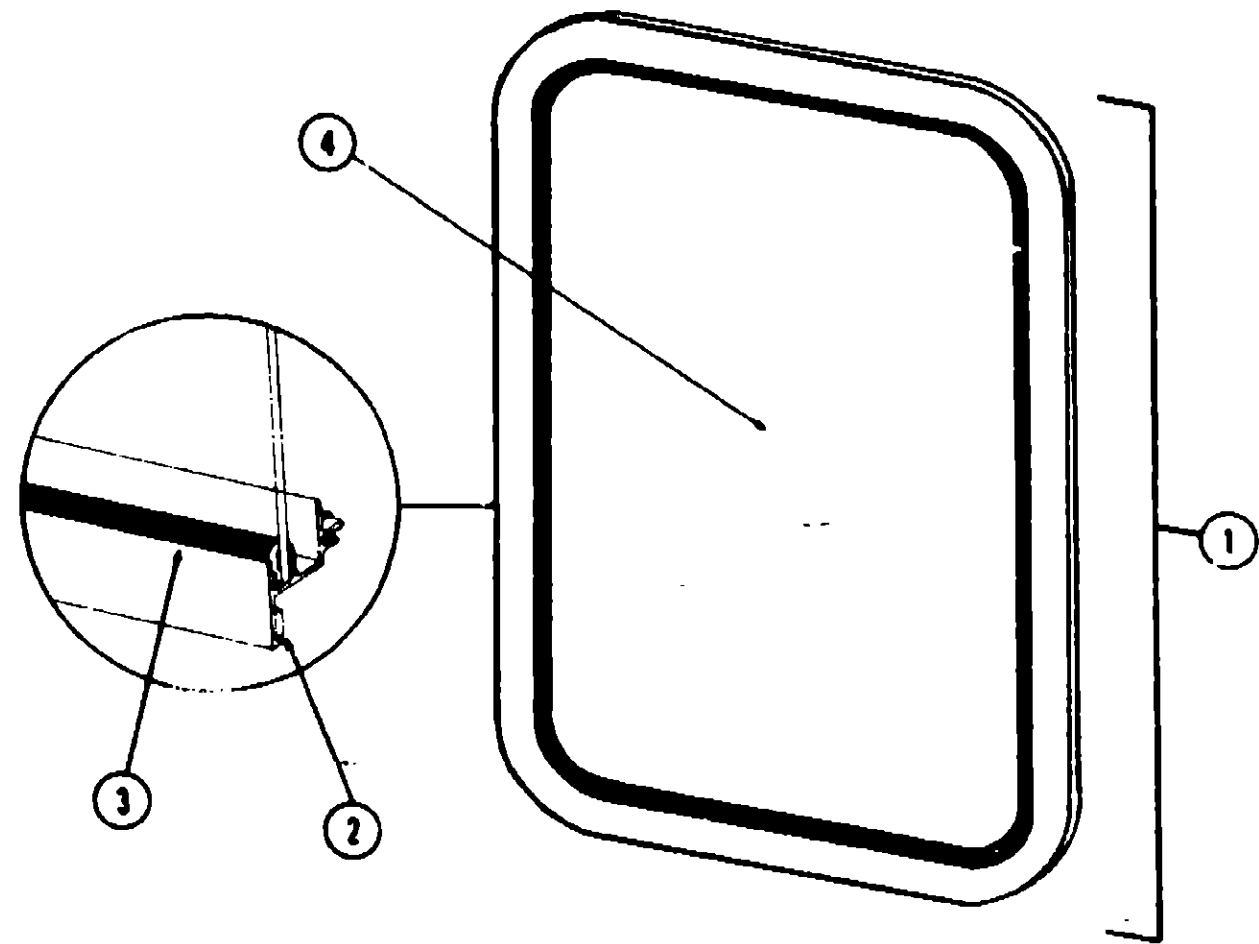
**1980 ITASCA
TABLE OF CONTENTS**

IC524RH L1	A-1 - B-16
IC625RB L1	B-17 - D-4
ICN26RB L1	D-5 - E-22

1980 IC524RH L1 INDEX

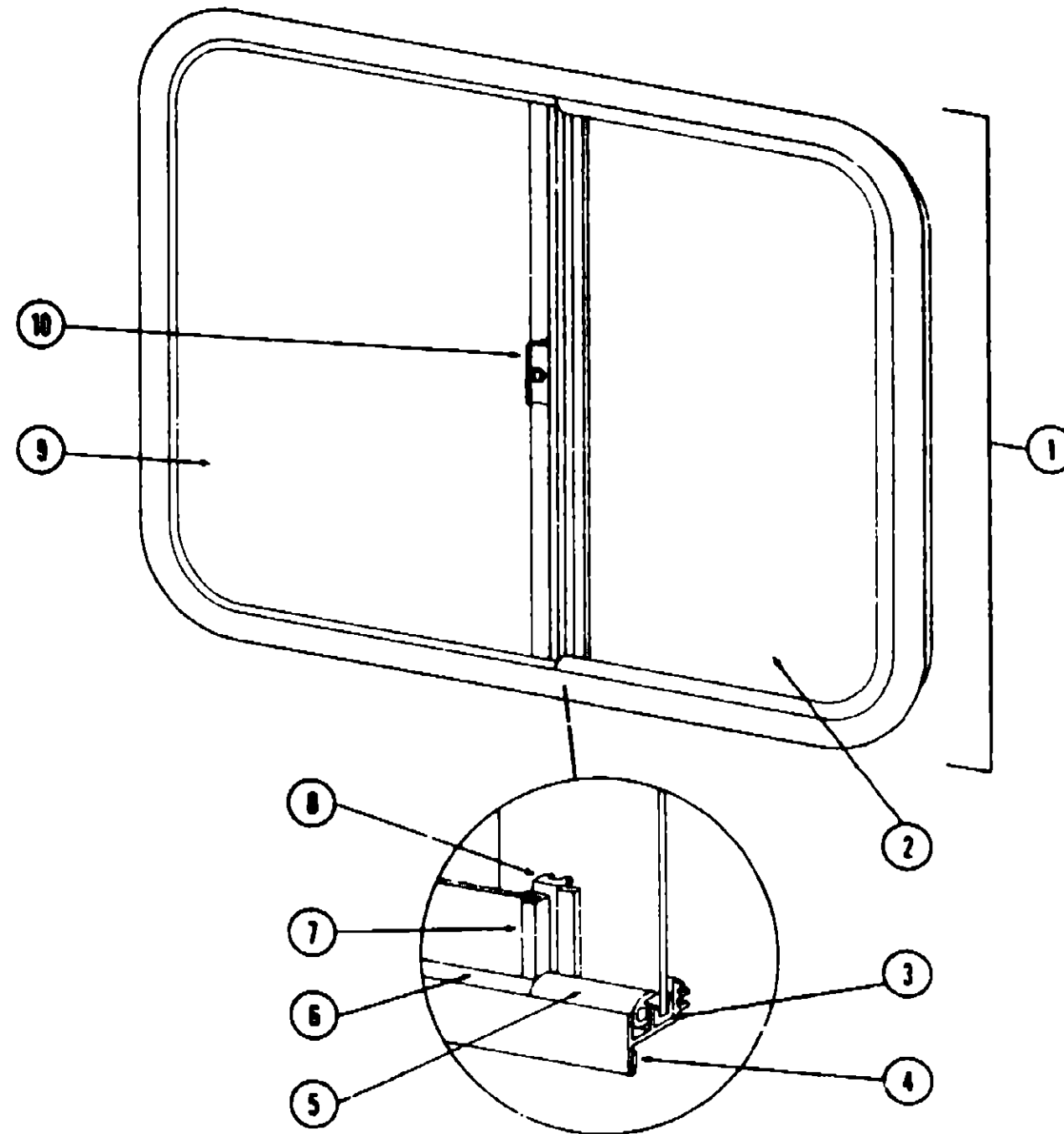
Floor Plan	A-1 - A-2
Accessories Group	A-3 - A-4
Bath Group	A-5 - A-6
Chassis Group	A-7
Curtain, Cushion & Pad Group	A-8 - A-12
Dinette Group	A-13
Driver's Compartment Group	A-14
Electrical Group	A-15 - A-16
Exterior Body Group	A-17 - A-20
Galley Group	A-21
Heating & Air Conditioning Group	A-22
Interior Finish Group	A-23 - A-24
LP Group	B-1
Lounge Group	B-2
Water & Sewage Group	B-3 - B-4
Window, Vent & Exterior Door Group	B-5 - B-16

WINDOW, VENT AND EXTERIOR DOOR GROUP (CONTINUED)



Key	Part Number	U/M	Description
1	058651-01-000	EA	Window Asm. - Picture - 20 3/4" x 20 3/4" - Black (w/o inside frame)
2	053767-02-000	FT	Tape - 3/16" Bead x 25' - Schnee Moorehead
3	002309-02-000	FT	Spline - Glass - 1/8" - Black
4	002181-03-000	EA	Glass - .115" x 20.62" x 20.62" - Gray
.	058650-01-000	EA	Frame - Inside - Window (not included in assembly)
.	Not Illustrated		

WINDOW, VENT AND EXTERIOR DOOR GROUP (CONTINUED)



Key	Part Number	U/M	Description
1	048631-11-000	EA	Window Asm. - Pight Single Slider - 25" x 29" - Black Anod. (w/o inside frame)
2	047812-01-000	EA	Glass - 3/16" x 24" x 13.68" - Sliding
3	042077-01-000	FT	Channel - Weatherstrip - Glass Run - 3/16" Glass
4	004363-01-000	FT	Tape - Foam - 3/16" x 1/2" - Gray
5	041928-02-000	FT	Seal - Window Channel - Black
6	050216-02-000	FT	Spline - Glass - 1/8" - Black
7	002389-03-201	EA	Holder - Glass Seal - Black Anod.
8	041894-04-000	EA	Mullion - Slider Window - 25" - Black Anod.
9	002184-02-000	EA	Glass - Tempered Sheet - Stationary
10	047389-01-700	EA	Latch - Window - Plastic w/Fastener
.	042147-09-000	EA	Frame - Inside - Single Slider Window - 25" x 29" (not included in assembly)
.	023713-02-000	EA	Cover - Plastic Weephole - Black
.	002298-01-000	FT	Spline - Gray - .130" Dia. (Screen)
.	002293-01-000	SF	Screen - Window - 26" - Gray
.	Not Illustrated		

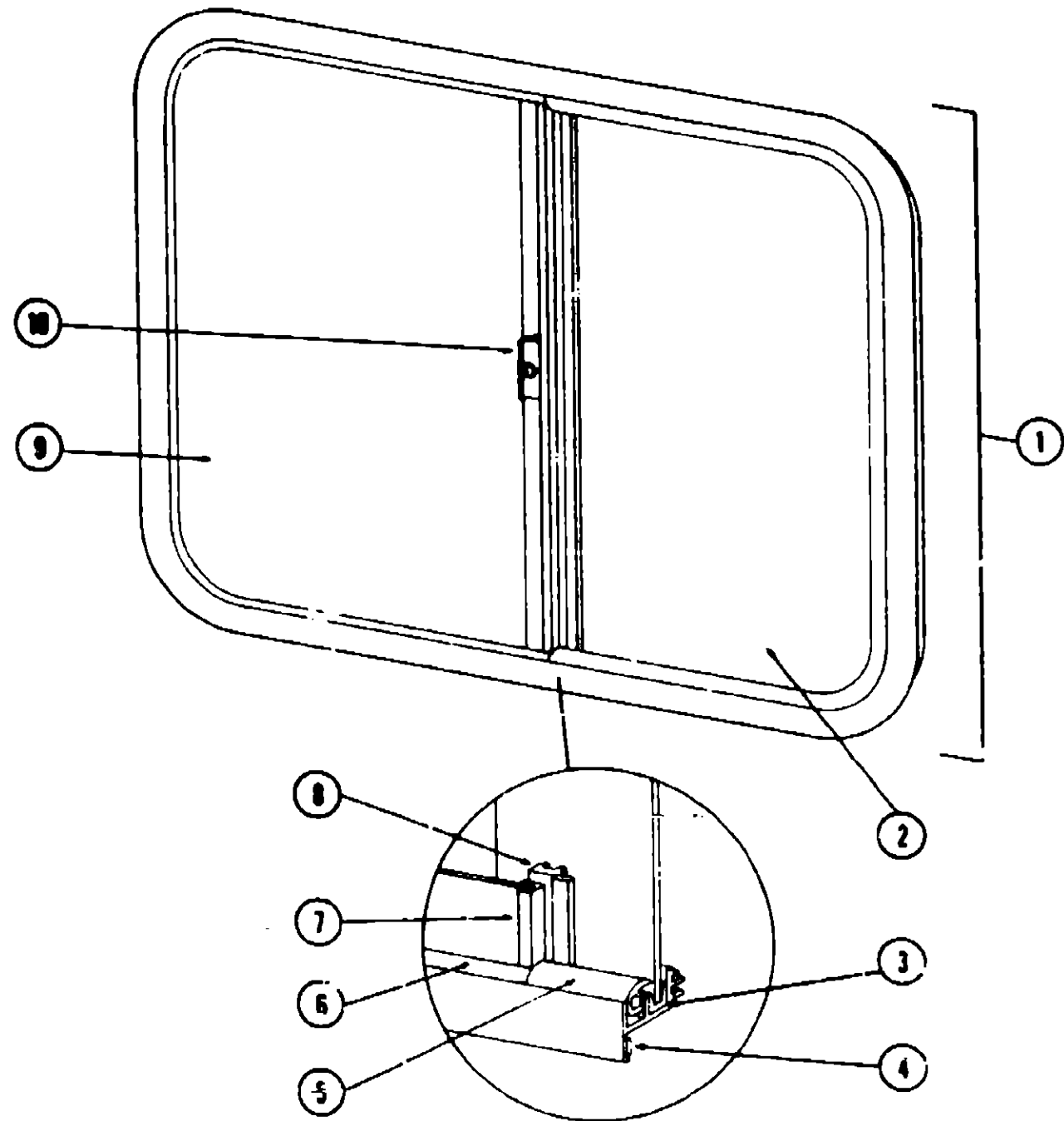
**1980 ITASCA
TABLE OF CONTENTS**

IC524RH L1	A-1 - B-16
IC625RB L1	B-17 - D-4
ICN26RB L1	D-5 - E-22

1980 IC524RH L1 INDEX

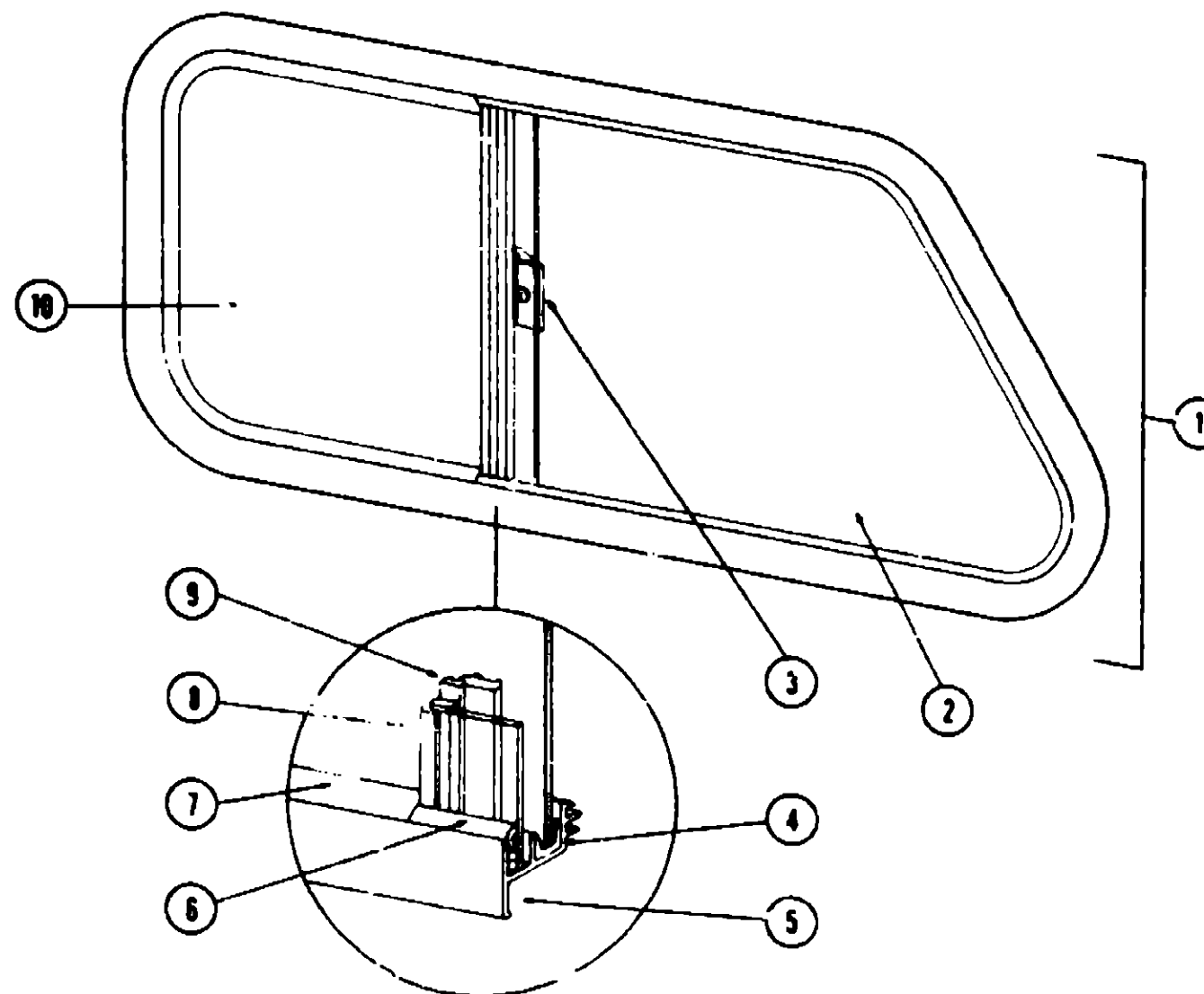
Floor Plan	A-1 - A-2
Accessories Group	A-3 - A-4
Bath Group	A-5 - A-6
Chassis Group	A-7
Curtain, Cushion & Pad Group	A-8 - A-12
Dinette Group	A-13
Driver's Compartment Group	A-14
Electrical Group	A-15 - A-16
Exterior Body Group	A-17 - A-20
Galley Group	A-21
Heating & Air Conditioning Group	A-22
Interior Finish Group	A-23 - A-24
LP Group	B-1
Lounge Group	B-2
Water & Sewage Group	B-3 - B-4
Window, Vent & Exterior Door Group	B-5 - B-16

WINDOW, VENT AND EXTERIOR DOOR GROUP (CONTINUED)



Key	Part Number	U/M	Description
1	045556-05-000	EA	Window Asm. - Right Single Slider - 15" x 40" - Black Anod. (w/o inside frame)
2	048324-01-000	EA	Glass - Sliding - 1/8" x 14.4" x 19" - w/Holes
3	002324-01-000	FT	Channel - Weatherstrip - Glass Run - 1/8" Glass
4	004363-01-000	FT	Tape - Foam - 3/16" x 1/2" - Gray
5	057374-02-000	FT	Seal - Window Channel - 1/8" Glass - Black
6	002309-02-000	FT	Spline - Glass - 1/8" - Black
7	002390-02-200	EA	Holder - Glass Seal - 13.52"
8	041894-18-000	EA	Mullion - Slider Window - 14" - Black Anod.
9	002207-01-000	EA	Glass - Stationary - 1/8" x 14.4" x 21.32"
10	047369-01-700	EA	Latch - Window - Plastic w/Fastener
	017451-02-000	EA	Inside Frame - Single Slider Window - 15" x 40" (not included in assembly)
	023713-02-000	EA	Cover - Plastic Weephole - Black
	002298-01-000	FT	Spline - Gray - 130" Dia. (Screen)
	002293-01-000	SF	Screen - Window - 26" - Gray
	Not Illustrated		

WINDOW, VENT AND EXTERIOR DOOR GROUP (CONTINUED)



Key	Part Number	U/M	Description
1	048632-03-000	EA	Window Asm. - Bunk - Slanted Slider - Right - Black (w/o inside frame)
	048632-04-000	EA	Window Asm. - Bunk - Slanted Slider - Left - Black (w/o inside frame)
2	040919-01-000	EA	Glass - 1/8" x 11.98" x 19.42" - Gray - Stationary
3	047369-01-700	EA	Latch - Window - Plastic w/Fastener
4	002324-01-000	FT	Channel - Weatherstrip - Glass Run - 1/8" Glass
5	004363-01-000	FT	Tape - Foam - 3/16" x 1/2" - Gray
6	002309-02-000	FT	Seal - Window Channel - 1/8" Glass - Black
7	002390-03-200	EA	Holder - Glass Seal - Extr. - Anod. Black - 11.23"
8	041894-07-000	EA	Mullion - 13" - Black Anod.
9	047815-01-000	EA	Glass - 1/8" x 11.98" x 11.81" - Gray - Sliding
10	040916-03-000	EA	Frame - Window - Inside - Bunk Slant - Left (not included in assembly)
	040910-04-000	EA	Frame - Window - Inside - Bunk Slant - Right (not included in assembly)
	023713-02-000	EA	Cover - Weephole - Black
	002298-01-000	FT	Spline - Gray - 130" Dia. (Screen)
	002291-01-000	SF	Screen - Gray - Window - 16"
	Not Illustrated		

**1980 ITASCA
TABLE OF CONTENTS**

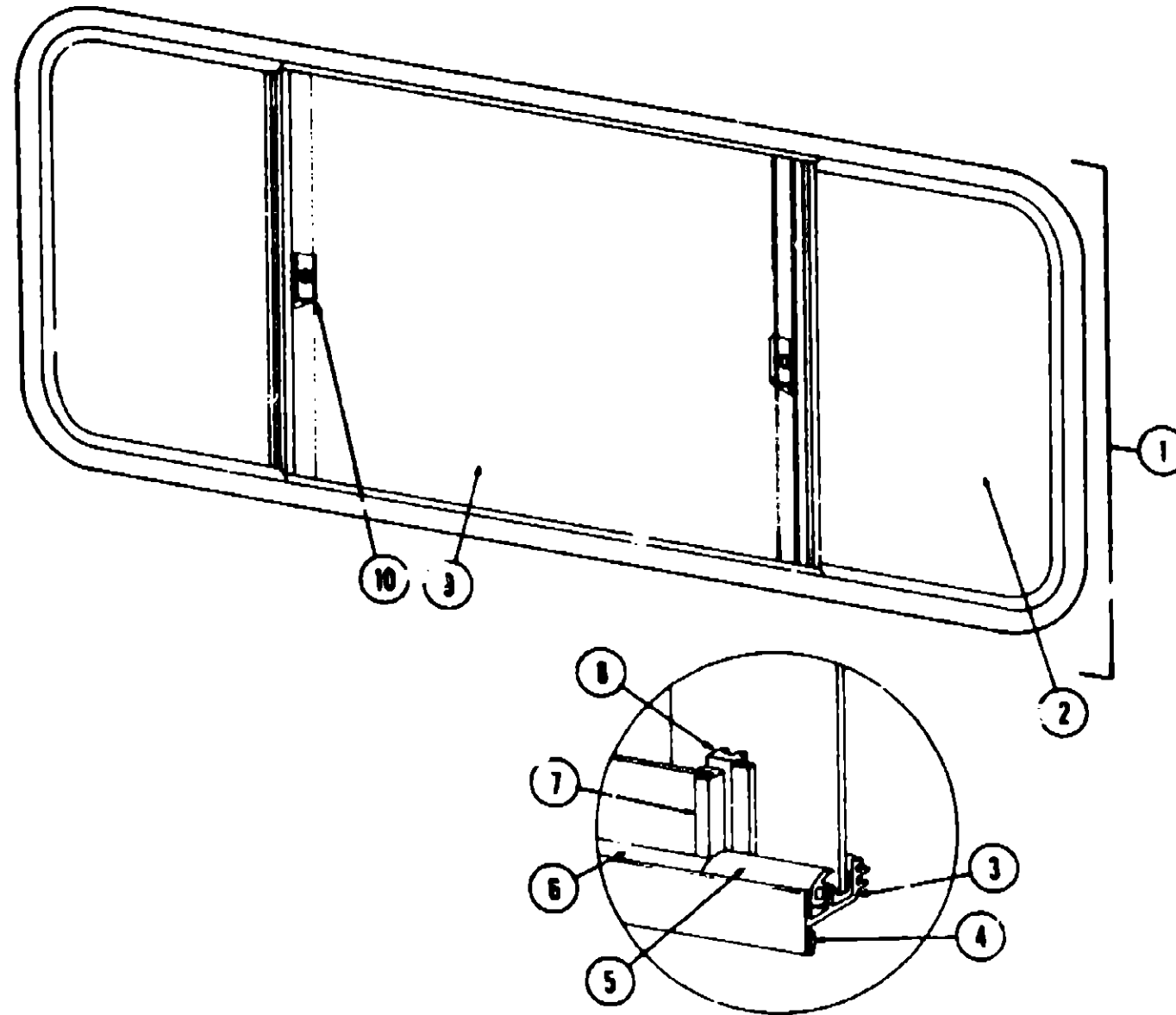
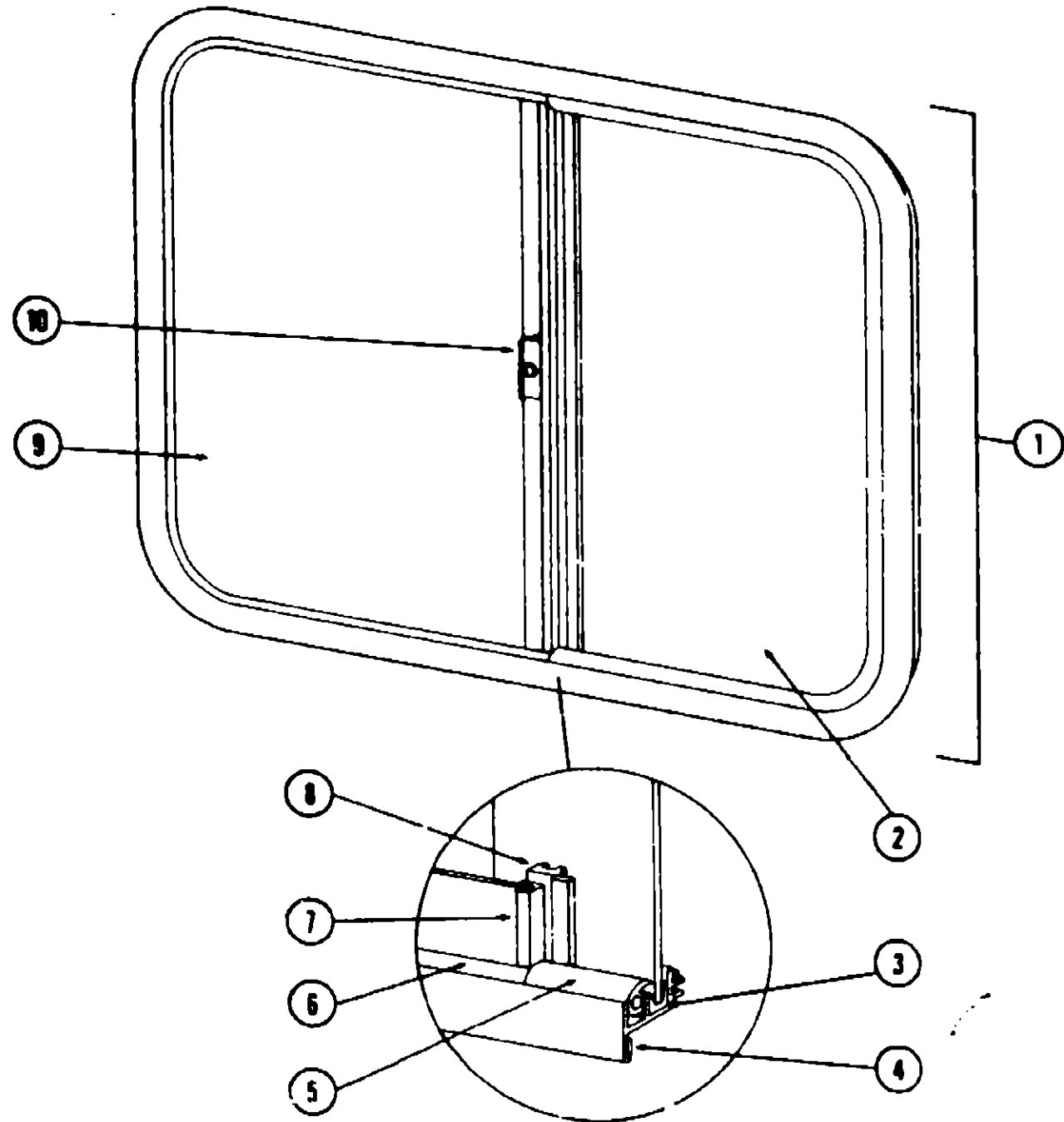
IC524RH L1	A-1 - B-16
IC625RB L1	B-17 - D-4
ICN26RB L1	D-5 - E-22

1980 IC524RH L1 INDEX

Floor Plan	A-1 - A-2
Accessories Group	A-3 - A-4
Bath Group	A-5 - A-6
Chassis Group	A-7
Curtain, Cushion & Pad Group	A-8 - A-12
Dinette Group	A-13
Driver's Compartment Group	A-14
Electrical Group	A-15 - A-16
Exterior Body Group	A-17 - A-20
Galley Group	A-21
Heating & Air Conditioning Group	A-22
Interior Finish Group	A-23 - A-24
LP Group	B-1
Lounge Group	B-2
Water & Sewage Group	B-3 - B-4
Window, Vent & Exterior Door Group	B-5 - B-16

WINDOW, VENT AND EXTERIOR DOOR GROUP (CONTINUED)

WINDOW, VENT AND EXTERIOR DOOR GROUP (CONTINUED)



**1980 ITASCA
TABLE OF CONTENTS**

IC524RH L1
IC625RB L1
ICN26RB L1

A-1 - B-16
B-17 - D-4
D-5 - E-22

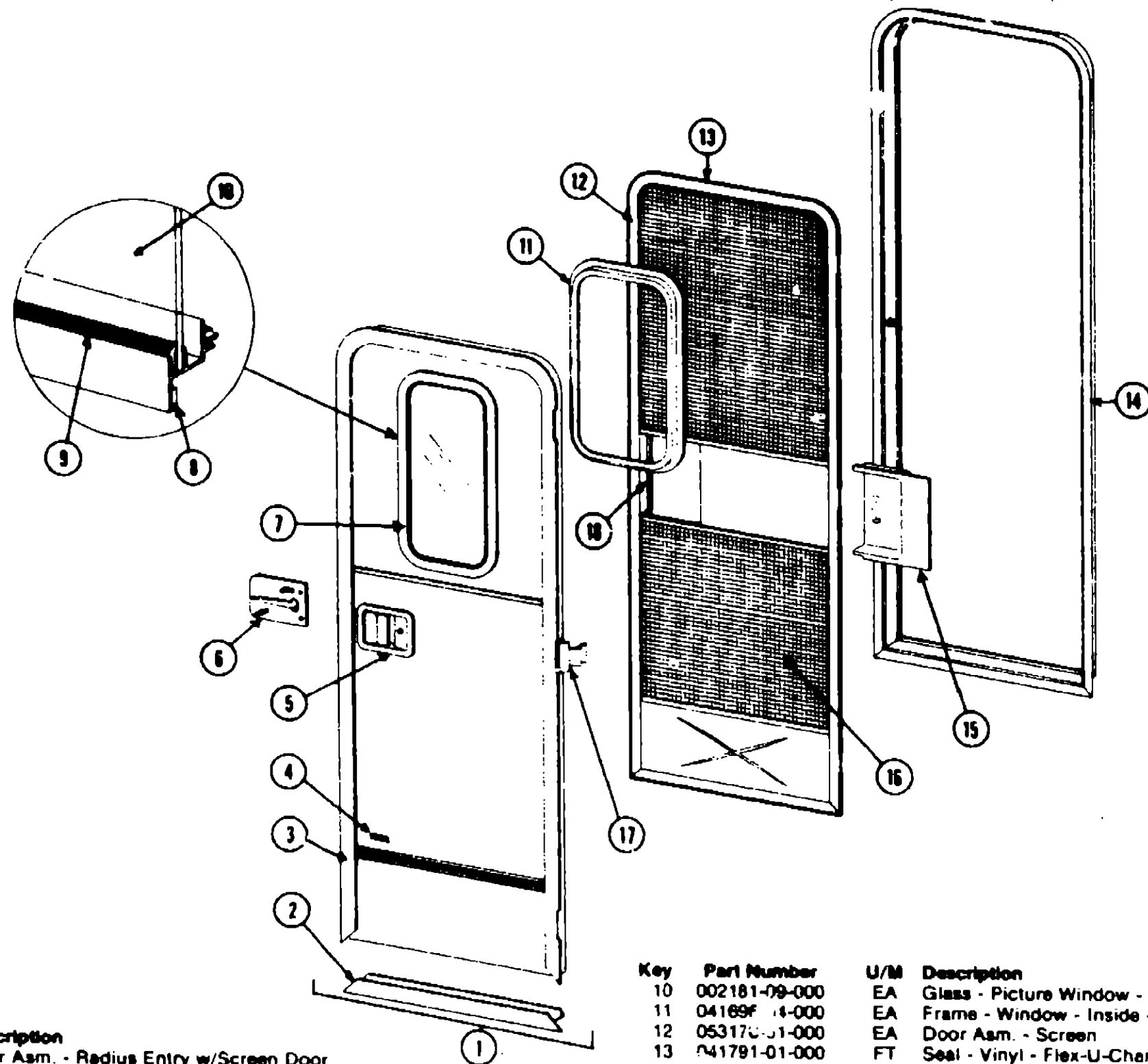
1980 IC524RH L1 INDEX

Floor Plan	A-1 - A-2
Accessories Group	A-3 - A-4
Bath Group	A-5 - A-6
Chassis Group	A-7
Curtain, Cushion & Pad Group	A-8 - A-12
Dinette Group	A-13
Driver's Compartment Group	A-14
Electrical Group	A-15 - A-16
Exterior Body Group	A-17 - A-20
Galley Group	A-21
Heating & Air Conditioning Group	A-22
Interior Finish Group	A-23 - A-24
LP Group	B-1
Lounge Group	B-2
Water & Sewage Group	B-3 - E-4
Window, Vent & Exterior Door Group	B-5 - B-16

Key	Part Number	U/M	Description
1	066785-03-000	EA	Window Asm. - Single Slider - 25" x 65" - Black Anod. (w/o inside frame)
2	066727-02-000	EA	Glass - Sliding - 1/8" x 12" x 24"
3	002324-02-000	FT	Channel - Weatherstrip - Glass Run - 1/8" Glass
4	053767-03-000	FT	Tape - 1/4" Bead x 20' - Gray
5	057374-02-000	FT	Seal - Window Channel - Black
6	002309-02-000	FT	Spline - Glass - Black
7	002390-03-002	EA	Holder - Glass Seal - Black Anod. Extr.
8	041894-04-000	EA	Mullion - Slider Window - 25" - Black Anod. Extr.
9	066727-02-000	EA	Glass - Stationary - 1/8" x 21.03" x 24"
10	047369-01-700	EA	Latch - Window - Plastic w/Fastener
.	023320-01-000	EA	Pad - Foam - 3/8" Dia. (used w/Plastic Latch)
.	042076-01-000	FT	Seal - Fin - Pile - .34" - Mullion
.	023713-02-000	EA	Cover - Weep Hole - Black
.	042133-09-000	EA	Frame - Inside - Single Slider - 25" x 65"
.	Not Illustrated		

Key	Part Number	U/M	Description
1	048630-08-000	EA	Window Asm. - Double Slider - 25" x 65" Black Anod. (w/o inside frame)
2	047822-01-000	EA	Glass - Sliding - 3/16" x 24" x 21.03"
3	042077-01-000	FT	Channel - Weatherstrip - Glass Run 3/16" Glass
4	053767-03-000	FT	Tape - 1/4" Bead x 20' - Gray
5	041928-02-000	FT	Seal - Window Channel - Black
6	050216-02-000	FT	Spline - Glass
7	002389-03-201	EA	Extr. - Holder - Glass Seal - 23.19"
8	041894-04-000	EA	Mullion - Slider Window - 25"
9	002183-02-000	EA	Glass - 3/16" x 24" x 25.50" - Stationary
10	047369-01-700	EA	Latch - Window - Plastic
.	023320-01-000	EA	Pad - Foam - 3/8" Dia. (used with plastic latch)
.	042133-09-000	EA	Frame Asm. - Window - Inside (not included in assembly)
.	023713-02-000	EA	Cover - Weep Hole - Plastic - Black
.	002298-01-000	FT	Spline - Gray - .130" Dia. (Screen)
.	002293-01-000	SF	Screen - Window - 28" - Gray
.	Not Illustrated		

WINDOW, VENT AND EXTERIOR DOOR GROUP (CONTINUED)



Key	Part Number	U/M	Description
1	053189-10-000	EA	Door Asm. - Radius Entry w/Screen Door
2	039737-01-000	EA	Frame - Entry Door (Bottom Portion Only)
3	039738-01-000	EA	Frame - Entry Door (Except Bottom Portion)
4	054530-01-000	EA	Door Stop
5	045017-01-000	EA	Paddle Asm. - Door Lock - Exterior
	045017-01-700	EA	Lock Cylinder w/Keys - Lynor
	039539-01-000	EA	Striker Bolt - Entry Door
	039540-01-000	EA	Latch Claw - Entry Door
6	039979-01-000	EA	Plate - Lock - Inside - Including Inside Handle
	052188-01-000	EA	Lock Asm. - Complete - Lynor
	039738-01-000	EA	Deadbolt - Entrance Door
7	041875-04-000	EA	Window Asm. - Picture - 13" x 25" - Black Anod. (inside frame not included in assembly)
8	053787-03-000	FT	Tape - 1/4" Bead x 20' - Gray
9	050218-02-000	FT	Spline - Glass - 1/8" Black

Key	Part Number	U/M	Description
10	002181-09-000	EA	Glass - Picture Window - 1/8" x 12" x 24" Gray
11	04189F-04-000	EA	Frame - Window - Inside - 13" x 25" - Brown
12	053170-01-000	EA	Door Asm. - Screen
13	041791-01-000	FT	Seal - Vinyl - Flex-U-Channel - Brown
14	053171-01-000	EA	Jamb Asm. - Entry Door
15	015580-01-000	EA	Slider - Screen Door - Brown Plastic
16	002293-01-000	SF	Screen - Window - 26" - Gray
17	039520-01-000	EA	Hinge - Entry Door (3 used per door)
18	015581-01-000	EA	Cap - Screen Door - Brown Plastic
	049176-01-000	EA	Hedlok II - 3/4" Diameter - Screw Mount (Retains screen door to entry door)
	049797-01-000	EA	Hedlok II - 1" Diameter - Screw Mount (Retains screen door to entry door)
	063838-01-000	EA	Striker - Screen Door
	039863-01-000	EA	Catch Asm. - Single Roller w/Strike - Screen Door
	044582-02-000	EA	Drip Cap - Jamb Mounted - Off White
	051390-01-000	FT	Seal - Bulb - Rubber
	039800-03-000	FT	Tubing - Polybutyl - 3/8" O.D. - Jamb
			Not Illustrated

1980 ITASCA TABLE OF CONTENTS

IC524RH L1	A-1 - B-16
IC625RB L1	B-17 - D-4
ICN26RB L1	D-5 - E-22

1980 IC524RH L1 INDEX

Floor Plan	A-1 - A-2
Accessories Group	A-3 - A-4
Bath Group	A-5 - A-6
Chassis Group	A-7
Curtain, Cushion & Pad Group	A-8 - A-12
Dinette Group	A-13
Driver's Compartment Group	A-14
Electrical Group	A-15 - A-18
Exterior Body Group	A-17 - A-20
Galley Group	A-21
Heating & Air Conditioning Group	A-22
Interior Finish Group	A-23 - A-24
LP Group	B-1
Lounge Group	B-2
Water & Sewage Group	B-3 - B-4
Window, Vent & Exterior Door Group	B-5 - B-16

WINDOW, VENT AND EXTERIOR DOOR GROUP (CONTINUED)

ACCESS DOORS

Key	Part Number	U/M	Description
	052009-01-000	EA	Door Asm. - Water Heater Access - At.wood - Off White
	053742-01-000	EA	Door - Power Cord - 6.36" x 6.59" - Off White
	052950-03-700	EA	Lock Asm. - Twist Type - Straight Cam (Power Cord Door)
	058166-03-000	EA	Door Asm. - Lower Access - 24.41" x 8" - w/Key Type Lock
	058166-02-000	EA	Door Asm. - Lower Access - 47.47" x 8" - w/Twist Type Lock - LP
	058166-04-000	EA	Door Asm. - Lower Access - 47.47" x 8" - w/Key Type Lock
	063951-01-000	EA	Door Asm. - Battery - Off White w/Twist Type Lock
	047233-02-000	EA	Door Asm. - Luggage - Off White w/Key Type Lock - 35" x 12.73"
	054270-07-000	EA	Door Asm. - Refrigerator Access - Off White w/Twist Type Lock
	047305-01-000	EA	Lock Asm. - Key Type w/Clip
	052950-01-700	EA	Lock Asm. - Twist Type - White Plastic w/Retainer Clip
	016945-02-000	EA	Holder Asm. - Battery or Luggage Door (Holds door open)
	052179-07-000	EA	Door Asm. - Generator - Off White w/Twist Type Lock - 35" x 12.73"
	052181-C-000	EA	Baffle - Generator Door
	065979-01-000	EA	Compartment Asm. - Sewer Hose

VENTS

Key	Part Number	U/M	Description
	039778-01-000	EA	Cover - Refrigerator Vent - Plastic
	009407-01-000	EA	Base - Frame - Refrigerator Vent w/o Cover
	049352-01-000	EA	Vent - Outside - Stovehood - Off White
**	048835-01-000	EA	Vent Asm. - Roof - Nonpowered - w/o Screen
**	048773-01-000	EA	Vent Asm. - Roof - Powered - w/o Screen

**The illustrated parts breakdown for this item is provided on the Common Items Fiche.

STORM WINDOWS

Key	Part Number	U/M	Description
	062635-08-000	EA	Storm Window - Plexiglass - 25.94" x 66.15"
	062635-04-000	EA	Storm Window - Plexiglass - 22.07" x 22.07"
	062635-12-000	EA	Storm Window - Plexiglass - 25.94" x 30.28"
	062635-16-000	EA	Storm Window - Plexiglass - 25.94" x 18.19"
	062635-11-000	EA	Storm Window - Plexiglass - 16.35" x 40.75"
	062638-01-000	EA	Storm Window - Plexiglass - Clear - Front - Slant Window
	009166-01-000	EA	Latch - Storm Window - Nylon

1980 ITASCA TABLE OF CONTENTS

IC524RH L1	A-1 - B-16
ICN26RB L1	B-17 - D-4
ICN26RB L1	D-5 - E-22

1980 IC524RH L1 INDEX

Floor Plan	A-1 - A-2
Accessories Group	A-3 - A-4
Bath Group	A-5 - A-6
Chassis Group	A-7
Curtain, Cushion & Pad Group	A-8 - A-12
Dinette Group	A-13
Driver's Compartment Group	A-14
Electrical Group	A-15 - A-16
Exterior Body Group	A-17 - A-20
Galley Group	A-21
Heating & Air Conditioning Group	A-22
Interior Finish Group	A-23 - A-24
LP Group	B-1
Lounge Group	B-2
Water & Sewage Group	B-3 - B-4
Window, Vent & Exterior Door Group	B-5 - B-16