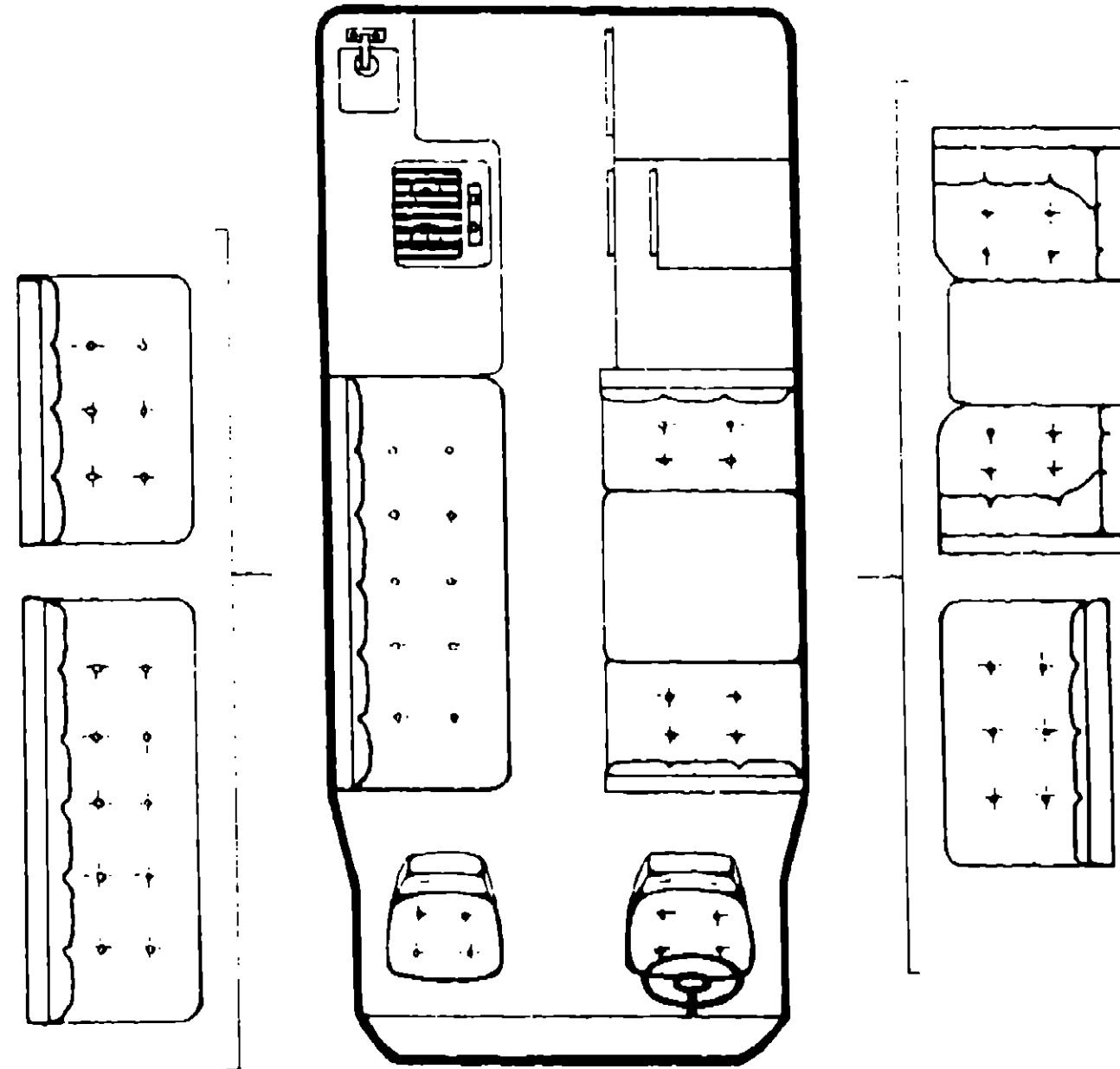


1980 IC319RK L1



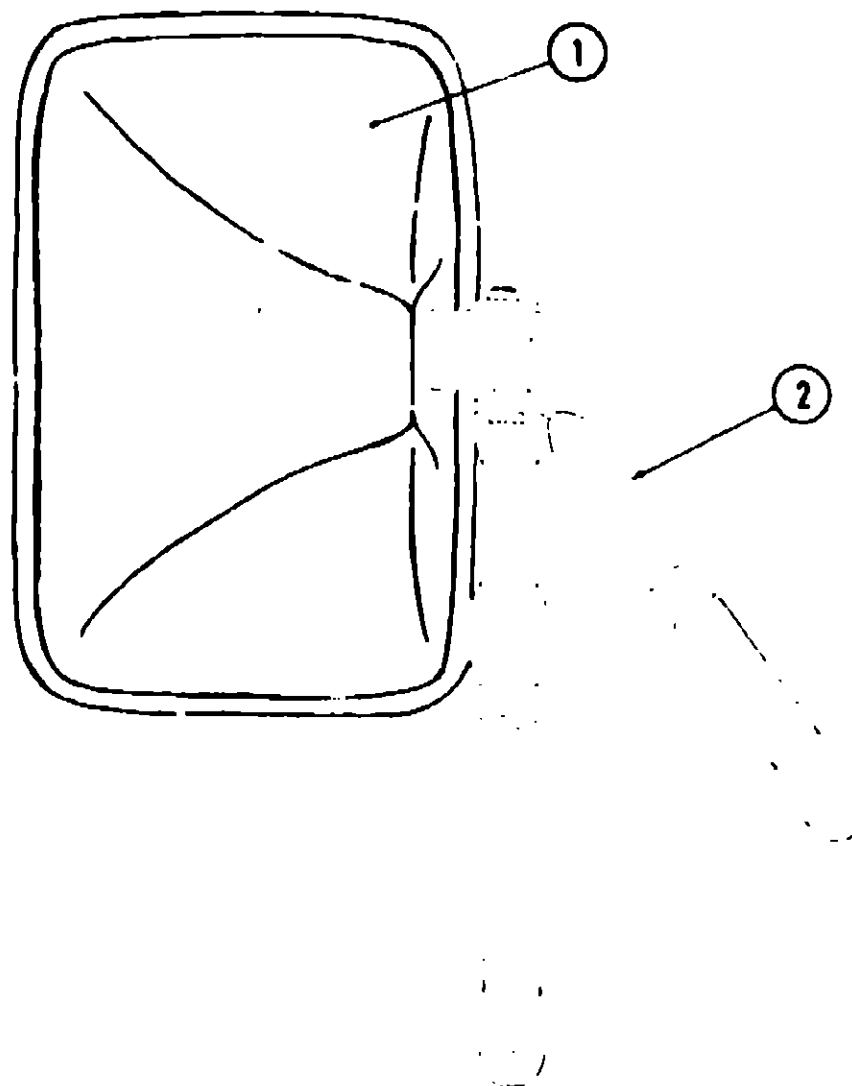
1980 ITASCA TABLE OF CONTENTS

| | |
|------------|-------------|
| ICF22RB L1 | A-1 - B-16 |
| ICN29RT L1 | B-17 - D-18 |
| IC319RK L1 | D-19 - E-20 |

1980 IC319RK L1 INDEX

| | |
|------------------------------------|-------------|
| Floor Plan | D-19 - D-20 |
| Accessories Group | D-21 - D-22 |
| Chassis Group | D-23 |
| Curtain, Cushion & Pad Group | D-24 - E-3 |
| Dinette Group | E-4 |
| Driver's Compartment Group | E-5 |
| Electrical Group | E-6 - E-7 |
| Exterior Body Group | E-8 - E-9 |
| Galley Group | E-10 |
| Heating & Air Conditioning Group | E-11 |
| Interior Finish Group | E-12 - E-13 |
| LP Group | E-14 |
| Lounge Group | E-15 |
| Water & Sewage Group | E-15 |
| Window, Vent & Exterior Door Group | E-16 - E-20 |

ACCESSORIES GROUP



| Key | Part Number | U/M | Description |
|-----|---------------|-----|--|
| 1 | 066431-02-000 | EA | Mirror Head - Satin - 6 75" x 10.25" |
| 1 | 066431-01-000 | EA | Mirror Head - Off White - 6 75" x 10.25" |
| 2 | 066431-07-000 | EA | Arm - Off White - Right - Chevy |
| 2 | 066431-06-000 | EA | Arm - Off White - Left - Chevy |

ACCESSORIES GROUP (CONTINUED)

RADIO AND RELATED COMPONENTS

| Key | Part Number | U/M | Description |
|-----|---------------|-----|---|
| | 007004-01-000 | EA | Antenna - Radio - Cab Mount |
| | 064785-01-000 | EA | Radio - AM - Audiovox |
| | 064786-01-000 | EA | Radio - AM/FM/MPX - w/8 Track - Audiovox |
| | 064787-01-000 | EA | Radio - AM/FM/MPX - w/Cassette - Audiovox |
| | 064788-01-000 | EA | Radio - AM/FM - Digital - w/Cassette - Audiovox |
| | 064789-01-000 | EA | Radio - AM/FM - Digital - w/8 Track - Audiovox |
| | 064791-01-000 | EA | Speaker - Recessed - 5.25" Dia. - Audiovox |
| | 064792-01-000 | EA | Grille - Speaker - Brown - Audiovox |
| | 064794-01-000 | EA | Trimplate - Radio |

MISCELLANEOUS ACCESSORIES

| Key | Part Number | U/M | Description |
|-----|---------------|-----|--|
| ** | 059779-01-000 | EA | Speed Control - Chevy - Electric - Dana |
| | 065745-01-000 | EA | Sport Steering Wheel |
| | 065746-03-000 | EA | Hub Kit - Sport Steering Wheel |
| | 062647-01-000 | EA | Cab Screen - Window - Right - Dodge |
| | 062647-03-000 | EA | Cab Screen - Window - Left - Dodge |
| | 063739-01-000 | EA | Battery - 12 Volt - Gould |
| | 062645-01-000 | EA | Mag Wheel - 8" x 16.5" |
| | 062645-04-000 | EA | Hub Kit - Mag Wheel |
| ** | 031396-03-000 | EA | Wheel Cover - 16.5" - Chrome |
| | 064477-02-000 | EA | Cover - Spare Tire - Off White |
| | 006113-01-000 | EA | Jack - Hydraulic - 5 Ton |
| | 041944-03-000 | EA | Fire Extinguisher - 5 BC |
| | 054185-08-000 | EA | Owners Manual - 1980 Winnebago |
| | 007038-01-000 | EA | Mat - Door - Black Rubber - 10 1/2" x 26" |
| | 066736-01-000 | EA | Ladder Asm. - Folding - Ladder & Rack |
| | 067854-01-700 | EA | Luggage Rack w/o Ladder |
| | 044763-01-000 | EA | Mud Flap - Front - Black Rubber |
| | 017516-01-000 | EA | Mudflap - Black Rubber - 14" x 18" w/Holes |
| | 054447-01-000 | EA | Spoiler - Blended - Chevy |
| | 054448-01-000 | EA | Flares - Front Fender - Chevy |
| | 064062-02-000 | EA | Nut - Retaining - Wheel Cover |
| | 062645-03-000 | EA | Nut - Lug w/Washer 9/16" |
| | 064004-02-000 | EA | Cap - Bumper Step |
| | 006001-01-000 | EA | Nameplate - Plastic Winnebago - Chrome |
| | 046886-01-000 | EA | Ashtray Asm. - Flush Mount - Chrome |
| | 045795-01-000 | EA | Holder - Glass - Plastic |

**The illustrated parts breakdown for this item is provided on the Common Items Fiche.

**1980 ITASCA
TABLE OF CONTENTS**

| | |
|------------|-------------|
| ICF22RB L1 | A-1 - B-16 |
| ICN29RT L1 | B-17 - D-18 |
| IC319RK L1 | D-19 - E-20 |

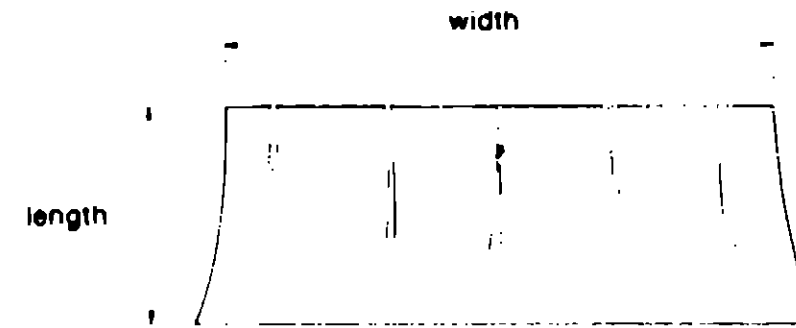
1980 IC319RK L1 INDEX

| | |
|------------------------------------|-------------|
| Floor Plan | D-19 - D-20 |
| Accessories Group | D-21 - D-22 |
| Chassis Group | D-23 |
| Curtain, Cushion & Pad Group | D-24 - E-3 |
| Dinette Group | E-4 |
| Driver's Compartment Group | E-5 |
| Electrical Group | E-6 - E-7 |
| Exterior Body Group | E-8 - F-9 |
| Galley Group | E-10 |
| Heating & Air Conditioning Group | E-11 |
| Interior Finish Group | E-12 - E-13 |
| LP Group | E-14 |
| Lounge Group | E-15 |
| Water & Sewage Group | E-15 |
| Window, Vent & Exterior Door Group | E-16 - E-20 |

CHASSIS GROUP

| Key | Part Number | U/M | Description |
|-----|---------------|-----|--|
| | 063739-01-000 | EA | Battery - 12 Volt - Gould |
| | 065118-02-000 | EA | Wheel - 6.75" x 16.5" - Chevy |
| | 049407-01-000 | EA | Tire - 6.75" x 16.5" - 8 Ply - Goodyear |
| | 017516-01-000 | EA | Mud Flap - Black Rubber - 14" x 18" |
| | 044763-01-000 | EA | Mud Flap - Front - Black Rubber |
| | 062322-01-000 | EA | Wheel Well - Steel |
| | 062289-01-000 | EA | Luggage Compartment - Plastic |
| | 062640-01-000 | EA | Front Bumper - Chrome |
| | 063670-02-000 | EA | Bumper Asm. - Rear - Chrome |
| | 063670-03-000 | EA | Bumper Asm. - Rear - Primed |
| | 023690-02-000 | EA | Drawbar Asm. |
| | 034512-01-000 | EA | Locking Pin - Drawbar |
| | 034513-01-000 | EA | Pin - Hitch - 3/16" Wire |
| | 064373-02-000 | EA | Spare Tire Bracket |
| | 064486-02-000 | EA | Support - Spare Tire |
| | 065451-01-000 | EA | Tie Down Asm. - Battery |
| | 005200-01-000 | EA | Bolt - Car: age - 7/16" x 1 1/4" Stainless Steel |
| | 024877-01-000 | EA | Drawbar - Ball Mount |

CURTAIN, CUSHION AND PAD GROUP



NOTE:

Use this illustration when determining length and width measurements for curtains. You will note the width measurement is taken on the top of the curtain with the curtain fully extended. The length measurement is taken from top to bottom.

1980 ITASCA TABLE OF CONTENTS

| | |
|------------|-------------|
| ICF22RB L1 | A-1 - B-16 |
| ICN29RT L1 | B-17 - D-11 |
| IC319RK L1 | D-19 - E-20 |

CURTAIN & BLINDS

| Key | Part Number | U/M | Description |
|-----|---------------|-----|--|
| | M00136-02-L14 | EA | Curtain Asm. - Wraparound - Left - Dublin Flax |
| | M00136-01-L14 | EA | Curtain Asm. - Wraparound - Right - Dublin Flax |
| | M00135-01-L14 | EA | Curtain Asm. - Snap Top and Bottom - 25" x 45" - Dublin Flax |
| | M00135-02-L14 | EA | Curtain Asm. - Snap Top and Bottom - 25" x 12" - Dublin Flax |
| | M00135-03-L14 | EA | Curtain Asm. - Snap Top and Bottom - 23 1/4" x 12" - Dublin Flax |
| | M00137-01-L14 | EA | Curtain Asm. - Velcro in Corners - 12" x 27" - Red |
| | 066710-01-L14 | EA | Curtain Asm. - Snap - 17" x 50.5" - Dublin Flax |
| | 062032-01-000 | EA | Blinds - Levelor - Polished Aluminum - 68" x 25" |
| | 062032-02-000 | EA | Blinds - Levelor - Polished Aluminum - 16" x 25" |

FABRICS, TRIMS AND PADS

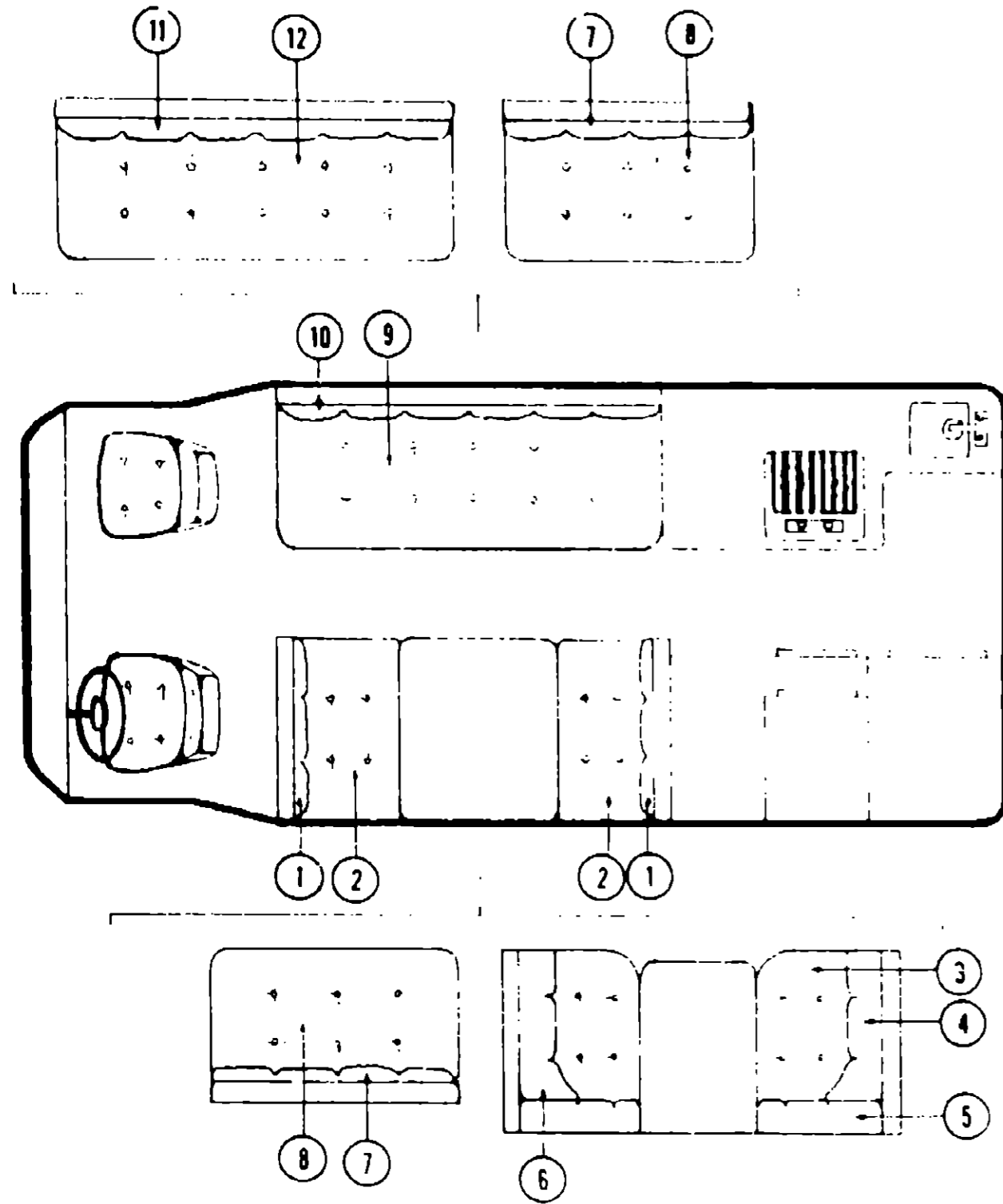
| Key | Part Number | U/M | Description |
|-----|---------------|-----|---|
| | 053327-01-000 | YD | Vinyl - Non Expanded - 27 oz. Acorn Brown |
| | 053327-02-000 | YD | Vinyl - Expanded - 28 oz. Acorn Brown |
| | 057654-01-000 | YD | Vinyl - Upholstery - Blue |
| | 064393-04-000 | YD | Fabric - Drapery - Dublin Flax |
| | 061619-01-000 | YD | Fabric - Upholstery - Paragon - Blue |
| | 062922-01-000 | YD | Fabric - Upholstery - Paragon - Rust |
| | 052859-01-J27 | FT | Accent Trim - Acorn Brown Vinyl |
| | 038421-01-000 | YD | Ticking - Mattress - Gold |
| | M00045-03-L14 | EA | Button Asm. - #30 Vinyl - Blue |

1980 IC319RK L1 INDEX

| | |
|------------------------------------|-------------|
| Floor Plan | D-19 - D-20 |
| Accessories Group | D-21 - D-22 |
| Chassis Group | D-23 |
| Curtain, Cushion & Pad Group | D-24 - E-3 |
| Dinette Group | E-4 |
| Driver's Compartment Group | E-5 |
| Electrical Group | E-6 - E-7 |
| Exterior Body Group | E-8 - E-9 |
| Galley Group | E-10 |
| Heating & Air Conditioning Group | E-11 |
| Interior Finish Group | E-12 - E-13 |
| LP Group | E-14 |
| Lounge Group | E-15 |
| Water & Sewage Group | E-15 |
| Window, Vent & Exterior Door Group | E-16 - E-20 |

CURTAIN, CUSHION AND PAD GROUP (CONTINUED)

CURTAIN, CUSHION AND PAD GROUP (CONTINUED)



CONVENTIONAL DINETTE CUSHIONS

| Key | Part Number | U/M | Description |
|-----|---------------|-----|--|
| 1 | 063327-03-L14 | EA | Cushion - Dinette Back - 14.8" x 35" x 5" - Blue |
| 1 | 063327-03-L15 | EA | Cushion - Dinette Back - 14.8" x 35" x 5" - Rust |
| | M00044-03-L14 | EA | Cover - Dinette Cushion - 14.8" x 35" x 5" - Blue |
| | M00044-03-L15 | EA | Cover - Dinette Cushion - 14.8" x 35" x 5" - Rust |
| 2 | 063327-04-L14 | EA | Cushion - Dinette Bottom - 21.8" x 37" x 5" - Blue |
| 2 | 063327-04-L15 | EA | Cushion - Dinette Bottom - 21.8" x 37" x 5" - Rust |
| | M00044-04-L14 | EA | Cover - Dinette Cushion - 21.8" x 37" x 5" - Blue |
| | M00044-04-L15 | EA | Cover - Dinette Cushion - 21.8" x 37" x 5" - Rust |

CORNER LOUNGE CUSHIONS

| Key | Part Number | U/M | Description |
|-----|---------------|-----|--|
| 3 | 063428-02-L14 | EA | Cushion - Corner Lounge Bottom - 26" x 26" x 4.5" - Blue |
| 3 | 063428-02-L15 | EA | Cushion - Corner Lounge Bottom - 26" x 26" x 4.5" - Rust |
| | M00048-04-L14 | EA | Cover - Corner Lounge Cushion - 26" x 28" x 4.5" - Blue |
| | M00048-04-L15 | EA | Cover - Corner Lounge Cushion - 26" x 28" x 4.5" - Rust |
| 4 | 063429-04-L14 | EA | Cushion - Corner Lounge Wedge - Right - 14" x 23" - Blue |
| 4 | 063429-04-L15 | EA | Cushion - Corner Lounge Wedge - Right - 14" x 23" - Rust |
| | M00044-06-L14 | EA | Cover - Corner Lounge Wedge - Right - 14" x 23" - Blue |
| | M00044-06-L15 | EA | Cover - Corner Lounge Wedge - Right - 14" x 23" - Rust |
| 5 | 063427-02-L14 | EA | Cushion - Corner Lounge Back - 11" x 26" x 4.5" - Blue |
| 5 | 063427-02-L15 | EA | Cushion - Corner Lounge Back - 11" x 26" x 4.5" - Rust |
| | M00048-02-L14 | EA | Cover - Corner Lounge Cushion - 11" x 26" x 4.5" - Blue |
| | M00048-02-L15 | EA | Cover - Corner Lounge Cushion - 11" x 26" x 4.5" - Rust |
| 6 | 063429-03-L14 | EA | Cushion - Corner Lounge Wedge - Left - 14" x 23" - Blue |
| 6 | 063429-03-L15 | EA | Cushion - Corner Lounge Wedge - Left - 14" x 23" - Rust |
| | M00044-07-L14 | EA | Cover - Corner Lounge Wedge - Left - 14" x 23" - Blue |
| | M00044-07-L15 | EA | Cover - Corner Lounge Wedge - Left - 14" x 23" - Rust |

LOUNGE CUSHIONS

| Key | Part Number | U/M | Description |
|-----|---------------|-----|---|
| 7 | 067025-04-L14 | EA | Sprung Couch - Back - 62.5" x 13.63" - Blue |
| 7 | 067025-04-L15 | EA | Sprung Couch - Back - 62.5" x 13.63" - Rust |
| | M00044-22-L14 | EA | Cover Asm - Sprung Couch Back - 62.5" x 13.63" - Blue |
| | M00044-22-L15 | EA | Cover Asm - Sprung Couch Back - 62.5" x 13.63" - Rust |
| | 066737-05-000 | EA | Bracket - Sprung Couch - Hold Down |
| | 066737-06-000 | EA | Folding Leg - Sprung Couch - 11.40" |
| | 066737-07-000 | EA | Bracket - Folding Leg - Sprung Couch |
| 8 | 067024-04-L14 | EA | Sprung Couch - Bottom - 62.5" x 29.25" - Blue |
| 8 | 067024-04-L15 | EA | Sprung Couch - Bottom - 62.5" x 29.25" - Rust |
| | M00044-21-L14 | EA | Cover Asm - Sprung Couch Bottom - 62.5" x 29.25" - Blue |
| | M00044-21-L15 | EA | Cover Asm - Sprung Couch Bottom - 62.5" x 29.25" - Rust |
| 9 | 063329-02-L14 | EA | Lester Lounge Asm - 13" x 17.8" x 72.75" x 5" - Two Fold - Blue |
| 9 | 063329-02-L15 | EA | Lester Lounge Asm - 13" x 17.8" x 72.75" x 5" - Two Fold - Rust |
| | M00047-02-L14 | EA | Cover - Lester Lounge - 13" x 17.8" x 72.75" - Two Fold - Blue |
| | M00047-02-L15 | EA | Cover - Lester Lounge - 13" x 17.8" x 72.75" - Two Fold - Rust |
| 10 | 063330-01-L14 | EA | Cushion - Lester Lounge - 11.5" x 72.75" x 5" - Blue |
| 10 | 063330-01-L15 | EA | Cushion - Lester Lounge - 11.5" x 72.75" x 5" - Rust |
| | M00046-01-L14 | EA | Cover - Lester Lounge - 11.5" x 72.75" x 5" - Blue |
| | M00046-01-L15 | EA | Cover - Lester Lounge - 11.5" x 72.75" x 5" - Rust |
| 11 | 067024-02-L14 | EA | Sprung Couch - Back - 69.75" x 13.63" - Blue |
| 11 | 067024-02-L15 | EA | Sprung Couch - Back - 69.75" x 13.63" - Rust |
| | M00044-15-L14 | EA | Cover - Sprung Couch Back - 69.75" x 13.63" - Blue |
| | M00044-15-L15 | EA | Cover - Sprung Couch Back - 69.75" x 13.63" - Rust |
| 12 | 067025-02-L14 | EA | Sprung Couch - Bottom - 69.75" x 29.25" - Blue |
| 12 | 067025-02-L15 | EA | Sprung Couch - Bottom - 69.75" x 29.25" - Rust |
| | M00044-16-L14 | EA | Cover - Sprung Couch Bottom - 69.75" x 29.25" - Blue |
| | M00044-16-L15 | EA | Cover - Sprung Couch Bottom - 69.75" x 29.25" - Rust |

**1980 ITASCA
TABLE OF CONTENTS**

| | |
|------------|-------------|
| ICF22RB L1 | A-1 - B-16 |
| ICN29RT L1 | B-17 - D-16 |
| IC319RK L1 | D-19 - E-20 |

1980 IC319RK L1 INDEX

| | |
|------------------------------------|-------------|
| Floor Plan | D-19 - D-20 |
| Accessories Group | D-21 - D-22 |
| Chassis Group | D-23 |
| Curtain, Cushion & Pad Group | D-24 - E-3 |
| Dinette Group | E-4 |
| Driver's Compartment Group | E-5 |
| Electrical Group | E-6 - E-7 |
| Exterior Body Group | E-8 - E-9 |
| Galley Group | E-10 |
| Heating & Air Conditioning Group | E-11 |
| Interior Finish Group | E-12 - E-13 |
| L.P. Group | E-14 |
| Lounge Group | E-15 |
| Water & Sewage Group | E-15 |
| Window, Vent & Exterior Door Group | E-16 - E-20 |

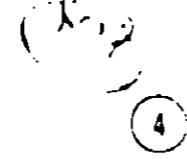
CURTAIN, CUSHION AND PAD GROUP (CONTINUED)

BUCKET SEATS AND ARMRESTS

| Key | Part Number | U/M | Description |
|-----|---------------|-----|---|
| | 067023-01-L14 | EA | Seat Asm. - High Back Bucket w/Right Armrest and Skirt - Blue |
| | 067023-01-L15 | EA | Seat Asm. - High Back Bucket w/Right Armrest and Skirt - Rust |
| | 067023-02-L14 | EA | Seat Asm. - High Back Bucket w/Left Armrest and Skirt - Blue |
| | 067023-02-L15 | EA | Seat Asm. - High Back Bucket w/Left Armrest and Skirt - Rust |
| | 065943-04-L14 | EA | Cover - High Back - Bucket Seat - Back - Blue |
| | 065943-04-L15 | EA | Cover - High Back - Bucket Seat - Back - Rust |
| | 065944-04-L14 | EA | Cover - High Back - Bucket Seat - Bottom - Blue |
| | 065944-04-L15 | EA | Cover - High Back - Bucket Seat - Bottom - Rust |
| | 067661-02-000 | EA | Armrest Asm. - Foam w/o Cover - Right |
| | 067661-01-000 | EA | Armrest Asm. - Foam w/o Cover - Left |
| | 065774-04-L14 | EA | Cover - Armrest - Right or Left - Blue |
| | 065774-04-L15 | EA | Cover - Armrest - Right or Left - Rust |
| | 066915-04-L14 | EA | Skirt - High Back Bucket - Blue |
| | 066915-04-L15 | EA | Skirt - High Back Bucket - Rust |
| | 067035-02-L14 | EA | Slip Cover - Chevy - Bucket Seat - Blue |
| | 067035-02-L15 | EA | Slip Cover - Chevy - Bucket Seat - Rust |
| | 067930-01-L14 | EA | Seat Asm. - Low Back Bucket - Blue |
| | 067930-01-L15 | EA | Seat Asm. - Low Back Bucket - Rust |
| | 061836-03-L14 | EA | Cover - Low Bucket - Back - Blue |
| | 061836-03-L15 | EA | Cover - Low Bucket - Back - Rust |
| | 061837-03-L14 | EA | Cover - Low Bucket - Bottom - Blue |
| | 061837-03-L15 | EA | Cover - Low Bucket - Bottom - Rust |

CURTAIN HARDWARE

| Key | Part Number | U/M | Description |
|-----|---------------|-----|---|
| | 052327-04-236 | EA | Track - Curtain - Brown - 89" w/Holes |
| | 009107-01-000 | EA | Guide - Nylon Snap - Curtain |
| | 018031-42-000 | EA | Track - Curtain - "L" Rod - Alum Extr - 90" |
| | 009701-01-000 | EA | Carrier - "L" Rod - Curtain |
| | 009702-02-000 | EA | End Stop - "L" Rod - Curtain |
| | 048394-01-000 | YD | Tape - Hook - 1" x 25 Yd - Beige |
| | 048395-01-000 | YD | Tape - Loop - 1" x 25 YD - Beige |
| | 063251-01-000 | EA | Bracket - Hold Down - Blinds |
| | 064412-03-000 | EA | Hinge Asm. - Black |
| | 037688-01-000 | FT | Rail - Drawer Guide - V |
| | 009112-01-000 | EA | Flange - 1" Rod Chrome |



| Key | Part Number | U/M | Description |
|-----|---------------|-----|--------------------------------------|
| 1 | 029130-01-000 | EA | Socket - Snap Fastener |
| 2 | 029155-01-000 | EA | Cap - Snap - 1.56" Dia x .17" Barrel |
| 3 | 029156-01-000 | EA | Socket - Snap Fastener |
| 4 | 029092-01-000 | EA | Stud - Nickel Finish |
| 5 | 029093-01-000 | EA | Eyelet - Nickel Finish |

DINETTE GROUP

CONVENTIONAL DINETTE

| Key | Part Number | U/M | Description |
|-----|---------------|-----|--|
| | M0110-01-L16 | EA | Dinette Seat Cabinet - Right - w/o Door and Hardware |
| | M0112-01-L16 | EA | Dinette Seat Cabinet - Left - w/o Door and Hardware |
| | 063224-03-L14 | EA | Door Asm. - Rolled - 11 6" x 18 75" |
| | 053248-05-L14 | EA | Table Asm. - Dinette - Blue - 27 2" x 36" |
| | 053248-05-L15 | EA | Table Asm. - Dinette - Rust Fiesta - 27 2" x 36" |
| | 009040-03-000 | EA | Base - Table - Raised |
| | 009040-02-000 | EA | Leg - Pedestal Table - 27 5" |
| | 041194-01-000 | EA | Base - Table - Flush Mount |
| | 061604-01-000 | EA | Slide Bolt - Antique Brass |

CORNER LOUNGE CHAIRS

| Key | Part Number | U/M | Description |
|-----|---------------|-----|--|
| | 063623-01-L14 | EA | Cabinet Asm. - Corner Lounge Chair - Left - w/o Door and Hardware |
| | 063675-01-L14 | EA | Cabinet Asm. - Corner Lounge Chair - Right - w/o Door and Hardware |
| | 063224-03-L14 | EA | Door Asm. - Rolled - 11 6" x 18 75" |
| | 065461-01-L14 | EA | Table Asm. - 21" x 30 8" - Blue |
| | 065461-01-L15 | EA | Table Asm. - 21" x 30 8" - Rust Fiesta |
| | 066441-01-000 | EA | Leg - Folding - 11 5" |
| | 009040-03-000 | EA | Base - Table - Raised |
| | 009040-02-000 | EA | Leg - Pedestal Table - 27 5" |
| | M00249-01-L14 | EA | Table Asm. - Octagon - Large - Blue |
| | M00249-01-L15 | EA | Table Asm. - Octagon - Large - Rust |
| | 053248-02-L14 | EA | Table Asm. - Dinette - 17" x 24" - Blue |
| | 053248-02-L15 | EA | Table Asm. - Dinette - 17" x 24" - Rust |

1980 ITASCA TABLE OF CONTENTS

| | |
|------------|-------------|
| ICF22RB L1 | A-1 - B-16 |
| ICN29HT L1 | B-17 - D-18 |
| IC319RK L1 | D-19 - E-20 |

1980 IC319RK L1 INDEX

| | |
|------------------------------------|-------------|
| Floor Plan | D-19 - D-20 |
| Accessories Group | D-21 - D-22 |
| Chassis Group | D-23 |
| Curtain, Cushion & Pad Group | D-24 - E-3 |
| Dinette Group | E-4 |
| Driver's Compartment Group | E-5 |
| Electrical Group | E-6 - E-7 |
| Exterior Body Group | E-8 - E-9 |
| Galley Group | E-10 |
| Heating & Air Conditioning Group | E-11 |
| Interior Finish Group | E-12 - E-13 |
| LP Group | E-14 |
| Lounge Group | E-15 |
| Water & Sewage Group | E-15 |
| Window, Vent & Exterior Door Group | E-16 - E-20 |

DRIVER'S COMPARTMENT GROUP

PANEL, GAUGE AND SWITCHES

| Key | Part Number | U/M | Description |
|-----|---------------|-----|---|
| | 024461-01-000 | EA | Switch - Dual Battery |
| | 046885-01-000 | EA | Plaque - Switch Mounting |
| | 008277-01-000 | EA | Fuse Holder - Panel Mount - Black |
| | 006233-01-000 | EA | Fuse - 12V - 8 Amp |
| | 052577-01-000 | EA | Gauge - Voltmeter w/Bracket |
| | 024462-01-000 | EA | Switch - Battery Condition |
| | 059784-01-000 | EA | Switch - Wiper - Intermittant |
| | 034950-01-000 | EA | Map Lite - Chrome - w/Plaque and Switch Jensen |
| | 064956-01-000 | EA | Travel Center Panel - Black w/Voltmeter, Digital Clock and Map Lite |
| | 067027-01-000 | EA | Bezel - Overhead Console - w/Cut Out For Dual Battery Switch and Fuse |
| | 067027-02-000 | EA | Bezel - Overhead Console - w/Cut Out For Dual Battery Switch, Fuse Voltmeter and Map Lite |
| | 067027-03-000 | EA | Bezel - Overhead Console - w/Cut Out For Map Lite |

MISCELLANEOUS COMPARTMENTS

| Key | Part Number | U/M | Description |
|-----|---------------|-----|--|
| | 067947-01-000 | EA | Pedestal - Chevy - Right |
| | 067949-02-000 | EA | Pedestal - Chevy - Left |
| | 050447-01-000 | EA | Pedestal Asm. - Tilt - Left |
| | 050447-02-000 | EA | Pedestal Asm. - Tilt - Right |
| | 051382-01-000 | EA | Adjuster Asm. - Bucket Seat - w/Lock |
| | 051383-01-000 | EA | Adjuster Asm. - Bucket Seat - w/o Lock |
| | 007224-02-000 | EA | Handle - Seat Adjuster - 9" |
| | 007019-01-000 | EA | Seat Belt Asm. - 2" x 84" |
| | 065746-01-000 | EA | Sport Steering Wheel |
| | 065746-02-000 | EA | Hub Kit - Sport Steering Wheel |
| | 062647-01-000 | EA | Screen - Cab Window - Right |
| | 062647-02-000 | EA | Screen - Cab Window - Left |

ELECTRICAL GROUP

BULBS

| Key | Part Number | U/M | Description |
|-----|---------------|-----|-------------------------|
| | 037935-01-000 | EA | Bulb - 1157 |
| | 038010-01-000 | EA | Bulb - 1143 - Frosted |
| | 008103-01-000 | EA | Bulb - 53 |
| | 008213-01-000 | EA | Bulb - 57 |
| | 008214-01-000 | EA | Bulb - 67 |
| | 008215-01-000 | EA | Bulb - 1003 |
| | 008216-01-000 | EA | Bulb - 1034 |
| | 008217-01-000 | EA | Bulb - 1073 |
| | 008218-01-000 | EA | Bulb - 1141 |
| | 008219-01-000 | EA | Bulb - 656 |
| | 008220-01-000 | EA | Bulb - 12V - 25W |
| | 036196-01-000 | EA | Bulb - 194 |
| | 700020-01-000 | EA | Bulb - 12V - 20W - 1383 |

INTERIOR LIGHTS

| Key | Part Number | U/M | Description |
|-----|---------------|-----|-------------------------------------|
| | 024418-01-000 | EA | Lamp Asm. - Map/Gauge/Isle |
| | 033508-02-000 | EA | Light - Dome - Ivory - 1 Bulb |
| | 024642-01-701 | EA | Lens - Dome Light - 1 Bulb |
| | 033509-02-000 | EA | Light - Dome - Ivory - 2 Bulb |
| | 024643-01-701 | EA | Lens - Dome Light - 2 Bulb |
| | 033508-03-000 | EA | Light - Dome - Ivory - 1 Bulb CSA |
| | 033509-03-000 | EA | Light - Dome - Ivory - 2 Bulb CSA |
| | 063256-01-000 | EA | Light - Ceiling - Recessed - 1 Bulb |
| | 063254-01-000 | EA | Light - Overhead Console w/Fader |
| | 064950-01-000 | EA | Light - Map - Chrome |

EXTERIOR LIGHTS

| Key | Part Number | U/M | Description |
|-----|---------------|-----|-------------------------------------|
| | 062648-01-000 | EA | Clearance Lite - Red |
| | 062648-02-000 | EA | Clearance Lite - Amber |
| | 062900-01-000 | EA | Light - Side Marker |
| | 062649-01-000 | EA | Tail Lamp Asm. |
| | 062649-02-000 | EA | Lens - Tail Lamp |
| | 066432-01-000 | EA | Bracket - License - Tail Lamp |
| | 064776-01-000 | EA | Bezel - Tail Light - Left and Right |
| | 064426-01-000 | EA | Bracket - Taillight - Left |

FUSE AND CIRCUIT BREAKER

| Key | Part Number | U/M | Description |
|-----|---------------|-----|---|
| | 056473-02-000 | EA | Fuse - Slow Blow - 5 Amp. |
| | 008233-01-000 | EA | Fuse - 12 Volt - 6 Amp. |
| | 008234-01-000 | EA | Fuse - 12 Volt - 10 Amp. |
| | 008235-01-000 | EA | Fuse - 12 Volt - 15 Amp. |
| | 008236-01-000 | EA | Fuse - 12 Volt - 20 Amp. |
| | 008248-01-000 | EA | Fuse - 110 Volt - 30 Amp. AGU |
| | 008252-01-000 | EA | Fuse - 110 Volt - 50 Amp. |
| | 008208-01-000 | EA | Circuit Breaker - 12 Volt - 40 Amp. |
| | 008211-01-000 | EA | Circuit Breaker - 12 Volt - 6 Amp. |
| | 008268-01-000 | EA | Circuit Breaker - 12 Volt - 30 Amp. w/Mount |
| | 033573-01-000 | EA | Circuit Breaker - 12 Volt - 20 Amp. w/Mount |
| | 040051-01-000 | EA | Circuit Breaker - 110 Volt - 20 Amp. - TQL |

1980 ITASCA TABLE OF CONTENTS

| | |
|------------|-------------|
| ICF22RB L1 | A-1 - B-16 |
| ICN29RT L1 | B-17 - D-18 |
| IC319AK L1 | D-19 - E-20 |

1980 IC319AK L1 INDEX

| | |
|------------------------------------|-------------|
| Floor Plan | D-19 - D-20 |
| Accessories Group | D-21 - D-22 |
| Chassis Group | D-23 |
| Curtain, Cushion and Pad Group | D-24 - E-3 |
| Dinette Group | E-4 |
| Driver's Compartment Group | E-5 |
| Electrical Group | E-6 - E-7 |
| Exterior Body Group | E-8 - E-9 |
| Galley Group | E-10 |
| Heating & Air Conditioning Group | E-11 |
| Interior Finish Group | E-12 - E-13 |
| LP Group | E-14 |
| Lounge Group | E-15 |
| Water & Sewage Group | E-15 |
| Window, Vent & Exterior Door Group | E-16 - E-20 |

ELECTRICAL GROUP (CONTINUED)

WIRE, SWITCHES AND RECEPTACLES

| Key | Part Number | U/M | Description |
|-----|---------------|-----|---|
| | 008251-01-000 | EA | Holder - Fuse - Black - Screw Type |
| | 008277-01-000 | EA | Holder - Fuse - Black - Panel Mount |
| | 008054-01-000 | EA | Power Cord - 10-3 30 Amp. - 25' UL |
| | 008058-01-000 | EA | Adaptor - Power Cord |
| | 024571-01-000 | EA | Cover Plate - Receptacle - Jumbo Steel Brown |
| | 031720-01-000 | EA | Spacer - Receptacle - Brown Plastic - CSA |
| | 008182-01-000 | EA | Switch - Double Toggle - Spade Brown |
| | 058707-01-000 | EA | Receptacle - Single Brown - Thomas & Belts |
| | 058708-01-000 | EA | Receptacle - Duplex - Brown - Thomas & Belts |
| | 064398-01-000 | EA | Housing Asm. - Trailer Receptacle |
| | 064450-01-000 | EA | Housing Asm. - Trailer Plug |
| | 008158-01-000 | EA | Cover - Plate - Receptacle - Single - Plastic - Brown |
| | 008188-01-000 | EA | Solenoid Relay - 3 Terminal |

MISCELLANEOUS ELECTRICAL COMPONENTS

| Key | Part Number | U/M | Description |
|-----|---------------|-----|---|
| | 047389-01-700 | EA | Battery - 12 Volt - 105 Amp. Deep Cycle - Dry |
| | 057899-01-000 | EA | Battery - 12 Volt - Maintenance Free - Delco |
| | 063739-01-000 | EA | Battery - 12 Volt - Gould |
| | 062413-02-000 | EA | Control Center - 31 Amp. - w/Charger - CSA |
| | 062413-01-000 | EA | Control Center - 31 Amp. - w/Charger |
| | 067378-01-000 | EA | Cover - Control Center |
| | 008169-01-000 | EA | Fuse Block - 8 Fuse |
| | 058028-01-000 | EA | Connector - Pigtail - Clear Nylon |
| | 052577-01-000 | EA | Gauge - Voltmeter - w/Bracket |
| | 024462-01-000 | EA | Switch - Battery Condition |
| ** | 054544-02-000 | EA | Control Center - 38 Amp. |
| | 024461-01-000 | EA | Switch - Dual Battery |
| | 046865-01-000 | EA | Plaque - Switch Mounting |
| | 008077-01-000 | EA | Plaque - Compressor Switch |
| | 067761-01-000 | EA | Converter - 30 Amp. - w/Charger |
| | 067762-01-000 | EA | Converter - 40 Amp. - w/Charger |
| | 065437-01-000 | EA | Cover - Fuse Panel |

** The illustrated parts breakdown for this item is provided on the Common Items Fiche.

EXTERIOR BODY GROUP

EXTERIOR BODY PANELS AND MISCELLANEOUS COMPONENTS

| Key | Part Number | U/M | Description |
|-----|---------------|-----|--|
| | 063289-02-000 | EA | Sidewall Asm. - Right |
| | 063295-02-000 | EA | Sidewall Asm. - Left |
| | 063292-01-000 | EA | Backwall Asm. |
| | M00248-01-000 | EA | Roof Cap Asm. - w/Clearance Lights |
| | M00227-01-000 | EA | Rear Cap Asm. - w/Clearance Lights |
| | 063289-04-000 | EA | Sidewall Asm. - Right - Dual Wheel |
| | 063295-04-000 | EA | Sidewall Asm. - Left - Dual Wheel |
| | 062322-01-000 | EA | Wheel Well Asm. |
| | 063688-01-000 | EA | Trim - U-Channel - Backwall - 1" Bottom |
| | 009085-01-000 | EA | Hinge - Continual - Aluminum - 1 1/2" x 96 Plain |
| | 062334-01-000 | EA | Shroud - Fuel Fill |
| | 062335-01-000 | EA | Shroud - Filler Neck |
| | 065057-01-000 | EA | Molding - Trim Panel - 123.3" |
| | 065057-02-000 | EA | Molding - Trim Panel - 56.8" |
| | 000868-01-000 | SF | Styrofoam - 3/4" x 24" x 96" |

SEALANTS, ADHESIVES AND FASTENERS

| Key | Part Number | U/M | Description |
|-----|---------------|-----|---|
| | 034552-05-000 | EA | Sealant - Off White Silicone |
| | 034552-04-000 | EA | Sealant - Beige Silicone |
| | 034552-02-000 | EA | Sealant - Clear Silicone |
| | 004346-02-000 | EA | Sealant - White Silicone |
| | 041422-01-000 | FT | Tape - Seal - 1/4" x 1/2" |
| | 009200-01-000 | EA | Tape - Furnace - 1 1/2" |
| | 004353-01-000 | FT | Tape - Gasket - 1/8" x 3/4" - White |
| | 002825-01-000 | FT | Weather Stripping - Roof Vent |
| | 002337-01-000 | EA | Adhesive - 3M - 1300 Tube |
| | 004005-01-000 | GL | Adhesive - Swifts - Green - Glue (Sidewalls) |
| | 004020-01-000 | QT | Adhesive - ABS Cement (Plastic Fittings) |
| | 029051-01-000 | EA | Adhesive - Spray Vinyl |
| | 042401-02-000 | EA | Screw - 8 - 18 x 3/4" SDPH - Off White |
| | 042403-02-000 | EA | Screw - 8 - 18 x 1" SDPH - Off White |
| | 005058-01-000 | EA | Screw - Wood - 12 - 11 x 3" P.O.H. Zinc |
| | 053766-01-000 | EA | Bedding Compound - Tube Black - Schnee Morehead |
| | 053766-02-000 | EA | Bedding Compound - Tube White - Schnee Morehead |
| | 053767-01-000 | FT | Tape - 1/2" x 1/8" x 30' - Gray - Schnee Morehead |
| | 053767-03-000 | FT | Tape - 1/4" Bead x 20' - Gray - Schnee Morehead |
| | 053767-04-000 | FT | Tape - 3/4" x 1/8" x 30' - Gray - Schnee Morehead |
| | 053767-05-000 | FT | Tape - 2" x 3/32" x 45' - Gray - Schnee Morehead |

EXTERIOR PAINT

| Key | Part Number | U/M | Description |
|-----|---------------|-----|--|
| | 041561-01-000 | EA | Paint - Off White - Acrylic Enamel - 1 Gallon - Dupont 45396A |
| | 041561-03-000 | EA | Paint - Off White - Acrylic Enamel - 16 oz Spray - Dupont 45396A |
| | 004308-01-000 | EA | Paint - Black - Semigloss |

1980 ITASCA TABLE OF CONTENTS

| | |
|------------|-------------|
| ICF22HB L1 | A-1 - B-16 |
| ICN29RT L1 | B-17 - D-18 |
| IC319RK L1 | D-19 - E-20 |

1980 IC319RK L1 INDEX

| | |
|------------------------------------|-------------|
| Floor Plan | D-19 - D-20 |
| Accessories Group | D-21 - D-22 |
| Chassis Group | D-23 |
| Curtain, Cushion and Pad Group | D-24 - E-3 |
| Dinette Group | E-4 |
| Driver's Compartment Group | E-5 |
| Electrical Group | E-6 - E-7 |
| Exterior Body Group | E-8 - E-9 |
| Galley Group | E-10 |
| Heating & Air Conditioning Group | E-11 |
| Interior Finish Group | E-12 - E-13 |
| I.P. Group | E-14 |
| Lounge Group | E-15 |
| Water & Sewage Group | E-15 |
| Window, Vent & Exterior Door Group | E-16 - E-20 |

EXTERIOR BODY GROUP (CONTINUED)

LABELS AND DECALS

| Key | Part Number | U/M | Description |
|-----|---------------|-----|---|
| | 008008-01-000 | EA | Label - Thermo Panel - 2 1/4" x 2 1/4" |
| | 008064-01-000 | EA | Label - Seat w/o Seat Belt |
| | 031181-01-000 | EA | Label - Flying W |
| | 038280-01-000 | EA | Label - Warning Exit |
| | 047838-01-000 | EA | Label - Warning - Lug Nuts |
| | 064531-01-000 | EA | Label - LP Gas Only |
| | 057040-01-000 | EA | Label - Load Recommendation |
| | 061417-01-000 | EA | Label - Fuel |
| | 065517-01-000 | EA | Decal - Logo - Seahawk w/Head - Right Side - Blue |
| | 065517-02-000 | EA | Decal - Logo - Seahawk w/Head - Left Side - Blue |
| | 065517-03-000 | EA | Decal - Logo - Seahawk w/Head - Right Side - Red |
| | 065517-04-000 | EA | Decal - Logo - Seahawk w/Head - Left Side - Red |
| | 065518-01-000 | EA | Decal - Striping - Door Upper - Blue |
| | 065518-02-000 | EA | Decal - Striping - Door Upper - Red |
| | 065518-01-000 | EA | Decal - Logo - Seahawk w/Head |
| | 065520-01-000 | EA | Decal - Stripe - Side Transition - Right Side - Blue |
| | 065520-02-000 | EA | Decal - Stripe - Side Transition - Right Side - Red |
| | 065520-03-000 | EA | Decal - Stripe - Side Transition - Left Side - Blue |
| | 065520-04-000 | EA | Decal - Stripe - Side Transition - Left Side - Red |
| | 065521-01-000 | EA | Decal - Stripe - Rear - Silver/Off White |
| | 065736-01-000 | EA | Decal - Stripe - Back - Blue/Black |
| | 065736-02-000 | EA | Decal - Stripe - Back - Red/Black |
| | 065749-01-000 | EA | Decal - Hood - Blue Gray - Right |
| | 065749-02-000 | EA | Decal - Hood - Blue Gray - Left |
| | 065749-03-000 | EA | Decal - Hood - Red - Right |
| | 065749-04-000 | EA | Decal - Hood - Red - Left |
| | 066745-01-000 | EA | Decal - Stripe - Upper Side - Rear Right - Blue |
| | 066745-02-000 | EA | Decal - Stripe - Upper Side - Rear Left - Blue |
| | 066745-03-000 | EA | Decal - Stripe - Upper Side - Rear Right - Red |
| | 066745-04-000 | EA | Decal - Stripe - Upper Side - Rear Left - Red |
| | 066746-01-000 | EA | Decal - Stripe - Lower Side - Rear Right - Blue Gray |
| | 066746-02-000 | EA | Decal - Stripe - Lower Side - Rear Left - Blue Gray |
| | 066746-03-000 | EA | Decal - Stripe - Lower Side - Rear Right - Red |
| | 066746-04-000 | EA | Decal - Stripe - Lower Side - Rear Left - Red |
| | 066747-01-000 | EA | Decal - Stripe - Side Fade - Right - Blue |
| | 066747-02-000 | EA | Decal - Stripe - Side Fade - Right - Red |
| | 066747-03-000 | EA | Decal - Stripe - Side Fade - Left - Blue |
| | 066747-04-000 | EA | Decal - Stripe - Side Fade - Left - Red |
| | 066748-01-000 | EA | Decal - Upper Side - Rear Extension - Right - Blue |
| | 066748-02-000 | EA | Decal - Upper Side - Rear Extension - Left - Blue |
| | 066748-03-000 | EA | Decal - Upper Side - Rear Extension - Right - Red |
| | 066748-04-000 | EA | Decal - Upper Side - Rear Extension - Left - Red |
| | 065524-01-000 | EA | Decal Stripe - Transition Panel - .75" - Left - Gold |
| | 065524-02-000 | EA | Decal Stripe - Transition Panel - .75" - Right - Gold |
| | 041273-22-000 | FT | Decal - Striping - .75" Gold |
| | 067050-01-000 | EA | Decal - Stripe - Lower Center - Right - Blue |
| | 067050-02-000 | EA | Decal - Stripe - Lower Center - Right - Red |
| | 067050-03-000 | EA | Decal - Stripe - Lower Center - Left - Blue |
| | 067050-04-000 | EA | Decal - Stripe - Lower Center - Left - Red |
| | 065519-01-000 | EA | Decal - Stripe - C Shape - Backwall - Left - Blue |
| | 065519-02-000 | EA | Decal - Stripe - C Shape - Backwall - Left - Red |

GALLEY GROUP

GALLEY CABINERY

| Key | Part Number | U/M | Description |
|-----|---------------|-----|---|
| | 062301-02-L14 | EA | Countertop Asm. - Galley - Blue |
| | 062301-02-L15 | EA | Court. top Asm. - Galley - Rust Fiesta |
| | 065167-02-L14 | EA | Countertop Asm. - Refrigerator Cabinet - Blue |
| | 065167-02-L15 | EA | Countertop Asm. - Refrigerator Cabinet - Rust Fiesta |
| | M00094-01-L14 | EA | Cabinet Asm. - Galley w/o Countertop, Doors, Drawers and Hardware |
| | M00074-01-L14 | EA | Door Asm. - 15 3/4" x 15 2" - w/o Hardware |
| | M00074-02-L14 | EA | Door Asm. - 18 7/8" x 11 1/2" - w/o Hardware |
| | M00074-03-000 | EA | Door Asm. - 20 2" x 10 6" w/o Hardware |
| | M00074-04-000 | EA | Door Asm. - 20 2" x 60" w/o Hardware |
| | M00074-05-000 | EA | Door Asm. - 18 2" x 30" w/o Hardware |
| | M00074-06-000 | EA | Door Asm. - 20 1" x 23" w/o Hardware |
| | M00116-01-L14 | EA | Drawer Asm. - 12" x 17" w/o Hardware |
| | 062340-01-L14 | EA | Panel Asm. - Cabinet Overhead - Left End |
| | 062340-02-L14 | EA | Panel Asm. - Cabinet Overhead - Right End |
| | M00116-02-L14 | EA | Drawer Asm. - Galley - 20" x 13 5/8" - w/o Hardware |
| | 062377-01-L14 | EA | Cabinet Asm. - Galley Overhead - Double - w/o Doors and Hardware |
| | 063275-01-L14 | EA | Cabinet Asm. - Galley Overhead - Single - w/o Doors and Hardware |
| | 063224-02-L14 | EA | Door Asm. - Roll Up - 12 7/8" x 14 7/8" - w/o Hardware |

GALLEY HARDWARE AND APPLIANCES

| Key | Part Number | U/M | Description |
|-----|---------------|-----|--|
| | 056913-01-000 | EA | Range - 2 Burner - Chrome |
| | 056913-02-000 | EA | Range - 2 Burner - Black |
| | 056914-01-000 | EA | Cover - Two Burner Range |
| | 063257-01-000 | EA | Roof Vent - Powered - 6" Dia |
| | 003355-03-000 | EA | Ice Box - 50 lb - Mirror Finish |
| | 062643-01-000 | EA | Refrigerator - 2 Way - 2 Cu. Ft. - Norcold |
| | 011029-01-000 | EA | Sink - SST - Single w/Bolts |
| | 067488-01-000 | EA | Hand Pump - Galley - Chrome |
| | 037688-02-000 | EA | Slide - Side Corner L - Drawer |
| | 037688-03-000 | EA | Slide - Center - For Drawer |
| | 037688-04-000 | EA | Bracket - Rail Mounting Front - Drawer |
| | 066437-01-000 | EA | Strainer - w/Basket - Sink |

1980 ITASCA TABLE OF CONTENTS

| | |
|------------|-------------|
| ICF22RB L1 | A-1 - B-16 |
| ICN29RT L1 | B-17 - D-18 |
| IC319AK L1 | D-19 - E-20 |

1980 IC319AK L1 INDEX

| | |
|------------------------------------|-------------|
| Floor Plan | D-19 - D-20 |
| Accessories Group | D-21 - D-22 |
| Chassis Group | D-23 |
| Curtain, Cushion, and Pad Group | D-24 - E-3 |
| Dinette Group | E-4 |
| Driver's Compartment Group | E-5 |
| Electrical Group | E-6 - E-7 |
| Exterior Body Group | E-8 - E-9 |
| Galley Group | E-10 |
| Heating & Air Conditioning Group | E-11 |
| Interior Finish Group | E-12 - E-13 |
| LP Group | E-14 |
| Lounge Group | E-15 |
| Water & Sewage Group | E-15 |
| Window, Vent & Exterior Door Group | E-16 - E-20 |

HEATING AND AIR CONDITIONING GROUP

AUTOMOTIVE AIR CONDITIONER

| Key | Part Number | U/M | Description |
|-----|---------------|-----|---|
| | 051770-01-000 | EA | Compressor - Auto Air - Dodge or Chev. C-Body - ARA |
| | 062452-01-000 | EA | Evaporator - Auto Air - Dodge or Chev. C-Body - ARA |
| | 056480-01-000 | EA | Condenser Asm. - Auto Air - Dodge or Chevrolet C-Body - ARA |
| | 056779-01-000 | EA | Clutch - Auto Air - 7" Drive - Dodge or Chev. C-Body - ARA |
| | 055279-01-000 | EA | Control Asm. - Heater and Air Conditioner |
| | 056459-02-000 | EA | Mounting Kit - Compressor |

COACH HEATING AND A/C

| Key | Part Number | U/M | Description |
|-----|---------------|-----|---|
| | 007108-01-000 | FT | Hose - Heater - 5/8" I.D. - SAE 20R3 |
| | 049401-01-000 | EA | Heater Asm. - Rear Auxiliary |
| | 049401-01-700 | EA | Valve - Water Control - Rear Aux. Heater |
| | 049401-01-701 | EA | Control Cable - Rear Aux. Heater |
| | 049401-01-702 | EA | Motor Asm. - Rear Aux. Heater |
| | 049401-01-703 | EA | Heater Core - Rear Aux. Heater |
| | 049401-01-704 | EA | Switch - Rear Aux. Heater |
| | 058906-01-000 | EA | Control Panel - Rear Aux. Heater |
| | 062414-01-000 | EA | Furnace - 12,000 BTU - Duo-Therm - 66012 |
| | 063385-01-000 | EA | Vent Package - Furnace - 6600 Series |
| | 063258-01-000 | EA | Air Conditioner - 110 Volt - Roof Mount - 7,000 BTU - Duo-Therm |

INTERIOR FINISH GROUP

PANELING AND COUNTERTOP MATERIALS

| Key | Part Number | U/M | Description |
|-----|---------------|-----|---|
| | 058340-03-000 | SF | Plastic Laminate - Rust Fiesta - 36" x 120" (30 SF) |
| | 064367-04-000 | SF | Plastic Laminate - Blue - 60" x 96" (40 SF) |
| | 058790-02-000 | SF | Paneling - Band Saw Cedar - Suede - 48" x 96" (32 SF) |
| | 053339-01-000 | SF | Plastic Laminate - Butcher Block |
| | 058219-01-000 | SF | Plastic Laminate - Almond Batik |
| | 057663-01-000 | EA | Door - Tambour - Butternut - 4' x 8' |

INTERIOR MOLDINGS AND TRIMS

| Key | Part Number | U/M | Description |
|-----|---------------|-----|--|
| | 009815-02-000 | FT | T-Molding - .75" - Brown |
| | 009813-01-000 | FT | Molding - Plastic - Outside Corner - .50" Dark Pecan |
| | 009815-03-000 | FT | T-Molding - .75" - Light Brown |
| | 065122-02-000 | FT | T-Molding - 1" - Caramel |
| | 041958-01-000 | FT | Trim - Vinyl - Flex Edging - Brown - (U Shaped w/Grippers) |
| | 052859-01-L14 | FT | Accent Trim - Acorn Brown Vinyl |
| | 009767-05-000 | FT | Welting - Light Brown |
| | 009151-01-000 | EA | Warp Guard - 48" |
| | 034394-02-000 | FT | Extr. - Vinyl Insert - Beige |
| | 035337-22-000 | EA | Trim - Inside Corner - 80" - Beige Alum |
| | 065057-01-000 | EA | Molding - Trim Panel - Between Roof and Sidewall |
| | 064009-01-000 | EA | Trim Panel - Upper Rear - Plastic |
| | 064010-01-000 | EA | Trim Panel - Rear Lower Right - Plastic |
| | 065784-01-000 | EA | Trim Panel - Upper Cab - Plastic |
| | 065782-01-000 | EA | Trim Panel - Transition Panel - Center - Plastic |
| | 065781-02-000 | EA | Trim Panel - Transition Panel - Left - Plastic |
| | 065781-01-000 | EA | Trim Panel - Transition Panel - Right - Plastic |
| | 064014-02-000 | EA | Trim Panel - Side Filler - Left - Plastic |
| | 064014-01-000 | EA | Trim Panel - Side Filler - Right - Plastic |
| | 064013-01-000 | EA | Trim Panel - Side Upper - Deluxe - Plastic |
| | 064012-03-000 | EA | Trim Panel - Side Upper - Plastic |
| | 064011-01-000 | EA | Trim Panel - Side Rear - Plastic |
| | 054676-13-L14 | EA | Button Asm. - Vinyl - Blue |
| | 064382-01-000 | EA | Extrusion - Plastic Door Trim - Light Brown |

FABRICS AND FLOOR COVERINGS

| Key | Part Number | U/M | Description |
|-----|---------------|-----|---|
| | 053327-01-000 | YD | Vinyl - Non Expanded - 27 oz. - Acorn Brown |
| | 053327-02-000 | YD | Vinyl - Expanded - 28 oz. - Acorn Brown |
| | 057654-01-000 | YD | Vinyl - Upholstery - Blue |
| | 061619-02-000 | YD | Vinyl - Upholstery - Rust |
| | 064393-04-000 | YD | Fabric - Drapery - Dublin Flax |
| | 061619-01-000 | YD | Fabric - Upholstery - Paragon - Blue |
| | 062922-01-000 | YD | Fabric - Upholstery - Rust |
| | 064384-15-000 | SY | Carpet - Carleton - Red Oak |
| | 064384-10-000 | SY | Carpet - Carleton - Blue |

1980 ITASCA TABLE OF CONTENTS

| | |
|------------|-------------|
| ICF22RB L1 | A-1 - B-16 |
| ICN29RT L1 | B-17 - D-18 |
| IC319RK L1 | D-19 - E-20 |

1980 IC319RK L1 INDEX

| | |
|------------------------------------|-------------|
| Floor Plan | D-19 - D-20 |
| Accessories Group | D-21 - D-22 |
| Chassis Group | D-23 |
| Curtain, Cushion and Pad Group | D-24 - E-3 |
| Dinette Group | E-4 |
| Driver's Compartment Group | E-5 |
| Electrical Group | E-6 - E-7 |
| Exterior Body Group | E-8 - E-9 |
| Galley Group | E-10 |
| Heating & Air Conditioning Group | E-11 |
| Interior Finish Group | E-12 - E-13 |
| LP Group | E-14 |
| Lounge Group | E-15 |
| Water & Sewage Group | E-15 |
| Window, Vent & Exterior Door Group | E-16 - E-20 |

INTERIOR FINISH GROUP (CONTINUED)

CABINERY AND TABLE HARDWARE

| Key | Part Number | U/M | Description |
|-----|---------------|-----|--|
| | 057898-01-000 | EA | Latch - Hidden |
| | 057898-02-000 | EA | Strike - Hidden Latch |
| | 061604-01-000 | EA | Slide Bolt - Antique Brass |
| | 053331-01-000 | EA | Hinge - Overlay - Antique Brass |
| | 037688-01-000 | FT | Rail - Drawer Guide V |
| | 037688-02-000 | EA | Glide - Side Corner L - Drawer |
| | 037688-03-000 | EA | Glide - Center - Drawer |
| | 037688-04-000 | EA | Bracket - Rail Mounting - Front - Drawer |
| | 037688-05-000 | EA | Bracket - Rail Mounting - Rear - Drawer |
| | 009040-03-000 | EA | Base - Table - Raised |
| | 009040-02-000 | EA | Leg - Pedestal Table - 27.5" |
| | 041194-01-000 | EA | Base - Table - Flush Mount |
| | 066441-01-000 | EA | Leg - Folding - 11.5" |
| | 009044-01-000 | EA | Leg - Folding - 26.5" |
| | 058335-01-000 | EA | Latch - Bathroom Door |
| | 043255-01-000 | FT | Track - Plastic - Roll-up Doors |
| | 043256-01-000 | EA | Spiral - Plastic - Roll-up Cabinet Doors - Right |
| | 043256-02-000 | EA | Spiral - Plastic - Roll-up Cabinet Doors - Left |
| | 009112-01-000 | EA | Flange - 1" Rod - Chrome |

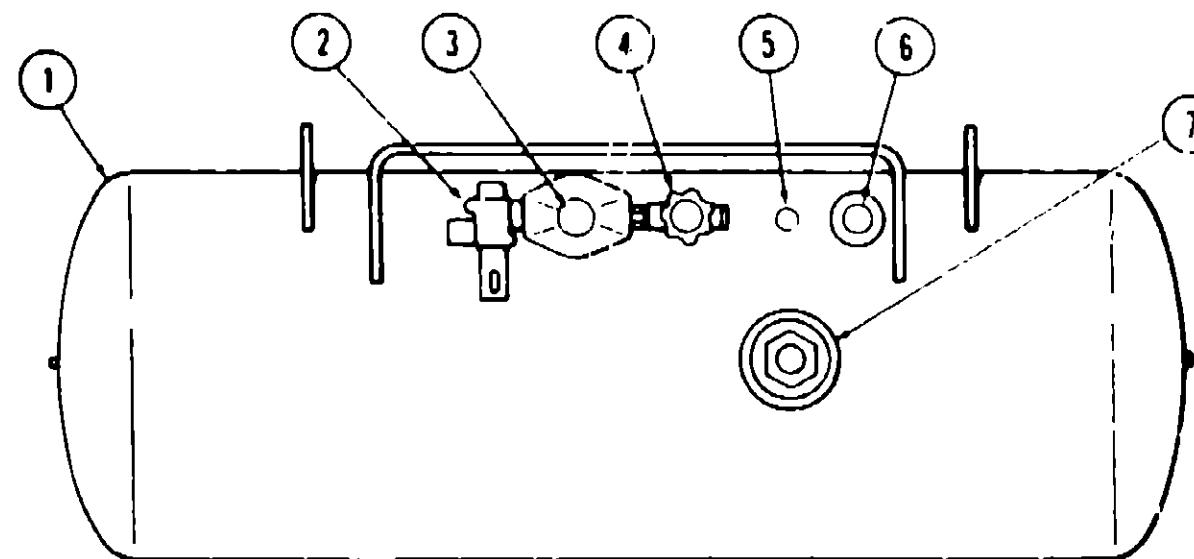
CURTAIN HARDWARE

| Key | Part Number | U/M | Description |
|-----|---------------|-----|---|
| | 029130-01-000 | EA | Socket - Snap Fastener - Screw |
| | 029155-01-000 | EA | Cap - Snap - .156" Dia. x .17" Barrel |
| | 029156-01-000 | EA | Socket - Snap Fastener |
| | 029092-01-000 | EA | Stud - Nickel Finish |
| | 029093-01-000 | EA | Eyelet - Nickel Finish |
| | 052327-04-236 | EA | Track - Curtain - Brown Alum. |
| | 009107-01-000 | EA | Guide - Nylon Snap - Curtain |
| | 018031-42-000 | EA | Track - Curtain - "L" Rod - Alum. Extr. - 90" |
| | 009701-01-000 | EA | Carrier - "L" Rod - Curtain |
| | 009702-01-000 | EA | End Stop - "L" Rod - Curtain |

MISCELLANEOUS

| Key | Part Number | U/M | Description |
|-----|---------------|-----|--|
| | 041944-01-700 | EA | Fire Extinguisher - Dry Chemical w/Bracket |
| | 041944-03-000 | EA | Fire Extinguisher - 5BC - Calif. |
| | 007038-01-000 | EA | Door Mat - Black Rubber - 10 1/2" x 26" |
| | 054185-09-000 | EA | Owners Manual - Seahawk - 1980 |

LP GROUP



**1980 ITASCA
TABLE OF CONTENTS**

| | |
|------------|-------------|
| ICF22RB L1 | A-1 - B-16 |
| ICN29RT L1 | B-17 - D-18 |
| IC319RK L1 | D-19 - E-20 |

| Key | Part Number | U/M | Description |
|-----|-----------------|-----|---|
| 1 | 062026-01-000 | EA | Tank Asm. - LP - Frame Mount - 28 Pound |
| 2 | 047221-01-000 | EA | Detector - LP Gas Leak |
| . | 047356-01-000 | EA | Bracket - LP Leak Detector |
| 3 | 058706-01-000 | EA | Cover - Regulator - 2 Stage |
| . | 058705-01-000 | EA | Regulator - Two Stage - LP Gas |
| 4 | 040421-01-703 | EA | Valve - Vapor Relief |
| 5 | 040421-01-700 | EA | Gauge - Liquid Level - 20% LP |
| 6 | 040421-01-701 | EA | Valve - Filler - LP |
| . | 040421-01-702 | EA | Cap - Plastic Fill Valve |
| 7 | 042281-01-700 | EA | Gauge - float w/Visible Dial |
| . | 040421-01-706 | EA | Dial - Visible Face - Float Gauge (Tank w/o Electric Transmitter) |
| . | 040421-01-705 | EA | Dial - Transmitter - 0-90 Ohm (Float Gauge) |
| . | 045703-01-000 | EA | Hose Asm. - LP - 3/8" I.D. x 24" |
| . | 045703-03-000 | EA | Hose Asm. - LP - 3/8" I.D. x 14" |
| . | 045703-02-000 | EA | Hose Asm. - LP - 3/8" I.D. x 24" - C.S.A. |
| . | 045703-04-000 | EA | Hose Asm. - LP - 3/8" I.D. x 14" - C.S.A. |
| . | 047737-03-000 | EA | Support - LP Tank - 30 50" |
| . | Not Illustrated | | |

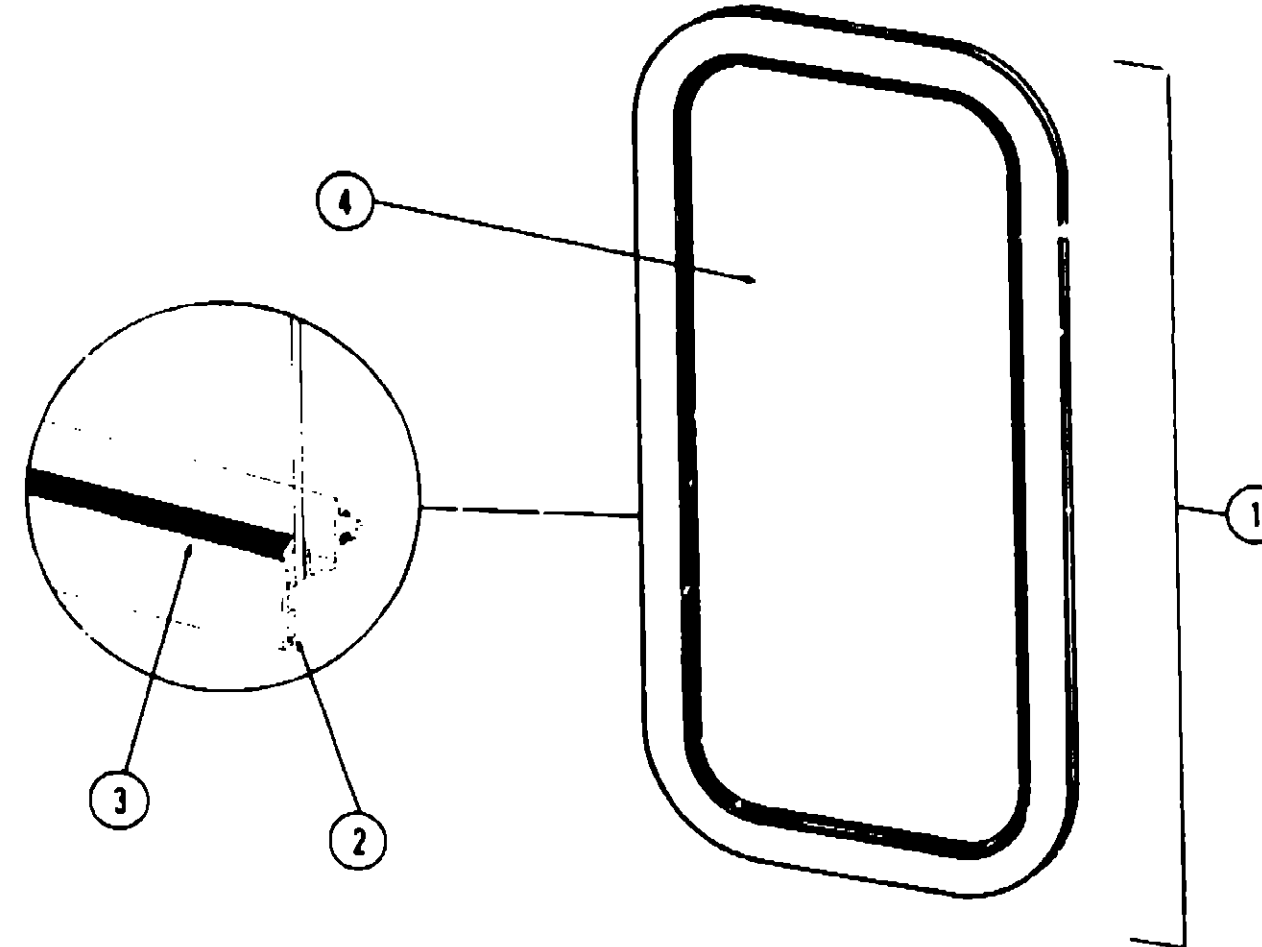
1980 IC319RK L1 INDEX

| | |
|------------------------------------|-------------|
| Floor Plan | D-19 - D-20 |
| Accessories Group | D-21 - D-22 |
| Chassis Group | D-23 |
| Curtain, Cushion & Pad Group | D-24 - E-3 |
| Dinette Group | E-4 |
| Driver's Compartment Group | E-5 |
| Electrical Group | E-6 - E-7 |
| Exterior Body Group | E-8 - E-9 |
| Galley Group | E-10 |
| Heating & Air Conditioning Group | E-11 |
| Interior Finish Group | E-12 - E-13 |
| LP Group | E-14 |
| Lounge Group | E-15 |
| Water & Sewage Group | E-15 |
| Window, Vent & Exterior Door Group | E-16 - E-20 |

LOUNGE GROUP

| Key | Part Number | U/M | Description |
|-----|---------------|-----|---|
| | 067155-01-L14 | EA | Cabinet Face Asm. - Couch - Front Right - 72.3" |
| | 067154-01-L14 | EA | Cabinet Face Asm. - Couch - Front Left - 72.3" |
| | M00074-09-L14 | EA | Door Asm. - 10.8" x 37.4" - w/o Hardware |
| | 067677-01-L14 | EA | Cabinet Face Asm. - Couch - Front Left - 85.3" |
| | 067676-01-L14 | EA | Cabinet Face Asm. - Couch - Front Right - 85.3" |
| | 067157-02-L14 | EA | Panel Asm. - Sprung Couch End - Right Hand |

WINDOW, VENT AND EXTERIOR DOOR GROUP



1980 ITASCA TABLE OF CONTENTS

ICF22RB L1
ICN29RT L1
IC319RK L1

A-1 B-16
B-17 C-17
D-19 - F

WATER AND SEWAGE GROUP

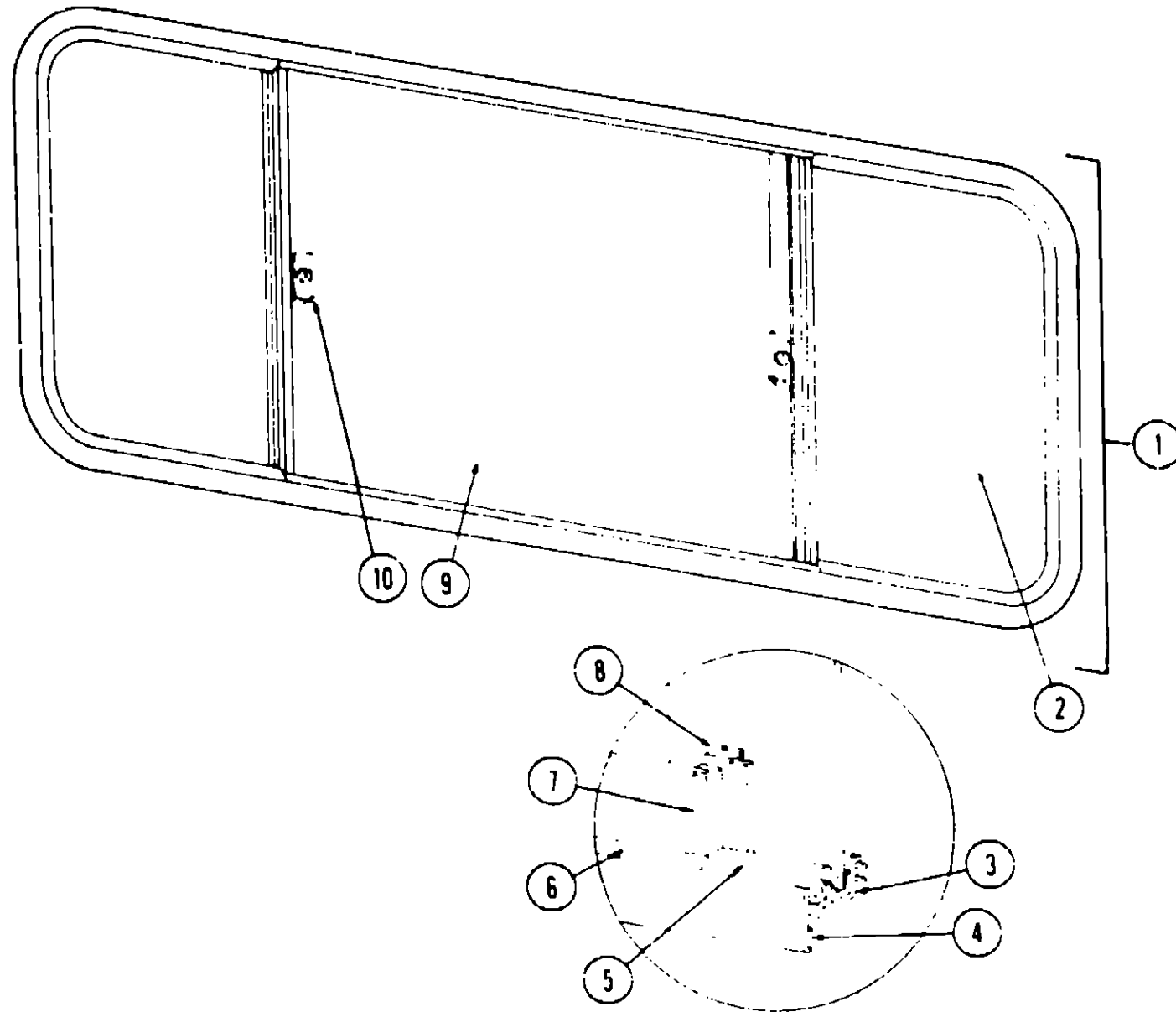
| Key | Part Number | U/M | Description |
|-----|---------------|-----|---|
| | 062644-01-000 | EA | Toilet - Portable - Almond - Thetford |
| | 050346-01-000 | EA | Water Tank - 5 Gallon - w/Siphon |
| | 053770-01-000 | EA | P-Trap - Plastic |
| | 065735-01-000 | EA | Adaptor - Swivelnut - .75" Barb x GHT - Plastic |
| | 062401-03-000 | EA | Hose Clamp - Worm Gear - .22" - 1" I.D. |
| | 011085-01-000 | EA | Sink Strainer |

| Key | Part Number | U/M | Description |
|-----|---------------|-----|---|
| 1 | 041875-02-000 | EA | Window Asm. - Picture - 13" x 23" (w/o inside frame) |
| 2 | 053767-03-000 | EA | Tape - 1/4" Bead x 20' - Gray - Schnee Morehead |
| 3 | 002309-02-000 | FT | Spline - 1/8" Glass - Black |
| 4 | 002181-01-000 | EA | Glass - 1/8" x 12" x 22" - Gray |
| * | 041696-02-000 | EA | Frame - Inside - Window - 13" x 23" (not included in assembly) |
| | | | Not Illustrated |

1980 IC319RK L1 INDEX

| | |
|------------------------------------|-------------|
| Floor Plan | D-19 - D-20 |
| Accessories Group | D-21 - D-22 |
| Chassis Group | D-23 |
| Curtain, Cushion & Pad Group | D-24 - E-3 |
| Dinette Group | E-4 |
| Driver's Compartment Group | E-5 |
| Electrical Group | E-6 - E-7 |
| Exterior Body Group | E-8 - E-9 |
| Galley Group | E-10 |
| Heating & Air Conditioning Group | E-11 |
| Interior Finish Group | E-12 - E-13 |
| LP Group | E-14 |
| Lounge Group | E-15 |
| Water & Sewage Group | E-15 |
| Window, Vent & Exterior Door Group | E-16 - E-20 |

WINDOW, VENT AND EXTERIOR DOOR GROUP (CONTINUED)



| Key | Part Number | U/M | Description |
|-----|---------------|-----|--|
| 1 | 048630-04-000 | EA | Window Asm. - Double Slider - 23" x 65" - Black Anod. (w/o inside frame) |
| 2 | 047823-01-000 | EA | Glass - 1/8" x 22" x 21.03" - Sliding (2 per window) |
| 3 | 002324-01-000 | FT | Channel - Weatherstrip - Glass Run - 1/8" Glass |
| 4 | 053767-03-000 | FT | Tape - 1/4" Bead x 20' - Gray - Schnee Morehead |
| 5 | 057374-02-000 | FT | Seal - Window Channel - Black |
| 6 | 002309-02-000 | FT | Spline - Glass - 1/8" - Black |
| 7 | 018025-03-000 | EA | Holder - Glass Seal - Black Anod. |
| 8 | 041894-02-000 | EA | Mullion - Slider Window - 23" - Black Anod. |
| 9 | 002188-01-000 | EA | Glass - 1/8" x 22" x 25.50" - Stationary |
| 10 | 047369-01-700 | EA | Latch - Window - Plastic w/Fastener |
| . | 023320-01-000 | EA | Foam Pad - 3/8" Dia. (used with plastic latch) |
| . | 042133-06-000 | EA | Frame - Inside - Double Slider Window (not included in assembly) |
| . | 002298-01-000 | FT | Spline - Gray - .130" Dia. - (Screen) |
| . | 002293-01-000 | SF | Screen - Window - 26" - Gray |
| . | 023713-02-000 | EA | Cover - Weephole - Plastic - Black |
| . | | | Not Illustrated |

WINDOW, VENT AND EXTERIOR DOOR GROUP (CONTINUED)

WINDOWS

| Key | Part Number | U/M | Description |
|-----|---------------|-----|--|
| | 066721-01-000 | EA | Front Overhead Window |
| | 062311-01-000 | EA | Glass - Side Overhead - 1/8" x 20" x 6.35" |
| | 062310-01-000 | EA | Glass - Transition Panel - 15.7" x 6.63" |
| | 062647-02-000 | EA | Screen - Cab Window - Chevy - Right |
| | 062647-04-000 | EA | Screen - Cab Window - Chevy - Left |
| | 064745-01-000 | FT | Seal - Window - Overhead |

ACCESS DOORS

| Key | Part Number | U/M | Description |
|-----|---------------|-----|---|
| | 064742-03-000 | EA | Door Asm. - Luggage Compartment - Key Type Lock - 29.5" x 9.28" |
| | 064742-04-000 | EA | Door Asm. - Luggage Compartment - Twist Type Lock - 29.5" x 9.28" |
| | 064609-01-000 | EA | Door Asm. - Fuel Fill |
| | 042442-01-000 | EA | Lock Asm. - Twist Type |
| | 042441-01-000 | EA | Lock Asm. - Key Type |
| | 056846-01-000 | EA | Door Panel Trim - Right Hand |
| | 056846-02-000 | EA | Door - Panel Trim - Left Hand |

VENTS

| Key | Part Number | U/M | Description |
|-----|---------------|-----|----------------------------------|
| | 063257-01-000 | EA | Roof Vent - Powered - 6" Dia. |
| | 063257-02-000 | EA | Roof Vent - Non Powered - 6" Dia |
| | 064470-01-000 | EA | Roof Vent - Non Powered - Jensen |

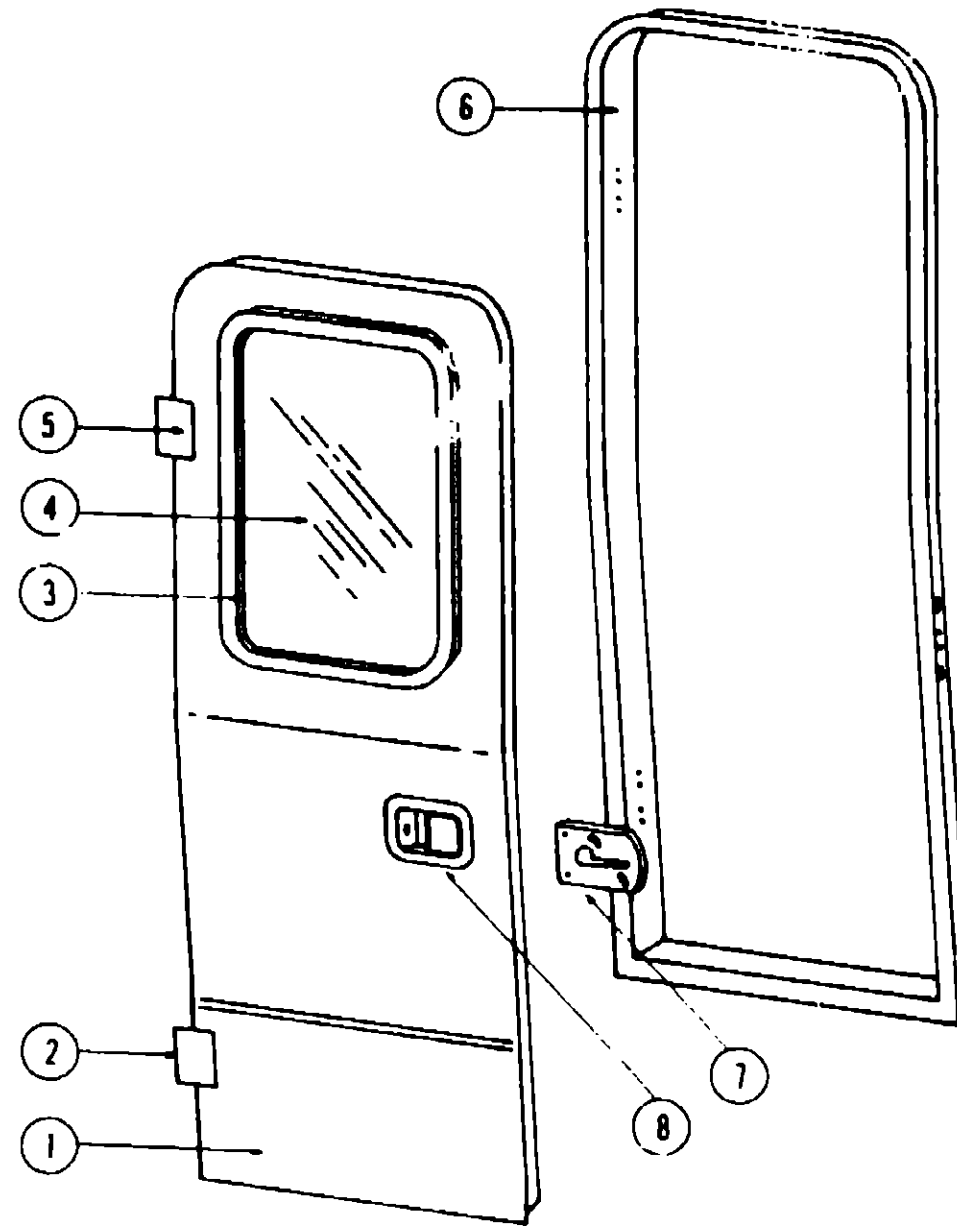
**1980 ITASCA
TABLE OF CONTENTS**

| | |
|------------|-------------|
| ICF22RB L1 | A-1 - B-16 |
| ICN29RT L1 | B-17 - D-18 |
| IC319RK L1 | D-19 - E-20 |

1980 IC319RK L1 INDEX

| | |
|------------------------------------|-------------|
| Floor Plan | D-19 - D-20 |
| Accessories Group | D-21 - D-22 |
| Chassis Group | D-23 |
| Curtain, Cushion & Pad Group | D-24 - E-3 |
| Dinette Group | E-4 |
| Driver's Compartment Group | E-5 |
| Electrical Group | E-6 - E-7 |
| Exterior Body Group | E-8 - E-9 |
| Galley Group | E-10 |
| Heating & Air Conditioning Group | E-11 |
| Interior Finish Group | E-12 - E-13 |
| LP Group | E-14 |
| Lounge Group | E-15 |
| Water & Sewage Group | E-15 |
| Window, Vent & Exterior Door Group | E-16 - E-20 |

WINDOW, VENT AND EXTERIOR DOOR GROUP (CONTINUED)



| Key | Part Number | U/M | Description |
|-----|-----------------|-----|--|
| 1 | M00082-01-L16 | EA | Entrance Door Asm. |
| 2 | 064276-01-000 | EA | Hinge Asm. - Lower |
| 3 | 041875-02-000 | EA | Window Asm. - Picture |
| 4 | 002181-01-000 | EA | Glass - Picture Window - .115" x 12" x 22" |
| . | 041696-02-000 | EA | Frame - Inside Window - 13" x 23" Brown |
| . | 002309-02-000 | EA | Spline - Glass - 1/8" - Black |
| . | 053767-03-000 | FT | Tape - 1/4" Bead x 20' - Gray - Schnee Morehead |
| . | 053767-01-000 | FT | Tape - 1/2" x 1/8" x 30' - Gray - Schnee Morehead |
| 5 | 064275-01-000 | EA | Hinge Asm. - Upper |
| 6 | 064005-01-000 | EA | Jamb Asm. - Entry Door |
| 7 | 039979-02-000 | EA | Cover Asm. - Latch Plate - Interior - Including Handle - Left Hand |
| 8 | 045017-02-000 | EA | Latch Entry Door - Exterior - Left Hand |
| . | 045017-01-700 | EA | Lock Cylinder w/Keys |
| . | 039539-01-000 | EA | Strike Bolt - Entry Door |
| . | 064075-01-000 | FT | Bulb Seal - Jamb - Entry Door |
| . | 039738-01-000 | EA | Dead Bolt Asm. |
| . | Not Illustrated | | |

**1980 ITASCA
TABLE OF CONTENTS**

| | |
|------------|-------------|
| ICF22RB L1 | A-1 - B-16 |
| ICN29RT L1 | B-17 - D-18 |
| IC319RK L1 | D-19 - E-20 |

1980 IC319RK L1 INDEX

| | |
|------------------------------------|-------------|
| Floor Plan | D-19 - D-20 |
| Accessories Group | D-21 - D-22 |
| Chassis Group | D-23 |
| Curtain, Cushion & Pad Group | D-24 - E-3 |
| Dinette Group | E-4 |
| Driver's Compartment Group | E-5 |
| Electrical Group | E-6 - E-7 |
| Exterior Body Group | E-8 - E-9 |
| Galley Group | E-10 |
| Heating & Air Conditioning Group | E-11 |
| Interior Finish Group | E-12 - E-13 |
| LP Group | E-14 |
| Lounge Group | E-15 |
| Water & Sewage Group | E-15 |
| Window, Vent & Exterior Door Group | E-16 - E-20 |