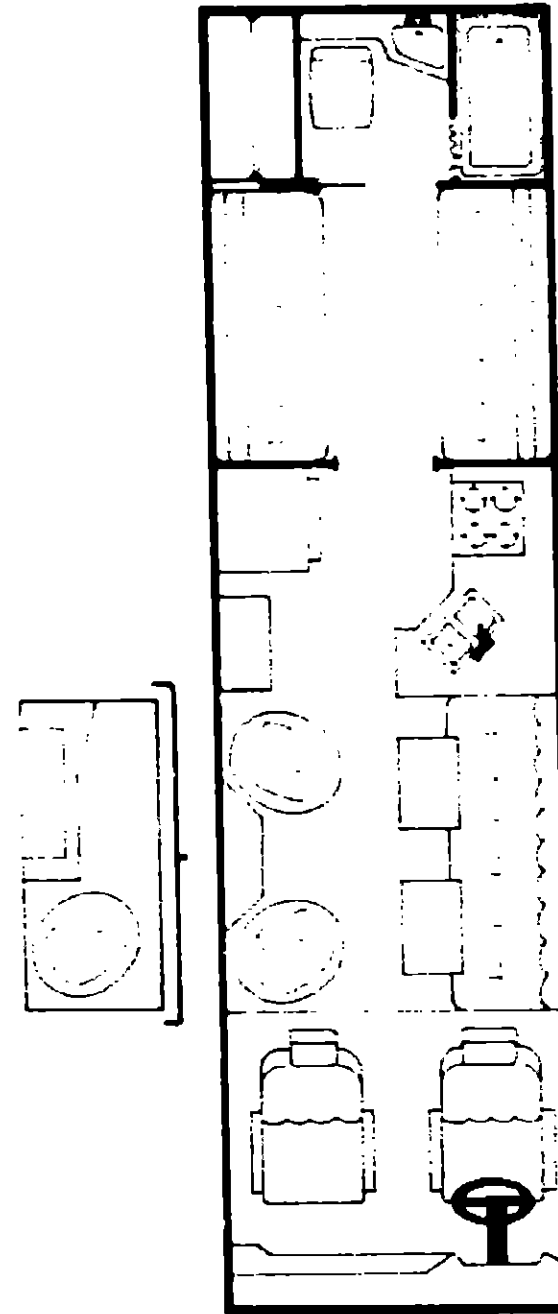


1979 WDU29RB



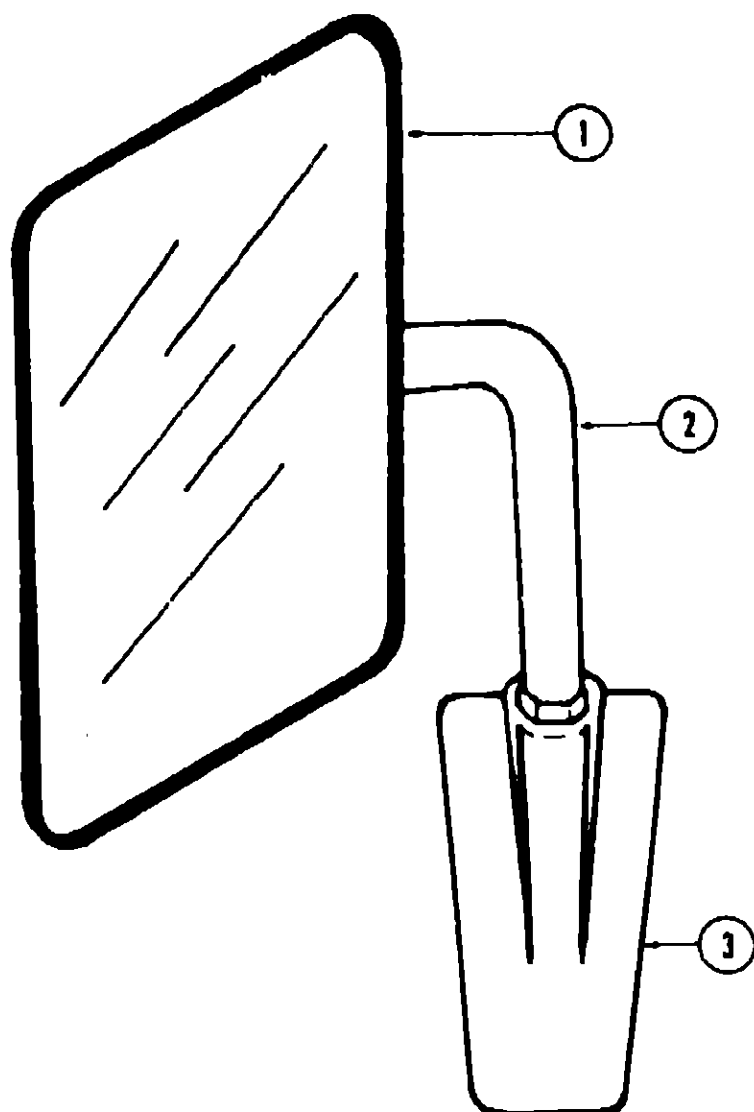
1979 WINNEBAGO TABLE OF CONTENTS

WD423RB	A-1 - B-10
WDF23RG	B-11 - C-22
WDU27RT	C-23 - E-8
WDU29RB	E-9 - F-18

1979 WDU29RB INDEX

Floor Plan	E-9 - E-10
Accessories Group	E-11 - E-12
Bath Group	E-13 - E-14
Chassis Group	E-15
Curtain, Cushion and Pad Group	E-16 - E-18
Dinette Group	E-19
Driver's Compartment Group	E-20 - E-21
Electrical Group	E-22 - E-23
Exterior Body Group	E-24 - F-4
Galley Group	F-5
Heating & Air Conditioning Group	F-6
Interior Finish Group	F-7 - F-8
LP Group	F-9
Lounge Group	F-9
Water & Sewage Group	F-10
Window, Vent & Exterior Door Group	F-11 - F-18

ACCESSORIES GROUP



Key	Part Number	U/M	Description
1	049347-01-000	EA	Mirror Head - 7 1/2" x 10 1/2" - Stainless Steel
*	057461-01-000	EA	Mirror Head - 7 1/2" x 10 1/2" w/Convex
2	049348-01-000	EA	Arm - Low Mount Mirror - Bright Finish
3	049944-01-000	EA	Bracket - Mirror - Beige
*	Not Illustrated		

ACCESSORIES GROUP (CONTINUED)

RADIOS AND RELATED COMPONENTS

Key	Part Number	U/M	Description
	058014-01-000	EA	Radio - AM-FM/MPX - 8 Track - Motorola 3RV4715
	058014-02-000	EA	Radio - AM-FM Cassette Stereo - Motorola 3RV4816
	056726-01-000	EA	Speaker - Radio - Motorola
	056725-01-000	EA	Grill Asm. - Radio - Motorola
	031105-01-000	EA	Antenna - Radio - Side Mount
	031105-01-700	EA	Clip - Radio Antenna
	048153-01-000	EA	Antenna - CB Camper Style

FRONT OVERHEAD BUNK, CABINET AND HARDWARE

Key	Part Number	U/M	Description
	062124-01-K18	EA	Cabinet Asm. - Overhead - Front - w/o Doors or Hardware
	062577-C2-K18	EA	Pad - Overhead Cabinet - Center
	062615-02-K18	EA	Pad - Overhead Cabinet - Right
	062616-02-K18	EA	Pad - Overhead Cabinet - Left
	062617-02-K18	EA	Pad - Overhead Cabinet - Base
	048820-02-J38	EA	Bunk Asm. - Front Overhead
	040071-01-000	EA	Bunk Support - Seat Belt
	042201-01-000	EA	Bunk Support - Beige
	053774-01-000	EA	Torsion Rod - Overhead Bunk - Brown

GENERATORS AND INSTALLATION KITS

Key	Part Number	U/M	Description
	054431-01-000	EA	Generator - 5.0 kw Onan - U.S. and C.S.A.
	054433-01-000	EA	Generator - 6.5 kw Onan - U.S. and C.S.A.
	701629-02-000	EA	Installation Package - Onan Generator
	024732-01-001	EA	Tailpipe - 1 1/2" O.D. x 23"
	050467-01-000	EA	Bezel - Entertainment Center #3

MISCELLANEOUS ACCESSORIES

Key	Part Number	U/M	Description
	057466-01-000	EA	TV - 12" - Color - Trinitron
	006053-01-000	EA	Antenna - TV - Braund Delux
	006053-01-700	EA	Parts Kit - Repair - Braund TV Antenna
	006083-01-000	EA	Jack - TV - Brown
**	042344-01-000	EA	Luggage Rack Asm. - w/Ladder
**	042344-02-000	EA	Ladder Only - For Rack and Ladder Asm.
	006113-01-000	EA	Jack - Hydraulic - 5 Ton
	041944-01-700	EA	Fire Extinguisher - Dry Chemical - w/Bracket
	052771-01-000	EA	Oven - Microwave - Magic Chef 207-4
	054185-03-000	EA	Owner's Manual - Winnebago 1979
	023111-01-000	EA	Food Center - Built in - Power Unit w/Blender
	023111-02-000	EA	Ice Crusher Attachment - Food Center
**	024746-01-000	EA	Speed Control Package - 440 C.I.D. - Dodge - Lever Type - A-Body
**	059778-01-000	EA	Speed Control Package - Electric
	041646-01-000	EA	Luggage Carrier Asm. - Roof
	055285-01-000	EA	Vacuum Cleaner - Built in - Tevis Campbell
	055285-01-700	EA	Vacuum - Accessory Package - Tevis Campbell
	055285-01-701	EA	Vacuum Bags - (Package 12)
	058793-01-000	EA	Steering Wheel - Custom - Brown
	055284-01-000	EA	Ice Maker - Automatic - Instamatic 45
	017516-01-000	EA	Mudflap - Black - 14" x 18" - w/Holes
	008089-01-010	EA	Case - Leather Key - Motor Home
	007038-01-000	EA	Mat - Door - Black Rubber - 10 1/2" x 26"
**	031386-02-000	EA	Cover - Wheel - 19.5" Chrome
	044389-01-000	EA	Thermometer - Outside - Chrome
	047226-05-000	EA	Tire Cover - Brown - w/Zipper
	048813-01-000	EA	Weather Center - 5 1/2" x 15" - Gold

**The illustrated parts breakdown for this item is provided on the Common Items Fiche.

1979 WINNEBAGO TABLE OF CONTENTS

WD423RB	A-1 - B-10
WDF23RG	B-11 - C-22
WDU27RT	C-23 - E-8
WDU29RB	E-9 - F-19

1979 WDU29RB INDEX

Floor Plan	E-9 - E-10
Accessories Group	E-11 - E-12
Bath Group	E-13 - E-14
Chassis Group	E-15
Curtain, Cushion and Pad Group	E-16 - E-18
Dinette Group	E-19
Driver's Compartment Group	E-20 - E-21
Electrical Group	E-22 - E-23
Exterior Body Group	E-24 - F-4
Galley Group	F-5
Heating & Air Conditioning Group	F-6
Interior Finish Group	F-7 - F-8
LP Group	F-9
Lounge Group	F-9
Water & Sewage Group	F-10
Window, Vent & Exterior Door Group	F-11 - F-18

BATH GROUP

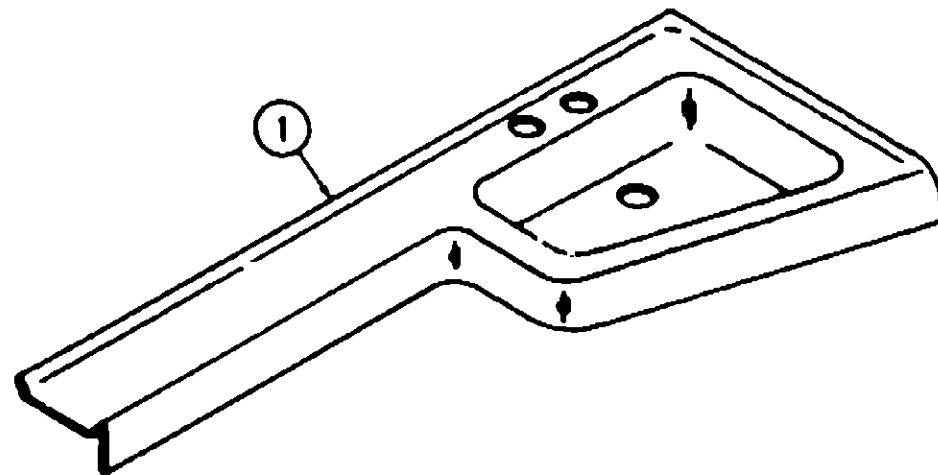
BATH HARDWARE

Key	Part Number	U/M	Description
..	011056-01-000	EA	Faucet - Lavatory - U S
..	011056-02-000	EA	Faucet - Lavatory - C S A
..	011083-02-000	EA	Plug - Sink - 1 1/4" w/Chain
..	031558-01-000	EA	Faucet - Tub and Shower - U S - C S A
..	011086-01-000	EA	Strainer - Shower Pan
..	011070-01-000	EA	Tailpiece - 1 1/4" x 6" - Brass
..	010495-01-000	EA	Clamp - Cable - 9/16"
..	055287-01-000	EA	Shower Head - w/Adjusting Bar and 59" Hose
..	061408-01-000	EA	Soap Holder - Antique Brass
..	061409-01-000	EA	Paper Holder - Antique Brass
..	061410-01-000	EA	Towel Ring - Antique Brass
..	058331-04-000	EA	Mirror - Wardrobe Door - 1/8" x 12" x 42"
..	009112-01-000	EA	Flange - 1" - Closet Rod - Chrome
..	053260-01-000	EA	Trim - Shower Door - Bottom
..	053261-01-000	EA	Trim - Shower Door - Left
..	053262-01-000	EA	Trim - Shower Door - Right
..	009155-01-000	EA	Track - Sliding Door
..	009156-01-000	EA	Hanger - Sliding Door
..	039341-02-000	EA	Toilet - Marine - Thetford Aqua Magic SH - Ivory

**The illustrated parts breakdown for this item is provided on the Common Items Fiche

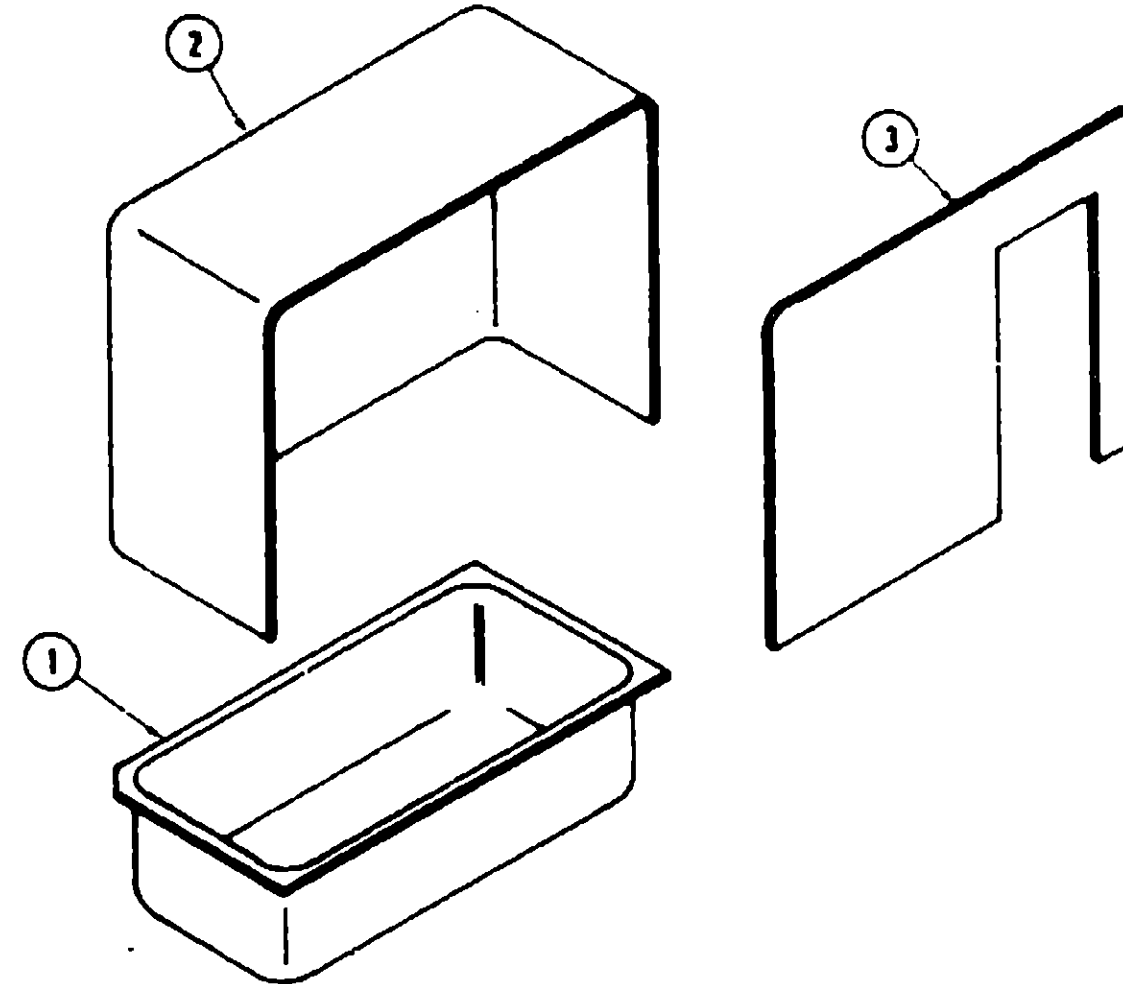
BATH CABINETRY

Key	Part Number	U/M	Description
..	062122-01-K18	EA	Cabinet Asm. - Vanity - w/o Top, Doors or Hardware
..	059092-57-K18	EA	Door Asm. - Vanity Cabinet - 15 1/4" x 23" - w/o Hardware
..	058842-08-K18	EA	Door Asm. - Wardrobe - w/Mirror - Left - w/o Hardware
..	058842-09-K18	EA	Door Asm. - Wardrobe - w/Mirror - Right - w/o Hardware
..	061185-03-K18	EA	Door Asm. - Sliding - 27 1/8" x 75" - w/o Hardware
..	053130-02-000	EA	Medicine Cabinet - 43 5" Wide



Key	Part Number	U/M	Description
1	042175-02-000	EA	Lavatory Top - Ivory Plastic

BATH GROUP (CONTINUED)



Key	Part Number	U/M	Description
1	041826-01-000	EA	Bathtub Bottom - Ivory Plastic
2	041853-01-000	EA	Bathtub Rear - Ivory Plastic
3	041852-01-000	EA	Bathtub Front - Ivory Plastic

1979 WINNEBAGO TABLE OF CONTENTS

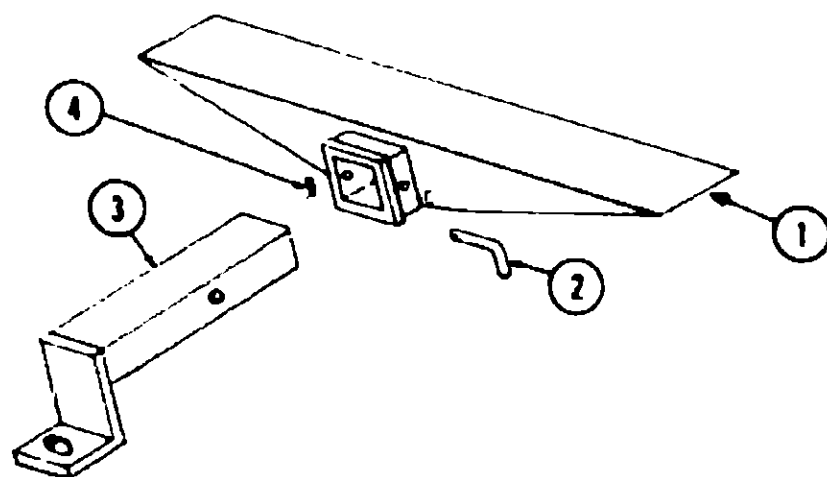
WD423RB	A-1 - B-10
WDF23RG	B-11 - C-22
WDU27RT	C-23 - E-8
WDU29RB	E-9 - F-18

1979 WDU29RB INDEX

Floor Plan	E-9 - E-10
Accessories Group	E-11 - E-12
Bath Group	E-13 - E-14
Chassis Group	E-15
Curtain, Cushion and Pad Group	E-16 - E-18
Dinette Group	E-19
Driver's Compartment Group	E-20 - E-21
Electrical Group	E-22 - E-23
Exterior Body Group	E-24 - F-4
Galley Group	F-5
Heating & Air Conditioning Group	F-6
Interior Finish Group	F-7 - F-8
LP Group	F-9
Lounge Group	F-9
Water & Sewage Group	F-10
Window, Vent & Exterior Door Group	F-11 - F-18

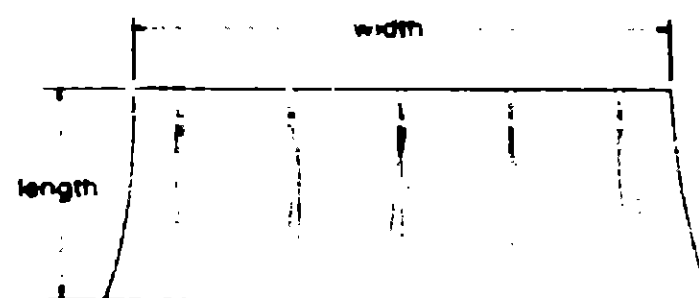
CHASSIS GROUP

Key	Part Number	U/M	Description
	041233-01-000	EA	Bumper - Contoured - Front or Rear
	042510-01-000	EA	Reinforcement - Bumper - Front or Rear
	042515-01-000	EA	Bracket - Bumper - Front
	050305-01-000	EA	Bracket - Splash Guard Mount - Front
	037933-01-000	EA	Bracket - License Plate - Front or Rear
	050703-01-000	EA	Bracket - Bumper - Rear
	042524-01-000	EA	Support Asm. - Tire Carrier
	042546-01-000	EA	Mounting Plate - Spare Tire
	042544-01-000	EA	Support - Spare Tire Asm.
	042495-01-000	EA	Power Step Asm. - Entrance Door w/o Control Unit
	038388-01-700	EA	Motor - Power Step
	038388-01-701	EA	Gear - Power Step
	047375-01-000	EA	Control Unit - Power Step
	041248-01-000	EA	Light - Warning - Step
	041249-01-000	EA	Switch - Toggle - On/Off - Power Step
	041250-01-000	EA	Switch - Push Button - Power Step
	057435-01-000	EA	Tray - Battery - Steel
	035102-01-000	EA	Cover Asm. - Radiator - Rear
	037458-02-000	EA	Hoodboard - Steel - Front - Left
	037468-01-000	EA	Hoodboard - Steel - Front - Right
	007134-01-000	EA	Clamp - Hose - Spring Type - 9/16"
	007137-01-000	EA	Clamp - Worm Gear - 1 5/16" to 2 1/4"
	007138-01-000	EA	Clamp - Hose - 1/4" to 3/4" Dia.
	007140-01-000	EA	Clamp - Hose - 2" to 3" Dia.
	024138-01-000	FT	Hose - Fuel - 5/16" I.D.
	024141-01-000	FT	Hose - Rubber - 1/2" I.D.
	024647-01-000	EA	Hose - Gas - 2 1/4" I.D.
	007063-01-000	FT	Hose - Gas - 1/4" I.D. x 1/2" O.D.
	045814-02-000	EA	Fill - Gas w/Vent - 2.76" Long
	024611-04-000	EA	Cap - Gas - Pressure - 1.5" - Chrome
	038882-01-000	EA	Tank - Fuel - 27.8 Gallon - Aux.
	042986-01-000	EA	Strap - Mounting - Fuel Tank
	007160-01-000	EA	Gasket - 3/16" x 2" x 2" - Tire Carcass
	038883-01-000	EA	Sending Unit - Fuel - 78 Ohm - Aux. Tank
	050227-01-000	EA	Canister - Vapor - 2 Stage - 3 Port
	046775-01-000	EA	Valve Asm. - Fuel Selector
	007125-08-000	EA	Clamp Asm. - Muffler - 3" Dia.
	007131-01-000	EA	Hanger - Tailpipe
	007258-01-000	EA	Extension - Tailpipe - 2 1/2" x 48"
	035260-01-000	EA	Wheel Well - Plastic - Black
	017516-01-000	EA	Mudflap - Black - 14" x 18" - w/Holes



Key	Part Number	U/M	Description
1	023885-01-000	EA	Hitch Asm. - w/o Drawerbar
2	034512-01-000	EA	Pin - Locking - Drawerbar
3	024876-01-700	EA	Drawerbar - Trailer Hitch
4	034513-01-000	EA	Pin - Hitch - 3/16" Wire Spring

CURTAIN, CUSHION AND PAD GROUP



NOTE:

Use this illustration when determining length and width measurements for curtains. You will note the width measurement is taken on top of the curtain with the curtain fully extended. The length measurement is taken from top to bottom.

CURTAIN, CUSHION AND PAD GROUP

Key	Part Number	U/M	Description
	054051-02-K18	EA	Curtain Asm. - Entrance Door - 34" x 37" - Harvest
	054051-02-K19	EA	Curtain Asm. - Entrance Door - 34" x 37" - Mocha
	057492-01-K18	EA	Curtain Asm. - Wraparound - Right - 30" x 80" - Harvest
	057492-01-K19	EA	Curtain Asm. - Wraparound - Right - 30" x 80" - Mocha
	057493-01-K18	EA	Curtain Asm. - Wraparound - Left - 30" x 80" - Harvest
	057493-01-K19	EA	Curtain Asm. - Wraparound - Left - 30" x 80" - Mocha
	054051-35-K18	EA	Curtain Asm. - Front Bunk - 22" x 92" - Harvest
	054051-35-K19	EA	Curtain Asm. - Front Bunk - 22" x 92" - Mocha
	054048-05-K18	EA	Tie Back Asm. - 2" x 18" - Harvest
	054048-05-K19	EA	Tie Back Asm. - 2" x 18" - Mocha

SHADES

Key	Part Number	U/M	Description
	059776-01-000	EA	Shade - Woven Wood - 28" x 25" - Navy
	059775-01-000	EA	Shade - Woven Wood - 28" x 25" - Beige
	059776-03-000	EA	Shade - Woven Wood - 39" x 27" - Navy
	059775-03-000	EA	Shade - Woven Wood - 39" x 27" - Beige
	059776-05-000	EA	Shade - Woven Wood - 68 25" x 29" - Navy
	059775-05-000	EA	Shade - Woven Wood - 68 25" x 29" - Beige

FABRICS AND TRIMS

Key	Part Number	U/M	Description
	058206-01-000	YD	Fabric - Drapery - Harvest
	058206-02-000	YD	Fabric - Drapery - Mocha
	058632-02-000	YD	Fabric - Upholstery - Navy - Main
	058632-03-000	YD	Fabric - Upholstery - Beige - Main
	058778-01-000	YD	Fabric - Upholstery - Navy - Accent
	058778-02-000	YD	Fabric - Upholstery - Beige - Patterned Accent
	058970-01-000	YD	Fabric - Upholstery - Beige - Solid Accent
	053327-01-000	YD	Vinyl - Non Expanded - 27 oz. - Acorn Brown
	053327-02-000	YD	Vinyl - Expanded - 28 oz. - Acorn Brown
	053327-03-000	YD	Vinyl - Non Support - 16 Gauge Film - Acorn Brown
	057550-03-K11	EA	Button Asm. - Nail - Acorn Vinyl
	052888-04-K18	EA	Button Asm. - Nail - Navy
	052888-04-K19	EA	Button Asm. - Nail - Beige
	057550-04-K18	EA	Button Asm. - Vinyl
	052858-01-K18	FT	Trim Asm. - Accent - Acorn Vinyl

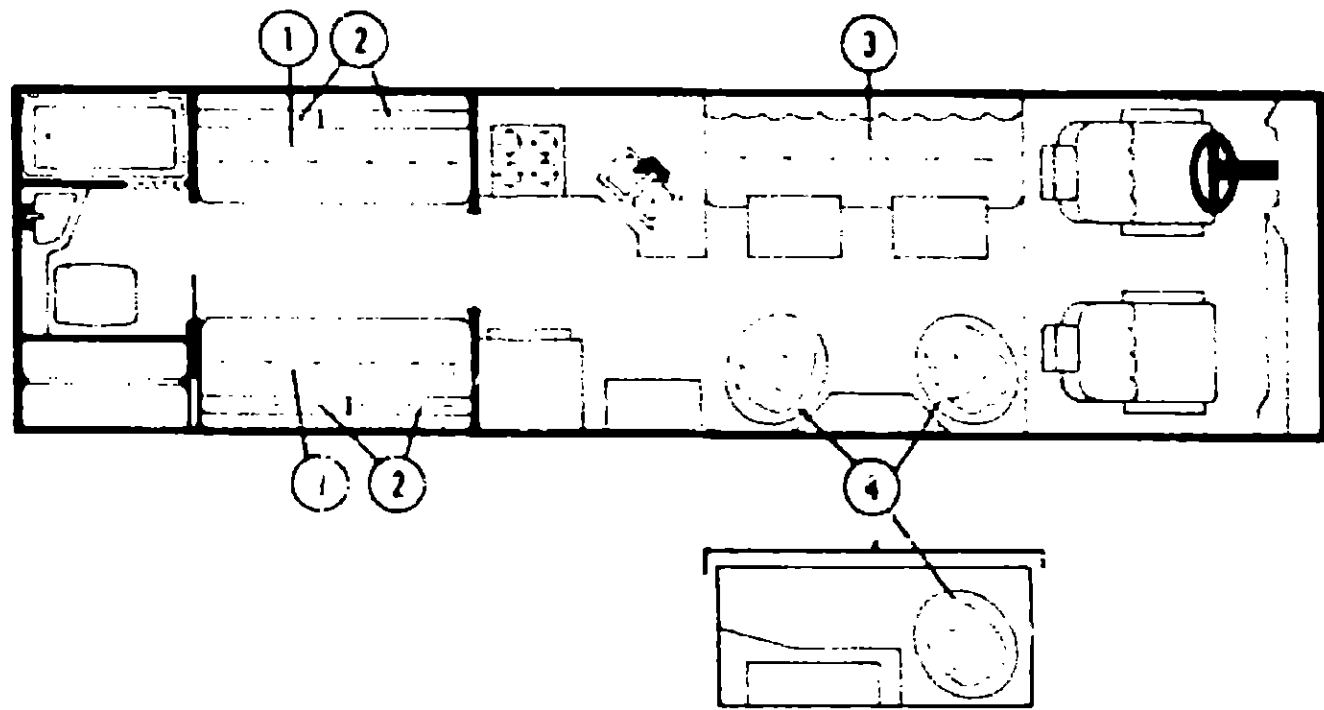
1979 WINNEBAGO TABLE OF CONTENTS

WD423RB	A-1 - B-10
WDF23RG	B-11 - C-22
WDU27RT	C-23 - E-8
WDU29RB	E-9 - F-18

1979 WDU29RB INDEX

Floor Plan	E-9 - E-10
Accessories Group	E-11 - E-12
Bath Group	E-13 - E-14
Chassis Group	E-15
Curtain, Cushion and Pad Group	E-16 - E-18
Dinette Group	E-19
Driver's Compartment Group	E-20 - E-21
Electrical Group	E-22 - E-23
Exterior Body Group	E-24 - F-4
Galley Group	F-5
Heating & Air Conditioning Group	F-6
Interior Finish Group	F-7 - F-8
LP Group	F-9
Lounge Group	F-9
Water & Sewage Group	F-10
Window, Vent & Exterior Door Group	F-11 - F-18

CURTAIN, CUSHION AND PAD GROUP (CONTINUED)



REAR LOUNGE CUSHIONS

Key	Part Number	U/M	Description
1	057629-02-K18	EA	Cushion - Complete - Glideout - Navy
1	057629-02-K19	EA	Cushion - Complete - Glideout - Beige
2	057497-04-K18	EA	Cushion - Bolster - 7" x 10" x 37.5" x 14" - Navy
2	057497-04-K19	EA	Cushion - Bolster - 7" x 10" x 37.5" x 14" - Beige w/Patterned Trim
2	065710-11-000	EA	Cushion - Bolster - 7" x 10" x 37.5" x 14" - Beige w/Solid Trim
	057498-04-K18	EA	Cover - Bolster - 7" x 10" x 37.5" x 14" - Navy
	057498-04-K19	EA	Cover - Bolster - 7" x 10" x 37.5" x 14" - Beige w/Patterned Trim
	065710-12-000	EA	Cover - Bolster - 7" x 10" x 37.5" x 14" - Beige w/Solid Trim
	057630-01-K18	EA	Armrest Asm. - Glideout - Navy
	057630-01-K19	EA	Armrest Asm. - Glideout - Beige w/Patterned Trim
	065710-20-000	EA	Armrest Asm. - Glideout - Beige w/Solid Trim

FLEXSTEEL MAGIC BED

Key	Part Number	U/M	Description
3	056919-03-000	EA	Magic Bed - Flexsteel - w/Bolsters and Armrests - 72" - Navy
3	056919-04-000	EA	Magic Bed - Flexsteel - w/Bolsters and Armrests - 72" - Beige w/Patterned Trim
3	056919-05-000	EA	Magic Bed - Flexsteel - w/Bolsters and Armrests - 72" - Beige w/Solid Trim

FLEXSTEEL SWIVEL CHAIRS

Key	Part Number	U/M	Description
4	056916-03-000	EA	Swivel Chair - Flexsteel - Navy
4	056916-04-000	EA	Swivel Chair - Flexsteel - Beige w/Patterned Trim
4	056916-05-000	EA	Swivel Chair - Flexsteel - Beige w/Solid Trim

FRONT OVERHEAD BUNK CUSHIONS

Key	Part Number	U/M	Description
	055021-27-K18	EA	Cushion - Front Overhead Bunk - 38.8" x 78.5" x 5" - Navy
	055021-27-K19	EA	Cushion - Front Overhead Bunk - 38.8" x 78.5" x 5" - Beige
	055022-29-K18	EA	Cover - Overhead Bunk Cushion - 38.8" x 78.5" x 5" - Navy
	055022-29-K19	EA	Cover - Overhead Bunk Cushion - 38.8" x 78.5" x 5" - Beige

CURTAIN, CUSHION AND PAD GROUP (CONTINUED)

PADS

Key	Part Number	U/M	Description
	062577-02-K18	EA	Pad - Front Bunk Overhead Cabinet - Center
	062615-02-K18	EA	Pad - Front Bunk Overhead Cabinet - Right
	062616-02-K18	EA	Pad - Front Bunk Overhead Cabinet - Left
	062617-02-K18	EA	Pad - Front Bunk Overhead Cabinet - Base
	059855-01-K18	EA	Pad - End - Dinette Overhead Cabinet - Left - Acorn Vinyl
	059855-02-K18	EA	Pad - End - Dinette Overhead Cabinet - Right - Acorn Vinyl
	054992-02-K18	EA	Pad - Entrance Door Jamb - Acorn Vinyl

CURTAIN HARDWARE

Key	Part Number	U/M	Description
	052327-04-236	EA	Track - Curtain - Brown Alum - 89" w/Holes
	053272-04-203	EA	Track - Blackout Curtain - Off White - 76.5" w/Holes
	057989-01-000	EA	Track - Wraparound Curtain - Brown Alum - Right
	057989-02-000	EA	Track - Wraparound Curtain - Brown Alum - Left
	056001-01-000	EA	Bracket - Shade - Left
	056002-01-000	EA	Bracket - Shade - Right
	009107-01-000	EA	Guide - Nylon Snap - Curtain
	018031-42-000	EA	Track - Curtain - "L" Rod - Alum Extr. - 90"
	009702-01-000	EA	End Stop - "L" Rod - Curtain
	009701-01-000	EA	Carrier - "L" Rod - Curtain



Key	Part Number	U/M	Description
1	029130-01-000	EA	Socket - Snap Fastener
2	029155-01-000	EA	Cap - Snap - .156" Dia. x .17" Barrel
3	029156-01-000	EA	Socket - Snap Fastener
4	029092-01-000	EA	Stud - Nickel Finish
5	029093-01-000	EA	Eyelet - Nickel Finish



BUCKEY SEATS

Key	Part Number	U/M	Description
	056918-03-000	EA	Seat - Single Bucket - Highback - Flexsteel - Navy
	056918-04-000	EA	Seat - Single Bucket - Highback - Flexsteel - Beige w/Patterned Trim
	056918-05-000	EA	Seat - Single Bucket - Highback - Flexsteel - Beige w/Solid Trim
	059789-01-000	EA	Seat - Double Bucket - Highback - Flexsteel - Navy
	059789-02-000	EA	Seat - Double Bucket - Highback - Flexsteel - Beige w/Patterned Trim
	059789-03-000	EA	Seat - Double Bucket - Highback - Flexsteel - Beige w/Solid Trim

**1979 WINNEBAGO
TABLE OF CONTENTS**

WD423RB	A-1 - B-10
WDF23RG	B-11 - C-22
WDU27RT	C-23 - E-8
WDU29RB	E-9 - F-15

1979 WDU29RB INDEX

Floor Plan	E-9 - E-10
Accessories Group	E-11 - E-12
Bath Group	E-13 - E-14
Chassis Group	E-15
Curtain, Cushion and Pad Group	E-16 - E-18
Dinette Group	E-19
Driver's Compartment Group	E-20 - E-21
Electrical Group	E-22 - E-23
Exterior Body Group	E-24 - F-4
Galley Group	F-5
Heating & Air Conditioning Group	F-6
Interior Finish Group	F-7 - F-8
LP Group	F-9
Lounge Group	F-9
Water & Sewage Group	F-10
Window, Vent & Exterior Door Group	F-11 - F-15

DINETTE GROUP

DINETTE OVERHEAD CABINETS

Key	Part Number	U/M	Description
	062165-01-K18	EA	Cabinet Asm - Left Dinette Overhead - w/o Doors or Hardware
	062160-01-K18	EA	Cabinet Asm - Right Dinette Overhead - w/o Doors or Hardware
	059092-55-K18	EA	Door Asm - Dinette Overhead Cabinet - Right or Left - w/o Hardware

PRESTO BED W/TWO PEDESTAL TABLES

Key	Part Number	U/M	Description
	053203-07-K18	EA	Table Asm - Pedestal - w/o Hardware - Camel
	009040-02-000	EA	Lrg - Pedestal Table - 27 5" x 2 25" O D - Chrome
	009040-03-000	EA	Base - Pedestal Table - Mounts on Table
	041194-01-000	EA	Base - Pedestal Table - Mounts in Floor

TELEVISION CABINET

Key	Part Number	U/M	Description
	062132-01-K18	EA	Cabinet Asm - TV - w/o Countertop or Door
	055520-01-K18	EA	Countertop Asm. - TV Cabinet - Camel
	062128-01-K18	EA	Door Asm - TV Cabinet - 5 1/4" x 15 13/16" - w/o Hardware
	047008-01-000	EA	Lock Asm - Cabinet Door
	045795-01-000	EA	Glass Holder - Dark Brown Plastic

ENTERTAINMENT CENTER

Key	Part Number	U/M	Description
	062077-01-K18	EA	Cabinet Asm. - Entertainment Center - w/o Door or Hardware
	059092-54-K18	EA	Door Asm. - Entertainment Cabinet - w/o Hardware

DRIVER'S COMPARTMENT GROUP

DASH PANEL AND COMPONENTS

Key	Part Number	U/M	Description
	020583-01-000	EA	Dash Asm - Etandan II - Complete
	022548-03-000	EA	Pad - Dash - Foam - Right - Dark Brown
	023242-05-000	EA	Pad - Dash - Foam - Left - Dark Brown
	024418-01-000	EA	Lamp Asm - Map Gauge
	023020-01-000	EA	Lamp Asm - Tell Tale
	039044-01-000	EA	Louver Asm - A/C - Adjustable
	048771-01-000	EA	Nameplate - Etandan II - Brown Gold
	052367-01-000	EA	Lighter Asm - Cigarette - 12V
	007071-01-000	EA	Bezel - Cigarette Lighter
	007041-01-000	EA	Louver - Chrome - w/Chrome Wheel
	024906-01-000	EA	Diffuser Case - A/C - 2 1/2" Black
	050299-01-000	EA	Bezel - Instrument Panel
	055269-01-000	EA	Bezel - Entertainment Center
	022219-01-000	EA	Door - Glove Box
	009118-01-000	EA	Lock - Twist w/Nut
	023892-01-000	EA	Box - Glove Compartment - Black Fiberboard
	024598-01-000	EA	Hinge - Continuous Aluminum - 1 1/16" x 19"
	034309-01-000	EA	Chain - Bead - Glove Box Door
	023834-01-000	EA	Panel - Knee Kick
	024990-02-000	EA	Outlet - Defroster - 2" w/Swivel - Dark Brown
	040636-01-000	EA	Bracket Asm. - Shift Lever

DASH SWITCHES AND GAUGES

Key	Part Number	U/M	Description
	055279-01-000	EA	Control Asm. - Heater and A/C
	031035-01-000	EA	Gauge - Hourmeter - Generator
	024459-01-000	EA	Gauge - Voltmeter
	024460-01-000	EA	Gauge - Vacuum
	007308-01-000	EA	Clock - Dash
	024976-01-000	EA	Switch - Generator - w/o Circuit Board
	024462-01-000	EA	Switch - Battery Condition
	024461-01-000	EA	Switch - Battery Changeover
	024464-01-000	EA	Switch - Washer
	024465-01-000	EA	Switch - Fuel
	024466-01-000	EA	Switch - Rear Wiper
	024467-01-000	EA	Switch - Wiper
	049783-01-000	EA	Switch - Aux. Light
	050031-01-000	EA	Switch - Step
	051750-01-000	EA	Switch - Dash Electric LP Gas Shut Off

FRONT OVERHEAD BUNK, CABINET AND HARDWARE

Key	Part Number	U/M	Description
	062124-01-K18	EA	Cabinet Asm. - Overhead - Front - w/o Doors or Hardware
	062577-02-K18	EA	Pad - Overhead Cabinet - Center
	062615-02-K18	EA	Pad - Overhead Cabinet - Right
	062616-02-K18	EA	Pad - Overhead Cabinet - Left
	062617-02-K18	EA	Pad - Overhead Cabinet - Base
	048820-02-J38	EA	Bunk Asm. - Front Overhead
	040071-01-000	EA	Bunk Support - Seat Belt
	042201-01-000	EA	Bunk Support - Beige

1979 WINNEBAGO TABLE OF CONTENTS

WD423RB	A-1 - B-10
WDF23AC	B-11 - C-22
WDU27AT	C-23 - E-8
WDU29RB	E-9 - F-15

1979 WDU29RB INDEX

Floor Plan	E-9 - E-10
Accessories Group	E-11 - E-12
Bath Group	E-13 - E-14
Chassis Group	E-15
Curtain, Cushion and Pad Group	E-16 - E-18
Dinette Group	E-19
Driver's Compartment Group	E-20 - E-21
Electrical Group	E-22 - E-23
Exterior Body Group	E-24 - F-4
Galley Group	F-5
Heating & Air Conditioning Group	F-6
Interior Finish Group	F-7 - F-8
LP Group	F-9
Lounge Group	F-9
Water & Sewage Group	F-10
Window, Vent & Exterior Door Group	F-11 - F-15

DRIVER'S COMPARTMENT GROUP (CONTINUED)

MISCELLANEOUS DRIVER'S COMPARTMENT COMPONENTS

Key	Part Number	U/M	Description
	056435-01-000	EA	Cabinet Asm - Beverage Tray
	055207-01-J38	EA	Tray Asm - Beverage
	034499-01-000	EA	Support - Dimmer Switch
	007278-01-000	EA	Mirror - 4 1/2" x 9" - Rear View
	042434-02-000	EA	Sunvisor Asm - 8" x 28" - Dark Brown Vinyl - Right or Left
	040519-01-000	EA	Boot - Rubber - Steering Column
	040520-01-000	EA	Retainer - Boot - Steering Column
	039857-01-000	EA	Latch - Rubber - Draw Handle - 5 3/4" w/Strike
	039856-01-000	EA	Latch - Rubber - Draw Handle - 3" w/Strike
	034800-01-000	EA	Motor Cover - Plastic
	035368-02-000	EA	Seal - Motor Cover
	041944-01-700	EA	Fire Extinguisher - Dry Chemical - w/Bracket
	050797-01-000	EA	Ashtray - Plastic
	050796-01-000	EA	Pocket - Ashtray - Plastic
	054663-01-000	EA	Pad - Quarter Panel - Left Front - Below Window - Plastic - Brown
	054664-01-000	EA	Pad - Quarter Panel - Right Front - Below Window - Plastic - Brown
	007019-01-000	EA	Seat Belt Asm. - 2" x 84" - Black
	041322-01-000	EA	Washer - Flat - 15/32" I.D. x 2 3/8" O.D.
	049943-02-000	EA	Pedestal Asm - Swivel
	050447-01-000	EA	Pedestal Asm - Tilt - Left
	050447-02-000	EA	Pedestal Asm. - Tilt - Right
	050447-04-000	EA	Pedestal Asm. - Tilt - Double Seat
	058793-01-000	EA	Steering Wheel - Custom - Brown

ELECTRICAL GROUP

BULBS

Key	Part Number	U/M	Description
	037936-01-000	EA	Bulb - 1157-A
	037937-01-000	EA	Bulb - 1295
	037934-01-000	EA	Bulb - 1156
	037935-01-000	EA	Bulb - 1157
	038010-01-000	EA	Bulb - 1143
	008103-01-000	EA	Bulb - 53
	008213-01-000	EA	Bulb - 57
	008214-01-000	EA	Bulb - 67
	008215-01-000	EA	Bulb - 1003
	008216-01-000	EA	Bulb - 1034
	008217-01-000	EA	Bulb - 1073
	008218-01-000	EA	Bulb - 1141
	008219-01-000	EA	Bulb - 656
	008220-01-000	EA	Bulb - 12V - 25W
	036196-01-000	EA	Bulb - 194
	700020-01-000	EA	Bulb - 12V - 20W - 1383

EXTERIOR LIGHTS

Key	Part Number	U/M	Description
	037586-01-000	EA	Lamp Asm. - Front Right
	037586-02-000	EA	Lamp Asm. - Front Left
	037585-01-000	EA	Lamp Asm. - Tail - Rear Right
	037585-03-000	EA	Lens - Tail Lamp - Right
	037585-02-000	EA	Lamp Asm. - Tail - Rear Left
	037585-04-000	EA	Lens - Tail Lamp - Left
	048811-02-000	EA	Lamp Asm. - Fog Light - Clear Lens
	042405-03-000	EA	Base - Rectangular Clearance Light
	042405-04-000	EA	Lens - Clearance Light - Red w/o Reflector
	042405-05-000	EA	Lens - Clearance Light - Amber w/o Reflector
	049185-01-000	EA	Headlamp Capsule Asm. - Rectangular - Left - High/Low Beam
	049186-01-000	EA	Headlamp Capsule Asm. - Rectangular - Right - High/Low Beam
	049187-01-000	EA	Headlamp Capsule Asm. - Rectangular - Left - High Beam
	049188-01-000	EA	Headlamp Capsule Asm. - Rectangular - Right - High Beam
	048817-01-000	EA	Handle - Assist w/Light

INTERIOR LIGHTS

Key	Part Number	U/M	Description
	023020-01-000	EA	Lamp Asm. - Tell Tale
	024418-01-000	EA	Lamp Asm. - Map/Gauge/Aisle
	024473-01-000	EA	Light - Aircraft - 1 Bulb - Gold
	053346-01-000	EA	Light - High Intensity - Brown
	033508-02-000	EA	Light - Dome - Ivory - 1 Bulb - US
	033508-03-000	EA	Light - Dome - Ivory - 1 Bulb - CSA
	033509-02-000	EA	Light - Dome - Ivory - 2 Bulb - US
	033509-03-000	EA	Light - Dome - Ivory - 2 Bulb - CSA
	024642-01-701	EA	Lens - Dome Light - 1 Bulb
	024643-01-701	EA	Lens - Dome Light - 2 Bulb
	007309-01-000	EA	Light - Step Well
	061424-01-000	EA	Light - 12 Volt - Rectangular - Aisle
	049412-01-000	EA	Light Asm. - Overhead Recessed - 10" x 30"
	041248-01-000	EA	Light - Warning - Step Out

WINDSHIELD WIPER & WASHER

Key	Part Number	U/M	Description
	037988-01-000	EA	Link Asm. - Connecting - 22.40" Long
	037989-01-000	EA	Motor Asm. - Windshield Wiper - Front
	038001-01-000	EA	Shaft and Pivot Asm. - 2.25" Arm
	049463-01-000	EA	Arm - Windshield Wiper - 15" Black
	049464-01-000	EA	Blade - Windshield Wiper - 16" Black
	007029-01-000	EA	Washer Asm. - Windshield Power Jet Electric - Front
	038000-03-000	EA	Blade - Windshield Wiper - 14"
	038756-01-000	EA	Motor - Rear Window Wiper
	038757-01-000	EA	Arm - Rear Window Wiper - 16"
	007191-01-000	EA	Washer Kit - Rear Window

1979 WINNEBAGO TABLE OF CONTENTS

WD423RB	A-1 - B-10
WDF23RG	B-11 - C-22
WDU27RT	C-23 - E-8
WDU29RB	E-9 - F-13

1979 WDU29RB INDEX

Floor Plan	E-9 - E-10
Accessories Group	E-11 - E-12
Bath Group	E-13 - E-14
Chassis Group	E-15
Curtain, Cushion and Pad Group	E-16 - E-18
Dinette Group	E-19
Driver's Compartment Group	E-20 - E-21
Electrical Group	E-22 - E-23
Exterior Body Group	E-24 - F-4
Galley Group	F-5
Heating & Air Conditioning Group	F-6
Interior Finish Group	F-7 - F-8
LP Group	F-9
Lounge Group	F-9
Water & Sewage Group	F-10
Window, Vent & Exterior Door Group	F-11 - F-13

ELECTRICAL GROUP (CONTINUED)

FUSES AND CIRCUIT BREAKERS

Key	Part Number	U/M	Description
	008233-01-000	EA	Fuse - 12 Volt - 6 Amp.
	008234-01-000	EA	Fuse - 12 Volt - 10 Amp
	008235-01-000	EA	Fuse - 12 Volt - 15 Amp
	008236-01-000	EA	Fuse - 12 Volt - 20 Amp.
	008248-01-000	EA	Fuse - 12 Volt - 30 Amp.
	008252-01-000	EA	Fuse - 110 Volt - 50 Amp
	008208-01-000	EA	Circuit Breaker - 12 Volt - 40 Amp.
	008211-01-000	EA	Circuit Breaker - 12 Volt - 6 Amp.
	008268-01-000	EA	Circuit Breaker - 12 Volt - 30 Amp. w/ Mount
	033573-01-000	EA	Circuit Breaker - 12 Volt - 20 Amp. w/ Mount
	008273-03-000	EA	Circuit Breaker - 15-20 Amp. TQL
	033573-02-000	EA	Circuit Breaker - 12 Volt - 15 Amp
	046693-04-000	EA	Fuse - 12 Volt - 4 Amp.

WIRE, SWITCHES AND RECEPTACLES

Key	Part Number	U/M	Description
	006024-01-000	FT	Wire - 18.5 Bonded - Orange/White/Yellow/Blue/Brown
	008025-01-000	FT	Wire - 18.5 Bonded - Orange/White/Yellow/Blue/Green
	008028-01-000	FT	Wire - 18.5 Bonded - Blue/Red/Yellow/Orange/White
	008030-01-000	FT	Wire - 18.4 Bonded
	008251-01-000	EA	Holder - Fuse - Black - Screw Type
	008277-01-000	EA	Holder - Fuse - Black - Panel Mount
	008250-02-000	EA	Holder - Fuse - In Line
	008195-01-000	EA	Switch - Push Button - 12 Volt
	006077-01-000	EA	Plaque - Compressor Switch
	008054-01-000	EA	Cord - Power - 10-3 30 Amp. - 25' - UL
	008052-01-000	EA	Cord - Power - 10-3 30 Amp. - 25' - CSA
	034818-04-000	EA	Holder - Receptacle - Plastic
	039338-01-000	EA	Cover Plate - Receptacle - Plastic - Brown
	039339-01-000	EA	Receptacle - Duplex Brown - End of Line
	039342-01-000	EA	Receptacle - Duplex Brown - T Junction
	024571-01-000	EA	Cover Plate - Receptacle - Jumbo Steel Brown
	046172-01-000	EA	Cover Plate - Receptacle - Antique Brass
	046173-01-000	EA	Cover Plate - Double Switch - Antique Brass
	046174-01-000	EA	Cover Plate - Single Switch - Antique Brass
	039343-01-000	EA	Cap - End - Receptacle
	008162-01-000	EA	Switch - Double Toggle - Spade Brown
	008163-01-000	EA	Switch - Toggie Brown
	024924-01-000	EA	Receptacle - Power Cord
	008058-01-000	EA	Adaptor - Power Cord
	047353-01-000	EA	Cover - Receptacle - Ground Fault
	047351-01-000	EA	Receptacle - Ground Fault Interrupter - 125 Volt Black
	031720-01-000	EA	Plastic Spacer - Receptical - Brown - CSA

MISCELLANEOUS ELECTRICAL COMPONENTS

Key	Part Number	U/M	Description
	047338-02-000	EA	Isolator - Dual Battery
	047389-01-700	EA	Battery - 12 Volt - 105 Amp. Deep Cycle - Dry
	057899-01-000	EA	Battery - 12 Volt - Maintenance Free - Delco
	008181-01-000	EA	Relay - 12 - 15 Volt - 27 Amp.
	036617-01-000	EA	Relay - Canister - SPDT
	008188-01-000	EA	Solenoid - Dual Battery - Relay
	046775-01-000	EA	Valve - Gas - Change Over
	054545-01-000	EA	Control Center - 41 Amp. UL
	056463-01-000	EA	Panel - Control - Water/Double Sewage - Wemac
	039861-01-000	EA	Sending Unit Kit - Wemac
	036420-01-000	EA	Defroster Fan
	047375-01-000	EA	Control Unit - Power Step
	041248-01-000	EA	Light - Warning - Power Step
	041249-01-000	EA	Switch - Toggle - On/Off - Power Switch
	041250-01-000	EA	Switch - Push Button - Power Step
	042983-02-000	EA	Power Step - Entry Door - w/o Controls
	058028-01-000	EA	Connector - Pigtail - Clear Nylon
	058047-01-000	EA	Alternator - 105 Amp.
	058783-01-000	EA	Bel - Alternator Drive

EXTERIOR BODY GROUP

EXTERIOR BODY PANELS AND SHEET ALUMINUM

Key	Part Number	U/M	Description
	055326-01-K18	EA	Sidewall Asm - Left
	055327-01-K18	EA	Sidewall Asm - Right
	062554-01-K18	EA	Roof Asm.
	062623-01-K18	EA	Backwall Asm
	052027-04-000	EA	Valance Panel Asm - Right Front - Beige Fiberglass
	052025-03-000	EA	Valance Panel Asm - Right Rear - Beige Fiberglass
	052025-03-000	EA	Valance Panel Asm - Left Front - Beige Fiberglass
	051999-03-000	EA	Valance Panel Asm - Left Rear - Beige Fiberglass
	039155-02-008	EA	Alum. - Beige - Mesa I Design - .024" x 36" x 60"
	039155-02-003	EA	Alum. - Beige - Mesa I Design - .024" x 36" x 360"
	039155-02-007	EA	Alum. - Beige - Mesa I Design - .024" x 48" x 60"
	039155-02-006	EA	Alum. - Beige - Mesa I Design - .024" x 48" x 360"
	039155-02-009	EA	Alum. - Beige - Mesa I Design - .024" x 12" x 360"
	044487-01-001	EA	Alum. - Mill Finish - No Design (Roof) - 96" x 360"
	028545-01-000	EA	Alum. - Beige Greyhound Design 48" x 96"
	001018-01-024	EA	Alum. - Beige - No Design - 48" x 96"
	000868-01-000	BF	Styrofoam - 3'4" x 24" x 96"
	039155-30-001	EA	Alum. - Beige - Mesa II Design - .024" x 36" x 60"
	039155-30-004	EA	Alum. - Beige - Mesa II Design - .024" x 36" x 384"
	039155-30-005	EA	Alum. - Beige - Mesa II Design - .024" x 48" x 60"
	039155-30-008	EA	Alum. - Beige - Mesa II Design - .024" x 48" x 384"
	039155-30-009	EA	Alum. - Beige - Mesa II Design - .024" x 12" x 360"
	039155-28-008	EA	Alum. - Off White - Mesa II Design - .024" x 36" x 384"

NOTE: The raised portion of Mesa I aluminum is 1.657" wide.
The raised portion of Mesa II aluminum is .637" wide.

MISCELLANEOUS EXTERNALLY MOUNTED PARTS

Key	Part Number	U/M	Description
**	011124-01-000	EA	Plumbing Seal - Roof Vent - 1 1/4" White
**	011129-01-000	EA	Plumbing Seal - Roof Vent - 1 1/2" White
	010230-02-000	EA	Fill - City Water - Recessed - Off White
	058808-01-000	EA	Water Fill - Lockable - White
	058808-02-000	EA	Water Fill - Lockable - Beige
	048817-01-000	EA	Handle - Assist w/Light
	044399-01-000	EA	Thermometer - Outside Chrome
	037933-01-000	EA	Bracket - Licensed Plate
	055402-01-000	EA	Fuel Fill - Recessed - Seige
	049347-01-000	EA	Mirror Head - 7 1/2" x 10 1/2" - Stainless Steel
	057461-01-000	EA	Mirror Head - 7 1/2" x 10 1/2" w/Convex
	049348-01-000	EA	Arm - Low Mount Mirror - Bright Finish
	049944-01-000	EA	Bracket - Mirror - Beige

** The illustrated parts breakdown for this item is provided on the Common Items Fiche

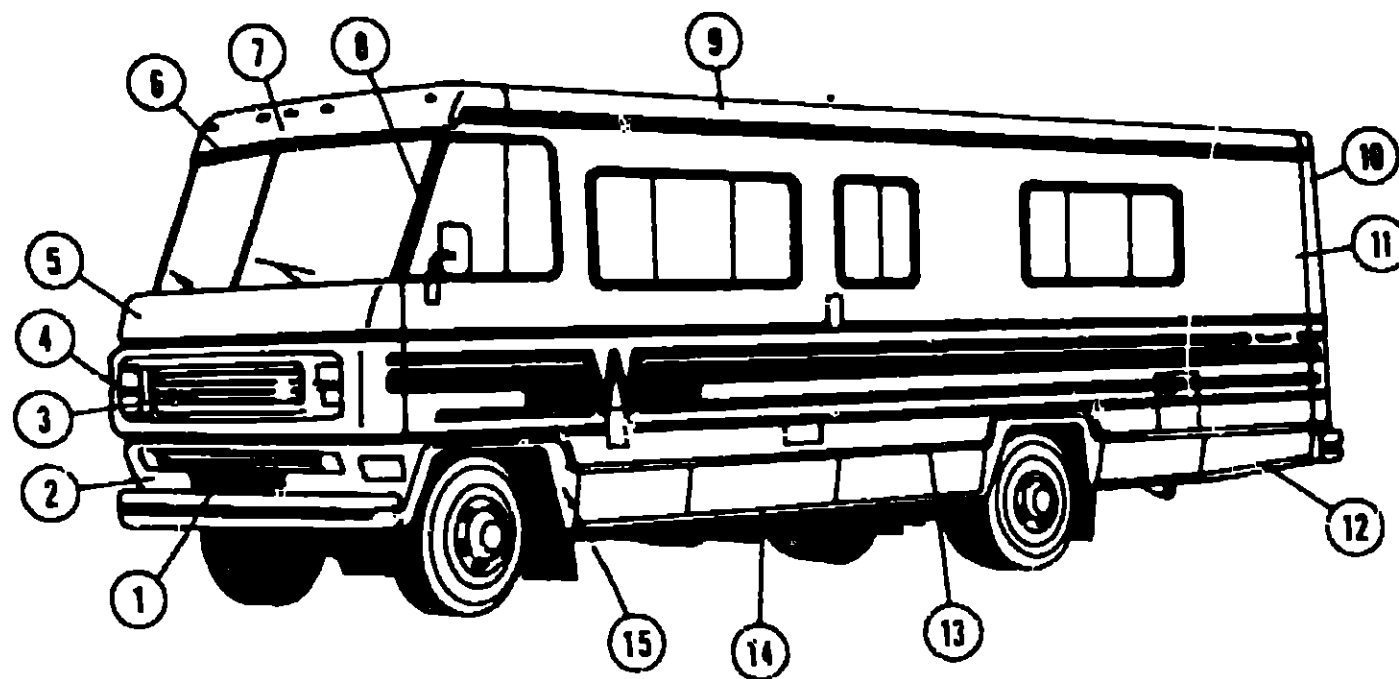
1979 WINNEBAGO TABLE OF CONTENTS

WD423RB	A-1 - B-10
WDF23RG	B-11 - C-22
WDU27RT	C-23 - E-8
WDU29RB	E-9 - F-18

1979 WDU29RB INDEX

Floor Plan	E-9 - E-10
Accessories Group	E-11 - E-12
Bath Group	E-13 - E-14
Chassis Group	E-15
Curtain, Cushion and Pad Group	E-16 - E-18
Dinette Group	E-19
Driver's Compartment Group	E-20 - E-21
Electrical Group	E-22 - E-23
Exterior Body Group	E-24 - F-4
Galley Group	F-5
Heating & Air Conditioning Group	F-6
Interior Finish Group	F-7 - F-8
LP Group	F-9
Lounge Group	F-9
Water & Sewage Group	F-10
Window, Vent & Exterior Door Group	F-11 - F-18

EXTERIOR BODY GROUP (CONTINUED)



1979 WINNEBAGO TABLE OF CONTENTS

WD423RB
WDF23RG
WDU27RT
WDU29RB

A-1 - B-10
B-11 - C-22
C-23 - E-8
E-9 - F-18

Key	Part Number	U/M	Description
1	059426-01-000	EA	Grille Asm. - Lower - Complete
1	059426-01-000	EA	Mesh - Lower Grille
2	048132-03-000	EA	Panel - Wheelhouse - Front - Outer - Right
3	059427-01-000	EA	Grille Asm. - Upper
3	059425-01-000	EA	Mesh - Upper Grille
3	021497-02-000	EA	Latch Asm. - Grille
4	049185-01-000	EA	Capsule Asm. - Headlamp - Rectangular - Left - High/Low Beam
4	049186-01-000	EA	Capsule Asm. - Headlamp - Rectangular - Right - High/Low Beam
4	049187-01-000	EA	Capsule Asm. - Headlamp - Rectangular - Left - High Beam
4	049188-01-000	EA	Capsule Asm. - Headlamp - Rectangular - Right - High Beam
4	049358-01-000	EA	Bezel Asm. - Headlamp - Chrome - Left
4	049358-02-000	EA	Bezel Asm. - Headlamp - Chrome - Right
4	049359-01-000	EA	Spring - Headlamp - Retainer
4	050030-01-000	EA	Housing Asm. - Headlamp - Left or Right
5	059523-01-000	EA	Panel - Front End - Fiberglass - Beige
6	038493-07-000	EA	Trim - Windshield - Right - Black
6	038493-08-000	EA	Trim - Windshield - Left - Black
6	038494-04-000	EA	Trim - Windshield - Center - 31.42" - Black
6	038900-01-000	EA	Cap - Windshield Top - "T" - Black Plastic
6	038900-02-000	EA	Cap - Windshield Bottom - "T" - Black Plastic
6	042743-01-000	EA	Corner - Windshield Lower
6	042743-02-000	EA	Corner - Windshield Upper
7	053375-01-000	EA	Cap - Front Upper - Beige Fiberglass (Above windshield)

Key	Part Number	U/M	Description
8	058923-01-000	EA	Trim - "A" Post - Exterior - Left
8	058923-02-000	EA	Trim - "A" Post - Exterior - Right
9	051853-01-000	EA	Extrusion - Roof/Sidewall Joint - Beige - 269"
10	059017-01-000	EA	Cap - Rear Fiberglass - Beige
11	047978-02-000	EA	Trim - Extrusion - "J" Molding - Radius Left
11	047978-01-000	EA	Trim - Extrusion - "J" Molding - Radius Right
12	042314-02-000	EA	Trim - Valance Panel - Left Rear
12	042314-01-000	EA	Trim - Valance Panel - Right Rear
13	044504-06-000	EA	Feature Strip - 133" - Beige
13	042313-01-000	EA	End Cap - Feature Strip - Beige
14	049015-01-000	EA	Trim - Valance Panel - Left Front
14	044861-02-000	EA	Trim - Valance Panel - Right Front
15	043132-04-000	EA	Panel - Wheelhouse - Front - Left
15	048159-01-000	EA	Splash Guard - Front Bumper - Black Plastic
15	044975-01-000	EA	Trim - Extrusion - 100.25" - "J" Molding - Beige
			Not Illustrated

1979 WDU29RB INDEX

Floor Plan	E-9 - E-10
Accessories Group	E-11 - E-12
Bath Group	E-13 - E-14
Chassis Group	E-15
Curtain, Cushion and Pad Group	E-16 - E-18
Dinette Group	E-19
Driver's Compartment Group	E-20 - E-21
Electrical Group	E-22 - E-23
Exterior Body Group	E-24 - F-4
Galley Group	F-5
Heating & Air Conditioning Group	F-6
Interior Finish Group	F-7 - F-8
LP Group	F-9
Lounge Group	F-9
Water & Sewage Group	F-10
Window, Vent & Exterior Door Group	F-11 - F-18

EXTERIOR BODY GROUP (CONTINUED)

EXTERIOR PAINT

Key	Part Number	U/M	Description
	044486-01-000	EA	Paint - Beige - Acrylic Enamel - 1 Gal. - Dupont 7633A
	044486-03-000	EA	Paint - Beige - Acrylic Enamel - 16 oz. Spray - Dupont 7633A
	044486-04-000	EA	Paint - Beige - Acrylic Lacquer - 1 Gal. - Dupont 7633L
	041561-01-000	EA	Paint - Off White - Acrylic Enamel - 1 Gal. - Dupont 45396A
	041561-03-000	EA	Paint - Off White - Acrylic Enamel - 16 oz. Spray - Dupont 45396A
	041561-04-000	EA	Paint - Off White - Acrylic Lacquer - 1 Gal. - Dupont 45396L
	045681-03-000	EA	Paint - Flat Black - Acrylic Enamel - 16 oz. Spray - Dupont 99A
	055683-03-000	EA	Paint - Tan Bronze Metallic - Acrylic Enamel - 16 oz. Spray - Dupont 44161
	056006-03-000	EA	Paint - Lucerne Blue - Acrylic Enamel - 16 oz. Spray - Dupont 42858
	059785-03-000	EA	Paint - Copper Metallic - Acrylic Enamel - 16 oz. Spray - Dupont 43506
	059786-03-000	EA	Paint - Brown - Acrylic Enamel - 16 oz. Spray - Dupont 43759
	059354-03-000	EA	Paint - Bronze Metallic - Acrylic Enamel - 16 oz. Spray - Dupont 7864

LABELS AND DECALS

Key	Part Number	U/M	Description
	006028-01-000	EA	Label - Drain Cap - 2" x 3"
	006031-01-000	EA	Label - Potable Water Only
	006187-01-000	EA	Label - Sewage
	006188-01-000	EA	Label - Waste Water
	006199-01-000	EA	Label - Exit - Escape Window
	031161-01-000	EA	Label - Flying "W"
	006001-01-000	EA	Name Plate - Winnebago - Chrome - Plastic
	006040-01-000	EA	Tag - Gas - Refueling Warning
	006062-01-000	EA	Tag - Electrical 110 Volt Connection
	040944-01-000	EA	Label - Open - Entrance Door
	047731-01-000	EA	Label - Emergency Exit
	061416-01-000	EA	Label - Aux. Fuel
	061417-01-000	EA	Label - Fuel
	061601-01-000	EA	Decal - Winnebago - .50" x 3.62" - Black
	041273-21-000	FT	Tape - 2" Brown
	059956-01-000	EA	Stencil - Stripe - End
	059957-01-000	EA	Stencil - Stripe - Center End
	059958-01-000	EA	Stencil - Stripe - "W" Accent - Right Outer
	059958-02-000	EA	Stencil - Stripe - "W" Accent - Left Outer
	059959-01-000	EA	Stencil - Stripe - "W" Accent - Right Inner
	059959-02-000	EA	Stencil - Stripe - "W" Accent - Left Inner
	059960-01-000	EA	Stencil - Stripe - Upper Front - Right
	059960-02-000	EA	Stencil - Stripe - Upper Front - Left
	049289-08-000	EA	Decal - Logo - Elandan II - Off White
	038284-01-000	EA	Decal - Grille - Flying W
	038403-02-000	EA	Decal - Logo - Winnebago - 2.80" - Off White
	050313-04-000	EA	Decal - Logo - Winnebago - Copper Metallic
	043695-01-000	EA	Template - Flying "W" - 13.75" High
	050225-01-000	EA	Label - Warning - Stove Vent
	054531-01-000	EA	Label - LP Gas Only

EXTERIOR BODY GROUP (CONTINUED)

SEALANTS, ADHESIVES AND FASTENERS

Key	Part Number	U/M	Description
	034552-05-000	EA	Sealant - Off White Silicone
	034552-04-000	EA	Sealant - Beige Silicone
	034552-02-000	EA	Sealant - Clear Silicone
	004348-02-000	EA	Sealant - Aluminum Silicone
	004349-01-000	EA	Sealant - Black Silicone
	004342-01-000	EA	Sealant - Weatherban 202 Tube
	004346-02-000	EA	Sealant - White Silicone
	004347-01-000	EA	Sealant - Tufflex
	002316-01-000	FT	Tape - Sealer - 3/32" x 1/8"
	024545-01-000	FT	Tape - Sealer - 1/8" x 5/8" - Black
	004350-01-000	FT	Tape - Sealer - 1/8" x 1" - Formaseal
	004352-01-000	FT	Tape - Sealer - 1/8" x 3/4" - Formaseal
	004355-01-000	FT	Tape - Sealer - 1/8" x 5/8" - Black
	004357-01-000	FT	Tape - Sealer - 1/8" x 5/8" - Adhesive
	002707-02-000	FT	Tape - Sealer - 5/16" x 1/2" - Black Foam
	002707-01-000	FT	Tape - Sealer - 5/16" x 3/4" - Black Foam
	004363-01-000	FT	Tape - Sealer - 3/16" x 1/2" - Foam
	004362-01-000	FT	Tape - Sealer - 1/4" x 5/8" - Foam
	009200-01-000	EA	Tape - Furnace - 1 1/2"
	004353-01-000	FT	Tape - Gasket - 1/8" x 3/4" - White
	002825-01-000	FT	Weather Stripping - Roof Vent
	002337-01-000	EA	Adhesive - 3M - 1300 Tube
	004005-01-000	GL	Adhesive - Swifts - Green - Glue (Sidewalls)
	004012-01-000	EA	Adhesive - 3M - 4475 Tube
	004020-01-000	QT	Adhesive - ABS Cement (Plastic Fittings)
	029051-01-000	EA	Adhesive - Spray Vinyl
	042401-02-000	EA	Screw - 6 - 13 x 3/4" SDPH - Off White
	042403-02-000	EA	Screw - SF/DR - 8 - 18 x 1" SDPH - Off White
	053766-01-000	EA	Bedding Compound - Tube Black - Schnee Morehead
	053766-02-000	EA	Bedding Compound - Tube White - Schnee Morehead
	053767-01-000	FT	Tape - 1/2" x 1/8" x 30' - Gray - Schnee Morehead
	053767-02-000	FT	Tape - 3/16" Bead x 25' - Gray - Schnee Morehead
	053767-03-000	FT	Tape - 1/4" Bead x 20' - Gray - Schnee Morehead
	053767-04-000	FT	Tape - 3/4" x 1/8" x 30' - Gray - Schnee Morehead
	053767-05-000	FT	Tape - 2" x 3/32" x 45' - Gray - Schnee Morehead

1979 WINNEBAGO TABLE OF CONTENTS

WD423RB	A-1 - B-10
WDF23RG	B-11 - C-22
WDU27RT	C-23 - E-8
WDU29RB	E-9 - F-18

1979 WDU29RB INDEX

Floor Plan	E-9 - E-10
Accessories Group	E-11 - E-12
Bath Group	E-13 - E-14
Chassis Group	E-15
Curtain, Cushion and Pad Group	E-16 - E-18
Dinette Group	E-19
Driver's Compartment Group	E-20 - E-21
Electrical Group	E-22 - E-23
Exterior Body Group	E-24 - F-4
Galley Group	F-5
Heating & Air Conditioning Group	F-5
Interior Finish Group	F-7 - F-8
LP Group	F-9
Lounge Group	F-9
Water & Sewage Group	F-10
Window, Vent & Exterior Door Group	F-11 - F-16

GALLEY GROUP

GALLEY CABINETS

Key	Part Number	U/M	Description
	062149-01-K18	EA	Cabinet Asm. - Galley - w/o Countertop, Doors or Hardware
	062095-01-K18	EA	Countertop Asm. - Galley Cabinet - Camel
	061464-01-K18	EA	Drawer Asm. - Pantry - Roll Out
	059843-06-K18	EA	Door Asm. - Furnace - w/Mesh Insert - w/o Catch
	047205-09-000	EA	Insert - Furnace Door - 13 1/4" x 7 3/8" - Brass Mesh
	059092-60-K18	EA	Door Asm. - Galley Cabinet - w/o Hardware
	061528-09-K18	EA	Drawer Asm. - Galley Cabinet - 5 9/16" x 13 1/8" - w/o Hardware
	055271-01-K18	EA	Countertop Asm. - Beverage Cabinet - Camel
	061528-02-K18	EA	Drawer Asm. - Refrigerator Cabinet - 21.9" x 7.3" x 20" Deep - w/o Hardware
	062141-01-K18	EA	Cabinet Asm. - Galley Overhead - w/o Doors or Hardware
	059714-09-K18	EA	Door Asm. - Galley Overhead Cabinet - Left - w/o Hardware
	059714-10-K18	EA	Door Asm. - Galley Overhead Cabinet - Right - w/o Hardware
	053424-02-K18	EA	Sink Cover - Large - Camel

GALLEY HARDWARE AND APPLIANCES

Key	Part Number	U/M	Description
	011033-01-000	EA	Sink - Stainless Steel - Double - w/Bolts
	011054-01-000	EA	Faucet - Swivel w/Single Handle
**	011085-01-000	EA	Strainer - Sink
	058334-01-000	EA	Wastebasket - 9 3/4" x 7" x 10" - White - Rubbermaid
	058841-01-K18	EA	Cover - Wastebasket - Camel
	023111-01-000	EA	Food Center - Built In - Power Unit w/Blender
	023111-02-000	EA	Ice Crusher Attachment - Food Center
	052771-02-000	EA	Oven - Microwave - Magic Chef MW207
**	046954-03-000	EA	Hood - Range - Black - U.S.
**	046954-04-000	EA	Hood - Range - Black - C.S.A.
	055282-01-000	EA	Range - 4 Burner - Chrome - Magic Chef
**	049174-02-000	EA	Refrigerator - AC/DC/Gas - 2 Door - Sibir ET230/2

**The illustrated parts breakdown for this item is provided on the Common Items Fiche.

HEATING AND AIR CONDITIONING GROUP

Key	Part Number	U/M	Description
**	058351-01-000	EA	Furnace - 24,000 BTU - w/Electric Ignition - 4324-749 - Coleman
**	058350-01-000	EA	Furnace - 30,000 BTU - w/Electric Ignition - 4330-749 - Coleman
	039505-02-000	EA	Thermostat - Wall Mount - Black
	009198-01-000	FT	Duct - Flexible - 4" I.D. x 25'
	009200-01-000	EA	Tape - Furnace - 1 1/2"
	023146-01-000	EA	Clamp - Screw Type - 4"
	056464-01-000	EA	Register - 4" Dia. - Plastic w/Damper
	007108-01-000	FT	Hose - Heater - 5/8" I.D.
	007139-01-000	EA	Clamp - Worm Drive - .69" - 1 26" I.D.
	009175-01-000	EA	Register - Steel - 11 5/8" x 3 7/8" - Brown
	017519-01-000	EA	Bonnet - Heat Register - Front
	017520-01-000	EA	Bonnet - Heat Register - Rear
**	049777-02-000	EA	Air Conditioner - 110 Volt - Roof Mount - 11,000 BTU - Ivory Coleman (w/o inside shroud)
**	049778-02-000	EA	Shroud Asm. - Ceiling - Inside - Roof Air - Cool Only - 11,000 BTU - Coleman
**	049774-02-000	EA	Air Conditioner - 110 Volt - Roof Mount - 13,500 BTU Ivory - Coleman (w/o inside shroud)
**	049775-02-000	EA	Shroud Asm. - Ceiling - Inside - Roof Air - Cool Only - 13,500 BTU - Coleman
**	049776-01-000	EA	Shroud Asm. - Ceiling - Inside - Roof Air - Heat and Cool Only - 13,500 BTU - Coleman
	049401-01-000	EA	Heater Asm. - Rear
	056778-01-714	EA	Auto Air Kit - 440 C.I.D. - Evans
	039044-01-000	EA	Louver Asm. - A/C Adjustable
	056778-01-700	EA	Water Valve
	056778-01-701	EA	Heater Core
	056778-01-702	EA	Blower Asm.
	056778-01-703	EA	Cold Control
	056778-01-704	EA	Evaporator Coil
	056778-01-705	EA	Expansion Valve
	056778-01-706	EA	Receiver Dehydrator
	056779-01-000	EA	Clutch Asm. - 7"
	056778-01-708	EA	Compressor
	056778-01-709	EA	Hose - Refrigerant - Evaporator to Condensor
	056778-01-710	EA	Hose - Refrigerant - Receiver Drier to Evaporator Hose
	056778-01-713	EA	Hose - Refrigerant - Evaporator to Receiver Drier Hose
	056778-01-711	EA	Hose - Refrigerant - Condensor to Compressor Hose
	056778-01-712	EA	Hose - Refrigerant - Compressor to Condensor Hose

**The illustrated parts breakdown for this item is provided on the Common Items Fiche.

1979 WINNEBAGO TABLE OF CONTENTS

WD423RB	A-1 - B-10
WD423RG	B-11 - C-22
WDU27RT	C-23 - E-8
WDU29RB	E-9 - F-18

1979 WDU29RB INDEX

Floor Plan	E-9 - E-10
Accessories Group	E-11 - E-12
Bath Group	E-13 - E-14
Chassis Group	E-15
Curtain, Cushion and Pad Group	E-16 - E-18
Dinette Group	E-19
Driver's Compartment Group	E-20 - E-21
Electrical Group	E-22 - E-23
Exterior Body Group	E-24 - F-4
Galley Group	F-5
Heating & Air Conditioning Group	F-6
Interior Finish Group	F-7 - F-8
LP Group	F-9
Lounge Group	F-9
Water & Sewage Group	F-10
Window, Vent & Exterior Door Group	F-11 - F-18

INTERIOR FINISH GROUP

PANELING AND COUNTERTOP MATERIALS

Key	Part Number	U/M	Description
	058209-01-000	SF	Paneling - Elm - Plain - 48" x 96" (32 SF)
	056742-01-000	SF	Panel - Sand Flower Cork - 48" x 96" (32 SF)
	058339-01-000	SF	Paneling - Backsplash - Diamond Luster - 48" x 96" (32 SF)
	058340-01-000	SF	Plastic Laminate - Camel - 48" x 96" (32 SF)
	058220-01-000	SF	Plastic Laminate - Stonehenge - 48" x 96" (32 SF)
	059570-01-000	SF	Plastic Laminate - Matador Leather - 48" x 96" (32 SF)

INTERIOR MOLDINGS AND TRIMS

Key	Part Number	U/M	Description
	058204-01-000	EA	Batt Strip - Elm - 96"
	058797-01-000	EA	Batt Strip - Sandflower Cork - 96"
	024700-14-000	EA	Cover - Roll Bar - Russet Oak
	039512-13-000	EA	Cover - Hat Sector - Russet Oak
	047488-01-000	EA	Cover - Corner - Hat/Hat
	047489-01-000	EA	Cover - Corner - Tube/Tube
	052859-01-J27	FT	Accent Trim - Acorn Brown Vinyl
	009813-01-000	FT	Molding - Outside Corner - .50" - Dark Pecan
	009767-05-000	FT	Welling - Light Brown
	009778-01-000	FT	U-Channel - 1" - Dark Brown
	052861-01-K01	FT	Molding Asm. - Shelf
	009810-01-000	FT	Molding - Outside Corner - 1" - Dark Pecan

FABRICS AND FLOOR COVERINGS

Key	Part Number	U/M	Description
	058206-01-000	YD	Fabric - Drapery - Harvest
	058206-02-000	YD	Fabric - Drapery - Mocha
	058632-02-000	YD	Fabric - Upholstery - Navy
	058632-03-000	YD	Fabric - Upholstery - Beige
	053327-01-000	YD	Vinyl - Non Expanded - 27 oz. - Acorn Brown
	053327-02-000	YD	Vinyl - Expanded - 28 oz. - Acorn Brown
	053327-03-000	YD	Vinyl - Non Support - 16 Gauge Film - Acorn
	058208-01-000	SY	Carpet - Old Cedar (Navy - Beige Unit)
	058208-02-000	SY	Carpet - S-jantan Heather (Beige Unit)
	045951-02-000	EA	Tile - Parquet Wood

INTERIOR FINISH GROUP (CONTINUED)

CABINETS AND TABLE HARDWARE

Key	Part Number	U/M	Description
	057673-03-000	EA	Pull - Drawer - Brown - Flat Latch
	057865-02-000	EA	Backplate - Drawer Pull - Brown - Flat Latch
**	052932-01-J30	EA	Hinge Kit - Cabinet Door - Antique Brass
	057898-01-000	EA	Latch - Hidden - Cabinet Door
	009112-01-000	EA	Flange - 1" - Chrome - Closet Rod
	058034-01-000	EA	Latch - Bath Door
	009040-02-000	EA	Leg - Pedestal Table - 27.5" x 2.25" O.D. Chrome
	009040-03-000	EA	Base - Pedestal Table - Mounts on Table
	041194-01-000	EA	Base - Pedestal Table - Mounts in Floor
	059753-01-000	EA	Slide - Drawer - Left
	059753-02-000	EA	Slide - Drawer - Right
**	037688-01-000	FT	Rail - Drawer Glide
**	047744-01-000	EA	Kit - Drawer Glide

**The illustrated parts breakdown for this item is provided on the Common Items Fiche.

CURTAIN HARDWARE

Key	Part Number	U/M	Description
	052327-04-236	EA	Track - Curtain - Brown Alum. - 89" w/Holes
	053272-04-203	EA	Track - Blackout Curtain - Off White - 76.5" w/Holes
	057989-01-000	EA	Track - Wraparound Curtain - Brown Alum. - Right
	057989-02-000	EA	Track - Wraparound Curtain - Brown Alum. - Left
	056001-01-000	EA	Bracket - Shade - Left
	056002-01-000	EA	Bracket - Shade - Right
	009107-01-000	EA	Guide - Nylon Snap - Curtain
	019031-42-000	EA	Track - Curtain - "L" Rod - Alum. Extr - 90"
	009702-01-000	EA	End Stop - "L" Rod - Curtain
	009701-01-000	EA	Carrier - "L" Rod - Curtain

MISCELLANEOUS

Key	Part Number	U/M	Description
	041944-01-700	EA	Fire Extinguisher - Dry Chemical w/Bracket
	007038-01-000	EA	Door Mat - Black Rubber - 10 1/2" x 26"
	053552-01-K01	EA	Assist Handle - Interior - Acorn Vinyl
	054185-03-000	EA	Owners Manual - Winnebago - 1979
	045969-01-000	SF	Mat - Floor - Cocoa - 3/4" Thick - Natural Tan

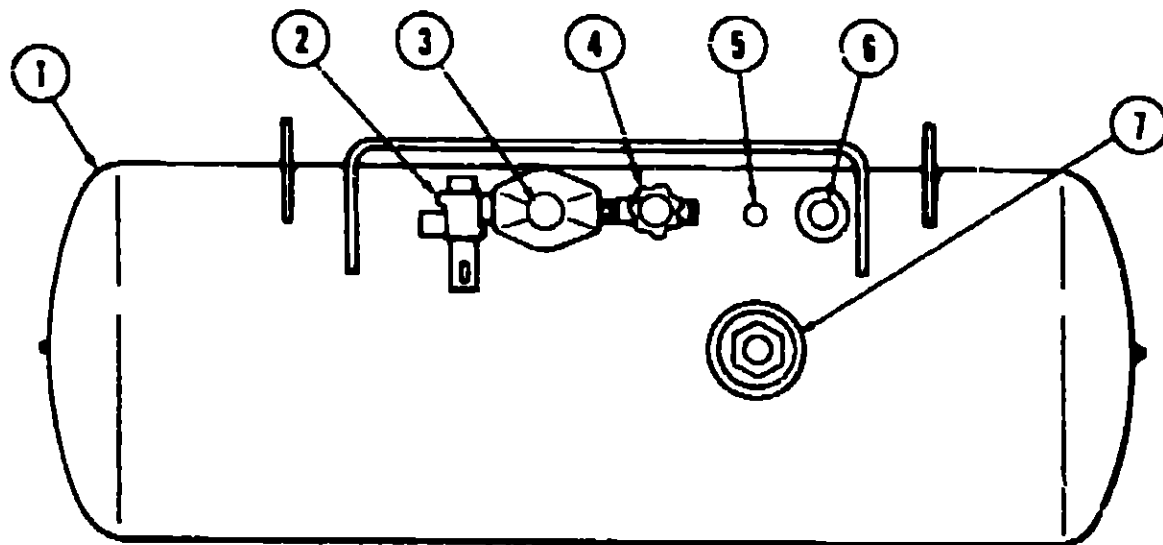
1979 WINNEBAGO TABLE OF CONTENTS

WD423RB	A-1 - B-10
WDF23RG	B-11 - C-22
WDU27RT	C-23 - E-8
WDU29RB	E-9 - F-18

1979 WDU29RB INDEX

Floor Plan	E-9 - E-10
Accessories Group	E-11 - E-12
Bath Group	E-13 - E-14
Chassis Group	E-15
Curtain, Cushion & Pad Group	E-16 - E-18
Dinette Group	E-19
Driver's Compartment Group	E-20 - E-21
Electrical Group	E-22 - E-23
Exterior Body Group	E-24 - F-4
Galley Group	F-5
Heating & Air Conditioning Group	F-6
Interior Finish Group	F-7 - F-8
LP Group	F-9
Lounge Group	F-9
Water & Sewage Group	F-10
Window, Vent & Exterior Door Group	F-11 - F-18

LP GROUP



Key	Part Number	U/M	Description
1	040421-01-000	EA	Tank Asm. - LP - Frame Mount - 83 Pound
2	047221-01-000	EA	Detector - LP Gas Leak
3	058706-01-000	EA	Cover - Regulator - 2 Stage
4	058705-01-000	EA	Regulator - Two Stage - LP Gas
4	040421-01-703	EA	Valve - Vapor Relief
5	040421-01-700	EA	Gauge - Liquid Level - 20% LP
6	040421-01-701	EA	Valve - Filler - LP
6	040421-01-702	EA	Cap - Plastic Fill Valve
7	040421-01-707	EA	Gauge - Float - w/Visible Dial - 85 Pound Tank
7	040421-01-706	EA	Dial - Visible Face - Float Gauge (Tank w/o Electric Transmitter)
7	040421-01-705	EA	Dial - Transmitter - 0 - 90 Ohm (Float Gauge)
7	045703-03-000	EA	Hose Asm. - LP - 3.8" I.D. x 14"
7	047737-02-000	EA	Support - LP Tank - 89.25"
7	047737-03-000	EA	Support - LP Tank - 30.50"
			Not Illustrated

LOUNGE GROUP

Key	Part Number	U/M	Description
	062557-01-K18	EA	Cabinet Asm. - Twin Bed - Right - w/o Door, Drawer or Hardware
	062558-01-K18	EA	Cabinet Asm. - Twin Bed - Left
	061528-10-K18	EA	Drawer Asm. - Twin Bed Cabinet - w/c Hardware
	059843-05-K18	EA	Door Asm. - Furnace - w/Brass Mesh Insert
	047205-08-000	EA	Insert - Furnace Door - 10 1/8" x 12 1/2" - Brass Mesh
	062142-01-K18	EA	Cabinet Asm. - Twin Bed Overhead - Right or Left - w/o Doors or Hardware
	059092-58-K18	EA	Door Asm. - Twin Bed Overhead Cabinet - w/o Hardware

WATER AND SEWAGE GROUP

PLUMBING REPAIR PARTS

Key	Part Number	U/M	Description
**	040539-01-000	EA	Kit - Repair - 3.8" O.D. Plastic Tube
**	040540-01-000	EA	Kit - Repair - 1/2" O.D. Plastic Tube
**	040541-01-000	EA	Kit - Repair - 5/8" O.D. Plastic Tube
**	041276-02-000	EA	Pump - Water Flow 3.7 GPM - PAR
**	039647-02-000	EA	Filter - Water Pump 1/2" MPT
**	039818-01-000	EA	Riser Asm. - 3/8" O.D. x 24" Tube
**	039818-02-000	EA	Riser Asm. - 3/8" O.D. x 36" Tube
**	039818-04-000	EA	Riser Asm. - 3/8" O.D. x 72" Tube
**	039807-01-000	EA	Valve - Drain - Brass - 1/2" MPT
**	004020-01-000	OT	Adhesive - ABS Cement
**	010201-01-000	EA	Hose - Sewer 3" x 10 FT w/Clamp
**	010235-01-000	EA	Cap - Sewage 3"
**	010236-01-000	EA	Adapter - Hose 3" Sewage
**	010234-01-000	EA	Adapter - Bayonet
**	011091-01-000	EA	Waste - Continuous - Double Sink 11 7/8"
**	011066-01-000	EA	P-Trap - Plastic - 1 1/4"
**	010210-01-000	EA	Valve - Sanitary - Thetford 3HB
**	010133-01-000	EA	Adapter - Trap - Plastic 1 1/2" H x MPT
**	010071-01-000	EA	Tee - Plastic - 1 1/2" H x H x H
**	010073-01-000	EA	Wye - Plastic - 1 1/2 x 45 H x H x H
**	010079-01-000	EA	Tee - Plastic - 1 1/2" H x 1 1/2" H x 1 1/4" H
**	010091-01-000	EA	Wye - Plastic - 3" x 45 H x H x H
**	010117-01-000	EA	Coupling - Plastic - 3" H x H
**	010134-01-000	EA	Adapter - Plastic - 1 1/2" M x MPT
**	046524-01-000	EA	Kit - Plastic Fittings - Holding Tank
**	046524-02-000	EA	Kit - Plastic Fittings - Water Tank
**	050780-01-000	EA	Coupler - Rubber - 3" x 3"
**	010209-01-000	EA	Handle - Extension - Sewer Valve - 23.5"
**	010209-02-000	EA	Handle - Extension - Sewer Valve - 9.5"
**	010209-04-000	EA	Handle - Extension - Sewer Valve - 39.88"
**	010209-05-000	EA	Handle - Extension - Sewer Valve - 36"
**	010209-06-000	EA	Handle - Extension - Sewer Valve - 11.25"
**	010209-07-000	EA	Handle - Extension - Sewer Valve - 26.75"
**	010209-08-000	EA	Handle - Extension - Sewer Valve - 57.75"
**	037845-01-000	FT	Tape - Butyl - 3/16" - Bead - Black
**	052952-01-000	EA	Nut - Plastic - 1/2 F
**	052952-02-000	EA	Nut - Plastic - 5/8 F
**	052953-01-000	EA	Nut - Faucet - 1/2 Tube x 1/2 FPT
**	052954-01-000	EA	Adapter - Nose Cone - 3/8 or 1/2
**	052958-01-000	EA	Tee - Plastic - 1/2 F x 1/2 F x 1/2 F
**	052959-01-000	EA	Connector - Plastic - 1/2 F x 1/4 MPT
**	052960-01-000	EA	Drain Valve - Line - 1/2 F x 1/2 F
**	052962-01-000	EA	Valve - Stool - 90 1/2 F x 3/8 MPT
**	058795-01-000	EA	Waste Destruction System - Thermaxan II

**The illustrated parts breakdown for this item is provided on the Common Items Fiche.

HOLDING TANKS AND WATER HEATERS

Key	Part Number	U/M	Description
**	055518-02-000	EA	Tank Asm. - Holding w/Fittings - 35 Gallon
**	055518-01-000	EA	Tank Asm. - Holding w/o Fittings - 35 Gallon
**	041625-05-000	EA	Tank Asm. - Holding - w/Fittings - 56 Gallon
**	041625-01-000	EA	Tank Asm. - Holding - w/o Fittings - 56 Gallon
**	055504-02-000	EA	Tank Asm. - Water - w/Fittings - 68 Gallon
**	055504-01-000	EA	Tank Asm. - Water - w/o Fittings - 68 Gallon
**	055283-01-000	EA	Water Heater - Atwood Bowen - GH610E

**The illustrated parts breakdown for this item is provided on the Common Items Fiche.

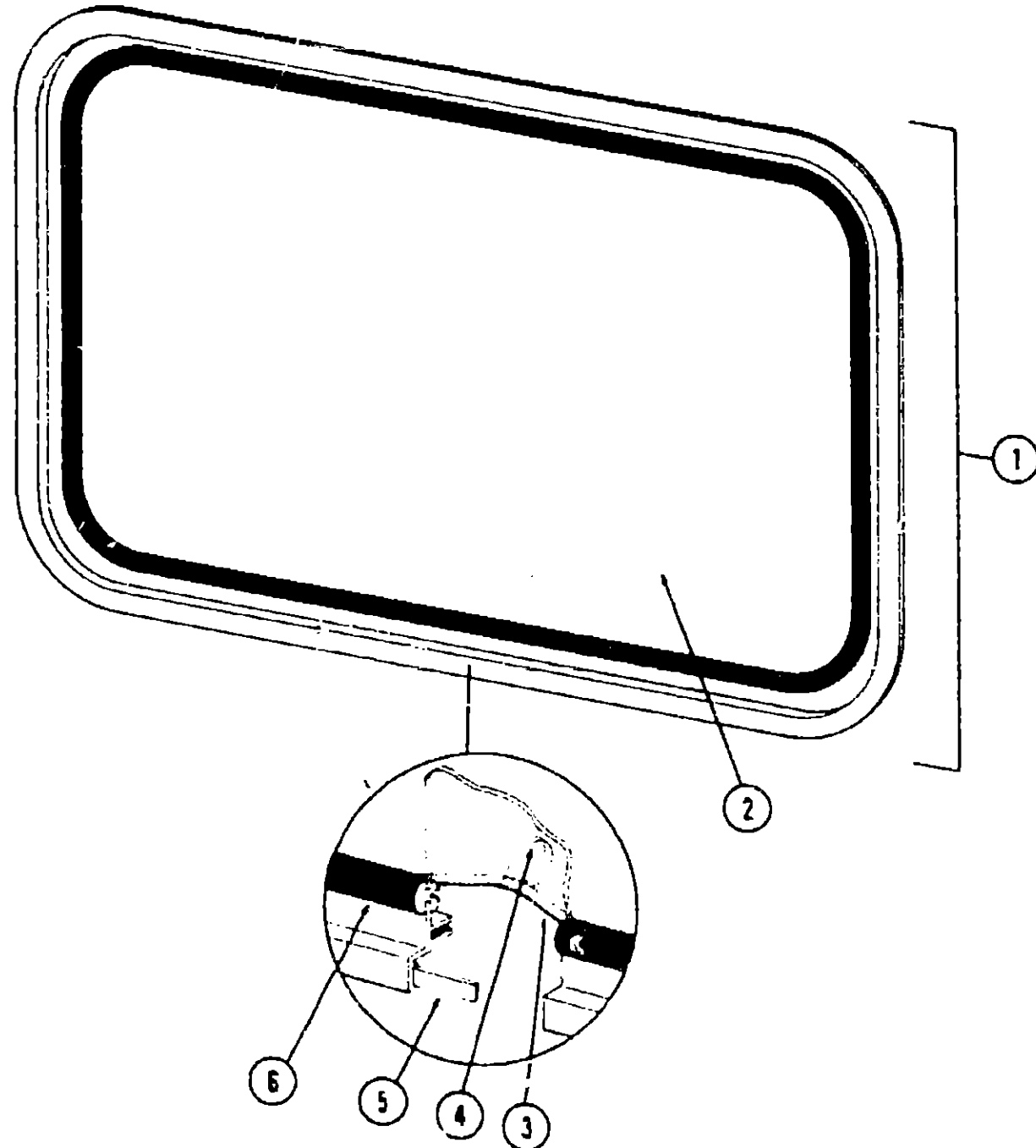
1979 WINNEBAGO TABLE OF CONTENTS

WD423RB	A-1 - B-10
WDF23RG	B-11 - C-22
WDU27RT	C-23 - E-8
WDU29RB	E-9 - F-18

1979 WDU29RB INDEX

Floor Plan	E-9 - E-10
Accessories Group	E-11 - E-12
Bath Group	E-13 - E-14
Chassis Group	E-15
Curtain Cushion & Pad Group	E-16 - E-18
Dinette Group	E-19
Driver's Compartment Group	E-20 - E-21
Electrical Group	E-22 - E-23
Exterior Body Group	E-24 - F-4
Galley Group	F-5
Heating & Air Conditioning Group	F-6
Interior Finish Group	F-7 - F-8
LP Group	F-9
Lounge Group	F-9
Water & Sewage Group	F-10
Window Vent & Exterior Door Group	F-11 - F-12

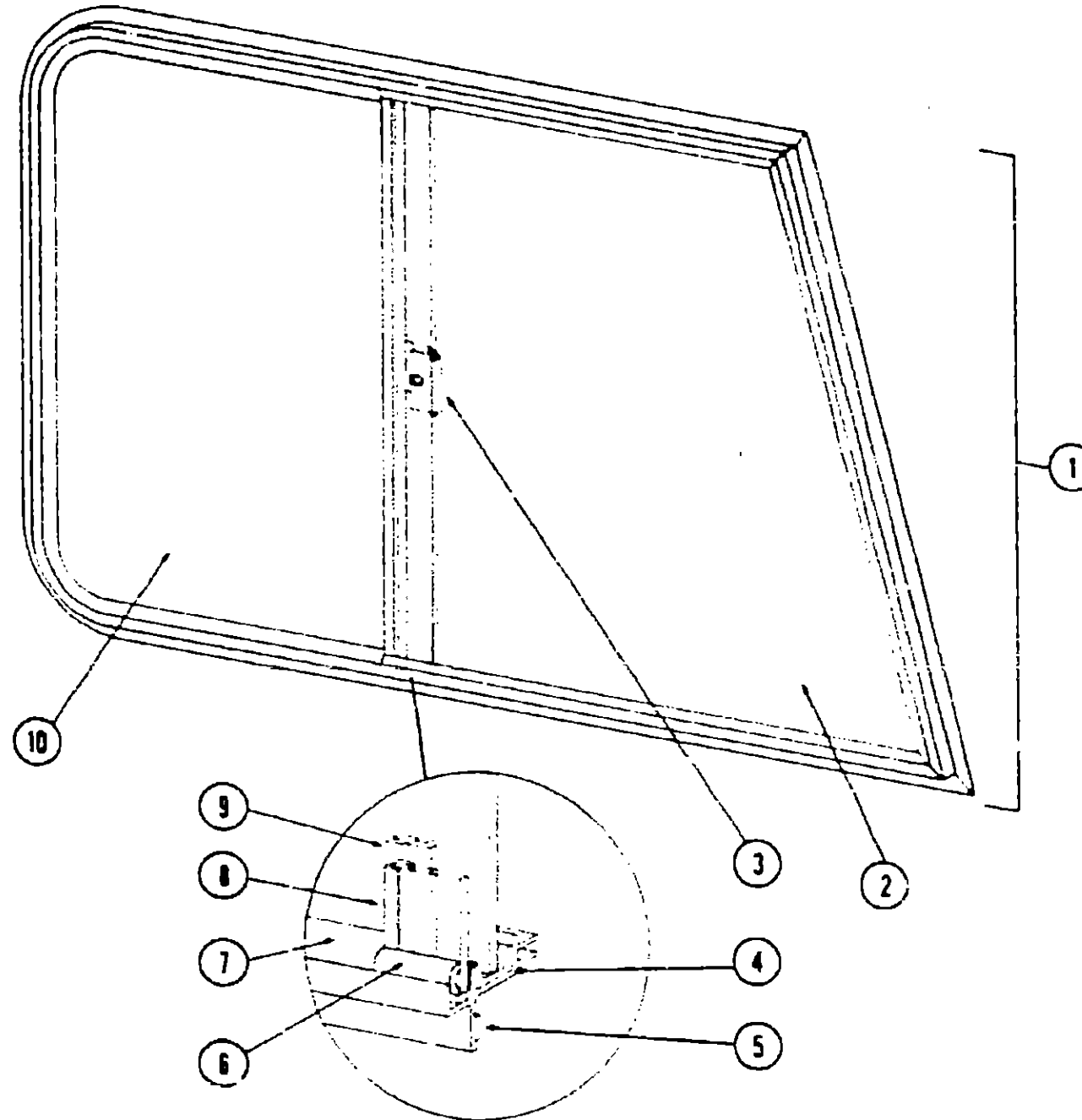
WINDOW, VENT AND EXTERIOR DOOR GROUP



Key	Part Number	U/M	Description
1	044689-01-000	EA	Window Asm. - Rear Escape - 23" x 36" - Black Anod. (w/o inside frame)
2	041392-01-000	EA	Glass - 1/8" x 19.61" x 33.25"
3	002285-01-000	FT	Filler - Weatherstrip - Black
4	020395-01-000	EA	Slip - Pull Ring - Escape Window
5	004363-01-000	FT	Tape - Foam - 3/16" x 1/2" - Gray
6	002282-01-000	FT	Weatherstrip - .125" - Black
*	041393-01-000	EA	Frame - Inside - Escape Window - 23" x 36" (not included in assembly)

* Not Illustrated

WINDOW, VENT AND EXTERIOR DOOR GROUP (CONTINUED)



Key	Part Number	U/M	Description
1	056434-01-000	EA	Window Asm. - Front Slant Slider - Right - 29" x 40" - Black Anod (w/o inside frame)
	056434-02-000	EA	Window Asm. - Front Slant Slider - Left - 29" x 40" - Black Anod. (w/o inside frame)
2	042265-01-000	EA	Glass - 3/16" x 27.91" x 13.94" x 26.38" - Stationary
3	047369-01-700	EA	Latch - Window - Plastic w/Fastener
*	023320-01-000	EA	Pad - Foam - 3/8" Dia. (used with plastic latch)
4	042077-01-000	FT	Channel - Weathersrip - Glass Run - 3/16" Glass
5	053767-02-000	FT	Tape - Sealer - 3/16" Bead x 25' - Schnee Morehead
6	050216-02-000	FT	Spline - 3/16" Glass - Black
7	041928-02-000	FT	Seal - Window Channel - Black
8	002389-03-203	EA	Holder - Glass Seal - Black Anod. - 27.125"
9	057644-03-000	EA	Mullion - Slider Window - 25" - Black Anod.
10	047814-01-000	EA	Glass - 3/16" x 27.91" x 14.03" - Sliding
*	053266-08-000	EA	Inside Frame - Right Front Slant Slider (not included in assembly)
*	053266-07-000	EA	Inside Frame - Left Front Slant Slider (not included in assembly)
*	023713-02-000	EA	Cover - Weephole - Black
*	055164-02-000	EA	Screen Asm. - Slider - Right or Left

**1979 WINNEBAGO
TABLE OF CONTENTS**

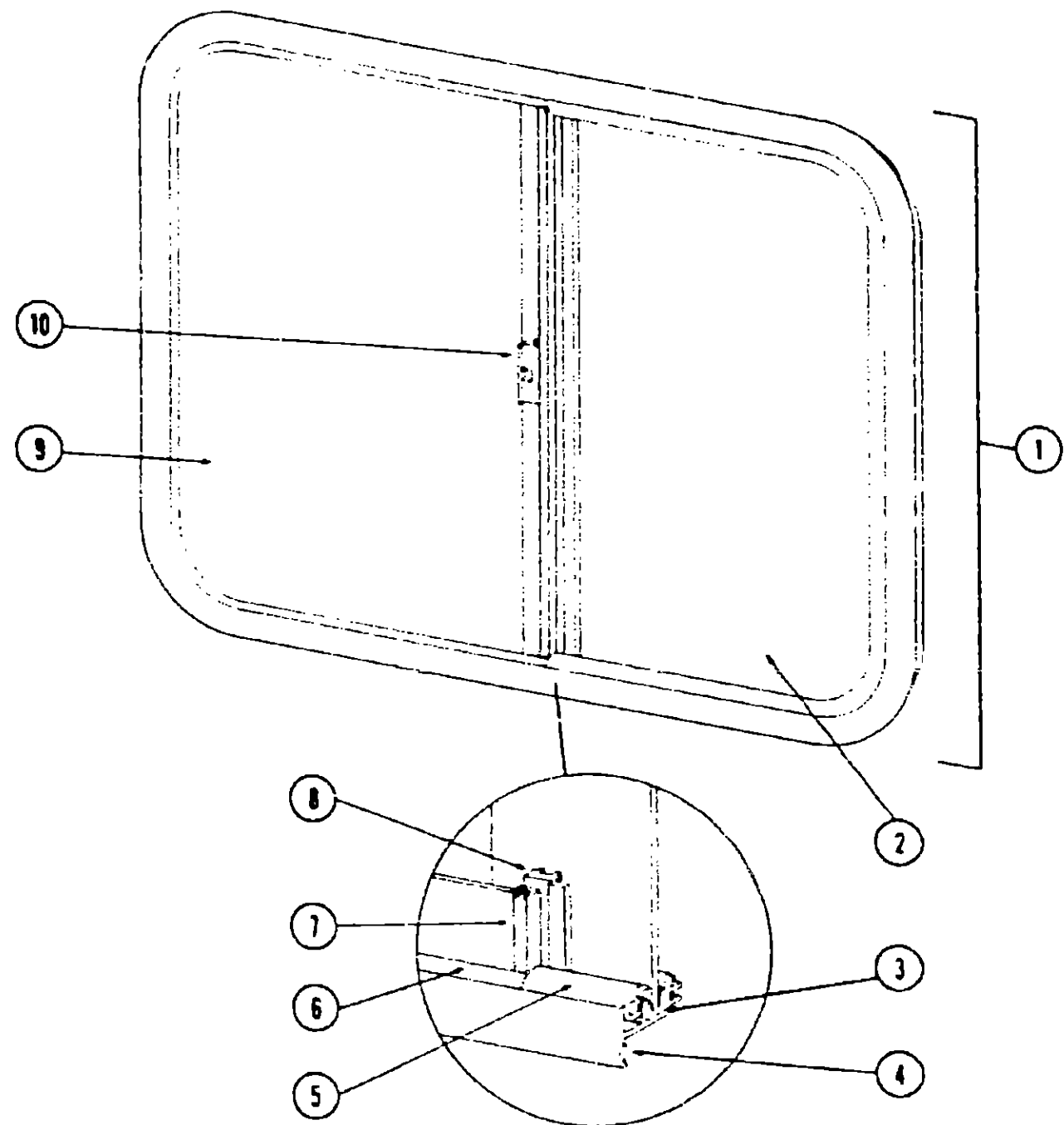
WD423RB
WDF23RG
WDU27RT
WDU29RB

A-1 - B-10
B-11 - C-22
C-23 - E-8
E-9 - F-18

1979 WDU29RB INDEX

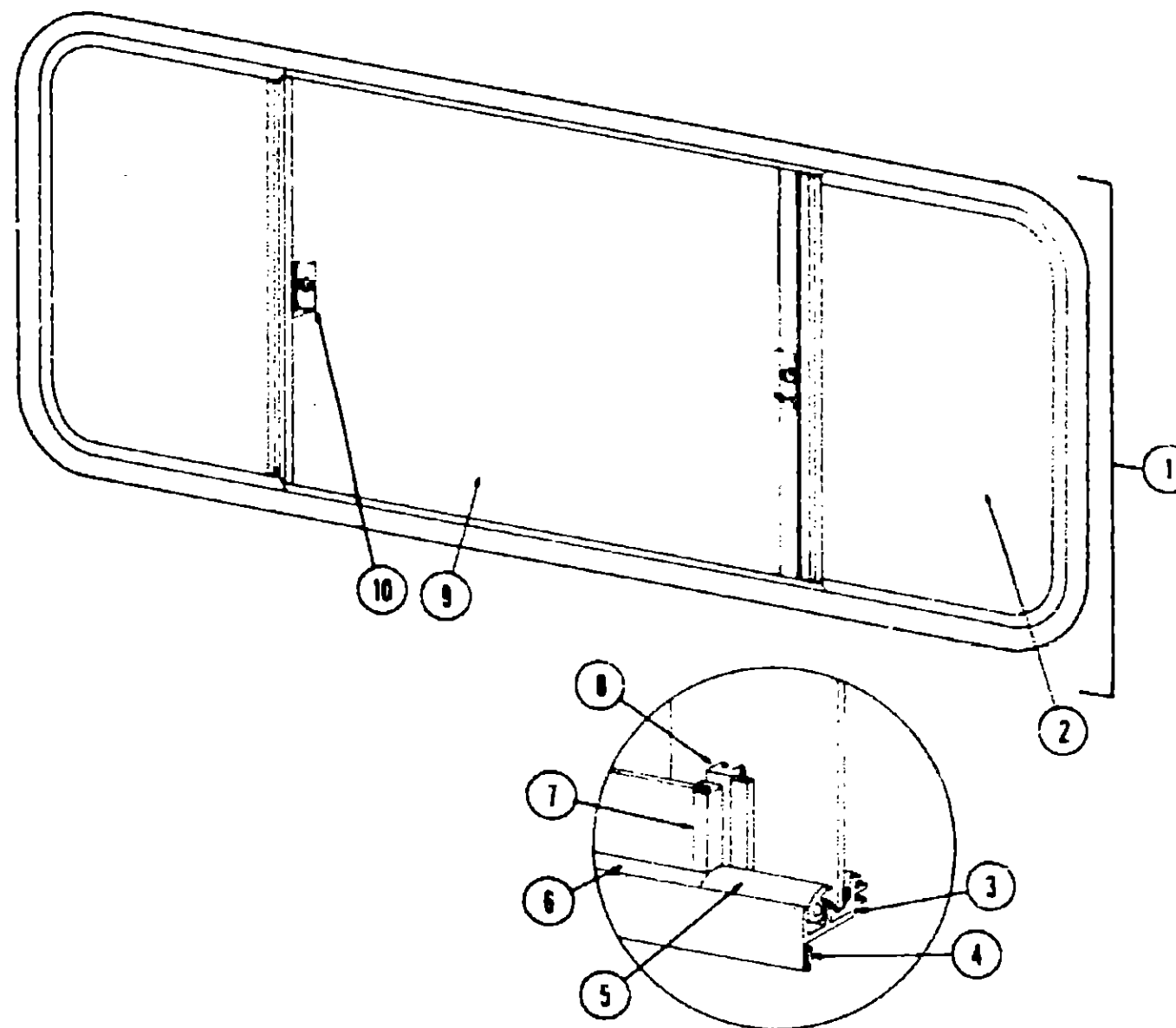
Floor Plan	E-9 - E-10
Accessories Group	E-11 - E-12
Bath Group	E-13 - E-14
Chassis Group	E-15
Curtain, Cushion & Pad Group	E-16 - E-18
Dinette Group	E-19
Driver's Compartment Group	E-20 - E-21
Electrical Group	E-22 - E-23
Exterior Body Group	E-24 - F-4
Galley Group	F-5
Heating & Air Conditioning Group	F-6
Interior Finish Group	F-7 - F-8
LP Group	F-9
Lounge Group	F-9
Water & Sewage Group	F-10
Window, Vent & Exterior Door Group	F-11 - F-18

WINDOW, VENT AND EXTERIOR DOOR GROUP (CONTINUED)



Key	Part Number	U/M	Description
1	048631-04-000	EA	Window Asm. - Left Single Slider - 20" x 25" - Black Anod. (w/o inside frame)
2	047620-01-000	EA	Glass - 1/8" x 19" x 13.68" - Sliding
3	002324-01-000	FT	Channel - Weatherstrip - Glass Run - 1/8" Glass
4	004363-01-000	FT	Tape - Foam - 3/16" x 1/2" - Gray
5	024196-02-000	FT	Seal - Window Channel - Black
6	002309-02-000	FT	Spline - Glass - 1/8" - Black
7	002390-03-201	EA	Holder - Glass Seal - 18.19" - Black Anod.
8	041894-12-000	EA	Mullion - Slider Window - 20" - Black Anod.
9	002241-02-000	EA	Glass - 1/8" x 12.3" x 19" - Stationary
10	047369-01-700	EA	Latch - Window - Plastic w/Fastener
.	023320-01-000	EA	Pad - Foam - 3/8" Dia. (used with plastic latch)
.	042147-08-000	EA	Inside Frame - Single Slider Window - 25" x 29" (not included in assembly)
.	023713-02-000	EA	Cover - Weephole - Black Plastic
.	002298-01-000	FT	Spline - Gray - .130" Dia. (Screen)
.	002293-01-000	SF	Screen - Window - 26" - Gray
.			Not Illustrated

WINDOW, VENT AND EXTERIOR DOOR GROUP (CONTINUED)



Key	Part Number	U/M	Description
1	048630-08-000	EA	Window Asm. - Double Slider - 25" x 65" Black Anod (w/o inside frame)
2	047822-01-000	EA	Glass - Sliding - 3/16" x 24" x 21.03"
3	042077-01-000	FT	Channel - Weatherstrip - Glass Run - 3/16" Glass
4	004363-01-000	FT	Tape - Foam - 3/16" x 1/2" - Gray
5	041982-01-000	FT	Seal - Window Channel - 3/16" Glass - Black
6	050216-02-000	FT	Spline - Glass - Black
7	002389-03-203	EA	Extr. - Holder - Glass Seal - 27.125"
8	041894-04-000	EA	Mullion - Slider Window - 25"
9	002188-02-000	EA	Glass - 3/16" x 24" x 25.50" - Stationary
10	047369-01-700	EA	Latch - Window - Plastic w/Fastener
.	023320-01-000	EA	Pad - Foam - 3/8" Dia. (used with plastic latch)
.	042133-09-000	EA	Frame Asm. - Window - Inside (not included in assembly)
.	023713-02-000	EA	Cover - Weephole - Plastic - Black
.	002298-01-000	FT	Spline - Gray - .130" Dia. (Screen)
.	002293-01-000	SF	Screen - Window - 26" - Gray
.			Not Illustrated

**1979 WINNEBAGO
TABLE OF CONTENTS**

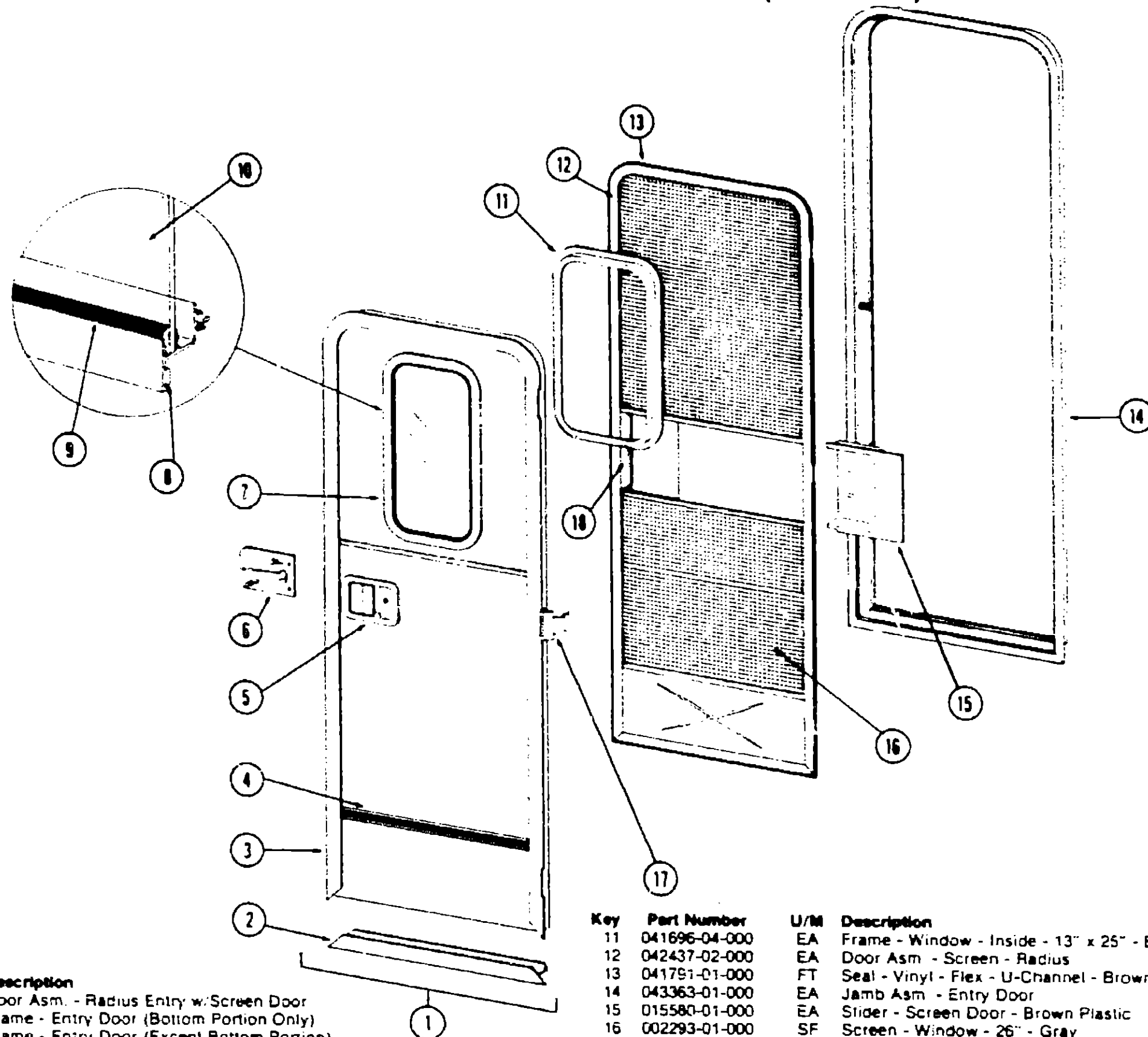
WD423RB
WDF23RG
WDU27RT
WDU29RB

A-1 - B-10
B-11 - C-22
C-23 - E-8
E-9 - F-15

1979 WDU29RB INDEX

Floor Plan	E-9 - E-10
Accessories Group	E-11 - E-12
Bath Group	E-13 - E-14
Chassis Group	E-15
Curtain, Cushion & Pad Group	E-16 - E-18
Dinette Group	E-19
Driver's Compartment Group	E-20 - E-21
Electrical Group	E-22 - E-23
Exterior Body Group	E-24 - F-4
Galley Group	F-5
Heating & Air Conditioning Group	F-6
Interior Finish Group	F-7 - F-8
LP Group	F-9
Lounge Group	F-9
Water & Sewage Group	F-10
Window, Vent & Exterior Door Group	F-11 - F-18

WINDOW, VENT AND EXTERIOR DOOR GROUP (CONTINUED)



Key	Part Number	U/M	Description
1	042418-03-000	EA	Door Asm. - Radius Entry w/Screen Door
2	039737-02-000	EA	Frame - Entry Door (Bottom Portion Only)
3	041375-01-000	EA	Frame - Entry Door (Except Bottom Portion)
4	039874-01-000	EA	Holder Asm. - Entry Door
5	052186-01-000	EA	Lock Asm. - Radius Entry Door - Lynor
6	045017-01-700	EA	Lock Cylinder w/Keys - Lynor
7	039539-01-000	EA	Striker - Entry Door Lock
8	039979-01-000	EA	Plate - Lock - Interior - Including Inside Handle
9	041875-04-000	EA	Window Asm. - Picture - 13" x 25" - Black Anod. (inside frame not included in assembly)
10	004363-01-000	FT	Tape - Foam - 3/16" x 1/2" - Gray
	002318-02-000	FT	Spline - Glass - 3/16" - Black
	002181-02-000	EA	Glass - Picture Window - 3/16" x 12" x 24" - Gray

Key	Part Number	U/M	Description
11	041696-04-000	EA	Frame - Window - Inside - 13" x 25" - Brown
12	042437-02-000	EA	Door Asm - Screen - Radius
13	041791-01-000	FT	Seal - Vinyl - Flex - U-Channel - Brown
14	043363-01-000	EA	Jamb Asm - Entry Door
15	015580-01-000	EA	Slider - Screen Door - Brown Plastic
16	002293-01-000	SF	Screen - Window - 26" - Gray
17	042433-01-000	EA	Hinge - Entry Door (3 used per door)
18	015581-01-000	EA	Ca, Screen Door - Brown Plastic
	049176-01-000	EA	Hedlok II - 3/4" Diameter - Screw Mount (Retains screen door to entry door)
	049797-01-000	EA	Hedlok II - 1" Diameter - Screw Mount (Retains screen door to entry door)
	058025-02-000	EA	Clip - Roller Catch
	039863-01-000	EA	Catch Asm. - Single Roller w/Strike - Screen Door
	051390-C1-000	FT	Seal - Jamb - Entry Door
	039800-03-000	FT	Tubing - Polybutyl - 3/8" O.D. - Jamb
			Not Illustrated

F-15

1979 WINNEBAGO TABLE OF CONTENTS

WD423RB
WDF23RG
WDU27RT
WDU29RB

A-1 - B-10
B-11 - C-22
C-23 - E-6
E-9 - F-18

1979 WDU29RB INDEX

Floor Plan	E-9 - E-10
Accessories Group	E-11 - E-12
Bath Group	E-13 - E-14
Chassis Group	E-15
Curtain, Cushion & Pad Group	E-16 - E-18
Dinette Group	E-19
Driver's Compartment Group	E-20 - E-21
Electrical Group	E-22 - E-23
Exterior Body Group	E-24 - F-4
Galley Group	F-5
Heating & Air Conditioning Group	F-6
Interior Finish Group	F-7 - F-8
LP Group	F-9
Lounge Group	F-9
Water & Sewage Group	F-10
Window, Vent & Exterior Door Group	F-11 - F-18

F-16

WINDOW, VENT AND EXTERIOR DOOR GROUP (CONTINUED)

WINDSHIELD

Key	Part Number	U/M	Description
	042744-01-000	EA	Frame Asm. - Windshield w/o Glass
	034975-02-000	EA	Glass - Windshield - Safety Plate w/Tinted Band - Left or Right
	038886-02-000	EA	Tape - Butyl - .31" x 31" x 160" Long

VENTS

Key	Part Number	U/M	Description
	009407-01-000	EA	Vent Asm. - Base - Refrigerator Vent w/o Cover
	039778-01-000	EA	Cover - Plastic - Refrigerator Vent
	049352-02-000	EA	Vent - Stovehood - Outside - Beige (Jensen)
**	048789-01-000	EA	Vent Asm. - Roof - Powered w/o Screen - Alum.
**	048835-01-000	EA	Vent Asm. - Roof - Non Powered - w/o Screen - Alum.
**	05G119-01-000	EA	Vent Asm. - Roof - Powered/Lighted - Jensen - White

**The illustrated parts breakdown for this item is provided on the Common Items Fiche.

ACCESS DOORS

Key	Part Number	U/M	Description
	054270-03-000	EA	Door Asm. - Refrigerator Access - Beige w/Twist Type Locks
	055500-03-000	EA	Door Asm. - Gas Fill - Beige w/Key Type Lock
	052009-01-000	EA	Door Asm. - Water Heater - Atwood - Off White
	052179-04-000	EA	Door Asm. - Generator - Beige w/Twist Type Locks
	052181-01-000	CA	Baffle - Generator Door
	052086-02-000	EA	Door Asm. - Valance Panel - 10 3/4" x 28"
	052086-03-000	EA	Door Asm. - Valance Panel - 10 3/4" x 42"
	009065-01-000	EA	Hinge - Continuous Alum. - 1 1/2" x 96"
	042441-01-000	EA	Lock Asm. - Key Type (Valance Door)
	042442-01-000	EA	Lock Asm. - Twist Type (Valance and Trunk Door)
	042415-01-000	EA	Panel - Trunk Door - Black Plastic
	022950-02-700	EA	Lock - Twist Type w/Clip - Beige Plastic

1979 WINNEBAGO TABLE OF CONTENTS

WD423RB	A-3 - B-10
WDF23RG	B-11 - C-27
WDU27RT	C-28 - E-8
WDU29RB	E-9 - F-18

1979 WDU29RB INDEX

Floor Plan	E-9 - E-10
Accessories Group	E-11 - E-12
Bath Group	E-13 - E-14
Chassis Group	E-15
Curtain, Cushion & Pad Group	E-16 - E-18
Dinette Group	E-19
Driver's Compartment Group	E-20 - E-21
Electrical Group	E-22 - E-23
Exterior Body Group	E-24 - F-4
Galley Group	F-5
Heating & Air Conditioning Group	F-6
Interior Finish Group	F-7 - F-8
LP Group	F-9
Lounge Group	F-9
Water & Sewage Group	F-10
Window, Vent & Exterior Door Group	F-11 - F-18