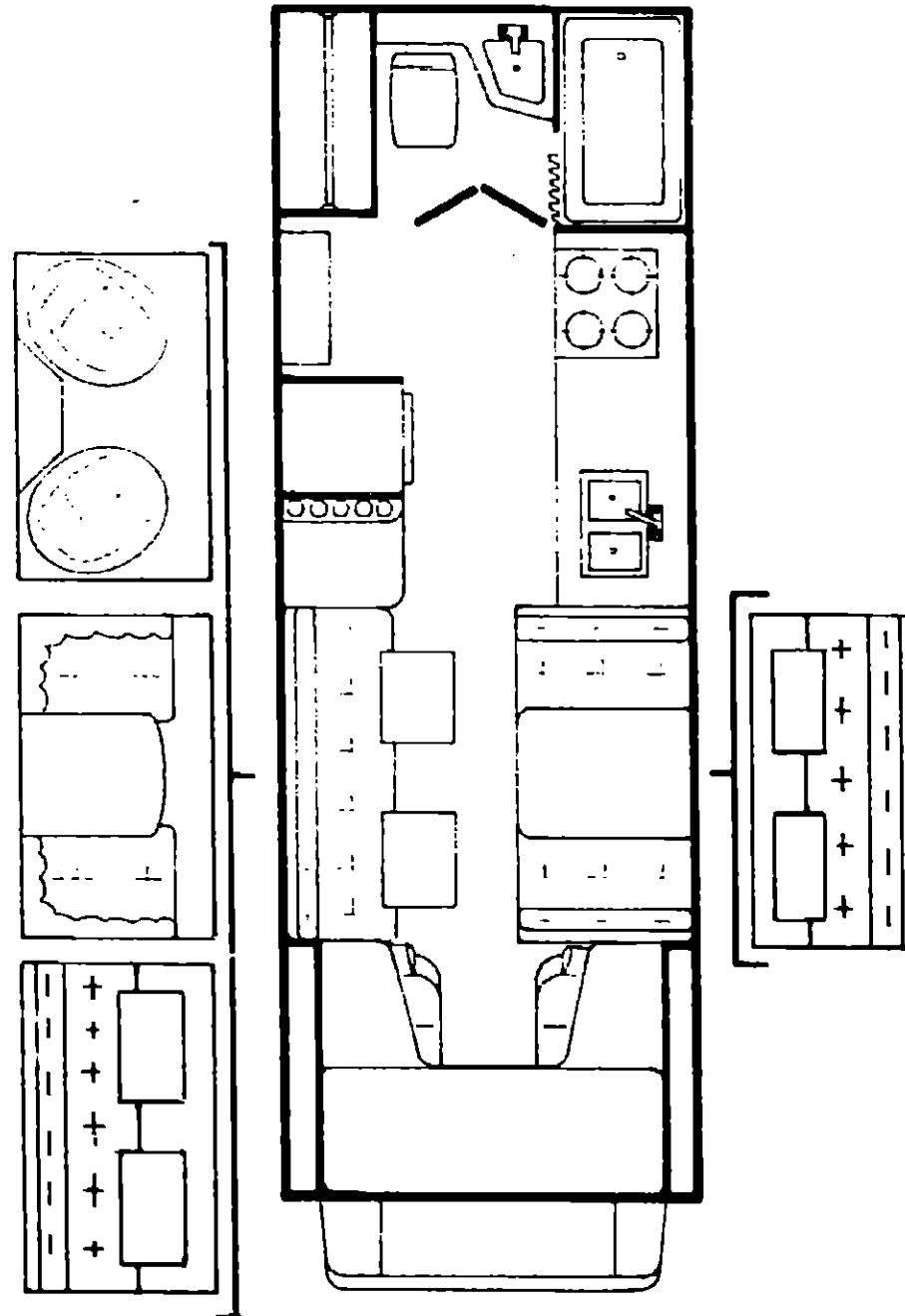


# 1979 WD423RB



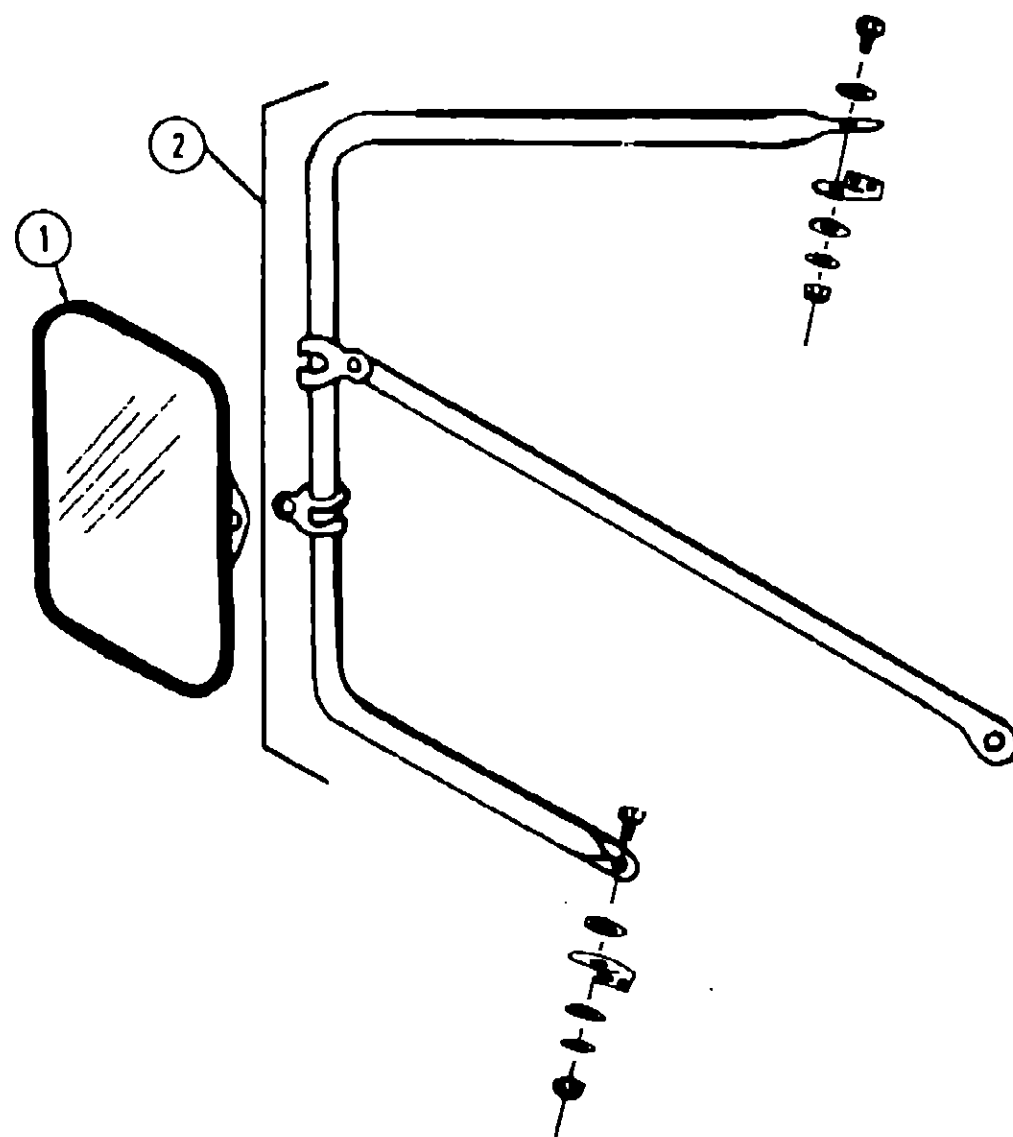
## 1979 WINNEBAGO TABLE OF CONTENTS

WD423RB	A-1 - B-10
WDF23RG	B-11 - C-22
WDU27RT	C-23 - E-8
WDU29RB	E-9 - F-18

## 1979 WD423RB INDEX

Floor Plan	A-1 - A-2
Accessories Group	A-3 - A-4
Bath Group	A-5
Chassis Group	A-6
Curtain, Cushion & Pad Group	A-7 - A-11
Dinette Group	A-12
Driver's Compartment Group	A-12
Electrical Group	A-13 - A-14
Exterior Body Group	A-15 - A-18
Galley Group	A-19
Heating & Air Conditioning Group	A-20
Interior Finish Group	A-21 - A-22
LP Group	A-23
Lounge Group	A-24
Water & Sewage Group	B-1
Window, Vent & Exterior Door Group	B-2 - B-10

## ACCESSORIES GROUP



Key	Part Number	U/M	Description
1	057461-01-000	EA	Mirror Head - 7 1/2" x 10 1/2" - w/Convex
2	049349-03-000	EA	Arm - West Coast Mirror - Stainless Steel

## ACCESSORIES GROUP (CONTINUED)

### RADIOS AND RELATED COMPONENTS

Key	Part Number	U/M	Description
	007004-01-000	EA	Antenna - Radio - Cab Mount
	045836-02-000	EA	Plate - Radio Cover
	049730-01-000	EA	Radio - Clarion - AM w/Fader Switch
	049731-01-000	EA	Radio - Clarion - AM/FM/MPX w/Fader Switch
	049732-01-000	EA	Radio - Clarion - AM/FM/MPX/8 Track w/Fader Switch
	053768-01-000	EA	Speaker - Recessed - 5 1/4" - 10 oz.
	055299-01-000	EA	Grille - Speaker - 5 1/4"
	048153-01-000	EA	Antenna - CB Camper Style

### GENERATORS AND INSTALLATION KITS

Key	Part Number	U/M	Description
**	054427-01-000	EA	Generator - 3.0 kw Onan
	701629-02-000	EA	Installation Package - Onan Generator
	049360-02-000	EA	Overhead Console
	050015-01-000	EA	Bracket - Overhead Console
	024732-01-001	EA	Tail Pipe - 1 1/2" O.D. x 23"
	740313-72-000	EA	Tray - Generator - 3.0 kw - Onan

\*\*The illustrated parts breakdown for this item is provided on the Common Items Fiche.

### MISCELLANEOUS ACCESSORIES

Key	Part Number	U/M	Description
	056253-01-000	EA	Luggage Rack and Ladder Asm.
**	041086-02-000	EA	Ladder Asm. - w/o Luggage Rack
	006053-01-000	EA	Antenna Asm. - TV - Braund Delux
	006053-01-700	EA	Parts Kit - Repair - Braund TV Antenna
	054185-03-000	EA	Owners Manual - 1979 Winnebago
	006093-01-000	EA	Jack - TV - Brown
	052771-01-000	EA	Microwave Oven - Magic Chef MW207
**	059778-01-000	EA	Speed Control - Dodge - Electric - Dana
	047389-01-700	EA	Battery - 12 Volt - 105 Amp. - Deep Cycle - Dry
	057899-01-000	EA	Battery - 12 Volt - Maintenance Free - Delco
**	031396-03-000	EA	Wheel Cover - 16.5" - Chrome
	040466-07-000	EA	Cover - Spare Tire - 29" - Off White
	006113-01-000	EA	Jack - Hydraulic - 5 Ton
	041944-01-700	EA	Fire Extinguisher w/Bracket
	017516-01-000	EA	Mudflap - Black Rubber - 14" x 18" w/Holes

\*\*The illustrated parts breakdown for this item is provided on the Common Items Fiche.

## 1979 WINNEBAGO TABLE OF CONTENTS

WD423RB	A-1 - B-10
WDF23RG	B-11 - C-22
WDU27RT	C-23 - E-8
WDU29RB	E-9 - F-18

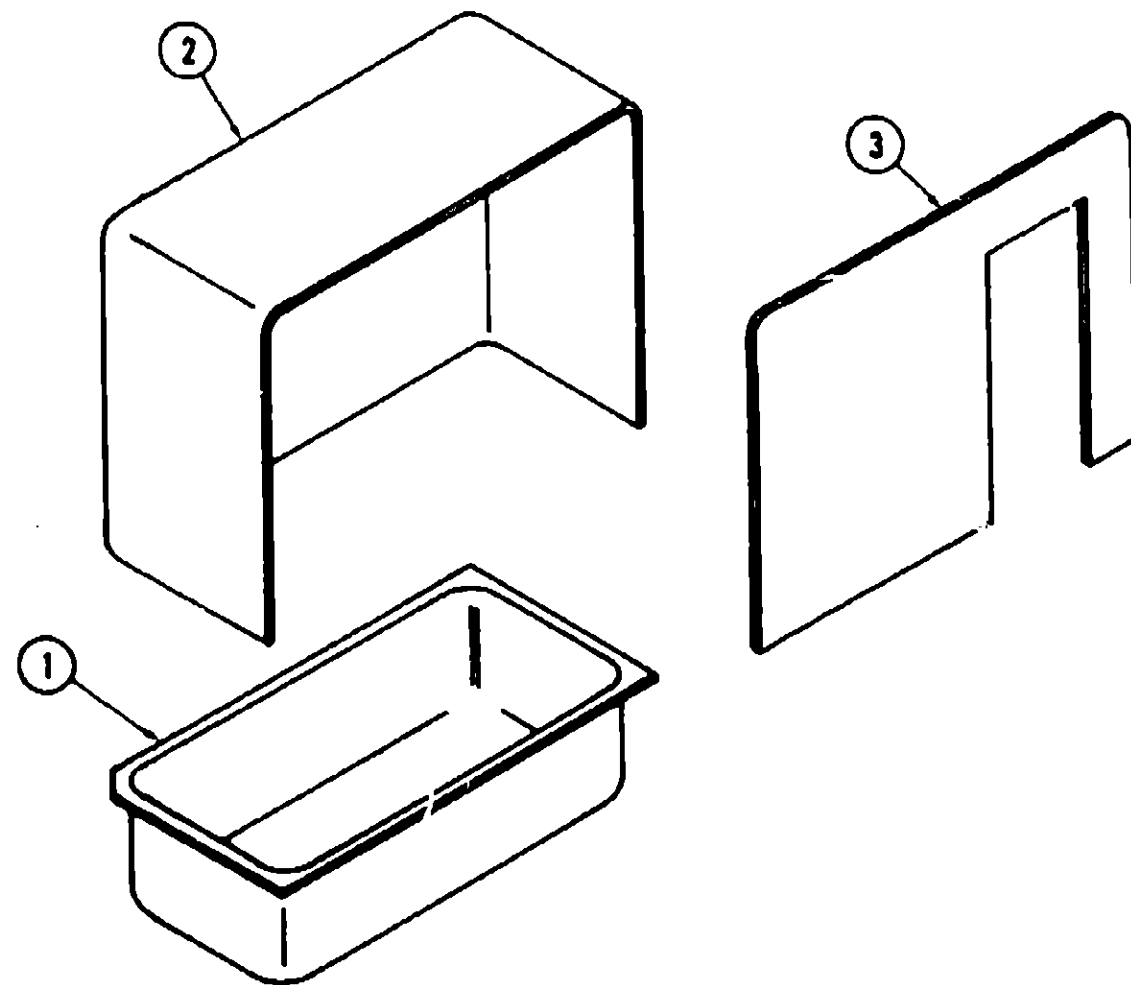
## 1979 WD423RB INDEX

Floor Plan	A-1 - A-2
Accessories Group	A-3 - A-4
Bath Group	A-5
Chassis Group	A-6
Curtain, Cushion & Pad Group	A-7 - A-11
Dinette Group	A-12
Driver's Compartment Group	A-12
Electrical Group	A-13 - A-14
Exterior Body Group	A-15 - A-18
Galley Group	A-19
Heating & Air Conditioning Group	A-20
Interior Finish Group	A-21 - A-22
LP Group	A-23
Lounge Group	A-24
Water & Sewage Group	B-1
Window, Vent & Exterior Door Group	B-2 - B-10

## BATH GROUP

Key	Part Number	U/M	Description
	058941-01-K01	EA	Cabinet Asm. - Vanity w/o Top - w/Doors
	058880-01-K01	EA	Countertop Asm. - Vanity Cabinet - Almond Batik
	059122-03-K01	EA	Door Asm. - Rolled - Vanity Cabinet - 25" x 17.35" - Butternut
	059122-04-K01	EA	Door Asm. - Rolled - Vanity Cabinet - 25" x 13.2" - Butternut
	061709-01-K01	EA	Door Asm. - Wardrobe Cabinet - 45.02" x 21.72" - w/Mirror - w/o Hardware
	058331-02-000	EA	Mirror - Tempered Glass - 12" x 36"
	058991-01-K01	EA	Panel Asm. - Folding Door - 78" x 18"
	058991-02-K01	EA	Panel Asm. - Folding Door - 78" x 19"
	058344-01-000	EA	Hardware - Folding Door
	058344-02-000	EA	Track - Folding Door
	052563-01-000	EA	Towel Rack - Mounts on Folding Door
	053130-02-000	EA	Cabinet Asm. - Medicine - 43.5" Wide
	009112-01-000	EA	Flange - 1" - Closet Rod
	058640-01-000	EA	Sink - Large Oval - Ivory Plastic
**	011056-01-000	EA	Faucet - Sink
	011083-01-000	EA	Plug - Sink - 1 1/4" w/Chain
	009134-01-000	EA	Holder - Tissue
**	031558-01-000	EA	Faucet - Tub and Shower
**	011086-01-000	EA	Strainer - Shower Pan
**	011048-01-000	EA	Shower Head - w/60" Hose
	053260-05-000	EA	Trim - Shower Door - Bottom
	053262-04-000	EA	Trim - Shower Door - Left
	053262-01-000	EA	Trim - Shower Door - Right
**	039341-02-000	EA	Toilet - Aqua Magic Model SH - Thetford - Ivory

\*\*The illustrated parts breakdown for this item is provided on the Common Items Fiche.

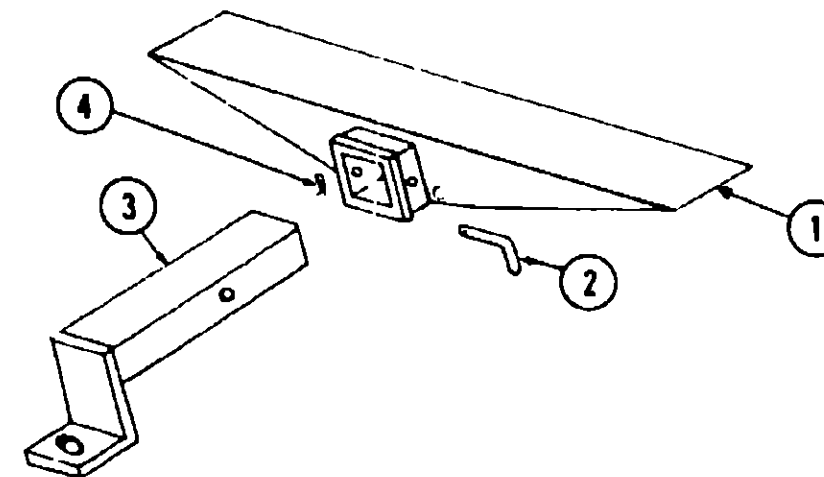


Key	Part Number	U/M	Description
1	041826-01-000	EA	Bathtub Bottom
2	041853-01-000	EA	Bathtub Back
3	041852-01-000	EA	Bathtub Front

A-5

## CHASSIS GROUP

Key	Part Number	U/M	Description
	021546-01-000	EA	Bumper - Rear - Square - 93"
	039779-01-000	EA	Rubber Cap - 4" x 4" - Square Bumper
	016452-01-000	EA	Bracket - Spare Tire Carrier - 5" x 25"
	040974-01-000	EA	Bracket - Spare Tire Retainer - 2" x 6.75"
	046043-12-000	EA	Bracket Asm. - Rear Bumper
	057822-01-000	EA	Tray Asm. - Battery
	051697-02-000	EA	Bracket - Battery Tie Down
	051983-02-000	EA	Shroud - Fuel Fill - Interior
	051966-02-000	EA	Bezel - Fuel Fill - Recessed
	041385-01-000	EA	Tailpipe Extension - Curved - 3" O.D. x 14"
	007125-08-000	EA	Clamp - Muffler - 3" Dia.
	024652-01-700	EA	Step Asm. - Entry Door
	057724-01-000	EA	Wheelwell - Black Plastic
	017516-01-000	EA	Mud Flap - Black Rubber - 14" x 18"
	041332-01-000	EA	Cover w/Reflector - Rear Bumper - Aluminum
	041332-02-000	EA	Reflector - For Rear Bumper Cover - 6 1/2" x 3/4"
	041332-03-000	EA	Cover w/o Reflector - Rear Bumper - Aluminum
	059540-01-000	EA	Bracket - License Plate



Key	Part Number	U/M	Description
1	023685-02-000	EA	Hitch Asm. - w/o Drawbar
2	034512-01-000	EA	Pin - Locking - Drawbar
3	024876-01-700	EA	Drawbar - Trailer Hitch - Primed
4	034513-01-000	EA	Pin - Hitch - 3/16" Wire Spring

A-6

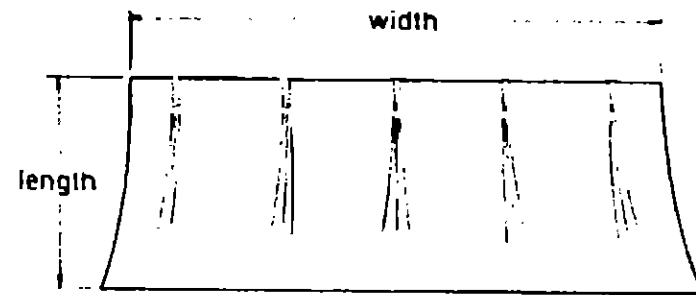
## 1979 WINNEBAGO TABLE OF CONTENTS

WD423RB	A-1 - B-10
WDF23RG	B-11 - C-22
WDU27RT	C-23 - E-8
WDU29RB	E-9 - F-18

## 1979 WD423RB INDEX

Floor Plan	A-1 - A-2
Accessories Group	A-3 - A-4
Bath Group	A-5
Chassis Group	A-6
Curtain, Cushion & Pad Group	A-7 - A-11
Dinette Group	A-12
Driver's Compartment Group	A-12
Electrical Group	A-13 - A-14
Exterior Body Group	A-15 - A-18
Galley Group	A-19
Heating & Air Conditioning Group	A-20
Interior Finish Group	A-21 - A-22
LP Group	A-23
Lounge Group	A-24
Water & Sewage Group	B-1
Window, Vent & Exterior Door Group	B-2 - B-10

**CURTAIN, CUSHION AND PAD GROUP**



**NOTE:**  
Use this illustration when determining length and width measurements for curtains. You will note the width measurement is taken on the top of the curtain with the curtain fully extended. The length measurement is taken from top to bottom.

**CURTAINS**

Key	Part Number	U/M	Description
	054051-01-767	EA	Curtain Kit - Rust
	054051-01-768	EA	Curtain Kit - Blue
	054051-01-769	EA	Curtain Kit - Green
	054045-16-K01	EA	Curtain w/Snap Top and Bottom - 17.5" x 42" - Rust
	054045-16-K02	EA	Curtain w/Snap Top and Bottom - 17.5" x 42" - Blue
	054045-16-K21	EA	Curtain w/Snap Top and Bottom - 17.5" x 42" - Green
	054051-24-K01	EA	Curtain w/Snap Top - 34" x 37" - Rust
	054051-24-K02	EA	Curtain w/Snap Top - 34" x 37" - Blue
	054051-24-K21	EA	Curtain w/Snap Top - 34" x 37" - Green
	054103-05-K01	EA	Curtain w/Snap Top - 15.5" x 42" - Rust
	054103-05-K02	EA	Curtain w/Snap Top - 15.5" x 42" - Blue
	054103-05-K21	EA	Curtain w/Snap Top - 15.5" x 42" - Green
	056484-12-K01	EA	Curtain w/Taped Top - 31.2" x 43.5" - Rust
	056484-12-K02	EA	Curtain w/Taped Top - 31.2" x 43.5" - Blue
	056484-12-K21	EA	Curtain w/Taped Top - 31.2" x 43.5" - Green
	056484-15-K01	EA	Curtain w/Taped Top - 22" x 9" - Rust
	056484-15-K02	EA	Curtain w/Taped Top - 22" x 9" - Blue
	056484-15-K21	EA	Curtain w/Taped Top - 22" x 9" - Green
	056484-18-K01	EA	Curtain w/Taped Top - 29" x 29" - Rust
	056484-18-K02	EA	Curtain w/Taped Top - 29" x 29" - Blue
	056484-18-K21	EA	Curtain w/Taped Top - 29" x 29" - Green
	054051-23-K01	EA	Curtain w/Snap Top - Blackout - 32" x 96" - Rust
	054051-23-K02	EA	Curtain w/Snap Top - Blackout - 32" x 96" - Blue
	054051-23-K21	EA	Curtain w/Snap Top - Blackout - 32" x 96" - Green
	059900-01-K01	EA	Curtain - Wraparound - 23" x 64" - Rust
	059900-01-K02	EA	Curtain - Wraparound - 23" x 64" - Blue
	059900-01-K21	EA	Curtain - Wraparound - 23" x 64" - Green

**VALANCES**

Key	Part Number	U/M	Description
	056897-11-K01	EA	Valance - 5.5" x 34" - w/Rust Trim
	056897-11-K02	EA	Valance - 5.5" x 34" - w/Blue Trim
	056897-11-K21	EA	Valance - 5.5" x 34" - w/Green Trim
	056897-14-K01	EA	Valance - 5.5" x 49" - w/Rust Trim
	056897-14-K02	EA	Valance - 5.5" x 49" - w/Blue Trim
	056897-14-K21	EA	Valance - 5.5" x 49" - w/Green Trim
	056897-17-K01	EA	Valance - 5.5" x 78" - w/Rust Trim
	056897-17-K02	EA	Valance - 5.5" x 78" - w/Blue Trim
	056897-17-K21	EA	Valance - 5.5" x 78" - w/Green Trim

**TIE BACKS**

Key	Part Number	U/M	Description
	054048-05-K01	EA	Tie Back Asm. - 2" x 18" - Rust
	054048-05-K02	EA	Tie Back Asm. - 2" x 18" - Blue
	054048-05-K21	EA	Tie Back Asm. - 2" x 18" - Green

**CURTAIN, CUSHION AND PAD GROUP (CONTINUED)**

**SHADES**

Key	Part Number	U/M	Description
	059534-02-000	EA	Shade - Vinyl - 25.25" x 34" - Rust
	059534-01-000	EA	Shade - Vinyl - 25.25" x 34" - Blue
	059534-33-000	EA	Shade - Vinyl - 25.25" x 34" - Green
	059534-08-000	EA	Shade - Vinyl - 40.25" x 34" - Rust
	059534-07-000	EA	Shade - Vinyl - 40.25" x 34" - Blue
	059534-29-000	EA	Shade - Vinyl - 40.25" x 34" - Green
	059534-16-000	EA	Shade - Vinyl - 69.25" x 34" - Rust
	059534-15-000	EA	Shade - Vinyl - 69.25" x 34" - Blue
	059534-30-000	EA	Shade - Vinyl - 69.25" x 34" - Green

**FABRICS, TRIMS AND PADS**

Key	Part Number	U/M	Description
	058784-02-000	YD	Fabric - Drapery - Rust
	058784-03-000	YD	Fabric - Drapery - Navy
	058784-04-000	YD	Fabric - Drapery - Green Forest
	057851-01-000	YD	Fabric - Upholstery - Main - Rust Plaid
	057851-02-000	YD	Fabric - Upholstery - Main - Blue Plaid
	057851-03-000	YD	Fabric - Upholstery - Main - Green Plaid
	057852-01-000	YD	Fabric - Upholstery - Accent - Rust
	057852-02-000	YD	Fabric - Upholstery - Accent - Navy
	057852-03-000	YD	Fabric - Upholstery - Accent - Green
	054676-08-K01	EA	Button Asm. - Covered - Rust Plaid
	054676-08-K02	EA	Button Asm. - Covered - Blue Plaid
	054676-08-K03	EA	Button Asm. - Covered - Green Plaid
	052859-01-J27	FT	Trim Asm. - Accent - Acorn Brown Vinyl
	053327-01-000	YD	Vinyl - Non Expanded - 27 oz. - Acorn Brown
	053327-02-000	YD	Vinyl - Expanded - 28 oz. - Acorn Brown
	053327-03-000	YD	Vinyl - Non Support - 16 Gauge Film - Acorn Brown
	058565-01-K01	EA	Pad - Pullout Table Cabinet - Acorn Vinyl
	057794-01-K01	EA	Pad - End - Dinette Overhead Cabinet - Acorn Vinyl
	053720-01-K01	EA	Pad - Headliner - Acorn Vinyl
	054015-01-K01	EA	Pad - Over Cab Door - Left - Acorn
	054015-02-K01	EA	Pad - Over Cab Door - Right - Acorn
	057794-02-K01	EA	Pad - End - Lounge Overhead Cabinet - Acorn Vinyl

**CURTAIN HARDWARE**

Key	Part Number	U/M	Description
	052327-04-236	EA	Track - Curtain - Brown Alum. - 89" w/Holes
	056116-01-000	FT	Track - Curtain - Brown Plastic
	056001-01-000	EA	Bracket - Shade - Left
	056002-01-000	EA	Bracket - Shade - Right
	056003-01-000	EA	Bracket - Drapery Retainer - Right
	056003-02-000	EA	Bracket - Drapery Retainer - Left
	053272-04-200	EA	Track - Curtain - Off White - 89" w/Holes
	056784-01-000	EA	Pull - Window Shade - Antique Brass
	009107-01-000	EA	Guide - Nylon Snap - Curtain
	018031-42-000	EA	Track - Curtain - "L" Rod - Alum. Extr. - 90"
	009701-01-000	EA	Carrier - "L" Rod - Curtain
	009702-01-000	EA	End Stop - "L" Rod - Curtain



Key	Part Number	U/M	Description
A-7	1	029130-01-000	EA Socket - Snap Fastener
	2	029155-01-000	EA Cap - Snap - .156" Dia. x .17" Barrel
	3	029156-01-000	EA Socket - Snap Fastener
	4	029082-01-000	EA Stud - Nickel Finish
	5	029083-01-000	EA Eyelet - Nickel Finish

**1979 WINNEBAGO TABLE OF CONTENTS**

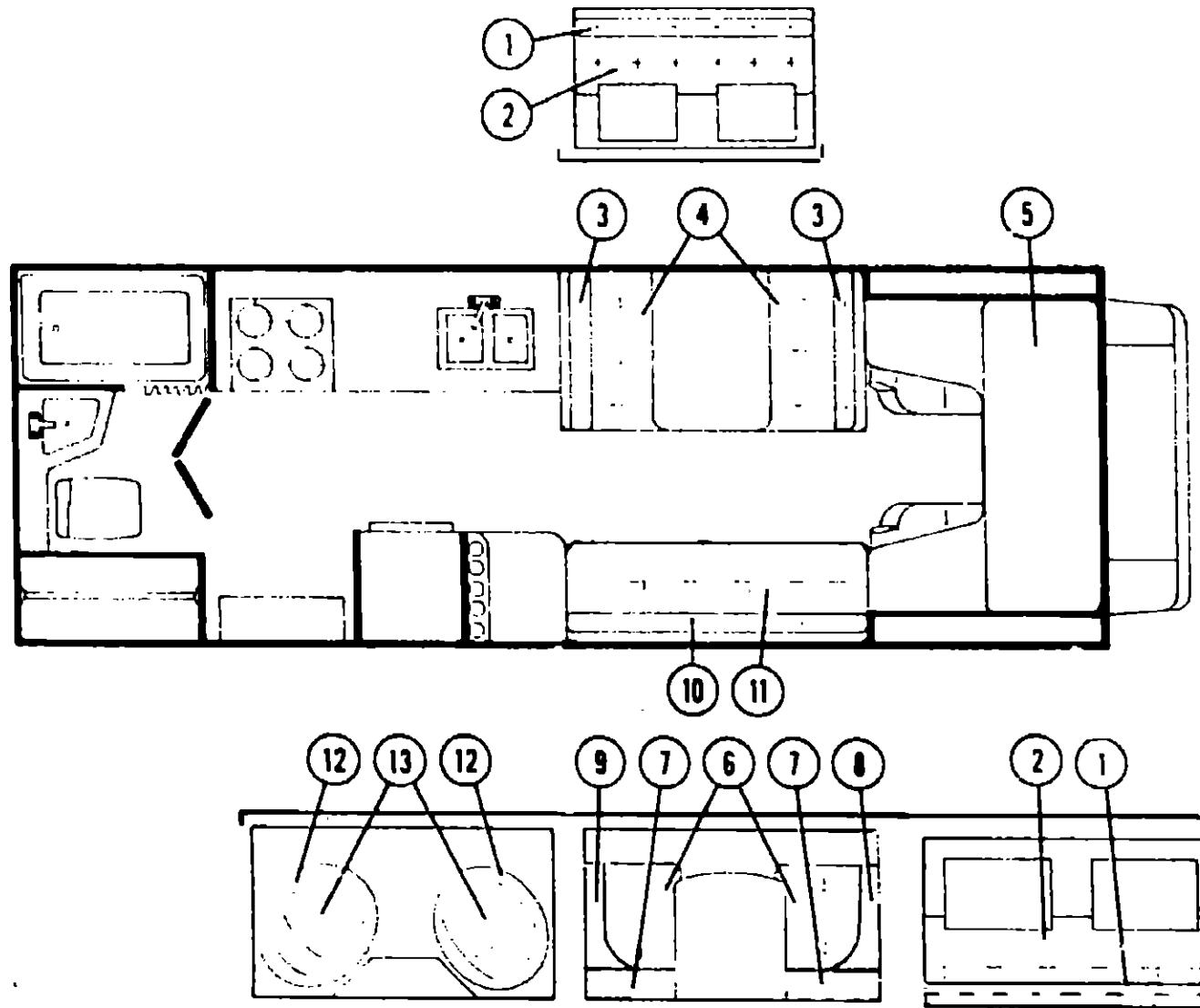
WD423RB	A-1 - B-10
WDF23RG	B-11 - C-22
WDU27RT	C-23 - E-8
WDU29RB	E-9 - F-18

**1979 WD423RB INDEX**

Floor Plan	A-1 - A-2
Accessories Group	A-3 - A-4
Bath Group	A-5
Chassis Group	A-6
Curtain, Cushion & Pad Group	A-7 - A-11
Dinette Group	A-12
Driver's Compartment Group	A-12
Electrical Group	A-13 - A-14
Exterior Body Group	A-15 - A-18
Galley Group	A-19
Heating & Air Conditioning Group	A-20
Interior Finish Group	A-21 - A-22
LP Group	A-23
Lounge Group	A-24
Water & Sewage Group	B-1
Window, Vent & Exterior Door Group	B-2 - B-10

**CURTAIN, CUSHION AND PAD GROUP (CONTINUED)**

**CURTAIN, CUSHION AND PAD GROUP (CONTINUED)**



**PRESTO BED CUSHIONS**

Key	Part Number	U/M	Description
1	059065-01-K01	EA	Cushion - Presto Bed - Back - 76" - Rust
1	059065-01-K02	EA	Cushion - Presto Bed - Back - 76" - Blue
1	059065-01-K21	EA	Cushion - Presto Bed - Back - 76" - Green
	062753-03-K01	EA	Cover - Presto Bed Cushion - Back - 76" - Rust
	062753-03-K02	EA	Cover - Presto Bed Cushion - Back - 76" - Blue
	062753-03-K21	EA	Cover - Presto Bed Cushion - Back - 76" - Green
2	059066-01-K01	EA	Cushion - Presto Bed - Bottom - 76" - Rust
2	059066-01-K02	EA	Cushion - Presto Bed - Bottom - 76" - Blue
2	059066-01-K21	EA	Cushion - Presto Bed - Bottom - 76" - Green
	062753-04-K01	EA	Cover - Presto Bed Cushion - Bottom - 76" - Rust
	062753-04-K02	EA	Cover - Presto Bed Cushion - Bottom - 76" - Blue
	062753-04-K21	EA	Cover - Presto Bed Cushion - Bottom - 76" - Green

**DINETTE SEAT CUSHIONS**

Key	Part Number	U/M	Description
3	058900-02-K01	EA	Cushion - Dinette Back - 19.2" x 38" x 5" - Rust
3	058900-02-K02	EA	Cushion - Dinette Back - 19.2" x 38" x 5" - Blue
3	058900-02-K21	EA	Cushion - Dinette Back - 19.2" x 38" x 5" - Green
	058901-02-K01	EA	Cover - Dinette Back Cushion - 19.2" x 38" x 5" - Rust
	058901-02-K02	EA	Cover - Dinette Back Cushion - 19.2" x 38" x 5" - Blue
	058901-02-K21	EA	Cover - Dinette Back Cushion - 19.2" x 38" x 5" - Green
4	058900-01-K01	EA	Cushion - Dinette Seat - 17.5" x 38" x 5" - Rust
4	058900-01-K02	EA	Cushion - Dinette Seat - 17.5" x 38" x 5" - Blue
4	058900-01-K21	EA	Cushion - Dinette Seat - 17.5" x 38" x 5" - Green
	058901-01-K01	EA	Cover - Dinette Seat - Cushion - 17.5" x 38" x 5" - Rust
	058901-01-K02	EA	Cover - Dinette Seat Cushion - 17.5" x 38" x 5" - Blue
	058901-01-K21	EA	Cover - Dinette Seat Cushion - 17.5" x 38" x 5" - Green
5	058897-01-K01	EA	Mattress - Front Bunk - 24.5" x 29.5" x 76" - Rust
5	058897-01-K02	EA	Mattress - Front Bunk - 24.5" x 29.5" x 76" - Blue
5	058897-01-K21	EA	Mattress - Front Bunk - 24.5" x 29.5" x 76" - Green
	058898-01-K01	EA	Cover - Front Bunk Mattress - 24.5" x 29.5" x 76" - Rust
	058898-01-K02	EA	Cover - Front Bunk Mattress - 24.5" x 29.5" x 76" - Blue
	058898-01-K21	EA	Cover - Front Bunk Mattress - 24.5" x 29.5" x 76" - Green

**CORNER LOUNGE CHAIR CUSHIONS**

Key	Part Number	U/M	Description
6	059743-02-K01	EA	Cushion - Lounge Seat - Rust
6	059743-02-K02	EA	Cushion - Lounge Seat - Blue
6	059743-02-K21	EA	Cushion - Lounge Seat - Green
	059746-02-K01	EA	Cover - Lounge Seat Cushion - Rust
	059746-02-K02	EA	Cover - Lounge Seat Cushion - Blue
	059746-02-K21	EA	Cover - Lounge Seat Cushion - Green
7	059742-02-K01	EA	Cushion - Lounge Back - Rust
7	059742-02-K02	EA	Cushion - Lounge Back - Blue
7	059742-02-K21	EA	Cushion - Lounge Back - Green
	059745-02-K01	EA	Cover - Lounge Back Cushion - Rust
	059745-02-K02	EA	Cover - Lounge Back Cushion - Blue
	059745-02-K21	EA	Cover - Lounge Back Cushion - Green
8	059744-04-K01	EA	Cushion - Lounge Back - Wedge - Left - Rust
8	059744-04-K02	EA	Cushion - Lounge Back - Wedge - Left - Blue
8	059744-04-K21	EA	Cushion - Lounge Back - Wedge - Left - Green
	059747-04-K01	EA	Cover - Back Wedge - Left - Rust
	059747-04-K02	EA	Cover - Back Wedge - Left - Blue
	059747-04-K21	EA	Cover - Back Wedge - Left - Green
9	059744-03-K01	EA	Cushion - Lounge Back - Wedge - Right - Rust
9	059744-03-K02	EA	Cushion - Lounge Back - Wedge - Right - Blue
9	059744-03-K21	EA	Cushion - Lounge Back - Wedge - Right - Green
	059747-03-K01	EA	Cover - Back Wedge - Right - Rust
	059747-03-K02	EA	Cover - Back Wedge - Right - Blue
	059747-03-K21	EA	Cover - Back Wedge - Right - Green

**LESTER LOUNGE CUSHIONS**

Key	Part Number	U/M	Description
10	055021-26-K01	EA	Cushion - Lounge - 8" x 73.5" x 5" - Rust
10	055021-26-K02	EA	Cushion - Lounge - 8" x 73.5" x 5" - Blue
10	055021-26-K21	EA	Cushion - Lounge - 8" x 73.5" x 5" - Green
	055022-28-K01	EA	Cover - Lounge Cushion - 8" x 73.5" x 5" - Rust
	055022-28-K02	EA	Cover - Lounge Cushion - 8" x 73.5" x 5" - Blue
	055022-28-K21	EA	Cover - Lounge Cushion - 8" x 73.5" x 5" - Green
11	059055-02-K01	EA	Cushion - Lester Lounge - Two Fold - 73.5" - Rust
11	059055-02-K02	EA	Cushion - Lester Lounge - Two Fold - 73.5" - Blue
11	059055-02-K21	EA	Cushion - Lester Lounge - Two Fold - 73.5" - Green
	059056-02-K01	EA	Cover - Lester Lounge - Two Fold - 73.5" - Rust
	059056-02-K02	EA	Cover - Lester Lounge - Two Fold - 73.5" - Blue
	059056-02-K21	EA	Cover - Lester Lounge - Two Fold - 73.5" - Green

**1979 WINNEBAGO TABLE OF CONTENTS**

WD423RB	A-1 - B-10
WDF23RG	B-11 - C-22
WDU27RT	C-23 - E-8
WDU29RB	E-9 - F-18

**1979 WD423RB INDEX**

Floor Plan	A-1 - A-2
Accessories Group	A-3 - A-4
Bath Group	A-5
Chassis Group	A-6
Curtain, Cushion & Pad Group	A-7 - A-11
Dinette Group	A-12
Driver's Compartment Group	A-12
Electrical Group	A-13 - A-14
Exterior Body Group	A-15 - A-18
Galley Group	A-19
Heating & Air Conditioning Group	A-20
Interior Finish Group	A-21 - A-22
LP Group	A-23
Lounge Group	A-24
Water & Sewage Group	B-1
Window, Vent & Exterior Door Group	B-2 - B-10

# CURTAIN, CUSHION AND PAD GROUP (CONTINUED)

## SWIVEL CHAIRS

Key	Part Number	U/M	Description
12	054674-05-K01	EA	Swivel Chair - Complete - Rust
12	054674-05-K02	EA	Swivel Chair - Complete - Blue
12	054674-05-K21	EA	Swivel Chair - Complete - Green
13	054700-05-K01	EA	Cushion - Swivel Chair - Rust
13	054700-05-K02	EA	Cushion - Swivel Chair - Blue
13	054700-05-K21	EA	Cushion - Swivel Chair - Green
	062754-01-K01	EA	Cover - Swivel - Chair Cushion - Rust
	062754-01-K02	EA	Cover - Swivel Chair Cushion - Blue
	062754-01-K21	EA	Cover - Swivel Chair Cushion - Green
	035036-01-000	EA	Plate - Swivel Chair
	035036-02-000	EA	Base w/Legs - Swivel Chair

## HIGH BACK BUCKET SEATS

Key	Part Number	U/M	Description
	061827-03-K01	EA	Seat Asm. - Bucket - w/Skirt and Right Armrest - Rust
	061827-03-K02	EA	Seat Asm. - Bucket - w/Skirt and Right Armrest - Blue
	061827-03-K21	EA	Seat Asm. - Bucket - w/Skirt and Right Armrest - Green
	061827-04-K01	EA	Seat Asm. - Bucket - w/Skirt and Left Armrest - Rust
	061827-04-K02	EA	Seat Asm. - Bucket - w/Skirt and Left Armrest - Blue
	061827-04-K21	EA	Seat Asm. - Bucket - w/Skirt and Left Armrest - Green
	061838-01-K01	EA	Cover - Back - Highback Bucket - Rust
	061838-01-K02	EA	Cover - Back - Highback Bucket - Blue
	061838-01-K21	EA	Cover - Back - Highback Bucket - Green
	061839-01-K01	EA	Cover - Bottom - Highback Bucket - Rust
	061839-01-K02	EA	Cover - Bottom - Highback Bucket - Blue
	061839-01-K21	EA	Cover - Bottom - Highback Bucket - Green
	054650-03-K01	EA	Skirt - Highback Bucket - Rust
	054650-03-K02	EA	Skirt - Highback Bucket - Blue
	054650-03-K21	EA	Skirt - Highback Bucket - Green

## ARMRESTS AND HEADRESTS

Key	Part Number	U/M	Description
	019722-01-000	EA	Headrest Asm. - Foam w/o Cover
	053354-01-K01	EA	Cover - Headrest - Rust
	053354-01-K02	EA	Cover - Headrest - Blue
	053354-01-K21	EA	Cover - Headrest - Green
	050275-01-700	EA	Armrest Asm. - Foam w/o Cover - Right
	050276-01-700	EA	Armrest Asm. - Foam w/o Cover - Left
	053357-01-K01	EA	Cover - Armrest - Right or Left - Rust
	053357-01-K02	EA	Cover - Armrest - Right or Left - Blue
	053357-01-K21	EA	Cover - Armrest - Right or Left - Green

## LOW BACK BUCKET SEATS

Key	Part Number	U/M	Description
	061825-01-K01	EA	Seat Asm. - Bucket - w/o Armrests or Headrest - Rust
	061825-01-K02	EA	Seat Asm. - Bucket - w/o Armrests or Headrest - Blue
	061825-01-K21	EA	Seat Asm. - Bucket - w/o Armrests or Headrest - Green
	061836-01-K01	EA	Cover - Back - Lowback Bucket - Rust
	061836-01-K02	EA	Cover - Back - Lowback Bucket - Blue
	061836-01-K21	EA	Cover - Back - Lowback Bucket - Green
	061837-01-K01	EA	Cover - Bottom - Lowback Bucket - Rust
	061837-01-K02	EA	Cover - Bottom - Lowback Bucket - Blue
	061837-01-K21	EA	Cover - Bottom - Lowback Bucket - Green

# DINETTE GROUP

## CONVENTIONAL DINETTE (Driver's Side)

Key	Part Number	U/M	Description
	053192-01-K01	EA	Table Asm. - Dinette - w/o Hardware - Butcher Block
	058873-01-K01	EA	Cabinet Asm. - Dinette Seat - Front
	058874-01-K01	EA	Cabinet Asm. - Dinette Seat - Rear
	058935-01-K01	EA	Cabinet Asm. - Dinette Overhead - w/o Doors or Hardware
	057992-02-K01	EA	Door Asm. - Dinette Overhead Cabinet - 10.32" x 35.22" - w/o Hardware
	007019-01-000	EA	Seat Belt - 2" x 84" - Black
	041322-01-000	EA	Washer - Flat - 15/32" I.D. x 2 3/8" O.D.
**	053200-01-000	EA	Bracket - Upper Wall Mount - Brown - 23.5"
**	053201-01-000	EA	Bracket - Table Mount - Brown - 23"
**	024275-02-000	EA	Rod - Table Lift - 7.5" x 23.5"
**	024275-03-000	EA	Rod - Table Lift - 8.8" x 23.5"
**	024281-03-000	EA	Bracket - Lower Wall Mount - Brown - 22.12"
**	024276-04-000	EA	Leg Asm. - Table - Brown - 29.5"
**	024277-02-000	EA	Hinge - Table Leg - Brown
**	024282-01-000	EA	Brace - Table Leg
**	024283-01-000	EA	Clip - 1" O.D. Tube
**	049493-02-000	EA	Catch - Table Leg - Mounts on Floor - Brown

\*\*The illustrated parts breakdown for this item is provided on the Common Items Fiche.

## OPTIONAL DINETTE COUCH (Driver's Side)

Key	Part Number	U/M	Description
	053203-07-K01	EA	Table Asm. - Pedestal - w/o Hardware - Butcher Block
	009040-02-000	EA	Leg - Pedestal Table - 27.5" x 2.25" O.D.
	009040-03-000	EA	Base - Table - Mounts on Table
	041194-01-000	EA	Base - Table - Mounts in Floor
	057468-02-000	EA	Frame Asm. - Sprung Couch - Right
	057468-03-000	EA	Frame Asm. - Sprung Couch - Left
	057468-04-000	EA	Frame Rails - 2 per couch
	057469-01-000	EA	Leg Asm. - Sprung Couch (2 per couch)

## DRIVER'S COMPARTMENT GROUP

Key	Part Number	U/M	Description
	057479-01-000	EA	Pedestal Asm.
	050447-01-000	EA	Pedestal Asm. - Tilt Seat - Drivers
	050447-02-000	EA	Pedestal Asm. - Tilt Seat - Passengers
	061761-01-000	EA	Adapter - Seat Pedestal
	056346-01-K01	EA	Cabinet Asm. - Head Board - Left
	057776-01-K01	EA	Cabinet Asm. - Head Board - Right
	057992-05-K01	EA	Door Asm. - Head Board Cabinet - w/o Hardware
	052859-01-K01	FT	Trim Asm. - Accent - Acorn Brown Vinyl
	054015-01-K01	EA	Trim Asm. - Over Door - Left - Acorn - Brown Vinyl
	054015-02-K01	EA	Trim Asm. - Over Door - Right - Acorn Brown Vinyl
	042825-01-000	EA	Panel - Over Entry Door
	049360-03-000	EA	Console - Overhead
	050015-01-000	EA	Bracket - Overhead Console
	052577-01-000	EA	Gauge - Voltmeter w/Bracket
	024462-01-000	EA	Switch - Battery Condition
	055279-01-000	EA	Control Asm. - Heater and A/C

## 1979 WINNEBAGO TABLE OF CONTENTS

WD423RB	A-1 - B-10
WDF23RG	B-11 - C-22
WDU27RT	C-23 - E-8
VDU29RB	E-9 - F-18

## 1979 WD423RB INDEX

Floor Plan	A-1 - A-2
Accessories Group	A-3 - A-4
Bath Group	A-5
Chassis Group	A-6
Curtain, Cushion & Pad Group	A-7 - A-11
Dinette Group	A-12
Driver's Compartment Group	A-12
Electrical Group	A-13 - A-14
Exterior Body Group	A-15 - A-18
Galley Group	A-19
Heating & Air Conditioning Group	A-20
Interior Finish Group	A-21 - A-22
LP Group	A-23
Lounge Group	A-24
Water & Sewage Group	B-1
Window, Vent & Exterior Door Group	B-2 - B-10

## ELECTRICAL GROUP

### BULBS

Key	Part Number	U/M	Description
	037935-01-000	EA	Bulb - 1157
	038010-01-000	FA	Bulb - 1143
	008103-01-000	EA	Bulb - 53
	005213-01-000	EA	Bulb - 57
	008214-01-000	EA	Bulb - 67
	008215-01-000	EA	Bulb - 1003
	008216-01-000	EA	Bulb - 1034
	008217-01-000	EA	Bulb - 1073
	008218-01-000	EA	Bulb - 1141
	008219-01-000	EA	Bulb - 656
	008220-01-000	EA	Bulb - 12V - 25W
	036196-01-000	EA	Bulb - 194
	700020-01-000	EA	Bulb - 12V - 20W - 1383

### FUSES AND CIRCUIT BREAKERS

Key	Part Number	U/M	Description
	056473-01-000	EA	Fuse - Slow Blow - 6 1/4 Amp.
	008233-01-000	EA	Fuse - 12 Volt - 6 Amp.
	008234-01-000	EA	Fuse - 12 Volt - 10 Amp.
	008235-01-000	EA	Fuse - 12 Volt - 15 Amp.
	008236-01-000	EA	Fuse - 12 Volt - 20 Amp.
	008248-01-000	EA	Fuse - 110 Volt - 30 Amp. - AGU
	008252-01-000	EA	Fuse - 110 Volt - 50 Amp.
	008208-01-000	EA	Circuit Breaker - 12 Volt - 40 Amp.
	003211-01-000	EA	Circuit Breaker - 12 Volt - 6 Amp.
	008268-01-000	EA	Circuit Breaker - 12 Volt - 30 Amp. w/Mount
	033573-01-000	EA	Circuit Breaker - 12 Volt - 20 Amp. q/Mount
	040051-01-000	EA	Circuit Breaker - 110 Volt - 20 Amp. - TQL
	033573-02-000	EA	Circuit Breaker - 12 Volt - 15 Amp. - w/Mount

### INTERIOR LIGHTS

Key	Part Number	U/M	Description
	024418-01-000	EA	Lamp Asm. - Map/Gauge/Isle
	053346-01-000	EA	Light - High Intensity - Brown Plastic
	024473-01-000	EA	Light - Aircraft - 1 Bulb - Gold
	033508-02-000	EA	Light - Dome - Ivory - 1 Bulb US
	033508-03-000	EA	Light - Dome - Ivory - 1 Bulb CSA
	024642-01-701	EA	Lens - Dome Light - 1 Bulb
	033509-02-000	EA	Light - Dome - Ivory - 2 Bulb US
	033509-03-000	EA	Light - Dome - Ivory - 2 Bulb CSA
	024643-01-701	EA	Lens - Dome Light - 2 Bulb

### EXTERIOR LIGHTS

Key	Part Number	U/M	Description
	042405-03-000	EA	Base - Rectangular Clearance Light
	042405-04-000	EA	Lens - Clearance Light - Red
	042405-05-000	EA	Lens - Clearance Light - Amber
	048817-01-000	EA	Assist Handle - w/Light
	007309-01-000	EA	Step Well Light
	058032-01-000	EA	Tail Lamp Asm. - 2 Bulb Chrome
	058031-01-700	EA	Lens - Taillamp - Amber
	058031-01-701	EA	Lens - Taillamp - Red
	058031-01-702	EA	Lens - Taillamp - Clear (Back up)
	059036-01-000	EA	Bracket - Tail Lamp
	059040-01-000	EA	Bracket - License Plate
	058955-02-000	EA	Wedge Asm. - Tail Lamp - Plastic - Left
	058955-04-000	EA	Wedge Asm. - Tail Lamp - Plastic - Right

## ELECTRICAL GROUP (CONTINUED)

### WIRE, SWITCHES AND RECEPTACLES

Key	Part Number	U/M	Description
	008024-01-000	FT	Wire - 18.5 Bonded - Orange/White/Yellow/Blue/Brown
	008025-01-000	FT	Wire - 18.5 Bonded - Orange/White/Yellow/Blue/Green
	008026-01-000	FT	Wire - 18.5 Bonded - Blue/Red/Yellow/Orange/White
	008030-01-000	FT	Wire - 18.4 Bonded
	008251-01-000	EA	Holder - Fuse - Black - Screw Type
	008250-02-000	EA	Holder - Fuse - In Line - 15 Amp.
	008277-01-000	EA	Holder - Fuse - Black - Panel Mount
	008195-01-000	EA	Switch - Push Button - 12 Volt
	006077-01-000	EA	Plaque - Compressor Switch
	008054-01-000	EA	Cord - Power - 10-3 30 Amp. - 25' - UL
	008052-01-000	EA	Cord - Power - 10-3 30 Amp. - 25' - CSA
	034818-04-000	EA	Holder - Receptacle - Plastic - Duplex
	034818-03-000	EA	Holder - Receptacle - Plastic - Single
	008288-01-000	EA	Box - Electrical - Plastic - 3" x 3 1/2"
	058028-01-000	EA	Connector - Pig Tail - Clear - Nylon
	058707-01-000	EA	Receptacle - Single - Brown - Thomas & Belts
	058708-01-000	EA	Receptacle - Duplex - Brown - Thomas & Belts
	058048-01-000	EA	Cover - Electrical - Rain Tight (Exterior)
	008157-01-000	EA	Receptacle - Duplex - Brown (Exterior)
	033338-01-000	EA	Cover Plate - Receptacle - Plastic - Brown
	033342-01-000	EA	Receptacle - Duplex Brown - T Junction
	024571-01-000	EA	Cover Plate - Receptacle - Jumbo Plastic Brown
	039343-01-000	EA	Cap - End - Receptacle
	008162-01-000	EA	Switch - Double Toggle - Spade Brown
	008163-01-000	EA	Switch - Toggle Brown
	008164-01-000	EA	Cover Plate - Switch - Brown
	024924-01-000	EA	Receptacle - Power Cord
	008058-01-000	EA	Adaptor - Power Cord
	047353-01-000	EA	Cover - Receptacle - Ground Fault
	053126-01-000	EA	Receptacle - Ground Fault Interrupter - 125 Volt, Ivory
	031720-01-000	EA	Plastic Spacer - Receptical - Brown - CSA

### MISCELLANEOUS ELECTRICAL COMPONENTS

Key	Part Number	U/M	Description
	047338-01-000	EA	Isolator - Dual Battery
	047389-01-700	EA	Battery - 12 Volt - 10.5 Amp. Deep Cycle - Dry
	057899-01-000	EA	Battery - 12 Volt - Maintenance Free - Dstco
	008188-01-000	EA	Solenoid - Dual Battery - Relay
	052577-01-000	EA	Gauge - Voltmeter
	024462-01-000	EA	Switch - Battery Condition
	031035-01-000	EA	Gauge - Hour Meter - Generator
	024976-01-000	EA	Switch - Generator w/o Circuit Board
	024460-01-000	EA	Gauge Vacuum
	054544-01-000	EA	Control Center 37 Amp. - UL
	039950-01-702	EA	Circuit Board - Control Center
	024461-01-000	EA	Switch - Battery - Changeover
	046885-01-000	EA	Plaque - Switch Mounting
	046812-04-000	EA	Control Panel - Water/Double Sewage - Basic Panel
	046812-05-000	EA	Panel Insert - w/Thermostat Holes
	046812-06-000	EA	Panel Insert - w/o Thermostat
	046812-07-000	EA	Panel - Insert - Deluxe - w/Refrigerator Alarm, Clock and LP Gauge
	046812-07-700	EA	Refrigerator Sensor - Refrigerator Alarm
	039861-01-000	EA	Sending Unit Kit - Wemac

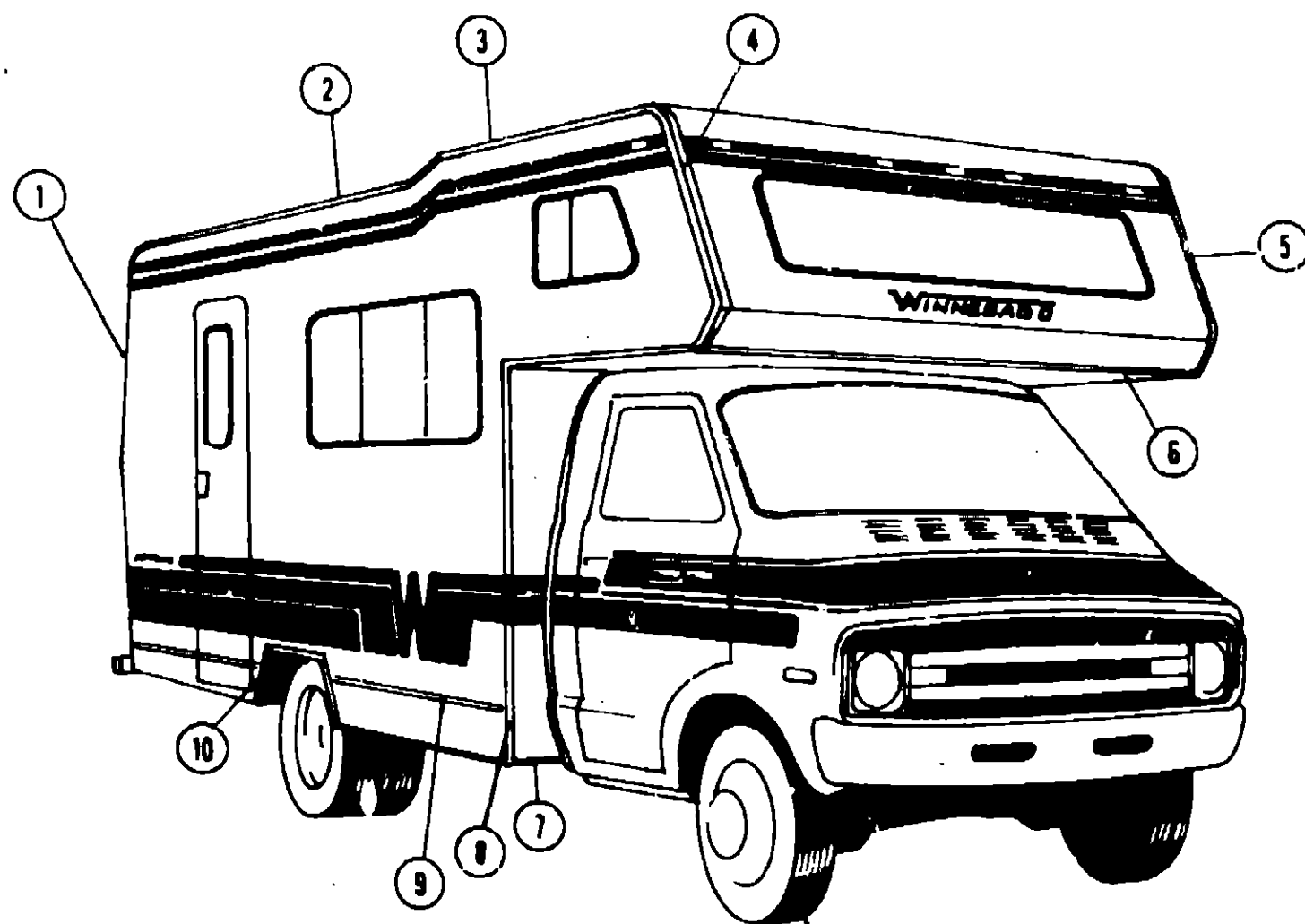
## 1979 WINNEBAGO TABLE OF CONTENTS

WD423RB	A-1 - B-10
WDF23RG	B-11 - C-22
WDU27RT	C-23 - E-8
WDU29RB	E-9 - F-18

## 1979 WD423RB INDEX

Floor Plan	A-1 - A-2
Accessories Group	A-3 - A-4
Bath Group	A-5
Chassis Group	A-6
Curtain, Cushion & Pad Group	A-7 - A-11
Dinette Group	A-12
Driver's Compartment Group	A-12
Electrical Group	A-13 - A-14
Exterior Body Group	A-15 - A-18
Galley Group	A-19
Heating & Air Conditioning Group	A-20
Interior Finish Group	A-21 - A-22
LP Group	A-23
Lounge Group	A-24
Water & Sewage Group	B-1
Window, Vent & Exterior Door Group	B-2 - B-10

## EXTERIOR BODY GROUP



## 1979 WINNEBAGO TABLE OF CONTENTS

WD423RB  
WDF23RG  
WDU27RT  
WDU29RB

A-1 - B-10  
B-11 - C-22  
C-23 - E-8  
E-9 - F-18

Key	Part Number	U/M	Description
1	039964-01-000	EA	Trim - Contour - Backwall - Right - Off White
•	039964-02-000	EA	Trim - Contour - Backwall - Left - Off White
2	042170-05-000	EA	Trim - Contour - Roof - Right - Off White
•	042170-06-000	EA	Trim - Contour - Roof - Left - Off White
3	056240-01-000	EA	Trim - Contour - Roof - Right Front - Off White
•	056240-02-000	EA	Trim - Contour - Roof - Left Front - Off White
4	052799-01-000	EA	Trim - Contour - Sleeper - Right - Off White
5	052799-02-000	EA	Trim - Contour - Sleeper - Left - Off White
6	039644-04-000	EA	Trim - Sleeper Board - Front
7	054459-01-000	EA	Trim - Wingwall - Bottom Right
•	054459-02-000	EA	Trim - Wingwall - Bottom Left

Key	Part Number	U/M	Description
8	036476-09-000	EA	Trim - Wingwall - Right
•	036476-10-000	EA	Trim - Wingwall - Left
•	048610-01-000	EA	Trim - Corner - Wingwall - Upper Left - Off White
•	048610-02-000	EA	Trim - Corner - Wingwall - Upper Right - Off White
9	002444-02-000	EA	Feature Strip - Extr. Alum. - 14'
•	001030-08-100	EA	Insert - Feature Strip - Brown - 17'
•	009731-01-000	EA	End Cap - Feature Strip
10	042141-01-000	EA	Trim - Wheel Well - Rear - Right or Left
•	050630-03-000	EA	Trim - Backwall - Lower
•	002792-02-001	EA	Extrusion - Contour Trim - Anod. - 17'
•	002776-02-001	EA	Extr. - U-Channel - Anod. - 1.75" - 16'
•	041746-01-000	FT	Extr. - Vinyl Bubble Seal - White
•			Not Illustrated

## 1979 WD423RB INDEX

Floor Plan	A-1 - A-2
Accessories Group	A-3 - A-4
Bath Group	A-5
Chassis Group	A-6
Curtain, Cushion and Pad Group	A-7 - A-11
Dinette Group	A-12
Driver's Compartment Group	A-12
Electrical Group	A-13 - A-14
Exterior Body Group	A-15 - A-18
Galley Group	A-19
Heating & Air Conditioning Group	A-20
Interior Finish Group	A-21 - A-22
LP Group	A-23
Lounge Group	A-24
Water & Sewage Group	B-1
Window, Vent & Exterior Door Group	B-2 - B-10



## EXTERIOR BODY GROUP (CONTINUED)

### EXTERIOR BODY PANELS AND SHEET ALUMINUM

Key	Part Number	U/M	Description
	056379-02-K01	EA	Panel Asm. - Sleeper Board
	058930-01-K01	EA	Backwall Asm.
	058929-01-K01	EA	Roof Asm.
	058927-01-K01	EA	Sidewall Asm. - Right
	058928-01-K01	EA	Sidewall Asm. - Left
	039155-03-008	EA	Alum. - Off White Mesa I - .024" x 36" x 60"
	039155-03-003	EA	Alum. - Off White Mesa I - .024" x 36" x 360"
	039155-03-007	EA	Alum. - Off White Mesa I - .024" x 48" x 60"
	039155-03-006	EA	Alum. - Off White Mesa I - .024" x 48" x 360"
	039155-02-009	EA	Alum. - Off White Mesa I - .024" x 12" x 360"
	039155-28-001	EA	Alum. - Off White Mesa II - .024" x 36" x 60"
	039155-28-003	EA	Alum. - Off White Mesa II - .024" x 36" x 360"
	039155-28-004	EA	Alum. - Off White Mesa II - .024" x 48" x 60"
	039155-28-006	EA	Alum. - Off White Mesa II - .024" x 48" x 360"
	039155-28-007	EA	Alum. - Off White Mesa II - .024" x 12" x 360"
	044:87-01-001	EA	Plain Roof Metal - 96" x 360"
	039155-07-010	EA	Off White Greyhound Alum. - 48" x 96"
	001054-01-011	EA	Off White Plain Alum. - 48" x 96"
	000868-01-000	BF	Styrofoam - 3/4" x 24" x 96"
	000870-01-000	BF	Styrofoam - 1 1/2" x 24" x 96"

NOTE: The raised portion of Mesa I aluminum is 1.657" wide.  
The raised portion of Mesa II aluminum is .875" wide

### LABELS AND DECALS

Key	Part Number	U/M	Description
	006023-01-000	EA	Label - Water Only
	006025-01-000	EA	Label - Gas
	006028-01-000	EA	Label - Drain Cap - 2" x 3"
	006031-01-000	EA	Label - Potable Water Only
	006040-01-000	EA	Tag - Gas Refueling Warning
	006062-01-000	EA	Tag - Electrical - 110 Volt Connection
	006187-01-000	EA	Label - Sewage
	006183-01-000	EA	Label - Waste Water
	006199-01-000	EA	Label - Exit - Escape Window
	039288-01-000	EA	Label - Warning Aux. Loading
	047731-01-000	EA	Label - Emergency Exit
	054531-01-000	EA	Label - LP Gas Only
	039716-01-000	EA	Stencil - Minnie Winnie
	053349-01-000	EA	Nameplate - Minnie Winnie
	008092-01-000	EA	Reflector - Stick on - Rectangular - Red
	008093-01-000	EA	Reflector - Stick on - Rectangular - Amber
	031161-01-000	EA	Label Flying W
	006064-01-000	EA	Label - Seat - w/o Seat Belt
	037690-02-000	EA	Tag - Warning - Spark Arrestor
	050225-01-000	EA	Label - Warning - Stove Vent - US
	043695-01-000	EA	Template - Flying W - 13.75" High
	050313-01-000	EA	Decal - Logo - Winnebago - 2.80" - Antique Bronze Metallic

### EXTERIOR PAINT

Key	Part Number	U/M	Description
	041561-01-000	EA	Paint - Off White - Acrylic Enamel - 1 Gal. - Dupont 45396A
	041561-03-000	EA	Paint - Off White - Acrylic Enamel - 16 oz. Spray - Dupont 45396A
	041561-04-000	EA	Paint - Off White - Acrylic Enamel - 1 Gal. - Dupont 45396L
	059360-03-000	EA	Paint - Brown - Acrylic Enamel - 16 oz. Spray - Dupont 29807
	059361-03-000	EA	Paint - Green - Acrylic Enamel - 16 oz. Spray - Dupont 7886
	057012-03-000	EA	Paint - Mariner Blue - Acrylic Enamel - 16 oz. Spray - Dupont 5183
	059362-03-000	EA	Paint - Orange - Acrylic Enamel - 16 oz. Spray - Dupont 7455

## EXTERIOR BODY GROUP (CONTINUED)

### SEALANTS, ADHESIVES AND FASTENERS

Key	Part Number	U/M	Description
	034552-05-000	EA	Sealant - Off White Silicone
	034552-04-000	EA	Sealant - Beige Silicone
	034552-02-000	EA	Sealant - Clear Silicone
	004348-02-000	EA	Sealant - Aluminum Silicone
	004349-01-000	EA	Sealant - Black Silicone
	004342-01-000	EA	Sealant - Weatherban 202 Tube
	004346-02-000	EA	Sealant - White Silicone
	004347-01-000	EA	Sealant - Tufflex
	002316-01-000	FT	Tape - Sealer - 3/32" x 1/8"
	024545-01-000	FT	Tape - Sealer - 1/8" x 5/8" - Black
	004350-01-000	FT	Tape - Sealer - 1/8" x 1" - Formaseal
	004352-01-000	FT	Tape - Sealer - 1/8" x 3/4" - Formaseal
	004355-01-000	FT	Tape - Sealer - 1/8" x 5/8" - Black
	004357-01-000	FT	Tape - Sealer - 1/8" x 5/8" - Adhesive
	002707-02-000	FT	Tape - Sealer - 5/16" x 1/2" - Black Foam
	002707-01-000	FT	Tape - Sealer - 5/16" x 3/4" - Black Foam
	004363-01-000	FT	Tape - Sealer - 3/16" x 1/2" - Foam
	004362-01-000	FT	Tape - Sealer - 1/4" x 5/8" - Foam
	009200-01-000	EA	Tape - Furnace - 1 1/2"
	004353-01-000	FT	Tape - Gasket - 1/8" x 3/4" - White
	002825-01-000	FT	Weather Stripping - Roof Vent
	002337-01-000	EA	Adhesive - 3M - 1300 Tube
	004005-01-000	GL	Adhesive - Swifts - Green - Glue (Sidewalls)
	004012-01-000	EA	Adhesive - 3M - 4475 Tube
	004020-01-000	QT	Adhesive - ABS Cement (Plastic Fittings)
	029051-01-000	EA	Adhesive - Spray Vinyl
	042401-02-000	EA	Screw - 8 - 18 x 3/4" SDPH - Off White
	042403-02-000	EA	Screw - SF/DR - 8 - 18 x 1" SDPH - Off White
	053766-01-000	EA	Bedding Compound - Tube Black - Schnee Morehead
	053766-02-000	EA	Bedding Compound - Tube White - Schnee Morehead
	053767-01-000	FT	Tape - 1/2" x 1/8" x 30' - Gray - Schnee Morehead
	053767-02-000	FT	Tape - 3/16" Bead x 25' - Gray - Schnee Morehead
	053767-03-000	FT	Tape - 1/4" Bead x 20' - Gray - Schnee Morehead
	053767-04-000	FT	Tape - 3/4" x 1/8" x 30' - Gray - Schnee Morehead
	053767-05-000	FT	Tape - 2" x 3/32" x 45' - Gray - Schnee Morehead

### MISCELLANEOUS EXTERNALLY MOUNTED PARTS

Key	Part Number	U/M	Description
	010230-02-000	EA	Fill - City Water - Recessed - Off White
	058808-01-000	EA	Fill - Water - Lockable
**	011124-01-000	EA	Plumbing Seal - Roof Vent - 1 1/4" White
**	011129-01-000	EA	Plumbing Seal - Roof Vent - 1 1/2" White
	057461-02-000	EA	Mirror Head - 7 1/2" x 10 1/2" - w/Convex - Off White
	049349-02-000	EA	Arm - Low Mount Mirror - Off White
	049944-02-000	EA	Bracket - Mirror - Outside - Off White - Mounts to Coach
	045814-01-000	EA	Fill - Gas w/Vent - 5.44" Long
	048817-01-000	EA	Handle Asm. - Assist w/Light

\*\*The illustrated parts breakdown for this item is provided on the Common Items Fiche.

## 1979 WINNEBAGO TABLE OF CONTENTS

WD423RB	A-1 - B-10
WDF23RG	B-11 - C-22
WDU27RT	C-23 - E-8
WDU29RB	E-9 - F-18

## 1979 WD423RB INDEX

Floor Plan	A-1 - A-2
Accessories Group	A-3 - A-4
Bath Group	A-5
Chassis Group	A-6
Curtain, Cushion and Pad Group	A-7 - A-11
Dinette Group	A-12
Driver's Compartment Group	A-12
Electrical Group	A-13 - A-14
Exterior Body Group	A-15 - A-18
Galley Group	A-19
Heating & Air Conditioning Group	A-20
Interior Finish Group	A-21 - A-22
LP Group	A-23
Lounge Group	A-24
Water & Sewage Group	B-1
Window, Vent & Exterior Door Group	B-2 - B-10

## GALLEY GROUP

### GALLEY CABINETRY

Key	Part Number	U/M	Description
	058933-01-K01	EA	Cabinet Asm. - Galley - w/o Countertop, Doors, Drawers or Hardware
	058942-01-K01	EA	Countertop Asm. - Galley Cabinet - Almond Batik
	058023-04-K01	EA	Drawer Asm. - Galley Cabinet - 10.12" x 6" x 20" Deep - w/o Hardware
	057992-36-K01	EA	Door Asm. - Galley Cabinet - 6.22" x 14.82" - w/o Hardware
	057992-37-K01	EA	Door Asm. - Galley Cabinet - 12.22" x 26.92" - w/o Hardware
	058934-01-K01	EA	Cabinet Asm. - Galley Overhead - w/o Doors or Hardware
	057992-10-K01	EA	Door Asm. - Galley Overhead Cabinet - 11.62" x 16.02" - w/o Hardware
	058023-08-K01	EA	Drawer Asm. - Refrigerator Cabinet - 23.22" x 6" x 20" Deep - w/o Hardware
	057992-39-K01	EA	Door Asm. - Refrigerator Cabinet - 10.52" x 23.02" - w/o Hardware
	057992-15-K01	EA	Door Asm. - Refrigerator Cabinet - 12.52" x 19.52" - w/o Hardware
	053424-01-K01	EA	Sink Cover - Large - Almond Satik
	058685-01-K01	EA	Spice Rack Asm.

### GALLEY HARDWARE AND APPLIANCES

Key	Part Number	U/M	Description
	011032-01-000	EA	Sink - Stainless Steel - Double w/Bolts
**	011053-01-000	EA	Faucet - Swing Spout - 8"
**	011053-01-700	EA	Aerator - Swing Spout Faucet
**	011085-01-000	EA	Strainer - Sink
**	053333-01-000	EA	Range Hood - Non Power - Black - Jensen - U.S.
**	049930-07-000	EA	Range Hood - Powered - Almond - Jensen - U.S.
**	055282-02-000	EA	Range - 4 Burner - Small - Almond - Magic Chef
**	052771-02-000	EA	Microwave Oven - Magic Chef - MW207
**	049175-02-000	EA	Refrigerator - AC/DC/Gas - Sibir ET150/2 - 1 Door Model
**	049174-02-000	EA	Refrigerator - AC/DC/Gas - Sibir ET230/2 - 2 Door Model

\*\*The illustrated parts breakdown for this item is provided on the Common Items Fiche.

## HEATING AND AIR CONDITIONING GROUP

Key	Part Number	U/M	Description
	056779-01-000	EA	A/C - Clutch - Magnetic - 6"
	051770-01-000	EA	A/C - Compressor - 440 or 360 C.I.D. - ARA
	056454-01-000	EA	A/C - Evaporator Asm. - Dodge C-Body
	056793-01-000	EA	A/C - Compressor Mount Package - 360 C.I.D. - AHA
	056792-01-000	EA	A/C - Compressor Mount Package - 440 C.I.D. - ARA
	056460-01-000	EA	A/C - Condenser Asm. - 440 or 360 C.I.D. - ARA
	024985-01-000	EA	Register w/Damper - 9.9" x 4.8"
	009198-01-000	EA	Duct - Flexible - 4" I.D. x 25'
	023146-01-000	EA	Clamp - Screw Type - 4"
	050783-01-000	EA	Vent Package - Furnace - 1-3" Wall
	031604-01-000	EA	Bonnet - Heat Register
	039505-02-000	EA	Thermostat - Horizontal Wall Mount - Black
	009200-01-000	EA	Tape - Furnace - 1 1/2"
	055279-01-000	EA	Control Asm. - Heater and A/C
**	052598-01-000	EA	Furnace - 19,000 BTU - Coleman 4319-729
**	059350-01-000	EA	Furnace - 24,000 BTU - w/Electric Ignition - Coleman - 4324-749
**	059351-01-000	EA	Furnace - 30,000 BTU - w/Electric Ignition - Coleman 4330-749
**	049777-02-000	EA	Air Conditioner - 110 Volt - Roof Mount - 11,000 BTU Ivory - Coleman (w/o inside shroud)
**	049778-02-000	EA	Shroud Asm. - Ceiling - Inside - Roof Air - Cool Only 11,000 BTU - Coleman
**	049774-02-000	EA	Air Conditioner - 110 Volt - Roof Mount - 13,500 BTU Ivory - Coleman (w/o inside shroud)
**	049775-02-000	EA	Shroud Asm. - Ceiling - Inside - Roof Air - Cool Only 13,500 BTU - Coleman
**	049776-01-000	EA	Shroud Asm. - Ceiling - Inside - Roof Air - Heat and Cool 13,500 BTU - Coleman

\*\*The illustrated parts breakdown for this item is provided on the Common Items Fiche.

## 1979 WINNEBAGO TABLE OF CONTENTS

WD423RB	A-1 - B-10
WDF23RG	B-11 - C-22
WDU27RT	C-23 - E-8
WDU29RB	E-9 - F-18

## 1979 WD423RB INDEX

Floor Plan	A-1 - A-2
Accessories Group	A-3 - A-4
Bath Group	A-5
Chassis Group	A-6
Curtain, Cushion and Pad Group	A-7 - A-11
Dinette Group	A-12
Driver's Compartment Group	A-12
Electrical Group	A-13 - A-14
Exterior Body Group	A-15 - A-18
Galley Group	A-19
Heating & Air Conditioning Group	A-20
Interior Finish Group	A-21 - A-22
LP Group	A-23
Lounge Group	A-24
Water & Sewage Group	B-1
Window, Vent & Exterior Door Group	B-2 - B-10

## INTERIOR FINISH GROUP

### PANELING AND COUNTERTOP MATERIALS

Key	Part Number	U/M	Description
	057856-01-000	SF	Paneling - 724 Vermont Oak - Plain - 48" x 96" (32 SF)
	057855-01-000	SF	Paneling - 724 Vermont Oak - V Groove - 48" x 96" (32 SF)
	045963-01-000	SF	Paneling - 825 Buff - 48" x 96" (32 SF)
	058348-01-000	SF	Paneling - Pompeii Beige - Bath - 48" x 96" (32 SF)
	058346-01-000	SF	Paneling - Paint Brush Rust - 48" x 84"
	058346-02-000	SF	Paneling - Paint Brush Brown - 48" x 84"
	058346-03-000	SF	Paneling - Paint Brush Green - 48" x 84"
	058219-01-000	SF	Plastic Laminate - Almond Balik
	053339-01-000	SF	Plastic Laminate - Butcher Block - 48" x 96" (32 SF)
	053339-01-001	EA	Plastic Laminate - Butcher Block - 48" x 48"
	053339-01-002	EA	Plastic Laminate - Butcher Block - 1.19" x 96"

### INTERIOR MOLDINGS AND TRIMS

Key	Part Number	U/M	Description
	047354-01-000	EA	Batt Strip - 825 Buff - Ceiling - 96"
	057868-01-000	EA	Batt Strip - 724 Vermont Oak - 96"
	058349-01-000	EA	Batt Strip - Paint Brush Rust - 96"
	058349-02-000	EA	Batt Strip - Paint Brush Brown - 96"
	058349-03-000	EA	Batt Strip - Paint Brush Green - 96"
	024700-06-000	EA	Cover - Roll Bar - Sidewall - ivory
	024700-13-000	EA	Cover - Roll Bar - Vermont Oak
	039512-12-000	EA	Cover - Hat Section - Vermont Oak
	047488-01-000	EA	Cover - Corner - Hat/Hat
	047489-01-000	EA	Cover - Corner - Tube/Tube
	052859-01-J27	FT	Accent Trim - Acorn Brown Vinyl
	009813-01-000	FT	Molding - Outside Corner - .50" - Dark Pecan
	009767-05-000	FT	Welting - Light Brown
	009778-01-000	FT	U-Channel - 1" - Dark Brown
	052861-01-K01	FT	Molding Asm. - Shell
	009810-01-000	FT	Molding - Outside Corner - 1" - Dark Pecan
	009815-03-000	FT	Molding - .75" - Light Brown

### FABRICS AND FLOOR COVERINGS

Key	Part Number	U/A	Description
	058784-02-000	YD	Fabric - Drapery - Rust
	058784-03-000	YD	Fabric - Drapery - Navy
	058784-04-000	YD	Fabric - Drapery - Green Forest
	057851-01-000	YD	Fabric - Upholstery - Main - Rust Plaid
	057851-02-000	YD	Fabric - Upholstery - Main - Blue Plaid
	057851-03-000	YD	Fabric - Upholstery - Main - Green Plaid
	057852-01-000	YD	Fabric - Upholstery - Accent - Rust
	057852-02-000	YD	Fabric - Upholstery - Accent - Navy
	057852-03-000	YD	Fabric - Upholstery - Accent - Green
	053327-01-000	YD	Vinyl - Non Expanded - 27 oz. - Acorn Brown
	053327-02-000	YD	Vinyl - Expanded - 28 oz. - Acorn Brown
	053327-03-000	YD	Cinyl - Non Support - 16 Gauge Film - Acorn Brown
	057897-07-000	SY	Carpet - Charade - Deep Copper
	057897-02-000	SY	Carpet - Beige
	057897-03-000	SY	Carpet - Green

## INTERIOR FINISH GROUP (CONTINUED)

### CABINETS AND TABLE HARDWARE

Key	Part Number	U/M	Description
**	041939-01-000	EA	Kit - Double Action Cabinet Hinge
**	057946-01-K01	EA	Pull Kit - Cabinet Drawer - Flat Latch
**	052932-01-J30	EA	Hinge Kit - Cabinet Door - Antique Brass
**	057945-01-K01	EA	Latch Kit - Cabinet Door - Flat Latch
**	009112-01-000	EA	Flange - 1" - Closet Rod
**	047842-01-000	EA	Kit - Dinette Table Leg
**	047809-03-000	EA	Kit - Dinette Table Wall Mount Hardware
**	059753-01-000	EA	Slide - Drawer - Left
**	059753-02-000	EA	Slide - Drawer - Right
**	037688-01-000	FT	Rail - Drawer Glide
**	047744-01-000	EA	Kit - Drawer Glide
**	039873-01-700	EA	Catch Asm. - w/Strike - Nylon

\*\*The illustrated parts breakdown for this item is provided on the Common Items Fiche.

### CURTAIN HARDWARE

Key	Part Number	U/M	Description
	052327-04-236	EA	Track - Curtain - Brown Alum. - 89" w/Holes
	056116-01-000	FT	Track - Curtain - Brown Plastic
	056001-01-000	EA	Bracket - Shade - Left
	056002-01-000	EA	Bracket - Shade - Right
	056003-01-000	EA	Bracket - Drapery Retainer - Right
	056003-02-000	EA	Bracket - Drapery Retainer - Left
	053272-04-200	EA	Track - Curtain - Off White - 89" w/Holes
	056784-01-000	EA	Pull - Window Shade - Antique Brass
	009107-01-000	EA	Guide - Nylon Snap - Curtain
	018031-42-000	EA	Track - Curtain - "L" Rod - Alum. Extr. - 90"
	009701-01-000	EA	Carrier - "L" Rod - Curtain
	009702-01-000	EA	End Stop - "L" Rod - Curtain

### MISCELLANEOUS

Key	Part Number	U/M	Description
	041944-01-700	EA	Fire Extinguisher - Dry Chemical w/Bracket
	007038-01-000	EA	Door Mat - Black Rubber - 10 1/2" x 26"
	053552-01-K01	EA	Assist Handle - Interior - Acorn Vinyl
	054185-03-000	EA	Owners Manual - Winnebago - 1979

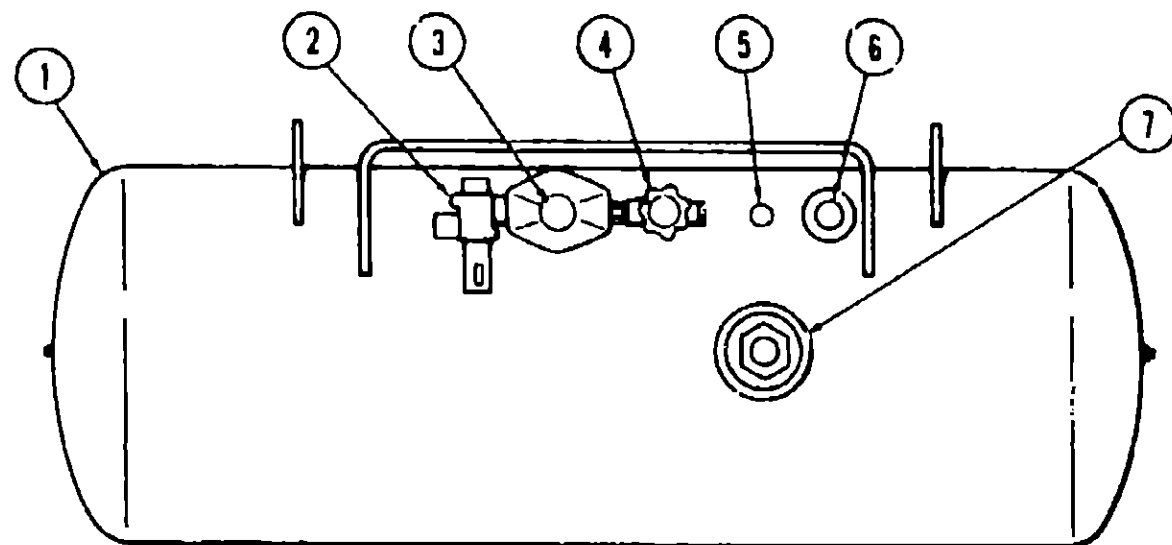
## 1979 WINNEBAGO TABLE OF CONTENTS

WD423RB	A-1 - B-10
WDF23RG	B-11 - C-22
WDU27RT	C-23 - E-8
WDU29RB	E-9 - F-18

## 1979 WD423RB INDEX

Floor Plan	A-1 - A-2
Accessories Group	A-3 - A-4
Bath Group	A-5
Chassis Group	A-6
Curtain, Cushion and Pad Group	A-7 - A-11
Dinette Group	A-12
Driver's Compartment Group	A-12
Electrical Group	A-13 - A-14
Exterior Body Group	A-15 - A-18
Galley Group	A-19
Heating & Air Conditioning Group	A-20
Interior Finish Group	A-21 - A-22
LP Group	A-23
Lounge Group	A-24
Water & Sewage Group	B-1
Window, Vent & Exterior Door Group	B-2 - B-10

## LP GROUP



Key	Part Number	U/M	Description
1	052769-01-000	EA	Tank Asm. - LP - Frame Mount - 42 Pound
1	052770-01-000	EA	Tank Asm. - LP - Frame Mount - 85 Pound
2	047221-01-000	EA	Detector - LP Gas Leak
3	058706-01-000	EA	Cover - Regulator - 2 Stage
3	058705-01-000	EA	Regulator - Two Stage - LP Gas
4	040421-01-703	EA	Valve - Vapor Relief
5	040421-01-700	EA	Gauge - Liquid Level - 20% LP
6	040421-01-701	EA	Valve - Filler - LP
6	040421-01-702	EA	Cap - Plastic Fill Valve
7	040421-01-707	EA	Gauge - Float - w/Visible Dial - 85 Pound Tank
7	042281-01-700	EA	Gauge - Float - w/Visible Dial - 42 Pound Tank
7	040421-01-706	EA	Dial - Visible Face - Float Gauge (Tank w/o Electric Transmitter)
7	040421-01-705	EA	Dial - Transmitter - 0 - 90 Ohm (Float Gauge)
7	045703-03-000	EA	Hose Asm. - LP - 3/8" I.D. x 14"
7	047737-02-000	EA	Support - LP Tank - 89.25"
7	047737-03-000	EA	Support - LP Tank - 30.50"
			Not Illustrated

## LOUNGE GROUP

### LOUNGE OVERHEAD CABINET, FURNACE CABINET AND COUCH CABINET

Key	Part Number	U/M	Description
	058937-01-K01	EA	Cabinet Asm. - Lounge Overhead - w/o Doors or Hardware
	057992-02-K01	EA	Door Asm. - Lounge Overhead Cabinet - 10.32" x 35.22" - w/o Hardware
	058936-01-K01	EA	Catch and Strike Asm. - Couch
	056938-01-K01	EA	Cabinet Asm. - Furnace - w/o Countertop, Door or Hardware
	058943-01-K01	EA	Countertop Asm. - Furnace Cabinet - Butcher Block
	058230-01-K01	EA	Door Asm. - Furnace - w/Brass Mesh Insert
	047205-07-000	EA	Insert - Furnace Door - 11 1/4" x 13 7/8" - Brass Mesh
	039873-01-000	EA	Catch and Strike - Furnace Door

### CORNER LOUNGE CHAIR W/FOLD DOWN TABLE

Key	Part Number	U/M	Description
	061704-01-K01	EA	Table Asm. - Lounge - Butcher Block
	061882-01-000	EA	Leg Asm. - Table - Pivot
	061879-01-000	EA	Leg Asm. - Table - Fixed
	024275-04-000	EA	Rod - Table Lift
	024281-05-000	EA	Bracket - Table Lift - Mounts on Table
	U53200-02-000	EA	Support - Table - 14.5" - Mounts on Wall
	062133-01-K01	EA	Cabinet Asm. - Lounge Chair - Right
	061560-01-K01	EA	Cabinet Asm. - Lounge Chair - Left

### LOUNGE W/SWIVEL CHAIRS

Key	Part Number	U/M	Description
	054552-01-K01	EA	Table Asm. - Pullout - Butcher Block
	058548-01-K01	EA	Cabinet Asm. - Pullout Table - w/o Countertop, Table or Pad
	058547-01-K01	EA	Countertop Asm. - Pullout Table Cabinet - Butcher Block
	054540-01-000	EA	Slide Asm. - Ball Bearing - Accuride
	045795-01-000	EA	Holder - Glass - Dark Brown Plastic

### SPRUNG COUCH

Key	Part Number	U/M	Description
	057621-01-K01	EA	Panel Asm. - Couch Face - w/o Door or Hardware
	057619-01-K01	EA	Panel Asm. - Couch End
	057992-03-K01	EA	Door Asm. - Couch Cabinet - 11.82" x 37.22" - w/o Hardware
	057468-02-000	EA	Frame Asm. - Sprung Couch - Right
	057468-03-000	EA	Frame Asm. - Sprung Couch - Left
	057468-04-000	EA	Frame Rail - Sprung Couch (2 per couch)
	057469-01-000	EA	Leg Asm. - Sprung Couch (2 per couch)

## 1979 WINNEBAGO TABLE OF CONTENTS

WD423RB	A-1 - B-10
WDF23RG	B-11 - C-27
WDU27RT	C-23 - E-8
WDU29RB	E-9 - F-18

## 1979 WD423RB INDEX

Floor Plan	A-1 - A-2
Accessories Group	A-3 - A-4
Bath Group	A-5
Chassis Group	A-6
Curtain, Cushion and Pad Group	A-7 - A-11
Dinette Group	A-12
Driver's Compartment Group	A-12
Electrical Group	A-13 - A-14
Exterior Body Group	A-15 - A-18
Galley Group	A-19
Heating & Air Conditioning Group	A-20
Interior Finish Group	A-21 - A-22
LP Group	A-23
Lounge Group	A-24
Water & Sewage Group	B-1
Window, Vent & Exterior Door Group	B-2 - B-10

## WATER AND SEWAGE GROUP

### PLUMBING REPAIR PARTS

Key	Part Number	U/M	Description
**	040539-01-000	EA	Kit - Repair - 3/8" O.D. Plastic Tube
**	040540-01-000	EA	Kit - Repair - 1/2" O.D. Plastic Tube
**	040541-01-000	EA	Kit - Repair - 5/8" O.D. Plastic Tube
**	041279-02-000	EA	Pump - Water Flow 2.8 G.P.M. - PAR
**	039647-02-000	EA	Filter - Water Pump 1/2" MPT
**	039818-01-000	EA	Riser Asm. - 3/8" O.D. x 24" Tube
**	039818-02-000	EA	Riser Asm. - 3/8" O.D. x 36" Tube
**	039818-04-000	EA	Riser Asm. - 3/8" O.D. x 72" Tube
**	039818-05-000	EA	Riser Asm. - 3/8" O.D. x 48" Tube
**	035539-01-000	EA	Elbow - Plastic - 3/8 MPT x 3/8 Barb
**	052953-01-000	EA	Nut - Faucet - 1/2 Tube x 1/2 FPT
**	052952-01-000	EA	Nut - Plastic - 1/2 F
**	052954-01-000	EA	Adapler - Nose Cone - 3/8 or 1/2
**	052958-01-000	EA	Tee - Plastic - 1/2 F x 1/2 F x 1/2 F
**	052959-03-000	EA	Connector - Plastic - 1/2 F x 3/8 MPT
**	052060-01-000	EA	Valve - Line Drain - 1/2 F x 1/2 F
**	052961-01-000	EA	Header - 1/2 F x 1/2 F x 1/2 F x 1/2 F
**	052964-01-000	EA	Connector - Plastic - 1/2 F x 3/8 MPT
**	010071-01-000	EA	Tee - Plastic - 1 1/2 H x H x H
**	010079-01-000	EA	Tee - Plastic - 1 1/2 H x 1 1/2 H x 1 1/4 H
**	010091-01-000	EA	Wye - Plastic - 3 x 45 H x H x H
**	010134-01-000	EA	Adapter - Plastic - 1 1/2 M x MPT
**	010154-01-000	EA	Ring - Closet - Plastic - 4 F x 3 MPT
**	031126-01-000	EA	Elbow - Plastic - 1/4 BD 3 x 90 x LT
**	004020-01-000	QT	Adhesive - ABS Cement
**	010201-01-000	EA	Hose - Sewer 3" x 10 FT w/Clamp
**	010235-01-000	EA	Cap - Sewage 3"
**	010236-01-000	EA	Adapter - Hose 3" Sewage
**	010234-01-000	EA	Adapter - Bayonet
**	011091-01-000	EA	Waste - Continuous - Double Sink 11 7/8"
**	011066-01-000	EA	P-Trap - Plastic - 1 1/4"
**	010205-01-000	EA	Valve - Sanitary - Thetford 3 x B
**	010210-01-000	EA	Valve - Sanitary - Thetford 3HB
**	010133-01-000	EA	Adapter - Trap - Plastic 1 1/2" H x MPT
**	050780-01-000	EA	Coupler - Rubber - 3" x 3"
**	046524-01-000	EA	Kit - Plastic Fittings - Holding Tank
**	046524-02-000	EA	Kit - Plastic Fittings - Water Tank
**	047246-01-000	EA	Handle - Extension - Sewer Valve - 43"
**	037845-01-000	FT	Tape - Butyl - 3/16" - Bead - Slack
**	041278-04-000	EA	Pump - Water Flow 3.7 G.P.M. - PAR - C.S.A.
**	041279-04-000	EA	Pump - Water Flow 2.8 G.P.M. - PAR - C.S.A.
**	041279-02-700	EA	Belt - Water Pump 2.8 G.P.M.
**	041278-04-700	EA	Pressure Switch - Water Pump - C.S.A.
**	063646-01-000	EA	Water Pump - Direct Drive - 2.8 G.P.M. - PAR
**	063646-02-000	EA	Water Pump - Direct Drive - 2.8 G.P.M. - PAR - CSA

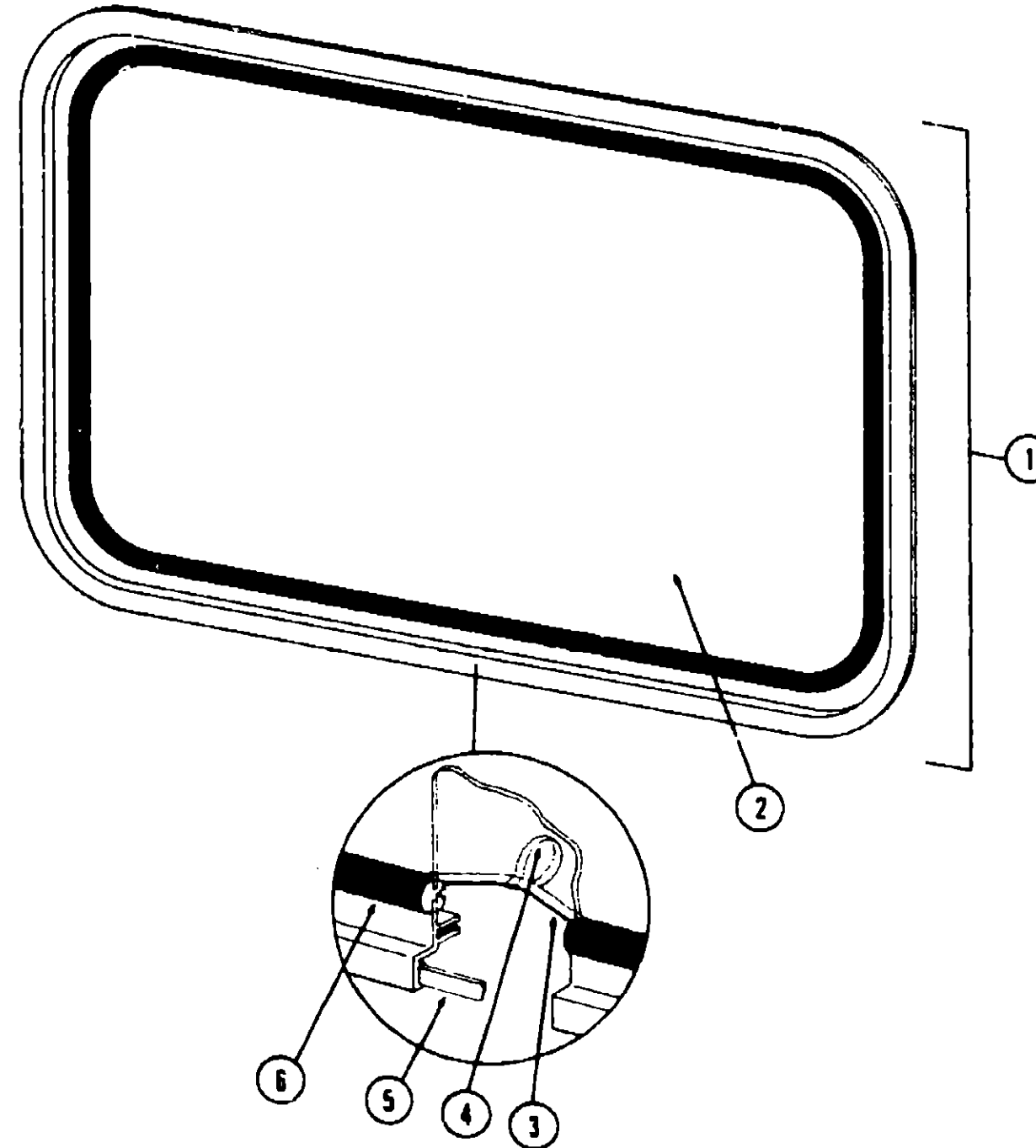
\*\* The illustrated parts breakdown for this item is provided on the Common Items Fiche.

### WATER HEATERS AND HOLDING TANKS

Key	Part Number	U/M	Description
**	051391-01-000	EA	Water Heater - w/o Motor Aid - G6A3
**	045196-09-000	EA	Tank Asm. - Plastic Water - 26 Gallon - w/Fittings - Rear Dinette Seat
**	045196-01-000	EA	Tank Asm. - Plastic Water - 26 Gallon - w/o Fittings
**	045196-10-000	EA	Tank Asm. - Plastic Water - 26 Gallon - w/Fittings - Front Dinette Seat
**	056403-04-000	EA	Tank Asm. - Holding w/Fittings - 36 Gallon
**	056403-01-000	EA	Tank Asm. - Holding w/o Fittings - 36 Gallon
**	058589-03-000	EA	Tank Asm. - Holding w/Fittings - 20 Gallon
**	058589-01-000	EA	Tank Asm. - Holding w/o Fittings - 20 Gallon

\*\* The illustrated parts breakdown for this item is provided on the Common Items Fiche.

## WINDOW, VENT AND EXTERIOR DOOR GROUP



Key	Part Number	U/M	Description
1	042959-01-000	EA	Window Asm. - Rear Escape - 23" x 36" - Black Anod. (w/o inside frame)
2	041392-01-000	EA	Glass - 1/8" - 19.61" x 33.25"
3	002285-01-000	FT	Filler - Weatherstrip - Black
4	020395-01-000	EA	Slip - Pull Ring - Escape Window
5	004363-01-000	FT	Tape - Foam - 3/16" x 1/2" - Gray
6	002282-01-000	FT	Weatherstrip - .125" - Black
*	042027-01-000	EA	Frame - Inside - Escape Window - 23" x 36" (not included in assembly)
*	006199-01-000	EA	Label - Exit - Escape Window
*	Not Illustrated		

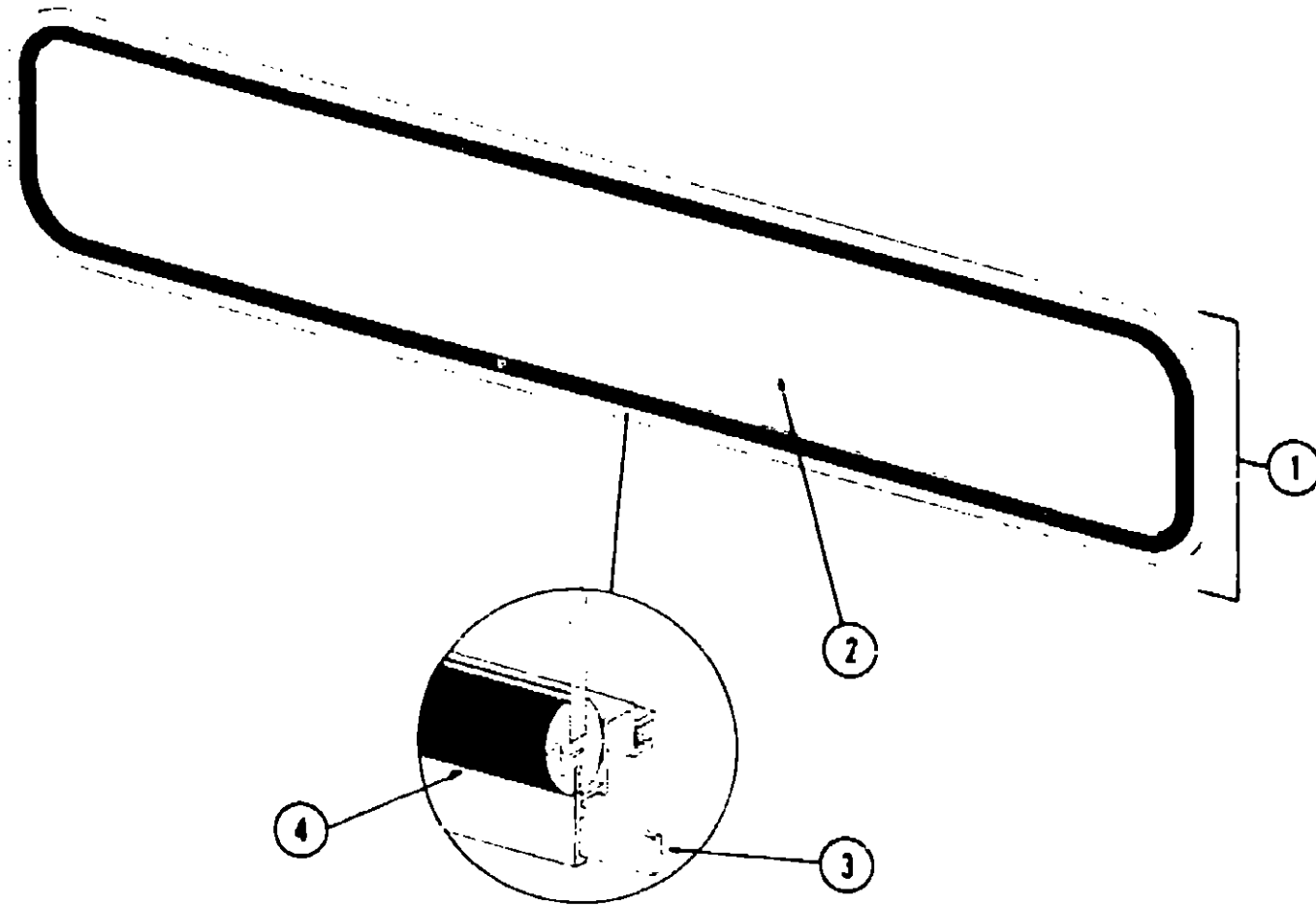
### 1979 WINNEBAGO TABLE OF CONTENTS

WD423RB	A-1 - B-10
WDF23RG	B-11 - C-22
WDU27RT	C-23 - E-8
WDU29RB	E-9 - F-18

### 1979 WD423RB INDEX

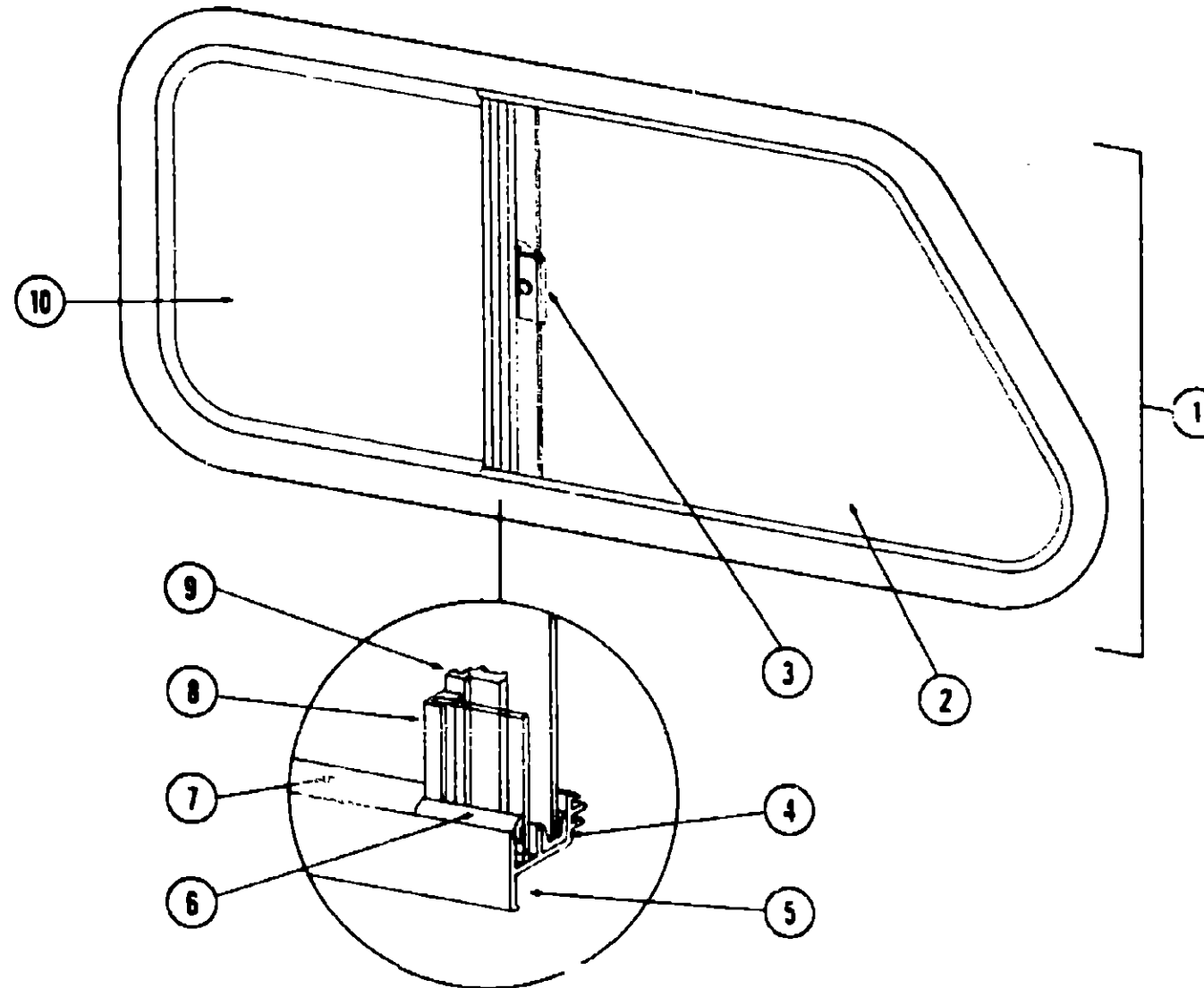
Floor Plan	A-1 - A-2
Accessories Group	A-3 - A-4
Bath Group	A-5
Chassis Group	A-6
Curtain, Cushion and Pad Group	A-7 - A-11
Dinette Group	A-12
Driver's Compartment Group	A-12
Electrical Group	A-13 - A-14
Exterior Body Group	A-15 - A-18
Galley Group	A-19
Heating & Air Conditioning Group	A-20
Interior Finish Group	A-21 - A-22
LP Group	A-23
Lounge Group	A-24
Water & Sewage Group	B-1
Window, Vent & Exterior Door Group	B-2 - B-10

**WINDOW, VENT AND EXTERIOR DOOR GROUP (CONTINUED)**



Key	Part Number	U/M	Description
1	041936-01-000	EA	Window Asm. - Front Picture - 14" x 69" - Black (w/o inside frame)
2	002200-02-000	EA	Glass - TP - Picture Window
3	004363-01-000	FT	Tape - Sealer - 3/16" x 1/2" Foam
4	002281-01-000	FT	Weatherstrip - Self Seal - .06" Panel x 3/16" - Black
.	037845-01-000	FT	Tape - Butyl - Window - 3/16" Bead - Black
.	041938-01-000	EA	Frame - Inside - Picture Window (not included in assembly)
.	Not Illustrated		

**WINDOW, VENT AND EXTERIOR DOOR GROUP (CONTINUED)**



Key	Part Number	U/M	Description
1	048632-03-000	EA	Window Asm. - Bunk - Slanted Slider - Right - Black (w/o inside frame)
	048632-04-000	EA	Window Asm. - Bunk - Slanted Slider - Left - Black (w/o inside frame)
2	040919-01-000	EA	Glass - 1/8" x 11.98" x 19.42" - Gray - Stationary
3	047369-01-700	EA	Latch - Window - Plastic w/Fastener
.	023320-01-000	EA	Foam Pad - 3/8" Dia. (used with plastic latch)
4	002324-01-000	FT	Channel - Weatherstrip - Glass Run - 1/8" Glass
5	004363-01-000	FT	Tape - Foam - 3/16" x 1/2" - Gray
6	002309-02-000	FT	Spline - Glass - 1/8" - Black
7	024096-02-000	FT	Seal - Window Channel - Black
8	002390-03-200	EA	Holder - Glass Seal - Extr. - Anod. Black - 11.23
9	041894-07-000	EA	Mullion - 13" - Black Anod.
10	047815-01-000	EA	Glass - 1/8" x 11.98" x 11.81" - Gray - Sliding
.	040916-03-000	EA	Frame - Window - Inside - Bunk Slant - Left (not included in assembly)
.	040916-04-000	EA	Frame - Window - Inside - Bunk Slant - Right (not included in assembly)
.	023713-02-000	EA	Cover - Weephole - Black
.	002298-01-000	FT	Spline - Gray - .130" Dia. (Screen)
.	002291-01-000	SF	Screen - Gray - Window - 16"
.	Not Illustrated		

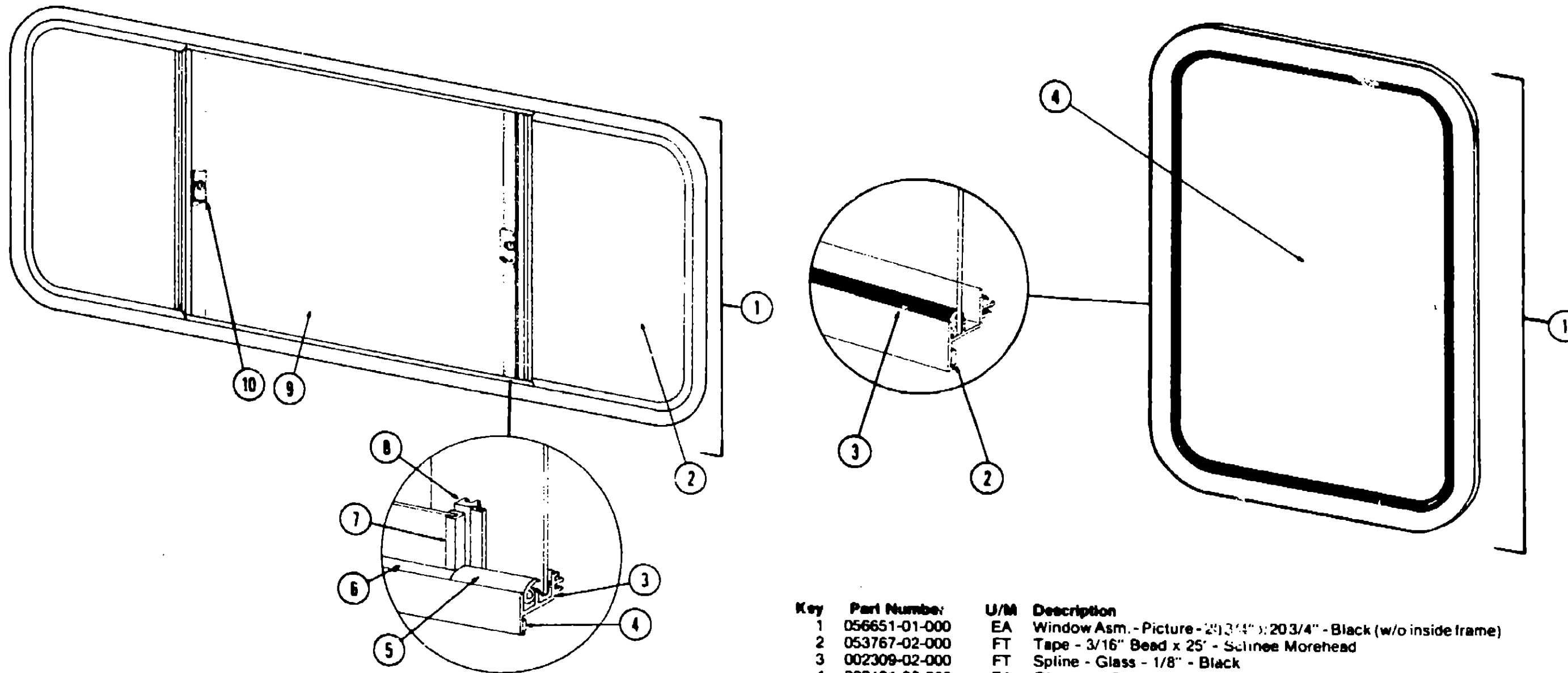
**1979 WINNEBAGO TABLE OF CONTENTS**

WD423RB  
WDF23RG  
WDU27RT  
WDU29RB

A-1 - B-10  
B-11 - C-22  
C-23 - E-8  
E-9 - F-18

**1979 WD423RB INDEX**

Floor Plan	A-1 - A-2
Accessories Group	A-3 - A-4
Bath Group	A-5
Chassis Group	A-6
Curtain, Cushion and Pad Group	A-7 - A-11
Dinette Group	A-12
Driver's Compartment Group	A-12
Electrical Group	A-13 - A-14
Exterior Body Group	A-15 - A-18
Galley Group	A-19
Heating & Air Conditioning Group	A-20
Interior Finish Group	A-21 - A-22
LP Group	A-23
Lounge Group	A-24
Water & Sewage Group	B-1
Window, Vent & Exterior Door Group	B-2 - B-10



Key	Part Number	U/M	Description
1	048630-08-000	EA	Window Asm. - Double Slider - 25" x 65" Black Anod (w/o Inside frame)
2	047822-01-000	EA	Glass - Sliding - 3/16" x 24" x 21.03"
3	042077-01-000	FT	Channel - Weatherstrip - Glass Run - 3/16" Glass
4	004363-01-000	FT	Tape - Foam - 3/16" x 1/2" - Gray
5	041928-02-000	FT	Seal - Window Channel - 3/16" Glass - Black
6	002309-02-000	FT	Spline - Glass - 1/8" - Black
7	002389-03-201	EA	Extr. - Holder - Glass Seal - 23.19" - Black
8	041894-04-000	EA	Mullion - Slider Window - 25" - Black
9	002188-02-000	EA	Glass - 3/16" x 24" x 25.5" - Stationary
10	047369-01-700	EA	Latch - Window - Plastic w/Fastener
	023320-01-000	EA	Foam Pad - 3/8" Dia. (used with plastic latch)
	042133-09-000	EA	Frame Asm. - Window - Inside (not included in assembly)
	023713-02-000	EA	Cover - Weephole - Plastic - Black
	002298-01-000	FT	Spline - Gray - .130" Dia. (Screen)
	002293-01-000	SF	Screen - Window - 26" - Gray
	Not Illustrated		

Key	Part Number	U/M	Description
1	056651-01-000	EA	Window Asm. - Picture - 29 3/4" x 20 3/4" - Black (w/o inside frame)
2	053767-02-000	FT	Tape - 3/16" Bead x 25' - Solinee Morehead
3	002309-02-000	FT	Spline - Glass - 1/8" - Black
4	002181-03-000	EA	Glass - .115" x 20.62" x 20.62" - Gray
	056650-01-000	EA	Frame - Inside - Window (not included in assembly)
	Not Illustrated		

1979 WINNEBAGO  
TABLE OF CONTENTS

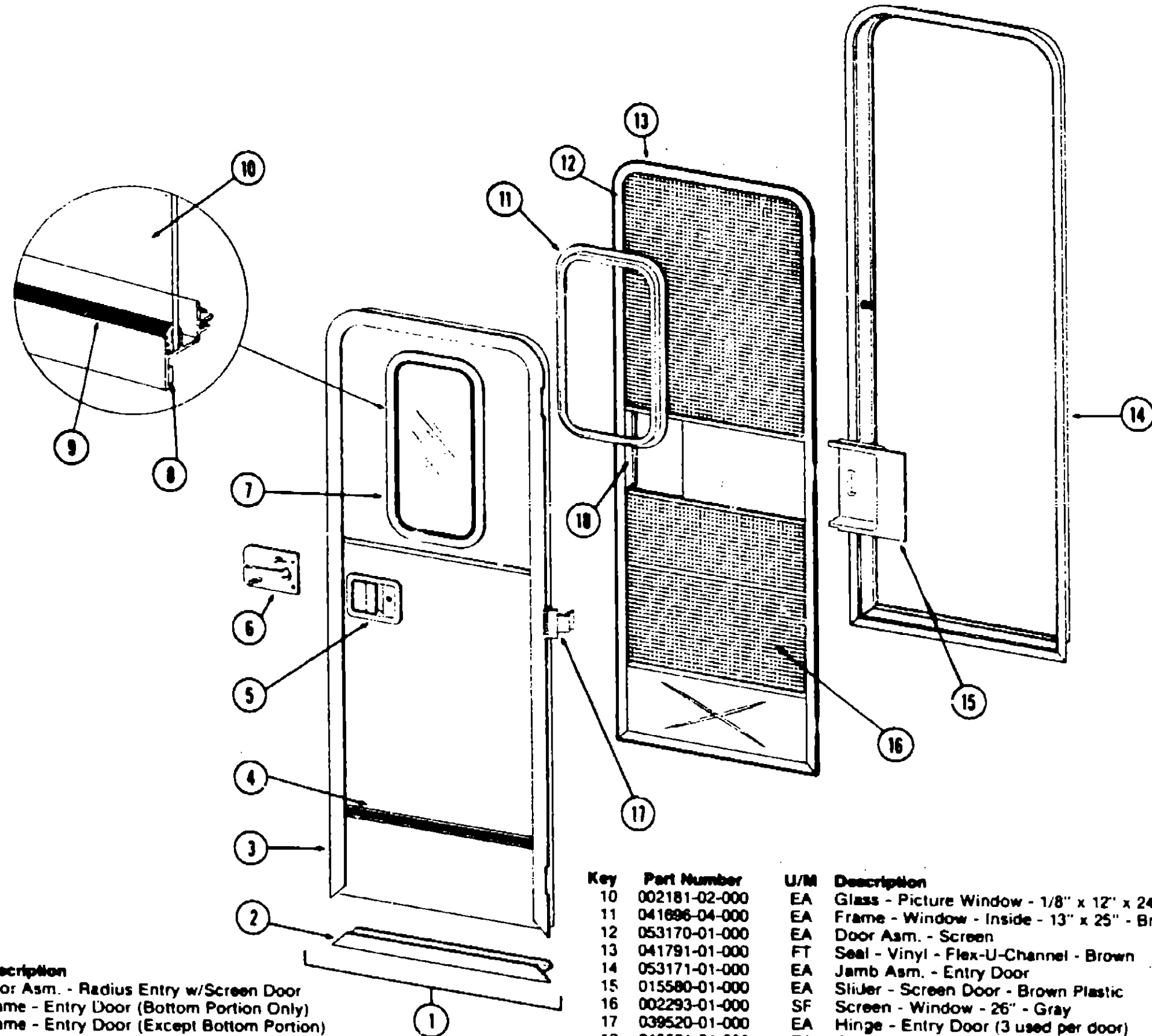
WD423RB  
WDF23RG  
WDU27RT  
WDU29RB

A-1 - B-10  
B-11 - C-22  
C-23 - E-8  
E-9 - F-18

1979 WD423RB INDEX

Floor Plan	A-1 - A-2
Accessories Group	A-3 - A-4
Bath Group	A-5
Chassis Group	A-6
Curtain, Cushion and Pad Group	A-7 - A-11
Dinette Group	A-12
Driver's Compartment Group	A-12
Electrical Group	A-13 - A-14
Exterior Body Group	A-15 - A-18
Galley Group	A-19
Heating & Air Conditioning Group	A-20
Interior Finish Group	A-21 - A-22
LP Group	A-23
Lounge Group	A-24
Water & Sewage Group	B-1
Window, Vent & Exterior Door Group	B-2 - B-10

# WINDOW, VENT AND EXTERIOR DOOR GROUP (CONTINUED)



Key	Part Number	U/M	Description
1	053169-10-000	EA	Door Asm. - Radius Entry w/Screen Door
2	039737-01-000	EA	Frame - Entry Door (Bottom Portion Only)
3	039736-01-000	EA	Frame - Entry Door (Except Bottom Portion)
4	039874-01-000	EA	Holder Asm. - Entry Door - 1 1/2"
5	045017-01-000	EA	Paddle Asm. - Door Lock - Exterior
	045017-01-700	EA	Lock Cylinder w/Keys - Lynor
	039539-01-000	EA	Striker Bolt - Entry Door
	039540-01-000	EA	Latch Claw - Entry Door
6	039979-01-000	EA	Plate - Lock - Inside - Including Inside Handle
	052186-01-000	EA	Lock Asm. - Complete - Lynor
7	041875-04-000	EA	Window Asm. - Picture - 13" x 25" - Black Anod. (inside frame not included in assembly)
8	004363-01-000	FT	Tape - Foam - 3/16" x 1/2" - Gray
9	002309-02-000	FT	Spline - Glass - 1/8" Black

Key	Part Number	U/M	Description
10	002181-02-000	EA	Glass - Picture Window - 1/8" x 12" x 24" Gray
11	041696-04-000	EA	Frame - Window - Inside - 13" x 25" - Brown
12	053170-01-000	EA	Door Asm. - Screen
13	041791-01-000	FT	Seal - Vinyl - Flex-U-Channel - Brown
14	053171-01-000	EA	Jamb Asm. - Entry Door
15	015580-01-000	EA	Slider - Screen Door - Brown Plastic
16	002293-01-000	SF	Screen - Window - 26" - Gray
17	039520-01-000	EA	Hinge - Entry Door (3 used per door)
18	015581-01-000	EA	Cap - Screen Door - Brown Plastic
	049176-01-000	EA	Hedlok II - 3/4" Diameter - Screw Mount (retains screen door to entry door)
	049797-01-000	EA	Hedlok II - 1" Diameter - Screw Mount (retains screen door to entry door)
	058025-02-000	EA	Clip - Roller Catch
	039863-01-000	EA	Catch Asm. - Single Roller w/Strike - Screen Door
	044562-02-000	EA	Drip Cap - Jamb Mounted - Off White
	051380-01-000	FT	Seal - Bulb - Rubber
	039800-03-000	FT	Tubing - Polybutyl - 3/8" O.D. - Jamb
			Not Illustrated

B-7

## 1979 WINNEBAGO TABLE OF CONTENTS

WD423RB	A-1 - B-10
WDF23RG	B-11 - C-22
WDU27RT	C-23 - E-8
WDU29RB	E-9 - F-18

## 1979 WD423RB INDEX

Floor Plan	A-1 - A-2
Accessories Group	A-3 - A-4
Bath Group	A-5
Chassis Group	A-6
Curtain, Cushion and Pad Group	A-7 - A-11
Dinette Group	A-12
Driver's Compartment Group	A-12
Electrical Group	A-13 - A-14
Exterior Body Group	A-15 - A-18
Galley Group	A-19
Heating & Air Conditioning Group	A-20
Interior Finish Group	A-21 - A-22
LP Group	A-23
Lounge Group	A-24
Water & Sewage Group	B-1
Window, Vent & Exterior Door Group	B-2 - B-10

B-8



## WINDOW, VENT AND EXTERIOR DOOR GROUP (CONTINUED)

### VENTS

Key	Part Number	U/M	Description
	039778-01-000	EA	Cover - Refrigerator Vent - Plastic
	009407-01-000	EA	Base - Frame - Refrigerator Vent w/o Cover
	049352-01-000	EA	Vent - Outside - Stovehood - Off White
**	048789-01-000	EA	Vent Asm. - Roof - Powered w/o Screen - Alum.
**	048835-01-000	EA	Vent Asm. - Roof - Non Powered - w/o Screen - Alum.
**	056119-01-000	EA	Vent Asm. - Roof - Powered/Lighted - Jensen - White

\*\*The illustrated parts breakdown for this item is provided on the Common Items Fiche.

### ACCESS DOORS

Key	Part Number	U/M	Description
	052775-01-000	EA	Door Asm. - Generator - Off White w/Twist Lock
	052743-01-000	EA	Baffle - Generator Door
	055500-01-000	EA	Door Asm. - Gas Fill - Off White w/Key Lock
	057096-01-000	EA	Door Asm. - Power Cord - w/Hatch - Off White w/Twist Lock
	052950-03-700	EA	Lock Asm. - Key Type - Power Cord Door - Straight Cam
	033333-25-000	EA	Door Asm. - Storage - 33.6" x 8.9" - Off White w/Key Lock
	052009-01-000	EA	Door Asm. - Water Heater Access - Off White - Atwood
	033333-22-000	EA	Door Asm. - LP - Off White w/Twist Type Plastic Latch
	052776-01-000	EA	Door Asm. - Luggage - Off White w/Key Type Lock
	054270-01-000	EA	Door Asm. - Refrigerator Access - Off White w/Twist Type Lock
	047305-01-000	EA	Lock Asm. - Key Type w/Clip
	052950-01-700	EA	Lock Asm. - Twist Type - White Plastic w/Retainer Clip
	016945-02-000	EA	Holder Asm. - Battery or Luggage Door (Holds door open)

## 1979 WINNEBAGO TABLE OF CONTENTS

WD423RB	A-1 - B-10
WDF23RG	B-11 - C-22
WDU27RT	C-23 - E-8
WDU29RB	E-9 - F-18

## 1979 WD423RB INDEX

Floor Plan	A-1 - A-2
Accessories Group	A-3 - A-4
Bath Group	A-5
Chassis Group	A-6
Curtain, Cushion and Pad Group	A-7 - A-11
Dinette Group	A-12
Driver's Compartment Group	A-12
Electrical Group	A-13 - A-14
Exterior Body Group	A-15 - A-18
Galley Group	A-19
Heating & Air Conditioning Group	A-20
Interior Finish Group	A-21 - A-22
LP Group	A-23
Lounge Group	A-24
Water & Sewage Group	B-1
Window, Vent & Exterior Door Group	B-2 - B-10