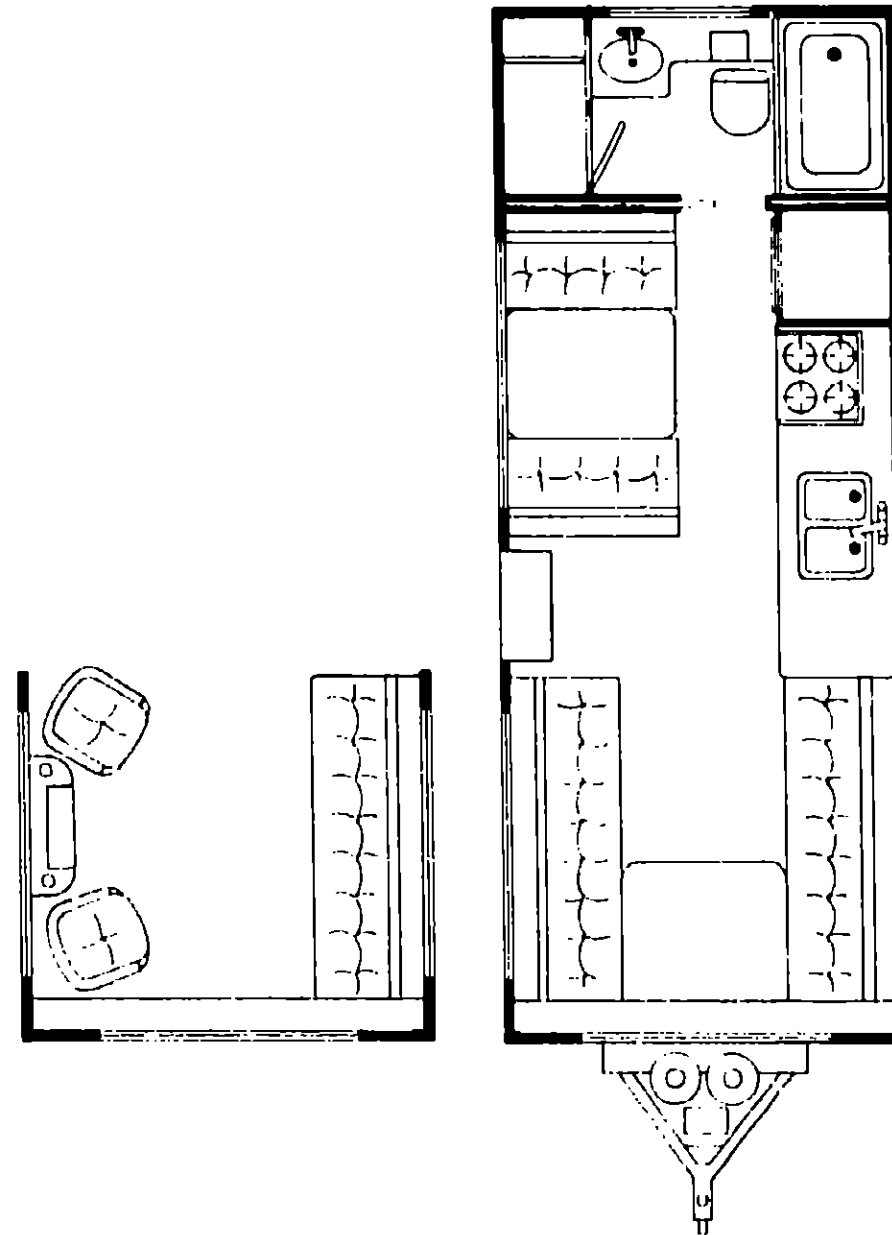


1979 TWP23RB



1979 WINNEBAGO TABLE OF CONTENTS

Introduction	A-1
Abbreviations	A-1
Alphabetical Index	A-2 - A-4
TWP21RB	A-5 - B-8
TWP23RB	B-9 - C-14
TWP25RB	C-15 - D-18

1979 TWP23RB INDEX

Floor Plan	B-9 - B-10
Accessories Group	B-11
Bath Group	B-12
Chassis Group	B-13
Curtain, Cushion and Pad Group	B-14 - B-17
Dinette Group	B-18
Electrical Group	B-19 - B-20
Exterior Body Group	B-21 - B-24
Galley Group	C-1
Heating & Air Conditioning Group	C-2
Interior Finish Group	C-3 - C-4
LP Group	C-5
Lounge Group	C-6
Water & Sewage Group	C-7
Window, Vent & Exterior Door Group	C-8 - C-14

ACCESSORIES GROUP

Key	Part Number	U/M	Description
	040466-07-000	EA	Tire Cover - Off White - Vinyl
	001408-01-000	EA	Kit - Electric Brakes - 2 or 4 wheels - Under Dash Control Mount
	047369-01-000	EA	Battery - 12 Volt - 105 Amp - Deep Cycle
	058816-01-000	EA	Hub Cap - 4 Bar
	061049-01-000	EA	Wheel Cover - 15"
	059541-01-000	EA	Wheel and Tire Asm. - 15"

FRONT OVERHEAD BUNK CABINET

Key	Part Number	U/M	Description
	059227-01-K16	EA	Cabinet Asm. - Front Overhead Bunk - w/o Doors or Hardware
	023812-22-000	EA	Rail - Bunk - 80" - Brown
	061604-01-000	FA	Slide Bolt - Antique Brass
	041389-01-000	EA	Hinge - Bunk - 72.5" - Brown

BATH GROUP

BATH CABINETRY

Key	Part Number	U/M	Description
	059200-01-K16	EA	Cabinet Asm. - Lavatory w/o Countertop, Door or Hardware
	059201-01-K16	EA	Countertop Asm. - Lavatory Cabinet - Mocha Leather
	059210-03-K16	EA	Door Asm. - Wardrobe Cabinet - 20.75" x 58.25" - w/o Hardware
	059210-04-K16	EA	Door Asm. - 10" x 37.5" - w/o Hardware
	059210-05-K16	EA	Door Asm. - 20.25" x 29.25" - w/o Hardware
	059206-01-K16	EA	Door Asm. - Sliding Bath - w/Hanger - w/o Latch

BATH HARDWARE

Key	Part Number	U/M	Description
	058640-01-000	EA	Sink - Large Oval - Ivory Plastic
**	011056-01-000	EA	Faucet - Lavatory
	011085-01-000	EA	Plug w/Stopper - 1 1/4" x 5"
	059259-01-000	EA	Bathtub - Off White Plastic
**	011069-01-000	EA	Tailpiece - 1 1/4" x 4" - Brass
**	031558-01-000	EA	Faucet - Tub and Shower
**	011086-01-000	EA	Strainer - Shower Pan
**	011048-01-000	EA	Shower Head - w/60" Hose
	009133-02-000	EA	Bar - Towel Rack - 18" - Plastic
	023449-01-000	EA	Support - Towel Bar
	033580-01-000	EA	Ring - Towel - Chrome - w/Plastic Ring
	058331-04-000	EA	Mirror - Safety Glass - 1/8" x 12" x 42"
	009089-01-000	EA	Clip - Mirror
	053130-04-000	EA	Medicine Cabinet - 41" Long
	058034-01-000	EA	Latch - Sliding Door
	009155-01-000	EA	Track - Sliding Door
	009156-01-000	EA	Hanger - Sliding Door
	009134-01-000	EA	Holder - Tissue
	009151-01-000	EA	Warp Guard - 48"
	059783-01-000	FT	Closet Bar - Slotted Aluminum
	063740-01-000	EA	Toilet - Thetford Aqua Magic - Ivory

**The illustrated parts breakdown for this item is provided on the Common Items Fiche.

1979 WINNEBAGO TABLE OF CONTENTS

Introduction	A-1
Abbreviations	A-1
Alphabetical Index	A-2 - A-4
TWP21RB	A-5 - B-8
TWP23RB	B-9 - C-14
TWP25RB	C-15 - D-18

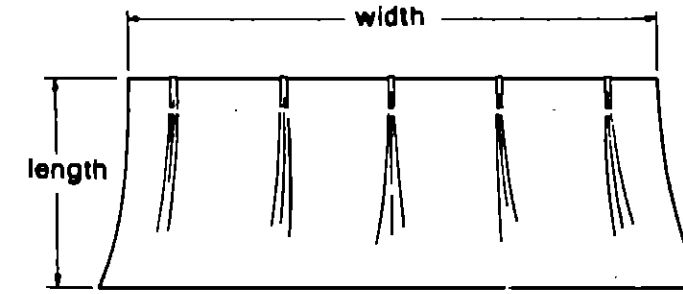
1979 TWP23RB INDEX

Floor Plan	B-9 - B-10
Accessories Group	B-11
Bath Group	B-12
Chassis Group	B-13
Curtain, Cushion and Pad Group	B-14 - B-17
Dinette Group	B-18
Electrical Group	B-19 - B-20
Exterior Body Group	B-21 - B-24
Galley Group	C-1
Heating & Air Conditioning Group	C-2
Interior Finish Group	C-3 - C-4
LP Group	C-5
Lounge Group	C-6
Water & Sewage Group	C-7
Window, Vent & Exterior Door Group	C-8 - C-14

CHASSIS GROUP

Key	Part Number	U/M	Description
	001462-01-000	EA	Safety Chain - w/Hook - 5/16" x 36"
	058811-01-000	EA	Coupler - A Frame - Atwood
	058810-01-000	EA	Jack - Side Wind - 1,000 Pound Capacity - Atwood
	058809-01-000	EA	Caster - Steel - 1,000 Pound Capacity - Atwood
	024652-01-700	EA	Step Asm. - Pull Out
	058813-01-000	EA	Drop Axle - 4" - Dexter H4
	058813-01-700	EA	Grease Seal - Dexter - 10-4
	058813-01-701	EA	Inner Bearing - Dexter - LM - 48548
	058813-01-702	EA	Inner Cup - Dexter - LM - 48510
	058813-01-703	EA	Shoe and Lining Assembly (Primary) - Dexter - 40-17
	058813-01-704	EA	Retractor Spring - Dexter - 46-9
	058813-01-705	EA	Shoe and Lining Assembly (Secondary) - Dexter - 40-21
	058813-01-706	EA	Outer Cup - Dexter - L44610
	058813-01-707	EA	Outer Bearing - Dexter - L44649
	058813-01-708	EA	Magnet Assembly - Dexter - 12-72
	058813-01-709	EA	Magnet Spring - Dexter - 46-2
	058813-01-710	EA	Hub Assembly - Complete w/Cups - Dexter - 8-152-4
	061086-01-000	EA	Wheel Well - Tandax Axle
	024053-01-000	EA	Tire Carrier - Fold Down
	024053-02-000	EA	Tire Carrier - Permanent Mount
	061081-01-000	EA	Bumper Asm. - Primed - 4" x 4"
	059541-01-000	EA	Wheel and Tire Asm. - 15"

CURTAIN, CUSHION AND PAD GROUP



NOTE:

Use this illustration when determining length and width measurement for curtains. You will note the width measurement is taken on the top of the curtain with the curtain fully extended. The length measurement is taken from top to bottom.

CURTAINS

Key	Part Number	U/M	Description
	054051-32-K14	EA	Curtain w/Snap Top - 39" x 31" - Rust
	054051-32-K15	EA	Curtain w/Snap Top - 39" x 31" - Blue
	054051-32-K16	EA	Curtain w/Snap Top - 39" x 31" - Gold
	054051-38-K14	EA	Curtain w/Snap Top - 58" x 96" - Rust
	054051-38-K15	EA	Curtain w/Snap Top - 58" x 96" - Blue
	054051-38-K16	EA	Curtain w/Snap Top - 58" x 96" - Gold
	054103-07-K14	EA	Curtain w/Snaps - 25" x 80" - Rust
	054103-07-K15	EA	Curtain w/Snaps - 25" x 80" - Blue
	054103-07-K16	EA	Curtain w/Snaps - 25" x 80" - Gold
	054103-10-K14	EA	Curtain w/Snaps - 25" x 45" - Rust
	054103-10-K15	EA	Curtain w/Snaps - 25" x 45" - Blue
	054103-10-K16	EA	Curtain w/Snaps - 25" x 45" - Gold

VALANCES

Key	Part Number	U/M	Description
	057791-04-K14	EA	Valance - 5.5" x 44" - w/Rust Trim
	057791-04-K15	EA	Valance - 5.5" x 44" - w/Beige Trim
	057791-04-K16	EA	Valance - 5.5" x 44" - w/Brown Trim
	057791-05-K14	EA	Valance - 5.5" x 52" - w/Rust Trim
	057791-05-K15	EA	Valance - 5.5" x 52" - w/Beige Trim
	057791-05-K16	EA	Valance - 5.5" x 52" - w/Brown Trim
	057791-11-K14	EA	Valance - 5.5" x 78" - w/Rust Trim
	057791-11-K15	EA	Valance - 5.5" x 78" - w/Beige Trim
	057791-11-K16	EA	Valance - 5.5" x 78" - w/Brown Trim
	057791-07-K14	EA	Valance - 5.5" x 89" - w/Rust Trim
	057791-07-K15	EA	Valance - 5.5" x 89" - w/Beige Trim
	057791-07-K16	EA	Valance - 5.5" x 89" - w/Brown Trim
	057791-10-K14	EA	Valance - 5.5" x 76" - w/Rust Trim
	057791-10-K15	EA	Valance - 5.5" x 76" - w/Beige Trim
	057791-10-K16	EA	Valance - 5.5" x 76" - w/Brown Trim

1979 WINNEBAGO TABLE OF CONTENTS

Introduction	A-1
Abbreviations	A-1
Alphabetical Index	A-2 - A-4
TWP21RB	A-5 - B-8
TWP23RB	B-9 - C-14
TWP25RB	C-15 - D-18

1979 TWP23RB INDEX

Floor Plan	B-9 - B-10
Accessories Group	B-11
Bath Group	B-12
Chassis Group	B-13
Curtain, Cushion and Pad Group	B-14 - B-17
Dinette Group	B-18
Electrical Group	B-19 - B-20
Exterior Body Group	B-21 - B-24
Galley Group	C-1
Heating & Air Conditioning Group	C-2
Interior Finish Group	C-3 - C-4
LP Group	C-5
Lounge Group	C-6
Water & Sewage Group	C-7
Window, Vent & Exterior Door Group	C-8 - C-14

CURTAIN, CUSHION AND PAD GROUP (CONTINUED)

CURTAIN TIE BACKS

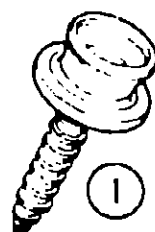
Key	Part Number	U/M	Description
	054048-07-K14	EA	Tie Back - 2" x 10" - Rust
	054048-07-K15	EA	Tie Back - 2" x 10" - Blue
	054048-07-K16	EA	Tie Back - 2" x 10" - Gold

SHADES

Key	Part Number	U/M	Description
	059534-35-000	EA	Shade - Vinyl - 40.25" x 34" - Rust
	059534-34-000	EA	Shade - Vinyl - 40.25" x 34" - Blue
	059534-36-000	EA	Shade - Vinyl - 40.25" x 34" - Gold
	059534-38-000	EA	Shade - Vinyl - 47.25" x 34" - Rust
	059534-37-000	EA	Shade - Vinyl - 47.25" x 34" - Blue
	059534-39-000	EA	Shade - Vinyl - 47.25" x 34" - Gold

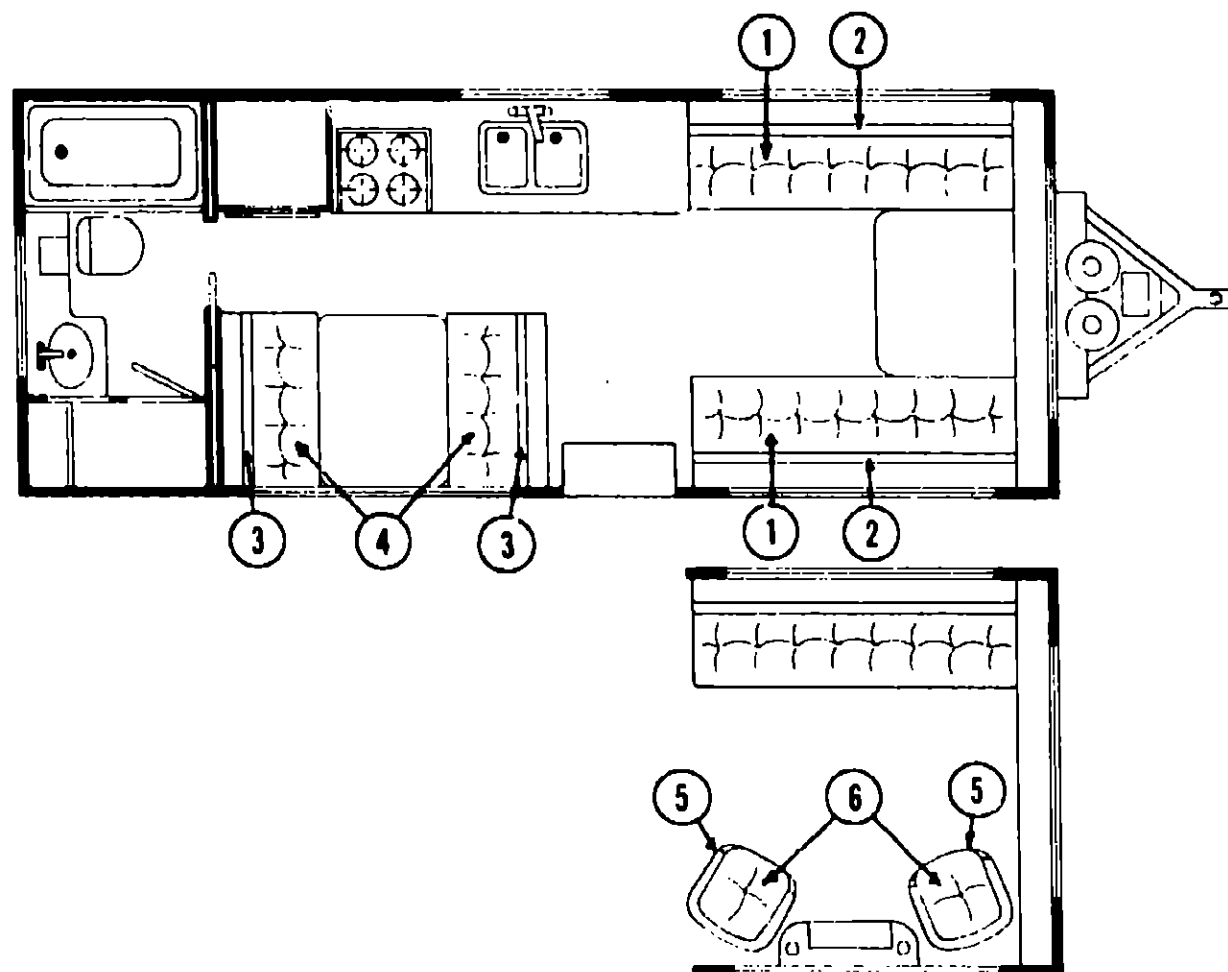
CURTAIN HARDWARE

Key	Part Number	U/M	Description
	052327-04-236	EA	Track - Curtain - Brown Alum. - 89" w/Holes
	053272-04-200	EA	Track - Curtain - Off White Alum. - 89" w/Holes
	056001-01-000	EA	Bracket - Shade - Left
	056002-01-000	EA	Bracket - Shade - Right
	009107-01-000	EA	Guide - Nylon Snap - Curtain
	018031-42-000	EA	Track - Curtain - "L" Rod - Alum. Extr. - 90"
	009701-01-000	EA	Carrier - "L" Rod - Curtain
	009702-01-000	EA	End Stop - "L" Rod - Curtain
	009223-02-000	EA	Curtain Rod - Flat - Extends 48" to 84"
	009224-01-000	EA	Curtain Rod - Flat - Extends 28" to 48"



Key	Part Number	U/M	Description
1	029130-01-000	EA	Socket - Snap Fastener
2	029155-01-000	EA	Cap - Snap - .156" Dia. x .17" Barrel
3	029156-01-000	EA	Socket - Snap Fastener
4	029092-01-000	EA	Stud - Nickel Finish
5	029093-01-000	EA	Eyelet - Nickel Finish

CURTAIN, CUSHION AND PAD GROUP (CONTINUED)



**1979 WINNEBAGO
TABLE OF CONTENTS**

Introduction	A-1
Abbreviations	A-1
Alphabetical Index	A-2 - A-4
TWP21RB	A-5 - B-8
TWP23RB	B-9 - C-14
TWP25RR	C-15 - D-18

COUCH CUSHIONS

Key	Part Number	U/M	Description
1	055015-01-K14	EA	Cushion - Couch - 16" x 21" x 76" x 5" - Rust
1	055015-01-K15	EA	Cushion - Couch - 16" x 21" x 76" x 5" - Beige
1	055015-01-K16	EA	Cushion - Couch - 16" x 21" x 76" x 5" - Brown
	055016-01-K14	EA	Cover - Couch Cushion - 16" x 21" x 76" x 5" - Rust
	055016-01-K15	EA	Cover - Couch Cushion - 16" x 21" x 76" x 5" - Beige
	055016-01-K16	EA	Cover - Couch Cushion - 16" x 21" x 76" x 5" - Brown
2	055021-07-K14	EA	Cushion - Couch Bolster - 8" x 76" x 5" - Rust
2	055021-07-K15	EA	Cushion - Couch Bolster - 8" x 76" x 5" - Beige
2	055021-07-K16	EA	Cushion - Couch Bolster - 8" x 76" x 5" - Brown
	055022-07-K14	EA	Cover - Bolster Cushion - 8" x 76" x 5" - Rust
	055022-07-K15	EA	Cover - Bolster Cushion - 8" x 76" x 5" - Beige
	055022-07-K16	EA	Cover - Bolster Cushion - 8" x 76" x 5" - Brown

1979 TWP23RB INDEX

Floor Plan	B-9 - B-10
Accessories Group	B-11
Bath Group	B-12
Chassis Group	B-13
Curtain, Cushion and Pad Group	B-14 - B-17
Dinette Group	B-18
Electrical Group	B-19 - B-20
Exterior Body Group	B-21 - B-24
Galley Group	C-1
Heating & Air Conditioning Group	C-2
Interior Finish Group	C-3 - C-4
LP Group	C-5
Lounge Group	C-6
Water & Sewage Group	C-7
Window, Vent & Exterior Door Group	C-8 - C-14

CURTAIN, CUSHION AND PAD GROUP (CONTINUED)

DINETTE CUSHIONS

Key	Part Number	U/M	Description
3	059057-05-K14	EA	Cushion - Dinette Back - 24" x 40.5" x 5" - Rust
3	059057-05-K15	EA	Cushion - Dinette Back - 24" x 40.5" x 5" - Beige
3	059057-05-K16	EA	Cushion - Dinette Back - 24" x 40.5" x 5" - Brown
	059058-05-K14	EA	Cover - Dinette Back Cushion - 24" x 40.5" x 5" - Rust
	059058-05-K15	EA	Cover - Dinette Back Cushion - 24" x 40.5" x 5" - Beige
	059058-05-K16	EA	Cover - Dinette Back Cushion - 24" x 40.5" x 5" - Brown
4	059057-04-K14	EA	Cushion - Dinette Bottom - 14" x 40.5" x 5" - Rust
4	059057-04-K15	EA	Cushion - Dinette Bottom - 14" x 40.5" x 5" - Beige
4	059057-04-K16	EA	Cushion - Dinette Bottom - 14" x 40.5" x 5" - Brown
	059058-04-K14	EA	Cover - Dinette Bottom Cushion - 14" x 40.5" x 5" - Rust
	059058-04-K15	EA	Cover - Dinette Bottom Cushion - 14" x 40.5" x 5" - Beige
	059058-04-K16	EA	Cover - Dinette Bottom Cushion - 14" x 40.5" x 5" - Brown

SWIVEL CHAIRS

Key	Part Number	U/M	Description
5	054674-08-K14	EA	Swivel Chair - Complete - Rust
5	054674-08-K15	EA	Swivel Chair - Complete - Beige
5	054674-08-K16	EA	Swivel Chair - Complete - Brown
6	054700-08-K14	EA	Cushion - Swivel Chair - Rust
6	054700-08-K15	EA	Cushion - Swivel Chair - Beige
6	054700-08-K16	EA	Cushion - Swivel Chair - Brown
	035036-01-000	EA	Plate - Swivel Chair
	035036-02-000	EA	Base - Swivel Chair w/Legs
	035036-03-000	EA	Base - Swivel Chair w/Glides

FRONT OVERHEAD BUNK MATTRESS

Key	Part Number	U/M	Description
	061099-02-000	EA	Mattress - Overhead Bunk - 18" x 18" x 86.8" x 2" - Two Fold
	061099-02-000	EA	Cover - Overhead Bunk Mattress - Two Fold - 18" x 18" x 86.8" x 2"

FABRICS AND TRIMS

Key	Part Number	U/M	Description
	058784-02-000	YD	Fabric - Drapery - Rust
	058784-03-000	YD	Fabric - Drapery - Blue
	058784-01-000	YD	Fabric - Drapery - Gold
	058036-02-000	YD	Fabric - Upholstery - Rust
	058036-03-000	YD	Fabric - Upholstery - Beige
	058036-01-000	YD	Fabric - Upholstery - Brown
	042411-01-000	YD	Vinyl - Non Expanded 27 oz. - Berkshire Brown
	042411-02-000	YD	Vinyl - Expanded - 28 oz. - Berkshire Brown
	042411-03-000	YD	Vinyl - Non Support - 18 Gauge Film - Berkshire Brown
	054676-05-K14	EA	Button Asm. - Cloth - #45 - Rust
	054676-05-K15	EA	Button Asm. - Cloth - #45 - Beige
	054676-05-K16	EA	Button Asm. - Cloth - #45 - Brown
	052859-01-K16	FT	Trim Asm. - Accent - Berkshire Brown

DINETTE GROUP

Key	Part Number	U/M	Description
	062783-01-K16	EA	Table Asm. - Dinette - w/o Hardware - Mocha Leather
	062784-01-K16	EA	Seat Asm. - Dinette - Front - w/o Back, Door or Hardware
	062784-02-K16	EA	Seat Asm. - Dinette - Rear - w/o Back, Door or Hardware
	062785-01-K16	EA	Back Asm. - Dinette Seat - Front
	062786-01-K16	EA	Back Asm. - Dinette Seat - Rear
	059216-02-K16	EA	Cabinet Asm. - Dinette Overhead - w/o Doors or Hardware
	059210-02-K16	EA	Door Asm. - Dinette Cabinetry - 11.44" x 15.5" - w/o Hardware
	039873-01-700	EA	Catch w/Strike - Nylon - Cabinet Door
	024276-06-000	EA	Leg Asm. - Dinette Table
	024277-02-000	EA	Hinge - Table Leg
	024282-01-000	EA	Brace - Table Leg
	024283-01-000	EA	Clip - Table Leg
	024275-03-000	EA	Rod - Table Lift
	024281-03-000	EA	Bracket - Table Lift
	053200-01-000	EA	Support - Table - 23.5"
	053201-01-000	EA	Hanger - Table - 23"

**1979 WINNEBAGO
TABLE OF CONTENTS**

Introduction	A-1
Abbreviations	A-1
Alphabetical Index	A-2 - A-4
TWP21RB	A-5 - B-8
TWP23RB	B-9 - C-14
TWP25RB	C-15 - D-18

1979 TWP23RB INDEX

Floor Plan	B-9 - B-10
Accessories Group	B-11
Bath Group	B-12
Chassis Group	B-13
Curtain, Cushion and Pad Group	B-14 - B-17
Dinette Group	B-18
Electrical Group	B-19 - B-20
Exterior Body Group	B-21 - B-24
Galley Group	C-1
Heating & Air Conditioning Group	C-2
Interior Finish Group	C-3 - C-4
LP Group	C-5
Lounge Group	C-6
Water & Sewage Group	C-7
Window, Vent & Exterior Door Group	C-8 - C-14

ELECTRICAL GROUP

BULBS

Key	Part Number	U/M	Description
	037935-01-000	EA	Bulb - 1157
	063914-01-000	EA	Bulb - 1143 or 1139
	008103-01-000	EA	Bulb - 53
	008213-01-000	EA	Bulb - 57
	008214-01-000	EA	Bulb - 67
	008215-01-000	EA	Bulb - 1003
	008216-01-000	EA	Bulb - 1034
	008217-01-000	EA	Bulb - 1073
	008218-01-000	EA	Bulb - 1141
	008219-01-000	EA	Bulb - 656
	008220-01-000	EA	Bulb - 12V - 25W
	036196-01-000	EA	Bulb - 194
	700020-01-000	EA	Bulb - 12V - 20W - 1383

FUSES AND CIRCUIT BREAKER

Key	Part Number	U/M	Description
	056473-01-000	EA	Fuse - Slow Blow - 6 1/4 Amp.
	008233-01-000	EA	Fuse - 12 Volt - 6 Amp.
	008234-01-000	EA	Fuse - 12 Volt - 10 Amp.
	008235-01-000	EA	Fuse - 12 Volt - 15 Amp.
	008236-01-000	EA	Fuse - 12 Volt - 20 Amp.
	008248-01-000	EA	Fuse - 110 Volt - 30 Amp. - AGU
	008252-01-000	EA	Fuse - 110 Volt - 50 Amp.
	008208-01-000	EA	Circuit Breaker - 12 Volt - 40 Amp.
	008211-01-000	EA	Circuit Breaker - 12 Volt - 6 Amp.
	008268-01-000	EA	Circuit Breaker - 12 Volt - 30 Amp. w/Mount
	033573-02-000	EA	Circuit Breaker - 12 Volt - 15 Amp. w/Mount
	040051-01-000	EA	Circuit Breaker - 110 Volt - 20 Amp. - TQL

EXTERIOR LIGHTS

Key	Part Number	U/M	Description
	058635-01-000	EA	Porch Light - w/Amber Lens
	042405-03-000	EA	Base - Rectangular Clearance Lights
	042405-04-000	EA	Lens - Rectangular Clearance Lights - Red
	042405-05-000	EA	Lens - Rectangular - Clearance Lights - Amber
	045864-01-000	EA	Taillamp Asm. - w/License Bracket - Colonial White
	045863-01-000	EA	Taillamp Asm. - Colonial White
	045863-01-700	EA	Lens - Taillamp - Red
	045863-01-701	EA	Lens - Taillamp - w/Back-up
	046125-01-000	EA	Wedge - Taillamp

ELECTRICAL GROUP (CONTINUED)

INTERIOR LIGHTS

Key	Part Number	U/M	Description
	033508-02-000	EA	Light Dome - Ivory - 1 Bulb
	033509-02-000	EA	Light Dome - Ivory - 2 Bulb
	024642-01-701	EA	Lens - Dome Light - 1 Bulb
	024643-01-701	EA	Lens - Dome Light - 2 Bulb

MISCELLANEOUS ELECTRICAL COMPONENTS

Key	Part Number	U/M	Description
	006077-01-000	EA	Plaque - Compressor Switch
	008195-01-000	EA	Switch - Push Button - 12 Volt
	008182-01-000	EA	Switch - DBL Toggle - Brown
	053128-02-000	EA	Receptacle - Ground Fault Interrupter - 15 AMP - 125 Volt - Brown
	047353-01-000	EA	Cover - Receptacle - Ground Fault
	024571-03-000	EA	Cover Plate - Receptacle - Jumbo Plastic - Brown
	008288-01-000	EA	Box - Electrical - Plastic - 3" x 3 1/2"
	058707-01-000	EA	Receptacle - Single Brown - Thomas and Betts
	058708-01-000	EA	Receptacle - Duplex Brown - Thomas and Betts
	008157-01-000	EA	Receptacle - Duplex - Brown (Exterior)
	058048-01-000	EA	Cover - Electrical Box - 4.5" x 2.75" - Rain Tight (Exterior)
	008054-01-000	EA	Power Cord - 10-3 30 Amp - 25' UL
	054544-01-000	EA	Control Center - 37 Amp. - UL
	039950-01-702	EA	Circuit Board - Control Center
	047389-01-700	EA	Battery - 12 Volt - 105 Amp. Deep Cycle - Dry
	058812-01-000	EA	Battery Box - White Plastic
	048812-01-000	EA	Control Panel - Water/Double Sewage - Wemac w/Thermostat
	048812-02-000	EA	Control Panel - Water/Double Sewage - Wemac w/o Thermostat
	039861-01-000	EA	Sending Unit Kit - Wemac
	024583-01-000	EA	Breakaway Switch

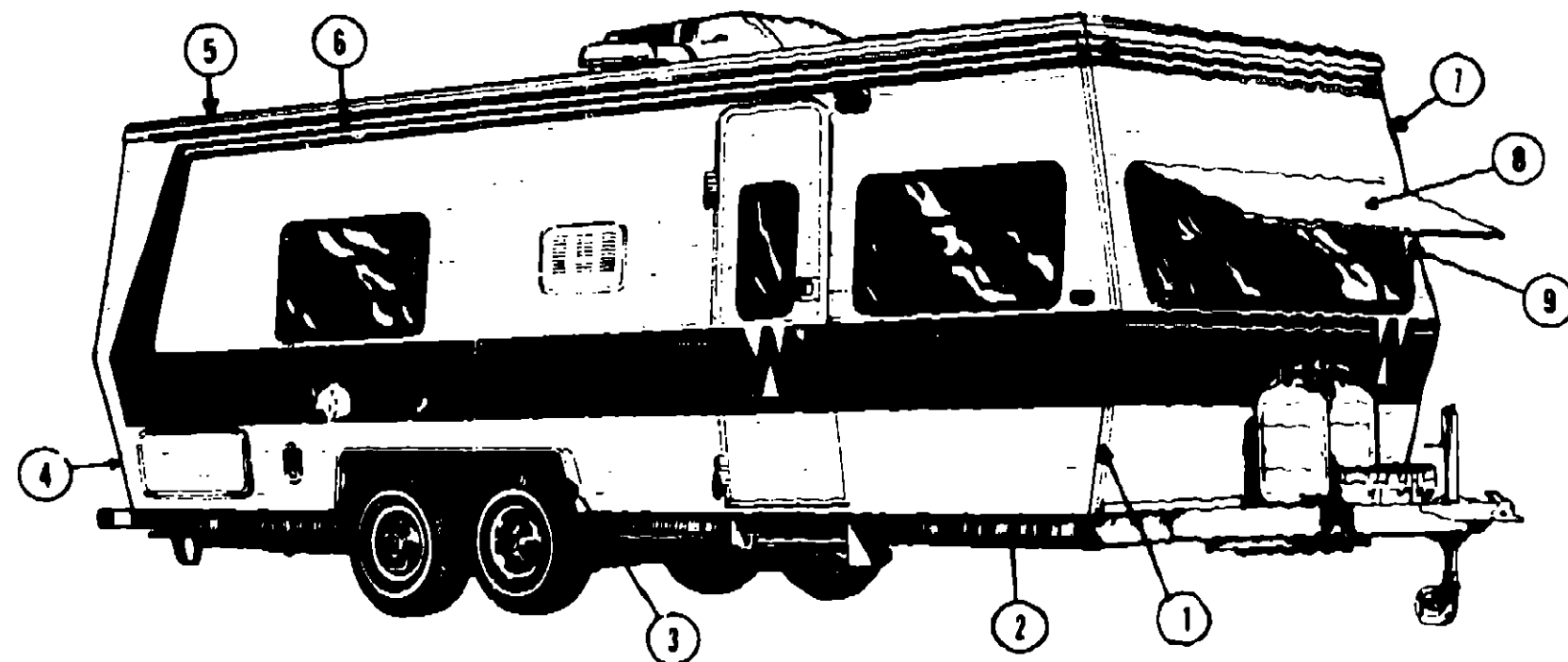
1979 WINNEBAGO TABLE OF CONTENTS

Introduction	A-1
Abbreviations	A-1
Alphabetical Index	A-2 - A-4
TWP21RB	A-5 - B-8
TWP23RB	B-9 - C-14
TWP25RB	C-15 - D-18

1979 TWP23RB INDEX

Floor Plan	B-9 - B-10
Accessories Group	B-11
Bath Group	B-12
Chassis Group	B-13
Curtain, Cushion and Pad Group	B-14 - B-17
Dinette Group	B-18
Electrical Group	B-19 - B-20
Exterior Body Group	B-21 - B-24
Galley Group	C-1
Heating & Air Conditioning Group	C-2
Interior Finish Group	C-3 - C-4
LP Group	C-5
Lounge Group	C-6
Water & Sewage Group	C-7
Window, Vent & Exterior Door Group	C-8 - C-14

EXTERIOR BODY GROUP



Key	Part Number	U/M	Description
1	059250-01-000	EA	Trim - Contour - Front Right
2	002755-01-002	EA	Extr. Angle - 1 1/8" x 1 1/8" x 16'
3	059251-01-000	EA	Trim - Wheel Well - Off White
	058473-01-000	EA	Extr. Trim - Wheel Well - 192"
4	059250-02-000	EA	Trim - Contour - Rear Right
	059250-01-000	EA	Trim - Contour - Rear Left
5	062812-02-C10	EA	Roof Trim - U-Channel - 1.45" x 121"
	062803-01-000	EA	Roof Trim - Radius - 16'
6	062811-02-C10	EA	Trim - Awning Rail - 121"
7	059250-02-000	EA	Trim - Contour - Front Left
8	063648-01-000	EA	Awning - Front Window - 25" x 84"
	037052-01-001	EA	Extr. - Awning Hinge - Male - 18'
	059289-01-000	EA	Extr. - Awning Hinge - Female
9	035255-01-000	EA	Bracket - Awning Mount - (2 per awning)
			Not Illustrated

1979 WINNEBAGO TABLE OF CONTENTS

Introduction	A-1
Abbreviations	A-1
Alphabetical Index	A-2 - A-4
TWP21RB	A-5 - B-8
TWP23RB	B-9 - C-14
TWP25RB	C-15 - D-18

1979 TWP23RB INDEX

Floor Plan	B-9 - B-10
Accessories Group	B-11
Bath Group	B-12
Chassis Group	B-13
Curtein, Cushion and Pad Group	B-14 - B-17
Dinette Group	B-18
Electrical Group	B-19 - B-20
Exterior Body Group	B-21 - B-24
Galley Group	C-1
Heating & Air Conditioning Group	C-2
Interior Finish Group	C-3 - C-4
LP Group	C-5
Lounge Group	C-6
Water & Sewage Group	C-7
Window, Vent & Exterior Door Group	C-8 - C-14

EXTERIOR BODY GROUP (CONTINUED)

EXTERIOR BODY PANELS AND SHEET ALUMINUM

Key	Part Number	U/M	Description
	059265-01-K16	EA	Backwall Asm.
	059266-01-K16	EA	Front Wall Asm.
	059314-01-K16	EA	Sidewall Asm. - Right
	059318-01-K16	EA	Sidewall Asm. - Left
	059319-01-K16	EA	Roof Asm.
	039155-28-001	EA	Alum. - Off White Mesa II - .024" x 36" x 60"
	039155-28-003	EA	Alum. - Off White Mesa II - .024" x 36" x 360"
	039155-28-004	EA	Alum. - Off White Mesa II - .024" x 48" x 60"
	039155-28-006	EA	Alum. - Off White Mesa II - .024" x 48" x 360"
	039155-28-007	EA	Alum. - Off White Mesa II - .024" x 12" x 360"
	044487-01-001	EA	Plain Roof Metal - 96" x 360"
	039155-07-010	EA	Off White Greyhound Alum. - 48" x 96"
	001054-01-011	EA	Off White Plain Alum. - 48" x 96"
	000868-01-000	BF	Styrofoam - 3/4" x 24" x 96"
	000870-01-000	BF	Styrofoam - 1 1/2" x 24" x 96"
	001044-02-100	EA	Alum. - Off White - Leather Grain - 18" x 8"

SEALANTS, ADHESIVES AND FASTENERS

Key	Part Number	U/M	Description
	034552-05-000	EA	Sealant - Off White Silicone
	034552-04-000	EA	Sealant - Beige Silicone
	034552-02-000	EA	Sealant - Clear Silicone
	004342-01-000	EA	Sealant - Weatherban 202 Tube
	004346-02-000	EA	Sealant - White Silicone
	004347-01-000	EA	Sealant - Tuflex
	009200-01-000	EA	Tape - Furnace - 1 1/2"
	004353-01-000	FT	Tape - Gasket - 1/8" x 3/4" - White
	002825-01-000	FT	Weather Stripping - Roof Vent
	002337-01-000	EA	Adhesive - 3M - 1300 Tube
	004005-01-000	GL	Adhesive - Swifts - Green - Glue (Sidewalls)
	004012-01-000	EA	Adhesive - 3M - 4475 Tube
	004020-01-000	QT	Adhesive - ABS Cement (Plastic Fittings)
	029051-01-000	EA	Adhesive - Spray Vinyl
	042401-02-000	EA	Screw - 8 - 18 x 3/4" SDPH - Off White
	042403-02-000	EA	Screw - SF/DR - 8 - 18 x 1" SDPH - Off White
	053766-01-000	EA	Bedding Compound - Tube Black - Schnee Morehead
	053766-02-000	EA	Bedding Compound - Tube White - Schnee Morehead
	053767-01-000	FT	Tape - 1/2" x 1/8" x 30' - Gray - Schnee Morehead
	053767-02-000	FT	Tape - 3/16" Bead x 25' - Gray - Schnee Morehead
	053767-03-000	FT	Tape - 1/4" Bead x 20' - Gray - Schnee Morehead
	053767-04-000	FT	Tape - 3/4" x 1/8" x 30' - Gray - Schnee Morehead
	053767-05-000	FT	Tape - 2" x 3/32" x 45' - Gray - Schnee Morehead
	053752-03-000	EA	Sealing Compound - Seam Sealer - White

EXTERIOR BODY GROUP (CONTINUED)

LABELS AND DECALS

Key	Part Number	U/M	Description
	006031-01-000	EA	Label - Potable Water Only
	006187-01-000	EA	Label - Sewage
	006188-01-000	EA	Label - Waste Water
	006199-01-000	EA	Label - Exit - Escape Window
	006020-01-000	EA	Label - Drain Cap - 2" x 3"
	047731-01-000	EA	Label - Emergency Exit
	006062-01-000	EA	Tag - Electrical - 110 V Connection
	054531-01-000	EA	Label - LP Gas Only
	050225-01-000	EA	Label - Warning - Stove Vent - US
	006001-01-000	EA	Name Plate - Winnebago Plastic Chrome - .88" x 5.05"

EXTERIOR PAINT

Key	Part Number	U/M	Description
	041561-01-000	EA	Paint - Off White - Acrylic Enamel - 1 Gal.
	041561-03-000	EA	Paint - Off White - Acrylic Enamel - 16 oz. Aerosol
	041561-04-000	EA	Paint - Off White - Acrylic Lacquer - 1 Gal.
	055681-03-000	EA	Paint - Copper Tan - Metallic - 16 oz. Aerosol
	058329-03-000	EA	Paint - Tan - 16 oz. Aerosol

MISCELLANEOUS EXTERNAL/ MOUNTED PARTS

Key	Part Number	U/M	Description
**	011129-01-000	EA	Plumbing Seal - Roof Vent - 1 1/2" White
	009126-01-000	EA	Assist Handle - Metal
	059812-01-000	EA	Battery Box - White Plastic
	010230-02-000	EA	Fill - City - Water - Recessed - Off White
	058803-01-000	EA	Fill - Water - Lockable

**The illustrated parts breakdown for this item is provided on the Common Items Fiche.

1979 WINNEBAGO TABLE OF CONTENTS

Introduction	A-1
Abbreviations	A-1
Alphabetical Index	A-2 - A-4
TWP21RB	A-5 - B-8
TWP23RB	B-9 - C-14
TWP25RB	C-15 - D-18

1979 TWP23RB INDEX

Floor Plan	B-9 - B-10
Accessories Group	B-11
Bath Group	B-12
Chassis Group	B-13
Curtain, Cushion and Pad Group	B-14 - B-17
Dinette Group	B-18
Electrical Group	B-19 - B-20
Exterior Body Group	B-21 - B-24
Galley Group	C-1
Heating & Air Conditioning Group	C-2
Interior Finish Group	C-3 - C-4
LP Group	C-5
Lounge Group	C-6
Water & Sewage Group	C-7
Window, Vent & Exterior Door Group	C-8 - C-14

GALLEY GROUP

GALLEY CABINETRY

Key	Part Number	U/M	Description
	059217-01-K16	EA	Cabinet Asm. - Galley - w/o Countertop, Doors, Drawers or Hardware
	059218-01-K16	EA	Countertop Asm. - Galley Cabinet - Burl Block
	059211-01-K16	EA	Drawer Asm. - Galley Cabinet - 6" x 11.12" x 20" Deep - w/o Hardware
	059210-01-K16	EA	Door Asm. - Galley Cabinet - 12.38" x 32" - w/o Hardware
	059305-01-K16	EA	Cutting Board - Drawer - Burl Block
	059216-01-K16	EA	Cabinet Asm. - Galley Overhead - w/o Doors or Hardware
	059210-02-K16	EA	Door Asm. - Cabinet - 11.44" x 15.5" - w/o Hardware
	062788-01-K16	EA	Cabinet Asm. - Pantry - w/o Countertop, Drawer or Hardware
	062779-01-K16	EA	Countertop Asm. - Pantry - Burl Block
	062778-01-K16	EA	Drawer Asm. - Pantry - 27.5" x 7" x 17.25"
	054028-01-K16	EA	Sink Cover - Burl Block

GALLEY HARDWARE AND APPLIANCES

Key	Part Number	U/M	Description
	011032-01-000	EA	Sink - Stainless Steel - Double w/Bolts
**	011053-01-000	EA	Faucet - 8" - Swing Spout
**	011085-01-000	EA	Strainer - Sink
	009133-01-000	EA	Bar - Towel Rack - 12" - Plastic
	023449-01-000	EA	Support - Towel Rack - Chrome
**	039873-01-700	EA	Catch Asm. - Cabinet Door - w/Strike
	042596-05-000	EA	Slide Asm. - Drawer - 18"
**	049930-03-000	EA	Hood - Range - Powered - Black
**	049045-02-000	EA	Range - 4 Burner w/o Oven Light - Magic Chef
**	049175-02-000	EA	Refrigerator - AC/DC/Gas - 1 Door - Sibir ET 150/2
**	049174-02-000	EA	Refrigerator - AC/DC/Gas - 2 Door - Sibir ET 230/2

**The illustrated parts breakdown for this item is provided on the Common Items Fiche.

HEATING AND AIR CONDITIONING GROUP

Key	Part Number	U/M	Description
	009198-01-000	FT	Duct - Flexible - 4" I.D. x 25'
	009200-01-000	EA	Furnace Tape - 1 1/2" - Gray
	023146-01-000	EA	Clamp - Screw Type - 4"
	024985-01-000	EA	Heat Register - w/Damper - 9.9" x 4.8"
	031804-01-000	EA	Bonnet - Heat Register
	039505-02-000	EA	Thermostat - Horizontal Wall Mount - Black
	050783-01-000	EA	Vent Package - Furnace - 1" x 3" Wall
	059350-01-000	EA	Furnace - 30,000 BTU - w/Electric Ignition - Coleman - 4330-749
	059351-02-000	EA	Furnace - 24,000 BTU - w/Piezo Ignitor - Coleman
	049042-02-000	EA	Door - Furnace - 24,000 Coleman
**	049777-02-000	EA	Air Conditioner - 110 Volt - Roof Mount - 11,000 BTU - Ivory Coleman (w/o inside shroud)
**	049778-02-000	EA	Shroud Asm. - Ceiling - Inside - Roof Air - Cool Only - 11,000 BTU - Coleman
**	049774-02-000	EA	Air Conditioner - 110 Volt - Roof Mount - 13,500 BTU Ivory - Coleman (w/o inside shroud)
**	049775-02-000	EA	Shroud Asm. - Ceiling - Inside - Roof Air - Cool Only - 13,500 BTU - Coleman
**	043776-01-000	EA	Shroud Asm. - Ceiling Inside - Roof Air - Heat and Cool - 13,500 BTU - Coleman

**The illustrated parts breakdown for this item is provided on the Common Items Fiche.

1979 WINNEBAGO TABLE OF CONTENTS

Introduction	A-1
Abbreviations	A-1
Alphabetical Index	A-2 - A-4
TWP21RB	A-5 - B-9
TWP23RB	B-9 - C-14
TWP25RB	C-15 - D-18

1979 TWP23RB INDEX

Floor Plan	B-9 - B-10
Accessories Group	B-11
Bath Group	B-12
Chassis Group	B-13
Curtain, Cushion and Pad Group	B-14 - B-17
Dinette Group	B-18
Electrical Group	B-19 - B-20
Exterior Body Group	B-21 - B-24
Galley Group	C-1
Heating & Air Conditioning Group	C-2
Interior Finish Group	C-3 - C-4
LP Group	C-5
Lounge Group	C-6
Water & Sewage Group	C-7
Window, Vent & Exterior Door Group	C-8 - C-14

INTERIOR FINISH GROUP

PANELING AND COUNTERTOP MATERIALS

Key	Part Number	U/M	Description
	057877-01-000	SF	Paneling - 725 Russet Oak - Plain - 48" x 96" (32 SF)
	057876-01-000	SF	Paneling - 725 Russet Oak - V Groove - 48" x 96" (32 SF)
	058040-01-000	SF	Paneling - Lastrada - Brown - 48" x 96" (32 SF)
	047401-01-000	SF	Paneling - Monks Cloth - 48" x 96" (32 SF)
	062843-01-000	SF	Paneling - Tapestry - Brown - 48" x 96" (32 SF)
	058039-01-000	SF	Plastic Laminate - Burl Block - 48" x 96" (32 SF)
	062852-01-000	SF	Plastic Laminate - Mocha Leather - 48" x 96" (32 SF)

INTERIOR MOLDINGS AND TRIMS

Key	Part Number	U/M	Description
	057888-01-000	EA	Batt Strip - 725 Russet Oak - 96"
	058037-01-000	EA	Batt Strip - Monks Cloth - 96"
	062844-01-000	EA	Batt Strip - Tapestry - 96"
	009812-08-000	FT	Molding - Plastic - Outside Corner - .50"
	009809-08-000	FT	Molding - Plastic - Outside Corner - 1"
	052075-01-000	FT	Wetting - Brown Vinyl
	009778-01-000	FT	U Channel - 1" - Dark Brown
	052859-01-K16	FT	Trim Asm - Accent - Berkshire Brown

CABINETS AND TABLE HARDWARE

Key	Part Number	U/M	Description
**	046543-01-000	EA	Kit - Drawer Pull - Rustic Early American - Antique Brass
**	039873-01-700	EA	Catch w/Strike - Nylon - Cabinet Door
	052932-01-K16	EA	Hinge Kit - Cabinet Door - Antique Brass
	059322-01-K16	EA	Kit - Door Pull - Rustic Early American
	062789-01-K16	EA	Kit - Pantry Door Pull - Rustic Early American
	058034-01-000	EA	Latch - Sliding Door - Bath
	009155-01-000	EA	Track - Sliding Door - Bath
	009156-01-000	EA	Hanger - Sliding Door - Bath
	059783-01-000	FT	Closet Bar - Slotted Aluminum
	024276-06-000	EA	Leg Asm. - Dinette Table
	024277-02-000	EA	Hinge - Table Leg
	024282-01-000	EA	Brace - Table Leg
	024283-01-000	EA	Clip - Table Leg
	024275-03-000	EA	Rod - Table Lift
	024281-03-000	EA	Bracket - Table Lift
	053200-01-000	EA	Support - Table - 23.5"
	053201-01-000	EA	Hanger - Table - 23"
	042596-05-000	EA	Slide Asm. - Drawer - 18"
	061604-01-000	EA	Slide Bolt - Antique Brass - Front Bunk
**	037688-01-000	FT	Rail - Drawer Glide
**	047744-01-000	EA	Kit - Drawer Glide

**The illustrated parts breakdown for this item is provided on the Common Items Fiche.

INTERIOR FINISH GROUP (CONTINUED)

FABRICS AND FLOOR COVERINGS

Key	Part Number	U/M	Description
	058784-02-000	YD	Fabric - Drapery - Rust
	058784-03-000	YD	Fabric - Drapery - Blue
	058784-01-000	YD	Fabric - Drapery - Gold
	058036-02-000	YD	Fabric - Upholstery - Rust
	058036-03-000	YD	Fabric - Upholstery - Beige
	058036-01-000	YD	Fabric - Upholstery - Brown
	042411-01-000	YD	Vinyl - Non Expanded 27 oz. - Brown
	042411-02-000	YD	Vinyl - Expanded - 28 oz. - Brown
	042411-03-000	YD	Vinyl - Non Support - 16 Gauge Film - Brown
	056736-01-000	SY	Carpet - Kingdom Beige
	058325-01-000	SY	Vinyl - Floor Coverings - Terra Cotta

CURTAIN HARDWARE

Key	Part Number	U/M	Description
	052327-04-236	EA	Track - Curtain - Brown Alum. - 89" w/Holes
	053272-04-200	EA	Track - Curtain - Off White Alum. - 89" w/Holes
	056001-01-000	EA	Bracket - Shade - Left
	056002-01-000	EA	Bracket - Shade - Right
	009107-01-000	EA	Guide - Nylon Snap - Curtain
	018031-42-000	EA	Track - Curtain - "L" Rod - Alum. Extr. - 90"
	009701-01-000	EA	Carrier - "L" Rod - Curtain
	009702-01-000	EA	End Stop - "L" Rod - Curtain
	009223-02-000	EA	Curtain Rod - Flat - Extends 48" to 84"
	009224-01-000	EA	Curtain Rod - Flat - Extends 28" to 48"

MISCELLANEOUS

Key	Part Number	U/M	Description
	041944-01-700	EA	Fire Extinguisher - Dry Chemical w/Bracket
	007038-01-000	EA	Door Mat - Black Rubber - 10 1/2" x 26"
	054185-05-000	EA	Owner's Manual - 1979 Travel Trailer

1979 WINNEBAGO TABLE OF CONTENTS

Introduction	A-1
Abbreviations	A-1
Alphabetical Index	A-2 - A-4
TWP21RB	A-5 - B-8
TWP23RB	B-9 - C-14
TWP25RB	C-15 - D-18

1979 TWP23RB INDEX

Floor Plan	B-9 - B-10
Accessories Group	B-11
Bath Group	B-12
Chassis Group	B-13
Curtain, Cushion and Pad Group	B-14 - B-17
Dinette Group	B-18
Electrical Group	B-19 - B-20
Exterior Body Group	B-21 - B-24
Galley Group	C-1
Heating & Air Conditioning Group	C-2
Interior Finish Group	C-3 - C-4
LP Group	C-5
Lounge Group	C-6
Water & Sewage Group	C-7
Window, Vent & Exterior Door Group	C-8 - C-14

LP GROUP

Key	Part Number	U/M	Description
	008800-01-000	EA	Tank - LP - 20# - Vertical
	008802-01-000	EA	Tank - LP - 30# - Vertical
	008815-01-000	EA	Regulator - LP - Automatic
	058705-01-000	EA	Regulator - LP - Two Stage
	058706-01-000	EA	Cover - Two Stage Regulator
	022886-01-000	EA	Hose Asm. - LP 1/4 I.D. x 16"
	045703-01-000	EA	Hose Asm. - LP 3/8 I.D. x 24"
	047221-01-000	EA	Detector - LP - Gas Leak

LOUNGE GROUP

STANDARD LOUNGE

Key	Part Number	U/M	Description
	062798-01-K16	EA	Cabinet Asm. - Gaucho - Left
	062808-01-K16	EA	Cabinet Asm. - Gaucho - Right
	062796-01-K16	EA	Cabinet Asm. - Header - Left
	062796-02-K16	EA	Cabinet Asm. - Header - Right
	062797-01-K16	EA	Countertop Asm. - Header - 92" x 9.76" - Mocha Leather
	062813-01-K16	EA	Table Asm. - Fold Down - 2 Leaf - 30" x 44" - Mocha Leather
	024276-06-000	EA	Leg Asm. - Table
	024277-02-000	EA	Hinge - Table Leg - Brown
	024282-01-000	EA	Brace - Table Leg
	024283-01-000	EA	Clip - Table Leg
	009027-01-000	EA	Latch - Table Mount
	009050-01-000	EA	Leveler - Table Leaf
	009063-01-000	EA	Hinge - Continuous Steel - 1 1/2" x 72"
	009210-01-000	EA	Table Slide - 18" to 50"
	056875-02-000	EA	Leg Asm. - Couch
	022517-01-000	EA	End Cap - Couch Leg - Brown
	059224-01-K16	EA	Door Asm. - Furnace - 13.4" x 16" - w/Brass Mesh Insert
	047205-13-000	EA	Insert - Furnace Door - 13 3/8" x 10 1/2" - Brass Mesh

FRONT OVERHEAD CABINERY

Key	Part Number	U/M	Description
	059228-01-K16	EA	Cabinet Asm. - Front Overhead - w/o Doors or Hardware
	059210-02-K16	EA	Door Asm. - Front Overhead Cabinet - 11.44" x 15.5" - w/o Hardware
	059227-01-K16	EA	Cabinet Asm. - Front Overhead Bunk - w/o Doors or Hardware
	023812-22-000	EA	Rail - Bunk - 80" - Brown
	061604-01-000	EA	Slide Bolt - Antique Brass
	041389-01-000	EA	Hinge - Bunk - 72.5" - Brown

SWIVEL CHAIRS AND TABLE

Key	Part Number	U/M	Description
	054552-01-K16	EA	Table Asm. - Pullout - Mocha Leather
	054555-01-K16	EA	Cabinet Asm. - Pullout Table - w/o Pad - Mocha Leather
	054540-01-000	EA	Slide Asm. - Ball Bearing
	045795-01-000	EA	Holder - Glass - Dark Brown Plastic
	009148-01-000	EA	Pull - Finger - 3/4" Dia. - Brass
	058545-02-K16	EA	Pad - Pullout Table Cabinet - Brown
	062851-01-K16	EA	Cabinet Asm. - Television - w/o Countertop
	062850-01-K16	EA	Countertop Asm. - Television Cabinet - Mocha Leather
	035036-01-000	EA	Plate - Swivel Chair
	035036-02-000	EA	Base - Swivel Chair - w/Holes in Leg
	035036-03-000	EA	Base - Swivel Chair - w/Glides in Leg

1979 WINNEBAGO TABLE OF CONTENTS

Introduction	A-1
Abbreviations	A-1
Alphabetical Index	A-2 - A-4
TWP21RB	A-5 - B-8
TWP23RB	B-9 - C-14
TWP25RB	C-15 - D-18

1979 TWP23RB INDEX

Floor Plan	B-9 - B-10
Accessories Group	B-11
Bath Group	B-12
Chassis Group	B-13
Curtain, Cushion and Pad Group	B-14 - B-17
Dinette Group	B-18
Electrical Group	B-19 - B-20
Exterior Body Group	B-21 - B-24
Galley Group	C-1
Heating & Air Conditioning Group	C-2
Interior Finish Group	C-3 - C-4
LP Group	C-5
Lounge Group	C-6
Water & Sewage Group	C-7
Window, Vent & Exterior Door Group	C-8 - C-14

WATER AND SEWAGE GROUP

PLUMBING REPAIR PARTS

Key	Part Number	U/M	Description
**	040539-01-000	EA	Kit - Repair - 3/8" O.D. Plastic Tube
**	040540-01-000	EA	Kit - Repair - 1/2" O.D. Plastic Tube
**	040541-01-000	EA	Kit - Repair - 5/8" O.D. Plastic Tube
**	063646-01-000	EA	Pump - Water Flow 2.8 G.P.M. - PAR
**	039647-02-000	EA	Filter - Water Pump 1/2" MPT
**	039818-01-000	EA	Riser Asm. - 3/8" O.D. x 24" Tube
**	039818-02-000	EA	Riser Asm. - 3/8" O.D. x 36" Tube
**	039818-04-000	EA	Riser Asm. - 3/8" O.D. x 72" Tube
**	052952-01-000	EA	Nut - Plastic 1/2" F
**	052952-02-000	EA	Connector - Plastic 1/2 F x 1/2 MPT
**	052953-01-000	EA	Nut - Faucet - 1/2 Tube x 1/2 FPT
**	052954-01-000	EA	Adapter - Nose Cone 3/8 or 1/2
**	052958-01-000	EA	Tee Plastic 1/2 F x 1/2 F x 1/2 F
**	052959-03-000	EA	Connector - Plastic 1/2 F x 3/8 MPT
**	052960-01-000	EA	Valve - Line Drain 1/2 F x 1/2 F
**	052961-01-000	EA	Header - 1/2 F x 1/2 F x 1/2 F x 1/2 F
**	052955-01-000	EA	Tee - Plastic - 1/2 F x 1/2 F x 1/2 MPT
**	052957-03-000	EA	Elbow - Plastic - 1/2 F x 1/4 MPT
**	011091-01-000	EA	Waste - Continuous - Double Sink 12"
**	011066-01-000	EA	P-Trap - Plastic - 1 1/4"
**	031126-01-000	EA	Elbow - Plastic - 1/4 BD 3 x 90 x LT
**	031111-01-000	EA	Elbow - Plastic - 1/4 BD 1 1/4 x 90 x LT
**	010133-01-000	EA	Adapter - Trap - Plastic 1 1/2" H x MPT
**	010079-01-000	EA	Tee - Plastic - 1 1/2" H x 1 1/2 H x 1 1/4" H
**	010000-01-000	EA	Elbow - Plastic - 1/8 BD 1 1/4 x 45 H x H
**	010121-01-000	EA	Bushing - Plastic - 1 1/2 S x 1 1/4 H
**	010153-01-000	EA	Ring - Closet - Plastic - 4 F x 3 MPT
**	034250-01-000	EA	Elbow - Plastic - 1/4 BD 1 1/2 x 90 H x H
**	004020-01-000	QT	Adhesive - ABS Cement
**	010201-01-000	EA	Hose - Sewer 3" x 10 Ft w/Clamp
**	062416-01-000	EA	Hose Adapter - 3"
**	062627-01-000	EA	Valve - Dual - 3" x 1 1/2" - Off Set - w/Cap
**	050780-01-000	EA	Coupler - Rubber - 3" x 3"
**	046524-01-000	EA	Kit - Plastic Fittings - Holding Tank
**	046524-02-000	EA	Kit - Plastic Fittings - Water Tank
**	037845-01-000	FT	Tape - Butyl - 3/16" - Bead - Black

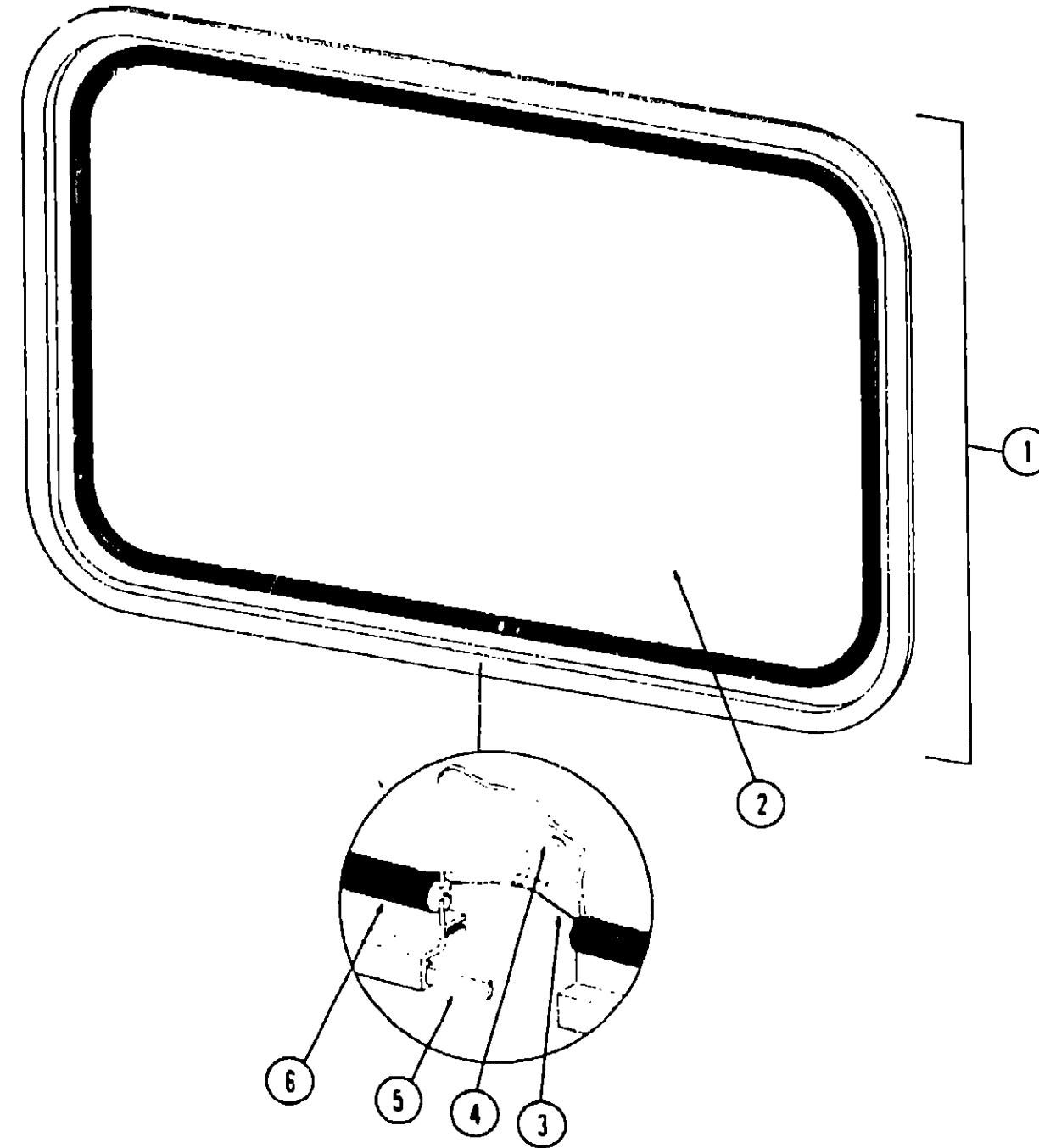
**The illustrated parts breakdown for this item is provided on the Common Items Fiche.

HOLDING TANKS AND WATER HEATER

Key	Part Number	U/M	Description
**	059028-02-000	EA	Tank Asm. - Water - 47 Gallon - w/Fittings
**	059028-01-000	EA	Tank Asm. - Water - 47 Gallon - w/o Fittings
**	053369-03-000	EA	Tank Asm. - Holding - 43 Gallon - w/Fittings - Aux.
**	053369-04-000	EA	Tank Asm. - Holding - 43 Gallon - w/Fittings - Main
**	053369-01-000	EA	Tank Asm. - Holding - 43 Gallon - w/o Fittings - Main or Aux.
**	051391-01-000	EA	Water Heater - 6 Gallon - w/o Motor Aid - Atwood G6A3

**The illustrated parts breakdown for this item is provided on the Common Items Fiche.

WINDOW, VENT AND EXTERIOR DOOR GROUP



Key	Part Number	U/M	Description
1	020751-03-000	EA	Window Asm. - Rear Escape - 23" x 29" - Black Anod. (w/o inside frame)
2	002174-01-000	EA	Glass - Window - 1/8" x 19.61" x 25.92"
3	002285-01-000	FT	Filler - Weatherstrip - Black
4	020395-01-000	EA	Slip Ring - Escape Window
5	053767-03-000	FT	Tape - 1/4" Bead x 20' - Gray
6	002282-01-000	FT	Weatherstrip - .125" - Black
*	020743-03-000	EA	Inside Frame - Escape Window - 23" x 29" (not included in assembly)
*	006199-01-000	EA	Label - Exit - Escape Window
*			Not Illustrated

1979 WINNEBAGO TABLE OF CONTENTS

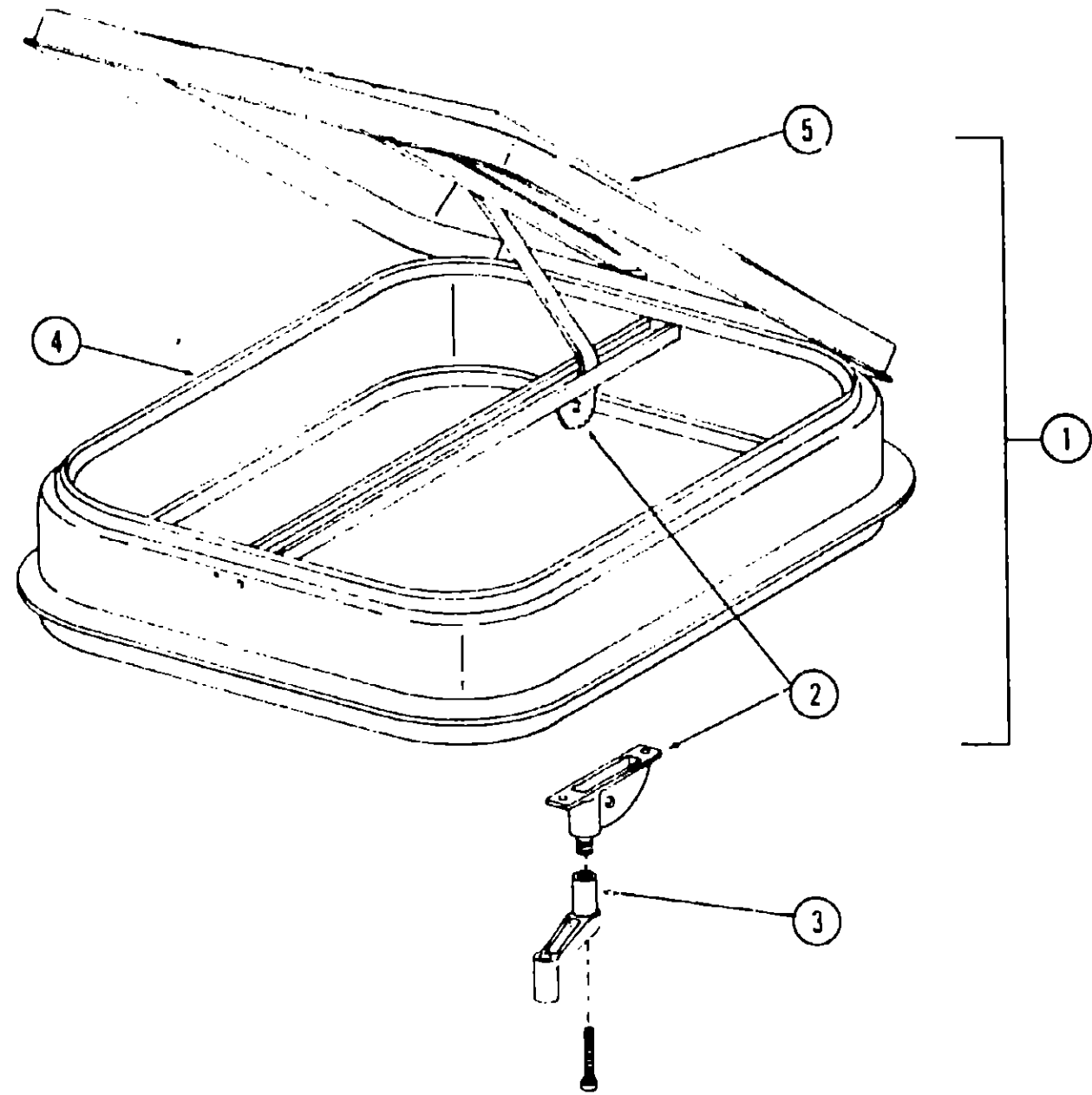
Introduction	A-1
Abbreviations	A-1
Alphabetical Index	A-2 - A-4
TWP21RB	A-5 - B-8
TWP23RB	B-9 - C-14
TWP25RB	C-15 - D-18

1979 TWP23RB INDEX

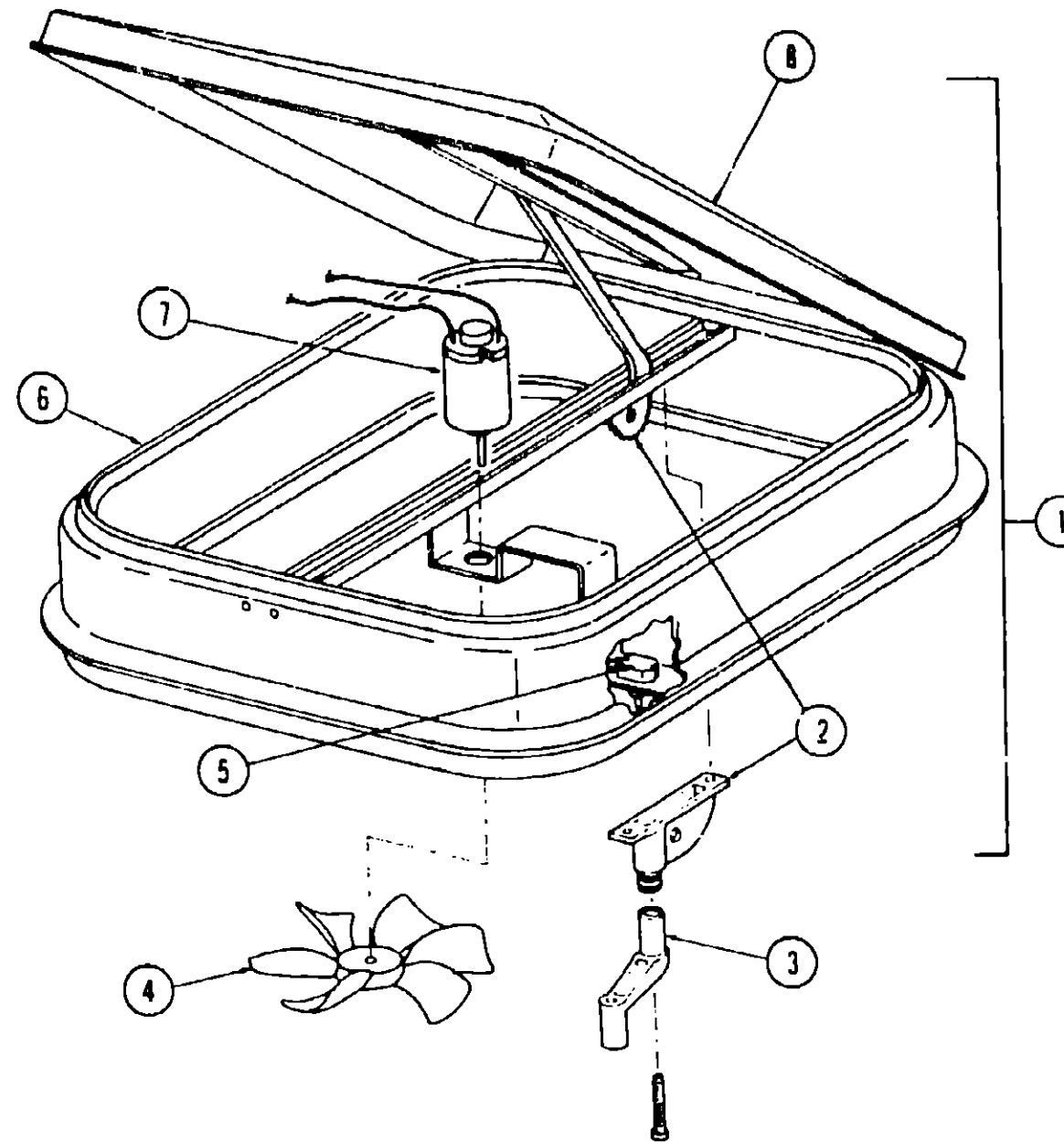
Floor Plan	B-9 - B-10
Accessories Group	B-11
Bath Group	B-12
Chassis Group	D-13
Curtain, Cushion and Pad Group	B-14 - B-17
Dinette Group	B-18
Electrical Group	B-19 - B-20
Exterior Body Group	B-21 - B-24
Galley Group	C-1
Heating & Air Conditioning Group	C-2
Interior Finish Group	C-3 - C-4
LP Group	C-5
Lounge Group	C-6
Water & Sewage Group	C-7
Window, Vent & Exterior Door Group	C-8 - C-14

WINDOW, VENT AND EXTERIOR DOOR GROUP (CONTINUED)

WINDOW, VENT AND EXTERIOR DOOR GROUP (CONTINUED)



Key	Part Number	U/M	Description
1	048835-01-000	EA	Vent Asm. - Roof - Non Powered - w/o Screen
2	009440-01-000	EA	Gear - Arm - Roof Vent
3	009439-01-000	EA	Crank - Roof Vent
4	002825-01-000	FT	Weatherstrip - Roof Vent
5	046825-01-000	EA	Cover - Plastic - Roof Vent
	016335-01-000	EA	Screen Asm. - Non Powered Roof Vent - Clear Anod. (not included in assembly)
	016335-03-000	EA	Screen Asm. - Non Powered Roof Vent - Beige (not included in assembly)
			Not Illustrated



Key	Part Number	U/M	Description
1	048789-01-000	EA	Vent Asm. - Roof - Powered - w/o Screen
2	009440-01-000	EA	Gear - Arm - Roof Vent
3	009439-01-000	EA	Crank - Roof Vent
4	048649-01-000	EA	Fan - Blade - 6" Plastic
5	008195-01-000	EA	Switch - Push Button - 12 Volt
6	002825-01-000	FT	Weatherstrip - Roof Vent
7	048648-01-000	EA	Motor - 12 Volt
8	046825-01-000	EA	Cover - Plastic - Roof Vent
	048695-01-000	EA	Screen Asm. - Powered Roof Vent - Clear Anod. (not included in assembly)
	048695-03-000	EA	Screen Asm. - Powered Roof Vent - Beige (not included in assembly)
			Not Illustrated

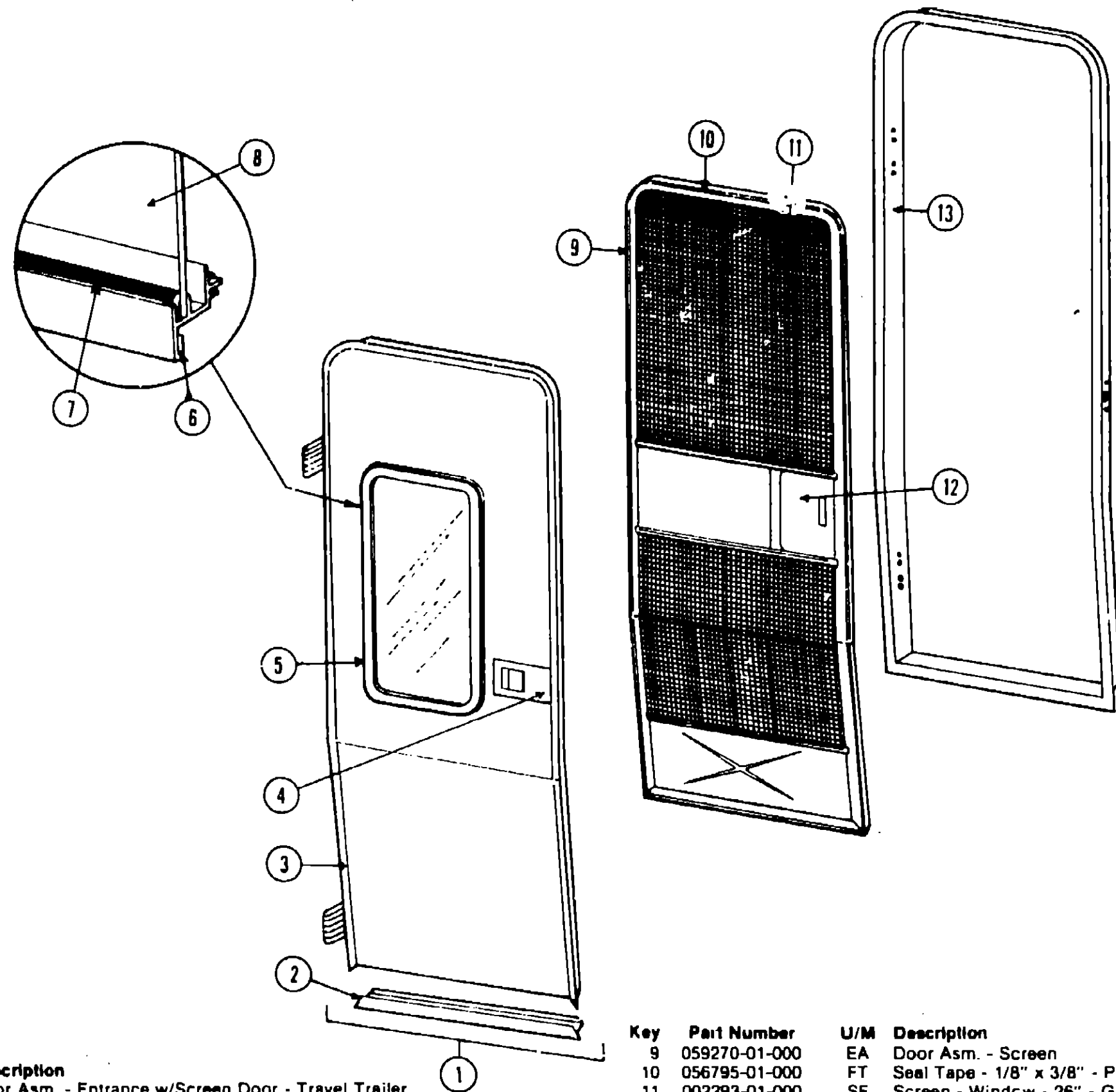
1979 WINNEBAGO
TABLE OF CONTENTS

Introduction	A-1
Abbreviations	A-1
Alphabetical Index	A-2 - A-4
TWP21RB	A-5 - B-8
TWP23RB	B-9 - C-14
TWP25RB	C-15 - D-18

1979 TWP23RB INDEX

Floor Plan	B-9 - B-10
Accessories Group	B-11
Bath Group	B-12
Chassis Group	B-13
Curtain, Cushion & Pad Group	B-14 - B-17
Dinette Group	B-18
Electrical Group	B-19 - B-20
Exterior Body Group	B-21 - B-24
Galley Group	C-1
Heating & Air Conditioning Group	C-2
Interior Finish Group	C-3 - C-4
LP Group	C-5
Lounge Group	C-6
Water & Sewage Group	C-7
Window, Vent & Exterior Door Group	C-8 - C-14

WINDOW, VENT AND EXTERIOR DOOR GROUP (CONTINUED)



Key	Part Number	U/M	Description
1	059271-01-000	EA	Door Asm. - Entrance w/Screen Door - Travel Trailer
2	039737-01-000	EA	Frame - Entrance Door - Bottom
3	059274-01-000	EA	Frame - Entrance Door (except bottom)
4	024094-01-000	EA	Lock Asm. - Entrance Door - Hartwell
•	024094-01-705	EA	Lock Cylinder w/Key - Hartwell
•	024094-01-706	EA	Key Blank - Hartwell Lock
5	041875-02-000	EA	Window Asm. - Picture - 13" x 23" - Black Anod. (inside frame not included in assembly)
6	053767-03-000	FT	Tape - 1/4" Bead x 20' - Gray
7	002309-02-000	FT	Spline - 1/8" Glass - Black
8	002181-01-000	EA	Glass - Door Window - 1/8" x 12" x 22" - Gray
•	041696-01-000	EA	Frame - Window - Inside - 13" x 23"

Key	Part Number	U/M	Description
9	059270-01-000	EA	Door Asm. - Screen
10	056795-01-000	FT	Seal Tape - 1/8" x 3/8" - Press On
11	002293-01-000	SF	Screen - Window - 26" - Gray
•	002294-01-000	FT	Spline - Screen - Black
•	015581-01-000	EA	Cap - Screen Door - Dark Brown Plastic
12	015580-01-000	EA	Slider - Screen Door - Dark Brown Plastic
13	059272-01-000	EA	Jamb Asm. - Entrance Door
•	059275-01-000	EA	Hinge Asm. - Entrance Door - Lower
•	059275-02-000	EA	Hinge Asm. - Entrance Door - Upper
•	054530-01-000	EA	Catch - Door - Mounts on Sidewall
•	009016-01-000	EA	Catch - Elbow - Screen Door
•	039863-01-000	EA	Catch Asm. - Single Roller w/Strike
•	051300-01-000	FT	Bulb Seal - Rubber
•	Not Illustrated		

**1979 WINNEBAGO
TABLE OF CONTENTS**

Introduction	A-1
Abbreviations	A-1
Alphabetical Index	A-2 - A-4
TWP21RB	A-5 - B-8
TWP23RB	B-9 - C-14
TWP25RB	C-15 - D-18

1979 TWP23RB INDEX

Floor Plan	B-9 - B-10
Accessories Group	B-11
Bath Group	B-12
Chassis Group	B-13
Curtain, Cushion & Pad Group	B-14 - B-17
Dinette Group	B-18
Electrical Group	B-19 - B-20
Exterior Body Group	B-21 - B-24
Galley Group	C-1
Heating & Air Conditioning Group	C-2
Interior Finish Group	C-3 - C-4
LP Group	C-5
Lounge Group	C-6
Water & Sewage Group	C-7
Window, Vent & Exterior Door Group	C-8 - C-14

WINDOW, VENT AND EXTERIOR DOOR GROUP (CONTINUED)

WINDOWS

Key	Part Number	U/M	Description
	058326-01-000	EA	Window Asm. - Awning - 2 Panel - 18" x 41.88" - Regular Glass
	058326-02-000	EA	Window Asm. - Awning - 2 Panel - 18" x 41.88" - Safety Glass
	058327-01-000	EA	Window Asm. - Awning - 3 Panel - 22.12" x 41.88" - Regular Glass
	058327-04-000	EA	Window Asm. - Awning - 3 Panel - 22.12" x 41.88" - Safety Glass
	058327-02-000	EA	Window Asm. - Awning - 3 Panel - 22.12" x 78" - Regular Glass
	058327-05-000	EA	Window Asm. - Awning - 3 Panel - 22.12" x 78" - Safety Glass
	058327-03-000	EA	Window Asm. - Awning - 3 Panel - 22.12" x 66" - Regular Glass
	058327-06-000	EA	Window Asm. - Awning - 3 Panel - 22.12" x 66" - Safety Glass

ACCESS DOORS

Key	Part Number	U/M	Description
	059247-02-000	EA	Door Asm. - Refrigerator Access - Off White w/Twist Lock
	059240-01-000	EA	Door Asm. - Luggage - 12 3/4" x 35" - Off White w/Key Lock
	009161-01-000	FT	Chain - Trunk Door
	009065-01-000	EA	Hinge - Continuous Alum. - 1 1/2" x 96"
	041312-01-000	FT	Bulb Seal - "E" Section
	052009-01-000	EA	Door - Water Heater - Off White - Atwood
	057096-01-000	EA	Door Asm. - Power Cord w/Hatch - Off White
	052950-03-700	EA	Lock Asm. - Twist Type w/Clip (Power Cord Door)
	052950-01-700	EA	Lock Asm. - Twist Type w/Clip - White Plastic
	062777-01-000	EA	Door Asm. - Luggage - 29 1/2" x 9.85" - Off White w/Key Lock

1979 WINNEBAGO TABLE OF CONTENTS

Introduction	A-1
Abbreviations	A-1
Alphabetical Index	A-2 - A-4
TWP21RB	A-5 - B-8
TWP23RB	B-9 - C-14
TWP25RB	C-15 - D-18

1979 TWP23RB INDEX

Floor Plan	B-9 - B-10
Accessories Group	B-11
Bath Group	B-12
Chassis Group	B-13
Curtain, Cushion & Pad Group	B-14 - B-17
Dinette Group	B-18
Electrical Group	B-19 - B-20
Exterior Body Group	B-21 - B-24
Galley Group	C-1
Heating & Air Conditioning Group	C-2
Interior Finish Group	C-3 - C-4
LP Group	C-5
Lounge Group	C-6
Water & Sewage Group	C-7
Window, Vent & Exterior Door Group	C-8 - C-14