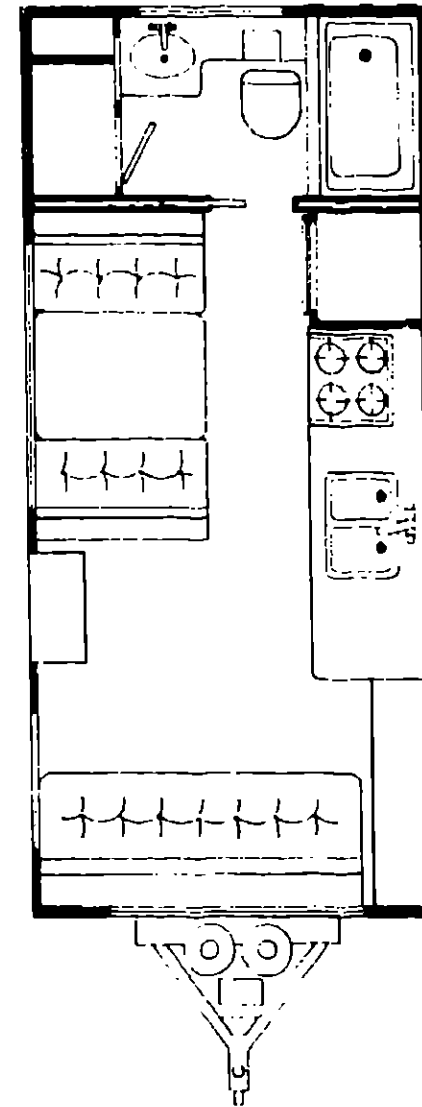


1979 TWP21RB



1979 WINNEBAGO TABLE OF CONTENTS

| | |
|--------------------|-------------|
| Introduction | A-1 |
| Abbreviations | A-1 |
| Alphabetical Index | A-2 - A-4 |
| TWP21PB | A-5 - B-8 |
| TWP23RB | B-9 - C-14 |
| TWP25RB | C-15 - D-18 |

1979 TWP21RB INDEX

| | |
|------------------------------------|-------------|
| Floor Plan | A-5 - A-6 |
| Accessories Group | A-7 |
| Bath Group | A-8 |
| Chassis Group | A-9 |
| Curtain, Cushion and Pad Group | A-10 - A-13 |
| Dinette Group | A-14 |
| Electrical Group | A-15 - A-16 |
| Exterior Body Group | A-17 - A-20 |
| Galley Group | A-21 |
| Heating & Air Conditioning Group | A-22 |
| Interior Finish Group | A-23 - A-24 |
| LP Group | B-1 |
| Lounge Group | B-1 |
| Water & Sewage Group | B-2 |
| Window, Vent & Exterior Door Group | B-3 - B-8 |

ACCESSORIES GROUP

| Key | Part Number | U/M | Description |
|-----|---------------|-----|--|
| | 040466-07-000 | EA | Tire Cover - Off White - Vinyl |
| | 001406-01-000 | EA | Kit - Electric Brakes - 2 or 4 wheels - Under Dash Control Mount |
| | 047389-01-000 | EA | Battery - 12 Volt - 105 Amp - Deep Cycle |
| | 058816-01-000 | EA | Hub Cap - 4 Bar |
| | 061049-01-000 | EA | Wheel Cover - 15" |
| | 059541-01-000 | EA | Wheel and Tire Asm. - 15" |

FRONT OVERHEAD BUNK CABINET

| Key | Part Number | U/M | Description |
|-----|---------------|-----|--|
| | 059227-01-K16 | EA | Cabinet Asm. - Front Overhead Bunk - w/o Doors or Hardware |
| | 023812-22-000 | EA | Rail - Bunk - 80" - Brown |
| | 061604-01-000 | EA | Slide Bolt - Antique Brass |
| | 041389-01-000 | EA | Hinge - Bunk - 72.5" - Brown |

BATH GROUP

BATH CABINETRY

| Key | Part Number | U/M | Description |
|-----|---------------|-----|---|
| | 059200-01-K16 | EA | Cabinet Asm. - Lavatory w/o Countertop, Door or Hardware |
| | 059201-01-K16 | EA | Countertop Asm. - Lavatory Cabinet - Mocha Leather |
| | 059210-03-K16 | EA | Door Asm. - Wardrobe Cabinet - 20.75" x 58.25" - w/o Hardware |
| | 059210-04-K16 | EA | Door Asm. - 10" x 37.5" - w/o Hardware |
| | 059210-05-K16 | EA | Door Asm. - 20.25" x 29.25" - w/o Hardware |
| | 059206-01-K16 | EA | Door Asm. - Sliding Bath - w/Hanger - w/o Latch |

BATH HARDWARE

| Key | Part Number | U/M | Description |
|-----|---------------|-----|--|
| | 058640-01-000 | EA | Sink - Large Oval - Ivory Plastic |
| ** | 011056-01-000 | EA | Faucet - Lavatory |
| | 011085-01-000 | EA | Plug w/Stopper - 1 1/4" x 5" |
| ** | 059259-01-000 | EA | Bathtub - Off White Plastic |
| ** | 011069-01-000 | EA | Tailpiece - 1 1/4" x 4" - Brass |
| ** | 031558-01-000 | EA | Faucet - Tub and Shower |
| ** | 011086-01-000 | EA | Strainer - Shower Pan |
| ** | 011048-01-000 | EA | Shower Head - w/60" Hose |
| | 009133-02-000 | EA | Bar - Towel Rack - 18" - Plastic |
| | 023449-01-000 | EA | Support - Towel Bar |
| | 033580-01-000 | EA | Ring - Towel - Chrome - w/Plastic Ring |
| | 058331-04-000 | EA | Mirror - Safety Glass - 1/8" x 12" x 42" |
| | 009089-01-000 | EA | Clip - Mirror |
| | 053130-04-000 | EA | Medicine Cabinet - 41" Long |
| | 058034-01-000 | EA | Latch - Sliding Door |
| | 009155-01-000 | EA | Track - Sliding Door |
| | 009156-01-000 | EA | Hanger - Sliding Door |
| | 009134-01-000 | EA | Holder - Tissue |
| | 009151-01-000 | EA | Warp Guard - 48" |
| | 059783-01-000 | FT | Closet Bar - Slotted Aluminum |
| | 063740-01-000 | EA | Toilet - Thetford Aqua Magic - Ivory |

**The illustrated parts breakdown for this item is provided on the Common Items Fiche.

1979 WINNEBAGO TABLE OF CONTENTS

| | |
|--------------------|-------------|
| Introduction | A-1 |
| Abbreviations | A-1 |
| Alphabetical Index | A-2 - A-4 |
| TWP21RB | A-5 - B-8 |
| TWP23RB | B-9 - C-14 |
| TWP25RB | C-15 - D-18 |

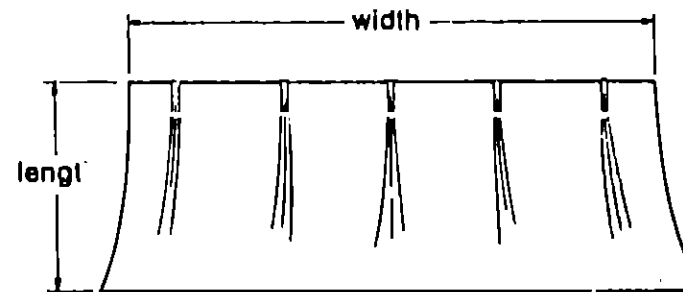
1979 TWP21RB INDEX

| | |
|------------------------------------|-------------|
| Floor Plan | A-5 - A-6 |
| Accessories Group | A-7 |
| Bath Group | A-8 |
| Chassis Group | A-9 |
| Curtain, Cushion and Pad Group | A-10 - A-13 |
| Dinette Group | A-14 |
| Electrical Group | A-15 - A-16 |
| Exterior Body Group | A-17 - A-20 |
| Galley Group | A-21 |
| Heating & Air Conditioning Group | A-22 |
| Interior Finish Group | A-23 - A-24 |
| LP Group | B-1 |
| Lounge Group | B-1 |
| Water & Sewage Group | B-2 |
| Window, Vent & Exterior Door Group | B-3 - B-8 |

CHASSIS GROUP

| Key | Part Number | U/M | Description |
|-----|---------------|-----|---|
| | 001482-01-000 | EA | Safety Chain - w/Hook - 5/16" x 3/8" |
| | 058811-01-000 | EA | Coupler - A Frame - Atwood |
| | 058810-01-000 | EA | Jack - Side Wind - 1,000 Pound Capacity - Atwood |
| | 058809-01-000 | EA | Caster - Steel - 1,000 Pound Capacity - Atwood |
| | 024652-01-700 | EA | Step Asm. - Pull Out |
| | 058813-01-000 | EA | Drop Axle - 4" - Dexter H4 |
| | 058813-01-700 | EA | Grease Seal - Dexter - 10-4 |
| | 058813-01-701 | EA | Inner Bearing - Dexter - LM - 48548 |
| | 058813-01-702 | EA | Inner Cup - Dexter - LM - 48510 |
| | 058813-01-703 | EA | Shoe and Lining Assembly (Primary) - Dexter - 40-17 |
| | 058813-01-704 | EA | Retractor Spring - Dexter - 46-9 |
| | 058813-01-705 | EA | Shoe and Lining Assembly (Secondary) - Dexter - 40-21 |
| | 058813-01-706 | EA | Outer Cup - Dexter - L44610 |
| | 058813-01-707 | EA | Outer Bearing - Dexter - L44649 |
| | 058813-01-708 | EA | Magnet Assembly - Dexter - 42-72 |
| | 058813-01-709 | EA | Magnet Spring - Dexter - 46-2 |
| | 058813-01-710 | EA | Hub Assembly - Complete w/Cups - Dexter - 8-152-4 |
| | 061086-01-000 | EA | Wheel Well - Tandex Axle |
| | 024053-01-000 | EA | Tire Carrier - Fold Down |
| | 024053-02-000 | EA | Tire Carrier - Permanent Mount |
| | 061091-01-000 | EA | Bumper Asm. - Primed - 4" x 4" |
| | 059541-01-000 | EA | Wheel and Tire Asm. - 15" |

CURTAIN, CUSHION AND PAD GROUP



NOTE:

Use this illustration when determining length and width measurement for curtains. You will note the width measurement is taken on the top of the curtain with the curtain fully extended. The length measurement is taken from top to bottom.

| Key | Part Number | U/M | Description |
|-----|---------------|-----|---------------------------------------|
| | 054051-32-K14 | EA | Curtain w/Snap Top - 39" x 31" - Rust |
| | 054051-32-K15 | EA | Curtain w/Snap Top - 39" x 31" - Blue |
| | 054051-32-K16 | EA | Curtain w/Snap Top - 39" x 31" - Gold |
| | 054051-38-K14 | EA | Curtain w/Snap Top - 58" x 96" - Rust |
| | 054051-38-K15 | EA | Curtain w/Snap Top - 58" x 96" - Blue |
| | 054051-38-K16 | EA | Curtain w/Snap Top - 58" x 96" - Gold |
| | 054103-06-K14 | EA | Curtain w/Snaps - 25" x 33" - Rust |
| | 054103-06-K15 | EA | Curtain w/Snaps - 25" x 33" - Blue |
| | 054103-06-K16 | EA | Curtain w/Snaps - 25" x 33" - Gold |
| | 054103-07-K14 | EA | Curtain w/Snaps - 25" x 60" - Rust |
| | 054103-07-K15 | EA | Curtain w/Snaps - 25" x 60" - Blue |
| | 054103-07-K16 | EA | Curtain w/Snaps - 25" x 60" - Gold |
| | 054103-10-K14 | EA | Curtain w/Snaps - 25" x 45" - Rust |
| | 054103-10-K15 | EA | Curtain w/Snaps - 25" x 45" - Blue |
| | 054103-10-K16 | EA | Curtain w/Snaps - 25" x 45" - Gold |

CURTAINS

VALANCE

| Key | Part Number | U/M | Description |
|-----|---------------|-----|-------------------------------------|
| | 057791-04-K14 | EA | Valance - 5.5" x 44" - w/Rust Trim |
| | 057791-04-K15 | EA | Valance - 5.5" x 44" - w/Beige Trim |
| | 057791-04-K16 | EA | Valance - 5.5" x 44" - w/Brown Trim |
| | 057791-05-K14 | EA | Valance - 5.5" x 52" - w/Rust Trim |
| | 057791-05-K15 | EA | Valance - 5.5" x 52" - w/Beige Trim |
| | 057791-05-K16 | EA | Valance - 5.5" x 52" - w/Brown Trim |
| | 057791-06-K14 | EA | Valance - 5.5" x 57" - w/Rust Trim |
| | 057791-06-K15 | EA | Valance - 5.5" x 57" - w/Beige Trim |
| | 057791-06-K16 | EA | Valance - 5.5" x 57" - w/Brown Trim |
| | 057791-07-K14 | EA | Valance - 5.5" x 89" - w/Rust Trim |
| | 057791-07-K15 | EA | Valance - 5.5" x 89" - w/Beige Trim |
| | 057791-07-K16 | EA | Valance - 5.5" x 89" - w/Brown Trim |
| | 057791-10-K14 | EA | Valance - 5.5" x 76" - w/Rust Trim |
| | 057791-10-K15 | EA | Valance - 5.5" x 76" - w/Beige Trim |
| | 057791-10-K16 | EA | Valance - 5.5" x 76" - w/Brown Trim |

1979 WINNEBAGO TABLE OF CONTENTS

| | |
|--------------------|-------------|
| Introduction | A-1 |
| Abbreviations | A-1 |
| Alphabetical Index | A-2 - A-4 |
| TWP21RB | A-5 - B-8 |
| TWP23RB | B-9 - C-14 |
| TWP25RB | C-15 - D-18 |

1979 TWP21RB INDEX

| | |
|------------------------------------|-------------|
| Floor Plan | A-5 - A-6 |
| Accessories Group | A-7 |
| Bath Group | A-8 |
| Chassis Group | A-9 |
| Curtain, Cushion and Pad Group | A-10 - A-13 |
| Dinette Group | A-14 |
| Electrical Group | A-15 - A-16 |
| Exterior Body Group | A-17 - A-20 |
| Galley Group | A-21 |
| Heating & Air Conditioning Group | A-22 |
| Interior Finish Group | A-23 - A-24 |
| LP Group | B-1 |
| Lounge Group | B-1 |
| Water & Sewage Group | B-2 |
| Window, Vent & Exterior Door Group | B-3 - B-8 |

CURTAIN, CUSHION AND PAD GROUP (CONTINUED)

CURTAIN TIE BACKS

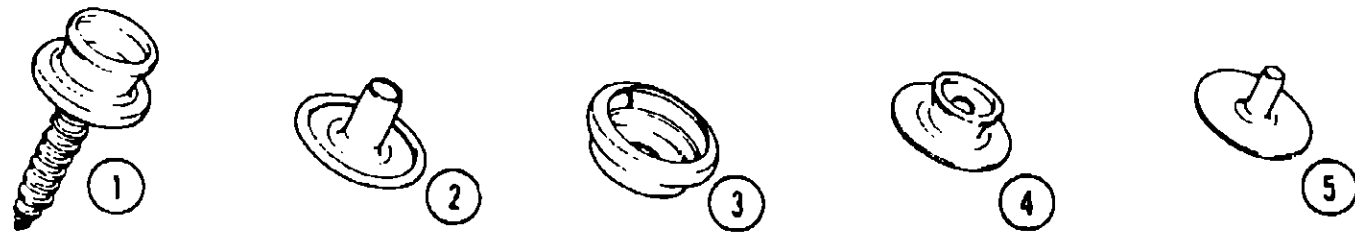
| Key | Part Number | U/M | Description |
|-----|---------------|-----|----------------------------|
| | 054048-01-K14 | EA | Tie Back - 2" x 14" - Rust |
| | 054048-01-K15 | EA | Tie Back - 2" x 14" - Blue |
| | 054048-01-K16 | EA | Tie Back - 2" x 14" - Gold |
| | 054048-06-K14 | EA | Tie Back - 2" x 18" - Rust |
| | 054048-06-K15 | EA | Tie Back - 2" x 18" - Blue |
| | 054048-06-K16 | EA | Tie Back - 2" x 18" - Gold |

SHADES

| Key | Part Number | U/M | Description |
|-----|---------------|-----|-------------------------------------|
| | 059534-35-000 | EA | Shade - Vinyl - 40.25" x 34" - Rust |
| | 059534-34-000 | EA | Shade - Vinyl - 40.25" x 34" - Blue |
| | 059534-36-000 | EA | Shade - Vinyl - 40.25" x 34" - Gold |
| | 059534-38-000 | EA | Shade - Vinyl - 47.25" x 34" - Rust |
| | 059534-37-000 | EA | Shade - Vinyl - 47.25" x 34" - Blue |
| | 059534-39-000 | EA | Shade - Vinyl - 47.25" x 34" - Gold |

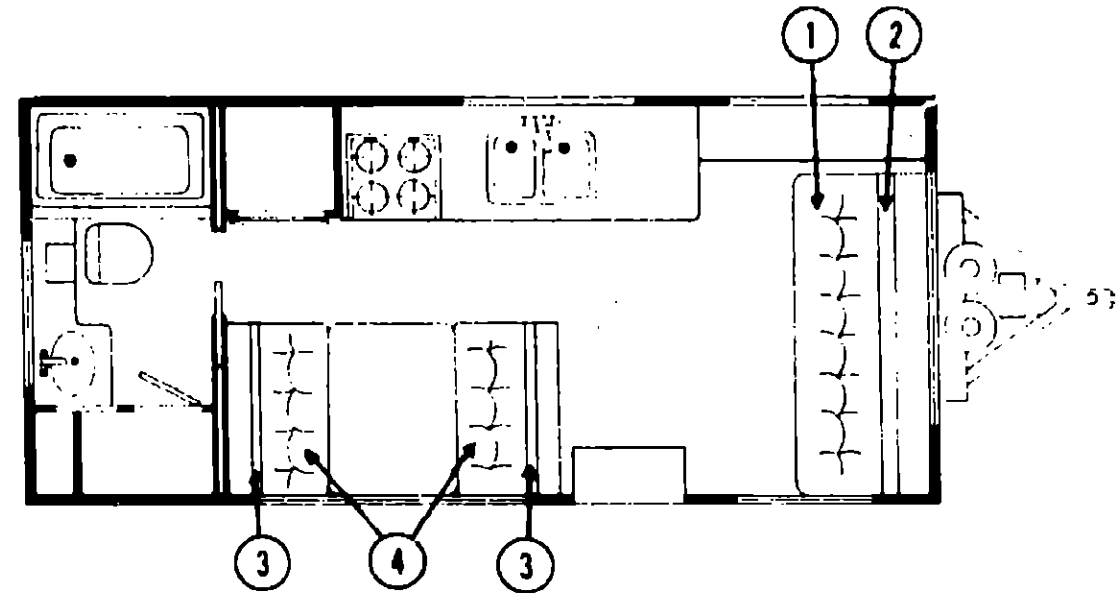
CURTAIN HARDWARE

| Key | Part Number | U/M | Description |
|-----|---------------|-----|---|
| | 052327-04-236 | EA | Track - Curtain - Brown Alum. - 89" w/Holes |
| | 053272-04-200 | EA | Track - Curtain - Off White Alum. - 89" w/Holes |
| | 056001-01-000 | EA | Bracket - Shade - Left |
| | 056002-01-000 | EA | Bracket - Shade - Right |
| | 009107-01-000 | EA | Guide - Nylon Snap - Curtain |
| | 018031-42-000 | EA | Track - Curtain - "L" Rod - Alum. Extr. - 90" |
| | 009701-01-000 | EA | Carrier - "L" Rod - Curtain |
| | 009702-01-000 | EA | End Stop - "L" Rod - Curtain |
| | 009223-02-000 | EA | Curtain Rod - Flat - Extends 48" x 84" |
| | 009224-01-000 | EA | Curtain Rod - Flat - Extends 28" x 48" |



| Key | Part Number | U/M | Description |
|-----|---------------|-----|---------------------------------------|
| 1 | 029130-01-000 | EA | Socket - Snap Fastener |
| 2 | 029155-01-000 | EA | Cap - Snap - .156" Dia. x .17" Barrel |
| 3 | 029156-01-000 | EA | Socket - Snap Fastener |
| 4 | 029092-01-000 | EA | Stud - Nickel Finish |
| 5 | 029093-01-000 | EA | Eyelet - Nickel Finish |

CURTAIN, CUSHION AND PAD GROUP (CONTINUED)



**1979 WINNEBAGO
TABLE OF CONTENTS**

| | |
|--------------------|-------------|
| Introduction | A-1 |
| Abbreviations | A-1 |
| Alphabetical Index | A-2 - A-4 |
| TWP21RB | A-5 - B-8 |
| TWP23RB | B-9 - C-14 |
| TWP25RB | C-15 - D-18 |

COUCH CUSHIONS

| Key | Part Number | U/M | Description |
|-----|---------------|-----|--|
| 1 | 055015-01-K14 | EA | Cushion - Couch - 16" x 21" x 76" x 5" - Rust |
| 1 | 055015-01-K15 | EA | Cushion - Couch - 16" x 21" x 76" x 5" - Beige |
| 1 | 055015-01-K16 | EA | Cushion - Couch - 16" x 21" x 76" x 5" - Brown |
| | 055016-01-K14 | EA | Cover - Couch Cushion - 16" x 21" x 76" x 5" - Rust |
| | 055016-01-K15 | EA | Cover - Couch Cushion - 16" x 21" x 76" x 5" - Beige |
| | 055016-01-K16 | EA | Cover - Couch Cushion - 16" x 21" x 76" x 5" - Brown |
| 2 | 055021-07-K14 | EA | Cushion - Couch Bolster - 8" x 76" x 5" - Rust |
| 2 | 055021-07-K15 | EA | Cushion - Couch Bolster - 8" x 76" x 5" - Beige |
| 2 | 055021-07-K16 | EA | Cushion - Couch Bolster - 8" x 76" x 5" - Brown |
| | 055022-07-K14 | EA | Cover - Bolster Cushion - 8" x 76" x 5" - Rust |
| | 055022-07-K15 | EA | Cover - Bolster Cushion - 8" x 76" x 5" - Beige |
| | 055022-07-K16 | EA | Cover - Bolster Cushion - 8" x 76" x 5" - Brown |

DINETTE CUSHIONS

| Key | Part Number | U/M | Description |
|-----|---------------|-----|---|
| 3 | 059057-05-K14 | EA | Cushion - Dinette Back - 24" x 40.5" x 5" - Rust |
| 3 | 059057-05-K15 | EA | Cushion - Dinette Back - 24" x 40.5" x 5" - Beige |
| 3 | 059057-05-K16 | EA | Cushion - Dinette Back - 24" x 40.5" x 5" - Brown |
| | 059058-05-K14 | EA | Cover - Dinette Back Cushion - 24" x 40.5" x 5" - Rust |
| | 059058-05-K15 | EA | Cover - Dinette Back Cushion - 24" x 40.5" x 5" - Beige |
| | 059058-05-K16 | EA | Cover - Dinette Back Cushion - 24" x 40.5" x 5" - Brown |
| 4 | 059057-04-K14 | EA | Cushion - Dinette Bottom - 14" x 40.5" x 5" - Rust |
| 4 | 059057-04-K15 | EA | Cushion - Dinette Bottom - 14" x 40.5" x 5" - Beige |
| 4 | 059057-04-K16 | EA | Cushion - Dinette Bottom - 14" x 40.5" x 5" - Brown |
| | 059058-04-K14 | EA | Cover - Dinette Bottom Cushion - 14" x 40.5" x 5" - Rust |
| | 059058-04-K15 | EA | Cover - Dinette Bottom Cushion - 14" x 40.5" x 5" - Beige |
| | 059058-04-K16 | EA | Cover - Dinette Bottom Cushion - 14" x 40.5" x 5" - Brown |

1979 TWP21RB INDEX

| | |
|------------------------------------|-------------|
| Floor Plan | A-5 - A-6 |
| Accessories Group | A-7 |
| Bath Group | A-8 |
| Chassis Group | A-9 |
| Curtain, Cushion and Pad Group | A-10 - A-13 |
| Dinette Group | A-14 |
| Electrical Group | A-15 - A-16 |
| Exterior Body Group | A-17 - A-20 |
| Galley Group | A-21 |
| Heating & Air Conditioning Group | A-22 |
| Interior Finish Group | A-23 - A-24 |
| LP Group | B-1 |
| Lounge Group | B-1 |
| Water & Sewage Group | B-2 |
| Window, Vent & Exterior Door Group | B-3 - B-8 |

CURTAIN, CUSHION AND PAD GROUP (CONTINUED)

FRONT OVERHEAD BUNK MATTRESS

| Key | Part Number | U/M | Description |
|-----|---------------|-----|--|
| | 061689-02-000 | EA | Mattress - Overhead Bunk - 18" x 18" x 86.8" x 2" - Two Fold |
| | 061690-02-000 | EA | Cover - Overhead Bunk Mattress - Two Fold - 18" x 18" x 86.8" x 2" |

FABRICS AND TRIMS

| Key | Part Number | U/M | Description |
|-----|---------------|-----|---|
| | 058784-02-000 | YD | Fabric - Drapery - Rust |
| | 058784-03-000 | YD | Fabric - Drapery - Blue |
| | 058784-01-000 | YD | Fabric - Drapery - Gold |
| | 058036-02-000 | YD | Fabric - Upholstery - Rust |
| | 058036-03-000 | YD | Fabric - Upholstery - Beige |
| | 058036-01-000 | YD | Fabric - Upholstery - Brown |
| | 042411-01-000 | YD | Vinyl - Non Expanded 27 oz. - Berkshire Brown |
| | 042411-02-000 | YD | Vinyl - Expanded - 28 oz. - Berkshire Brown |
| | 042411-03-000 | YD | Vinyl - Non Support - 16 Gauge Film - Berkshire Brown |
| | 054676-05-K14 | EA | Button Asm. - Cloth - #45 - Rust |
| | 054676-05-K15 | EA | Button Asm. - Cloth - #45 - Beige |
| | 054676-05-K16 | EA | Button Asm. - Cloth - #45 - Brown |
| | 052859-01-K16 | FT | Trim Asm. - Accent - Berkshire Brown |

DINETTE GROUP

| Key | Part Number | U/M | Description |
|-----|---------------|-----|---|
| | 062783-01-K16 | EA | Table Asm. - Dinette - w/o Hardware - Mocha Leather |
| | 062784-01-K16 | EA | Seat Asm. - Dinette - Front - w/o Back, Door or Hardware |
| | 062784-02-K16 | EA | Seat Asm. - Dinette - Rear - w/o Back, Door or Hardware |
| | 062785-01-K16 | EA | Back Asm. - Dinette Seat - Front |
| | 062786-01-K16 | EA | Back Asm. - Dinette Seat - Rear |
| | 059216-02-K16 | EA | Cabinet Asm. - Dinette Overhead - w/o Doors or Hardware |
| | 059210-02-K16 | EA | Door Asm. - Dinette Cabinetry - 11.44" x 15.5" - w/o Hardware |
| | 039873-01-700 | EA | Catch w/Strike - Nylon - Cabinet Door |
| | 024276-06-000 | EA | Leg Asm. - Dinette Table |
| | 024277-02-000 | EA | Hinge - Table Leg |
| | 024282-01-000 | EA | Brace - Table Leg |
| | 024283-01-000 | EA | Clip - Table Leg |
| | 024275-03-000 | EA | Rod - Table Lift |
| | 024231-03-000 | EA | Bracket - Table Lift |
| | 053200-01-000 | EA | Support - Table - 23.5" |
| | 053201-01-000 | EA | Hanger - Table - 23" |

**1979 WINNEBAGO
TABLE OF CONTENTS**

| | |
|--------------------|-------------|
| Introduction | A-1 |
| Abbreviations | A-1 |
| Alphabetical Index | A-2 - A-4 |
| TWP21RB | A-5 - B-8 |
| TWP23RB | B-9 - C-14 |
| TWP25RB | C-15 - D-18 |

1979 TWP21RB INDEX

| | |
|------------------------------------|-------------|
| Floor Plan | A-5 - A-6 |
| Accessories Group | A-7 |
| Bath Group | A-8 |
| Chassis Group | A-9 |
| Curtain, Cushion and Pad Group | A-10 - A-13 |
| Dinette Group | A-14 |
| Electrical Group | A-15 - A-16 |
| Exterior Body Group | A-17 - A-20 |
| Galley Group | A-21 |
| Heating & Air Conditioning Group | A-22 |
| Interior Finish Group | A-23 - A-24 |
| LP Group | B-1 |
| Lounge Group | B-1 |
| Water & Sewage Group | B-2 |
| Window, Vent & Exterior Door Group | B-3 - B-8 |

ELECTRICAL GROUP

BULBS

| Key | Part Number | U/M | Description |
|-----|---------------|-----|-------------------------|
| | 037935-01-000 | EA | Bulb - 1157 |
| | 063914-01-000 | EA | Bulb - 1143 or 1139 |
| | 008103-01-000 | EA | Bulb - 53 |
| | 008213-01-000 | EA | Bulb - 57 |
| | 008214-01-000 | EA | Bulb - 67 |
| | 008215-01-000 | EA | Bulb - 1003 |
| | 008216-01-000 | EA | Bulb - 1034 |
| | 008217-01-000 | EA | Bulb - 1073 |
| | 008218-01-000 | EA | Bulb - 1141 |
| | 008219-01-000 | EA | Bulb - 656 |
| | 008220-01-000 | EA | Bulb - 12V - 25W |
| | 036196-01-000 | EA | Bulb - 194 |
| | 700020-01-000 | EA | Bulb - 12V - 20W - 1383 |

FUSES AND CIRCUIT BREAKER

| Key | Part Number | U/M | Description |
|-----|---------------|-----|---|
| | 056473-01-000 | EA | Fuse - Slow Blow - 6 1/4 Amp. |
| | 008233-01-000 | EA | Fuse - 12 Volt - 6 Amp. |
| | 008234-01-000 | EA | Fuse - 12 Volt - 10 Amp. |
| | 008235-01-000 | EA | Fuse - 12 Volt - 15 Amp. |
| | 008236-01-000 | EA | Fuse - 12 Volt - 20 Amp. |
| | 008248-01-000 | EA | Fuse - 110 Volt - 30 Amp. - AGU |
| | 008252-01-000 | EA | Fuse - 110 Volt - 50 Amp. |
| | 008208-01-000 | EA | Circuit Breaker - 12 Volt - 40 Amp. |
| | 008211-01-000 | EA | Circuit Breaker - 12 Volt - 6 Amp. |
| | 008268-01-000 | EA | Circuit Breaker - 12 Volt - 30 Amp. w/Mount |
| | 033573-02-000 | EA | Circuit Breaker - 12 Volt - 15 Amp. w/Mount |
| | 040051-01-000 | EA | Circuit Breaker - 110 Volt - 20 Amp. - TQL |

INTERIOR LIGHTS

| Key | Part Number | U/M | Description |
|-----|---------------|-----|-----------------------------|
| | 033508-02-000 | EA | Light Dome - Ivory - 1 Bulb |
| | 033509-02-000 | EA | Light Dome - Ivory - 2 Bulb |
| | 024642-01-701 | EA | Lens - Dome Light - 1 Bulb |
| | 024643-01-701 | EA | Lens - Dome Light - 2 Bulb |

ELECTRICAL GROUP (CONTINUED)

EXTERIOR LIGHTS

| Key | Part Number | U/M | Description |
|-----|---------------|-----|--|
| | 058635-01-000 | EA | Porch Light - w/Amber Lens |
| | 042405-03-000 | EA | Base - Rectangular Clearance Lights |
| | 042405-04-000 | EA | Lens - Rectangular Clearance Lights - Red |
| | 042405-05-000 | EA | Lens - Rectangular - Clearance Lights - Amber |
| | 045864-01-000 | EA | Taillamp Asm. - w/License Bracket - Colonial White |
| | 045863-01-000 | EA | Taillamp Asm. - Colonial White |
| | 045863-01-700 | EA | Lens - Taillamp - Red |
| | 045863-01-701 | EA | Lens - Taillamp - w/Back-up |
| | 046125-01-000 | EA | Wedge - Taillamp |

MISCELLANEOUS ELECTRICAL COMPONENTS

| Key | Part Number | U/M | Description |
|-----|---------------|-----|---|
| | 006077-01-000 | EA | Plaque - Compressor Switch |
| | 008195-01-000 | EA | Switch - Push Button - 12 Volt |
| | 008162-01-000 | EA | Switch - DBL Toggle - Brown |
| | 053128-02-000 | EA | Receptacle - Ground Fault Interrupter - 15 AMP - 125 Volt - Brown |
| | 047353-01-000 | EA | Cover - Receptacle - Ground Fault |
| | 024571-03-000 | EA | Cover Plate - Receptacle - Jumbo Plastic - Brown |
| | 008288-01-000 | EA | Box - Electrical - Plastic - 3" x 3 1/2" |
| | 058707-01-000 | EA | Receptacle - Single Brown - Thomas and Belts |
| | 058708-01-000 | EA | Receptacle - Duplex Brown - Thomas and Belts |
| | 008157-01-000 | EA | Receptacle - Duplex - Brown (Exterior) |
| | 058048-01-000 | EA | Cover - Electrical Box - 4.5" x 2.75" - Rain Tight (Exterior) |
| | 008054-01-000 | EA | Power Cord - 10-3 30 Amp - 25' UL |
| | 054544-01-000 | EA | Control Center - 37 Amp. - UL |
| | 039950-01-702 | EA | Circuit Board - Control Center |
| | 047389-01-700 | EA | Battery - 12 Volt - 105 Amp. Deep Cycle - Dry |
| | 058812-01-000 | EA | Battery Box - White Plastic |
| | 048812-01-000 | EA | Control Panel - Water/Double Sewage - Wemac w/Thermostat |
| | 048812-02-000 | EA | Control Panel - Water/Double Sewage - Wemac w/o Thermostat |
| | 039861-01-000 | EA | Sending Unit Kit - Wemac |
| | 024583-01-000 | EA | Breakaway Switch |

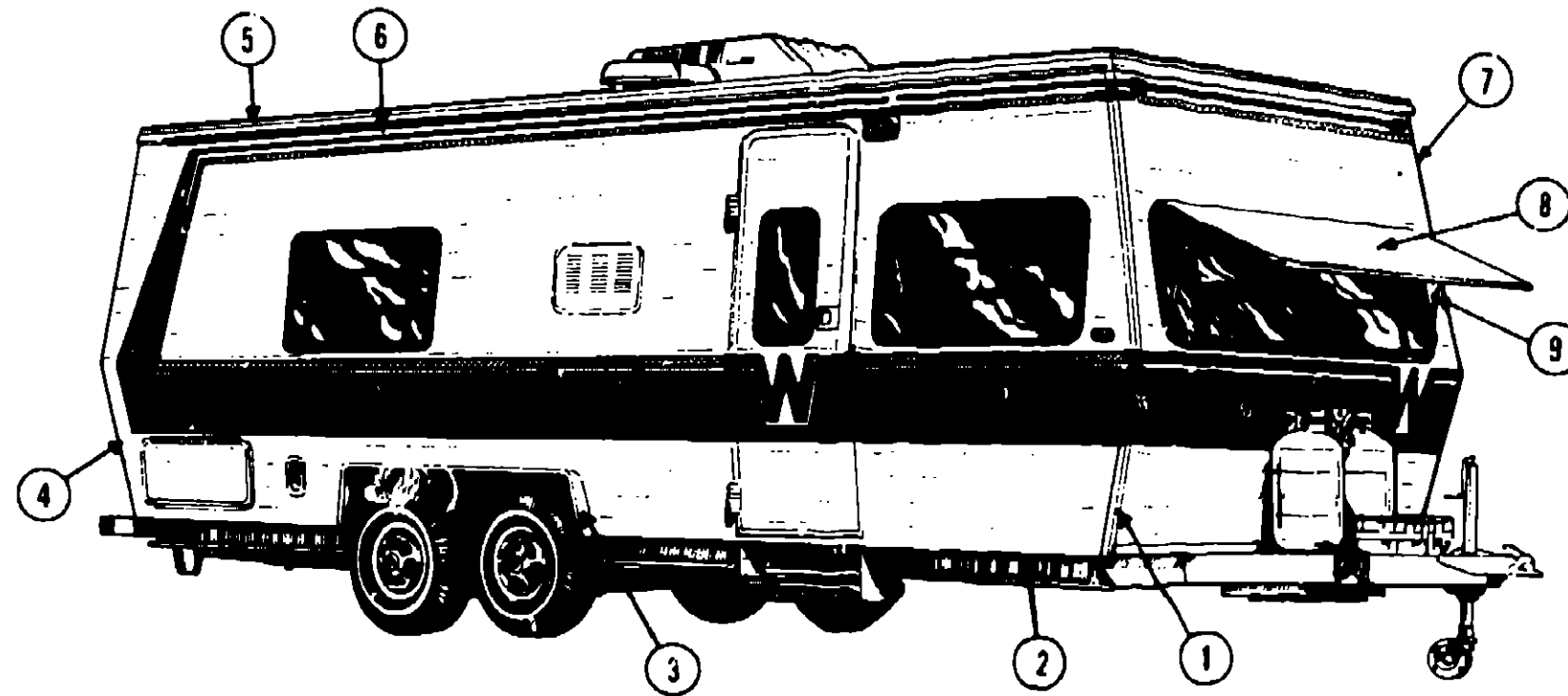
1979 WINNEBAGO TABLE OF CONTENTS

| | |
|--------------------|-------------|
| Introduction | A-1 |
| Abbreviations | A-1 |
| Alphabetical Index | A-2 - A-4 |
| TWP21RB | A-5 - B-8 |
| TWP23RB | B-9 - C-14 |
| TWP25RB | C-15 - D-18 |

1979 TWP21RB INDEX

| | |
|------------------------------------|-------------|
| Floor Plan | A-5 - A-6 |
| Accessories Group | A-7 |
| Bath Group | A-8 |
| Chassis Group | A-9 |
| Curtain, Cushion and Pad Group | A-10 - A-13 |
| Dinette Group | A-14 |
| Electrical Group | A-15 - A-16 |
| Exterior Body Group | A-17 - A-20 |
| Galley Group | A-21 |
| Heating & Air Conditioning Group | A-22 |
| Interior Finish Group | A-23 - A-24 |
| LP Group | B-1 |
| Lounge Group | B-1 |
| Water & Sewage Group | B-2 |
| Window, Vent & Exterior Door Group | B-3 - B-8 |

EXTERIOR BODY GROUP



| Key | Part Number | U/M | Description |
|-----|---------------|-----|---|
| 1 | 059250-01-000 | EA | Trim - Contour - Front Right |
| 2 | 002755-01-002 | EA | Extr. Angle - 1 1/8" x 1 1/8" x 16" |
| 3 | 059251-01-000 | EA | Trim - Wheel Well - Off White |
| | 058473-01-000 | EA | Extr. Trim - Wheel Well - 192" |
| 4 | 059250-02-000 | EA | Trim - Contour - Rear Right |
| | 059250-01-000 | EA | Trim - Contour - Rear Left |
| 5 | 062812-02-C10 | EA | Roof Trim - U-Channel - 1.45" x 121" |
| | 062803-01-000 | EA | Roof Trim - Radius - 16" |
| 6 | 062811-02-C10 | EA | Trim - Awning Rail - 121" |
| 7 | 059250-02-000 | EA | Trim - Contour - Front Left |
| 8 | 063648-01-000 | EA | Awning - Front Window - 25" x 84" |
| | 037052-01-001 | EA | Extr. - Awning Hinge - Male - 18" |
| | 059289-01-000 | EA | Extr. - Awning Hinge - Female |
| 9 | 035255-01-000 | EA | Bracket - Awning Mount - (2 per awning) |
| | | | Not Illustrated |

1979 WINNEBAGO TABLE OF CONTENTS

| | |
|--------------------|-------------|
| Introduction | A-1 |
| Abbreviations | A-1 |
| Alphabetical Index | A-2 - A-4 |
| TWP21RB | A-5 - B-8 |
| TWP23RB | B-9 - C-14 |
| TWP25RB | C-15 - D-18 |

1979 TWP21RB INDEX

| | |
|------------------------------------|-------------|
| Floor Plan | A-5 - A-6 |
| Accessories Group | A-7 |
| Bath Group | A-8 |
| Chassis Group | A-9 |
| Curtain, Cushion & Pad Group | A-10 - A-13 |
| Dinette Group | A-14 |
| Electrical Group | A-15 - A-16 |
| Exterior Body Group | A-17 - A-20 |
| Galley Group | A-21 |
| Heating & Air Conditioning Group | A-22 |
| Interior Finish Group | A-23 - A-24 |
| LP Group | B-1 |
| Lounge Group | B-1 |
| Water & Sewage Group | B-2 |
| Window, Vent & Exterior Door Group | B-3 - B-8 |

EXTERIOR BODY GROUP (CONTINUED)

EXTERIOR BODY PANELS AND SHEET ALUMINUM

| Key | Part Number | U/M | Description |
|-----|---------------|-----|--|
| | 059265-01-K16 | EA | Backwall Asm. |
| | 059266-01-K16 | EA | Front Wall Asm. |
| | 062821-01-K16 | EA | Sidewall Asm. - Right |
| | 062822-01-K16 | EA | Sidewall Asm. - Left |
| | 062824-01-K16 | EA | Roof Asm. |
| | 039155-28-001 | EA | Alum. - Off White Mesa II - .024" x 36" x 60" |
| | 039155-28-003 | EA | Alum. - Off White Mesa II - .024" x 36" x 360" |
| | 039155-28-004 | EA | Alum. - Off White Mesa II - .024" x 48" x 60" |
| | 039155-28-006 | EA | Alum. - Off White Mesa II - .024" x 48" x 360" |
| | 039155-28-007 | EA | Alum. - Off White Mesa II - .024" x 12" x 360" |
| | 044487-01-001 | EA | Plain Roof Metal - 96" x 360" |
| | 039155-07-010 | EA | Off White Greyhound Alum. - 48" x 96" |
| | 001054-01-011 | EA | Off White Plain Alum. - 48" x 96" |
| | 000868-01-000 | BF | Styrofoam - 3/4" x 24" x 96" |
| | 000870-01-000 | BF | Styrofoam - 1 1/2" x 24" x 96" |
| | 001044-02-100 | EA | Alum. - Off White - Leather Grain - 18" x 8' |

LABELS AND DECALS

| Key | Part Number | U/M | Description |
|-----|---------------|-----|--|
| | 006031-01-000 | EA | Label - Potable Water Only |
| | 006187-01-000 | EA | Label - Sewage |
| | 006188-01-000 | EA | Label - Waste Water |
| | 006199-01-000 | EA | Label - Exit - Escape Window |
| | 006028-01-000 | EA | Label - Drain Cap - 2" x 3" |
| | 047731-01-000 | EA | Label - Emergency Exit |
| | 006062-01-000 | EA | Tag - Electrical - 110 V Connection |
| | 054531-01-000 | EA | Label - LP Gas Only |
| | 050225-01-000 | EA | Label - Warning - Stove Vent - US |
| | 006001-01-000 | EA | Name Plate - Winnebago Plastic Chrome - .88" x 5.05" |

EXTERIOR PAINT

| Key | Part Number | U/M | Description |
|-----|---------------|-----|---|
| | 041561-01-000 | EA | Paint - Off White - Acrylic Enamel - 1 Gal. |
| | 041561-03-000 | EA | Paint - Off White - Acrylic Enamel - 16 oz. Aerosol |
| | 041561-04-000 | EA | Paint - Off White - Acrylic Lacquer - 1 Gal. |
| | 055681-03-000 | EA | Paint - Copper Tan - Metallic - 16 oz. Aerosol |
| | 058329-03-000 | EA | Paint - Tan - 16 oz. Aerosol |

EXTERIOR BODY GROUP (CONTINUED)

SEALANTS, ADHESIVES AND FASTENERS

| Key | Part Number | U/M | Description |
|-----|---------------|-----|---|
| | 034552-05-000 | EA | Sealant - Off White Silicone |
| | 034552-04-000 | EA | Sealant - Beige Silicone |
| | 034552-02-000 | EA | Sealant - Clear Silicone |
| | 004342-01-000 | EA | Sealant - Weatherban 202 Tube |
| | 004346-02-000 | EA | Sealant - White Silicone |
| | 004347-01-000 | EA | Sealant - Tuflex |
| | 009200-01-000 | EA | Tape - Furnace - 1 1/2" |
| | 004353-01-000 | FT | Tape - Gasket - 1/8" x 3/4" - White |
| | 002825-01-000 | FT | Weather Stripping - Roof Vent |
| | 002337-01-000 | EA | Adhesive - 3M - 1300 Tube |
| | 004005-01-000 | GL | Adhesive - Swifts - Green - Glue (Sidewalls) |
| | 004012-01-000 | EA | Adhesive - 3M - 4475 Tube |
| | 004020-01-000 | QT | Adhesive - ABS Cement (Plastic Fittings) |
| | 029051-01-000 | EA | Adhesive - Spray Vinyl |
| | 042401-02-000 | EA | Screw - 8 - 18 x 3/4" SDPH - Off White |
| | 042403-02-000 | EA | Screw - SF/DR - 8 - 18 x 1" SDPH - Off White |
| | 053766-01-000 | EA | Bedding Compound - Tube Black - Schnee Morehead |
| | 053766-02-000 | EA | Bedding Compound - Tube White - Schnee Morehead |
| | 053767-01-000 | FT | Tape - 1/2" x 1/8" x 30' - Gray - Schnee Morehead |
| | 053767-02-000 | FT | Tape - 3/16" Bead x 25' - Gray - Schnee Morehead |
| | 053767-03-000 | FT | Tape - 1/4" Bead x 20' - Gray - Schnee Morehead |
| | 053767-04-000 | FT | Tape - 3/4" x 1/8" x 30' - Gray - Schnee Morehead |
| | 053767-05-000 | FT | Tape - 2" x 3/32" x 45' - Gray - Schnee Morehead |
| | 053752-03-000 | EA | Sealing Compound - Seam Sealer - White |

MISCELLANEOUS EXTERNALLY MOUNTED PARTS

| Key | Part Number | U/M | Description |
|-----|---------------|-----|--|
| ** | 011129-01-000 | EA | Plumbing Seal - Roof Vent - 1 1/2" White |
| | 009126-01-000 | EA | Assist Handle - Metal |
| | 058812-01-000 | EA | Battery Box - White Plastic |
| | 010230-02-000 | EA | Fill - City - Water - Recessed - Off White |
| | 058808-01-000 | EA | Fill - Water - Lockable |

**The illustrated parts breakdown for this item is provided on the Common Items Fiche.

**1979 WINNEBAGO
TABLE OF CONTENTS**

| | |
|--------------------|-------------|
| Introduction | A-1 |
| Abbreviations | A-1 |
| Alphabetical Index | A-2 - A-4 |
| TWP21RB | A-5 - B-8 |
| TWP23RB | B-9 - C-14 |
| TWP25RB | C-15 - D-18 |

1979 TWP21RB INDEX

| | |
|------------------------------------|-------------|
| Floor Plan | A-5 - A-6 |
| Accessories Group | A-7 |
| Bath Group | A-8 |
| Chassis Group | A-9 |
| Curtain, Cushion & Pad Group | A-10 - A-13 |
| Dinette Group | A-14 |
| Electrical Group | A-15 - A-16 |
| Exterior Body Group | A-17 - A-20 |
| Galley Group | A-21 |
| Heating & Air Conditioning Group | A-22 |
| Interior Finish Group | A-23 - A-24 |
| LP Group | B-1 |
| Lounge Group | B-1 |
| Water & Sewage Group | B-2 |
| Window, Vent & Exterior Door Group | B-3 - B-8 |

GALLEY GROUP

GALLEY CABINETRY

| Key | Part Number | U/M | Description |
|-----|---------------|-----|--|
| | 059217-01-K16 | EA | Cabinet Asm. - Galley - w/o Countertop, Doors, Drawers or Hardware |
| | 059218-01-K16 | EA | Countertop Asm. - Galley Cabinet - Burl Block |
| | 059211-01-K16 | EA | Drawer Asm. - Galley Cabinet - 6" x 11.12" x 20" Deep - w/o Hardware |
| | 059210-01-K16 | EA | Door Asm. - Galley Cabinet - 12.38" x 32" - w/o Hardware |
| | 059305-01-K16 | EA | Cutting Board - Drawer - Burl Block |
| | 059216-01-K16 | EA | Cabinet Asm. - Galley Overhead - w/o Doors or Hardware |
| | 059210-02-K16 | EA | Door Asm. - Cabinet - 11.44" x 15.5" - w/o Hardware |
| | 062788-01-K16 | EA | Cabinet Asm. - Pantry - w/o Countertop, Drawer or Hardware |
| | 062779-01-K16 | EA | Countertop Asm. - Pantry - Burl Block |
| | 062778-01-K16 | EA | Drawer Asm. - Pantry - 27.5" x 7" x 17.25" |
| | 054028-01-K16 | EA | Sink Cover - Burl Block |

GALLEY HARDWARE AND APPLIANCES

| Key | Part Number | U/M | Description |
|-----|---------------|-----|--|
| | 011032-01-000 | EA | Sink - Stainless Steel - Double w/Bolts |
| ** | 011053-01-000 | EA | Faucet - 8" - Swing Spout |
| ** | 011085-01-000 | EA | Strainer - Sink |
| | 009133-01-000 | EA | Bar - Towel Rack - 12" - Plastic |
| | 023449-01-000 | EA | Support - Towel Rack - Chrome |
| ** | 035873-01-700 | EA | Catch Asm. - Cabinet Door - w/Strike |
| | 042596-05-000 | EA | Slide Asm. - Drawer - 18" |
| ** | 049930-03-000 | EA | Hood - Range - Powered - Black |
| ** | 049045-02-000 | EA | Range - 4 Burner w/o Oven Light - Magic Chef |
| ** | 049175-02-000 | EA | Refrigerator - AC/DC/Gas - 1 Door - Sibir ET 150/2 |
| ** | 049174-02-000 | EA | Refrigerator - AC/DC/Gas - 2 Door - Sibir ET 230/2 |

**The illustrated parts breakdown for this item is provided on the Common Items Fiche.

HEATING AND AIR CONDITIONING GROUP

| Key | Part Number | U/M | Description |
|-----|---------------|-----|--|
| | 009198-01-000 | FT | Duct - Flexible - 4" I.D. x 25' |
| | 009200-01-000 | EA | Furnace Tape - 1 1/2" - Gray |
| | 023146-01-000 | EA | Clamp - Screw Type - 4" |
| | 024985-01-000 | EA | Heat Register - w/Damper - 9.9" x 4.8" |
| | 031804-01-000 | EA | Bonnet - Heat Register |
| | 039505-02-000 | EA | Thermostat - Horizontal Wall Mount - Black |
| | 050783-01-000 | EA | Vent Package - Furnace - 1" x 3" Wall |
| | 059350-01-000 | EA | Furnace - 30,000 BTU - w/Electric Ignition - Coleman - 4330-748 |
| | 059351-02-000 | EA | Furnace - 24,000 BTU - w/Piezo Igniter - Coleman |
| | 049042-02-000 | EA | Door - Furnace - 24,000 Coleman |
| ** | 049777-02-000 | EA | Air Conditioner - 110 Volt - Roof Mount - 11,000 BTU - Ivory Coleman (w/o inside shroud) |
| ** | 049778-02-000 | EA | Shroud Asm. - Ceiling - Inside - Roof Air - Cool Only - 11,000 BTU - Coleman |
| ** | 049774-02-000 | EA | Air Conditioner - 110 Volt - Roof Mount - 13,500 BTU Ivory - Coleman (w/o inside shroud) |
| ** | 049775-02-000 | EA | Shroud Asm. - Ceiling - Inside - Roof Air - Cool Only - 13,500 BTU - Coleman |
| ** | 043776-01-000 | EA | Shroud Asm. - Ceiling Inside - Roof Air - Heat and Cool - 13,500 BTU - Coleman |

**The illustrated parts breakdown for this item is provided on the Common Items Fiche.

1979 WINNEBAGO TABLE OF CONTENTS

| | |
|--------------------|-------------|
| Introduction | A-1 |
| Abbreviations | A-1 |
| Alphabetical Index | A-2 - A-4 |
| TWP21RB | A-5 - B-8 |
| TWP23RB | B-9 - C-14 |
| TWP25RB | C-15 - D-18 |

1979 TWP21RB INDEX

| | |
|------------------------------------|-------------|
| Floor Plan | A-5 - A-6 |
| Accessories Group | A-7 |
| Bath Group | A-8 |
| Chassis Group | A-9 |
| Curtain, Cushion & Pad Group | A-10 - A-13 |
| Dinette Group | A-14 |
| Electrical Group | A-15 - A-16 |
| Exterior Body Group | A-17 - A-20 |
| Galley Group | A-21 |
| Heating & Air Conditioning Group | A-22 |
| Interior Finish Group | A-23 - A-24 |
| LP Group | B-1 |
| Lounge Group | B-1 |
| Water & Sewage Group | B-2 |
| Window, Vent & Exterior Door Group | B-3 - B-8 |

INTERIOR FINISH GROUP

PANELING AND COUNTERTOP MATERIALS

| Key | Part Number | U/M | Description |
|-----|---------------|-----|--|
| | 057877-01-000 | SF | Paneling - 725 Russet Oak - Plain - 48" x 96" (32 SF) |
| | 057878-01-000 | SF | Paneling - 725 Russet Oak - V Groove - 48" x 96" (32 SF) |
| | 058040-01-000 | SF | Paneling - Lastrada - Brown - 48" x 96" (32 SF) |
| | 047401-01-000 | SF | Paneling - Monks Cloth - 48" x 96" (32 SF) |
| | 062843-01-000 | SF | Paneling - Tapestry - Brown - 48" x 96" (32 SF) |
| | 058039-01-000 | SF | Plastic Laminate - Burl Block - 48" x 96" (32 SF) |
| | 062852-01-000 | SF | Plastic Laminate - Mocha Leather - 48" x 96" (32 SF) |

INTERIOR MOLDINGS AND TRIMS

| Key | Part Number | U/M | Description |
|-----|---------------|-----|---|
| | 057888-01-000 | EA | Batt Strip - 725 Russet Oak - 96" |
| | 058037-01-000 | EA | Batt Strip - Monks Cloth - 96" |
| | 062844-01-000 | EA | Batt Strip - Tapestry - 96" |
| | 009812-08-000 | FT | Molding - Plastic - Outside Corner - .50" |
| | 009809-08-000 | FT | Molding - Plastic - Outside Corner - 1" |
| | 052075-01-000 | FT | Wetting - Brown Vinyl |
| | 009778-01-000 | FT | U Channel - 1" - Dark Brown |
| | 052859-01-K16 | FT | Trim Asm - Accent - Berkshire Brown |

CABINETRY AND TABLE HARDWARE

| Key | Part Number | U/M | Description |
|-----|---------------|-----|---|
| ** | 046543-01-000 | EA | Kit - Drawer Pull - Rustic Early American - Antique Brass |
| ** | 039873-01-700 | EA | Catch w/Strike - Nylon - Cabinet Door |
| | 052932-01-K16 | EA | Hinge Kit - Cabinet Door - Antique Brass |
| | 059322-01-K16 | EA | Kit - Door Pull - Rustic Early American |
| | 062789-01-K16 | EA | Kit - Pantry Door Pull - Rustic Early American |
| | 058034-01-000 | EA | Latch - Sliding Door - Bath |
| | 009155-01-000 | EA | Track - Sliding Door - Bath |
| | 009156-01-000 | EA | Hanger - Sliding Door - Bath |
| | 059783-01-000 | FT | Closet Bar - Slotted Aluminum |
| | 024276-06-000 | EA | Leg Asm. - Dinette Table |
| | 024277-02-000 | EA | Hinge - Table Leg |
| | 024282-01-000 | EA | Brace - Table Leg |
| | 024283-01-000 | EA | Clip - Table Leg |
| | 024275-03-000 | EA | Rod - Table Lift |
| | 024281-03-000 | EA | Bracket - Table Lift |
| | 053200-01-000 | EA | Support - Table - 23.5" |
| | 053201-01-000 | EA | Hanger - Table - 23" |
| | 042596-05-000 | EA | Slide Asm. - Drawer - 18" |
| | 061604-01-000 | EA | Slide Bolt - Antique Brass - Front Bunk |
| ** | 037688-01-000 | FT | Rail - Drawer Glide |
| ** | 047744-01-000 | EA | Kit - Drawer Glide |

**The illustrated parts breakdown for this item is provided on the Common Items Fiche.

INTERIOR FINISH GROUP (CONTINUED)

FABRICS AND FLOOR COVERINGS

| Key | Part Number | U/M | Description |
|-----|---------------|-----|---|
| | 058704-02-000 | YD | Fabric - Drapery - Rust |
| | 058784-03-000 | YD | Fabric - Drapery - Blue |
| | 058784-01-000 | YD | Fabric - Drapery - Gold |
| | 058038-02-000 | YD | Fabric - Upholstery - Rust |
| | 058038-03-000 | YD | Fabric - Upholstery - Beige |
| | 058038-01-000 | YD | Fabric - Upholstery - Brown |
| | 042411-01-000 | YD | Vinyl - Non Expanded 27 oz. - Brown |
| | 042411-02-000 | YD | Vinyl - Expanded - 28 oz. - Brown |
| | 042411-03-000 | YD | Vinyl - Non Support - 16 Gauge Film - Brown |
| | 056736-01-000 | SY | Carpet - Kingdom Beige |
| | 058325-01-000 | SY | Vinyl - Floor Coverings - Terra Cotta |

CURTAIN HARDWARE

| Key | Part Number | U/M | Description |
|-----|---------------|-----|---|
| | 052327-04-236 | EA | Track - Curtain - Brown Alum. - 89" w/Holes |
| | 053272-04-200 | EA | Track - Curtain - Off White Alum. - 89" w/Holes |
| | 056001-01-000 | EA | Bracket - Shade - Left |
| | 056002-01-000 | EA | Bracket - Shade - Right |
| | 009107-01-000 | EA | Gulde - Nylon Snap - Curtain |
| | 018031-42-000 | EA | Track - Curtain - "L" Rod - Alum. Extr. - 90" |
| | 009701-01-000 | EA | Carrier - "L" Rod - Curtain |
| | 009702-01-000 | EA | End Stop - "L" Rod - Curtain |
| | 009223-02-000 | EA | Curtain Rod - Flat - Extends 48" to 84" |
| | 009224-01-000 | EA | Curtain Rod - Flat - Extends 28" to 48" |

MISCELLANEOUS

| Key | Part Number | U/M | Description |
|-----|---------------|-----|--|
| | 041944-01-700 | EA | Fire Extinguisher - Dry Chemical w/Bracket |
| | 007038-01-000 | EA | Door Mat - Black Rubber - 10 1/2" x 26" |
| | 054185-05-000 | EA | Owner's Manual - 1979 Travel Trailer |

1979 WINNEBAGO TABLE OF CONTENTS

| | |
|--------------------|-------------|
| Introduction | A-1 |
| Abbreviations | A-1 |
| Alphabetical Index | A-2 - A-4 |
| TWP21RB | A-5 - B-8 |
| TWP23RB | B-9 - C-14 |
| TWP25RB | C-15 - D-18 |

1979 TWP21RB INDEX

| | |
|------------------------------------|-------------|
| Floor Plan | A-5 - A-6 |
| Accessories Group | A-7 |
| Bath Group | A-8 |
| Chassis Group | A-9 |
| Curtain, Cushion & Pad Group | A-10 - A-13 |
| Dinette Group | A-14 |
| Electrical Group | A-15 - A-16 |
| Exterior Body Group | A-17 - A-20 |
| Galley Group | A-21 |
| Heating & Air Conditioning Group | A-22 |
| Interior Finish Group | A-23 - A-24 |
| LP Group | B-1 |
| Lounge Group | B-1 |
| Water & Sewage Group | B-2 |
| Window, Vent & Exterior Door Group | B-3 - B-8 |

LP GROUP

| Key | Part Number | U/M | Description |
|-----|---------------|-----|--------------------------------|
| | 008800-01-000 | EA | Tank - LP - 20# - Vertical |
| | 008802-01-000 | EA | Tank - LP - 30# - Vertical |
| | 008815-01-000 | EA | Regulator - LP - Automatic |
| | 058705-01-000 | EA | Regulator - LP - Two Stage |
| | 058706-01-000 | EA | Cover - Two Stage Regulator |
| | 022886-01-000 | EA | Hose Asm. - LP 1/4 I.D. x 16" |
| | 045703-01-000 | EA | Hose Asrn. - LP 3/8 I.D. x 24" |
| | 047221-01-000 | EA | Detector - LP - Gas Leak |

LOUNGE GROUP

| Key | Part Number | U/M | Description |
|-----|---------------|-----|--|
| | 062833-01-K16 | EA | Cabinet Asm. - Gaucho Face |
| | 062835-01-K16 | EA | Cabinet Asm. - Hamper - w/o Countertop |
| | 062836-01-K16 | EA | Countertop Asm. - Hamper - 16" x 49.5" - w/Hinges - Mocha Leather |
| | 041939-01-000 | EA | Hinge Kit - Double Acting |
| | 062837-01-K16 | EA | Countertop Asm. - Hamper - Front - Mocha Leather |
| | 059228-01-K16 | EA | Cabinet Asm. - Front Overhead - w/o Doors or Hardware |
| | 059210-02-K16 | EA | Door Asm. - Front Overhead Cabinet - 11.44" x 15.5" - w/o Hardware |
| | 059224-01-K16 | EA | Door Asm. - Furnace - 13.4" x 16" - w/Brass Mesh Insert |
| | 047205-13-000 | EA | Insert - Furnace Door - 13 3/8" x 10 1/2" - Brass Mesh |
| | 053163-01-000 | EA | Bracket Couch Slide |
| | 056875-02-000 | EA | Leg Asm. - Couch |
| | 022517-01-000 | EA | Cap - Couch Leg - 1" x 1" - Brown |
| | 059227-01-K16 | EA | Cabinet Asm. - Front Overhead Bunk - w/o Doors or Hardware |
| | 023812-22-000 | EA | Rail - Bunk - 80" - Brown |
| | 061604-01-000 | EA | Slide Bolt - Antique Brass |
| | 041389-01-000 | EA | Hinge - Bunk - 72.5" - Brown |

WATER AND SEWAGE GROUP

PLUMBING REPAIR PARTS

| Key | Part Number | U/M | Description |
|-----|---------------|-----|---|
| ** | 040539-01-000 | EA | Kit - Repair - 3/8" O.D. Plastic Tube |
| ** | 040540-01-000 | EA | Kit - Repair - 1/2" O.D. Plastic Tube |
| ** | 040541-01-000 | EA | Kit - Repair - 5/8" O.D. Plastic Tube |
| ** | 041279-02-000 | EA | Pump - Water Flow 2.8 G.P.M. - PAR |
| ** | 039647-02-000 | EA | Filter - Water Pump 1/2" MPT |
| ** | 039818-01-000 | EA | Riser Asm. - 3/8" O.D. x 24" Tube |
| ** | 039818-02-000 | EA | Riser Asm. - 3/8" O.D. x 36" Tube |
| ** | 039818-04-000 | EA | Riser Asm. - 3/8" O.D. x 72" Tube |
| | 052952-01-000 | EA | Nut - Plastic 1/2" F |
| | 052952-02-000 | EA | Connector - Plastic 1/2 F x 1/2 MPT |
| | 052953-01-000 | EA | Nut - Faucet - 1/2 Tube x 1/2 FPT |
| | 052954-01-000 | EA | Adapter - Nose Cone 3/8 or 1/2 |
| | 052958-01-000 | EA | Tee Plastic 1/2 F x 1/2 F x 1/2 F |
| | 052959-03-000 | EA | Connector - Plastic 1/2 F x 3/8 MPT |
| | 052960-01-000 | EA | Valve - Line Drain 1/2 F x 1/2 F |
| | 052961-01-000 | EA | Header - 1/2 F x 1/2 F x 1/2 F x 1/2 F |
| | 052955-01-000 | EA | Tee - Plastic - 1/2 F x 1/2 F x 1/2 MPT |
| | 052957-03-000 | EA | Elbow - Plastic - 1/2 F x 1/4 MPT |
| ** | 011091-01-000 | EA | Waste - Continuous - Double Sink 12" |
| ** | 011066-01-000 | EA | P-Trap - Plastic - 1 1/4" |
| | 031126-01-000 | EA | Elbow - Plastic - 1/4 BD 3 x 90 x LT |
| ** | 010133-01-000 | EA | Adapter - Trap - Plastic 1 1/2" H x MPT |
| ** | 010079-01-000 | EA | Tee - Plastic - 1 1/2" H x 1 1/2 H x 1 1/4" H |
| | 010000-01-000 | EA | Elbow - Plastic - 1/8 BD 1 1/4 x 45 H x H |
| ** | 010121-01-000 | EA | Bushing - Plastic - 1 1/2 S x 1 1/4 H |
| | 010153-01-000 | EA | Ring - Closet - Plastic - 4 F x 3 MPT |
| | 034250-01-000 | EA | Elbow - Plastic - 1/4 BD 1 1/2 x 90 H x H |
| | 004020-01-000 | QT | Adhesive - ABS Cement |
| ** | 010201-01-000 | EA | Hose - Sewer 3" x 10 Ft w/Clamp |
| | 062416-01-000 | EA | Hose Adapter - 3" |
| | 062627-01-000 | EA | Valve - Dual - 3" x 1 1/2" - Off Set - w/Cap |
| ** | 050780-01-000 | EA | Coupler - Rubber - 3" x 3" |
| ** | 046524-01-000 | EA | Kit - Plastic Fittings - Holding Tank |
| ** | 046524-02-000 | EA | Kit - Plastic Fittings - Water Tank |
| | 037845-01-000 | FT | Tape - Butyl 3/16" - Bead - Black |

**The illustrated parts breakdown for this item is provided on the Common Items Fiche.

HOLDING TANKS AND WATER HEATER

| Key | Part Number | U/M | Description |
|-----|---------------|-----|---|
| | 059028-02-000 | EA | Tank Asm. - Water - 47 Gallon - w/Fittings |
| | 059028-01-000 | EA | Tank Asm. - Water - 47 Gallon - w/o Fittings |
| | 053369-03-000 | EA | Tank Asm. - Holding - 43 Gallon - w/Fittings - Aux. |
| | 053369-04-000 | EA | Tank Asm. - Holding - 43 Gallon - w/Fittings - Main |
| | 053369-01-000 | EA | Tank Asm. - Holding - 43 Gallon - w/o Fittings - Main or Aux. |
| ** | 051391-01-000 | EA | Water Heater - 6 Gallon - w/o Motor Aid - Atwood G6A3 |

**The illustrated parts breakdown for this item is provided on the Common Items Fiche.

**1979 WINNEBAGO
TABLE OF CONTENTS**

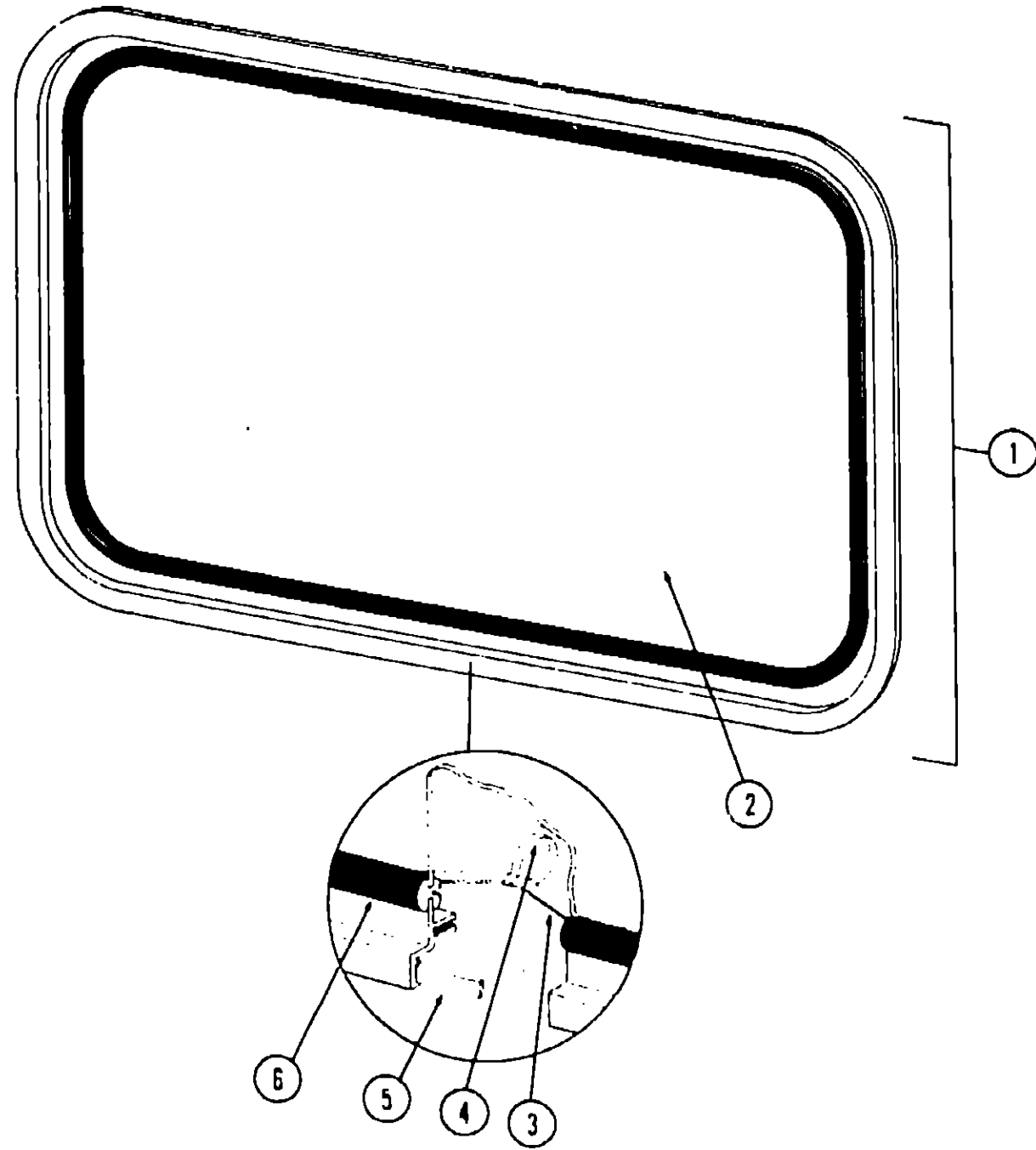
| | |
|--------------------|-------------|
| Introduction | A-1 |
| Abbreviations | A-1 |
| Alphabetical Index | A-2 - A-4 |
| TWP21RB | A-5 - B-8 |
| TWP23RB | B-9 - C-14 |
| TWP25RB | C-15 - D-18 |

1979 TWP21RB INDEX

| | |
|------------------------------------|-------------|
| Floor Plan | A-5 - A-6 |
| Accessories Group | A-7 |
| Bath Group | A-8 |
| Chassis Group | A-9 |
| Curtain, Cushion & Pad Group | A-10 - A-13 |
| Dinette Group | A-14 |
| Electrical Group | A-15 - A-16 |
| Exterior Body Group | A-17 - A-20 |
| Galley Group | A-21 |
| Heating & Air Conditioning Group | A-22 |
| Interior Finish Group | A-23 - A-24 |
| LP Group | B-1 |
| Lounge Group | B-1 |
| Water & Sewage Group | B-2 |
| Window, Vent & Exterior Door Group | B-3 - B-8 |

WINDOW, VENT AND EXTERIOR DOOR GROUP

WINDOW, VENT AND EXTERIOR DOOR GROUP (CONTINUED)



| Key | Part Number | U/M | Description |
|-----|---------------|-----|--|
| | 058326-01-000 | EA | Window Asm. - Awning - 2 Panel - 18" x 41.88" - Regular Glass |
| | 058326-02-000 | EA | Window Asm. - Awning - 2 Panel - 18" x 41.88" - Safety Glass |
| | 058327-01-000 | EA | Window Asm. - Awning - 3 Panel - 22.12" x 41.88" - Regular Glass |
| | 058327-04-000 | EA | Window Asm. - Awning - 3 Panel - 22.12" x 41.88" - Safety Glass |
| | 058327-02-000 | EA | Window Asm. - Awning - 3 Panel - 22.12" x 78" - Regular Glass |
| | 053327-05-000 | EA | Window Asm. - Awning - 3 Panel - 22.12" x 78" - Safety Glass |
| | 058327-03-000 | EA | Window Asm. - Awning - 3 Panel - 22.12" x 66" - Regular Glass |
| | 058327-06-000 | EA | Window Asm. - Awning - 3 Panel - 22.12" x 66" - Safety Glass |

ACCESS DOORS

| Key | Part Number | U/M | Description |
|-----|---------------|-----|--|
| | 059247-02-000 | EA | Door Asm. - Refrigerator Access - Off White w/Twist Lock |
| | 059240-01-000 | EA | Door Asm. - Luggage - 12 3/4" x 35" - Off White w/Key Lock |
| | 009161-01-000 | FT | Chain - Trunk Door |
| | 009065-01-000 | EA | Hinge - Continuous Alum. - 1 1/2" x 96" |
| | 041312-01-000 | FT | Bulb Seal - "E" Section |
| | 052009-01-000 | EA | Door - Water Heater - Off White - Atwood |
| | 057096-01-000 | EA | Door Asm. - Power Cord w/Hatch - Off White |
| | 052950-03-700 | EA | Lock Asm. - Twist Type w/Clip (Power Cord Door) |
| | 052950-01-700 | EA | Lock Asm. - Twist Type w/Clip - White Plastic |

| Key | Part Number | U/M | Description |
|-----|-----------------|-----|--|
| 1 | 020751-03-000 | EA | Window Asm. - Rear Escape - 23" x 29" - Black Anod. (w/o inside frame) |
| 2 | 002174-01-000 | EA | Glass - Window - 1/8" x 19.61" x 25.92" |
| 3 | 002285-01-000 | FT | Filler - Weatherstrip - Black |
| 4 | 020395-01-000 | EA | Slip Ring - Escape Window |
| 5 | 053767-03-000 | FT | Tape - 1/4" Bead x 20' - Gray |
| 6 | 002282-01-000 | FT | Weatherstrip - 125" - Black |
| . | 020749-03-000 | EA | Inside Frame - Escape Window - 23" x 29" (not included in assembly) |
| . | 006199-01-000 | EA | Label - Exit - Escape Window |
| . | Not illustrated | | |

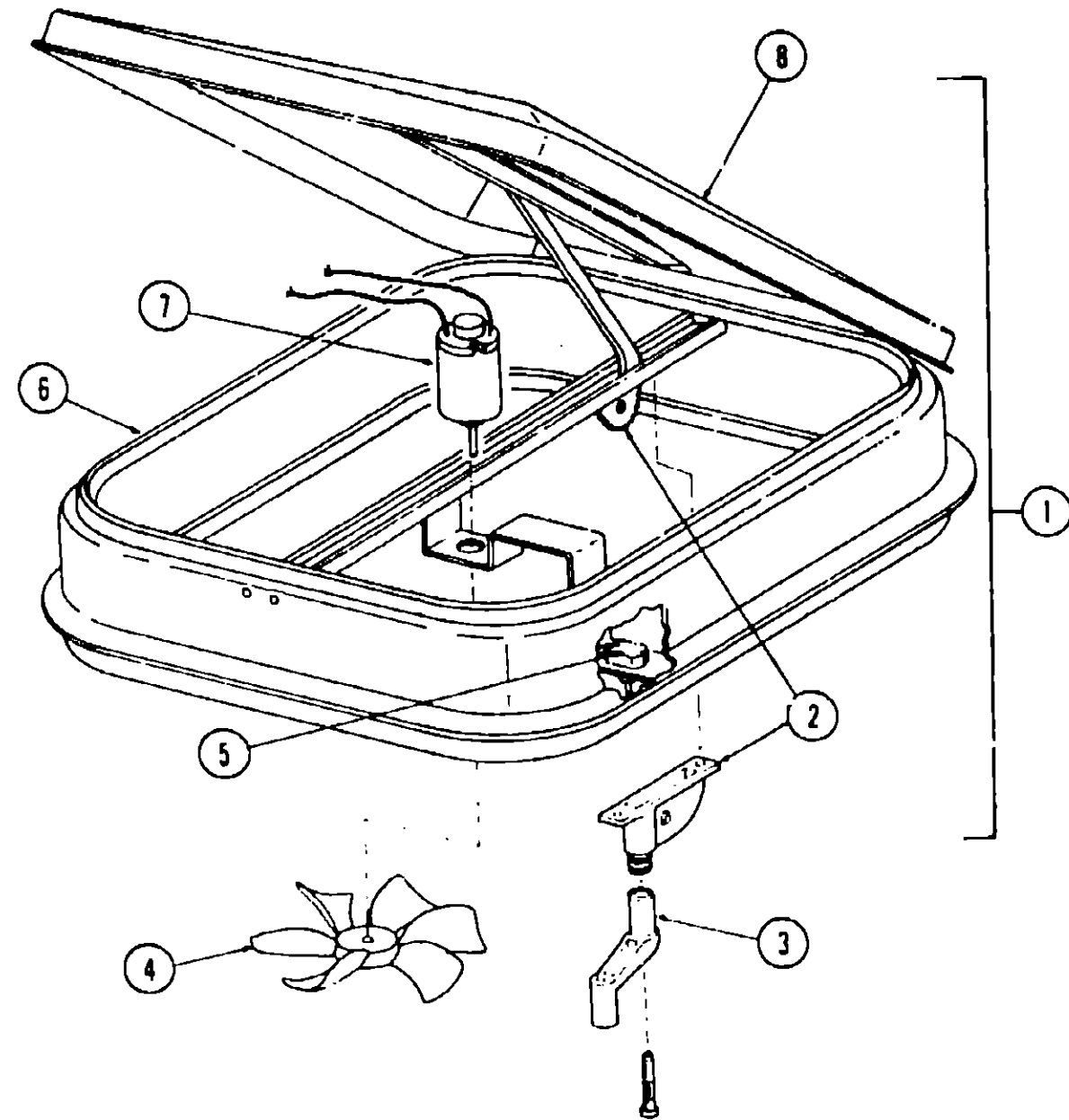
1979 WINNEBAGO TABLE OF CONTENTS

| | |
|--------------------|-------------|
| Introduction | A-1 |
| Abbreviations | A-1 |
| Alphabetical Index | A-2 - A-4 |
| TWP21RB | A-5 - B-8 |
| TWP23RB | B-9 - C-14 |
| TWP25RB | C-15 - D-18 |

1979 TWP21RB INDEX

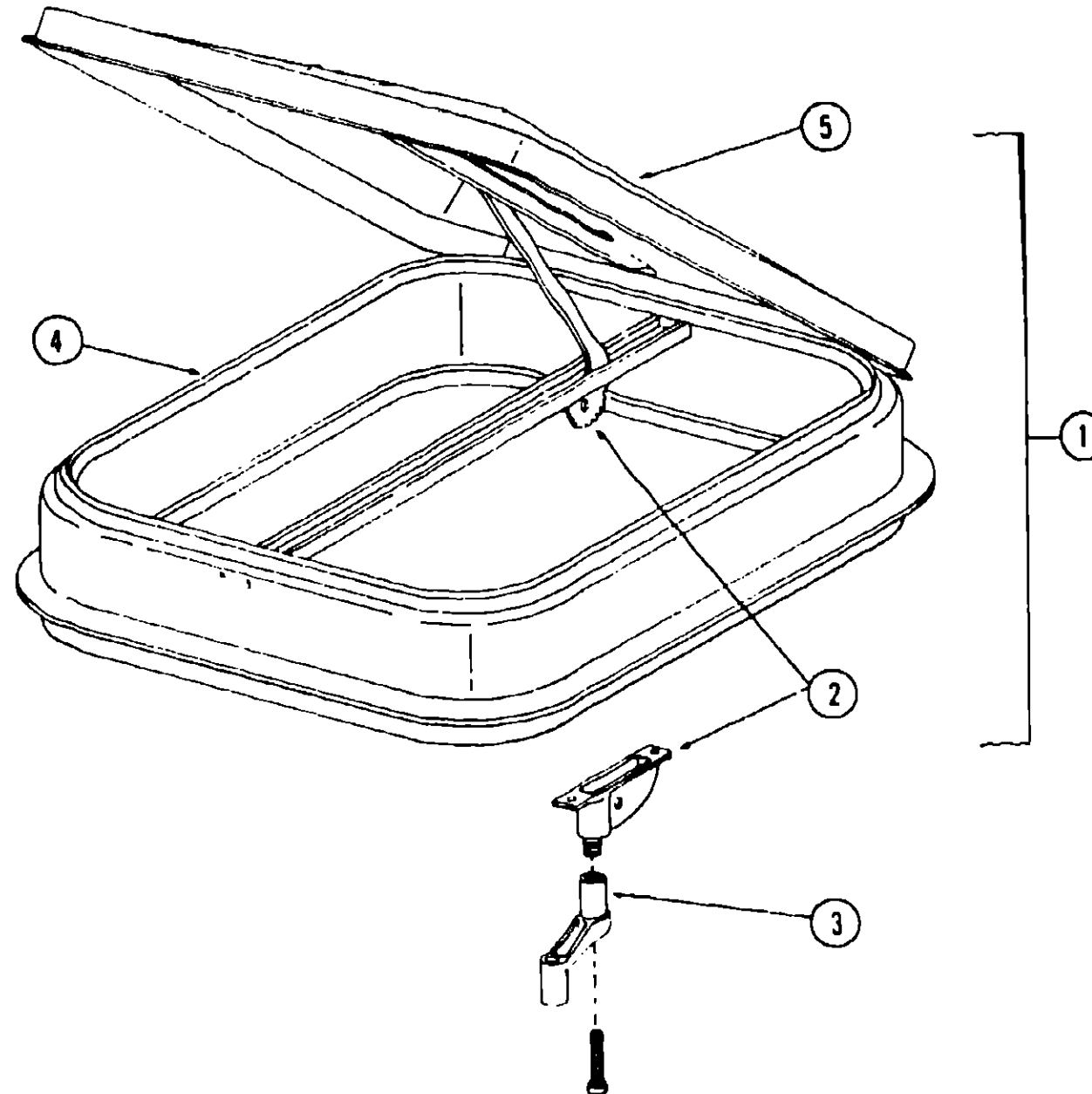
| | |
|------------------------------------|-------------|
| Floor Plan | A-5 - A-6 |
| Accessories Group | A-7 |
| Bath Group | A-8 |
| Chassis Group | A-9 |
| Curtain, Cushion & Pad Group | A-10 - A-13 |
| Dinette Group | A-14 |
| Electrical Group | A-15 - A-16 |
| Exterior Body Group | A-17 - A-20 |
| Galley Group | A-21 |
| Heating & Air Conditioning Group | A-22 |
| Interior Finish Group | A-23 - A-24 |
| LP Group | B-1 |
| Lounge Group | B-1 |
| Water & Sewage Group | B-2 |
| Window, Vent & Exterior Door Group | B-3 - B-8 |

WINDOW, VENT AND EXTERIOR DOOR GROUP (CONTINUED)



| Key | Part Number | U/M | Description |
|-----|-----------------|-----|--|
| 1 | 048789-01-000 | EA | Vent Asm. - Roof - Powered - w/o Screen |
| 2 | 009440-01-000 | EA | Gear - Arm - Roof Vent |
| 3 | 009439-01-000 | EA | Crank - Roof Vent |
| 4 | 048649-01-000 | EA | Fan - Blade - 6" Plastic |
| 5 | 008195-01-000 | EA | Switch - Push Button - 12 Volt |
| 6 | 002825-01-000 | FT | Weatherstrip - Roof Vent |
| 7 | 048648-01-000 | EA | Motor - 12 Volt |
| 8 | 046825-01-000 | EA | Cover - Plastic - Roof Vent |
| * | 048695-01-000 | EA | Screen Asm. - Powered Roof Vent - Clear Anod. (not included in assembly) |
| * | 048695-03-000 | EA | Screen Asm. - Powered Roof Vent - Beige (not included in assembly) |
| * | Not Illustrated | | |

WINDOW, VENT AND EXTERIOR DOOR GROUP (CONTINUED)



| Key | Part Number | U/M | Description |
|-----|-----------------|-----|--|
| 1 | 048835-01-000 | EA | Vent Asm. - Roof - Non Powered - w/o Screen |
| 2 | 009440-01-000 | EA | Gear - Arm - Roof Vent |
| 3 | 009439-01-000 | EA | Crank - Roof Vent |
| 4 | 002825-01-000 | FT | Weatherstrip - Roof Vent |
| 5 | 046825-01-000 | EA | Cover - Plastic - Roof Vent |
| * | 016335-01-000 | EA | Screen Asm. - Non Powered Roof Vent - Clear Anod. (not included in assembly) |
| * | 016335-03-000 | EA | Screen Asm. - Non Powered Roof Vent - Beige (not included in assembly) |
| * | Not Illustrated | | |

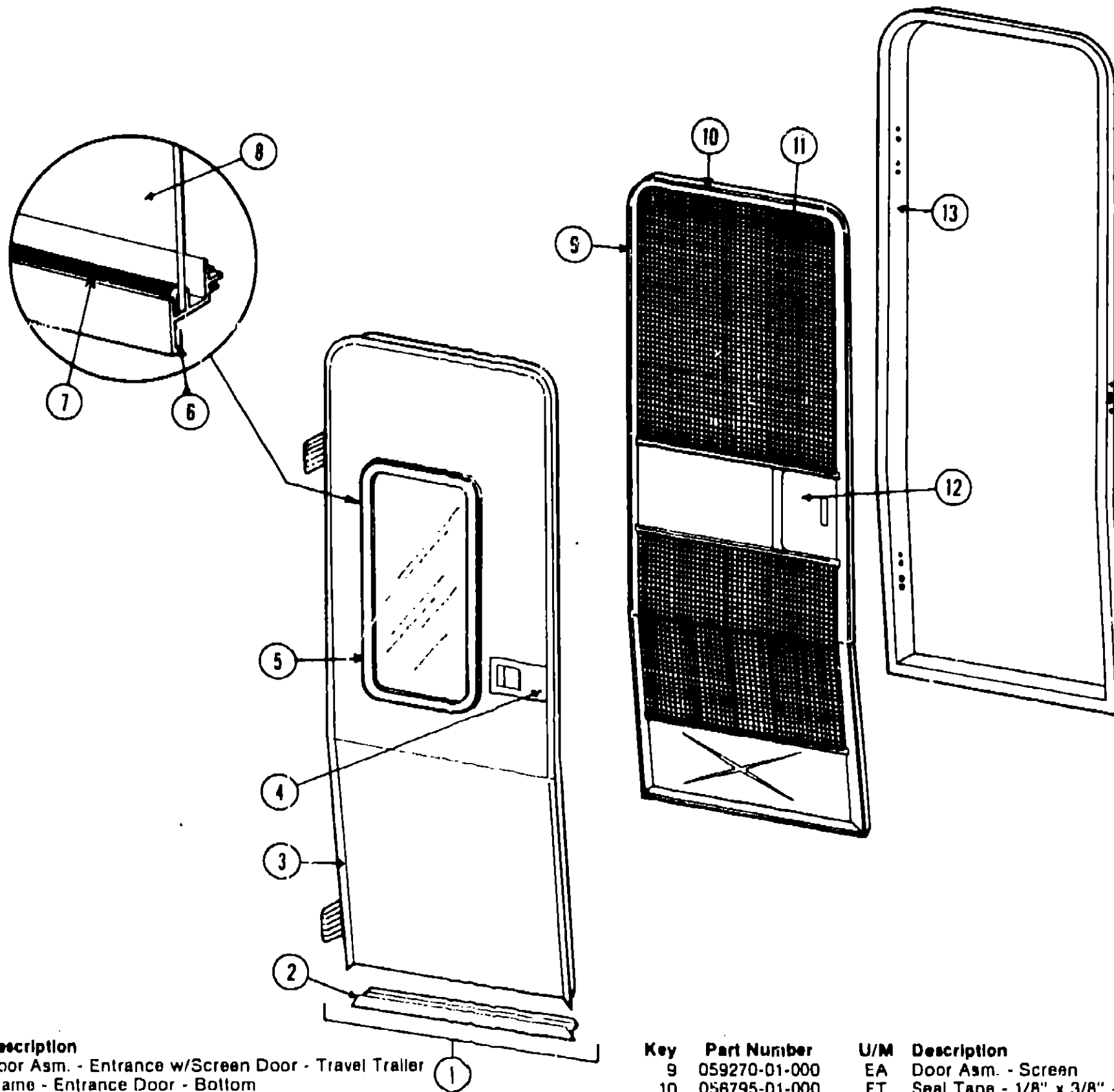
**1979 WINNEBAGO
TABLE OF CONTENTS**

| | |
|--------------------|-------------|
| Introduction | A-1 |
| Abbreviations | A-1 |
| Alphabetical Index | A-2 - A-4 |
| TWP21RB | A-5 - B-8 |
| TWP23RB | B-9 - C-14 |
| TWP25RB | C-15 - D-18 |

1979 TWP21RB INDEX

| | |
|------------------------------------|-------------|
| Floor Plan | A-5 - A-6 |
| Accessories Group | A-7 |
| Bath Group | A-8 |
| Chassis Group | A-9 |
| Curtain, Cushion & Pad Group | A-10 - A-13 |
| Dinette Group | A-14 |
| Electrical Group | A-15 - A-16 |
| Exterior Body Group | A-17 - A-20 |
| Galley Group | A-21 |
| Heating & Air Conditioning Group | A-22 |
| Interior Finish Group | A-23 - A-24 |
| LP Group | B-1 |
| Lounge Group | B-1 |
| Water & Sewage Group | B-2 |
| Window, Vent & Exterior Door Group | B-3 - B-8 |

WINDOW, VENT AND EXTERIOR DOOR GROUP (CONTINUED)



| Key | Part Number | U/M | Description |
|-----|---------------|-----|--|
| 1 | 059271-01-000 | EA | Door Asm. - Entrance w/Screen Door - Travel Trailer |
| 2 | 039737-01-000 | EA | Frame - Entrance Door - Bottom |
| 3 | 059274-01-000 | EA | Frame - Entrance Door (except bottom) |
| 4 | 024094-01-000 | EA | Lock Asm. - Entrance Door - Hartwell |
| | 024094-01-795 | EA | Lock Cylinder w/Key - Hartwell |
| | 024094-01-706 | EA | Key Blank - Hartwell Lock |
| 5 | 041675-02-000 | EA | Window Asm. - Picture - 13" x 23" - Black Anod. (inside frame not included in assembly) |
| 6 | 053767-03-000 | FT | Tape - 1/4" Bead x 20' - Gray |
| 7 | 002309-02-000 | FT | Spline - 1/8" Glass - Black |
| 8 | 002181-01-000 | EA | Glass - Door Window - 1/8" x 12" x 22" - Gray |
| | 041696-01-000 | EA | Frame - Window - Inside - 13" x 23" |

| Key | Part Number | U/M | Description |
|-----|---------------|-----|---|
| 9 | 059270-01-000 | EA | Door Asm. - Screen |
| 10 | 056795-01-000 | FT | Seal Tape - 1/8" x 3/8" - Press On |
| 11 | 002293-01-000 | SF | Screen - Window - 26" - Gray |
| | 002294-01-000 | FT | Spline - Screen - Black |
| | 015581-01-000 | EA | Cap - Screen Door - Dark Brown Plastic |
| 12 | 015580-01-000 | EA | Slider - Screen Door - Dark Brown Plastic |
| 13 | 059272-01-000 | EA | Jamb Asm. - Entrance Door |
| | 059275-01-000 | EA | Hinge Asm. - Entrance Door - Lower |
| | 059275-02-000 | EA | Hinge Asm. - Entrance Door - Upper |
| | 054530-01-000 | EA | Catch - Door - Mounts on Sidewall |
| | 009016-01-000 | EA | Catch - Elbow - Screen Door |
| | 039863-01-000 | EA | Catch Asm. - Single Roller w/Strike |
| | 051390-01-000 | FT | Bulb Seal - Rubber |
| | | | Not Illustrated |

B-7

1979 WINNEBAGO TABLE OF CONTENTS

| | |
|--------------------|-------------|
| Introduction | A-1 |
| Abbreviations | A-1 |
| Alphabetical Index | A-2 - A-4 |
| TWP21RB | A-5 - B-8 |
| TWP23RB | B-9 - C-14 |
| TWP25RB | C-15 - D-18 |

1979 TWP21RB INDEX

| | |
|------------------------------------|-------------|
| Floor Plan | A-5 - A-6 |
| Accessories Group | A-7 |
| Bath Group | A-8 |
| Chassis Group | A-9 |
| Curtain, Cushion and Pad Group | A-10 - A-13 |
| Dinette Group | A-14 |
| Electrical Group | A-15 - A-16 |
| Exterior Body Group | A-17 - A-20 |
| Galley Group | A-21 |
| Heating & Air Conditioning Group | A-22 |
| Interior Finish Group | A-23 - A-24 |
| LP Group | B-1 |
| Lounge Group | B-1 |
| Water & Sewage Group | B-2 |
| Window, Vent & Exterior Door Group | B-3 - B-8 |

B-8